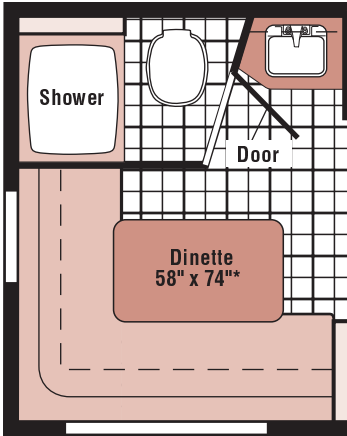
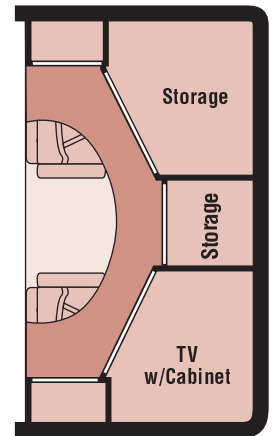
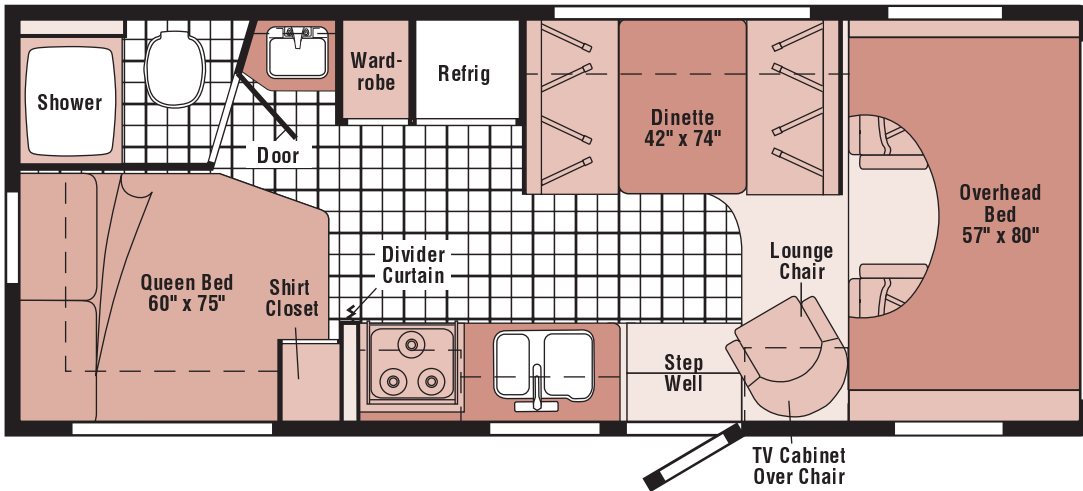
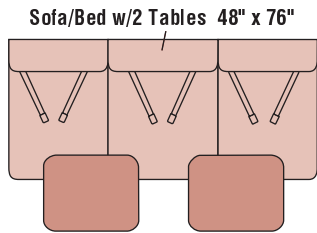


**2004  
MINNIE  
WF324V  
300-SERIES  
PORTSMOUTH OAK  
R07 SAGEBRUSH-GREEN  
R08 BLUE DANUBE  
R09 SAND FROST - BEIGE**



\*Not available as sleeping space in Canada



Optional Front Overhead Area

**FLOORPLAN**

# CONTENTS

<b>FLOORPLAN</b> .....	<b>1</b>
<b>ACCESSORIES GROUP</b> .....	<b>6</b>
OPERATORS MANUAL .....	6
<b>APPLIANCE GROUP</b> .....	<b>7</b>
APPLIANCES .....	7
COMPONENT PARTS FOR APPLIANCES .....	10
112881-04/05-01A & 151277-01/02-01A .....	10
114030-04-01A .....	13
114030-02-01A, 114030-03-01A .....	15
121568-06-01A, 121568-07-01A, 121568-08-01A .....	16
128527-08-000 .....	21
134940-01-01A .....	21
134940-02-01A .....	22
136354-01-01A, 136354-02-01A .....	23
136354-03-01A, 136354-04-01A .....	24
136354-05-01A .....	25
136354-06-01A .....	26
<b>AUDIO VIDEO GROUP</b> .....	<b>27</b>
RADIO SYSTEM .....	27
COMPONENT PARTS FOR RADIO SYSTEM .....	28
143509-01-000 .....	28
148231-01-000 .....	28
TV & VCR .....	29
COMPONENT PARTS FOR TV & VCR .....	31
076319-23-000 .....	31
076319-25-000 .....	31
086231-10-000 .....	32
094487-07-000 .....	32
137135-02-000 .....	33
145641-01-000 .....	34
145641-02-000 .....	34
145641-03-000 .....	34
146355-01-000 .....	34
146356-01-000 .....	34
148230-01-000, 148230-02-000 .....	34
EXTERIOR ENTERTAINMENT .....	35
<b>BATH GROUP</b> .....	<b>36</b>
CABINETS .....	36
SHOWER .....	38
COMPONENT PARTS FOR SHOWER DOOR .....	39
135615-01-01A, 135615-02-01A, 135615-05-01A .....	39
<b>BEDROOM GROUP</b> .....	<b>40</b>
QUEEN CABINETS .....	40
<b>CHASSIS GROUP</b> .....	<b>41</b>
FRAME .....	41
DRIVETRAIN .....	42
EXHAUST .....	42
HITCH .....	42
REAR BUMPER .....	42
FUEL .....	43
SPARE TIRE .....	45
WHEEL, TIRES, COVERS &/OR LINERS .....	46
COMPONENT PARTS FOR WHEEL, TIRE, COVERS &/OR LINERS .....	47
109443-05-000 .....	47
110435-13-000 .....	47
144647-01-000 .....	47
BRAKELINE .....	48

# CONTENTS (CONTINUED)

<b>CURTAIN &amp; CUSHION GROUP</b> .....	<b>49</b>
NOTICE .....	49
CUSHION LAYOUT .....	50
BUCKET SEATS .....	52
LOUNGE CHAIR .....	53
SOFA .....	54
WINDOW TREATMENT .....	55
HARDWARE .....	57
ACCESSORIES .....	59
FABRICS .....	60
<b>DINETTE GROUP</b> .....	<b>62</b>
CABINETS .....	62
TABLE .....	64
<b>DRIVERS COMPARTMENT GROUP</b> .....	<b>65</b>
FRONT INTERIOR .....	65
COMPONENT PARTS FOR FRONT INTERIOR .....	66
106025-02-01A .....	66
CABINETS .....	67
<b>ELECTRICAL GROUP</b> .....	<b>69</b>
12V BODY WIRING .....	69
FRONT END WIRING .....	74
COMPONENT PARTS FOR LIGHTS & SWITCHES .....	75
081638-01-000 .....	75
097917-01-06A .....	75
113589-01-000 .....	75
113589-02-000 .....	75
121935-01-01A .....	75
137417-02-01A .....	75
137417-03-01A .....	75
137417-06-01A .....	75
CIRCUIT BREAKERS & FUSES .....	76
CONVERTER, INVERTER, LOAD CENTER .....	76
110V WIRING .....	77
ENTERTAINMENT WIRING .....	79
COMPONENT PARTS FOR ENTERTAINMENT WIRING .....	81
123775-01-01A .....	81
BOXES & CORDS .....	82
WIRE ASSEMBLIES .....	82
CONNECTORS & CONDUIT .....	83
BOOTS, SOLENOIDS, RELAYS & MISCELLANEOUS .....	84
<b>EXTERIOR BODY GROUP</b> .....	<b>85</b>
GRAPHICS & PAINT .....	85
PANELS & TRIMS .....	86
LADDER .....	88
RUNNING BOARDS .....	88
COMPONENT PARTS FOR RUNNING BOARDS .....	89
072884-27-000 .....	89
072884-28-000 .....	89
MIRRORS .....	90
COMPONENT PARTS FOR MIRRORS .....	91
120269-07-01A .....	91
133908-01 THRU 133908-08, 133908-10- THRU 133908-13, 133908-16 & 133908-17- 01A/02A .....	91
133908-09-01A .....	91
STRUCTURAL COMPONENTS .....	92
AWNINGS .....	93
COMPONENT PARTS FOR AWNINGS .....	94
113874-01-02A .....	94

# CONTENTS (CONTINUED)

<b>EXTERIOR DOORS &amp; COMPARTMENTS GROUP</b> .....	<b>95</b>
DOOR & COMPARTMENT LAYOUT .....	95
COMPONENT PARTS FOR DOOR & COMPARTMENT LAYOUT .....	97
084103-08-000 .....	97
094708-03-01A .....	97
COMPARTMENT DOOR PIECE PARTS .....	98
COMPONENTS FOR COMPARTMENT DOOR PIECE PARTS .....	100
110506-A1-000, 110506-A2-000, 110506-26-000, 110506-27-000 .....	100
ENTRY .....	101
SCREEN .....	102
LATCH - ENTRY .....	103
<b>GALLEY GROUP</b> .....	<b>104</b>
CABINETS .....	104
DOORS & DRAWERS .....	106
<b>GENERATOR GROUP</b> .....	<b>107</b>
<b>HEATING &amp; A/C GROUP</b> .....	<b>108</b>
FURNACE .....	108
COMPONENT PARTS FOR FURNACE .....	109
139980-01-000 .....	109
139980-02-000 .....	109
ROOF .....	111
COMPONENT PARTS FOR ROOF .....	112
131184-01-01A .....	112
131184-05-01A .....	113
131185-03-01A .....	114
131188-03-01A .....	115
131188-04-01A .....	116
<b>INTERIOR FINISH GROUP</b> .....	<b>117</b>
MOLDINGS & TRIMS .....	117
PANELING & LAMINATES .....	129
ACCESSORIES .....	129
COMPONENT PARTS FOR ACCESSORIES .....	130
094499-02-000 .....	130
FLOOR COVERINGS .....	131
HARDWARE .....	132
<b>LABELS GROUP</b> .....	<b>140</b>
<b>LP GROUP</b> .....	<b>169</b>
LP SYSTEM .....	169
COMPONENT PARTS FOR LP SYSTEM .....	170
144116-04-000 .....	170
<b>LOUNGE GROUP</b> .....	<b>171</b>
CABINETS .....	171
<b>SEALANTS &amp; FASTENERS GROUP</b> .....	<b>174</b>
SEALANTS & ADHESIVES .....	174
BOLTS, NUTS AND WASHERS .....	175
SCREWS .....	177
CLAMPS, CLIPS, GROMMETS, RIVETS & PLUGS .....	180
MISCELLANEOUS FASTENERS .....	182

## CONTENTS (CONTINUED)

<b>WATER &amp; SEWAGE GROUP .....</b>	<b>183</b>
DRAINAGE SYSTEM .....	183
COMPONENT PARTS FOR DRAINAGE SYSTEM .....	185
062415-01-000 .....	185
096927-01-02A .....	185
131932-02-02A .....	185
147421-01-01A, 147421-02-01A .....	186
WATER SYSTEM .....	187
COMPONENT PARTS FOR WATER SYSTEM .....	194
051391-03-000 .....	194
075240-05-000 .....	195
075241-04-000, 075241-05-000, 075241-06-000 .....	195
098607-01-000 .....	195
104114-05-01A .....	195
<b>WINDOWS &amp; VENTS GROUP .....</b>	<b>196</b>
WINDOW & VENT LAYOUT .....	196
COMPONENT PARTS FOR WINDOWS & VENT LAYOUT .....	198
098647-28-02A .....	198
098647-31-02A .....	199
098647-32-02A .....	199
098647-38-02A .....	199
098647-49-02A .....	200
112795-68-01A .....	201
112795-72-01A .....	202
112795-73-01A .....	202
112795-74-01A .....	202
112795-78-01A .....	203
113502-10-01A .....	204
113733-10-01A .....	205
113733-11-01A .....	205
115630-04-01A .....	205
116976-02-02A .....	205
122882-01-01A .....	205
122882-02-01A, 122882-03-01A .....	205
123780-03-01A .....	206

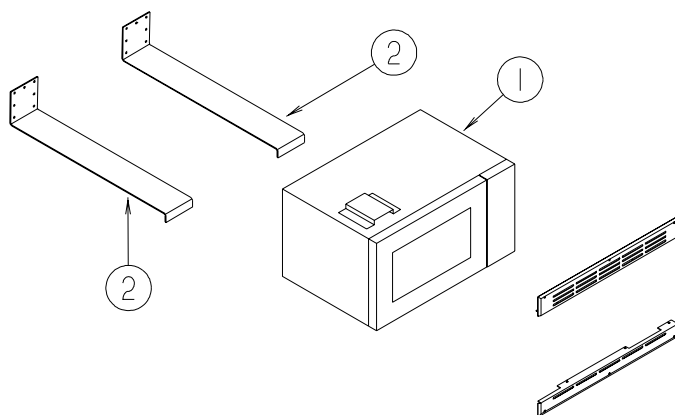
**ACCESSORIES GROUP**  
**OPERATORS MANUAL**

<b>KEY</b>	<b>PART NUMBER</b>	<b>U/M</b>	<b>DESCRIPTION</b>
	129079-01-01A	EA	CASE - VINYL/BLACK-EXPANDABLE ACCORDION SIDES-7"WX9"HX14"L
	132000-03-004	EA	MANUAL/OWNER - MINNIE - 2004
	144432-01-000	EA	TOP LEVEL-C,2004

## APPLIANCE GROUP APPLIANCES

KEY	PART NUMBER	U/M	DESCRIPTION
*	134940-01-01A	EA	PANEL - MONITOR - 2 TANK - W/GENERATOR SWITCH/HOUR METER - GENERATOR
*	134940-02-01A	EA	PANEL - MONITOR - 2 TANK - W/O GENERATOR SWITCH/HOUR METER
*	136354-01-01A	EA	HOOD - RANGE - W/LITE/FAN - US/VENTED - TEXTURED BLK - NON CONVECTION MICROWAVE
*	136354-03-01A	EA	HOOD - RANGE - W/LITE/FAN - US/NON VENTED - CHARCOAL - 322E ONLY
*	136354-02-01A	EA	HOOD - RANGE - W/LITE/FAN - CSA/VENTED - TEXTURED BLK - NON CONVECTION MICROWAVE
*	136354-04-01A	EA	HOOD - RANGE - W/LITE/FAN - CSA/NON VENTED - CHARCOAL - 322 ONLY CANADIAN
*	136354-05-01A	EA	HOOD - RANGE - W/LITE/FAN - BLACK TEXTURED - UL - CONVECTION MICROWAVE
*	136354-06-01A	EA	HOOD - RANGE - W/LITE/FAN - BLACK TEXTURED - CSA - CONVECTION MICROWAVE CANADIAN
*	112881-04-01A	EA	RANGE-16"-3 BRNR/NEW STYLE KNOBS/GRATE/HDL-BLK DOOR/TOP
*	112881-05-01A	EA	RANGE-16"-3 BRNR/NEW STYLE KNOBS/GRATE/HDL - BLACK TEXTURE - CANADIAN
*	114030-04-01A	EA	RANGE - 3 BRNR TOP/NEW STYLE KNOBS/GRATES-W/O OVEN-BLK
	140176-03-02B	EA	BRACKET/STOVE TIEDOWN - E-COATED - RANGE W/ OVEN FROM: 03-10-03 THRU: 99-99-99
	140176-04-02B	EA	BRACKET/STOVE TIEDOWN - E-COATED - RANGE W/ OVEN FROM: 03-10-03 THRU: 99-99-99
	140176-07-01B	EA	BRACKET/TIEDOWN - STOVE - RANGE W/ OVEN 329B, 329K
	140176-08-01B	EA	BRACKET/TIEDOWN - STOVE - RANGE W/ OVEN 329B, 329K
	116884-01-01B	EA	BRACKET - TIE DOWN - RANGE W/ OVEN 322E ONLY
	116884-02-01B	EA	BRACKET - TIE DOWN - RANGE W/ OVEN 322E ONLY
	142139-13-02B	EA	BRACKET/TIEDOWN - STOVE - E-COATED - RANGE TOP 331, 322R, 329B, 329K
	142139-14-02B	EA	BRACKET/TIEDOWN - STOVE - E-COATED - RANGE TOP 331, 322R, 329B, 329K
	142139-15-02B	EA	BRACKET/TIEDOWN - STOVE - E-COATED - RANGE TOP 324V, 324F
	142139-16-02B	EA	BRACKET/TIEDOWN - STOVE - E-COATED - RANGE TOP 324V, 324F
	149374-01-02B	EA	BRACKET/TIEDOWN - STOVE - E-COATED - RANGE TOP 332G
	116884-03-02B	EA	BRACKET/TIEDOWN - STOVE - E-COATED - RANGE TOP 322E
	116884-04-02B	EA	BRACKET/TIEDOWN - STOVE - E-COATED - RANGE TOP 322E

\*COMPONENT PARTS LISTED LATER IN THIS GROUP

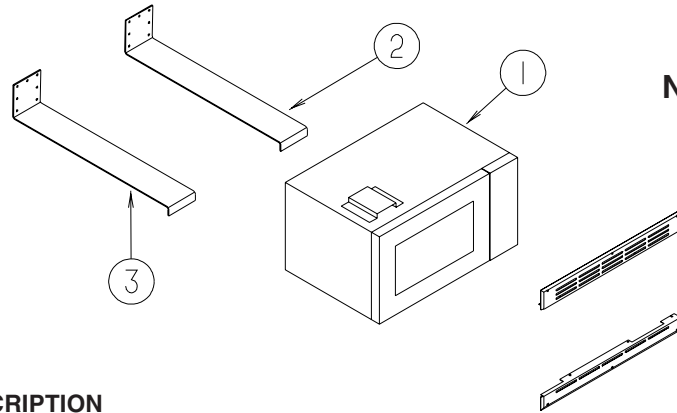


**NON-CONVECTION OVEN**

KEY	PART NUMBER	U/M	DESCRIPTION
1*	128527-08-000	EA	OVEN-MICROWAVE-1.0 CUBIC FT/NON CONVECTION-SAMSUNG MR1032B, FROM: 00-00-00 THRU: 08-03-03
1*	128527-09-000	EA	OVEN/MICROWAVE W/TRIM KIT - 1.1 CUBIC FT - NON CONVECTION FROM: 08-04-03 THRU: 99-99-99
1*	128527-10-000	EA	OVEN/MICROWAVE W/TRIM KIT - 1.1 CUBIC FT - NON CONVECTION - CANADIAN FROM: 08-04-03 THRU: 99-99-99
2	143759-06-02B	EA	BRACKET - MICROWAVE - E-COATED

\*COMPONENT PARTS LISTED LATER IN THIS GROUP

**APPLIANCE GROUP (CONTINUED)**  
**APPLIANCES (CONTINUED)**

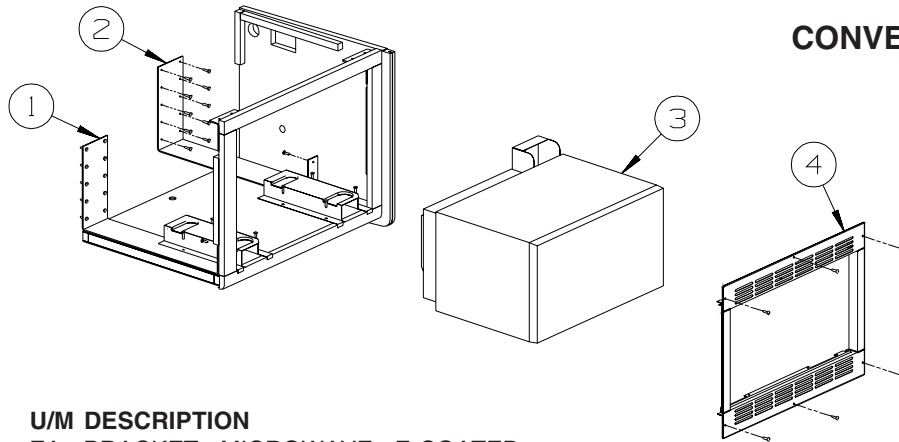


**NON-CONVECTION OVEN**  
**322E ONLY**

<b>KEY</b>	<b>PART NUMBER</b>	<b>U/M</b>	<b>DESCRIPTION</b>
1*	128527-08-000	EA	OVEN-MICROWAVE-1.0 CUBIC FT/NON CONVECTION-SAMSUNG MR1032B, FROM: 00-00-00 THRU: 08-03-03
1*	128527-09-000	EA	OVEN/MICROWAVE W/TRIM KIT - 1.1 CUBIC FT - NON CONVECTION FROM: 08-04-03 THRU: 99-99-99
1*	128527-10-000	EA	OVEN/MICROWAVE W/TRIM KIT - 1.1 CUBIC FT - NON CONVECTION - <b>CANADIAN</b> FROM: 08-04-03 THRU: 99-99-99

2	128711-01-02B	EA	BRACKET - MICROWAVE
2	116843-03-02B	EA	BRACKET - MICROWAVE

**\*COMPONENT PARTS LISTED LATER IN THIS GROUP**



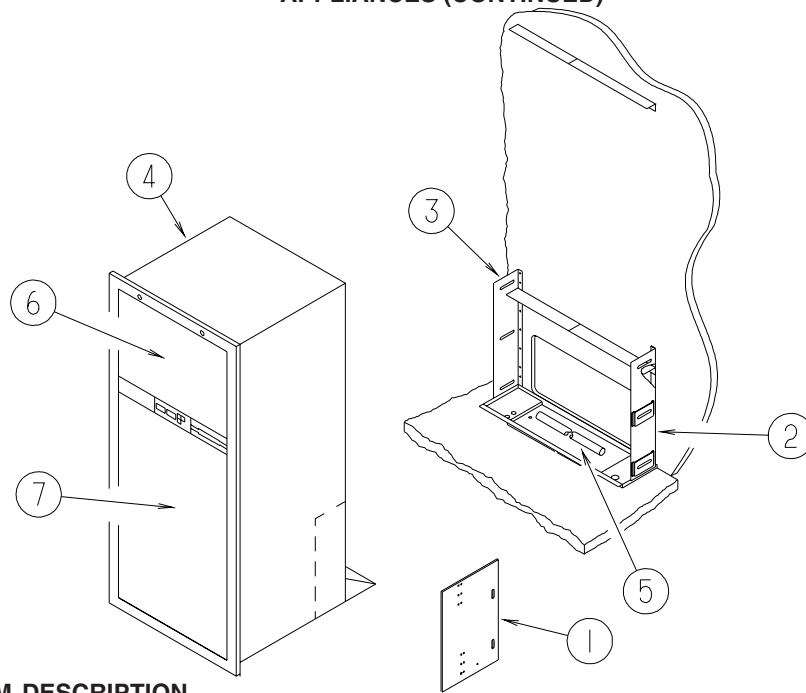
**CONVECTION OVEN**

<b>KEY</b>	<b>PART NUMBER</b>	<b>U/M</b>	<b>DESCRIPTION</b>
1	149418-02-02B	EA	BRACKET - MICROWAVE - E-COATED
1	148418-06-02B	EA	BRACKET - MICROWAVE - E-COATED - <b>322E ONLY</b>
2	149418-01-02B	EA	BRACKET - MICROWAVE - E-COATED
2	148418-05-02B	EA	BRACKET - MICROWAVE - E-COATED - <b>322E ONLY</b>
3	128527-11-000	EA	OVEN/MICROWAVE W/O TRIM KIT - 1.0 CUBIC FT - CONVECTION
3	122753-02-000	EA	OVEN - MICROWAVE - CONVECTION - .9 CU. FT - SHARP - UL(US)
4	128527-12-000	EA	MOUNTING FRAME/RAILS-W/TRIM KIT (SASH) 1.0 FT - CONVECTION
4	150606-03-01A	EA	TRIM KIT - MICROWAVE .9 CU FT - BLACK - SHARP #RK-82K

**\*COMPONENT PARTS LISTED LATER IN THIS GROUP**



**APPLIANCE GROUP (CONTINUED)**  
**APPLIANCES (CONTINUED)**

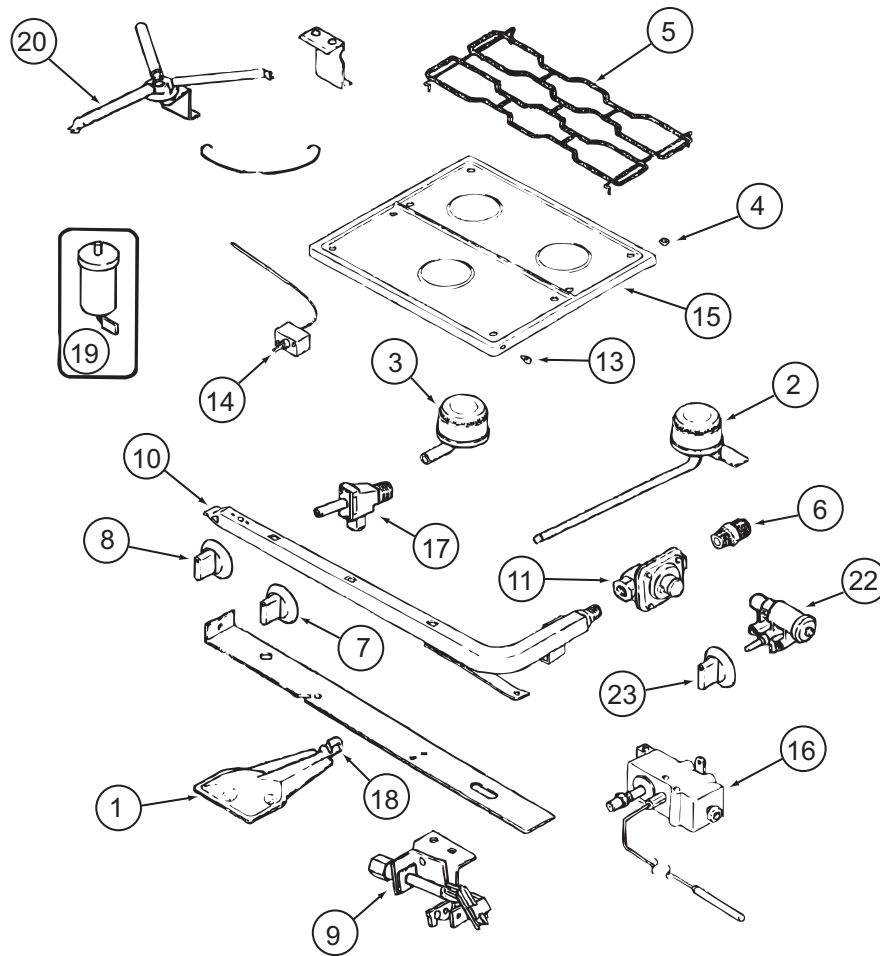


KEY	PART NUMBER	U/M	DESCRIPTION
1	141975-04-02B	EA	PLATE/TIEDOWN - REFRIGERATOR - E-COATED
2	141550-01-02B	EA	BRACKET/TIEDOWN - REFRIGERATOR - E-COATED
3	141550-02-02B	EA	BRACKET/TIEDOWN - REFRIGERATOR - E-COATED
4*	121568-07-01A	EA	REFRIGERATOR - SMALL DBL DOOR-LH/2 WAY- 52.8"HX23.5"WX24"D - 324F, 324V, 322E, 322R
4*	121568-06-01A	EA	REFRIGERATOR - SMALL DBL DOOR-RH/2 WAY- 52.8"HX23.5"WX24"D - 331, 332G, 329B, 329K
5	112176-01-000	FT	TUBING - VINYL - REINFORCED - 1/2" ID
6	NOT USED - USE WOODGRAIN PANELING		
7	NOT USED - USE WOODGRAIN PANELING		
	090329-01-000	FT	SEAL/T - REFRIGERATOR CABINET
	116751-01-01A	EA	TRAY - REFRIGERATOR - 322E, 322R, 324V
	116751-05-01A	EA	TRAY - REFRIGERATOR - BLACK - 332G
			FROM: 00-00-00 THRU: 02-23-03
	116751-02-01A	EA	TRAY - REFRIGERATOR - BLACK - 332G
			FROM: 02-24-03 THRU: 99-99-99
	116751-02-01A	EA	TRAY - REFRIGERATOR - BLACK - 331
	116751-04-01A	EA	TRAY - REFRIGERATOR - BLACK - 324F
	116751-05-01A	EA	TRAY - REFRIGERATOR - BLACK - 329B, 329K
	054450-01-000	EA	LEVEL - REFRIGERATOR

**\*COMPONENT PARTS LISTED LATER IN THIS GROUP**

## APPLIANCE GROUP (CONTINUED)

### COMPONENT PARTS FOR APPLIANCES

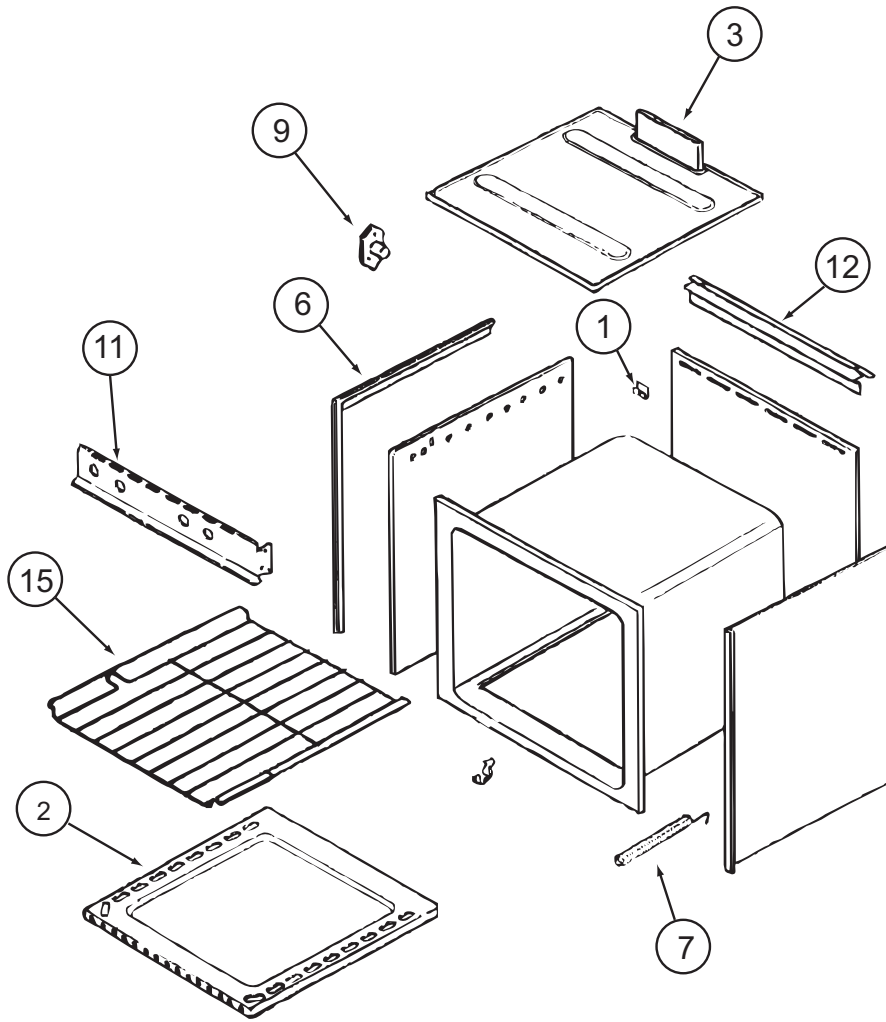


#### 112881-04/05-01A & 151277-01/02-01A

KEY	PART NUMBER	U/M	DESCRIPTION	VENDOR NO.
1	126023-01-717	EA	BURNER - OVEN	74003343
2	112881-04-700	EA	BURNER - TOP/LEFT REAR	74004584
2	126023-01-700	EA	BURNER-TOP (RT-REAR) 5100BTU	74004583
3	112881-04-701	EA	BURNER - TOP/FRONT	74004582
4	102020-01-709	EA	BUMPER-GRATE	8007-P020-60
5	112881-04-702	EA	GRATE - BLACK	74007277
6	135065-03-700	EA	FITTING - HALF UNION	74004234
7	128728-01-701	EA	KNOB - BURNER - REAR	74003941
7	128728-01-702	EA	KNOB - BURNER - FRONT	74003942
8	112881-04-703	EA	KNOB - THERMOSTAT - BLACK	74004645
9	112881-04-706	EA	PILOT - OVEN	74006334
10	126023-02-702	EA	PIPE - MANIFOLD	74004360
11	126023-02-703	EA	REGULATOR - PRESSURE	74004235
13	102020-01-724	EA	BUMPER-MAIN TOP	8003P008-60
14	126023-01-734	EA	THERMOSTAT OVEN 11/CLY MODEL	74006332
15	126023-01-728	EA	TOP - MAIN (BLACK) (112881-04/05)	74003323
15	151277-01-700	EA	TOP - MAIN (BLACK) (151277-01/02)	74007287
16	112881-04-704	EA	VALVE - OVEN	74006333
17	126023-02-705	EA	VALVE - BURNER - REAR	74004362
17	126023-02-706	EA	VALVE - BURNER - FRONT	74004363
17	135065-03-701	EA	SCREW - VALVE	71003231
18	135656-01-701	EA	MIXER/AIR	3411F003-34
19	126023-01-711	EA	ELECTRODE - IGNITER (ONLY)	7432P077-60
20	126023-01-736	EA	FLASH TUBE EXTENSION (REAR)	74003326
20	126023-01-737	EA	FLASH TUBE EXTENSION (FRONT)	74003327
21	112881-04-708	EA	CLIP-FLASH TUBE	7112P068-60
22	126023-01-719	EA	IGNITER HEAD - TOP BURNER	74002413
23	128728-01-707	EA	KNOB - IGNITOR	74003944
26	112881-04-709	EA	SHIELD-SPARK	3604F211-45

CONTACT WINNEBAGO PART SALES FOR UNLISTED COMPONENTS

**APPLIANCE GROUP (CONTINUED)**  
**COMPONENT PARTS FOR APPLIANCES (CONTINUED)**

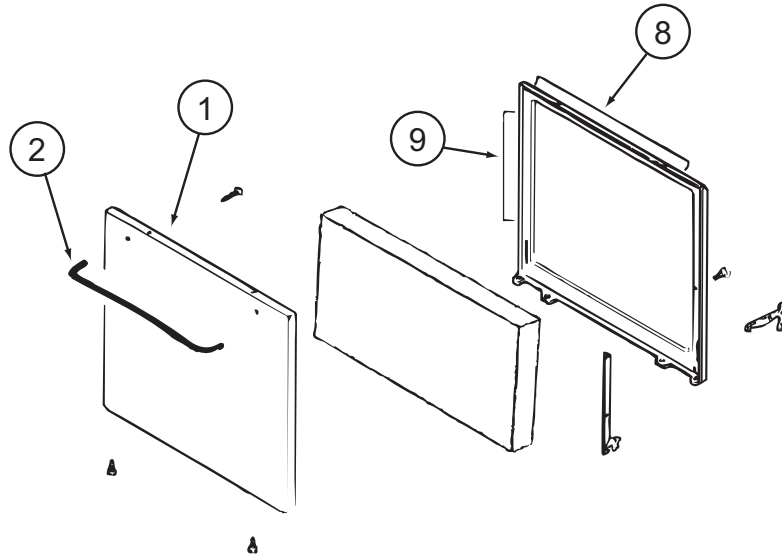


**112881-04-01A, 112881-05-01A, 151277-02-01A (CONTINUED)**

KEY	PART NUMBER	U/M	DESCRIPTION	VENDOR NO.
1	112881-03-702	EA	CLIP - MAIN TOP	74003998
2	126023-01-731	EA	BOTTOM - OVEN	2205F016-19
3	126023-01-718	EA	FLUE BOX ASSEMBLY	4006W075-80
6	112881-01-720	EA	TRIM-FLAT RH BLACK TEXTURED	74002812
6	112881-01-719	EA	TRIM-FLAT LH BLACK TEXTURED	74002813
7	112881-02-702	EA	SPRING - OVEN DOOR	7803P051-60
9	128728-01-703	EA	PIN/T-NUT F/HINGE	7103P109-60
11	112881-04-707	EA	MANIFOLD - BLACK	74007296
12	112881-01-723	EA	DEFLECTOR/FLUE-BLK-NON SEAL	74002809
15	126023-01-716	EA	RACK - OVEN	74003106

CONTACT WINNEBAGO PART SALES FOR UNLISTED COMPONENTS

**APPLIANCE GROUP (CONTINUED)**  
**COMPONENT PARTS FOR APPLIANCES (CONTINUED)**

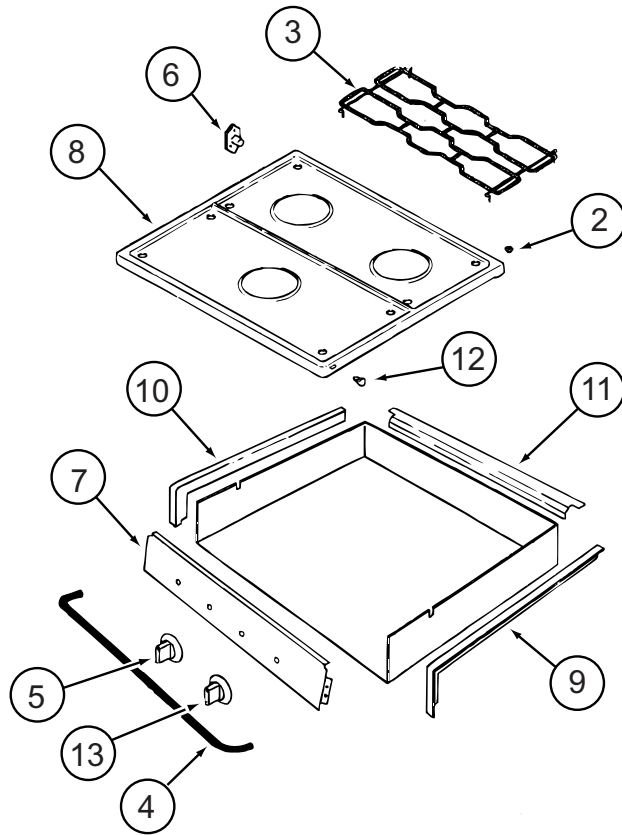


**112881-04-01A, 112881-05-01A, 151277-02-01A (CONTINUED)**

KEY	PART NUMBER	U/M	DESCRIPTION	VENDOR NO.
1	112881-01-713	EA	DR-TXT/BLK NO WNDW(112881-05/151277)	2401F126-70
1	112881-02-705	EA	DR-TXT/BLK F/WINDOW(112881-04)	74001273
2	128727-01-701	EA	HANDLE - OVEN DOOR	74003929
8	126023-01-732	EA	SEAL/OVEN DR TOP	7212P014-60
9	126023-01-733	EA	SEAL/OVEN DR SIDES(2PCS)	7212P038-60

CONTACT WINNEBAGO PART SALES FOR UNLISTED COMPONENTS

**APPLIANCE GROUP (CONTINUED)**  
**COMPONENT PARTS FOR APPLIANCES (CONTINUED)**

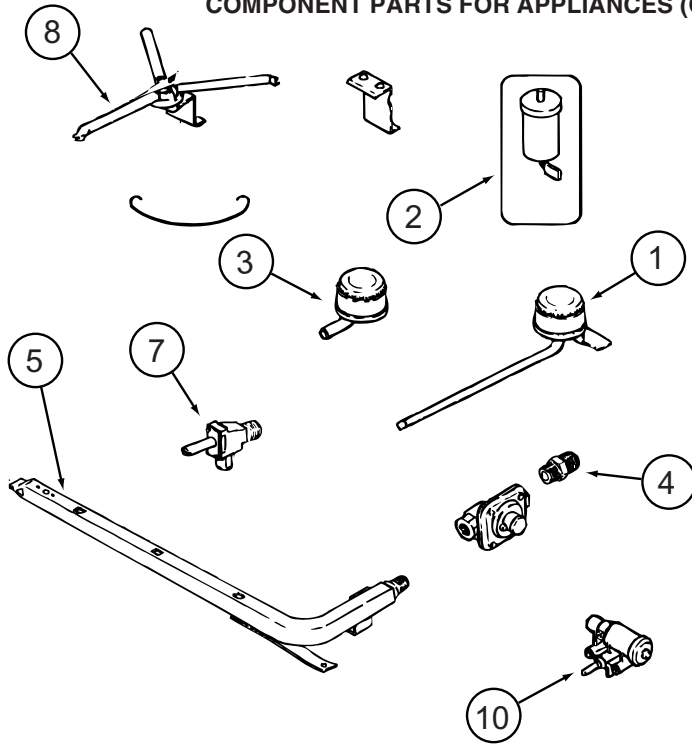


114030-04-01A

KEY	PART NUMBER	U/M	DESCRIPTION	VENDOR NO.
2	102020-01-709	EA	BUMPER-GRATE	8007P020-60
3	112881-04-702	EA	GRATE - BLACK	74007277
4	114030-02-700	EA	GUARD/FABRIC - TOWEL BAR	3609F006-70
5	128728-01-701	EA	KNOB - BURNER - REAR	74003941
5	128728-01-702	EA	KNOB - BURNER - FRONT	74003942
6	128728-01-703	EA	PIN/T-NUT F/HINGE	7103P109-60
7	114030-04-700	EA	PANEL - MANIFOLD - BLACK	74007325
8	126023-01-728	EA	TOP - MAIN (BLACK)	74003323
9	114030-01-704	EA	TRIM - RIGHT/BLACK TEXTURED	74002839
10	114030-01-705	EA	TRIM - LEFT/BLACK TEXTURED	74002840
11	114030-01-706	EA	TRIM - REAR/BLACK TEXTURED	74002841
12	102020-01-724	EA	BUMPER - MAIN TOP	8003P008-60
13	128728-01-707	EA	KNOB - IGNITER	74003944

CONTACT WINNEBAGO PART SALES FOR UNLISTED COMPONENTS

**APPLIANCE GROUP (CONTINUED)**  
**COMPONENT PARTS FOR APPLIANCES (CONTINUED)**

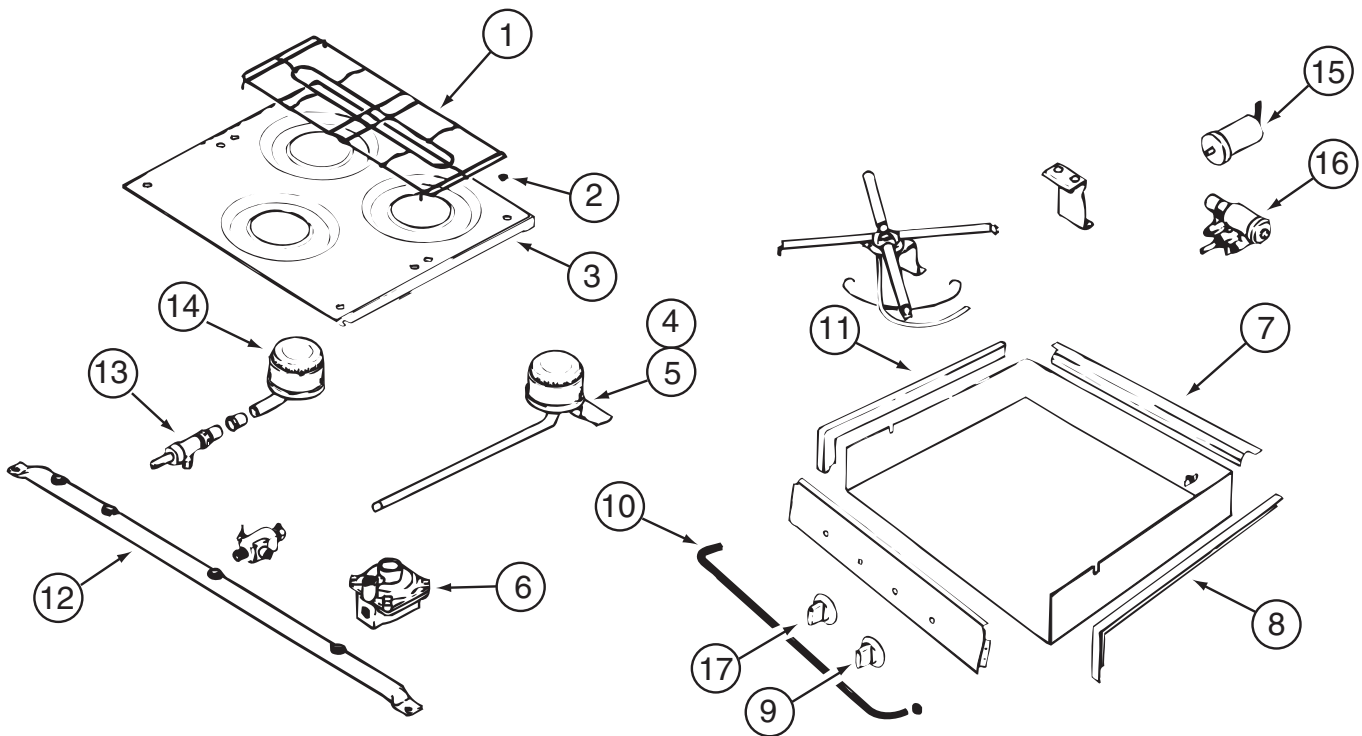


**114030-04-01A (CONTINUED)**

KEY	PART NUMBER	U/M	DESCRIPTION	VENDOR NO.
1	126023-01-700	EA	BURNER - TOP (RT-REAR)	74004583
1	112881-04-700	EA	BURNER - TOP /LEFT - REAR	74004584
2	126023-01-711	EA	ELECTRODE - IGNITER (ONLY)	7432P077-60
2	112881-04-705	EA	PUSH RING - ELECTRODE MOUNTING	7104P002-60
3	112881-04-701	EA	BURNER - TOP/FRONT	74004582
4	135065-03-700	EA	FITTING - HALF UNION	74004234
5	126023-02-702	EA	PIPE - MANIFOLD	74004360
7	126023-02-705	EA	VALVE - BURNER (REAR)	74004362
7	126023-02-706	EA	VALVE - BURNER (FRONT)	74004363
8	126023-01-736	EA	FLASH TUBE EXTENSION (REAR)	74003326
8	126023-01-737	EA	FLASH TUBE EXTENSION (FRONT)	74003327
10	126023-01-719	EA	IGNITER HEAD - TOP BURNER	74002413

CONTACT WINNEBAGO PART SALES FOR UNLISTED COMPONENTS

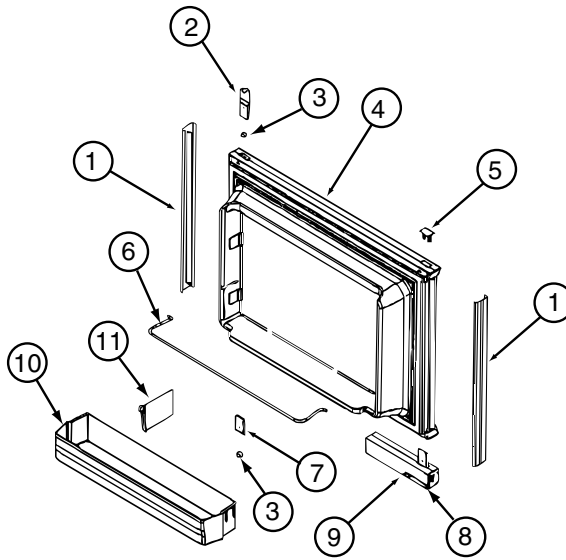
**APPLIANCE GROUP (CONTINUED)**  
**COMPONENT PARTS FOR APPLIANCES (CONTINUED)**



114030-02-01A, 114030-03-01A

KEY	PART NUMBER	U/M	DESCRIPTION	VENDOR NO.
1	126023-01-703	EA	GRATE - TOP	74003358
2	102020-01-709	EA	BUMPER - GRATE	8007-P020-60
3	126023-01-706	EA	TOP - MAIN (WHITE)	74003322
3	126023-01-707	EA	TOP - MAIN (BLACK)	74003323
3	126023-01-708	EA	TOP - MAIN (ALMOND)	74003324
4	126023-01-700	EA	BURNER - TOP (RT-REAR)	7505P195-60
5	126023-01-701	EA	BURNER - TOP (LT-REAR)	7505P196-60
6	102020-01-729	EA	REGULATOR - PRESSURE	7510P043-60
7	114030-01-706	EA	TRIM - REAR/BLACK TEXTURED	74002841
8	114030-01-704	EA	TRIM - RIGHT/BLACK TEXTURED	74002839
9	126023-01-720	EA	KNOB - IGNITER	74002414
10	114030-02-700	EA	GUARD/FABRIC - TOWEL BAR	3609F006-70
11	114030-01-705	EA	TRIM - LEFT/BLACK TEXTURED	74002840
12	126023-01-705	EA	PIPE - MANIFOLD	7513P161-60
13	126023-01-709	EA	VALVE - BURNER (REAR)	74003348
13	126023-01-710	EA	VALVE - BURNER (FRONT)	74003349
14	126023-01-702	EA	BURNER - TOP (FRONT)	7505P144-60
15	126023-01-711	EA	ELECTRODE - IGNITER	7432P077-60
16	126023-01-719	EA	IGNITER - TOP BURNER	74002413
17	112881-01-705	EA	KNOB - TOP BURNER	733P072-60
17	112881-01-718	EA	KNOB - TOP BURNER HI-OUTPUT	74001794
	126023-01-735	EA	KIT-IGNITOR TOP BRNER & KNOB	12001296=74002413&
	128728-01-703	EA	T-NUT - F/HINGE	7103P109-60

**APPLIANCE GROUP (CONTINUED)**  
**COMPONENT PARTS FOR APPLIANCES (CONTINUED)**



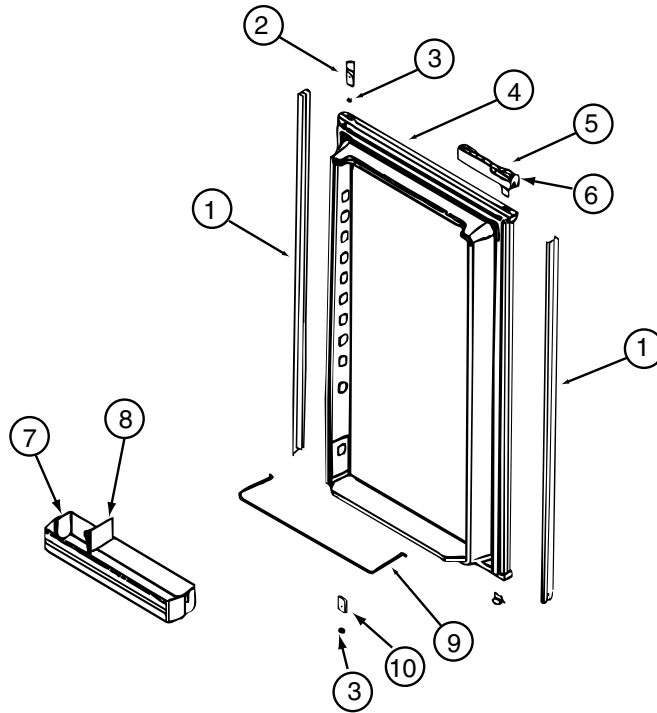
121568-06-01A, 121568-07-01A, 121568-08-01A

KEY	PART NUMBER	U/M	DESCRIPTION	VENDOR NO.
1	121568-03-700	EA	RETAINER - DOOR PANEL/BLACK	619559
2	120075-01-701	EA	HINGE-TOP RH/BOTTOM LH(DOOR)	618511
3	121568-03-701	EA	BUSHING - HINGE PIN/GRAY	619671
4	121568-03-702	EA	DOOR LINER - W/BLACK TRIM	619627
5	120075-01-702	EA	CAP, (HINGE PLUG)	618160
6	121568-01-700	EA	RAIL - DOOR UPPER	618618
7	120075-01-705	EA	HINGE-TOP LH/BOTTOM RH(DOOR)	618510
8	121568-03-705	EA	STORAGE LATCH - GRAY	619648
9	121568-01-708	EA	HANDLE/FLUSH-TOP/LH-LWR/RH	619866
10	121568-01-701	EA	BIN - DOOR WHITE	618619

CONTACT WINNEBAGO PART SALES FOR UNLISTED COMPONENTS



**APPLIANCE GROUP (CONTINUED)**  
**COMPONENT PARTS FOR APPLIANCES (CONTINUED)**

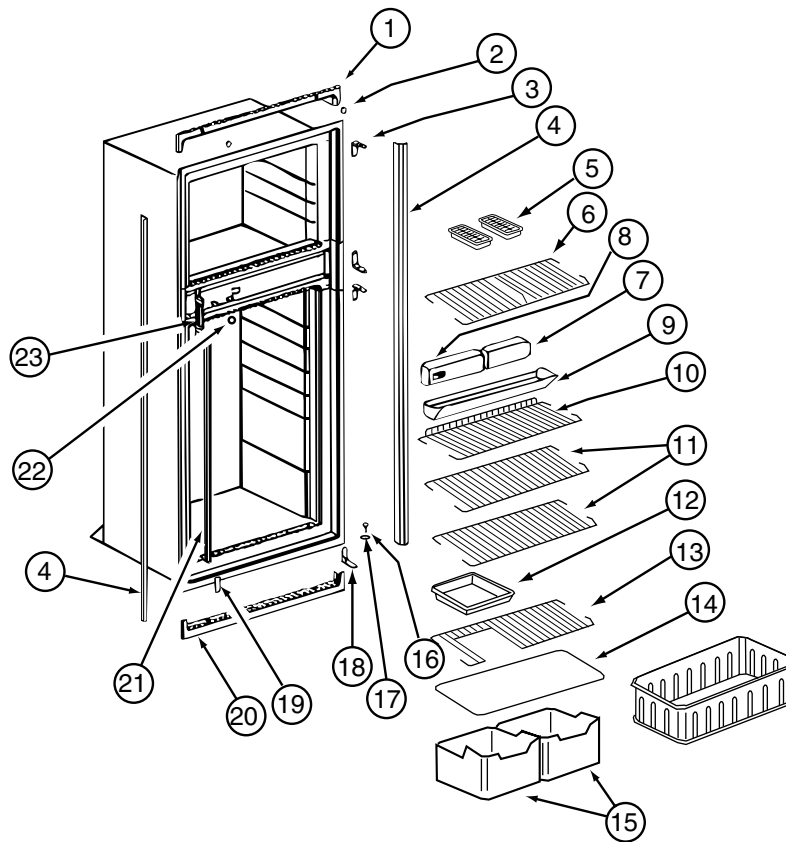


**121568-06-01A, 121568-07-01A, 121568-08-01A (CONTINUED)**

KEY	PART NUMBER	U/M	DESCRIPTION	VENDOR NO.
1	121568-03-706	EA	RETAINER - DOOR PANEL/BLACK	619559
2	120075-01-701	EA	HINGE-TOP RH/BOTTOM LH(DOOR)	618511
3	121568-03-701	EA	BUSHING - HINGE PIN/GRAY	619671
4	121568-03-707	EA	DOOR LINER - W/BLACK TRIM	619629
5	121568-03-703	EA	HANDLE/FLUSH-TOP/RH-LWR/LH	619865
6	121568-03-705	EA	STORAGE LATCH - GRAY	619648
7	121568-01-701	EA	BIN - DOOR WHITE	618619
9	121568-01-704	EA	RAIL - DOOR LOWER	618578
10	120075-01-705	EA	HINGE-TOP LH/BOTTOM RH(DOOR)	618510

CONTACT WINNEBAGO PART SALES FOR UNLISTED COMPONENTS

**APPLIANCE GROUP (CONTINUED)**  
**COMPONENT PARTS FOR APPLIANCES (CONTINUED)**

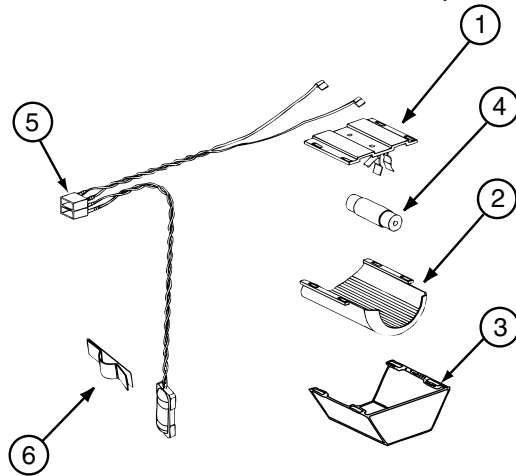


121568-06-01A, 121568-07-01A, 121568-08-01A (CONTINUED)

KEY	PART NUMBER	U/M	DESCRIPTION	VENDOR NO.
1	120075-01-713	EA	TRIM-TOP PIECE	619687
2	120075-01-714	EA	PLUG-HOLE (BLACK)	618170
3	121568-03-710	EA	HINGE/CABINET-TOP/RH-LWR/LH	619335
4	121568-03-711	EA	TRIM - SIDE/BLACK	622295
6	121568-01-705	EA	SHELF - WIRE FREEZER	620250
7	121568-06-700	EA	FRONT BOX-N611	622002
8	121568-06-701	EA	CONTROL ASSEMBLY-OPTICAL/N611	621988
9	120075-01-720	EA	TRAY-DRIP	618137
9	120075-01-721	EA	LOUVER-DRIP TRAY	618176
11	121568-01-708	EA	SHELF - WIRE	620273
13	121568-01-707	EA	SHELF - WIRE - SHORT	620272
14	120075-01-725	EA	COVER-CRISPER	618158
15	121568-01-709	EA	CRISPER	618571
16	120075-01-727	EA	PIN-HINGE	618145
17	121568-03-701	EA	BUSHING - HINGE PIN/GRAY	619671
18	121568-03-715	EA	HINGE/CABINET-TOP/LH-LWR/RH	619336
19	121568-03-716	EA	COVER - HINGE HOLES	619301
20	120075-01-729	EA	TRIM-BOTTOM PIECE	620958
21	121568-06-702	EA	CLIP - SHELF	61536522
22	121568-06-703	EA	HOLE PLUG - WHITE	620282
23	120075-01-732	EA	PLATE-STRIKE	618167

CONTACT WINNEBAGO PART SALES FOR UNLISTED COMPONENTS

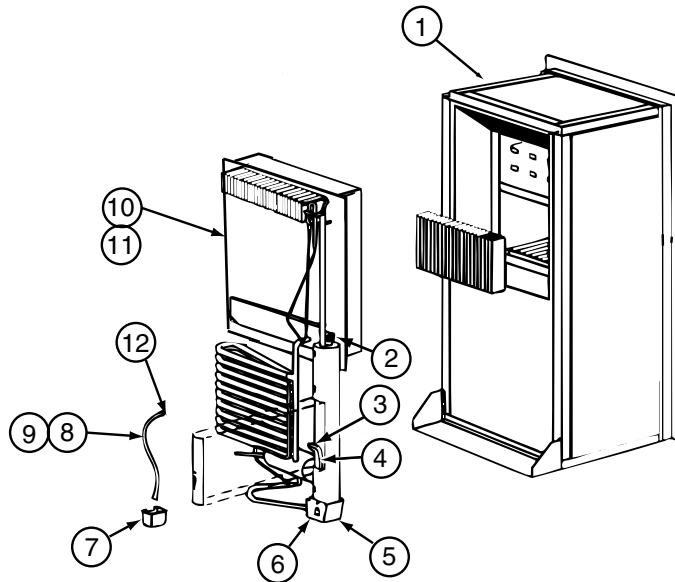
**APPLIANCE GROUP (CONTINUED)**  
**COMPONENT PARTS FOR APPLIANCES (CONTINUED)**



**121568-06-01A, 121568-07-01A, 121568-08-01A (CONTINUED)**

KEY	PART NUMBER	U/M	DESCRIPTION	VENDOR NO.
1	084880-01-760	EA	CLIP (THERMISTER)	61689122
2	120075-01-735	EA	THERMISTER W/LAMP & WIRE/ASM	618548
3	084880-03-705	EA	BRACKET-LIGHT-INTERIOR	61629722
4	084880-03-706	EA	BULB-LAMP	61628922
6	084880-03-707	EA	COVER-LAMP, LENS	61627922

CONTACT WINNEBAGO PART SALES FOR UNLISTED COMPONENTS

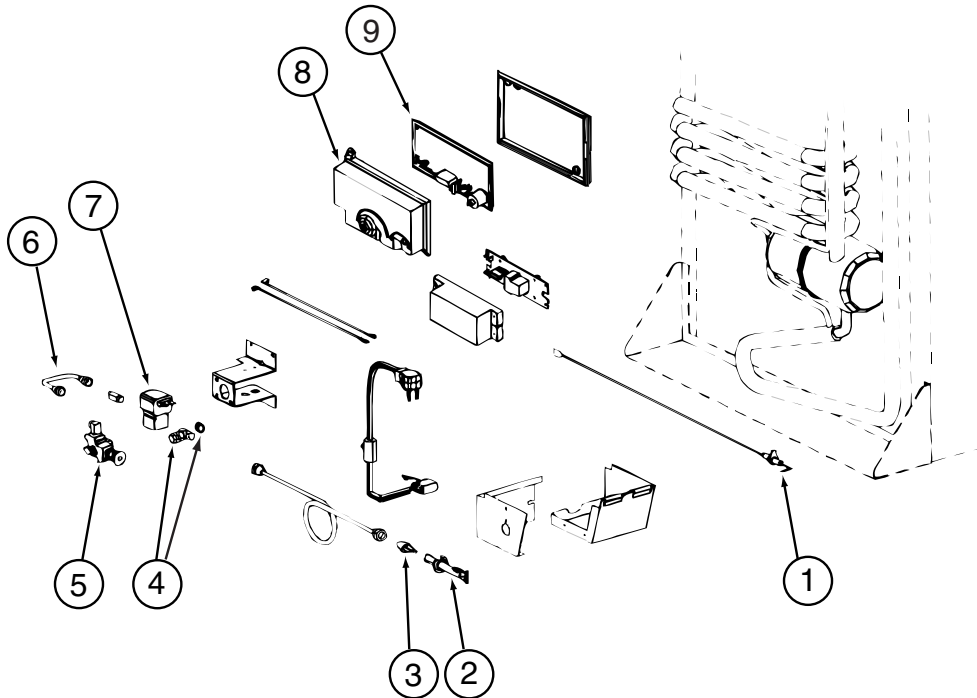


**121568-06-01A, 121568-07-01A, 121568-08-01A (CONTINUED)**

KEY	PART NUMBER	U/M	DESCRIPTION	VENDOR NO.
4	121568-06-704	EA	HEATER-AC/300W/120VAC	621702
10	120076-01-704	EA	COOLING UNIT, SERVICE PACK	618543

CONTACT WINNEBAGO PART SALES FOR UNLISTED COMPONENTS

**APPLIANCE GROUP (CONTINUED)**  
**COMPONENT PARTS FOR APPLIANCE (CONTINUED)**



**121568-06-01A, 121568-07-01A, 121568-08-01A (CONTINUED)**

KEY	PART NUMBER	U/M	DESCRIPTION	VENDOR NO.
1	121568-06-705	EA	GAS VALVE/BRKT ASSY-COMBO	621439
1	121568-06-706	EA	GAS VALVE-COMBO/WRENCH FLAT	621329
4	120075-01-738	EA	COVER-POWER BOARD	618185
5	121568-06-707	EA	BOARD/POWER-N611	621991
6	120075-01-740	EA	COVER-BASE, POWER BOARD	618186
8	121568-06-708	EA	BURNER/ORFICE-ADAPTER KIT	621957
13	104137-06-715	EA	ELECTRODE-SPARK/SENSOR, SGL	61692222

CONTACT WINNEBAGO PART SALES FOR UNLISTED COMPONENTS

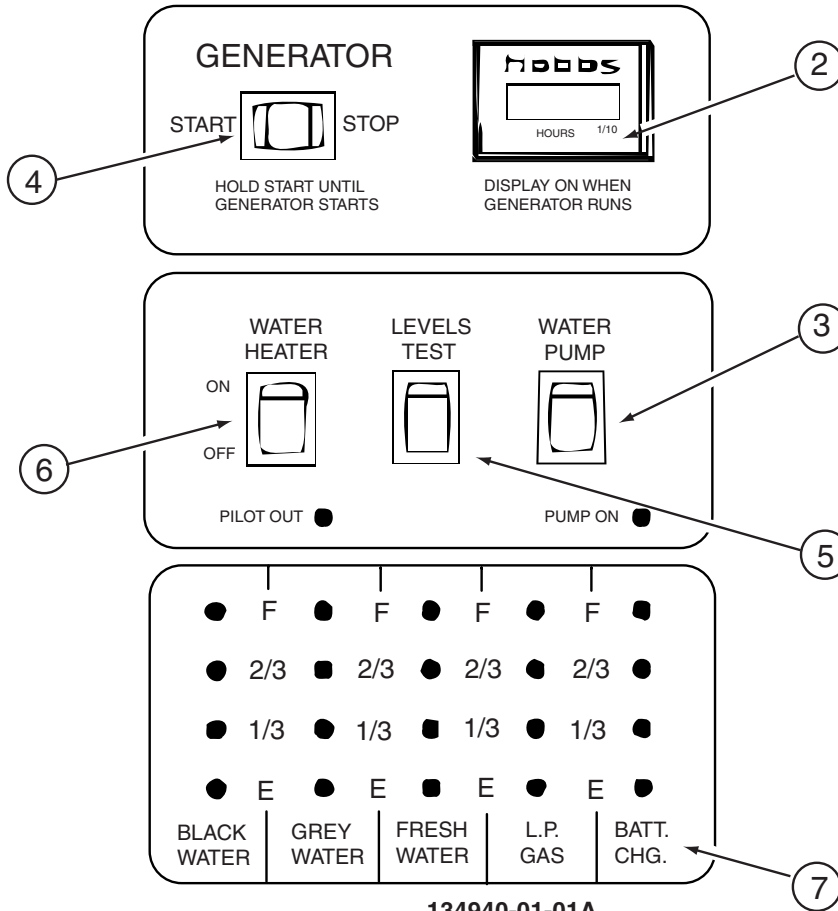
**121568-05-01A, 121568-07-01A, 121568-08-01A (CONTINUED)**

KEY	PART NUMBER	U/M	DESCRIPTION	VENDOR NO.
	121568-05-700	EA	FAN 12V KIT DBLE SIDEWALL	619020

**APPLIANCE GROUP (CONTINUED)**  
**COMPONENT PARTS FOR APPLIANCES (CONTINUED)**

128527-08-000

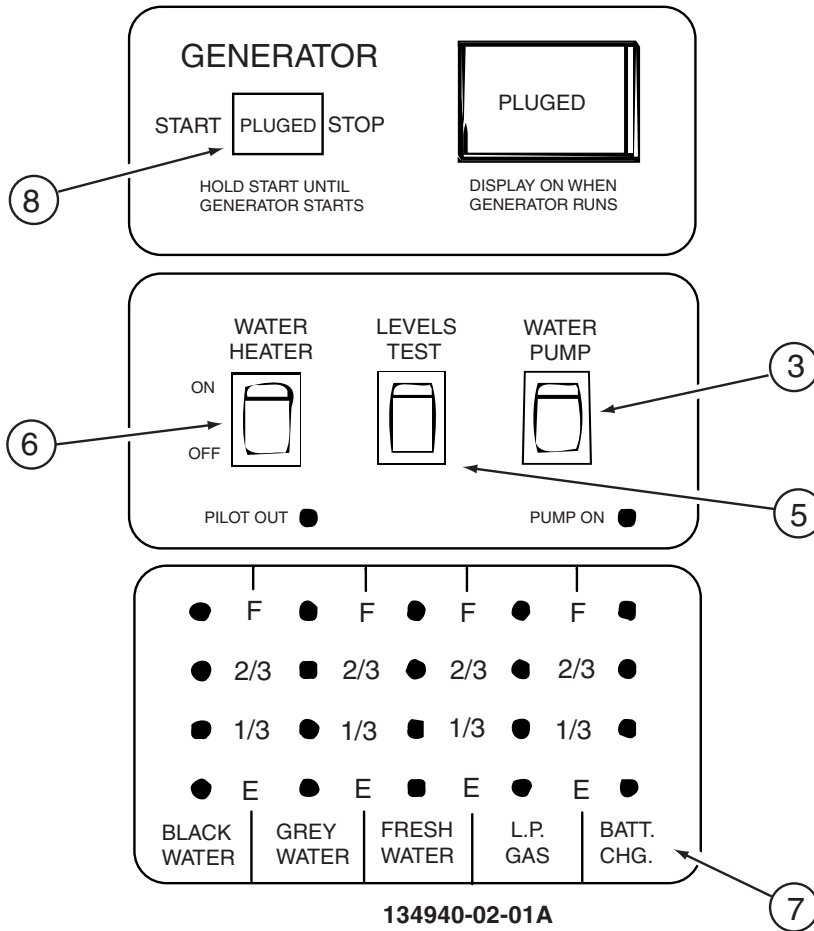
KEY	PART NUMBER	U/M DESCRIPTION	VENDOR NO.
	128527-08-700	EA TRIM RING-F/1.0 NON CONV	MR10BB



134940-01-01A

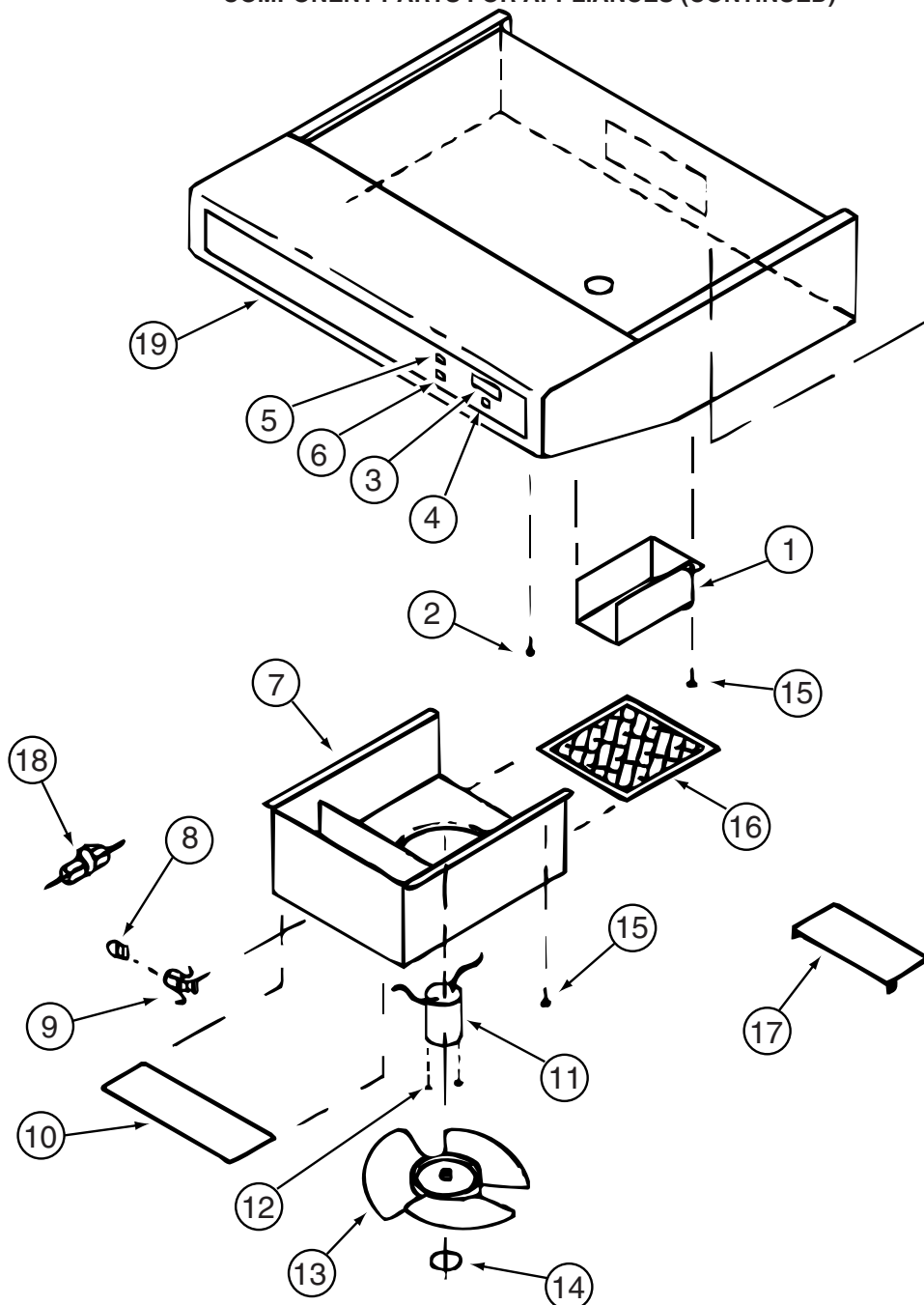
KEY	PART NUMBER	U/M DESCRIPTION	VENDOR NO.
	134940-01-700	EA BOARD - PC	L5118-01
2	100258-10-701	EA GAUGE-HR METER ONLY (LCD)	L0775-00
3	096983-01-703	EA SWITCH - ON/ON	L0115-00
4	096983-01-702	EA SWITCH - MOM/OFF/MOM/3 TERM	L0112-00
5	096983-01-701	EA SWITCH - SPST/MOM 2 TERMINAL	L0111-00
6	134940-01-701	EA SWITCH-SPST/ON-OFF/BLK W/LGT	L0109
7	134940-01-702	EA CHASSIS - SILKSCREENED	CC0558-00
	100258-10-702	EA HOUR METER(CLIP ON)SW & WIRE	L4441-00

**APPLIANCE GROUP (CONTINUED)**  
**COMPONENT PARTS FOR APPLIANCES (CONTINUED)**



KEY	PART NUMBER	U/M DESCRIPTION	VENDOR NO.
	134940-01-700	EA BOARD - PC	L5118-01
3	096983-01-703	EA SWITCH - ON/ON	L0115-00
5	096983-01-701	EA SWITCH - SPST/MOM 2 TERMINAL	L0111-00
6	134940-01-701	EA SWITCH-SPST/ON-OFF/BLK W/LGT	L0109
7	134940-01-702	EA CHASSIS - SILKSCREENED	CC0558-00
8	134940-02-700	EA SWITCH - DUMMY	L0118

**APPLIANCE GROUP (CONTINUED)**  
**COMPONENT PARTS FOR APPLIANCES (CONTINUED)**

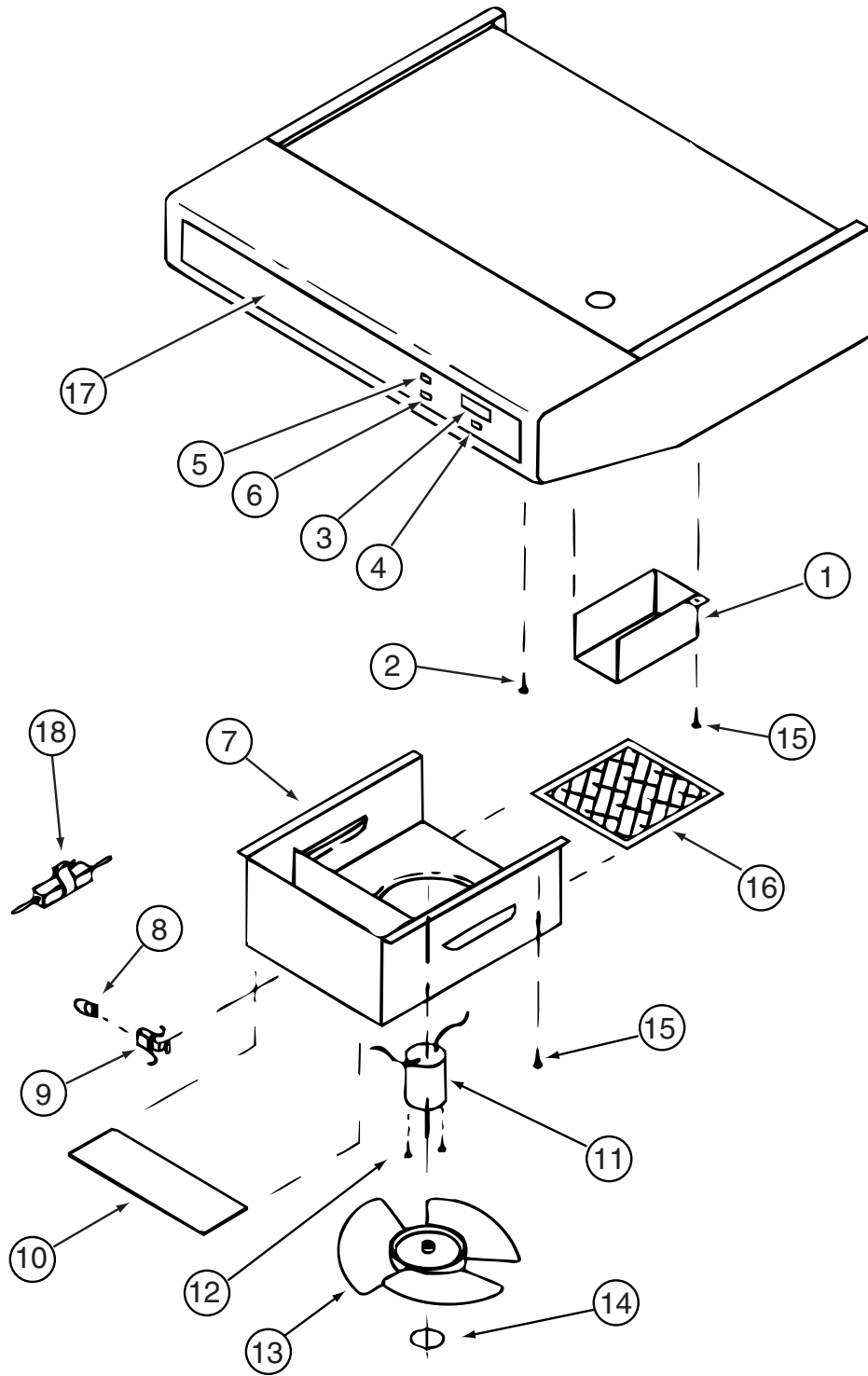


136354-01-01A, 136354-02-01A

KEY	PART NUMBER	U/M	DESCRIPTION	VENDOR NO.
3	100258-10-700	EA	GAUGE-HOUR METER, SCREW ON	L0150-00 WAS 150
4	096983-01-702	EA	SWITCH - MOM/OFF/MOM/3 TERM	L0112-00
6	096983-01-700	EA	SWITCH/1 SPEED -ON/OFF- BLK	00108-00
8	092696-01-709	EA	LAMP #912	VA415
9	092696-01-710	EA	HOLDER-LAMP	CB267-2
10	092696-02-701	EA	LENS-LAMP	CC179-2
11	090973-01-700	EA	MOTOR-12 VOLT, CSA & UL	CA508-1
13	090973-01-702	EA	BLADE-FAN	VA183-1
16	096983-01-707	EA	FILTER-MESH	CC246
17	100258-01-701	EA	DAMPER ASSEMBLY (METAL FLAP)	CAO-565-00
19	100258-01-700	EA	LABEL-HOOD NOSE	CC0428-00

CONTACT WINNEBAGO PART SALES FOR UNLISTED COMPONENTS

**APPLIANCE GROUP (CONTINUED)**  
**COMPONENT PARTS FOR APPLIANCES (CONTINUED)**



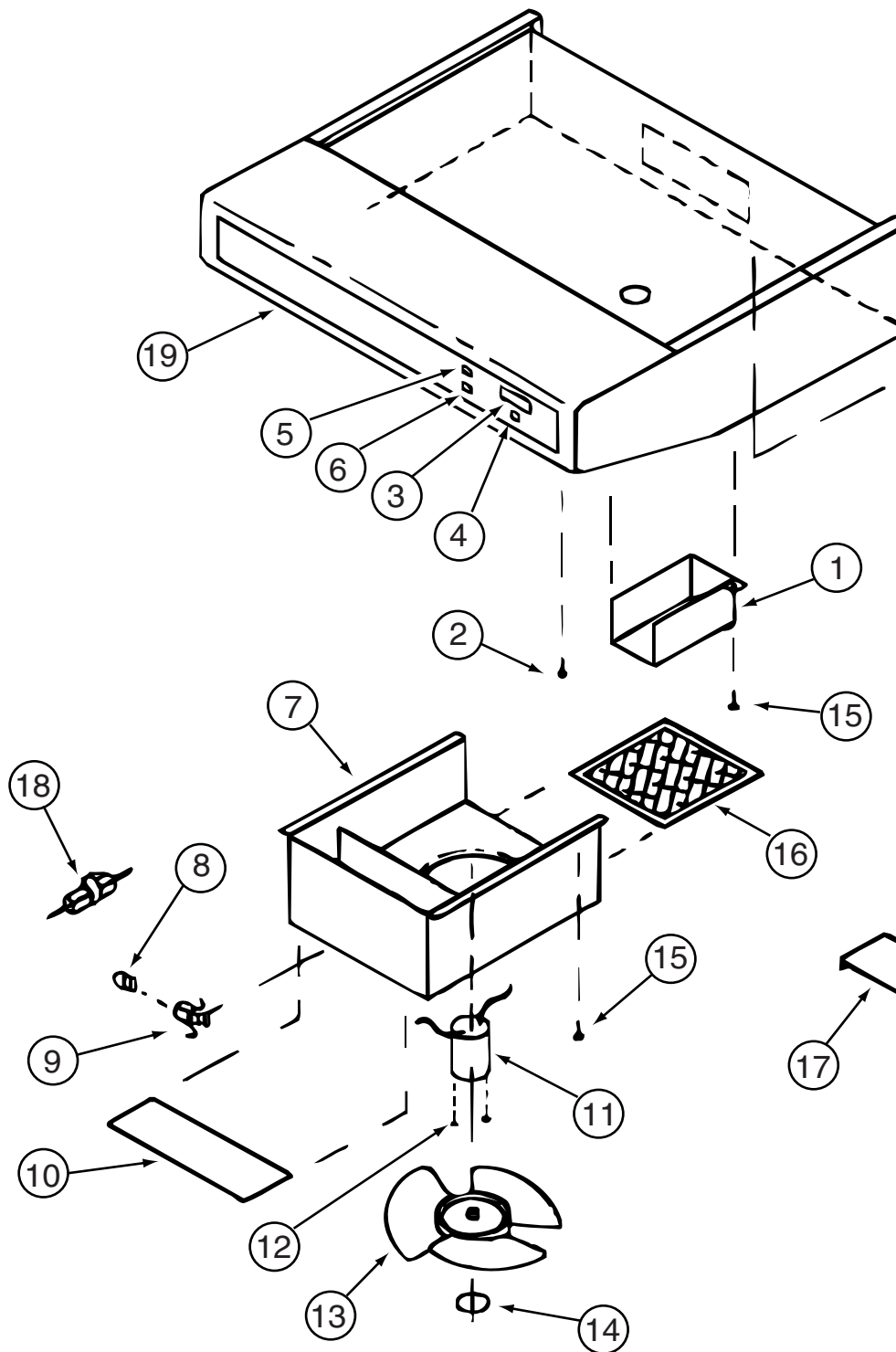
136354-03-01A, 136354-04-01A

KEY	PART NUMBER	U/M	DESCRIPTION	VENDOR NO.
3	100258-10-700	EA	GAUGE-HOUR METER, SCREW ON	L0150-00 WAS 150
4	096983-01-702	EA	SWITCH - MOM/OFF/MOM/3 TERM	L0112-00
6	096983-01-700	EA	SWITCH/1 SPEED -ON/OFF- BLK	00108-00
8	092696-01-709	EA	LAMP #912	VA415
9	092696-01-710	EA	HOLDER-LAMP	CB267-2
10	092696-02-701	EA	LENS-LAMP	CC179-2
11	090973-01-700	EA	MOTOR-12 VOLT, CSA & UL	CA508-1
13	090973-01-702	EA	BLADE-FAN	VA183-1
16	096983-01-707	EA	FILTER-MESH	CC246
17	100258-01-700	EA	LABEL-HOOD NOSE	CC0428-00

CONTACT WINNEBAGO PART SALES FOR UNLISTED COMPONENTS



**APPLIANCE GROUP (CONTINUED)**  
**COMPONENT PARTS FOR APPLIANCES (CONTINUED)**



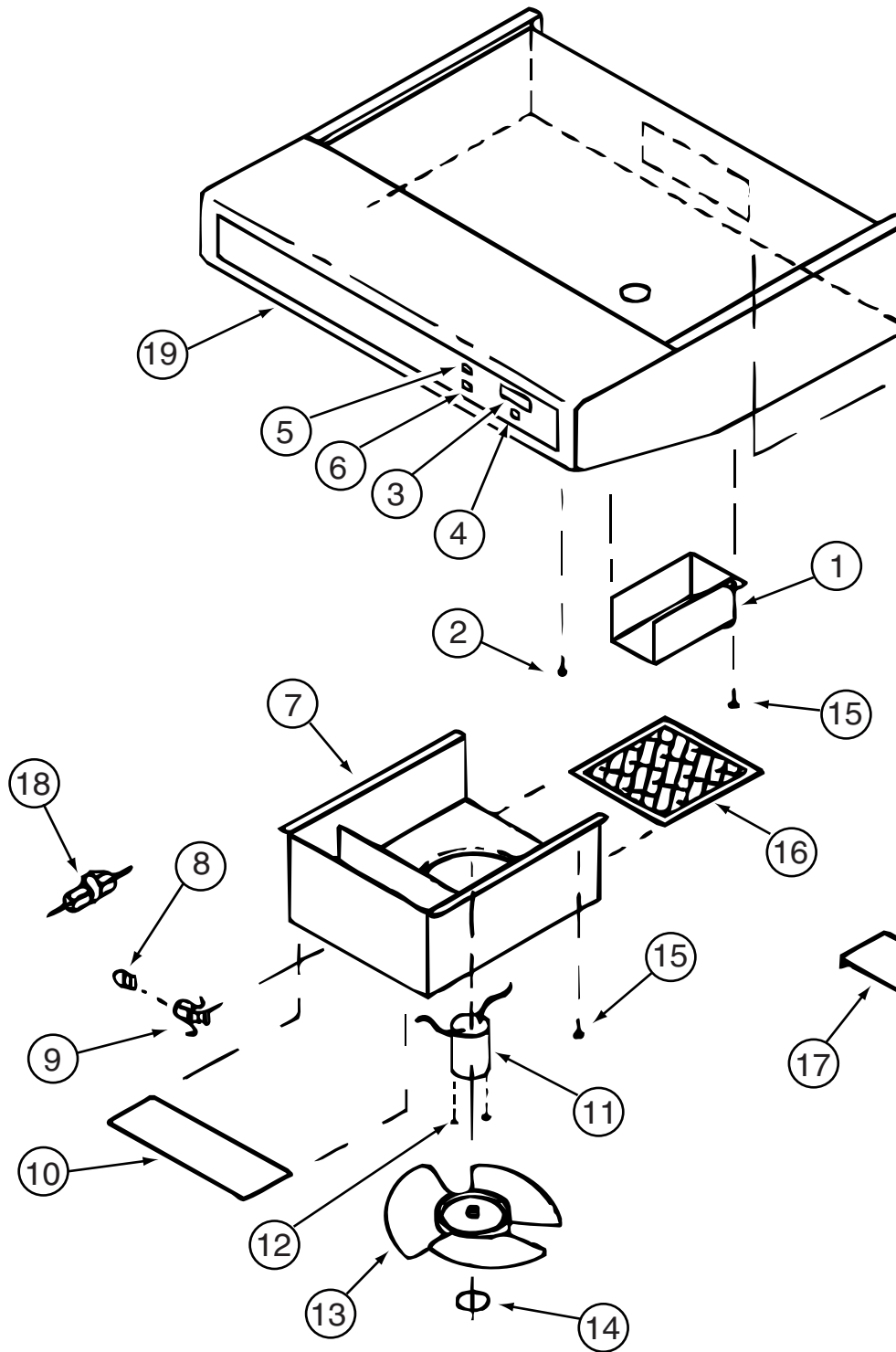
136354-05-01A

KEY	PART NUMBER	U/M	DESCRIPTION
3	100258-10-700	EA	GAUGE-HOUR METER, SCREW ON
4	096983-01-702	EA	SWITCH - MOM/OFF/MOM/3 TERM
5	096983-01-700	EA	SWITCH/1 SPEED -ON/OFF- BLK
8	117806-01-000	EA	BULB - 12V - #912 - 1.0 AMP
9	092696-01-710	EA	HOLDER-LAMP
10	092696-02-701	EA	LENS-LAMP
11	136354-05-700	EA	MOTOR-12 VOLT
13	136354-05-701	EA	BLADE-FAN 7" DIA
16	096983-01-707	EA	FILTER-MESH
17	100258-01-701	EA	DAMPER ASSEMBLY (METAL FLAP)
19	100258-01-700	EA	LABEL-HOOD NOSE

VENDOR NO.
L0150-00 WAS 150
L0112-00
L0108-00
912
CB267-02
CC179-2
VC0536-02
VD0216-00
CC246-00
CAO-565-00
CC0428-00

CONTACT WINNEBAGO PART SALES FOR UNLISTED COMPONENTS

**APPLIANCE GROUP (CONTINUED)**  
**COMPONENT PARTS FOR APPLIANCES (CONTINUED)**



136354-06-01A

KEY	PART NUMBER	U/M	DESCRIPTION	VENDOR NO.
3	100258-10-700	EA	GAUGE-HOUR METER, SCREW ON	L0150-00 WAS 150
4	096983-01-702	EA	SWITCH - MOM/OFF/MOM/3 TERM	L0112-00
5	096983-01-700	EA	SWITCH/1 SPEED -ON/OFF- BLK	L0108-00
8	117806-01-000	EA	BULB - 12V - #912 - 1.0 AMP	912
9	092696-01-710	EA	HOLDER-LAMP	CB267-02
10	096983-01-708	EA	LENS-LAMP	CC0179
11	136354-06-700	EA	MOTOR - FAN (CSA)	VC0535-02
13	136354-05-701	EA	BLADE-FAN 7" DIA	VD0216-00
16	096983-01-707	EA	FILTER-MESH	CC246-00
17	100258-01-701	EA	DAMPER ASSEMBLY (METAL FLAP)	CAO-565-00
19	100258-01-700	EA	LABEL-HOOD NOSE	CC0428-00

CONTACT WINNEBAGO PART SALES FOR UNLISTED COMPONENTS

**AUDIO VIDEO GROUP**  
**RADIO SYSTEM**

KEY	PART NUMBER	U/M	DESCRIPTION
	135420-01-000	EA	RADIO - AM/FM CASSETTE/CD COMBO - M9900 - 7.2" X 3.3" R.O. - <b>DASH</b> FROM: 00-00-00 THRU: 08-17-03
	135420-09-000	EA	RADIO-AM/FM/CASS/CD COMBO-AUX/CD CHANGER INPUT - REMOTE COMP - <b>DASH</b> FROM: 08-18-03 THRU: 99-99-99
	135420-10-000	EA	REMOTE CONTROL/RADIO (CREDIT CARD SIZE) - <b>DASH</b> FROM: 08-18-03 THRU: 99-99-99
	134520-11-000	EA	REMOTE CONTROL/RADIO (STEERING WHEEL MOUNT) - <b>DASH</b> FROM 08-18-03 THRU: 99-99-99
	135420-05-000	EA	RADIO - MOUNTING KIT - FORD- <b>DASH</b>
*	143509-01-000	EA	RADIO - AM/FM CD - W/REMOTE - JENSEN CD3010X-W - <b>EXTERIOR ENTERTAINMENT CENTER</b> FROM: 00-00-00 THRU: 11-09-03
*	148231-01-000	EA	RADIO - AM/FM CD W/REMOTE - MAGNADYNE M3100CD - <b>EXTERIOR ENTERTAINMENT CENTER</b> FROM: 11-10-03 THRU: 99-99-99
	110469-01-000	EA	SPEAKER - 4" X 6" OVAL - COAXIAL - <b>EXTERIOR ENTERTAINMENT CENTER</b>
	110470-01-01A	EA	GRILLE - 4" X 6" - OVAL SPEAKER - BLACK - <b>EXTERIOR ENTERTAINMENT CENTER</b>
	111177-01-01A	EA	GRILLE - 8.9" X 6.5" HOUSING - F/5" X 7" OVAL SPEAKER
	077069-02-000	EA	CABLE/EXTENSION - RADIO ANTENNA - 96"
	077069-03-000	EA	CABLE/EXTENSION - RADIO ANTENNA - 260"
	090944-01-000	EA	ANTENNA - RADIO - 16" RUBBER - W/72" LEAD WIRE
	147741-01-09B	EA	BRACKET - ANTENNA GROUND
	109889-04-000	EA	EXTENDER - ANTENNA SHAFT - 3.7"
	141679-01-000	EA	CHARGING STATION ONLY - F/TWO WAY RADIO SYSTEM FROM: 00-00-00 THRU: 10-05-03
	141679-02-000	EA	RADIO/BATTERY KIT - TWO WAY (4 RADIOS/8 BATTERIES) FROM: 00-00-00 THRU: 10-05-03
	141679-03-000	EA	RADIOS - TWO WAY/DOCK STATION - ASA GMRS4WMWIN FROM: 10-06-03 THRU: 99-99-99
	141679-04-000	EA	RADIO - TWO WAY - 5 MILE/BATTERY - ASA GMRS100 FROM: 10-06-03 THRU: 99-99-99
	108137-01-000	EA	PLUG - ANTENNA

**\*COMPONENT PARTS LISTED LATER IN THIS GROUP**

# AUDIO VIDEO GROUP (CONTINUED)

## COMPONENT PARTS FOR RADIO SYSTEM

143509-01-000

KEY	PART NUMBER	U/M	DESCRIPTION	VENDOR NO.
	143509-01-700	EA	REMOTE - RADIO	VG70A0

148231-01-000

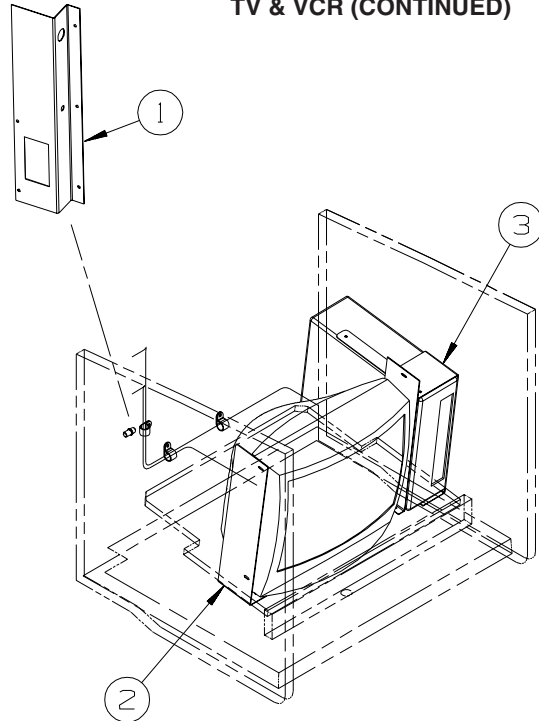
KEY	PART NUMBER	U/M	DESCRIPTION	VENDOR NO.
	148231-01-700	EA	REMOTE	RC3100

**AUDIO VIDEO GROUP (CONTINUED)**  
TV & VCR

KEY	PART NUMBER	U/M	DESCRIPTION
	076319-03-000	FT	CABLE - COAXIAL - 75 OHM
	136860-01-000	EA	CABLE - RCA - #3 MALE TO #12F MALE CONNECTOR
	076319-06-000	EA	ADAPTER - CABLE ROOF PLATE
	076319-08-000	EA	WALLPLATE - CABLE RECEPTACLE - TV - SINGLE - IVORY
	076319-09-000	EA	WALLPLATE - TV CABLE RECEPTACLE - SINGLE - BROWN
	076319-27-000	EA	WALLPLATE/RECEPTACLE - WHITE
	086777-02-000	EA	WALLPLATE - TV CABLE - W/ANTENNA SWITCH - BLACK
	086777-06-000	EA	WALLPLATE - TV CABLE - ANTENNA BOOSTER/1 OUTPUT - BLACK
	134006-01-03B	EA	PLATE - COAXIAL CABLE/OFF WHITE
	139335-01-02B	EA	PLATE - ELECTRICAL - E-COATED
	076319-12-000	EA	CONNECTOR - COAXIAL - ONE PIECE
	145171-01-000	EA	CONNECTOR - COAXIAL
*	076319-25-000	EA	KIT - HARDWARE INTERIOR
*	076319-23-000	EA	ANTENNA - TV ROOF MOUNT - 44.5" MAST
*	137135-02-000	EA	ANTENNA - SATELLITE DSS - W/SENSOR
*	086231-10-000	EA	TV - 13" COLOR _ AUDIOVOX - FLEX VISION/AVT-1498 DC - 13" COLOR TV W/VCP
	124075-07-000	EA	TV - 19" - 1/8 JACK - W/RCA INPUT - RCA F19431 - 19" COLOR TV W/VIDEO SELECT SYS. - 331
*	146356-01-000	EA	TV - 25" STEREO W/5 JACKS - SAMSUNG TXM2556 - 25" STEREO TV W/VIDEO SELECT SYS
*	148230-01-000	EA	TV - 24" - STEREO/3 JACKS - RCA 24V510T - TV 24" COLOR
*	146355-01-000	EA	DVD/VCR COMBINATION PLAYER - SAMSUNG DVD-V2000 - 24"/25" STEREO TV W/VIDEO SELECT SYS
*	145641-02-000	EA	DVD/VCR PLAYER - COMBINATION - RCA DRC6100N - TV 24" COLOR
*	145641-01-000	EA	DVD/VCR PLAYER - COMBINATION - RCA DRC6000N - 19" COLOR TV W/VIDEO SELECT SYS. - 331 FROM: 00-00-00 THRU: 08-10-03
*	145641-02-000	EA	DVD/VCR PLAYER - COMBINATION - TCA DRC6100N - 19" COLOR TV W/VIDEO SELECT SYS. - 331 FROM: 08-11-03 THRU: 11-02-03
*	145641-03-000	EA	DVD/VCR PLAYER - RCA DRC6200 - 19" COLOR TV W/VIDEO SELECT SYS. - 331 FROM: 11-06-03 THRU: 99-99-99
*	094487-07-000	EA	VCP - W/O REMOTE - VERTICAL MOUNT - FLEX VISION/AVP-9000VF - 13" COLOR TV W/VCP
	082134-01-000	EA	ADAPTER - TV - CABLE TO CABLE
	086756-01-000	EA	SPLITTER - TV/2 WAY
	086757-04-000	EA	CONTROL CENTER - SWITCH - VCR/TV - 5 INPUTS
	082136-01-000	EA	NUT - HEX JAM - 3/8-32
	118847-02-02B	EA	MOUNT - SWITCH BOX - E - COATED - 19" COLOR TV W/VIDEO SELECT SYS. - 331
	146843-02-02B	EA	BRACKET/TIEDOWN - TV - E - COATED - 19" COLOR TV W/VIDEO SELECT SYS. - 331

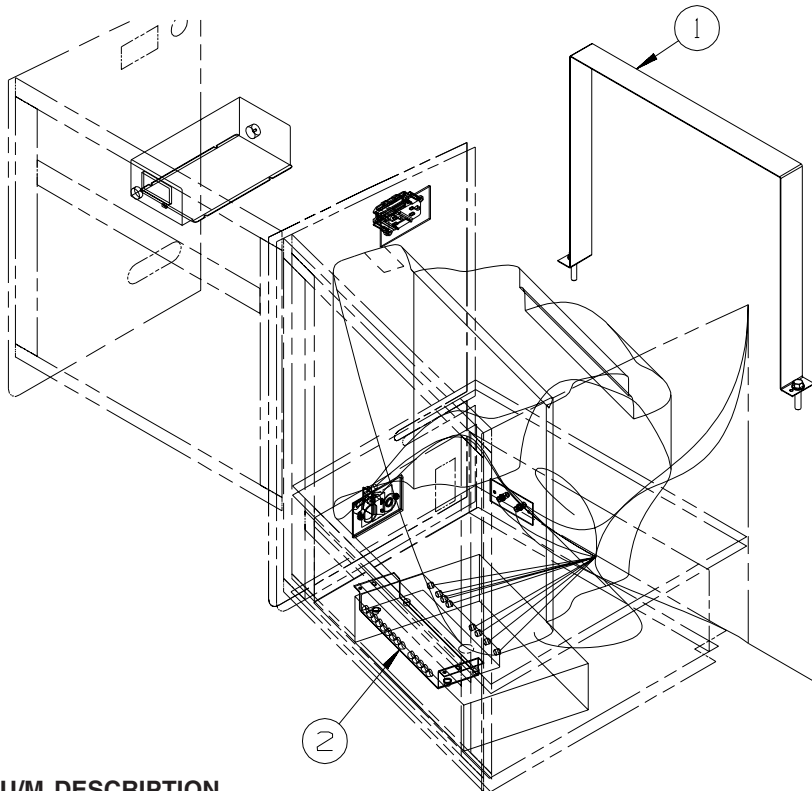
\*COMPONENT PARTS LISTED LATER IN THIS GROUP

**AUDIO VIDEO GROUP (CONTINUED)**  
**TV & VCR (CONTINUED)**



**322E, 322R, 324V, 324F, 329B, 332G**

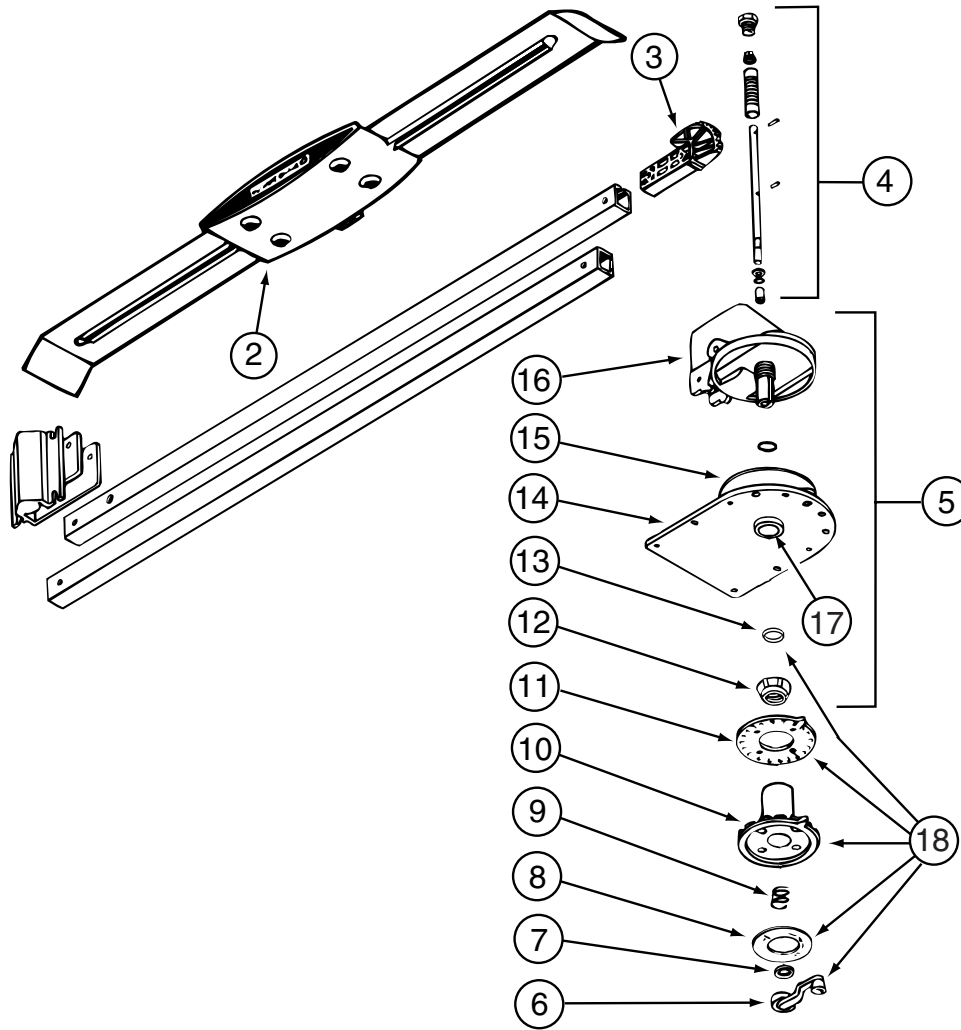
KEY	PART NUMBER	U/M	DESCRIPTION
1	122469-01-02B	EA	BRACKET - ZEE - 13" TV W/VCP-12V
1	122469-02-02B	EA	BRACKET - ZEE - W/CUTOUT - E-COATED
2	143650-01-02B	EA	BRACKET - TV - E-COATED
3	143676-02-02B	EA	BRACKET - VCP - E-COATED



**331**

KEY	PART NUMBER	U/M	DESCRIPTION
1	146843-02-02B	EA	BRACKET/TIEDOWN - TV - E-COATED
2	118847-02-02B	EA	MOUNT - SWITCH BOX - E-COATED

**AUDIO VIDEO GROUP (CONTINUED)**  
**COMPONENT PARTS FOR TV & VCR**



**076319-23-000**

KEY	PART NUMBER	U/M	DESCRIPTION	VENDOR NO.
2	076319-01-700	EA	HEAD-ANTENNA, AMPLIFIED	RVSA U/V
3	076319-01-701	EA	GEAR-ELEVATING, PLASTIC	2200046
4	076319-01-702	EA	SHAFT ASM-ELEVATING	RP-4000
5	076319-01-711	EA	BASE & LIFT ASM	2762802
7	076319-01-705	EA	GROMMET-NYLON, 7/8"ID	3200658
8	076319-01-708	EA	DECAL-CRANK	5413002
9	076319-01-707	EA	SPRING-HANDLE	2160822
11	076319-01-712	EA	PLATE - CEILING	3200608
12	076319-01-715	EA	NUT (GEAR HOUSING)	2200047
14	076319-01-713	EA	BASE-PLATE, STEEL	3100523
15	076319-01-703	EA	BEARING-NYLON, 5"OD	3200656
16	076319-01-714	EA	HOUSING, ROTATING GEAR	2200049
	076319-01-716	EA	TUBING, ELEVATING	RP-2900
17	076319-01-704	EA	BEARING-NYLON, 1.25"OD	3200657
18	076319-01-709	EA	HANDLE-HEAD DIRECTIONAL	200644

CONTACT WINNEBAGO PART SALES FOR UNLISTED COMPONENT

**076319-25-000**

KEY	PART NUMBER	U/M	DESCRIPTION	VENDOR NO.
6	076319-01-706	EA	CRANK-W/SET SCREW UNIV/BEIGE	2750897
6	120233-01-710	EA	HANDLE-CRANK W/SCREW - WHITE	RP-6795
8	076319-01-708	EA	DECAL-CRANK	5413002
10	076319-25-700	EA	DIRECTIONAL HANDLE(WHITE)	3200612
11	076319-25-701	EA	PLATE - CEILING(WHITE)	3200609
13	120233-01-709	EA	WASHER-NYLON	RP-2658

CONTACT WINNEBAGO PART SALES FOR UNLISTED COMPONENTS

**AUDIO VIDEO GROUP (CONTINUED)**  
**COMPONENT PARTS FOR TV & VCR (CONTINUED)**

086231-10-000

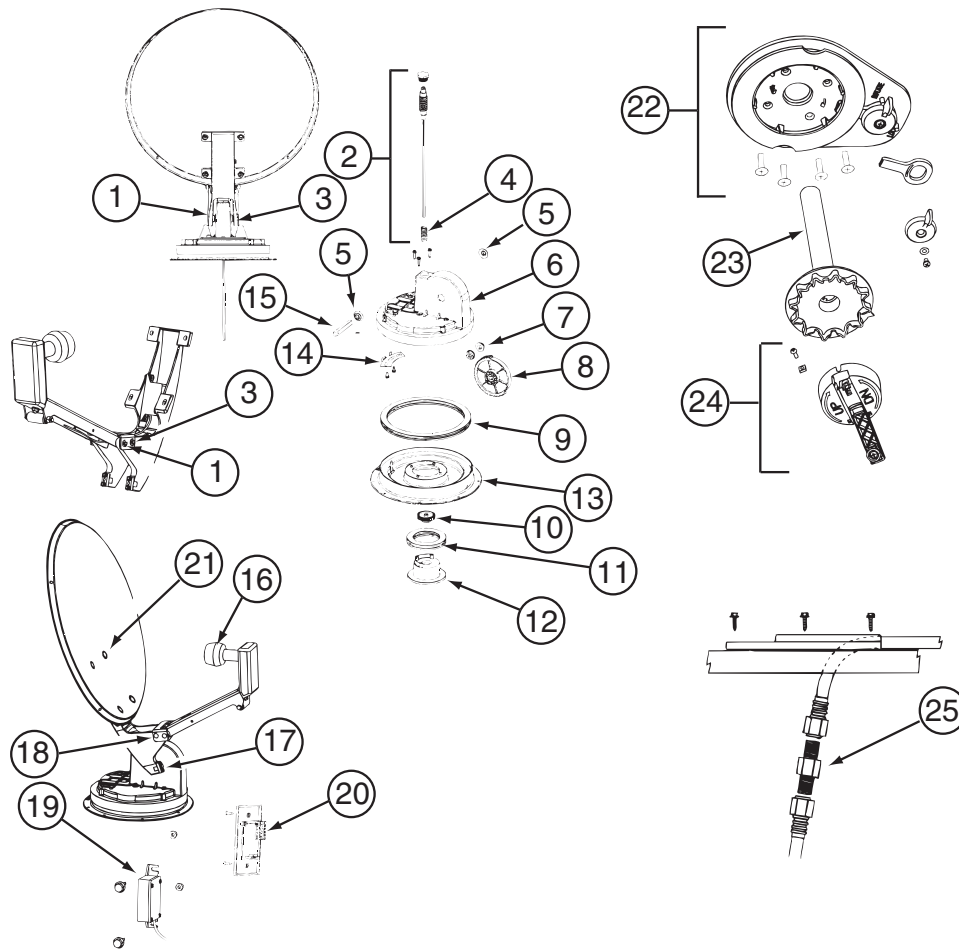
<b>KEY</b>	<b>PART NUMBER</b>	<b>U/M</b>	<b>DESCRIPTION</b>	<b>VENDOR NO.</b>
	086231-08-700	EA	REMOTE-UNIVERSAL	892325
	086231-08-701	EA	CONVERTER/POWER SUP 110/12 V	891436
	086231-10-700	EA	ADAPTER WIRE - (CIGARETTE)	894000

094487-07-000

<b>KEY</b>	<b>PART NUMBER</b>	<b>U/M</b>	<b>DESCRIPTION</b>	<b>VENDOR NO.</b>
	086231-08-700	EA	REMOTE-UNIVERSAL	0892325



**AUDIO VIDEO GROUP (CONTINUED)**  
**COMPONENT PARTS FOR TV & VCR (CONTINUED)**



137135-02-000

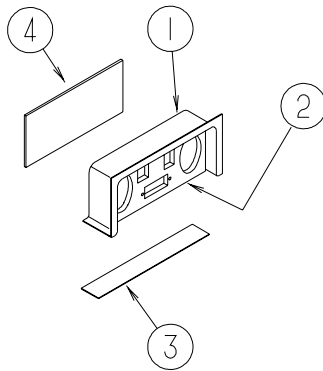
KEY	PART NUMBER	U/M	DESCRIPTION	VENDOR NO.
1	120233-01-714	EA	CLIP-E	5160818
2	137135-01-703	EA	KIT ELEV - SHAFT/GEAR/SPRING	RP-4400
3	137135-01-704	EA	PIN - 1/4" X 3.25"	2160813
4	137135-01-705	EA	SPRING	2160818
5	137135-01-707	EA	SEAL - PIVOT SHAFT	2200852
6	137135-01-708	EA	TURRET	3100728
7	137135-01-709	EA	PIVOT BEARING	2200470
8	137135-01-711	EA	GEAR - ELEVATING	2200464
9	137135-01-712	EA	BEARING - OUTER	2590347
10	137135-01-714	EA	GEAR - ELEVATING SHAFT	2200465
11	137135-01-715	EA	BEARING - INNER	2590348
12	137135-01-716	EA	HUB	3100731
13	137135-01-713	EA	TURRET BASE	3100730
14	137135-01-710	EA	PLATE - ROTATE LIMIT	3720052
16	137135-02-703	EA	LOW NOISE BLOCK FILTER	LB-6000 - DUAL
17	137135-01-722	EA	CLAMP	2590343
18	137135-01-719	EA	BRACKET - PIVOT	2744945
19	137135-01-720	EA	DE-SENSOR UNIT W/43" CABLE	DM4000
20	137135-02-701	EA	BOX - SURFACE MOUNT	SM-100
21	137135-01-717	EA	BOLT - FLAT HEAD	2160362
22	120233-01-737	EA	PLATE/INT-W/DIRECTIONAL HDLE	RK-CEIL
23	120233-01-704	EA	DIAL/DIRECTIONAL 4"W/SPRING	3200364
24	120233-01-738	EA	HDW PKG-HANDLE/SPRING/WASHER	RK-HAND
25	137135-01-701	EA	CONNECTOR - F - MALE TO MALE	FS-8100
	120233-04-700	EA	KIT-WALL PLATE/CABLE - GRAY	DM4000
	137135-01-700	EA	ROOF WEDGE W/GASKET	RW-5000
	137135-01-706	EA	KIT-TURRET/SEAL/BEARING/GEAR	RP-RM30
	137135-01-718	EA	REFLECTOR/WHITE-46CM W/HDW	RP-35RM
	137135-02-700	EA	DE-SENSOR	2780096
	137135-02-704	EA	KIT-UPDATE DIRECTIONAL HDL	RP-RMDH

CONTACT WINNEBAGO PART SALES FOR UNLISTED COMPONENT(S)

**AUDIO VIDEO GROUP (CONTINUED)**  
**COMPONENT PARTS FOR TV & VCR (CONTINUED)**

			<b>145641-01-000</b>	
<b>KEY</b>	<b>PART NUMBER</b>	<b>U/M DESCRIPTION</b>		<b>VENDOR NO.</b>
	145641-01-700	EA REMOTE		258154
			<b>145641-02-000</b>	
<b>KEY</b>	<b>PART NUMBER</b>	<b>U/M DESCRIPTION</b>		<b>VENDOR NO.</b>
	145641-02-700	EA REMOTE		260607
			<b>145641-03-000</b>	
<b>KEY</b>	<b>PART NUMBER</b>	<b>U/M DESCRIPTION</b>		<b>VENDOR NO.</b>
	145641-03-700	EA REMOTE		RCR311DA1
			<b>146355-01-000</b>	
<b>KEY</b>	<b>PART NUMBER</b>	<b>U/M DESCRIPTION</b>		<b>VENDOR NO.</b>
	146355-01-700	EA REMOTE-DVD		AC59-00058K
			<b>146356-01-000</b>	
<b>KEY</b>	<b>PART NUMBER</b>	<b>U/M DESCRIPTION</b>		<b>VENDOR NO.</b>
	146356-01-700	EA REMOTE - TV		AA59-10110H
			<b>148230-01-000, 148230-02-000</b>	
<b>KEY</b>	<b>PART NUMBER</b>	<b>U/M DESCRIPTION</b>		<b>VENDOR NO.</b>
	148230-01-700	EA REMOTE (TV)		RCR311TBM1

**AUDIO VIDEO GROUP (CONTINUED)**  
**EXTERIOR ENTERTAINMENT**



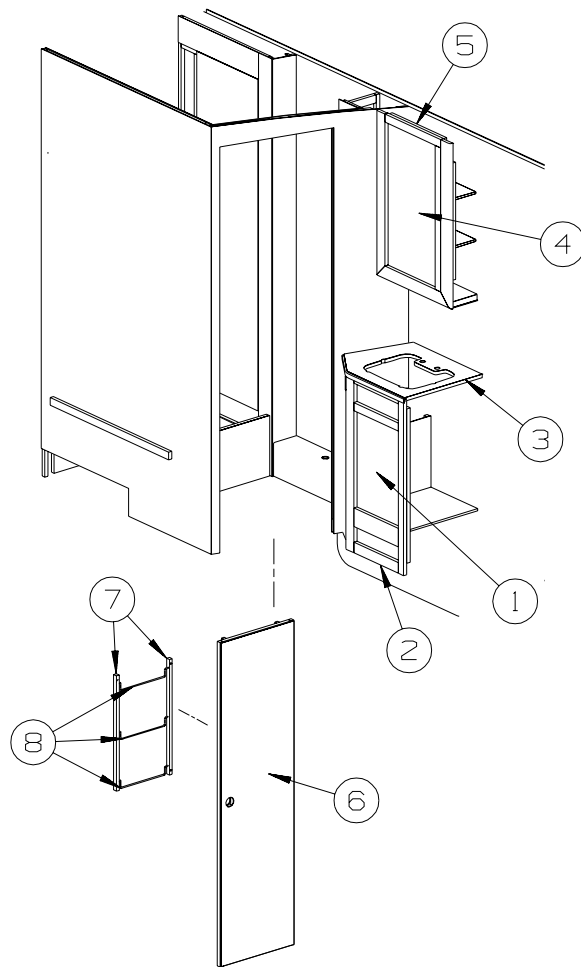
**331, 322E, 322R**

KEY	PART NUMBER	U/M	DESCRIPTION
1	124696-01-01A	EA	BOX - ENTERTAINMENT CENTER/EXTERIOR - BRIGHT WHITE
2	127409-02-L15	EA	PLATE - RADIO MOUNTING
3	104898-01-02A	EA	PLATE - PLASTIC BOTTOM - BRIGHT WHITE
4	104898-02-02A	EA	PLATE - PLASTIC BACK - BRIGHT WHITE

**329B, 324V, 332G, 324F, 329K**

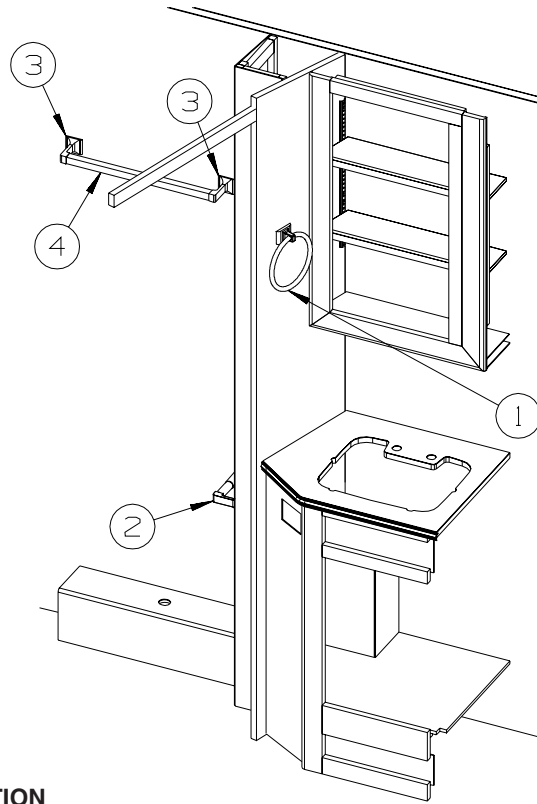
KEY	PART NUMBER	U/M	DESCRIPTION
1	124696-02-01A	EA	BOX - ENTERTAINMENT CENTER/EXTERIOR - BRIGHT WHITE
	124696-01-01A	EA	BOX - ENTERTAINMENT CENTER/EXTERIOR - BRIGHT WHITE
2	127409-02-L15	EA	PLATE - RADIO MOUNTING
3	104898-01-02A	EA	PLATE - PLASTIC BOTTOM - BRIGHT WHITE
4	NOT USED		

## BATH GROUP CABINETS



KEY	PART NUMBER	U/M	DESCRIPTION
1	136918-90-R07	EA	DOOR - FLAT/OGEE EDGE - 13.4" X 21.8" - W/O HARDWARE
2	142788-01-P07	EA	CABINET - LAVATORY - W/O COUNTERTOP/DOORS/DRAWERS/HARDWARE
3	133654-31-R07	EA	COUNTERTOP - LAMINATED - EGGHELL/PORTSMOUTH OAK
3	133654-31-R08	EA	COUNTERTOP - LAMINATED - GRAY TRANQUILITY/PORTSMOUTH OAK
3	133654-31-R09	EA	COUNTERTOP - LAMINATED - LINO FRIEZE/PORTSMOUTH OAK
4	115237-14-M01	EA	DOOR - MIRRORING/MEDICINE CABINET - W/O HARDWARE
4	076767-04-000	EA	CABLE - STAINLESS STEEL - 5.9"
	093606-03-000	EA	MIRROR - BEVELED EDGE - 28.3" X 15.1"
	137463-01-01A	EA	LIFT - HOOK - SATIN BRASS
5	142790-01-P07	EA	CABINET - OVERHEAD/MEDICINE - W/O DOORS/HARDWARE
6	144645-01-R07	EA	DOOR - BATH - W/O TOWEL RACK/HARDWARE
	146064-01-01A	EA	LOCK/PRIVACY (LOCKING) LEVER STYLE - POLISHED BRASS
7	P34509-01-N01	EA	RAIL END - RH/LH - TOWEL RACK - PORTSMOUTH OAK
8	146801-01-01A	EA	ROD/TOWEL BAR (OFFSET) - BRASS

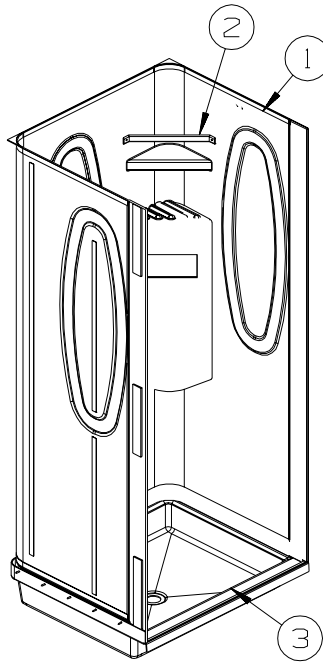
**BATH GROUP (CONTINUED)**  
**CABINETS (CONTINUED)**



KEY	PART NUMBER	U/M	DESCRIPTION
1	145980-06-01A	EA	TOWEL RING - BRASS
2	145980-01-01A	EA	PAPER HOLDER - BRASS
3	145980-04-01A	EA	TOWEL BAR - POST - PAIR/BRASS
4	145980-05-01A	EA	TOWEL BAR - 18" - BRASS

## BATH GROUP (CONTINUED)

### SHOWER



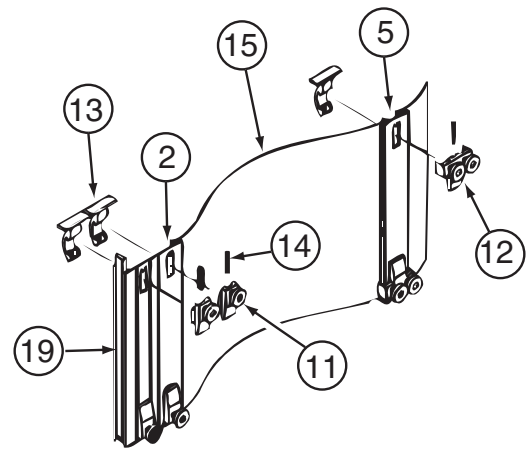
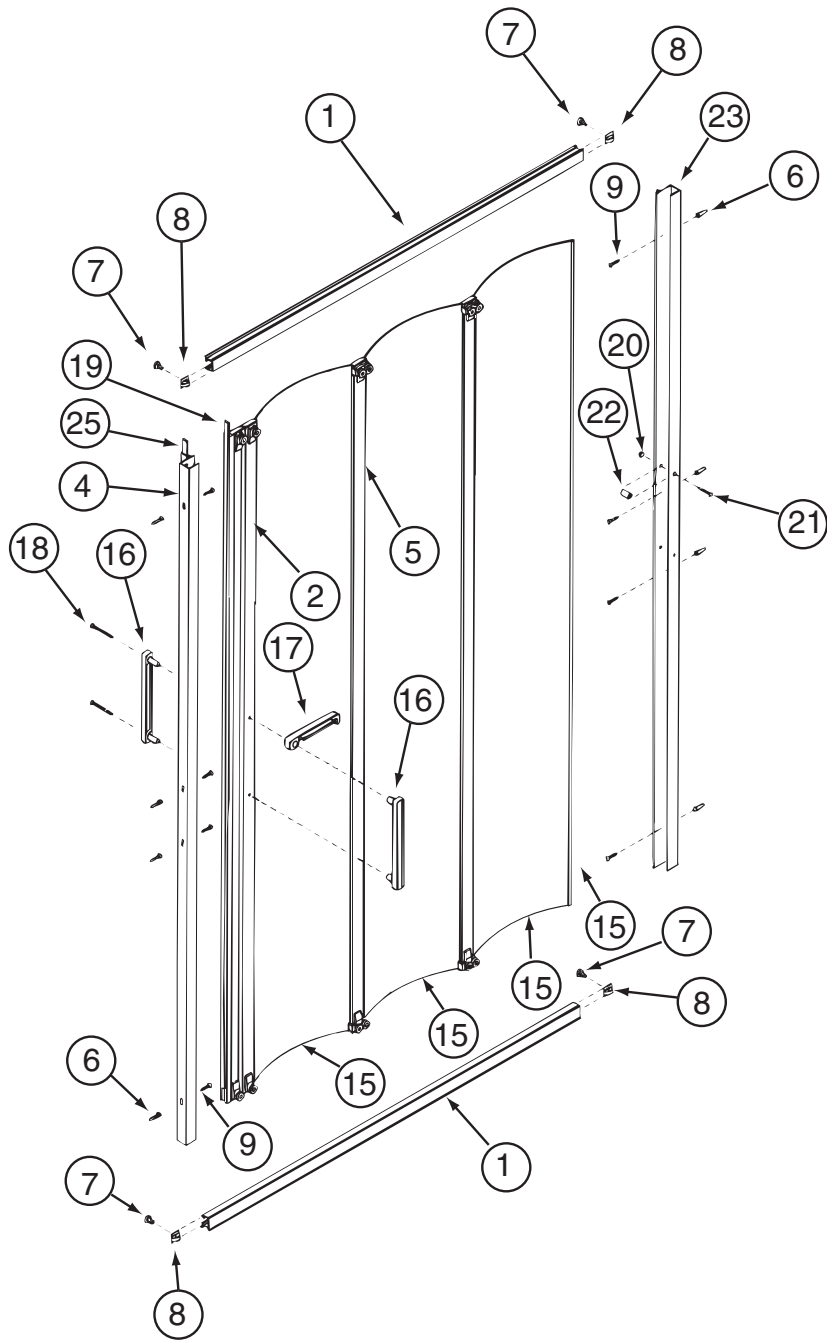
KEY	PART NUMBER	U/M	DESCRIPTION
1	147070-01-18A	EA	SURROUND - SHOWER - SOFT WHITE
2	113714-02-02A	EA	RETAINER - SHELF/SHOWER - 10.6" - SOFT WHITE
3	M02673-14-R28	EA	SHOWER PAN - W/STRAINER

### SHOWER DOOR

KEY	PART NUMBER	U/M	DESCRIPTION
*	135615-01-01A	EA	DOOR - SHOWER/FOLDING - 29.7" X 62.9" - WHITE

**\*COMPONENT PARTS LISTED LATER IN THIS GROUP**

**BATH GROUP (CONTINUED)**  
**COMPONENT PARTS FOR SHOWER DOOR**



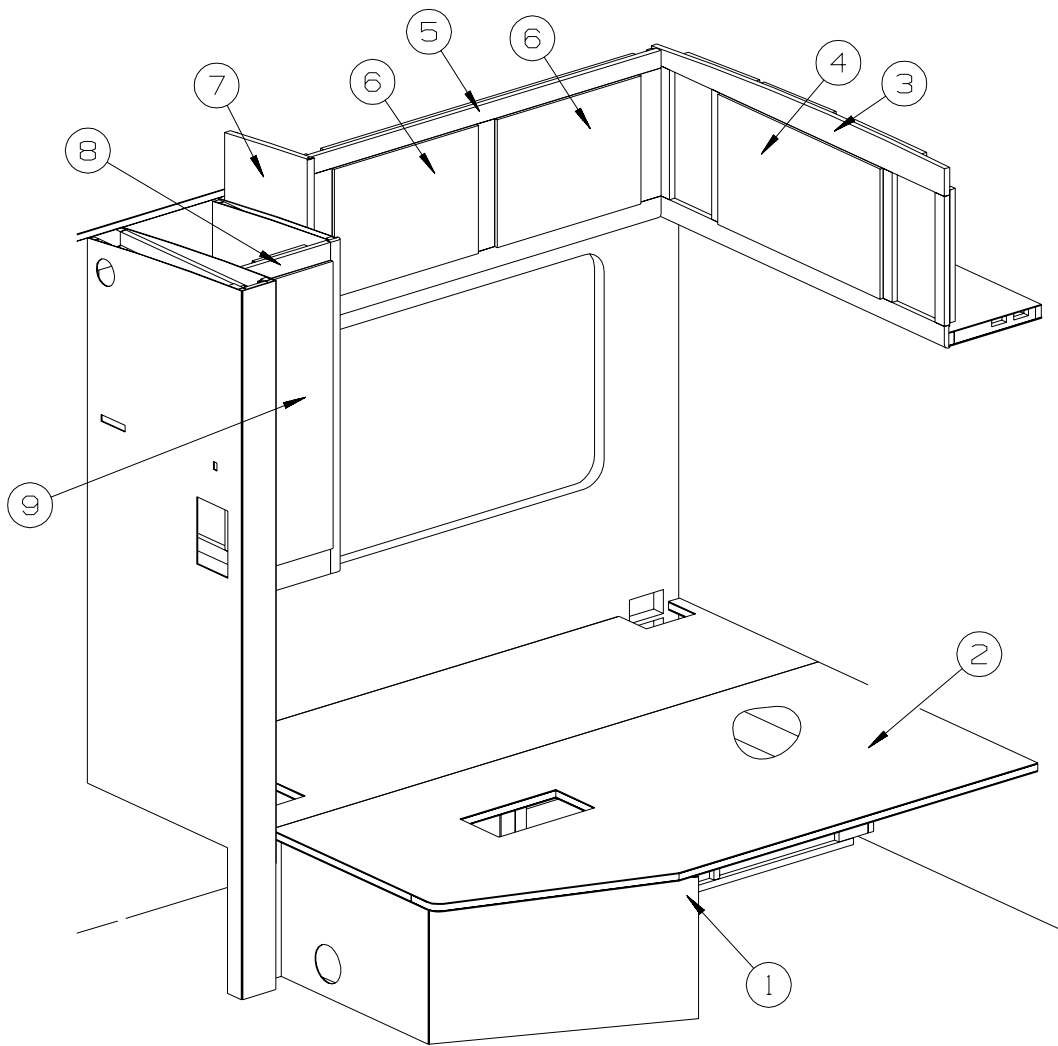
Roller Assembly Detail

135615-01-01A, 135615-02-01A, 135615-05-01A

KEY	PART NUMBER	U/M	DESCRIPTION	VENDOR NO.
1	135615-01-702	EA	TRACK - (TOP/BOTTOM) - 40"	117W
2	135615-01-701	EA	STRIKE ASSEMBLY - 66"	109W
4	135615-01-703	EA	JAMB/WALL - W/O MAG STRIKE 66"	112W
11	108351-01-703	EA	BRACKET & ROLLER ASM. SINGLE	GRB1
12	108351-01-704	EA	BRACKET & ROLLER ASM. DOUBLE	GRB2
13	108351-01-705	EA	CLIP ONLY F/SGL/DBL ROLLER	GRC1
14	108351-01-706	EA	SPRING-ROLLER BRACKET	GS1
16	108351-01-701	EA	HANDLES-DOOR, SET	SFH
17	108351-01-702	EA	LATCH-DOOR	SFL
23	135615-01-704	EA	JAMB/WALL PANEL RECEIVER 66"	110W
25	135615-01-700	EA	STRIP/MAGNETIC - 66"	98-41W

CONTACT WINNEBAGO PART SALES FOR UNLISTED COMPONENT(S)

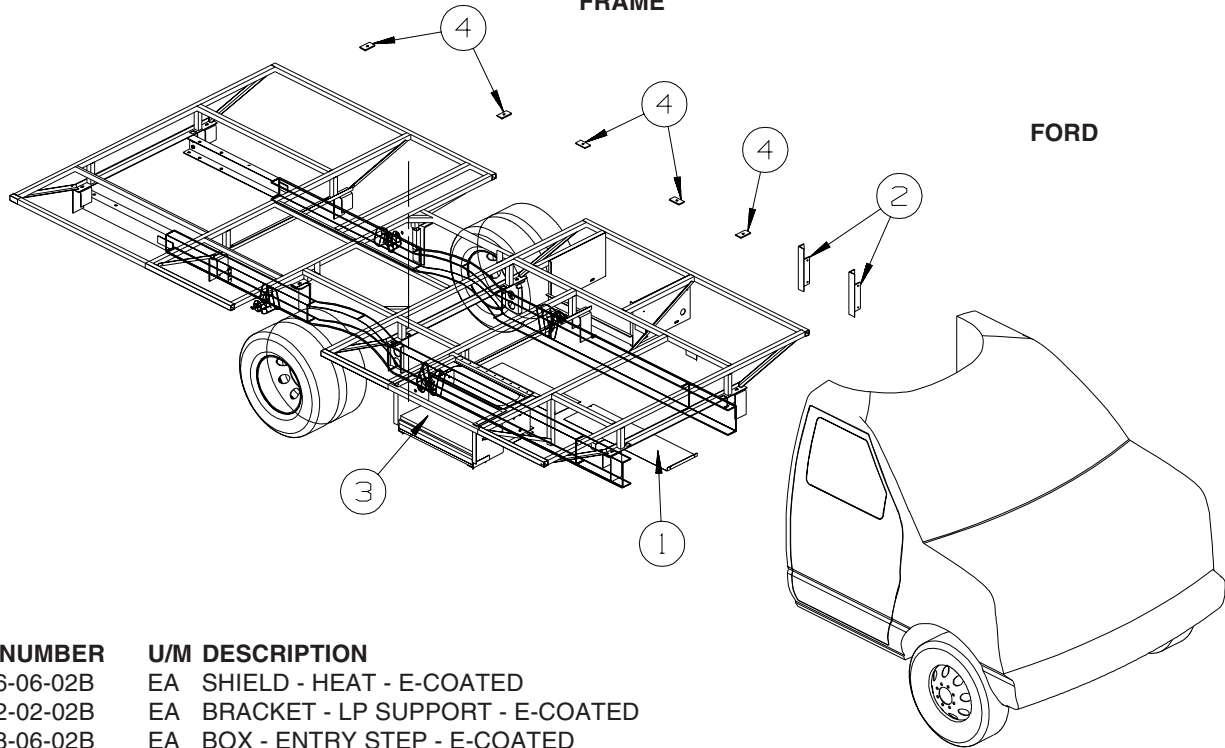
**BEDROOM GROUP  
QUEEN CABINETS**



KEY	PART NUMBER	U/M	DESCRIPTION
1	P42797-01-P07	EA	CABINET/BASE - W/O DOOR/DRAWER/HARDWARE - F/QUEEN BED
2	142797-14-000	EA	PANEL/BED TOP - W/T-MOLDING - QUEEN BED
3	142792-01-P07	EA	CABINET - OVERHEAD/REAR - W/O DOORS/HARDWARE
4	136954-D3-P75	EA	DOOR - RAISED PANEL/OGEE EDGE - 15.7" X 28" - W/O HDW
5	142796-01-P07	EA	CABINET - OVERHEAD/REAR - W/O DOORS/HARDWARE
6	136954-D0-P13	EA	DOOR - RAISED PANEL/OGEE EDGE - 15.7" X 20.5" - W/O HDW
7	140307-21-P07	EA	END CAP - OVERHEAD CABINET
8	142795-01-P07	EA	CABINET - OVERHEAD/SHIRT - W/O DOORS/HARDWARE
9	136954-19-R07	EA	DOOR - RAISED PANEL/OGEE EDGE - 9.8" X 33.5" - W/O HDW



## CHASSIS GROUP FRAME

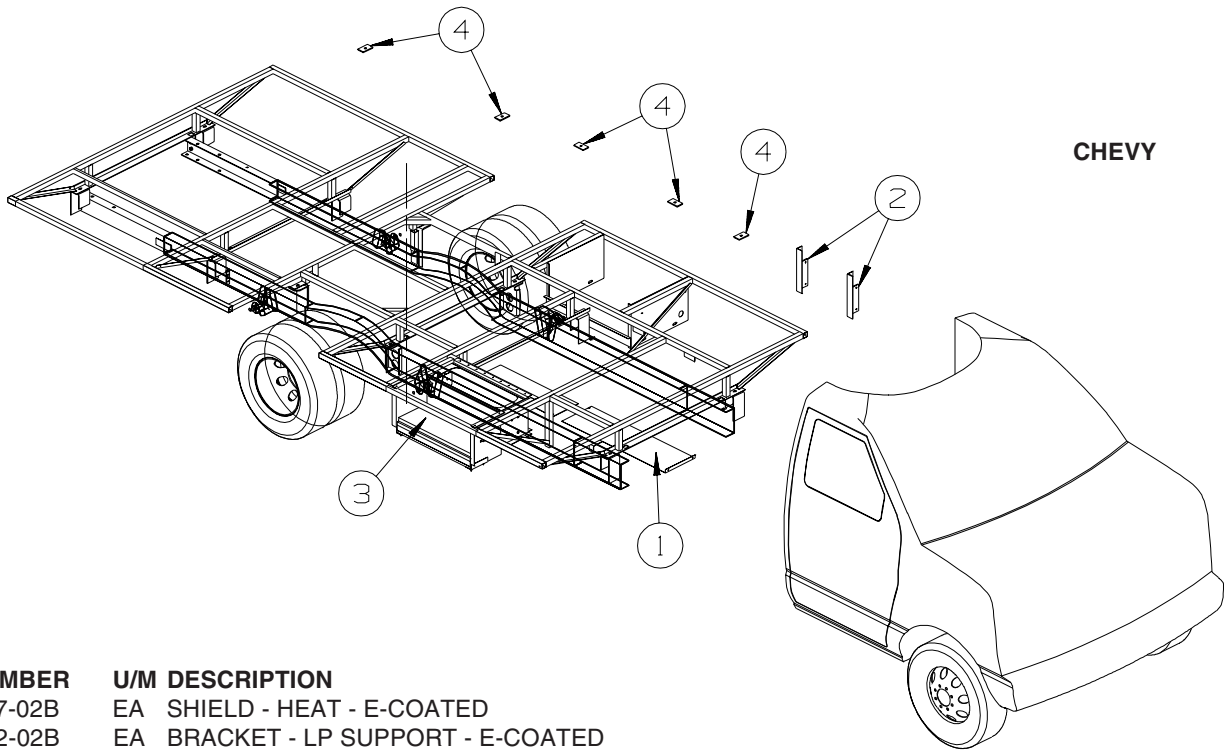


**FORD**

KEY	PART NUMBER	U/M	DESCRIPTION
1	135676-06-02B	EA	SHIELD - HEAT - E-COATED
2	136042-02-02B	EA	BRACKET - LP SUPPORT - E-COATED
3	135458-06-02B	EA	BOX - ENTRY STEP - E-COATED
3	135458-04-02B	EA	BOX - ENTRY STEP - E-COATED
4	135712-01-02B	EA	PLATE - BODY MOUNT - E-COATED

FROM: 00-00-00 THRU: 11-06-03

FROM: 11-07-03 THRU: 99-99-99



**CHEVY**

KEY	PART NUMBER	U/M	DESCRIPTION
1	135676-07-02B	EA	SHIELD - HEAT - E-COATED
2	136042-02-02B	EA	BRACKET - LP SUPPORT - E-COATED
3	135458-06-02B	EA	BOX - ENTRY STEP - E-COATED
3	135458-04-02B	EA	BOX - ENTRY STEP - E-COATED
4	135712-01-02B	EA	PLATE - BODY MOUNT - E-COATED

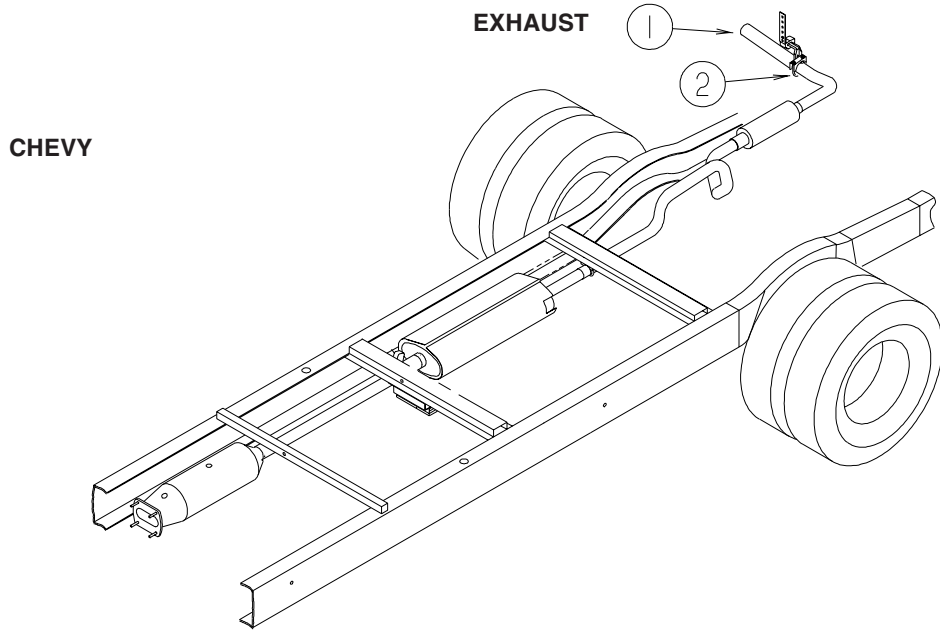
FROM: 00-00-00 THRU: 11-06-03

FROM: 11-07-03 THRU: 99-99-99

## CHASSIS GROUP (CONTINUED)

### DRIVETRAIN

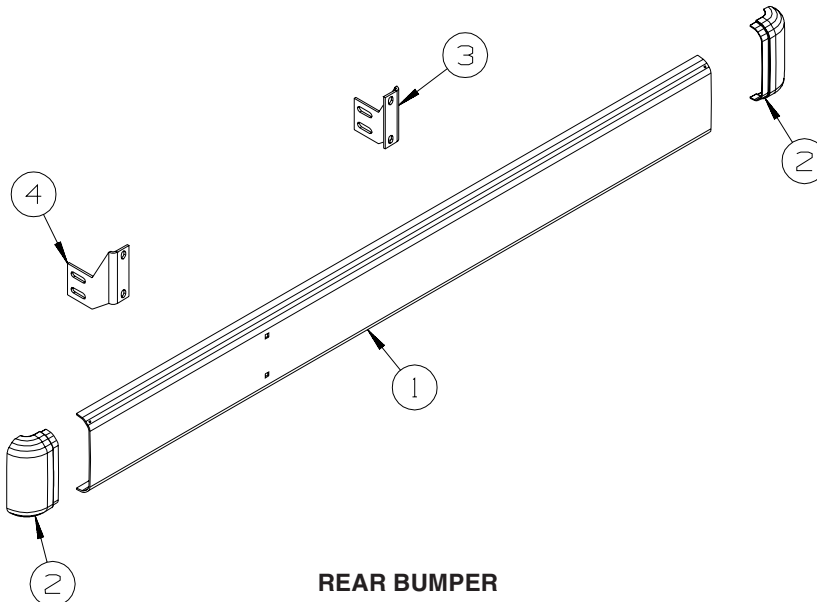
KEY	PART NUMBER	U/M	DESCRIPTION
	103653-23-000	EA	BOLT - U-JOINT - 5/16-24 X .75
	103653-24-000	EA	STRAP - U-JOINT
	131695-06-000	EA	DRIVESHAFT - 3 BALANCED - 220" WHEELBASE - <b>331</b>
	131695-09-000	EA	DRIVESHAFT - 3 BALANCED - 215" WHEELBASE - <b>332G</b>
	131694-09-000	EA	DRIVESHAFT ASSEMBLY - BALANCED PAIR - 190" WHEELBASE - <b>329B, 329K</b>



KEY	PART NUMBER	U/M	DESCRIPTION
1	129846-02-000	EA	PIPE - EXHAUST - TAIL - 3"
2	007125-08-000	EA	CLAMP - MUFFLER - 3" DIAMETER

### HITCH

KEY	PART NUMBER	U/M	DESCRIPTION
	130339-04-000	EA	HITCH RECEIVER - BOLT ON CLASS II - 3500# - <b>CHEVY</b>
	130339-11-000	EA	HITCH RECEIVER - BOLT ON CLASS III - <b>FORD</b>

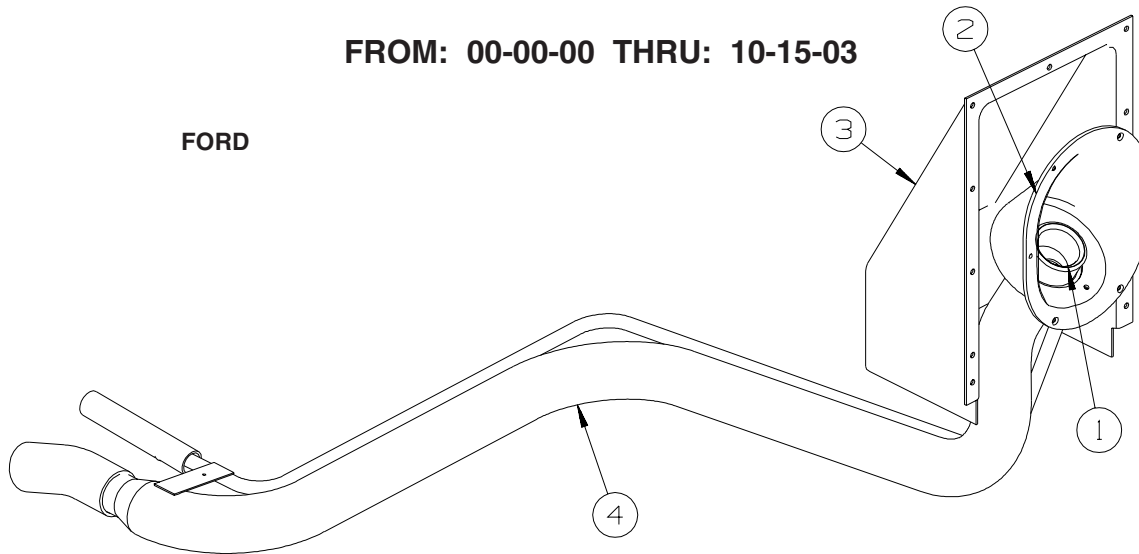


KEY	PART NUMBER	U/M	DESCRIPTION
1	103099-05-02A	EA	BUMPER - REAR - 91.7" - BRIGHT WHITE
2	106147-02-03A	EA	END CAP - BUMPER - BRIGHT WHITE
3	136945-03-02B	EA	BRACKET - BUMPER - REAR - E-COATED
4	136945-04-02B	EA	BRACKET - BUMPER - REAR - E-COATED
	038327-01-000	EA	TAPE - ANTI-SLIP - 2" X 60'

**CHASSIS GROUP (CONTINUED)**  
**FUEL**

**FROM: 00-00-00 THRU: 10-15-03**

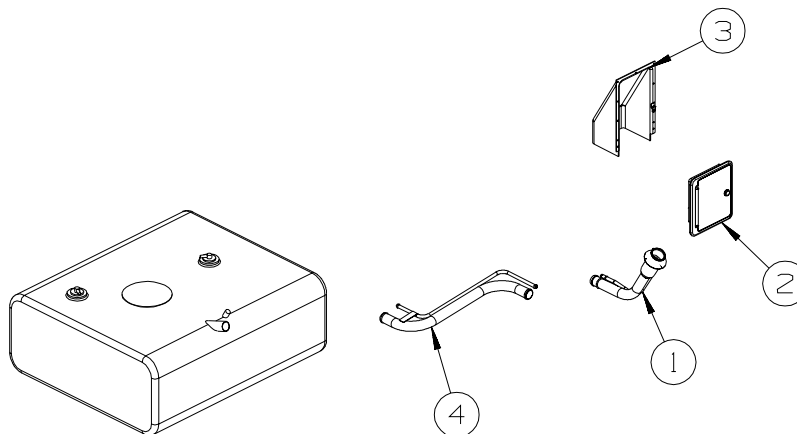
**FORD**



KEY	PART NUMBER	U/M	DESCRIPTION
1	078200-01-000	EA	GASKET - FUEL FILL - 3.5"OD X 2"ID
2	127291-02-01A	EA	SHROUD - FUEL FILL - BRIGHT WHITE
3	135557-02-01A	EA	SHROUD - FUEL FILL/UPPER
4	143132-02-000	EA	NECK - FUEL FILL
	149468-01-0000	EA	FITTIN - F/FUEL-SENDING UNIT - 1/4"
	128139-03-000	FT	HOSE - FUEL - LOW PERMEABILITY - 1/4" DIAMETER - GENERATOR
	084884-01-000	EA	PLUG - BRASS - 3/8" - WITHOUT GENERATOR

**FROM: 10-16-03 THRU: 99-99-99**

**FORD**

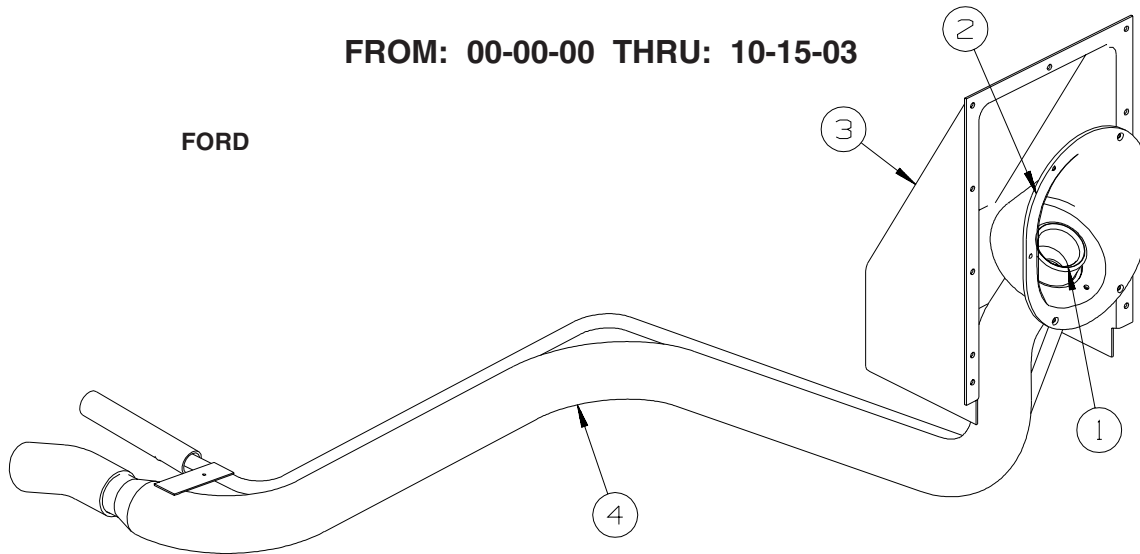


KEY	PART NUMBER	U/M	DESCRIPTION
1	148789-01-000	EA	NECK - FUEL FILL
2	147587-01-01A	EA	DOOR - FUEL FILL
3	135557-02-01A	EA	SHROUD - FUEL FILL - UPPER
4	148650-03-000	EA	NECK - FILLER/MAIN/EXTENSION

**CHASSIS GROUP (CONTINUED)**  
**FUEL**

**FROM: 00-00-00 THRU: 10-15-03**

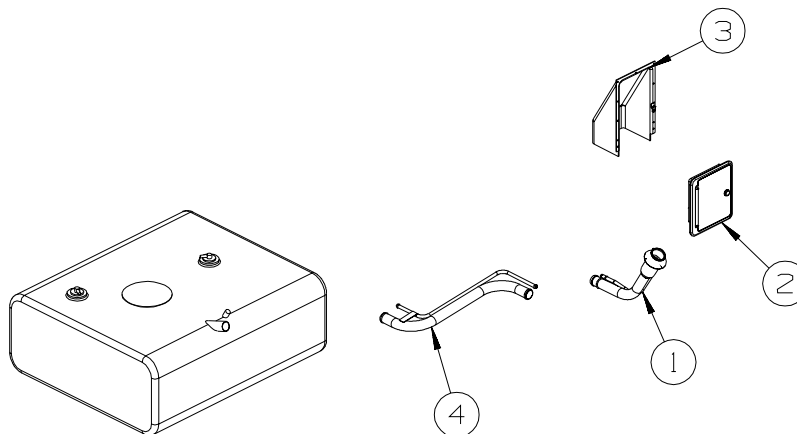
**FORD**



KEY	PART NUMBER	U/M	DESCRIPTION
1	078200-01-000	EA	GASKET - FUEL FILL - 3.5"OD X 2"ID
2	127291-02-01A	EA	SHROUD - FUEL FILL - BRIGHT WHITE
3	135557-02-01A	EA	SHROUD - FUEL FILL/UPPER
4	143132-02-000	EA	NECK - FUEL FILL
	149468-01-0000	EA	FITTIN - F/FUEL-SENDING UNIT - 1/4"
	128139-03-000	FT	HOSE - FUEL - LOW PERMEABILITY - 1/4" DIAMETER - GENERATOR
	084884-01-000	EA	PLUG - BRASS - 3/8" - WITHOUT GENERATOR

**FROM: 10-16-03 THRU: 99-99-99**

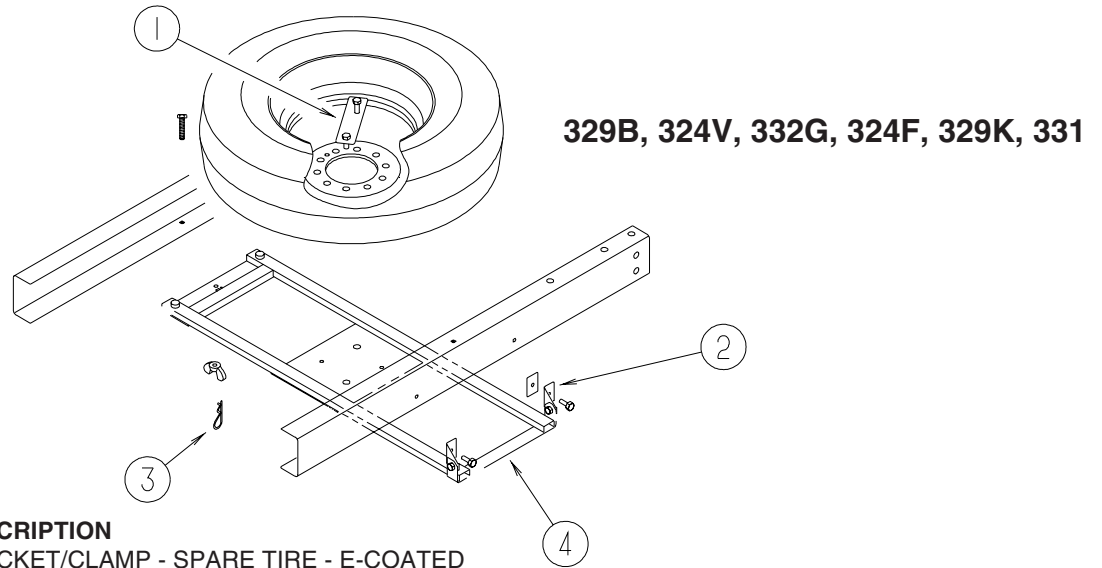
**FORD**



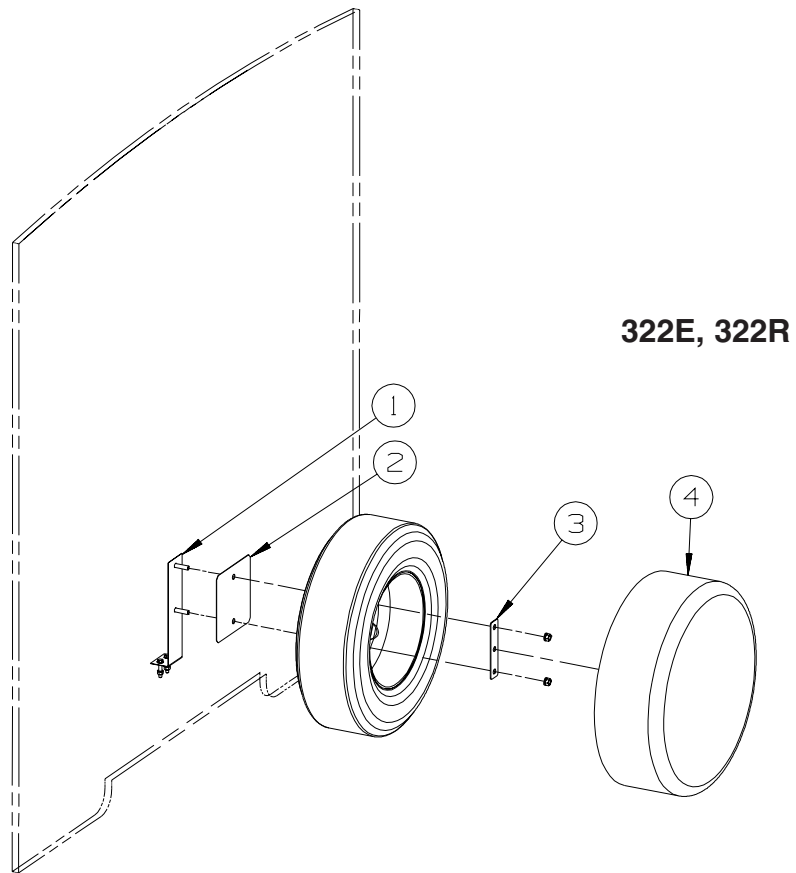
KEY	PART NUMBER	U/M	DESCRIPTION
1	148789-01-000	EA	NECK - FUEL FILL
2	147587-01-01A	EA	DOOR - FUEL FILL
3	135557-02-01A	EA	SHROUD - FUEL FILL - UPPER
4	148650-03-000	EA	NECK - FILLER/MAIN/EXTENSION

## CHASSIS GROUP (CONTINUED)

### SPARE TIRE



KEY	PART NUMBER	U/M	DESCRIPTION
1	116338-02-02B	EA	BRACKET/CLAMP - SPARE TIRE - E-COATED
2	116349-04-02B	EA	BRACKET - HINGE - SPARE TIRE - E-COATED - 324F, 324V, 329B, 332G, 329K
2	116349-01-02B	EA	BRACKET - HINGE - SPARE TIRE - E-COATED - 331
3	034513-01-000	EA	PIN - HITCH - 3/16" WIRE
4	135796-02-02B	EA	CRADLE - SPARE TIRE - E-COATED - 324F, 324V, 329B, 332G, 329K
4	135796-04-02B	EA	CRADLE - SPARE TIRE - E-COATED - 331
	069726-02-000	EA	BUMPER - .88" OD X .40" THICK - BLACK
	144388-01-000	EA	TIRE - LT225/75R16 LRD - UNIROYAL LAREDO HD



KEY	PART NUMBER	U/M	DESCRIPTION
1	105209-05-C52	EA	BRACKET ASSEMBLY - SPARE TIRE - CHEVY
1	105209-03-C52	EA	BRACKET ASSEMBLY - SPARE TIRE - FORD
2	105208-01-000	EA	PLATE - SPARE TIRE
3	143547-01-02B	EA	RETAINER - SPARE TIRE - E-COATED
4	073322-09-N06	EA	COVER - TIRE - 30"
	073322-50-000	EA	COVER - UNIVERSAL LINER

**CHASSIS GROUP (CONTINUED)**  
**WHEEL, TIRES, COVERS &/OR LINERS**

<b>KEY</b>	<b>PART NUMBER</b>	<b>U/M</b>	<b>DESCRIPTION</b>
	112358-01-000	EA	WRENCH - LUG - 7/8" - L-SHAPE
*	109443-05-000	EA	WHEEL COVER - 4/SET - 16" STAINLESS STEEL - 8 LUG
	083425-14-000	EA	TIRE - LT225/75R16 LRE - MICHELIN LTX M/S - <b>FORD</b>
	144388-01-000	EA	TIRE - LT225/75R16 LRD - UNIROYAL LAREDO HD - <b>GM</b>
	083617-04-000	EA	WHEEL - STEEL - 6" X 16" - <b>FORD</b>
*	110435-13-000	EA	LINER - WHEEL - SET OF 4 - 16" (8 HOLE) - <b>FORD</b>
*	144647-01-000	EA	LINER - WHEEL SET (SET=4) 16" - <b>GM</b>
	077030-01-000	EA	EXTENSION - VALVE STEM - 1.25" - METAL
	077030-02-000	EA	EXTENSION - VALVE STEM - 1.25" - PLASTIC
	095012-05-000	EA	EXTENSION/VALVE STEM - LIVE - 5"
	095012-06-000	EA	STABILIZER/VALVE EXTENSION - LIVE - 2"
	051377-04-000	EA	VALVE STEM - .5" X 2"
	051377-03-000	EA	VALVE STEM

**\*COMPONENT PARTS LISTED LATER IN THIS GROUP**

**CHASSIS GROUP (CONTINUED)**  
**COMPONENT PARTS FOR WHEEL, TIRE, COVERS &/OR LINERS**

**109443-05-000**

<b>KEY</b>	<b>PART NUMBER</b>	<b>U/M</b>	<b>DESCRIPTION</b>	<b>VENDOR NO.</b>
	098532-01-700	EA	COVER-LUG NUT (CHROME)	SHAU-LNC
	109443-05-700	EA	COVER-WHEEL, 16" SS EA=1	SHFM16-CVR

**110435-13-000**

<b>KEY</b>	<b>PART NUMBER</b>	<b>U/M</b>	<b>DESCRIPTION</b>	<b>VENDOR NO.</b>
	110435-01-711	EA	DECAL-CENTER CAP, 2"	2" DECAL
	110435-10-705	EA	TOOL/JAMB NUT INSTALLATION	V195P7-TOL
	110435-13-700	EA	LINER - WHEEL - FRONT	V160F7-FWC
	110435-13-701	EA	LINER - WHEEL - REAR	V160F7-RWC
	110435-13-702	EA	JAMB NUT W/COVER - 9/16"	V160F7-EJN

**144647-01-000**

<b>KEY</b>	<b>PART NUMBER</b>	<b>U/M</b>	<b>DESCRIPTION</b>	<b>VENDOR NO.</b>
	110435-01-711	EA	DECAL-CENTER CAP, 2"	2" DECAL
	144647-01-700	EA	WHEEL COVER - FRONT/1 PIECE	FL60-FWC
	144647-01-701	EA	WHEEL COVER - REAR/1 PIECE	FL60-RWC

**CHASSIS GROUP (CONTINUED)**  
**BRAKELINE**

<b>KEY</b>	<b>PART NUMBER</b>	<b>U/M</b>	<b>DESCRIPTION</b>
	088498-01-000	EA	UNION - INVERTED FLARE - BRASS - 3/16

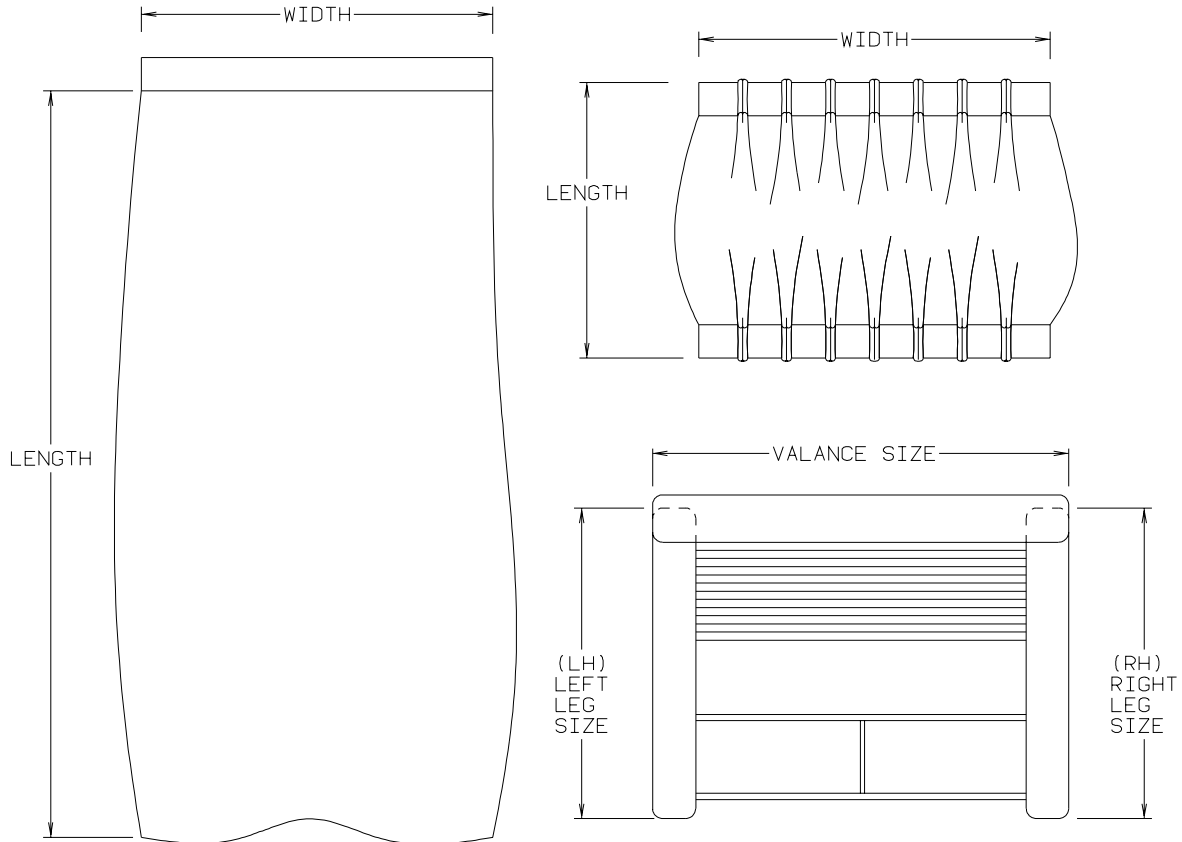


## CURTAIN & CUSHION GROUP

### NOTICE

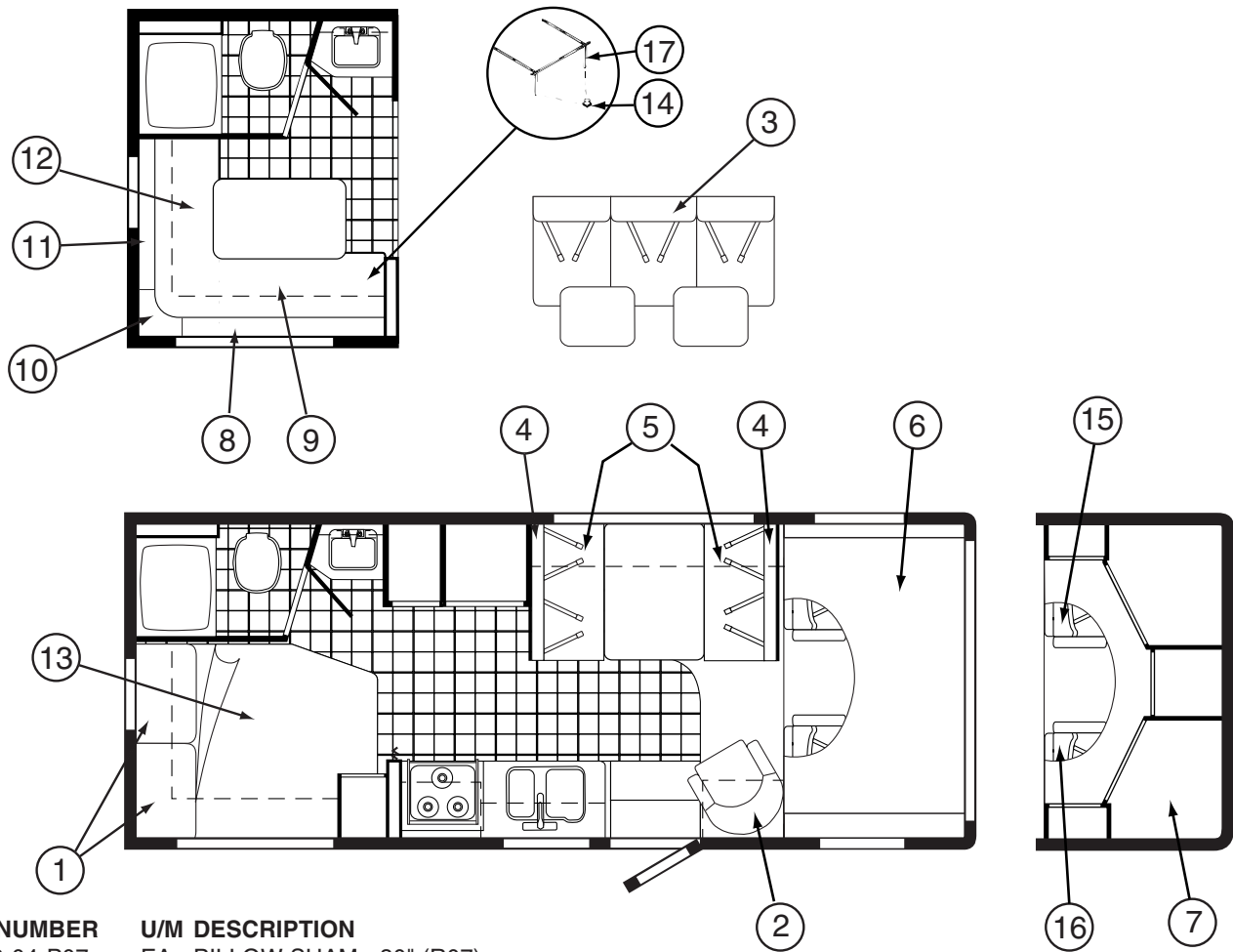
IN ORDER TO ASSIST OUR PARTS SALES DEPT. IN PROVIDING INTERIOR SOFTWARE ITEMS, PLEASE INCLUDE THE SERIAL NUMBER AND THE COLOR CODE NUMBER FROM THE VEHICLE CERTIFICATION LABEL WHEN ORDERING. THIS LABEL IS LOCATED ON THE LEFT SIDEWALL AT THE END OF THE DASH (A-BODY), OR ON THE DRIVER'S DOOR LATCH PLATE (C-BODY).

AN EXAMPLE OF A COLOR CODE NUMBER IS B07, WHICH DESIGNATES AN OVERALL COLOR SCHEME OF A PARTICULAR UNIT. THE COLOR LISTED AFTER THE ITEM DESCRIPTION ON THE MICROFICHE, INDICATES THE OVERALL UNIT COLOR. ORDER THE ITEM YOU DESIRE ACCORDING TO UNIT COLOR CODE. IF ALL COLORS USE THE SAME ITEM NO COLOR CODE WILL BE NOTED.



NOTE: USE THIS ILLUSTRATION WHEN DETERMINING LENGTH AND WIDTH MEASUREMENTS FOR CURTAINS. YOU WILL NOTE THE WIDTH MEASUREMENT IS TAKEN ON THE TOP OF THE CURTAIN WITH THE CURTAIN FULLY EXTENDED. THE LENGTH MEASUREMENT IS TAKEN FROM TOP TO BOTTOM. LEFT AND RIGHT WINDOW LEGS ARE DETERMINED WHEN FACING THE WINDOW.

**CURTAIN & CUSHION GROUP (CONTINUED)**  
**CUSHION LAYOUT**



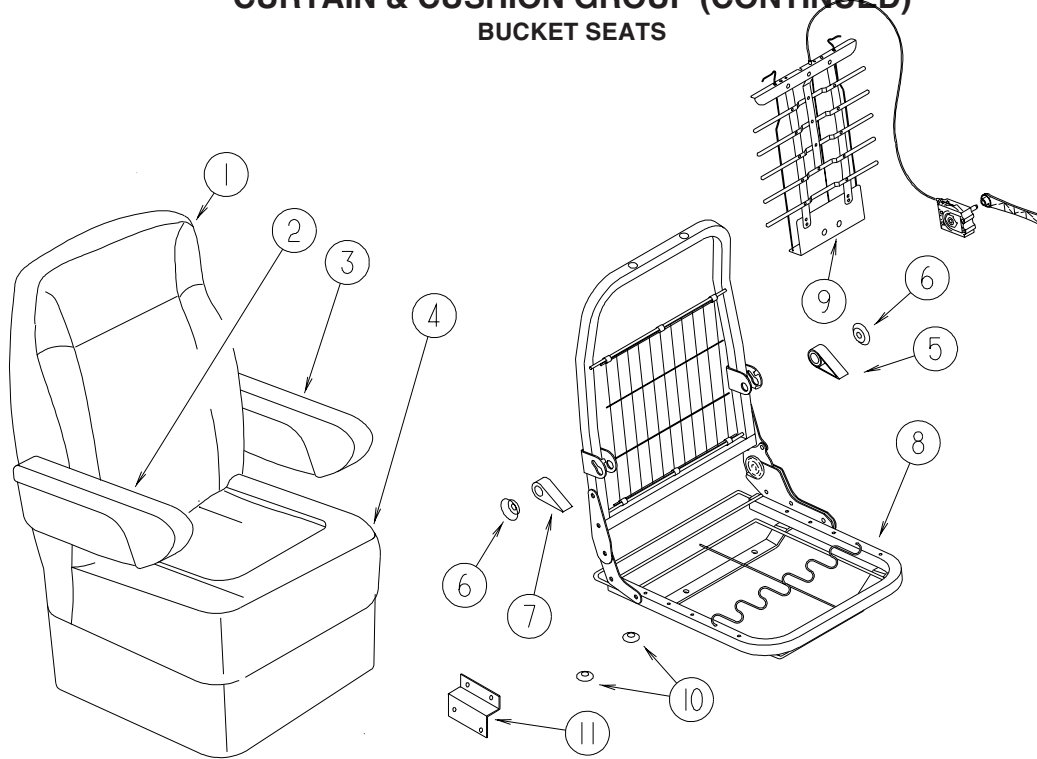
KEY	PART NUMBER	U/M	DESCRIPTION
1	104176-04-P07	EA	PILLOW SHAM - 30" (R07)
1	104176-04-P37	EA	PILLOW SHAM - 30" (R08)
1	104176-04-R08	EA	PILLOW SHAM - 30" (R09)
2	138523-02-P07	EA	CHAIR - W/SPRUNG SEAT (R07)
2	138523-02-P13	EA	CHAIR - W/SPRUNG SEAT (R08)
2	138523-02-R09	EA	CHAIR - W/SPRUNG SEAT (R09)
3		EA	SOFA/BED - SEE SOFA AREA
4	111897-14-P07	EA	CUSHION - BACK - 13.5" X 42" X 5" (R07)
4	111897-14-R08	EA	CUSHION - BACK - 13.5" X 42" X 5" (R08)
4	111897-14-R09	EA	CUSHION - BACK - 13.5" X 42" X 5" (R09)
	P11897-14-P07	EA	COVER/BACK - 13.5" X 42" X 5" (R07)
	P11897-14-R08	EA	COVER/BACK - 13.5" X 42" X 5" (R08)
	P11897-14-R09	EA	COVER/BACK - 13.5" X 42" X 5" (R09)
5	105603-15-P07	EA	CUSHION - SEAT - 23" X 42" X 5" (R07)
5	105603-15-R08	EA	CUSHION - SEAT - 23" X 42" X 5" (R08)
5	105603-15-R09	EA	CUSHION - SEAT - 23" X 42" X 5" (R09)
	P05603-15-P07	EA	COVER/SEAT - 23" X 42" X 5" (R07)
	P05603-15-R08	EA	COVER/SEAT - 23" X 42" X 5" (R08)
	P05603-15-R09	EA	COVER/SEAT - 23" X 42" X 5" (R09)
6	105573-17-P07	EA	CUSHION - OVERHEAD BUNK/REAR - 27" X 23" X 80" X 5" (R07)
6	105573-17-R08	EA	CUSHION - OVERHEAD BUNK/REAR - 27" X 23" X 80" X 5" (R08)
6	105573-17-R09	EA	CUSHION - OVERHEAD BUNK/REAR - 27" X 23" X 80" X 5" (R09)
	P05573-17-P07	EA	COVER - OVERHEAD/REAR - 27" X 23" X 80" X 5" (R07)
	P05573-17-R08	EA	COVER - OVERHEAD/REAR - 27" X 23" X 80" X 5" (R08)
	P05573-17-R09	EA	COVER - OVERHEAD/REAR - 27" X 23" X 80" X 5" (R09)
7	105573-18-P07	EA	CUSHION - OVERHEAD BUNK/FRONT - 32.5" X 80" X 5" (R07)
7	105573-18-R08	EA	CUSHION - OVERHEAD BUNK/FRONT - 32.5" X 80" X 5" (R08)
7	105573-18-R09	EA	CUSHION - OVERHEAD BUNK/FRONT - 32.5" X 80" X 5" (R09)
	P05573-18-P07	EA	COVER - OVERHEAD/FRONT - 32.5" X 80" X 5" (R07)
	P05573-18-R08	EA	COVER - OVERHEAD/FRONT - 32.5" X 80" X 5" (R08)
	P05573-18-R09	EA	COVER - OVERHEAD/FRONT - 32.5" X 80" X 5" (R09)

**CURTAIN & CUSHION GROUP (CONTINUED)**  
**CUSHION LAYOUT (CONTINUED)**

KEY	PART NUMBER	U/M	DESCRIPTION
8	127742-02-P07	EA	CUSHION - BACK - 48" X 14" X 5" (R07)
8	127742-02-R08	EA	CUSHION - BACK - 48" X 14" X 5" (R08)
8	127742-02-R09	EA	CUSHION - BACK - 48" X 14" X 5" (R09)
	P27742-02-P07	EA	COVER/BACK - 48" X 14" X 5" (R07)
	P27742-02-R08	EA	COVER/BACK - 48" X 14" X 5" (R08)
	P27742-02-R09	EA	COVER/BACK - 48" X 14" X 5" (R09)
9	127742-01-R07	EA	CUSHION - SEAT - 31.25" X 48" X 4.75" U.S.
9	127742-01-R08	EA	CUSHION - SEAT - 31.25" X 48" X 4.75" U.S.
9	127742-01-R09	EA	CUSHION - SEAT - 31.25" X 48" X 4.75" U.S.
9	127742-06-P07	EA	CUSHION - SEAT - 31.25" X 48" X 4.75" (R07) CANADIAN
9	127742-06-R08	EA	CUSHION - SEAT - 31.25" X 48" X 4.75" (R08) CANADIAN
9	127742-06-R09	EA	CUSHION - SEAT - 31.25" X 48" X 4.75" (R09) CANADIAN
	P27742-01-P07	EA	COVER/SEAT - 31.25" X 48" X 4.75" (R07) U.S.
	P27742-01-R08	EA	COVER/SEAT - 31.25" X 48" X 4.75" (R08) U.S.
	P27742-01-R09	EA	COVER/SEAT - 31.25" X 48" X 4.75" (R09) U.S.
	P27742-06-P07	EA	COVER/SEAT - 31.25" X 48" X 4.75" (R07) CANADIAN
	P27742-06-R08	EA	COVER/SEAT - 31.25" X 48" X 4.75" (R08) CANADIAN
	P27742-06-R09	EA	COVER/SEAT - 31.25" X 48" X 4.75" (R09) CANADIAN
10	127742-05-P07	EA	CUSHION - CORNER/BOLSTER (R07)
10	127742-05-R08	EA	CUSHION - CORNER/BOLSTER (R08)
10	127742-05-R09	EA	CUSHION - CORNER/BOLSTER (R09)
	P27742-05-P07	EA	COVER - CORNER/BOLSTER (R07)
	P27742-05-R08	EA	COVER/CORNER - BOLSTER (R08)
	P27742-05-R09	EA	COVER - CORNER/BOLSTER (R09)
11	127742-04-P07	EA	CUSHION - BACK - 27.5" X 14" X 7" (R07)
11	127742-04-R08	EA	CUSHION - BACK - 27.5" X 14" X 7" (R08)
11	127742-04-R09	EA	CUSHION - BACK - 27.5" X 14" X 7" (R09)
	P27742-04-P07	EA	COVER/BACK - 27.5" X 14" X 7" (R07)
	P27742-04-R08	EA	COVER/BACK - 27.5" X 14" X 7" (R08)
	P27742-04-R09	EA	COVER/BACK - 27.5" X 14" X 7" (R09)
12	127742-03-P07	EA	CUSHION - SEAT - 27" X 60" X 5" (R07)
12	127742-03-R08	EA	CUSHION - SEAT - 27" X 60" X 5" (R08)
12	127742-03-R09	EA	CUSHION - SEAT - 27" X 60" X 5" (R09)
	P27742-03-P07	EA	COVER/SEAT - 27" X 60" X 5" (R07)
	P27742-03-R08	EA	COVER/SEAT - 27" X 60" X 5" (R08)
	P27742-03-R09	EA	COVER/SEAT - 27" X 60" X 5" (R09)
13	117067-14-P07	EA	COVER - FITTED SHEET - 54" X 75" X 5" (R07)
13	117067-14-R08	EA	COVER - FITTED SHEET - 54" X 75" X 5" (R08)
13	117067-14-R09	EA	COVER - FITTED SHEET - 54" X 75" X 5" (R09)
13	101123-35-000	EA	MATTRESS - FOAM W/1 CUT CORNER - 60" X 75" X 6.5"
14	110550-01-000	EA	CAP - TUBE .9" SQUARE
15	136590-01-P07	EA	BUCKET SEAT - DRIVER (R07) FORD
15	136590-01-R08	EA	BUCKET SEAT - DRIVER (R08) FORD
15	136590-01-R09	EA	BUCKET SEAT - DRIVER (R09) FORD
15	136590-03-P07	EA	BUCKET SEAT - DRIVER - W/SKIRT (R07) CHEVY
15	136590-03-R08	EA	BUCKET SEAT - DRIVER - W/SKIRT (R08) CHEVY
15	136590-03-R09	EA	BUCKET SEAT - DRIVER - W/SKIRT (R09) CHEVY
15	136590-05-M01	EA	BUCKET SEAT - DRIVER - LEATHER FACED CAB SEAT - FORD
15	136590-07-M01	EA	BUCKET SEAT - DRIVER - W/SKIRT - LEATHER FACED CAB SEAT - CHEVY
16	136590-02-P07	EA	BUCKET SEAT - PASSENGER (R07) FORD
16	136590-02-P13	EA	BUCKET SEAT - PASSENGER (R08) FORD
16	136590-02-R09	EA	BUCKET SEAT - PASSENGER (R09) FORD
16	136590-04-P07	EA	BUCKET SEAT - PASSENGER - W/SKIRT (R07) CHEVY
16	136590-04-R08	EA	BUCKET SEAT - PASSENGER - W/SKIRT (R08) CHEVY
16	136590-04-R09	EA	BUCKET SEAT - PASSENGER - W/SKIRT (R09) CHEVY
16	136590-06-M01	EA	BUCKET SEAT - PASSENGER - LEATHER FACED CAB SEAT - FORD
16	136590-08-M01	EA	BUCKET SEAT - PASSENGER - W/SKIRT - LEATHER FACED CAB SEAT - CHEVY
17	127553-01-J03	EA	LEG - DINETTE CUSHION

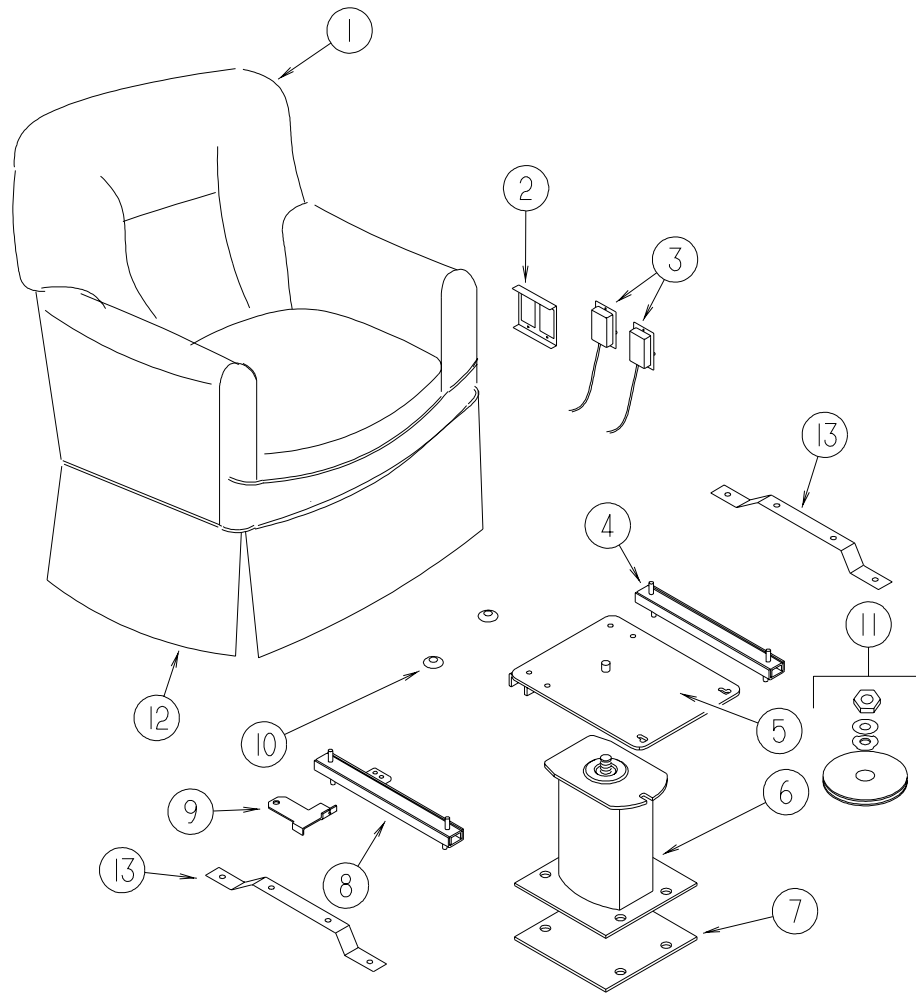
## CURTAIN & CUSHION GROUP (CONTINUED)

### BUCKET SEATS



KEY	PART NUMBER	U/M	DESCRIPTION
1	M05962-E1-P07	EA	COVER - BACK (R07)
1	M05962-E1-P13	EA	COVER - BACK (R08)
1	M05962-E1-R09	EA	COVER - BACK (R09)
1	M05962-E4-M01	EA	COVER/BACK - <b>LEATHER FACED</b>
2	129666-07-P07	EA	ARMREST - RIGHT HAND (R07)
2	129666-07-P13	EA	ARMREST - RIGHT HAND (R08)
2	129666-07-P37	EA	ARMREST - RIGHT HAND (R09)
2	129666-09-M01	EA	ARMREST - RIGHT HAND - <b>LEATHER FACED</b>
	P29666-07-P07	EA	COVER/ARMREST - RIGHT HAND (R07)
	P29666-07-P13	EA	COVER/ARMREST - RIGHT HAND (R08)
	P29666-07-P37	EA	COVER/ARMREST - RIGHT HAND (R09)
	P29666-09-M01	EA	COVER/ARMREST - RIGHT HAND - <b>LEATHER FACED</b>
	130698-01-000	EA	ARMREST/MOLDED - RIGHT - W/O COVER
3	129666-08-P07	EA	ARMREST - LEFT HAND (R07)
3	129666-08-P13	EA	ARMREST - LEFT HAND (R08)
3	129666-08-P37	EA	ARMREST - LEFT HAND (R09)
3	129666-10-M01	EA	ARMREST - LEFT HAND - <b>LEATHER FACED</b>
	P29666-08-P07	EA	COVER/ARMREST - LEFT HAND (R07)
	P29666-08-P13	EA	COVER/ARMREST - LEFT HAND (R08)
	P29666-08-P37	EA	COVER/ARMREST - LEFT HAND (R09)
	P29666-10-M01	EA	COVER/ARMREST - LEFT HAND - <b>LEATHER FACED</b>
	130698-02-000	EA	ARMREST/MOLDED - LEFT - W/O COVER
4	M05962-E2-P07	EA	COVER - SEAT (R07)
4	M05962-E2-P13	EA	COVER - SEAT (R08)
4	M05962-E2-R09	EA	COVER - SEAT (R09)
4	M05962-E3-P07	EA	COVER/SEAT - W/SKIRT (R07) - <b>CHEVY</b>
4	M05962-E3-R08	EA	COVER/SEAT - W/SKIRT (R08) - <b>CHEVY</b>
4	M05962-E3-R09	EA	COVER/SEAT - W/SKIRT (R09) - <b>CHEVY</b>
4	M05962-E5-M01	EA	COVER/SEAT - LEATHER - <b>LEATHER FACED</b>
4	M05962-E6-M01	EA	COVER - SEAT - W/SKIRT - LEATHER - <b>LEATHER FACED CHEVY</b>
5	130802-01-000	EA	LEVER - LEFT HAND
6	130802-03-000	EA	SCREW F/LEVER
7	130802-02-000	EA	LEVER - RIGHT HAND
8	132875-03-000	EA	FRAME - RIGHT HAND CHAIR/TAPERED BACK
8	132875-04-000	EA	FRAME - LEFT HAND CHAIR/TAPERED BACK
9	NOT USED		
10	007221-01-000	EA	SPACER - SEAT/ADJUSTER
11	NOT USED		
	029134-01-000	EA	CLIP - FINISH - UPHOLSTERY

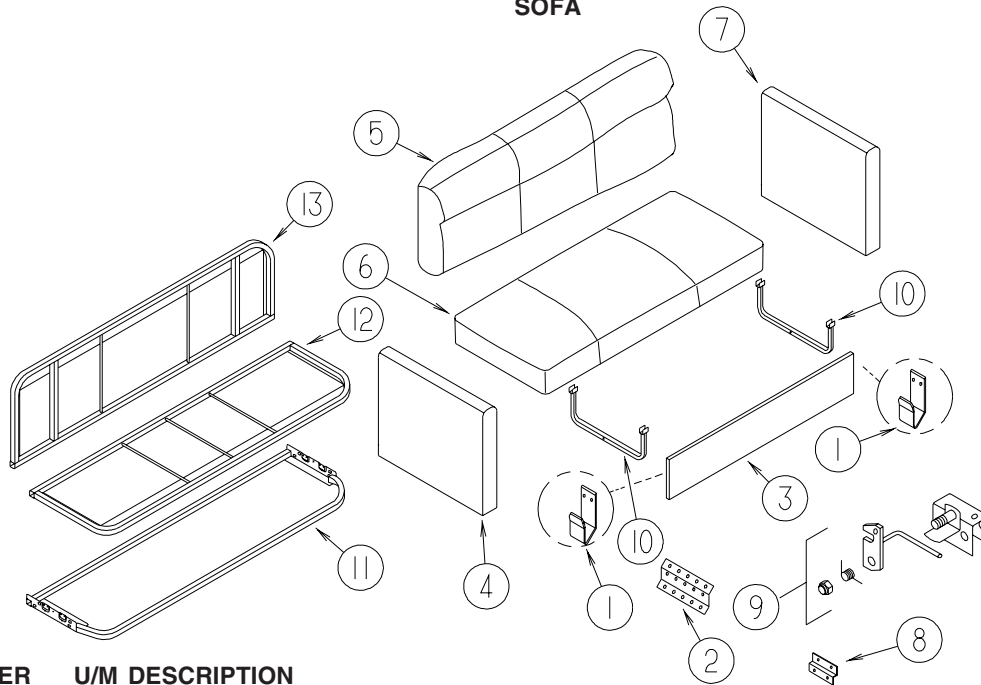
**CURTAIN & CUSHION GROUP (CONTINUED)**  
**LOUNGE CHAIR**



KEY	PART NUMBER	U/M	DESCRIPTION
1	P38523-01-P38	EA	COVER/CHAIR - W/SPRUNG SEAT (R07)
1	P38523-01-P13	EA	COVER/CHAIR - W/SPRUNG SEAT (R08)
1	P38523-01-P37	EA	COVER/CHAIR - W/SPRUNG SEAT (R09)
2	127159-02-02B	EA	BRACKET - SEAT RELEASE - DUAL REMOTE - E-COATED
3	108049-04-000	EA	CABLE - W/MINI LEVER ACTION SWITCH - 28" SHEATH/30" CABL
	108049-02-000	EA	CLIP - CABLE/PEDESTAL
4	131566-04-000	EA	SLIDE/SEAT - HEAVY DUTY LOCKING - 5"
5	133408-07-000	EA	TOP PLATE - W/O BAR
6	133408-01-000	EA	PEDESTAL - SEAT - DRIVER/PASSENGER - 9 3/4"
7	108445-02-000	EA	PLATE/FLOOR MOUNTED - PEDESTAL SEAT
8	131566-04-000	EA	SLIDE/SEAT - HEAVY DUTY LOCKING - 5"
9	117125-01-02B	EA	BRACKET - CABLE MOUNT - ADJUSTER W/LOCK
10	007221-01-000	EA	SPACER - SEAT/ADJUSTER
11	107921-06-000	EA	BEARING KIT - PEDESTAL
12	NOT USED		
13	139208-02-000	EA	SUPPORT BAR - SHORT - W/PEDESTAL

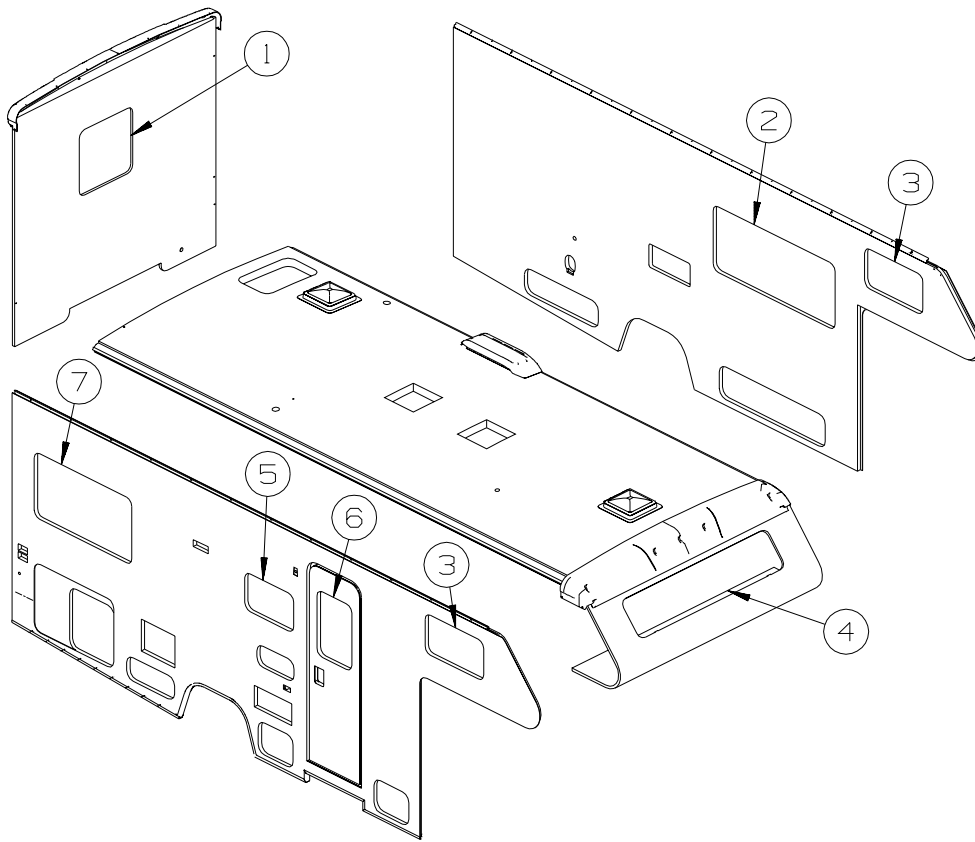
## CURTAIN & CUSHION GROUP (CONTINUED)

### SOFA



KEY	PART NUMBER	U/M	DESCRIPTION
1	121906-01-02B	EA	BRACKET - KICKBOARD - E-COATED
2	116104-04-02B	EA	BRACKET - ZEE W/HOLES - 3.2" - E-COATED - MOUNTS ARM TO FLOOR
3	120992-07-P07	EA	PANEL/FRONT KICK - SOFA/BED - FABRIC COVERED (R07)
3	120992-07-R08	EA	PANEL/FRONT KICK - SOFA/BED - FABRIC COVERED (R08)
3	120992-07-R09	EA	PANEL/FRONT KICK - SOFA/BED - FABRIC COVERED (R09)
4	134282-03-P07	EA	PANEL - RIGHT END/SHORT W/CUTOUT - SOFA/BED - FABRIC CVRD (R07)
4	134282-03-R08	EA	PANEL - RIGHT END/SHORT W/CUTOUT - SOFA/BED - FABRIC CVRD (R08)
4	134282-03-R09	EA	PANEL - RIGHT END/SHORT W/CUTOUT - SOFA/BED - FABRIC CVRD (R09)
5	135138-02-P07	EA	BACK - SOFA/BED - 74" (R07)
5	135138-02-R08	EA	BACK - SOFA/BED - 74" (R08)
5	135138-02-R09	EA	BACK - SOFA/BED - 74" (R09)
	P35138-02-P07	EA	COVER/BACK - SOFA/BED - 74" (R07)
	P35138-02-R08	EA	COVER/BACK - SOFA/BED - 74" (R08)
	P35138-02-R09	EA	COVER/BACK - SOFA/BED - 74" (R09)
6	135138-01-P07	EA	SEAT - SOFA/BED - 74" (R07)
6	135138-01-R08	EA	SEAT - SOFA/BED - 74" (R08)
6	135138-01-R09	EA	SEAT - SOFA/BED - 74" (R09)
	P35138-01-P07	EA	COVER/SEAT - SOFA/BED - 74" (R07)
	P35138-01-R08	EA	COVER/SEAT - SOFA/BED - 74" (R08)
	P35138-01-R09	EA	COVER/SEAT - SOFA/BED - 74" (R09)
7	134282-02-P07	EA	PANEL/LEFT END/SHORT - SOFA/BED - FABRIC COVERED (R07)
7	134282-02-R08	EA	PANEL/LEFT END/SHORT - SOFA/BED - FABRIC COVERED (R08)
7	134282-02-R09	EA	PANEL/LEFT END/SHORT - SOFA/BED - FABRIC COVERED (R09)
8	101926-01-02A	EA	BRACKET - ZEE - 2" - BLACK - MOUNTS SOFA TO FLOOR
9	127335-10-000	EA	BRACKET - CANADIAN LATCH - CANADIAN
10	127335-12-000	EA	LEG - SOFA/BED - 10"
11	127335-01-000	EA	FRAME/BASE - (SEAT) - 74"
12	127335-03-000	EA	FRAME/BASE - (SEAT) - 74"
13	127335-02-000	EA	FRAME/BASE - (BACK) - 74"

**CURTAIN & CUSHION GROUP (CONTINUED)**  
**WINDOW TREATMENT**



KEY	PART NUMBER	U/M	DESCRIPTION
1	142210-06-P38	EA	VALANCE - FLANDER - 32" (R07) REAR DINETTE
1	142210-06-R08	EA	VALANCE - FLANDER - 32" (R08) REAR DINETTE
1	142210-06-P37	EA	VALANCE - FLANDER - 32" (R09) REAR DINETTE
1	142210-14-P07	EA	VALANCE - FLANDER - 31" (R07)
1	142210-14-R08	EA	VALANCE - FLANDER - 31" (R08)
1	142210-14-R09	EA	VALANCE - FLANDER - 31" (R09)
1	140789-06-N30	EA	BLIND - DAY/NIGHTER - 28" X 28"
1	136988-B2-P07	EA	LEG - RIGHT - 24" (R07) REAR DINETTE
1	136988-B2-R08	EA	LEG - RIGHT - 24" (R08) REAR DINETTE
1	136988-B2-R09	EA	LEG - RIGHT - 24" (R09) REAR DINETTE
1	136988-B3-P07	EA	LEG - LEFT - 24" (R07) REAR DINETTE
1	136988-B3-R08	EA	LEG - LEFT - 24" (R08) REAR DINETTE
1	136988-B3-R09	EA	LEG - LEFT - 24" (R09) REAR DINETTE
1	136988-17-P07	EA	LEG - RIGHT - 26" (R07)
1	136988-17-P13	EA	LEG - RIGHT - 26" (R08)
1	136988-17-R09	EA	LEG - RIGHT - 26" (R09)
1	136988-18-P07	EA	LEG - LEFT - 26" (R07)
1	136988-18-P13	EA	LEG - LEFT - 26" (R08)
1	136988-18-R09	EA	LEG - LEFT - 26" (R09)
2	142210-02-P07	EA	VALANCE - FLANDER - 65" (R07)
2	142210-02-R08	EA	VALANCE - FLANDER - 65" (R08)
2	142210-02-R09	EA	VALANCE - FLANDER - 65" (R09)
2	140789-14-N02	EA	BLIND - DAY/NIGHTER - 61" X 28.5"
2	127017-13-P07	EA	LEG - RIGHT - 25" (R07)
2	127017-13-R08	EA	LEG - RIGHT - 25" (R08)
2	127017-13-R09	EA	LEG - RIGHT - 25" (R09)
2	127017-14-P07	EA	LEG - LEFT - 25" (R07)
2	127017-14-R08	EA	LEG - LEFT - 25" (R08)
2	127017-14-R09	EA	LEG - LEFT - 25" (R09)

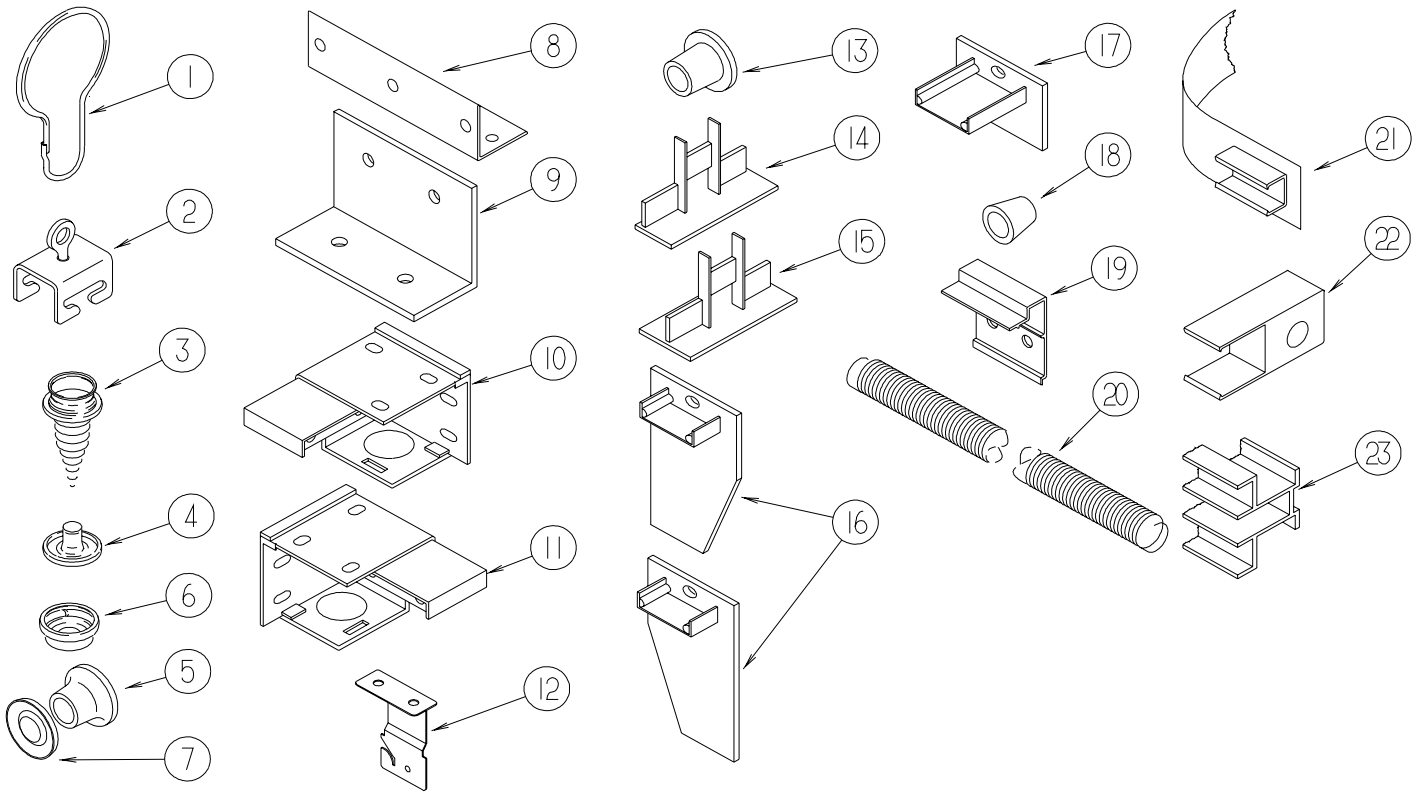
**CURTAIN & CUSHION GROUP (CONTINUED)**  
**WINDOW TREATMENT (CONTINUED)**

KEY	PART NUMBER	U/M	DESCRIPTION
3	101034-63-P07	EA	CURTAIN - PRIVACY/RIGHT HAND - 19.5" X 31" (R07) - BUNK FRONT OVERHEAD-DOUBLE
3	101034-63-R08	EA	CURTAIN - PRIVACY/RIGHT HAND - 19.5" X 31" (R08) - BUNK FRONT OVERHEAD-DOUBLE
3	101034-63-R09	EA	CURTAIN - PRIVACY/RIGHT HAND - 19.5" X 31" (R09) - BUNK FRONT OVERHEAD-DOUBLE
3	101034-64-P07	EA	CURTAIN - PRIVACY/LEFT HAND - 19.5" X 31" (R07) - BUNK FRONT OVERHEAD-DOUBLE
3	101034-64-R08	EA	CURTAIN - PRIVACY/LEFT HAND - 19.5" X 31" (R08) - BUNK FRONT OVERHEAD-DOUBLE
3	101034-64-R09	EA	CURTAIN - PRIVACY/LEFT HAND - 19.5" X 31" (R09) - BUNK FRONT OVERHEAD-DOUBLE
4	101034-66-P07	EA	CURTAIN - PRIVACY/RIGHT HAND - 19" X 56" (R07) - WINDOW-BUNK, FRONT
4	101034-66-R08	EA	CURTAIN - PRIVACY/RIGHT HAND - 19" X 56" (R08) - WINDOW-BUNK, FRONT
4	101034-66-R09	EA	CURTAIN - PRIVACY/RIGHT HAND - 19" X 56" (R09) - WINDOW-BUNK, FRONT
4	101034-67-P07	EA	CURTAIN - PRIVACY/LEFT HAND - 19" X 56" (R07) - WINDOW-BUNK, FRONT
4	101034-67-R08	EA	CURTAIN - PRIVACY/LEFT HAND - 19" X 56" (R08) - WINDOW-BUNK, FRONT
4	101034-67-R09	EA	CURTAIN - PRIVACY/LEFT HAND - 19" X 56" (R09) - WINDOW-BUNK, FRONT
5	109041-57-03A	EA	BLIND-MINI,26X17"
6	142210-11-P07	EA	VALANCE - FLANDER - 29" (R07)
6	142210-11-R08	EA	VALANCE - FLANDER - 29" (R08)
6	142210-11-R09	EA	VALANCE - FLANDER - 29" (R09)
6	084755-57-E07	EA	SHADE - PULL - 27.25"
7	142210-08-P01	EA	VALANCE - FLANDER - 54" (R07) REAR DINETTE
7	142210-08-R08	EA	VALANCE - FLANDER - 54" (R08) REAR DINETTE
7	142210-08-R09	EA	VALANCE - FLANDER - 54" (R09) REAR DINETTE
7	142210-04-P07	EA	VALANCE - FLANDER - 54" (R07)
7	142210-04-R08	EA	VALANCE - FLANDER - 54" (R08)
7	142210-04-P37	EA	VALANCE - FLANDER - 54" (R09)
7	140789-03-N02	EA	BLIND - DAY/NIGHTER - 51" X 27"
7	136988-B0-P07	EA	LEG - RIGHT - 24" (R07) REAR DINETTE
7	136988-B0-R08	EA	LEG - RIGHT - 24" (R08) REAR DINETTE
7	136988-B0-R09	EA	LEG - RIGHT - 24" (R09) REAR DINETTE
7	136988-B1-P07	EA	LEG - LEFT - 24" (R07) REAR DINETTE
7	136988-B1-R08	EA	LEG - LEFT - 24" (R08) REAR DINETTE
7	136988-B1-R09	EA	LEG - LEFT - 24" (R09) REAR DINETTE
7	136988-15-P07	EA	LEG - RIGHT - 26" (R07)
7	136988-15-P13	EA	LEG - RIGHT - 26" (R08)
7	136988-15-P37	EA	LEG - RIGHT - 26" (R09)
7	136988-16-P07	EA	LEG - LEFT - 26" (R07)
7	136988-16-P13	EA	LEG - LEFT - 26" (R08)
7	136988-16-P37	EA	LEG - LEFT - 26" (R09)
	101668-58-P07	EA	CURTAIN - TAPE TOP - 70" X 60" (R07) REAR DINETTE
	101668-58-R08	EA	CURTAIN - TAPE TOP - 70" X 60" (R08) REAR DINETTE
	101668-58-R09	EA	CURTAIN - TAPE TOP - 70" X 60" (R09) REAR DINETTE
	101668-53-P07	EA	CURTAIN - TAPE TOP - 70" X 60" (R07)
	101668-53-R08	EA	CURTAIN - TAPE TOP - 70" X 60" (R08)
	101668-53-R09	EA	CURTAIN - TAPE TOP - 70" X 60" (R09)
	073260-65-P07	EA	TIEBACK - 4" X 15" (R07)
	073260-65-R08	EA	TIEBACK - 4" X 15" (R08)
	073260-65-R09	EA	TIEBACK - 4" X 15" (R09)
	076892-29-P07	EA	CURTAIN - CAB PRIVACY - 45" X 74" (R07) - 24"/25" STEREO TV W/VIDEO SELECT SYSTEM
	076892-29-P08	EA	CURTAIN - CAB PRIVACY - 45" X 74" (R08) - 24"/25" STEREO TV W/VIDEO SELECT SYSTEM
	076892-29-P09	EA	CURTAIN - CAB PRIVACY - 45" X 74" (R09) - 24"/25" STEREO TV W/VIDEO SELECT SYSTEM
	076892-30-P07	EA	CURTAIN - CAB PRIVACY - 47.5" X 74" (R07) - BUNK FRONT OVERHEAD-DOUBLE
	076892-30-R08	EA	CURTAIN - CAB PRIVACY - 47.5" X 74" (R08) - BUNK FRONT OVERHEAD-DOUBLE
	076892-30-R09	EA	CURTAIN - CAB PRIVACY - 47.5" X 74" (R09) - BUNK FRONT OVERHEAD-DOUBLE
	101668-39-P07	EA	CURTAIN - PRIVACY/RIGHT HAND - 35" X 50" (R07) - BUNK FRONT OVERHEAD-DOUBLE
	101668-39-R08	EA	CURTAIN - PRIVACY/RIGHT HAND - 35" X 50" (R08) - BUNK FRONT OVERHEAD-DOUBLE
	101668-39-R09	EA	CURTAIN - PRIVACY/RIGHT HAND - 35" X 50" (R09) - BUNK FRONT OVERHEAD-DOUBLE
	101668-40-P07	EA	CURTAIN - PRIVACY/LEFT HAND - 35" X 50" (R07) - BUNK FRONT OVERHEAD-DOUBLE
	101668-40-R08	EA	CURTAIN - PRIVACY/LEFT HAND - 35" X 50" (R08) - BUNK FRONT OVERHEAD-DOUBLE
	101668-40-R09	EA	CURTAIN - PRIVACY/LEFT HAND - 35" X 50" (R09) - BUNK FRONT OVERHEAD-DOUBLE
	073260-23-P07	EA	TIEBACK - 3" X 18" (R07) - BUNK FRONT OVERHEAD-DOUBLE
	073260-23-R08	EA	TIEBACK - 3" X 18" (R08) - BUNK FRONT OVERHEAD-DOUBLE
	073260-23-R09	EA	TIEBACK - 3" X 18" (R09) - BUNK FRONT OVERHEAD-DOUBLE



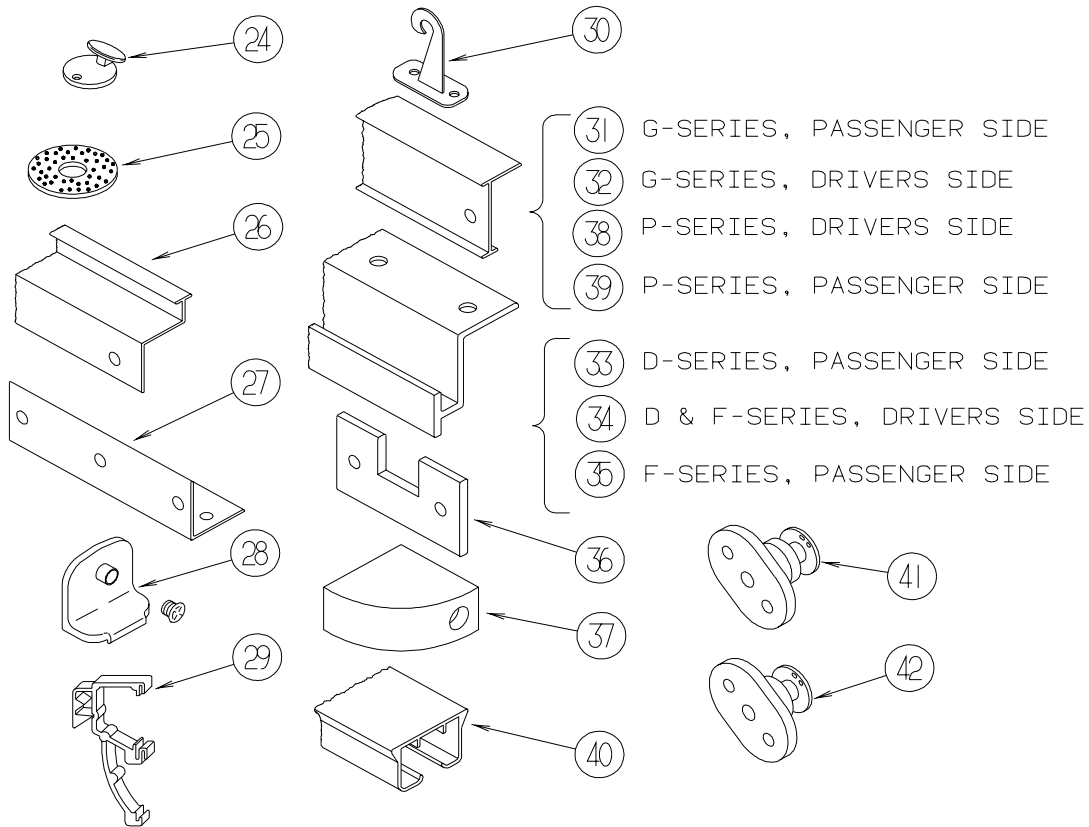
# CURTAIN & CUSHION GROUP (CONTINUED)

## HARDWARE



KEY	PART NUMBER	U/M	DESCRIPTION
1	009136-02-000	EA	HANGER - RING - PIN TYPE - CURTAIN - BRASS
2	009702-01-000	EA	END STOP - CURTAIN CARRIER - L - ROD
3	029130-01-000	EA	SCREW - SNAP STUD - #8-16 X 3/8" LONG
3	029130-03-000	EA	SCREW - SNAP STUD - #8-16 X 1" LONG
4	029155-01-000	EA	CAP - SNAP - 5/32" OUTSIDE DIAMETER OF PIN
5	029156-01-000	EA	SOCKET - SNAP - 9/16" O.D.
6	046867-02-000	EA	WASHER - HANDY BUTTON #3
7	046867-03-000	EA	GROMMET - HANDY BUTTON #3
8	075943-10-000	EA	BRACE - VALANCE - 20" - OFF WHITE
9	083125-07-000	EA	BRACE - ANGLE/COUCH - 2.5" - OFF WHITE
9	083125-08-000	EA	BRACE - WINDOW MOUNT - .75" - OFF WHITE
10	083170-01-000	EA	BRACKET/BLIND - LEFT SIDE WHEN FACING WINDOW - CLEAR
11	083170-02-000	EA	BRACKET/BLIND - RIGHT SIDE WHEN FACING WINDOW - CLEAR
12	084434-01-000	EA	BRACKET - MOUNTING - ROLLER SHADE - 1 3/8"
13	094896-02-000	EA	GROMMET - CORD/PLEATED BLIND - NYLON - GRAY
14	094907-02-000	EA	END CAP - PLEATED BLIND/TOP - RH/LH - GRAY PLASTIC
15	094907-04-000	EA	END CAP - PLEATED BLIND/BOTTOM - RH/LH
16	094907-05-000	EA	END CAP - PLEATED BLIND/BOTTOM - PULL TYPE - PLASTIC
17	094907-06-000	EA	END CAP - PLEATED BLIND/TOP
18	097564-03-000	EA	HANDLE - KNOB - E-Z LIFT SHADE - TAN
18	097564-05-000	EA	HANDLE - KNOB - E-Z LIFT SHADE - TEAL
18	097564-06-000	EA	HANDLE - KNOB - E-Z LIFT SHADE - ALABASTER
	097593-02-000	FT	CORD - BLIND - PLEATED - GRAY
	097593-06-000	FT	CORD - BLIND - PLEATED - PEWTER
	097593-10-000	FT	CORD - BLIND - PLEATED - VANILLA
19	097565-01-000	EA	BRACKET - MOUNTING - PLEATED BLIND
19	097565-02-000	EA	BRACKET - MOUNTING - PLEATED BLIND
20	097591-01-000	EA	SPRING - EXTENSION - PLEATED BLIND
21	101031-01-000	YD	TAPE/GLIDE - 4.25" SPACING
22	101033-02-000	EA	END CAP - LOW PROFILE TRACK - CLEAR
23	101033-08-000	EA	TRACK/WALL - 75" - <b>FRT BUNK WINDOW 300 SERIES (MINNIE/SPIRIT)</b>
23	101033-09-000	EA	TRACK/WALL - 32" - <b>SIDE BUNK WINDOW 200 SERIES/300 SERIES (VISTA/SUNSTAR /MINNIE/SPIRIT)</b>

**CURTAIN & CUSHION GROUP (CONTINUED)**  
**HARDWARE (CONTINUED)**



KEY	PART NUMBER	U/M	DESCRIPTION
24	102555-03-000	EA	CLEAT - BLIND CORD - MILKY WHITE - PLASTIC
25	103242-01-000	EA	VELCRO HOOK - BEIGE 7/8" ROUND W/CENTER HOLE
25	103242-02-000	EA	VELCRO HOOK - BLACK 7/8" ROUND W/CENTER HOLE
26	105450-14-01A	EA	TRACK - CURTAIN - 90" - OFF WHITE - <b>FRONT BUNK PRIVACY 300 SERIES (MINNIE/SPIRIT)</b>
26	105450-15-01A	EA	TRACK - CURTAIN - 82.3" - OFF WHITE - <b>FRONT BUNK PRIVACY 200 SERIES (VISTA/SUNSTAR)</b>
27	105648-01-02A	EA	BRACE - VALANCE - OFF/WHITE - 14"
28	106544-01-000	EA	PULL - SHADE/BRASS
	106544-01-001	EA	SCREW - SHADE/BRASS
29	109353-04-000	EA	CLIP - VALANCE SLAT MOUNTING - CLEAR PLASTIC
	109441-02-000	EA	SPACER/BRACKET - BLIND HOLD DOWN
30	109441-03-000	EA	BRACKET/HOOK - BLIND HOLD DOWN - NEW DESIGN/CLEAR
31	126456-03-04A	EA	TRACK/WRAPAROUND - PASSENGER - GLACIER - <b>G SERIES (ADVENTURER/SUNCRUISER)</b>
32	126456-04-04A	EA	TRACK/WRAPAROUND - DRIVER - GLACIER - <b>G SERIES (ADVENTURER/SUNCRUISER)</b>
33	127254-03-05A	EA	TRACK/WRAPAROUND - PASSENGER - GLACIER - <b>D SERIES (SIGHTSEER/SUNOVA)</b> FROM: 00-00-00 THRU: 09-07-03
33	127254-14-03A	EA	TRACK/WRAP - PASS - GLACIER - <b>D SERIES (SIGHTSEER/SUNOVA)</b> FROM: 09-08-03 THRU: 99-99-99
34	127254-04-05A	EA	TRACK/WRAP - DRIVER - GLACIER - <b>D SERIES/F SERIES (SIGHTSEER/SUNOVA/BRAVE/SUNRISE)</b>
35	127254-14-03A	EA	TRACK/WRAP - PASS - GLACIER - <b>F SERIES (BRAVE/SUNRISE)</b>
36	130549-01-01A	EA	STOP - CURTAIN TRACK
37	132504-01-N92	EA	BRACKET - SHADE
38	146591-01-01A	EA	TRACK - CURTAIN - LEFT HAND - GLACIER - <b>P SERIES (JOURNEY/MERIDIAN)</b>
39	146591-02-01A	EA	TRACK - CURTAIN - RIGHT HAND - GLACIER - <b>P SERIES (JOURNEY/MERIDIAN)</b>
40	138460-01-02A	EA	TRACK/CURTAIN - PASSENGER - WHITE - <b>Q SERIES (ULTIMATE ADVANTAGE/ULTIMATE FREEDOM)</b>
	138460-02-02A	EA	TRACK/CURTAIN - DRIVER - WHITE - <b>Q SERIES (ULTIMATE ADVANTAGE/ULTIMATE FREEDOM)</b>
40	138460-05-02A	EA	TRACK/CURTAIN - PASSENGER - WHITE - <b>L SERIES (CHIEFTAIN/SUNFLYER)</b>
	138460-06-02A	EA	TRACK/CURTAIN - DRIVER - WHITE - <b>L SERIES (CHIEFTAIN/SUNFLYER)</b>
40	138460-07-02A	EA	TRACK/CURTAIN - PASSENGER - WHITE - <b>S SERIES (VECTRA/HORIZON)</b>
	138460-08-02A	EA	TRACK/CURTAIN - DRIVER - WHITE - <b>S SERIES (VECTRA/HORIZON)</b>
41	141634-01-000	EA	BRACKET-(BOBBIN TYPE) 7/8"H HOLDUPBASE(OVAL)-2 HOLE-CLEAR
42	143805-01-000	EA	BRACKET-(BOBBIN TYPE) 1/2"H HOLDUPBASE(OVAL)-2 HOLES CLEAR

## CURTAIN & CUSHION GROUP (CONTINUED)

### ACCESSORIES

KEY	PART NUMBER	U/M	DESCRIPTION
	118337-06-P07	EA	BUTTON - #60 - FABRIC COVERED (R07)
	118337-06-R08	EA	BUTTON - #60 - FABRIC COVERED (R08)
	118337-06-P37	EA	BUTTON - #60 - FABRIC COVERED (R09)
	118337-04-P07	EA	BUTTON - #60 - FABRIC COVERED (R07)
	118337-04-R08	EA	BUTTON - #60 - FABRIC COVERED (R08)
	118337-04-P37	EA	BUTTON - #60 - FABRIC COVERED (R09)
	057534-01-000	EA	TIEBACK - CLEAR PLASTIC - 6"
	057534-03-000	EA	TIEBACK - CLEAR PLASTIC - 7.5"
	007021-01-000	EA	SEAT BELT - 2" X 90" - BLACK
	056271-01-000	EA	SEAT BELT - 2" X 102" - BLACK
	140221-01-02B	EA	WASHER - SEAT BELT - E-COAT
	057759-01-000	EA	WASHER - FLAT F/SEAT BELT - 4" DIAMETER

## CURTAIN & CUSHION GROUP (CONTINUED)

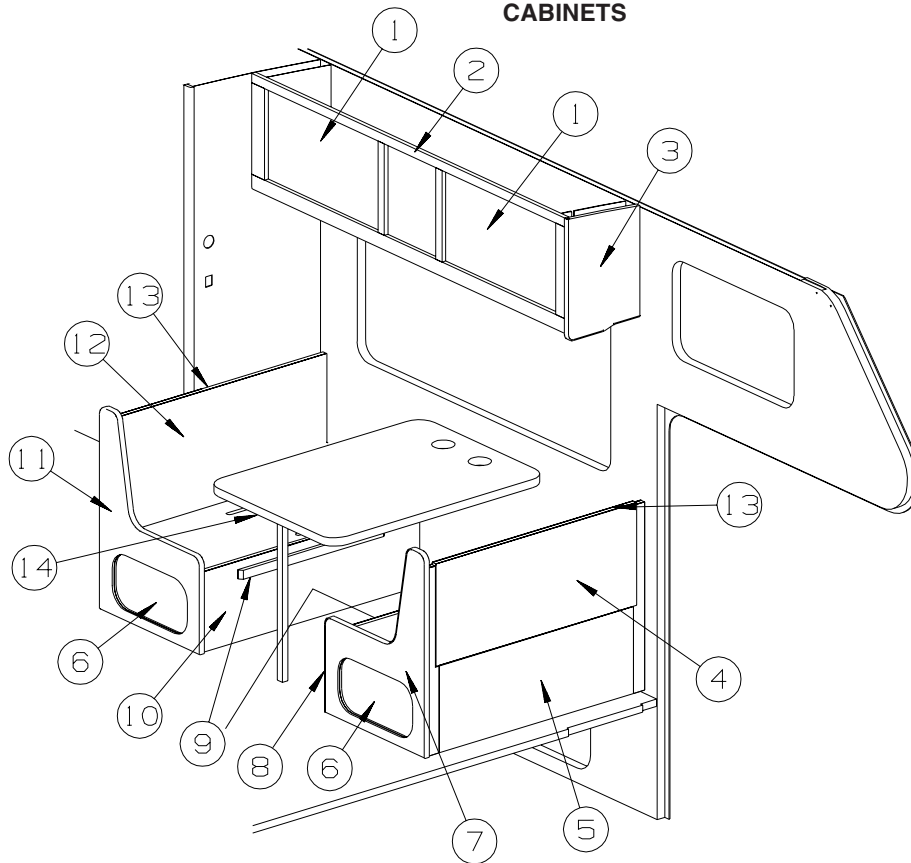
### FABRICS

	<b>R07 SAGEBRUSH</b>	<b>R08 BLUE DANUBE</b>	<b>R09 SAND FROST</b>
<b>2004 FAMILY BUCKET</b>	566V SEAT	566 SEAT	566 SEAT
	126883-L3-000	126883-L1-000	126883-H4-000
	*OPT. LEATH/GERM. GRAY	*OPT. LEATH/GERM. GRAY	*OPT. LEATH/GERM. GRAY
	079680-25-000 (BOXING)	079680-25-000 (BOXING)	079680-25-000 (BOXING)
<b>DINETTE</b>	SQUARE CLUB	SQUARE CLUB	SQUARE CLUB
	126883-L2-000	126883-M5-000	126883-N1-000
<b>DINETTE PADS</b>	126883-L3-000	126883-L1-000	126883-H4-000
<b>SOFA</b>	695 /K.E. JACK KNIFE	695 /K.E. JACK KNIFE	695 /K.E. JACK KNIFE
	126883-L2-000	126883-M5-000	126883-N1-000
<b>LOUNGE CHAIR</b>	465 CHAIR	465 CHAIR	465 CHAIR
	126883-L3-000	126883-L1-000	126883-H4-000
<b>LOUNGE WINDOWS</b>	FLANDER VALANCE	FLANDER VALANCE	FLANDER VALANCE
	WRAP - 126883-L2-000	WRAP - 126883-M5-000	WRAP - 126883-N1-000
	OVERLAY - 126883-L3-000	OVERLAY - 126883-L1-000	OVERLAY - 126883-H4-000
	BUTTONS - 126883-L2-000	BUTTONS - 126883-M5-000	BUTTONS - 126883-N1-000
	LEGS - 126883-L3-000	LEGS - 126883-L1-000	LEGS - 126883-H4-000
<b>LOUNGE PILLOW</b>	NOT NEEDED	NOT NEEDED	NOT NEEDED
<b>FWA, PRIVACY &amp; OVHD. CURTAINS</b>	137813-25-000	137813-36-000	137813-43-000
<b>OVERHEAD BUNK</b>	126883-L3-000	126883-L1-000	126883-H4-000
<b>DIVIDER CURTAIN</b>	137813-24-000/137813-25-000	137813-35-000/137813-36-000	137813-42-000/137813-43-000
<b>DAY/NIGHTER</b>	094911-53-000/094911-50-000	094911-53-000/094911-50-000	094911-53-000/094911-50-000
	COTTON/WT. DECO	COTTON/WT. DECO	COTTON/WT. DECO
<b>GALLEY BLINDS</b>	386 SNOCAP	386 SNOCAP	386 SNOCAP
<b>BEDROOM WDO TREATMENT</b>	GATH. FLANDERS	GATH. FLANDER	GATH. FLANDER
	WRAP - 137813-24-000	WRAP - 137813-35-000	WRAP - 137813-42-000
	OVERLAY - 137813-25-000	OVERLAY - 137813-36-000	OVERLAY - 137813-43-000
	BUTTONS - 137813-24-000	BUTTONS - 137813-35-000	BUTTONS - 137813-43-000
	LEGS - 137813-25-000	LEGS - 137813-36-000	LEGS - 137813-43-000
<b>BEDCOVER</b>	BEDCAP W/1/2" N-G WELT	BEDCAP W/1/2" N-G WELT	BEDCAP W/1/2" N-G WELT
	137813-24-000/137813-25-000	137813-35-000/137813-36-000	137813-42-000/137813-43-000
<b>QUILT PATTERN</b>	6" CHANNEL	6" CHANNEL	6" CHANNEL
<b>SHAMS</b>	1/2" NON-GATH. WELT	1/2" NON-GATH. WELT	1/2" NON-GATH. WELT
	137813-24-000/137813-25-000	137813-35-000/137813-36-000	137813-42-000/137813-43-000
<b>BED PILLOW</b>	NOT NEEDED	NOT NEEDED	NOT NEEDED
<b>VANITY CHAIR</b>	REM CHAIR	REM CHAIR	REM CHAIR
	126883-L3-000	126883-L1-000	126883-H4-000
<b>CARPET</b>	096060-G9-000	139056-06-000	096060-H1-000
<b>CARPET TAPE</b>	LAURAL GREEN	CRYSTAL LAKE	TAPIOCA
	102695-20-000	102695-22-000	102695-12-000

**CURTAIN & CUSHION GROUP (CONTINUED)**  
**FABRICS (CONTINUED)**

<b>2004 FAMILY</b>	<b>R07 SAGEBRUSH</b>	<b>R08 BLUE DANUBE</b>	<b>R09 DANDFROST</b>
<b>DRAPERY LINING</b>	087272-03-000	087272-03-000	087272-03-000
<b>CEILING</b>	113979-09-01A	113979-09-01A	113979-09-01A
<b>VINYL-EXPANDED</b>	103907-01-01A	103907-01-01A	103907-01-01A
<b>VINYL-HEADLINER</b>	103907-01-06A	103907-01-06A	103907-01-06A
<b>VINYL-TIRE COVER</b>	103907-05-000	103907-05-000	103907-05-000

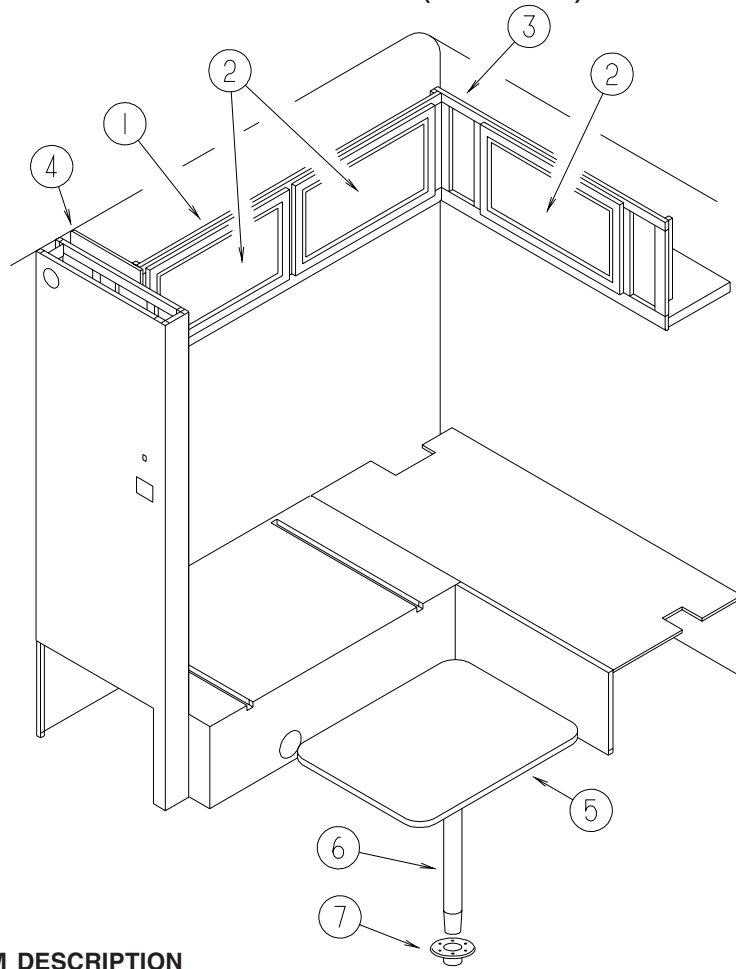
## DINETTE GROUP CABINETS



**FRONT  
DINETTE**

KEY	PART NUMBER	U/M	DESCRIPTION
1	136954-D3-P75	EA	DOOR - RAISED PANEL/OGEE EDGE - 15.7" X 28" - W/O HARDWARE
2	142787-01-P07	EA	CABINET - OVERHEAD - W/O DOORS/HARDWARE - TV STORAGE/13" TV W/VCP
2	142787-02-P07	EA	CABINET - OVERHEAD - W/O DOORS/HARDWARE - 24"/25" STEREO TV W/VIDEO SELECT SYSTEM
3	142787-19-P07	EA	END CAP - OVERHEAD CABINET
4	137450-59-P07	EA	PANEL/BACK - DINETTE SEAT - HINGED PORTION - W/O HINGE/HDW
5	137450-56-P07	EA	PANEL/BACK - DINETTE SEAT - W/O HINGED PANEL - RIGHT HAND
6	131995-G4-N01	EA	DOOR - RAIL/SOLID PANEL - 10" X 19.1" - W/O HARDWARE
6	147084-07-S01	EA	DOOR - FLAT PANEL/OGEE EDGE - 10" X 19.1" - W/O HDW FROM: 00-00-00 THRU: 04-25-04 FROM: 04-26-04 THRU: 99-99-99
7	137450-43-N01	EA	PANEL/END CAP - DINETTE SEAT - RIGHT HAND
8	137450-11-N01	EA	PANEL/FACE - DINETTE SEAT - RIGHT HAND
9	081295-01-N70	EA	SUPPORT - BED/DINETTE - 28" LONG
10	137450-55-N01	EA	PANEL/FACE - DINETTE SEAT - LEFT HAND
11	137450-36-N01	EA	PANEL/END CAP - DINETTE SEAT - LEFT HAND
12	137450-61-P07	EA	PANEL/BACK - DINETTE SEAT - LEFT HAND
13	111338-11-P07	EA	PAD - DINETTE SEATBACK (R07)
13	111338-11-R08	EA	PAD - DINETTE SEATBACK (R08)
13	111338-11-R09	EA	PAD - DINETTE SEATBACK (R09)
14	144605-03-R07	EA	TABLE/DINETTE - LAMINATED- 41.6" X 29.7 - EGGSHELL/PORTSMOUTH OAK
14	144605-03-R08	EA	TABLE/DINETTE - LAMINATED- 41.6" X 29.7 - GRAY TRANQUILITY/PORTSMOUTH OAK
14	144605-03-R09	EA	TABLE/DINETTE - LAMINATED- 41.6" X 29.7 - LINO FRIEZE/PORTSMOUTH OAK

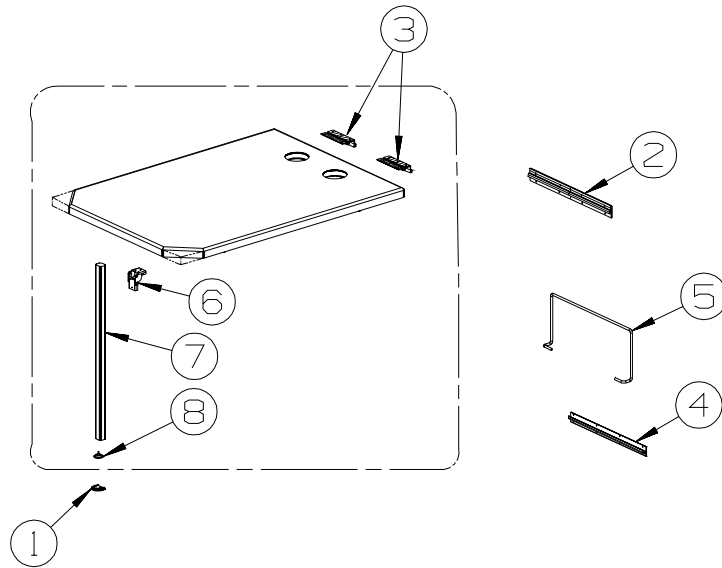
**DINETTE GROUP (CONTINUED)**  
**CABINETS (CONTINUED)**



**REAR**  
**L-SHAPED**  
**DINETTE**

KEY	PART NUMBER	U/M	DESCRIPTION
1	142906-01-P07	EA	CABINET - OVERHEAD/REAR - W/O DOORS/HARDWARE
2	136954-D3-P75	EA	DOOR - RAISED PANEL/OGEE EDGE - 15.7" X 28" - W/O HDW
3	142792-01-P07	EA	CABINET - OVERHEAD/REAR - W/O DOORS/HARDWARE
4	140307-21-P07	EA	END CAP - F/OVERHEAD CABINET
5	081298-13-P07	EA	TABLE TOP - W/BASE F/TABLE LEG - EGGHELL/NATURAL OAK (R07)
5	081298-13-N01	EA	TABLE TOP - W/BASE F/TABLE LEG - TRANQUILITY/NATURAL OAK (R08)
5	081298-13-R09	EA	TABLE TOP - W/BASE F/TABLE LEG - LINO FRIEZE/NATURAL OAK (R09)
6	009040-02-000	EA	PEDESTAL TABLE LEG - 27.5" X 2.25" DIAMETER
7	041194-01-000	EA	BASE - TABLE/FLUSH - FLOOR MOUNTED

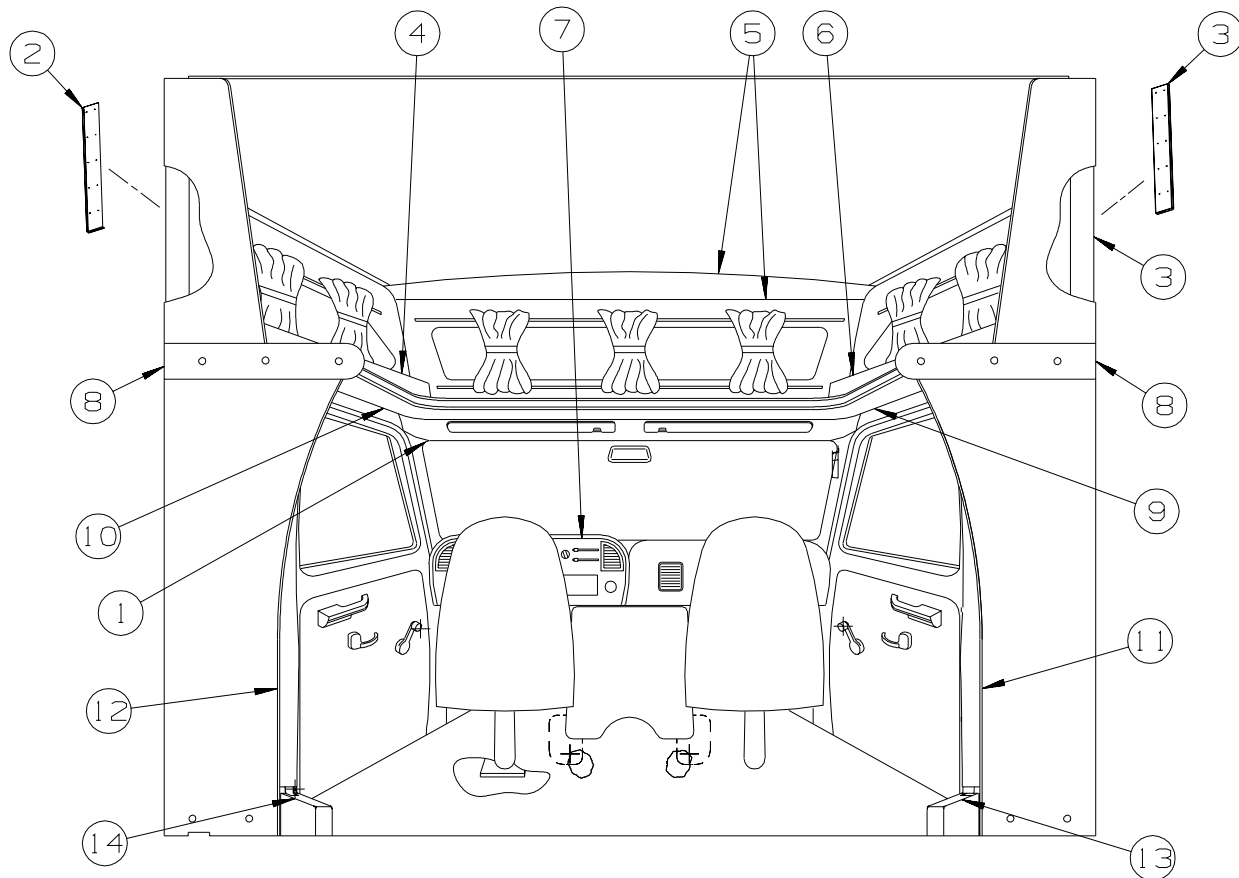
## DINETTE GROUP (CONTINUED) TABLE



KEY	PART NUMBER	U/M	DESCRIPTION
1	143798-01-01A	EA	CATCH - FLOOR TO TABLE LEG - BRIGHT WHITE
2	140921-02-01A	EA	SUPPORT - TABLE - 18.5" - OFF WHITE
3	140921-03-01A	EA	HANGER - TABLE - W/VINYL - OFF WHITE
4	024281-15-000	EA	BRACKET/TABLE - LIFT ROD/LOWER WALL MOUNTED - 17.1"
5	024275-13-000	EA	ROD - TABLE LIFT - OFF/WHITE
6	093550-01-000	EA	BRACKET - HINGE - MOUNTS TO LEG & TABLE TOP - 1.7" X 2.6"
7	092707-10-03A	EA	LEG - TABLE - W/O HARDWARE - 26.8" - PORTSMOUTH OAK
8	143798-02-01A	EA	CATCH - TABLE LEG - BRIGHT WHITE
	143798-03-01A	EA	WASHER - TABLE LEG - CATCH



## DRIVERS COMPARTMENT GROUP FRONT INTERIOR



KEY	PART NUMBER	U/M	DESCRIPTION
1	106448-05-P07	EA	HEADLINER - W/VINYL - FORD
1	124818-02-P07	EA	HEADLINER - W/VINYL - CHEVY
2	109709-01-01A	EA	BRACKET - WINGWALL - OFF WHITE
3	109709-02-01A	EA	BRACKET - WINGWALL - OFF WHITE
4	141795-01-P07	EA	CABINET/HAMPER - FRONT - W/DOOR - W/O HARDWARE (R07)
4	141795-01-P09	EA	CABINET/HAMPER - FRONT - W/DOOR - W/O HARDWARE (R08)
4	141795-01-R08	EA	CABINET/HAMPER - FRONT - W/DOOR - W/O HARDWARE (R09)
5	141829-01-01A	EA	TRIM - J MOLDING - OFF WHITE - 96"
6	141795-02-P07	EA	CABINET/HAMPER - FRONT - W/DOOR - W/O HARDWARE (R07)
6	141795-02-P09	EA	CABINET/HAMPER - FRONT - W/DOOR - W/O HARDWARE (R08)
6	141795-02-R08	EA	CABINET/HAMPER - FRONT - W/DOOR - W/O HARDWARE (R09)
7	136524-04-04A	EA	APPLIQUE - BEZEL - DASH - WOOD GRAINED/BRUSHED PEWTER - FORD
8	141793-01-P07	EA	CAP - SLEEPERBOARD (R07)
8	141793-01-P09	EA	CAP - SLEEPERBOARD (R08)
8	141793-01-R08	EA	CAP - SLEEPERBOARD (R09)
9	106447-07-P07	EA	TRIM - CAB DOOR - UPPER/RIGHT HAND - FORD
10	106447-08-P07	EA	TRIM - CAB DOOR - UPPER/LEFT HAND - FORD
11	125031-01-H04	EA	TRIM - CAB - B-PILLAR - PASSENGER SIDE - FORD
12	125031-02-H04	EA	TRIM - CAB - B-PILLAR - DRIVER SIDE - FORD
13	106431-01-02A	EA	COVER - SEATBELT RECOIL - PASSENGER SIDE - VW GREY - FORD
14	106431-02-02A	EA	COVER - SEATBELT RECOIL - DRIVER SIDE - VW GREY - FORD
	094658-02-M01	EA	HANDLE - BUNK - 2" X 14.2" - OAK
*	106025-02-01A	EA	LADDER - BUNK - 52"
	125780-01-000	EA	MAT - FLOOR - FRONT PASSENGER - "W" - FORD (GRAY) - FORD
	125780-02-000	EA	MAT - FLOOR - FRONT DRIVER - "W" - FORD (GRAY) - FORD
	124182-01-01A	EA	MAT - PASSENGER FRONT - CHEVY - CHEVY
	124182-02-01A	EA	MAT - DRIVER FRONT - CHEVY - CHEVY

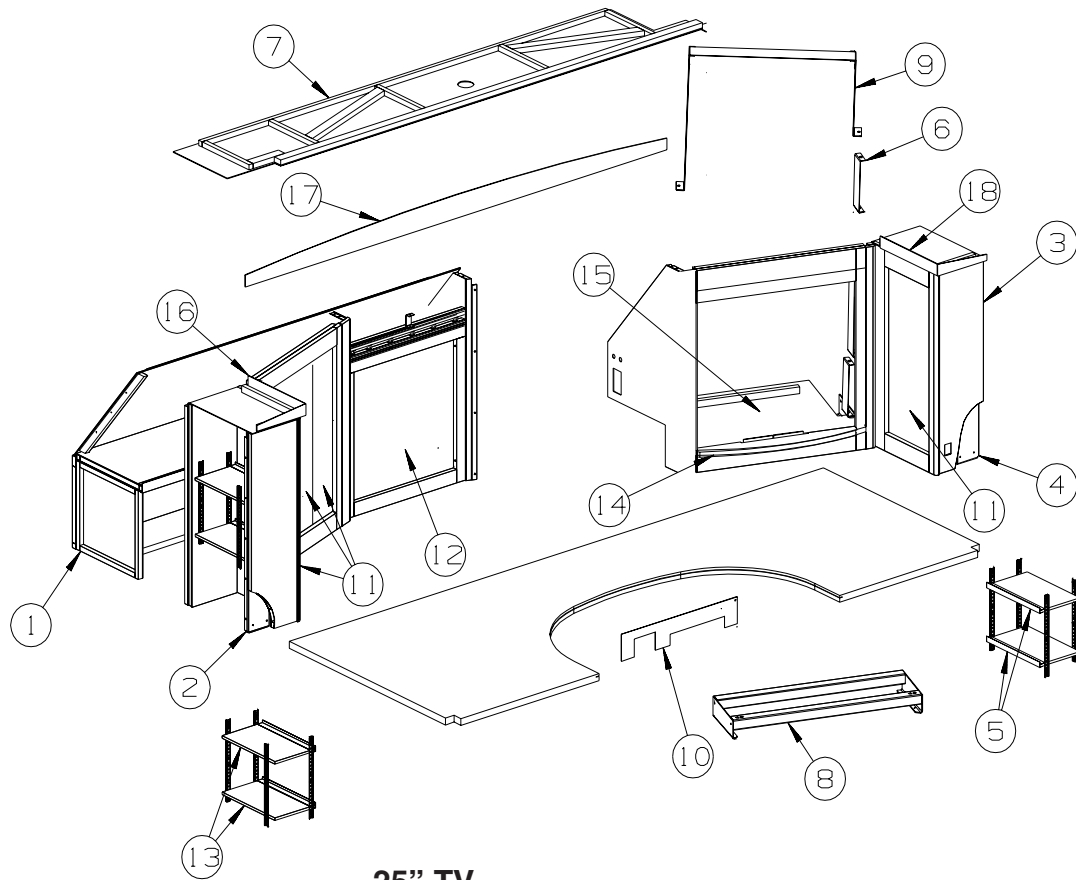
\*COMPONENT PARTS LISTED LATER IN THIS GROUP

**DRIVERS COMPARTMENT GROUP (CONTINUED)**  
**COMPONENT PARTS FOR FRONT INTERIOR**

106025-02-01A

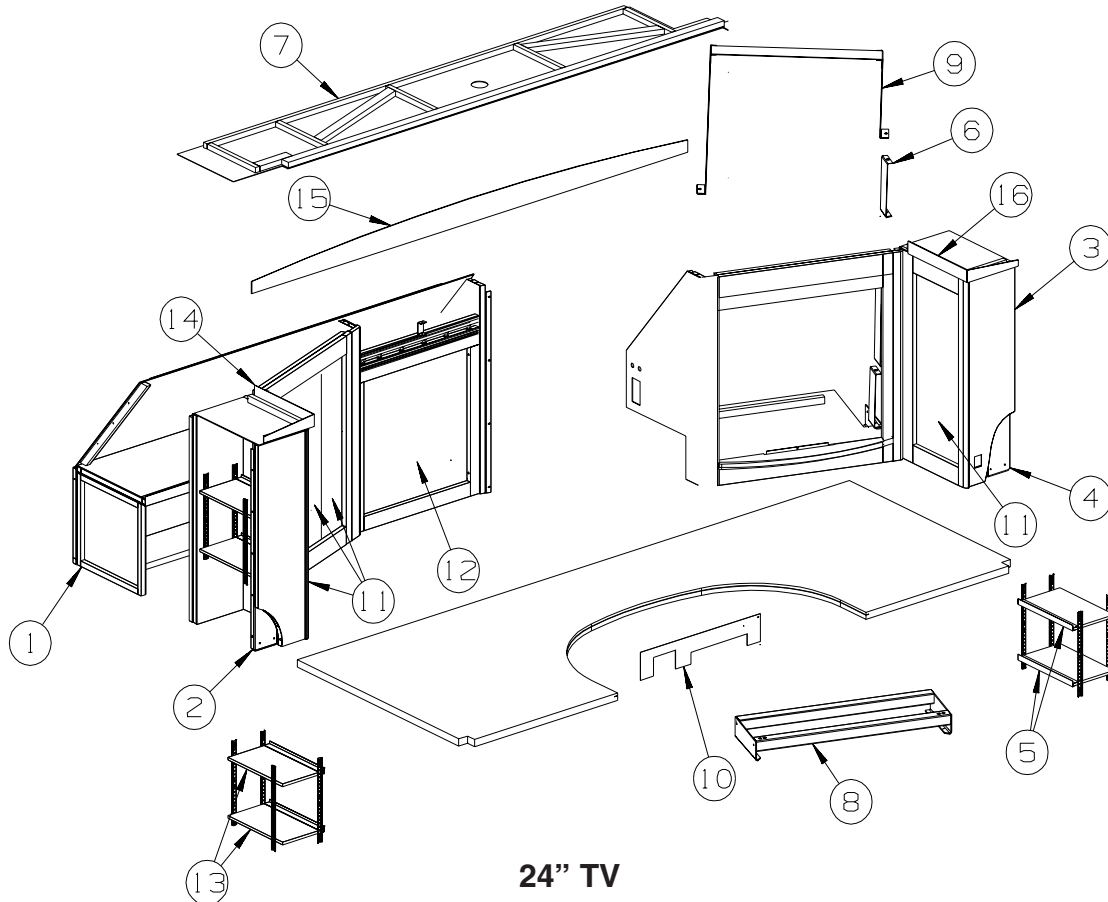
<b>KEY</b>	<b>PART NUMBER</b>	<b>U/M</b>	<b>DESCRIPTION</b>	<b>VENDOR NO.</b>
	106025-01-700	EA	BRACKET SET-F/BUNK LADDER	
	106025-01-701	EA	END CAP-F/STEP LADDER RUNGS	

## DRIVERS COMPARTMENT GROUP (CONTINUED) CABINETS



KEY	PART NUMBER	U/M	DESCRIPTION
1	142076-02-P07	EA	CABINET - ENTERTAINMENT CENTER/LEFT HAND-W/O DOORS/HDW
1	142076-03-R07	EA	CABINET - ENTERTAINMENT CENTER/LEFT HAND-W/O DOORS/HDW - DVD/VCR COMBO
2	136268-04-03B	EA	BRACKET - WINGWALL - OFF WHITE
3	142077-04-P07	EA	CABINET - ENTERTAINMENT CENTER/RIGHT HAND - W/O DOORS/HDW
4	136268-03-03B	EA	BRACKET - WINGWALL - OFF WHITE
5	142077-17-P07	EA	SHELF - W/PLASTIC EDGE MOLDING
6	136269-08-02B	EA	BRACKET/TV TIEDOWN - E-COATED
7	142079-04-P07	EA	CABINET - ENTERTAINMENT CENTER/TOP - W/O DOORS/HARDWARE
8	142119-01-02B	EA	BRACKET - ENTERTAINMENT CENTER - E-COATED
9	144148-04-02B	EA	BRACKET/TV TIEDOWN - E-COATED
10	142200-01-P07	EA	PANEL - VINYL COVERED
10	142200-02-P07	EA	PANEL - VINYL COVERED - INVERTER
11	136954-70-P13	EA	DOOR - RAISED PANEL/OGEE EDGE - 12" X 26" - W/O HDW
12	100708-30-000	EA	DOOR/GLASS - TV CABINET - 18.8" X 18.8" - W/O HARDWARE
13	142076-34-P07	EA	SHELF - W/PLASTIC EDGE MOLDING
14	142077-37-P07	EA	FACE/FRAME - TV CABINET (PICTURE FRAME)
15	142077-39-P07	EA	SHELF - TV CABINET
16	142078-07-P13	EA	TRIM/FACE - ENTERTAINMENT CENTER
17	142078-03-P13	EA	TRIM/FACE - ENTERTAINMENT CENTER
18	142078-08-P13	EA	TRIM/FACE - ENTERTAINMENT CENTER

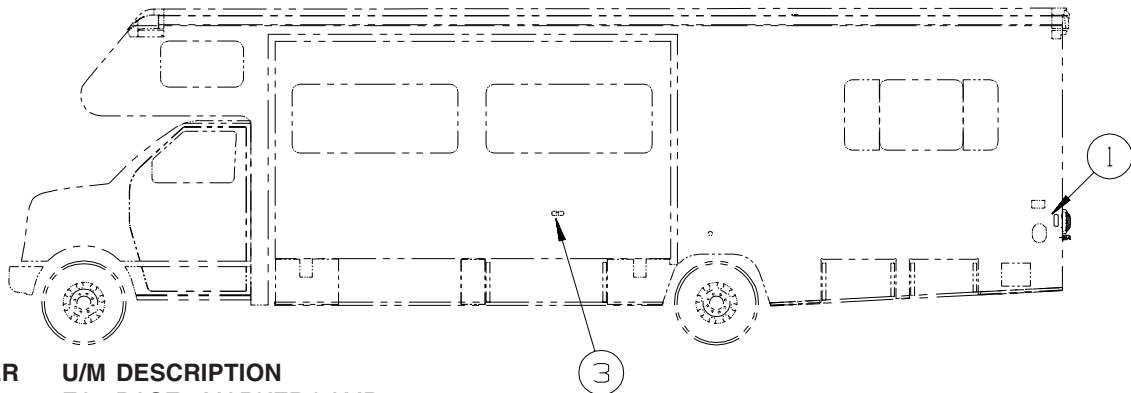
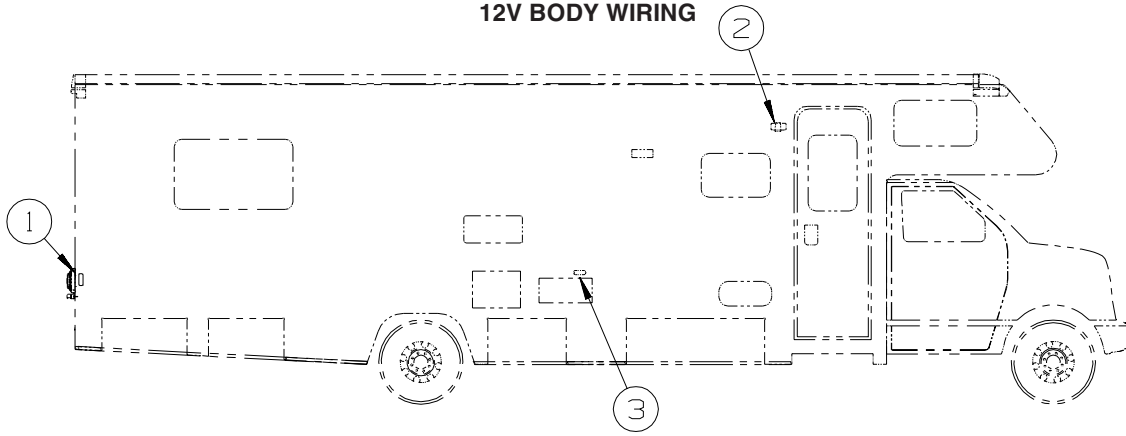
**DRIVERS COMPARTMENT GROUP (CONTINUED)**  
**CABINETS (CONTINUED)**



**24" TV**

KEY	PART NUMBER	U/M	DESCRIPTION
1	148347-01-R07	EA	CABINET - ENTERTAINMENT CENTER/LEFT HAND - W/O DOORS/HDW
1	148347-02-R07	EA	CABINET - ENTERTAINMENT CENTER - LEFT HAND - W/O DOORS/HDW - DVD/VCR COMBO
2	136268-04-03B	EA	BRACKET - WINGWALL - OFF WHITE
3	148339-01-R07	EA	CABINET - ENTERTAINMENT CENTER/TV - W/O DOORS/HARDWARE
4	136268-03-03B	EA	BRACKET - WINGWALL - OFF WHITE
5	148339-22-R07	EA	SHELF - W/PLASTIC EDGE MOLDING
6	136269-08-02B	EA	BRACKET/TV TIEDOWN - E-COATED
7	148349-01-R07	EA	CABINET ASM-ENT CTR,TOP
8	148344-01-02B	EA	BRACKET - ENTERTAINMENT CTR - E-COATED
9	148247-03-02B	EA	STRAP/TIEDOWN - TV - E-COATED
10	142200-01-P07	EA	PANEL - VINYL COVERED
10	142200-02-P07	EA	PANEL - VINYL COVERED - INVERTER
11	136954-70-P13	EA	DOOR - RAISED PANEL/OGEE EDGE - 12" X 26" - W/O HDW
12	100708-30-000	EA	DOOR/GLASS - TV CABINET - 18.8" X 18.8" - W/O HARDWARE
13	148347-34-R07	EA	SHELF - W/PLASTIC EDGE TRIM
14	148348-01-R07	EA	TRIM - ENTERTAINMENT CENTER
15	148348-02-R07	EA	TRIM - ENTERTAINMENT CENTER
16	148348-03-R07	EA	TRIM - ENTERTAINMENT CENTER

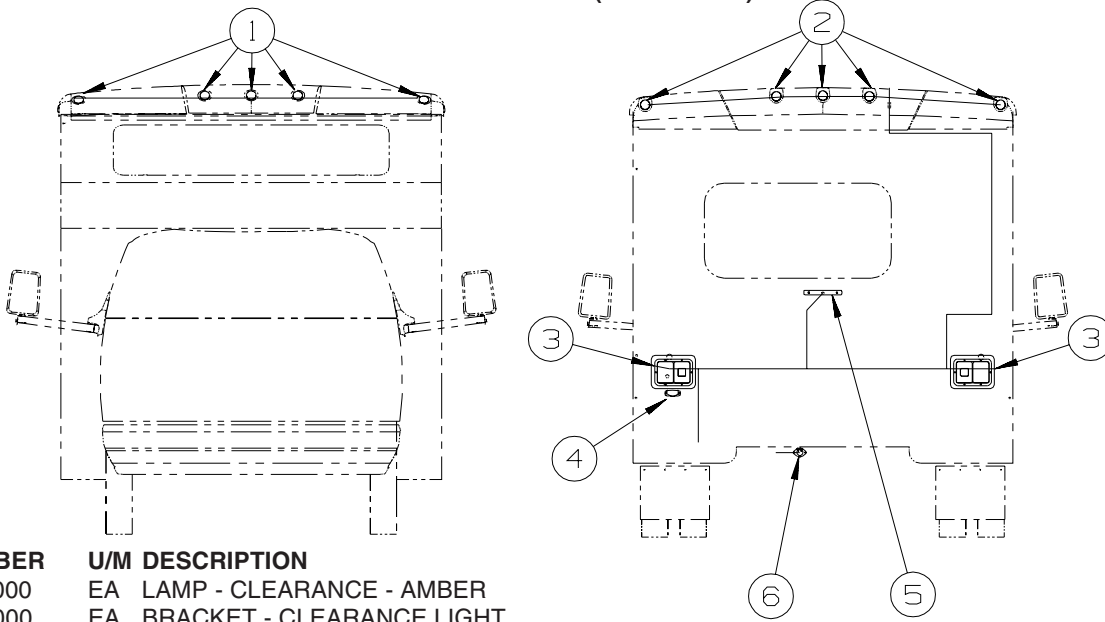
**ELECTRICAL GROUP**  
**12V BODY WIRING**



KEY	PART NUMBER	U/M	DESCRIPTION
1	111102-01-000	EA	BASE - MARKER LAMP
	036196-01-000	EA	BULB - 12V - #194 - .27 AMP - BAYONETTE
1	111102-03-000	EA	LENS - RED - MARKER LAMP
2*	097917-01-06A	EA	LIGHT - PORCH - BRIGHT WHITE
	008215-01-000	EA	BULB - 12 VOLT - #1003 - .94 AMP
3	111102-01-000	EA	BASE - MARKER LAMP
	036196-01-000	EA	BULB - 12V - #194 - .27 AMP - BAYONETTE
3	111102-02-000	EA	LENS - AMBER - MARKER LAMP

**\*COMPONENT PARTS LISTED LATER IN THIS GROUP**

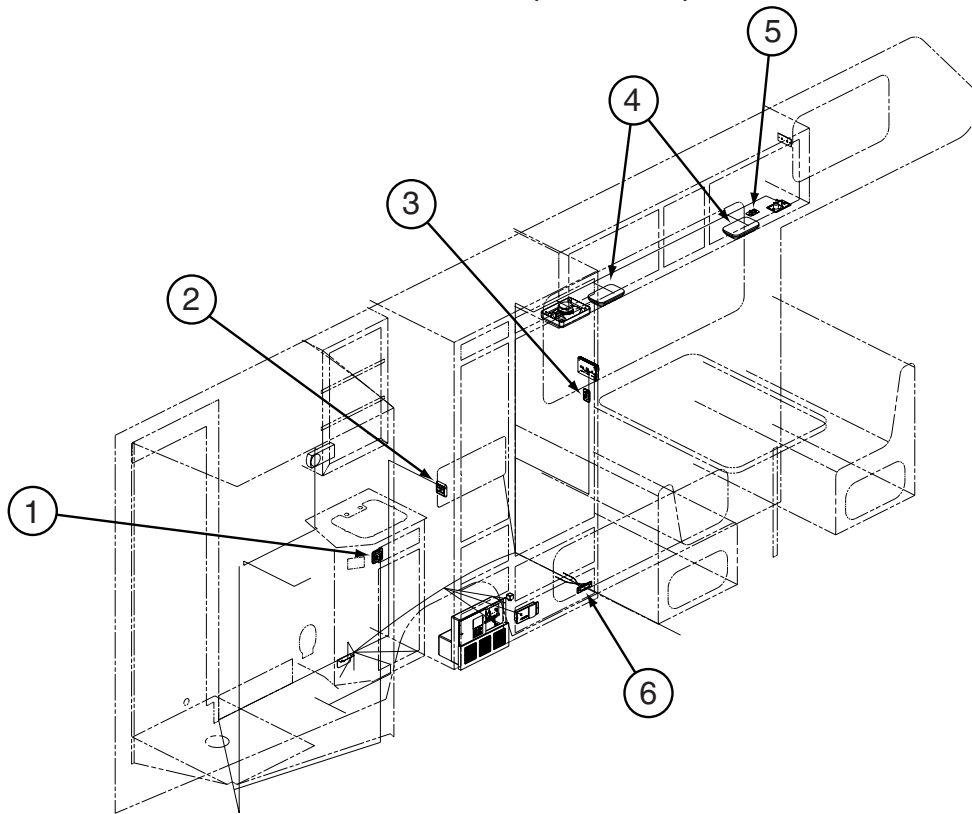
**ELECTRICAL GROUP (CONTINUED)**  
**12V BODY WIRING (CONTINUED)**



KEY	PART NUMBER	U/M	DESCRIPTION
1	138996-01-000	EA	LAMP - CLEARANCE - AMBER
1	138996-03-000	EA	BRACKET - CLEARANCE LIGHT
2	138996-02-000	EA	LAMP - CLEARANCE - RED
2	138996-03-000	EA	BRACKET - CLEARANCE LIGHT
3*	081638-01-000	EA	TAILLIGHT/DOUBLE W/BLACK TRIM - DRIVER/PASSENGER SIDE
3	103355-02-01A	EA	POD - TAIL LIGHT - BRIGHT WHITE
4	066432-02-000	EA	LIGHT - LICENSE - BLACK
4	066432-03-000	EA	BRACKET - LICENSE PLATE
5	136916-01-000	EA	LIGHT - CENTER BRAKE - L.E.D.
6*	113589-01-000	EA	CONNECTOR - PLUG - TRAILER
6*	113589-02-000	EA	CONNECTOR - SOCKET - TRAILER

**\*COMPONENT PARTS LISTED LATER IN THIS GROUP**

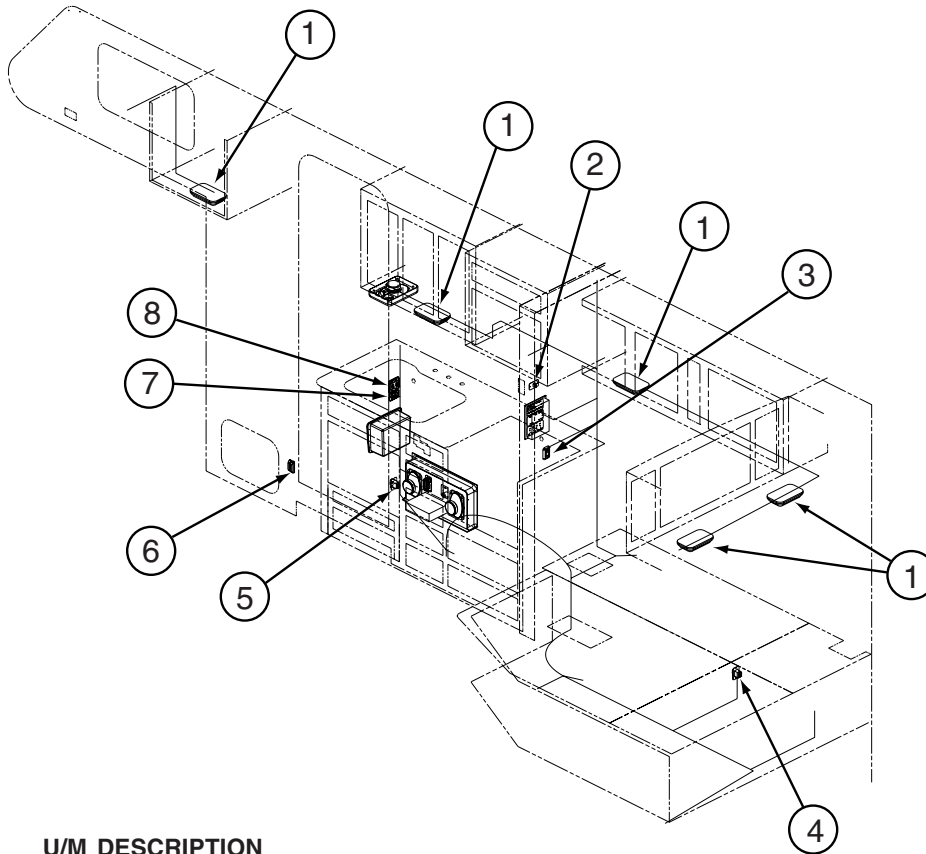
**ELECTRICAL GROUP (CONTINUED)**  
**12V BODY WIRING (CONTINUED)**



KEY	PART NUMBER	U/M	DESCRIPTION
1	135740-01-01A	EA	SWITCH - ROCKER - SPST - ON/OFF - BROWN
1	135741-02-01A	EA	SWITCH - BASE - DOUBLE - BROWN
1	135742-15-02A	EA	BEZEL - SWITCH - CEILING/SHOWER - BROWN
2	135740-01-02A	EA	SWITCH - ROCKER - SPST - ON/OFF - WHITE - CEILING
2	135740-02-02A	EA	SWITCH - ROCKER - SPDT - ON/ON - WHITE - AISLE
2	135741-02-02A	EA	SWITCH - BASE - DOUBLE - WHITE
2	135742-13-01A	EA	BEZEL - SWITCH - CEILING/AISLE - WHITE
3	135740-01-02A	EA	SWITCH - ROCKER - SPST - ON/OFF - WHITE
3	135741-01-02A	EA	SWITCH - BASE - SINGLE - WHITE
3	135742-07-01A	EA	BEZEL - SWITCH - CEILING - WHITE
4*	137417-02-01A	EA	LIGHT - DOME - SINGLE - W/SWITCH/OPTIC LENS - WHITE
5	098351-01-01A	EA	PLATE/SWITCH - 1 GANG - POLISHED BRASS - W/O LABEL
5	132180-02-01A	EA	SWITCH - PADDLE - SPDT - ON/ON - BLACK
5	132180-02-01A	EA	SWITCH - PADDLE - SPDT - ON/ON - BLACK - TV-13" W/VCP - 12V
5	132180-01-01A	EA	SWITCH - PADDLE - SPST - ON/OFF - BLACK - TV-13" W/VCP - 12V
5	098351-15-01A	EA	PLATE/SWITCH - 2 GANG - POLISHED BRASS - COURTESY LAMP/TV - TV-13" W/VCP - 12V
6	061424-01-000	EA	LIGHT - AISLE - 12 VOLT - RECTANGULAR

\*COMPONENT PARTS LISTED LATER IN THIS GROUP

**ELECTRICAL GROUP (CONTINUED)**  
**12V BODY WIRING (CONTINUED)**

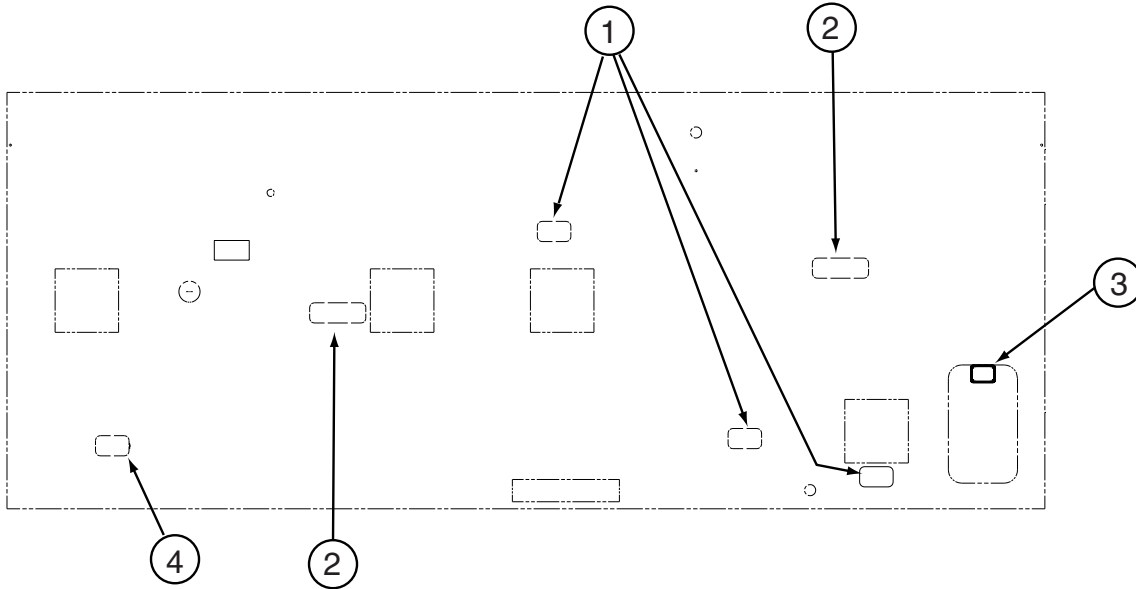


KEY	PART NUMBER	U/M	DESCRIPTION
1*	137417-02-01A	EA	LIGHT - DOME - SINGLE - W/SWITCH/OPTIC LENS - WHITE
2	098351-01-01A	EA	PLATE/SWITCH - 1 GANG - POLISHED BRASS - W/O LABEL
2	079364-08-000	EA	SWITCH - ON/OFF LIGHTED - GREEN - DRAINAGE SYSTEM-HEATED
2	077942-01-000	EA	SWITCH - DUMMY - BLACK
3	135740-01-01A	EA	SWITCH - ROCKER - SPST - ON/OFF - BROWN
3	135741-01-01A	EA	SWITCH - BASE - SINGLE - BROWN
3	135742-07-02A	EA	BEZEL - SWITCH - CEILING - BROWN
4	108357-15-000	EA	SWITCH - ROCKER - DPDT - ON/NONE/ON - W/LIGHT W/O COVER
4	108356-04-01A	EA	COVER/ACTUATOR SWITCH - 2 ROWS DIMPLES W/LENS-CONTURA-BLK
4	108355-01-000	EA	HOUSING - SWITCH
4	144363-02-04B	EA	PLATE - SWITCH - BLACK
5	108357-06-000	EA	SWITCH - ROCKER - DPDT - MOM/OFF/MOM - 6 TERM - W/O COVER
5	108356-11-01A	EA	COVER/ACTUATOR SWITCH - 3 GROOVES - AUX BATT - BLACK
5	108355-01-000	EA	HOUSING - SWITCH
5	098351-07-01A	EA	PLATE/SWITCH - 1 GANG - POLISHED BRASS - GENERATOR
6	116995-02-000	EA	SWITCH/MAGNET - ELECTRIC STEP - BLACK/WHITE-CLOSED CIRCUIT
7	135740-01-01A	EA	SWITCH - ROCKER - SPST - ON/OFF - BROWN
7	135741-01-01A	EA	SWITCH - BASE - SINGLE - BROWN
7	135742-11-02A	EA	BEZEL - SWITCH - STEP - BROWN
8	135740-01-01A	EA	SWITCH - ROCKER - SPST - ON/OFF - BROWN
8	135741-02-01A	EA	SWITCH - BASE - DOUBLE - BROWN
8	135742-19-02A	EA	BEZEL - SWITCH - CEILING/PORCH - BROWN

\*COMPONENT PARTS LISTED LATER IN THIS GROUP



**ELECTRICAL GROUP (CONTINUED)**  
**12V BODY WIRING (CONTINUED)**

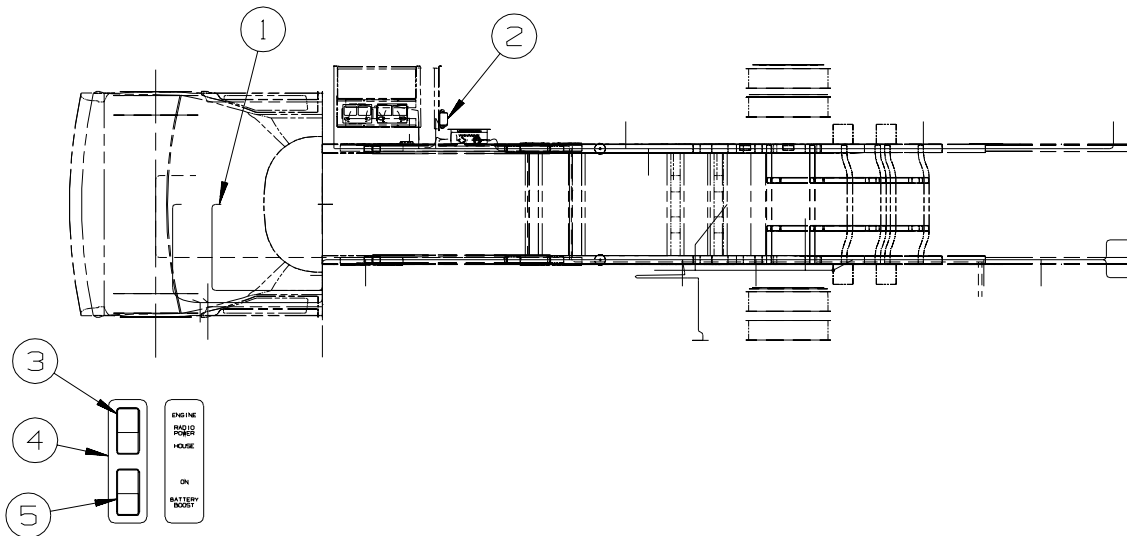


KEY	PART NUMBER	U/M	DESCRIPTION
1*	137417-03-01A	EA	LIGHT - DOME - SINGLE - W/O SWITCH - W/FROSTED LENS-WHITE
2*	137417-06-01A	EA	LIGHT - DOME - DOUBLE - W/FROSTED LENS - W/O SWITCH-WHITE
3*	121935-01-01A	EA	LIGHT - DOME - SHOWER
4*	137417-02-01A	EA	LIGHT - DOME - SINGLE - W/SWITCH/OPTIC LENS - WHITE

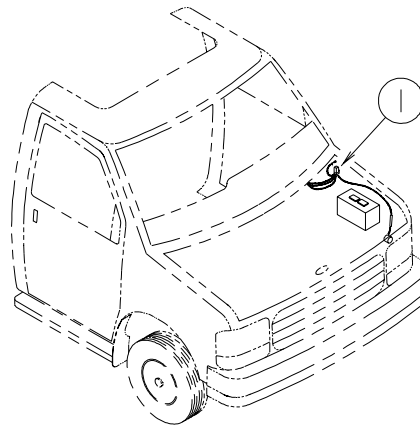
**\*COMPONENT PARTS LISTED LATER IN THIS GROUP**

## ELECTRICAL GROUP (CONTINUED)

### FRONT END WIRING



KEY	PART NUMBER	U/M	DESCRIPTION
1	135376-01-01A	EA	LIGHT - DOME - CAB - BLACK
2	138173-03-000	EA	MODULE - (CONTROL BOX) - SLIDEOUT CONTROL - #1802930
3	108357-08-000	EA	SWITCH - ROCKER - DPDT - 0N/NONE/ON - 6 TERM - W/O COVER
3	108356-02-01A	EA	COVER/ACTUATOR SWITCH - 2 ROWS DIMPLES- CONTURA II - BLACK
3	108355-01-000	EA	HOUSING - SWITCH
4	144363-12-02B	EA	PLATE - SWITCH - E-COATED
5	108357-09-000	EA	SWITCH - ROCKER - SPDT - ON/NONE/MOM - 3 TERM - W/O COVER - FORD
5	108356-02-01A	EA	COVER/ACTUATOR SWITCH - 2 ROWS DIMPLES- CONTURA II - BLACK - FORD
5	108355-01-000	EA	HOUSING - SWITCH - FORD
5	108357-09-000	EA	SWITCH - ROCKER - SPDT - ON/NONE/MOM - 3 TERM - W/O COVER - CHEVY
5	108356-07-01A	EA	COVER/ACTUATOR SWITCH - 2 ROWS DIMPLES - AUX START - BLAC - CHEVY
5	081994-07-000	EA	PLATE - SWITCH - "AUXILIARY START - CHEVY



KEY	PART NUMBER	U/M	DESCRIPTION
1	100138-01-000	EA	MODULE - DAYTIME/RUNNING LIGHT - HAMSAR DRL #H8005B

**ELECTRICAL GROUP (CONTINUED)**  
**COMPONENT PARTS FOR LIGHTS & SWITCHES**

**081638-01-000**

<b>KEY</b>	<b>PART NUMBER</b>	<b>U/M</b>	<b>DESCRIPTION</b>	<b>VENDOR NO.</b>
	081638 01 700	EA	LENS-TAILLIGHT, RED	30-84-010
	081638 01 701	EA	LENS-TAILLIGHT, W/BACKUP	30-84-700

**097917-01-06A**

<b>KEY</b>	<b>PART NUMBER</b>	<b>U/M</b>	<b>DESCRIPTION</b>	<b>VENDOR NO.</b>
	097917-01-700	EA	LENS-LIGHT, CLEAR	30-78-021

**113589-01-000**

<b>KEY</b>	<b>PART NUMBER</b>	<b>U/M</b>	<b>DESCRIPTION</b>	<b>VENDOR NO.</b>
	113589-01-700	EA	ADAPTER, 4-WAY/6-WAY	5291

**113589-02-000**

<b>KEY</b>	<b>PART NUMBER</b>	<b>U/M</b>	<b>DESCRIPTION</b>	<b>VENDOR NO.</b>
	113589-03-700	EA	ADAPTER 7 RND SPADE/4 FLAT	5290

**121935-01-01A**

<b>KEY</b>	<b>PART NUMBER</b>	<b>U/M</b>	<b>DESCRIPTION</b>	<b>VENDOR NO.</b>
	121935-01-700	EA	LENS ONLY	809511

**137417-02-01A**

<b>KEY</b>	<b>PART NUMBER</b>	<b>U/M</b>	<b>DESCRIPTION</b>	<b>VENDOR NO.</b>
	137417-02-700	EA	LENS - SINGLE OPTIC	810844

**137417-03-01A**

<b>KEY</b>	<b>PART NUMBER</b>	<b>U/M</b>	<b>DESCRIPTION</b>	<b>VENDOR NO.</b>
	137417-01-700	EA	LENS - SINGLE (FROSTED)	810868

**137417-06-01A**

<b>KEY</b>	<b>PART NUMBER</b>	<b>U/M</b>	<b>DESCRIPTION</b>	<b>VENDOR NO.</b>
	137417-06-700	EA	LENS - DOUBLE WHITE	810867

## ELECTRICAL GROUP (CONTINUED)

### CIRCUIT BREAKERS & FUSES

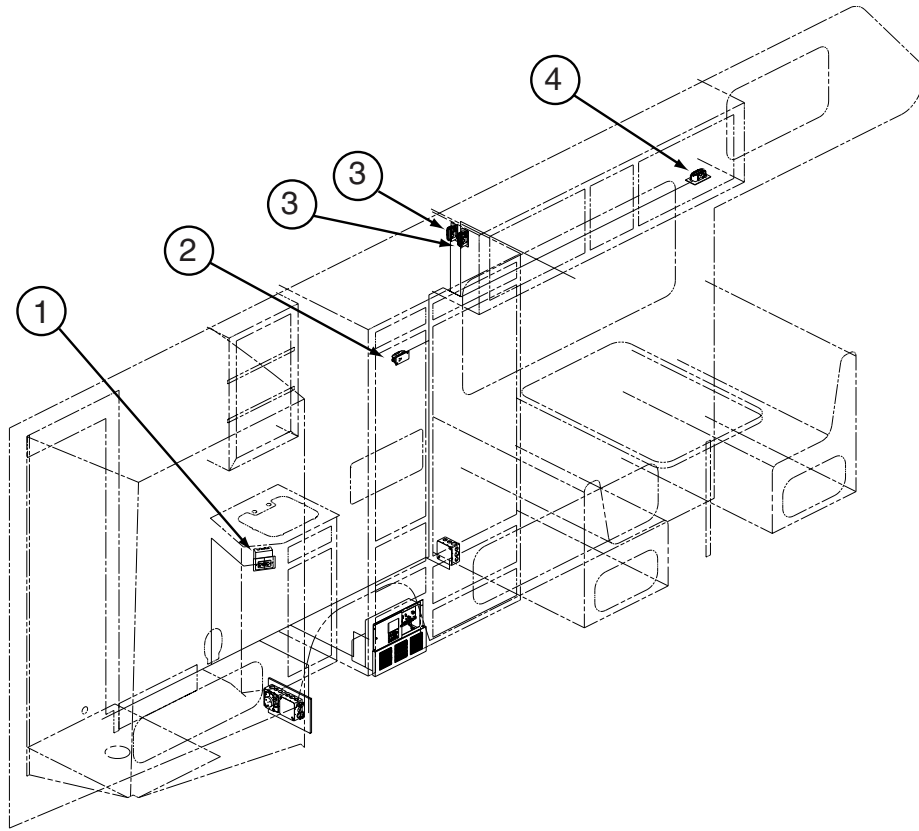
KEY	PART NUMBER	U/M	DESCRIPTION
	008233-01-000	EA	FUSE - 12 VOLT - 6 AMP
	008235-01-000	EA	FUSE - 15 AMP/12VOLT - AUTOMOTIVE
	033573-01-000	EA	CIRCUIT BREAKER W/MOUNT-20A, 12V - FASCO 1711-2026
	062901-02-000	EA	FUSE - 5 AMP - AUTOMOTIVE
	062901-04-000	EA	FUSE - 10 AMP - AUTOMOTIVE
	062901-05-000	EA	FUSE - 15 AMP - AUTOMOTIVE
	062901-06-000	EA	FUSE - 20 AMP - AUTOMOTIVE
	062901-07-000	EA	FUSE - 25 AMP - AUTOMOTIVE
	062901-08-000	EA	FUSE - 30 AMP - AUTOMOTIVE
	083209-01-000	EA	CIRCUIT BREAKER - 15 AMP - 120 VOLT - CANADIAN
	083209-02-000	EA	CIRCUIT BREAKER - 15/15 AMP - 120 VOLT
	083209-03-000	EA	CIRCUIT BREAKER - 15/20 AMP - 120 VOLT
	083209-04-000	EA	CIRCUIT BREAKER - 30 AMP - 120 VOLT
	083209-05-000	EA	CIRCUIT BREAKER - 20 AMP - 120 VOLT
	083209-06-000	EA	CIRCUIT BREAKER - 30/15 AMP - 120 VOLT
	083209-07-000	EA	CIRCUIT BREAKER - 20/20 AMP - 120 VOLT
	083209-10-000	EA	CIRCUIT BREAKER - 20/30 AMP - 120 VOLT
	083209-11-000	EA	CIRCUIT BREAKER - 20/15 AMP - 120 VOLT
	092786-03-000	EA	BUSS BAR - 6.9" LONG
	092786-06-000	EA	BUSS BAR
	093654-01-000	EA	CIRCUIT BREAKER - 6 AMP - 12 VOLT - PUSH BUTTON - WHITE
	093654-02-000	EA	CIRCUIT BREAKER - 15 AMP - 12 VOLT - PUSH BUTTON - WHITE
	093654-03-000	EA	CIRCUIT BREAKER - 20 AMP - 12 VOLT - PUSH BUTTON - WHITE
	093654-11-000	EA	COVER - RESET BUTTON
	093655-01-000	EA	CIRCUIT BREAKER - 25 AMP - 12 VOLT - PUSH BUTTON - WHITE
	093655-02-000	EA	CIRCUIT BREAKER - 30 AMP - 12 VOLT - PUSH BUTTON - WHITE
	093655-03-000	EA	CIRCUIT BREAKER - 40 AMP - 12 VOLT - PUSH BUTTON - WHITE
	097611-01-000	EA	CIRCUIT BREAKER - 10 AMP
	097611-02-000	EA	CIRCUIT BREAKER - 30 AMP
	097611-03-000	EA	CIRCUIT BREAKER - 20 AMP
	097611-04-000	EA	CIRCUIT BREAKER - 25 AMP
	100341-01-000	EA	FUSE HOLDER - IN LINE TYPE
	106656-01-000	EA	FUSE BLOCK - 4 CAVITY - AUTOFUSE
	108567-01-000	EA	CIRCUIT BREAKER - 40 AMP - 12 VOLT - TYPE II
	111683-01-000	EA	FUSE - HOLDER - GLASS - 1/4" X 1 1/4"
	113482-01-000	EA	CIRCUIT BREAKER - 55 AMP - MANUAL
	115187-01-000	EA	FUSE - 300 AMP - NON-DELAY
	115187-02-000	EA	FUSE HOLDER - BUSS ANN/ANL BLOCK
	118531-05-02B	EA	PLATE - CIRCUIT BREAKER - E-COAT - <b>CHIEFTAIN/SUNFLYER L-SERIES</b>
	122811-01-000	EA	CIRCUIT BREAKER - 20/50/50/20 AMP - 250V
	134127-01-000	EA	CIRCUIT BREAKER - 10 AMP - MINI
	139067-01-02B	EA	PLATE - CIRCUIT BRKR-HOUSE - E-CTD - <b>10 PLACE</b>
	139067-02-02B	EA	PLATE - CIRCUIT BRKR-HOUSE - E-CTD - <b>12 PLACE</b>
	139067-03-02B	EA	PLATE-CIRCUIT BKR/HOUSE-E-CTD - <b>14 PLACE</b>
	139067-04-02B	EA	PLATE - CIRCUIT BRKR-HOUSE - E-CTD - <b>TOP 10 PLACE</b>
	139067-05-02B	EA	PLATE - CIRCUIT BREAKER/HOUSE - E-COATED - <b>16 PLACE</b>
	139067-06-02B	EA	PLATE - CIRCUIT BREAKER/HOUSE - E-COATED - <b>18 PLACE</b>
	139067-07-02B	EA	PLATE - CIRCUIT BREAKER/HOUSE - E-COATED - <b>21 PLACE</b>
	141789-01-000	EA	SPACER - CIRCUIT BREAKER

### CONVERTER, INVERTER, LOAD CENTER

KEY	PART NUMBER	U/M	DESCRIPTION
	083208-06-000	EA	CONTROL CENTER - 45 AMP/120V/12V - W/O BREAKERS/ELECTRONIC
	099048-03-000	EA	INVERTER - 130 WATT

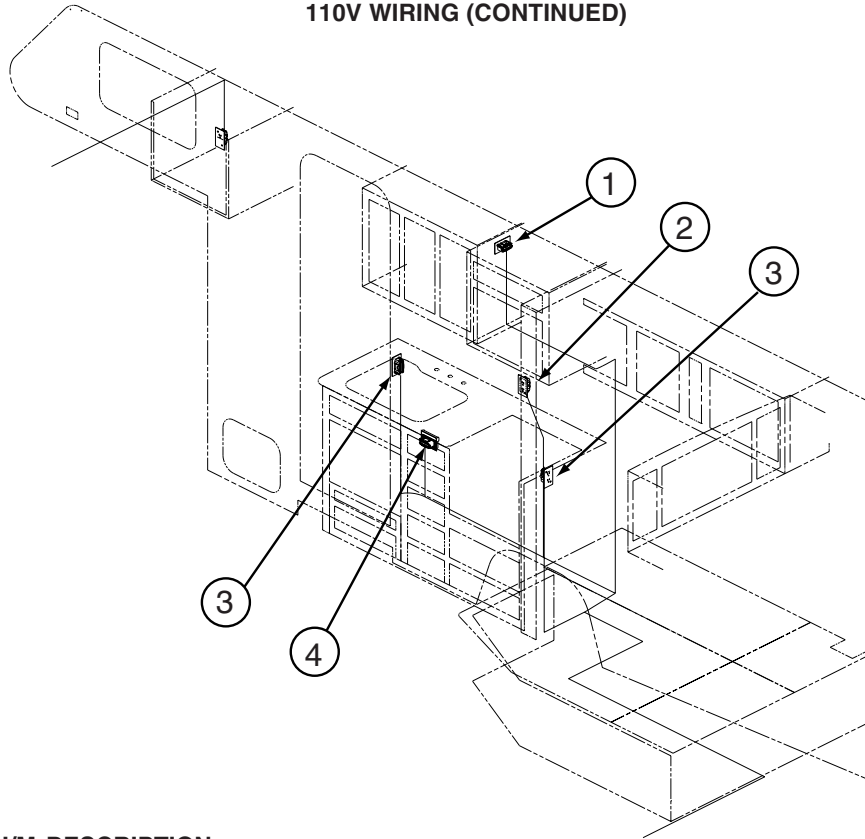
## ELECTRICAL GROUP (CONTINUED)

### 110V WIRING



KEY	PART NUMBER	U/M	DESCRIPTION
1	147446-01-02A	EA	RECEPTACLE - GFCI - 15A 125V - BROWN
1	147450-01-02A	EA	PLATE - ELECTRICAL OUTLET - BROWN
2	058707-01-000	EA	RECEPTACLE - ELECTRIC - SINGLE - BROWN
3	058707-02-000	EA	RECEPTACLE - BLANK - JUNCTION BOX
4	058708-01-000	EA	RECEPTACLE - ELECTRIC - DOUBLE - BROWN

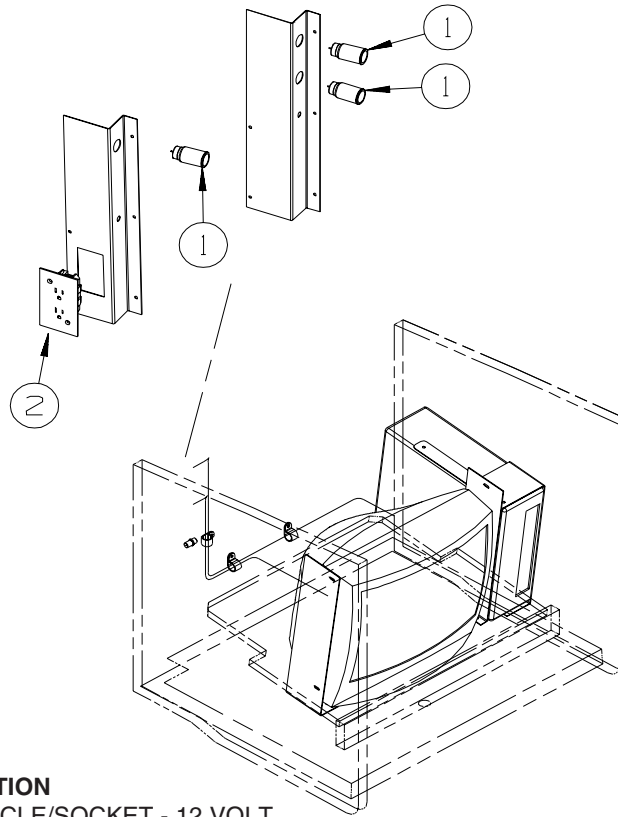
**ELECTRICAL GROUP (CONTINUED)**  
**110V WIRING (CONTINUED)**



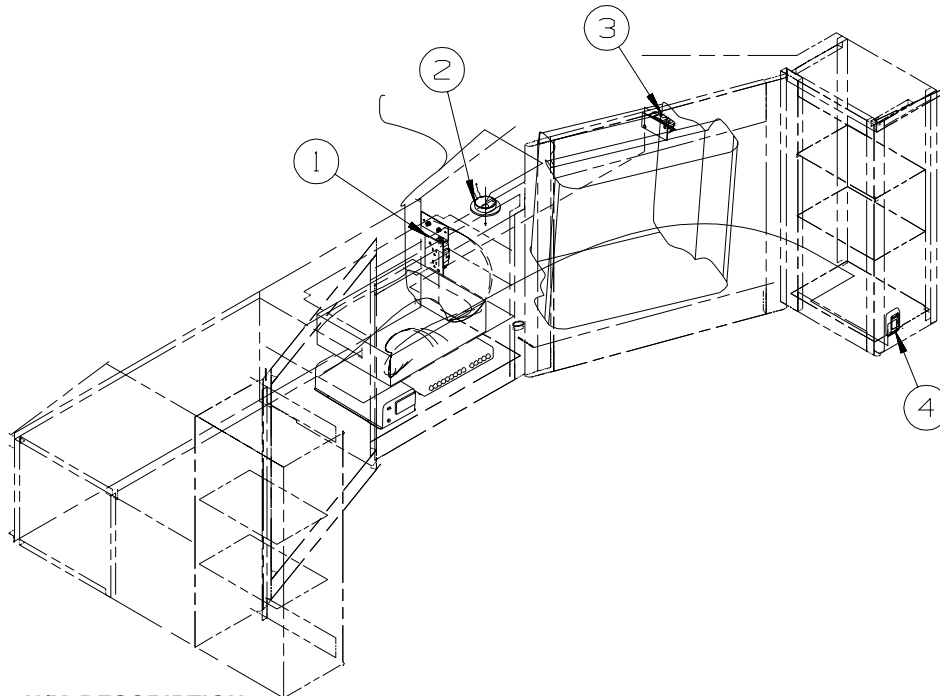
KEY	PART NUMBER	U/M	DESCRIPTION
1	058708-05-000	EA	RECEPTACLE - ELECTRIC - SINGLE - BROWN
2	058708-06-000	EA	RECEPTACLE - DUPLEX - WHITE
2	133713-01-20A	EA	SPACER/RECEPTACLE - WHITE VINYL
3	058708-01-000	EA	RECEPTACLE - ELECTRIC - DOUBLE - BROWN
4	131826-01-01A	EA	RECEPTACLE - EXTERIOR - W/COVER/GASKET - WHITE

## ELECTRICAL GROUP (CONTINUED)

### ENTERTAINMENT WIRING



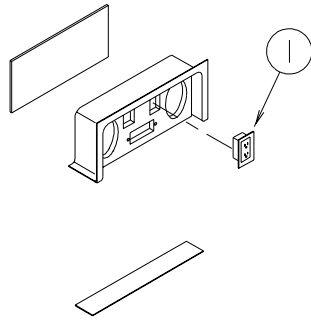
KEY	PART NUMBER	U/M DESCRIPTION
1	111414-01-000	EA RECEPTACLE/SOCKET - 12 VOLT
2	058708-01-000	EA RECEPTACLE - ELECTRIC - DOUBLE - BROWN



KEY	PART NUMBER	U/M DESCRIPTION
1	058708-01-000	EA RECEPTACLE - ELECTRIC - DOUBLE - BROWN
2*	123775-01-01A	EA LIGHT - HALOGEN - ROUND
3	058707-02-000	EA RECEPTACLE - BLANK - JUNCTION BOX
4	135740-01-01A	EA SWITCH - ROCKER - SPST - ON/OFF - BROWN
4	135740-05-01A	EA SWITCH - ROCKER - SPST - ON/OFF - BROWN - W/SND SYS DLX W/Q-SRND
4	138253-01-02A	EA SWITCH - BLANK - BROWN - W/O DELUXE SOUND SYSTEM
4	135741-01-01A	EA SWITCH - BASE - SINGLE - BROWN - 300 SERIES
4	135741-02-01A	EA SWITCH - BASE - SINGLE - BROWN - 400 SERIES
4	135742-07-02A	EA BEZEL - SWITCH - CEILING - BROWN - 300 SERIES
4	135742-29-02A	EA BEZEL - SWITCH - CEILING - BROWN - 400 SERIES

\*COMPONENT PARTS LISTED LATER IN THIS GROUP

**ELECTRICAL GROUP (CONTINUED)**  
**ENTERTAINMENT WIRING (CONTINUED)**



<b>KEY</b>	<b>PART NUMBER</b>	<b>U/M</b>	<b>DESCRIPTION</b>
1	058708-01-000	EA	RECEPTACLE - ELECTRIC - DOUBLE - BROWN



**ELECTRICAL GROUP (CONTINUED)**  
**COMPONENT PARTS FOR ENTERTAINMENT WIRING**

123775-01-01A

<b>KEY</b>	<b>PART NUMBER</b>	<b>U/M</b>	<b>DESCRIPTION</b>	<b>VENDOR NO</b>
	123775-01-700	EA	BULB - 10 WATT - HALOGEN	71-JC10
	123775-01-701	EA	BEZEL/LENS - RECESSED LIGHT	

## ELECTRICAL GROUP (CONTINUED)

### BOXES & CORDS

KEY	PART NUMBER	U/M	DESCRIPTION
	008054-01-000	EA	CORD - POWER - 10/3 WIRE - 30 AMP - 25'
	008289-01-000	EA	BOX - ELECTRIC/STEEL - 4" X 4" - 1/2" & 3/4" KNOCKOUTS
	008294-01-000	EA	COVER - ELECTRIC BOX - BLANK/STEEL - 4" X 4" - GRAY
	069238-01-000	EA	COVER - ELECTRICAL BOX - W/HOLE - 4" X 4" - GRAY
	084993-01-000	EA	STRAP - BATTERY - 43.2" LONG
	091910-01-000	EA	BOX - ELECTRIC - 3.8" X 3.5" X 1.8" - PLASTIC
	091910-02-000	EA	BOX - ELECTRIC - 2.2" X 3.5" X 1.8" - PLASTIC
	092492-16-000	EA	SEAL - ELECTRICAL BOX
	115832-01-000	FT	CORD - HEAVY DUTY - 14-2W GROUND
	141272-01-02B	EA	BOX - ELECTRICAL - E-COATED
	141273-01-02B	EA	COVER - ELECTRICAL BOX - E-COATED
	131679-01-000	EA	BOX/ELECTRIC-WATERPROOF-4" X 4" - W/4 3/4"OUTLETS-UL/CSA
	131680-01-000	EA	COVER - F/ELECTRIC BOX W/GASKET 4" X 4" - UL/CSA
	133070-01-000	EA	BOX - ELECTRIC/PLASTIC - 3" X 2" X 2.8" - UL
	133070-02-000	EA	BOX - ELECTRIC/PLASTIC - 3" X 2" X 2.8" - CSA
	084993-02-000	EA	STRAP - BATTERY - 55" LONG
	107165-01-01A	EA	BOX - CIRCUIT BREAKER - 14.6" X 4" - PLASTIC
	069238-01-000	EA	COVER - ELECTRICAL BOX - W/HOLE - 4" X 4" - GRAY
	084077-03-000	EA	COVER/BLANK - WIRE ACCESS - 5.2" X 3.5" - IVORY

### WIRE ASSEMBLIES

KEY	PART NUMBER	U/M	DESCRIPTION
	090986-02-000	EA	WIRE ASSEMBLY - ELECTRIC STEP
	096449-01-000	EA	WIRE ASSEMBLY - WATER TANK TO MONITOR PANEL
	096449-02-000	EA	WIRE ASSEMBLY - WATER TANK TO MONITOR PANEL
	096450-01-000	EA	WIRE F/SENSORS - BLACK WATER - 39.3"
	096450-02-000	EA	WIRE F/SENSORS - BLACK WATER - 59"
	096450-03-000	EA	WIRE F/SENSORS - BLACK WATER - 78.6"
	096450-05-000	EA	WIRE F/SENSORS - BLACK WATER - 23.6"
	096451-01-000	EA	WIRE F/SENSORS - GREY WATER - 86"
	096451-03-000	EA	WIRE F/SENSORS - GREY WATER - 78.6"
	096451-05-000	EA	WIRE F/SENSORS - GREY WATER - 43.2"
	096451-06-000	EA	WIRE F/SENSORS - GREY WATER - 23.6"
	097618-02-000	EA	WIRE ASSEMBLY/MONITOR PANEL - 3 WIRES & RESISTOR - 102.4"
	106851-01-000	EA	WIRE ASSEMBLY - RUNNING LIGHTS - FUSE
	116894-01-000	EA	WIRE ASSEMBLY - SPEED SENSOR EXTENDED
	122743-01-000	EA	WIRE LOOM - DINETTE/TV
	125853-04-000	EA	WIRE LOOM - ENTERTAINMENT CENTER
	126501-01-000	EA	WIRE ASSEMBLY - REMOTE MIRRORS - FORD
	134550-01-000	EA	WIRE ASSEMBLY - HEATER/RELAY
	134551-06-000	EA	WIRE ASSEMBLY - HEATER/TANKS
	134551-08-000	EA	WIRE ASM-HEATER,TANKS
	135420-08-000	EA	WIRE - RADIO - FORD C - 4 PIN
	134551-09-000	EA	WIRE ASM-HEATER,TANKS
	134551-10-000	EA	WIRE ASM-HEATER/TANKS - 2 PADS
	137135-03-000	EA	WIRE LOOM - DIGITAL ELEVATION SENSOR
	137135-04-000	EA	WIRE HARNESS - POWER - DIGITAL ELEVATION SENSOR

**ELECTRICAL GROUP (CONTINUED)**  
**CONNECTORS & CONDUIT**

KEY	PART NUMBER	U/M	DESCRIPTION
	007940-01-000	EA	RECEPTACLE/SLIDE 16 TO 12 AWG - FEMALE END
	007940-02-000	EA	RECEPTACLE-SLIDE 10 AWG - AMP 180351-2
	007954-01-000	EA	RECEPTACLE - HOUSING - 6 POSITION
	007956-05-000	EA	INSULATOR - SHRINK - 1/4" ID X 1 1/2"
	008058-01-700	EA	ADAP-ELEC.30AMP M X 50 AMP F 30M50F
	008058-01-000	EA	ADAPTER - POWER CORD - 30 AMP TO 15 AMP
	008311-01-000	EA	CONNECTOR - WIRE NUT - INSULATED - RED
	008312-01-000	EA	CONNECTOR - WIRE NUT - INSULATED - BLUE
	008313-01-000	EA	CONNECTOR - WIRE NUT - INSULATED - YELLOW
	008314-01-000	EA	CONNECTOR - WIRE NUT - INSULATED - GRAY
	008326-01-000	EA	TERMINAL - RING - 16/14 WIRE - 3/8" STUD
	008328-01-000	EA	TERMINAL - RING - 12/10 WIRE - #10 STUD FIT
	008331-01-000	EA	TERMINAL - RING - TONGUE - #4 WIRE - 3/8" STUD - COPPER
	008348-01-000	EA	TERMINAL - RING - 3/8" STUD 2 GA. WIRE
	008355-01-000	EA	CONNECTOR - CABLE CLAMPING - 3/4"
	008356-01-000	EA	CONNECTOR - PLASTIC - 3/8"
	008356-02-000	EA	CONNECTOR - PLASTIC - 21/32"
	008394-01-000	FT	CONDUIT - FLEXIBLE - 1/2"
	008398-01-000	EA	CONNECTOR - 1/2" X 90 DEGREE - FLEX CONDUIT - UL & CSA
	035416-04-000	EA	TERMINAL - RING - #10 STUD FIT - INSULATED BARREL #16/14
	041953-01-000	FT	CONDUIT - CONVOLUTE SLIT - .5" ID - POLYETHYLENE
	041953-02-000	FT	CONDUIT - CONVOLUTE SLIT - .6" ID - POLYETHYLENE
	041953-03-000	FT	CONDUIT - CONVOLUTE SLIT - 1" ID (CLOTHES ROD COVER)
	041953-06-000	FT	CONDUIT - CONVOLUTE SLIT - .4" ID - POLYETHYLENE
	041953-07-000	FT	CONDUIT - CONVOLUTE SLIT - .25" ID - POLYETHYLENE
	041953-08-000	FT	CONDUIT - CONVOLUTE SLIT - 1.5" ID - POLYETHYLENE
	041953-09-000	FT	CONDUIT - CONVOLUTE SLIT - .5" ID - NYLON
	041953-10-000	FT	CONDUIT - CONVOLUTE SLIT - .75" ID - NYLON
	041953-11-000	FT	CONDUIT - CONVOLUTE SLIT - 1.06" ID - NYLON
	041953-12-000	FT	CONDUIT - CONVOLUTE SOLID - 1.1" ID - NYLON
	041953-13-000	FT	CONDUIT - CONVOLUTE SLIT - 1.25" ID
	041953-14-000	FT	CONDUIT - CONVOLUTE SLIT - 1.5" ID
	041953-15-000	FT	CONDUIT - CONVOLUTE SLIT - 2"
	041953-16-000	FT	CONDUIT - CONVOLUTE SLIT - 2"
	047443-01-000	EA	TERMINAL - .250 RECEPTACLE FIT - INSULATED - 16/14 AWG
	047443-02-000	EA	TERMINAL - .250 RECEPTACLE FIT - INSULATED - 12/10 AWG
	058028-01-000	EA	CONNECTOR - ELECTRICAL PIGTAIL - NYLON - CLEAR
	062036-01-000	EA	TERMINAL - PACK - CON - 12/10 AWG
	074017-02-000	EA	HOUSING - 5 POSITION - RIGHT ANGLED
	077479-01-000	EA	BOOT - BATTERY TERMINAL - DOUBLE CABLE
	077479-02-000	EA	BOOT - BATTERY TERMINAL - SINGLE CABLE
	080015-02-000	EA	RECEPTACLE - FLAG - .185 - 16/14 GAUGE
	080015-03-000	EA	RECEPTACLE - FLAG - .250 - 14/16 GAUGE
	082109-01-000	EA	HOUSING - CONNECTOR - PACKARD
	082741-01-000	EA	CONNECTOR BODY - 2 CONNECTOR MALE
	087225-01-000	FT	SLEEVING - 1/2" - TYPE H
	087949-01-000	EA	BUSS BAR - 2 POSITION - .6" X 1.5"
	087949-03-000	EA	BUSS BAR - 4 POSITION
	087949-05-000	EA	BUSS BAR - 7 POSITION
	088473-01-000	EA	HOUSING - PIN - 12 CAVITY (3 ROWS OF 4)
	088473-02-000	EA	HOUSING - PIN - 15 CAVITY (3 ROWS OF 5)
	088473-03-000	EA	HOUSING - PIN - 9 CAVITY (3 ROWS OF 3)
	088473-04-000	EA	HOUSING - PIN - 8 CAVITY IN-LINE
	088473-06-000	EA	HOUSING - PIN - 6 CAVITY (2 ROWS OF 3)
	088473-07-000	EA	HOUSING - PIN - 5 CAVITY - IN LINE
	088473-08-000	EA	HOUSING - PIN - 4 CAVITY - IN-LINE
	088473-09-000	EA	HOUSING - PIN - 3 CAVITY - IN-LINE
	088473-10-000	EA	HOUSING - PIN - 2 CAVITY - IN LINE
	088474-01-000	EA	HOUSING - SOCKET - 12 CAVITY
	088474-02-000	EA	HOUSING - SOCKET - 15 CAVITY
	088474-03-000	EA	HOUSING - SOCKET - 9 CAVITY
	088474-06-000	EA	HOUSING - SOCKET - 6 CAVITY
	088474-07-000	EA	HOUSING - SOCKET - 5 CAVITY

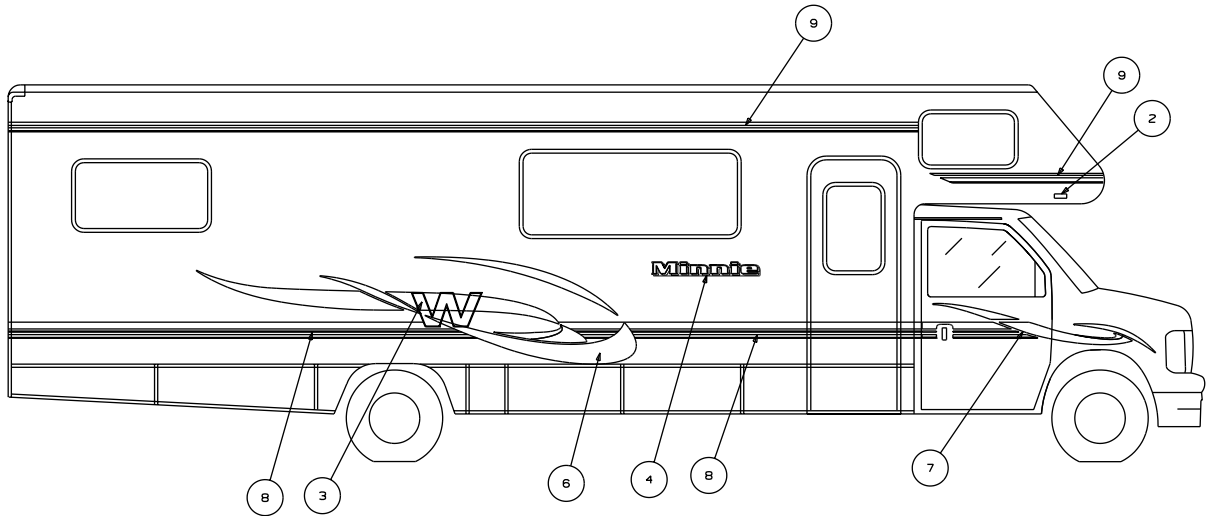
**ELECTRICAL GROUP (CONTINUED)**  
**CONNECTORS & CONDUIT (CONTINUED)**

<b>KEY</b>	<b>PART NUMBER</b>	<b>U/M</b>	<b>DESCRIPTION</b>
	088474-08-000	EA	HOUSING - SOCKET - 4 CAVITY
	088474-09-000	EA	HOUSING - SOCKET - 3 CAVITY
	088474-10-000	EA	HOUSING - SOCKET - 2 CAVITY
	088475-01-000	EA	PIN - CONNECTOR - 14-20 AWG
	088475-02-000	EA	PIN - CONNECTOR - 10-12 AWG
	088476-01-000	EA	TERMINAL - ELECTRICAL
	088476-02-000	EA	SOCKET - CONNECTOR - 12-10 GA - PRE-TIN
	098261-01-000	EA	SOCKET - CONNECTOR - WEATHERPACK - 12 AWG
	098261-02-000	EA	SOCKET - CONNECTOR - WEATHERPACK - 14-18 AWG
	098262-01-000	EA	SEAL - CONNECTOR - WEATHERPACK
	098264-01-000	EA	HOUSING - 2 PIN - WEATHER PACK - MALE W/FEMALE PINS
	098264-02-000	EA	HOUSING - 2 PIN - WEATHER PACK - FEMALE W/MALE PINS
	098265-02-000	EA	PIN - CONNECTOR - WEATHER PACK
	101751-02-000	EA	HOUSING - 1 PIN - WEATHERPACK
	102777-02-000	EA	TERMINAL - RING - #6 STUD - 10 AWG
	103608-01-000	EA	SOCKET - WEDGE BASE W/LEADS
	104100-01-000	EA	HOUSING - 1 POSITION - 75 AMPS
	104100-03-000	EA	TERMINAL - 75 AMP
	110178-01-000	EA	HOUSING - WIPER MOTOR
	112823-01-000	EA	SPLICE - REDUCER - 16-14 TO 18-22
	113135-01-000	EA	TERMINAL - FEMALE - M/P - 14-16 - F/SEALED TERMINAL
	113308-01-000	EA	TERMINAL - FEMALE - M/P - 14-16 - 280
	113468-01-000	EA	HOUSING - 2 POSITION-FEMALE-USED ON WIPER/WASHER WIRE ASM
	113638-02-000	EA	CONNECTOR - ACTUATOR
	115931-01-000	EA	COVER - CONNECTOR - 30 AMP W/LOCK RING
	115931-02-000	EA	COVER - CONNECTOR - 50 AMP W/LOCKING RING
	115932-01-000	EA	CONNECTOR - FEMALE - 30 AMP/120 VOLT
	115932-02-000	EA	CONNECTOR - FEMALE - 50 AMP/240 VOLT
	116811-01-000	EA	TERMINAL - .110 RECEPTACLE - 16-14 AWG
	118571-01-000	EA	CONNECTOR - 3-WAY - MALE/SEALED
	118571-02-000	EA	CONNECTOR - 3-WAY - FEMALE/SEALED
	118571-05-000	EA	LOCK - SECONDARY - FEMALE
	118571-06-000	EA	LOCK - SECONDARY - MALE
	118599-02-000	EA	TERMINAL - MALE - M/P - 280/14-12
	118820-01-000	EA	INSULATOR - TERMINAL
	129233-01-000	EA	HOUSING - 2-POSITION/FEMALE - 280-SERIES
	129233-02-000	EA	HOUSING - 2-POSITION/FEMALE - 280-SERIES
	131681-01-000	EA	CONNECTOR - 3/4" SO CORD - UL/CS
	137207-01-000	EA	HOUSING - PIN - 2 CAVITY/HIGH AMP
	137208-01-000	EA	HOUSING - SOCKET - 2 CAVITY/HIGH AMP
	137209-01-000	EA	PIN - CONNECTOR - 10AWG/HIGH AMP
	137210-01-000	EA	SOCKET - CONNECTOR - 10 AWG/HIGH AMP
	138419-03-000	EA	SOCKET - LAMP - 3 WIRE
	142520-01-000	EA	TERMINAL - FEMALE - MINI-FIT 16
	142522-01-000	EA	HOUSING - 4 PIN/MALE - MINI FIT
	142522-02-000	EA	HOUSING - 6 PIN/MALE - MINI FIT
	142522-03-000	EA	HOUSING - 8 PIN/MALE - MINI FIT
	142524-01-000	EA	HOUSING - 4 PIN/FEMALE - WEATHER PACK
	142524-02-000	EA	HOUSING - 4 PIN/WEATHER PACK/FEMALE
	144283-01-000	EA	CONNECTOR - WIRE, SOW, BLUE, MOLEX 19403-0011
	144283-02-000	EA	CONNECTOR - WIRE, NM, CLEAR, MOLEX 19045-1000

**BOOTS, SOLENOIDS, RELAYS & MISCELLANEOUS**

<b>KEY</b>	<b>PART NUMBER</b>	<b>U/M</b>	<b>DESCRIPTION</b>
	008188-01-000	EA	SOLENOID - 3 POST - BATTERY CHANGE OVER
	063910-01-000	EA	HOUSING - RELAY
	063912-02-000	EA	RELAY - CANISTER - SPDT
	065450-05-000	EA	TIEDOWN - BATTERY - 8.4" TUBE
	065451-05-000	EA	BRACKET/TIEDOWN - BATTERY - 7.7" FROM BRKT TO BRKT
	086273-01-000	EA	RELAY - BATTERY DISCONNECT

# EXTERIOR BODY GROUP GRAPHICS & PAINT

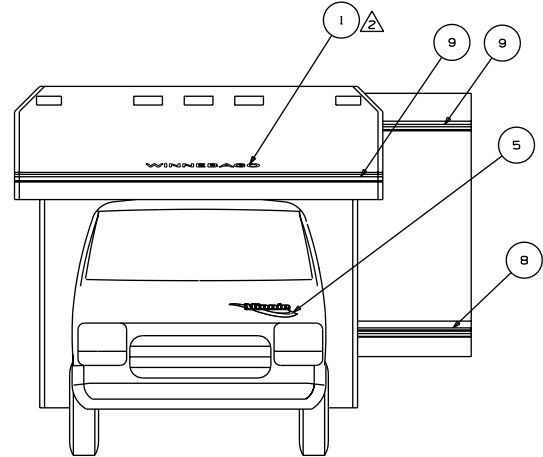
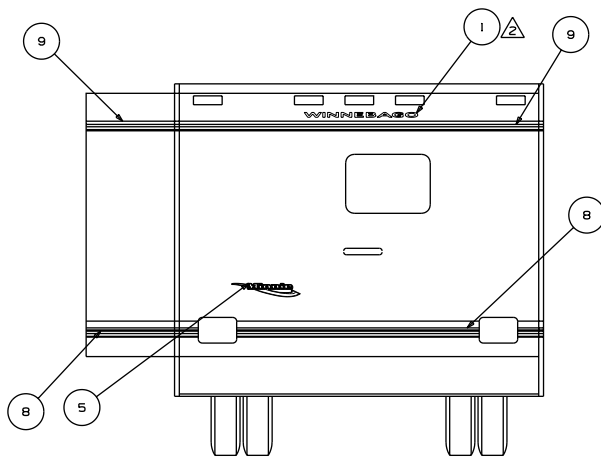


					332G
					331T
					331C
					329B
					327L
					324V
					324F
					322E
					322R
D	C	B	A	UNIT	

CENTERED ON UNIT

1. APPLY PROTECTOR 116424-01-000 TO WATER HEATER DOOR LATCH.

NOTES:

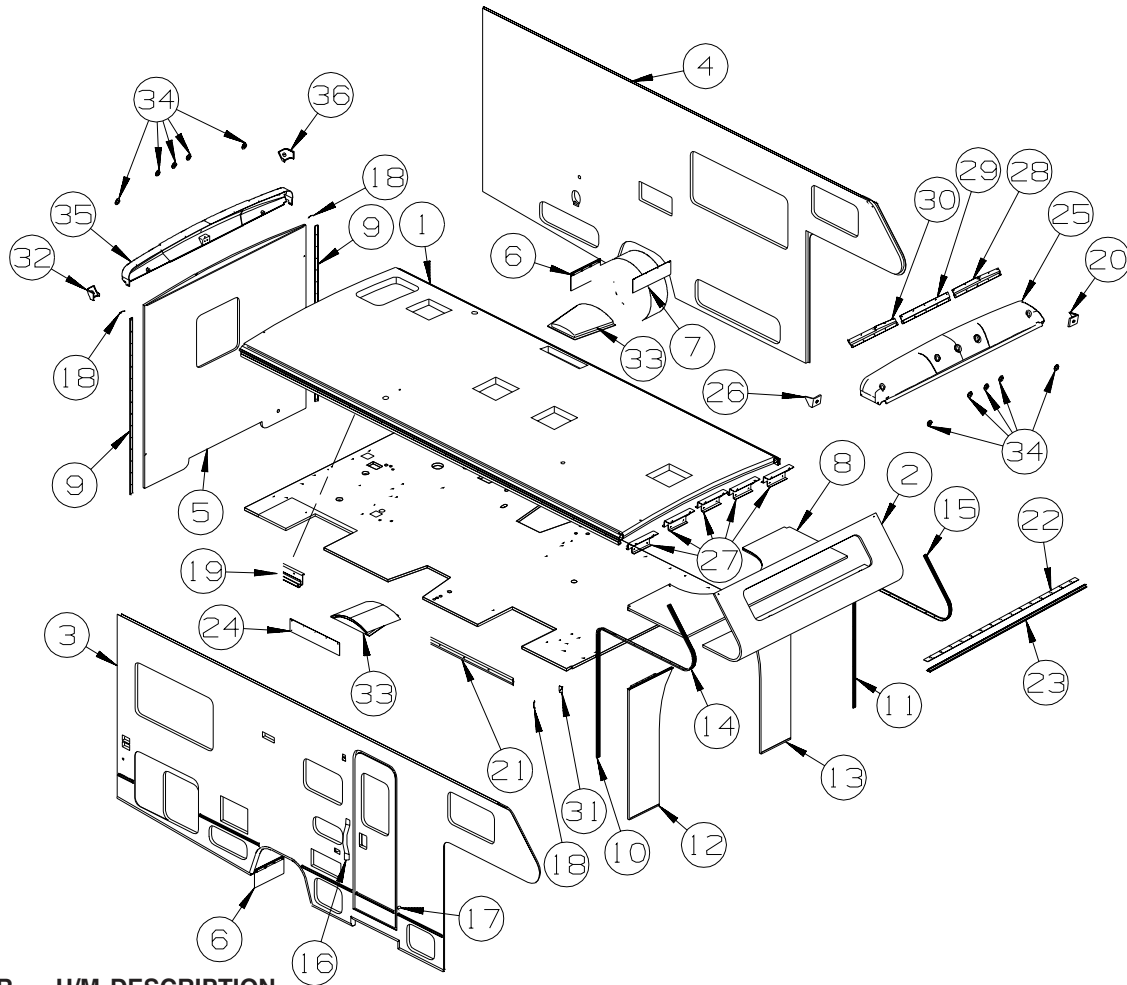


KEY	PART NUMBER	U/M	DESCRIPTION
1	120702-03-CHT(40A)	EA	DECAL-WINNEBAGO - SHALE BLUE
2	132664-01-CHT(01A)	EA	DECAL-DOMED,WINNEBAGO - CHROME/BLACK
3	144246-01-CHT(01A)	EA	DECAL-W - BRT WHITE/DK MAUVE/SAHARA GREY
4	144254-01-CHT(01A)	EA	DECAL-MINNIE,LG - SHALE BLUE/SAHARA GREY/SADDLE BROWN/BRT WHITE
5	144255-01-CHT(01A)	EA	DECAL-MINNIE,SML W/SWEEP - SHALE BLUE/SAHARA GREY/SADDLE BROWN/BRT WHITE
6	144256-01-CHT(01A)	EA	DECAL-SWEEPS,RH - SADDLE BROWN/SHALE BLUE/SAHARA GREY
6	144256-02-CHT(01A)	EA	DECAL-SWEEPS,LH - SADDLE BROWN/SHALE BLUE/SAHARA GREY
7	144257-01-CHT(01A)	EA	DECAL-CAB,RH - DK MAUVE/SAHARA GREY/SHALE BLUE/SADDLE BROWN
7	144257-02-CHT(01A)	EA	DECAL-CAB,LH - DK MAUVE/SAHARA GREY/SHALE BLUE/SADDLE BROWN
8	144258-01-CHT(01A)	FT	FILM-OVERLAP-127MM - DK MAUVE/SAHARA GREY/SHALE BLUE/SADDLE BROWN
9	144259-01-CHT(01A)	FT	FILM-OVERLAP-76.2MM - SAHARA GREY/SHALE BLUE/SADDLE BROWN

KEY	PART NUMBER	U/M	DESCRIPTION
	041561-03-000	EA	PAINT - 16 OUNCE SPRAY - OFF WHITE
	116424-01-000	EA	PROTECTOR - LATCH - WATER HEATER

**DUPONT COLOR CODES ARE NOW FOUND IN THE PAINT CODE MANUAL.  
YOU CAN FIND THIS MANUAL ON YOUR DEALER INDEX WEBPAGE UNDER SERVICE**

**EXTERIOR BODY GROUP (CONTINUED)**  
**PANELS & TRIMS**



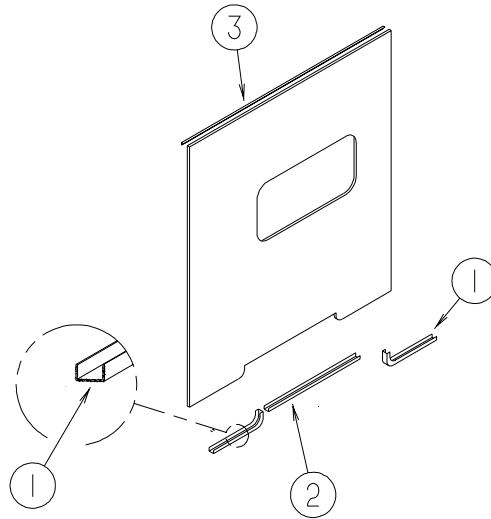
KEY	PART NUMBER	U/M	DESCRIPTION
1	145086-01-R07	EA	ROOF - W/O LIGHTS/VENTS - W/WIRING
2	141126-01-P07	EA	ROOF - FRONT SECTION - W/O LIGHTS/VENTS - W/WIRING - WINDOW-BUNK, FRONT
2	141126-02-P07	EA	ROOF - FRONT SECTION - W/O LIGHTS/VENTS - W/WIRING
2	141126-03-P07	EA	ROOF - FRONT SECTION - W/O LIGHTS/VENTS - W/WIRING - 24"/25" TV W/VIDEO SELECT SYSTEM
3	P45082-01-R07	EA	SIDEWALL - PASSENGER - W/O WINDOWS/TRIMS
3	P45082-01-R08	EA	SIDEWALL - PASSENGER - W/O WINDOWS/TRIMS
3	P45082-01-R09	EA	SIDEWALL - PASSENGER - W/O WINDOWS/TRIMS
4	P45083-01-R07	EA	SIDEWALL - DRIVER - W/O WINDOWS/TRIMS
4	P45083-01-R08	EA	SIDEWALL - DRIVER - W/O WINDOWS/TRIMS
4	P45083-01-R09	EA	SIDEWALL - DRIVER - W/O WINDOWS/TRIMS
5	145084-01-R07	EA	BACKWALL - W/O WINDOWS/TRIMS
5	145084-01-R08	EA	BACKWALL - W/O WINDOWS/TRIMS
5	145084-01-R09	EA	BACKWALL - W/O WINDOWS/TRIMS
5	145084-02-R07	EA	BACKWALL - W/O WINDOWS/TRIMS - DUAL PANE WINDOW
5	145084-02-R08	EA	BACKWALL - W/O WINDOWS/TRIMS - DUAL PANE WINDOW
5	145084-02-R09	EA	BACKWALL - W/O WINDOWS/TRIMS - DUAL PANE WINDOW
6	017516-05-000	EA	MUD FLAP - BLACK - RUBBER - 9"H X 18"W
6	140922-01-02B	EA	PLATE - MUD FLAP - E-COATED
7	111848-06-02B	EA	SHIELD - HEAT - EXHAUST - E-COATED
8	P25129-01-P07	EA	SLEEPERBOARD
9	096854-14-01A	EA	TRIM - CONTOUR - 76.3" - BRIGHT WHITE
10	104479-09-02A	EA	TRIM - WINGWALL - PASSENGER SIDE - VERTICAL - BRIGHT WHITE
11	104479-10-02A	EA	TRIM - WINGWALL - DRIVER SIDE - VERTICAL - BRIGHT WHITE
12	125088-08-N01	EA	WINGWALL - RIGHT HAND
13	125088-09-N01	EA	WINGWALL - LEFT HAND
13	125088-10-P07	EA	WINGWALL ASM
14	136826-13-01A	EA	TRIM - CONTOUR - 80.2" - BRIGHT WHITE
15	136826-14-01A	EA	TRIM - CONTOUR - 80.2" - BRIGHT WHITE

FROM: 00-00-00 THRU: 03-30-03

FROM: 03-31-03 THRU: 99-99-99

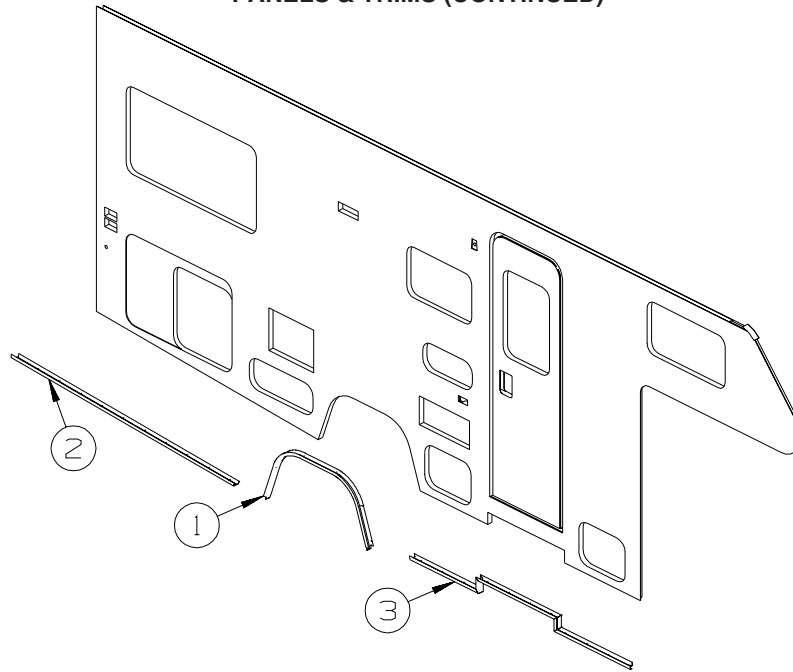
**EXTERIOR BODY GROUP (CONTINUED)**  
**PANELS & TRIMS (CONTINUED)**

KEY	PART NUMBER	U/M	DESCRIPTION
16	009126-03-000	EA	HANDLE - ASSIST - BLACK TEXTURED
17	117046-02-000	EA	BUMPER - RUBBER/ROUND END - 1.5"
18	105312-01-07A	FT	INSERT - FEATURE STRIP - VINYL - BRIGHT WHITE
19	131483-01-01A	EA	RAIL - AWNING - 192" - BRIGHT WHITE
20	140476-01-01A	EA	CAP - TRIM - CORNER/PASSENGER
21	108688-06-03A	EA	STRIP - FEATURE - BRIGHT WHITE - 96.9"
22	100085-05-01A	EA	TRIM/STRAP - SLEEPERBOARD - OFF/WHITE - 92.9"
23	100086-04-01A	EA	TRIM - SLEEPERBOARD/ROOF/LOWER - BRIGHT WHITE - 96.5"
24	121948-02-000	EA	SHIELD - SIGHT
25	140443-02-P07	EA	CAP - ROOF - W/O LIGHTS/VENTS - W/WIRING
26	140476-02-01A	EA	CAP - TRIM - CORNER/DRIVER
27	134774-01-02B	EA	BRACKET - CAB ATTACHMENT - E-COATED
28	141718-01-02B	EA	BRACKET - ROOF CAP - END/RIGHT HAND - E-COATED
29	140805-01-02B	EA	BRACKET - ROOF CAP/FRONT - E-COATED
30	141718-02-02B	EA	BRACKET - ROOF CAP - END/LEFT HAND - E-COATED
31	108651-01-01A	EA	END CAP - FEATURE STRIP
32	140620-01-01A	EA	CAP - TRIM - REAR/RIGHT - BRIGHT WHITE
33	112435-03-000	EA	WHEELWELL
34	138423-01-12B	EA	PLATE/BACKING - LITE - BRIGHT WHITE
35	140596-02-P07	EA	CAP - ROOF - W/O LIGHTS/VENTS/WIRING-W/STEEL REINFORCEMENT
36	140620-02-01A	EA	CAP - TRIM - REAR/LEFT - BRIGHT WHITE

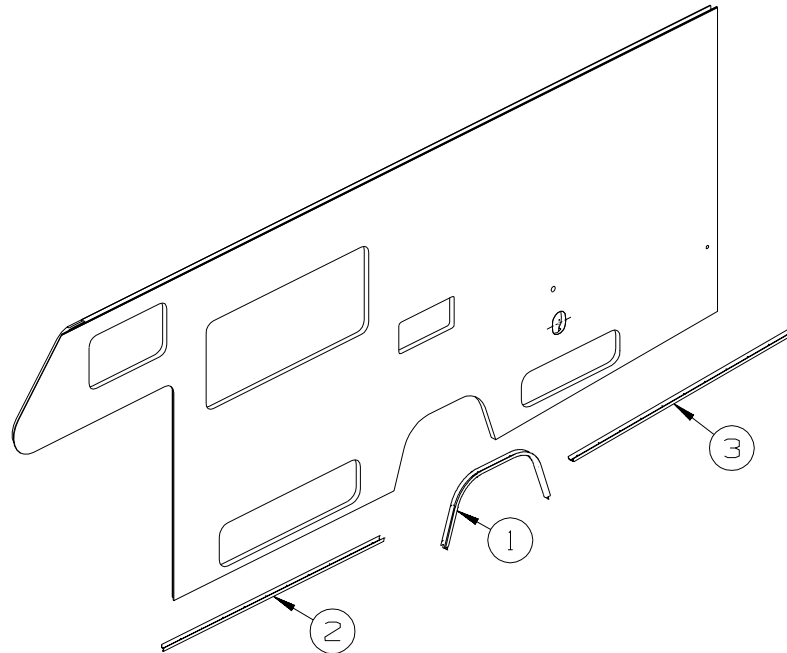


KEY	PART NUMBER	U/M	DESCRIPTION
1	103334-03-02A	EA	TRIM - BACKWALL - LOWER/DRIVER/PASSENGER - 25.6" - BRT WHT
2	103335-02-02A	EA	TRIM - BACKWALL - LOWER/CENTER - 46.3" - BRIGHT WHITE
3	114248-02-01A	EA	ANGLE - PLASTIC - 96.6"

**EXTERIOR BODY GROUP (CONTINUED)**  
**PANELS & TRIMS (CONTINUED)**



KEY	PART NUMBER	U/M	DESCRIPTION
1	124517-04-01A	EA	TRIM - WHEELWELL - REAR/DRIVER/PASSENGER - BRIGHT WHITE
2	142935-05-02A	EA	TRIM/SIDEWALL - BOTTOM/PASSENGER - 82.4" - BRIGHT WHITE
3	142938-01-P07	EA	TRIM/SIDEWALL - BOTTOM/PASSENGER - 81.4" - BRIGHT WHITE



KEY	PART NUMBER	U/M	DESCRIPTION
1	124517-04-01A	EA	TRIM - WHEELWELL - REAR/DRIVER/PASSENGER - BRIGHT WHITE
2	142935-06-02A	EA	TRIM/SIDEWALL - BOTTOM/DRIVER - 81.4" - BRIGHT WHITE
3	142935-07-02A	EA	TRIM/SIDEWALL - BOTTOM/DRIVER - 82.4" - BRIGHT WHITE

**LADDER**

KEY	PART NUMBER	U/M	DESCRIPTION
	129639-04-01A	EA	LADDER - 85.1" - 7 STEP - BRUSHED ALUMINUM

**RUNNING BOARDS**

KEY	PART NUMBER	U/M	DESCRIPTION
*	072884-27-000	EA	RUNNING BOARD SET - 39" - FORD - ALUMINUM
*	072884-28-000	EA	RUNNING BOARD SET - ALUMINUM - CHEVY CHASSIS

\*COMPONENT PARTS LISTED LATER IN THIS GROUP



**EXTERIOR BODY GROUP (CONTINUED)**  
**COMPONENT PARTS FOR RUNNING BOARDS**

**072884-27-000**

<b>KEY</b>	<b>PART NUMBER</b>	<b>U/M</b>	<b>DESCRIPTION</b>	<b>VENDOR NO.</b>
	072884-27-700	EA	BRACKET SET 12" 92	RB2BRK/M
	072884-27-701	EA	RUNNING BOARD-FORD 39",RT&LT	
	072884-27-702	FT	TREAD TAPE	RB9202
	072884-27-703	EA	MUD FLAP W/HOLES, 1EA=PAIR	99171
	072884-27-704	EA	CAP-ENDS, 1EA=PAIR	99148

**072884-28-000**

<b>KEY</b>	<b>PART NUMBER</b>	<b>U/M</b>	<b>DESCRIPTION</b>	<b>VENDOR NO.</b>
	072884-27-704	EA	CAP-ENDS, 1EA=PAIR	99148
	072884-28-700	EA	RUNNING BOARD W/BRKTS RT/LT	15543
	072884-28-701	EA	MUD FLAP - FRONT - 1EA=PAIR	99153
	072884-28-702	EA	BRACKET SET - COMPLETE	206771

## EXTERIOR BODY GROUP (CONTINUED)

### MIRRORS

KEY	PART NUMBER	U/M	DESCRIPTION
*	133908-10-01A	EA	MIRROR/PASS - 102" C BODY/FORD 4-BOLT MT - BRIGHT WHITE
*	133908-11-01A	EA	MIRROR/DRVR - 102" C BODY/FORD 4-BOLT MT - BRIGHT WHITE
*	133908-05-02A	EA	MIRROR/PASS - 102" WIDE BODY/CHEVY - BRIGHT WHITE - CHEVY
*	133908-06-02A	EA	MIRROR/DRVR - 102" WIDE BODY/CHEVY - BRIGHT WHITE - CHEVY
*	133908-12-01A	EA	MIRROR/PASS - FORD 4 BOLT MT-HEATED/REMOTE-B/W- EXTERIOR MIRRORS W/DEFROST
*	133908-13-01A	EA	MIRROR/DRVR - FORD 4-BOLT MT-HEATED/REMOTE-B/W- EXTERIOR MIRRORS W/DEFROST
*	133908-07-02A	EA	MIRROR/PASS - CHEVY - HEATED REMOTE - BRT WHT- EXTERIOR MIRRORS W/DEFROST, CHEVY
*	133908-08-02A	EA	MIRROR/DRVR - CHEVY - HEATED/REMOTE - BRT WHT- EXTERIOR MIRRORS W/DEFROST, CHEVY
	120269-08-000	EA	HARNES/WIRE - F/ELECTRIC MIRRORS- EXTERIOR MIRRORS W/DEFROST
*	120269-07-01A	EA	PANEL - W/ELECTRIC MIRROR/HEAT SWITCH - EXTERIOR MIRRORS W/DEFROST, FORD
*	133908-09-01A	EA	PANEL - F/ELECTRIC MIRROR ONLY - L28X OPTION - GM- EXTERIOR MIRRORS W/DEFROST, CHEVY

\*COMPONENT PARTS LISTED LATER IN THIS GROUP

**EXTERIOR BODY GROUP (CONTINUED)**  
**COMPONENT PARTS FOR MIRRORS**

**120269-07-01A**

<b>KEY</b>	<b>PART NUMBER</b>	<b>U/M</b>	<b>DESCRIPTION</b>	<b>VENDOR NO.</b>
	120269-07-700	EA	SWITCH - REMOTE	7475720
	133908-09-700	EA	SWITCH-MIRROR HEATER	7475150

**133908-01 THRU 133908-08, 133908-10- THRU 133908-13, 133908-16 & 133908-17- 01A/02A**

<b>KEY</b>	<b>PART NUMBER</b>	<b>U/M</b>	<b>DESCRIPTION</b>	<b>VENDOR NO.</b>
	117051-01-700	EA	MIRROR-CONVEX	723068-4
	120269-05-701	EA	GLASS ONLY REPLACEMENT RH/LH	709411
	133908-03-700	EA	CAP - RECT/BLACK-W/O LIGHT	7095570
	133908-04-700	EA	CAP-MIRROR/ROUND - W/O LIGHT	7095470

**133908-09-01A**

<b>KEY</b>	<b>PART NUMBER</b>	<b>U/M</b>	<b>DESCRIPTION</b>	<b>VENDOR NO.</b>
	133908-09-700	EA	SWITCH-MIRROR HEATER	7475150

**EXTERIOR BODY GROUP (CONTINUED)**  
**STRUCTURAL COMPONENTS**

KEY	PART NUMBER	U/M	DESCRIPTION
	002365-03-006	EA	U-CHANNEL - EXTRUDED - 1" X 192" - BRIGHT WHITE
	002726-01-001	EA	GARNISH - U-CHANNEL - 1.38" X 19' - SERRATED
	002754-01-001	EA	ANGLE - EXTRUDED - 3/4" X 3/4" X 16' - MILL ALUMINUM
	068716-01-001	EA	BRACE - 90 DEGREE - L- ANGLE - 16'
	076054-AC-000	EA	FIBERGLASS SHEET - 20" X 99.8" - OFF WHITE
	076054-P9-000	EA	FIBERGLASS SHEET - 37.4" X 99.3" - BRIGHT WHITE
			FROM: 00-00-00 THRU: 11-02-03
	076054-X9-000	EA	FIBERGLASS SHEET - 22.1" X 70.6" - BRIGHT WHITE
	076054-Z3-000	EA	FIBERGLASS SHEET - 102" X 93.9" - ROOF/SIDEWALL - BRT WHT
	077517-62-000	EA	FIBERGLASS SHEET - 48" X 96" - BRIGHT WHITE
	089297-01-000	SF	PLYWOOD - LUAN - OVERLAY GRADE - 4' X 8'
	100619-01-000	BF	FOAM - EXPANDED POLYSTYRENE - 1.34" X 48" X 96"
	100619-02-000	BF	FOAM - EXPANDED POLYSTYRENE - 1.5" X 48" X 96"
	100619-04-000	BF	FOAM - EXPANDED POLYSTYRENE - .5" X 48" X 96"
	100619-05-000	BF	FOAM - EXPANDED POLYSTYRENE - .75" X 48" X 96"-1.5"DENSITY
	100619-16-000	BF	FOAM - EXPANDED POLYSTYRENE - .75" X 48" X 96"-2" DENSITY
	100619-27-000	BF	FOAM - EXPANDED POLYSTYRENE - 3" X 48" X 92.8"
	105077-10-000	EA	FOAM - PLUG - ROOF CAP
	108535-05-03A	SF	FIBERGLASS SHEET - 108" X 500' ROLL - BRIGHT WHITE
	116942-03-01A	LB	ALUMINUM - .7" X 40" X 158"
	120107-01-000	EA	FOAM - ROOF COVE - 2.8" X 96" LONG
	120107-02-000	EA	FOAM - PLUG - ROOF TUBE - 2.2" X 2.9" X 1.8" LONG
	120107-03-000	EA	FOAM - PLUG - SIDEWALL TUBE - 1.2" X 2.1" X 1.8" LONG
	135926-15-01A	EA	FIBERGLASS - SHEET - 96.7" X 345.1" - BRIGHT WHITE
			FROM: 00-00-00 THRU: 11-02-03
	135926-20-01A	EA	FIBERGLASS - SHEET - 99.5" X 100.2" - BRIGHT WHITE
			FROM: 00-00-00 THRU: 11-02-03
	135926-04-01A	EA	FIBERGLASS - SHEET - 26.1" X 68.2" - BRIGHT WHITE
			FROM: 00-00-00 THRU: 11-02-03
	135926-19-01A	EA	FIBERGLASS - SHEET - 31.1" X 68.2" - BRIGHT WHITE
			FROM: 00-00-00 THRU: 11-02-03
	135926-14-01A	EA	FIBERGLASS - SHEET - 96.7" X 261.4" - BRIGHT WHITE
			FROM: 00-00-00 THRU: 11-02-03
	148884-01-01A	EA	FIBERGLASS SHEET - 96.7" X 261.4" -HIGH GLOSS-BRIGHT WHITE
			FROM: 11-03-03 THRU: 99-99-99
	148884-02-01A	EA	FIBERGLASS SHEET - 96.7" X 355.7" -HIGH GLOSS-BRIGHT WHITE
			FROM: 11-03-03 THRU: 99-99-99
	148884-04-01A	EA	FIBERGLASS SHEET - 99.5" X 100.2" -HIGH GLOSS-BRIGHT WHITE
			FROM: 11-03-03 THRU: 99-99-99
	148884-05-01A	EA	FIBERGLASS SHEET - 37.7" X 99.7" - HIGH GLOSS-BRIGHT WHITE
			FROM: 11-03-03 THRU: 99-99-99
	148884-07-01A	EA	FIBERGLASS SHEET - 56.4" X 99.8" - HIGH GLOSS-BRIGHT WHITE
			FROM: 11-03-03 THRU: 99-99-99
	148884-08-01A	EA	FIBERGLASS SHEET - 27.4" X 65.8" - HIGH GLOSS-BRIGHT WHITE
			FROM: 11-03-03 THRU: 99-99-99
	148884-10-01A	EA	FIBERGLASS SHEET - 22.1" X 68.2" - HIGH GLOSS-BRIGHT WHITE
			FROM: 11-03-03 THRU: 99-99-99
	148884-22-01A	EA	FIBERGLASS SHEET - 47.9" X 95.8" - HIGH GLOSS-BRIGHT WHITE
			FROM: 11-03-03 THRU: 99-99-99
	148884-23-01A	EA	FIBERGLASS SHEET - 47.9" X 95.8" - HIGH GLOSS-BRIGHT WHITE
			FROM: 11-03-03 THRU: 99-99-99
	002766-01-001	EA	ANGLE - EXTRUDED - 1" X 1 1/2" X 17'
	089297-02-000	SF	PLYWOOD - LUAN - OVERLAY GRADE - 4' X 9'

## EXTERIOR BODY GROUP (CONTINUED)

### AWNINGS

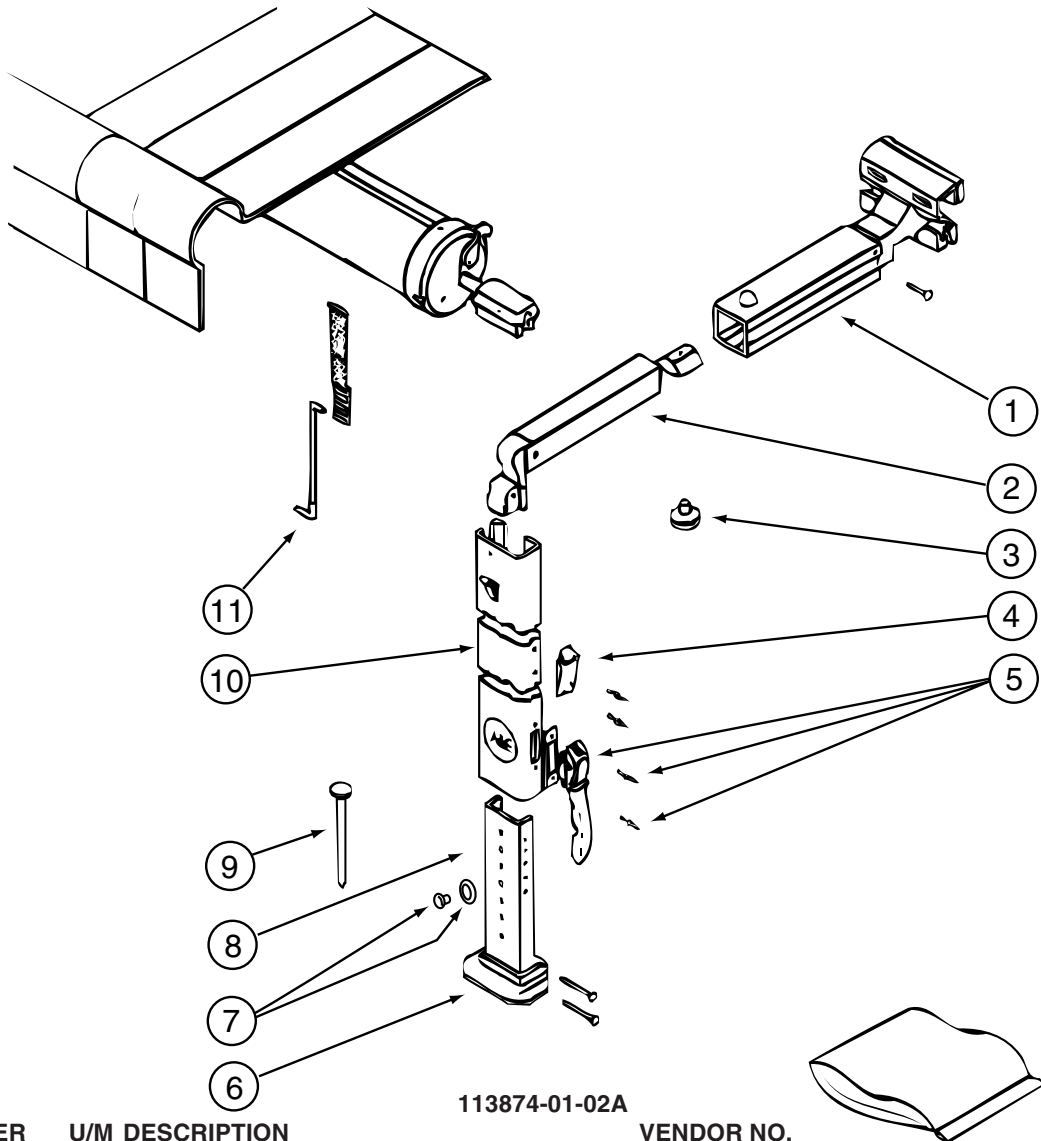
#### MINNIE PATIO AWNINGS

SERIES	MODEL	COLOR	AWNING FABRIC	AWNING LENGTH	WEATHER WRAP(MANUAL)	PART # MANUAL	VENDOR
MINNIE	322E	FAWN	VINYL	11.5'	VYL/BRT WHT	113874-03-53A	A&E
	322R	FAWN	VINYL	11.5'	VYL/BRT WHT	113874-03-53A	
	324F	FAWN	VINYL	11.5'	VYL/BRT WHT	113874-03-53A	
	324V	FAWN	VINYL	11.5'	VYL/BRT WHT	113874-03-53A	
	329B	FAWN	VINYL	14'	VYL/BRT WHT	113874-05-53A	
	331C	FAWN	VINYL	16'	VYL/BRT WHT	113874-06-53A	
	332G	FAWN	VINYL	16'	VYL/BRT WHT	113874-06-53A	

KEY	PART NUMBER	U/M	DESCRIPTION
	111038-01-01A	EA	SPACER - AWNING - LOWER
*	113874-01-02A	EA	HARDWARE KIT - AWNING - W/O STANDOFF BRACKET-BRIGHT WHITE
	113874-10-01A	EA	SPACER - AWNING - LOWER BRACKET
	113874-12-01A	EA	SCREW/LAG - AWNING - 1/4" X 2 3/4" STAINLESS STEEL
	137054-01-02A	EA	BRACKET - AWNING - BRIGHT WHITE
	127647-02-01A	EA	ROD/AWNING GUARD - ENTRANCE DOOR - 12.7" LONG

\*COMPONENT PARTS LISTED LATER IN THIS GROUP

**EXTERIOR BODY GROUP (CONTINUED)**  
**COMPONENT PARTS FOR AWNINGS**

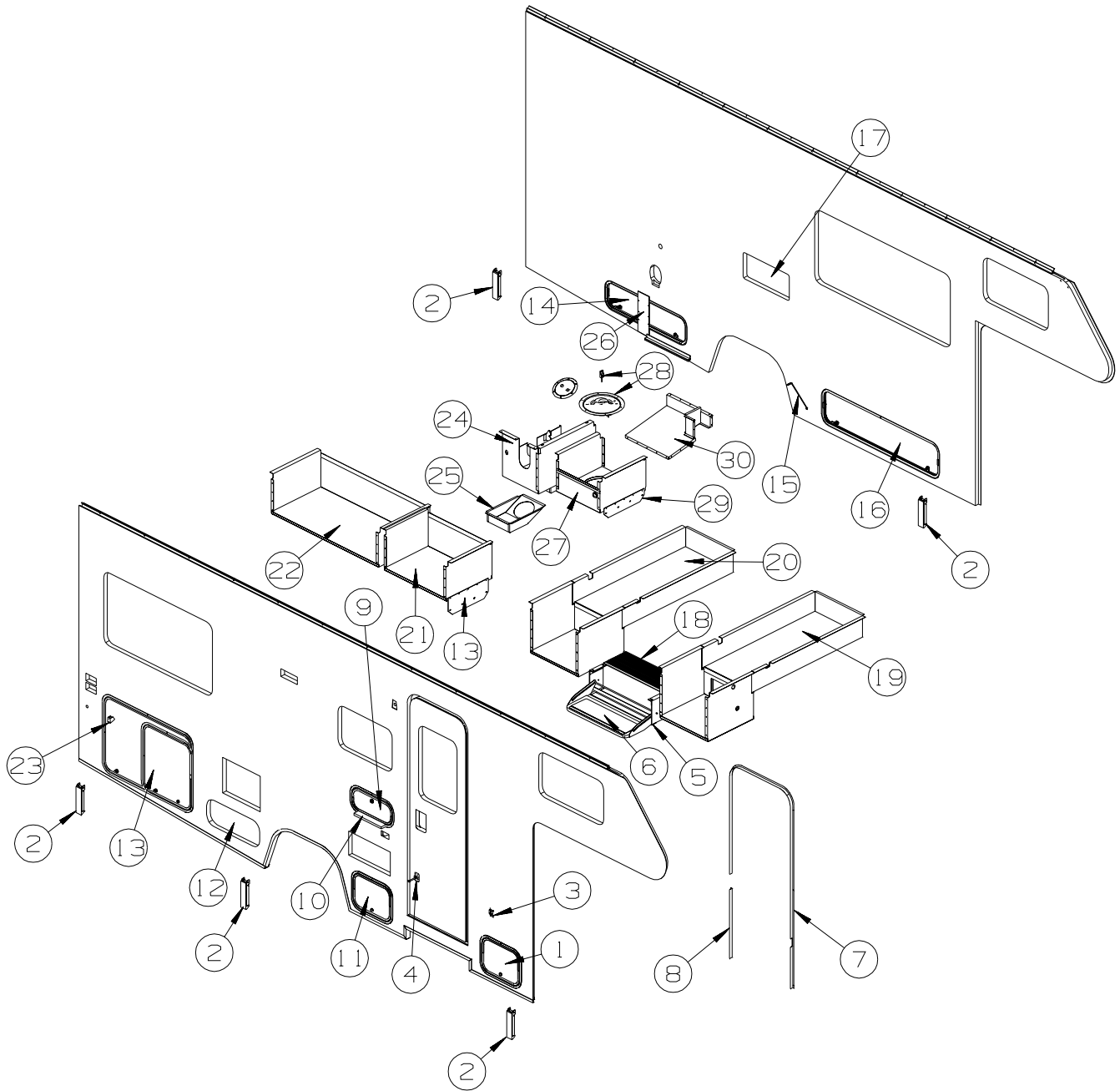


113874-01-02A

KEY	PART NUMBER	U/M	DESCRIPTION	VENDOR NO.
1	113874-01-714	EA	RAFTER - MAIN RH/LH BRT/WHT	830295.536F
2	113874-01-715	EA	RAFTER - SECONDARY BRT/WHT	830463.511F
3	113874-01-702	EA	KNOB - ADJUSTING	3105421.014
4	113874-01-706	EA	LOCK - TRAVEL	830587.001
5	113874-01-707	EA	HANDLE - LIFT W/RIVETS	830644
6	113874-01-712	EA	FOOT - PATIO	730366-001
7	113874-01-710	EA	PLUG-STOP KIT	830456
8	113874-01-717	EA	ARM - ADJUSTABLE BRT/WHT	830467.517/F
9	113874-01-709	EA	NAIL-SPIKE, 8"	113006
10	113874-01-716	EA	ARM - MAIN SUPPORT BRT/WHT	3104502.293/F
11	113874-01-703	EA	ROD-CENTER PULL W/ACCESSORY	830152.102

# EXTERIOR DOORS & COMPARTMENTS GROUP

## DOOR & COMPARTMENT LAYOUT

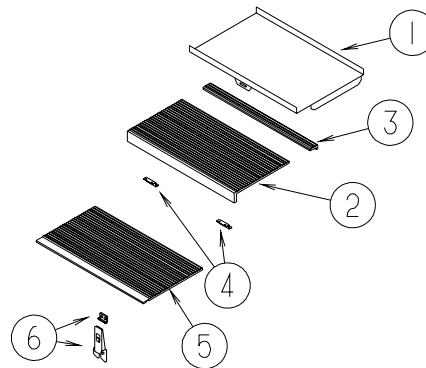


KEY	PART NUMBER	U/M	DESCRIPTION
1	126945-12-P07	EA	DOOR/STORAGE - W/O HARDWARE - 16.8" X 12.7"
2	102768-01-000	EA	HOLDER - COMPARTMENT/ENTRY DOOR - METAL - MILL FINISH
3	104099-01-04A	EA	CATCH - DOOR HOLDER - STRIKE - 3.9" - BRIGHT WHITE
4	104099-02-04A	EA	CATCH/RETAINER - DOOR HOLDER - BRIGHT WHITE
5*	094708-03-01A	EA	STEP - ELECTRIC - SINGLE - BLACK CONTROL BOX - KWIKEE
5	139748-03-04B	EA	STEP/PULLOUT - W/BRACKETS - BLACK
6	102569-04-000	EA	MAT - ANTI SLIP
7	139100-02-01A	EA	GARNISH/RADIUS - ENTRY DOOR - BRIGHT WHITE
8	139101-02-01A	EA	GARNISH/STRAIGHT - 35.31" - W/O NOTCHES - BRIGHT WHITE
9	126945-09-P07	EA	DOOR/STORAGE - W/O HARDWARE - 18" X 8.3"
10	142034-01-01A	EA	SHELF - F/EXTERIOR TV - BRIGHT WHITE
11	127434-23-P07	EA	DOOR/STORAGE - W/HARDWARE/PROP ROD - 16.8" X 12.7"
	101667-03-000	EA	PROP - ROD
	121577-02-01A	EA	PLATE - W/HOLE - BRIGHT WHITE
12	127434-25-R07	EA	DOOR/STORAGE - W/HARDWARE/PROP ROD
13	126946-36-P07	EA	DOOR/STORAGE - W/O HARDWARE - <b>DINETTE - L - SHAPED</b>
13	126946-37-P07	EA	DOOR/STORAGE - W/O HARDWARE - <b>BED - QUEEN, BACKWALL</b>
14	126946-39-P07	EA	DOOR/STORAGE - W/O HARDWARE - 36.1" X 10.1"

**EXTERIOR DOORS & COMPARTMENTS GROUP (CONTINUED)**  
**DOOR & COMPARTMENT LAYOUT (CONTINUED)**

<b>KEY</b>	<b>PART NUMBER</b>	<b>U/M</b>	<b>DESCRIPTION</b>
15	107865-24-000	EA	ROD - SUPPORT - VALANCE PANEL - 22"
16	126946-38-P07	EA	DOOR/STORAGE - W/O HARDWARE - 51.9" X 12.7"
17*	084103-08-000	EA	DOOR - VENT - REFRIGERATOR - W/O JAMB - BRIGHT WHITE
17	084104-08-000	EA	JAMB - VENT DOOR/REFRIGERATOR - BRIGHT WHITE
18	133114-03-01A	EA	TREAD - STEP - RUBBER - 27.1" - TAUPE - R07, R09
18	133114-03-03A	EA	TREAD - STEP - RUBBER - 27.1" - GRAY - R08
19	137554-19-P07	EA	COMPARTMENT - LUGGAGE
20	137554-20-P07	EA	COMPARTMENT - LUGGAGE
21	137554-22-P07	EA	COMPARTMENT - LUGGAGE
22	137554-03-N01	EA	COMPARTMENT - LUGGAGE
23	131383-03-02A	EA	BRACKET - SHOWER HEAD - WHITE
24	137989-02-02B	EA	COMPARTMENT - SEWER - E-COATED
25	092887-01-000	EA	HATCH/PLATE - 8.2" FLANGE/6.5" R.O. - BLACK
26	138614-01-02B	EA	PLATE - SEAL - E-COATED
FROM: 00-00-00 THRU: 04-13-03			
26	138614-02-02B	EA	PLATE - SEAL - E-COATED
FROM: 04-14-03 THRU: 99-99-99			
27	137554-21-P07	EA	COMPARTMENT - LUGGAGE
28	129015-01-K80	EA	PORT W/HATCH - F/ELECTRICAL/DRAIN
	121175-02-01A	EA	LATCH - SWELL
29	137828-02-02B	EA	PANEL - ROCKGUARD/LP - E-COATED
30	138427-02-02B	EA	PANEL - CLOSEOUT - FILLNECK - E-COATED
31	137828-04-02B	EA	PANEL - ROCKGUARD/LP - E-COATED
	138292-01-000	EA	SEAL - LOCK CYLINDER
	138637-53-000	EA	CASE/CYLINDER - LOCKING - W/O CAM/KEY - 1.5"
	138637-53-001	EA	CASE/CYLINDER - LOCKING - W/O CAM/KEY - 1.5"
	138637-53-002	EA	CASE/CYLINDER - LOCKING - W/O CAM/KEY - 1.5"
	138637-53-003	EA	CASE/CYLINDER - LOCKING - W/O CAM/KEY - 1.5"
	138637-53-004	EA	CASE/CYLINDER - LOCKING - W/O CAM/KEY - 1.5"
	138637-53-005	EA	CASE/CYLINDER - LOCKING - W/O CAM/KEY - 1.5"
	138637-53-006	EA	CASE/CYLINDER - LOCKING - W/O CAM/KEY - 1.5"
	138637-53-007	EA	CASE/CYLINDER - LOCKING - W/O CAM/KEY - 1.5"
	138637-53-008	EA	CASE/CYLINDER - LOCKING - W/O CAM/KEY - 1.5"
	138637-53-009	EA	CASE/CYLINDER - LOCKING - W/O CAM/KEY - 1.5"
	138637-51-000	EA	KEYS - SET OF TWO
	138637-51-001	EA	KEYS - SET OF TWO
	138637-51-002	EA	KEYS - SET OF TWO
	138637-51-003	EA	KEYS - SET OF TWO
	138637-51-004	EA	KEYS - SET OF TWO
	138637-51-005	EA	KEYS - SET OF TWO
	138637-51-006	EA	KEYS - SET OF TWO
	138637-51-007	EA	KEYS - SET OF TWO
	138637-51-008	EA	KEYS - SET OF TWO
	138637-51-009	EA	KEYS - SET OF TWO

\*COMPONENT PARTS LISTED LATER IN THIS GROUP



<b>KEY</b>	<b>PART NUMBER</b>	<b>U/M</b>	<b>DESCRIPTION</b>
1	123330-05-02B	EA	SUPPORT ASM-ENTRANCE STEP
2	133114-07-01A	EA	TREAD - STEP - RUBBER - 26.3" - TAUPE (R07, R09)
FROM: 00-00-00 THRU: 10-12-03			
2	147781-01-01A	EA	TREAD/STEP - RUBBER - TAUPE (R07, R09)
FROM: 10-13-03 THRU: 99-99-99			
2	133114-07-03A	EA	TREAD - STEP - RUBBER - 26.3" - GRAY (R08)
FROM: 00-00-00 THRU: 10-12-03			
2	147781-01-03A	EA	TREAD/STEP - RUBBER - GRAY (R08)
FROM: 10-13-03 THRU: 99-99-99			
3	133114-08-01A	EA	TREAD - STEP - RUBBER - 26.3" - TAUPE (R07, R09)
FROM: 00-00-00 THRU: 10-12-03			
3	133114-08-03A	EA	TREAD - STEP - RUBBER - 26.3" - GRAY (R08)
FROM: 00-00-00 THRU: 10-12-03			
4	146747-01-02B	EA	BRACKET/CATCH - E-COATED
5	133114-03-01A	EA	TREAD - STEP - RUBBER - 27.1" - TAUPE (R07, R09)
5	133114-03-03A	EA	TREAD - STEP - RUBBER - 27.1" - GRAY (R08)
6	116975-01-01A	EA	LATCH - W/O STRIKE - BLACK - NEW STYLE

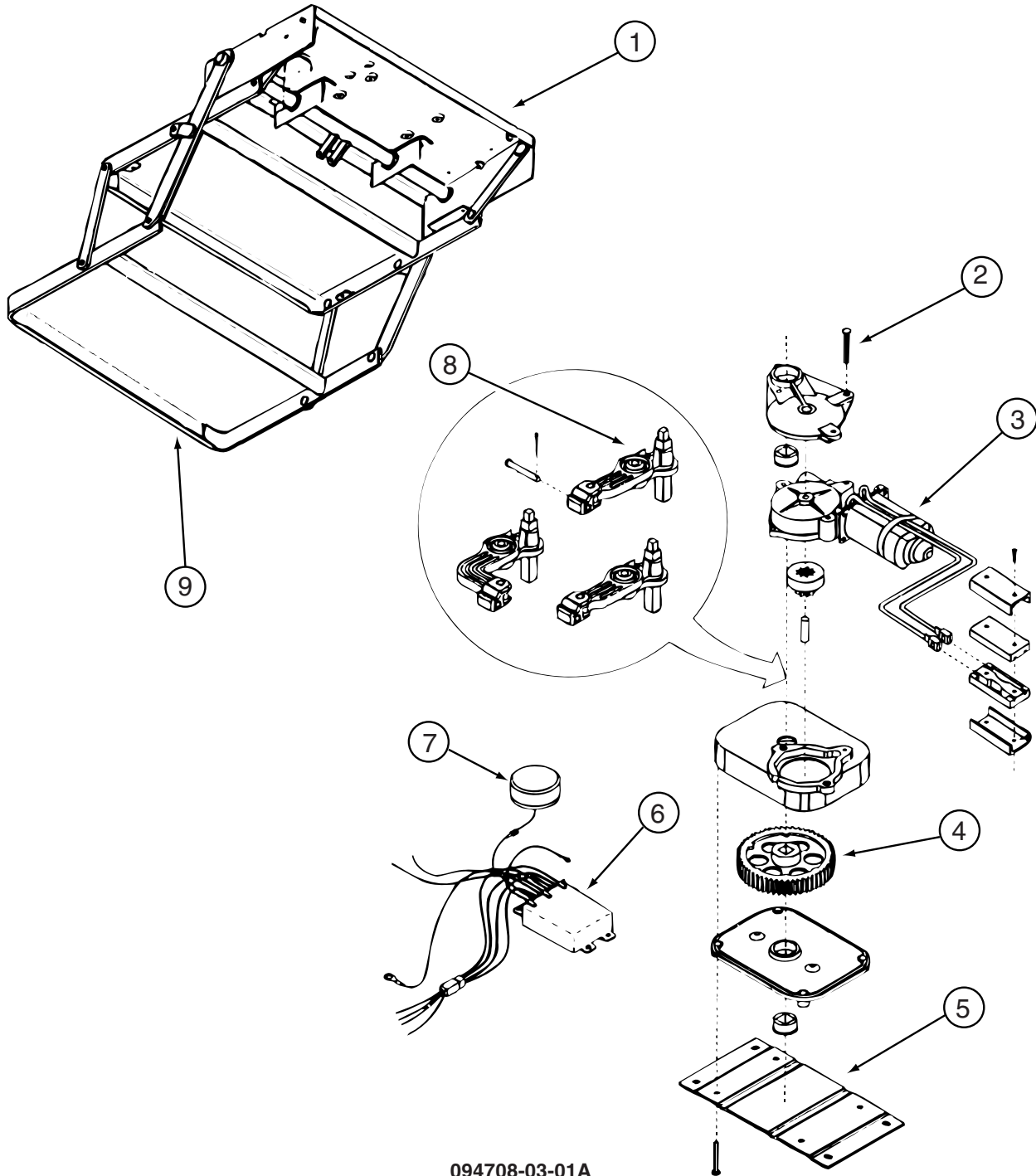


# EXTERIOR DOORS & COMPARTMENTS GROUP (CONTINUED)

## COMPONENT PARTS FOR DOOR & COMPARTMENT LAYOUT

084103-08-000

KEY	PART NUMBER	U/M	DESCRIPTION	VENDOR NO.
	084104-01-700	EA	LOCK-MALE, FASTENER	201-721-010
	084104-01-701	EA	LOCK-FEMALE, FASTENER	201-802-010

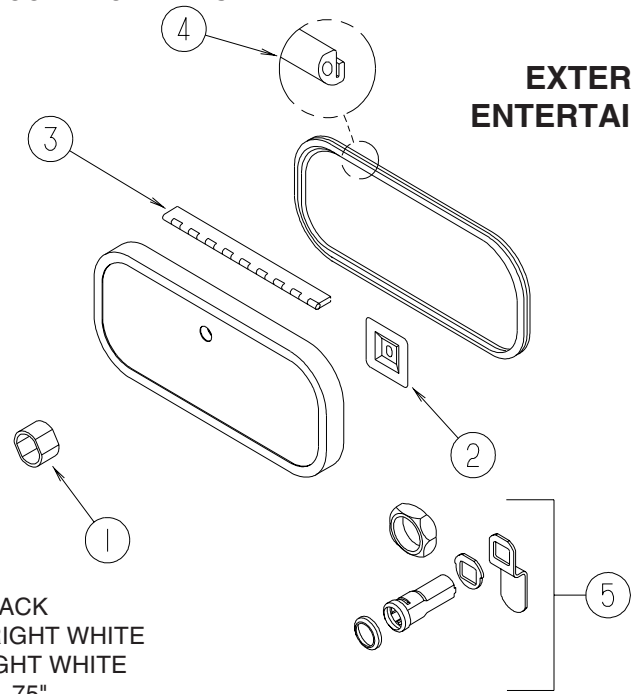


094708-03-01A

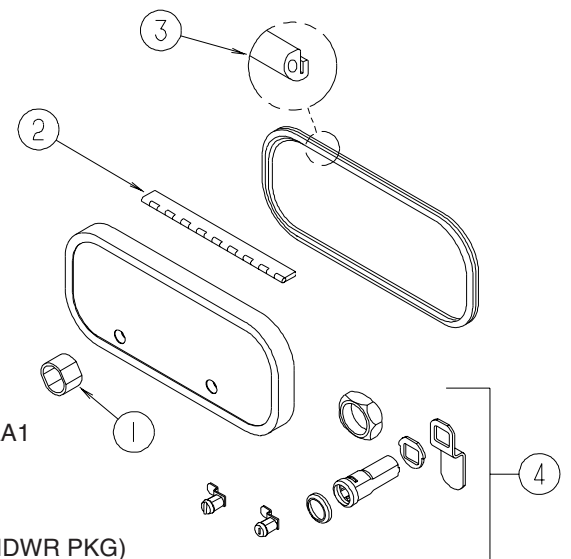
KEY	PART NUMBER	U/M	DESCRIPTION	VENDOR NO.
1	088746-01-709	EA	FRAME W/SGL STEP,2800 SERIES	908028
2	094707-02-703	EA	BEARING & PINS	909530
3	094707-02-700	EA	MOTOR - "UT" ASM W/BRGS/PIN	909520
4	094707-02-702	EA	GEAR KIT(GEAR-BEARING-PINS)	909525
5	094707-02-704	EA	CONNECTOR-MOTOR ASM.W/PLATES	909537
6	094707-03-700	EA	KIT CONTROL/SWITCH-RETROFIT	909506005
7	088733-01-700	EA	BULB	9004
7	088746-01-705	EA	LIGHT-UNDER STEP	9004
8	094708-03-700	EA	LINKAGE ASSEMBLY-SERIES 28	909533
9	094707-02-707	EA	TREAD - NON-SKID - BLACK	909333
	094707-03-701	EA	PLUG - 4-WAY - PACKARD	909306

**EXTERIOR DOORS & COMPARTMENTS GROUP (CONTINUED)**  
**COMPARTMENT DOOR PIECE PARTS**

**EXTERIOR ENTERTAINMENT**



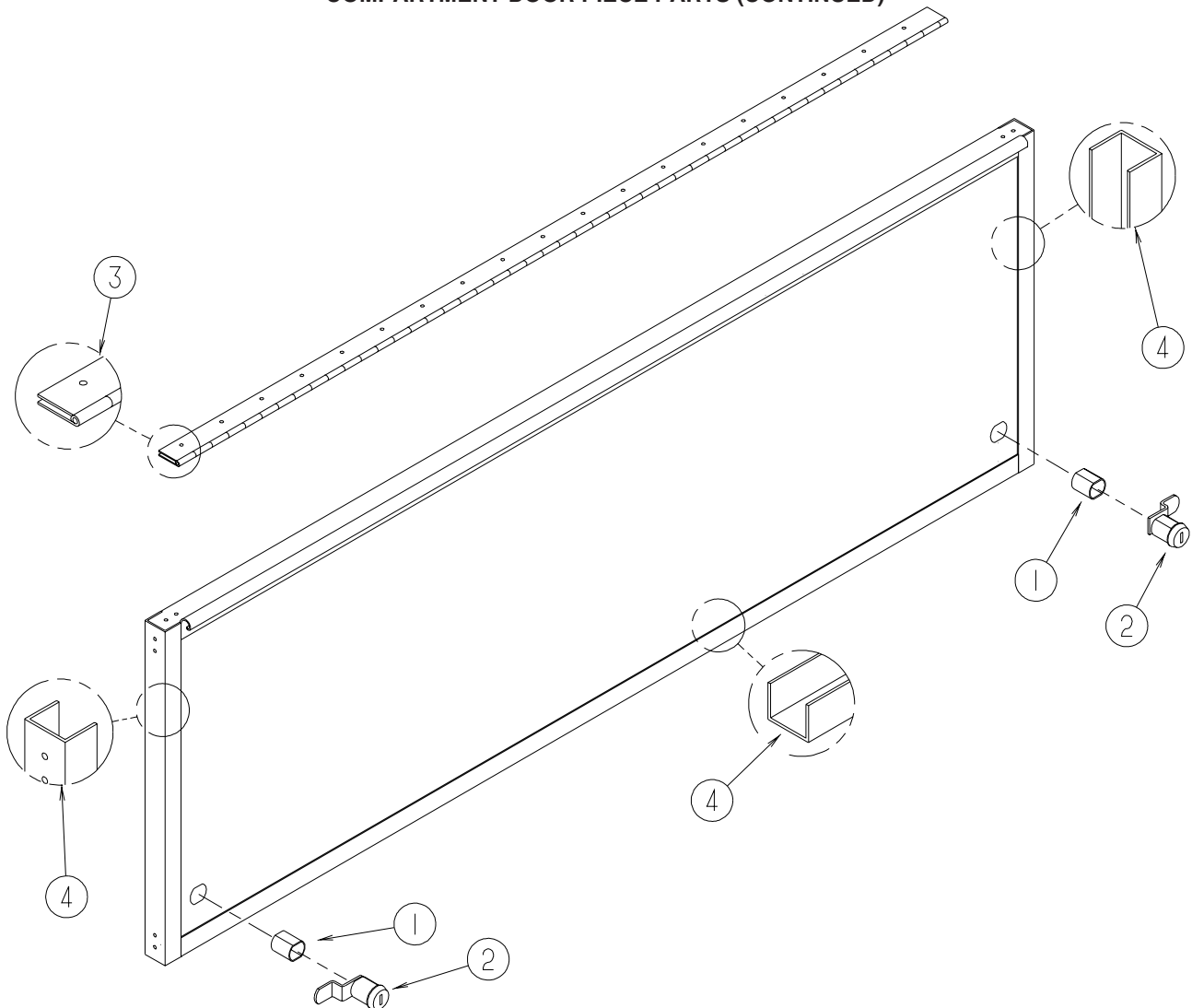
KEY	PART NUMBER	U/M	DESCRIPTION
1	139325-01-000	EA	SPACER - LOCK - 6MM
	139337-01-000	EA	GASKET - LOCK
2	097111-02-04A	EA	POCKET - LOCK - REAR DOOR - BLACK
2	097111-02-05A	EA	POCKET - LOCK - REAR DOOR - BRIGHT WHITE
3	081801-V3-000	EA	HINGE - ALUMINUM - 2" X 96" - BRIGHT WHITE
4	106850-02-000	FT	SEAL-E - SPONGE RUBBER - .43" X .75"
5	138290-02-000	EA	CASE - W/CAM - W/O CYLINDER/KEY



KEY	PART NUMBER	U/M	DESCRIPTION
1	144734-01-000	EA	SPACER
2	081801-V3-000	EA	HINGE - ALUMINUM - 2" X 96" - BRIGHT WHITE
3	106850-02-000	FT	SEAL-E - SPONGE RUBBER - .43" X .75"
4*	110506-27-000	EA	LOCK - TWIST - 1.6"
	110506-55-000	EA	CASE/CYLINDER -TWIST -W/O CAM -1.25" -597312AA1
	110506-66-000	EA	CAM - LATCHING - DOG LEG - 1.5" LONG
	144474-01-000	EA	ADAPTER - LOCK - 180 DEGREEE
	138292-01-000	EA	SEAL - LOCK CYLINDER
4	138637-04-000	EA	LOCK ASM. - KEYED - 1.5" CASE (CYLINDER/CAM/HDWR PKG)
	138637-53-000	EA	CASE/CYLINDER - LOCKING - W/O CAM/KEY - 1.5"
	138637-53-001	EA	CASE/CYLINDER - LOCKING - W/O CAM/KEY - 1.5"
	138637-53-002	EA	CASE/CYLINDER - LOCKING - W/O CAM/KEY - 1.5"
	138637-53-003	EA	CASE/CYLINDER - LOCKING - W/O CAM/KEY - 1.5"
	138637-53-004	EA	CASE/CYLINDER - LOCKING - W/O CAM/KEY - 1.5"
	138637-53-005	EA	CASE/CYLINDER - LOCKING - W/O CAM/KEY - 1.5"
	138637-53-006	EA	CASE/CYLINDER - LOCKING - W/O CAM/KEY - 1.5"
	138637-53-007	EA	CASE/CYLINDER - LOCKING - W/O CAM/KEY - 1.5"
	138637-53-008	EA	CASE/CYLINDER - LOCKING - W/O CAM/KEY - 1.5"
	138637-53-009	EA	CASE/CYLINDER - LOCKING - W/O CAM/KEY - 1.5"
	138637-51-000	EA	KEYS - SET OF TWO
	138637-51-001	EA	KEYS - SET OF TWO
	138637-51-002	EA	KEYS - SET OF TWO
	138637-51-003	EA	KEYS - SET OF TWO
	138637-51-004	EA	KEYS - SET OF TWO
	138637-51-005	EA	KEYS - SET OF TWO
	138637-51-006	EA	KEYS - SET OF TWO
	138637-51-007	EA	KEYS - SET OF TWO
	138637-51-008	EA	KEYS - SET OF TWO
	138637-51-009	EA	KEYS - SET OF TWO
	138637-63-000	EA	CAM - LATCHING - DOG LEG - 1.5" LONG

\*COMPONENT PARTS LISTED LATER IN THIS GROUP

**EXTERIOR DOORS & COMPARTMENTS GROUP (CONTINUED)**  
**COMPARTMENT DOOR PIECE PARTS (CONTINUED)**



KEY	PART NUMBER	U/M	DESCRIPTION
1	107997-51-004	EA	SPACER - DOOR LOCK .9" DEEP - <b>TWIST LOCKS</b>
1	144734-03-000	EA	SPACER - <b>KEYED LOCKS</b>
2	110506-55-000	EA	CASE/CYLINDER - TWIST LOCK - W/O CAM - 1.25" - 597312AA1
2	138637-53-000	EA	CASE/CYLINDER - LOCKING - W/O CAM/KEY - 1.5"
2	138637-53-001	EA	CASE/CYLINDER - LOCKING - W/O CAM/KEY - 1.5"
2	138637-53-002	EA	CASE/CYLINDER - LOCKING - W/O CAM/KEY - 1.5"
2	138637-53-003	EA	CASE/CYLINDER - LOCKING - W/O CAM/KEY - 1.5"
2	138637-53-004	EA	CASE/CYLINDER - LOCKING - W/O CAM/KEY - 1.5"
2	138637-53-005	EA	CASE/CYLINDER - LOCKING - W/O CAM/KEY - 1.5"
2	138637-53-006	EA	CASE/CYLINDER - LOCKING - W/O CAM/KEY - 1.5"
2	138637-53-007	EA	CASE/CYLINDER - LOCKING - W/O CAM/KEY - 1.5"
2	138637-53-008	EA	CASE/CYLINDER - LOCKING - W/O CAM/KEY - 1.5"
2	138637-53-009	EA	CASE/CYLINDER - LOCKING - W/O CAM/KEY - 1.5"
	110506-64-000	EA	CAM - LATCHING - DOG LEG - 1.8" LONG - <b>TWIST LOCKS</b>
	138637-64-000	EA	CAM - LATCHING - <b>KEYED LOCKS</b>
3	126694-55-002	EA	EXTRUSION = U-CHANNEL/HINGED - 143.8" - BRIGHT WHITE
4	122612-55-008	EA	U-CHANNEL/EXTRUSION - 144" - BRIGHT WHITE

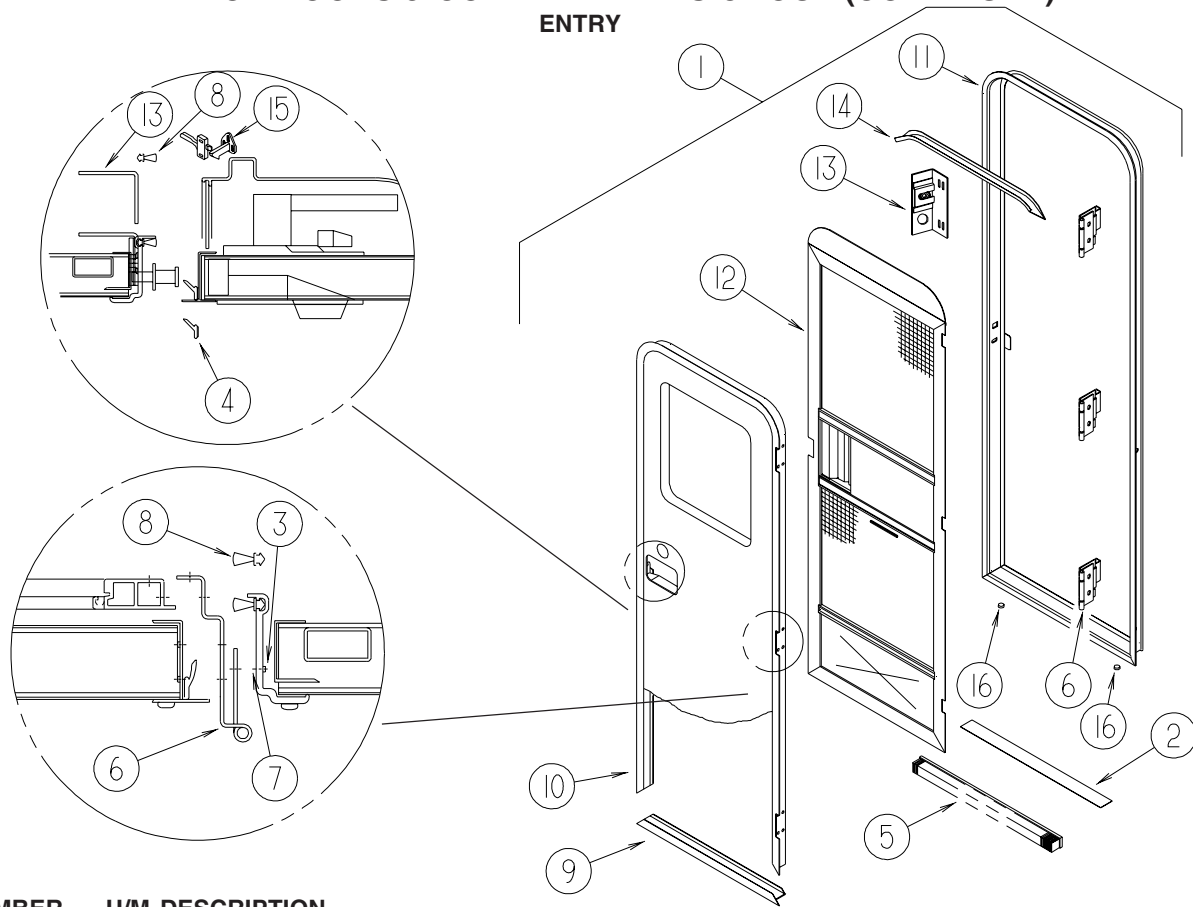
**EXTERIOR DOORS & COMPARTMENTS GROUP (CONTINUED)**  
**COMPONENTS FOR COMPARTMENT DOOR PIECE PARTS**

110506-A1-000, 110506-A2-000, 110506-26-000, 110506-27-000

<b>KEY</b>	<b>PART NUMBER</b>	<b>U/M</b>	<b>DESCRIPTION</b>	<b>VENDOR NO .</b>
	110506-40-700	EA	HARDWARE PACKAGE-CYLINDER/CASE	596950AAL

# EXTERIOR DOORS & COMPARTMENTS GROUP (CONTINUED)

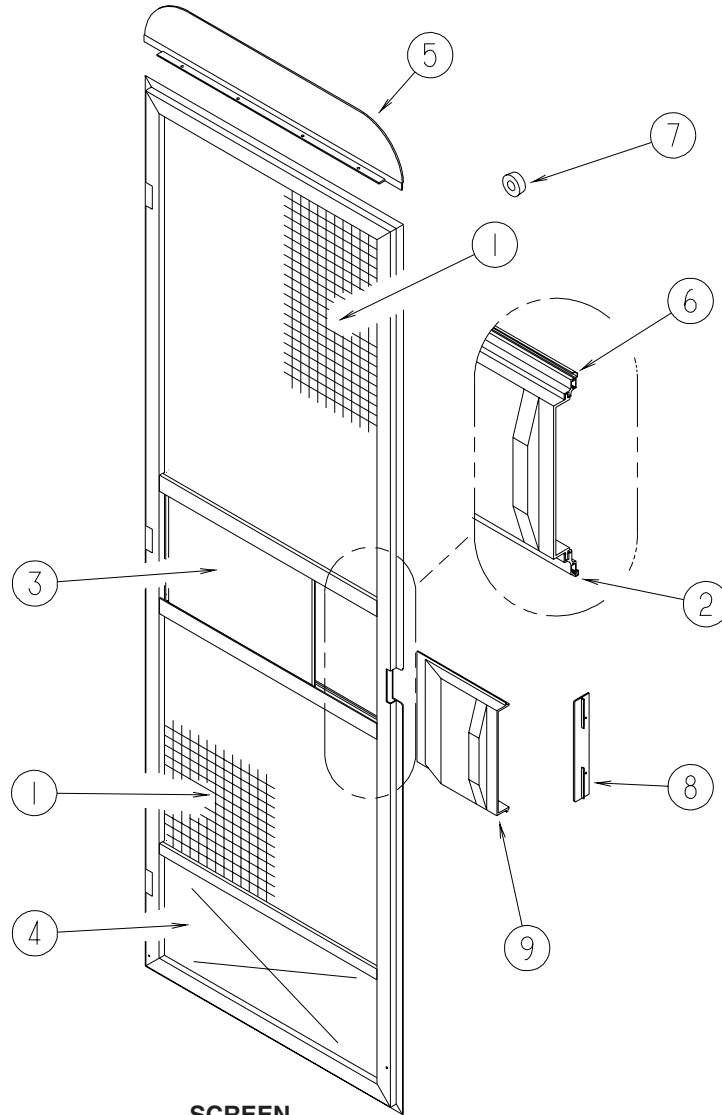
## ENTRY



KEY	PART NUMBER	U/M	DESCRIPTION
1	P32206-09-P07	EA	DOOR - ENTRY W/SCREEN DOOR - W/O WINDOW LATCH (R07)
1	P32206-09-R08	EA	DOOR - ENTRY W/SCREEN DOOR - W/O WINDOW LATCH (R08)
1	P32206-09-N03	EA	DOOR - ENTRY W/SCREEN DOOR - W/O WINDOW LATCH (R09)
2	038327-01-000	EA	TAPE - ANTI-SLIP - 2" X 60"
3	039715-01-000	EA	NUT-SERT - 1/4" DIAMETER - 20 THREADS
4	075671-04-000	FT	SEAL - SPONGE - LAZY T - W/ADHESIVE STRIP - .5" WIDE
5	075673-05-000	FT	SEAL - PILE - ADHESIVE BACK - BLACK
6	106719-01-05A	EA	HINGE - ENTRY DOOR - BRIGHT WHITE
7	116111-02-01A	EA	SCREW - TAPTITE - 1/4-20 X 3/8 PPH 0 ZINC
8	118929-01-01A	FT	SEAL - PILE - PUSH ON
9	121893-01-01A	EA	FRAME - ENTRY DOOR/LOWER - BRIGHT WHITE
10	121894-21-01A	EA	FRAME - ENTRY DOOR - BRIGHT WHITE
11	121898-16-01A	EA	JAMB - ENTRY DOOR
12	132208-04-L07	EA	DOOR - SCREEN - W/O HARDWARE
13	137401-01-03B	EA	BRACKET - DOOR ANGLE - OFF WHITE
14	139054-01-01A	EA	CAP - DRIP - JAMB MOUNTED - BRIGHT WHITE
15	132915-01-01A	EA	LATCH - SCREEN DOOR - BLACK
	148364-01-02A	EA	STRIKE - SCREEN DOOR - BRIGHT WHITE
			FROM: 12-19-03 THRU: 99-99-99
16	081914-02-000	EA	BUMPER - RUBBER - ROUND - 5/16" DIA. X 13/64" THICK
	138287-01-000	EA	CYLINDER/LOCK - ENTRY DOOR (MASTER)
	138287-02-000	EA	CYLINDER/LOCK - ENTRY DOOR (MASTER)
	138287-03-000	EA	CYLINDER/LOCK - ENTRY DOOR (MASTER)
	138287-04-000	EA	CYLINDER/LOCK - ENTRY DOOR (MASTER)
	138287-05-000	EA	CYLINDER/LOCK - ENTRY DOOR (MASTER)
	138287-06-000	EA	CYLINDER/LOCK - ENTRY DOOR (MASTER)
	138287-07-000	EA	CYLINDER/LOCK - ENTRY DOOR (MASTER)
	138287-08-000	EA	CYLINDER/LOCK - ENTRY DOOR (MASTER)
	138287-09-000	EA	CYLINDER/LOCK - ENTRY DOOR (MASTER)
	138287-10-000	EA	CYLINDER/LOCK - ENTRY DOOR (MASTER)

**EXTERIOR DOORS & COMPARTMENTS GROUP (CONTINUED)**  
**ENTRY (CONTINUED)**

KEY	PART NUMBER	U/M	DESCRIPTION
	138288-01-000	EA	KEY - REVERSIBLE - #1151 - T/M 16169-02-3091
	138288-02-000	EA	KEY - REVERSIBLE - #1152 - T/M 16169-02-3092
	138288-03-000	EA	KEY - REVERSIBLE - #1153 - T/M 16169-02-3093
	138288-04-000	EA	KEY - REVERSIBLE - #1154 - T/M 16169-02-3094
	138288-05-000	EA	KEY - REVERSIBLE - #1155 - T/M 16169-02-3095
	138288-06-000	EA	KEY - REVERSIBLE - #1156 - T/M 16169-02-3096
	138288-07-000	EA	KEY - REVERSIBLE - #1157 - T/M 16169-02-3097
	138288-08-000	EA	KEY - REVERSIBLE - #1158 - T/M 16169-02-3098
	138288-09-000	EA	KEY - REVERSIBLE - #1159 - T/M 16169-02-3099
	138288-10-000	EA	KEY - REVERSIBLE - #1150 - T/M 16169-02-3100

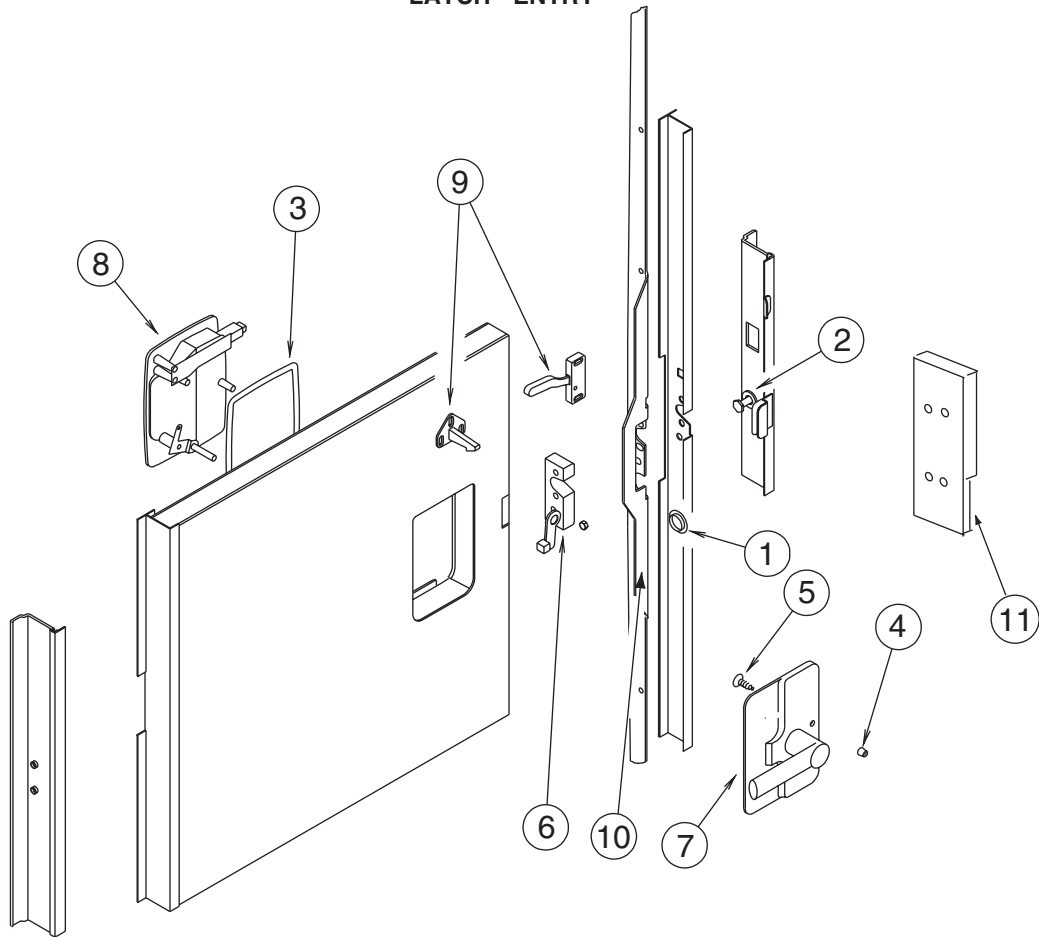


**SCREEN**

KEY	PART NUMBER	U/M	DESCRIPTION
1	002293-02-000	SF	SCREEN - 26" - CHARCOAL
2	002294-01-000	FT	SPLINE - SCREENING - .13" X .14"
3	016454-21-000	EA	INSERT - SCREEN DOOR - CENTER
4	078552-03-000	EA	KICK PANEL - SCREEN DOOR - LOWER INSERT - UNPAINTED
5	078595-01-000	EA	TOP PLATE - SCREEN DOOR - CURVED TOP - 4.7" X 25.35"
6	078777-08-000	FT	CHANNEL - SLIDER
7	120863-06-000	EA	BUMPER - RUBBER - 3/4" X 3/8"
8	132081-01-01A	EA	STRIKE - SLIDER - SCREEN DOOR - BRIGHT WHITE
9	132082-01-01A	EA	SLIDER - SCREEN DOOR - BRIGHT WHITE

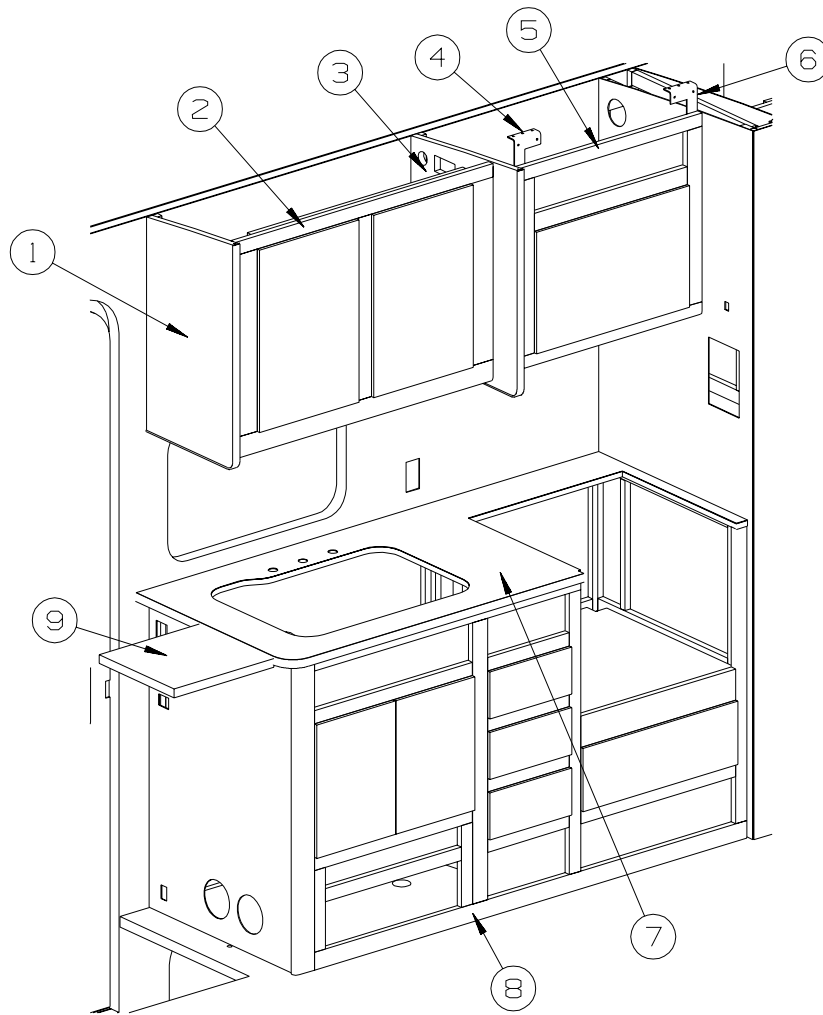
# EXTERIOR DOORS & COMPARTMENTS GROUP (CONTINUED)

## LATCH - ENTRY



KEY	PART NUMBER	U/M	DESCRIPTION
1	061420-14-000	EA	PLUG/PLASTIC - .034" DIAMETER
2	092927-14-000	EA	STRIKER - ROUND - JAMB MOUNTED
			FROM: 00-00-00 THRU: 11-02-03
2	092927-15-000	EA	STRIKER - ROUND - JAMB MOUNTED
			FROM: 11-03-03 THRU: 99-99-99
3	112782-04-01A	EA	GASKET
4	112782-05-01A	EA	CAP - VINYL - RED
5	112782-08-01A	EA	SCREW - MOUNTING/PLATE - ZINC
6	112782-15-01A	EA	LATCH - SINGLE ROTOR
7	112782-16-01A	EA	LATCH - INTERIOR PLATE
8	112782-18-01A	EA	LATCH - EXTERIOR - W/O LOCK CYLINDER W/ICON-REVERSIBLE KEY
9	132915-01-01A	EA	LATCH - SCREEN DOOR
10	132207-01-02B	EA	STIFFENER/DOOR - FORMED - E-COATED
	072893-04-000	EA	NUTSERT - 10-32
11	139102-01-01A	EA	COVER - BRACKET - STRIKE - BRIGHT WHITE

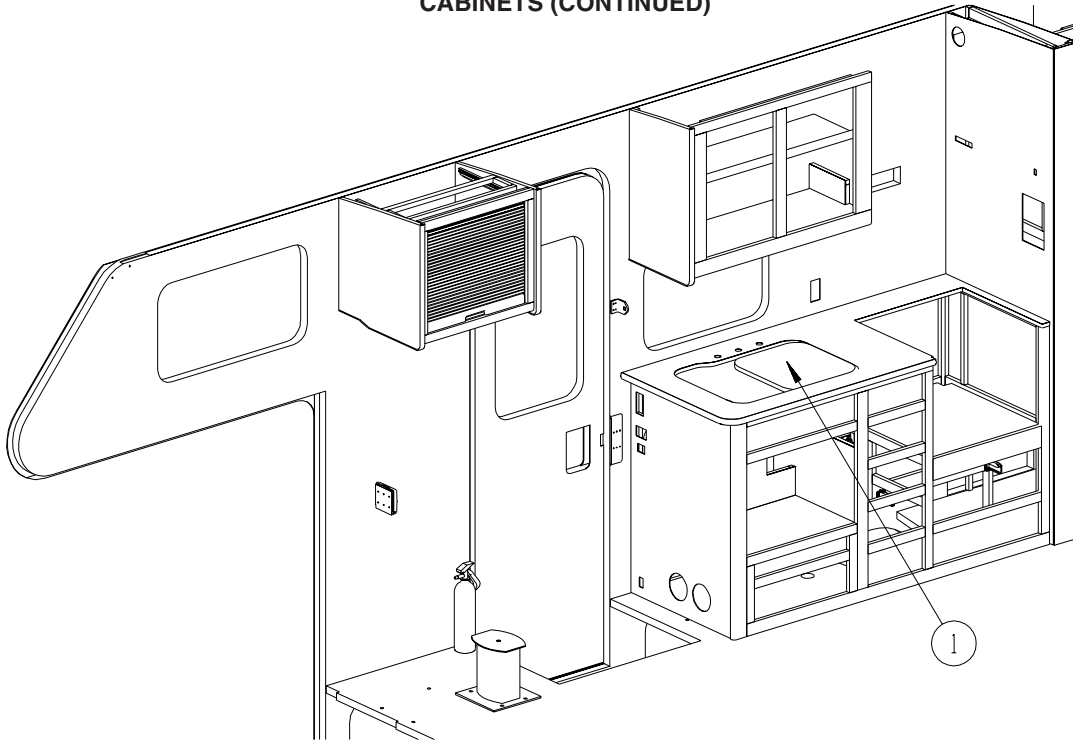
## GALLEY GROUP CABINETS



KEY	PART NUMBER	U/M	DESCRIPTION
1	140307-06-P10	EA	END CAP - OVERHEAD CABINET
2	140904-02-P10	EA	CABINET - OVERHEAD/GALLEY - W/O DOORS/HARDWARE
3	140307-07-P10	EA	END CAP - OVERHEAD CABINET- <b>NON CONVECTION OVEN</b>
3	140307-40-R13	EA	END CAP - OVERHEAD CABINET- <b>CONVECTION OVEN</b>
4	098916-33-02B	EA	BRACE - MICROWAVE CABINET - LEFT HAND - E-COATED- <b>NON CONVECTION OVEN</b>
4	149420-06-02B	EA	BRACE - MICROWAVE CABINET - LEFT HAND - E-COATED- <b>CONVECTION OVEN</b>
5	140905-01-P10	EA	CABINET - OVERHEAD/MICROWAVE - W/O DOORS/HARDWARE - <b>NON CONVECTION OVEN</b>
5	149584-05-R07	EA	CABINET - OVERHEAD/MICROWAVE - W/O DOORS/HARDWARE - <b>CONVECTION OVEN SAMSUNG</b>
5	149584-51-R07	EA	CABINET - OVERHEAD/MICROWAVE - W/O DOORS/HARDWARE - <b>CONVECTION OVEN SHARP</b>
6	098916-34-02B	EA	BRACE - MICROWAVE CABINET - RIGHT HAND - E-COATED- <b>NON CONVECTION OVEN</b>
6	149420-05-02B	EA	BRACE - MICROWAVE CABINET - LEFT HAND - E-COATED- <b>CONVECTION OVEN</b>
7	133653-33-R07	EA	COUNTERTOP - LAMINATED - EGGSHELL/PORTSMOUTH OAK
7	133653-33-R08	EA	COUNTERTOP - LAMINATED - GRAY TRANQUILITY/PORTSMOUTH OAK
7	133653-33-R09	EA	COUNTERTOP - LAMINATED - LINO FRIEZE/PORTSMOUTH OAK
8	P45136-01-R07	EA	CABINET - GALLEY - W/O COUNTERTOP/DRS/DWR/HDW - <b>OVEN W/ELE STEP-W/O TWO WAY RADIO</b>
8	P45136-02-R07	EA	CABINET - GALLEY - W/O COUNTERTOP/DRS/DWR/HDW - <b>OVENW/MAN STEP-W/O TWO WAY RADIO</b>
8	P45136-03-R07	EA	CABINET - GALLEY - W/O COUNTERTOP/DRS/DWR/HDW - <b>OVEN W/ELE STEP-W/TWO WAY RADIO</b>
8	P45136-04-R07	EA	CABINET - GALLEY - W/O COUNTERTOP/DRS/DWR/HDW - <b>OVEN W/MANSTEP-W/TWO WAYRADIO</b>
8	P45136-05-R07	EA	CABINET - GALLEY - W/O COUNTERTOP/DRS/DWR/HDW - <b>RANGE TOPW/ELE STEP-W/O TWO WAY</b>
8	P45136-06-R07	EA	CABINET - GALLEY - W/O COUNTERTOP/DRS/DWR/HDW - <b>RANGE TOPW/MANSTEP-W/O TWO WAY</b>
8	P45136-07-R07	EA	CABINET - GALLEY - W/O COUNTERTOP/DRS/DWR/HDW - <b>RANGE TOPW/ELE STEP-W/TWO WAY</b>
8	P45136-08-R07	EA	CABINET - GALLEY - W/O COUNTERTOP/DRS/DWR/HDW - <b>RANGE TOPW/MANSTEP-W/TWO WAY</b>
9	144585-02-R07	EA	EXTENSION - GALLEY - EGGSHELL/PORTSMOUTH OAK
9	144585-02-R08	EA	EXTENSION - GALLEY - GRAY TRANQUILITY/PORTSMOUTH OAK
9	144585-02-R09	EA	EXTENSION - GALLEY - LINO FRIEZE/PORTSMOUTH OAK



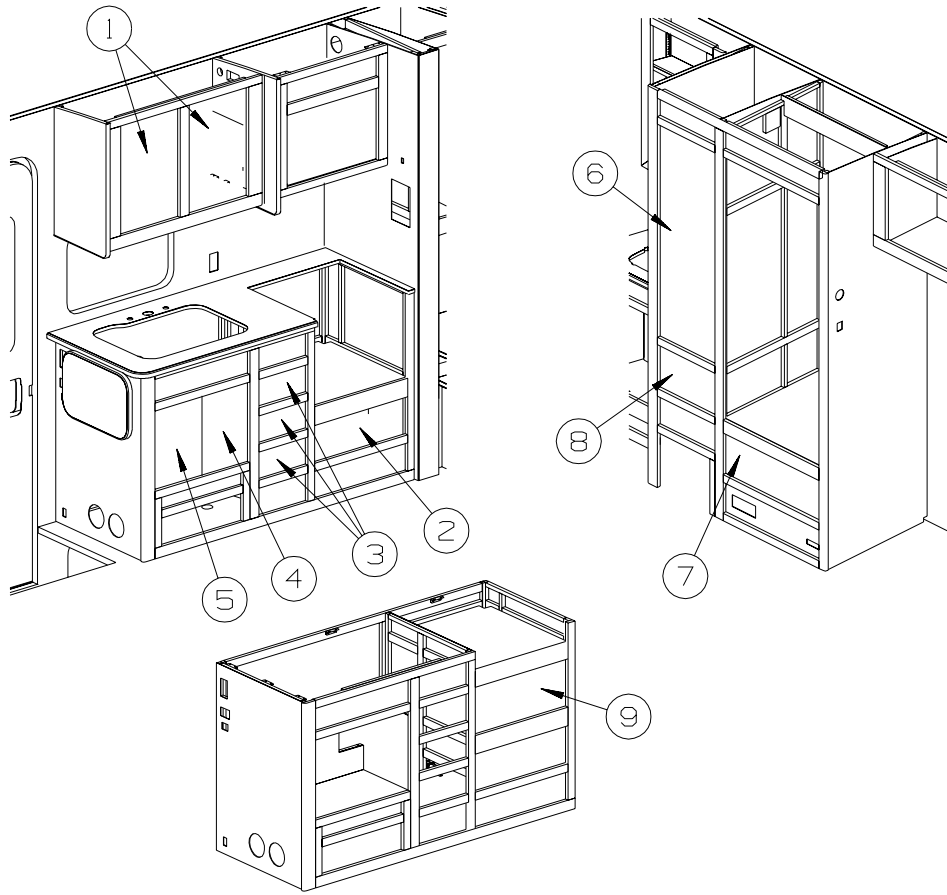
**GALLEY GROUP (CONTINUED)**  
**CABINETS (CONTINUED)**



KEY	PART NUMBER	U/M	DESCRIPTION
1	103610-04-P17	EA	COVER - SINK - 15.7" X 13.8" - EGGSHELL MOSAIC (R07)
1	103610-04-N30	EA	COVER - SINK - 15.7" X 13.8" - GRAY TRANQUILITY (R08)
1	103610-04-R09	EA	COVER - SINK - 15.7" X 13.8" - LINO FRIEZE (R09)

## GALLEY GROUP (CONTINUED)

### DOORS & DRAWERS



KEY	PART NUMBER	U/M	DESCRIPTION
1	136954-A6-P37	EA	DOOR - RAISED PANEL/OGEE EDGE - 14.4" X 21.9" - W/O HDW
2	145492-A9-R07	EA	DRAWER - OGEE EDGE - 19.8"W X 11.8"D - W/O SLIDES/HARDWARE
3	145492-A8-R07	EA	DRAWER - OGEE EDGE - 9.9"W X 17.7"D - W/O SLIDES/HARDWARE
4	136918-57-R07	EA	DOOR - FLAT/OGEE EDGE - 11.4" X 16.1" - W/O HARDWARE
5	136918-56-R07	EA	DOOR - FLAT/OGEE EDGE - 11.4" X 16.1" - W/O HARDWARE
6	136954-C7-P75	EA	DOOR - RAISED PANEL/OGEE EDGE - 15.6" X 45.5" - W/O HDW
			FROM: 00-00-00 THRU: 07-06-03
6	141506-02-R07	EA	DOOR - MIRRORED/OGEE EDGE - 15.5" X 45.4" - W/O HDW
			FROM: 07-07-03 THRU: 99-99-99
7	136918-25-R07	EA	DOOR - FLAT/OGEE EDGE - 10" X 25.2" - W/O HARDWARE
8	145492-L3-R07	EA	DRAWER - OGEE EDGE - 13.1"W X 21.6"D - W/O SLIDES/HDW
9	145492-X6-R28	EA	DRAWER - OGEE EDGE - 19.8"W X 11.8"D - W/O SLIDES/HDW - RANGE TOP

## GENERATOR GROUP

### 322E, 322R

KEY	PART NUMBER	U/M	DESCRIPTION
	109982-03-000	EA	GENERATOR - 4.0 MICROLITE
	114071-02-02B	EA	SUPPORT - GENERATOR - RIGHT
	105958-08-000	EA	PIPE - GENERATOR EXHAUST - 1.5" OD X 3.1" X 19.7"
	007125-04-000	EA	CLAMP - MUFFLER - 1.12" DIAMETER
	114070-02-02B	EA	SUPPORT - GENERATOR - LEFT
	088258-02-000	EA	CLIP - RETAINING - FUEL LINE SINGLE
	024924-02-000	EA	RECEPTACLE - POWER CORD - W/PARTIAL PLATE

### 324V

KEY	PART NUMBER	U/M	DESCRIPTION
	109982-03-000	EA	GENERATOR - 4.0 MICROLITE
	114071-02-02B	EA	SUPPORT - GENERATOR - RIGHT
	105958-08-000	EA	PIPE - GENERATOR EXHAUST - 1.5" OD X 3.1" X 19.7"
	007125-03-000	EA	CLAMP - MUFFLER - 1.5" DIAMETER
	007125-04-000	EA	CLAMP - MUFFLER - 1.12" DIAMETER
	114070-02-02B	EA	SUPPORT - GENERATOR - LEFT
	024924-02-000	EA	RECEPTACLE - POWER CORD - W/PARTIAL PLATE
	088258-02-000	EA	CLIP - RETAINING - FUEL LINE SINGLE

### 324F, 329B, 329K 331, 332G

KEY	PART NUMBER	U/M	DESCRIPTION
	109982-03-000	EA	GENERATOR - 4.0 MICROLITE - 324F, 329B, 329K, 331, 332G
	109982-04-000	EA	GENERATOR - 3.6 MICROLITE - LP - 324F
	114071-02-02B	EA	SUPPORT - GENERATOR - RIGHT
	105958-08-000	EA	PIPE - GENERATOR EXHAUST - 1.5" OD X 3.1" X 19.7" - 331
	138232-01-000	EA	PIPE - EXHAUST - GENERATOR - 324F
	139763-01-000	EA	PIPE - EXHAUST - GENERATOR - 324F
	141158-01-000	EA	PIPE/EXHAUST - GENERATOR - 329B, 329K
	127920-01-000	EA	PIPE - EXHAUST - GENERATOR - 322G
	007131-01-000	EA	HANGER - TAILPIPE - 6 SLOTS - 324F, 329B, 329K, 331
	007125-03-000	EA	CLAMP - MUFFLER - 1.5" DIAMETER - 324F, 329B, 329K
	007125-04-000	EA	CLAMP - MUFFLER - 1.12" DIAMETER
	114070-02-02B	EA	SUPPORT - GENERATOR - LEFT
	024924-02-000	EA	RECEPTACLE - POWER CORD - W/PARTIAL PLATE
	088258-02-000	EA	CLIP - RETAINING - FUEL LINE SINGLE

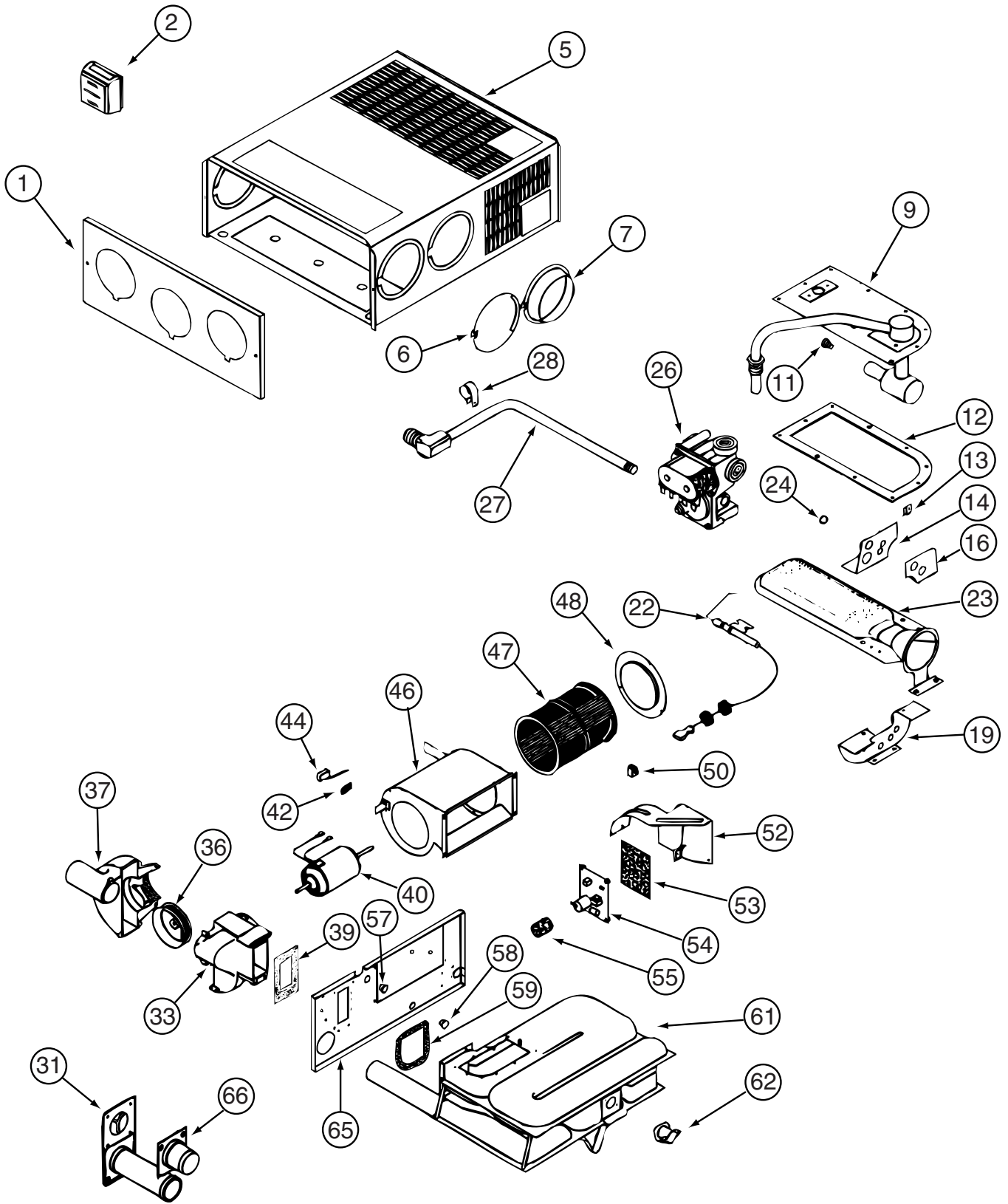
**HEATING & A/C GROUP**  
**FURNACE**

<b>KEY</b>	<b>PART NUMBER</b>	<b>U/M</b>	<b>DESCRIPTION</b>
*	139980-01-000	EA	FURNACE - 25000 BTU - SF QUIET - SUBURBAN SF-25 2320J - 324F, 324V, 322E, 322R
*	139980-02-000	EA	FURNACE - 30000 BTU - SF QUIET - SUBURBAN SF-30 2321J - 331, 332G, 329B, 329K
	139980-07-000	EA	ADAPTOR - VENT BOTTOM SF-30/35
	139980-08-000	EA	GASKET - BOTTOM VENT SF-30/35
	098668-23-000	EA	DOOR - ACCESS - FURNACE - BRIGHT WHITE
	009198-01-000	FT	DUCT - HEAT - FLEXIBLE - 4" ID X 25'
	009198-02-000	FT	DUCT - HEAT - FLEXIBLE - 2" ID X 25'
	056464-10-000	EA	REGISTER W/O DAMPER - 4" DIAMETER - PLASTIC - BEIGE
	137965-01-01A	EA	REGISTER - 2.25" X 10" - W/O DAMPER - ANTIQUE BRASS
	069636-02-000	EA	CONNECTOR - DUCT - 4" ID
	009200-01-000	EA	TAPE - FURNACE - 1 1/2"
	089367-01-000	EA	TEE - 4" OD - 7" LONG - METAL
	089367-02-000	EA	TEE - 4" X 2" X 4"
	024990-11-000	EA	OUTLET - DEFROSTER - W/SWIVEL - 2" SLEEVE/4" OD - CAD CRM
	118761-01-000	EA	REDUCER - 4"-2" - GALVANIZED
	093614-01-02A	EA	GRILL - AIR RETURN - 15.9" X 7.9" - BIEGE

**\*COMPONENT PARTS LISTED LATER IN THIS GROUP**

# HEATING & A/C GROUP (CONTINUED)

## COMPONENT PARTS FOR FURNACE



139980-01-000

139980-02-000

**HEATING & A/C GROUP (CONTINUED)**  
**COMPONENT PARTS FOR FURNACE (CONTINUED)**

**139980-01-000 (CONTINUED)**

<b>KEY</b>	<b>PART NUMBER</b>	<b>U/M</b>	<b>DESCRIPTION</b>	<b>VENDOR NO.</b>
9	139980-01-700	EA	MANIFOLD ASSEMBLY	171571
11	090039-01-703	EA	ORIFICE-MAIN BURNER	180193
12	098668-22-703	EA	GASKET - BURNER ACCESS COVER	070811
22	139980-01-701	EA	ELECTRODE	232286
23	098668-01-703	EA	BURNER ASSEMBLY	010762
26	098668-01-718	EA	VALVE-GAS SF S.N.974903079	161122
27	139980-01-702	EA	PIPE ASSEMBLY/GAS INLET	171574
31	098668-01-707	EA	TUBE ASSEMBLY, EXHAUST W/CAP	260231
33	139980-01-703	EA	HOUSING/COMB. - FRONT/HALF	390852
36	098668-01-706	EA	WHEEL-COMBUSTION AIR	350184
37	139980-01-704	EA	HOUSING/COMB. - REAR/HALF	390848
39	139980-01-705	EA	GASKET/FIREWALL-COMB AIR	071084
40	139980-01-706	EA	MOTOR ASSEMBLY W/GASKET	232682
42	101990-01-714	EA	GASKET-MICROSWITCH	230877
44	098668-21-700	EA	SWITCH-MICRO-W/O FLAG 3 1/4"	232261
46	139980-01-708	EA	BLOWER ASSEMBLY - ROOM AIR	390739BK
47	098668-01-711	EA	WHEEL-BLOWER, ROOM AIR	350129
48	139980-01-709	EA	ORFICE RING	390696
50	139980-01-710	EA	SWITCH - ON/OFF	232351
52	139980-01-711	EA	PANEL ASSEMBLY-MODULE BD	101663
53	139980-01-712	EA	INSULATOR - MODULE BD	070807
54	098668-22-705	EA	MODULE BD W/RELAY TIME DELAY	520820
55	139980-01-713	EA	CAP/INSULATOR-MODULE BD	070973
57	139980-01-714	EA	BUSHING - UNIVERSAL	070362
58	139980-01-715	EA	BUSHING - STRAIN RELIEF	231809
59	098668-01-716	EA	GASKET-FIREWALL,CHAMBER SIDE	070808
61	139980-01-716	EA	CHAMBER ASSEMBLY - FINAL	021149BK
62	098668-21-701	EA	SWITCH - LIMIT	232504
66	098668-01-713	EA	TUBE ASSEMBLY, INTAKE	051248
	098668-19-700	EA	DOOR/CABINET ACCESS	101888
			CONTACT WINNEBAGO PART SALES FOR UNLISTED COMPONENT(S)	

**139980-02-000 (CONTNUED)**

<b>KEY</b>	<b>PART NUMBER</b>	<b>U/M</b>	<b>DESCRIPTION</b>	<b>VENDOR NO.</b>
9	139980-01-700	EA	MANIFOLD ASSEMBLY	171571
11	092300-02-701	EA	ORIFICE-MAIN BURNER (NT-30BW	180214
12	098668-22-703	EA	GASKET - BURNER ACCESS COVER	070811
22	139980-01-701	EA	ELECTRODE	232286
23	098668-02-700	EA	BURNER ASSEMBLY,SF-30 & SF35	010745
26	098668-01-718	EA	VALVE-GAS SF S.N.974903079	161122
27	139980-01-702	EA	PIPE ASSEMBLY/GAS INLET	171574
31	098668-01-707	EA	TUBE ASSEMBLY, EXHAUST W/CAP	260231
33	139980-01-703	EA	COMBUSTION AIR HOUS FRT/HALF	390852
36	098668-01-706	EA	WHEEL-COMBUSTION AIR	350184
37	139980-01-704	EA	COMBUSTION AIR HOUS RR HALF	390848
39	139980-01-705	EA	GASKET/FIREWALL-COMB AIR	071084
40	139980-01-706	EA	MOTOR ASSEMBLY W/GASKET	232682
42	101990-01-714	EA	GASKET-MICROSWITCH	230877
44	098668-21-700	EA	SWITCH-MICRO-W/O FLAG 3 1/4"	232261
46	139980-01-708	EA	BLOWER ASSEMBLY - ROOM AIR	390739BK
47	098668-01-711	EA	WHEEL-BLOWER, ROOM AIR	350129
48	139980-01-709	EA	ORFICE RING	390696
50	139980-01-710	EA	SWITCH - ON/OFF	232351
52	139980-01-711	EA	PANEL ASSEMBLY-MODULE BD	101663
53	139980-01-712	EA	INSULATOR - MODULE BD	070807
54	098668-22-705	EA	MODULE BD W/RELAY TIME DELAY	520820
55	139980-01-713	EA	CAP/INSULATOR-MODULE BD	070973
57	139980-01-714	EA	BUSHING - UNIVERSAL	070362
58	139980-01-715	EA	BUSHING - STRAIN RELIEF	231809
59	098668-01-716	EA	GASKET-FIREWALL,CHAMBER SIDE	070808
61	139980-01-716	EA	CHAMBER ASSEMBLY - FINAL	021149BK
62	098668-21-701	EA	SWITCH - LIMIT	232504
66	098668-01-713	EA	TUBE ASSEMBLY, INTAKE	051248
			CONTACT WINNEBAGO PART SALES FOR UNLISTED COMPONENTS	

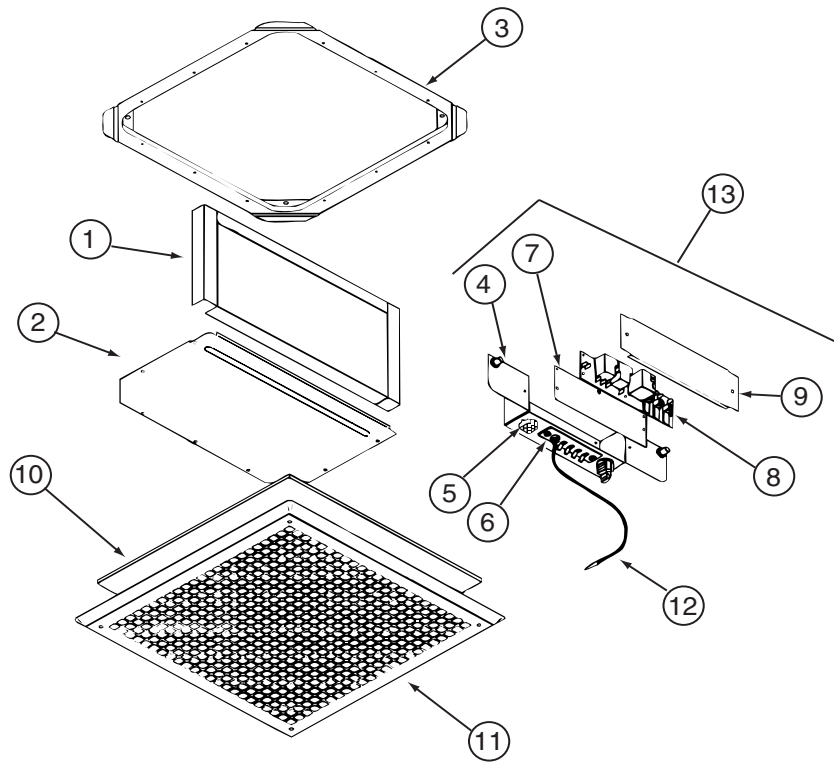
**HEATING & A/C GROUP (CONTINUED)**  
**ROOF**

<b>KEY</b>	<b>PART NUMBER</b>	<b>U/M</b>	<b>DESCRIPTION</b>
*	131185-03-01A	EA	A/C - ROOF - 13,500 BTU - MACH 3 WHITE - 324F, 324V, 322E, 322R
*	131188-03-01A	EA	A/C - ROOF - 14,800 BTU - MACH 15 - WHITE - 331, 332G, 329B, 329K
*	131188-04-01A	EA	A/C - ROOF - 14,800 BTU - HEAT PUMP - WHITE - A/C HEAT PUMP
*	131184-01-01A	EA	CEILING ASSEMBLY - A/C DUCTED - WHITE
*	131184-05-01A	EA	CEILING - HEAT PUMP - WHITE - A/C HEAT PUMP
	131184-02-01A	EA	BOARD - DIVIDER - SILVER
	135618-03-01A	EA	THERMOSTAT - A/C & FURNACE - WHITE
	135618-01-01A	EA	THERMOSTAT - HEAT PUMP/FURNACE - WHITE- A/C HEAT PUMP
	120134-01-02A	EA	REGISTER - W/DAMPER - 4" PIPE/7" O.D. FACE - WHITE

**\*COMPONENT PARTS LISTED LATER IN THIS GROUP**

## HEATING & A/C GROUP (CONTINUED)

### COMPONENT PARTS FOR ROOF



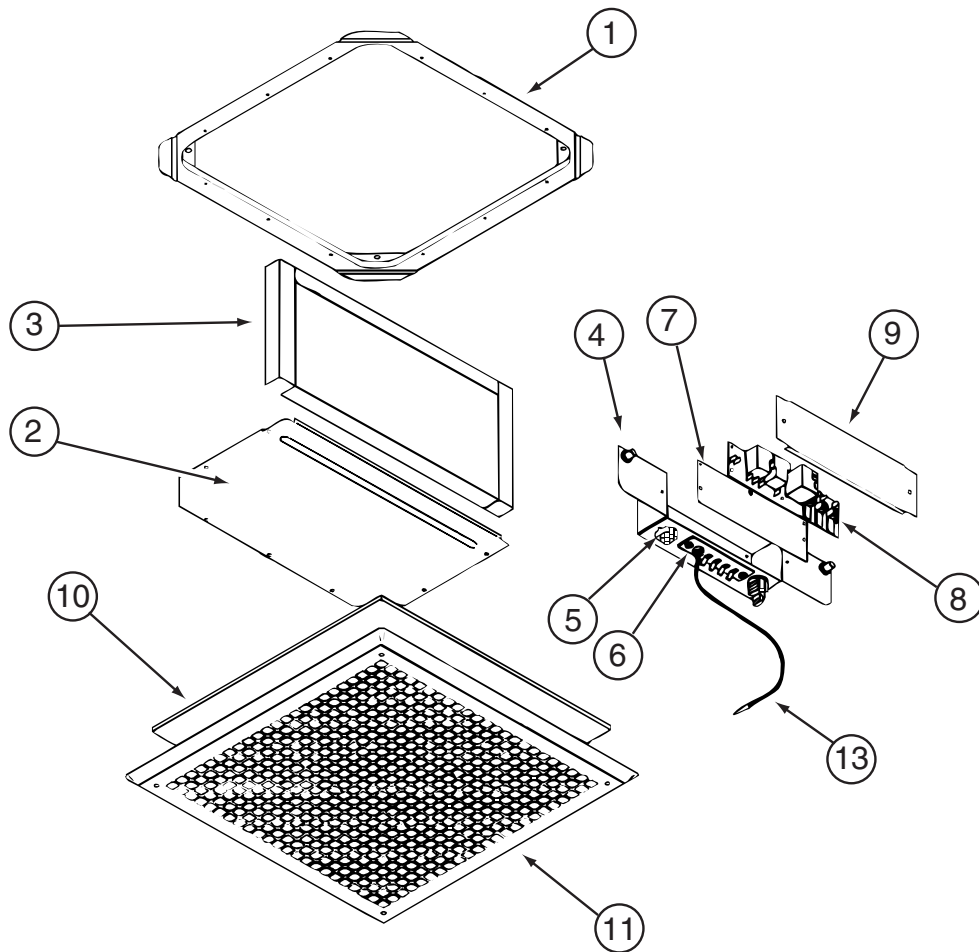
**131184-01-01A**

KEY	PART NUMBER	U/M	DESCRIPTION	VENDOR NO.
1	131184-01-707	EA	DUCT DIVIDER	8330-3501
5	131184-01-700	EA	PLUG ASSEMBLY	7330A389
6	131184-01-701	EA	TERMINAL BOARD	7330B3201
7	131184-01-702	EA	ISOLATOR - BLANK	7330C365
8	108892-01-702	EA	BOARD-P.C.	7330A3211
10	108892-01-703	EA	FILTER	6798A3761
11	108892-01-704	EA	GRILLE 16 3/8X16 3/8 RETURN	6798-3041
12	131184-01-704	EA	COIL SENSOR	7330-6111
13	131184-01-705	EA	JUNCTION BOX ASSEMBLY	7330B5551
	131184-01-703	EA	SMALL PARTS PKG	8330-5961

CONTACT WINNEBAGO PART SALES FOR UNLISTED COMPONENTS



**HEATING & A/C GROUP (CONTINUED)**  
**COMPONENT PARTS FOR ROOF (CONTINUED)**



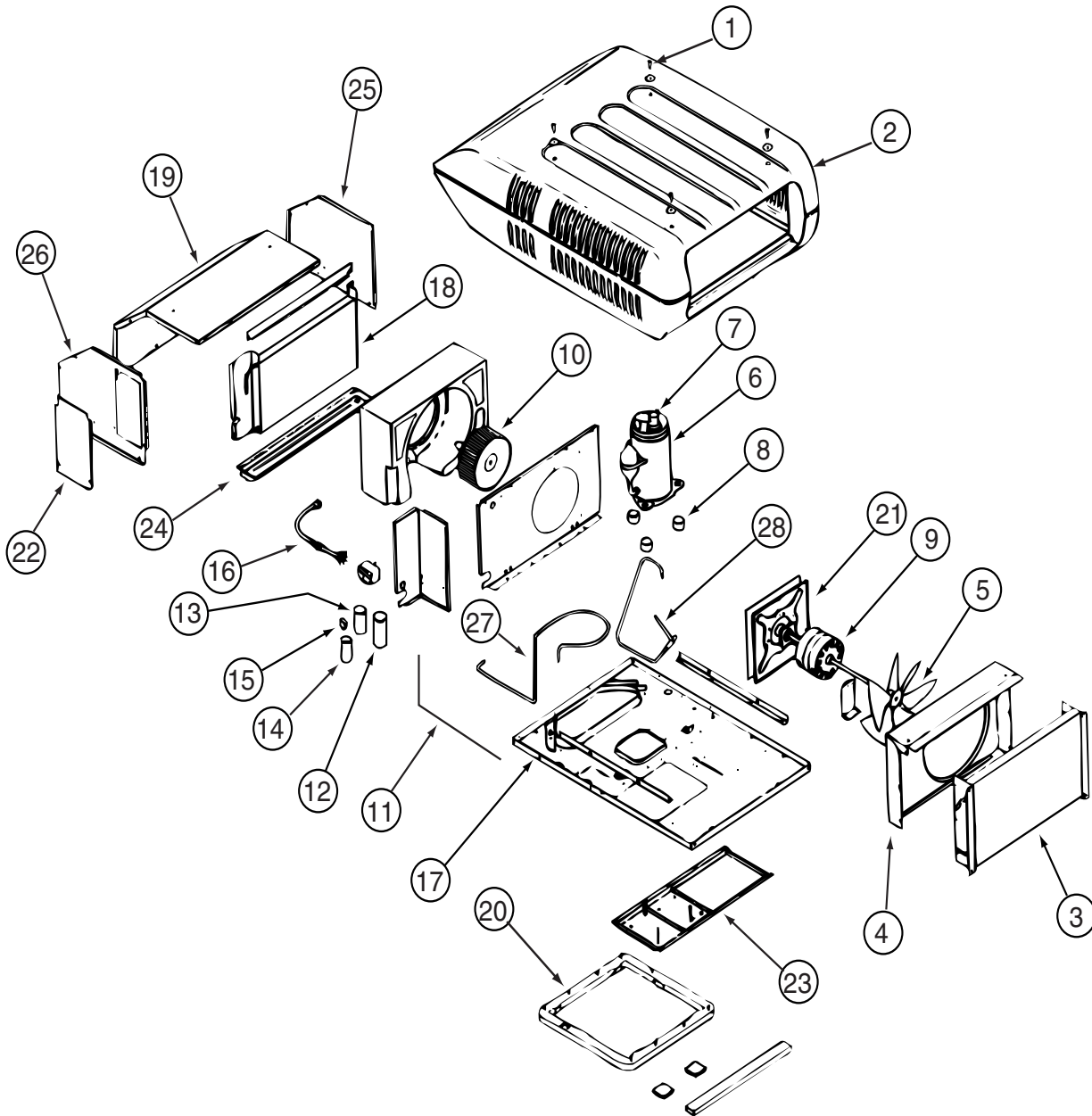
131184-05-01A

KEY	PART NUMBER	U/M	DESCRIPTION	VENDOR NO.
4	131184-04-703	EA	BOX - JUNCTION	7330-113
5	131184-04-700	EA	PLUG ASSEMBLY	7530A340
6	131184-04-702	EA	BOARD - TERMINAL	7530B3201
7	131184-01-702	EA	ISOLATOR - BLANK	7330C365
8	131184-04-705	EA	BOARD - P.C.	7330B3311
10	108892-01-703	EA	FILTER	6798A3761
11	108892-01-704	EA	GRILLE 16 3/8X16 3/8 RETURN	6798-3041
13	105620-12-719	EA	COIL SENSOR	7330A3231
	131184-01-703	EA	SMALL PARTS PKG	8330-5961
	131184-04-706	EA	JUNCTION BOX AMS. (HEAT PUMP)	7530-508

CONTACT WINNEBAGO PART SALES FOR UNLISTED COMPONENT

## HEATING & A/C GROUP (CONTINUED)

### COMPONENT PARTS FOR ROOF (CONTINUED)



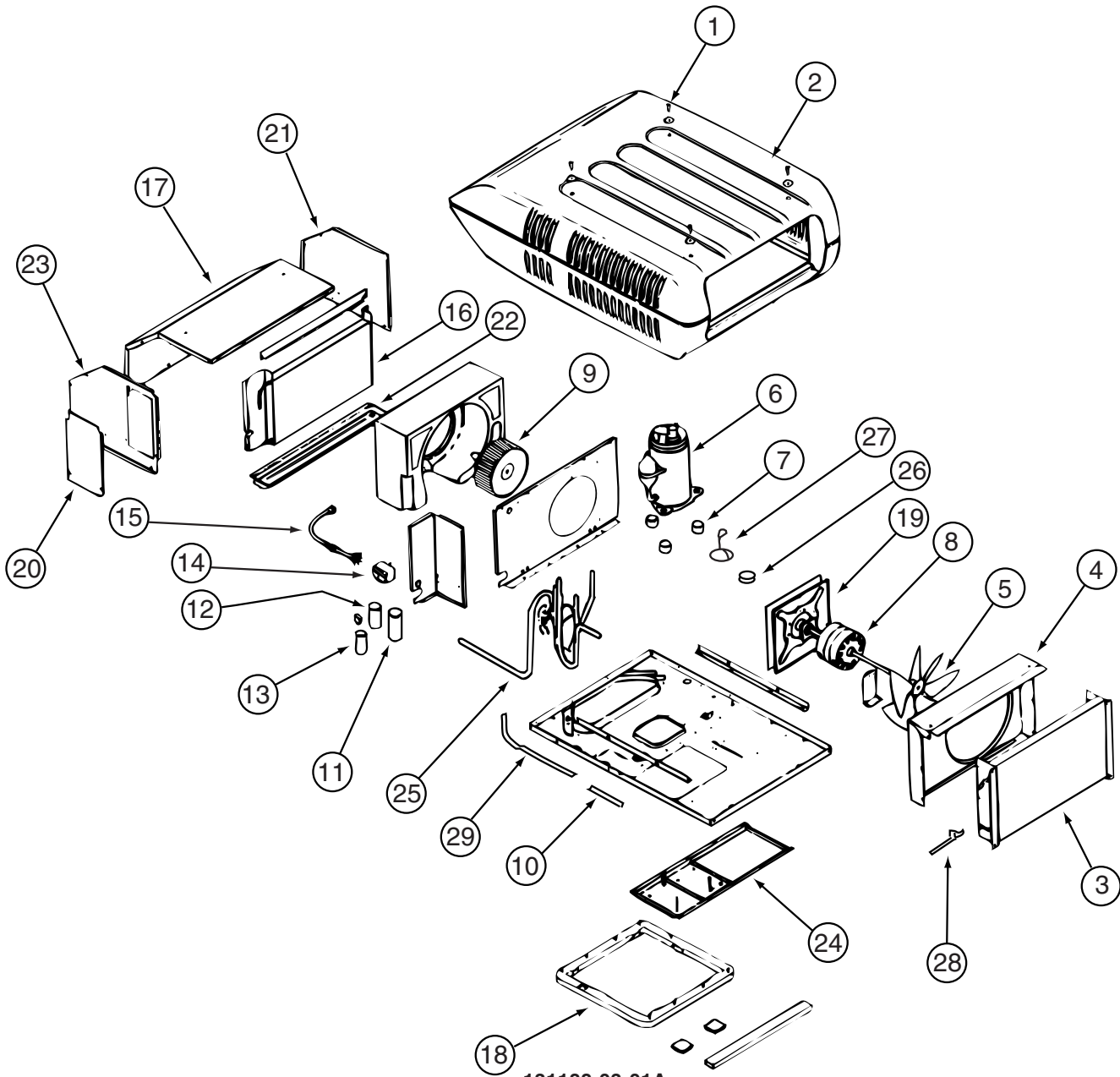
131185-03-01A

KEY	PART NUMBER	U/M	DESCRIPTION	VENDOR NO.
2	131185-03-700	EA	SHROUD - ROOF AIR	8333-4161
3	131185-01-700	EA	CONDENSER COIL	1452A1451
5	093763-01-712	EA	BLADE-FAN-CONDENSER	6733-3221
6	131185-03-701	EA	COMPRESSOR - (PANASONC)	1450A2059
6	105620-01-706	EA	MOUNTING PKG.,COMP., 3 PER	6759-3081
7	131185-03-702	EA	OVERLOAD	1450-0141
9	131185-01-701	EA	MOTOR (115V, 60HZ)	1468-3069
10	131185-01-702	EA	BLOWER WHEEL PACKAGE	1472-1091
12	105620-12-725	EA	COMPRESSOR RUN CAPACITO	1499-5731
13	108889-01-708	EA	CAPACITOR-FAN, 7.5MFD. 370U	1499-5461
15	105620-10-704	EA	START COMPACITOR	1497-0861
15	105620-10-705	EA	PTCR (START DEVICE) - W/CAP.	8333A9021
18	131185-01-703	EA	EVAPORATOR COIL	1452A1491
20	037648-01-714	EA	GASKET PACKAGE	8332-3301
21	131185-01-704	EA	MOTOR MOUNT & SEAL KIT	8333-5151
27	131185-03-704	EA	LINE - SUCTION	8333B530
28	131185-03-705	EA	LINE - DISCHARGE	8333-131
	131185-03-703	EA	PAD/FILLER (COND AIR SEAL)	8332-3301
	093306-01-701	EA	DECAL PACKAGE, LEFT & RIGHT	6798B3591

CONTACT WINNEBAGO PART SALES FOR UNLISTED COMPONENTS

## HEATING & A/C GROUP (CONTINUED)

### COMPONENT PARTS FOR ROOF (CONTINUED)



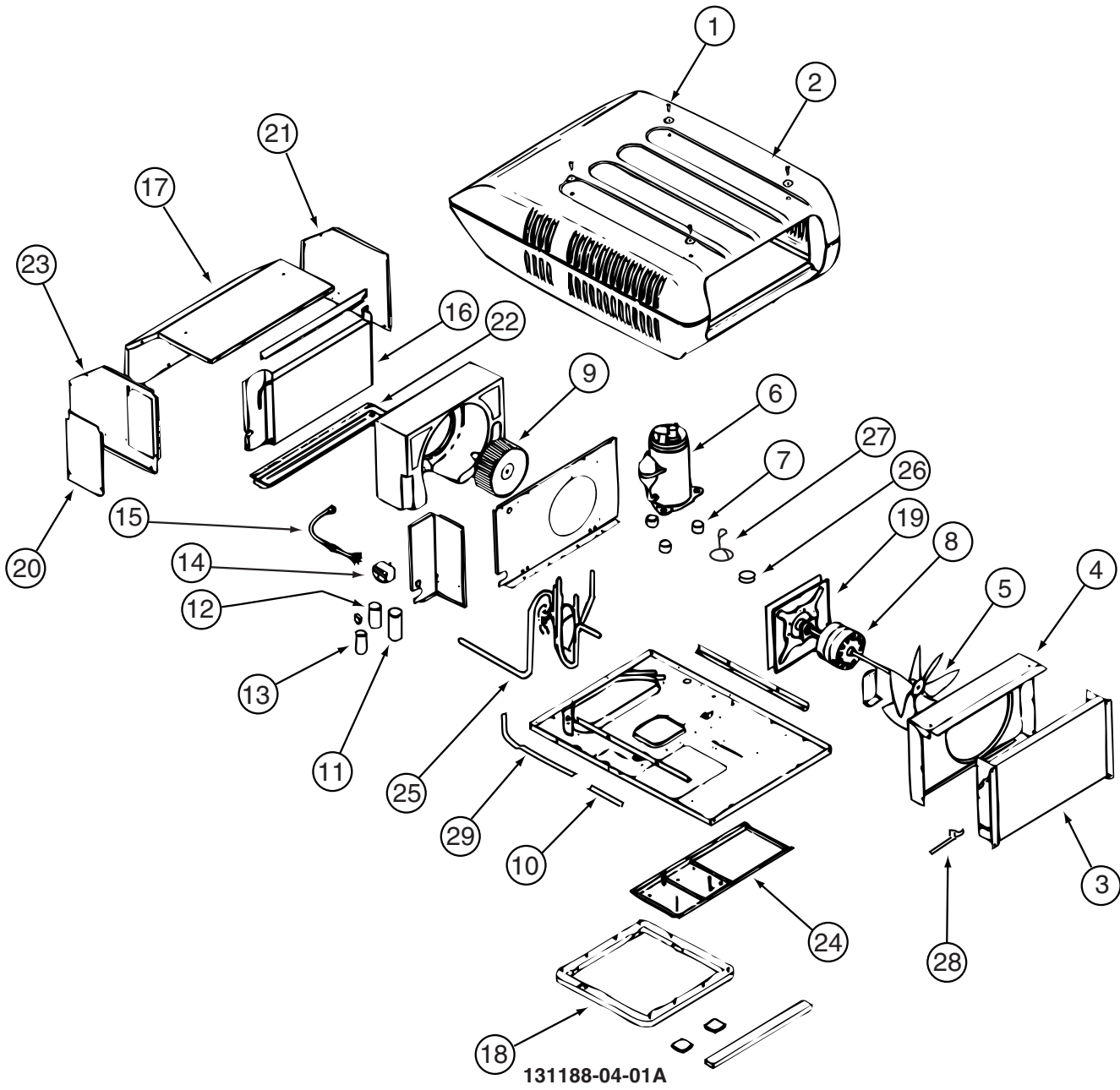
131188-03-01A

KEY	PART NUMBER	U/M	DESCRIPTION	VENDOR NO.
	2	EA	SHROUD-BRIGHT/WHT. W/O LOGO	7333-4601
	3	EA	COIL-CONDENSER	1452A1321
	5	EA	BLADE-FAN-CONDENSER	6733-3221
	6	EA	COMPRESSOR - TECUMSEH	1450A2609
	7	EA	MOUNTING PKG.,COMP., 3 PER	6759-3081
	8	EA	MOTOR (115V, 60HZ)	1468-3069
	9	EA	BLOWER WHEEL PACKAGE	1472-1091
	11	EA	RUN CAP. (COMP-40MFD/370V)	1499-5721
	12	EA	CAPACITOR-FAN, 7.5MFD. 370U	1499-5461
	13	EA	CAPACITOR - START	1497-0871
	14	EA	RELAY-START	1497-4131
	16	EA	EVAPORATOR COIL	1452-1521
	18	EA	GASKET PACKAGE	8332-3301
	19	EA	MOTOR MOUNT & SEAL KIT	8333-5151
	093306-01-701	EA	DECAL PACKAGE, LEFT & RIGHT	6798B3591
	108889-01-710	EA	PAD-FILLER, CONDENSER SEAL	6759B3971
	131188-01-702	EA	LINE - SUCTION	7335A134
	131188-01-703	EA	LINE - DISCHARGE	7335A135

CONTACT WINNEBAGO PART SALES FOR UNLISTED COMPONENT

## HEATING & A/C GROUP (CONTINUED)

### COMPONENT PARTS FOR ROOF (CONTINUED)



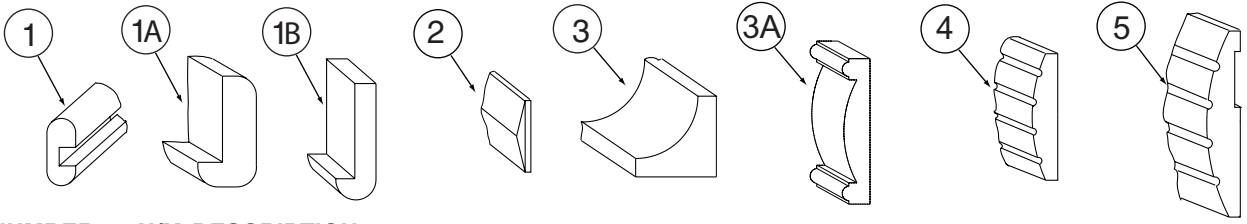
131188-04-01A

KEY	PART NUMBER	U/M	DESCRIPTION	VENDOR NO.
3	131188-02-700	EA	CONDENSER COIL	1452-1441
5	093763-01-712	EA	BLADE-FAN-CONDENSER	6733-3221
6	131188-02-701	EA	COMPRESSOR(TECUMSEH-RK225AT)	1450A2069
7	105620-01-706	EA	MOUNTING PKG.,COMP., 3 PER	6759-3081
8	131185-01-701	EA	MOTOR (115V, 60HZ)	1468-3069
9	131185-01-702	EA	BLOWER WHEEL PACKAGE	1472-1091
10	131188-02-702	EA	RESTRICTOR - BY FLOW	1454-2501
11	131188-01-701	EA	RUN CAP. (COMP-40MFD/370V)	1499-5721
12	093763-01-704	EA	CAPACITOR-FAN	1499-5461
13	131188-02-703	EA	CAPACITOR-START(21-25MFD)	1497-0211
14	091225-01-709	EA	RELAY-START	1497-4131
16	131186-01-701	EA	EVAPORATOR COIL	1452-1521
18	037648-01-714	EA	GASKET PACKAGE	8332-3301
19	131185-01-704	EA	MOTOR MOUNT & SEAL KIT	8333-5151
25	131188-02-704	EA	VALVE/REVERSE ASSEMBLY	7535A5301
26	105620-12-708	EA	COIL - SOLENOID	1460-1081
27	131188-02-705	EA	WIRE HARNESS F/SOLENOID	7535-109
28	131188-02-706	EA	SWITCH - FREEZE	1460-2041
29	131188-02-707	EA	LIQUID LINE	7535-135

CONTACT WINNEBAGO PART SALES FOR UNLISTED COMPONENT

## INTERIOR FINISH GROUP

### MOLDINGS & TRIMS PORTSMOUTH OAK

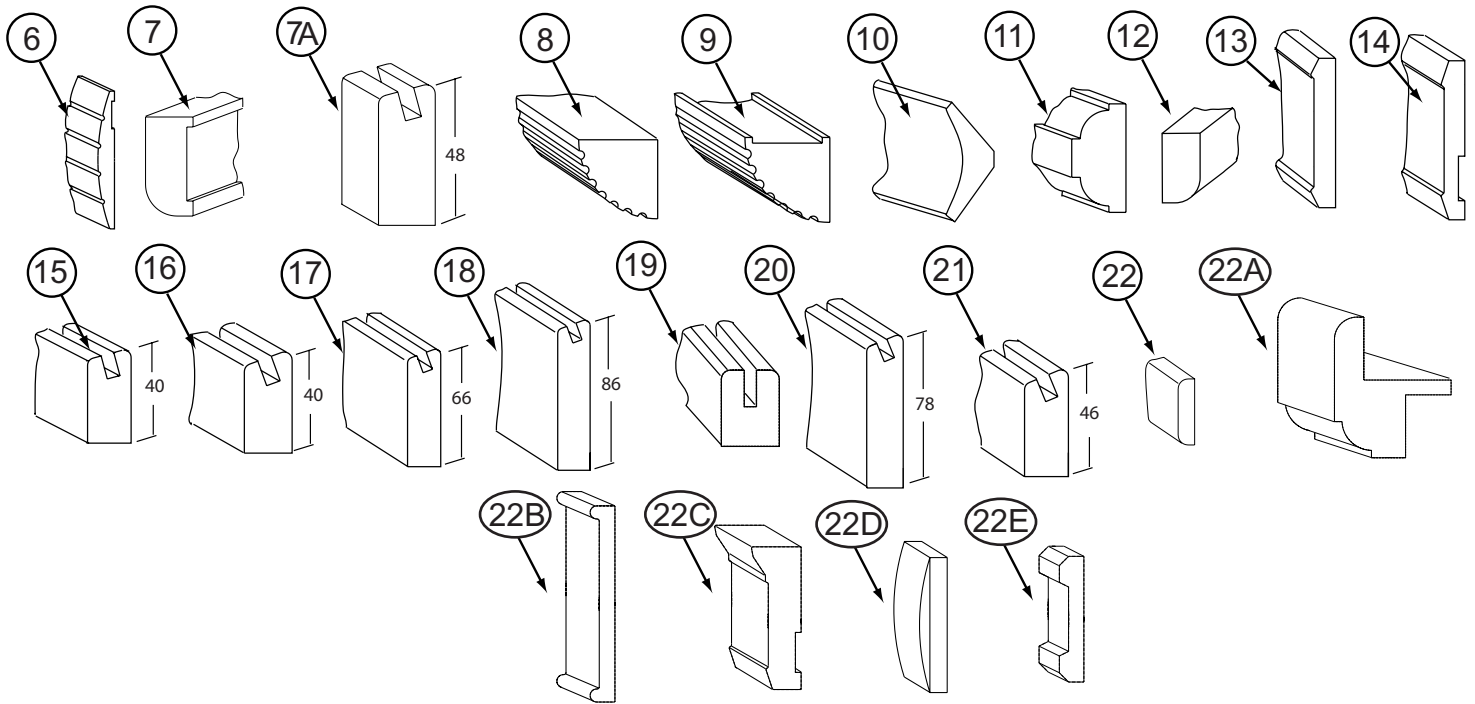


KEY	PART NUMBER	U/M	DESCRIPTION
1	M09412-62-N42	EA	MOLDING/SHELF EDGE - W/.4" NOTCH - PORTSMOUTH II - PORTSMOUTH OAK
1	M09412-62-M52	EA	MOLDING/SHELF EDGE - W/.4" NOTCH - CHERRY IV - CONCERT CHERRY
1	M09412-62-M62	EA	MOLDING/SHELF EDGE - W/.4" NOTCH - WASHED MAPLE
1	M09412-62-RC3	EA	MOLDING/SHELF EDGE - W/.4" NOTCH - .6" X 1.3" X 96" - HONEY CHERRY
1A	M09438-02-N70	EA	MOLDING - HARDWOOD-W/NOTCH - 1.4"X 80.5" - OAK/PORTS OAK - PORTSMOUTH OAK
1A	M09438-02-N85	EA	MOLDING - HARDWOOD-W/NOTCH - 1.4"X 80.5" - CHERRY/CHERRY IV - CONCERT CHERRY
1A	M09438-02-N84	EA	MOLDING - HARDWOOD-W/NOTCH - 1.4"X 80.5" - MAPLE/WASHED MP - WASHED MAPLE
1B	M09438-21-N95	EA	MOLDING/TRIM - .8" X 2.2" X 80.2" - OAK/PORTS OAK - PORTSMOUTH OAK
1B	M09438-21-N94	EA	MOLDING/TRIM - .8" X 2.2" X 80.2" - CHERRY/CHERRY IV - CONCERT CHERRY
1B	M09438-21-NQ0	EA	MOLDING/TRIM - .8" X 2.2" X 80.2" - MAPLE/WASHED MP - WASHED MAPLE
1B	M09438-23-N95	EA	MOLDING - HARDWOOD-W/NOTCH - 4" X 80.2" - OAK/PORTS OAK - PORTSMOUTH OAK
1B	M09438-23-N94	EA	MOLDING - HARDWOOD-W/NOTCH - 4" X 80.2" - CHERRY/CHERRY IV - CONCERT CHERRY
1B	M09438-23-NQ0	EA	MOLDING - HARDWOOD-W/NOTCH - 4" X 80.2" - MAPLE/WASHED MP - WASHED MAPLE
1B	M09438-25-N95	EA	MOLDING - HARDWOOD-W/NOTCH - 1.4"X 80.2" - OAK/PORTS OAK - PORTSMOUTH OAK
1B	M09438-25-N94	EA	MOLDING - HARDWOOD-W/NOTCH - 1.4"X 80.2" - CHERRY/CHERRY IV - CONCERT CHERRY
1B	M09438-25-NQ0	EA	MOLDING - HARDWOOD-W/NOTCH - 1.4"X 80.2" - MAPLE/WASHED MP - WASHED MAPLE
1B	M09438-25-RA3	EA	MOLDING - HARDWOOD-W/NOTCH - 1.4"X 80.2" - CHERRY/HONEY - HONEY CHERRY
1B	M09450-77-PC0	EA	MOLDING - TRIM/HDWD W/LIP -.4"X3.2"X79.6" - OAK/PORTS OAK - PORTSMOUTH OAK
1B	M09450-77-PC1	EA	MOLDING - TRIM/HDWD W/LIP -.4"X3.2"X79.6" - CHERRY/CHERRY IV - CONCERT CHERRY
1B	M09450-77-PC2	EA	MOLDING - TRIM/HDWD W/LIP -.4"X3.2"X79.6" - MAPLE/WASHED MP - WASHED MAPLE
1B	M09450-77-RC3	EA	MOLDING - TRIM/HDWD W/LIP -.4"X3.2"X79.6" - CHERRY/HONEY - HONEY CHERRY
1B	M09462-75-R38	EA	MOLDING/TRIM - .75" X 1.2" X 80.2" - PORTSMOUTH OAK
1B	M09462-75-R39	EA	MOLDING/TRIM - .75" X 1.2" X 80.2" - CONCERT CHERRY
1B	M09462-75-R46	EA	MOLDING/TRIM - .75" X 1.2" X 80.2" - WASHED MAPLE
2	M09454-62-P54	EA	MOLDING - TRIM/VEE - .2" X 1" X 3.5" - OAK - PORTSMOUTH OAK
2	M09454-62-P55	EA	MOLDING - TRIM/VEE - .2" X 1" X 3.5" - CHERRY - CONCERT CHERRY
2	M09454-62-P56	EA	MOLDING - TRIM/VEE - .2" X 1" X 3.5" - MAPLE - WASHED MAPLE
2	M09454-62-RE0	EA	MOLDING - TRIM/VEE - .2" X 1" X 3.5" - CHERRY - HONEY CHERRY
2	M09462-50-R74	EA	MOLDING - TRIM/VEE - .2" X 1" X 93.5" - PORTSMOUTH OAK
2	M09462-50-R75	EA	MOLDING - TRIM/VEE - .2" X 1" X 93.5" - CONCERT CHERRY
2	M09462-50-R76	EA	MOLDING - TRIM/VEE - .2" X 1" X 93.5" - WASHED MAPLE
2	M09477-18-R83	EA	MOLDING - TRIM/VEE - .2" X 1" X 32" - OAK - PORTSMOUTH OAK
2	M09477-18-R84	EA	MOLDING - TRIM/VEE - .2" X 1" X 32" - CHERRY - CONCERT CHERRY
2	M09477-18-R91	EA	MOLDING - TRIM/VEE - .2" X 1" X 32" - MAPLE - WASHED MAPLE
2	M09477-18-RE0	EA	MOLDING - TRIM/VEE - .2" X 1" X 32" - CHERRY - HONEY CHERRY
3	M09471-79-R38	EA	MOLDING-STAINED - PORTSMOUTH OAK
3	M09471-79-R39	EA	MOLDING-STAINED - CONCERT CHERRY
3	M09471-79-R46	EA	MOLDING-STAINED - WASHED MAPLE
3	M09471-79-RE0	EA	MOLDING-STAINED - HONEY CHERRY
3A	M09471-40-R83	EA	MOLDING-STAINED - PORTSMOUTH OAK
3A	M09471-40-R84	EA	MOLDING-STAINED - CONCERT CHERRY
3A	M09471-40-RE0	EA	MOLDING-STAINED - HONEY CHERRY
4	M09454-52-PA0	EA	MOLDING - FLUTED - .75" X 3.5" X 76.7" - OAK - PORTSMOUTH OAK
4	M09454-52-PA1	EA	MOLDING - FLUTED - .75" X 3.5" X 76.7" - CHERRY - CONCERT CHERRY
4	M09454-52-PA2	EA	MOLDING - FLUTED - .75" X 3.5" X 76.7" - MAPLE - WASHED MAPLE
4	P39129-01-N53	EA	MOLDING - FLUTED/CURVED - 3.5" X 44.5" - PORTSMOUTH OAK
4	P39129-01-N52	EA	MOLDING - FLUTED/CURVED - 3.5" X 44.5" - CONCERT CHERRY
4	P39129-01-N62	EA	MOLDING - FLUTED/CURVED - 3.5" X 44.5" - WASHED MAPLE
4	P39129-01-RA3	EA	MOLDING - FLUTED/CURVED - 3.5" X 44.5" - HONEY CHERRY

**INTERIOR FINISH GROUP (CONTINUED)**  
**MOLDINGS & TRIMS (CONTINUED)**

<b>KEY</b>	<b>PART NUMBER</b>	<b>U/M</b>	<b>DESCRIPTION</b>
4	P39129-08-N53	EA	MOLDING - FLUTED/CURVED - 3.5" X 45.5" - PORTSMOUTH OAK
4	P39129-08-N52	EA	MOLDING - FLUTED/CURVED - 3.5" X 45.5" - CONCERT CHERRY
4	P39129-08-N62	EA	MOLDING - FLUTED/CURVED - 3.5" X 45.5" - WASHED MAPLE
4	P39129-08-RA3	EA	MOLDING - FLUTED/CURVED - 3.5" X 45.5" - HONEY CHERRY
4	P39129-14-PA0	EA	MOLDING - FLUTED/CURVED - 3.5" X 40.8" - PORTSMOUTH OAK
4	P39129-14-PA1	EA	MOLDING - FLUTED/CURVED - 3.5" X 40.8" - CONCERT CHERRY
4	P39129-14-PA2	EA	MOLDING - FLUTED/CURVED - 3.5" X 40.8" - WASHED MAPLE
4	P39129-14-RA3	EA	MOLDING - FLUTED/CURVED - 3.5" X 40.8" - HONEY CHERRY
4	P39129-20-PA0	EA	MOLDING - FLUTED/CURVED - 3.5" X 33.4" - PORTSMOUTH OAK
4	P39129-20-PA1	EA	MOLDING - FLUTED/CURVED - 3.5" X 33.4" - CONCERT CHERRY
4	P39129-20-PA2	EA	MOLDING - FLUTED/CURVED - 3.5" X 33.4" - WASHED MAPLE
4	P39129-20-RA3	EA	MOLDING - FLUTED/CURVED - 3.5" X 33.4" - HONEY CHERRY
4	P39129-25-PA0	EA	MOLDING - FLUTED/CURVED - 3.5" X 46.6" - PORTSMOUTH OAK
4	P39129-25-PA1	EA	MOLDING - FLUTED/CURVED - 3.5" X 46.6" - CONCERT CHERRY
4	P39129-25-PA2	EA	MOLDING - FLUTED/CURVED - 3.5" X 46.6" - WASHED MAPLE
4	P39129-25-RA3	EA	MOLDING - FLUTED/CURVED - 3.5" X 46.6" - HONEY CHERRY
4	P39129-31-PA0	EA	MOLDING - FLUTED/CURVED - 3.5" X 80.7" - PORTSMOUTH OAK
4	P39129-31-PA1	EA	MOLDING - FLUTED/CURVED - 3.5" X 80.7" - CONCERT CHERRY
4	P39129-31-PA2	EA	MOLDING - FLUTED/CURVED - 3.5" X 80.7" - WASHED MAPLE
4	P39129-31-RA3	EA	MOLDING - FLUTED/CURVED - 3.5" X 80.7" - HONEY CHERRY
4	P39129-32-RA0	EA	MOLDING - FLUTED/CURVED - 3.5" X 99.2" - PORTSMOUTH OAK
4	P39129-32-RA1	EA	MOLDING - FLUTED/CURVED - 3.5" X 99.2" - CONCERT CHERRY
4	P39129-32-RA2	EA	MOLDING - FLUTED/CURVED - 3.5" X 99.2" - WASHED MAPLE
4	P39129-32-RA3	EA	MOLDING - FLUTED/CURVED - 3.5" X 99.2" - HONEY CHERRY
4	P39129-33-RA0	EA	MOLDING - FLUTED/CURVED - 3.5" X 98.58" - PORTSMOUTH OAK
4	P39129-33-RA1	EA	MOLDING - FLUTED/CURVED - 3.5" X 98.58" - CONCERT CHERRY
4	P39129-33-RA2	EA	MOLDING - FLUTED/CURVED - 3.5" X 98.58" - WASHED MAPLE
4	P39129-33-RA3	EA	MOLDING - FLUTED/CURVED - 3.5" X 98.58" - HONEY CHERRY
5	P39129-19-PA0	EA	MOLDING - FLUTED/CURVED - 5.9" X 32.1" - PORTSMOUTH OAK
5	P39129-19-PA1	EA	MOLDING - FLUTED/CURVED - 5.9" X 32.1" - CONCERT CHERRY
5	P39129-19-PA2	EA	MOLDING - FLUTED/CURVED - 5.9" X 32.1" - WASHED MAPLE
5	P39129-19-RA3	EA	MOLDING - FLUTED/CURVED - 5.9" X 32.1" - HONEY CHERRY
5	P39129-28-PA0	EA	MOLDING - FLUTED/CURVED - 5.9" X 63.3" - PORTSMOUTH OAK
5	P39129-28-PA1	EA	MOLDING - FLUTED/CURVED - 5.9" X 63.3" - CONCERT CHERRY
5	P39129-28-PA2	EA	MOLDING - FLUTED/CURVED - 5.9" X 63.3" - WASHED MAPLE
5	P39129-28-RA3	EA	MOLDING - FLUTED/CURVED - 5.9" X 63.3" - HONEY CHERRY
5	P39129-29-PA0	EA	MOLDING - FLUTED/CURVED - 5.9" X 70.1" - PORTSMOUTH OAK
5	P39129-29-PA1	EA	MOLDING - FLUTED/CURVED - 5.9" X 70.1" - CONCERT CHERRY
5	P39129-29-PA2	EA	MOLDING - FLUTED/CURVED - 5.9" X 70.1" - WASHED MAPLE
5	P39129-29-RA3	EA	MOLDING - FLUTED/CURVED - 5.9" X 70.1" - HONEY CHERRY

**INTERIOR FINISH GROUP (CONTINUED)**  
**MOLDINGS & TRIMS (CONTINUED)**



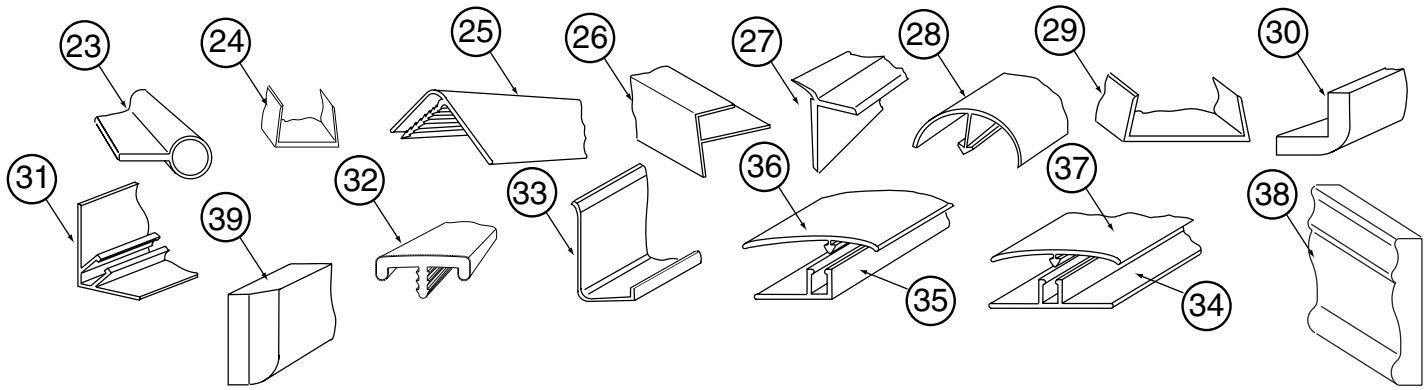
KEY	PART NUMBER	U/M	DESCRIPTION
6	P39129-21-PA0	EA	MOLDING - FLUTED/CURVED - 5.9" X 2.5" - PORTSMOUTH OAK
6	P39129-21-PA1	EA	MOLDING - FLUTED/CURVED - 5.9" X 2.5" - CONCERT CHERRY
6	P39129-21-PA2	EA	MOLDING - FLUTED/CURVED - 5.9" X 2.5" - WASHED MAPLE
6	P39129-21-RA3	EA	MOLDING - FLUTED/CURVED - 5.9" X 2.5" - HONEY CHERRY
6	P39129-22-PA0	EA	MOLDING - FLUTED/CURVED - 5.9" X 5.3" - PORTSMOUTH OAK
6	P39129-22-PA1	EA	MOLDING - FLUTED/CURVED - 5.9" X 5.3" - CONCERT CHERRY
6	P39129-22-PA2	EA	MOLDING - FLUTED/CURVED - 5.9" X 5.3" - WASHED MAPLE
6	P39129-22-RA3	EA	MOLDING - FLUTED/CURVED - 5.9" X 5.3" - HONEY CHERRY
7	Y00007-22-438	EA	MOLDING - MAPLE - UNSTAINED
7	Y00007-32-438	EA	MOLDING - CHERRY - UNSTAINED
7	Y00007-42-438	EA	MOLDING - OAK - UNSTAINED
7A	Y00054-72-438	EA	MOLDING - VINYL - W/SLOT - .7"X 1.9"X 96" - PORTSMOUTH OAK
7A	Y00054-62-438	EA	MOLDING - VINYL - W/SLOT - .7"X 1.9"X 96" - CONCERT CHERRY
7A	Y00054-A2-438	EA	MOLDING - VINYL - W/SLOT - .7"X 1.9"X 96" - WASHED MAPLE
8	Y00070-22-438	EA	MOLDING/FLUTED - MAPLE - 96" - WASHED MAPLE
8	Y00070-32-438	EA	MOLDING/FLUTED - CHERRY - 96" - CONCERT CHERRY
8	Y00070-42-438	EA	MOLDING/FLUTED - OAK - 96" - PORTSMOUTH OAK
9	Y00071-22-438	EA	MOLDING/FLUTED - W/NOTCH - MAPLE/UNSTAINED - 96"
9	Y00071-32-438	EA	MOLDING/FLUTED - W/NOTCH - CHERRY/UNSTAINED - 96"
9	Y00071-42-438	EA	MOLDING/FLUTED - W/NOTCH - OAK/UNSTAINED - 96"
10	Y00074-A2-438	EA	MOLDING/CROWN - VINYL WRAPPED - MAPLE - 96" - WASHED MAPLE
10	Y00074-62-438	EA	MOLDING/CROWN - VINYL WRAPPED - CONCERT CHERRY - 96" - CONCERT CHERRY
10	Y00074-72-438	EA	MOLDING/CROWN - VINYL WRAPPED - PORTSMOUTH OAK - 96" - PORTSMOUTH OAK
11	Y00076-22-438	EA	MOLDING/TRIM - .5" X 1" X 96" - MAPLE (UNSTAINED)
11	Y00076-32-438	EA	MOLDING/TRIM - .5" X 1" X 96" - CHERRY (UNSTAINED)
11	Y00076-42-438	EA	MOLDING/TRIM - .5" X 1" X 96" - OAK (UNSTAINED)
12	Y00086-A2-438	EA	MOLDING - VINYL WRAP - .7" X 1.6" X 96" - WASHED MAPLE
12	Y00086-62-438	EA	MOLDING - VINYL WRAP - .7" X 1.6" X 96" - CONCERT CHERRY
12	Y00086-72-438	EA	MOLDING - VINYL WRAP - .7" X 1.6" X 96" - PORTSMOUTH OAK
12	Y00086-82-438	EA	MOLDING - VINYL WRAP - .7" X 1.6" X 96" - HONEY CHERRY
12	Y00087-A2-438	EA	MOLDING - VINYL WRAP - .7" X 2.9" X 96" - WASHED MAPLE
12	Y00087-62-438	EA	MOLDING - VINYL WRAP - .7" X 2.9" X 96" - CONCERT CHERRY
12	Y00087-72-438	EA	MOLDING - VINYL WRAP - .7" X 2.9" X 96" - PORTSMOUTH OAK
12	Y00087-82-438	EA	MOLDING - VINYL WRAP - .7" X 2.9" X 96" - HONEY CHERRY
12	Y00267-72-438	EA	MOLDING - VINYL WRAP/MITERED - .6" X 96" - PORTSMOUTH OAK
12	Y00267-62-438	EA	MOLDING - VINYL WRAP/MITERED - .6" X 96" - CONCERT CHERRY
12	Y00267-A2-438	EA	MOLDING - VINYL WRAP/MITERED - .6" X 96" - WASHED MAPLE

**INTERIOR FINISH GROUP (CONTINUED)**  
**MOLDINGS & TRIMS (CONTINUED)**

KEY	PART NUMBER	U/M	DESCRIPTION
13	Y00152-A2-438	EA	MOLDING/TRIM - VINYL - .6" X 3.5" X 96" - WASHED MAPLE
13	Y00152-62-438	EA	MOLDING/TRIM - VINYL - .6" X 3.5" X 96" - CONCERT CHERRY
13	Y00152-72-438	EA	MOLDING/TRIM - VINYL - .6" X 3.5" X 96" - PORTSMOUTH OAK
14	Y00153-A2-438	EA	MOLDING/TRIM - VINYL - .6" X 3.9" X 96" - WASHED MAPLE
14	Y00153-62-438	EA	MOLDING/TRIM - VINYL - .6" X 3.9" X 96" - CONCERT CHERRY
14	Y00153-72-438	EA	MOLDING/TRIM - VINYL - .6" X 3.9" X 96" - PORTSMOUTH OAK
14	Y00153-82-438	EA	MOLDING/TRIM - VINYL - .6" X 3.9" X 96" - HONEY CHERRY
15	Y00203-A2-438	EA	MOLDING - VINYL/BEVELED - 96" - WASHED MAPLE
15	Y00203-62-438	EA	MOLDING - VINYL/BEVELED - 96" - CONCERT CHERRY
15	Y00203-72-438	EA	MOLDING - VINYL/BEVELED - 96" - PORTSMOUT OAK
15	Y00203-82-438	EA	MOLDING - VINYL/BEVELED - 96" - HONEY CHERRY
16	Y00204-A2-438	EA	MOLDING - VINYL/BEVELED - 96" - WASHED MAPLE
16	Y00204-62-438	EA	MOLDING - VINYL/BEVELED - 96" - CONCERT CHERRY
16	Y00204-72-438	EA	MOLDING - VINYL/BEVELED - 96" - PORTSMOUT OAK
16	Y00204-82-438	EA	MOLDING - VINYL/BEVELED - 96" - HONEY CHERRY
17	Y00205-A2-438	EA	MOLDING - VINYL/BEVELED - 96" - WASHED MAPLE
17	Y00205-62-438	EA	MOLDING - VINYL/BEVELED - 96" - CONCERT CHERRY
17	Y00205-72-438	EA	MOLDING - VINYL/BEVELED - 96" - PORTSMOUT OAK
17	Y00205-82-438	EA	MOLDING - VINYL/BEVELED - 96" - HONEY CHERRY
18	Y00206-A2-438	EA	MOLDING - VINYL/BEVELED - 96" - WASHED MAPLE
18	Y00206-62-438	EA	MOLDING - VINYL/BEVELED - 96" - CONCERT CHERRY
18	Y00206-72-438	EA	MOLDING - VINYL/BEVELED - 96" - PORTSMOUT OAK
18	Y00206-82-438	EA	MOLDING - VINYL/BEVELED - 96" - HONEY CHERRY
19	Y00223-22-438	EA	MOLDING - HARDWOOD/MAPLE - .7" X 1" X 96"
19	Y00223-32-438	EA	MOLDING - HARDWOOD/CHERRY - .7" X 1" X 96"
19	Y00223-42-438	EA	MOLDING - HARDWOOD/OAK - .7" X 1" X 96"
20	Y00258-A2-438	EA	MOLDING - VINYL/BEVELED - 96" - WASHED MAPLE
20	Y00258-62-438	EA	MOLDING - VINYL/BEVELED - 96" - CONCERT CHERRY
20	Y00258-72-438	EA	MOLDING - VINYL/BEVELED - 96" - PORTSMOUT OAK
20	Y00258-82-438	EA	MOLDING - VINYL/BEVELED - 96" - HONEY CHERRY
21	Y00259-A2-438	EA	MOLDING - VINYL/BEVELED - 96" - WASHED MAPLE
21	Y00259-62-438	EA	MOLDING - VINYL/BEVELED - 96" - CONCERT CHERRY
21	Y00259-72-438	EA	MOLDING - VINYL/BEVELED - 96" - PORTSMOUT OAK
21	Y00259-82-438	EA	MOLDING - VINYL/BEVELED - 96" - HONEY CHERRY
22	Y00262-22-438	EA	MOLDING - 96" - MAPLE, UNSTAINED
22	Y00262-32-438	EA	MOLDING - 96" - CHERRY, UNSTAINED
22	Y00262-42-438	EA	MOLDING - 96" - OAK, UNSTAINED
22A	Y00266-42-438	EA	MOLDING - .75" X 1.5" X 96" OAK - .7" X 1" X 96"
22A	Y00266-32-438	EA	MOLDING - .75" X 1.5" X 96" CHERRY - .7" X 1" X 96"
22A	Y00266-22-438	EA	MOLDING - .75" X 1.5" X 96" MAPLE - .7" X 1" X 96"
22B	Y00280-74-174	EA	MOLDING/TRIM - VINYL - F/SLIDEOUT - 164.1" - PORTSMOUTH OAK
22B	Y00280-64-174	EA	MOLDING/TRIM - VINYL - F/SLIDEOUT - 164.1" - CONCERT CHERRY
22B	Y00280-A4-174	EA	MOLDING/TRIM - VINYL - F/SLIDEOUT - 164.1" - WASHED MAPLE
22B	Y00281-72-438	EA	MOLDING/TRIM - VINYL - F/SLIDEOUT - 96" - PORTSMTH OAK
22B	Y00281-62-438	EA	MOLDING/TRIM - VINYL - F/SLIDEOUT - 96" - CONCERT CHERRY
22B	Y00281-A2-438	EA	MOLDING/TRIM - VINYL - F/SLIDEOUT - 96" - WASHED MAPLE
22B	Y00291-72-438	EA	MOLDING - VINYL WRAPPED - 4" X 96" - PORTSMTH OAK
22B	Y00291-62-438	EA	MOLDING - VINYL WRAPPED - 4" X 96" - CONCERT CHERRY
22B	Y00291-A2-438	EA	MOLDING - VINYL WRAPPED - 4" X 96" - WASHED MAPLE
22C	Y00282-72-438	EA	MOLDING - SLIDEOUT/VINYL WRAP - 3.9" X 96" - PORTSMOUTH OAK
22C	Y00282-62-438	EA	MOLDING - SLIDEOUT/VINYL WRAP - 3.9" X 96" - CONCERT CHERRY
22C	Y00282-A2-438	EA	MOLDING - SLIDEOUT/VINYL WRAP - 3.9" X 96" - WASHED MAPLE
22D	Y00284-42-438	EA	MOLDING - STRAIGHT - .2" X 1.5" X 96" - UNSTAINED OAK
22D	Y00284-32-438	EA	MOLDING - STRAIGHT - .2" X 1.5" X 96" - UNSTAINED CHERRY
22D	Y00284-22-438	EA	MOLDING - STRAIGHT - .2" X 1.5" X 96" - UNSTAINED MAPLE
22E	Y00285-42-438	EA	MOLDING - STRAIGHT - .63" X 3.2" X 96" - UNSTAINED OAK
22E	Y00285-32-438	EA	MOLDING - STRAIGHT - .63" X 3.2" X 96" - UNSTAINED CHERRY
22E	Y00285-22-438	EA	MOLDING - STRAIGHT - .63" X 3.2" X 96" - UNSTAINED MAPLE

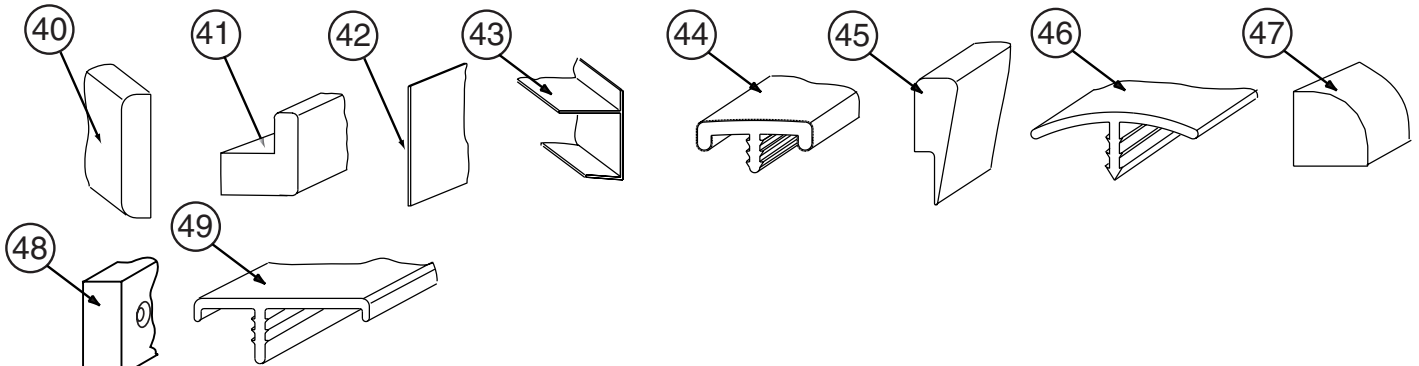


**INTERIOR FINISH GROUP (CONTINUED)**  
**MOLDINGS & TRIMS (CONTINUED)**



KEY	PART NUMBER	U/M	DESCRIPTION
23	009767-12-000	FT	WELTING - ANTIQUE WHITE
24	009778-25-000	FT	U-CHANNEL - 1" - BEIGE ILLUSION
24	009778-27-000	FT	U-CHANNEL - 1" - WASHED MAPLE
24	009778-32-000	FT	U-CHANNEL - 1" - PORTSMOUTH OAK
24	009778-34-000	FT	U-CHANNEL - 1" - CONCERT CHERRY
24	009778-35-000	FT	U-CHANNEL - 1" - HONEY CHERRY
25	009809-30-000	EA	MOLDING - CORNER - OUTSIDE - 1" X 84" - BEIGE ILLUSION
25	009809-32-000	EA	MOLDING - CORNER - OUTSIDE - 1" X 84" - PORTSMOUTH OAK
25	009809-31-000	EA	MOLDING - CORNER - OUTSIDE - 1" X 84" - WASHED MAPLE
25	009809-33-000	EA	MOLDING - CORNER - OUTSIDE - 1" X 84" - CONCERT CHERRY
25	009809-34-000	EA	MOLDING - CORNER - OUTSIDE - 1" X 84" - HONEY CHERRY
26	009812-31-000	EA	MOLDING - CORNER - 1/2" W/1/4"CHAN X 84" - BEIGE ILLUSION
26	009812-33-000	EA	MOLDING - CORNER - 1/2" W/1/4"CHAN X 84" - WASHED MAPLE
26	009812-34-000	EA	MOLDING - CORNER - 1/2" W/1/4"CHAN X 84" - VW LIGHT GRAY
26	009812-35-000	EA	MOLDING - CORNER - 1/2" W/1/4"CHAN X 84" - PORTSMOUTH OAK
26	009812-36-000	EA	MOLDING - CORNER - 1/2" W/1/4"CHAN X 84" - CONCERT CHERRY
26	009812-37-000	EA	MOLDING - CORNER - 1/2" W/1/4"CHAN X 84" - HONEY CHERRY
27	022992-11-000	FT	MOLDING - REVERSE COVE - T-SHAPED - IVORY
27	022992-14-000	FT	MOLDING - REVERSE COVE - T-SHAPED - BRIGHT WHITE
27	022992-15-000	FT	MOLDING - REVERSE COVE - T-SHAPED - VW GRAY
28	042357-25-000	EA	MOLDING - CORNER - RADIUS/PLASTIC - WASHED MAPLE
29	070504-42-000	FT	U-CHANNEL - PLASTIC - .13" X 84" - BEIGE ILLUSION
29	070504-50-000	FT	U-CHANNEL - PLASTIC - .13" X 96" - WASHED MAPLE
29	070504-51-000	FT	U-CHANNEL - PLASTIC - .9" X 96" - WASHED MAPLE
29	070504-54-000	FT	U-CHANNEL - PLASTIC - .9" X 96" - VILLAGE OAK
29	070504-57-000	FT	U-CHANNEL - PLASTIC - .13" X 84" - PORTSMOUTH OAK
29	070504-58-000	FT	U-CHANNEL - PLASTIC - .9" X 84" - PORTSMOUTH OAK
29	070504-60-000	FT	U-CHANNEL - PLASTIC - .13" X 84" - CONCERT CHERRY
29	070504-61-000	FT	U-CHANNEL - PLASTIC - .9" X 84" - CONCERT CHERRY
29	070504-62-000	FT	U-CHANNEL - PLASTIC - 1.65" X 84" - HONEY CHERRY
29	070504-63-000	FT	U-CHANNEL - PLASTIC - .9" X 84" - HONEY CHERRY
29	070504-64-000	FT	U-CHANNEL - PLASTIC - .7" X 84" - HONEY CHERRY
30	080176-08-000	EA	CAP - CORNER - RADIUS MOLDING - PLASTIC - WASHED MAPLE
31	081521-02-007	EA	MOUNT - METAL MOLDING - F/RADIUS CORNER MOLDING - 151.5"
32	083620-15-000	FT	MOLDING-T - W/EDGE LIP - 7/8" FACE - BEIGE ILLUSION
32	083620-19-000	FT	MOLDING-T - W/EDGE LIP - 7/8" FACE - WASHED MAPLE
32	083620-20-000	FT	MOLDING-T - W/EDGE LIP - 7/8" FACE - PORTSMOUTH OAK
32	083620-21-000	FT	MOLDING-T - W/EDGE LIP - 7/8" FACE - CONCERT CHERRY/HONEY CHERRY
33	085746-04-000	FT	TRIM-J - CARPET 1.2" X .5" ANGLE - 10' LONG - OFF WHITE
34	086229-01-000	EA	RETAINER - BATTEN - .75" X 92.1" - ANY COLOR
35	086229-11-000	EA	RETAINER - OFFSET - 97"
36	086229-21-000	EA	BATTEN - 1.5" X 83.9" OFFSET - WHITE
37	086229-20-000	EA	BATTEN - 1" X 96" - BEIGE
38	100182-10-J70	EA	TRIM/WOOD - CHAIR RAIL - 2.5" X 8' - WASHED MAPLE
38	100182-10-N47	EA	TRIM/WOOD - CHAIR RAIL - 2.5" X 8' - PORTSMOUTH OAK
38	100182-10-P85	EA	TRIM/WOOD - CHAIR RAIL - 2.5" X 8' - CHERRY - CONCERT CHERRY
38	100182-10-RA3	EA	TRIM/WOOD - CHAIR RAIL - 2.5" X 8' - HONEY CHERRY
39	100659-30-N75	EA	MOLDING - TRIM - 8' - PORTSMOUTH OAK
39	100659-30-N74	EA	MOLDING - TRIM - 8' - CHERRY - CONCERT CHERRY
39	100659-30-M84	EA	MOLDING - TRIM - 8' - WASHED MAPLE
39	100659-27-RA2	EA	MOLDING - TRIM - HONEY CHERRY

**INTERIOR FINISH GROUP (CONTINUED)**  
**MOLDINGS & TRIMS (CONTINUED)**

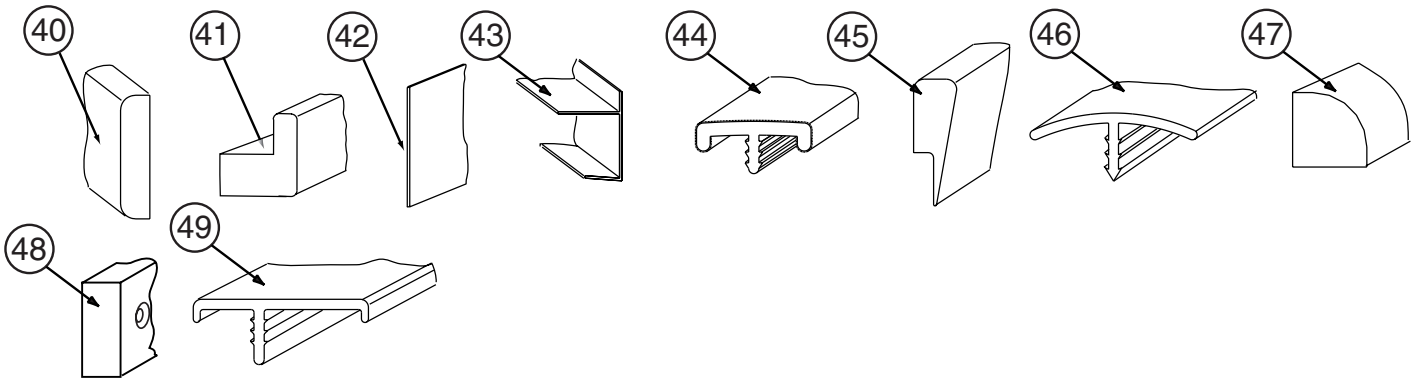


KEY	PART NUMBER	U/M	DESCRIPTION
40	100818-01-21A	EA	MOLDING - VINYL WRAPPED - 1.6" X .4" X 84" - WASHED MAPLE
40	100818-01-12A	EA	MOLDING - VINYL WRAPPED - 1.6" X .4" X 84" - PORTSMOUTH OAK
40	100818-01-13A	EA	MOLDING - VINYL WRAPPED - 1.6" X .4" X 84" - CHERRY - CONCERT CHERRY
40	100818-01-14A	EA	MOLDING - VINYL WRAPPED - 1.6" X .4" X 84" - HONEY CHERRY
41	100819-01-21A	EA	MOLDING - VINYL WRAPPED-L-SHAPED-1.5"X1.5"X84" - WASHED MAPLE
41	100819-01-12A	EA	MOLDING - VINYL WRAPPED-L-SHAPED - 1.5" X 1.5" X 84" - OAK - PORTSMOUTH OAK
41	100819-01-13A	EA	MOLDING - VINYL WRAPPED-L-SHAPED-1.5"X1.5"X84" - CONCERT CHERRY
41	100819-01-14A	EA	MOLDING - VINYL WRAPPED-L-SHAPED-1.5"X1.5"X84" - HONEY CHERRY
42	101957-01-06A	EA	EXTRUDED - PLASTIC - WASHED MAPLE
43	103186-01-07A	FT	MOLDING/PLASTIC - 3/8" U-CHANNEL-3/4"FACE - BEIGE ILLUS 8'
43	103186-01-08A	FT	MOLDING/PLASTIC - 3/8" U-CHANNEL-3/4"FACE-WASHED MAPLE 8' - WASHED MAPLE
43	103186-01-09A	FT	MOLDING/PLASTIC - 3/8" U-CHAN'L-3/4"FACE-PORTSMOUTH OAK 8' - PORTSMOUTH OAK
43	103186-01-10A	FT	MOLDING/PLASTIC-3/8" U-CHAN'L-3/4"FACE-CONCERT CHERRY 8' - CONCERT CHERRY
43	103186-01-11A	FT	MOLDING/PLASTIC-3/8" U-CHAN'L-3/4"FACE-CONCERT CHERRY 8' - HONEY CHERRY
43	103186-02-07A	FT	MOLDING/PLASTIC-1" U-CHAN'L-1 3/8"FACE-BEIGE ILLUSION - 8'
43	103186-02-08A	FT	MOLDING/PLASTIC - 1" U-CHANNEL-1 3/8"FACE-WASHED MAPLE 8' - WASHED MAPLE
43	103186-02-09A	FT	MOLDING/PLASTIC - 1" U-CHAN'L-1 3/8"FACE-PORTSMOUTH OAK 8' - PORTSMOUTH OAK
43	103186-02-10A	FT	MOLDING/PLASTIC - 1" U-CHAN'L-1 3/8"FACE-CONCERT CHERRY 8' - CONCERT CHERRY
43	103186-02-11A	FT	MOLDING/PLASTIC - 1" U-CHAN'L-1 3/8"FACE-CONCERT CHERRY 8' - HONEY CHERRY
44	104676-02-06A	FT	MOLDING-T - W/EDGE LIP - 11/16" FACE - WASHED MAPLE
44	104676-02-08A	FT	MOLDING-T - W/EDGE LIP - 11/16" FACE - PORTSMOUTH OAK
44	104676-02-09A	FT	MOLDING-T - W/EDGE LIP - 11/16" FACE - CONCERT CHERRY
44	104676-02-10A	FT	MOLDING-T - W/EDGE LIP - 11/16" FACE - HONEY CHERRY
45	105004-01-21A	EA	MOLDING - VINYL WRAPPED - 1" X 96" - WASHED MAPLE
45	105004-01-12A	EA	MOLDING - VINYL WRAPPED 1" X 96" - PORTSMOUTH OAK
45	105004-01-13A	EA	MOLDING - VINYL WRAPPED 1" X 96" - CONCERT CHERRY
45	105004-01-14A	EA	MOLDING - VINYL WRAPPED 1" X 96" - HONEY CHERRY
46	105709-02-000	FT	MOLDING-T - W/EDGE LIP - 3/4" FACE - BEIGE ILLUSION
47	109410-01-P25	EA	MOLDING - TRIM - 8' - BLACK CHERRY/CHERRY IV - CONCERT CHERRY
47	109410-01-N75	EA	MOLDING - TRIM - 8' - PORTSMOUTH OAK
47	109410-01-J70	EA	MOLDING - TRIM - 8' - WHITE MAPLE - WASHED MAPLE
48	116951-11-KQ0	EA	MOLDING - TRIM - 3.5" X 75.9" - WASHED MAPLE
48	116951-11-KQ1	EA	MOLDING - TRIM - 3.5" X 75.9" - CONCERT CHERRY
48	116951-11-N95	EA	MOLDING - TRIM - 3.5" X 75.9" - PORTSMOUTH OAK
48	116951-11-RE0	EA	MOLDING - TRIM - 3.5" X 75.9" - HONEY CHERRY
48	116951-16-K37	EA	MOLDING - TRIM - 3.5" X 74.3" - CONCERT CHERRY
48	116951-16-K90	EA	MOLDING - TRIM - 3.5" X 74.3" - WASHED MAPLE
48	116951-16-N75	EA	MOLDING - TRIM - 3.5" X 74.3" - PORTSMOUTH OAK
48	116951-16-RC3	EA	MOLDING - TRIM - 3.5" X 74.3" - HONEY CHERRY
48	116951-23-L52	EA	MOLDING - TRIM - 3.5" X 74.3" - CONCERT CHERRY
48	116951-23-L58	EA	MOLDING - TRIM - 3.5" X 74.3" - WASHED MAPLE
48	116951-23-RE0	EA	MOLDING - TRIM - 3.5" X 74.3" - HONEY CHERRY
48	116951-23-R83	EA	MOLDING - TRIM - 3.5" X 74.3" - PORTSMOUTH OAK
48	116951-24-L52	EA	MOLDING - TRIM - 3.5" X 74.6" - CONCERT CHERRY
48	116951-24-L58	EA	MOLDING - TRIM - 3.5" X 74.6" - WASHED MAPLE
48	116951-24-RE0	EA	MOLDING - TRIM - 3.5" X 74.6" - HONEY CHERRY
48	116951-24-R83	EA	MOLDING - TRIM - 3.5" X 74.6" - PORTSMOUTH OAK
48	116951-27-N75	EA	MOLDING - TRIM - 3.5" X 46.8" - PORTSMOUTH OAK
48	116951-27-N84	EA	MOLDING - TRIM - 3.5" X 46.8" - WASHED MAPLE
48	116951-27-N85	EA	MOLDING - TRIM - 3.5" X 46.8" - CONCERT CHERRY
48	116951-28-N75	EA	MOLDING - TRIM - 3.5" X 79.4" - PORTSMOUTH OAK

**INTERIOR FINISH GROUP (CONTINUED)**  
**MOLDINGS & TRIMS (CONTINUED)**

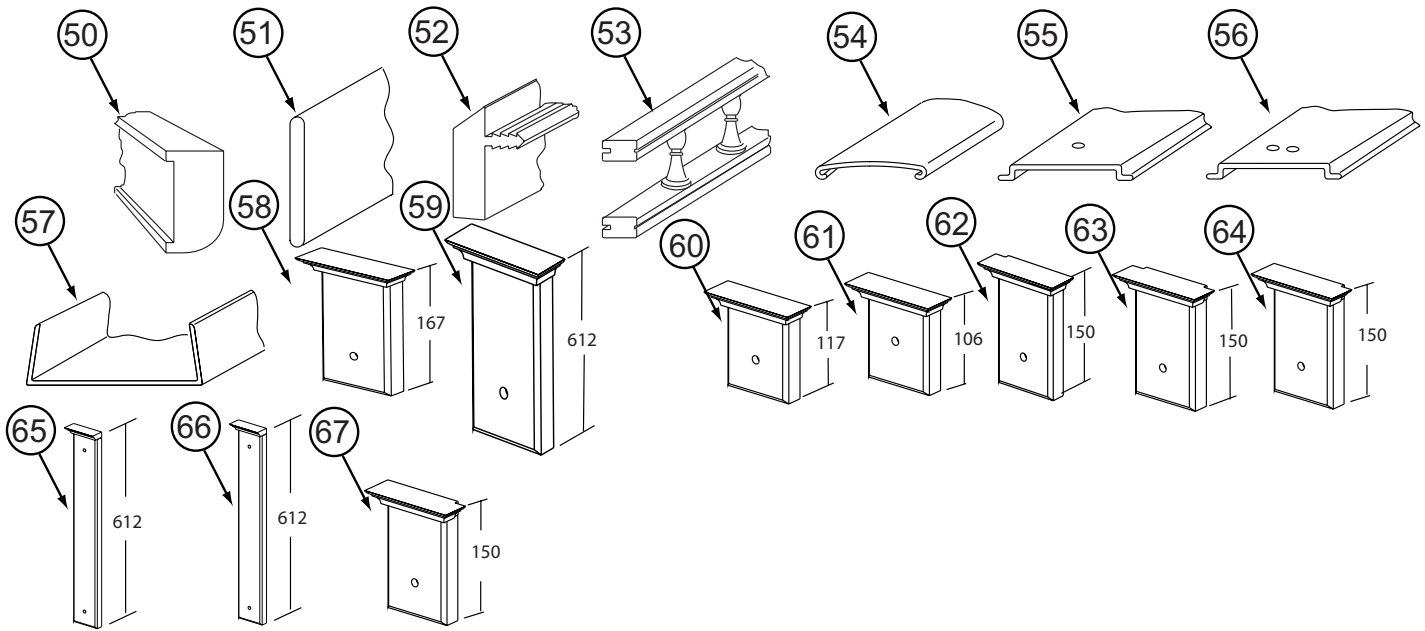
KEY	PART NUMBER	U/M	DESCRIPTION
48	116951-28-N84	EA	MOLDING - TRIM - 3.5" X 79.4" - WASHED MAPLE
48	116951-28-N85	EA	MOLDING - TRIM - 3.5" X 79.4" - CONCERT CHERRY
48	116951-29-N70	EA	MOLDING - TRIM - 5.5" X 30.4" - PORTSMOUTH OAK
48	116951-29-N84	EA	MOLDING - TRIM - 5.5" X 30.4" - WASHED MAPLE
48	116951-29-N85	EA	MOLDING - TRIM - 5.5" X 30.4" - CONCERT CHERRY
48	116951-29-RC3	EA	MOLDING - TRIM - 5.5" X 30.4" - HONEY CHERRY
48	116951-32-P75	EA	MOLDING - TRIM - 3" X 33.4" - PORTSMOUTH OAK
48	116951-32-P25	EA	MOLDING - TRIM - 3" X 33.4" - CONCERT CHERRY
48	116951-32-P28	EA	MOLDING - TRIM - 3" X 33.4" - WASHED MAPLE
48	116951-32-RE0	EA	MOLDING - TRIM - 3" X 33.4" - HONEY CHERRY
48	116951-34-P28	EA	MOLDING - TRIM - 3" X 33.4" - WASHED MAPLE
48	116951-34-P78	EA	MOLDING - TRIM - 3" X 33.4" - PORTSMOUTH OAK
48	116951-34-P79	EA	MOLDING - TRIM - 3" X 33.4" - CONCERT CHERRY
48	116951-34-RE0	EA	MOLDING - TRIM - 3" X 33.4" - HONEY CHERRY
48	116951-35-P28	EA	MOLDING - TRIM - 3.5" X 96" - WASHED MAPLE
48	116951-35-P78	EA	MOLDING - TRIM - 3.5" X 96" - PORTSMOUTH OAK
48	116951-35-P79	EA	MOLDING - TRIM - 3.5" X 96" - CONCERT CHERRY
48	116951-35-RE0	EA	MOLDING - TRIM - 3.5" X 96" - HONEY CHERRY
48	116951-36-R68	EA	MOLDING - TRIM - 3.5" X 48.8" - WASHED MAPLE
48	116951-36-R69	EA	MOLDING - TRIM - 3.5" X 48.8" - PORTSMOUTH OAK
48	116951-36-R76	EA	MOLDING - TRIM - 3.5" X 48.8" - CONCERT CHERRY
48	116951-37-R68	EA	MOLDING - TRIM - 3.5" X 38.6" - WASHED MAPLE
48	116951-37-R69	EA	MOLDING - TRIM - 3.5" X 38.6" - PORTSMOUTH OAK
48	116951-37-R76	EA	MOLDING - TRIM - 3.5" X 38.6" - CONCERT CHERRY
48	116951-38-RE0	EA	MOLDING - TRIM - 3.5" X 82.6" - HONEY CHERRY
48	116951-38-R83	EA	MOLDING - TRIM - 3.5" X 82.6" - PORTSMOUTH OAK
48	116951-38-R84	EA	MOLDING - TRIM - 3.5" X 82.6" - CONCERT CHERRY
48	116951-38-R91	EA	MOLDING - TRIM - 3.5" X 82.6" - WASHED MAPLE
48	116951-39-RE0	EA	MOLDING - TRIM - 3.5" X 73.9" - HONEY CHERRY
48	116951-39-R83	EA	MOLDING - TRIM - 3.5" X 73.9" - PORTSMOUTH OAK
48	116951-39-R84	EA	MOLDING - TRIM - 3.5" X 73.9" - CONCERT CHERRY
48	116951-39-R91	EA	MOLDING - TRIM - 3.5" X 73.9" - WASHED MAPLE
48	116951-40-RE0	EA	MOLDING - TRIM - 4.5" X 81.9" - HONEY CHERRY
48	116951-40-R83	EA	MOLDING - TRIM - 4.5" X 81.9" - PORTSMOUTH OAK
48	116951-40-R84	EA	MOLDING - TRIM - 4.5" X 81.9" - CONCERT CHERRY
48	116951-40-R91	EA	MOLDING - TRIM - 4.5" X 81.9" - WASHED MAPLE
48	116951-41-RE0	EA	MOLDING - TRIM - 3.5" X 36.8" - HONEY CHERRY
48	116951-41-R83	EA	MOLDING - TRIM - 3.5" X 36.8" - PORTSMOUTH OAK
48	116951-41-R84	EA	MOLDING - TRIM - 3.5" X 36.8" - CONCERT CHERRY
48	116951-41-R91	EA	MOLDING - TRIM - 3.5" X 36.8" - WASHED MAPLE
48	116951-42-RE0	EA	MOLDING - TRIM - 3.5" X 46.8" - HONEY CHERRY
48	116951-42-R83	EA	MOLDING - TRIM - 3.5" X 46.8" - PORTSMOUTH OAK
48	116951-42-R84	EA	MOLDING - TRIM - 3.5" X 46.8" - CONCERT CHERRY
48	116951-42-R91	EA	MOLDING - TRIM - 3.5" X 46.8" - WASHED MAPLE
48	116951-43-RE0	EA	MOLDING - TRIM - 3.5" X 86.5" - HONEY CHERRY
48	116951-43-R83	EA	MOLDING - TRIM - 3.5" X 86.5" - PORTSMOUTH OAK
48	116951-43-R84	EA	MOLDING - TRIM - 3.5" X 86.5" - CONCERT CHERRY
48	116951-43-R91	EA	MOLDING - TRIM - 3.5" X 86.5" - WASHED MAPLE
48	116951-44-RE0	EA	MOLDING - TRIM - 3.5" X 76.1" - HONEY CHERRY
48	116951-44-R83	EA	MOLDING - TRIM - 3.5" X 76.1" - PORTSMOUTH OAK
48	116951-44-R84	EA	MOLDING - TRIM - 3.5" X 76.1" - CONCERT CHERRY
48	116951-44-R91	EA	MOLDING - TRIM - 3.5" X 76.1" - WASHED MAPLE
48	116951-45-R68	EA	MOLDING - TRIM - 3" X 30.3" - PORTSMOUTH OAK
48	116951-45-R69	EA	MOLDING - TRIM - 3" X 30.3" - CONCERT CHERRY
48	116951-45-R76	EA	MOLDING - TRIM - 3" X 30.3" - WASHED MAPLE
48	116951-46-RE0	EA	MOLDING - TRIM - 4.5" X 72.3" - HONEY CHERRY
48	116951-46-R83	EA	MOLDING - TRIM - 4.5" X 72.3" - PORTSMOUTH OAK
48	116951-46-R84	EA	MOLDING - TRIM - 4.5" X 72.3" - CONCERT CHERRY
48	116951-46-R91	EA	MOLDING - TRIM - 4.5" X 72.3" - WASHED MAPLE
48	116951-48-RE0	EA	MOLDING - TRIM - 4.5" X 76.1" - HONEY CHERRY
48	116951-48-R83	EA	MOLDING - TRIM - 4.5" X 76.1" - PORTSMOUTH OAK
48	116951-48-R84	EA	MOLDING - TRIM - 4.5" X 76.1" - CONCERT CHERRY
48	116951-48-R91	EA	MOLDING - TRIM - 4.5" X 76.1" - WASHED MAPLE
48	116951-49-RE0	EA	MOLDING - TRIM - 4.5" X 69.8" - HONEY CHERRY

**INTERIOR FINISH GROUP (CONTINUED)**  
**MOLDINGS & TRIMS (CONTINUED)**



KEY	PART NUMBER	U/M	DESCRIPTION
48	116951-49-R83	EA	MOLDING - TRIM - 4.5" X 69.8" - PORTSMOUTH OAK
48	116951-49-R84	EA	MOLDING - TRIM - 4.5" X 69.8" - CONCERT CHERRY
48	116951-49-R91	EA	MOLDING - TRIM - 4.5" X 69.8" - WASHED MAPLE
48	116951-50-RE0	EA	MOLDING - TRIM - 4.5" X 70.3" - HONEY CHERRY
48	116951-50-R83	EA	MOLDING - TRIM - 4.5" X 70.3" - PORTSMOUTH OAK
48	116951-50-R84	EA	MOLDING - TRIM - 4.5" X 70.3" - CONCERT CHERRY
48	116951-50-R91	EA	MOLDING - TRIM - 4.5" X 70.3" - WASHED MAPLE
49	119520-01-01A	FT	MOLDING-T/OFFSET - W/EDGE LIP - 1.3" FACE - OFF WHITE
49	119520-01-04A	FT	MOLDING-T/OFFSET - W/EDGE LIP - 1.3" FACE - PORTSMOUTH OAK
49	119520-01-02A	FT	MOLDING-T/OFFSET - W/EDGE LIP - 1.3" FACE - CONCERT CHERRY
49	119520-01-03A	FT	MOLDING-T/OFFSET - W/EDGE LIP - 1.3" FACE - WASHED MAPLE
49	119520-02-01A	FT	MOLDING-T - OFFSET W/EDGE LIP - 1.3" FACE - OFF WHITE

**INTERIOR FINISH GROUP (CONTINUED)**  
**MOLDINGS & TRIMS (CONTINUED)**

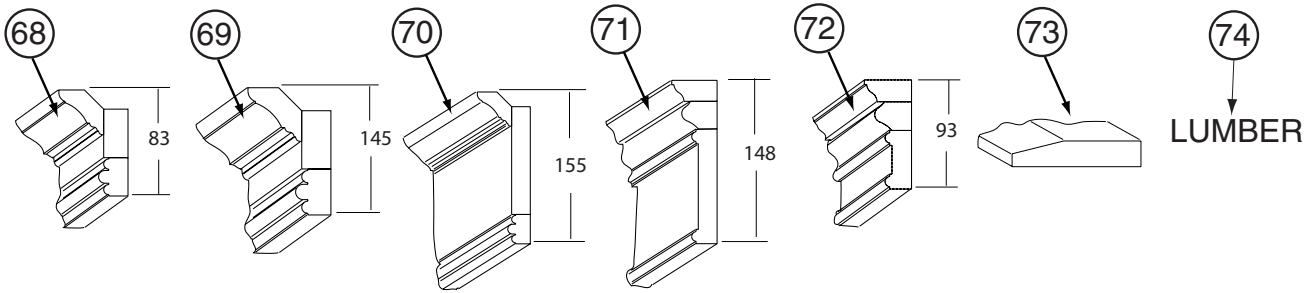


KEY	PART NUMBER	U/M	DESCRIPTION
50	149326-D2-134	EA	MOLDING - VINYL WRAPPED - .7" X 1.6" X 84" - WASHED MAPLE
50	149326-F2-134	EA	MOLDING - VINYL WRAPPED - .7" X 2.5" X 84" - WASHED MAPLE
50	137887-D2-134	EA	MOLDING - VINYL WRAPPED - .7" X 1.6" X 96" - CONCERT CHERRY
50	137887-D2-743	EA	MOLDING - VINYL WRAPPED - .7" X 1.6" X 108" - CONCERT CHERRY
50	137887-F2-134	EA	MOLDING - VINYL WRAPPED - .7" X 2.5" X 84" - CONCERT CHERRY
50	137887-F2-743	EA	MOLDING - VINYL WRAPPED - .7" X 2.5" X 108" - CONCERT CHERRY
50	137895-D2-134	EA	MOLDING - VINYL WRAPPED - .7" X 1.6" X 84" - PORTSMOUTH OAK
50	137895-D2-743	EA	MOLDING - VINYL WRAPPED - .7" X 1.5" X 108" - PORTSMOUTH OAK
50	137895-F2-743	EA	MOLDING - VINYL WRAPPED - .7" X 2.5" X 108" - PORTSMOUTH OAK
50	146425-D2-134	EA	MOLDING - VINYL WRAPPED - .7" X 1.6" X 96" - HONEY CHERRY
50	146425-F2-134	EA	MOLDING - VINYL WRAPPED - .7" X 2.5" X 84" - HONEY CHERRY
50	146425-F2-743	EA	MOLDING - VINYL WRAPPED - .7" X 2.5" X 108" - HONEY CHERRY
51	127842-01-01A	FT	SEAL - SIGHT SHIELD - 2" BLACK
52	130247-01-02A	FT	MOLDING-T/OFF SET - 1.3" FACE - WASHED MAPLE
52	130247-01-04A	FT	MOLDING-T/OFF SET - 1.3" FACE - PORTSMOUTH OAK
52	130247-01-05A	FT	MOLDING-T/OFF SET - 1.3" FACE - CONCERT CHERRY/HONEY CHERRY

**INTERIOR FINISH GROUP (CONTINUED)**  
**MOLDINGS & TRIMS (CONTINUED)**

KEY	PART NUMBER	U/M	DESCRIPTION
53	137108-01-02A	EA	RAIL - DECORATIVE - SALEM CHERRY - CONCERT CHERRY
53	137108-01-03A	EA	RAIL - DECORATIVE - WASHED MAPLE
53	137108-01-07A	EA	RAIL - DECORATIVE - PORTSMOUTH OAK
53	137108-01-08A	EA	RAIL - DECORATIVE - HONEY CHERRY
54	138359-01-01A	FT	COVER - ROOF BREAK - PEARL CREAM/PLASTIC - 96"
55	138403-01-01A	EA	TRIM - ROOF - MILL
56	138403-02-01A	EA	TRIM - ROOF - MILL
56	138403-03-01A	EA	TRIM - ROOF - MILL
57	141260-01-01A	FT	U-CHANNEL - 1" - VILLAGE OAK
57	141260-01-02A	FT	U-CHANNEL - 1" - GRADY BROWN
58	141303-01-N52	EA	MOLDING - CROWN/BLOCK - CONCERT CHERRY
58	141303-01-N53	EA	MOLDING - CROWN/BLOCK - PORTSMOUTH OAK
58	141303-01-N62	EA	MOLDING - CROWN/BLOCK - WASHED MAPLE
58	141303-01-RA3	EA	MOLDING - CROWN/BLOCK - HONEY CHERRY
59	141303-02-N52	EA	MOLDING - CROWN/BLOCK - CONCERT CHERRY
59	141303-02-N53	EA	MOLDING - CROWN/BLOCK - PORTSMOUTH OAK
59	141303-02-N62	EA	MOLDING - CROWN/BLOCK - WASHED MAPLE
59	141303-02-RA3	EA	MOLDING - CROWN/BLOCK - HONEY CHERRY
60	141303-03-N52	EA	MOLDING - CROWN/BLOCK - CONCERT CHERRY
60	141303-03-N53	EA	MOLDING - CROWN/BLOCK - PORTSMOUTH OAK
60	141303-03-N62	EA	MOLDING - CROWN/BLOCK - WASHED MAPLE
60	141303-03-RA3	EA	MOLDING - CROWN/BLOCK - HONEY CHERRY
61	141303-04-PC0	EA	MOLDING - CROWN/BLOCK - PORTSMOUTH OAK
61	141303-04-PC1	EA	MOLDING - CROWN/BLOCK - CONCERT CHERRY
61	141303-04-PC2	EA	MOLDING - CROWN/BLOCK - WASHED MAPLE
61	141303-04-RA3	EA	MOLDING - CROWN/BLOCK - HONEY CHERRY
62	141303-05-RE3	EA	MOLDING - CROWN/BLOCK - HONEY CHERRY
62	141303-05-R89	EA	MOLDING - CROWN/BLOCK - PORTSMOUTH OAK
62	141303-05-R90	EA	MOLDING - CROWN/BLOCK - CONCERT CHERRY
62	141303-05-R91	EA	MOLDING - CROWN/BLOCK - WASHED MAPLE
63	141303-06-RE3	EA	MOLDING - CROWN/BLOCK - HONEY CHERRY
63	141303-06-R89	EA	MOLDING - CROWN/BLOCK - PORTSMOUTH OAK
63	141303-06-R90	EA	MOLDING - CROWN/BLOCK - CONCERT CHERRY
63	141303-06-R91	EA	MOLDING - CROWN/BLOCK - WASHED MAPLE
64	141303-07-RE3	EA	MOLDING - CROWN/BLOCK - HONEY CHERRY
64	141303-07-R89	EA	MOLDING - CROWN/BLOCK - PORTSMOUTH OAK
64	141303-07-R90	EA	MOLDING - CROWN/BLOCK - CONCERT CHERRY
64	141303-07-R91	EA	MOLDING - CROWN/BLOCK - WASHED MAPLE
65	141303-08-RE3	EA	MOLDING - CROWN/BLOCK - HONEY CHERRY
65	141303-08-R89	EA	MOLDING - CROWN/BLOCK - PORTSMOUTH OAK
65	141303-08-R90	EA	MOLDING - CROWN/BLOCK - CONCERT CHERRY
65	141303-08-R91	EA	MOLDING - CROWN/BLOCK - WASHED MAPLE
66	141303-09-RE3	EA	MOLDING - CROWN/BLOCK - HONEY CHERRY
66	141303-09-R89	EA	MOLDING - CROWN/BLOCK - PORTSMOUTH OAK
66	141303-09-R90	EA	MOLDING - CROWN/BLOCK - CONCERT CHERRY
66	141303-09-R91	EA	MOLDING - CROWN/BLOCK - WASHED MAPLE
67	141303-10-RE3	EA	MOLDING - CROWN/BLOCK - HONEY CHERRY
67	141303-10-R89	EA	MOLDING - CROWN/BLOCK - PORTSMOUTH OAK
67	141303-10-R90	EA	MOLDING - CROWN/BLOCK - CONCERT CHERRY
67	141303-10-R91	EA	MOLDING - CROWN/BLOCK - WASHED MAPLE

**INTERIOR FINISH GROUP (CONTINUED)**  
**MOLDINGS & TRIMS (CONTINUED)**



KEY	PART NUMBER	U/M	DESCRIPTION
68	141915-29-PC0	EA	MOLDING - F/SLIDEOUT - 81.8" - PORTSMOUTH OAK
68	141915-29-PC1	EA	MOLDING - F/SLIDEOUT - 81.8" - CONCERT CHERRY
68	141915-29-PC2	EA	MOLDING - F/SLIDEOUT - 81.8" - WASHED MAPLE
68	141915-29-RC3	EA	MOLDING - F/SLIDEOUT - 81.8" - HONEY CHERRY
69	141915-35-RC0	EA	MOLDING - F/SLIDEOUT - 8.89' - PORTSMOUTH OAK
69	141915-35-RC1	EA	MOLDING - F/SLIDEOUT - 8.89' - CONCERT CHERRY
69	141915-35-RC2	EA	MOLDING - F/SLIDEOUT - 8.89' - WASHED MAPLE
69	141915-35-RC3	EA	MOLDING - F/SLIDEOUT - 8.89' - HONEY CHERRY
70	141915-47-RC0	EA	MOLDING - F/SLIDEOUT - 6.82' - PORTSMOUTH OAK
70	141915-47-RC1	EA	MOLDING - F/SLIDEOUT - 6.82' - CONCERT CHERRY
70	141915-47-RC2	EA	MOLDING - F/SLIDEOUT - 6.82' - WASHED MAPLE
70	141915-47-RC3	EA	MOLDING - F/SLIDEOUT - 6.82' - HONEY CHERRY
71	144885-14-RE0	EA	MOLDING - F/SLIDEOUT - 86.5" - HONEY CHERRY
71	144885-14-R83	EA	MOLDING - F/SLIDEOUT - 86.5" - PORTSMOUTH OAK
71	144885-14-R84	EA	MOLDING - F/SLIDEOUT - 86.5" - CONCERT CHERRY
72	145379-01-RE0	EA	MOLDING/TRIM - 47.48" - HONEY CHERRY
72	145379-01-R83	EA	MOLDING/TRIM - 47.48" - PORTSMOUTH OAK
72	145379-01-R84	EA	MOLDING/TRIM - 47.48" - CONCERT CHERRY
72	145379-02-RE0	EA	MOLDING/TRIM - 7.87" W/RIGHT SIDE ANGLE CUT - HONEY CHERRY
72	145379-02-R83	EA	MOLDING/TRIM - 7.87" W/RIGHT SIDE ANGLE CUT - PORTSMOUTH OAK
72	145379-02-R84	EA	MOLDING/TRIM - 7.87" W/RIGHT SIDE ANGLE CUT - CONCERT CHERRY
72	145379-03-RE0	EA	MOLDING/TRIM - 7.87" W/LEFT SIDE ANGLE CUT - HONEY CHERRY
72	145379-03-R83	EA	MOLDING/TRIM - 7.87" W/LEFT SIDE ANGLE CUT - PORTSMOUTH OAK
72	145379-03-R84	EA	MOLDING/TRIM - 7.87" W/LEFT SIDE ANGLE CUT - CONCERT CHERRY
72	145379-04-RE0	EA	MOLDING/TRIM - 86.61" - HONEY CHERRY
72	145379-04-R83	EA	MOLDING/TRIM - 86.61" - PORTSMOUTH OAK
72	145379-04-R84	EA	MOLDING/TRIM - 86.61" - CONCERT CHERRY
72	145379-05-RE0	EA	MOLDING/TRIM - 102.75" - HONEY CHERRY
72	145379-05-R83	EA	MOLDING/TRIM - 102.75" - PORTSMOUTH OAK
72	145379-05-R84	EA	MOLDING/TRIM - 102.75" - CONCERT CHERRY
73	146306-01-01A	FT	TRANSITION - CARPET/TILE
74	149325-A2-438	EA	LUMBER - VINYL WRAPPED - .7" X .75" X 96" - WASHED MAPLE
74	149325-D2-438	EA	LUMBER - VINYL WRAPPED - .7" X 1.5" X 96" - WASHED MAPLE
74	149325-E2-438	EA	LUMBER - VINYL WRAPPED - .7" X 2" X 96" - WASHED MAPLE
74	149325-F2-438	EA	LUMBER - VINYL WRAPPED - .7" X 2.5" X 96" - WASHED MAPLE
74	149325-G2-438	EA	LUMBER - STAINED - .7" X 3" X 96" - WASHED MAPLE
74	149325-H2-438	EA	LUMBER - STAINED - .7" X 3.5" X 96" - WASHED MAPLE
74	149325-J2-438	EA	LUMBER - VINYL WRAPPED - .7" X 5.5" X 96" - WASHED MAPLE
74	149325-J2-743	EA	LUMBER - VINYL WRAPPED - .7" X 5.5" X 108" - WASHED MAPLE
74	149325-K2-438	EA	LUMBER - VINYL WRAPPED - .7" X 3.9" X 96" - WASHED MAPLE
74	149325-R2-438	EA	LUMBER - VINYL WRAPPED - .7" X 3" X 96" - WASHED MAPLE
74	137885-A2-438	EA	LUMBER - VINYL WRAPPED - .7" X .75" X 96" - CHERRY - CONCERT CHERRY
74	137885-D2-438	EA	LUMBER - VINYL WRAPPED - .7" X 1.5" X 96" - CHERRY - CONCERT CHERRY
74	137885-E2-438	EA	LUMBER - VINYL WRAPPED - .7" X 2" X 96" - CHERRY - CONCERT CHERRY
74	137885-F2-438	EA	LUMBER - VINYL WRAPPED - .7" X 2.5" X 96" - CHERRY - CONCERT CHERRY
74	137885-G2-438	EA	LUMBER - VINYL WRAPPED - .7" X 3" X 96" - CHERRY - CONCERT CHERRY
74	137885-H2-438	EA	LUMBER - VINYL WRAPPED - .7" X 3.5" X 96" - CHERRY - CONCERT CHERRY
74	137885-J2-438	EA	LUMBER - VINYL WRAPPED - .7" X 5.5" X 96" - CHERRY - CONCERT CHERRY
74	137885-J2-743	EA	LUMBER - VINYL WRAPPED - .7" X 5.5" X 108" - CHERRY - CONCERT CHERRY
74	137885-K2-438	EA	LUMBER - VINYL WRAPPED - .7" X 3.9" X 96" - CHERRY - CONCERT CHERRY
74	137885-R2-438	EA	LUMBER - VINYL WRAPPED - .7" X 3" X 96" - CHERRY - CONCERT CHERRY
74	137894-A2-438	EA	LUMBER - VINYL WRAPPED - .7" X .75" X 96" - PORTSMOUTH OAK
74	137894-D2-438	EA	LUMBER - VINYL WRAPPED - .7" X 1.5" X 96" - PORTSMOUTH OAK

**INTERIOR FINISH GROUP (CONTINUED)**  
**MOLDINGS & TRIMS (CONTINUED)**

<b>KEY</b>	<b>PART NUMBER</b>	<b>U/M</b>	<b>DESCRIPTION</b>
74	137894-E2-438	EA	LUMBER - VINYL WRAPPED - .7" X 2" X 96" - PORTSMOUTH OAK
74	137894-F2-438	EA	LUMBER - VINYL WRAPPED - .7" X 2.5" X 96" - PORTSMOUTH OAK
74	137894-G2-438	EA	LUMBER - VINYL WRAPPED - .7" X 3" X 96" - PORTSMOUTH OAK
74	137894-H2-438	EA	LUMBER - VINYL WRAPPED - .7" X 3.5" X 96" - PORTSMOUTH OAK
74	137894-J2-438	EA	LUMBER - VINYL WRAPPED - .7" X 5.5" X 96" - PORTSMOUTH OAK
74	137894-J2-743	EA	LUMBER - VINYL WRAPPED - .7" X 5.5" X 96" - PORTSMOUTH OAK
74	137894-K2-438	EA	LUMBER - VINYL WRAPPED - .7" X 3.9" X 96" - PORTSMOUTH OAK
74	137894-R2-438	EA	LUMBER - VINYL WRAPPED - .7" X 3" X 96" - PORTSMOUTH OAK
74	146419-A2-438	EA	LUMBER - VINYL WRAPPED - .7" X .75" X 96" - HONEY CHERRY
74	146419-D2-438	EA	LUMBER - VINYL WRAPPED - .7" X 1.5" X 96" - HONEY CHERRY
74	146419-E2-438	EA	LUMBER - VINYL WRAPPED - .7" X 2" X 96" - HONEY CHERRY
74	146419-F2-438	EA	LUMBER - VINYL WRAPPED - .7" X 2.5" X 96" - HONEY CHERRY
74	146419-G2-438	EA	LUMBER - VINYL WRAPPED - .7" X 3" X 96" - HONEY CHERRY
74	146419-H2-438	EA	LUMBER - VINYL WRAPPED - .7" X 3.5" X 96" - HONEY CHERRY
74	146419-J2-438	EA	LUMBER - VINYL WRAPPED - .7" X 5.5" X 96" - HONEY CHERRY
74	146419-J2-743	EA	LUMBER - VINYL WRAPPED - .7" X 5.5" X 108" - HONEY CHERRY
74	146419-K2-438	EA	LUMBER - VINYL WRAPPED - .7" X 3.9" X 96" - HONEY CHERRY
74	146419-R2-438	EA	LUMBER - VINYL WRAPPED - .7" X 3" X 96" - HONEY CHERRY



## INTERIOR FINISH GROUP (CONTINUED)

### PANELING & LAMINATES

KEY	PART NUMBER	U/M	DESCRIPTION
	000885-A5-000	SF	PARTICLE BOARD - 3/8" X 4' X 8' - WHT PEB EMBOSSED-1 SIDED
	000885-92-000	SF	PARTICLE BOARD - 3/8" X 4' X 8' - PORTSMOUTH OAK - 1 SIDED
	000885-93-000	SF	PARTICLE BOARD - 3/8" X 4' X 8' - PORTSMOUTH OAK - 2-SIDED
	000885-94-000	SF	PARTICLE BOARD - 1/2" X 4' X 8' - PORTSMOUTH OAK - 2-SIDED
	000885-95-000	SF	PARTICLE BOARD - 3/4" X 4' X 8' - PORTSMOUTH OAK - 2-SIDED
	126339-01-000	SF	BOARD - WHEAT - 60" X 72"
	057882-04-000	SF	TAMBOUR - 48" X 96" SHEET - UNFINISHED
	088272-K4-000	SF	PANELING - MULTI - 4' X 7' (R07)
	088272-K5-000	SF	PANELING - SILVERADO - 4' X 7' (R08)
	088272-J9-000	SF	PANELING - ALABASTER - 4' X 7' (R09)
	088272-H9-000	SF	PANELING - PEBBLE EMBOSSED - WHITE - 4' X 7'
	080215-14-000	SF	PANELING - 2 SIDED/PORTSMOUTH OAK - 3/16" X 4' X 8'
	076773-15-000	SF	PANELING - 2 SIDED/PORTSMOUTH OAK - 1/8" X 4' X 8'
	074497-42-000	SF	PANELING - PORTSMOUTH OAK - 4' X 8'
	074497-46-000	SF	PANELING - CEILING - SCULPTURES - 4' X 8'3"
	074497-52-000	SF	PANELING/PAPER WRAPPED - SCULPTURES PA - 1/8" X 48" X 100"
	074498-99-000	SF	LAMINATE - PLASTIC - EGGSHELL - 5' X 8' (R07)
	074498-97-000	SF	LAMINATE - PLASTIC - GRAY TRANQUILITY - 4' X 8' (R08)
	074498-A1-000	SF	LAMINATE - PLASTIC - LINO FRIEZE - 5' X 8' (R09)
	074498-40-000	SF	LAMINATE - PLASTIC - OFF WHITE - 4' X 8'
	076325-40-000	FT	MOLDING - EDGE BAND - .93" X .024" - ALMOND
	076325-39-000	FT	MOLDING - EDGE BAND - 1 5/16" X .030" - ALMOND
	085284-H6-000	FT	BATT TAPE - ADHESIVE BACKED - DECORATIVE - MULTI (R07)
	085284-H8-000	FT	BATT TAPE - ADHESIVE BACKED - ROCKET SILVERADO (R08)
	085284-G9-000	FT	BATT TAPE - ADHESIVE BACKED - DECORATIVE - ALABASTER (R09)
	085284-G8-000	FT	BATT TAPE - ADHESIVE BACKED - PORTSMOUTH OAK
	088263-H2-000	EA	BATT STRIP - DECORATIVE - MULTI - 8' (R07)
	088263-H4-000	EA	BATT STRIP - DECORATIVE - ROCKET SILVERADO (R08)
	088263-G9-000	EA	BATT STRIP - DECORATIVE - CORK/ALABASTER - 8' (R09)
	069738-87-000	EA	BATT STRIP - WOODGRAINED/PORTSMOUTH OAK - 8'
	079653-28-000	EA	BATT STRIP - KERFED - WOODGRAINED/WATERFORD OAK - 8'
	132610-10-07A	FT	WALLPAPER - BORDER - 5 3/4" - SELF ADHESIVE (R07)
			FROM: 00-00-00 THRU: 03-09-03
	132610-05-01A	FT	WALLPAPER - BORDER - 7" - CALYPSO - SELF-ADHESIVE (R07)
			FROM: 03-10-03 THRU: 99-99-99
	132610-10-13A	FT	WALLPAPER - BORDER - 5 3/4" - SELF ADHESIVE (R08)
			FROM: 00-00-00 THRU: 03-09-03
	132610-10-16A	FT	WALLPAPER - BORDER - 3/4" - SELF-ADHESIVE (R08)
			FROM: 03-10-03 THRU: 99-99-99
	132610-10-10A	FT	WALLPAPER - BORDER - 5 3/4" - SELF ADHESIVE (R09)
			FROM: 00-00-00 THRU: 03-09-03
	132610-05-10A	FT	WALLPAPER - BORDER - 7" - SELF-ADHESIVE (R09)
			FROM: 03-10-03 THRU: 99-99-99

### ACCESSORIES

KEY	PART NUMBER	U/M	DESCRIPTION
	072852-01-000	EA	DETECTOR - SMOKE - W/9 VOLT BATTERY - US
	072852-02-000	EA	DETECTOR - SMOKE - W/9 VOLT BATTERY - CANADIAN
	125136-02-000	EA	DETECTOR/CO - GAS MODEL - 9 VOLT
	094499-03-000	EA	EXTINGUISHER/FIRE - DRY - 10BC - W/GAUGE/BRACKET
*	094499-02-000	EA	EXTINGUISHER/FIRE - DRY - 10BC - W/GAUGE - CANADIAN
	094499-04-000	EA	STRAP - FIRE EXTINGUISHER MOUNTING - METAL
	091261-01-000	FT	SLIPNOT - ANTISLIP - 1' WIDE X 12' - BLACK
	096764-02-000	FT	SLIPNOT - ANTISLIP - 1' WIDE (180' ROLLS) - WHITE
	064781-06-000	EA	HOLDER/CUP - TWO STEP - OFF WHITE
	118718-01-01A	EA	HOLDER/DRINK - COLLAPSIBLE MUG - BLACK PLASTIC
	118718-01-02A	EA	HOLDER/DRINK - COLLAPSIBLE MUG - WHITE PLASTIC
	000C16-07-16B	EA	BOLT - CARRIAGE - ASSIST HANDLE - 7/16-14 X 1
	053552-02-N01	EA	HANDLE - ASSIST - INTERIOR/ENTRY DOOR - VINYL/ICE WHITE
	131494-04-01A	EA	MIRROR - ARCHED TOP - 20" X 30" - W/DIAMOND
	131494-05-01A	EA	MIRROR - ARCHED W/BEVELED DIAMOND - 20" X 30"
	140374-14-000	EA	MIRROR - SAFETY GLASS - 20.8" X 35.4"
	140374-36-000	EA	MIRROR - SAFETY GLASS - 20.9" X 25.2"
	140374-66-000	EA	MIRROR - SAFETY GLASS - 20.1" X 25.2"

\*COMPONENT PARTS LISTED LATER IN THIS GROUP

**INTERIOR FINISH GROUP (CONTINUED)**  
**COMPONENT PARTS FOR ACCESSORIES**

094499-02-000

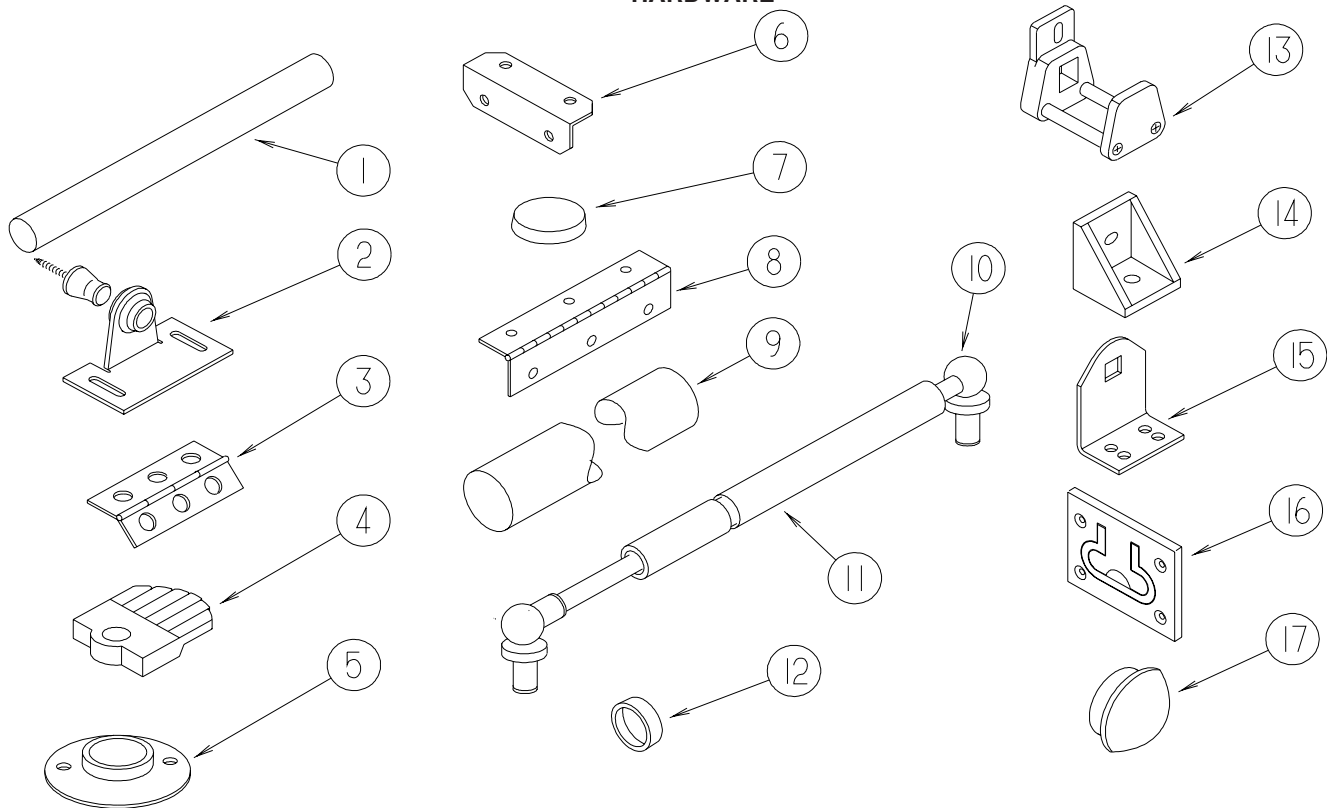
<b>KEY</b>	<b>PART NUMBER</b>	<b>U/M</b>	<b>DESCRIPTION</b>	<b>VENDOR NO</b>
	094499-01-700	EA	BRACKET MTG. W/PLAS. STRAP	294039

**INTERIOR FINISH GROUP (CONTINUED)**  
**FLOOR COVERINGS**

<b>KEY</b>	<b>PART NUMBER</b>	<b>U/M</b>	<b>DESCRIPTION</b>
	042720-29-000	SY	VINYL - FLOOR COVERING - 7.5' WIDE - DIAMOND
	075233-01-000	SY	PAD - CARPET - 3/8" X 6' ROLL
	093486-01-000	SY	CARPET - COMPARTMENT - 72" WIDE - DARK GRAY
	096060-G9-000	SY	CARPET - LAUREL - INCREMENTS OF 4 SQ YARDS (R07)
	139085-06-000	SY	CARPET - CRYSTAL LAKE - 4 SQUARE YARD INCREMENTS (R08)
	096060-H1-000	SY	CARPET - TAPIOCA - INCREMENTS OF 4 SQ YARDS (R09)
	109583-01-M24	EA	CARPET/PEDESTAL COVER - W/EDGE BINDING TAPE (R07)
	109583-01-P08	EA	CARPET/PEDESTAL COVER - W/EDGE BINDING TAPE (R08)
	109583-01-N06	EA	CARPET/PEDESTAL COVER - W/EDGE BINDING TAPE (R09)
	089275-02-000	FT	STRIP - 3/4" X 84" BLACK POLYETHYLENE

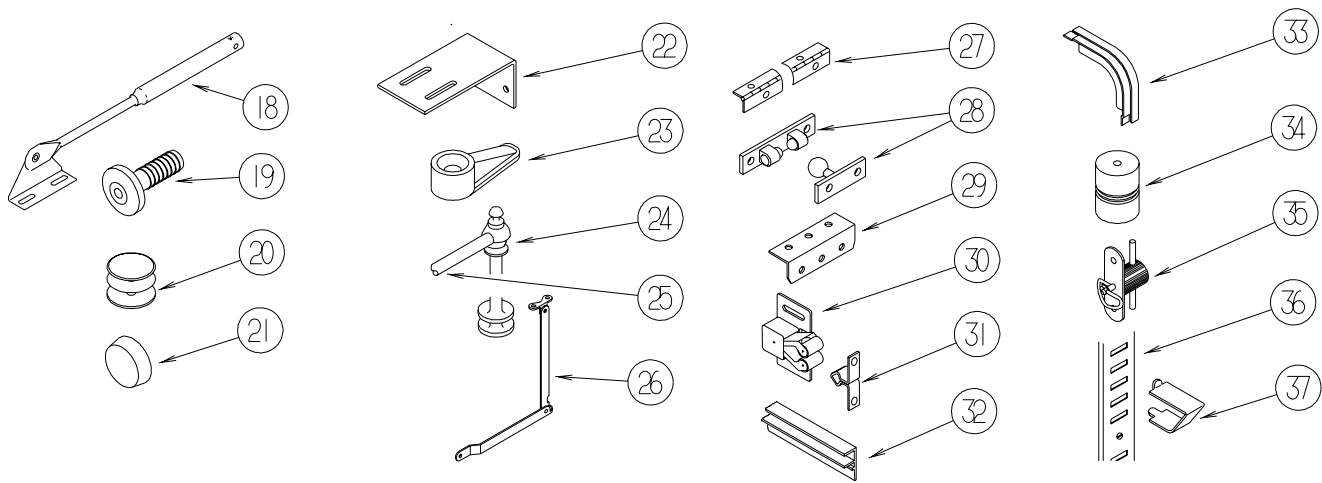
# INTERIOR FINISH GROUP (CONTINUED)

## HARDWARE



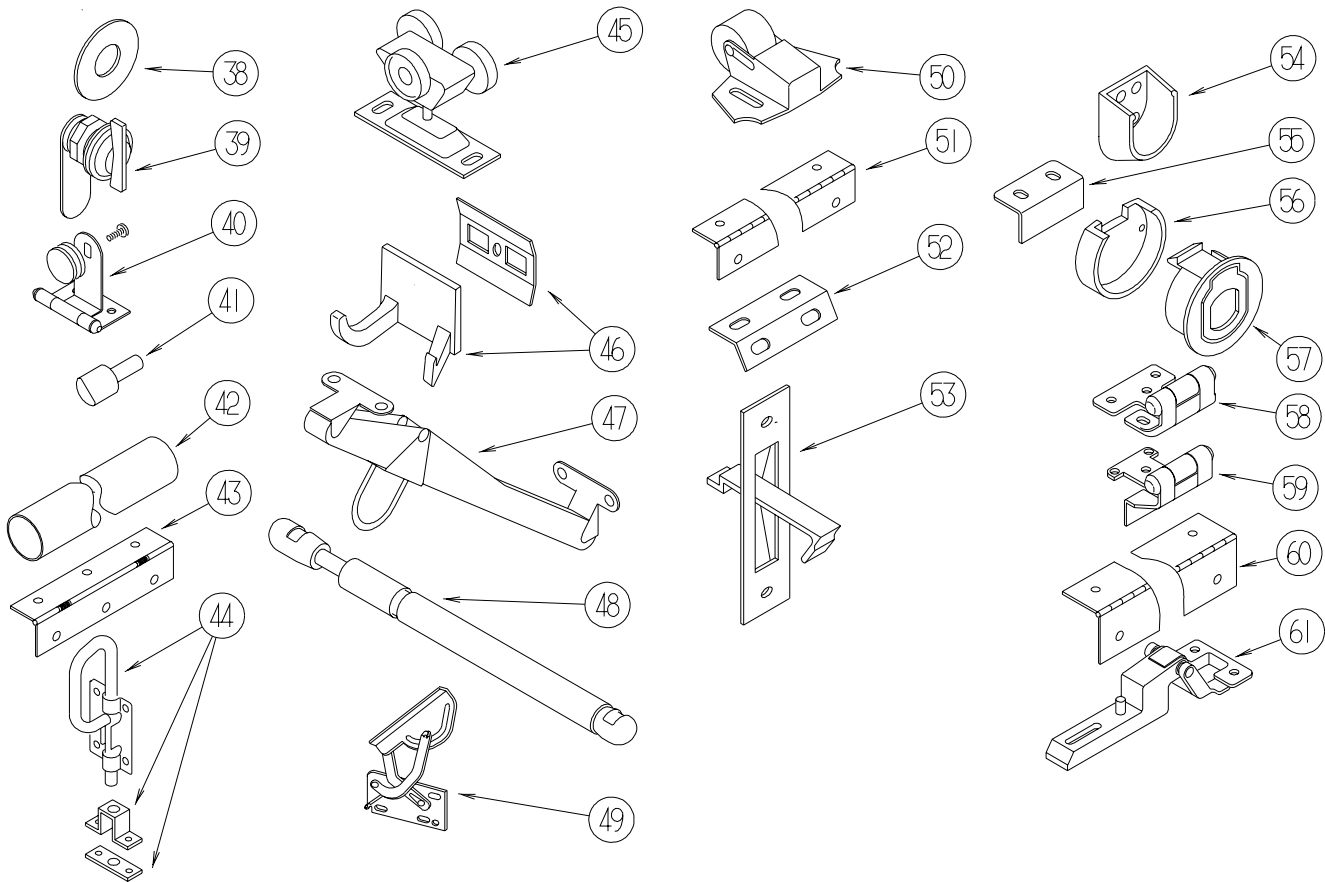
KEY	PART NUMBER	U/M	DESCRIPTION
1	Y00136-21-218	EA	DOWEL - WOOD - 1" X 4'
2	009013-01-000	EA	CATCH - BULLDOG - MALE/FEMALE
3	009059-01-000	EA	HINGE - DOOR - 2" X 1.4" - BRASS
3	009059-02-000	EA	HINGE - DOOR - 2" X 2.7" - BRASS
3	009059-03-000	EA	HINGE - BRASS - 1.75"
3	009059-04-000	EA	HINGE - 2" - ZINC
4	009089-01-000	EA	CLIP - MIRROR
5	009112-01-000	EA	FLANGE - PLASTIC - 1" CLOTHES ROD - OFF WHITE
6	016604-01-000	EA	BRACE - ANGLE - 2 1/2" - UNPAINTED METAL
6	016604-05-000	EA	BRACE - ANGLE - 2 1/2" - OFF WHITE METAL
6	016604-10-000	EA	BRACE - SEAT ANGLE - 2.5" - BLACK
7	023320-01-000	EA	PAD - FELT 3/8" DIAMETER
8	041389-25-000	EA	HINGE - PIANO - 1 1/2" X 55" - UNPAINTED
9	042438-02-000	EA	DOWEL - WOOD - 2" DIAMETER X 2'
10	057460-02-000	EA	BALL STUD - F/GAS SPRING .39" - 5/16"-18
11	057460-04-000	EA	SPRING/GAS - BALL STUD STYLE - 120 PI - "SPD6209"
12	057671-01-000	EA	COVER - SCREW - #8 - OFF WHITE
12	057671-15-000	EA	COVER - SCREW - #8 - BRIGHT WHITE
12	057671-16-000	EA	COVER - SCREW - #8 - SOFT WHITE
12	057671-17-000	EA	COVER - SCREW - VW LT GRAY - #8
13	064467-01-000	EA	GUIDE - POCKET - SLIDING DOOR - WALL MOUNTED
14	065740-01-000	EA	BRACE - CABINET/CORNER - PLASTIC
15	069178-03-000	EA	BRACKET/MOUNTING - ASSIST HANDLE - BRIGHT WHITE
16	072871-01-000	EA	PULL - FLUSH - CHROME
17	074045-08-000	EA	PLUG - OAK - 3/8" DOWEL-1/2" HEAD - SALEM CHERRY - CONCERT CHERRY
17	074045-12-000	EA	PLUG - OAK - 3/8" DOWEL-1/2" HEAD - WASHED MAPLE
17	074045-13-000	EA	PLUG - OAK - 3/8" DOWEL-1/2" HEAD - PORTSMOUTH OAK
17	074045-14-000	EA	PLUG - OAK - 3/8" DOWEL-1/2" HEAD - HONEY CHERRY

**INTERIOR FINISH GROUP (CONTINUED)**  
**HARDWARE (CONTINUED)**



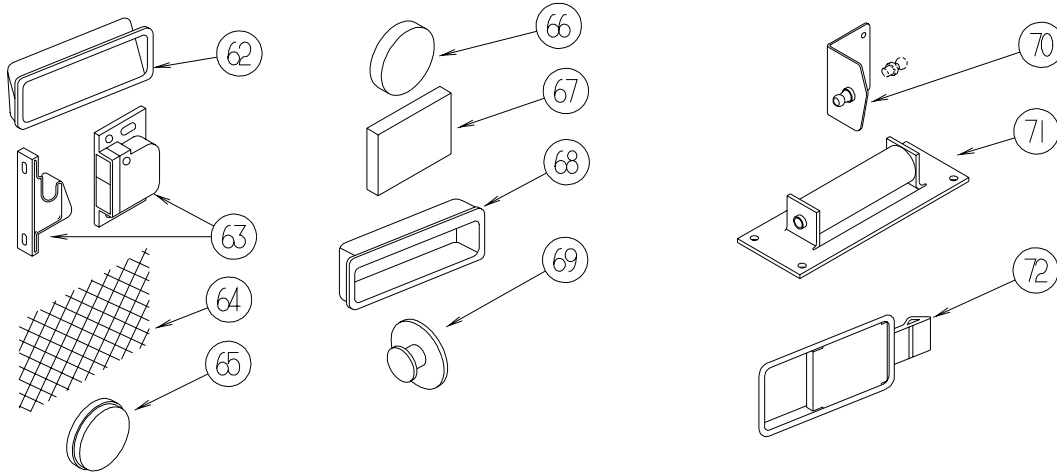
KEY	PART NUMBER	U/M	DESCRIPTION
18	074493-02-000	EA	SUPPORT - PISTON SPRING - CABINET DOOR - 26 LBS
18	074493-03-000	EA	SUPPORT - PISTON SPRING - CABINET DOOR - 12 LBS
19	079921-01-000	EA	ROLLER - NYLON - W/STEEL SHAFT - BARBED
20	081114-02-000	EA	CAP - INSERT - ROUND - 1" DIAMETER - WHITE PLASTIC
21	004354-01-000	EA	BUMPER - RUBBER - 1/2" DIA - BROWN
21	081914-01-000	EA	BUMPER - RUBBER - ROUND - 1/2" DIA. X 1/8" THICK
22	083125-07-000	EA	BRACE - ANGLE/COUCH - 2.5" - OFF WHITE
22	132871-02-02B	EA	BRACKET/L-SHAPED W/HOLES - 1.9" X 2.8" - E-COATED
23	083204-03-000	EA	BUTTON - RETAINING MIRROR 5/16" TIP
24	084070-03-000	EA	POST - END - 2.4" - SHINY BRASS
25	084071-05-000	EA	ROD - BRASS - 15"
25	084071-19-000	EA	ROD - BRASS - 7.1"
25	084071-20-000	EA	ROD - BRASS - 9.8"
25	084071-23-000	EA	ROD - BRASS - 13.1"
25	084071-24-000	EA	ROD - BRASS - 3.8"
25	084071-33-000	EA	ROD - BRASS - 20.4"
25	146840-01-01A	EA	ROD - .25" DIAMETER - BRASS
25	146840-01-02A	EA	ROD - .25" DIAMETER - PEWTER
25	146840-02-01A	EA	ROD - .25" DIAMETER - BRASS
25	146840-02-02A	EA	ROD - .25" DIAMETER - PEWTER
25	146840-03-01A	EA	ROD - .25" DIAMETER - BRASS
25	146840-03-02A	EA	ROD - .25" DIAMETER - PEWTER
25	146840-04-01A	EA	ROD - .25" DIAMETER - BRASS
25	146840-04-02A	EA	ROD - .25" DIAMETER - PEWTER
25	146840-05-01A	EA	ROD - .25" DIAMETER - BRASS
25	146840-05-02A	EA	ROD - .25" DIAMETER - PEWTER
26	084412-01-000	EA	SUPPORT/HINGE KIT (LEFT & RIGHT HINGES)
27	084413-01-000	EA	HINGE - 1" X 72" - ALUMINUM - W/HOLES
28	084451-01-000	EA	CATCH & LATCH - 1.7" - BRASS
29	089025-01-000	EA	SUPPORT - SPRING TO BED - ANGLE 1.5" X 11.8"
30	093586-03-000	EA	CATCH - SPRING ROLLER - .377"
30	093586-06-000	EA	CATCH - SPRING ROLLER - .236"
31	093586-04-000	EA	STRIKE - SPRING STEEL - 1.14"
31	093586-05-000	EA	STRIKE - SPRING STEEL - .943"
32	093622-01-000	EA	TRACK - DOOR - TAMBOUR - PLASTIC - 8' LENGTHS
33	093623-01-000	EA	CORNER - TRACK - TAMBOUR DOOR
34	097872-04-000	EA	DOWEL - WOOD - 1" DIAMETER X 1.38" LONG - UNFINISHED
35	098196-01-000	EA	LATCH - 1/4 TURN - T-BAR
36	098979-01-000	EA	CLIP - ADJUSTABLE SHELF
37	098980-01-000	EA	PILASTER - ADJUSTABLE SHELF - 18"
37	098980-02-000	EA	PILASTER - ADJUSTABLE SHELF - 12"
37	098980-03-000	EA	PILASTER - ADJUSTABLE SHELF - 9"
37	098980-04-000	EA	PILASTER - ADJUSTABLE SHELF - 48"
37	098980-05-000	EA	PILASTER - ADJUSTABLE SHELF - 15"
37	098980-06-000	EA	PILASTER - ADJUSTABLE SHELF - 24"

**INTERIOR FINISH GROUP (CONTINUED)**  
**HARDWARE (CONTINUED)**



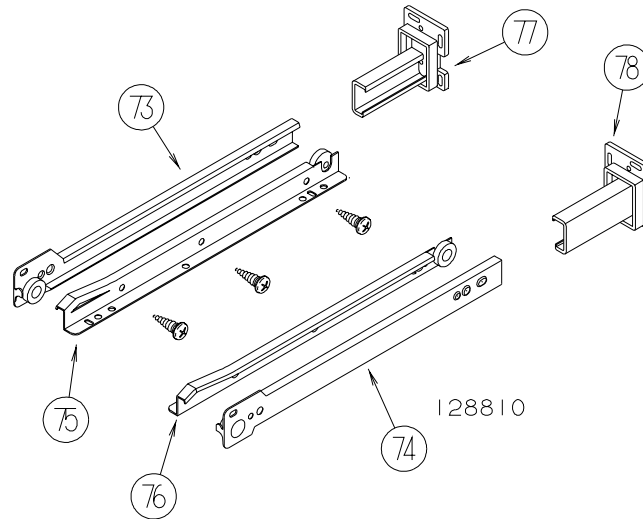
KEY	PART NUMBER	U/M	DESCRIPTION
38	100707-01-000	EA	SPACER - GLASS DOOR - .8" DIA - .3" HOLE - PLASTIC
39	100710-01-01A	EA	LOCK - GLASS DOOR/TWIST TYPE - BRASS
40	100711-01-01A	EA	HINGE - GLASS DOOR
41	101766-01-000	EA	PIN - SUPPORT/GLASS DOOR
42	102075-10-02A	EA	ROD - SHOWER CURTAIN - 1" OD X 46.3" - SOFT WHITE
43	102920-01-01A	EA	HINGE - SPRING LOADED - BRASS
44	103256-01-000	EA	LATCH COMPLETE (SLIDE)
45	103874-01-000	EA	HANGER - SLIDING DOOR
46	104174-01-000	EA	HOOK - ROBE - DOUBLE
47	104181-01-01A	EA	SUPPORT - LEAF 5.3" EXTENDS TO 7.5" - SAFETY RING - METAL
48	142569-15-000	EA	SPRING/GAS - 12" COMPRESSED/20" EXTENDED - 120 LB.
48	142569-16-000	EA	SPRING/GAS - 12" COMPRESSED/20" EXTENDED - 90 LB.
48	142569-05-000	EA	SPRING - GAS - 15 LB. - 39.9"
48	142569-18-000	EA	SPRING/GAS - 6.5" COMPRESSED/9.6" EXTENDED - 65 LB.
49	108126-01-000	EA	TRAY HINGE SET (QTY. 2 PER SET)
50	109403-01-000	EA	CATCH - SINGLE ROLLER - SCREEN DOOR
51	110496-01-01A	EA	HINGE - BRASS
52	111866-01-02A	EA	BRACE - SEAT - ANGLE - OFF WHITE
53	113130-01-01A	EA	PULL - DOOR POCKET
54	113236-01-01A	EA	BRACKET - CLOTHES - ROD
55	113375-02-01A	EA	STRIKE - DOOR - CHROME
56	113375-05-01A	EA	LATCH - SLAM - BACK - .8" THICK
57	113375-06-01A	EA	LATCH - SLAM - FACE - .7" THICK
58	113676-01-01A	EA	HINGE - OVERLAY - VARIABLE - BURNISHED BRASS
59	113677-01-01A	EA	HINGE - SELF CLOSING
60	114278-02-000	EA	HINGE - CONTINUOUS - 3" WIDE
61	114443-01-01A	EA	HINGE - CABINET DOOR

**INTERIOR FINISH GROUP (CONTINUED)**  
**HARDWARE (CONTINUED)**



KEY	PART NUMBER	U/M	DESCRIPTION
62	115994-01-01A	EA	HANDLE - POCKET
63	117095-01-01A	EA	LATCH - DOOR - GRABBER W/KEEPER - PLASTIC - BLK-5 LB PULL
63	117095-02-01A	EA	LATCH - DOOR - GRABBER W/KEEPER - PLASTIC - BLK-10 LB PULL
64	118200-01-01A	SF	MESH - PLASTIC 1/2" - 48" X LENGTH = SF - BLACK
65	120760-01-000	EA	RUBBER BUMPER - CLEAR - .1" THICK X .8" DIAMETER
66	122717-01-01A	EA	PAD - NON SKID - 4" DIAMETER ROUND
67	122717-06-01A	FT	PAD - NON-SKID - PSA - 5"W
68	124311-01-01A	EA	HANDLE - RECESSED - BRASS
69	125221-01-01A	EA	PULL - MIRROR - W/ROUND HANDLE
70	126263-06-02B	EA	BRACKET - GAS SPRING W/INSIDE BALL STUD - E-COATED
70	126263-08-02B	EA	BRACKET - GAS SPRING W/CENTERED BALL STUD - E-COATED
71	126584-02-000	EA	ROLLER - FLAT
72	127349-01-01A	EA	LATCH - PADDLE

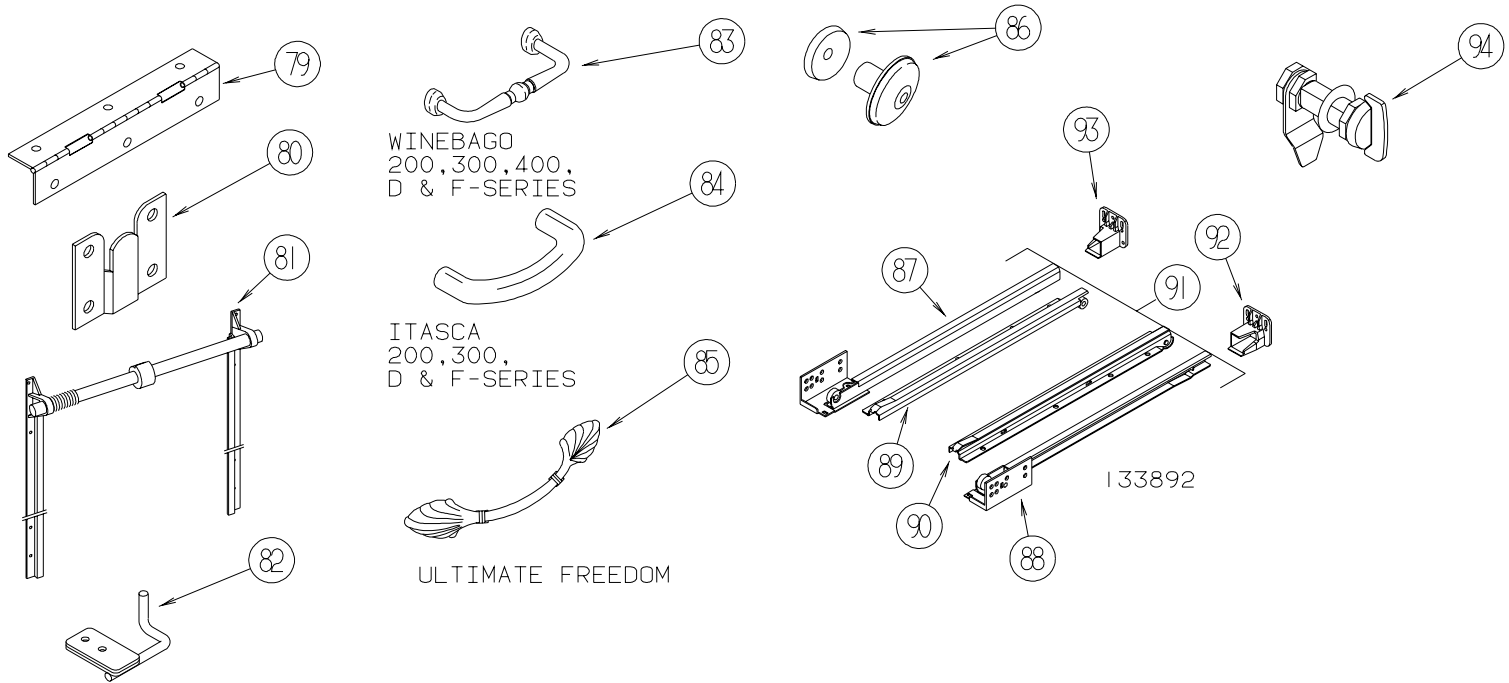
**INTERIOR FINISH GROUP (CONTINUED)**  
**HARDWARE (CONTINUED)**



KEY	PART NUMBER	U/M	DESCRIPTION
73	128810-01-01A	EA	SLIDE - DRAWER - 12" - LEFT CABINET
73	128810-05-01A	EA	SLIDE - DRAWER - 14" - LEFT CABINET
73	128810-09-01A	EA	SLIDE - DRAWER - 16" - LEFT CABINET
73	128810-13-01A	EA	SLIDE - DRAWER - 18" - LEFT CABINET
73	128810-17-01A	EA	SLIDE - DRAWER - 20" - LEFT CABINET
73	128810-21-01A	EA	SLIDE - DRAWER - 22" - LEFT CABINET
73	128810-25-01A	EA	SLIDE - DRAWER - 24" - LEFT CABINET
73	128810-29-01A	EA	SLIDE - DRAWER - 9" - LEFT CABINET
74	128810-02-01A	EA	SLIDE - DRAWER - 12" - RIGHT CABINET
74	128810-06-01A	EA	SLIDE - DRAWER - 14" - RIGHT CABINET
74	128810-10-01A	EA	SLIDE - DRAWER - 16" - RIGHT CABINET
74	128810-14-01A	EA	SLIDE - DRAWER - 18" - RIGHT CABINET
74	128810-18-01A	EA	SLIDE - DRAWER - 20" - RIGHT CABINET
74	128810-22-01A	EA	SLIDE - DRAWER - 22" - RIGHT CABINET
74	128810-26-01A	EA	SLIDE - DRAWER - 24" - RIGHT CABINET
74	128810-30-01A	EA	SLIDE - DRAWER - 9" - RIGHT CABINET
75	128810-03-01A	EA	SLIDE - DRAWER - 12" - LEFT DRAWER
75	128810-07-01A	EA	SLIDE - DRAWER - 14" - LEFT DRAWER
75	128810-11-01A	EA	SLIDE - DRAWER - 16" - LEFT DRAWER
75	128810-15-01A	EA	SLIDE - DRAWER - 18" - LEFT DRAWER
75	128810-19-01A	EA	SLIDE - DRAWER - 20" - LEFT DRAWER
75	128810-23-01A	EA	SLIDE - DRAWER - 22" - LEFT DRAWER
75	128810-27-01A	EA	SLIDE - DRAWER - 24" - LEFT DRAWER
75	128810-27-01A	EA	SLIDE - DRAWER - 24" - LEFT DRAWER
75	128810-31-01A	EA	SLIDE - DRAWER - 9" - LEFT DRAWER
76	128810-04-01A	EA	SLIDE - DRAWER - 12" - RIGHT DRAWER
76	128810-08-01A	EA	SLIDE - DRAWER - 14" - RIGHT DRAWER
76	128810-12-01A	EA	SLIDE - DRAWER - 16" - RIGHT DRAWER
76	128810-16-01A	EA	SLIDE - DRAWER - 18" - RIGHT DRAWER
76	128810-20-01A	EA	SLIDE - DRAWER - 20" - RIGHT DRAWER
76	128810-24-01A	EA	SLIDE - DRAWER - 22" - RIGHT DRAWER
76	128810-28-01A	EA	SLIDE - DRAWER - 24" - RIGHT DRAWER
76	128810-32-01A	EA	SLIDE - DRAWER - 9" - RIGHT DRAWER
77	128811-01-02A	EA	BACKSOCKET - ADJUSTABLE - LEFT
78	128811-02-02A	EA	BACKSOCKET - ADJUSTABLE - RIGHT

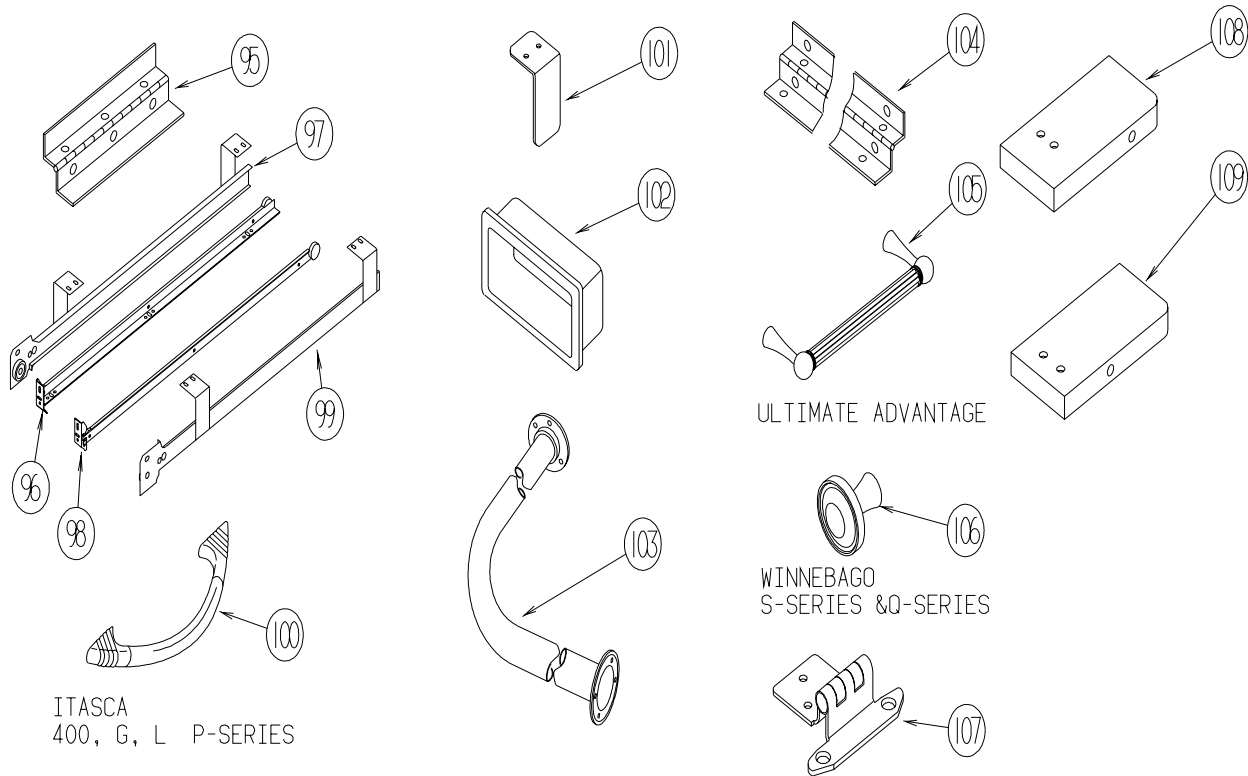


## INTERIOR FINISH GROUP (CONTINUED) HARDWARE (CONTINUED)



KEY	PART NUMBER	U/M	DESCRIPTION
79	129753-01-01A	EA	HINGE - SPRING LOADED - 19" X 19" - BLACK
80	130120-01-01A	EA	BRACKET - MIRROR
81	130787-02-000	EA	TRACK - TAMBOUR DOOR/SPRING - 24"
81	130787-04-000	EA	TRACK - TAMBOUR DOOR - SPRING
82	130798-01-02B	EA	GUIDE - POCKET DOOR - E-COATED
83	131963-01-01A	EA	PULL - POLISHED BRASS - WINNEBAGO VISTA/MINNIE/MINNIE WINNIE/SIGHTSEER & BRAVE
84	131964-01-01A	EA	PULL - POLISHED BRASS - ITASCA SUNSTAR/SPIRIT/SUNOVA & SUNRISE
85	131965-01-01A	EA	PULL - DOOR/DRAWER - 6.3" - BURNISHED BRASS - ULTIMATE FREEDOM
86	133313-01-02A	EA	PULL - DOOR/DRAWER - BRIGHT BRASS
86	133313-01-03A	EA	PULL - DOOR/DWR - CHROME/BRASS - ITASCA SUNDANCER/SUNCRUISER/SUNFLYER/MERIDIAN
87	133892-01-01A	EA	SLIDE - DRAWER - 16" - LEFT CABINET
87	133892-06-01A	EA	SLIDE - DRAWER - 22" - LEFT CABINET
87	133892-10-01A	EA	SLIDE - DRAWER - 12" - LEFT CABINET
87	133892-14-01A	EA	SLIDE - DRAWER - 18" - LEFT CABINET
88	133892-02-01A	EA	SLIDE - DRAWER - 16" - RIGHT CABINET
88	133892-07-01A	EA	SLIDE - DRAWER - 22" - RIGHT CABINET
88	133892-11-01A	EA	SLIDE - DRAWER - 12" - RIGHT CABINET
88	133892-15-01A	EA	SLIDE - DRAWER - 18" - RIGHT CABINET
89	133892-03-01A	EA	SLIDE - DRAWER - 16" - LEFT DRAWER
89	133892-08-01A	EA	SLIDE - DRAWER - 22" - LEFT DRAWER
89	133892-12-01A	EA	SLIDE - DRAWER - 12" - LEFT DRAWER
89	133892-16-01A	EA	SLIDE - DRAWER - 18" - LEFT DRAWER
90	133892-04-01A	EA	SLIDE - DRAWER - 16" - RIGHT DRAWER
90	133892-09-01A	EA	SLIDE - DRAWER - 22" - RIGHT DRAWER
90	133892-13-01A	EA	SLIDE - DRAWER - 12" - RIGHT DRAWER
90	133892-17-01A	EA	SLIDE - DRAWER - 18" - RIGHT DRAWER
91	133892-05-01A	EA	SLIDE - DRAWER - 9" - FULL SET
92	133907-01-01A	EA	BACKSOCKET - RIGHT HAND
93	133907-02-01A	EA	BACKSOCKET - LEFT HAND
94	135231-01-01A	EA	LATCH - COMPRESSION - BLACK

**INTERIOR FINISH GROUP (CONTINUED)**  
**HARDWARE (CONTINUED)**



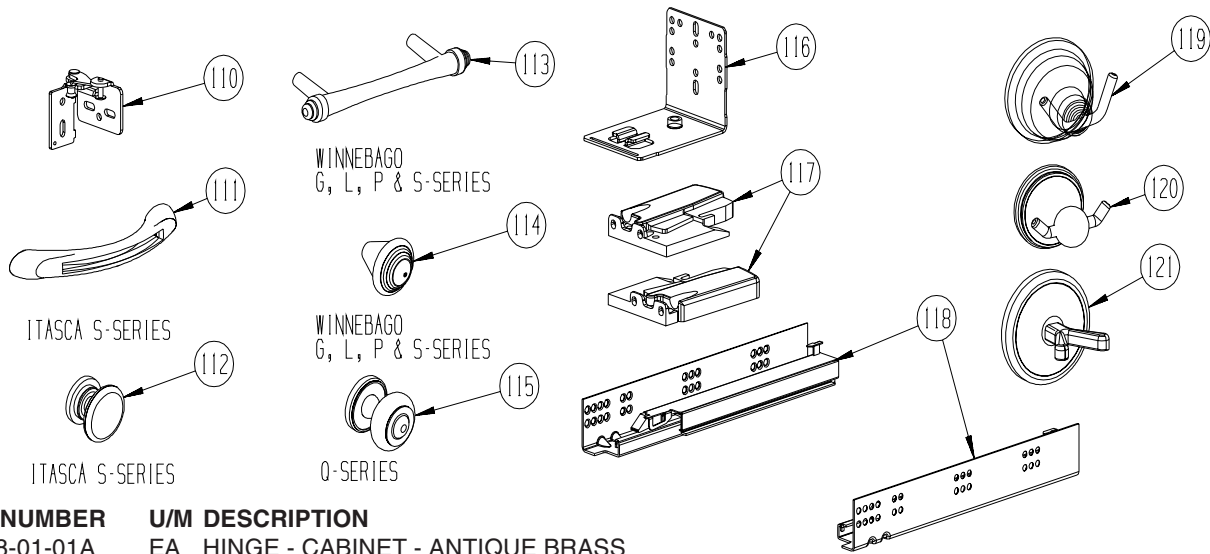
ITASCA  
400, G, L P-SERIES

ULTIMATE ADVANTAGE

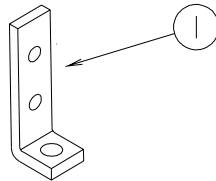
WINNEBAGO  
S-SERIES & Q-SERIES

KEY	PART NUMBER	U/M	DESCRIPTION
95	135538-01-01A	EA	HINGE - PIANO - FULL WRAP - BRASS PLATED
95	135538-03-01A	EA	HINGE - PIANO - FULL WRAP - STOCKER BRASS
95	135538-06-01A	EA	HINGE - PIANO - FULL WRAP
96	136944-01-01A	EA	SLIDE - DRAWER/RIGHT HAND - 13.8"
97	136944-02-01A	EA	SLIDE - CABINET/RIGHT HAND - 13.8"
98	136944-03-01A	EA	SLIDE - DRAWER/LEFT HAND - 13.8"
99	136944-04-01A	EA	SLIDE - CABINET/LEFT HAND - 13.8"
100	137446-01-01A	EA	PULL - CABINET - CHROME/BRASS - <b>ITASCA SUNDANCE/SUNCRUISER/SUNFLYER &amp; MERIDIAN</b>
101	138136-02-02B	EA	GUIDE - DOOR - E-COATED
102	139136-01-01A	EA	HANDLE - RECESSED - BRASS
102	139136-02-01A	EA	HANDLE - RECESSED - BRASS
102	139136-02-02A	EA	HANDLE - RECESSED - PEWTER
103	140494-01-01A	EA	ROD - SHOWER
103	140494-01-02A	EA	ROD - SHOWER - SOFT WHITE
104	142276-01-01A	EA	HINGE - PIANO - FULL WRAP - BRASS
105	142909-01-01A	EA	PULL - CABINET - BRASS - <b>ULTIMATE ADVANTAGE</b>
106	142910-01-01A	EA	KNOB - CABINET - BRASS - <b>WINNEBAGO VECTRA &amp; ULTIMATE ADVANTAGE</b>
107	143468-01-01A	EA	HINGE - SELF CLOSING - BURNISHED BRASS - <b>ULTIMATE FREEDOM</b>
107	143468-01-02A	EA	HINGE - SELF CLOSING - POLISHED BRASS
107	143468-02-02A	EA	HINGE - SELF CLOSING - POLISHED BRASS
107	143468-02-03A	EA	HINGE - SELF CLOSING - SATIN NICKEL - <b>ITASCA SUNFLYER, L-SERIES</b>
107	146553-01-02A	EA	HINGE - CABINET DOOR - BRIGHT BRASS
107	146553-01-03A	EA	HINGE - CABINET DOOR - SATIN NICKEL
108	137445-01-N42	EA	STOP - F/SLIDING DOOR
108	137445-01-P46	EA	STOP - F/SLIDING DOOR
108	137445-01-P56	EA	STOP - F/SLIDING DOOR
109	137445-02-P45	EA	STOP - F/SLIDING DOOR
109	137445-02-P46	EA	STOP - F/SLIDING DOOR
109	137445-02-P56	EA	STOP - F/SLIDING DOOR

## INTERIOR FINISH GROUP (CONTINUED) HARDWARE (CONTINUED)



KEY	PART NUMBER	U/M	DESCRIPTION
110	144488-01-01A	EA	HINGE - CABINET - ANTIQUE BRASS
110	144488-01-02A	EA	HINGE - CABINET - NICKEL - <b>ITASCA HORIZON</b>
111	144917-01-01A	EA	PULL - DRAWER - SATIN NICKEL - <b>ITASCA HORIZON</b>
112	144918-01-01A	EA	PULL - DRAWER/KNOB - SATIN NICKEL - <b>ITASCA HORIZON</b>
113	145172-01-01A	EA	PULL - CABINET DOOR - <b>WINNEBAGO ADVENTURER/CHIEFTAIN/JOURNEY &amp; VECTRA</b>
114	145172-02-01A	EA	PULL - DRAWER/DNOB - <b>WINNEBAGO ADVENTURER/CHIEFTAIN &amp; JOURNEY</b>
115	145180-01-01A	EA	KNOB - CABINET DOOR - <b>ULTIMATE FREEDOM</b>
116	145739-01-000	EA	BRACKET - REAR MOUNT
117	145739-02-000	EA	LOCKING MECHANISM - LEFT
117	145739-03-000	EA	LOCKING MECHANISM - RIGHT
118	145739-04-000	EA	SLIDE - DRAWER - 12"
119	145849-01-01A	EA	ROBE HOOK - TWIN - BRASS
119	145849-02-01A	EA	ROBE HOOK - TWIN - CHROME
120	145849-03-01A	EA	ROBE HOOK - TWIN - BRASS
121	145849-04-01A	EA	ROBE HOOK - TWIN - CHROME/BRASS



KEY	PART NUMBER	U/M	DESCRIPTION
1	096826-01-01A	EA	BRACE-CABINET E-COATED

## LABELS GROUP

SEWAGE

**KEY PART NUMBER U/M DESCRIPTION**  
006187-01-000 EA LABEL - SEWAGE

WASTE WATER

**KEY PART NUMBER U/M DESCRIPTION**  
006188-01-000 EA LABEL - WASTE WATER

### WARNING

THIS SYSTEM IS DESIGNED FOR USE WITH PROPANE ONLY  
DO NOT CONNECT NATURAL GAS TO THIS SYSTEM

**BEFORE TURNING ON PROPANE:**

- (A) BE CERTAIN APPLIANCES ARE CERTIFIED FOR PROPANE AND ARE EQUIPPED WITH CORRECT BURNING ORIFICES.
- (B) MAKE CERTAIN ALL PROPANE CONNECTIONS ARE TIGHT BY TESTING WITH SOAPY WATER. ALL APPLIANCE VALVES ARE TURNED OFF, AND ANY UNCONNECTED OUTLETS ARE CAPPED.

**AFTER TURNING ON PROPANE:**

- (A) LIGHT ALL PILOT LIGHTS
- (B) (B) ALL CONNECTIONS, INCLUDING THOSE AT THE APPLIANCES, REGULATORS AND CYLINDERS SHOULD BE LEAK-TESTED PERIODICALLY WITH SOAPY WATER BY THE OCCUPANT. NEVER USE A LIGHTED MATCH OR OTHER FLAME WHEN CHECKING FOR LEAKS.
- (C) DO NOT LEAVE SYSTEM TURNED ON OF CONTAINERS CONNECTED UNTIL THE SYSTEM HAS BEEN PROVEN TO BE FREE OF LEAKS.
- (D) COOKING APPLIANCES SHOULD NOT BE USED FOR SPACE HEATING.
- (E) WHEN THE CONTAINERS ARE DISCONNECTED THE PROPANE SUPPLY LINE SHOULD BE CAPPED OR PLUGGED.

### AVERTISSEMENT

CETTE INSTALLATION EST CONÇUE POUR LE PROPANE SEULEMENT  
NE PAS L'ALIMENTER EN GAZ NATUREL

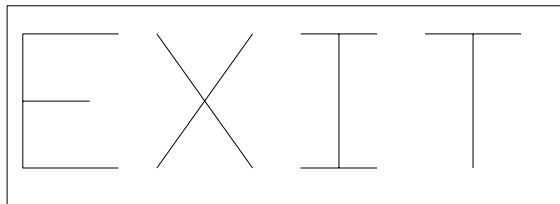
**AVANT LA MISE EN SERVICE:**

- (A) S'ASSURER QUE LES APPAREILS SONT CERTIFIÉS POUR LE PROPANE ET MUNIS D'ORIFICES DE BRULEUR APPROPRIÉS.
- (B) VÉRIFIER L'ÉTANCHEITÉ DE TOUS LES RACCORDEMENTS AU PROPANE. LA PERMÉABILITÉ DE TOUS LES ROBINETS D'APPAREILS ET L'OBTURATION DE TOUTES LES SORTIES NON RACCORDEES.

**APRÈS LA MISE EN SERVICE:**  
(A) ALLUMER TOUTES LES VEILLEUSES.

- (B) L'OCCUPANT DOIT ÉPROUVER PÉRIODIQUEMENT L'ÉTANCHEITÉ DE TOUS LES RACCORDEMENTS Y COMPRIS CEUX AUX APPAREILS, AUX DÉTENDEURS ET AUX BOUTEILLES, EN Y APPLIQUANT DE L'EAU SAVONNEUSE NE JAMAIS SE SERVIR D'UNE ALLUMETTE OU AUTRE POUR LA DÉTECTION DES FUITES.
- (C) NE PAS LAISSER L'ALIMENTATION OUVERTE NI LES RÉCIPIENTS RACCORDES AVANT D'AVOIR COMPLÉTÉ L'ÉPREUVE D'ÉTANCHEITÉ AU PROPANE DE L'INSTALLATION.
- (D) LES APPAREILS DE CUISSON NE DOIVENT PAS ÊTRE UTILISÉS POUR LE CHAUFFAGE DES LOCAUX.
- (E) LORSQUE LES RÉCIPIENTS SONT DÉCONNECTÉS, L'ALIMENTATION DE PROPANE DOIT ÊTRE OBTURÉE OU SCELLÉE.

**KEY PART NUMBER U/M DESCRIPTION**  
023769-01-000 EA LABEL - WARNING - LPG - CANADIAN



**KEY PART NUMBER U/M DESCRIPTION**  
039290-01-000 EA LABEL - WARNING - EXIT



**KEY PART NUMBER U/M DESCRIPTION**  
040944-01-000 EA LABEL - ENTRANCE DOOR - "OPEN"

## LABELS GROUP (CONTINUED)



**KEY PART NUMBER U/M DESCRIPTION**  
040944-01-000 EA LABEL - ENTRANCE DOOR - "OPEN"

### CAUTION

THIS MOTOR HOME HAS BEEN DESIGNED, MANUFACTURED AND TESTED WITH CONCERN FOR THE PROTECTION OF IT'S OCCUPANTS. WE RECOMMEND YOU PERFORM THE FOLLOWING INSPECTIONS FOR YOUR SAFETY AND THE SAFETY OF YOUR PASSENGERS BEFORE STARTING YOUR VEHICLE.

1. LP GAS SYSTEM- TURN OFF AT TANK FOR TRAVELING. TEST FOR LEAKS UPON ARRIVAL AT DESTINATION. BEFORE LIGHTING PILOTS.
2. WHEELS- INSPECT FOR DAMAGE AND CHECK LUG NUTS FOR TIGHTNESS.
3. TIRES- INSPECT FOR WEAR AND DAMAGE AND CHECK FOR RECOMMENDED AIR PRESSURE.
4. LIGHTING- TEST FOR PROPER OPERATION OF ALL INTERIOR AND EXTERIOR LIGHTS INCLUDING DASH LIGHTS, HEADLIGHTS, TAIL LIGHTS, BRAKE LIGHTS, CLEARANCE LIGHTS AND TURN SIGNALS.
5. EXITS- INSPECT RELEASE MECHANISM ON EMERGENCY EXIT WINDOW. TEST BOTH LOCKS ON MAIN ENTRANCE DOOR FOR EASE OF OPERATION AND INSTRUCT PASSENGERS HOW TO USE BOTH MEANS OF EXIT.
6. SEAT BELTS- DIRECT PASSENGERS TO DESIGNATED SEATS AND REQUIRE USE OF SEAT BELTS.
7. APPLIANCES- TURN OFF AND LATCH OR LOCK DOORS WHERE PROVIDED.
8. LOOSE PARCELS- STORE SECURELY.
9. UTILITY SUPPLY LINES- DISCONNECT ALL ELECTRIC, SEWER AND WATER LINES AND SECURE PROPERLY.
10. ENTRANCE DOOR STEP- PLACE IN RETRACTED POSITION FOR TRAVELING.

READ YOUR MOTOR HOME AND CHASSIS OWNER'S  
MANUAL FOR FURTHER PRECAUTIONS

**KEY PART NUMBER U/M DESCRIPTION**  
056259-01-000 EA LABEL - SAFETY CHECK LIST

UNLEADED FUEL ONLY

**KEY PART NUMBER U/M DESCRIPTION**  
062043-01-000 EA LABEL - FUEL - UNLEADED

**WARNING** DISCONNECT BATTERIES BEFORE  
CONNECTING EXTERNAL CHARGING EQUIPMENT.

**KEY PART NUMBER U/M DESCRIPTION**  
065748-01-000 EA LABEL - WARNING - BATTERY CHARGING - UL

AVERTISSEMENT : DEBRANCHER LES BATTERIES AVANT  
DE BRANCHER TOUT EQUIPEMENT DE CHARGE EXTERIEUR.

**KEY PART NUMBER U/M DESCRIPTION**  
065748-02-000 EA LABEL - WARNING - BATTERY CHARGING - CSA - CANADIAN

DIESEL FUEL ONLY

**KEY PART NUMBER U/M DESCRIPTION**  
068383-01-000 EA LABEL - DIESEL FUEL

### VEHICLE EMISSION CONTROL INFORMATION

THIS VEHICLE CONFORMS TO U.S. EPA  
REGULATIONS APPLICABLE TO XXXX MODEL  
YEAR NEW VEHICLES.

072887-01-000-2 CATALYST

**KEY PART NUMBER U/M DESCRIPTION**  
072887-14-000 EA LABEL - EPA - 2003 MODEL YEAR

## LABELS GROUP (CONTINUED)

### IF YOU SMELL GAS

1. EXTINGUISH ANY OPEN FLAME, PILOT LIGHTS AND ALL SMOKING MATERIALS.
2. DO NOT TOUCH ELECTRICAL SWITCHES.
3. SHUT OFF THE GAS SUPPLY AT THE TANK VALVE(S) OR GAS SUPPLY CONNECTION.
4. OPEN DOORS AND OTHER VENTILATING OPENINGS.
5. LEAVE THE AREA UNTIL ODOR CLEARS.
6. HAVE THE GAS SYSTEM CHECKED AND LEAKAGE SOURCE CORRECTED BEFORE USING AGAIN.

**KEY PART NUMBER U/M DESCRIPTION**  
 073998-01-000 EA LABEL - LPG ODOR WARNING

WARNING: TEST SMOKE DETECTOR  
 OPERATION AFTER VEHICLE HAS BEEN IN  
 STORAGE, BEFORE EACH TRIP AND AT  
 LEAST ONCE PER WEEK DURING USE.

**KEY PART NUMBER U/M DESCRIPTION**  
 077956-01-000 EA LABEL - WARNING - SMOKE DETECTOR

DO NOT FILL  
 LP-GAS CONTAINER(S)  
 TO MORE THAN 80%  
 OF CAPACITY.

**KEY PART NUMBER U/M DESCRIPTION**  
 079965-01-000 EA LABEL - LPG - 80% CAPACITY

WARNING  
 MUST BE STOWED  
 IN LATCHED POSITION  
 WHILE VEHICLE IS IN MOTION

**KEY PART NUMBER U/M DESCRIPTION**  
 079966-01-000 EA LABEL - WARNING - STOWED - MOTION

W  
A  
T  
E  
R    ON  
|  
H  
E  
A  
T  
E  
R    OFF

**KEY PART NUMBER U/M DESCRIPTION**  
 083588-01-000 EA LABEL - ON/OFF - WATER HEATER

E  
N  
G  
I  
N  
E    ON  
|  
H  
E  
A  
T  
E  
R    OFF

**KEY PART NUMBER U/M DESCRIPTION**  
 083588-02-000 EA LABEL - ON/OFF - ENGINE HEATER  
 083588-04-000 EA LABEL - ON/OFF - ENGINE HEATER

## LABELS GROUP (CONTINUED)

<b>CAUTION</b>  FUEL SPRAY MAY CAUSE PERSONAL INJURY	TO HELP AVOID PERSONAL INJURY DURING REMOVAL OF FUEL FILLER CAP, SLOWLY LOOSEN CAP 1/2 TURN TO ALLOW ANY FUEL PRESSURE TO BE RELIEVED BEFORE TURNING CAP FURTHER.  STOP ADDING FUEL AFTER FIRST SHUTOFF BY AUTOMATIC NOZZLE WHEN TANK IS NEARLY FULL. DO NOT OVERFILL FUEL TANK.  SEE OWNERS MANUAL FOR ADDITIONAL INFORMATION.  PRINTED IN U.S.A. <span style="float: right;">WLC PT NO 15611763</span>
---	--

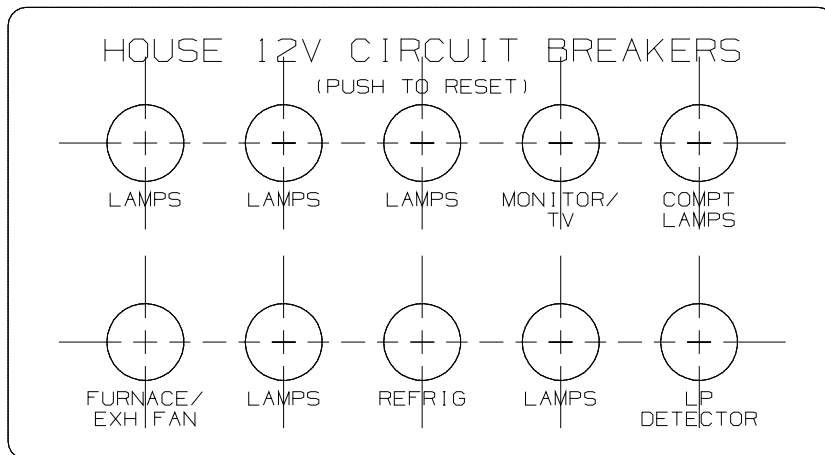
**KEY PART NUMBER U/M DESCRIPTION**  
 087207-05-000 EA LABEL - FUEL CAP REMOVAL



**KEY PART NUMBER U/M DESCRIPTION**  
 087236-01-000 EA LABEL - CABLE - INPUT

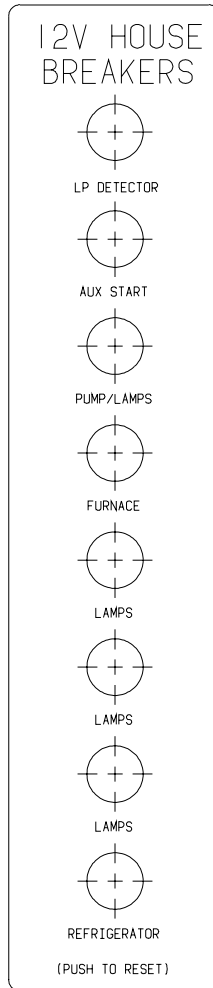


**KEY PART NUMBER U/M DESCRIPTION**  
 087236-02-000 EA LABEL - TV OUTLET

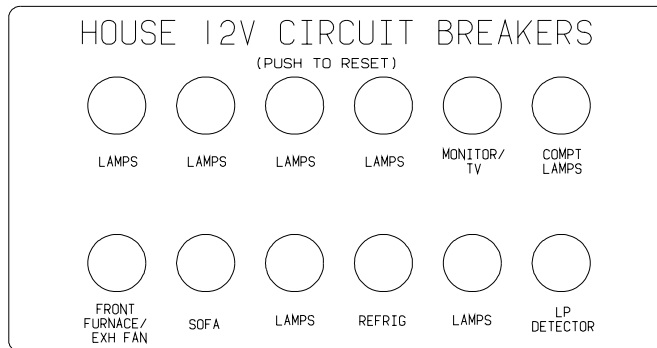


**KEY PART NUMBER U/M DESCRIPTION**  
 092547-06-000 EA LABEL - CIRCUIT BREAKER

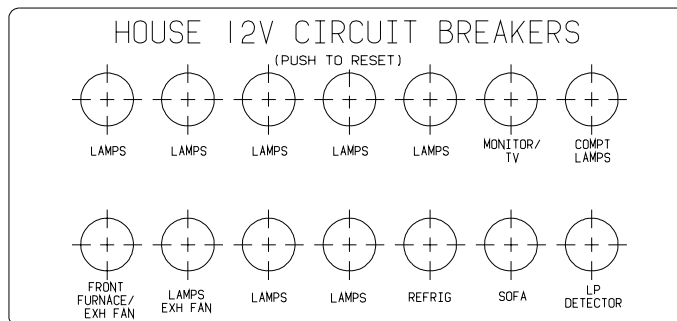
## LABELS GROUP (CONTINUED)



KEY	PART NUMBER	U/M DESCRIPTION
	092547-08-000	EA LABEL - CIRCUIT BREAKER



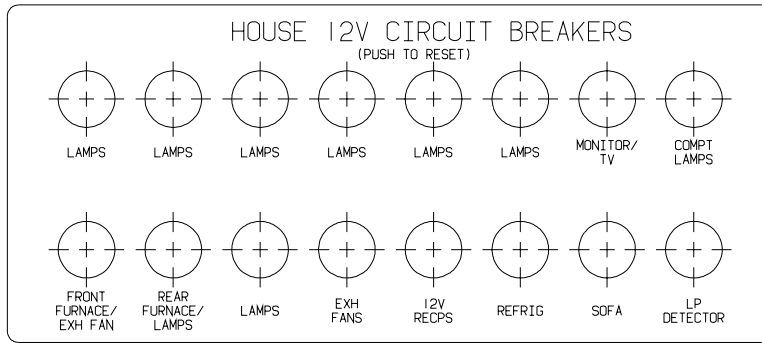
KEY	PART NUMBER	U/M DESCRIPTION
	092547-10-000	EA LABEL - CIRCUIT BREAKER



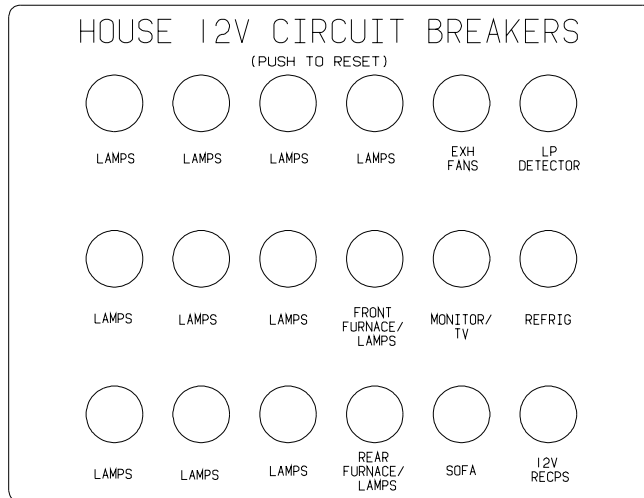
KEY	PART NUMBER	U/M DESCRIPTION
	092547-12-000	EA LABEL - CIRCUIT BREAKER



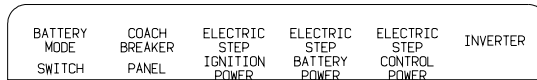
## LABELS GROUP (CONTINUED)



<b>KEY</b>	<b>PART NUMBER</b>	<b>U/M</b>	<b>DESCRIPTION</b>
	092547-13-000	EA	LABEL - CIRCUIT BREAKER

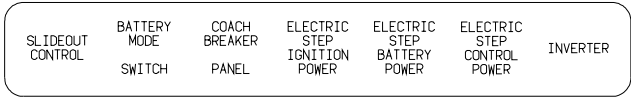


<b>KEY</b>	<b>PART NUMBER</b>	<b>U/M</b>	<b>DESCRIPTION</b>
	092547-14-000	EA	LABEL - CIRCUIT BREAKER

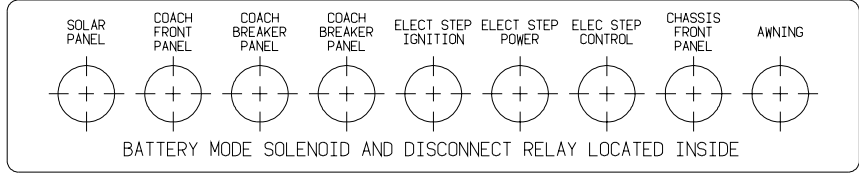


<b>KEY</b>	<b>PART NUMBER</b>	<b>U/M</b>	<b>DESCRIPTION</b>
	093236-08-000	EA	LABEL - CIRCUIT BREAKER

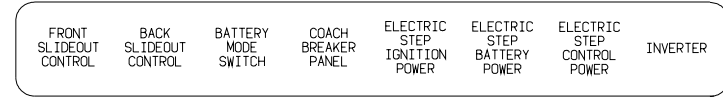
## LABELS GROUP (CONTINUED)



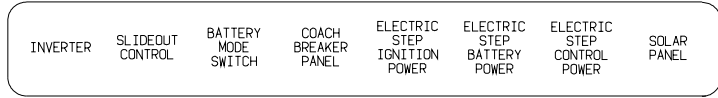
**KEY PART NUMBER**      **U/M DESCRIPTION**  
 093236-21-000      EA LABEL - CIRCUIT BREAKER



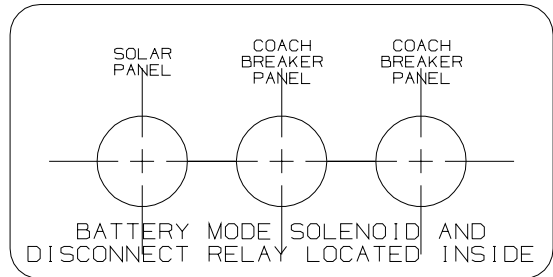
**KEY PART NUMBER**      **U/M DESCRIPTION**  
 093236-26-000      EA LABEL - CIRCUIT BREAKER



**KEY PART NUMBER**      **U/M DESCRIPTION**  
 093236-28-000      EA LABEL - CIRCUIT BREAKER

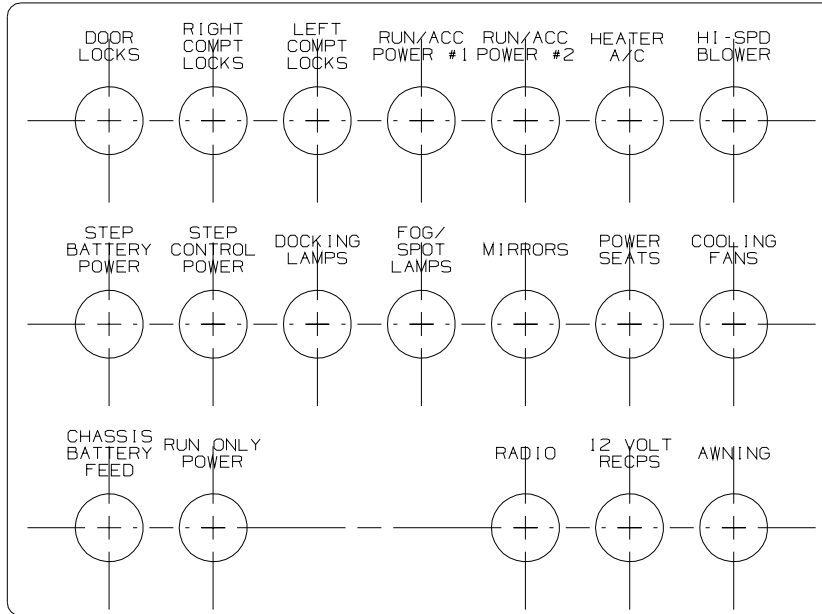


**KEY PART NUMBER**      **U/M DESCRIPTION**  
 093236-29-000      EA LABEL - CIRCUIT BREAKER



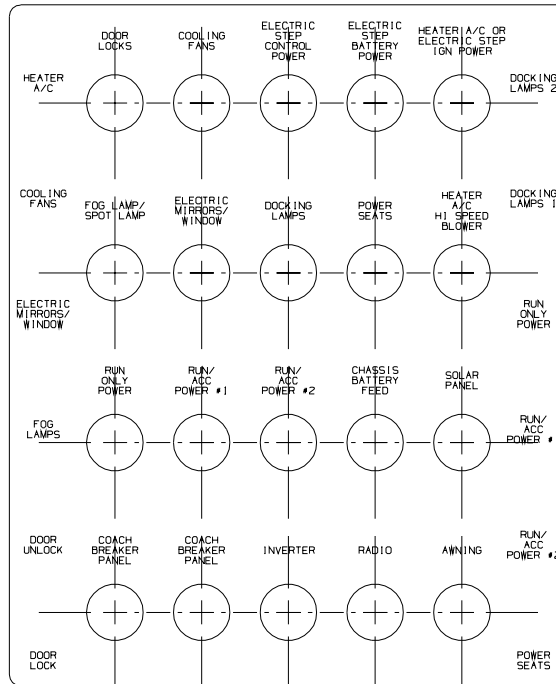
**KEY PART NUMBER**      **U/M DESCRIPTION**  
 093236-31-000      EA LABEL - CIRCUIT BREAKER

## LABELS GROUP (CONTINUED)



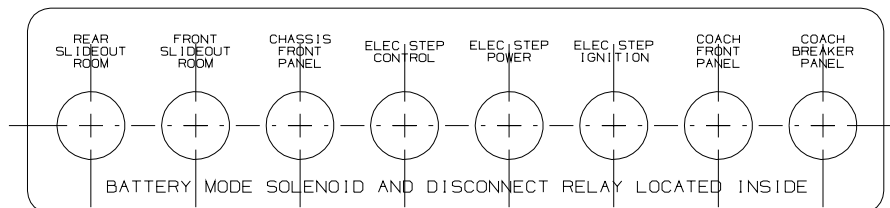
**KEY PART NUMBER**  
093236-32-000

**U/M DESCRIPTION**  
EA LABEL - CIRCUIT BREAKER



**KEY PART NUMBER**  
093236-33-000

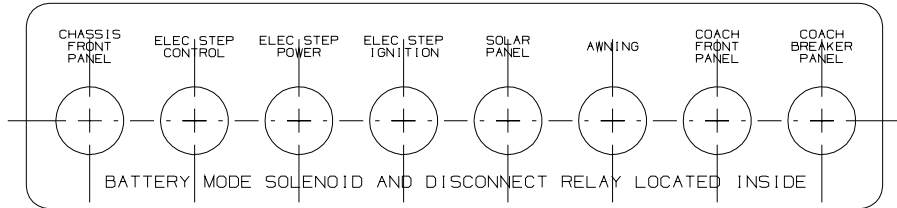
**U/M DESCRIPTION**  
EA LABEL - CIRCUIT BREAKER



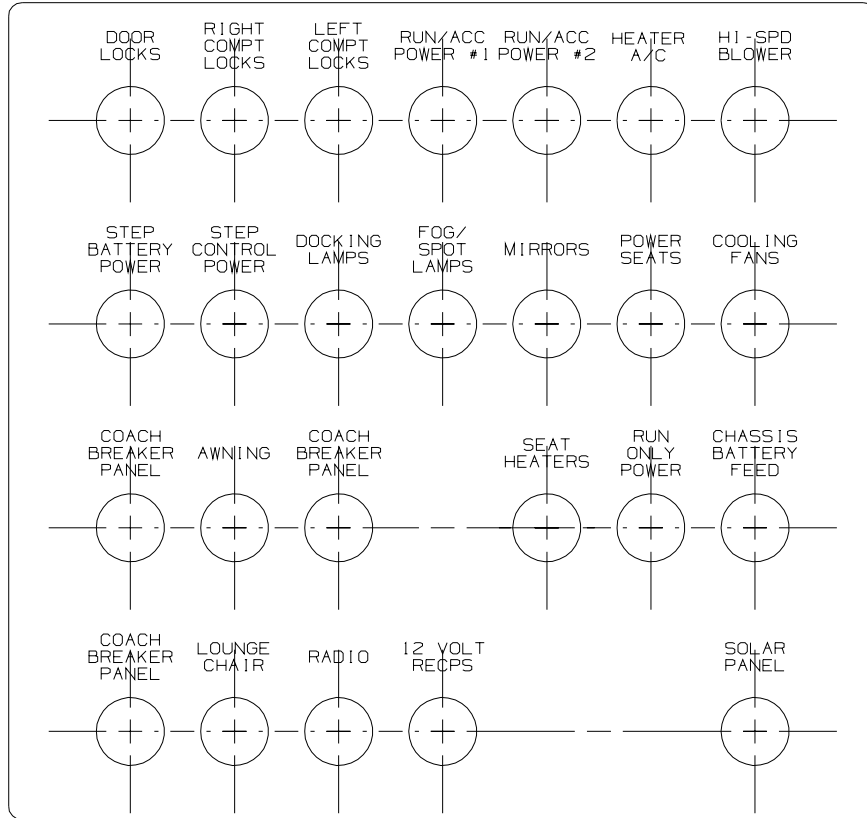
**KEY PART NUMBER**  
093236-34-000

**U/M DESCRIPTION**  
EA LABEL - CIRCUIT BREAKER

## LABELS GROUP (CONTINUED)



KEY	PART NUMBER	U/M	DESCRIPTION
	093236-35-000	EA	LABEL - CIRCUIT BREAKER



KEY	PART NUMBER	U/M	DESCRIPTION
	093236-37-000	EA	LABEL - CIRCUIT BREAKER

## LABELS GROUP (CONTINUED)

S U B  M A I N	D I S H W A S H E R	R E C P S  1	R E C P S  2	R E C P S  3	M I C R O W A V E
-------------------------------------	--	--------------------------------	--------------------------------	--------------------------------	---

**KEY PART NUMBER U/M DESCRIPTION**  
 095721-20-000 EA LABEL - CONTROL CENTER W/INVERTER

A / C  C I R C U I T  1	M A I N	A / C  C I R C U I T  2	R E F R I G / C O N V	M I C R O W A V E	R E C P S  1	R E C P S  2	R E C P S  3		
---	------------------	---	---	---	--------------------------------	--------------------------------	--------------------------------	--	--

**KEY PART NUMBER U/M DESCRIPTION**  
 095721-27-000 EA LABEL - CONTROL CENTER - 30 AMP

A / C  C I R C U I T  1	M A I N	A / C  C I R C U I T  2	R E F R I G / C O N V	M I C R O W A V E	R E C P S  1	R E C P S  2	R E C P S  3	W A S H E R / D R Y E R	W A T E R  H E A T E R	
---	------------------	---	---	---	--------------------------------	--------------------------------	--------------------------------	--	---	--

**KEY PART NUMBER U/M DESCRIPTION**  
 095721-31-000 EA LABEL - CONTROL CENTER - 30 AMP - US

## LABELS GROUP (CONTINUED)

A / C C I R C U I T 1	M A I N	M A I N	A / C C I R C U I T 2	R E F F R I G / C O N V	M I C R O W A V E	R E C P S 1	R E C P S 2	R E C P S 3	W A S H E R / D R Y E R	W A T E R H E A T E R
-----------------------------	---------	---------	-----------------------------	-------------------------	-------------------	----------------	----------------	----------------	-------------------------	--------------------------

**KEY PART NUMBER U/M DESCRIPTION**  
 095721-33-000 EA LABEL - CONTROL CENTER - 50 AMP - US

M A I N	M I C R O W A V E	G F I / R E C P S	R E F E R / C O N V	W A T E R H T R	A / C
---------	-------------------	-------------------	---------------------	-----------------	-------

**KEY PART NUMBER U/M DESCRIPTION**  
 095721-38-000 EA LABEL - CONTROL CENTER - 30 AMP - US

A / C C I R C U I T 1	M A I N	M A I N	A / C C I R C U I T 2	I N V E R T E R / C H A R G E E R	W A S H E R / D R Y E R	W A T E R H E A T E R	W A T E R H E A T E R	D I S H W A S H E R	F I R E P L A C C E / R E C P S 4	F I R E P L A C C E / R E C P S 4
-----------------------------	---------	---------	-----------------------------	--------------------------------------	-------------------------	--------------------------	--------------------------	---------------------	---	---

**KEY PART NUMBER U/M DESCRIPTION**  
 095721-44-000 EA LABEL - CONTROL CENTER - 30 AMP - US

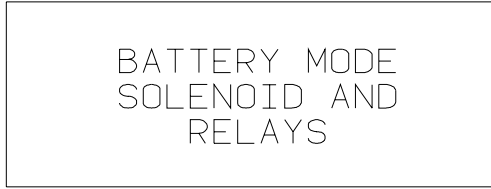
AUTOMOTIVE AND COACH  
CIRCUIT BREAKERS

**KEY PART NUMBER U/M DESCRIPTION**  
 098379-01-000 EA LABEL - CIRCUIT BREAKER - FRONT BOX

CIRCUIT BREAKERS  
AND AUTOMOTIVE  
FUSE PANEL

**KEY PART NUMBER U/M DESCRIPTION**  
 098379-03-000 EA LABEL - ELECTRICAL BOX - FRONT

**LABELS GROUP (CONTINUED)**



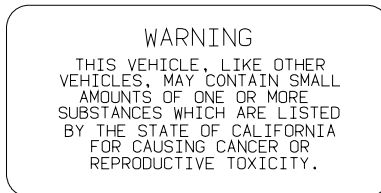
**KEY PART NUMBER U/M DESCRIPTION**  
098379-04-000 EA LABEL - ELECTRICAL BOX - SIDE



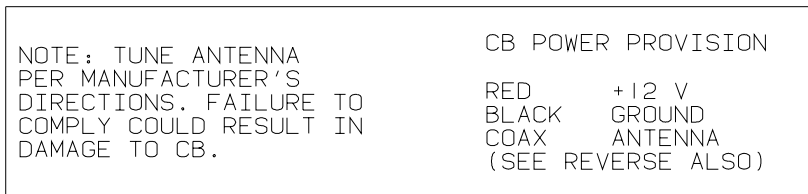
**KEY PART NUMBER U/M DESCRIPTION**  
098641-01-000 EA LABEL - FUEL - UNLEADED - DASH



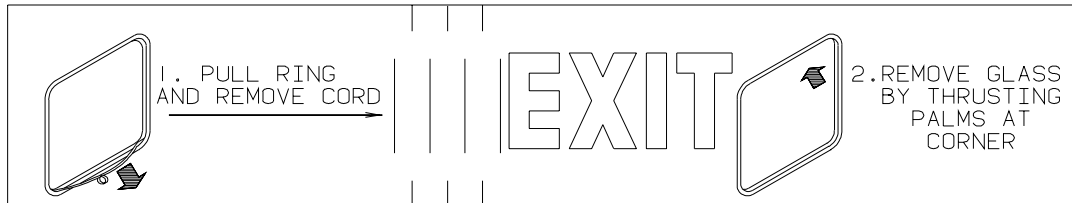
**KEY PART NUMBER U/M DESCRIPTION**  
099509-01-000 EA LABEL - AWNING INSTALLATION



**KEY PART NUMBER U/M DESCRIPTION**  
099689-01-000 EA LABEL - WARNING - CANCER/TOXICITY

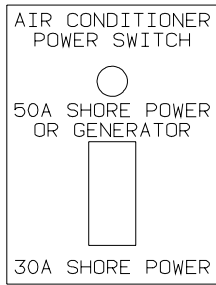


**KEY PART NUMBER U/M DESCRIPTION**  
104678-01-000 EA LABEL - CB PREP



**KEY PART NUMBER U/M DESCRIPTION**  
107571-01-000 EA LABEL - EXIT/ESCAPE WINDOW

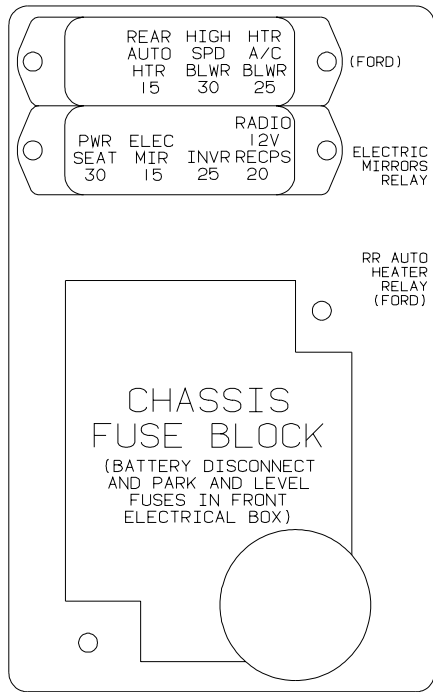
## LABELS GROUP (CONTINUED)



KEY	PART NUMBER	U/M DESCRIPTION
	109051-02-000	EA LABEL - SWITCH - 50 AMP POWER



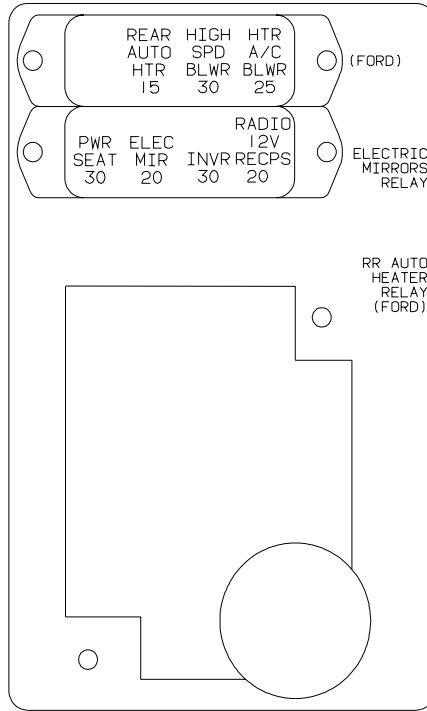
KEY	PART NUMBER	U/M DESCRIPTION
	111104-01-000	EA LABEL - HITCH - READ MANUAL - WHITE



KEY	PART NUMBER	U/M DESCRIPTION
	111537-08-000	EA LABEL - FUSES



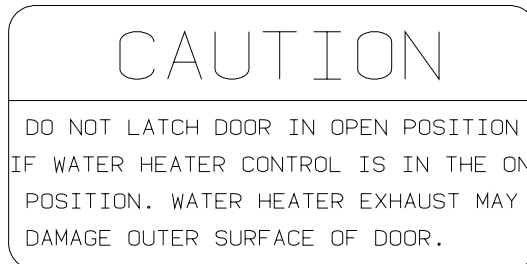
## LABELS GROUP (CONTINUED)



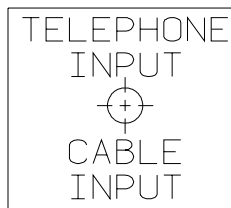
**KEY PART NUMBER U/M DESCRIPTION**  
 111537-09-000 EA LABEL - FUSES

WARNING: CONTAINS "CFC" A SUBSTANCE WHICH HARMS PUBLIC HEALTH AND ENVIRONMENT BY DESTROYING OZONE IN THE UPPER ATMOSPHERE.

**KEY PART NUMBER U/M DESCRIPTION**  
 111802-01-000 EA LABEL - CFC WARNING

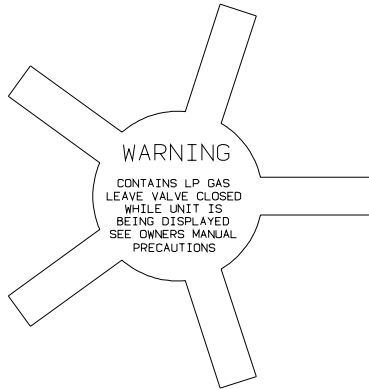


**KEY PART NUMBER U/M DESCRIPTION**  
 113402-01-000 EA LABEL - CAUTION - WATER HEATER EXHAUST



**KEY PART NUMBER U/M DESCRIPTION**  
 114866-02-000 EA LABEL - PHONE & CABLE INPUT - WHITE/CLEAR BACKGROUND

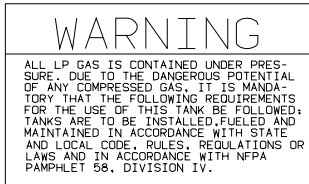
## LABELS GROUP (CONTINUED)



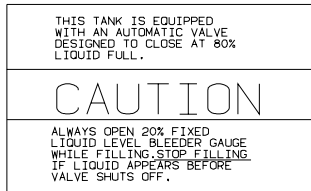
**KEY PART NUMBER U/M DESCRIPTION**  
 115600-01-000 EA LABEL - WARNING LPG VALVE

WARNING: REPLACE TIRE ONLY WITH ONE OF EXACTLY SAME TYPE AND RATING. DO NOT REPLACE WITH PASSENGER CAR TIRE. SEE OPERATOR'S MANUAL FOR MORE INFORMATION CALL WINNEBAGO OWNER RELATIONS AT 1-800-537-1885.

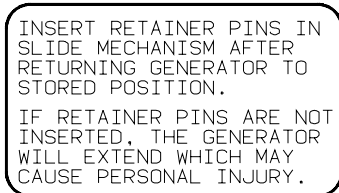
**KEY PART NUMBER U/M DESCRIPTION**  
 115869-01-000 EA LABEL - WARNING - TIRE



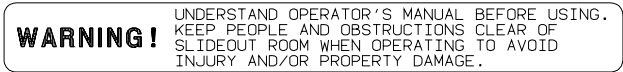
**KEY PART NUMBER U/M DESCRIPTION**  
 116112-01-000 EA LABEL - CAUTION - LP



**KEY PART NUMBER U/M DESCRIPTION**  
 116113-01-000 EA LABEL - CAUTION - LP

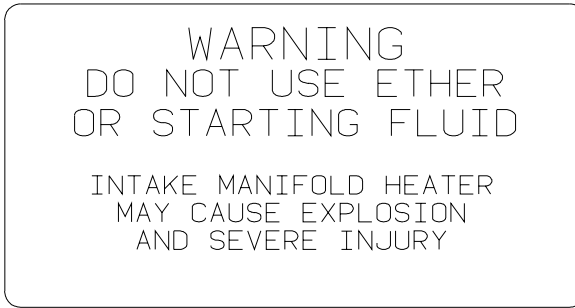


**KEY PART NUMBER U/M DESCRIPTION**  
 116273-01-000 EA LABEL - WARNING - GENERATOR



**KEY PART NUMBER U/M DESCRIPTION**  
 116549-01-000 EA LABEL - WARNING - SLIDEOUT

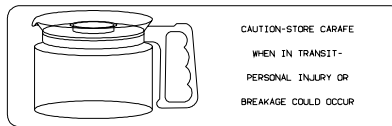
**LABELS GROUP (CONTINUED)**



KEY	PART NUMBER	U/M DESCRIPTION
	116756-02-000	EA LABEL - WARNING - ETHER/STARTING - RED W/CLEAR BACKGROUND
	116756-03-000	EA LABEL - WARNING - ETHER/STARTING - RED W/WHITE BACKGROUND



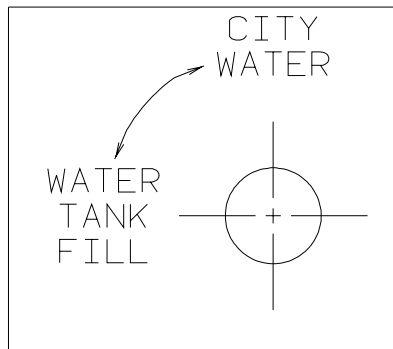
KEY	PART NUMBER	U/M DESCRIPTION
	116775-01-000	EA LABEL/CAUTION - TRAVEL LATCH



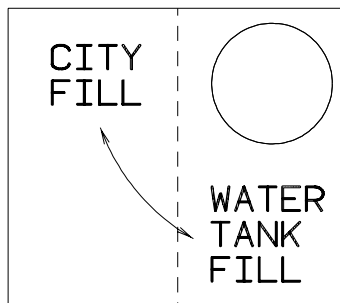
KEY	PART NUMBER	U/M DESCRIPTION
	116829-02-000	EA LABEL - COFFEEMAKER



KEY	PART NUMBER	U/M DESCRIPTION
	117628-02-000	EA LABEL - SWITCH - WATER PUMP/LIGHTS-WHITE/CLEAR BACKGROUND

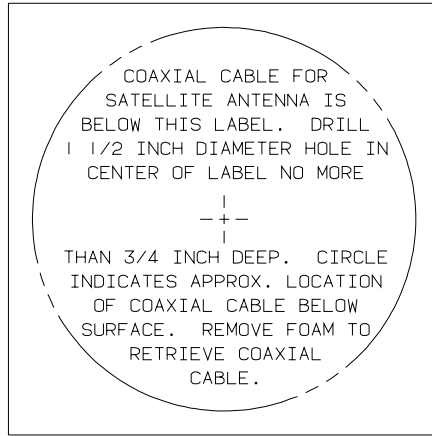


KEY	PART NUMBER	U/M DESCRIPTION
	117629-01-000	EA LABEL - WATER PUMP/FILL-BLK LETTER/CLEAR BACKGROUND-.24"
	117629-03-000	EA LABEL - WATER PUMP/FILL-BLK LETTERS/CLEAR BACKGROUND-.31"

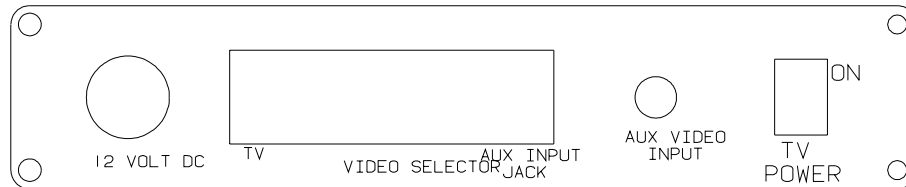


KEY	PART NUMBER	U/M DESCRIPTION
	117629-04-000	EA LABEL - CITY WATER/TANK FILL

## LABELS GROUP (CONTINUED)



**KEY PART NUMBER U/M DESCRIPTION**  
 120431-01-000 EA LABEL - LOCATION - COAXIAL CABLE/SATELLITE ANTENNA



**KEY PART NUMBER U/M DESCRIPTION**  
 120677-01-000 EA LABEL - TV

KEEP THE SERVICE INLET ACCESS  
 IN THE CLOSED POSITION WHEN  
 UTILITY CONNECTIONS ARE NOT IN USE

**KEY PART NUMBER U/M DESCRIPTION**  
 123562-01-000 EA LABEL - SERVICE/UTILITY ACCESS

WARNING  
 ALL PILOT LIGHTS, APPLIANCES AND THIER  
 IGNITORS (SEE OPERATING INSTRUCTIONS) SHALL  
 BE TURNED OFF DURING REFUELING OF MOTOR  
 FUEL TANKS AND/OR LP GAS CONTAINERS

**KEY PART NUMBER U/M DESCRIPTION**  
 124519-01-01A EA LABEL - WARNING/REFUELING - BLACK ON CLEAR  
 124519-01-02A EA LABEL - WARNING/REFUELING - WHITE ON CLEAR

WARNING:  
 ALL PILOT LIGHTS AND APPLIANCES SHALL BE TURNED  
 OFF DURING REFUELING OF MOTOR FUEL TANKS AND/  
 OR PROPANE CONTAINERS.  
 AVERTISSEMENT:  
 FERMER TOUTES LES VEILLEUSES AINSI QUE TOUTS LES  
 APPAREILS LORSQU'ON FAIT LE PLEIN DES RESERVOIRS  
 A CARBURANT OU A PROPANE.  
 124519-02

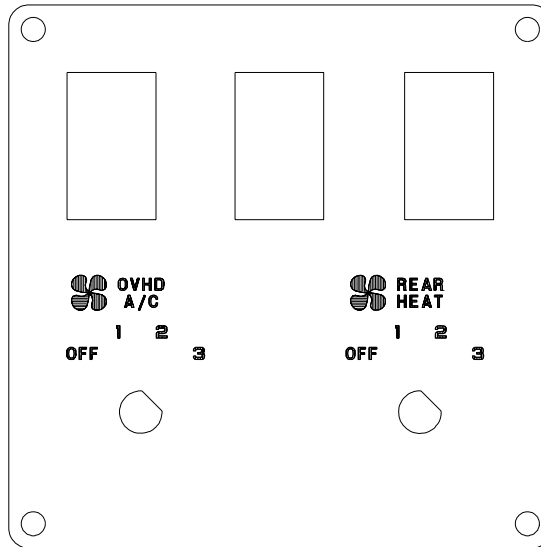
**KEY PART NUMBER U/M DESCRIPTION**  
 124519-02-01A EA LABEL - WARNING/REFUELING - BLACK ON CLEAR - CSA  
 124519-02-02A EA LABEL - WARNING/REFUELING - WHITE ON CLEAR - CSA

## LABELS GROUP (CONTINUED)

LP-GAS SYSTEM  
 THIS GAS PIPING SYSTEM IS  
 DESIGNED FOR USE OF  
 LIQUIFIED PETROLEUM GAS  
 ONLY. DO NOT CONNECT  
 NATURAL GAS TO THIS  
 SYSTEM.  
 SECURE CAP INLET(S) WHEN NOT  
 CONNECTED FOR USE. AFTER TURNING  
 ON GAS, EXCEPT AFTER NORMAL  
 CONTAINER REPLACEMENT, TEST GAS  
 PIPING AND CONNECTIONS TO  
 APPLIANCES FOR LEAKAGE WITH SOAPY  
 WATER OR BUBBLE SOLUTION. DO NOT  
 USE PRODUCTS THAT CONTAIN AMMONIA  
 OR CLORINE.

124520

KEY	PART NUMBER	U/M	DESCRIPTION
	124520-01-01A	EA	LABEL - LP GAS ONLY - BLACK ON CLEAR
	124520-01-02A	EA	LABEL - LP GAS ONLY - WHITE ON CLEAR



KEY	PART NUMBER	U/M	DESCRIPTION
	124572-01-000	EA	LABEL - SWITCHES

THIS CONNECTION IS FOR  
 (B) VOLT AC, 60 HZ(CYCLES)  
 (A) AMPERE SUPPLY

DO NOT CONNECT TO  
 HIGHER VOLTAGE

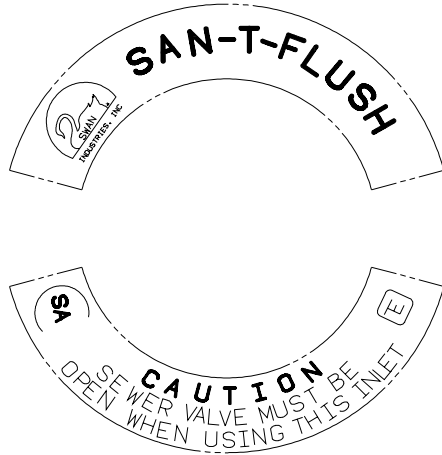
KEY	PART NUMBER	U/M	DESCRIPTION
	125306-01-01A	EA	LABEL - ELECTRICAL ENTRANCE - 110V 30 AMP - BLACK ON CLEAR

## LABELS GROUP (CONTINUED)

THIS CONNECTION IS FOR  
 (B) VOLT AC, 3-POLE, 4 WIRE  
 60 HZ (CYCLES), (A) AMPERE SUPPLY

DO NOT CONNECT TO  
 HIGHER VOLTAGE

KEY	PART NUMBER	U/M	DESCRIPTION
	125306-04-01A	EA	LABEL-ELECTRICAL ENTRANCE-120/240V 50 AMP-BLACK ON CLEAR
	125306-04-02A	EA	LABEL - ELECTRICAL ENTRANCE-120/240V 50 AMP-WHITE ON CLEAR



KEY	PART NUMBER	U/M	DESCRIPTION
	125697-07-000	EA	LABEL - CAUTION - FLUSHING SYSTEM

REMOVE PRIMARY TIRE HANGER BEFORE USING  
 SPARE TIRE HOIST-SEE OWNERS MANUAL - PERSONAL  
 INJURY MAY RESULT IF NOT FOLLOWED

KEY	PART NUMBER	U/M	DESCRIPTION
	126024-01-01A	EA	LABEL - TIRE HANGER REMOVAL

# GRAY HOLDING TANK

KEY	PART NUMBER	U/M	DESCRIPTION
	126247-01-000	EA	LABEL - GRAY HOLDING TANK-WHITE LETTERS/CLEAR BACKGROUND
	126247-05-000	EA	LABEL - GRAY HOLDING TANK-BLACK LETTERS/CLEAR BACKGROUND

# BLACK HOLDING TANK

KEY	PART NUMBER	U/M	DESCRIPTION
	126247-02-000	EA	LABEL - BLACK HOLDING TANK-WHITE LETTERS/BLACK BACKGROUND
	126247-06-000	EA	LABEL - BLACK HOLDING TANK-BLACK LETTERS/CLEAR BACKGROUND

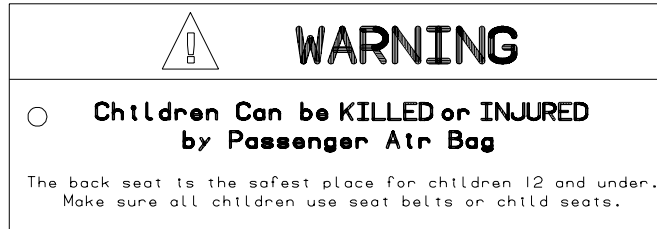
# EXTERIOR SHOWER

KEY	PART NUMBER	U/M	DESCRIPTION
	126248-03-000	EA	LABEL - EXTERIOR SHOWER

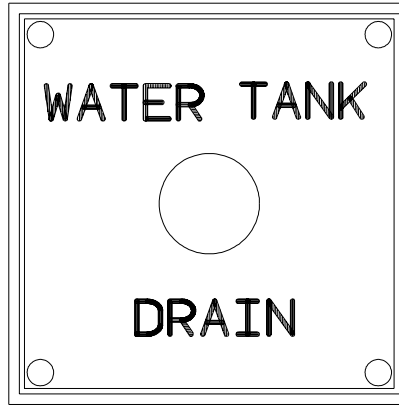
# CITY WATER FILL

KEY	PART NUMBER	U/M	DESCRIPTION
	126249-03-000	EA	LABEL - CITY WATER FILL-BLK LETTERS/CLEAR BACKGROUND .31"

**LABELS GROUP (CONTINUED)**



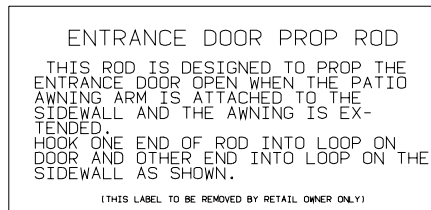
**KEY PART NUMBER U/M DESCRIPTION**  
 126612-01-000 EA LABEL - HANG TAG - AIR BAG - DASH



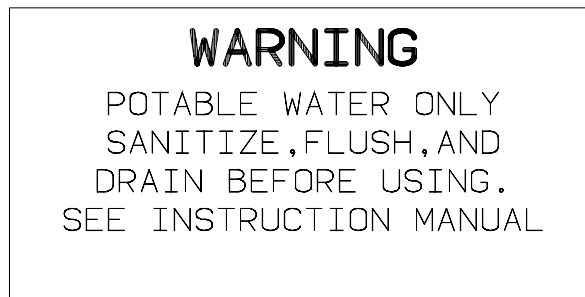
**KEY PART NUMBER U/M DESCRIPTION**  
 127170-01-000 EA LABEL - WATER TANK DRAIN



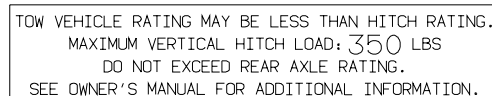
**KEY PART NUMBER U/M DESCRIPTION**  
 128218-01-01A EA LABEL - WARNING - SLIPPERY ROOF



**KEY PART NUMBER U/M DESCRIPTION**  
 128658-01-000 EA LABEL - PROP ROD - ENTRY DOOR



**KEY PART NUMBER U/M DESCRIPTION**  
 128725-01-01A EA LABEL - POTABLE WATER ONLY - BLACK ON CLEAR

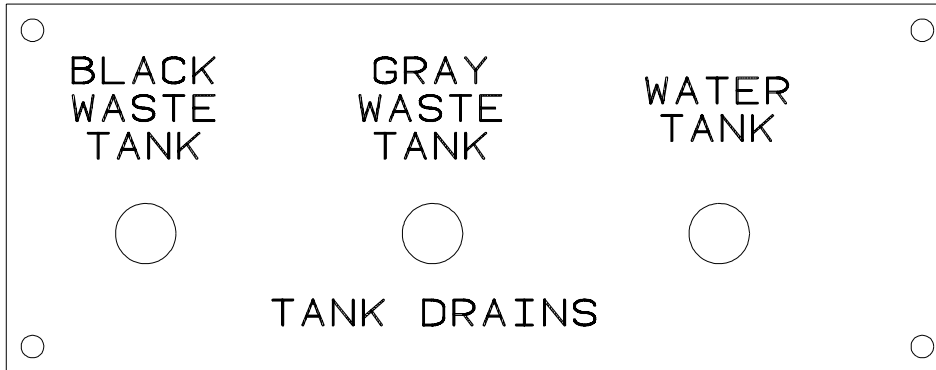


**KEY PART NUMBER U/M DESCRIPTION**  
 129669-01-01A EA LABEL - HITCH/VEHICLE RATE - 350 - WHITE ON CLEAR  
 129669-01-02A EA LABEL - HITCH/VEHICLE RATE - 350 - BLACK ON CLEAR  
 129669-02-01A EA LABEL - HITCH/VEHICLE RATE - 500 - WHITE ON CLEAR  
 129669-02-02A EA LABEL - HITCH/VEHICLE RATE - 500 - BLACK ON CLEAR

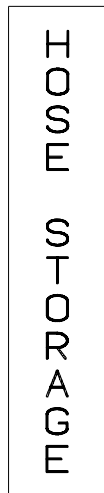
**LABELS GROUP (CONTINUED)**

TIRE ROTATION  
SEE RIALTA OWNERS MANUAL  
SECTION 9

**KEY PART NUMBER U/M DESCRIPTION**  
129684-01-000 EA LABEL - TIRE ROTATION



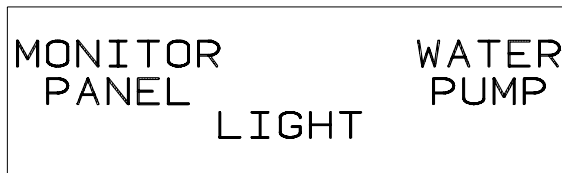
**KEY PART NUMBER U/M DESCRIPTION**  
130166-01-000 EA LABEL - DRAIN



**KEY PART NUMBER U/M DESCRIPTION**  
130167-02-000 EA LABEL - HOSE STORAGE



**KEY PART NUMBER U/M DESCRIPTION**  
130168-01-000 EA LABEL - WASTE TANK FLUSH



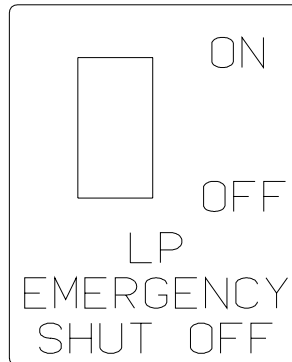
**KEY PART NUMBER U/M DESCRIPTION**  
130170-01-000 EA LABEL - SWITCH PANEL - BLK/CLEAR BACKGROUND-1.8"H X 5.9"L



**LABEL GROUP (CONTINUED)**



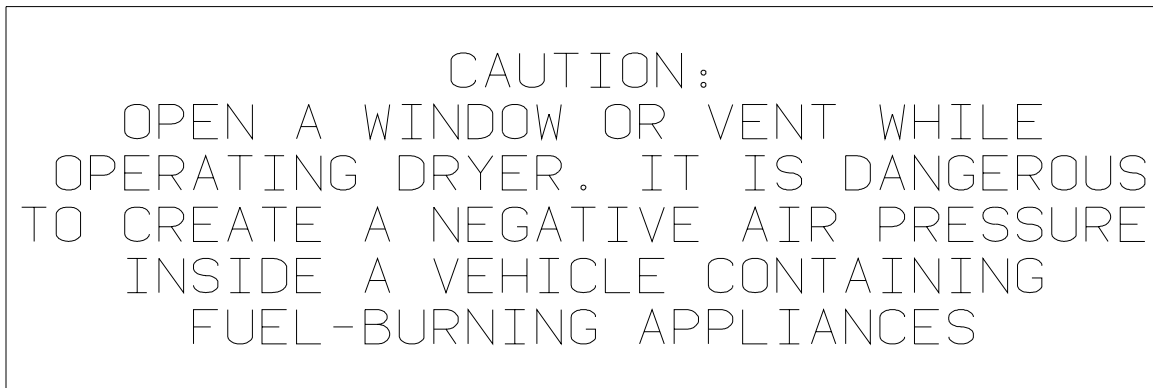
**KEY PART NUMBER U/M DESCRIPTION**  
130170-02-000 EA LABEL - SWITCH PANEL-BLK/CLEAR BACKGROUND-1.4"H X 3.9"L



**KEY PART NUMBER U/M DESCRIPTION**  
130170-04-000 EA LABEL - SWITCH PANEL



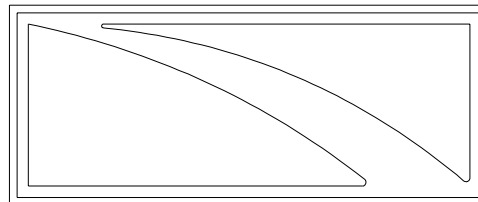
**KEY PART NUMBER U/M DESCRIPTION**  
130170-05-000 EA LABEL - SWITCH PANEL



**KEY PART NUMBER U/M DESCRIPTION**  
130670-01-01A EA LABEL - CAUTION DRYER VENTING - BLACK ON CLEAR

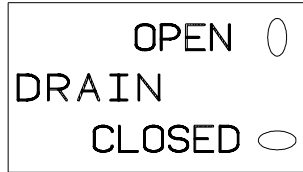


**KEY PART NUMBER U/M DESCRIPTION**  
131779-01-01A EA LABEL - GENERATOR



**KEY PART NUMBER U/M DESCRIPTION**  
132651-01-01A EA DECAL - MIRROR/GALLEY

**LABEL GROUP (CONTINUED)**



**KEY PART NUMBER U/M DESCRIPTION**  
 133423-01-01A EA LABEL - DRAIN



**KEY PART NUMBER U/M DESCRIPTION**  
 133424-01-01A EA LABEL - WATER HEATER BYPASS - BLACK/CLEAR



**KEY PART NUMBER U/M DESCRIPTION**  
 133424-02-01A EA LABEL - NORMAL OPERATION



**KEY PART NUMBER U/M DESCRIPTION**  
 133424-03-01A EA LABEL - WATER HEATER BYPASS - BLACK/CLEAR



**KEY PART NUMBER U/M DESCRIPTION**  
 133533-01-01A EA LABEL - JACKS DOWN - CLEAR W/WHITE LETTERING



**KEY PART NUMBER U/M DESCRIPTION**  
 133533-02-01A EA LABEL - CHECK ANTENNA - CLEAR W/WHITE LETTERING



**KEY PART NUMBER U/M DESCRIPTION**  
 133533-03-01A EA LABEL - LOCK/UNLOCK - BLACK/WHITE

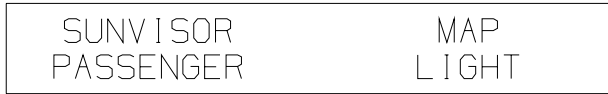


**KEY PART NUMBER U/M DESCRIPTION**  
 133533-04-01A EA LABEL - WINDOW/MIRROR HEAT- BLACK/CLEAR

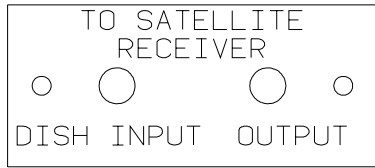


**KEY PART NUMBER U/M DESCRIPTION**  
 133533-05-01A EA LABEL - SUNVISOR - DRIVER/PASSENGER - BLACK/CLEAR

## LABELS GROUP (CONTINUED)



**KEY PART NUMBER U/M DESCRIPTION**  
 133533-06-01A EA LABEL - MAP LIGHT/SUNVISOR - BLACK/CLEAR



**KEY PART NUMBER U/M DESCRIPTION**  
 134250-01-01A EA LABEL - SATELLITE RECEIVER - BLACK/CLEAR

THIS CHAIR IS NOT INTENDED FOR OCCUPANCY WHEN VEHICLE IS IN MOTION AND MUST BE RETURNED TO STOWED POSITION
--

DTS ISICE SIEGE N/EST PAS DESTINE A ETRE OCCUPE LORSQUE LE VEHICULE EST IN MOVEMENT ET IL FAUT QUE LE RANGER	THIS CHAIR IS NOT INTENDED FOR OCCUPANCY WHEN VEHICLE IS IN MOTION AND MUST BE RETURNED TO STOWED POSITION
---	--

**KEY PART NUMBER U/M DESCRIPTION**  
 134537-01-01A EA LABEL - OCCUPANCY - CHAIR - US

THIS SEAT IS NOT INTENDED FOR OCCUPANCY WHEN VEHICLE IS IN MOTION
---

**KEY PART NUMBER U/M DESCRIPTION**  
 134538-01-01A EA LABEL - OCCUPANCY - NO SEAT BELT - BLACK ON CLEAR - US

DST ISICE SIEGE N/EST PAS DESTINE A ETRE OCCUPE LORSQUE LE VEHICULE EST IN MOVVEMENT	THIS SEAT IS NOT INTENDED FOR OCCUPANCY WHILE VEHICLE IS IN MOTION
--	--

**KEY PART NUMBER U/M DESCRIPTION**  
 134538-02-01A EA LABEL - OCCUPANCY - NO SEAT BELT - BLACK ON CLEAR - CSA

<p style="font-size: 1.2em; margin: 0;">WARNING</p> <p style="margin: 5px 0;">IT IS NOT SAFE TO USE COOKING APPLICANCES FOR COMFORT HEATING</p> <p style="margin: 10px 0;">COOKING APPLICANCES NEED FRESH AIR FOR SAFE OPERATION BEFORE OPERATION.</p> <p style="margin: 10px 0;">1. OPEN OVERHEAD VENT OR TURN ON EXHAUST FAN AND; 2. OPEN WINDOW.</p>
---

**KEY PART NUMBER U/M DESCRIPTION**  
 134539-01-01A EA LABEL - WARNING - STOVE/HEATING - US - BLACK ON CLEAR

## LABELS GROUP (CONTINUED)

TO ENSURE A SUPPLY OF FRESH AIR TO OCCUPANTS, OPEN VENTILATORS WHEN FUEL-BURNING RANGE, FUEL-BURNING CARRY-ON APPLIANCES AND/OR FUEL-BURNING LIGHTS ARE IN OPERATION.	DE MANIERE A ASSURER UNE ALIMENTATION EN AIR FRAIS AUX OCCUPANTS, OUVRIER LES VENTILATEURS LORSQUE LA CUISINIERE LES APPAREILS DE CHAUFFAGE PORTABLES ET/OU LES LAMPES DE COMBUSTION D'HUILE SONT EN FONCTIONNEMENT.
COOKING APPLIANCES SHOULD NOT BE USED FOR SPACE HEATING PURPOSES.	LES APPAREILS DE CUISSON NE DOIVENT PAS SERVIR AU CHAUFFAGE DES LOCAUX.

**KEY PART NUMBER U/M DESCRIPTION**  
 134540-01-01A EA LABEL - WARNING - STOVE/HEATING - CSA - BLACK ON CLEAR

**HOLDING TANK HEATER**

TURN OFF WHEN NOT IN USE

SEE OPERATOR'S MANUAL

**KEY PART NUMBER U/M DESCRIPTION**  
 134563-01-01A EA LABEL - SWITCH - HEATER

THIS VEHICLE MAY INCLUDE MERCURY-CONTAINING DEVICES INSTALLED BY THE MANUFACTURER:

FLUORESCENT TUBES, RANGES WITH OVEN, HWH LEVEL SENSING UNIT.

REMOVE DEVICES BEFORE VEHICLE DISPOSAL UPON REMOVAL OF DEVICES: PLEASE REUSE, RECYCLE, OR DISPOSE AS HAZARDOUS WASTE

135869-01A

**KEY PART NUMBER U/M DESCRIPTION**  
 135869-01-01A EA LABEL - MERCURY CONTENT - BLACK ON CLEAR  
 135869-01-02A EA LABEL - MERCURY CONTENT - WHITE ON CLEAR

**LIQUID SOAP**

**KEY PART NUMBER U/M DESCRIPTION**  
 136047-01-01A EA LABEL - LIQUID SOAP

DOOR LOCK	DOOR UNLOCK	RIGHT COMPT DOOR LOCK	RIGHT COMPT DOOR UNLOCK	LEFT COMPT DOOR LOCK	LEFT COMPT DOOR UNLOCK	AUX START SOLENOID	AMP SOURCE
POWER MIRRORS	HEATER BLOWER	PASS HEATER BLOWER	FOG LAMPS	DOCKING LAMPS	DOCKING LAMPS SWITCH TRIGGER	COOLING FANS	

**KEY PART NUMBER U/M DESCRIPTION**  
 136161-01-01A EA LABEL - RELAY - MATTE BLACK/WHITE LETTERS

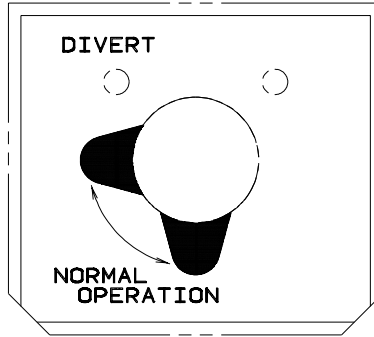
DOOR LOCK	DOOR UNLOCK	RIGHT COMPT DOOR LOCK	RIGHT COMPT DOOR UNLOCK	LEFT COMPT DOOR LOCK	LEFT COMPT DOOR UNLOCK	AUX START SOLENOID	RUN/ACC POWER #1	POWER SEATS
POWER MIRRORS	HEATER BLOWER	RUN ONLY POWER	FOG LAMPS	DOCKING LAMPS	DOCKING LAMPS SWITCH TRIGGER	COOLING FANS	RUN/ACC POWER #2	

**KEY PART NUMBER U/M DESCRIPTION**  
 136161-02-01A EA LABEL - RELAY - BLACK/WHITE

**LT - AIR BAGS - RT**

**KEY PART NUMBER U/M DESCRIPTION**  
 136360-01-01A EA LABEL - AIR BAGS

## LABELS GROUP (CONTINUED)



**KEY PART NUMBER**      **U/M DESCRIPTION**  
137997-01-01A      EA LABEL - WINTERIZATION VALVE - BLACK/CLEAR



**KEY PART NUMBER**      **U/M DESCRIPTION**  
140190-01-01A      EA DECAL/LOGO - V6 (DOMED) - CYAN/MAGENTA/YELLOW/BLACK

WASHER/DRYER  
BRACKETS

**KEY PART NUMBER**      **U/M DESCRIPTION**  
141523-01-01A      EA LABEL - WASHER/DRYER BRACKETS - BLACK/WHITE

 **WARNING:** COMPRESSED AIR CAN BE HAZARDOUS.

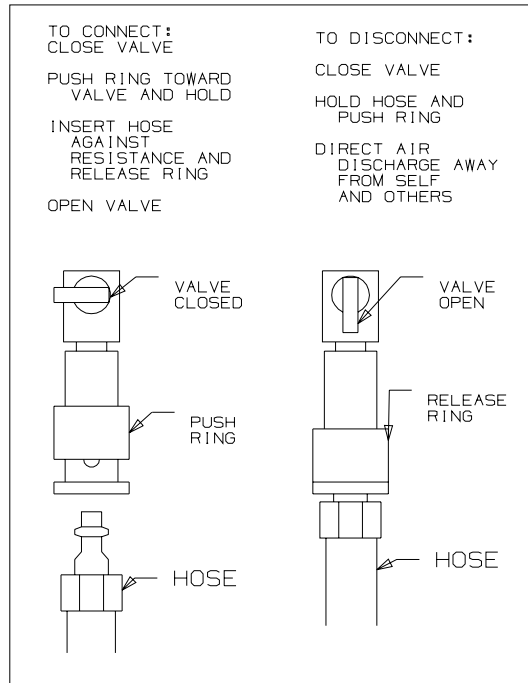
PROPER EYE PROTECTION MUST BE WORN WHEN  
CONNECTING, DISCONNECTING OR USING AIR HOSE.

CLOSE VALVE BEHIND CONNECTOR BEFORE  
CONNECTING OR DISCONNECTING AIR HOSE.

HOSE DISCONNECT WILL PRODUCE AIR DISCHARGE  
FROM HOSE. DIRECT AIR DISCHARGE AWAY FROM  
SELF AND OTHERS.

**KEY PART NUMBER**      **U/M DESCRIPTION**  
142771-01-01A      EA LABEL - WARNING/COMPRESSED AIR - WHITE LETTERING ON CLEAR

## LABELS GROUP (CONTINUED)



<b>KEY</b>	<b>PART NUMBER</b>	<b>U/M DESCRIPTION</b>
	142773-01-01A	EA LABEL - CONNECT/COMPRESS AIR - WHITE LETTERING ON CLEAR



<b>KEY</b>	<b>PART NUMBER</b>	<b>U/M DESCRIPTION</b>
	142908-01-000	EA LABEL - FREON CHARG

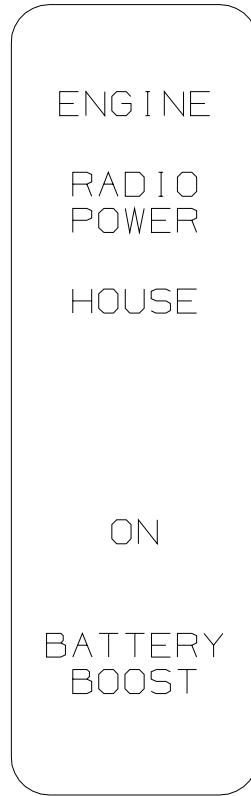


<b>KEY</b>	<b>PART NUMBER</b>	<b>U/M DESCRIPTION</b>
	144183-01-01A	EA LABEL - CAUTION RELEASE CATCH - WHITE/CLEAR

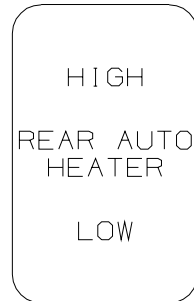


<b>KEY</b>	<b>PART NUMBER</b>	<b>U/M DESCRIPTION</b>
	144649-01-01A	EA LABEL - ADJUSTABLE VALVE - WHITE ON CLEAR

**LABELS GROUP (CONTINUED)**



<b>KEY</b>	<b>PART NUMBER</b>	<b>U/M DESCRIPTION</b>
	145731-01-01A	EA LABEL - SWITCH - RADIO/BATTERY - BLACK

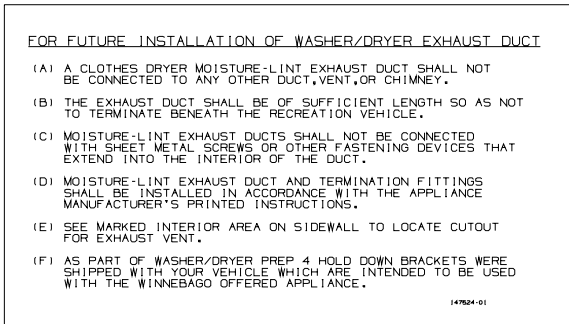


<b>KEY</b>	<b>PART NUMBER</b>	<b>U/M DESCRIPTION</b>
	145731-03-01A	EA LABEL - SWITCH - REAR AUTO HEATER - BLACK

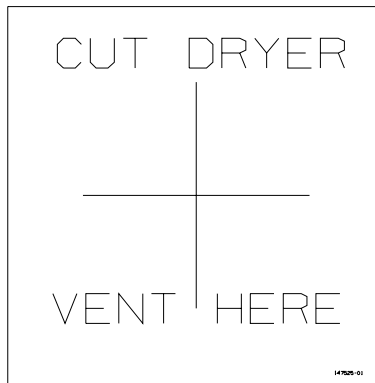
## LABELS GROUP (CONTINUED)



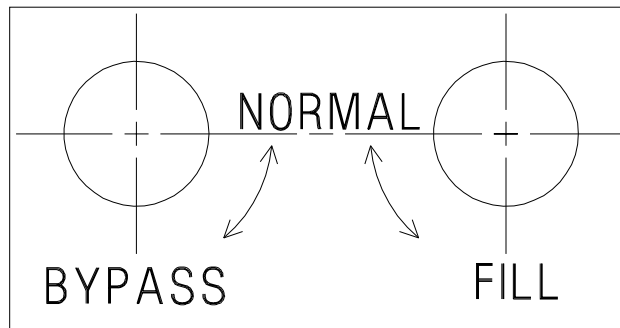
<b>KEY PART NUMBER</b> 146057-01-01A	<b>U/M DESCRIPTION</b> EA LABEL - LP SHUT OFF - RED LETTER/WHITE BACK
---	--



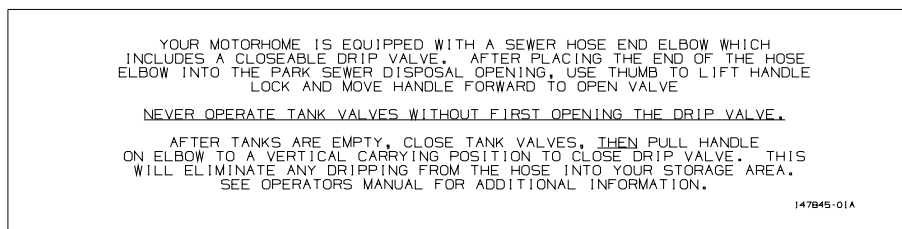
<b>KEY PART NUMBER</b> 147524-01-000	<b>U/M DESCRIPTION</b> EA LABEL - DRYER VENTING
---	--



<b>KEY PART NUMBER</b> 147525-01-000	<b>U/M DESCRIPTION</b> EA LABEL - DRYER VENT CUTOUT
---	--



<b>KEY PART NUMBER</b> 147581-01-01A	<b>U/M DESCRIPTION</b> EA LABEL - WATERFILL/BYPASS - BLACK/CLEAR
---	---



<b>KEY PART NUMBER</b> 147845-01-01A	<b>U/M DESCRIPTION</b> EA LABEL - DRIP VALVE - BLACK/WHITE
---	---



**LP GROUP**  
**LP SYSTEM**

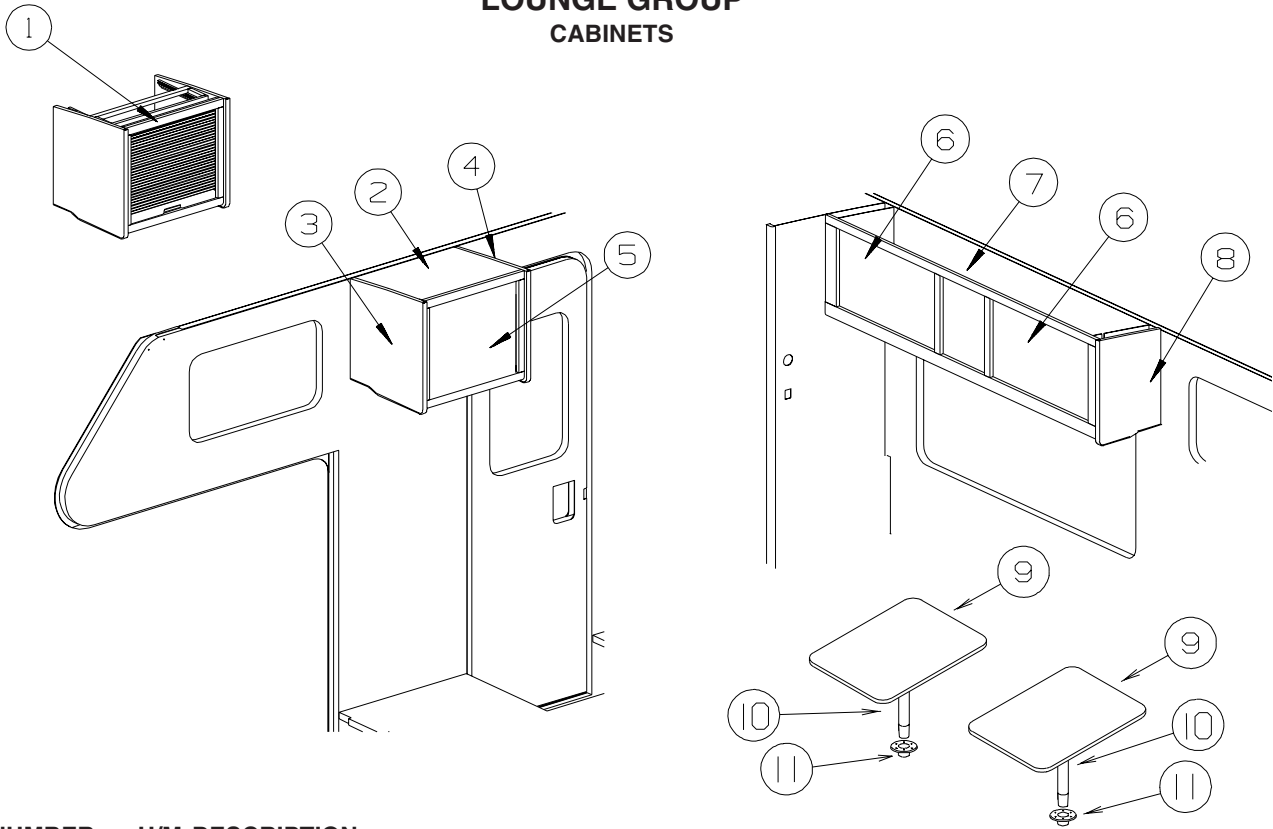
KEY	PART NUMBER	U/M	DESCRIPTION
*	144116-04-000	EA	TANK - LP - 60 LB - 14"D X 29.75"L
	103613-03-000	EA	DETECTOR - LP GAS - W/O SHUT-OFF VALVE FROM: 00-00-00 THRU: 02-08-04
	150138-01-01A	EA	DETECTOR - LP GAS - WHITE FROM: 02-09-04 THRU: 99-99-99
	150138-01-02A	EA	DETECTOR - LP GAS - BROWN FROM: 02-09-04 THRU: 99-99-99
	045703-01-000	EA	HOSE - LP - 3/8"ID X 24" - 3/8"MPT X 1/2"F SWIVEL - U.S.
	045703-02-000	EA	HOSE - LP - 3/8"ID X 24" - 3/8"MPT X 1/2"F SWIVEL - CANADA
	045703-03-000	EA	HOSE - LP - 3/8"ID X 18" - 3/8"MPT X 1/2"F SWIVEL - U.S.
	045703-05-000	EA	HOSE - LP - 3/8"ID X 28" - 3/8"MPT X 1/2"F SWIVEL - U.S.
	045703-06-000	EA	HOSE - LP - 3/8"ID X 28" - 3/8"MPT X 1/2"F SWIVEL - CANADA
	045703-07-000	EA	HOSE - LP - 3/8"ID X 10" - 3/8"MPT X 1/2"F SWIVEL - U.S.
	045703-11-000	EA	HOSE - LP - 3/8"ID X 36" - 3/8"MPT X 3/8"F SWIVEL - UL/CSA
	045703-12-000	EA	HOSE - LP - 3/8"ID X 18" - 3/8"MPT X 1/2"F SWIVEL - CANADA
	045703-15-000	EA	HOSE - LP - 3/8"ID X 142" - 1/2"F SWIVEL X 3/8"F SWIVEL
	106150-05-000	EA	REGULATOR - TWO STAGE - 322E, 322R, 324V, 329B, 329K, 331, 332G
	106150-06-000	EA	REGULATOR - TWO STAGE - 324F
	144485-01-000	EA	COVER - LP REGULATOR
	105658-01-000	EA	COMPARTMENT - LP REGULATOR - 324F, 332G
	010323-01-000	EA	ADAPTER - 3/8"F X 1/2"MPT - BRASS
	010326-01-000	EA	ADAPTER - FLARE - W/CONE GASKET - 3/8"F X 1/2"F
	010329-01-000	EA	ADAPTER - 1/2"F X 1/2"MPT - BRASS
	024250-01-000	EA	ADAPTER - BRASS - 3/8"F X 1/2"FPT
	057042-01-000	EA	ADAPTER - CROSS 1/2"PIPE
	010377-02-000	EA	NUT - 3/8" FLARE - FORGED - BRASS
	010380-02-000	EA	NUT - 1/2" FLARE - FORGED - BRASS
	010265-01-000	EA	ELBOW - BRASS - 90 DEGREE - 3/8"F X 1/2"FPT FROM: 00-00-00 THRU: 02-16-03
	010589-01-000	EA	NIPPLE - PIPE - 1/2" X 1 1/2" - BLACK
	010589-03-000	EA	NIPPLE - PIPE - 1/2" X 2 1/2" - BLACK
	145622-01-000	EA	NIPPLE - STEEL/PIPE - 1/4" X 6" - BLACK
	145639-01-02B	EA	BRACKET - REGULATOR - E-COATED
	040440-02-000	EA	TRANSMITTER - DIAL/BOLT-ON - 0-90 OHM 2 TERM(POWER/GROUND) FROM: 00-00-00 THRU: 04-30-03
	040440-03-000	EA	TRANSMITTER - DIAL/SNAP-ON - 0-90 OHM 2 TERM(POWER/GROUND) FROM: 05-01-03 THRU: 99-99-99
	111848-02-02B	EA	SHIELD - HEAT - EXHAUST - 322R
	111848-06-02B	EA	SHIELD - HEAT - EXHAUST - E-COATED - 322R, 324V
	137828-01-02B	EA	PANEL - ROCKGUARD/LP - E - COATED

\*COMPONENT PARTS LISTED LATER IN THIS GROUP

**LP GROUP (CONTINUED)**  
**COMPONENT PARTS FOR LP SYSTEM**  
**144116-04-000**

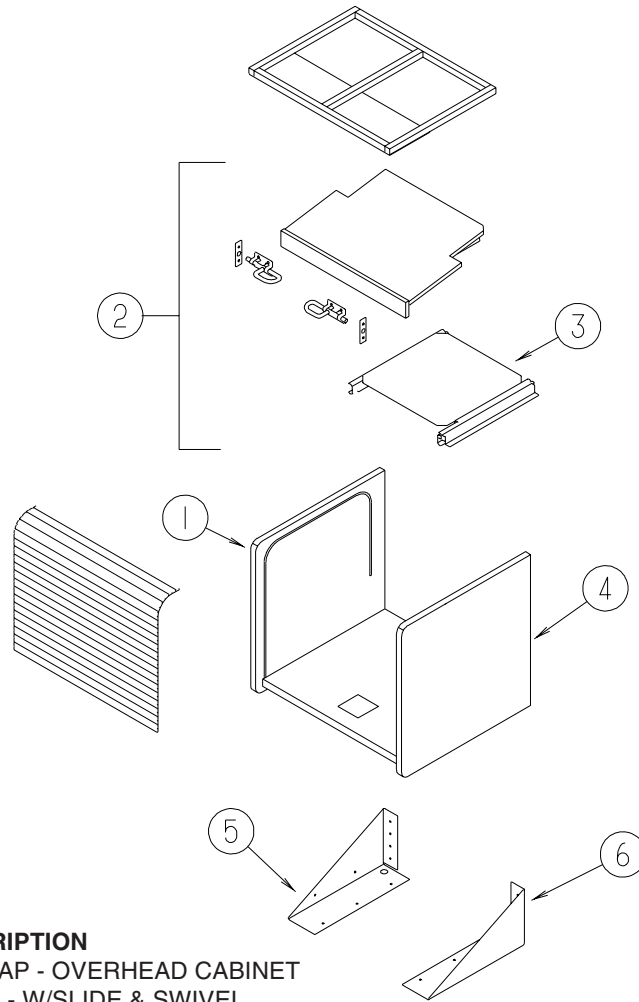
<b>KEY</b>	<b>PART NUMBER</b>	<b>U/M</b>	<b>DESCRIPTION</b>	<b>VENDOR NO.</b>
	040421-01-712	EA	VALVE-SERV. W/O VAPOR RELIEF	29000853
	040421-01-713	EA	VALVE-RELIEF 1" W/SPRING 7"	V-20479
	144116-01-700	EA	VALVE-OUTAGE(NO STEM REMOVE)	V20058
	144116-01-701	EA	VALVE/FILL 80 % W/YELLOW CAP	V13414
	144116-04-700	EA	SENDING UNIT (SNAP ON GAUGE)	G11530
	144116-04-701	EA	DIAL - TRANSMITER	G12846

## LOUNGE GROUP CABINETS



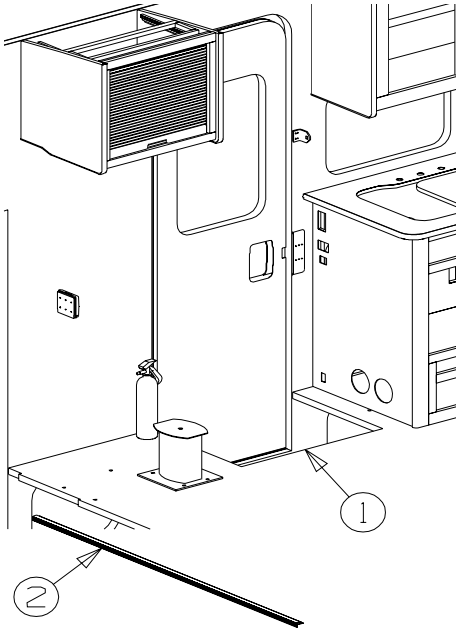
KEY	PART NUMBER	U/M	DESCRIPTION
1	140957-01-P07	EA	CABINET - OVERHEAD/TV- W/O TAMBOUR DOOR - <b>13" TV W/VCP</b>
1	140957-02-P07	EA	CABINET - OVERHEAD/TV- W/O TAMBOUR DOOR - <b>TV STORAGE</b>
2	142912-01-P13	EA	CABINET - OVERHEAD/FRONT/PASS - W/O DRS/HDW - <b>25" STEREO TV W/VIDEO SELECT SYSTEM</b>
3	140307-17-P13	EA	END CAP - OVERHEAD CABINET
4	140307-17-P13	EA	END CAP - OVERHEAD CABINET
5	136954-D0-P13	EA	DOOR - RAISED PANEL/OGEE EDGE - 15.7" X 20.5" - W/O HDW
6	136954-D3-P75	EA	DOOR - RAISED PANEL/OGEE EDGE - 15.7" X 28" - W/O HDW
7	142787-01-P07	EA	CABINET - OVERHEAD - W/O DOORS/HARDWARE - <b>TV STORAGE/13" TV W/VCP</b>
7	142787-02-P07	EA	CABINET - OVERHEAD - W/O DOORS/HARDWARE - <b>25" STEREO TV W/VIDEO SELECT SYSTEM</b>
3	140307-24-P07	EA	END CAP - OVERHEAD CABINET
9	081298-14-P07	EA	TABLE TOP - W/BASE F/TABLE LEG - EGGSHELL/NATURAL OAK (R07)
9	081298-14-N01	EA	TABLE TOP - W/BASE F/TABLE LEG - TRANQUILITY/NATURAL OAK (R08)
9	081298-14-R09	EA	TABLE TOP - W/BASE F/TABLE LEG - LINO FRIEZE/NATURAL OAK (R09)
10	009040-02-000	EA	PEDESTAL TABLE LEG - 27.5" X 2.25" DIAMETER
11	041194-01-000	EA	BASE - TABLE/FLUSH - FLOOR MOUNTED

**LOUNGE GROUP (CONTINUED)**  
**CABINETS (CONTINUED)**



KEY	PART NUMBER	U/M	DESCRIPTION
1	140307-11-P07	EA	END CAP - OVERHEAD CABINET
2	140957-18-P07	EA	SHELF - W/SLIDE & SWIVEL
3	116773-02-000	EA	SWIVEL/SLIDES - F/TV SHELF - 17.9"D X 1.6"H X 15.3"W
4	140307-11-P07	EA	END CAP - OVERHEAD CABINET
5	122298-03-02B	EA	BRACKET - TV/VCR W/ANGLE - RIGHT HAND - E-COATED
6	122298-02-02B	EA	BRACKET - TV/VCR W/ANGLE - LEFT HAND - E-COATED

**LOUNGE GROUP (CONTINUED)**  
**CABINETS (CONTINUED)**



<b>KEY</b>	<b>PART NUMBER</b>	<b>U/M</b>	<b>DESCRIPTION</b>	
1	139955-14-02A	EA	TRIM - ENTRY STEP - BRIGHT WHITE	FROM: 00-00-00 THRU: 02-26-03
1	139955-14-04A	EA	TRIM - ENTRY STEP - TITANIUM	FROM: 02-27-03 THRU: 99-99-99
1	139956-06-R07	EA	TRIM ASM-STEP,ENTRANC - <b>VINYL FLOOR</b>	
2	139955-18-03A	EA	TRIM - STEP/ENTRY - 62.3" - TITANIUM	

**SEALANTS & FASTENERS GROUP**  
**SEALANTS & ADHESIVES**

KEY	PART NUMBER	U/M	DESCRIPTION
	004001-05-000	EA	ADHESIVE - SCOTCH-WELD - 3M DP100 - CLEAR - 50ML
	010405-02-000	EA	TAPE - THREAD SEALING - 3/8"
	034552-06-000	EA	SILICONE - TUBE - W/O NOZZLE - OFF WHITE
	034552-15-000	EA	SILICONE - TUBE - W/O NOZZLE - BRIGHT WHITE
	063642-01-000	FT	TAPE - ADHESIVE - .4" X 1.5" X 180'
	064075-07-000	FT	SEAL - BULB - W/WIRED U CHANNEL - .3" X .5" CHANNEL-BLACK
	067788-01-000	EA	ADHESIVE - SPRAY - 3M - 19.5 OZ AEROSOL CAN
	069640-01-000	FT	SEALER - TAPE - .25" DIAMETER X 30' - BLACK OR GRAY
	069640-02-000	FT	SEALER - TAPE - .13" THICK X .5" WIDE X 60' - GRAY
	069640-03-000	FT	SEALER - TAPE - .13" THICK X .75" WIDE X 60' - BLACK
	069640-07-000	FT	SEALER - TAPE - .09" THICK X 2" WIDE X 45' - GRAY
	069640-09-000	FT	SEALER - TAPE - .03" THICK X 2.50" WIDE X 80' - GRAY
	069640-10-000	FT	SEALER - TAPE - .03" THICK X 1.50" WIDE X 90' - GRAY
	069640-11-000	FT	SEALER - TAPE - .19" THICK X .38" WIDE X 40' - BLACK
	069640-13-000	FT	SEALER - TAPE - .03" THICK X 2" WIDE X 45' - BLACK
	069640-14-000	FT	SEALER - TAPE - .06" THICK X 1" WIDE X 100' - GRAY
	069640-15-000	FT	SEALER - TAPE - .06" THICK X .38" WIDE X 100' - GRAY
	069640-17-000	FT	SEALER - TAPE - .03" THICK X 1" WIDE X 90' - GRAY
	069640-18-000	FT	SEALER - TAPE - .50" THICK X .13" WIDE X 60' - BRT WHITE
	069640-19-000	FT	SEALER - TAPE - .75" THICK X .13" WIDE X 60' - BRT WHITE
	069640-20-000	FT	SEALER - TAPE - .50" THICK X .5" WIDE X 60' - BLACK
	069640-21-000	FT	SEALER - TAPE - .50" THICK X .06" WIDE X 100'- BRT WHITE
	069640-22-000	FT	SEALER - TAPE - 1/32" THICK X 1/4" WIDE X 200'- BRT WHITE
	069640-23-000	FT	SEALER - TAPE - 1/16" THICK X 3/4" WIDE X 100'- BRT WHITE
	069640-27-000	FT	SEALER - TAPE - .06" THICK X 2.25" WIDE - BRIGHT WHITE
	069640-28-000	FT	SEALER - TAPE - .25" THICK X 1.86" WIDE X 90' - GRAY
	069640-30-000	FT	SEALER - TAPE - .03" THICK X .625" WIDE X 50' - GRAY
	069640-31-000	FT	SEALER - TAPE - .25" THICK X .75" WIDE X 15' - BLACK
	069640-32-000	FT	SEALER - RIBBON - 1/16" X 3/8" X 100' - BLACK
	072889-01-000	EA	SEALANT - URETHANE - BLACK - TUBE W/NOZZLE TIP
	072889-27-000	EA	SEALANT - URETHANE - SILVER 10 OZ - TUBE W/NOZZLE TIP
	076322-01-000	FT	TAPE-DOUBLE COATED/ADHESIVE BK-.03"THK X .8"W X 216'- WHT
	076322-02-000	FT	TAPE-DOUBLE COATED/ADHESIVE BK-.05"THK X 1"W X 108' - WHT
	076322-03-000	FT	TAPE-DOUBLE COATED/ADHESIVE BK-.05"THK X .5"W X 108' - WHT
	076322-04-000	FT	TAPE-DOUBLE COATED/ADHESIVE BK-.05"THK X .8"W X 108' - WHT
	076322-05-000	FT	TAPE-DOUBLE COATED/ADHESIVE BK-.05"THK X .8"W X 108' - WHT
	076322-07-000	FT	TAPE-DOUBLE COATED/ADHESIVE BK-.05"THK X .5"W X 200' - WHT
	076322-11-000	FT	TAPE-DOUBLE COATED/ADHESIVE BK-.02"THK X 1"W X 216' - CLR
	076322-21-000	FT	TAPE - FOAM/DOUBLE COATED - .5"
	076322-22-000	FT	TAPE - FOAM/DOUBLE COATED - .045" X .75"
	076322-23-000	FT	TAPE - FOAM/DOUBLE COATED - .045" X 1"
	076322-24-000	FT	TAPE - FOAM/DOUBLE COATED - .025" X 1"
	076322-25-000	FT	TAPE - FOAM/DOUBLE COATED - .025" X .5"
	086276-01-000	EA	TAPE - DOUBLE SIDED - 1/2" WIDE X 108' LONG (SOLD BY ROLL)
	088479-01-000	EA	TAPE - ALUMINUM - 3"
	090340-01-000	FT	SEAL - FOAM - CLOSED CELL - 1/4" X 1/2" X 50'
	091255-02-000	FT	SEAL - ADHESIVE BACKED/FOAM - 3/64" THICK X 3/16"W X 1000'
	091255-03-000	FT	SEAL - ADHESIVE BACKED/FOAM - 1/4" THICK X 1/4"W X 1000'
	094401-01-000	EA	SEALER - BODY SEAM - FLEXICLEAR
	094401-03-000	EA	SEALER - BODY SEAM - BLACK
	094401-04-000	EA	SEALER - BODY SEAM - CLEAR
	098408-01-000	FT	SEAL - SPONGE RUBBER - CLOSED CELL
	099069-01-000	FT	SEAL - RUBBER - CLOSED SPONGE - .5" WIDE X .12" THICK -BLK
	099418-01-000	FT	SEAL - D-SECTION/ADHESIVE BACK - .44" X .44"- BLK RUBBER
	099418-02-000	FT	SEAL - D-SECTION/ADHESIVE BACK - .44" X .44"- WHITE RUBBER
	100128-02-000	FT	SEAL - FOAM/ADHESIVE BACK - .37" WIDE X .37" THICK
	104692-01-000	FT	SEAL - ADHESIVE BACKED FOAM - 3/4" THICK X 3/4" WIDE X 25'
	104692-03-000	FT	SEAL - ADHESIVE BACKED FOAM - 1" THICK X 1 3/16"WIDE X 15'
	107828-01-000	EA	SEALANT - SB - 190 EVERSEAL
	109506-12-000	EA	FILM/ABRASION-RESISTANT - TRANSPARENT - 1" DIA.
	110274-01-000	FT	TAPE - DOUBLE SIDED/FOAM - .45" X 1" X 216' - BLACK
	112481-02-000	EA	ADHESIVE - PLEXUS ETHACRYLATE - CARTRIDGE
	112864-01-000	FT	SEAL - FOAM/BUTYL COVERED - 3/8" X 35'

**SEALANTS & FASTENERS GROUP (CONTINUED)**  
**SEALANTS & ADHESIVES (CONTINUED)**

KEY	PART NUMBER	U/M	DESCRIPTION
	112091-01-000	FT	SEAL/D - NEOPRENE - HEAT ACTIVE ADHESIVE - .9" X .7"
	112901-03-000	EA	ADHESIVE - PLEXUS - MA300 - 50ML - WHITE
	112902-01-000	EA	NOZZLE - ELEMENT - 3/8 X 24
	112902-03-000	EA	MIXER NOZZLE - F/GUN #00400102000 - SCOTCH-WELD & PLEXUS
	112902-04-000	EA	NOZZLE - ELEMENT - 1/4" X 3.5"
	113366-01-000	EA	ADHESIVE - INSTANT - 1 OZ
	113452-02-000	FT	SEAL/TRIM - FRONT - VINYL W/WIRE CARRIER - .027"
	120074-02-03A	EA	SILICONE - TUBE - W/O NOZZLE - LOW ODOR - SMOKEY WHITE
	120074-02-02A	EA	SILICONE - TUBE - W/O NOZZLE - LOW ODOR - SOFT WHITE
	120534-01-01A	EA	TAPE - SCOTCH - 3M - 1/2" FINE LINE
	123244-01-000	FT	TAPE - DOUBLE SIDED/FOAM - 5/64" THICK X 3/4" WIDE X 108'
	123816-01-000	FT	TAPE - DOUBLE SIDED - 1" X 3/4" X 200'
	123816-02-000	FT	TAPE - DOUBLE SIDED - 1/2" X 1 1/3" X 200'
	123816-03-000	FT	TAPE - DOUBLE SIDED - 1/2" X 3/4" X 200'
	123816-04-000	FT	TAPE - DOUBLE SIDED - 6" X 750'
	126427-01-000	EA	ADHESIVE - ALL PURPOSE - ABS/PVC
	126427-02-000	EA	PRIMER - CLEANER - FLEX PIPING
	131264-01-02A	EA	SILICONE - TUBE - W/O NOZZLE - CLEAR
	131264-01-01A	EA	SILICONE - TUBE - W/O NOZZLE - BLACK
	131264-02-01A	EA	SILICONE - TUBE - W/O NOZZLE - VW GRAY - BATH ONLY
	131264-03-01A	EA	SILICONE - TUBE - W/O NOZZLE - SELF LEVELING - BRIGHT WHITE
	131264-04-01A	EA	SILICONE/SEALANT/ADHESIVE - FAST CURE F/GLASS/VINYL - B/W
	131384-01-000	EA	ADHESIVE - JET WELD
	134651-01-000	FT	SEAL - 1/2" X 3/4" PSA 1 SIDE
	900390-01-000	EA	NOZZLE - SILICONE TUBE - 2.5" LONG - W/EXTERNAL THREADS
	900390-03-000	EA	NOZZLE - SILICONE TUBE - 4.3" LONG W/INTERNAL THREADS

**BOLTS, NUTS AND WASHERS**

KEY	PART NUMBER	U/M	DESCRIPTION
	OMC04K-06-016	EA	BOLT - HEX - M06 X 1 X 016
	OMC05K-08-055	EA	BOLT - HEX - M08 X 1.25 X 2.2
	OMC13K-14-110	EA	BOLT - HEX
	OMC13K-14-070	EA	BOLT - HEX - M14 X 2 X 2 3/4
	OMC31K-08-020	EA	BOLT - HEX - SERRATED FLANGE - M8 X 020
	OMC32K-10-030	EA	BOLT - HEX - SERRATED FLANGE - M10 X 1 1/2
	OMD16K-10-000	EA	NUT - HEX PREV TORQUE M10 X 1 1/2 CLASS 8
	OMD39K-12-000	EA	NUT - HEX W/NYLON LOCK - M12 X 1 3/4
	OMD40K-14-000	EA	NUT - HEX W/NYLON LOCK - M14 X 2
	OMD54F-06-000	EA	NUT-HEX SER FLG M6X1,0 SS - DIN6923A2M6
	OME06K-14-280	EA	WASHER - FLAT - 14 ID X 28 OD
	000C12-04-08B	EA	BOLT - HEX - 1/4-20 X 1/2 - GRADE #5 - ZINC
	000C12-04-12A	EA	BOLT - HEX - 1/4-20 X 3/4 - PLAIN 5
	000C12-04-40B	EA	BOLT - HEX - 1/4-20 X 2 1/2 - GRADE 5 ZINC
	000C12-05-16B	EA	BOLT - HEX - 5/16 - 18X1 - GRADE #5 - ZINC
	000C12-06-44B	EA	BOLT - HEX - 3/8-16 X 2 3/4 - GRADE 5 - ZINC
	000C12-06-16B	EA	BOLT - HEX - 3/8 - 16X1 - GRADE #5 - ZINC
	000C12-08-28B	EA	BOLT - HEX - 1/2-13 X 1 3/4 - GRADE #5 - ZINC
	000C12-08-24B	EA	BOLT - HEX - 1/2 - 13X1 1/2 - GRADE #5 - ZINC
	000C12-08-16B	EA	BOLT - HEX - 1/2-13 X 1 - GRADE #5 - ZINC
	000C12-10-24B	EA	BOLT - HEX - 5/8 - 11X1 1/2 - GRADE #5 - ZINC
	000C13-07-48B	EA	BOLT - HEX - 7/16-20 X 3 - GRADE #5 - ZINC
	000C13-07-40B	EA	BOLT - HEX - 7/16-20 X 2 1/2 - GRADE #5 - ZINC
	000C14-07-28B	EA	BOLT - HEX - 7/16-14 X 1 3/4 - GRADE #8 - ZINC
	000C14-10-32K	EA	BOLT - HEX - 5/8-11 X 2 - GRADE #8 - ZINC
	000C14-10-24K	EA	BOLT - HEX - 5/8-11 X 1 1/2 - GRADE #8 - ZINC
	000C16-07-16B	EA	BOLT - CARRIAGE - ASSIST HANDLE - 7/16TH - 14 X 1
	000C18-05-40A	EA	BOLT - ELEVATOR - 5/16-18 X 2 1/2 - PL
	000C26-04-10B	EA	BOLT - HEX - SERRATED FLANGE - 1/4-20 X 5/8 - ZINC
	000C26-04-18B	EA	BOLT - HEX - SERRATED FLANGE - 1/4-20 X 1 1/8 - ZINC
	000C26-04-14B	EA	BOLT - HEX - SERRATED FLANGE - 1/4-20 X 7/8 - ZINC
	000C26-05-20B	EA	BOLT - HEX - SERRATED FLANGE - 5/16-18 X 1 1/4 - ZINC

**SEALANTS & FASTENERS GROUP (CONTINUED)**  
**BOLTS, NUTS AND WASHERS (CONTINUED)**

KEY	PART NUMBER	U/M	DESCRIPTION
	000C26-06-12B	EA	BOLT - HEX - SERRATED FLANGE - 3/8-16 X 3/4 - ZINC
	000C26-08-24B	EA	BOLT - HEX - SERRATED FLANGE - 1/2-13 X 1 1/2 - ZINC
	000C27-04-40B	EA	BOLT - CARRIAGE - 1/4-20 X 2 1/2 - ZINC
	000C27-07-40B	EA	BOLT - CARRIAGE - 7/16-14 X 2 1/2 - GRADE #5
	000C27-08-48B	EA	BOLT - CARRIAGE - 1/2-13 X 3 - GRADE #5
	000D16-07-00B	EA	NUT - HEX - 7/16-14 - ZINC
	000D20-07-00B	EA	NUT - ACORN - ASSIST HANDLE - 7/16 - 14
	000D24-10-00B	EA	NUT - HEX - SELF LOCKING - 10-32 - ZINC
	000D28-10-00B	EA	NUT - HEX - W/NYLON LOCK - 10-32 ZINC
	000D29-04-00B	EA	NUT - HEX - SELF LOCKING - 1/4 X 20 - ZINC
	000D29-06-00B	EA	NUT - HEX - W/NYLON LOCK - 3/8-16 - ZINC
	000D29-09-00B	EA	NUT - HEX - SELF LOCKING - 9/16-12 - ZINC
	000D30-07-00B	EA	NUT - HEX LOCK - NYLON 7/16 X 20
	000D34-04-00B	EA	NUT - HEX - LOCKING - 1/4-20 - ZINC
	000D34-06-00B	EA	NUT - HEX - LOCKING - 3/8-16 GRADE C - ZINC
	000D39-04-00B	EA	NUT - HEX - LOCKING W/SERRATED FLANGE - 1/4-20 - ZINC
	000D39-05-00B	EA	NUT - HEX - LOCKING W/SERRATED FLANGE - 5/16-18 - ZINC
	000D39-06-00B	EA	NUT - HEX - LOCKING W/SERRATED FLANGE - 3/8-18 - ZINC
	000D39-07-00B	EA	NUT - HEX - LOCKING W/SERRATED FLANGE - 7/16-14 - ZINC
	000D39-08-00B	EA	NUT - HEX - LOCKING W/SERRATED FLANGE - 1/2-13 - ZINC
	000D44-04-00B	EA	NUT - HEX - LOCKING W/SERRATED FLANGE - 1/4-28 - ZINC
	000D44-07-00B	EA	NUT - HEX - LOCKING W/SERRATED FLANGE - 7/16-20 - ZINC
	000D44-08-00B	EA	NUT - HEX - LOCKING W/SERRATED FLANGE - 1/2-20 - ZINC
	000D46-04-00A	EA	NUT - HEX - WELD - 1/4-20 - PLAIN
	000D58-06-00A	EA	NUT - HEX - WELD 3/8-16 - PLAIN
	000D65-08-00B	EA	NUT - HEX - LOCKING W/SERRATED FLANGE - 8-32 - ZINC
	000D67-10-00B	EA	NUT - HEX - LOCK - 5/8-11 - ZINC
	000D73-08-00C	EA	NUT - HEX FLANGE - 1/2-13
	000D75-09-00B	EA	NUT - HEX LOCKING - 9/16-12 - ZINC
	000D76-06-00B	EA	NUT - HEX FLANGE - 3/8-16
	000E11-04-00F	EA	WASHER - LOCKING - 1/4 MED SPLIT - STAINLESS STEEL
	000E11-07-00B	EA	WASHER - LOCKING - 7/16 MED SPLIT - ZINC
	000E11-08-00B	EA	WASHER - LOCKING - 1/2 MED SPLIT - ZINC
	000E13-17-00B	EA	WASHER - FLAT - 3/8 AR - ZINC
	000E13-18-00B	EA	WASHER - FLAT - 3/8 WIDE - ZINC
	000E13-20-00B	EA	WASHER - FLAT - 7/16 WIDE - ZINC
	000E13-22-00B	EA	WASHER - FLAT - 1/2 WIDE - ZINC
	000E13-26-00B	EA	WASHER - FLAT - 5/8 WIDE - ZINC
	000E14-10-00B	EA	WASHER - LOCKING - #10 EXTERNAL TOOTH - ZINC
	000E16-10-00B	EA	WASHER - HARDENED - 5/8 - FLAT - ZINC
	000G45-05-16B	EA	BOLT - LAG - 5/16-9 X 1 - ZINC
	000G62-08-24B	EA	SCREW - SF/DR - 8-18 X 1 1/2 PFH
	005081-01-000	EA	NUT - SPEED - C-TYPE - #8 SCREW
	040921-03-000	EA	NUT - SPEED - U TYPE - #10
	040921-04-000	EA	NUT - SPEED - U TYPE - #8-.59" LENGTH X .44" WIDTH
	040921-05-000	EA	NUT - SPEED - U-TYPE - 8-.67" X .44" WIDE
	041322-01-000	EA	WASHER - FLANGE - 15/32 ID X 2 3/8 OD - F/SEAT BELT MTG
	044364-02-000	EA	NUT - SPEED - FLAT - ROUND
	044533-01-000	EA	WASHER - 1 3/8"OD - FOR BUTTONS - PLASTIC
	051387-06-000	EA	BOLT - CARRIAGE W/O HOLE - 5/16-18 X 9 1/2 - ZINC
	058716-02-000	EA	WASHER - FLAT NYLON
	064081-03-000	EA	NUT - WING 3/8-16 - W/WELD NUT
	077071-01-000	EA	WASHER - FENDER - 3/16"ID X 1"OD
	084406-01-000	EA	NUT - CAPPED - CROSS RECESSED - BLACK - 1/4-20 THD
	087234-01-000	EA	NUT - JACK - 1/4 X 20 THD - MOLLY
	088787-12-000	EA	STUD - WELD - 1/4 - 20 X 1.0 LG - MN
	102333-01-06A	EA	BOLT - CARRIAGE - 7/16-14 STAINLESS STEEL CAP
	103020-02-000	EA	BOLT-U - #8-32 - GRADE 5 ZINC
	106166-01-000	EA	BOLT/COLLARED HANGER - 8-32 X 1
	106956-03-000	EA	BOLT - HEX TAP - 1/2-12NC X 3 - GRADE 5 - FULL THREAD/ZINC
	106956-08-000	EA	BOLT - HEX TAP - 1/2-13NC X 4 - GRADE 5 - FULL THREAD/ZINC
	107397-01-000	EA	WASHER - FENDER - 3/4"ID X 1"OD
	108067-03-000	EA	STUD - WELD - 1/4 - 20 X 1/2 CD



**SEALANTS & FASTENERS GROUP (CONTINUED)**  
**BOLTS, NUTS AND WASHERS (CONTINUED)**

KEY	PART NUMBER	U/M	DESCRIPTION
	103020-02-000	EA	BOLT-U - #8-32 - GRADE 5 ZINC
	106166-01-000	EA	BOLT/COLLARED HANGER - 8-32 X 1
	106956-03-000	EA	BOLT - HEX TAP - 1/2-12NC X 3 - GRADE 5 - FULL THREAD/ZINC
	106956-08-000	EA	BOLT - HEX TAP - 1/2-13NC X 4 - GRADE 5 - FULL THREAD/ZINC
	107397-01-000	EA	WASHER - FENDER - 3/4"ID X 1"OD
	108067-03-000	EA	STUD - WELD - 1/4 - 20 X 1/2 CD
	109235-01-05A	FT	COVER - SCREW - BRIGHT WHITE
	109235-01-01A	FT	COVER - SCREW - MAT BLACK
	109917-03-000	EA	WASHER - 1" X .50"
	109917-04-000	EA	WASHER - 1" X .75"
	110794-01-000	EA	WASHER - FLAT - 1" ID X 1 3/4" OD
	121511-01-000	EA	WASHER - SPUR
	113985-02-000	EA	BOLT - FLANGE - M10-1 1/2 X 30CL 10.9
	114259-05-000	EA	BOLT - 7/16-20 X 1 1/4 W/WASHER
	128444-01-000	EA	WASHER - SPRING - CONICAL
	131377-01-000	EA	NUT-HEX HEAD W/WASHER-1/4-20 X 2" STEEL W/3/4" OD WASHER
	135092-01-01A	EA	BOLT - HEX - SERRATED FLANGE - 1/2-20 X 1 3/4-GRADE 5 ZINC
	135092-02-01A	EA	BOLT - HEX - SERRATED FLANGE - 1/2-20 X 2 1/2-GRADE 5 ZINC
	143399-01-01A	EA	NUT/RETAINING - 3/8"- 24 NFT
	144904-01-01A	EA	BOLT - ADJUSTMENT - HEADLAMP
	148817-01-000	EA	WASHER/SPUR - LOCKING

**SCREWS**

KEY	PART NUMBER	U/M	DESCRIPTION
	0G1106-06-160	EA	SCREW - 6-20 X 3/8 PPH
	0G1106-08-240	EA	SCREW - 6-20 X 1/2 PPH - VW LIGHT GRAY
	0G1108-12-240	EA	SCREW - 8-18 X 3/4 PPH - VW LIGHT GRAY
	0G1108-16-240	EA	SCREW - 8-18 X 1.00 PPS - VW LIGHT GRAY
	0G1208-12-170	EA	SCREW - 8-18 X 3/4 POH - BRIGHT WHITE
	0G1308-10-240	EA	SCREW - 8-18 X 5/8 PFH - VW LIGHT GRAY
	0G3804-22-180	EA	SCREW - MACHINE - 1/4-20 X 1 3/8 PFH - BLACK
	0G3908-08-170	EA	SCREW - SF/DR - 8-18 X 1/2 PPH - BRIGHT WHITE
	0G3908-08-160	EA	SCREW - SF/DR - 8-18 X 1/2 PPH - VW WHITE
	0G3908-08-240	EA	SCREW - SF/DR - 8-18 X 1/2 PPH - VW LIGHT GRAY
	0G3908-12-250	EA	SCREW - SF/DR - 8-18 X 3/4 PPH - DARK GRAY
	0G3908-12-240	EA	SCREW - SF/DR - 8-18 X .75 PPH - VW LIGHT GRAY
	0G3908-16-170	EA	SCREW - SF/DR - 8-18 X 1 PPH - BRIGHT WHITE
	0G3908-24-170	EA	SCREW - SF/DR - 8-18 X 1 1/2 PPH - BRIGHT WHITE
	0G3910-10-330	EA	SCREW - SF/DR - 20-16 X 5/8 PPH - PUTTY
	0G3910-10-320	EA	SCREW - SF/DR - 10-16 X 5/8 PPH - GLACIER
	0G3910-10-240	EA	SCREW - SF/DR - 10-16 X 5/8 PPH - VW LIGHT GRAY
	0G3910-12-240	EA	SCREW - SF/DR - 10-16 X .75 PPH - VW LIGHT GRAY
	0G3910-12-170	EA	SCREW - SF/DR - 10-16 X 3/4 PPH - BRIGHT WHITE
	0G3910-12-320	EA	SCREW - SF/DR - 10-16 X 3/4 PPH - GLACIER
	0G5508-12-240	EA	SCREW - SF/DR - 8-18 X 3/4 PWH - VW LIGHT GRAY
	0G5508-12-170	EA	SCREW - SF/DR - 8-18 X 3/4 PWH - BRIGHT WHITE
	0G5508-12-330	EA	SCREW - SF/DR - 8-18 X 3/4 PWH - PUTTY
	0G5508-12-320	EA	SCREW - SF/DR - 8-18 X 3/4 PWH - GLACIER
	0G5508-12-260	EA	SCREW - SF/DR - 8-18 X 3/4 PWH - ALLANTE ANTELOPE
	0G5508-12-270	EA	SCREW - SF/DR - 8-18 X 3/4 PWH - TITANIUM
	0G5508-16-250	EA	SCREW - SF/DR - 8-18 X 1 PWH - VW DARK GRAY
	0G5508-16-330	EA	SCREW - SF/DR - 8-18 X 1 PWH - PUTTY
	0G5508-16-320	EA	SCREW - SF/DR - 8-18 X 1 PWH - GLACIER
	0G6008-16-170	EA	SCREW - SF/DR - 8-18 X 1 POH - BRIGHT WHITE
	0G6710-08-130	EA	SCREW - 10-12 X 1/2 PPH - TAUPE
	0G6710-08-170	EA	SCREW - 10-12 X 1/2 PPH - BRIGHT WHITE
	0G6710-08-240	EA	SCREW - 10-12 X 1/2 PPH - VW LIGHT GRAY
	0G6710-12-170	EA	SCREW - 10-12 X 3/4 PPH - BRIGHT WHITE
	0G6806-16-170	EA	SCREW - 6-18 X 1 POH - BRIGHT WHITE
	0G6810-24-280	EA	SCREW - 10-12 X 1 1/2 POH - SOFT WHITE
	000C20-04-16A	EA	SCREW - 1/4-20X 1 - FLAT SOCKET HEAD
	000C20-05-28F	EA	SCREW - 5/16-18 X 1 3/4 FLAT SOC - STAINLESS STEEL
	000C20-06-24T	EA	SCREW - 3/8-16 X 1 1/2 - FLAT SOCKET

**SEALANTS & FASTENERS GROUP (CONTINUED)**  
**SCREWS (CONTINUED)**

<b>KEY</b>	<b>PART NUMBER</b>	<b>U/M</b>	<b>DESCRIPTION</b>
	000G11-06-10J	EA	SCREW - 6-20 X 5/8 PPH - BRASS
	000G11-06-08P	EA	SCREW - 6-20 X 1/2 PPH - DARK BROWN
	000G11-06-08B	EA	SCREW - 6-20 X 1/2 PPH - ZINC
	000G11-07-08B	EA	SCREW - 7-19 X 1/2 PPH - ZINC
	000G11-08-20G	EA	SCREW - 8-18 X 1 1/4 - ANTIQUE BRASS
	000G11-08-20B	EA	SCREW - 8-18 X 1 1/4 PPH - ZINC
	000G11-08-16B	EA	SCREW - 8-18 X 1 PPH - ZINC
	000G11-08-12T	EA	SCREW - 8-18 X 3/4 PPH - BLACK MAGNESIUM
	000G11-08-12P	EA	SCREW - 8-18 X 3/4 PPH - DARK BROWN
	000G11-08-12B	EA	SCREW - 8-18 X 3/4 PPH - ZINC
	000G11-08-08T	EA	SCREW - 8-18 X 1/2 PPH - FLUOROCARBON COATING
	000G11-08-06B	EA	SCREW - 8-18 X 3/8 PPH - ZINC
	000G11-10-24P	EA	SCREW - 10-16 X 1 1/2 PPH - DARK BROWN
	000G11-10-12D	EA	SCREW - 10-16 X 3/4 PPH - BLACK
	000G12-06-12J	EA	SCREW - 6-20 X .75 POH - BRASS
	000G12-06-08T	EA	SCREW - 6-20 X 1/2 POH - BLACK
	000G13-05-10B	EA	SCREW - 5-12 X 5/8 PFH - ZINC
	000G13-06-08G	EA	SCREW - 6-20 X 1/2 PFH - ANTIQUE BRASS
	000G13-06-08B	EA	SCREW - 6-20 X 1/2 PFH - ZINC
	000G13-06-06I	EA	SCREW - 6-20 X 3/8 PFH - BLACK ZINC
	000G13-06-24J	EA	SCREW - 6-20 X 1 1/2 PFH - BRASS
	000G13-06-16J	EA	SCREW - 6-20 X 1 PFH - BRASS
	000G13-06-10J	EA	SCREW - 6-20 X 5/8 PFH - BRASS
	000G13-06-10G	EA	SCREW - 6-20 X 5/8 PFH - ANTIQUE BRASS
	000G13-07-10H	EA	SCREW - 7-19 X 5/8 PFH - BLACK
	000G13-08-16B	EA	SCREW - 8-18 X 1 PFH - ZINC
	000G13-08-109	EA	SCREW - 8-18 X 5/8 PFH
	000G13-08-10B	EA	SCREW - 8-18 X 5/8 PFH - ZINC
	000G13-08-24B	EA	SCREW - 8-18 X 1 1/2 PFH - ZINC
	000G13-10-16I	EA	SCREW - 10-16 X 1 PFH - BLACK
	000G16-04-24B	EA	SCREW - MACHINE - 1/4-20 X 1 1/2 PPH
	000G18-08-16B	EA	SCREW - MACHINE - 8-32 X 1 PPH - ZINC
	000G18-08-24B	EA	SCREW - MACHINE - 8-32 X 1 1/2 PPH - ZINC
	000G18-08-22B	EA	SCREW - MACHINE - 8-32 X 1 3/8 PPH - ZINC
	000G19-10-10B	EA	SCREW - MACHINE - 10-32 X 5/8 - PPH - ZINC
	000G19-10-08B	EA	SCREW - MACHINE - 10-32 X 1/2 PPH - ZINC
	000G19-10-20B	EA	SCREW - MACHINE - 10-32 X 1 1/2 PPH - ZINC
	000G19-10-12F	EA	SCREW - MACHINE - 10-32 X 3/4 PPH - STAINLESS STEEL
	000G36-10-12T	EA	SCREW - 10-24X 3/4 PFH TYPE 23 - BLACK
	000G39-06-10T	EA	SCREW - SF/DR - 6-20 X 5/8 PPH - BLACK
	000G39-06-16T	EA	SCREW - SF/DR - 6-20 X 1 PPH - BLACK
	000G39-08-08S	EA	SCREW - SF/DR - 8-18 X 1/2 PPH - OFF WHITE
	000G39-08-08B	EA	SCREW - SF/DR - 8-18 X 1/2 PPH - ZINC
	000G39-08-08T	EA	SCREW - SF/DR - 8-18 X 1/2 PPH - BLACK
	000G39-08-06B	EA	SCREW - SF/DR - 8-18 X 3/8 PPH - ZINC
	000G39-08-32B	EA	SCREW - SF/DR - 8-18 X 2 PPH - ZINC
	000G39-08-24T	EA	SCREW - SF/DR - 8-18 X 1 1/2 PPH - BLACK
	000G39-08-24S	EA	SCREW - SF/DR - 8-18 X 1 1/2 - OFF WHITE
	000G39-08-24B	EA	SCREW - SF/DR - 8-18 X 1 1/2 PPH - ZINC
	000G39-08-16T	EA	SCREW - SF/DR - 6-20 X 1 PPH - BLACK
	000G39-08-16B	EA	SCREW - SF/DR - 8-18 X 1 PPH - ZINC
	000G39-08-12B	EA	SCREW - SF/DR - 8-18 X 3/4 PPH - ZINC
	000G39-08-12T	EA	SCREW - SF/DR - 8-18 X 3/4 PPH - BLACK
	000G39-10-48T	EA	SCREW - SF/DR - 10-16 X 3 PPH - BLACK
	000G39-10-48B	EA	SCREW - SF/DR - 10-16 X 3 - PPH - ZINC
	000G39-10-40D	EA	SCREW - SF/DR - 10-16 X 2 1/2 PPH - BLACK
	000G39-10-32B	EA	SCREW - SF/DR - 10-16 X 2 - PPH - ZINC
	000G39-10-20T	EA	SCREW - SF/DR - 10-16 X 1 1/4 PPH - BLACK
	000G39-10-20B	EA	SCREW - SF/DR - 10-16 X 1 1/4 PPH - ZINC
	000G39-10-169	EA	SCREW - SF/DR - 10-16 X 1 PPH - FLUOROCARBON SILVER
	000G39-10-129	EA	SCREW - SF/DR - 10-16 X 3/4 PPH - FLUOROCARBON SILVER
	000G39-10-12T	EA	SCREW - SF/DR - 10-16 X 3/4 - BLACK
	000G39-10-10T	EA	SCREW - SF/DR - 10-16 X 5/8 - BLACK

**SEALANTS & FASTENERS GROUP (CONTINUED)**  
**SCREWS (CONTINUED)**

<b>KEY</b>	<b>PART NUMBER</b>	<b>U/M</b>	<b>DESCRIPTION</b>
	000G39-10-10B	EA	SCREW - SF/DR - 10-16 X 5/8 PPH - ZINC
	000G39-10-08B	EA	SCREW - SF/DR - 10-16 X 1/2 PPH - ZINC
	000G39-10-088	EA	SCREW - SF/DR - 10-16 X 1/2 PPH - FLEX FLUOROCARBON
	000G39-12-12E	EA	SCREW - SF/DR - 12 - 14 X 3/4 PPH - CHROME
	000G42-04-24B	EA	SCREW - SF/DR - 1/4-14 X 1 1/2 - ZINC
	000G42-04-16B	EA	SCREW - SF/DR - 1/4-14 X 1 HWH - ZINC
	000G42-04-24B	EA	SCREW - SF/DR - 1/4-14 X 1 1/2 - ZINC
	000G46-08-24T	EA	SCREW - MACHINE - 8-32 X 1 1/2 PFH - BLACK
	000G50-04-48B	EA	SCREW - MACHINE - 1/4-14 X 3 - ZINC
	000G52-06-05B	EA	SCREW - MACHINE - 6-32 X 5/16 PTH ZINC
	000G52-06-06B	EA	SCREW - MACHINE - 6-32 X 3/8 PIN - ZINC
	000G54-04-14B	EA	SCREW - 1/4-20 X 7/8 PTH - TYPE 23 - ZINC PLATED
	000G55-08-124	EA	SCREW - SF/DR - 8-18 X 3/4 PWH - ASH GRAY
	000G55-08-12M	EA	SCREW - SF/DR - 8-19 X .75 PWH - GRAY
	000G55-08-165	EA	SCREW - SF/DR - 8-18 X 1 PWH - WILLOW
	000G55-08-16T	EA	SCREW - SF/DR - 8-18 X 1 PWH - BLACK
	000G55-08-16S	EA	SCREW - SF/DR - 8-18 X 1.00 - PWH - OFF WHITE
	000G56-12-48B	EA	SCREW - WOOD - 12-11 X 3 POH - SPECIAL HARDENED
	000G57-14-72B	EA	SCREW-14-10-X4 1/2 PFH ZN           GENERAL MOTORHOMES
	000G57-14-64B	EA	SCREW - 14-10 X 4 PFH ZINC
	000G60-08-20F	EA	SCREW - SF/DR - 8-19X1.25 POH
	000G60-08-16E	EA	SCREW - SF/DR - 8-1 X 1 POH - CHROME
	000G60-08-22B	EA	SCREW - SF/DR - 8-18 X 1.38 POH - ZINC
	000G60-10-209	EA	SCREW - SF/DR - 10-16 X 1 1/4 POH - SILVER STALGAARD
	000G60-10-20B	EA	SCREW - SF/DR - 10-16 X 1 1/4 POH - ZINC
	000G60-10-16J	EA	SCREW - SF/DR - 10-16 X 1 POH - BRIGHT BRASS
	000G60-10-28T	EA	SCREW - SF/DR - 10-16 X 1 3/4 - BLACK
	000G67-08-32B	EA	SCREW - 8-15 X 2 PPH - ZINC
	000G67-10-08B	EA	SCREW - 10-12 X 1/2 PPH - ZINC
	000G67-10-24S	EA	SCREW - 10-12 X 1 1/2 PPH - OFF WHITE
	000G67-10-24B	EA	SCREW - 10-12 X 1 1/2 PPH - ZINC
	000G67-10-20D	EA	SCREW - 10-12 X 1 1/4 PPH - BLACK
	000G67-10-12P	EA	SCREW - 10-12 X 3/4 PPH - DARK BROWN
	000G67-10-12B	EA	SCREW - 10-12 X 3/4 PPH - ZINC
	000G67-10-10T	EA	SCREW - 10-12 X 5/8 PPH - BLACK
	000G67-10-10S	EA	SCREW - 10-12 X 5/8 PPH - OFF WHITE
	000G67-10-10P	EA	SCREW - 10-12 X 5/8 PPH - DARK BROWN
	000G67-10-10B	EA	SCREW - 10-12 X 5/8 PPH - ZINC - TYPE A
	000G67-10-08S	EA	SCREW - 10-12 X 1/2 PPH - OFF WHITE
	000G68-06-10J	EA	SCREW - 6-18 X 5/8 POH - BRASS
	000G68-06-10G	EA	SCREW - 6-18 X 5/8 POH - ANTIQUE BRASS
	000G68-06-12J	EA	SCREW - 6-18 X 3/4 POH - BRASS
	000G68-06-12B	EA	SCREW - 6-18 X 3/4 POH - ZINC & CLEAR
	029130-01-000	EA	SCREW - SNAP STUD - #8-16 X 5/8" LONG
	029130-03-000	EA	SCREW - SNAP STUD - #8-16 X 1" LONG
	049465-01-000	EA	SCREW - 10-16 PTH W/WASHER - DARK BROWN
	049465-03-000	EA	SCREW - 10-16 X 1 POH W/WASHER - OFF WHITE
	049465-04-000	EA	SCREW - 10-16 X 1 PTH W/WASHER - BEIGE
	049465-13-000	EA	SCREW-10+16X1 PTH W/WASHER - *ASH GRAY
	049465-17-000	EA	SCREW - 10-16 X 1 POH W/WASHER - BRIGHT WHITE
	049465-23-000	EA	SCREW - 10-16 X 1.5 POH W/WASHER - VW LIGHT GRAY
	054434-02-000	EA	SCREW - SF/DR - 10-16 X 2 - ZINC
	054434-03-000	EA	SCREW - SF/DR - 10-16 X 2 - PWH - ZINC
	075908-01-000	EA	SCREW - MACHINE - 10-32 X .56 PTH - EXTERNAL TOOTH - ZINC
	076790-01-000	EA	SCREW - 6-20 X 1 1/4 PPH - BLACK
	076790-05-000	EA	SCREW - 6-20 X 1/2 PPH - BLACK - THREAD CUTTING/WOOD
	083554-01-000	EA	SCREW - DRYWALL - 8 X 1 1/4
	083554-04-000	EA	SCREW - DRYWALL - 8 X 2 1/2
	087721-01-000	EA	SCREW - FLAT HEAD - TAPPING - 1/4 X 1 1/4 LONG - ZINC
	087721-02-000	EA	SCREW - FLAT HEAD - TAPPING - 1/4 X 2 1/4 LONG - ZINC
	090033-02-000	EA	SCREW - 1/4-20 X 5/8 - ROUND WASHER HEAD - OFF/WHITE
	097974-01-000	EA	SCREW - PARTICLE BOARD - 7-9 X 3/4 PPH
	101618-01-000	EA	SCREW - 1/4-20 X 3/4 HEX - TAPPING - STALGARD TYPE F

**SEALANTS & FASTENERS GROUP (CONTINUED)**  
**SCREWS (CONTINUED)**

<b>KEY</b>	<b>PART NUMBER</b>	<b>U/M</b>	<b>DESCRIPTION</b>
	110460-05-02A	EA	SCREW - MACHINE - 10-24 X 2 1/2 PFH - WHITE
	113563-01-01A	EA	SCREW - 8 X 5/8 LONG SHOULDER/WASHER HEAD
	114469-01-02A	EA	COVER - SCREW - VW DARK GRAY
	117478-01-04A	EA	SCREW - 8-18 X 3/4 PPH W/WASHER - VW LIGHT GRAY
	118383-01-09A	EA	RETAINER/RECESSED - F/.22" SCREW - GLACIER
	118383-01-06A	EA	RETAINER/RECESSED - F/.22" SCREW - ALLANTE ANTELOPE
	118383-01-05A	EA	RETAINER/RECESSED - F/.22" SCREW - VW LIGHT GRAY
	118383-01-04A	EA	RETAINER/RECESSED - F/.22" SCREW - BRIGHT WHITE
	118383-02-09A	EA	RETAINER/RECESSED - F/.27" SCREW - GLACIER
	118383-02-05A	EA	RETAINER/RECESSED - F/.27" SCREW - VW LIGHT GRAY
	118383-02-04A	EA	RETAINER/RECESSED - F/.27" SCREW - BRIGHT WHITE
	118383-03-09A	EA	RETAINER/RECESSED - F/.32" SCREW - GLACIER
	118383-04-05A	EA	CAP - F/RECESSED RETAINER - VW LIGHT GRAY
	118383-04-04A	EA	CAP - F/RECESSED RETAINER - BRIGHT WHITE
	118383-04-09A	EA	CAP - F/RECESSED RETAINER - GLACIER
	118383-04-06A	EA	CAP - F/RECESSED RETAINER - ALLANTE ANTELOPE
	134126-01-01A	EA	SCREW/NAIL - HEX HEAD - 3/4"
	140040-01-000	EA	SCREW - 1/4-20 X 1 - BUTTON HEAD/SOCKET - W/LOCTITE
	144078-01-01A	EA	SCREW - HEX/FLANGE HEAD CAP - 1" W/.75" THREAD LENGTH - ZINC
	149753-01-01A	EA	RETAINER/RECESSED - F/.22" SCREW - BLACK
	149753-01-02A	EA	RETAINER/RECESSED - F/.22" SCREW - BRIGHT WHITE
	149753-02-01A	EA	CAP - F/RECESSED RETAINER - BLACK
	149753-02-02A	EA	CAP - F/RECESSED RETAINER - BRIGHT WHITE

**CLAMPS, CLIPS, GROMMETS, RIVETS & PLUGS**

<b>KEY</b>	<b>PART NUMBER</b>	<b>U/M</b>	<b>DESCRIPTION</b>
	000F10-06-32B	EA	PIN - COTTER - 3/16" X 2" - ZINC
	000H14-06-06R	EA	RIVET-MANDREL BLIND,3/16 AL - CHERRY BSP-66
	000H16-04-06R	EA	RIVET - POP ALUMINUM - 1/8 X .313 - .375
	000H16-06-10R	EA	RIVET - POP ALUMINUM - 3/16 X .501 - .625
	007161-01-000	EA	CLAMP - HOSE - SPRING TYPE - 1/2"
	008386-01-000	EA	GROMMET - SNAP - 3/8" DIAMETER - NYLON
	010495-01-000	EA	CLAMP - CABLE - 9/16"ID - BLACK
	010495-02-000	EA	CLAMP - CABLE - 3/8"ID - BLACK
	010495-04-000	EA	CLAMP - CABLE - 11/16"ID - WHITE
	010497-01-000	EA	CLAMP - CLOSED - 5/8"ID
	010497-02-000	EA	CLAMP - CLOSED - 1.5"ID
	010497-03-000	EA	CLAMP - CLOSED - 1"ID - CUSHIONED
	010497-04-000	EA	CLAMP - CLOSED - 1 5/8"ID
	010497-07-000	EA	CLAMP - CLOSED - 3/8"ID
	010497-09-000	EA	CLAMP - CLOSED - 5/16"ID
	010497-10-000	EA	CLAMP - CLOSED - 7/8"ID
	010499-01-000	EA	CLAMP - CLOSED - 3/8"ID
	016188-03-000	EA	GROMMET - LP LINE - 3/8"HOLE X 2 1/2"LONG - RUBBER
	016188-04-000	EA	GROMMET - LP LINE - 1/2"HOLE X 2 1/2"LONG - RUBBER
	016188-05-000	EA	GROMMET - LP LINE - 3/8"HOLE X 1 1/4"LONG - RUBBER
	016188-06-000	EA	GROMMET - L/P LINE - 3/8"HOLE X 3 1/4"LONG - RUBBER
	016188-08-000	EA	GROMMET - LP LINE - 1/2"HOLE X 1 1/4"LONG - RUBBER
	016188-09-000	EA	GROMMET - LP LINE - .68"HOLE X 1 1/4"LONG - RUBBER
	016188-10-000	EA	GROMMET - LP LINE - .68"HOLE X 2.5"LONG - RUBBER
	023942-01-000	EA	GROMMET - RUBBER - 2" OD
	034141-02-000	EA	PLUG/NYLON - .38" - BLACK
	061420-01-000	EA	PLUG/PLASTIC - 1 3/4" DIAMETER - BROWN
	061420-04-000	EA	PLUG/PLASTIC - 1 1/4" DIAMETER
	061420-05-000	EA	PLUG/PLASTIC - 1 1/2" DIAMETER
	061420-08-000	EA	PLUG/PLASTIC - 2 1/2" DIAMETER
	061420-09-000	EA	PLUG/PLASTIC - 1.00" - DIAMETER
	061420-10-000	EA	PLUG/PLASTIC - 1 1/2" DIAMETER - BLACK
	061420-13-000	EA	PLUG/PLASTIC - 3/8 - 3"
	061420-14-000	EA	PLUG/PLASTIC - 7/8" DIAMETER - BLACK
	061420-15-000	EA	PLUG/PLASTIC - 2" DIAMETER - BLACK
	061420-16-000	EA	PLUG/PLASTIC - 2 1/8" DIAMETER - BLACK
	062401-01-000	EA	CLAMP - HOSE - WORMGEAR - .25" - 1"

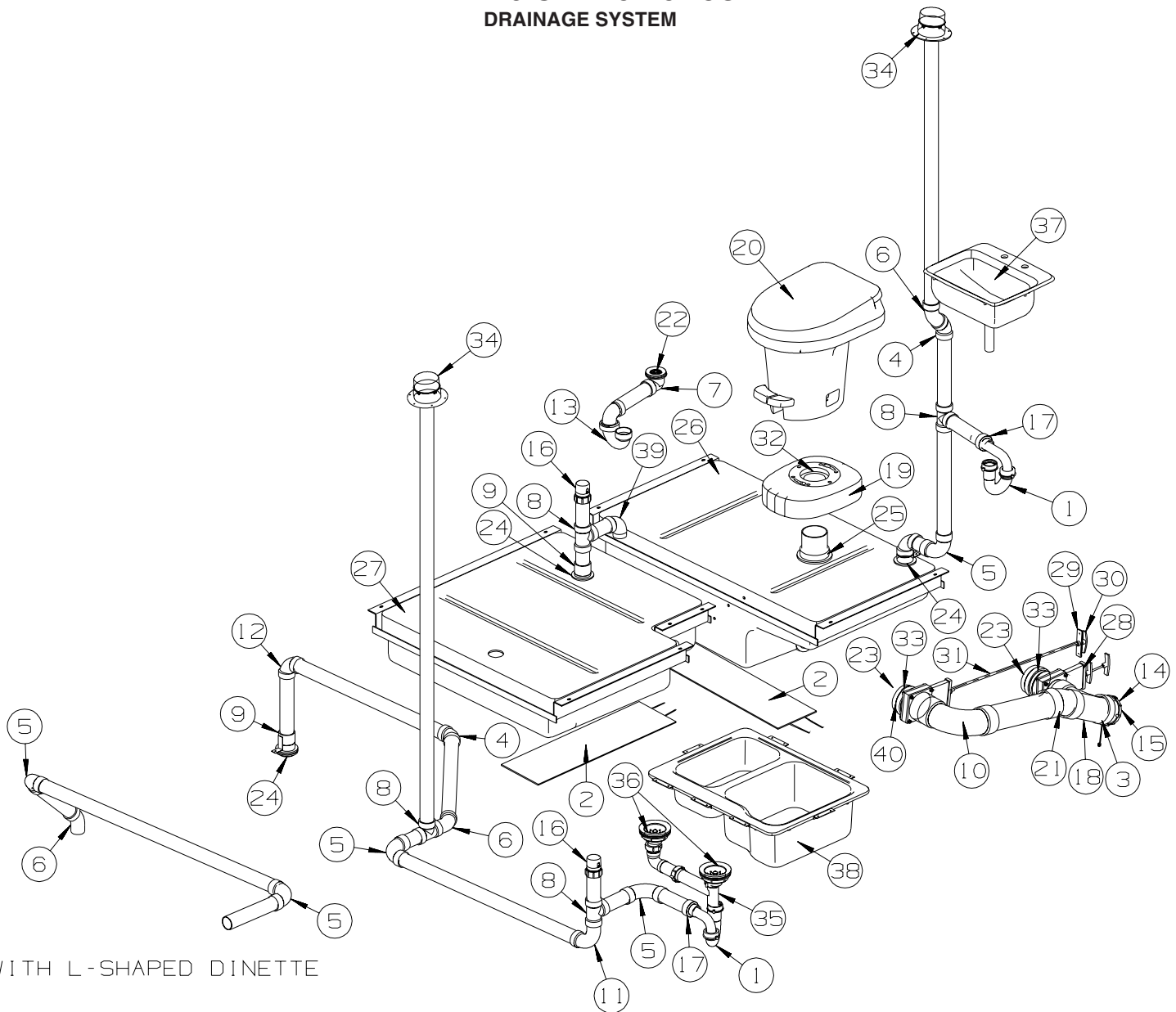
**SEALANTS & FASTENERS GROUP (CONTINUED)**  
**CLAMPS, CLIPS, GROMMETS, RIVETS & PLUGS (CONTINUED)**

KEY	PART NUMBER	U/M	DESCRIPTION
	062401-02-000	EA	CLAMP - HOSE - WORMGEAR - 1.56" - 2.5"
	062401-03-000	EA	CLAMP - HOSE - WORMGEAR - .22" - 1"
	062401-04-000	EA	CLAMP - HOSE - WORMGEAR - .69" - 1.25"
	062401-05-000	EA	CLAMP - HOSE - WORMGEAR - 2" - 3" ID
	062401-06-000	EA	CLAMP - HOSE - WORMGEAR - .22" - .62" ID
	062401-09-000	EA	CLAMP - HOSE - WORMGEAR - 2.8" - 3.75"
	062401-11-000	EA	CLAMP - HOSE - WORMGEAR - 3.50" - 4.50"
	062401-12-000	EA	CLAMP - HOSE - WORMGEAR - .79" X 1.26"
	071015-11-000	EA	GROMMET - RUBBER - 1 ID - FITS .12 MATERIAL - BLACK
	071015-13-000	EA	GROMMET - RUBBER - .62 ID - FITS .09 GROOVE - BLACK
	071015-19-000	EA	GROMMET - RUBBER - .38 ID - FITS .06 MATERIAL - BLACK
	071015-22-000	EA	GROMMET - RUBBER - .62 ID - 1.12 OD - W/.19 GROOVE - BLACK
	071015-26-000	EA	GROMMET - RUBBER - 1.5" ID X 2.1" OD W/.06" GROOVE-BLACK
	071015-29-000	EA	GROMMET - RUBBER - .3" ID X 1.3"OD W/.12" GROOVE - BLACK
	071015-30-000	EA	GROMMET - RUBBER - .3" ID X .81"OD W/.12" GROOVE - BLACK
	071015-32-000	EA	GROMMET - RUBBER - .75 ID X 1.375 OD W/.187 GROOVE - BLACK
	071015-40-000	EA	GROMMET - RUBBER - .38 ID - FITS .09 MATERIAL - BLACK
	071015-41-000	EA	GROMMET - .125 ID FITS .188 MTL
	071015-42-000	EA	GROMMET - RUBBER - .25 ID - FITS .06 MATERIAL - BLACK
	075148-02-000	EA	CLAMP - GROUNDING - BRONZE SCREWS
	077955-01-000	EA	CLIP/J - 3/8" - VINYL COATED
	080734-02-000	EA	CLIP - WIRE NYLON
	081211-01-000	EA	PLUG/PLASTIC - .31" DIAMETER - BLACK
	081211-03-000	EA	PLUG/PLASTIC - .50" DIAMETER - TRUSS HEAD - BLACK
	081211-04-000	EA	PLUG/PLASTIC - .46 DIAMETER - TRUSS HEAD - BLACK
	083609-01-000	EA	CLAMP - WIRE - DUAL - EQUAL DIAMETERS - 5/8"
	083610-01-000	EA	CLAMP - WIRE - DUAL - UNEQUAL DIAMETERS - 3/4" & 1 1/4"
	083610-02-000	EA	CLAMP - WIRE - DUAL - UNEQUAL DIAMETERS - 3/4" & 2"
	083610-03-000	EA	CLAMP - WIRE - DUAL - EQUAL DIAMETERS - 2"
	088756-01-000	EA	GROMMET - WEB - 1 1/8 " I.D.
	089329-02-000	EA	CLIP - SPRING
	091952-01-000	EA	CLIP - GRIPPER - 1"
	091952-02-000	EA	CLIP - GRIPPER - 3/4"
	091952-03-000	EA	CLIP - GRIPPER - 1/2" - BLACK VINYL COATED
	094362-02-000	EA	CLIP - XMAS TREE - BINDER HEAD - .9" LONG
	094362-05-000	EA	CLIP - XMAS TREE - ROUND HEAD - 1.4" LONG
	114208-01-000	EA	GROMMET - EDGE LINER - FITS 1 3/4"
	114208-03-000	EA	GROMMET - EDGE LINER - FITS 2 1/2"
	114208-05-000	EA	GROMMET - EDGE LINER - FITS 2"
	118626-01-02A	EA	RIVET - POP - ALUMINUM - 3/16 X .08 - .375
	118626-01-01A	EA	RIVET - POP - ALUMINUM - 3/16 X .08 - .375
	118626-02-01A	EA	RIVET - POP - ALUMINUM - 3/16 X .500 - .750
	137014-01-01A	EA	GROMMET - CABLE - ALMOND
	137014-01-02A	EA	GROMMET - CABLE - BROWN
	137014-01-03A	EA	GROMMET - CABLE - BLACK
	139118-02-01A	EA	GROMMET - SCREW - PLASTIC
	140171-01-000	EA	CLAMP - HOSE - STEPLESS EAR - .312
	140171-02-000	EA	CLAMP - HOSE - STEPLESS EAR - .250

**SEALANTS & FASTENERS GROUP (CONTINUED)**  
**MISCELLANEOUS FASTENERS**

<b>KEY</b>	<b>PART NUMBER</b>	<b>U/M</b>	<b>DESCRIPTION</b>
	008343-01-000	EA	TIE - WIRE - 6"
	008343-02-000	EA	TIE - WIRE - 14"
	008343-03-000	EA	TIE - WIRE - 7 1/2" - BLACK
	029094-04-000	YD	VELCRO TAPE - LOOP - 1" WIDE - BLACK
	029094-06-000	YD	VELCRO TAPE - LOOP - 2" WIDE - BLACK
	029096-03-000	YD	VELCRO TAPE - HOOK - 1" WIDE - BLACK
	029096-04-000	YD	VELCRO TAPE/HOOK - 1"WIDE - BLACK - W/ADHESIVE BACK (PSA)
	048394-02-000	YD	VELCRO TAPE - HOOK - ADHESIVE BACK - 3/4" WIDE - BEIGE
	085774-01-000	FT	FASTENER - DUAL LOCK - 1" WIDE - ADHESIVE BACK - BLACK
	085774-02-000	FT	FASTENER - DUAL HOOK - 1" WIDE - ADHESIVE BACK - BLACK
	085774-07-000	FT	FASTENER - DUAL HOOK - 1" WIDE
	088792-02-000	YD	VELCRO TAPE - LOOP - 3/4" - ADHESIVE BACK - BEIGE
	088792-04-000	YD	VELCRO TAPE - HOOK - 5/8" - NON-ADHESIVE BACK - WHITE
	088792-05-000	YD	VELCRO TAPE - LOOP - 5/8" - NON-ADHESIVE BACK - WHITE
	108046-01-000	EA	CABLE TIE - SCREW MOUNT 8"
	108046-02-000	EA	CABLE TIE - SCREW MOUNT 15"
	110943-01-000	FT	FELT STRIP - 3/8" - ADHESIVE BACK - BLACK
	110943-02-000	FT	FELT STRIP - 3/8" - ADHESIVE BACK - WHITE
	113133-02-01A	EA	RIVET - POP - ALUMINUM - 3/16 X .252 - .504 - BLACK
	115361-01-01A	EA	PLUG/PLASTIC - 1/2" DIAMETER
	127960-01-01A	EA	RETAINER - 3/8" - STAINLESS STEEL

# WATER & SEWAGE GROUP DRAINAGE SYSTEM



WITH L-SHAPED DINETTE

KEY	PART NUMBER	U/M	DESCRIPTION
1	107538-01-000	EA	P-TRAP - PLASTIC - 1 1/4" W/EXTENSION ARM - USA
1	011071-01-000	EA	P-TRAP - PLASTIC - 1 1/2" - CSA - CANADIAN
2	133972-01-000	EA	PAD - HEATER - HOLDING TANK - 40 GALLON
3	139513-02-000	EA	HOSE - SEWER - 3" X 20' - W/ADAPTER
	139513-01-000	EA	HOSE - SEWER - 3" X 10' - W/ADAPTER
	062416-01-000	EA	ADAPTER - SEWER HOSE TO 3" PIPE
4	010006-01-000	EA	ELBOW - 45 DEGREE - 1 1/2" HUB X HUB - PLASTIC
5	010008-01-000	EA	ELBOW - 90 DEGREE - 1 1/2" HUB X HUB - PLASTIC
6	010051-01-000	EA	ELBOW - 45 DEGREE - 1 1/2" SPIGOT X HUB - PLASTIC
7	131486-01-000	EA	ELBOW - DRAIN - 1 1/2 LOW PROFILE - TUB DRAIN
8	010071-01-000	EA	TEE - SANITARY - 1 1/2" HUB X HUB X HUB - PLASTIC
9	010115-01-000	EA	COUPLING - 1 1/2" HUB X HUB - PLASTIC
10	031126-01-000	EA	ELBOW - 1/4 BEND - 3" X 90" XLT - BLACK PLASTIC
11	033761-01-000	EA	ELBOW - 90 DEGREE - TURN - 1 1/2" HUB X 1 1/2" SPIGOT
12	034250-01-000	EA	ELBOW - 90 DEGREE - LONG TURN - 1 1/2" HUB X HUB - ABS
13	037763-01-000	EA	P-TRAP - PLASTIC - 1 1/2 HXH W/UNION
14*	062415-01-000	EA	CAP - SEWER - 3" DIAMETER
15	062417-01-000	EA	ADAPTER - TERMINATION - 3"
16	079968-01-000	EA	VENT - MECHANICAL/TRAP ARM - ANTI-SIPHON-2" X 7.3" PLASTIC
17	109571-01-000	EA	ADAPTER - P-TRAP - 1 1/2"P X 1 1/4"MPT
18	136664-01-000	EA	TEE - PLASTIC - 3"
19	131786-07-01A	EA	SPACER/TOILET - OVAL - 13.5" LONG X 1.25" HIGH - SOFT WHT

FROM: 12-06-03 THRU: 99-99-99

**WATER & SEWAGE GROUP (CONTINUED)**  
**DRAINAGE SYSTEM (CONTINUED)**

KEY	PART NUMBER	U/M	DESCRIPTION
20*	131932-02-02A	EA	TOILET - AQUA MAGIC 4 - HIGH - FOOT FLUSH - WHITE FROM: 00-00-00 THRU: 09-28-03
20*	147421-01-01A	EA	TIOLET - AQUA MAGIC 5 - HIGH/FOOTFLUSH/W/SPRAYER - WHITE FROM: 09-29-03 THRU: 99-99-99
21	010023-01-000	EA	ELBOW/STREET - PLASTIC
22	066440-01-000	EA	STRAINER - SHOWER DRAIN- W/RUBBER WASHER
	127440-02-01A	EA	WASHER - RUBBER - 1.8" X .1"
	130403-01-000	EA	NUT - SLIP - W/WINGS 1 1/2"
23	010129-03-000	EA	NIPPLE - 3" X 3" TOE - PLASTIC
24	061607-01-000	EA	GROMMET - HOLDING TANK - 1 1/2" NPS
25	061607-02-000	EA	GROMMET - HOLDING TANK - 3" NPS
26	137501-01-700	EA	TANK - HOLDING
	049032-01-000	EA	PATCH - SPINWELD - 3/8" - PLASTIC
27	137502-01-700	EA	TANK - HOLDING
	049032-01-000	EA	PATCH - SPINWELD - 3/8" - PLASTIC
28	062418-03-000	EA	VALVE- 3" SPIGOT X 3" SPIGOT
29	062419-05-000	EA	BRACKET - VALVE - LOCKING
30	062419-06-000	EA	HANDLE - T
31	062419-10-000	EA	HANDLE - EXTENSION - W/TAPPED END
32	063641-01-000	EA	FLANGE - CLOSET - 4" X 3" FROM: 00-00-00 THRU: 03-02-03
32	116644-01-000	EA	FLANGE/CLOSET - 3" FEMALE - 4 BOLT FROM: 03-03-03 THRU: 99-99-99
33	078406-01-000	EA	COUPLER - 3" X 3" W/CLAMPS - RUBBER
34	083558-03-000	EA	VENT W/COVER F/PLUMBING STACK - OFF WHITE
35	091980-01-000	EA	WASTE - CONTINUOUS FROM: 00-00-00 THRU: 12-05-03
35	011091-02-000	EA	WASTE - CONTINUOUS - DOUBLE SINK FROM: 12-06-03 THRU: 99-99-99
36	092303-01-000	EA	STRAINER - W/BASKET - GALLEY SINK - 4" OD
	127440-02-01A	EA	WASHER - RUBBER - 1.8" X .1"
37*	096927-01-02A	EA	SINK - LAVATORY - RECTANGLE - SOFT WHITE
	106116-01-02A	EA	STRAINER/PLASTIC - STOPPER/TAILPIECE/GASKET & NUT-LAVATORY
	127440-02-01A	EA	WASHER - RUBBER - 1.8" X .1"
	130403-01-000	EA	NUT - SLIP - W/WINGS 1 1/2"
38	136828-01-01A	EA	SINK/DBL - LGE/SM BASIN-25"X19"X7" W/O NOTCH/FAUCET HOLES FROM: 00-00-00 THRU: 12-05-03
38	148870-01-01A	EA	SINK/DOUBLE - LRG/SML BASIN - 25" X 19" X 7" FROM: 12-06-03 THRU: 99-99-99
39	010009-01-000	EA	ELBOW - 90 DEGREE - 1/4 BEND - 1 1/2" PLASTIC
40	062418-01-000	EA	VALVE - DUMP - W/HANDLE - 3" - PLASTIC/BLACK

**\*COMPONENT PARTS LISTED LATER IN THIS GROUP**



## WATER & SEWAGE GROUP (CONTINUED)

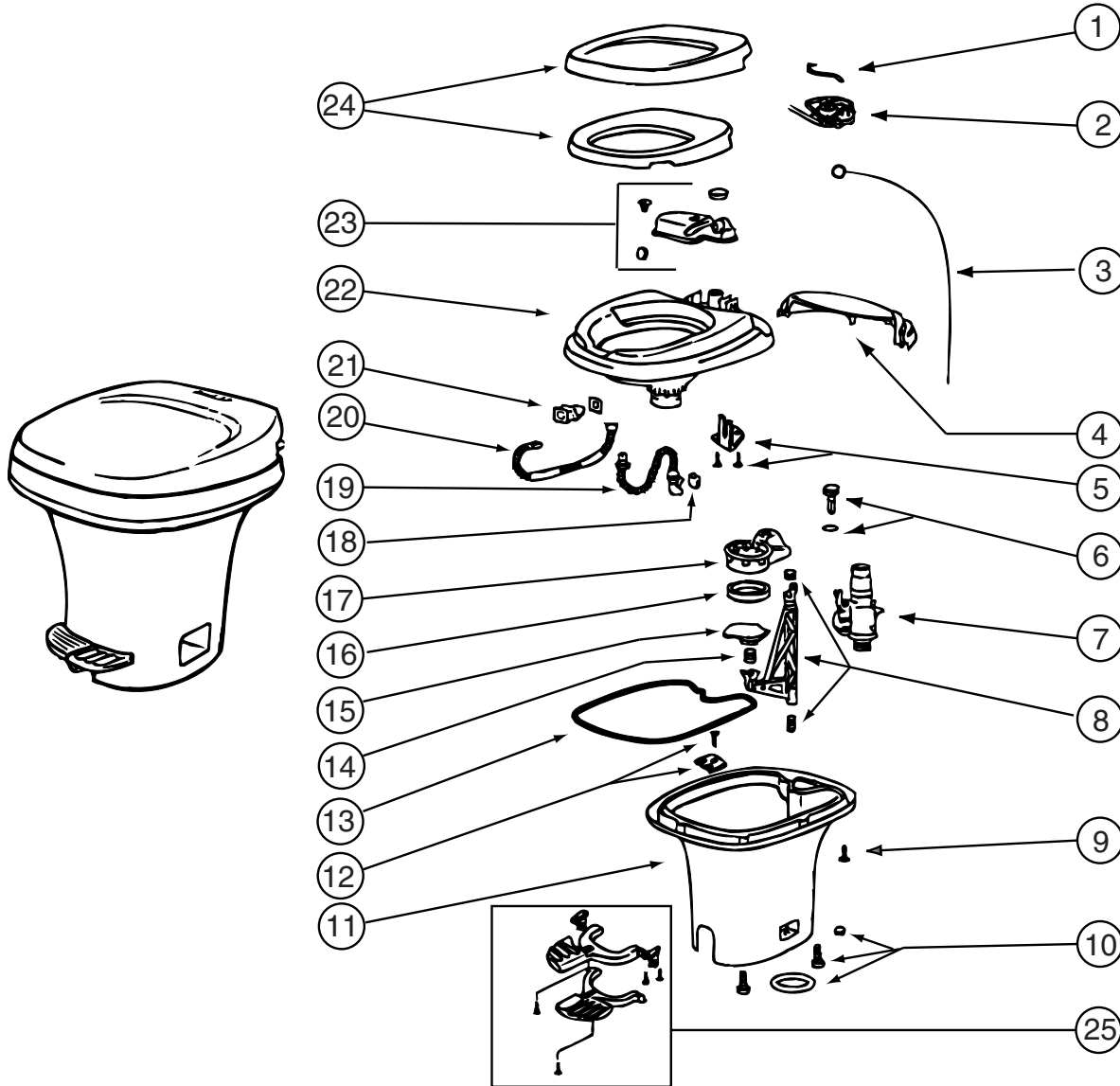
### COMPONENT PARTS FOR DRAINAGE SYSTEM

062415-01-000

KEY	PART NUMBER	U/M	DESCRIPTION	VENDOR NO.
	062415-01-700	EA	STRING-SEWER CAP	V#SV7 STRAP

096927-01-02A

KEY	PART NUMBER	U/M	DESCRIPTION	VENDOR NO.
	096927-01-700	EA	SINK STOPPER	M9801
	096927-01-701	EA	TAILPIECE-DRAIN-LAVATORY	M9802

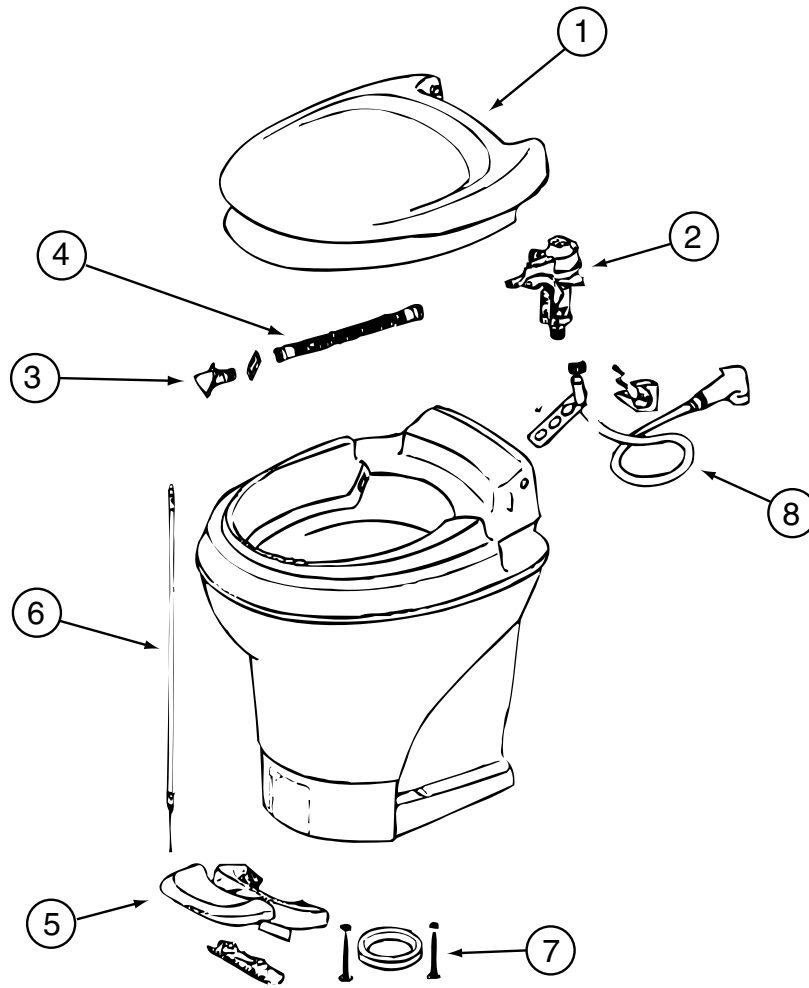


131932-02-02A

KEY	PART NUMBER	U/M	DESCRIPTION	VENDOR NO.
2	063740-02-703	EA	KIT-LEVER/WIRE ASSM FOOT FL	24571
4	131932-02-701	EA	COVER -MECHANISM- WHITE	2086562
7	063740-01-714	EA	VALVE ASM (VALVE-BALL SEAL)	13168
10	063740-01-706	EA	BOLT PACKAGE-FLOOR FLANGE	12524 THETFORD
15	063740-01-721	EA	BLADE ONLY	1248262
16	063740-01-722	EA	SEAL - BLADE	12481
20	063740-01-717	EA	TUBE-FLUSH	12509
23	063740-02-701	EA	RESERVOIR (TANK ASM.)	24630
24	131932-01-701	EA	SEAT/COVER ASSMBLY - WHITE	2464162
25	131932-02-702	EA	PEDAL PACKAGE(WHITE)	2082162

CONTACT WINNEBAGO PART SALES FOR UNLISTED COMPONENT

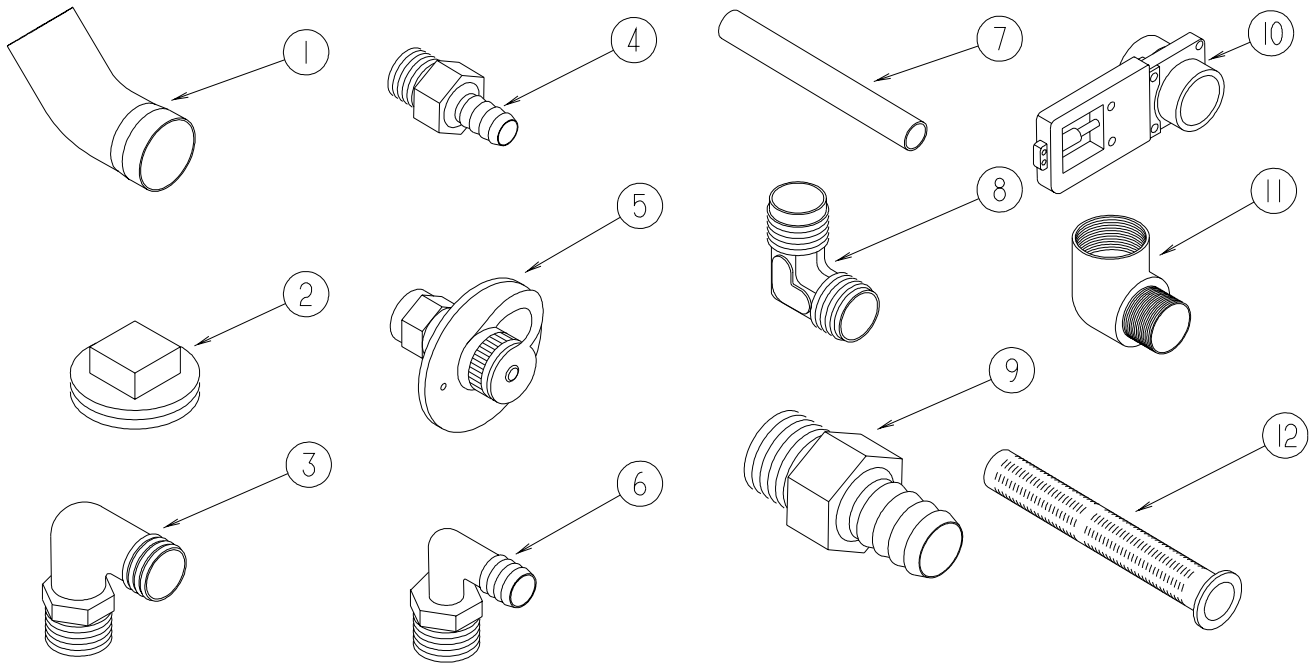
**WATER & SEWAGE GROUP (CONTINUED)**  
**COMPONENT PARTS FOR DRAINAGE SYSTEM (CONTINUED)**



147421-01-01A, 147421-02-01A

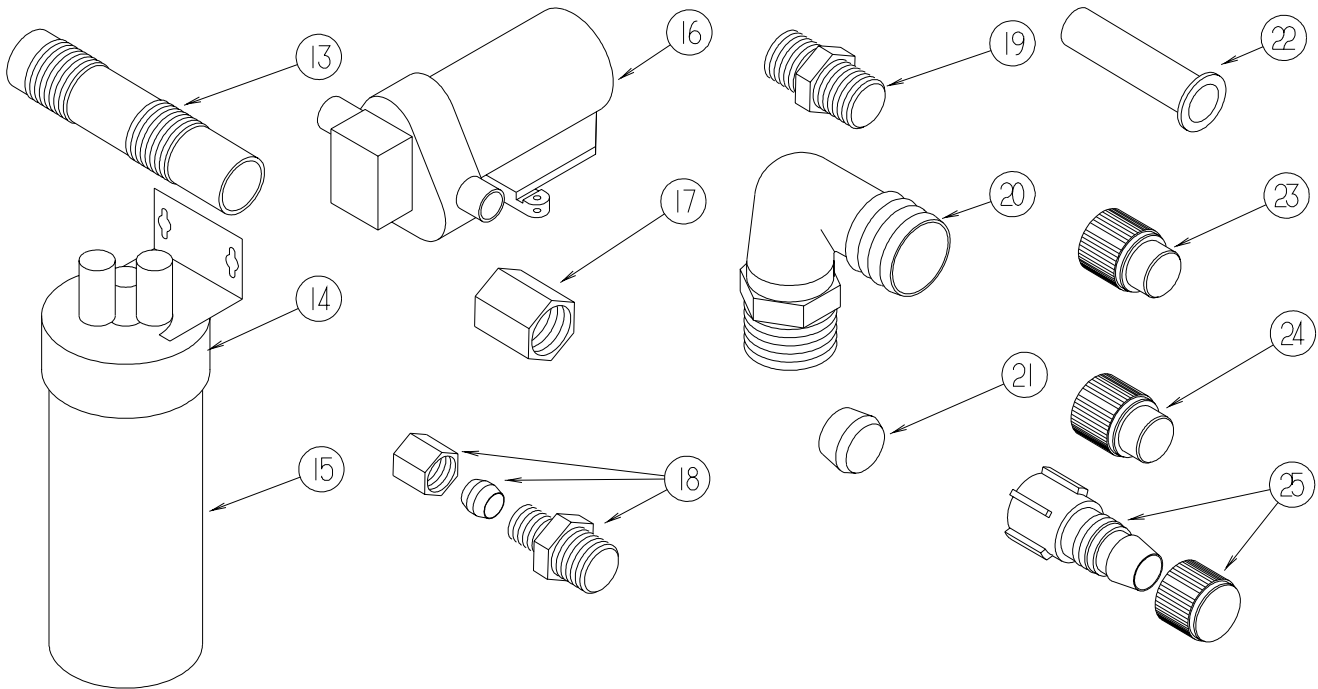
KEY	PART NUMBER	U/M	DESCRIPTION	VENDOR NO.
1	147421-01-700	EA	SEAT & COVER ASSEMBLY(WHT)	31703
2	147421-01-701	EA	WATER MODULE ASSEMBLY	31705
3	147421-01-702	EA	NOZZLE ASSEMBLY	31706
4	147421-01-703	EA	LINK - WATER MODULE	31621
5	147421-01-704	EA	PEDAL - WHITE	31709
6	147421-01-705	EA	FOOT CABLE	31711
7	063740-01-706	EA	BOLT PACKAGE-FLOOR FLANGE	12524 THETFORD
8	132389-01-708	EA	HAND SPRAY KIT	19289
	147421-01-706	EA	SEAL - BLADE	31708
	147421-01-707	EA	CAP (UNIVERSAL BOLT) - WHITE	31713

**WATER & SEWAGE GROUP (CONTINUED)**  
**WATER SYSTEM**



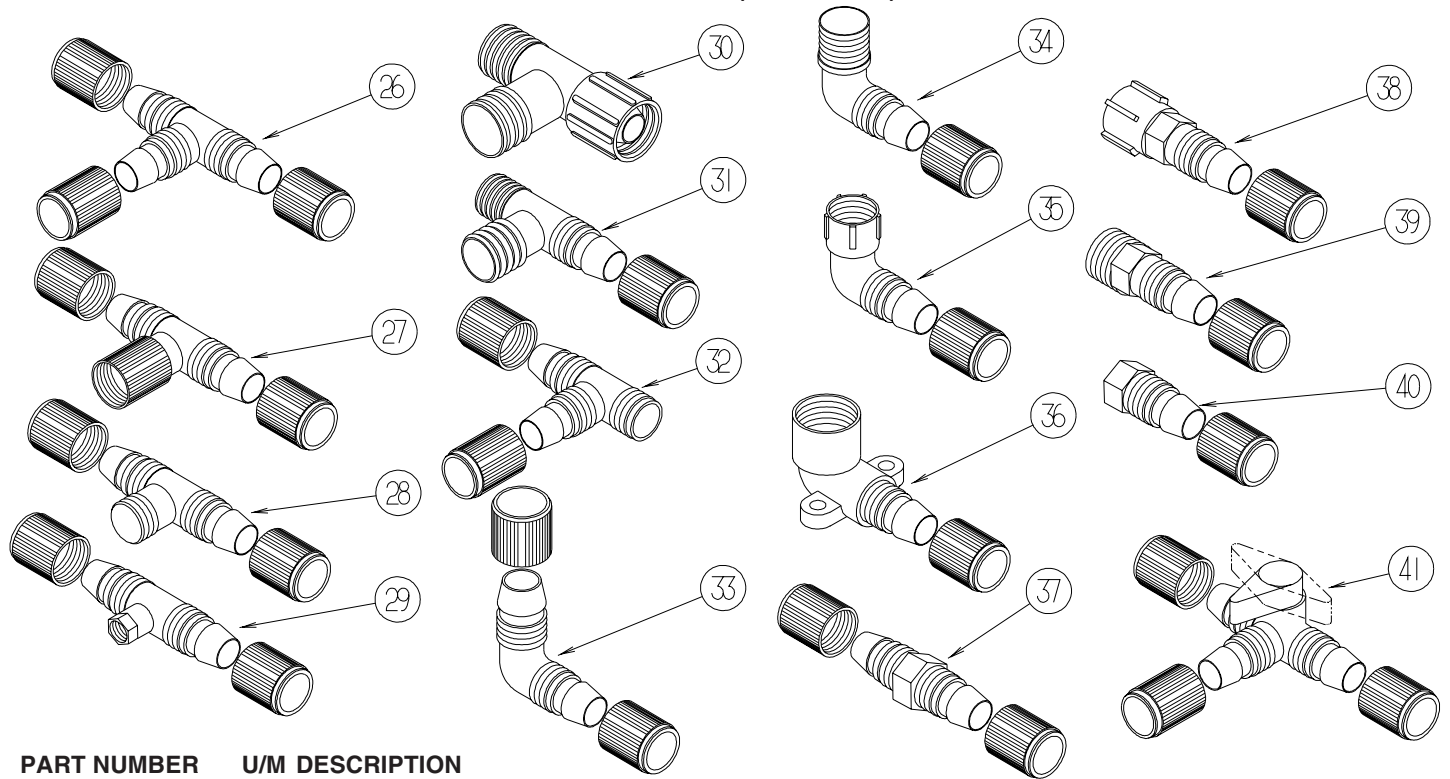
KEY	PART NUMBER	U/M	DESCRIPTION
1	010009-01-000	EA	ELBOW - 90 DEGREE - 1/4 BEND - 1 1/2" PLASTIC
2	010166-01-000	EA	PLUG/THREADED - 1 1/4"MPT - PLASTIC - BLACK - UL
3	010219-01-000	EA	ELBOW - 1 1/4 MPT X 1 1/4 BARB - WATER FILL - PLASTIC
4	010224-01-000	EA	ADAPTER - HOSE TO PIPE - 3/8 MPT X 3/8 BARB - PLASTIC
5	010230-06-000	EA	FILL - CITY WATER - W/CHECK VALVE - MPT - BRUSHED ALUM
6	035539-01-000	EA	ELBOW - 3/8 MPT X 3/8 BARB - PLASTIC
7	039800-04-000	FT	TUBING - POLYBUTYL - 1/4"OD
7	074462-02-000	FT	TUBING - VINYL - 3/8 ID X 20' - CLEAR
7	112176-01-000	FT	TUBING - VINYL - REINFORCED - 1/2" ID
7	124188-01-000	FT	TUBING - PEX - 1/2" ID X 20' - BLUE(COLD)
7	124188-02-000	FT	TUBING - PEX - 1/2" ID X 20' - RED(HOT)
8	039808-03-000	EA	ELBOW - 1/2" MPT X 1/2" MPT - PLASTIC
9	044927-01-000	EA	ADAPTER - HOSE TO PIPE-1 1/4 MPTX1 1/4 BARB-BLACK PLASTIC
10	062421-03-000	EA	VALVE/DUMP W/O HANDLE - 1 1/2" X 1 1/2" HUB
	062421-05-000	EA	CABLE/ROD - F/DUMP VALVE - W/HANDLE - 48"
11	065318-02-000	EA	ELBOW - 90 DEGREE - 3/8" MPT TO 3/8" FPT
12	077954-02-000	EA	FILTER - WATER TANK - W/SCREEN IN TANK

**WATER & SEWAGE GROUP (CONTINUED)**  
**WATER SYSTEM (CONTINUED)**



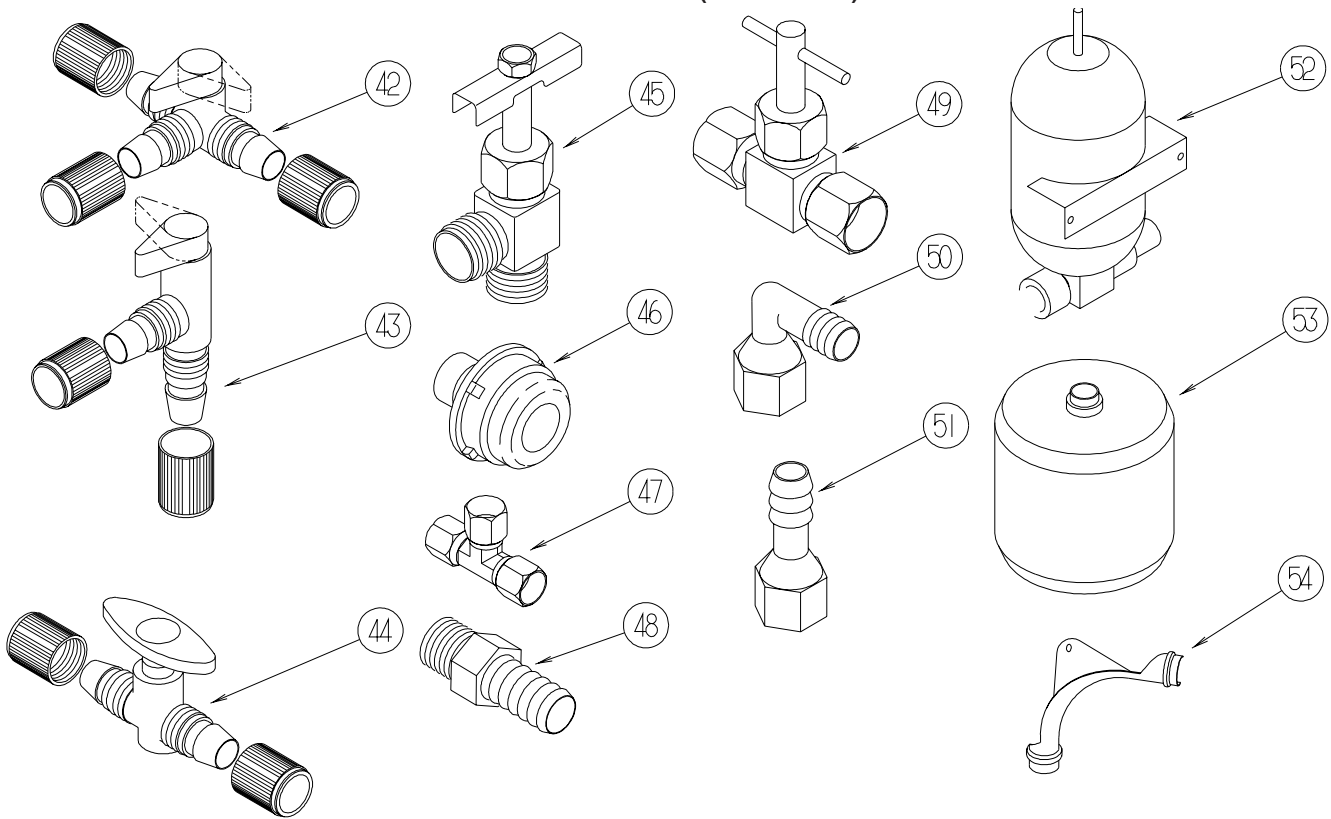
KEY	PART NUMBER	U/M	DESCRIPTION
13	079381-01-000	FT	TUBING - RIBBED FLEXIBLE - WATER FILL - 1.4" ID
14	087200-01-000	EA	FILTER-WATER PURIFICATION, EVERPURE QC2-AC
15	087200-02-000	EA	CARTRIDGE-WATER FILTER, AC - EVERPURE 9601-11
16*	098607-01-000	EA	PUMP - WATER - W/.5" MPT FITTING - FLOW 2.8 GPM
17	101814-01-000	EA	COUPLING - FEMALE - 1/2" X 1/2" FPT - GRAY
18	103798-01-000	EA	CONNECTOR - 1/4 OD X 3/8 MPT
19	110438-02-000	EA	VALVE - CHECK - BRASS - 1/2 MPT X 1/2 MPT
20	111223-02-000	EA	ELBOW - 1/2" MPT X 3/8" BARB - PLASTIC
20	111223-03-000	EA	ELBOW - 3/4" MPT X 1/2" BARB - PLASTIC
20	111223-04-000	EA	ELBOW - 1/2" MPT X 1/2" BARB - PLASTIC
21	111888-01-000	EA	FERRULE - PLASTIC - .250 ID X .375 OD
22	111888-02-000	EA	INSERT - BRASS - 1/4 COMP
23	113697-01-000	EA	CAP - 3/8"P
24	114427-01-000	EA	CAP - 1/2"P
25	114427-02-000	EA	PLUG - W/COMP NUT - 1/2" PLASTIC PIPE/1/2" FLAIR-IT

**WATER & SEWAGE GROUP (CONTINUED)**  
**WATER SYSTEM (CONTINUED)**



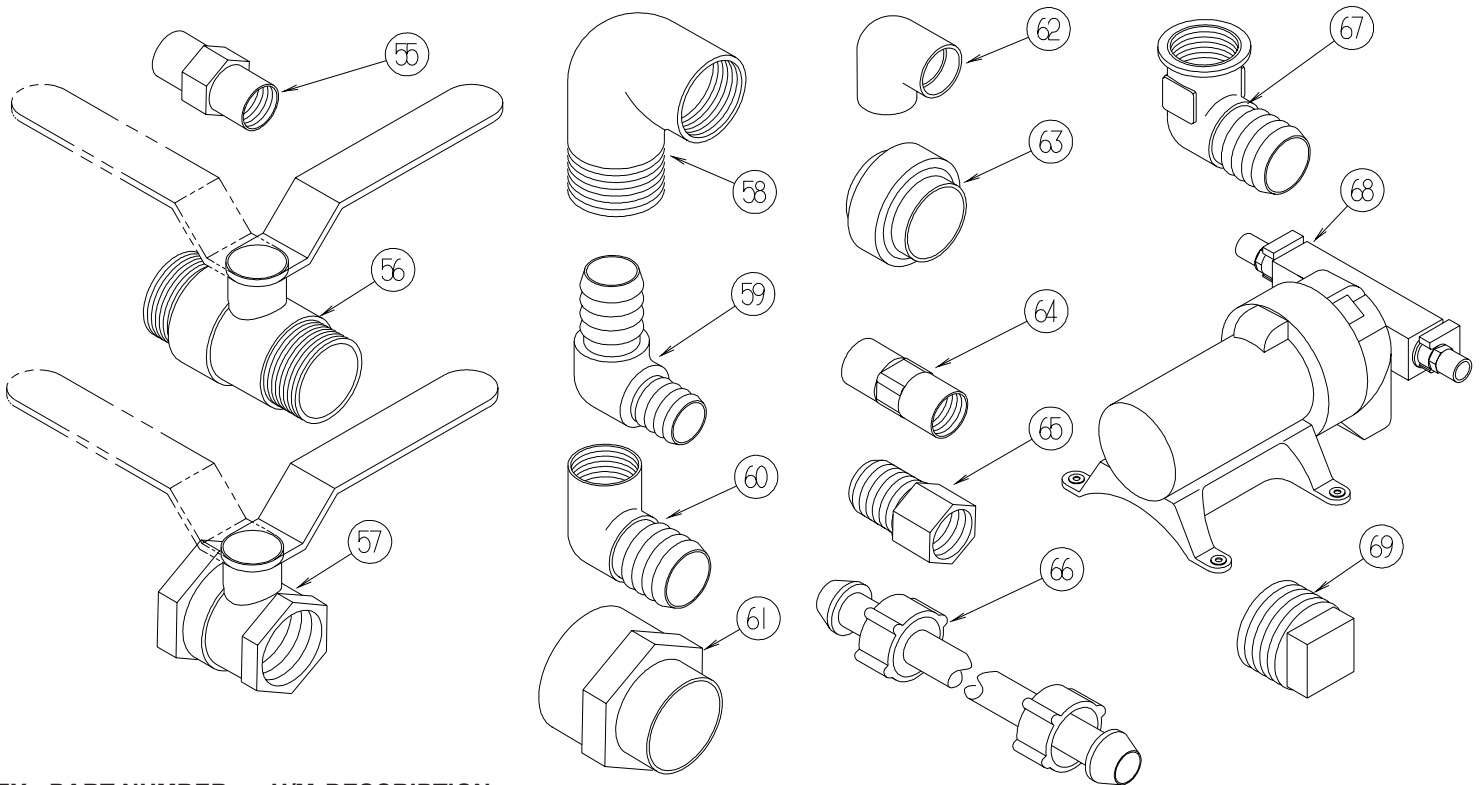
KEY	PART NUMBER	U/M	DESCRIPTION
	039798-01-000	EA	TEE - 1/2" MPT X 1/2" MPT X 1/2" MPT - PLASTIC
26	114428-01-000	EA	TEE - 1/2" P X 1/2" P X 1/2" P
27	114428-02-000	EA	TEE - SWIVEL - 1/2" P X 1/2" P X 1/2" FPT
28	114428-03-000	EA	TEE - 1/2" P X 1/2" P X 1/2" MPT
29	114428-04-000	EA	TEE - 1/2" P X 1/2" P X 1/8" FPT
30	114428-05-000	EA	TEE - 1/2" SWIVEL X 1/2" MPT X 1/2" MPT
31	114428-06-000	EA	TEE - 1/2" P X 1/2" MPT X 1/2" MPT
32	114428-07-000	EA	TEE - 1/2" P X 1/2" MPT X 1/2" P
33	114429-01-000	EA	ELBOW - 1/2" P X 1/2" P
34	114429-02-000	EA	ELBOW - 1/2" P X 1/2" MPT
34	114429-04-000	EA	ELBOW - 1/2" P X 3/8" MPT
34	114429-05-000	EA	ELBOW - 1/2" P X 3/4" MPT
34	114429-10-000	EA	ELBOW - SWIVEL - 1/2" MPT X 1/2" FPT
35	114429-03-000	EA	ELBOW - SWIVEL - 1/2" P X 1/2" FPT
35	114429-06-000	EA	ELBOW - SWIVEL - 1/2" P X 3/4" FPT
35	114429-08-000	EA	ELBOW - SWIVEL - 1/2" P X 1/2" FPT
35	114429-11-000	EA	ELBOW - 1/2" P X 1/2" FPT
36	114429-09-000	EA	ELBOW - 1/2" P X 1/2" FPT DROP EAR
37	114430-01-000	EA	ADAPTER - 1/2" P X 1/2" P
38	114430-02-000	EA	ADAPTER - SWIVEL - 1/2" P X 1/2" FPT
38	114430-04-000	EA	ADAPTER - SWIVEL - 1/2" P X 3/8" MPT
39	114430-03-000	EA	ADAPTER - 1/2" P X 1/2" MPT
40	114430-06-000	EA	ADAPTER - 1/2" P X 3/8" FPT
40	114430-09-000	EA	ADAPTER - 1/2" P X 1/2" FPT
41	114431-01-000	EA	VALVE - 180 DEGREE/CENTER DRAIN - 1/2" P - THREE WAY

**WATER & SEWAGE GROUP (CONTINUED)**  
**WATER SYSTEM (CONTINUED)**



KEY	PART NUMBER	U/M	DESCRIPTION
42	114431-02-000	EA	VALVE - WATER BYPASS - 1/2"P - THREE WAY (WATER HEATER)
43	114431-03-000	EA	VALVE - 90 DEGREE DRAIN - 1/2"P
44	114431-04-000	EA	VALVE - "INLINE SHUT-OFF" - 1/2"P
45	114431-05-000	EA	VALVE - NEEDLE - 1/8" MPT X 1/4" COMPRESSION (ICE MAKER)
46	114966-01-000	EA	FILTER - IN LINE - TWIST ON - 1/2"
47	118423-01-000	EA	FITTING - BRASS-TEE - 1/4C X 1/4C X 1/4C
48	118809-01-000	EA	ADAPTER - 1/2" MPT X 3/8" BARB - PLASTIC
48	118809-02-000	EA	ADAPTER - 1/2" MPT X 1/2" BARB - PLASTIC
49	120868-01-000	EA	VALVE - NEEDLE - 1/4" COMPRESSION X 1/4" COMPRESSION
50	123150-01-000	EA	ELBOW - 1/2 FPT X 1/2 BARB - SWIVEL
51	123152-01-000	EA	ADAPTER - 1/2 FPT X 1/2 BARB - SWIVEL
52	123243-01-000	EA	TANK - ACCUMULATOR - 24 OZ
53	123317-01-000	EA	TANK - ACCUMULATOR - 2 GALLON
54	124184-01-000	EA	SUPPORT - WATER LINE - BEND

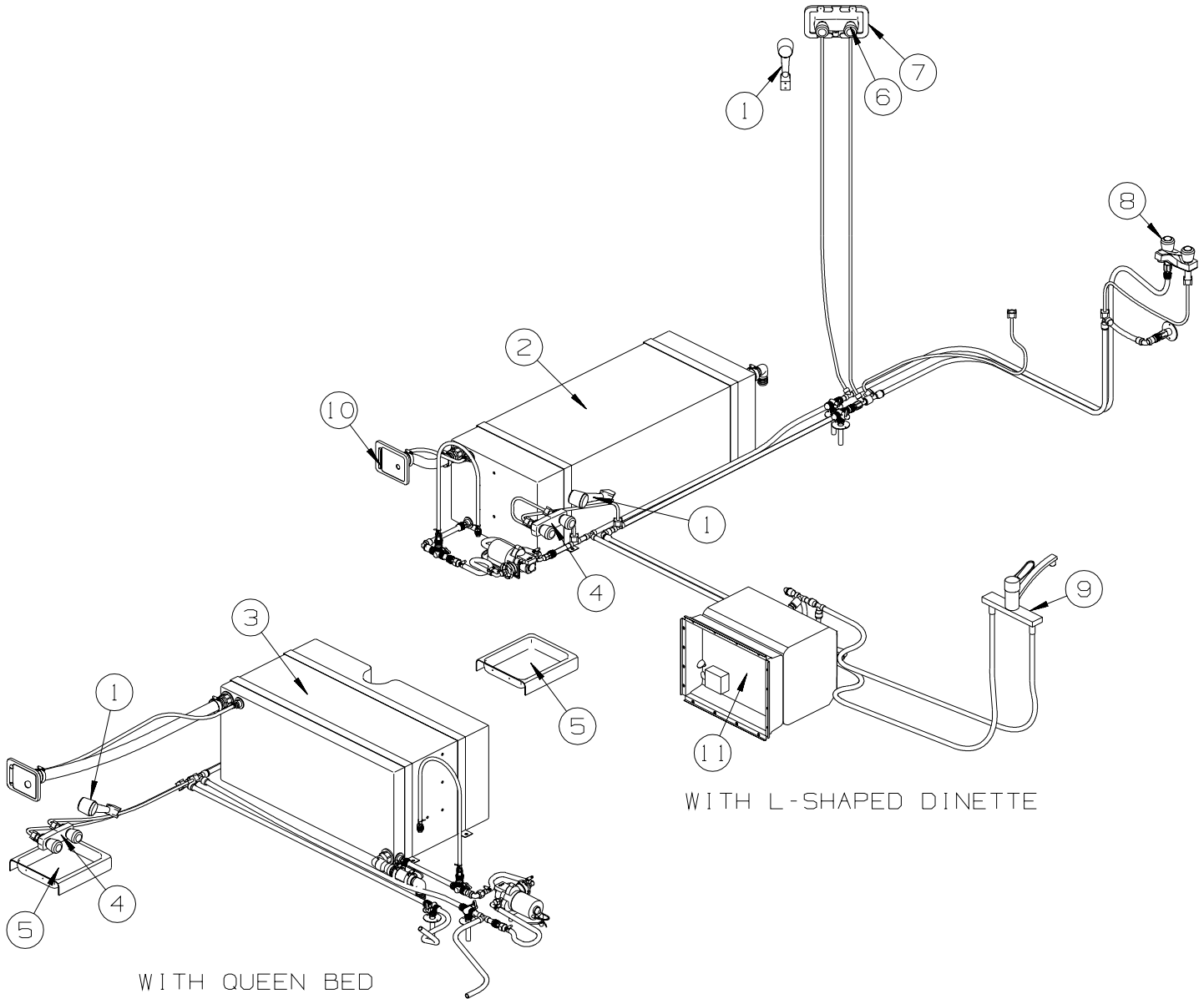
**WATER & SEWAGE GROUP (CONTINUED)**  
**WATER SYSTEM (CONTINUED)**



KEY	PART NUMBER	U/M	DESCRIPTION
55	132148-01-000	EA	CONNECTOR - 1/2" X 1/2" MPT - BRASS
56	132483-01-000	EA	VALVE/BALL - 1" - THREADED ENDS
57	132483-02-000	EA	VALVE/BALL - 1/2" - BRASS - FPT
58	132484-01-000	EA	ELBOW - 90 DEGREE - 1MPT X 1FPT - PLASTIC
59	132781-01-000	EA	ELBOW - 1.3" BARB X 1.3" BARB - 90 DEGREE - PLASTIC
60	132782-01-000	EA	ELBOW - 1"FPT X 1.3" BARB - 90 DEGREE - PLASTIC
61	133835-01-000	EA	ADAPTER - REDUCING - 1 1/2" X 1 1/4"
62	133837-01-000	EA	ELBOW - 1 1/2" X 90 DEGREE - DOUBLE SLIP
63	133889-01-000	EA	UNION - 1 1/2" DOUBLE SLIP - PVC
64	135386-01-000	EA	NIPPLE - 1/2"
65	136333-01-000	EA	ADAPTER - BRASS - 1/2" MPT X 1/2" FPT
66	140821-01-000	EA	TUBE - WATER SUPPLY - 3/8" X 24"
66	140821-02-000	EA	TUBE - WATER SUPPLY - 3/8" X 30"
66	140821-03-000	EA	TUBE - WATER SUPPLY - 3/8" X 36"
66	140821-04-000	EA	TUBE - WATER SUPPLY - 3/8" X 48"
66	140821-05-000	EA	TUBE - WATER SUPPLY - 3/8" X 54"
66	140821-06-000	EA	TUBE - WATER SUPPLY - 3/8" X 60"
66	140821-07-000	EA	TUBE - WATER SUPPLY - 3/8" X 72"
67	142812-01-000	EA	ELBOW - BRASS - 1/2" MPT X 1/2" FPT
68*	144215-01-000	EA	PUMP - WATER - 5.7 GPM - W/1/2" MPT
	144215-02-000	EA	STRAINER - WATER PUMP
69	145609-01-000	EA	PLUG - BRASS - 1/2" MPT/HEX HEAD

\*COMPONENT PARTS LISTED LATER IN THIS GROUP

## WATER & SEWAGE GROUP (CONTINUED)



KEY	PART NUMBER	U/M	DESCRIPTION
1	131383-01-02A	EA	SHOWER HEAD - W/60" HOSE & BRACKET - WHITE
2	127281-03-000	EA	TANK - WATER - 40 GALLON - W/FITTINGS - L SHAPED DINETTE
	042989-03-000	EA	FITTING - SPINWELD - 1 1/4"NPT - PLASTIC
	042989-04-000	EA	FITTING - SPINWELD - 3/8"FPT - PLASTIC
	042989-05-000	EA	FITTING - SPINWELD - 1/2"FPT - PLASTIC
	042989-08-000	EA	FITTING - SPINWELD - 1"FPT - PLASTIC
	049032-01-000	EA	PATCH - SPINWELD - 3/8" - PLASTIC
	127281-01-000	EA	TANK - WATER - 40 GALLON - W/O FITTINGS
3	122778-04-000	EA	TANK - WATER - 40 GALLON - W/FITTINGS - QUEEN BED
	042989-03-000	EA	FITTING - SPINWELD - 1 1/4"NPT - PLASTIC
	042989-04-000	EA	FITTING - SPINWELD - 3/8"FPT - PLASTIC
	042989-05-000	EA	FITTING - SPINWELD - 1/2"FPT - PLASTIC
	042989-08-000	EA	FITTING - SPINWELD - 1"FPT - PLASTIC
	049032-01-000	EA	PATCH - SPINWELD - 3/8" - PLASTIC
	122778-01-000	EA	TANK - WATER - 40 GALLON - W/O FITTINGS
4*	075241-06-000	EA	FAUCET - SHOWER/BRIGHT WHITE - .5" MPT W/1.9" INLET PIPES
5	114293-01-02A	EA	PAN/DRIP - EXTERIOR - BRIGHT WHITE
6*	075241-04-000	EA	FAUCET - SHOWER/BRASS
7	075606-03-000	EA	PANEL - FAUCET SHOWER - SOFT WHITE
8*	075240-05-000	EA	FAUCET - LAVATORY/BRASS - W/CLEAR KNOBS
8	091253-01-000	EA	GASKET - FAUCET - LAVATORY/GALLEY

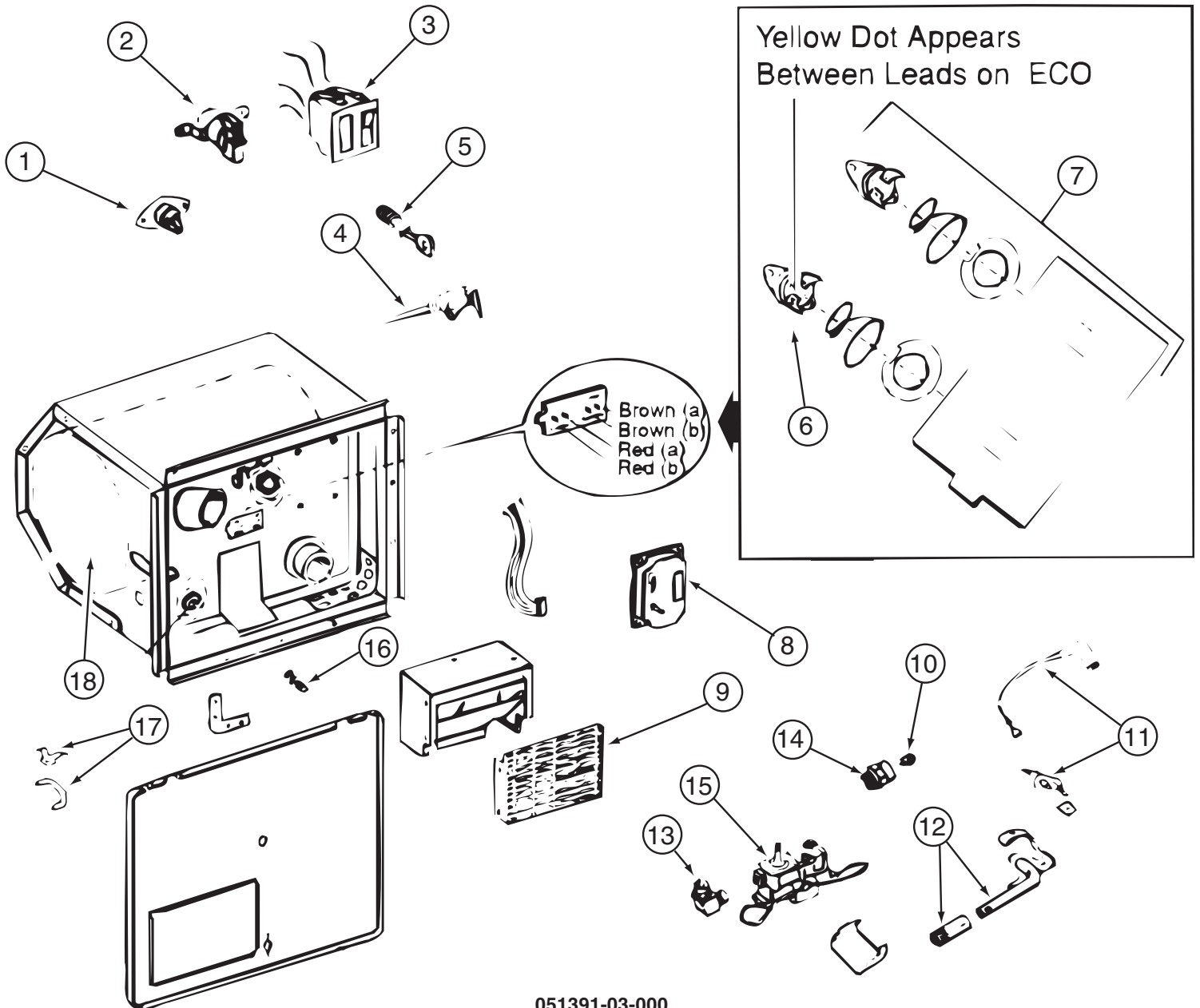


**WATER & SEWAGE GROUP (CONTINUED)**  
**WATER SYSTEM (CONTINUED)**

<b>KEY</b>	<b>PART NUMBER</b>	<b>U/M</b>	<b>DESCRIPTION</b>
9*	104114-05-01A	EA	FAUCET - GALLEY - SINGLE CONTROL/LOOP HANDLE - CHROME
10	137169-01-01A	EA	WATER FILL/GRAVITY - W/DOOR - W/O LOCK - BRIGHT WHITE
	137169-02-01A	EA	ADAPTER/LOCK - (WASHER) F/GRAVITY WATERFILL
	138637-03-000	EA	LOCK ASM. - KEYED - .9" CASE (CYLINDER/CAM/HDWR PKG)
	138637-52-000	EA	CASE/CYLINDER - LOCKING - W/O CAM/KEY - .9"
	138637-52-001	EA	CASE/CYLINDER - LOCKING - W/O CAM/KEY - .9"
	138637-52-002	EA	CASE/CYLINDER - LOCKING - W/O CAM/KEY - .9"
	138637-52-003	EA	CASE/CYLINDER - LOCKING - W/O CAM/KEY - .9"
	138637-52-004	EA	CASE/CYLINDER - LOCKING - W/O CAM/KEY - .9"
	138637-52-005	EA	CASE/CYLINDER - LOCKING - W/O CAM/KEY - .9"
	138637-52-006	EA	CASE/CYLINDER - LOCKING - W/O CAM/KEY - .9"
	138637-52-007	EA	CASE/CYLINDER - LOCKING - W/O CAM/KEY - .9"
	138637-52-008	EA	CASE/CYLINDER - LOCKING - W/O CAM/KEY - .9"
	138637-52-009	EA	CASE/CYLINDER - LOCKING - W/O CAM/KEY - .9"
	138637-62-000	EA	CAM - LATCHING - DOG LEG - 1" LONG
11*	051391-03-000	EA	WATER HEATER GSA-8E ELECTRONIC IGNITION
11	052009-06-000	EA	DOOR - WATER HEATER - BRIGHT WHITE - 18" X 14.6"

**\*COMPONENT PARTS LISTED LATER IN THIS GROUP**

**WATER & SEWAGE GROUP (CONTINUED)**  
**COMPONENT PARTS FOR WATER SYSTEM**



051391-03-000

KEY	PART NUMBER	U/M	DESCRIPTION	VENDOR NO.
3	051393-01-701	EA	SWITCH - REMOTE - W/LIGHT	91959
4	051391-01-704	EA	VALVE-RELIEF, 1/2" FITTING	91604
5	051391-01-705	EA	FASTENER-CAMLOCK	92609
6	051391-04-701	EA	THERMOSTAT 12V DC-120 PRESET	91470
7	051393-01-721	EA	THERMOSTAT W/ECO, 140 FRT MT	91447
9	051391-04-707	EA	KIT-EXHAUST, (FLUE & GASKET)	90960
10	051391-01-710	EA	ORIFICE-MAIN BURNER	92742
12	051391-04-703	EA	BURNER-MAIN/ELECTRONIC	91638
13	051391-01-714	EA	FITTING-ELBOW 45,3/8F X 3/8	MPT 1044
14	051391-03-700	EA	HOLDER-ORIFICE	91563
16	051391-01-715	EA	PLUG-DRAIN, 1 EA = 2 PER PKG	91857
17	051391-01-700	EA	HINGE KIT, (PIN & CLIP)	92568&92559
18	051391-04-706	EA	TANK-INNER,G6A-4E&6E FRT. MT	91641
	051391-01-717	EA	GRILLE-WATER HEATER DOOR	92640
	051393-01-723	EA	SWITCH - THERMAL CUTOUT 2/PK	93866
	051393-01-724	EA	BOARD-CIRCUIT, SPADE TERMINAL	93865
	051393-01-725	EA	ELECTRODE-SGL SPADE CONNECT.	93868
	051393-01-726	EA	VALVE-SOLENOID, W/O BRACKET	93870
	111129-01-711	EA	BRACKET-CORNER, SET OF FOUR	91928

CONTACT WINNEBAGO PARTS SALES FOR UNLISTED COMPONENTS

**WATER & SEWAGE GROUP (CONTINUED)**  
**COMPONENT PARTS FOR WATER SYSTEM (CONTINUED)**

**075240-05-000**

<b>KEY</b>	<b>PART NUMBER</b>	<b>U/M DESCRIPTION</b>	<b>VENDOR NO.</b>
	075240-05-700	EA CARTRIDGE - WASHERLESS	9-P42

**075241-04-000, 075241-05-000, 075241-06-000**

<b>KEY</b>	<b>PART NUMBER</b>	<b>U/M DESCRIPTION</b>	<b>VENDOR NO.</b>
	075240-05-700	EA CARTRIDGE - WASHERLESS	9-P42

**098607-01-000**

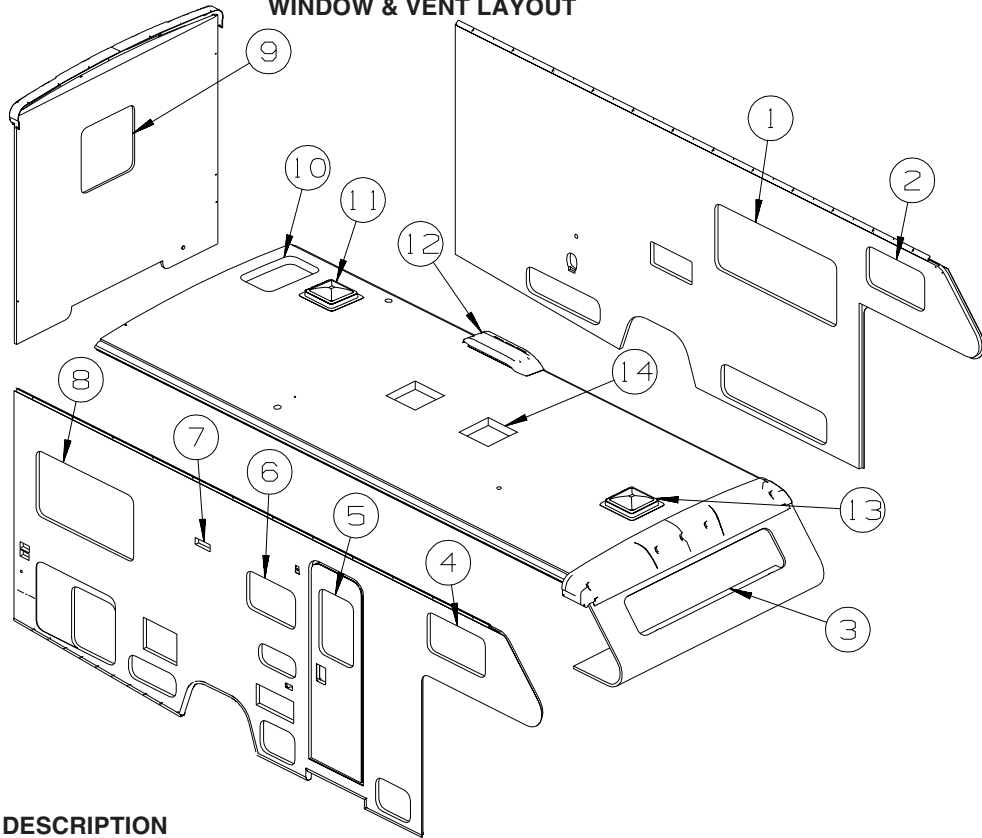
<b>KEY</b>	<b>PART NUMBER</b>	<b>U/M DESCRIPTION</b>	<b>VENDOR NO.</b>
	098607-01-702	EA DIAPHRAGM/DRIVE ASSEMBLY KIT	94-238-04
	098607-01-703	EA VALVE KIT	94-232-00
	098607-01-705	EA VALVE-CHECK, KIT	94-237-00
	098607-01-706	EA HOUSING, W/SWITCH ONLY	94-231-20
	098607-01-707	EA MOTOR W/BASEPLATE	11-148-04

**104114-05-01A**

<b>KEY</b>	<b>PART NUMBER</b>	<b>U/M DESCRIPTION</b>	<b>VENDOR NO.</b>
	104114-05-700	EA CARTRIDGE- REPAIR KIT	6-N1201-5-0WB

## WINDOWS & VENTS GROUP

### WINDOW & VENT LAYOUT

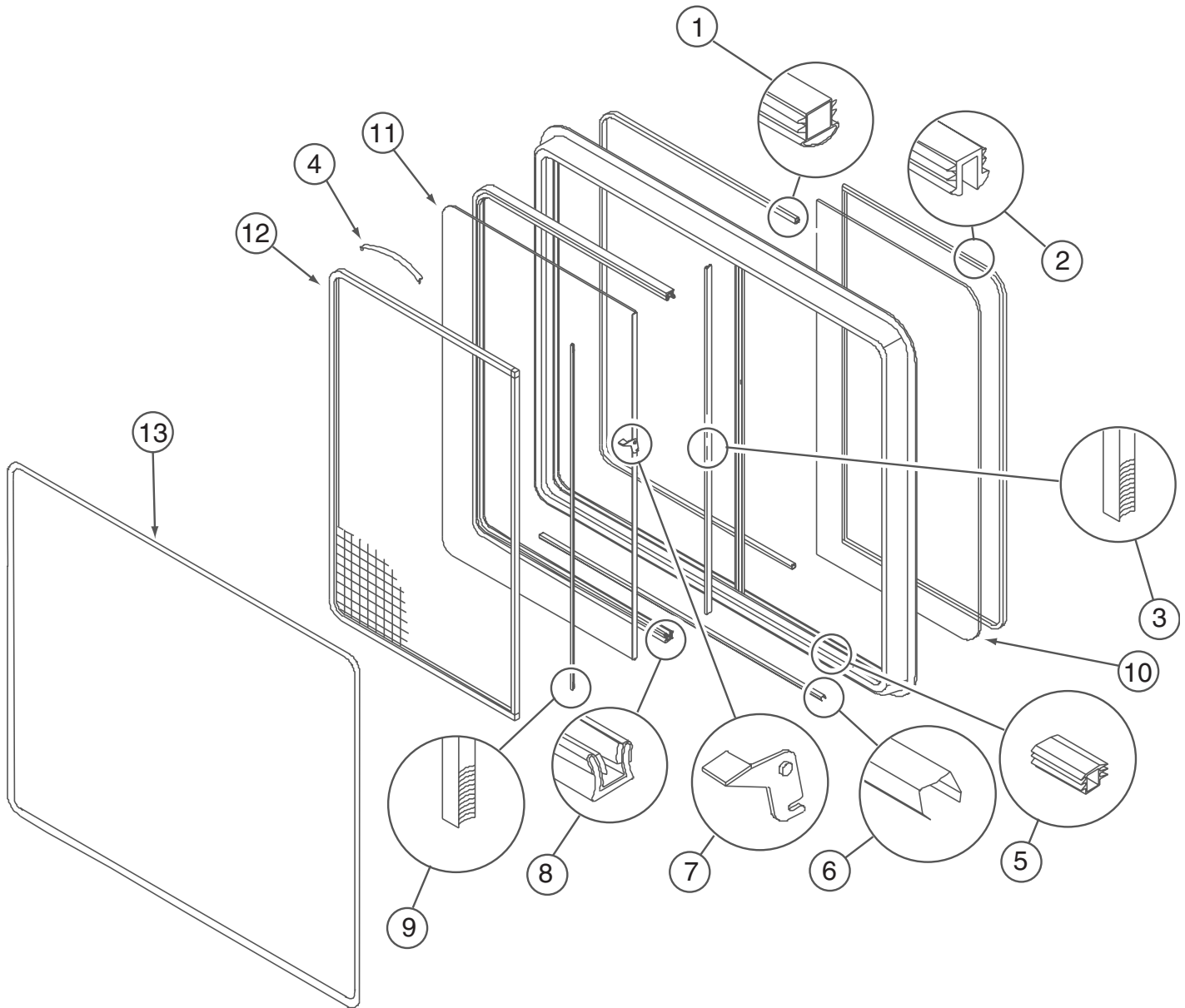


KEY	PART NUMBER	U/M	DESCRIPTION
1*	098647-28-02A	EA	WINDOW - DRIVER HORIZ SLIDER W/TRIM-CLEAR - 59.7" X 26.1"
1*	112795-68-01A	EA	WINDOW - DRIVER HORIZ SLIDER - THERMO - 26.3" X 60" - <b>WINDOWS-COACH-DUAL PANE</b>
2*	098647-32-02A	EA	WINDOW - DRVR HORIZ SLIDER W/TRIM - CLEAR- 15.7" X 28.5"
2*	112795-73-01A	EA	WINDOW - DRVR HORIZ SLIDER/THERMO - W/TRIM - 28.7" X 15.7" - <b>WINDOWS-COACH-DUAL PANE</b>
3	103313-04-P07	EA	WINDOW - PICTURE - 14.3" X 71"
	002181-33-000	EA	GLASS - PICTURE WINDOW - 70.9"W X 14.2"H - GRAY
	099154-01-000	FT	CHANNEL - GLAZING - STATIONARY GLASS - .62" X .45" - BLK
3	117054-06-01A	EA	TRIM/RETAINER - INSIDE - 14.9" X 71.8" - BLACK
3*	115630-04-01A	EA	WINDOW - STATIONARY/THERMO W/TRIM - 15.2" X 72" - <b>WINDOWS-COACH-DUAL PANE</b>
4*	098647-31-02A	EA	WINDOW - PASS HORIZ SLIDER W/TRIM - CLEAR - 15.7" X 28.5"
4*	112795-72-01A	EA	WINDOW - PASS HORIZ SLIDER/THERMO - W/TRIM - 28.5" X 15.7" - <b>WINDOWS-COACH-DUAL PANE</b>
5	117053-04-FB1	EA	WINDOW - PICTURE/CLEAR W/O TRIM - 17" X 26.4"
	002181-27-000	EA	GLASS - PICTURE WINDOW - 25.8"W X 16.4"H - CLEAR
	087561-01-000	FT	SEAL - GLASS - EXTERIOR - .5" WIDE - VINYL BLACK
5	117054-02-02A	EA	TRIM/RETAINER - INSIDE - 16.9" X 26.2" - BRIGHT WHITE
5*	113733-10-01A	EA	WINDOW - STATIONARY W/TRIM - THERMO/EURO - 26.3" X 17"
6*	098647-49-02A	EA	WINDOW - PASS HORIZ SLIDER W/TRIM - TINTED - 15" X 23.7"
6*	112795-78-01A	EA	WINDOW - PASS HORIZ SLIDER/THERMO - W/TRIM - 23.7" X 15" - <b>WINDOWS-COACH-DUAL PANE</b>
7	084616-07-000	EA	SHROUD - EXHAUST VENT/RANGE HOOD - BRIGHT WHITE
7	084878-09-000	EA	VENT - EXHAUST/RANGE HOOD - OFF WHITE
8*	098647-38-02A	EA	WINDOW - PASS HORIZ SLIDER W/TRIM - CLEAR - 26.1" X 47.8"
8*	112795-74-01A	EA	WINDOW - PASS HORIZ SLIDER W/TRIM - THERMO - 26.3" X 47.9" - <b>WINDOWS-COACH-DUAL PANE</b>
9*	116976-02-02A	EA	WINDOW - PICTURE/TINTED/ESCAPE W/TRIM - 26.1" X 26"
9*	113502-10-01A	EA	WINDOW - REAR/ESCAPE - THERMO W/TRIM - 26.1" X 26" - <b>WINDOWS-COACH-DUAL PANE</b>
10	122193-01-02A	EA	PANEL - SKYLITE - INNER
10	138372-01-02B	EA	TRIM - CORNER - SKYLIGHT - E-COATED
10	138379-02-01A	EA	PANEL/SKYLIGHT OTR - RECT/4"H CTR DOME-18.4" X 29.5 - WHT
11*	122882-02-01A	EA	VENT - ROOF - W/FAN - W/O INSIDE GARNISH - UL - <b>VENT-POWER</b>
	009440-01-000	EA	GEAR/ARM - LIFT - ROOF VENT COVER
	048648-01-000	EA	MOTOR/ROOF VENT - W/RESISTER - 1/8"SHAFT - 12VOLT
	048649-01-000	EA	FAN BLADE - ROOF VENT - 6 BLADED - 6"RADIUS
11	122882-07-01A	EA	GARNISH - ROOF VENT - 2.5" TO 4.1"
11*	122882-03-01A	EA	VENT - ROOF - W/FAN - W/O INSIDE GARNISH - CSA - <b>VENT-POWER - CANADIAN</b>
	009440-01-000	EA	GEAR/ARM - LIFT - ROOF VENT COVER
	048648-01-000	EA	MOTOR/ROOF VENT - W/RESISTER - 1/8"SHAFT - 12VOLT
	048649-01-000	EA	FAN BLADE - ROOF VENT - 6 BLADED - 6"RADIUS
11	122882-07-01A	EA	GARNISH - ROOF VENT - 2.5" TO 4.1"

**WINDOW & VENTS GROUP (CONTINUED)**  
**WINDOW & VENT LAYOUT (CONTINUED)**

KEY	PART NUMBER	U/M	DESCRIPTION
12	084073-04-000	EA	BASE/VENT - ROOF/REFRIGERATOR - BLACK - NORCOLD FROM: 00-00-00 THRU: 11-10-03
12	149508-02-02A	EA	BASE - REFRIGERATOR ROOF VENT - BRIGHT WHITE FROM: 11-11-03 THRU: 99-99-99
12	084073-07-000	EA	CAP - ROOF/REFRIGERATOR VENT - 10" X 32" - BRIGHT WHITE FROM: 00-00-00 THRU: 11-10-03
12	149508-01-02A	EA	CAP - ROOF/REFRIGERATOR VENT - WHITE FROM: 11-11-03 THRU: 99-99-99
13*	122882-01-01A	EA	VENT - ROOF - NONPOWERED - W/O INSIDE GARNISH
	009440-01-000	EA	GEAR/ARM - LIFT - ROOF VENT COVER
	122882-07-01A	EA	GARNISH - ROOF VENT - 2.5" TO 4.1"
14*	123780-03-01A	EA	FANTASTIC VENT-3"/4"ROOF-W/FAN-W/O THERM/PWR LIFT/WHT CVR
	009440-01-000	EA	GEAR/ARM - LIFT - ROOF VENT COVER
<b>*COMPONENT PARTS LISTED LATER IN THIS GROUP</b>			

**WINDOW & VENTS GROUP (CONTINUED)**  
**COMPONENT PARTS FOR WINDOWS & VENT LAYOUT**



**098647-28-02A**

KEY	PART NUMBER	U/M	DESCRIPTION	VENDOR NO.
1	098644-01-716	FT	PLUG - FILLER	132-014470
2	098644-01-705	FT	GLAZING - STRIP	132-010231
3	098644-01-706	FT	WEATHERSTRIP - GLASS	171-010668
4	098644-01-713	EA	CLIP - SCREEN - METAL	226-016966
4	125582-01-701	EA	CLIP - SCREEN - PLASTIC	130-005153
5	098644-01-719	EA	STOP - SLIDER GLASS	132-014203
6	098644-01-710	FT	TRACK - SCREEN SPACER 12'	132-017135
7	098647-54-701	EA	LATCH - REPAIR KIT (RED)	B081-CK
8	098644-01-708	FT	CHANNEL - RUN PIERCED	122-016543
9	098644-01-711	FT	WEATHERSTRIP - SCREEN BLACK	171-016965
10	098647-27-702	EA	GLASS - STATIONARY	096-01868
11	098647-27-703	EA	GLASS-SLIDING W/SASH & LATCH	H287-C8
12	098647-23-704	EA	SCREEN ASM - W/SEALS & CLIPS	410-019066
13	098647-27-704	EA	RETAINER - TRIM	H287-66
	098644-01-717	FT	SPLINE - SCREEN	132-004716

**WINDOWS & VENTS GROUP (CONTINUED)**  
**COMPONENT PARTS FOR WINDOW & VENT LAYOUT (CONTINUED)**

**098647-31-02A**

<b>KEY</b>	<b>PART NUMBER</b>	<b>U/M</b>	<b>DESCRIPTION</b>	<b>VENDOR NO.</b>
1	098644-01-716	FT	PLUG - FILLER	132-014470
2	098644-01-705	FT	GLAZING - STRIP	132-010231
3	098644-01-706	FT	WEATHERSTRIP - GLASS	171-010668
4	098644-01-713	EA	CLIP - SCREEN - METAL	226-016966
4	125582-01-701	EA	CLIP - SCREEN - PLASTIC	130-005153
5	098644-01-719	EA	STOP - SLIDER GLASS	132-014203
6	098644-01-710	FT	TRACK - SCREEN SPACER 12'	132-017135
7	098647-54-701	EA	LATCH - REPAIR KIT (RED)	B081-CK
8	098644-01-708	FT	CHANNEL - RUN PIERCED	122-016543
9	098644-01-711	FT	WEATHERSTRIP - SCREEN BLACK	171-016965
10	098647-31-702	EA	GLASS - STATIONARY	096-019299
11	098647-31-703	EA	GLASS-SLIDING W/SASH & LATCH	H425-C8
12	098647-31-704	EA	SCREEN ASM - W/SEALS & CLIPS	410-019128
13	098647-31-705	EA	RETAINER - TRIM	CH29-66
	098644-01-717	FT	SPLINE - SCREEN	132-004716

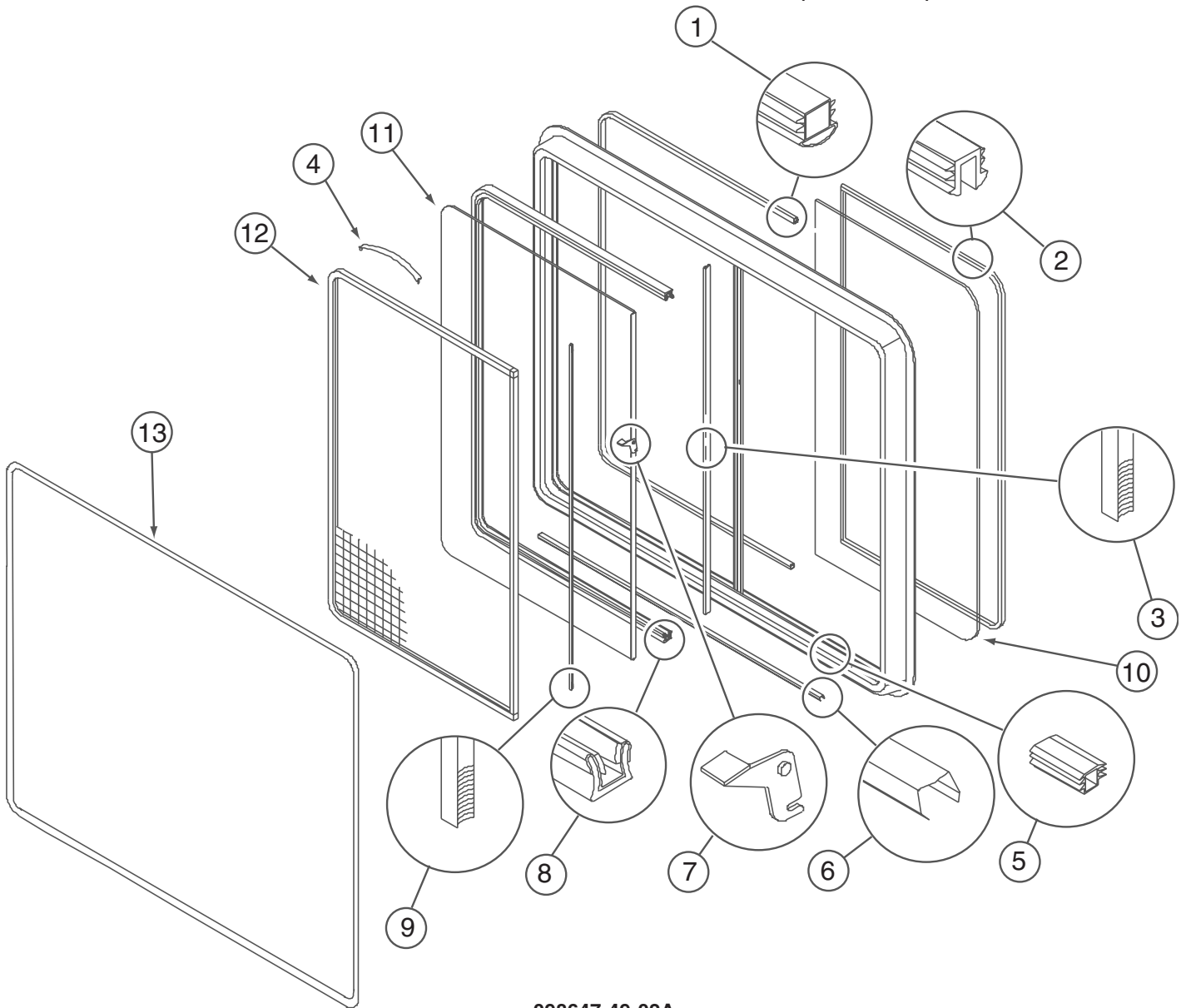
**098647-32-02A**

<b>KEY</b>	<b>PART NUMBER</b>	<b>U/M</b>	<b>DESCRIPTION</b>	<b>VENDOR NO.</b>
1	098644-01-716	FT	PLUG - FILLER	132-014470
2	098644-01-705	FT	GLAZING - STRIP	132-010231
3	098644-01-706	FT	WEATHERSTRIP - GLASS	171-010668
4	098644-01-713	EA	CLIP - SCREEN - METAL	226-016966
4	125582-01-701	EA	CLIP - SCREEN - PLASTIC	130-0
5	098644-01-719	EA	STOP - SLIDER GLASS	132-014203
6	098644-01-710	FT	TRACK - SCREEN SPACER 12'	132-017135
7	098647-54-701	EA	LATCH - REPAIR KIT (RED)	B081-CK
8	098644-01-708	FT	CHANNEL - RUN PIERCED	122-016543
9	098644-01-711	FT	WEATHERSTRIP - SCREEN BLACK	171-016965
10	098647-31-702	EA	GLASS - STATIONARY	096-019299
11	098647-31-703	EA	GLASS-SLIDING W/SASH & LATCH	H425-C8
12	098647-31-704	EA	SCREEN ASM - W/SEALS & CLIPS	410-019128
13	098647-31-705	EA	RETAINER - TRIM	CH29-66
	098644-01-717	FT	SPLINE - SCREEN	132-004716

**098647-38-02A**

<b>KEY</b>	<b>PART NUMBER</b>	<b>U/M</b>	<b>DESCRIPTION</b>	<b>VENDOR NO.</b>
1	098644-01-716	FT	PLUG - FILLER	132-014470
2	098644-01-705	FT	GLAZING - STRIP	132-010231
3	098644-01-706	FT	WEATHERSTRIP - GLASS	171-010668
4	098644-01-713	EA	CLIP - SCREEN - METAL	226-016966
4	125582-01-701	EA	CLIP - SCREEN - PLASTIC	130-0
5	098644-01-719	EA	STOP - SLIDER GLASS	132-014203
6	098644-01-710	FT	TRACK - SCREEN SPACER 12'	132-017135
7	098647-54-701	EA	LATCH - REPAIR KIT (RED)	B081-CK
8	098644-01-708	FT	CHANNEL - RUN PIERCED	122-016543
9	098644-01-711	FT	WEATHERSTRIP - SCREEN BLACK	171-016965
10	098647 38 702	EA	GLASS - STATIONARY	096-017854
11	098647 38 703	EA	GLASS-SLIDING W/SASH & LATCH	H320-C8
12	098647 38 704	EA	SCREEN ASM - W/SEALS & CLIPS	410-019063
13	098647 38 705	EA	RETAINER - TRIM	H303-66
	098644-01-717	FT	SPLINE - SCREEN	132-004716

**WINDOWS & VENTS GROUP (CONTINUED)**  
**COMPONENT PARTS FOR WINDOW & VENT LAYOUT (CONTINUED)**



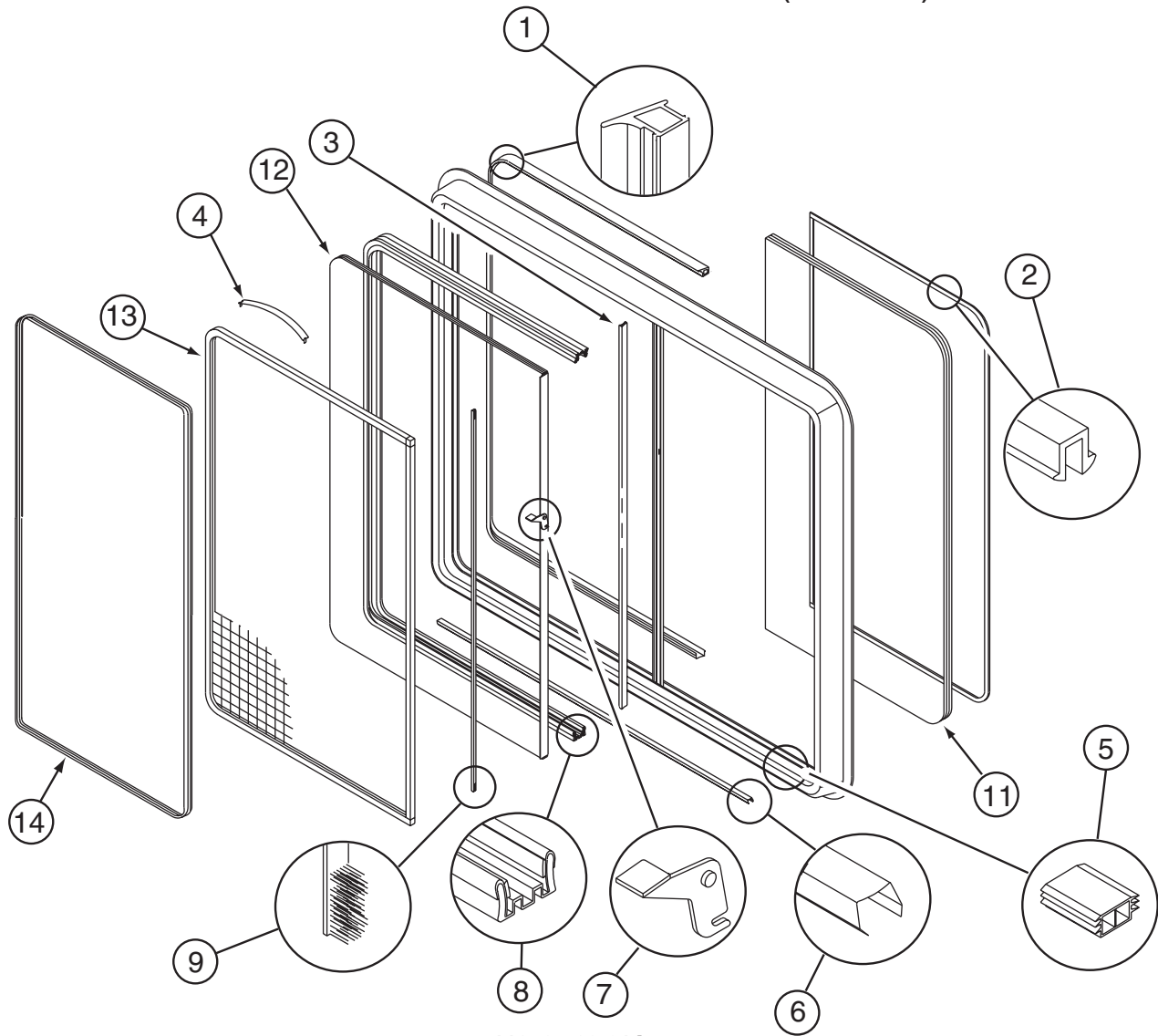
**098647-49-02A**

KEY	PART NUMBER	U/M	DESCRIPTION	VENDOR NO.
1	098644-01-716	FT	PLUG - FILLER	132-014470
2	098644-01-705	FT	GLAZING - STRIP	132-010231
3	098644-01-706	FT	WEATHERSTRIP - GLASS	171-010668
4	098644-01-713	EA	CLIP - SCREEN - METAL	226-016966
4	125582-01-701	EA	CLIP - SCREEN - PLASTIC	130-0
5	098644-01-719	EA	STOP - SLIDER GLASS	132-014203
6	098644-01-710	FT	TRACK - SCREEN SPACER 12'	132-017135
7	098647-54-701	EA	LATCH - REPAIR KIT (RED)	B081-CK
8	098644-01-708	FT	CHANNEL - RUN PIERCED	122-016543
9	098644-01-711	FT	WEATHERSTRIP - SCREEN BLACK	171-016965
10	098647-49-700	EA	GLASS - STATIONARY	096-012066
11	098647-49-701	EA	GLASS-SLIDING W/SASH & LATCH	B969-G8
12	112795-56-702	EA	SCREEN ASM - W/SEALS & CLIPS	410-019414
13	098647-49-702	EA	RETAINER - TRIM	H969-66
	098644-01-717	FT	SPLINE - SCREEN	132-004716

CONTACT WINNEBAGO PART SALES FOR UNLISTED COMPONENTS



**WINDOWS & VENTS GROUP (CONTINUED)**  
**COMPONENT PARTS FOR WINDOW & VENT LAYOUT (CONTINUED)**



112795-68-01A

KEY	PART NUMBER	U/M	DESCRIPTION	VENDOR NO.
1	112795-01-704	FT	PLUG FILLER (DOUBLE GLAZED)	122-018737
2	112795-01-705	FT	VINYL - GLAZING	132-025736
3	098644-01-706	FT	WEATHERSTRIP - GLASS	171-010668
4	098644-01-713	EA	CLIP - SCREEN - METAL	226-016966
4	125582-01-701	EA	CLIP - SCREEN - PLASTIC	130-005153
	098644-01-717	FT	SPLINE - SCREEN	132-004716
5	112795-01-701	EA	SLIDE-STOP	132-019092
6	098644-01-710	FT	TRACK - SCREEN SPACER 12'	132-017135
7	112795-01-700	EA	LATCH ASM., BLK.,(BOLT ON)	DH287-CK
8	112795-01-703	IN	CHANNEL-RUN (INCHES)	122-018736
9	098644-01-711	FT	WEATHERSTRIP - SCREEN BLACK	171-016965
11	112795-68-700	EA	GLASS - STATIONARY	390-028353
12	112795-68-701	EA	GLASS - SLIDING W/SASH LATCH	390-028353
13	098647-23-704	EA	SCREEN ASSY - W/SEAL & CLIPS	410-019066
14	098647-27-704	EA	RETAINER - TRIM	H287-66

**WINDOWS & VENTS GROUP (CONTINUED)**  
**COMPONENT PARTS FOR WINDOW & VENT LAYOUT (CONTINUED)**

**112795-72-01A**

<b>KEY</b>	<b>PART NUMBER</b>	<b>U/M</b>	<b>DESCRIPTION</b>	<b>VENDOR NO.</b>
1	112795-01-704	FT	PLUG FILLER (DOUBLE GLAZED)	122-018737
2	112795-01-705	FT	VINYL - GLAZING	132-025736
3	098644-01-706	FT	WEATHERSTRIP - GLASS	171-010668
4	098644-01-713	EA	CLIP - SCREEN - METAL	226-016966
4	125582-01-701	EA	CLIP - SCREEN - PLASTIC	130-005153
	098644-01-717	FT	SPLINE - SCREEN	132-004716
5	112795-01-701	EA	SLIDE-STOP	132-019092
6	098644-01-710	FT	TRACK - SCREEN SPACER 12'	132-017135
7	112795-01-700	EA	LATCH ASM., BLK.,(BOLT ON)	DH287-CK
8	112795-01-703	IN	CHANNEL-RUN (INCHES)	122-018736
9	098644-01-711	FT	WEATHERSTRIP - SCREEN BLACK	171-016965
11	112795-72-700	EA	GLASS - STATIONARY	390-028307
12	112795-72-701	EA	GLASS - SLIDING W/SASH LATCH	DC29-G8
13	098647-31-704	EA	SCREEN ASSY - W/SEAL & CLIPS	410-019128
14	098647-31-705	EA	RETAINER - TRIM	CH29-66

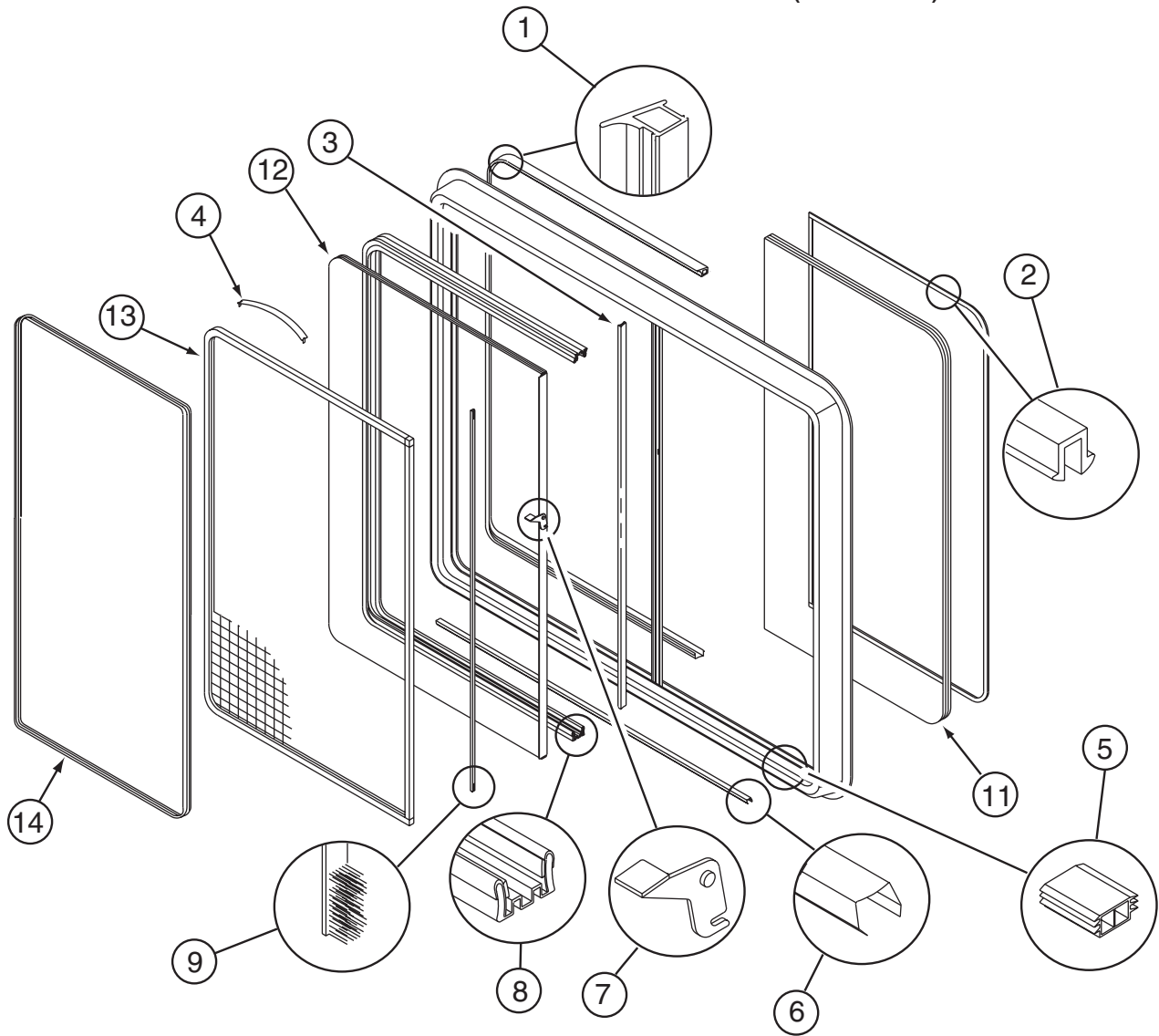
**112795-73-01A**

<b>KEY</b>	<b>PART NUMBER</b>	<b>U/M</b>	<b>DESCRIPTION</b>	<b>VENDOR NO.</b>
1	112795-01-704	FT	PLUG FILLER (DOUBLE GLAZED)	122-018737
2	112795-01-705	FT	VINYL - GLAZING	132-025736
3	098644-01-706	FT	WEATHERSTRIP - GLASS	171-010668
4	098644-01-713	EA	CLIP - SCREEN - METAL	226-016966
4	125582-01-701	EA	CLIP - SCREEN - PLASTIC	130-005153
	098644-01-717	FT	SPLINE - SCREEN	132-004716
5	112795-01-701	EA	SLIDE-STOP	132-019092
6	098644-01-710	FT	TRACK - SCREEN SPACER 12'	132-017135
7	112795-01-700	EA	LATCH ASM., BLK.,(BOLT ON)	DH287-CK
8	112795-01-703	IN	CHANNEL-RUN (INCHES)	122-018736
9	098644-01-711	FT	WEATHERSTRIP - SCREEN BLACK	171-016965
11	112795-72-700	EA	GLASS - STATIONARY	390-028307
12	112795-72-701	EA	GLASS - SLIDING W/SASH LATCH	DC29-G8
13	098647-31-704	EA	SCREEN ASSY - W/SEAL & CLIPS	410-019128
14	098647-31-705	EA	RETAINER - TRIM	CH29-66

**112795-74-01A**

<b>KEY</b>	<b>PART NUMBER</b>	<b>U/M</b>	<b>DESCRIPTION</b>	<b>VENDOR NO.</b>
1	112795-01-704	FT	PLUG FILLER (DOUBLE GLAZED)	122-018737
2	112795-01-705	FT	VINYL - GLAZING	132-025736
3	098644-01-706	FT	WEATHERSTRIP - GLASS	171-010668
4	098644-01-713	EA	CLIP - SCREEN - METAL	226-016966
4	125582-01-701	EA	CLIP - SCREEN - PLASTIC	130-005153
	098644-01-717	FT	SPLINE - SCREEN	132-004716
5	112795-01-701	EA	SLIDE-STOP	132-019092
6	098644-01-710	FT	TRACK - SCREEN SPACER 12'	132-017135
7	112795-01-700	EA	LATCH ASM., BLK.,(BOLT ON)	DH287-CK
8	112795-01-703	IN	CHANNEL-RUN (INCHES)	122-018736
9	098644-01-711	FT	WEATHERSTRIP - SCREEN BLACK	171-016965
11	112795-74-700	EA	GLASS - STATIONARY	390-028337
12	112795-74-701	EA	GLASS - SLIDING W/SASH LATCH	DC48-G8
13	098647-38-704	EA	SCREEN ASSY - W/SEAL & CLIPS	410-019063
14	098647-38-705	EA	RETAINER - TRIM	H303-66

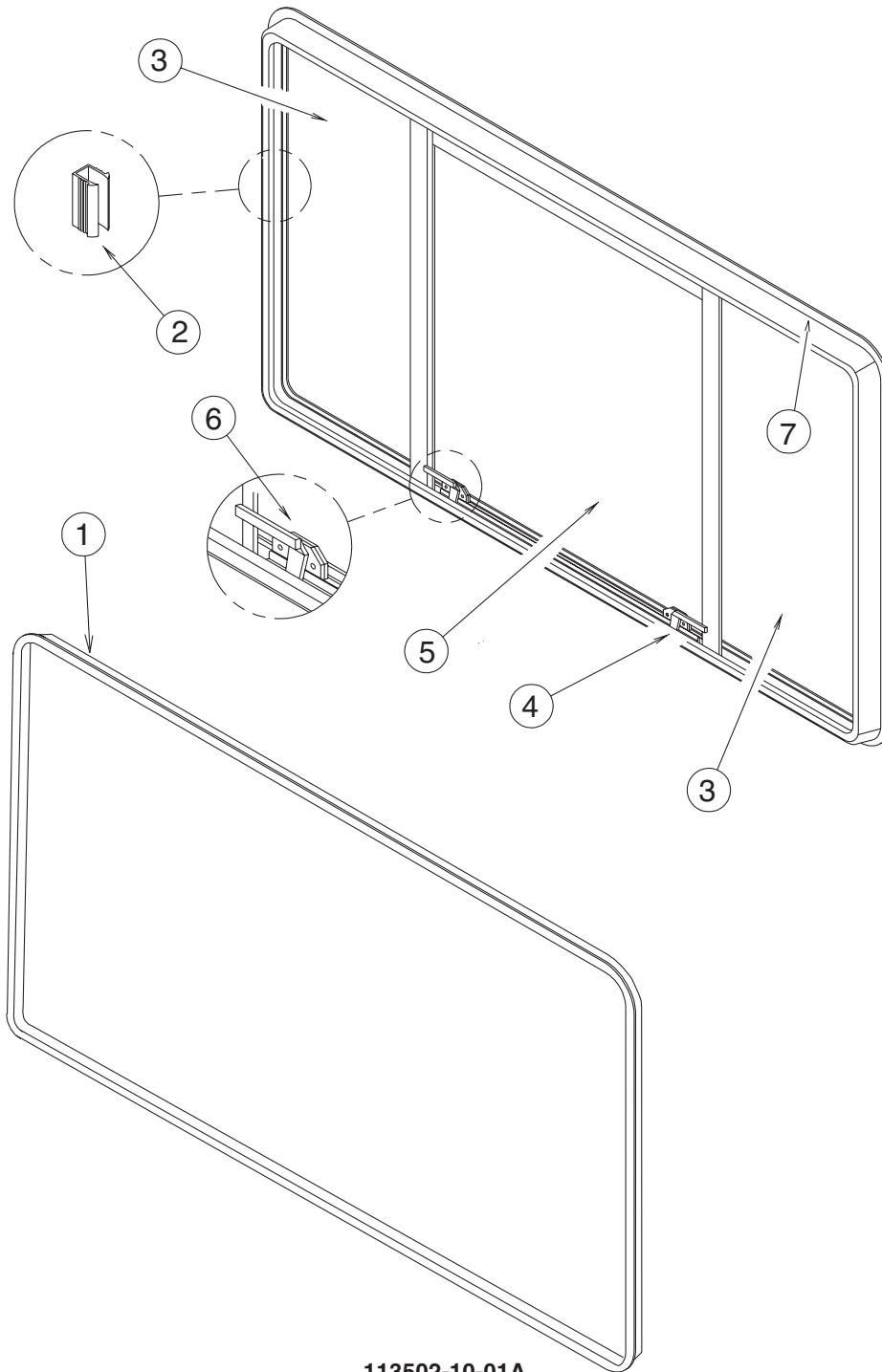
**WINDOWS & VENTS GROUP (CONTINUED)**  
**COMPONENT PARTS FOR WINDOW & VENT LAYOUT (CONTINUED)**



112795-78-01A

KEY	PART NUMBER	U/M	DESCRIPTION	VENDOR NO.
1	112795-01-704	FT	PLUG FILLER (DOUBLE GLAZED)	122-018737
2	112795-01-705	FT	VINYL - GLAZING	132-025736
3	098644-01-706	FT	WEATHERSTRIP - GLASS	171-010668
4	098644-01-713	EA	CLIP - SCREEN - METAL	226-016966
4	125582-01-701	EA	CLIP - SCREEN - PLASTIC	130-005153
	098644-01-717	FT	SPLINE - SCREEN	132-004716
5	112795-01-701	EA	SLIDE-STOP	132-019092
6	098644-01-710	FT	TRACK - SCREEN SPACER 12'	132-017135
7	112795-01-700	EA	LATCH ASM., BLK.,(BOLT ON)	DH287-CK
8	112795-01-703	IN	CHANNEL-RUN (INCHES)	122-018736
9	098644-01-711	FT	WEATHERSTRIP - SCREEN BLACK	171-016965
11	112795-78-700	EA	GLASS - STATIONARY	390-028338
12	112795-78-701	EA	GLASS - SLIDING W/SASH LATCH	DB969-G8
13	112795-56-702	EA	SCREEN ASSY - W/SEAL & CLIPS	410-019414
14	112795-56-704	EA	RETAINER - TRIM	B969-66

**WINDOWS & VENTS GROUP (CONTINUED)**  
**COMPONENT PARTS FOR WINDOW & VENT LAYOUT (CONTINUED)**



**113502-10-01A**

KEY	PART NUMBER	U/M	DESCRIPTION	VENDOR NO.
1	113502-04-703	EA	RETAINER - TRIM	H449-58
2	112795-24-706	FT	SEAL - SPLINE/GRAY - ESCAPE	132-010481
3	113502-10-700	EA	GLASS - STATIONARY	390-028328
4	112898-06-707	EA	HANDLE-LATCH/RED-RH (SLIDER)	182-025911
6	112898-06-708	EA	HANDLE-LATCH/RED-LH (SLIDER)	182-025912
7	098644-01-705	FT	GLAZING - STRIP	132-010231

CONTACT WINNEBAGO PART SALES FOR UNLISTED COMPONENTS

**WINDOWS & VENTS GROUP (CONTINUED)**  
**COMPONENT PARTS FOR WINDOW & VENT LAYOUT (CONTINUED)**

**113733-10-01A**

KEY	PART NUMBER	U/M	DESCRIPTION	VENDOR NO.
	112795-01-705	FT	VINYL - GLAZING	132-025736
	113733-10-700	EA	GLASS-STATIONARY	390-028306
	113733-10-701	EA	RETAINER-TRIM	H416-66

**113733-11-01A**

KEY	PART NUMBER	U/M	DESCRIPTION	VENDOR NO.
	112795-01-705	FT	VINYL - GLAZING	132-025736
	113733-11-700	EA	GLASS-STATIONARY	390-028306
	113733-11-701	EA	RETAINER-TRIM	H455-59

**115630-04-01A**

KEY	PART NUMBER	U/M	DESCRIPTION	VENDOR NO.
	115630-04-701	EA	RETAINER - TRIM	H829-60
	115630-04-700	EA	GLASS-STATIONARY	390-030159

**116976-02-02A**

KEY	PART NUMBER	U/M	DESCRIPTION	VENDOR NO.
	098644-01-705	FT	GLAZING - STRIP	132-010231
	100322-01-701	FT	SEAL-VENT	122-016071
	112898-06-707	EA	HANDLE-LATCH/RED-RH (SLIDER)	182-025911
	112898-06-708	EA	HANDLE-LATCH/RED-LH (SLIDER)	182-025912
	116976-01-702	FT	FILLER PLUG	132-016065
	116976-02-700	EA	GLASS - STATIONARY	106-018785
	116976-02-701	EA	RETAINER - TRIM	H386-53

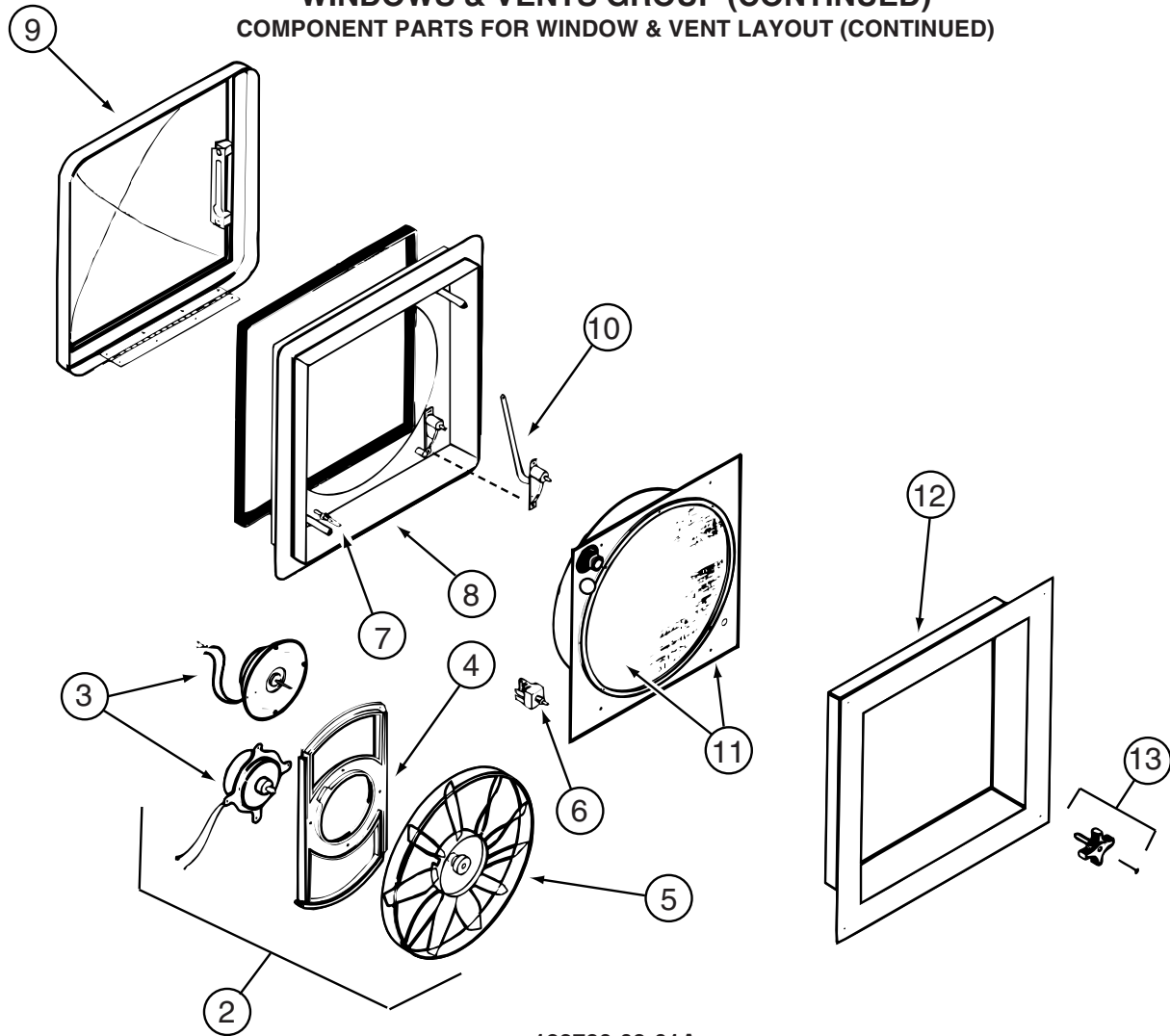
**122882-01-01A**

KEY	PART NUMBER	U/M	DESCRIPTION	VENDOR NO.
	009440-01-000	EA	GEAR-ARM-ROOF VENT	705221K38
	064470-01-700	EA	COVER - VENT - W/O SLIDE BAR	J7291
	064470-01-701	EA	SLIDE BAR - VENT LID	JRP1291B
	122882-01-700	EA	HANDLE - CRANK - BLACK	90128
	122882-01-701	EA	SCREEN	JRP-1124-B
	122882-01-702	EA	HANDLE - CRANK - WHITE	JRP1031B

**122882-02-01A, 122882-03-01A**

KEY	PART NUMBER	U/M	DESCRIPTION	VENDOR NO.
	064470-01-700	EA	COVER - VENT - W/O SLIDE BAR	J7291
	009440-01-000	EA	GEAR-ARM-ROOF VENT	705221K38
	048648-01-000	EA	MOTOR-12V NONVENTED 1/8 SFT	
	048649-01-000	EA	FAN-PLAS-6 IN 6 BLADED	
	122882-01-700	EA	HANDLE - CRANK - BLACK	90128
	122882-01-701	EA	SCREEN	JRP-1124-B
	122882-01-702	EA	HANDLE - CRANK - WHITE	JRP1031B
	064470-01-701	EA	SLIDE BAR - VENT LID	JRP1291B
	110051-03-700	EA	SWITCH-BLACK/PUSH BUTTON	27-0164

**WINDOWS & VENTS GROUP (CONTINUED)**  
**COMPONENT PARTS FOR WINDOW & VENT LAYOUT (CONTINUED)**



123780-03-01A

KEY	PART NUMBER	U/M	DESCRIPTION	VENDOR NO.
2	084079-11-700	EA	MOTOR & FAN BLADE W/BRACKET	K4017-09
3	084079-01-705	EA	MOTOR/EXT BRKT/FAN BLADE KIT	1080-00
4	084079-01-711	EA	MOTOR MOUNT (BOWTIE)	1015-00
5	084079-01-704	EA	BLADE-FAN	1138-00
6	084079-01-709	EA	SWITCH - MAIN - 3 SPEED	1031-05
7	084079-01-707	EA	SWITCH - SAFETY	1122-05
8	123780-05-700	EA	BASE/MAIN-BRT WHT W/GASKET	1010-81
9	123780-01-700	EA	COVER - VENT W/HINGE & SLIDE	1020K-81
10	009440-01-000	EA	GEAR-ARM-ROOF VENT	705221K38
11	123780-03-701	EA	SCREEN ASM 78-100MM W/SWITCH	1030BT-81
12	123780-03-700	EA	GARNISH - INT. 3"-4" BRT/WHT	2040-81
13	084079-01-703	EA	KNOB-LIFT, W/EXT.	1140K-00
	123780-01-702	EA	SCREEN INSERT (SCREEN RING)	K1035-81
	084079-01-706	EA	PLUG, 12 VOLT	1090

CONTACT WINNEBAGO PART SALES FOR UNLISTED COMPONENTS