

2001 CHIEFTAIN

L - SERIES

SALEM CHERRY

M52 STONEGATE - GRAY

M54 ASPEN GLEN - GREEN

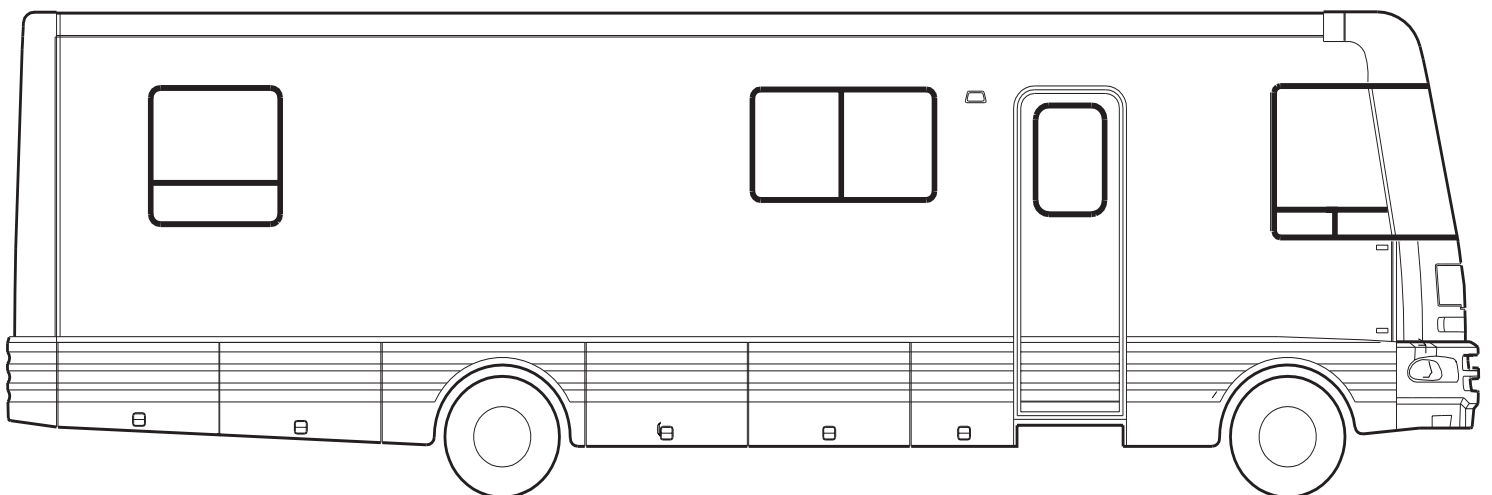
M56 COTTAGE BLUE - BLUE

PORTSMOUTH OAK

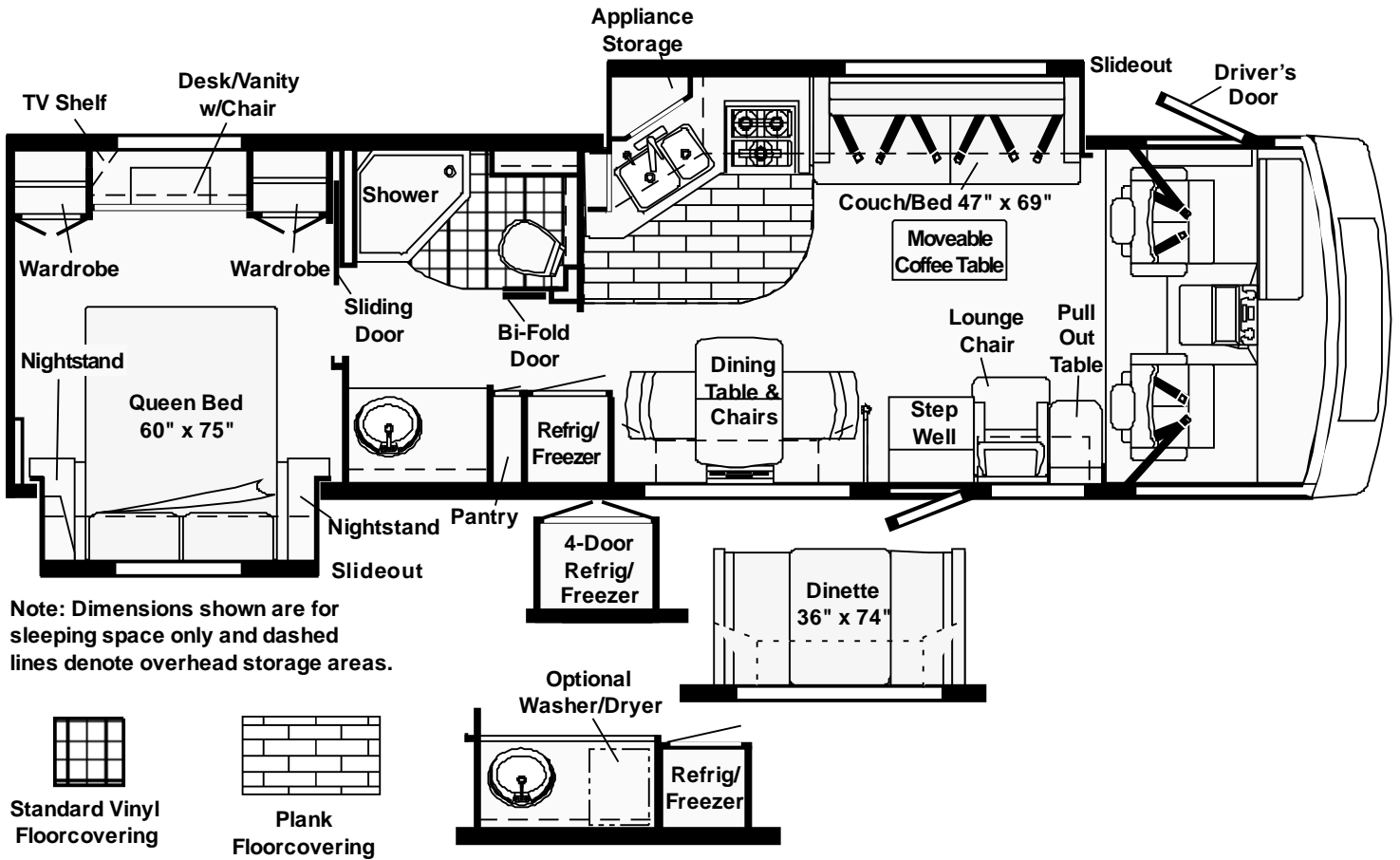
M53 STONEGATE - GRAY

M55 ASPEN GLEN - GREEN

M57 COTTAGE BLUE - BLUE



2001 WFL34Y



FLOORPLAN

CONTENTS

FLOORPLAN	2
ACCESSORIES GROUP	8
OPERATORS MANUAL	8
APPLIANCE GROUP	9
APPLIANCES	9
COMPONENT PARTS FOR APPLIANCE	13
115504-01-000	13
119267-04-01A	13
119267-06-01A	13
120075-13-01A	14
125242-02-01A	22
126022-01-01A	30
133004-02-01A	31
135065-01-01A	32
135065-02-01A	33
135066-01-01A	35
AUDIO VIDEO GROUP	39
RADIO SYSTEM	39
COMPONENT PARTS FOR RADIO SYSTEM	40
127517-05-000	40
REAR VIEW MONITOR	41
COMPONENT PARTS FOR REAR VIEW MONITOR	42
093040-10-000	42
TELEPHONE	43
TV & VCR	43
COMPONENT PARTS FOR TV & VCR	44
076319-23-000	44
076319-25-000	45
120233-04-000	46
124073-08-000	47
126696-03-000	47
126696-04-000	47
126696-05-000	47
126697-05-000	47
126697-06-000	47
130121-05-000	47
133377-01-000	47
EXTERIOR ENTERTAINMENT	48
BATH GROUP	49
CABINETS	49
DOORS & DRAWERS	51
SHOWER	53
COMPONENT PARTS FOR SHOWER	54
131618-01-01A	54
139047-01-01A, 139047-01-02A, 139047-02-01A, 139047-02-02A, 139047-03-01A, 139047-03-02A, 139047-04-02A	55
BEDROOM GROUP	56
QUEEN CABINETS	56
QUEEN DOORS & DRAWERS	58

CONTENTS (CONTINUED)

CHASSIS GROUP	59
FRAME	59
COMPONENT PARTS FOR FRAME	61
132643-01-01A	61
FRONT END	62
DRIVETRAIN	63
EXHAUST	64
REAR BUMPER	65
FUEL	66
HYDRAULIC LEVELING	67
COMPONENT PARTS FOR HYDRAULIC LEVELING	68
100536-48-000	68
128571-03-000	68
131306-12-000	69
WHEEL, TIRE, COVERS &/OR LINERS	71
COMPONENT PARTS FOR WHEEL, TIRE, COVERS &/OR LINERS	72
110435-15-000	72
BRAKE	73
CURTAIN & CUSHION GROUP	74
NOTICE	74
CUSHION LAYOUT	75
BUCKET SEATS	79
COMPONENT PARTS FOR BUCKET SEATS	83
081373-03-000	83
LOUNGE CHAIR	84
WINDOW TREATMENT	85
ACCESSORIES	89
COMPONENT PARTS ACCESSORIES	90
091990-08-01A	90
FABRICS	91
DINETTE GROUP	93
CABINETS	93
DOORS & DRAWERS	95
TABLE	96
DRIVERS COMPARTMENT GROUP	98
INSTRUMENT PANEL	98
DASH	98
MOTOR COVER	99
BEVERAGE TRAY	100
FRONT INTERIOR	101
CABINETS	103

CONTENTS (CONTINUED)

ELECTRICAL GROUP	104
12V BODY WIRING	104
FRONT END WIRING	109
COMPONENT PARTS FOR LIGHTS & SWITCHES	112
008089-02-000	112
086280-01-000	112
087694-01-000	112
091937-08-000	112
091937-09-000	112
097917-01-06A	112
098024-01-03A	112
098024-06-02A	112
098024-09-02A	112
108354-01-01A	112
110235-01-01A	112
121935-01-01A	112
CIRCUIT BREAKERS & FUSES	113
CONVERTER, INVERTER, LOAD CENTERS	113
110V WIRING	114
DRIVERS DOOR WIRING	115
ENTERTAINMENT WIRING	116
BOXES & CORDS	117
WIRE ASSEMBLIES	117
CONNECTORS & CONDUIT	118
BOOTS, SOLENOIDS, RELAYS & MISCELLANEOUS	119
EXTERIOR BODY GROUP	120
GRAPHICS & PAINT	120
PANELS	122
TRIMS	123
FRONT END	125
LADDER	127
MIRRORS	127
COMPONENT PARTS FOR MIRRORS	128
106015-16-01A, 106015-17-01A	128
106015-18-01A, & 106015-19-01A	128
STRUCTURAL COMPONENTS	129
AWNINGS	129
COMPONENT PARTS FOR AWNINGS	130
113874-01-02A	130
EXTERIOR DOORS & COMPARTMENTS GROUP	131
DOOR & COMPARTMENT LAYOUT	131
COMPONENT PARTS FOR DOOR & COMPARTMENT LAYOUT	135
084103-08-000	135
094707-03-01A	136
COMPARTMENT DOOR COMPONENTS	137
DRIVERS	138
COMPONENT PARTS FOR DRIVERS	139
125581-08-01A	139
ENTRY	141
COMPONENT PARTS FOR ENTRY	143
129676-01-000 - 129676-10-000	143
SCREEN	144
LATCH - ENTRY	145
EXTERIOR SLIDEOUT GROUP	147
FRONT LEFT	147
COMPONENT PARTS FOR FRONT LEFT	151
100536-42-000	151
125687-01-000	151
RIGHT REAR	152
COMPONENT PARTS FOR RIGHT REAR	156
128599-04-000	156

CONTENTS (CONTINUED)

GALLEY GROUP	157
CABINETS	157
DOORS & DRAWERS	159
GENERATOR GROUP	160
GAS	160
HEATING & A/C GROUP	162
AUTOMOTIVE	162
COMPONENT PARTS FOR AUTOMOTIVE	164
103930-39-000	164
103930-43-000	165
103930-44-000	166
103930-45-000	166
FURNACE	167
COMPONENT PARTS FOR FURNACE	168
098668-22-000	168
139980-04-000	169
REAR HEATER	171
COMPONENT PARTS FOR REAR HEATER	172
129205-01-000	172
CENTRAL	173
COMPONENT PARTS FOR CENTRAL	174
105620-11-000	174
105620-12-000	176
INTERIOR FINISH GROUP	178
MOLDINGS & TRIMS	178
PANELING & LAMINATES	184
ACCESSORIES	185
COMPONENT PARTS FOR ACCESSORIES	186
094499-02-000	186
FLOOR COVERINGS	187
HARDWARE	188
LABELS GROUP	197
LP GROUP	228
LP SYSTEM	228
COMPONENT PARTS FOR LP SYSTEM	229
088253-03-000	229
088253-10-000	229
LOUNGE GROUP	230
CABINETS	230
TABLES	231
SEALANTS & FASTENERS GROUP	233
SEALANTS & ADHESIVES	233
BOLTS, NUTS AND WASHERS	234
SCREWS	236
CLAMPS, CLIPS, GROMMETS, RIVETS & PLUGS	239
MISCELLANEOUS FASTENERS	241
WATER & SEWAGE GROUP	242
DRAINAGE SYSTEM	242
COMPONENT PARTS FOR DRAINAGE SYSTEM	244
070916-01-000	244
085330-08-000	244
136729-01-01A	245
WATER SYSTEM	247
COMPONENT PARTS FOR WATER SYSTEM	255
051391-05-000	255
098607-01-000	256
118569-01-000	256
131340-01-01A	256

CONTENTS (CONTINUED)

WINDOW & VENTS GROUP	257
WINDOW & VENT LAYOUT	257
COMPONENT PARTS FOR WINDOWS & VENT LAYOUT	259
098644-11-02A	259
098647-01-03A	260
098647-22-02A	261
098647-23-02A	261
112463-03-02A	262
112463-05-02A	262
112795-68-01A	263
112795-69-01A	264
112795-76-01A	264
112898-25-01A	265
113733-10-01A	266
122882-04-01A	266
122882-05-01A	266
123780-03-01A	267
123780-09-01A	267
123780-10-01A	268
125582-01-01A	269
125583-01-01A	270
125584-01-01A	270
125585-01-01A	270
125586-01-01A	270
125600-01-01A	270
129929-09-01A	271
129929-10-01A	272
WINDSHIELD & WIPER GROUP	273
WINDSHIELD	273
WIPER	274
COMPONENT PARTS FOR WIPER	275
095964-01-000	275
096505-09-000	275
117769-01-000	275

ACCESSORIES GROUP
OPERATORS MANUAL

KEY	PART NUMBER	U/M	DESCRIPTION
	129079-01-01A	EA	CASE - VINYL/BLACK-EXPANDABLE ACCORDION SIDES-7"WX9"HX14"L
	132000-07-001	EA	MANUAL/OWNER - CHIEFTAIN - 2001
	135183-01-000	EA	TOP LEVEL-L,2001
	109506-12-000	EA	FILM/ABRASION-RESISTANT - TRANSPARENT - 25.4" DIA.

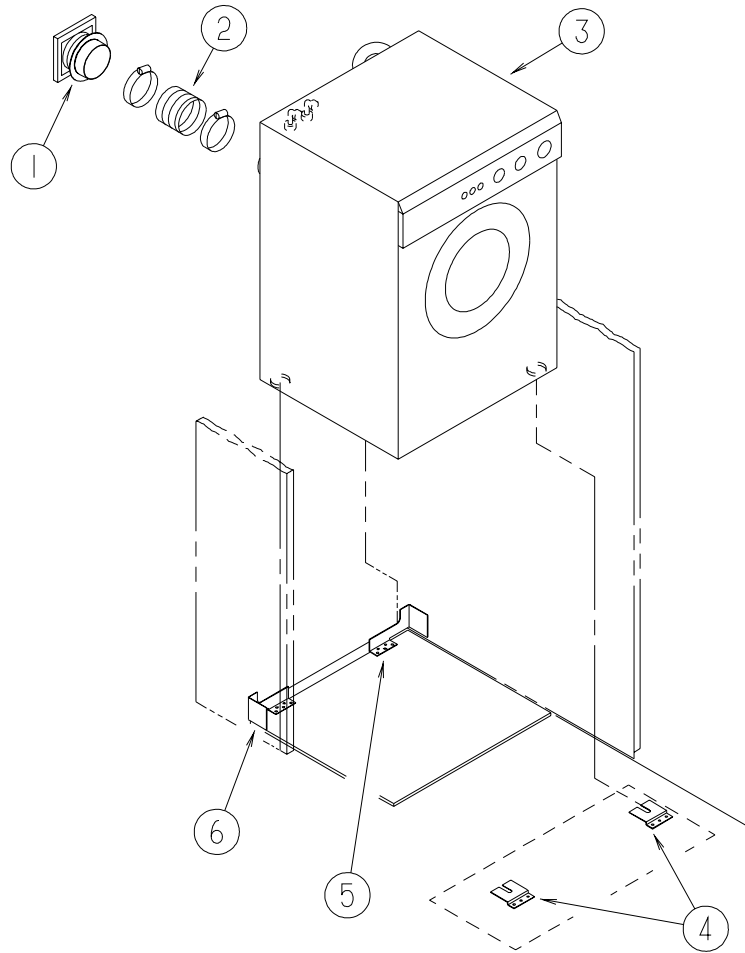
APPLIANCE GROUP

APPLIANCES

KEY	PART NUMBER	U/M	DESCRIPTION
*	119267-04-01A	EA	OVEN - MICROWAVE/CONVECTION W/HOOD - SHARP-#1850A/#1855
*	119267-06-01A	EA	OVEN - MICROWAVE/CONVECTION W/HOOD - CSA
	119267-05-000	EA	FILTER - HOOD - CHARCOAL
	129552-02-02B	EA	BRACKET - MICROWAVE - E-COATED - L34Y
	129836-01-02B	EA	ANGLE - W/HOLES - .7" X 1" X 28.3" - E-COATED - L34Y
	129836-02-02B	EA	ANGLE - W/HOLES - .7" X 1" X 28.3" - E-COATED - L34Y
	130736-01-02B	EA	BRACKET - MICROWAVE - RH - E-COATED - L35U, L36W
	130736-02-02B	EA	BRACKET - MICROWAVE - LH - E-COATED - L35U, L36W
*	135066-01-01A	EA	RANGE - 3 BURNER W/OVEN - SEALED BURNERS - 22"/BLACK
	135066-02-01A	EA	RANGE - 3 BURNER W/OVEN - SEALED BURNERS - 22"/BLACK
	136382-01-04B	EA	BRACKET - TIEDOWN/OVEN - BLACK - L34Y
	136382-02-04B	EA	BRACKET - TIEDOWN/OVEN - BLACK - L34Y
	136382-05-04B	EA	BRACKET - TIEDOWN/OVEN - BLACK - FRONT - L35U, L36W
	136382-06-04B	EA	BRACKET - TIEDOWN/OVEN - BLACK - REAR - L35U, L36W
*	135065-01-01A	EA	RANGE - 3 BURNER W/O OVEN - SEALED BURNERS - BLACK TOP
*	135065-02-01A	EA	RANGE - 3 BURNER W/O OVEN - SEALED BURNERS - CSA
	106936-21-04B	EA	BRACKET - STOVE TIEDOWN/FRONT - BLACK - L34Y
	106936-22-04B	EA	BRACKET - STOVE TIEDOWN/REAR - BLACK - L34Y
	106936-35-04B	EA	BRACKET - STOVE TIEDOWN/FRONT - BLACK - L35U, L36W
	106936-36-04B	EA	BRACKET - STOVE TIEDOWN/REAR - BLACK - L35U, L36W
*	126022-01-01A	EA	COVER - RANGE/BI-FOLD - 16" & 22" - BLACK TEXTURED
	130816-01-01A	EA	COUNTERTOP/STOVE LID - 1/4" VENDURA - JAMAICAN SAND
	130816-02-01A	EA	COUNTERTOP/STOVE LID - 1/4" VENDURA - JAMAICAN SAND
	124649-02-01A	EA	COFFEEMAKER - 10 CUP/DEEP BREW - BLACK - UL
*	115504-01-000	EA	PANEL - SOLAR 10 WATT - 12.2"W X 26.9"L X 1.2"H
*	133004-02-01A	EA	PANEL - MONITOR - 2 TANK DIGITAL VOLT METER - SOLAR
	133068-01-000	EA	HAIR DRYER - 3 SPEED W/NIGHT LIGHT - WALL MOUNT
	133139-01-000	EA	VACUUM CLEANER - RECHARGEABLE
	133140-01-000	EA	FLASHLIGHT - RECHARGEABLE
	130818-02-01A	EA	TRASH CONTAINER - 20 QUART ALMOND

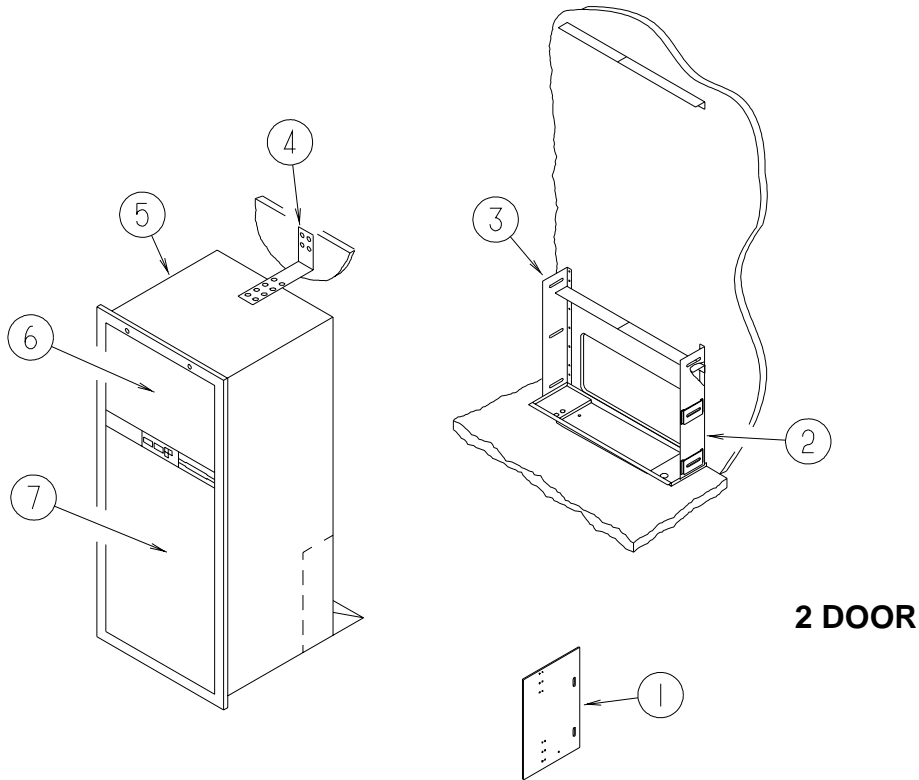
*COMPONENT PARTS LISTED LATER IN THIS GROUP

APPLIANCE GROUP (CONTINUED)
APPLIANCES (CONTINUED)



KEY	PART NUMBER	U/M	DESCRIPTION
1	111947-02-01A	EA	VENT - DRYER - 3"
2	116653-02-000	FT	DUCT - FLEXIBLE - 3' COMPRESSED/8' EXTENDED
3	107753-03-01A	EA	WASHER - DRYER - VENTED - UL/CSA - WHITE
4	111913-01-01A	EA	BRACKET - WASHER - TIE DOWN
5	113795-03-02B	EA	BRACKET - WASHER - E-COATED
6	113795-04-02B	EA	BRACKET - WASHER - E-COATED

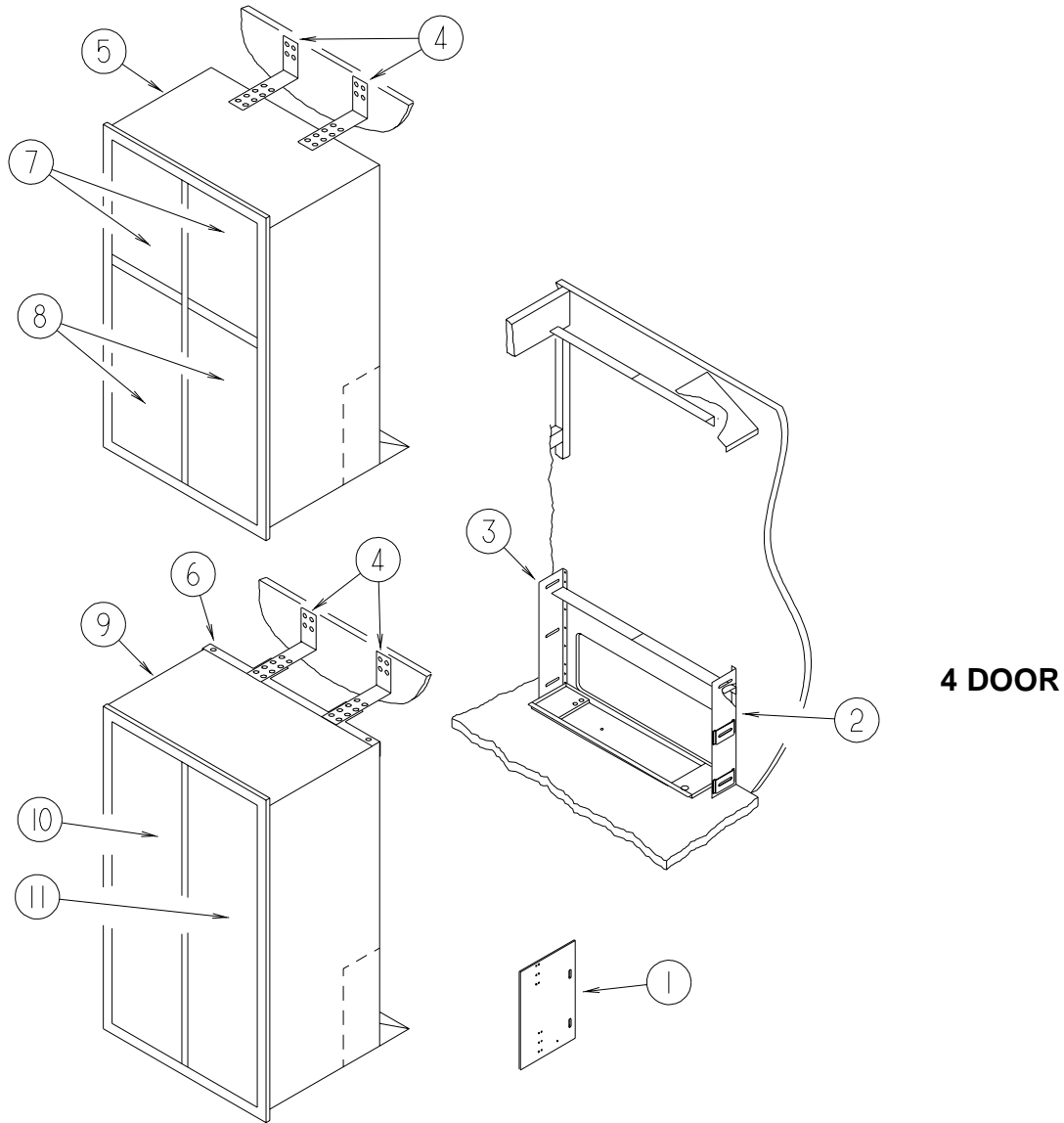
APPLIANCE GROUP (CONTINUED)
APPLIANCES (CONTINUED)



KEY	PART NUMBER	U/M	DESCRIPTION
1	065225-04-000	EA	PLATE - TIEDOWN/REFRIGERATOR
2	093646-01-000	EA	BRACKET - TIEDOWN/REFRIGERATOR - RIGHT HAND
3	093646-02-000	EA	BRACKET - TIEDOWN/REFRIGERATOR - LEFT HAND
4	093369-02-000	EA	STRAP - REFRIGERATOR
5*	120075-13-01A	EA	REFRIGERATOR-LARGE DOUBLE DOOR/RH - 2-WAY -ICE MAKER-BLACK
6	P34457-03-L85	EA	PANEL - INSERT RAISED MEMBRANE - 21.5" X 14.5" (SALEM CHERRY) FROM: 07-31-00 THRU: 99-99-99
6	P34457-03-L81	EA	PANEL - INSERT RAISED MEMBRANE - 21.5" X 14.5" (PORTSMOUTH OAK) FROM: 07-31-00 THRU: 99-99-99
7	P34457-04-L85	EA	PANEL - INSERT RAISED MEMBRANE - 21.5" X 38.5" (SALEM CHERRY) FROM: 07-31-00 THRU: 99-99-99
7	P34457-04-L81	EA	PANEL - INSERT RAISED MEMBRANE - 21.5" X 38.5" (PORTSMOUTH OAK) FROM: 07-31-00 THRU: 99-99-99
	116751-01-01A	EA	TRAY - REFRIGERATOR - L36W
	116751-02-01A	EA	TRAY - REFRIGERATOR - BLACK - L34Y , L35U
	090329-01-000	FT	SEAL/T - REFRIGERATOR CABINET
	054450-01-000	EA	LEVEL - REFRIGERATOR

***COMPONENT PARTS LISTED LATER IN THIS GROUP**

APPLIANCE GROUP (CONTINUED)
APPLIANCES (CONTINUED)



KEY	PART NUMBER	U/M	DESCRIPTION
1	065225-01-000	EA	PLATE - TIEDOWN/REFRIGERATOR
2	093646-01-000	EA	BRACKET - TIEDOWN/REFRIGERATOR - RIGHT HAND
3	093646-02-000	EA	BRACKET - TIEDOWN/REFRIGERATOR - LEFT HAND
4	093369-02-000	EA	STRAP - REFRIGERATOR
5*	125242-02-01A	EA	REFRIGERATOR-4 DR-W/ICE MKR-W/CONTOURED HANDLE-NORCOLD1201
6	NOT USED		
7	P34457-01-LQ1	EA	PANEL - INSERT RAISED MEMBRANE - 16.1" X 18.3" (SALEM CHERRY) FROM: 07-31-00 THRU: 99-99-99
7	P34457-01-L81	EA	PANEL - INSERT RAISED MEMBRANE - 16.1" X 18.3" (PORTSMOUTH OAK) FROM: 07-31-00 THRU: 99-99-99
8	P34457-02-LQ1	EA	PANEL - INSERT RAISED MEMBRANE - 16.1" X 41.1" (SALEM CHERRY) FROM: 07-31-00 THRU: 99-99-99
8	P34457-02-L81	EA	PANEL - INSERT RAISED MEMBRANE - 16.1" X 41.1" (PORTSMOUTH OAK) FROM: 07-31-00 THRU: 99-99-99
9	NOT USED		
10	NOT USED		
11	NOT USED		
	118871-02-01A	EA	TRAY - REFRIGERATOR - SIDE/SIDE - BLACK - 34.5" LONG - L35U , L36W
	118871-05-01A	EA	TRAY - REFRIGERATOR - SIDE/SIDE - BLACK - 35.5" LONG - L34Y
	090329-01-000	FT	SEAL/T - REFRIGERATOR CABINET
	054450-01-000	EA	LEVEL - REFRIGERATOR

*COMPONENT PARTS LISTED LATER IN THIS GROUP

APPLIANCE GROUP (CONTINUED)

COMPONENT PARTS FOR APPLIANCE

115504-01-000

KEY	PART NUMBER	U/M	DESCRIPTION	VENDOR NO.
	115504-01-700	EA	PLUG & CABLE, 10 WATT PANEL	600-016

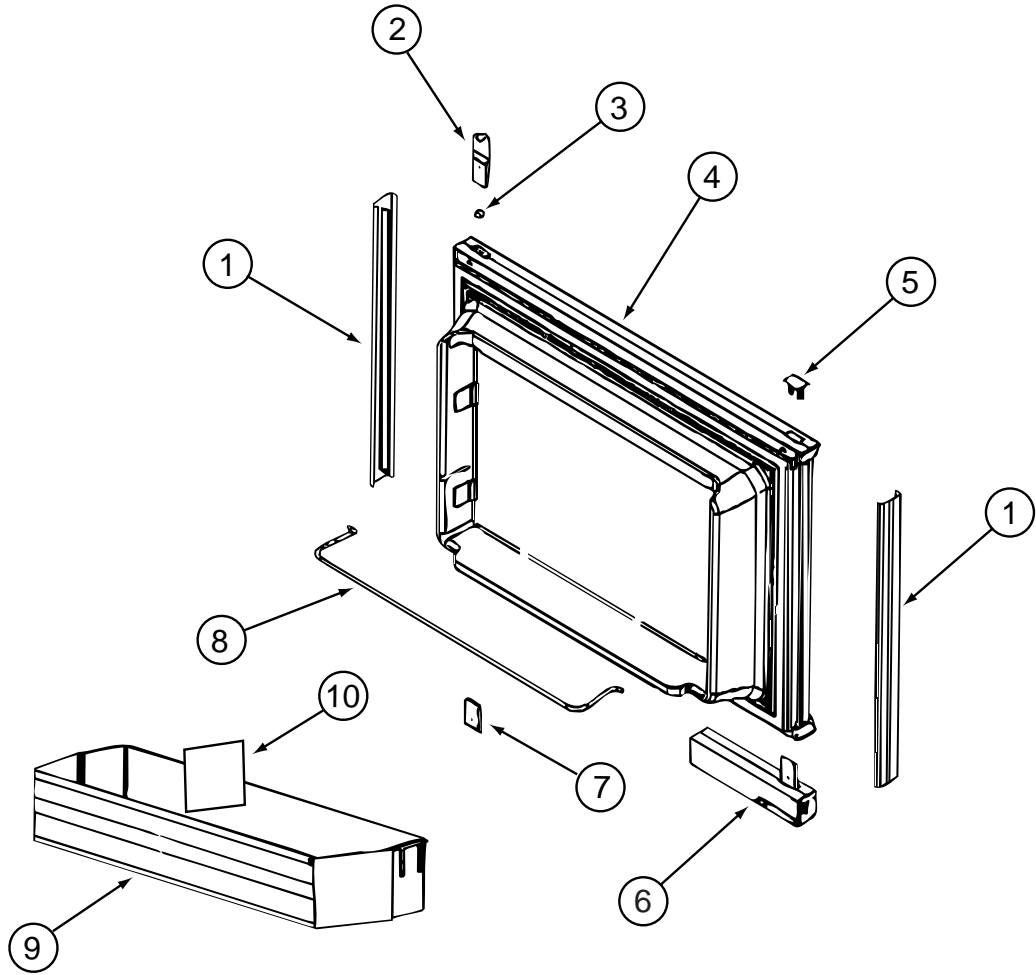
119267-04-01A

KEY	PART NUMBER	U/M	DESCRIPTION	VENDOR NO.
	119267-04-700	EA	FILTER-GREASE	BOO2
	119267-04-704	EA	LIGHT COVER	FANGKB009MRYO
	119267-04-706	EA	BULB/LIGHT (CARDED)	25T7N
	119267-04-708	EA	PAN-BOTTOM (MICROWAVE)	PB015MRE0

119267-06-01A

KEY	PART NUMBER	U/M	DESCRIPTION	VENDOR NO.
	119267-04-700	EA	FILTER-GREASE	BOO2
	119267-04-703	EA	PLATE-MOUNTING W/2 SCREWS	FANGTB003MRV0

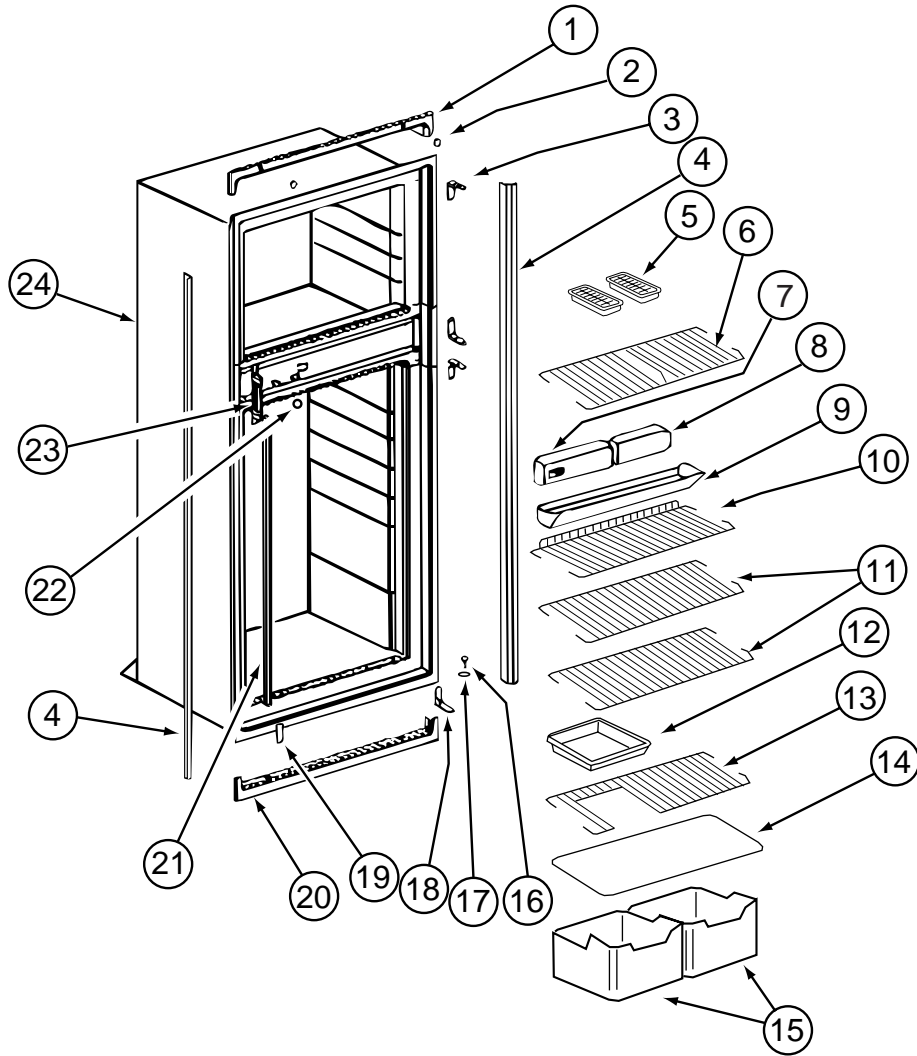
APPLIANCE GROUP (CONTINUED)
COMPONENT PARTS FOR APPLIANCE (CONTINUED)



120075-13-01A

KEY	PART NUMBER	U/M	DESCRIPTION	VENDOR NO.
1	121568-03-700	EA	RETAINER - DOOR PANEL/BLACK	619558
2	120075-01-701	EA	HINGE-TOP RH/BOTTOM LH(DOOR)	618511
3	121568-03-701	EA	BUSHING - HINGE PIN/GRAY	619671
4	121568-03-702	EA	DOOR LINER - W/TRIM/BLACK	619627 - SMALL DOOR
5	120075-01-702	EA	CAP, (HINGE PLUG)	618160
6	120075-12-700	EA	HANDLE(CONTOUR)TOP LH/BTM RH	621105
	120075-12-702	EA	HANDLE/HOUSING-TOP-LH/BTM RH	618159GEN
6	120075-12-701	EA	HANDLE(CONTOUR)TOP RH/BTM LH	621104
	120075-12-709	EA	HANDLE/HOUSING-BTM LH/TOP RH	618122GEN
	120075-12-703	EA	HANDLE - PLASTIC - NEW STYLE	620928
	120075-12-704	EA	SPRING - COMPRESSION	618182
	120075-12-705	EA	LATCH - HANDLE	618121
	120075-12-706	EA	PIN - STEEL	618622
	120075-12-707	EA	LATCH	619648
	120075-12-708	EA	LATCH - SPRING	620960
6	121568-03-703	EA	HANDLE/FLUSH-TOP/RH-LWR/LH	619865
6	121568-03-708	EA	HANDLE/FLUSH-TOP/LH-LWR/RH	619866
7	120075-01-705	EA	HINGE-TOP LH/BOTTOM RH(DOOR)	618510
8	121568-01-700	EA	RAIL - DOOR UPPER	618618
9	120075-07-700	EA	DOOR BIN - CLEAR	619006
10	120075-07-701	EA	DIVIDER/DOOR BIN CLEAR	619008
	121568-03-704	EA	TRAVEL LATCH - GRAY	619647
	121568-03-705	EA	STORAGE LATCH - GRAY	619648

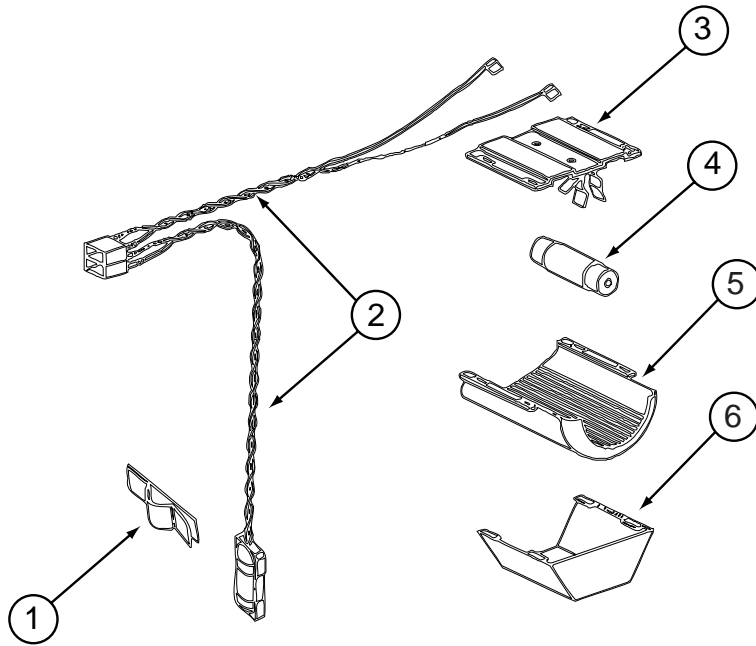
APPLIANCE GROUP (CONTINUED)
COMPONENT PARTS FOR APPLIANCE (CONTINUED)



120075-13-01A (CONTINUED)

KEY	PART NUMBER	U/M	DESCRIPTION	VENDOR NO.
1	121568-03-709	EA	TRIM - TOP/BLACK	619687
2	120075-01-714	EA	PLUG-HOLE	618170
3	121568-03-710	EA	HINGE/CABINET-TOP/RH-LWR/LH	619335
4	120075-07-705	EA	TRIM - SIDE - BLACK	619802
5	104137-06-724	EA	ICE TRAY	61630422
6	120075-07-706	EA	SHELF - WIRE/FREEZER	620249
7	120075-07-707	EA	CONTROL BOX - BLACK	619665
8	121568-03-713	EA	FRONT BOX/DECORATIVE-BLACK	619282
9	120075-01-720	EA	TRAY-DRIP	618137
10	120075-01-722	EA	SHELF-WIRE, SHORT	618239
11	120075-01-723	EA	SHELF-WIRE	618114
12	104137-06-718	EA	SHELF-TRAY, WHITE, W/CUTOUT	617756
13	120075-01-724	EA	SHELF-WIRE, W/CUTOUT	618177
14	120075-01-725	EA	COVER-CRISPER	618158
15	120075-07-708	EA	CRISPER/ICE BIN	619007
16	120075-01-727	EA	PIN-HINGE	618145
17	121568-03-701	EA	BUSHING - HINGE PIN/GRAY	619671
18	121568-03-715	EA	HINGE/CABINET-TOP/LH-LWR/RH	619336
19	121568-03-716	EA	COVER - HINGE HOLES	619301
20	120075-01-729	EA	TRIM-BOTTOM PIECE	618136
21	120075-01-730	EA	RETAINER-SHELF	618181
22	121568-03-717	EA	HOLE PLUG - WHITE	619561
23	120075-01-732	EA	PLATE-STRIKE	618167
24	120075-09-700	EA	CABINET - FOAMED	619660
	120075-01-721	EA	LOUVER-DRIP TRAY	618176

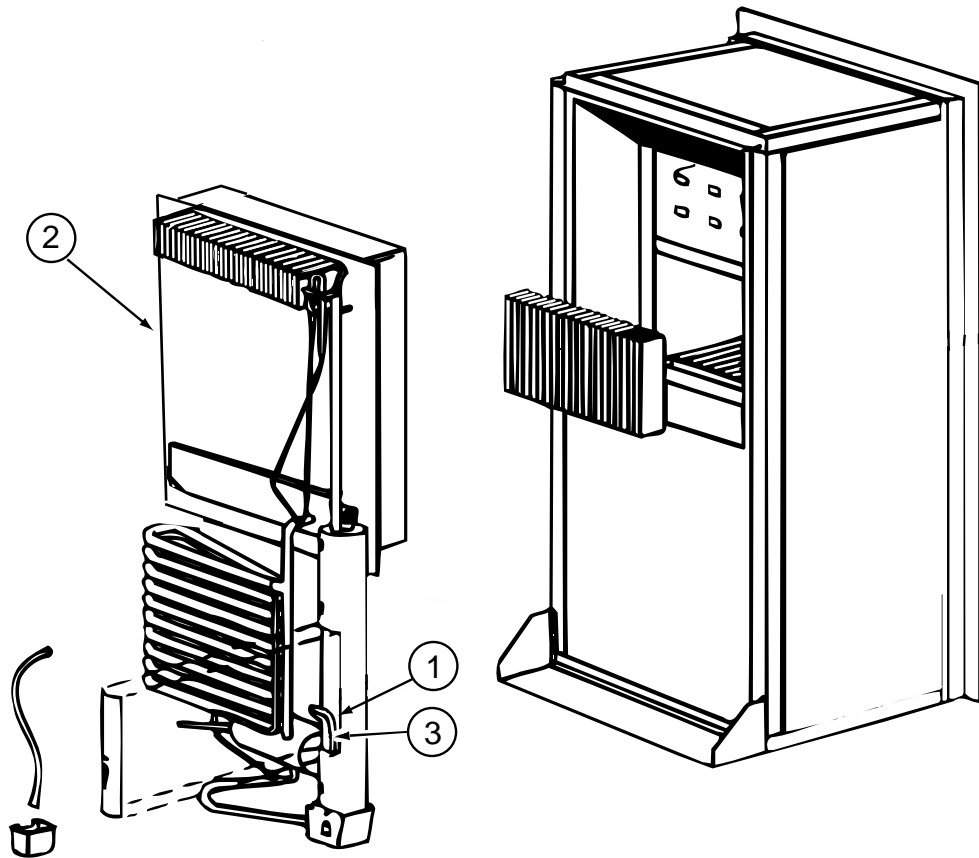
APPLIANCE GROUP (CONTINUED)
COMPONENT PARTS FOR APPLIANCE (CONTINUED)



120075-13-01A (CONTINUED)

KEY	PART NUMBER	U/M	DESCRIPTION	VENDOR NO.
1	084880-01-760	EA	CLIP (THERMISTER)	61689122
2	120075-01-735	EA	THERMISTER W/LAMP & WIRE/ASM	618548
3	084880-03-705	EA	BRACKET-LIGHT-INTERIOR	61629722
4	084880-03-706	EA	BULB-LAMP	61628922
5	120075-01-734	EA	COVER-LENS	618190
6	084880-03-707	EA	COVER-LAMP, LENS	61627922

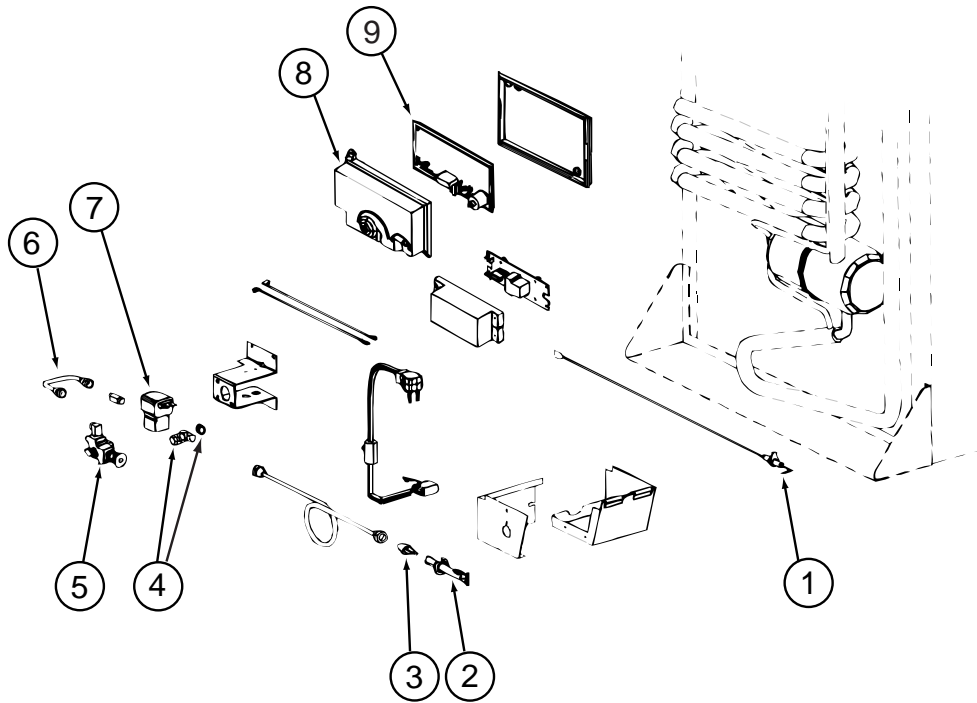
APPLIANCE GROUP (CONTINUED)
COMPONENT PARTS FOR APPLIANCE (CONTINUED)



120075-13-01A (CONTINUED)

KEY	PART NUMBER	U/M	DESCRIPTION	VENDOR NO.
1	088248-01-710	EA	HEATER DC (HORIZONTAL)	61562822
2	120075-01-736	EA	COOLING UNIT, SERVICE PACK	618542
3	088248-01-709	EA	HEATER-AC (HORIZONTAL)	61562722

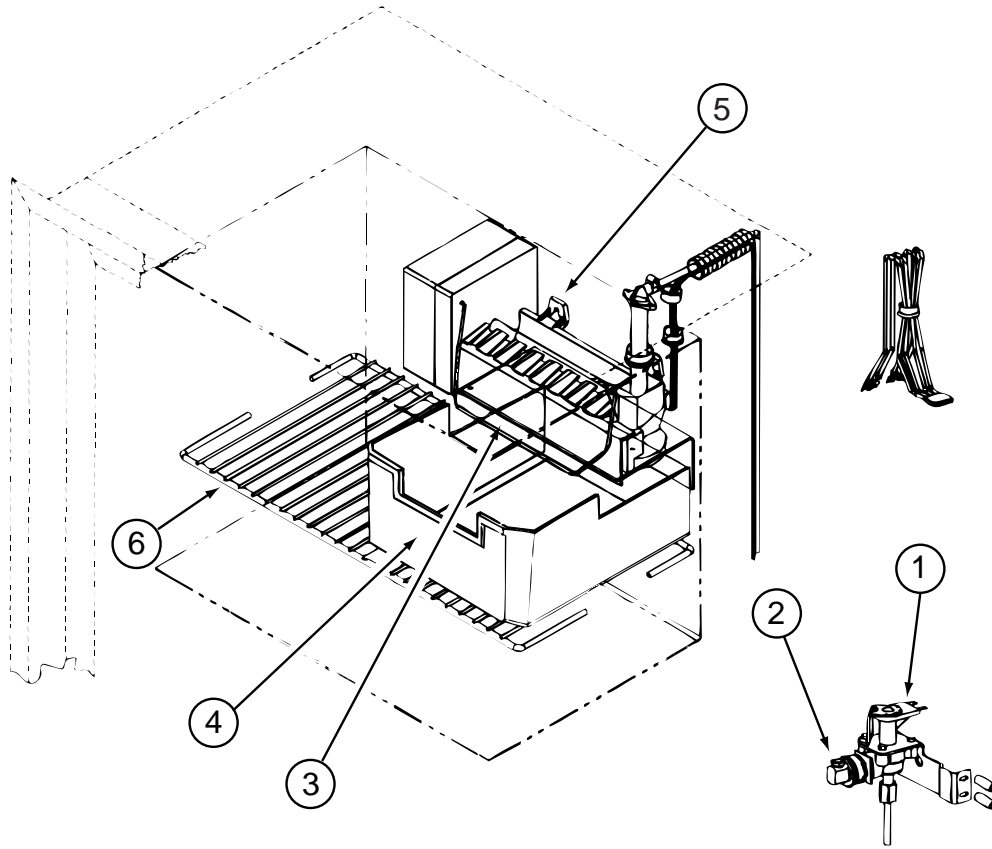
APPLIANCE GROUP (CONTINUED)
COMPONENT PARTS FOR APPLIANCE (CONTINUED)



120075-13-01A (CONTINUED)

KEY	PART NUMBER	U/M	DESCRIPTION	VENDOR NO.
1	104137-06-715	EA	ELECTRODE-SPARK/SENSOR, SGL	61692222
2	104137-06-714	EA	BURNER ASSEMBLY, 5-SLOT	61705222
3	120075-01-737	EA	ORIFICE - JEWEL - .0155	618284
4	113737-01-702	EA	PLUG 1/8" F/PRESSURE TAP	61445322
4	113737-01-716	EA	TAP-PRESSURE	61594422
5	104137-06-709	EA	VALVE-SHUT OFF/MAN-OLD STYLE	61694922
6	113737-01-750	EA	TUBE-UNION	61694622
7	084880-01-718	EA	VALVE-GAS, (ASCO)	61551822
8	120075-01-738	EA	COVER-POWER BOARD	618185
9	120075-07-710	EA	POWER - BOARD - 2-WAY	619360
	104137-06-734	EA	VALVE-SHUT OFF/MAN-NEW STYLE	618696
	120075-01-744	EA	KIT - GAS VALVE/BURNER TUBE	620609

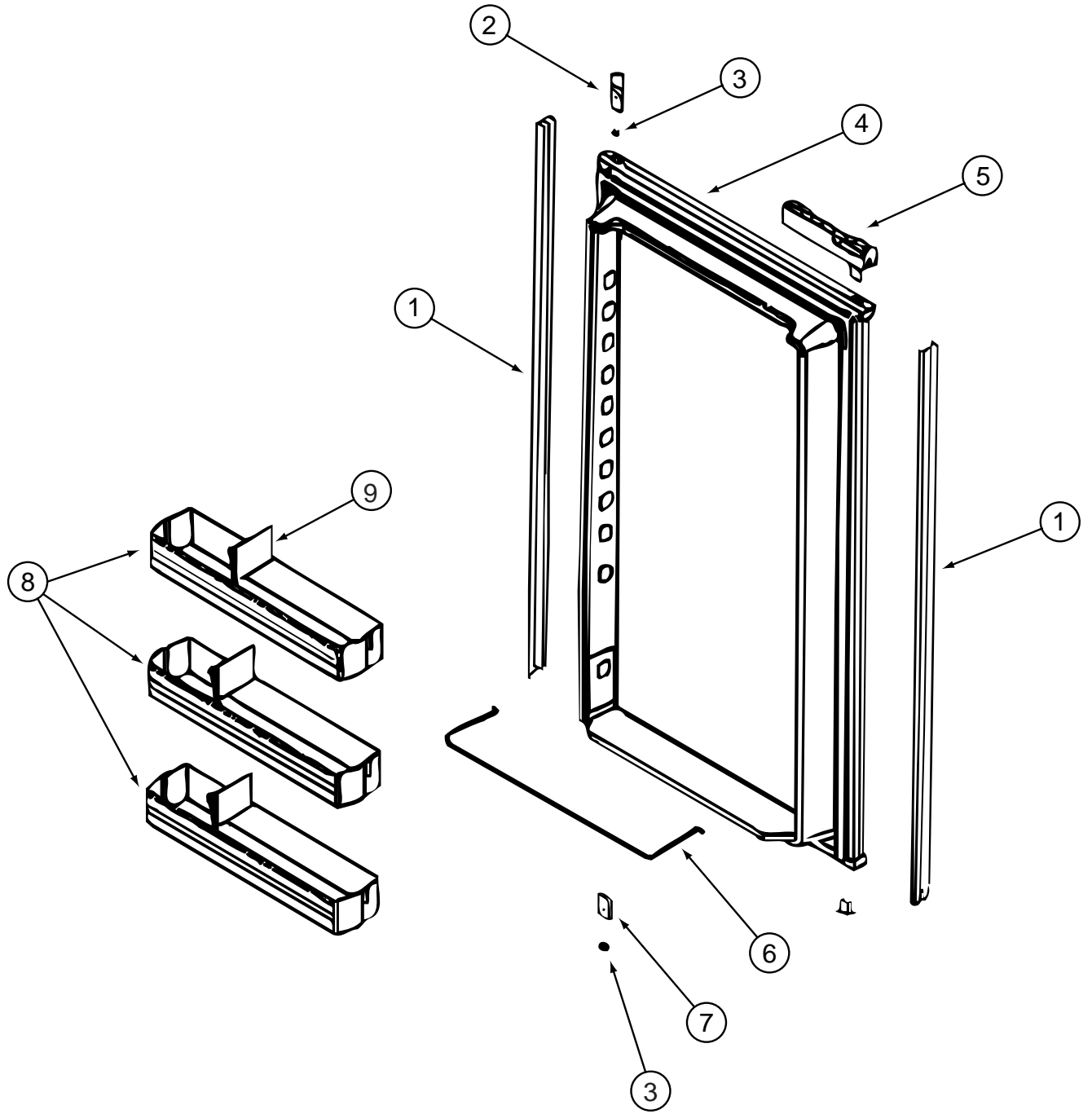
APPLIANCE GROUP (CONTINUED)
COMPONENT PARTS FOR APPLIANCE (CONTINUED)



120075-13-01A (CONTINUED)

KEY	PART NUMBER	U/M	DESCRIPTION	VENDOR NO.
1	120075-09-701	EA	WATER VALVE W/BRACKET	618253
2	120075-03-702	EA	NUT/COMPRESSION - FITTING	61678722
3	120075-03-703	EA	ARM-SHUT OFF	61656922
4	120075-03-704	EA	BIN-ICE CUBE	618154
5	094039-07-706	EA	ICE MAKER W/O PLATES	61656522
6	120075-01-717	EA	SHELF-FREEZER, WIRE	618172
	120075-09-702	EA	RELAY - 12 VOLT	620239

APPLIANCE GROUP (CONTINUED)
COMPONENT PARTS FOR APPLIANCE (CONTINUED)



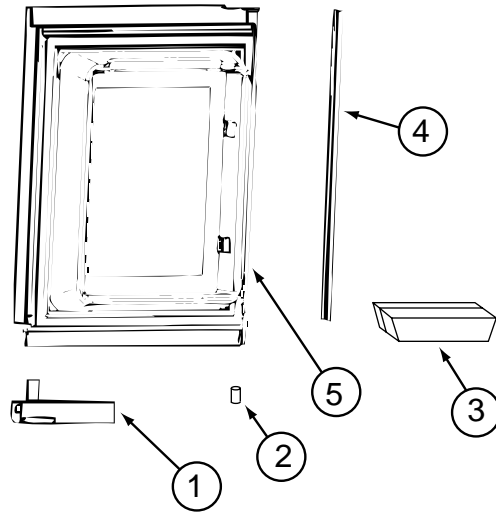
120075-13-01A (CONTINUED)

APPLIANCE GROUP (CONTINUED)
COMPONENT PARTS FOR APPLIANCE (CONTINUED)

120075-13-01A (CONTINUED)

KEY	PART NUMBER	U/M	DESCRIPTION	VENDOR NO.
1	120075-07-702	EA	RETAINER - DOOR PANEL/BLACK	619560
2	120075-01-701	EA	HINGE-TOP RH/BOTTOM LH(DOOR)	618511
3	121568-03-701	EA	BUSHING - HINGE PIN/GRAY	619671
4	120075-07-703	EA	DOOR LINER - BLACK	619631 - LARGE DOOR
5	120075-12-700	EA	HANDLE(CONTOUR)TOP LH/BTM RH	621105
	120075-12-702	EA	HANDLE/HOUSING-TOP-LH/BTM RH	618159GEN
5	120075-12-701	EA	HANDLE(CONTOUR)TOP RH/BTM LH	621104
	120075-12-709	EA	HANDLE/HOUSING-BTM LH/TOP RH	618122GEN
	120075-12-703	EA	HANDLE - PLASTIC - NEW STYLE	620928
	120075-12-704	EA	SPRING - COMPRESSION	618182
	120075-12-705	EA	LATCH - HANDLE	618121
	120075-12-706	EA	PIN - STEEL	618622
	120075-12-707	EA	LATCH	619648
	120075-12-708	EA	LATCH - SPRING	620960
5	121568-03-703	EA	HANDLE/FLUSH-TOP/RH-LWR/LH	619865
5	121568-03-708	EA	HANDLE/FLUSH-TOP/LH-LWR/RH	619866
6	121568-01-704	EA	RAIL - DOOR LOWER	618578
7	120075-01-705	EA	HINGE-TOP LH/BOTTOM RH(DOOR)	618510
8	120075-07-700	EA	DOOR BIN - CLEAR	619006
8	120075-07-704	EA	DOOR BIN - LARGE/CLEAR	619005
9	120075-07-701	EA	DIVIDER/DOOR BIN CLEAR	619008
	121568-03-704	EA	TRAVEL LATCH - GRAY	619647
	121568-03-705	EA	STORAGE LATCH - GRAY	619648

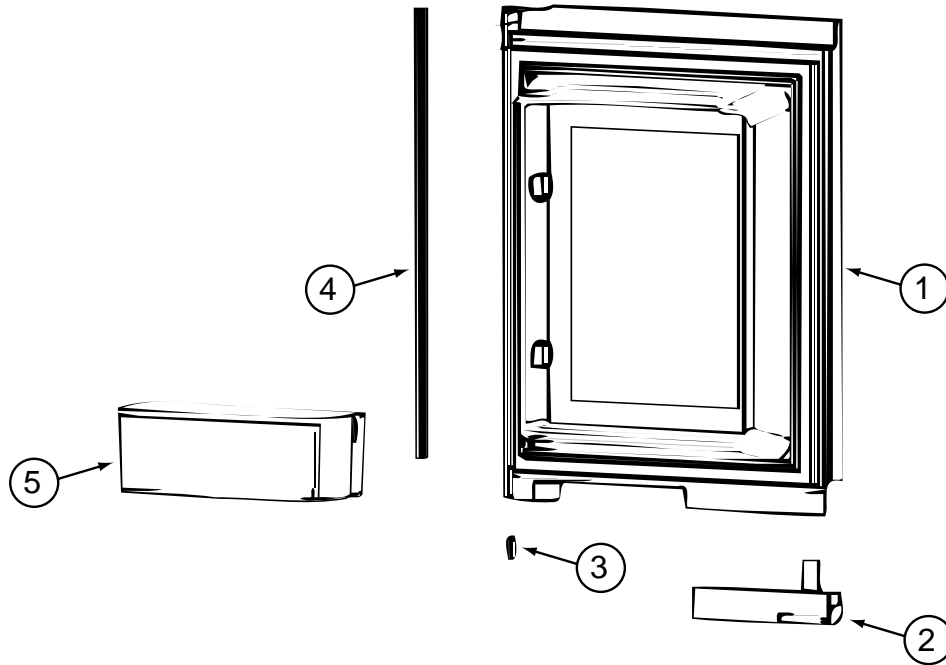
APPLIANCE GROUP (CONTINUED)
COMPONENT PARTS FOR APPLIANCE (CONTINUED)



125242-02-01A

KEY	PART NUMBER	U/M	DESCRIPTION	VENDOR NO.
1	125242-02-701	EA	HANDLE(CONTOUR)TOP RH LWR LH	621106
2	125242-01-704	EA	BUSHING - HINGE MIDDLE	618746
3	125242-01-711	EA	DOOR BIN	618765
4	125242-01-719	EA	RETAINER - UPPER PANEL	618825
5	125242-01-754	EA	DOOR-COMP/UPPR-LH-W/WHT GSKT	619843
5	125242-01-762	EA	LINER/FOAMED-UPPER/LH-WHITE	619839

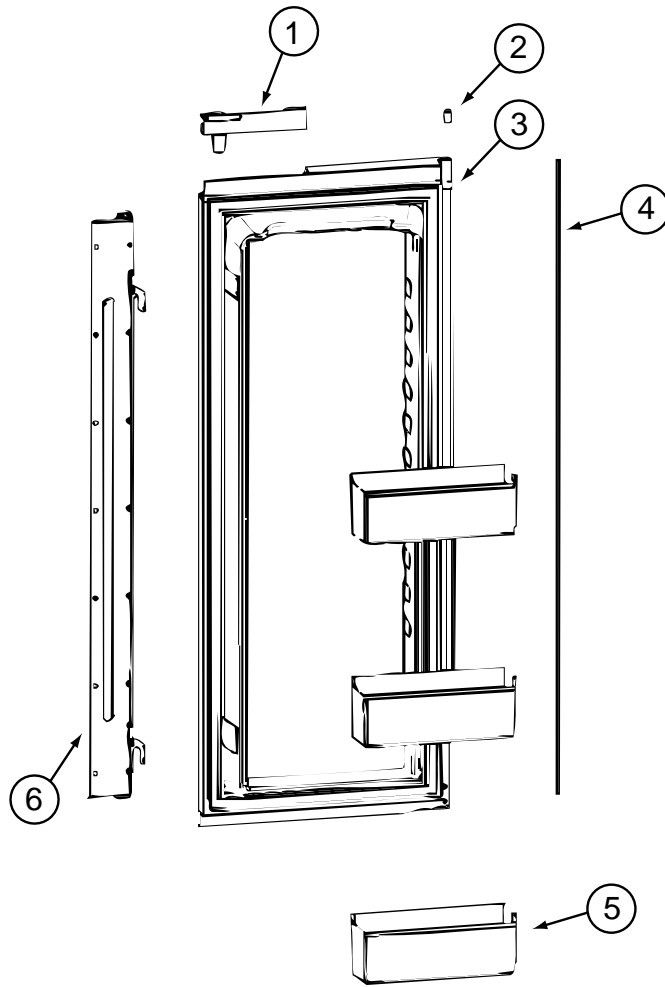
APPLIANCE GROUP (CONTINUED)
COMPONENT PARTS FOR APPLIANCE (CONTINUED)



125242-02-01A (CONTINUED)

KEY	PART NUMBER	U/M	DESCRIPTION	VENDOR NO.
1	125242-01-756	EA	DOOR-COMP/UPPR-RH-W/WHT GSKT	619844
1	125242-01-763	EA	LINER/FOAMED-UPPER/RH-WHITE	619840
2	125242-02-700	EA	HANDLE(CONTOUR)TOP LH BTM RH	621107
3	125242-01-704	EA	BUSHING - HINGE MIDDLE	618746
4	125242-01-719	EA	RETAINER - UPPER PANEL	618825
5	125242-01-711	EA	DOOR BIN	618765

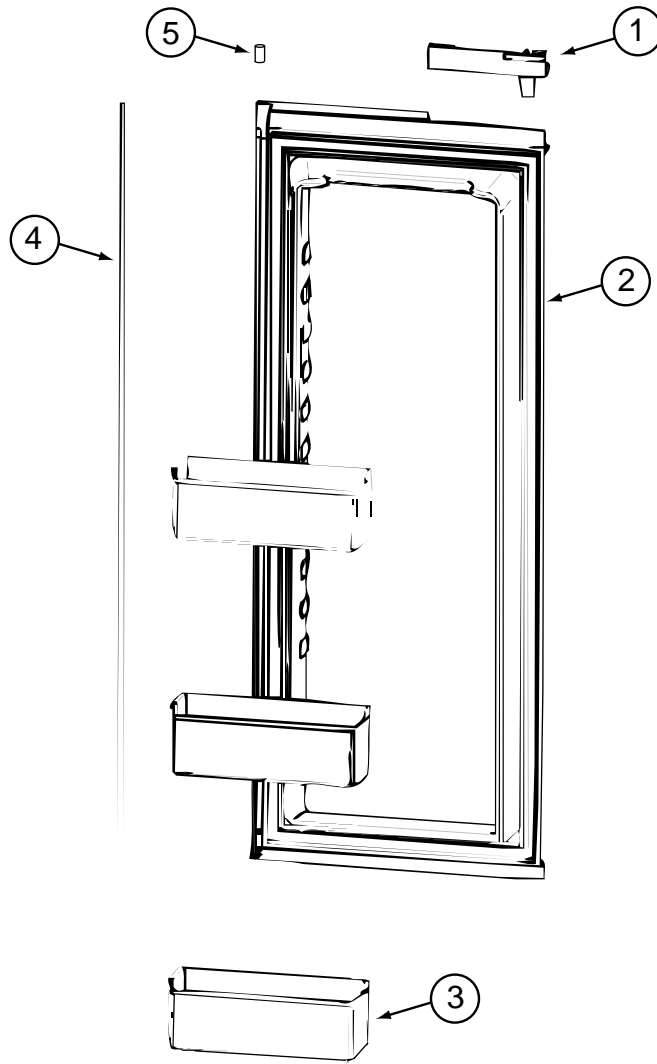
APPLIANCE GROUP (CONTINUED)
COMPONENT PARTS FOR APPLIANCE (CONTINUED)



125242-02-01A (CONTINUED)

KEY	PART NUMBER	U/M	DESCRIPTION	VENDOR NO.
	125242-01-760	EA	DOOR-COMP/LWR-LH W/WHT GSKT	619841
1	125242-02-700	EA	HANDLE(CONTOUR)TOP LH BTM RH	621107
2	125242-01-704	EA	BUSHING - HINGE MIDDLE	618746
3	125242-01-765	EA	LINER/FOAMED-LOWER-LH-WHITE	619837
4	125242-01-718	EA	RETAINER - LOWER PANEL	618824
5	125242-01-711	EA	DOOR BIN	618765
6	125242-01-747	EA	SEAL/RETRACTABLE (DOOR ASM)	618787

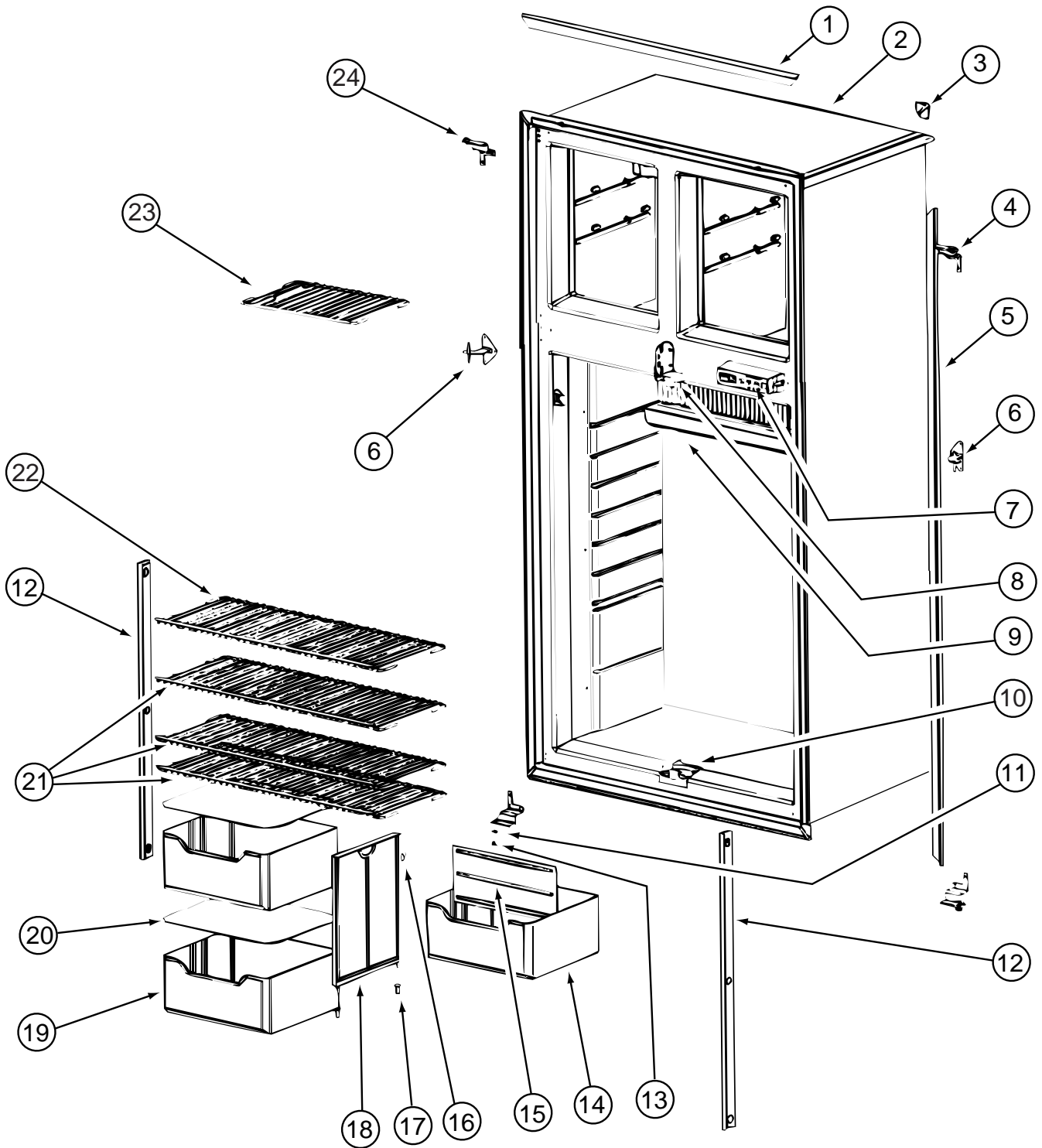
APPLIANCE GROUP (CONTINUED)
COMPONENT PARTS FOR APPLIANCE (CONTINUED)



125242-02-01A (CONTINUED)

KEY	PART NUMBER	U/M	DESCRIPTION	VENDOR NO.
	125242-01-758	EA	DOOR-COMP/LWR-RH-W/WHT GSKT	619842
1	125242-02-701	EA	HANDLE(CONTOUR)TOP RH LWR LH	621106
2	125242-01-764	EA	LINER/FOAMED-LOWER/RH-WHITE	619838
3	125242-01-711	EA	DOOR BIN	618765
4	125242-01-718	EA	RETAINER - LOWER PANEL	618824
5	125242-01-704	EA	BUSHING - HINGE MIDDLE	618746

APPLIANCE GROUP (CONTINUED)
COMPONENT PARTS FOR APPLIANCE (CONTINUED)



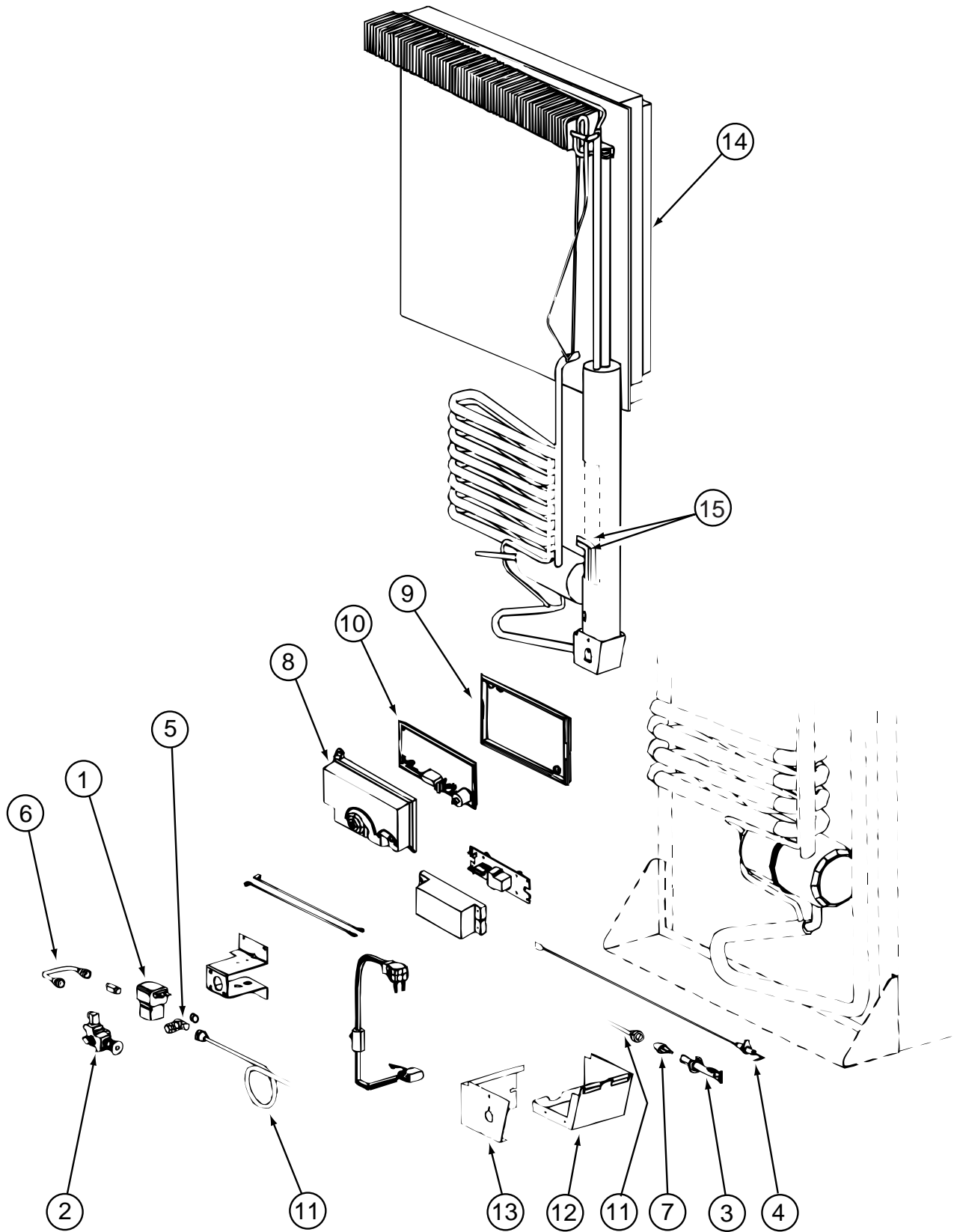
125242-02-01A (CONTINUED)

APPLIANCE GROUP (CONTINUED)
COMPONENT PARTS FOR APPLIANCE (CONTINUED)

125242-02-01A (CONTINUED)

KEY	PART NUMBER	U/M	DESCRIPTION	VENDOR NO.
1	125242-01-723	EA	TRIM - HORIZONTAL	618845
2	125242-01-748	EA	CABINET/FOAMED ASSEMBLY	618748
3	125242-01-722	EA	TRIM - CORNER	618844
4	125242-01-715	EA	HINGE - TOP RH/BOTTOM LH	618798
5	125242-01-724	EA	TRIM - SIDE	618846
6	125242-01-713	EA	HINGE-MIDDLE (PAINTED)	618794
7	125242-02-704	EA	DISPLAY ASSEMBLY	621188
8	125242-01-751	EA	BLOCK - GUIDE - UPPER	618789
9	125242-01-712	EA	DRIP TRAY	618774
10	125242-01-752	EA	BLOCK - GUIDE - LOWER	618788
11	120075-01-708	EA	BUSHING - DOOR HINGE	618144
12	120075-01-730	EA	RETAINER - SHELF	618181
13	120075-01-727	EA	PIN - HINGE	618145
14	125242-01-734	EA	CRISPER/BOTTLE BIN	618878
15	125242-01-733	EA	DIVIDER - BOTTLE CRISPER	618877
16	125242-01-750	EA	CLIP	61409622
17	113737-01-701	EA	BUSHING - HINGE	61742022
18	125242-01-749	EA	SUPPORT - WALL	618840
19	125242-01-734	EA	CRISPER/BOTTLE BIN	618878
20	125242-01-706	EA	COVER - CRISPER	618757
21	125242-01-726	EA	SHELF - WIRE (LONG)	618848
22	125242-01-727	EA	SHELF - WIRE (SHORT)	618849
23	125242-01-725	EA	SHELF - FREEZER (WIRE)	618847
24	125242-01-714	EA	HINGE - TOP LH/BOTTOM RH	618796
	125242-01-735	EA	SWITCH - DOOR LIGHT	618884

APPLIANCE GROUP (CONTINUED)
COMPONENT PARTS FOR APPLIANCE (CONTINUED)

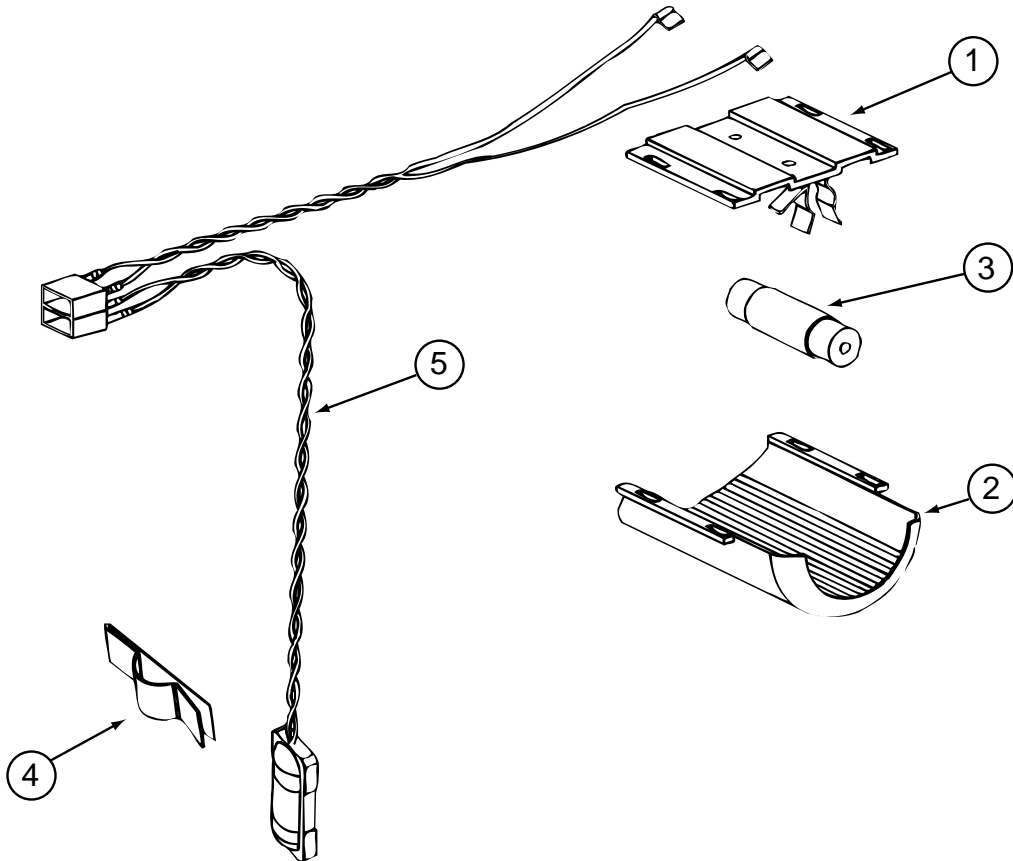


125242-02-01A (CONTINUED)

APPLIANCE GROUP (CONTINUED)
COMPONENT PARTS FOR APPLIANCE (CONTINUED)

125242-02-01A (CONTINUED)

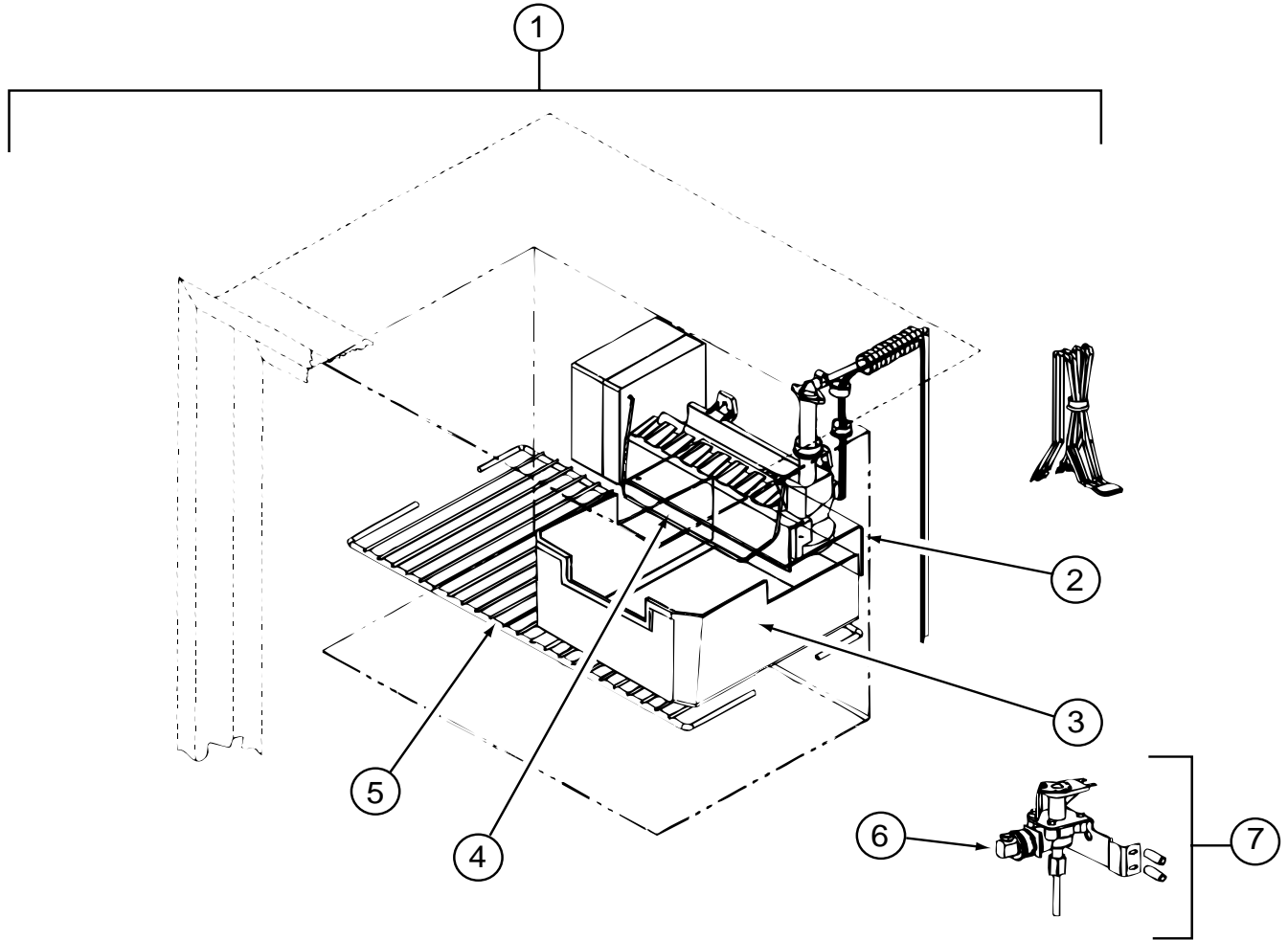
KEY	PART NUMBER	U/M	DESCRIPTION	VENDOR NO.
1	084880-01-718	EA	VALVE - GAS - (ASCO)	61551822
2	104137-06-734	EA	VALVE-SHUT OFF/MAN-NEW STYLE	618696
3	125242-01-743	EA	BURNER - 8 SLOT	618932
4	104137-06-715	EA	ELECTRODE - SPARK/SENSOR - SGL	61692222
5	113737-01-716	EA	TAP - PRESSURE	61594422
6	113737-01-750	EA	TUBE - UNION	61694622
7	125242-01-717	EA	ORIFICE - JEWELLED	618814
8	120075-01-738	EA	COVER - POWER BOARD	618185
9	120075-01-740	EA	COVER - BASE - POWER BOARD	618186
10	125242-01-720	EA	POWER BOARD	618828
			FROM: 00-00-00 THRU: 04-25-00	
10	125242 02 703	EA	POWER BOARD	621271
			FROM: 04-26-00 THRU: 99-99-99	
11	125242-01-744	EA	BURNER TUBE	618937
12	125242-01-739	EA	BASE - BURNER BOX	618902
13	125242-01-740	EA	COVER - BURNER BOX	618910
14	125242-01-746	EA	COOLING UNIT - 1200	618964
15	125242-01-732	EA	HEATER AC - 225W/110VAC	618872
	125242-01-753	EA	KIT - GAS VALVE/BURNER TUBE	620610



125242-02-01A (CONTINUED)

KEY	PART NUMBER	U/M	DESCRIPTION	VENDOR NO.
1	084880-03-705	EA	BRACKET - LIGHT - INTERIOR	61629722
2	120075-01-734	EA	COVER - LENS	618190
3	084880-03-706	EA	BULB - LAMP	61628922
4	084880-01-760	EA	CLIP (THERMISTER)	61689122
5	120075-01-735	EA	THERMISTER W/LAMP & WIRE/ASM	618548

APPLIANCE GROUP (CONTINUED)
COMPONENT PARTS FOR APPLIANCE (CONTINUED)



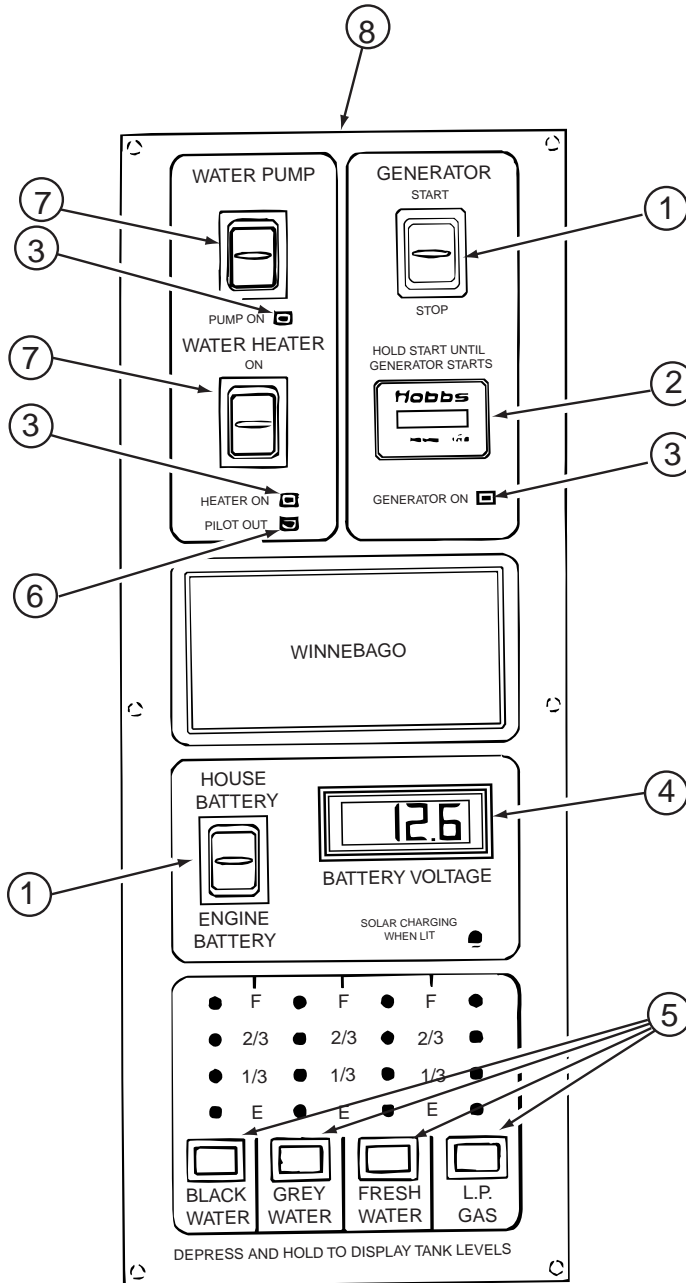
125242-02-01A (CONTINUED)

KEY	PART NUMBER	U/M	DESCRIPTION	VENDOR NO.
1	094039-07-706	EA	ICE MAKER W/O PLATES	61656522
2	125242-01-737	EA	BRACKET - MOUNTING (ICE MAKER)	618894
3	125242-01-716	EA	ICE BIN	618803
4	120075-03-703	EA	ARM - SHUT OFF	61656922
5	125242-01-725	EA	SHELF - FREEZER (WIRE)	618847
6	120075-03-702	EA	NUT/COMPRESSION - FITTING	61678722
7	120075-03-701	EA	VALVE - WATER - W/BRACKET	618523

126022-01-01A

KEY	PART NUMBER	U/M	DESCRIPTION	VENDOR NO.
	126022-01-700	EA	BUMPER - RANGE BIFOLD COVER MAGIC	8003P007-60
	126022-01-701	EA	HINGE-RANGE BIFOLD COVER-22" MAGIC	3418F067-34
	114030-01-707	EA	PLUG BUTTON BLACK	74002628

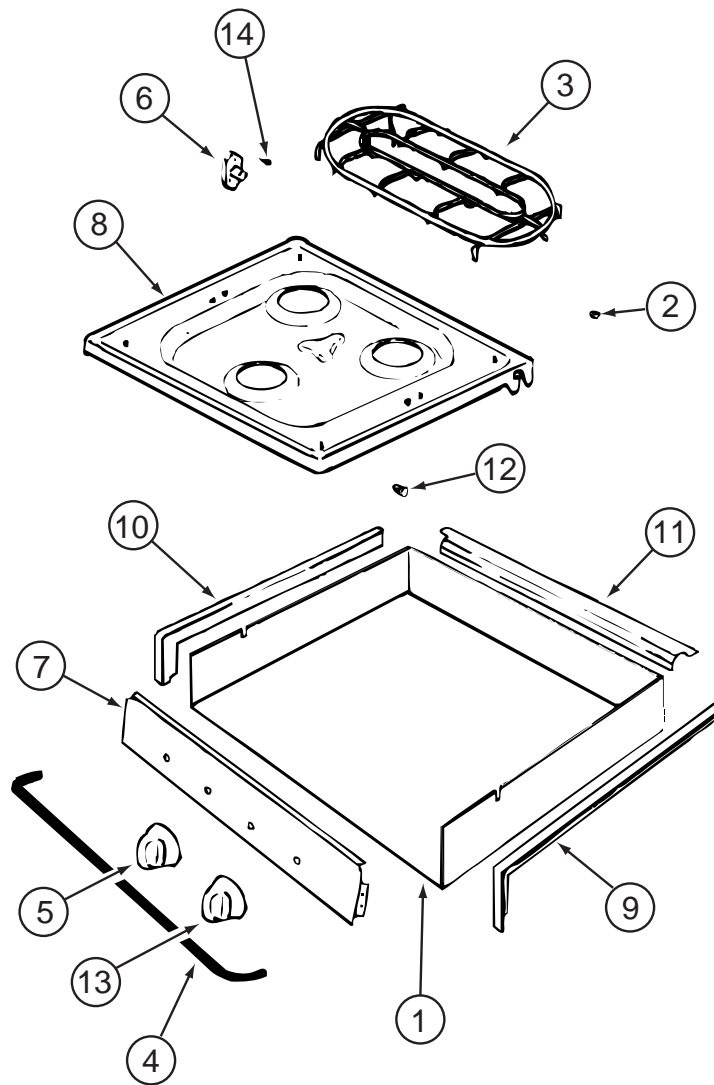
APPLIANCE GROUP (CONTINUED)
COMPONENT PARTS FOR APPLIANCE (CONTINUED)



133004-02-01A

KEY	PART NUMBER	U/M	DESCRIPTION	VENDOR NO.
1	133004-01-702	EA	SWITCH/DPDT MOM=ON-OFF-ON	L1011-00
2	100258-10-701	EA	GAUGE-HOUR METER-CLIP ON LCD	L0775-00
3	133004-01-706	EA	LED - GREEN - PANEL MOUNT	L0785
4	133004-01-704	EA	METER - DIGITAL PANEL	L1008-00
5	133004-01-705	EA	SWITCH/SPNO MOM ON-OFF PUSH	L0950-00
6	133004-01-703	EA	LED - RED - PANEL MOUNT	L1009-00
7	133004-01-701	EA	SWITCH/DPDT ON-ON/MAINTAINED	L1025-00
8	133004-02-701	EA	SCREENED - CHASSIS	CC0547-00
	133004-02-700	EA	BOARD - PC	L5113-03

APPLIANCE GROUP (CONTINUED)
COMPONENT PARTS FOR APPLIANCE (CONTINUED)



135065-01-01A

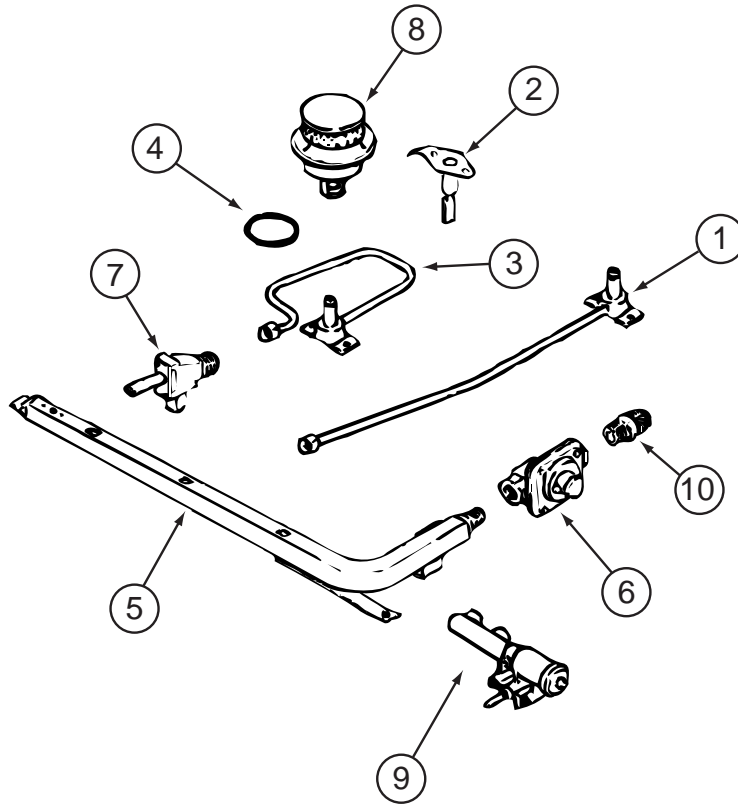
KEY	PART NUMBER	U/M	DESCRIPTION	VENDOR NO.
	135065-01-01A	EA	RANGE - 3 BURNER W/O OVEN - SEALED BURNERS - BLACK TOP CONTACT WINNEBAGO PART SALES FOR THIS COMPONENT	
1				
2	102020-01-709	EA	BUMPER-GRATE	8007-P020-60
3	128728-01-700	EA	GRATE - BURNER	74003948
4	114030-02-700	EA	GUARD/FABRIC - TOWEL BAR	3609F006-70
5	112881-01-705	EA	KNOB-TOP BURNER	7733P072-60
5	112881-01-718	EA	KNOB - TOP BURNER HI-OUTPUT	74001794
6	128728-01-703	EA	PIN/T-NUT F/HINGE	7103P109-60
7	135065-01-700	EA	PANEL/MANIFOLD	74003354
8	128728-01-705	EA	TOP - MAIN - BLACK	74003928
9	114030-01-704	EA	TRIM - RIGHT/BLACK TEXTURED	74002839
10	114030-01-705	EA	TRIM - LEFT/BLACK TEXTURED	74002840
11	114030-01-706	EA	TRIM - REAR/BLACK TEXTURED	74002841
12	102020-01-724	EA	BUMPER-MAIN TOP	8003P008-60
13	126023-01-720	EA	KNOB - IGNITER	74002414
14				
			CONTACT WINNEBAGO PART SALES FOR THIS COMPONENT	

APPLIANCE GROUP (CONTINUED)
COMPONENT PARTS FOR APPLIANCE (CONTINUED)

135065-02-01A

KEY	PART NUMBER	U/M	DESCRIPTION	VENDOR NO.
	135065-02-01A	EA	RANGE - 3 BURNER W/O OVEN - SEALED BURNERS - CSA	
1			CONTACT WINNEBAGO PART SALES FOR THIS COMPONENT	
2	102020-01-709	EA	BUMPER-GRATE	8007-P020-60
3	128728-01-700	EA	GRATE - BURNER	74003948
4	114030-02-700	EA	GUARD/FABRIC - TOWEL BAR	3609F006-70
5	112881-01-705	EA	KNOB-TOP BURNER	7733P072-60
5	112881-01-718	EA	KNOB - TOP BURNER HI-OUTPUT	74001794
6	128728-01-703	EA	PIN/T-NUT F/HINGE	7103P109-60
7	135065-01-700	EA	PANEL/MANIFOLD	74003354
8	128728-01-705	EA	TOP - MAIN - BLACK	74003928
9	114030-01-704	EA	TRIM - RIGHT/BLACK TEXTURED	74002839
10	114030-01-705	EA	TRIM - LEFT/BLACK TEXTURED	74002840
11	114030-01-706	EA	TRIM - REAR/BLACK TEXTURED	74002841
12	102020-01-724	EA	BUMPER-MAIN TOP	8003P008-60
13	126023-01-720	EA	KNOB - IGNITER	74002414
14			CONTACT WINNEBAGO PART SALES FOR THIS COMPONENT	

APPLIANCE GROUP (CONTINUED)
COMPONENT PARTS FOR APPLIANCE (CONTINUED)



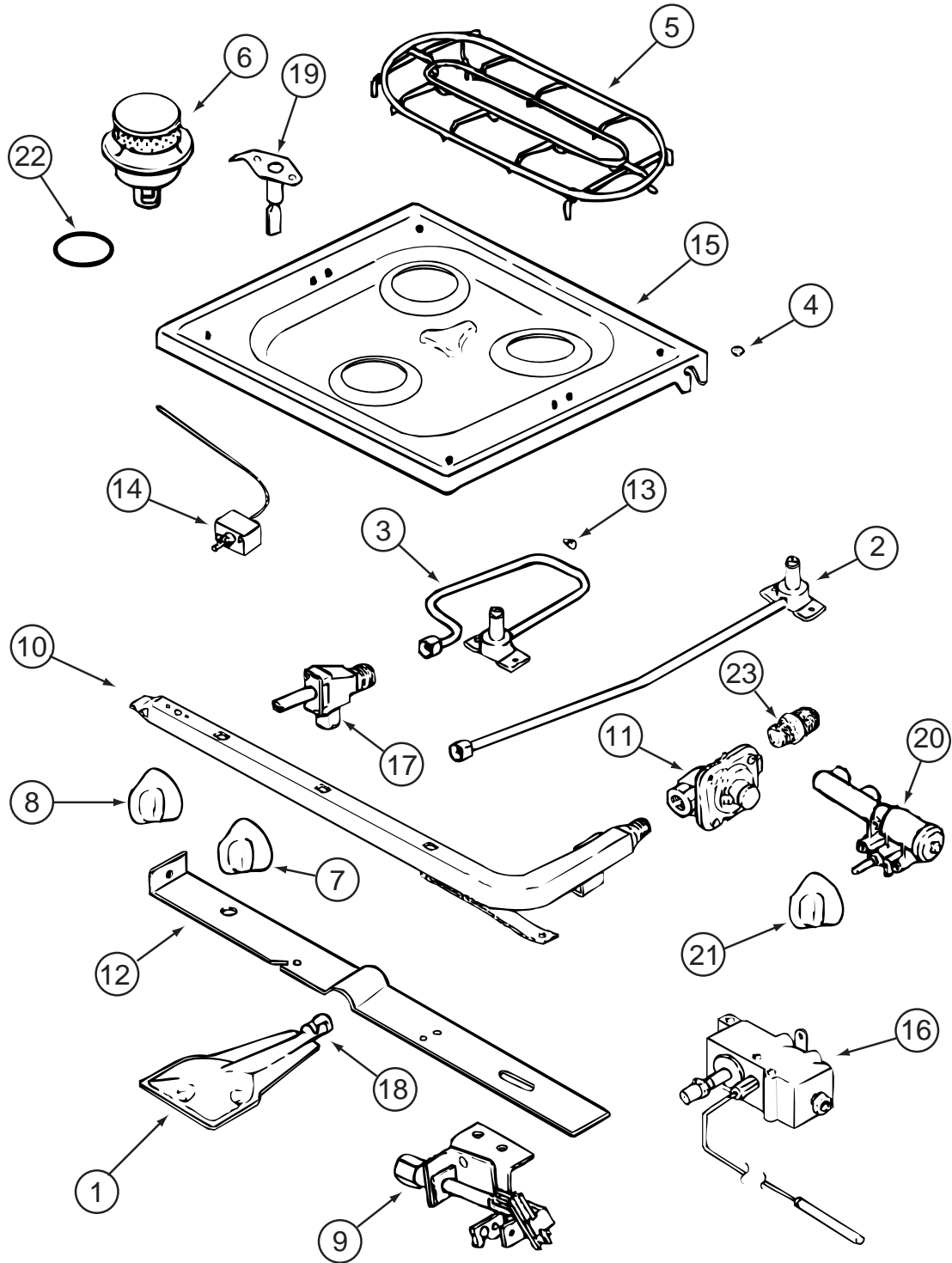
135065-01-01A (CONTINUED)

KEY	PART NUMBER	U/M	DESCRIPTION	VENDOR NO.
	135065-01-01A	EA	RANGE - 3 BURNER W/O OVEN - SEALED BURNERS - BLACK TOP	
1	128728-01-708	EA	FITTING - ORFICE TUBE - REAR	74003931
2	135065-01-701	EA	IGNITOR/TOP BURNER	74004053
3	128728-01-710	EA	FITTING - ORFICE TUBE - FRT	74003930
4	128728-01-711	EA	GASKET - BURNER	74002745
5	135065-01-702	EA	PIPE/MANIFOLD	74004642
6	126023-02-703	EA	REGULATOR - PRESSURE	74004235
7	135065-01-703	EA	VALVE/BURNER - REAR	74004643
7	135065-01-704	EA	VALVE/BURNER - FRONT	74004644
8	135065-01-705	EA	BURNER/SEALED ASSEMBLY	74003967
9	128728-01-716	EA	BURNER - IGNITOR	74003946
9	128728-01-717	EA	WIRES - IGNITOR	74003947

135065-02-01A (CONTINUED)

KEY	PART NUMBER	U/M	DESCRIPTION	VENDOR NO.
	135065-02-01A	EA	RANGE - 3 BURNER W/O OVEN - SEALED BURNERS - CSA	
1	128728-01-708	EA	FITTING - ORFICE TUBE - REAR	74003931
2	135065-01-701	EA	IGNITOR/TOP BURNER	74004053
3	128728-01-710	EA	FITTING - ORFICE TUBE - FRT	74003930
4	128728-01-711	EA	GASKET - BURNER	74002745
5	135065-01-702	EA	PIPE/MANIFOLD	74004642
6	126023-02-703	EA	REGULATOR - PRESSURE	74004235
7	135065-01-703	EA	VALVE/BURNER - REAR	74004643
7	135065-01-704	EA	VALVE/BURNER - FRONT	74004644
8	135065-01-705	EA	BURNER/SEALED ASSEMBLY	74003967
9	128728-01-716	EA	BURNER - IGNITOR	74003946
9	128728-01-717	EA	WIRES - IGNITOR	74003947

APPLIANCE GROUP (CONTINUED)
COMPONENT PARTS FOR APPLIANCE (CONTINUED)



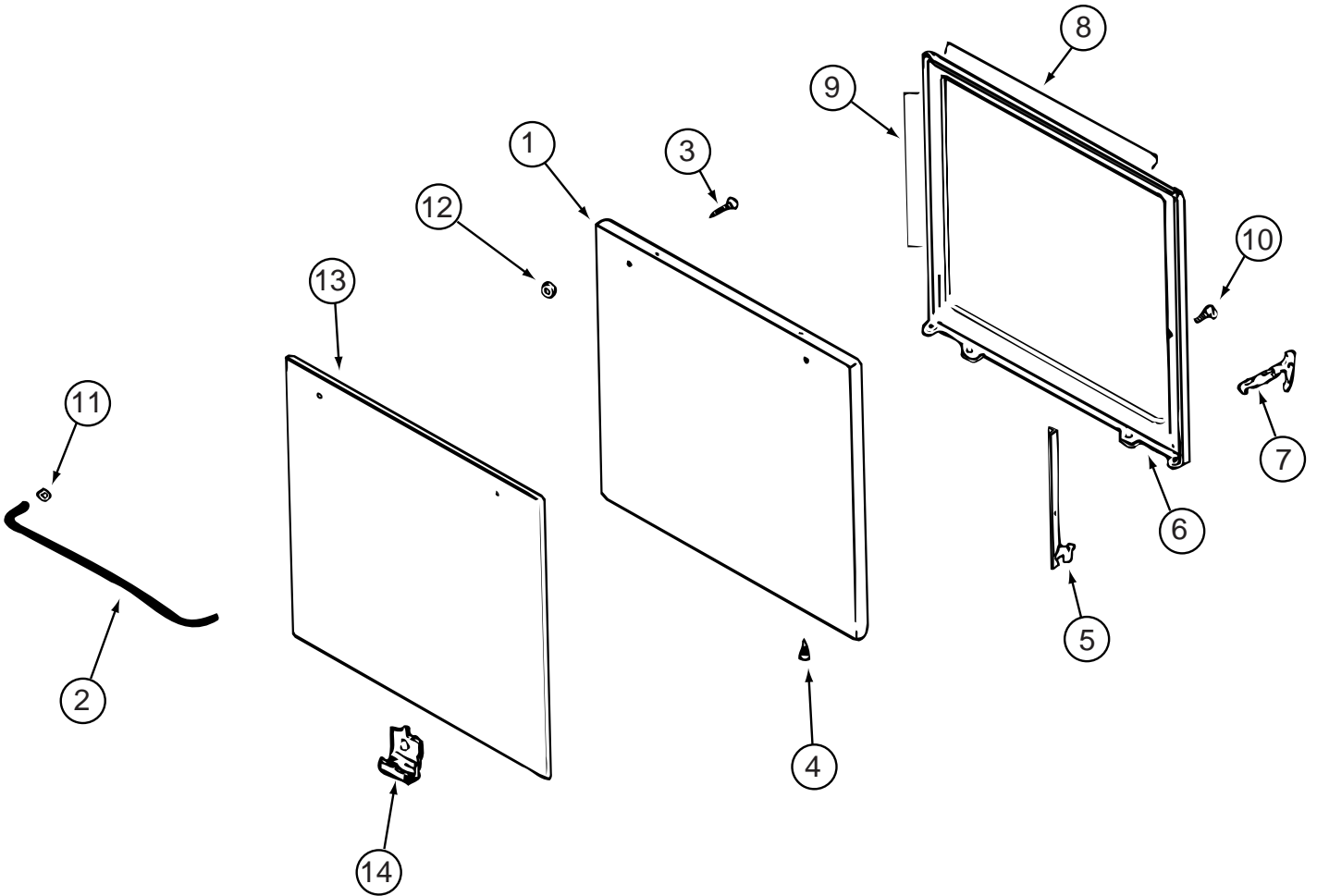
135066-01-01A

APPLIANCE GROUP (CONTINUED)
COMPONENT PARTS FOR APPLIANCE (CONTINUED)

135066-01-01A (CONTINUED)

KEY	PART NUMBER	U/M	DESCRIPTION	VENDOR NO.
	135066-01-01A	EA	RANGE - 22"3 BURNER W/OVEN - SEALED BURNERS - BLACK	
1	126023-01-717	EA	BURNER - OVEN	74003343
2	128728-01-708	EA	FITTING - ORFICE TUBE - REAR	74003931
3	128728-01-710	EA	FITTING - ORFICE TUBE - FRT	74003930
4	102020-01-709	EA	BUMPER-GRATE	8007-P020-60
5	128728-01-700	EA	GRATE - BURNER	74003948
6	135065-01-705	EA	BURNER/SEALED ASSEMBLY	74003967
7	112881-01-705	EA	KNOB-TOP BURNER	7733P072-60
7	112881-01-718	EA	KNOB - TOP BURNER HI-OUTPUT	74001794
8	126023-02-700	EA	KNOB - THERMOSTAT	74004359
9	126023-02-701	EA	PILOT - OVEN	74004586
10	126023-02-702	EA	PIPE - MANIFOLD	74004360
11	126023-02-703	EA	REGULATOR - PRESSURE	74004235
12			CONTACT WINNEBAGO PART SALES FOR THIS COMPONENT	
13	102020-01-724	EA	BUMPER-MAIN TOP	8003P008-60
14	126023-01-734	EA	THERMOSTAT OVEN 11/CLY MODEL	74004361
15	128728-01-705	EA	TOP - MAIN - BLACK	74003928
16	126023-02-704	EA	VALVE - OVEN	74004585
17	135065-01-703	EA	VALVE/BURNER - REAR	74004643
17	135065-01-704	EA	VALVE/BURNER - FRONT	74004644
18	135656-01-701	EA	MIXER/AIR	3411F003-34
19	135065-01-701	EA	IGNITOR/TOP BURNER	74004053
20	128728-01-716	EA	BURNER - IGNITOR	74003946
20	128728-01-717	EA	WIRES - IGNITOR	74003947
21	126023-01-720	EA	KNOB - IGNITER	74002414
22	128728-01-711	EA	GASKET - BURNER	74002745
23			CONTACT WINNEBAGO PART SALES FOR THIS COMPONENT	

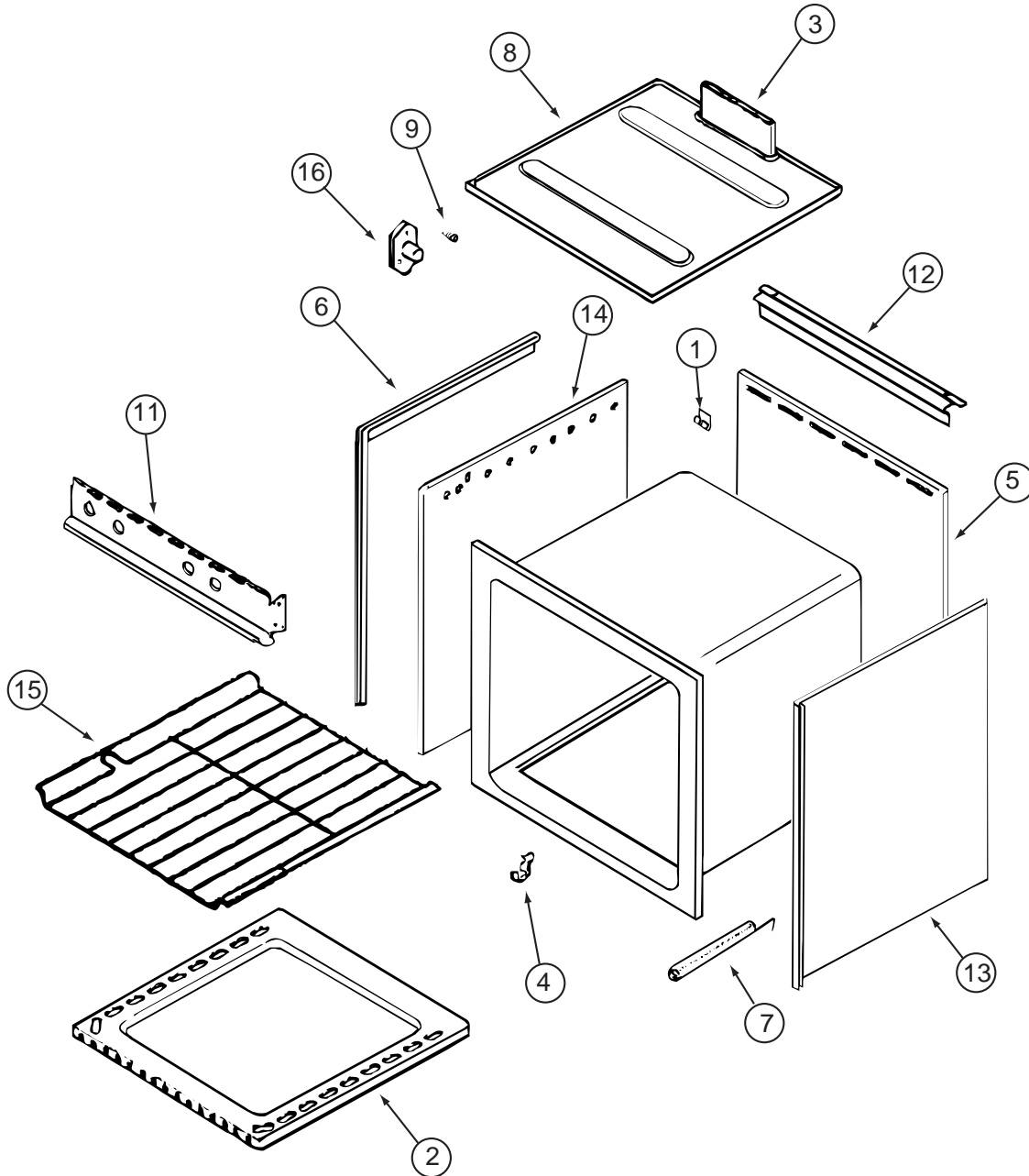
APPLIANCE GROUP (CONTINUED)
COMPONENT PARTS FOR APPLIANCE (CONTINUED)



135066-01-01A (CONTINUED)

KEY	PART NUMBER	U/M	DESCRIPTION	VENDOR NO.
	135066-01-01A	EA	RANGE - 22 ² / ₃ BURNER W/OVEN - SEALED BURNERS - BLACK	
1	126023-01-712	EA	PANEL - DOOR (BLACK)	74001190
2	102020-01-701	EA	HANDLE,DOOR	7701P092-60
3			CONTACT WINNEBAGO PART SALES FOR THIS COMPONENT	
4			CONTACT WINNEBAGO PART SALES FOR THIS COMPONENT	
5			CONTACT WINNEBAGO PART SALES FOR THIS COMPONENT	
6			CONTACT WINNEBAGO PART SALES FOR THIS COMPONENT	
7			CONTACT WINNEBAGO PART SALES FOR THIS COMPONENT	
8	126023-01-732	EA	SEAL/OVEN DR TOP	7212P014-60
9	126023-01-733	EA	SEAL/OVEN DR SIDES(2PCS)	7212P038-60
10			CONTACT WINNEBAGO PART SALES FOR THIS COMPONENT	
11			CONTACT WINNEBAGO PART SALES FOR THIS COMPONENT	
12			CONTACT WINNEBAGO PART SALES FOR THIS COMPONENT	
13	102020-01-725	EA	GLASS OUTER	7902P266-60
14			CONTACT WINNEBAGO PART SALES FOR THIS COMPONENT	

APPLIANCE GROUP (CONTINUED)
COMPONENT PARTS FOR APPLIANCE (CONTINUED)



135066-01-01A (CONTINUED)

KEY	PART NUMBER	U/M	DESCRIPTION	VENDOR NO.
	135066-01-01A	EA	RANGE - 22" ² / ₃ BURNER W/OVEN - SEALED BURNERS - BLACK	
1	112881-03-702	EA	CLIP - MAIN TOP	74003998
2	126023-01-731	EA	BOTTOM - OVEN	2205F016-19
3	126023-01-718	EA	FLUE BOX ASSEMBLY	4006W075-80
4 THRU 5			CONTACT WINNEBAGO PART SALES FOR THIS COMPONENT	
6	126023-01-713	EA	TRIM - SIDE (RIGHT)	74002827
6	126023-01-714	EA	TRIM - SIDE (LEFT)	74002828
7 THRU 9			CONTACT WINNEBAGO PART SALES FOR THIS COMPONENT	
11	126023-01-729	EA	PANEL - MANIFOLD	74003351
12 THRU 14			CONTACT WINNEBAGO PART SALES FOR THIS COMPONENT	
15	126023-01-716	EA	RACK - OVEN	74003106
16			CONTACT WINNEBAGO PART SALES FOR THIS COMPONENT	

AUDIO VIDEO GROUP

RADIO SYSTEM

KEY	PART NUMBER	U/M	DESCRIPTION
	123256-01-000	EA	ANTENNA - CB - W/O CABLE
	123256-02-000	EA	CABLE - CB - COAX
	077069-02-000	EA	CABLE - ANTENNA/EXTENSION - RADIO - 96"
	090944-01-000	EA	ANTENNA - RADIO - 16" RUBBER
	108847-01-000	EA	BRACKET - ANTENNA GROUND
	115916-01-01B	EA	BRACKET - ANTENNA MOUNT
	109889-04-000	EA	EXTENDER - ANTENNA SHAFT - 3.7"
	089340-02-000	EA	GRILLE - SPEAKER - 6.5" SQUARE
	094097-01-000	EA	SPEAKER - RADIO/TV - W/O GRILLE - 5.25" DIAMETER
	110469-01-000	EA	SPEAKER - 4" X 6" OVAL - COAXIAL
	110470-01-01A	EA	GRILLE - 4" X 6" OVAL SPEAKER - BLACK
	124883-02-000	EA	SPEAKER - CUBE - W/BRACKET
	124883-03-000	EA	SPEAKER - CUBE - W/O CASE - L34Y, L36W
	124883-04-000	EA	SPEAKER - GRILLE - F/CUBE - L34Y, L36W
	124884-01-000	EA	SPEAKER - 6" X 9" - SUB-WOOFER
	124885-01-000	EA	GRILLE - SPEAKER - 6" X 9" - SUB-WOOFER
	102080-11-000	EA	CHANGER - COMPACT DISC - 530RF
	102080-14-000	EA	CHANGER - COMPACT DISC - SONY CDX-540RF FROM: 00-00-00 THRU: 05-10-01
	102080-12-000	EA	CHANGER - REMOTE CONTROL/F/M MODULATOR - SONY CDX-530RF FROM: 05-11-01 THRU: 99-99-99
	102080-15-000	EA	CHANGER - CONTROL/FM MODULE & REMOTE - CDX-540RF KIT FROM: 00-00-00 THRU: 05-08-01
	128074-02-000	EA	FILTER - NOISE - 12 VOLT DC W/PLUGS
	127516-05-000	EA	RADIO - AM/FM STEREO/CD PLAYER - PANASONIC CQ-DP22 - EXT. ENTERTAINMENT FROM: 00-00-00 THRU: 04-02-00
	127516-06-000	EA	RADIO - AM/FM STEREO/CD PLAYER - PANASONIC CQ-DP202 - EXT. ENTERTAINMENT FROM: 04-03-00 THRU: 04-09-00
	127517-07-000	EA	RADIO - AM/FM STEREO/CD PLAYER - SONY CDX-1200 - EXT CMP - EXT. ENTERTAINMENT FROM: 04-10-00 THRU: 99-99-99
	125322-02-000	EA	RADIO-AM/FM STEREO/CASSETTE-AUDIOVOX-MS-306-EXT ENT W/CASS - EXT. ENTERTAINMENT
	127517-03-000	EA	RADIO - AM/FM STEREO - CD PLAYER - SONY CDX-2250 - DASH FROM: 00-00-00 THRU: 05-14-00
*	127517-05-000	EA	RADIO - AM/FM STEREO/CD PLAYER - SONY CDX-C4005X - DASH FROM: 05-15-00 THRU: 04-19-01
	127517-08-000	EA	RADIO - AM/FM STEREO - CD PLAYER - SONY CDX-L550X - DASH FROM: 04-20-01 THRU: 99-99-99
	097460-15-000	EA	RADIO - AM/FM CASSETTE/CD - SONY XR-C2200 - DASH
	133307-02-000	EA	RADIO - WALL MOUNT - CD W/ALARM - AUDIOVOX AWN-930 - REAR STEREO
	133307-01-000	EA	RADIO - WALL MOUNT - CASSETTE W/ALARM - AUDIOVOX AWM-820 - REAR STEREO
	124881-01-000	EA	AMPLIFIER - AUDIO FROM: 00-00-00 THRU: 10-08-00
	124881-02-000	EA	AMPLIFIER - AUDIO - MTS Q SURROUND FROM: 10-09-00 THRU: 99-99-99
	136053-01-000	EA	FILTER - NOISE - AUDIO FROM: 00-00-00 THRU: 06-29-00

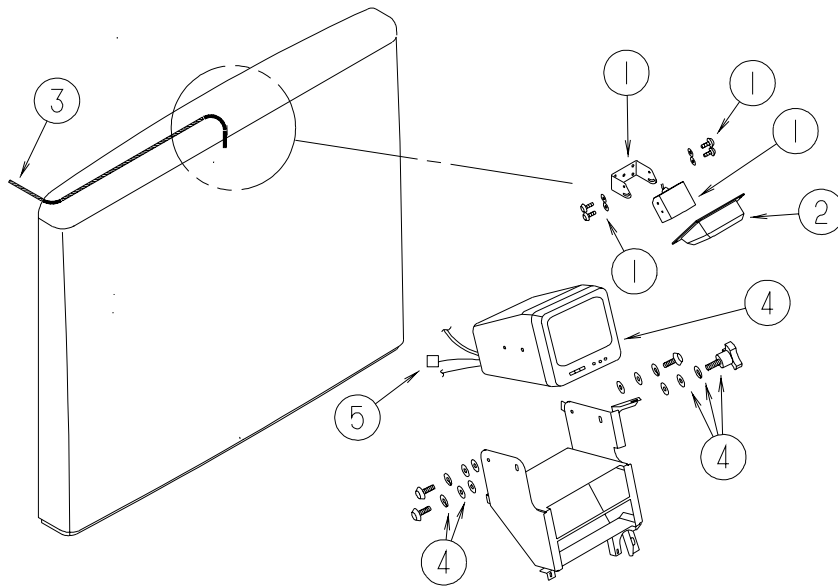
*COMPONENT PARTS LISTED LATER IN THIS GROUP

AUDIO VIDEO GROUP (CONTINUED)
COMPONENT PARTS FOR RADIO SYSTEM

127517-05-000

KEY	PART NUMBER	U/M	DESCRIPTION	VENDOR NO.
	127517-05-000	EA	RADIO - AM/FM STEREO/CD PLAYER - SONY CDX-C4005X	
	127517-05-700	EA	REMOTE-WIRED	RMX4S

AUDIO VIDEO GROUP (CONTINUED)
REAR VIEW MONITOR



KEY	PART NUMBER	U/M	DESCRIPTION
1	093040-09-000	EA	CAMERA - REAR VIEW - W/BRACKET - SONY
2	125258-01-01A	EA	SHROUD - CAMERA - OUTER
3	093041-01-000	EA	CABLE - MONITOR/CAMERA - INTERNAL USE - 65.6'
4*	093040-10-000	EA	MONITOR - 7" REAR VIEW - W/BRACKET - SONY
5	096717-04-000	EA	WIRE ASSEMBLY - REAR MONITOR - UPPER
	093214-01-02A	EA	GRILLE - SPEAKER - 4" BROWN - DRIVER OVERHEAD
	098819-01-000	EA	SPEAKER - 4" - 2 WATT - 8 OHM - DRIVER OVERHEAD

***COMPONENT PARTS LISTED LATER IN THIS GROUP**

AUDIO VIDEO GROUP (CONTINUED)
COMPONENT PARTS FOR REAR VIEW MONITOR

093040-10-000

KEY	PART NUMBER	U/M	DESCRIPTION	VENDOR NO.
	093040-10-000	EA	MONITOR - 7" REAR VIEW - W/BRACKET - SONY	
	093040-10-700	EA	LENS-MONITOR, REAR VIEW F/7"	3-708-537-01

AUDIO VIDEO GROUP (CONTINUED)

TELEPHONE

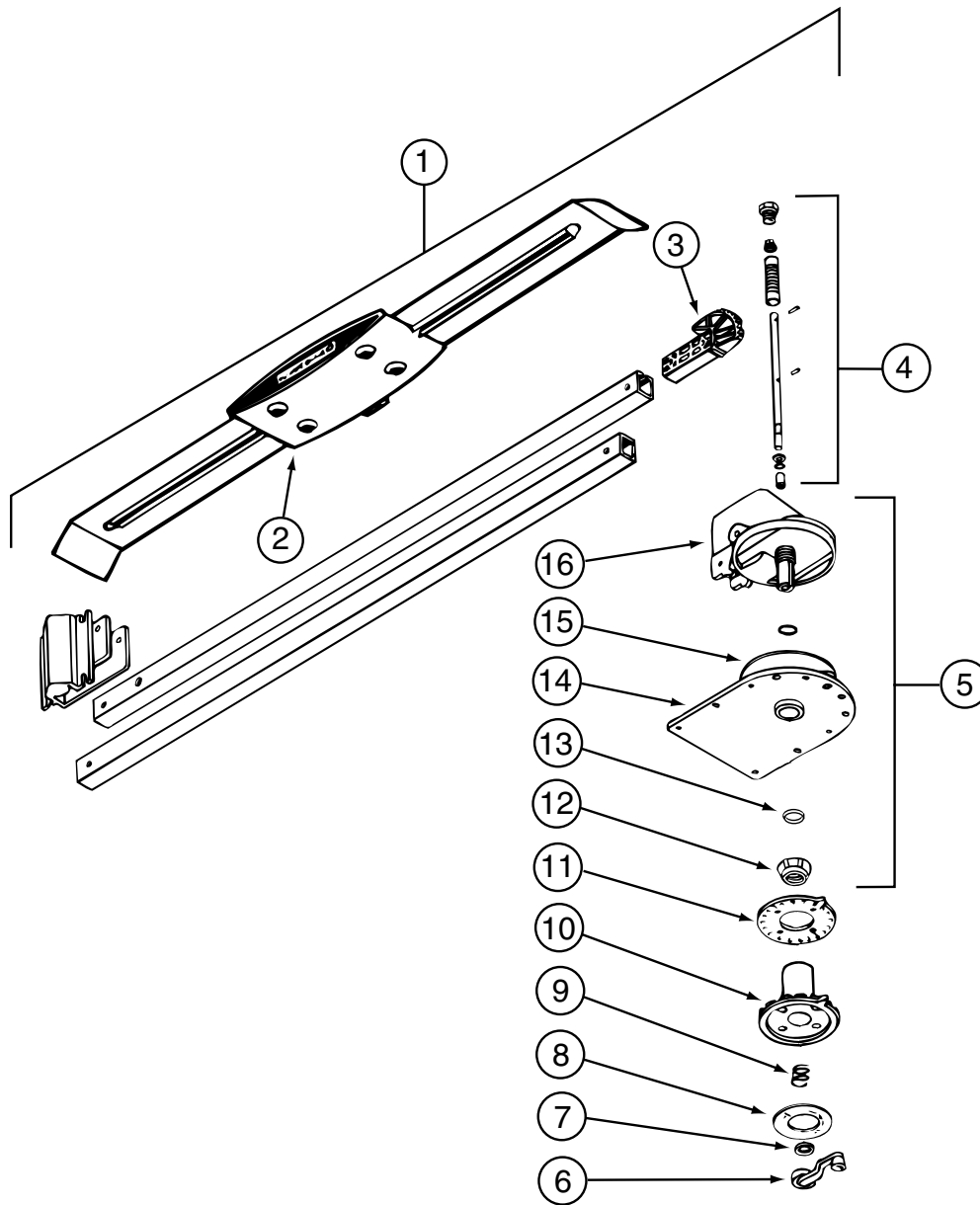
KEY	PART NUMBER	U/M	DESCRIPTION
	093253-01-01A	EA	PLATE - WALL - TELEPHONE - BEIGE
	130686-01-01A	EA	PLATE - WALL - TELEPHONE/COAX - WHITE
	133713-06-03A	EA	SPACER - RECEPTACLE - 110/12V - PHONE - SALEM CHERRY
	133713-06-08A	EA	SPACER - PHONE - VINYL - PORTSMOUTH OAK

TV & VCR

KEY	PART NUMBER	U/M	DESCRIPTION
	076319-09-000	EA	WALLPLATE - CABLE RECEPTACLE - TV - SINGLE - BROWN
	076319-03-000	FT	CABLE - COAXIAL - 75 OHM
	076319-12-000	EA	CONNECTOR - COAXIAL - ONE PIECE
*	076319-23-000	EA	ANTENNA - TV ROOF MOUNT - 44.5" MAST
*	076319-25-000	EA	KIT - HARDWARE INTERIOR
	117420-02-000	EA	CABLE - RCA - MALE - MALE - 4 FOOT
			FROM: 00-00-00 THRU: 07-31-00
	136860-01-000	EA	CABLE - RCA - #3 MALE TO #12F MALE CONNECTOR
			FROM: 08-01-00 THRU: 99-99-99
*	120233-04-000	EA	ANTENNA - SATELLITE - W/DIGITAL SENSOR/READ OUT DISPLAY
			FROM: 00-00-00 THRU: 09-17-00
	137135-01-000	EA	ANTENNA - SATELLITE DSS - W/SENSOR
			FROM: 09-18-00 THRU: 99-99-99
	086777-06-000	EA	WALLPLATE - TV CABLE - ANTENNA BOOSTER/1 OUTPUT - BLACK
	123324-01-000	EA	FILTER - GROUND LOOP
	114870-02-000	EA	PLUG - AUDIO W/LEADS - 10"
	115540-01-000	EA	AMPLIFIER - TV SPEAKERS - W/O DELUXE SOUND
	086757-04-000	EA	CONTROL CENTER - SWITCH - VCR/TV - 5 INPUTS
	082134-01-000	EA	ADAPTER - TV - CABLE TO CABLE
*	126696-03-000	EA	TV - 19" COLOR W/1/8" JACK - UL/CSA - W/O DELUXE SOUND, SIDE TV
			FROM: 00-00-00 THRU: 10-29-00
	126696-06-000	EA	TV - 19" COLOR W/1/8" JACK - UL/CSA - GE 19GT243M - W/O DELUXE SOUND, SIDE TV
			FROM: 10-30-00 THRU: 99-99-99
*	126696-04-000	EA	TV - 19" STEREO W/2-1/8" MINI JACK F/SPEAKER LEVEL OUTPUT - W/DELUXE SOUND, SIDE TV
*	126696-05-000	EA	TV-19" - W/O 1/8" JACK - UL/CSA - GE 19GT240 - REAR TV
			FROM: 00-00-00 THRU: 10-22-00
	126696-07-000	EA	TV - 19" COLOR W/O 1/8" JACK - UL/CSA - GE 19GT243 - REAR TV
			FROM: 10-23-00 THRU: 99-99-99
*	133377-01-000	EA	TV - 25" - 1/8" JACK - UL/CSA - GE 25GT240 - W/O DELUXE SOUND - FRONT TV
	130121-03-000	EA	TV - 25" - COLOR/STEREO W/5 JACKS - RCA F25645 - W/DELUXE SOUND - FRONT TV
			FROM: 00-00-00 THRU: 04-23-00
*	130121-05-000	EA	TV - 25" STEREO W/5 JACKS - RCA F25648 - W/DELUXE SOUND - FRONT TV
			FROM: 04-24-00 THRU: 99-99-99
*	126697-05-000	EA	VCR/VHS - CABLE READY - W/REMOTE - GE VG4052 - W/O DELUXE SOUND
			FROM: 00-00-00 THRU: 05-28-00
*	126697-06-000	EA	VCR/VHS - CABLE READY - W/REMOTE - GE VG4060 - W/O DELUXE SOUND
			FROM: 05-29-00 THRU: 05-06-01
*	126697-07-000	EA	VCR - VHS/CABLE READY - W/REMOTE - GE VG4045 - W/O DELUXE SOUND
			FROM: 05-07-01 THRU: 99-99-99
*	124073-08-000	EA	VCR - VHS - HI-FI STEREO - W/DELUXE SOUND
			FROM: 00-00-00 THRU: 04-23-00
	124073-09-000	EA	VCR-VHS - HI-FI STEREO - RCA VR634HF - W/DELUXE SOUND
			FROM: 04-24-00 THRU: 02-06-01
	124073-10-000	EA	VCR-VHS - HI-FI STEREO - RCA VR623HF - W/DELUXE SOUND
			FROM: 02-07-01 THRU: 04-08-01
	124073-11-000	EA	VCR - VHS/HI-FI STEREO - SILVER CASE - RCA VR651HF - W/DELUXE SOUND
			FROM: 04-09-01 THRU: 99-99-99
	086756-01-000	EA	SPLITTER - TV/2 WAY
	082136-01-000	EA	NUT - HEX JAM - 3/8-32
	134006-01-03B	EA	PLATE - COAXIAL CABLE/OFF WHITE

*COMPONENT PARTS LISTED LATER IN THIS GROUP

AUDIO VIDEO GROUP (CONTINUED)
COMPONENT PARTS FOR TV & VCR



076319-23-000

KEY	PART NUMBER	U/M	DESCRIPTION	VENDOR NO.
2	076319-01-700	EA	HEAD - ANTENNA - AMPLIFIED	RVSA U/V
3	076319-01-701	EA	GEAR - ELEVATING - PLASTIC	2200046
4	076319-01-702	EA	SHAFT ASM - ELEVATING	RVP-400A
5	076319-01-711	EA	BASE & LIFT ASM	2762802
7	076319-01-705	EA	BEARING - NYLON - 7/8"ID	3200658
8	076319-01-708	EA	DECAL-CRANK	5413002
9	076319-01-707	EA	SPRING - HANDLE	5160822
11	076319-01-709	EA	PLATE-CEILING (IVORY)	3200621
11	076319-01-712	EA	PLATE - CEILING	3200608
12	076319-01-715	EA	NUT (GEAR HOUSING)	2200047
14	076319-01-713	EA	BASE PLATE	3100523
15	076319-01-703	EA	BEARING - NYLON - 5"OD	3200656
16	076319-01-714	EA	HOUSING - ROTATING GEAR	2200049
	076319-01-716	EA	TUBING, ELEVATING	RP-2900
17	076319-01-704	EA	BEARING-NYLON, 1.25"OD	3200657

CONTACT WINNEBAGO PART SALES FOR UNLISTED COMPONENT

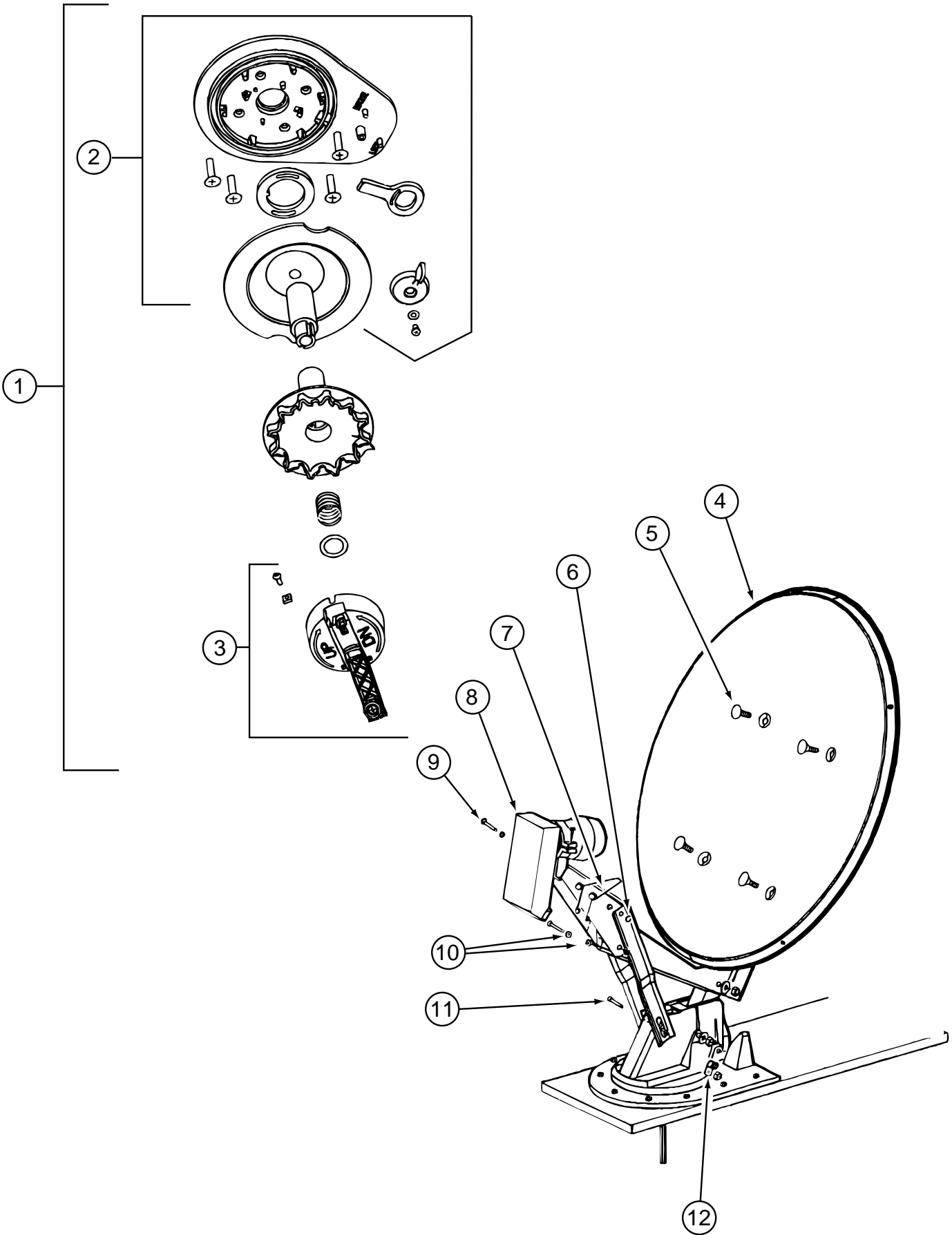
AUDIO VIDEO GROUP (CONTINUED)
COMPONENT PARTS FOR TV & VCR (CONTINUED)

076319-25-000

KEY	PART NUMBER	U/M	DESCRIPTION	VENDOR NO.
	076319-25-000	EA	KIT - HARDWARE INTERIOR	
6	076319-01-706	EA	CRANK-ELEVATING W/SET SCREW	2750897
6	120233-01-710	EA	HANDLE-CRANK	RP-6795
8	076319-01-708	EA	DECAL-CRANK	5413002
9	076319-01-707	EA	SPRING-HANDLE	2160822
10	076319-25-700	EA	DIRECTIONAL HANDLE(WHITE)	3200612
11	076319-25-701	EA	PLATE - CEILING(WHITE)	3200609
13	120233-01-709	EA	WASHER-NYLON	RP-2658

UNLISTED COMPONENTS ARE SHOWN UNDER TV ANTENNA PARTS LIST

AUDIO VIDEO GROUP (CONTINUED)
COMPONENT PARTS FOR TV & VCR (CONTINUED)



AUDIO VIDEO GROUP (CONTINUED)
COMPONENT PARTS FOR TV & VCR (CONTINUED)

120233-04-000 (CONTINUED)

KEY	PART NUMBER	U/M	DESCRIPTION	VENDOR NO.
	120233-04-000	EA	ANTENNA - SATELLITE - W/DIGITAL SENSOR/READ OUT DISPLAY	WINEGARD RD-04DE
1	120233-01-720	EA	CEILING PLATE ASM(RETRO FIT)	RP-4100
1	120233-01-737	EA	PLATE CEILING/DIR PACKAGE	RK-CEIL
1	120233-01-738	EA	CRANK HANDLE & HARDWARE PKG	RK-HAND
2	120233-01-722	EA	PLATE ASSEMBLY (CEILING)	2762826
3	120233-01-721	EA	CRANK HANDLE ASSEMBLY	2762825
4	120233-01-711	EA	REFLECTOR-46CM	2745304
5	120233-01-712	EA	BOLT-FLAT HEAD	2160323
6	120233-01-714	EA	CLIP-E	5160818
7	120233-01-713	EA	SPRING	2160820
8	120233-01-715	EA	LOW NOISE BLOCK FILTER (DBL)	2780177
9	120233-01-716	EA	PIN	2160814
10	120233-01-717	EA	BEARING-NYLON	2200726
11	120233-01-718	EA	PIN	5160817
12	120233-01-719	EA	CLAMP-CABLE	2200060
	076319-01-702	EA	SHAFT ASM-ELEVATING	RP-4000
	120233-04-700	EA	CABLE/WALL PLATE KIT - WALL PLATE W/GRAY BUTTON	
	120233-04-701	EA	DIGITAL READOUT WALL PLATE/DISPLAY PANEL ONLY	

124073-08-000

KEY	PART NUMBER	U/M	DESCRIPTION	VENDOR NO.
	124073-08-000	EA	VCR - VHS - HI-FI STEREO	
	126697-04-700	EA	REMOTE	239040

126696-03-000

KEY	PART NUMBER	U/M	DESCRIPTION	VENDOR NO.
	126696-03-000	EA	TV - 19" COLOR W/1/8" JACK - UL/CSA	GE 19GT240
	126696-01-700	EA	REMOTE	226725/228006

126696-04-000

KEY	PART NUMBER	U/M	DESCRIPTION	VENDOR NO.
	126696-04-000	EA	TV - 19" STEREO W/2-1/8" MINI JACK F/SPEAKER LEVEL OUTPUT	
	126696-01-700	EA	REMOTE	226725/228006

126696-05-000

KEY	PART NUMBER	U/M	DESCRIPTION	VENDOR NO.
	126696-05-000	EA	TV-19" - W/O 1/8" JACK - UL/CSA - GE 19GT240	
	126696-01-700	EA	REMOTE	226725/228006

126697-05-000

KEY	PART NUMBER	U/M	DESCRIPTION	VENDOR NO.
	126697-05-000	EA	VCR/VHS - CABLE READY - REMOTE	GE VG4052
	126697-05-700	EA	REMOTE	238861

126697-06-000

KEY	PART NUMBER	U/M	DESCRIPTION	VENDOR NO.
	126697-06-000	EA	VCR/VHS - CABLE READY - REMOTE	GE VG4052
	126697-06-700	EA	REMOTE	248791

126697-07-000

KEY	PART NUMBER	U/M	DESCRIPTION	VENDOR NO.
	126697-07-700	EA	REMOTE	248687

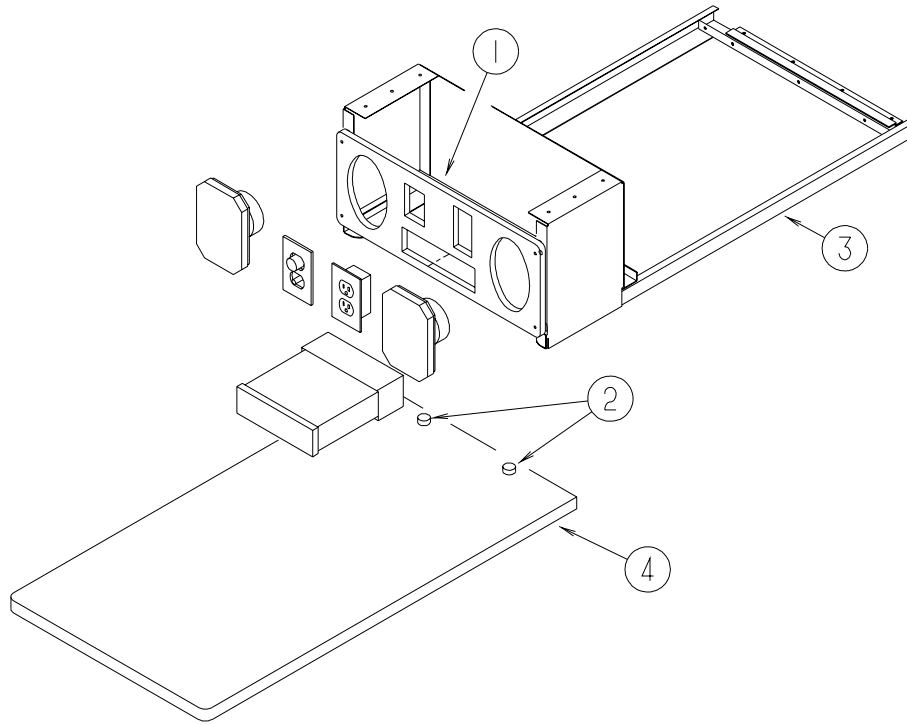
130121-05-000

KEY	PART NUMBER	U/M	DESCRIPTION	VENDOR NO.
	130121-05-000	EA	TV - 25" - STEREO W/5 JACKS - RCA F25648	
	130121-05-700	EA	REMOTE	242524

133377-01-000

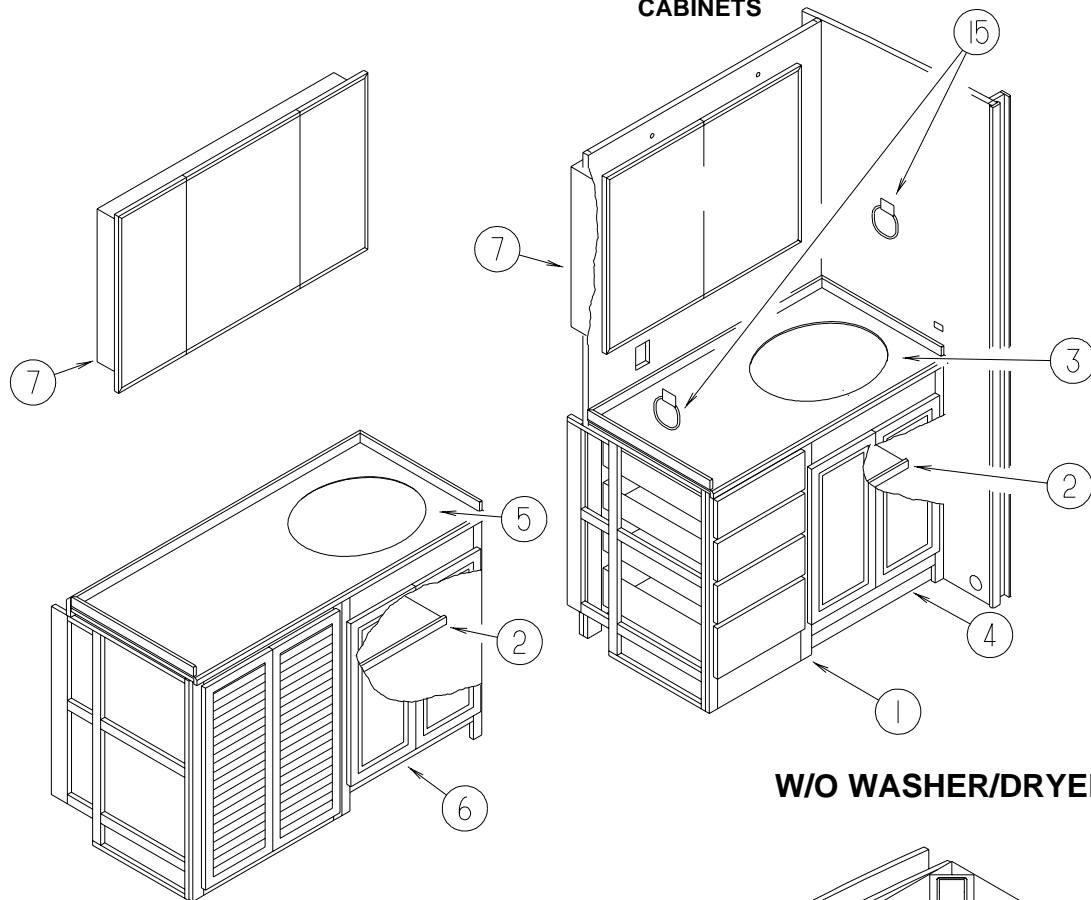
KEY	PART NUMBER	U/M	DESCRIPTION	VENDOR NO.
	133377-01-000	EA	TV - 25" - STEREO W/5 JACKS - RCA F25648	
	133377-01-700	EA	REMOTE	240961

AUDIO VIDEO GROUP (CONTINUED)
EXTERIOR ENTERTAINMENT



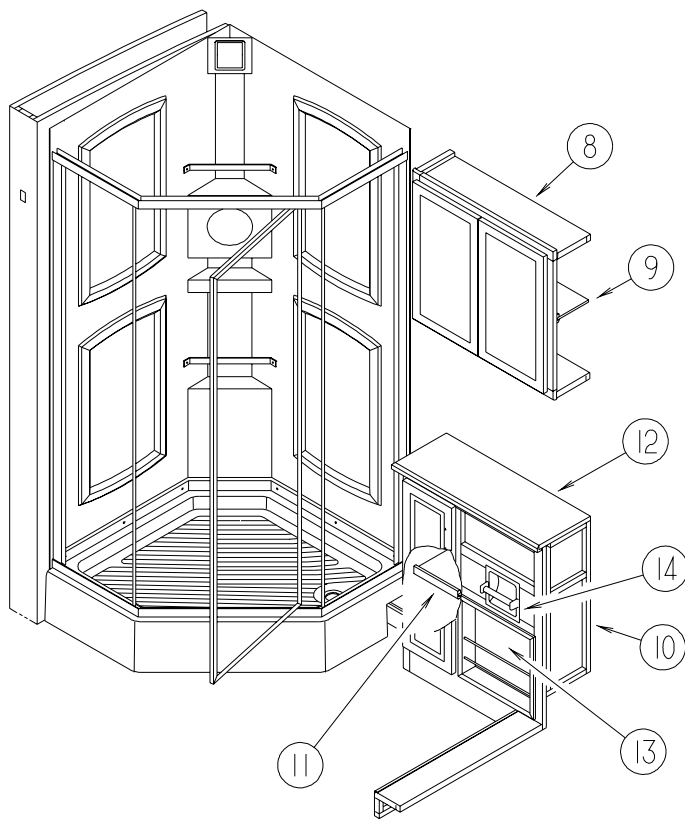
KEY	PART NUMBER	U/M	DESCRIPTION
1	126123-01-K30	EA	PLATE - RADIO MOUNTING - WHITE LAMINATE - L34Y, L35U
1	126123-04-L52	EA	PLATE - RADIO MOUNTING - L36W
2	069726-02-000	EA	BUMPER - .88" OD X .40" THICK - BLACK
3	126119-02-02B	EA	FRAME - ENTERTAINMENT CENTER - EXTERIOR - 19.7" X 10.3" - L34Y
3	126119-06-02B	EA	FRAME - ENTERTAINMENT CENTER - E-COATED - L35U
3	126119-07-02B	EA	FRAME - ENTERTAINMENT CENTER - E-COATED - L36W
4	126125-01-K30	EA	TABLE - ENTERTAINMENT CENTER - L34Y, L35U
4	134985-01-01A	EA	TABLE - FOLDING - 16"W X 32"L X 26 1/2"H - CHROME LEGS - L36W

**BATH GROUP
CABINETS**



W/O WASHER/DRYER

W/WASHER/DRYER

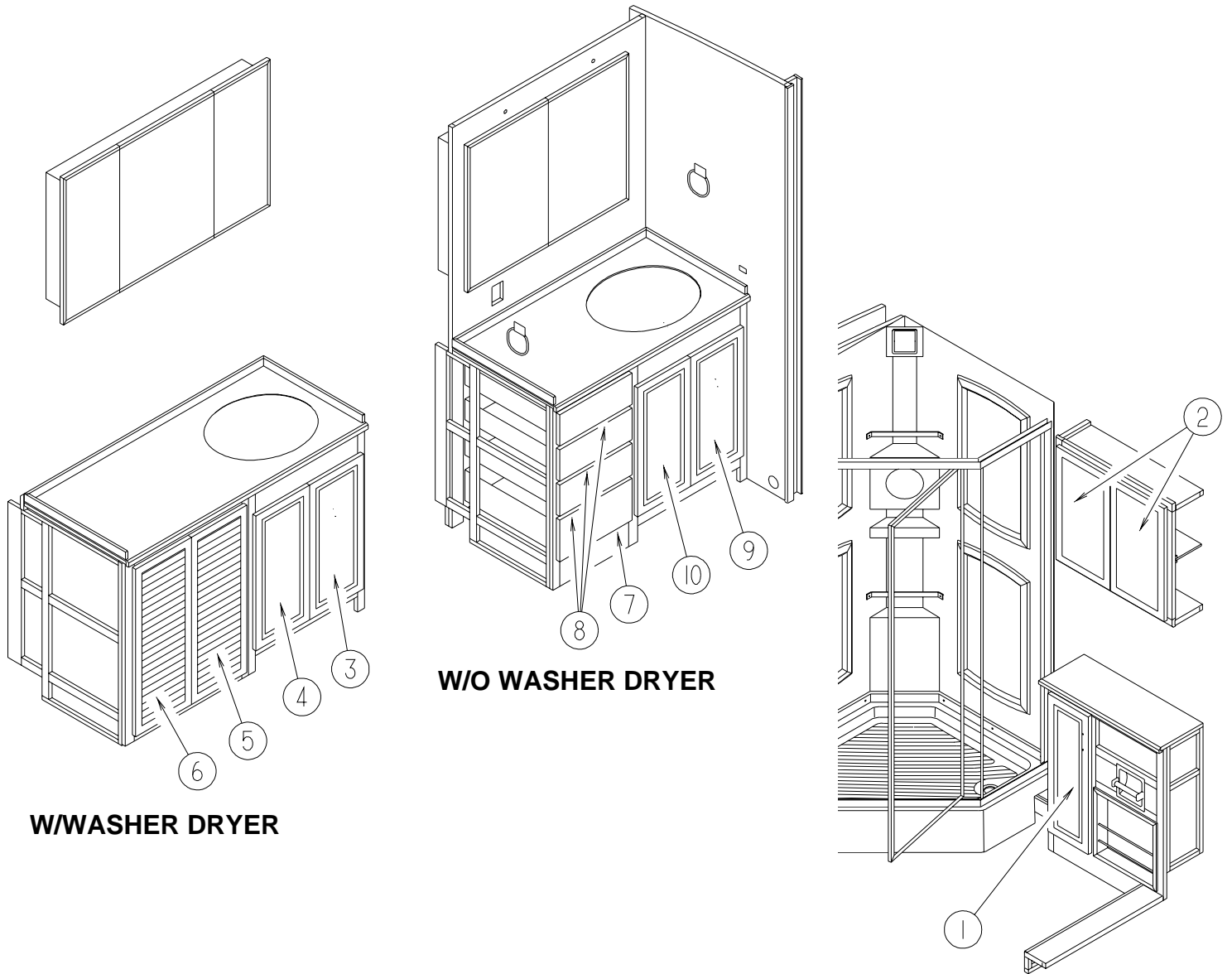


KEY	PART NUMBER	U/M	DESCRIPTION
1	135946-01-M52	EA	CABINET - LAVATORY - W/O COUNTERTOP/DOORS/DRAWERS/HARDWARE
1	135946-01-M53	EA	CABINET - LAVATORY - W/O COUNTERTOP/DOORS/DRAWERS/HARDWARE
1	135946-01-M54	EA	CABINET - LAVATORY - W/O COUNTERTOP/DOORS/DRAWERS/HARDWARE
1	135946-01-M55	EA	CABINET - LAVATORY - W/O COUNTERTOP/DOORS/DRAWERS/HARDWARE
1	135946-01-M56	EA	CABINET - LAVATORY - W/O COUNTERTOP/DOORS/DRAWERS/HARDWARE
1	135946-01-M57	EA	CABINET - LAVATORY - W/O COUNTERTOP/DOORS/DRAWERS/HARDWARE

BATH GROUP (CONTINUED)**CABINETS (CONTINUED)**

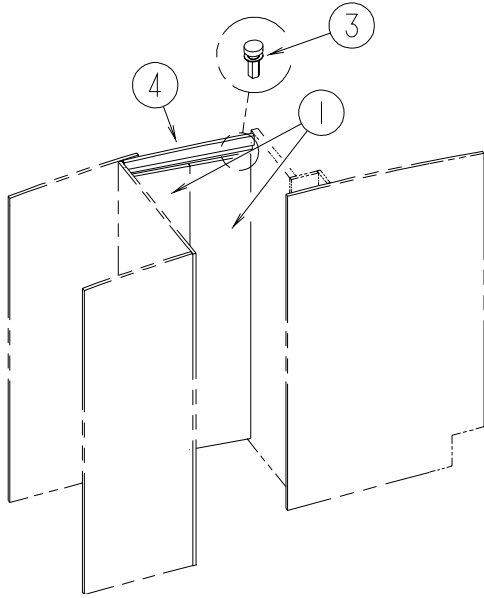
KEY	PART NUMBER	U/M	DESCRIPTION
2	135946-12-M52	EA	SHELF - W/EDGE MOLDING - SALEM CHERRY
2	135946-12-M53	EA	SHELF - W/EDGE MOLDING - PORTSMOUTH OAK
3	130812-06-01A	EA	COUNTERTOP - LAVATORY - 1/4" VENDURA - JAMAICAN SAND
4	135946-11-M52	EA	TOE KICK - VANITY CABINET - SALEM CHERRY
4	135946-11-M53	EA	TOE KICK - VANITY CABINET - PORTSMOUTH OAK
5	130812-07-01A	EA	COUNTERTOP - LAVATORY - 1/4" VENDURA - JAMAICAN SAND
6	135946-02-M52	EA	CABINET - LAVATORY - W/O COUNTERTOP/DOORS/DRAWERS/HARDWARE
6	135946-02-M53	EA	CABINET - LAVATORY - W/O COUNTERTOP/DOORS/DRAWERS/HARDWARE
6	135946-02-M54	EA	CABINET - LAVATORY - W/O COUNTERTOP/DOORS/DRAWERS/HARDWARE
6	135946-02-M55	EA	CABINET - LAVATORY - W/O COUNTERTOP/DOORS/DRAWERS/HARDWARE
6	135946-02-M56	EA	CABINET - LAVATORY - W/O COUNTERTOP/DOORS/DRAWERS/HARDWARE
6	135946-02-M57	EA	CABINET - LAVATORY - W/O COUNTERTOP/DOORS/DRAWERS/HARDWARE
7	134528-01-01A	EA	CABINET - MEDICINE - W/O DOORS/HARDWARE
8	133359-11-M52	EA	CABINET - LINEN - W/O DOORS/DRAWERS/HARDWARE - SALEM CHERRY
8	133359-01-M53	EA	CABINET - LINEN - W/O DOORS/DRAWERS/HARDWARE - PORTSMOUTH OAK
9	133359-12-M52	EA	SHELF - W/EDGE MOLDING - SALEM CHERRY
9	133359-12-M53	EA	SHELF - W/EDGE MOLDING - PORTSMOUTH OAK
10	133358-01-M52	EA	CABINET - VANITY - W/O COUNTERTOP/DOORS/DRAWERS/HARDWARE
10	133358-01-M53	EA	CABINET - VANITY - W/O COUNTERTOP/DOORS/DRAWERS/HARDWARE
10	133358-01-M54	EA	CABINET - VANITY - W/O COUNTERTOP/DOORS/DRAWERS/HARDWARE
10	133358-01-M55	EA	CABINET - VANITY - W/O COUNTERTOP/DOORS/DRAWERS/HARDWARE
10	133358-01-M56	EA	CABINET - VANITY - W/O COUNTERTOP/DOORS/DRAWERS/HARDWARE
10	133358-01-M57	EA	CABINET - VANITY - W/O COUNTERTOP/DOORS/DRAWERS/HARDWARE
11	133358-11-M52	EA	SHELF - W/EDGE MOLDING - SALEM CHERRY
11	133358-11-M53	EA	SHELF - W/EDGE MOLDING - PORTSMOUTH OAK
12	133131-03-M52	EA	COUNTERTOP - LAMINATED (M52, M56)
12	133131-03-M53	EA	COUNTERTOP - LAMINATED (M53, M57)
12	133131-03-L59	EA	COUNTERTOP - LAMINATED (M54)
12	133131-03-M55	EA	COUNTERTOP - LAMINATED (M55)
13	131096-02-M85	EA	WALL POCKET - MAGAZINE RACK - SALEM CHERRY
13	131096-02-L81	EA	WALL POCKET - MAGAZINE RACK - PORTSMOUTH OAK
14	085278-01-000	EA	HOLDER - TOILET PAPER - RECESSED - BRASS
15	132046-01-01A	EA	RING - TOWEL - BRASS/METAL
			FROM: 00-00-00 THRU: 04-15-01
15	132046-02-01A	EA	RING - TOWEL - BRASS
			FROM: 04-16-01 THRU: 99-99-99

BATH GROUP (CONTINUED) DOORS & DRAWERS

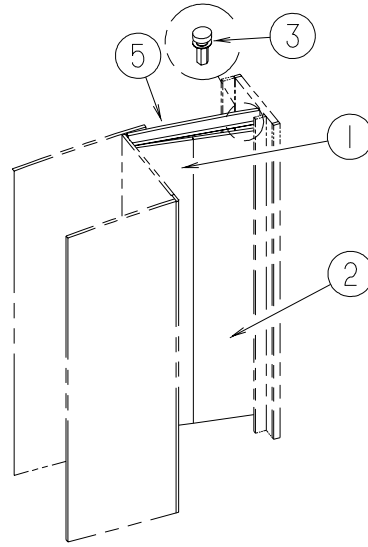


KEY	PART NUMBER	U/M	DESCRIPTION
1	131995-06-M52	EA	DOOR - RAIL/SOLID PANEL - 9" X 26.5" - W/O HARDWARE - SALEM CHERRY
1	131995-06-M53	EA	DOOR - RAIL/SOLID PANEL - 9" X 26.5" - W/O HARDWARE - PORTSMOUTH OAK
2	131995-68-L52	EA	DOOR - RAIL/SOLID PANEL - 12" X 21.8" - W/O HARDWARE - SALEM CHERRY
2	131995-68-M53	EA	DOOR - RAIL/SOLID PANEL - 12" X 21.8" - W/O HARDWARE - PORTSMOUTH OAK
	076767-04-000	EA	CABLE - STAINLESS STEEL - 5.9"
3	131995-70-L52	EA	DOOR - RAIL/SOLID PANEL - 12" X 25.9" - W/O HARDWARE - SALEM CHERRY
3	131995-70-M53	EA	DOOR - RAIL/SOLID PANEL - 12" X 25.9" - W/O HARDWARE - PORTSMOUTH OAK
4	131995-72-L52	EA	DOOR - RAIL/SOLID PANEL - 12" X 25.9" - W/O HARDWARE - SALEM CHERRY
4	131995-72-M53	EA	DOOR - RAIL/SOLID PANEL - 12" X 25.9" - W/O HARDWARE - PORTSMOUTH OAK
5	132850-04-L52	EA	DOOR - LOUVERED ACCESS - 12.4" X 32.3" - W/O HARDWARE - SALEM CHERRY
5	132850-04-M53	EA	DOOR - LOUVERED ACCESS - 12.4" X 32.3" - W/O HARDWARE - PORTSMOUTH OAK
6	132850-06-L52	EA	DOOR - LOUVERED ACCESS - 12.4" X 32.3" - W/O HARDWARE - SALEM CHERRY
6	132850-06-M53	EA	DOOR - LOUVERED ACCESS - 12.4" X 32.3" - W/O HARDWARE - PORTSMOUTH OAK
7	M09316-C2-L52	EA	DRAWER - OGEE EDGE - 14.2"W X 21.6"D - W/O SLIDES/HARDWARE - SALEM CHERRY
7	M09316-C2-M53	EA	DRAWER - OGEE EDGE - 14.2"W X 21.6"D - W/O SLIDES/HARDWARE - PORTSMOUTH OAK
8	M09316-C3-L52	EA	DRAWER - OGEE EDGE - 14.2"W X 21.6"D - W/O SLIDES/HARDWARE - SALEM CHERRY
8	M09316-C3-M53	EA	DRAWER - OGEE EDGE - 14.2"W X 21.6"D - W/O SLIDES/HARDWARE - PORTSMOUTH OAK
9	131995-43-M52	EA	DOOR - RAIL/SOLID PANEL - 10.8" X 23.8" - W/O HARDWARE - SALEM CHERRY
9	131995-43-M53	EA	DOOR - RAIL/SOLID PANEL - 10.8" X 23.8" - W/O HARDWARE - PORTSMOUTH OAK
10	131995-45-M52	EA	DOOR - RAIL/SOLID PANEL - 10.8" X 23.8" - W/O HARDWARE - SALEM CHERRY
10	131995-45-M53	EA	DOOR - RAIL/SOLID PANEL - 10.8" X 23.8" - W/O HARDWARE - PORTSMOUTH OAK

BATH GROUP (CONTINUED)
DOORS & DRAWERS (CONTINUED)



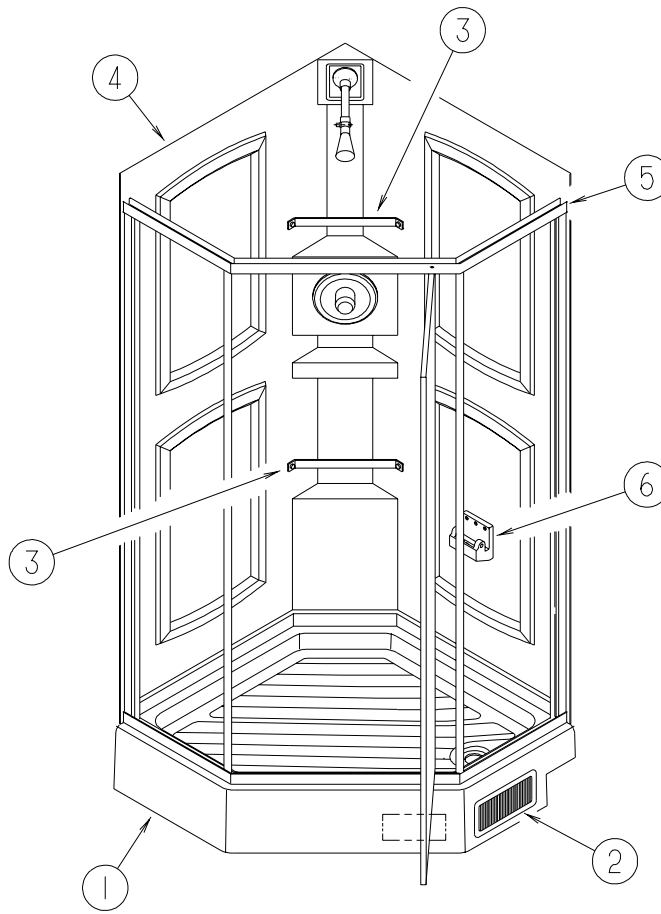
W/WASHER DRYER



W/O WASHER/DRYER

KEY	PART NUMBER	U/M	DESCRIPTION
1	M03866-04-M52	EA	DOOR/PANEL - BI-FOLD - 13.2" X 72.7" - W/O HARDWARE - SALEM CHERRY
1	M03866-04-M53	EA	DOOR/PANEL - BI-FOLD - 13.2" X 72.7" - W/O HARDWARE - PORTSMOUTH OAK
2	M03866-08-M52	EA	DOOR/PANEL - BI-FOLD - 14.3" X 72.7" - W/O HARDWARE - SALEM CHERRY
2	M03866-08-M53	EA	DOOR/PANEL - BI-FOLD - 14.3" X 72.7" - W/O HARDWARE - PORTSMOUTH OAK
3	092652-01-000	EA	GUIDE/WHEEL-DOOR - TOP MOUNT
4	093170-13-01A	EA	HEADER-DOOR,BATH 726 O/W
5	093170-01-02A	EA	HEADER-DOOR,BATH,730,O/WHT
			FROM: 00-00-00 THRU: 05-14-00
5	093170-13-01A	EA	HEADER-DOOR,BATH 726 O/W
			FROM: 05-15-00 THRU: 99-99-99

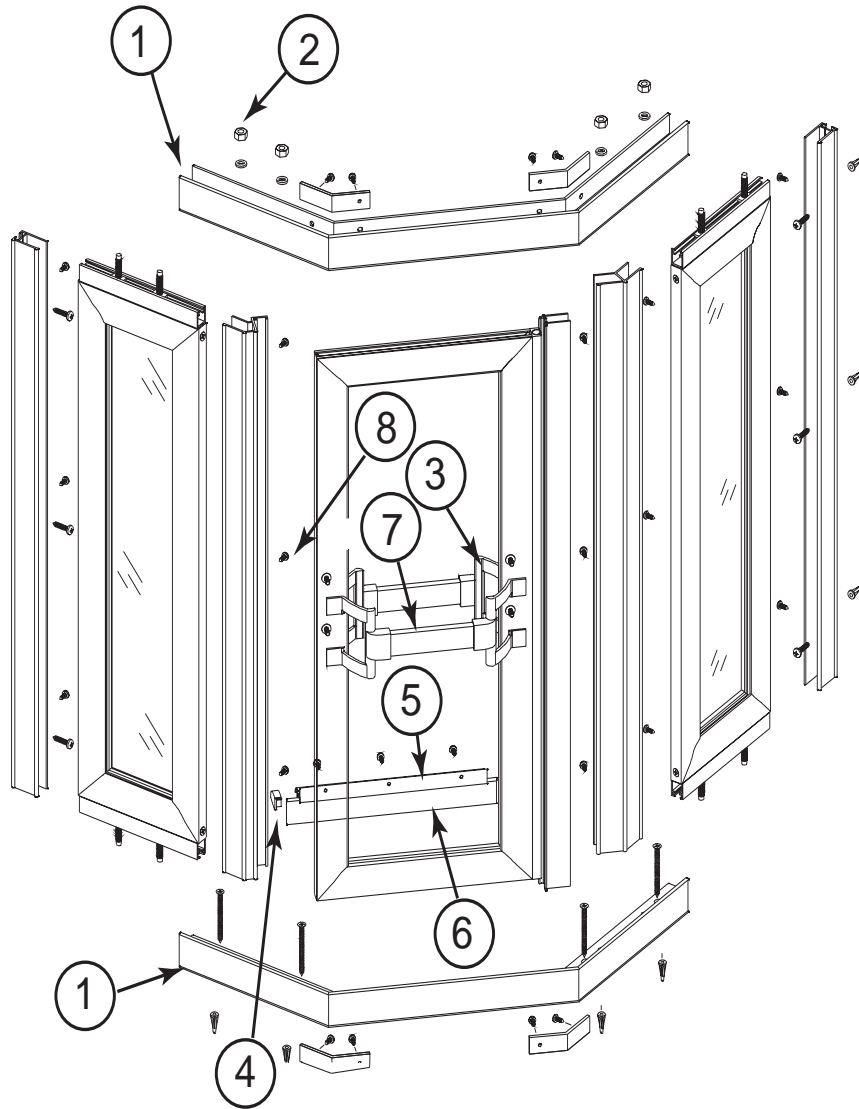
BATH GROUP (CONTINUED)
SHOWER



KEY	PART NUMBER	U/M	DESCRIPTION
1	M02630-51-L52	EA	SHOWER PAN - W/STRAINER
2	089326-02-000	EA	GRILLE - FLOOR - HEATING - 9.3" X 5.3" - SOFT WHITE
3	113714-02-02A	EA	RETAINER - SHELF/SHOWER - SOFT WHITE
4	131311-01-01A	EA	ENCLOSURE - SHOWER - SIDES/BACK - 1 PIECE
5*	131618-01-01A	EA	DOOR - SHOWER - SOLID W/PANEL
			FROM: 00-00-00 THRU: 04-29-01
5*	139047-03-01A	EA	DOOR - SHOWER - NEO ANGLE - GOLD/AQUA - 66.4" TALL
			FROM: 04-30-01 THRU: 99-99-99
6	135607-01-01A	EA	SEAT - SHOWER - FOLDING
			FROM: 00-00-00 THRU: 06-03-01
6	135607-03-01A	EA	SEAT - SHOWER/FOLDING
			FROM: 06-04-01 THRU: 99-99-99

***COMPONENT PARTS LISTED LATER IN THIS GROUP**

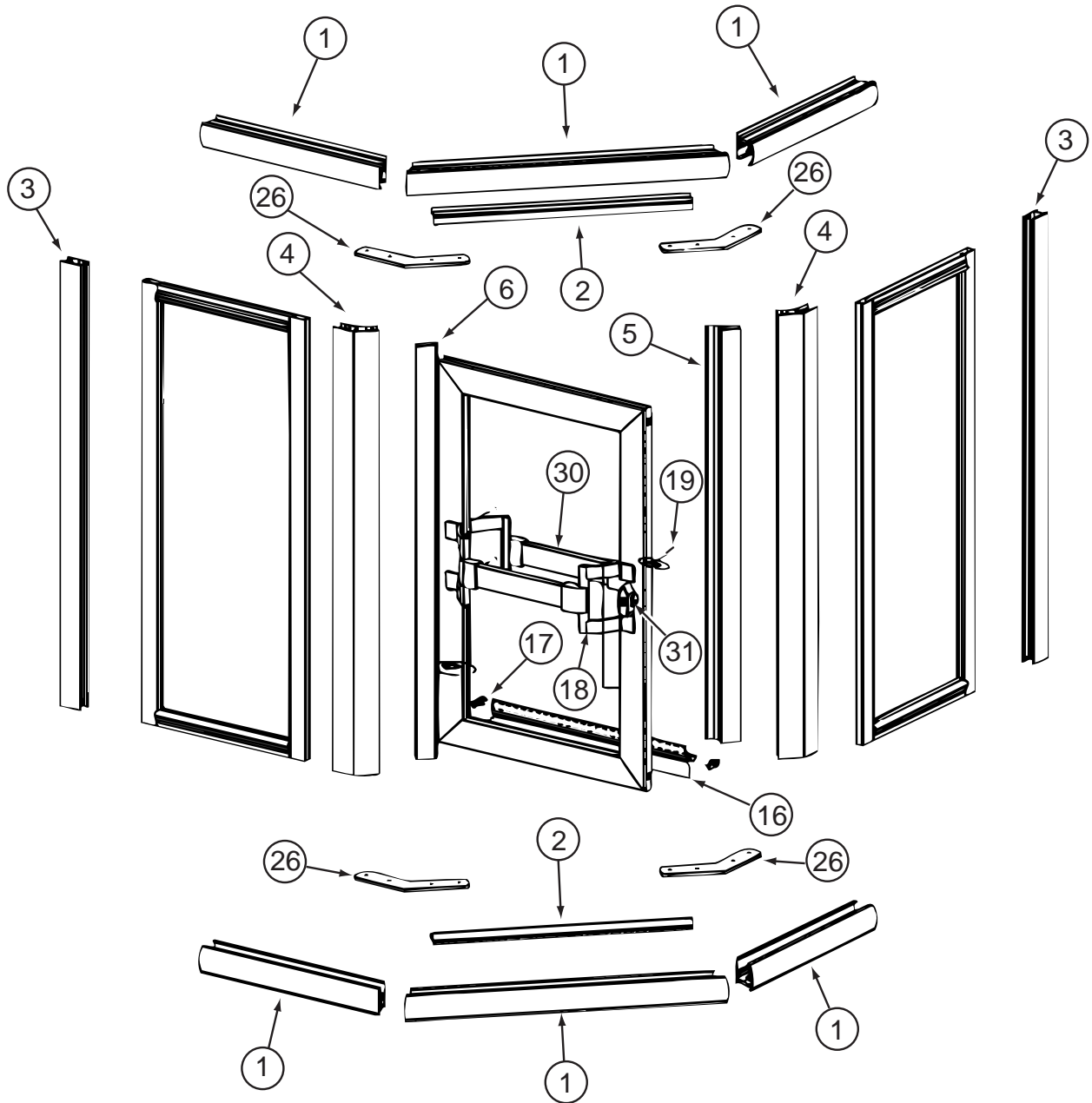
**BATH GROUP (CONTINUED)
COMPONENT PARTS FOR SHOWER**



131618-01-01A

KEY	PART NUMBER	U/M	DESCRIPTION	VENDOR NO.
1	131618-01-702	EA	HEADER/SILL - (WINNEBAGO 35)	CST 70
2	131618-01-703	EA	PIVOT NUT	1428N
3	092574-01-701	EA	BRACKET-STUD, TOWEL BAR, GOLD	8141G
4	107878-01-703	EA	CAP-DRIP, PLUG SET	DCP2
5	092574-01-708	EA	CAP-DRIP, W/VINYL SWEEP	34G
6	089318-01-701	FT	SWEEP-VINYL	C171G 500FT RL
7	116814-01-700	EA	BAR-TOWEL 17 5/16"	68G
8	092574-01-704	EA	SCREW-GOLD #6 3/8	638G
	089318-01-707	EA	LATCH/CATCH - SAFETY - GOLD	9730G

BATH GROUP (CONTINUED)
COMPONENT PARTS FOR SHOWER (CONTINUED)

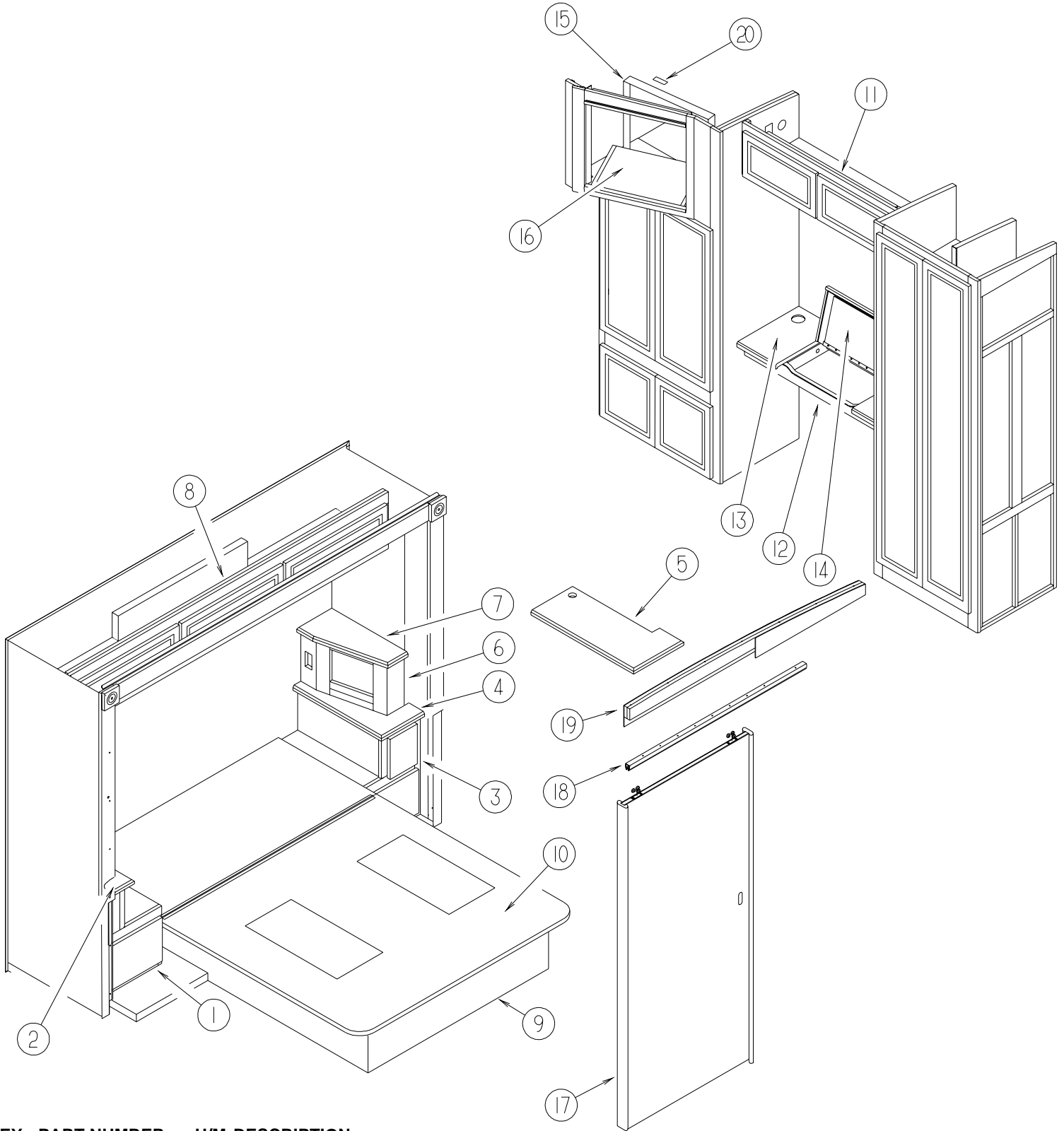


139047-01-01A, 139047-01-02A, 139047-02-01A, 139047-02-02A, 139047-03-01A, 139047-03-02A, 139047-04-02A

KEY	PART NUMBER	U/M	DESCRIPTION	VENDOR NO.
1	139047-01-700	EA	HEADER/SILL - 26.5"	900
2	139047-01-701	EA	DAM STRIP-TOP/BOTTOM-23.1"	901
3	139047-01-702	EA	JAMB - WALL - 65.9"	903
4	139047-01-703	EA	CORNER POST-45 DEGREE- 65.9"	909
5	139047-01-704	EA	STRIKE - JAMB - 64.6"	926
6	139047-01-705	EA	HINGE/POST - DOOR - 64.5"	920
16	139047-01-710	EA	VINYL SWEEP	C176G
17	139047-01-711	EA	PLUG - DRIP CAP (SET)	CP933
18	092574-01-701	EA	BRACKET-STUD, TOWEL BAR,GOLD	8141G
19	092574-01-710	EA	SCREW-GOLD, FOR TOWEL BAR	832G COASTAL
26	139047-01-712	EA	HEADER - CORNER BRACKET	313.45C
30	116814-01-700	EA	BAR-TOWEL 17 5/16"	68G
31	089318-01-707	EA	LATCH/CATCH - SAFETY - GOLD	9730G
	139047-01-706	EA	HINGE PINS	CP932
	139047-01-707	EA	WASHERS - HINGE	CP148TW
	139047-01-708	EA	HINGE - SLEEVE - 61.5"	C921B
	139047-01-709	EA	STRIP - MAGNETIC- 55"	98-42

CONTACT WINNEBAGO PART SALES FOR UNLISTED COMPONENT

BEDROOM GROUP QUEEN CABINETS



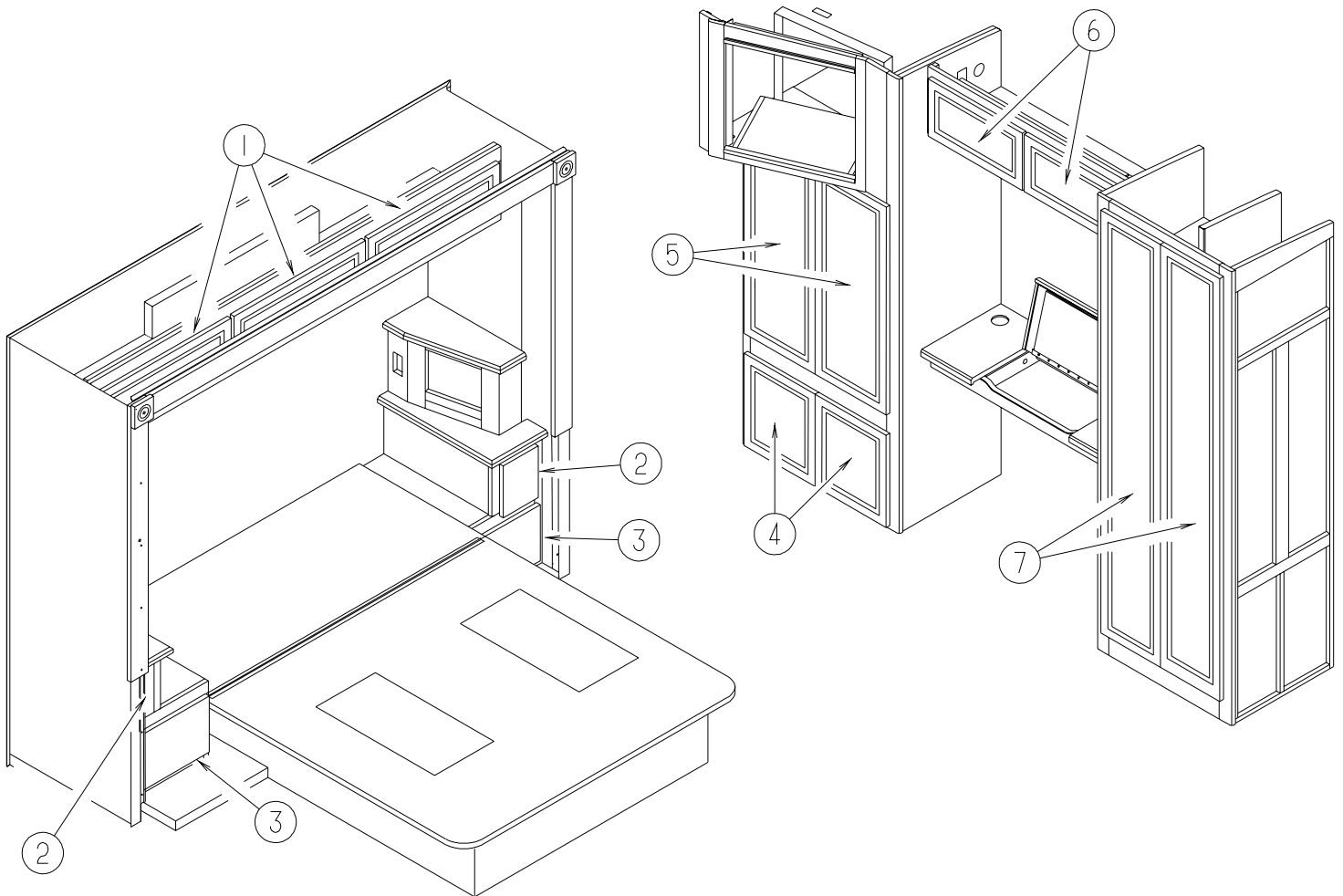
KEY	PART NUMBER	U/M	DESCRIPTION
1	129243-05-M52	EA	CABINET - NIGHTSTAND/RH - W/O COUNTERTOP/DOORS/DRAWERS/HDW (M52, M56)
1	129243-05-M53	EA	CABINET - NIGHTSTAND/RH - W/O COUNTERTOP/DOORS/DRAWERS/HDW (M53, M57)
1	129243-05-M52	EA	CABINET - NIGHTSTAND/RH - W/O COUNTERTOP/DOORS/DRAWERS/HDW (M54)
1	129243-05-M53	EA	CABINET - NIGHTSTAND/RH - W/O COUNTERTOP/DOORS/DRAWERS/HDW (M55)
2	133131-77-M52	EA	COUNTERTOP - LAMINATED (M52, M56)
2	133131-77-M53	EA	COUNTERTOP - LAMINATED (M53, M57)
2	133131-77-M54	EA	COUNTERTOP - LAMINATED (M54)
2	133131-77-M55	EA	COUNTERTOP - LAMINATED (M55)

BEDROOM GROUP (CONTINUED)
QUEEN CABINETS (CONTINUED)

KEY	PART NUMBER	U/M	DESCRIPTION
3	129243-06-M52	EA	CABINET - NIGHTSTAND/LH - W/O COUNTERTOP/DOORS/DRAWERS/HDW (M52, M56)
3	129243-06-M53	EA	CABINET - NIGHTSTAND/LH - W/O COUNTERTOP/DOORS/DRAWERS/HDW (M53, M57)
3	129243-06-M52	EA	CABINET - NIGHTSTAND/LH - W/O COUNTERTOP/DOORS/DRAWERS/HDW (M54)
3	129243-06-M53	EA	CABINET - NIGHTSTAND/LH - W/O COUNTERTOP/DOORS/DRAWERS/HDW (M55)
4	133131-78-M52	EA	COUNTERTOP - LAMINATED (M52, M56) - W/O REAR STEREO SYSTEM
4	133131-78-M53	EA	COUNTERTOP - LAMINATED (M53, M57) - W/O REAR STEREO SYSTEM
4	133131-78-M54	EA	COUNTERTOP - LAMINATED (M54) - W/O REAR STEREO SYSTEM
4	133131-78-M55	EA	COUNTERTOP - LAMINATED (M55) - W/O REAR STEREO SYSTEM
5	133131-79-M52	EA	COUNTERTOP - LAMINATED (M52, M56) - W/REAR STEREO SYSTEM
5	133131-79-M53	EA	COUNTERTOP - LAMINATED (M53, M57) - W/REAR STEREO SYSTEM
5	133131-79-M54	EA	COUNTERTOP - LAMINATED (M54) - W/REAR STEREO SYSTEM
5	133131-79-M55	EA	COUNTERTOP - LAMINATED (M55) - W/REAR STEREO SYSTEM
6	129200-01-M52	EA	CABINET - RADIO - W/O COUNTERTOP/DOOR/HDW - SALEM CHERRY - W/REAR STEREO SYSTEM
6	129200-01-M53	EA	CABINET - RADIO - W/O COUNTERTOP/DOOR/HDW - PORTSMOUTH OAK - W/REAR STEREO SYSTEM
7	133131-73-M52	EA	COUNTERTOP - LAMINATED (M52, M56) - W/REAR STEREO SYSTEM
7	133131-73-M53	EA	COUNTERTOP - LAMINATED (M53, M57) - W/REAR STEREO SYSTEM
7	133131-73-M54	EA	COUNTERTOP - LAMINATED (M54) - W/REAR STEREO SYSTEM
7	133131-73-M55	EA	COUNTERTOP - LAMINATED (M55) - W/REAR STEREO SYSTEM
8	133353-01-M52	EA	CABINET - OVERHEAD/REAR - W/O DOORS/HARDWARE - SALEM CHERRY
8	133353-01-M53	EA	CABINET - OVERHEAD/REAR - W/O DOORS/HARDWARE - PORTSMOUTH OAK
9	134364-01-M52	EA	CABINET/BASE - QUEEN BED - W/O DOOR/DRAWER/HARDWARE - SALEM CHERRY
9	134364-01-M53	EA	CABINET/BASE - QUEEN BED - W/O DOOR/DRAWER/HARDWARE - PORTSMOUTH OAK
10	M07571-05-000	EA	BED/TOP - RAISED PORTION - W/O SUPPORT/HARDWARE
	097872-04-000	EA	DOWEL - WOOD - 1" DIAMETER X 1.38" LONG - UNFINISHED
11	136052-01-M52	EA	CABINET - OVERHEAD/REAR - W/O DOORS/HARDWARE - SALEM CHERRY
11	136052-01-M53	EA	CABINET - OVERHEAD/REAR - W/O DOORS/HARDWARE - PORTSMOUTH OAK
12	136060-01-M52	EA	DRAWER/VANITY - W/O SLIDES/HARDWARE - SALEM CHERRY
12	136060-01-M53	EA	DRAWER/VANITY - W/O SLIDES/HARDWARE - PORTSMOUTH OAK
13	130812-14-01A	EA	COUNTERTOP - VANITY LID - 1/4" VENDURA - JAMAICAN SAND
14	130812-15-01A	EA	COUNTERTOP - VANITY/MAIN - 1/4 VENDURA - JAMAICAN SAND
15	115466-26-02B	EA	STRAP - TIEDOWN/TV - E-COATED
16	133023-03-M52	EA	WEDGE - TV SHELF - SALEM CHERRY
16	133023-03-M42	EA	WEDGE - TV SHELF - PORTSMOUTH OAK
17	104013-17-M52	EA	DOOR - SLIDING - W/O HARDWARE - SALEM CHERRY
17	104013-17-M53	EA	DOOR - SLIDING - W/O HARDWARE - PORTSMOUTH OAK
18	103868-06-01A	EA	TRACK - SLIDING DOOR - 51.2" - OFF WHITE
19	113114-53-L52	EA	HEADER - DOOR - SALEM CHERRY
19	113114-53-M53	EA	HEADER - DOOR - PORTSMOUTH OAK
20	123655-01-000	FT	SEAL - CLOSED CELL/FOAM

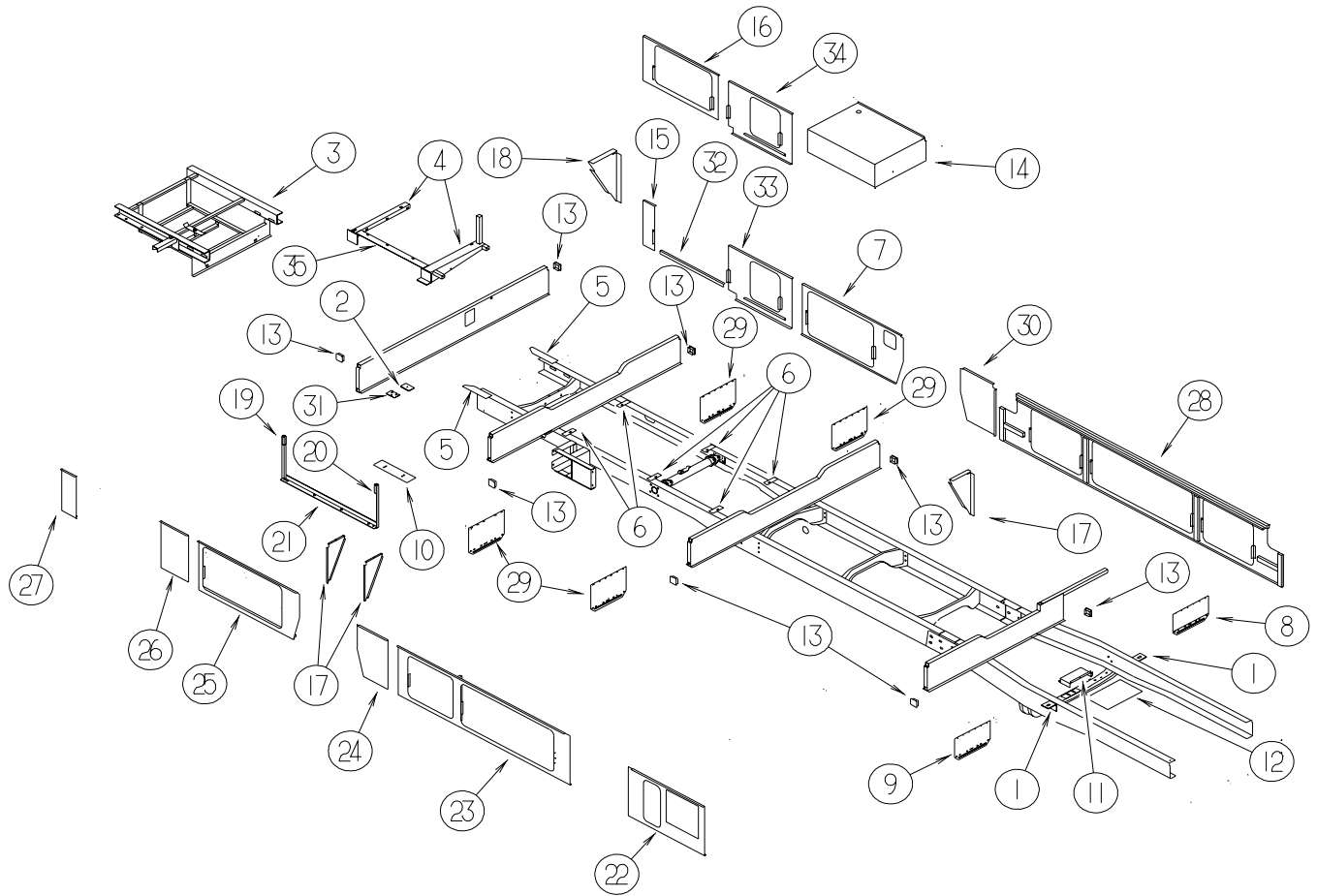
BEDROOM GROUP (CONTINUED)

QUEEN DOORS & DRAWERS



KEY	PART NUMBER	U/M	DESCRIPTION
1	131995-05-L52	EA	DOOR - RAIL/SOLID PANEL - 9" X 26.5" - W/O HARDWARE - SALEM CHERRY
1	131995-05-M53	EA	DOOR - RAIL/SOLID PANEL - 9" X 26.5" - W/O HARDWARE - PORTSMOUTH OAK
2	M09316-50-L52	EA	DRAWER - OGEE EDGE - 4.8" W X 23.6" - W/O SLIDES/HARDWARE - SALEM CHERRY
2	M09316-50-M53	EA	DRAWER - OGEE EDGE - 4.8" W X 23.6" - W/O SLIDES/HARDWARE - PORTSMOUTH OAK
3	M09316-51-L52	EA	DRAWER - OGEE EDGE - 11.9" X 23.6" - W/O SLIDES/HARDWARE - SALEM CHERRY
3	M09316-51-M53	EA	DRAWER - OGEE EDGE - 11.9" X 23.6" - W/O SLIDES/HARDWARE - PORTSMOUTH OAK
4	131995-E9-L14	EA	DOOR - RAIL/SOLID PANEL - 14.3" X 16.1" - W/O HARDWARE - SALEM CHERRY
4	131995-E9-M53	EA	DOOR - RAIL/SOLID PANEL - 14.3" X 16.1" - W/O HARDWARE - PORTSMOUTH OAK
5	131995-B6-L52	EA	DOOR - RAIL/SOLID PANEL - 14.3" X 36.3" - W/O HARDWARE - SALEM CHERRY
5	131995-B6-M53	EA	DOOR - RAIL/SOLID PANEL - 14.3" X 36.3" - W/O HARDWARE - PORTSMOUTH OAK
6	131995-23-L14	EA	DOOR - RAIL/SOLID PANEL - 10" X 19.1" - W/O HARDWARE - SALEM CHERRY
6	131995-23-M53	EA	DOOR - RAIL/SOLID PANEL - 10" X 19.1" - W/O HARDWARE - PORTSMOUTH OAK
7	131995-AB-M52	EA	DOOR - RAIL/SOLID PANEL - 12" X 73.9" - W/O HARDWARE - SALEM CHERRY
7	131995-AB-M53	EA	DOOR - RAIL/SOLID PANEL - 12" X 73.9" - W/O HARDWARE - PORTSMOUTH OAK

CHASSIS GROUP FRAME



KEY	PART NUMBER	U/M	DESCRIPTION
1	117154-07-02B	EA	MOUNT - FRAME RAIL/FLOOR
			FROM: 00-00-00 THRU: 05-18-00
1	117154-04-02B	EA	MOUNT-BODY,E-COAT
			FROM: 05-19-00 THRU: 99-99-99
2	135712-02-02B	EA	PLATE - BODY MOUNT - E-COATED
3*	132643-02-01A	EA	TIRE CARRIER - F/EXTENSION RAIL
4	133022-04-02B	EA	OUTRIGGER - GENERATOR - E-COATED - W/5KW EMERALD & 7KW MARQUIS GENERATORS
4	133022-07-02B	EA	OUTRIGGER - GENERATOR - E-COATED - W/ 5.5 KW & 7KW MARQUIS GOLD GENERATORS
5	133095-01-02B	EA	PLATE - CLIP - E-COATED
6	135712-01-02B	EA	PLATE - BODY MOUNT - E-COATED
7	133562-03-02B	EA	SEAL PLANE - E-COATED
8	136391-01-02B	EA	GUARD/ROCK - STEEL - W/ANGLE - 18"W X 11"H - E-COATED
9	136389-01-02B	EA	GUARD/ROCK - STEEL - W/BEND - 18"W X 10.9"H - E-COATED
10	124430-14-02B	EA	PLATE - W/HOLES - E-COATED
11	133203-02-02B	EA	COVER - TRANSMISSION - E-COATED
12	124562-05-02B	EA	PANEL - CLOSEOUT - AUTO HEATER - E-COATED
13	119845-01-01A	EA	PLUG/PLASTIC - 1 1/2" SQUARE - BLACK
14	118968-11-02B	EA	COMPARTMENT -GENERATER - E-COATED
15	132848-06-02B	EA	PLATE/SEAL - LEFT HAND - E-COATED
			FROM: 04-19-00 THRU: 08-29-00
16	132848-13-02B	EA	PLATE/SEAL - LEFT HAND - E-COATED
			FROM: 08-30-00 THRU: 99-99-99
17	123440-02-02B	EA	SUPPORT/VALANCE PANEL - E-COATED - 9.9"/7.6"X4.7"
18	123440-07-02B	EA	SUPPORT/VALANCE PANEL - 9.9" X 4.7" - E-COATED

CHASSIS GROUP (CONTINUED)
FRAME (CONTINUED)

KEY	PART NUMBER	U/M	DESCRIPTION
19	133833-01-02B	EA	HANGER - A/C - E-COATED
20	133833-02-02B	EA	HANGER - A/C - E-COATED
21	129328-02-02B	EA	HANGER - A/C - COACH
22	132849-01-02B	EA	PLATE/SEAL - 10 GAL WATER HEATER - E-COATED
23	132849-03-02B	EA	PLATE - SEAL - E-COATED
24	132849-04-02B	EA	PLATE - SEAL - E-COATED
25	132849-05-02B	EA	PLATE - SEAL - E-COATED
26	132849-06-02B	EA	PLATE/SEAL - E-COATED
27	132849-07-02B	EA	PLATE/SEAL - E-COATED
28	133562-02-02B	EA	SEAL PLANE - E-COATED
29	136391-02-02B	EA	GUARD/ROCK - STEEL - W/ANGLE - 18"W X 15"H - E-COATED
30	132848-03-02B	EA	PLATE/SEAL - LEFT HAND - E-COATED
31	136538-01-02B	EA	SHIM - HITCH - E-COATED
32	133612-01-02B	EA	ZEE/SEAL PLANE - BOTTOM - E-COATED
			FROM: 00-00-00 THRU: 08-29-00
33	132848-05-02B	EA	PLATE/SEAL - LEFT HAND - E-COATED
			FROM: 00-00-00 THRU: 08-29-00
34	132848-13-02B	EA	PLATE/SEAL - LEFT HAND - E-COATED
			FROM: 08-30-00 THRU: 99-99-99
35	104803-01-000	EA	ANGLE - FORMED W/SLOTS

***COMPONENT PARTS LISTED LATER IN THIS GROUP**

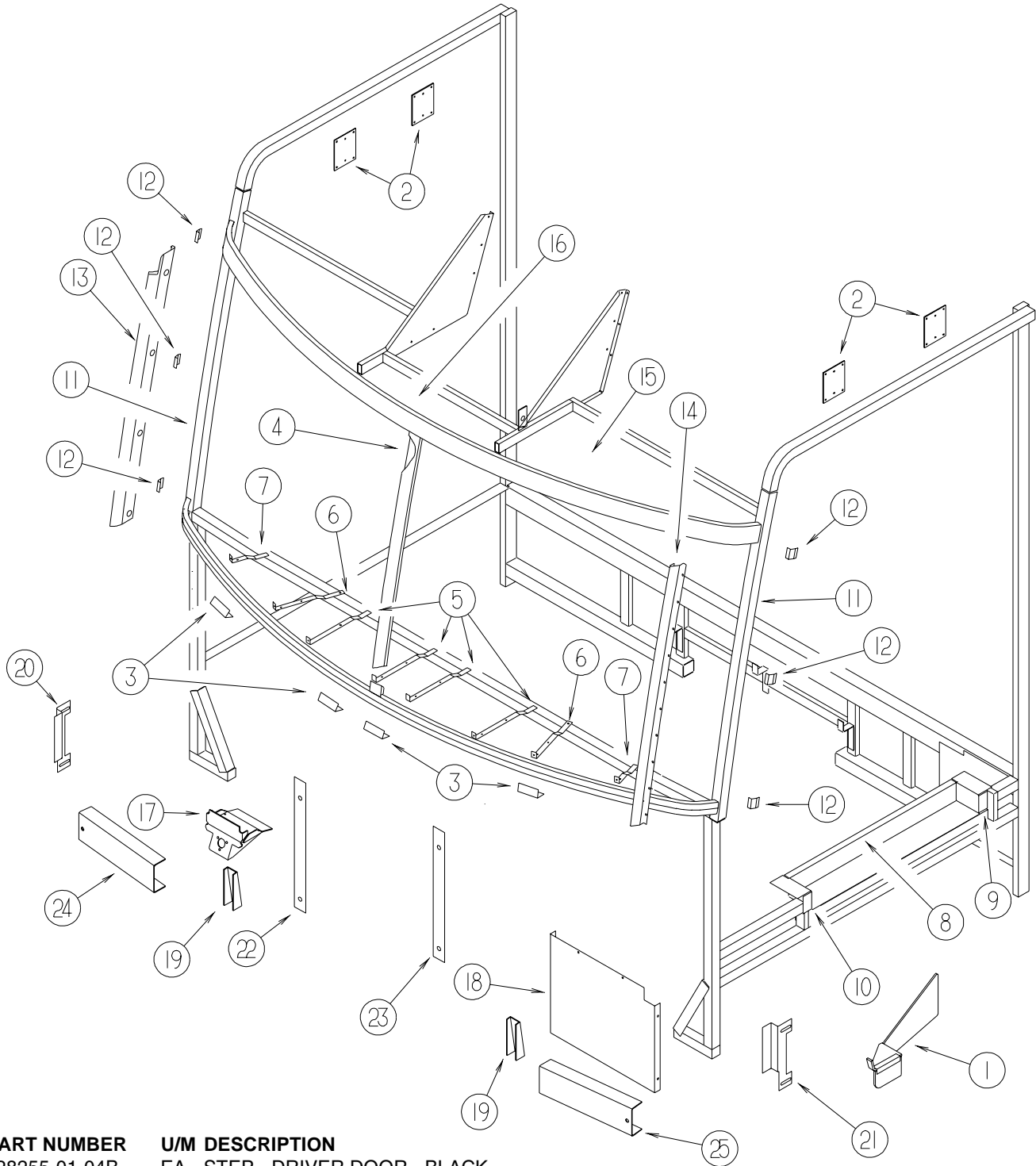
CHASSIS GROUP (CONTINUED)
COMPONENT PARTS FOR FRAME

132643-01-01A

KEY	PART NUMBER	U/M	DESCRIPTION	VENDOR NO.
	132643-01-700	EA	HITCH/RECEIVER WELDED ASM.	72430-47
	132643-01-701	EA	TIRE CARRIER COMPLETE	56610-47
	132643-01-702	EA	RETAINER KIT/SPARE TIRE	55290-47

CHASSIS GROUP (CONTINUED)

FRONT END



KEY	PART NUMBER	U/M	DESCRIPTION
1	128255-01-04B	EA	STEP - DRIVER DOOR - BLACK
2	104409-01-000	EA	PLATE-MOUNT, SIDEWALL
3	076364-57-000	EA	ANGLE - FORMED
4	078249-17-000	EA	TUBE - SWEEP - CAB FRAME
5	104797-03-000	EA	BRACKET-DEFROSTER
6	104797-04-000	EA	BRACKET-DEFROSTER
7	104797-05-000	EA	BRACKET-DEFROSTER
8	106746-02-000	EA	PANEL - STEPWELL
9	106747-03-000	EA	PANEL - STEPWELL - RIGHT HAND END
10	106747-04-000	EA	PANEL - STEPWELL - LEFT HAND END
11	117273-01-01A	EA	TUBE - SUPPORT - A-PILLAR
12	120363-01-01B	EA	BRACKET - WINDSHIELD
13	121269-05-01B	EA	FRAME - WINDSHIELD - A-PILLAR - MILL
14	121269-06-01B	EA	FRAME - WINDSHIELD - A-PILLAR - MILL

CHASSIS GROUP (CONTINUED)

FRONT END (CONTINUED)

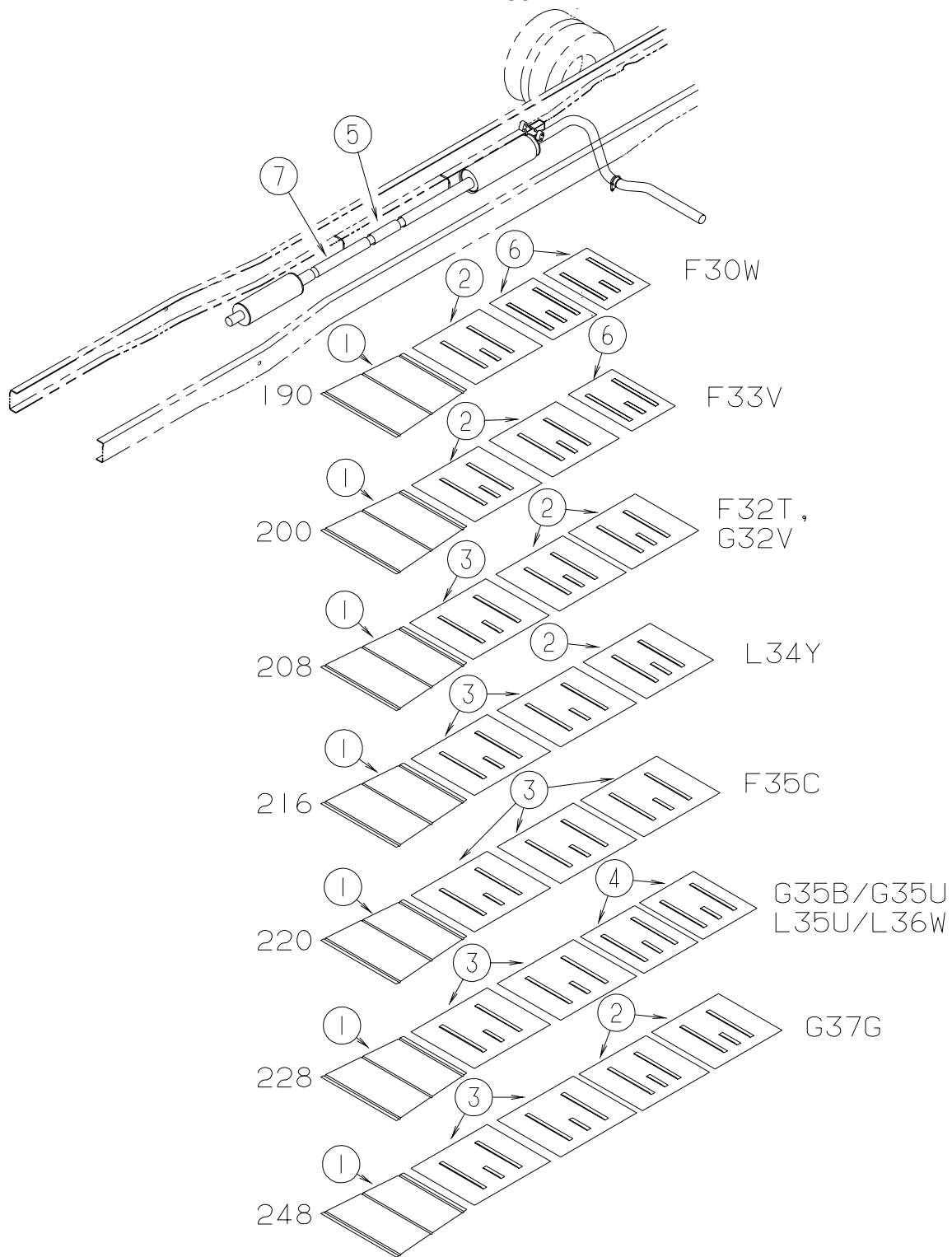
KEY	PART NUMBER	U/M	DESCRIPTION
15	133709-51-01B	EA	HEADER - F/TV - MILL
16	124904-04-01B	EA	HEADER/WINDSHIELD - CENTER - 27.5"
17	134506-02-01B	EA	BRACKET - WIPER MOTOR
18	104147-14-000	EA	SHIELD/SPLASH - HEADLIGHT
19	117622-01-02B	EA	BRACE - TUBE/BUMPER - VERTICAL - E-COATED
20	128019-01-02B	EA	SUPPORT - FRONT END/REAR - E-COATED
21	128019-02-02B	EA	SUPPORT - FRONT END/REAR - E-COATED
22	134807-03-02B	EA	SUPPORT - FRONT - E-COATED
23	134807-04-02B	EA	SUPPORT - FRONT - E-COATED
24	125744-02-02B	EA	CHANNEL - SUPPORT - FRONT END - E-COATED
25	125744-10-02B	EA	CHANNEL-SUPPORT,FRT END,E-CT

DRIVETRAIN

KEY	PART NUMBER	U/M	DESCRIPTION
	129580-01-000	EA	DRIVESHAFT - BALANCED - 99 F53 - 216" WB

CHASSIS GROUP (CONTINUED)

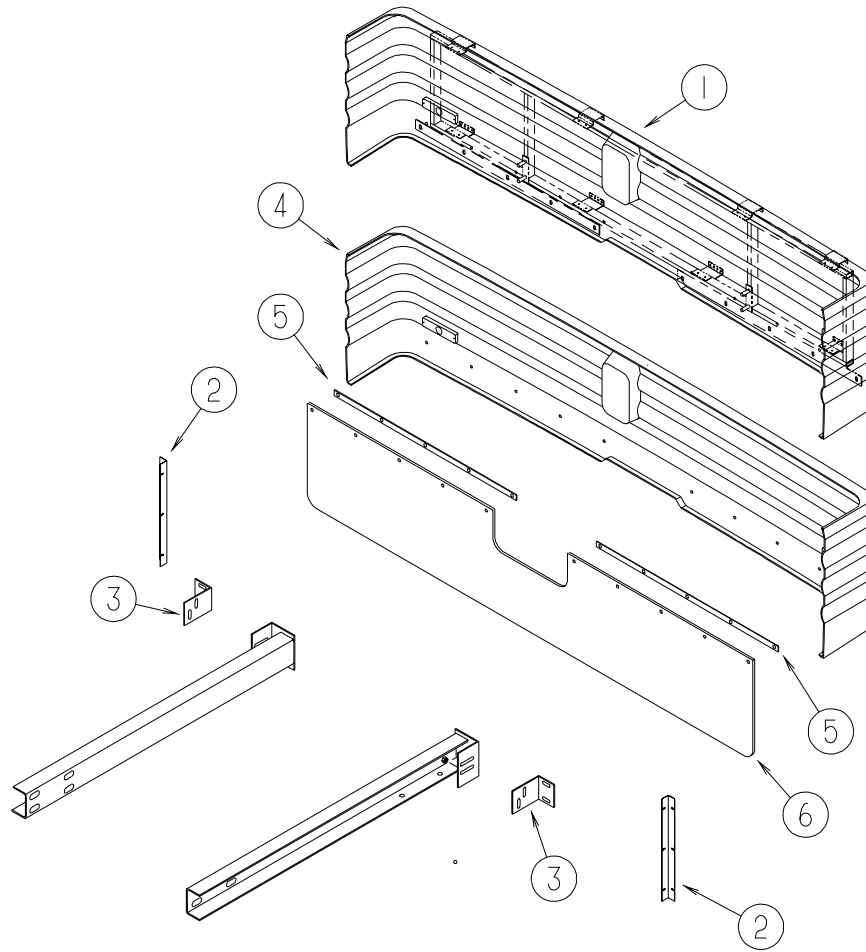
EXHAUST



KEY	PART NUMBER	U/M	DESCRIPTION
1	128756-01-02B	EA	SHIELD - HEAT/EXHAUST - 33.9" X 16.9" - E-COATED
2	101544-02-000	EA	SHIELD - HEAT/EXHAUST - 30" X 29.1" - E-COATED - L34Y
3	101544-06-000	EA	SHIELD - HEAT/EXHAUST - 33.9" X 29.1" - E-COATED
4	101544-10-000	EA	SHIELD - HEAT/EXHAUST - 19.7" X 29.1" - E-COATED - FORD - L35U, L36W
5	112012-04-000	EA	PIPE - EXHAUST - 3" DIAMETER - L34Y
6	NOT USED		
7	NOT USED		
	094918-06-000	EA	CLAMP - EXHAUST - 3" - HEAVY DUTY

CHASSIS GROUP (CONTINUED)

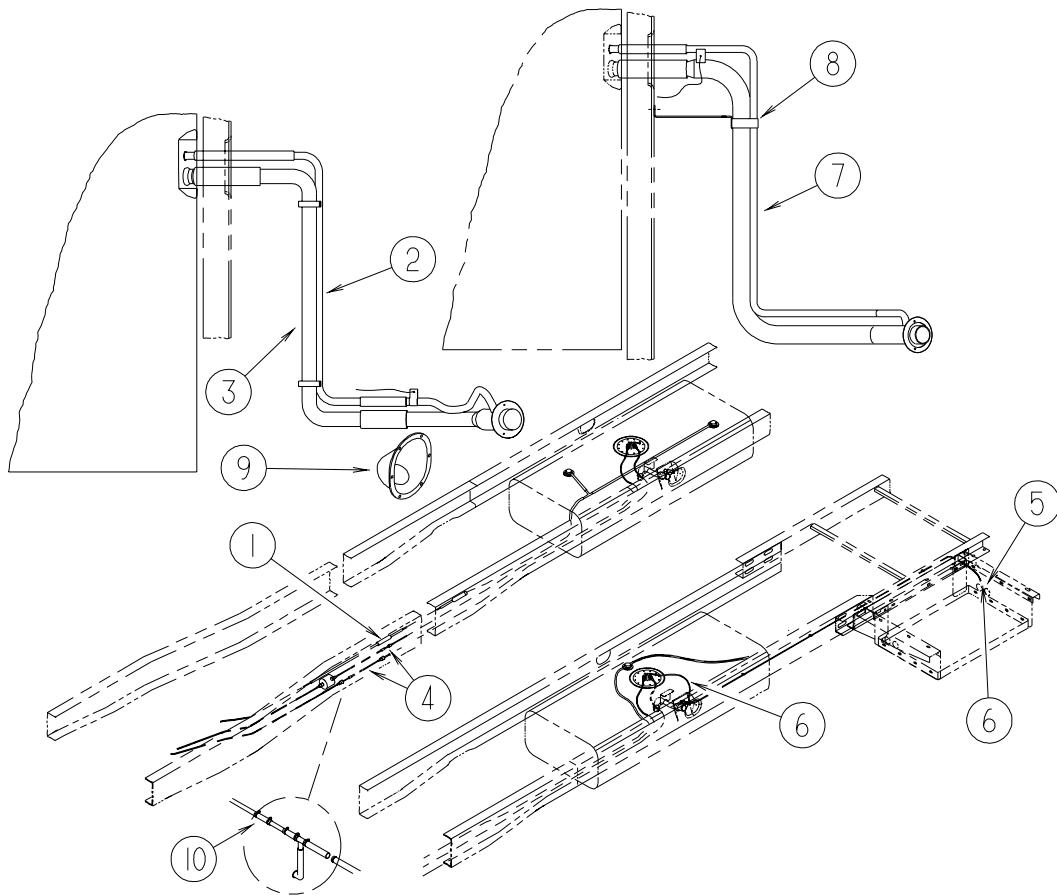
REAR BUMPER



KEY	PART NUMBER	U/M	DESCRIPTION
1	132537-01-L52	EA	PANEL/BUMPER - REAR - W/O MUDFLAP - L34Y, L35U
1	132537-03-L52	EA	PANEL - REAR BUMPER - W/O MUDFLAP - L36W
2	113041-03-02B	EA	ANGLE - BUMPER MOUNT - 14.9"
2	113041-07-02B	EA	ANGLE - BUMPER MOUNT/REAR - DRIVER/PASSENGER - E-COATED FROM: 00-00-00 THRU: 04-27-01
3	107524-01-000	EA	ANGLE - BUMPER - INNER/RIGHT & LEFT HAND FROM: 04-28-01 THRU: 99-99-99
3	107524-03-000	EA	ANGLE - BUMPER - INNER/RIGHT & LEFT HAND FROM: 00-00-00 THRU: 07-30-00
4	NOT USED	EA	PANEL - REAR BUMPER
5	NOT USED	EA	STRAP - W/HOLES - E-COATED
6	NOT USED	EA	MUD FLAP - REAR - L-SERIES FROM: 07-31-00 THRU: 99-99-99

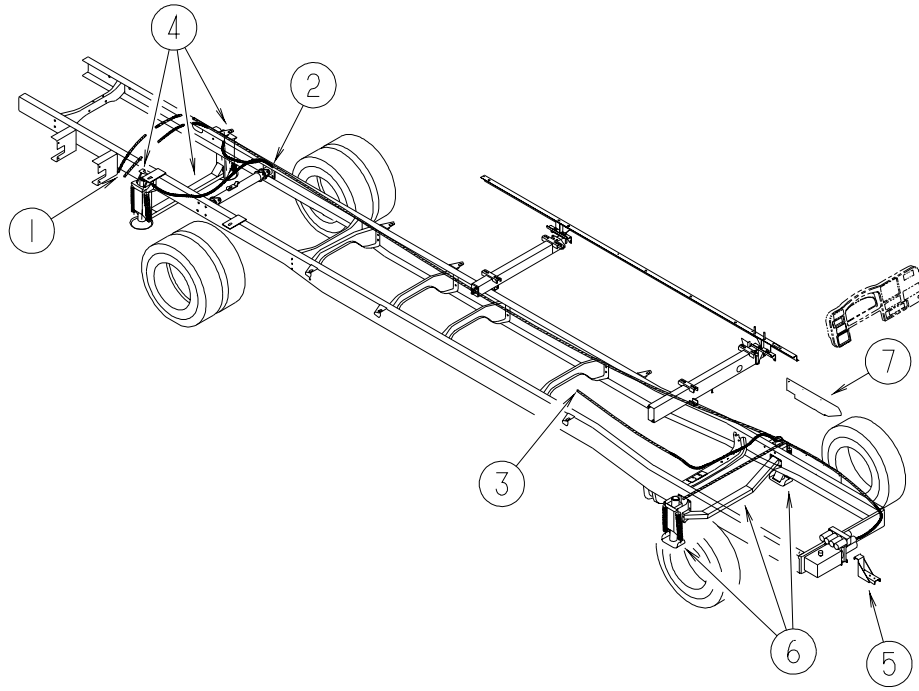
CHASSIS GROUP (CONTINUED)

FUEL



KEY	PART NUMBER	U/M	DESCRIPTION
1	128139-02-000	FT	HOSE - FUEL - LOW PERMEABILITY - 5/8" DIAMETER
2	129320-01-000	EA	PIPE - VENT - FILL - L34Y
3	129321-01-000	EA	TUBE - FUEL INLET - L34Y
4	129494-01-000	EA	FUEL LINE - 5/16" X 9.3" - FORD CHASSIS - 208-216 STRETCH , 208-200 SHRINK
4	129494-02-000	EA	FUEL LINE - 5/16" X 34.9" - FORD CHASSIS - 208-220 STRETCH
4	129494-03-000	EA	FUEL LINE - 5/16" X 21.2" - FORD CHASSIS - 208-228 , 228-248 STRETCH
5	084884-01-000	EA	PLUG - BRASS - 3/8"
6	128139-03-000	FT	HOSE - FUEL - LOW PERMEABILITY - 1/4" DIAMETER
7	135801-01-000	EA	NECK - FUEL FILL - L35U
7	135801-03-000	EA	NECK - FUEL FILL - L36W
8	136483-02-02B	EA	BRACKET - FUEL FILL - E-COATED - L35U & L36W FROM: 00-00-00 THRU: 07-23-00
8	136483-01-02B	EA	BRACKET - FUEL FILL - E-COATED - L35U & L36W FROM: 07-24-00 THRU: 99-99-99
9	NA	EA	CHASSIS SUPPLIED
10	125187-02-000	FT	HOSE - FUEL - LOW PERMEABILITY - 12.7" ID - FORD

CHASSIS GROUP (CONTINUED)
HYDRAULIC LEVELING

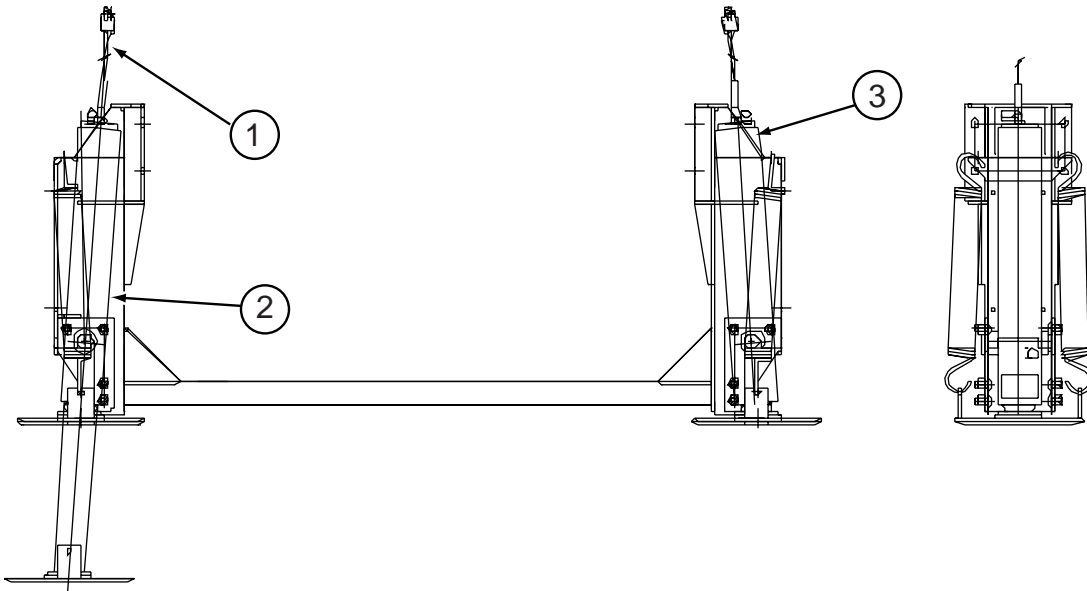
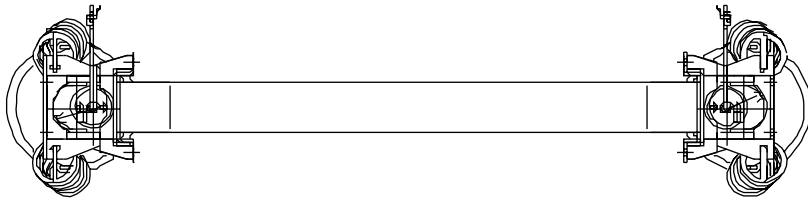


KEY	PART NUMBER	U/M	DESCRIPTION
1	100536-46-000	EA	HOSE KIT - SLIDEOUT
2*	100536-48-000	EA	HOSE KIT - LEVELING JACKS
3	117183-01-02B	EA	COVER - SENSOR - LEVELING
4*	128571-03-000	EA	JACK/CROSSMEMBER - 9K - REAR LEVELING - MANUAL
5	129550-01-02B	EA	BRACKET - PUMP - E-COAT
6*	131306-12-000	EA	LEVELING SYSTEM - FORD CHASSIS W/310 SYS-2 ROOM SLIDEOUT
7	132999-01-02B	EA	SHIELD - HEAT - E-COATED

***COMPONENT PARTS LISTED LATER IN THIS GROUP**

CHASSIS GROUP (CONTINUED)
COMPONENT PARTS FOR HYDRAULIC LEVELING
100536-48-000

KEY	PART NUMBER	U/M DESCRIPTION	VENDOR NO.
	100536-48-000	EA HOSE KIT - LEVELING JACKS	HWH AP19681
	100536-31-700	EA HOSE - HYDRAULIC - 360"	RAP4163
	100536-31-701	EA HOSE - HYDRAULIC - 96"	RAP5352
	100536-39-700	EA HOSE - HYDRAULIC - 384"	RAP4164
	100536-48-700	EA HOSE - 146"	RAP2443

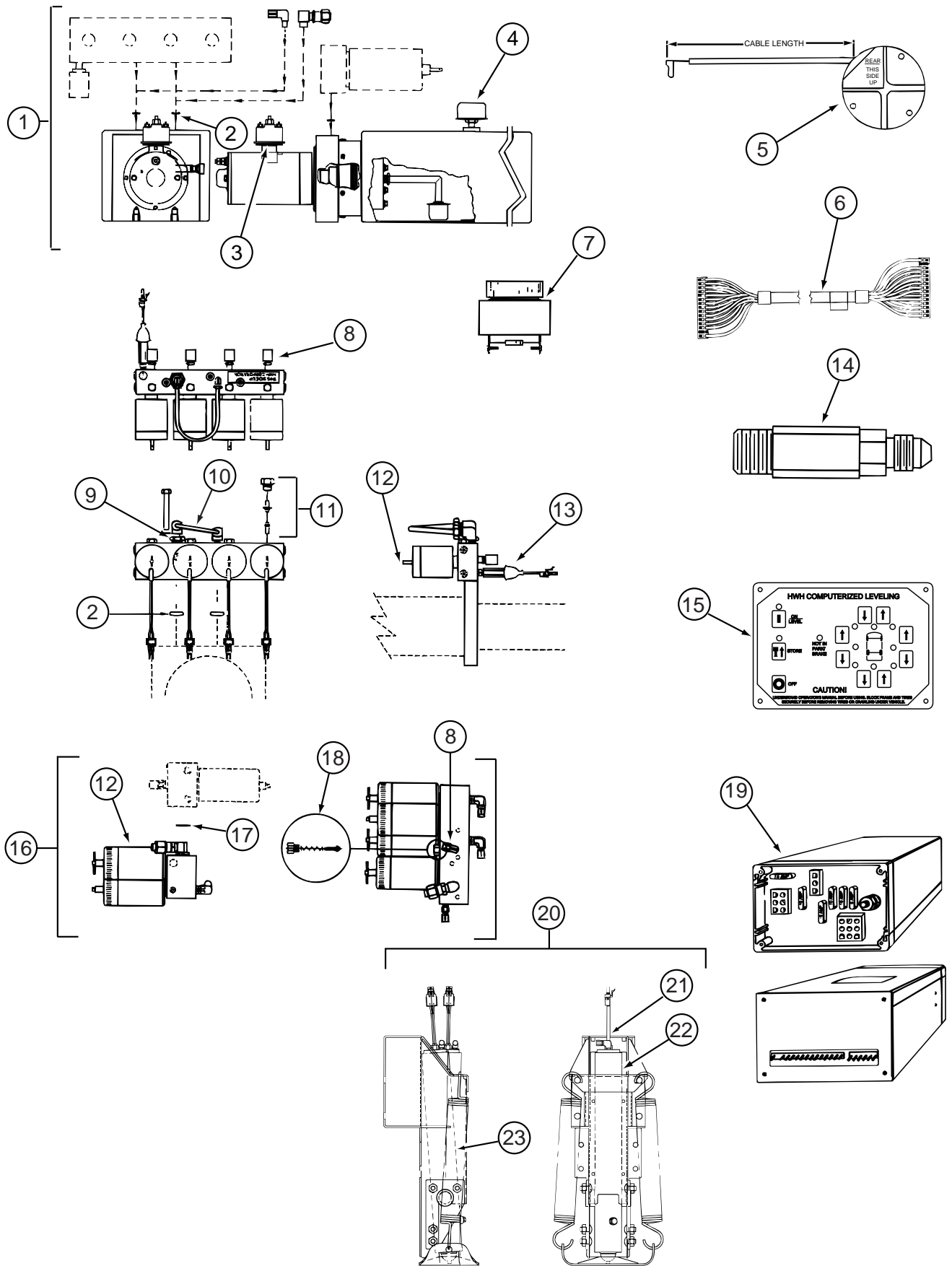


128571-03-000

KEY	PART NUMBER	U/M DESCRIPTION	VENDOR NO.
	128571-03-000	EA JACK/CROSSMEMBER - 9K - REAR LEVELING - MANUAL	
1	100532-12-706	EA SWITCH - WARNING/MAGNETIC	RAP1008 / RAP90496
2	100532-12-707	EA SPRING KIT	R3847
3	100532-53-700	EA CYLINDER ASM. - 9K	RAP90491/AP15891
	131306-02-701	EA FOOT - 9K JACK	RAP8464

CHASSIS GROUP (CONTINUED)

COMPONENT PARTS FOR HYDRAULIC LEVELING (CONTINUED)



CHASSIS GROUP (CONTINUED)
COMPONENT PARTS FOR HYDRAULIC LEVELING (CONTINUED)

131306-12-000 (CONTINUED)

KEY	PART NUMBER	U/M	DESCRIPTION	VENDOR NO.
1	100532-01-713	EA	PUMP-RESERVOIR ASM.-MONARCH	RAP90014/AP2260
2	100532-03-723	EA	O-RING/SEAL KIT	RAP9171
3	100532-09-710	EA	SOLENOID-INTERMITENT DUTY	RAP0533
4	100532-03-715	EA	CAP-BREATHER W/DIPSTICK	RAP7876
5	100532-12-703	EA	SENSING UINT BI-AXIS-27'	RAP6800
6	131306-11-702	EA	CONTROL CABLE-12'-310 SYSTEM	RAP90047/AP10619
7	100532-32-703	EA	BUZZER - JACK WARNING	RAP90403
7	100532-32-704	EA	CHIME - JACK WARNING	RAP90681/AP19812
8	100532-03-722	EA	O-RING KIT	R7430
9	100532-03-717	EA	VALVE-PRESS., RETURN SHUTTLE	RAP7964
10	100532-03-719	EA	TUBE ASM. (SHORT SHUTTLE)	RAP8088
11	100532-03-721	EA	VALVE-CHECK KIT (SGL)	RAP7944
12	100532-09-704	EA	VALVE-PRESS SOLENOID(LARGE)	RAP0642
13	131306-11-704	EA	PRESSURE SWITCH - 50 PSI	RAP2082
14	131306-09-700	EA	VELOCITY VALVE ASM.W/4 VALVE	RAP90280
14	131306-09-701	EA	VELOCITY VALVE - SINGLE	RAP90279/AP11578
15	131306-12-700	EA	TOUCH PANEL - 310	RAP90056/AP10215
16	100532-48-701	EA	MANIFOLD - ROOM EXT - 2 ROOM	RAP90035
17	100532-31-702	EA	O-RING/SEAL KIT - MANIFOLD	RAP90127
18	100532-31-701	EA	CHECK VALVE & KIT	RAP10021
19	131306-11-701	EA	CONTROL BOX - 310 SYSTEM	RAP90019/AP10086
20	100532-51-700	EA	JACK - 6K STRAIGHT ACTING	RAP90502/AP16112
21	100532-12-706	EA	SWITCH - WARNING/MAGNETIC	RAP1008 / RAP90496
22	100532-45-700	EA	CYLINDER W/O FOOT - 6K X 13"	RAP90490/AP16112
23	100532-12-707	EA	SPRING KIT	R3847
	100532-53-700	EA	CYLINDER ASM. - 9K	RAP90491/AP15891
	131306-02-700	EA	FOOT - 6K JACK	RAP2004
	131306-02-701	EA	FOOT - 9K JACK	RAP8464
	131306-12-701	EA	PUMP/TANK/MANIFOLD-2 ROOM	AP19501
	131306-12-702	EA	VALVE-PRESS SOLENOID (SMALL),	RAP90729

CHASSIS GROUP (CONTINUED)

WHEEL, TIRE, COVERS &/OR LINERS

KEY	PART NUMBER	U/M	DESCRIPTION
	102340-04-000	EA	TIRE - 245/70R X 19.5F - GOODYEAR FROM: 00-00-00 THRU: 01-31-00
	102340-08-000	EA	TIRE - 245/70R X 19.5F - GOODYEAR FROM: 02-01-00 THRU: 99-99-99
	077030-04-000	EA	EXTENSION - VALVE STEM - .75"
	095012-07-000	EA	STABILIZER - VALVE EXTENSION - LIVE - 4"
	095012-09-000	EA	EXTENSION - VALVE STEM - LIVE - 7.7"
*	110435-15-000	EA	LINER - WHEEL - SET/4 - 19.5"

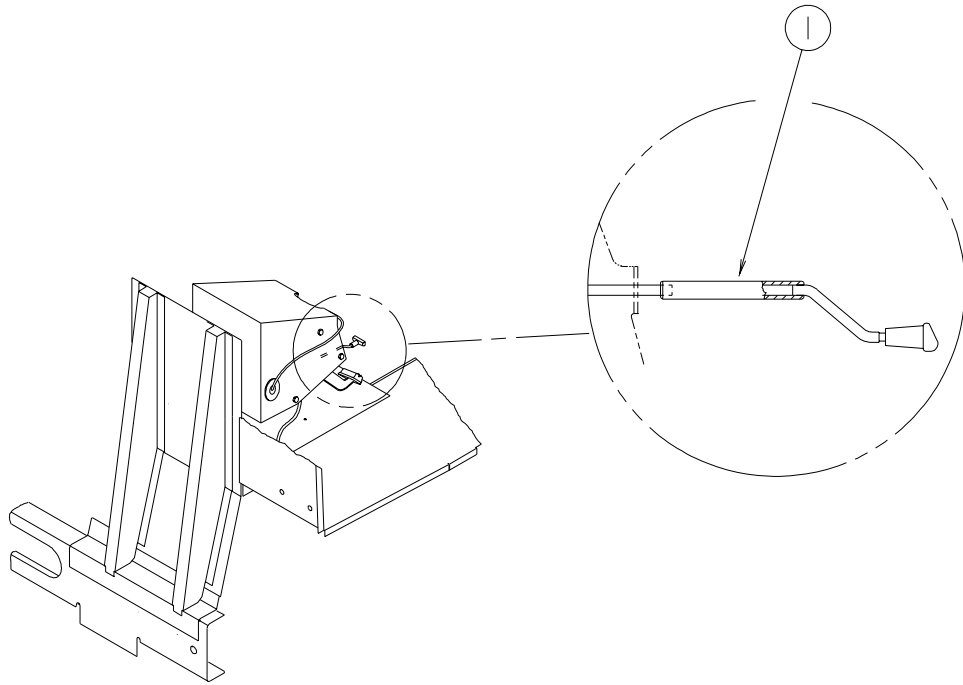
*COMPONENT PARTS LISTED LATER IN THIS GROUP

CHASSIS GROUP (CONTINUED)
COMPONENT PARTS FOR WHEEL, TIRE, COVERS &/OR LINERS

110435-15-000

KEY	PART NUMBER	U/M	DESCRIPTION	VENDOR NO.
	110435-04-705	EA	DECAL-CTR HUB 2 3/4" DIAMOND	2 3/4 DECAL DIAMON
	110435-10-705	EA	TOOL - INSTALLATION	V195P7-TOL
	110435-15-700	EA	LINER - WHEEL - FRONT	V195F9-FWC
	110435-15-701	EA	LINER - WHEEL - REAR	V195F9-RWC
	110435-15-702	EA	COVER LUG NUT/JAMB NUT - 14M	V195F9-EJN

CHASSIS GROUP (CONTINUED)
BRAKE



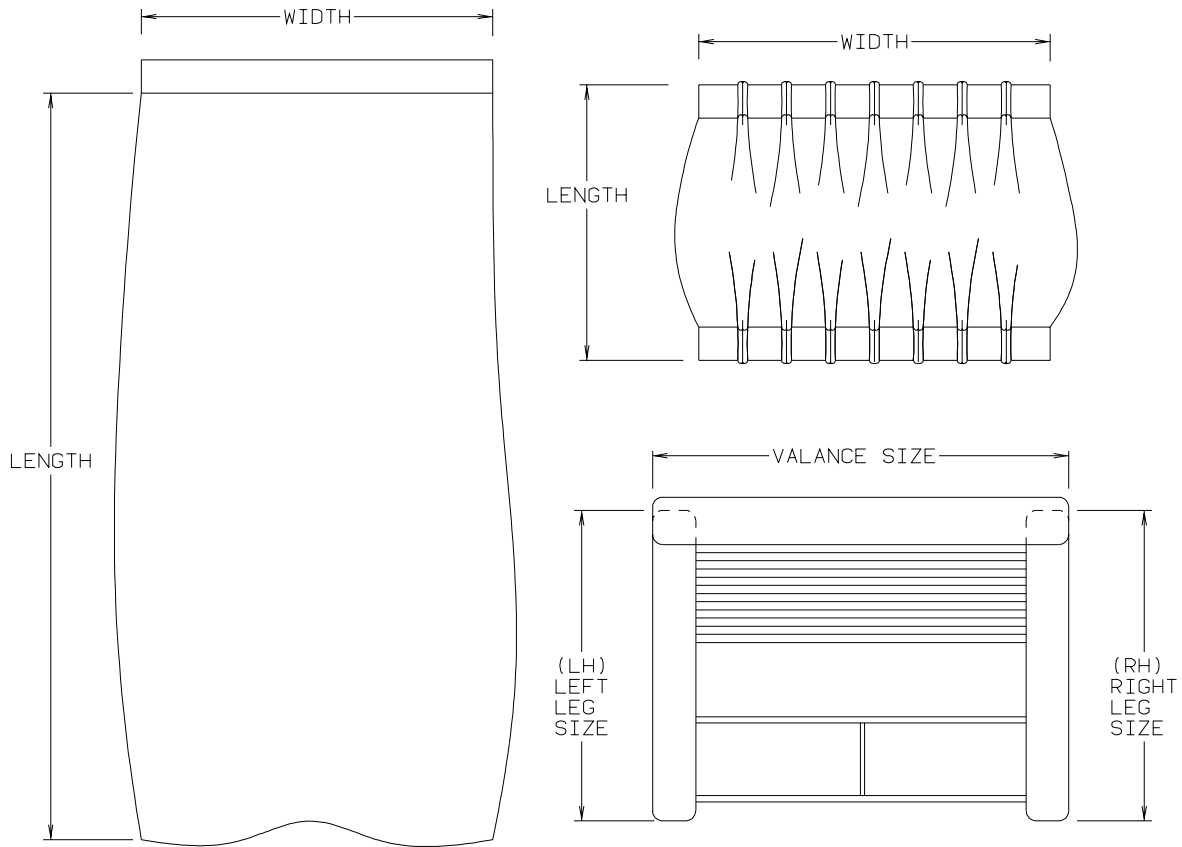
KEY	PART NUMBER	U/M	DESCRIPTION
1	113007-01-000	EA	PIN - SPRING - .375 X 3"
	075466-01-000	EA	UNION - INVERTED FLAIR - 1/4" L34Y

CURTAIN & CUSHION GROUP

NOTICE

IN ORDER TO ASSIST OUR PARTS SALES DEPT. IN PROVIDING INTERIOR SOFTWARE ITEMS, PLEASE INCLUDE THE SERIAL NUMBER AND THE COLOR CODE NUMBER FROM THE VEHICLE CERTIFICATION LABEL WHEN ORDERING. THIS LABEL IS LOCATED ON THE LEFT SIDEWALL AT THE END OF THE DASH (A-BODY), OR ON THE DRIVER'S DOOR LATCH PLATE (C-BODY).

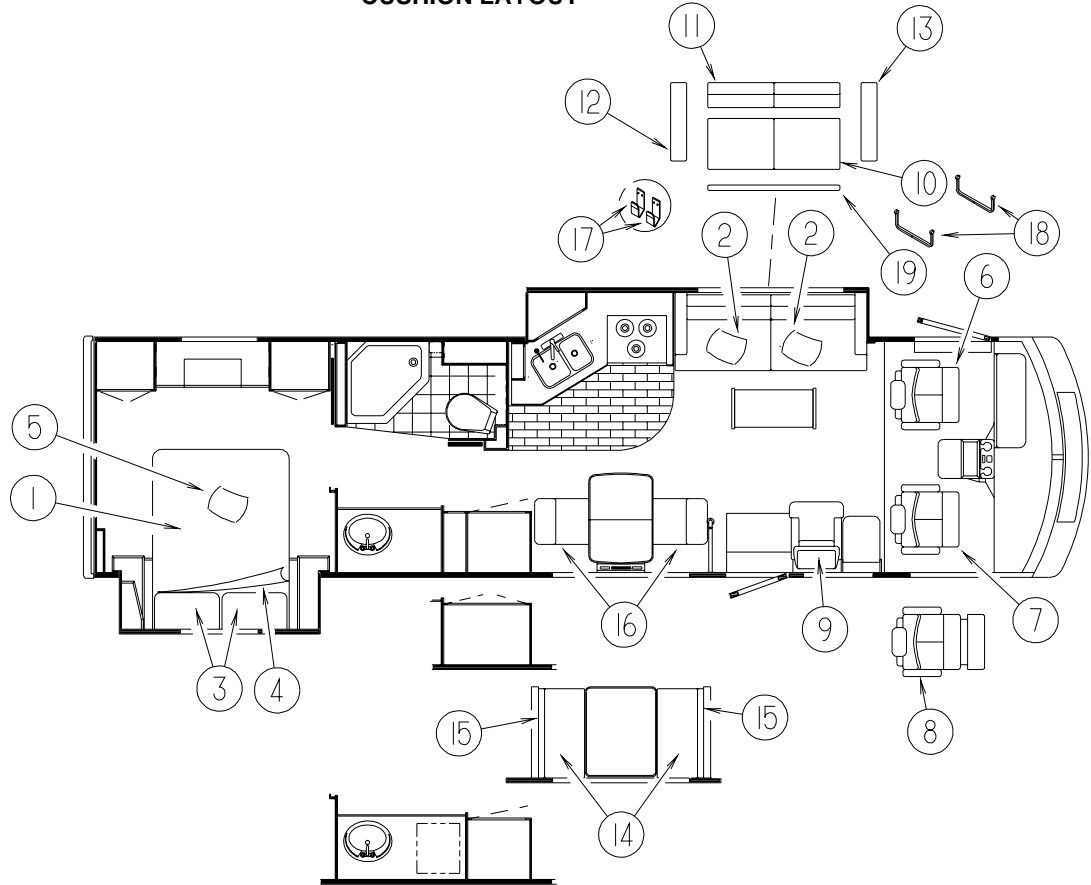
AN EXAMPLE OF A COLOR CODE NUMBER IS B07, WHICH DESIGNATES AN OVERALL COLOR SCHEME OF A PARTICULAR UNIT. THE COLOR LISTED AFTER THE ITEM DESCRIPTION ON THE MICROFICHE, INDICATES THE OVERALL UNIT COLOR. ORDER THE ITEM YOU DESIRE ACCORDING TO UNIT COLOR CODE. IF ALL COLORS USE THE SAME ITEM NO COLOR CODE WILL BE NOTED.



NOTE: USE THIS ILLUSTRATION WHEN DETERMINING LENGTH AND WIDTH MEASUREMENTS FOR CURTAINS. YOU WILL NOTE THE WIDTH MEASUREMENT IS TAKEN ON THE TOP OF THE CURTAIN WITH THE CURTAIN FULLY EXTENDED. THE LENGTH MEASUREMENT IS TAKEN FROM TOP TO BOTTOM. LEFT AND RIGHT WINDOW LEGS ARE DETERMINED WHEN FACING THE WINDOW.

CURTAIN & CUSHION GROUP (CONTINUED)

CUSHION LAYOUT

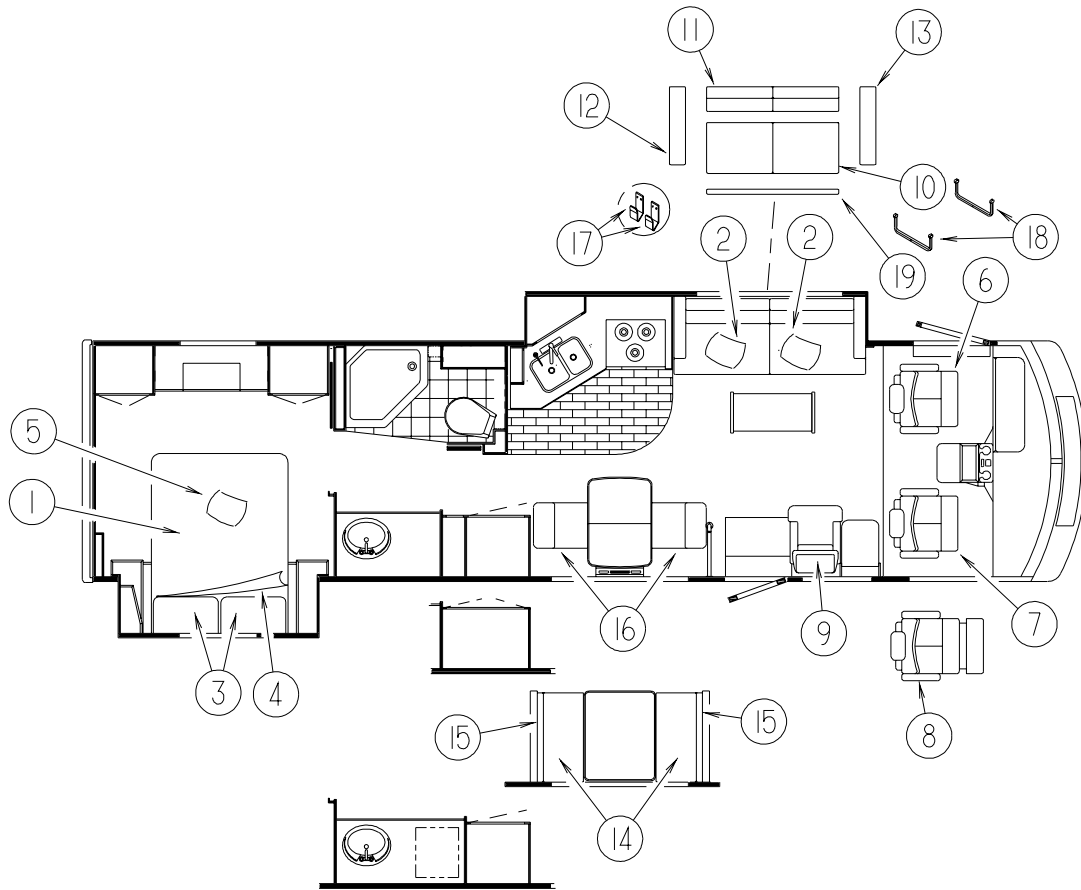


KEY	PART NUMBER	U/M	DESCRIPTION
1	123015-06-000	EA	MATTRESS - INNERSPRING - 60" X 74.5"
2	132338-13-M52	EA	PILLOW - 10" X 17" (M52, M53)
2	132338-13-M54	EA	PILLOW - 10" X 17" (M54, M55)
			FROM: 00-00-00 THRU: 09-30-00
2	132338-13-MA2	EA	PILLOW - 10" X 17" (M54, M55)
			FROM: 10-01-00 THRU: 99-99-99
2	132338-13-M56	EA	PILLOW - 10" X 17" (M56, M57)
3	126211-05-M52	EA	PILLOW SHAM - 20" X 33"(M52, M53)
3	126211-05-M54	EA	PILLOW SHAM - 20" X 33"(M54, M55)
3	126211-05-M57	EA	PILLOW SHAM - 20" X 33"(M56, M57)
4	132336-05-M52	EA	BEDSPREAD/CAP - 60" X 75" (M52, M53)
4	132336-05-M54	EA	BEDSPREAD/CAP - 60" X 75" (M54, M55)
4	132336-05-M56	EA	BEDSPREAD/CAP - 60" X 75" (M56, M57)
5	132319-27-M52	EA	PILLOW - 17" - W/OVAL OVERLAY(M52, M53)
5	132319-27-M54	EA	PILLOW - 17" - W/OVAL OVERLAY(M54, M55)
5	132319-27-M57	EA	PILLOW - 17" - W/OVAL OVERLAY(M56, M57)
6	135799-01-M52	EA	BUCKET SEAT - W/ARMRESTS/LUMBAR/MANUAL RECLINE (M52, M53)
6	135799-01-M54	EA	BUCKET SEAT - W/ARMRESTS/LUMBAR/MANUAL RECLINE (M54, M55)
6	135799-01-M57	EA	BUCKET SEAT - W/ARMRESTS/LUMBAR/MANUAL RECLINE (M56, M57)
6	135799-07-M52	EA	BUCKET SEAT - W/ARMRESTS/LUMBAR (M52, M53) - LEATHER
6	135799-07-M54	EA	BUCKET SEAT - W/ARMRESTS/LUMBAR (M54, M55) - LEATHER
6	135799-09-M57	EA	BUCKET SEAT - W/ARMRESTS/LUMBAR (M56, M57) - LEATHER
7	135799-02-M52	EA	BUCKET SEAT - W/ARMRESTS/MANUAL RECLINE (M52, M53)
7	135799-02-M54	EA	BUCKET SEAT - W/ARMRESTS/MANUAL RECLINE (M54, M55)
7	135799-02-M57	EA	BUCKET SEAT - W/ARMRESTS/MANUAL RECLINE (M56, M57)
7	135799-08-M52	EA	BUCKET SEAT - W/ARMRESTS (M52, M53) - LEATHER
7	135799-08-M54	EA	BUCKET SEAT - W/ARMRESTS (M54, M55) - LEATHER
7	135799-10-M57	EA	BUCKET SEAT - W/ARMRESTS (M56, M57) - LEATHER
8	135799-05-M52	EA	BUCKET SEAT - W/ARMRESTS - FOOTREST NOT INCLUDED (M52, M53)
8	135799-05-M54	EA	BUCKET SEAT - W/ARMRESTS - FOOTREST NOT INCLUDED (M54, M55)
8	135799-05-M57	EA	BUCKET SEAT - W/ARMRESTS - FOOTREST NOT INCLUDED (M56, M57)

CURTAIN & CUSHION GROUP (CONTINUED)**CUSHION LAYOUT (CONTINUED)**

KEY	PART NUMBER	U/M	DESCRIPTION
8	135799-11-M52	EA	BUCKET SEAT - W/ARMRESTS - FOOTREST NOT INCLUDED (M52, M53) - LEATHER
8	135799-11-M54	EA	BUCKET SEAT - W/ARMRESTS - FOOTREST NOT INCLUDED (M54, M55) - LEATHER
8	135799-12-M57	EA	BUCKET SEAT - W/ARMRESTS - FOOTREST NOT INCLUDED (M56, M57) - LEATHER
9	135477-01-M52	EA	CHAIR - RECLINER W/FOOTREST (M52, M53)
9	135477-01-M54	EA	CHAIR - RECLINER W/FOOTREST (M54, M55)
9	135477-01-M57	EA	CHAIR - RECLINER W/FOOTREST (M56, M57)
9	135477-04-M52	EA	CHAIR - RECLINER W/FOOTREST (M52, M53, M54, M55) - LEATHER
9	135477-04-M56	EA	CHAIR - RECLINER W/FOOTREST (M56, M57) - LEATHER
10	136278-01-M52	EA	SEAT - SOFA/BED - 70" (M52, M53)
10	136278-01-M54	EA	SEAT - SOFA/BED - 70" (M54, M55)
10	136278-01-M56	EA	SEAT - SOFA/BED - 70" (M55, M56)
10	136278-03-M52	EA	SEAT - SOFA/BED - 70" (M52, M53) - LEATHER
10	136278-03-M54	EA	SEAT - SOFA/BED - 70" (M54, M55) - LEATHER
10	136278-05-M56	EA	SEAT - SOFA/BED - 70" (M55, M56) - LEATHER
	P36278-01-M52	EA	COVER - SEAT - SOFA/BED - 70" (M52, M53)
	P36278-01-M54	EA	COVER - SEAT - SOFA/BED - 70" (M54, M55)
	P36278-01-M56	EA	COVER - SEAT - SOFA/BED - 70" (M56, M57)
	P36278-03-M52	EA	COVER - SEAT - SOFA/BED - 70" (M52, M53) - LEATHER
	P36278-03-M54	EA	COVER - SEAT - SOFA/BED - 70" (M54, M55) - LEATHER
	P36278-05-M56	EA	COVER - SEAT - SOFA/BED - 70" (M56, M57) - LEATHER
11	136278-02-M52	EA	BACK - SOFA/BED - 70" (M52, M53)
11	136278-02-M54	EA	BACK - SOFA/BED - 70" (M54, M55)
11	136278-02-M56	EA	BACK - SOFA/BED - 70" (M56, M57)
11	136278-04-M52	EA	BACK - SOFA/BED - 70" (M52, M53) - LEATHER
11	136278-04-M54	EA	BACK - SOFA/BED - 70" (M54, M55) - LEATHER
11	136278-06-M56	EA	BACK - SOFA/BED - 70" (M56, M57) - LEATHER
	P36278-02-M52	EA	COVER - BACK - SOFA/BED - 70" (M52, M53)
	P36278-02-M54	EA	COVER - BACK - SOFA/BED - 70" (M54, M55)
	P36278-02-M56	EA	COVER - BACK - SOFA/BED - 70" (M55, M56)
	P36278-04-M52	EA	COVER - BACK - SOFA/BED - 70" (M52, M53) - LEATHER
	P36278-04-M54	EA	COVER - BACK - SOFA/BED - 70" (M54, M55) - LEATHER
	P36278-06-M56	EA	COVER - BACK - SOFA/BED - 70" (M56, M57) - LEATHER
12	136286-01-M52	EA	ARMREST - RIGHT HAND (M52, M53)
12	136286-01-M54	EA	ARMREST - RIGHT HAND (M54, M55)
12	136286-01-M56	EA	ARMREST - RIGHT HAND (M56, M57)
12	136286-03-M52	EA	ARMREST - RIGHT HAND (M52, M53) - LEATHER
12	136286-03-M54	EA	ARMREST - RIGHT HAND (M54, M55) - LEATHER
12	136286-05-M56	EA	ARMREST - RIGHT HAND (M56, M57) - LEATHER
	135963-01-000	EA	SOFA - W/RIGHT ARM - W/SLOPE - 5" LEG (M52, M53)
	P36286-01-M52	EA	COVER/ARMREST - RIGHT HAND (M52, M53)
	P36286-01-M54	EA	COVER/ARMREST - RIGHT HAND (M54, M55)
	P36286-01-M56	EA	COVER/ARMREST - RIGHT HAND (M56, M57)
	P36286-03-M52	EA	COVER/ARMREST - RIGHT HAND (M52, M53) - LEATHER
	P36286-03-M54	EA	COVER/ARMREST - RIGHT HAND (M54, M55) - LEATHER
	P36286-05-M56	EA	COVER/ARMREST - RIGHT HAND (M56, M57) - LEATHER
13	136286-02-M52	EA	ARMREST - LEFT HAND (M52, M53)
13	136286-02-M54	EA	ARMREST - LEFT HAND (M54, M55)
13	136286-02-M56	EA	ARMREST - LEFT HAND (M56, M57)
13	136286-04-M52	EA	ARMREST - LEFT HAND (M52, M53) - LEATHER
13	136286-04-M54	EA	ARMREST - LEFT HAND (M54, M55) - LEATHER
13	136286-06-M56	EA	ARMREST - LEFT HAND (M54, M55) - LEATHER
	135963-02-000	EA	SOFA - W/LEFT ARM - W/SLOPE - 5" LEG (M52, M53)
	P36286-02-M52	EA	COVER/ARMREST - LEFT HAND (M52, M53)
	P36286-02-M54	EA	COVER/ARMREST - LEFT HAND (M54, M55)
	P36286-02-M56	EA	COVER/ARMREST - LEFT HAND (M56, M57)
	P36286-04-M52	EA	COVER/ARMREST - LEFT HAND (M52, M53) - LEATHER
	P36286-04-M54	EA	COVER/ARMREST - LEFT HAND (M54, M55) - LEATHER
	P36286-06-M56	EA	COVER/ARMREST - LEFT HAND (M56, M57) - LEATHER
	132870-03-000	EA	FRAME - 70" SOFA BASE - CUSTOM LOUNGE

CURTAIN & CUSHION GROUP (CONTINUED)
CUSHION LAYOUT (CONTINUED)



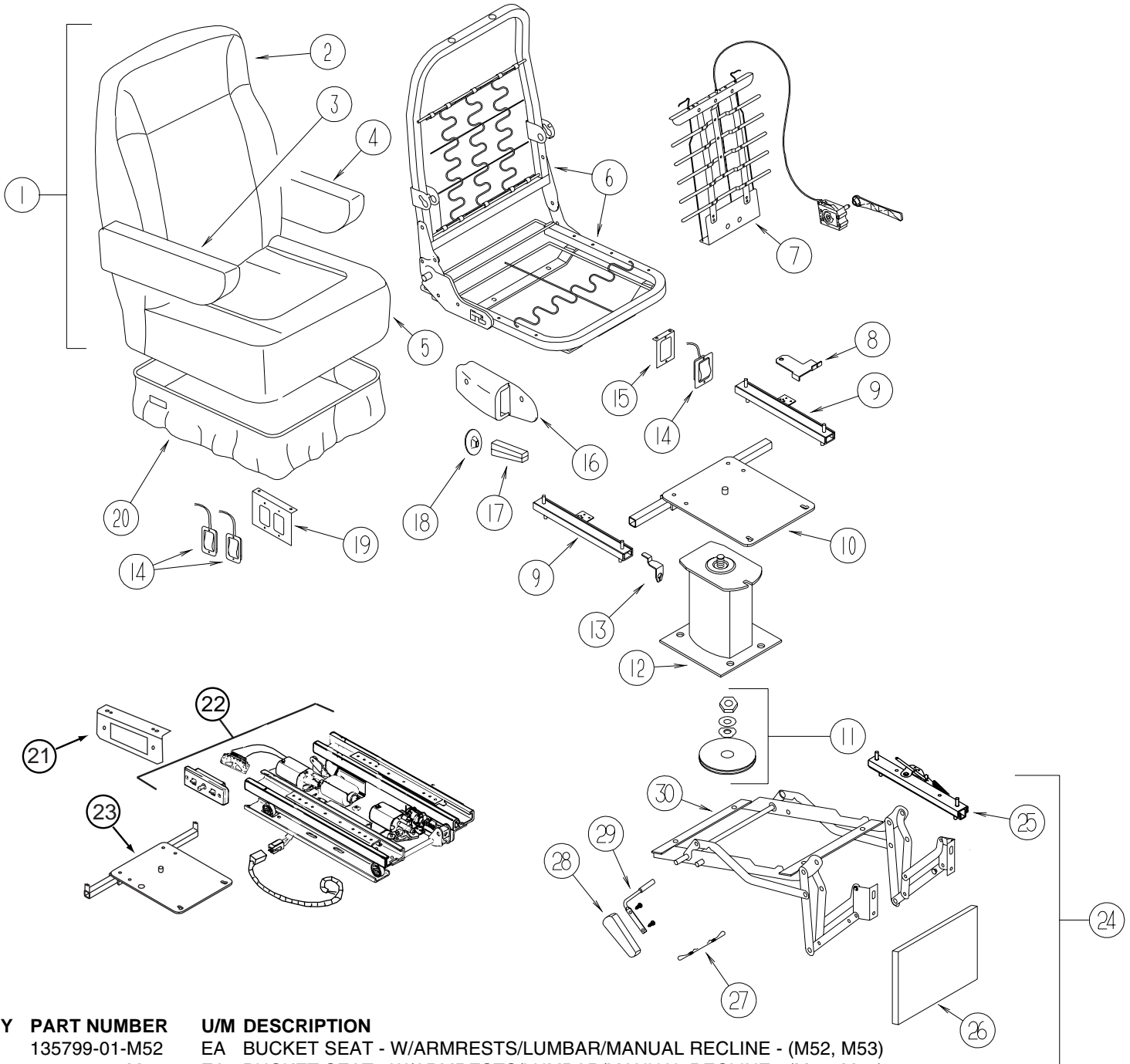
KEY	PART NUMBER	U/M	DESCRIPTION
	124656-96-000	EA	LOCK - CANADIAN
14	105603-01-M52	EA	CUSHION - SEAT - 23" X 36" X 5" (M52, M53)
14	105603-01-M54	EA	CUSHION - SEAT - 23" X 36" X 5" (M54, M55)
14	105603-01-M56	EA	CUSHION - SEAT - 23" X 36" X 5" (M56, M57)
	P05603-01-M52	EA	COVER - SEAT - 23" X 36" X 5" (M52, M53)
	P05603-01-M54	EA	COVER - SEAT - 23" X 36" X 5" (M54, M55)
	P05603-01-M56	EA	COVER - SEAT - 23" X 36" X 5" (M56, M57)
15	111897-03-M52	EA	CUSHION - BACK - 13.5" X 36" X 5" (M52, M53)
15	111897-03-M54	EA	CUSHION - BACK - 13.5" X 36" X 5" (M54, M55)
15	111897-03-M56	EA	CUSHION - BACK - 13.5" X 36" X 5" (M56, M57)
	P11897-03-M52	EA	COVER - BACK - 13.5" X 36" X 5" (M52, M53)
	P11897-03-M54	EA	COVER - BACK - 13.5" X 36" X 5" (M54, M55)
	P11897-03-M56	EA	COVER - BACK - 13.5" X 36" X 5" (M56, M57)
	078155-01-000	EA	STRAP - SNAP - BACK CUSHION
16	134017-07-000	EA	CHAIR - DINETTE - GRANITE/CHERRY (M52) FROM: 00-00-00 THRU: 02-11-01
16	134017-39-000	EA	CHAIR - DINETTE - GRANITE/BRIARWOOD CHERRY (M52) FROM: 02-12-01 THRU: 99-99-99
16	134017-16-000	EA	CHAIR - DINETTE - GRANITE/PORTSMOUTH OAK (M53)
16	134017-17-000	EA	CHAIR - DINETTE - WILLOW/CHERRY (M54) FROM: 00-00-00 THRU: 02-11-01
16	134017-40-000	EA	CHAIR - DINETTE - WILLOW/BRIARWOOD CHERRY (M54) FROM: 02-12-01 THRU: 99-99-99
16	134017-18-000	EA	CHAIR - DINETTE - WILLOW/PORTSMOUTH OAK (M55)
16	134014-04-000	EA	CHAIR - DINETTE - PACIFIC/CHERRY (M56) FROM: 00-00-00 THRU: 02-11-01
16	134017-41-000	EA	CHAIR - DINETTE - PACIFIC/BRIARWOOD CHERRY (M56) FROM: 02-12-01 THRU: 99-99-99
16	134017-19-000	EA	CHAIR - DINETTE - PACIFIC/PORTSMOUTH OAK (M57)
16	135600-14-000	EA	CHAIR - FOLDING - GRANITE/SALEM CHERRY (M52)
16	135600-15-000	EA	CHAIR - FOLDING - GRANITE/PORTSMOUTH OAK (M53)
16	135600-16-000	EA	CHAIR - FOLDING - WILLOW/CHERRY (M54)

CURTAIN & CUSHION GROUP (CONTINUED)
CUSHION LAYOUT (CONTINUED)

KEY	PART NUMBER	U/M	DESCRIPTION
16	135600-17-000	EA	CHAIR - FOLDING - WILLOW/PORTSMOUTH OAK (M55)
16	135600-18-000	EA	CHAIR - FOLDING - PACIFIC/CHERRY (M56)
16	135600-19-000	EA	CHAIR - FOLDING - PACIFIC/PORTSMOUTH OAK (M57)
17	121906-01-02B	EA	BRACKET - KICKBOARD - E-COATED
18	127335-07-000	EA	LEG - SOFA/BED
19	120992-18-M52	EA	PANEL/FRONT KICK - SOFA/BED - 70" - FABRIC COVERED (M52, M53)
19	120992-18-M54	EA	PANEL/FRONT KICK - SOFA/BED - 70" - FABRIC COVERED (M54, M55)
19	120992-18-M78	EA	PANEL/FRONT KICK - SOFA/BED - 70" - FABRIC COVERED (M56, M57)
19	120992-27-M52	EA	PANEL/FRONT KICK - SOFA/BED - 70" - FABRIC COVERED (M52, M53) - LEATHER
19	120992-27-M54	EA	PANEL/FRONT KICK - SOFA/BED - 70" - FABRIC COVERED (M54, M55) - LEATHER
19	120992-19-L76	EA	PANEL/FRONT KICK - SOFA/BED - 70" - FABRIC COVERED (M56, M57) - LEATHER

CURTAIN & CUSHION GROUP (CONTINUED)

BUCKET SEATS

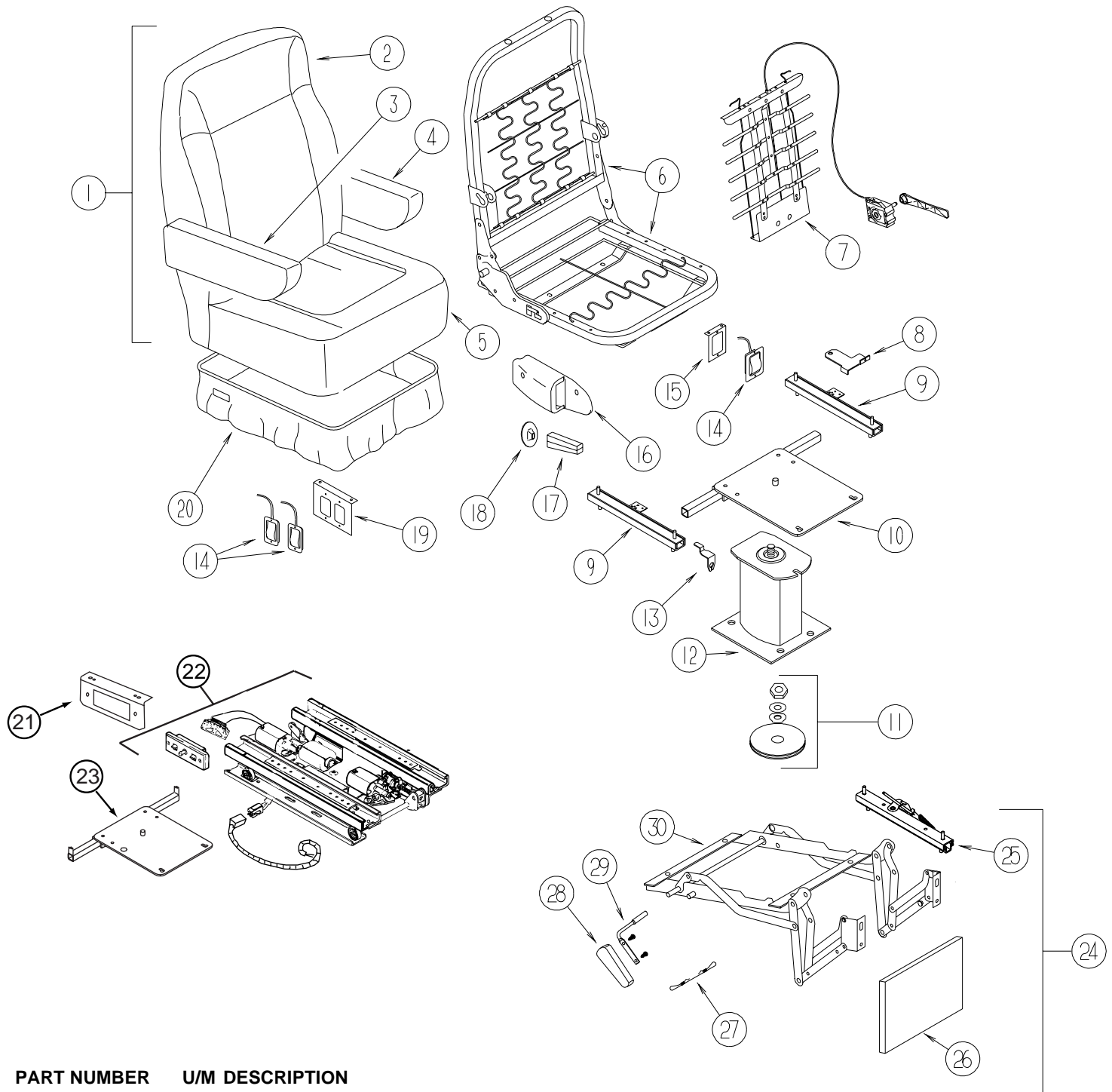


KEY	PART NUMBER	U/M	DESCRIPTION
1	135799-01-M52	EA	BUCKET SEAT - W/ARMRESTS/LUMBAR/MANUAL RECLINE - (M52, M53)
1	135799-01-M54	EA	BUCKET SEAT - W/ARMRESTS/LUMBAR/MANUAL RECLINE - (M54, M55)
1	135799-01-M57	EA	BUCKET SEAT - W/ARMRESTS/LUMBAR/MANUAL RECLINE - (M56, M57)
1	135799-07-M52	EA	BUCKET SEAT - W/ARMRESTS/LUMBAR - (M52, M53) - LEATHER
1	135799-07-M54	EA	BUCKET SEAT - W/ARMRESTS/LUMBAR - (M54, M55) - LEATHER
1	135799-09-M57	EA	BUCKET SEAT - W/ARMRESTS/LUMBAR - (M56, M57) - LEATHER
1	135799-02-M52	EA	BUCKET SEAT - W/ARMRESTS/MANUAL RECLINE - (M52, M53)
1	135799-02-M54	EA	BUCKET SEAT - W/ARMRESTS/MANUAL RECLINE - (M54, M55)
1	135799-02-M57	EA	BUCKET SEAT - W/ARMRESTS/MANUAL RECLINE - (M56, M57)
1	135799-08-M52	EA	BUCKET SEAT - W/ARMRESTS - (M52, M53) - LEATHER
1	135799-08-M54	EA	BUCKET SEAT - W/ARMRESTS - (M54, M55) - LEATHER
1	135799-10-M57	EA	BUCKET SEAT - W/ARMRESTS - (M56, M57) - LEATHER
1	135799-05-M52	EA	BUCKET SEAT - W/ARMRESTS - FOOTREST NOT INCLUDED - (M52, M53)
1	135799-05-M54	EA	BUCKET SEAT - W/ARMRESTS - FOOTREST NOT INCLUDED - (M54, M55)
1	135799-05-M57	EA	BUCKET SEAT - W/ARMRESTS - FOOTREST NOT INCLUDED - (M56, M57)
1	135799-11-M52	EA	BUCKET SEAT - W/ARMRESTS - FOOTREST NOT INCLUDED - (M52, M53) - LEATHER
1	135799-11-M54	EA	BUCKET SEAT - W/ARMRESTS - FOOTREST NOT INCLUDED - (M54, M55) - LEATHER
1	135799-12-M57	EA	BUCKET SEAT - W/ARMRESTS - FOOTREST NOT INCLUDED - (M56, M57) - LEATHER
	130184-01-01A	EA	PROTECTOR - SEAT - CLEAR

CURTAIN & CUSHION GROUP (CONTINUED)
BUCKET SEATS (CONTINUED)

KEY	PART NUMBER	U/M	DESCRIPTION
2	M05962-C5-M52	EA	COVER - BACK (M52, M53)
2	M05962-C5-M54	EA	COVER - BACK (M54, M55)
2	M05962-C5-M57	EA	COVER - BACK (M56, M57)
2	M05962-C9-M52	EA	COVER - BACK - (M52, M53) - LEATHER
2	M05962-C9-M54	EA	COVER - BACK - (M54, M55) - LEATHER
2	M05962-D1-M57	EA	COVER - BACK - (M56, M57) - LEATHER
3	129666-13-M52	EA	ARMREST - RIGHT HAND (M52, M53)
3	129666-13-M54	EA	ARMREST - RIGHT HAND (M54, M55)
3	129666-17-M52	EA	ARMREST - RIGHT HAND - LEATHER
	P29666-13-M52	EA	COVER - ARMREST/RIGHT HAND (M52, M53)
	P29666-13-M54	EA	COVER - ARMREST/RIGHT HAND (M54, M55)
	P29666-13-M57	EA	COVER - ARMREST/RIGHT HAND (M56, M57)
	P29666-17-M52	EA	COVER - ARMREST/RIGHT HAND - LEATHER
	122622-04-000	EA	BRACKET - ARMREST/RIGHT HAND
	122622-06-000	EA	KNOB - W/3/8" THREAD INSERT
	130699-01-000	EA	ARMREST - MOLDED - RIGHT HAND W/O COVER
4	129666-14-M52	EA	ARMREST - LEFT HAND (M52, M53)
4	129666-14-M54	EA	ARMREST - LEFT HAND (M52, M53)
4	129666-14-M57	EA	ARMREST - LEFT HAND (M52, M53)
4	129666-18-M52	EA	ARMREST - LEFT HAND - LEATHER
	P29666-18-M52	EA	COVER - ARMREST/LEFT HAND - LEATHER
	P29666-14-M52	EA	COVER - ARMREST/LEFT HAND (M52, M53)
	P29666-14-M54	EA	COVER - ARMREST/LEFT HAND (M54, M55)
	P29666-14-M57	EA	COVER - ARMREST/LEFT HAND (M56, M57)
	122622-05-000	EA	BRACKET - ARMREST/LEFT HAND
	122622-06-000	EA	KNOB - W/3/8" THREAD INSERT
	130699-02-000	EA	ARMREST - MOLDED - LEFT HAND W/O COVER
5	M05962-C6-M52	EA	COVER - SEAT (M52, M53)
5	M05962-C6-M54	EA	COVER - SEAT (M54, M55)
5	M05962-C6-M57	EA	COVER - SEAT (M56, M57)
5	M05962-D0-M52	EA	COVER - SEAT (M52, M53) - LEATHER
5	M05962-D0-M54	EA	COVER - SEAT (M54, M55) - LEATHER
5	M05962-D2-M57	EA	COVER - SEAT (M56, M57) - LEATHER
6	134532-01-000	EA	FRAME - SEAT/HIGH BACK
	116104-04-02B	EA	BRACKET - ZEE W/HOLES - 3.2"
7	122611-02-000	EA	LUMBAR - W/LEVER
8	117125-01-02B	EA	BRACKET - CABLE MOUNT - ADJUSTER W/LOCK
9	131566-04-000	EA	SLIDE/SEAT - HEAVY DUTY LOCKING - 5"
9	119952-07-000	EA	WIRE - LATCH RELEASE/ROTARY
10	107921-05-000	EA	TOP PLATE - W/SEAT BELT BAR
			FROM: 00-00-00 THRU: 09-30-00
10	133408-08-000	EA	TOP PLATE - W/BAR - DRIVER
			FROM: 10-01-00 THRU: 99-99-99
10	133408-02-000	EA	TOP PLATE - SINGLE SIDE BELT - PASSENGER
			FROM: 10-01-00 THRU: 99-99-99
	133408-03-000	EA	BRACKET - ANCHORAGE/PEDESTAL
11	107921-06-000	EA	BEARING KIT - PEDESTAL
12	107921-01-000	EA	PEDESTAL/FLOOR MOUNTED - W/9.75" EXTENSION
			FROM: 00-00-00 THRU: 09-30-00
12	133408-01-000	EA	PEDESTAL/SEAT - 9 3/4"
			FROM: 10-01-00 THRU: 99-99-99
12	107921-14-000	EA	PEDESTAL/FLOOR MOUNTED - W/5.75" EXTENSION - W/6 WAY POWER
			FROM: 00-00-00 THRU: 09-30-00
12	133408-05-000	EA	PEDESTAL/SEAT - 5.75" - W/6 WAY POWER
			FROM: 10-01-00 THRU: 99-99-99
13	108049-02-000	EA	CLIP - CABLE/PEDESTAL
14	108049-04-000	EA	CABLE - W/MINI LEVER ACTION SWITCH - 28" SHEATH/30" CABLE
15	127159-01-02B	EA	BRACKET - SEAT RELEASE - SINGLE REMOTE
16	080730-09-000	EA	SHIELD - RECLINER HANDLE
17	080730-08-000	EA	HANDLE - RECLINER
18	080730-11-000	EA	SHIELD - RUBBER BOOT
19	127159-02-02B	EA	BRACKET - SEAT RELEASE - DUAL REMOTE

CURTAIN & CUSHION GROUP (CONTINUED)
BUCKET SEATS (CONTINUED)



KEY	PART NUMBER	U/M	DESCRIPTION
20	071126-82-M52	EA	SKIRT - WIDE - 10.5" OPEN CORNER (M52, M53)
20	071126-82-M54	EA	SKIRT - WIDE - 10.5" OPEN CORNER (M54, M55)
20	071126-82-M57	EA	SKIRT - WIDE - 10.5" OPEN CORNER (M56, M57)
20	071126-83-M52	EA	SKIRT - WIDE - 10.5" - FOOTREST (M52, M53)
20	071126-83-M54	EA	SKIRT - WIDE - 10.5" - FOOTREST (M54, M55)
20	071126-83-M57	EA	SKIRT - WIDE - 10.5" - FOOTREST (M56, M57)
20	071126-77-L76	EA	SKIRT - 10.5" OPEN CORNER (STANDARD & 6-WAY POWER) LEATHER
20	071126-79-L76	EA	SKIRT - 10.5" (FOOTREST) - LEATHER
21	128699-01-02B	EA	BRACKET - SEAT SWITCH - E-COATED
22*	081373-03-000	EA	SEAT - POWER 6 WAY
23	107921-18-000	EA	PLATE - TOP - POWER - 6-WAY
23	133408-14-000	EA	TOP PLATE

FROM: 00-00-00 THRU: 09-30-00

FROM: 10-01-00 THRU: 99-99-99

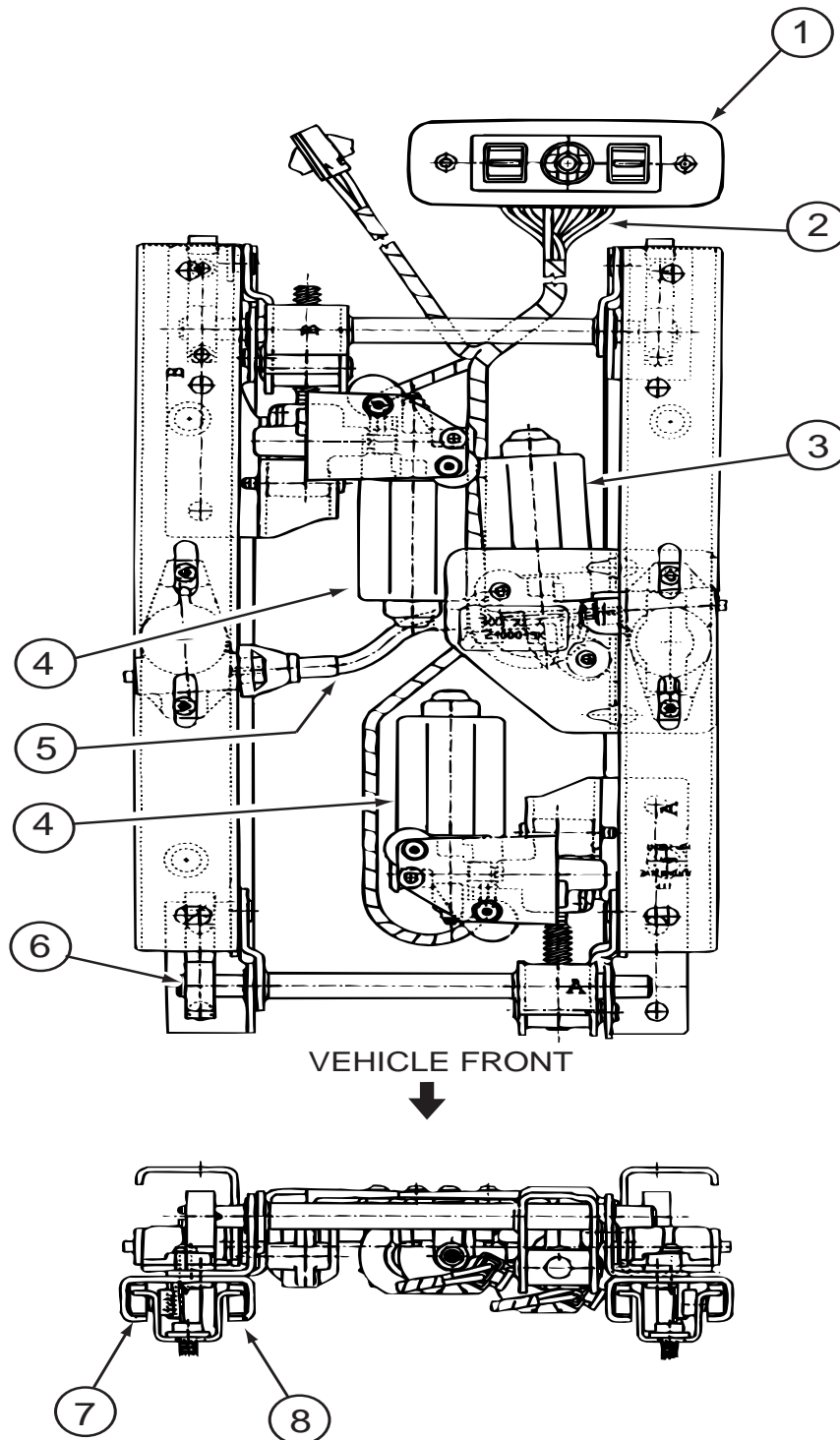
CURTAIN & CUSHION GROUP (CONTINUED)

BUCKET SEATS (CONTINUED)

KEY	PART NUMBER	U/M	DESCRIPTION
24	131613-05-M52	EA	FOOTREST - PASSENGER BUCKET SEAT (M52, M53)
24	131613-05-M54	EA	FOOTREST - PASSENGER BUCKET SEAT (M54, M55)
24	131613-05-M57	EA	FOOTREST - PASSENGER BUCKET SEAT (M56, M57)
24	131613-04-L52	EA	FOOTREST - PASSENGER BUCKET SEAT - LEATHER
25	131566-04-000	EA	SLIDE/SEAT - HEAVY DUTY LOCKING - 5"
	131566-05-000	EA	WASHER - SLIDE SPACER
	131566-07-000	EA	5" DOUBLE LOCKING SLIDE W/TAB
26	131613-99-000	EA	FOOTREST/WOOD - W/T-NUT
27	131566-06-000	EA	WIRE - LATCH/RELEASE - 5"
28	131566-03-000	EA	WOOD HANDLE
29	131566-02-000	EA	ROD/LEVER - FOOT-REST EXTENSION
30	131566-01-000	EA	FOOTREST - MECHANICAL

***COMPONENT PARTS LISTED LATER IN THIS GROUP**

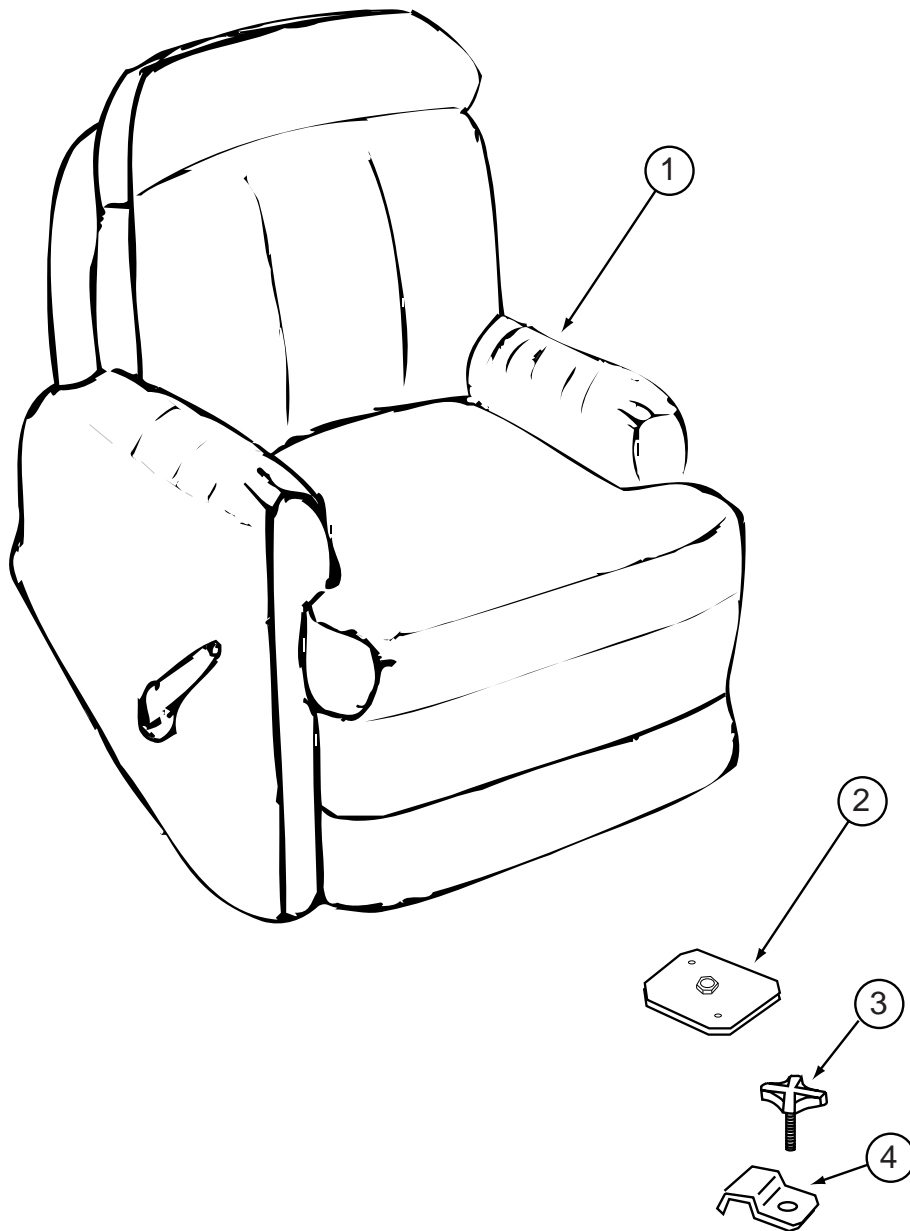
CURTAIN & CUSHION GROUP (CONTINUED)
COMPONENT PARTS FOR BUCKET SEATS



081373-03-000

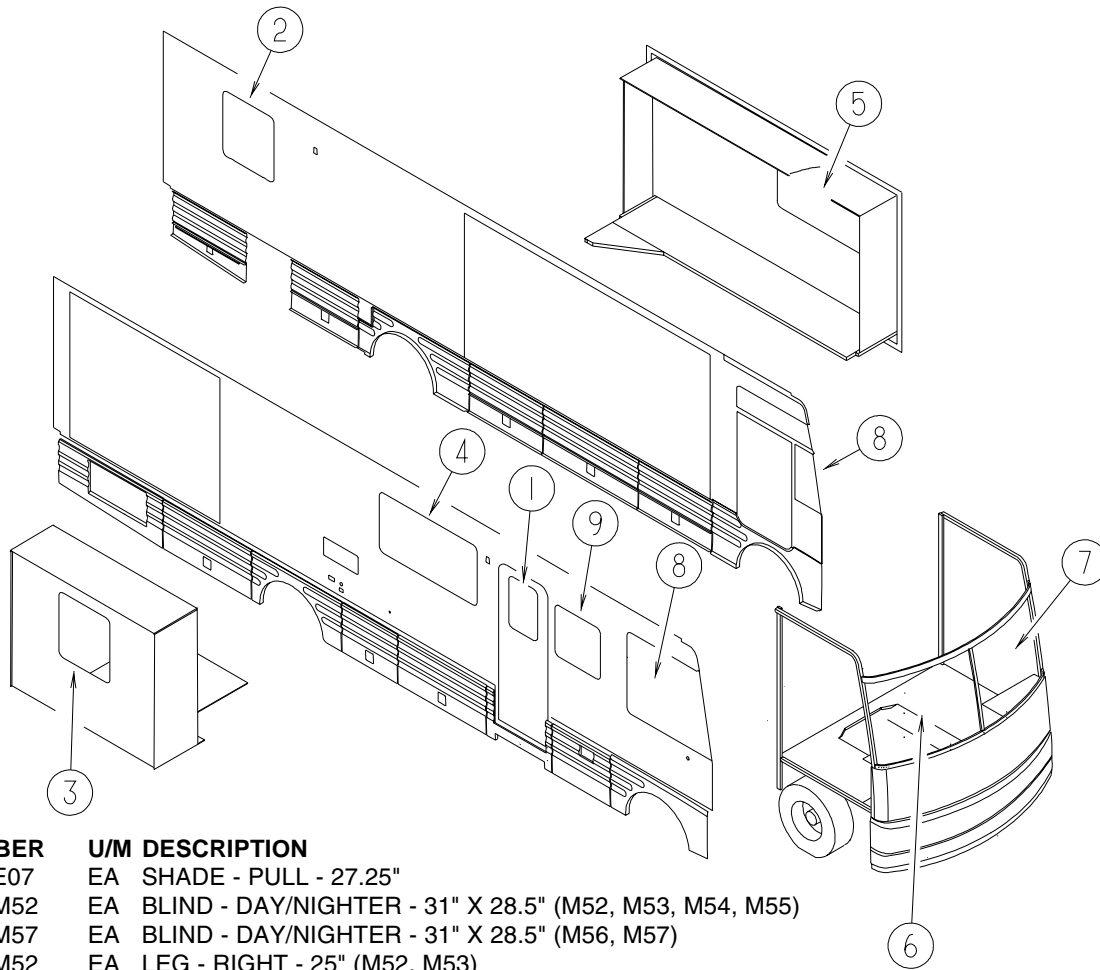
KEY	PART NUMBER	U/M	DESCRIPTION	VENDOR NO.
1	081373-03-700	EA	SWITCH POWER	22137945
2	081373-03-701	EA	WIRE HARNESS ASM., LT. SIDE	22138093
2	081373-03-702	EA	WIRE HARNESS ASM., RT. SIDE	22138094
3	081373-02-703	EA	MOTOR PKG. ADJ. HORIZONTAL	22063237 & H-195
4	081373-02-704	EA	MOTOR PKG. ADJ. VERTICAL	22063238 & H-196
5	081373-03-704	EA	DRIVE CABLE	22143984
6	081373-03-705	EA	SPRING	22048978
7	081373-03-706	EA	SHOE GUIDE (WHITE)	22048993
8	081373-03-707	EA	SHOE GUIDE (BLACK)	22048994
	081373-03-703	EA	SWITCH-CHROME-PLASTIC F/POWER SEAT 6-WAY	

CURTAIN & CUSHION GROUP (CONTINUED)
LOUNGE CHAIR



KEY	PART NUMBER	U/M	DESCRIPTION
1	135477-01-M52	EA	CHAIR - RECLINER W/FOOTREST (M52, M53)
1	135477-01-M54	EA	CHAIR - RECLINER W/FOOTREST (M54, M55)
1	135477-01-M57	EA	CHAIR - RECLINER W/FOOTREST (M56, M57)
1	P35477-01-M52	EA	COVER - RECLINER W/FOOTREST (M52, M53)
1	P35477-01-M54	EA	COVER - RECLINER W/FOOTREST (M54, M55)
1	P35477-01-M57	EA	COVER - RECLINER W/FOOTREST (M56, M57)
1	135477-04-M52	EA	CHAIR - RECLINER W/FOOTREST (M52, M53, M54, M55) - LEATHER
1	135477-04-M56	EA	CHAIR - RECLINER W/FOOTREST (M56, M57) - LEATHER
1	P35477-04-M52	EA	COVER - RECLINER W/FOOTREST (M52, M53, M54, M55) - LEATHER
1	P35477-04-M56	EA	COVER - RECLINER W/FOOTREST (M56, M57) - LEATHER
2	134128-02-02B	EA	PLATE ASM-W/HOLES,E-COAT
3	134194-01-01A	EA	KNOB - HOLD DOWN - RECLINER - BLACK
4	134057-01-11B	EA	BRACKET - RECLINER - FLAT BLACK
	134324-01-000	EA	E-CLIP - PHOSPHORUS FINISH

CURTAIN & CUSHION GROUP (CONTINUED)
WINDOW TREATMENT

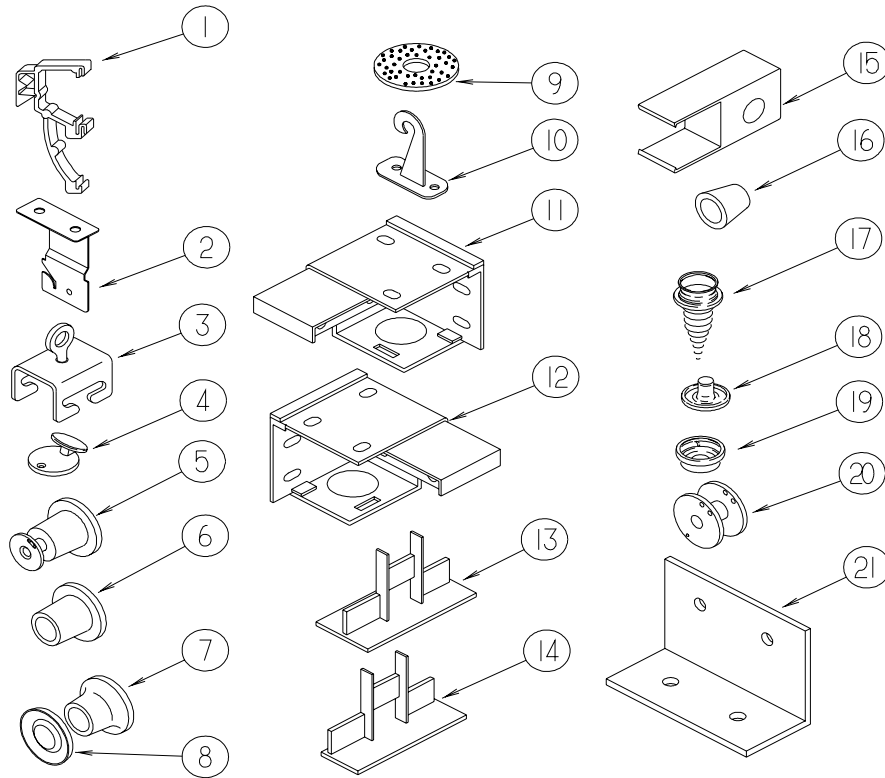


KEY	PART NUMBER	U/M	DESCRIPTION
1	084755-57-E07	EA	SHADE - PULL - 27.25"
2	111910-59-M52	EA	BLIND - DAY/NIGHTER - 31" X 28.5" (M52, M53, M54, M55)
2	111910-59-M57	EA	BLIND - DAY/NIGHTER - 31" X 28.5" (M56, M57)
2	123910-85-M52	EA	LEG - RIGHT - 25" (M52, M53)
2	123910-85-M54	EA	LEG - RIGHT - 25" (M54, M55)
2	123910-85-M56	EA	LEG - RIGHT - 25" (M56, M57)
2	123910-86-M52	EA	LEG - LEFT - 32" (M52, M53)
2	123910-86-M54	EA	LEG - LEFT - 32" (M54, M55)
2	123910-86-M56	EA	LEG - LEFT - 32" (M56, M57)
2	132985-08-M52	EA	VALANCE - YORK - 34" (M52, M53)
2	132985-08-M54	EA	VALANCE - YORK - 34" (M54, M55)
2	132985-08-M56	EA	VALANCE - YORK - 34" (M56, M57)
3	111910-64-M52	EA	BLIND - DAY/NIGHTER - 31" X 35" (M52, M53, M54, M55)
3	123910-87-M52	EA	LEG - RIGHT - 27" (M52, M53)
3	123910-87-M54	EA	LEG - RIGHT - 27" (M54, M55)
3	123910-87-M56	EA	LEG - RIGHT - 27" (M56, M57)
3	123910-88-M52	EA	LEG - LEFT - 27" (M52, M53)
3	123910-88-M54	EA	LEG - LEFT - 27" (M54, M55)
3	123910-88-M56	EA	LEG - LEFT - 27" (M56, M57)
3	132985-09-M52	EA	VALANCE - YORK - 34" (M52, M53)
3	132985-09-M54	EA	VALANCE - YORK - 34" (M54, M55)
3	132985-09-M56	EA	VALANCE - YORK - 34" (M56, M57)
4	111910-40-M52	EA	BLIND - DAY/NIGHTER - 58" X 33" (M52, M53, M54, M55)
4	111910-67-M52	EA	BLIND - DAY/NIGHTER - 61" X 33" (M52, M53, M54, M55) - W/ TV- 19" MID COACH
4	132983-02-M52	EA	LAMBREQUIN - EASTLAKE - 61" (M52, M53)
4	132983-02-M54	EA	LAMBREQUIN - EASTLAKE - 61" (M54, M55)
4	132983-02-M56	EA	LAMBREQUIN - EASTLAKE - 61" (M56, M57)
4	132983-06-M52	EA	LAMBREQUIN - EASTLAKE - 63" (M52, M53) - W/ TV- 19" MID COACH
4	132983-06-M54	EA	LAMBREQUIN - EASTLAKE - 63" (M54, M55) - W/ TV- 19" MID COACH
4	132983-06-M56	EA	LAMBREQUIN - EASTLAKE - 63" (M56, M57) - W/ TV- 19" MID COACH

CURTAIN & CUSHION GROUP (CONTINUED)
WINDOW TREATMENT (CONTINUED)

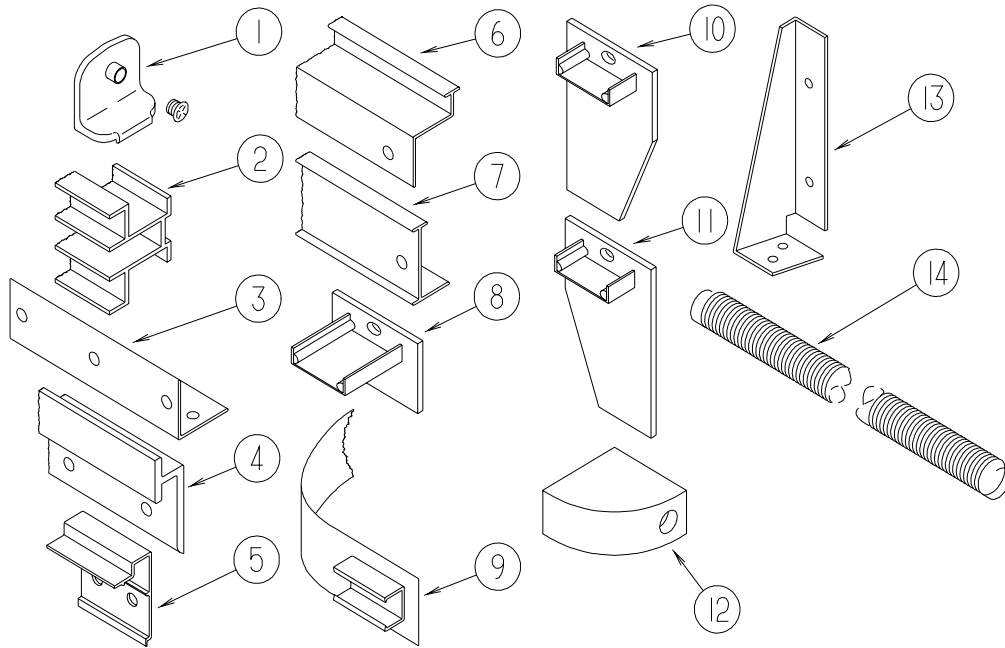
KEY	PART NUMBER	U/M	DESCRIPTION
5	111910-57-M70	EA	BLIND - DAY/NIGHTER - 61" X 28.5" (M52, M53, M54, M55)
5	132983-01-M70	EA	LAMBREQUIN - EASTLAKE - 63" (M52, M53)
5	132983-01-M72	EA	LAMBREQUIN - EASTLAKE - 63" (M54, M55)
5	132983-01-M56	EA	LAMBREQUIN - EASTLAKE - 63" (M56, M57)
6	093487-17-01A	EA	CURTAIN - WRAPAROUND/PRIVACY/PLEATED - DRVR -38.25" X 108"
7	093487-16-01A	EA	CURTAIN - WRAPAROUND/PRIVACY/PLEATED - PASS -38.25" X 108"
8	126841-03-000	EA	SHADE - PULL - CHARCOAL MESH - 40.3" X 60"
9	111910-20-M47	EA	BLIND - DAY/NIGHTER - 28" X 28" (M52, M53, M54, M55)
9	132983-03-M52	EA	LAMBREQUIN - EASTLAKE - 30" (M52, M53)
9	132983-03-M54	EA	LAMBREQUIN - EASTLAKE - 30" (M54, M55)
9	132983-03-M56	EA	LAMBREQUIN - EASTLAKE - 30" (M56, M57)

CURTAIN & CUSHION GROUP (CONTINUED)
WINDOW TREATMENT (CONTINUED)



KEY	PART NUMBER	U/M	DESCRIPTION
1	109353-04-000	EA	CLIP - VALANCE SLAT MOUNTING - CLEAR PLASTIC
2	084434-01-000	EA	BRACKET - MOUNTING - ROLLER SHADE - 1 3/8"
	096843-01-000	EA	SPRING - REWIND/ROLLER SHADE
3	009702-01-000	EA	END STOP - CURTAIN CARRIER - L ROD
4	102555-03-000	EA	CLEAT - BLIND CORD - MILKY WHITE PLASTIC
5	097592-02-000	EA	SPOOL - CORD - ELEVATED BLIND HOLDUP - LARGE - CLEAR
6	094896-02-000	EA	GROMMET - CORD/PLEATED BLIND - NYLON - GRAY
7	046867-03-000	EA	GROMMET - HANDY BUTTON #3
8	046867-02-000	EA	WASHER - HANDY BUTTON #3
9	103242-01-000	EA	VELCRO HOOK - BEIGE 7/8" ROUND W/CENTER HOLE
9	103242-02-000	EA	VELCRO HOOK - BLACK 7/8" ROUND W/CENTER HOLE
10	109441-03-000	EA	BRACKET/HOOK - BLIND HOLD DOWN - CLOUDY
11	083170-01-000	EA	BRACKET/BLIND - LEFT SIDE WHEN FACING WINDOW - CLEAR
12	083170-02-000	EA	BRACKET/BLIND - RIGHT SIDE WHEN FACING WINDOW - CLEAR
13	094907-04-000	EA	END CAP - PLEATED BLIND/BOTTOM - RH & LH
14	094907-02-000	EA	END CAP - PLEATED BLIND/TOP - PLASTIC - GRAY
15	101033-02-000	EA	END CAP - LOW PROFILE TRACK - CLEAR
16	097564-03-000	EA	HANDLE - KNOB - E-Z LIFT SHADE - TAN
16	097564-05-000	EA	HANDLE - KNOB - E-Z LIFT SHADE - TEAL
16	097564-06-000	EA	HANDLE - KNOB - E-Z LIFT SHADE - ALABASTER
16	097564-08-000	EA	HANDLE - KNOB - E-Z LIFT SHADE - PLUM
17	029130-01-000	EA	SCREW - SNAP STUD - #8-16 X 3/8" LONG
17	029130-03-000	EA	SCREW - SNAP STUD - #8-16 X 1" LONG
18	029155-01-000	EA	CAP - SNAP - 5/32" OUTSIDE DIAMETER OF PIN
19	029156-01-000	EA	SOCKET - SNAP - 9/16" O.D.
20	097592-01-000	EA	SPOOL - CORD - ELEVATED BLIND HOLDUP - SMALL - CLEAR
21	083125-07-000	EA	BRACE - ANGLE/COUCH - 2.5" - OFF WHITE
21	083125-08-000	EA	BRACE - WINDOW MOUNT - .75" - OFF WHITE

CURTAIN & CUSHION GROUP (CONTINUED)
WINDOW TREATMENT (CONTINUED)

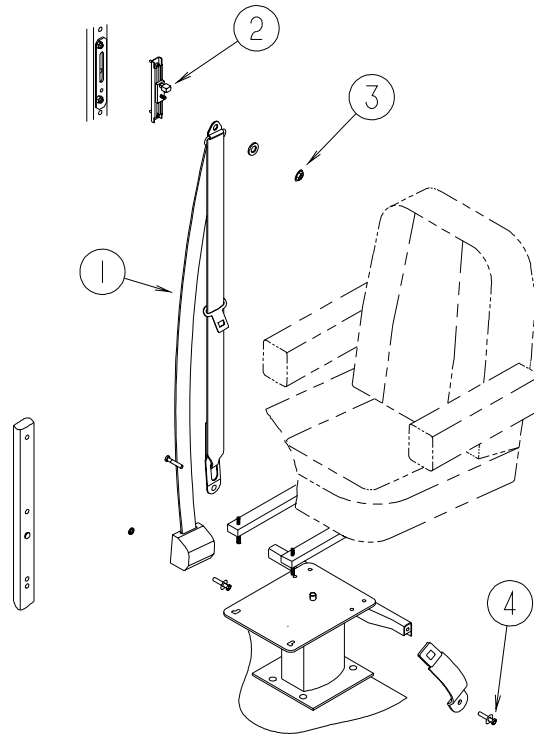


KEY	PART NUMBER	U/M	DESCRIPTION
1	106544-01-000	EA	PULL - SHADE/BRASS
	106544-01-001	EA	SCREW - SHADE/BRASS
2	101033-03-000	FT	TRACK/WALL - 101" - WHITE
2	101033-08-000	EA	TRACK/WALL - 75"
2	101033-09-000	EA	TRACK/WALL - 32"
3	105648-01-02A	EA	BRACE - VALANCE - OFF/WHITE - 14"
3	075943-10-000	EA	BRACE - VALANCE - 20" - OFF WHITE
4	127254-03-02A	EA	TRACK/WRAPAROUND - PASSENGER - ANTELOPE - F SERIES
4	127254-03-03A	EA	TRACK/WRAPAROUND - PASSENGER - TITANIUM - F SERIES
4	127254-04-02A	EA	TRACK/WRAPAROUND - DRIVER - ANTELOPE - F SERIES
4	127254-04-03A	EA	TRACK/WRAPAROUND - DRIVER - TITANIUM - F SERIES
4	133235-01-03A	EA	TRACK - CURTAIN/LEFT HAND - CADDY CREAM - P SERIES
4	133236-01-03A	EA	TRACK - CURTAIN/RIGHT HAND - CADDY CREAM - P SERIES
5	097565-01-000	EA	BRACKET - MOUNTING/PLEATED BLIND
6	105450-14-01A	EA	TRACK - CURTAIN - 90" - OFF WHITE - 300 SERIES
7	009700-04-002	EA	TRACK - CURTAIN - L SHAPED - 15.5' - OFF WHITE - 400 SERIES
7	126456-03-02A	EA	TRACK/WRAPAROUND - PASSENGER - ANTELOPE - L & G SERIES
7	126456-03-03A	EA	TRACK/WRAPAROUND - PASSENGER - TITANIUM - L SERIES
7	126456-04-02A	EA	TRACK/WRAPAROUND - DRIVER - ANTELOPE - L & G SERIES
7	126456-04-03A	EA	TRACK/WRAPAROUND - DRIVER - TITANIUM - L-SERIES
7	118896-05-03A	EA	TRACK/WRAPAROUND - PASSENGER - CADDY CREAM - Q-SERIES
7	118897-04-03A	EA	TRACK/WRAPAROUND - DRIVER - CADDY CREAM - Q-SERIES
8	094907-06-000	EA	HARDWARE - END CAP - E-Z LIFT - TOP
9	101031-01-000	YD	TAPE/GLIDE - 4.25" SPACING
10	094907-05-700	EA	END CAP-RH BOTTOM BLIND
11	094907-05-701	EA	END CAP-LH BOTTOM BLIND
12	132504-01-M91	EA	BRACKET/SHADE - LAMINATED - W/EDGE BAND MOLDING - RIALTA SERIES
13	076827-02-000	EA	BRACKET/LEG - 2.9" X 1.8" - TRIANGULAR - LEFT/E-COATED
14	097591-01-000	EA	SPRING - EXTENSION/PLEATED BLIND
	097593-02-000	FT	CORD - BLIND - PLEATED - GRAY
	097593-06-000	FT	CORD - BLIND - PLEATED - PEWTER
	097593-07-000	FT	CORD - BLIND - PLEATED - PALE JADE
	097593-10-000	FT	CORD - BLIND - PLEATED - VANILLA

CURTAIN & CUSHION GROUP (CONTINUED)

ACCESSORIES

KEY	PART NUMBER	U/M	DESCRIPTION
	007021-01-000	EA	SEAT BELT - 2" X 90" - BLACK
	056271-01-000	EA	SEAT BELT - 2" X 102" - BLACK
	056271-02-000	EA	SEAT BELT - 2" X 72" - BLACK
	057759-01-000	EA	WASHER - FLAT F/SEAT BELT - 4" DIAMETER
	129529-02-000	EA	STRAP - CHAIR RETAINING - 81.9"
	129491-01-000	EA	CATCH - SNAP HOOK - 1"
	057534-03-000	EA	TIEBACK - CLEAR PLASTIC - 7.5"



KEY	PART NUMBER	U/M	DESCRIPTION
1*	091990-08-01A	EA	SEAT BELT - 3 POINT - .766" DIAMETER HOLE IN D-LOOP BRKT
2	127598-01-01A	EA	ADJUSTER - SEATBELT - D-LOOP
3	127598-02-000	EA	NUT - HEX FLANGE - M10 X 1.5 - CLASS 10
4	095076-02-000	EA	WASHER - FL - 7/16"ID X 2"OD X .06

*COMPONENT PARTS LISTED LATER IN THIS GROUP

CURTAIN & CUSHION GROUP (CONTINUED)

COMPONENT PARTS ACCESSORIES

091990-08-01A

KEY	PART NUMBER	U/M	DESCRIPTION	VENDOR NO.
	091990-08-01A	EA	SEAT BELT - 3 POINT - .766" DIAMETER HOLE IN D-LOOP BRKT	
	091900-01-701	EA	REGULATOR-ELECTRIC, BLUE BOX	57C-08X11R
	091900-01-703	EA	HARNESS ASSEMBLY-WIPERMODULE	250-3552
	091990-05-700	EA	SLEEVE/BUCKLE COVER-PLASTIC	209S-2
	091990-05-701	EA	CAP/COVER - BOLT HOLE COVER	209SC-02
	091990-05-702	EA	SLEEVE/RETRACTABLE COVER	309C-02

CURTAIN & CUSHION GROUP (CONTINUED)

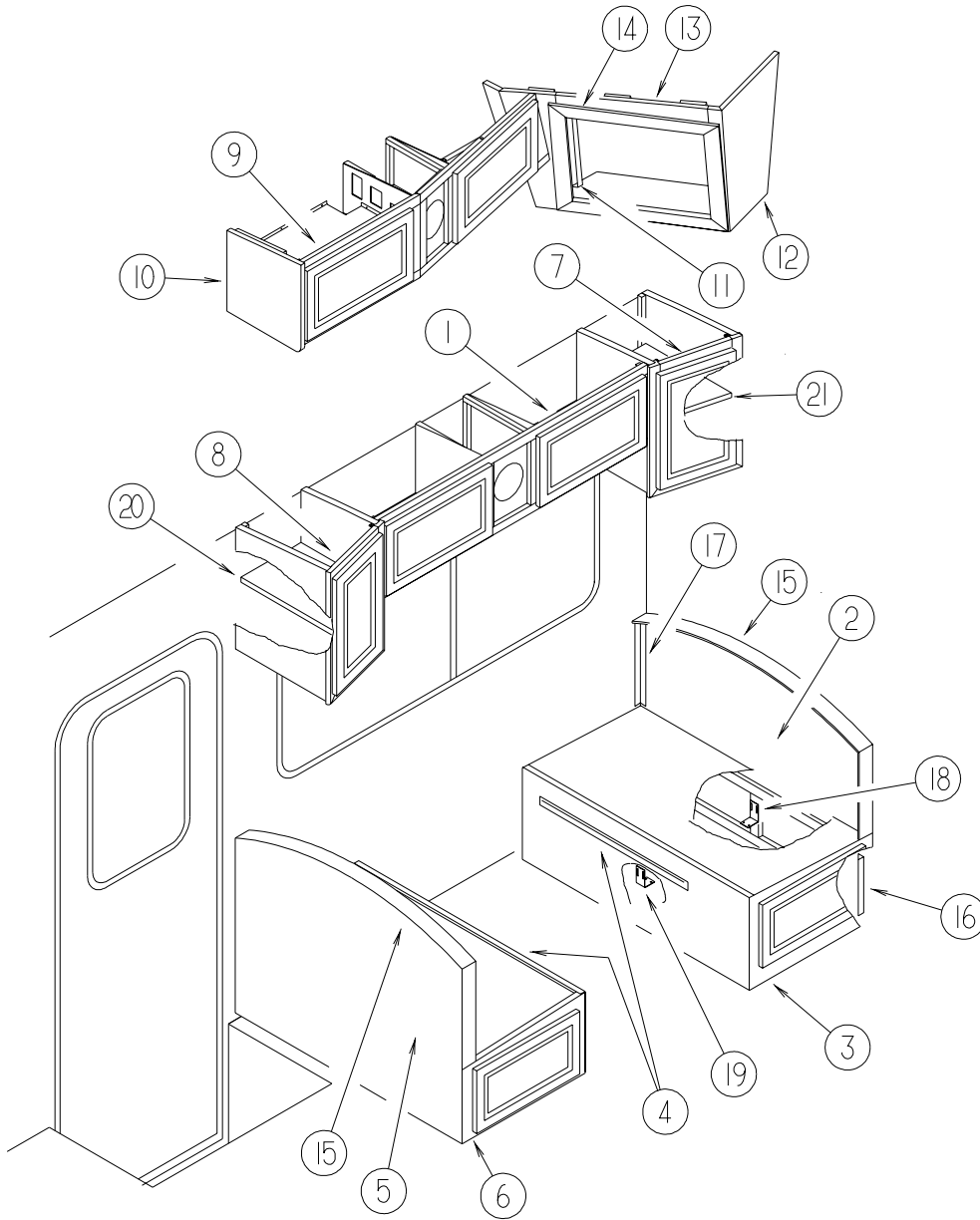
FABRICS

FAMILY 2001 CHIEFTAIN	M52/M53 STONEGATE	M54/M55 ASPEN GLEN	M56/M57 COTTAGE BLUE
BUCKET	575 W/ADJ. ARMS AND LUMBAR 126883-C0-000 *OPT. LEATHER 079680-31-000 CREAM W/GRAY WELT 079680-25-000	575 W/ADJ. ARMS AND LUMBAR 126883-58-000 *OPT. LEATHER 079680-31-000 CREAM W/GRAY WELT 079680-32-000	575 W/ADJ. ARMS AND LUMBAR 126883-42-000 *OPT. LEATHER CREAM W/SELF WELT 079680-31-000
DINETTE	CURVED CLUB 126883-B9-000	CURVED CLUB 126883-C1-000	CURVED CLUB 126883-A9-000
DINETTE CHAIRS & FOLDING CHAIRS	FLEX. C155 FREE STANDING REM FC200 FOLDING 126883-B9-000	FLEX. C155 FREE STANDING REM FC200 FOLDING 126883-C1-000	FLEX. C155 FREE STANDING REM FC200 FOLDING 126883-42-000
LOUNGE CHAIR	455 HOOP W/FOOT 126883-C0-000 *OPT. LEATHER 079680-31-000 CREAM/GRAY WELT 079680-25-000	455 HOOP W/FOOT 126883-58-000 *OPT. LEATHER 079680-31-000 CREAM/GRAY WELT 079680-32-000	455 HOOP W/FOOT 126883-42-000 *OPT. LEATHER CREAM/SELF WELT 079680-31-000
SOFA/COMFORT SLEEPER OR BANQUETTE	685 W/FULL ARMS OR 800 4-WAY 126883-B9-000 *OPT. LEATHER 079680-31-000 CREAM/GRAY WELT 079680-25-000	685 W/FULL ARMS OR 800 4-WAY 126883-C1-000 *OPT. LEATHER 079680-31-000 CREAM/GRAY WELT 079680-32-000	685 W/FULL ARMS OR 800 4-WAY 126883-A9-000 *OPT. LEATHER CREAM/SELF WELT 079680-31-000
LOUNGE PILLOWS 2 PER SOFA/BANQ./ COMF. SLEEPER	RECTANGLE W/OVAL OVERLAY 126883-C0-000 CORD TRIM 126883-B9-000 CORD 084415-E3-000	RECTANGLE W/OVAL OVERLAY 126883-58-000 CORD TRIM 126883-C1-000 CORD 084415-E6-000	RECTANGLE W/OVAL OVERLAY 126883-42-000 CORD TRIM 126883-A9-000 CORD 084415-A3-000
DAY-NITERS LOUNGE & BEDROOM	PUTTY 094911-58-000 WHITE DECO 094911-50-000	PUTTY 094911-58-000 WHITE DECO 094911-50-000	EGGSHELL 094911-56-000 WHITE DECO 094911-50-000
DINETTE PADS	126883-C0-000	126883-58-000	126883-42-000
GALLEY/BATH MICRO-MINI BLINDS	386 SNO CAP WHITE	386 SNO CAP WHITE	386 SNO CAP WHITE
FRONT WRAP CURTAIN	PURCHASED PLEATED OFF WHITE	PURCHASED PLEATED OFF WHITE	PURCHASED PLEATED OFF WHITE

CURTAIN & CUSHION GROUP (CONTINUED)
FABRICS (CONTINUED)

FAMILY 2001 CHIEFTAIN	M52/M53 STONEGATE	M54/M55 ASPEN GLEN	M56/M57 COTTAGE BLUE
LOUNGE WINDOWS	EASTLAKE LAMBREQUIN UNDERLAY 126883-C0-000 OVERLAY 126883-B9-000 CORD TRIM 084415-E3-000	EASTLAKE LAMBREQUIN UNDERLAY 126883-58-000 OVERLAY 126883-C1-000 CORD TRIM 084415-E6-000	EASTLAKE LAMBREQUIN UNDERLAY 126883-42-000 OVERLAY 126883-A9-000 CORD TRIM 084415-A3-000
BEDROOM WINDOWS	YORK VALANCE FLAT CENTER 105745-U0-000 GATHERED ENDS 105745-T6-000 LEGS 105745-T6-000	YORK VALANCE FLAT CENTER 105745-U2-000 GATHERED ENDS 105745-N8-000 LEGS 105745-N8-000	YORK VALANCE FLAT CENTER 105745-T0-000 GATHERED ENDS 105745-T1-000 LEGS 105745-T1-000
OVHD. INSERTS LOUNGE & BEDROOM	LOUNGE 126883-C0-000 BEDROOM 105745-T6-000	LOUNGE 126883-58-000 BEDROOM 105745-N8-000	LOUNGE 126883-42-000 BEDROOM 105745-T1-000
BEDROOM PILLOW 1 PER MATTRESS	14X14 084415-E5-000 OVAL OVERLAY 105745-T6-000 FRINGE 105745-U0-000	14X14 084415-E7-000 OVAL OVERLAY 105745-N8-000 FRINGE 105745-U2-000	14X14 084415-B2-000 OVAL OVERLAY 105745-T1-000 FRINGE 105745-T0-000
HEADBOARD * IF NEEDED	ERIN .25" NON-GATHERED 105745-U0-000 WELT 105745-T6-000	ERIN .25" NON-GATHERED 105745-U2-000 WELT 105745-N8-000	ERIN .25" NON-GATHERED 105745-T0-000 WELT 105745-T1-000
BEDSPREAD QUILT PATTERN 6" CHANNEL	BEDCAP 105745-U0-000 CORD TRIM 084415-E3-000	BEDCAP 105745-U2-000 CORD TRIM 084415-E6-000	BEDCAP 105745-T0-000 CORD TRIM 105745-A9-000
SHAMS	DOUBLE FLANGED 105745-U0-000 CORD 084415-E3-000	DOUBLE FLANGED 105745-U2-000 CORD 084415-E6-000	DOUBLE FLANGED 105745-T0-000 CORD 084415-A9-000
SUNVISORS	ALLANTE 123298-04-01A	ALLANTE 123298-04-01A	ALLANTE 123298-04-01A
CEILING MATERIAL	SOFT CLOUD 102" PEARL CREAM 113979-12-01A SOFT CLOUD 30" PEARL CREAM 113979-14-01A	SOFT CLOUD 102" PEARL CREAM 113979-12-01A SOFT CLOUD 30" PEARL CREAM 113979-14-01A	SOFT CLOUD 102" PEARL CREAM 113979-12-01A SOFT CLOUD 30" PEARL CREAM 113979-14-01A
VINYL	ALLANTE ANTELOPE 54" 103907-01-07A 30" 103907-03-07A 15" 103907-02-07A	ALLANTE ANTELOPE 54" 103907-01-07A 30" 103907-03-07A 15" 103907-02-07A	ALLANTE ANTELOPE 54" 103907-01-07A 30" 103907-03-07A 15" 103907-02-07A

DINETTE GROUP CABINETS



KEY	PART NUMBER	U/M	DESCRIPTION
1	126481-01-M52	EA	CABINET - OVERHEAD/DINETTE - W/O DOORS/HARDWARE
1	126481-01-M53	EA	CABINET - OVERHEAD/DINETTE - W/O DOORS/HARDWARE
1	126481-01-M54	EA	CABINET - OVERHEAD/DINETTE - W/O DOORS/HARDWARE
1	126481-01-M55	EA	CABINET - OVERHEAD/DINETTE - W/O DOORS/HARDWARE
1	126481-01-M56	EA	CABINET - OVERHEAD/DINETTE - W/O DOORS/HARDWARE
1	126481-01-M57	EA	CABINET - OVERHEAD/DINETTE - W/O DOORS/HARDWARE
2	M08755-09-M52	EA	CABINET - SEATBACK/RIGHT HAND - W/O HARDWARE - SALEM CHERRY
2	M08755-09-L81	EA	CABINET - SEATBACK/RIGHT HAND - W/O HARDWARE - PORTSMOUTH OAK
3	M08756-11-M52	EA	CABINET - SEATBASE/RIGHT HAND - W/O DOOR/DRAWER/HARDWARE - SALEM CHERRY
3	M08756-11-M53	EA	CABINET - SEATBASE/RIGHT HAND - W/O DOOR/DRAWER/HARDWARE - PORTSMOUTH OAK
4	081295-01-M52	EA	SUPPORT - BED DINETTE - 28" LONG - SALEM CHERRY
4	081295-01-G01	EA	SUPPORT - BED DINETTE - 28" LONG - PORTSMOUTH OAK
5	M08755-10-M52	EA	CABINET - SEATBACK/LEFT HAND - W/O HARDWARE - SALEM CHERRY
5	M08755-10-L81	EA	CABINET - SEATBACK/LEFT HAND - W/O HARDWARE - PORTSMOUTH OAK
6	M08756-12-M52	EA	CABINET - SEATBASE/LEFT HAND - W/O DOOR/DRAWER/HARDWARE - SALEM CHERRY
6	M08756-12-M53	EA	CABINET - SEATBASE/LEFT HAND - W/O DOOR/DRAWER/HARDWARE - PORTSMOUTH OAK

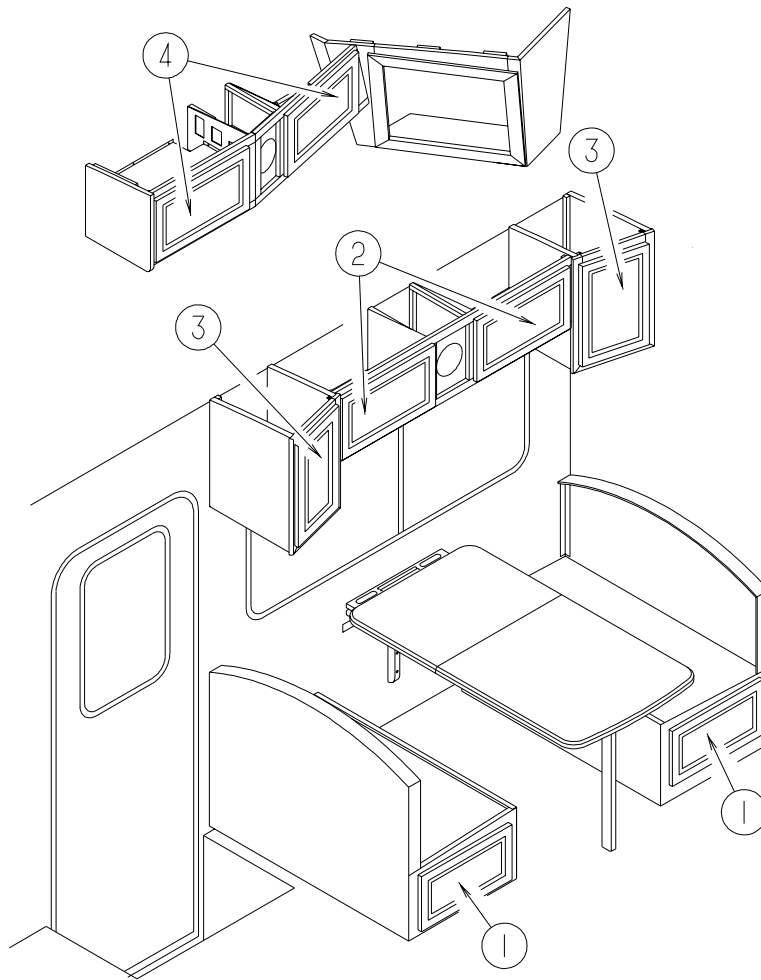
DINETTE GROUP (CONTINUED)

CABINETS (CONTINUED)

KEY	PART NUMBER	U/M	DESCRIPTION
7	130274-01-M52	EA	CABINET - OVERHEAD/RIGHT HAND - W/O DOORS/HARDWARE - SALEM CHERRY
7	130274-01-M53	EA	CABINET - OVERHEAD/RIGHT HAND - W/O DOORS/HARDWARE - PORTSMOUTH OAK
8	130274-02-M52	EA	CABINET - OVERHEAD/LEFT HAND - W/O DOORS/HARDWARE - SALEM CHERRY
8	130274-02-M53	EA	CABINET - OVERHEAD/LEFT HAND - W/O DOORS/HARDWARE - PORTSMOUTH OAK
9	134546-02-M52	EA	CABINET - OVERHEAD/DINETTE - W/O DOORS/HARDWARE
9	134546-02-M53	EA	CABINET - OVERHEAD/DINETTE - W/O DOORS/HARDWARE
9	134546-02-M54	EA	CABINET - OVERHEAD/DINETTE - W/O DOORS/HARDWARE
9	134546-02-M55	EA	CABINET - OVERHEAD/DINETTE - W/O DOORS/HARDWARE
9	134546-02-M56	EA	CABINET - OVERHEAD/DINETTE - W/O DOORS/HARDWARE
9	134546-02-M57	EA	CABINET - OVERHEAD/DINETTE - W/O DOORS/HARDWARE
10	103128-30-M52	EA	END CAP - OVERHEAD CABINET/LEFT HAND - SALEM CHERRY
10	103128-30-M53	EA	END CAP - OVERHEAD CABINET/LEFT HAND - PORTSMOUTH OAK
11	115466-20-02B	EA	TIEDOWN STRAP - TV - E-COATED STEEL
			FROM: 00-00-00 THRU: 10-29-00
11	131453-03-02B	EA	BRACKET - TIEDOWN/TV - E-COATED
			FROM: 10-30-00 THRU: 99-99-99
12	131313-02-M52	EA	CABINET - OVERHEAD/TV/DINETTE - W/O DOORS/HARDWARE - SALEM CHERRY
12	131313-02-M53	EA	CABINET - OVERHEAD/TV/DINETTE - W/O DOORS/HARDWARE - PORTSMOUTH OAK
13	131336-01-02B	EA	SHELF - SUPPORT - TV - E-COATED
14	131379-01-LQ1	EA	TRIM - TV CABINET FACE - SALEM CHERRY
14	131379-01-M95	EA	TRIM - TV CABINET FACE - PORTSMOUTH OAK
15	104787-17-M52	EA	PAD - DINETTE - 36" (M52,M53)
15	104787-17-M54	EA	PAD - DINETTE - 36" (M54,M55)
15	104787-17-M56	EA	PAD - DINETTE - 36" (M56,M57)
16	122021-01-02A	EA	ANGLE - W/HOLES - 8.6" LONG - OFF WHITE
17	122021-02-02A	EA	ANGLE - W/HOLES - 13.7" LONG - OFF WHITE
18	132871-02-02B	EA	BRACKET/L-ANGLE W/HOLES - 1.9" X 2.8" - E-COATED
19	132871-01-02B	EA	BRACKET/L-ANGLE W/HOLES - 1.3" X 2.8" - E-COATED
20	130274-17-M52	EA	SHELF - W/EDGE MOLDING - SALEM CHERRY
20	130274-17-M53	EA	SHELF - W/EDGE MOLDING - PORTSMOUTH OAK
21	130274-12-M52	EA	SHELF - W/EDGE MOLDING - SALEM CHERRY
21	130274-12-M53	EA	SHELF - W/EDGE MOLDING - PORTSMOUTH OAK

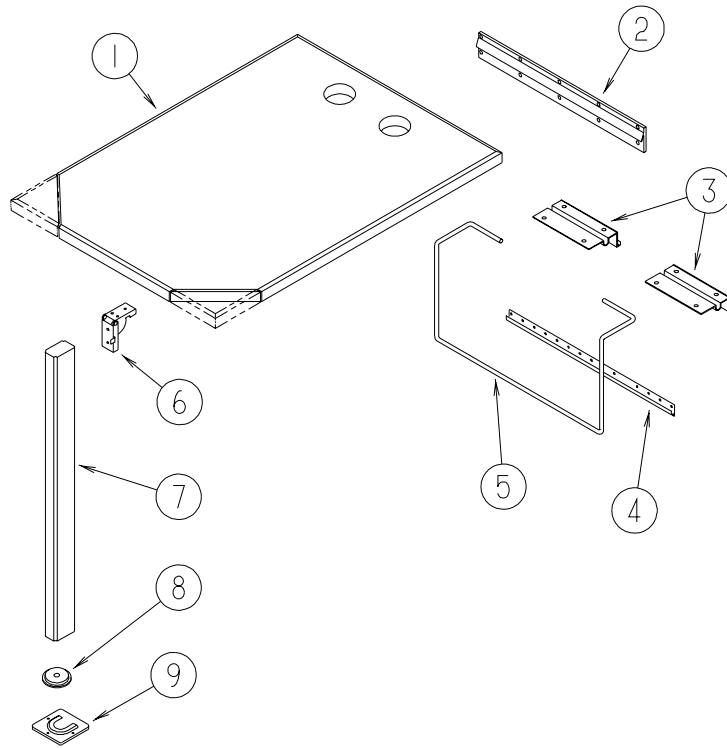
DINETTE GROUP (CONTINUED)

DOORS & DRAWERS



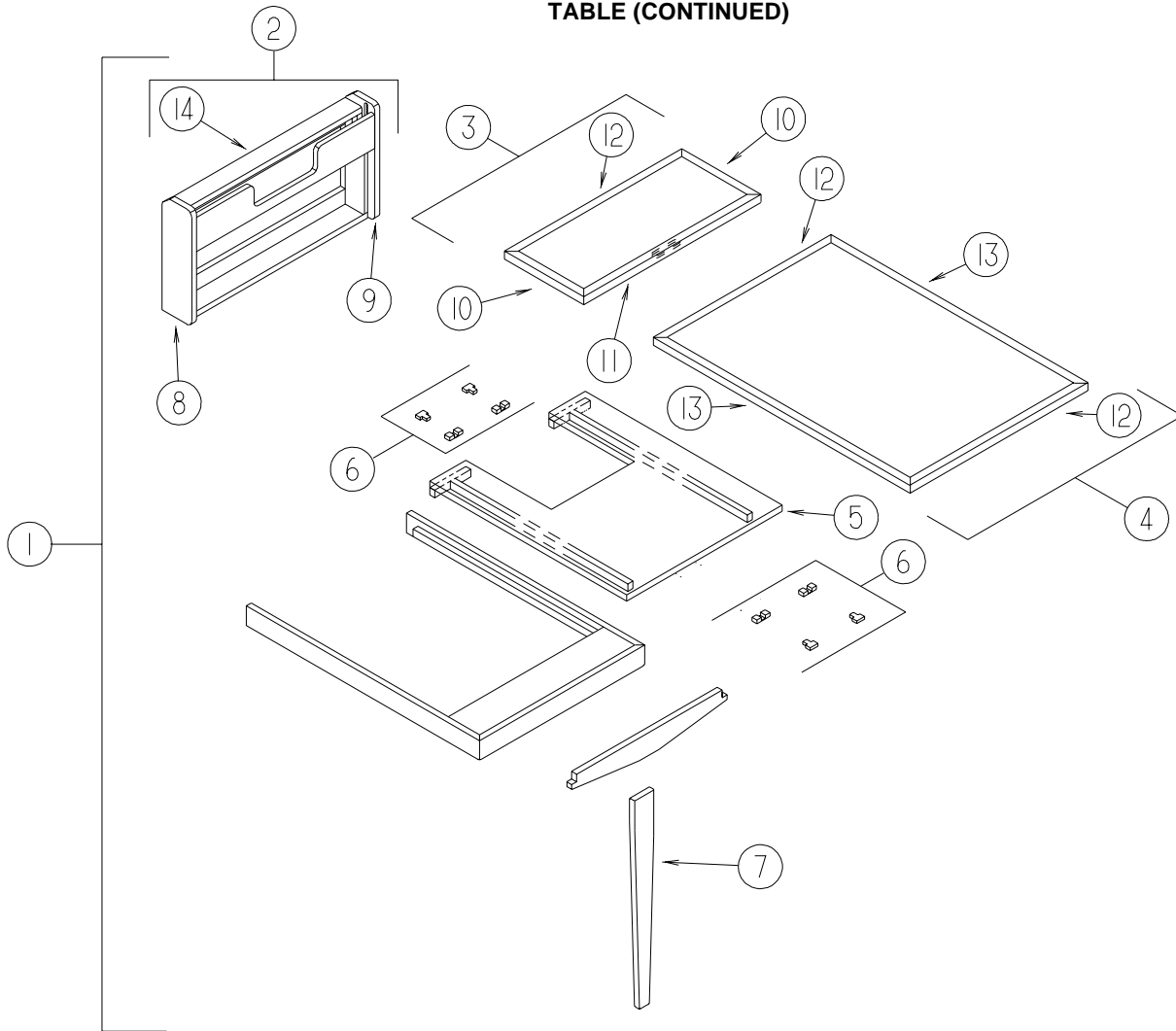
KEY	PART NUMBER	U/M	DESCRIPTION
1	M09316-H2-L52	EA	DRAWER - OGEE EDGE - 16.6"W X 31.4"D - W/O SLIDES/HARDWARE - SALEM CHERRY
1	M09316-H2-M76	EA	DRAWER - OGEE EDGE - 16.6"W X 31.4"D - W/O SLIDES/HARDWARE - PORTSMOUTH OAK
2	131995-53-L52	EA	DOOR - RAIL/SOLID PANEL - 11.2" X 19.6" - W/O HARDWARE - SALEM CHERRY
2	131995-53-M53	EA	DOOR - RAIL/SOLID PANEL - 11.2" X 19.6" - W/O HARDWARE - PORTSMOUTH OAK
3	131995-65-L52	EA	DOOR - RAIL/SOLID PANEL - 12" X 18.7" - W/O HARDWARE - SALEM CHERRY
3	131995-65-M53	EA	DOOR - RAIL/SOLID PANEL - 12" X 18.7" - W/O HARDWARE - PORTSMOUTH OAK
4	131995-23-L14	EA	DOOR - RAIL/SOLID PANEL - 10" X 19.1" - W/O HARDWARE - SALEM CHERRY
4	131995-23-M53	EA	DOOR - RAIL/SOLID PANEL - 10" X 19.1" - W/O HARDWARE - PORTSMOUTH OAK

DINETTE GROUP (CONTINUED)
TABLE



KEY	PART NUMBER	U/M	DESCRIPTION
1	132783-02-06A	EA	TABLE/WOOD EDGE - 29.8" X 37.8" - WHITE ETHOS/SALEM CHERRY (M52,M56)
1	132783-02-07A	EA	TABLE/WOOD EDGE - 29.8" X 37.8" - WHITE ETHOS/PORTSMOUTH (M53,M57)
1	132783-02-05A	EA	TABLE/WOOD EDGE - 29.8" X 37.8" - NATURAL LEGACY/SALEM CHERRY (M54)
1	132783-02-12A	EA	TABLE/WOOD EDGE - 29.8" X 37.8"-NATURAL LEGACY/PORTSMOUTH (M55)
2	053200-13-000	EA	SUPPORT - TABLE - 18.5"
3	088410-02-000	EA	BRACKET - LIFT - TABLE MOUNTED
4	024281-15-000	EA	BRACKET/TABLE - LIFT ROD/LOWER WALL MOUNTED - 17.1"
5	024275-13-000	EA	ROD - TABLE LIFT - OFF/WHITE
6	093550-01-000	EA	BRACKET - HINGE - MOUNTS TO LEG & TABLE TOP - 1.7" X 2.6"
7	092707-04-04A	EA	LEG - TABLE - W/O HARDWARE - 27" - CHERRY
7	092707-04-09A	EA	LEG - TABLE - W/O HARDWARE - 27" - PORTSMOUTH OAK
8	092593-01-05A	EA	CATCH - TABLE LEG - OFF/WHITE
9	049493-12-000	EA	CATCH - TABLE LEG/FLOOR MOUNTED - OFF WHITE

DINETTE GROUP (CONTINUED)
TABLE (CONTINUED)

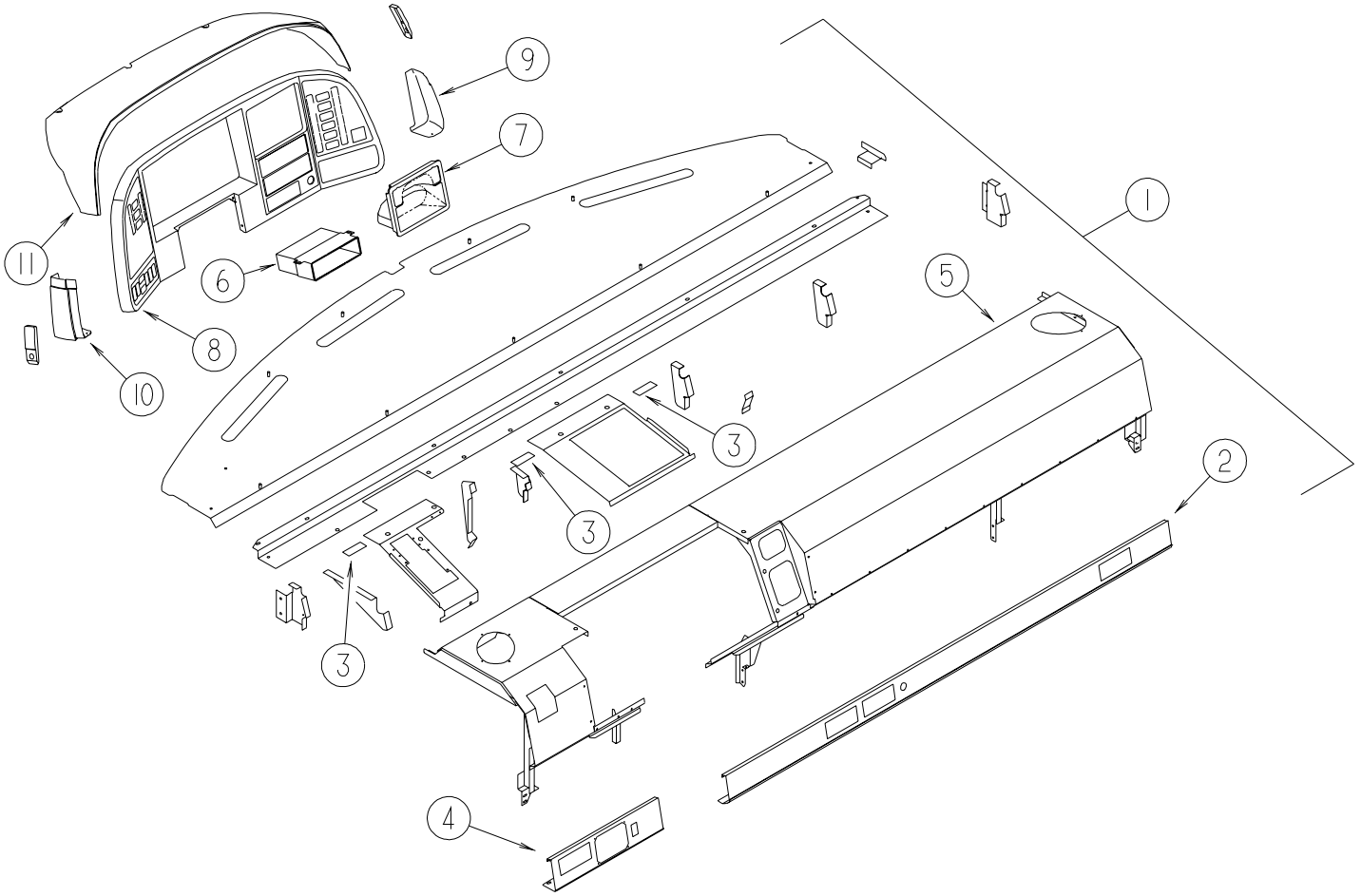


KEY	PART NUMBER	U/M	DESCRIPTION
1	133856-01-L52	EA	TABLE COMPLETE - SALEM CHERRY
1	133856-01-M42	EA	TABLE COMPLETE - PORTSMOUTH OAK
2	133856-31-L52	EA	CABINET/WALL - W/O COUNTERTOP - F/PULLOUT TABLE - SALEM CHERRY
2	133856-31-M42	EA	CABINET/WALL - W/O COUNTERTOP - F/PULLOUT TABLE - PORTSMOUTH OAK
3	133856-12-L52	EA	TABLE TOP - SMALL HINGED SECTION - SALEM CHERRY
3	133856-12-M42	EA	TABLE TOP - SMALL HINGED SECTION - PORTSMOUTH OAK
4	133856-11-L52	EA	TABLE TOP ONLY - LARGE SECTION - SALEM CHERRY
4	133856-11-M42	EA	TABLE TOP ONLY - LARGE SECTION - PORTSMOUTH OAK
5	133856-17-L52	EA	SLIDE - TABLE TOP - SALEM CHERRY
5	133856-17-M42	EA	SLIDE - TABLE TOP - PORTSMOUTH OAK
6	009050-02-000	EA	LEVELER - TABLE TOP - MALE END W/4 SCREWS - PLASTIC
6	009050-03-000	EA	LEVELER - TABLE TOP - FEMALE END W/2 SCREWS - PLASTIC
7	133856-28-L52	EA	LEG - F/TABLE - SALEM CHERRY
7	133856-28-L53	EA	LEG - F/TABLE - PORTSMOUTH OAK
8	133856-26-L52	EA	END - LEFT HAND - F/TABLE CABINET - SALEM CHERRY
8	133856-26-L53	EA	END - LEFT HAND - F/TABLE CABINET - PORTSMOUTH OAK
9	133856-27-L52	EA	END - RIGHT HAND - F/TABLE CABINET - SALEM CHERRY
9	133856-27-L53	EA	END - RIGHT HAND - F/TABLE CABINET - PORTSMOUTH OAK
10	133856-15-L52	EA	TRIM - TABLE MOLDING - 12" - SALEM CHERRY
10	133856-15-L53	EA	TRIM - TABLE MOLDING - 12" - PORTSMOUTH OAK
11	133856-16-L52	EA	TRIM - TABLE MOLDING - 23.8" - SALEM CHERRY
11	133856-16-L53	EA	TRIM - TABLE MOLDING - 23.8" - PORTSMOUTH OAK
12	133856-14-L52	EA	TRIM - TABLE MOLDING - 23.8" - SALEM CHERRY
12	133856-14-L53	EA	TRIM - TABLE MOLDING - 23.8" - PORTSMOUTH OAK
13	133856-13-L52	EA	TRIM - TABLE MOLDING - 41.2" - SALEM CHERRY
13	133856-13-L53	EA	TRIM - TABLE MOLDING - 41.2" - PORTSMOUTH OAK
14	133856-23-L52	EA	COUNTERTOP ONLY - F/WALL CABINET - SALEM CHERRY
14	133856-23-M42	EA	COUNTERTOP ONLY - F/WALL CABINET - PORTSMOUTH OAK

DRIVERS COMPARTMENT GROUP

INSTRUMENT PANEL

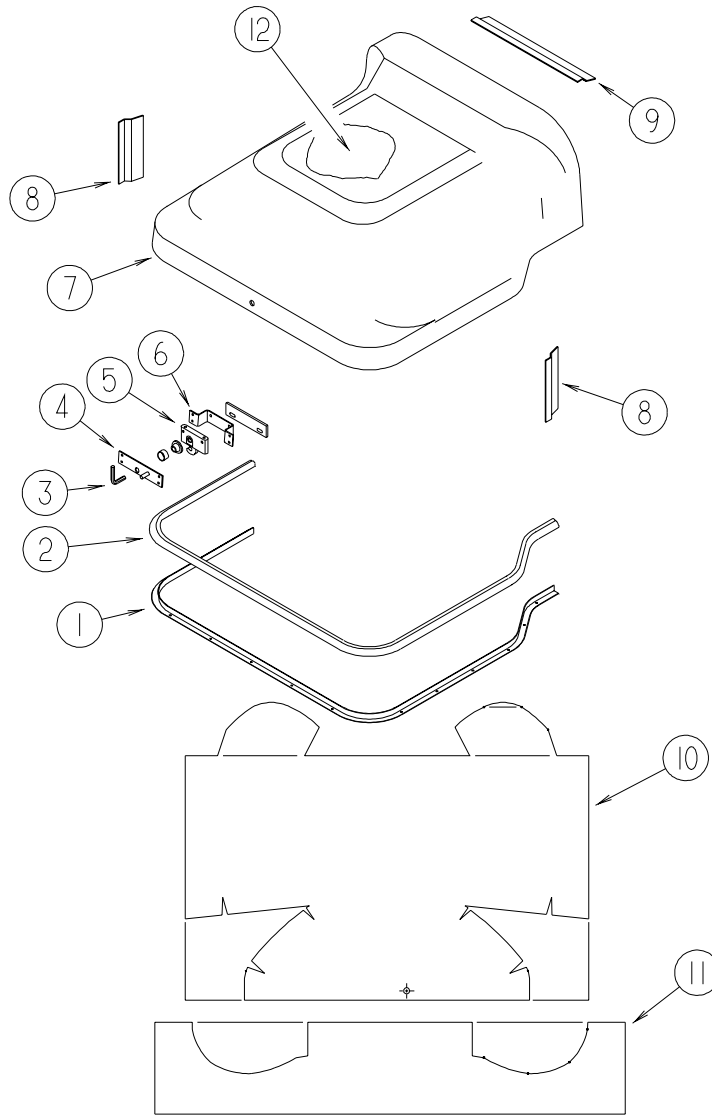
IS NOW LISTED WITH FRONT END WIRING IN THE ELECTRICAL GROUP



DASH

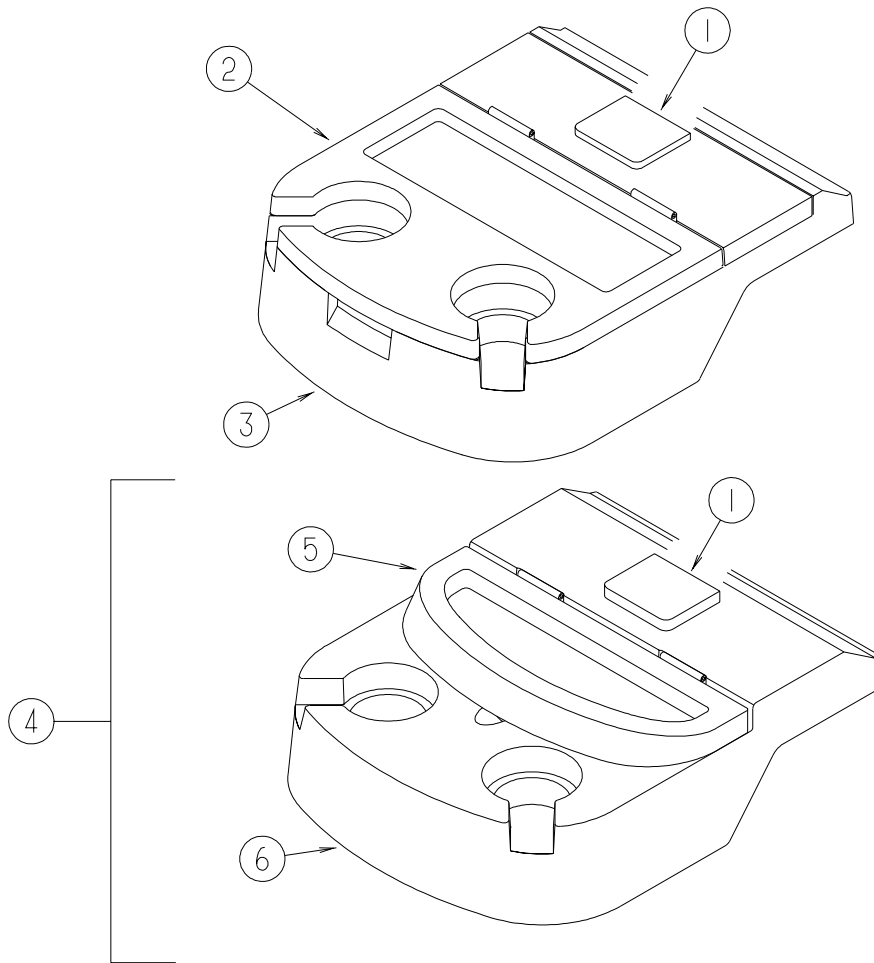
KEY	PART NUMBER	U/M	DESCRIPTION
1	126154-28-J30	EA	DASH - VINYL COVERED - ANTELOPE
2	126044-02-01A	EA	TRIM - DASH - LOWER/PASSENGER - ANTELOPE
3	110530-01-000	FT	SEAL - SPONGE - .31" X .62"
4	126045-16-01A	EA	TRIM - LOWER DASH - DRIVER - ANTELOPE
5	126053-05-02B	EA	DASH - E-COATED
	106569-11-01A	EA	VINYL - LAMINATE - 1/4" X 25" X 100" - ALLANTE ANTELOPE
6	096776-02-000	EA	STORAGE BOX - CASSETTE - 4 TAPE HOLDER
6	096776-03-000	EA	STORAGE BOX - CD'S - 4 DISC HOLDER
7	111350-01-01A	EA	POCKET - INSTRUMENT PANEL - UPPER - BLACK
8	108954-10-01A	EA	BEZEL - INSTRUMENT PANEL - FORD - BLACK
9	129924-02-J30	EA	POD - INSTRUMENT PANEL/LOWER - ANTELOPE
10	129924-04-J30	EA	POD - INSTRUMENT PANEL/LOWER - ANTELOPE
11	130236-02-J30	EA	POD - INSTRUMENT PANEL - ANTELOPE

DRIVERS COMPARTMENT GROUP (CONTINUED)
MOTOR COVER



KEY	PART NUMBER	U/M	DESCRIPTION
1	115860-05-01A	EA	TRIM - MOTOR COVER - MILL FINISH - FORD
2	039623-01-000	FT	SEAL - MOTOR COVER - RUBBER BULB TYPE
3	116833-01-02B	EA	WRENCH - HEX MOTOR COVER - E-COATED
4	115852-01-02B	EA	STRIKE - LATCH - MOTOR COVER - E-COATED
5	116581-01-000	EA	LATCH - W/O STRIKE - MOTOR COVER
6	115850-03-02B	EA	RETAINER - LATCH - MOTOR COVER - RIGHT HAND - E-COATED FROM: 00-00-00 THRU: 06-02-00
6	115850-01-02B	EA	RETAINER - LATCH - MOTOR COVER - RIGHT HAND - E-COATED FROM: 06-03-00 THRU: 99-99-99
7	129099-04-01A	EA	COVER - MOTOR - W/O CARPET - 00 FORD
8	115855-02-02B	EA	RETAINER - MOTOR COVER/SIDE - E-COATED
9	115855-03-02B	EA	RETAINER - MOTOR COVER/TOP - E-COATED FROM: 99-99-99 THRU: 07-08-01
9	115855-01-02B	EA	RETAINER - MOTOR COVER/TOP - E-COATED FROM: 07-09-01 THRU: 99-99-99
10	134455-01-000	EA	INSULATION/ENGINE COVER/MAIN
11	134455-02-000	EA	INSULATION/ENGINE COVER/FRONT
12	134497-01-000	SF	FOIL/ALUMINUM - REINFORCED

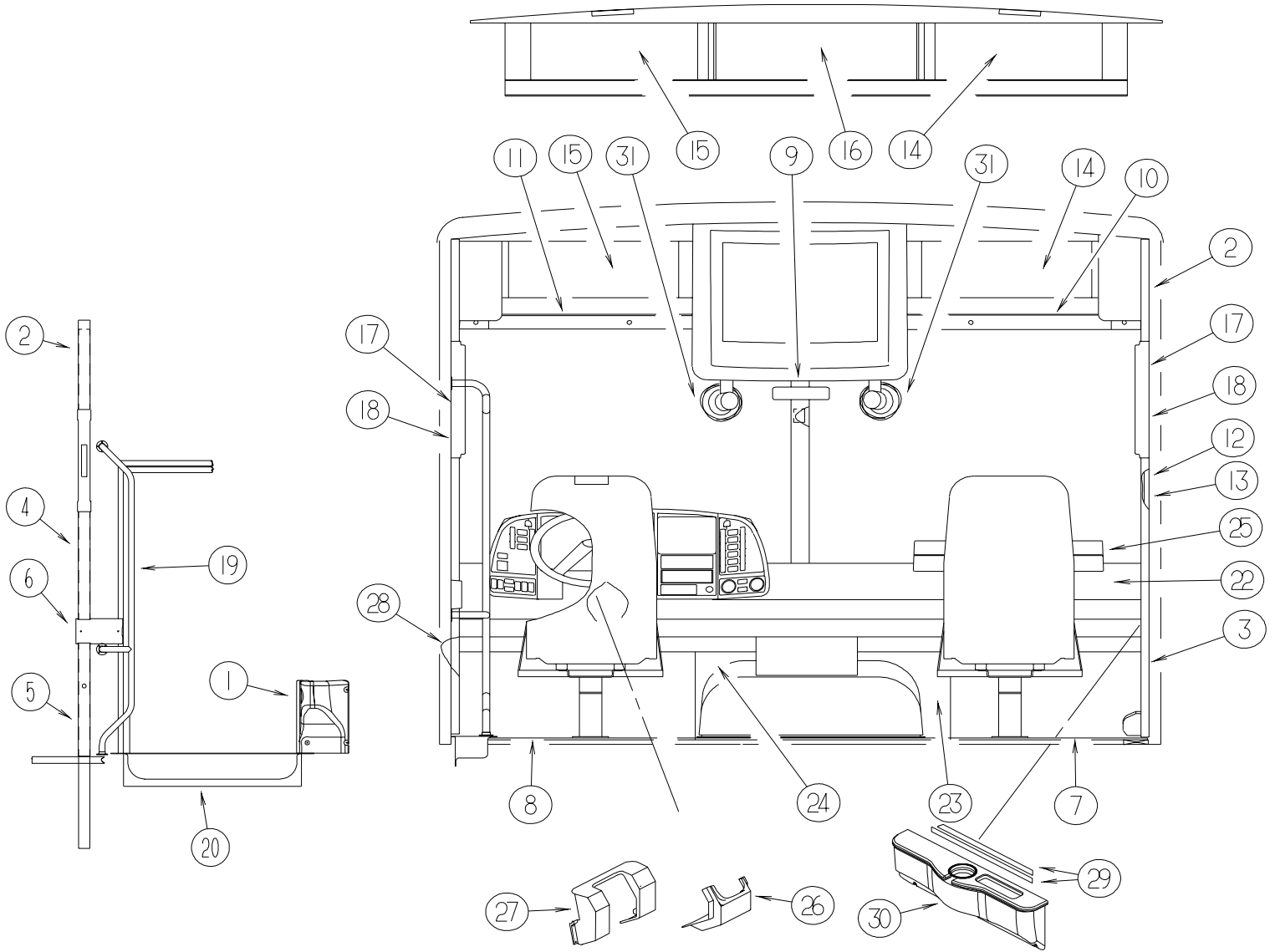
DRIVERS COMPARTMENT GROUP (CONTINUED)
BEVERAGE TRAY



KEY	PART NUMBER	U/M	DESCRIPTION
1	118719-01-01A	EA	ASHTRAY - TOP MOUNT - BLACK PLASTIC
2	126011-01-J30	EA	LID - BEVERAGE TRAY - SALEM CHERRY
3	126009-02-J30	EA	TRAY - BEVERAGE - ALLANTE ANTELOPE - SALEM CHERRY ONLY
4	126008-02-J30	EA	TRAY - BEVERAGE - W/DOOR
5	128113-01-J30	EA	LID - BEVERAGE TRAY
6	128114-01-01A	EA	TRAY - BEVERAGE - ANTELOPE

DRIVERS COMPARTMENT GROUP (CONTINUED)

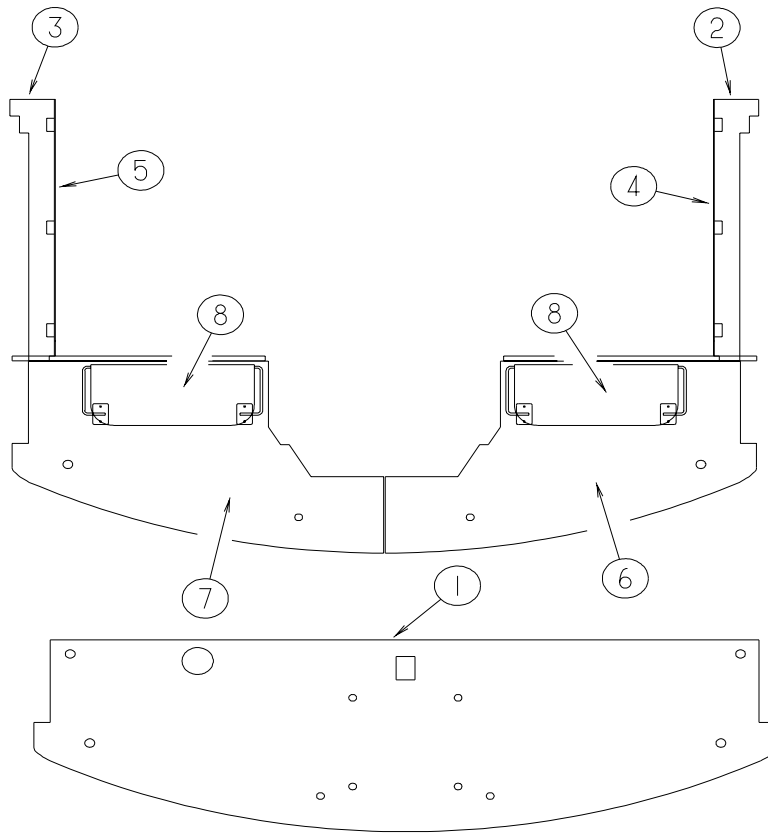
FRONT INTERIOR



KEY	PART NUMBER	U/M DESCRIPTION
1	132296-01-01A	EA PANEL/TRIM - DASH/CAB DOOR - LOW MOUNT MIRRORS - ANTELOPE
2	024700-58-000	EA COVER - ROLL BAR - SIDEWALL - 16.5" - OFF WHITE
3	024700-59-000	EA COVER - ROLL BAR - SIDEWALL - 44.1" - OFF WHITE
4	024700-66-000	EA COVER - SIDEWALL ROLL BAR - 20.6" - OFF WHITE
5	024700-67-000	EA COVER - SIDEWALL ROLL BAR - 20.1" - OFF WHITE
6	103961-07-01A	EA COVER - BRACKET - LATCH - OFF WHITE
7	108152-01-000	EA MAT - FLOOR - PASSENGER
8	108152-03-000	EA MAT - FLOOR - DRIVER
9	118452-04-01A	EA TRIM - WINDSHIELD - CENTER - ANTELOPE
10	118453-03-01A	EA TRIM - WINDSHIELD - INNER/TOP/PASSENGER - ANTELOPE
11	118453-04-01A	EA TRIM - WINDSHIELD - INNER/TOP/DRIVER - ANTELOPE
12	125508-01-01A	EA TRIM - A-PILLAR - PASSENGER/INTERIOR - ANTELOPE
13	125508-02-01A	EA TRIM - A-PILLAR - DRIVER/INTERIOR - ANTELOPE
14	126457-06-M42	EA PANEL - CLOSEOUT - OVERHEAD/FRONT/PASSENGER
15	126457-07-M42	EA PANEL - CLOSEOUT - OVERHEAD/FRONT/DRIVER
16	126457-08-M52	EA PANEL - CLOSEOUT - OVERHEAD/FRONT - W/O FRONT TV
17	127721-01-01A	EA COVER - SLIDE - OFF WHITE
18	127798-01-01A	EA COVER - SLIDE - INNER - 1.5" X 11.4" - BLACK
19	131058-04-02A	EA HAND RAIL - INTERIOR CAB DOOR - BLACK
20	P31835-01-03A	EA TRIM/STEP - DRIVER DOOR - ANTELOPE
20	102569-02-000	EA MAT - ANTI SLIP - LOWER
21	134154-01-000	EA MIRROR - CONVEX - 4" X 11.8"
22	127488-01-03A	EA APPLIQUE - LOWER DASH - CHIEFTAIN
23	134455-03-000	EA INSULATION/RADIATOR COVER/MAIN
24	134455-04-000	EA INSULATION/RADIATOR COVER/LEFT HAND

DRIVERS COMPARTMENT GROUP (CONTINUED)
FRONT INTERIOR (CONTINUED)

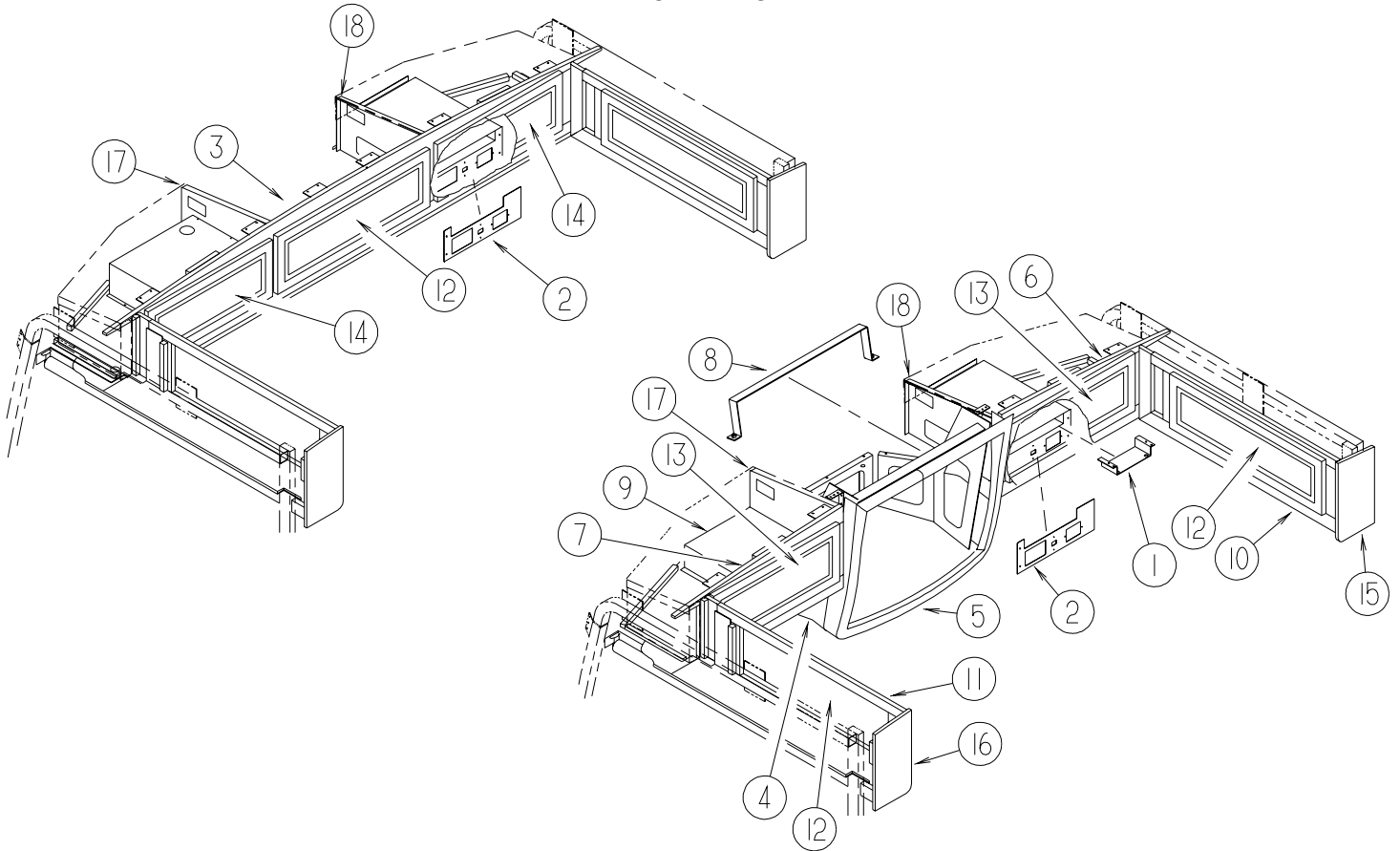
KEY	PART NUMBER	U/M	DESCRIPTION
25	127495-01-J30	EA	TABLE/WORK STATION - COMPLETE
	127147-01-02B	EA	BRACKET - SLIDE - MOUNTING - E-COATED
	127597-01-000	EA	SLIDE - WORK STATION - DASH - .4" LONG STUDS
26	125795-01-01A	EA	COVER - STEERING COLUMN - LOWER - BLACK
27	130259-02-J30	EA	COVER - STEERING COLUMN
28	132296-01-01A	EA	PANEL/TRIM - DASH/CAB DOOR - LOW MOUNT MIRRORS - ANTELOPE
29	106105-03-000	EA	CLIP - MOUNTING - UNIVERSAL
30	132297-01-L52	EA	BEVERAGE TRAY - PASSENGER/DRIVER - SALEM CHERRY
30	132297-01-M24	EA	BEVERAGE TRAY - PASSENGER/DRIVER - PORTSMOUTH OAK
30	132354-02-01A	EA	PANEL/TRIM - INNER/PASSENGER - W/O BEVERAGE TRAY- ANTELOPE
30	132595-01-02B	EA	BRACKET - BEVERAGE TRAY HOLDER
31	122856-01-01A	EA	FAN-DEFROSTER-2 SPEED W/SWIVEL BASE/NON-OSCILLATING-CHROME



KEY	PART NUMBER	U/M	DESCRIPTION
1	126440-09-K36	EA	PANEL - OVERHEAD/FRONT/BOTTOM - W/O FRONT TV
2	126443-16-L32	EA	PANEL - OVERHEAD/FRONT/PASSENGER
3	126443-17-L32	EA	PANEL - OVERHEAD/FRONT/DRIVER
4	132694-01-M52	EA	PANEL - OVERHEAD/FRONT/PASSENGER
5	132694-02-M52	EA	PANEL - OVERHEAD/FRONT/DRIVER
6	126440-11-L52	EA	PANEL - OVERHEAD/FRONT/BOTTOM/PASSENGER - W/ FRONT TV
7	126440-13-L52	EA	PANEL - OVERHEAD/FRONT/BOTTOM/DRIVER - W/ FRONT TV
8	123298-04-01A	EA	SUNVISOR - 10.5" X 21" - DRIVER/PASSENGER-ALLANTE ANTELOPE

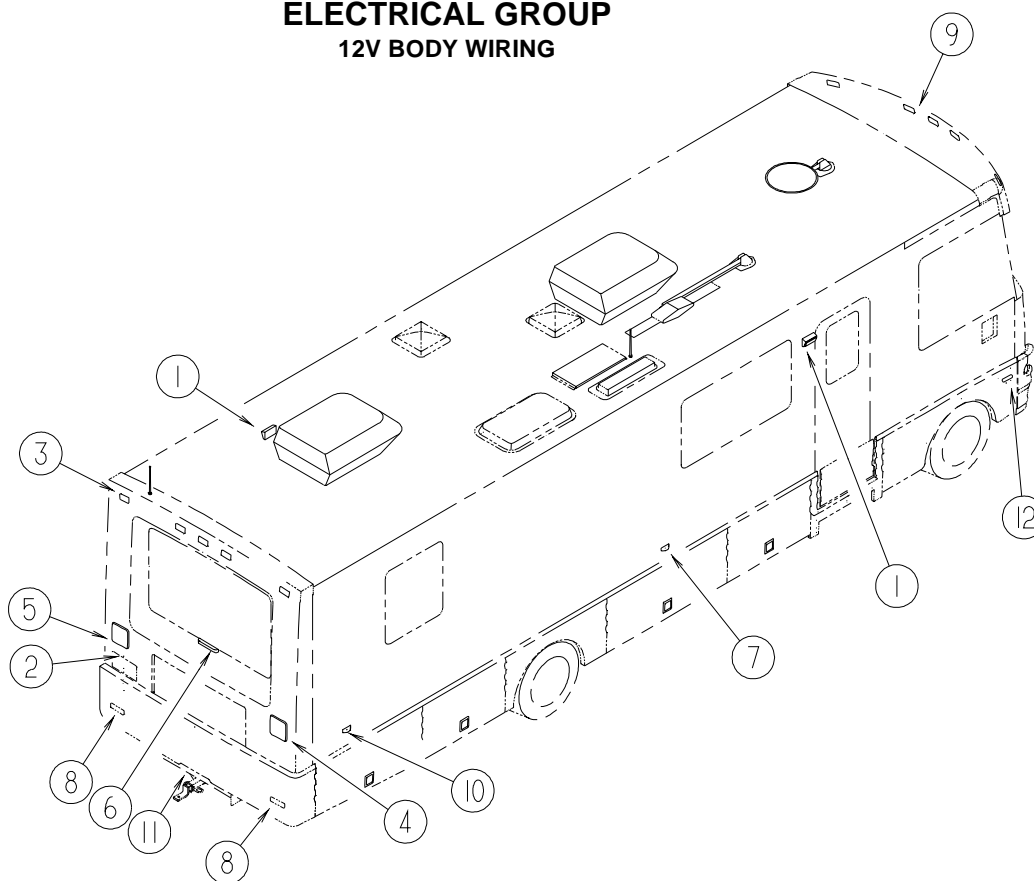
DRIVERS COMPARTMENT GROUP (CONTINUED)

CABINETS



KEY	PART NUMBER	U/M	DESCRIPTION
1	118847-02-02B	EA	MOUNT - SWITCH BOX - E-COATED
2	131807-11-M52	EA	PANEL - VINYL COVERED
3	132973-03-M52	EA	CABINET - OVERHEAD/FRONT - W/O DOORS/HARDWARE - SALEM CHERRY
3	132973-03-M53	EA	CABINET - OVERHEAD/FRONT - W/O DOORS/HARDWARE - PORTSMOUTH OAK
4	P30021-02-L52	EA	COVER - TV - OVERHEAD/LOWER
4	P30021-03-M52	EA	COVER - TV/OVERHEAD - LOWER
			FROM: 00-00-00 THRU: 07-09-00
			FROM: 07-10-00 THRU: 99-99-99
5	130030-02-02B	EA	SUPPORT - TV - E-COATED
5	130020-02-01A	EA	COVER - TV - OVERHEAD/FRONT - ANTELOPE
6	132973-01-M52	EA	CABINET - OVERHEAD/FRONT - W/O DOORS/HARDWARE - SALEM CHERRY
6	132973-01-M42	EA	CABINET - OVERHEAD/FRONT - W/O DOORS/HARDWARE - PORTSMOUTH OAK
7	132973-02-M52	EA	CABINET - OVERHEAD/FRONT - W/O DOORS/HARDWARE - SALEM CHERRY
7	132973-02-M42	EA	CABINET - OVERHEAD/FRONT - W/O DOORS/HARDWARE - PORTSMOUTH OAK
8	133790-08-02B	EA	STRAP - TIEDOWN - TV - E-COATED
9	133827-01-02B	EA	PANEL/SHELF - E-COATED
10	132880-01-M52	EA	CABINET - OVERHEAD/FRONT/RIGHT HAND - W/O DOORS/HARDWARE - SALEM CHERRY
10	132880-01-M42	EA	CABINET - OVERHEAD/FRONT/RIGHT HAND - W/O DOORS/HARDWARE - PORTSMOUTH OAK
11	132880-02-M52	EA	CABINET - OVERHEAD/FRONT/LEFT HAND - W/O DOORS/HARDWARE - SALEM CHERRY
11	132880-02-M42	EA	CABINET - OVERHEAD/FRONT/LEFT HAND - W/O DOORS/HARDWARE - PORTSMOUTH OAK
12	131995-29-L52	EA	DOOR - RAIL/SOLID PANEL - 10" X 29.5" - W/O HARDWARE - SALEM CHERRY
12	131995-29-M53	EA	DOOR - RAIL/SOLID PANEL - 10" X 29.5" - W/O HARDWARE - PORTSMOUTH OAK
13	131995-V1-L52	EA	DOOR - GLASS W/WOOD FRAME - 10.8" X 23.8" - W/O HARDWARE - SALEM CHERRY
13	131995-V1-M42	EA	DOOR - GLASS W/WOOD FRAME - 10.8" X 23.8" - W/O HARDWARE - PORTSMOUTH OAK
13	100708-21-000	EA	DOOR - GLASS - TV CABINET - 8.1" X 21.1" - W/O HARDWARE
14	131995-26-L52	EA	DOOR - RAIL/SOLID PANEL - 10" X 25.1" - W/O HARDWARE - SALEM CHERRY
14	131995-26-M53	EA	DOOR - RAIL/SOLID PANEL - 10" X 25.1" - W/O HARDWARE - PORTSMOUTH OAK
15	103128-57-M52	EA	END CAP - OVERHEAD CABINET/RIGHT HAND - SALEM CHERRY
15	103128-57-M42	EA	END CAP - OVERHEAD CABINET/RIGHT HAND - PORTSMOUTH OAK
16	103128-58-M52	EA	END CAP - OVERHEAD CABINET/LEFT HAND - SALEM CHERRY
16	103128-58-M42	EA	END CAP - OVERHEAD CABINET/LEFT HAND - PORTSMOUTH OAK
17	132856-01-02B	EA	PANEL/SHELF - E-COATED
18	126270-03-02B	EA	PANEL/SHELF - E-COATED

ELECTRICAL GROUP 12V BODY WIRING



KEY	PART NUMBER	U/M	DESCRIPTION
1*	097917-01-06A	EA	LIGHT - PORCH - BRIGHT WHITE
	008215-01-000	EA	BULB - 12 VOLT - #1003 - .94 AMP
1*	008089-02-000	EA	LIGHT - PORCH - RECESSED - CANADIAN
	008214-01-000	EA	BULB - 12 VOLT - #67 - .59 AMP
2	087201-01-000	EA	LIGHT - HALF ROUND - 1" X 1.7" - PLASTIC - BLACK
3	102520-02-000	EA	LIGHT - CLEARANCE - W/O SOCKET/HOUSING - RED
3	036196-01-000	EA	BULB - 12V - #194 - .27 AMP - BAYONETTE
3	067789-02-000	EA	SOCKET - LAMP
3	102541-01-000	EA	GASKET - CLEARANCE LIGHT
4	117831-01-000	EA	LAMP - STOP/TURN/TAILO/BACKUP
4	119157-01-000	EA	SOCKET - SINGLE CONTACT
4	119158-01-000	EA	SOCKET - DOUBLE CONTACT
4	037934-01-000	EA	BULB - 12V - #1156 - 2.1 AMP - CLEAR GLASS
4	037935-01-000	EA	BULB - 12V - #1157 OR #2057 - 2.1 AMP - CLEAR GLASS
5	117831-02-000	EA	LAMP - STOP/TURN/TAILO/BACKUP
5	119157-01-000	EA	SOCKET - SINGLE CONTACT
5	119158-01-000	EA	SOCKET - DOUBLE CONTACT
5	037934-01-000	EA	BULB - 12V - #1156 - 2.1 AMP - CLEAR GLASS
5	037935-01-000	EA	BULB - 12V - #1157 OR #2057 - 2.1 AMP - CLEAR GLASS
6	121950-01-000	EA	LIGHT - BRAKE - CENTER MOUNT
			FROM: 00-00-00 THRU: 10-01-00
6	036196-01-000	EA	BULB - 12V - #194 - .27 AMP - BAYONETTE
			FROM: 00-00-00 THRU: 10-01-00
6	067789-02-000	EA	SOCKET - LAMP
			FROM: 00-00-00 THRU: 10-01-00
6	136916-01-000	EA	LIGHT - CENTER BRAKE - L.E.D.
			FROM: 10-02-00 THRU: 99-99-99
7	111102-01-000	EA	BASE - MARKER LAMP
7	111102-02-000	EA	LENS - AMBER - MARKER LAMP
7	036196-01-000	EA	BULB - 12V - #194 - .27 AMP - BAYONETTE
8	117826-01-000	EA	SIDE MARKER LAMP ASSEMBLY - RED
8	036196-01-000	EA	BULB - 12V - #194 - .27 AMP - BAYONETTE
8	067789-02-000	EA	SOCKET - LAMP
8	117826-03-000	EA	GASKET - MARKER LIGHT

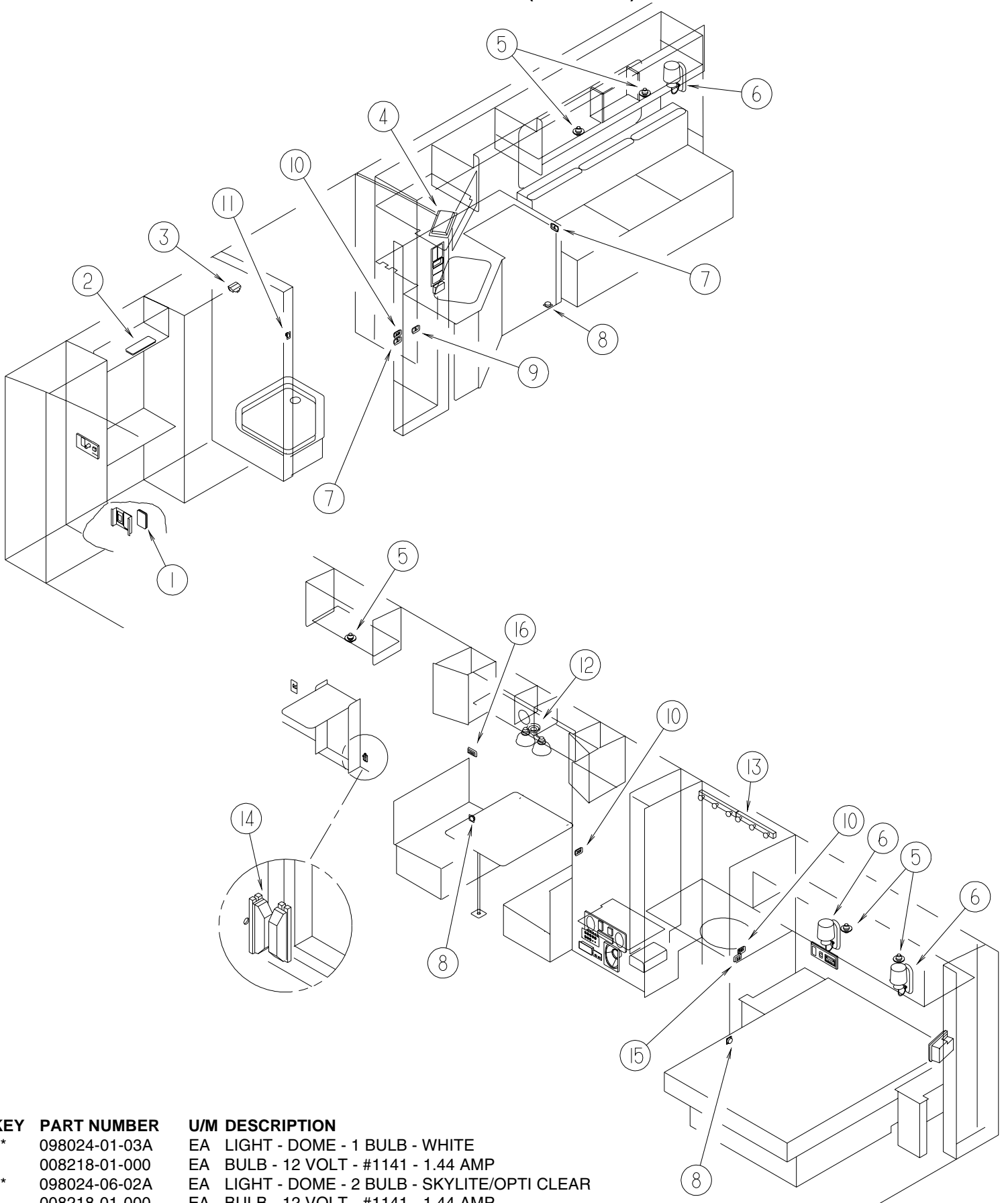
ELECTRICAL GROUP (CONTINUED)

12V BODY WIRING (CONTINUED)

KEY	PART NUMBER	U/M	DESCRIPTION
9	102520-01-000	EA	LIGHT - CLEARANCE - W/O SOCKET/HOUSING - AMBER
9	036196-01-000	EA	BULB - 12V - #194 - .27 AMP - BAYONETTE
9	067789-02-000	EA	SOCKET - LAMP
9	102541-01-000	EA	GASKET - CLEARANCE LIGHT
10	111102-01-000	EA	BASE - MARKER LAMP
10	111102-03-000	EA	LENS - RED - MARKER LAMP
10	036196-01-000	EA	BULB - 12V - #194 - .27 AMP - BAYONETTE
11	113589-01-000	EA	CONNECTOR - PLUG - TRAILER
11	113589-02-000	EA	CONNECTOR - SOCKET - TRAILER
12	NOT USED		

***COMPONENT PARTS LISTED LATER IN THIS GROUP**

ELECTRICAL GROUP (CONTINUED)
12V BODY WIRING (CONTINUED)



KEY	PART NUMBER	U/M	DESCRIPTION
1*	098024-01-03A	EA	LIGHT - DOME - 1 BULB - WHITE
	008218-01-000	EA	BULB - 12 VOLT - #1141 - 1.44 AMP
2*	098024-06-02A	EA	LIGHT - DOME - 2 BULB - SKYLITE/OPTI CLEAR
	008218-01-000	EA	BULB - 12 VOLT - #1141 - 1.44 AMP
3*	087694-01-000	EA	LIGHT - WARDROBE/CLOSET - W/SWITCH
4*	091937-09-000	EA	LIGHT-FLOURESCENT-12V/30 WATT RECESSED - W/SWITCH

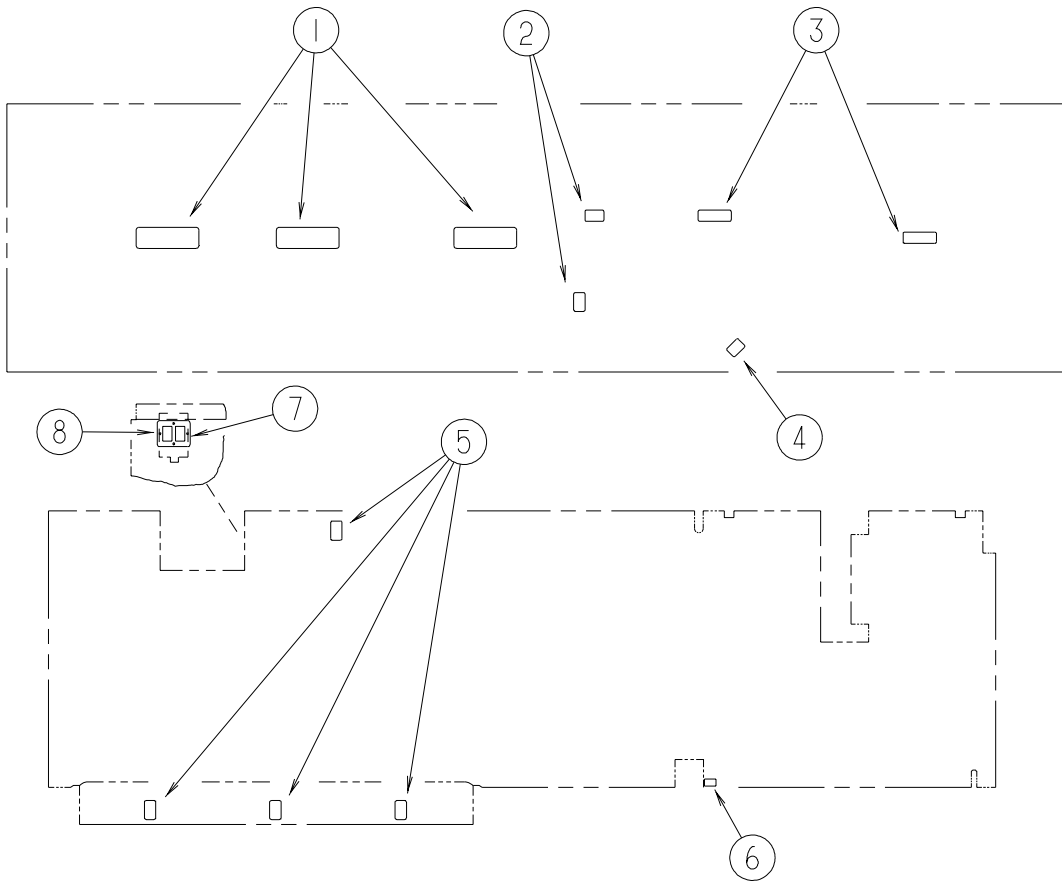
ELECTRICAL GROUP (CONTINUED)

12V BODY WIRING (CONTINUED)

KEY	PART NUMBER	U/M	DESCRIPTION
5	132427-01-01A	EA	LIGHT - READING/SWIVEL/ROUND - BRASS
	123917-01-000	EA	BULB - 12V - HALOGEN SPO
6	119258-22-01A	EA	LAMP - WALL - UL/CSA
6	119257-13-01A	EA	SHADE - LAMP - SHANGHAI (WHITE) (M52,M53)
6	119257-11-01A	EA	SHADE - LAMP - LINEN/SLUB SATIN (TAN) (M54,M55)
6	119257-10-01A	EA	SHADE - LAMP - LONG - WHITE/PINE CONE (M56,M57)
6	067479-01-000	EA	BULB - 12V - #1076 - 1.80 AMP
7	132180-02-01A	EA	SWITCH - PADDLE - SPDT - ON/ON - BLACK
7	098351-01-01A	EA	PLATE/SWITCH - 1 GANG - POLISHED BRASS - W/O LABEL
7	095188-01-01A	EA	SPACER - SWITCH - 2.3" X 3.4" - PLASTIC - DARK BROWN
8*	108354-01-01A	EA	LIGHT - COURTESY
9	109294-02-01A	EA	SWITCH PANEL - W/SWITCHES/LIGHT SWITCH - VENT FAN
9	095188-01-01A	EA	SPACER - SWITCH - 2.3" X 3.4" - PLASTIC - DARK BROWN
10	132180-01-01A	EA	SWITCH - PADDLE - SPST - ON/OFF - BLACK
10	098351-02-01A	EA	PLATE/SWITCH - 2 GANG - POLISHED BRASS - W/O LABEL
10	095188-01-01A	EA	SPACER - SWITCH - 2.3" X 3.4" - PLASTIC - DARK BROWN
11	081994-10-000	EA	PLATE/SWITCH - SLIDEOUT
11	108357-06-000	EA	SWITCH - ROCKER - DPDT - MOM/OFF/MOM - 6 TERMINAL
11	108356-02-01A	EA	COVER/ACTUATOR SWITCH - 2 ROWS DIMPLES- CONTURA II - BLACK
11	108355-01-000	EA	HOUSING - SWITCH
12	093575-16-01A	EA	LIGHT - CEILING/DOUBLE - BRASS - UL/CSA
12	117806-01-000	EA	BULB - 12V - #912 - 1.0 AMP
13*	110235-01-01A	EA	LIGHT - MAKE UP - 3 BULB - 12 VOLT
14	116995-02-000	EA	SWITCH/MAGNET - ELECTRIC STEP - BLACK/WHITE-CLOSED CIRCUIT
15	079364-01-000	EA	SWITCH - ON/OFF ROCKER - 2 TERMINAL - BROWN
			FROM: 00-00-00 THRU: 01-07-01
15	079364-04-000	EA	SWITCH - ON/OFF ROCKER - 2 TERMINAL - BLACK
			FROM: 01-08-01 THRU: 99-99-99
15	079364-02-000	EA	SWITCH - ON/OFF ROCKER - 3 TERMINAL - BLACK
15	095188-01-01A	EA	SPACER - SWITCH - 2.3" X 3.4" - PLASTIC - DARK BROWN
16	132180-01-01A	EA	SWITCH - PADDLE - SPST - ON/OFF - BLACK
16	098351-05-01A	EA	PLATE/SWITCH - 3 GANG - POLISHED BRASS-PORCH/CEILING/STEP
16	095188-02-01A	EA	SPACER - SWITCH - 2.3" X 4.1" - PLASTIC - DARK BROWN

*COMPONENT PARTS LISTED LATER IN THIS GROUP

ELECTRICAL GROUP (CONTINUED)
12V BODY WIRING (CONTINUED)

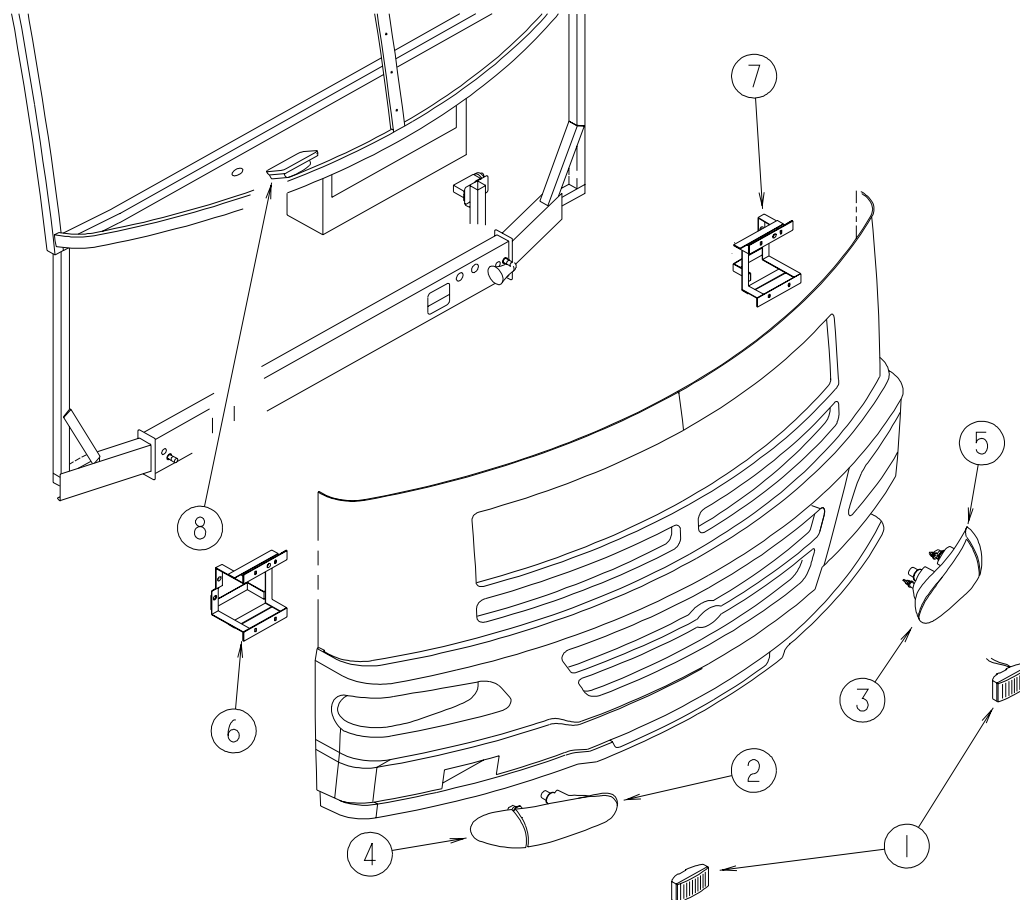


KEY	PART NUMBER	U/M	DESCRIPTION
1*	091937-08-000	EA	LIGHT-FLUORESCENT-12V/30 WATT RECESSED - W/O SWITCH
	091937-03-000	EA	BULB - FLUORESCENT LIGHT - 12 VOLT
2	098024-07-02A	EA	LIGHT - DOME - 1 BULB - W/O SWITCH
3*	098024-09-02A	EA	LIGHT - DOME - 1 LENS/2 BULB FIXTURE - W/O SWITCH
4*	121935-01-01A	EA	LIGHT - DOME - SHOWER
5*	098024-01-03A	EA	LIGHT - DOME - 1 BULB - WHITE
	008218-01-000	EA	BULB - 12 VOLT - #1141 - 1.44 AMP
6*	086280-01-000	EA	LIGHT - SURFACE MOUNT - 12 VOLT
7	108357-06-000	EA	SWITCH - ROCKER - DPDT - MOM/OFF/MOM - 6 TERMINAL
7	108356-11-01A	EA	COVER/ACTUATOR SWITCH - 3 GROOVES - AUX BATT - BLACK
7	098351-07-01A	EA	PLATE/SWITCH - 1 GANG - POLISHED BRASS - GENERATOR
7	108355-01-000	EA	HOUSING - SWITCH
8	108357-07-000	EA	SWITCH - ROCKER - SPDT - MOM/OFF/MOM - 3 TERMINAL
8	108356-12-01A	EA	COVER/ACTUATOR SWITCH - 3 GROOVES
8	098351-22-01A	EA	PLATE/SWITCH - 2 GANG - POLISHED BRASS
8	108355-01-000	EA	HOUSING - SWITCH

***COMPONENT PARTS LISTED LATER IN THIS GROUP**

ELECTRICAL GROUP (CONTINUED)

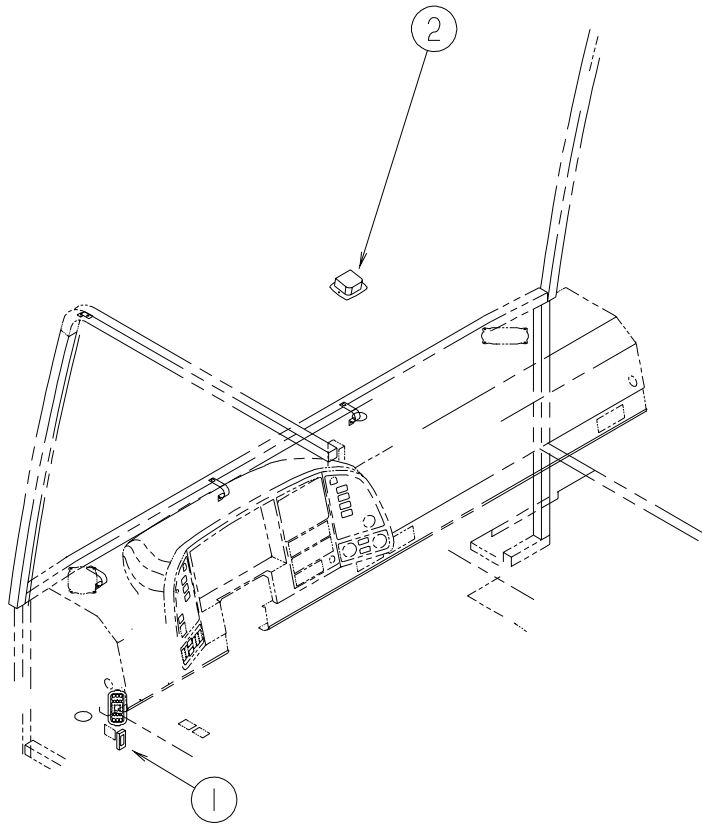
FRONT END WIRING



KEY	PART NUMBER	U/M	DESCRIPTION
1	124215-01-000	EA	FOG LIGHT - RECTANGULAR/CLEAR LENS
2	126200-01-000	EA	HEADLAMP - PASSENGER W/BULB & ADJUSTERS
2	088758-01-000	EA	HOUSING - HEADLAMP - CONNECTOR TERMINAL W/3 WIRES
2	124163-01-000	EA	CLIP - HEADLAMP/MOUNTING BRACKET - FORD #E9DZ-13N129A
2	067789-02-000	EA	SOCKET - LAMP
2	037934-01-000	EA	BULB - 12V - #1156 - 2.1 AMP - CLEAR GLASS
3	126200-02-000	EA	HEADLAMP - DRIVER W/BULBS & ADJUSTERS
3	088758-01-000	EA	HOUSING - HEADLAMP - CONNECTOR TERMINAL W/3 WIRES
3	124163-01-000	EA	CLIP - HEADLAMP/MOUNTING BRACKET - FORD #E9DZ-13N129A
3	067789-02-000	EA	SOCKET - LAMP
3	037934-01-000	EA	BULB - 12V - #1156 - 2.1 AMP - CLEAR GLASS
4	126201-01-000	EA	LAMP - PASSENGER SIDE MARKER - AMBER
4	112708-02-000	EA	BULB - 12 VOLT #3157NA
4	112709-04-000	EA	SOCKET - LAMP - S8 WEDGE
5	126201-02-000	EA	LAMP - DRIVER SIDE MARKER - AMBER
5	112708-02-000	EA	BULB - 12 VOLT #3157NA
5	112709-04-000	EA	SOCKET - LAMP - S8 WEDGE
6	126490-01-02B	EA	FRAME - HEADLAMP - PASSENGER - E-COATED
7	126490-02-02B	EA	FRAME - HEADLAMP - DRIVER - E-COATED
8*	098024-01-03A	EA	LIGHT - DOME - 1 BULB - WHITE
	008218-01-000	EA	BULB - 12 VOLT - #1141 - 1.44 AMP

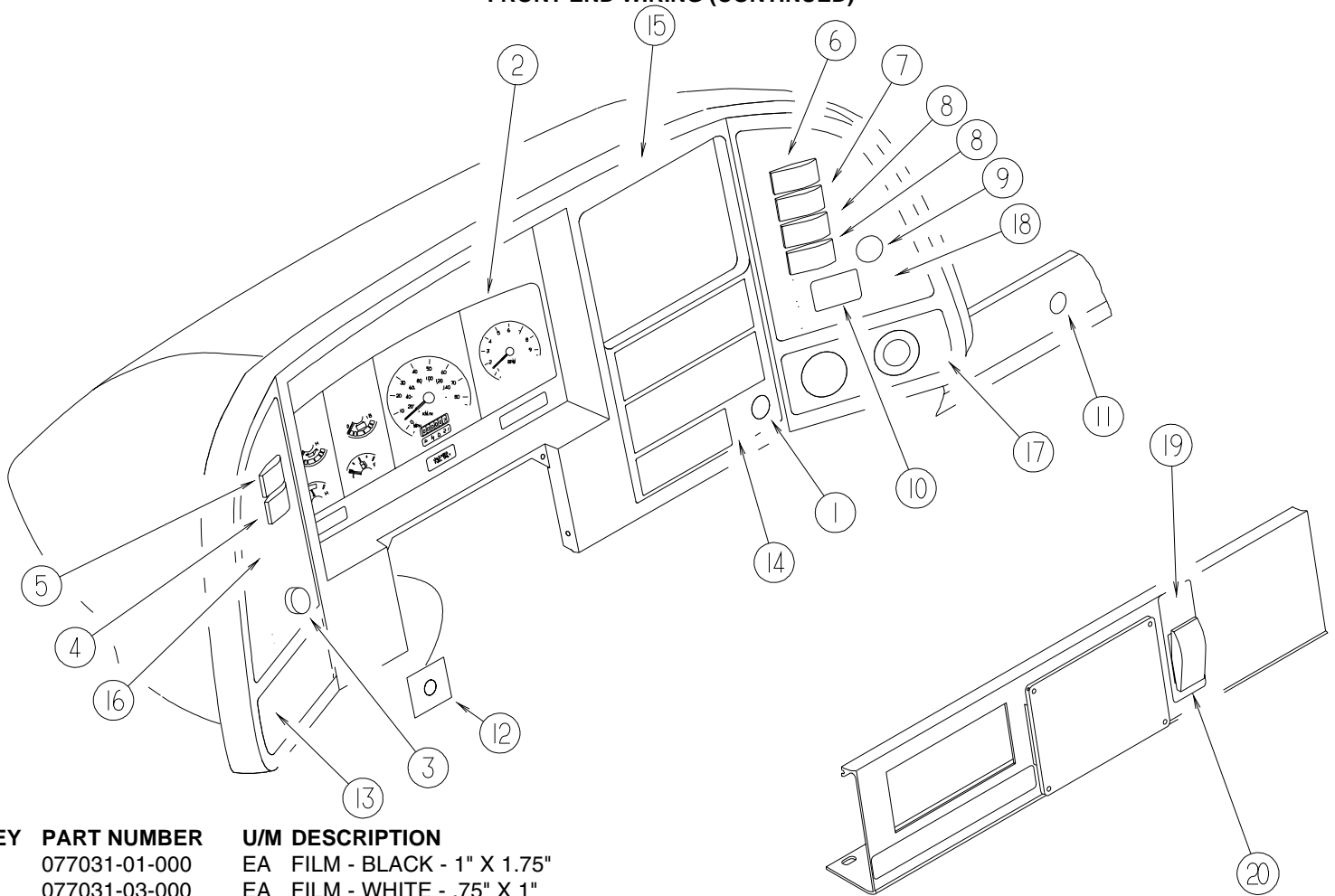
*COMPONENT PARTS LISTED LATER IN THIS GROUP

ELECTRICAL GROUP (CONTINUED)
FRONT END WIRING (CONTINUED)



KEY	PART NUMBER	U/M	DESCRIPTION	
1	041250-01-000	EA	SWITCH-PUSH BUTTON, IN DOOR JAMB - METAL - CHROME	
2	112642-01-06A	EA	TRIM RING - SINGLE LIGHT - BLACK	
				FROM: 00-00-00 THRU: 06-16-00
2	112643-01-000	EA	LIGHT - SINGLE - SWIVEL	
				FROM: 00-00-00 THRU: 06-16-00
2	135376-01-01A	EA	LIGHT - DOME - CAB - BLACK	
				FROM: 06-17-00 THRU: 99-99-99

ELECTRICAL GROUP (CONTINUED)
FRONT END WIRING (CONTINUED)



KEY	PART NUMBER	U/M	DESCRIPTION
	077031-01-000	EA	FILM - BLACK - 1" X 1.75"
	077031-03-000	EA	FILM - WHITE - .75" X 1"
1	089294-01-000	EA	LIGHTER - CIGARETTE - W/SOCKET & WIRE
2	094794-06-000	EA	CLUSTER - INSTRUMENT PANEL - KILO/FORD F53 - F5TD-10849-BB
3	096675-01-000	EA	KNOB - HEADLAMP - W/SHAFT
3	096674-01-000	EA	NUT - HEADLAMP KNOB - BLACK
4	108357-01-000	EA	SWITCH - ROCKER SPST - ON/OFF - 2 TERMINAL
4	108356-01-01A	EA	COVER/ACTUATOR SWITCH - 3 GROOVES - CONTURA III - BLACK
5	108357-09-000	EA	SWITCH - ROCKER SPDT - ON/NONE/MOM - 3 TERMINAL
5	108356-01-01A	EA	COVER/ACTUATOR SWITCH - 3 GROOVES - CONTURA III - BLACK
6	108357-08-000	EA	SWITCH - ROCKER DPDT - ON/NONE/ON - 6 TERMINAL
6	108356-01-01A	EA	COVER/ACTUATOR SWITCH - 3 GROOVES - CONTURA III - BLACK
7	108357-10-000	EA	SWITCH - ROCKER SPDT - W/LIGHT - MOM/NONE/MOM - 5 TERMINAL
7	108356-03-01A	EA	COVER/ACTUATOR SWITCH - 3 GROOVES W/LIGHT-CONTRA III-BLACK
8	108357-03-000	EA	SWITCH - ROCKER SPDT - ON/OFF/ON - 3 TERMINAL
8	108356-01-01A	EA	COVER/ACTUATOR SWITCH - 3 GROOVES - CONTURA III - BLACK
8	077031-03-000	EA	FILM - WHITE - .75" X 1"
9	133534-02-000	EA	LIGHT - AMBER INDICATOR WITH 1/4" TERMINALS
10	136119-01-000	EA	COMPASS/THERMOMETER - ELECTRONIC
11	111414-01-000	EA	RECEPTACLE/SOCKET - 12 VOLT
12	133535-01-000	EA	MODULE - TIMER 20 SECOND - WARNING LIGHT - TS61120P
13	110420-04-01A	EA	APPLIQUE - BEZEL - LOWER/LEFT
14	110420-07-01A	EA	APPLIQUE - BEZEL - CENTER
15	110420-08-01A	EA	APPLIQUE - BEZEL - UPPER CENTER
16	110420-25-01A	EA	APPLIQUE - BEZEL - LEFT HAND - BLACK - FORD
17	110420-30-01A	EA	APPLIQUE - BEZEL - LOWER/RIGHT
18	110420-31-01A	EA	APPLIQUE - BEZEL - RIGHT HAND - BLACK
19	116220-01-000	EA	APPLIQUE - SWITCH/SLIDEOUT
20	108357-06-000	EA	SWITCH - ROCKER DPDT - MOM/OFF/MOM - 6 TERMINAL
20	108356-02-01A	EA	COVER/ACTUATOR SWITCH - 2 ROWS DIMPLES- CONTURA II - BLACK
	103603-01-000	EA	BULB - 12 VOLT - #74 - .12A WEDGE - GE 22-25 USED IN DASH
	103608-01-000	EA	SOCKET - WEDGE BASE W/LEADS
	133534-01-000	EA	LIGHT - RED INDICATOR WITH 1/4" TERMINALS

ELECTRICAL GROUP (CONTINUED)
COMPONENT PARTS FOR LIGHTS & SWITCHES

008089-02-000

KEY	PART NUMBER	U/M	DESCRIPTION
	008089-01-700	EA	LENS-LIGHT, RECESSED, PORCH DECO

086280-01-000

KEY	PART NUMBER	U/M	DESCRIPTION	VENDOR NO.
	086280-01-000	EA	LIGHT - SURFACE MOUNT - 12 VOLT	JENSEN 1236
	086280-01-700	EA	BULB, 12V	ARP1089

087694-01-000

KEY	PART NUMBER	U/M	DESCRIPTION	VENDOR NO.
	087694-01-000	EA	LIGHT - WARDROBE/CLOSET - W/SWITCH	
	087694-01-700	EA	BULB	GE561

091937-08-000

KEY	PART NUMBER	U/M	DESCRIPTION	VENDOR NO.
	091937-08-000	EA	LIGHT - FLUORESCENT - RECESSED/COVERED - THIN-LITE	
	091937-08-700	EA	LENS - LIGHT - FLUORESCENT , D-766	

091937-09-000

KEY	PART NUMBER	U/M	DESCRIPTION	VENDOR NO.
	091937-09-000	EA	LIGHT - FLUORESCENT - RECESSED/COVERED - THIN-LITE	
	091937-09-700	EA	LENS - LIGHT - FLUORESCENT , D-762	

097917-01-06A

KEY	PART NUMBER	U/M	DESCRIPTION	VENDOR NO.
	097917-01-06A	EA	LIGHT - PORCH - BRIGHT WHITE	
	097917-01-700	EA	LENS-LIGHT, CLEAR	30-78-021

098024-01-03A

KEY	PART NUMBER	U/M	DESCRIPTION	VENDOR NO.
	098024-01-03A	EA	LIGHT - DOME - 1 BULB - WHITE	
	098024-01-700	EA	LENS-LIGHT	807877

098024-06-02A

KEY	PART NUMBER	U/M	DESCRIPTION	VENDOR NO.
	098024-06-02A	EA	LIGHT - DOME - 2 BULB - SKYLITE/OPTI CLEAR	PD 772WR US/CSA
	098024-01-701	EA	LENS - OPTI CLEAR - SKYLITE	809902

098024-09-02A

KEY	PART NUMBER	U/M	DESCRIPTION	VENDOR NO.
	098024-09-02A	EA	LIGHT - DOME - 1 LENS/2 BULB FIXTURE - W/O SWITCH	
	098024-09-700	EA	LENS-DBL LHT/SGL LENS/FROST	810779

108354-01-01A

KEY	PART NUMBER	U/M	DESCRIPTION	VENDOR NO.
	108354-01-01A	EA	LIGHT - COURTESY	
	108354-01-700	EA	BULB-COURTESY LIGHT	395-B

110235-01-01A

KEY	PART NUMBER	U/M	DESCRIPTION	VENDOR NO
	110235-01-01A	EA	LIGHT - MAKE UP - 3 BULB - 12 VOLT	
	081633-01-700	EA	BULB-LIGHT, MAKE-UP	RP1041

121935-01-01A

KEY	PART NUMBER	U/M	DESCRIPTION	VENDOR NO.
	121935-01-01A	EA	LIGHT - DOME - SHOWER	
	121935-01-700	EA	LENS ONLY	809511

ELECTRICAL GROUP (CONTINUED)

CIRCUIT BREAKERS & FUSES

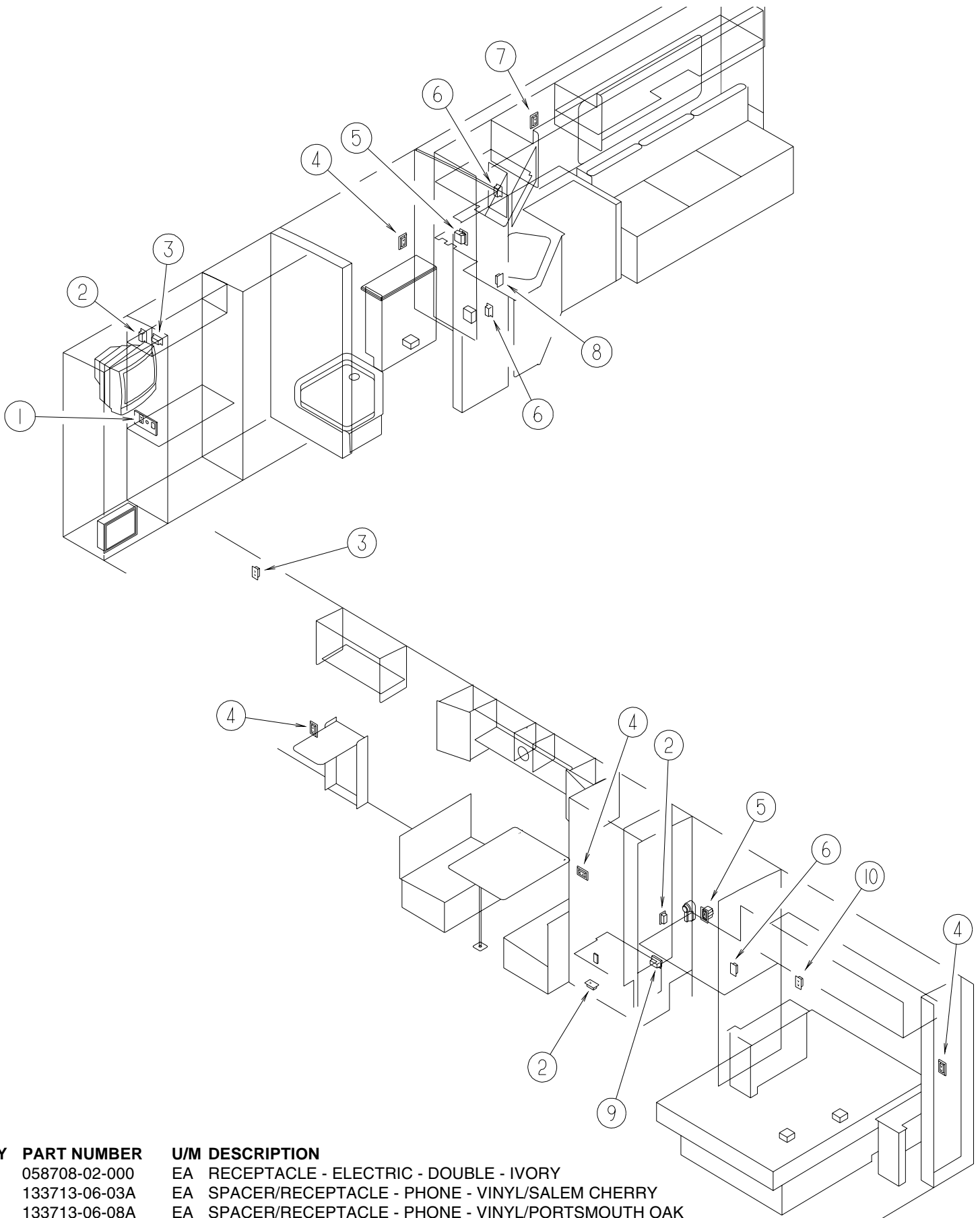
KEY	PART NUMBER	U/M	DESCRIPTION
	062901-02-000	EA	FUSE - 5 AMP - AUTOMOTIVE
	083209-01-000	EA	CIRCUIT BREAKER - 15 AMP - 120 VOLT - CANADIAN
	083209-02-000	EA	CIRCUIT BREAKER - 15/15 AMP - 120 VOLT
	083209-03-000	EA	CIRCUIT BREAKER - 15/20 AMP - 120 VOLT
	083209-05-000	EA	CIRCUIT BREAKER - 20 AMP - 120 VOLT
	083209-07-000	EA	CIRCUIT BREAKER - 20/20 AMP - 120 VOLT
	083209-10-000	EA	CIRCUIT BREAKER - 20/30 AMP - 120 VOLT
	083209-11-000	EA	CIRCUIT BREAKER - 20/15 AMP - 120 VOLT
	093654-01-000	EA	CIRCUIT BREAKER - 6 AMP - 12 VOLT - PUSH BUTTON
	093654-02-000	EA	CIRCUIT BREAKER - 15 AMP - 12 VOLT - PUSH BUTTON
	093654-03-000	EA	CIRCUIT BREAKER - 20 AMP - 12 VOLT - PUSH BUTTON
	093655-01-000	EA	CIRCUIT BREAKER - 25 AMP - 12 VOLT - PUSH BUTTON
	093655-02-000	EA	CIRCUIT BREAKER - 30 AMP - 12 VOLT - PUSH BUTTON
	093655-03-000	EA	CIRCUIT BREAKER - 40 AMP - 12 VOLT - PUSH BUTTON
	113482-01-000	EA	CIRCUIT BREAKER - 55 AMP - MANUAL
	122811-01-000	EA	CIRCUIT BREAKER - 20/50/50/20
	125986-04-000	EA	FUSE - 10 AMP - AUTO - MINI BLADE

CONVERTER, INVERTER, LOAD CENTERS

KEY	PART NUMBER	U/M	DESCRIPTION
	099048-04-000	EA	INVERTER - 300 WATT
	108915-03-000	EA	LOAD CENTER - 120/240 VOLT - 100 AMP
	123058-01-000	EA	CONVERTER - 55 AMP - ELECTRONIC - 4 1/8"H X 7"W X 12 3/8"L
	127002-01-000	EA	MODULE/CIRCUIT BOARD - ENERGY MANAGEMENT SYSTEM CONTROL FROM: 00-00-00 THRU: 01-28-01
	127002-04-000	EA	MODULE - EMS CONTROL - W/REMOTE SENSOR FROM: 01-29-01 THRU: 99-99-99
	127002-07-000	EA	SENSOR - CURRENT FROM: 01-29-01 THRU: 99-99-99
	127002-02-000	EA	PANEL/MONITOR - ENERGY MANAGEMENT SYSTEM FROM: 00-00-00 THRU: 01-28-01
	127002-05-000	EA	PANEL - MONITOR/EMS - W/PLUG FROM: 01-29-01 THRU: 99-99-99

ELECTRICAL GROUP (CONTINUED)

110V WIRING



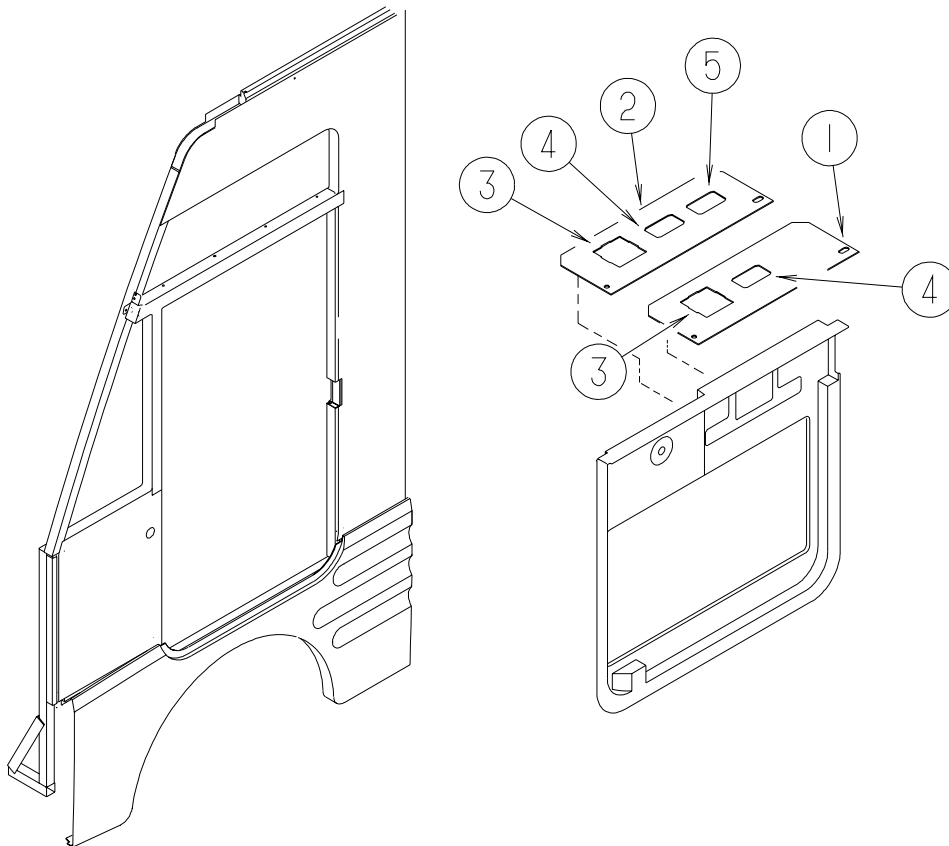
KEY	PART NUMBER	U/M	DESCRIPTION
1	058708-02-000	EA	RECEPTACLE - ELECTRIC - DOUBLE - IVORY
1	133713-06-03A	EA	SPACER/RECEPTACLE - PHONE - VINYL/SALEM CHERRY
1	133713-06-08A	EA	SPACER/RECEPTACLE - PHONE - VINYL/PORTSMOUTH OAK
2	058707-01-000	EA	RECEPTACLE - ELECTRIC - SINGLE - BROWN
3	058707-02-000	EA	RECEPTACLE - BLANK - JUNCTION BOX

ELECTRICAL GROUP (CONTINUED)

110V WIRING (CONTINUED)

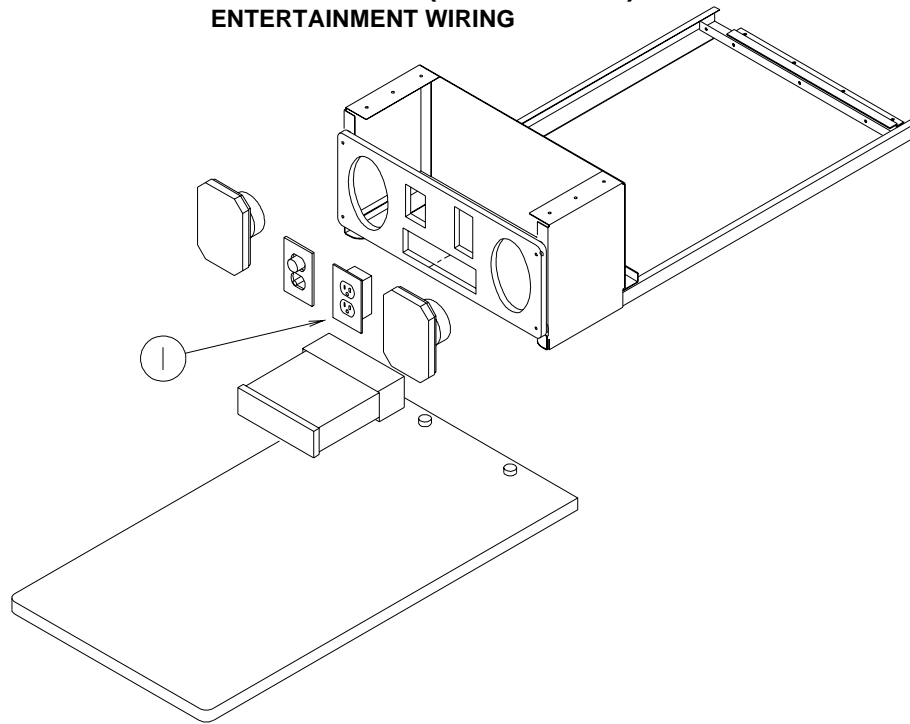
KEY	PART NUMBER	U/M	DESCRIPTION
4	058708-02-000	EA	RECEPTACLE - ELECTRIC - DOUBLE - IVORY
4	133713-01-03A	EA	SPACER/RECEPTACLE - VINYL/SALEM CHERRY
4	133713-01-08A	EA	SPACER/RECEPTACLE - VINYL/PORTSMOUTH OAK
5	084076-01-000	EA	RECEPTACLE - GFI - 15 AMP/125 VOLT - IVORY - W/COVER
6	058708-01-000	EA	RECEPTACLE - ELECTRIC - DOUBLE - BROWN
7	058708-05-000	EA	RECEPTACLE - ELECTRIC - SINGLE - BROWN
7	133713-01-03A	EA	SPACER/RECEPTACLE - VINYL/SALEM CHERRY
7	133713-01-08A	EA	SPACER/RECEPTACLE - VINYL/PORTSMOUTH OAK
8	084420-01-000	EA	SWITCH - TOGGLE - 15 AMP - 120 VOLT - BROWN
9	131826-01-01A	EA	RECEPTACLE - EXTERIOR - W/COVER/GASKET - WHITE
10	058708-02-000	EA	RECEPTACLE - ELECTRIC - DOUBLE - IVORY

DRIVERS DOOR WIRING

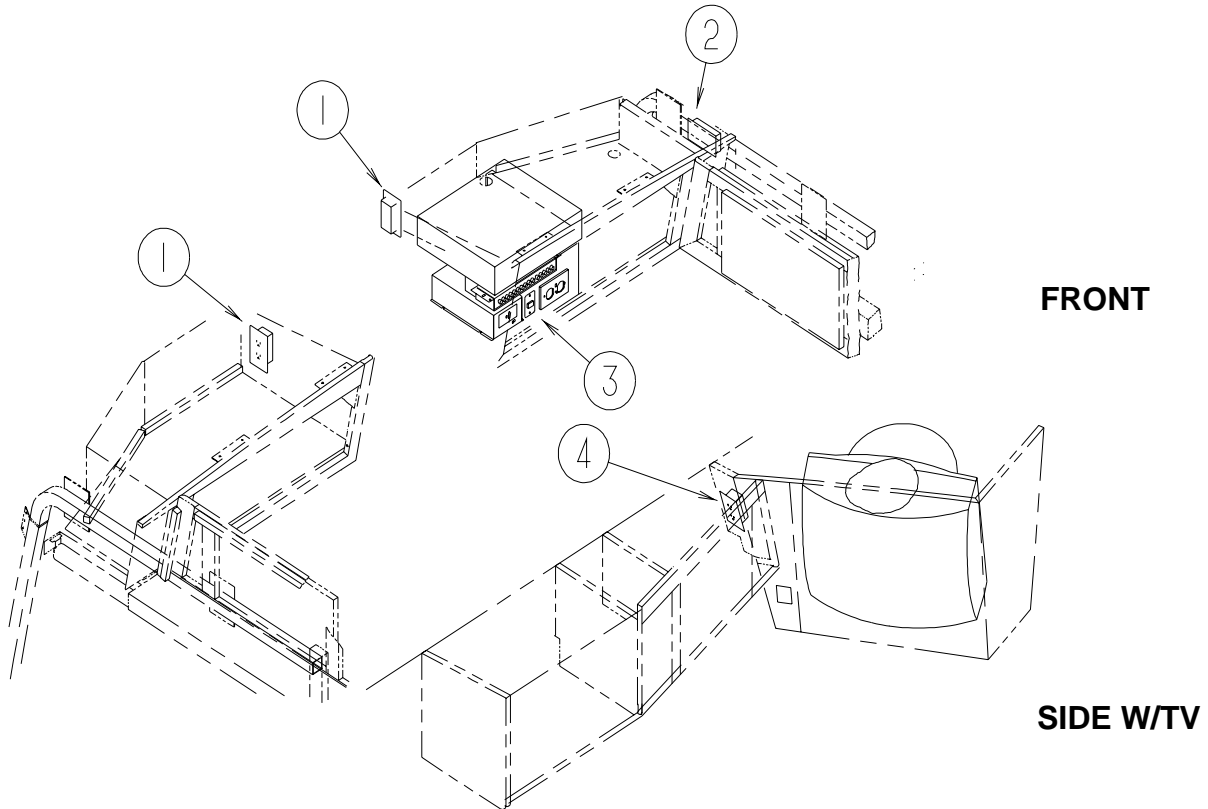


KEY	PART NUMBER	U/M	DESCRIPTION
1	NOT USED		
2	132514-02-02B	EA	PLATE - SWITCH- HEATED MIRROR - E-COATED
3	088246-01-000	EA	SWITCH/REMOTE MIRROR - W/2PIN & 6 PIN CONNECTORS/PIGTAIL
4	108357-14-000	EA	SWITCH - ROCKER SPDT - W/LIGHT - ON/OFF - 4 TERMINAL
4	108356-03-01A	EA	COVER/ACTUATOR SWITCH -3 GROOVES W/LIGHT-CONTRA III-BLACK
5	093132-01-000	EA	SWITCH - ROCKER/POWER WINDOWS - 5 TERM - (ARROWS)
	128131-01-01A	EA	SPACER/SWITCH - DOME - BLACK

ELECTRICAL GROUP (CONTINUED)
ENTERTAINMENT WIRING



KEY	PART NUMBER	U/M DESCRIPTION
1	058708-01-000	EA RECEPTACLE - ELECTRIC - DOUBLE - BROWN



KEY	PART NUMBER	U/M DESCRIPTION
1	058708-02-000	EA RECEPTACLE - ELECTRIC - DOUBLE - IVORY
2	058707-02-000	EA RECEPTACLE - BLANK - JUNCTION BOX
3	079364-01-000	EA SWITCH - ON/OFF ROCKER - 2 TERMINAL - BROWN
		FROM: 00-00-00 THRU: 01-07-01
3	079364-04-000	EA SWITCH - ON/OFF ROCKER - 2 TERMINAL - BLACK
		FROM: 01-08-01 THRU: 99-99-99
3	098351-16-01A	EA PLATE/SWITCH - 1 GANG W/LABEL
4	058708-05-000	EA RECEPTACLE - ELECTRIC - SINGLE - BROWN

ELECTRICAL GROUP (CONTINUED)

BOXES & CORDS

KEY	PART NUMBER	U/M	DESCRIPTION
	008054-01-000	EA	CORD - POWER - 10/3 WIRE - 30 AMP - 25'
	008289-01-000	EA	BOX - ELECTRIC/STEEL - 1/2" & 3/4" KNOCKOUTS - 4" X 4"
	008294-01-000	EA	COVER - ELECTRIC BOX - BLANK/STEEL - 4" X 4" - GRAY
	091910-01-000	EA	BOX - ELECTRIC - 3.8" X 3.5" X 1.8" - PLASTIC
	091910-02-000	EA	BOX - ELECTRIC - 2.2" X 3.5" X 1.8" - PLASTIC
	092492-11-000	EA	SEAL - ELECTRIC BOX - 7" X 18.4"
	106071-04-000	EA	SWITCH - AUTOMATIC TRANSFER W/CONNECTION LUGS FROM: 00-00-00 THRU: 10-08-00
	106071-05-000	EA	SWITCH - AUTOMATIC TRANSFER - 50/70 - MAGNETEK FROM: 10-09-00 THRU: 99-99-99
	108934-02-000	EA	CORD - POWER - 50 AMP - 4-WIRE - 36'
	109172-01-000	EA	CORD - POWER - 13 AMP - 3-WIRE - 4'
	109925-04-000	EA	DOOR - ELECTRICAL BOX - GM/FORD
	118905-02-02B	EA	DOOR - ELECTRIC - 6.1" X 11.1" - CHEVY/FORD
	131679-01-000	EA	BOX-ELEC-WATERPROOF SEALED 4" X 4" W/4 3/4"OUTLETS-UL/CSA
	131680-01-000	EA	COVER - W/GASKET FOR WATERPROOF 4" X 4" BOX - UL/CSA
	133070-01-000	EA	BOX - ELECTRICAL - PLASTIC - 3" X 2" X 2.8" - UL
	133070-02-000	EA	BOX - ELECTRICAL - PLASTIC - 3" X 2" X 2.8" - CSA

WIRE ASSEMBLIES

KEY	PART NUMBER	U/M	DESCRIPTION
	073328-B4-000	EA	CABLE ASSEMBLY - BATTERY - W/TERMINALS FROM: 00-00-00 THRU: 09-17-00
	090986-01-000	EA	WIRE ASSEMBLY - ELECTRIC STEP - L34Y
	090986-02-000	EA	WIRE ASSEMBLY - ELECTRIC STEP - L36W
	093040-06-000	EA	WIRE ASM-MONITOR- F/NON-PREWired AFTER MARKET INSTALLATION
	096449-01-000	EA	WIRE ASSEMBLY - WATER TANK TO MONITOR PANEL
	096450-01-000	EA	WIRE F/SENSORS - BLACK WATER - 39.3" - L36W
	096450-05-000	EA	WIRE F/SENSORS - BLACK WATER - 23.6" - L34Y, L35U
	096451-06-000	EA	WIRE F/SENSORS - GREY WATER - 23.6"
	096717-04-000	EA	WIRE ASSEMBLY - REAR MONITOR - UPPER
	108029-01-000	EA	WIRE ASSEMBLY - POWER DRIVER SEAT
	108029-02-000	EA	WIRE ASSEMBLY - POWER PASSENGER SEAT FROM: 00-00-00 THRU: 08-27-00
	108029-03-000	EA	WIRE ASSEMBLY - POWER PASSENGER SEAT FROM: 08-28-00 THRU: 99-99-99
	120233-05-000	EA	WIRE ASSEMBLY - 30" CONNECTS TO WALLPLATE DISPLAY
	124125-01-000	EA	WIRE - ELECTRICAL BOX FROM: 00-00-00 THRU: 10-12-00
	124125-02-000	EA	WIRE - ELECTRICAL BOX FROM: 10-13-00 THRU: 99-99-99
	124336-11-000	EA	WIRE - REAR STEREO - 12 PIN CONNECTION - L34Y, L36W
	124842-02-000	EA	WIRE ASSEMBLY - SPEAKER/REAR MONITOR
	124843-01-000	EA	WIRE ASSEMBLY - SPEAKER ADAPTER - L34Y, L35U
	124843-02-000	EA	WIRE ASSEMBLY - SPEAKER ADAPTER
	124843-03-000	EA	WIRE ASSEMBLY - SPEAKER ADAPTER
	124843-06-000	EA	WIRE ASSEMBLY - SPEAKER ADAPTER - L35U
	124882-01-000	EA	WIRE ASSEMBLY - AMPLIFIER FROM: 00-00-00 THRU: 06-22-00
	124882-05-000	EA	WIRE ASSEMBLY - AMPLIFIER FROM: 06-23-00 THRU: 99-99-99
	124882-08-000	EA	WIRE ASM-AMP,MTS Q SURROUND
	125853-01-000	EA	WIRE ASSEMBLY - ENTERTAINMENT CENTER
	125853-04-000	EA	WIRE ASSEMBLY - ENTERTAINMENT CENTER
	126779-01-000	EA	WIRE ASSEMBLY - SPEAKER - DELUXE
	127002-03-000	EA	WIRE ASSEMBLY - ENERGY MANAGEMENT SYSTEM FROM: 00-00-00 THRU: 01-28-01
	127002-06-000	EA	WIRE ASSEMBLY - EMS - W/PLUG FROM: 01-29-01 THRU: 99-99-99
	128138-02-000	EA	WIRE - F/SATELLITE - AUTOMATIC - L34Y, L35U
	129436-04-000	EA	WIRE ASSEMBLY - INSTRUMENT PANEL - POWER MIRROR
	131386-02-000	EA	WIRE ASSEMBLY - F/SLIDEOUT CONTROL
	132887-01-000	EA	WIRE ASM-EXTENSION,SLIDEOUT - L35U
	132887-03-000	EA	WIRE ASM-EXTENSION,SLIDEOUT - L35U
	134544-01-000	EA	WIRE ASSEMBLY - SWITCH ADAPTER
	135131-01-000	EA	WIRE ASSEMBLY - THERMOSTAT

ELECTRICAL GROUP (CONTINUED)

CONNECTORS & CONDUIT

KEY	PART NUMBER	U/M	DESCRIPTION
	007954-01-000	EA	RECEPTACLE - HOUSING - 6 POSITION
	007956-05-000	EA	INSULATOR - SHRINK - .25 ID X 1.50
	008311-01-000	EA	CONNECTOR - WIRE NUT - INSULATED - RED
	008313-01-000	EA	CONNECTOR - WIRE NUT - INSULATED - YELLOW
	008326-01-000	EA	TERMINAL - RING - 16/14 WIRE - 3/8" STUD
	008348-01-000	EA	TERMINAL - RING - 3/8" STUD 2 GA. WIRE
	008355-01-000	EA	CONNECTOR - CABLE CLAMPING - 3/4"
	008356-01-000	EA	CONNECTOR - PLASTIC - 3/8" AVG
	008356-02-000	EA	CONNECTOR - PLASTIC - 21/32
	008394-01-000	FT	CONDUIT - FLEXIBLE - 1/2"
	035416-04-000	EA	TERMINAL - RING - #10 STUD FIT - INSULATED BARREL #16/14
	041953-01-000	FT	CONDUIT - CONVOLUTE SLIT - .5" ID - POLYETHYLENE
	041953-02-000	FT	CONDUIT - CONVOLUTE SLIT - .6" ID
	041953-03-000	FT	CONDUIT - CONVOLUTE SLIT - 1" ID (CLOTHES ROD COVER)
	041953-05-000	FT	CONDUIT - CONVOLUTE SOLID - .62" ID - POLYETHYLENE
	041953-06-000	FT	CONDUIT - CONVOLUTE SLIT - .375" ID - POLYETHYLENE
	041953-07-000	FT	CONDUIT - CONVOLUTE SLIT - .25" ID - POLYETHYLENE
	041953-08-000	FT	CONDUIT - CONVOLUTE SLIT - 1.50" ID - POLYETHYLENE
	041953-09-000	FT	CONDUIT - CONVOLUTE SLIT - .50" ID - NYLON
	041953-10-000	FT	CONDUIT - CONVOLUTE SLIT - .75" ID - NYLON
	041953-11-000	FT	CONDUIT - CONVOLUTE SLIT - 1.06" ID - NYLON
	041953-12-000	FT	CONDUIT - CONVOLUTE SOLID - 1.1" ID - NYLON
	041953-13-000	FT	CONDUIT - CONVOLUTE SLIT - 1.25
	047443-01-000	EA	TERMINAL - .250 RECEPTACLE FIT - INSULATED - 16/14 AWG
	047443-02-000	EA	TERMINAL - .250 RECEPTACLE FIT - INSULATED - 12/10 AWG
	058028-01-000	EA	CONNECTOR - ELECTRICAL PIGTAIL - NYLON - CLEAR
	062036-01-000	EA	TERMINAL - PACK - CON - 12/10 AWG
	077479-01-000	EA	BOOT - BATTERY TERMINAL - DOUBLE CABLE
	077479-02-000	EA	BOOT - BATTERY TERMINAL - SINGLE CABLE
	080015-02-000	EA	RECEPTACLE - FLAG - .185 - 16/14 GAUGE
	080015-03-000	EA	RECEPTACLE - FLAG - .250 - 14/16 GAUGE
	082109-01-000	EA	HOUSING - CONNECTOR - PACKARD
	087225-01-000	FT	SLEEVING - 1/2" - TYPE H
	087225-02-000	FT	SLEEVING - 5/8" - TYPE H
	087949-01-000	EA	BUSS BAR - 2 POSITION - .6" X 1.5"
	087949-02-000	EA	BUSS BAR - 3 POSITION - .6" X 2.4"
	087949-03-000	EA	BUSS BAR - 4 POSITION
	088267-01-000	EA	TERMINAL - FEMALE - 1/4
	088473-01-000	EA	HOUSING - PIN - 12 CAVITY (3 ROWS OF 4)
	088473-02-000	EA	HOUSING - PIN - 15 CAVITY (3 ROWS OF 5)
	088473-03-000	EA	HOUSING - PIN - 9 CAVITY (3 ROWS OF 3)
	088473-04-000	EA	HOUSING - PIN - 8 CAVITY IN-LINE
	088473-06-000	EA	HOUSING - PIN - 6 CAVITY (2 ROWS OF 3)
	088473-08-000	EA	HOUSING - PIN - 4 CAVITY - IN-LINE
	088473-09-000	EA	HOUSING - PIN - 3 CAVITY - IN-LINE
	088473-10-000	EA	HOUSING - PIN - 2 CAVITY - IN LINE
	088474-01-000	EA	HOUSING - SOCKET - 12 CAVITY
	088474-02-000	EA	HOUSING - SOCKET - 15 CAVITY
	088474-03-000	EA	HOUSING - SOCKET - 9 CAVITY
	088474-06-000	EA	HOUSING - SOCKET - 6 CAVITY
	088474-08-000	EA	HOUSING - SOCKET - 4 CAVITY
	088474-09-000	EA	HOUSING - SOCKET - 3 CAVITY
	088474-10-000	EA	HOUSING - SOCKET - 2 CAVITY
	088475-01-000	EA	PIN - CONNECTOR - 14-20 AWG
	088475-02-000	EA	PIN - CONNECTOR - 10-12 AWG
	088476-01-000	EA	TERMINAL - ELECTRICAL
	088476-02-000	EA	SOCKET - CONNECTOR - 12-10 GA - PRE-TIN
	098261-02-000	EA	SOCKET - CONNECTOR - WEATHERPACK - 14-18 AWG
	098262-01-000	EA	SEAL - CONNECTOR - WEATHERPACK
	098262-05-000	EA	SEAL - CAVITY
	098262-06-000	EA	SEAL - CONNECTOR - M/P - 10 GAUGE
	098263-01-000	EA	HOUSING - 3 PIN - WEATHER PACK
	098263-02-000	EA	HOUSING - 3 PIN - WEATHER PACK
	098264-01-000	EA	HOUSING - 2 PIN - WEATHER PACK - MALE W/FEMALE PINS
	098264-02-000	EA	HOUSING - 2 PIN - WEATHER PACK - FEMALE W/MALE PINS

ELECTRICAL GROUP (CONTINUED)

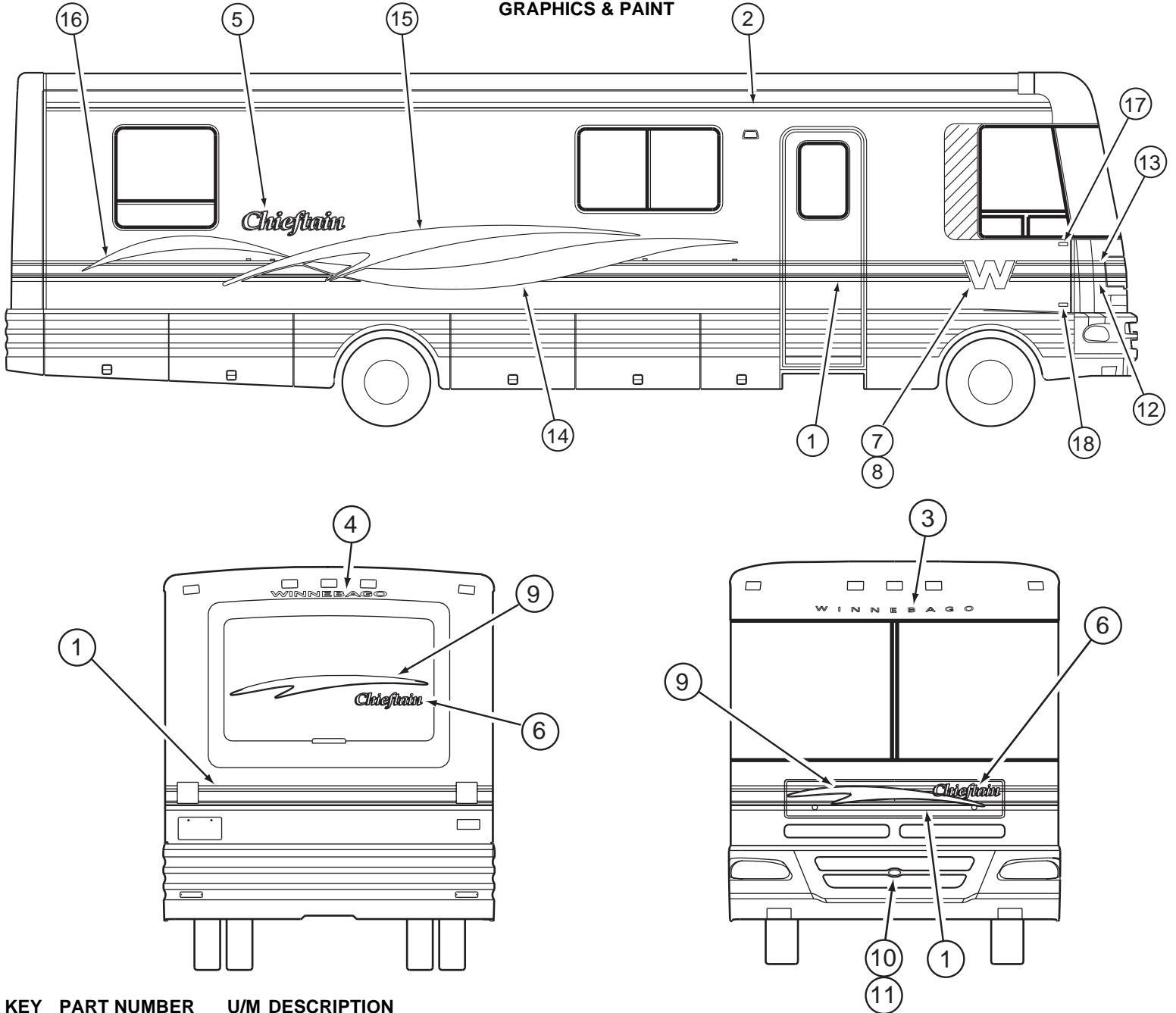
CONNECTORS & CONDUIT (CONTINUED)

KEY	PART NUMBER	U/M	DESCRIPTION
	098265-02-000	EA	PIN - CONNECTOR - WEATHER PACK
	101571-01-000	EA	HOUSING - 2 POSITION - MALE
	102777-02-000	EA	TERMINAL - RING - #6 STUD - 10 AWG
	104100-01-000	EA	HOUSING - 1 POSITION - 75 AMPS
	104100-03-000	EA	TERMINAL - 75 AMP
	110178-01-000	EA	HOUSING - WIPER MOTOR
	112823-01-000	EA	SPLICE - REDUCER - 16-14 TO 18-22
	113306-01-000	EA	TERMINAL - FEMALE - M/P - 14-16 - F/NON-SEALED TERMINAL
	113306-02-000	EA	TERMINAL - FEMALE - M/P - 10-12 - 480
	113308-01-000	EA	TERMINAL - FEMALE - M/P - 14-16 - 280
	113452-01-000	FT	SEAL/TRIM - FRONT - VINYL W/WIRE CARRIER - .020"
	113452-02-000	FT	SEAL/TRIM - FRONT - VINYL W/WIRE CARRIER - .027"
	113468-01-000	EA	HOUSING - 2 POSITION-FEMALE-USED ON WIPER/WASHER WIRE ASM
	116811-01-000	EA	TERMINAL - .110 RECEPTACLE - 16-14 AWG
	118571-01-000	EA	CONNECTOR - 3-WAY - MALE/SEALED
	118571-02-000	EA	CONNECTOR - 3-WAY - FEMALE/SEALED
	118571-03-000	EA	BRACKET - MOUNTING
	118571-04-000	EA	GASKET
	118571-05-000	EA	LOCK - SECONDARY - FEMALE
	118571-06-000	EA	LOCK - SECONDARY - MALE
	118597-01-000	EA	TERMINAL - MALE - M/P - 480 - 14-16
	118599-01-000	EA	TERMINAL - MALE - M/P - 280 - 14-16
	119223-01-000	EA	HOUSING - 6 POSITION - MALE - WEATHERPACK
	125323-02-000	EA	HOUSING - 8 POSITION - MALE
	125323-03-000	EA	LOCK - SECONDARY 8 POSITION
	125324-01-000	EA	TERMINAL - MALE - METRI-PACK - 150
	125325-01-000	EA	SEAL - CAVITY
	126403-02-000	EA	CONNECTOR - 3 CIRCUIT
	131681-01-000	EA	CONNECTOR - 3/4" SO CORD - UL/CS
	135895-01-000	EA	TERMINAL - FEMALE
	137207-01-000	EA	HOUSING - PIN - 2 CAVITY/HIGH AMP
	137208-01-000	EA	HOUSING - SOCKET - 2 CAVITY/HIGH AMP
	137209-01-000	EA	PIN - CONNECTOR - 10AWG/HIGH AMP
	137210-01-000	EA	SOCKET - CONNECTOR - 10 AWG/HIGH AMP

BOOTS, SOLENOIDS, RELAYS & MISCELLANEOUS

KEY	PART NUMBER	U/M	DESCRIPTION
	008188-01-000	EA	SOLENOID - 3 POST - BATTERY CHANGE OVER
	063910-01-000	EA	HOUSING - RELAY
	063912-02-000	EA	RELAY - CANISTER - SPDT
	065450-05-000	EA	TIEDOWN - BATTERY - 8.4" TUBE
	086233-01-000	EA	STUD - ISOLATED - 3/8" X 7/8" LONG
	086273-01-000	EA	RELAY - BATTERY DISCONNECT
	115539-01-000	EA	RELAY - RADIO/TV SPEAKER - SWITCH
	131832-01-000	EA	RELAY - 25 AMP/120 VOLT AC/6 TERM - CUTLER-HAMMER D8PR7TEA
	131832-02-000	EA	HOUSING - RELAY

EXTERIOR BODY GROUP GRAPHICS & PAINT



KEY	PART NUMBER	U/M	DESCRIPTION
1	093689-32-02A	FT	FILM - MULTISTRIPE-7.4"-DEEPSTAR BL/SLVR/LT EMERALD/LT GRN
2	105781-79-02A	FT	FILM - MULTISTRIPE - 3" - LT GREEN/DEEP STEEL BLUE
3	121510-01-03A	EA	DECAL - LOGO - WINNEBAGO - SWEEP - LIGHT EMERALD GREEN
4	120702-03-26A	EA	DECAL - LOGO - WINNEBAGO - LIGHT EMERALD GREEN
5	120701-02-02A	EA	DECAL - LOGO - CHIEFTAIN/LARGE - BRT/WHT/LT/EMGREEN/SILVER
6	120701-03-02A	EA	DECAL - LOGO - CHIEFTAIN/SMALL - BRT/WHT/LT/EMGREEN/SILVER
7	133170-01-02A	EA	DECAL - LOGO - "W" W/STRIPE - DRVR DOOR-LEMD/DSBL/SLV/LGRN
8	120700-07-02A	EA	DECAL - LOGO - "W" - LIGHT EMERALD GREEN
9	133154-01-02A	EA	DECAL - CURVE - HOOD - BRT/WHT/LT EMERALD/LT GREEN
10	120994-01-01A	EA	BEZEL - DOMED GRILLE LOGO
11	120875-01-01A	EA	DECAL - "WINNEBAGO INDUSTRIES"-OVAL DOMED-GRILLE-BLK/GOLD
12	133152-01-02A	EA	DECAL - CORNER - LOWER/DRIVER - LT EMERALD/LT GREEN
12	133152-02-02A	EA	DECAL - CORNER - LOWER/DRIVER - LT EMERALD/LT GREEN
13	133153-01-02A	EA	DECAL - CORNER - UPPER/PASSENGER - DP STAR BLUE/SILVER
13	133153-02-02A	EA	DECAL - CORNER - UPPER/DRIVER - DEEP STAR BLUE/SILVER
14	133155-01-02A	EA	DECAL - CURVE - FRONT/PASSENGER - DEEP STAR BLUE/SILVER
14	133155-02-02A	EA	DECAL - CURVE - FRONT/DRIVER - DEEP STAR BLUE/SILVER
15	133156-01-02A	EA	DECAL - CURVE - MID/W/STRIPE-PASS-LT EM/LT GRN/DSTRBLUE/SL
15	133156-02-02A	EA	DECAL - CURVE - MID/W/STRIPE-DRV-LT EM/LT GRN/DSTRBLUE/SLV

EXTERIOR BODY GROUP (CONTINUED)

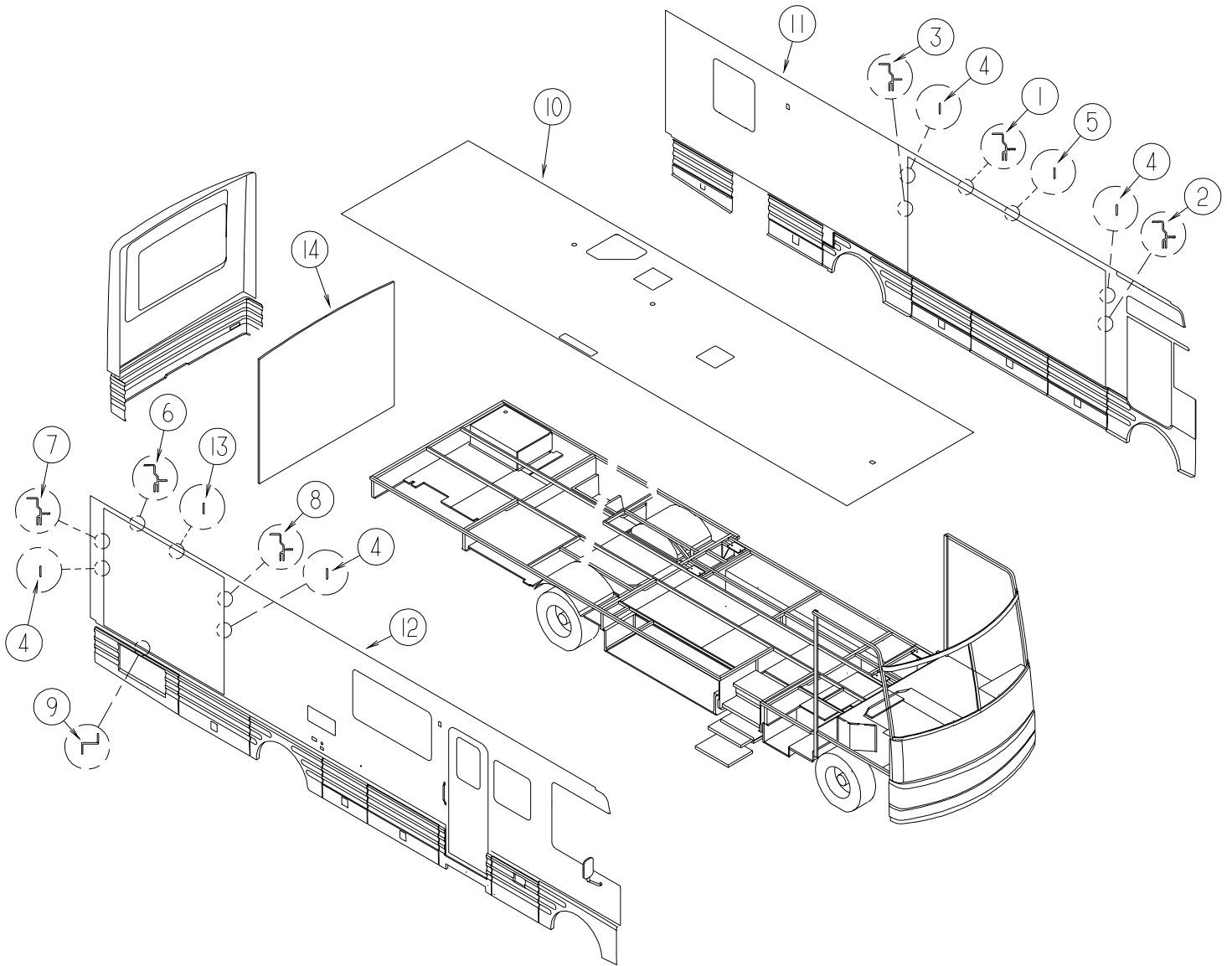
GRAPHICS & PAINT (CONTINUED)

KEY	PART NUMBER	U/M	DESCRIPTION
16	133157-01-02A	EA	DECAL - CURVE - REAR/PASSENGER - DEEP STAR BLUE
16	133157-02-02A	EA	DECAL - CURVE - REAR/DRIVER - DEEP STAR BLUE
17	132664-01-01A	EA	DECAL - LOGO/DOMED - WINNEBAGO - GOLD/BLACK - PLASTIC
18	129922-01-01A	EA	EMBLEM - TRITON V10 - BLACK/SILVER METALLIC/SILVER
	093681-40-01A	FT	FILM - 2" - FLAT BLACK
	116424-01-000	EA	PROTECTOR - LATCH - WATER HEATER
	041561-03-000	EA	PAINT - 16 OUNCE SPRAY - OFF WHITE
	091828-61-000	GL	PAINT-CHROMABASE L8723 - OFF WHITE

DUPONT COLOR CODES

DEEP STAR BLUE METALLIC	DUPONT #BM514
SILVER METALLIC	DUPONT #F2573
LIGHT EMERALD GREEN METALLIC	DUPONT #GM223
LIGHT GREEN METALLIC	DUPONT #GM185
JADESTONE METALLIC	DUPONT #M3264U

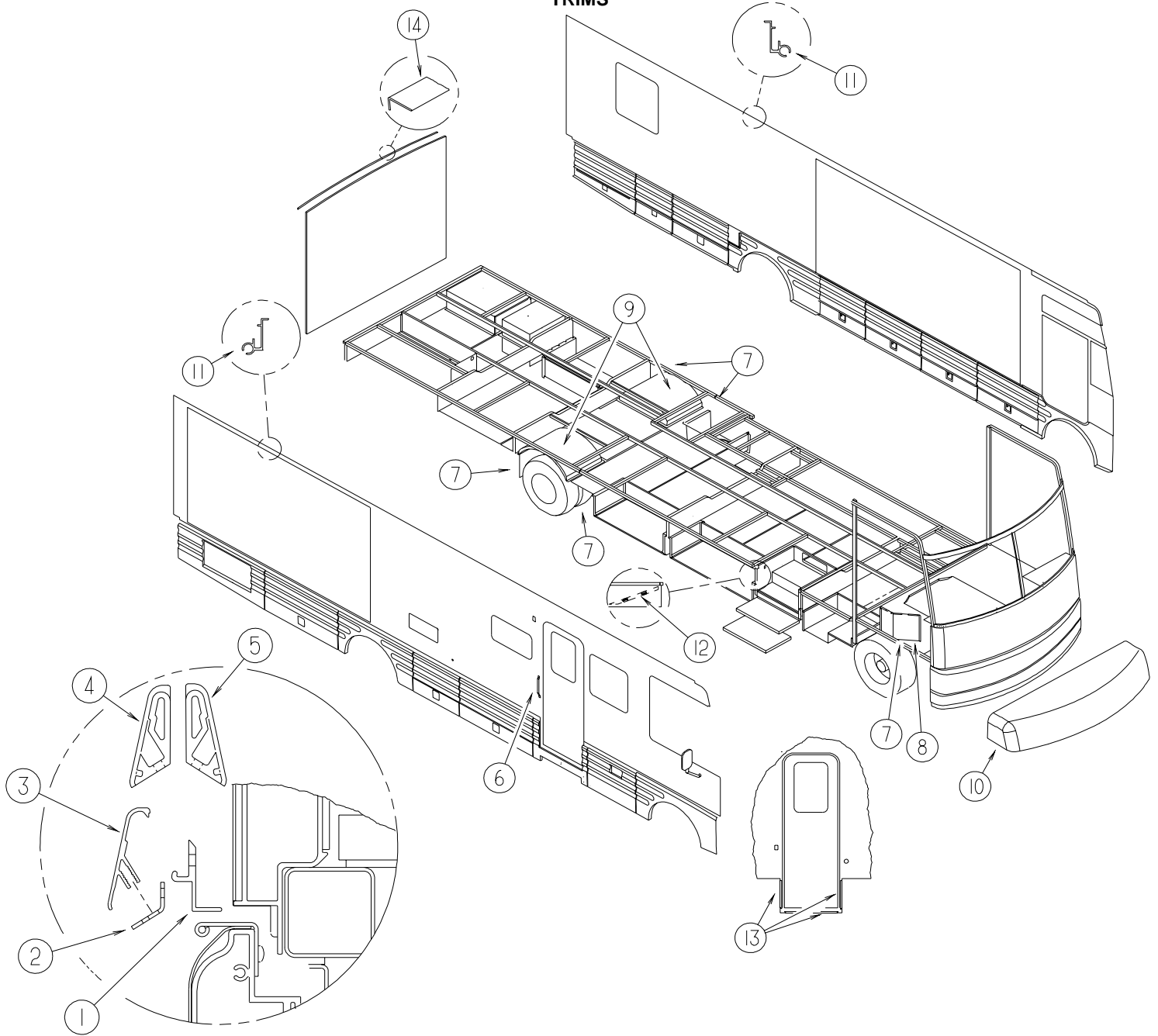
EXTERIOR BODY GROUP (CONTINUED) PANELS



KEY	PART NUMBER	U/M	DESCRIPTION
1	115863-12-01A	EA	TRIM - SIDEWALL/SLIDEOUT - TOP - 146" - BRIGHT WHITE
2	115863-13-01A	EA	TRIM - SIDEWALL/SLIDEOUT - LEFT HAND - 75.4" - BRT WHT
3	115863-14-01A	EA	TRIM - SIDEWALL/SLIDEOUT - RIGHT HAND - 75.4" - BRT WHT
4	115886-02-03A	EA	RETAINER - SIDEWALL - BRIGHT WHITE - 73.5"
5	115886-05-01A	EA	RETAINER - SIDEWALL - BRIGHT WHITE - 146.5"
6	115863-08-02A	EA	TRIM - SIDEWALL/SLIDEOUT - TOP - 87.7" - BRIGHT WHITE
7	115863-22-01A	EA	TRIM - SIDEWALL/SLIDEOUT - LEFT HAND - 75.6" - BRT WHT
8	115863-23-01A	EA	TRIM - SIDEWALL/SLIDEOUT - RIGHT HAND - 75.6" - BRT WHT
9	124303-02-03A	EA	TRIM - SIDEWALL - Z - 88.1" - BRIGHT WHITE
10	135897-01-M52	EA	ROOF - W/O LIGHTS/VENTS - W/WIRING
11	135896-01-M52	EA	SIDEWALL - DRIVER - W/O WINDOWS/TRIMS (M52, M53)
11	135896-01-M54	EA	SIDEWALL - DRIVER - W/O WINDOWS/TRIMS (M54, M55)
11	135896-01-M56	EA	SIDEWALL - DRIVER - W/O WINDOWS/TRIMS (M56, M57)
12	136522-01-M52	EA	SIDEWALL - PASSENGER - W/O WINDOWS/TRIMS (M52, M53)
12	136522-01-M54	EA	SIDEWALL - PASSENGER - W/O WINDOWS/TRIMS (M54, M55)
12	136522-01-M56	EA	SIDEWALL - PASSENGER - W/O WINDOWS/TRIMS (M56, M57)
13	115886-01-03A	EA	RETAINER - SIDEWALL - BRIGHT WHITE - 159.4"
14	133007-01-M52	EA	BACKWALL - W/O WINDOW/TRIM (M52, M53)
14	133007-01-L58	EA	BACKWALL - W/O WINDOW/TRIM (M54, M55)
14	133007-01-L56	EA	BACKWALL - W/O WINDOW/TRIM (M56, M57)

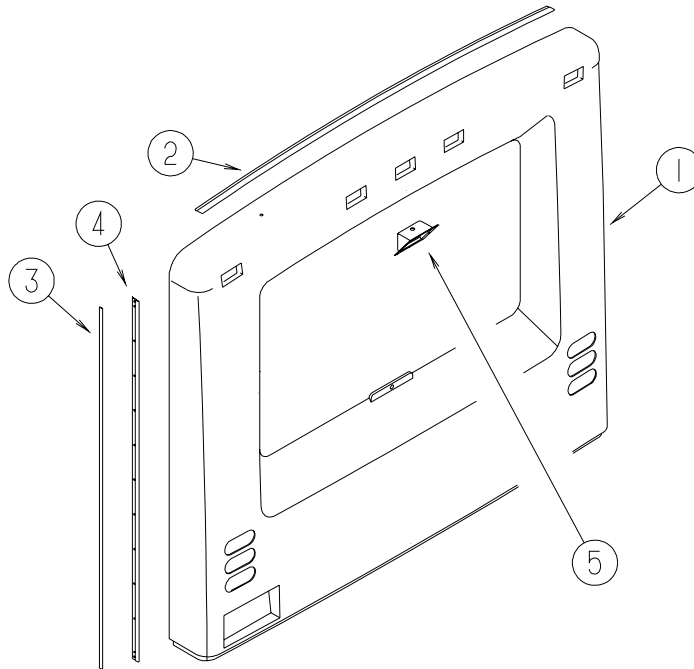
EXTERIOR BODY GROUP (CONTINUED)

TRIMS



KEY	PART NUMBER	U/M	DESCRIPTION
1	133376-01-01A	EA	TRIM - RETAINER - MILL
2	124046-02-02B	EA	BRACKET - ANCHOR - E-COATED
			FROM: 00-00-00 THRU: 08-13-00
2	132597-01-02B	EA	ANGLE/SUPPORT/TRIM - E-COATED
			FROM: 08-14-00 THRU: 99-99-99
3	123993-01-03A	EA	TRIM - COVER - 182" ALUMINUM - BRIGHT WHITE
4	126775-01-01A	EA	END CAP - VALANCE TRIM - RIGHT HAND
5	126775-02-01A	EA	END CAP - VALANCE TRIM - LEFT HAND
6	132442-02-01A	EA	HANDLE - ASSIST - CLEAR W/CHROME ENDS
7	017516-01-000	EA	MUD FLAP - 14" X 18" - W/O MOUNTING HOLES - BLACK
8	132695-01-02B	EA	ANGLE - MUDFLAP - E-COATED
9	131365-01-000	EA	WHEELWELL - PLASTIC
10	125052-02-J20	EA	CAP - ROOF - W/O LIGHTS/WIRING
11	131483-01-01A	EA	RAIL - AWNING - 192" - BRIGHT WHITE
12	064219-01-000	EA	RETAINER - CHECK STRAP
13	121091-09-01A	EA	ANGLE - ENTRANCE DOOR - 55" HAMPTON TAN
14	114248-02-01A	EA	ANGLE - PLASTIC - 96.6"

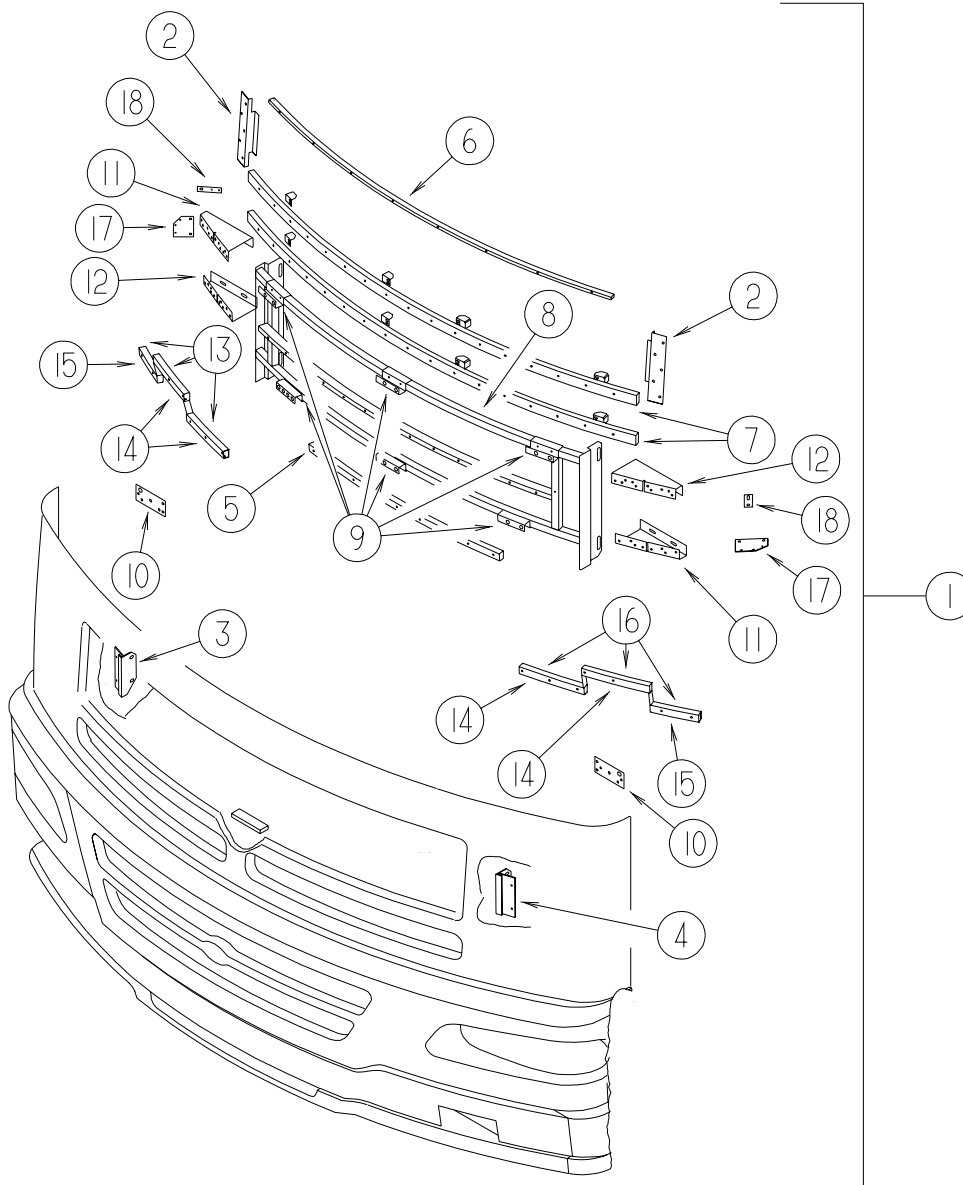
EXTERIOR BODY GROUP (CONTINUED)
TRIMS (CONTINUED)



KEY	PART NUMBER	U/M	DESCRIPTION
1	129820-08-L52	EA	PANEL - REAR CAP - W/O DOOR
2	083805-23-000	EA	TRIM - ROOF CAP - 92.1" - BRIGHT WHITE
3	091985-01-07A	FT	INSERT - TRIM - BRIGHT WHITE - 1"
4	092041-04-01A	EA	TRIM - BACKWALL/SIDEWALL - 76.6" - BRIGHT WHITE
5	125259-01-01A	EA	SHROUD - CAMERA - INNER

EXTERIOR BODY GROUP (CONTINUED)

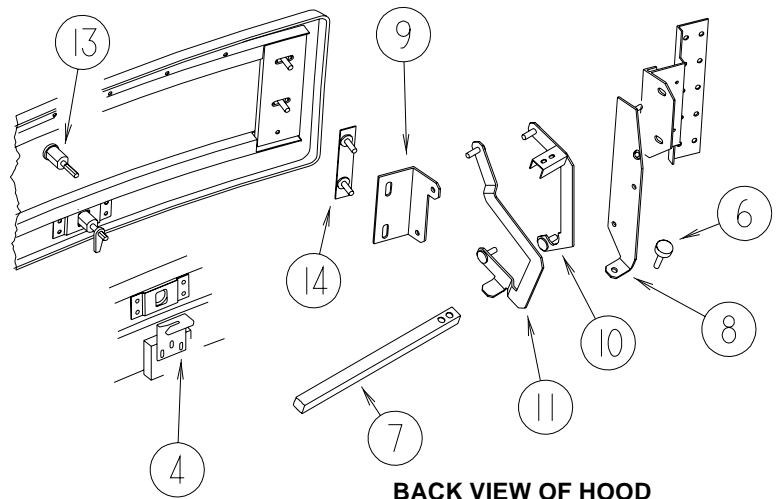
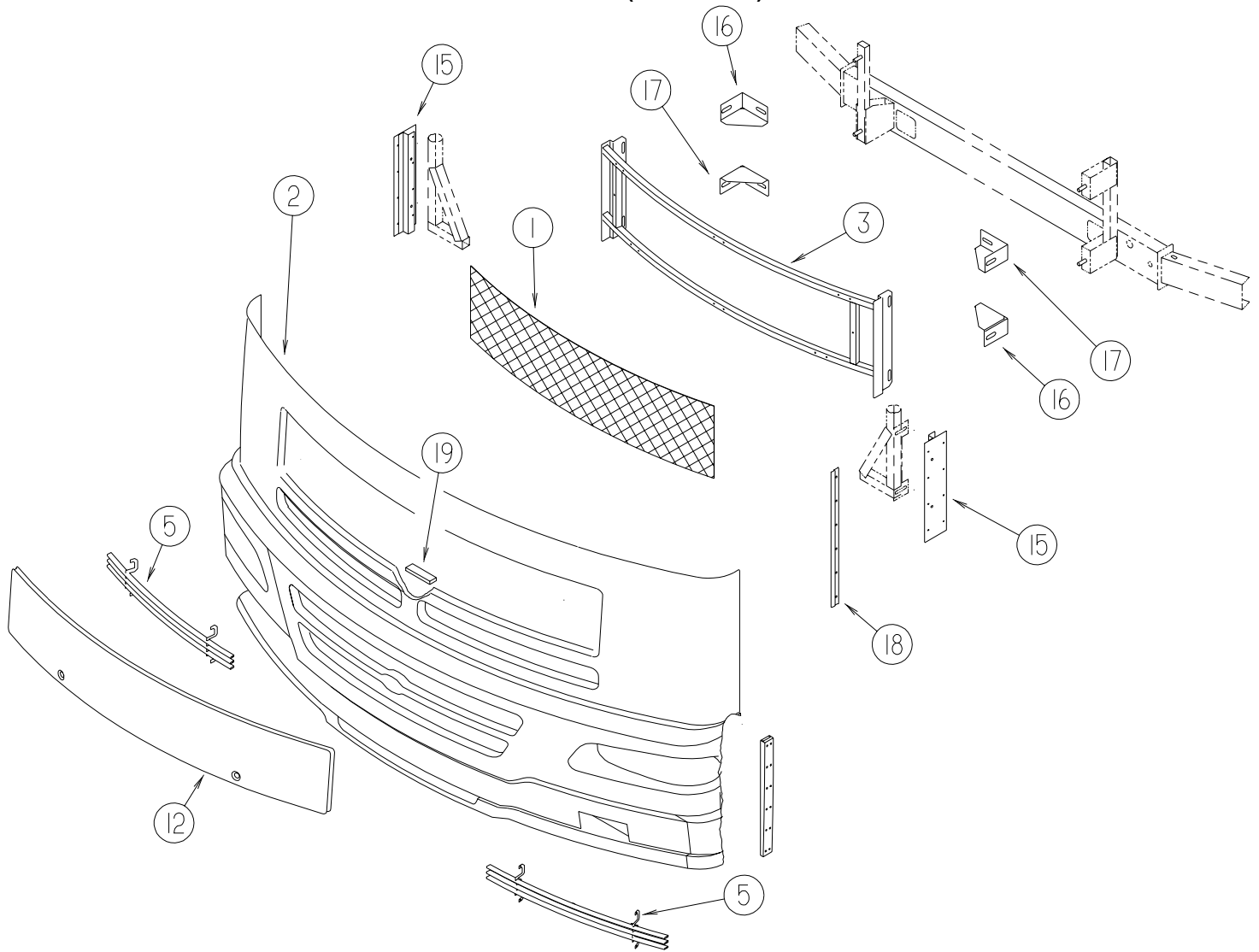
FRONT END



LOWER PANEL

KEY	PART NUMBER	U/M	DESCRIPTION
1	125440-02-J30	EA	PANEL - FRONT/LOWER - W/O HARDWARE - FORD
1	NOT USED - FREIGHTLINER	NOT USED	NOT USED IN 2001
2	113495-03-02B	EA	SUPPORT - HINGE - RIGHT HAND/LEFT HAND - E-COATED
3	118595-01-03A	EA	SUPPORT - HINGE LINK - PASSENGER - BRIGHT WHITE
4	118595-02-03A	EA	SUPPORT - HINGE LINK - DRIVER - BRIGHT WHITE
5	125709-03-01A	EA	TUBE - GRILLE - LOWER - BLACK
6	125846-02-J20	EA	SUPPORT - WIPER
7	126331-01-01A	EA	TUBE - GRILLE - HORIZONTAL
8	126332-01-01A	EA	TUBE - GRILLE - HORIZONTAL - BLACK
9	126335-01-02B	EA	BRACKET - GRILLE SUPPORT - E/COATED
10	126370-01-02B	EA	PLATE - FOGLAMP - DRIVER/PASSENGER SIDE
11	126491-01-02B	EA	SUPPORT - HEADLAMP - UPPER RH/LOWER LH - E-COATED
12	126491-02-02B	EA	SUPPORT - HEADLAMP - UPPER LH/LOWER RH - E-COATED
13	126547-01-J30	EA	SUPPORT - FRONT OUTER - PASSENGER
14	125709-04-01A	EA	TUBE-GRILLE,LOWER MILL
15	125709-05-01A	EA	TUBE-GRILLE,LOWER MILL
16	126547-02-J30	EA	SUPPORT - FRONT OUTER - DRIVER
17	127415-01-02B	EA	SUPPORT - PARKLAMP - LOWER - DRIVER/PASSENGER SIDE
18	127835-01-02B	EA	STRAP - PARKLAMP - DRIVER/PASSENGER SIDE

EXTERIOR BODY GROUP (CONTINUED)
FRONT END (CONTINUED)



BACK VIEW OF HOOD

KEY	PART NUMBER	U/M	DESCRIPTION
1	115924-14-02A	EA	WIRE MESH - F/GRILLE - FLAT BLACK
	115924-14-01A	EA	GRILLE-WOVEN WIRE MILL
2	125440-08-J30	EA	PANEL - FRONT/LOWER - W/O HOOD - W/HARDWARE
3	126334-01-J30	EA	GRILLE - LOWER
4	126352-01-02B	EA	LATCH - HOOD - FRONT END
5	126503-01-J30	EA	GRILLE - UPPER

**.EXTERIOR BODY GROUP (CONTINUED)
FRONT END (CONTINUED)**

KEY	PART NUMBER	U/M	DESCRIPTION
6	058786-01-000	EA	BOLT - HOOD ADJUSTMENT - 5/16"-18 X 1.5"-2" - W/BLACK PAD
7	105096-10-000	EA	TUBE - HOOD HINGE TIMING W/WELDNUTS
	138814-10-02B	EA	TUBE - TIMING - HOOD HINGE - 63.6" - E-COATED
8	126867-06-02B	EA	BRACKET - LINK - HOOD HINGE - PASSENGER - E-COATED
8	126867-08-02B	EA	BRACKET - LINK - HOOD HINGE - DRIVER - E-COATED
9	109927-05-000	EA	ANGLE - LINK - HOOD/PASSENGER
9	109927-06-000	EA	ANGLE - LINK - HOOD/DRIVER
10	126353-03-02B	EA	LINK - HINGE - UPPER/PASSENGER - E-COATED
10	126353-04-02B	EA	LINK - HINGE - UPPER/DRIVER - E-COATED
11	126356-02-02B	EA	LINK - HINGE - LOWER/HOOD - PASSENGER - E-COATED
11	126356-04-02B	EA	LINK - HINGE - LOWER/HOOD - DRIVER - E-COATED
12	126536-01-J30	EA	PANEL - HOOD
13	102330-02-000	EA	LATCH - VISE ACTION/KEY OPERATED
13	102328-01-000	EA	KEY - BARREL - NICKEL PLATED
14	106730-10-000	EA	PLATE - STUD - F/HOOD
15	128018-01-02B	EA	BRACKET - FRONT - RIGHT HAND/LEFT HAND - E-COATED
16	128455-03-02B	EA	BRACKET - BUMPER - RIGHT HAND UPPER/LEFT HAND LOWER
17	128455-04-02B	EA	BRACKET - BUMPER - LEFT HAND UPPER/RIGHT HAND LOWER
18	091985-01-07A	FT	INSERT - TRIM - BRIGHT WHITE - 1"
18	125818-02-01A	EA	TRIM - PANEL - FIBERGLASS - BRIGHT WHITE
19	099418-01-000	FT	SEAL - D-SECTION/ADHESIVE BACK - .44" X .44"- BLK RUBBER

LADDER

KEY	PART NUMBER	U/M	DESCRIPTION
	129375-02-000	EA	SEAL - LADDER BRACKET
	130163-02-01A	EA	LADDER - LOWER - ANODIZED ALUMINUM
	130164-04-01A	EA	LADDER - UPPER - ANODIZED ALUMINUM

MIRRORS

KEY	PART NUMBER	U/M	DESCRIPTION
*	106015-16-01A	EA	MIRROR - EXTERIOR REMOTE/HEAT - PASSENGER FROM: 00-00-00 THRU: 07-09-00
*	106015-18-01A	EA	MIRROR - EXTERIOR/REMOTE/HEAT - PASSENGER FROM: 07-10-00 THRU: 99-99-99
*	106015-17-01A	EA	MIRROR - EXTERIOR REMOTE/HEAT - DRIVER FROM: 00-00-00 THRU: 07-09-00
*	106015-19-01A	EA	MIRROR - EXTERIOR/REMOTE/HEAT - DRIVER FROM: 07-10-00 THRU: 99-99-99

***COMPONENT PARTS LISTED LATER IN THIS GROUP**

EXTERIOR BODY GROUP (CONTINUED)
COMPONENT PARTS FOR MIRRORS

106015-16-01A, 106015-17-01A

KEY	PART NUMBER	U/M	DESCRIPTION	VENDOR NO.
	106015-16-700	EA	GLASS-FLAT W/HEAT ELEMENT	709450
	106015-16-701	EA	GLASS-CONVEX KIT	709451
	131431-01-700	EA	HANDSET - CONVEX	747541-7

106015-18-01A, & 106015-19-01A

KEY	PART NUMBER	U/M	DESCRIPTION	VENDOR NO.
	106015-16-700	EA	GLASS-FLAT W/HEAT ELEMENT	709450
	106015-18-700	EA	GLASS/CONVEX-KIT W/CLIP	709650
	106015-18-701	EA	GLASS-ACTUATOR - CONVEX GLAS	7475410
	106015-18-702	EA	MOTOR - FLAT GLASS	747118
	106015-18-703	EA	CONVEX REBUILT KIT	7709651

EXTERIOR BODY GROUP (CONTINUED)

STRUCTURAL COMPONENTS

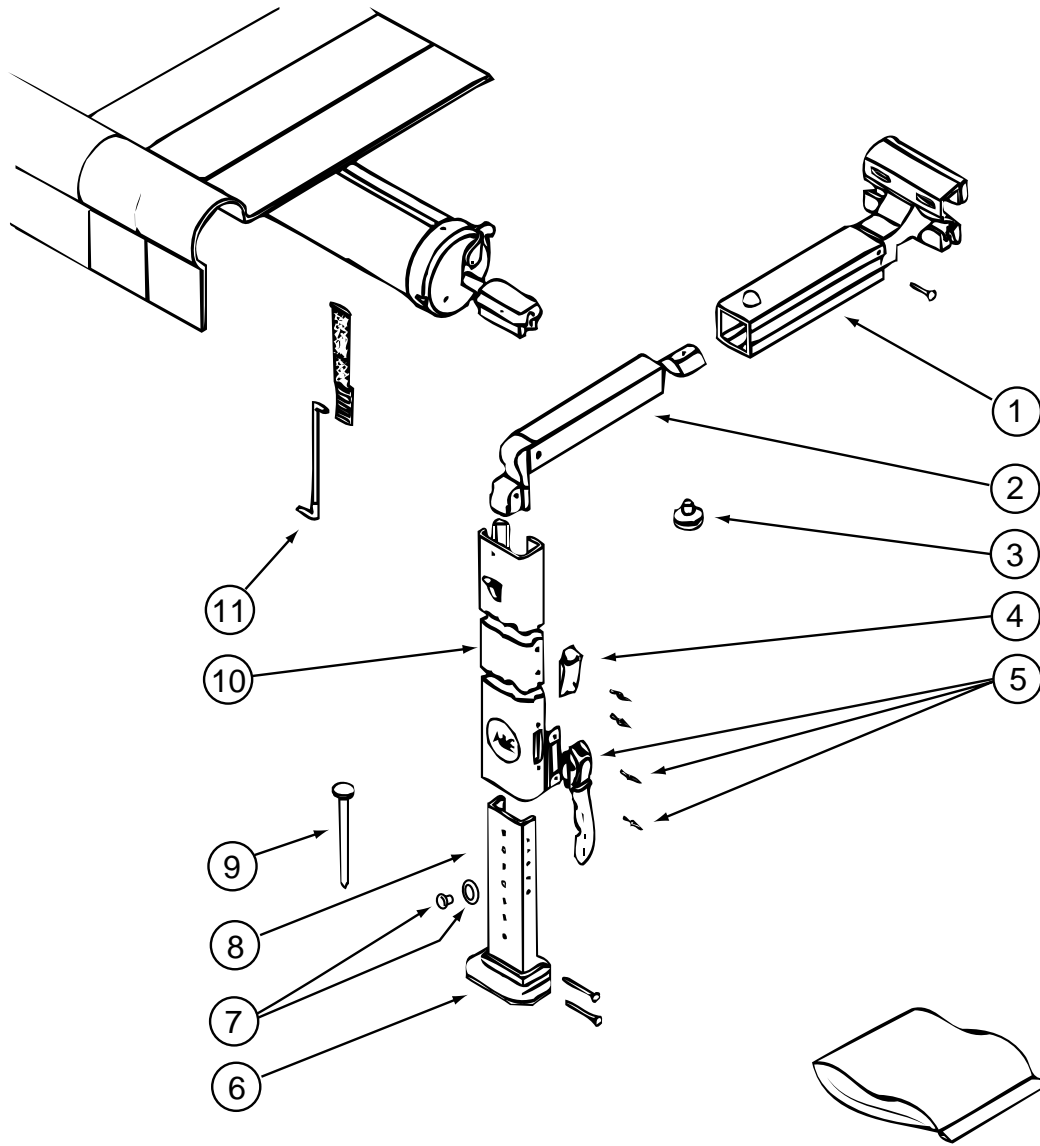
KEY	PART NUMBER	U/M	DESCRIPTION
	002726-01-001	EA	GARNISH - U-CHANNEL - 1.38" X 19' - SERRATED
	002766-01-001	EA	ANGLE - EXTRUDED - 1" X 1.5" X 17'
	068716-01-001	EA	BRACE - 90 DEGREE - L-ANGLE - 16'
	089297-01-000	SF	PLYWOOD - LUAN - OVERLAY GRADE - 4' X 8'
	100619-01-000	BF	FOAM - EXPANDED POLYSTYRENE - 1.34" X 48" X 96"
	100619-02-000	BF	FOAM - EXPANDED POLYSTYRENE - 1.5" X 48" X 96"
	100619-05-000	BF	FOAM - EXPANDED POLYSTYRENE - .75" X 48" X 96"-1.5 DENSITY
	100619-13-000	BF	FOAM - EXPANDED POLYSTYRENE - .34" X 34.65" X 96"
	100619-16-000	BF	FOAM - EXPANDED POLYSTYRENE - .75" X 48" X 96"-2.0 DENSITY
	100619-27-000	BF	FOAM - EXPANDED POLYSTYRENE - 48" X 92.8" X 3"
	105077-08-000	EA	FOAM - PLUG - ROOF CAP
	120107-01-000	EA	FOAM - ROOF COVE - 2.8" X 96" LONG
	120107-02-000	EA	FOAM - PLUG - ROOF TUBE - 2.2" X 2.9" X 1.8" LONG
	120107-03-000	EA	FOAM - PLUG - SIDEWALL TUBE - 1.2" X 2.1" X 1.8" LONG
	128782-02-01A	EA	FIBERGLASS SHEET - 79" X 428"/HIGH GLOSS - BRIGHT WHITE
	128782-03-01A	EA	FIBERGLASS SHEET - 27.4" X 70.8"/HIGH GLOSS/SLIDEOUT - B/W

AWNINGS

KEY	PART NUMBER	U/M	DESCRIPTION
*	113874-01-02A	EA	HARDWARE KIT - AWNING - W/O STANDOFF BRACKET-BRIGHT WHITE
	113874-06-27A	EA	AWNING - 16' NAVY TEAL VINYL - BRT/WHT METAL WRAP - L35U
	113874-08-27A	EA	AWNING - 19' NAVY TEAL VINYL - BRT/WHT METAL WRAP - L34Y , L36W
	113874-11-01A	EA	SCREW/LAG - AWNING - 1/4" X 1" STAINLESS STEEL
	113874-12-01A	EA	SCREW/LAG - AWNING - 1/4" X 2 3/4" STAINLESS STEEL
	127647-01-01A	EA	ROD/AWNING GUARD - ENTRY DOOR - L36W
	130320-01-02A	EA	BRACKET - AWNING - F/A&E INSTALLATION - BRIGHT WHITE FROM: 00-00-00 THRU: 09-10-00
	137054-01-02A	EA	BRACKET - AWNING - BRIGHT WHITE FROM: 09-11-00 THRU: 99-99-99
	137084-01-01A	EA	HARDWARE KIT - F/1-STEP AWNING - BRIGHT WHITE - ELECTRIC
	137084-02-01A	EA	AWNING - 1-STEP/ELECTRICAL KIT - ELECTRIC
	137084-06-27A	EA	AWNING-1 STEP,16',NAVY TEAL - L35U - ELECTRIC
	137084-08-27A	EA	AWNING-1 STEP,19',NAVY TEAL - L34Y , L36W - ELECTRIC
	137171-01-01A	EA	BRACKET - AWNING - BRIGHT WHITE - ELECTRIC

*COMPONENT PARTS LISTED LATER IN THIS GROUP

EXTERIOR BODY GROUP (CONTINUED)
COMPONENT PARTS FOR AWNINGS

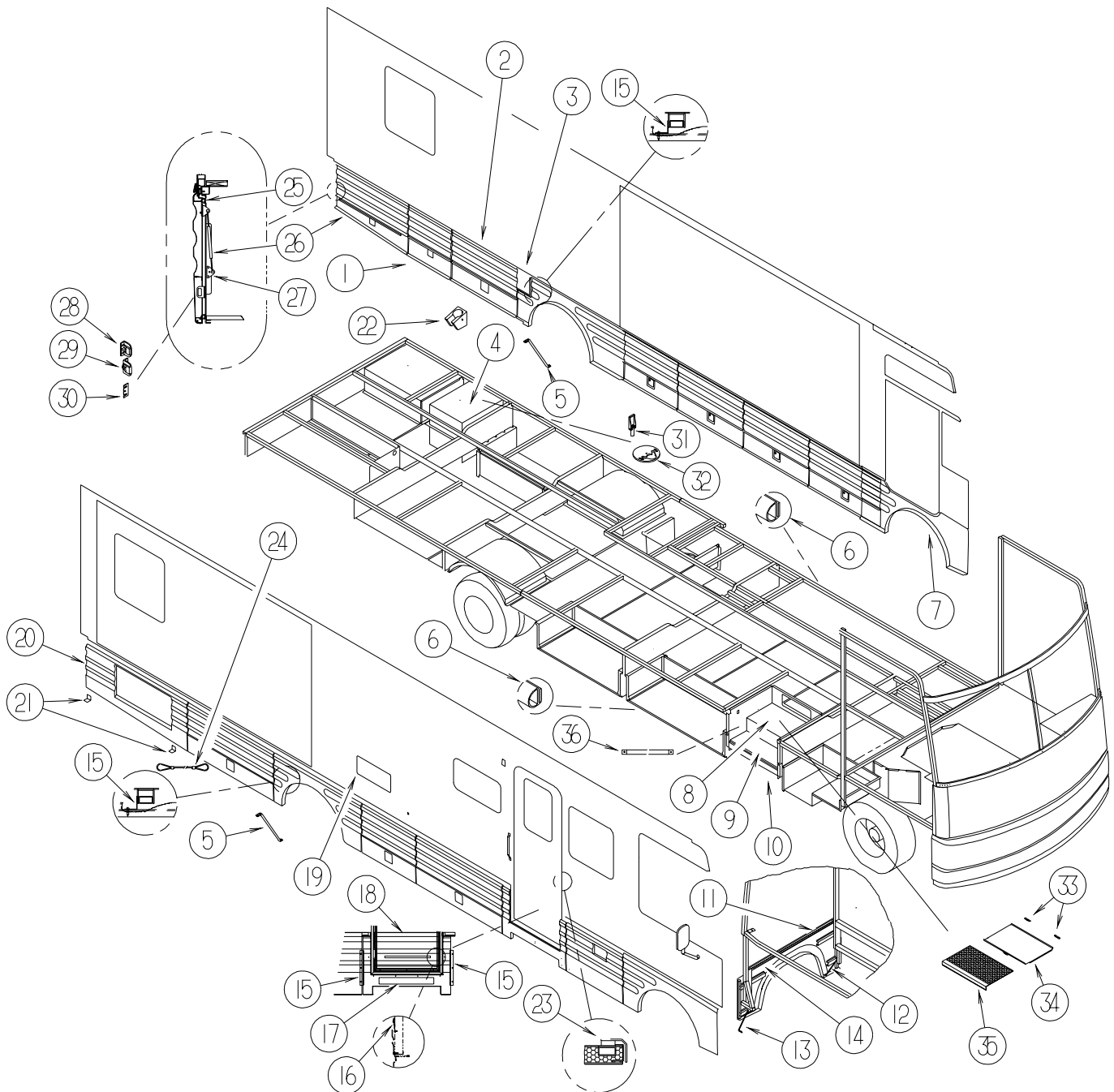


113874-01-02A

KEY	PART NUMBER	U/M	DESCRIPTION	VENDOR NO.
1	113874-01-714	EA	RAFTER - MAIN RH/LH BRT/WHT	830295.536F
2	113874-01-715	EA	RAFTER - SECONDARY BRT/WHT	830463.511F
3	113874-01-702	EA	KNOB - ADJUSTING	3105421014
4	113874-01-706	EA	LOCK - TRAVEL	830587.001
5	113874-01-707	EA	HANDLE - LIFT W/RIVETS	830644
6	113874-01-712	EA	FOOT - PATIO	730366-001
7	113874-01-710	EA	PLUG-STOP KIT	830456
8	113874-01-717	EA	ARM - ADJUSTABLE BRT/WHT	830467.517/F
9	113874-01-709	EA	NAIL-SPIKE, 8"	113006
10	113874-01-716	EA	ARM - MAIN SUPPORT BRT/WHT	3104502.293/F
11	113874-01-703	EA	ROD-CENTER PULL W/ACCESSORY	830152.102

EXTERIOR DOORS & COMPARTMENTS GROUP

DOOR & COMPARTMENT LAYOUT



KEY	PART NUMBER	U/M	DESCRIPTION
1	129759-18-AA1	EA	VALANCE/DOOR - W/O LATCH/HINGE - 26" X 25"
	125517-05-000	EA	ROD - LATCH - 8.95"
	125517-06-000	EA	ROD - LATCH - 7.14"
2	129759-03-AA1	EA	VALANCE/DOOR - W/O LATCH/HINGE - 39.4" X 25"
	125517-07-000	EA	ROD - LATCH - 15.63"
	125517-08-000	EA	ROD - LATCH - 13.82"
3	126060-02-K36	EA	DOOR - FUEL FILL - W/O LOCK
	125419-01-01A	EA	HINGE - SINGLE PIVOT
	130005-01-000	EA	LOCK - W/O CYLINDER & KEYS - W/CAM - F/KEY ONE SYSTEM
4	133372-01-L32	EA	COMPARTMENT - POWER CORD
			FROM: 00-00-00 THRU: 05-18-01
4	133372 03 M42	EA	COMPARTMENT - POWER CORD
			FROM: 05-19-01 THRU: 99-99-99
5	107865-05-000	EA	ROD - SUPPORT - VALANCE PANEL - 9"
6	126516-01-01A	FT	TRIM - VINYL/EXTRUDED - 8'
7	126062-14-L52	EA	PANEL - WHEEL LIP - FRONT/DRIVER

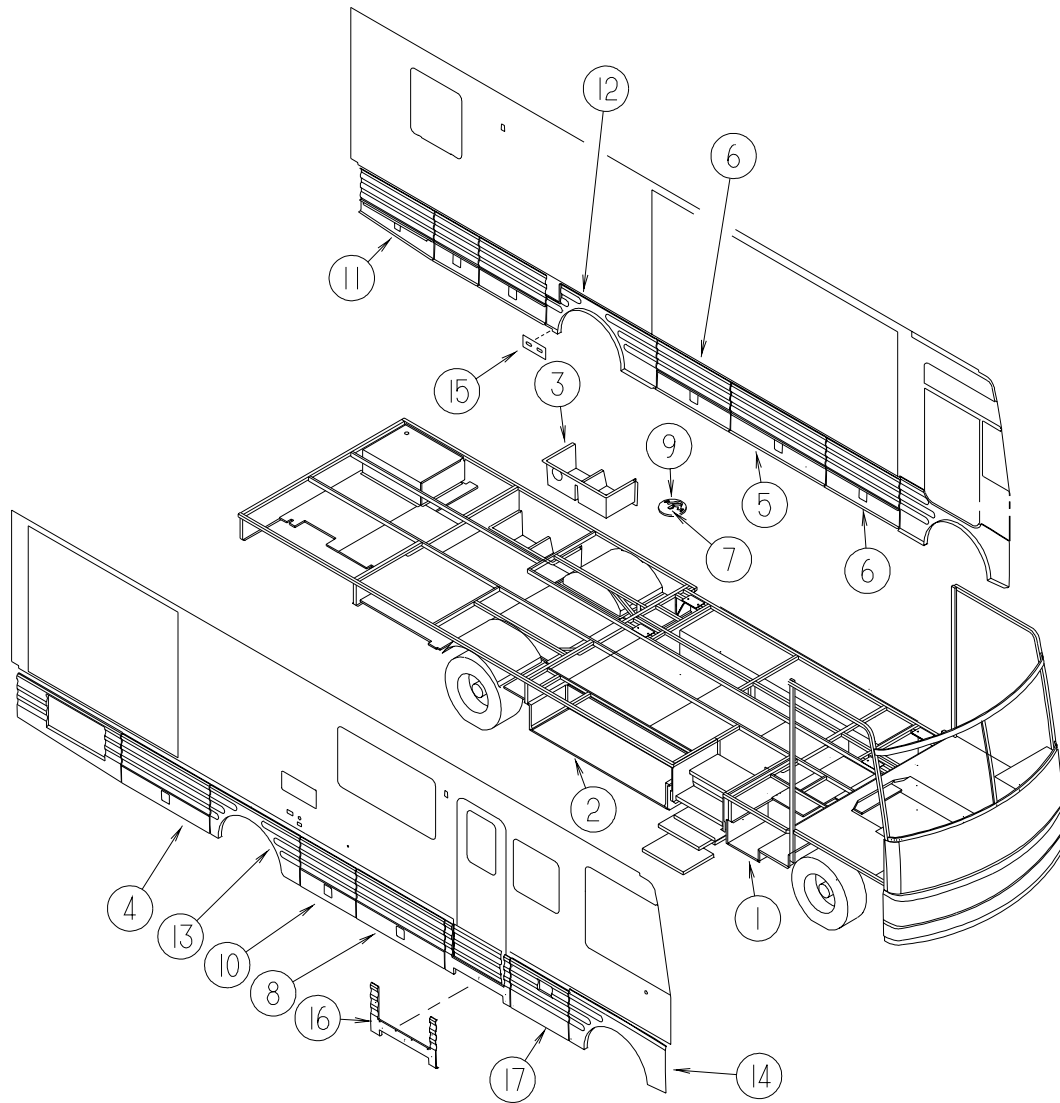
EXTERIOR DOORS & COMPARTMENTS GROUP (CONTINUED)

DOOR & COMPARTMENT LAYOUT (CONTINUED)

KEY	PART NUMBER	U/M	DESCRIPTION
8	P20256-07-000	EA	LID/DOOR - ENTRANCE STEP - W/O CARPET/HARDWARE
9	133114-01-03A	EA	TREAD - STEP/RUBBER - 29.2" - GRAY (M52, M53, M56, M57)
9	133114-01-01A	EA	TREAD - STEP/RUBBER - 29.3" - TAUPE (M54, M55)
10*	094707-03-01A	EA	STEP - ELECTRIC DOUBLE - W/BLACK CONTROL BOX - KWIKEE
11	108455-24-000	EA	ANGLE - VALANCE/TRIM - PASSENGER SIDE
	106105-06-000	EA	CLIP - MOUNTING - UNIVERSAL - PASSENGER SIDE
	108455-17-000	EA	ANGLE - VALANCE/TRIM - E-COATED - DRIVER SIDE
	106105-05-000	EA	CLIP - MOUNTING - UNIVERSAL - DRIVER SIDE
12	107865-02-000	EA	ROD - SUPPORT - VALANCE PANEL - 13.2" - PASSENGER SIDE FROM: 99-99-99 THRU: 05-10-01
12	107865-19-000	EA	ROD - SUPPORT - VALANCE PANEL - 16.5" - PASSENGER SIDE FROM: 05-11-01 THRU: 99-99-99
	107865-22-000	EA	ROD - SUPPORT - VALANCE PANEL - 23" - DRIVER SIDE
13	107865-10-000	EA	ROD - SUPPORT - VALANCE PANEL - 15.1"
14	108455-22-000	EA	ANGLE - VALANCE/TRIM - PASSENGER SIDE
	127373-01-01B	EA	CLIP - TRIM - MILL - PASSENGER SIDE
	108455-23-000	EA	ANGLE/VALANCE TRIM - E-COATED - DRIVER SIDE
	127373-02-01B	EA	CLIP - TRIM - MILL - DRIVER SIDE
15	113041-03-02B	EA	ANGLE - BUMPER MOUNT - 14.9"
16	106105-03-000	EA	CLIP - MOUNTING - UNIVERSAL
17	109506-01-000	EA	FILM - URETHANE - PROTECTANT - 4.25" X 26.75"
18	126159-01-J60	EA	PANEL/VALANCE - ENTRY DOOR
19*	084103-08-000	EA	DOOR - VENT - REFRIGERATOR - W/O JAMB - BRIGHT WHITE
19	084104-08-000	EA	JAMB - VENT DOOR/REFRIGERATOR - BRIGHT WHITE
20	132530-01-L52	EA	VALANCE/PANEL - W/AC GRILLE ASSEMBLY - 22" X 61.2" X 25"
	113333-08-L52	EA	GRILLE - A/C
	129116-01-01A	EA	HINGE - SINGLE PIVOT - MILL
	107721-08-000	FT	SEAL - ACCESS DOOR - .9" WIDE X .9" HIGH
21	109216-03-000	EA	ANGLE - DOOR/FURNACE
22	131383-03-02A	EA	BRACKET - SHOWER HEAD - WHITE
23	125459-01-000	EA	SPACER - DOOR BRACKET FROM: 00-00-00 THRU: 12-18-00
24	076767-01-000	EA	CABLE - STAINLESS STEEL - 12"
25	107721-08-000	FT	SEAL - ACCESS DOOR - .9" WIDE X .9" HIGH
26	107796-23-000	EA	SPRING/GAS - 11.3" COMPRESSED/18.5" EXTENDED - 45 LB.
27	126263-05-02B	EA	BRACKET - GAS SPRING W/BALL STUD - E-COATED
28	126263-08-02B	EA	BRACKET - GAS SPRING W/CENTERED BALL STUD - E-COATED
29	130053-01-01A	EA	STRIKER - LUGGAGE DOOR - FLUSH - BLACK
30	130053-02-01A	EA	STRIKER - LUGGAGE DOOR - OFF SET - BLACK
	120494-03-02B	EA	SHIM - STRIKER - LUGGAGE DOOR - .20 - E-COATED
31	121175-02-01A	EA	LATCH - SWELL
32	M08628-01-H17	EA	HATCH ASM W/FOAM
33	101222-01-04A	EA	BRACKET - CATCH - LID - E-COATED
34	123330-03-02B	EA	SUPPORT - ENTRY STEP - E-COATED
35	133114-02-03A	EA	TREAD - STEP/RUBBER - 28.4" - GRAY (M52, M53, M56, M57)
35	133114-02-01A	EA	TREAD - STEP/RUBBER - 28.4" - TAUPE (M54, M55)
36	099856-11-000	EA	STRAP - TIEDOWN - 7.9"

*COMPONENT PARTS LISTED LATER IN THIS GROUP

EXTERIOR DOORS & COMPARTMENTS GROUP (CONTINUED)
DOOR & COMPARTMENT LAYOUT (CONTINUED)



KEY	PART NUMBER	U/M	DESCRIPTION
1	126386-36-L52	EA	COMPARTMENT - LUGGAGE
2	126386-24-J22	EA	COMPARTMENT - LUGGAGE
3	126419-01-J60	EA	COMPARTMENT - DRAINAGE
4	126065-30-AA1	EA	VALANCE/DOOR - W/O LATCH/HINGE - 51.9" X 25"
	125517-11-000	EA	ROD - LATCH - 21.88"
	125517-12-000	EA	ROD - LATCH - 20.07"
	076767-01-000	EA	CABLE - STAINLESS STEEL - 12"
5	129759-01-AA1	EA	VALANCE/DOOR - W/O LATCH/HINGE - 55.9" X 25"
	125517-01-000	EA	ROD - LATCH - 23.89"
	125517-02-000	EA	ROD - LATCH - 22.08"
6	129759-02-AA1	EA	VALANCE/DOOR - W/O LATCH/HINGE - 43.1" X 25"
	125517-03-000	EA	ROD - LATCH - 17.50"
	125517-04-000	EA	ROD - LATCH - 15.69"
7	121175-02-01A	EA	LATCH - SWELL
8	129759-12-AA1	EA	VALANCE/DOOR - W/O LATCH/HINGE - 51.9" X 25"
	125517-11-000	EA	ROD - LATCH - 21.88"
	125517-12-000	EA	ROD - LATCH - 20.07"
9	M08628-01-H17	EA	HATCH - W/FOAM INSERT

EXTERIOR DOORS & COMPARTMENTS GROUP (CONTINUED)

DOOR & COMPARTMENT LAYOUT (CONTINUED)

KEY	PART NUMBER	U/M	DESCRIPTION
10	129759-21-AA1	EA	VALANCE/DOOR - W/O LATCH/HINGE - 32.7" X 25"
	125517-31-000	EA	ROD - LATCH - 12.3"
	125517-32-000	EA	ROD - LATCH - 10.5"
11	129759-22-AA1	EA	VALANCE/DOOR - DR W/O LATCH/HINGE - 25" X 43.1" X 22"
	125517-03-000	EA	ROD - LATCH - 17.50"
	125517-04-000	EA	ROD - LATCH - 15.69"
12	126061-21-L52	EA	VALANCE/WHEEL LIP - REAR/DRIVER
13	126061-22-L52	EA	VALANCE/WHEEL LIP - REAR/PASSENGER
14	126062-13-L52	EA	PANEL - WHEEL LIP - FRONT/PASSENGER
15	123512-02-02B	EA	BRACKET/VALANCE DOOR - STRAIGHT - E-COATED
16	126063-07-L52	EA	VALANCE/PANEL - ENTRY DOOR
17	132529-01-L52	EA	PANEL/VALANCE - WATER HEATER
	134410-01-02B	EA	BRACKET - WATER HEATER - E-COATED
LOCK CYLINDER USED UP TO 04-30-01			
	129686-01-000	EA	CYLINDER - LOCK ASSEMBLY - COMPARTMENT/DRIVER DOOR
	129686-02-000	EA	CYLINDER - LOCK ASSEMBLY - COMPARTMENT/DRIVER DOOR
	129686-03-000	EA	CYLINDER - LOCK ASSEMBLY - COMPARTMENT/DRIVER DOOR
	129686-04-000	EA	CYLINDER - LOCK ASSEMBLY - COMPARTMENT/DRIVER DOOR
	129686-05-000	EA	CYLINDER - LOCK ASSEMBLY - COMPARTMENT/DRIVER DOOR
	129686-06-000	EA	CYLINDER - LOCK ASSEMBLY - COMPARTMENT/DRIVER DOOR
	129686-07-000	EA	CYLINDER - LOCK ASSEMBLY - COMPARTMENT/DRIVER DOOR
	129686-08-000	EA	CYLINDER - LOCK ASSEMBLY - COMPARTMENT/DRIVER DOOR
	129686-09-000	EA	CYLINDER - LOCK ASSEMBLY - COMPARTMENT/DRIVER DOOR
	129686-10-000	EA	CYLINDER - LOCK ASSEMBLY - COMPARTMENT/DRIVER DOOR
LOCK CYLINDER USED AFTER 05-01-01			
	138289-01-000	EA	CYLINDER - LOCKING
	138289-02-000	EA	CYLINDER - LOCKING
	138289-03-000	EA	CYLINDER - LOCKING
	138289-04-000	EA	CYLINDER - LOCKING
	138289-05-000	EA	CYLINDER - LOCKING
	138289-06-000	EA	CYLINDER - LOCKING
	138289-07-000	EA	CYLINDER - LOCKING
	138289-08-000	EA	CYLINDER - LOCKING
	138289-09-000	EA	CYLINDER - LOCKING
	138289-10-000	EA	CYLINDER - LOCKING

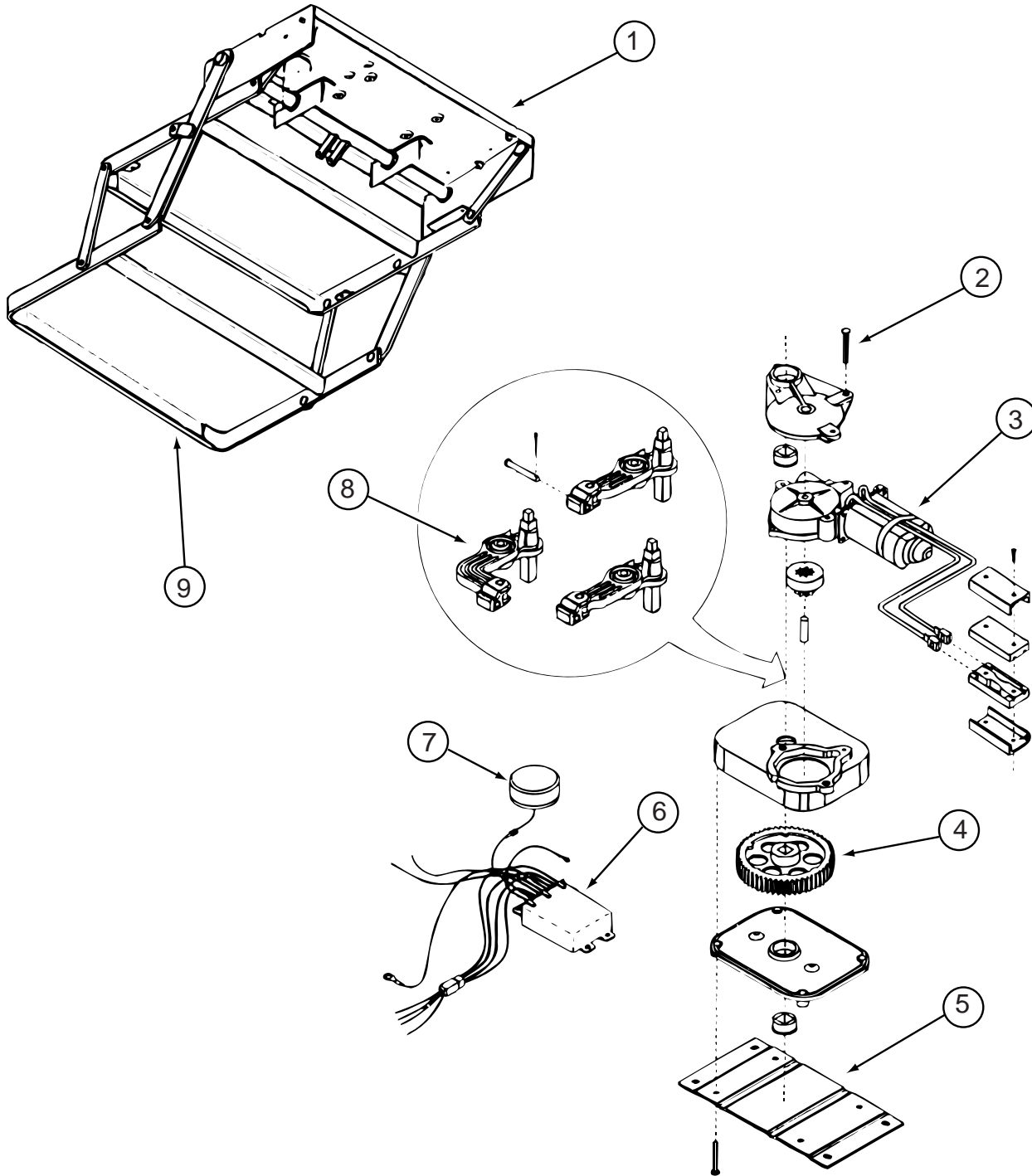
EXTERIOR DOORS & COMPARTMENTS GROUP (CONTINUED)

COMPONENT PARTS FOR DOOR & COMPARTMENT LAYOUT

084103-08-000

KEY	PART NUMBER	U/M	DESCRIPTION	VENDOR NO.	
	084103-08-000	EA	DOOR - VENT - REFRIGERATOR - W/O JAMB - BRIGHT WHITE		BRIGHT WHITE
	084104-01-700	EA	LOCK-MALE, FASTENER	201-721-010	
	084104-01-701	EA	LOCK-FEMALE, FASTENER	201-802-010	

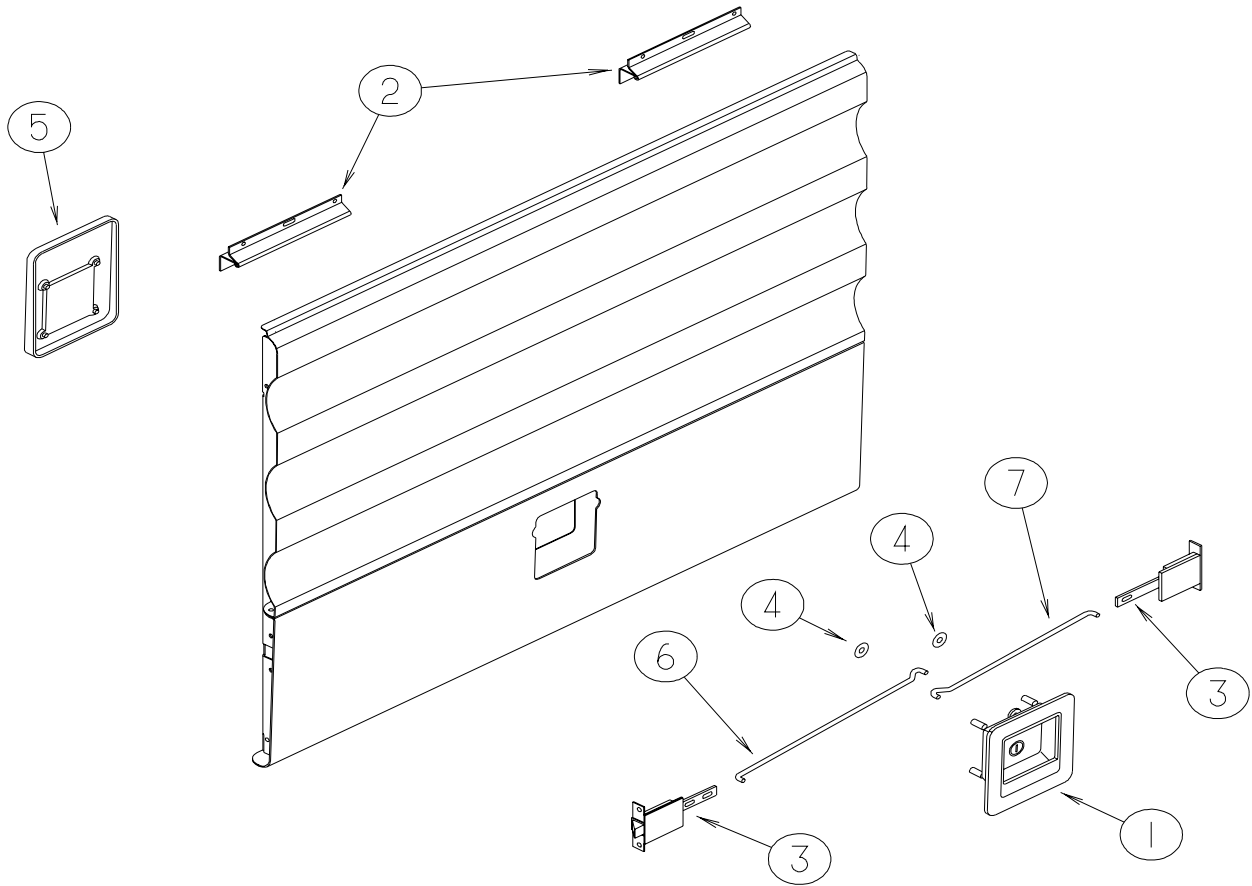
EXTERIOR DOORS & COMPARTMENTS GROUP (CONTINUED)
COMPONENT PARTS FOR DOOR & COMPARTMENT LAYOUT (CONTINUED)



094707-03-01A

KEY	PART NUMBER	U/M	DESCRIPTION	VENDOR NO.
	094707-03-01A	EA	STEP - ELECTRIC DOUBLE - W/BLACK CONTROL BOX - KWIKEE	
1	094707-01-702	EA	FRAME W/DBL STEP,3200 SERIES	908032
2	094707-02-703	EA	BEARING & PINS	909530
3	094707-02-700	EA	MOTOR ASM.,W/BEARINGS & PINS	909520
4	094707-02-702	EA	GEAR KIT(GEAR-BEARING-PINS)	909525
5	094707-02-704	EA	CONNECTOR-MOTOR ASM.W/PLATES	909537
6	094707-03-700	EA	KIT CONTROL/SWITCH-RETROFIT	909506005
7	088733-01-700	EA	BULB	9004
7	088746-01-705	EA	LIGHT-UNDER STEP	9004
8	094707-02-701	EA	LINKAGE ASM. W/BEARINGS-PINS	909534
9	094707-02-707	EA	TREAD - NON-SKID - BLACK	909333
	094707-02-706	EA	GEAR BOX ASM. W/O MOTOR	9524
	094707-02-708	EA	TREAD - NON-SKID - YELLOW	909331
	094707-03-701	EA	PLUG - 4-WAY - PACKARD	909306

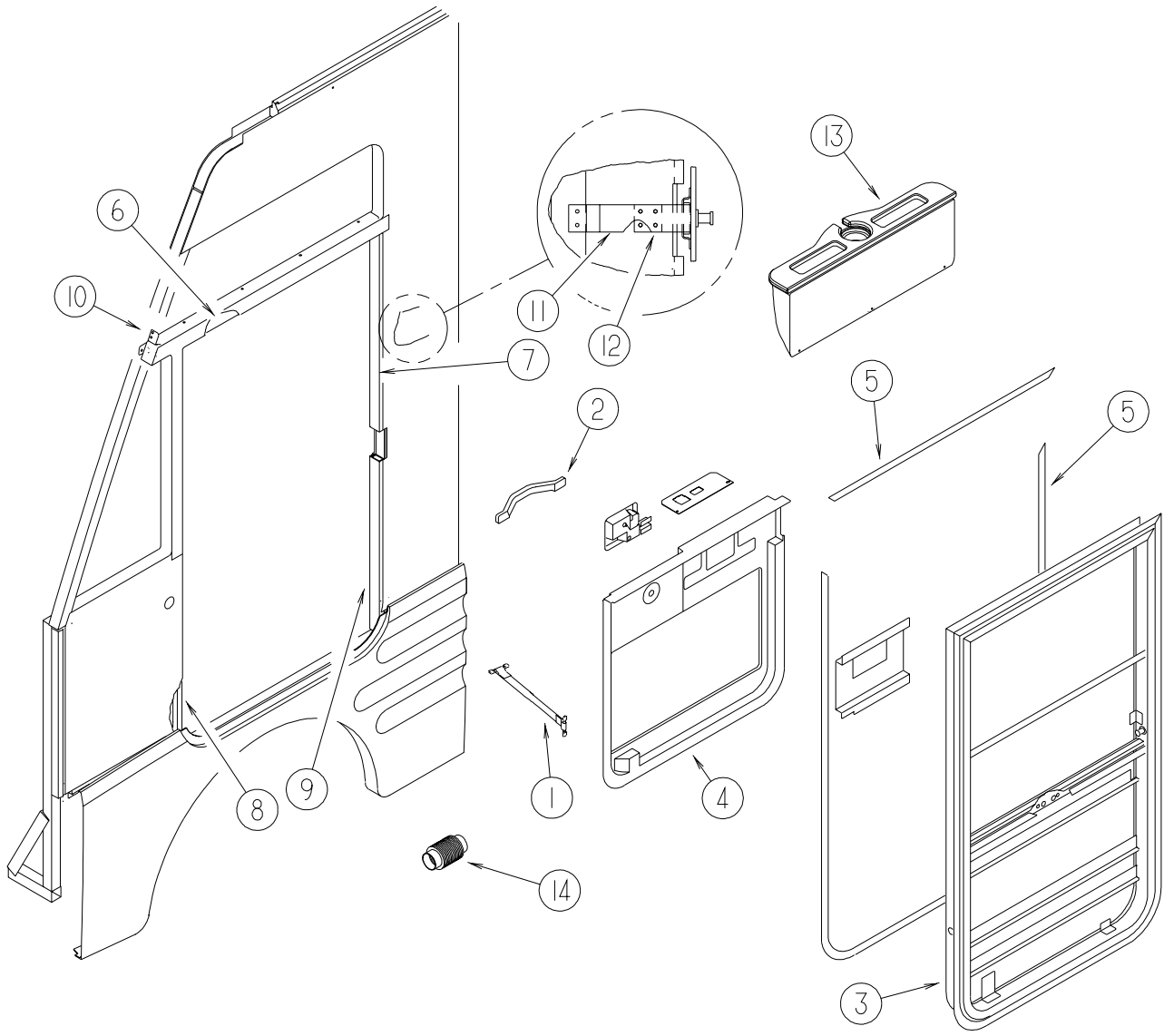
EXTERIOR DOORS & COMPARTMENTS GROUP (CONTINUED)
COMPARTMENT DOOR COMPONENTS



KEY	PART NUMBER	U/M	DESCRIPTION
1	112949-02-05A	EA	LATCH - PADDLE NON-LOCKING - BLACK
1	129675-01-01A	EA	LATCH - LOCKING PADDLE - BLACK
2	121677-01-01A	EA	HINGE - SINGLE PIVOT
3	121947-01-01A	EA	BOLT - SLIDE W/PLASTIC PLUNGER
4	124304-01-000	EA	CLIP - ROUND PUSH ON
5	125257-01-02A	EA	COVER - LATCH/VALANCE DOOR - WHITE
6			SEE DOOR & COMPARTMENT LAYOUT FOR ROD - LATCH
7			SEE DOOR & COMPARTMENT LAYOUT FOR ROD - LATCH

EXTERIOR DOORS & COMPARTMENTS GROUP (CONTINUED)

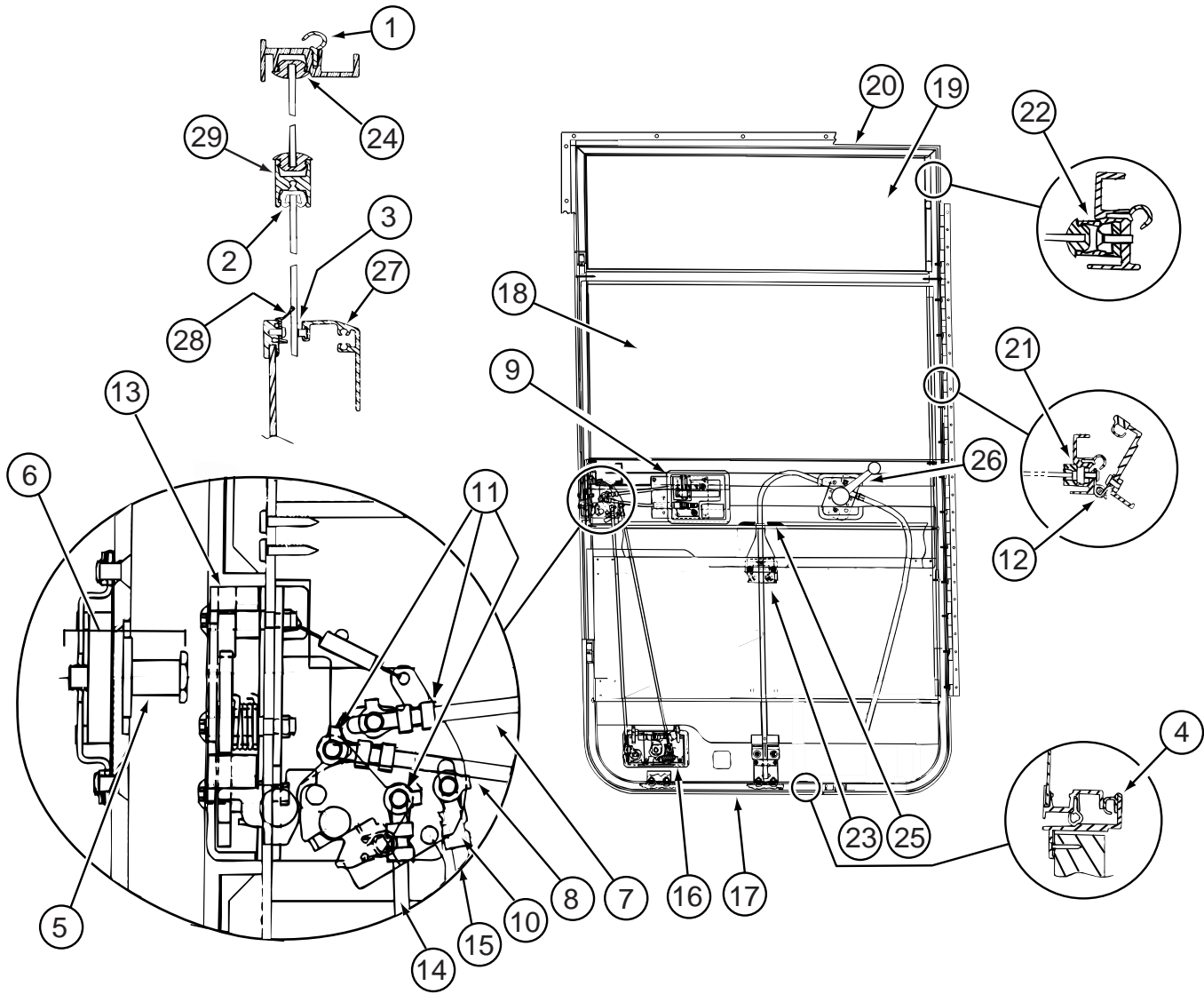
DRIVERS



KEY	PART NUMBER	U/M	DESCRIPTION
1	109378-01-000	EA	STRAP - CHECK - DRIVER DOOR - 12.8"
2	110604-01-01A	EA	HANDLE - ASSIST - DRIVER DOOR - 10.8" LONG - BLACK
3*	125581-08-01A	EA	DOOR - DRIVER - POWER WINDOW
4	132298-03-01A	EA	PANEL/DOOR - INNER/DRIVER - W/O BEVERAGE TRAY - ANTELOPE
4	132298-01-01A	EA	PANEL/DOOR - INNER/DRIVER - W/O BEVERAGE TRAY - ANTELOPE
5	109235-01-01A	FT	COVER - SCREW - MAT BLACK
5	109235-01-05A	FT	COVER - SCREW - BRIGHT WHITE
6	125725-01-01A	EA	FRAME - DRIVER DOOR - 33.5" - BLACK
7	125725-03-01A	EA	FRAME - DRIVER DOOR - 27.8" - BLACK
8	125725-07-01A	EA	FRAME - DRIVER DOOR - 53.3" - BLACK
9	125725-08-01A	EA	FRAME - DRIVER DOOR - 21.4" - BLACK
10	125804-02-02B	EA	ANGLE - DOOR SUPPORT - E-COATED
11	126506-01-02B	EA	BRACKET - STRIKE - DRIVER DOOR - E-COATED
12	126534-01-02B	EA	SPACER - STRIKE - DRIVER DOOR - E-COATED
13	132297-01-L52	EA	BEVERAGE TRAY - PASSENGER/DRIVER - SALEM CHERRY
13	132297-01-M24	EA	BEVERAGE TRAY - PASSENGER/DRIVER - PORTSMOUTH OAK
14	117802-01-000	EA	GROMMET - CONVOLUTED - 2"

*COMPONENT PARTS LISTED LATER IN THIS GROUP

EXTERIOR DOORS & COMPARTMENTS GROUP (CONTINUED)
COMPONENT PARTS FOR DRIVERS



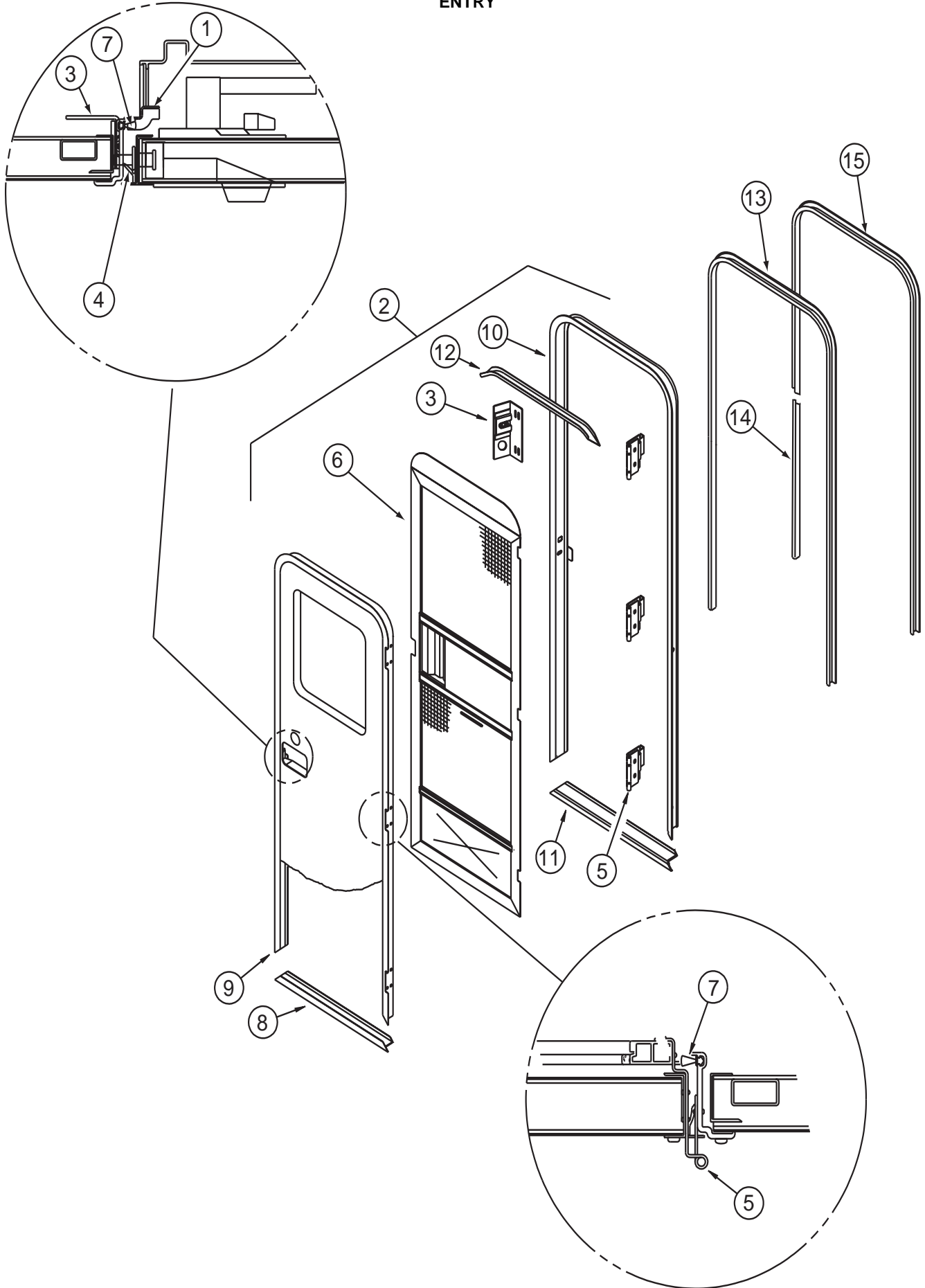
125581-08-01A

EXTERIOR DOORS & COMPARTMENTS GROUP (CONTINUED)
COMPONENT PARTS FOR DRIVERS (CONTINUED)

125581-08-01A (CONTINUED)

KEY	PART NUMBER	U/M	DESCRIPTION	VENDOR NO.
1			CONTACT WINNEBAGO PART SALES FOR THIS COMPONENT	
2	106469-01-705	FT	CHANNEL-RUN, SLIDING	122-010850
3	106469-01-702	EA	SEAL-DOOR, (FRAME) EA=1	122-040984
4	106469-04-714	EA	ROD-CLIP, RH	248-041153
5	106469-04-713	EA	ROD-CLIP, LH	248-041154
6	106469-04-704	EA	NUT ASSEMBLY-CAGED W/STRIKER	248-041151
7	106469-04-703	EA	BOLT-STRIKER, W/WASHER	248-041152
8	106469-04-712	EA	HANDLE/DOOR-INNER W/HARDWARE	248-041402
9	106469-05-702	EA	HINGE - 42"	211-041194
10			CONTACT WINNEBAGO PART SALES FOR THIS COMPONENT	
11			CONTACT WINNEBAGO PART SALES FOR THIS COMPONENT	
12	106469-01-709	FT	WEATHERSTRIP FUZZY	171-040630
13	125581-03-703	EA	WEATHERSTRIP - BELTING	132-041069
14	106469-04-711	EA	ROD-LOCK, HORIZONTAL	203-041137
15	125581-04-700	EA	ROD - LATCH/VERTICAL ADJUST.	203-041767
16	125581-04-701	EA	ROD - LOCK/VERTICAL ADJUST.	203-041768
17 THRU 19			CONTACT WINNEBAGO PART SALES FOR THIS COMPONENT	
20	128913-01-707	EA	NUT - HEX/NYLOCK - 1/4 - 20	233-062447
21			CONTACT WINNEBAGO PART SALES FOR THIS COMPONENT	
22			CONTACT WINNEBAGO PART SALES FOR THIS COMPONENT	
23	106469-01-723	EA	SEAL-BULB ASM. (JAMB)	171-040985
24	106469-05-706	EA	LATCH-ROTARY, W/LINKAGE	248-041150
25 THRU 45			CONTACT WINNEBAGO PART SALES FOR THIS COMPONENT	
46	125581-03-704	EA	PADDLE - W/O LOCK/RH - KEY 1	TRI/MARK #14312-02
47	125581-04-703	EA	FRAM - MOUNTING - BLACK	V180-35L
48 THRU 55			CONTACT WINNEBAGO PART SALES FOR THIS COMPONENT	
56	125581-08-703	EA	GLASS - RULL-UP	106-042081
57			CONTACT WINNEBAGO PART SALES FOR THIS COMPONENT	
58	125581-08-702	EA	FRAME/DOOR - SUB ASSY-BLACK	V220-98L
59			CONTACT WINNEBAGO PART SALES FOR THIS COMPONENT	
60	106469-04-705	EA	ROD-LATCH, HORIZONTAL	203-041139
61	125581-08-701	EA	CHANNEL/VERT ROLL UP-BLACK	V220-60
62	125581-08-700	EA	CHANNEL/VERT STA GLASS-BLACK	V220-61
63	125581-03-702	EA	REGULTOR-ELECTRIC-SPECIAL RH	410-040966
64	125581-06-700	EA	PANEL/INTERIOR	V164-97
65			CONTACT WINNEBAGO PART SALES FOR THIS COMPONENT	
66	125581-04-710	FT	VINYL - GLAZING	132-041484
67	125581-07-701	EA	GLASS-STATIONERY/4.95"X29.5"	106-042082
68 THRU 75			CONTACT WINNEBAGO PART SALES FOR THIS COMPONENT	
76	125581-03-701	EA	SILL - INNER - BLACK	V123-68L
77	125581-03-700	EA	MULLION RAIL- BLACK	V123-84
	125581-04-711	EA	CHANNEL-GLASS - LIFT BRKT	N135-66
	125581-07-703	EA	BRACKET-ALUMINUM "L"(INSIDE)	N135-55
	125581-07-704	EA	BRACKET - STRAP/JAMB & DOOR	248-080394
	125581-07-705	EA	BRACKET (L) F/SEAL PROTECT	490201

EXTERIOR DOORS & COMPARTMENTS GROUP (CONTINUED)
ENTRY



EXTERIOR DOORS & COMPARTMENTS GROUP (CONTINUED)

ENTRY (CONTINUED)

KEY	PART NUMBER	U/M	DESCRIPTION
1	132915-01-01A	EA	LATCH - SCREEN DOOR
2	P32206-02-M52	EA	DOOR - ENTRY W/SCREEN DOOR - W/O WINDOW (M52, M53)
	P32206-02-M54	EA	DOOR - ENTRY W/SCREEN DOOR - W/O WINDOW (M54, M55)
	P32206-02-M56	EA	DOOR - ENTRY W/SCREEN DOOR - W/O WINDOW (M56, M57)
	039715-01-000	EA	NUT-SERT - 1/4" DIAMETER - 20 THREADS
3	041546-08-000	EA	BRACKET - DOOR ANGLE O/W
			FROM: 00-00-00 THRU: 12-18-00
3	137401-01-03B	EA	BRACKET - DOOR ANGLE - OFF WHITE
			FROM: 12-19-00 THRU: 99-99-99
4	075671-04-000	FT	SEAL - SPONGE - LAZY T - W/ADHESIVE STRIP - .5" WIDE
5	106719-01-05A	EA	HINGE - ENTRY DOOR - BRIGHT WHITE
	106719-01-01A	EA	HINGE - ENTRY DOOR - MILL
	116111-02-01A	EA	SCREW - TAPTITE - 1/4-20 X 3/8 PPH - ZINC
6	132208-02-L32	EA	DOOR - SCREEN - W/O HARDWARE
7	118929-01-01A	FT	SEAL - PILE - PUSH ON
8	121893-03-02A	EA	FRAME - ENTRY DOOR/LOWER - BRIGHT WHITE
9	121894-16-01A	EA	FRAME - ENTRY DOOR - BRIGHT WHITE
10	121898-14-01A	EA	JAMB - ENTRY DOOR
11	051049-05-000	EA	JAMB/DOOR - LOWER - ENTRY DOOR
	075673-05-000	FT	SEAL - PILE - ADHESIVE BACK - BLACK
			FROM: 05-01-00 THRU: 99-99-99
	038327-01-000	EA	TAPE - ANTI-SLIP - 2" X 60'
			FROM: 05-01-00 THRU: 99-99-99
12	044582-50-000	EA	CAP - DRIP - JAMB MITERED - BRIGHT WHITE
13	115222-17-01A	EA	GARNISH - RADIUS - ENTRY DOOR - ONE PIECE
			FROM: 00-00-00 THRU: 12-18-00
14	137866-01-01A	EA	GARNISH - STRAIGHT/ENTRY DOOR - BRIGHT WHITE - 36"
			FROM: 12-19-00 THRU: 04-29-01
14	139101-01-01A	EA	GARNISH/STRAIGHT - 36.31" - W/NOTCH - BRIGHT WHITE
			FROM: 04-30-01 THRU: 99-99-99
15	137837-01-02A	EA	GARNISH - RADIUS CORNED - ENTRANCE DOOR - BRIGHT WHITE
			FROM: 12-19-00 THRU: 04-29-01
15	139100-01-01A	EA	GARNISH/RADIUS - ENTRY DOOR - BRIGHT WHITE
			FROM: 04-30-01 THRU: 99-99-99
*	129676-01-000	EA	KEY - T/M 14472-07-1431
*	129676-02-000	EA	KEY - T/M 14472-07-1432
*	129676-03-000	EA	KEY - T/M 14472-07-1433
*	129676-04-000	EA	KEY - T/M 14472-07-1434
*	129676-05-000	EA	KEY - T/M 14472-07-1435
*	129676-06-000	EA	KEY - T/M 14472-07-1436
*	129676-07-000	EA	KEY - T/M 14472-07-1437
*	129676-08-000	EA	KEY - T/M 14472-07-1438
*	129676-09-000	EA	KEY - T/M 14472-07-1439
*	129676-10-000	EA	KEY - T/M 14472-07-1440
	129685-01-000	EA	CYLINDER - LOCK ASSEMBLY - ENTRANCE DOOR (J)
	129685-02-000	EA	CYLINDER - LOCK ASSEMBLY - ENTRANCE DOOR (J)
	129685-03-000	EA	CYLINDER - LOCK ASSEMBLY - ENTRANCE DOOR (J)
	129685-04-000	EA	CYLINDER - LOCK ASSEMBLY - ENTRANCE DOOR (J)
	129685-05-000	EA	CYLINDER - LOCK ASSEMBLY - ENTRANCE DOOR (J)
	129685-06-000	EA	CYLINDER - LOCK ASSEMBLY - ENTRANCE DOOR (J)
	129685-07-000	EA	CYLINDER - LOCK ASSEMBLY - ENTRANCE DOOR (J)
	129685-08-000	EA	CYLINDER - LOCK ASSEMBLY - ENTRANCE DOOR (J)
	129685-09-000	EA	CYLINDER - LOCK ASSEMBLY - ENTRANCE DOOR (J)
	129685-10-000	EA	CYLINDER - LOCK ASSEMBLY - ENTRANCE DOOR (J)

***COMPONENT PARTS LISTED LATER IN THIS GROUP**

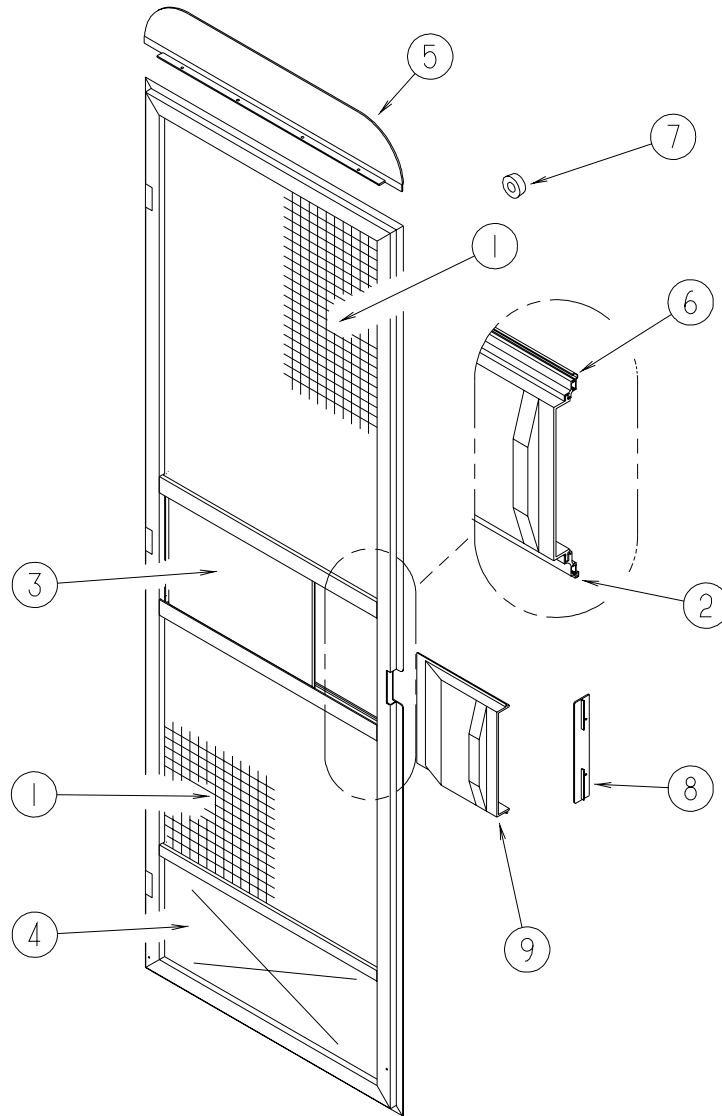
EXTERIOR DOORS & COMPARTMENTS GROUP (CONTINUED)

COMPONENT PARTS FOR ENTRY

129676-01-000 - 129676-10-000

KEY	PART NUMBER	U/M	DESCRIPTION	VENDOR NO .
	129685-01-701	EA	KEY - BLANK KS 150	144472-07-2001

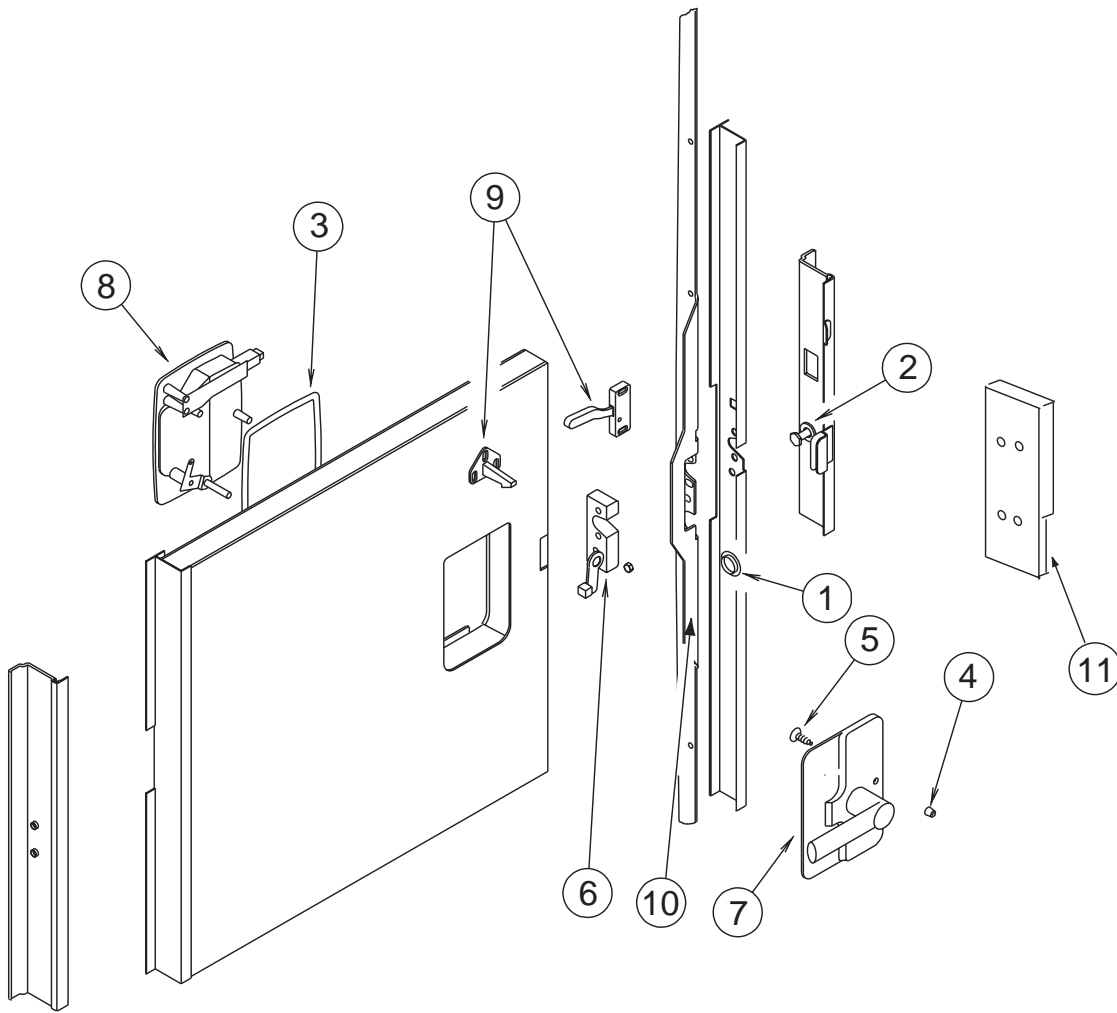
EXTERIOR DOORS & COMPARTMENTS GROUP (CONTINUED)
SCREEN



KEY	PART NUMBER	U/M	DESCRIPTION
	132208-02-L32	EA	DOOR - SCREEN - W/O HARDWARE
1	002293-02-000	SF	SCREEN - 26" - CHARCOAL
2	002294-01-000	FT	SPLINE - SCREENING - .13" X .14"
3	016454-18-000	EA	INSERT - SCREEN DOOR - CENTER
4	078552-09-000	EA	INSERT - SCREEN DOOR - LOWER
5	078595-03-000	EA	PLATE - SCREEN DOOR
6	078777-08-000	FT	CHANNEL - SLIDER
7	120863-06-000	EA	BUMPER - RUBBER - 3/4" X 3/8"
8	132081-01-01A	EA	STRIKE - SLIDER - SCREEN DOOR - BRIGHT WHITE
9	132082-01-01A	EA	SLIDER - SCREEN DOOR - BRIGHT WHITE

EXTERIOR DOORS & COMPARTMENTS GROUP (CONTINUED)

LATCH - ENTRY

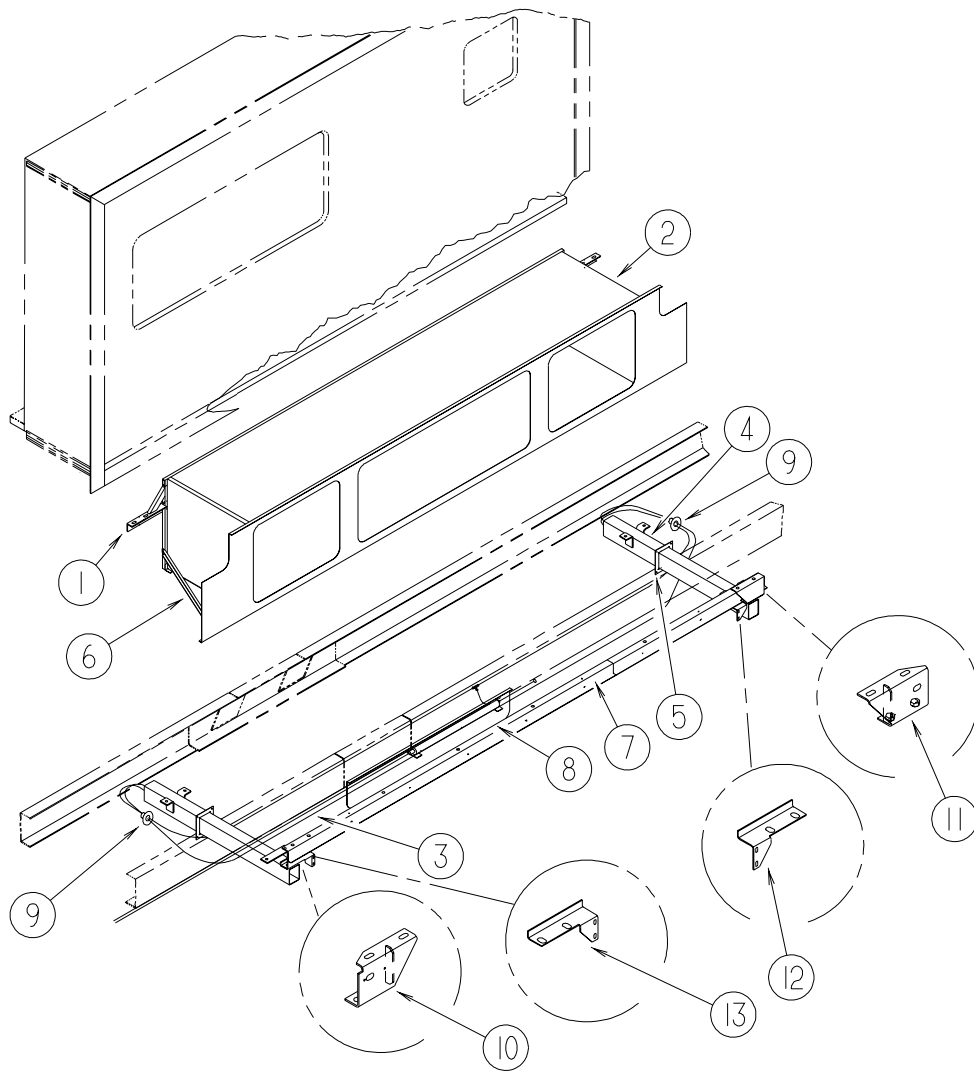


KEY	PART NUMBER	U/M	DESCRIPTION
1	061420-14-000	EA	PLUG/PLASTIC - .034" DIAMETER
2	092927-03-000	EA	STRIKER - ROUND - JAMB MOUNTED
2	092927-14-000	EA	STRIKER - ROUND - JAMB MOUNTED
			FROM: 00-00-00 THRU: 09-20-00
			FROM: 09-21-00 THRU: 99-99-99
3	112782-04-01A	EA	GASKET
4	112782-05-01A	EA	CAP - VINYL - RED
5	112782-08-01A	EA	SCREW - MOUNTING/PLATE - ZINC
6	112782-09-01A	EA	LATCH - SINGLE ROTOR
6	112782-15-01A	EA	LATCH - SINGLE ROTOR
			FROM: 00-00-00 THRU: 11-12-00
			FROM: 11-13-00 THRU: 99-99-99
7	112782-11-01A	EA	LATCH - INTERIOR PLATE
7	112782-13-01A	EA	LATCH - INTERIOR PLATE
			FROM: 00-00-00 THRU: 10-15-00
			FROM: 10-16-00 THRU: 11-12-00
7	112782-16-01A	EA	LATCH - INTERIOR PLATE
			FROM: 11-13-00 THRU: 99-99-99
8	112782-12-01A	EA	LATCH - EXTERIOR - W/O CYLINDER - W/ICON LOCK/UNLOCK
			FROM: 00-00-00 THRU: 10-15-00
8	112782-14-01A	EA	LATCH - EXTERIOR - W/O CYLINDER - W/ICON LOCK/UNLOCK
			FROM: 10-16-00 THRU: 11-12-00
8	112782-17-01A	EA	LATCH - EXTERIOR - W/O CYLINDER - W/ICON LOCK/UNLOCK
			FROM: 11-13-00 THRU: 99-99-99
9	132915-01-01A	EA	LATCH - SCREEN DOOR

EXTERIOR DOORS & COMPARTMENTS GROUP (CONTINUED)
LATCH - ENTRY (CONTINUED)

KEY	PART NUMBER	U/M	DESCRIPTION
10	098173-02-01B	EA	STIFFENER-ENTRANCE DOOR,MILL,*00 300-SERIES FROM: 00-00-00 THRU: 09-20-00
10	132207-01-02B	EA	STIFFENER/DOOR - FORMED - E-COATED FROM: 09-21-00 THRU: 99-99-99
	072893-04-000	EA	NUTSERT - 10-32
11	077461-03-000	EA	COVER - STRIKE - ENTRY DOOR - 6.5" X 2.5" - WHITE PLASTIC FROM: 00-00-00 THRU: 12-18-00
11	077461-07-000	EA	COVER/BRACKET - STRIKE - OFF WHITE FROM: 12-19-00 THRU: 05-13-01
11	139102-01-01A	EA	COVER - BRACKET - STRIKE - BRIGHT WHITE FROM: 05-14-01 THRU: 99-99-99

EXTERIOR SLIDEOUT GROUP FRONT LEFT

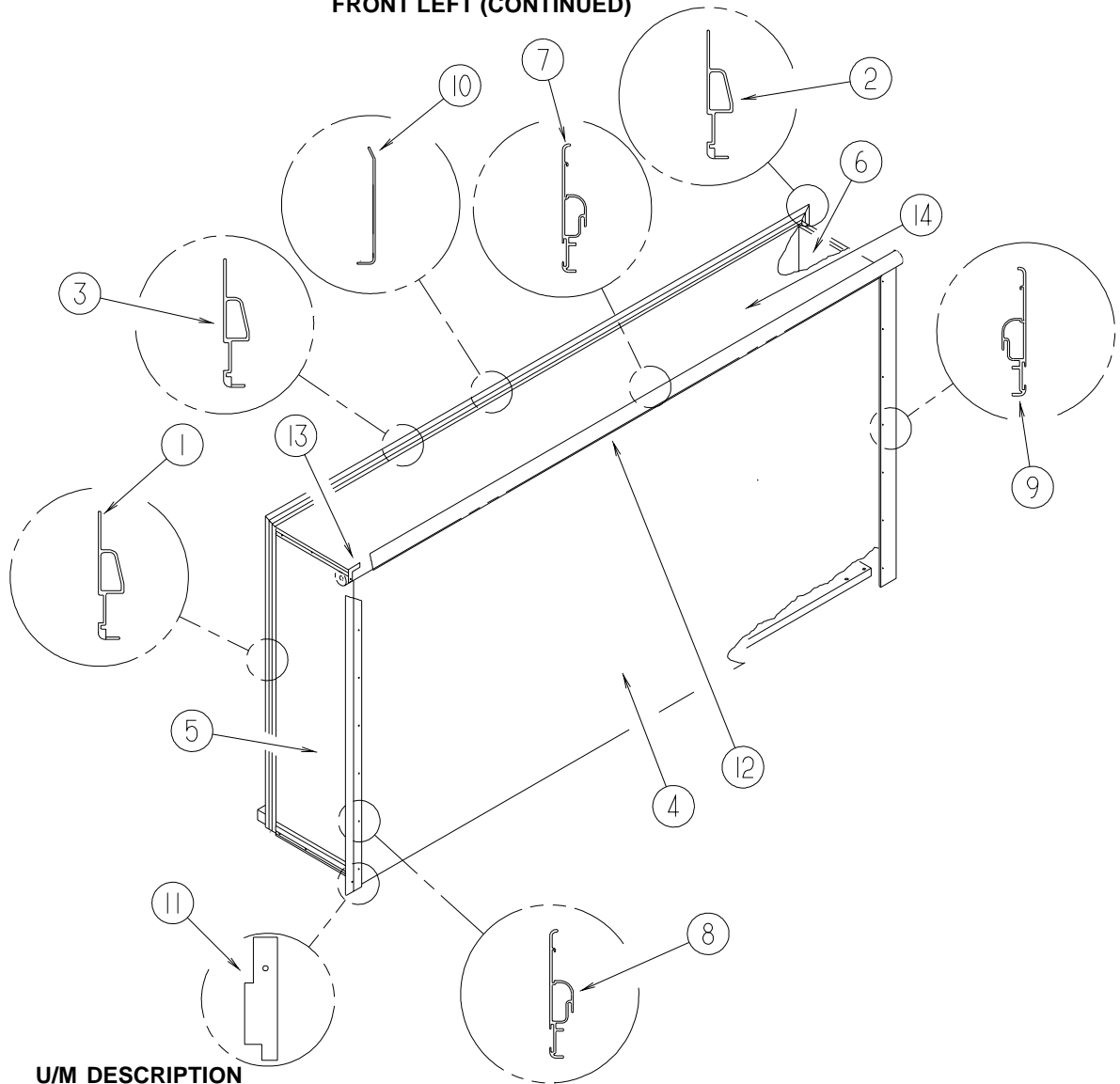


KEY	PART NUMBER	U/M	DESCRIPTION
1	126050-02-J60	EA	SUPPORT - SLIDEOUT COMPARTMENT
2	126390-22-000	EA	COMPARTMENT - SLIDEOUT
3*	100536-42-000	EA	HOSE KIT - PUMP TO SLIDE-OUT VALVE
4*	125687-01-000	EA	SLIDEOUT - HYDRAULIC
			FROM: 00-00-00 THRU: 07-08-01
4	140121-01-000	EA	SLIDEOUT - HYDRAULIC - 20"
			FROM: 07-09-01 THRU: 99-99-99
5	125828-03-02B	EA	FILLER/STEEL - SLIDEOUT - E-COATED
6	126497-02-02B	EA	SUPPORT - VALANCE - E-COATED
7	128621-01-01A	EA	BRACKET/ZEE - SLIDEOUT - 140.4"
8	053322-10-000	EA	SHIELD - HEAT - EXHAUST - 48" X 7.5" - STEEL
9	023942-01-000	EA	GROMMET - RUBBER - 2" OD
10	127030-01-02B	EA	BRACKET - INNER REAR/SLIDEOUT - E-COATED
11	127030-02-02B	EA	BRACKET - INNER FRONT/SLIDEOUT - E-COATED
12	125888-01-02B	EA	BRACKET/SLIDEOUT COMPARTMENT - RIGHT HAND - E-COATED
13	125888-02-02B	EA	BRACKET/SLIDEOUT COMPARTMENT - LEFT HAND - E-COATED

*COMPONENT PARTS LISTED LATER IN THIS GROUP

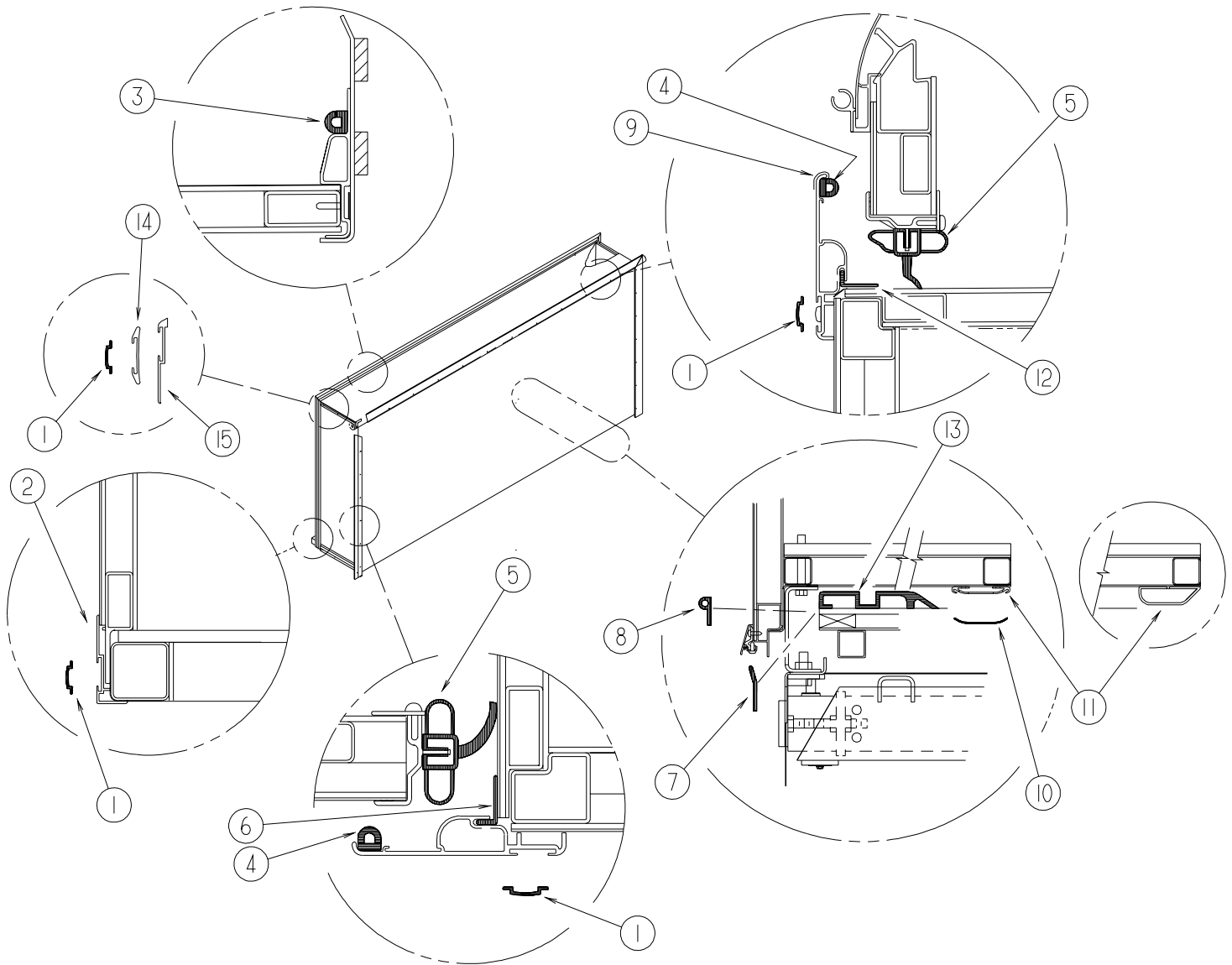
EXTERIOR SLIDEOUT GROUP (CONTINUED)

FRONT LEFT (CONTINUED)



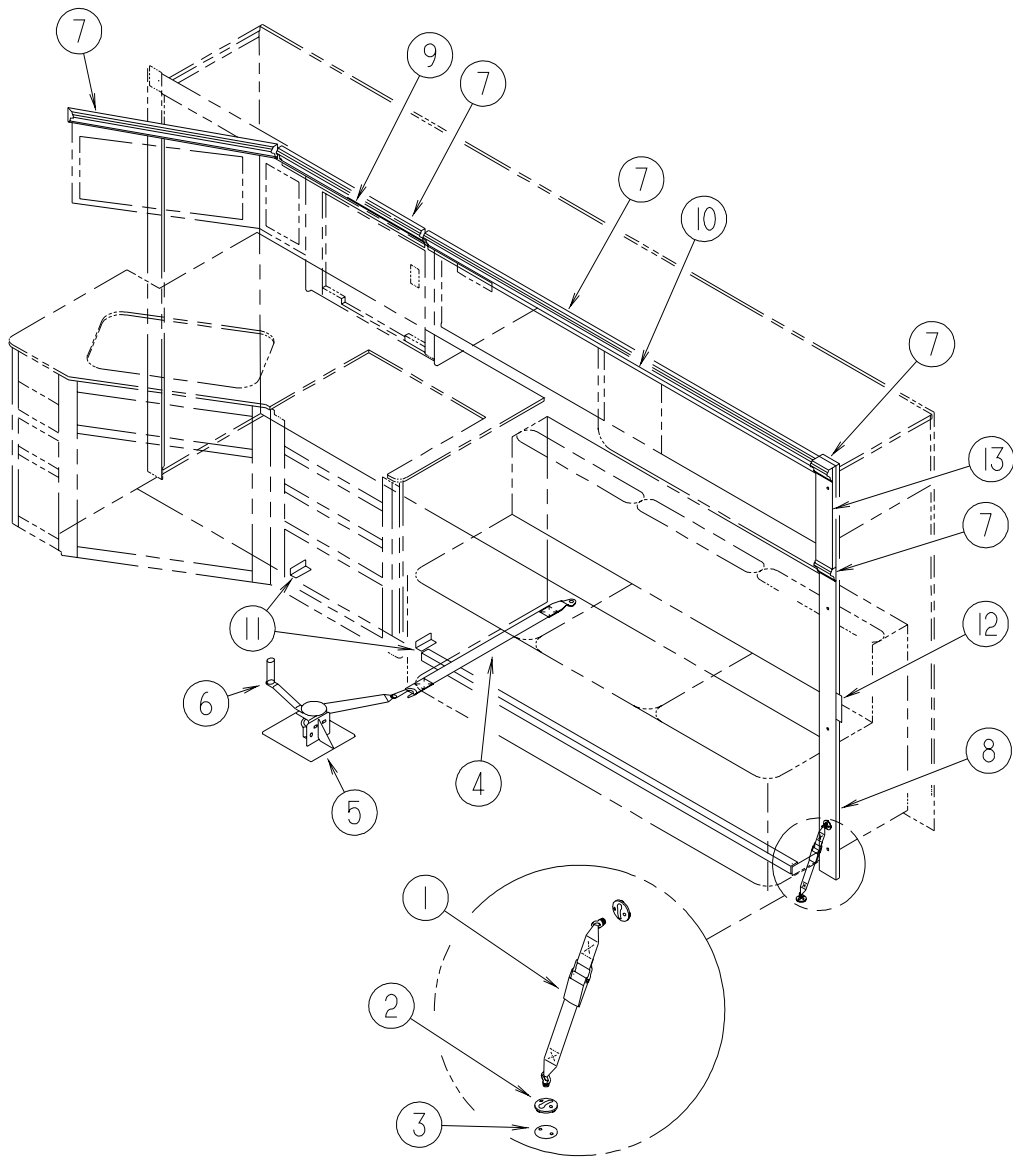
KEY	PART NUMBER	U/M	DESCRIPTION
1	117004-01-03A	EA	TRIM - SEAL/INNER RT HAND-W/MITERED END-73.5" BRT WHT
2	117004-02-03A	EA	TRIM - SEAL/INNER LT HAND-W/MITERED END-73.5" BRT WHITE
3	117004-08-03A	EA	TRIM - SEAL/INNER UPPER-W/MITERED ENDS-145"-BRIGHT WHITE
4	119783-40-M52	EA	PANEL/SLIDEOUT - OUTER (M52,M53)
4	119783-40-M54	EA	PANEL/SLIDEOUT - OUTER (M54,M55)
4	119783-40-M56	EA	PANEL/SLIDEOUT - OUTER (M56,M57)
5	121401-02-M52	EA	PANEL - SLIDEOUT/FRONT - W/O HARDWARE (M52,M53)
5	121401-02-L58	EA	PANEL - SLIDEOUT/FRONT - W/O HARDWARE (M54,M55)
5	121401-02-L56	EA	PANEL - SLIDEOUT/FRONT - W/O HARDWARE (M56,M57)
6	121402-03-M31	EA	PANEL - SLIDEOUT/REAR - W/O HARDWARE (M52,M53)
6	121402-03-L80	EA	PANEL - SLIDEOUT/REAR - W/O HARDWARE (M54,M55)
6	121402-03-L56	EA	PANEL - SLIDEOUT/REAR - W/O HARDWARE (M56,M57)
7	133955-07-01A	EA	TRIM/SEAL - W/MITERED ENDS - 147" - BRIGHT WHITE
8	133955-09-01A	EA	TRIM/SEAL - W/MITERED ENDS - 75.7" - BRIGHT WHITE
9	133955-10-01A	EA	TRIM/SEAL - W/MITERED ENDS - 75.7" - BRIGHT WHITE
10	125466-02-01A	EA	SUPPORT - ROOF/INTERIOR - OFF WHITE
11	126546-01-02A	EA	COVER - END/SIDEWALL SLIDEOUT - BRIGHT WHITE
12	122977-07-01A	EA	AWNING - F/SLIDEOUT - 147" - BRIGHT WHITE
			FROM: 00-00-00 THRU: 04-15-01
12	122977-07-03A	EA	AWNING/SLIDEOUT W/COVER - 147" - WHITE
			FROM: 04-16-01 THRU: 99-99-99
13	116444-02-12B	EA	TRIM/KEY CORNER - SLIDEOUT - 3.1"X3.1" - BRT WHT
			FROM: 00-00-00 THRU: 04-29-01
13	116444-04-12B	EA	TRIM/KEY CORNER - SLIDEOUT - 3.1"X3.1" - BRT WHT
			FROM: 04-30-01 THRU: 99-99-99
14	133011-01-M52	EA	ROOF - W/O LIGHTS/VENTS - W/WIRING - F/SLIDEOUT

EXTERIOR SLIDEOUT GROUP (CONTINUED)
FRONT LEFT (CONTINUED)



KEY	PART NUMBER	U/M	DESCRIPTION
1	105312-01-07A	FT	INSERT - FEATURE STRIP - VINYL - BRIGHT WHITE
2	125051-01-01A	EA	STRIP - FEATURE - LOWER - 20.2" - BRIGHT WHITE
3	112091-01-000	FT	SEAL/D - NEOPRENE - HEAT ACTIVE ADHESIVE - .9"
4			SEAL - D-SECTION/ADHESIVE BACK - .44" X .44" - SEE SEALANTS AND FASTENERS GROUP
5	115076-01-000	FT	SEAL - SLIDEOUT
6	133954-09-01A	EA	TRIM/SEAL - W/MITERED ENDS - BRIGHT WHITE - 71.6"
7	115075-02-000	FT	SEAL - WIPE - .25" X 2.9"
7	089275-02-000	FT	STRIP - 3/4" X 84" BLACK POLYETHYLENE
8	121283-01-000	FT	SEAL - P SHAPED
9	117058-01-01A	FT	TAPE - LOOP - 3/4" WIDE - ADHESIVE BACKED
10	115661-01-000	FT	SHOE/GLIDE - SLIDEOUT ROOM - 1/16" X 3" - POLYETHYLENE
11	134756-02-L76	EA	RAMP - FABRIC COVERED - SLIDEOUT - 51.1" - USE IN VINYL OR PLANK FLOOR AREA
11	115325-10-01A	EA	RAIL/FLOOR - SLIDEOUT - BLACK - USE IN CARPETED AREA
12	133954-07-01A	EA	TRIM/SEAL - W/MITERED ENDS - 141.8" - BRIGHT WHITE
13	134837-01-01A	EA	RAMP - SLIDEOUT - BLACK PVC
14	108688-01-03A	EA	STRIP - FEATURE - BRIGHT WHITE - 182"
			FROM: 00-00-00 THRU: 03-18-01
15	138659-01-01A	EA	TRIM-FEATURE,UPPER,BRT/WHT
			FROM: 03-19-01 THRU: 99-99-99

EXTERIOR SLIDEOUT GROUP (CONTINUED)
FRONT LEFT (CONTINUED)



KEY	PART NUMBER	U/M	DESCRIPTION
1	135619-01-01A	EA	STRAP - TIEDOWN - SLIDEOUT ROOM
2	133067-02-01A	EA	PLATE - TIEDOWN - SLIDEOUT ROOM
			FROM: 00-00-00 THRU: 03-31-00
2	135619-02-01A	EA	PLATE - TIEDOWN - SLIDEOUT ROOM
			FROM: 04-01-00 THRU: 99-99-99
3	135622-01-01B	EA	PLATE - TIEDOWN - SLIDEOUT ROOM
4	116101-02-F31	EA	STRAP - WINCH - 34" CENTER BRACKET/STRAP END
5	116082-03-02B	EA	BRACKET - WINCH
6	115767-02-000	EA	WINCH - SLIDEOUT W/10' STRAP
7	125547-26-70B	EA	MOLDING - CROWN - CHERRY/CHERRY - 85"
7	125547-26-70E	EA	MOLDING - CROWN - ASH/PORTSMOUTH OAK - 85"
8	116951-05-J30	EA	MOLDING - TRIM - 3.5" X 75.7" - SALEM CHERRY
8	116951-05-L81	EA	MOLDING - TRIM - 3.5" X 75.7" - PORTSMOUTH OAK
9	116967-13-L52	EA	TRIM - CENTER - WOOD - 3.8" X 30.1" - SALEM CHERRY
9	116967-13-M53	EA	TRIM - CENTER - WOOD - 3.8" X 30.1" - PORTSMOUTH OAK
10	116967-14-L52	EA	TRIM - CENTER - WOOD - 3.8" X 82.2" - SALEM CHERRY
10	116967-14-M53	EA	TRIM - CENTER - WOOD - 3.8" X 82.2" - PORTSMOUTH OAK
11	128252-01-02B	EA	BRACKET/ANGLE - SLIDEOUT - E-COAT
12	130262-01-000	EA	PROTECTOR - CORNER SAVER - .7" X .7" X 48"
13	M09216-04-L52	EA	LUMBER-STAIN 99WOOD-H0-470 - SALEM CHERRY
13	M09216-04-M53	EA	LUMBER-STAIN 99WOOD-H0-470 - PORTSMOUTH OAK

EXTERIOR SLIDEOUT GROUP (CONTINUED)

COMPONENT PARTS FOR FRONT LEFT

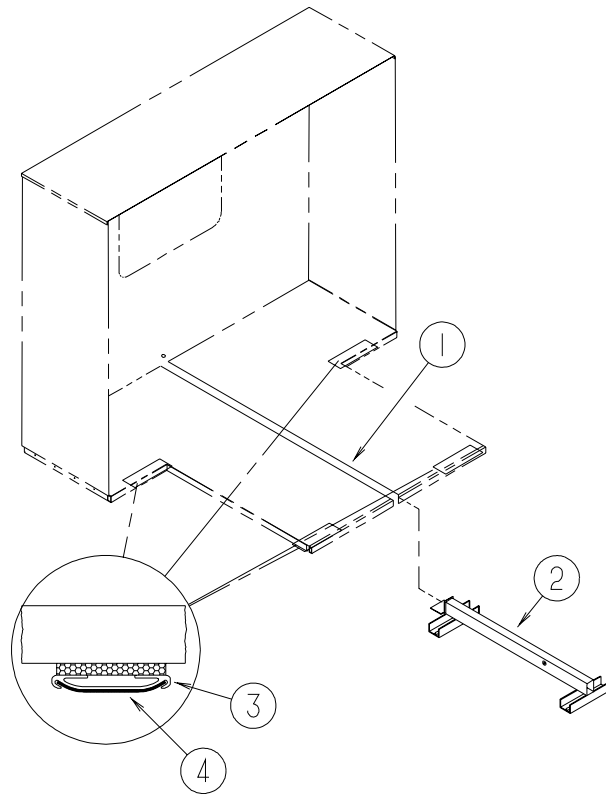
100536-42-000

KEY	PART NUMBER	U/M	DESCRIPTION	VENDOR NO.
	100536-42-700	EA	HOSE - HYDRAULIC - 168"	RAP6115
	100536-42-701	EA	HOSE - HYDRAULIC - 175"	RAP90350

125687-01-000

KEY	PART NUMBER	U/M	DESCRIPTION	VENDOR NO.
	100536-10-701	EA	HOSE-HYDRAULIC-116"	RAP90349
	125687-01-700	EA	CYLINDER/RAM - 21" STROKE	RAP90512
	125687-01-701	EA	HOSE - HYDRAULIC - 120"	AP13772
	125687-01-702	EA	CYLINDER - SYNCHRONIZING	RAP90471
	125687-01-703	EA	TUBE/STEEL - HYDRAULIC 31"	RAP90526/AP13592
	132540-01-702	EA	HOSE-HYD-3/16" X 12'	AP18016

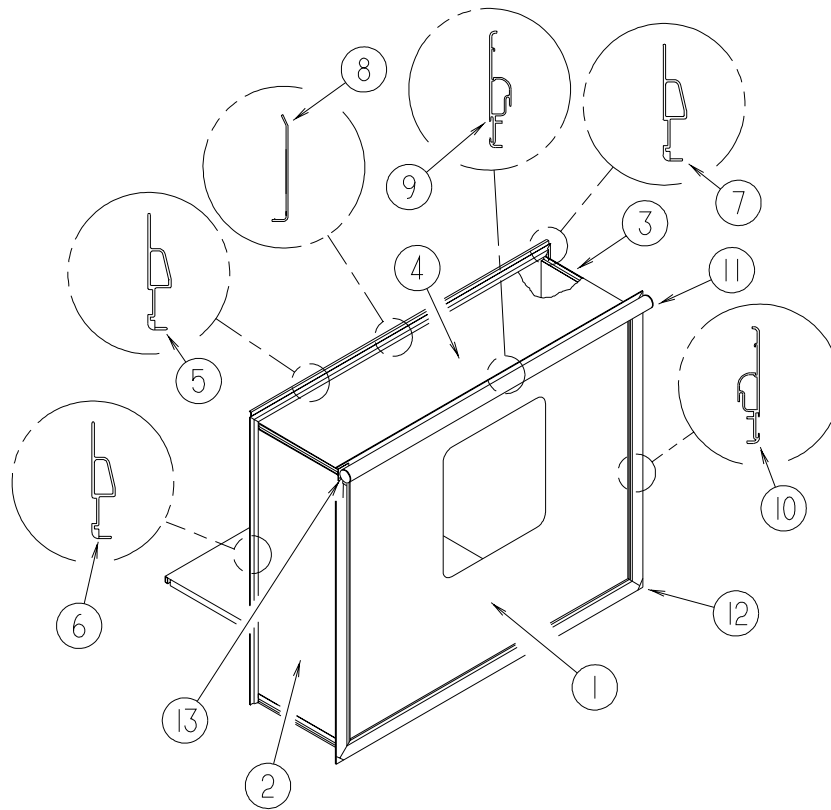
EXTERIOR SLIDEOUT GROUP (CONTINUED)
RIGHT REAR



KEY	PART NUMBER	U/M	DESCRIPTION
1	128599-02-000	EA	CHANNEL - F/SLIDEOUT
2*	128599-04-000	EA	CYLINDER/HYDRAULIC - F/SLIDEOUT
3	115325-08-01A	EA	RAIL - FLOOR/SLIDEOUT ROOM - BLACK
4	115661-01-000	FT	SHOE/GLIDE - SLIDEOUT ROOM - 1/16" X 3" - POLYETHYLENE

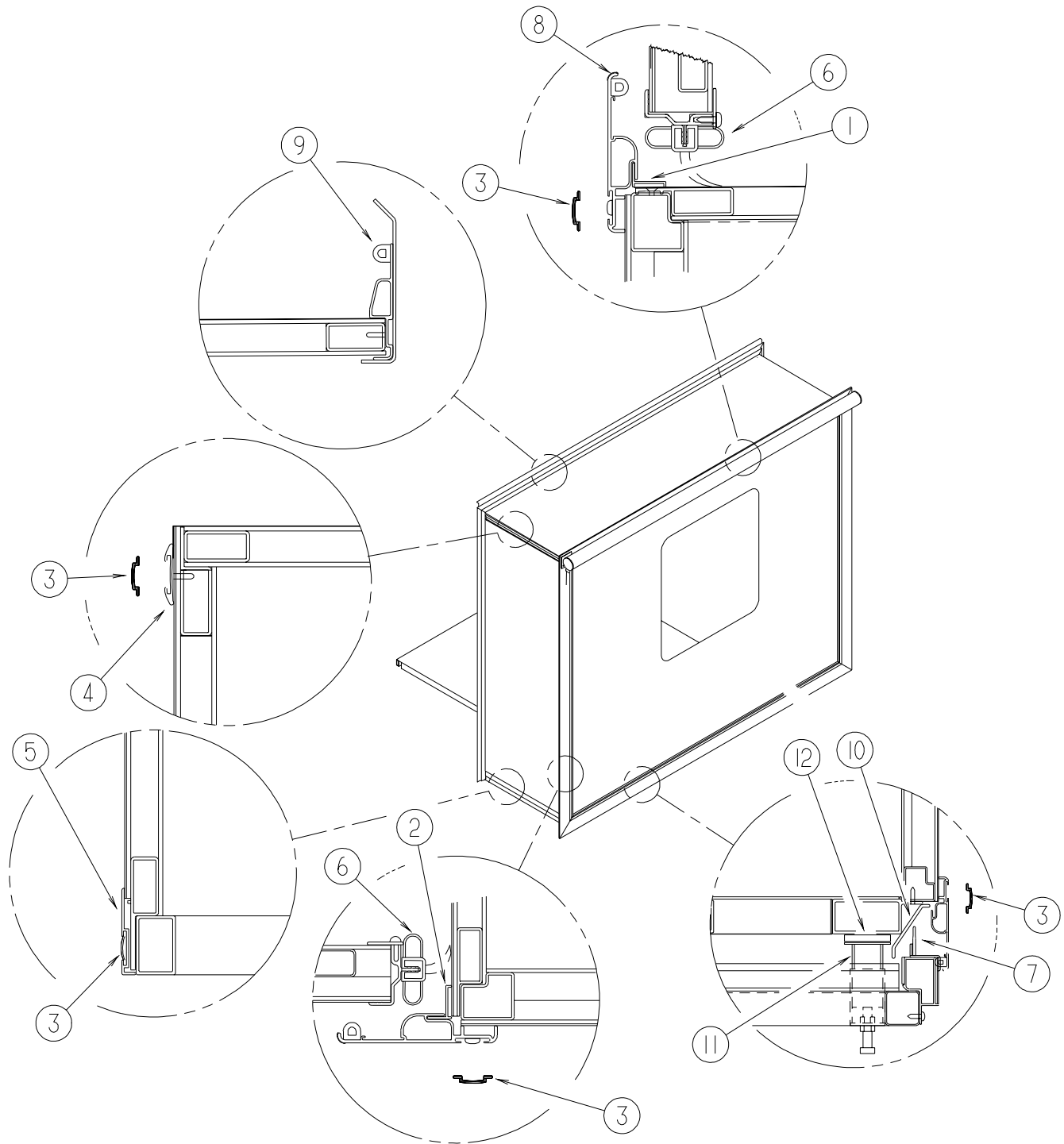
***COMPONENT PARTS LISTED LATER IN THIS GROUP**

EXTERIOR SLIDEOUT GROUP (CONTINUED)
RIGHT REAR (CONTINUED)



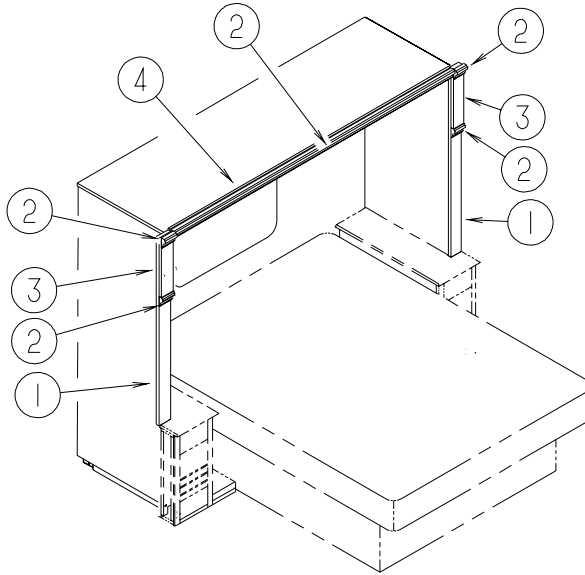
KEY	PART NUMBER	U/M	DESCRIPTION
1	121403-05-M52	EA	PANEL - OUTER/SLIDEOUT (M52,M53)
1	121403-05-L58	EA	PANEL - OUTER/SLIDEOUT (M54,M55)
1	121403-05-L56	EA	PANEL - OUTER/SLIDEOUT (M56,M57)
2	127706-01-M52	EA	PANEL - SLIDEOUT/REAR (M52,M53)
2	127706-01-L58	EA	PANEL - SLIDEOUT/REAR (M54,M55)
2	127706-01-L56	EA	PANEL - SLIDEOUT/REAR (M56,M57)
3	127707-01-M52	EA	PANEL - SLIDEOUT/FRONT (M52,M53)
3	127707-01-L58	EA	PANEL - SLIDEOUT/FRONT (M54,M55)
3	127707-01-L56	EA	PANEL - SLIDEOUT/FRONT (M56,M57)
4	127705-01-M52	EA	ROOF - W/O LIGHTS/VENTS - W/WIRING - F/SLIDEOUT
5	117004-04-03A	EA	TRIM/SEAL - INNER/UPPER - W/MITERED END - 88.5" - BRT/WHT
6	117004-06-03A	EA	TRIM - SEAL/INNER/LEFT - W/MITERED END/NOTCH- 73.4" BRT/WT
7	117004-07-03A	EA	TRIM - SEAL/INNER/RIGHT- W/MITERED END/NOTCH- 73.4" BRT/WT
8	125468-05-03B	EA	SUPPORT - INTERIOR ROOF - OFF/WHITE
9	133955-04-01A	EA	TRIM/SEAL - W/MITERED ENDS - 90.4" - BRIGHT WHITE
10	133955-05-01A	EA	TRIM/SEAL - W/MITERED ENDS - 75.6" - BRIGHT WHITE
11	122977-05-01A	EA	AWNING/SLIDEOUT W/COVER - 90" - BRIGHT WHITE
11	122977-05-03A	EA	AWNING/SLIDEOUT W/COVER - 90" - WHITE
			FROM: 00-00-00 THRU: 04-15-01
			FROM: 04-16-01 THRU: 99-99-99
12	135275-01-01A	EA	PROTECTOR - CORNER - SLIDEOUT - WHITE
13	116444-02-12B	EA	TRIM/KEY CORNER - SLIDEOUT - 3.1"X3.1" - BRT WHT
			FROM: 00-00-00 THRU: 04-29-01
13	116444-04-12B	EA	TRIM/KEY CORNER - SLIDEOUT - 3.1"X3.1" - BRT WHT
			FROM: 04-30-01 THRU: 99-99-99

EXTERIOR SLIDEOUT GROUP (CONTINUED)
RIGHT REAR (CONTINUED)



KEY	PART NUMBER	U/M	DESCRIPTION
1	133954-04-01A	EA	TRIM/SEAL - W/MITERED ENDS - 85.1" - BRIGHT WHITE
2	133954-24-01A	EA	TRIM/SEAL - W/MITERED END - 70.4" - BRIGHT WHITE - RH
2	133954-25-01A	EA	TRIM/SEAL - W/MITERED END - 70.4" - BRIGHT WHITE - LH
3	105312-01-07A	FT	INSERT - FEATURE STRIP - VINYL - BRIGHT WHITE
4	138659-01-01A	EA	TRIM/FEATURE STRIP - 181.7" - BRIGHT WHITE
5	125051-02-01A	EA	TRIM - LOWER FEATURE - BRIGHT WHITE
6	115076-01-000	FT	SEAL - SLIDEOUT
7	123012-01-000	FT	SEAL - SLIDEOUT - .09"/.13" THICK X 1.25" - W/ADHESIVE
8	117058-01-01A	EA	TAPE - LOOP - 3/4" WIDE - ADHESIVE BACKED
9	112091-01-000	FT	SEAL/D - NEOPRENE - HEAT ACTIVE ADHESIVE - .9"
10	139953-01-02B	EA	ANGLE - REINFORCEMENT - F/SLIDEOUT - E-COATED
11	126313-02-02B	EA	SUPPORT - ROLLER - E-COATED
12	128599-03-000	EA	PAD - F/SLIDEOUT

EXTERIOR SLIDEOUT GROUP (CONTINUED)
RIGHT REAR (CONTINUED)



KEY	PART NUMBER	U/M	DESCRIPTION
1	116951-19-L52	EA	MOLDING/SLIDEOUT - SALEM CHERRY
1	116951-19-M53	EA	MOLDING/SLIDEOUT - PORTSMOUTH
2	125547-26-70B	EA	MOLDING - CROWN - CHERRY/CHERRY - 85"
2	125547-26-70E	EA	MOLDING - CROWN - ASH/PORTSMOUTH OAK - 85"
3	M09216-85-L52	EA	LUMBER/STAINED - SLIDEOUT - .7" X 3.5" X 15.7" - SALEM CHERRY
3	M09216-85-M53	EA	LUMBER/STAINED - SLIDEOUT - .7" X 3.5" X 15.7" - PORTSMOUTH
4	116967-12-L52	EA	TRIM - CENTER - WOOD - 3.8" X 82.6" - SALEM CHERRY
4	116967-12-M53	EA	TRIM - CENTER - WOOD - 3.8" X 82.6" - PORTSMOUTH

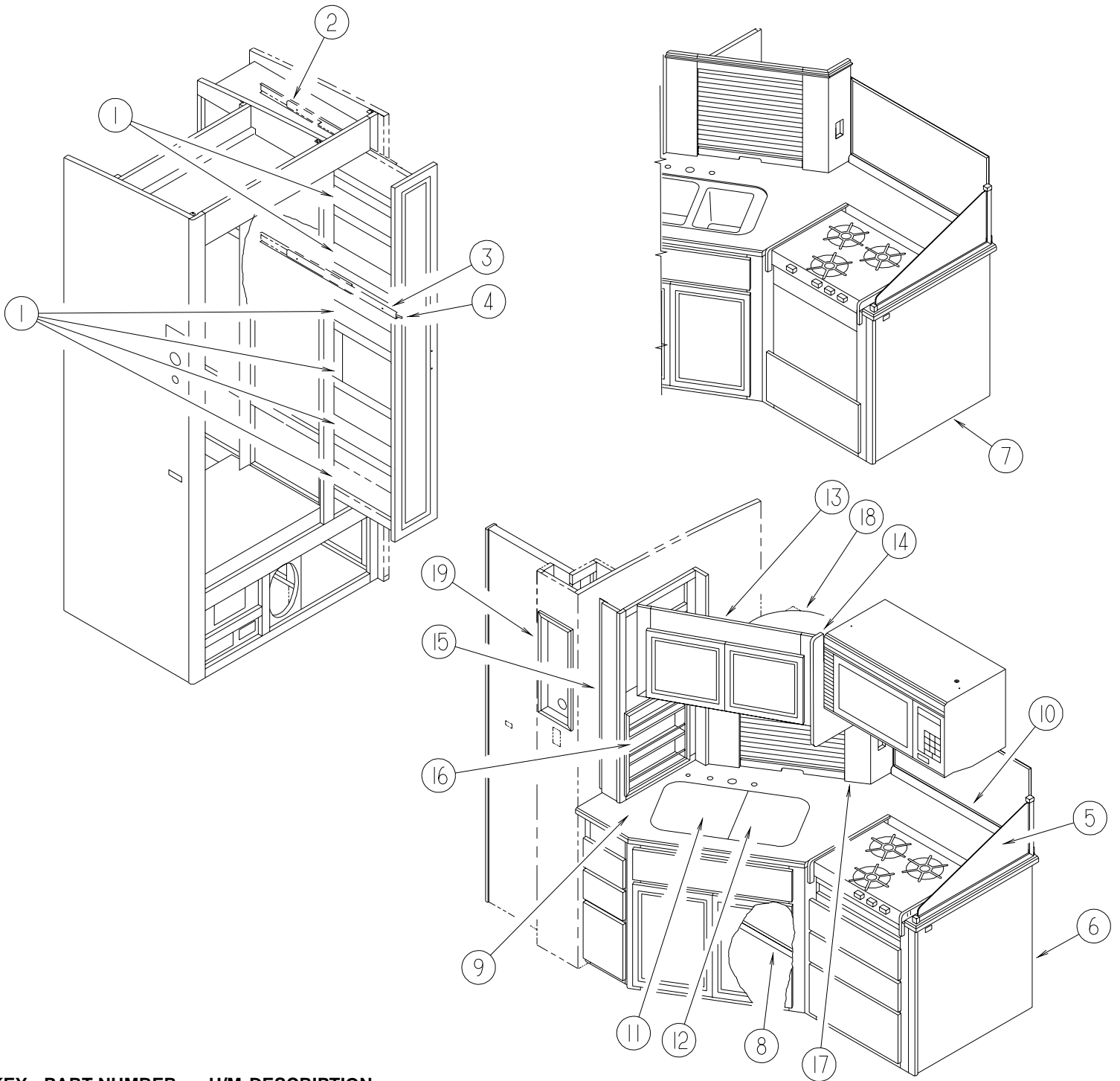
***COMPONENT PARTS LISTED LATER IN THIS GROUP**

EXTERIOR SLIDEOUT GROUP (CONTINUED)
COMPONENT PARTS FOR RIGHT REAR

128599-04-000

KEY	PART NUMBER	U/M	DESCRIPTION	VENDOR NO.
	128599-05-700	EA	RAM/CYLINDER - SLIDEOUT	RAP90688

GALLEY GROUP CABINETS



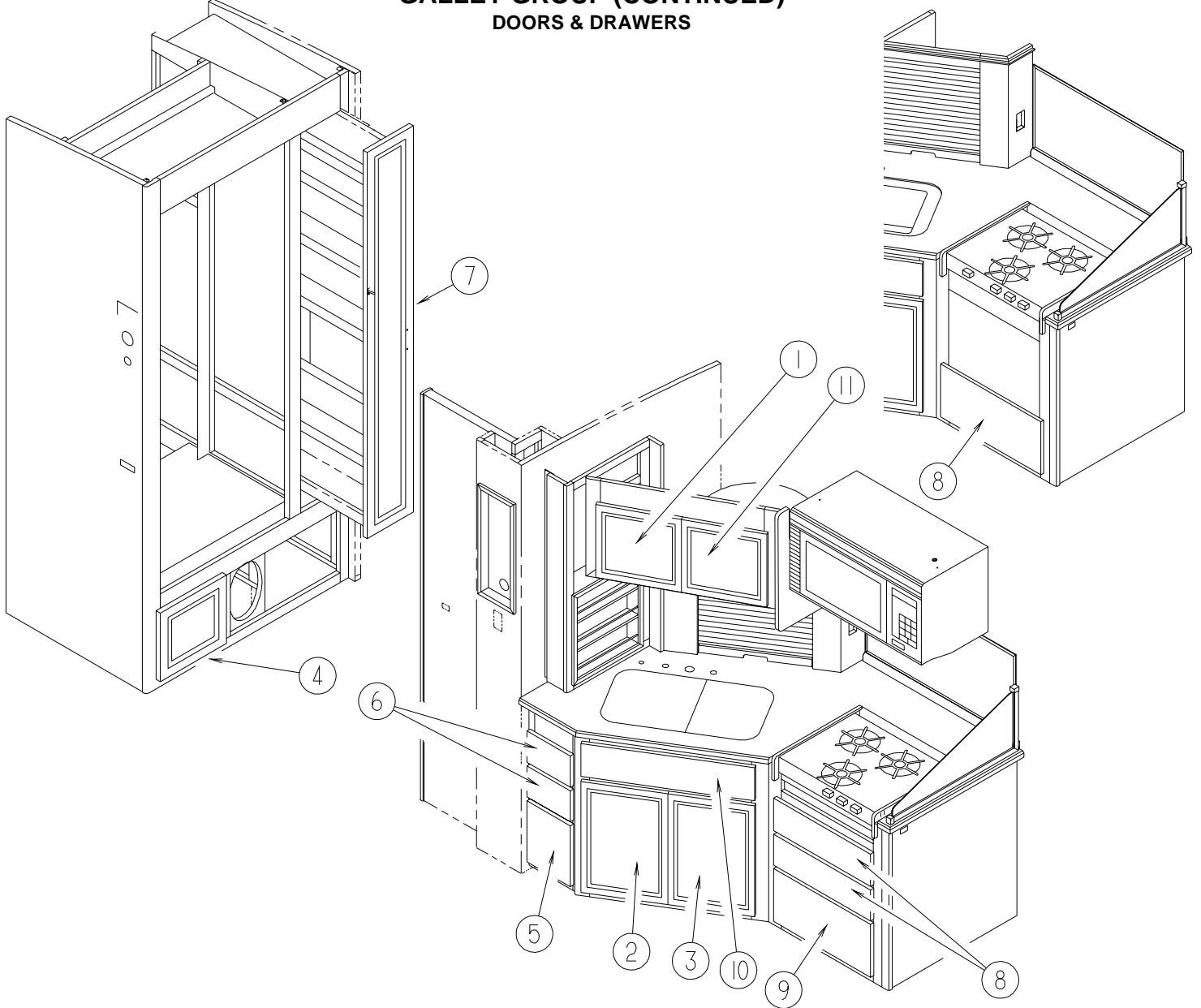
KEY	PART NUMBER	U/M	DESCRIPTION
1	122325-11-M94	EA	SHELF - W/EDGE MOLDING - SALEM CHERRY
1	122325-11-L81	EA	SHELF - W/EDGE MOLDING - PORTSMOUTH OAK
2	122360-02-000	EA	SLIDE - PANTRY - W/O LOCK - RIGHT/LEFT HAND
3	122360-03-000	EA	SLIDE - PANTRY - W/LOCK - RIGHT HAND (FACING PANEL)
4	123673-01-01A	EA	KNOB - PANTRY SLIDE
5	127117-01-01A	EA	GLASS - STATIONARY - SPLASHGUARD
5	126875-01-J30	EA	FRAME ONLY - F/SPLASHGUARD - SALEM CHERRY
5	126875-01-L81	EA	FRAME ONLY - F/SPLASHGUARD - PORTSMOUTH OAK
6	136149-01-M52	EA	CABINET - GALLEY - W/O COUNTERTOP/DOORS/DRAWERS/HDW - SALEM CHERRY
6	136149-01-M53	EA	CABINET - GALLEY - W/O COUNTERTOP/DOORS/DRAWERS/HDW - PORTSMOUTH OAK
7	136149-02-M52	EA	CABINET - GALLEY - W/O COUNTERTOP/DOORS/DRAWERS/HDW - SALEM CHERRY
7	136149-02-M53	EA	CABINET - GALLEY - W/O COUNTERTOP/DOORS/DRAWERS/HDW - PORTSMOUTH OAK
8	136149-14-M52	EA	SHELF - W/PLASTIC EDGE MOLDING - SALEM CHERRY
8	136149-14-M53	EA	SHELF - W/PLASTIC EDGE MOLDING - PORTSMOUTH OAK

GALLEY GROUP (CONTINUED)

CABINETS (CONTINUED)

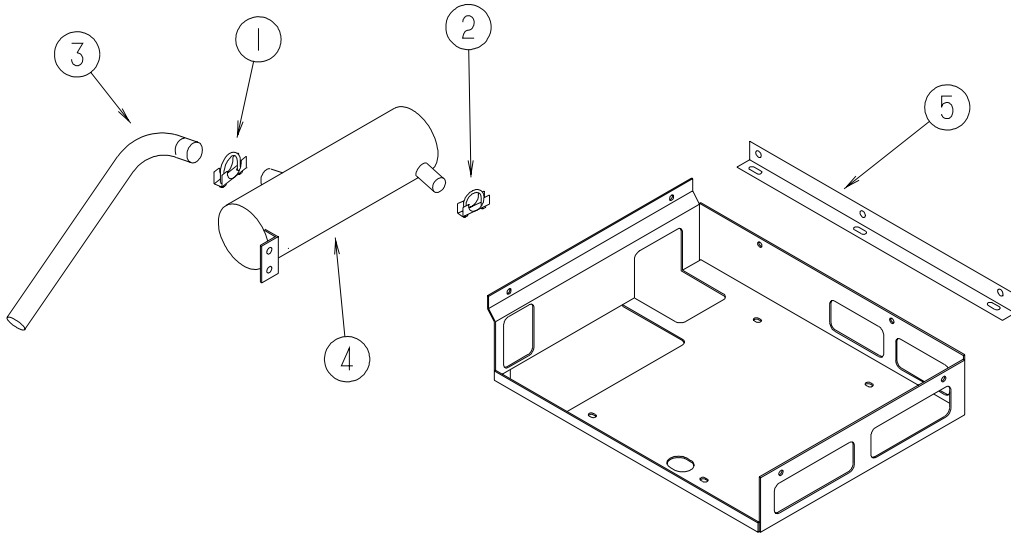
KEY	PART NUMBER	U/M	DESCRIPTION
9	130812-02-01A	EA	COUNTERTOP - GALLEY - 1/4" VENDURA - JAMAICAN SAND
10	130813-03-01A	EA	BACKSPLASH - COUNTERTOP - JAMAICAN SAND - 1/2" VENDURA
11	130815-01-01A	EA	COVER/SINK - LARGE - JAMAICAN SAND - 1/4" VENDURA
12	130815-02-01A	EA	COVER/SINK - SMALL - JAMAICAN SAND - 1/4" VENDURA
13	133363-07-M52	EA	CABINET - OVERHEAD/GALLEY - W/O DOORS/HARDWARE - SALEM CHERRY
13	133363-07-M53	EA	CABINET - OVERHEAD/GALLEY - W/O DOORS/HARDWARE - PORTSMOUTH OAK
14	103128-48-M52	EA	END CAP - OVERHEAD CABINET/RIGHT HAND - SALEM CHERRY
14	103128-48-M53	EA	END CAP - OVERHEAD CABINET/RIGHT HAND - PORTSMOUTH OAK
15	128762-01-M52	EA	CABINET - SPICE RACK - W/O DOORS/HARDWARE - SALEM CHERRY
15	128762-01-L81	EA	CABINET - SPICE RACK - W/O DOORS/HARDWARE - PORTSMOUTH OAK
16	126847-01-M52	EA	SPICE RACK - SALEM CHERRY
16	126847-01-L81	EA	SPICE RACK - PORTSMOUTH OAK
17	128763-02-M52	EA	CABINET - STORAGE/APPLIANCE - W/TAMBOUR DOOR/TRACK - SALEM CHERRY
17	128763-02-L81	EA	CABINET - STORAGE/APPLIANCE - W/TAMBOUR DOOR/TRACK - PORTSMOUTH OAK
18	116382-01-01A	EA	SHELF - ROUND - PLASTIC
18	116590-01-02B	EA	BASE - SHELF
18	116591-01-01A	EA	SPACER - NYLON
19	131096-06-M52	EA	WALL POCKET - MONITOR PANEL - SALEM CHERRY
19	131096-06-L81	EA	WALL POCKET - MONITOR PANEL - PORTSMOUTH OAK

GALLEY GROUP (CONTINUED) DOORS & DRAWERS



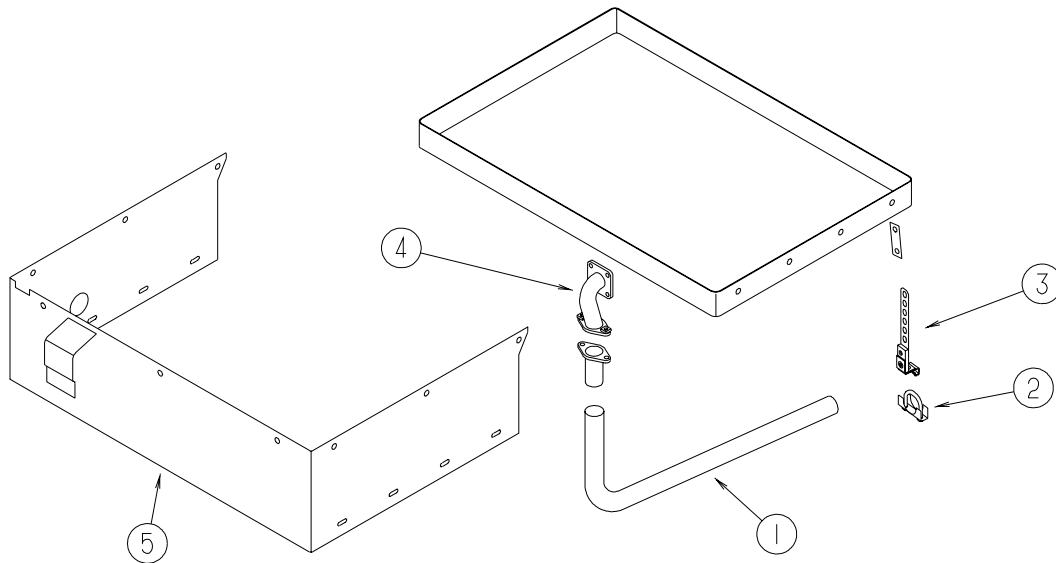
KEY	PART NUMBER	U/M	DESCRIPTION
1	131995-A1-L52	EA	DOOR - RAIL/SOLID PANEL - 14.3" X 14.3" - W/O HARDWARE - SALEM CHERRY
1	131995-A1-M53	EA	DOOR - RAIL/SOLID PANEL - 14.3" X 14.3" - W/O HARDWARE - PORTSMOUTH OAK
2	131995-A6-L52	EA	DOOR - RAIL/SOLID PANEL - 14.3" X 21.8" - W/O HARDWARE - SALEM CHERRY
2	131995-A6-M53	EA	DOOR - RAIL/SOLID PANEL - 14.3" X 21.8" - W/O HARDWARE - PORTSMOUTH OAK
3	131995-A8-L52	EA	DOOR - RAIL/SOLID PANEL - 14.3" X 21.8" - W/O HARDWARE - SALEM CHERRY
3	131995-A8-M53	EA	DOOR - RAIL/SOLID PANEL - 14.3" X 21.8" - W/O HARDWARE - PORTSMOUTH OAK
4	131995-L7-L52	EA	DOOR - RAIL/SOLID PANEL - 12.6" X 6.1" - W/O HARDWARE - SALEM CHERRY
4	131995-L7-M53	EA	DOOR - RAIL/SOLID PANEL - 12.6" X 6.1" - W/O HARDWARE - PORTSMOUTH OAK
5	131995-L8-L52	EA	DOOR - RAIL/SOLID PANEL - 9.8" X 12" - W/O HARDWARE - SALEM CHERRY
5	131995-L8-M53	EA	DOOR - RAIL/SOLID PANEL - 9.8" X 12" - W/O HARDWARE - PORTSMOUTH OAK
6	133890-05-M52	EA	DRAWER - OGEE EDGE - 8"W X 15.7"D - W/O SLIDES/HARWARE - SALEM CHERRY
6	133890-05-M76	EA	DRAWER - OGEE EDGE - 8"W X 15.7"D - W/O SLIDES/HARWARE - PORTSMOUTH OAK
7	131995-J3-L52	EA	DOOR - RAIL/SOLID PANEL - 8" X 60.7" - W/O HARDWARE - SALEM CHERRY
7	131995-J3-M42	EA	DOOR - RAIL/SOLID PANEL - 8" X 60.7" - W/O HARDWARE - PORTSMOUTH OAK
8	133890-03-M52	EA	DRAWER - OGEE EDGE - 20.2"W X 15.7"D - W/O SLIDES/HARDWARE - SALEM CHERRY
8	133890-03-M42	EA	DRAWER - OGEE EDGE - 20.2"W X 15.7"D - W/O SLIDES/HARDWARE - PORTSMOUTH OAK
9	133890-04-M52	EA	DRAWER - OGEE EDGE - 20.2"W X 15.7"D - W/O SLIDES/HARDWARE - SALEM CHERRY
9	133890-04-M42	EA	DRAWER - OGEE EDGE - 20.2"W X 15.7"D - W/O SLIDES/HARDWARE - PORTSMOUTH OAK
10	110941-13-L52	EA	DRAWER - TIPOUT - W/O HARDWARE - SALEM CHERRY
10	110941-13-M53	EA	DRAWER - TIPOUT - W/O HARDWARE - PORTSMOUTH OAK
	108127-01-01A	EA	CAP - TRAY
	108128-01-01A	EA	TRAY - HIDDEN

GENERATOR GROUP GAS



EMERALD

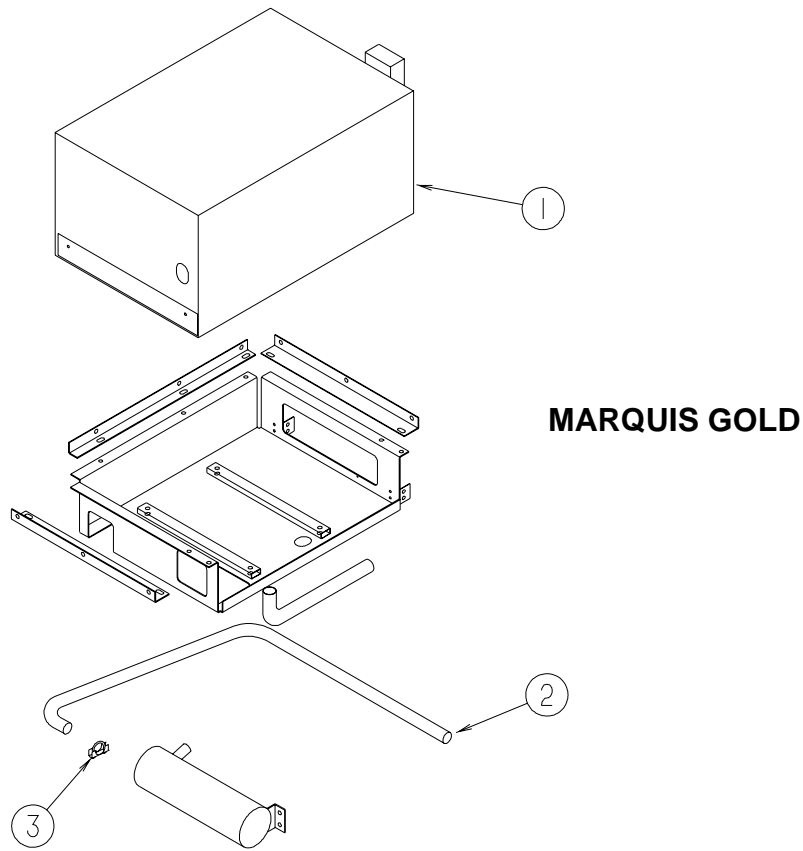
KEY	PART NUMBER	U/M	DESCRIPTION
1	007125-03-000	EA	CLAMP - MUFFLER - 1.5" DIAMETER
2	007125-04-000	EA	CLAMP - MUFFLER - 1.12" DIAMETER
3	105958-01-000	EA	PIPE - GENERATOR EXHAUST - 1.5" OD X 4.9" X 52.2"
4	082272-01-000	EA	MUFFLER - GENERATOR - NELSON #20892-A
5	104644-01-000	EA	ANGLE - FORMED - GENERATOR
	109303-02-000	EA	GENERATOR - 5 KW - EMERALD PLUS W/TRAY - 30 AMP SYSTEM
	109303-03-000	EA	GENERATOR - 5 KW - EMERALD 30/30 W/TRAY - 50 AMP SYSTEM



MARQUIS

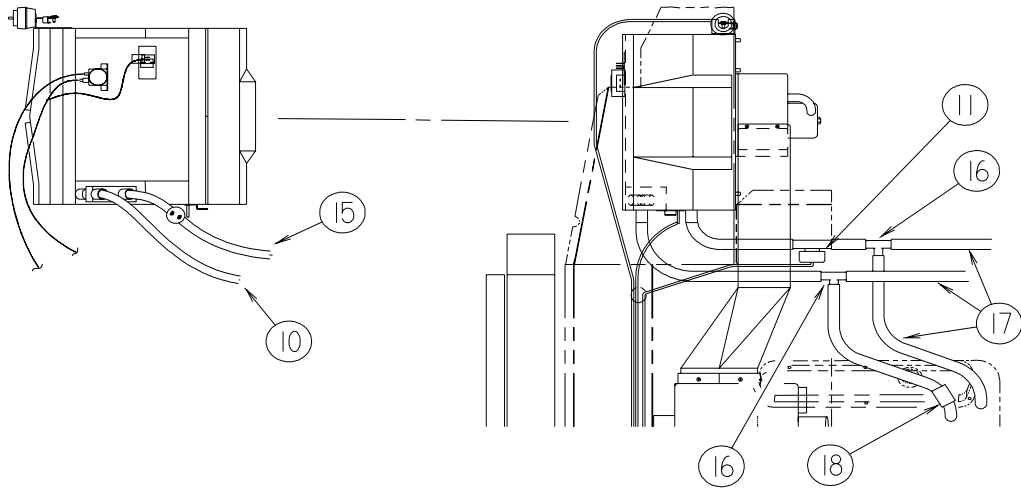
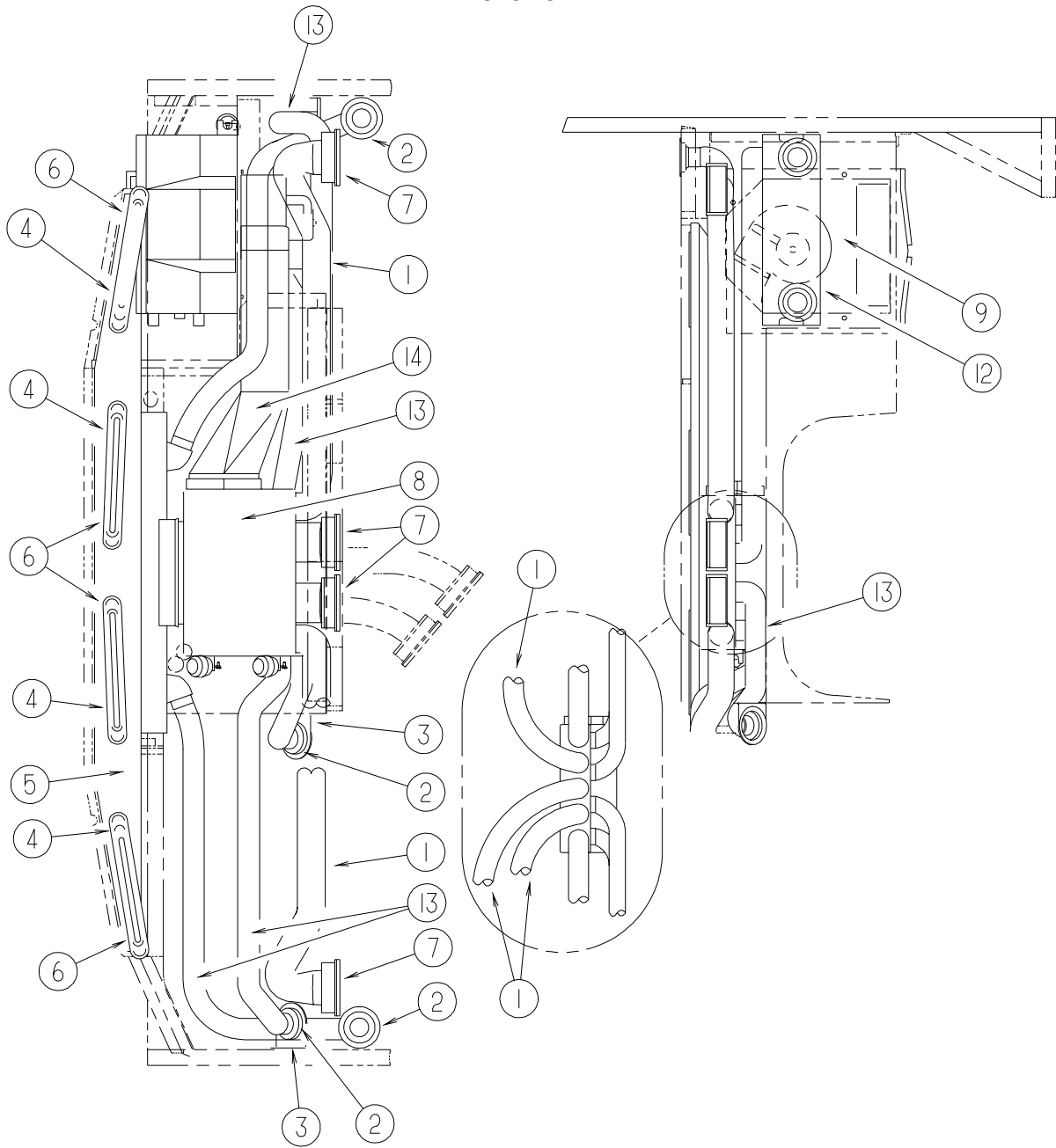
KEY	PART NUMBER	U/M	DESCRIPTION
1	105958-17-000	EA	PIPE - GENERATOR EXHAUST - 1.5" OD X 4.9" X 24"
2	007125-03-000	EA	CLAMP - MUFFLER - 1.5" DIAMETER
3	007131-01-000	EA	HANGER - TAILPIPE - 6 SLOTS
4	106235-01-000	EA	ADAPTOR - GENERATOR EXHAUST
5	116358-02-02B	EA	PANEL-GENERATOR,E-COAT
	105559-01-000	EA	MARQUIS GENERATOR-7KW W/MUFFLER/TRAY - 30 AMP SYSTEM
	105559-03-000	EA	MARQUIS GENERATOR-7KW W/MUFFLER/TRAY-30/30 - 50 AMP SYSTEM

GENERATOR GROUP (CONTINUED)
GAS (CONTINUED)



KEY	PART NUMBER	U/M	DESCRIPTION
1	135707-01-000	EA	GENERATOR - 7.9 30/30 MARQUIS GOLD - 50 AMP SYSTEM
1	135707-02-000	EA	GENERATOR - 7.9 30/20 MARQUIS GOLD - 30 AMP SYSTEM
1	135707-06-000	EA	GENERATOR - 5.5 30/30 MARQUIS GOLD - 50 AMP SYSTEM
1	135707-07-000	EA	GENERATOR - 5.5 30/20 MARQUIS GOLD - 30 AMP SYSTEM
2	105958-17-000	EA	PIPE - GENERATOR EXHAUST - 1.5" OD X 4.9" X 24"
3	007125-03-000	EA	CLAMP - MUFFLER - 1.5" DIAMETER

HEATING & A/C GROUP AUTOMOTIVE



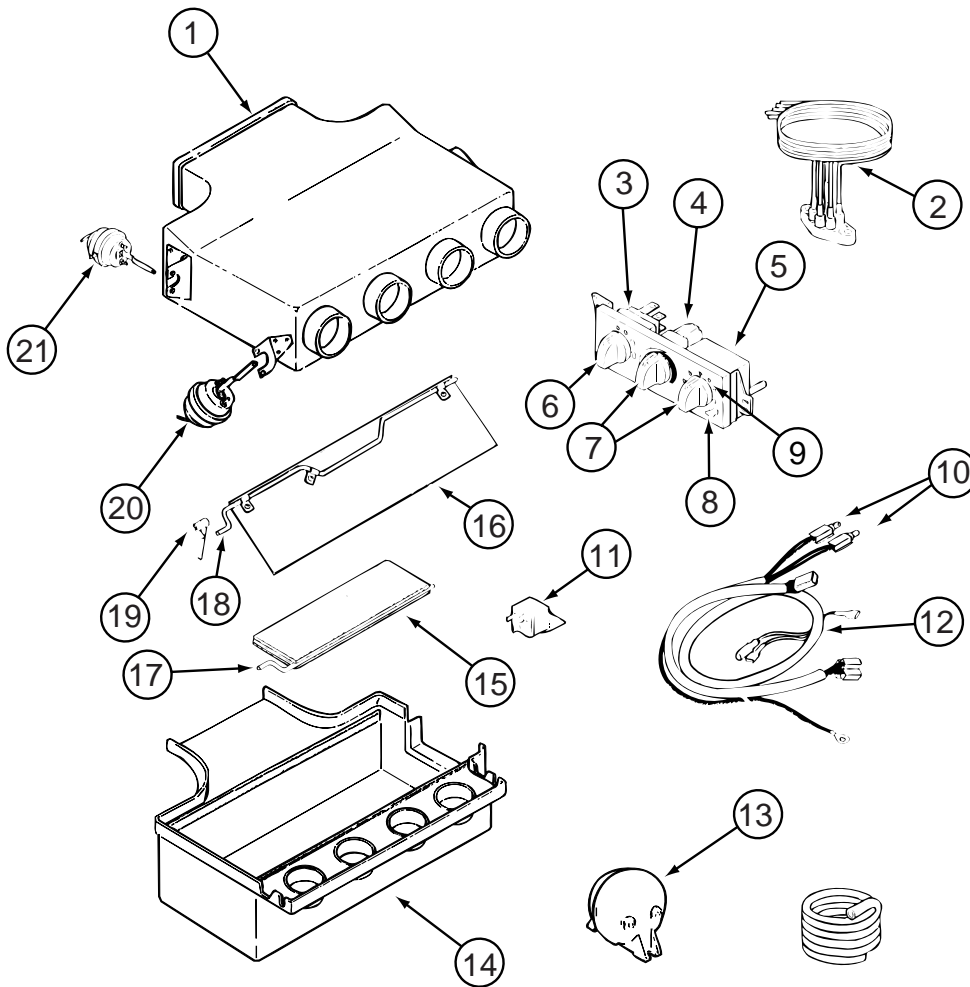
HEATING & A/C GROUP (CONTINUED)

AUTOMOTIVE (CONTINUED)

KEY	PART NUMBER	U/M	DESCRIPTION
1	007281-01-000	EA	HOSE - FLEXIBLE PVC - 2.5" ID X 50'
2	024990-05-000	EA	OUTLET - DEFROSTER - 2" SLEEVE/4" OD - W/SWIVEL DEFLECTORS
3	056402-05-000	EA	BRACKET - HEATER VENT - ROUND W/BEND - BLACK FROM: 00-00-00 THRU: 03-29-00
3	136157-03-02B	EA	BRACKET - HEATER - E-COATED FROM: 03-30-00 THRU: 99-99-99
4	077075-01-000	EA	GASKET - INSTRUMENT PANEL/DEFROSTER PLENUM - .6" X 10.2"
5	103017-03-000	EA	PLENUM - DEFROSTER
6	103558-04-03A	EA	VENT - DEFROSTER - PLASTIC/ANTELOPE - 1.4" X 14.4" X 1.1" FROM: 00-00-00 THRU: 05-07-00
6	135265-01-01A	EA	VENT - DEFROSTER - PLASTIC/2" X 14.3" - ANTELOPE FROM: 05-08-00 THRU: 99-99-99
7	103796-01-01A	EA	LOUVER - A/C-ADJUSTABLE - 2.2" X 5.4" F/2.5" HOSE - BLACK FROM: 00-00-00 THRU: 05-07-00
7	135803-01-01A	EA	LOUVER - A/C - 2.5" - BLACK FROM: 05-08-00 THRU: 99-99-99
8*	103930-39-000	EA	CONTROL/PLENUM - ROTARY
9*	103930-43-000	EA	EVAPORATOR/HEATER ASSEMBLY - NON-CHARGED
10*	103930-45-000	EA	HOSE - EVAPORATOR/COMPRESSOR - FORD
11	103930-23-000	EA	VALVE - WATER - 2 PORT
12	095757-05-M52	EA	COVER - HEATER (M52, M53)
12	095757-05-L44	EA	COVER - HEATER (M54, M55)
12	095757-05-L56	EA	COVER - HEATER (M56, M57)
13	007076-01-000	EA	HOSE - FLEXIBLE PVC - 2" ID - INCREMENTS OF 50'
14	103016-03-000	EA	PLENUM - TRANSITION
15*	103930-44-000	EA	HOSE - EVAPORATOR/DRYER - #6
16	076776-01-000	EA	TEE - BEADED - 5/8" X 5/8" X 5/8"
17	007108-01-000	FT	HOSE - HEATER - 5/8" ID - HI-TEMP
18	103930-50-000	EA	RESTRICTOR-WATER
	103930-37-000	EA	MANUAL - OWNERS - HEATER/A/C

*COMPONENT PARTS LISTED LATER IN THIS GROUP

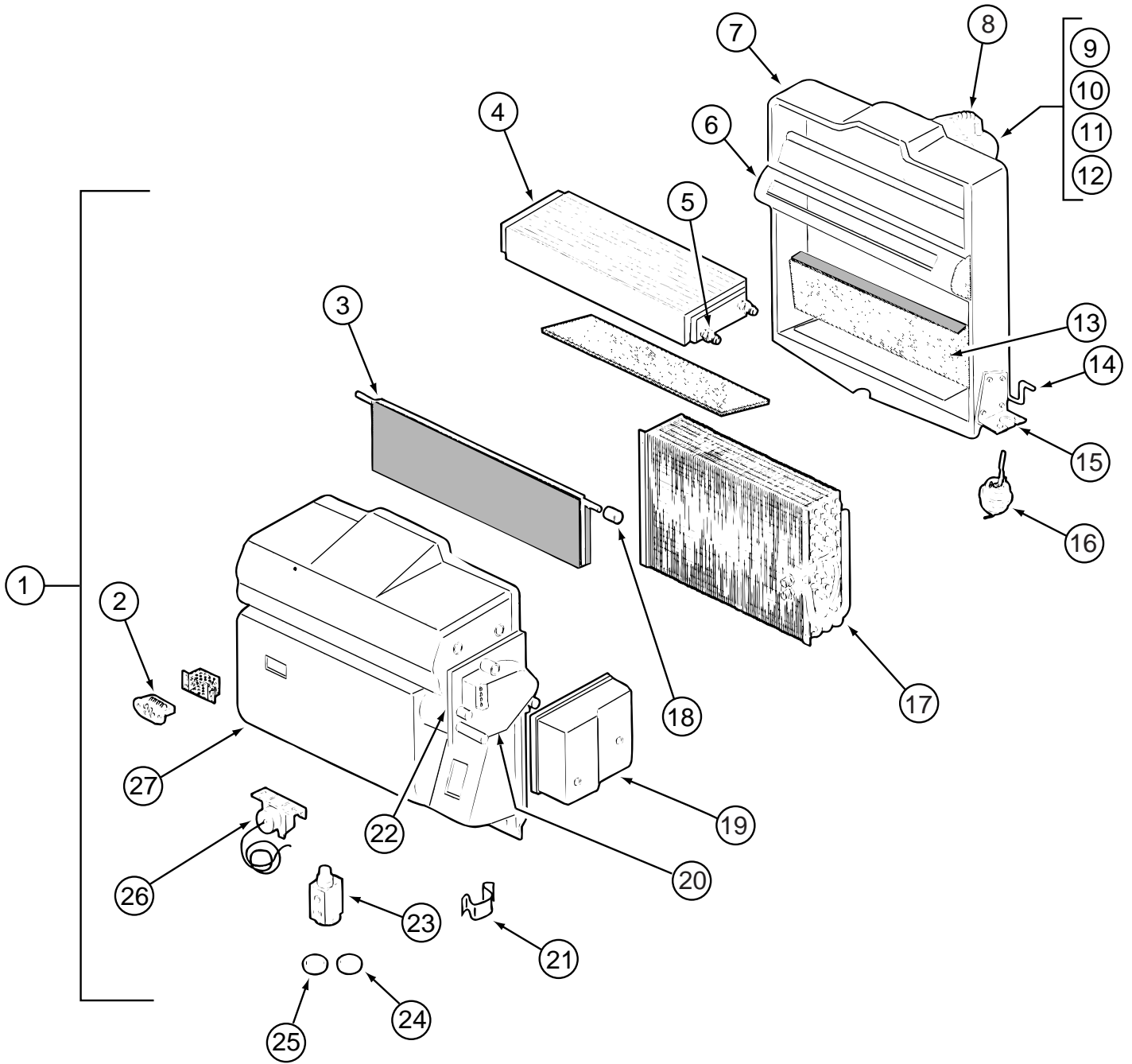
HEATING & A/C GROUP (CONTINUED)
COMPONENT PARTS FOR AUTOMOTIVE



103930-39-000

KEY	PART NUMBER	U/M	DESCRIPTION	VENDOR NO.
1	103930-39-705	EA	PLENUM - TOP	060-0482
2	103930-33-703	EA	VACUUM HARNESS	036-0466
3	103930-33-707	EA	SWITCH - BLOWER	032-00066
4	103930-33-708	EA	SWITCH - POTENTIOMETER	032-0184
5	103930-33-709	EA	SWITCH - VACUUM	032-0183
6	103930-33-712	EA	KNOB - BLOWER	062-00539
7	103930-33-713	EA	KNOB - TEMPERATURE	062-0540
8	103930-33-702	EA	CONTROL PANEL	083-0169
9	103930-33-710	EA	DECAL F/CONTROL HEAD	058-0102
10	103930-33-705	EA	LIGHT BULBS	035-0030
11	103930-02-707	EA	RELAY-BOSCH W/RESISTER	031-0001
12	103930-33-711	EA	WIRE HARNESS-W/BULBS(CAVITY)	036-0496
13	103930-02-710	EA	CANISTER-VACUUM	054-0002
14	103930-39-707	EA	PLENUM - BOTTOM	060-0483
15	103930-39-706	EA	PLATE - DOOR - A/C	071-0623
16	103930-04-700	EA	DOOR - DEFROSTER-A/C	071-0149
17	103930-39-700	EA	ROD - DOOR - AC/HEAT	073-067
18	103930-39-701	EA	ROD - DOOR - AC/DEFROST	073-0069
19	103930-39-704	EA	SPRING	022-0119
20	103930-02-708	EA	MOTOR-VACUUM SERVO, A/C	030-0025
21	103930-33-701	EA	MOTOR - VACUUM, 3 STAGE	030-0105

HEATING & A/C GROUP (CONTINUED)
COMPONENT PARTS FOR AUTOMOTIVE (CONTINUED)



103930-43-000

HEATING & A/C GROUP (CONTINUED)
COMPONENT PARTS FOR AUTOMOTIVE (CONTINUED)
103930-43-000 (CONTINUED)

KEY	PART NUMBER	U/M	DESCRIPTION	VENDOR NO
1	103930-43-000	EA	EVAPORATOR/HEATER ASSEMBLY - NON-CHARGED	
2	103930-01-710	EA	RESISTOR-FUSED, A/C 4 TERM	035-0006
3	103930-30-705	EA	DOOR - AIR BLEND	071-0568
4	103930-01-703	EA	CORE-HEATER	042-0010
5	110279-01-712	EA	FITTING - HEATER CORE	050-0076
6	103930-30-707	EA	DIVIDER ASM.	086-0061
7	103930-20-711	EA	CASE-BACK, SUB-ASSEMBLY	062-0147
8	110279-01-703	EA	HOSE-VENT F/BLOWER MOTOR	051-0034
9	103930-20-707	EA	HOUSING-BLOWER	062-0145
10	103930-30-706	EA	MOTOR-BLOWER PM147 W/ADAPTER	030-0109
11	103930-01-717	EA	WHEEL-BLOWER, CLOCKWISE	062-0010
12	103930-20-708	EA	CLIP-MOTOR SHAFT	022-0001
13	103930-20-705	EA	PANEL-DOOR, RECIRCULATING	071-0213
14	103930-20-704	EA	ROD-DOOR-RECIRCULATING	073-0018
15	103930-01-708	EA	BRACKET-VACUUM MOTOR	070-0113
16	103930-02-708	EA	MOTOR-VACUUM SERVO, A/C	030-0025
17	103930-01-704	EA	COIL-EVAPORATOR	041-0017
18	103930-30-702	EA	BUSHING/DRIVE - BLEND DOOR	062-00634
19	103930-30-704	EA	COVER - SERVO	062-0545
20	103930-30-703	EA	MOTOR - SERVO	030-0104
21	103930-20-706	EA	CLIP-RETAINER - CASE ATTACH	022-0057
22	103930-30-701	EA	PLATE - MOTOR MOUNT	062-0544
23	103930-20-700	EA	VALVE-EXPANSION-BLOCK, 2 TON	034-0032
24	103930-17-702	EA	O'RING #10	045-0127
25	113245-01-707	EA	O'RING #8	045-0126
26	103930-01-711	EA	THERMOSTAT	033-0003
27	103930-30-700	EA	CASE - FRONT	062-0542
	094831-01-709	EA	CLAMP-ROD 3/16"	022-0025
	103930-02-714	EA	CLAMP-CLUTCH, BARREL	022-0006
	103930-20-713	EA	GASKET - BLEND AIR DOOR	045-0160
	103930-20-714	EA	GASKET - BLEND AIR DOOR	045-0161
	103930-30-708	EA	BUSHING/IDLER - BLEND DOOR	062-00167
	113245-01-718	FT	HOSE - DRAIN - 1/2"	051-0002

103930-44-000

KEY	PART NUMBER	U/M	DESCRIPTION	VENDOR NO
	103930-29-701	EA	O'RING F/LOW PRESSURE SWITCH	045-0483
	103930-44-700	EA	HOSE ASSEMBLY #6	085-0462
	113245-01-711	EA	HOSE ASM EVAP/DRIER,99 FORD , SCS 093-00512	

103930-45-000

KEY	PART NUMBER	U/M	DESCRIPTION	VENDOR NO.
	103930-45-000	EA	HOSE - EVAPORATOR/COMPRESSOR - FORD	
	103930-17-702	EA	O'RING #10	045-0127

HEATING & A/C GROUP (CONTINUED)

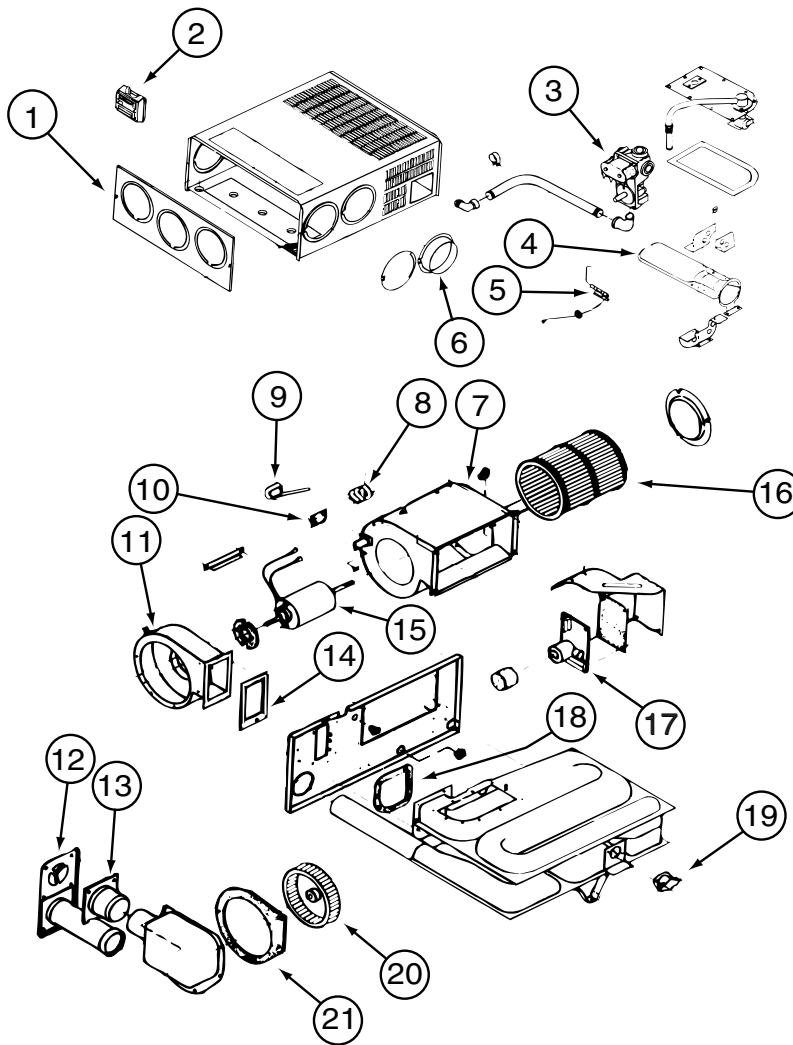
FURNACE

KEY	PART NUMBER	U/M	DESCRIPTION
*	098668-22-000	EA	FURNACE - 40,000 BTU FROM: 00-00-00 THRU: 06-03-01
*	139980-04-000	EA	FURNACE - 40000 BTU - SF QUIET - SUBURBAN SF-42 2323J FROM: 06-04-01 THRU: 99-99-99
	098668-14-000	EA	GASKET - FIBERGLASS - .5" X 18" X 18" - L35U
	098668-15-000	EA	PLATE-FACE - L34Y, L35U
	098668-16-000	EA	VENT-INTAKE - L35U
	126693-02-02B	EA	PANEL - EXHAUST - FURNACE - E-COATED - L34Y, L35U
	126693-03-02B	EA	PANEL - EXHAUST - FURNACE - E-COATED - L36W
	094600-05-01A	EA	REGISTER W/O DAMPER-3.6" X 11.3" FACE/2.1" X 9.9" - BEIGE
	094600-06-01A	EA	REGISTER W/DAMPER-3.6" X 11.3" FACE/2.1" X 9.9" - BEIGE
	093614-03-02A	EA	GRILLE - RETURN AIR - 14" X 8" - BEIGE
	093614-04-02A	EA	GRILLE - RETURN AIR - 15.9" X 9.9"
	093614-09-01A	EA	GRILLE - RETURN AIR - 20" X 10" - BEIGE
	093614-13-02A	EA	GRILLE - RETURN AIR - 12" X 16" - DURA-BEIGE

*COMPONENT PARTS LISTED LATER IN THIS GROUP

HEATING & A/C GROUP (CONTINUED)

COMPONENT PARTS FOR FURNACE

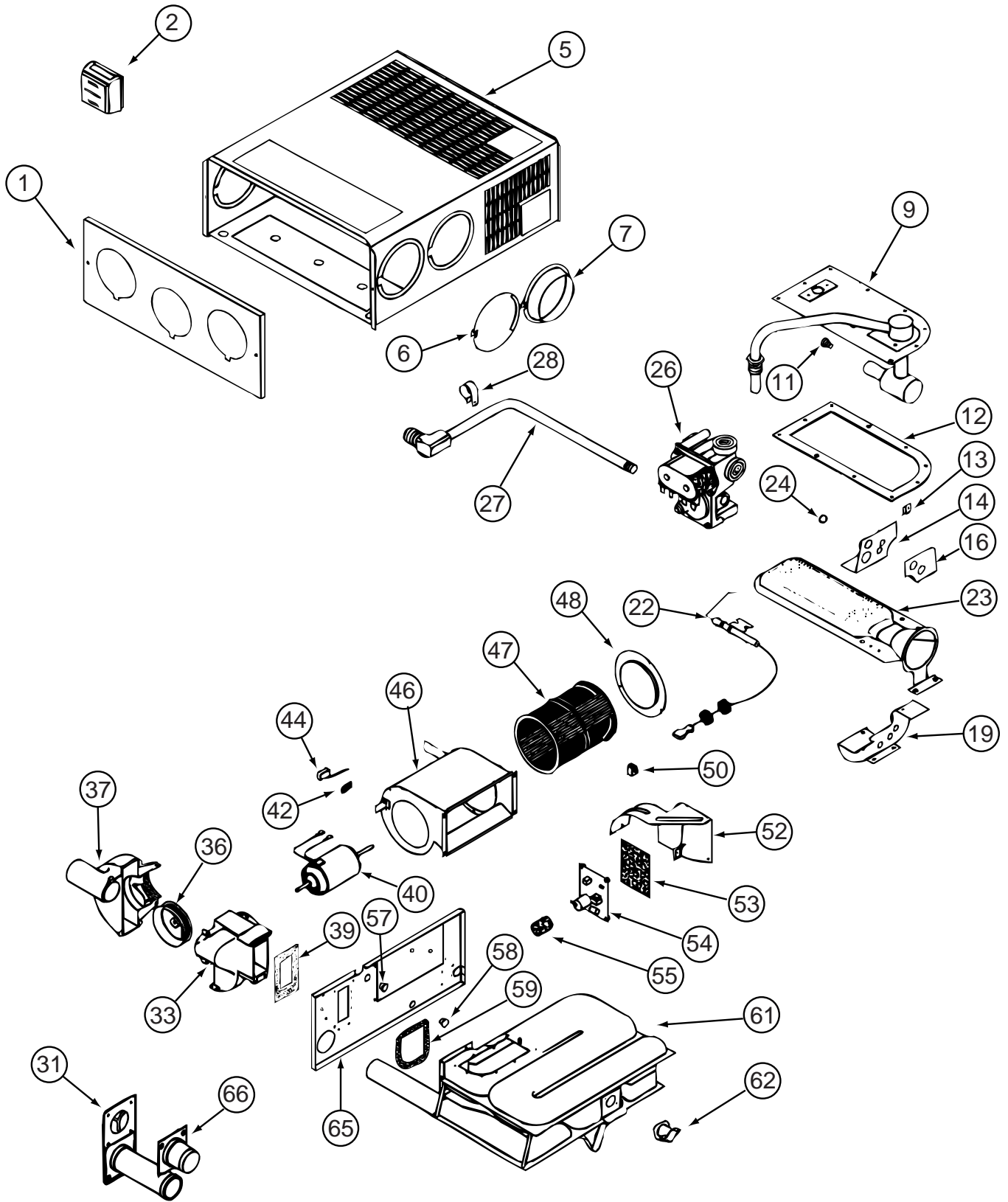


098668-22-000

KEY	PART NUMBER	U/M	DESCRIPTION	VENDOR NO.
1	098668-01-700	EA	CABINET FRONT	101242
3	098668-01-714	EA	VALVE-GAS, SF	161070
4	098668-11-701	EA	BURNER ASSEMBLY, SF-42F	010799
5	098668-01-715	EA	ELECTRODE ASM., SINGLE PROBE	232166
6	075696-02-703	EA	COLLAR-DUCT	050715
7	098668-11-704	EA	BLOWER ASM., ROOM AIR SF-42F	390698
8	074466-01-702	EA	RELAY, TIME DELAY	230625
9	098668-11-703	EA	SWITCH - SAIL - SF-42F	232216
10	101990-01-714	EA	GASKET-MICROSWITCH	230877
11	098668-01-708	EA	HOUSING-BLOWER, COMBUSTION	390441
12	098668-01-707	EA	TUBE ASSEMBLY, EXHAUST W/CAP	260231
13	098668-01-713	EA	TUBE ASSEMBLY, INTAKE	051248
14	098668-01-717	EA	GASKET-FIREWALL, BLOWER SIDE	070809
	098668-11-700	EA	ORIFICE-MAIN BURNER, SF-42F	180216
15	098668-11-702	EA	MOTOR ASSEMBLY, SF-42F	232212
16	098668-01-711	EA	WHEEL-BLOWER, ROOM AIR	350129
17	098668-01-712	EA	BOARD-MODULE	520741
18	098668-01-716	EA	GASKET-FIREWALL, CHAMBER SIDE	070808
19	098668-22-706	EA	SWITCH/LIMIT-195 TRIP TEMP	232505
20	098668-22-702	EA	WHEEL-COMBUSTION AIR	350183
21	098668-22-703	EA	GASKET	070811
	098668-08-700	EA	MODULE BD/FAN CONT - FENWAL	232613
	098668-08-701	EA	MODULE BD/FAN CONT-UNITED TE	232614
	098668-22-704	EA	GASKET - MOTOR	70812

CONTACT WINNEBAGO PART SALES FOR UNLISTED COMPONENTS

HEATING & A/C GROUP (CONTINUED)
COMPONENT PARTS FOR FURNACE (CONTINUED)



139980-04-000

HEATING & A/C GROUP (CONTINUED)

COMPONENT PARTS FOR FURNACE (CONTINUED)

139980-04-000 (CONTNUED)

KEY	PART NUMBER	U/M	DESCRIPTION	VENDOR NO.
9	098668-20-700	EA	MANIFOLD ASM.	171517
11	139980-04-700	EA	ORFICE - MAIN BURNER	180242
12	098668-22-703	EA	GASKET - BURNER ACCESS COVER	070811
22	139980-01-701	EA	ELECTRODE	232286
23	098668-11-701	EA	BURNER ASSEMBLY,SF-42F	010799
26	098668-01-718	EA	VALVE-GAS SF S.N.974903079	161122
27	139980-01-702	EA	PIPE ASSEMBLY/GAS INLET	171574
31	098668-01-707	EA	TUBE ASSEMBLY, EXHAUST W/CAP	260231
33	139980-01-703	EA	COMBUSTION AIR HOUS FRT/HALF	390852
36	098668-22-702	EA	WHEEL-COMBUSTION AIR	350183
37	139980-01-704	EA	COMBUSTION AIR HOUS RR HALF	390848
39	139980-01-705	EA	GASKET/FIREWALL-COMB AIR	071084
40	139980-04-701	EA	MOTOR ASSEMBLY W/GASKET	232683
42	101990-01-714	EA	GASKET-MICROSWITCH	230877
44	098668-21-700	EA	SWITCH-MICRO-W/O FLAG 3 1/4"	232261
46	139980-04-702	EA	BLOWER ASSEMBLY/ROOM AIR	390740BK
47	098668-01-711	EA	WHEEL-BLOWER, ROOM AIR	350129
48	139980-01-709	EA	ORFICE RING	390696
50	139980-01-710	EA	SWITCH - ON/OFF	232351
52	139980-01-711	EA	PANEL ASSEMBLY-MODULE BD	101663
53	139980-01-712	EA	INSULATOR - MODULE BD	070807
54	098668-22-705	EA	MODULE BD W/RELAY TIME DELAY	520820
55	139980-01-713	EA	CAP/INSULATOR-MODULE BD	070973
57	139980-01-714	EA	BUSHING - UNIVERSAL	070362
58	139980-01-715	EA	BUSHING - STRAIN RELIEF	231809
59	098668-01-716	EA	GASKET-FIREWALL,CHAMBER SIDE	070808
61	139980-04-703	EA	CHAMBER ASSEMBLY FINAL	021150BK
62	098668-22-706	EA	SWITCH/LIMIT - 195 TRIP TEMP	232505
66	098668-01-713	EA	TUBE ASSEMBLY, INTAKE	051248

CONTACT WINNEBAGO PART SALES FOR UNLISTED COMPONENTS

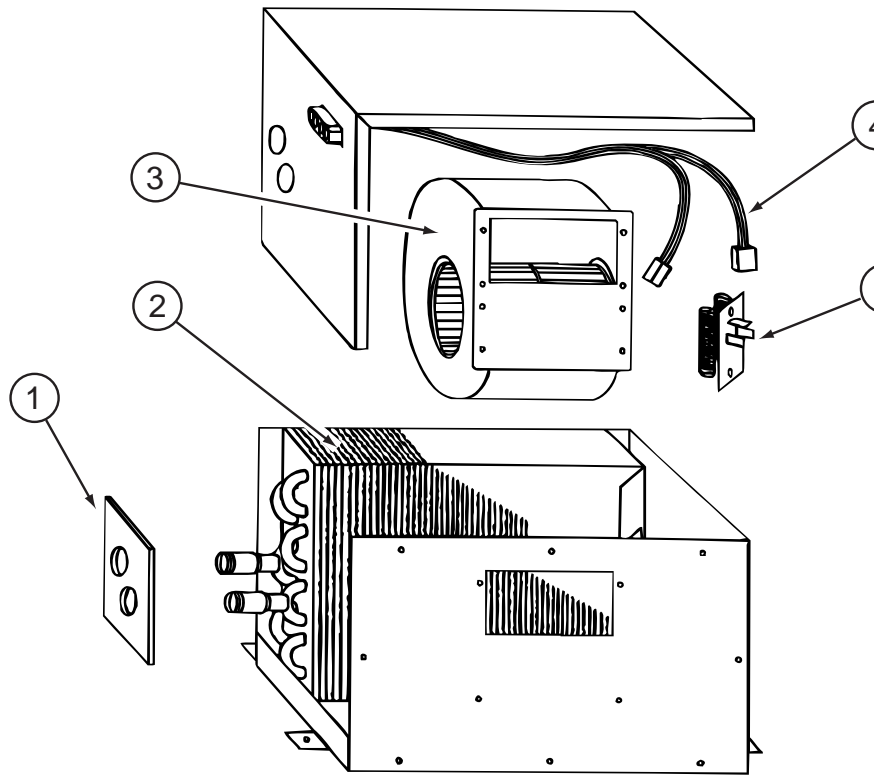
HEATING & A/C GROUP (CONTINUED)

REAR HEATER

KEY	PART NUMBER	U/M	DESCRIPTION
*	129205-01-000	EA	HEATER - REAR
	094600-05-01A	EA	REGISTER W/O DAMPER-3.6" X 11.3" FACE/2.1" X 9.9" - BEIGE - L34Y , L35U
	079059-01-000	EA	HOSE - 90 DEGREE - 5/8"ID X 4" X 36" - L34Y , L35U
	079059-13-000	EA	HOSE - 90 DEGREE - .61"ID X 4" X 48" - L36W
	007108-01-000	FT	HOSE - HEATER - 5/8" ID - HI-TEMP
	131978-02-02B	EA	CLAMP - MOTOR AID TUBING - E-COATED
	115466-26-02B	EA	STRAP - TIEDOWN - E-COATED

***COMPONENT PARTS LISTED LATER IN THIS GROUP**

HEATING & A/C GROUP (CONTINUED)
COMPONENT PARTS FOR REAR HEATER

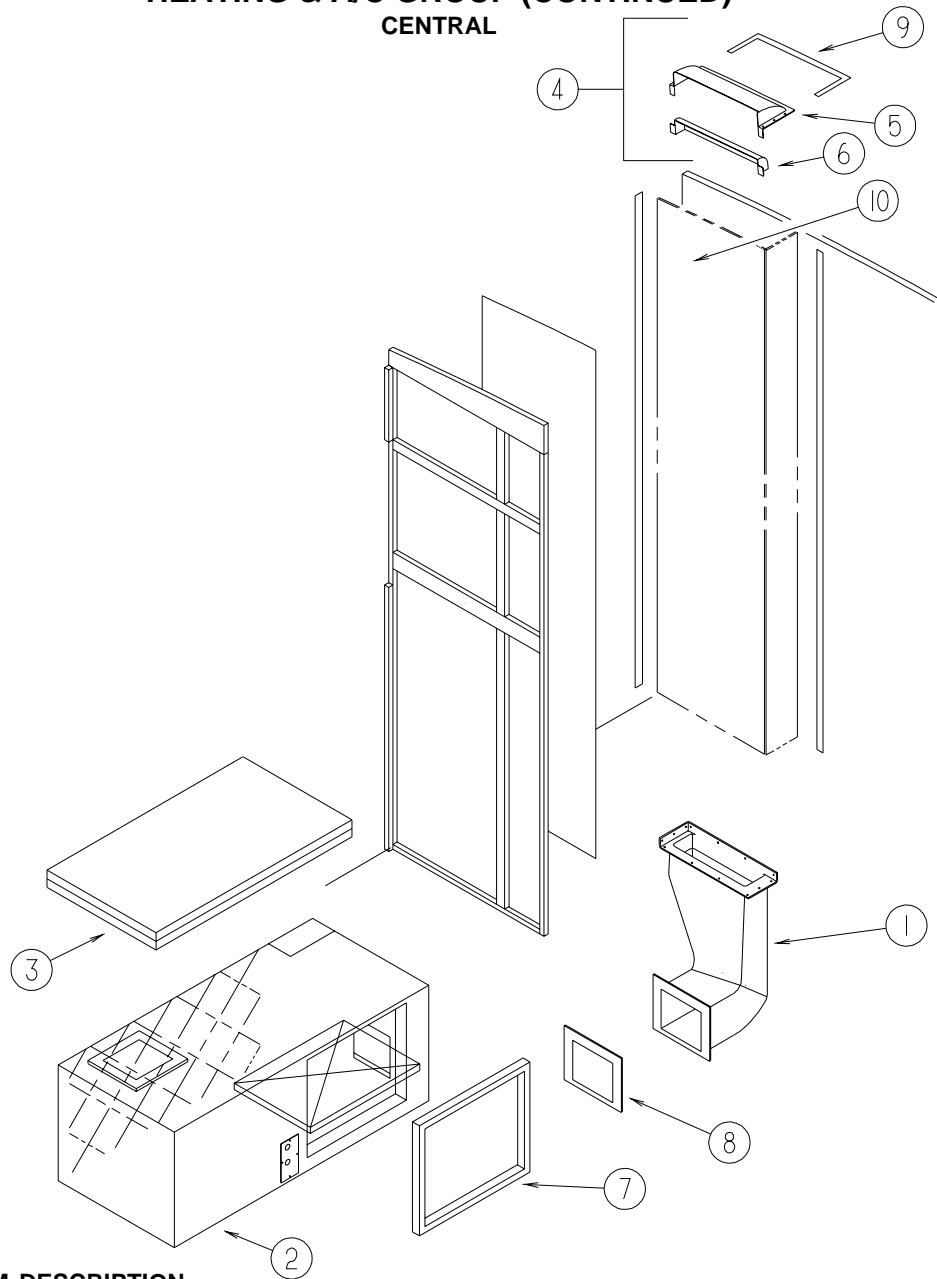


129205-01-000

KEY	PART NUMBER	U/M	DESCRIPTION	VENDOR NO.
	129205-01-000	EA	HEATER - REAR	
1	129205-01-700	EA	SEAL - CORE TUBE	HV218421
2	129205-01-701	EA	CORE - HEATER	HV218426
3	129205-01-702	EA	BLOWER ASSEMBLY	HV218419
4	129205-01-703	EA	WIRE HARNESS	HV218420
5	129205-01-704	EA	RESISTOR	HV218125

HEATING & A/C GROUP (CONTINUED)

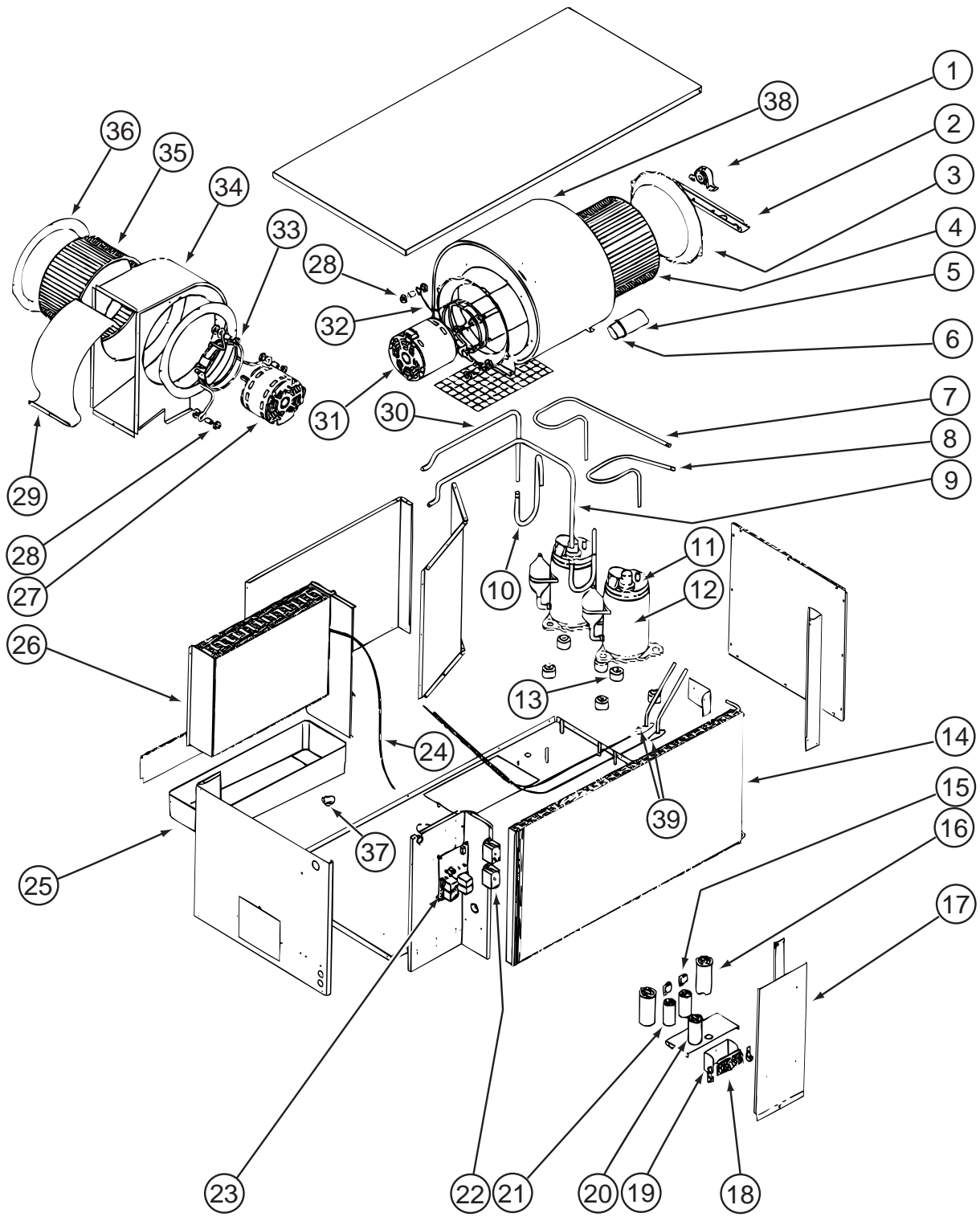
CENTRAL



KEY	PART NUMBER	U/M	DESCRIPTION
1	133767-01-01A	EA	DUCT - CENTRAL AIR/FORCED/LOWER
2*	105620-11-000	EA	A/C CENTRAL PACKAGE - RIGHT HAND POWER SAVER/LARGE BLOWER
2*	105620-12-000	EA	A/C - CENTRAL - RIGHT HAND/HEAT PUMP - 12,000 BTU COMP
3	109050-02-000	EA	FILTER/FURNACE-AC - FIBERGLASS - 1" X 14" X 20"
4	131936-03-L32	EA	DEFLECTOR - A/C - ROOF - 30.11"
5	131936-01-01A	EA	DEFLECTOR - A/C - ROOF - 14.3"
6	131936-02-01A	EA	DEFLECTOR - A/C - ROOF - 16.8"
	134651-01-000	FT	SEAL - 1/2" X 3/4" PSA 1 SIDE
7	134588-01-000	EA	GASKET - DUCT
8	134588-02-000	EA	GASKET - DUCT
9	134650-01-000	EA	GASKET - CABINET
10	117870-04-01A	EA	PLENUM - A/C - 79.4"
	105620-09-000	EA	THERMOSTAT - A/C & FURNACE - HORIZONTAL MOUNT 4.25" X 2.5" FROM: 00-00-00 THRU: 07-16-00
	105620-14-000	EA	THERMOSTAT - A/C AND FURNACE FROM: 07-17-00 THRU: 99-99-99
	105620-13-000	EA	THERMOSTAT - FURNACE/HEAT PUMP-AC FROM: 00-00-00 THRU: 07-16-00
	105620-15-000	EA	THERMOSTAT - FURNACE/HEAT PUMP-A/C FROM: 07-17-00 THRU: 99-99-99
	120134-01-02A	EA	REGISTER - W/DAMPER - 4" PIPE/7" O.D. FACE - WHITE

*COMPONENT PARTS LISTED LATER IN THIS GROUP

HEATING & A/C GROUP (CONTINUED)
COMPONENT PARTS FOR CENTRAL



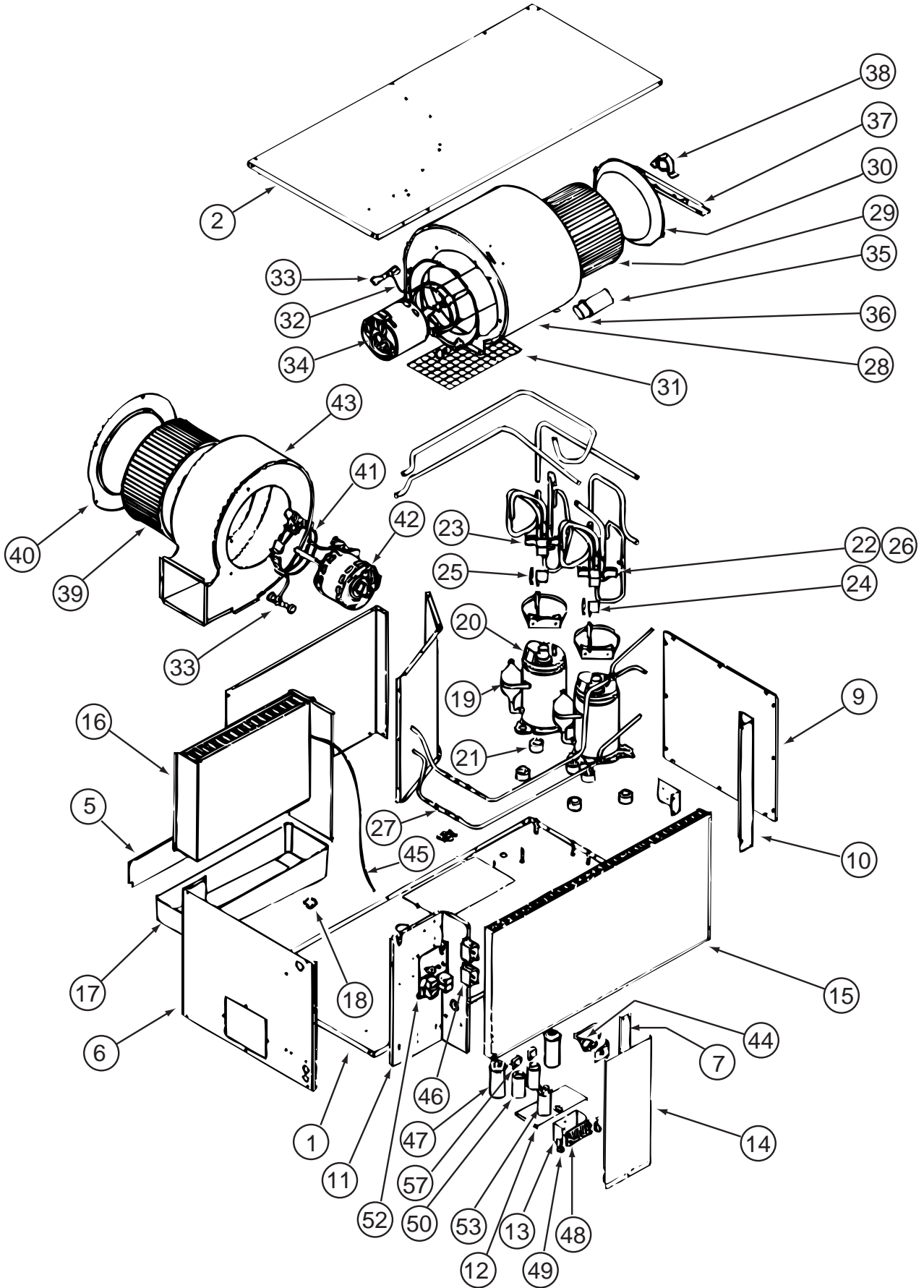
105620-11-000

HEATING & A/C GROUP (CONTINUED)
COMPONENT PARTS FOR CENTRAL (CONTINUED)

105620-11-000 (CONTINUED)

KEY	PART NUMBER	U/M	DESCRIPTION	VENDOR NO.
1	105620-10-701	EA	BEARING/PILLOW BLOCK-O.D.	6536-301
2	105620-10-700	EA	BEARING BRACKET - O.D.	6536-574
3	105620-01-714	EA	VENTURI-BLOWER, O.D.	6795A150
4	105620-01-713	EA	WHEEL-BLOWER, O.D.	1472-1011
5	105620-01-718	EA	CAPACITOR-FAN, 12.5 MFD/370V	1499-5631
6	105620-10-715	EA	RUBBER CAPACITOR BOOT	1499-951
7	105620-10-713	EA	DISCHARGE LINE ASSEMBLY#2	6636-125
8	105620-10-712	EA	DISCHARGE LINE ASSEMBLY#1	6636-126
9	105620-10-710	EA	SUCTION LINE ASSY COIL#1	6636-131
10	105620-10-714	EA	SUCTION LINE ASSY COMP#1&2	6636-130
11	126860-01-701	EA	OVERLOAD PROTECTOR MRA# 1460	1450-0071
12	126860-01-700	EA	COMPRESSOR RK136AT-002-A4Y	1450A2119
13	105620-01-706	EA	MOUNTING PKG.,COMP., 3 PER	6759-3081
14	105620-10-707	EA	CONDENSER COIL	1452-1541
15	105620-10-705	EA	PTCR (START DEVICE) - W/CAP.	8333A9021
16	126859-01-703	EA	CAPACITOR - RUN	1499-5671
17			CONTACT WINNEBAGO PART SALES FOR THIS PART	
18	105620-01-738	EA	BOARD-TERMINAL, HIGH VOLTAGE	6795-315
19	105620-01-733	EA	ISOLATOR-HIGH VOLTAGE	6795-117
20	093763-01-704	EA	CAPACITOR-FAN	1499-5461
21	105620-10-704	EA	START COMPACITOR	1497-0861
22	105620-01-729	EA	RELAY-COMPRESSOR	1460-1011
23	105620-05-700	EA	BOARD-PRINTED CIRCUIT, 2 TON	6795A3201
24	105620-01-726	EA	SWITCH - FREEZE	6795A3301
25	105620-10-709	EA	DRAIN PAN	6636-304
26	105620-10-708	EA	EVAPORATOR COIL	1452A1531
27	105620-11-703	EA	BLOWER MOTOR - I.D.	1468-3219
28	105620-01-716	EA	SLEEVE & GROMMET, 4 PER PKG	6795A3031
29			CONTACT WINNEBAGO PART SALES FOR THIS PART	
30	105620-10-711	EA	SUCTION LINE ASSY COIL#2	6636-129
31			CONTACT WINNEBAGO PART SALES FOR THIS PART	
32	105620-01-715	EA	MOUNT-BLOWER, O.D.	6795A3011
33	105620-01-723	EA	MOUNT-MOTOR, BLOWER I.D.	6795-3021
34	105620-11-704	EA	BLOWER HOUSING - I.D.	6535-589
35	105620-11-701	EA	BLOWER WHEEL - I.D.	1472-1121
36	105620-11-702	EA	BLOWER VENTURI - I.D.	6535-287
37	105620-10-717	EA	VALVE - DRAIN	6531-503
38	105620-10-718	EA	BLOWER HOUSING - O.D.	6536-515
39	105620-10-719	EA	LIQUID LINE ASSEMBLY COMP.	6636-520
	109050-02-000	EA	FILTER-FIBERGLASS 1X14X20	
	105620-10-720	EA	FUSE/BUSS(8AMP/250V) 2 PKG , 6535-3081	
	105620-10-721	EA	MOTOR/BLOWER-8 3/4" SHAFT , 1468A3029	

HEATING & A/C GROUP (CONTINUED)
COMPONENT PARTS FOR CENTRAL (CONTINUED)



105620-12-000

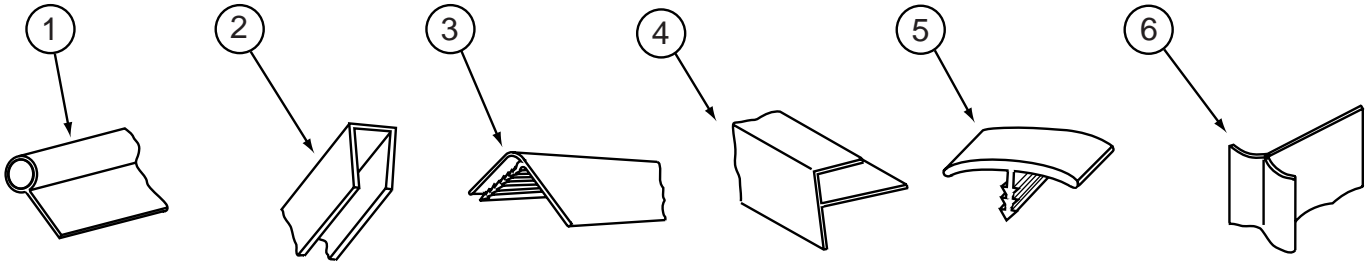
HEATING & A/C GROUP (CONTINUED)
COMPONENT PARTS FOR CENTRAL (CONTINUED)

105620-12-000 (CONTINUED)

KEY	PART NUMBER	U/M	DESCRIPTION	VENDOR NO.
13	105620-01-733	EA	ISOLATOR-HIGH VOLTAGE	6795-117
15	105620-12-701	EA	COIL - CONDENSER	1452-1621
16	105620-12-702	EA	COIL - EVAPORATOR	1452A1611
17	105620-10-709	EA	DRAIN PAN	6636-304
18	105620-01-703	EA	VALVE-DRAIN, RH & LH	6795-200
18	105620-12-703	EA	VALVE - DRAIN	6795-200
19	105620-12-704	EA	COMPRESSOR	1450-2149
20	105620-12-705	EA	OVERLOAD	1450-0081
21	105620-01-706	EA	MOUNTING PKG.,COMP., 3 PER	6759-3081
22	105620-12-706	EA	REVERSING VALVE ASSEMBLY #1	6535A533
23	105620-12-707	EA	REVERSING VALVE ASSEMBLY #2	6535-5321
24	105620-12-708	EA	COIL - SOLENOID	1460-1081
25	105620-12-709	EA	WIRE HARNESS-REVERSING VALVE	6536-111
26	105620-12-710	EA	VALVE - REVERSE ONLY	1454A350
27	105620-12-711	EA	RESTRICTOR - BY FLOW	1454-2521
28	105620-12-712	EA	BLOWER HOUSING/OUTSIDE AIR	6536-515
29	105620-01-713	EA	WHEEL-BLOWER/OUTSIDE AIR	1472-1011
30	105620-01-714	EA	VENTURI-BLOWER/OUTSIDE AIR	6795A150
32	105620-01-715	EA	MOUNT-BLOWER/OUTSIDE AIR	6795A3011
33	105620-01-716	EA	SLEEVE & GROMMET, 4 PER PKG	6795A3031
34	105620-10-721	EA	MOTOR/BLOWER-8 3/4" SHAFT	1468A3029
35	105620-01-718	EA	CAPACITOR-FAN, 12.5 MFD/370V	1499-5631
36	105620-10-715	EA	RUBBER CAPACITOR BOOT	1499-951
37	105620-12-713	EA	BRACKET/BEARING-O/S AIR BLWR	6536-514
38	105620-10-701	EA	BEARING/PILLOW BLOCK-O/S AIR	6536-3011
39	105620-11-701	EA	BLOWER WHEEL/INSIDE AIR	1472-1121
40	105620-12-715	EA	BLOWER VENTURI/INSIDE AIR	6535A287
41	105620-01-723	EA	MOUNT-BLOWER MOTOR - I/S AIR	6795-3021
42	105620-12-716	EA	BLOWER MOTOR-REVERSIBLE-I/S	1468-3219
43	105620-12-717	EA	BLOWER HOUSING/INSIDE AIR	6535A589
44	105620-12-718	EA	SWITCH ASSM. - HIGH PRESSURE	6535-5291
45	105620-12-719	EA	COIL SENSOR	7330A3231
46	105620-01-729	EA	RELAY-COMPRESSOR -4 TERMINAL	1460-1131
48	105620-01-738	EA	BOARD-TERMINAL, HIGH VOLTAGE	6795-315
52	105620-12-720	EA	KIT-CIRCUIT BD (6535-SERIES)	6535-3209
52	105620-12-721	EA	CIRCUIT BD(6535 A SERIES)	6535-3201
53	093763-01-704	EA	CAPACITOR-FAN	1499-5461
	105620-10-720	EA	FUSE/BUSS(8AMP/250V) 2 PKG	6535-3081
	105620-10-705	EA	PTCR (START DEVICE) - W/CAP.	8333A9021

CONTACT WINNEBAGO PART SALES FOR UNLISTED COMPONENTS

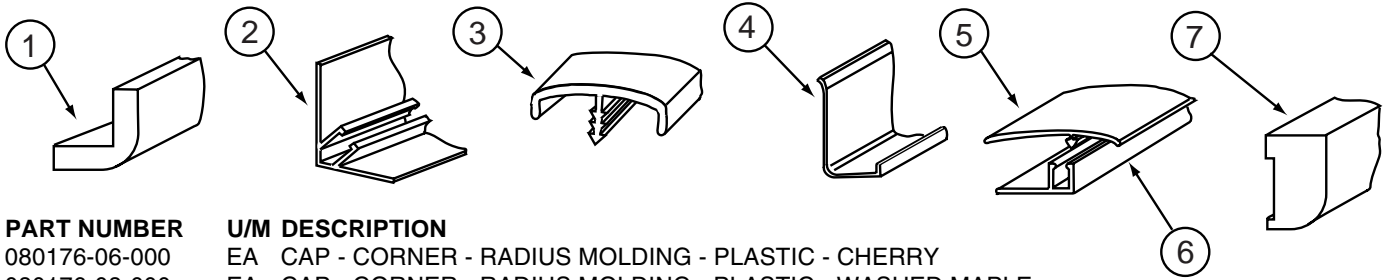
**INTERIOR FINISH GROUP
MOLDINGS & TRIMS**



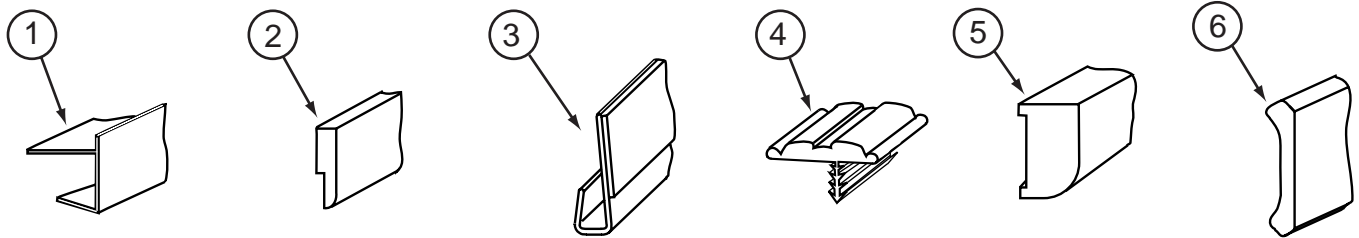
KEY	PART NUMBER	U/M	DESCRIPTION
1	009767-12-000	FT	WELTING - ANTIQUE WHITE
1	009767-17-000	FT	WELTING - PORTSMOUTH OAK
2	009778-18-000	FT	U-CHANNEL - 1" - CHERRY WOOD/CHERRY STAIN
2	009778-27-000	FT	U-CHANNEL - 1" - WASHED MAPLE
2	009778-30-000	FT	U-CHANNEL - 1" - VILLAGE OAK
2	009778-31-000	FT	U-CHANNEL - 1" - GRADY BROWN
2	009778-32-000	FT	U-CHANNEL - 1" - PORTSMOUTH OAK
2	009778-34-000	FT	U-CHANNEL - 1" - CONCERT CHERRY
2	070504-03-000	FT	U-CHANNEL - PLASTIC - .9" X 96" - GRADY BROWN
2	070504-18-000	FT	U-CHANNEL - PLASTIC - .13" X 84" - IVORY
2	070504-30-000	FT	U-CHANNEL - PLASTIC - .13" X 96" - CHERRY
2	070504-42-000	FT	U-CHANNEL - PLASTIC - .13" X 84" - BEIGE ILLUSION
2	070504-50-000	FT	U-CHANNEL - PLASTIC - .13" X 84" - WASHED MAPLE
2	070504-51-000	FT	U-CHANNEL - PLASTIC - .9" X 84" - WASHED MAPLE
2	070504-54-000	FT	U-CHANNEL - PLASTIC - .9" X 96" - VILLAGE OAK
2	070504-57-000	FT	U-CHANNEL - PLASTIC - .6" X 84" - PORTSMOUTH OAK
2	070504-58-000	FT	U-CHANNEL - PLASTIC - .8" X 84" - PORTSMOUTH OAK
2	070504-61-000	FT	U-CHANNEL - PLASTIC - .8" X 84" - CONCERT CHERRY
3	009809-28-000	EA	MOLDING - CORNER - OUTSIDE - 1" X 84" - CHERRY
3	009809-30-000	EA	MOLDING - CORNER - OUTSIDE - 1" X 84" - BEIGE ILLUSION
3	009809-31-000	EA	MOLDING - CORNER - OUTSIDE - 1" X 84" - WASHED MAPLE
3	009809-32-000	EA	MOLDING - CORNER - OUTSIDE - 1" X 84" - PORTSMOUTH OAK
3	009809-33-000	EA	MOLDING - CORNER - OUTSIDE - 1" X 84" - CONCERT CHERRY
4	009812-24-000	EA	MOLDING - CORNER - 1/2" W/1/4"CHAN X 108" - IVORY PLASTIC
4	009812-31-000	EA	MOLDING - CORNER - 1/2" W/1/4"CHAN X 84" - BEIGE ILLUSION
4	009812-33-000	EA	MOLDING - CORNER - 1/2" W/1/4"CHAN X 84" - WASHED MAPLE
4	009812-34-000	EA	MOLDING - CORNER - 1/2" W/1/4"CHAN X 84" - VW LIGHT GRAY
4	009812-35-000	EA	MOLDING - CORNER - 1/2" W/1/4"CHAN X 84" - PORTSMOUTH OAK
4	009812-36-000	EA	MOLDING - CORNER - 1/2" W/1/4"CHAN X 84" - CONCERT CHERRY
5	009815-09-000	FT	MOLDING-T - W/EDGE LIP - 3/4" FACE - IVORY
5	009815-10-000	FT	MOLDING-T - W/EDGE LIP - 3/4" FACE - BEIGE ILLUSION
5	105709-01-000	FT	MOLDING-T - W/EDGE LIP - 3/4" FACE - IVORY
5	105709-02-000	FT	MOLDING-T - W/EDGE LIP - 3/4" FACE - BEIGE ILLUSION
6	022992-11-000	FT	MOLDING - REVERSE COVE - T-SHAPED - IVORY
6	022992-14-000	FT	MOLDING - REVERSE COVE - T-SHAPED - BRIGHT WHITE
6	022992-15-000	FT	MOLDING - REVERSE COVE - T-SHAPED - VW GRAY

INTERIOR FINISH GROUP (CONTINUED)

MOLDINGS & TRIMS (CONTINUED)

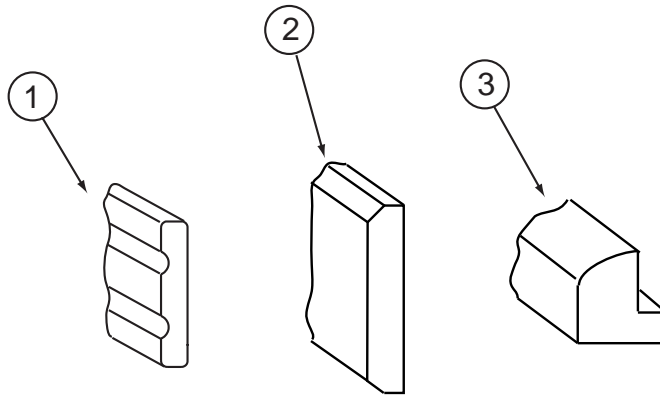


KEY	PART NUMBER	U/M	DESCRIPTION
1	080176-06-000	EA	CAP - CORNER - RADIUS MOLDING - PLASTIC - CHERRY
1	080176-08-000	EA	CAP - CORNER - RADIUS MOLDING - PLASTIC - WASHED MAPLE
2	081521-02-007	EA	MOUNT - METAL MOLDING - F/RADIUS CORNER MOLDING - 151.5"
3	083620-09-000	FT	MOLDING-T - W/EDGE LIP - 7/8" FACE - MODERN IVORY
3	083620-19-000	FT	MOLDING-T - W/EDGE LIP - 7/8" FACE - WASHED MAPLE
3	083620-20-000	FT	MOLDING-T - W/EDGE LIP - 7/8" FACE - PORTSMOUTH OAK
3	083620-21-000	FT	MOLDING-T - W/EDGE LIP - 7/8" FACE - CONCERT CHERRY
3	104676-02-06A	FT	MOLDING-T - W/EDGE LIP - 11/16" FACE - WASHED MAPLE
3	104676-02-08A	FT	MOLDING-T - W/EDGE LIP - 11/16" FACE - PORTSMOUTH OAK
3	104676-02-09A	FT	MOLDING-T - W/EDGE LIP - 11/16" FACE - CONCERT CHERRY
4	085746-04-000	FT	TRIM-J - CARPET 1.2" X .5" ANGLE - 12' LONG - OFF WHITE
5	086229-12-000	EA	BATTEN - 1.5" OFFSET X 97.01" IVORY
6	086229-11-000	EA	RETAINER - OFFSET - 97.01"
7	126204-D2-134	EA	MOLDING - VINYL WRAPPED - .7" X 1.6" X 84" - WASHED MAPLE
7	126204-F2-134	EA	MOLDING - VINYL WRAPPED - .7" X 2.5" X 84" - WASHED MAPLE
7	126204-F2-438	EA	MOLDING - VINYL WRAPPED - .7" X 2.6" X 84" - WASHED MAPLE

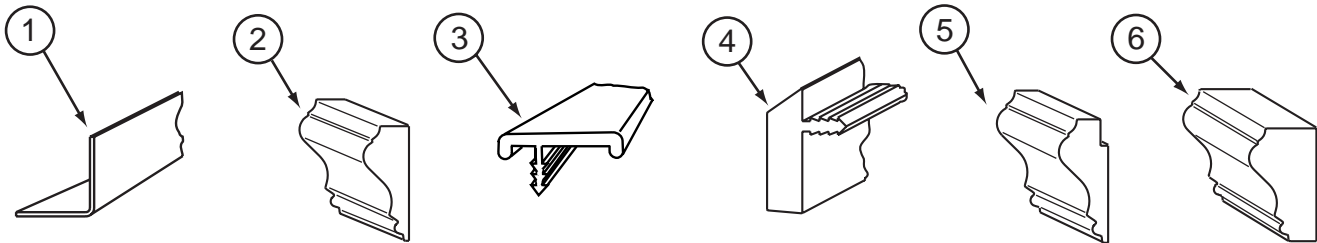


KEY	PART NUMBER	U/M	DESCRIPTION
1	103186-01-07A	FT	MOLDING - PLASTIC - 3/8" U-CHANNEL-3/4"FACE-BEIGE ILLUS
1	103186-01-08A	FT	MOLDING - PLASTIC - 3/8" U-CHANNEL-3/4"FACE-WASHED MAPLE
1	103186-01-09A	FT	MOLDING - PLASTIC - 3/8" U-CHANNEL-3/4"FACE-PORTSMOUTH OAK
1	103186-01-10A	FT	MOLDING - PLASTIC - 3/8" U-CHANNEL-3/4"FACE-CONCERT CHERRY
1	103186-02-08A	FT	MOLDING - PLASTIC - 1" U-CHANNEL-1 3/8"FACE-WASHED MAPLE
1	103186-02-09A	FT	MOLDING - PLASTIC - 1" U-CHANNEL-1 3/8"FACE-PORTSMOUTH OAK
1	103186-02-10A	FT	MOLDING - PLASTIC - 1" U-CHANNEL-1 3/8"FACE-CONCERT CHERRY
2	105004-01-08A	EA	MOLDING - VINYL WRAPPED - 1" X 96" - WASHED MAPLE
2	105004-01-09A	EA	MOLDING-PAPER WRAP - 1" X 96" - PORTSMOUTH OAK
2	105004-01-10A	EA	MOLDING-PAPER WRAP 1" X 96" - CHERRY - SALEM CHERRY
2	105004-01-11A	EA	MOLDING-PAPER WRAP - 1" X 96" - WASHED MAPLE
2	105004-01-12A	EA	MOLDING - VINYL WRAPPED 1" X 96" - PORTSMOUTH OAK
3	109332-02-01A	FT	TRIM-J - W/O ADHESIVE - BRASS
3	109332-02-03A	FT	TRIM-J - W/O ADHESIVE - SALEM CHERRY
3	109332-02-05A	FT	TRIM-J - W/O ADHESIVE - WASHED MAPLE
3	109332-02-06A	FT	TRIM-J - W/O ADHESIVE - PORTSMOUTH OAK
4	109736-02-01A	FT	MOLDING-T/OFFSET - W/EDGE LIP - 1" FACE - NAT OAK/BRASS
5	134185-B2-438	EA	MOLDING - .7" X 1" X 96" - PORTSMOUTH OAK
5	134185-D2-134	EA	MOLDING - .7" X 1.5" X 83" - PORTSMOUTH OAK
5	134185-D2-743	EA	MOLDING - .7" X 1.6" X 96" -PORTSMOUTH OAK
5	134185-F2-438	EA	MOLDING - .7" X 2.5" X 96" -PORTSMOUTH OAK
5	134185-F2-743	EA	MOLDING - .7" X 2.5" X 108"-PORTSMOUTH OAK
5	137895-D2-134	EA	MOLDING - VINYL WRAPPED - .7" X 1.6" X 84" -PORTSMOUTH OAK
5	137895-F2-743	EA	MOLDING - VINYL WRAPPED - .7" X 1.6" X 84" -PORTSMOUTH OAK
6	113794-01-02A	FT	MOLDING - CROWN - 3.5" - CHERRY
6	113794-02-02A	FT	MOLDING - CROWN - 1.8" - CHERRY
6	113794-01-03A	FT	MOLDING - CROWN - 3.5" - MAPLE
6	113794-02-03A	FT	MOLDING - CROWN - 1.8" - MAPLE

INTERIOR FINISH GROUP (CONTINUED)
MOLDINGS & TRIMS (CONTINUED)

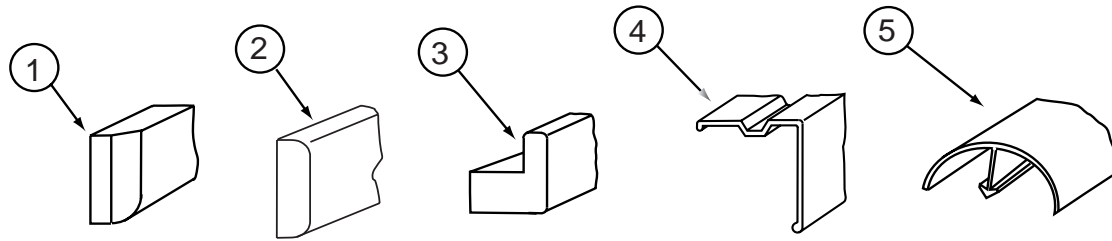


KEY	PART NUMBER	U/M	DESCRIPTION
1	116951-15-K09	EA	MOLDING - TRIM - 1.7" X 11"
1	116951-15-M07	EA	MOLDING - TRIM - 1.7" X 11"
1	134156-01-06A	EA	MOLDING - PAPER WRAP -.7" X 3.8" X 33.8" - WASHED MAPLE
1	134156-01-05A	EA	MOLDING - PAPER WRAP -.7" X 3.8" X 33.8" - CONCERT CHERRY
1	134156-01-04A	EA	MOLDING - PAPER WRAP -.7" X 3.8" X 33.8" - PORTSMOUTH OAK
1	134156-02-06A	EA	MOLDING - PAPER WRAP -.7" X 3.8" X 32.9" - WASHED MAPLE
1	134156-02-05A	EA	MOLDING - PAPER WRAP -.7" X 3.8" X 32.9" - CONCERT CHERRY
1	134156-02-04A	EA	MOLDING - PAPER WRAP -.7" X 3.8" X 32.9" - PORTSMOUTH OAK
1	134156-03-06A	EA	MOLDING - PAPER WRAP -.7" X 3.4" X 28.3" - WASHED MAPLE
1	134156-03-05A	EA	MOLDING - PAPER WRAP -.7" X 3.4" X 28.3" - SALEM CHERRY
1	134156-03-04A	EA	MOLDING - PAPER WRAP -.7" X 3.4" X 28.3" - PORTSMOUTH OAK
1	134156-03-03A	EA	MOLDING - VINYL WRAP -.7" X 3.4" X 28.3" - WASHED MAPLE
1	134156-03-08A	EA	MOLDING - VINYL WRAP -.7" X 3.4" X 28.3" - PORTSMOUTH OAK
2	132647-01-04A	EA	MOLDING/TRIM - DASH - PORTSMOUTH OAK - PAPER
2	132647-01-05A	EA	MOLDING/TRIM - DASH - PORTSMOUTH OAK - VINYL
3	132443-01-02A	FT	MOLDING - COUNTERTOP - WASHED MAPLE
3	132443-01-03A	FT	MOLDING - COUNTERTOP - CHERRY - SALEM CHERRY

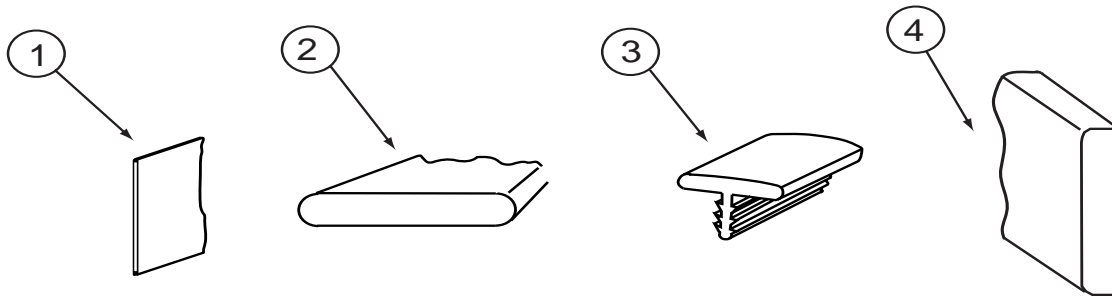


KEY	PART NUMBER	U/M	DESCRIPTION
1	130262-01-000	EA	PROTECTOR - CORNER SAVER - .7" X .7"
2	131923-01-01A	FT	MOLDING - CROWN - ASH
2	131923-01-02A	FT	MOLDING - CROWN - CHERRY
2	131923-01-03A	FT	MOLDING - CROWN - HARD WHITE MAPLE
3	119520-01-01A	FT	MOLDING-T - 1" - W/EDGE LIPS (OFF/WHITE-CREAM)
4	130247-01-02A	FT	MOLDING-T/OFF SET - 1.3" FACE - WASHED MAPLE
4	130247-01-04A	FT	MOLDING-T/OFF SET - 1.3" FACE - PORTSMOUTH OAK
4	130247-01-05A	FT	MOLDING-T/OFF SET - 1.3" FACE - CONCERT CHERRY
5	131923-02-01A	FT	MOLDING - PICTURE - ASH
5	131923-02-02A	FT	MOLDING - PICTURE - CHERRY
5	131923-02-03A	FT	MOLDING - PICTURE - HARD WHITE MAPLE
6	131923-03-01A	FT	MOLDING - CROWN - DIVIDER - ASH
6	131923-03-02A	FT	MOLDING - CROWN - DIVIDER - CHERRY
6	131923-03-03A	FT	MOLDING - CROWN - DIVIDER - HARD WHITE MAPLE

INTERIOR FINISH GROUP (CONTINUED)
MOLDINGS & TRIMS (CONTINUED)



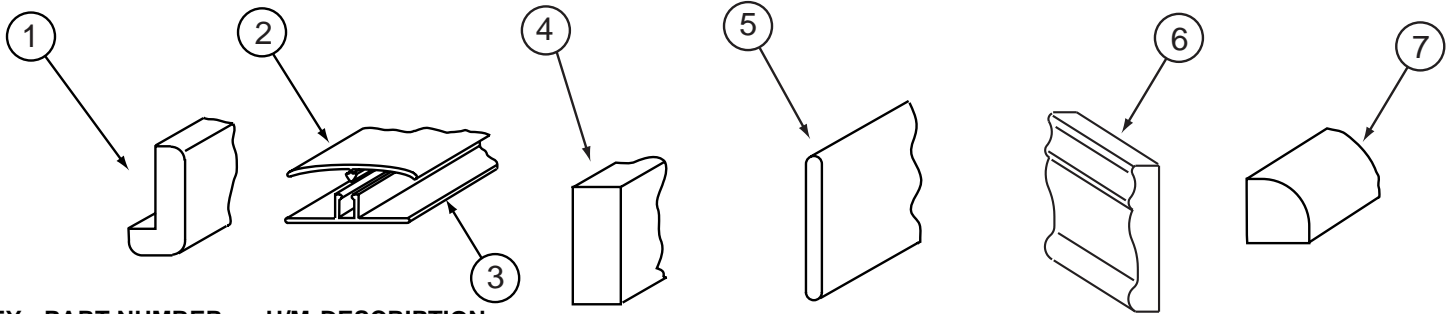
KEY	PART NUMBER	U/M	DESCRIPTION
1	100659-01-J40	EA	MOLDING/TRIM - VINYL FLOOR - WASHED MAPLE
1	100659-30-M42	EA	MOLDING/TRIM - VINYL FLOOR - PORTSMOUTH OAK II
1	100659-27-M70	EA	MOLDING/TRIM - VINYL FLOOR - CHERRY III
2	100818-01-08A	EA	MOLDING - VINYL WRAPPED - 1.6" X .4" X 84"-WASHED MAPLE
2	100818-01-09A	EA	MOLDING - VINYL WRAPPED - 1.6" X .4" X 84" - PORTSMOUTH OAK
2	100818-01-10A	EA	MOLDING - VINYL WRAPPED - 1.6" X .4" X 84" - SALEM CHERRY
2	100818-01-11A	EA	MOLDING - VINYL WRAPPED - 1.6" X .4" X 84" - WASHED MAPLE
2	100818-01-12A	EA	MOLDING - VINYL WRAPPED - 1.6" X .4" X 84"-PORTSMOUTH OAK
3	100819-01-08A	EA	MOLDING - VINYL WRAPPED-L-SHAPED-1.5"X1.5"X84" - WASHED MAPLE
3	100819-01-09A	EA	MOLDING - VINYL WRAPPED-L-SHAPED-1.5"X1.5"X84"-PRTSMTH OAK
3	100819-01-10A	EA	MOLDING - VINYL WRAPPED - L-SHAPED - 1.5"X1.5"X84" - SALEM CHERRY
3	100819-01-11A	EA	MOLDING - VINYL WRAPPED - L-SHAPED - 1.5"X1.5"X84" - WASHED MAPLE
3	100819-01-12A	EA	MOLDING - VINYL WRAPPED-L-SHAPED - 1.5" X 1.5" X 84" - OAK
4	093873-01-01A	EA	TRIM - CARPET - L-ANGLE 1.1" X 1.3" X 12' - GRAY VINYL
5	042357-25-000	EA	MOLDING - CORNER - RADIUS/PLASTIC - WASHED MAPLE
5	042357-26-000	EA	MOLDING - CORNER - RADIUS/PLASTIC - PORTSMOUTH OAK
5	042357-27-000	EA	MOLDING - CORNER - RADIUS/PLASTIC - CONCERT CHERRY



KEY	PART NUMBER	U/M	DESCRIPTION
1	101957-01-04A	EA	EXTRUDED - PLASTIC - SALEM CHERRY
2	120492-01-02A	FT	STRIP - TRIM - 1/2" WIDE - SALEM CHERRY
2	120492-01-06A	FT	STRIP - TRIM - 1/2" WIDE - WASHED MAPLE
3	104676-01-01A	FT	MOLDING-T - 5/16" RIGID GOLD
3	104676-02-06A	FT	MOLDING-T - W/EDGE LIP - 11/16" FACE - WASHED MAPLE
3	104676-02-08A	FT	MOLDING-T - W/EDGE LIP - 11/16" FACE - PORTSMOUTH OAK
3	104676-02-09A	FT	MMOLDING-T - W/EDGE LIP - 11/16" FACE - CONCERT CHERRY
4	091985-01-08A	FT	INSERT - TRIM - SOFT WHITE - 1"

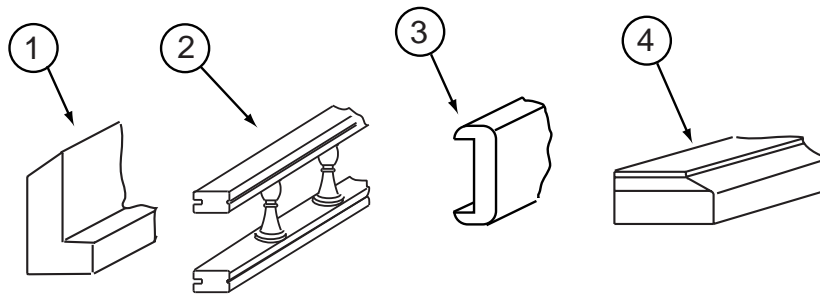
INTERIOR FINISH GROUP (CONTINUED)

MOLDINGS & TRIMS (CONTINUED)



KEY	PART NUMBER	U/M	DESCRIPTION
1	077840-01-E41	EA	MOLDING - WALL CAP - 8' - SALEM CHERRY
1	077840-01-J70	EA	MOLDING - WALL CAP - 8' - WASHED MAPLE
1	077840-01-M30	EA	MOLDING - WALL CAP - 8' - PORTSMOUTH II
2	086229-04-000	EA	BATTEN - 1" X 92.24" - IVORY
2	086229-13-000	EA	BATTEN - 1" X 96" - IVORY
2	086229-19-000	EA	BATTEN - 1" X 98.4" - OFF WHITE
2	086229-20-000	EA	BATTEN - 1" X 96" - BEIGE
3	086229-01-000	EA	RETAINER - BATTEN - .75" X 92.1" - ANY COLOR
4	126205-D2-438	EA	LUMBER - VINYL WRAPPED - .7" X 1.5" X 96" - WASHED MAPLE
4	126205-E2-438	EA	LUMBER - VINYL WRAPPED - .7" X 2" X 96" - WASHED MAPLE
4	126205-F2-438	EA	LUMBER - VINYL WRAPPED - .7" X 2.5" X 96" - WASHED MAPLE
4	126205-G2-438	EA	LUMBER - STAINED - .7" X 3" X 96" - WASHED MAPLE
4	126205-J2-438	EA	LUMBER - VINYL WRAPPED - .7" X 5.5" X 96" - WASHED MAPLE
4	126205-R2-438	EA	LUMBER - VINYL WRAPPED - .7" X 3" X 96" - WASHED MAPLE
4	136045-G2-438	EA	LUMBER - PAPER WRAPPED - .7" X 3" X 96" - CHERRY
4	136045-H2-438	EA	LUMBER - PAPER WRAPPED - .7" X 3.5" X 96" - CHERRY
4	136045-D2-438	EA	LUMBER - PAPER WRAPPED - .7" X 1.5" X 96" - CHERRY
4	136045-A2-438	EA	LUMBER - PAPER WRAPPED - .7" X .7" X 96" - CHERRY
4	136045-E2-438	EA	LUMBER - PAPER WRAPPED - .7" X 2" X 96" - CHERRY
4	136045-F2-438	EA	LUMBER - PAPER WRAPPED - .7" X 2.6" X 96" - CHERRY
4	134184-A2-438	EA	LUMBER - .7" X .75" X 96" - PORTSMOUTH OAK
4	134184-D2-438	EA	LUMBER - .7" X 1.5" X 96" - PORTSMOUTH OAK
4	134184-E2-438	EA	LUMBER - .7" X .62" X 96" - PORTSMOUTH OAK
4	134184-F2-438	EA	LUMBER - .7" X 2.5" X 96" - PORTSMOUTH OAK
4	134184-G2-438	EA	LUMBER - .7" X 3" X 96" - PORTSMOUTH OAK
4	134184-H2-438	EA	LUMBER - .7" X .75" X 96" - PORTSMOUTH OAK
4	134184-J2-438	EA	LUMBER - .7" X 5.5" X 96" - PORTSMOUTH OAK
4	134184-R2-438	EA	LUMBER - .7" X 3" X 96" - PORTSMOUTH OAK
4	137894-A2-438	EA	LUMBER - VINYL WRAPPED - .7" X .75" X 96" - PORTSMOUTH OAK
4	137894-D2-438	EA	LUMBER - VINYL WRAPPED - .7" X 1.5" X 96" - PORTSMOUTH OAK
4	137894-E2-438	EA	LUMBER - VINYL WRAPPED - .7" X 2" X 96" - PORTSMOUTH OAK
4	137894-F2-438	EA	LUMBER - VINYL WRAPPED - .7" X 2.5" X 96" - PORTSMOUTH OAK
4	137894-G2-438	EA	LUMBER - VINYL WRAPPED - .7" X 3" X 96" - PORTSMOUTH OAK
4	137894-H2-438	EA	LUMBER - VINYL WRAPPED - .7" X 3.5" X 96" - PORTSMOUTH OAK
4	137894-J2-438	EA	LUMBER - VINYL WRAPPED - .7" X 5.5" X 96" - PORTSMOUTH OAK
4	137894-R2-438	EA	LUMBER - VINYL WRAPPED - .7" X 3" X 96" - PORTSMOUTH OAK
5	127842-01-01A	FT	SEAL - SIGHT SHIELD - 2" BLACK
6	100182-01-L81	EA	TRIM - RAIL - PORTSMOUTH OAK
6	100182-01-K37	EA	TRIM - RAIL - SALEM CHERRY
6	100182-10-E41	EA	TRIM - CHAIR RAIL - 2.5" X 8' EACH - WOOD - SALEM CHERRY
6	100182-10-J70	EA	TRIM - CHAIR RAIL - 2.5" X 8' EACH - WOOD - WASHED MAPLE
6	100182-10-M95	EA	TRIM - CHAIR RAIL - 2.5" X 8' EACH - WOOD
7	109410-16-JQ0	EA	MOLDING - TRIM - WASHED MAPLE
7	109410-01-M53	EA	MOLDING - TRIM - 8' - PORTSMOUTH OAK

INTERIOR FINISH GROUP (CONTINUED)
MOLDINGS & TRIMS (CONTINUED)



KEY	PART NUMBER	U/M	DESCRIPTION
1	111235-03-E37	EA	MOLDING - COUNTERTOP - 1" X 8' - ASH WOOD - UNSTAINED
1	111235-03-E41	EA	MOLDING - COUNTERTOP - 1" X 8' - CHERRY WOOD - UNSTAINED
1	111235-03-H56	EA	MOLDING - COUNTERTOP - 1" X 8' - WHITE MAPLE - UNSTAINED
2	111775-01-07A	EA	RAIL - DECORATIVE/PLASTIC SPINDLES - 8' - PORTSMOUTH OAK
2	111775-01-06A	EA	RAIL - DECORATIVE/PLASTIC SPINDLES - 71.9" - WASHED MAPLE
2	111775-01-03A	EA	RAIL - DECORATIVE/PLASTIC SPINDLES - 6' - SALEM CHERRY
2	137108-01-02A	EA	RAIL - DECORATIVE - SALEM CHERRY
2	137108-01-03A	EA	RAIL - DECORATIVE - WASHED MAPLE
2	137108-01-07A	EA	RAIL - DECORATIVE - PORTSMOUTH OAK
3	078323-06-M22	EA	MOLDING - CAP/WALL - 79.6" - PORTSMOUTH OAK
4	P34052-01-M52	EA	TRIM/TABLE - 29.7" - SALEM CHERRY
4	P34052-01-M76	EA	TRIM/TABLE - 29.7" - PORTSMOUTH OAK
4	P34052-01-M84	EA	TRIM/TABLE - 29.7" - WASHED MAPLE
4	P34052-02-M52	EA	TRIM/TABLE - 24" - SALEM CHERRY
4	P34052-02-M76	EA	TRIM/TABLE - 24" - PORTSMOUTH OAK
4	P34052-02-M84	EA	TRIM/TABLE - 24" - WASHED MAPLE

INTERIOR FINISH GROUP (CONTINUED)

PANELING & LAMINATES

KEY	PART NUMBER	U/M	DESCRIPTION
	088272-K1-000	SF	PANELING - VILLA/GRAY - 4' X 7' (M52, M53)
	088272-J6-000	SF	PANELING - CIRRUS - 4' X 7' (M54, M55)
	088272-J7-000	SF	PANELING - COSMOS/SKY - 4' X 7' (M56, M57)
	088272-H9-000	SF	PANELING - PEBBLE EMBOSSED - WHITE - 4' X 7'
	088263-H0-000	EA	BATT STRIP - DECORATIVE - VILLA/GRAY - 8' LONG (M52, M53)
	088263-G6-000	EA	BATT STRIP - DECORATIVE - CIRRUS - 8' LONG (M54, M55)
	088263-G7-000	EA	BATT STRIP - DECORATIVE - COSMOS/SKY - 8' LONG (M56, M57)
	088263-G1-000	EA	BATT STRIP - DECORATIVE - PEBBLE EMBOSSED - 8' LONG
	085284-H1-000	FT	BATT TAPE - ADHESIVE BACKED - DECORATIVE - VILLA/GRAY (M52, M53)
	085284-G5-000	FT	BATT TAPE - ADHESIVE BACKED - DECORATIVE - CIRRUS (M54, M55)
	085284-G6-000	FT	BATT TAPE - ADHESIVE BACKED - DECORATIVE - COSMOS/SKY (M56, M57)
	085284-F9-000	FT	BATT TAPE - ADHESIVE BACKED - PEBBLE EMBOSSED
	076773-16-000	SF	PANELING - SALEM CHERRY - 2 SIDED - 1/8" X 4' X 8'
	074497-43-000	SF	PANELING - SALEM CHERRY - 4' X 8'
	074497-42-000	SF	PANELING - PORTSMOUTH OAK - 4' X 8'
	080215-15-000	SF	PANELING - SALEM CHERRY - 2 SIDED - 3/16" X 4' X 8'
	080215-16-000	SF	PANELING - WOODGRAINED-2 SIDED/PORTSMOUTH OAK-3MM 4'X 8'
	057882-04-000	SF	TAMBOUR - 48" X 96" SHEET - UNFINISHED
	000885-A1-000	SF	PARTICLE BOARD - SALEM CHERRY - 1/2" X 4' X 8' - 2 SIDED
	000885-94-000	SF	PARTICLE BOARD - 1/2" X 4' X 8' - PORTSMOUTH OAK - 2-SIDED
	000885-A3-000	SF	PARTICLE BOARD - 3/4" X 4' X 8' - SALEM CHERRY - 2 SIDED
	000885-95-000	SF	PARTICLE BOARD - 3/4" X 4' X 8' - PORTSMOUTH OAK - 2-SIDED
	000885-71-000	SF	PARTICLE BOARD - 3/8" X 4' X 8' - CHERRY - VINYL 1 SIDED
	000885-92-000	SF	PARTICLE BOARD - 3/8" X 4' X 8' - PORTSMOUTH OAK - VINYL 1 SIDED
	000885-98-000	SF	PARTICLE BOARD - 3/8" X 4' X 8' - SALEM CHERRY - 2-SIDED
	000885-93-000	SF	PARTICLE BOARD - 3/8" X 4' X 8' - PORTSMOUTH OAK - 2-SIDED
	074498-40-000	SF	LAMINATE - PLASTIC - OFF WHITE - 5' X 8'
	074498-52-000	SF	LAMINATE - PLASTIC - WHITE ETHOS - 4' X 8' (M52, M53, M56, M57)
	074498-83-000	SF	LAMINATE - PLASTIC - NATURAL LEGACY - 4' X 8' (M54, M55)
	074498-58-000	SF	LAMINATE - PLASTIC - CHERRY - 4' X 8'
			FROM: 00-00-00 THRU: 10-08-00
	074498-96-000	SF	LAMINATE - PLASTIC - CHERRY - 4' X 8'
			FROM: 10-09-00 THRU: 99-99-99
	074498-89-000	SF	LAMINATE - PLASTIC - PORTSMOUTH OAK - 4' X 8'
			FROM: 00-00-00 THRU: 08-20-00
	074498-95-000	SF	LAMINATE - PLASTIC - PORTSMOUTH OAK - 4' X 8'
			FROM: 08-21-00 THRU: 99-99-99
	132610-05-07A	FT	WALLPAPER - BORDER - 7" - SELF-ADHESIVE (M52, M53)
	132610-05-03A	FT	WALLPAPER - BORDER - 7" - SELF-ADHESIVE (M54, M55)
	132610-04-04A	FT	WALLPAPER - BORDER - 7" - SELF-ADHESIVE (M56, M57)
	076325-50-000	FT	MOLDING - EDGE BAND - 1 5/16" X .030" - CHERRY
			FROM: 00-00-00 THRU: 10-22-00
	076325-80-000	FT	MOLDING - EDGE BAND - 1 5/16" X .030" - CHERRY
			FROM: 10-23-00 THRU: 99-99-99
	076325-52-000	FT	MOLDING - EDGE BAND - .93" X .024" - CHERRY
			FROM: 00-00-00 THRU: 10-22-00
	076325-79-000	FT	MOLDING - EDGE BAND - .93" X .024" - CONCERT CHERRY
			FROM: 10-23-00 THRU: 99-99-99
	076325-78-000	FT	MOLDING - EDGE BAND - .93" X .024" - PORTSMOUTH OAK
	076325-73-000	FT	MOLDING - EDGE BAND - .93" X .024" - OFF WHITE
	000846-02-000	SF	PLYWOOD/UNDERLAYMENT - 5/16" X 48" X 96"
	085284-F7-000	FT	TAPE/STRIP - TRUE GRIP - 1.5" WIDE - ADHESIVE BACKED

INTERIOR FINISH GROUP (CONTINUED)

ACCESSORIES

KEY	PART NUMBER	U/M	DESCRIPTION
	P02786-03-E41	EA	HANDRAIL ONLY - W/O BRACKETS - SALEM CHERRY
	P02786-03-M53	EA	HANDRAIL ONLY - W/O BRACKETS - PORTSMOUTH OAK
	064781-07-000	EA	HOLDER/CUP - TWO STEP - BLACK
	099682-01-01A	EA	BRACKET - MOUNTING/HAND RAIL - ROUND BASE
	108808-03-01A	EA	HANDRAIL - ENTRANCE - 26"H X 20.7"L - OFF WHITE
	129779-03-K37	EA	FRAME - W/O MIRROR - 40.5"H X 42.3"W - SALEM CHERRY
	129779-03-M42	EA	FRAME - W/O MIRROR - 40.5"H X 42.3"W - PORTSMOUTH OAK
	131333-01-01A	EA	HOLDER - CUP - VERTICAL DROP/FLUSH MOUNT - BLACK
	133713-02-03A	EA	SPACER - CUPHOLDER - SALEM CHERRY
	133713-02-08A	EA	SPACER - CUPHOLDER - VINYL - PORTSMOUTH OAK
	072852-01-000	EA	DETECTOR - SMOKE - W/9 VOLT BATTERY - US
	072852-02-000	EA	DETECTOR - SMOKE - W/9 VOLT BATTERY - CANADIAN
*	094499-02-000	EA	EXTINGUISHER/FIRE - DRY - 10BC - W/GAUGE - CANADIAN
	094499-03-000	EA	EXTINGUISHER/FIRE - DRY - 10BC - W/GAUGE - W/O BRACKET
	094499-04-000	EA	BRACKET - FIRE EXTINGUISHER
	125136-02-000	EA	CO DETECTOR - GAS MODEL - 9 VOLT
	093606-36-000	EA	MIRROR/PANEL - BEVELED 1/8" - 16" X 24.4"
	058331-J1-000	EA	MIRROR - SAFETY GLASS - 19.5" X 65.2"
	058331-J6-000	EA	MIRROR - SAFETY GLASS - 10" X 14.9"
	058331-H4-000	EA	MIRROR - SAFETY GLASS - 25.6" X 31.5"
	058331-K7-000	EA	MIRROR - SAFETY GLASS - 21.1" X 69.4"
	093606-30-000	EA	MIRROR - BEVELED PANEL - 16.5" X 25.9"
	093606-33-000	EA	MIRROR - BEVELED EDGE - 16.5" X 34.1"
	093606-28-000	EA	MIRROR - BEVELED PANEL - 17.5" X 27.9"
	093606-29-000	EA	MIRROR - BEVELED PANEL - 23.6" X 31.4"
	131494-01-01A	EA	MIRROR - BEVELED - 24" X 36"
	088742-16-000	EA	MIRROR - BEVELED/SAFETY GLASS - 14.4" X 18.5"
	118081-03-01A	EA	CLOCK - WALL - ROUND 8" - BRASS
	131058-03-02A	EA	HAND RAIL - INTERIOR ENTRY DOOR - BLACK
	131493-02-09A	EA	PICTURE - DECORATIVE - 13" X 15" - MEDITERRANEAN (M52, M53, M54, M55)
	131493-02-06A	EA	PICTURE - DECORATIVE - 13" X 15" - TOPAZ BOTANICAL (M56, M57)
	112515-05-01A	EA	PICTURE - DECORATIVE - 12" X 15" - PALM TREE
	091261-01-000	FT	SLIPNOT - ANTISLIP - 1' WIDE X 12' - BLACK
	096764-02-000	FT	SLIPNOT - ANTISLIP - 1' WIDE (180' ROLLS) - WHITE

*COMPONENT PARTS LISTED LATER IN THIS GROUP

INTERIOR FINISH GROUP (CONTINUED)
COMPONENT PARTS FOR ACCESSORIES

094499-02-000

KEY	PART NUMBER	U/M	DESCRIPTION	VENDOR NO
	094499-02-000	EA	EXTINGUISHER/FIRE - DRY - 1A10BC - CANADIAN	
	094499-01-700	EA	BRACKET MTG. W/PLAS. STRAP	294039

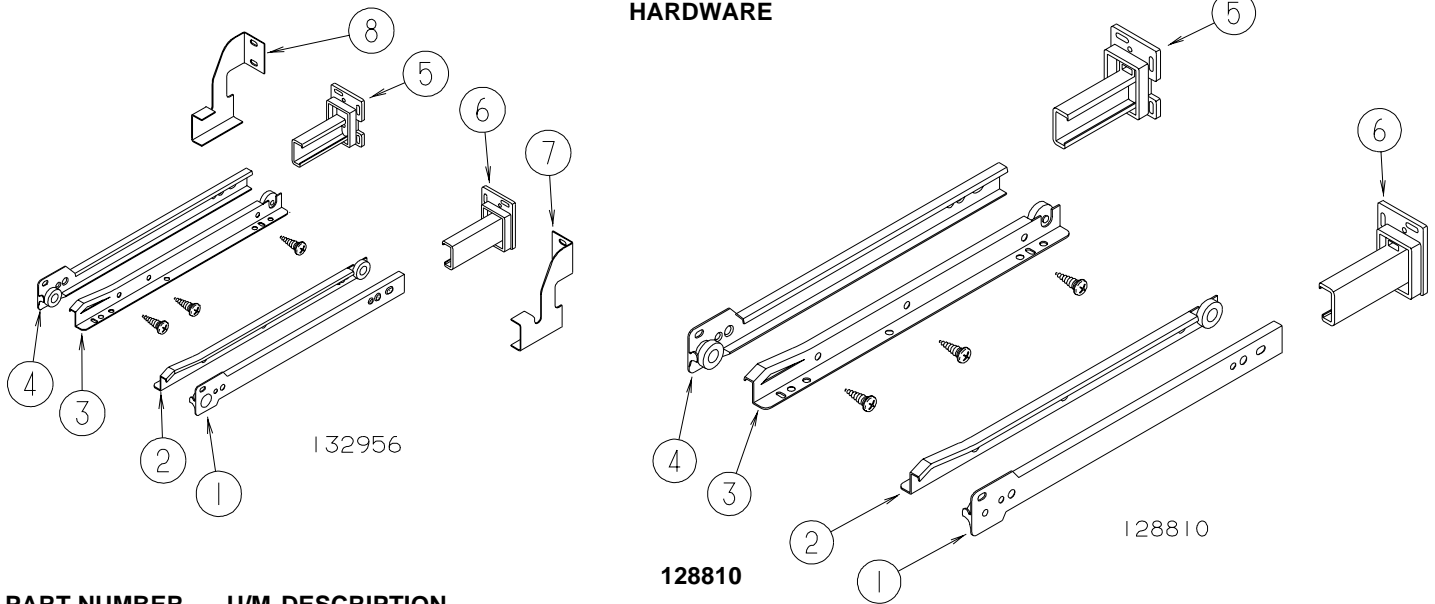
INTERIOR FINISH GROUP (CONTINUED)

FLOOR COVERINGS

KEY	PART NUMBER	U/M	DESCRIPTION
	096060-H5-000	SY	CARPET - CHARCOAL - INCREMENTS OF 4 SY YARDS (M52, M53)
	096060-F0-000	SY	CARPET - PALE SAGE - INCREMENTS OF 4 SQ YARDS (M54, M55)
	096060-E6-000	SY	CARPET - PEWTER BLUE - INCREMENTS OF 4 SQ YARDS (M56, M57)
	093486-01-000	SY	CARPET - COMPARTMENT - 72" WIDE - DARK GRAY
	124253-01-01A	EA	VINYL - FLOOR PLANK - 3" X 12" - CHERRY - SALEM CHERRY
	124253-01-02A	EA	VINYL - FLOOR PLANK - 3" X 12" - MAPLE - PORTSMOUTH OAK
	042720-24-000	SY	VINYL - FLOOR COVERING - 12' WIDE - TRADITIONS SOLARIAN

INTERIOR FINISH GROUP (CONTINUED)

HARDWARE

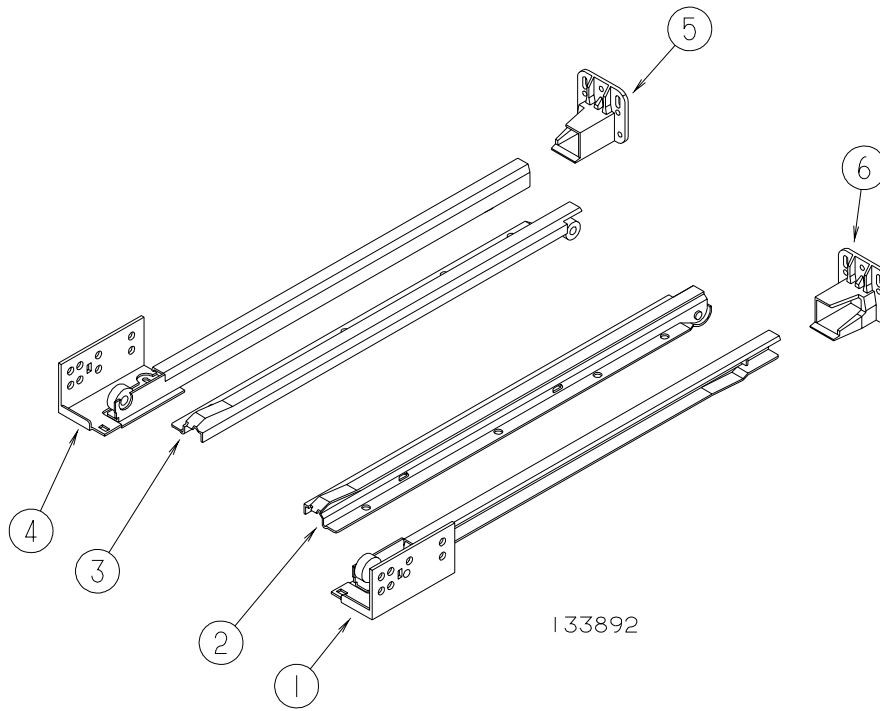


KEY	PART NUMBER	U/M	DESCRIPTION
1	128810-02-01A	EA	SLIDE - DRAWER - 12" - RIGHT CABINET
1	128810-06-01A	EA	SLIDE - DRAWER - 14" - RIGHT CABINET
1	128810-10-01A	EA	SLIDE - DRAWER - 16" - RIGHT CABINET
1	128810-14-01A	EA	SLIDE - DRAWER - 18" - RIGHT CABINET
1	128810-18-01A	EA	SLIDE - DRAWER - 20" - RIGHT CABINET
1	128810-22-01A	EA	SLIDE - DRAWER - 22" - RIGHT CABINET
1	128810-26-01A	EA	SLIDE - DRAWER - 24" - RIGHT CABINET
2	128810-04-01A	EA	SLIDE - DRAWER - 12" - RIGHT DRAWER
2	128810-08-01A	EA	SLIDE - DRAWER - 14" - RIGHT DRAWER
2	128810-12-01A	EA	SLIDE - DRAWER - 16" - RIGHT DRAWER
2	128810-16-01A	EA	SLIDE - DRAWER - 18" - RIGHT DRAWER
2	128810-20-01A	EA	SLIDE - DRAWER - 20" - RIGHT DRAWER
2	128810-24-01A	EA	SLIDE - DRAWER - 22" - RIGHT DRAWER
2	128810-28-01A	EA	SLIDE - DRAWER - 24" - RIGHT DRAWER
3	128810-03-01A	EA	SLIDE - DRAWER - 12" - LEFT DRAWER
3	128810-07-01A	EA	SLIDE - DRAWER - 14" - LEFT DRAWER
3	128810-11-01A	EA	SLIDE - DRAWER - 16" - LEFT DRAWER
3	128810-15-01A	EA	SLIDE - DRAWER - 18" - LEFT DRAWER
3	128810-19-01A	EA	SLIDE - DRAWER - 20" - LEFT DRAWER
3	128810-23-01A	EA	SLIDE - DRAWER - 22" - LEFT DRAWER
3	128810-27-01A	EA	SLIDE - DRAWER - 24" - LEFT DRAWER
4	128810-01-01A	EA	SLIDE - DRAWER - 12" - LEFT CABINET
4	128810-05-01A	EA	SLIDE - DRAWER - 14" - LEFT CABINET
4	128810-09-01A	EA	SLIDE - DRAWER - 16" - LEFT CABINET
4	128810-13-01A	EA	SLIDE - DRAWER - 18" - LEFT CABINET
4	128810-17-01A	EA	SLIDE - DRAWER - 20" - LEFT CABINET
4	128810-21-01A	EA	SLIDE - DRAWER - 22" - LEFT CABINET
4	128810-25-01A	EA	SLIDE - DRAWER - 24" - LEFT CABINET
5	128811-01-01A	EA	BACKSOCKET - ADJUSTABLE - LEFT
6	128811-02-01A	EA	BACKSOCKET - ADJUSTABLE RIGHT

132956 DINETTE CABINET DRAWERS

KEY	PART NUMBER	U/M	DESCRIPTION
1	132956-02-01A	EA	SLIDE - DRAWER - 37.5" - RIGHT CABINET
1	132956-06-01A	EA	SLIDE - DRAWER - RIGHT CABINET - 32"
2	132956-08-01A	EA	SLIDE - DRAWER - 32" - RIGHT DRAWER
2	132956-04-01A	EA	SLIDE - DRAWER - 37.5" - RIGHT DRAWER
3	132956-07-01A	EA	SLIDE - DRAWER - 32" - LEFT DRAWER
3	132956-03-01A	EA	SLIDE - DRAWER - 37.5" - LEFT DRAWER
4	132956-05-01A	EA	SLIDE - DRAWER - 32" - LEFT CABINET
4	132956-01-01A	EA	SLIDE - DRAWER - 37.5" - LEFT CABINET
5	128811-01-01A	EA	BACKSOCKET - ADJUSTABLE - LEFT
6	128811-02-01A	EA	BACKSOCKET - ADJUSTABLE RIGHT
7	134649-01-02B	EA	SUPPORT - BACKSOCKET - E-COATED
8	134649-02-02B	EA	SUPPORT - BACKSOCKET - E-COATED

INTERIOR FINISH GROUP (CONTINUED)
HARDWARE (CONTINUED)



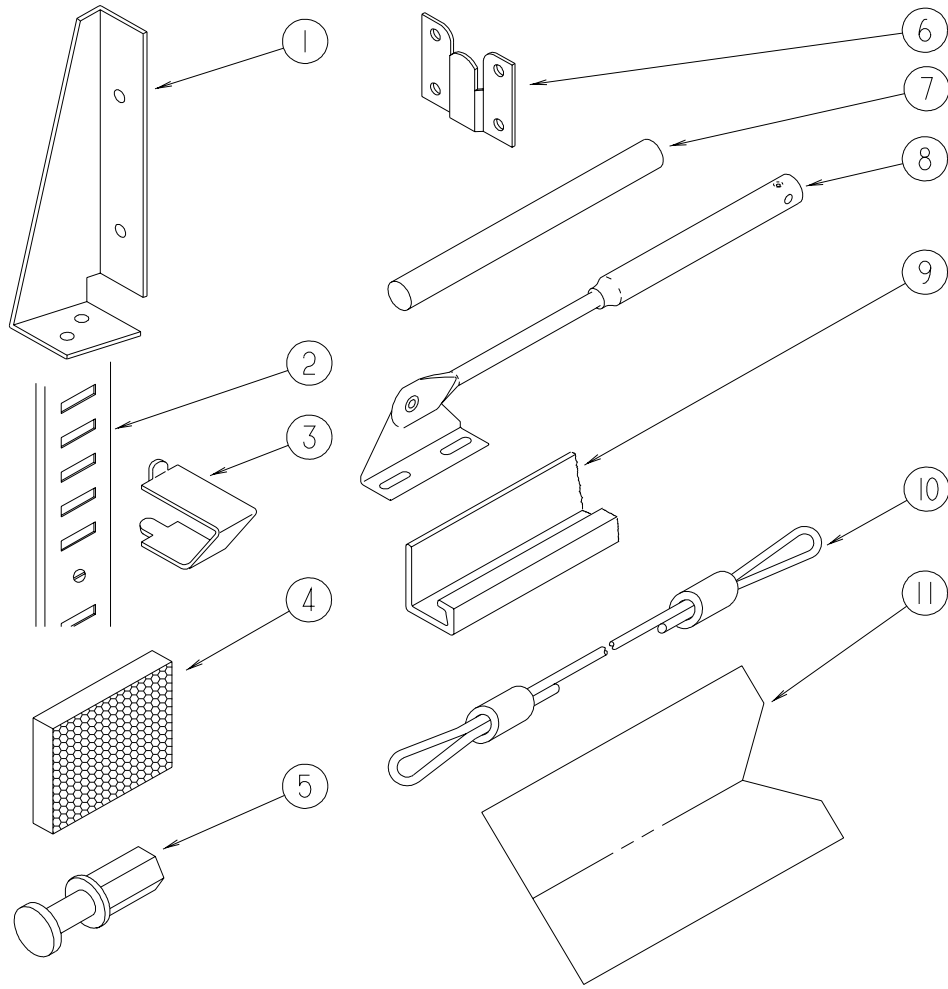
133892 CONCEALED RUNNER DRAWERS

KEY	PART NUMBER	U/M	DESCRIPTION
1	133892-02-01A	EA	SLIDE - DRAWER - RIGHT CABINET - 16"
2	133892-04-01A	EA	SLIDE - DRAWER - RIGHT DRAWER - 16"
2	133892-05-01A	EA	SLIDE - DRAWER - 9"
3	133892-03-01A	EA	SLIDE - DRAWER - LEFT DRAWER - 16"
4	133892-01-01A	EA	SLIDE - DRAWER - LEFT CABINET - 16"
5	133907-02-01A	EA	BACKSOCKET - LEFT HAND
6	133907-01-01A	EA	BACKSOCKET - RIGHT HAND

134576 BANQUETTE DRAWERS

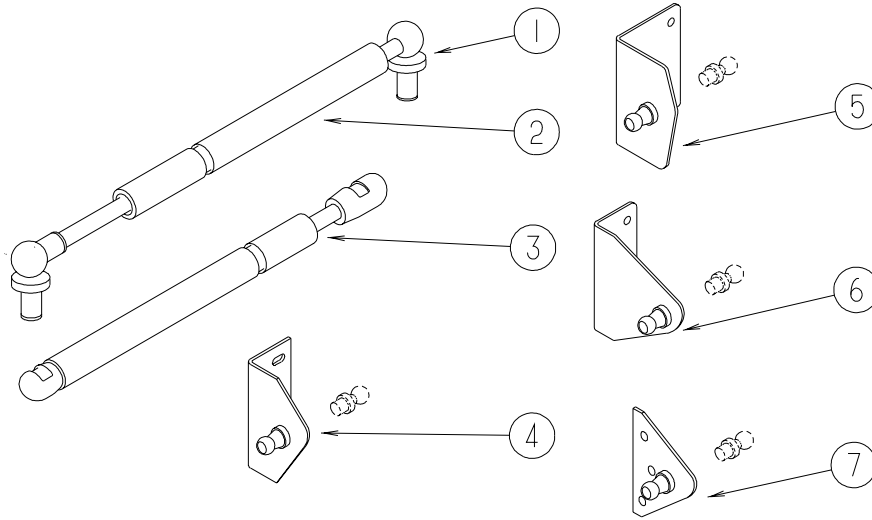
KEY	PART NUMBER	U/M	DESCRIPTION
	134576-01-000	EA	SLIDE KIT - LH & RH SLIDES & RAILS - 22"

INTERIOR FINISH GROUP (CONTINUED)
HARDWARE (CONTINUED)



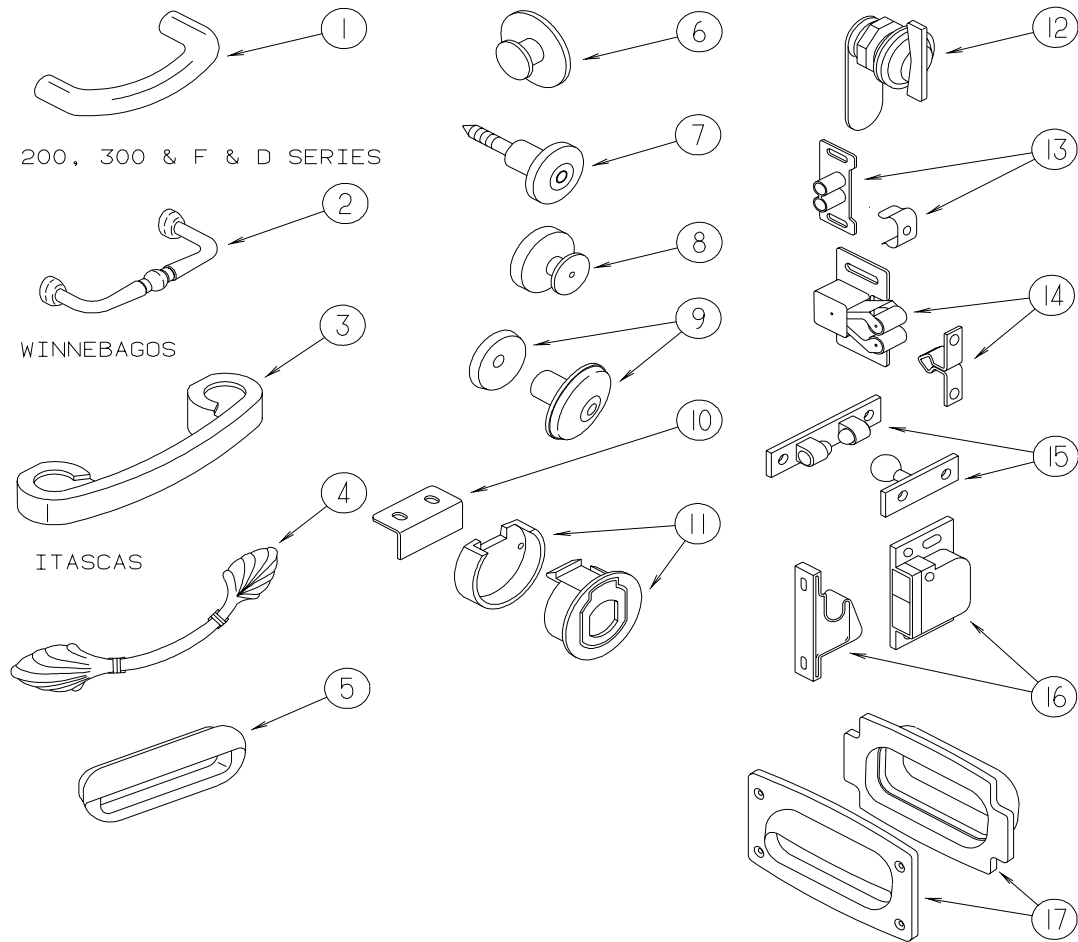
KEY	PART NUMBER	U/M	DESCRIPTION
1	076827-02-000	EA	BRACKET - 2.9" X 1.8" - TRIANGLE
2	098980-01-000	EA	PILASTER - ADJUSTABLE SHELF - 18"
2	098980-02-000	EA	PILASTER - ADJUSTABLE SHELF - 12"
2	098980-03-000	EA	PILASTER - ADJUSTABLE SHELF - 9"
2	098980-04-000	EA	PILASTER - ADJUSTABLE SHELF - 48"
2	098980-05-000	EA	PILASTER - ADJUSTABLE SHELF - 15"
2	098980-06-000	EA	PILASTER - ADJUSTABLE SHELF - 24"
3	098979-01-000	EA	CLIP - ADJUSTABLE SHELF
4	122717-06-01A	FT	PAD - NON-SKID - PSA - 5"W
4	122717-08-01A	EA	PAD - NON-SKID - PSA - 7.2"W
5	092652-01-000	EA	GUIDE WHEEL/DOOR - TOP MOUNT
6	130120-01-01A	EA	BRACKET - MOUNTING/MIRROR
7	042438-01-000	EA	DOWEL - WOOD - CLOTHES ROD - 1" X 4'
7	042438-02-000	EA	DOWEL - WOOD - 2" X 2"
7	042438-06-000	EA	DOWEL - WOOD - 1.5" X 26"
8	074493-02-000	EA	SUPPORT - PISTON SPRING - CABINET DOOR - 26 LBS
8	074493-03-000	EA	SUPPORT - PISTON SPRING - CABINET DOOR - 12 LBS
8	074493-04-000	EA	SUPPORT - PISTON SPRING - CABINET DOOR - 32 LBS
9	118933-01-01A	EA	SUPPORT - HINGE LOCK
10	076767-01-000	EA	CABLE - STEEL - 12"
10	076767-04-000	EA	CABLE - SUPPORT - 5.9" STAINLESS STEEL
10	076767-05-000	EA	CABLE - STAINLESS STEEL - 15.5"
10	076767-14-000	EA	CABLE - STAINLESS STEEL - 14.9"
10	076767-15-000	EA	CABLE - STAINLESS STEEL - 9.8"
11	114739-01-01A	EA	PAD - NON SKID - PSA - 4"W - 1 EACH=PAIR

INTERIOR FINISH GROUP (CONTINUED)
HARDWARE (CONTINUED)



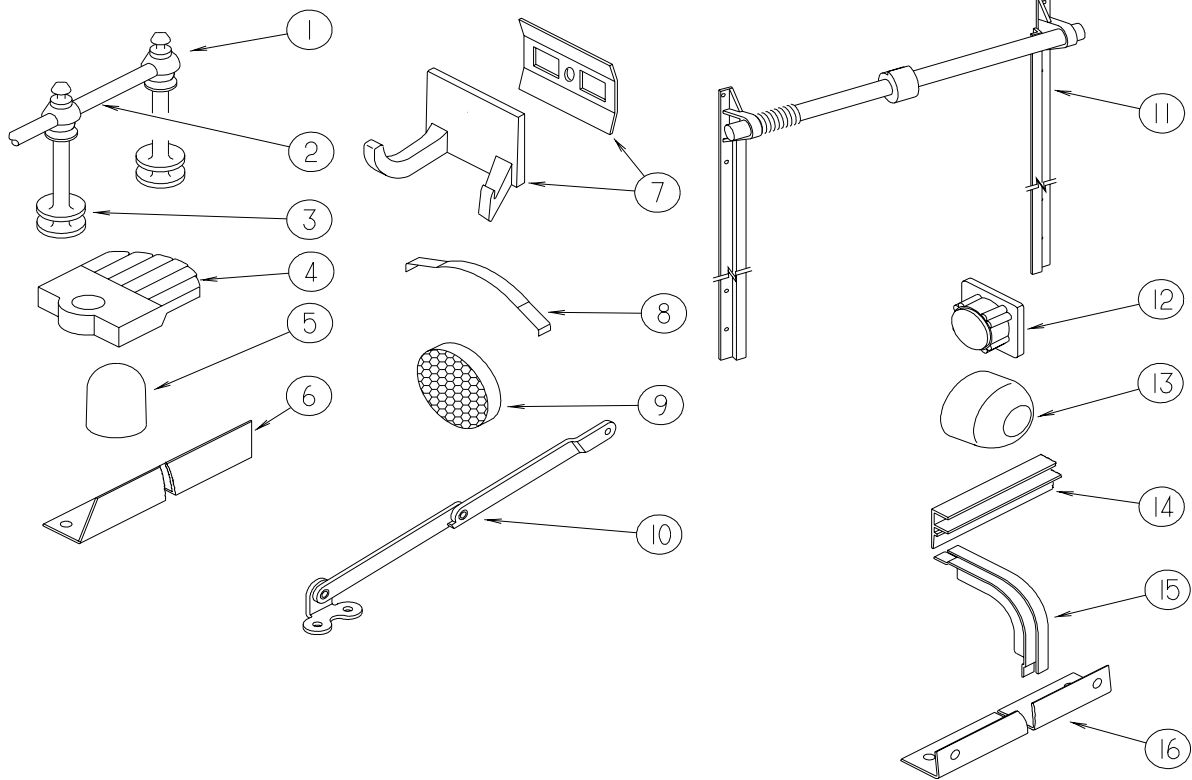
KEY	PART NUMBER	U/M	DESCRIPTION
1	057460-02-000	EA	BALL STUD - F/GAS SPRING .39" - 5/16"-18
2	057460-04-000	EA	SPRING/GAS - BALL STUD STYLE - 120 PI - "SPD6209"
3	107796-06-000	EA	SPRING/GAS - 12" COMPRESSED/20" EXTENDED - 120 LB.
3	107796-08-000	EA	SPRING/GAS - 11" COMPRESSED/17" EXTENDED - 60 LB
3	107796-09-000	EA	SPRING/GAS - 5.5" COMPRESSED/7.5" EXTENDED - 40 LB.
3	107796-15-000	EA	SPRING/GAS - 24" COMPRESSED/40" EXTENDED - 15 LB.
3	107796-16-000	EA	SPRING/GAS - 6.4" COMPRESSED/9.6" EXTENDED - 65 LB.
4	126263-02-02B	EA	BRACKET - GAS SPRING W/BALL STUD - E-COATED
5	126263-05-02B	EA	BRACKET - GAS SPRING W/BALL STUD - E-COATED
5	126263-06-02B	EA	BRACKET - GAS SPRING W/BALL STUD - E-COATED
6	126263-10-02B	EA	BRACKET - GAS SPRING W/BALL STUD - E-COATED
6	126263-13-02B	EA	BRACKET - GAS SPRING W/BALL STUD - E-COATED
7	126263-08-02B	EA	BRACKET - GAS SPRING W/BALL STUD - E-COATED

INTERIOR FINISH GROUP (CONTINUED)
HARDWARE (CONTINUED)



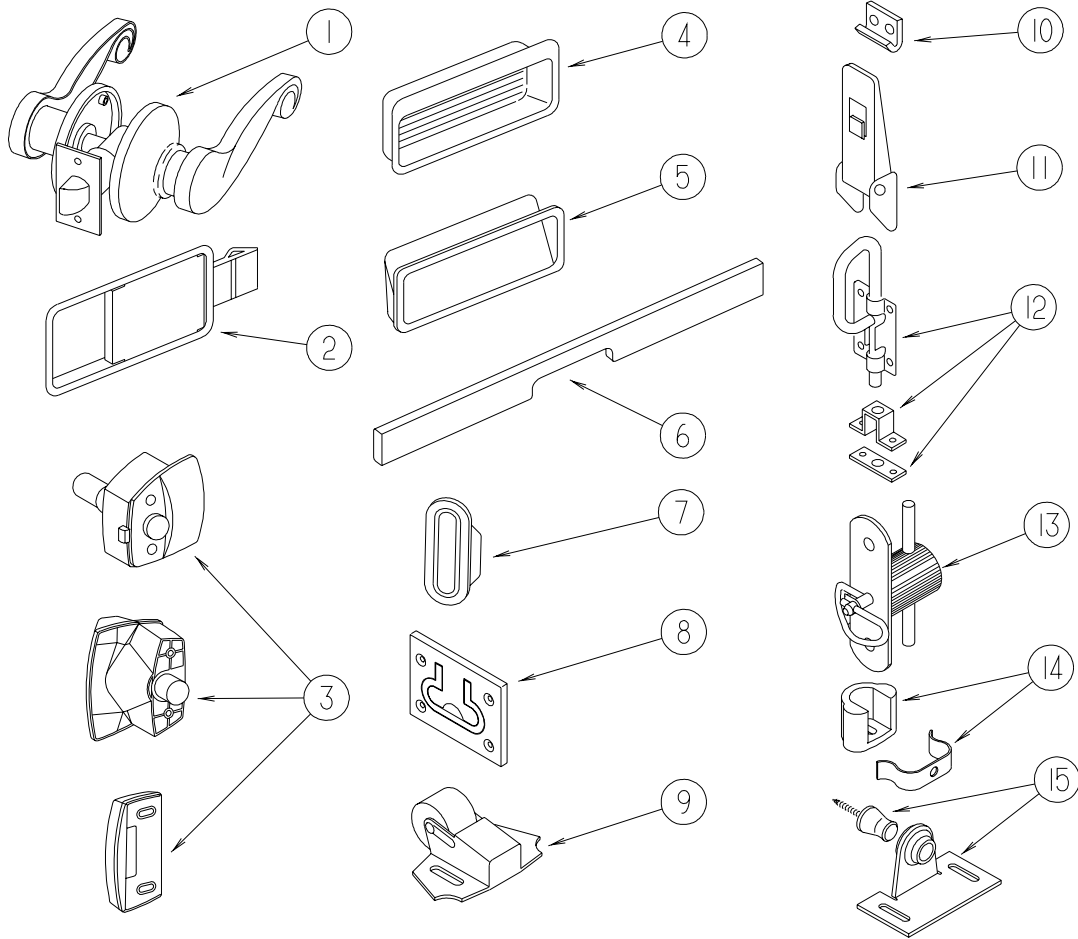
KEY	PART NUMBER	U/M	DESCRIPTION
1	131964-01-01A	EA	PULL - DOOR/DRAWER - POLISHED BRASS
2	131963-01-01A	EA	PULL - DOOR/DRAWER - POLISHED BRASS
3	131962-01-01A	EA	PULL - DOOR/DRAWER - POLISHED BRASS
4	117923-01-01A	EA	PULL - CABINET - BURNISHED BRASS - 5.5"
4	131965-01-01A	EA	PULL - CABINET - BURNISHED BRASS - 6.3"
5	080736-01-000	EA	PULL - RECESSED - 1.25" X 4" - OAK
6	125221-01-01A	EA	PULL - MIRROR - W/ROUND HANDLE
7	113800-01-000	EA	KNOB - CABINET - BRASS
8	133313-01-01A	EA	PULL - DOOR/DRAWER - BURNISHED BRASS
8	133313-01-02A	EA	PULL - DOOR/DRAWER - BRIGHT BRASS
9	117978-01-01A	EA	KNOB - DOOR - BRIGHT BRASS
10	113375-02-01A	EA	STRIKE - DOOR - CHROME
11	113375-05-01A	EA	LATCH - SLAM - BACK - .8" THICK
11	113375-06-01A	EA	LATCH - SLAM - FACE - .7" THICK
12	100710-01-01A	EA	LOCK - GLASS DOOR/TWIST TYPE - BRASS
13	009021-01-000	EA	CATCH - GRILLE - NYLON
13	009021-02-000	EA	STRIKE - SPRING STEEL
14	093586-03-000	EA	CATCH - SPRING ROLLER - .377"
14	093586-04-000	EA	STRIKE - SPRING STEEL - 1.14"
14	093586-05-000	EA	STRIKE - SPRING STEEL - .943"
14	093586-06-000	EA	CATCH - SPRING ROLLER - .236"
15	084451-01-000	EA	CATCH & LATCH - 1.7" - BRASS
16	117095-01-01A	EA	LATCH - DOOR - GRABBER W/KEEPER - PLASTIC - BLK-5 LB PULL
16	117095-02-01A	EA	LATCH - DOOR - GRABBER W/KEEPER - PLASTIC - BLK-10 LB PULL
17	133607-01-01A	EA	PULL - LATCH - BLACK PLASTIC

INTERIOR FINISH GROUP (CONTINUED)
HARDWARE (CONTINUED)



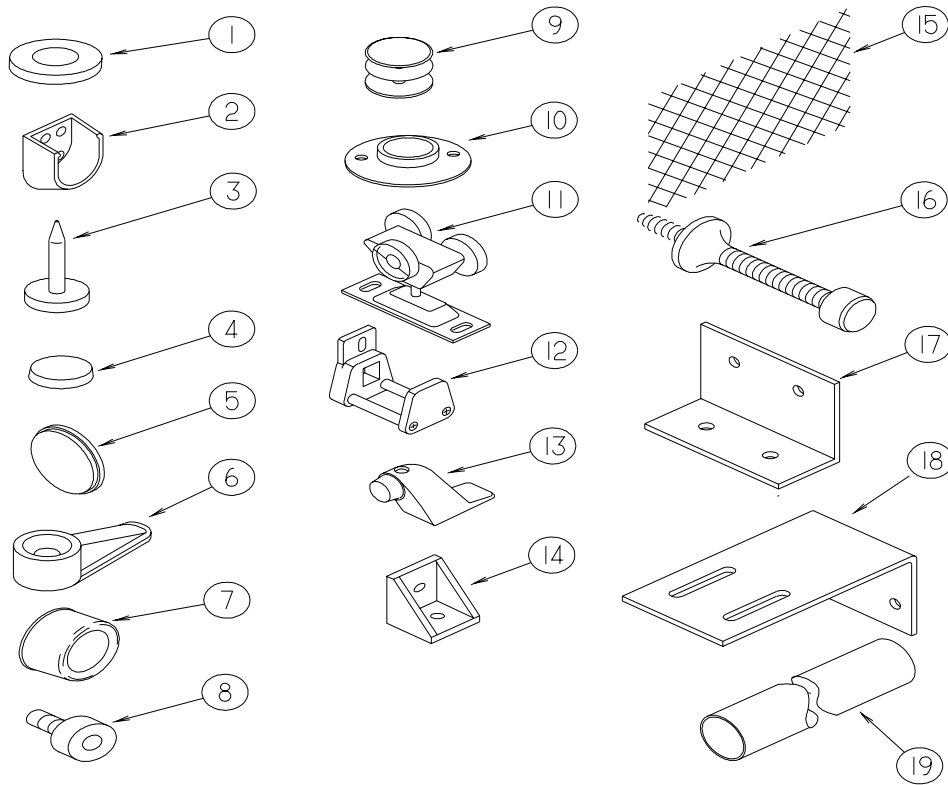
KEY	PART NUMBER	U/M	DESCRIPTION
1	084070-03-000	EA	POST - END - 2.4" - BRASS
2	084071-05-000	EA	ROD - BRASS - 15"
2	084071-08-000	EA	ROD - BRASS - 9.3"
2	084071-19-000	EA	ROD - BRASS - 7.1"
2	084071-20-000	EA	ROD - BRASS - 9.8"
2	084071-22-000	EA	ROD - BRASS - 15.3"
2	084071-23-000	EA	ROD - BRASS - 13.1" NEW STYLE/STEEL ROD W/BRASS PLATING
2	084071-24-000	EA	ROD - BRASS - 3.8"
2	084071-27-000	EA	ROD - BRASS - 2.7"
2	084071-28-000	EA	ROD - BRASS - 6"
2	084071-30-000	EA	ROD - BRASS - 11.6"
2	084071-31-000	EA	ROD - BRASS - 14.08"
2	084071-33-000	EA	ROD - BRASS - 20.4"
3	084070-01-000	EA	POST - CENTER - 2.4" - BRASS
4	009089-01-000	EA	CLIP - MIRROR
5	039984-01-000	EA	CAP - ROUND - VINYL - .28" ID X .62" - BLACK
6	114693-01-01A	EA	SUPPORT - BLACK - RIGHT HAND
6	114693-02-01A	EA	SUPPORT - BLACK - LEFT HAND
7	104174-01-000	EA	HOOK - ROBE - DOUBLE
8	115541-01-000	EA	SPRING - DOOR - SLIDING
9	122717-01-01A	EA	PAD - NON SKID - 4" DIAMETER ROUND
9	122717-04-01A	EA	PAD - NON SKID - 3" DIAMETER ROUND
10	084412-01-000	EA	SUPPORT/HINGE KIT (LEFT & RIGHT HINGES)
11	130787-01-000	EA	TRACK - TAMBOUR DOOR/SPRING - 15.9"
11	130787-02-000	EA	TRACK - TAMBOUR DOOR/SPRING - 24"
11	130787-03-000	EA	TRACK - TAMBOUR DOOR/SPRING - 30"
12	110550-01-000	EA	CAP - TUBE .9" SQUARE
13	117046-01-000	EA	BUMPER - RUBBER/ROUND END - .9"
13	117046-02-000	EA	BUMPER - RUBBER/ROUND END - 1.5"
14	093622-01-000	EA	TRACK - DOOR - TAMBOUR - PLASTIC - 8' LENGTHS
15	093623-01-000	EA	CORNER - TRACK - TAMBOUR DOOR
16	106699-01-01A	EA	BRACKET F/TV INSTALLATION - OVERHEAD CABINET
16	106699-03-02B	EA	BRACKET F/TV INSTALLATION - OVERHEAD CABINET - E-COATED
16	106699-04-02B	EA	BRACKET F/TV INSTALLATION - OVERHEAD CABINET - E-COATED

INTERIOR FINISH GROUP (CONTINUED)
HARDWARE (CONTINUED)



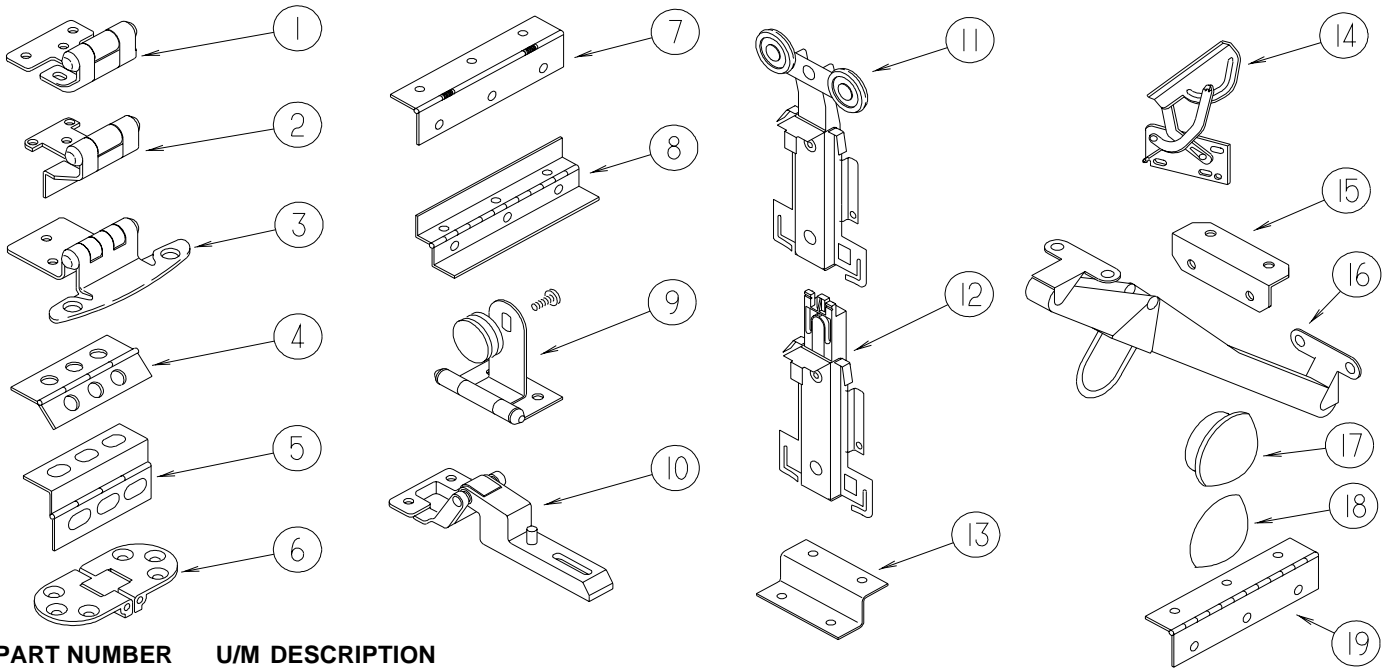
KEY	PART NUMBER	U/M	DESCRIPTION
1	111155-05-01A	EA	LOCK - PRIVACY/LOCKING - S SHAPED - POLISHED BRASS
1	111155-06-01A	EA	LOCK - PASSAGE/NON-LOCKING - S SHAPED - POLISHED BRASS
2	127349-01-01A	EA	LATCH - PADDLE
3	058335-03-000	EA	LATCH W/O LOCK - BATHROOM DOOR BLACK
4	124311-01-01A	EA	HANDLE - RECESSED - BRASS
5	115994-01-01A	EA	HANDLE - POCKET
5	139136-01-01A	EA	HANDLE - RECESSED - BRASS
6	P26866-06-L81	EA	HANDLE - DOOR/TAMBOUR - 18.6" - ASH/PORTSMOUTH II - PORTSMOUTH OAK
6	P26866-06-J30	EA	HANDLE - DOOR/TAMBOUR - 18.6" - CHERRY/CHERRY III - SALEM CHERRY
6	P26866-09-M95	EA	HANDLE - DOOR/TAMBOUR - 14.7" - ASH/PORTSMOUTH II - PORTSMOUTH OAK
6	P26866-09-KQ1	EA	HANDLE - DOOR/TAMBOUR - 14.7" - CHERRY/CHERRY III - SALEM CHERRY
6	P26866-10-K13	EA	HANDLE - DOOR/TAMBOUR - 11.6" - CHERRY/CHERRY III - SALEM CHERRY
6	P26866-10-K09	EA	HANDLE - DOOR/TAMBOUR - 11.6" - MAPLE/WASHED MAPLE - WASHED MAPLE
6	P26866-10-M07	EA	HANDLE - DOOR/TAMBOUR - 11.6" - ASH/PORTSMOUTH OAK - PORTSMOUTH OAK
6	P26866-10-K07	EA	HANDLE - DOOR/TAMBOUR - 11.6" - ASH/WATERFORD OAK - PORTSMOUTH OAK
7	098410-01-01A	EA	PULL - FINGER - OVAL - BRASS
8	072871-01-000	EA	PULL - FLUSH - CHROME
9	109403-01-000	EA	CATCH - SINGLE ROLLER - SCREEN DOOR
10	116975-02-01A	EA	KEEPER/STRIKE - BLACK - NEW STYLE
11	116975-01-01A	EA	LATCH - W/O STRIKE - BLACK - NEW STYLE
12	103256-01-000	EA	LATCH COMPLETE (SLIDE)
13	098196-01-000	EA	LATCH - 1/4 TURN - T-BAR
14	129703-01-01A	EA	CATCH ASSEMBLY (SPRING)
15	009013-01-000	EA	CATCH - BULLDOG - MALE/FEMALE

INTERIOR FINISH GROUP (CONTINUED)
HARDWARE (CONTINUED)



KEY	PART NUMBER	U/M	DESCRIPTION
1	100707-01-000	EA	SPACER - GLASS DOOR - .8" DIA - .3" HOLE - PLASTIC
2	113236-01-01A	EA	BRACKET - CLOTHES - ROD
3	102194-01-000	EA	GUIDE - PLASTIC - 1" (HEAD/PIN)
4	023320-01-000	EA	PAD - FELT 3/8" DIAMETER
4	004354-01-000	EA	BUMPER - RUBBER - .5" DIA - BROWN
5	120760-01-000	EA	RUBBER BUMPER - CLEAR - .1" THICK X .8" DIAMETER
5	081914-01-000	EA	BUMPER - RUBBER - ROUND - 1/2" DIA. X 1/8" THICK
6	083204-03-000	EA	BUTTON - RETAINING MIRROR 5/16" TIP
7	069726-02-000	EA	BUMPER - .88" OD X .40" THICK - BLACK
8	079921-01-000	EA	ROLLER - NYLON - W/STEEL SHAFT - BARBED
9	081114-02-000	EA	CAP - INSERT - ROUND 1" DIAMETER - WHITE
10	009112-01-000	EA	FLANGE - PLASTIC - 1" CLOTHES ROD - OFF WHITE
11	103874-01-000	EA	HANGER - SLIDING DOOR
12	064467-01-000	EA	GUIDE - POCKET - SLIDING DOOR - WALL MOUNTED
13	103257-01-000	EA	STOP - DOOR
14	065740-01-000	EA	BRACE - CABINET/CORNER - PLASTIC
15	118200-01-01A	SF	MESH - PLASTIC 1/2" - 48" X LENGTH = SF - BLACK
15	118200-07-01A	SF	MESH - PLASTIC 1/2" - 10.5" X 24.7" - BLACK
15	118200-10-01A	SF	MESH - PLASTIC 1/2" - 11.4" X 13" - BLACK
16	103194-01-000	EA	STOP - BATH DOOR
17	132871-02-02B	EA	BRACKET/L-ANGLE W/HOLES - 1.9" X 2.8" - E-COATED
17	080668-07-000	EA	ANGLE-JOINT, 135 DEGREES
18	083125-07-000	EA	BRACE - ANGLE/COUCH - 2.5" - OFF WHITE
19	102075-01-02A	EA	ROD - SHOWER CURTAIN - 1" OD X 33.5" - SOFT WHITE
19	102075-06-02A	EA	ROD - SHOWER CURTAIN - 1" OD X 33.5" - SOFT WHITE
19	102075-09-02A	EA	ROD - SHOWER CURTAIN - 3/4"OD X 29.5" - SOFT WHITE
19	102075-10-02A	EA	ROD - SHOWER CURTAIN - 1" OD X 46.3" - SOFT WHITE
19	102075-16-02A	EA	ROD - SHOWER CURTAIN - 3/4"OD X 34.2" - SOFT WHITE
19	102075-17-02A	EA	ROD - SHOWER CURTAIN - 1" OD X 39.3" - SOFT WHITE
19	102075-18-02A	EA	ROD - SHOWER CURTAIN - 1" OD X 38.9" - SOFT WHITE

INTERIOR FINISH GROUP (CONTINUED)
HARDWARE (CONTINUED)



KEY	PART NUMBER	U/M	DESCRIPTION
1	113676-01-01A	EA	HINGE - OVERLAY - VARIABLE
2	113677-01-01A	EA	HINGE - SELF CLOSING
3	108138-01-000	EA	HINGE - BURNISHED BRASS
3	108138-03-000	EA	HINGE - BRIGHT BRASS
	000G13-06-08G	EA	SCREW - 6-20 X .50 PFH - ANTIQUE BRASS
4	009059-01-000	EA	HINGE - DOOR - 2" X 1.4" - BRASS
4	009059-02-000	EA	HINGE - DOOR - 2" X 2.7" - BRASS
5	134099-02-01A	EA	HINGE - PIANO - WRAP AROUND - 29.5" - BRASS PLATED
5	136652-01-01A	EA	HINGE - PIANO - BLACK
5	136652-02-01A	EA	HINGE - PIANO
6	111535-01-000	EA	HINGE - TABLE/FOLDING
7	102920-01-01A	EA	HINGE - SPRING LOADED - BRASS
8	135538-01-01A	EA	HINGE - PIANO - FULL WRAP - BRASS PLATED
8	135538-02-01A	EA	HINGE - PIANO - FULL WRAP - STOCKER BRASS
8	135538-03-01A	EA	HINGE - PIANO - FULL WRAP - STOCKER BRASS
9	100711-01-01A	EA	HINGE - GLASS DOOR
10	114443-01-01A	EA	HINGE - CABINET DOOR
11	107390-02-000	EA	CORNER HANGER (DOUBLE ROLLER W/BACKET) (SOLD AS 1 EACH)
12	107391-01-000	EA	GUIDE - BOTTOM - BY-PASS (4 USED PER DOOR)
13	101926-01-02A	EA	BRACKET - ZEE - 2" - BLACK
14	108126-01-000	EA	TRAY HINGE SET (QTY. 2 PER SET)
15	016604-01-000	EA	BRACE - ANGLE - 2 1/2" - UNPAINTED METAL
15	016604-05-000	EA	BRACE - ANGLE - 2 1/2" - OFF WHITE METAL
15	016604-07-000	EA	BRACE - ANGLE - 2 1/2" - VW GRAY
16	104181-01-01A	EA	SUPPORT - LEAF 5.3" EXTENDS TO 7.5" - SAFETY RING - METAL
17	074045-07-000	EA	PLUG - NATURAL - 3/8" DOWEL-1/2" HEAD - COLONIAL WOOD
17	074045-08-000	EA	PLUG - OAK - 3/8" DOWEL-1/2" HEAD - SALEM CHERRY
17	074045-12-000	EA	PLUG - OAK - 3/8" DOWEL-1/2" HEAD - WASHED MAPLE
17	074045-13-000	EA	PLUG - OAK - 3/8" DOWEL-1/2" HEAD - PORTSMOUTH OAK
17	042356-01-000	EA	PLUG - MAHOGANY - 3/8" DOWEL X 1/2" HEAD
18	057671-01-000	EA	COVER - SCREW - OFF WHITE - #8
18	057671-13-000	EA	COVER - SCREW - DARK GRAY - #8
18	057671-15-000	EA	COVER - SCREW - #8 - BRIGHT WHITE
18	057671-16-000	EA	COVER - SCREW - #8 - SOFT WHITE
19	041389-18-000	EA	HINGE - PIANO - 1 1/2" X 19" - OFF WHITE
19	041389-25-000	EA	HINGE - PIANO - 1 1/2" X 55" - UNPAINTED
19	041389-35-000	EA	HINGE - PIANO - 31" - OFF WHITE
19	084413-01-000	EA	HINGE - 1" X 72" - ALUMINUM - W/HOLES
19	084625-06-000	EA	HINGE - ALUMINUM - W/HOLES - 17.2" - OFF/WHITE
19	110496-01-01A	EA	HINGE - BRASS
19	114278-02-000	EA	HINGE - CONTINUOUS - 3" WIDE

LABELS GROUP

SEWAGE

KEY PART NUMBER U/M DESCRIPTION
006187-01-000 EA LABEL - SEWAGE

WASTE WATER

KEY PART NUMBER U/M DESCRIPTION
006188-01-000 EA LABEL - WASTE WATER

WARNING

THIS SYSTEM IS DESIGNED FOR USE WITH PROPANE ONLY
DO NOT CONNECT NATURAL GAS TO THIS SYSTEM

BEFORE TURNING ON PROPANE:

- (A) BE CERTAIN APPLIANCES ARE CERTIFIED FOR PROPANE AND ARE EQUIPPED WITH CORRECT BURNING ORIFICES.
- (B) MAKE CERTAIN ALL PROPANE CONNECTIONS ARE TIGHT BY TESTING WITH SOAPY WATER. ALL APPLIANCE VALVES ARE TURNED OFF, AND ANY UNCONNECTED OUTLETS ARE CAPPED.

AFTER TURNING ON PROPANE:

- (A) LIGHT ALL PILOT LIGHTS
- (B) ALL CONNECTIONS, INCLUDING THOSE AT THE APPLIANCES, REGULATORS AND CYLINDERS SHOULD BE LEAK-TESTED PERIODICALLY WITH SOAPY WATER BY THE OCCUPANT. NEVER USE A LIGHTED MATCH OR OTHER FLAME WHEN CHECKING FOR LEAKS.
- (C) DO NOT LEAVE SYSTEM TURNED ON OF CONTAINERS CONNECTED UNTIL THE SYSTEM HAS BEEN PROVEN TO BE FREE OF LEAKS.
- (D) COOKING APPLIANCES SHOULD NOT BE USED FOR SPACE HEATING.
- (E) WHEN THE CONTAINERS ARE DISCONNECTED THE PROPANE SUPPLY LINE SHOULD BE CAPPED OR PLUGGED.

AVERTISSEMENT

CETTE INSTALLATION EST CONÇUE POUR LE PROPANE SEULEMENT
NE PAS L'ALIMENTER EN GAZ NATUREL

AVANT LA MISE EN SERVICE:

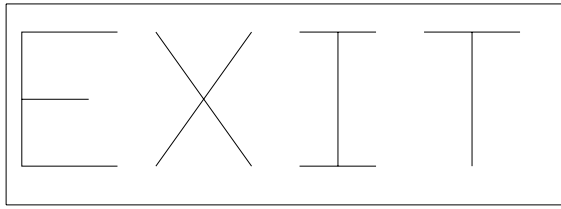
- (A) S'ASSURER QUE LES APPAREILS SONT CERTIFIÉS POUR LE PROPANE ET MUNIS D'ORIFICES DE BRÛLEUR APPROPRIÉS.
- (B) VÉRIFIER L'ÉTANCHEITÉ DE TOUS LES RACCORDEMENTS AU PROPANE. LA PERMÉTURE DE TOUS LES ROBINETS D'APPAREILS ET L'OBTURATION DE TOUTES LES SORTIES NON RACCORDEES.

APRES LA MISE EN SERVICE:

- (A) ALLUMER TOUTES LES VEILLEUSES.
- (B) L'OCCUPANT DOIT ÉPROUVER PÉRIODIQUEMENT L'ÉTANCHEITÉ DE TOUS LES RACCORDEMENTS Y COMPRIS CEUX AUX APPAREILS, AUX DÉTENDEURS ET AUX BOUTEILLES, EN Y APPLIQUANT DE L'EAU SAVONNEUSE NE JAMAIS SE SERVIR D'UNE ALLUMETTE OU AUTRE POUR LA DÉTECTION DES FUITES.
- (C) NE PAS LAISSER L'ALIMENTATION OUVERTE NI LES RÉCIPIENTS RACCORDES AVANT D'AVOIR COMPLÉTÉ L'ÉPREUVE D'ÉTANCHEITÉ AU PROPANE DE L'INSTALLATION.
- (D) LES APPAREILS DE CUISSON NE DOIVENT PAS ÊTRE UTILISÉS POUR LE CHAUFFAGE DES LOCAUX.
- (E) LORSQUE LES RÉCIPIENTS SONT DÉCONNECTÉS, L'ALIMENTATION DE PROPANE DOIT ÊTRE OBTURÉE OU SCELLÉE.

KEY PART NUMBER U/M DESCRIPTION
023769-01-000 EA LABEL - WARNING - LPG - CANADIAN

LABELS GROUP (CONTINUED)



KEY PART NUMBER U/M DESCRIPTION
039290-01-000 EA LABEL - WARNING - EXIT



KEY PART NUMBER U/M DESCRIPTION
040944-01-000 EA LABEL - ENTRANCE DOOR - "OPEN"

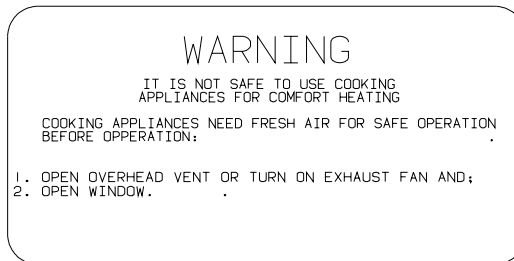
"TO ENSURE A SUPPLY OF FRESH AIR TO OCCUPANTS, OPEN VENTILATORS WHEN FUEL BURNING RANGE, FUEL BURNING CARRY-ON APPLIANCES AND/OR FUEL-BURNING LIGHTS ARE IN OPERATION."

"COOKING APPLIANCES SHOULD NOT BE USED FOR SPACE HEATING PURPOSES"

DE MANIERE A ASSURE UNE ALIMENTATION EN AIR FRAIS AUX OCCUPANTS, OUVRIR LES VENTILATEURS LORSQUE LA CUISINIÈRE, LES APPAREILS DE CHAUFFAGE PORTABLES ET/OU LES LAMPES DE COMBUSTION D'HUILE SONT EN FONCTIONNEMENT.

LES APPAREILS DE CUSSON NE DOIVENT PAS SERVIR AU CHAUFFAGES DES LOCAUX.

KEY PART NUMBER U/M DESCRIPTION
050222-01-000 EA LABEL - STOVE VENT - CANADIAN
134540-01-01A EA LABEL - WARNING - STOVE/HEATING - CSA - BLACK ON CLEAR



KEY PART NUMBER U/M DESCRIPTION
050225-01-000 EA LABEL - WARNING - STOVE VENT - US
134539-01-01A EA LABEL - WARNING - STOVE/HEATING - US - BLACK ON CLEAR

LABELS GROUP (CONTINUED)

CAUTION

THIS MOTOR HOME HAS BEEN DESIGNED, MANUFACTURED AND TESTED WITH CONCERN FOR THE PROTECTION OF IT'S OCCUPANTS. WE RECOMMEND YOU PERFORM THE FOLLOWING INSPECTIONS FOR YOUR SAFETY AND THE SAFETY OF YOUR PASSENGERS BEFORE STARTING YOUR VEHICLE.

1. LP GAS SYSTEM- TURN OFF AT TANK FOR TRAVELING. TEST FOR LEAKS UPON ARRIVAL AT DESTINATION. BEFORE LIGHTING PILOTS.
2. WHEELS- INSPECT FOR DAMAGE AND CHECK LUG NUTS FOR TIGHTNESS.
3. TIRES- INSPECT FOR WEAR AND DAMAGE AND CHECK FOR RECOMMENDED AIR PRESSURE.
4. LIGHTING- TEST FOR PROPER OPERATION OF ALL INTERIOR AND EXTERIOR LIGHTS INCLUDING DASH LIGHTS, HEADLIGHTS, TAIL LIGHTS, BRAKE LIGHTS, CLEARANCE LIGHTS AND TURN SIGNALS.
5. EXITS- INSPECT RELEASE MECHANISM ON EMERGENCY EXIT WINDOW. TEST BOTH LOCKS ON MAIN ENTRANCE DOOR FOR EASE OF OPERATION AND INSTRUCT PASSENGERS HOW TO USE BOTH MEANS OF EXIT.
6. SEAT BELTS- DIRECT PASSENGERS TO DESIGNATED SEATS AND REQUIRE USE OF SEAT BELTS.
7. APPLIANCES- TURN OFF AND LATCH OR LOCK DOORS WHERE PROVIDED.
8. LOOSE PARCELS- STORE SECURELY.
9. UTILITY SUPPLY LINES- DISCONNECT ALL ELECTRIC, SEWER AND WATER LINES AND SECURE PROPERLY.
10. ENTRANCE DOOR STEP- PLACE IN RETRACTED POSITION FOR TRAVELING.

READ YOUR MOTOR HOME AND CHASSIS OWNER'S
MANUAL FOR FURTHER PRECAUTIONS

KEY PART NUMBER U/M DESCRIPTION
056259-01-000 EA LABEL - SAFETY CHECK LIST

UNLEADED FUEL ONLY

KEY PART NUMBER U/M DESCRIPTION
062043-01-000 EA LABEL - FUEL - UNLEADED

WARNING DISCONNECT BATTERIES BEFORE
CONNECTING EXTERNAL CHARGING EQUIPMENT.

KEY PART NUMBER U/M DESCRIPTION
065748-01-000 EA LABEL - CAUTION - BATTERY CHARGING

AVERTISSEMENT : DEBRANCHER LES BATTERIES AVANT
DE BRANCHER TOUT EQUIPEMENT DE CHARGE EXTERIEUR.

KEY PART NUMBER U/M DESCRIPTION
065748-02-000 EA LABEL - WARNING - BATTERY/FRENCH - CANADIAN

LABELS GROUP (CONTINUED)

DIESEL FUEL ONLY

KEY PART NUMBER U/M DESCRIPTION
068383-01-000 EA LABEL - DIESEL FUEL

VEHICLE EMISSION CONTROL INFORMATION
THIS VEHICLE CONFORMS TO U.S. EPA
REGULATIONS APPLICABLE TO XXXX MODEL
YEAR NEW VEHICLES.

072887-01-000-2 CATALYST

KEY PART NUMBER U/M DESCRIPTION
072887-11-000 EA LABEL - EPA - 2000 MODEL YEAR

IF YOU SMELL GAS

1. EXTINGUISH ANY OPEN FLAME, PILOT LIGHTS AND ALL SMOKING MATERIALS.
2. DO NOT TOUCH ELECTRICAL SWITCHES.
3. SHUT OFF THE GAS SUPPLY AT THE TANK VALVE(S) OR GAS SUPPLY CONNECTION.
4. OPEN DOORS AND OTHER VENTILATING OPENINGS.
5. LEAVE THE AREA UNTIL ODOR CLEARS.
6. HAVE THE GAS SYSTEM CHECKED AND LEAKAGE SOURCE CORRECTED BEFORE USING AGAIN.

KEY PART NUMBER U/M DESCRIPTION
073998-01-000 EA LABEL - LPG ODOR WARNING

WARNING: TEST SMOKE DETECTOR
OPERATION AFTER VEHICLE HAS BEEN IN
STORAGE, BEFORE EACH TRIP AND AT
LEAST ONCE PER WEEK DURING USE.

KEY PART NUMBER U/M DESCRIPTION
077956-01-000 EA LABEL - WARNING - SMOKE DETECTOR

DO NOT FILL
LP-GAS CONTAINER(S)
TO MORE THAN 80%
OF CAPACITY.

KEY PART NUMBER U/M DESCRIPTION
079965-01-000 EA LABEL - LPG - 80% CAPACITY

WARNING

MUST BE STOWED
IN LATCHED POSITION
WHILE VEHICLE IS IN MOTION

KEY PART NUMBER U/M DESCRIPTION
079966-01-000 EA LABEL - WARNING - STOWED - MOTION

LABELS GROUP (CONTINUED)



KEY PART NUMBER U/M DESCRIPTION
 083588-01-000 EA LABEL - ON/OFF - WATER HEATER



KEY PART NUMBER U/M DESCRIPTION
 083588-02-000 EA LABEL - ON/OFF - ENGINE HEATER

CAUTION	TO HELP AVOID PERSONAL INJURY DURING REMOVAL OF FUEL FILLER CAP, SLOWLY LOOSEN CAP 1/2 TURN TO ALLOW ANY FUEL PRESSURE TO BE RELIEVED BEFORE TURNING CAP FURTHER.
FUEL SPRAY MAY CAUSE PERSONAL INJURY	STOP ADDING FUEL AFTER FIRST SHUTOFF BY AUTOMATIC NOZZLE WHEN TANK IS NEARLY FULL. DO NOT OVERFILL FUEL TANK. SEE OWNERS MANUAL FOR ADDITIONAL INFORMATION. PRINTED IN U.S.A. WLC PT NO 15611763

KEY PART NUMBER U/M DESCRIPTION
 087207-05-000 EA LABEL - FUEL CAP REMOVAL



KEY PART NUMBER U/M DESCRIPTION
 087236-01-000 EA LABEL - CABLE - INPUT

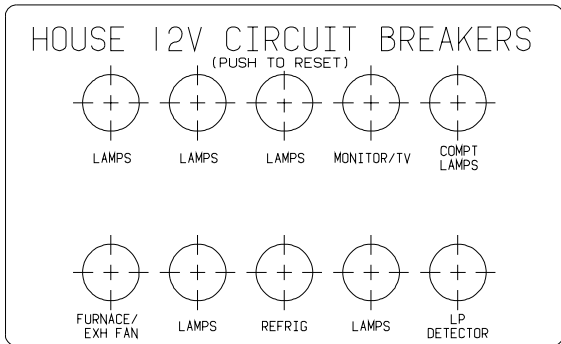


KEY PART NUMBER U/M DESCRIPTION
 087236-02-000 EA LABEL - TV OUTLET

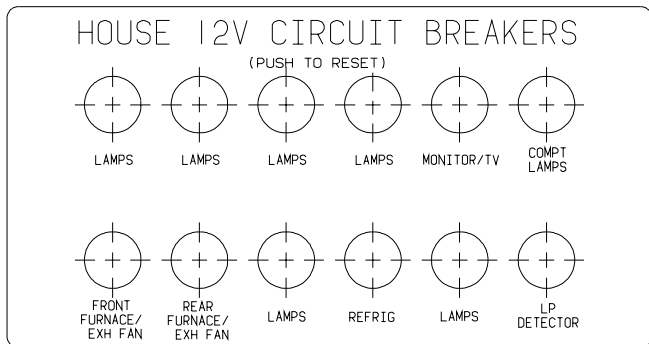
AIR CONDITIONING CIRCUIT.
 THIS CONNECTION IS FOR
 AIR CONDITIONERS RATED 110-
 125 VOLT AC, 60 HZ, 16
 AMPERES MAXIMUM. DO NOT
 EXCEED CIRCUIT RATING.

KEY PART NUMBER U/M DESCRIPTION
 091243-01-000 EA LABEL - A/C COVER (AIR CONDITIONING CIRCUIT ETC.)

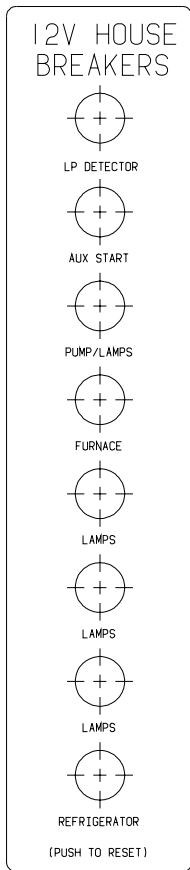
LABELS GROUP (CONTINUED)



KEY PART NUMBER U/M DESCRIPTION
 092547-06-000 EA LABEL - CIRCUIT BREAKER

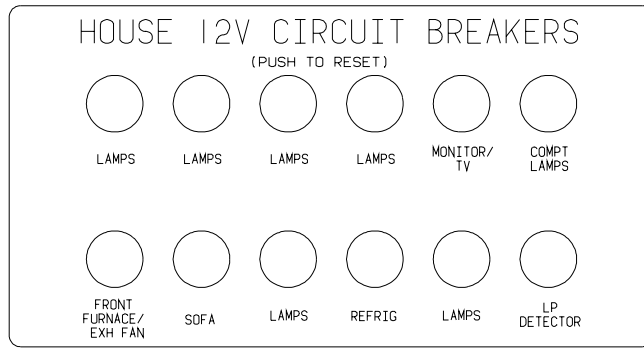


KEY PART NUMBER U/M DESCRIPTION
 092547-07-000 EA LABEL - CIRCUIT BREAKER

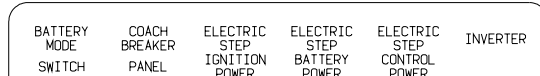


KEY PART NUMBER U/M DESCRIPTION
 092547-08-000 EA LABEL - CIRCUIT BREAKER

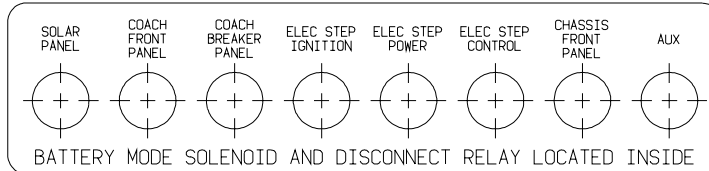
LABELS GROUP (CONTINUED)



KEY PART NUMBER U/M DESCRIPTION
 092547-10-000 EA LABEL - CIRCUIT BREAKER



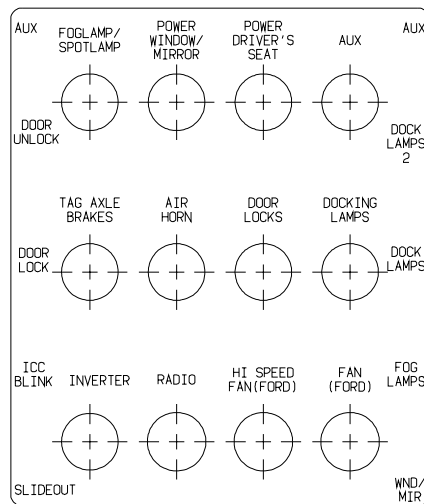
KEY PART NUMBER U/M DESCRIPTION
 093236-08-000 EA LABEL - CIRCUIT BREAKER



KEY PART NUMBER U/M DESCRIPTION
 093236-13-000 EA LABEL - CIRCUIT BREAKER



KEY PART NUMBER U/M DESCRIPTION
 093236-15-000 EA LABEL - CIRCUIT BREAKER

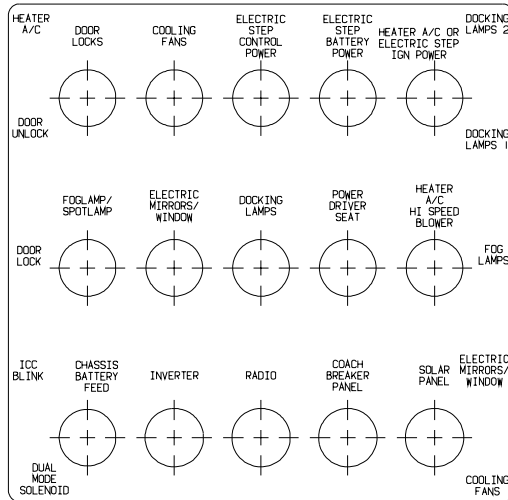


KEY PART NUMBER U/M DESCRIPTION
 093236-16-000 EA LABEL - CIRCUIT BREAKER

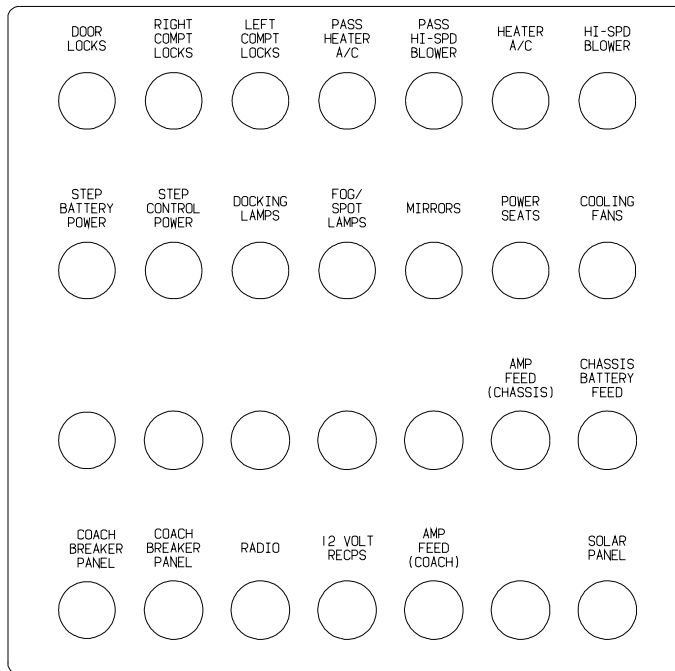
LABELS GROUP (CONTINUED)

BATTERY MODE SWITCH	COACH BREAKER PANEL	ELECTRIC STEP IGNITION POWER	ELECTRIC STEP BATTERY POWER	ELECTRIC STEP CONTROL POWER	INVERTER	SLIDEOUT POWER
---------------------------	---------------------------	---------------------------------------	--------------------------------------	--------------------------------------	----------	-------------------

KEY PART NUMBER U/M DESCRIPTION
 093236-18-000 EA LABEL - CIRCUIT BREAKER



KEY PART NUMBER U/M DESCRIPTION
 093236-19-000 EA LABEL - CIRCUIT BREAKER

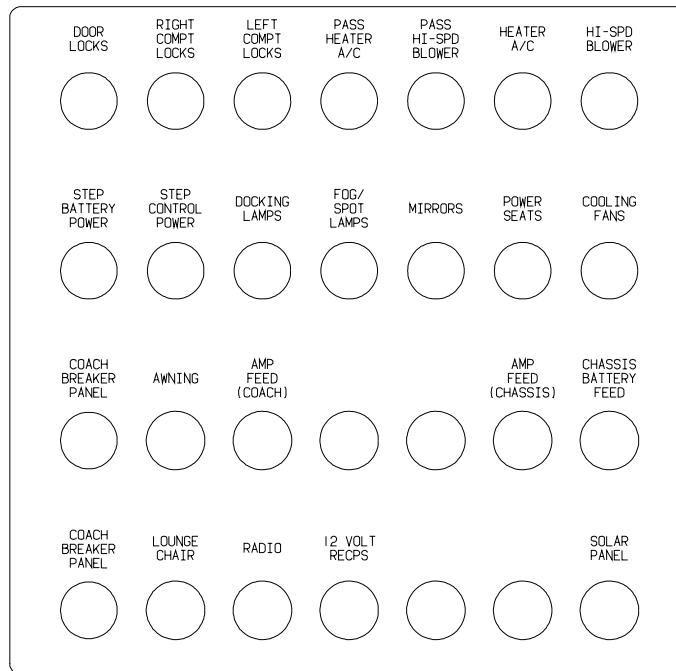


KEY PART NUMBER U/M DESCRIPTION
 093236-20-000 EA LABEL - CIRCUIT BREAKER

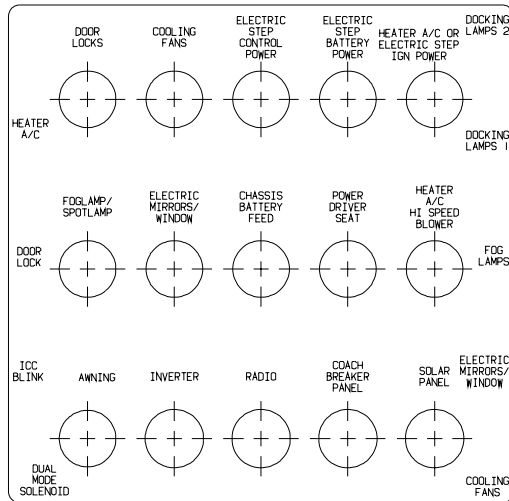
SLIDEOUT CONTROL	BATTERY MODE SWITCH	COACH BREAKER PANEL	ELECTRIC STEP IGNITION POWER	ELECTRIC STEP BATTERY POWER	ELECTRIC STEP CONTROL POWER	INVERTER
---------------------	---------------------------	---------------------------	---------------------------------------	--------------------------------------	--------------------------------------	----------

KEY PART NUMBER U/M DESCRIPTION
 093236-21-000 EA LABEL - CIRCUIT BREAKER

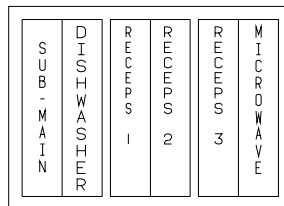
LABELS GROUP (CONTINUED)



KEY PART NUMBER U/M DESCRIPTION
 093236-22-000 EA LABEL - CIRCUIT BREAKER



KEY PART NUMBER U/M DESCRIPTION
 093236-23-000 EA LABEL - CIRCUIT BREAKER - MAIN



KEY PART NUMBER U/M DESCRIPTION
 095721-20-000 EA LABEL - CONTROL CENTER W/INVERTER

LABELS GROUP (CONTINUED)

A / C C I R C U I T 1	M A I N	M A I N	A / C C I R C U I T 2	I N V E R T E R / C H A R G E R	R E F F R I G / V A C C U U M	W A S H E R / D R Y E R	W A T E R H E A T E R	
-----------------------------	------------	------------	-----------------------------	--	-------------------------------------	-------------------------------	--------------------------------	--

KEY PART NUMBER U/M DESCRIPTION
 095721-22-000 EA LABEL - CONTROL CENTER - 50AMP

A / C C I R C U I T 1	M A I N		R E F F R I G / C O N V	M I C R O W A V E		R E C C P S 1	R E C C P S 2	
-----------------------------	------------	--	-------------------------------	----------------------	--	---------------------	---------------------	--

KEY PART NUMBER U/M DESCRIPTION
 095721-25-000 EA LABEL - CONTROL CENTER - 30 AMP

A / C C I R C U I T 1	M A I N	M A I N	A / C C I R C U I T 2	R E F F R I G / C O N V	M I C R O W A V E	R E C C P S 1	R E C C P S 2	R E C C P S 3	W A S H E R / D R Y E R	
-----------------------------	------------	------------	-----------------------------	-------------------------------	----------------------	---------------------	---------------------	---------------------	-------------------------------	--

KEY PART NUMBER U/M DESCRIPTION
 095721-26-000 EA LABEL - CONTROL CENTER - 30 AMP - CANADIAN

A / C C I R C U I T 1	M A I N	A / C C I R C U I T 2	R E F F R I G / C O N V	M I C R O W A V E	R E C C P S 1	R E C C P S 2	R E C C P S 3		
-----------------------------	------------	-----------------------------	-------------------------------	----------------------	---------------------	---------------------	---------------------	--	--

KEY PART NUMBER U/M DESCRIPTION
 095721-27-000 EA LABEL - CONTROL CENTER - 30 AM

LABELS GROUP (CONTINUED)

A / C C I R C U I T 1	M A I N	A / C C I R C U I T 2	R E F R I G / C O N V	M I C R O W A V E	R E C P S 1	R E C P S 2	R E C P S 3	W A S H E R / D R Y E R	W A T E R H E A T E R	
-----------------------------	---------	-----------------------------	-----------------------	-------------------	----------------	----------------	----------------	-------------------------	--------------------------	--

KEY PART NUMBER U/M DESCRIPTION
 095721-31-000 EA LABEL - CONTROL CENTER - 30 AMP - US

A / C C I R C U I T 1	M A I N	A / C C I R C U I T 2	I N V E R T E R / C H A R G E E R	R E F R I G E R A T O R	W A S H E R / D R Y E R	W A T E R H E A T E R	
-----------------------------	---------	-----------------------------	--------------------------------------	-------------------------	-------------------------	--------------------------	--

KEY PART NUMBER U/M DESCRIPTION
 095721-32-000 EA LABEL - CONTROL CENTER - 30 AMP W/INVERTER

A / C C I R C U I T 1	M A I N	M A I N	A / C C I R C U I T 2	R E F R I G / C O N V	M I C R O W A V E	R E C P S 1	R E C P S 2	R E C P S 3	W A S H E R / D R Y E R	W A T E R H E A T E R
-----------------------------	---------	---------	-----------------------------	-----------------------	-------------------	----------------	----------------	----------------	-------------------------	--------------------------

KEY PART NUMBER U/M DESCRIPTION
 095721-33-000 EA LABEL - CONTROL CENTER - 50 AMP - US

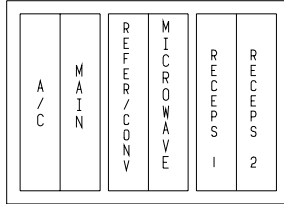
A / C C I R C U I T 1	M A I N	M A I N	A / C C I R C U I T 2	I N V E R T E R /	C H A R G E E R	R E F R I G E R A T O R	W A S H E R / D R Y E R	W A T E R H E A T E R	
-----------------------------	---------	---------	-----------------------------	-------------------	-----------------	-------------------------	-------------------------	--------------------------	--

KEY PART NUMBER U/M DESCRIPTION
 095721-34-000 EA LABEL - CONTROL CENTER - 50 AMP

M A I N	M I C R O W A V E	G F I / R E C E P S	R E F E R / C O N V	W A T E R H T R	A / C
---------	-------------------	---------------------	---------------------	--------------------	-------

KEY PART NUMBER U/M DESCRIPTION
 095721-38-000 EA LABEL - CONTROL CENTER - 30 AMP - US

LABELS GROUP (CONTINUED)



KEY PART NUMBER U/M DESCRIPTION
095721-40-000 EA LABEL - CONTROL CENTER

AUTOMOTIVE AND COACH
CIRCUIT BREAKERS

KEY PART NUMBER U/M DESCRIPTION
098379-01-000 EA LABEL - CIRCUIT BREAKER - FRONT BOX

CIRCUIT BREAKERS
AND AUTOMOTIVE
FUSE PANEL

KEY PART NUMBER U/M DESCRIPTION
098379-03-000 EA LABEL - ELECTRICAL BOX - FRONT

BATTERY MODE
SOLENOID AND
RELAYS

KEY PART NUMBER U/M DESCRIPTION
098379-04-000 EA LABEL - ELECTRICAL BOX - SIDE

UNLEADED
FUEL ONLY

KEY PART NUMBER U/M DESCRIPTION
098641-01-000 EA LABEL - FUEL - UNLEADED - DASH

FOR AWNING INSTALLATION
CONTACT YOUR MOTORHOME
DEALERSHIP

KEY PART NUMBER U/M DESCRIPTION
099509-01-000 EA LABEL - AWNING INSTALLATION

LABELS GROUP (CONTINUED)

WARNING
 THIS VEHICLE, LIKE OTHER VEHICLES, MAY CONTAIN SMALL AMOUNTS OF ONE OR MORE SUBSTANCES WHICH ARE LISTED BY THE STATE OF CALIFORNIA FOR CAUSING CANCER OR REPRODUCTIVE TOXICITY.

KEY PART NUMBER U/M DESCRIPTION
 099689-01-000 EA LABEL - WARNING - CANCER/TOXICITY

THIS CHAIR IS NOT INTENDED FOR OCCUPANCY WHEN VEHICLE IS IN MOTION AND MUST BE RETURNED TO STOWED POSITION

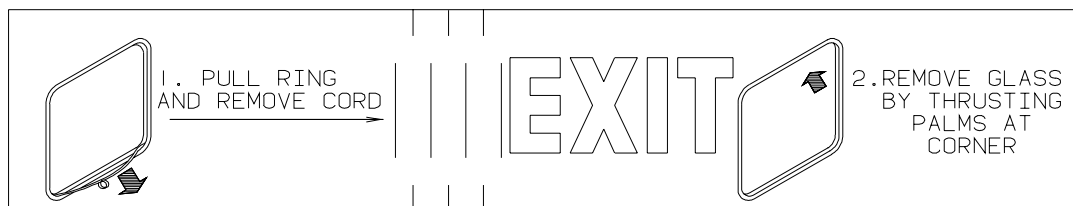
KEY PART NUMBER U/M DESCRIPTION
 102267-01-000 EA LABEL - NO OCCUPANCY - US

DTS ISICE SIEGE N/EST PAS DESTINE A ETRE OCCUPE LORSQUE LE VEHICULE EST EN MOUVEMENT ET IL FAUT QUE LE RANGER	THIS CHAIR IS NOT INTENDED FOR OCCUPANCY WHEN VEHICLE IS IN MOTION AND MUST BE RETURNED TO STOWED POSITION
---	--

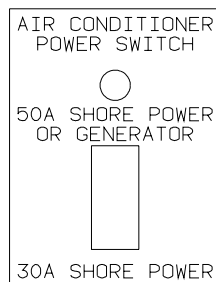
KEY PART NUMBER U/M DESCRIPTION
 102267-02-000 EA LABEL - NO OCCUPANCY - CSA

NOTE: TUNE ANTENNA PER MANUFACTURER'S DIRECTIONS. FAILURE TO COMPLY COULD RESULT IN DAMAGE TO CB.	CB POWER PROVISION RED +12 V BLACK GROUND COAX ANTENNA (SEE REVERSE ALSO)
---	---

KEY PART NUMBER U/M DESCRIPTION
 104678-01-000 EA LABEL - CB PREP



KEY PART NUMBER U/M DESCRIPTION
 107571-01-000 EA LABEL - EXIT/ESCAPE WINDOW

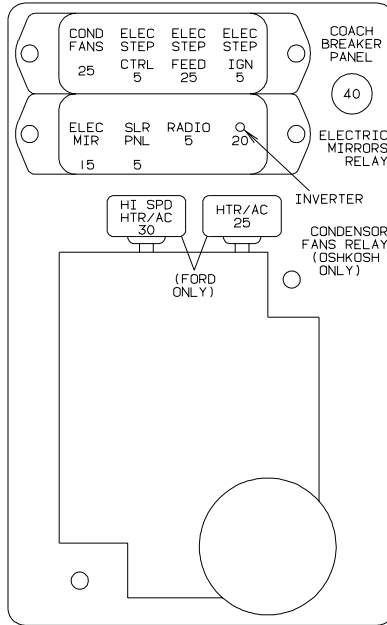


KEY PART NUMBER U/M DESCRIPTION
 109051-02-000 EA LABEL - SWITCH - 50 AMP POWER

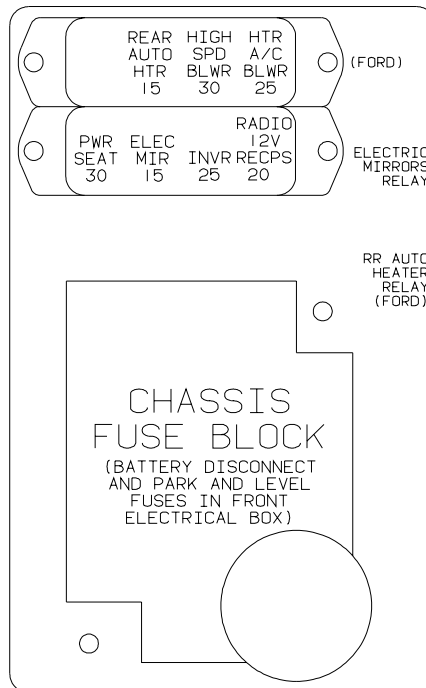
LABELS GROUP (CONTINUED)

DO NOT USE HITCH BEFORE
READING OWNERS MANUAL REGARDING
VEHICLE LOADING AND TOWING

KEY	PART NUMBER	U/M DESCRIPTION
	111104-01-000	EA LABEL - HITCH - READ MANUAL - WHITE
	111104-02-000	EA LABEL - HITCH - READ MANUAL - BLACK



KEY	PART NUMBER	U/M DESCRIPTION
	111537-07-000	EA LABEL - FUSES

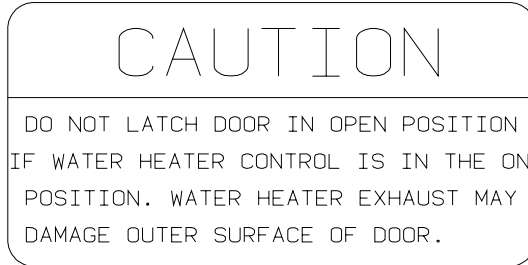


KEY	PART NUMBER	U/M DESCRIPTION
	111537-08-000	EA LABEL - FUSES

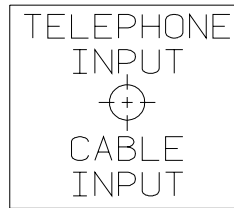
LABELS GROUP (CONTINUED)

WARNING: CONTAINS "CFC" A SUBSTANCE WHICH HARMS PUBLIC HEALTH AND ENVIRONMENT BY DESTROYING OZONE IN THE UPPER ATMOSPHERE.

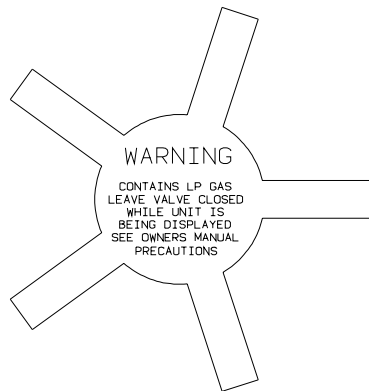
KEY PART NUMBER U/M DESCRIPTION
111802-01-000 EA LABEL - CFC WARNING



KEY PART NUMBER U/M DESCRIPTION
113402-01-000 EA LABEL - CAUTION - WATER HEATER EXHAUST



KEY PART NUMBER U/M DESCRIPTION
114866-02-000 EA LABEL - PHONE & CABLE INPUT - WHITE/CLEAR BACKGROUND
114866-03-000 EA LABEL - PHONE & CABLE INPUT - BLACK/CLEAR BACKGROUND



KEY PART NUMBER U/M DESCRIPTION
115600-01-000 EA LABEL - WARNING LPG VALVE

WARNING: REPLACE TIRE ONLY WITH ONE OF EXACTLY SAME TYPE AND RATING. DO NOT REPLACE WITH PASSENGER CAR TIRE. SEE OPERATOR'S MANUAL FOR MORE INFORMATION CALL WINNEBAGO OWNER RELATIONS AT 1-800-537-1885.

KEY PART NUMBER U/M DESCRIPTION
115869-01-000 EA LABEL - WARNING - TIRE

LABELS GROUP (CONTINUED)

WARNING

ALL LP GAS IS CONTAINED UNDER PRESSURE. DUE TO THE DANGEROUS POTENTIAL OF ANY COMPRESSED GAS, IT IS MANDATORY THAT THE FOLLOWING REQUIREMENTS FOR THE USE OF THIS TANK BE FOLLOWED: TANKS ARE TO BE INSTALLED, FUELED AND MAINTAINED IN ACCORDANCE WITH STATE AND LOCAL CODE, RULES, REGULATIONS OR LAWS AND IN ACCORDANCE WITH NFPA PAMPHLET 88, DIVISION IV.

KEY PART NUMBER U/M DESCRIPTION
116112-01-000 EA LABEL - WARNING - LP

THIS TANK IS EQUIPPED WITH AN AUTOMATIC VALVE DESIGNED TO CLOSE AT 80% LIQUID FULL.

CAUTION

ALWAYS OPEN 20% FIXED LIQUID LEVEL BLEEDER GAUGE WHILE FILLING. STOP FILLING IF LIQUID APPEARS BEFORE VALVE SHUTS OFF.

KEY PART NUMBER U/M DESCRIPTION
116113-01-000 EA LABEL - CAUTION - LP

INSERT RETAINER PINS IN SLIDE MECHANISM AFTER RETURNING GENERATOR TO STORED POSITION.

IF RETAINER PINS ARE NOT INSERTED, THE GENERATOR WILL EXTEND WHICH MAY CAUSE PERSONAL INJURY.

KEY PART NUMBER U/M DESCRIPTION
116273-01-000 EA LABEL - WARNING - GENERATOR

WARNING!

UNDERSTAND OPERATOR'S MANUAL BEFORE USING. KEEP PEOPLE AND OBSTRUCTIONS CLEAR OF SLIDEOUT ROOM WHEN OPERATING TO AVOID INJURY AND/OR PROPERTY DAMAGE.

KEY PART NUMBER U/M DESCRIPTION
116549-01-000 EA LABEL - WARNING - SLIDEOUT

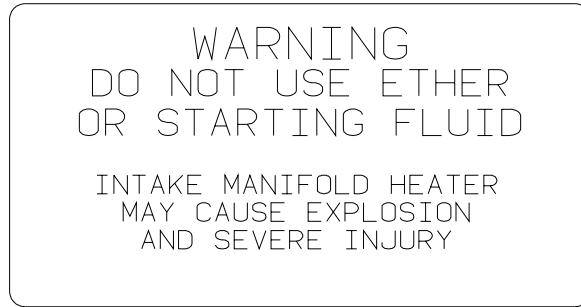
WARNING

DO NOT USE ETHER OR STARTING FLUID

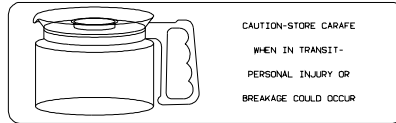
INTAKE MANIFOLD FLAME HEATER STARTING AID HAS OPEN FLAME. ETHER MAY CAUSE EXPLOSION AND SEVERE INJURY.

KEY PART NUMBER U/M DESCRIPTION
116756-01-000 EA LABEL - WARNING ETHER/STARTING

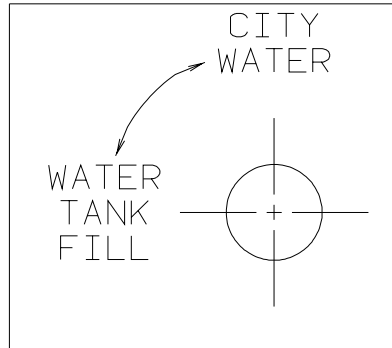
LABELS GROUP (CONTINUED)



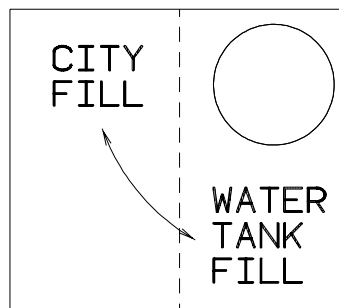
KEY PART NUMBER U/M DESCRIPTION
116756-02-000 EA LABEL - WARNING - ETHER/STARTING



KEY PART NUMBER U/M DESCRIPTION
116829-02-000 EA LABEL - COFFEEMAKER

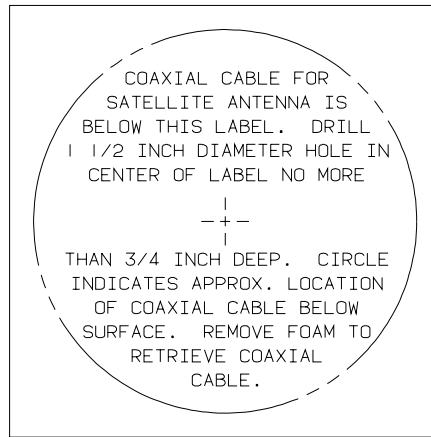


KEY PART NUMBER U/M DESCRIPTION
117629-03-000 EA LABEL - WATER PUMP/FILL-BLK LETTERS/CLEAR BACKGROUND-.31"

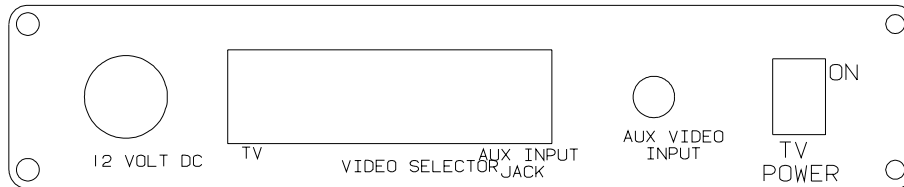


KEY PART NUMBER U/M DESCRIPTION
117629-04-000 EA LABEL - CITY WATER/TANK FILL

LABELS GROUP (CONTINUED)



KEY	PART NUMBER	U/M	DESCRIPTION
	120431-01-000	EA	LABEL - LOCATION - COAXIAL CABLE/SATELLITE ANTENNA



KEY	PART NUMBER	U/M	DESCRIPTION
	120677-01-000	EA	LABEL - TV

KEEP THE SERVICE INLET ACCESS
IN THE CLOSED POSITION WHEN
UTILITY CONNECTIONS ARE NOT IN USE

KEY	PART NUMBER	U/M	DESCRIPTION
	123562-01-000	EA	LABEL - SERVICE/UTILITY ACCESS

LABELS GROUP (CONTINUED)

WARNING

ALL PILOT LIGHTS, APPLIANCES AND THIER
IGNITORS (SEE OPERATING INSTRUCTIONS) SHALL
BE TURNED OFF DURING REFUELING OF MOTOR
FUEL TANKS AND/OR LP GAS CONTAINERS

KEY	PART NUMBER	U/M	DESCRIPTION
	124519-01-01A	EA	LABEL - WARNING/REFUELING - BLACK ON CLEAR
	124519-01-02A	EA	LABEL - WARNING/REFUELING - WHITE ON CLEAR

WARNING :

ALL PILOT LIGHTS AND APPLIANCES SHALL BE TURNED
OFF DURING REFUELING OF MOTOR FUEL TANKS AND/
OR PROPANE CONTAINERS.

AVERTISSEMENT :

FERMER TOUTES LES VEILLEUSES AINSI QUE TOUTS LES
APPAREILS LORSQU'ON FAIT LE PLEIN DES RESERVOIRS
À CARBURANT OU À PROPANE.

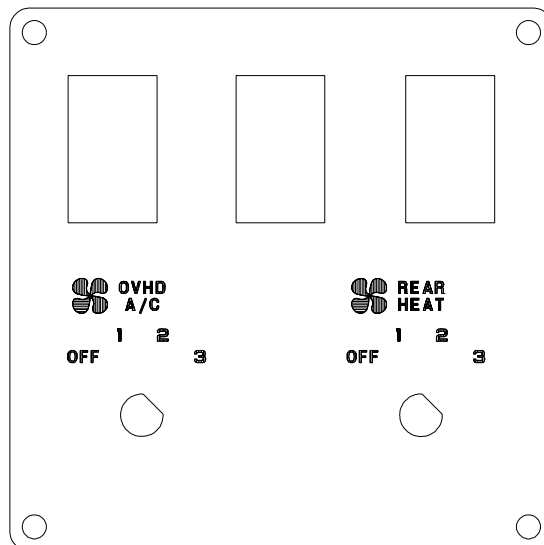
124519-02

KEY	PART NUMBER	U/M	DESCRIPTION
	124519-02-01A	EA	LABEL - WARNING/REFUELING - BLACK ON CLEAR - CSA
	124519-02-02A	EA	LABEL - WARNING/REFUELING - WHITE ON CLEAR - CSA

LP-GAS SYSTEM
THIS GAS PIPING SYSTEM IS
DESIGNED FOR USE OF
LIQUIFIED PETROLEUM GAS
ONLY. DO NOT CONNECT
NATURAL GAS TO THIS
SYSTEM.
SECURE CAP INLET(S) WHEN NOT
CONNECTED FOR USE. AFTER TURNING
ON GAS, EXCEPT AFTER NORMAL
CONTAINER REPLACEMENT, TEST GAS
PIPING AND CONNECTIONS TO
APPLIANCES FOR LEAKAGE WITH SOAPY
WATER OR BUBBLE SOLUTION. DO NOT
USE PRODUCTS THAT CONTAIN AMMONIA
OR CLORINE.

124520

KEY	PART NUMBER	U/M	DESCRIPTION
	124520-01-01A	EA	LABEL - LP GAS ONLY - BLACK ON CLEAR
	124520-01-02A	EA	LABEL - LP GAS ONLY - WHITE ON CLEAR



KEY	PART NUMBER	U/M	DESCRIPTION
	124572-01-000	EA	LABEL - SWITCHES

LABELS GROUP (CONTINUED)

THIS CONNECTION IS FOR
(B) VOLT AC,60 HZ(CYCLES)
(A) AMPERE SUPPLY

DO NOT CONNECT TO
HIGHER VOLTAGE

KEY	PART NUMBER	U/M DESCRIPTION
	125306-01-01A	EA LABEL - ELECTRICAL ENTRANCE - 110V 30AMP - BLACK ON CLEAR
	125306-03-01A	EA LABEL - ELECTRICAL ENTRANCE - 100 V 30 AMP-BLACK ON CLEAR
	125306-01-02A	EA LABEL - ELECTRICAL ENTRANCE - 110 V 30 AMP - WHITE ON CLEAR

THIS CONNECTION IS FOR
(B) VOLT AC,3-POLE,4 WIRE
60 HZ(CYCLES),(A) AMPERE SUPPLY

DO NOT CONNECT TO
HIGHER VOLTAGE

KEY	PART NUMBER	U/M DESCRIPTION
	125306-04-01A	EA LABEL-ELECTRICAL ENTRANCE-120/240V 50 AMP-BLACK ON CLEAR
	125306-04-02A	EA LABEL - ELECTRICAL ENTRANCE-120/240V 50 AMP-WHITE ON CLEAR

KEY	PART NUMBER	U/M DESCRIPTION
	125697-07-000	EA LABEL - CAUTION - FLUSHING SYSTEM NO ART AVAILABLE

REMOVE PRIMARY TIRE HANGER BEFORE USING
SPARE TIRE HOIST-SEE OWNERS MANUAL - PERSONAL
INJURY MAY RESULT IF NOT FOLLOWED

KEY	PART NUMBER	U/M DESCRIPTION
	126024-01-01A	EA LABEL - TIRE HANGER REMOVAL

GRAY HOLDING TANK

KEY	PART NUMBER	U/M DESCRIPTION
	126247-01-000	EA LABEL - GRAY HOLDING TANK-WHITE LETTERS/CLEAR BACKGROUND
	126247-05-000	EA LABEL - GRAY HOLDING TANK-BLACK LETTERS/CLEAR BACKGROUND

BLACK HOLDING TANK

KEY	PART NUMBER	U/M DESCRIPTION
	126247-02-000	EA LABEL - BLACK HOLDING TANK-WHITE LETTERS/BLACK BACKGROUND
	126247-06-000	EA LABEL - BLACK HOLDING TANK-BLACK LETTERS/CLEAR BACKGROUND

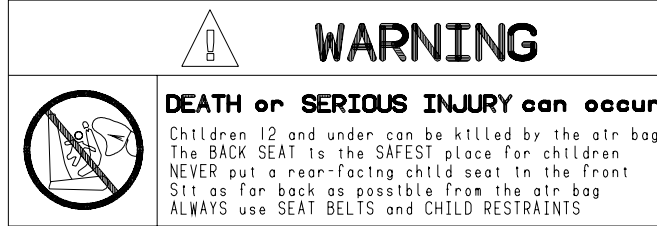
LABELS GROUP (CONTINUED)

EXTERIOR SHOWER

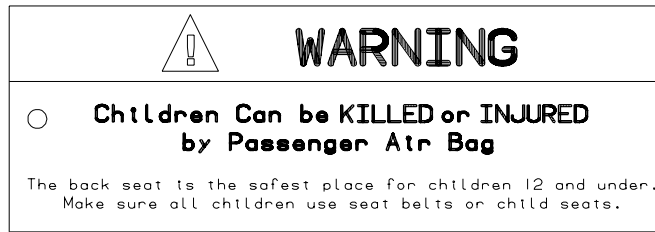
KEY PART NUMBER U/M DESCRIPTION
126248-03-000 EA LABEL - EXTERIOR SHOWER

CITY WATER FILL

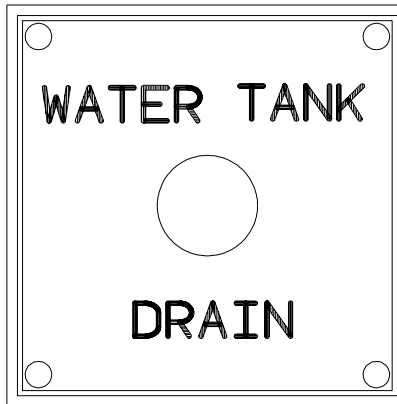
KEY PART NUMBER U/M DESCRIPTION
126249-03-000 EA LABEL - CITY WATER FILL-BLK LETTER/CLEAR BACKGROUND-.31"H



KEY PART NUMBER U/M DESCRIPTION
126611-01-000 EA LABEL - AIR BAG - VISOR



KEY PART NUMBER U/M DESCRIPTION
126612-01-000 EA LABEL - HANG TAG - AIR BAG - DASH



KEY PART NUMBER U/M DESCRIPTION
127170-01-000 EA LABEL - WATER TANK DRAIN

LABELS GROUP (CONTINUED)

WARNING

ROOF SURFACE MAY BE SLIPPERY
ESPECIALLY WHERE MOISTURE IS PRESENT
SLIPPING MAY RESULT IN PERSONAL INJURY.

128218-01

KEY	PART NUMBER	U/M DESCRIPTION
	128218-01-01A	EA LABEL - WARNING - SLIPPERY ROOF

ENTRANCE DOOR PROP ROD

THIS ROD IS DESIGNED TO PROP THE
ENTRANCE DOOR OPEN WHEN THE PATIO
AWNING ARM IS ATTACHED TO THE
SIDEWALL AND THE AWNING IS EX-
TENDED.
HOOK ONE END OF ROD INTO LOOP ON
DOOR AND OTHER END INTO LOOP ON THE
SIDEWALL AS SHOWN.

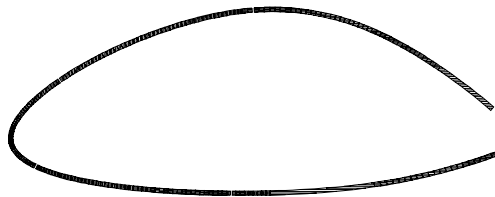
(THIS LABEL TO BE REMOVED BY RETAIL OWNER ONLY)

KEY	PART NUMBER	U/M DESCRIPTION
	128658-01-000	EA LABEL - PROP ROD - ENTRY DOOR

WARNING

POTABLE WATER ONLY
SANITIZE, FLUSH, AND
DRAIN BEFORE USING.
SEE INSTRUCTION MANUAL

KEY	PART NUMBER	U/M DESCRIPTION
	128725-01-01A	EA LABEL - POTABLE WATER ONLY



ATTENTION

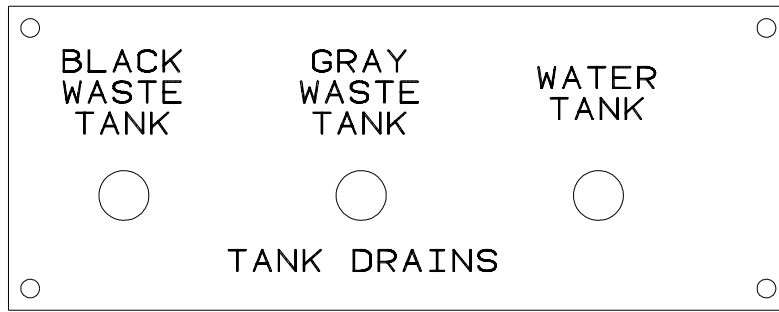
REMEMBER TO DETACH THE OTHER
TRAVEL LATCH LOCATED IN
GALLEY CABINET BEFORE EXTENDING
THIS ROOM.

KEY	PART NUMBER	U/M DESCRIPTION
	129033-01-000	EA LABEL - HANG TAG - TRAVEL LATCH - 1.5" X3"

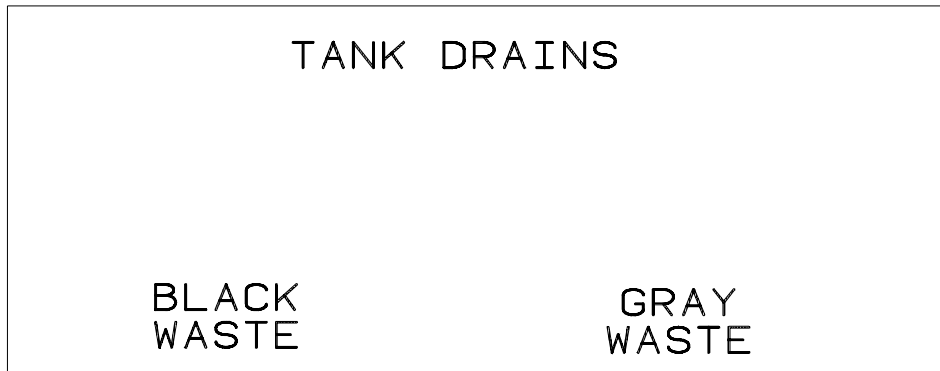
TOW VEHICLE RATING MAY BE LESS THAN HITCH RATING.
MAXIMUM VERTICAL HITCH LOAD: 350 LBS
DO NOT EXCEED REAR AXLE RATING.
SEE OWNER'S MANUAL FOR ADDITIONAL INFORMATION.

KEY	PART NUMBER	U/M DESCRIPTION
	129669-01-01A	EA LABEL - HITCH/VEHICLE RATE - 350 - WHITE ON CLEAR
	129669-02-01A	EA LABEL - HITCH/VEHICLE RATE - 500 - WHITE ON CLEAR
	129669-02-02A	EA LABEL - HITCH/VEHICLE RATE - 500 - BLACK ON CLEAR

LABELS GROUP (CONTINUED)



KEY	PART NUMBER	U/M	DESCRIPTION
	130166-01-000	EA	LABEL - DRAIN



KEY	PART NUMBER	U/M	DESCRIPTION
	130166-02-000	EA	LABEL - DRAIN

LABELS GROUP (CONTINUED)

HOSE
STORAGE

KEY PART NUMBER U/M DESCRIPTION
130167-02-000 EA LABEL - HOSE STORAGE

WASTE TANK FLUSH

KEY PART NUMBER U/M DESCRIPTION
130168-01-000 EA LABEL - WASTE TANK FLUSH

MONITOR WATER
PANEL LIGHT PUMP

KEY PART NUMBER U/M DESCRIPTION
130170-01-000 EA LABEL - SWITCH PANEL - BLK/CLEAR BACKGROUND-1.8"H X 5.9"L

LIGHTS WATER
PUMP

KEY PART NUMBER U/M DESCRIPTION
130170-02-000 EA LABEL - SWITCH PANEL - BLK/CLEAR BACKGROUND-1.4H X 3.9"L
117628-02-000 EA LABEL - SWITCH - WATER PUMP/LIGHTS-WHITE/CLEAR BACKGROUND

WATER
PUMP

KEY PART NUMBER U/M DESCRIPTION
130170-03-000 EA LABEL - PANEL SWITCH

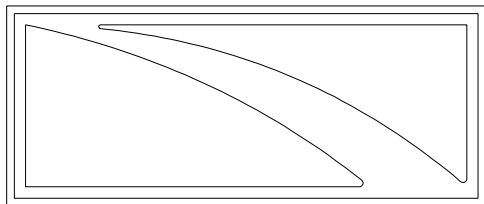
LABELS GROUP (CONTINUED)

CAUTION:
 OPEN A WINDOW OR VENT WHILE
 OPERATING DRYER. IT IS DANGEROUS
 TO CREATE A NEGATIVE AIR PRESSURE
 INSIDE A VEHICLE CONTAINING
 FUEL-BURNING APPLIANCES

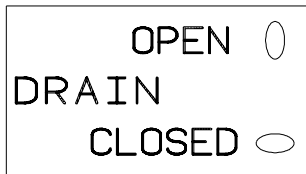
KEY PART NUMBER U/M DESCRIPTION
 130670-01-01A EA LABEL - CAUTION DRYER VENTING - BLACK ON CLEAR



KEY PART NUMBER U/M DESCRIPTION
 131779-01-01A EA LABEL - GENERATOR



KEY PART NUMBER U/M DESCRIPTION
 132651-01-01A EA DECAL - MIRROR/GALLEY

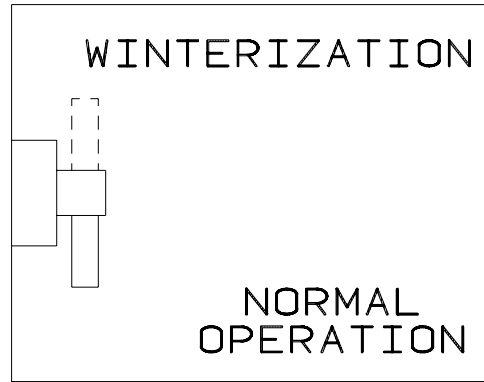


KEY PART NUMBER U/M DESCRIPTION
 133423-01-01A EA LABEL - DRAIN



KEY PART NUMBER U/M DESCRIPTION
 133424-01-01A EA LABEL - BYPASS - WATER HEATER

LABELS GROUP (CONTINUED)



KEY PART NUMBER U/M DESCRIPTION
133425-01-01A EA LABEL - VALVE - WINTERIZATION



KEY PART NUMBER U/M DESCRIPTION
133533-01-01A EA LABEL - JACKS DOWN - CLEAR W/WHITE LETTERING

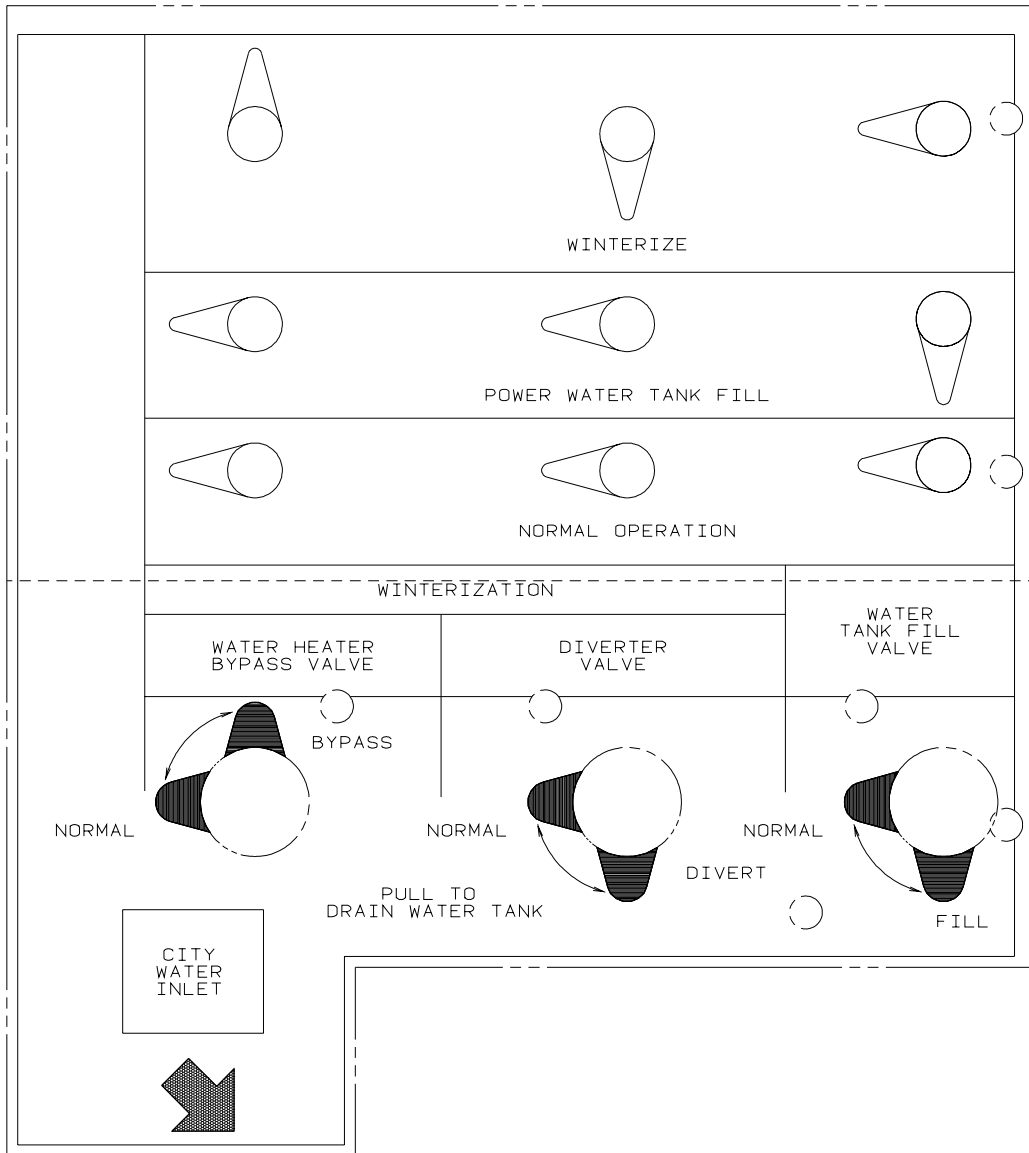


KEY PART NUMBER U/M DESCRIPTION
133533-02-01A EA LABEL - CHECK ANTENNA - CLEAR W/WHITE LETTERING



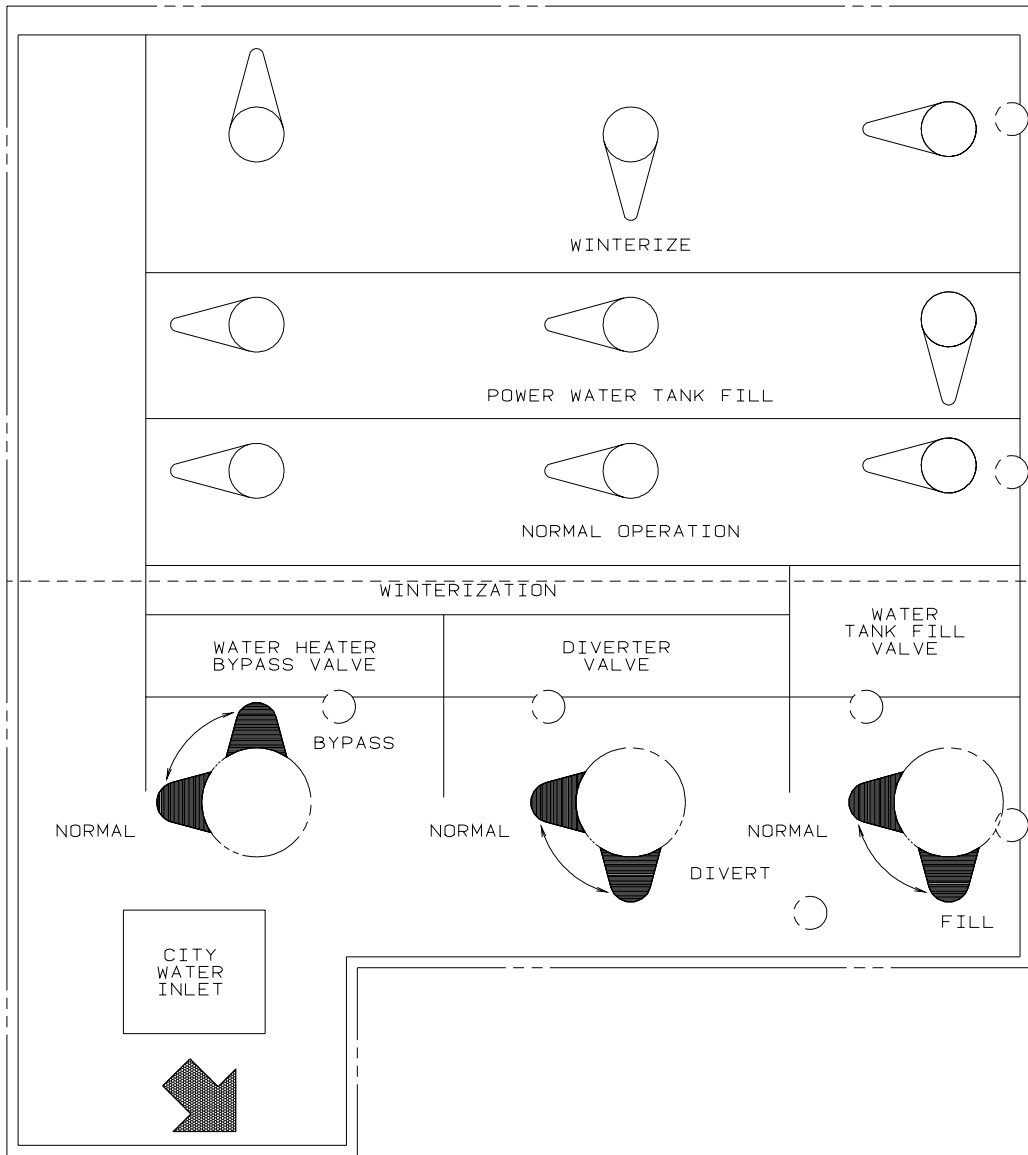
KEY PART NUMBER U/M DESCRIPTION
133533-03-01A EA LABEL - LOCK/UNLOCK - BLACK/WHITE

LABELS GROUP (CONTINUED)



KEY	PART NUMBER	U/M	DESCRIPTION
	133629-01-01A	EA	LABEL - WATER CENTER

LABELS GROUP (CONTINUED)



KEY	PART NUMBER	U/M DESCRIPTION
	133629-02-01A	EA LABEL - WATER CENTER - BLACK/CLEAR

THIS SEAT IS NOT INTENDED FOR OCCUPANCY WHEN VEHICLE IS IN MOTION

KEY	PART NUMBER	U/M DESCRIPTION
	134538-01-01A	EA LABEL - OCCUPANCY - NO SEAT BELT - BLACK ON CLEAR - US

LABELS GROUP (CONTINUED)

DST ISICE SIEGE N/EST PAS DESTINE A ETRE OCCUPE LORSQUE LE VEHICULE EST IN MOVUVEMENT	THIS SEAT IS NOT INTENDED FOR OCCUPANCY WHILE VEHICLE IS IN MOTION
---	--

KEY PART NUMBER U/M DESCRIPTION
134538-02-01A EA LABEL - OCCUPANCY - NO SEAT BELT - BLACK ON CLEAR - CSA

HOLDING TANK HEATER

TURN OFF WHEN NOT IN USE
SEE OPERATOR'S MANUAL

KEY PART NUMBER U/M DESCRIPTION
134563-01-01A EA LABEL - SWITCH - HEATER

THIS VEHICLE MAY INCLUDE MERCURY-CONTAINING DEVICES INSTALLED BY THE MANUFACTURER:
FLUORESCENT TUBES, RANGES WITH OVEN, HWH LEVEL SENSING UNIT.

REMOVE DEVICES BEFORE VEHICLE DISPOSAL UPON REMOVAL OF
DEVICES: PLEASE REUSE, RECYCLE, OR DISPOSE AS HAZARDOUS WASTE

135869-01A

KEY PART NUMBER U/M DESCRIPTION
135869-01-01A EA LABEL - MERCURY CONTENT - BLACK ON CLEAR

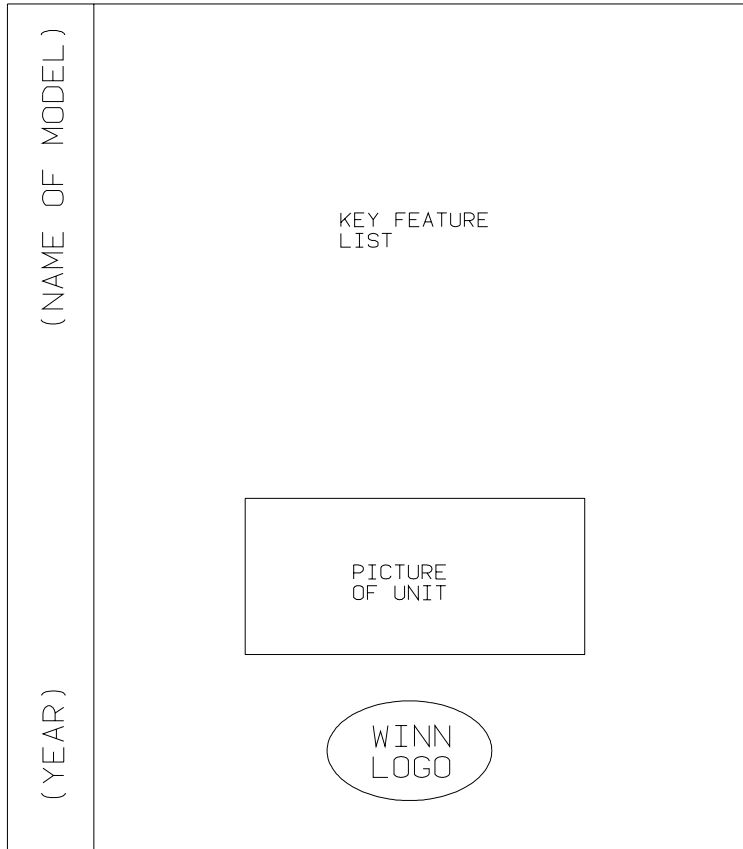
LIQUID SOAP

KEY PART NUMBER U/M DESCRIPTION
136047-01-01A EA LABEL - LIQUID SOAP

DOOR LOCK	DOOR UNLOCK	RIGHT COMPT DOOR LOCK	RIGHT COMPT DOOR UNLOCK	LEFT COMPT DOOR LOCK	LEFT COMPT DOOR UNLOCK	AUX START SOLENOID	AMP SOURCE
POWER MIRRORS	HEATER BLOWER	PASS HEATER BLOWER	FOG LAMPS	DOCKING LAMPS	DOCKING LAMPS SWITCH TRIGGER	COOLING FANS	

KEY PART NUMBER U/M DESCRIPTION
136161-01-01A EA LABEL - RELAY - MATTE BLACK/WHITE LETTERS

LABELS GROUP (CONTINUED)

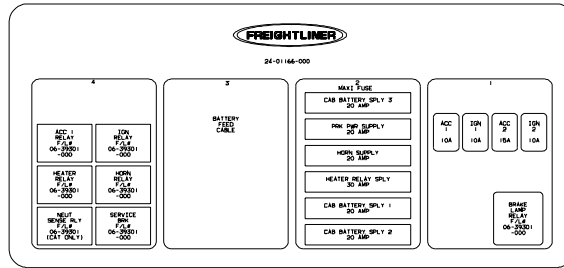


KEY	PART NUMBER	U/M	DESCRIPTION
	136164-01-01A	EA	STICKET - STATIC CLING - MINNIE
	136164-01-02A	EA	STICKER - STATIC CLING - MINNIE WINNIE
	136164-01-03A	EA	STICKER - STATIC CLING - BRAVE SE
	136164-01-04A	EA	STICKER - STATIC CLING - BRAVE
	136164-01-05A	EA	STICKER - STATIC CLING - ADVENTURER
	136164-01-06A	EA	STICKER - STATIC CLING - CHIEFTAIN
	136164-01-07A	EA	STICKER - STATIC CLING - JOURNEY
	136164-01-08A	EA	STICKER - STATIC CLING - SUNDANCER
	136164-01-09A	EA	STICKER - STATIC CLING - SUNRISE SE
	136164-01-10A	EA	STICKER - STATIC CLING - SUNRISE
	136164-01-11A	EA	STICKER - STATIC CLING - SUNCRUISER
	136164-01-12A	EA	STICKER - STATIC CLING - SUNFLYER
	136164-01-13A	EA	STICKER - STATIC CLING - HORIZON
	136164-01-14A	EA	STICKER - STATIC CLING - RIALTA
	136164-01-15A	EA	STICKER - STATIC CLING - ADVANTAGE
	136164-01-16A	EA	STICKER - STATIC CLING - FREEDOM
	136164-01-17A	EA	STICKER - STATIC CLING - KEY FEATURE

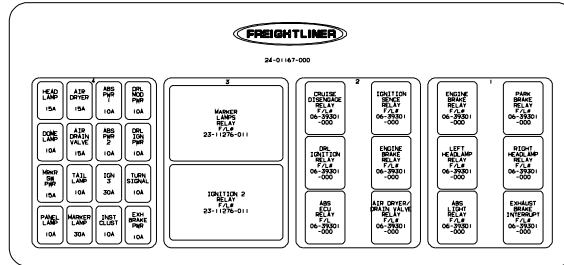
LT - AIR BAGS - RT

KEY	PART NUMBER	U/M	DESCRIPTION
	136360-01-01A	EA	LABEL - AIR BAGS

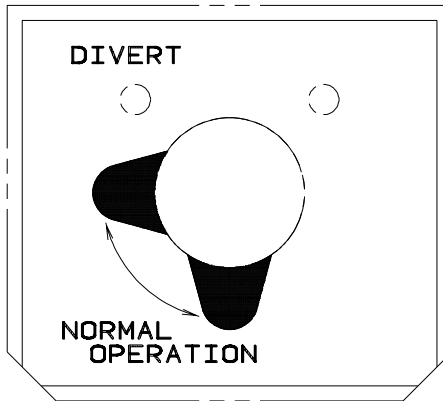
LABELS GROUP (CONTINUED)



KEY PART NUMBER U/M DESCRIPTION
137090-01-000 EA LABEL - ELECTRICAL CENTER



KEY PART NUMBER U/M DESCRIPTION
137090-02-000 EA LABEL - 4 MODULE BASE



KEY PART NUMBER U/M DESCRIPTION
137997-01-01A EA LABEL - WINTERIZATION VALVE - BLACK/CLEAR

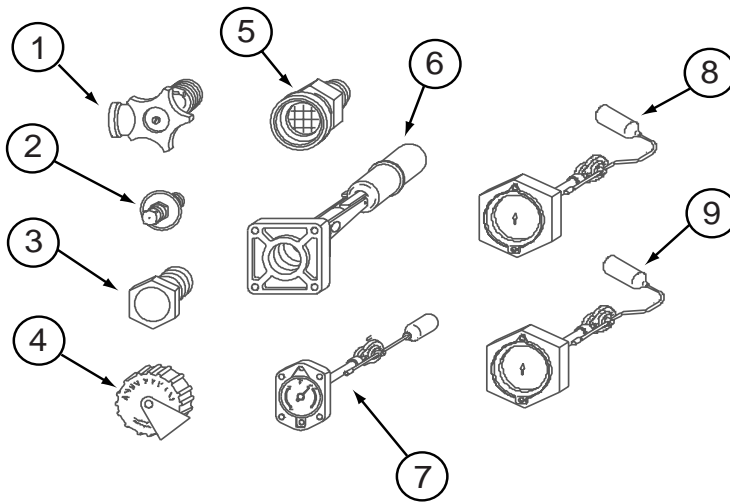
LP GROUP

LP SYSTEM

KEY	PART NUMBER	U/M	DESCRIPTION
	045703-01-000	EA	HOSE - LP - 3/8"ID X 24" - 3/8"MPT X 1/2"F SWIVEL - U.S.
	045703-02-000	EA	HOSE - LP - 3/8"ID X 24" - 3/8"MPT X 1/2"F SWIVEL - CANADA
	045703-05-000	EA	HOSE - LP - 3/8"ID X 28" - 3/8"MPT X 1/2"F SWIVEL - U.S.
	045703-06-000	EA	HOSE - LP - 3/8"ID X 28" - 3/8"MPT X 1/2"F SWIVEL - CANADA
	105658-01-000	EA	COMPARTMENT - LP REGULATOR
	106150-01-000	EA	REGULATOR - TWO STAGE -W/90 DEGREE ELBOW & 3/8" FPT OUTLET
	065318-02-000	EA	ELBOW - 90 DEGREE - 3/8" MPT TO 3/8" FPT
	010323-01-000	EA	ADAPTER - BRASS - 3/8"F X 1/2"MPT
	010329-01-000	EA	ADAPTER - BRASS - 1/2"F X 1/2"MPT
	024250-01-000	EA	ADAPTER - BRASS - 3/8"F X 1/2"FPT
	010377-02-000	EA	NUT - BRASS - 3/8" FLARE - FORGED
	010380-02-000	EA	NUT - BRASS - 1/2" FLARE - FORGED
	040440-02-000	EA	TRANSMITTER - DIAL/BOLT-ON - 0-90 OHM 2 TERM(POWER/GROUND) FROM: 00-00-00 THRU: 08-13-00
	040440-03-000	EA	TRANSMITTER - DIAL/SNAP-ON - 0-90 OHM 2 TERM(POWER/GROUND) FROM: 08-14-00 THRU: 99-99-99
*	088253-03-000	EA	TANK - LP - 100 LB - 16"DIAMETER X 36" LONG - SPL - L34Y , L36W
*	088253-10-000	EA	TANK - LP - 100 LB - 14" DIAMETER X 47" LONG - L35U
	103613-03-000	EA	DETECTOR - LP GAS - W/O SHUT-OFF VALVE
	010326-01-000	EA	ADAPTER - FLARE - W/CONE GASKET - 3/8"F X 1/2"F

***COMPONENT PARTS LISTED LATER IN THIS GROUP**

LP GROUP (CONTINUED)
COMPONENT PARTS FOR LP SYSTEM



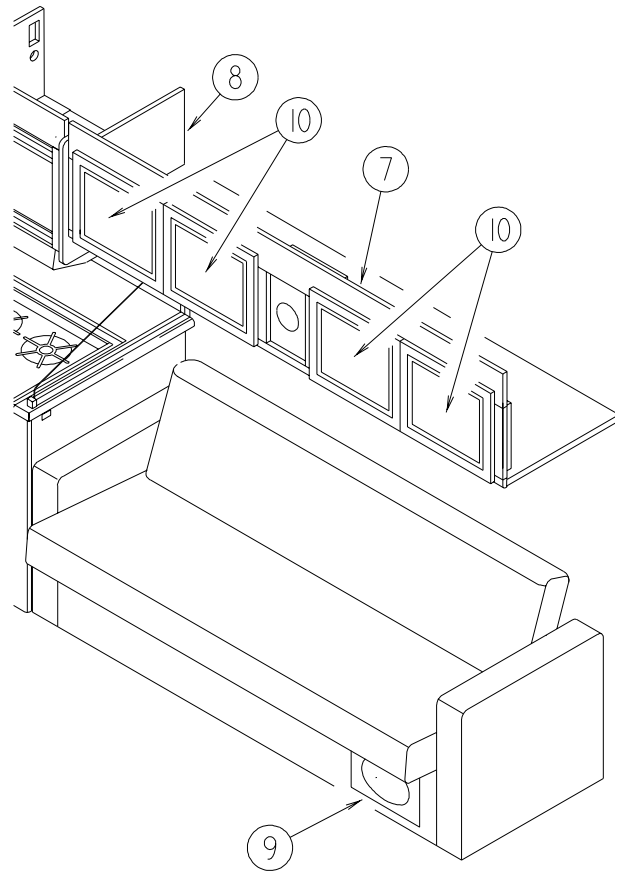
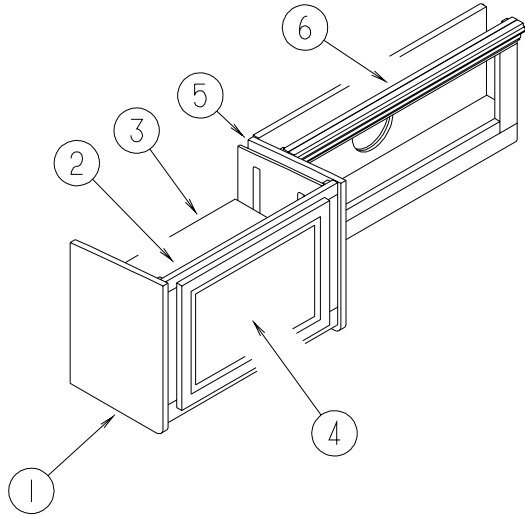
088253-03-000

KEY	PART NUMBER	U/M	DESCRIPTION	VENDOR NO.
	088253-03-000	EA	TANK - LP - 100 LB - 16"DIAMETER X 36" LONG - SPL88 P32RQ W/SIDE E	
1	040421-01-708	EA	HANDWHEEL-SERVICE VALVE	G-1015-A
1	040421-01-712	EA	VALVE,SERV. W/O VAPOR RELIEF	29000853
2	040421-01-700	EA	VALVE-LIQUID LEVEL, 20%	G-1013
3	040421-01-713	EA	VALVE-RELIEF 1" W/SPRING 7"	29000587
4	040421-01-702	EA	CAP-FILL VALVE, PLASTIC	G-1014-A
5	040421-01-701	EA	VALVE-FILL-SHORT, LP	7547B
6	040421-01-711	EA	VALVE-80% FILL W/AUTO STOP	LLL/TL3
7			NOT WHAT IS ILLUSTRATED HERE	
8			NOT WHAT IS ILLUSTRATED HERE	
9	088253-01-700	EA	FLOAT/BOLT ON-SCREW ON DIAL	SG16C0000071
9	088253-01-702	EA	FLOAT/SCREW IN-SNAP ON DIAL	SG16C0001442

088253-10-000

KEY	PART NUMBER	U/M	DESCRIPTION	VENDOR NO.
1	040421-01-708	EA	HANDWHEEL-SERVICE VALVE	G-1015-A
1	040421-01-712	EA	VALVE,SERV. W/O VAPOR RELIEF	29000853
2	040421-01-700	EA	VALVE-LIQUID LEVEL, 20%	G-1013
3	040421-01-713	EA	VALVE-RELIEF 1" W/SPRING 7"	29000587
4	040421-01-702	EA	CAP-FILL VALVE, PLASTIC	G-1014-A
5	040421-01-701	EA	VALVE-FILL-SHORT, LP	7547B
6	040421-01-711	EA	VALVE-80% FILL W/AUTO STOP	LLL/TL3
7	040421-01-707	EA	FLOAT/BOLT ON-SCREW ON DIAL	14C
7	088253-09-700	EA	FLOAT/SCREW IN-SNAP ON DIAL	SG14C0001466
8			NOT WHAT IS ILLUSTRATED HERE	
9			NOT WHAT IS ILLUSTRATED HERE	

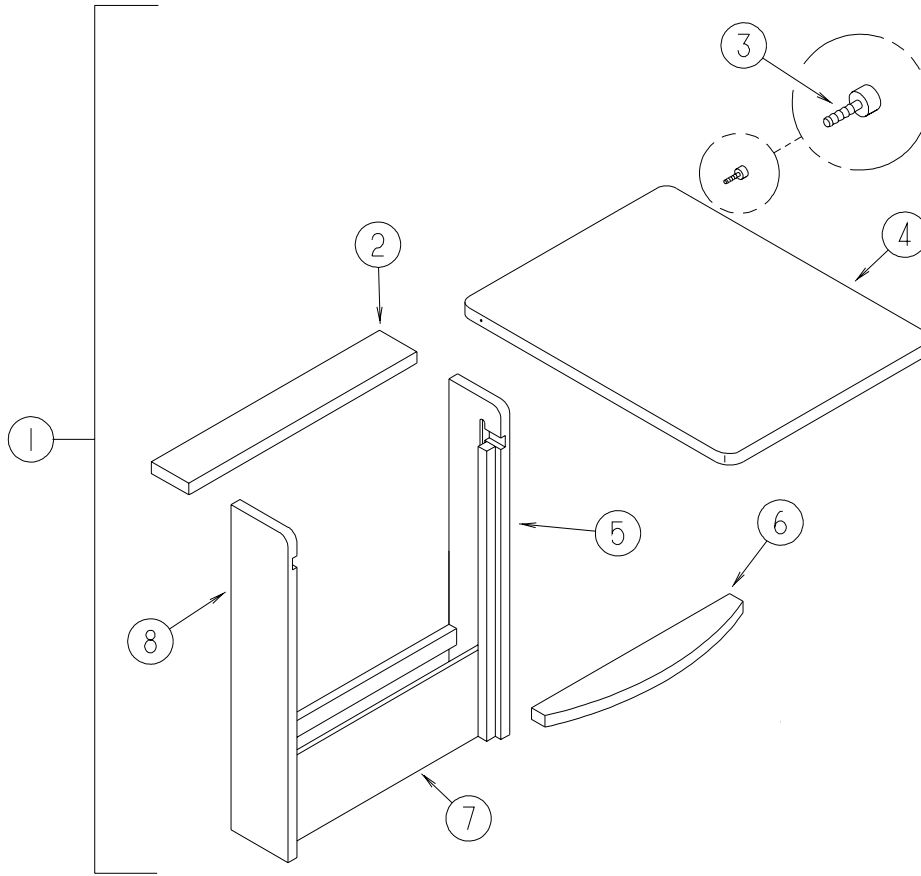
LOUNGE GROUP CABINETS



KEY	PART NUMBER	U/M	DESCRIPTION
1	103128-07-M52	EA	END CAP - OVERHEAD CABINET/LEFT HAND - SALEM CHERRY
1	103128-07-M42	EA	END CAP - OVERHEAD CABINET/LEFT HAND - PORTSMOUTH OAK
2	131890-03-M52	EA	CABINET - OVERHEAD/FRONT - W/O DOORS/HARDWARE - SALEM CHERRY
2	131890-03-M53	EA	CABINET - OVERHEAD/FRONT - W/O DOORS/HARDWARE - PORTSMOUTH OAK
3	131890-11-M52	EA	SHELF - W/PLASTIC EDGE MOLDING - SALEM CHERRY
3	131890-11-M42	EA	SHELF - W/PLASTIC EDGE MOLDING - PORTSMOUTH OAK
4	131995-C5-L52	EA	DOOR - RAIL/SOLID PANEL - 15.5" X 29.5" - W/O HARDWARE - SALEM CHERRY
4	131995-C5-M53	EA	DOOR - RAIL/SOLID PANEL - 15.5" X 29.5" - W/O HARDWARE - PORTSMOUTH OAK
5	103128-10-M52	EA	END CAP - OVERHEAD CABINET/RIGHT HAND - SALEM CHERRY
5	103128-10-M42	EA	END CAP - OVERHEAD CABINET/RIGHT HAND - PORTSMOUTH OAK
6	134013-01-M52	EA	CABINET - OVERHEAD/ENTRY DOOR - W/O DOORS/HARDWARE - SALEM CHERRY
6	134013-01-M53	EA	CABINET - OVERHEAD/ENTRY DOOR - W/O DOORS/HARDWARE - PORTSMOUTH OAK
7	133361-01-M52	EA	CABINET - OVERHEAD/FRONT - W/O DOORS/HARDWARE - SALEM CHERRY
7	133361-01-M53	EA	CABINET - OVERHEAD/FRONT - W/O DOORS/HARDWARE - PORTSMOUTH OAK
8	103128-49-M52	EA	END CAP - OVERHEAD CABINET/LEFT HAND - SALEM CHERRY
8	103128-49-M53	EA	END CAP - OVERHEAD CABINET/LEFT HAND - PORTSMOUTH OAK
9	129642-01-000	EA	CABINET - SPEAKER - W/O DOORS/HARDWARE
10	131995-A1-L52	EA	DOOR - RAIL/SOLID PANEL - 14.3" X 14.3" - W/O HARDWARE - SALEM CHERRY
10	131995-A1-M53	EA	DOOR - RAIL/SOLID PANEL - 14.3" X 14.3" - W/O HARDWARE - PORTSMOUTH OAK

LOUNGE GROUP (CONTINUED) TABLES

KEY	PART NUMBER	U/M	DESCRIPTION
	133604-01-L52	EA	TABLE/COFFEE - COMPLETE - CHERRY
	133604-01-L81	EA	TABLE/COFFEE - COMPLETE - PORTSMOUTH OAK
	134334-01-000	EA	BAG - COFFEE TABLE



KEY	PART NUMBER	U/M	DESCRIPTION
1	119559-04-M52	EA	CABINET - W/PULLOUT TABLE - W/HARDWARE - SALEM CHERRY FROM: 00-00-00 THRU: 08-13-00
1	136683-02-M52	EA	CABINET WALL - W/PULLOUT TABLE - SALEM CHERRY FROM: 08-14-00 THRU: 99-99-99
1	119559-04-L81	EA	CABINET - W/PULLOUT TABLE - W/HARDWARE - PORTSMOUTH OAK FROM: 00-00-00 THRU: 08-13-00
1	136683-02-M53	EA	CABINET WALL - W/PULLOUT TABLE - PORTSMOUTH OAK FROM: 08-14-00 THRU: 99-99-99
2	119559-26-M52	EA	WALL CABINET/TOP - F/PULLOUT TABLE - SALEM CHERRY FROM: 00-00-00 THRU: 08-13-00
2	136683-20-M52	EA	TOP ONLY - F/PULLOUT CABINET - SALEM CHERRY FROM: 08-14-00 THRU: 99-99-99
2	119559-26-L81	EA	WALL CABINET/TOP - F/PULLOUT TABLE - PORTSMOUTH OAK FROM: 00-00-00 THRU: 08-13-00
2	136683-20-M53	EA	TOP ONLY - F/PULLOUT CABINET - PORTSMOUTH OAK FROM: 08-14-00 THRU: 99-99-99
3	079921-01-000	EA	ROLLER - NYLON - W/STEEL SHAFT - BARBED
4	119559-29-L52	EA	TABLE TOP ONLY - SALEM CHERRY FROM: 00-00-00 THRU: 08-13-00
4	136683-22-M52	EA	TABLE TOP ONLY - F/PULLOUT TABLE - SALEM CHERRY FROM: 08-14-00 THRU: 99-99-99
4	119559-29-L81	EA	TABLE TOP ONLY - PORTSMOUTH OAK FROM: 00-00-00 THRU: 08-13-00
4	136683-22-M53	EA	TABLE TOP ONLY - F/PULLOUT TABLE - PORTSMOUTH OAK FROM: 08-14-00 THRU: 99-99-99

LOUNGE GROUP (CONTINUED)
TABLES (CONTINUED)

KEY	PART NUMBER	U/M	DESCRIPTION
5	119559-11-M52	EA	CABINET/RIGHT SIDE - F/PULLOUT TABLE - 8.3" X 28.7" - SALEM CHERRY FROM: 00-00-00 THRU: 08-13-00
5	136683-11-M52	EA	CABINET/RIGHT SIDE - F/PULLOUT TABLE - 5.7" X 28.7" - SALEM CHERRY FROM: 08-14-00 THRU: 99-99-99
5	119559-11-L81	EA	CABINET/RIGHT SIDE - F/PULLOUT TABLE - 8.3" X 28.7" - PORTSMOUTH OAK FROM: 00-00-00 THRU: 08-13-00
5	136683-11-M53	EA	CABINET/RIGHT SIDE - F/PULLOUT TABLE - 5.7" X 28.7" - PORTSMOUTH OAK FROM: 08-14-00 THRU: 99-99-99
6	119559-27-M52	EA	SHELF - SUPPORT - F/PULLOUT TABLE - SALEM CHERRY FROM: 00-00-00 THRU: 08-13-00
6	136683-19-M52	EA	SHELF - TABLE STABILIZER W/EDGE MOLDING - SALEM CHERRY FROM: 08-14-00 THRU: 99-99-99
6	119559-27-L81	EA	SHELF - SUPPORT - F/PULLOUT TABLE - PORTSMOUTH OAK FROM: 00-00-00 THRU: 08-13-00
6	136683-19-M53	EA	SHELF - TABLE STABILIZER W/EDGE MOLDING - PORTSMOUTH OAK FROM: 08-14-00 THRU: 99-99-99
7	119559-28-M52	EA	PANEL - LOWER/FRONT - SALEM CHERRY FROM: 00-00-00 THRU: 08-13-00
7	136683-21-M52	EA	PANEL - LOWER/FRONT - SALEM CHERRY FROM: 08-14-00 THRU: 99-99-99
7	119559-28-L81	EA	PANEL - LOWER/FRONT - PORTSMOUTH OAK FROM: 00-00-00 THRU: 08-13-00
7	136683-21-M53	EA	PANEL - LOWER/FRONT - PORTSMOUTH OAK FROM: 08-14-00 THRU: 99-99-99
8	119559-12-M52	EA	CABINET/LEFT SIDE - F/PULLOUT TABLE - 8.3" X 28.7" - SALEM CHERRY FROM: 00-00-00 THRU: 08-13-00
8	136683-12-M52	EA	CABINET/LEFT SIDE - F/PULLOUT TABLE - 5.7" X 28.7" - SALEM CHERRY FROM: 08-14-00 THRU: 99-99-99
8	119559-12-L81	EA	CABINET/LEFT SIDE - F/PULLOUT TABLE - 8.3" X 28.7" - PORTSMOUTH OAK FROM: 00-00-00 THRU: 08-13-00
8	136683-12-M53	EA	CABINET/LEFT SIDE - F/PULLOUT TABLE - 5.7" X 28.7" - PORTSMOUTH OAK FROM: 08-14-00 THRU: 99-99-99

SEALANTS & FASTENERS GROUP

SEALANTS & ADHESIVES

KEY	PART NUMBER	U/M	DESCRIPTION
	004001-05-000	EA	EPOXY ADHESIVE (CLEAR)
	004006-01-700	EA	ADHESIVE - 5 GALLON - NATIONAL STARCH
	004020-01-000	QT	ADHESIVE - ABS CEMENT - QUART
	010405-02-000	EA	TAPE - THREAD SEALING 3/8"
	034552-15-000	EA	SILICONE - TUBE - W/O NOZZLE - BRIGHT WHITE
	053766-06-000	EA	BEDDING COMPOUND - TUBE - CLEAR
	053766-08-000	EA	BEDDING COMPOUND - TUBE - GRAY
	062917-03-000	EA	ADHESIVE - LOCTITE 242
	063642-01-000	FT	TAPE - ADHESIVE - .4" X 1.5" X 180"
	067788-01-000	EA	ADHESIVE - SPRAY - 3M - 19.5 AEROSOL CAN
	069640-01-000	FT	SEALER - RIBBON - 1/4" DIAMETER X 30' - BLACK
	069640-02-000	FT	SEALER - TAPE - .13"THICK X .5"WIDE X 60' - GRAY
	069640-03-000	FT	SEALER - TAPE - .13"THICK X .75"WIDE X 60' - BLACK
	069640-07-000	FT	SEALER - TAPE - .09"THICK X 2"WIDE X 45' - GRAY
	069640-09-000	FT	SEALER - TAPE - .032"THICK X 2.50"WIDE X 80' - GRAY
	069640-10-000	FT	SEALER - TAPE - .03"THICK X 1.50"WIDE X 90' - GRAY
	069640-11-000	FT	SEALER - TAPE - .19"THICK X .38"WIDE X 40' - BLACK
	069640-13-000	FT	SEALER - TAPE - .03"THICK X 2"WIDE X 45' - BLACK
	069640-14-000	FT	SEALER - TAPE - .06"THICK X 1"WIDE X 100' - GRAY
	069640-15-000	FT	SEALER - TAPE - .06"THICK X .38"WIDE X 100' - GRAY
	069640-17-000	FT	SEALER - TAPE - .03"THICK X 1"WIDE X 90' - GRAY
	069640-18-000	FT	SEALER - TAPE - .50"THICK X 1/8"WIDE X 60' - BRIGHT WHITE
	069640-19-000	FT	SEALER - TAPE - .75"THICK X 1/8"WIDE X 60'- BRIGHT WHITE
	069640-20-000	FT	SEALER - TAPE - .50" THICK X 1/8" WIDE X 60'-BRIGHT WHITE
	069640-21-000	FT	SEALER - TAPE - .50" THICK X 1/16" WIDE X 100'-BRIGHT WHT
	069640-22-000	FT	SEALER - TAPE - .25" THICK X 1/32" WIDE X 100'- BRIGHT WHT
	069640-23-000	FT	SEALER - TAPE - 1/16" THICK X 3/4" WIDE X 100'-BRIGHT WHT
	069640-25-000	FT	SEALER - TAPE - .06" THICK X 3.5" WIDE X 50' - GRAY
	069640-26-000	FT	SEALER - TAPE - 1/16" X 2" X 50' - BRIGHT WHITE
	069640-27-000	FT	SEALER - TAPE - 1/16" X 2 1/4" X 50' - BRIGHT WHITE
	072889-11-000	EA	SEALANT - URETHANE - GRAY - TUBE
	076314-02-000	FT	TAPE - CARPET SEAM - HEAT-BOND - 4" WIDE
	076322-01-000	FT	TAPE - DOUBLE COATED/ADHESIVE BACK - .025"THK X .75"W X18'
	076322-02-000	FT	TAPE - DOUBLE COATED/ADHESIVE BACK - .045"THK X 1"W X 9'
	076322-03-000	FT	TAPE - DOUBLE COATED/ADHESIVE BACK - .045"THK X .50"W X 9'
	076322-05-000	FT	TAPE - DOUBLE COATED/ADHESIVE BACK - .045"THK X .75"W X 9'
	076322-07-000	FT	TAPE - DOUBLE COATED/ADHESIVE BACK - .045"THK X .50"W X 9'
	076322-11-000	FT	TAPE - DOUBLE COATED/ADHESIVE BACK - .020"THK X 1"W X 9'
	086276-01-000	EA	TAPE - DOUBLE SIDED - 1/2"
	087211-01-000	GL	PROMOTER - ADHESIVE
	088479-01-000	EA	TAPE - ALUMINUM - 3"
	090340-01-000	FT	SEAL - FOAM - CLOSED CELL - 1/4" X 1/2" X 50'
	091255-02-000	FT	SEAL - ADHESIVE BACKED/FOAM - 3/64" THICK X 3/16" WIDE
	091255-03-000	FT	SEAL - ADHESIVE BACKED/FOAM - 1/4" THICK X 1/4" WIDE
	094401-03-000	EA	SEALER - BODY SEAM - BLACK
	094401-04-000	EA	SEALER - BODY SEAM - CLEAR
	098408-01-000	FT	SEAL - SPONGE RUBBER - CLOSED CELL
	099069-01-000	FT	SEAL - RUBBER - CLOSED SPONGE - .5" WIDE X .12" THICK -BLK
	099418-01-000	FT	SEAL - D-SECTION/ADHESIVE BACK - .44" X .44" - BLK RUBBER
	099952-01-000	FT	CORE - SEAL - BULB SUPPORT
	102352-01-000	EA	SEALER - PUMPABLE - TUBE - BLACK
	102352-02-000	EA	SEALER - PUMPABLE - TUBE - BLACK
	104692-01-000	FT	SEAL - ADHESIVE BACKED FOAM - 3/4" THICK X 3/4" WIDE X 25'
	104692-03-000	FT	SEAL - ADHESIVE BACKED FOAM - 1" THICK X 1 3/4" WIDE X 15'
	106206-01-000	EA	SEALER - PUMPABLE - TUBE - BLACK - MANUS
	107828-01-000	EA	SEALANT - SB - 190 EVERSEAL
	108353-01-000	FT	SEAL - FOAM - 5/16" X 1/2" - ADHESIVE BACKED
	110274-01-000	FT	TAPE - DOUBLE SIDED/FOAM - .45" X 1" X 216' - BLACK
	111940-02-000	LB	SEALER - PUTTY - THUMBING
	112864-01-000	FT	SEAL - FOAM/BUTYL COVERED - 3/8"
	112864-02-000	FT	FOAM - BUTYL COVERED 5/16"
	112901-01-000	EA	ADHESIVE - PLEXUS - 400 ML CARTRIDGE
	112901-02-000	EA	ADHESIVE - PLEXUS - 50ML
	112902-01-000	EA	NOZZLE - ELEMENT - 3/8 X 24

SEALANTS & FASTENERS GROUP (CONTINUED)

SEALANTS & ADHESIVES (CONTINUED)

KEY	PART NUMBER	U/M	DESCRIPTION
	112902-03-000	EA	NOZZLE - ELEMENT - 1/4 X 6
	113366-01-000	EA	ADHESIVE - INSTANT
	120074-02-02A	EA	SEALANT - SILICONE - SOFT WHITE
	120074-02-03A	EA	SEALANT - SILICONE - SMOKY WHITE
	120534-01-01A	EA	TAPE - SCOTCH - 3M - 1/2" FINE LINE
	123244-01-000	FT	TAPE - DOUBLE SIDED/FOAM - 5/64" THICK X 3/4" WIDE
	123816-01-000	FT	TAPE - DOUBLE SIDED - 1" X 100'
	123816-02-000	FT	TAPE - DOUBLE SIDED - 1/2" X 1 1/3" X 100'
	123816-03-000	FT	TAPE - DOUBLE SIDED - 1/2" X 3/4" X 100'
	123816-04-000	FT	TAPE - DOUBLE SIDED - 6" X 750'
	131137-01-000	YD	TAPE - ADHESIVE - DOUBLE SIDED
	131264-01-02A	EA	SILICONE - W/O NOZZLE - CLEAR
	131264-01-01A	EA	SILICONE - W/O NOZZLE - BLACK
	131264-02-01A	EA	SILICONE - W/O NOZZLE - VW GRAY - BATH ONLY
	131264-03-01A	EA	SILICONE - SELF LEVELING - W/O NOZZLE - BRIGHT WHITE
	131384-01-000	EA	ADHESIVE - JETWELD

BOLTS, NUTS AND WASHERS

KEY	PART NUMBER	U/M	DESCRIPTION
	0MC04K-06-016	EA	BOLT - HEX - M06 X 1 X 016
	0MC05K-08-055	EA	BOLT - HEX - M08 X 1.25 X 2.2
	0MC13K-14-070	EA	BOLT - HEX - M14 X 2 X 2 3/4
	0MC31K-08-020	EA	BOLT - HEX - SERRATED FLANGE - M8 X 020
	0MC32K-10-030	EA	BOLT - HEX - SERRATED FLANGE - M10 X 1.50
	0MD16K-10-000	EA	NUT - HEX PREV TORQUE M10 X 1 1/2 CLASS 8
	0MD39K-12-000	EA	NUT - HEX W/NYLON LOCK - M12 X 1 3/4
	0MD40K-14-000	EA	NUT - HEX W/NYLON LOCK - M14 X 2.00
	0ME06K-14-280	EA	WASHER - FLAT - 14 ID X 28.00 OD
	000C12-04-08B	EA	BOLT - HEX - 1/4-20 X 1/2 - GRADE #5 - ZINC
	000C12-04-12A	EA	BOLT - HEX - 1/4-20 X 3/4 - PLAIN 5
	000C12-05-12B	EA	BOLT - HEX - 5/16-18 X 3/4 - GRADE #5 - ZINC
	000C12-05-16B	EA	BOLT - HEX - 5/16-18 X 1 - GRADE #5 - ZINC
	000C12-05-64B	EA	BOLT - HEX - 5/16-18 X 4
	000C12-06-16B	EA	BOLT - HEX - 3/8-16 X 1 - GRADE #5 - ZINC
	000C12-06-20B	EA	BOLT - HEX - 3/8 - 16 X 1 1/4 - ZINC #5
	000C12-06-44B	EA	BOLT - HEX - 3/8-16 X 2 3/4 - GRADE 5 - ZINC
	000C12-07-20B	EA	BOLT - HEX - 7/16-14 X 1 1/4 - GRADE #5 - ZINC
	000C12-07-24B	EA	BOLT - HEX - 7/16-14 X 1 3/4 - GRADE #5 - ZINC
	000C12-08-16B	EA	BOLT - HEX - 1/2-13 X 1" - GRADE #5 - ZINC
	000C12-08-24B	EA	BOLT - HEX - 1/2-13 X 1 1/2 - GRADE #3 - ZINC
	000C12-08-28B	EA	BOLT - HEX - 1/2-13 X 1 3/4 - GRADE #5 - ZINC
	000C12-10-24B	EA	BOLT - HEX - 5/8-11 X 1 1/2 - GRADE #5 - ZINC
	000C13-07-24B	EA	BOLT - HEX - 7/16-20 X 1 1/2 - GRADE #5
	000C13-07-40B	EA	BOLT - HEX - 7/16-20 X 2 1/2 - GRADE #5 - ZINC
	000C13-07-48B	EA	BOLT - HEX - 7/16-20 X 3 - GRADE #5 - ZINC
	000C14-07-28B	EA	BOLT - HEX - 7/16-14 X 1 3/4 - GRADE #8 - ZINC
	000C14-08-64B	EA	BOLT - HEX - 1/2-13X4 ZN 8
	000C14-10-24K	EA	BOLT - HEX - 5/8-11 X 1 1/2 - GRADE #8 - ZINC
	000C14-10-32K	EA	BOLT - HEX - 5/8"-11 X 2 - GRADE #8 - ZINC
	000C18-05-40A	EA	BOLT - ELEVATOR - 5/16-18 X 2 1/2 - PL
	000C18-06-48B	EA	BOLT - ELEVATOR - 3/8-16 X 3 - GRADE 5 - ZINC
	000C18-06-56A	EA	BOLT - ELEVATOR - 3/8-16 X 3 1/2 - GRADE 5
	000C26-04-10B	EA	BOLT - HEX - SERRATED FLANGE - 1/4-20 X 5/8 - ZINC
	000C26-04-14B	EA	BOLT - HEX - SERRATED FLANGE - 1/4-20 X 7/8 - ZINC
	000C26-04-18B	EA	BOLT - HEX - SERRATED FLANGE - 1/4-20 X 1 1/8 - ZINC
	000C26-05-12B	EA	BOLT - HEX - SERRATED FLANGE - 5/16-18 X 3/4 - ZINC
	000C26-05-16B	EA	BOLT - HEX - SERRATED FLANGE - 5/16-18 X 1 - ZINC
	000C26-05-20B	EA	BOLT - HEX - SERRATED FLANGE - 5/16-18 X 1 1/4 - ZINC
	000C26-06-12B	EA	BOLT - HEX - SERRATED FLANGE - 3/8-16 X 3/4 - ZINC

SEALANTS & FASTENERS GROUP (CONTINUED)

BOLTS, NUTS AND WASHERS (CONTINUED)

KEY	PART NUMBER	U/M	DESCRIPTION
	000C26-06-16B	EA	BOLT - HEX - SERRATED FLANGE - 3/8-16 X 1 - ZINC
	000C26-06-20B	EA	BOLT - HEX, SER FLG 3/8 - 16 X 1 1/4 - ZN
	000C26-06-28B	EA	BOLT - HEX - SERRATED FLANGE - 3/8-16 X 1 3/4 - ZINC
	000C26-08-24B	EA	BOLT - HEX - SERRATED FLANGE - 1/2-13 X 1 1/2 - ZINC
	000C26-08-28B	EA	BOLT - HEX - SERRATED FLANGE - 1/2-13 X 1 3/4 - ZINC
	000C26-08-40B	EA	BOLT - HEX - SERRATED FLANGE-1/2-13 X 2 1/2-GRADE #5 ZINC
	000C27-04-40B	EA	BOLT - CARRIAGE - 1/4-20 X 2 1/2 - ZINC
	000C27-05-16B	EA	BOLT - CARRIAGE - 5/16-18 X 1.0 - ZINC
	000C27-07-40B	EA	BOLT - CARRIAGE - 7/16-14 X 2.50 - GRADE 5
	000C27-10-32B	EA	BOLT - CARRIAGE - 5/8-11 X 2
	000D16-07-00B	EA	NUT - HEX - 7/16-14 - ZINC
	000D24-10-00B	EA	NUT - HEX - SELF LOCKING - 10-32 ZINC
	000D29-04-00B	EA	NUT - HEX - SELF LOCKING - 1/4 X 20 - ZINC
	000D29-05-00B	EA	NUT - HEX - LOCKING W/SERRATED FLANGE-NYLON WASHER INSERT
	000D29-06-00B	EA	NUT - HEX - W/NYLON LOCK - 3/8-16 - ZINC
	000D29-09-00B	EA	NUT - HEX - SELF LOCKING - 9/16-12 - ZINC
	000D30-07-00B	EA	NUT - HEX LOCK,NYLON 7/16X20
	000D34-04-00B	EA	NUT - HEX - LOCKING - 1/4-20 ZINC
	000D34-06-00B	EA	NUT - HEX - LOCKING - 3/8-16 GRADE C - ZINC
	000D39-04-00B	EA	NUT - HEX - LOCKING W/SERRATED FLANGE - 1/4-20 - ZINC
	000D39-05-00B	EA	NUT - HEX - LOCKING W/SERRATED FLANGE - 5/16-18 - ZINC
	000D39-06-00B	EA	NUT - HEX - LOCKING W/SERRATED FLANGE - 3/8-18 - ZINC
	000D39-07-00B	EA	NUT - HEX - LOCKING W/SERRATED FLANGE - 7/16-14 - ZINC
	000D39-08-00B	EA	NUT - HEX - LOCKING W/SERRATED FLANGE - 1/2-13 - ZINC
	000D44-04-00B	EA	NUT - HEX - LOCKING W/SERRATED FLANGE - 1/4-28 - ZINC
	000D44-07-00B	EA	NUT - HEX - LOCKING W/SERRATED FLANGE - 7/16-20 - ZINC
	000D44-08-00B	EA	NUT - HEX - SERRATED FLANGE - 1/2-20 - GRADE #5 - ZINC
	000D46-04-00A	EA	NUT - HEX - WELD - 1/4-20 - PLAIN
	000D58-06-00A	EA	NUT - HEX - WELD 3/8-16 - PLAIN
	000D65-08-00B	EA	NUT - HEX - LOCKING W/SERRATED FLANGE - 8-32 - ZINC
	000D67-07-00B	EA	NUT - HEX - LOCKING - 7/16-13 ZINC
	000D67-10-00B	EA	NUT - HEX - LOCK - 5/8-11 - ZINC
	000D73-07-00C	EA	NUT - HEX FLANGE - 7/16-14 - GRADE 6
	000D73-08-00C	EA	NUT - HEX FLANGE - 1/2-13
	000D75-09-00B	EA	NUT - HEX LOCKING - 9/16-12 - ZINC
	000D76-06-00B	EA	NUT - HEX FLANGE - 3/8-16
	000E11-07-00B	EA	WASHER - LOCKING - 7/16 MED SPLIT - ZINC
	000E11-08-00B	EA	WASHER - LOCKING - 1/2 MED SPLIT - ZINC
	000E13-17-00B	EA	WASHER - FLAT - 3/8 AR - ZINC
	000E13-18-00B	EA	WASHER - FLAT - 3/8 WIDE - ZINC
	000E13-18-00K	EA	WASHER - FLAT - 3/8 WIDE - YELLOW CHROMATE
	000E13-20-00B	EA	WASHER - FLAT - 7/16 WIDE - ZINC
	000E13-21-00B	EA	WASHER - FLAT - 1/2 NARROW - ZINC
	000E13-22-00B	EA	WASHER - FLAT - 1/2 WIDE - ZINC
	000E13-26-00B	EA	WASHER - FLAT - 5/8 WIDE - ZINC
	000E14-10-00B	EA	WASHER - LOCKING - #10 EXTERNAL TOOTH - ZINC
	000E16-07-00B	EA	WASHER - HARDENED - 7/16" - FLAT - ZINC
	000E16-10-00B	EA	WASHER - HARDENED - 5/8 - FLAT - ZINC
	000G45-05-16B	EA	BOLT - LAG - 5/16-9 X 1 - ZINC
	040921-03-000	EA	NUT - SPEED - U TYPE - #10
	040921-04-000	EA	NUT - SPEED - U TYPE - #8-.59" LENGTH X .44" WIDTH
	040921-05-000	EA	NUT - SPEED - U-TYPE - 8-.67" X .44" WIDE
	040921-09-000	EA	NUT - SPEED - U TYPE - #8
	041322-01-000	EA	WASHER - FLANGE - 15/32 ID X 2 3/8 OD - F/SEAT BELT MTG
	044364-02-000	EA	NUT - SPEED - FLAT - ROUND
	044533-01-000	EA	WASHER - PLASTIC - 1 3/8" OD - FOR BUTTONS
	051387-06-000	EA	BOLT - CARRIAGE W/O HOLE - 5/16-18 X 9.5 - ZINC
	058716-02-000	EA	WASHER - FLAT NYLON
	058716-03-000	EA	WASHER - FLAT/NYLON - .500 X 1 1/4 X 060
	064081-03-000	EA	NUT - WING 3/8-16 - W/WELD NUT
	068938-03-000	EA	BEARING - SNAP IN - .38"ID - TYPE 7
	077071-01-000	EA	WASHER - FENDER - 3/16 ID X 1 OD
	083163-06-000	EA	PUSHNUT - FLAT TYPE 3/8 STUD - FORD ONLY

SEALANTS & FASTENERS GROUP (CONTINUED)

BOLTS, NUTS AND WASHERS (CONTINUED)

KEY	PART NUMBER	U/M	DESCRIPTION
	084406-01-000	EA	NUT - CAPPED - CROSS RECESSED - BLACK - 1/4-20 THD
	087234-01-000	EA	NUT - JACK - 1/4 X 20 THD - MOLLY
	087718-01-000	EA	MONOBOLT - STEEL - 3/16 DIAMETER
	088787-12-000	EA	STUD - WELD - 1/4 - 20 X 1.0 LG - MN
	102333-01-06A	EA	BOLT - CARRIAGE - 7/16-14 STAINLESS STEEL CAP
	102333-02-01A	EA	BOLT - CARRIAGE - 1/4-20
	102540-02-000	EA	SEAL - SCREW
	103020-02-000	EA	BOLT-U - #8-32 - GRADE 5 ZINC
	104369-01-000	EA	NUT - HEX - HEAVY - 5/8-11 UNC
	106166-01-000	EA	BOLT/COLLARED HANGER - 8-32 X 1"
	106648-01-000	EA	CAP - STUD - .120 TO .130 DIAMETER
	106956-03-000	EA	BOLT - HEX TAP - 1/2-12NC X 3 - GRADE 5 - FULL THREAD/ZINC
	106956-08-000	EA	BOLT - HEX TAP - 1/2-13NC X 4 - GRADE 5 - FULL THREAD/ZINC
	107397-01-000	EA	WASHER - FENDER - .25" ID X 1" OD
	108067-03-000	EA	STUD - WELD - 1/4 - 20 X 1/2 CD
	113985-01-000	EA	BOLT - FLANGE - M10-1.5 X 40CL10.9
	113985-02-000	EA	BOLT - FLANGE - M10-1 1/2 X 30CL 10.9
	114259-05-000	EA	BOLT - 7/16-20X1.25 W/WASHER
	128444-01-000	EA	WASHER - SPRING - CONICAL
	131377-01-000	EA	NUT-HEX HEAD W/WASHER-1/4-20 X 2" STEEL W/3/4" OD WASHER
	135092-01-01A	EA	BOLT - HEX - SERRATED FLANGE - 1/2-20 X 1 3/4-GRADE 5 ZINC
	135092-02-01A	EA	BOLT - HEX - SERRATED FLANGE - 1/2-20 X 2 1/2-GRADE 5 ZINC

SCREWS

KEY	PART NUMBER	U/M	DESCRIPTION
	0G1106-08-240	EA	SCREW - 6-20 X 1/2 PPH - VW LIGHT GRAY
	0G1108-08-250	EA	SCREW - 8-18 X 1/2 PPH
	0G1108-12-140	EA	SCREW - 8-18 X 3/4 PPH - CAMBRIDGE BISQUE
	0G1108-12-240	EA	SCREW - 8-18 X 3/4 PPH - VW LIGHT GRAY
	0G1208-12-170	EA	SCREW - 8-18 X 3/4 POH - BRIGHT WHITE
	0G1308-10-240	EA	SCREW - 8-18 X 5/8 PFH - VW LIGHT GRAY
	0G3804-22-180	EA	SCREW - MACH - 1/4-20 X 1.38 PFH - BLACK MAGNI GUARD
	0G3908-08-170	EA	SCREW - SF/DR - 8-18 X .50 PPH - BRIGHT WHITE
	0G3908-12-240	EA	SCREW - SF/DR - 8-18 X .75 PPH - VW LIGHT GRAY
	0G3908-12-250	EA	SCREW - SF/DR - 8-18 X .75 PPH - DARK GRAY
	0G3908-16-170	EA	SCREW - SF/DR - 8-18 X 1.00 PPH - BRIGHT WHITE
	0G3908-24-170	EA	SCREW - SF/DR - 8-18 X 1.50 PPH - BRIGHT WHITE
	0G3910-10-240	EA	SCREW - SF/DR - 10-16 X .62 PPH - VW LIGHT GRAY
	0G3910-12-170	EA	SCREW - SF/DR - 10-16 X .75 PPH - BRIGHT WHITE
	0G3910-12-260	EA	SCREW - SF/DR - 10-16 X .75 PPH - ALLANTE ANTELOPE
	0G3910-12-270	EA	SCREW - SF/DR - 10-16 X .75 PPH - TITANIUM
	0G3910-20-310	EA	SCREW - SF/DR - 10-16 X 1.25 PPH - CADDY CREAM
	0G5508-08-240	EA	SCREW - SF/DR - 8-18 X .5 PWH - VW LIGHT GRAY
	0G5508-08-250	EA	SCREW - SF/DR - 8-18 X .5 PWH - VW DARK GRAY
	0G5508-12-170	EA	SCREW - SF/DR - 8-18 X .75 PWH - BRIGHT WHITE
	0G5508-12-240	EA	SCREW - SF/DR - 8-18 X .75 PWH - VW LIGHT GRAY
	0G5508-12-260	EA	SCREW - SF/DR - 8-18 X .75 PWH - ALLANTE ANTELOPE
	0G5508-12-270	EA	SCREW - SF/DR - 8-18 X .75 PWH - TITANIUM
	0G5508-12-310	EA	SCREW - SF/DR - 8-18 X .75 PWH - CADDY CREAM
	0G5508-16-250	EA	SCREW - SF/DR - 8-18 X 1.00 PWH - VW DARK GRAY
	0G5508-16-260	EA	SCREW - SF/DR - 8-18 X 1.00 PWH ZINC - INTERIOR ANTELOPE
	0G5508-16-310	EA	SCREW - SF/DR - 8-18 X 1.00 PWH - CADDY CREAM
	0G6008-16-170	EA	SCREW - SF/DR - 8-18 X 1.00 POH - BRIGHT WHITE
	0G6710-08-110	EA	SCREW - 10-12 X .50 PPH - HAMPTON TAN
	0G6710-08-170	EA	SCREW - 10-12 X .50 PPH - BRIGHT WHITE
	0G6710-08-240	EA	SCREW - 10-12 X .50 PPH TAUPE - VW LIGHT GRAY
	0G6710-12-170	EA	SCREW - 10-12 X .75 PPH - BRIGHT WHITE
	0G6710-16-230	EA	SCREW - 10-12 X 1 PPH - BEIGE
	0G6806-16-170	EA	SCREW - 6-18 X 1.00 POH - BRIGHT WHITE
	0G6810-24-170	EA	SCREW - 10-12 X 1.5 POH - BRIGHT WHITE
	0G6810-24-280	EA	SCREW - 10-12 X 1.5 POH - SOFT WHITE
	000C20-05-28F	EA	SCREW - 5/16-18 X 1 2/4 FLAT SOC - STAINLESS STEEL
	000G11-05-08B	EA	SCREW - 5-20 X .50 PPH - ZINC

SEALANTS & FASTENERS GROUP (CONTINUED)**SCREWS (CONTINUED)**

KEY	PART NUMBER	U/M	DESCRIPTION
	000G11-06-06B	EA	SCREW - 6-20 X 3/8 PPH - ZINC
	000G11-06-08B	EA	SCREW - 6-20 X 1/2 PPH - ZINC
	000G11-06-10B	EA	SCREW - 6-20 X 5/8 PPH - ZINC
	000G11-06-10J	EA	SCREW - 6-20 X 5/8 PPH - BRASS
	000G11-06-12B	EA	SCREW - 6-20 X 3/4 PPH - ZINC
	000G11-06-18B	EA	SCREW - 6-20 X 1 1/8 PPH - ZINC
	000G11-06-24B	EA	SCREW - 6-20 X 1 1/2 PPH ZINC
	000G11-07-08B	EA	SCREW - 7-19 X 1/2 PPH - ZINC
	000G11-07-08T	EA	SCREW - 7-19 X 1/2 PPH - BLACK
	000G11-08-06B	EA	SCREW - 8-18 X 3/8 PPH - ZINC
	000G11-08-08B	EA	SCREW - 8-18 X 1/2 PPH - ZINC
	000G11-08-08T	EA	SCREW - 8-18 X 1/2 PPH - FLUOROCARBON COATING
	000G11-08-10B	EA	SCREW - 8-18 X 1/2 PPH - ZINC
	000G11-08-12B	EA	SCREW - 8-18 X 3/4 PPH - ZINC
	000G11-08-12D	EA	SCREW - 8-18 X 3/4 PPH - BLACK
	000G11-08-12P	EA	SCREW - 8-18 X 3/4 PPH - DARK BROWN
	000G11-08-12T	EA	SCREW - 8-18 X 3/4 PPH - BLACK
	000G11-08-16B	EA	SCREW - 8-18 X 1 PPH - ZINC
	000G11-08-16S	EA	SCREW - 8-18 X 1 PPH - OFF WHITE
	000G11-08-20B	EA	SCREW - 8-18 X 1 1/4 PPH - ZINC
	000G11-10-12D	EA	SCREW - 10-16 X 3/4 PPH - BLACK
	000G11-10-12S	EA	SCREW - 10-16 X 3/4 PPH - OFF WHITE
	000G11-10-16B	EA	SCREW - 10-16 X 1 PPH - ZINC
	000G11-10-40B	EA	SCREW - 10-16 X 2 1/2 PPH CAD - 34927-01-000
	000G12-06-08T	EA	SCREW - 6-20 X 1/2 POH - BLACK
	000G12-08-12S	EA	SCREW - 8-18 X 3/4 POH - OFF WHITE
	000G13-05-10B	EA	SCREW - 5-12 X 5/8 PFH - ZINC
	000G13-06-06B	EA	SCREW - 6-20 X 3/8 PFH ZINC
	000G13-06-06I	EA	SCREW - 6-20 X 3/8 PFH BLACK ZINC
	000G13-06-08B	EA	SCREW - 6-20 X 1/2 PFH - ZINC
	000G13-06-08G	EA	SCREW - 6-20 X 1/2 PFH - ANTIQUE BRASS
	000G13-06-10G	EA	SCREW - 6-20 X 5/8 PFH - BRASS
	000G13-06-10J	EA	SCREW - 6-20 X .62 PFH - BRASS
	000G13-06-16E	EA	SCREW - 6-20 X 1 PFH - CHROME
	000G13-06-16I	EA	SCREW - 6-20 X 1 PFH - BLACK
	000G13-06-16J	EA	SCREW - 6-20 X 1 PFH - BRASS
	000G13-06-16S	EA	SCREW - 6-20 X 1.00 PFH - OFF WHITE
	000G13-06-24J	EA	SCREW - 6-20 X 1 1/2 PFH - BRASS
	000G13-07-10H	EA	SCREW - 7-19 X 5/8 PFH - BLACK
	000G13-07-12B	EA	SCREW - 7-19 X 3/4 PFH - ZINC
	000G13-08-109	EA	SCREW - 8-18 X 5/8 PFH
	000G13-08-10S	EA	SCREW - 8-18 X 5/8 PFH - OFF WHITE
	000G13-08-16B	EA	SCREW - 8-18 X 1 PFH - ZINC
	000G13-08-24B	EA	SCREW - 8-18 X 1 1/2 PFH - ZINC
	000G13-10-12B	EA	SCREW -10-16 X 3/4 PFH ZN
	000G16-04-24B	EA	SCREW - MACHINE - 1/4-20 X 1 1/2 PPH
	000G18-08-12B	EA	SCREW - MACHINE - 8-32 X 3/4 PPH - ZINC
	000G18-08-16B	EA	SCREW - MACHINE - 8-32 X 1 - PPH - ZINC
	000G18-08-20B	EA	SCREW - MACHINE - 8-32 X 1 1/4 PPH - ZINC
	000G18-08-22B	EA	SCREW - MACHINE - 8-32 X 1 3/8 PPH - ZINC
	000G18-08-24B	EA	SCREW - MACH-8-32X1 1/2PPH ZN
	000G19-10-08B	EA	SCREW - MACHINE - 10-32 X 1/2 PPH - ZINC
	000G19-10-10B	EA	SCREW - MACHINE - 10-32 X 5/8 - PPH - ZINC
	000G19-10-12F	EA	SCREW - MACHINE - 10-32 X 3/4 PPH - STAINLESS STEEL
	000G19-10-20B	EA	SCREW - MACHINE - 10-32 X 1 1/2 PPH - ZINC
	000G32-10-06B	EA	SCREW - 10-32 X 3/8 PPH - ZINC
	000G37-08-089	EA	SCREW - 8 X 18 X 1/2 PPH - FLUOROCARBON SILVER
	000G37-08-12B	EA	SCREW - 8-18 X 3/4 PPH
	000G39-06-08B	EA	SCREW - SF/DR - 6-18 X 1/2 - ZINC
	000G39-06-10T	EA	SCREW - SF/DR - 6-20 X 5/8 PPH - BLACK
	000G39-06-16T	EA	SCREW - SF/DR - 6-20 X 1 PPH - BLACK
	000G39-08-06B	EA	SCREW - SF/DR - 8-18 X 3/8 PPH - ZINC
	000G39-08-08B	EA	SCREW - SF/DR - 8-18 X 1/2 PPH - ZINC
	000G39-08-08S	EA	SCREW - SF/DR - 8-18 X 1/2 PPH - OFF WHITE

SEALANTS & FASTENERS GROUP (CONTINUED)

SCREWS (CONTINUED)

KEY	PART NUMBER	U/M	DESCRIPTION
	000G39-08-08T	EA	SCREW - SF/DR - 8-18 X 1/2 PPH - BLACK
	000G39-08-12B	EA	SCREW - SF/DR - 8-18 X 3/4 PPH - ZINC
	000G39-08-12T	EA	SCREW - SF/DR - 8-18 X 3/4 PPH - BLACK
	000G39-08-16B	EA	SCREW - SF/DR - 8-18 X 1 PPH - ZINC
	000G39-08-16S	EA	SCREW - SF/DR - 8-18 X 1 PPH - OFF WHITE
	000G39-08-16T	EA	SCREW - SF/DR - 6-20 X 1 PPH - BLACK
	000G39-08-24B	EA	SCREW - SF/DR - 8-18 X 1 1/2 PPH - ZINC
	000G39-08-24T	EA	SCREW - SF/DR - 8-18 X 1 1/2 PPH - BLACK
	000G39-08-32B	EA	SCREW - SF/DR - 8-18 X 2 PPH - ZINC
	000G39-10-088	EA	SCREW - SF/DR - 10-16 X 1/2 PPH - FLEX FLUOROCARBON
	000G39-10-08B	EA	SCREW - SF/DR - 10-16 X 1/2 PPH - ZINC
	000G39-10-10B	EA	SCREW - SF/DR - 10-16 X 5/8 - ZINC
	000G39-10-10T	EA	SCREW - SF/DR - 10-16 X .625 - BLACK
	000G39-10-129	EA	SCREW - SF/DR - 10-16 X 3/4 PPH - FLUOROCARBON SILVER
	000G39-10-12B	EA	SCREW - SF/DR - 10-16 X 3/4 PPH - ZINC
	000G39-10-12D	EA	SCREW - SF/DR - 10-16 X 3/4 PPH - BLACK
	000G39-10-12S	EA	SCREW - SF/DR - 10-16 X .75 PPH - OFF WHITE
	000G39-10-12T	EA	SCREW - SF/DR - 10-16 X 3/4 - BLACK
	000G39-10-169	EA	SCREW - SF/DR - 10-16 X 1 PPH - FLUOROCARBON SILVER
	000G39-10-209	EA	SCREW - SF/DR - 10-16 X 1 1/4 PPH - FLUOROCARBON SILVER
	000G39-10-20B	EA	SCREW - SF/DR - 10-16 X 1 1/4 PPH - ZINC
	000G39-10-20T	EA	SCREW - SF/DR - 10-16 X 1.25 PPH
	000G39-10-24B	EA	SCREW - SF/DR - 10-16 X 1.50 PPH - ZINC
	000G39-10-32B	EA	SCREW - SF/DR - 10-16 X 2 - PPH - ZINC
	000G39-10-40D	EA	SCREW - SF/DR - 10-16 X 2 1/2 PPH - BLACK
	000G39-10-48B	EA	SCREW - SF/DR - 10-16 X 3 - PPH - ZINC
	000G39-10-48T	EA	SCREW - SF/DR - 10-16 X 3.00 PPH - BLACK
	000G39-12-12E	EA	SCREW - SF/DR - 12-14 X 3/4 PPH - CHROME
	000G42-04-12B	EA	SCREW - SF/DR - 1/4-14 X 3/4 HWH - ZINC
	000G42-04-16B	EA	SCREW - SF/DR - 1/4-14 X 1 HWH - ZINC
	000G42-04-20B	EA	SCREW - SF/DR - 1/4-14 X 1 1/4 - ZINC
	000G50-04-06B	EA	SCREW - MACHINE - 1/4-20 X 38 PTH - ZINC
	000G50-04-12B	EA	SCREW - MACHINE - 1/4-20 X 3/4 PPH - ZINC
	000G51-06-12B	EA	SCREW - 6-20 X 3/4 PTH - ZINC
	000G52-06-05B	EA	SCREW - MACHINE - 6-32 X 5/16 PTH ZINC
	000G52-06-06B	EA	SCREW - MACHINE - 6-32 X 3/8 PTN - ZINC
	000G52-08-18B	EA	SCREW - MACHINE - 8-32 X 1 1/8 PTH - ZINC
	000G54-04-14B	EA	SCREW - 1/4-20 X 7/8 PTH - TYPE 23 - ZINC PLATED
	000G54-04-20B	EA	SCREW - 1/4-20 X 1.25 PTH - TYPE 23 - ZINC PLATED
	000G55-08-12S	EA	SCREW - SF/DR - 8-18 X 3/4 PWH - OFF WHITE
	000G56-12-48B	EA	SCREW - WOOD - 12-11 X 3 POH - SPECIAL HARDENED
	000G57-05-16J	EA	SCREW - 5-20 X 1 PFH - BRASS
	000G57-14-64B	EA	SCREW - 14-10 X 4 PFH ZINC
	000G60-08-16E	EA	SCREW - SF/DR - 8-1 X 1 POH - CHROME
	000G60-08-20F	EA	SCREW - SF/DR - 8-19X1.25 POH
	000G60-08-22B	EA	SCREW - SF/DR - 8-18 X 1.38 POH - ZINC
	000G60-10-209	EA	SCREW - SF/DR - 10-16 X 1.25 POH - SILVER STALGAARD
	000G60-10-20B	EA	SCREW - SF/DR - 10-16 X 1 1/4 POH - ZINC
	000G60-10-20I	EA	SCREW - SF/DR - 10-16 X 1.25 POH - BLACK
	000G60-10-28T	EA	SCREW - SF/DR - 10-16 X 1 3/4 - BLACK
	000G62-08-24B	EA	SCREW - SF/DR - 8-18 X 1.5 PFH
	000G62-10-24I	EA	SCREW - SF/DR - 10-16 X 1/5 PFH - BLACK ZINC
	000G67-08-32B	EA	SCREW - 8-15 X 2 PPH - ZINC
	000G67-10-08B	EA	SCREW - 10-12 X 1/2 PPH - ZINC
	000G67-10-08R	EA	SCREW - 10-12 X 1/2 PPH - BEIGE - TYPE A
	000G67-10-08S	EA	SCREW - 10-12 X 1/2 PPH - OFF WHITE
	000G67-10-10B	EA	SCREW - 10-12 X 5/8 PPH - ZINC - TYPE A
	000G67-10-10D	EA	SCREW - 10-12 X 5/8 PPH - BLACK - TYPE A
	000G67-10-10P	EA	SCREW - 10-12 X 5/8 PPH - DARK BROWN
	000G67-10-10S	EA	SCREW - 10-12 X 5/8 PPH - OFF WHITE
	000G67-10-10T	EA	SCREW - 10-12 X 5/8 PPH BLACK
	000G67-10-120	EA	SCREW - 10-12 X 3/4 PPH - TAN
	000G67-10-12B	EA	SCREW - 10-12 X 3/4 PPH - ZINC
	000G67-10-12P	EA	SCREW - 10-12 X 3/4 PPH - BEIGE

SEALANTS & FASTENERS GROUP (CONTINUED)**SCREWS (CONTINUED)**

KEY	PART NUMBER	U/M	DESCRIPTION
	000G67-10-12R	EA	SCREW - 10-12 X 3/4 PPH - BEIGE
	000G67-10-16B	EA	SCREW - 10-12 X 1 PPH - ZINC
	000G67-10-20D	EA	SCREW - 10-12 X 1.25 PPH - BLACK
	000G67-10-24B	EA	SCREW - 10-12 X 1.50 PPH - ZINC
	000G67-10-32B	EA	SCREW - 10-12 X 2 1/4 - PPH - BLACK
	000G67-10-36T	EA	SCREW - 10-12 X 2 1/4 - PPH - BLACK
	000G68-06-10G	EA	SCREW - 6-18 X 5/8 POH - ANTIQUE BRASS
	000G68-06-10J	EA	SCREW - 6-18 X .62 POH - BRASS
	000G68-06-12B	EA	SCREW - 6-18 X .75 POH - ZINC & CLEAR
	000G68-06-12J	EA	SCREW - 6-18X.75 POH BRASS
	000G68-06-12S	EA	SCREW - 6-18 X 3/4 POH
	000G68-10-20I	EA	SCREW - 10-12 X 1 1/4 POH - BLACK
	000G68-10-36T	EA	SCREW - 10-12 X 2.25 POH BLACK
	049465-03-000	EA	SCREW - 10-16 X 1 POH W/WASHER - OFF WHITE
	049465-04-000	EA	SCREW - 10-16 X 1 PTH W/WASHER - BEIGE
	049465-17-000	EA	SCREW - 10-16 X 1 POH W/WASHER - BRIGHT WHITE
	049465-18-000	EA	SCREW - 10-16 X 1 POH W/WASHER - VW GRAY
	049465-22-000	EA	SCREW - 10-16 X 1 1/2 POH W/WASHER - SABLE
	054434-02-000	EA	SCREW - SF/DR - 10-16 X 2 - ZINC
	054434-03-000	EA	SCREW - SF/DR - 10-16 X 2 - PWH - ZINC - W/O WINGS
	075908-01-000	EA	SCREW - MACHINE - 10-32 X .56 PTH - EXTERNAL TOOTH - ZINC
	076790-01-000	EA	SCREW - 6-20 X 1 1/4 PPH - BLACK
	076790-03-000	EA	SCREW - 6-20 X 1 PPH - BLACK
	076790-05-000	EA	SCREW - 6-20 X 1/2 PPH BLACK - THREADCUTTING - WOOD
	086256-01-000	EA	SCREW - SF/DR - 8 X 3/4 HWH
	087721-01-000	EA	SCREW - FLAT HEAD - TAPPING - 1/4" X 1 1/4" LONG - ZINC
	090033-02-000	EA	SCREW - 1/4-20 X 5/8 - ROUND WASHER HEAD - OFF/WHITE
	097974-01-000	EA	SCREW - PARTICLE BOARD - 7-9 X 3/4 PPH
	101618-01-000	EA	SCREW - 1/4-20 X 3/4 HEX - TAPPING - STALGARD TYPE F
	105126-01-000	EA	SCREW - MACHINE - 8-32 X 1 PPH TAPTIT
	110460-05-02A	EA	SCREW - MACHINE - 10-24 X 2.5 PFH - WHITE
	113563-01-01A	EA	SCREW - 8 X 5/8 LONG SHOULDER/WASHER HEAD
	117478-01-04A	EA	SCREW - 8-18 X .75 PPH W/WASHER - VW LIGHT GRAY
	118383-01-08A	EA	RETAINER/RECESSED - F/.22" SCREW - CADDY CREAM
	118383-03-08A	EA	RETAINER/RECESSED - F/.32" SCREW - CADDY CREAM
	118383-04-08A	EA	CAP - F/RECESSED RETAINER - CADDY CREAM
	134126-01-01A	EA	SCREW/NAIL - HEX HEAD - 3/4"
	134126-02-01A	EA	SCREW/NAIL - HEX HEAD - 1 1/4"

CLAMPS, CLIPS, GROMMETS, RIVETS & PLUGS

KEY	PART NUMBER	U/M	DESCRIPTION
	000F10-06-32B	EA	PIN - COTTER - 3/16" X 2" - ZINC
	000H14-04-04A	EA	RIVET - MANDREL BLIND - 1/8 X .400
	000H14-04-08R	EA	RIVET - MANDREL BLIND - 4/32 ALUMINUM
	000H14-06-03R	EA	RIVET - MANDREL BLIND - 3/16 - CHERRY
	000H14-06-14R	EA	RIVET - MANDREL BLIND - 3/16 - CHERRY
	000H16-04-06R	EA	RIVET - POP ALUMINUM - 1/8 X .313 - .375
	000H16-06-10R	EA	RIVET - POP ALUMINUM - 3/16 X .501-.625
	007161-01-000	EA	CLAMP - HOSE - SPRING TYPE - 1/2"
	008384-01-000	EA	GROMMET - SNAP - 3/4 DIAMETER - NYLON
	008386-01-000	EA	GROMMET - SNAP - 3/8"
	010495-01-000	EA	CLAMP - CABLE - 9/16"
	010495-02-000	EA	CLAMP - CABLE - 3/8
	010495-04-000	EA	CLAMP - CABLE - 11/16" - WHITE
	010497-01-000	EA	CLAMP - CLOSED - 5/8" ID
	010497-03-000	EA	CLAMP - CLOSED - 1" ID - CUSHIONED
	010497-04-000	EA	CLAMP - CLOSED - 1.62" ID
	010497-05-000	EA	CLAMP - CLOSED - 1/2 ID
	010497-07-000	EA	CLAMP - CLOSED - 3/8" ID
	010497-08-000	EA	CLAMP - CLOSED - .125" ID
	010499-01-000	EA	CLAMP - CLOSED - 3/8" ID
	016188-03-000	EA	GROMMET - L/P LINE - 3/8" HOLE X 2 1/2" LONG - RUBBER
	016188-04-000	EA	GROMMET - GAS LINE - 1/2" HOLE X 2 1/2" LONG - RUBBER
	016188-05-000	EA	GROMMET - L/P LINE - 3/8" HOLE X 1 1/4" LONG - RUBBER
	016188-06-000	EA	GROMMET - GAS LP - 3/8 X 3 1/4" LONG

SEALANTS & FASTENERS GROUP (CONTINUED)

CLAMPS, CLIPS, GROMMETS, RIVETS & PLUGS (CONTINUED)

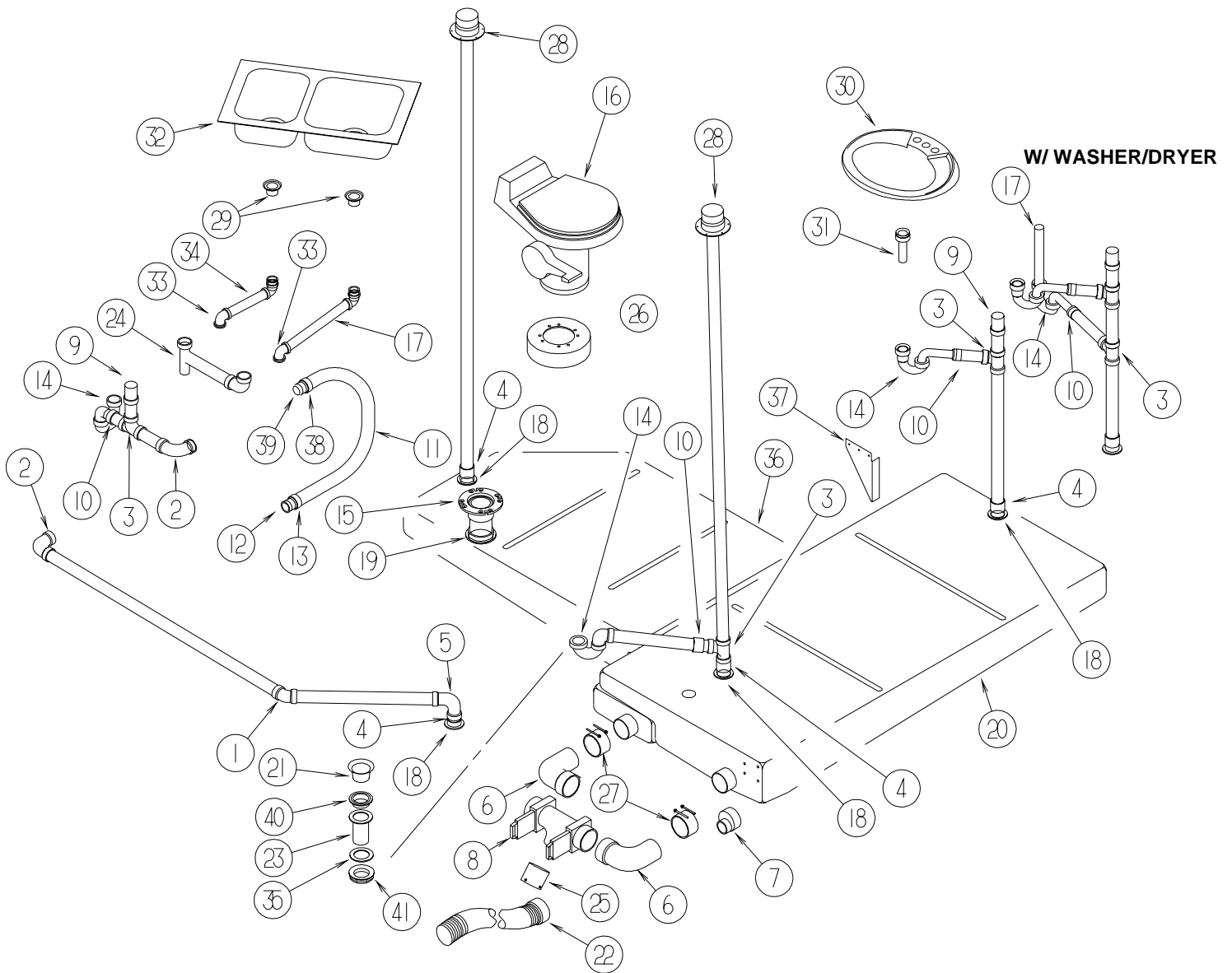
KEY	PART NUMBER	U/M	DESCRIPTION
	016188-07-000	EA	GROMMET - GAS LP - 1/2" X 3 1/4" LONG
	023942-01-000	EA	GROMMET - RUBBER - 2" OD
	034141-02-000	EA	PLUG/HOLE - 3/8" NYLON/BLACK
	056134-01-000	EA	HOLDER - RING - 3.6" DIAMETER - METAL
	056134-02-000	EA	HOLDER - RING - 1.8" DIAMETER - METAL
	061420-01-000	EA	PLUG/PLASTIC - 1.75" DIAMETER - BROWN
	061420-03-000	EA	PLUG/PLASTIC - 3.00" DIAMETER
	061420-04-000	EA	PLUG/PLASTIC - 1.25" DIAMETER
	061420-05-000	EA	PLUG/PLASTIC - 1.8" DIAMETER
	061420-07-000	EA	PLUG/PLASTIC - 1.8" DIAMETER
	061420-08-000	EA	PLUG/PLASTIC - 2.5" DIAMETER
	061420-10-000	EA	PLUG/PLASTIC - 1.50" DIAMETER - BLACK
	061420-14-000	EA	PLUG/PLASTIC - .034" DIAMETER
	061420-15-000	EA	PLUG/PLASTIC - 2" DIAMETER - BLACK
	061420-16-000	EA	PLUG/PLASTIC - 2 1/8" DIAMETER
	062401-01-000	EA	CLAMP - HOSE - WORMGEAR - .25" - 1"
	062401-02-000	EA	CLAMP - HOSE - WORMGEAR - 1.56" - 2.5"
	062401-03-000	EA	CLAMP - HOSE - WORMGEAR - .22" - 1"
	062401-04-000	EA	CLAMP - HOSE - WORMGEAR - .69" - 1.25"
	062401-05-000	EA	CLAMP - HOSE - WORMGEAR - 2" TO 3" ID
	062401-06-000	EA	CLAMP - HOSE - WORMGEAR - .22" - .62" ID
	062401-07-000	EA	CLAMP - HOSE - WORMGEAR - 5"-7"
	062401-09-000	EA	CLAMP - HOSE - WORMGEAR - 2.8" - 3.75"
	062401-11-000	EA	CLAMP - HOSE - WORMGEAR - 3.50" - 4.50"
	062401-12-000	EA	CLAMP - HOSE - WORMGEAR - .79" X 1.26"
	071015-11-000	EA	GROMMET - 1.00 ID - FITS .12 MATERIAL
	071015-13-000	EA	GROMMET - RUBBER - .62" ID X 1" OD W/.09" GROOVE - BLACK
	071015-22-000	EA	GROMMET - RUBBER - .62" ID X 1.12" OD W/.19" GROOVE - BLACK
	071015-26-000	EA	GROMMET - RUBBER - 1.5" ID X 2.1" OD W/.06" GROOVE-BLACK
	071015-29-000	EA	GROMMET - RUBBER - .3" ID X 1.3" OD W/.12" GROOVE - BLACK
	071015-30-000	EA	GROMMET - RUBBER - .31" ID X .81" OD W/.12" GROOVE - BLK
	071015-39-000	EA	GROMMET - .75 ID FITS .06 MTL
	075148-02-000	EA	CLAMP - GROUNDING - BRONZE SCREWS
	077953-01-000	EA	GROMMET - EDGE LINER - FITS 1"
	077955-01-000	EA	CLIP - J - VINYL COATED - 3/8"
	080211-03-000	EA	CLIP - X-MAS TREE W/PANEL RETAINING HEAD - 3/4" SHANK
	080734-02-000	EA	CLIP - WIRE NYLON
	081211-03-000	EA	PLUG/PLASTIC - .50 DIAMETER - BLACK
	081211-04-000	EA	PLUG/PLASTIC - .46 DIAMETER - BLACK
	083609-01-000	EA	CLAMP - WIRE - DUAL - EQUAL DIAMETERS - 5/8"
	083610-01-000	EA	CLAMP - WIRE - DUAL - UNEQUAL DIAMETERS - 3/4" & 1 1/4"
	083610-02-000	EA	CLAMP - WIRE - DUAL - UNEQUAL DIAMETERS - 3/4" & 2"
	083610-03-000	EA	CLAMP - WIRE - DUAL - EQUAL DIAMETERS - 2" & 2"
	088756-01-000	EA	GROMMET - WEB - 1 1/8" I.D.
	091952-01-000	EA	CLIP - GRIPPER - 1"
	091952-02-000	EA	CLIP - GRIPPER - 3/4"
	094362-02-000	EA	CLIP - XMAS TREE - BINDER HEAD - .9" LONG
	094362-05-000	EA	CLIP - XMAS TREE - ROUND HEAD - 1.4" LONG
	094362-06-000	EA	CLIP - XMAS TREE - FLAT HEAD - .745-.755 HEAD DIAMETER
	114208-01-000	EA	GROMMET - EDGE LINER - FITS 1 3/4"
	114208-03-000	EA	GROMMET - EDGE LINER - FITS 2.50"
	114208-04-000	EA	GROMMET - EDGE LINER - FITS 1.00"
	114208-05-000	EA	GROMMET - EDGE LINER - FITS 2"
	118626-01-01A	EA	RIVET - POP - ALUMINUM 3/16 X .08-.375
	118626-02-01A	EA	RIVET - POP - ALUMINUM - 3/16 X .500-.750
	120506-01-01A	EA	RIVET - PLASTIC - 3/16 DIAMETER

SEALANTS & FASTENERS GROUP (CONTINUED)

MISCELLANEOUS FASTENERS

KEY	PART NUMBER	U/M	DESCRIPTION
	008343-01-000	EA	TIE - WIRE - 6"
	008343-02-000	EA	TIE - WIRE - 14"
	008343-03-000	EA	TIE - WIRE - 7 1/2" - BLACK
	029094-04-000	YD	VELCRO TAPE - LOOP - 1" WIDE - BLACK
	029094-06-000	YD	VELCRO TAPE - LOOP - 2" WIDE - BLACK
	029096-03-000	YD	VELCRO TAPE - HOOK - 1" WIDE - BLACK
	029096-04-000	YD	VELCRO TAPE - HOOK - 1" WIDE - BLACK
	048394-02-000	YD	VELCRO TAPE - HOOK - ADHESIVE BACK - .75" WIDE - BEIGE
	085774-01-000	FT	FASTENER - DUAL LOCK - 1" WIDE - ADHESIVE BACK - BLACK
	085774-02-000	FT	FASTENER - DUAL HOOK - 1" WIDE - ADHESIVE BACK - BLACK
	085774-03-000	FT	FASTENER - DUAL HOOK - 1/2" WIDE - ADHESIVE BACK - BLACK
	085774-04-000	FT	FASTENER - DUAL HOOK - 1/2" WIDE - ADHESIVE BACK - BLACK
	088792-02-000	YD	VELCRO TAPE - LOOP - 3/4" - ADHESIVE BACKED - BEIGE
	088792-04-000	YD	VELCRO TAPE - LOOP - 5/8" - NON-ADHESIVE BACK - WHITE
	088792-05-000	YD	VELCRO TAPE - LOOP - 5/8" - NON-ADHESIVE BACKED - WHITE
	108046-01-000	EA	CABLE TIE - SCREW MOUNT 8"
	108046-02-000	EA	CABLE TIE - SCREW MOUNT 15"
	110943-02-000	FT	FELTSTRIP - 3/8" - ADHESIVE BACK - WHITE
	127960-01-01A	EA	RETAINER - 3/8" - STAINLESS STEEL

WATER & SEWAGE GROUP DRAINAGE SYSTEM



KEY	PART NUMBER	U/M	DESCRIPTION
1	010006-01-000	EA	ELBOW - 45 DEGREE - 1 1/2" HUB X HUB - PLASTIC
2	010008-01-000	EA	ELBOW - 90 DEGREE - 1 1/2" HUB X HUB - PLASTIC
3	010071-01-000	EA	TEE - SANITARY - 1 1/2" HUB X HUB X HUB - PLASTIC
4	010115-01-000	EA	COUPLING - 1 1/2" HUB X HUB - PLASTIC
5	034250-01-000	EA	ELBOW - 90 DEGREE - LONG TURN - 1 1/2" HUB X HUB - ABS
6	041956-01-000	EA	ELBOW - 3" STREET - 90 DEGREE PLASTIC
7	062422-01-000	EA	ADAPTER - OFFSET REDUCER - 3" X 1 1/2" - PLASTIC
8*	070916-01-000	EA	VALVE - DUAL DUMP - W/CAP - 3" X 1 1/2" FROM: 00-00-00 THRU: 10-29-00
8	136143-01-000	EA	VALVE - DUAL - 3" X 3" FROM: 00-00-00 THRU: 10-29-00
9	079968-01-000	EA	VENT - MECHANICAL/TRAP ARM - ANTI-SIPHON-2" X 7.3" PLASTIC FROM: 10-30-00 THRU: 99-99-99
10	109571-01-000	EA	ADAPTER - P-TRAP - 1 1/2" P X 1 1/4" MPT
11	126426-01-000	FT	PIPE - 1 1/2" FLEXIBLE
12	130685-01-000	EA	ADAPTER - 1 7/8" FEMALE SLIP X 1 1/2" FEMALE THREAD/O-RING
13	130685-03-000	EA	ADAPTER - 1 7/8" MALE SLIP X 1 1/2" MALE THREAD/O-RING
14	107538-01-000	EA	P-TRAP - PLASTIC - 1 1/4" W/EXTENSION ARM
14	011071-01-000	EA	P-TRAP - PLASTIC - 1 1/2" - CSA

WATER & SEWAGE GROUP (CONTINUED)
DRAINAGE SYSTEM (CONTINUED)

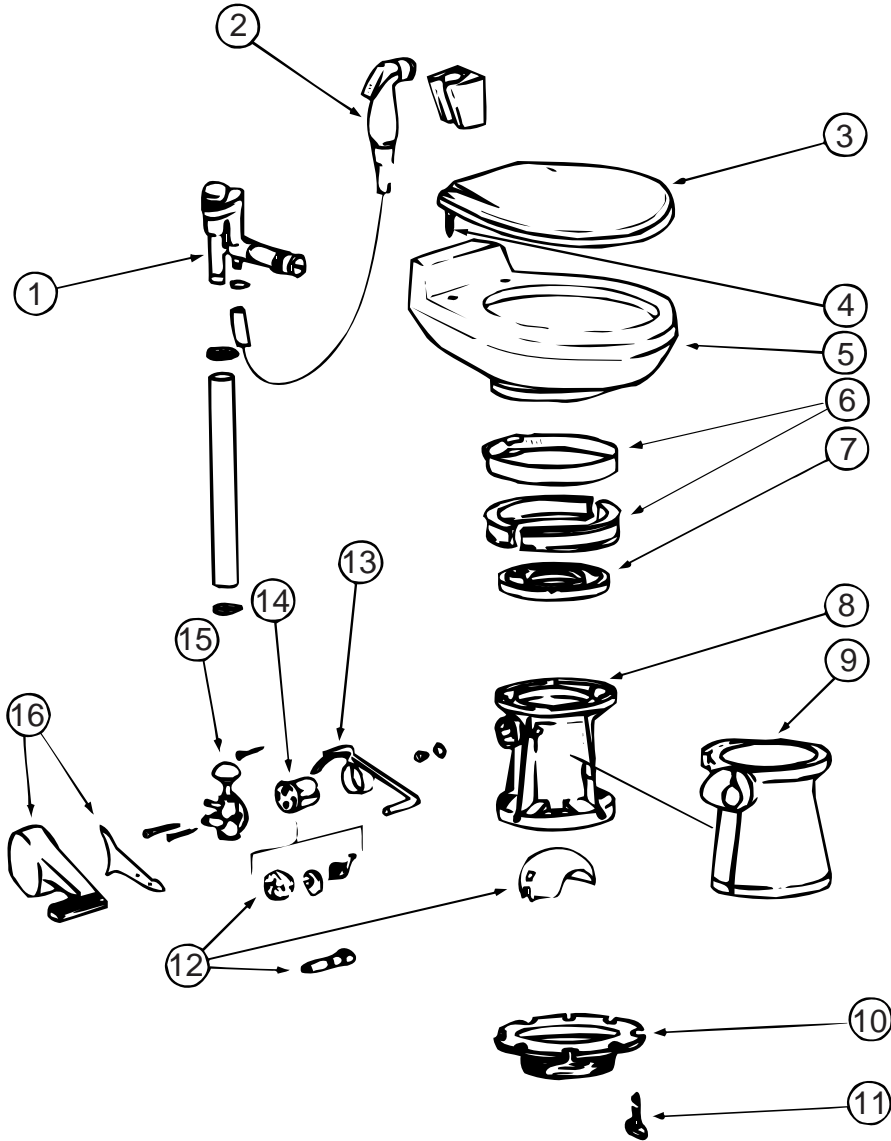
KEY	PART NUMBER	U/M	DESCRIPTION
15	116644-01-000	EA	FLANGE/CLOSET - 4 BOLT X 3" FEMALE FROM: 00-00-00 THRU: 07-23-00
15	024676-01-000	EA	FLANGE/CLOSET - 4" X 3" - RED FROM: 07-24-00 THRU: 99-99-99
16*	085330-08-000	EA	TOILET - CHINA - STANDARD - GLACIER WHITE
16*	136729-01-01A	EA	TOILET - CHINA - STANDARD W/SPRAYER - WHITE
17	126588-02-000	EA	ARM - WASTE - 1 1/2 X 20 - FEMALE
18	061607-01-000	EA	GROMMET - HOLDING TANK - 1 1/2" NPS
19	061607-02-000	EA	GROMMET - HOLDING TANK - 3" NPS
20	125948-01-000	EA	TANK - HOLDING - W/O FITTINGS
21	132150-01-01A	EA	STRAINER - SHOWER - BRASS
22	010201-01-000	EA	HOSE - SEWER - 3" ID X 8' FROM: 00-00-00 THRU: 06-10-01
22	139513-01-000	EA	HOSE - SEWER - 3" X 10' - W/ADAPTER FROM: 06-11-01 THRU: 99-99-99
23	011069-02-000	EA	TAILPIECE - TUB/SHOWER - 1 1/2" X 1 1/4" X 4" - BRASS
24	011091-02-000	EA	WASTE - CONTINUOUS - DOUBLE SINK
25	062416-01-000	EA	ADAPTER - SEWER HOSE TO 3" PIPE FROM: 00-00-00 THRU: 06-10-01
26	131786-01-01A	EA	SPACER - TOILET - ROUND - 10" DIAM. X 2.8" HIGH - SOFT WHT
27	078406-01-000	EA	COUPLER - RUBBER - W/CLAMPS - 3" X 3"
28	083558-06-000	EA	VENT - ROOF PLUMBING PIPE - COVERED
29	092303-01-000	EA	STRAINER - W/BASKET - GALLEY SINK - 4" OD
30	105921-01-01A	EA	SINK - LAVATORY - LARGE/OVAL - 17" X 20" PLASTIC/OFF WHITE
31	106116-01-01A	EA	STRAINER/PLASTIC - STOPPER/TAILPIECE/GASKET & NUT-LAVATORY
32	110654-01-000	EA	SINK - STAINLESS STEEL/DOUBLE BASIN (1 LG-1 SM BASIN)
33	125569-01-000	EA	ELBOW - 1 1/2" X 90 DEGREE - DOUBLE SLIP
34	126588-01-000	EA	ARM - WASTE - 1 1/2" X 9 1/2" - FEMALE
35	127440-02-01A	EA	WASHER - RUBBER - 1.8" X .1"
36	132320-01-700	EA	TANK-HOLDING - W/3" NIPPLE PARTS DEPT
37	112628-01-02A	EA	BRACKET/TIEDOWN - WATER TANK - E-COATED
38	126424-01-000	EA	ADAPTER - 1 1/2" MPT X 1 1/2" HUB
39	126425-01-000	EA	ADAPTER - SWIVEL - 1 1/2 FPT X 1 1/2" HUB
40	066440-01-000	EA	STRAINER - SHOWER DRAIN - W/RUBBER WASHER
41	130403-01-000	EA	NUT - SLIP - W/WINGS 1 1/2"

***COMPONENT PARTS LISTED LATER IN THIS GROUP**

WATER & SEWAGE GROUP (CONTINUED)
COMPONENT PARTS FOR DRAINAGE SYSTEM

070916-01-000

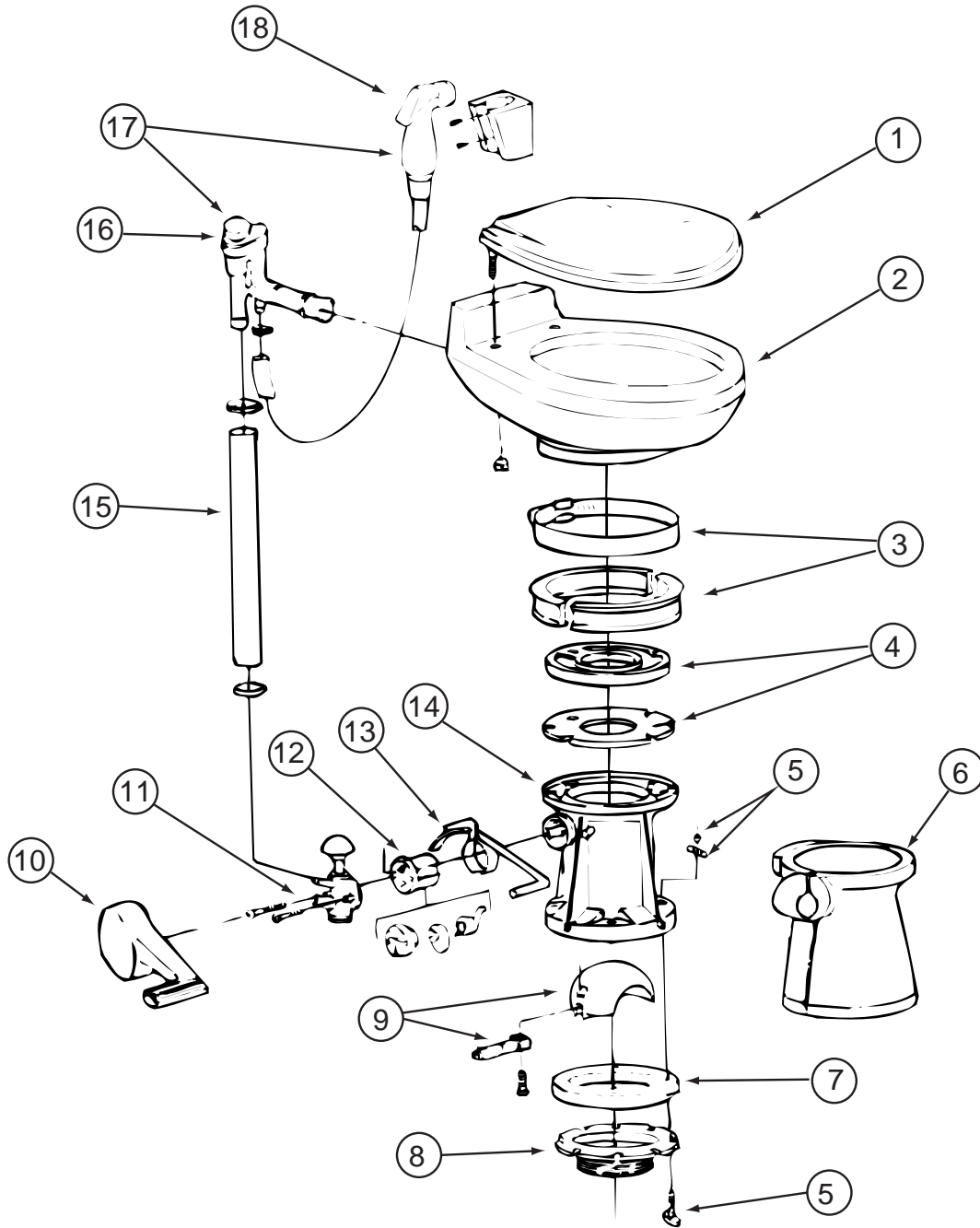
KEY	PART NUMBER	U/M	DESCRIPTION	VENDOR NO.
	070916-01-700	EA	VALVE ONLY (WASTE) 3"	T1003BU
	070916-01-701	EA	VALVE ONLY (WASTE) 1 1/2"	T1001BU



085330-08-000

KEY	PART NUMBER	U/M	DESCRIPTION	VENDOR NO.
1	085330-01-701	EA	BREAKER-VACUUM	385318065
2	085330-04-701	EA	HAND SPRAY W/HOSE(500 & 900)	340683
3	085330-08-701	EA	SEAT ASSEMBLY - WHITE	341605
4	085330-08-703	EA	HINGE-HARDWARE SET - (WHITE)	341706
5	085330-08-702	EA	BOWL/CHINA - WHITE	310080
6	085330-01-703	EA	RING & HALF CLAMPS, BONE	385310048
7	085330-01-704	EA	TEFLON & RUBBER SEAL KIT	385316140
8	085330-09-703	EA	BASE KIT - BONE	310120
9	085330-09-704	EA	PEDESTAL COVER - WHITE	310111
10	085330-01-716	EA	FLANGE-FLOOR, 3" MPT	345889
11	085330-01-717	EA	BOLT MOUNTING PACKAGE	3100-64
12	085330-01-706	EA	BALL(FLAPPER)SHAFT/CARTRIDGE	385318162
13	085330-06-703	EA	LEVER-FLUSH	340873
14	085330-01-707	EA	CARTRIDGE SPRING ASSEMBLY	381236096
15	085330-01-709	EA	VALVE-WATER	385314349
16	085330-09-702	EA	COVER/PEDAL KIT - WHITE	310114
	085330-01-723	EA	SEAL - FLOOR FLANGE	341549

WATER & SEWAGE GROUP (CONTINUED)
COMPONENT PARTS FOR DRAINAGE SYSTEM (CONTINUED)



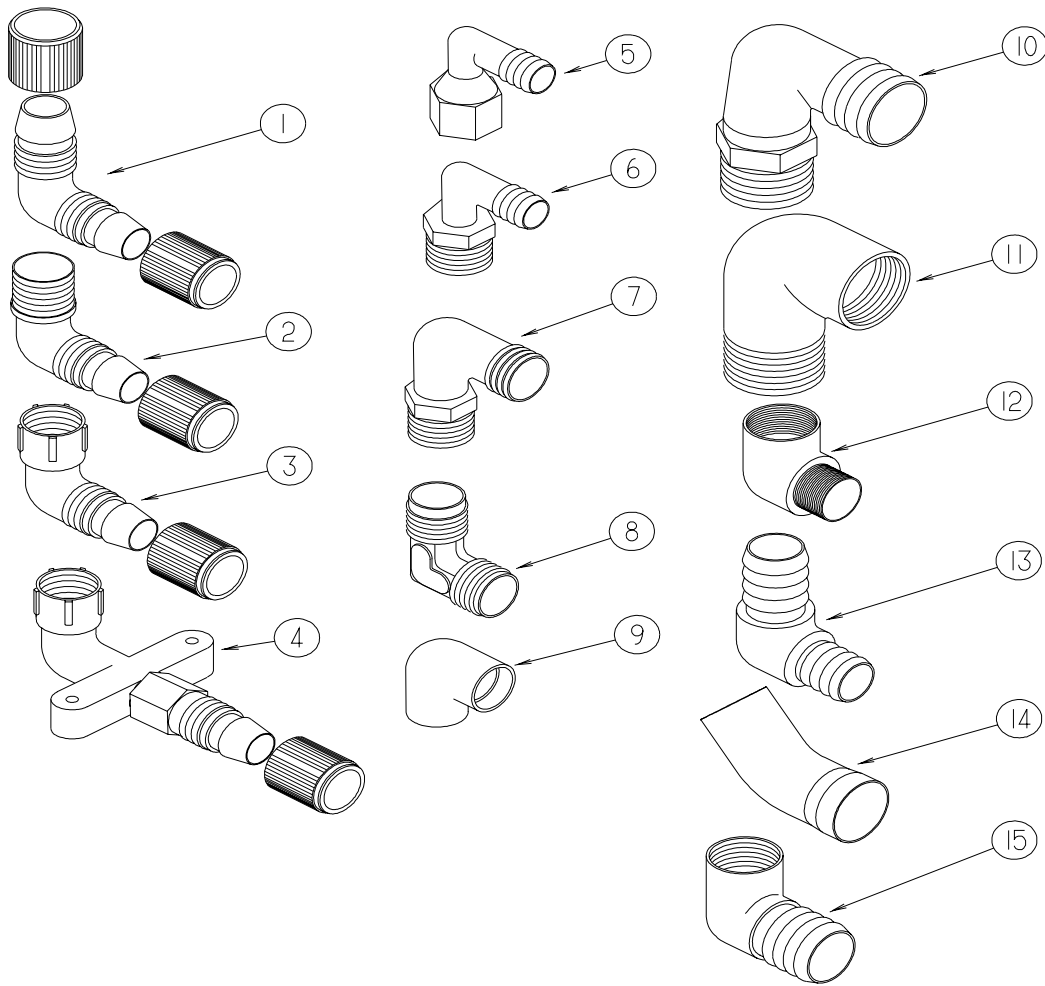
136729-01-01A

WATER & SEWAGE GROUP (CONTINUED)
COMPONENT PARTS FOR DRAINAGE SYSTEM (CONTINUED)

136729-01-01A (CONTINUED)

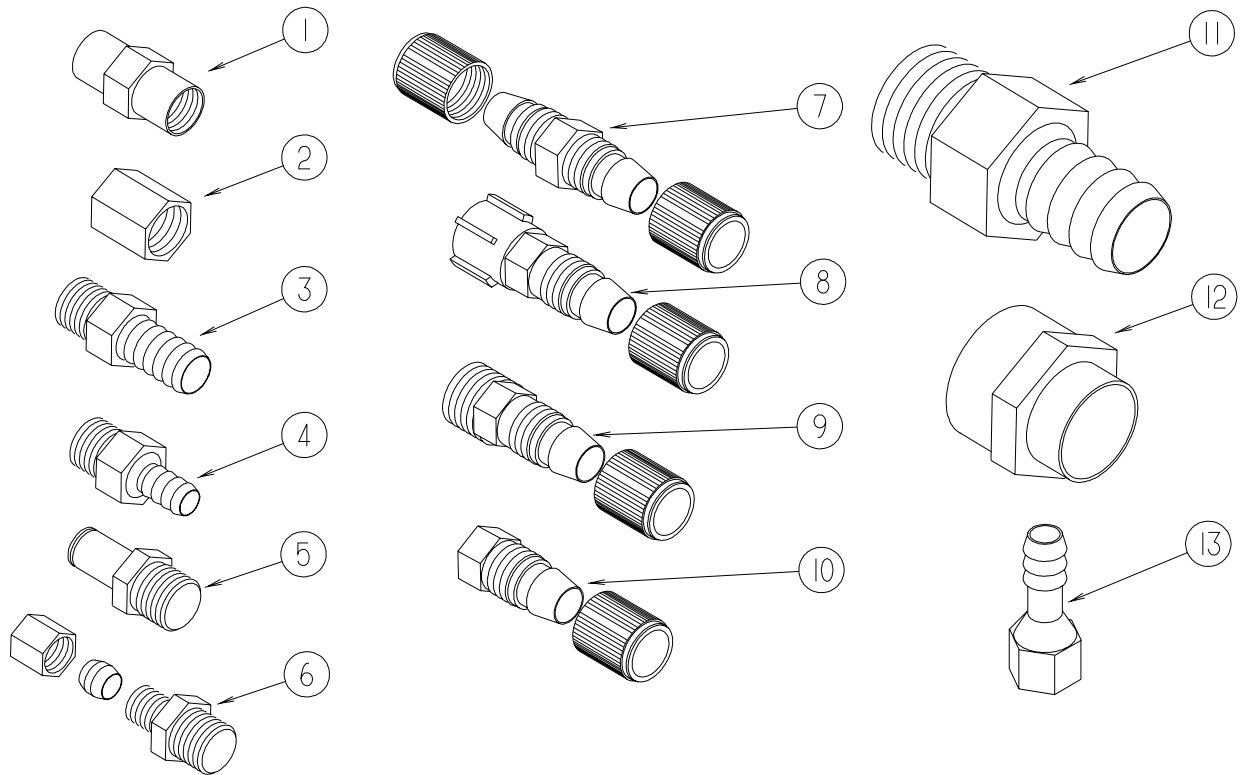
KEY	PART NUMBER	U/M	DESCRIPTION	VENDOR NO.
	136729-01-01A	EA	TOILET - CHINA - STANDARD W/SPRAYER - WHITE	
1	136729-01-700	EA	SEAT ASSEMBLY - WHITE	343829
2	136729-01-701	EA	BOWL/CHINA - WHITE	310739
3	085330-01-703	EA	RING & HALF CLAMPS, BONE	385310048
4	085330-01-704	EA	TEFLON & RUBBER SEAL KIT	385316140
5	085330-01-717	EA	BOLT MOUNTING PACKAGE	3100-64
6	085330-09-704	EA	PEDESTAL COVER - WHITE	310111
7	085330-01-714	EA	SEAL-FLANGE, FLOOR	390343892
8	085330-01-716	EA	FLANGE-FLOOR, 3" MPT	345889
9			CONTACT WINNEBAGO PART SALES FOR THIS COMPONENT	
10	085330-09-702	EA	COVER/PEDAL KIT - WHITE	310114
11	085330-01-709	EA	VALVE-WATER	385314349
12	085330-01-707	EA	CARTRIDGE SPRING ASSEMBLY	381236096
13	085330-06-703	EA	LEVER-FLUSH	340873
14	085330-09-703	EA	BASE KIT - BONE	310120
15			CONTACT WINNEBAGO PART SALES FOR THIS COMPONENT	
16	085330-06-701	EA	BREAKER-VACUUM/DIVERTER(900)	230335
17			CONTACT WINNEBAGO PART SALES FOR THIS COMPONENT	
18	085330-04-701	EA	HAND SPRAY W/HOSE(500 & 900)	340683

WATER & SEWAGE GROUP (CONTINUED)
WATER SYSTEM



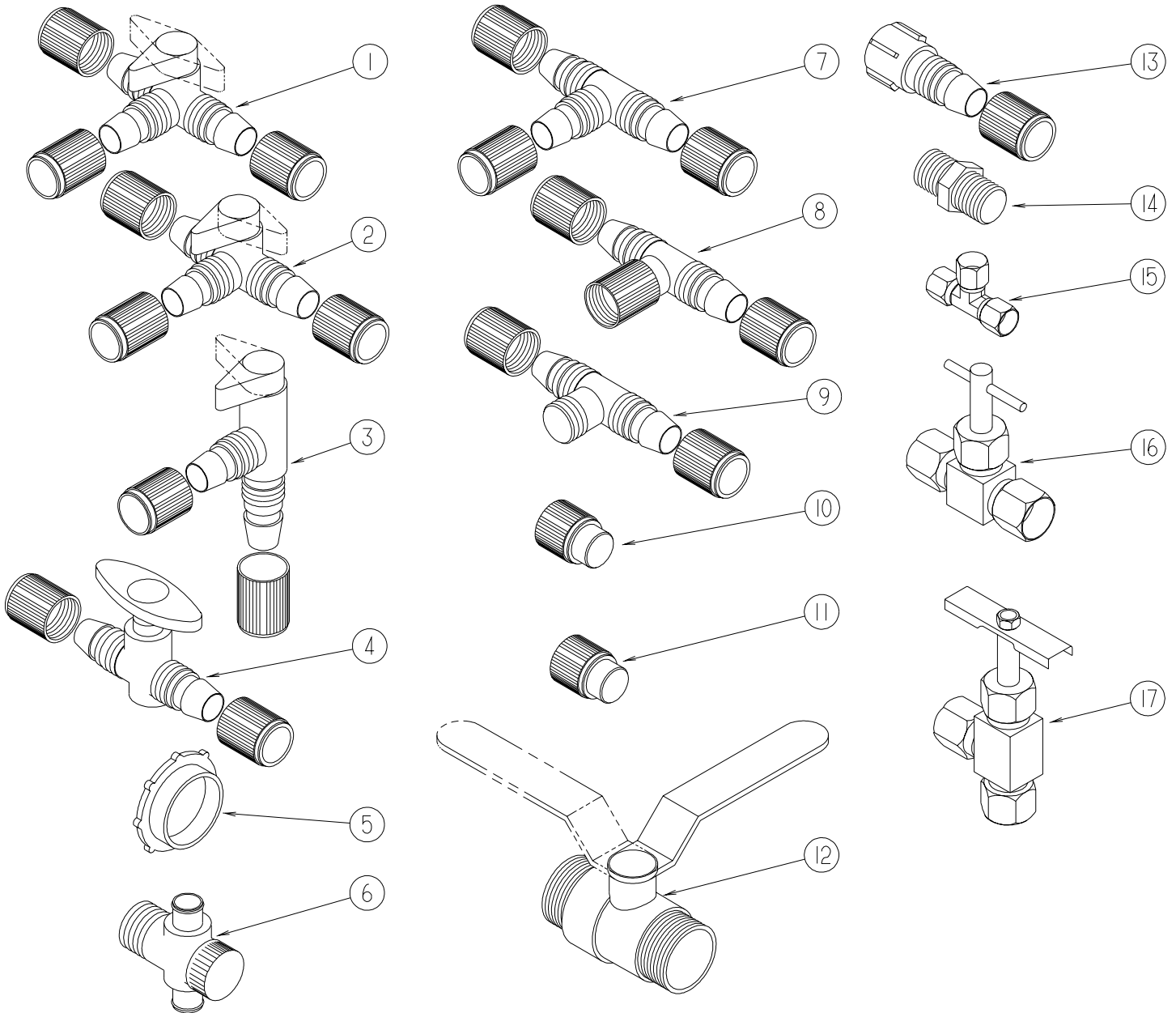
KEY	PART NUMBER	U/M	DESCRIPTION
1	114429-01-000	EA	ELBOW - 1/2"P X 1/2"P
2	114429-02-000	EA	ELBOW - 1/2"P X 1/2"MPT
2	114429-04-000	EA	ELBOW - 1/2"P X 3/8"MPT
2	114429-05-000	EA	ELBOW - 1/2"P X 3/4"MPT
3	114429-03-000	EA	ELBOW - SWIVEL - 1/2"P X 1/2"FPT
3	114429-06-000	EA	ELBOW - SWIVEL - 1/2"P X 3/4"FPT
3	114429-08-000	EA	ELBOW - SWIVEL - 1/2"MPT X 1/2"FPT SWIVEL
4	114429-07-000	EA	ELBOW - 1/2"P X 1/2"FPT
4	114429-09-000	EA	ELBOW - 1/2"P X 1/2"FPT DROP EAR
5	123150-01-000	EA	ELBOW - 1/2 FPT X 1/2 BARB - SWIVEL
6	035539-01-000	EA	ELBOW - 3/8 MPT X 3/8 BARB - PLASTIC
7	010219-01-000	EA	ELBOW - 1 1/4 MPT X 1 1/4 BARB - WATER FILL - PLASTIC
8	039808-03-000	EA	ELBOW - 1/2" MPT X 1/2" MPT - PLASTIC
9	133837-01-000	EA	ELBOW - 1 1/2" X 90 DEGREE - DOUBLE SLIP
10	111223-03-000	EA	ELBOW - 3/4" MPT X 1/2" BARB - PLASTIC
10	111223-04-000	EA	ELBOW - 1/2" MPT X 1/2" BARB - PLASTIC
11	132484-01-000	EA	ELBOW - PLASTIC - 90 DEGREE - 1MPT X 1FPT
12	065318-02-000	EA	ELBOW - 90 DEGREE - 3/8" MPT TO 3/8" FPT
13	132781-01-000	EA	ELBOW - 1.3" BARB X 1.3" BARB - 90 DEGREE - PLASTIC
14	010009-01-000	EA	ELBOW - 90 DEGREE - 1/4 BEND - 1 1/2" PLASTIC
15	132782-01-000	EA	ELBOW - 1"FPT X 1.3" BARB - 90 DEGREE - PLASTIC

WATER & SEWAGE GROUP (CONTINUED)
WATER SYSTEM (CONTINUED)



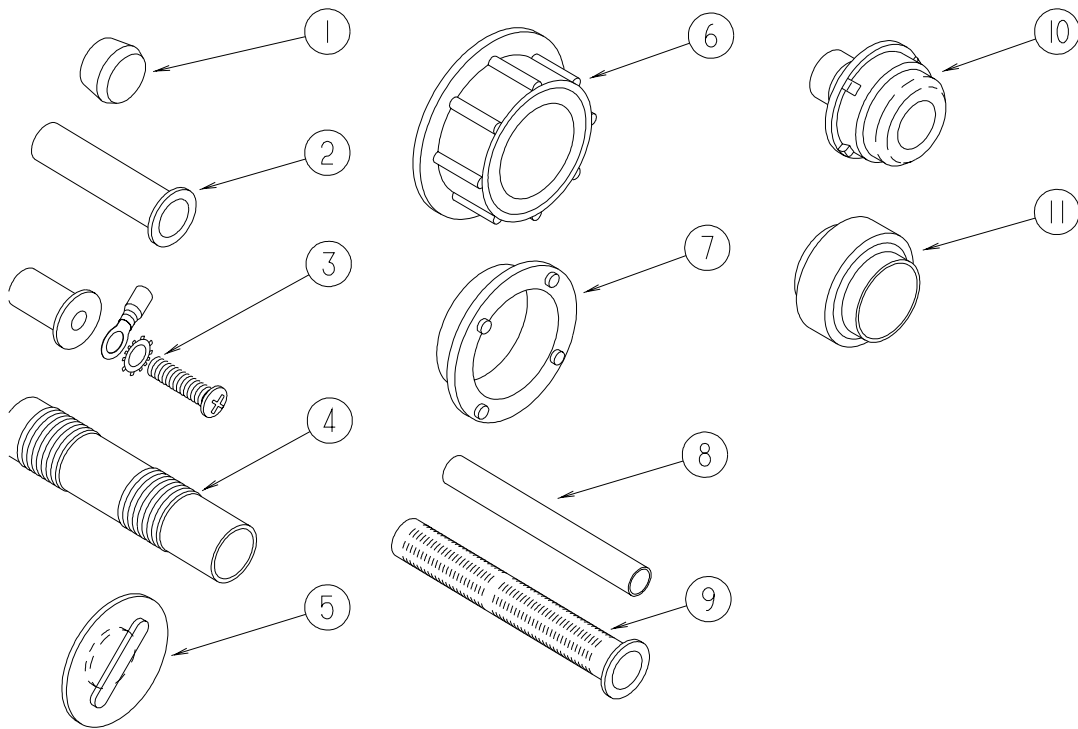
KEY	PART NUMBER	U/M	DESCRIPTION
1	132148-01-000	EA	CONNECTOR - 1/2" X 1/2" MPT - BRASS
2	101814-01-000	EA	COUPLING - FEMALE - 1/2" X 1/2" FPT - GRAY
3	118809-02-000	EA	ADAPTER - 1/2" MPT X 1/2" BARB - PLASTIC
4	010224-01-000	EA	ADAPTER - HOSE TO PIPE - 3/8 MPT X 3/8 BARB - PLASTIC
5	090338-03-000	EA	FITTING - HOSE - 3/4"ID - 2" LENGTH - BRASS
6	103798-01-000	EA	CONNECTOR - 1/4 OD X 3/8 MPT
7	114430-01-000	EA	ADAPTER - 1/2"P X 1/2"P
8	114430-02-000	EA	ADAPTER - SWIVEL - 1/2"P X 1/2"FPT
9	114430-03-000	EA	ADAPTER - 1/2"P X 1/2"MPT
10	114430-06-000	EA	ADAPTER - 1/2"P X 3/8"FPT
10	114430-08-000	EA	ADAPTER - 1/2"P X 3/4"MPT
11	044927-01-000	EA	ADAPTER - HOSE TO PIPE-1 1/4 MPTX1 1/4 BARB-BLACK PLASTIC
12	133835-01-000	EA	ADAPTER - REDUCING - 1 1/2" X 1 1/4"
13	123152-01-000	EA	ADAPTER - 1/2 FPT X 1/2 BARB - SWIVEL

WATER & SEWAGE GROUP (CONTINUED)
WATER SYSTEM (CONTINUED)



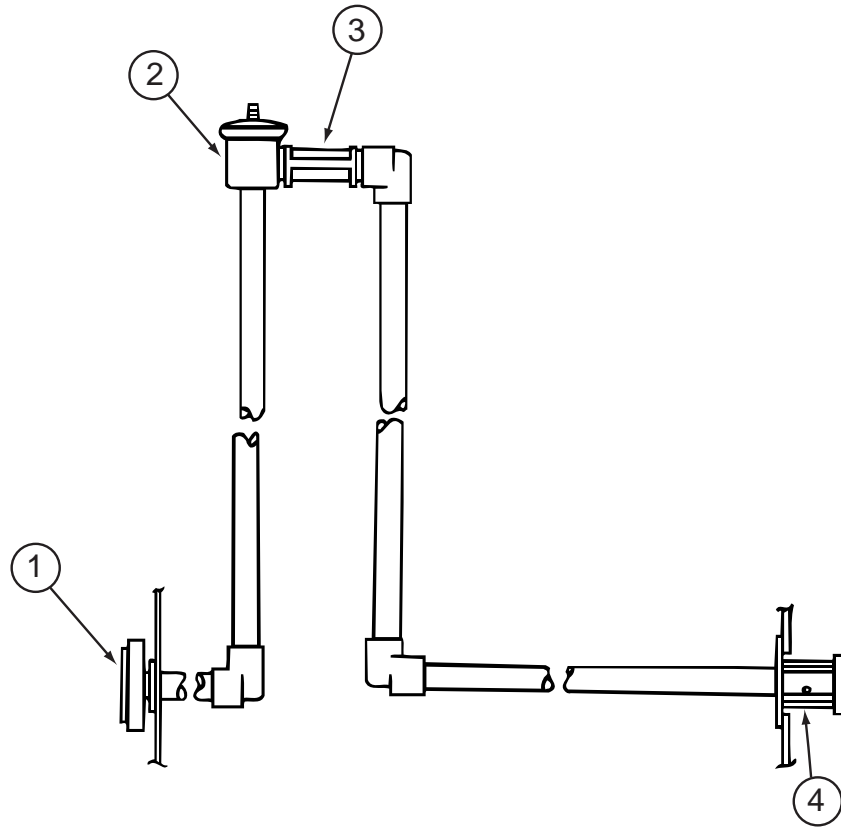
KEY	PART NUMBER	U/M	DESCRIPTION
1	114431-01-000	EA	VALVE - 180 DEGREE/CENTER DRAIN - 1/2"P - THREE WAY
2	114431-02-000	EA	VALVE - WATER BYPASS - 1/2"P - THREE WAY (WATER HEATER)
3	114431-03-000	EA	VALVE - 90 DEGREE DRAIN - 1/2"P
4	114431-04-000	EA	VALVE - "INLINE SHUT-OFF" - 1/2"P
5	120069-01-000	EA	PLUG - 3" - POLYETHYLENE MPT
6	128974-01-01A	EA	VALVE - SHOWER HEAD/WATER SAVER (ON/OFF) - BRIGHT BRASS
7	114428-01-000	EA	TEE - 1/2"P X 1/2"P X 1/2"P
8	114428-02-000	EA	TEE - SWIVEL - 1/2"P X 1/2"P X 1/2"FPT
9	114428-03-000	EA	TEE - 1/2"P X 1/2"P X 1/2"MPT
10	113697-01-000	EA	CAP - 3/8 FTG
11	114427-01-000	EA	CAP - 1/2" - FOR CAPPING FLAIR-IT MALE FITTINGS
12	132483-01-000	EA	VALVE - BALL - 1" - THREADED ENDS
13	114427-02-000	EA	PLUG - W/COMP NUT - 1/2" PLASTIC PIPE/1/2" FLAIR-IT
14	110438-02-000	EA	VALVE - CHECK - BRASS - 1/2 MPT X 1/2 MPT
15	118423-01-000	EA	FITTING - BRASS-TEE - 1/4C X 1/4C X 1/4C
16	120868-01-000	EA	VALVE - NEEDLE - 1/4" COMPRESSION X 1/4" COMPRESSION
17	114431-05-000	EA	VALVE - NEEDLE - 1/8" MPT X 1/4" COMPRESSION (ICE MAKER)

WATER & SEWAGE GROUP (CONTINUED)
WATER SYSTEM (CONTINUED)



KEY	PART NUMBER	U/M	DESCRIPTION
1	111888-01-000	EA	FERRULE - PLASTIC - .250 ID X .375 OD
2	111888-02-000	EA	INSERT - BRASS - 1/4 COMP
3	039861-01-000	EA	SENDING UNIT - W/SCREW - WASHER - WELL NUT/TERMINAL RING
4	079381-01-000	FT	TUBING - RIBBED FLEXIBLE - WATER FILL - 1.4" I.D.
5	049032-01-000	EA	PATCH - SPINWELD - 3/8" - PLASTIC
6	120069-01-000	EA	PLUG - 3" - POLYETHYLENE MPT
6	042989-03-000	EA	FITTING - SPINWELD - 1 1/4"NPT - PLASTIC
6	042989-04-000	EA	FITTING - SPINWELD - 3/8"FPT - PLASTIC
6	042989-05-000	EA	FITTING - SPINWELD - 1/2"FPT - PLASTIC
6	042989-07-000	EA	FITTING - SPINWELD - 1 1/2"FPT - PLASTIC
6	042989-08-000	EA	FITTING - SPINWELD - 1"FPT - PLASTIC
7	120070-01-000	EA	FITTING - SPINWELD - PLASTIC 3" FPT
8	124188-01-000	FT	TUBING - PEX - 1/2" ID X 20' - BLUE(COLD)
8	124188-02-000	FT	TUBING - PEX - 1/2" ID X 20' - RED(HOT)
8	112176-01-000	FT	TUBING - VINYL - REINFORCED - 1/2" ID
8	074462-02-000	FT	TUBING - VINYL - 3/8 ID X 20' - CLEAR
8	039800-04-000	FT	TUBING - POLYBUTYL - 1/4"OD
9	077954-02-000	EA	FILTER - WATER TANK - W/SCREEN IN TANK
10	114966-01-000	EA	FILTER - IN LINE - TWIST ON - 1/2"
11	133889-01-000	EA	UNION - 1 1/2 DOUBLE SLIP - PVC

WATER & SEWAGE GROUP (CONTINUED)
WATER SYSTEM (CONTINUED)



KEY	PART NUMBER	U/M	DESCRIPTION
1	125697-05-000	EA	INLET - WATER - FLUSHING SYSTEM
2	125697-04-000	EA	BREAKER - VACUUM - FLUSHING SYSTEM
3	125697-03-000	EA	CHECK VALVE - FLUSHING SYSTEM
4	125697-02-000	EA	NOZZLE - WELD-A-FLUSH
	125697-06-000	EA	INSTRUCTIONS - USER - FLUSHING SYSTEM

WATER & SEWAGE GROUP (CONTINUED)

WATER SYSTEM (CONTINUED)

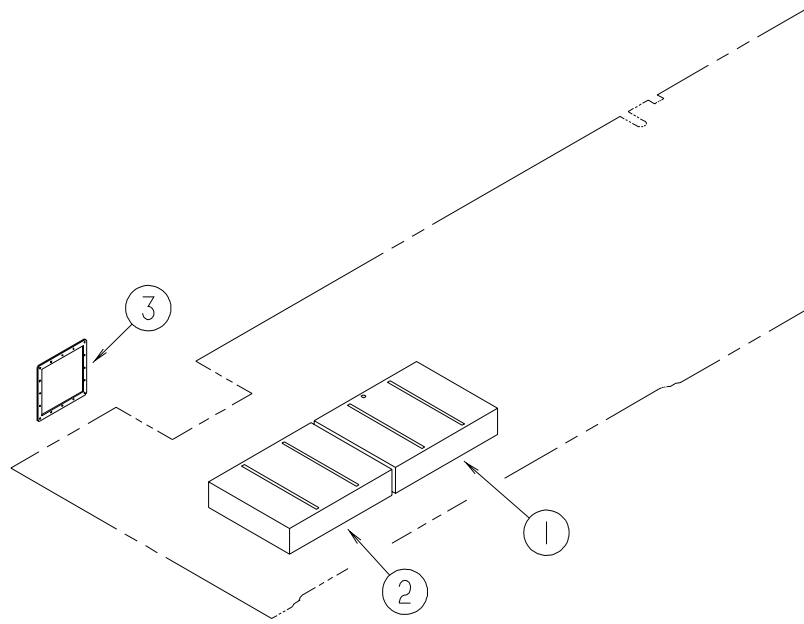
KEY	PART NUMBER	U/M	DESCRIPTION
	131383-01-02A	EA	SHOWER HEAD - W/60" HOSE & BRACKET - WHITE - EXTERIOR WASH STATION
	131383-02-02A	EA	SHOWER HEAD - W/60" HOSE & BRACKET - WHITE - CSA - EXTERIOR WASH STATION
	131383-03-02A	EA	BRACKET - SHOWER HEAD - WHITE - EXTERIOR WASH STATION
	075241-06-000	EA	FAUCET - SHOWER/BRIGHT WHITE - 1/2"MPT X 1.9" INLET PIPES - EXTERIOR WASH STATION
	128974-01-01A	EA	VALVE - SHOWER HEAD/WATER SAVER (ON/OFF) - BRIGHT BRASS - FIXED SHOWER HEAD
*	131340-01-01A	EA	FAUCET - SHOWER HEAD W/O WATER SAVER-SINGLE LEVER -BRASS - FIXED SHOWER HEAD
	129390-01-01A	EA	SHOWER HEAD - W/HOSE & BRACKET - BRASS - HAND HELD SHOWER HEAD
	131340-02-01A	EA	VALVE ASSEMBLY - SHOWER - BRASS - HAND HELD SHOWER HEAD
	135386-01-000	EA	NIPPLE - 1/2" - HAND HELD SHOWER HEAD
	135028-01-01A	EA	DROP ELL - F/SHOWER HOSE - BRASS - 1/2" - HAND HELD SHOWER HEAD
	130041-01-02A	EA	SPACER/SHOWER HEAD - SOFT WHITE - HAND HELD SHOWER HEAD
			FROM: 09-25-00 THRU: 99-99-99
	131551-01-02B	EA	BRACKET - SHOWER HEAD - L34Y, L36W
	133721-01-02B	EA	BRACKET - SHOWER CONTROL - E-COATED - L35U
	133727-01-02B	EA	BRACKET - SHOWER HEAD - E-COATED - L35U
	128997-01-01A	EA	FAUCET - LAVATORY - SINGLE CONTROL - POLISHED BRASS
	105218-01-01A	EA	SPACER - FAUCET/LAVATORY SINK - 2" X 5.9" - ABS PLASTIC
	098419-01-000	EA	FAUCET - WASHER - 90 DEGREE - W/WASHER/DRYER
	111842-01-01A	EA	BRACKET - FAUCET - WASHER - W/WASHER/DRYER, L34Y
	134472-01-02B	EA	BRACKET - FAUCET - WASHER - E-COATED - W/WASHER/DRYER, L36W
	064952-01-000	EA	FAUCET - GALLEY/SINGLE CONTROL - 8"
	103635-01-000	EA	FAUCET - SINGLE CONTROL/DRINKING WATER
*	118569-01-000	EA	WINTERIZATION SYSTEM
	099717-09-000	EA	STRAP - W/5.1" FEMALE STRAP AND 22.4" MALE STRAP
	010230-06-000	EA	FILL - CITY WATER - W/CHECK VALVE - MPT - BRUSHED ALUM
	081240-20-000	EA	WATER FILL - W/DOOR - LOCKABLE - W/O LOCK - BRT WHT
	LOCK CYLINDER USED UP TO 04-30-01		
	129686-01-000	EA	CYLINDER - LOCK ASSEMBLY - COMPARTMENT/DRIVER DOOR
	129686-02-000	EA	CYLINDER - LOCK ASSEMBLY - COMPARTMENT/DRIVER DOOR
	129686-03-000	EA	CYLINDER - LOCK ASSEMBLY - COMPARTMENT/DRIVER DOOR
	129686-04-000	EA	CYLINDER - LOCK ASSEMBLY - COMPARTMENT/DRIVER DOOR
	129686-05-000	EA	CYLINDER - LOCK ASSEMBLY - COMPARTMENT/DRIVER DOOR
	129686-06-000	EA	CYLINDER - LOCK ASSEMBLY - COMPARTMENT/DRIVER DOOR
	129686-07-000	EA	CYLINDER - LOCK ASSEMBLY - COMPARTMENT/DRIVER DOOR
	129686-08-000	EA	CYLINDER - LOCK ASSEMBLY - COMPARTMENT/DRIVER DOOR
	129686-09-000	EA	CYLINDER - LOCK ASSEMBLY - COMPARTMENT/DRIVER DOOR
	129686-10-000	EA	CYLINDER - LOCK ASSEMBLY - COMPARTMENT/DRIVER DOOR
	LOCK CYLINDER USED AFTER 05-01-01		
	138289-01-000	EA	CYLINDER - LOCKING
	138289-02-000	EA	CYLINDER - LOCKING
	138289-03-000	EA	CYLINDER - LOCKING
	138289-04-000	EA	CYLINDER - LOCKING
	138289-05-000	EA	CYLINDER - LOCKING
	138289-06-000	EA	CYLINDER - LOCKING
	138289-07-000	EA	CYLINDER - LOCKING
	138289-08-000	EA	CYLINDER - LOCKING
	138289-09-000	EA	CYLINDER - LOCKING
	138289-10-000	EA	CYLINDER - LOCKING

WATER & SEWAGE GROUP (CONTINUED)
WATER SYSTEM (CONTINUED)

KEY	PART NUMBER	U/M	DESCRIPTION
	129215-03-12B	EA	PANEL/SERVICE CENTER - BRIGHT WHITE - L34Y FROM: 00-00-00 THRU: 10-29-00
	136034-03-12B	EA	PANEL/SERVICE CENTER - BRIGHT WHITE - L34Y FROM: 10-30-00 THRU: 99-99-99
	136034-01-12B	EA	PANEL/SERVICE CENTER - BRIGHT WHITE - L35U FROM: 00-00-00 THRU: 10-08-00
	136034-02-12B	EA	PANEL - SERVICE CENTER - BRIGHT WHITE - L35U FROM: 10-09-00 THRU: 99-99-99
	129215-04-12B	EA	PANEL - SERVICE CENTER - BRIGHT WHITE - L36W FROM: 00-00-00 THRU: 10-22-00
	136034-03-12B	EA	PANEL/SERVICE CENTER - BRIGHT WHITE - L36W FROM: 10-23-00 THRU: 99-99-99
*	051391-05-000	EA	WATER HEATER/MOTOR AID-GAS/ELECT IGN - GCH10A-3E - 10 GAL
	125420-01-03A	EA	DOOR - WATER HEATER - 10 GALLON - BLACK W/BLACK GRILLE
	087200-01-000	EA	WATER PURIFICATION SYSTEM
	087200-02-000	EA	CARTRIDGE-WATER FILTER,AC,EVERPURE 9601-11
*	098607-01-000	EA	PUMP - WATER - W/.5" MPT FITTING - FLOW 2.8 GPM
	124184-01-000	EA	SUPPORT - WATER LINE - BEND

***COMPONENT PARTS LISTED LATER IN THIS GROUP**

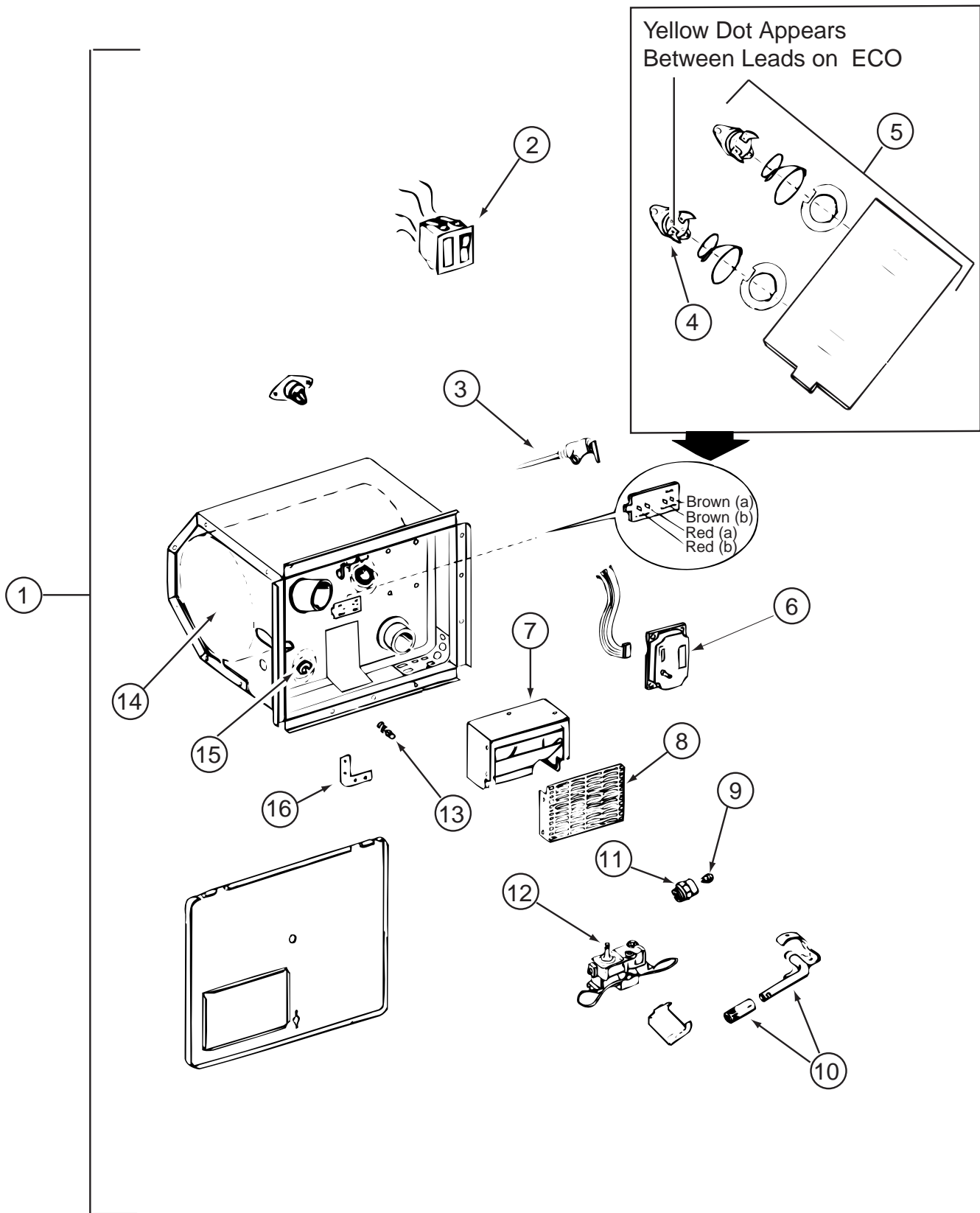
WATER & SEWAGE GROUP (CONTINUED)
WATER SYSTEM (CONTINUED)



KEY	PART NUMBER	U/M	DESCRIPTION
1	132224-02-000	EA	TANK - WATER - 40 GAL - W/FITTINGS - PRIMARY
	132224-01-000	EA	TANK - WATER - 40 GALLON - W/O FITTINGS
2	132224-03-000	EA	TANK - WATER - 40 GAL - W/FITTINGS - SECONDARY
	132224-01-000	EA	TANK - WATER - 40 GALLON - W/O FITTINGS
3	133224-01-02B	EA	PLATE - WATER HEATER - E-COATED

WATER & SEWAGE GROUP (CONTINUED)

COMPONENT PARTS FOR WATER SYSTEM



WATER & SEWAGE GROUP (CONTINUED)
COMPONENT PARTS FOR WATER SYSTEM (CONTINUED)

051391-05-000 (CONTINUED)

KEY	PART NUMBER	U/M	DESCRIPTION	VENDOR NO.
2	051393-01-701	EA	SWITCH - REMOTE - W/LIGHT	91959
3	051391-01-704	EA	VALVE-RELIEF, 1/2" FITTING	91604
4	051391-04-701	EA	THERMOSTAT 12V DC-120 PRESET	91470
5	051391-05-707	EA	THERMOSTAT & ECO - 110 VOLT	91873
5	051393-01-721	EA	THERMOSTAT W/ECO, 140 FRT MT	91447
6	051393-01-704	EA	BOARD-CIRCUIT	93865
7	051391-04-707	EA	KIT-EXHAUST, (FLUE & GASKET)	90960
8	051391-01-717	EA	GRILLE-WATER HEATER DOOR	92640
9	051391-05-701	EA	ORIFICE-MAIN BURNER	93914
10	051391-05-700	EA	BURNER-MAIN	93221
11	051391-03-700	EA	HOLDER-ORIFICE	91563
12	051393-01-726	EA	VALVE-SOLENOID, W/O BRACKET	93870
13	051391-01-715	EA	PLUG-DRAIN, 1 EA = 2 PER PKG	91857
14	051391-05-704	EA	TANK-INNER	93593
15	051391-05-706	EA	ELEMENT-HEATING 1500 WATT	91160 W/GASKET
16	111129-01-711	EA	BRACKET-CORNER, SET OF FOUR	91928
	051391-05-703	EA	HARDWARE KIT-DOOR	91858
	051391-05-705	EA	SWITCH - ON/OFF SWITCH - BOX	91182
	051393-01-723	EA	SWITCH - THERMAL CUTOUT 2/PK	93866
	051393-01-725	EA	ELECTRODE-SGL SPADE CONNECT.	93868
	051393-01-730	EA	BRACKET - F/10 GAL SYSTEM	93862

098607-01-000

KEY	PART NUMBER	U/M	DESCRIPTION	VENDOR NO
	098607-01-000	EA	PUMP - WATER - W/.5" MPT FITTING - FLOW 2.8 GPM	
	098607-01-702	EA	DIAPHRAGM/DRIVE ASSEMBLY KIT	94-238-04
	098607-01-703	EA	VALVE KIT	94-232-00
	098607-01-705	EA	VALVE-CHECK, KIT	94-237-00
	098607-01-706	EA	HOUSING, W/SWITCH ONLY	94-231-20
	098607-01-707	EA	MOTOR W/BASEPLATE	11-148-04

118569-01-000

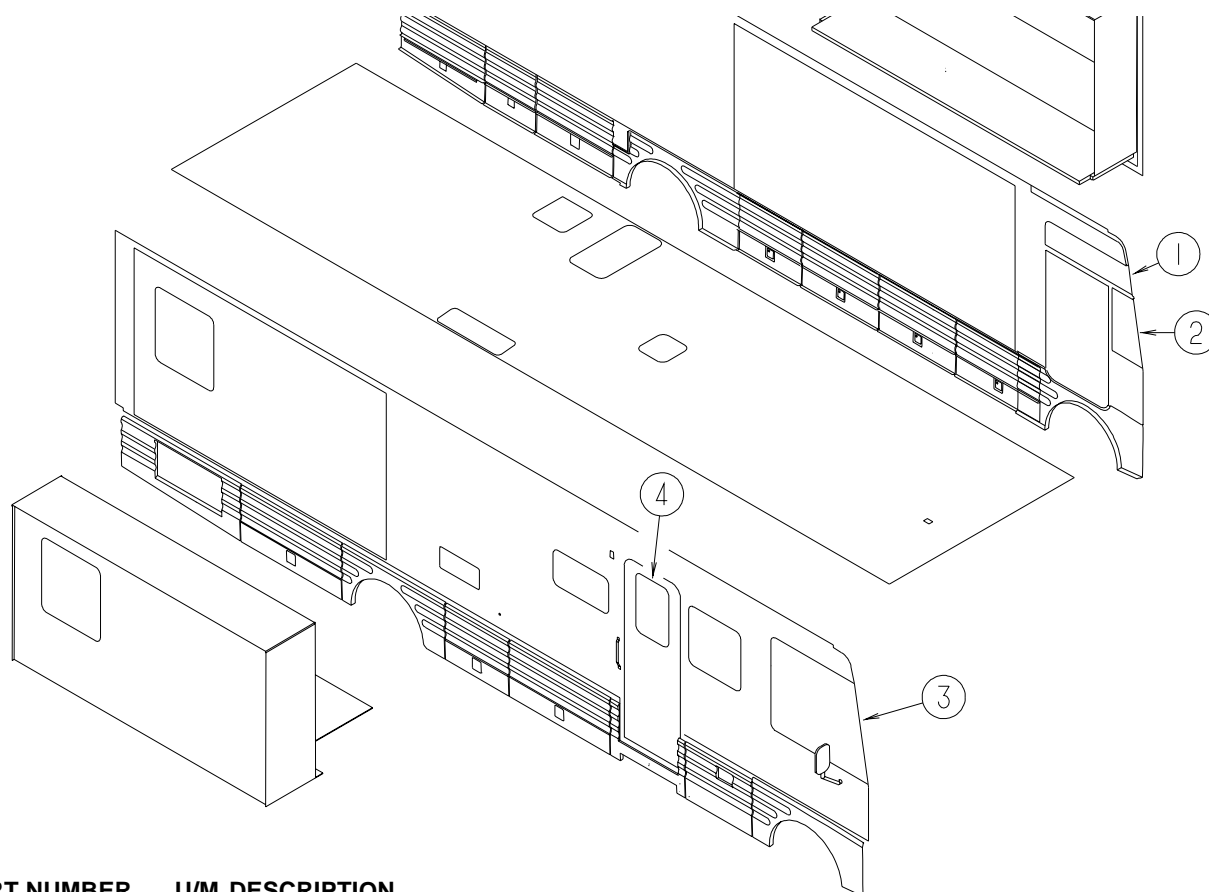
KEY	PART NUMBER	U/M	DESCRIPTION	VENDOR NO
	118569-01-000	EA	WINTERIZATION SYSTEM	
	118569-01-700	EA	VALVE/SOLENOID-ELECT CONTROL	NO VDR#
	118569-01-701	EA	SWITCH - ELECTRIC	EA1-31
	118569-01-702	EA	PLATE - SWITCH	ERUS-1
	118569-01-703	EA	TANK - 2 GALLON	NO VDR#
	118569-01-704	EA	PLUG - 3/4 MPT	NO VDR#
	118569-01-705	EA	PLUG - 1/2 MPT	NO VDR#
	118569-01-706	EA	SCREEN - WHITE	NO VDR#

131340-01-01A

KEY	PART NUMBER	U/M	DESCRIPTION	VENDOR NO
	131340-01-700	EA	BUTTON - HOT/COLD	N1201-16
	131340-01-701	EA	KNOB - CLEAR	N1201-9
	119677-01-701	EA	SHOWER HEAD ONLY 1/2"	34PB

WINDOW & VENTS GROUP

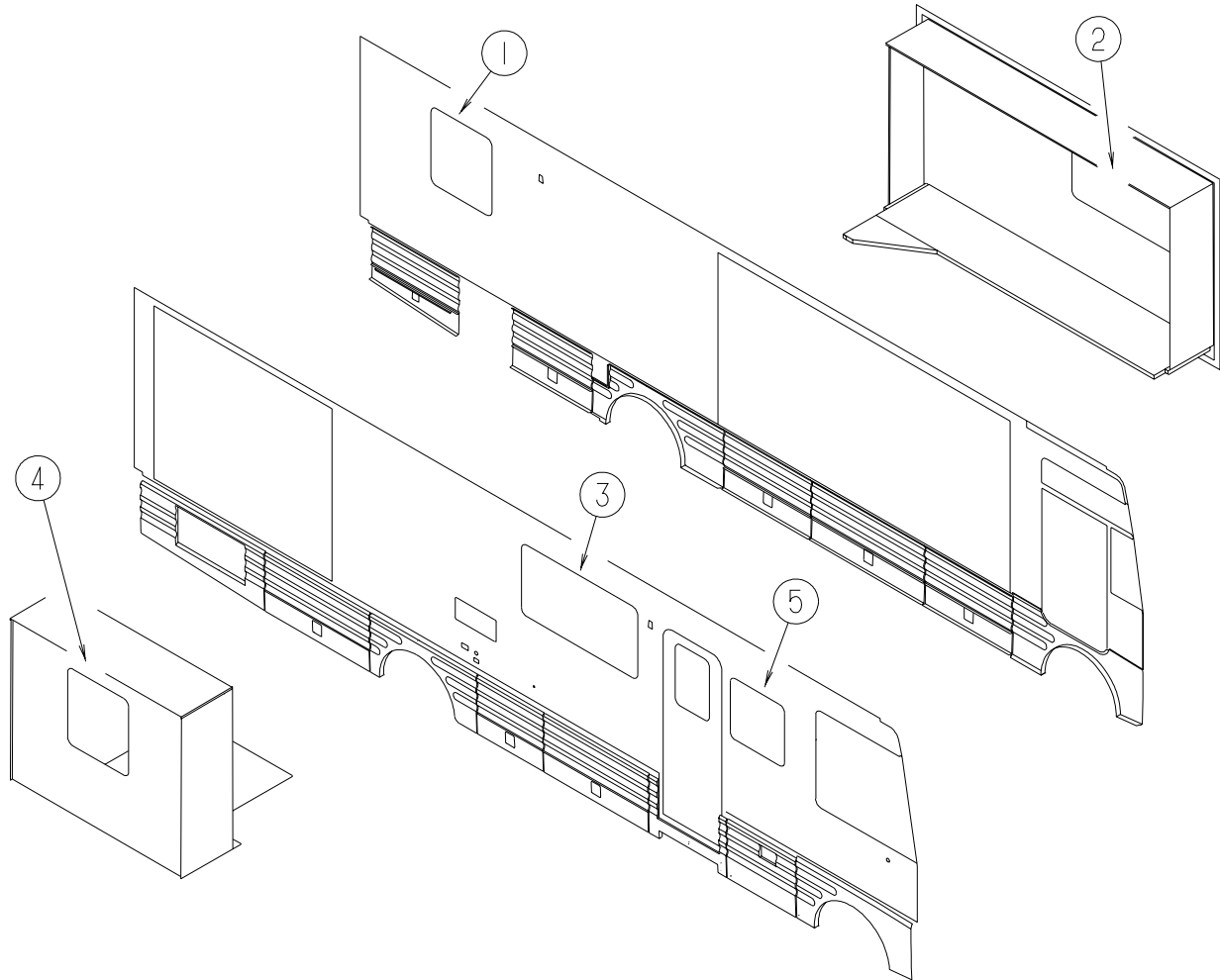
WINDOW & VENT LAYOUT



KEY	PART NUMBER	U/M	DESCRIPTION
1*	125586-01-01A	EA	WINDOW - VISTA
1*	125600-01-01A	EA	WINDOW - VISTA - THERMOPANE
2*	125584-01-01A	EA	WINDOW - FRONT SLANT - LEFT HAND
2*	125585-01-01A	EA	WINDOW - FRONT SLANT/THERMO - 11.6"T X 29.2"H X 16.8"B
3*	125582-01-01A	EA	WINDOW - PASSENGER CAB/3 WINDOW - 42.9"T X 42.6"H X 51.2"B
3*	125583-01-01A	EA	WINDOW - CAB PASS-3 GLASS THERMO- 42.9"T X 51.2"B X 42.6"H
4	117053-02-F36	EA	WINDOW - PICTURE - 60% TINTING - 26.4" X 17"
	002181-25-000	EA	GLASS - PICTURE WINDOW - 25.8"W X 16.4"H
	087561-01-000	FT	SEAL - GLASS - EXTERIOR - .5" WIDE - VINYL BLACK
	117054-02-02A	EA	RETAINER - TRIM - BRIGHT WHITE
4*	113733-10-01A	EA	WINDOW - STATIONARY - THERMO/EUROPEAN - 26.3" X 17"
*	123780-03-01A	EA	FANTASTIC VENT - 3"-4" ROOF - W/FAN - UL/CSA
	009440-01-000	EA	GEAR/ARM - LIFT - ROOF VENT COVER
*	122882-04-01A	EA	VENT - ROOF - W/FAN/POWER LIFT - W/O INSIDE GARNISH - UL
	048648-01-000	EA	MOTOR - ROOF VENT - 1/8 SHAFT - 12VOLT
	048649-01-000	EA	FAN BLADE - ROOF VENT - 6 BLADES - 6"
	122882-07-01A	EA	GARNISH - ROOF VENT - 2.5" TO 4.1"
*	122882-05-01A	EA	VENT - ROOF - W/FAN/POWER LIFT - W/O INSIDE GARNISH - CSA
	048648-01-000	EA	MOTOR - ROOF VENT - 1/8 SHAFT - 12VOLT
	048649-01-000	EA	FAN BLADE - ROOF VENT - 6 BLADES - 6"
	122882-07-01A	EA	GARNISH - ROOF VENT - 2.5" TO 4.1"
*	123780-09-01A	EA	FANTASTIC VENT - 3"-4" ROOF - W/FAN - INSULATED
	009440-01-000	EA	GEAR/ARM - LIFT - ROOF VENT COVER
*	123780-10-01A	EA	FANTASTIC VENT - 3"-4" ROOF - W/FAN/POWER LIFT/INSULATED
	009440-01-000	EA	GEAR/ARM - LIFT - ROOF VENT COVER
	122214-01-02A	EA	PANEL - SKYLITE - INNER - W/ANGLED CORNER - L34Y, L36W
	122215-01-02A	EA	PANEL - SKYLITE - OUTER - W/ANGLED CORNER - L34Y, L36W
	114496-01-02A	EA	PANEL - OUTER SKYLIGHT - 22" X 37" - L35U
	122191-01-02A	EA	PANEL - SKYLIGHT - INNER W/LIGHT CUTOUT - 20.7" X 35.4" - L35U
	084073-04-000	EA	BASE/VENT - ROOF/REFRIGERATOR - BLACK - NORCOLD
	084073-07-000	EA	VENT - ROOF/REFRIGERATOR - BRIGHT WHITE - NORCOLD

*COMPONENT PARTS LISTED LATER IN THIS GROUP

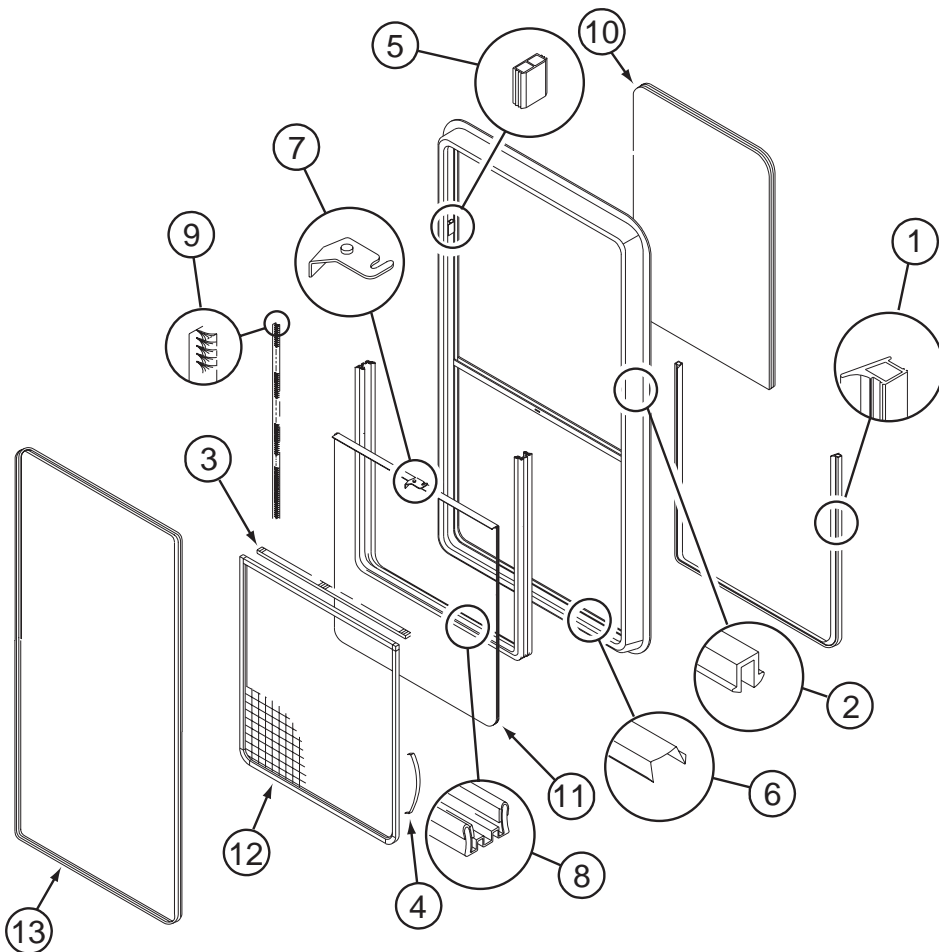
WINDOW & VENTS GROUP (CONTINUED)
WINDOW & VENT LAYOUT (CONTINUED)



KEY	PART NUMBER	U/M	DESCRIPTION
1*	112463-05-02A	EA	WINDOW - TIPOUT/ESCAPE W/RETAINER - 30" X 33"
1*	129929-10-01A	EA	WINDOW - TORQUE - THERMO/ESCAPE - 30" X 33"
2*	098647-22-02A	EA	WINDOW - DRIVER HORIZ SLIDER W/TRIM-TINTED- 26.1" X 59.7"
2*	112795-68-01A	EA	WINDOW - DRIVER HORIZ SLIDER - THERMO - 26.3" X 60"
3*	098647-23-02A	EA	WINDOW - PASS HORIZ SLIDER TINTED W/RETAINER-26.1" X 59.7" - TV-19" MID COACH
3*	112795-69-01A	EA	WINDOW - PASSENGER HORIZ SLIDER - THERMO - 26.3" X 60" - TV-19" MID COACH
3*	098647-01-03A	EA	WINDOW - PASS HORIZ SLIDER W/TRIM - TINTED - 30.5" X 57.5"
3*	112795-76-01A	EA	WINDOW - PASSENGER HORIZ SLIDER - THERMO - 30.7" X 57.7"
4*	112463-03-02A	EA	WINDOW - TIPOUT W/RETAINER - 33.3" X 30.2"
4*	129929-09-01A	EA	WINDOW - TORQUE - THERMO - 30" X 33"
5*	098644-11-02A	EA	WINDOW - VERTICAL SLIDER W/TRIM - TINTED - 26.4" X 27"
5*	112898-25-01A	EA	WINDOW - VERTICAL SLIDER - THERMOPANE - 26.3" X 26.9"

***COMPONENT PARTS LISTED LATER IN THIS GROUP**

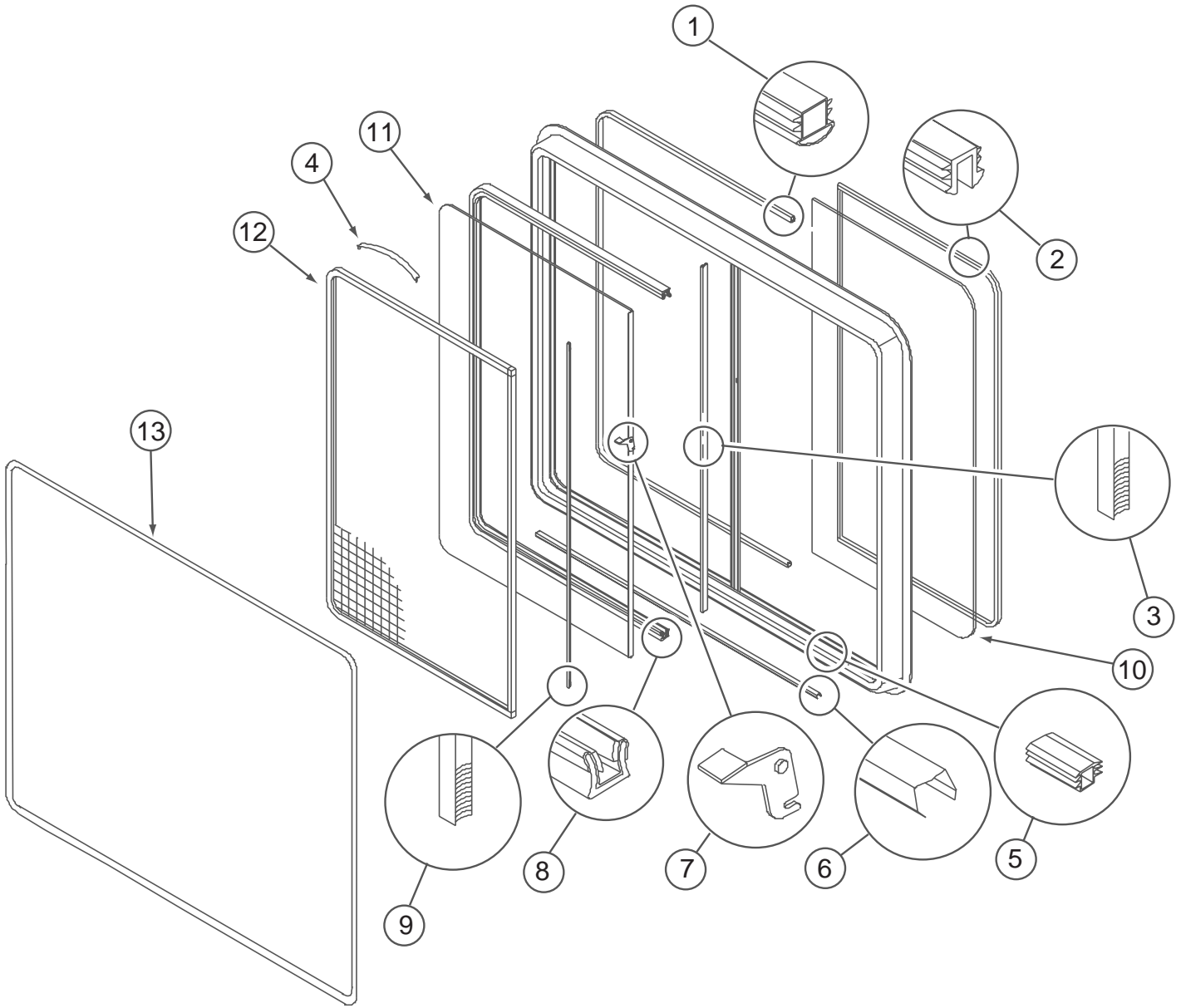
WINDOW & VENTS GROUP (CONTINUED)
COMPONENT PARTS FOR WINDOWS & VENT LAYOUT



098644-11-02A

KEY	PART NUMBER	U/M	DESCRIPTION	VENDOR NO.
	098644-11-02A	EA	WINDOW - VERTICAL SLIDER W/TRIM - TINTED - 26.4" X 27"	
1	098644-01-716	FT	PLUG - FILLER	132-014470
2	098644-01-705	FT	GLAZING - STRIP	132-010231
3	098644-01-706	FT	WEATHERSTRIP - GLASS	171-010668
4	098644-01-713	EA	CLIP - SCREEN - METAL	226-016966
4	125582-01-701	EA	CLIP - SCREEN - PLASTIC	130-005153
5	098644-01-719	EA	STOP - SLIDER GLASS	132-014203
6	098644-01-710	FT	TRACK - SCREEN SPACER 12'	132-017135
7	098644-01-700	EA	LATCH - REPAIR KIT (BLACK)	B801-CK
8	098644-01-708	FT	CHANNEL - RUN PIERCED	122-016543
9	098644-01-711	FT	WEATHERSTRIP - SCREEN BLACK	171-016965
10	098644-11-700	EA	GLASS - STATIONARY	106-026280
11	098644-11-701	EA	GLASS-SLIDING W/SASH & LATCH	H564-G9
12	112898-19-702	EA	SCREEN ASM - W/SEALS & CLIPS	410-026279
13	098644-11-702	EA	RETAINER - TRIM	H564-66
	098644-01-717	FT	SPLINE - SCREEN	132-004716

WINDOW & VENTS GROUP (CONTINUED)
COMPONENT PARTS FOR WINDOWS & VENT LAYOUT (CONTINUED)



098647-01-03A

KEY	PART NUMBER	U/M	DESCRIPTION	VENDOR NO.
1	098644-01-716	FT	PLUG - FILLER	132-014470
2	098644-01-705	FT	GLAZING - STRIP	132-010231
3	098644-01-706	FT	WEATHERSTRIP - GLASS	171-010668
4	098644-01-713	EA	CLIP - SCREEN - METAL	226-016966
4	125582-01-701	EA	CLIP - SCREEN - PLASTIC	130-005153
5	098644-01-719	EA	STOP - SLIDER GLASS	132-014203
6	098644-01-710	FT	TRACK - SCREEN SPACER 12'	132-017135
7	098644-01-700	EA	LATCH - REPAIR KIT (BLACK)	B801-CK
8	098644-01-708	FT	CHANNEL - RUN PIERCED	122-016543
9	098644-01-711	FT	WEATHERSTRIP - SCREEN BLACK	171-016965
10	098647-01-700	EA	GLASS - STATIONARY 10.9X13.8	106-015631
11	098647-01-702	EA	GLASS-SLIDING W/SASH & LATCH	H112-G9
12	098647-01-706	EA	SCREEN ASM - W/SEALS & CLIPS	410-016472
13	098647-01-704	EA	RETAINER - TRIM	H112-67
	098644-01-717	FT	SPLINE - SCREEN	132-004716

WINDOW & VENTS GROUP (CONTINUED)
COMPONENT PARTS FOR WINDOWS & VENT LAYOUT (CONTINUED)

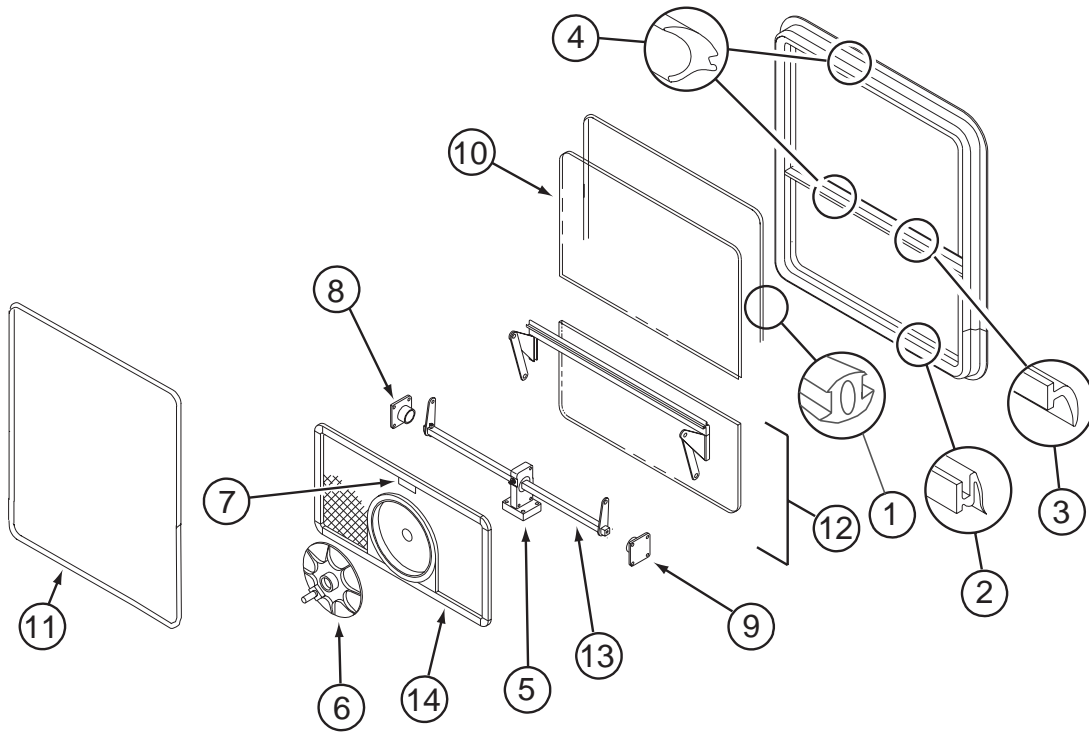
098647-22-02A

KEY	PART NUMBER	U/M	DESCRIPTION	VENDOR NO.
	098647-22-02A	EA	WINDOW - DRIVER HORIZ SLIDER W/TRIM-TINTED- 26.1" X 59.7"	
1	098644-01-716	FT	PLUG - FILLER	132-014470
2	098644-01-705	FT	GLAZING - STRIP	132-010231
3	098644-01-706	FT	WEATHERSTRIP - GLASS	171-010668
4	098644-01-713	EA	CLIP - SCREEN - METAL	226-016966
4	125582-01-701	EA	CLIP - SCREEN - PLASTIC	130-005153
5	098644-01-719	EA	STOP - SLIDER GLASS	132-014203
6	098644-01-710	FT	TRACK - SCREEN SPACER 12'	132-017135
7	098644-01-700	EA	LATCH - REPAIR KIT (BLACK)	B801-CK
8	098644-01-708	FT	CHANNEL - RUN PIERCED	122-016543
9	098644-01-711	FT	WEATHERSTRIP - SCREEN BLACK	171-016965
10	098647-23-703	EA	GLASS - STATIONARY	106-017622
11	098647-23-700	EA	GLASS SLIDING W/SASH & LATCH	H287-G9
12	098647-23-704	EA	SCREEN ASM - W/SEALS & CLIPS	410-019066
13	098647-22-701	EA	RETAINER - TRIM	H287-67
	098644-01-717	FT	SPLINE - SCREEN	132-004716

098647-23-02A

KEY	PART NUMBER	U/M	DESCRIPTION	VENDOR NO.
	098647-23-02A	EA	WINDOW - PASS HORIZ SLIDER W/TRIM - TINTED- 26.1" X 59.7"	
1	098644-01-716	FT	PLUG - FILLER	132-014470
2	098644-01-705	FT	GLAZING - STRIP	132-010231
3	098644-01-706	FT	WEATHERSTRIP - GLASS	171-010668
4	098644-01-713	EA	CLIP - SCREEN - METAL	226-016966
4	125582-01-701	EA	CLIP - SCREEN - PLASTIC	130-005153
5	098644-01-719	EA	STOP - SLIDER GLASS	132-014203
6	098644-01-710	FT	TRACK - SCREEN SPACER 12'	132-017135
7	098644-01-700	EA	LATCH - REPAIR KIT (BLACK)	B801-CK
8	098644-01-708	FT	CHANNEL - RUN PIERCED	122-016543
9	098644-01-711	FT	WEATHERSTRIP - SCREEN BLACK	171-016965
10	098647-23-703	EA	GLASS - STATIONARY	106-017622
11	098647-23-700	EA	GLASS SLIDING W/SASH & LATCH	H287-G9
12	098647-23-704	EA	SCREEN ASM - W/SEALS & CLIPS	410-019066
13	098647-22-701	EA	RETAINER - TRIM	H287-67
	098644-01-717	FT	SPLINE - SCREEN	132-004716

WINDOW & VENTS GROUP (CONTINUED)
COMPONENT PARTS FOR WINDOWS & VENT LAYOUT (CONTINUED)



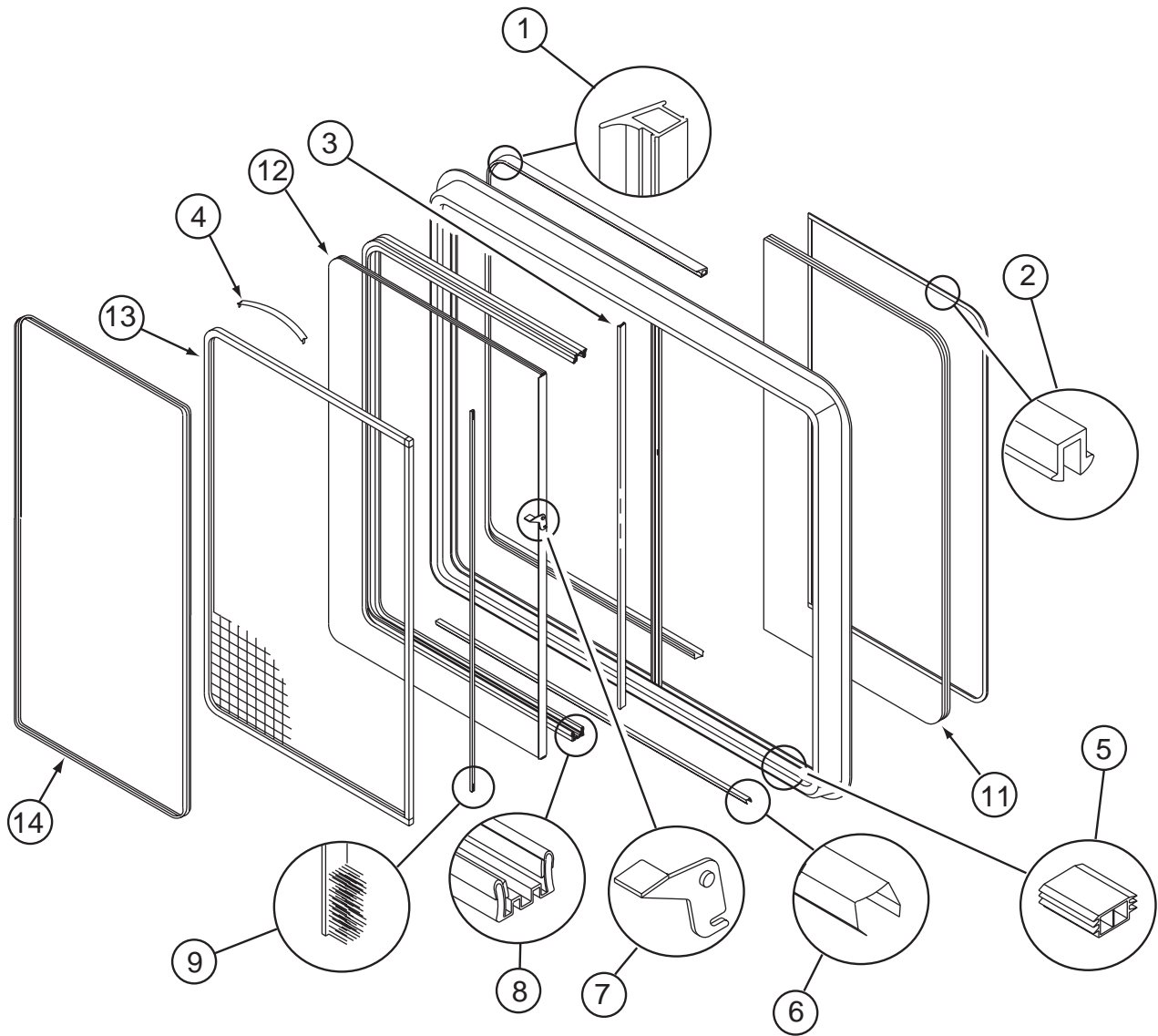
112463-03-02A

KEY	PART NUMBER	U/M	DESCRIPTION	VENDOR NO.
	112463-03-02A	EA	WINDOW - TIPOUT W/RETAINER RING - 33.3" X 30.2"	
1	116976-01-702	FT	FILLER PLUG	132-016065
2	100322-01-701	FT	SEAL-VENT	122-016071
3	100322-01-702	EA	WEATHERSTRIP-HORIZ RAIL-148"	132-019631
4	100322-01-703	FT	VINYL-GLAZING, BUTYL	132-010723
5	100322-01-716	EA	SUPPORT-TORQUE BAR, CTR RAIL	130-015980
6	100322-01-718	EA	HANDLE-DIAL	410-016081
7	112519-01-706	EA	CLIP-SCREEN	CH21-50
8	113500-01-707	EA	SUPPORT - TORQUE BAR RH	130-015979
9	113500-01-708	EA	SUPPORT - TORQUE BAR LH	130-015978
10	112463-03-701	EA	GLASS - STATIONARY	106-025377
11	112463-03-704	EA	RETAINER - TRIM	CB100-59
12	112463-03-700	EA	VENT ASSEMBLY	CH100-G9
13	113500-05-703	EA	OPERATOR & BAR ASSEMBLY	CH10-15
14	112463-03-703	EA	SCREEN ASM - W/SEALS & CLIPS	410-018439
	100322-01-717	EA	E-RING	245-015975

112463-05-02A

KEY	PART NUMBER	U/M	DESCRIPTION	VENDOR NO.
	112463-05-02A	EA	WINDOW - TIPOUT/ESCAPE W/RETAINER RING - 33.3" X 30.2"	
1	116976-01-702	FT	FILLER PLUG	132-016065
2	100322-01-701	FT	SEAL-VENT	122-016071
3	100322-01-702	EA	WEATHERSTRIP-HORIZ RAIL-148"	132-019631
4	100322-01-703	FT	VINYL-GLAZING, BUTYL	132-010723
5	100322-01-716	EA	SUPPORT-TORQUE BAR, CTR RAIL	130-015980
6	100322-01-718	EA	HANDLE-DIAL	410-016081
7	112519-01-706	EA	CLIP-SCREEN	CH21-50
8	113500-01-707	EA	SUPPORT - TORQUE BAR RH	130-015979
9	113500-01-708	EA	SUPPORT - TORQUE BAR LH	130-015978
10	112463-05-700	EA	GLASS - STATIONARY	106-025378
11	112463-05-704	EA	RETAINER - TRIM	CB101-59
12	112463-05-703	EA	VENT- ASSEMBLY TIPOUT	106-018414
13	112463-05-702	EA	OPERATOR & BAR ASSEMBLY	CH65-15
14	112463-05-701	EA	SCREEN ASM - W/SEALS & CLIPS	410-018441
	112898-06-704	EA	HANDLE-LATCH/RED-RH (TIPOUT)	182-11293
	112898-06-705	EA	HANDLE-LATCH/RED-LH (TIPOUT)	182-11294
	100322-01-717	EA	E-RING	245-015975

WINDOW & VENTS GROUP (CONTINUED)
COMPONENT PARTS FOR WINDOWS & VENT LAYOUT (CONTINUED)



112795-68-01A

KEY	PART NUMBER	U/M	DESCRIPTION	VENDOR NO.
	112795-68-01A	EA	WINDOW - DRIVER HORIZ SLIDER - THERMO - 26.3" X 60"	
1	112795-01-704	FT	PLUG FILLER (DOUBLE GLAZED)	122-018737
2	112795-01-705	FT	VINYL - GLAZING	132-025736
3	098644-01-706	FT	WEATHERSTRIP - GLASS	171-010668
4	098644-01-713	EA	CLIP - SCREEN - METAL	226-016966
4	125582-01-701	EA	CLIP - SCREEN - PLASTIC	130-005153
	098644-01-717	FT	SPLINE - SCREEN	132-004716
5	112795-01-701	EA	SLIDE-STOP	132-019092
6	098644-01-710	FT	TRACK - SCREEN SPACER 12'	132-017135
7	112795-01-700	EA	LATCH ASM., BLK.,(BOLT ON)	DH287-CK
8	112795-01-703	IN	CHANNEL-RUN (INCHES)	122-018736
9	098644-01-711	FT	WEATHERSTRIP - SCREEN BLACK	171-016965
11	112795-68-700	EA	GLASS - STATIONARY	390-028353
12	112795-68-701	EA	GLASS - SLIDING W/SASH LATCH	390-028353
13	098647-23-704	EA	SCREEN ASSY - W/SEAL & CLIPS	410-019066
14	098647-27-704	EA	RETAINER - TRIM	H287-66

WINDOW & VENTS GROUP (CONTINUED)
COMPONENT PARTS FOR WINDOWS & VENT LAYOUT (CONTINUED)

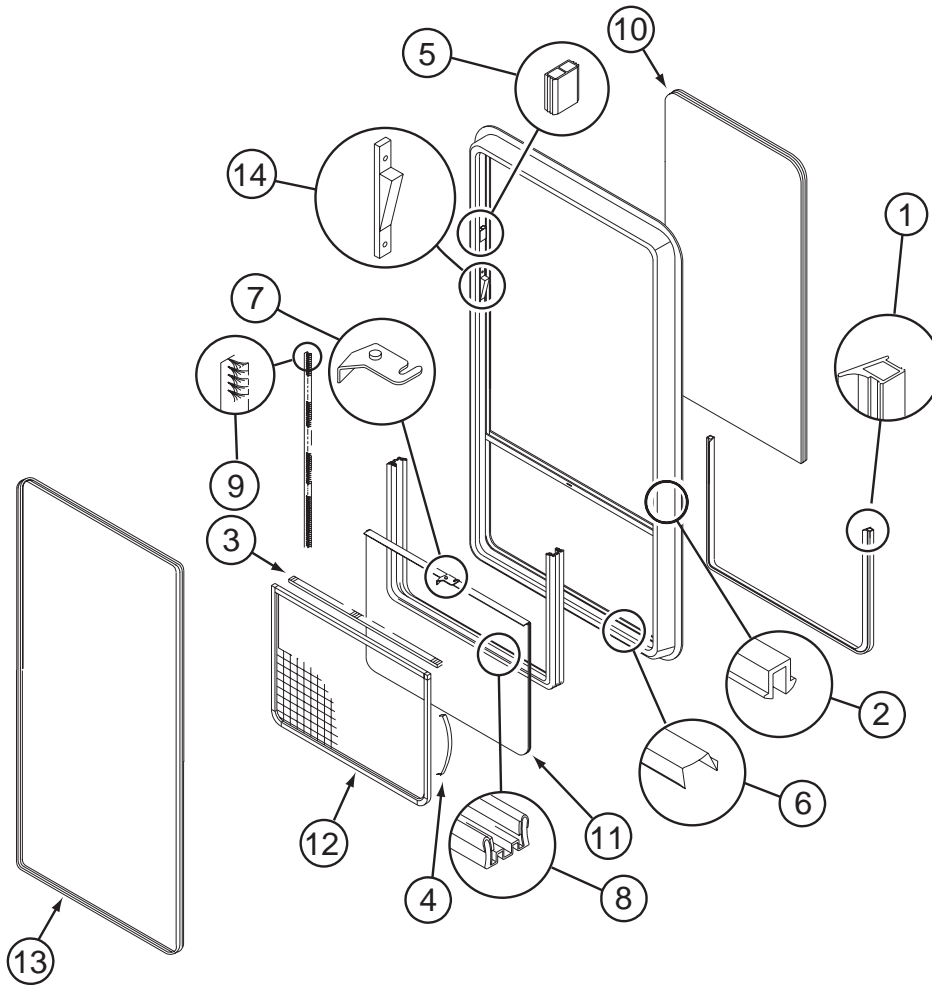
112795-69-01A

KEY	PART NUMBER	U/M	DESCRIPTION	VENDOR NO.
	112795-69-01A	EA	WINDOW - PASSENGER HORIZ SLIDER - THERMO - 26.3" X 60"	
1	112795-01-704	FT	PLUG FILLER (DOUBLE GLAZED)	122-018737
2	112795-01-705	FT	VINYL - GLAZING	132-025736
3	098644-01-706	FT	WEATHERSTRIP - GLASS	171-010668
4	098644-01-713	EA	CLIP - SCREEN - METAL	226-016966
4	125582-01-701	EA	CLIP - SCREEN - PLASTIC	130-005153
	098644-01-717	FT	SPLINE - SCREEN	132-004716
5	112795-01-701	EA	SLIDE-STOP	132-019092
6	098644-01-710	FT	TRACK - SCREEN SPACER 12'	132-017135
7	112795-01-700	EA	LATCH ASM., BLK.,(BOLT ON)	DH287-CK
8	112795-01-703	IN	CHANNEL-RUN (INCHES)	122-018736
9	098644-01-711	FT	WEATHERSTRIP - SCREEN BLACK	171-016965
11	112795-68-700	EA	GLASS - STATIONARY	390-028353
12	112795-68-701	EA	GLASS - SLIDING W/SASH LATCH	390-028353
13	098647-23-704	EA	SCREEN ASSY - W/SEAL & CLIPS	410-019066
14	098647-27-704	EA	RETAINER - TRIM	H287-66

112795-76-01A

KEY	PART NUMBER	U/M	DESCRIPTION	VENDOR NO.
	112795-76-01A	EA	WINDOW - PASSENGER HORIZ SLIDER - THERMO - 30.7" X 57.7"	
1	112795-01-704	FT	PLUG FILLER (DOUBLE GLAZED)	122-018737
2	112795-01-705	FT	VINYL - GLAZING	132-025736
3	098644-01-706	FT	WEATHERSTRIP - GLASS	171-010668
4	098644-01-713	EA	CLIP - SCREEN - METAL	226-016966
4	125582-01-701	EA	CLIP - SCREEN - PLASTIC	130-005153
	098644-01-717	FT	SPLINE - SCREEN	132-004716
5	112795-01-701	EA	SLIDE-STOP	132-019092
6	098644-01-710	FT	TRACK - SCREEN SPACER 12'	132-017135
7	112795-01-700	EA	LATCH ASM., BLK.,(BOLT ON)	DH287-CK
8	112795-01-703	IN	CHANNEL-RUN (INCHES)	122-018736
9	098644-01-711	FT	WEATHERSTRIP - SCREEN BLACK	171-016965
11	112795-76-700	EA	GLASS - STATIONARY	390-028347
12	112795-76-701	EA	GLASS - SLIDING W/SASH LATCH	DH112-G8
13	112795-33-704	EA	SCREEN ASSY - W/SEAL & CLIPS	410-019247
14	112795-33-705	EA	RETAINER - TRIM	H112-66

WINDOW & VENTS GROUP (CONTINUED)
COMPONENT PARTS FOR WINDOWS & VENT LAYOUT (CONTINUED)



112898-25-01A

KEY	PART NUMBER	U/M	DESCRIPTION	VENDOR NO.
	112898-25-01A	EA	WINDOW - VERTICAL SLIDER - THERMOPANE - 26.3" X 26.9"	
1	112795-01-704	FT	PLUG FILLER (DOUBLE GLAZED)	122-018737
2	112795-01-705	FT	VINYL - GLAZING	132-025736
3	098644-01-706	FT	WEATHERSTRIP - GLASS	171-010668
4	098644-01-713	EA	CLIP - SCREEN - METAL	226-016966
4	125582-01-701	EA	CLIP - SCREEN - PLASTIC	130-005153
5	112795-01-701	EA	SLIDE-STOP	132-019092
6	098644-01-710	FT	TRACK - SCREEN SPACER 12'	132-017135
7	112795-01-700	EA	LATCH ASM., BLK.,(BOLT ON)	DH287-CK
8	112795-01-703	IN	CHANNEL-RUN (INCHES)	122-018736
9	098644-01-711	FT	WEATHERSTRIP - SCREEN BLACK	171-016965
10	112898-25-700	EA	GLASS - STATIONARY	390-028310
11	112898-25-701	EA	GLASS-SLIDING W/SASH & LATCH	DH564-G8
12	112898-19-702	EA	SCREEN ASM - W/SEALS & CLIPS	410-026279
13	112898-19-703	EA	RETAINER - TRIM	W564-66
14	112898-04-703	EA	VERTICAL LATCH (SASH KIT)	DH343-CK
	098644-01-717	FT	SPLINE - SCREEN	132-004716

WINDOW & VENTS GROUP (CONTINUED)
COMPONENT PARTS FOR WINDOWS & VENT LAYOUT (CONTINUED)

113733-10-01A

KEY	PART NUMBER	U/M	DESCRIPTION	VENDOR NO.
	112795-01-705	FT	VINYL - GLAZING	132-025736
	113733-10-700	EA	GLASS-STATIONARY	390-028306
	113733-10-701	EA	RETAINER-TRIM	H416-66

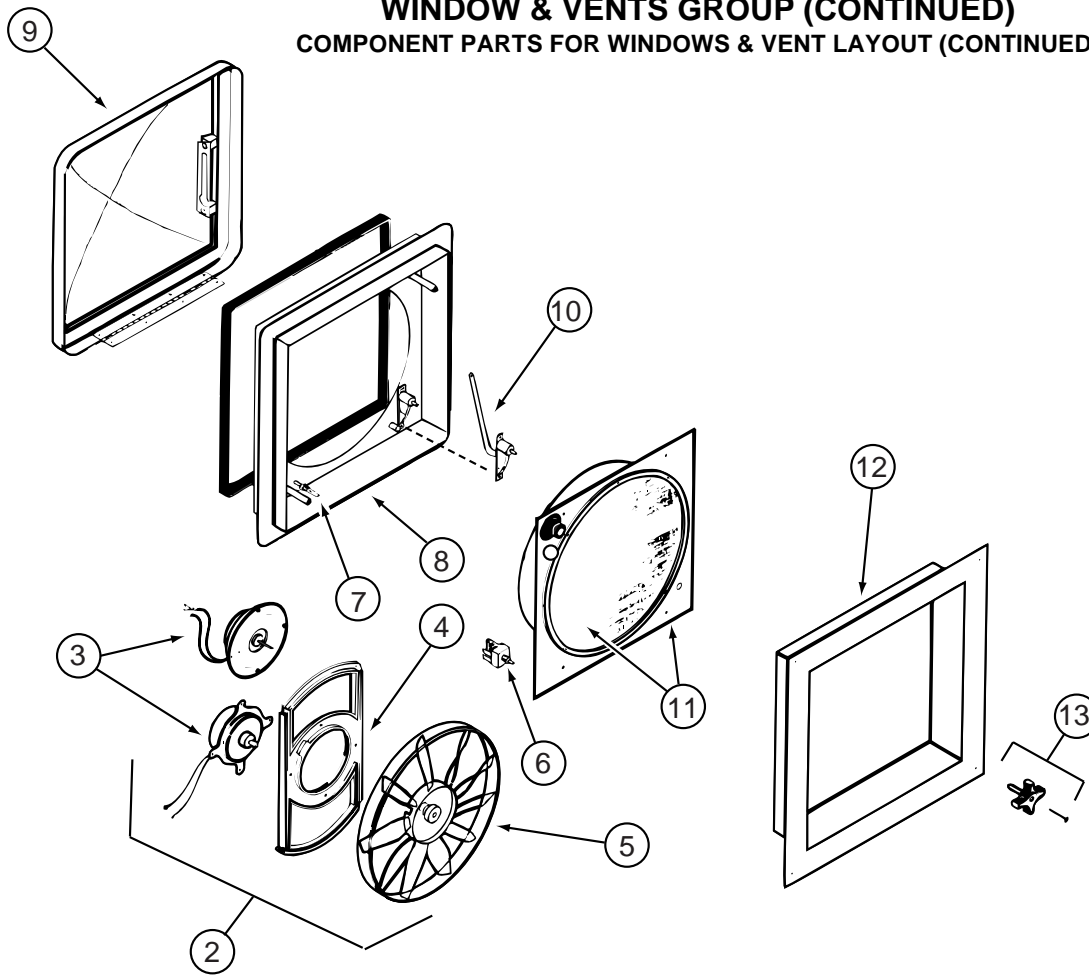
122882-04-01A

KEY	PART NUMBER	U/M	DESCRIPTION	VENDOR NO
	122882-04-01A	EA	VENT - ROOF - W/FAN/POWER LIFT - W/O INSIDE GARNISH - UL	
	064470-01-700	EA	COVER - VENT - W/O SLIDE BAR	J7291
	064469-03-708	EA	GEAR-DRIVE	RP-1024
	110051-07-701	EA	MOTOR-LIFT, W/BRKT-GEAR 3/16	RP1099B
	122882-04-700	EA	SCREEN	J29-670-01A
	064470-01-701	EA	SLIDE BAR - VENT LID	JRP1291B

122882-05-01A

KEY	PART NUMBER	U/M	DESCRIPTION	VENDOR NO
	122882-05-01A	EA	VENT - ROOF - W/FAN/POWER LIFT - W/O INSIDE GARNISH - CSA	
	064469-03-708	EA	GEAR-DRIVE	RP-1024
	064470-01-700	EA	COVER - VENT	J7291
	064470-01-701	EA	SLIDE BAR - VENT LID	JRP1291B
	110051-07-701	EA	MOTOR-LIFT, W/BRKT-GEAR 3/16	RP1099B
	122882-04-700	EA	SCREEN	J29-670-01A

WINDOW & VENTS GROUP (CONTINUED)
COMPONENT PARTS FOR WINDOWS & VENT LAYOUT (CONTINUED)



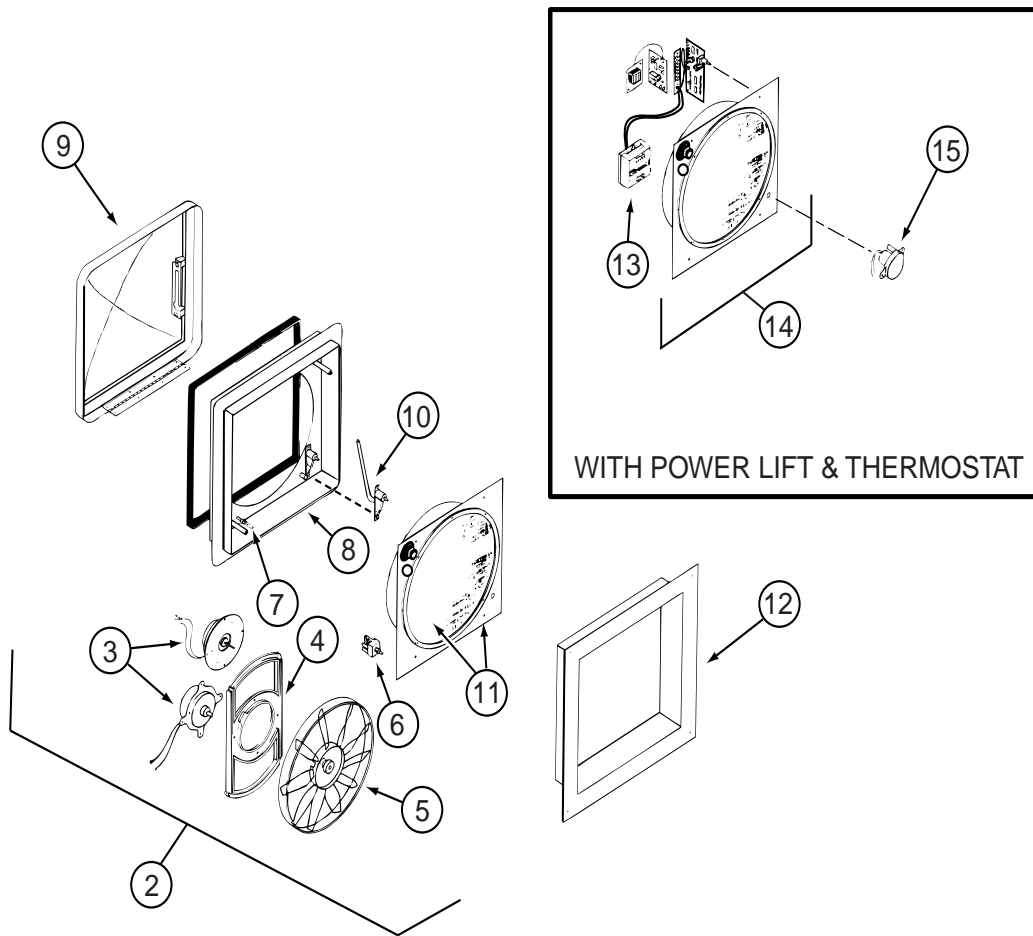
123780-03-01A

KEY	PART NUMBER	U/M	DESCRIPTION	VENDOR NO.
2	084079-11-700	EA	MOTOR, BRKT., FAN BLADE, KIT	4017K-09
3	084079-01-705	EA	MOTOR	1080-00
4	084079-01-711	EA	H-MOLDING, MOTOR MOUNT	
5	084079-01-704	EA	BLADE-FAN	1070-00
6	084079-01-709	EA	SWITCH - MAIN - 3 SPEED	1031-05
7	084079-01-707	EA	SWITCH - SAFETY	1122.05
8	123780-05-700	EA	BASE - MAIN BRIGHT WHITE	1010K-81
9	123780-01-700	EA	COVER - VENT W/HINGE & SLIDE	1020K-81
10	009440-01-000	EA	GEAR/ARM - LIFT - ROOF VENT COVER	705221K38
11	123780-01-702	EA	SCREEN W/FRAME	103581
12	123780-03-700	EA	GARNISH - INT. 3"-4" BRT/WHT	2040-81
13	084079-01-703	EA	KNOB-LIFT, W/EXT. & SCREW	1140K-00
	123780-03-701	EA	SCREEN ASM 78-100MM W/SWITCH	1030BT-81
	084079-01-706	EA	PLUG, 12 VOLT	1090

123780-09-01A

KEY	PART NUMBER	U/M	DESCRIPTION	VENDOR NO.
2	084079-11-700	EA	MOTOR, BRKT., FAN BLADE, KIT	4017K-09
3	084079-01-705	EA	MOTOR	1080-00
4	084079-01-711	EA	H-MOLDING, MOTOR MOUNT	
5	084079-01-704	EA	BLADE-FAN	1070-00
6	084079-01-709	EA	SWITCH - MAIN - 3 SPEED	1031-05
7	084079-01-707	EA	SWITCH - SAFETY	1122.05
8	123780-05-700	EA	BASE - MAIN BRIGHT WHITE	1010K-81
9	123780-09-700	EA	DOME/WHITE - INSULATED	K2020-82
10	009440-01-000	EA	GEAR-ARM-ROOF VENT	705221K38
11	123780-01-702	EA	SCREEN W/FRAME	103581
12	123780-03-700	EA	GARNISH - INT. 3"-4" BRT/WHT	2040-81
13	084079-01-703	EA	KNOB-LIFT, W/EXT. & SCREW	1140K-00
	123780-03-701	EA	SCREEN ASM 78-100MM W/SWITCH	1030BT-81
	084079-01-706	EA	PLUG, 12 VOLT	1090

WINDOW & VENTS GROUP (CONTINUED)
COMPONENT PARTS FOR WINDOWS & VENT LAYOUT (CONTINUED)

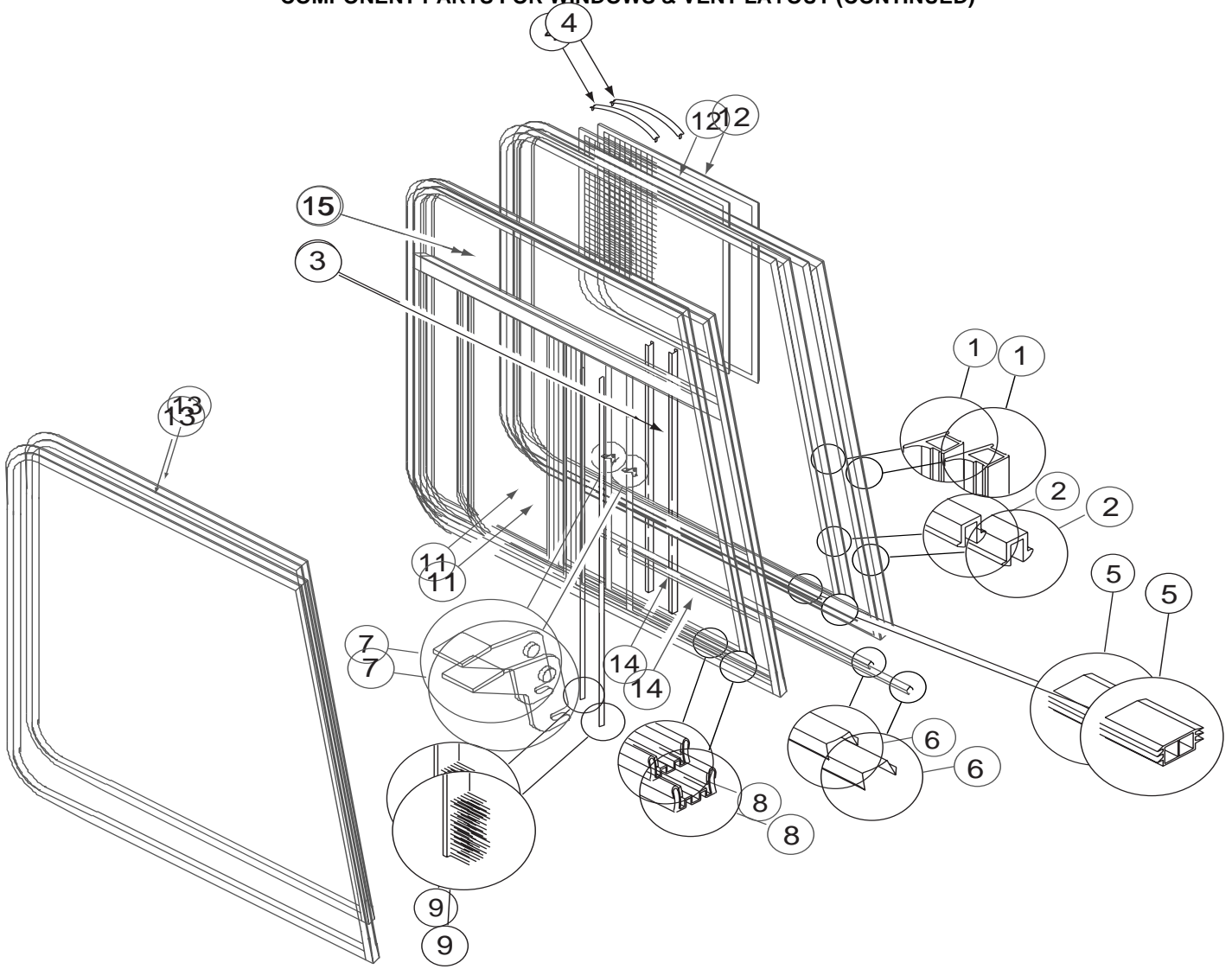


123780-10-01A

KEY	PART NUMBER	U/M	DESCRIPTION	VENDOR NO.
2	084079-11-700	EA	MOTOR, BRKT., FAN BLADE, KIT	4017K-09
3	084079-01-705	EA	MOTOR	1080-00
4	084079-01-711	EA	H-MOLDING, MOTOR MOUNT	
5	084079-01-704	EA	BLADE-FAN	1070-00
	084079-01-709	EA	SWITCH - MAIN - 3 SPEED	1031-05
6	084079-01-707	EA	SWITCH - SAFETY	1122.05
8	123780-05-700	EA	BASE - MAIN BRIGHT WHITE	1010K-81
9	123780-09-700	EA	DOME/WHITE - INSULATED	K2020-82
10	009440-01-000	EA	GEAR/ARM - LIFT - ROOF VENT COVER	
11	123780-01-702	EA	SCREEN W/FRAME	103581
12	123780-03-700	EA	GARNISH - INT. 3"-4" BRT/WHT	2040-81
13	084079-01-710	EA	THERMOSTAT, WALL MOUNT	9988-39
14	123780-05-701	EA	SCREEN ASM., INT W/SWITCHES	2000TK-81
15	084079-11-705	EA	MOTOR - LIFT (BC MOTOR)	5050-40
15	084079-11-703	EA	MOTOR-LIFT (AUTOTROL) W/CAP	6050-05

CONTACT WINNEBAGO PART SALES FOR UNLISTED COMPONENTS

WINDOW & VENTS GROUP (CONTINUED)
COMPONENT PARTS FOR WINDOWS & VENT LAYOUT (CONTINUED)



125582-01-01A

KEY	PART NUMBER	U/M	DESCRIPTION	VENDOR NO.
	125582-01-01A	EA	WINDOW - PASSENGER CAB/3 WINDOW - 42.9" T X 42.6" H X 51.2" B	
1	098644-01-716	FT	PLUG - FILLER	132-014470
2	098644-01-705	FT	GLAZING - STRIP	132-010231
3	098644-01-706	FT	WEATHERSTRIP - GLASS	171-010668
4	098644-01-713	EA	CLIP - SCREEN - METAL	226-016966
4	125582-01-701	EA	CLIP - SCREEN - PLASTIC	130-005153
5	098644-01-719	EA	STOP - SLIDER GLASS	132-014203
6	098644-01-710	FT	TRACK - SCREEN SPACER 12'	132-017135
7	098644-01-700	EA	LATCH - REPAIR KIT (BLACK)	B801-CK
8	098644-01-708	FT	CHANNEL - RUN PIERCED	122-016543
9	098644-01-711	FT	WEATHERSTRIP - SCREEN BLACK	171-016965
11	125582-01-704	EA	GLASS-SLIDING W/SASH & LATCH	H573-A9R
12	125582-01-705	EA	SCREEN ASM - W/SEALS & CLIPS	410-026545
13	125582-01-706	EA	RETAINER - TRIM	H573-27R
14	125582-01-703	EA	GLASS - STATIONARY - LOWER	106-026083
15	125582-01-702	EA	GLASS - STATIONARY - UPPER	106-026082
	098644-01-717	FT	SPLINE - SCREEN	132-004716
	112520-01-706	EA	WEATHERSTRIP-SCREEN, (FUZZY)	171-017245
	125582-01-708	EA	WEEPHOLE COVER - RIGHT HAND	130-026598
	125582-01-709	EA	WEEPHOLE COVER - LEFT HAND	130-026599

WINDOW & VENTS GROUP (CONTINUED)
COMPONENT PARTS FOR WINDOWS & VENT LAYOUT (CONTINUED)

125583-01-01A

KEY	PART NUMBER	U/M	DESCRIPTION	VENDOR NO.
1	112795-01-704	FT	PLUG FILLER (DOUBLE GLAZED)	122-018737
2	112795-01-705	FT	VINYL - GLAZING	132-025736
3	098644-01-706	FT	WEATHERSTRIP - GLASS	171-010668
4	098644-01-713	EA	CLIP - SCREEN - METAL	226-016966
4	125582-01-701	EA	CLIP - SCREEN - PLASTIC	130-005153
5	112795-01-701	EA	SLIDE-STOP	132-019092
6	098644-01-710	FT	TRACK - SCREEN SPACER 12'	132-017135
7	112795-01-700	EA	LATCH ASM., BLK.,(BOLT ON)	DH287-CK
8	112795-01-703	IN	CHANNEL-RUN (INCHES)	122-018736
9	098644-01-711	FT	WEATHERSTRIP - SCREEN BLACK	171-016965
11	125583-01-700	EA	GLASS-SLIDING W/SASH & LATCH	DH573-A9R
12	125582-01-705	EA	SCREEN ASM - W/SEALS & CLIPS	410-026545
13	125582-01-706	EA	RETAINER - TRIM	H573-27R
14	125583-01-702	EA	GLASS - STATIONARY - R.H.	390-026101
15	125583-01-701	EA	GLASS - STATIONARY - UPPER	390-026100
	125582-01-708	EA	WEEPHOLE COVER - RIGHT HAND	130-026598
	125582-01-709	EA	WEEPHOLE COVER - LEFT HAND	130-026599
	098644-01-717	EA	SPLINE - SCREEN	132-004716

125584-01-01A

KEY	PART NUMBER	U/M	DESCRIPTION	VENDOR NO.
	125584-01-01A	EA	WINDOW - FRONT SLANT - LEFT HAND	
	125584-01-700	EA	GLASS - STATIONARY	106026078
	100322-01-703	EA	VINYL - GLAZING, BUTYL	132-010723
	125584-01-701	EA	RETAINER - TRIM	H56927L B969 GRL

125585-01-01A

KEY	PART NUMBER	U/M	DESCRIPTION	VENDOR NO.
	125585-01-01A	EA	WINDOW - FRONT SLANT/THERMO - 11.6"T X 29.2"H X 16.8"B	
	125585-01-700	EA	GLASS - STATIONARY	390026092
	116000-01-704	EA	VINYL - GLAZING	132-018161
	125584-01-701	EA	RETAINER - TRIM	106026078

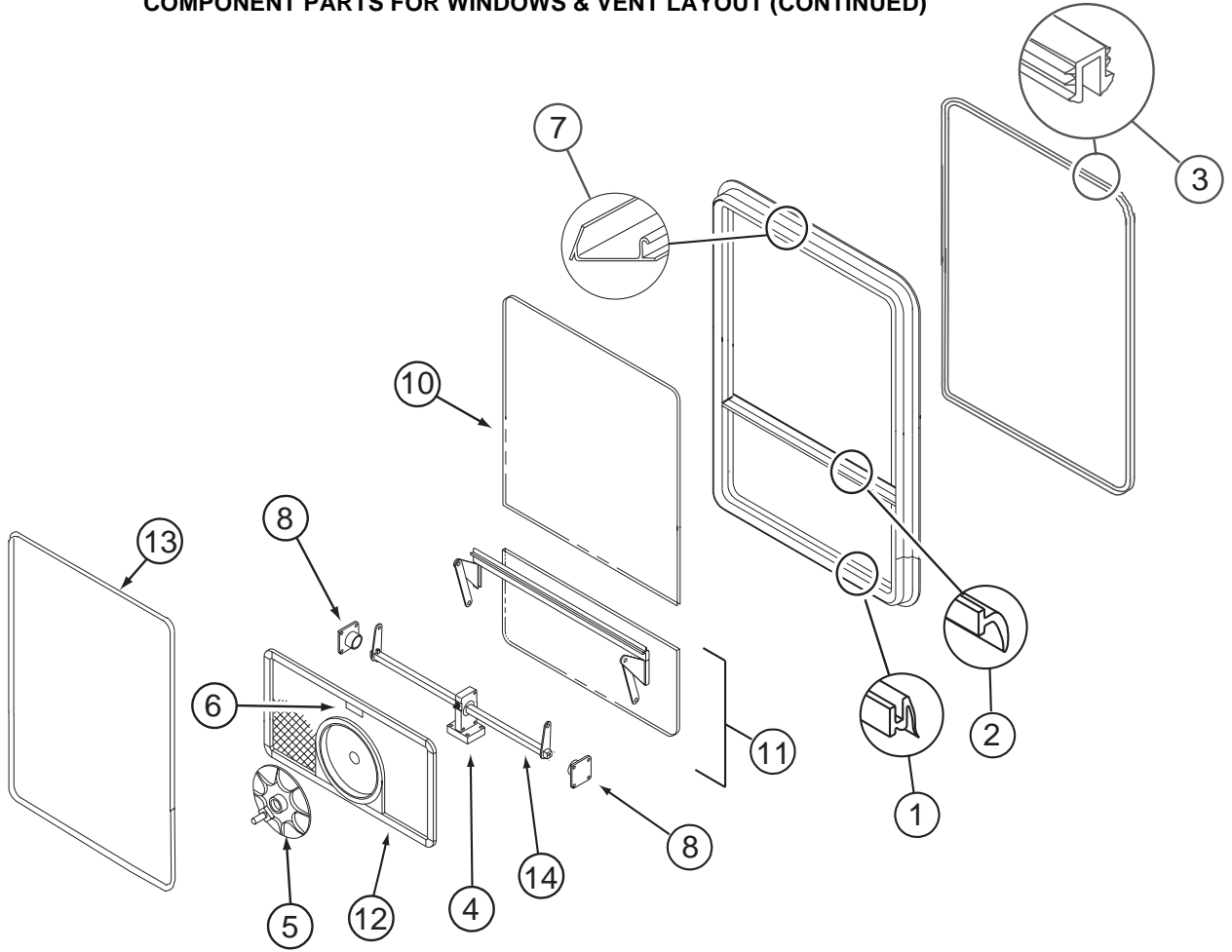
125586-01-01A

KEY	PART NUMBER	U/M	DESCRIPTION	VENDOR NO.
	125586-01-01A	EA	WINDOW - VISTA	
	125586-01-700	EA	GLASS - STATIONARY	106026079
	100322-01-703	EA	VINYL - GLAZING, BUTYL	132-010723
	125586-01-701	EA	RETAINER - TRIM	H57027L

125600-01-01A

KEY	PART NUMBER	U/M	DESCRIPTION	VENDOR NO.
	125600-01-01A	EA	WINDOW - VISTA - THERMOPANE	
	125600-01-700	EA	GLASS - STATIONARY	390026099
	116000-01-704	EA	VINYL - GLAZING	132-018161
	125586-01-701	EA	RETAINER - TRIM	H57027L

WINDOW & VENTS GROUP (CONTINUED)
COMPONENT PARTS FOR WINDOWS & VENT LAYOUT (CONTINUED)



129929-09-01A

KEY	PART NUMBER	U/M	DESCRIPTION	VENDOR NO.
1	100322-01-701	FT	SEAL-VENT	122-016071
2	100322-01-702	EA	WEATHERSTRIP-HORIZ RAIL-148"	132-019631
3	129929-01-705	FT	GLAZING VINYL	132-026811
4	129929-01-710	EA	TORQUE - CENTER SUPPORT	410-026806
5	100322-01-718	EA	HANDLE-DIAL	410-016081
6	129929-01-706	FT	SEAL - TOP F/CENTER EGRESS	132-026811
7	129929-01-707	FT	FILLER STRIP - DOUBLE GLAZED	132-026808
8	129929-01-708	EA	SUPPORT - TORQUE BAR - RT/LT	130-026804
10	129929-09-700	EA	GLASS - STATIONARY	390-028298
11	129929-09-701	EA	VENT GLASS ASSEMBLY	DTH001-G8
12	129929-01-702	EA	SCREEN ASM - W/SEALS & CLIPS	410-026858
13	129920-01-709	EA	RETAINER - TRIM	CH10062
14	129929-01-704	EA	OPERATOR BAR ASSEMBLY	DTH001-15
	129929-02-706	FT	SEAL - FOAM	140-027022

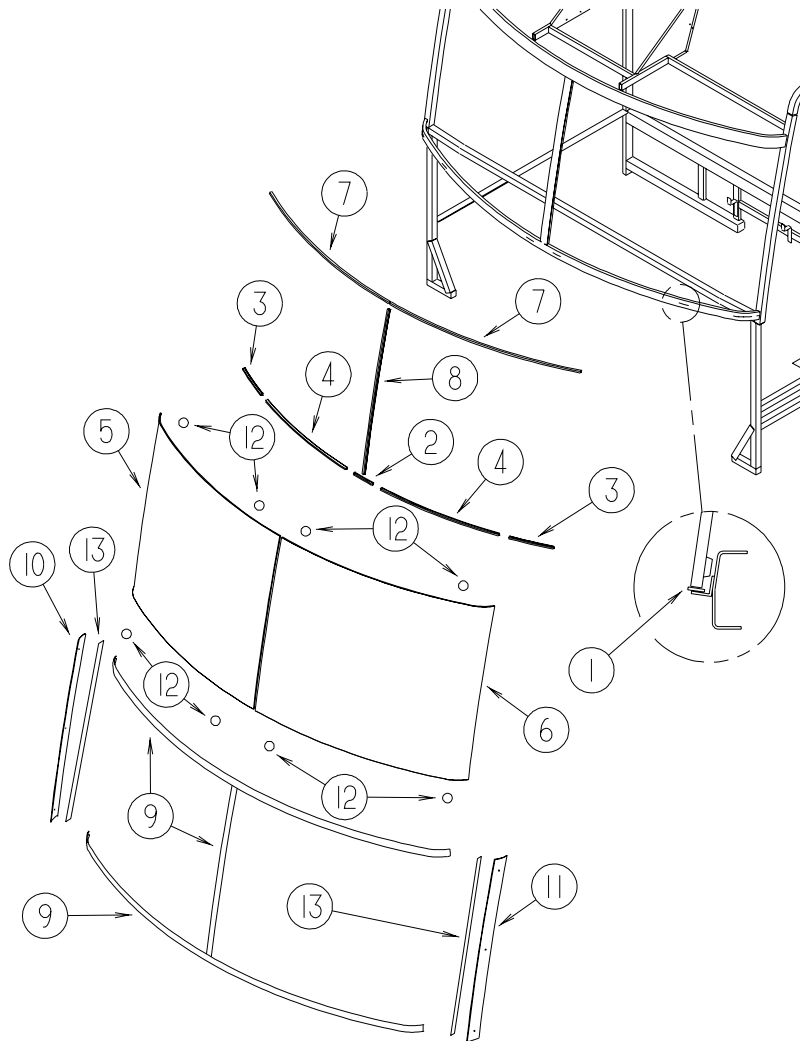
WINDOW & VENTS GROUP (CONTINUED)
COMPONENT PARTS FOR WINDOWS & VENT LAYOUT (CONTINUED)

129929-10-01A

KEY	PART NUMBER	U/M	DESCRIPTION	VENDOR NO.
1	100322-01-701	FT	SEAL-VENT	122-016071
2	100322-01-702	EA	WEATHERSTRIP-HORIZ RAIL-148"	132-019631
3	129929-01-705	FT	GLAZING VINYL	132-026811
4	129929-01-710	EA	TORQUE - CENTER SUPPORT	410-026806
5	100322-01-718	EA	HANDLE-DIAL	410-016081
6	129929-01-706	FT	SEAL - TOP F/CENTER EGRESS	132-026811
7	129929-01-707	FT	FILLER STRIP - DOUBLE GLAZED	132-026808
8	129929-01-708	EA	SUPPORT - TORQUE BAR - RT/LT	130-026804
10	129929-10-700	EA	GLASS - STATIONARY	390-028300
11	129929-10-701	EA	VENT GLASS ASSEMBLY	DTH002-G8
12	129929-02-702	EA	SCREEN ASM - W/SEALS & CLIPS	410-026861
13	129929-02-707	EA	RETAINER - TRIM	CH10162
14	129929-02-704	EA	OPERATOR BAR ASSEMBLY	DTH002-15
	129929-02-706	FT	SEAL - FOAM	140-027022

WINDSHIELD & WIPER GROUP

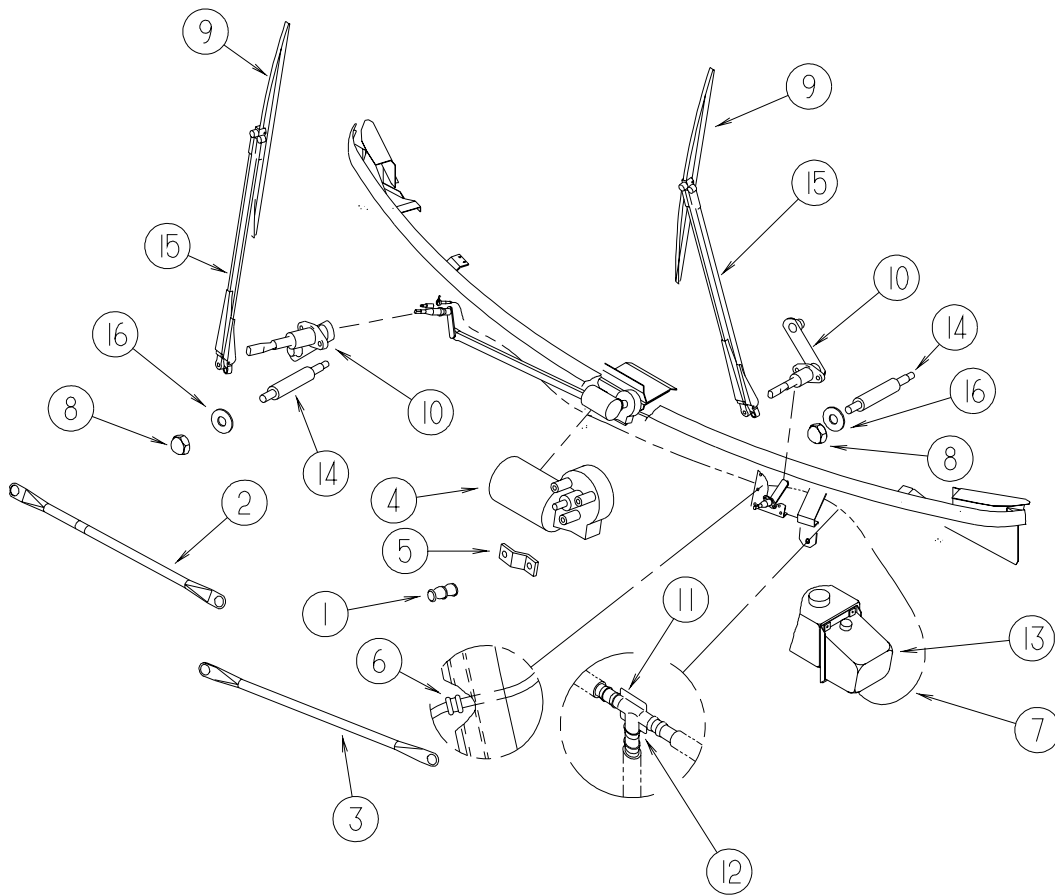
WINDSHIELD



KEY	PART NUMBER	U/M	DESCRIPTION
1	002328-02-000	EA	BLOCK - WINDSHIELD - .062" X .5" X .98"
2	132375-01-000	EA	CARRIER/REVEAL - WINDSHIELD - 5.5"
3	132375-02-000	EA	CARRIER/REVEAL - WINDSHIELD - 10"
4	117335-06-000	EA	REVEAL CARRIER - 29.8"
5	124328-01-000	EA	WINDSHIELD - PASSENGER - 52" X 41" (CURVED)
6	124328-02-000	EA	WINDSHIELD - DRIVER - 52" X 41" (CURVED)
7	127862-01-000	EA	CARRIER/REVEAL - WINDSHIELD - 47.2"
8	127862-09-000	EA	CARRIER - REVEAL - WINDSHIELD - 38.6"
9	120533-01-000	FT	MOLDING - REVEAL - WINDSHIELD
10	125384-01-02A	EA	TRIM - WINDSHIELD - A-PILLAR - PASSENGER - BLACK
11	125384-02-02A	EA	TRIM - WINDSHIELD - A-PILLAR - DRIVER - BLACK
12	081914-02-000	EA	BUMPER - RUBBER - ROUND - 5/16" DIA. X 13/64" THICK
13	099418-01-000	FT	SEAL - D-SECTION/ADHESIVE BACK - .44" X .44"- BLK RUBBER

WINDSHIELD & WIPER GROUP (CONTINUED)

WIPER



KEY	PART NUMBER	U/M	DESCRIPTION
1	067188-01-000	EA	STUD - CRANK - WIPER MOTOR
	117322-01-000	EA	SCREW - 1/4-28 UNFINISHED - 2A - TORX
2	117770-01-000	EA	LINK - CONNECTING - 24" - CLOSED GROMMET/OPEN GROMMET
3	117770-02-000	EA	LINK - CONNECTING - 24" - CLOSED GROMMET/CLOSED GROMMET
4	104346-05-000	EA	WIPER MOTOR - W/INTERNAL BREAKER - DYNAMIC PARK
5	104347-04-000	EA	ARM - DRIVE - WIPER MOTOR
6	061603-01-000	EA	GROMMET - SNAP - 3/16"ID - 3/8" HOLE - PLASTIC BLACK
7	045794-01-000	FT	HOSE - WASHER - WINDSHIELD - 5/32" ID - BLACK
8	077049-02-000	EA	NUT - ACORN - 10-32 BLACK/ANODIZED
9*	095964-01-000	EA	BLADE - WINDSHIELD WIPER - 24"
10*	096505-09-000	EA	SHAFT/PIVOT - WINDSHIELD WIPER
11	110605-01-000	EA	TEE - PLASTIC - BARBED - 1/8" X 1/8" X 3/16"
12	117765-03-000	EA	CONNECTOR - 5/32" - WINDSHIELD WASHER
13	117766-02-000	EA	RESERVOIR/PUMP - WINDSHIELD WASHER
14	117768-01-000	EA	SHAFT - ADAPTER - PANTOGRAPH ARM
15*	117769-01-000	EA	ARM - WIPER - PANTOGRAPH - 28"
16	110742-02-000	EA	GASKET - NEOPRENE - WIPER ADAPTER SHAFT - .5" ID X .9" OD

*COMPONENT PARTS LISTED LATER IN THIS GROUP

WINDSHIELD & WIPER GROUP (CONTINUED)

COMPONENT PARTS FOR WIPER

095964-01-000

KEY	PART NUMBER	U/M	DESCRIPTION	VENDOR NO.
	095964-01-000	EA	BLADE - WINDSHIELD WIPER - 24"	
	095964-01-700	EA	BLADE-REFILL 24" EA= 1 PAIR	12360

096505-09-000

KEY	PART NUMBER	U/M	DESCRIPTION	VENDOR NO.
	096505-09-000	EA	SHAFT/PIVOT - WINDSHIELD WIPER UT	6706220SH25WJ
	096505-02-700	EA	DRIVER-KNURLED,(HD) BRL .687	NT721017
	096505-02-701	EA	NUT-HEX (HD) W/.687 BARREL	NT721021
	096505-02-702	EA	CAP-RUBBER (HD) BARREL .687	CP721084
	096505-02-703	EA	CAP-NUT(ACORN) HD W/.687 BRL	51065-40-NT27WC

117769-01-000

KEY	PART NUMBER	U/M	DESCRIPTION	VENDOR NO.
	117769-01-000	EA	ARM - WIPER - PANTOGRAPH - 28"	UT 6701620LE25WJ
	096931-01-700	FT	HOSE-WIPER	XTU-66-0001
	117769-01-700	EA	RETAINER CLIP - HOSE	