

2001

SUNRISE / SUNRISE SE

F-SERIES

PORTSMOUTH OAK

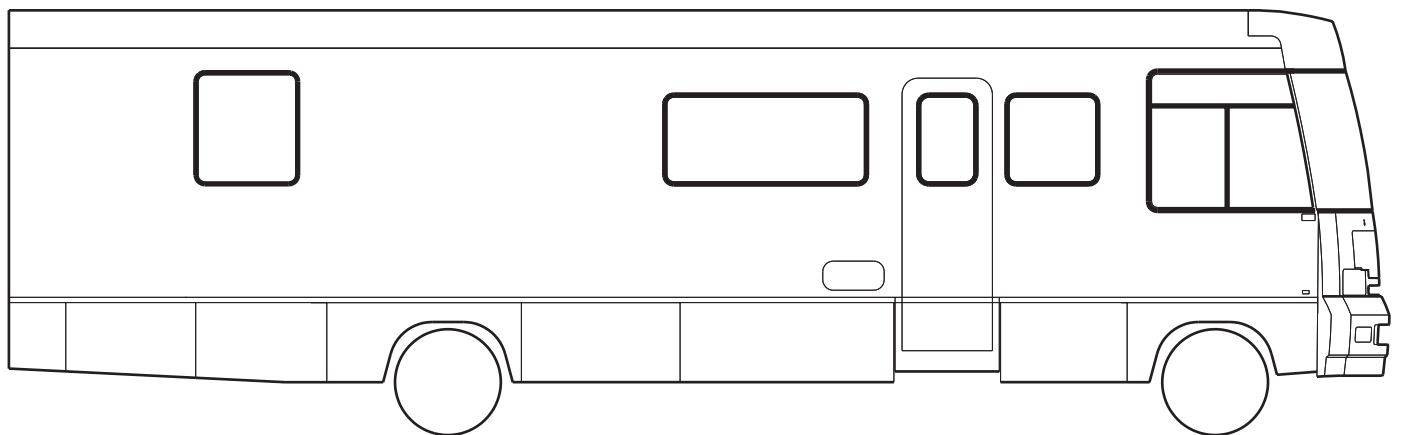
M36 SEASPRAY - TEAL

M37 SILVERADO - WARM GRAY

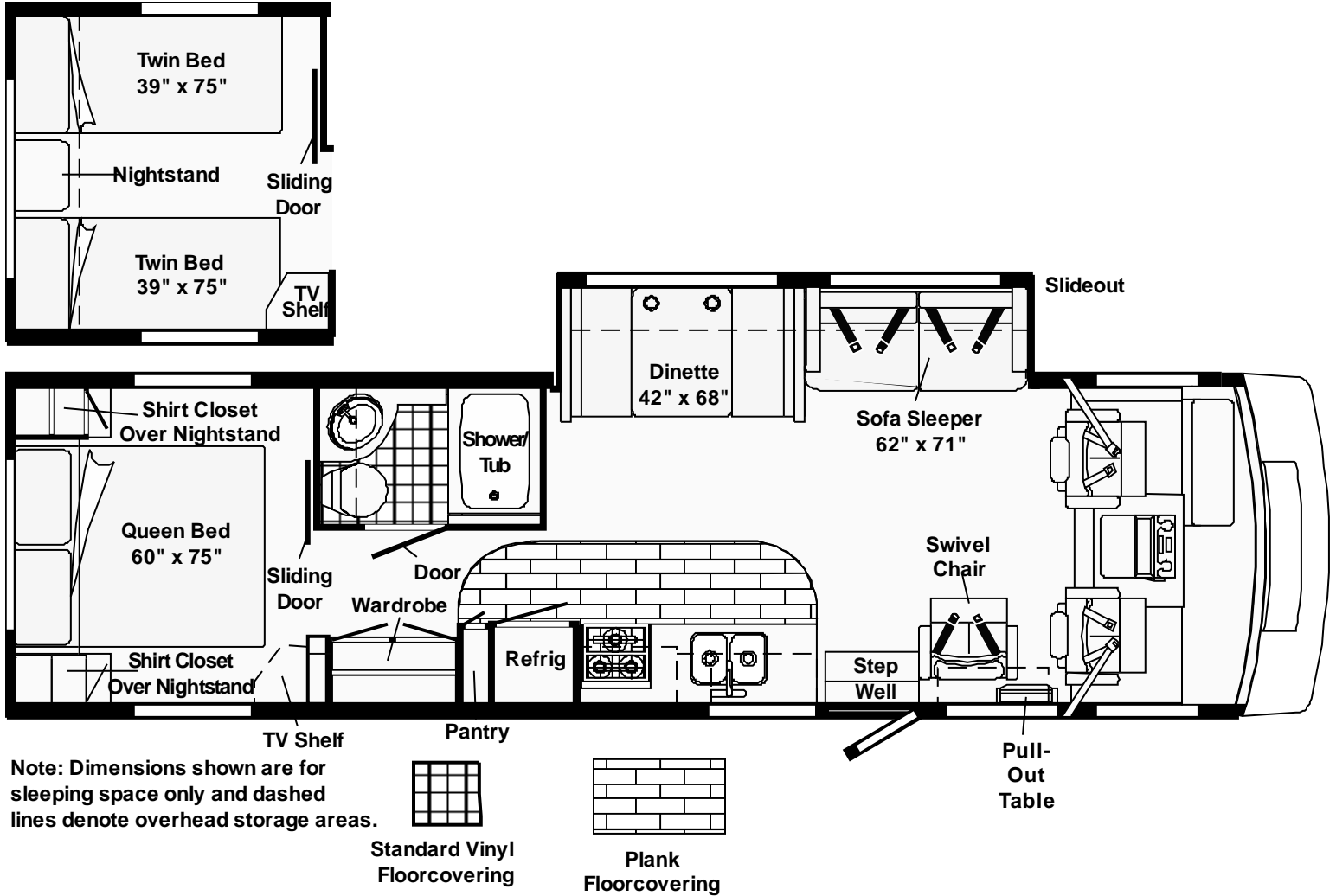
M38 ALMOND CREAM - BEIGE

M28 MOONSTONE - BLUE

M29 SILVERADO - WARM GRAY



2001 IPF33V



CONTENTS

FLOORPLAN	2
ACCESSORIES GROUP	8
OPERATORS MANUAL	8
APPLIANCE GROUP	9
APPLIANCES	9
COMPONENT PARTS FOR APPLIANCE	11
100258-16-04A	11
100258-17-04A	12
100258-18-02A & 100258-18-03A	13
112881-02-03A	14
112881-03-01A	16
114030-02-01A & 114030-03-01A	19
121568-04-01A	21
126019-01-01A	27
134940-01-01A	27
134940-02-01A	28
136354-01-01A	29
136354-02-01A	30
AUDIO VIDEO GROUP	31
RADIO SYSTEM	31
COMPONENT PARTS FOR RADIO SYSTEM	32
127517-05-000	32
127517-08-000	32
REAR VIEW MONITOR	33
COMPONENT PARTS FOR REAR VIEW MONITOR	34
126838-01-000	34
TELEPHONE	35
TV & VCR	35
COMPONENT PARTS FOR TV & VCR	36
076319-23-000	36
076319-25-000	37
126696-03-000	38
126697-06-000	38
126697-07-000	38
EXTERIOR ENTERTAINMENT	39
BATH GROUP	40
CABINETS	40
SHOWER	41
COMPONENT PARTS FOR SHOWER	42
135615-01, -02, -03 & 04-01A	42
BEDROOM GROUP	44
QUEEN CABINETS	44
TV & RADIO CABINETS	45

CONTENTS (CONTINUED)

CHASSIS GROUP	46
FRAME	46
COMPONENT PARTS FOR FRAME	48
132643-02-01A	48
FRONT END	49
DRIVETRAIN	51
REAR BUMPER	56
FUEL	57
HYDRAULIC LEVELING	59
COMPONENT PARTS FOR HYDRAULIC LEVELING	61
100536-11-000	61
128285-01-000	61
128571-03-000	62
131306-02-000	63
131306-19-000	65
SUSPENSION	67
COMPONENT PARTS FOR SUSPENSION	68
122756-03-000	68
122756-04-000	68
WHEEL, TIRE, COVERS &/OR LINERS	69
COMPONENT PARTS FOR WHEEL, TIRE, COVERS &/OR LINERS	70
091209-05-000	70
109443-05-000	70
109443-06-000	70
109443-07-000	70
110435-15-000	70
134609-01-000	70
BRAKELINE	71
BRAKE	71
CURTAIN & CUSHION GROUP	72
NOTICE	72
CUSHION LAYOUT	73
BUCKET SEATS	75
LOUNGE CHAIR	77
WINDOW TREATMENT	79
HARDWARE	81
ACCESSORIES	83
COMPONENT PARTS FOR ACCESSORIES	84
091990-04-01A	84
FABRICS	85
DINETTE GROUP	89
CABINETS	89
TABLE	90
DRIVERS COMPARTMENT GROUP	91
DASH	91
MOTOR COVER	92
BEVERAGE TRAY	93
FRONT INTERIOR	94
CABINETS	96

CONTENTS (CONTINUED)

ELECTRICAL GROUP	97
12V BODY WIRING	97
FRONT END WIRING	101
COMPONENT PARTS FOR LIGHTS & SWITCHES	103
008089-02-000	103
086280-01-000	103
091937-08-000	103
093575-06-01A	103
098024-01-03A	103
098024-06-02A	103
098024-09-02A	103
097917-01-06A	103
110235-01-01A	103
115632-01-02A	103
115632-03-02A	103
121935-01-01A	103
CIRCUIT BREAKERS & FUSES	104
CONVERTER, INVERTER, LOAD CENTERS	104
110V WIRING	105
ENTERTAINMENT WIRING	106
BOXES & CORDS	107
COMPONENT PARTS FOR BOXES & CORDS	108
106071-04-000	108
WIRE ASSEMBLIES	109
CONNECTORS & CONDUIT	109
BOOTS, SOLENOIDS, RELAYS & MISCELLANEOUS	110
EXTERIOR BODY GROUP	111
GRAPHICS & PAINT	111
PANELS	113
TRIMS	115
FRONT END	117
LADDER	118
MIRRORS	118
COMPONENT PARTS FOR MIRRORS	119
106015-12-01A, 106015-13-01A, 106015-14-01A, & 106015-15-01A	119
STRUCTURAL COMPONENTS	120
AWNINGS	120
COMPONENT PARTS FOR AWNINGS	121
113874-01-02A	121
EXTERIOR DOORS & COMPARTMENTS GROUP	122
DOOR & COMPARTMENT LAYOUT	122
COMPONENT PARTS FOR DOOR & COMPARTMENT LAYOUT	126
084103-08-000	126
094707-03-01A	127
094708-03-01A	128
110506-59-000 - 110506-59-009	129
132900-01-01A	130
COMPARTMENT DOOR PIECE PARTS	131
ENTRY	133
COMPONENT PARTS FOR ENTRY	136
129676-01-000 - 129676-10-000	136
SCREEN	137
LATCH - ENTRY	138

CONTENTS (CONTINUED)

EXTERIOR SLIDEOUT GROUP	139
FRONT LEFT	139
COMPONENT PARTS FOR FRONT LEFT	143
100536-42-000	143
132540-01-000	143
GALLEY GROUP	144
CABINETS	144
GENERATOR GROUP	146
GAS	146
HEATING & A/C GROUP	148
AUTOMOTIVE	148
COMPONENT PARTS FOR AUTOMOTIVE	150
103930-49-000	150
103930-43-000	151
103930-44-000	152
103930-45-000	152
103930-46-000	152
103930-47-000	152
FURNACE	153
COMPONENT PARTS FOR FURNACE	154
098668-20-000	154
098668-21-000	156
098668-22-000	158
139980-02-000	159
139980-03-000	161
139980-04-000	163
REAR HEATER	165
COMPONENT PARTS FOR REAR HEATER	166
084405-01-000	166
129205-01-000	166
ROOF	167
COMPONENT PARTS FOR ROOF	168
131184-01-01A	168
131185-01-01A	169
131186-01-01A	170
131187-01-01A	171
131188-01-01A	172
INTERIOR FINISH GROUP	173
MOLDINGS & TRIMS	173
PANELING & LAMINATES	179
ACCESSORIES	180
COMPONENT PARTS FOR ACCESSORIES	181
094499-02-000	181
FLOOR COVERINGS	182
HARDWARE	183
LABELS GROUP	192
LP GROUP	221
LP SYSTEM	221
COMPONENT PARTS FOR LP SYSTEM	222
088253-01-000	222
088253-07-000	222
088253-08-000	222
088253-10-000	223

CONTENTS (CONTINUED)

LOUNGE GROUP	224
CABINETS	224
TABLES	225
SEALANTS & FASTENERS GROUP	226
SEALANTS & ADHESIVES	226
BOLTS, NUTS AND WASHERS	227
SCREWS	230
CLAMPS, CLIPS, GROMMETS, RIVETS & PLUGS	234
MISCELLANEOUS FASTENERS	235
WATER & SEWAGE GROUP	236
DRAINAGE SYSTEM	236
COMPONENT PARTS FOR DRAINAGE SYSTEM	238
062415-01-000	238
131932-02-02A	238
WATER SYSTEM	240
COMPONENT PARTS FOR WATER SYSTEM	247
051393-01-000	247
098607-01-000	248
131340-01-01A	248
WINDOW & VENTS GROUP	249
WINDOW & VENT LAYOUT	249
COMPONENT PARTS FOR WINDOWS & VENT LAYOUT	251
112795-72-01A	251
112795-77-01A	252
112898-25-01A	253
113502-09-01A	254
113733-10-01A	255
122882-01-01A	255
122882-02-01A	255
122882-03-01A	255
123780-03-01A	256
125583-03-01A	257
125583-04-01A	258
129929-09-01A	259
134004-02-01A	260
134004-03-01A	261
WINDSHIELD & WIPER GROUP	262
WINDSHIELD	262
WIPER	263
COMPONENT PARTS FOR WIPER	264
095964-01-000	264
096505-09-000	264
117769-01-000	264

ACCESSORIES GROUP
OPERATORS MANUAL

KEY	PART NUMBER	U/M	DESCRIPTION
	129079-01-01A	EA	CASE - VINYL/BLACK-EXPANDABLE ACCORDION SIDES-7"WX9"HX14"L
	132000-14-001	EA	MANUAL/OWNER - SUNRISE - 2001
	134825-01-000	DW	TOP LEVEL-F,2001

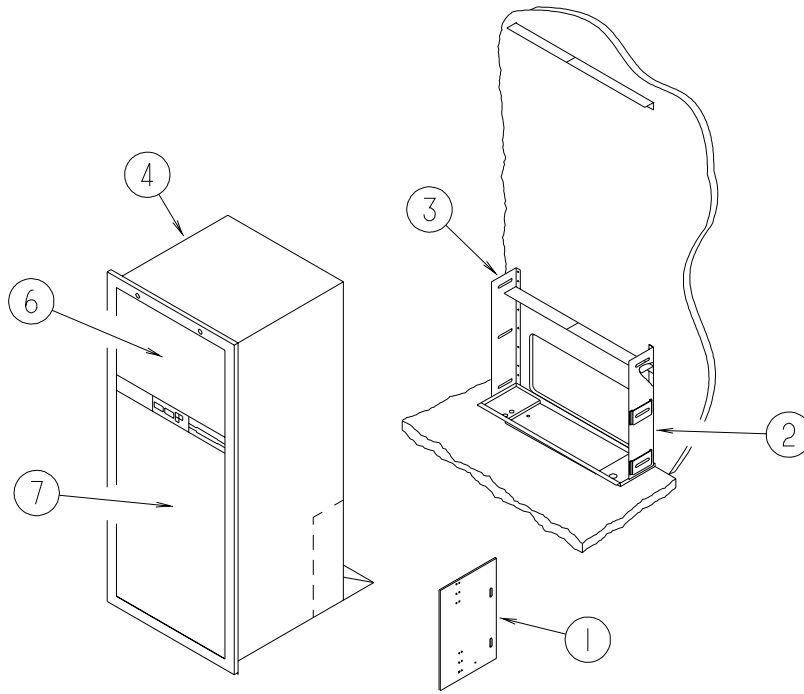
APPLIANCE GROUP

APPLIANCES

KEY	PART NUMBER	U/M	DESCRIPTION
*	100258-16-04A	EA	HOOD - RANGE - W/O MONITOR PANEL-W/O HOUR METER/SWITCH-US FROM: 00-00-00 THRU: 05-11-00
*	136354-01-01A	EA	HOOD - RANGE - W/LITE/FAN - US/VENTED - TEXTURED BLK FROM: 05-12-00 THRU: 99-99-99
*	100258-17-04A	EA	HOOD - RANGE - W/O MONITOR PANEL-W/O HOUR METER/SWITCH-CSA FROM: 00-00-00 THRU: 05-11-00
*	136354-02-01A	EA	HOOD - RANGE - W/LITE/FAN - CSA/VENTED - TEXTURED BLK FROM: 05-12-00 THRU: 99-99-99
*	100258-18-03A	EA	HOOD - RANGE - W/O MONITOR PANEL-W/HOUR METER/SWITCH - US - F35C ONLY
	128527-07-000	EA	OVEN-MICROWAVE-1.3 CUBIC FT/NON CONVECTION-SAMSUNG MR7491G
	128642-04-000	EA	TRIM KIT W/VENT - MICROWAVE 1.2 CU. FT.- SAMSUNG #MR61
	094750-14-000	EA	BRACKET - MICROWAVE - 89 DEGREE - F30W ONLY
	094750-10-000	EA	BRACKET - MICROWAVE - 89 DEGREE
	098916-30-02B	EA	BRACE - MICROWAVE CABINET - E-COATED - F30W ONLY
	098916-22-02B	EA	BRACE - MICROWAVE CABINET - LEFT HAND
	098916-23-02B	EA	BRACE - MICROWAVE CABINET - RIGHT HAND
	098916-31-02B	EA	BRACE - MICROWAVE CABINET - LH - E-COATED - F33V, F35C
	098916-32-02B	EA	BRACE - MICROWAVE CABINET - RH - E-COATED - F33V, F35C
*	112881-02-03A	EA	RANGE - 16" - 3 BURNER - FRONT HI-OUTPUT BRNR - BLK TOP/DR - US
*	112881-03-01A	EA	RANGE - 16" - 3 BURNER - BLACK DOOR/BLACK GLASS - CSA
	105458-03-000	EA	BRACKET - STOVE TIEDOWN - RIGHT HAND
	105458-04-000	EA	BRACKET - STOVE TIEDOWN - LEFT HAND
*	114030-02-01A	EA	RANGE - 3 BURNER TOP - W/O OVEN - BLACK - UL
*	114030-03-01A	EA	RANGE - 3 BURNER TOP - W/O OVEN - BLACK - CSA
	081587-03-000	EA	BRACKET - TIEDOWN - RANGE - RIGHT
	081587-04-000	EA	BRACKET - TIEDOWN - RANGE - LEFT
*	126019-01-01A	EA	COFFEEMAKER - OPTIMA - W/BRACKETS - BLACK & DECKER
*	134940-01-01A	EA	PANEL - MONITOR - 2 TANK - W/GENERATOR SWITCH/HOUR METER
*	134940-02-01A	EA	PANEL - MONITOR - 2 TANK - W/O GENERATOR SWITCH/HOUR METER - SUNRISE SE ONLY-W/O GEN
	133713-08-08A	EA	SPACER - MONITOR - VINYL - PORTSMOUTH OAK - F29A ONLY

*COMPONENT PARTS LISTED LATER IN THIS GROUP

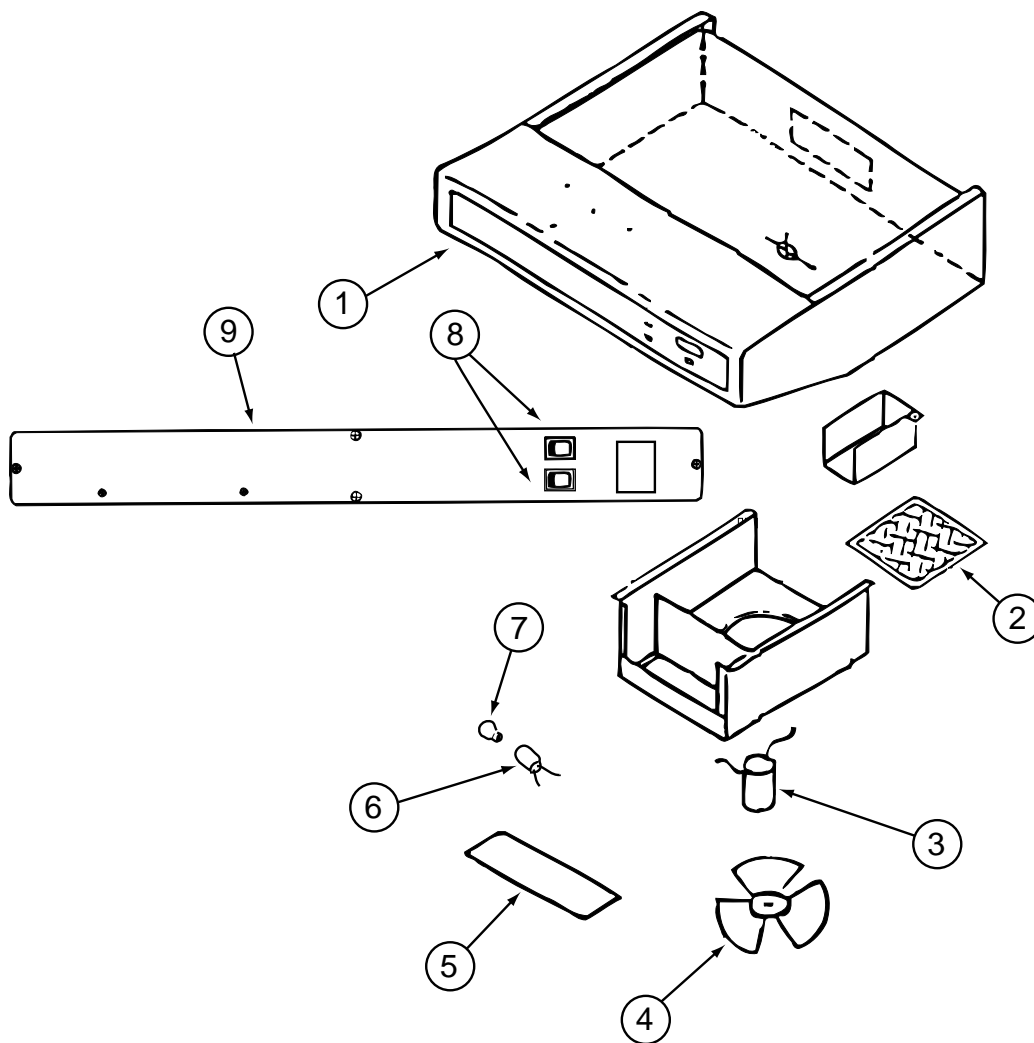
APPLIANCE GROUP (CONTINUED)
APPLIANCE (CONTINUED)



KEY	PART NUMBER	U/M	DESCRIPTION
1	065225-04-000	EA	PLATE - TIEDOWN/REFRIGERATOR
2	093646-01-000	EA	BRACKET - TIEDOWN/REFRIGERATOR - RIGHT HAND
2	093646-03-000	EA	BRACKET - TIEDOWN/REFRIGERATOR - RIGHT HAND - F31B ONLY
3	093646-02-000	EA	BRACKET - TIEDOWN/REFRIGERATOR - LEFT HAND
3	093646-04-000	EA	BRACKET - TIEDOWN/REFRIGERATOR - LEFT HAND - F31B ONLY
4*	121568-03-01A	EA	REFRIGERATOR-SMALL DBL DR/RH-52.8"HX23.5"WX14"D-2-WAY BLK - F30W, F33V, F35C, F26P, F29A
4*	121568-04-01A	EA	REFRIGERATOR - SMALL DOUBLE DOOR/LEFT HAND - 2-WAY - BLACK - F32T, F31B
6	N/A		SEE PANELING IN INTERIOR FINISH GROUP
7	N/A		SEE PANELING IN INTERIOR FINISH GROUP
	054450-01-000	EA	LEVEL - REFRIGERATOR
	090329-01-000	FT	SEAL/T - REFRIGERATOR CABINET
	116751-06-01A	EA	TRAY - REFRIGERATOR - BLACK - F30W
	116751-05-01A	EA	TRAY - REFRIGERATOR - BLACK - F33V
	116751-03-01A	EA	TRAY - REFRIGERATOR - BLACK - F26P, F29A, F31B
	116751-02-01A	EA	TRAY - REFRIGERATOR - BLACK - F32T, F35C

***COMPONENT PARTS LISTED LATER IN THIS GROUP**

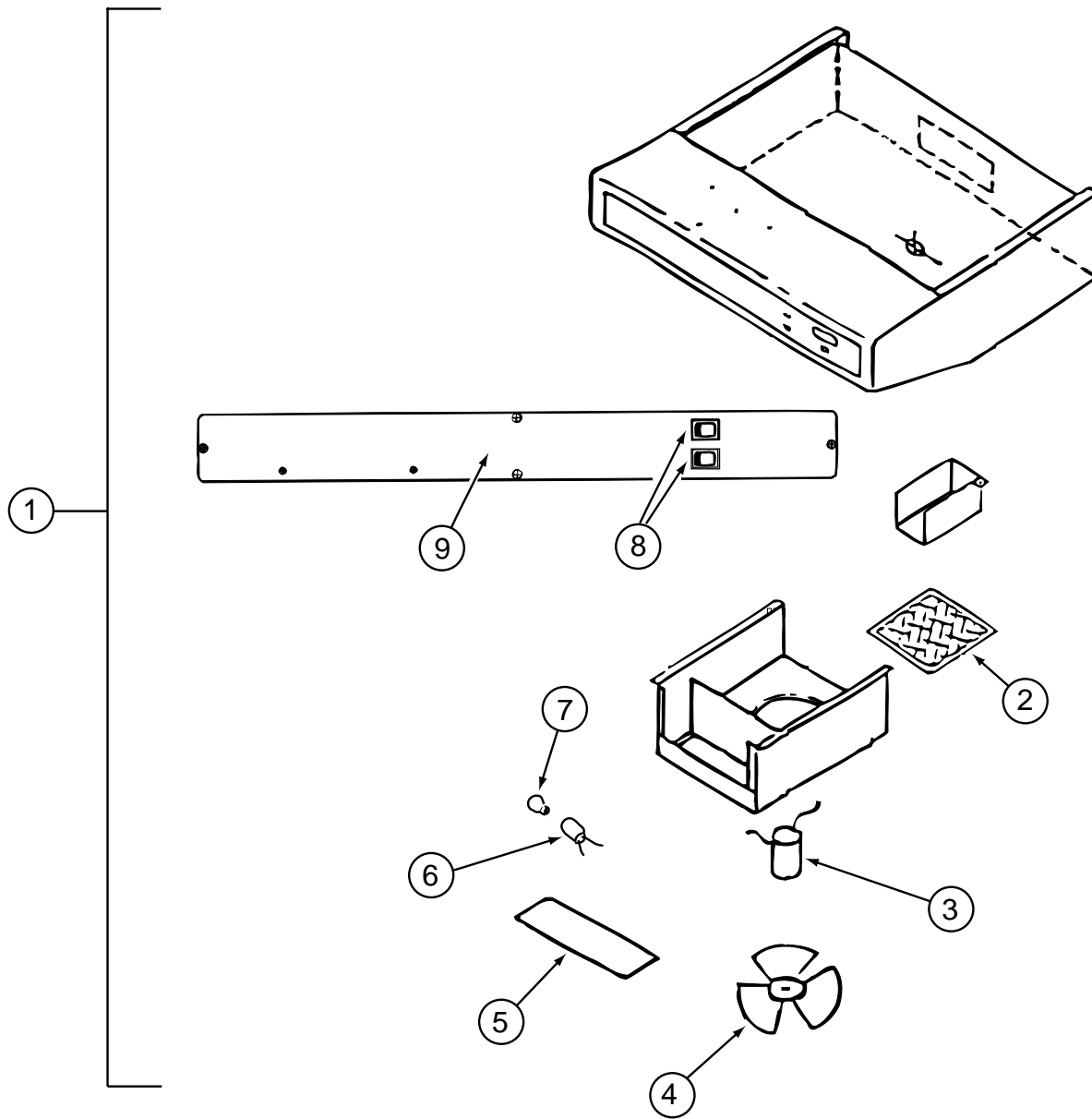
APPLIANCE GROUP (CONTINUED)
COMPONENT PARTS FOR APPLIANCE



100258-16-04A

KEY	PART NUMBER	U/M	DESCRIPTION	VENDOR NO
1	100258-16-04A	EA	HOOD - RANGE - W/O MONITOR PANEL-W/O HOUR METER/SWITCH-US	
2	096983-01-707	EA	FILTER-MESH	CC246
3	090973-01-700	EA	MOTOR-12 VOLT, CSA & UL	CA508-1
4	090973-01-702	EA	BLADE-FAN	VA183-1
5	092696-02-701	EA	LENS-LAMP	CC179-2
6	092696-01-710	EA	HOLDER-LAMP	CB267-2
7	092696-01-709	EA	LAMP #912	VA415
8	096983-01-700	EA	SWITCH - ON/OFF	L0108-00
9	100258-01-700	EA	LABEL-HOOD NOSE	CC428

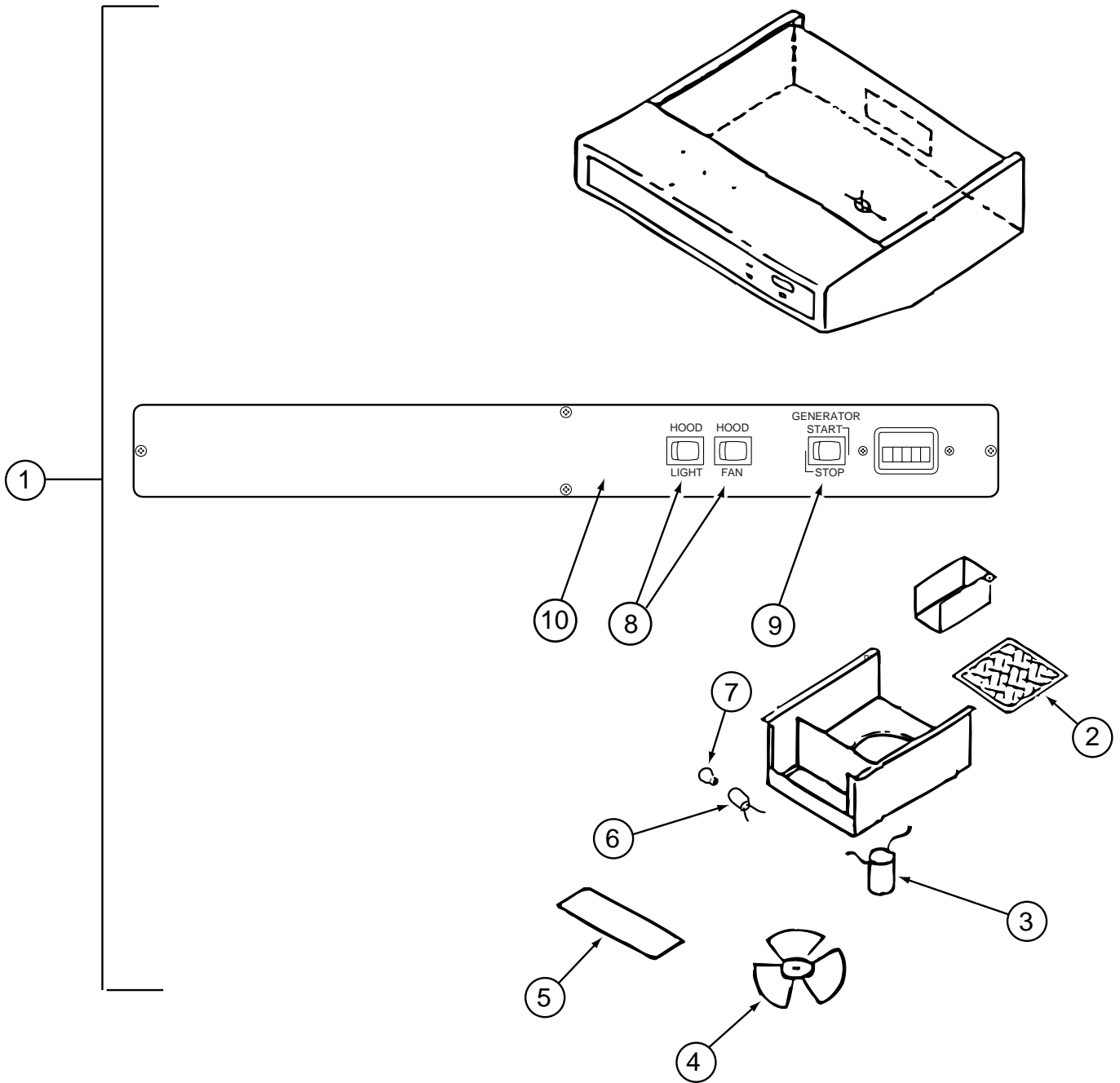
APPLIANCE GROUP (CONTINUED)
COMPONENT PARTS FOR APPLIANCE (CONTINUED)



100258-17-04A

KEY	PART NUMBER	U/M	DESCRIPTION	VENDOR NO
1	100258-17-04A	EA	HOOD - RANGE - W/O MONITOR PANEL-W/O HOUR METER/SWITCH-CSA	
2	096983-01-707	EA	FILTER-MESH	CC246
3	090973-01-700	EA	MOTOR-12 VOLT, CSA & UL	CA508-1
4	090973-01-702	EA	BLADE-FAN	VA183-1
5	092696-02-701	EA	LENS-LAMP	CC179-2
6	092696-01-710	EA	HOLDER-LAMP	CB267-2
7	092696-01-709	EA	LAMP #912	VA415
8	096983-01-700	EA	SWITCH - ON/OFF	L0108-00
9	100258-01-700	EA	LABEL-HOOD NOSE	CC428

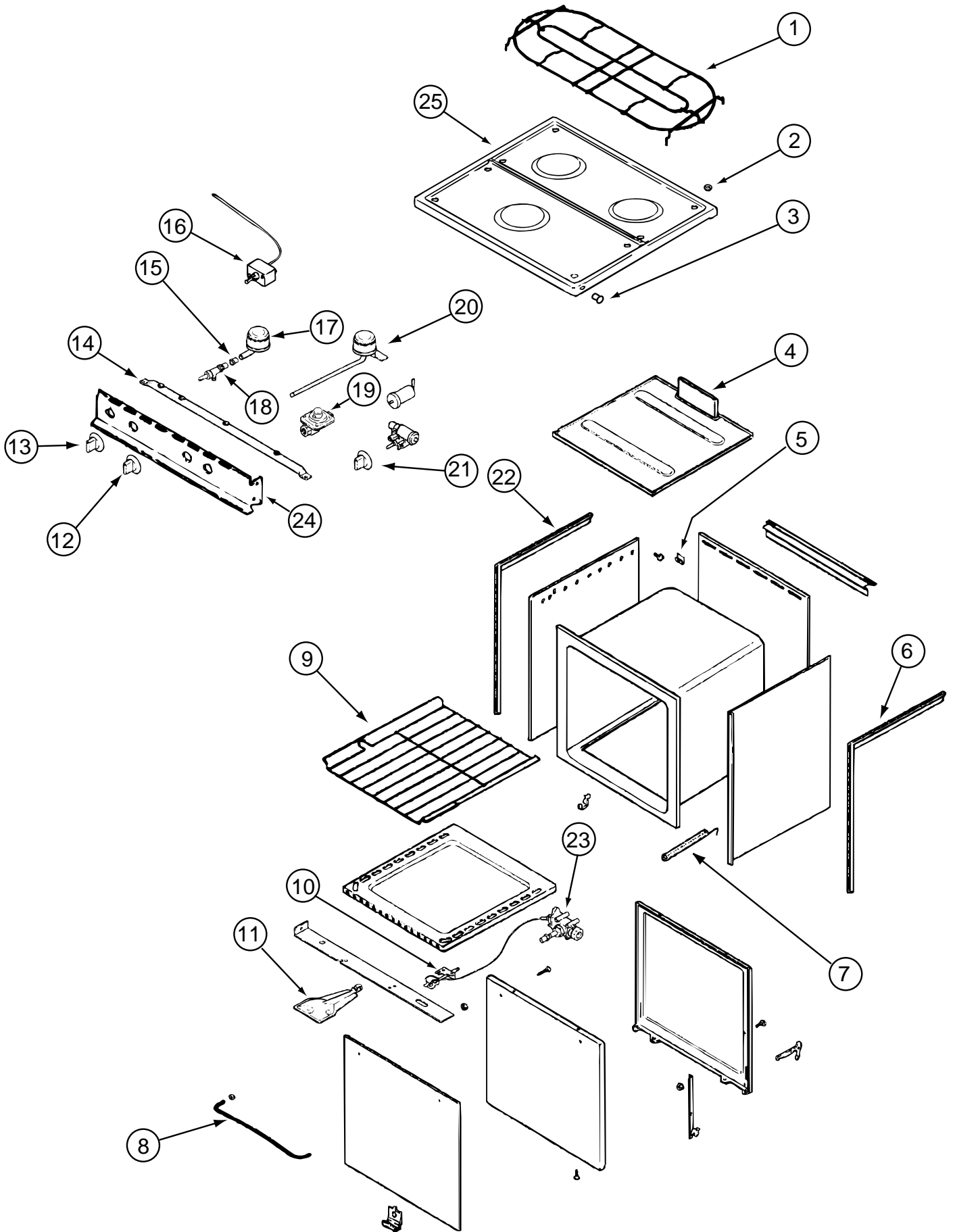
APPLIANCE GROUP (CONTINUED)
COMPONENT PARTS FOR APPLIANCE (CONTINUED)



100258-18-02A & 100258-18-03A

KEY	PART NUMBER	U/M	DESCRIPTION	VENDOR NO.
1	100258-18-02A	EA	HOOD - RANGE - W/O MONITOR PANEL - W/HOUR METER & SWITCH	
1	100258-18-03A	EA	HOOD - RANGE - W/O MONITOR PANEL-W/HOUR METER/SWITCH - US	
2	096983-01-707	EA	FILTER-MESH	CC246
3	090973-01-700	EA	MOTOR-12 VOLT, CSA & UL	CA508-1
4	090973-01-702	EA	BLADE-FAN	VA183-1
5	092696-02-701	EA	LENS-LAMP	CC179-2
6	092696-01-710	EA	HOLDER-LAMP	CB267-2
7	092696-01-709	EA	LAMP #912	VA415
8	096983-01-700	EA	SWITCH - ON/OFF	L0108-00
9	096983-01-702	EA	SWITCH - MOM/OFF/MOM/3 TERM	L0112-00
10	100258-01-700	EA	LABEL-HOOD NOSE	CC428
10	100258-18-700	EA	SCREENED INSERT PANEL	

APPLIANCE GROUP (CONTINUED)
COMPONENT PARTS FOR APPLIANCE (CONTINUED)



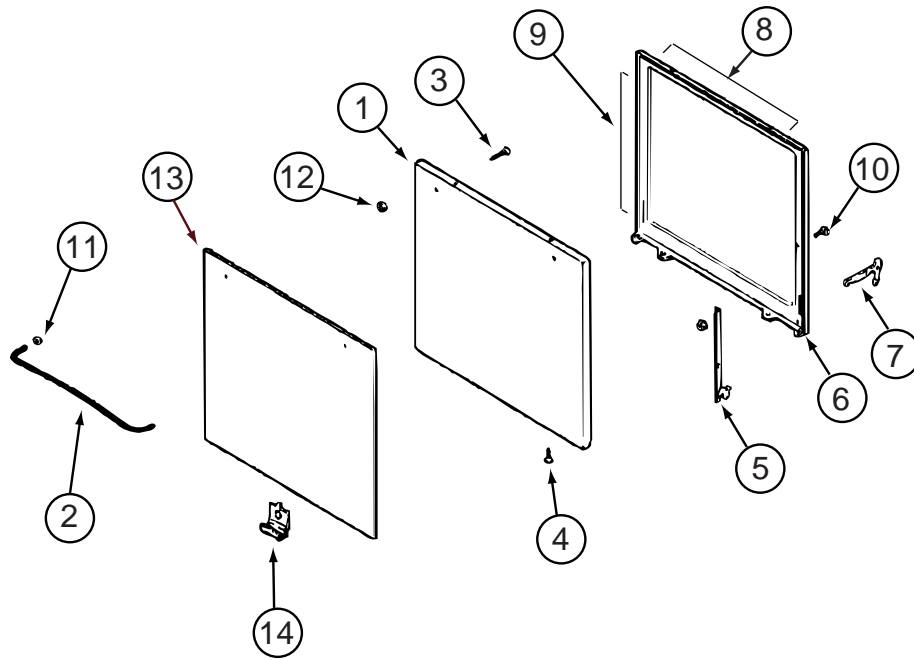
112881-02-03A

APPLIANCE GROUP (CONTINUED)
COMPONENT PARTS FOR APPLIANCE (CONTINUED)

112881-02-03A (CONTINUED)

KEY	PART NUMBER	U/M	DESCRIPTION	VENDOR NO.	
	112881-02-03A	EA	RANGE - 16" - 3 BURNER - ALMOND/BLACK	TEXTURED DOOR	MICHEF CLY 1631BDL
1	126023-01-703	EA	GRATE - TOP	74003358	
2	102020-01-709	EA	BUMPER-GRATE	8007-P020-60	
3	102020-01-724	EA	BUMPER-MAIN TOP	8003P008-60	
4	126023-01-718	EA	FLUE BOX ASSEMBLY	4006W075-80	
5	112881-02-701	EA	CLIP - MAIN TOP (REAR)	7112P071-60	
6	112881-01-720	EA	TRIM-FLAT RH BLACK TEXTURED	4002812	
7	112881-02-702	EA	SPRING - OVEN DOOR	7803P051-60	
8	102020-01-701	EA	HANDLE,DOOR	7701P092-60	
9	126023-01-716	EA	RACK - OVEN	74003106	
10	102020-01-714	EA	PILOT-OVEN	968-143	
	112881-01-713	EA	DOOR-OVEN-TEXTURED, BLACK	2401F126-70	
	112881-01-721	EA	DEFLECTOR FLUE BLACK TEXTURE	74002809	
	126023-01-731	EA	BOTTOM - OVEN	2205F016-19	
	126023-01-732	EA	SEAL/OVEN DR TOP	7212P014-60	
	126023-01-733	EA	SEAL/OVEN DR SIDES(2PCS)	7212P038-60	
	128728-01-703	EA	T-NUT - F/HINGE	7103P109-60	
	128728-01-712	EA	FITTING - HALF UNION	7507P083-60	
11	126023-01-717	EA	BURNER - OVEN	74003343	
12	112881-01-718	EA	KNOB - TOP BURNER HI-OUTPUT	74001794	
12	112881-01-705	EA	KNOB-TOP BURNER	7733P072-60	
13	126023-01-704	EA	KNOB - THERMOSTAT	7731P109-60	
14	126023-01-705	EA	PIPE - MANIFOLD	7513P161-60	
15	098507-02-701	EA	INSERT-BURNER, SLOTTED VENT	7214P015-60	
16	112881-01-722	EA	THERMOSTAT SER.# CHECK 12/13	7515P029-60K	
17	112881-02-703	EA	BURNER - FRONT HIGH OUTPUT	7505P142-60	
18	126023-01-710	EA	VALVE - BURNER (FRONT)	74003349	
18	126023-01-709	EA	VALVE - BURNER (REAR)	74003348	
19	102022-01-708	EA	REGULATOR, 1/4 & 1/2 OUT	7510P04160/12001285	
20	112881-01-717	EA	BURNER, TOP REAR	7505P181-60	
22	112881-01-719	EA	TRIM-FLAT LH BLACK TEXTURED	74002813	
23	112881-02-700	EA	VALVE - OVEN	7501P056-60	
24	126023-01-715	EA	PANEL - MANIFOLD	74003350	
25	126023-01-707	EA	TOP - MAIN (BLACK)	74003323	
25	126023-01-708	EA	TOP - MAIN (ALMOND)	74003324	
25	112881-01-712	EA	RANGE TOP-MAIN BLACK	740101486	

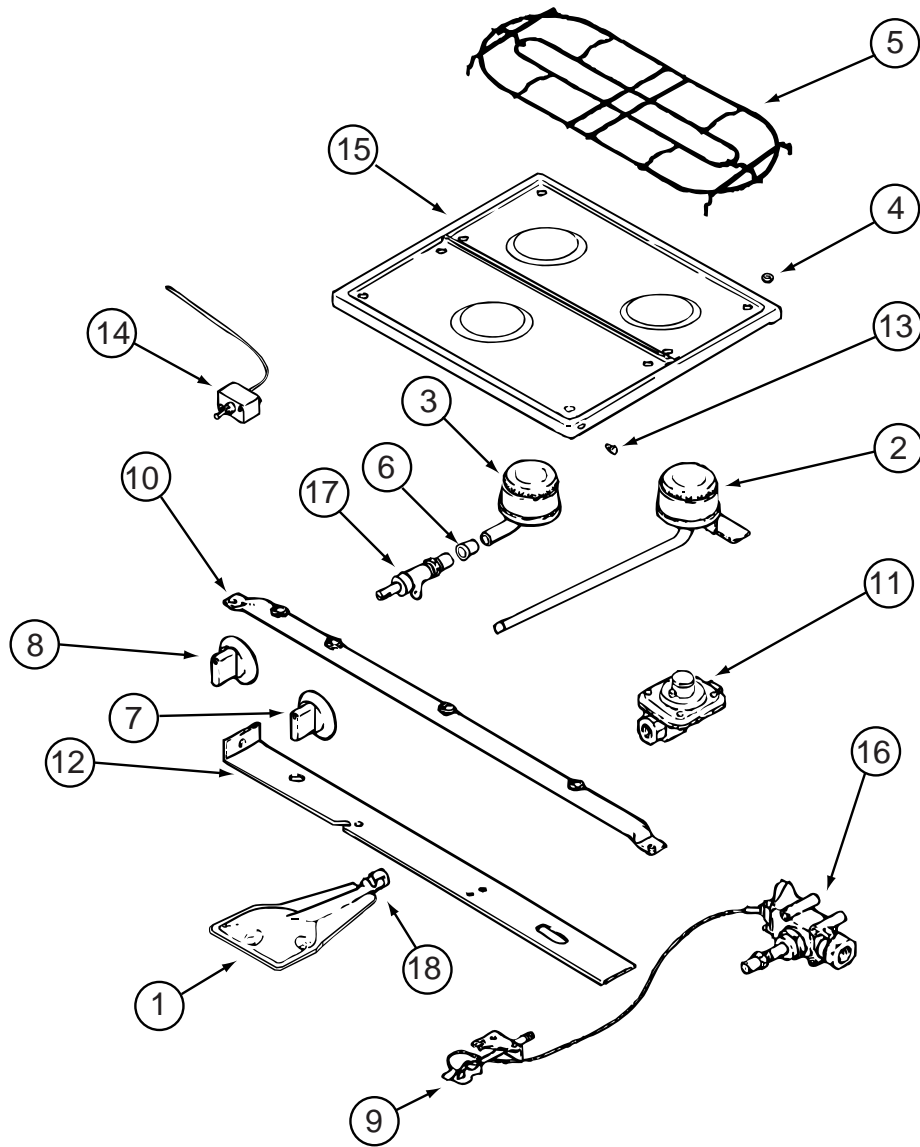
APPLIANCE GROUP (CONTINUED)
COMPONENT PARTS FOR APPLIANCE (CONTINUED)



112881-03-01A

KEY	PART NUMBER	U/M	DESCRIPTION	VENDOR NO.
1	112881-02-705	EA	DOOR/OVEN-TEXT/BLK-F/WINDOW	74001273
1	112881-01-713	EA	DOOR/OVEN-TEXT/BLK NO WINDOW	2401F126-70
2	102020-01-701	EA	HANDLE,DOOR	7701P092-60
8	126023-01-732	EA	SEAL/OVEN DR TOP	7212P014-60
9	126023-01-733	EA	SEAL/OVEN DR SIDES(2PCS)	7212P038-60
13	102022-01-704	EA	GLASS-OUTER	7902P261-60

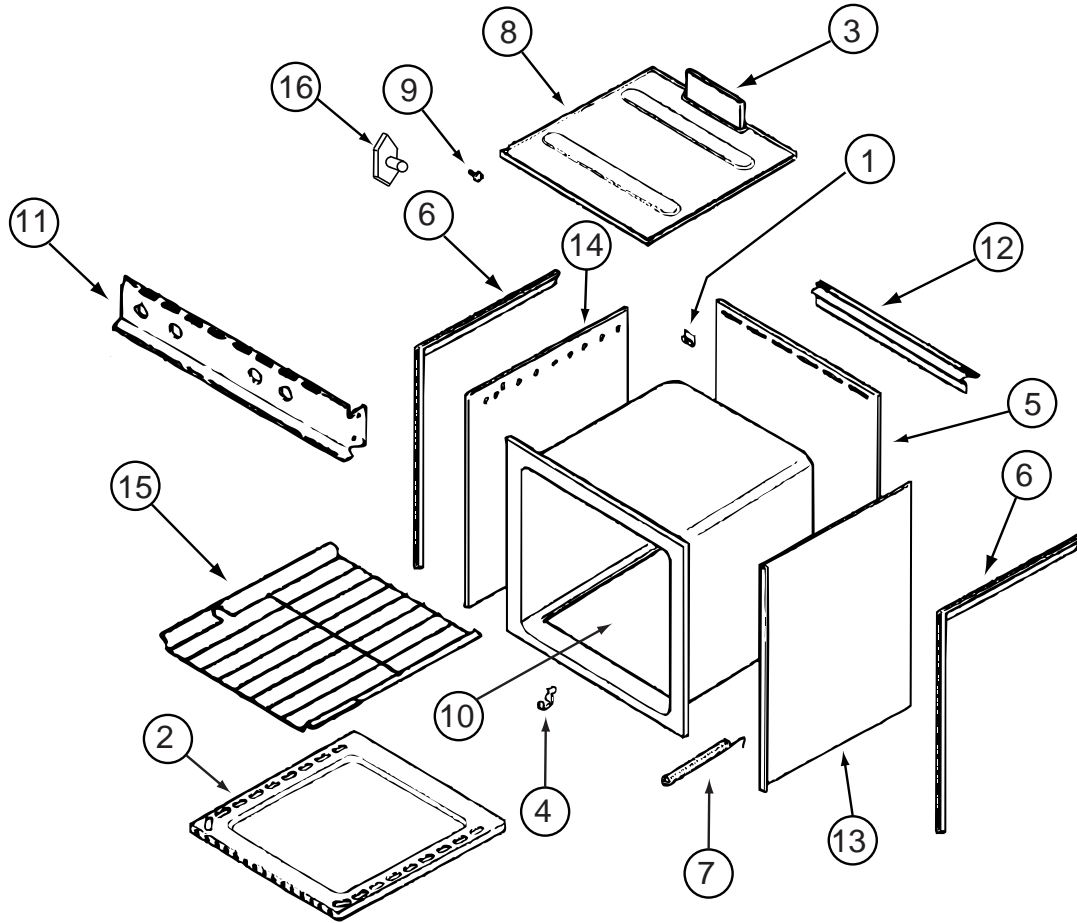
APPLIANCE GROUP (CONTINUED)
COMPONENT PARTS FOR APPLIANCE (CONTINUED)



112881-03-01A (CONTINUED)

KEY	PART NUMBER	U/M	DESCRIPTION	VENDOR NO.
1	126023-01-717	EA	BURNER - OVEN	74003343
2	112881-01-717	EA	BURNER, TOP REAR	7505P181-60
3	112881-02-703	EA	BURNER - FRONT HIGH OUTPUT	7505P142-60
4	102020-01-709	EA	BUMPER-GRATE	8007-P020-60
5	126023-01-730	EA	GRATE - TOP	74003358
6	098507-02-701	EA	INSERT-BURNER, SLOTTED VENT	7214P015-60
7	112881-01-718	EA	KNOB - TOP BURNER HI-OUTPUT	74001794
7	112881-01-705	EA	KNOB-TOP BURNER	7733P072-60
8	112881-03-700	EA	KNOB - THERMOSTAT - BLACK	74004155
9	102020-01-714	EA	PILOT-OVEN	968-143
10	126023-01-705	EA	PIPE - MANIFOLD	7513P161-60
11	112881-03-701	EA	REGULATOR KIT W/FITTINGS	12001285
13	102020-01-724	EA	BUMPER-MAIN TOP	8003P008-60
14	112881-01-722	EA	THERMOSTAT SER.# CHECK 12/13	7515P029-60K
15	126023-01-728	EA	TOP - MAIN (BLACK)	74003323
16	102020-01-720	EA	VALVE-MERCURY CONTROL	7501P056-60
	128728-01-712	EA	FITTING - HALF UNION	7507P083-60

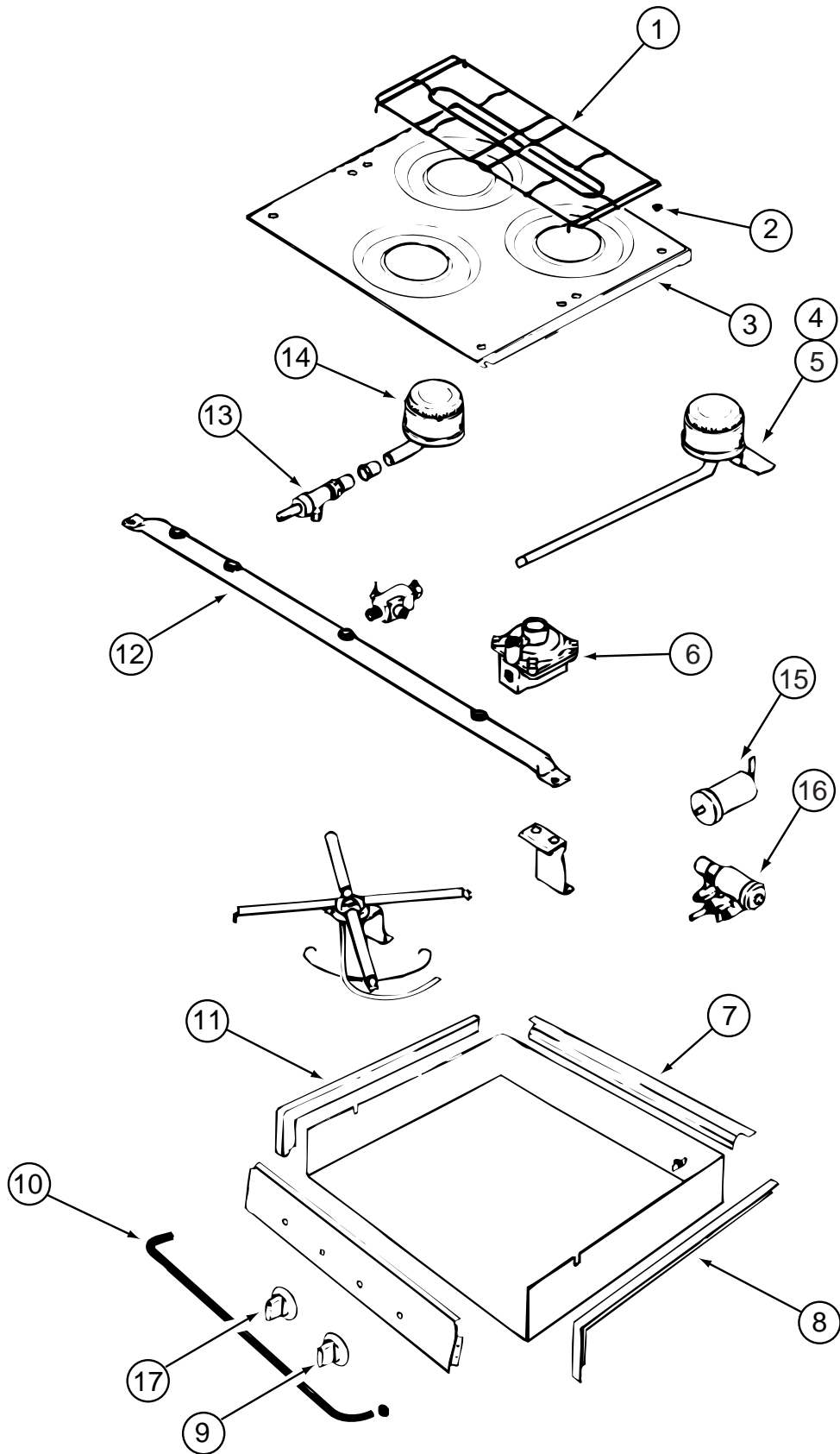
APPLIANCE GROUP (CONTINUED)
COMPONENT PARTS FOR APPLIANCE (CONTINUED)



112881-03-01A (CONTINUED)

KEY	PART NUMBER	U/M	DESCRIPTION	VENDOR NO.
1	112881-02-701	EA	CLIP - MAIN TOP (REAR)	7112P071-60
2	126023-01-731	EA	BOTTOM - OVEN	2205F016-19
3	126023-01-718	EA	FLUE BOX ASSEMBLY	4006W075-80
6	112881-01-720	EA	TRIM-FLAT RH BLACK TEXTURED	4002812
6	112881-01-719	EA	TRIM-FLAT LH BLACK TEXTURED	74002813
7	112881-02-704	EA	SPRING-OVEN DOOR F/1641 MOD	7803P052-60
7	112881-02-702	EA	SPRING - OVEN DOOR	7803P051-60
11	126023-01-715	EA	PANEL - MANIFOLD	74003350
12	112881-01-721	EA	DEFLECTOR FLUE BLACK TEXTURE	74002809
15	126023-01-716	EA	RACK - OVEN	74003106
16	128728-01-703	EA	T-NUT - F/HINGE	7103P109-60
	112881-03-702	EA	CLIP - MAIN TOP	74003998

APPLIANCE GROUP (CONTINUED)
COMPONENT PARTS FOR APPLIANCE (CONTINUED)



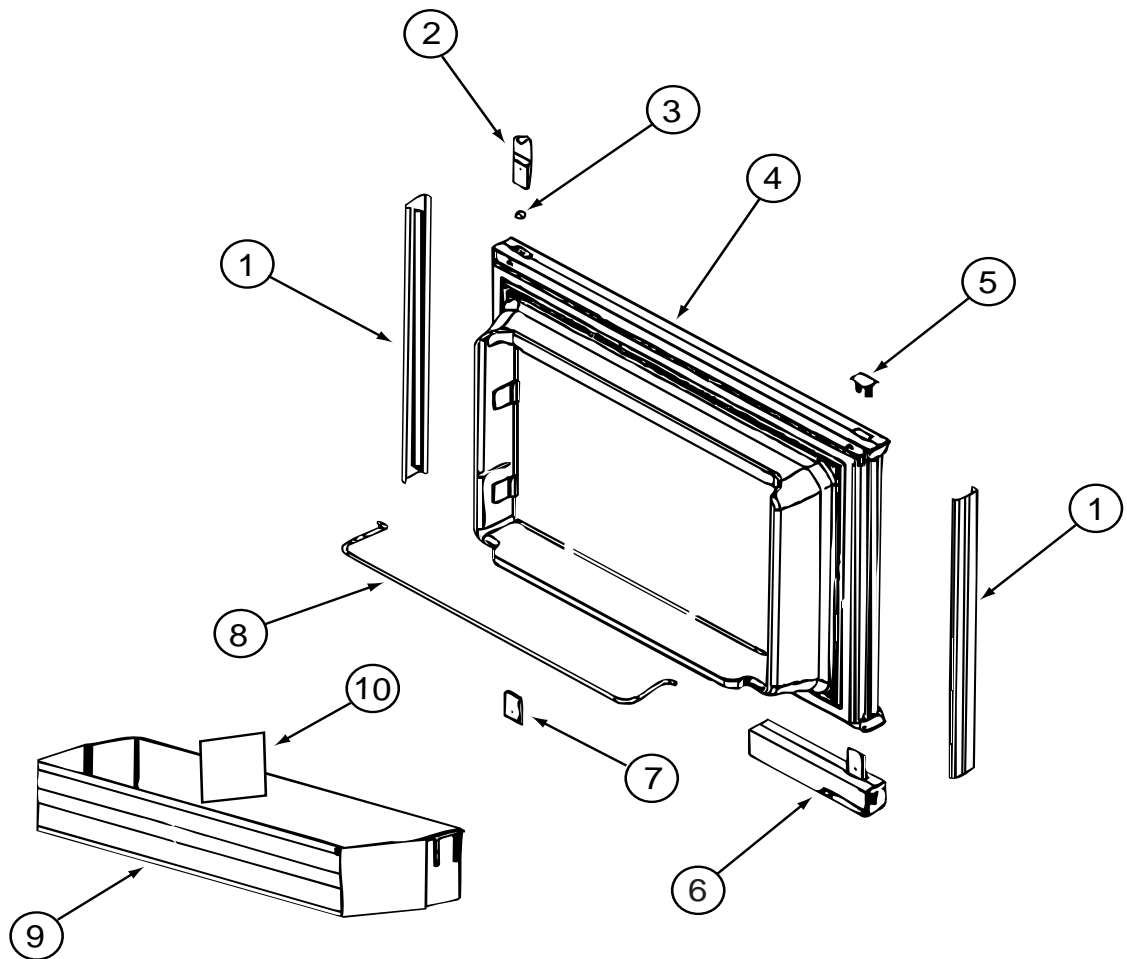
114030-02-01A & 114030-03-01A

APPLIANCE GROUP (CONTINUED)
COMPONENT PARTS FOR APPLIANCE (CONTINUED)

114030-02-01A & 114030-03-01A (CONTINUED)

KEY	PART NUMBER	U/M	DESCRIPTION	VENDOR NO.
	114030-02-01A	EA	RANGE - 3 BURNER TOP - W/O OVEN - BLACK	
	114030-03-01A	EA	RANGE - 3 BURNER TOP - W/O OVEN - BLACK - CSA	
1	126023-01-703	EA	GRATE - TOP	74003358
2	102020-01-709	EA	BUMPER - GRATE	8007-P020-60
3	126023-01-706	EA	TOP - MAIN (WHITE)	74003322
3	126023-01-707	EA	TOP - MAIN (BLACK)	74003323
3	126023-01-708	EA	TOP - MAIN (ALMOND)	74003324
4	126023-01-700	EA	BURNER - TOP (RT-REAR)	7505P195-60
5	126023-01-701	EA	BURNER - TOP (LT-REAR)	7505P196-60
6	102020-01-729	EA	REGULATOR - PRESSURE	7510P043-60
7	114030-01-706	EA	TRIM - REAR/BLACK TEXTURED	74002841
8	114030-01-704	EA	TRIM - RIGHT/BLACK TEXTURED	74002839
9	126023-01-720	EA	KNOB - IGNITER	74002414
10	114030-02-700	EA	GUARD/FABRIC - TOWEL BAR	3609F006-70
11	114030-01-705	EA	TRIM - LEFT/BLACK TEXTURED	74002840
12	126023-01-705	EA	PIPE - MANIFOLD	7513P161-60
13	126023-01-709	EA	VALVE - BURNER (REAR)	74003348
13	126023-01-710	EA	VALVE - BURNER (FRONT)	74003349
14	126023-01-702	EA	BURNER - TOP (FRONT)	7505P144-60
15	126023-01-711	EA	ELECTRODE - IGNITER	7432P077-60
16	126023-01-719	EA	IGNITER - TOP BURNER	74002413
17	112881-01-705	EA	KNOB - TOP BURNER	733P072-60
17	112881-01-718	EA	KNOB - TOP BURNER HI-OUTPUT	74001794
	126023-01-735	EA	KIT-IGNITOR TOP BRNER & KNOB	12001296=74002413&
	128728-01-703	EA	T-NUT - F/HINGE	7103P109-60

APPLIANCE GROUP (CONTINUED)
COMPONENT PARTS FOR APPLIANCE (CONTINUED)

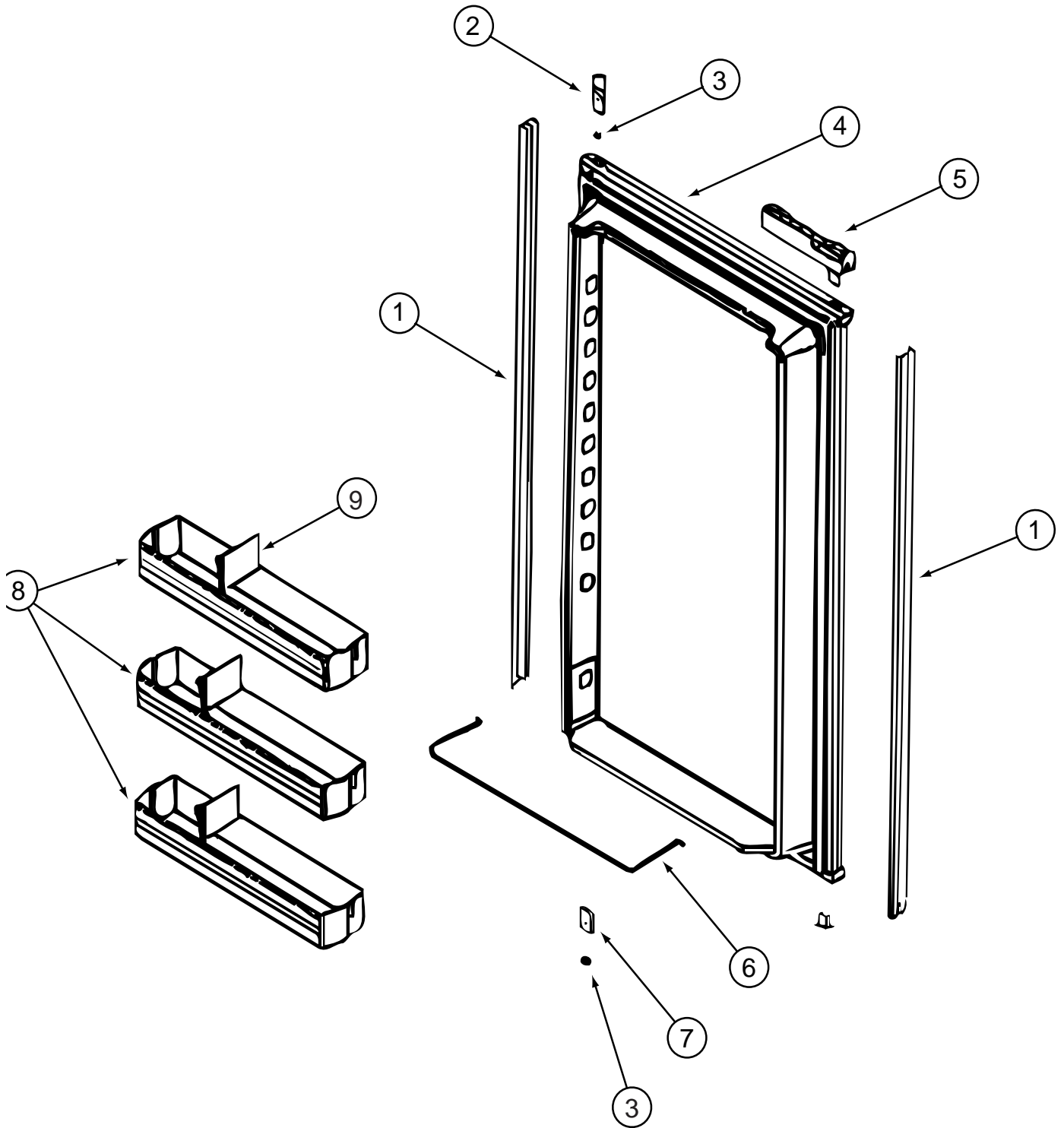


121568-04-01A

KEY	PART NUMBER	U/M	DESCRIPTION	VENDOR NO.
1	121568-03-700	EA	RETAINER - DOOR PANEL/BLACK	619558
1	121568-03-706	EA	RETAINER - DOOR PANEL/BLACK	619559
2	120075-01-701	EA	HINGE-TOP RH/BOTTOM LH(DOOR)	618511
4	121568-03-702	EA	DOOR LINER - W/TRIM/BLACK	619627 - SMALL DOOR
5	120075-01-702	EA	CAP, (HINGE PLUG)	618160
6	121568-03-703	EA	HANDLE ASM TOP/RH-LWR/LH BLK	619865
6	121568-03-708	EA	HANDLE ASM - TOP/LH-LWR/RH	619866
7	120075-01-705	EA	HINGE-TOP LH/BOTTOM RH(DOOR)	618510
	121568-03-704	EA	TRAVEL LATCH - GRAY	619647
	121568-03-705	EA	STORAGE LATCH - GRAY	619648

CONTACT WINNEBAGO PART SALES FOR UNLISTED COMPONENTS

APPLIANCE GROUP (CONTINUED)
COMPONENT PARTS FOR APPLIANCE (CONTINUED)

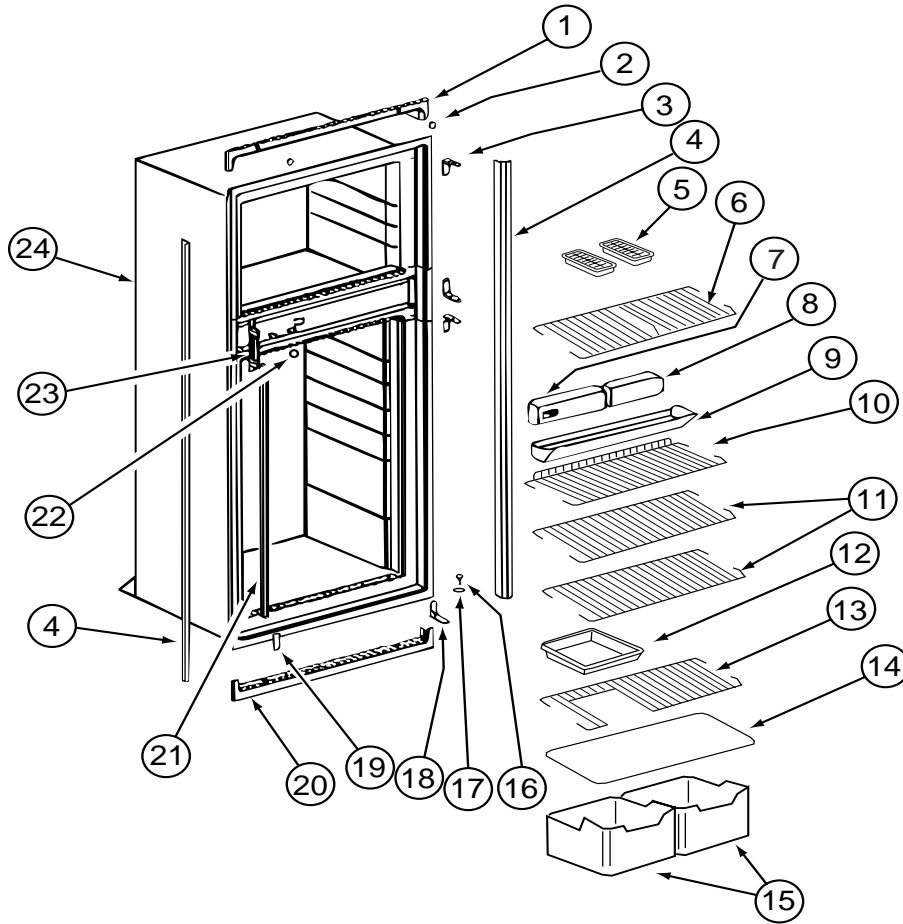


121568-04-01A (CONTINUED)

KEY	PART NUMBER	U/M	DESCRIPTION	VENDOR NO.
1	121568-03-706	EA	RETAINER - DOOR PANEL/BLACK	619559
2	120075-01-701	EA	HINGE-TOP RH/BOTTOM LH(DOOR)	618511
3	121568-03-701	EA	BUSHING - HINGE PIN/GRAY	619671
4	121568-03-707	EA	DOOR LINER - W/BLACK TRIM	619629
5	121568-03-703	EA	HANDLE ASM TOP/RH-LWR/LH BLK	619865
5	121568-03-708	EA	HANDLE ASM - TOP/LH-LWR/RH	619866
6	121568-01-704	EA	RAIL - DOOR LOWER	618578
7	120075-01-705	EA	HINGE-TOP LH/BOTTOM RH(DOOR)	618510
8	121568-01-701	EA	BIN - DOOR WHITE	618619

CONTACT WINNEBAGO PART SALES FOR UNLISTED COMPONENTS

APPLIANCE GROUP (CONTINUED)
COMPONENT PARTS FOR APPLIANCE (CONTINUED)

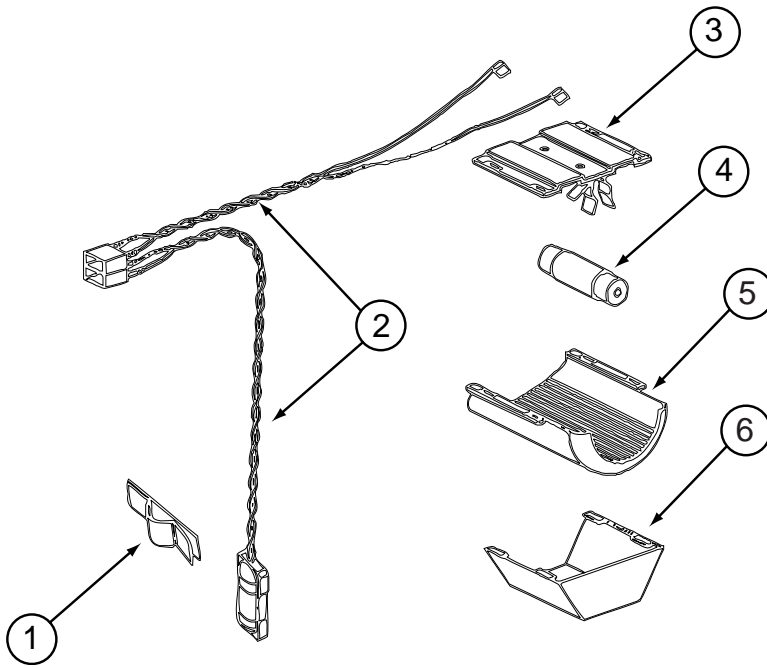


121568-04-01A (CONTINUED)

KEY	PART NUMBER	U/M	DESCRIPTION	VENDOR NO.
1	121568-03-709	EA	TRIM - TOP/BLACK	619687
2	120075-01-714	EA	PLUG-HOLE	618170
3	121568-03-710	EA	HINGE/CABINET-TOP/RH-LWR/LH	619335
4	121568-03-711	EA	TRIM - SIDE/BLACK	619801
6	121568-03-712	EA	SHELF - WIRE/FREEZER	20250
7	121568-03-714	EA	CONTROL ASM - 2 WAY BLACK	619350
8	121568-03-713	EA	FRONT BOX/DECORATIVE-BLACK	619282
9	120075-01-720	EA	TRAY-DRIP	618137
10	121568-01-707	EA	SHELF - WIRE - SHORT	618624
11	121568-01-708	EA	SHELF - WIRE	618589
14	120075-01-725	EA	COVER-CRISPER	618158
15	121568-01-709	EA	CRISPER	618571
16	120075-01-727	EA	PIN-HINGE	618145
18	121568-03-715	EA	HINGE/CABINET-TOP/LH-LWR/RH	619336
19	121568-03-716	EA	COVER - HINGE HOLES	619301
20	120075-01-729	EA	TRIM-BOTTOM PIECE	618136
21	120075-01-730	EA	RETAINER-SHELF	618181
22	121568-03-717	EA	HOLE PLUG - WHITE	619561
23	120075-01-732	EA	PLATE-STRIKE	618167
24	121568-03-718	EA	CABINET - FOAMED - N62	619658
	120075-01-721	EA	LOUVER-DRIP TRAY	618176

CONTACT WINNEBAGO PART SALES FOR UNLISTED COMPONENTS

APPLIANCE GROUP (CONTINUED)
COMPONENT PARTS FOR APPLIANCE (CONTINUED)

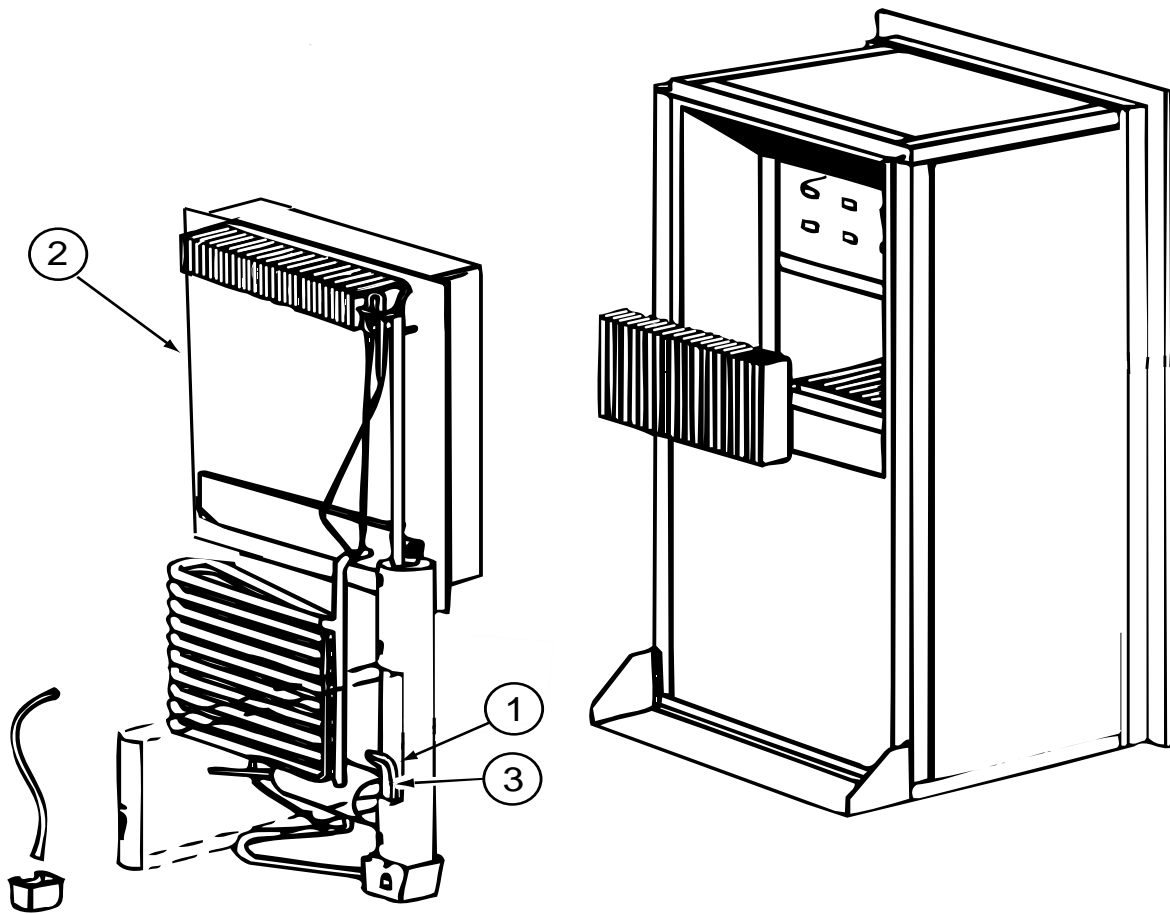


121568-04-01A (CONTINUED)

KEY	PART NUMBER	U/M	DESCRIPTION	VENDOR NO.
1	084880-01-760	EA	CLIP (THERMISTER)	61689122
2	120075-01-735	EA	THERMISTER W/LAMP & WIRE/ASM	618548
3	084880-03-705	EA	BRACKET-LIGHT-INTERIOR	61629722
4	084880-03-706	EA	BULB-LAMP	61628922
6	084880-03-707	EA	COVER-LAMP, LENS	61627922

CONTACT WINNEBAGO PART SALES FOR UNLISTED COMPONENTS

APPLIANCE GROUP (CONTINUED)
COMPONENT PARTS FOR APPLIANCE (CONTINUED)

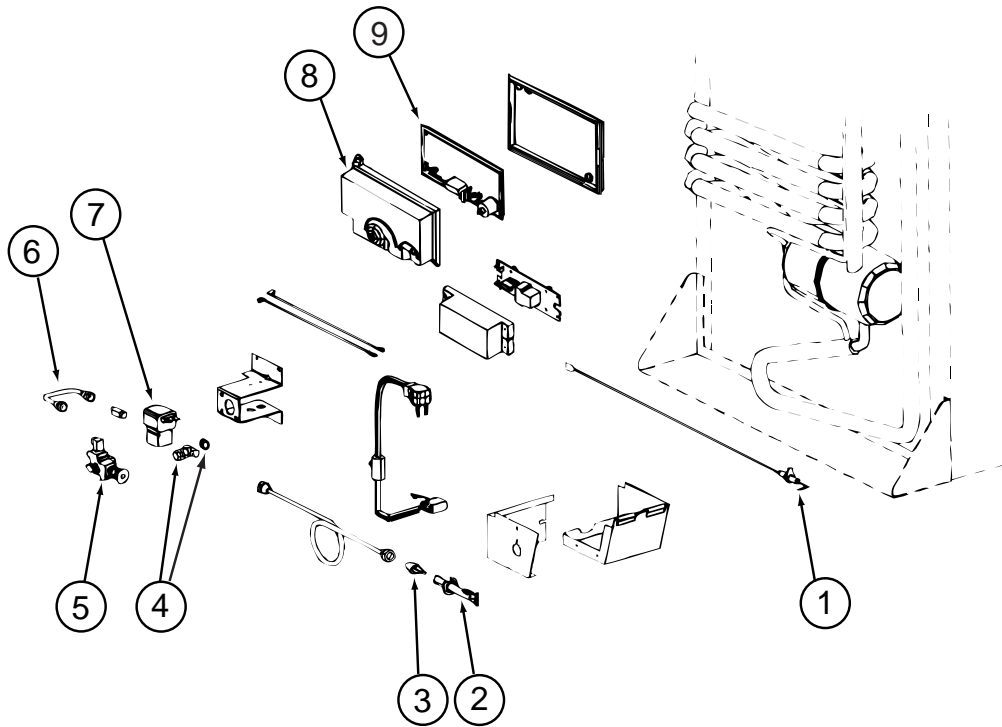


121568-04-01A (CONTINUED)

KEY	PART NUMBER	U/M	DESCRIPTION	VENDOR NO.
2	120076-01-704	EA	COOLING UNIT, SERVICE PACK	618543
3	088248-01-709	EA	HEATER-AC (HORIZONTAL)	61562722
	120075-01-744	EA	KIT - GAS VALVE/BURNER TUBE	620609

CONTACT WINNEBAGO PART SALES FOR UNLISTED COMPONENTS

APPLIANCE GROUP (CONTINUED)
COMPONENT PARTS FOR APPLIANCE (CONTINUED)



121568-04-01A (CONTINUED)

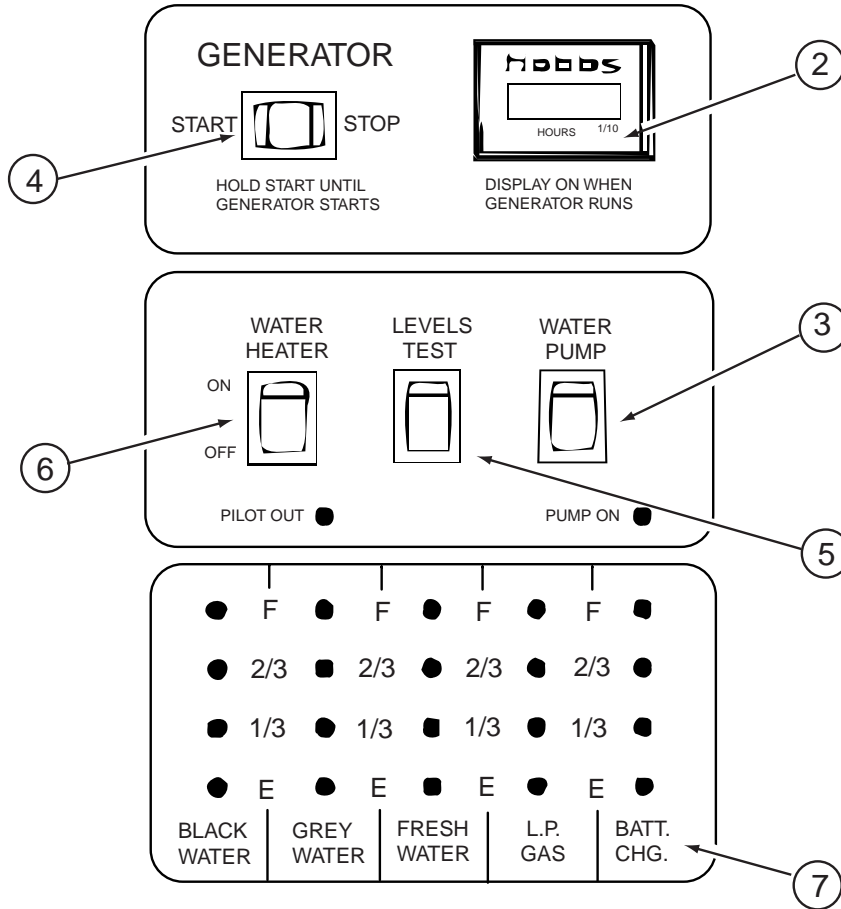
KEY	PART NUMBER	U/M	DESCRIPTION	VENDOR NO.
1	104137-06-715	EA	ELECTRODE-SPARK/SENSOR, SGL	61692222
2	104137-06-714	EA	BURNER ASSEMBLY, 5-SLOT	61705222
3	120076-01-705	EA	ORIFICE - JEWEL .015	618283
4	113737-01-702	EA	PLUG 1/8" F/PRESSURE TAP	61445322
4	113737-01-716	EA	TAP-PRESSURE	61594422
6	113737-01-750	EA	TUBE-UNION	61694622
7	084880-01-718	EA	VALVE-GAS, (ASCO)	61551822
8	120075-01-738	EA	COVER-POWER BOARD	618185
9	121568-03-719	EA	POWER - BOARD - 2-WAY	619353
	121568-03-720	EA	VALVE/SHUT OF-MANUAL ELECT	618696

CONTACT WINNEBAGO PART SALES FOR UNLISTED COMPONENTS

APPLIANCE GROUP (CONTINUED)
COMPONENT PARTS FOR APPLIANCE (CONTINUED)

126019-01-01A

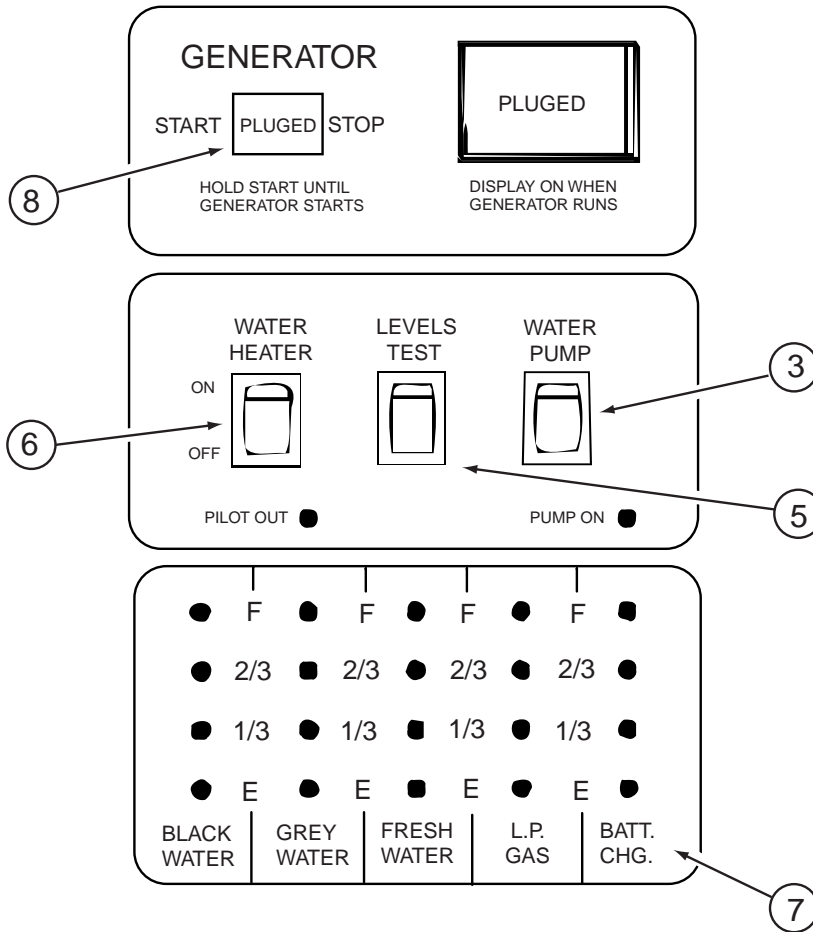
KEY	PART NUMBER	U/M	DESCRIPTION	VENDOR NO.	
	126019-01-01A	EA	COFFEEMAKER - OPTIMA - W/BRACKETS - BLACK & DECKER		BLK&DKR #ODC150
	126019-01-700	EA	GLASS CARAFE	172547-00	
	126019-01-701	EA	RESERVOIR- WATER	172554	
	126019-01-702	EA	BASKET - FILTER	172553-00	
	126019-01-703	EA	HARDWARE - MOUNTING	172174-00	



134940-01-01A

KEY	PART NUMBER	U/M	DESCRIPTION	VENDOR NO.
	134940-01-700	EA	BOARD - PC	L5118
2	100258-10-701	EA	GAUGE-HOUR METER-CLIP ON LCD	L0775-00
3	096983-01-703	EA	SWITCH - ON/ON	L0115-00
4	096983-01-702	EA	SWITCH - MOM/OFF/MOM/3 TERM	L0112-00
5	096983-01-701	EA	SWITCH - SPST/MOM 2 TERMINAL	L0111-00
6	134940-01-701	EA	SWITCH-SPST/ON-OFF/BLK W/LGT	L0109
7	134940-01-702	EA	CHASSIS - SILKSCREENED	CC0558-00
	100258-10-702	EA	HOUR METER(CLIP ON)SW & WIRE	L4441-00

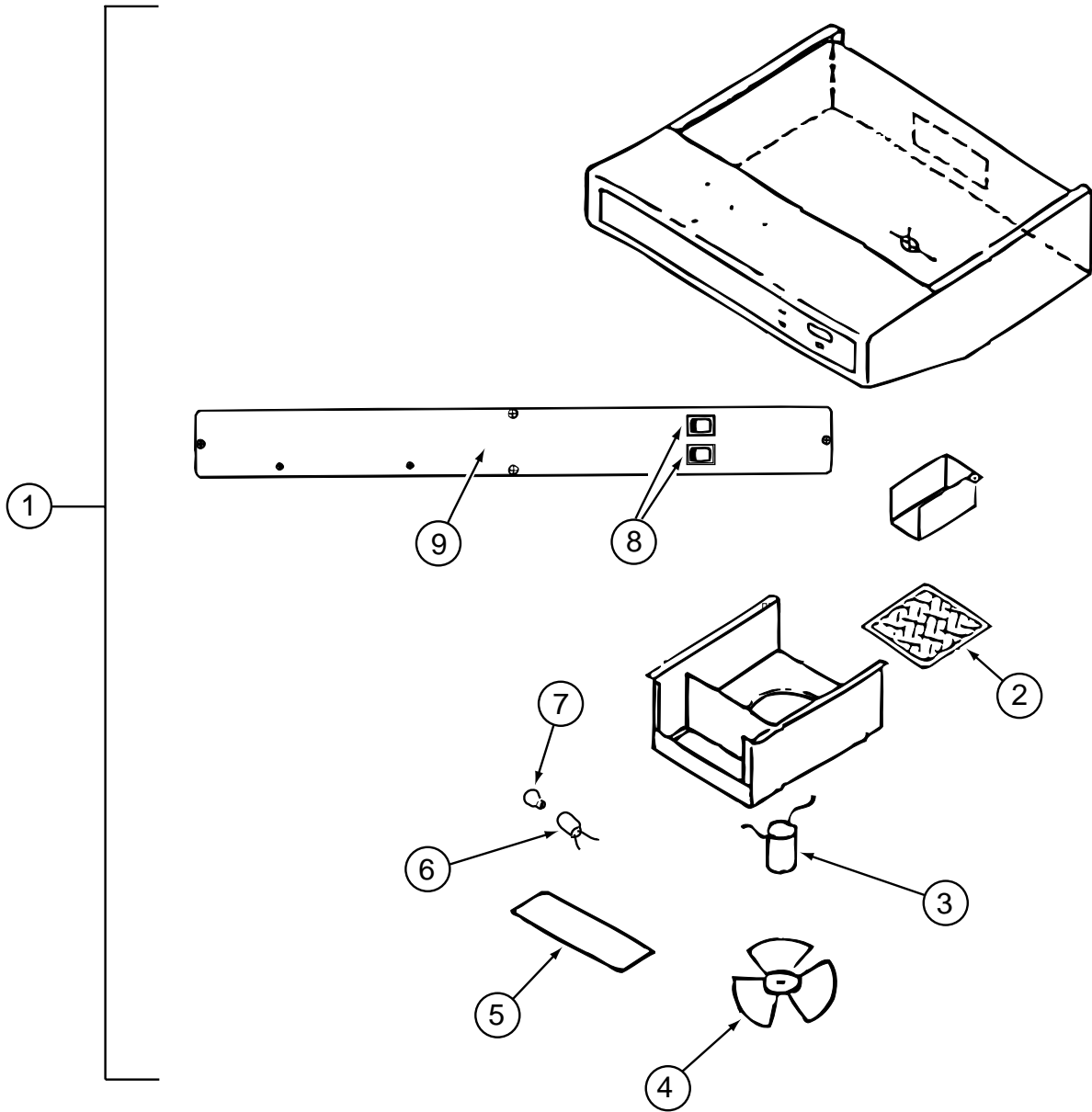
APPLIANCE GROUP (CONTINUED)
COMPONENT PARTS FOR APPLIANCE (CONTINUED)



134940-02-01A

KEY	PART NUMBER	U/M	DESCRIPTION	VENDOR NO.
	134940-02-01A	EA	PANEL - MONITOR - 2 TANK - W/O GENERATOR SWITCH/HOUR METER	
	134940-01-700	EA	BOARD - PC	L5118
3	096983-01-703	EA	SWITCH - ON/ON	L0115-00
5	096983-01-701	EA	SWITCH - SPST/MOM 2 TERMINAL	L0111-00
6	134940-01-701	EA	SWITCH-SPST/ON-OFF/BLK W/LGT	L0109
7	134940-01-702	EA	CHASSIS - SILKSCREENED	CC0558-00
8	134940-02-700	EA	SWITCH - DUMMY	L0118

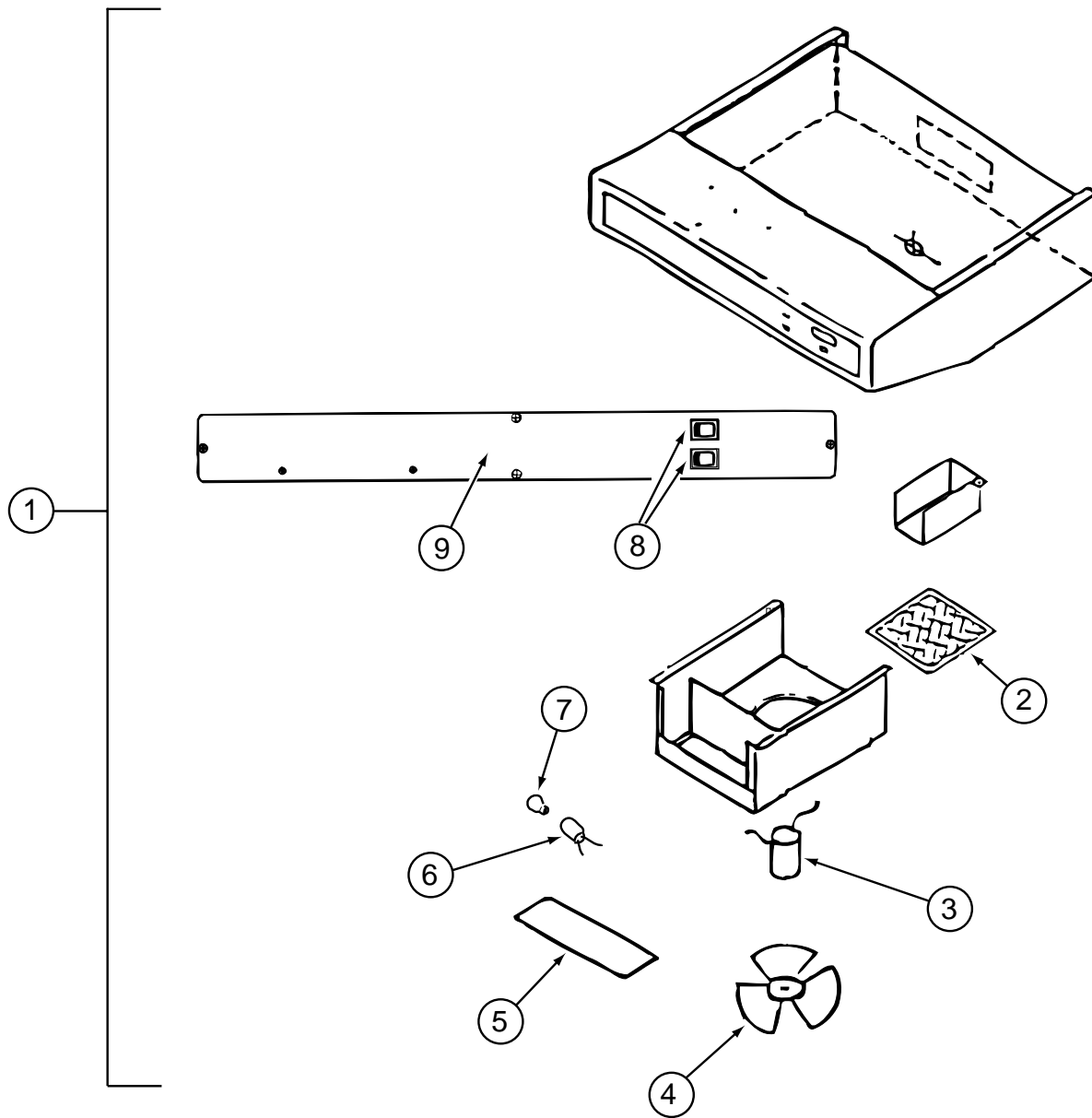
APPLIANCE GROUP (CONTINUED)
COMPONENT PARTS FOR APPLIANCE (CONTINUED)



136354-01-01A

KEY	PART NUMBER	U/M	DESCRIPTION	VENDOR NO.
1	136354-01-01A	EA	HOOD - RANGE - W/LITE/FAN - US/VENTED - TEXTURED BLK	
2	096983-01-707	EA	FILTER-MESH	CC246
3	090973-01-700	EA	MOTOR-12 VOLT, CSA & UL	CA508-1
4	090973-01-702	EA	BLADE-FAN	VA183-1
5	092696-02-701	EA	LENS-LAMP	CC179-2
6	092696-01-710	EA	HOLDER-LAMP	CB267-2
7	092696-01-709	EA	LAMP #912	VA415
8	096983-01-700	EA	SWITCH - ON/OFF	L0108-00
9	136354-01-700	EA	OVERLAY	CE0110-00
	096983-01-702	EA	SWITCH - MOM/OFF/MOM/3 TERM	L0112-00
	100258-01-701	EA	DAMPER ASSEMBLY	CAO-565-00

APPLIANCE GROUP (CONTINUED)
COMPONENT PARTS FOR APPLIANCE (CONTINUED)



136354-02-01A

KEY	PART NUMBER	U/M	DESCRIPTION	VENDOR NO.
1	136354-02-01A	EA	HOOD - RANGE - W/LITE/FAN - CSA/VENTED - TEXTURED BLK	
2	096983-01-707	EA	FILTER-MESH	CC246
3	090973-01-700	EA	MOTOR-12 VOLT, CSA & UL	CA508-1
4	090973-01-702	EA	BLADE-FAN	VA183-1
5	092696-02-701	EA	LENS-LAMP	CC179-2
6	092696-01-710	EA	HOLDER-LAMP	CB267-2
7	092696-01-709	EA	LAMP #912	VA415
8	096983-01-700	EA	SWITCH - ON/OFF	L0108-00
9	136354-01-700	EA	OVERLAY	CE0110-00
	096983-01-702	EA	SWITCH - MOM/OFF/MOM/3 TERM	L0112-00
	100258-01-701	EA	DAMPER ASSEMBLY	CAO-565-00

**AUDIO VIDEO GROUP
RADIO SYSTEM**

KEY	PART NUMBER	U/M	DESCRIPTION
	127516-06-000	EA	RADIO - AM/FM STEREO/CD PLAYER - PANASONIC CQ-DP202 - EXTERIOR ENT FROM: 00-00-00 THRU: 06-12-00
	127517-07-000	EA	RADIO - AM/FM STEREO/CD PLAYER - SONY CDX-1200 - EXT CMP - EXTERIOR ENT FROM: 06-13-00 THRU: 99-99-99
	125322-02-000	EA	RADIO-AM/FM STEREO/CASSETTE-AUDIOVOX-MS-306-EXT ENT W/CASS - EXTERIOR ENT
	127516-06-000	EA	RADIO - AM/FM STEREO/CD PLAYER - PANASONIC CQ-DP202 - DASH FROM: 00-00-00 THRU: 06-12-00
*	127517-05-000	EA	RADIO - AM/FM STEREO/CD PLAYER - SONY CDX-C4005X - DASH FROM: 06-13-00 THRU: 04-19-01
*	127517-08-000	EA	RADIO - AM/FM STEREO - CD PLAYER - SONY CDX-L550X - DASH FROM: 04-20-01 THRU: 99-99-99
	097460-15-000	EA	RADIO - AM/FM CASSETTE/CD - SONY XR-C2200 - DASH
	094097-01-000	EA	SPEAKER - RADIO/TV - W/O GRILLE - 5.25" DIAMETER
	110469-01-000	EA	SPEAKER - 4" X 6" OVAL - COAXIAL
	110470-01-01A	EA	GRILLE - 4" X 6" OVAL SPEAKER - BLACK
	111177-01-01A	EA	GRILLE - SPEAKER - 6.6" X 8.9" - HOUSING 5" X 7" SPEAKER
	077069-02-000	EA	CABLE - ANTENNA/EXTENSION - RADIO - 96"
	090944-01-000	EA	ANTENNA - RADIO - 16" RUBBER
	108847-01-000	EA	BRACKET - ANTENNA GROUND
	109889-04-000	EA	EXTENDER - ANTENNA SHAFT - 3.7"
	115916-01-01B	EA	BRACKET - ANTENNA MOUNT

***COMPONENT PARTS LISTED LATER IN THIS GROUP**

AUDIO VIDEO GROUP (CONTINUED)
COMPONENT PARTS FOR RADIO SYSTEM

127517-05-000

KEY	PART NUMBER	U/M	DESCRIPTION	VENDOR NO.
	127517-05-000	EA	RADIO - AM/FM STEREO/CD PLAYER - SONY CDX-C4005X	
	127517-05-700	EA	REMOTE-WIRED	RMX4S

127517-08-000

KEY	PART NUMBER	U/M	DESCRIPTION	VENDOR NO.
	127517-08-000	EA	RADIO - AM/FM STEREO/CD PLAYER - SONY CDX-L550X	
	127517-06-700	EA	REMOTE	RMX91

AUDIO VIDEO GROUP (CONTINUED)

REAR VIEW MONITOR

KEY	PART NUMBER	U/M	DESCRIPTION
*	126838-01-000	EA	MONITOR/CAMERA - 7" - REAR VIEW
	126838-03-000	EA	CABLE - MONITOR/CAMERA

***COMPONENT PARTS LISTED LATER IN THIS GROUP**

AUDIO VIDEO GROUP (CONTINUED)
COMPONENT PARTS FOR REAR VIEW MONITOR

126838-01-000

KEY	PART NUMBER	U/M	DESCRIPTION	VENDOR NO.
	126838-01-000	EA	MONITOR/CAMERA - 7" - REAR VIEW	VIDEOMAN JSC701
	126838-01-700	EA	MONITOR - 7"	
	126838-01-701	EA	CAMERA	

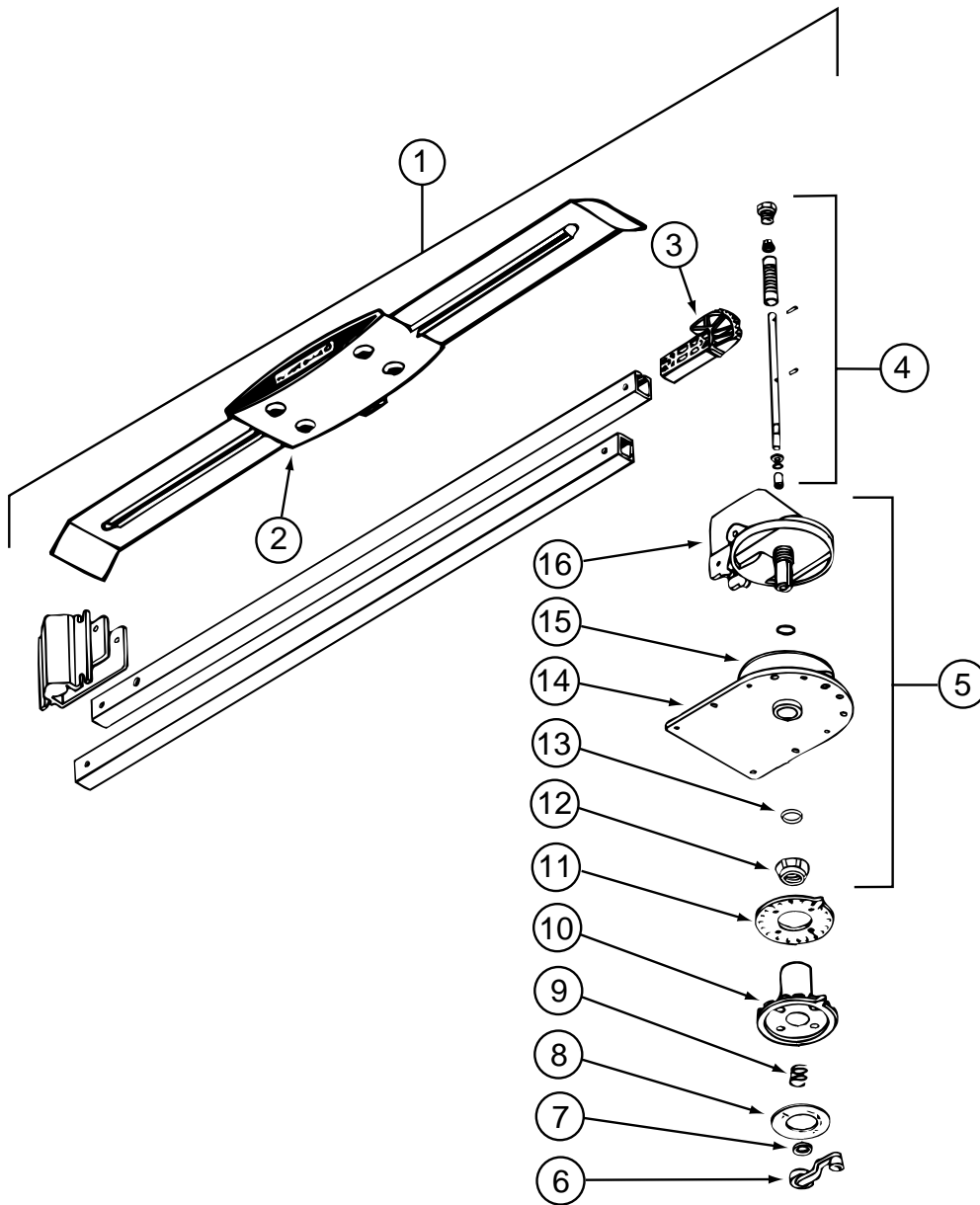
AUDIO VIDEO GROUP (CONTINUED)

TELEPHONE

KEY	PART NUMBER	U/M	DESCRIPTION
	093901-03-000	EA	PLATE - TV COAX - EXTERIOR - 1.8" X 2.5"
			TV & VCR
KEY	PART NUMBER	U/M	DESCRIPTION
	076319-08-000	EA	WALLPLATE - CABLE RECEPTACLE - TV - SINGLE - IVORY
	076319-09-000	EA	WALLPLATE - CABLE RECEPTACLE - TV - SINGLE - BROWN
	076319-03-000	FT	CABLE - COAXIAL - 75 OHM
	076319-12-000	EA	CONNECTOR - COAXIAL - ONE PIECE
*	076319-23-000	EA	ANTENNA - TV ROOF MOUNT - 44.5" MAST
*	076319-25-000	EA	KIT - HARDWARE INTERIOR
	086756-01-000	EA	SPLITTER - TV/2 WAY
	114870-02-000	EA	PLUG - AUDIO W/LEADS - 10"
	120233-05-000	EA	WIRE ASSEMBLY - 30" CONNECTS TO WALLPLATE DISPLAY
	086757-04-000	EA	CONTROL CENTER - SWITCH - VCR/TV - 5 INPUTS
	086777-06-000	EA	WALLPLATE - TV CABLE - ANTENNA BOOSTER/1 OUTPUT - BLACK
*	126696-03-000	EA	TV - 19" COLOR W/1/8" JACK - UL/CSA
			FROM: 00-00-00 THRU: 10-29-00
	126696-06-000	EA	TV - 19" COLOR W/1/8" JACK - UL/CSA - GE 19GT243M
			FROM: 10-30-00 THRU: 99-99-99
	126697-05-000	EA	VCR/VHS - CABLE READY - W/REMOTE - GE VG4052
			FROM: 00-00-00 THRU: 05-28-00
*	126697-06-000	EA	VCR - VHS/CABLE READY - W/REMOTE - GE VG4060
			FROM: 05-29-00 THRU: 05-06-01
*	126697-07-000	EA	VCR - VHS/CABLE READY - W/REMOTE - GE VG4045
			FROM: 05-07-01 THRU: 99-99-99
	082134-01-000	EA	ADAPTER - TV - CABLE TO CABLE
	082136-01-000	EA	NUT - HEX JAM - 3/8-32

***COMPONENT PARTS LISTED LATER IN THIS GROUP**

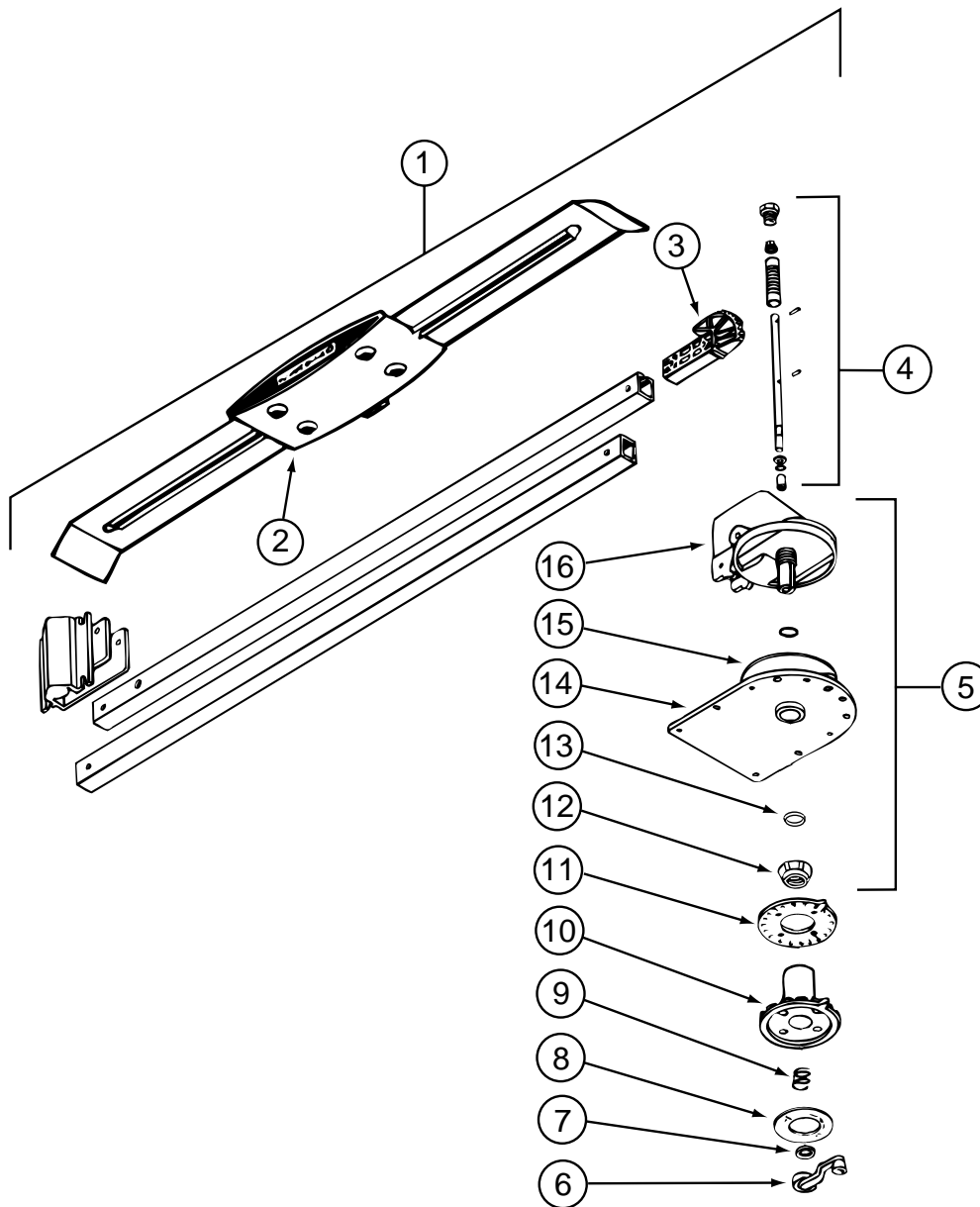
AUDIO VIDEO GROUP (CONTINUED)
COMPONENT PARTS FOR TV & VCR



076319-23-000

KEY	PART NUMBER	U/M	DESCRIPTION	VENDOR NO.
1	076319-23-000	EA	ANTENNA-TV - ROOF MOUNT - 44.5" MAST	
2	076319-01-700	EA	HEAD - ANTENNA - AMPLIFIED	RVSA U/V
3	076319-01-701	EA	GEAR - ELEVATING - PLASTIC	2200046
4	076319-01-702	EA	SHAFT ASM - ELEVATING	RVP-400A
5	076319-01-711	EA	BASE & LIFT ASM	2762802
7	076319-01-705	EA	BEARING - NYLON - 7/8"ID	3200658
8	076319-01-708	EA	DECAL-CRANK	5413002
9	076319-01-707	EA	SPRING - HANDLE	5160822
11	076319-01-709	EA	PLATE-CEILING (IVORY)	3200621
11	076319-01-712	EA	PLATE - CEILING	3200608
12	076319-01-715	EA	NUT (GEAR HOUSING)	2200047
14	076319-01-713	EA	BASE PLATE	3100523
15	076319-01-703	EA	BEARING - NYLON - 5"OD	3200656
16	076319-01-714	EA	HOUSING - ROTATING GEAR	2200049
	076319-01-716	EA	TUBING, ELEVATING	RP-2900
	076319-01-704	EA	BEARING-NYLON, 1.25"OD	3200657

AUDIO VIDEO GROUP (CONTINUED)
COMPONENT PARTS FOR TV & VCR (CONTINUED)



		076319-25-000	
KEY	PART NUMBER	U/M DESCRIPTION	VENDOR NO.
	076319-25-000	EA KIT - HARDWARE INTERIOR	
2 THRU 5		SEE PARTS TO ANTENNA	
6	076319-01-706	EA CRANK-ELEVATING W/SET SCREW	2750897
6	120233-01-710	EA HANDLE-CRANK	RP-6795
7		SEE PARTS TO ANTENNA	
8	076319-01-708	EA DECAL-CRANK	5413002
9	076319-01-707	EA SPRING-HANDLE	2160822
10	076319-25-700	EA DIRECTIONAL HANDLE(WHITE)	3200612
11	076319-25-701	EA PLATE - CEILING(WHITE)	3200609
12		SEE PARTS TO ANTENNA	
13	120233-01-709	EA WASHER-NYLON	RP-2658
14 THRU 16		SEE PARTS TO ANTENNA	

AUDIO VIDEO GROUP (CONTINUED)
COMPONENT PARTS FOR TV & VCR (CONTINUED)

126696-03-000

KEY	PART NUMBER	U/M	DESCRIPTION	VENDOR NO.
	126696-03-000	EA	TV - 19" COLOR W/1/8" JACK - UL/CSA	GE 19GT240
	126696-01-700	EA	REMOTE	226725/228006

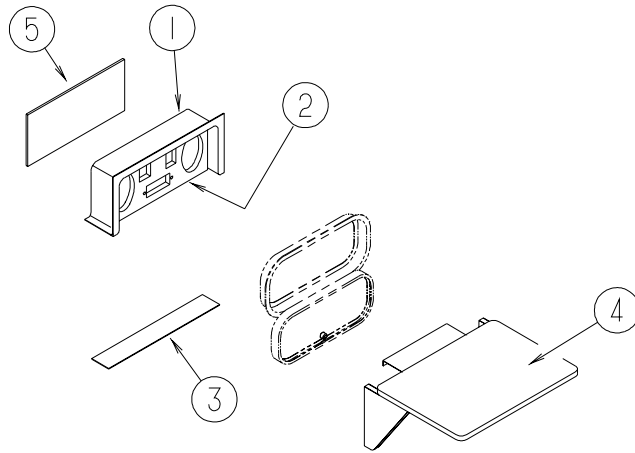
126697-06-000

KEY	PART NUMBER	U/M	DESCRIPTION	VENDOR NO.
	126697-06-000	EA	VCR/VHS - CABLE READY - REMOTE	GE VG4052
	126697-06-700	EA	REMOTE	248791

126697-07-000

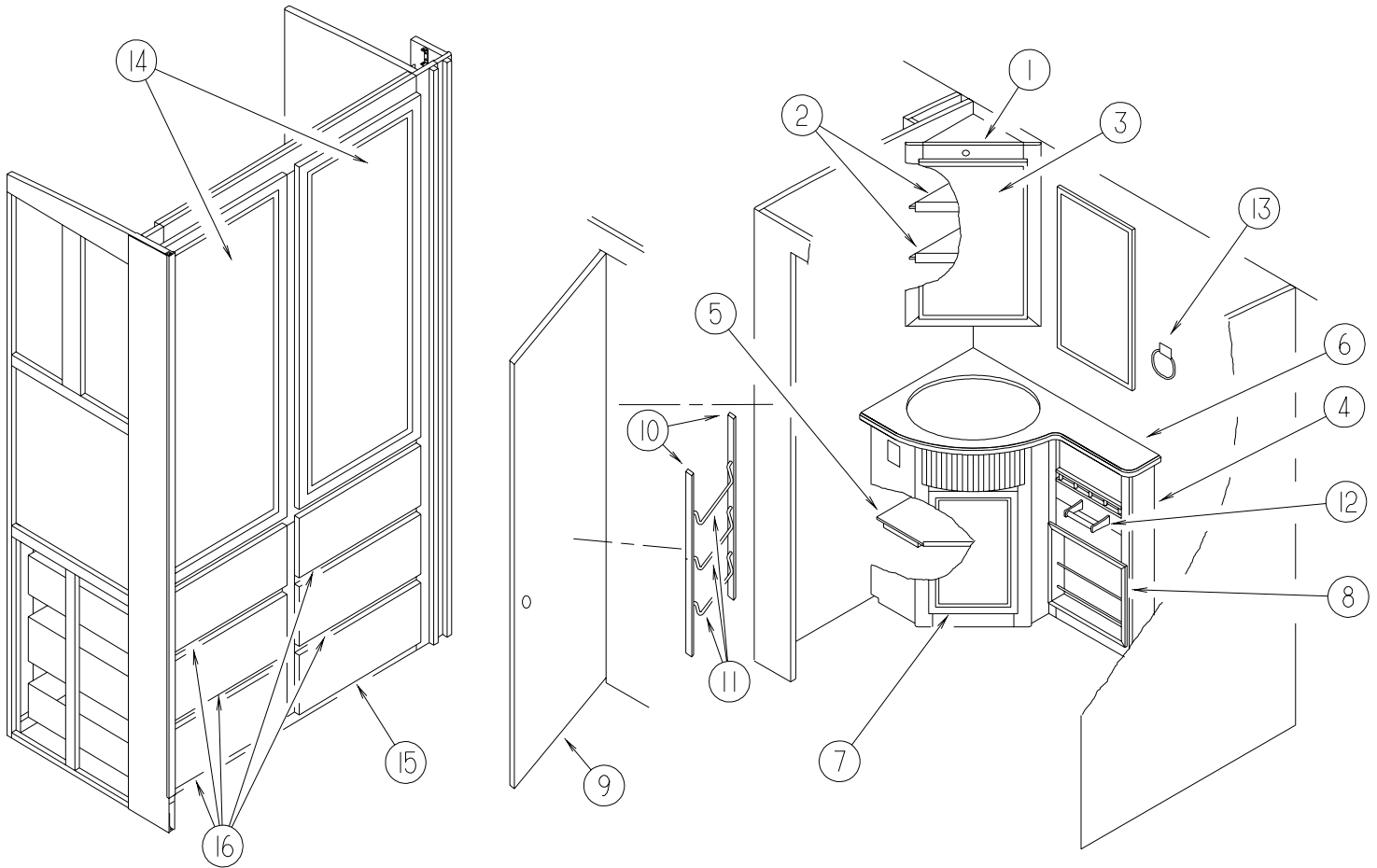
KEY	PART NUMBER	U/M	DESCRIPTION	VENDOR NO.
	126697-07-700	EA	REMOTE	248687

AUDIO VIDEO GROUP (CONTINUED)
EXTERIOR ENTERTAINMENT



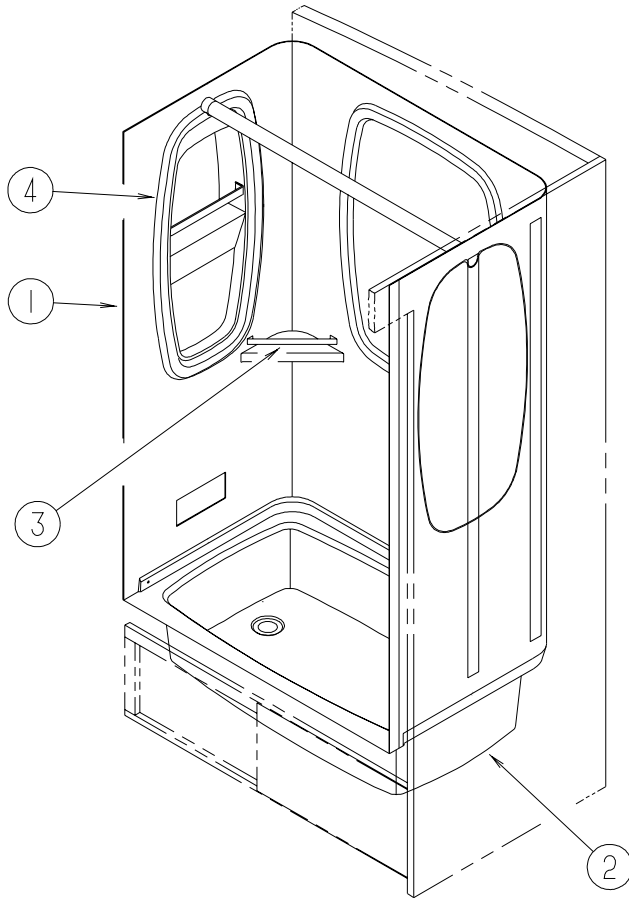
KEY	PART NUMBER	U/M	DESCRIPTION
1	124696-02-01A	EA	BOX - ENTERTAINMENT CENTER/EXTERIOR - BRIGHT WHITE - F33V
1	124696-01-01A	EA	BOX - ENTERTAINMENT CENTER/EXTERIOR - BRIGHT WHITE - F26P, F29A, F31B, F32T, F35C
1	104897-02-02A	EA	BOX - EXTERIOR ENTERTAINMENT CENTER - F30W
1	124696-02-01A	EA	BOX - ENTERTAINMENT CENTER/EXTERIOR - BRIGHT WHITE - F30W FROM: 00-00-00 THRU: 07-30-00 FROM: 07-31-00 THRU: 99-99-99
2	127409-02-L15	EA	PLATE - RADIO MOUNTING
2	127409-02-L15	EA	PLATE - RADIO MOUNTING - F30W ONLY FROM: 00-00-00 THRU: 07-30-00
2	127409-01-L07	EA	PLATE - RADIO MOUNTING - F30W ONLY FROM: 07-31-00 THRU: 99-99-99
3	104898-01-02A	EA	PLATE - PLASTIC BOTTOM - BRIGHT WHITE
4	105230-01-J01	EA	SHELF - EXTERIOR ENTERTAINMENT CENTER - W/BRKT/HINGE/SUPT
5	104898-02-02A	EA	PLATE - PLASTIC BOTTOM - BRIGHT WHITE - F26P, F29A, F32T, F35C, F31B ONLY

BATH GROUP CABINETS



KEY	PART NUMBER	U/M	DESCRIPTION
1	132992-01-M42	EA	CABINET - OVERHEAD/MEDICINE - W/O DOORS/HARDWARE
2	132992-13-M42	EA	SHELF - W/PLASTIC EDGE MOLDING
3	134786-09-M42	EA	DOOR - MIRROR/MITERED EDGES - 15.7" X 27.9" - W/O HARDWARE
4	133586-02-M30	EA	CABINET - LAVATORY - W/O COUNTERTOP/DOORS/DRAWERS/HDW
5	133586-13-M42	EA	SHELF - W/PLASTIC TRIM
6	133132-03-M32	EA	COUNTERTOP - LAMINATED - WHITE TALC/PORTSMOUTH OAK (M38)
6	133132-03-M42	EA	COUNTERTOP - LAMINATED - HAZE PAPERCHASE/PORTSMOUTH OAK (M36)
6	133132-03-M47	EA	COUNTERTOP - LAMINATED - WHITE ETHOS/PORTSMOUTH OAK (M37)
7	134783-M2-M36	EA	DOOR - RAIL/SOLID PANEL - 12.8" X 21.8" - W/O HARDWARE
8	131096-02-L81	EA	WALL POCKET - MAGAZINE RACK
9	131933-09-M42	EA	DOOR - BATH - W/O HARDWARE
	111155-05-01A	EA	LOCK - PRIVACY/LOCKING - POLISHED BRASS - S SHAPED FROM: 00-00-00 THRU: 05-28-01
	111155-07-01A	EA	LOCK - PRIVACY/LOCKING - POLISHED BRASS - S SHAPED FROM: 05-29-01 THRU: 99-99-99
10	P34509-01-L81	EA	RAIL END - RH/LH - TOWEL RACK - PORTSMOUTH OAK
11	100357-01-000	EA	ROD - F/TOWEL BAR - BRASS
12	075452-02-000	EA	HOLDER - TOILET TISSUE - BRASS
13	132046-01-01A	EA	RING - TOWEL - BRASS/METAL FROM: 00-00-00 THRU: 04-15-01
13	132046-02-01A	EA	RING - TOWEL - BRASS FROM: 04-16-01 THRU: 99-99-99
14	134786-02-M42	EA	DOOR - MIRROR/MITERED EDGES - 16.7" X 47.9" - W/O HARDWARE
15	P34767-A6-M46	EA	DRAWER - PENCIL EDGE - 18.6"W X 15.7"D - W/O SLIDES/HDW
16	P34767-57-M46	EA	DRAWER - PENCIL EDGE - 18.6"W X 19.6"D - W/O SLIDES/HDW

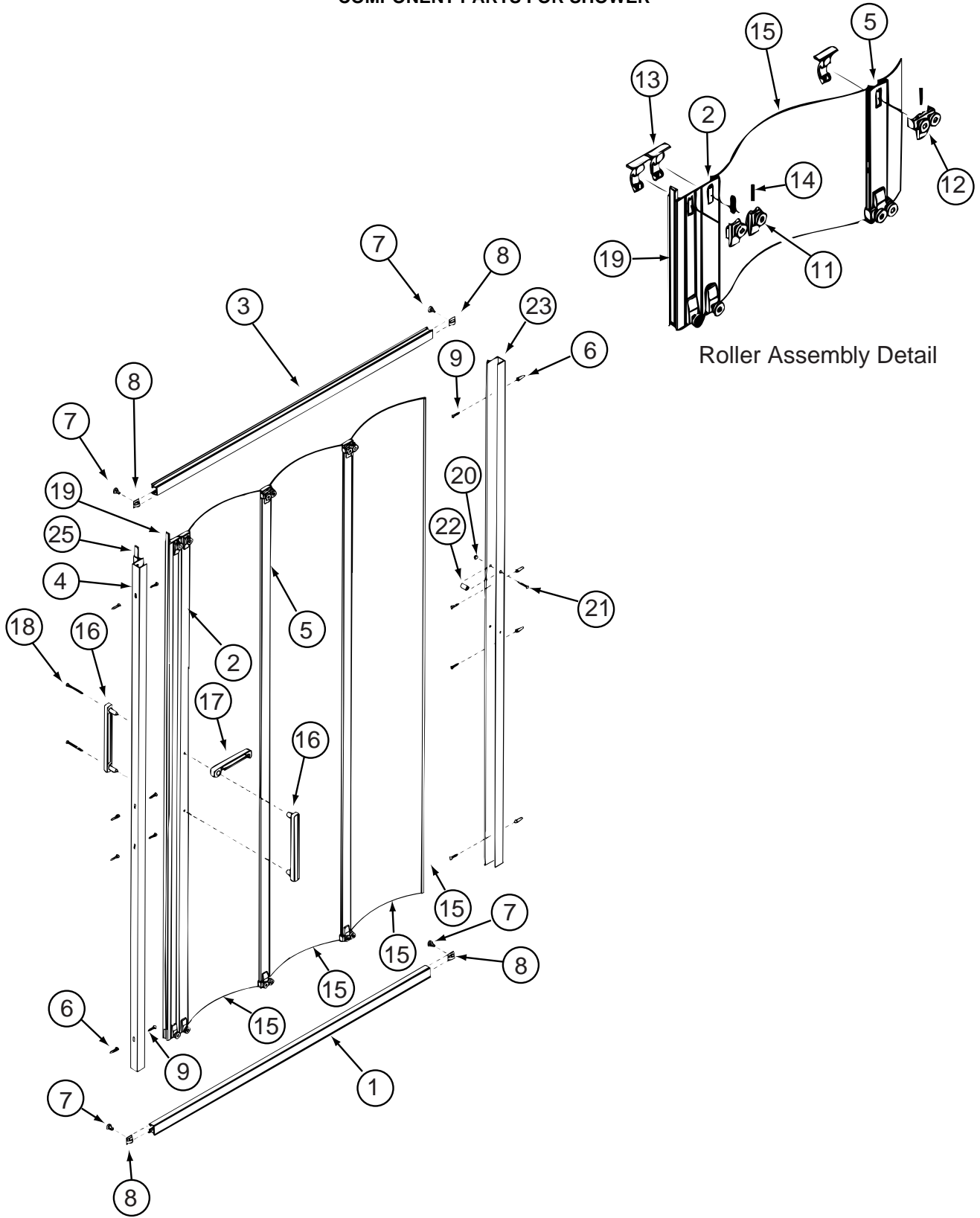
BATH GROUP (CONTINUED)
SHOWER



KEY	PART NUMBER	U/M	DESCRIPTION
1	115612-04-02A	EA	SURROUND - SHOWER - SOFT WHITE
2	M02630-27-L15	EA	SHOWER PAN - W/STRAINER
3	113714-04-02A	EA	RETAINER - SHELF/SHOWER - SOFT WHITE
4	NOT USED		
*	135615-03-01A	EA	DOOR - SHOWER/FOLDING - 39.3" X 58.9" - WHITE

***COMPONENT PARTS LISTED LATER IN THIS GROUP**

BATH GROUP (CONTINUED)
COMPONENT PARTS FOR SHOWER



135615-01, -02, -03 & 04-01A

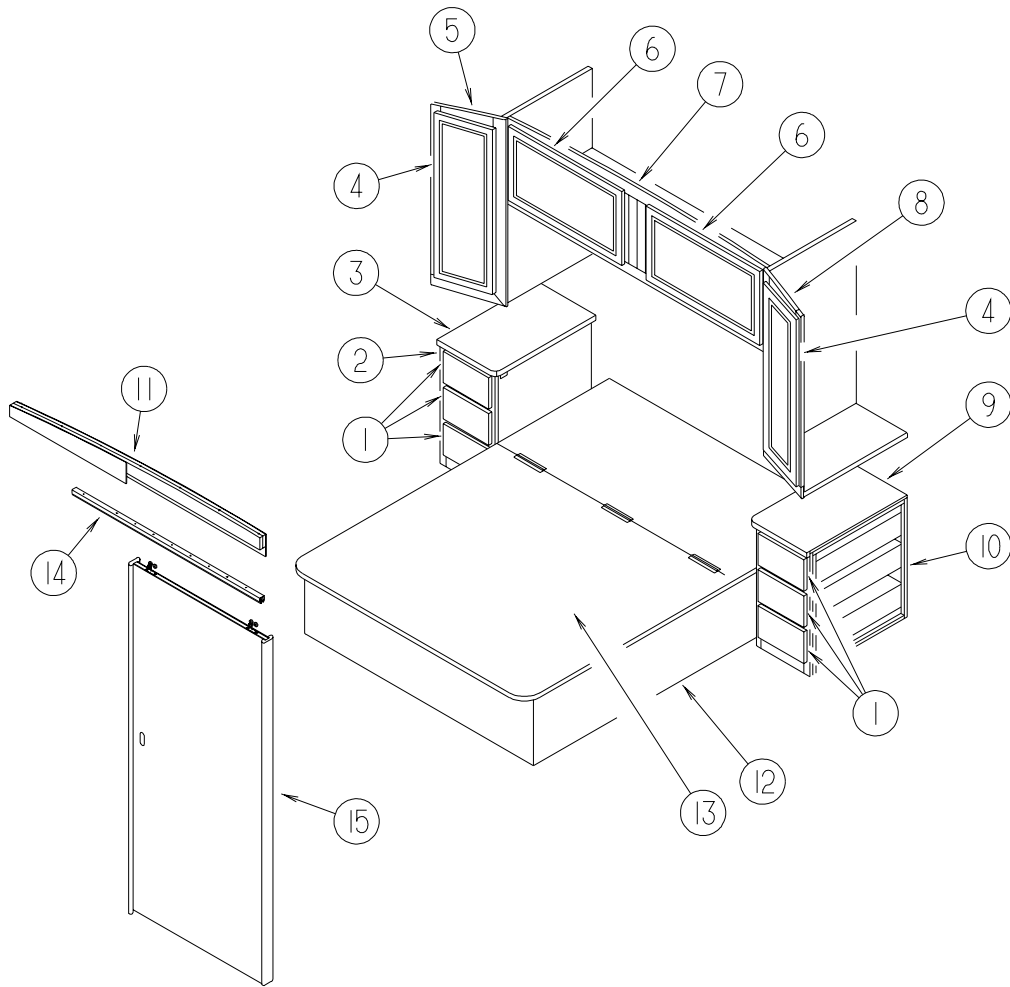
BATH GROUP (CONTINUED)
COMPONENT PARTS FOR SHOWER (CONTINUED)

135615-01, -02, -03 & 04-01A (CONTINUED)

KEY	PART NUMBER	U/M	DESCRIPTION	VENDOR NO.
1	132340-01-700	EA	TRACK - (TOP/BOTTOM) - 46.6"	117
2	108351-01-700	EA	STRIKE ASSEMBLY - 66"	109
4	132340-01-707	EA	JAMB/WALL - W/MAG STRIKE 66"	112
11	108351-01-703	EA	BRACKET & ROLLER ASM. SINGLE	GRB1
12	108351-01-704	EA	BRACKET & ROLLER ASM. DOUBLE	GRB2
13	108351-01-705	EA	BRACKET-W/RETAINING CLIP	GRC1
14	108351-01-706	EA	SPRING-ROLLER BRACKET	GS1
16	108351-01-701	EA	HANDLES-DOOR, SET	SFH
17	108351-01-702	EA	LATCH-DOOR	SFL
23	132340-01-708	EA	JAMB/WALL PANEL RECEIVER 66"	110
25	092574-01-705	EA	STRIP-MAGNETIC, 66"	98-41G

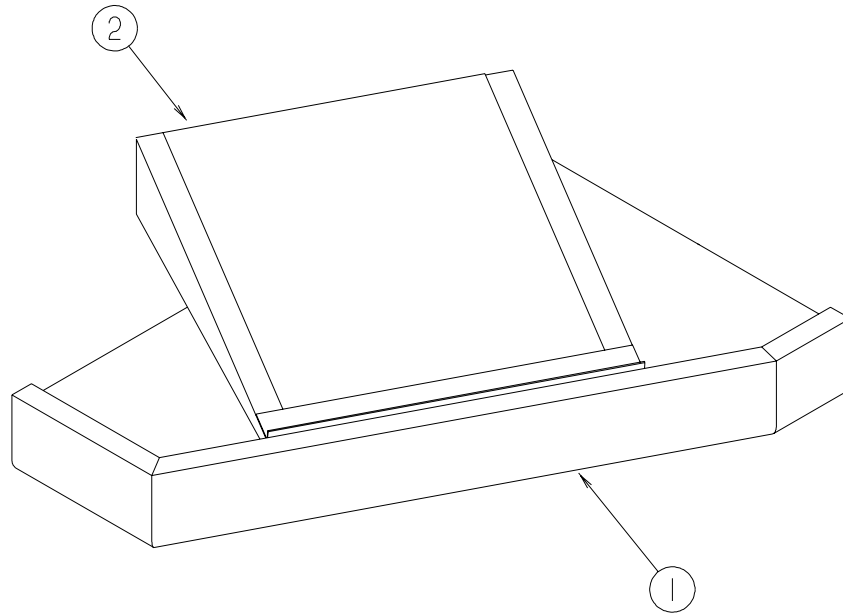
CONTACT WINNEBAGO PART SALES FOR UNLISTED COMPONENT

BEDROOM GROUP QUEEN CABINETS



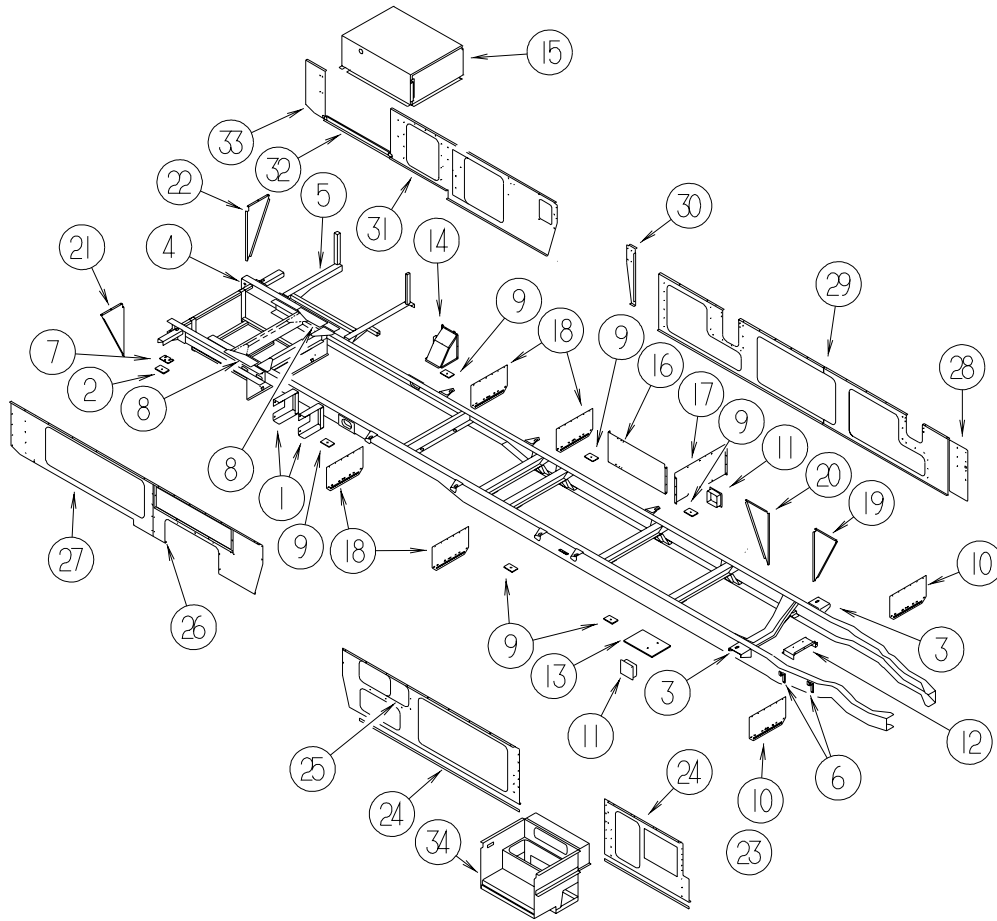
KEY	PART NUMBER	U/M	DESCRIPTION
1	P34767-48-M36	EA	DRAWER - PENCIL EDGE - 10.7"W X 11.8"D - W/O SLIDES/HDW
2	129251-63-M30	EA	CABINET - NIGHTSTAND/RH - W/O COUNTERTOP/DOORS/DRAWERS/HDW
3	133131-29-M22	EA	COUNTERTOP - LAMINATED - HAZE PAPERCHASE/PORTSMOUTH OAK (M36)
3	133131-29-M23	EA	COUNTERTOP - LAMINATED - WHITE ETHOS/PORTSMOUTH OAK (M37)
3	133131-29-M32	EA	COUNTERTOP - LAMINATED - WHITE TALC/PORTSMOUTH OAK (M38)
4	134781-56-M36	EA	DOOR - RAIL/VENEER - 14.3" X 36.4" - W/O HARDWARE
5	126003-01-M22	EA	CABINET - SHIRT CLOSET/RIGHT HAND - W/O DOORS/HARDWARE
			FROM: 00-00-00 THRU: 08-20-00
5	137061-01-M30	EA	CABINET - SHIRT CLOSET - RIGHT HAND - W/O DOORS/HARDWARE
			FROM: 08-21-00 THRU: 99-99-99
6	134781-11-M36	EA	DOOR - RAIL/VENEER - 15.7" X 27.9" - W/O HARDWARE
7	106523-01-M22	EA	CABINET - OVERHEAD/REAR - W/O DOORS/HARDWARE
8	126003-02-M22	EA	CABINET - SHIRT CLOSET/LEFT HAND - W/O DOORS/HARDWARE
			FROM: 00-00-00 THRU: 08-20-00
8	137061-02-M30	EA	CABINET - SHIRT CLOSET - LEFT HAND - W/O DOORS/HARDWARE
			FROM: 08-21-00 THRU: 99-99-99
9	133131-31-M30	EA	COUNTERTOP - LAMINATED - HAZE PAPERCHASE/PORTSMOUTH OAK (M36)
9	133131-31-M78	EA	COUNTERTOP - LAMINATED - WHITE ETHOS/PORTSMOUTH OAK (M37)
9	133131-31-M32	EA	COUNTERTOP - LAMINATED - WHITE TALC/PORTSMOUTH OAK (M38)
10	129251-64-M30	EA	CABINET - NIGHTSTAND/LH - W/O COUNTERTOP/DOORS/DRAWERS/HDW
11	113114-56-M30	EA	HEADER - DOOR
12	P34089-01-M30	EA	CABINET/BASE - QUEEN BED - W/O DOOR/DRAWER/HARDWARE
13	M07571-05-000	EA	BED/TOP - RAISED PORTION - W/O SUPPORT/HARDWARE
	097872-04-000	EA	DOWEL - WOOD - 1" DIAMETER X 1.38" LONG - UNFINISHED
14	103868-16-01A	EA	TRACK - SLIDING DOOR - 63.7" - OFF WHITE
15	104013-01-M42	EA	DOOR - SLIDING - W/O HARDWARE

BEDROOM GROUP (CONTINUED)
TV & RADIO CABINETS



KEY	PART NUMBER	U/M	DESCRIPTION
1	134102-01-M36	EA	CABINET - TV SHELF - W/O HARDWARE
2	133023-01-M03	EA	WEDGE - TV SHELF

CHASSIS GROUP FRAME



KEY	PART NUMBER	U/M	DESCRIPTION
1	120867-01-02B	EA	MOUNT - LP TANK
2	135712-02-02B	EA	PLATE - BODY MOUNT - E-COATED
3	117154-07-02B	EA	MOUNT - FRAME RAIL/FLOOR
			FROM: 00-00-00 THRU: 05-18-00
3	117154-04-02B	EA	MOUNT-BODY,E-COAT
			FROM: 05-11-00 THRU: 99-99-99
4*	132643-02-01A	EA	TIRE CARRIER - F/EXTENSION RAIL
5	133022-06-02B	EA	OUTRIGGER - GENERATOR - E-COATED - W/ EMERALD GEN
	104803-01-000	EA	ANGLE - FORMED W/SLOTS
5	133022-01-02B	EA	OUTRIGGER - GENERATOR - E-COATED - W/ MARQUIS GEN
	104803-01-000	EA	ANGLE - FORMED W/SLOTS
6	117287-01-02B	EA	BRACKET - MOUNTING/CABLE - E-COAT
7	136538-01-02B	EA	SHIM - HITCH - E-COATED
8	133095-01-02B	EA	PLATE - CLIP - E-COATED
9	135712-01-02B	EA	PLATE - BODY MOUNT - E-COATED
10	136391-01-02B	EA	GUARD/ROCK - STEEL - W/ANGLE - 18"W X 11"H - E-COATED
11	119845-01-01A	EA	PLUG/PLASTIC - 1 1/2" SQUARE - BLACK
12	133203-02-02B	EA	COVER - TRANSMISSION - E-COATED
13	138799-01-02B	EA	SHIM - BODY - E-COATED
14	116374-05-02B	EA	PANEL - FUEL FILL - E-COATED
15	118968-11-02B	EA	COMPARTMENT -GENERATER - E-COATED
16	128008-07-02B	EA	PANEL/CLOSEOUT - E-COATED
17	128007-06-02B	EA	PANEL-CLOSEOUT,E-COAT
18	136391-02-02B	EA	GUARD/ROCK - STEEL - W/ANGLE - 18"W X 15"H - E-COATED
19	131531-06-02B	EA	GUSSET - SLIDEOUT - E-COATED
20	131531-05-02B	EA	GUSSET - SLIDEOUT - E-COATED
21	123440-02-02B	EA	SUPPORT/VALANCE PANEL - E-COATED - 9.9"/7.6"X4.7"
22	123440-07-02B	EA	SUPPORT/VALANCE PANEL - 9.9" X 4.7" - E-COATED
23	132486-08-02B	EA	PLATE/SEAL - E-COATED - 6 GALLON WATER HEATER
24	126516-01-01A	EA	TRIM - VINYL/EXTRUDED - 8'

*COMPONENT PARTS LISTED LATER IN THIS GROUP

CHASSIS GROUP (CONTINUED)
FRAME (CONTINUED)

KEY	PART NUMBER	U/M	DESCRIPTION
25	132486-36-02B	EA	PLATE/SEAL - E-COATED
26	132486-29-02B	EA	PLATE/SEAL - E-COATED
27	132486-30-02B	EA	PLATE/SEAL - E-COATED
28	132606-01-02B	EA	PLATE/SEAL - E-COATED
29	133562-01-02B	EA	SEAL PLANE - E-COATED
			FROM: 00-00-00 THRU: 05-26-00
29	133562-13-02B	EA	SEAL PLANE - E-COATED
			FROM: 05-27-00 THRU: 99-99-99
30	132485-07-02B	EA	PLATE/SEAL - E-COATED
31	132485-27-02B	EA	PLATE/SEAL - E-COATED
			FROM: 00-00-00 THRU: 11-14-00
31	132485-37-02B	EA	PLATE/SEAL - E-COATED
			FROM: 11-15-00 THRU: 99-99-99
32	133612-02-02B	EA	ZEE - SEAL PLANE - BOTTOM - E-COATED
			FROM: 00-00-00 THRU: 08-06-00
32	133612-05-02B	EA	ZEE - SEAL PLANE - BOTTOM - E-COATED
			FROM: 08-07-00 THRU: 99-99-99
33	132485-23-02B	EA	PLATE/SEAL - E-COATED
34	132607-01-02B	EA	BOX ASM-ENTRANCE,STEP,E-COAT
			FROM: 00-00-00 THRU: 08-01-00
34	132607-06-02B	EA	BOX ASM-ENTRANCE,STEP,E-COAT
			FROM: 08-02-00 THRU: 99-99-99

CHASSIS GROUP (CONTINUED)

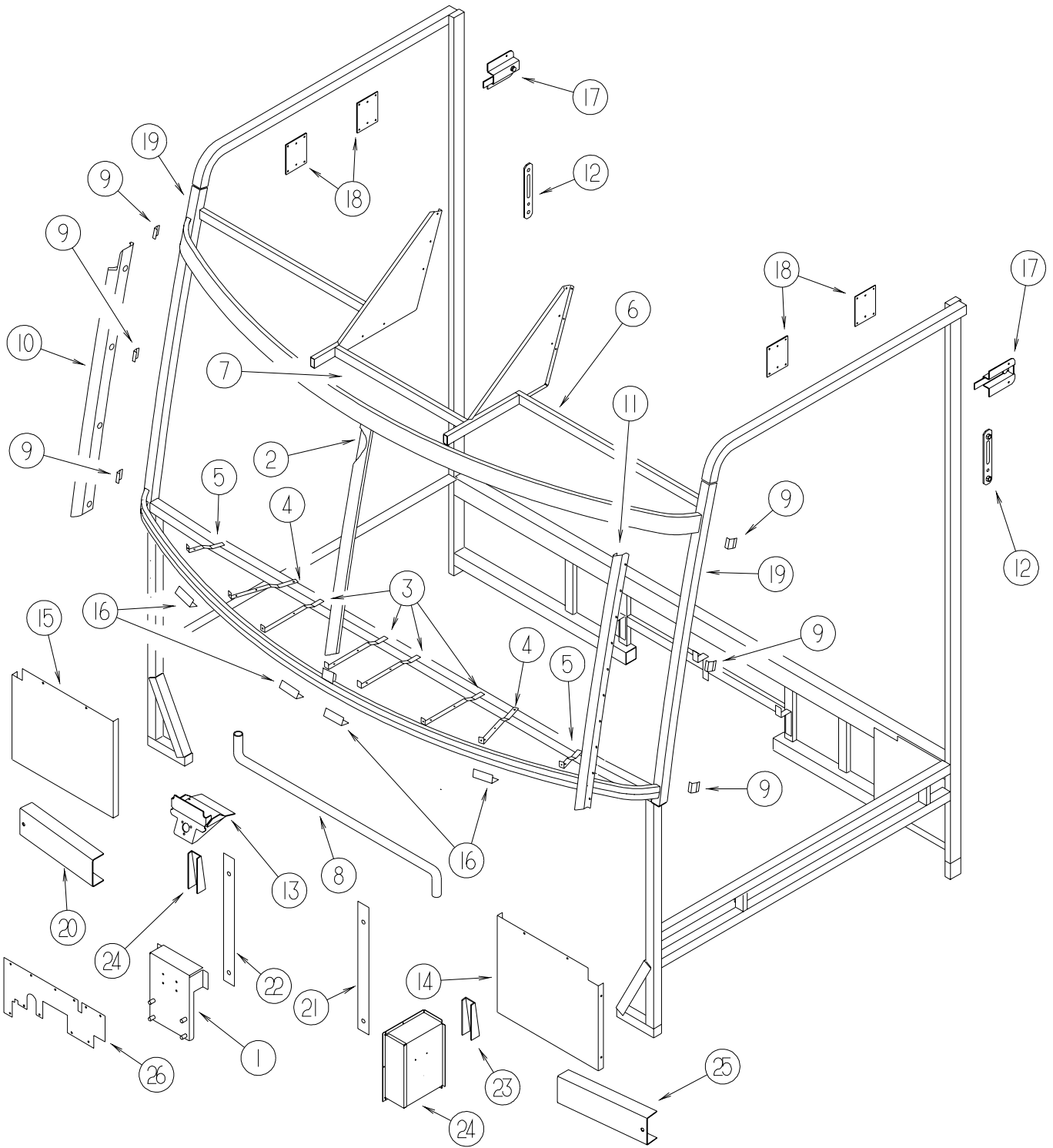
COMPONENT PARTS FOR FRAME

132643-02-01A

KEY	PART NUMBER	U/M	DESCRIPTION	VENDOR NO.
	132643-01-700	EA	HITCH/RECEIVER WELDED ASM.	72430-47

CHASSIS GROUP (CONTINUED)

FRONT END



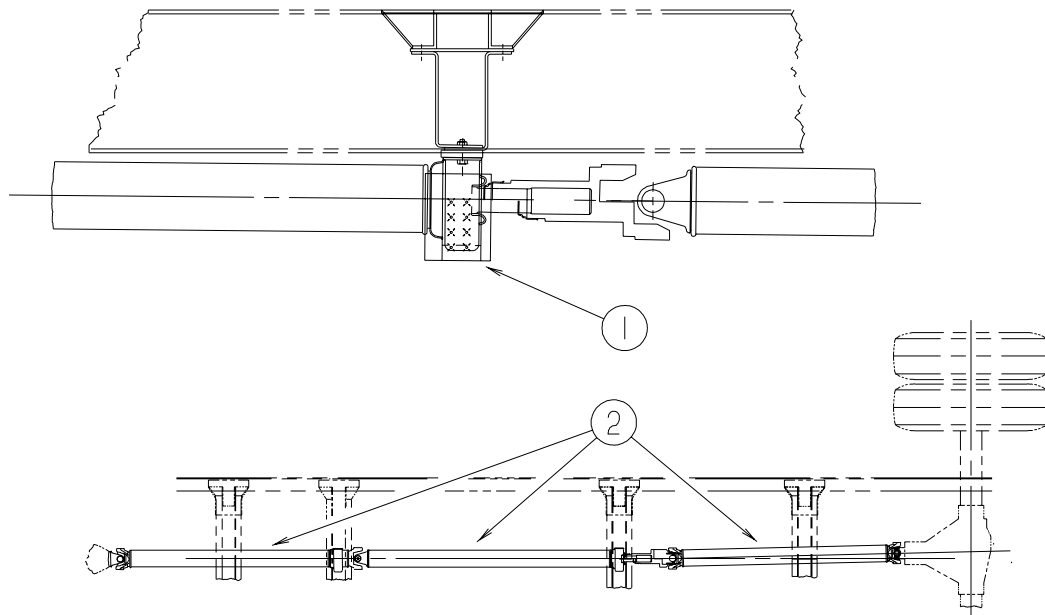
KEY	PART NUMBER	U/M	DESCRIPTION
1	137355-02-02B	EA	BRACKET - RESERVOIR/WASHER - E-COATED - WORKHORSE
2	078249-16-000	EA	TUBE-SWEPT,FRAME,CAB - SUNRISE
2	078249-18-000	EA	TUBE-SWEPT,FRAME,CAB - SUNRISE SE
3	104797-03-000	EA	BRACKET - DEFROSTER
4	104797-04-000	EA	BRACKET - DEFROSTER
5	104797-05-000	EA	BRACKET - DEFROSTER
6	133708-51-01B	EA	HEADER - SUNRISE
6	124763-51-01B	EA	HEADER ASM-W/TV,MILL - SUNRISE SE
7	121481-05-01B	EA	HEADER-WINDSHIELD,CENTER
8	044317-01-000	FT	HOSE - FUEL - 3/8" ID - RADIATOR OVERFLOW
9	120363-01-01B	EA	BRACKET - WINDSHIELD

CHASSIS GROUP (CONTINUED)

FRONT END (CONTINUED)

KEY	PART NUMBER	U/M	DESCRIPTION
10	121269-07-01B	EA	FRAME-W/S,A PILLAR,MILL - SUNRISE
10	121269-11-01B	EA	FRAME-WINDSHIELD,A PILLAR,ML - SUNRISE SE
11	121269-08-01B	EA	FRAME-W/S,A PILLAR,MILL - SUNRISE
11	121269-12-01B	EA	FRAME-WINDSHIELD,A PILLAR,ML - SUNRISE SE
12	127461-02-01B	EA	PLATE - ANCHOR - SEAT BELT - UPPER - MILL - SUNRISE
13	134506-03-01B	EA	BRACKET - WIPER MOTOR
14	104147-14-000	EA	SHIELD/SPLASH - HEADLIGHT
15	121962-02-02B	EA	SHIELD/SPLASH - HEADLIGHT - E-COATED
16	076364-57-000	EA	ANGLE - FORMED
17	103318-01-000	EA	BRACKET/WALL MOUNT - SEATBELT - SUNRISE SE
17	103318-02-000	EA	BRACKET/WALL MOUNT - SEATBELT - SUNRISE
18	104409-01-000	EA	PLATE - MOUNTING/SIDEWALL
19	117273-01-01A	EA	TUBE - SUPPORT - A-PILLAR
20	125744-01-02B	EA	CHANNEL-SUPPORT,FRT END,E-CT - WORKHORSE
20	125744-02-02B	EA	CHANNEL - SUPPORT - FRONT END - E-COATED - FORD
21	134807-01-02B	EA	SUPPORT - FRONT - E-COATED - WORKHORSE
21	134807-04-02B	EA	SUPPORT - FRONT - E-COATED - FORD
22	134807-01-02B	EA	SUPPORT - FRONT - E-COATED - WORKHORSE
22	134807-03-02B	EA	SUPPORT - FRONT - E-COATED - FORD
23	117622-01-02B	EA	BRACE - TUBE/BUMPER - VERTICAL - E-COATED
24	111509-01-000	EA	BOX - ELECTRICAL - E-COATED
25	125744-01-02B	EA	CHANNEL-SUPPORT,FRT END,E-CT - WORKHORSE
25	125744-10-02B	EA	CHANNEL-SUPPORT,FRT END,E-CT - FORD
26	117749-01-000	EA	BAFFLE/RADIATOR - TOP - 7.4 LITER
26	117749-02-000	EA	BAFFLE/RADIATOR - TOP - 8.1 LITER

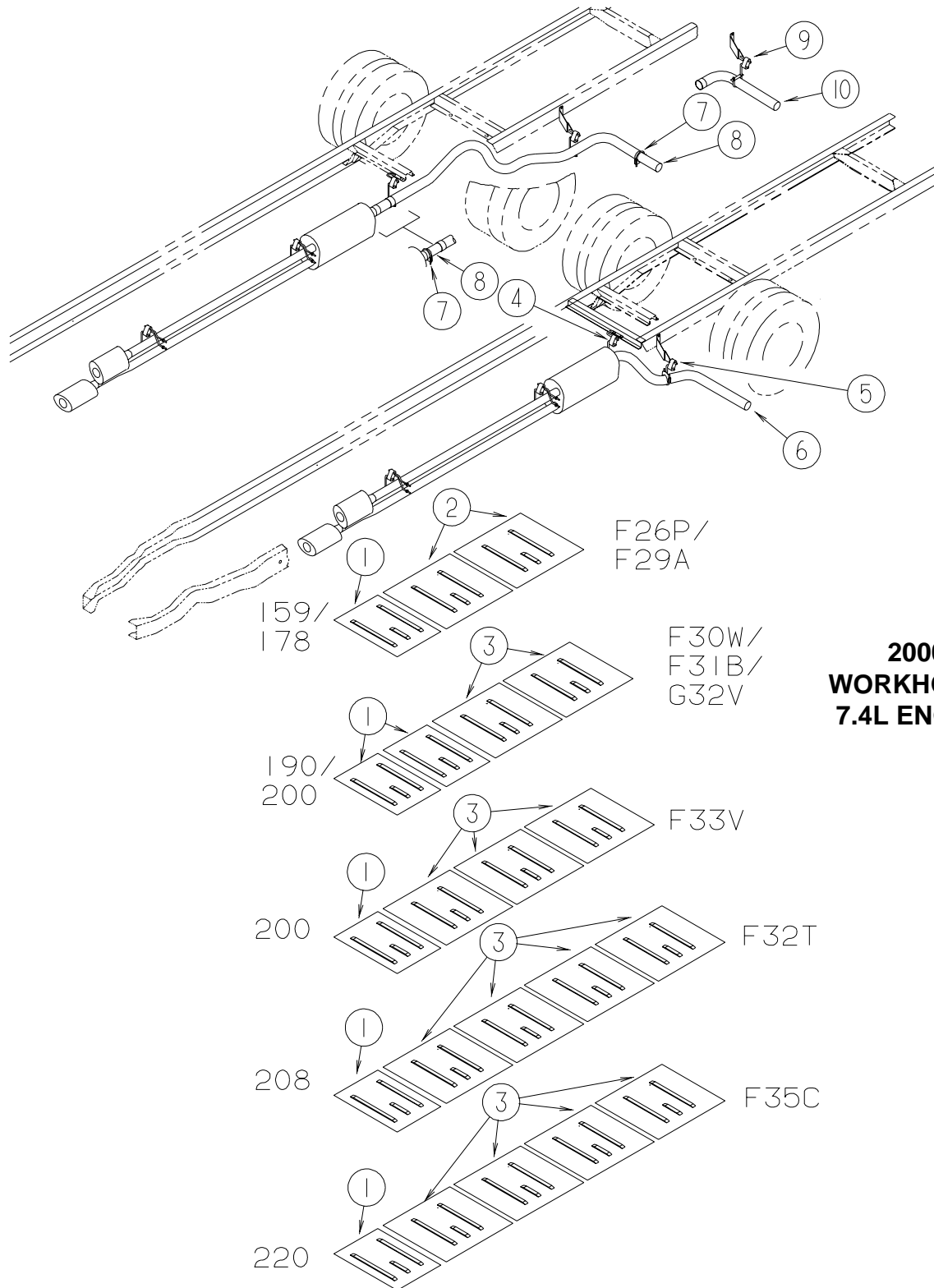
CHASSIS GROUP (CONTINUED)
DRIVETRAIN



KEY	PART NUMBER	U/M	DESCRIPTION
1	083415-01-000	EA	SHIELD - HEAT - DRIVESHAFT BEARING - 4" X 5.5" - STEEL - WORKHORSE
2	075302-48-000	EA	DRIVESHAFT - BALANCED/3 PIECE - CHEVY P30-200/16500GVW - WORKHORSE - F33V
2	129580-08-000	EA	DRIVESHAFT - BALANCED - 200" WB - FORD - F33V
2	075302-44-000	EA	DRIVESHAFT - BALANCED/3 PIECE - CHEVY P30-220/16500GVW - WORKHORSE - F35C
2	129580-09-000	EA	DRIVESHAFT - BALANCED - 220" WB - FORD - F35C

CHASSIS GROUP (CONTINUED)

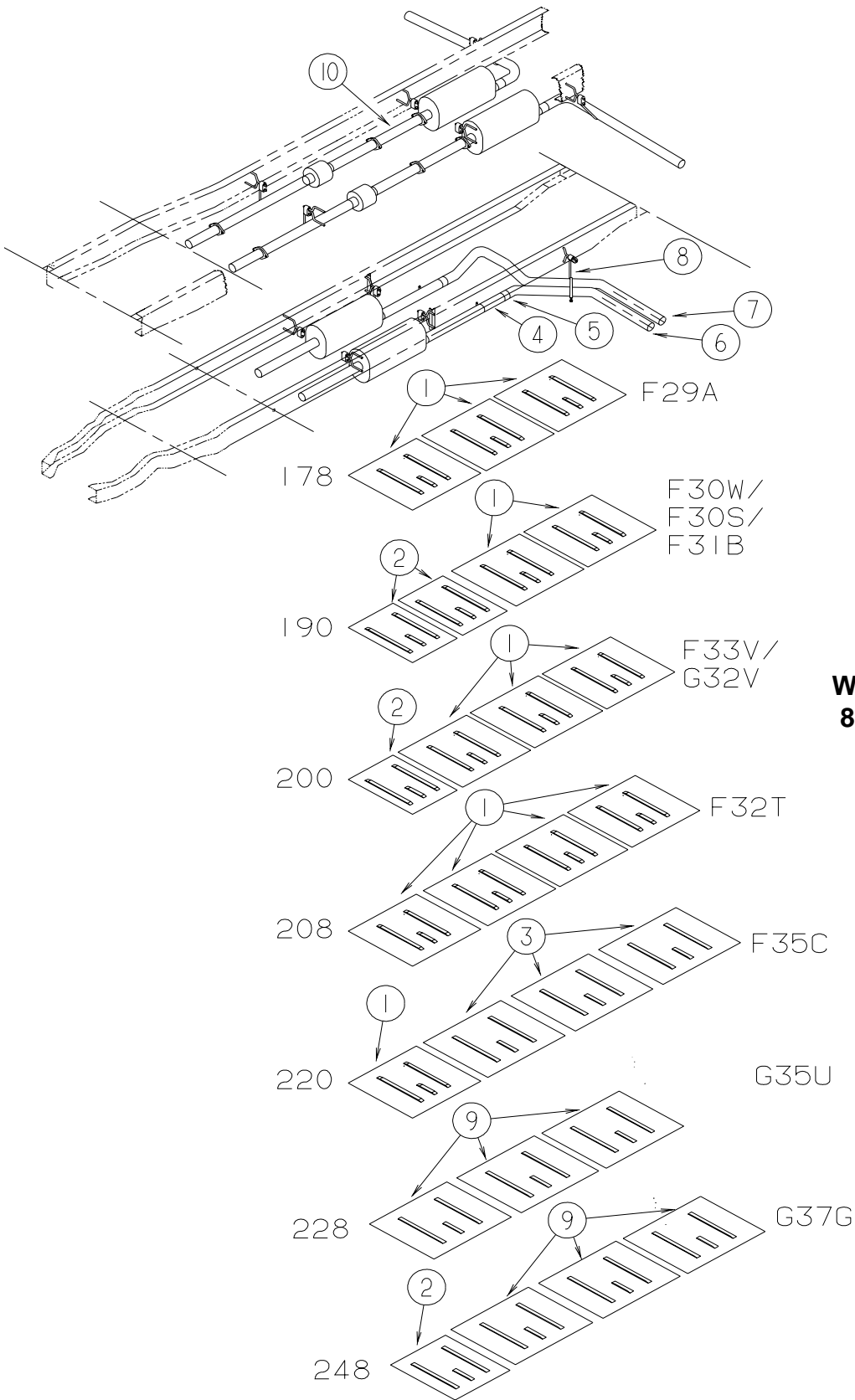
EXHAUST



**2000
WORKHORSE
7.4L ENGINE**

KEY	PART NUMBER	U/M DESCRIPTION
1	101544-01-000	EA SHIELD - HEAT/EXHAUST - 19.7" X 29.1" - E-COATED
2	101544-06-000	EA SHIELD - HEAT/EXHAUST - 33.9" X 29.1" - E-COATED
3	101544-02-000	EA SHIELD - HEAT/EXHAUST - 30" X 29.1" - E-COATED
4	122392-01-02B	EA HANGER - TAILPIPE - F29A, F30W, F31B, G32V, F35C
5	122392-03-02B	EA HANGER - TAILPIPE - REAR - F29A, F30W, F31B, G32V, F35C
6	122529-02-000	EA PIPE - EXHAUST - F29A, F30W, F31B, G32V, F35C
7	094918-01-000	EA CLAMP - EXHAUST - 3" - GUILLOTINE STYLE
8	098762-11-000	EA PIPE - EXHAUST - STRAIGHT - 3" - F33V STRETCH & F26P, F32T
9	122392-04-02B	EA HANGER - TAILPIPE - REAR - E-COATED - F33V
10	098608-03-000	EA PIPE - EXHAUST - F33V

CHASSIS GROUP (CONTINUED)
EXHAUST (CONTINUED)



**2001
WORKHORSE
8.1L ENGINE**

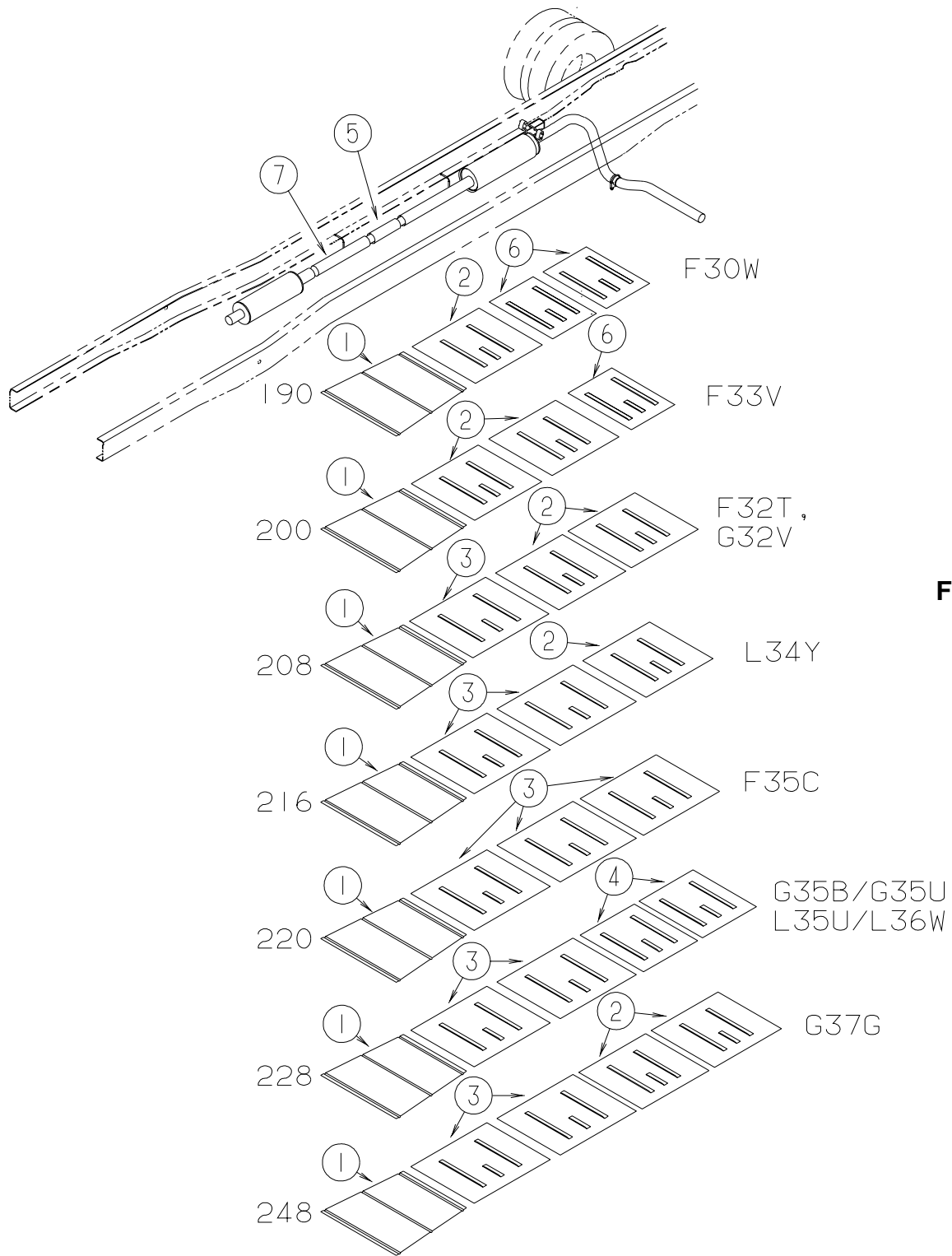
KEY	PART NUMBER	U/M	DESCRIPTION
1	101544-02-000	EA	SHIELD - HEAT/EXHAUST - 30" X 29.1" - E-COATED
2	101544-01-000	EA	SHIELD - HEAT/EXHAUST - 19.7" X 29.1" - E-COATED
3	101544-06-000	EA	SHIELD - HEAT/EXHAUST - 33.9" X 29.1" - E-COATED

CHASSIS GROUP (CONTINUED)

EXHAUST (CONTINUED)

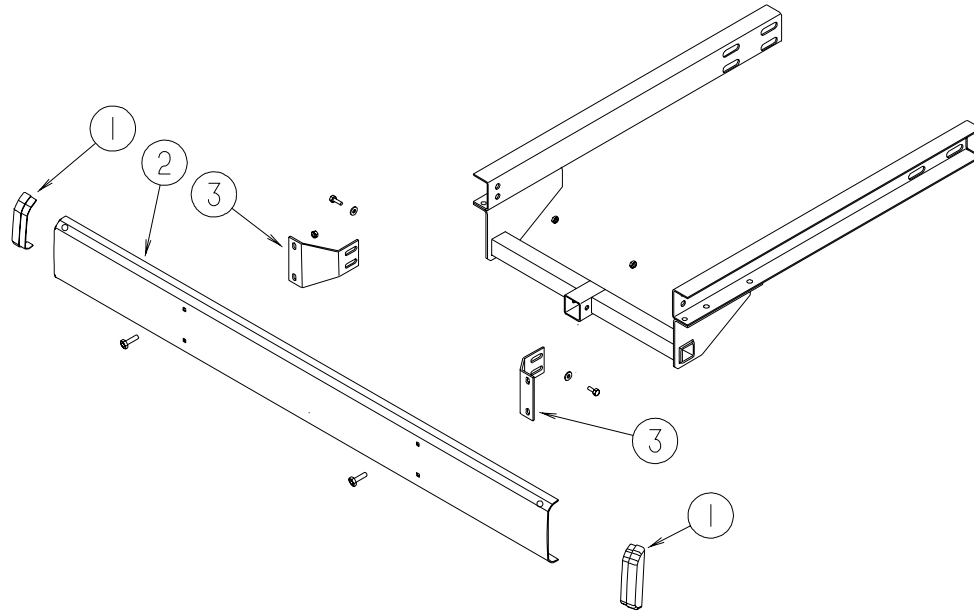
KEY	PART NUMBER	U/M	DESCRIPTION
4	098762-08-000	EA	PIPE - EXHAUST - STRAIGHT - F35C ONLY
5	094918-01-000	EA	CLAMP - EXHAUST - 3" - GUILLOTINE STYLE - F35C ONLY
6	137336-01-000	EA	PIPE - EXHAUST - SIDE
7	137337-01-000	EA	PIPE - EXHAUST - CROSSOVER
8	122392-07-02B	EA	HANGER - TAILPIPE - DOUBLE - E-COATED
9	NOT USED		
10	NOT USED		

CHASSIS GROUP (CONTINUED)
EXHAUST (CONTINUED)



KEY	PART NUMBER	U/M	DESCRIPTION
	094918-06-000	EA	CLAMP - EXHAUST - 3" - HEAVY DUTY
1	128756-01-02B	EA	SHIELD - HEAT/EXHAUST - 33.9" X 16.9" - E-COATED
2	101544-02-000	EA	SHIELD - HEAT/EXHAUST - 30" X 29.1" - E-COATED
3	101544-06-000	EA	SHIELD - HEAT/EXHAUST - 33.9" X 29.1" - E-COATED
4	NOT USED		
5	112012-02-000	EA	PIPE - EXHAUST - 3" DIAMETER - FORD CHASSIS - F35C
6	101544-01-000	EA	SHIELD - HEAT/EXHAUST - 19.7" X 29.1" - E-COATED
7	112012-10-000	EA	PIPE - EXHAUST - 3" DIAMETER X 24.4" LONG - F33V

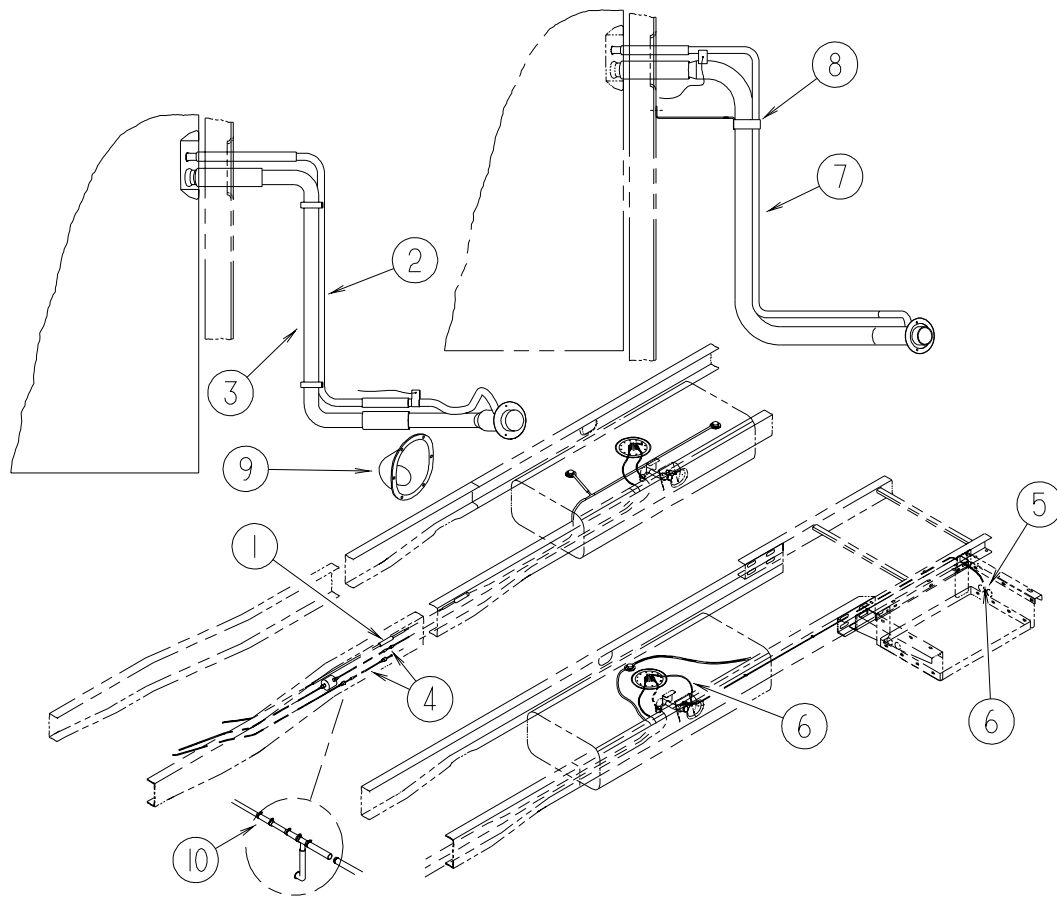
CHASSIS GROUP (CONTINUED)
REAR BUMPER



KEY	PART NUMBER	U/M	DESCRIPTION
1	103228-01-06A	EA	END CAP - REAR BUMPER - DRIVER/PASSENGER
2	103099-10-02A	EA	BUMPER - REAR - 98" - BRIGHT WHITE - SUNRISE SE & FORD F30W
2	103099-11-02A	EA	BUMPER - REAR - 98" - BRIGHT WHITE - SUNRISE
3	133291-01-02B	EA	BRACKET/BUMPER SUPPORT - REAR - E-COATED - F32T, F33V, F35C & WORKHORSE F30W
3	104418-07-000	EA	ANGLE - BUMPER - REAR SUPPORT - SUNRISE SE & FORD F30W

CHASSIS GROUP (CONTINUED)

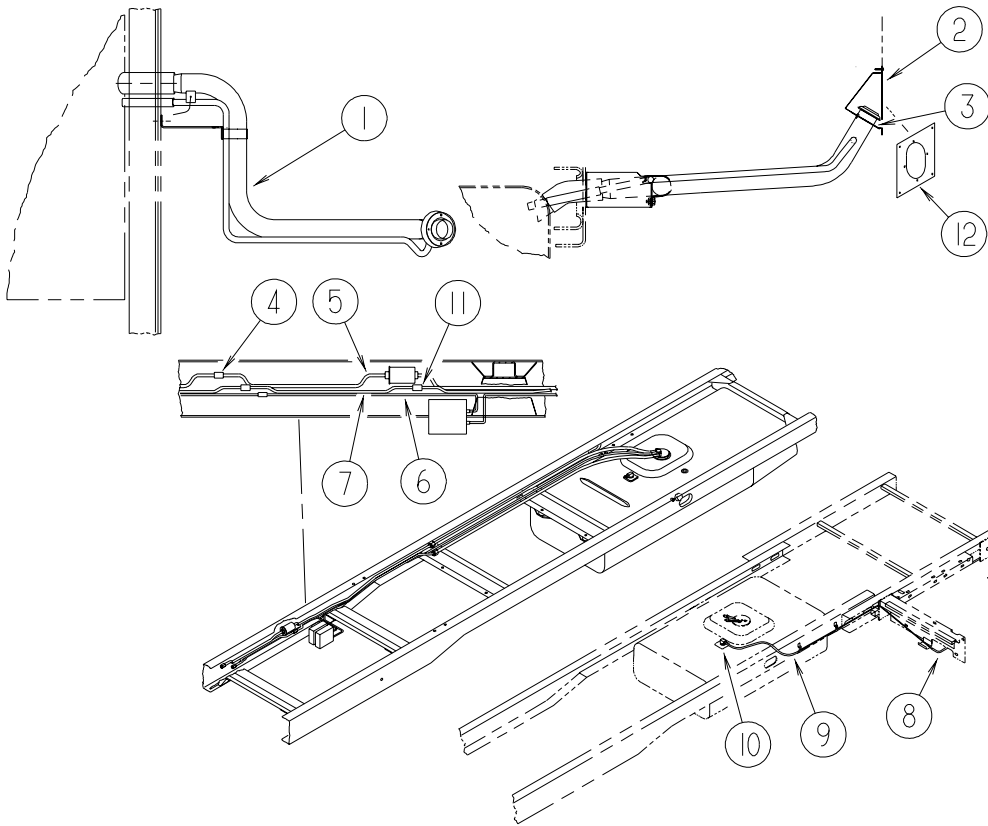
FUEL



FORD

KEY	PART NUMBER	U/M	DESCRIPTION
1	128139-02-000	FT	HOSE - FUEL - LOW PERMEABILITY - 5/8" DIAMETER
2	129320-10-000	EA	PIPE - VENT FILL - F30W, F32T, F33V, F35C
3	129321-10-000	EA	TUBE - FUEL INLET - F30W, F32T, F33V, F35C
4	129494-01-000	EA	FUEL LINE - 5/16" X 9.3" - FORD CHASSIS - 208-216 STRETCH, 208-200 SHRINK
4	129494-02-000	EA	FUEL LINE - 5/16" X 34.9" - FORD CHASSIS - 208-220 STRETCH
4	129494-03-000	EA	FUEL LINE - 5/16" X 21.2" - FORD CHASSIS - 208-228, 228-248 STRETCH
5	084884-01-000	EA	PLUG - BRASS - 3/8"
6	128139-03-000	FT	HOSE - FUEL - LOW PERMEABILITY - 1/4" DIAMETER
7	NOT USED		
8	NOT USED		
9	127291-02-01A	EA	SHROUD - FUEL FILL - BRIGHT WHITE - F30W, F32T, F33V, F35C
10	NOT USED		

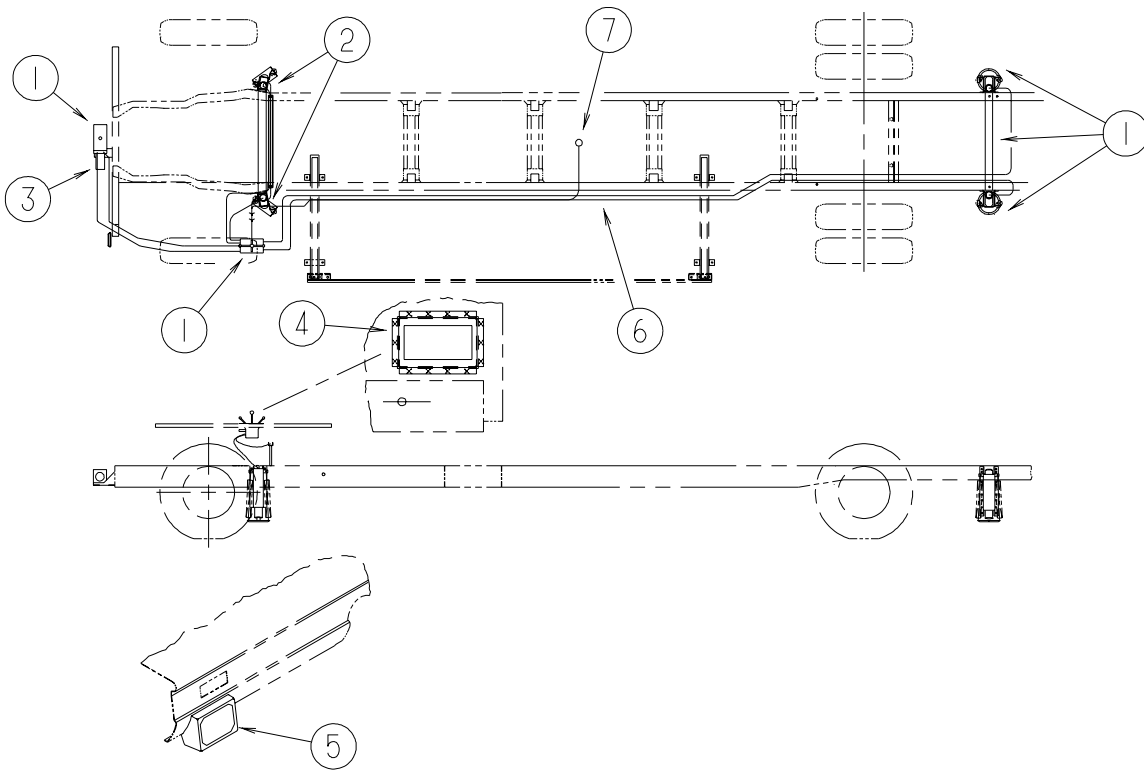
CHASSIS GROUP (CONTINUED)
FUEL (CONTINUED)



WORKHORSE

KEY	PART NUMBER	U/M	DESCRIPTION
1	136300-01-000	EA	NECK - FUEL FILL
2	127291-01-01A	EA	SHROUD - FUEL FILL - BRIGHT WHITE
3	078200-01-000	EA	GASKET - FUEL FILL - 3.5"OD X 2"ID
4	098779-02-000	EA	COUPLER - FUEL LINE - 1.2" LONG X 16MM THREAD
5	098759-04-000	EA	FUEL LINE/SUPPLY - 3/8" STEEL X 10" LONG W/16MM NUTS - 190-200 STRETCH
5	098759-01-000	EA	FUEL LINE/SUPPLY - 3/8" STEEL X 12" LONG W/16MM NUTS - 208-220 STRETCH
5	098759-02-000	EA	FUEL LINE/SUPPLY - 3/8" STEEL X 22" LONG W/16MM NUTS - 228-248 STRETCH
6	127392-02-000	EA	HOSE - VAPOR/EMISSION - 5/16" X 36.5" W/ENDS - GM CHASSIS - 190-200, 208-220 STRETCH
6	127392-03-000	EA	HOSE - VAPOR/EMISSION - 5/16" X 44.5" W/ENDS - WORKHORSE - 228-248 STRETCH
7	098758-04-000	EA	FUEL LINE/RETURN - 5/16" STEEL X 10" LONG W/14MM NUTS - 190-200 STRETCH
7	098758-01-000	EA	FUEL LINE/RETURN - 5/16" STEEL X 12" LONG W/14MM NUTS - 208-220 STRETCH
7	098758-02-000	EA	FUEL LINE/RETURN - 5/16" STEEL X 22" LONG W/14MM NUTS - 228-248 STRETCH
8	084884-01-000	EA	PLUG - BRASS - 3/8"
9	128139-03-000	FT	HOSE - FUEL - LOW PERMEABILITY - 1/4" DIAMETER
10	068382-06-000	EA	BUSHING - BRASS - 3/8"MPT X 1/8"FPT
10	114254-01-000	EA	ADAPTER - 1/4 BARB X 1/8 MPT
11	098779-01-000	EA	COUPLER - FUEL LINE - 1.2" LONG X 14MM THREAD
12	139138-01-02B	EA	PLATE - FUEL FILL - E/COATED

CHASSIS GROUP (CONTINUED)
HYDRAULIC LEVELING

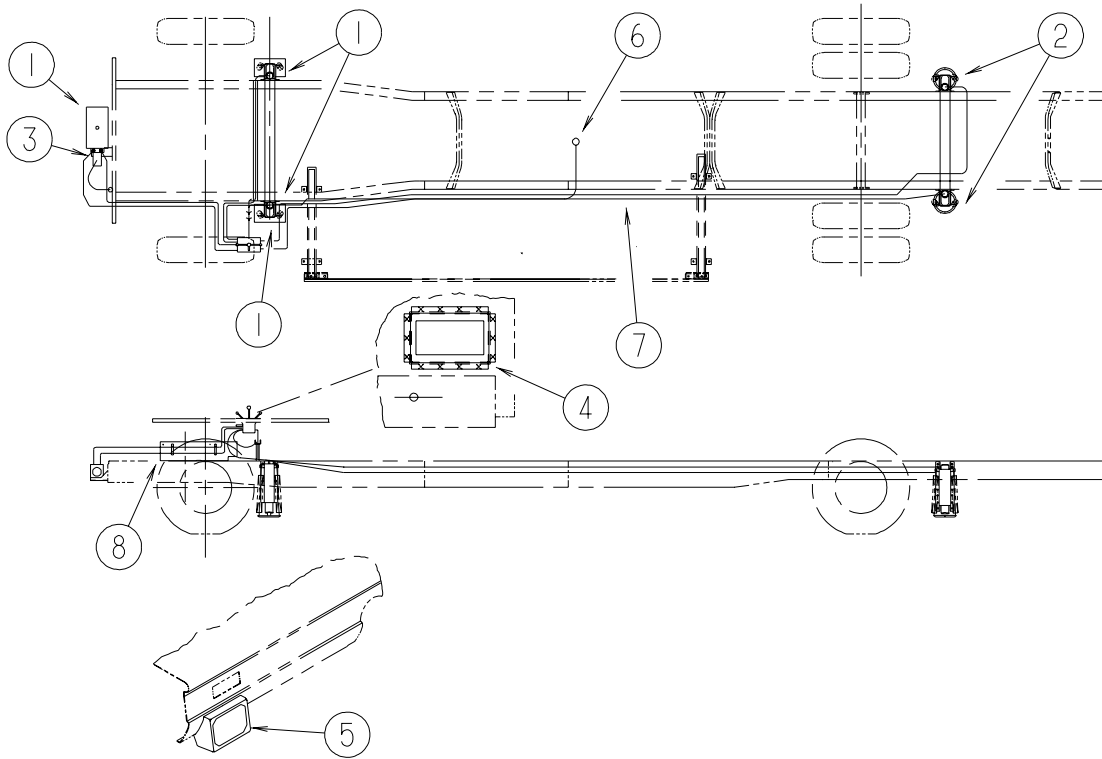


WORKHORSE

KEY	PART NUMBER	U/M	DESCRIPTION
1*	131306-19-000	EA	LEVELING SYSTEM - WORKHORSE CHASSIS W/200 & SLIDEOUT ROOM
2*	128285-01-000	EA	JACK/CROSSMEMBER ASSEMBLY - FRONT - CHEVY
3	129550-03-02B	EA	BRACKET - PUMP - E-COATED
4	117837-02-01B	EA	SUPPORT - LEVELING - CONTROL
5	112236-02-J52	EA	BEZEL - F/SLIDEOUT ROOM CONTROL
6	117183-01-02B	EA	COVER - SENSOR - LEVELING
7	100536-11-000	EA	HOSE KIT - HWH #AP0013

***COMPONENT PARTS LISTED LATER IN THIS GROUP**

CHASSIS GROUP (CONTINUED)
HYDRAULIC LEVELING (CONTINUED)



FORD

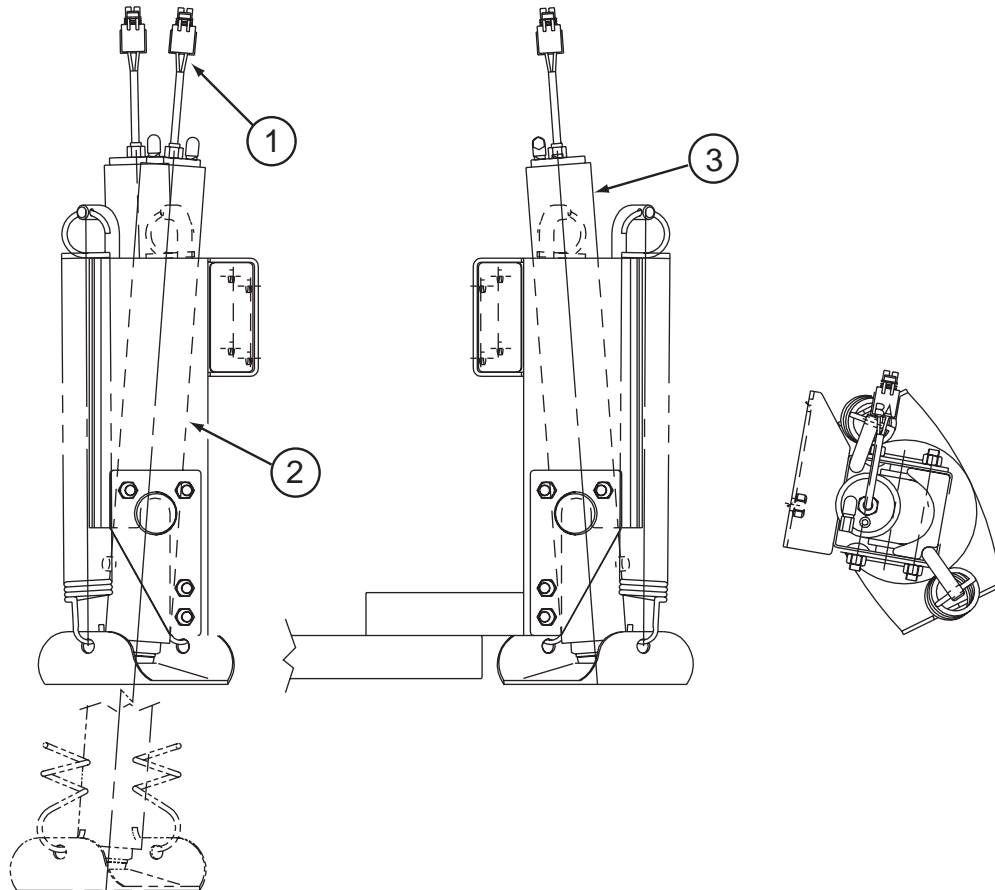
KEY	PART NUMBER	U/M	DESCRIPTION
1*	131306-02-000	EA	LEVELING SYSTEM - OPERATES SLIDEOUT ROOM W/OUT JACKS DOWN
2*	128571-03-000	EA	JACK/CROSSMEMBER - 9K - REAR LEVELING - MANUAL
3	129550-01-02B	EA	BRACKET - PUMP - E-COAT
4	117837-02-01B	EA	SUPPORT - LEVELING - CONTROL
5	112236-02-J52	EA	BEZEL - F/SLIDEOUT ROOM CONTROL
6	117183-01-02B	EA	COVER - SENSOR - LEVELING
7*	100536-11-000	EA	HOSE KIT - HWH #AP0013
8	132999-01-02B	EA	SHIELD - HEAT - E-COATED

***COMPONENT PARTS LISTED LATER IN THIS GROUP**

CHASSIS GROUP (CONTINUED)
COMPONENT PARTS FOR HYDRAULIC LEVELING

100536-11-000

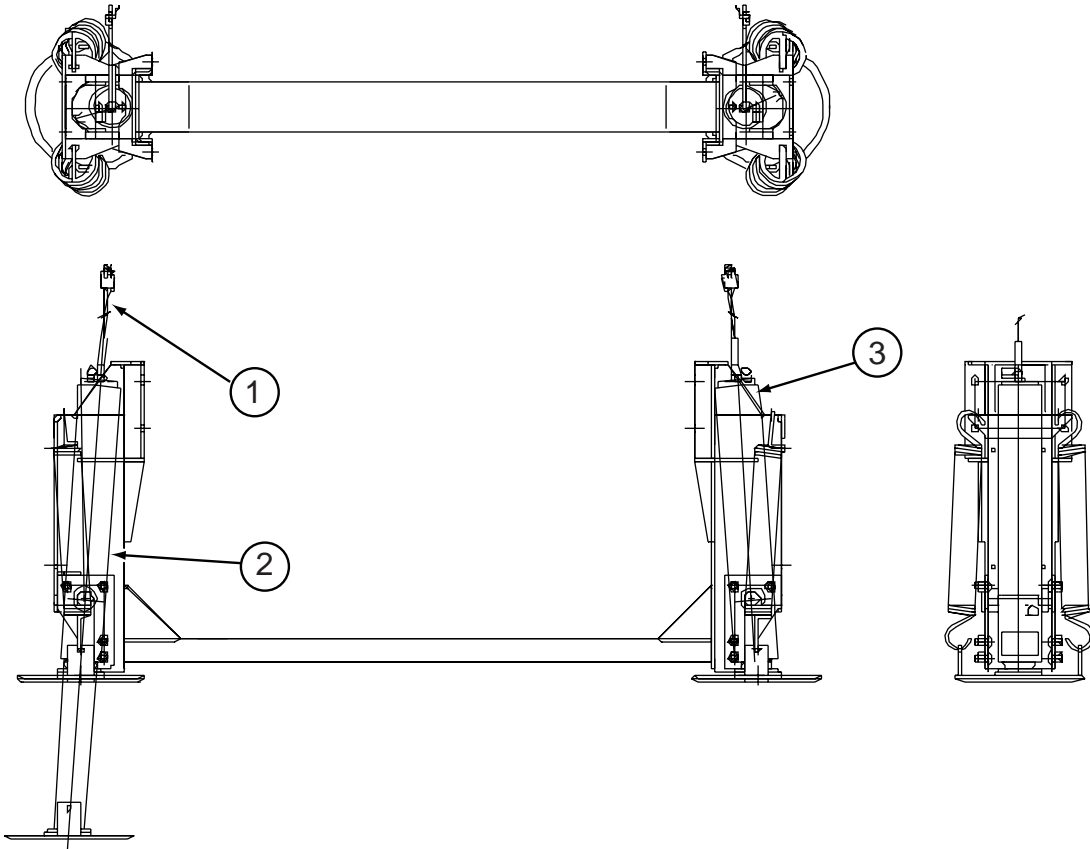
KEY	PART NUMBER	U/M	DESCRIPTION	VENDOR NO.
	100536-11-000	EA	HOSE KIT - HWH #AP0013	
	100536-09-701	EA	HOSE-HYDRAULIC-60"	RAP4073
	100536-10-700	EA	HOSE-HYDRAULIC-84"	RAP1412
	100536-14-701	EA	HOSE-HYDRAULIC-108"	RAP4074
	100536-25-701	EA	HOSE-HYDRAULIC-312"	RAP5216
	100536-37-701	EA	HOSE - HYDRAULIC - 336"	RAP5561



128285-01-000

KEY	PART NUMBER	U/M	DESCRIPTION	VENDOR NO.
1	100532-12-706	EA	SWITCH - WARNING/MAGNETIC	RAP1008 / RAP90496
2	100532-12-707	EA	SPRING KIT	R3847
3	100532-45-700	EA	CYLINDER W/O FOOT - 6K X 13"	RAP90490
	131306-02-700	EA	FOOT - 6K JACK	RAP2004

CHASSIS GROUP (CONTINUED)
COMPONENT PARTS FOR HYDRAULIC LEVELING (CONTINUED)

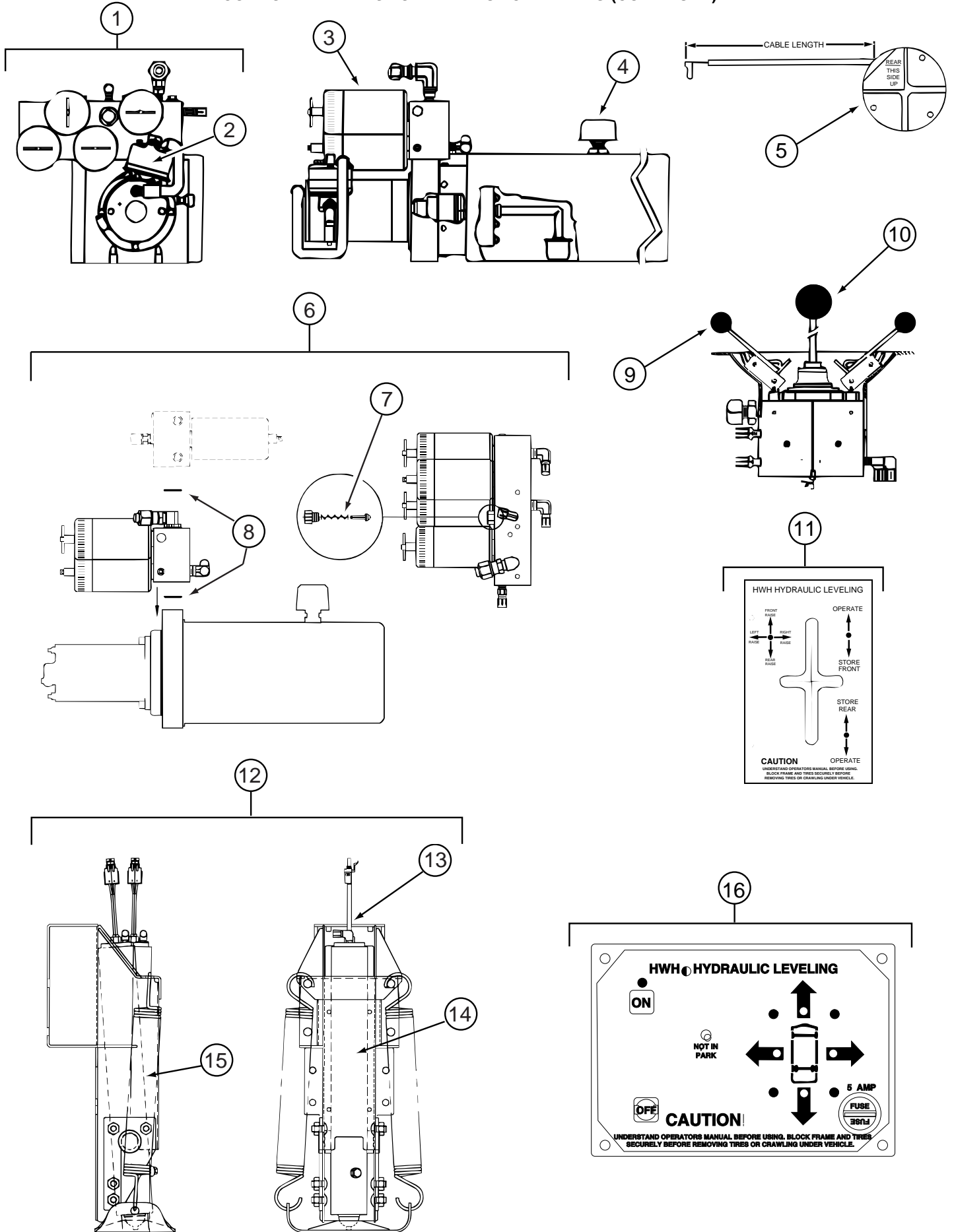


128571-03-000

KEY	PART NUMBER	U/M	DESCRIPTION	VENDOR NO.
	128571-03-000	EA	JACK/CROSSMEMBER - 9K - REAR LEVELING - MANUAL	
1	100532-12-706	EA	SWITCH - WARNING/MAGNETIC	RAP1008 / RAP90496
2	100532-12-707	EA	SPRING KIT	R3847
3	100532-53-700	EA	CYLINDER ASM. - 9K	RAP90491/AP15891
	131306-02-701	EA	FOOT - 9K JACK	RAP8464

CHASSIS GROUP (CONTINUED)

COMPONENT PARTS FOR HYDRAULIC LEVELING (CONTINUED)

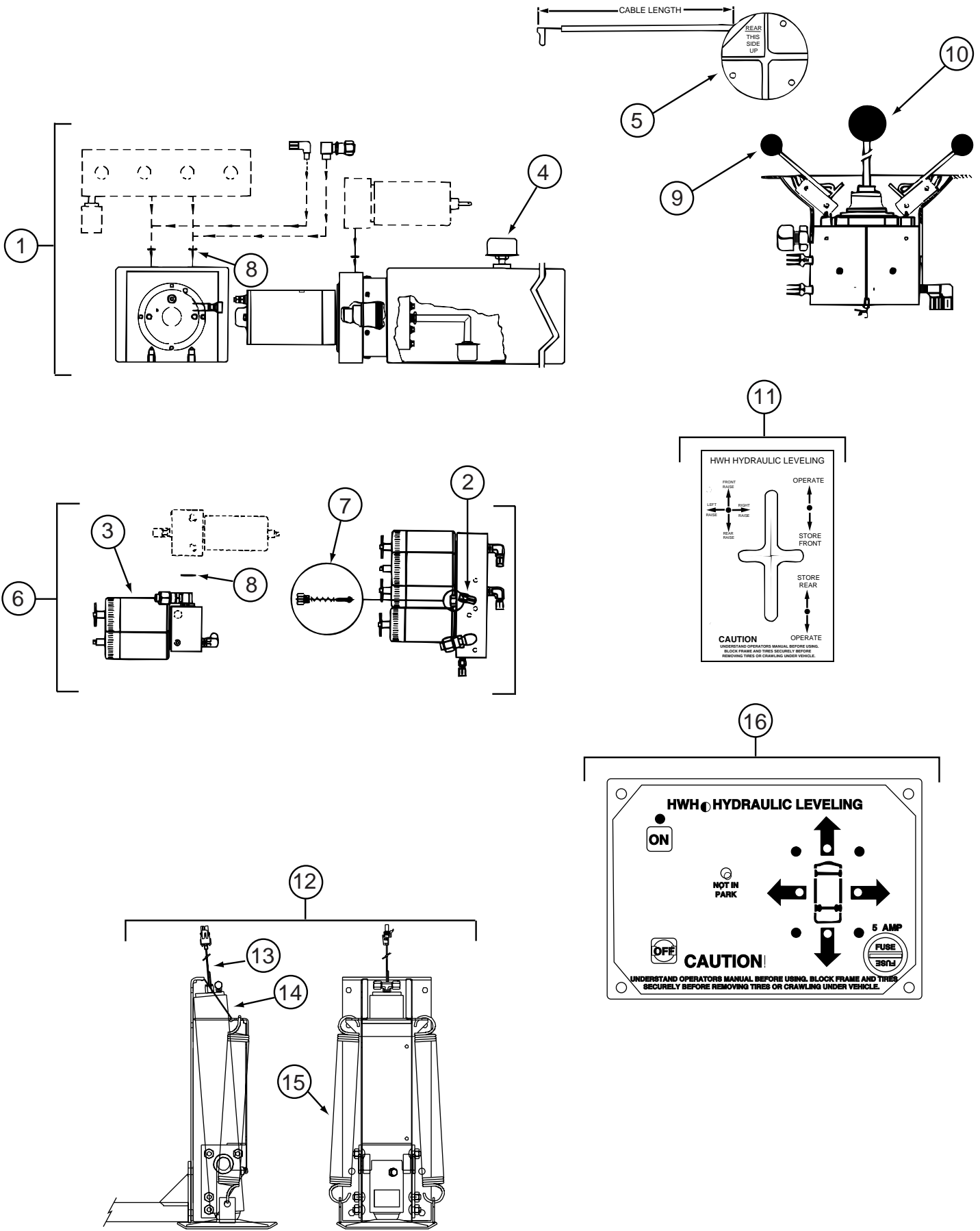


CHASSIS GROUP (CONTINUED)
COMPONENT PARTS FOR HYDRAULIC LEVELING (CONTINUED)
131306-02-000 (CONTINUED)

KEY	PART NUMBER	U/M	DESCRIPTION	VENDOR NO.
	131306-02-000	EA	LEVELING SYSTEM - OPERATES SLIDEOUT ROOM W/OUT JACKS DOWN	
1	100532-16-701	EA	MANIFOLD ASM. F/SLIDE OUT	RAP1716
2	100532-09-710	EA	SOLENOID-INTERMITENT DUTY	RAP0533
3	100532-09-704	EA	VALVE-PRESS SOLENOID(LARGE)	RAP0642
4	100532-03-715	EA	CAP-BREATHER W/DIPSTICK	RAP7876
5	100532-12-703	EA	SENSING UINT BI-AXIS-27'	RAP6800
6	100532-01-713	EA	PUMP-RESERVOIR ASM.-MONARCH	RAP90014/AP2260
7	100532-31-701	EA	CHECK VALVE & KIT	RAP10021
8	100532-31-702	EA	O-RING/SEAL KIT - MANIFOLD	RAP90127
9	100532-08-705	EA	KNOB-3/4" BLACK, SET OF FOUR	RAP1379
10	100532-08-706	EA	KNOB-1 3/16" BLACK	RAP9734
11	100532-08-707	EA	BEZEL W/GASKET, F/SYSTEM 200	RAP9592
12	100532-51-700	EA	JACK - 6K STRAIGHT ACTING	RAP90502
13	100532-12-706	EA	SWITCH - WARNING/MAGNETIC	RAP1008 / RAP90496
14	100532-53-700	EA	CYLINDER ASM. - 9K	RAP90491/AP15891
15	100532-12-707	EA	SPRING KIT	R3847
16	100532-08-703	EA	PANEL ASM.-200 BI-AXIS SYS.	RAP9755
	100532-03-722	EA	O-RING KIT	R7430
	100532-03-723	EA	O-RING/SEAL KIT	RAP9171
	100532-08-702	EA	VALVE,BI-AXIS	RAP9589
	100532-32-703	EA	BUZZER - JACK WARNING	RAP90403
	100532-45-700	EA	CYLINDER W/O FOOT - 6K X 13"	RAP90490
	100532-47-701	EA	VALVE - BI-AXIS - W/O LEVERS	RAP0367
	131306-02-700	EA	FOOT - 6K JACK	RAP2004
	131306-02-701	EA	FOOT - 9K JACK	RAP8464

CHASSIS GROUP (CONTINUED)

COMPONENT PARTS FOR HYDRAULIC LEVELING (CONTINUED)



CHASSIS GROUP (CONTINUED)
COMPONENT PARTS FOR HYDRAULIC LEVELING (CONTINUED)

131306-19-000 (CONTINUED)

KEY	PART NUMBER	U/M	DESCRIPTION	VENDOR NO.
	131306-19-000	EA	LEVELING SYSTEM - WORKHORSE CHASSIS W/200 & SLIDEOUT ROOM	
1	100532-16-701	EA	MANIFOLD ASM. F/SLIDE OUT	RAP1716
2	100532-09-710	EA	SOLENOID-INTERMITENT DUTY	RAP0533
3	100532-09-704	EA	VALVE-PRESS SOLENOID(LARGE)	RAP0642
3	131306-12-702	EA	VALVE - PRESSURE SOLENOID - 3.3" LONG X 1.6" DIAMETER	
4	100532-03-715	EA	CAP-BREATHER W/DIPSTICK	RAP7876
5	100532-03-710	EA	SENSING UNIT 21' MTA	RAP6798
6	100532-01-713	EA	PUMP-RESERVOIR ASM.-MONARCH	RAP90014/AP2260
7	100532-31-701	EA	CHECK VALVE & KIT	RAP10021
8	100532-31-702	EA	O-RING/SEAL KIT - MANIFOLD	RAP90127
9	100532-08-705	EA	KNOB-3/4" BLACK, SET OF FOUR	RAP1379
10	100532-08-706	EA	KNOB-1 3/16" BLACK	RAP9734
11	100532-08-707	EA	BEZEL W/GASKET, F/SYSTEM 200	RAP9592
13	100532-12-706	EA	SWITCH - WARNING/MAGNETIC	RAP1008 / RAP90496
14	100532-53-700	EA	CYLINDER ASM. - 9K	RAP90491/AP15891
15	100532-12-707	EA	SPRING KIT	R3847
16	100532-08-703	EA	PANEL ASM.-200 BI-AXIS SYS.	RAP9755
	100532-03-722	EA	O-RING KIT	R7430
	100532-03-723	EA	O-RING/SEAL KIT	RAP9171
	100532-08-702	EA	VALVE,BI-AXIS	RAP9589
	100532-32-704	EA	CHIME - JACK WARNING	RAP90681/AP19812
	100532-45-700	EA	CYLINDER W/O FOOT - 6K X 13"	RAP90490/AP16112
	100532-47-701	EA	VALVE - BI-AXIS - W/O LEVERS	RAP0367
	131306-02-700	EA	FOOT - 6K JACK	RAP2004
	131306-02-701	EA	FOOT - 9K JACK	RAP8464

CHASSIS GROUP (CONTINUED)
SUSPENSION

KEY	PART NUMBER	U/M	DESCRIPTION
*	122756-03-000	EA	SHOCK & STABILIZER KIT (YELLOW SHOCK) - CHEVY - F26P ONLY
*	122756-04-000	EA	SHOCK & STABILIZER KIT - WORKHORSE/WIDE BODY CHASSIS

***COMPONENT PARTS LISTED LATER IN THIS GROUP**

CHASSIS GROUP (CONTINUED)

COMPONENT PARTS FOR SUSPENSION

122756-03-000

KEY	PART NUMBER	U/M	DESCRIPTION	VENDOR NO.	
	122756-03-000	EA	SHOCK & STABILIZER KIT (YELLOW SHOCK) - CHEVY		3-TIS T-818-C3
	122756-02-706	EA	STUD - SHOCK MOUNTING	T818S	
	122756-02-707	EA	DAMPNER - STEERING	T818SD	
	122756-02-708	EA	BOOT - DAMPNER	T818SDB	
	122756-02-709	EA	BUSHING PKG-STEERING DAMPNER	T818SDBSH	
	122756-02-710	EA	BOLT PKG - STEERING DAMPNER	T818SBS	
	122756-03-700	EA	BRACKET ASM-DRIVER SIDE	T818L-3	
	122756-03-701	EA	BRACKET ASM-PASSENGER SIDE	T818R-3	
	122756-03-702	EA	SHOCK	557003	

122756-04-000

KEY	PART NUMBER	U/M	DESCRIPTION	VENDOR NO.	
	122756-04-000	EA	SHOCK & STABILIZER KIT - WORKHORSE/WIDE BODY CHASSIS		3-TIS T-818W-2
	122756-04-700	EA	BRACKET ASSEMBLY - DRIVER	T818L-WW	
	122756-04-701	EA	BRACKET ASSEMBLY - PASSENGER	T818R-WW	
	122756-04-702	EA	BOLT PACKAGE KIT	T818B-WW	
	122756-02-707	EA	DAMPNER - STEERING	T818SD	
	122756-02-708	EA	BOOT - DAMPNER	T818SDB	
	122756-02-709	EA	BUSHING PKG-STEERING DAMPNER	T818SDBSH	
	122756-02-710	EA	BOLT PKG - STEERING DAMPNER	T818BSD	
	122756-03-702	EA	SHOCK	557003	

CHASSIS GROUP (CONTINUED)

WHEEL, TIRE, COVERS &/OR LINERS

KEY	PART NUMBER	U/M	DESCRIPTION
	077030-02-000	EA	EXTENSION - VALVE STEM - 1.25" - WORKHORSE WHEEL COVERS & REAR LINERS
*	109443-05-000	EA	WHEEL COVER - 4/SET - 16" STAINLESS STEEL - WORKHORSE
*	109443-06-000	EA	WHEEL COVER - 4/SET - 19.5" - GM/WORKHORSE
*	109443-07-000	EA	WHEEL COVER - 4/SET - 19.5" - FORD
	080208-02-000	EA	BAR - LEVERAGE - LUG WRENCH - CHEVY/OSHKOSH - WORKHORSE
	080208-06-000	EA	LUG WRENCH - 1" X 1.06" W/DEEP SOCKET ENDS - WORKHORSE
	N/A	EA	BAR & WRENCH CHASSIS SUPPLIED - FORD
	051377-03-000	EA	VALVE STEM - 16" WORKHORSE
	083425-07-000	EA	TIRE - 7.50 X R16 LRD - MICHELIN XPS RIB - 16" WORKHORSE
	089359-03-000	EA	WHEEL - STEEL - 6" X 16" - 8 HOLE - PRIMED - #28623 - 16" WORKHORSE
	051377-01-000	EA	VALVE STEM - 19.5" WORKHORSE
	064963-02-000	EA	WHEEL - STEEL - 19.5" X 6" - 19.5" WORKHORSE
	091673-07-000	EA	TIRE - 225/70R19.5 LRF - MICHELIN XRV - 19.5" WORKHORSE
	102340-04-000	EA	TIRE - 245/70R X 19.5F - GOODYEAR - FORD
			FROM: 00-00-00 THRU: 01-31-00
	102340-08-000	EA	TIRE - 245/70R X 19.5F - GOODYEAR - FORD
			FROM: 02-01-00 THRU: 99-99-99
*	091209-05-000	EA	LINER - WHEEL - SET OF 4 - 16" - STAINLESS STEEL - WORKHORSE - F26P ONLY
*	134609-01-000	EA	LINER - WHEEL - SET OF 4 - 19.5" P30 WORKHORSE CHASSIS - WORKHORSE
	077030-04-000	EA	EXTENSION - VALVE STEM - .75" - FORD REAR OUT & WORKHORSE FRONT WHEEL LINERS
	095012-07-000	EA	STABILIZER - VALVE EXTENSION - LIVE - 4" - FORD WHEEL LINERS
	095012-09-000	EA	EXTENSION - VALVE STEM - LIVE - 7.7" - FORD REAR IN WHEEL LINERS
*	110435-15-000	EA	LINER - WHEEL - SET/4 - 19.5" - FORD

*COMPONENT PARTS LISTED LATER IN THIS GROUP

CHASSIS GROUP (CONTINUED)
COMPONENT PARTS FOR WHEEL, TIRE, COVERS &/OR LINERS

091209-05-000

KEY	PART NUMBER	U/M	DESCRIPTION	VENDOR NO.
	091209-05-000	EA	LINER - WHEEL - SET OF 4 - 16" - STAINLESS STEEL KPRII	1604-88-UE
	091209-03-702	EA	COVER-AXLE, FRONT, 8 LUG	64UE
	091209-03-703	EA	COVER-AXLE, REAR, 8 LUG	65UE
	091209-03-704	EA	RING-SNAP	00
	091209-05-700	EA	LINER-WHEEL, FRONT	57-88 KAPER
	091209-05-701	EA	LINER-WHEEL, REAR	58-88

109443-05-000

KEY	PART NUMBER	U/M	DESCRIPTION	VENDOR NO.
	109443-05-000	EA	WHEEL COVER - 4/SET - 16" STAINLESS STEEL DICOR	SHFM16
	098532-01-700	EA	COVER-LUG NUT (CHROME)	SHAU-LNC
	109443-05-700	EA	COVER-WHEEL, 16" SS EA=1	SHFM16-CVR

109443-06-000

KEY	PART NUMBER	U/M	DESCRIPTION	VENDOR NO.
	109443-06-000	EA	WHEEL COVER - 4/SET - 19.5"	
	109443-01-700	EA	COVER-WHEEL 19.5 FRT/RR EA=1	SHAG95
	109443-01-701	EA	BRACKET-RET FRT 1EA=1 SET	SHAG95-FBS
	109443-01-703	EA	CAP-CENTER, HUB - DICOR	SHAU95-CAP
	109443-01-704	EA	CLIP-RETAINER	V160GM-PNT
	109443-06-701	EA	BRACKET-RET RR 1EA=1 SET	SHG795-RBS

109443-07-000

KEY	PART NUMBER	U/M	DESCRIPTION	VENDOR NO.
	109443-07-000	EA	WHEEL COVER - 4/SET - 19.5"	
	098532-01-700	EA	COVER-LUG NUT (CHROME)	SHAU-LNC
	109443-01-703	EA	CAP-CENTER, HUB - DICOR	SHAU95-CAP
	109443-07-700	EA	COVER/WHEEL-FRONT/REAR 8 LUG	SHAF95-COV
	109443-07-701	EA	BRACKET SET FRT 1 EA=1SET	SHAF95-FBS
	109443-07-702	EA	BRACKET SET REAR 1EA=1 SET	SHAF95-RBS

110435-15-000

KEY	PART NUMBER	U/M	DESCRIPTION	VENDOR NO.
	110435-04-705	EA	DECAL-CTR HUB 2 3/4" DIAMOND	2 3/4 DECAL DIAMON
	110435-10-705	EA	TOOL - INSTALLATION	V195P7-TOL
	110435-15-700	EA	LINER - WHEEL - FRONT	V195F9-FWC
	110435-15-701	EA	LINER - WHEEL - REAR	V195F9-RWC
	110435-15-702	EA	COVER LUG NUT/JAMB NUT - 14M	V195F9-EJN

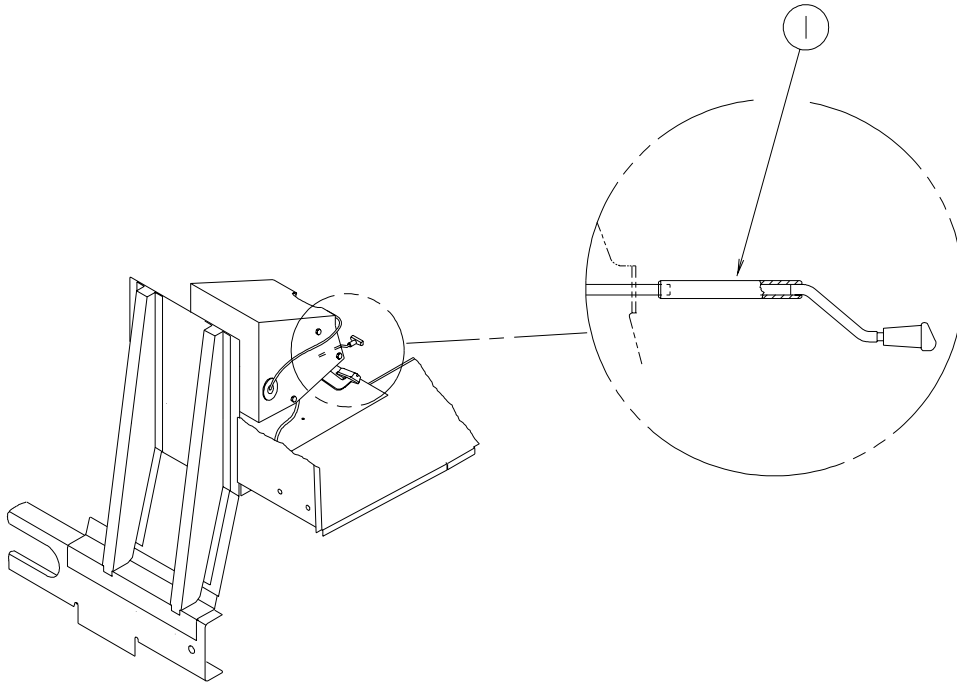
134609-01-000

KEY	PART NUMBER	U/M	DESCRIPTION	VENDOR NO.
	134609-01-700	EA	LINER/SIMULATOR - FRONT	S-900
	134609-01-701	EA	LINER/SIMULATOR - REAR	S-901
	134609-01-702	EA	LUG/JAM NUT COVER TALL/REAR	L-250
	134609-01-703	EA	LUG/JAM NUT CVR SHORT/FRONT	L-251
	134609-01-704	EA	LUG/JAM NUT CVR-PLASTIC	L-252
	134609-01-705	EA	EXTENDER - PLASTIC	L-253
	134609-01-706	EA	TOOL - F/EXTENDER & JAMB NUT	M9800

CHASSIS GROUP (CONTINUED)

BRAKELINE

KEY	PART NUMBER	U/M	DESCRIPTION
	075466-01-000	EA	UNION - INVERTED FLAIR - 1/4" - WORKHORSE
	088498-01-000	EA	UNION - INVERTED FLARE - BRASS - 3/16 - FORD



BRAKE

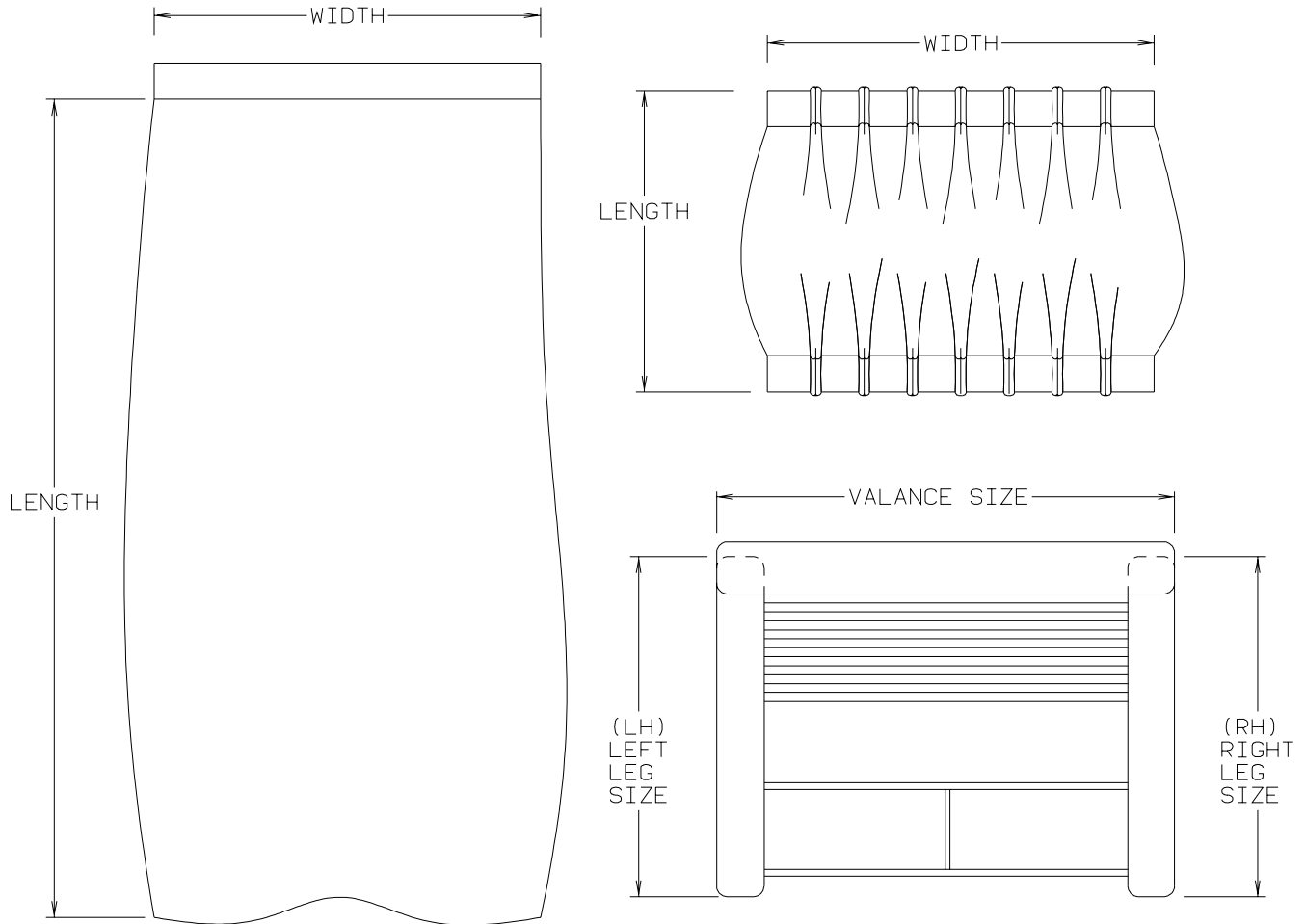
KEY	PART NUMBER	U/M	DESCRIPTION
1	113007-01-000	EA	PIN - SPRING - .375 X 3" - FORD

CURTAIN & CUSHION GROUP

NOTICE

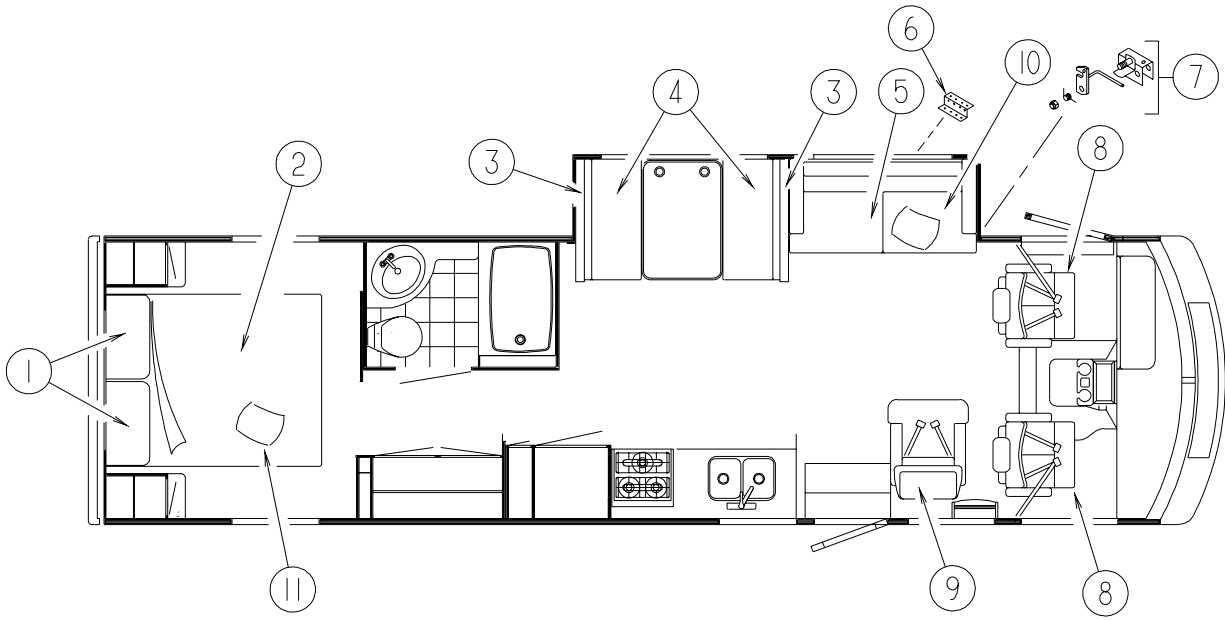
IN ORDER TO ASSIST OUR PARTS SALES DEPT. IN PROVIDING INTERIOR SOFTWARE ITEMS, PLEASE INCLUDE THE SERIAL NUMBER AND THE COLOR CODE NUMBER FROM THE VEHICLE CERTIFICATION LABEL WHEN ORDERING. THIS LABEL IS LOCATED ON THE LEFT SIDEWALL AT THE END OF THE DASH (A-BODY), OR ON THE DRIVER'S DOOR LATCH PLATE (C-BODY).

AN EXAMPLE OF A COLOR CODE NUMBER IS B07, WHICH DESIGNATES AN OVERALL COLOR SCHEME OF A PARTICULAR UNIT. THE COLOR LISTED AFTER THE ITEM DESCRIPTION ON THE MICROFICHE, INDICATES THE OVERALL UNIT COLOR. ORDER THE ITEM YOU DESIRE ACCORDING TO UNIT COLOR CODE. IF ALL COLORS USE THE SAME ITEM NO COLOR CODE WILL BE NOTED.



NOTE: USE THIS ILLUSTRATION WHEN DETERMINING LENGTH AND WIDTH MEASUREMENTS FOR CURTAINS. YOU WILL NOTE THE WIDTH MEASUREMENT IS TAKEN ON THE TOP OF THE CURTAIN WITH THE CURTAIN FULLY EXTENDED. THE LENGTH MEASUREMENT IS TAKEN FROM TOP TO BOTTOM. LEFT AND RIGHT WINDOW LEGS ARE DETERMINED WHEN FACING THE WINDOW.

CURTAIN & CUSHION GROUP (CONTINUED)
CUSHION LAYOUT



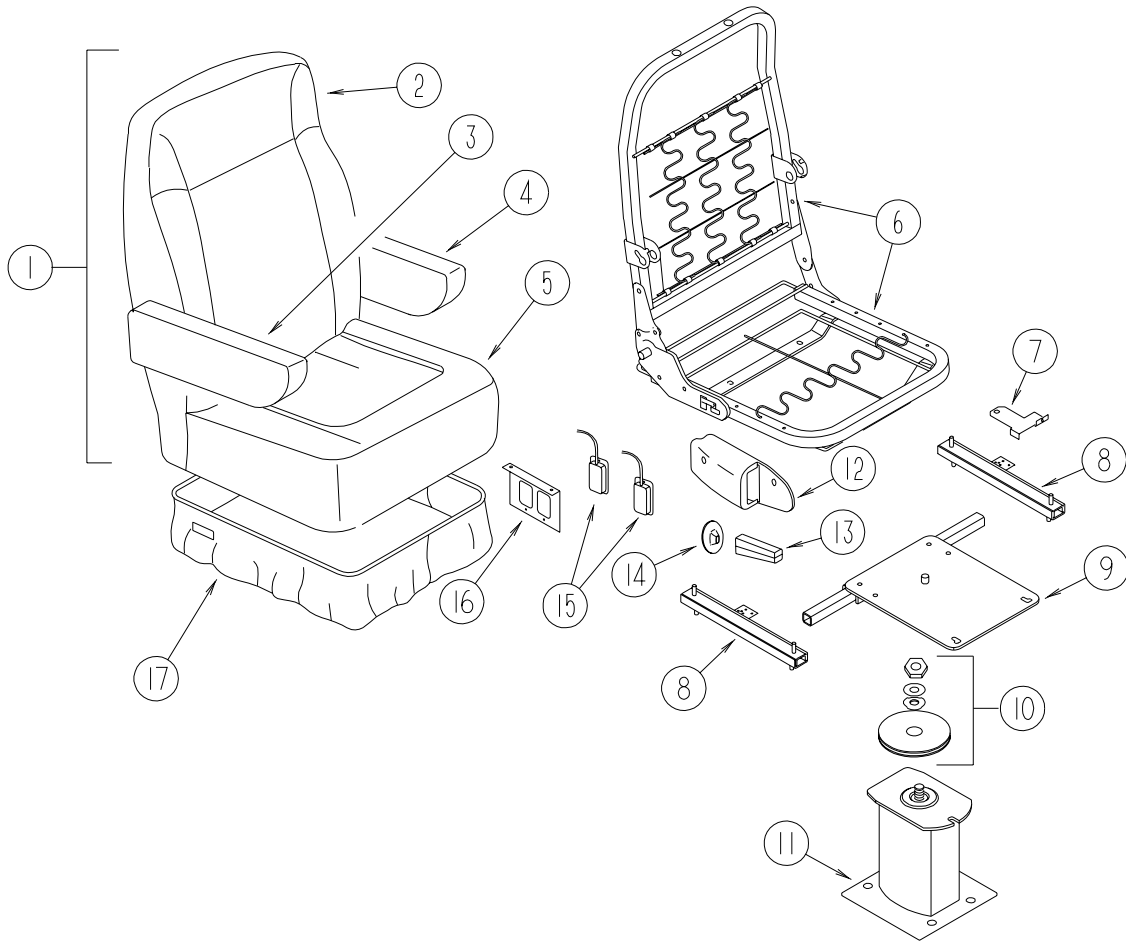
KEY	PART NUMBER	U/M	DESCRIPTION	
1	111863-12-M36	EA	PILLOW SHAM - 20" X 33"	
1	104176-04-M36	EA	PILLOW SHAM - 30"	FROM: 00-00-00 THRU: 09-30-00
1	111863-12-M37	EA	PILLOW SHAM - 20" X 33"	FROM: 10-01-00 THRU: 99-99-99
1	104176-04-M37	EA	PILLOW SHAM - 30"	FROM: 00-00-00 THRU: 09-30-00
1	111863-12-M38	EA	PILLOW SHAM - 20" X 33"	FROM: 10-01-00 THRU: 99-99-99
1	104176-04-M38	EA	PILLOW SHAM - 30"	FROM: 00-00-00 THRU: 09-30-00
2	123015-06-000	EA	MATTRESS - INNERSPRING - 60" X 74.5"	FROM: 10-01-00 THRU: 99-99-99
2	132336-09-M36	EA	BEDSPREAD/CAP - 60" X 75"	
2	132336-09-M37	EA	BEDSPREAD/CAP - 60" X 75"	
2	132336-09-M38	EA	BEDSPREAD/CAP - 60" X 75"	

CURTAIN & CUSHION GROUP (CONTINUED)**CUSHION LAYOUT (CONTINUED)**

KEY	PART NUMBER	U/M	DESCRIPTION
3	111897-05-K23	EA	CUSHION - BACK - 13.5" X 42" X 5" (M36)
3	111897-05-M29	EA	CUSHION - BACK - 13.5" X 42" X 5" (M37)
3	111897-05-L17	EA	CUSHION - BACK - 13.5" X 42" X 5" (M38)
	P11897-05-K23	EA	COVER - BACK - 13.5" X 42" X 5" (M36)
	P11897-05-M29	EA	COVER - BACK - 13.5" X 42" X 5" (M37)
	P11897-05-L17	EA	COVER - BACK - 13.5" X 42" X 5" (M38)
4	105603-23-K26	EA	CUSHION - SEAT - 21" X 42" X 5" (M36)
4	105603-23-M37	EA	CUSHION - SEAT - 21" X 42" X 5" (M37)
4	105603-23-L03	EA	CUSHION - SEAT - 21" X 42" X 5" (M38)
	P05603-23-K26	EA	COVER - SEAT - 21" X 42" X 5" (M36)
	P05603-23-M37	EA	COVER - SEAT - 21" X 42" X 5" (M37)
	P05603-23-L17	EA	COVER - SEAT - 21" X 42" X 5" (M38)
5	132579-14-000	EA	SOFA/SLEEPER (M36)
5	132579-29-000	EA	SOFA/SLEEPER (M37)
5	132579-30-000	EA	SOFA/SLEEPER (M38)
6	116104-04-02B	EA	BRACKET - ZEE W/HOLES - 3.2" - E-COATED
7	127335-10-000	EA	BRACKET - CANADIAN LATCH
8	132534-07-000	EA	BUCKET SEAT - W/LUMBAR (M36)
8	132534-08-000	EA	BUCKET SEAT - W/LUMBAR (M37)
8	132534-09-000	EA	BUCKET SEAT - W/LUMBAR (M38)
8	132534-05-000	EA	BUCKET SEAT - W/LUMBAR SUPPORT - LEATHER - SUNRISE
9	132544-05-000	EA	BUCKET SEAT - W/FOOTREST (M36)
9	132544-06-000	EA	BUCKET SEAT - W/FOOTREST (M37)
9	132544-07-000	EA	BUCKET SEAT - W/FOOTREST (M38)
10	132319-17-M36	EA	PILLOW - 17"
10	132319-17-M37	EA	PILLOW - 17"
10	132319-17-M38	EA	PILLOW - 17"
11	132319-11-M36	EA	PILLOW - 17" X 17"
11	132319-11-M37	EA	PILLOW - 17" X 17"
11	132319-11-M38	EA	PILLOW - 17" X 17"

CURTAIN & CUSHION GROUP (CONTINUED)

BUCKET SEATS



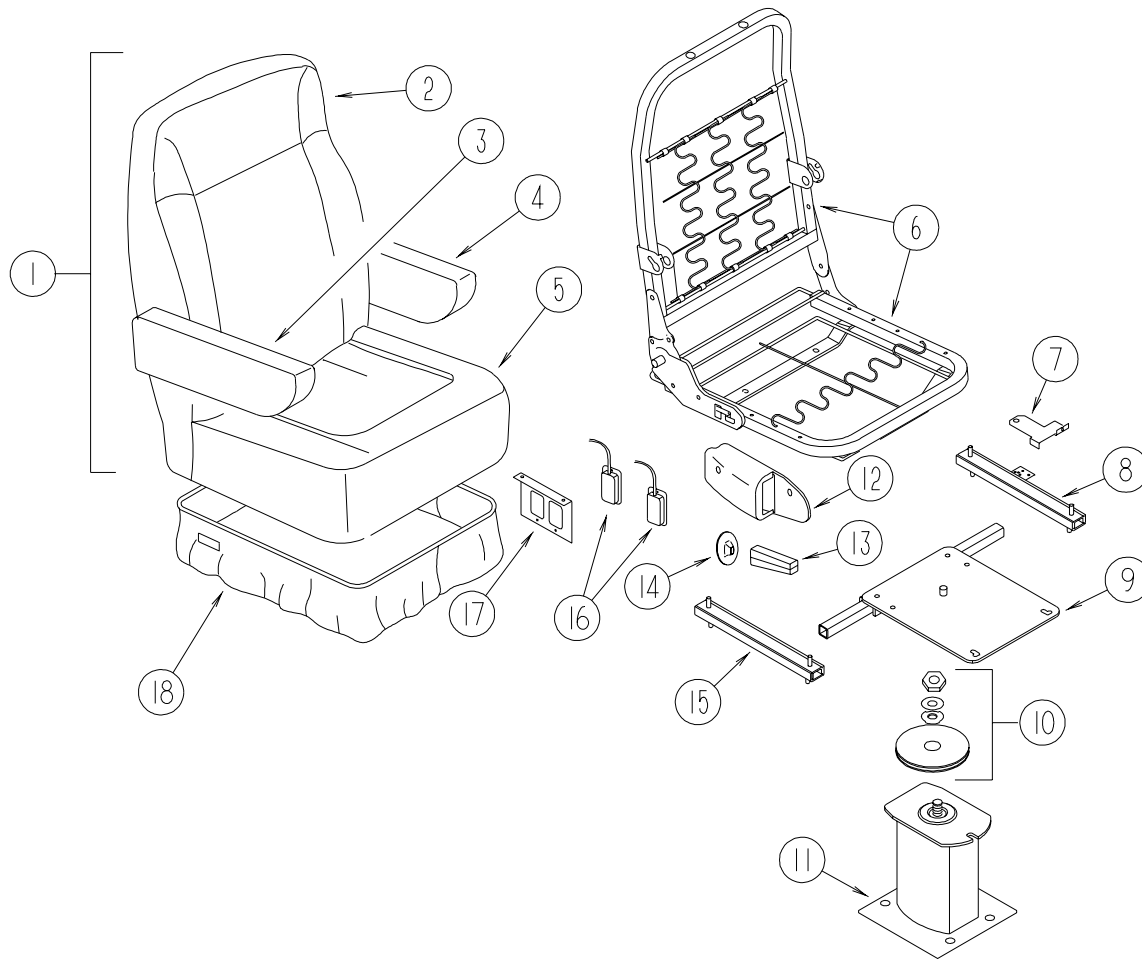
KEY	PART NUMBER	U/M	DESCRIPTION	
1	129664-03-L25	EA	BUCKET SEAT - PASSENGER/DRIVER (M28)	
1	129664-03-M29	EA	BUCKET SEAT - PASSENGER/DRIVER (M29)	
1	132534-07-000	EA	BUCKET SEAT - W/LUMBAR (M36)	
1	132534-08-000	EA	BUCKET SEAT - W/LUMBAR (M37)	
1	132534-09-000	EA	BUCKET SEAT - W/LUMBAR (M38)	
1	132534-05-000	EA	BUCKET SEAT - W/LUMBAR SUPPORT - LEATHER - SUNRISE	
2	M05962-84-L25	EA	COVER - BACK (M28)	
2	M05962-84-M23	EA	COVER - BACK (M29)	
3	129666-01-L25	EA	ARMREST - RIGHT HAND (M28)	
3	129666-01-M23	EA	ARMREST/RIGHT HAND (M29)	
	P29666-01-L25	EA	COVER - ARMREST/RIGHT HAND (M28)	
	P29666-01-M23	EA	COVER - ARMREST/RIGHT HAND (M29)	
	130698-01-000	EA	ARMREST/MOLDED - RIGHT - W/O COVER - SUNRISE SE	
4	129666-02-L25	EA	ARMREST - LEFT HAND (M28)	
4	129666-02-M23	EA	ARMREST - LEFT HAND (M29)	
	P29666-02-L25	EA	COVER - ARMREST/LEFT HAND (M28)	
	P29666-02-M23	EA	COVER - ARMREST/LEFT HAND (M29)	
	130698-02-000	EA	ARMREST/MOLDED - LEFT - W/O COVER - SUNRISE SE	
5	M05962-85-L25	EA	COVER - SEAT (M28)	
5	M05962-85-M23	EA	COVER - SEAT (M29)	
6	134532-01-000	EA	FRAME - SEAT/HIGH BACK - SUNRISE SE	
7	117125-01-02B	EA	BRACKET - CABLE MOUNT - ADJUSTER W/LOCK - SUNRISE SE	
8	131566-04-000	EA	SLIDE/SEAT - HEAVY DUTY LOCKING - 5" - SUNRISE SE	
	119952-07-000	EA	WIRE - LATCH RELEASE/ROTARY - SUNRISE SE	
9	107921-05-000	EA	TOP PLATE - W/SEAT BELT BAR	
				FROM: 00-00-00 THRU: 09-30-00
9	133408-08-000	EA	TOP PLATE - W/BAR	
				FROM: 10-01-00 THRU: 99-99-99
10	107921-06-000	EA	BEARING KIT - PEDESTAL	

CURTAIN & CUSHION GROUP (CONTINUED)

BUCKET SEATS (CONTINUED)

KEY	PART NUMBER	U/M	DESCRIPTION
11	107921-01-000	EA	PEDESTAL/FLOOR MOUNTED - W/9.75" EXTENSION FROM: 00-00-00 THRU: 09-30-00
11	133408-01-000	EA	PEDESTAL/SEAT - 9 3/4" FROM: 10-01-00 THRU: 99-99-99
12	080730-09-000	EA	SHIELD - RECLINER HANDLE - SUNRISE SE
13	080730-08-000	EA	HANDLE - RECLINER - SUNRISE SE
14	080730-11-000	EA	SHIELD - RUBBER BOOT - SUNRISE SE
15	108049-04-000	EA	CABLE - W/MINI LEVER ACTION SWITCH - 28" SHEATH/30" CABLE - SUNRISE SE
	108049-02-000	EA	CLIP - CABLE/PEDESTAL - SUNRISE SE
16	127159-02-02B	EA	BRACKET - SEAT RELEASE - DUAL REMOTE - SUNRISE SE
17	071126-68-L25	EA	SKIRT - 10.5" OPEN CORNER (STANDARD/6-WAY POWER) (M28)
17	071126-68-M23	EA	SKIRT - 10.5" OPEN CORNER (STANDARD/6-WAY POWER) (M29)
	133408-04-000	EA	BRACKET - ANCHORAGE/FLOOR
	130184-01-01A	EA	PROTECTOR - SEAT - CLEAR - SUNRISE

CURTAIN & CUSHION GROUP (CONTINUED)
LOUNGE CHAIR

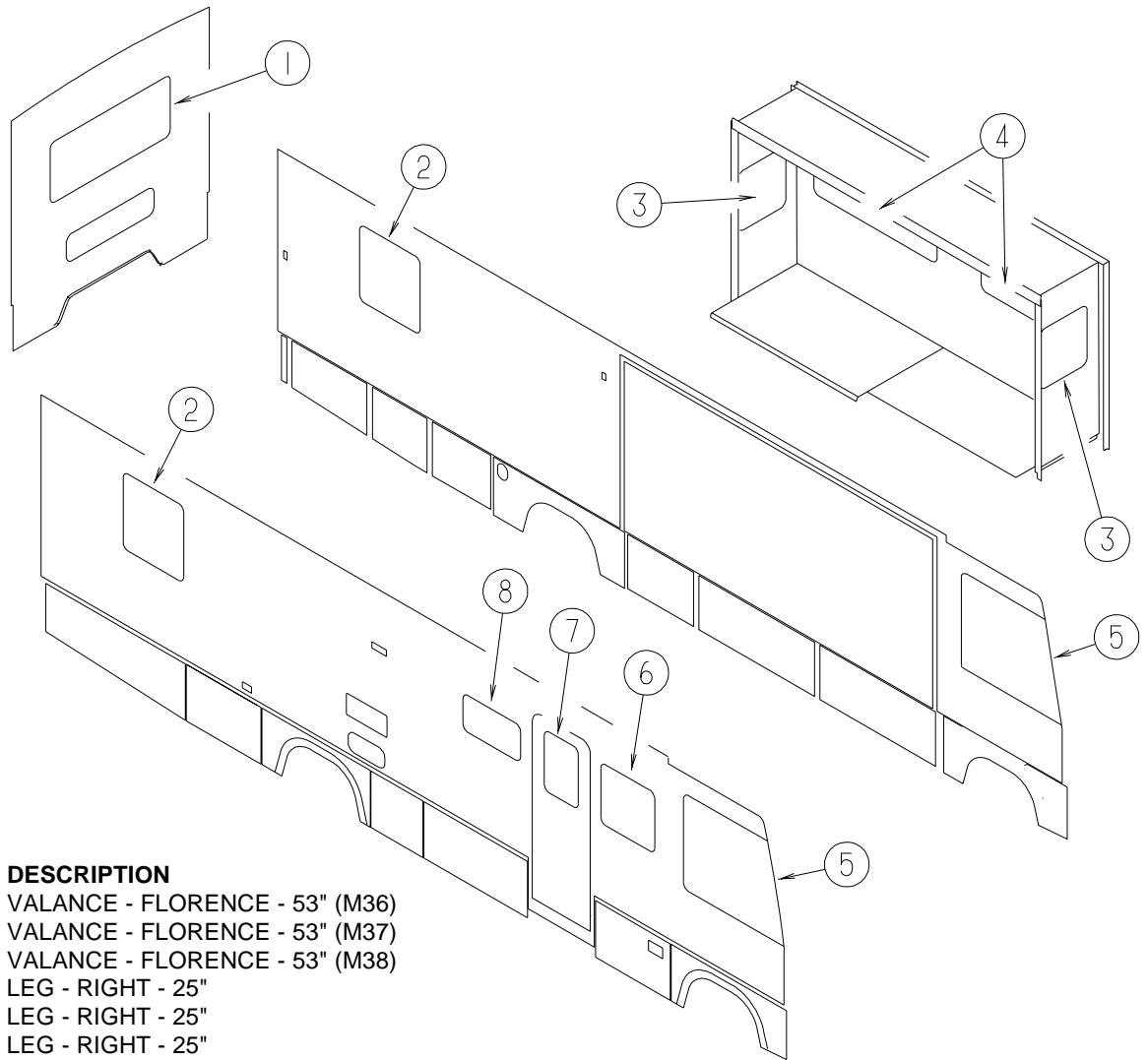


KEY	PART NUMBER	U/M	DESCRIPTION
1	129664-11-M28	EA	SEAT - BUCKET - W/ADJUSTABLE ARMREST (M28)
1	129664-11-M23	EA	SEAT - BUCKET - W/ADJUSTABLE ARMREST (M29)
1	132544-05-000	EA	BUCKET SEAT - W/FOOTREST (M36)
1	132544-06-000	EA	BUCKET SEAT - W/FOOTREST (M37)
1	132544-07-000	EA	BUCKET SEAT - W/FOOTREST (M38)
2	M05962-91-M28	EA	COVER - BACK (M28)
2	M05962-91-M23	EA	COVER - BACK (M29)
3	129716-07-M28	EA	ARMREST - RIGHT HAND/ADJUSTABLE (M28)
3	129716-07-M23	EA	ARMREST - RIGHT HAND/ADJUSTABLE (M29)
	P29716-07-M28	EA	COVER - ARMREST/RIGHT HAND (M28)
	P29716-07-M23	EA	COVER - ARMREST/RIGHT HAND (M29)
	122622-04-000	EA	BRACKET - ARMREST/RIGHT HAND - SUNRISE SE
	122622-06-000	EA	KNOB - W/3/8" THREAD INSERT - SUNRISE SE
	130699-01-000	EA	ARMREST - MOLDED - RIGHT HAND W/O COVER - SUNRISE SE
4	129716-08-M28	EA	ARMREST - LEFT HAND/ADJUSTABLE (M28)
4	129716-08-M23	EA	ARMREST - LEFT HAND/ADJUSTABLE (M29)
	P29716-08-M28	EA	COVER - ARMREST/LEFT HAND (M28)
	P29716-08-M23	EA	COVER - ARMREST/LEFT HAND (M29)
	122622-05-000	EA	BRACKET - ARMREST/LEFT HAND - SUNRISE SE
	122622-06-000	EA	KNOB - W/3/8" THREAD INSERT - SUNRISE SE
	130699-02-000	EA	ARMREST - MOLDED - LEFT HAND W/O COVER - SUNRISE SE

CURTAIN & CUSHION GROUP (CONTINUED)**LOUNGE CHAIR (CONTINUED)**

KEY	PART NUMBER	U/M	DESCRIPTION
5	M05962-92-M28	EA	COVER - SEAT (M28)
5	M05962-92-M23	EA	COVER - SEAT (M29)
6	134532-01-000	EA	FRAME - SEAT/HIGH BACK - SUNRISE SE
7	117125-01-02B	EA	BRACKET - CABLE MOUNT - ADJUSTER W/LOCK - SUNRISE SE
8	119952-02-000	EA	SLIDE/SEAT - HEAVY DUTY NON LOCKING - SUNRISE SE
9	107921-05-000	EA	TOP PLATE - W/SEAT BELT BAR - SUNRISE SE FROM: 00-00-00 THRU: 09-30-00
9	133408-08-000	EA	TOP PLATE - W/BAR - SUNRISE SE FROM: 10-01-00 THRU: 99-99-99
10	107921-06-000	EA	BEARING KIT - PEDESTAL - SUNRISE SE
11	107921-01-000	EA	PEDESTAL/FLOOR MOUNTED - W/9.75" EXTENSION FROM: 00-00-00 THRU: 09-30-00
11	133408-01-000	EA	PEDESTAL/SEAT - 9 3/4" FROM: 10-01-00 THRU: 99-99-99
12	080730-09-000	EA	SHIELD - RECLINER HANDLE - SUNRISE SE
13	080730-08-000	EA	HANDLE - RECLINER - SUNRISE SE
14	080730-11-000	EA	SHIELD - RUBBER BOOT - SUNRISE SE
15	131566-04-000	EA	SLIDE/SEAT - HEAVY DUTY LOCKING - 5" - SUNRISE SE
16	108049-04-000	EA	CABLE - W/MINI LEVER ACTION SWITCH - 28" SHEATH/30" CABLE - SUNRISE SE
	108049-02-000	EA	CLIP - CABLE/PEDESTAL - SUNRISE SE
17	127159-02-02B	EA	BRACKET - SEAT RELEASE - DUAL REMOTE - SUNRISE SE
18	071126-74-L25	EA	SKIRT - LARGE CHAIR (M28)
18	071126-74-M23	EA	SKIRT - LARGE CHAIR (M29)
	108445-02-000	EA	PLATE/FLOOR MOUNTED - PEDESTAL SEAT

CURTAIN & CUSHION GROUP (CONTINUED)
WINDOW TREATMENT



KEY	PART NUMBER	U/M	DESCRIPTION
1	132689-01-M04	EA	VALANCE - FLORENCE - 53" (M36)
1	132689-01-M29	EA	VALANCE - FLORENCE - 53" (M37)
1	132689-01-M06	EA	VALANCE - FLORENCE - 53" (M38)
1	127017-07-M36	EA	LEG - RIGHT - 25"
1	127017-07-M37	EA	LEG - RIGHT - 25"
1	127017-07-M38	EA	LEG - RIGHT - 25"
1	127017-08-M36	EA	LEG - LEFT - 25"
1	127017-08-M37	EA	LEG - LEFT - 25"
1	127017-08-M38	EA	LEG - LEFT - 25"
1	111910-62-M36	EA	BLIND - DAY/NIGHTER - 49" X 27" (M36)
1	111910-62-M37	EA	BLIND - DAY/NIGHTER - 49" X 27" (M37,M38)
2	132689-02-M36	EA	VALANCE - FLORENCE - 34.5" (M36)
2	132689-02-M29	EA	VALANCE - FLORENCE - 34.5" (M37)
2	132689-02-M38	EA	VALANCE - FLORENCE - 34.5" (M38)
2	127017-09-M36	EA	LEG - RIGHT - 34"
2	127017-09-M37	EA	LEG - RIGHT - 34"
2	127017-09-M38	EA	LEG - RIGHT - 34"
2	127017-10-M36	EA	LEG - LEFT - 34"
2	127017-10-M37	EA	LEG - LEFT - 34"
2	127017-10-M38	EA	LEG - LEFT - 34"
2	111910-58-M36	EA	BLIND - DAY/NIGHTER - 31" X 37" (M36)
2	111910-58-M37	EA	BLIND - DAY/NIGHTER - 31" X 37" (M37,M38)
3	132349-14-M36	EA	VALANCE - BUTTON WRAP - 26.5"
3	132349-15-M36	EA	VALANCE - BUTTON WRAP - 25.5"
3	132349-14-M37	EA	VALANCE - BUTTON WRAP - 26.5"
3	132349-15-M37	EA	VALANCE - BUTTON WRAP - 25.5"
3	132349-14-M38	EA	VALANCE - BUTTON WRAP - 26.5"
3	132349-15-M38	EA	VALANCE - BUTTON WRAP - 25.5"

FROM: 00-00-00 THRU: 07-23-00

FROM: 07-24-00 THRU: 99-99-99

FROM: 00-00-00 THRU: 07-23-00

FROM: 07-24-00 THRU: 99-99-99

FROM: 00-00-00 THRU: 07-23-00

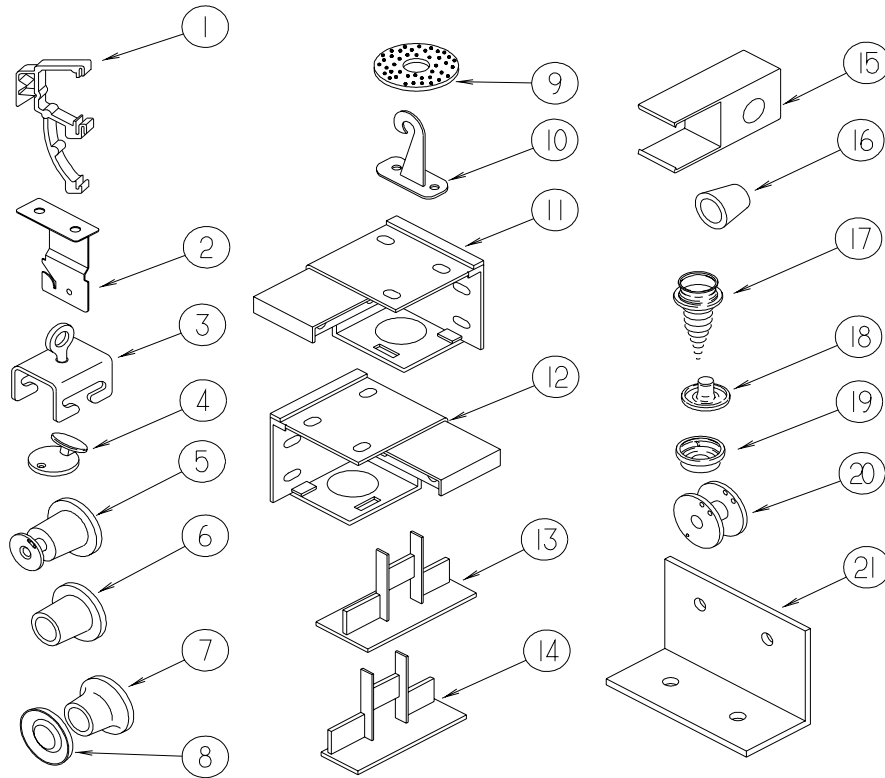
FROM: 07-24-00 THRU: 99-99-99

CURTAIN & CUSHION GROUP (CONTINUED)**WINDOW TREATMENT (CONTINUED)**

KEY	PART NUMBER	U/M	DESCRIPTION
3	123910-61-M36	EA	LEG - RIGHT - 23.5" FROM: 00-00-00 THRU: 07-23-00
3	136988-03-M36	EA	LEG - RIGHT - 22" - FABRIC COVERED FROM: 07-24-00 THRU: 99-99-99
3	123910-61-M37	EA	LEG - RIGHT - 23.5" FROM: 00-00-00 THRU: 07-23-00
3	136988-03-M37	EA	LEG - RIGHT - 22" - FABRIC COVERED FROM: 07-24-00 THRU: 99-99-99
3	123910-61-M38	EA	LEG - RIGHT - 23.5" FROM: 00-00-00 THRU: 07-23-00
3	136988-03-M38	EA	LEG - RIGHT - 22" - FABRIC COVERED FROM: 07-24-00 THRU: 99-99-99
3	123910-62-M36	EA	LEG - LEFT - 23.5" FROM: 00-00-00 THRU: 07-23-00
3	136988-04-M36	EA	LEG - LEFT - 22" - FABRIC COVERED FROM: 07-24-00 THRU: 99-99-99
3	123910-62-M37	EA	LEG - LEFT - 23.5" FROM: 00-00-00 THRU: 07-23-00
3	136988-04-M37	EA	LEG - LEFT - 22" - FABRIC COVERED FROM: 07-24-00 THRU: 99-99-99
3	123910-62-M38	EA	LEG - LEFT - 23.5" FROM: 00-00-00 THRU: 07-23-00
3	136988-04-M38	EA	LEG - LEFT - 22" - FABRIC COVERED FROM: 07-24-00 THRU: 99-99-99
3	111910-69-M36	EA	BLIND - DAY/NIGHTER - 23" X 26.5" (M36)
3	111910-69-M37	EA	BLIND - DAY/NIGHTER - 23" X 26.5" (M37,M38) FROM: 00-00-00 THRU: 07-23-00
3	111910-74-M30	EA	BLIND - DAY/NIGHTER - 22.5" X 23" (M37,M38) FROM: 07-24-00 THRU: 99-99-99
4	132349-06-M04	EA	VALANCE - 62" (M36)
4	132349-06-M37	EA	VALANCE - 62" (M37)
4	132349-06-M06	EA	VALANCE - 62" (M38)
4	127017-41-K26	EA	LEG - RIGHT - 23.5" (M36)
4	127017-41-M37	EA	LEG - RIGHT - 23.5" (M37)
4	127017-41-M38	EA	LEG - RIGHT - 23.5" (M38)
4	127017-42-M36	EA	LEG - LEFT - 23.5" (M36)
4	127017-42-M37	EA	LEG - LEFT - 23.5" (M37)
4	127017-42-M38	EA	LEG - LEFT - 23.5" (M38)
4	111910-55-M36	EA	BLIND - DAY/NIGHTER - 59" X 26.5" (M36)
4	111910-55-M37	EA	BLIND - DAY/NIGHTER - 59" X 26.5" (M37,M38)
5	101668-67-J22	EA	CURTAIN - RIGHT HAND/LEFT HAND - 42" X 110"
5	073260-42-M22	EA	TIEBACK - 6" X 18"
6	132349-13-M36	EA	VALANCE - BUTTON WRAP - 31.5" (M36)
6	132349-13-M37	EA	VALANCE - BUTTON WRAP - 31.5" (M37)
6	132349-13-M38	EA	VALANCE - BUTTON WRAP - 31.5" (M38)
6	127017-01-K26	EA	LEG - RIGHT - 25" (M36)
6	127017-01-M29	EA	LEG - RIGHT - 25" (M37)
6	127017-01-L03	EA	LEG - RIGHT - 25" (M38)
6	127017-02-K26	EA	LEG - LEFT - 25" (M36)
6	127017-02-M29	EA	LEG - LEFT - 25" (M37)
6	127017-02-L03	EA	LEG - LEFT - 25" (M38)
6	111910-20-M36	EA	BLIND - DAY/NIGHTER - 28" X 28" (M36)
6	111910-20-M37	EA	BLIND - DAY/NIGHTER - 28" X 28" (M37,M38)
7	120820-27-M36	EA	VALANCE - 15" X 34.5" - W/CLOCK
7	120820-27-M37	EA	VALANCE - 15" X 34.5" - W/CLOCK
7	120820-27-M38	EA	VALANCE - 15" X 34.5" - W/CLOCK
7	084755-57-E07	EA	SHADE - PULL - 27.25"
8	109041-58-03A	EA	BLIND - MINI - 30.5"

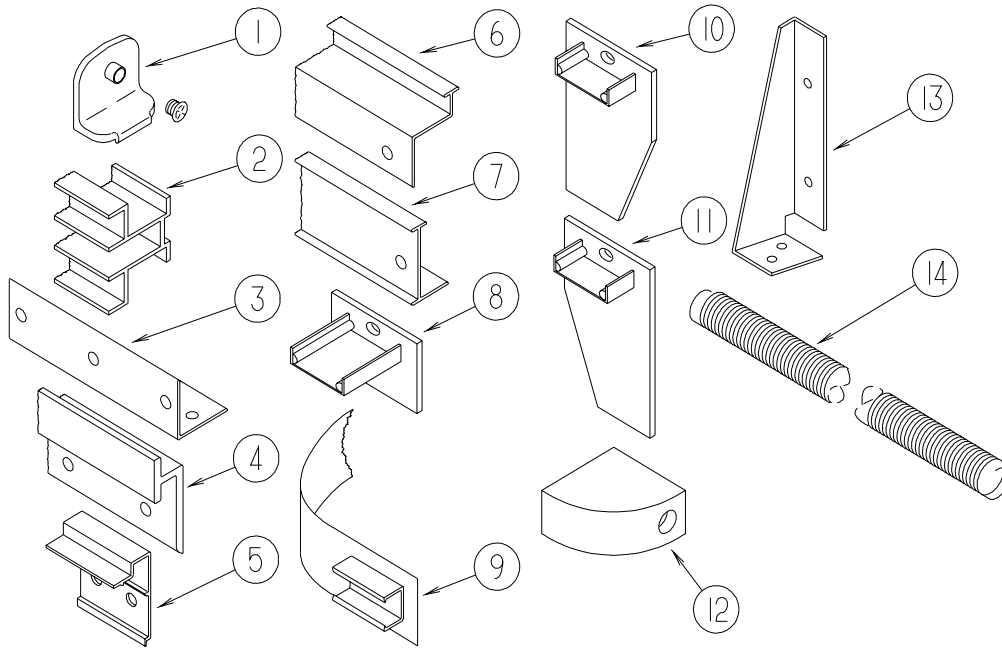
CURTAIN & CUSHION GROUP (CONTINUED)

HARDWARE



KEY	PART NUMBER	U/M	DESCRIPTION
1	109353-04-000	EA	CLIP - VALANCE SLAT MOUNTING - CLEAR PLASTIC
2	084434-01-000	EA	BRACKET - MOUNTING - ROLLER SHADE - 1 3/8"
	096843-01-000	EA	SPRING - REWIND/ROLLER SHADE
3	009702-01-000	EA	END STOP - CURTAIN CARRIER - L ROD
4	102555-03-000	EA	CLEAT - BLIND CORD - MILKY WHITE PLASTIC
5	097592-02-000	EA	SPOOL - CORD - ELEVATED BLIND HOLDUP - LARGE - CLEAR
6	094896-02-000	EA	GROMMET - CORD/PLEATED BLIND - NYLON - GRAY
7	046867-03-000	EA	GROMMET - HANDY BUTTON #3
8	046867-02-000	EA	WASHER - HANDY BUTTON #3
9	103242-01-000	EA	VELCRO HOOK - BEIGE 7/8" ROUND W/CENTER HOLE
9	103242-02-000	EA	VELCRO HOOK - BLACK 7/8" ROUND W/CENTER HOLE
10	109441-03-000	EA	BRACKET/HOOK - BLIND HOLD DOWN - CLOUDY
11	083170-01-000	EA	BRACKET/BLIND - LEFT SIDE WHEN FACING WINDOW - CLEAR
12	083170-02-000	EA	BRACKET/BLIND - RIGHT SIDE WHEN FACING WINDOW - CLEAR
13	094907-04-000	EA	END CAP - PLEATED BLIND/BOTTOM - RH & LH
14	094907-02-000	EA	END CAP - PLEATED BLIND/TOP - PLASTIC - GRAY
15	101033-02-000	EA	END CAP - LOW PROFILE TRACK - CLEAR
16	097564-03-000	EA	HANDLE - KNOB - E-Z LIFT SHADE - TAN
16	097564-05-000	EA	HANDLE - KNOB - E-Z LIFT SHADE - TEAL
16	097564-06-000	EA	HANDLE - KNOB - E-Z LIFT SHADE - ALABASTER
16	097564-08-000	EA	HANDLE - KNOB - E-Z LIFT SHADE - PLUM
17	029130-01-000	EA	SCREW - SNAP STUD - #8-16 X 3/8" LONG
17	029130-03-000	EA	SCREW - SNAP STUD - #8-16 X 1" LONG
18	029155-01-000	EA	CAP - SNAP - 5/32" OUTSIDE DIAMETER OF PIN
19	029156-01-000	EA	SOCKET - SNAP - 9/16" O.D.
20	097592-01-000	EA	SPOOL - CORD - ELEVATED BLIND HOLDUP - SMALL - CLEAR
21	083125-07-000	EA	BRACE - ANGLE/COUCH - 2.5" - OFF WHITE
21	083125-08-000	EA	BRACE - WINDOW MOUNT - .75" - OFF WHITE

CURTAIN & CUSHION GROUP (CONTINUED)
HARDWARE (CONTINUED)

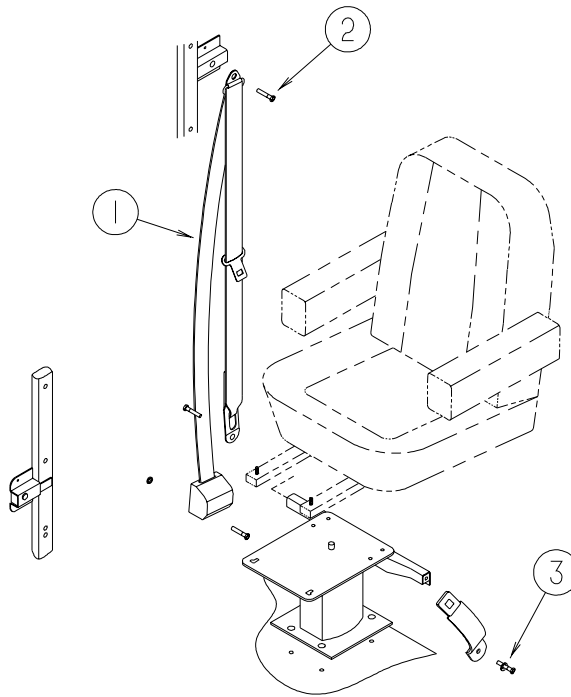


KEY	PART NUMBER	U/M	DESCRIPTION
1	106544-01-000	EA	PULL - SHADE/BRASS
	106544-01-001	EA	SCREW - SHADE/BRASS
2	101033-03-000	FT	TRACK/WALL - 101" - WHITE
2	101033-08-000	EA	TRACK/WALL - 75"
2	101033-09-000	EA	TRACK/WALL - 32"
3	105648-01-02A	EA	BRACE - VALANCE - OFF/WHITE - 14"
3	075943-10-000	EA	BRACE - VALANCE - 20" - OFF WHITE
4	127254-03-02A	EA	TRACK/WRAPAROUND - PASSENGER - ANTELOPE - F SERIES
4	127254-03-03A	EA	TRACK/WRAPAROUND - PASSENGER - TITANIUM - F SERIES
4	127254-04-02A	EA	TRACK/WRAPAROUND - DRIVER - ANTELOPE - F SERIES
4	127254-04-03A	EA	TRACK/WRAPAROUND - DRIVER - TITANIUM - F SERIES
4	133235-01-03A	EA	TRACK - CURTAIN/LEFT HAND - CADDY CREAM - P SERIES
4	133236-01-03A	EA	TRACK - CURTAIN/RIGHT HAND - CADDY CREAM - P SERIES
5	097565-01-000	EA	BRACKET - MOUNTING/PLEATED BLIND
6	105450-14-01A	EA	TRACK - CURTAIN - 90" - OFF WHITE - 300 SERIES
7	009700-04-002	EA	TRACK - CURTAIN - L SHAPED - 15.5' - OFF WHITE - 400 SERIES
7	126456-03-02A	EA	TRACK/WRAPAROUND - PASSENGER - ANTELOPE - L & G SERIES
7	126456-03-03A	EA	TRACK/WRAPAROUND - PASSENGER - TITANIUM - L SERIES
7	126456-04-02A	EA	TRACK/WRAPAROUND - DRIVER - ANTELOPE - L & G SERIES
7	126456-04-03A	EA	TRACK/WRAPAROUND - DRIVER - TITANIUM - L-SERIES
7	118896-05-03A	EA	TRACK/WRAPAROUND - PASSENGER - CADDY CREAM - Q-SERIES
7	118897-04-03A	EA	TRACK/WRAPAROUND - DRIVER - CADDY CREAM - Q-SERIES
8	094907-06-000	EA	HARDWARE - END CAP - E-Z LIFT - TOP
9	101031-01-000	YD	TAPE/GLIDE - 4.25" SPACING
10	094907-05-700	EA	END CAP-RH BOTTOM BLIND
11	094907-05-701	EA	END CAP-LH BOTTOM BLIND
12	132504-01-M91	EA	BRACKET/SHADE - LAMINATED - W/EDGE BAND MOLDING - RIALTA SERIES
13	076827-02-000	EA	BRACKET/LEG - 2.9" X 1.8" - TRIANGULAR - LEFT/E-COATED
14	097591-01-000	EA	SPRING - EXTENSION/PLEATED BLIND
	097593-02-000	FT	CORD - BLIND - PLEATED - GRAY
	097593-06-000	FT	CORD - BLIND - PLEATED - PEWTER
	097593-07-000	FT	CORD - BLIND - PLEATED - PALE JADE
	097593-10-000	FT	CORD - BLIND - PLEATED - VANILLA

CURTAIN & CUSHION GROUP (CONTINUED)

ACCESSORIES

KEY	PART NUMBER	U/M	DESCRIPTION
	056271-01-000	EA	SEAT BELT - 2" X 102" - BLACK
	056271-02-000	EA	SEAT BELT - 2" X 72" - BLACK
	007021-01-000	EA	SEAT BELT - 2" X 90" - BLACK
	057759-01-000	EA	WASHER - FLAT F/SEAT BELT - 4" DIAMETER
	070578-02-J52	EA	BUTTON - #30 - VINYL
	118337-04-M04	EA	BUTTON - #60 - FABRIC COVERED (M36) - SUNRISE
	118337-04-M29	EA	BUTTON - #60 - FABRIC COVERED (M37) - SUNRISE
	118337-04-M06	EA	BUTTON - #60 - FABRIC COVERED (M38) - SUNRISE
	118337-04-M28	EA	BUTTON - #60 - FABRIC COVERED (M28) - SUNRISE SE
	118337-04-M29	EA	BUTTON - #60 - FABRIC COVERED (M29) - SUNRISE SE
	118337-08-M28	EA	BUTTON - #60 - FABRIC COVERED (M28) - SUNRISE SE
	118337-08-M29	EA	BUTTON - #60 - FABRIC COVERED (M29) - SUNRISE SE
	074494-02-000	EA	BUTTON - RETAINING PIVOT - #60 - SUNRISE ONLY
	074494-03-000	EA	BUTTON - SERRATED PIVOT - W/3/8 TACK - SUNRISE ONLY
	057534-01-000	EA	TIEBACK - CLEAR PLASTIC - 6"
	057534-03-000	EA	TIEBACK - CLEAR PLASTIC - 7.5"



KEY	PART NUMBER	U/M	DESCRIPTION
1*	091990-04-01A	EA	SEAT BELT/SHOULDER HARNESS - DRIVERS/PASSENGER - BLACK
2	109146-01-000	EA	BOLT - SHOULDER/SEAT BELT
3	095076-02-000	EA	WASHER - FL - 7/16"ID X 2"OD X .06

CURTAIN & CUSHION GROUP (CONTINUED)

COMPONENT PARTS FOR ACCESSORIES

091990-04-01A

KEY	PART NUMBER	U/M	DESCRIPTION	VENDOR NO.
	091990-04-01A	EA	SEAT BELT/SHOULDER HARNESS - DRIVERS/PASSENGER - BLACK	INTERTEK A8408
	091990-01-701	EA	EXTENDER 9" FOR A8408 3 PT	I-1331-02
	091990-05-700	EA	SLEEVE/BUCKLE COVER-PLASTIC	209S-2
	091990-05-701	EA	CAP/COVER - BOLT HOLE COVER	209SC-02
	091990-05-702	EA	SLEEVE/RETRACTABLE COVER	309C-02
	091990-05-703	EA	EXTENDER 12"	I-1442-02

CURTAIN & CUSHION GROUP (CONTINUED)
FABRICS

FAMILY 2001 SUNRISE SE	M28 MOONSTONE	M29 SILVERADO
BUCKET	522 126883-72-000	522 126883-B6-000
DINETTE	CLUB 126883-67-000	CLUB 126883-A3-000
SOFA	695 W/CTR. WELT W/REM. ARMS 126883-67-000	695 W/CTR. WELT W/REM. ARMS 126883-A3-000
LOUNGE CHAIR	522 W/ADJ. ARMS 126883-72-000	522 W/ADJ. ARMS 126883-B6-000
LOUNGE WINDOWS	BUTTON WRAP UNDERLAY 126883-67-000 OVERLAY 126883-72-000 LEGS & BUTTON 126883-67-000	BUTTON WRAP UNDERLAY 126883-A3-000 OVERLAY 126883-B6-000 LEGS & BUTTON 126883-A3-000
FWA	CLOUDS MUSH. 072333-85-000	CLOUDS MUSH. 072333-85-000
DAY-NITERS LGE. & BEDRM.	COTTON 094911-53-000 WHT. DECO 094911-50-000	COTTON 094911-53-000 WHT. DECO 094911-50-000
DINETTE PADS	126883-72-000	126883-B6-000
LOUNGE PILLOWS 1 PER SOFA	17" W/BUTTON FLAP BODY 126883-72-000 FLAP 126883-67-000 BUTTON 126883-72-000	17" W/BUTTON FLAP BODY 126883-B6-000 FLAP 126883-A3-000 BUTTON 126883-B6-000
SHAMS	.25" NON-GATHERED 105745-N2-000 ACCENT WELT 105745-N3-000	.25" NON-GATHERED 105745-T7-000 ACCENT WELT 105745-B5-000

CURTAIN & CUSHION GROUP (CONTINUED)
FABRICS (CONTINUED)

FAMILY 2001 SUNRISE SE	M28 MOONSTONE	M29 SILVERADO
BEDROOM WINDOWS	FLORENCE UNDERLAY 105745-N3-000 OVERLAY 105745-N2-000 GATHERED LEGS 105745-N2-000	FLORENCE UNDERLAY 105745-B5-000 OVERLAY 105745-T7-000 GATHERED LEGS 105745-T7-000
BEDSPREADS DIAMOND PATTERN	CAP STYLE 105745-N2-000	CAP STYLE 105745-T7-000
OVHD. INSERTS LOUNGE & BEDROOM	LOUNGE 126883-72-000 BEDROOM 105745-N3-000	LOUNGE 126883-B6-000 BEDROOM 105745-B5-000
GALLEY MINI BLIND	386 SNO CAP	386 SNO CAP
MAP POCKETS	126883-72-000	126883-B6-000
FLOOR MATS	096060-G8-000 TAPE 102695-12-000	096060-G7-000 TAPE 102695-24-000
BEDROOM PILLOWS 1 PER MATTRESS	17" W/SQL. FLANGE BODY 105745-N2-000 FLANGE 105745-N3-000	17" W/SQL. FLANGE BODY 105745-T7-000 FLANGE 105745-B5-000
SUNVISORS	TITANIUM 123298-02-05A	TITANIUM 123298-02-05A
DRAPERY LINING	087272-03-000	087272-03-000
CEILING MATERIAL	113979-12-01A	113979-12-01A
TITANIUM VINYL	103907-01-08A 103907-02-08A	103907-01-08A 103907-02-08A
MADRID OFF WHITE VINYL	103907-01-01A	103907-01-01A

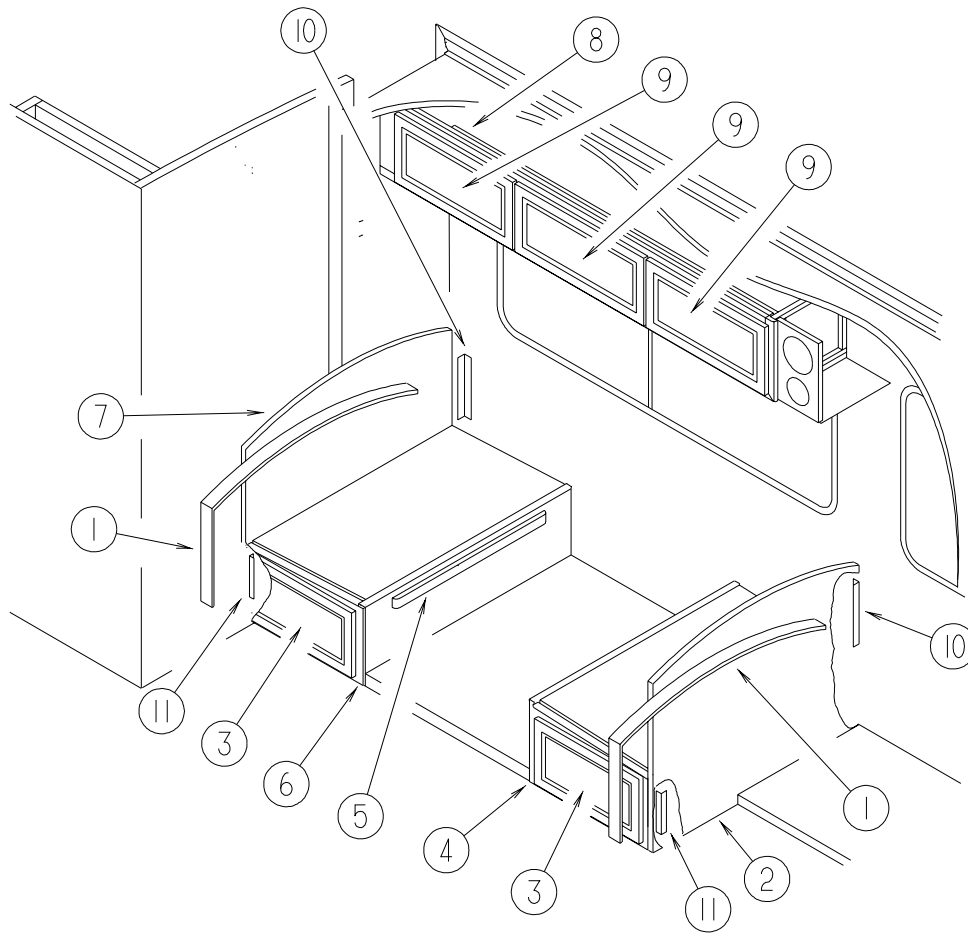
CURTAIN & CUSHION GROUP (CONTINUED)
FABRICS (CONTINUED)

FAMILY 2001 SUNRISE BASEMENT	M36 SEASPRAY	M37 SILVERADO	M38 ALMOND CREAM
BUCKET	550 108446-C5-000 *ULTRA - ANTIQUE PEARL	550 126883-B6-000 *ULTRA - ANTIQUE PEARL	550 108446-S6-000 *ULTRA - ANTIQUE PEARL
DINETTE	CLUB 126883-27-000	CLUB 126883-A3-000	CLUB 126883-47-000
SOFA	FLEXSTEEL 4322 OR 4865CS 126883-27-000	FLEXSTEEL 4322 OR 4865CS 126883-A3-000	FLEXSTEEL 4322 OR 4865CS 126883-47-000
LOUNGE CHAIR	551 FLEXSTEEL 126883-11-000	551 FLEXSTEEL 126883-B6-000	551 FLEXSTEEL 126883-53-000
LOUNGE WINDOWS	BUTTON WRAP UNDERLAY 126883-27-000 OVERLAY 108446-C5-000 LEGS & BUTTON 126883-27-000	BUTTON WRAP UNDERLAY 126883-A3-000 OVERLAY 126883-B6-000 LEGS & BUTTON 126883-A3-000	BUTTON WRAP UNDERLAY 126883-47-000 OVERLAY 108446-S6-000 LEGS & BUTTON 126883-47-000
FWA	CLOUDS MUSH. 072333-85-000	CLOUDS MUSH. 072333-85-000	CLOUDS MUSH. 072333-85-000
DAY-NITERS LGE. & BEDRM.	OCEAN SPRAY 094911-31-000 WHT. DECO 094911-50-000	COTTON 094911-53-000 WHT. DECO 094911-50-000	COTTON 094911-53-000 WHT. DECO 094911-50-000
DINETTE PADS	126883-11-000	126883-B6-000	126883-53-000
LOUNGE PILLOWS 1 PER SOFA	17" W/SELF WELT 126883-11-000	17" W/SELF WELT 126883-B6-000	17" W/SELF WELT 126883-53-000
SHAMS	QUILTED .5" NON-GATHERED 105745-K9-000 ACCENT WELT 105745-E7-000	QUILTED .5" NON-GATHERED 105745-T7-000 ACCENT WELT 105745-B5-000	QUILTED .5" NON-GATHERED 105745-M2-000 ACCENT WELT 105745-M3-000

CURTAIN & CUSHION GROUP (CONTINUED)
FABRICS (CONTINUED)

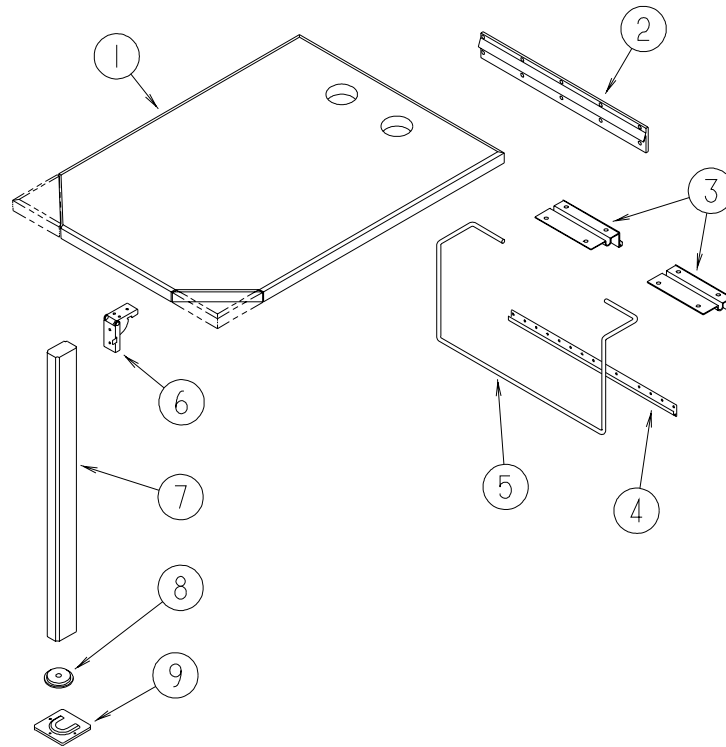
FAMILY 2001 SUNRISE BASEMENT	M36 SEASPRAY	M37 SILVERADO	M38 ALMOND CREAM
BEDROOM WINDOWS	FLORENCE UNDERLAY 105745-K9-000 OVERLAY 105745-E7-000 GATHERED LEGS 105745-K9-000	FLORENCE UNDERLAY 105745-T7-000 OVERLAY 105745-B5-000 GATHERED LEGS 105745-T7-000	FLORENCE UNDERLAY 105745-M2-000 OVERLAY 105745-M3-000 GATHERED LEGS 105745-M2-000
BEDSPREADS	BEDCAP W/.5" NON-GATHERED 105745-K9-000 ACCENT WELT 105745-E7-000	BEDCAP W/.5" NON-GATHERED 105745-T7-000 ACCENT WELT 105745-B5-000	BEDCAP W/.5" NON-GATHERED 105745-M2-000 ACCENT WELT 105745-M3-000
OVHD. INSERTS LOUNGE & BEDROOM	LOUNGE 126883-11-000 BEDROOM 105745-E7-000	LOUNGE 126883-B6-000 BEDROOM 105745-B5-000	LOUNGE 126883-53-000 BEDROOM 105745-M3-000
GALLEY MINI BLIND	386 SNO CAP	386 SNO CAP	386 SNO CAP
MAP POCKETS	108446-C5-000	126883-B6-000	108446-S6-000
FLOOR MATS	096060-H0-000 TAPE 102695-21-000	096060-G7-000 TAPE 102695-24-000	096060-H1-000 TAPE 102695-12-000
BEDROOM PILLOWS 1 PER MATTRESS	17" GATHERED FRONT 105745-K9-000 .5" ACCENT WELT NON-GATHERED 105745-E7-000	17" GATHERED FRONT 105745-T7-000 .5" ACCENT WELT NON-GATHERED 105745-B5-000	17" GATHERED FRONT 105745-M2-000 .5" ACCENT WELT NON-GATHERED 105745-M3-000
SUNVISORS	TITANIUM 123298-02-05A	TITANIUM 123298-02-05A	TITANIUM 123298-02-05A
DRAPERY LINING	087272-03-000	087272-03-000	087272-03-000
TITANIUM VINYL	103907-01-08A 103907-02-08A	103907-01-08A 103907-02-08A	103907-01-08A 103907-02-08A
CEILING MATERIAL	113979-12-01A	113979-12-01A	113979-12-01A

DINETTE GROUP CABINETS



KEY	PART NUMBER	U/M	DESCRIPTION
1	104787-28-L22	EA	PAD - DINETTE - 42" (M36)
1	104787-28-M31	EA	PAD - DINETTE - 42" (M37)
1	104787-28-M38	EA	PAD - DINETTE - 42" (M38)
2	M08755-05-M30	EA	CABINET - SEATBACK/RIGHT HAND - W/O HARDWARE
3	134783-02-M28	EA	DOOR - RAIL/SOLID PANEL - 10" X 19.1" - W/O HARDWARE
4	M08756-17-M30	EA	CABINET - SEATBASE/RIGHT HAND - W/O DOOR/DRAWER/HARDWARE
5	081295-01-N70	EA	SUPPORT - BED/DINETTE - 28" LONG
6	M08756-18-M30	EA	CABINET/SEATBASE - LEFT HAND - W/O DOOR/DRAWER/HARDWARE
7	M08755-06-M30	EA	CABINET - SEATBACK/LEFT HAND - W/O HARDWARE
8	136274-01-M30	EA	CABINET - OVERHEAD/DINETTE - W/O DOORS/HARDWARE (M36),
8	136274-01-M31	EA	CABINET - OVERHEAD/DINETTE - W/O DOORS/HARDWARE (M37)
8	136274-01-M38	EA	CABINET - OVERHEAD/DINETTE - W/O DOORS/HARDWARE (M38)
9	134781-59-M36	EA	DOOR - RAIL/VENEER - 10" X 19.1" - W/O HARDWARE
10	122021-02-02A	EA	ANGLE - W/HOLES - 13.7" LONG - OFF WHITE
11	122021-01-02A	EA	ANGLE - W/HOLES - 8.6" LONG - OFF WHITE

DINETTE GROUP (CONTINUED)
TABLE

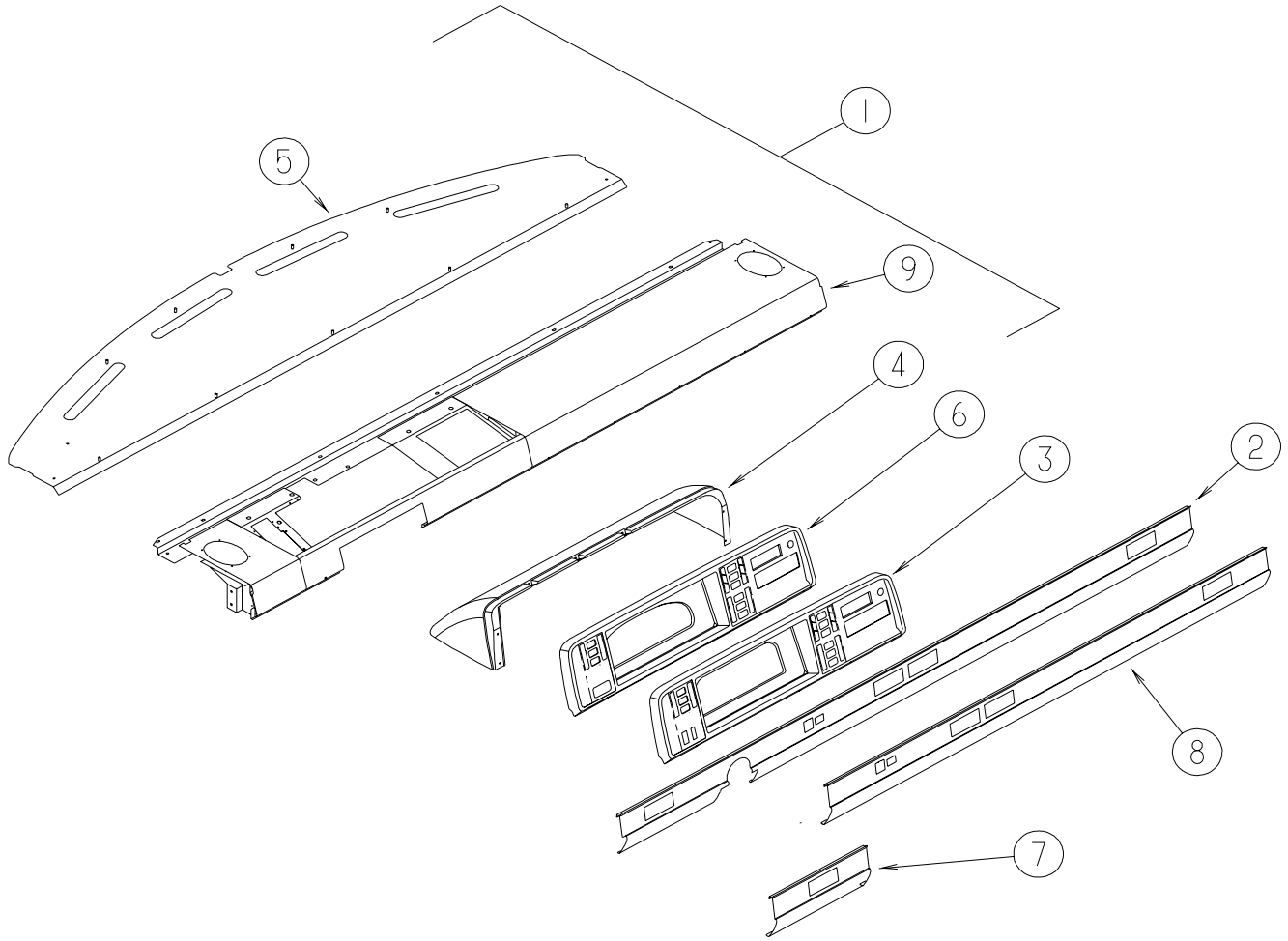


KEY	PART NUMBER	U/M	DESCRIPTION
1	132034-12-M30	EA	TABLE TOP ONLY - 41.6" X 29.7" (M36)
1	132034-12-M31	EA	TABLE TOP ONLY - 41.6" X 29.7" (M37)
1	132034-12-M32	EA	TABLE TOP ONLY - 41.6" X 29.7" (M38)
2	053200-13-000	EA	SUPPORT - TABLE - 18.5"
3	088410-02-000	EA	BRACKET - LIFT - TABLE MOUNTED
4	024281-15-000	EA	BRACKET/TABLE - LIFT ROD/LOWER WALL MOUNTED - 17.1"
5	024275-13-000	EA	ROD - TABLE LIFT - OFF/WHITE
6	093550-01-000	EA	BRACKET - HINGE - MOUNTS TO LEG & TABLE TOP - 1.7" X 2.6"
7	092707-04-09A	EA	LEG - TABLE - W/O HARDWARE - 27" - PORTSMOUTH OAK
8	092593-01-05A	EA	CATCH - TABLE LEG - OFF/WHITE
9	049493-12-000	EA	CATCH - TABLE LEG/FLOOR MOUNTED - OFF WHITE

DRIVERS COMPARTMENT GROUP

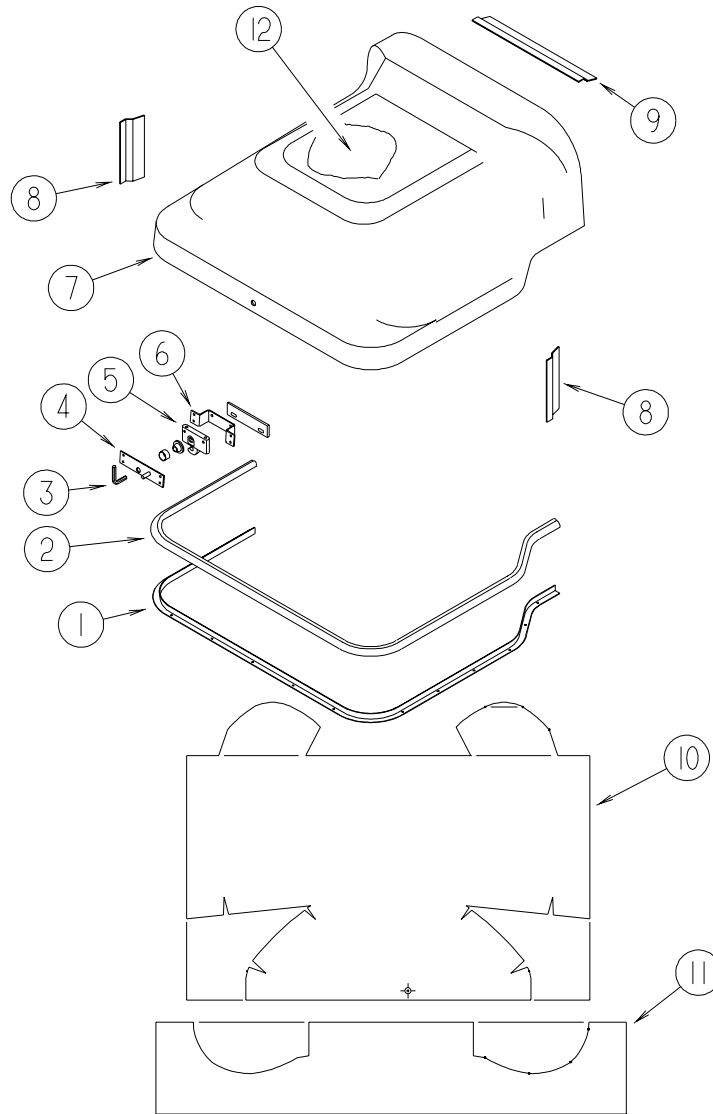
DASH

DASH ELECTRICAL COMPONENTS ARE LISTED IN THE ELECTRICAL GROUP



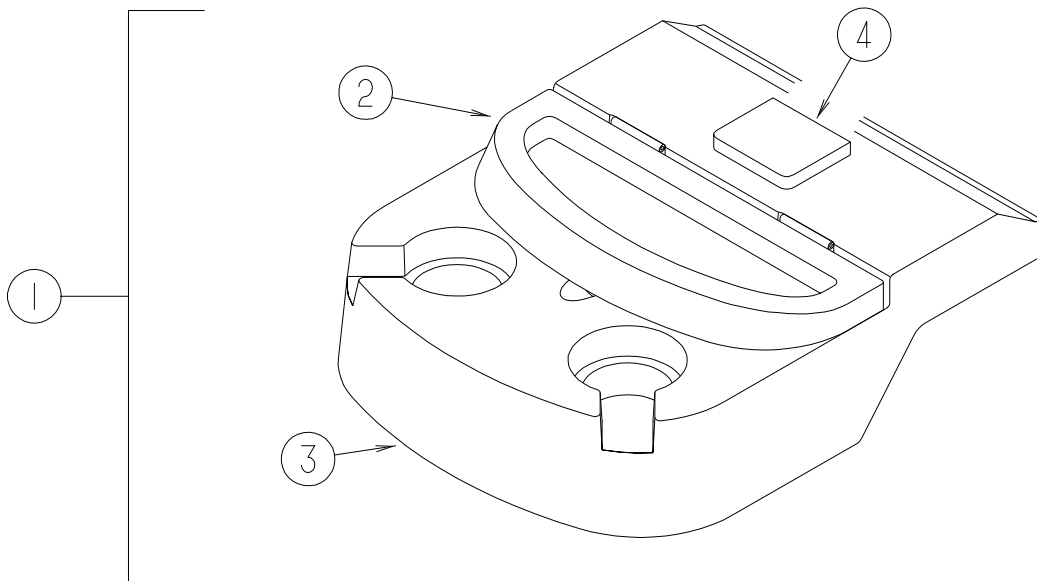
KEY	PART NUMBER	U/M	DESCRIPTION
1	P30276-06-000	EA	DASH - W/O VINYL - CHEVY - WORKHORSE
1	P30276-10-000	EA	DASH - W/O VINYL - FORD - FORD
	106569-11-02A	EA	VINYL - LAMINATE - TITANIUM - 1/4" X 25" X 100"
2	114620-01-05A	EA	TRIM - LOWER DASH - GM - 96" - TITANIUM - WORKHORSE
3	103662-08-01A	EA	BEZEL - INSTRUMENT PANEL 5.4" X 14" CLUSTER OPENING - WORKHORSE
4	125677-02-J52	EA	POD - INSTRUMENT PANEL - TITANIUM - WORKHORSE
4	125677-04-K58	EA	POD - INSTRUMENT PANEL - TITANIUM - FORD
5	118101-06-02B	EA	PANEL - DASH TOP - E-COATED
6	103662-14-01A	EA	BEZEL - INSTRUMENT PANEL - 99 FORD - FORD
7	111528-04-05A	EA	TRIM - LOWER DASH - DRIVER - TITANIUM - FORD
8	111528-03-06A	EA	TRIM - LOWER DASH - PASSENGER - TITANIUM - FORD
9	125956-08-02B	EA	DASH - E-COATED - FORD
9	125956-03-02B	EA	DASH - E-COATED - 2000 WORKHORSE
9	125956-09-02B	EA	DASH - E-COATED - 2001 WORKHORSE
	049176-01-000	EA	HEDLOCK II - 3/4 DIMETER SCREW MOUNT

DRIVERS COMPARTMENT GROUP (CONTINUED)
MOTOR COVER



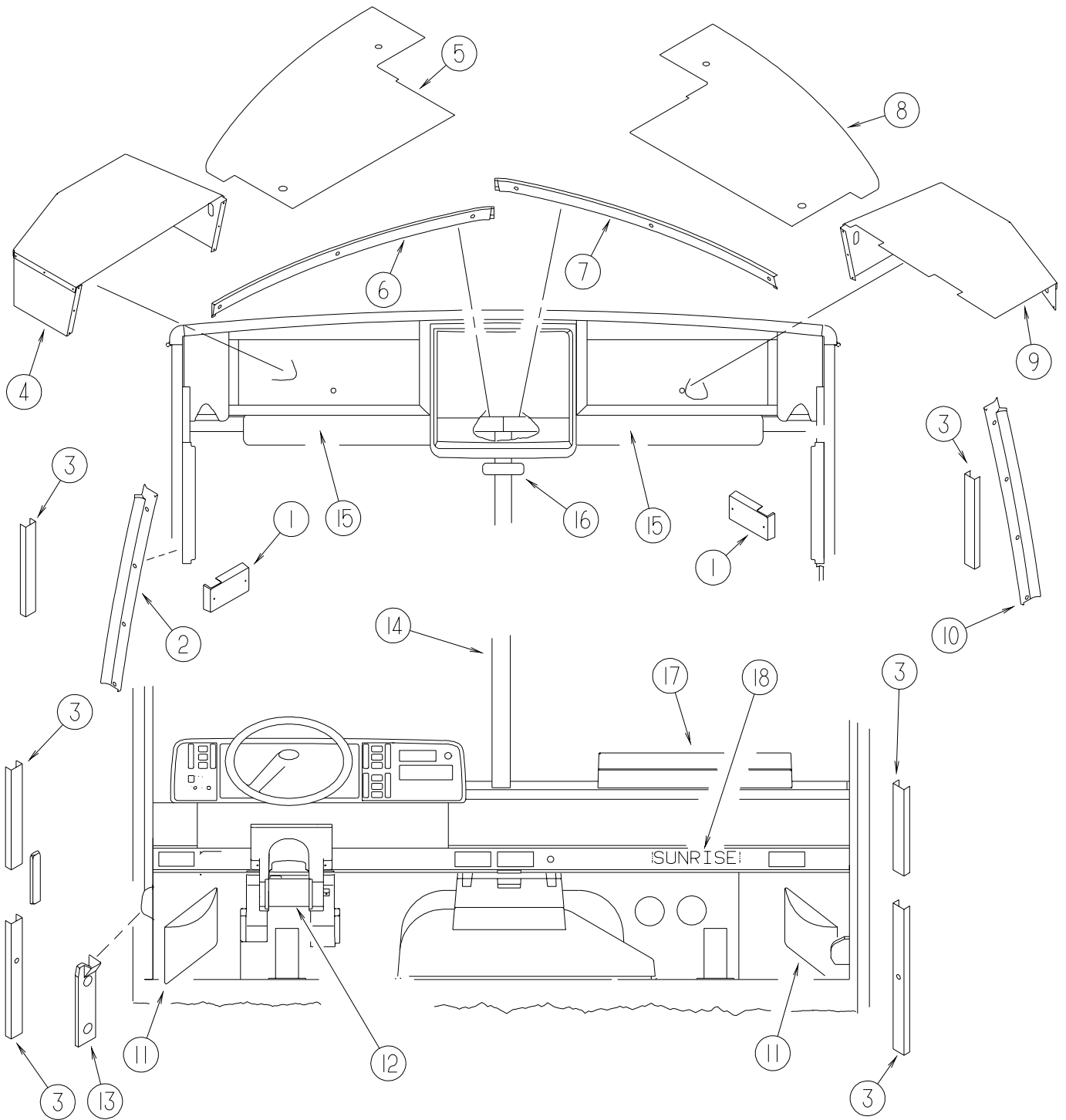
KEY	PART NUMBER	U/M	DESCRIPTION
1	115860-04-01A	EA	TRIM - MOTOR COVER - WORKHORSE
1	115860-05-01A	EA	TRIM - MOTOR COVER - MILL FINISH - FORD - FORD
2	039623-01-000	EA	SEAL - MOTOR COVER - RUBBER BULB TUBE
3	116833-01-02B	EA	WRENCH - HEX MOTOR COVER - E-COATED
4	115852-01-02B	EA	STRIKE - LATCH - MOTOR COVER - E-COATED
5	116581-01-000	EA	LATCH - W/O STRIKE - MOTOR COVER
6	115850-03-02B	EA	RETAINER - LATCH - MOTOR COVER - RIGHT HAND - E-COATED
			FROM: 00-00-00 THRU: 07-16-00
6	115850-01-02B	EA	RETAINER - LATCH - MOTOR COVER - RIGHT HAND - E-COATED
			FROM: 07-17-00 THRU: 99-99-99
7	129099-02-01A	EA	COVER - MOTOR - W/O CARPET - CHEVY P32 CHASSIS - WORKHORSE
7	129099-04-01A	EA	COVER - MOTOR - W/O CARPET - 00 FORD - FORD
8	115855-02-02B	EA	RETAINER - MOTOR COVER/SIDE - E-COATED
9	115855-03-02B	EA	RETAINER - MOTOR COVER/TOP - E-COATED
10	134455-01-000	EA	INSULATION/ENGINE COVER/MAIN - FORD
11	134455-02-000	EA	INSULATION/ENGINE COVER/Front - FORD
12	134497-01-000	SF	FOIL/ALUMINUM - REINFORCED - FORD

DRIVERS COMPARTMENT GROUP (CONTINUED)
BEVERAGE TRAY



KEY	PART NUMBER	U/M	DESCRIPTION
1	126008-02-J60	EA	TRAY - BEVERAGE - W/DOOR
2	128113-01-J60	EA	LID - BEVERAGE TRAY
3	128114-01-02A	EA	TRAY - BEVERAGE - TITANIUM
4	118719-01-01A	EA	ASHTRAY - TOP MOUNT - BLACK PLASTIC
	126010-01-02A	EA	SPACER - BEVERAGE TRAY

DRIVERS COMPARTMENT GROUP (CONTINUED)
FRONT INTERIOR



KEY	PART NUMBER	U/M	DESCRIPTION
1	103961-03-01A	EA	COVER - BRACKET - SEATBELT/OFF WHITE - SUNRISE
1	103961-02-01A	EA	COVER - BRACKET - SEATBELT/OFF WHITE - SUNRISE SE
2	125444-02-02A	EA	TRIM - A-PILLAR - INTERIOR - TITANIUM - SUNRISE
2	125444-04-02A	EA	TRIM - A-PILLAR/DRIVER - INTERIOR - TITANIUM - SUNRISE SE
3	024700-51-000	EA	COVER - ROLL BAR - 88" - OFF WHITE
4	126457-02-M30	EA	PANEL - CLOSEOUT/OVERHEAD FRONT - DRIVER
5	126440-04-J45	EA	PANEL - OVERHEAD/FRONT - BOTTOM/LEFT HAND
5	126440-16-M36	EA	PANEL - OVERHEAD/FRONT - BOTTOM/LEFT HAND
			FROM: 00-00-00 THRU: 04-09-00
6	118453-06-02A	EA	TRIM - WINDSHIELD - INNER/TOP/DRIVER - TITANIUM
7	118453-05-02A	EA	TRIM - WINDSHIELD - INNER/TOP/PASSENGER - TITANIUM

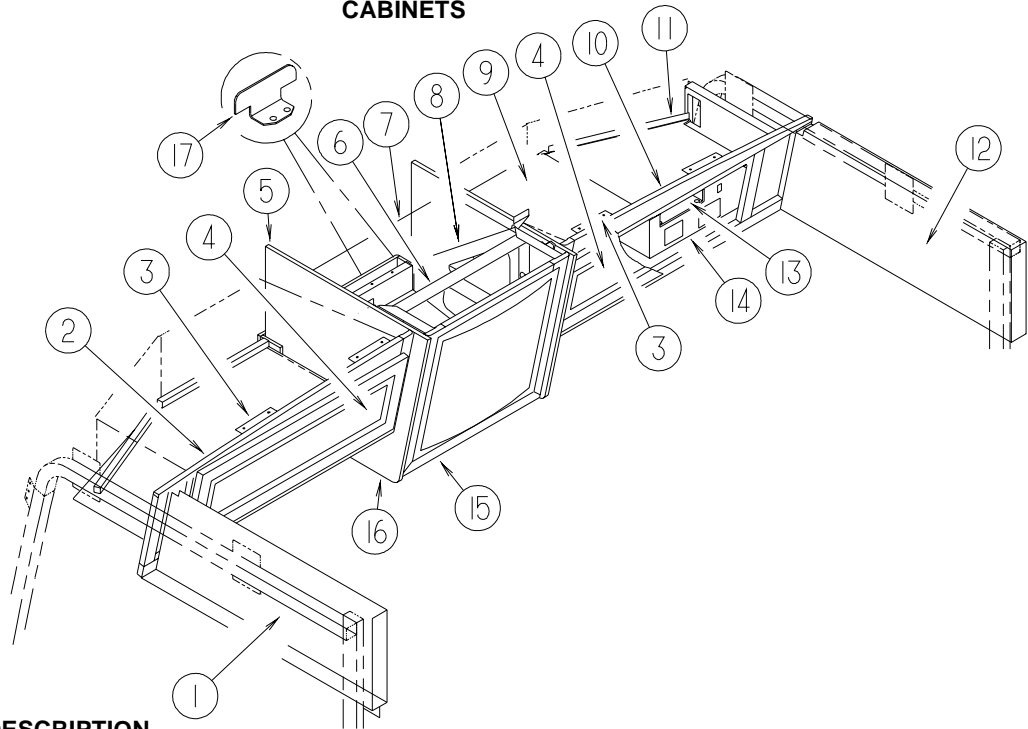
DRIVERS COMPARTMENT GROUP (CONTINUED)

FRONT INTERIOR (CONTINUED)

KEY	PART NUMBER	U/M	DESCRIPTION
8	126440-03-J45	EA	PANEL - OVERHEAD/FRONT - BOTTOM/RIGHT HAND FROM: 00-00-00 THRU: 04-09-00
8	126440-15-M36	EA	PANEL - OVERHEAD/FRONT - BOTTOM/RIGHT HAND FROM: 04-10-00 THRU: 99-99-99
9	126457-01-M30	EA	PANEL - CLOSEOUT/OVERHEAD FRONT - PASSENGER
10	125444-01-02A	EA	TRIM - A-PILLAR/PASSENGER - INTERIOR - TITANIUM - SUNRISE
10	125444-03-02A	EA	TRIM - A-PILLAR/PASSENGER - INTERIOR - TITANIUM - SUNRISE SE
11	086120-01-G30	EA	PAD - MAP POCKET - 12" X 16" (M36)
11	086120-01-M23	EA	PAD - MAP POCKET - 12" X 16" (M37,M29)
11	086120-01-L44	EA	PAD - MAP POCKET - 12" X 16" (M38)
11	086120-01-L25	EA	PAD - MAP POCKET - 12" X 16" (M28)
12	103498-09-000	EA	BOOT - STEERING COLUMN - W/1/2 CIRCLE - WORKHORSE
12	125795-01-01A	EA	COVER - STERING COLUM - LOWER - BLACK - FORD
12	131804-01-01A	EA	COVER - STEERING COLUMN - UPPER - BLACK - FORD
13	127901-01-02A	EA	PANEL - TOEKICK/LEFT HAND - TITANIUM
14	118452-03-02A	EA	TRIM - WINDSHIELD - CENTER - SUNRISE
14	118452-06-02A	EA	TRIM - WINDSHIELD - CENTER - TITANIUM - SUNRISE SE
15	123298-02-05A	EA	SUNVISOR - 10.5" X 28.5" - DRIVER/PASSENGER
16	040714-01-000	EA	MIRROR - REAR VIEW/ARM MOUNT & SET SCREW
16	067490-01-000	EA	BUTTON - MIRROR/REAR VIEW
17	127692-01-J50	EA	TABLE/WORK STATION - COMPLETE - TITANIUM
	127597-01-000	EA	SLIDE - WORK STATION - DASH - .4" LONG STUDS
18	126340-02-01A	EA	DECAL - LOGO - SUNRISE
	105924-01-M36	EA	MAT - FLOOR - 18" X 27" (M36)
	105924-01-M23	EA	MAT - FLOOR - 18" X 27" (M37)
	105924-01-M38	EA	MAT - FLOOR - 18" X 27" (M38)
	105924-01-L32	EA	MAT - FLOOR - 18" X 27" (M28)
	105924-01-M29	EA	MAT - FLOOR - 18" X 27" (M29)

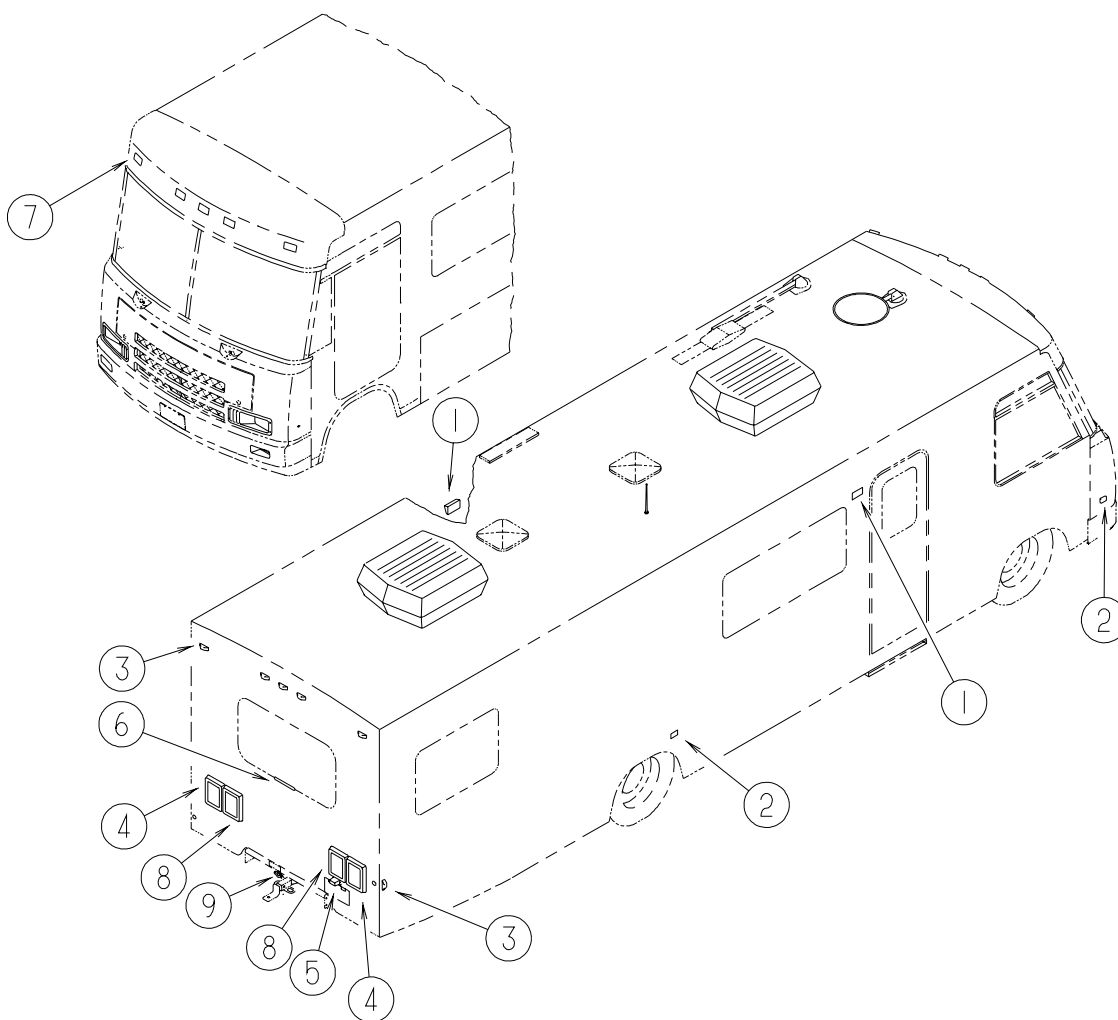
DRIVERS COMPARTMENT GROUP (CONTINUED)

CABINETS



KEY	PART NUMBER	U/M	DESCRIPTION
1	126765-02-M28	EA	PANEL - OVERHEAD/DRIVER - SUNRISE SE
1	126765-08-K50	EA	PANEL - OVERHEAD/DRIVER - SUNRISE
2	126877-02-M22	EA	CABINET - OVERHEAD/FRONT - LEFT HAND - W/O DOORS/HARDWARE FROM: 00-00-00 THRU: 04-09-00
2	126877-04-M22	EA	CABINET - OVERHEAD/FRONT - LEFT HAND - W/O DOORS/HARDWARE FROM: 04-10-00 THRU: 99-99-99
3	106699-01-01A	EA	BRACKET - OVERHEAD CABINET/TV
4	134781-17-M36	EA	DOOR - RAIL/VENEER - 10.8 X 27.9" - W/O HARDWARE
5	126081-02-02B	EA	BRACKET/SUPPORT - TV - 24 DEGREE - E-COATED - SUNRISE SE
5	126081-02-02B	EA	BRACKET/SUPPORT - TV - 24 DEGREE - E-COATED - SUNRISE FROM: 00-00-00 THRU: 11-05-00
5	126081-12-02B	EA	BRACKET/SUPPORT - TV - 24 DEGREE - E-COATED - SUNRISE FROM: 11-06-00 THRU: 99-99-99
6	114706-04-02B	EA	SUPPORT - SHELF/TV
7	126854-01-M28	EA	PANEL - HEADLINER/TV/TOP
8	126081-01-02B	EA	BRACKET/SUPPORT - TV - 24 DEGREE - E-COATED - SUNRISE SE
8	126081-01-02B	EA	BRACKET/SUPPORT - TV - 24 DEGREE - E-COATED - SUNRISE FROM: 00-00-00 THRU: 11-05-00
8	126081-11-02B	EA	BRACKET/SUPPORT - TV - 24 DEGREE - E-COATED - SUNRISE FROM: 11-06-00 THRU: 99-99-99
9	127637-01-02B	EA	SHELF - OVERHEAD/FRONT/LEFT HAND - E-COATED
10	126877-01-M22	EA	CABINET - OVERHEAD/FRONT - RIGHT HAND - W/O DOORS/HARDWARE FROM: 00-00-00 THRU: 04-09-00
10	126877-03-M22	EA	CABINET - OVERHEAD/FRONT - RIGHT HAND - W/O DOORS/HARDWARE FROM: 04-10-00 THRU: 99-99-99
11	126275-03-02B	EA	SHELF - OVERHEAD/FRONT - E-COATED
12	126765-01-M28	EA	PANEL - OVERHEAD/PASSENGER - SUNRISE SE
12	126765-07-K50	EA	PANEL - OVERHEAD/PASSENGER - SUNRISE
13	118847-02-02B	EA	MOUNT - SWITCH BOX - E-COATED
14	131807-01-L18	EA	PANEL - VINYL COVERED
14	131807-02-K58	EA	PANEL/SHELF - VINYL COVERED - W/NOTCH/ANTENNA CUTOUT
14	131807-03-K58	EA	PANEL/SHELF - VINYL COVERED - W/NOTCH/ANTENNA CUTOUT
15	125977-01-01A	EA	COVER - TV - OVERHEAD/FRONT - TITANIUM FROM: 00-00-00 THRU: 05-08-00
15	125977-03-01A	EA	COVER - TV - OVERHEAD/FRONT - TITANIUM FROM: 05-09-00 THRU: 99-99-99
16	126006-01-01A	EA	COVER - TV - OVERHEAD/BOTTOM - TITANIUM FROM: 00-00-00 THRU: 07-07-00
16	126006-05-01A	EA	COVER - TV - OVERHEAD/BOTTOM - TITANIUM FROM: 07-08-00 THRU: 99-99-99
17	137629-01-02B	EA	BRACKET - TV - E-COATED

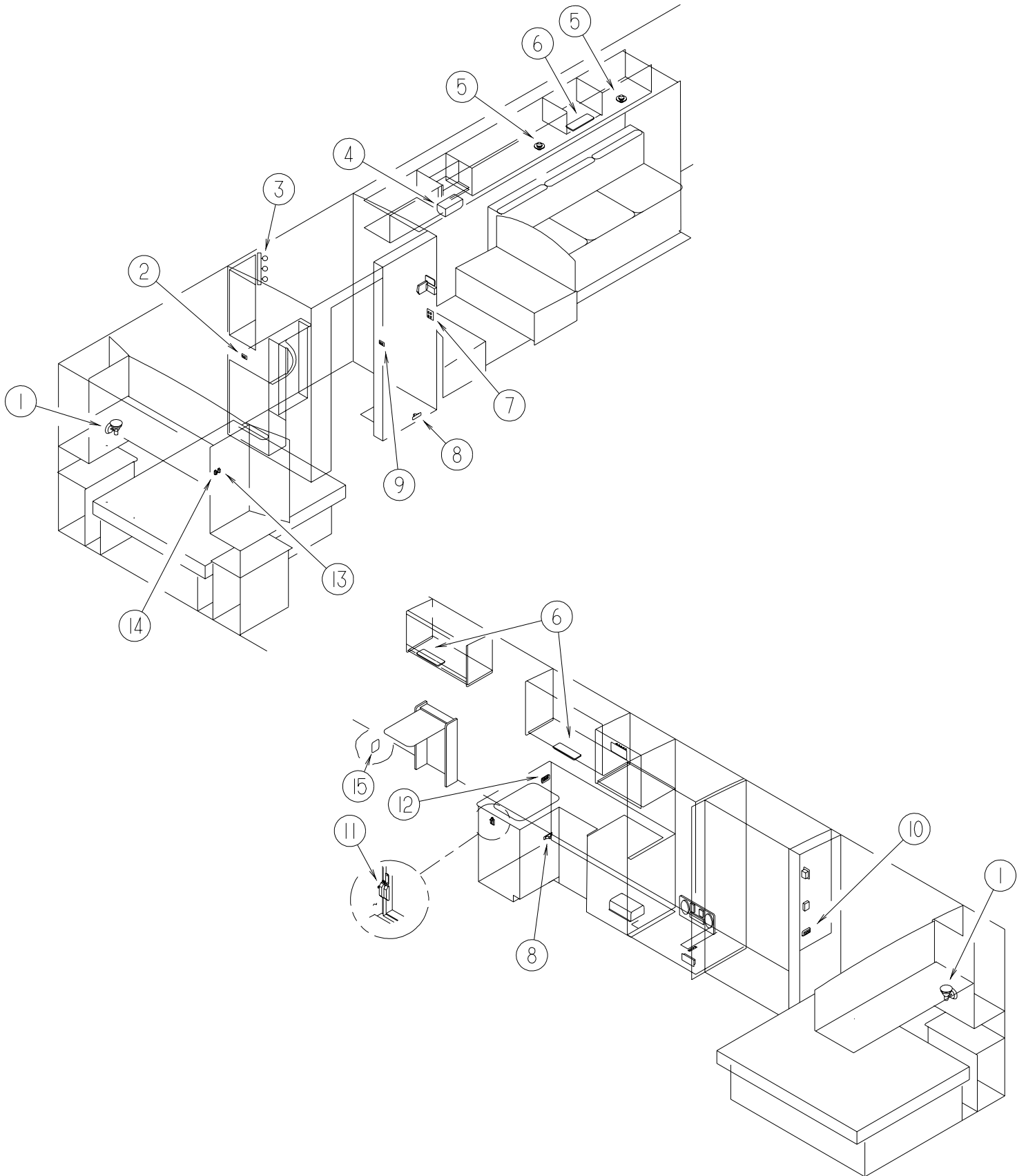
ELECTRICAL GROUP 12V BODY WIRING



KEY	PART NUMBER	U/M	DESCRIPTION
1*	097917-01-06A	EA	LIGHT - PORCH - BRIGHT WHITE
	008215-01-000	EA	BULB - 12 VOLT - #1003 - .94 AMP
1*	008089-02-000	EA	LIGHT - PORCH - RECESSED - CANADIAN
	008214-01-000	EA	BULB - 12 VOLT - #67 - .59 AMP
2	111102-01-000	EA	BASE - MARKER LAMP
	036196-01-000	EA	BULB - 12V - #194 - .27 AMP - BAYONETTE
2	111102-02-000	EA	LENS - AMBER - MARKER LAMP
3	111102-01-000	EA	BASE - MARKER LAMP
	036196-01-000	EA	BULB - 12V - #194 - .27 AMP - BAYONETTE
3	111102-03-000	EA	LENS - RED - MARKER LAMP
4*	115632-03-02A	EA	LIGHT - STOP/TAIL/BACKUP
5	066432-02-000	EA	LIGHT - LICENSE - BLACK
5	066432-03-000	EA	BRACKET - LICENSE PLATE
6	121950-01-000	EA	LIGHT - BRAKE - CENTER MOUNT
			FROM: 00-00-00 THRU: 10-01-00
6	136916-01-000	EA	LIGHT - CENTER BRAKE - L.E.D.
			FROM: 10-02-00 THRU: 99-99-99
7	102520-01-000	EA	LIGHT - CLEARANCE - W/O SOCKET/HOUSING - AMBER
7	102541-01-000	EA	GASKET - CLEARANCE LIGHT
7	036196-01-000	EA	BULB - 12V - #194 - .27 AMP - BAYONETTE
8*	115632-01-02A	EA	LIGHT - STOP/TURN/TAIL RED
9	113589-01-000	EA	CONNECTOR - PLUG - TRAILER
9	113589-02-000	EA	CONNECTOR - SOCKET - TRAILER
	121621-02-01A	EA	POD - TAIL LIGHT - BRIGHT WHITE

*COMPONENT PARTS LISTED LATER IN THIS GROUP

ELECTRICAL GROUP (CONTINUED)
12V BODY WIRING (CONTINUED)



KEY	PART NUMBER	U/M	DESCRIPTION
1	119258-11-01A	EA	LAMP - WALL - BRASS - UL/CSA
	117806-01-000	EA	BULB - 12V - #912 - 1.0 AMP
2	132180-01-01A	EA	SWITCH - PADDLE - SPST - ON/OFF - BLACK
2	132180-02-01A	EA	SWITCH - PADDLE - SPDT - ON/ON - BLACK
2	098351-02-01A	EA	PLATE/SWITCH - 2 GANG - POLISHED BRASS - W/O LABEL

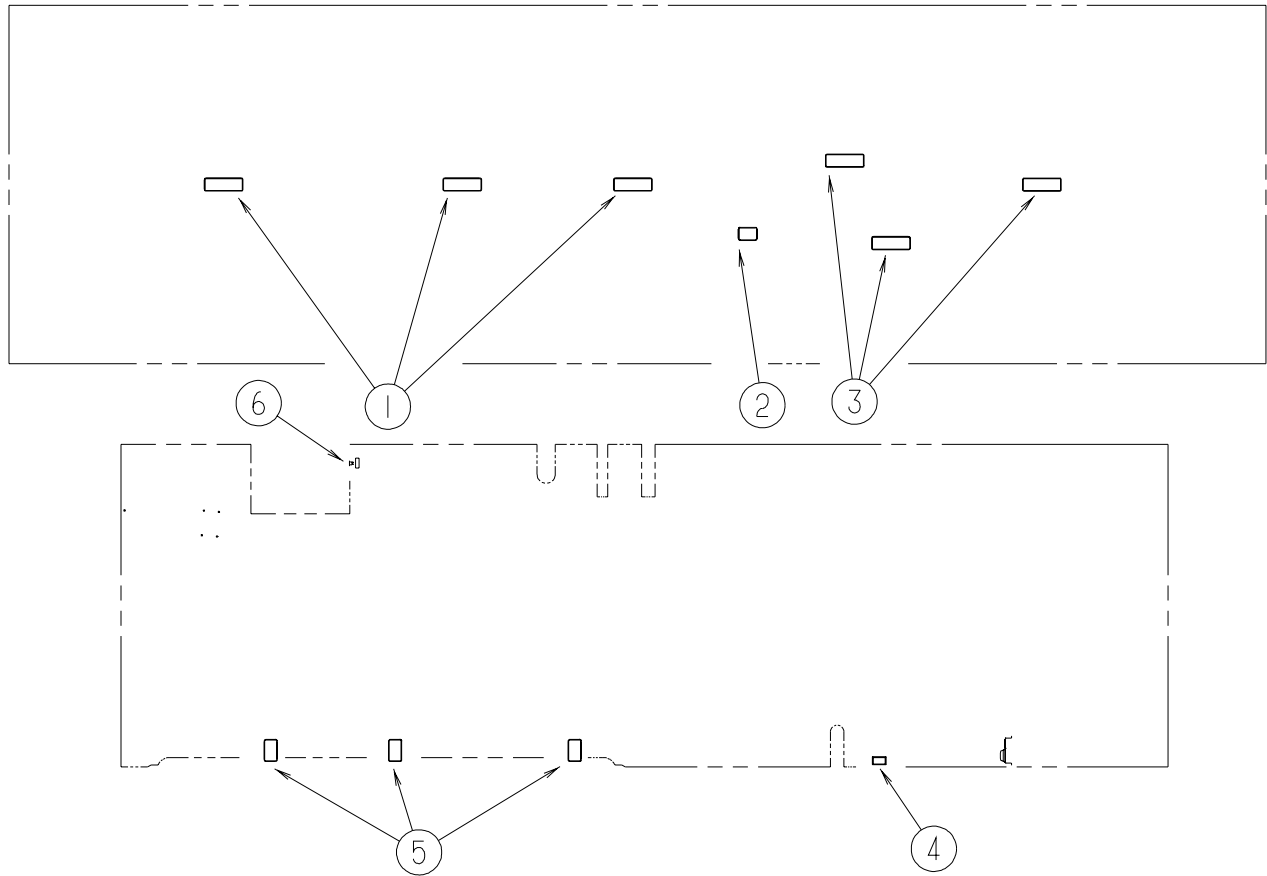
ELECTRICAL GROUP (CONTINUED)

12V BODY WIRING (CONTINUED)

KEY	PART NUMBER	U/M	DESCRIPTION
3*	110235-01-01A	EA	LIGHT - MAKE UP - 3 BULB - 12 VOLT
4*	093575-06-01A	EA	LIGHT - CEILING/FLUTED
	008218-01-000	EA	BULB - 12 VOLT - #1141 - 1.44 AMP
5	132427-01-01A	EA	LIGHT - READING/SWIVEL/ROUND - BRASS
	123917-01-000	EA	BULB - 12V - HALOGEN SPOT
6*	098024-06-02A	EA	LIGHT - DOME - 2 BULB - SKYLITE/OPTI CLEAR
	008218-01-000	EA	BULB - 12 VOLT - #1141 - 1.44 AMP
7	132180-01-01A	EA	SWITCH - PADDLE - SPST - ON/OFF - BLACK
7	132180-02-01A	EA	SWITCH - PADDLE - SPDT - ON/ON - BLACK
7	098351-13-01A	EA	PLATE/SWITCH - 4 GANG - POLISHED BRASS - W/O LABEL
8	061424-01-000	EA	LIGHT - AISLE - 12 VOLT - RECTANGULAR
9	132180-01-01A	EA	SWITCH - PADDLE - SPST - ON/OFF - BLACK
9	098351-02-01A	EA	PLATE/SWITCH - 2 GANG - POLISHED BRASS - W/O LABEL
10	098351-02-01A	EA	PLATE/SWITCH - 2 GANG - POLISHED BRASS - W/O LABEL
10	079364-04-000	EA	SWITCH - ON/OFF ROCKER - 2 TERMINAL - BLACK
10	079364-02-000	EA	SWITCH - ON/OFF ROCKER - 3 TERMINAL - BLACK
11	132900-02-01A	EA	SWITCH/MAGNETIC - F/SCS ELECTRIC STEP - WHITE
12	132180-01-01A	EA	SWITCH - PADDLE - SPST - ON/OFF - BLACK
12	098351-05-01A	EA	PLATE/SWITCH - 3 GANG - POLISHED BRASS-PORCH/CEILING/STEP
12	095188-02-01A	EA	SPACER - SWITCH - 2.3" X 4.1" - PLASTIC - DARK BROWN
13	108357-01-000	EA	SWITCH - ROCKER - SPST - ON/OFF - 2 TERMINAL
13	108356-02-01A	EA	COVER/ACTUATOR SWITCH - 2 ROWS DIMPLES- CONTURA II - BLACK
13	108355-01-000	EA	HOUSING - SWITCH
14	108357-08-000	EA	SWITCH - ROCKER - DPDT - 0N/NONE/ON - 6 TERMINAL
14	108356-02-01A	EA	COVER/ACTUATOR SWITCH - 2 ROWS DIMPLES- CONTURA II - BLACK
14	108355-01-000	EA	HOUSING - SWITCH
15*	098024-01-03A	EA	LIGHT - DOME - 1 BULB - WHITE
	008218-01-000	EA	BULB - 12 VOLT - #1141 - 1.44 AMP

*COMPONENT PARTS LISTED LATER IN THIS GROUP

ELECTRICAL GROUP (CONTINUED)
12V BODY WIRING (CONTINUED)

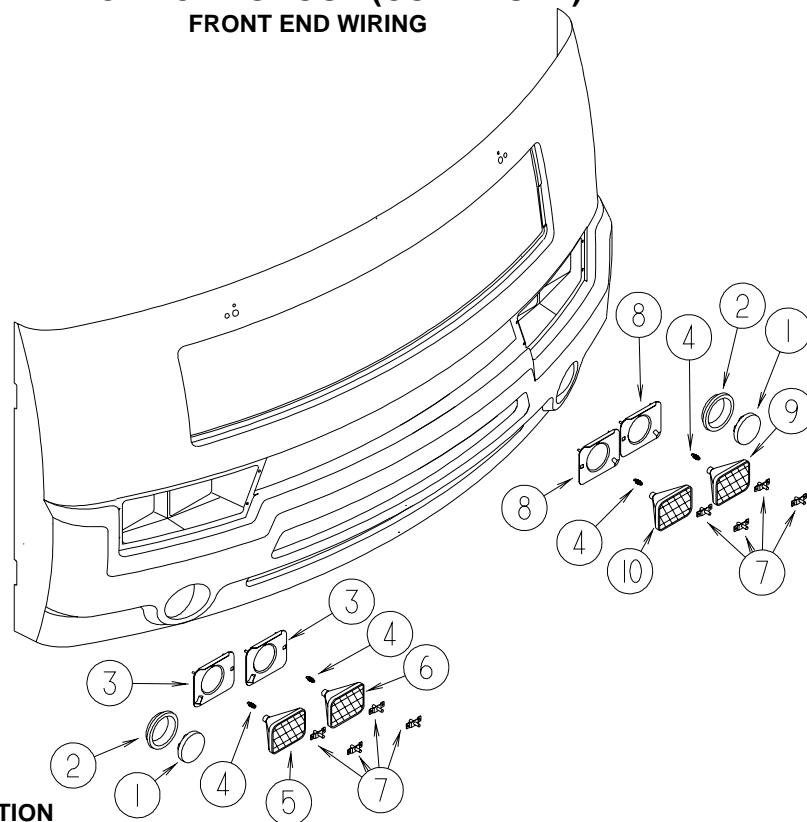


KEY	PART NUMBER	U/M	DESCRIPTION
1*	091937-08-000	EA	LIGHT-FLOURESCENT-12V/30 WATT RECESSED - W/O SWITCH
	091937-03-000	EA	BULB - FLUORESCENT LIGHT - 12 VOLT
2*	121935-01-01A	EA	LIGHT - DOME - SHOWER
3*	098024-09-02A	EA	LIGHT - DOME - 1 LENS/2 BULB FIXTURE - W/O SWITCH
4*	086280-01-000	EA	LIGHT - SURFACE MOUNT - 12 VOLT
5*	098024-01-03A	EA	LIGHT - DOME - 1 BULB - WHITE
	008218-01-000	EA	BULB - 12 VOLT - #1141 - 1.44 AMP
6	108357-06-000	EA	SWITCH - ROCKER - DPDT - MOM/OFF/MOM - 6 TERMINAL
6	108356-11-01A	EA	COVER/ACTUATOR SWITCH - 3 GROOVES - AUX BATT - BLACK
6	108355-01-000	EA	HOUSING - SWITCH
6	098351-07-01A	EA	PLATE/SWITCH - 1 GANG - POLISHED BRASS - GENERATOR

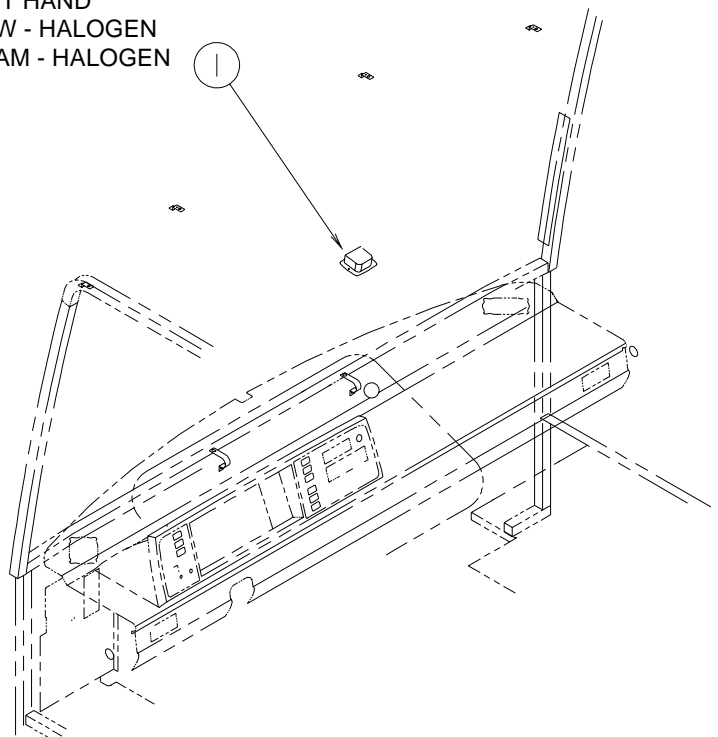
***COMPONENT PARTS LISTED LATER IN THIS GROUP**

ELECTRICAL GROUP (CONTINUED)

FRONT END WIRING



KEY	PART NUMBER	U/M	DESCRIPTION
1	126198-01-000	EA	LAMP ASSEMBLY - PARK/TURN - AMBER
2	126198-02-000	EA	GROMMET - MOUNTING - LIGHT/4" RED
3	110690-01-D18	EA	PLATE - HEADLAMP - QUAD/RIGHT HAND
4	049359-01-000	EA	SPRING - RETAINER - HEADLAMP - GM #496096
5	049185-04-000	EA	HEADLAMP - PASSENGER - HIGH/LOW - HALOGEN
6	049187-04-000	EA	HEADLAMP - PASSENGER - HIGH BEAM - HALOGEN
7	110750-01-000	EA	SCREW - HEADLAMP ADJUSTING
8	110690-02-D18	EA	PLATE - HEADLAMP - QUAD/LEFT HAND
9	049186-04-000	EA	HEADLAMP - DRIVER - HIGH/LOW - HALOGEN
10	049188-04-000	EA	HEADLAMP - DRIVER - HIGH BEAM - HALOGEN

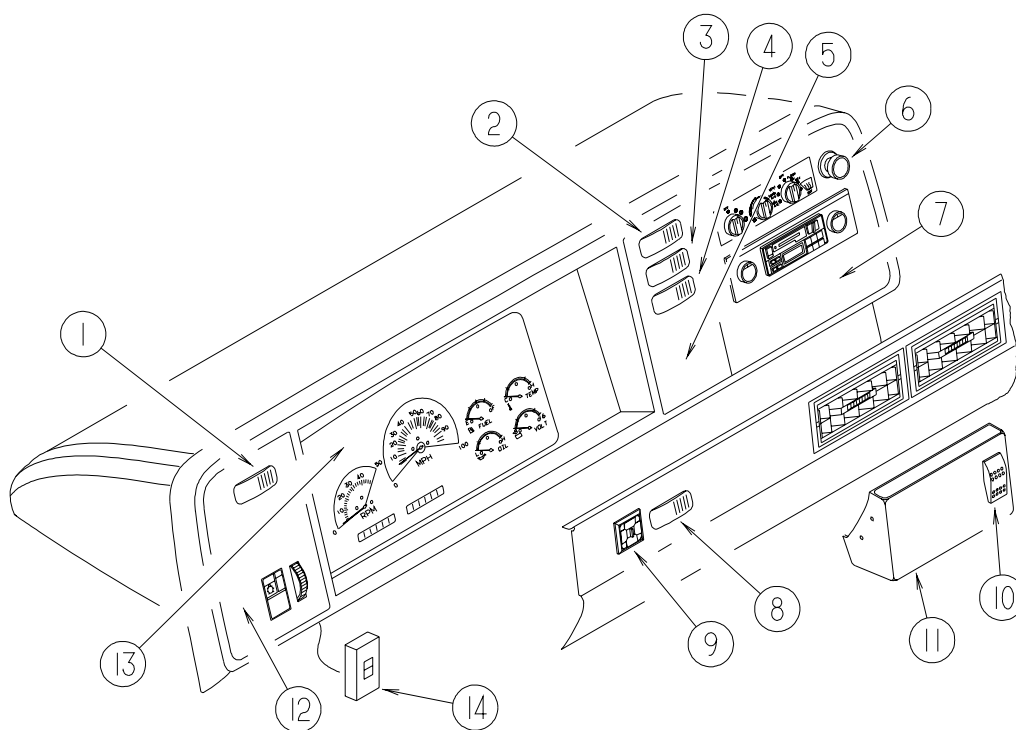


KEY	PART NUMBER	U/M	DESCRIPTION
1*	086280-01-000	EA	LIGHT - SURFACE MOUNT - 12 VOLT
			FROM: 00-00-00 THRU: 04-23-00
1	135376-01-01A	EA	LIGHT - DOME - CAB - BLACK
			FROM: 04-24-00 THRU: 99-99-99

*COMPONENT PARTS LISTED LATER IN THIS GROUP

ELECTRICAL GROUP (CONTINUED)

FRONT END WIRING (CONTINUED)



KEY	PART NUMBER	U/M	DESCRIPTION
1	108357-09-000	EA	SWITCH - ROCKER SPDT - ON/NONE/MOM - 3 TERMINAL
1	108356-02-01A	EA	COVER/ACTUATOR SWITCH - 2 ROWS DIMPLES - CONTURA II - BLACK
1	108355-01-000	EA	HOUSING - SWITCH
2	108357-08-000	EA	SWITCH - ROCKER DPDT - ON/NONE/ON - 6 TERMINAL
2	108356-02-01A	EA	COVER/ACTUATOR SWITCH - 2 ROWS DIMPLES - CONTURA II - BLACK
2	108355-01-000	EA	HOUSING - SWITCH
3	108357-10-000	EA	SWITCH - ROCKER SPDT - W/LIGHT - MOM/NONE/MOM - 5 TERMINAL
3	108356-04-01A	EA	COVER/ACTUATOR SWITCH - 2 ROWS DIMPLES W/LENS-CONTRA-BL
3	108355-01-000	EA	HOUSING - SWITCH
3	096241-03-000	EA	SWITCH - BLANK - BLACK
4	108357-03-000	EA	SWITCH - ROCKER SPDT - ON/OFF/ON - 3 TERMINAL
4	108356-02-01A	EA	COVER/ACTUATOR SWITCH - 2 ROWS DIMPLES - CONTURA II - BLACK
4	108355-01-000	EA	HOUSING - SWITCH
4	096241-03-000	EA	SWITCH - BLANK - BLACK
5	104056-47-01A	EA	APPLIQUE - BEZEL - PASSENGER - BLACK
6	089294-01-000	EA	LIGHTER - CIGARETTE - W/SOCKET & WIRE
7	104056-06-01A	EA	APPLIQUE - BEZEL - PASSENGER - BLACK
8	087695-02-000	EA	SWITCH - HEATER - EXTERIOR MIRROR
9	088246-01-000	EA	SWITCH/REMOTE MIRROR - W/2PIN & 6 PIN CONNECTORS/PIGTAIL
10	108357-06-000	EA	SWITCH - ROCKER DPDT - MOM/OFF/MOM - 6 TERMINAL - SLIDEOUT
10	108356-02-01A	EA	COVER/ACTUATOR SWITCH - 2 ROWS DIMPLES - CONTURA II - BLACK - SLIDEOUT
10	108355-01-000	EA	HOUSING - SWITCH
11	116220-01-000	EA	APPLIQUE - SWITCH/SLIDEOUT - SLIDEOUT
12	104056-48-01A	EA	APPLIQUE - BEZEL - DRIVER - BLACK - WORKHORSE
12	104056-49-01A	EA	APPLIQUE - BEZEL - DRIVER - BLACK - FORD
13	094794-06-000	EA	CLUSTER - INSTRUMENT PANEL - KILO/FORD F53 - F5TD-10849-BB - CANADIAN
13	N/A	EA	CLUSTER CHASSIS SUPPLIED - FORD - US
13	127244-02-000	EA	CLUSTER - INSTRUMENT PANEL - K/M - GAS - CANADIAN - WORKHORSE FROM: 00-00-00 THRU: 10-15-00
13	127244-10-000	EA	CLUSTER - INSTRUMENT PANEL - K/M - GAS - CANADIAN - WORKHORSE FROM: 10-16-00 THRU: 99-99-99
13	N/A	EA	CLUSTER CHASSIS SUPPLIED - WORKHORSE - US
14	100138-01-000	EA	MODULE - DAYTIME/RUNNING LIGHT - HAMSAR DRL #H8005B
	077031-03-000	EA	FILM - WHITE - .75" X 1"
	077031-01-000	EA	FILM - BLACK - .7"X1.75"
	103603-01-000	EA	BULB - 12V - #74 - .12A WEDGE - GE 22-25 USED IN DASH

ELECTRICAL GROUP (CONTINUED)
COMPONENT PARTS FOR LIGHTS & SWITCHES

008089-02-000

KEY	PART NUMBER	U/M	DESCRIPTION
	008089-01-700	EA	LENS-LIGHT, RECESSED, PORCH DECO

086280-01-000

KEY	PART NUMBER	U/M	DESCRIPTION	VENDOR NO.
	086280-01-000	EA	LIGHT - SURFACE MOUNT - 12 VOLT	JENSEN 1236
	086280-01-700	EA	BULB, 12V	ARP1089

091937-08-000

KEY	PART NUMBER	U/M	DESCRIPTION	VENDOR NO.
	091937-08-000	EA	LIGHT - FLUORESCENT - RECESSED/COVERED - THIN-LITE	
	091937-08-700	EA	LENS - LIGHT - FLUORESCENT , D-766	

093575-06-01A

KEY	PART NUMBER	U/M	DESCRIPTION	VENDOR NO.
	008218-01-000	EA	BULB-12V NO1141 1.44AMP	
	093575-06-700	EA	GLOBE	9048

098024-01-03A

KEY	PART NUMBER	U/M	DESCRIPTION	VENDOR NO.
	098024-01-03A	EA	LIGHT - DOME - 1 BULB - WHITE	
	098024-01-700	EA	LENS-LIGHT	807877

098024-06-02A

KEY	PART NUMBER	U/M	DESCRIPTION	VENDOR NO.
	098024-06-02A	EA	LIGHT - DOME - 2 BULB - SKYLITE/OPTI CLEAR	PD 772WR US/CSA
	098024-01-701	EA	LENS - OPTI CLEAR - SKYLITE	809902

098024-09-02A

KEY	PART NUMBER	U/M	DESCRIPTION	VENDOR NO.
	098024-09-02A	EA	LIGHT - DOME - 1 LENS/2 BULB FIXTURE - W/O SWITCH	
	098024-09-700	EA	LENS-DBL LHT/SGL LENS/FROST	810779

097917-01-06A

KEY	PART NUMBER	U/M	DESCRIPTION	VENDOR NO.
	097917-01-06A	EA	LIGHT - PORCH - BRIGHT WHITE	
	097917-01-700	EA	LENS-LIGHT, CLEAR	30-78-021

110235-01-01A

KEY	PART NUMBER	U/M	DESCRIPTION	VENDOR NO.
	110235-01-01A	EA	LIGHT - MAKE UP - 3 BULB - 12 VOLT	
	081633-01-700	EA	BULB-LIGHT, MAKE-UP	RP1041

115632-01-02A

KEY	PART NUMBER	U/M	DESCRIPTION	VENDOR NO.
	115632-01-02A	EA	LIGHT - STOP/TURN/TAIL RED	
	115632-01-700	EA	LENS-RED-(STOP/TURN/TAIL)	3092-012

115632-03-02A

KEY	PART NUMBER	U/M	DESCRIPTION	VENDOR NO.
	115632-03-02A	EA	LIGHT - STOP/TURN/TAIL RED	
	115632-03-700	EA	LENS - RED-(STOP/TAIL/BACK)	3092-704

121935-01-01A

KEY	PART NUMBER	U/M	DESCRIPTION	VENDOR NO.
	121935-01-01A	EA	LIGHT - DOME - SHOWER	
	121935-01-700	EA	LENS ONLY	809511

ELECTRICAL GROUP (CONTINUED)

CIRCUIT BREAKERS & FUSES

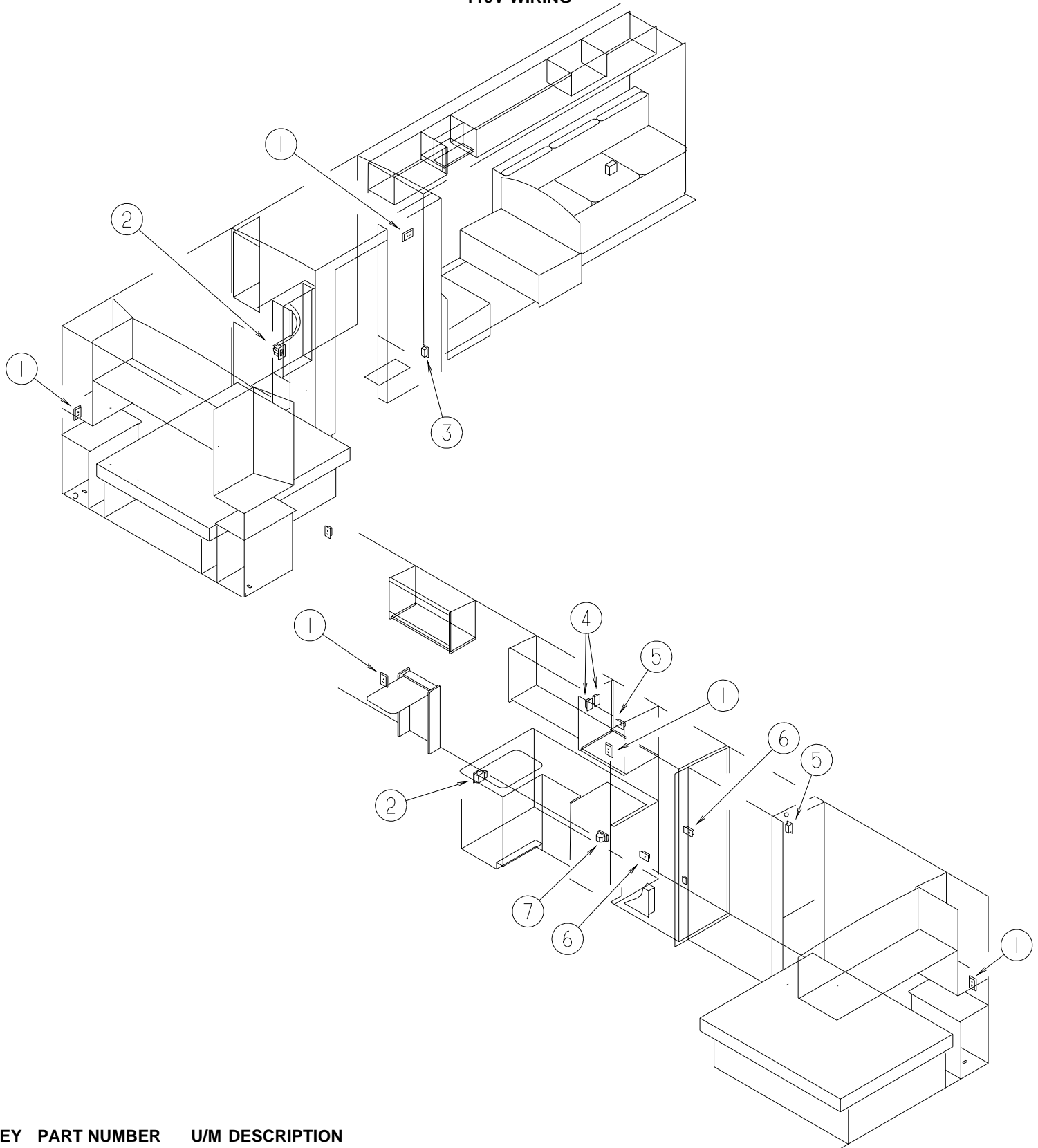
KEY	PART NUMBER	U/M	DESCRIPTION
	062037-01-000	EA	HOUSING - AUTO FUSE - NATURAL
	062037-02-000	EA	HOUSING - AUTO FUSE - GREEN
	062037-03-000	EA	HOUSING - AUTO FUSE - BLACK
	062037-04-000	EA	HOUSING - AUTO FUSE - BLUE
	062037-05-000	EA	HOUSING - AUTO FUSE - GRAY
	062037-06-000	EA	HOUSING - AUTO FUSE - BROWN
	062037-07-000	EA	HOUSING - AUTO FUSE - RED
	062901-02-000	EA	FUSE - 5 AMP - AUTOMOTIVE
	062901-05-000	EA	FUSE - 15 AMP - AUTOMOTIVE
	062901-07-000	EA	FUSE - 25 AMPS - AUTOMOTIVE
	062901-08-000	EA	FUSE - 30 AMPS - AUTOMOTIVE
	083209-01-000	EA	CIRCUIT BREAKER - 15 AMP - 120 VOLT - CANADIAN
	083209-02-000	EA	CIRCUIT BREAKER - 15/15 AMP - 120 VOLT
	083209-03-000	EA	CIRCUIT BREAKER - 15/20 AMP - 120 VOLT
	083209-06-000	EA	CIRCUIT BREAKER - 30/15 AMP - 120 VOLT
	083209-10-000	EA	CIRCUIT BREAKER - 20/30 AMP - 120 VOLT
	083209-11-000	EA	CIRCUIT BREAKER - 20/15 AMP - 120 VOLT
	092786-02-000	EA	BUSS BAR - 3.3" LONG
	092786-03-000	EA	BUSS BAR - 6.9" LONG
	093654-01-000	EA	CIRCUIT BREAKER - 6 AMP - 12 VOLT - PUSH BUTTON
	093654-02-000	EA	CIRCUIT BREAKER - 15 AMP - 12 VOLT - PUSH BUTTON
	093655-01-000	EA	CIRCUIT BREAKER - 25 AMP - 12 VOLT - PUSH BUTTON
	093655-03-000	EA	CIRCUIT BREAKER - 40 AMP - 12 VOLT - PUSH BUTTON
	093674-01-000	EA	PLATE - CIRCUIT BREAKER - HOUSE - 8.4" X 4.1" - STEEL
	097611-01-000	EA	CIRCUIT BREAKER - 10 AMP - 12 VOLT
	106656-01-000	EA	FUSE BLOCK - 4 CAVITY - AUTOFUSE
	108669-01-000	EA	HOUSING - AUTO FUSE HOLDER
	125986-05-000	EA	FUSE-15AMP,AUTO.MINI BLADE - LITTELFUSE 297015

CONVERTER, INVERTER, LOAD CENTERS

KEY	PART NUMBER	U/M	DESCRIPTION
	099048-03-000	EA	INVERTER - 130 WATT
	083208-02-000	EA	CONTROL CENTER - 45 AMP/120V/12V - W/O BREAKERS/LINEAR
	108915-03-000	EA	LOAD CENTER - 120/240 VOLT - 100 AMP
	109677-01-000	EA	LOAD CENTER - 120 VOLT - 40 AMP
	113132-01-000	EA	LOAD CENTER - 120/240 VOLT - 60 AMP
	123058-02-000	EA	CONVERTER - 45 AMP - ELECTRONIC - 4 1/8"H X 7"W X 12 3/8"L
	127002-02-000	EA	PANEL/MONITOR - ENERGY MANAGEMENT SYSTEM
	127002-01-000	EA	MODULE/CIRCUIT BOARD - ENERGY MANAGEMENT SYSTEM CONTROL FROM: 00-00-00 THRU: 01-28-01
	127002-02-000	EA	PANEL/MONITOR - ENERGY MANAGEMENT SYSTEM FROM: 00-00-00 THRU: 01-28-01
	127002-04-000	EA	MODULE - W/REMOTE SENSOR - EMS CONTROL FROM: 01-29-01 THRU: 99-99-99
	127002-05-000	EA	PANEL/MONITOR - ENERGY MANAGEMENT SYSTEMS CTRL - W/PLUG FROM: 01-29-01 THRU: 99-99-99
	127002-07-000	EA	SENSOR - CURRENT FROM: 01-29-01 THRU: 99-99-99

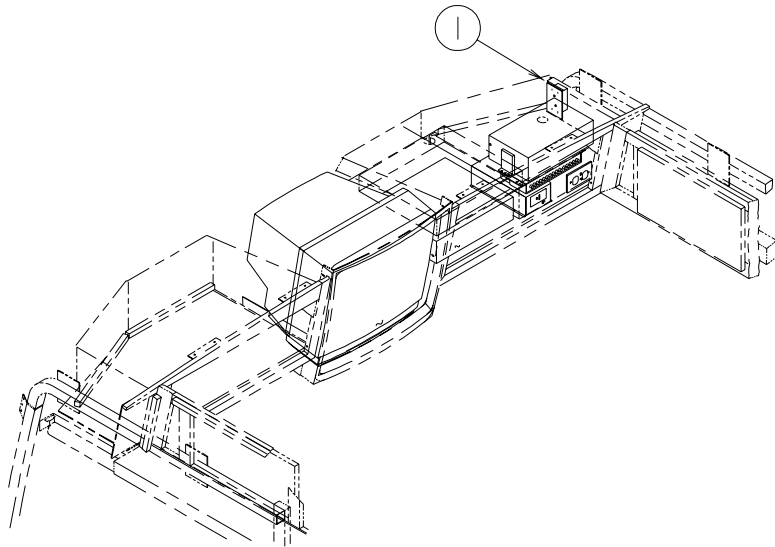
ELECTRICAL GROUP (CONTINUED)

110V WIRING

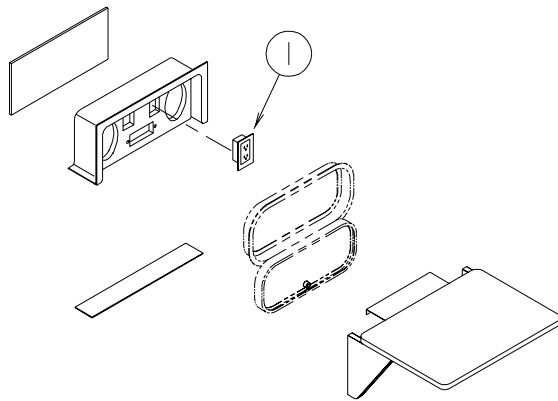


KEY	PART NUMBER	U/M	DESCRIPTION
1	058708-02-000	EA	RECEPTACLE - ELECTRIC - DOUBLE - IVORY
	133713-01-08A	EA	SPACER/RECEPTACLE - VINYL/PORTSMOUTH OAK
2	084076-02-000	EA	RECEPTACLE - GFI - 15 AMP/125 VOLT - BROWN - W/COVER
3	058708-01-000	EA	RECEPTACLE - ELECTRIC - DOUBLE - BROWN
4	058707-02-000	EA	RECEPTACLE - BLANK - JUNCTION BOX
5	058708-05-000	EA	RECEPTACLE - ELECTRIC - SINGLE - BROWN
6	058707-01-000	EA	RECEPTACLE - ELECTRIC - SINGLE - BROWN
7	131826-01-01A	EA	RECEPTACLE - EXTERIOR - W/COVER/GASKET - WHITE

ELECTRICAL GROUP (CONTINUED)
ENTERTAINMENT WIRING



KEY	PART NUMBER	U/M	DESCRIPTION
1	058708-01-000	EA	RECEPTACLE - ELECTRIC - DOUBLE - BROWN



KEY	PART NUMBER	U/M	DESCRIPTION
1	058708-01-000	EA	RECEPTACLE - ELECTRIC - DOUBLE - BROWN

ELECTRICAL GROUP (CONTINUED)

BOXES & CORDS

KEY	PART NUMBER	U/M	DESCRIPTION
	008054-01-000	EA	CORD - POWER - 10/3 WIRE - 30 AMP - 25'
	008054-02-000	EA	CORD - POWER - 10/3 WIRE - 30 AMP - 35'
	008289-01-000	EA	BOX - ELECTRIC/STEEL - 1/2" & 3/4" KNOCKOUTS - 4" X 4"
	008289-02-000	EA	BOX - ELECTRIC/STEEL - 1/2" & 3/4" KNOCKOUTS - 4" X 4"-CAN
	008294-01-000	EA	COVER - ELECTRIC BOX - BLANK/STEEL - 4" X 4" - GRAY
	008294-02-000	EA	COVER - ELECTRICAL BOX - BLANK/STEEL - 4" X 4" - CANADIAN
	009426-01-000	EA	HATCH - POWER CORD - WHITE
	069238-01-000	EA	COVER - ELECTRICAL BOX - W/HOLE - 4" X 4" - GRAY
	074890-01-000	EA	BOX - EXTENSION/STEEL - OPEN SIDES - 4" X 4" X 1 1/2"
	074897-01-000	EA	COVER - ELECTRICAL BOX - W/HOLES - 4" X 4"
	084077-03-000	EA	COVER/BLANK - WIRE ACCESS - 5.2" X 3.5" - IVORY
	091910-01-000	EA	BOX - ELECTRIC - 3.8" X 3.5" X 1.8" - PLASTIC
	091910-02-000	EA	BOX - ELECTRIC - 2.2" X 3.5" X 1.8" - PLASTIC
*	106071-04-000	EA	SWITCH - AUTOMATIC TRANSFER W/CONNECTION LUGS FROM: 00-00-00 THRU: 10-08-00
	106071-05-000	EA	SWITCH - AUTOMATIC TRANSFER - 50/70 - MAGNETEK FROM: 10-09-00 THRU: 99-99-99
	111510-01-000	EA	DOOR/ACCESS PANEL - ELECTRICAL BOX - 8.1" X 11.7"
	131679-01-000	EA	BOX-ELEC-WATERPROOF SEALED 4" X 4" W/4 3/4"OUTLETS-UL/CSA
	131680-01-000	EA	COVER - W/GASKET FOR WATERPROOF 4" X 4" BOX - UL/CSA
	133070-01-000	EA	BOX - ELECTRICAL - PLASTIC - 3" X 2" X 2.8" - UL
	133070-02-000	EA	BOX - ELECTRICAL - PLASTIC - 3" X 2" X 2.8" - CSA

***COMPONENT PARTS LISTED LATER IN THIS GROUP**

ELECTRICAL GROUP (CONTINUED)

COMPONENT PARTS FOR BOXES & CORDS

106071-04-000

KEY	PART NUMBER	U/M	DESCRIPTION	VENDOR NO.
	106071-04-000	EA	SWITCH - AUTOMATIC TRANSFER W/CONNECTION LUGS	
	106071-03-700	EA	CIRCUIT BOARD/TIME DELAY SW	TD0001

ELECTRICAL GROUP (CONTINUED)

WIRE ASSEMBLIES

KEY	PART NUMBER	U/M	DESCRIPTION
	P27516-04-000	EA	WIRE ASSEMBLY - RADIO AM/FM CD FROM: 00-00-00 THRU: 05-01-00
	073328-B4-000	EA	CABLE ASSEMBLY - BATTERY - W/TERMINALS
	090986-02-000	EA	WIRE ASSEMBLY - ELECTRIC STEP
	096449-01-000	EA	WIRE ASSEMBLY - WATER TANK TO MONITOR PANEL
	096450-03-000	EA	WIRE F/SENSORS - BLACK WATER - 78.6"
	096450-05-000	EA	WIRE F/SENSORS - BLACK WATER - 23.6"
	096451-03-000	EA	WIRE F/SENSORS - GREY WATER - 78.6"
	096451-06-000	EA	WIRE F/SENSORS - GREY WATER - 23.6"
	096451-07-000	EA	WIRE F/SENSORS - GREY WATER - 3.9"
	108885-02-000	EA	WIRE - REAR MONITOR(W/3 PIN HOUSING F/FUSE BLOCK) CHEVY
	111915-01-000	EA	WIRE ASSEMBLY - DAYTIME RUNNING LAMPS - FUSED - GM FROM: 00-00-00 THRU: 12-15-00
	113134-03-000	EA	WIRE ASSEMBLY - WIPER/WASHER
	120233-05-000	EA	WIRE ASSEMBLY - 30" CONNECTS TO WALLPLATE DISPLAY
	125853-01-000	EA	WIRE ASSEMBLY - ENTERTAINMENT CENTER
	125853-04-000	EA	WIRE ASSEMBLY - ENTERTAINMENT CENTER
	127002-03-000	EA	WIRE ASSEMBLY - ENERGY MANAGEMENT SYSTEM FROM: 00-00-00 THRU: 01-28-01
	127002-06-000	EA	WIRE ASSEMBLY - EMS - W/PLUG FROM: 01-29-01 THRU: 99-99-99
	127053-01-000	EA	WIRE ASSEMBLY - REAR MONITOR/UPPER
	129436-03-000	EA	WIRE ASSEMBLY - INSTRUMENT PANEL - F/POWER MIRROR
	131386-01-000	EA	WIRE ASSEMBLY - F/SLIDEOUT CONTROL

CONNECTORS & CONDUIT

KEY	PART NUMBER	U/M	DESCRIPTION
	007954-01-000	EA	RECEPTACLE - HOUSING - 6 POSITION
	007956-05-000	EA	INSULATOR - SHRINK - 1/4" ID X 1 1/2"
	008058-01-000	EA	ADAPTER-POWER CORD, 30 AMP TO 15 AMP
	008311-01-000	EA	CONNECTOR - WIRE NUT - INSULATED - RED
	008312-01-000	EA	CONNECTOR - WIRE NUT - INSULATED - BLUE
	008313-01-000	EA	CONNECTOR - WIRE NUT - INSULATED - YELLOW
	008314-01-000	EA	CONNECTOR - WIRE NUT - INSULATED - GRAY
	008326-01-000	EA	TERMINAL - RING - 16/14 WIRE - 3/8" STUD
	008328-01-000	EA	TERMINAL - RING - 12/10 WIRE - #10 STUD FIT
	008331-01-000	EA	TERMINAL - RING - TONGUE - #4 WIRE - 3/8" STUD - COPPER
	008348-01-000	EA	TERMINAL - RING - 3/8" STUD 2 GA. WIRE
	008355-01-000	EA	CONNECTOR - CABLE CLAMPING - 3/4"
	008356-01-000	EA	CONNECTOR - PLASTIC - 3/8" AVG
	008356-02-000	EA	CONNECTOR - PLASTIC - 21/32
	008394-01-000	FT	CONDUIT - FLEXIBLE - 1/2"
	008398-01-000	EA	CONNECTOR - 1/2" X 90 DEGREE - FLEX CONDUIT - UL & CSA
	035416-04-000	EA	TERMINAL - RING - #10 STUD FIT - INSULATED BARREL #16/14
	041953-01-000	FT	CONDUIT - CONVOLUTE SLIT - .5" ID - POLYETHYLENE
	041953-03-000	FT	CONDUIT - CONVOLUTE SLIT - 1" ID (CLOTHES ROD COVER)
	041953-05-000	FT	CONDUIT - CONVOLUTE SOLID - .62" ID - POLYETHYLENE
	041953-06-000	FT	CONDUIT - CONVOLUTE SLIT - .4" ID - POLYETHYLENE
	041953-07-000	FT	CONDUIT - CONVOLUTE SLIT - .25" ID - POLYETHYLENE
	041953-08-000	FT	CONDUIT - CONVOLUTE SLIT - 1.5" ID - POLYETHYLENE
	041953-09-000	FT	CONDUIT - CONVOLUTE SLIT - .5" ID - NYLON
	041953-10-000	FT	CONDUIT - CONVOLUTE SLIT - .75" ID - NYLON
	041953-11-000	FT	CONDUIT - CONVOLUTE SLIT - 1.06" ID - NYLON
	041953-12-000	FT	CONDUIT - CONVOLUTE SOLID - 1.1" ID - NYLON
	041953-13-000	FT	CONDUIT - CONVOLUTE SLIT - 1.25
	047443-01-000	EA	TERMINAL - .250 RECEPTACLE FIT - INSULATED - 16/14 AWG
	047443-02-000	EA	TERMINAL - .250 RECEPTACLE FIT - INSULATED - 12/10 AWG
	058028-01-000	EA	CONNECTOR - ELECTRICAL PIGTAIL - NYLON - CLEAR
	062036-01-000	EA	TERMINAL - PACK - CON - 12/10 AWG
	062036-02-000	EA	TERMINAL - PACK - CON - 16/14 AWG
	077479-01-000	EA	BOOT - BATTERY TERMINAL - DOUBLE CABLE
	077479-02-000	EA	BOOT - BATTERY TERMINAL - SINGLE CABLE
	080015-02-000	EA	RECEPTACLE - FLAG - .185 - 16/14 GAUGE
	087225-01-000	FT	SLEEVING - 1/2" - TYPE H
	087225-02-000	FT	SLEEVING - 5/8" - TYPE H
	088267-01-000	EA	TERMINAL - FEMALE - 1/4

ELECTRICAL GROUP (CONTINUED)

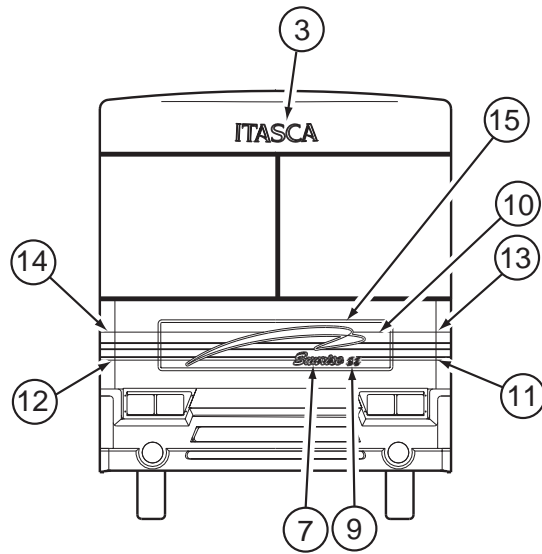
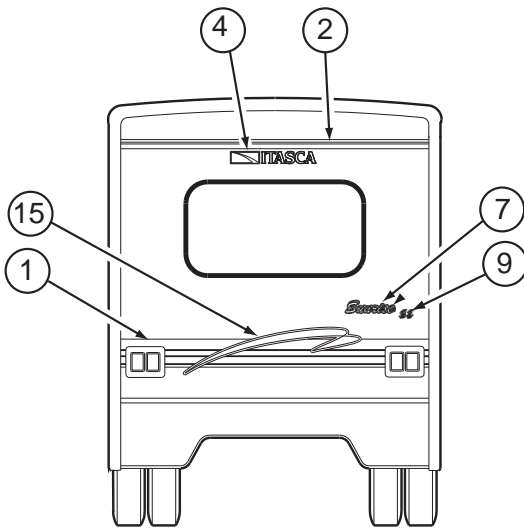
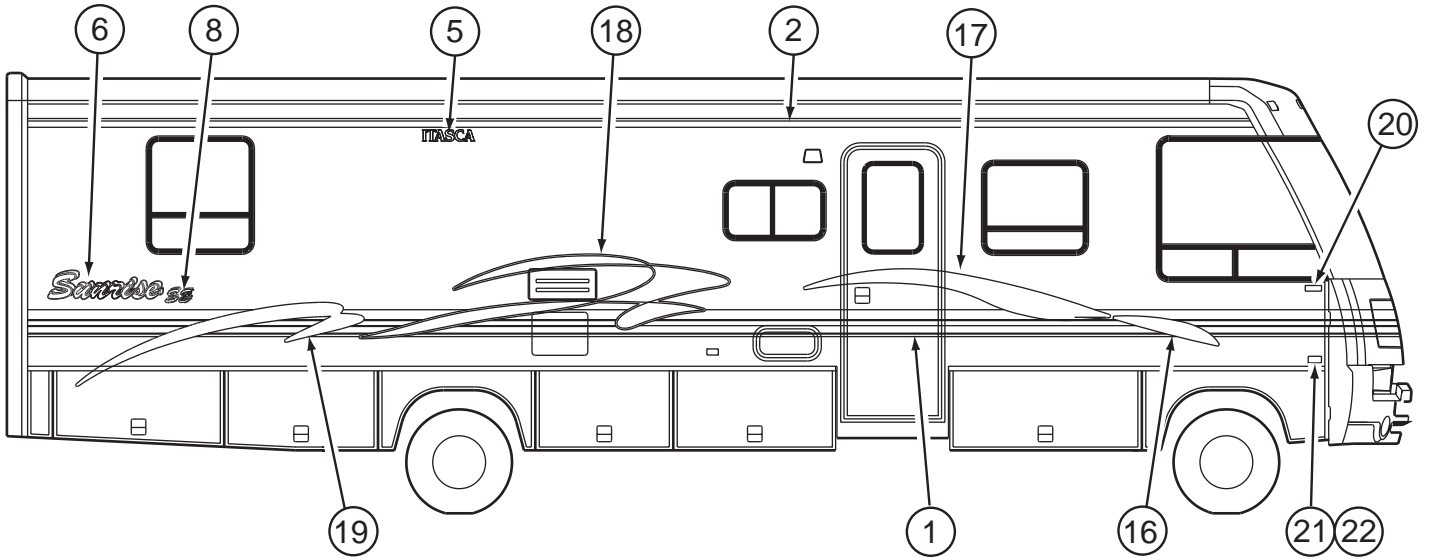
CONNECTORS & CONDUIT (CONTINUED)

KEY	PART NUMBER	U/M	DESCRIPTION
	088473-01-000	EA	HOUSING - PIN - 12 CAVITY (3 ROWS OF 4)
	088473-02-000	EA	HOUSING - PIN - 15 CAVITY (3 ROWS OF 5)
	088473-03-000	EA	HOUSING - PIN - 9 CAVITY (3 ROWS OF 3)
	088473-04-000	EA	HOUSING - PIN - 8 CAVITY IN-LINE
	088473-06-000	EA	HOUSING - PIN - 6 CAVITY (2 ROWS OF 3)
	088473-08-000	EA	HOUSING - PIN - 4 CAVITY - IN-LINE
	088473-09-000	EA	HOUSING - PIN - 3 CAVITY - IN-LINE
	088473-10-000	EA	HOUSING - PIN - 2 CAVITY - IN LINE
	088474-01-000	EA	HOUSING - SOCKET - 12 CAVITY
	088474-02-000	EA	HOUSING - SOCKET - 15 CAVITY
	088474-03-000	EA	HOUSING - SOCKET - 9 CAVITY
	088474-04-000	EA	HOUSING - SOCKET - 8 CAVITY
	088474-06-000	EA	HOUSING - SOCKET - 6 CAVITY
	088474-07-000	EA	HOUSING - SOCKET - 5 CAVITY
	088474-08-000	EA	HOUSING - SOCKET - 4 CAVITY
	088474-09-000	EA	HOUSING - SOCKET - 3 CAVITY
	088474-10-000	EA	HOUSING - SOCKET - 2 CAVITY
	088475-01-000	EA	PIN - CONNECTOR - 14-20 AWG
	088475-02-000	EA	PIN - CONNECTOR - 10-12 AWG
	088476-01-000	EA	TERMINAL - ELECTRICAL
	088476-02-000	EA	SOCKET - CONNECTOR - 12-10 GA - PRE-TIN
	098260-01-000	EA	TERMINAL - MALE - 56 SERIES
	101571-01-000	EA	HOUSING - 2 POSITION - MALE
	103987-02-000	EA	SEAL - SOLENOID ACCESS
	104100-01-000	EA	HOUSING - 1 POSITION - 75 AMPS
	104100-03-000	EA	TERMINAL - 75 AMP
	106006-01-000	EA	HOUSING - 1 POSITION - FEMALE
	106007-01-000	EA	TERMINAL - FEMALE - 14-16 AWG
	106655-01-000	EA	TERMINAL - FUSE BLOCK - 14-16 AWG
	106655-02-000	EA	TERMINAL - FUSE BLOCK - 10-12 AWG
	110178-01-000	EA	HOUSING - WIPER MOTOR
	112823-01-000	EA	SPLICE - REDUCER - 16-14 TO 18-22
	113131-01-000	EA	HOUSING - 3 PIN
	113135-01-000	EA	TERMINAL - FEMALE - M/P - 14-16 - F/SEALED TERMINAL
	113306-01-000	EA	TERMINAL - FEMALE - M/P - 14-16 - F/NON-SEALED TERMINAL
	113307-01-000	EA	TERMINAL - FEMALE - M/P - 16-20
	113452-01-000	FT	SEAL/TRIM - FRONT - VINYL W/WIRE CARRIER - .020"
	113452-02-000	FT	SEAL/TRIM - FRONT - VINYL W/WIRE CARRIER - .027"
	113468-01-000	EA	HOUSING - 2 POSITION-FEMALE-USED ON WIPER/WASHER WIRE ASM
	115556-01-000	EA	HOUSING - 3 POSITION - FEMALE
	115556-02-000	EA	HOUSING - 2 POSITION - FEMALE/PARALLEL
	119248-02-000	EA	HOUSING - 7 POSITION - FEMALE
	125323-02-000	EA	HOUSING - 8 POSITION - MALE
	125323-03-000	EA	LOCK - SECONDARY 8 POSITION
	125324-01-000	EA	TERMINAL - MALE - METRI-PACK - 150
	125325-01-000	EA	SEAL - CAVITY
	126403-02-000	EA	CONNECTOR - 3 CIRCUIT
	131681-01-000	EA	CONNECTOR - 3/4" SO CORD - UL/CS

BOOTS, SOLENOIDS, RELAYS & MISCELLANEOUS

KEY	PART NUMBER	U/M	DESCRIPTION
	007093-01-000	EA	SIGNAL FLASHER
	008188-01-000	EA	SOLENOID - 3 POST - BATTERY CHANGE OVER
	063910-01-000	EA	HOUSING - RELAY
	063912-02-000	EA	RELAY - CANISTER - SPDT
	065450-05-000	EA	TIEDOWN - BATTERY - 8.4" TUBE
	086233-01-000	EA	STUD - ISOLATED - 3/8" X 7/8" LONG
	086273-01-000	EA	RELAY - BATTERY DISCONNECT
	128961-01-02B	EA	HANGER - POWER CORD - E-COATED

EXTERIOR BODY GROUP GRAPHICS & PAINT



KEY	PART NUMBER	U/M	DESCRIPTION
1	093689-28-03A	FT	FILM - MULTISTRIPE - 8"
2	105781-77-02A	FT	FILM - MULTISTRIPE - 2.6" - MEDIUM BROWN/LIGHT GOLD
3	124989-01-08A	EA	DECAL - LOGO - ITASCA - SWEEP #15 - MED BROWN/BRIGHT WHITE
4	124806-01-14A	EA	DECAL - LOGO - ITASCA W/ICON - MEDIUM BROWN/BRIGHT WHITE
5	124811-01-14A	EA	DECAL - LOGO - ITASCA - MEDIUM BROWN/BRIGHT WHITE
6	121425-01-08A	EA	DECAL - LOGO - LARGE/SUNRISE
7	121425-02-08A	EA	DECAL - LOGO - SMALL/SUNRISE
8	127164-03-05A	EA	DECAL - SE/LARGE - BRIGHT WHT/BRONZE/MED BROWN/LT GOLD - SUNRISE SE ONLY
9	127164-04-05A	EA	DECAL - SE/SMALL - BRIGHT WHT/BRONZE/MED BROWN/LT GOLD - SUNRISE SE ONLY
10	129886-01-03A	EA	DECAL - HOOD - MED BROWN/BRONZE/LT GOLD/CHAMPSTAR

EXTERIOR BODY GROUP (CONTINUED)

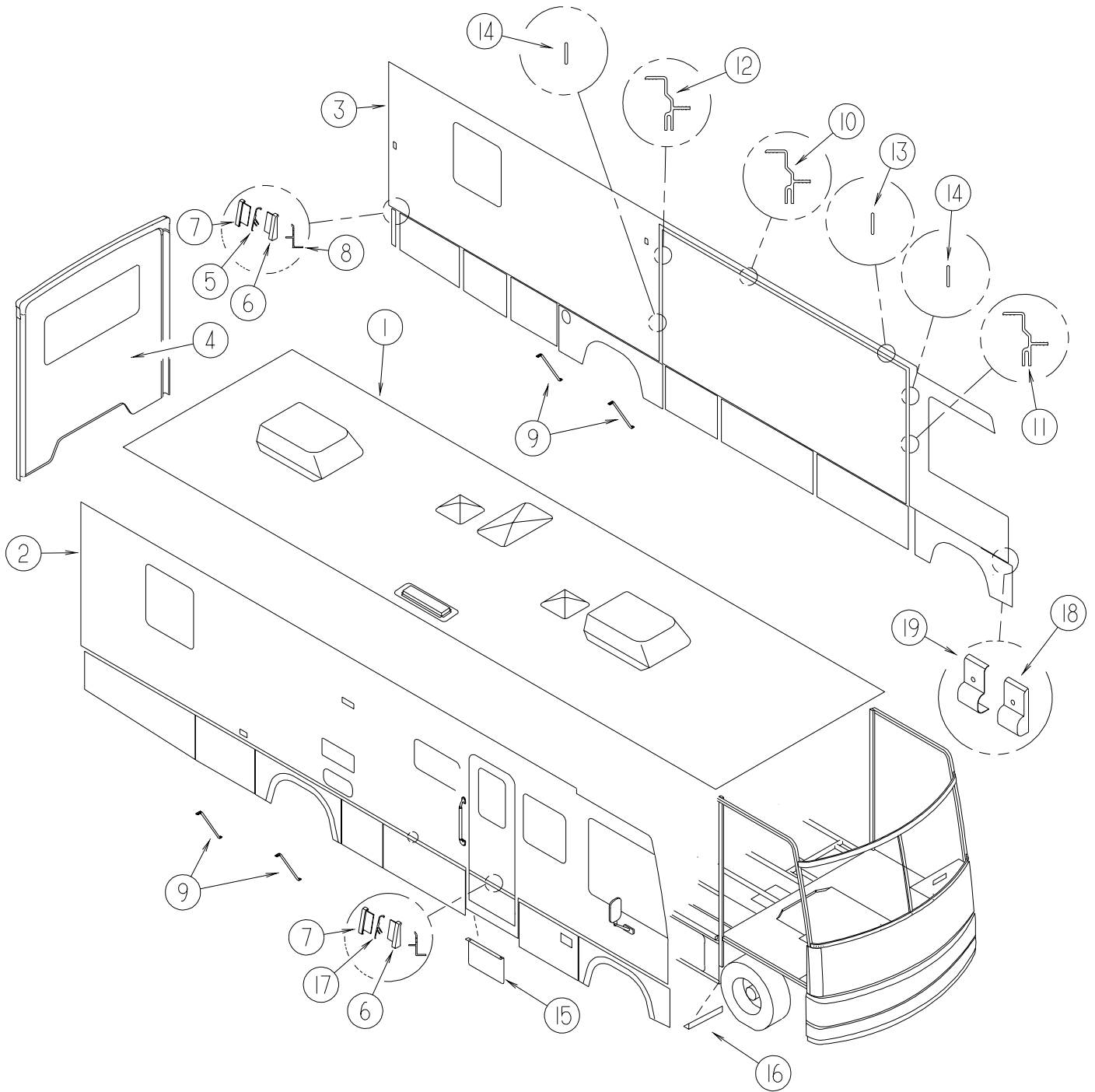
GRAPHICS & PAINT (CONTINUED)

KEY	PART NUMBER	U/M	DESCRIPTION
11	130617-01-03A	EA	DECAL - CORNER - LOWER/RIGHT HAND - LT GOLD/CHAMPSTAR
12	130617-02-03A	EA	DECAL - CORNER - LOWER/LEFT HAND - LT GOLD/CHAMPSTAR
13	129887-01-03A	EA	DECAL - CORNER - UPPER/PASSENGER
14	129887-02-03A	EA	DECAL - CORNER - UPPER/DRIVER
15	132822-01-02A	EA	DECAL - GRAPHIC - FRONT
16	132823-01-02A	EA	DECAL - POINT - PASS-BRT/WHT/CHAMPAGNE/MED BRN MET/LT GOLD
	132823-02-02A	EA	DECAL - POINT-DRIVER-BRT/WHT/CHAMPAGNE/MED BRN MET/LT GOLD
17	132824-01-02A	EA	DECAL-GRAPHIC/FRW/RH-BRT/WHT/CHAMPAGNE/MED BRN MET/LT GOLD
	132824-02-02A	EA	DECAL-GRAPHIC/FRW/LH-BRT/WHT/CHAMPAGNE/MED BRN MET/LT GOLD
18	132826-01-02A	EA	DECAL - GRAPHIC - MID PASSENGER
	132826-02-02A	EA	DECAL - GRAPHIC - MID DRIVER
19	132827-01-02A	EA	DECAL - GRAPHIC - AFT PASSENGER
	132827-02-02A	EA	DECAL - GRAPHIC - AFT DRIVER
20	132664-01-01A	EA	DECAL - LOGO/DOMED - WINNEBAGO - GOLD/BLACK - PLASTIC
21	136290-01-01A	EA	EMBLEM - VORTEC V8 - BLACK/SILVER
22	129922-01-01A	EA	EMBLEM - TRITON V10 - BLACK/SILVER METALLIC/SILVER
	041561-03-000	EA	PAINT - 16 OUNCE SPRAY - OFF WHITE
	116424-01-000	EA	PROTECTOR - LATCH - WATER HEATER - SUNRISE SE ONLY

DUPONT COLOR CODES

MED. BROWN MET.	YM376
BRONZE MET.	M1006
LT. GOLD MET.	YM209
CHAMPAGNE STAR MET.	MM081
SAHARA MET.	M1024HN

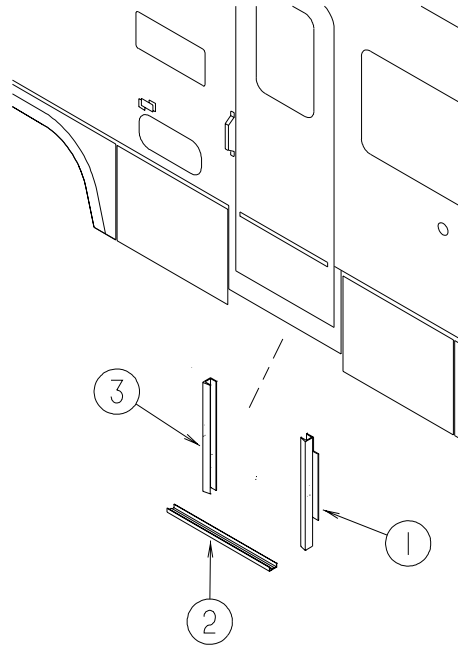
EXTERIOR BODY GROUP (CONTINUED) PANELS



KEY	PART NUMBER	U/M	DESCRIPTION
1	136279-02-M36	EA	ROOF - W/O LIGHTS/VENTS - W/WIRING
2	135793-02-M36	EA	SIDEWALL - PASSENGER - W/O WINDOWS/TRIMS
2	135793-02-M37	EA	SIDEWALL - PASSENGER - W/O WINDOWS/TRIMS
2	135793-02-M38	EA	SIDEWALL - PASSENGER - W/O WINDOWS/TRIMS
3	136258-02-M36	EA	SIDEWALL - DRIVER - W/O WINDOWS/TRIMS
3	136258-02-M37	EA	SIDEWALL - DRIVER - W/O WINDOWS/TRIMS
3	136258-02-M38	EA	SIDEWALL - DRIVER - W/O WINDOWS/TRIMS
4	135248-03-L24	EA	BACKWALL - W/O WINDOW/TRIMS (M36)
4	135248-03-M31	EA	BACKWALL - W/O WINDOW/TRIMS (M37)
4	135248-03-L23	EA	BACKWALL - W/O WINDOW/TRIMS (M38)
5	123993-01-02A	EA	TRIM - COVER - 182" ALUMINUM - BLACK
6	126775-01-01A	EA	END CAP - VALANCE TRIM - RIGHT HAND
7	126775-02-01A	EA	END CAP - VALANCE TRIM - LEFT HAND
8	133376-01-01A	EA	TRIM - RETAINER - 144" - MILL

EXTERIOR BODY GROUP (CONTINUED)
PANELS (CONTINUED)

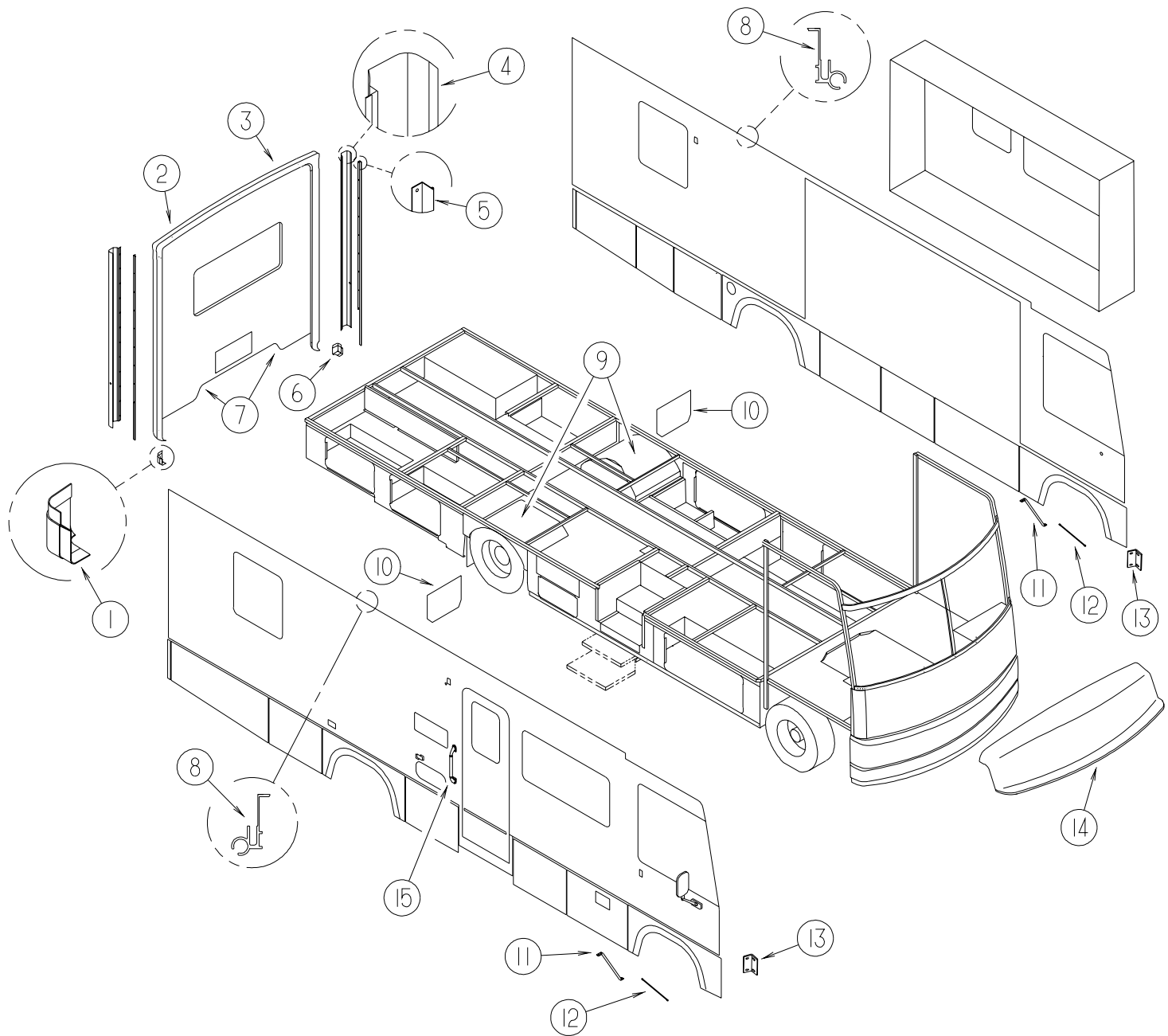
KEY	PART NUMBER	U/M	DESCRIPTION
9	107865-01-000	EA	ROD - SUPPORT - VALANCE PANEL - 14.3"
10	115863-12-01A	EA	TRIM - SIDEWALL/SLIDEOUT - TOP - 146" - BRIGHT WHITE
11	115863-17-01A	EA	TRIM - SIDEWALL/SLIDEOUT - LEFT HAND - 76.1" - BRT WHT
12	115863-18-01A	EA	TRIM - SIDEWALL/SLIDEOUT - RIGHT HAND - 76.1" - BRT WHT
13	115886-05-01A	EA	RETAINER - SIDEWALL - BRIGHT WHITE - 146.5"
14	115886-02-03A	EA	RETAINER - SIDEWALL - BRIGHT WHITE - 73.5"
15	121117-01-12B	EA	ANGLE - W/O SLOTS - 3.7" X 2" - BRIGHT WHITE
16	132695-01-02B	EA	ANGLE - MUDFLAP - E-COATED
17	133045-01-01A	EA	TRIM - W/HOLES - 25.3" - BRIGHT WHITE
18	127845-01-01A	EA	CAP - SIDEWALL TRIM - RIGHT HAND - 1.1" - BRIGHT WHITE
19	127845-02-01A	EA	CAP - SIDEWALL TRIM - LEFT HAND - 1.1" - BRIGHT WHITE



KEY	PART NUMBER	U/M	DESCRIPTION
1	133100-02-01A	EA	TRIM - SIDEWALL - BLACK
2	124511-19-01A	EA	TRIM - SIDEWALL/LOWER - 33.2" - BRIGHT WHITE
3	133100-01-01A	EA	TRIM - SIDEWALL - BLACK

EXTERIOR BODY GROUP (CONTINUED)

TRIMS



KEY	PART NUMBER	U/M	DESCRIPTION
1	119212-01-01A	EA	END CAP - LOWER BACKWALL TRIM - PASSENGER - BLACK - SUNRISE
2	114872-02-02A	EA	TRIM - BACKWALL/TOP - PASSENGER SIDE - BRIGHT WHITE
3	114873-02-02A	EA	TRIM - BACKWALL/TOP - DRIVER SIDE - BRIGHT WHITE
4	114874-04-12B	EA	TRIM - BACKWALL - DRIVER - 95.8" - BRIGHT WHITE - SUNRISE
	114874-03-12B	EA	TRIM - BACKWALL - PASSENGER - 95.8" - BRIGHT WHITE - SUNRISE
4	114874-02-12B	EA	TRIM - BACKWALL - DRIVER - 91.9" - BRIGHT WHITE - SUNRISE SE
	114874-01-12B	EA	TRIM - BACKWALL - PASSENGER - 91.9" - BRIGHT WHITE - SUNRISE SE
5	120548-02-02A	EA	TRIM-J - BACKWALL/DRIVER - 98.3" - NOTCHED - BRIGHT WHITE
	120548-01-02A	EA	TRIM-J - BACKWALL/PASSENGER - 98.3" - NOTCHED - BRIGHT WHT
6	119212-02-01A	EA	END CAP - LOWER BACKWALL TRIM - DRIVER - BLACK - SUNRISE

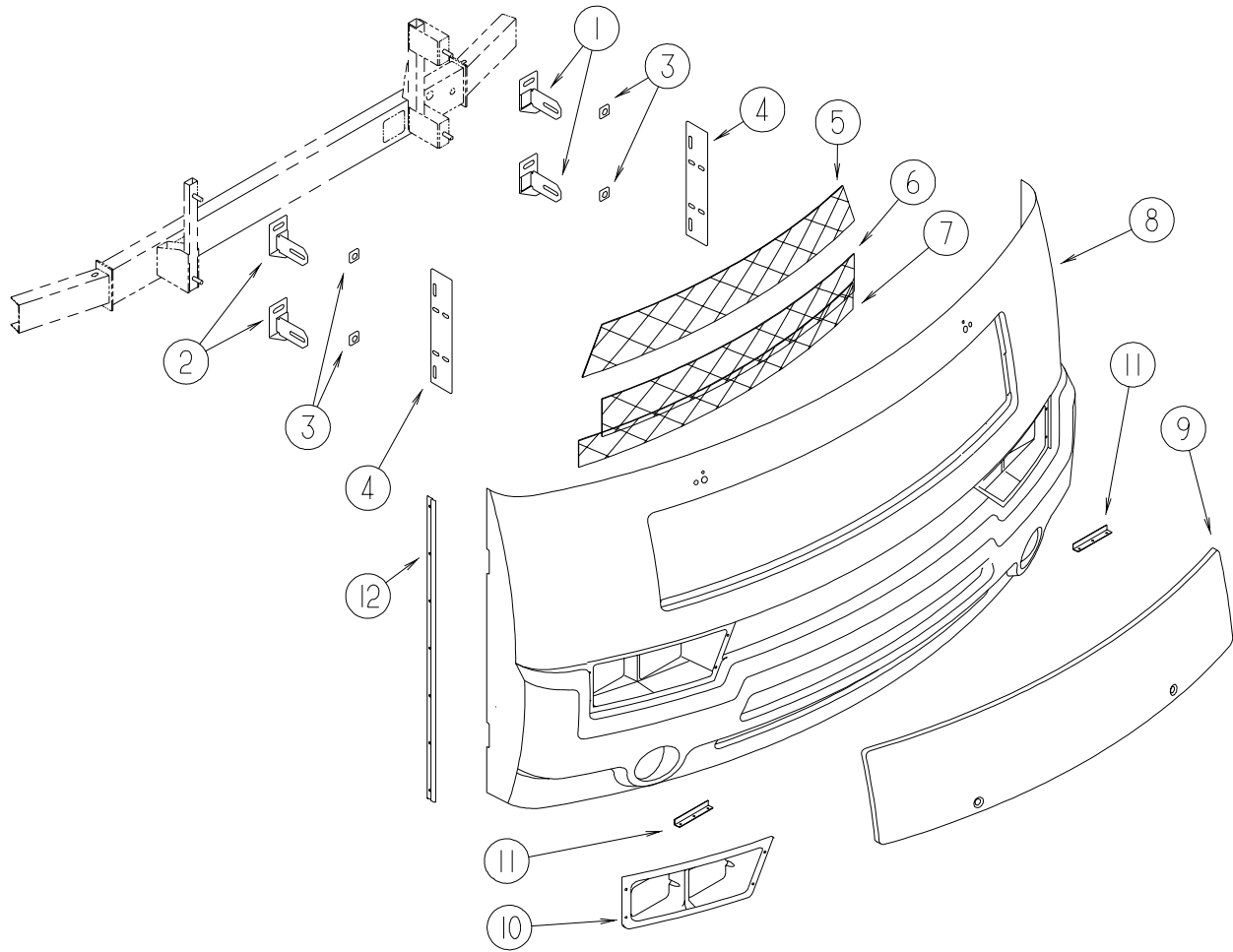
EXTERIOR BODY GROUP (CONTINUED)

TRIMS (CONTINUED)

KEY	PART NUMBER	U/M	DESCRIPTION
7	050406-33-000	EA	TRIM - BACKWALL/LOWER - BRIGHT WHITE - SUNRISE
7	050406-25-000	EA	TRIM - BACKWALL/LOWER - DRIVER/PASSENGER - SUNRISE SE
8	131483-01-01A	EA	RAIL - AWNING - 192" - BRIGHT WHITE
9	131365-01-000	EA	WHEELWELL - PLASTIC - SUNRISE
9	125283-01-000	EA	WHEELWELL - F26P
9	125673-01-000	EA	WHEELWELL - F29A, F31B
10	017516-01-000	EA	MUD FLAP - 14" X 18" - W/O MOUNTING HOLES - BLACK - ALL BUT F31B
10	017516-05-000	EA	MUD FLAP - BLACK - RUBBER - 18"W X 9"H - F31B ONLY
11	107865-19-000	EA	ROD - SUPPORT - VALANCE PANEL - 16.5" - SUNRISE
11	107865-01-000	EA	ROD - SUPPORT - VALANCE PANEL - 16.5" - SUNRISE SE
12	107865-07-000	EA	ROD - SUPPORT - VALANCE PANEL - 14.4" - SUNRISE SE & F30W FROM: 00-00-00 THRU: 04-10-00
12	107865-06-000	EA	ROD - SUPPORT - VALANCE PANEL - 15" - SUNRISE SE & F30W FROM: 04-11-00 THRU: 99-99-99
12	107865-06-000	EA	ROD - SUPPORT - VALANCE PANEL - 15" - ALL SUNRISE BUT F30W
13	132597-01-02B	EA	ANGLE/SUPPORT/TRIM - E-COATED - SUNRISE
14	125304-02-J60	EA	CAP - ROOF
15	132442-03-01A	EA	HANDLE - ASSIST - W/ITASCA LOGO - CHROME ENDS - SUNRISE
15	009126-03-000	EA	HANDLE - ASSIST - BLACK TEXTURED - SUNRISE SE

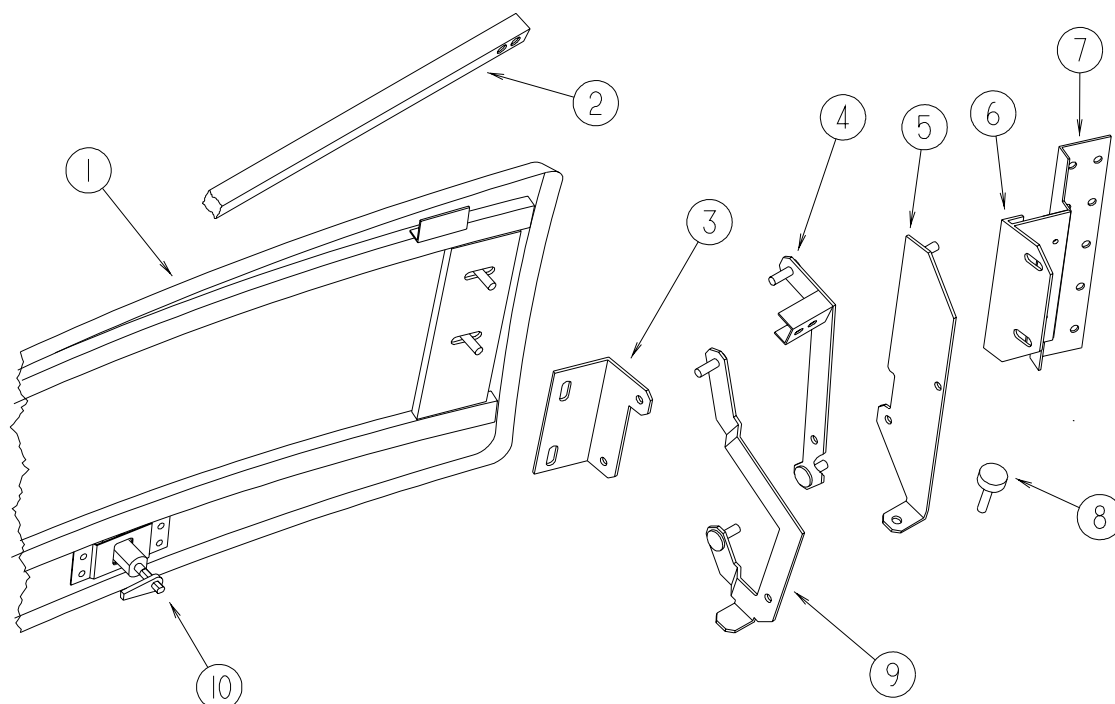
EXTERIOR BODY GROUP (CONTINUED)

FRONT END



KEY	PART NUMBER	U/M	DESCRIPTION
1	122826-02-02B	EA	BRACKET - BUMPER - DRIVER - E-COATED
2	122826-01-02B	EA	BRACKET - BUMPER - PASSENGER - E-COATED
3	116617-02-02B	EA	SPACER - BUMPER
4	126933-02-02A	EA	SUPPORT - GRILLE - VERTICAL/BLACK
5	115924-22-02A	EA	WIRE MESH - F/GRILLE - FLAT BLACK - 7.5" X 51.5"
6	115924-23-02A	EA	WIRE MESH - F/GRILLE - FLAT BLACK - 6.1" X 47.6"
7	115924-24-02A	EA	WIRE MESH - F/GRILLE - FLAT BLACK - 4.3" X 51.9"
8	126845-06-M36	EA	PANEL - FRONT/LOWER - W/O HOOD/GRILLE - SUNRISE
8	126845-04-J45	EA	PANEL - FRONT/LOWER - W/O HOOD/GRILLE - W/O NOTCH - SUNRISE SE
9	127223-01-J50	EA	HOOD - FRONT
10	126844-01-01A	EA	BEZEL - HEADLAMP - DUAL/PASSENGER - BLACK
	126844-02-01A	EA	BEZEL - HEADLAMP - DUAL/DRIVER - BLACK
11	110782-01-000	EA	ANGLE - SUPPORT - HEADLAMP
12	123680-07-01A	EA	TRIM - FIBERGLASS - BRIGHT WHITE - SUNRISE
12	123680-05-01A	EA	TRIM - FIBERGLASS PANEL - RIGHT/LEFT HAND - BRIGHT WHITE - SUNRISE SE
	007157-05-000	EA	NUT - WELL

EXTERIOR BODY GROUP (CONTINUED)
FRONT END (CONTINUED)



KEY	PART NUMBER	U/M	DESCRIPTION
1	127223-01-J50	EA	HOOD - FRONT
	106730-10-000	EA	PLATE - STUD - F/HOOD
2	105096-10-000	EA	TUBE - HOOD HINGE TIMING W/WELDNUTS
3	109927-07-000	EA	ANGLE - LINK - HOOD/RIGHT HAND
	109927-08-000	EA	ANGLE - LINK - HOOD/LEFT HAND
4	127174-01-02B	EA	LINK - HINGE/HOOD/UPPER/RIGHT HAND
	127174-02-02B	EA	LINK - HINGE/HOOD/UPPER/LEFT HAND
5	126867-10-02B	EA	BRACKET - LINK - HOOD HINGE - PASSENGER - E-COATED
	126867-12-02B	EA	BRACKET - LINK - HOOD HINGE - DRIVER - E-COATED
6	118595-01-03A	EA	SUPPORT - HINGE LINK - PASSENGER - BRIGHT WHITE
	118595-02-03A	EA	SUPPORT - HINGE LINK - DRIVER - BRIGHT WHITE
7	113495-07-02B	EA	SUPPORT - HINGE - E-COATED
8	058786-01-000	EA	BOLT - HOOD ADJUSTMENT - 5/16"-18 X 1.5"-2"- W/BLACK PAD
9	127172-02-02B	EA	LINK - HOOD HINGE - LOWER/PASSENGER - E-COATED
	127172-04-02B	EA	LINK - HOOD HINGE - LOWER/DRIVER - E-COATED
10	102330-02-000	EA	LATCH - VISE ACTION/KEY OPERATED
	102328-01-000	EA	KEY - BARREL - NICKEL PLATED - KEY #10232801000
	106748-01-000	EA	CATCH - F/VISE ACTION LATCH

LADDER

KEY	PART NUMBER	U/M	DESCRIPTION
	129639-02-01A	EA	LADDER - BRUSHED ALUMINUM - SUNRISE
	129639-03-01A	EA	LADDER - BRUSHED ALUMINUM - SUNRISE SE
	038327-01-000	EA	TAPE - ANIT-SLIP - 2" X 60"

MIRRORS

KEY	PART NUMBER	U/M	DESCRIPTION
*	106015-12-01A	EA	MIRROR - EXTERIOR REMOTE/HEAT - PASSENGER
*	106015-13-01A	EA	MIRROR - EXTERIOR REMOTE/HEAT - DRIVER

***COMPONENT PARTS LISTED LATER IN THIS GROUP**

EXTERIOR BODY GROUP (CONTINUED)

COMPONENT PARTS FOR MIRRORS

106015-12-01A, 106015-13-01A, 106015-14-01A, & 106015-15-01A

KEY	PART NUMBER	U/M	DESCRIPTION	VENDOR NO.
	106015-12-700	EA	MIRROR-FLAT-W/W/O HEAT	709448
	119774-09-700	EA	PLATE-INNER SUPT/MIRROR HEAD -PASS	709418-7RH
	119774-09-701	EA	PLATE-INNER SUPT/MIRROR HEAD -DRIVER	709419-7LH
	106015-12-701	EA	MIRROR-CONVEX - W/W/O HEAT	709449
	106015-12-702	EA	CAP/SCREW - (PKG OF 4) - BLK	748329 RND
	106015-12-703	EA	CONVEX KIT-REBUILT/ACTUATOR	709589

EXTERIOR BODY GROUP (CONTINUED)

STRUCTURAL COMPONENTS

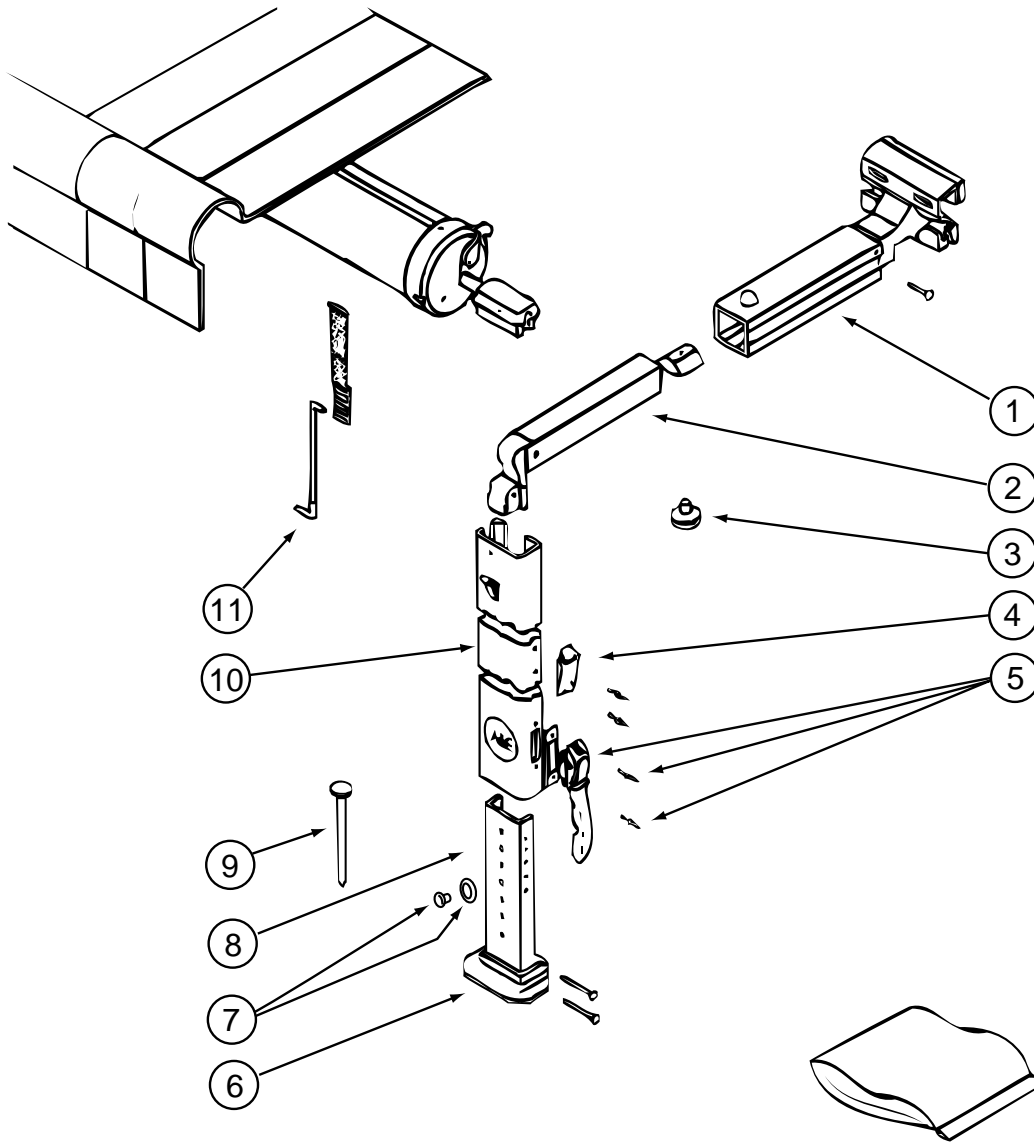
KEY	PART NUMBER	U/M	DESCRIPTION
	000870-09-000	SF	STYROFOAM - .85" X 48" X 96" - PLANED
	002726-01-001	EA	GARNISH - U-CHANNEL - 1.38" X 19' - SERRATED
	002766-01-001	EA	ANGLE - EXTRUDED - 1" X 1.5" X 17'
	068559-01-001	EA	EXTRUDED - ANGLE - 1" X .9" X 192" - COMPARTMENT DOOR CUTOUTS
	076054-R9-000	EA	FIBERGLASS SHEET - 38.1" X 70.6" - BRIGHT WHITE
	076054-U6-000	EA	FIBERGLASS SHEET - 102" X 361" - BRIGHT WHITE
	076054-U8-000	EA	FIBERGLASS SHEET - 100" X 105" - BRIGHT WHITE
	076054-W3-000	EA	FIBERGLASS SHEET - 79" X 361.3" - BRIGHT WHITE
	076054-W4-000	EA	FIBERGLASS SHEET - 79" X 337" - BRIGHT WHITE
	076054-X8-000	EA	FIBERGLASS SHEET - 79.1" X 407.2" - BRIGHT WHITE
	076054-X9-000	EA	FIBERGLASS SHEET - 22.1" X 70.6" - BRIGHT WHITE
	076054-Y8-000	EA	FIBERGLASS SHEET - 79" X 342" - BRIGHT WHITE
	077517-62-000	EA	FIBERGLASS SHEET - 48" X 96" - BRIGHT WHITE
	089297-01-000	SF	PLYWOOD - LUAN - OVERLAY GRADE - 4' X 8'
	089297-02-000	SF	PLYWOOD - LUAN - OVERLAY GRADE - 4' X 9'
	100619-01-000	BF	FOAM - EXPANDED POLYSTYRENE - 1.34" X 48" X 96"
	100619-02-000	BF	FOAM - EXPANDED POLYSTYRENE - 1.5" X 48" X 96"
	100619-04-000	BF	FOAM - EXPANDED POLYSTYRENE - .5" X 48" X 96"
	100619-05-000	BF	FOAM - EXPANDED POLYSTYRENE - .75" X 48" X 96"-1.5 DENSITY
	100619-11-000	BF	FOAM - EXPANDED POLYSTYRENE - 2" X 48" X 96"
	100619-13-000	BF	FOAM - EXPANDED POLYSTYRENE - .34" X 34.65" X 96"
	100619-16-000	BF	FOAM - EXPANDED POLYSTYRENE - .75" X 48" X 96"-2.0 DENSITY
	100619-27-000	BF	FOAM - EXPANDED POLYSTYRENE - 48" X 92.8" X 3"
	100619-28-000	BF	FOAM - EXPANDED POLYSTYRENE - .77" X 14.25" X 106"
	105077-08-000	EA	FOAM - PLUG - ROOF CAP
	120107-01-000	EA	FOAM - ROOF COVE - 2.8" X 96" LONG
	120107-02-000	EA	FOAM - PLUG - ROOF TUBE - 2.2" X 2.9" X 1.8" LONG
	120107-03-000	EA	FOAM - PLUG - SIDEWALL TUBE - 1.2" X 2.1" X 1.8" LONG
	125838-02-002	EA	PLEXIDR-SHEET.125X47.0X53.0 - DR#13175E2 WHT SM
	125838-03-001	EA	PLEXIDR-SHEET.125X13.0X20.0 - DR#101 CLEAR
	128782-03-01A	EA	FIBERGLASS SHEET - 27.4" X 70.8"/HIGH GLOSS/SLIDEOUT - B/W

AWNINGS

KEY	PART NUMBER	U/M	DESCRIPTION
*	113874-01-02A	EA	HARDWARE KIT - AWNING - W/O STANDOFF BRACKET-BRIGHT WHITE
	113874-05-35A	EA	AWNING - 14' COFFEE VINYL - BRT WHT VINYL WRAP - F26P
	113874-06-35A	EA	AWNING - 16' POLAR COFFEE - BRT WHT VINYL WRAP - F30W , F32T , F29A , F31B
	113874-08-35A	EA	AWNING - 19' POLAR COFFEE - BRT WHT VINYL WRAP - F33V , F35C
	113874-11-01A	EA	SCREW/LAG - AWNING - 1/4" X 1" STAINLESS STEEL
	113874-12-01A	EA	SCREW/LAG - AWNING - 1/4" X 2 3/4" STAINLESS STEEL
	127647-02-01A	EA	ROD/AWNING GUARD - ENTRANCE DOOR - F26P ONLY
	130320-01-02A	EA	BRACKET - AWNING - F/A&E INSTALLATION - BRIGHT WHITE
			FROM: 00-00-00 THRU: 09-10-00
	137054-01-02A	EA	BRACKET - AWNING - BRIGHT WHITE
			FROM: 09-11-00 THRU: 99-99-99

*COMPONENT PARTS LISTED LATER IN THIS GROUP

EXTERIOR BODY GROUP (CONTINUED)
COMPONENT PARTS FOR AWNINGS

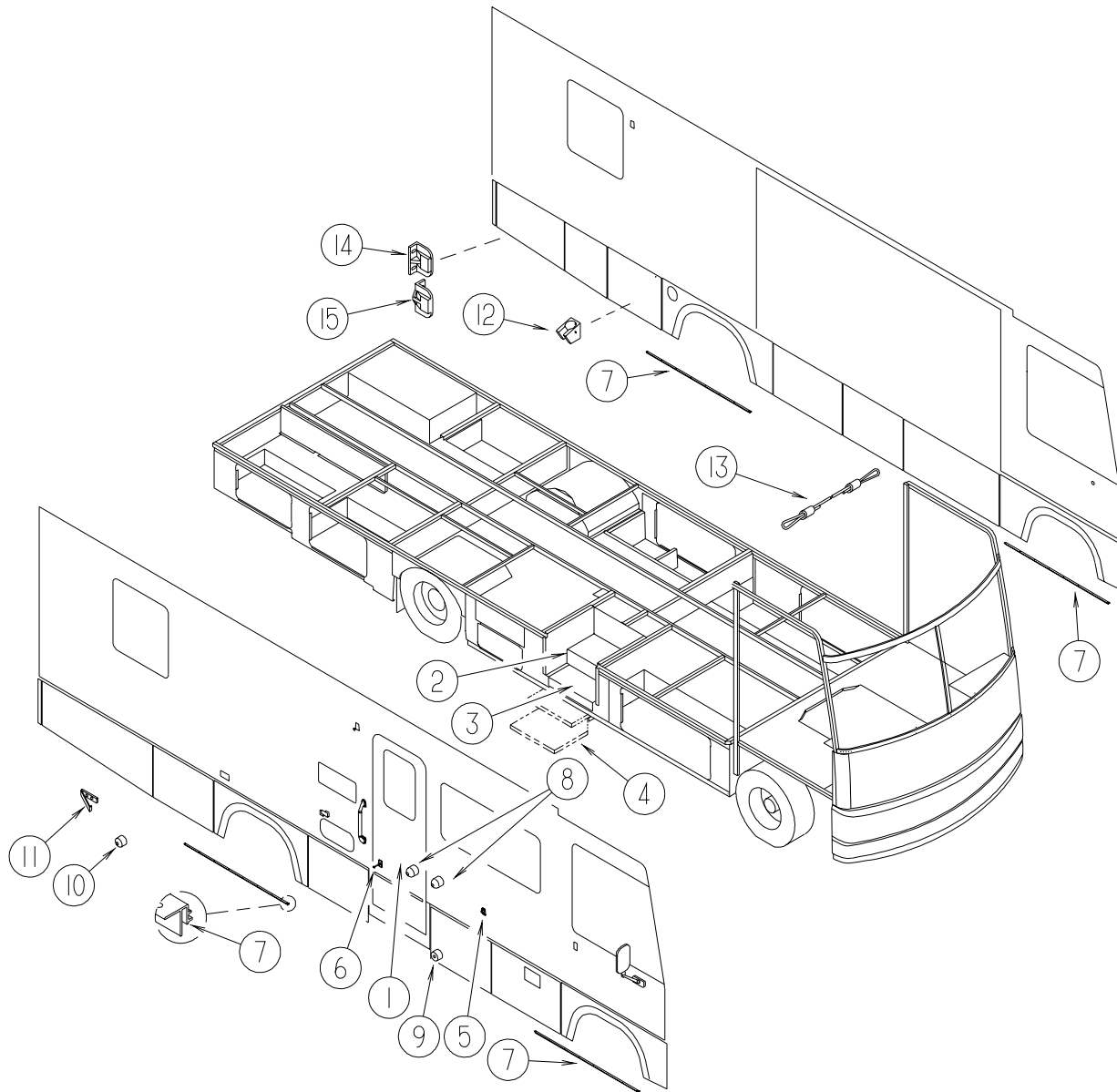


113874-01-02A

KEY	PART NUMBER	U/M	DESCRIPTION	VENDOR NO.
1	113874-01-714	EA	RAFTER - MAIN RH/LH BRT/WHT	830295.536F
2	113874-01-715	EA	RAFTER - SECONDARY BRT/WHT	830463.511F
3	113874-01-702	EA	KNOB - ADJUSTING	3105421014
4	113874-01-706	EA	LOCK - TRAVEL	830587.001
5	113874-01-707	EA	HANDLE - LIFT W/RIVETS	830644
6	113874-01-712	EA	FOOT - PATIO	730366-001
7	113874-01-710	EA	PLUG-STOP KIT	830456
8	113874-01-717	EA	ARM - ADJUSTABLE BRT/WHT	830467.517/F
9	113874-01-709	EA	NAIL-SPIKE, 8"	113006
10	113874-01-716	EA	ARM - MAIN SUPPORT BRT/WHT	3104502.293/F
11	113874-01-703	EA	ROD-CENTER PULL W/ACCESSORY	830152.102

EXTERIOR DOORS & COMPARTMENTS GROUP

DOOR & COMPARTMENT LAYOUT



KEY	PART NUMBER	U/M	DESCRIPTION
1	P32206-01-L36	EA	DOOR - ENTRY W/SCREEN DOOR - W/O WINDOW (M36)
1	P32206-01-M31	EA	DOOR - ENTRY W/SCREEN DOOR - W/O WINDOW (M37)
1	P32206-01-M32	EA	DOOR - ENTRY W/SCREEN DOOR - W/O WINDOW (M38)
1	P32206-04-L16	EA	DOOR - ENTRY W/SCREEN DOOR - W/O WINDOW (M28)
1	P32206-04-M29	EA	DOOR - ENTRY W/SCREEN DOOR - W/O WINDOW (M29)
2	P20256-04-000	EA	LID/DOOR - ENTRANCE STEP - W/O CARPET/HARDWARE - SUNRISE SE
2	P20256-07-000	EA	LID/DOOR - ENTRANCE STEP - W/O CARPET/HARDWARE - SUNRISE
2	064075-07-000	FT	SEAL - BULB - W/WIRED U CHANNEL - .3" X .5" CHANNEL-BLACK
3	133114-01-01A	EA	TREAD - STEP/RUBBER - 29.3" - TAUPE (M36,M38)
3	133114-01-03A	EA	TREAD - STEP/RUBBER - 29.3" - GRAY (M37)
3	133114-02-01A	EA	TREAD - STEP/RUBBER - 28.4" - TAUPE (M36,M38)
3	133114-02-03A	EA	TREAD - STEP/RUBBER - 28.4" - GRAY (M37)
3	133114-03-01A	EA	TREAD - STEP/RUBBER - 27.1" - TAUPE (M28)
3	133114-03-03A	EA	TREAD - STEP/RUBBER - 27.1" - GRAY (M29)
3	133114-04-01A	EA	TREAD - STEP/RUBBER - 26.3" - TAUPE (M28)
3	133114-04-03A	EA	TREAD - STEP/RUBBER - 26.3" - GRAY (M29)

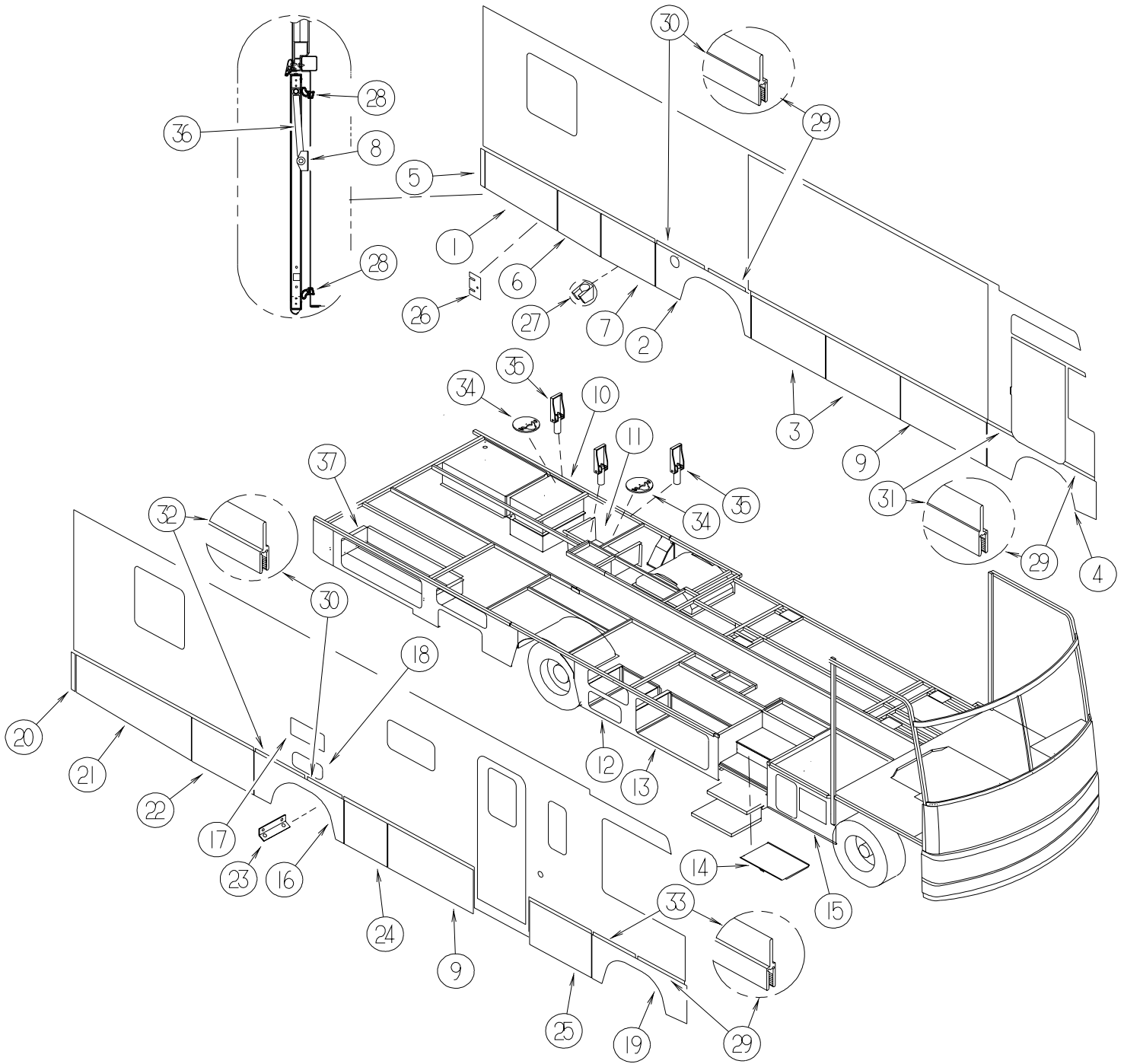
EXTERIOR DOORS & COMPARTMENTS GROUP (CONTINUED)

DOOR & COMPARTMENT LAYOUT (CONTINUED)

KEY	PART NUMBER	U/M	DESCRIPTION
4*	132900-01-01A	EA	STEP - ELECTRIC - DOUBLE (SCS) - BLACK - SUNRISE
4*	094707-03-01A	EA	STEP - ELECTRIC DOUBLE - W/BLACK CONTROL BOX - KWIKEE - SUNRISE SE - F31B
4*	094708-03-01A	EA	STEP - ELECTRIC - SINGLE - BLACK CONTROL BOX - KWIKEE - SUNRISE SE - F26P, F29A
5	104099-02-04A	EA	CATCH - DOOR HOLDER - RETAINER - BRIGHT WHITE
6	104099-03-04A	EA	CATCH - DOOR HOLDER - STRIKE 6"
7	129854-05-01A	EA	SUPPORT - WHEEL LIP - 62.4" - MILL - SUNRISE SE ONLY
8	120863-02-000	EA	BUMPER - RUBBER - 1" DIAMETER X 1.50"
9	120863-01-000	EA	BUMPER - RUBBER - 1 1/4" X 1 1/4"
10	120863-05-000	EA	BUMPER - RUBBER - 3/4" X 3/8"
11	102768-01-000	EA	HOLDER - COMPARTMENT/ENTRY DOOR - METAL - MILL FINISH
12	131383-03-02A	EA	BRACKET - SHOWER HEAD - WHITE
13	076767-01-000	EA	CABLE - STAINLESS STEEL - 12"
14	130053-01-01A	EA	STRIKER - LUGGAGE DOOR - FLUSH - BLACK
15	130053-02-01A	EA	STRIKER - LUGGAGE DOOR - OFF SET - BLACK
	110506-71-000	EA	CAM - LATCHING - DOG LEGGED .86" LONG
	110506-55-000	EA	CASE/CYLINDER - TWIST LOCK - W/O CAM - 1.25" - 597312AA1
*	110506-59-000	EA	KEYS - SET OF TWO 596720
*	110506-59-001	EA	KEYS - SET OF TWO 596721
*	110506-59-002	EA	KEYS - SET OF TWO 596722
*	110506-59-003	EA	KEYS - SET OF TWO 596723
*	110506-59-004	EA	KEYS - SET OF TWO 596724
*	110506-59-005	EA	KEYS - SET OF TWO 596725
*	110506-59-006	EA	KEYS - SET OF TWO 596726
*	110506-59-007	EA	KEYS - SET OF TWO 596727
*	110506-59-008	EA	KEYS - SET OF TWO 596728
*	110506-59-009	EA	KEYS - SET OF TWO 596729

*COMPONENT PARTS LISTED LATER IN THIS GROUP

EXTERIOR DOORS & COMPARTMENTS GROUP (CONTINUED)
DOOR & COMPARTMENT LAYOUT (CONTINUED)



KEY	PART NUMBER	U/M	DESCRIPTION	
1	122391-B4-M30	EA	VALANCE/DOOR - W/O PADDLE LATCH/HINGE	
	122268-30-000	EA	ROD - LATCH - 14.03"	
	122269-30-000	EA	ROD - LATCH - 14.03"	
2	132332-23-M30	EA	VALANCE/WHEEL LIP - DRIVER - REAR - 57.5"	
	3	122239-G5-M30	EA	VALANCE/DOOR - W/O PADDLE LATCH/HINGE
		122268-77-000	EA	ROD - LATCH - 15.6"
4	122269-77-000	EA	ROD-LATCH	
	5	132332-19-M30	EA	VALANCE/WHEEL LIP - DRIVER - FRONT - 65.2"
		135904-01-M30	EA	TRIM ASM-SIDEWALL
6	122391-B3-M30	EA	VALANCE/DOOR - W/O PADDLE LATCH/HINGE	
	122268-70-000	EA	ROD - LATCH - 5.3"	
	122269-70-000	EA	ROD - LATCH - 5.3"	
7	122239-G2-M30	EA	VALANCE/DOOR - W/O PADDLE LATCH/HINGE	
	122268-71-000	EA	ROD-LATCH	
	122269-71-000	EA	ROD - LATCH - 8.6"	

EXTERIOR DOORS & COMPARTMENTS GROUP (CONTINUED)
DOOR & COMPARTMENT LAYOUT (CONTINUED)

KEY	PART NUMBER	U/M	DESCRIPTION
8	126263-02-02B	EA	BRACKET - GAS SPRING W/BALL STUD - E-COATED
	126259-01-000	EA	STUD - BALL - GAS SHOCK MOUNTING
9	122239-G6-M30	EA	VALANCE/DOOR - W/O PADDLE LATCH/HINGE
	122268-73-000	EA	ROD - LATCH - 18.2"
	122269-73-000	EA	ROD - LATCH - 18.2"
10	133372-01-L32	EA	COMPARTMENT - POWER CORD
			FROM: 00-00-00 THRU: 10-01-00
10	133372-03-M42	EA	COMPARTMENT - POWERCORD
			FROM: 10-02-00 THRU: 99-99-99
11	M08627-11-M42	EA	COMPARTMENT - ELECTRIC/DRAIN
12	126386-47-L76	EA	COMPARTMENT - LUGGAGE
13	126386-46-L76	EA	COMPARTMENT - LUGGAGE
14	123330-03-02B	EA	SUPPORT - ENTRY STEP - E-COATED
15	126386-42-L32	EA	COMPARTMENT - WATER HEATER - 8 GALLON
16	132332-08-L32	EA	VALANCE/WHEEL LIP - PASSENGER - REAR - 48.3"
17*	084103-08-000	EA	DOOR - VENT - REFRIGERATOR - W/O JAMB - BRIGHT WHITE
17	084104-08-000	EA	JAMB - VENT DOOR/REFRIGERATOR - BRIGHT WHITE
18	126945-01-J22	EA	DOOR/ENTERTAINMENT CENTER - W/O HARDWARE - 18" X 8.3"
19	132332-18-M30	EA	VALANCE/WHEEL LIP - PASSENGER - FRONT - 56.6"
20	135904-02-M30	EA	TRIM - SIDEWALL
21	122391-B5-M30	EA	VALANCE/DOOR - W/O PADDLE LATCH/HINGE
	122268-81-000	EA	ROD-LATCH
	122269-81-000	EA	ROD-LATCH
22	122239-D6-M30	EA	VALANCE/DOOR - W/O PADDLE LATCH/HINGE - 43.1"W X 23.7"H
	122268-72-000	EA	ROD - LATCH - 13.8"
	122269-72-000	EA	ROD - LATCH - 13.8"
23	135297-01-02B	EA	ANGLE/SUPPORT/TRIM - E-COATED
24	122239-F9-M30	EA	VALANCE/DOOR - W/O PADDLE LATCH/HINGE
	122268-70-000	EA	ROD - LATCH - 5.3"
	122269-70-000	EA	ROD - LATCH - 5.3"
25	122239-G9-M30	EA	VALANCE/DOOR - W/O PADDLE LATCH/HINGE
	122268-76-000	EA	ROD - LATCH - .59"
	122269-76-000	EA	ROD - LATCH - 19.1"
26	120494-03-02B	EA	SHIM - STRIKER - LUGGAGE DOOR - .20 - E-COATED
27	131383-03-02A	EA	BRACKET - SHOWER HEAD - WHITE
28	132892-01-01A	FT	SEAL - BULB
			FROM: 00-00-00 THRU: 10-15-00
28	132892-02-01A	FT	SEAL - BULB
			FROM: 10-16-00 THRU: 99-99-99
29	132654-03-01A	EA	SUPPORT - WHEEL LIP - BLACK - 31.6"
30	132654-05-01A	EA	SUPPORT - WHEEL LIP - BLACK - 20.9"
31	132654-06-01A	EA	SUPPORT - WHEEL LIP - BLACK - 24.4"
32	132654-10-01A	EA	SUPPORT - WHEEL LIP - BLACK - 23.2"
33	132654-01-01A	EA	SUPPORT - WHEEL LIP - BLACK - 17.6"
34	M08628-01-H17	EA	HATCH - W/FOAM INSERT
35	121175-02-01A	EA	LATCH - SWELL
36	107796-32-000	EA	SPRING/GAS - 15" EXTENDED X 9.5" COMPRESSED - 90 LB
			FROM: 00-00-00 THRU: 05-21-00
36	107796-20-000	EA	SPRING/GAS - 7" COMPRESSED/10" EXTENDED - 60 LB
			FROM: 05-22-00 THRU: 99-99-99
37	118413-80-02B	EA	COMPARTMENT - LUGGAGE - E-COATED
	113041-09-02B	EA	ANGLE - BUMPER JOUNT - E-COATED - VALANCE/WHEEL LIP SUPPORT
			FROM: 00-00-00 THRU: 07-13-00
	113041-14-02B	EA	ANGLE - BUMPER MOUNT - E-COATED - VALANCE/WHEEL LIP SUPPORT
			FROM: 07-14-00 THRU: 99-99-99

***COMPONENT PARTS LISTED LATER IN THIS GROUP**

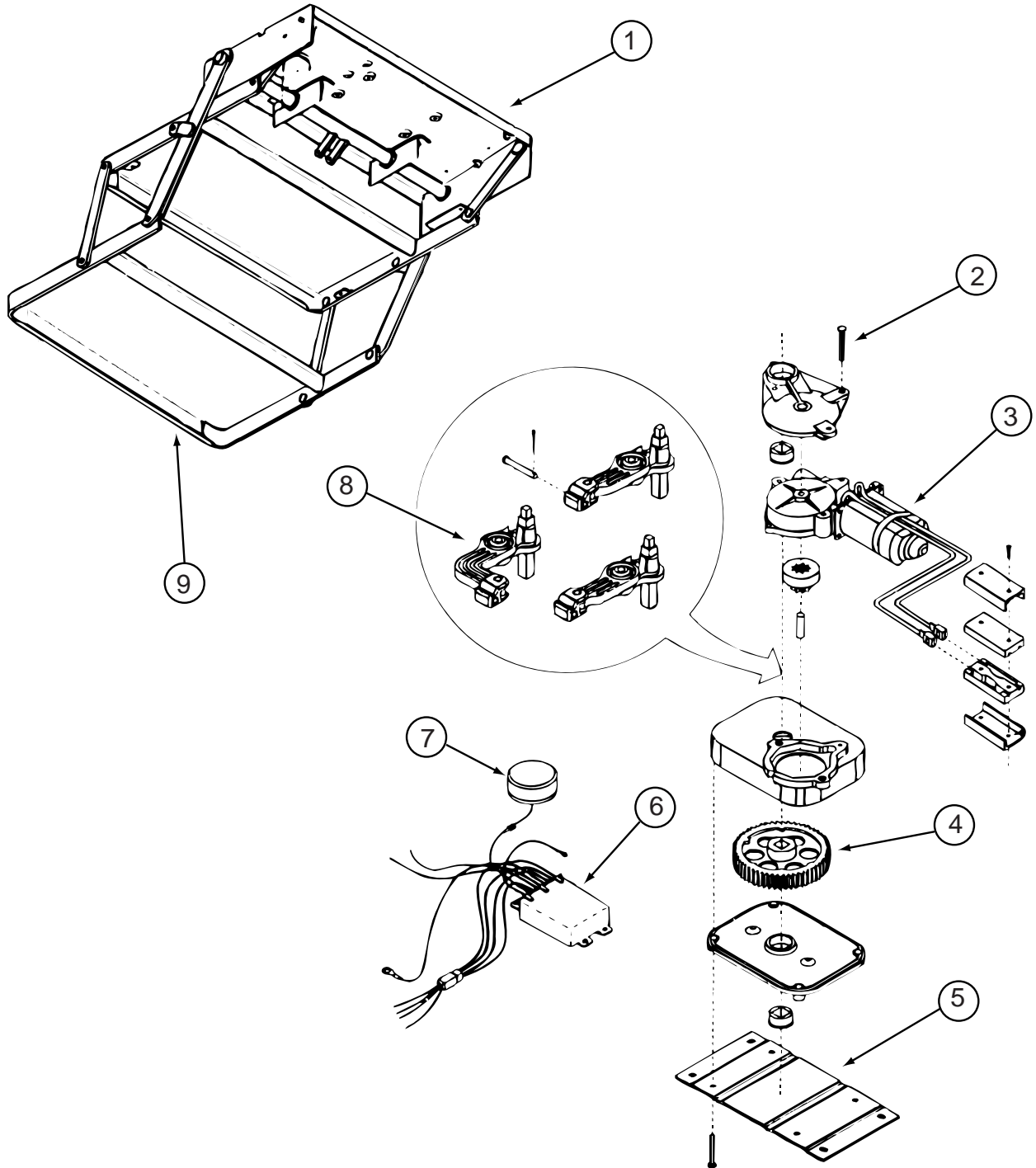
EXTERIOR DOORS & COMPARTMENTS GROUP (CONTINUED)

COMPONENT PARTS FOR DOOR & COMPARTMENT LAYOUT

084103-08-000

KEY	PART NUMBER	U/M	DESCRIPTION	VENDOR NO.	
	084103-08-000	EA	DOOR - VENT - REFRIGERATOR - W/O JAMB - BRIGHT WHITE		BRIGHT WHITE
	084104-01-700	EA	LOCK-MALE, FASTENER	201-721-010	
	084104-01-701	EA	LOCK-FEMALE, FASTENER	201-802-010	

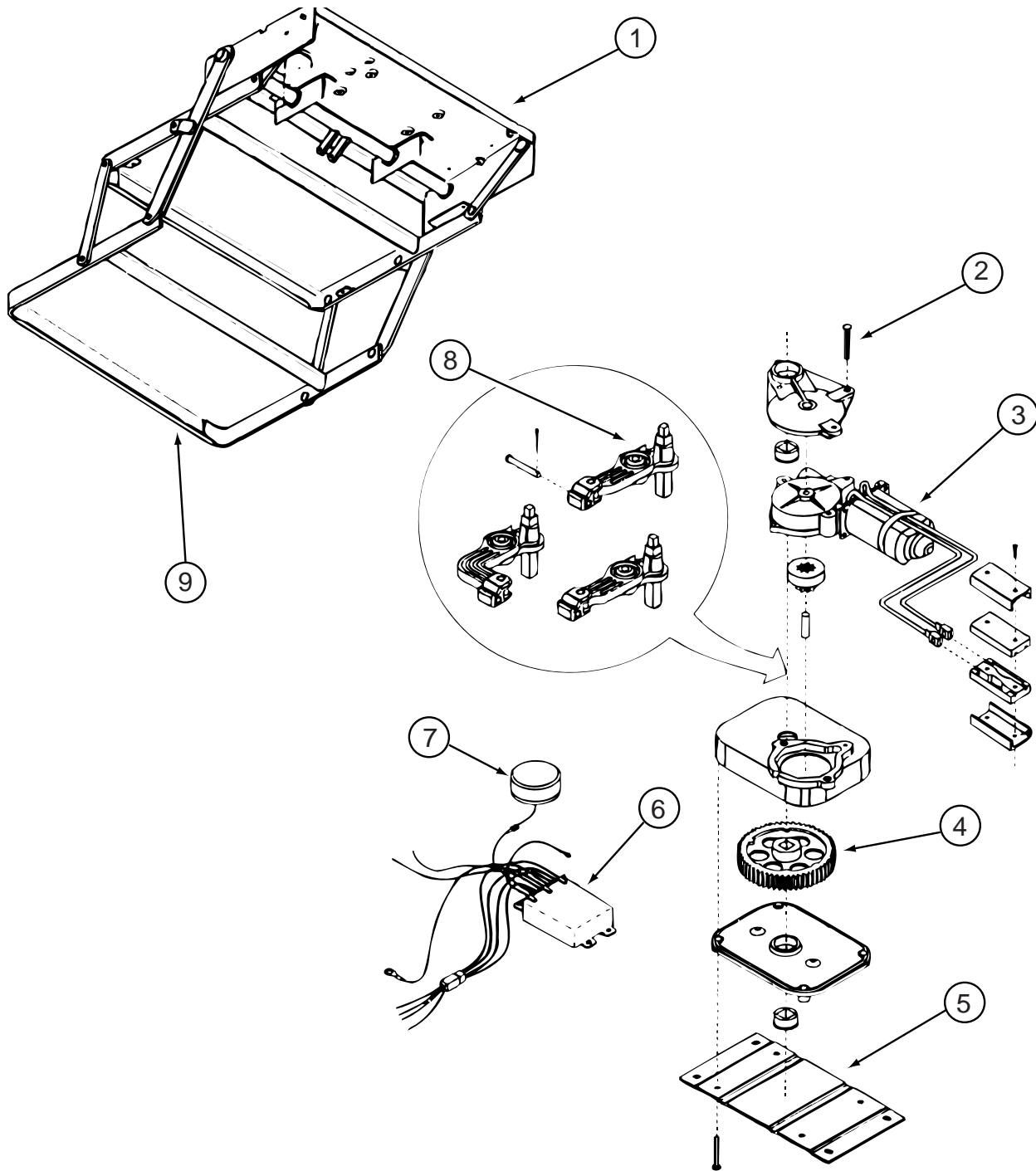
EXTERIOR DOORS & COMPARTMENTS GROUP (CONTINUED)
COMPONENT PARTS FOR DOOR & COMPARTMENT LAYOUT (CONTINUED)



094707-03-01A

KEY	PART NUMBER	U/M	DESCRIPTION	VENDOR NO.
	094707-03-01A	EA	STEP - ELECTRIC DOUBLE - W/BLACK CONTROL BOX - KWIKEE	
1	094707-01-702	EA	FRAME W/DBL STEP,3200 SERIES	908032
2	094707-02-703	EA	BEARING & PINS	909530
3	094707-02-700	EA	MOTOR ASM.,W/BEARINGS & PINS	909520
4	094707-02-702	EA	GEAR KIT(GEAR-BEARING-PINS)	909525
5	094707-02-704	EA	CONNECTOR-MOTOR ASM.W/PLATES	909537
6	094707-03-700	EA	KIT CONTROL/SWITCH-RETROFIT	909506005
7	088733-01-700	EA	BULB	9004
7	088746-01-705	EA	LIGHT-UNDER STEP	9004
8	094707-02-701	EA	LINKAGE ASM. W/BEARINGS-PINS	909534
9	094707-02-707	EA	TREAD - NON-SKID - BLACK	909333
	094707-02-706	EA	GEAR BOX ASM. W/O MOTOR	9524
	094707-02-708	EA	TREAD - NON-SKID - YELLOW	909331
	094707-03-701	EA	PLUG - 4-WAY - PACKARD	909306

EXTERIOR DOORS & COMPARTMENTS GROUP (CONTINUED)
COMPONENT PARTS FOR DOOR & COMPARTMENT LAYOUT (CONTINUED)



094708-03-01A

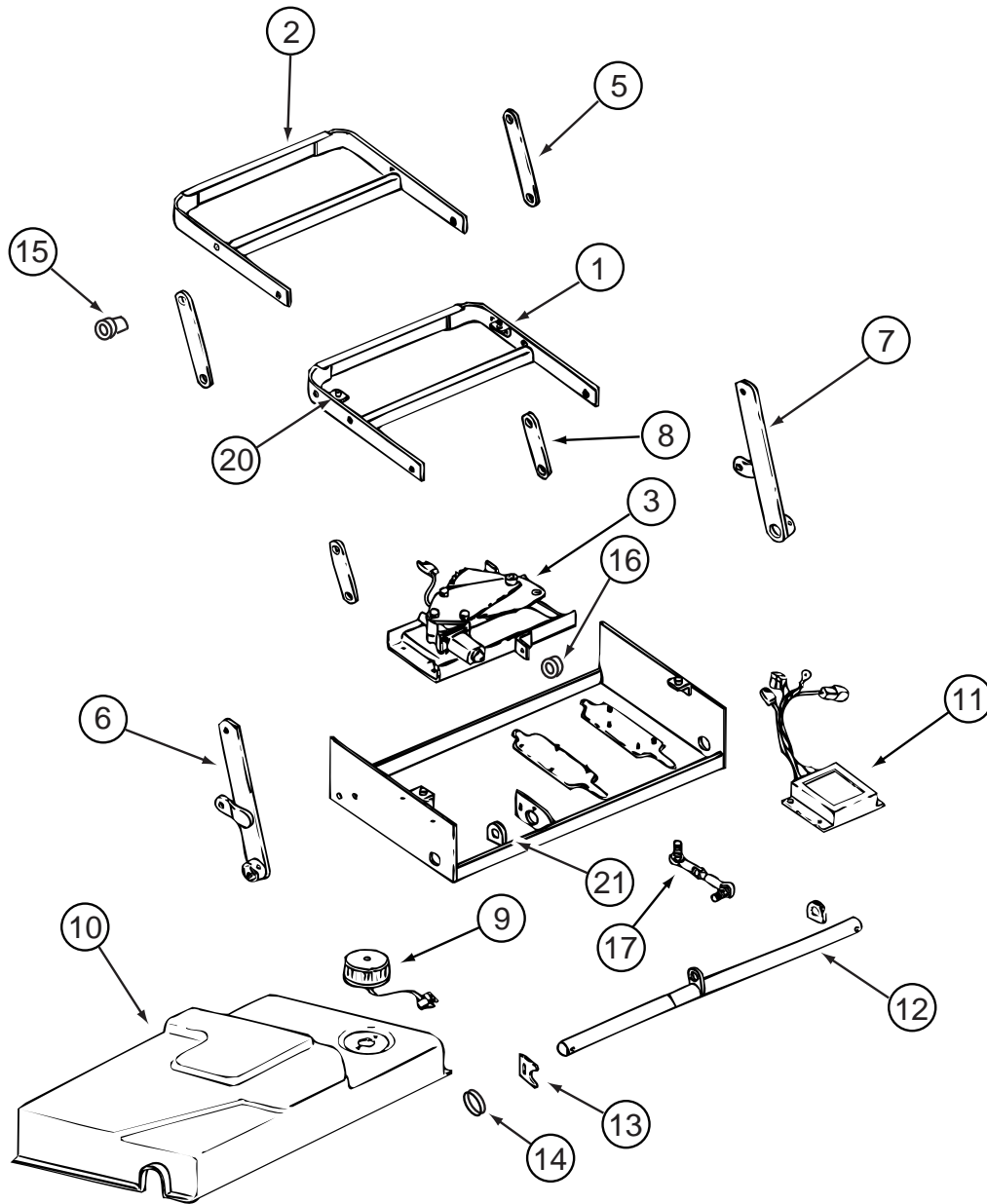
KEY	PART NUMBER	U/M	DESCRIPTION	VENDOR NO.
	094708-03-01A	EA	STEP ASM-ELECTRIC,SINGLE BLK	
1	088746-01-709	EA	FRAME W/SGL STEP,2800 SERIES	908028
2	094707-02-703	EA	BEARING & PINS	909530
3	094707-02-700	EA	MOTOR ASM.,W/BEARINGS & PINS	909520
4	094707-02-702	EA	GEAR KIT(GEAR-BEARING-PINS)	909525
5	094707-02-704	EA	CONNECTOR-MOTOR ASM.W/PLATES	909537
6	094707-03-700	EA	KIT CONTROL/SWITCH-RETROFIT	909506005
7	088733-01-700	EA	BULB	9004
7	088746-01-705	EA	LIGHT-UNDER STEP	9004
8	094708-03-700	EA	LINKAGE ASSEMBLY-SERIES 28	909533
9	094707-02-707	EA	TREAD - NON-SKID - BLACK	909333
	094707-03-701	EA	PLUG - 4-WAY - PACKARD	909306

EXTERIOR DOORS & COMPARTMENTS GROUP (CONTINUED)
COMPONENT PARTS FOR DOOR & COMPARTMENT LAYOUT (CONTINUED)

110506-59-000 - 110506-59-009

KEY	PART NUMBER	U/M	DESCRIPTION	VENDOR NO .
	110506-40-700	EA	HDWE KIT	596950AAL
	110506-59-701	EA	KEY BLANK (GOLD)	

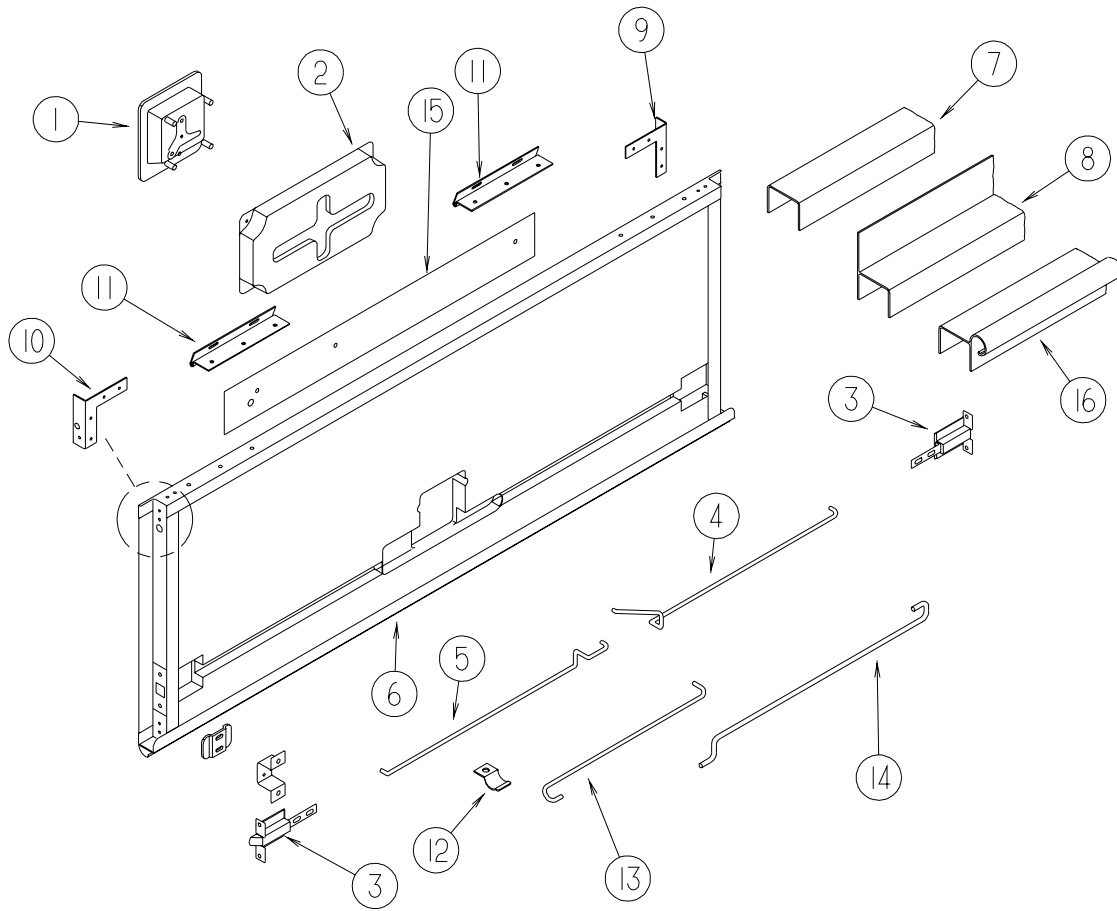
EXTERIOR DOORS & COMPARTMENTS GROUP (CONTINUED)
COMPONENT PARTS FOR DOOR & COMPARTMENT LAYOUT (CONTINUED)



132900-01-01A

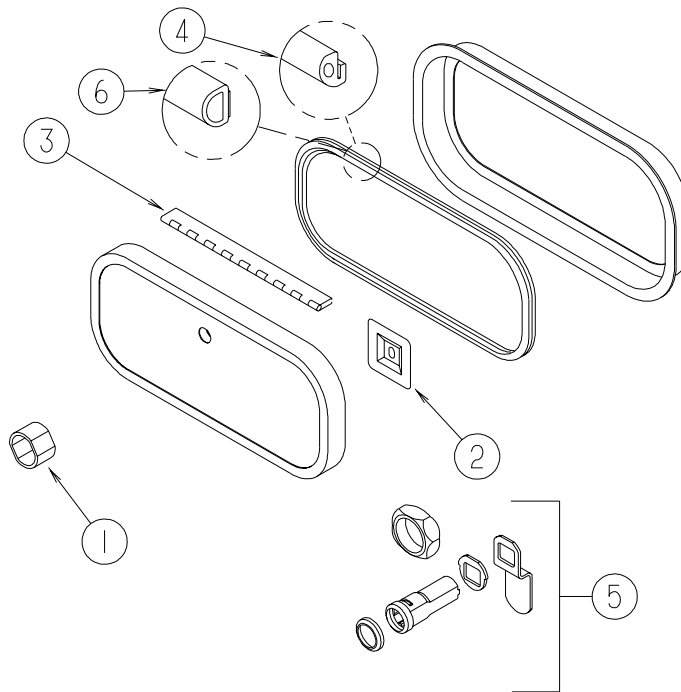
KEY	PART NUMBER	U/M	DESCRIPTION	VENDOR NO.
	132900-01-01A	EA	STEP - ELECTRIC - DOUBLE (SCS) - BLACK	
1	132900-01-706	EA	STEP/TOP	726-0017
2	132900-01-716	EA	STEP/BOTTOM	726-0004
3	132900-01-701	EA	MOTOR W/MOUNTING BRACKET	726-0012
5	132900-01-711	EA	LINK - CONNECTING/FRONT	732-0016
6	132900-01-713	EA	LINK CONNECTING/DRIVE - LEFT	726-0015
7	132900-01-714	EA	LINK CONNECTING/DRIVE-RIGHT	726-0016
8	132900-01-702	EA	LINK CONNECTING/REAR	732-0015
9	132900-01-704	EA	LIGHT ASSEMBLY	728-0003
10	132900-01-717	EA	COVER - MOTOR	729-0001
11	132900-01-700	EA	MODULE - ELECTRIC	728-0002
12	132900-01-712	EA	AXEL/DRIVE ASSEMBLY	726-0014
13	132900-01-705	EA	BUSHING - RETAINING	732-0035
14	132900-01-708	EA	BUSHING - AXEL .973 ACETAL	729-0006
15	132900-01-707	EA	BUSHING .375 ACETAL	729-0003
16	132900-01-715	EA	LINK CONNECTING/STOP	732-0029
17	132900-01-703	EA	BALL JOINT	731-0015
20	132900-01-709	EA	BUMPER STOP - RUBBER	730-0001
21	132900-01-710	EA	SEAL/SHAFT	730-0002
	132900-01-718	EA	FRAME - STEP	726-0023

EXTERIOR DOORS & COMPARTMENTS GROUP (CONTINUED)
COMPARTMENT DOOR PIECE PARTS



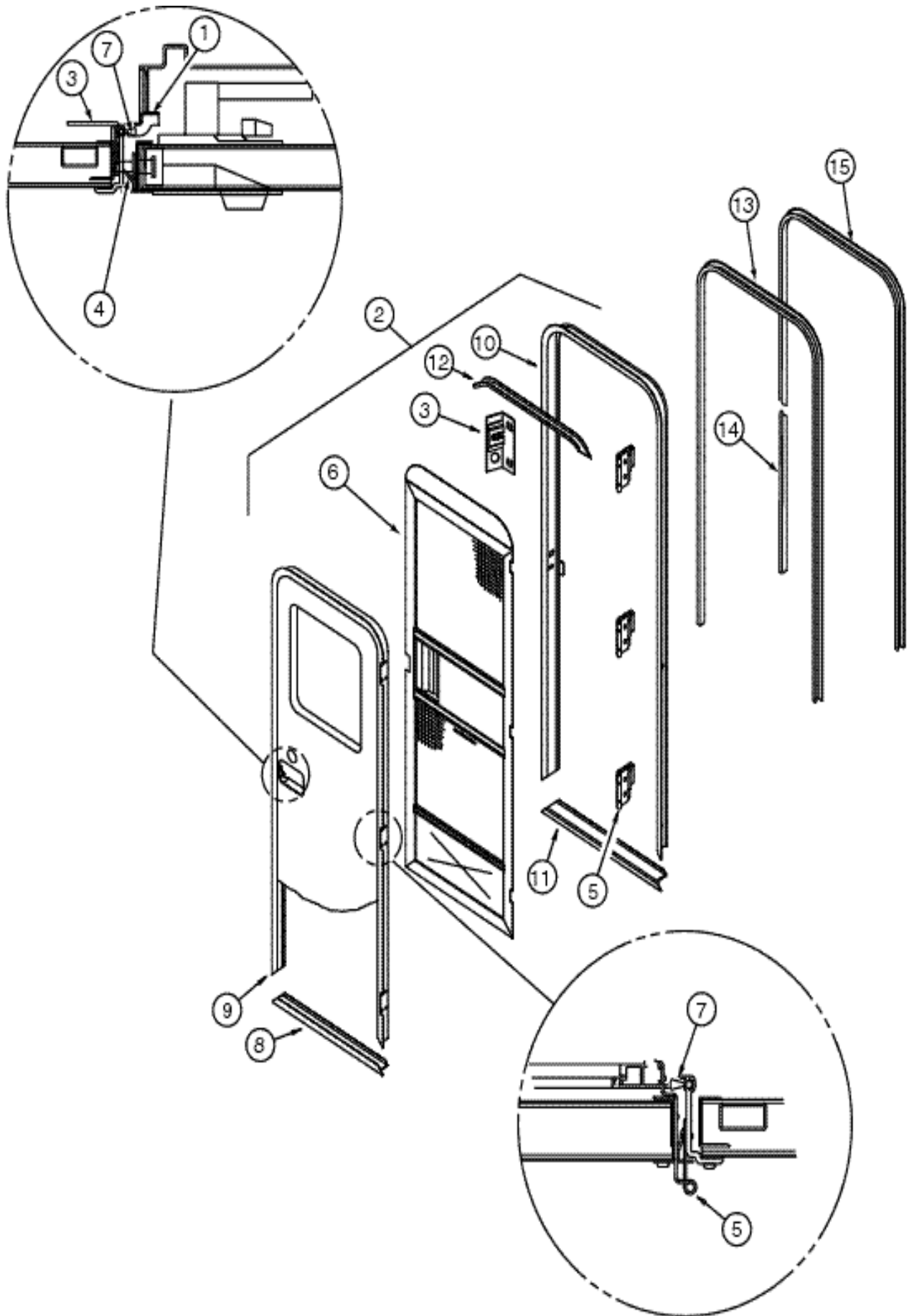
KEY	PART NUMBER	U/M	DESCRIPTION
1	112949-01-03A	EA	LATCH - PADDLE W/LOCK - W/O KEY - BRIGHT WHITE - SUNRISE SE
1	112949-01-04A	EA	LATCH - PADDLE W/LOCK - W/O KEY - BLACK - SUNRISE
	112949-03-000	EA	KEY - CUT - TRI MARK - #TM500
1	112949-02-04A	EA	LATCH - PADDLE NON-LOCKING - BRIGHT WHITE - SUNRISE SE
1	112949-02-05A	EA	LATCH - PADDLE NON-LOCKING - BLACK - SUNRISE
2	122277-02-01A	EA	COVER - LATCH - BLACK
3	121947-01-01A	EA	BOLT - SLIDE W/PLASTIC PLUNGER
4	126508-04-000	EA	ROD - LATCH - 35.4" - LEFT HAND SEE DOOR & COMPARTMENT LAYOUT FOR ROD-LATCH
5	126507-04-000	EA	ROD - LATCH - 35.4" - RIGHT HAND SEE DOOR & COMPARTMENT LAYOUT FOR ROD-LATCH
6	122613-55-008	EA	ROCKER PANEL/EXTRUSION - 161.4" - BRIGHT WHITE - SUNRISE SE
6	122613-55-009	EA	ROCKER PANEL/EXTRUSION - 161.4" - BLACK - SUNRISE
7	122612-55-008	EA	U-CHANNEL/EXTRUSION - 144" - BRIGHT WHITE - SUNRISE SE
7	122612-55-009	EA	U-CHANNEL/EXTRUSION - 144" - BLACK - SUNRISE
8	122614-55-008	EA	EXTRUDED - H-CHANNEL - BRIGHT WHITE - 12' - SUNRISE SE
8	122614-55-009	EA	EXTRUDED - H-CHANNEL - BLACK - 12' - SUNRISE
9	123892-10-02B	EA	CORNER STABILIZER W/BALL STUD - LEFT HAND - E-COATED
10	123892-12-02B	EA	CORNER STABILIZER W/BALL STUD - RIGHT HAND - E-COATED
11	131790-05-01A	EA	HINGE - SINGLE/PIVOT - SUNRISE
12	M62628-01-000	EA	CLIP - PROP ROD
13	101667-06-000	EA	PROP ROD - SUNRISE SE
14	101667-02-000	EA	ROD - PROP - 21.97" - SUNRISE SE
14	101667-05-000	EA	PROP ROD - 17.53" - SUNRISE SE
15	121577-01-01A	EA	PLATE - W/HOLE - BRIGHT WHITE - SUNRISE SE
16	126694-55-001	EA	EXTRUSION - U-CHANNEL/HINGED - 191.7" - BRIGHT WHITE - SUNRISE SE FROM: 00-00-00 THRU: 03-09-00
16	126694-55-002	EA	EXTR-U CHAN.W/HNG,BWH,3658MME - SUNRISE SE FROM: 03-10-00 THRU: 99-99-99

EXTERIOR DOORS & COMPARTMENTS GROUP (CONTINUED)
COMPARTMENT DOOR PIECE PARTS (CONTINUED)



KEY	PART NUMBER	U/M	DESCRIPTION
1	107997-51-001	EA	SPACER - DOOR LOCK - .6" DEEP
2	NOT USED		
3	081801-V3-000	EA	HINGE - ALUMINUM - 2" X 96" - BRIGHT WHITE
3	009065-01-000	EA	HINGE - ALUMINUM - 1 1/2" X 96" - UNPAINTED
4	106850-02-000	FT	SEAL-E - SPONGE RUBBER - .43" X .75"
5	110506-54-000	EA	CASE/CYLINDER - LOCKING - W/O CAM/KEY - 1.25" - 703170
5	110506-54-001	EA	CASE/CYLINDER - LOCKING - W/O CAM/KEY - 1.25" - 703171
5	110506-54-002	EA	CASE/CYLINDER - LOCKING - W/O CAM/KEY - 1.25" - 703172
5	110506-54-003	EA	CASE/CYLINDER - LOCKING - W/O CAM/KEY - 1.25" - 703173
5	110506-54-004	EA	CASE/CYLINDER - LOCKING - W/O CAM/KEY - 1.25" - 703174
5	110506-54-005	EA	CASE/CYLINDER - LOCKING - W/O CAM/KEY - 1.25" - 703175
5	110506-54-006	EA	CASE/CYLINDER - LOCKING - W/O CAM/KEY - 1.25" - 703176
5	110506-54-007	EA	CASE/CYLINDER - LOCKING - W/O CAM/KEY - 1.25" - 703177
5	110506-54-008	EA	CASE/CYLINDER - LOCKING - W/O CAM/KEY - 1.25" - 703178
5	110506-54-009	EA	CASE/CYLINDER - LOCKING - W/O CAM/KEY - 1.25" - 703179
5	110506-40-700	EA	HDWE KIT 596950AAL
5	110506-66-000	EA	CAM - LATCHING - DOG LEGGED 1.5" LONG
6	NOT USED		

EXTERIOR DOORS & COMPARTMENTS GROUP (CONTINUED)
ENTRY



EXTERIOR DOORS & COMPARTMENTS GROUP (CONTINUED)
ENTRY (CONTINUED)

KEY	PART NUMBER	U/M DESCRIPTION
1	132915-01-01A	EA LATCH - SCREEN DOOR
2	P32206-01-L36	EA DOOR - ENTRY W/SCREEN DOOR - W/O WINDOW/LATCH (M36)
2	P32206-01-M31	EA DOOR - ENTRY W/SCREEN DOOR - W/O WINDOW/LATCH (M37)
2	P32206-01-M32	EA DOOR - ENTRY W/SCREEN DOOR - W/O WINDOW/LATCH (M38)
2	P32206-04-L16	EA DOOR - ENTRY W/SCREEN DOOR - W/O WINDOW/LATCH (M28)
2	P32206-04-M29	EA DOOR - ENTRY W/SCREEN DOOR - W/O WINDOW/LATCH (M29)
3	041546-08-000	EA BRACKET - DOOR ANGLE O/W
		FROM: 00-00-00 THRU: 12-18-00
3	137401-01-03B	EA BRACKET - DOOR ANGLE - OFF WHITE
		FROM: 12-19-00 THRU: 99-99-99
4	075671-04-000	FT SEAL - SPONGE - LAZY T - W/ADHESIVE STRIP - .5" WIDE
5	106719-01-05A	EA HINGE - ENTRY DOOR - BRIGHT WHITE
	106719-01-01A	EA HINGE - ENTRY DOOR - MILL
	039715-01-000	EA NUT-SERT - 1/4" DIAMETER - 20 THREADS
	116111-02-01A	EA SCREW - TAPTITE - 1/4-20 X 3/8 PPH - ZINC
6	132208-02-L32	EA DOOR - SCREEN - W/O HARDWARE - SUNRISE
6	132208-04-L07	EA DOOR - SCREEN - W/O HARDWARE - SUNRISE SE
7	118929-01-01A	FT SEAL - PILE - PUSH ON
8	121893-03-02A	EA FRAME - ENTRY DOOR/LOWER - BRIGHT WHITE - SUNRISE
8	121893-01-01A	EA FRAME - ENTRY DOOR/BOTTOM - BRIGHT WHITE - SUNRISE SE
9	121894-16-01A	EA FRAME - ENTRY DOOR - BRIGHT WHITE - SUNRISE
9	121894-20-01A	EA FRAME - ENTRY DOOR - BRIGHT WHITE - SUNRISE SE
		FROM: 00-00-00 THRU: 09-20-00
9	121894-21-01A	EA FRAME - ENTRY DOOR - BRIGHT WHITE - SUNRISE SE
		FROM: 09-21-00 THRU: 99-99-99
10	121898-14-01A	EA JAMB - ENTRY DOOR - SUNRISE
10	121898-16-01A	EA JAMB - ENTRY DOOR - BRIGHT WHITE - SUNRISE SE
11	051049-05-000	EA JAMB/DOOR - LOWER - ENTRY DOOR - SUNRISE
11	051049-01-000	EA JAMB/DOOR - BOTTOM - 25.9" - UNPAINTED - SUNRISE SE
	075673-05-000	FT SEAL - PILE - ADHESIVE BACK - BLACK
12	044582-50-000	EA CAP - DRIP - JAMB MITERED - BRIGHT WHITE - SUNRISE
12	044582-44-000	EA CAP - DRIP - JAMB - BRIGHT WHITE - SUNRISE SE
13	115222-17-01A	EA GARNISH - RADIUS - ENTRY DOOR - SUNRISE
		FROM: 00-00-00 THRU: 12-18-00
13	115222-18-02A	EA GARNISH - RADIUS - ENTRY DOOR - OFF WHITE - SUNRISE SE
		FROM: 00-00-00 THRU: 12-18-00
14	137866-01-01A	EA GARNISH - STRAIGHT/ENTRY DOOR - BRIGHT WHITE - 36" - SUNRISE
		FROM: 12-19-01 THRU: 04-29-01
14	137866-02-01A	EA GARNISH - STRAIGHT/ENTRY DOOR - 36" - BRIGHT WHITE - SUNRISE SE
		FROM: 12-19-01 THRU: 04-29-01
14	139101-01-01A	EA GARNISH/STRAIGHT - 36.31" - W/NOTCH - BRIGHT WHITE - SUNRISE
		FROM: 04-30-01 THRU: 99-99-99
14	139101-02-01A	EA GARNISH/STRAIGHT - 35.31" - W/O NOTCHES - BRIGHT WHITE - SUNRISE SE
		FROM: 04-30-01 THRU: 99-99-99
15	137837-01-01A	EA GARNISH - RADIUS CORNERED - ENTRANCE DOOR - BRIGHT WHITE - SUNRISE SE
		FROM: 12-19-00 THRU: 04-29-01
15	137866-02-02A	EA GARNISH - STRAIGHT/ENTRY DOOR - 36" - OFF WHITE - SUNRISE SE
		FROM: 12-19-00 THRU: 04-29-01
15	137837-02-02A	EA GARNISH - RADIUS/ENTRY DOOR - BRIGHT WHITE - SUNRISE SE
		FROM: 12-19-00 THRU: 04-29-01
15	139100-01-01A	EA GARNISH/RADIUS - ENTRY DOOR - BRIGHT WHITE - SUNRISE SE
		FROM: 04-30-01 THRU: 99-99-99
15	139100-02-01A	EA GARNISH/RADIUS - ENTRY DOOR - BRIGHT WHITE - SUNRISE SE
		FROM: 04-30-01 THRU: 99-99-99
*	129676-01-000	EA KEY - T/M 14472-07-1431
*	129676-02-000	EA KEY - T/M 14472-07-1432
*	129676-03-000	EA KEY - T/M 14472-07-1433
*	129676-04-000	EA KEY - T/M 14472-07-1434
*	129676-05-000	EA KEY - T/M 14472-07-1435

EXTERIOR DOORS & COMPARTMENTS GROUP (CONTINUED)
ENTRY (CONTINUED)

KEY	PART NUMBER	U/M	DESCRIPTION
*	129676-06-000	EA	KEY - T/M 14472-07-1436
*	129676-07-000	EA	KEY - T/M 14472-07-1437
*	129676-08-000	EA	KEY - T/M 14472-07-1438
*	129676-09-000	EA	KEY - T/M 14472-07-1439
*	129676-10-000	EA	KEY - T/M 14472-07-1440
	129685-01-000	EA	CYLINDER - LOCK ASSEMBLY - ENTRANCE DOOR (J)
	129685-02-000	EA	CYLINDER - LOCK ASSEMBLY - ENTRANCE DOOR (J)
	129685-03-000	EA	CYLINDER - LOCK ASSEMBLY - ENTRANCE DOOR (J)
	129685-04-000	EA	CYLINDER - LOCK ASSEMBLY - ENTRANCE DOOR (J)
	129685-05-000	EA	CYLINDER - LOCK ASSEMBLY - ENTRANCE DOOR (J)
	129685-06-000	EA	CYLINDER - LOCK ASSEMBLY - ENTRANCE DOOR (J)
	129685-07-000	EA	CYLINDER - LOCK ASSEMBLY - ENTRANCE DOOR (J)
	129685-08-000	EA	CYLINDER - LOCK ASSEMBLY - ENTRANCE DOOR (J)
	129685-09-000	EA	CYLINDER - LOCK ASSEMBLY - ENTRANCE DOOR (J)
	129685-10-000	EA	CYLINDER - LOCK ASSEMBLY - ENTRANCE DOOR (J)

***COMPONENT PARTS LISTED LATER IN THIS GROUP**

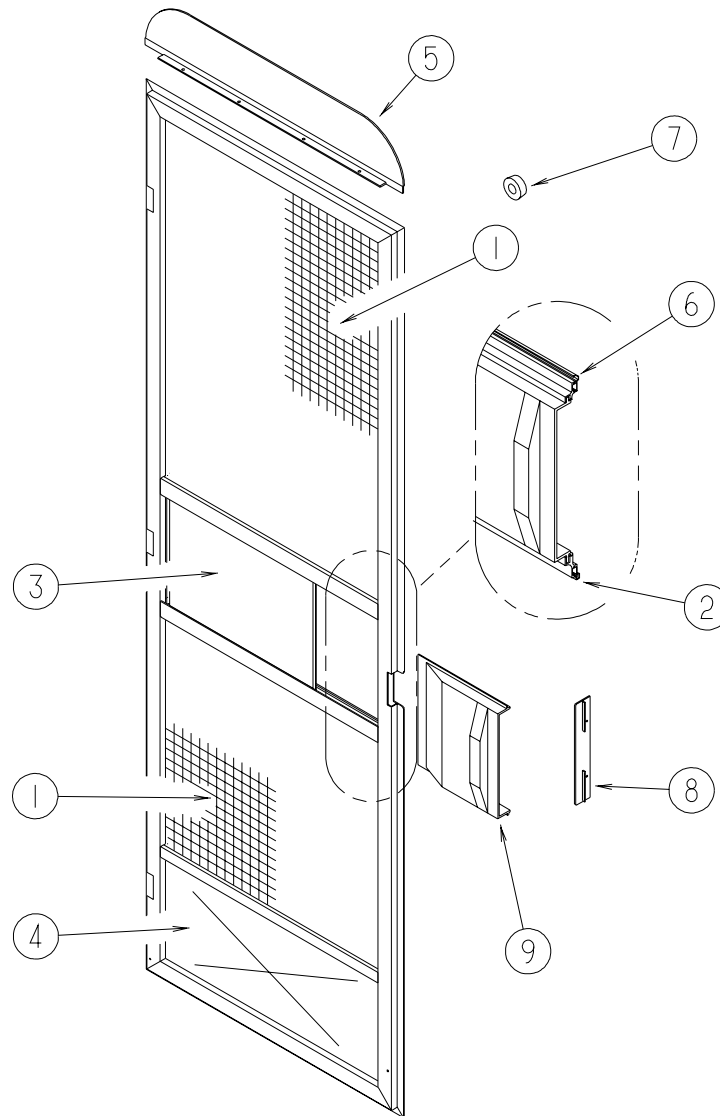
EXTERIOR DOORS & COMPARTMENTS GROUP (CONTINUED)

COMPONENT PARTS FOR ENTRY

129676-01-000 - 129676-10-000

KEY	PART NUMBER	U/M	DESCRIPTION	VENDOR NO .
	129685-01-701	EA	KEY - BLANK KS 150	144472-07-2001

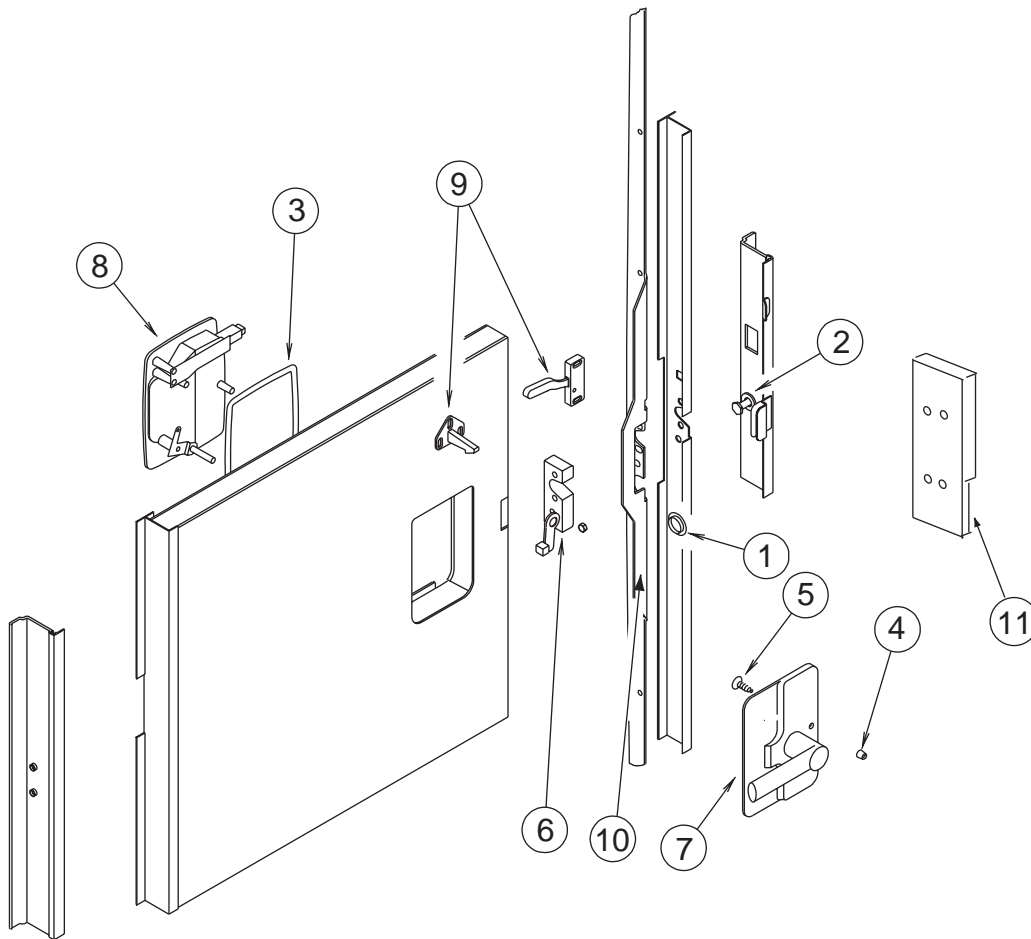
EXTERIOR DOORS & COMPARTMENTS GROUP (CONTINUED)
SCREEN



KEY	PART NUMBER	U/M	DESCRIPTION
	132208-02-L32	EA	DOOR - SCREEN - W/O HARDWARE - SUNRISE
	132208-04-L07	EA	DOOR - SCREEN - W/O HARDWARE - SUNRISE SE
1	002293-02-000	SF	SCREEN - 26" - CHARCOAL
2	002294-01-000	FT	SPLINE - SCREENING - .13" X .14"
3	016454-18-000	EA	INSERT - SCREEN DOOR - CENTER - SUNRISE
3	016454-21-000	EA	INSERT-DOOR-SCREEN CTR - SUNRISE SE
4	120863-06-000	EA	BUMPER - RUBBER - 3/4" X 3/8"
5	078552-09-000	EA	INSERT - SCREEN DOOR - LOWER - SUNRISE
5	078552-03-000	EA	KICK PANEL- SCREEN DOOR - LOWER INSERT - UNPAINTED - SUNRISE SE
6	078595-03-000	EA	PLATE - SCREEN DOOR - SUNRISE
6	078595-01-000	EA	TOP PLATE - SCREEN DOOR - CURVED TOP - 4.7" X 25.35" - SUNRISE SE
7	078777-08-000	FT	CHANNEL - SLIDER
8	132082-01-01A	EA	SLIDER - SCREEN DOOR - BRIGHT WHITE
9	132081-01-01A	EA	STRIKE - SLIDER - SCREEN DOOR - BRIGHT WHITE

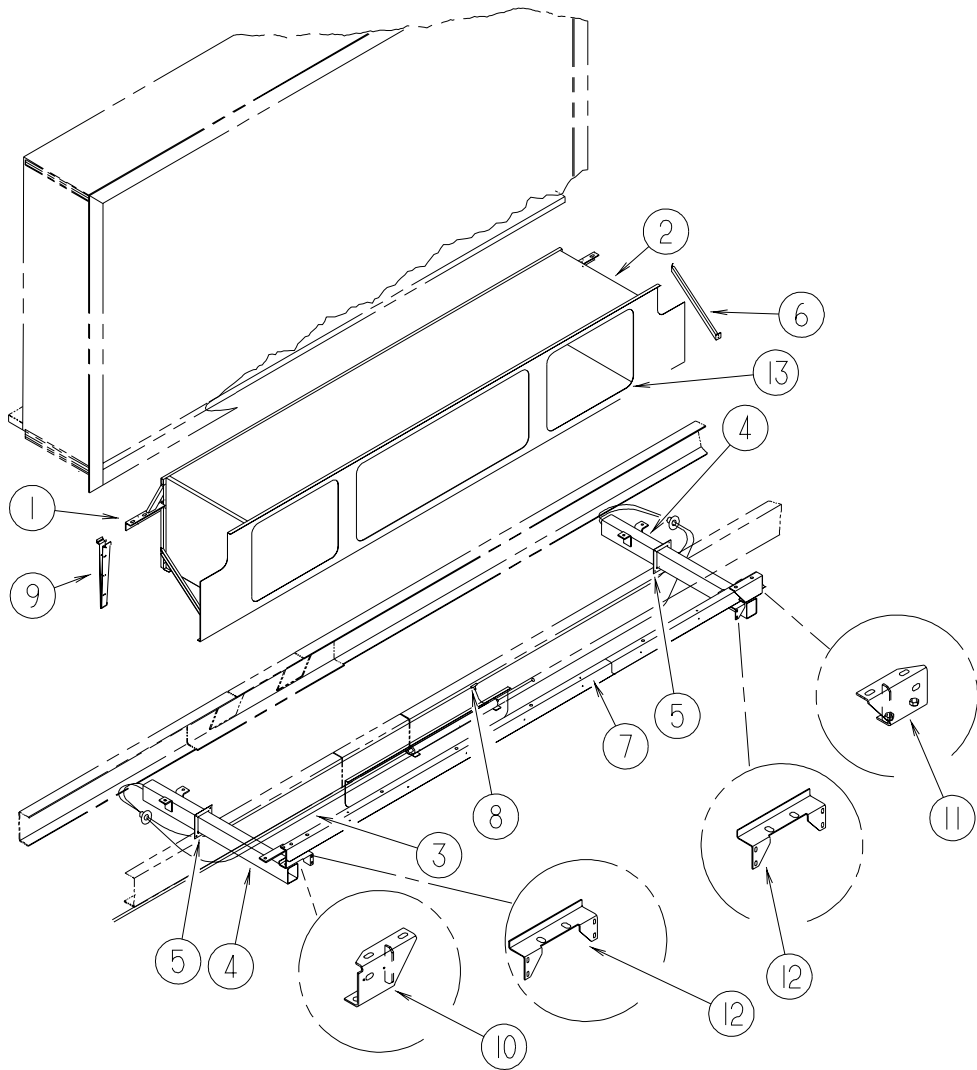
EXTERIOR DOORS & COMPARTMENTS GROUP (CONTINUED)

LATCH - ENTRY



KEY	PART NUMBER	U/M	DESCRIPTION	
1	061420-14-000	EA	PLUG/PLASTIC - .034" DIAMETER	
2	092927-14-000	EA	STRIKER - ROUND - JAMB MOUNTED	
3	112782-04-01A	EA	GASKET	
4	112782-05-01A	EA	CAP - VINYL - RED	
5	112782-08-01A	EA	SCREW - MOUNTING/PLATE - ZINC	
6	112782-09-01A	EA	LATCH - SINGLE ROTOR	
6	112782-15-01A	EA	LATCH - SINGLE ROTOR	FROM: 00-00-00 THRU: 11-12-00
6	112782-15-01A	EA	LATCH - SINGLE ROTOR	FROM: 11-13-00 THRU: 99-99-99
7	112782-11-01A	EA	LATCH - INTERIOR PLATE	FROM: 00-00-00 THRU: 10-15-00
7	112782-13-01A	EA	LATCH - INTERIOR PLATE	FROM: 10-16-00 THRU: 11-12-00
7	112782-16-01A	EA	LATCH - INTERIOR PLATE	FROM: 11-13-00 THRU: 99-99-99
8	112782-12-01A	EA	LATCH - EXTERIOR - W/O CYLINDER - W/ICON LOCK/UNLOCK	FROM: 00-00-00 THRU: 10-15-00
8	112782-14-01A	EA	LATCH - EXTERIOR - W/O CYLINDER - W/ICON	FROM: 10-16-00 THRU: 11-12-00
8	112782-17-01A	EA	LATCH - EXTERIOR - W/O CYLINDER - W/ICON	FROM: 11-13-00 THRU: 99-99-99
9	132915-01-01A	EA	LATCH - SCREEN DOOR	
10	132207-01-02B	EA	STIFFENER/DOOR - FORMED - E-COATED	
	072893-04-000	EA	NUTSERT - 10-32	
11	077461-03-000	EA	COVER - STRIKE - ENTRY DOOR - 6.5" X 2.5" - WHITE PLASTIC	FROM: 00-00-00 THRU: 12-18-00
11	077461-07-000	EA	COVER/BRACKET - STRIKE - OFF WHITE	FROM: 12-19-00 THRU: 99-99-99

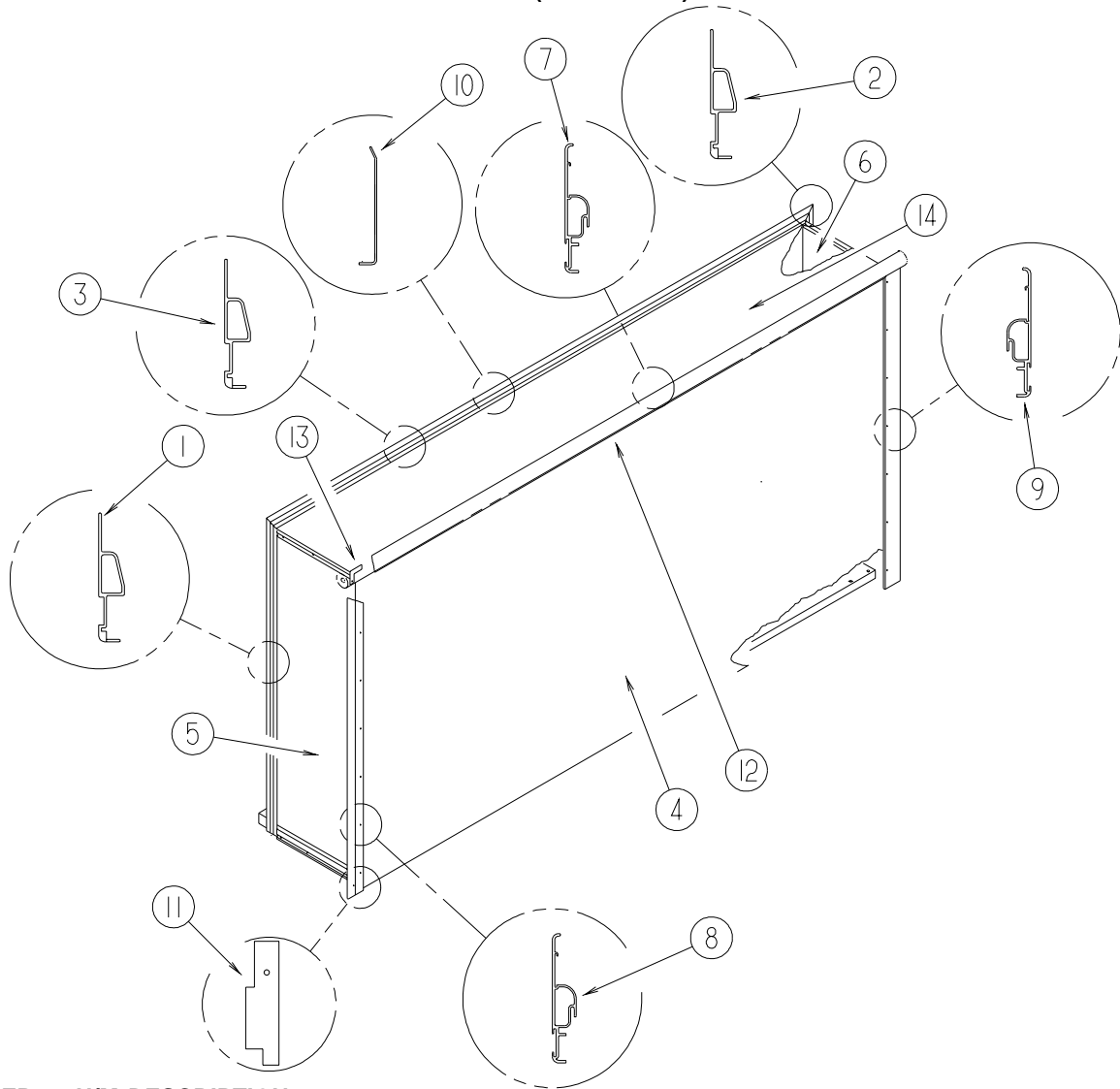
EXTERIOR SLIDEOUT GROUP FRONT LEFT



KEY	PART NUMBER	U/M	DESCRIPTION
1	126050-17-L32	EA	SUPPORT - SLIDEOUT COMPARTMENT
2	126390-20-000	EA	COMPARTMENT - SLIDEOUT
3*	100536-42-000	EA	HOSE KIT - PUMP TO SLIDE-OUT VALVE
4*	132540-01-000	EA	SLIDEOUT - HYDRAULIC
			FROM: 00-00-00 THRU: 07-08-01
4	140122-01-000	EA	SLIDEOUT - HYDRAULIC - 29.12"
			FROM: 07-09-01 THRU: 99-99-99
5	125828-02-02B	EA	FILLER/STEEL - SLIDEOUT - E-COATED
6	126497-01-02B	EA	SUPPORT - VALANCE - E-COATED
7	128621-14-01A	EA	BRACKET/ZEE - SLIDEOUT - 140.4"
8	123264-01-000	EA	TEE - UNION - 1/4" X 1/4" X 1/4"
9	126591-01-02B	EA	CARRIER - WIRE - SLIDEOUT
10	127030-01-02B	EA	BRACKET - INNER REAR/SLIDEOUT - E-COATED
11	127030-02-02B	EA	BRACKET - INNER FRONT/SLIDEOUT - E-COATED
12	128386-01-02B	EA	BRACKET - SLIDEOUT/COMPARTMENT - E-COATED
			FROM: 00-00-00 THRU: 04-22-01
12	128386-02-02B	EA	BRACKET - SLIDEOUT/COMPARTMENT - E-COATED
			FROM: 04-23-01 THRU: 99-99-99
13	126516-01-01A	FT	TRIM - VINYL/EXTRUDED - 8'

*COMPONENT PARTS LISTED LATER IN THIS GROUP

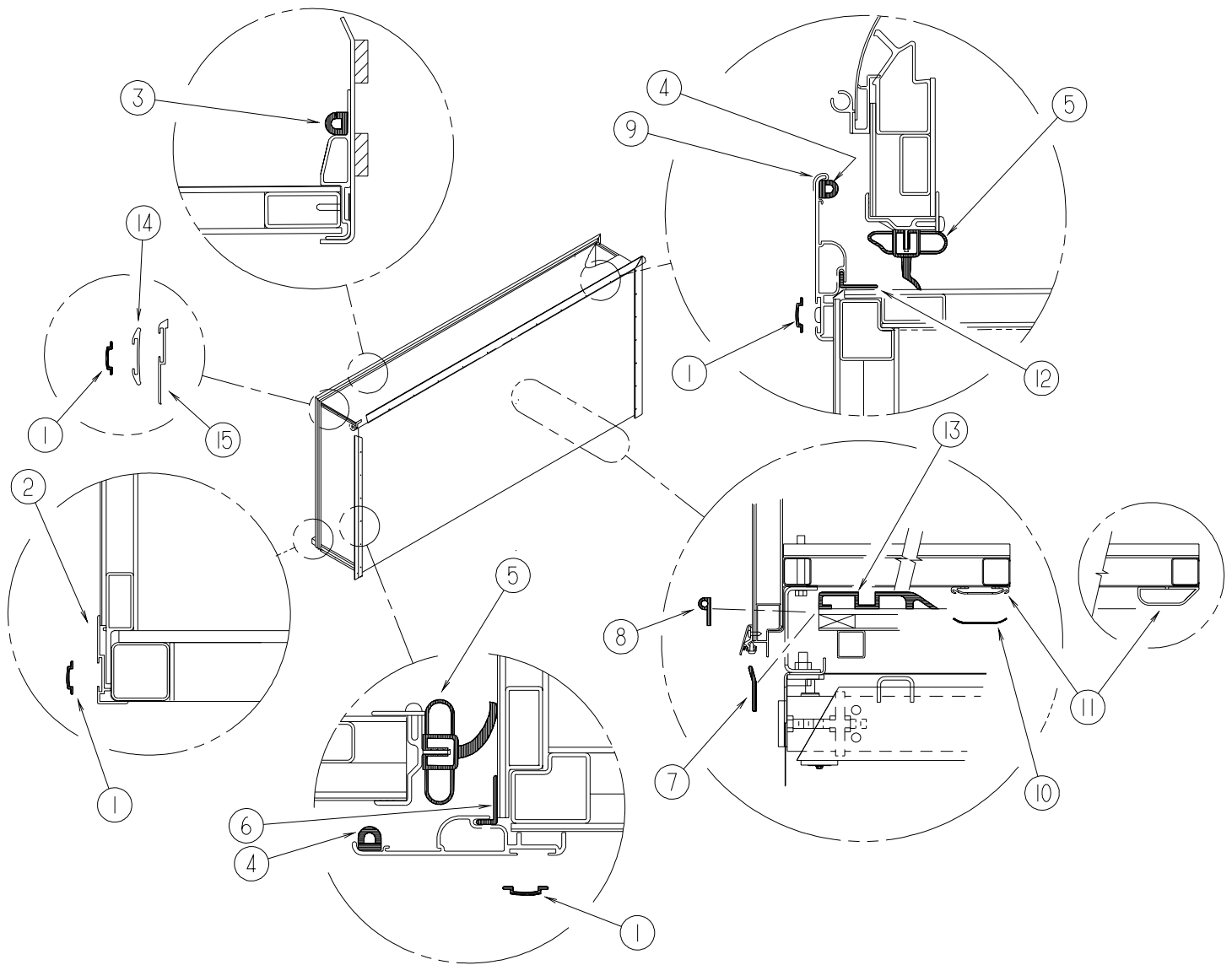
EXTERIOR SLIDEOUT GROUP (CONTINUED)
FRONT LEFT (CONTINUED)



KEY	PART NUMBER	U/M	DESCRIPTION
1	117004-01-03A	EA	TRIM - SEAL/INNER RT HAND-W/MITERED END-73.5" BRT WHT
2	117004-02-03A	EA	TRIM - SEAL/INNER LT HAND-W/MITERED END-73.5" BRT WHITE
3	117004-08-03A	EA	TRIM - SEAL/INNER UPPER-W/MITERED ENDS-145"-BRIGHT WHITE
4	134954-06-M36	EA	PANEL/SLIDEOUT - OUTER (M36)
4	134954-06-M37	EA	PANEL/SLIDEOUT - OUTER (M37)
4	134954-06-M32	EA	PANEL/SLIDEOUT - OUTER (M38)
5	134928-02-M36	EA	PANEL - SLIDEOUT/FRONT (M36)
5	134928-02-M31	EA	PANEL - SLIDEOUT/FRONT (M37)
5	134928-02-M32	EA	PANEL - SLIDEOUT/FRONT (M38)
6	134927-02-M36	EA	PANEL - SLIDEOUT/REAR (M36)
6	134927-02-M31	EA	PANEL - SLIDEOUT/REAR (M37)
6	134927-02-M32	EA	PANEL - SLIDEOUT/REAR (M38)
7	133955-07-01A	EA	TRIM/SEAL - W/MITERED ENDS - 147" - BRIGHT WHITE
8	133955-11-01A	EA	TRIM/SEAL - W/MITERED ENDS - 76.4" - BRIGHT WHITE
9	133955-12-01A	EA	TRIM/SEAL - W/MITERED ENDS - 76.4" - BRIGHT WHITE
10	125466-02-01A	EA	SUPPORT - ROOF/INTERIOR - OFF WHITE
11	126546-01-02A	EA	COVER - END/SIDEWALL SLIDEOUT - BRIGHT WHITE
12	122977-07-01A	EA	AWNING - F/SLIDEOUT - 147" - BRIGHT WHITE
12	122977-07-03A	EA	AWNING/SLIDEOUT W/COVER - 147" - WHITE
13	116444-02-12B	EA	TRIM/KEY CORNER - SLIDEOUT - 3.1"X3.1" - BRT WHT
13	116444-04-12B	EA	TRIM/KEY CORNER - SLIDEOUT - 3.1"X3.1" - BRT WHT
14	135126-01-M42	EA	ROOF - F/SLIDEOUT

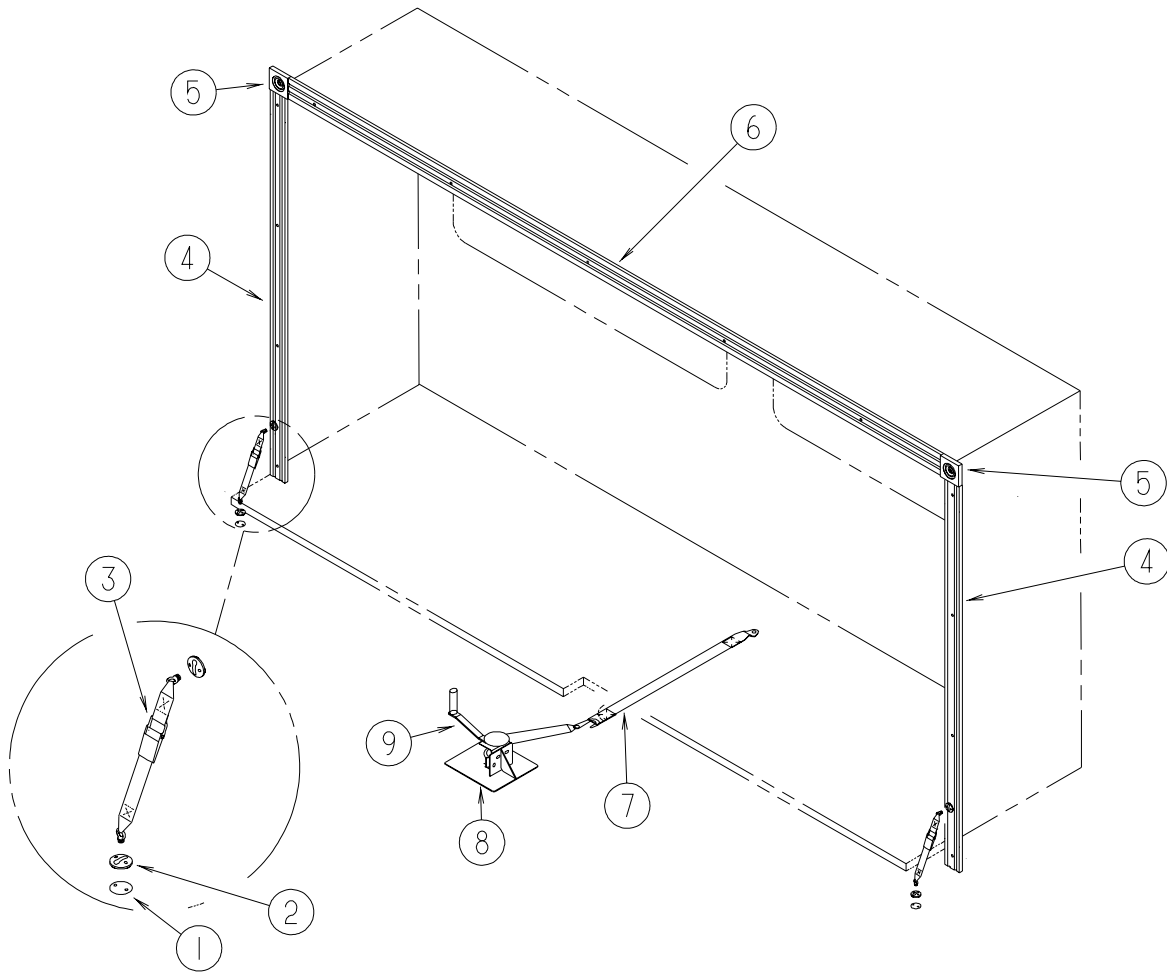
FROM: 00-00-00 THRU: 04-15-01
 FROM: 04-16-01 THRU: 99-99-99
 FROM: 00-00-00 THRU: 04-29-01
 FROM: 04-30-01 THRU: 99-99-99

EXTERIOR SLIDEOUT GROUP (CONTINUED)
FRONT LEFT (CONTINUED)



KEY	PART NUMBER	U/M	DESCRIPTION
1	105312-01-07A	FT	INSERT - FEATURE STRIP - VINYL - BRIGHT WHITE
2	125051-03-01A	EA	STRIP - FEATURE - LOWER - 29.2" - BRIGHT WHITE
3	112091-01-000	FT	SEAL/D - NEOPRENE - HEAT ACTIVE ADHESIVE - .9"
4			SEAL - D-SECTION/ADHESIVE BACK - .44" X .44" - SEE SEALANTS AND FASTENERS GROUP
5	115076-01-000	FT	SEAL - SLIDEOUT
6	133954-09-01A	EA	TRIM/SEAL - W/MITERED ENDS - BRIGHT WHITE - 71.6"
7	115075-02-000	FT	SEAL - WIPE - .25" X 2.9"
7	089275-02-000	FT	STRIP - 3/4" X 84" BLACK POLYETHYLENE FROM: 00-00-00 THRU: 03-18-01
7	115075-03-000	FT	SEAL - WIPE - .25" X 3.15" FROM: 00-00-00 THRU: 03-18-01 FROM: 03-19-01 THRU: 99-99-99
8	121283-01-000	FT	SEAL - P SHAPED
9	117058-01-01A	FT	TAPE - LOOP - 3/4" WIDE - ADHESIVE BACKED
10	115661-01-000	FT	SHOE/GLIDE - SLIDEOUT ROOM - 1/16" X 3" - POLYETHYLENE
11	134756-01-L76	EA	RAMP - FABRIC COVERED - SLIDEOUT - USE IN VINYL OR PLANK FLOOR AREA
11	115325-10-01A	EA	RAIL/FLOOR - SLIDEOUT - BLACK - USE IN CARPETED AREA
12	133954-07-01A	EA	TRIM/SEAL - W/MITERED ENDS - BRIGHT WHITE - 141.8"
13	134837-01-01A	EA	RAMP - SLIDEOUT - BLACK PVC
14	108688-01-03A	EA	STRIP - FEATURE - BRIGHT WHITE - 182" FROM: 00-00-00 THRU: 03-18-01
15	138659-01-01A	EA	TRIM-FEATURE,UPPER,BRT/WHT FROM: 03-19-01 THRU: 99-99-99

EXTERIOR SLIDEOUT GROUP (CONTINUED)
FRONT LEFT (CONTINUED)



KEY	PART NUMBER	U/M	DESCRIPTION
1	135622-01-01B	EA	PLATE - TIEDOWN
2	135619-02-01A	EA	PLATE - TIEDOWN/SLIDE
3	135619-01-01A	EA	STRAP COMPLETE - TIEDOWN/SLIDE
4	132663-15-08A	EA	MOLDING-VINYL WRAP/PRE DRILLED-.6"X3"X96" - OAK
5	132844-01-08A	EA	BLOCK - CORNER - 3.9" X 3.9" - PORTSMOUTH OAK
6	132663-03-08A	EA	MOLDING-VINYL WRAP/PRE DRILLED-.6"X3.8"X150.6"PRISM OAK
7	116101-02-F31	EA	STRAP - WINCH - 34" CENTER BRACKET/STRAP END
8	116082-03-02B	EA	BRACKET - WINCH
9	115767-02-000	EA	WINCH - SLIDEOUT
	136839-03-01A	EA	TRIM-J - CARPET EDGE/SLIDEOUT - 69.6" - BLACK

EXTERIOR SLIDEOUT GROUP (CONTINUED)

COMPONENT PARTS FOR FRONT LEFT

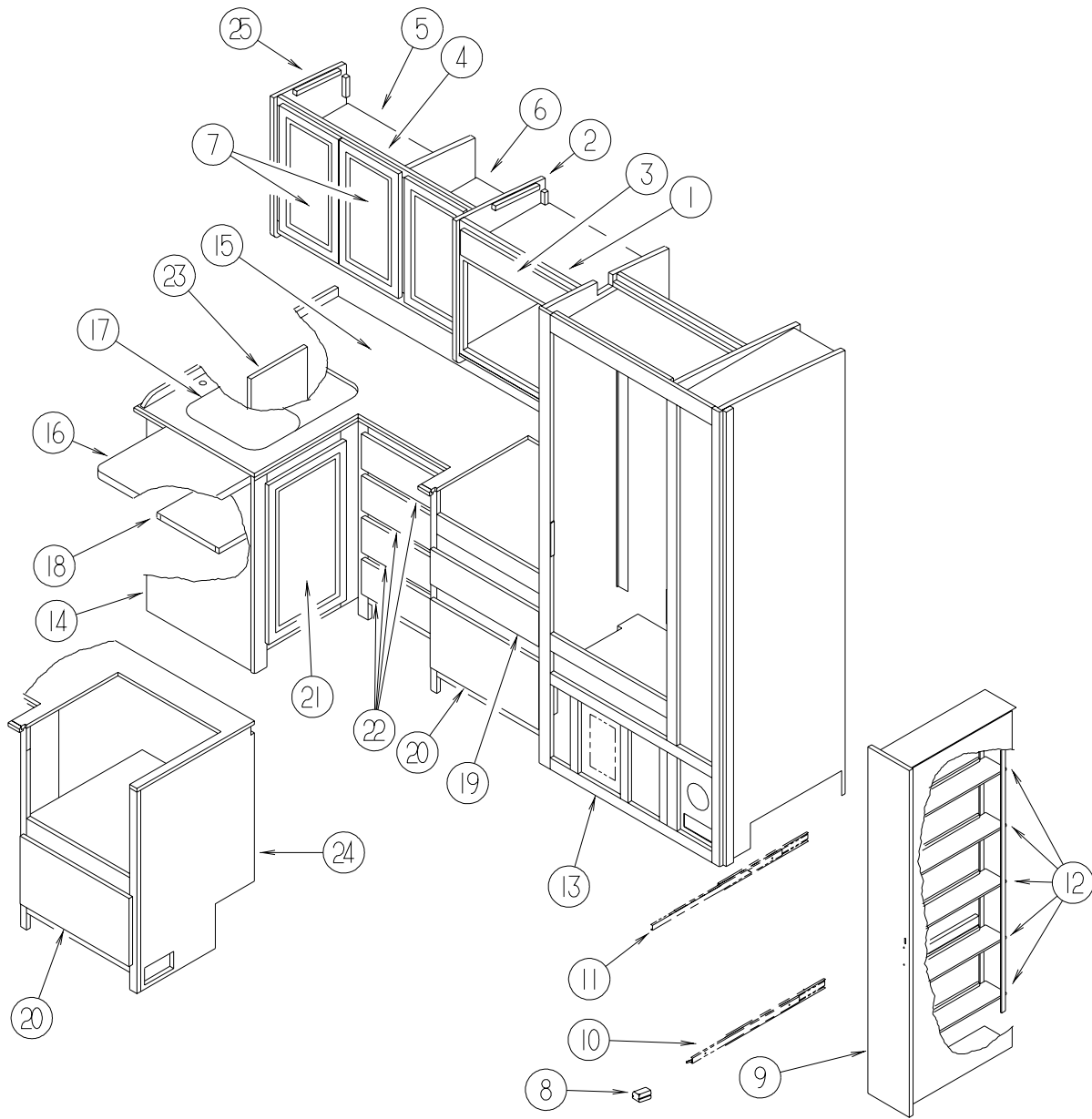
100536-42-000

KEY	PART NUMBER	U/M	DESCRIPTION	VENDOR NO.
	100536-42-700	EA	HOSE - HYDRAULIC - 168"	RAP6115
	100536-42-701	EA	HOSE - HYDRAULIC - 175"	RAP90350

132540-01-000

KEY	PART NUMBER	U/M	DESCRIPTION	VENDOR NO.
	100536-10-701	EA	HOSE-HYDRAULIC-1/4" X 116"	RAP90349/AP5384
	128599-06-702	EA	BEARING PAD - SLIDE-OUT	P10370
	132540-01-700	EA	RAM - SLIDEOUT ROOM	RAP90689/AP19616
	132540-01-701	EA	CYLINDER - SYNCRONIZING	RAP90690/AP17966
	132540-01-702	EA	HOSE-HYD-3/16" X 12'	AP18016
	132540-01-704	EA	TUBE ASM - FRONT OF SLIDE	AP19394
	132540-01-705	EA	TUBE ASM - REAR OF SLIDE	AP19395

GALLEY GROUP CABINETS

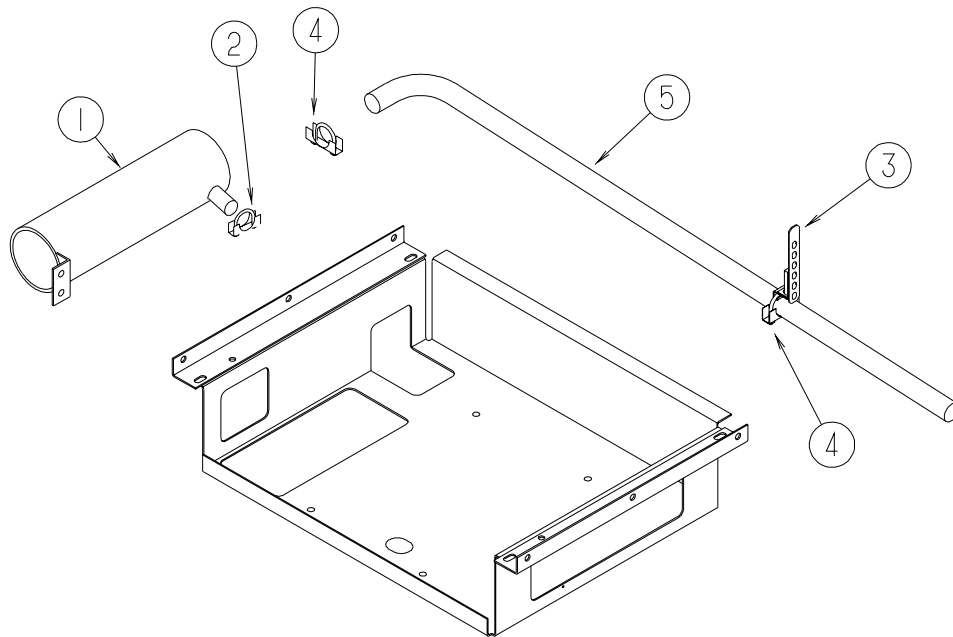


KEY	PART NUMBER	U/M	DESCRIPTION
1	128620-02-M30	EA	CABINET - MICROWAVE - W/O DOORS/HARDWARE FROM: 00-00-00 THRU: 07-09-00
1	128620-54-M30	EA	CABINET - MICROWAVE - W/O DOORS/HARDWARE FROM: 07-10-00 THRU: 03-04-01
1	128620-55-M30	EA	CABINET - MICROWAVE - W/O DOORS/HARDWARE FROM: 03-05-01 THRU: 99-99-99
2	081320-14-M22	EA	END CAP - OVERHEAD CABINET
3	134783-38-M36	EA	DOOR - RAIL/SOLID PANEL - 6.3" X 23.2" - W/O HARDWARE
4	P22393-01-M30	EA	CABINET - OVERHEAD/GALLEY - W/O DOORS/HARDWARE
5	122393-11-M30	EA	SHELF/LARGE - W/PLASTIC EDGE MOLDING
6	122393-12-M30	EA	SHELF/SMALL - W/PLASTIC EDGE MOLDING
7	134781-74-M36	EA	DOOR - RAIL/VENEER - 12" X 21.8" - W/O HARDWARE
8	123673-01-01A	EA	KNOB - PANTRY SLIDE
9	134783-86-M46	EA	DOOR - RAIL/SOLID PANEL - 8" X 60.7" - W/O HARDWARE FROM: 99-99-99 THRU: 01-28-01
9	134783-A6-M36	EA	DOOR - RAIL/VENEER - 8" X 60.7" - W/O HARDWARE FROM: 01-29-01 THRU: 99-99-99
10	122360-03-000	EA	SLIDE - PANTRY - W/LOCK - RIGHT HAND (FACING PANEL)

GALLEY GROUP (CONTINUED)
CABINETS (CONTINUED)

KEY	PART NUMBER	U/M	DESCRIPTION
11	122360-02-000	EA	SLIDE - PANTRY - W/O LOCK - RIGHT/LEFT HAND
12	122325-11-L81	EA	SHELF - W/EDGE MOLDING
13	134783-D1-M36	EA	DOOR - RAIL/SOLID PANEL - 13.7" X 23.2" - W/O HARDWARE
14	135961-01-M30	EA	CABINET - GALLEY - W/O COUNTERTOP/DOORS/DRAWERS/HARDWARE
15	132601-72-M30	EA	COUNTERTOP - LAMINATED - HAZE PAPERCHASE - PORTSMOUTH II (M36)
15	132601-72-M31	EA	COUNTERTOP - LAMINATED - WHITE ETHOS/PORTSMOUTH II (M37)
15	132601-72-M32	EA	COUNTERTOP - LAMINATED - WHITE TALC/PORTSMOUTH II (M38)
16	129503-03-M30	EA	EXTENSION - GALLEY COUNTERTOP - W/O HARDWARE (M36)
16	129503-03-M37	EA	EXTENSION - GALLEY COUNTERTOP - W/O HARDWARE (M37)
16	129503-03-M32	EA	EXTENSION - GALLEY COUNTERTOP - W/O HARDWARE (M38)
17	103610-03-M01	EA	COVER - SINK - 15.2" X 11" - LAMINATED BOTH SIDES (M36)
17	103610-03-M23	EA	COVER - SINK - 15.2" X 11" - LAMINATED BOTH SIDES (M37)
17	103610-03-M03	EA	COVER - SINK - 15.2" X 11" - LAMINATED BOTH SIDES (M38)
18	135961-11-M30	EA	SHELF - W/EDGE MOLDING
19	P34767-80-M36	EA	DRAWER - PENCIL EDGE - 19.8"W X 17.7"D - W/O SLIDES/HDW
20	P34767-98-M36	EA	DRAWER - PENCIL EDGE - 19.8"W X 13.8"D - W/O SLIDES/HDW
21	134783-G0-M36	EA	DOOR - RAIL/SOLID PANEL - 15.7" X 27.9" - W/O HARDWARE
22	P34767-97-M36	EA	DRAWER - PENCIL EDGE - 15.4"W X 11.8"D - W/O SLIDES/HDW
23	134783-G3-M36	EA	DOOR - RAIL/SOLID PANEL - 11.4" X 28.1" - W/O HARDWARE
24	135961-02-M30	EA	CABINET - GALLEY - W/O COUNTERTOP/DOORS/DRAWERS/HARDWARE
25	081319-20-M24	EA	END CAP - OVERHEAD CABINET

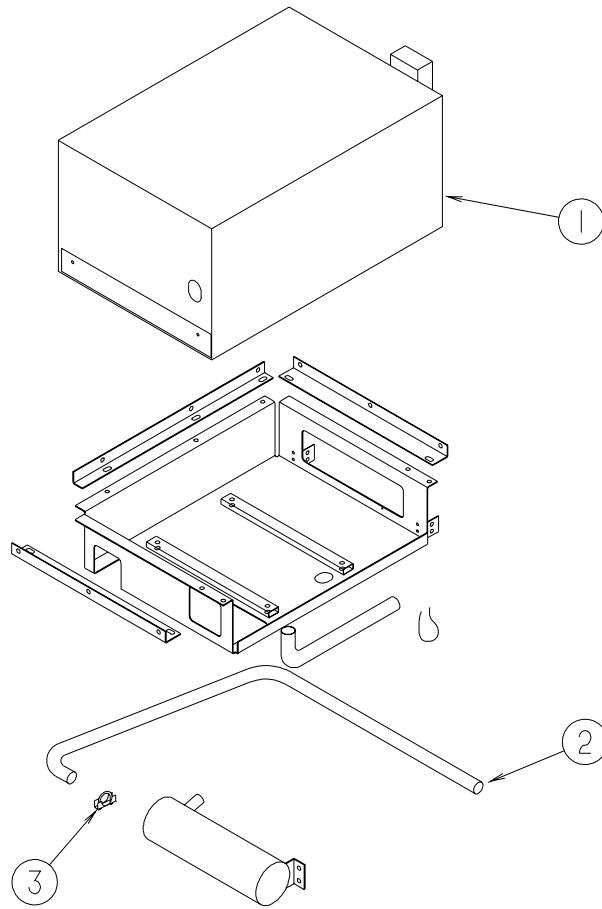
**GENERATOR GROUP
GAS**



EMERALD

KEY	PART NUMBER	U/M	DESCRIPTION
	100975-06-000	EA	GENERATOR - 6.5 KW EMERALD - W/TRAY
	109303-02-000	EA	GENERATOR - 5 KW - EMERALD PLUS W/TRAY
1	081364-03-000	EA	MUFFLER - GENERATOR - ONAN
2	007125-04-000	EA	CLAMP - MUFFLER - 1.12" DIAMETER
3	007131-01-000	EA	HANGER - TAILPIPE - 6 SLOTS
4	007125-03-000	EA	CLAMP - MUFFLER - 1.5" DIAMETER
5	105958-19-000	EA	PIPE - EXHAUST/GENERATOR
	007067-01-000	SF	INSULATION - FIBERGLASS - 1" THICK X 4'-INCREMENTS 4 SF

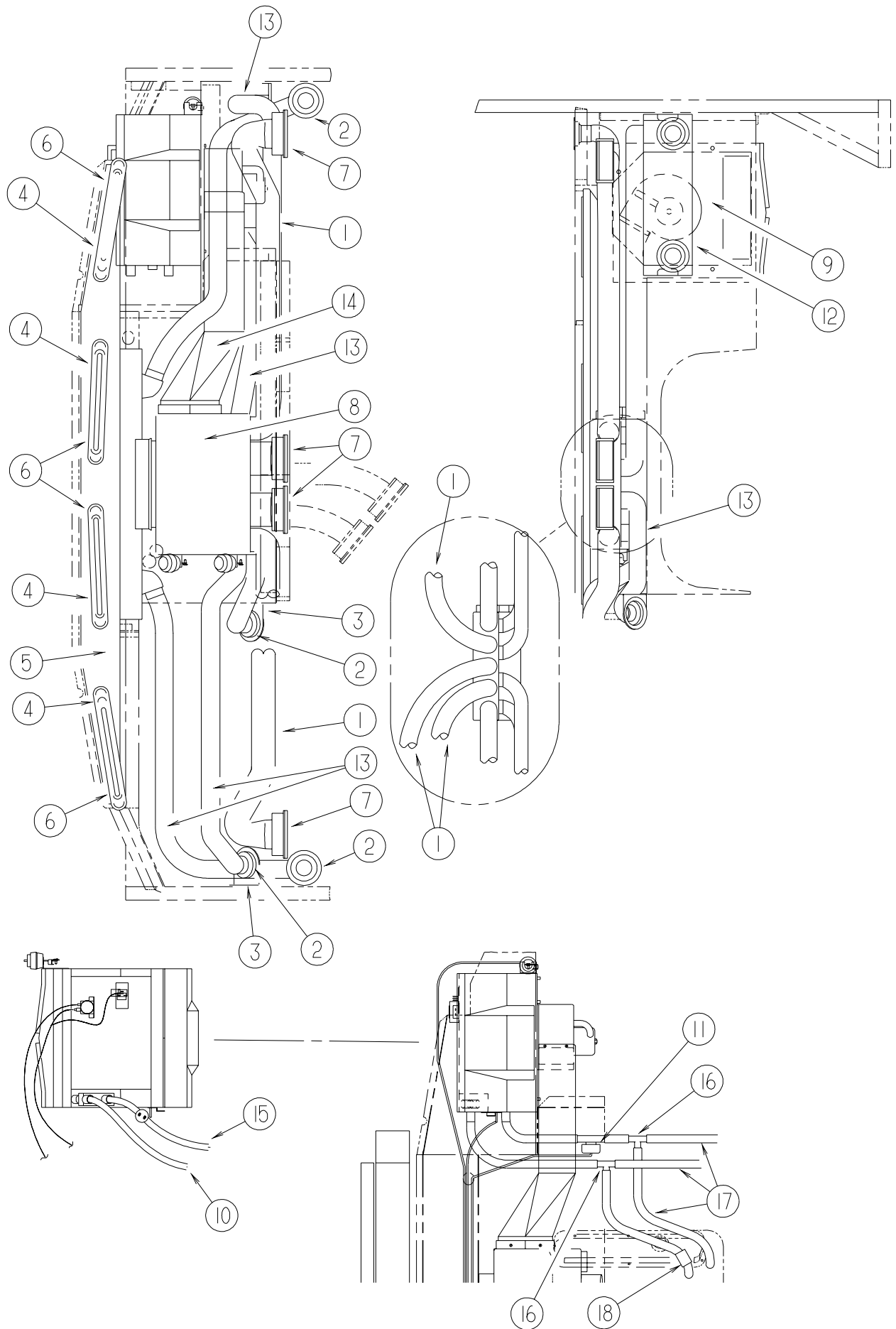
GENERATOR GROUP (CONTINUED)
GAS (CONTINUED)



MARQUIS GOLD

KEY	PART NUMBER	U/M	DESCRIPTION
1	135707-02-000	EA	GENERATOR - 7.9 30/20 RAVEN
1	135707-07-000	EA	GENERATOR - 5.5 30/20 RAVEN
2	NOT USED		
3	007125-03-000	EA	CLAMP - MUFFLER - 1.5" DIAMETER
	105958-03-000	EA	PIPE - EXHAUST/GENERATOR - 1.5" OD X 4.4" X 15.7"

HEATING & A/C GROUP AUTOMOTIVE



HEATING & A/C GROUP (CONTINUED)

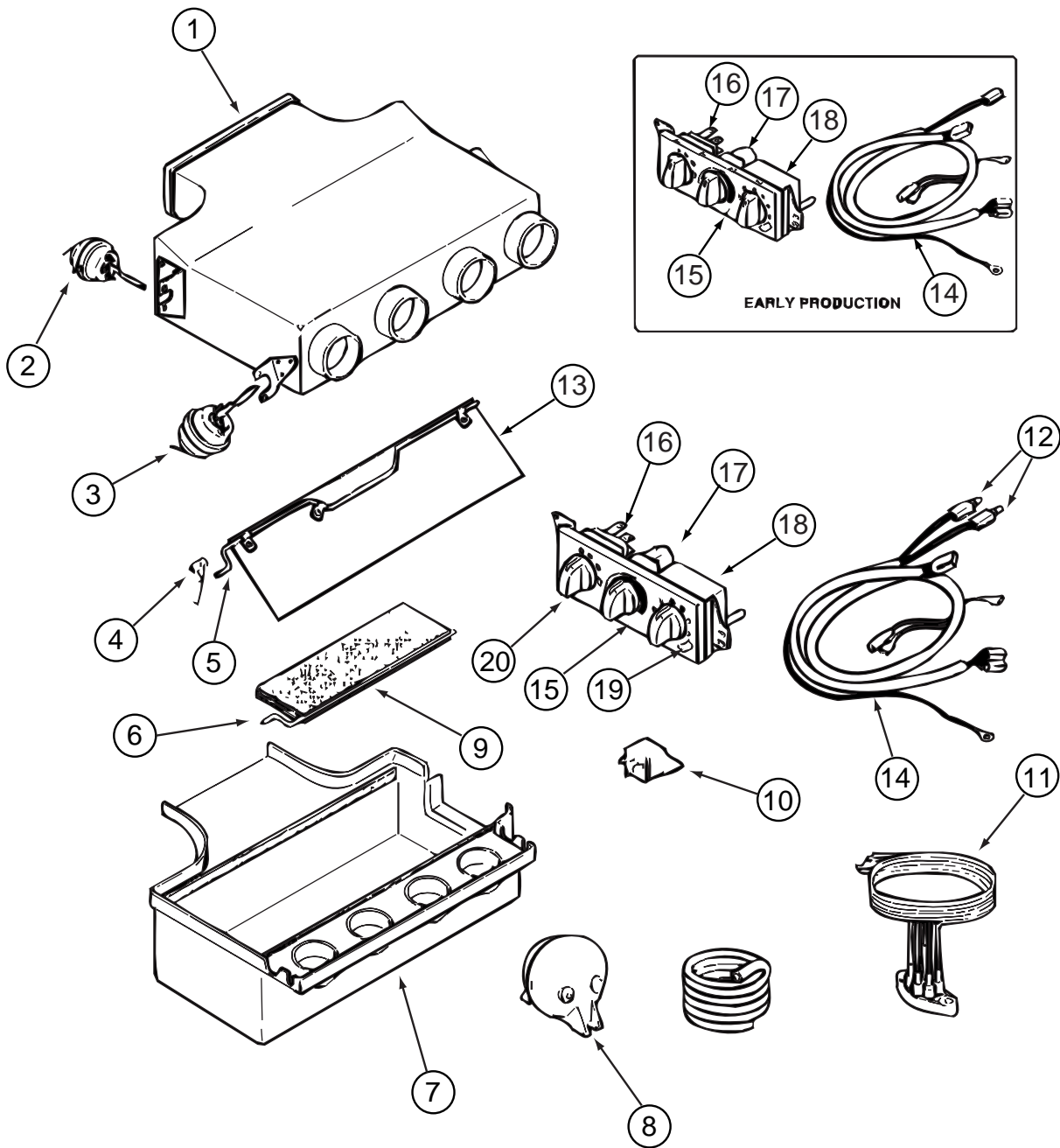
AUTOMOTIVE (CONTINUED)

KEY	PART NUMBER	U/M	DESCRIPTION
1	007281-01-000	EA	HOSE - FLEXIBLE PVC - 2.5" ID X 50'
2	024990-05-000	EA	OUTLET - DEFROSTER - W/SWIVEL DEFLECTORS - 2" SLEEVE/4" OD
3	056402-05-000	EA	BRACKET - HEATER VENT - ROUND W/BEND - BLACK FROM: 00-00-00 THRU: 03-29-00
3	136157-03-02B	EA	BRACKET - HEATER - E-COATED FROM: 03-30-00 THRU: 99-99-99
4	077075-01-000	EA	GASKET - INSTRUMENT PANEL/DEFROSTER PLENUM - .6" X 10.2"
5	103017-03-000	EA	PLENUM - DEFROSTER
6	103558-04-04A	EA	VENT - DEFROSTER - PLASTIC/TITANIUM - 1.4" X 14.4" X 1.1" FROM: 00-00-00 THRU: 05-07-00
6	135265-01-02A	EA	VENT - DEFROSTER - PLASTIC/2" X 14.3" - TITANIUM FROM: 05-08-00 THRU: 99-99-99
7	103796-01-01A	EA	LOUVER - A/C-ADJUSTABLE - 2.2" X 5.4" F/2.5" HOSE - BLACK - 4 USED FROM: 00-00-00 THRU: 05-07-00
7	135803-01-01A	EA	LOUVER - A/C - 2.5" - BLACK - 2 USED FROM: 05-08-00 THRU: 99-99-99
7	135803-02-01A	EA	LOUVER - A/C - 2.5" - W/HOLES - 2 USED FROM: 05-08-00 THRU: 99-99-99
8*	103930-49-000	EA	CONTROL/PLENUM - LARGE ROTARY
9*	103930-43-000	EA	EVAPORATOR/HEATER ASSEMBLY - NON-CHARGED
10*	103930-46-000	EA	HOSE - EXPANSION BLOCK (EVAPORATOR) TO COMPRESSOR - WORKHORSE
10*	103930-45-000	EA	HOSE - EVAPORATOR/COMPRESSOR - FORD
11	103930-23-000	EA	VALVE - WATER - 2 PORT
12	095757-05-M30	EA	COVER - HEATER (M36, M33)
12	095757-05-M23	EA	COVER - HEATER (M37, M29)
12	095757-05-M43	EA	COVER - HEATER (M38)
12	095757-05-L32	EA	COVER - HEATER (M28)
13	007076-01-000	EA	HOSE - FLEXIBLE PVC - 2" ID - INCREMENTS OF 50'
14	103016-03-000	EA	PLENUM - TRANSITION
15*	103930-47-000	EA	HOSE - EXPANSION VALVE-EVAPORATOR/DRIER - WORKHORSE
15*	103930-44-000	EA	HOSE - EVAPORATOR/DRYER - #6 - FORD
16	076776-01-000	EA	TEE - BEADED - 5/8" X 5/8" X 5/8"
17	007108-01-000	FT	HOSE - HEATER - 5/8" ID - HI-TEMP
18	103930-50-000	EA	RESTRICTOR-WATER
	103930-37-000	EA	MANUAL/OWNERS - HEATER-A/C

*COMPONENT PARTS LISTED LATER IN THIS GROUP

HEATING & A/C GROUP (CONTINUED)

COMPONENT PARTS FOR AUTOMOTIVE

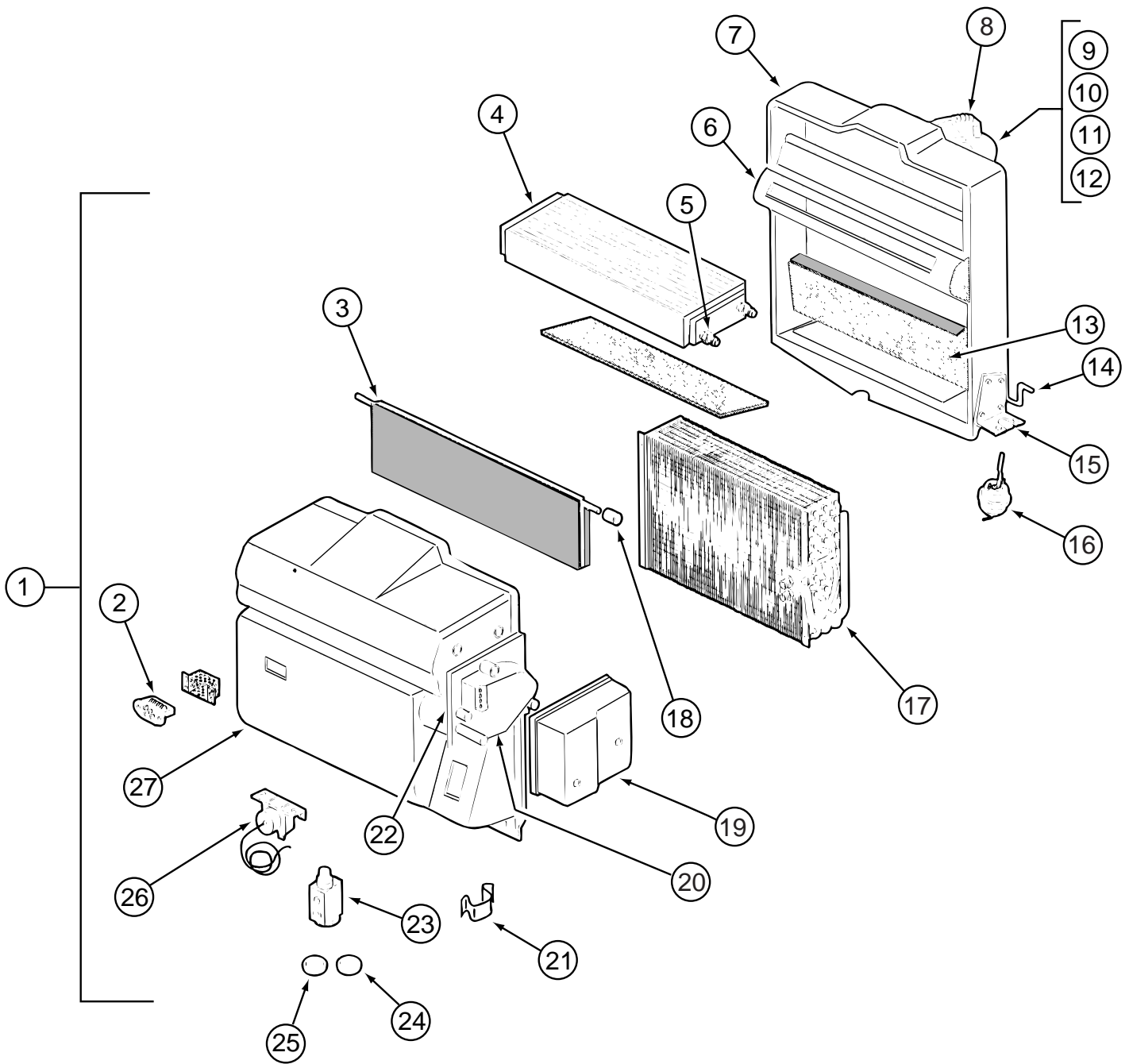


103930-49-000

KEY	PART NUMBER	U/M	DESCRIPTION	VENDOR NO.
	103930-49-000	EA	CONTROL/PLENUM - LARGE ROTARY	
1	103930-39-705	EA	PLENUM - TOP	060-0482
2	103930-33-701	EA	MOTOR - VACUUM, 3 STAGE	030-0105
3	103930-02-708	EA	MOTOR-VACUUM SERVO, A/C	030-0025
4	103930-39-704	EA	SPRING	022-0119
5	103930-39-701	EA	ROD - DOOR - AC/DEFROST	073-0069
6	103930-39-700	EA	ROD - DOOR - AC/HEAT	073-067
7	103930-39-707	EA	PLENUM - BOTTOM	060-0483
8	103930-02-710	EA	CANISTER-VACUUM	054-0002
9	103930-39-706	EA	PLATE - DOOR - A/C	071-0623
10	103930-02-707	EA	RELAY-BOSCH W/RESISTER	031-0001
11	103930-33-703	EA	VACUUM HARNESS	036-0466
12	103930-33-705	EA	LIGHT BULBS	035-0030
13	103930-04-701	EA	DOOR - A/C	071-0150
14	103930-49-700	EA	HARNESS - WIRE	036-556
14	103930-49-701	EA	HARNESS - WIRE W/BULBS	036-0557

HEATING & A/C GROUP (CONTINUED)
COMPONENT PARTS FOR AUTOMOTIVE (CONTINUED)

KEY	PART NUMBER	U/M	DESCRIPTION	VENDOR NO.
15	103930-49-702	EA	CONTROL PANEL-RECESSED FACE	032-0054
15	103930-49-703	EA	CONTROL PANEL - NON RECESSED	083-0223
16	103930-49-704	EA	SWITCH - BLOWER	032-0332
17	103930-49-705	EA	POTENTIOMETER	032-0182
18	103930-49-706	EA	SWITCH - VACUUM	032-0185
19	103930-49-707	EA	DECAL CONTROL PANEL-N/RECESS	058-0144
20	103930-49-708	EA	KNOB - BLOWER - NONRECESSED	062-0620



103930-43-000

HEATING & A/C GROUP (CONTINUED)
COMPONENT PARTS FOR AUTOMOTIVE (CONTINUED)
103930-43-000 (CONTINUED)

KEY	PART NUMBER	U/M	DESCRIPTION	VENDOR NO
1	103930-43-000	EA	EVAPORATOR/HEATER ASSEMBLY - NON-CHARGED	
2	103930-01-710	EA	RESISTOR-FUSED, A/C 4 TERM	035-0006
3	103930-30-705	EA	DOOR - AIR BLEND	071-0568
4	103930-01-703	EA	CORE-HEATER	042-0010
5	110279-01-712	EA	FITTING - HEATER CORE	050-0076
6	103930-30-707	EA	DIVIDER ASM.	086-0061
7	103930-20-711	EA	CASE-BACK, SUB-ASSEMBLY	062-0147
8	110279-01-703	EA	HOSE-VENT F/BLOWER MOTOR	051-0034
9	103930-20-707	EA	HOUSING-BLOWER	062-0145
10	103930-30-706	EA	MOTOR-BLOWER PM147 W/ADAPTER	030-0109
11	103930-01-717	EA	WHEEL-BLOWER, CLOCKWISE	062-0010
12	103930-20-708	EA	CLIP-MOTOR SHAFT	022-0001
13	103930-20-705	EA	PANEL-DOOR, RECIRCULATING	071-0213
14	103930-20-704	EA	ROD-DOOR-RECIRCULATING	073-0018
15	103930-01-708	EA	BRACKET-VACUUM MOTOR	070-0113
16	103930-02-708	EA	MOTOR-VACUUM SERVO, A/C	030-0025
17	103930-01-704	EA	COIL-EVAPORATOR	041-0017
18	103930-30-702	EA	BUSHING/DRIVE - BLEND DOOR	062-00634
19	103930-30-704	EA	COVER - SERVO	062-0545
20	103930-30-703	EA	MOTOR - SERVO	030-0104
21	103930-20-706	EA	CLIP-RETAINER - CASE ATTACH	022-0057
22	103930-30-701	EA	PLATE - MOTOR MOUNT	062-0544
23	103930-20-700	EA	VALVE-EXPANSION-BLOCK, 2 TON	034-0032
24	103930-17-702	EA	OíRING #10	045-0127
25	113245-01-707	EA	OíRING #8	045-0126
26	103930-01-711	EA	THERMOSTAT	033-0003
27	103930-30-700	EA	CASE - FRONT	062-0542
	094831-01-709	EA	CLAMP-ROD 3/16"	022-0025
	103930-02-714	EA	CLAMP-CLUTCH, BARREL	022-0006
	103930-20-713	EA	GASKET - BLEND AIR DOOR	045-0160
	103930-20-714	EA	GASKET - BLEND AIR DOOR	045-0161
	103930-30-708	EA	BUSHING/IDLER - BLEND DOOR	062-00167
	113245-01-718	FT	HOSE - DRAIN - 1/2"	051-0002

103930-44-000

KEY	PART NUMBER	U/M	DESCRIPTION	VENDOR NO
	103930-29-701	EA	OíRING F/LOW PRESSURE SWITCH	045-0483
	103930-44-700	EA	HOSE ASSEMBLY #6	085-0462
	113245-01-711	EA	HOSE ASM EVAP/DRIER,99 FORD , SCS 093-00512	

103930-45-000

KEY	PART NUMBER	U/M	DESCRIPTION	VENDOR NO.
	103930-45-000	EA	HOSE - EVAPORATOR/COMPRESSOR - FORD	
	103930-17-702	EA	OíRING #10	045-0127

103930-46-000

KEY	PART NUMBER	U/M	DESCRIPTION	VENDOR NO
	103930-46-000	EA	HOSE - EXPANSION BLOCK (EVAPORATOR) TO COMPRESSOR	
	103930-17-702	EA	OíRING #10	045-0127
	103930-29-701	EA	OíRING F/LOW PRESSURE SWITCH	045-0483

103930-47-000

KEY	PART NUMBER	U/M	DESCRIPTION	VENDOR NO
	103930-47-000	EA	HOSE - EXPANSION VALVE - RECEIVER DRIER	
	113245-01-710	EA	OíRING, #12	045-0128

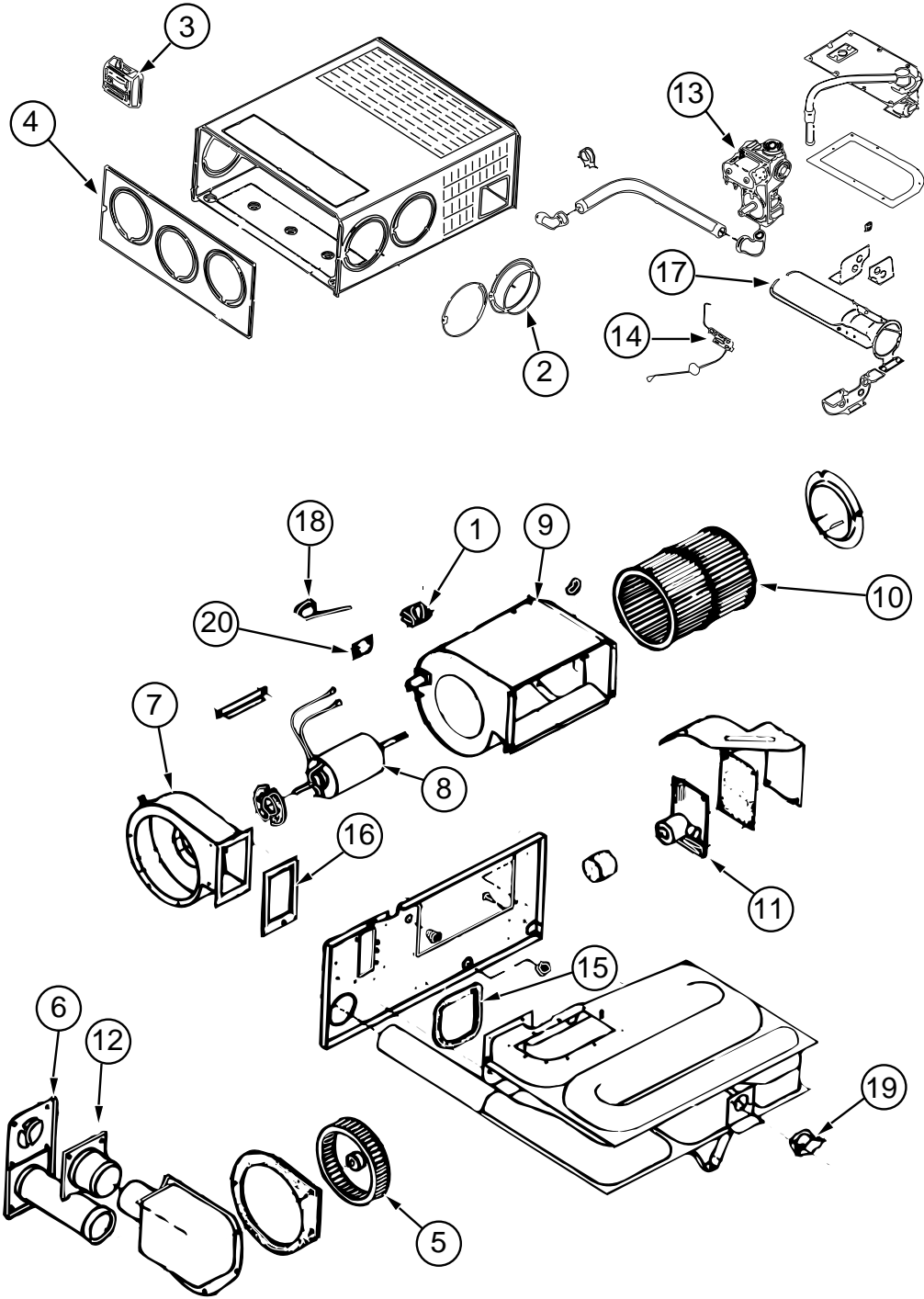
HEATING & A/C GROUP (CONTINUED)

FURNACE

KEY	PART NUMBER	U/M	DESCRIPTION
*	098668-20-000	EA	FURNACE - 30,000 BTU - F26P , F29A FROM: 00-00-00 THRU: 06-03-01
*	139980-02-000	EA	FURNACE - 30000 BTU - SF QUIET - SUBURBAN SF-30 2321J - F26P , F29A FROM: 06-04-01 THRU: 99-99-99
*	098668-21-000	EA	FURNACE - 35000 BTU - F30W , F32T , F33V , F31B FROM: 00-00-00 THRU: 06-03-01
*	139980-03-000	EA	FURNACE - 35000 BTU - SF QUIET - SUBURBAN SF-35 2322J - F30W , F32T , F33V , F31B FROM: 06-04-01 THRU: 99-99-99
*	098668-22-000	EA	FURNACE - 40,000 BTU - F35C FROM: 00-00-00 THRU: 06-03-01
*	139980-04-000	EA	FURNACE - 40000 BTU - SF QUIET - SUBURBAN SF-42 2323J - F35C FROM: 06-04-01 THRU: 99-99-99
	009200-01-000	EA	TAPE - FURNACE - 1 1/2"
	089367-02-000	EA	TEE - 4" X 2" X 4" - F30W , W32T , F26P , W29A , W31B
	093614-09-01A	EA	GRILLE - RETURN AIR - 20" X 10" - BEIGE - F30W , F33V
	094600-06-01A	EA	REGISTER W/DAMPER-3.6" X 11.3" FACE/2.1" X 9.9" - BEIGE - F30W , F33V , F35C
	098668-14-000	EA	GASKET - FIBERGLASS - .5" X 18" X 18" - F30W , F32T , F33V , F35C
	098668-15-000	EA	PLATE-FACE - F30W , F32T , F33V , F35C , F29A FROM: 05-22-00 THRU: 99-99-99
	098668-16-000	EA	VENT-INTAKE - F30W , F32T , F33V , F35C
	098668-23-000	EA	DOOR - ACCESS - FURNACE - BRIGHT WHITE - F30W , F33V , F26P , F29A , F31B
	128080-02-02B	EA	PANEL - EXHAUST - FURNACE - E-COATED - F32T
	128080-03-02B	EA	PANEL - EXHAUST - FURNACE - E-COATED - F35C FROM: 09-21-00 THRU: 99-99-99

*COMPONENT PARTS LISTED LATER IN THIS GROUP

HEATING & A/C GROUP (CONTINUED)
COMPONENT PARTS FOR FURNACE



098668-20-000

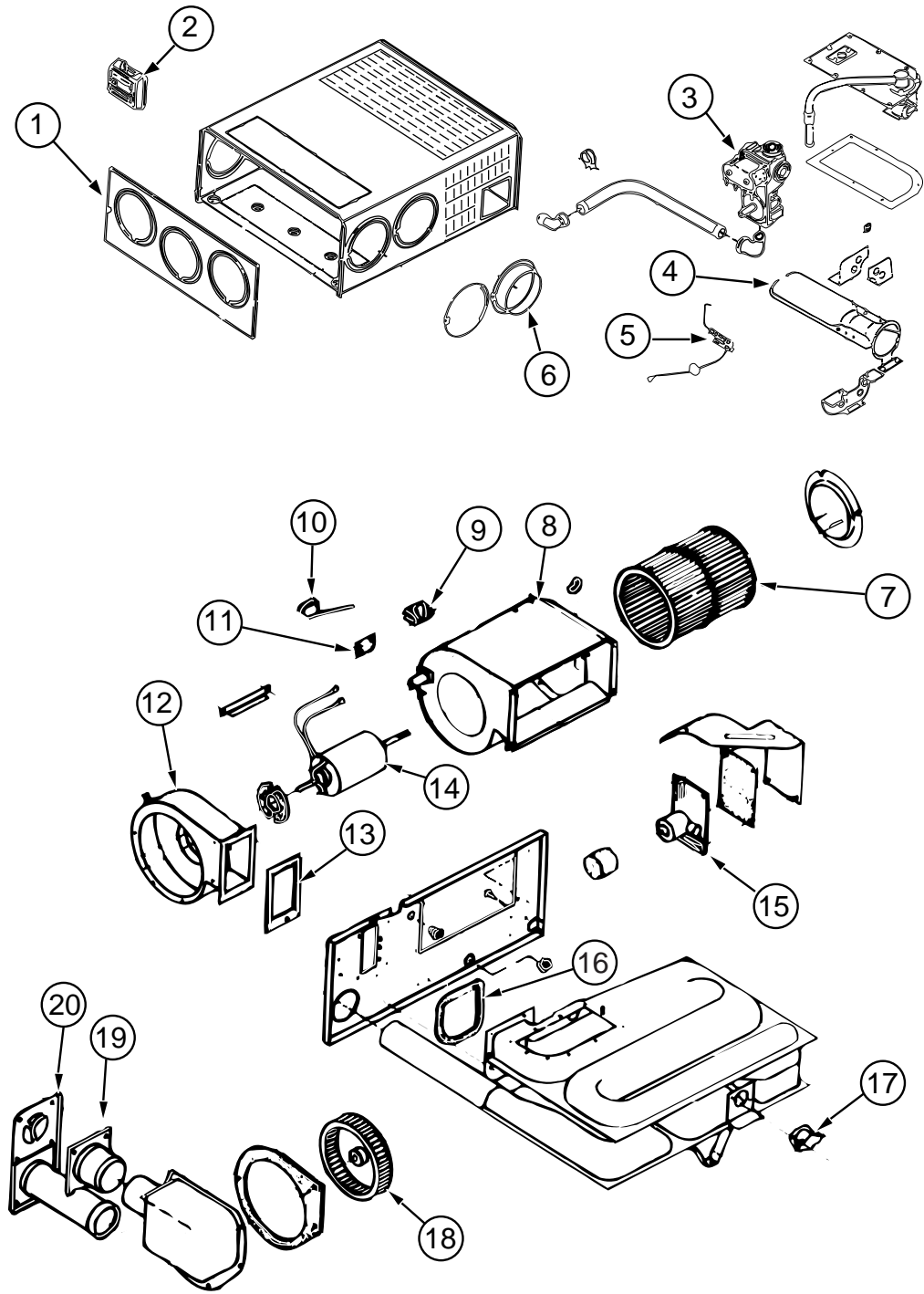
HEATING & A/C GROUP (CONTINUED)
COMPONENT PARTS FOR FURNACE (CONTINUED)

098668-20-000 (CONTINUED)

KEY	PART NUMBER	U/M	DESCRIPTION	VENDOR NO.
1	074466-01-702	EA	RELAY, TIME DELAY	230625
2	075696-02-703	EA	COLLAR-DUCT	050715
	092300-02-701	EA	ORIFICE-MAIN BURNER (NT-30BW)	180214
4	098668-01-700	EA	CABINET FRONT	101242
5	098668-01-706	EA	WHEEL-COMBUSTION AIR	350184
6	098668-01-707	EA	TUBE ASSEMBLY, EXHAUST W/CAP	260231
7	098668-01-708	EA	HOUSING-BLOWER, COMBUSTION	390441
8	098668-01-709	EA	MOTOR ASM., F/SF-25, SF-30	231706
9	098668-01-710	EA	HOUSING-BLOWER, ROOM AIR	390440
10	098668-01-711	EA	WHEEL-BLOWER, ROOM AIR	350129
11	098668-01-712	EA	BOARD-MODULE	520741
12	098668-01-713	EA	TUBE ASSEMBLY, INTAKE	051248
13	098668-01-714	EA	VALVE-GAS,SF S.N. 921401821	161070
14	098668-01-715	EA	ELECTRODE ASM., SINGLE PROBE	232166
15	098668-01-716	EA	GASKET-FIREWALL,CHAMBER SIDE	070808
16	098668-01-717	EA	GASKET-FIREWALL, BLOWER SIDE	070809
17	098668-02-700	EA	BURNER ASSEMBLY,SF-30 & SF35	010745
18	098668-21-700	EA	SWITCH-MICRO-W/O FLAG 3 1/4"	232261
19	098668-21-701	EA	SWITCH - LIMIT	231799
20	101990-01-714	EA	GASKET-MICROSWITCH	230877

CONTACT WINNEBAGO PART SALES FOR UNLISTED COMPONENTS

HEATING & A/C GROUP (CONTINUED)
COMPONENT PARTS FOR FURNACE (CONTINUED)



098668-21-000

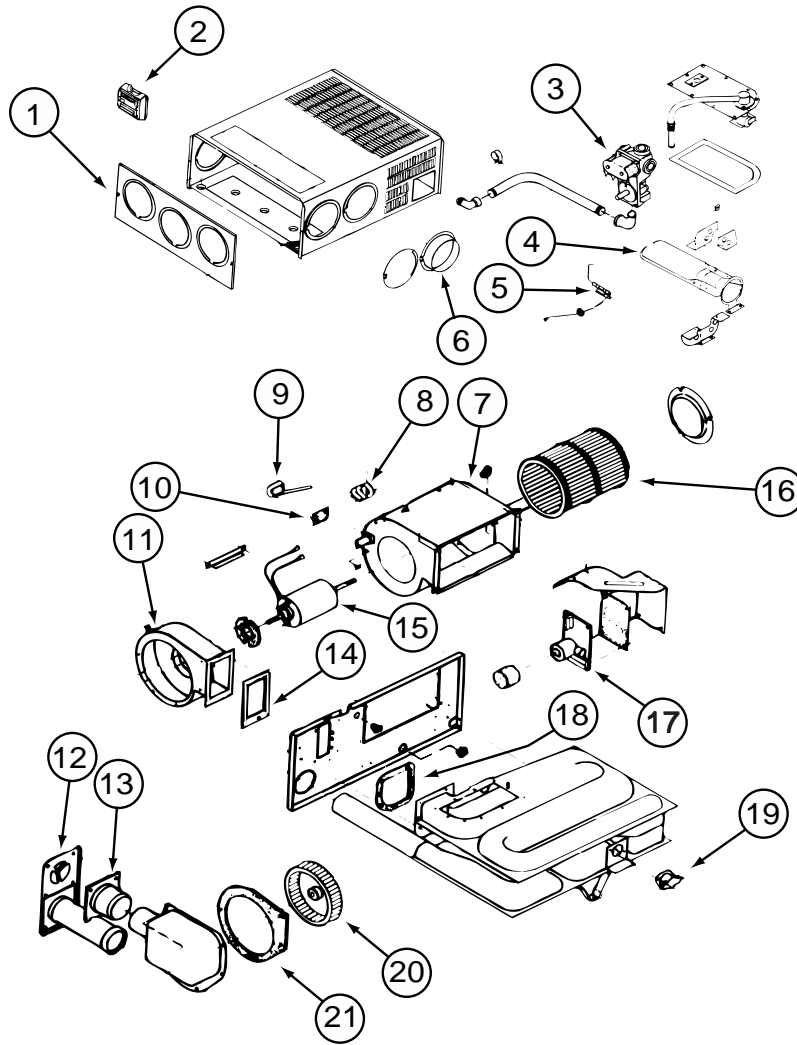
HEATING & A/C GROUP (CONTINUED)
COMPONENT PARTS FOR FURNACE (CONTINUED)

098668-21-000 (CONTINUED)

KEY	PART NUMBER	U/M	DESCRIPTION	VENDOR NO.
1	098668-01-700	EA	CABINET FRONT	101242
3	098668-01-714	EA	VALVE-GAS,SF S.N. 921401821	161070
4	098668-02-700	EA	BURNER ASSEMBLY,SF-30 & SF35	010745
5	098668-01-715	EA	ELECTRODE ASM., SINGLE PROBE	232166
6	075696-02-703	EA	COLLAR-DUCT	050715
7	098668-01-711	EA	WHEEL-BLOWER, ROOM AIR	350129
8	098668-01-710	EA	HOUSING-BLOWER, ROOM AIR	390440
9	074466-01-702	EA	RELAY, TIME DELAY	230625
10	098668-21-700	EA	SWITCH-MICRO-W/O FLAG 3 1/4"	232261
11	101990-01-714	EA	GASKET-MICROSWITCH	230877
12	098668-01-708	EA	HOUSING-BLOWER, COMBUSTION	390441
13	098668-01-717	EA	GASKET-FIREWALL, BLOWER SIDE	070809
14	098668-03-700	EA	MOTOR ASSEMBLY, SF-35	231707
15	098668-01-712	EA	BOARD-MODULE	520741
16	098668-01-716	EA	GASKET-FIREWALL,CHAMBER SIDE	070808
17	098668-21-701	EA	SWITCH - LIMIT	231799
18	098668-01-706	EA	WHEEL-COMBUSTION AIR	350184
19	098668-01-713	EA	TUBE ASSEMBLY, INTAKE	051248
20	098668-01-707	EA	TUBE ASSEMBLY, EXHAUST W/CAP	260231
	098668-08-700	EA	MODULE BD/FAN CONT - FENWAL	232613
	098668-08-701	EA	MODULE BD/FAN CONT-UNITED TE	232614
	069634-01-720	EA	ORIFICE-MAIN BURNER	180222

CONTACT WINNEBAGO PART SALES FOR UNLISTED COMPONENTS

HEATING & A/C GROUP (CONTINUED)
COMPONENT PARTS FOR FURNACE (CONTINUED)

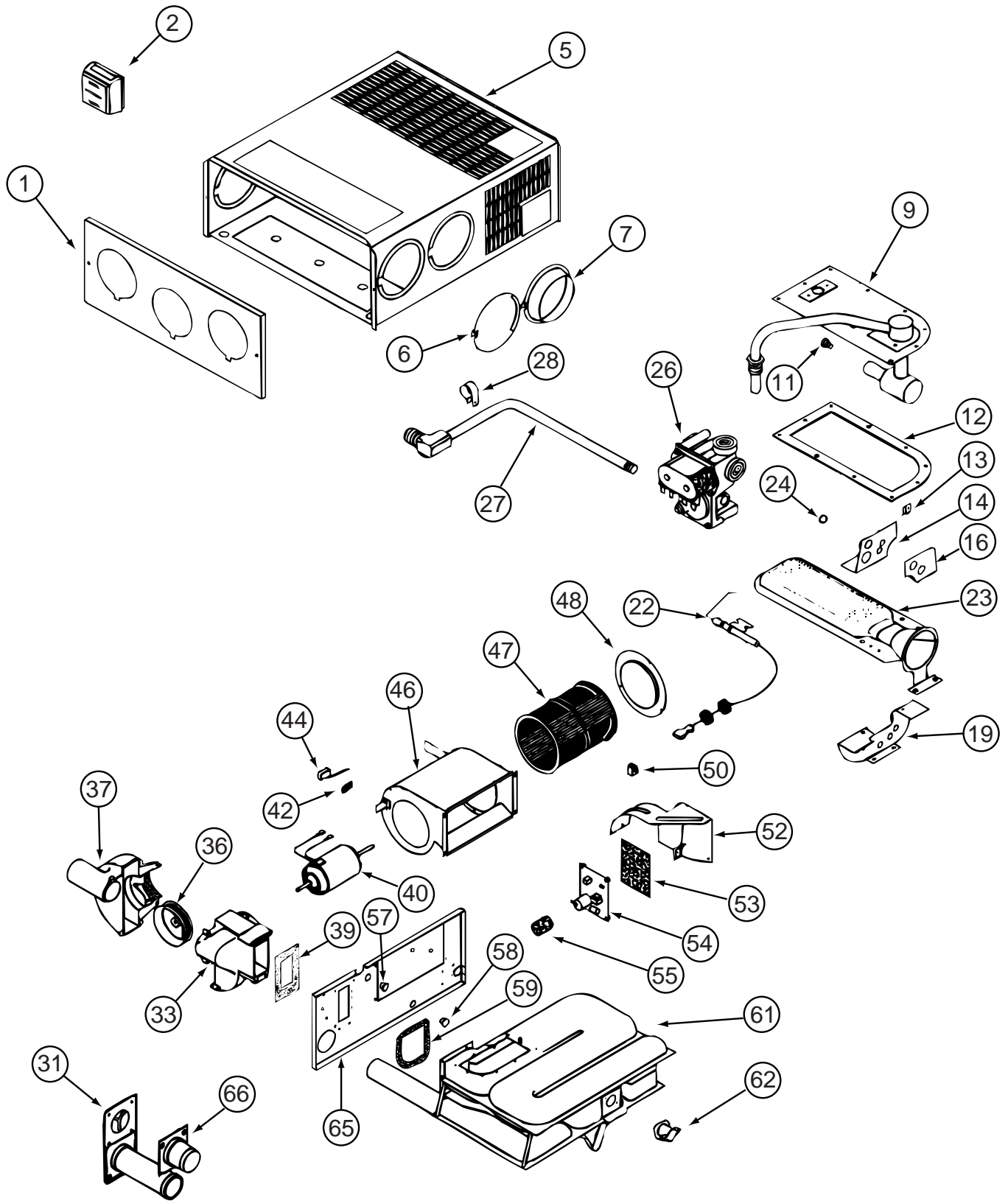


098668-22-000

KEY	PART NUMBER	U/M	DESCRIPTION	VENDOR NO.
1	098668-01-700	EA	CABINET FRONT	101242
3	098668-01-714	EA	VALVE-GAS, SF	161070
4	098668-11-701	EA	BURNER ASSEMBLY, SF-42F	010799
5	098668-01-715	EA	ELECTRODE ASM., SINGLE PROBE	232166
6	075696-02-703	EA	COLLAR-DUCT	050715
7	098668-11-704	EA	BLOWER ASM., ROOM AIR SF-42F	390698
8	074466-01-702	EA	RELAY, TIME DELAY	230625
9	098668-11-703	EA	SWITCH - SAIL - SF-42F	232216
10	101990-01-714	EA	GASKET-MICROSWITCH	230877
11	098668-01-708	EA	HOUSING-BLOWER, COMBUSTION	390441
12	098668-01-707	EA	TUBE ASSEMBLY, EXHAUST W/CAP	260231
13	098668-01-713	EA	TUBE ASSEMBLY, INTAKE	051248
14	098668-01-717	EA	GASKET-FIREWALL, BLOWER SIDE	070809
	098668-11-700	EA	ORIFICE-MAIN BURNER, SF-42F	180216
15	098668-11-702	EA	MOTOR ASSEMBLY, SF-42F	232212
16	098668-01-711	EA	WHEEL-BLOWER, ROOM AIR	350129
17	098668-01-712	EA	BOARD-MODULE	520741
18	098668-01-716	EA	GASKET-FIREWALL, CHAMBER SIDE	070808
19	098668-22-706	EA	SWITCH/LIMIT-195 TRIP TEMP	232505
20	098668-22-702	EA	WHEEL-COMBUSTION AIR	350183
21	098668-22-703	EA	GASKET	070811
	098668-08-700	EA	MODULE BD/FAN CONT - FENWAL	232613
	098668-08-701	EA	MODULE BD/FAN CONT-UNITED TE	232614
	098668-22-704	EA	GASKET - MOTOR	70812

CONTACT WINNEBAGO PART SALES FOR UNLISTED COMPONENTS

HEATING & A/C GROUP (CONTINUED)
COMPONENT PARTS FOR FURNACE (CONTINUED)



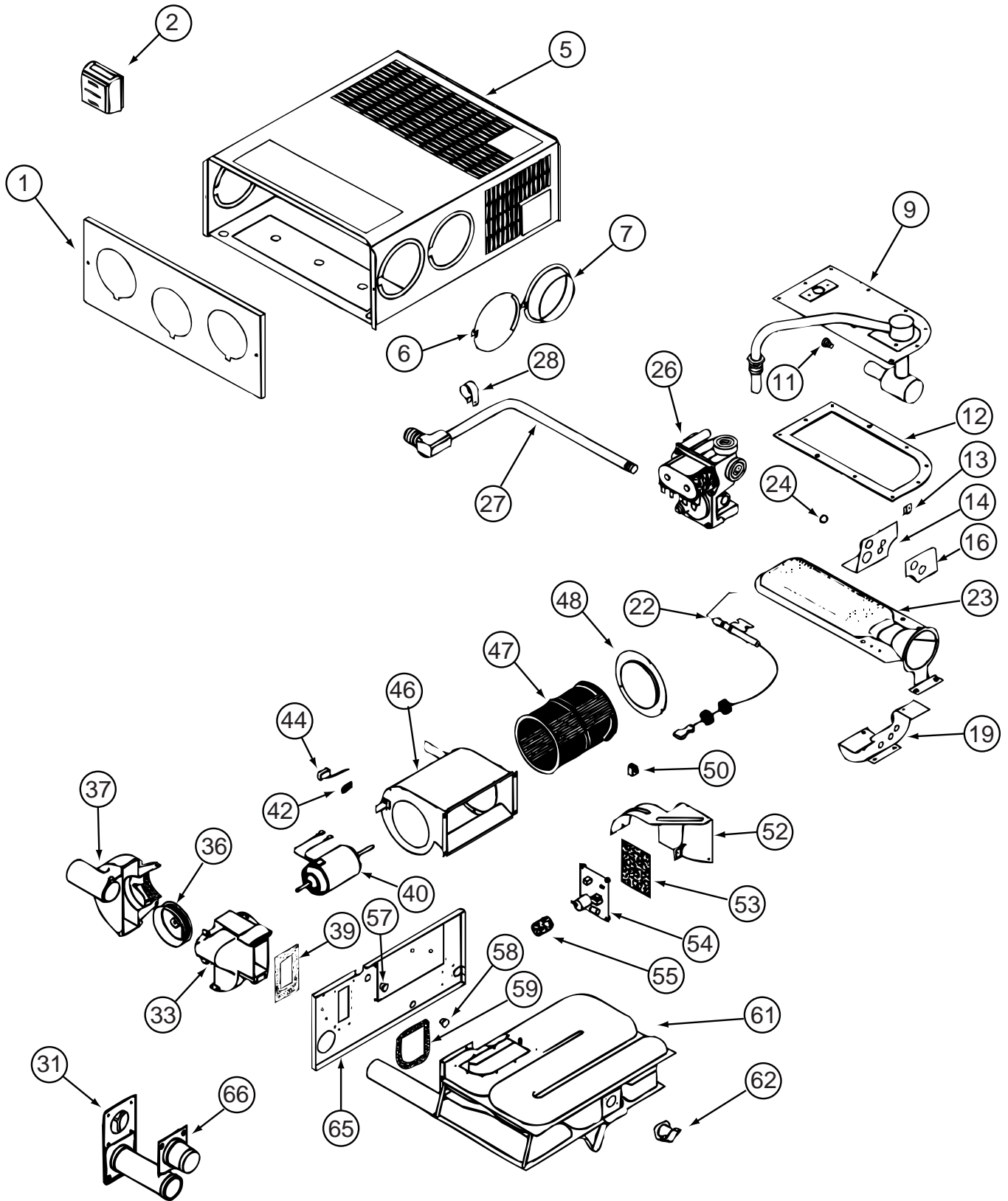
139980-02-000

HEATING & A/C GROUP (CONTINUED)
COMPONENT PARTS FOR FURNACE (CONTINUED)
139980-02-000 (CONTNUED)

KEY	PART NUMBER	U/M	DESCRIPTION	VENDOR NO.
9	139980-01-700	EA	MANIFOLD ASSEMBLY	171571
11	092300-02-701	EA	ORIFICE-MAIN BURNER (NT-30BW	180214
12	098668-22-703	EA	GASKET - BURNER ACCESS COVER	070811
22	139980-01-701	EA	ELECTRODE	232286
23	098668-02-700	EA	BURNER ASSEMBLY,SF-30 & SF35	010745
26	098668-01-718	EA	VALVE-GAS SF S.N.974903079	161122
27	139980-01-702	EA	PIPE ASSEMBLY/GAS INLET	171574
31	098668-01-707	EA	TUBE ASSEMBLY, EXHAUST W/CAP	260231
33	139980-01-703	EA	COMBUSTION AIR HOUS FRT/HALF	390852
36	098668-01-706	EA	WHEEL-COMBUSTION AIR	350184
37	139980-01-704	EA	COMBUSTION AIR HOUS RR HALF	390848
39	139980-01-705	EA	GASKET/FIREWALL-COMB AIR	071084
40	139980-01-706	EA	MOTOR ASSEMBLY W/GASKET	232682
42	101990-01-714	EA	GASKET-MICROSWITCH	230877
44	098668-21-700	EA	SWITCH-MICRO-W/O FLAG 3 1/4"	232261
46	139980-01-708	EA	BLOWER ASSEMBLY - ROOM AIR	390739BK
47	098668-01-711	EA	WHEEL-BLOWER, ROOM AIR	350129
48	139980-01-709	EA	ORFICE RING	390696
50	139980-01-710	EA	SWITCH - ON/OFF	232351
52	139980-01-711	EA	PANEL ASSEMBLY-MODULE BD	101663
53	139980-01-712	EA	INSULATOR - MODULE BD	070807
54	098668-22-705	EA	MODULE BD W/RELAY TIME DELAY	520820
55	139980-01-713	EA	CAP/INSULATOR-MODULE BD	070973
57	139980-01-714	EA	BUSHING - UNIVERSAL	070362
58	139980-01-715	EA	BUSHING - STRAIN RELIEF	231809
59	098668-01-716	EA	GASKET-FIREWALL,CHAMBER SIDE	070808
61	139980-01-716	EA	CHAMBER ASSEMBLY - FINAL	021149BK
62	098668-21-701	EA	SWITCH - LIMIT	232504
66	098668-01-713	EA	TUBE ASSEMBLY, INTAKE	051248

CONTACT WINNEBAGO PART SALES FOR UNLISTED COMPONENTS

HEATING & A/C GROUP (CONTINUED)
COMPONENT PARTS FOR FURNACE (CONTINUED)



139980-03-000

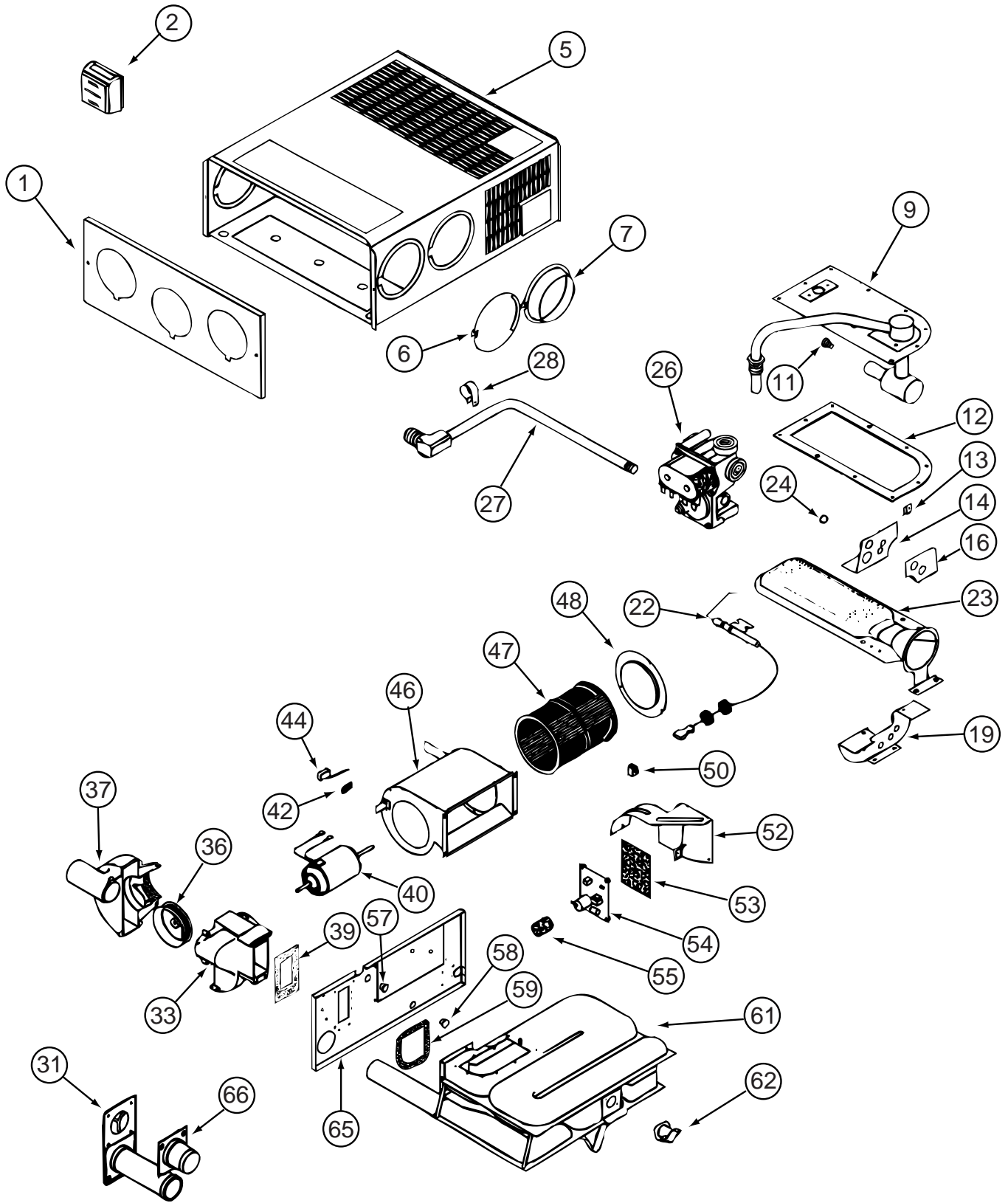
HEATING & A/C GROUP (CONTINUED)
COMPONENT PARTS FOR FURNACE (CONTINUED)

139980-03-000 (CONTINUED)

KEY	PART NUMBER	U/M	DESCRIPTION	VENDOR NO.
9	139980-01-700	EA	MANIFOLD ASSEMBLY	171571
11	069634-01-720	EA	ORIFICE-MAIN BURNER	180222
12	098668-22-703	EA	GASKET - BURNER ACCESS COVER	070811
22	139980-01-701	EA	ELECTRODE	232286
23	098668-02-700	EA	BURNER ASSEMBLY,SF-30 & SF35	010745
26	098668-01-718	EA	VALVE-GAS SF S.N.974903079	161122
27	139980-01-702	EA	PIPE ASSEMBLY/GAS INLET	171574
31	098668-01-707	EA	TUBE ASSEMBLY, EXHAUST W/CAP	260231
33	139980-01-703	EA	COMBUSTION AIR HOUS FRT/HALF	390852
36	098668-01-706	EA	WHEEL-COMBUSTION AIR	350184
37	139980-01-704	EA	COMBUSTION AIR HOUS RR HALF	390848
39	139980-01-705	EA	GASKET/FIREWALL-COMB AIR	071084
40	139980-01-707	EA	MOTOR ASSEMBLY W/GASKET SF35	232684
42	101990-01-714	EA	GASKET-MICROSWITCH	230877
44	098668-21-700	EA	SWITCH-MICRO-W/O FLAG 3 1/4"	232261
46	139980-01-708	EA	BLOWER ASSEMBLY - ROOM AIR	390739BK
47	098668-01-711	EA	WHEEL-BLOWER, ROOM AIR	350129
48	139980-01-709	EA	ORFICE RING	390696
50	139980-01-710	EA	SWITCH - ON/OFF	232351
52	139980-01-711	EA	PANEL ASSEMBLY-MODULE BD	101663
53	139980-01-712	EA	INSULATOR - MODULE BD	070807
54	098668-22-705	EA	MODULE BD W/RELAY TIME DELAY	520820
55	139980-01-713	EA	CAP/INSULATOR-MODULE BD	070973
57	139980-01-714	EA	BUSHING - UNIVERSAL	070362
58	139980-01-715	EA	BUSHING - STRAIN RELIEF	231809
59	098668-01-716	EA	GASKET-FIREWALL,CHAMBER SIDE	070808
61	139980-01-716	EA	CHAMBER ASSEMBLY - FINAL	021149BK
62	098668-21-701	EA	SWITCH - LIMIT	232504
66	098668-01-713	EA	TUBE ASSEMBLY, INTAKE	051248

CONTACT WINNEBAGO PART SALES FOR UNLISTED COMPONENTS

HEATING & A/C GROUP (CONTINUED)
COMPONENT PARTS FOR FURNACE (CONTINUED)



HEATING & A/C GROUP (CONTINUED)

COMPONENT PARTS FOR FURNACE (CONTINUED)

139980-04-000 (CONTNUED)

KEY	PART NUMBER	U/M	DESCRIPTION	VENDOR NO.
9	098668-20-700	EA	MANIFOLD ASM.	171517
11	139980-04-700	EA	ORFICE - MAIN BURNER	180242
12	098668-22-703	EA	GASKET - BURNER ACCESS COVER	070811
22	139980-01-701	EA	ELECTRODE	232286
23	098668-11-701	EA	BURNER ASSEMBLY,SF-42F	010799
26	098668-01-718	EA	VALVE-GAS SF S.N.974903079	161122
27	139980-01-702	EA	PIPE ASSEMBLY/GAS INLET	171574
31	098668-01-707	EA	TUBE ASSEMBLY, EXHAUST W/CAP	260231
33	139980-01-703	EA	COMBUSTION AIR HOUS FRT/HALF	390852
36	098668-22-702	EA	WHEEL-COMBUSTION AIR	350183
37	139980-01-704	EA	COMBUSTION AIR HOUS RR HALF	390848
39	139980-01-705	EA	GASKET/FIREWALL-COMB AIR	071084
40	139980-04-701	EA	MOTOR ASSEMBLY W/GASKET	232683
42	101990-01-714	EA	GASKET-MICROSWITCH	230877
44	098668-21-700	EA	SWITCH-MICRO-W/O FLAG 3 1/4"	232261
46	139980-04-702	EA	BLOWER ASSEMBLY/ROOM AIR	390740BK
47	098668-01-711	EA	WHEEL-BLOWER, ROOM AIR	350129
48	139980-01-709	EA	ORFICE RING	390696
50	139980-01-710	EA	SWITCH - ON/OFF	232351
52	139980-01-711	EA	PANEL ASSEMBLY-MODULE BD	101663
53	139980-01-712	EA	INSULATOR - MODULE BD	070807
54	098668-22-705	EA	MODULE BD W/RELAY TIME DELAY	520820
55	139980-01-713	EA	CAP/INSULATOR-MODULE BD	070973
57	139980-01-714	EA	BUSHING - UNIVERSAL	070362
58	139980-01-715	EA	BUSHING - STRAIN RELIEF	231809
59	098668-01-716	EA	GASKET-FIREWALL,CHAMBER SIDE	070808
61	139980-04-703	EA	CHAMBER ASSEMBLY FINAL	021150BK
62	098668-22-706	EA	SWITCH/LIMIT - 195 TRIP TEMP	232505
66	098668-01-713	EA	TUBE ASSEMBLY, INTAKE	051248

CONTACT WINNEBAGO PART SALES FOR UNLISTED COMPONENTS

HEATING & A/C GROUP (CONTINUED)

REAR HEATER

KEY	PART NUMBER	U/M	DESCRIPTION
*	084405-01-000	EA	HEATER - REAR/DUCTED - W/MOTOR AID - F32T, F35C, F26P, F29A, F31B
*	129205-01-000	EA	HEATER - REAR - F30W, F33V
	131978-02-02B	EA	CLAMP - MOTOR AID TUBING - E-COATED
	089353-01-000	EA	UNION - 5/8" - TUBE TO TUBE
	118761-01-000	EA	REDUCER - 4"-2" - GALVANIZED - F35C

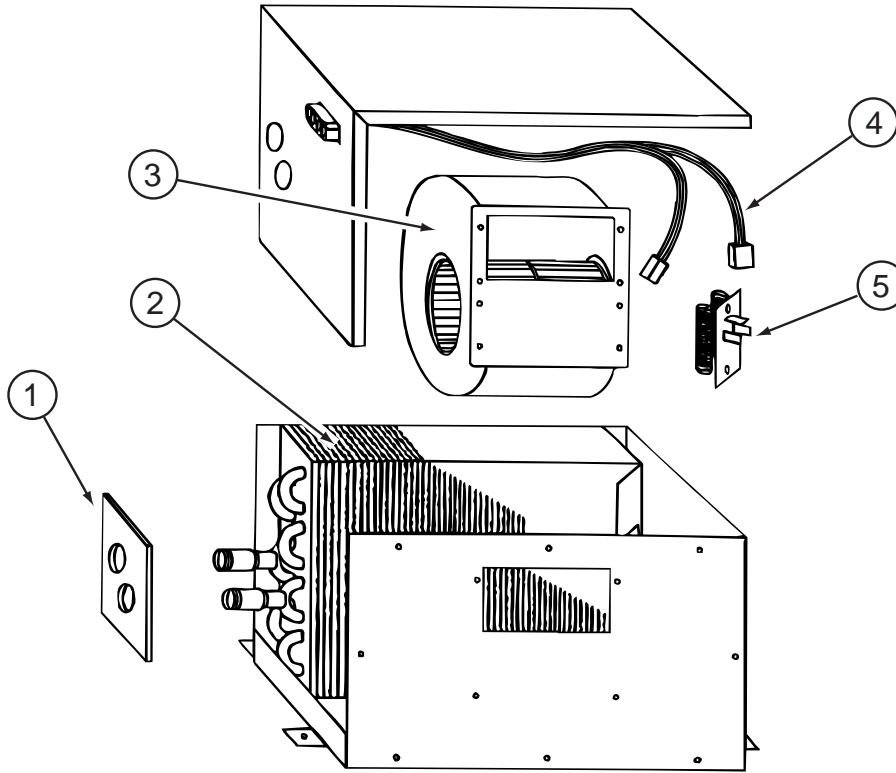
*COMPONENT PARTS LISTED LATER IN THIS GROUP

HEATING & A/C GROUP (CONTINUED)

COMPONENT PARTS FOR REAR HEATER

084405-01-000

KEY	PART NUMBER	U/M	DESCRIPTION	VENDOR NO.
	084405-01-000	EA	HEATER - REAR/DUCTED - W/MOTOR AID	
	084405-01-700	EA	CORE-HEATER	FT200229
	084405-01-701	EA	FAN BLADES	HV029931
	084405-01-702	EA	MOTOR ASSEMBLY, 12 VOLT	RV010348



129205-01-000

KEY	PART NUMBER	U/M	DESCRIPTION	VENDOR NO.
	129205-01-000	EA	HEATER - REAR	
1	129205-01-700	EA	SEAL - CORE TUBE	HV218421
2	129205-01-701	EA	CORE - HEATER	HV218426
3	129205-01-702	EA	BLOWER ASSEMBLY	HV218419
4	129205-01-703	EA	WIRE HARNESS	HV218420
5	129205-01-704	EA	RESISTOR	HV218125

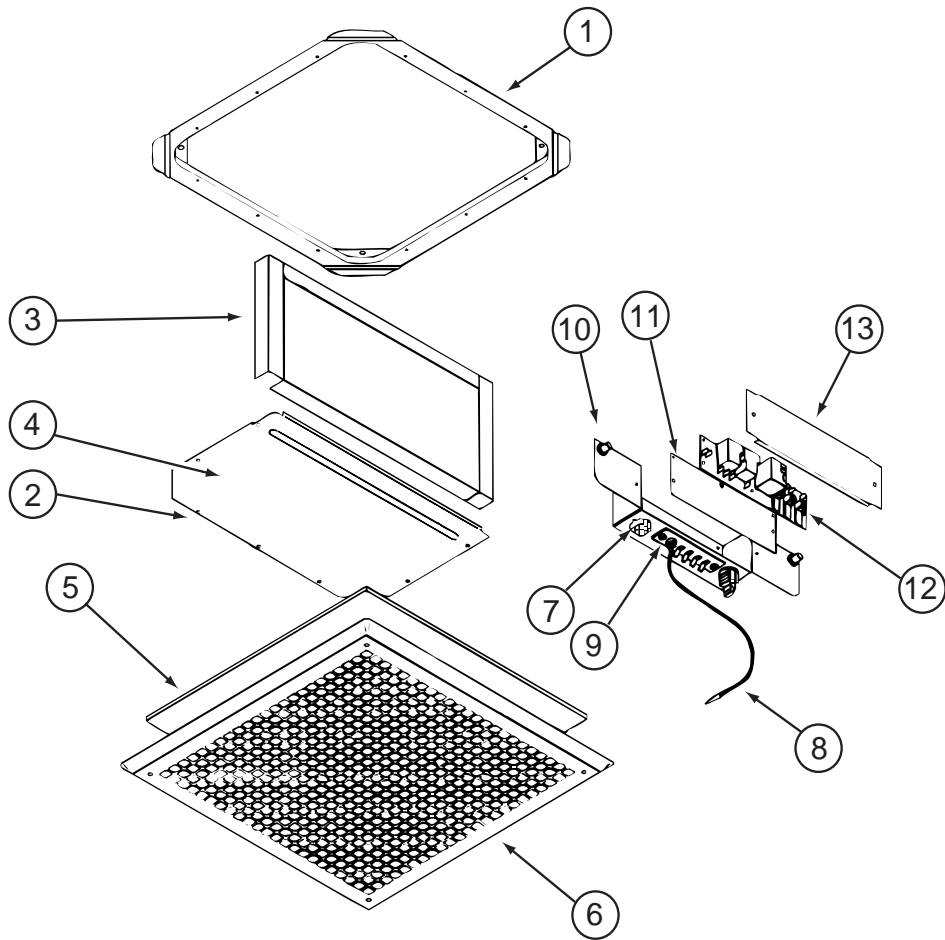
HEATING & A/C GROUP (CONTINUED)

ROOF

KEY	PART NUMBER	U/M	DESCRIPTION
*	131188-01-01A	EA	A/C - ROOF - 14,800 MACH 15 - WHITE - F30W, F32T, SUNRISE SE
*	131186-01-01A	EA	A/C - ROOF MACH 1 POWER SAVER - WHITE - SUNRISE
*	131187-01-01A	EA	A/C - ROOF MACH 3 POWER SAVER - WHITE - SUNRISE
*	131185-01-01A	EA	A/C - ROOF - 13,500 BTU - WHITE - F31B ONLY
*	131184-01-01A	EA	CEILING ASSEMBLY - A/C DUCTED - WHITE
	131184-02-01A	EA	BOARD - DIVIDER - SILVER
	117238-01-01A	EA	THERMOSTAT - A/C - FURNACE
	117238-02-01A	EA	THERMOSTAT - A/C ONLY
	121365-01-01A	EA	COVER - A/C SWITCH - DUAL
	121365-02-01A	EA	COVER - A/C SWITCH - SINGLE
	073937-03-000	EA	SWITCH - ROTARY- AC - SELECTOR - 3 DECK
	120134-01-02A	EA	REGISTER - W/DAMPER - 4" PIPE/7" O.D. FACE - WHITE

***COMPONENT PARTS LISTED LATER IN THIS GROUP**

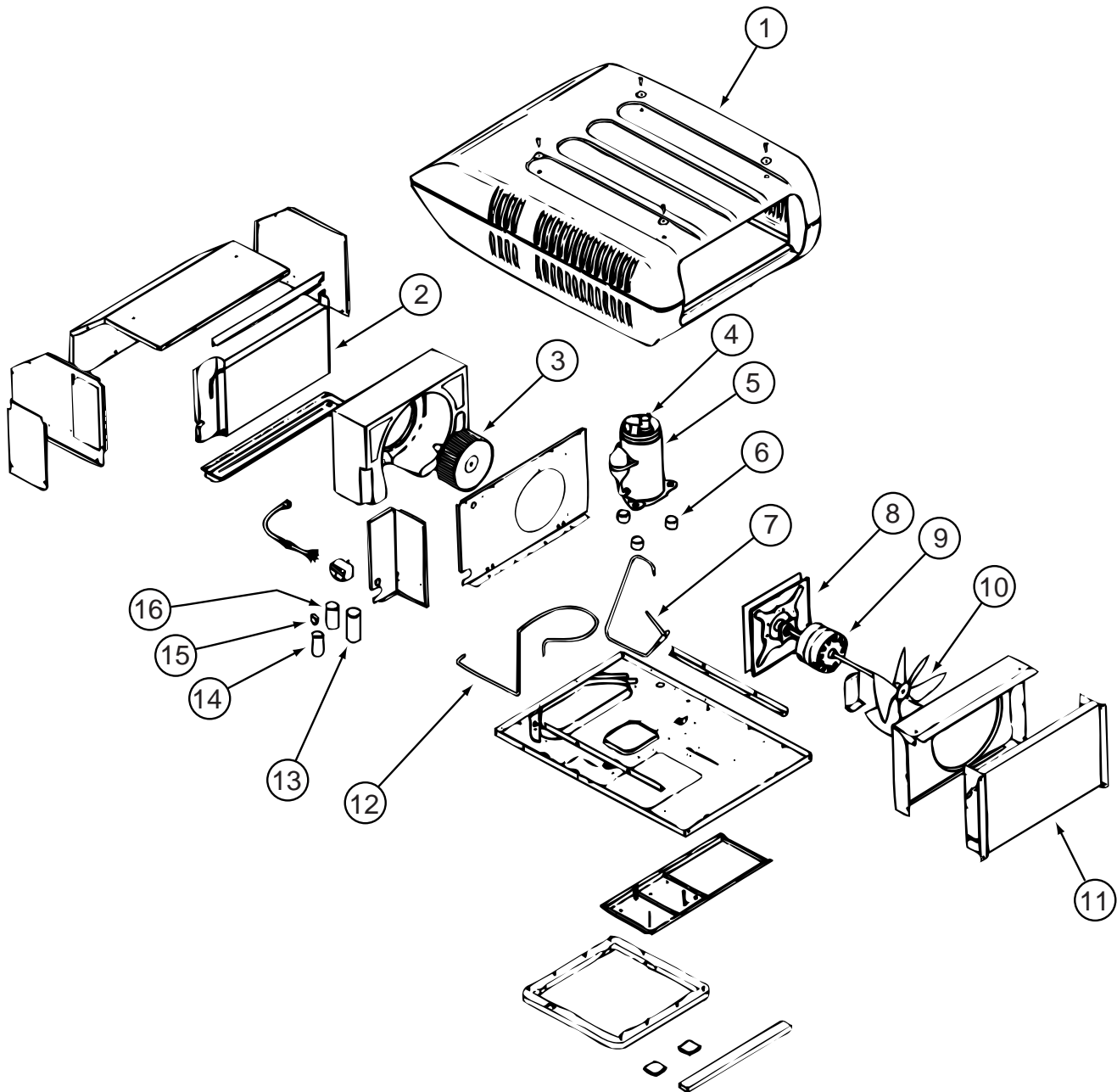
HEATING & A/C GROUP (CONTINUED)
COMPONENT PARTS FOR ROOF



131184-01-01A

KEY	PART NUMBER	U/M	DESCRIPTION	VENDOR NO.
	131184-01-01A	EA	CEILING ASSEMBLY - A/C DUCTED - WHITE	
5	108892-01-703	EA	FILTER	6798A3761
6	108892-01-704	EA	GRILLE 16 3/8X16 3/8 RETURN	6798-3041
7	131184-01-700	EA	PLUG ASSEMBLY	7330A389
8	131184-01-704	EA	COIL SENSOR	7330-6111
9	131184-01-701	EA	TERMINAL BOARD	7330B3201
10	131184-01-705	EA	JUNCTION BOX ASSEMBLY	7330B5551
11	131184-01-702	EA	ISOLATOR - BLANK	7330A365
12	108892-01-702	EA	BOARD-P.C.	7330A3211
	131184-01-703	EA	SMALL PARTS PKG	8330-5961

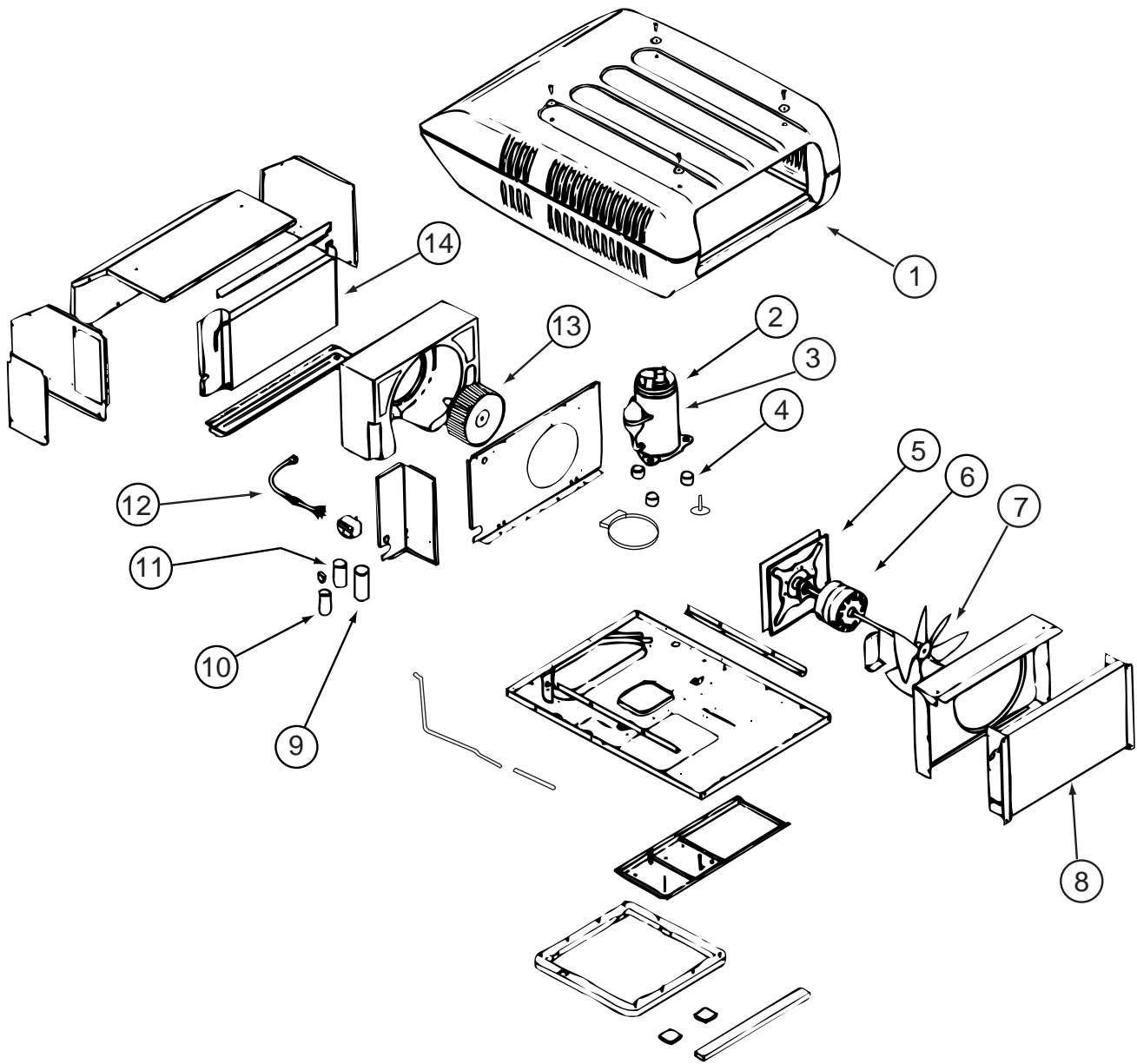
HEATING & A/C GROUP (CONTINUED)
COMPONENT PARTS FOR ROOF (CONTINUED)



131185-01-01A

KEY	PART NUMBER	U/M	DESCRIPTION	VENDOR NO.
1	108889-05-700	EA	SHROUD-BRIGHT/WHT. W/O LOGO	7333-4601
2	131185-01-703	EA	EVAPORATOR COIL	1452A1491
3	131185-01-702	EA	BLOWER WHEEL PACKAGE	1472-1091
4	105620-01-705	EA	PROTECTOR-OVERLOAD, RH & LH	6759-3791
5	108889-01-722	EA	COMPRESSOR TSR3 C & D ONLY	1450-2099
6	105620-01-706	EA	MOUNTING PKG.,COMP., 3 PER	6759-3081
7	131185-01-706	EA	DISCHARGE LINE	7333A136
8	131185-01-704	EA	MOTOR MOUNT & SEAL KIT	8333-5151
9	131185-01-701	EA	MOTOR (115V, 60HZ)	1468-3069
10	093763-01-712	EA	BLADE-FAN-CONDENSER	6733-3221
11	131185-01-700	EA	CONDENSER COIL	1452A1451
12	131185-01-705	EA	SUCTION LINE (3/8" OD)	6792B130
13	108889-01-707	EA	CAPACITOR-RUN,COMP-25MFD/3701	499-5661
14	105620-10-704	EA	START COMPACITOR	1497-0861
15	108889-01-708	EA	CAPACITOR-FAN, 7.5MFD. 370U	1499-5461
16	105620-10-705	EA	PTCR (START DEVICE) - W/CAP.	8333A9021
	093306-01-701	EA	DECAL PACKAGE, LEFT & RIGHT	6798B3591
	108889-01-710	EA	PAD-FILLER, CONDENSER SEAL	6759B3971

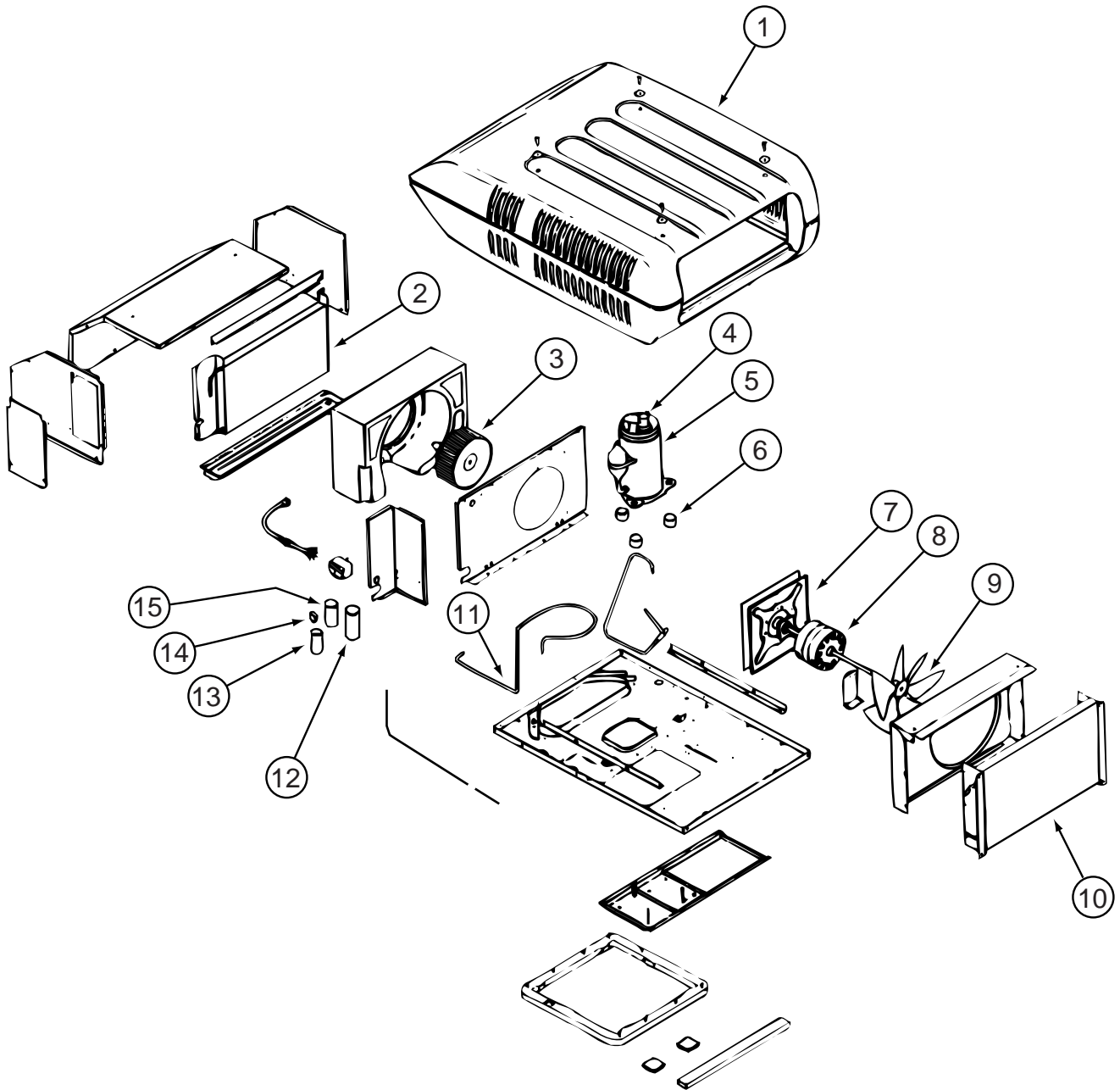
HEATING & A/C GROUP (CONTINUED)
COMPONENT PARTS FOR ROOF (CONTINUED)



131186-01-01A

KEY	PART NUMBER	U/M DESCRIPTION	VENDOR NO.
	131186-01-01A	EA A/C - ROOF MACH 1 POWER SAVER - WHITE	
1	108889-05-700	EA SHROUD-BRIGHT/WHT. W/O LOGO	7333-4601
2	126859-01-701	EA OVERLOAD PROTECTORMRA# 4761	1450-0061
3	126859-01-700	EA COMPRESSOR RK124AT-001-A4Y	1450-2109
4	105620-01-706	EA MOUNTING PKG.,COMP., 3 PER	6759-3081
5	131185-01-704	EA MOTOR MOUNT & SEAL KIT	8333-5151
6	131186-01-700	EA MOTOR - 115V, 60 HURTZ	1468-3109
7	093763-01-712	EA BLADE-FAN-CONDENSER	6733-3221
8	115219-01-700	EA COIL-CONDENSER	1452A1321
9	126859-01-703	EA CAPACITOR - RUN	1499-5671
10	093763-01-704	EA CAPACITOR-FAN	1499-5461
12	105620-10-705	EA PTCR (START DEVICE) - W/CAP.	8333A9021
13	131185-01-702	EA BLOWER WHEEL PACKAGE	1472-1091
14	131186-01-701	EA EVAPORATOR COIL	1452-1521
	093306-01-701	EA DECAL PACKAGE, LEFT & RIGHT	6798B3591
	108889-01-710	EA PAD-FILLER, CONDENSER SEAL	6759B3971
	126859-01-706	EA LINE - SUCTION	7532A130

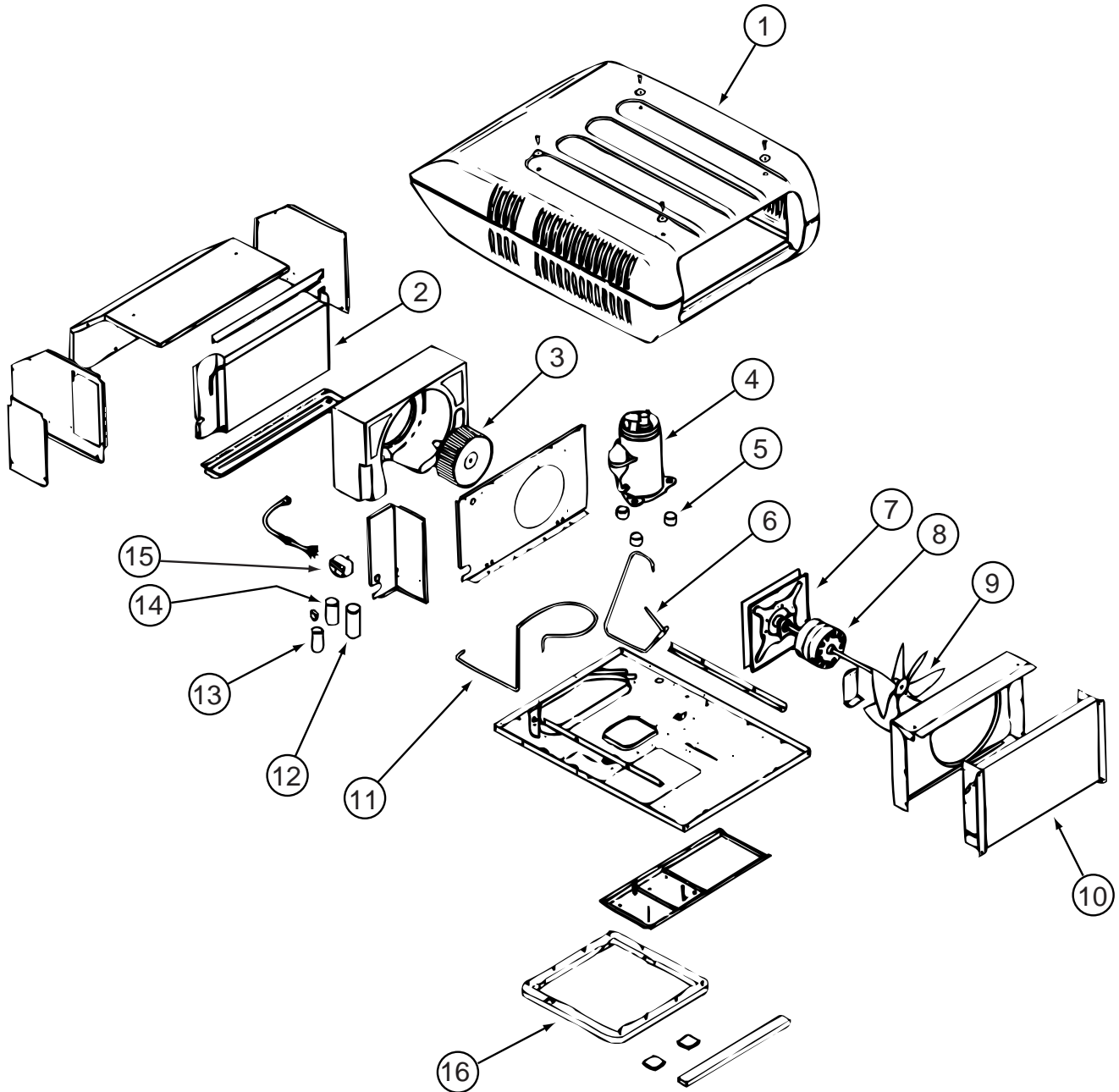
HEATING & A/C GROUP (CONTINUED)
COMPONENT PARTS FOR ROOF (CONTINUED)



131187-01-01A

KEY	PART NUMBER	U/M	DESCRIPTION	VENDOR NO.
	131187-01-01A	EA	A/C - ROOF MACH 3 POWER SAVER - WHITE	COLEMAN 8633-876
1	108889-05-700	EA	SHROUD-BRIGHT/WHT. W/O LOGO	7333-4601
2	131186-01-701	EA	EVAPORATOR COIL	1452-15
3	131185-01-702	EA	BLOWER WHEEL PACKAGE	1472-1091
4	126860-01-701	EA	OVERLOAD PROTECTOR MRA# 1460	1450-0071
5	126860-01-700	EA	COMPRESSOR RK136AT-002-A4Y	1450A2119
6	105620-01-706	EA	MOUNTING PKG.,COMP., 3 PER	6759-3081
7	131185-01-704	EA	MOTOR MOUNT & SEAL KIT	8333-5151
8	131186-01-700	EA	MOTOR - 115V, 60 HURTZ	1468-3109
9	093763-01-712	EA	BLADE-FAN-CONDENSER	6733-3221
10	115219-01-700	EA	COIL-CONDENSER	1452A1321
11	126859-01-706	EA	LINE - SUCTION	7532A130
12	126859-01-703	EA	CAPACITOR - RUN	1499-5671
14	105620-10-705	EA	PTCR (START DEVICE) - W/CAP.	8333A9021
15	105620-01-725	EA	CAPACITOR-BLOWER,I.D. 7.5MFD	1499-5461
	093306-01-701	EA	DECAL PACKAGE, LEFT & RIGHT	6798B3591
	108889-01-710	EA	PAD-FILLER, CONDENSER SEAL	6759B3971

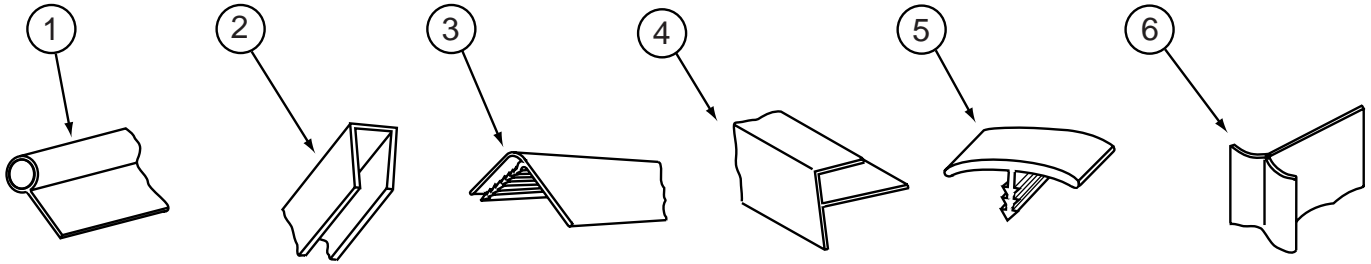
HEATING & A/C GROUP (CONTINUED)
COMPONENT PARTS FOR ROOF (CONTINUED)



131188-01-01A

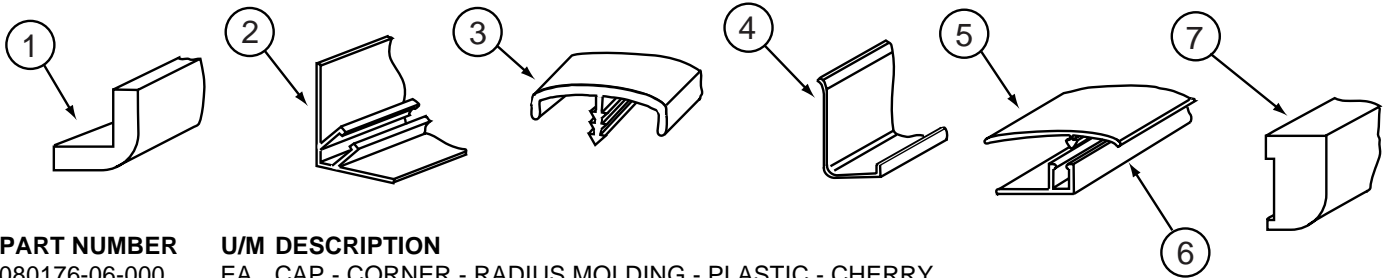
KEY	PART NUMBER	U/M	DESCRIPTION	VENDOR NO.
	131188-01-01A	EA	A/C - ROOF - 14,800 MACH 15 - WHITE	COLEMAN 8335-896
1	108889-05-700	EA	SHROUD-BRIGHT/WHT. W/O LOGO	7333-4601
2	131186-01-701	EA	EVAPORATOR COIL	1452-1521
3	131185-01-702	EA	BLOWER WHEEL PACKAGE	1472-1091
4	131188-01-700	EA	COMPRESSOR - TECUMSEH	1450A2609
5	105620-01-706	EA	MOUNTING PKG.,COMP., 3 PER	6759-3081
6	131188-01-703	EA	LINE - DISCHARGE	7335A135
7	131185-01-704	EA	MOTOR MOUNT & SEAL KIT	8333-5151
8	131185-01-701	EA	MOTOR (115V, 60HZ)	1468-3069
9	093763-01-712	EA	BLADE-FAN-CONDENSER	6733-3221
10	115219-01-700	EA	COIL-CONDENSER	1452A1321
11	131188-01-702	EA	LINE - SUCTION	7335A134
12	131188-01-701	EA	RUN CAP. (COMP-40MFD/370V)	1499-5721
13	126859-01-704	EA	CAPACITOR - START	1497-0871
14	108889-01-708	EA	CAPACITOR-FAN, 7.5MFD. 370U	1499-5461
15	091225-01-709	EA	RELAY-START	1497-4131
16	037648-01-714	EA	GASKET PACKAGE	8332-3301
	093306-01-701	EA	DECAL PACKAGE, LEFT & RIGHT	6798B3591
	108889-01-710	EA	PAD-FILLER, CONDENSER SEAL	6759B3971

INTERIOR FINISH GROUP
MOLDINGS & TRIMS

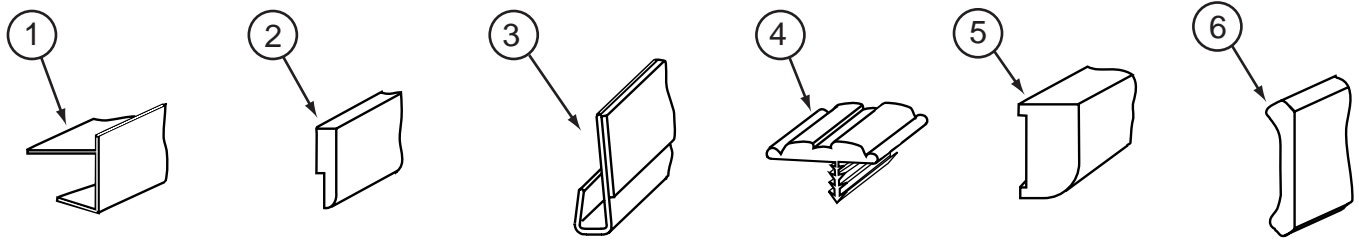


KEY	PART NUMBER	U/M DESCRIPTION
1	009767-12-000	FT WELTING - ANTIQUE WHITE
1	009767-17-000	FT WELTING - PORTSMOUTH OAK
2	009778-18-000	FT U-CHANNEL - 1" - CHERRY WOOD/CHERRY STAIN
2	009778-27-000	FT U-CHANNEL - 1" - WASHED MAPLE
2	009778-30-000	FT U-CHANNEL - 1" - VILLAGE OAK
2	009778-31-000	FT U-CHANNEL - 1" - GRADY BROWN
2	009778-32-000	FT U-CHANNEL - 1" - PORTSMOUTH OAK
2	009778-34-000	FT U-CHANNEL - 1" - CONCERT CHERRY
2	070504-03-000	FT U-CHANNEL - PLASTIC - .9" X 96" - GRADY BROWN
2	070504-18-000	FT U-CHANNEL - PLASTIC - .13" X 84" - IVORY
2	070504-30-000	FT U-CHANNEL - PLASTIC - .13" X 96" - CHERRY
2	070504-42-000	FT U-CHANNEL - PLASTIC - .13" X 84" - BEIGE ILLUSION
2	070504-50-000	FT U-CHANNEL - PLASTIC - .13" X 84" - WASHED MAPLE
2	070504-51-000	FT U-CHANNEL - PLASTIC - .9" X 84" - WASHED MAPLE
2	070504-54-000	FT U-CHANNEL - PLASTIC - .9" X 96" - VILLAGE OAK
2	070504-57-000	FT U-CHANNEL - PLASTIC - .6" X 84" - PORTSMOUTH OAK
2	070504-58-000	FT U-CHANNEL - PLASTIC - .8" X 84" - PORTSMOUTH OAK
2	070504-61-000	FT U-CHANNEL - PLASTIC - .8" X 84" - CONCERT CHERRY
3	009809-28-000	EA MOLDING - CORNER - OUTSIDE - 1" X 84" - CHERRY
3	009809-30-000	EA MOLDING - CORNER - OUTSIDE - 1" X 84" - BEIGE ILLUSION
3	009809-31-000	EA MOLDING - CORNER - OUTSIDE - 1" X 84" - WASHED MAPLE
3	009809-32-000	EA MOLDING - CORNER - OUTSIDE - 1" X 84" - PORTSMOUTH OAK
3	009809-33-000	EA MOLDING - CORNER - OUTSIDE - 1" X 84" - CONCERT CHERRY
4	009812-24-000	EA MOLDING - CORNER - 1/2" W/1/4"CHAN X 108" - IVORY PLASTIC
4	009812-31-000	EA MOLDING - CORNER - 1/2" W/1/4"CHAN X 84" - BEIGE ILLUSION
4	009812-33-000	EA MOLDING - CORNER - 1/2" W/1/4"CHAN X 84" - WASHED MAPLE
4	009812-34-000	EA MOLDING - CORNER - 1/2" W/1/4"CHAN X 84" - VW LIGHT GRAY
4	009812-35-000	EA MOLDING - CORNER - 1/2" W/1/4"CHAN X 84" - PORTSMOUTH OAK
4	009812-36-000	EA MOLDING - CORNER - 1/2" W/1/4"CHAN X 84" - CONCERT CHERRY
5	009815-09-000	FT MOLDING-T - W/EDGE LIP - 3/4" FACE - IVORY
5	009815-10-000	FT MOLDING-T - W/EDGE LIP - 3/4" FACE - BEIGE ILLUSION
5	105709-01-000	FT MOLDING-T - W/EDGE LIP - 3/4" FACE - IVORY
5	105709-02-000	FT MOLDING-T - W/EDGE LIP - 3/4" FACE - BEIGE ILLUSION
6	022992-11-000	FT MOLDING - REVERSE COVE - T-SHAPED - IVORY
6	022992-14-000	FT MOLDING - REVERSE COVE - T-SHAPED - BRIGHT WHITE
6	022992-15-000	FT MOLDING - REVERSE COVE - T-SHAPED - VW GRAY

INTERIOR FINISH GROUP (CONTINUED)
MOLDINGS & TRIMS (CONTINUED)

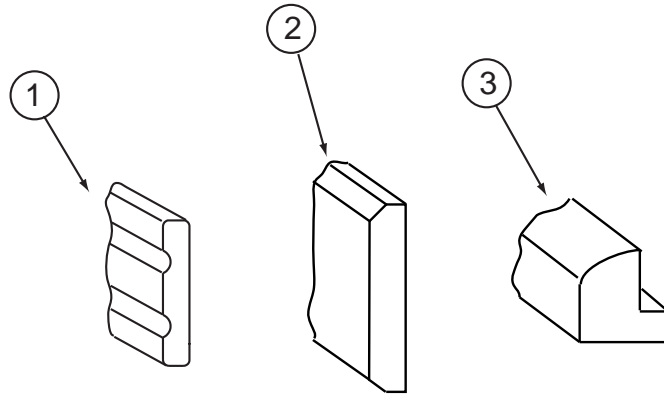


KEY	PART NUMBER	U/M	DESCRIPTION
1	080176-06-000	EA	CAP - CORNER - RADIUS MOLDING - PLASTIC - CHERRY
1	080176-08-000	EA	CAP - CORNER - RADIUS MOLDING - PLASTIC - WASHED MAPLE
2	081521-02-007	EA	MOUNT - METAL MOLDING - F/RADIUS CORNER MOLDING - 151.5"
3	083620-09-000	FT	MOLDING-T - W/EDGE LIP - 7/8" FACE - MODERN IVORY
3	083620-19-000	FT	MOLDING-T - W/EDGE LIP - 7/8" FACE - WASHED MAPLE
3	083620-20-000	FT	MOLDING-T - W/EDGE LIP - 7/8" FACE - PORTSMOUTH OAK
3	083620-21-000	FT	MOLDING-T - W/EDGE LIP - 7/8" FACE - CONCERT CHERRY
3	104676-02-06A	FT	MOLDING-T - W/EDGE LIP - 11/16" FACE - WASHED MAPLE
3	104676-02-08A	FT	MOLDING-T - W/EDGE LIP - 11/16" FACE - PORTSMOUTH OAK
3	104676-02-09A	FT	MOLDING-T - W/EDGE LIP - 11/16" FACE - CONCERT CHERRY
4	085746-04-000	FT	TRIM-J - CARPET 1.2" X .5" ANGLE - 12' LONG - OFF WHITE
5	086229-12-000	EA	BATTEN - 1.5" OFFSET X 97.01" IVORY
6	086229-11-000	EA	RETAINER - OFFSET - 97.01"
7	126204-D2-134	EA	MOLDING - VINYL WRAPPED - .7" X 1.6" X 84" - WASHED MAPLE
7	126204-F2-134	EA	MOLDING - VINYL WRAPPED - .7" X 2.5" X 84" - WASHED MAPLE
7	126204-F2-438	EA	MOLDING - VINYL WRAPPED - .7" X 2.6" X 84" - WASHED MAPLE

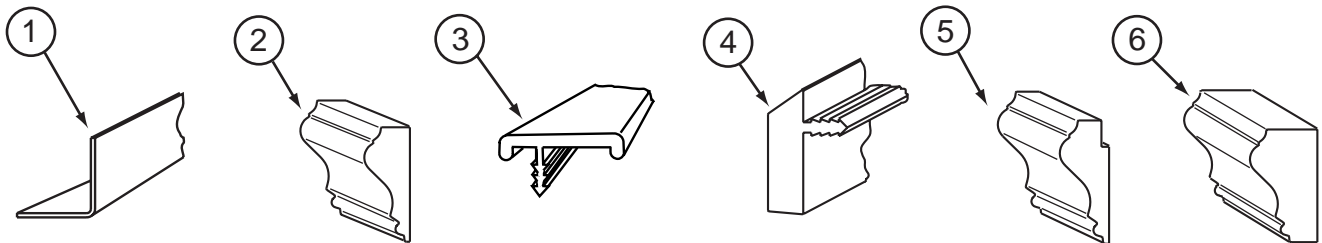


KEY	PART NUMBER	U/M	DESCRIPTION
1	103186-01-07A	FT	MOLDING - PLASTIC - 3/8" U-CHANNEL-3/4"FACE-BEIGE ILLUS
1	103186-01-08A	FT	MOLDING - PLASTIC - 3/8" U-CHANNEL-3/4"FACE-WASHED MAPLE
1	103186-01-09A	FT	MOLDING - PLASTIC - 3/8" U-CHANNEL-3/4"FACE-PORTSMOUTH OAK
1	103186-01-10A	FT	MOLDING - PLASTIC - 3/8" U-CHANNEL-3/4"FACE-CONCERT CHERRY
1	103186-02-08A	FT	MOLDING - PLASTIC - 1" U-CHANNEL-1 3/8"FACE-WASHED MAPLE
1	103186-02-09A	FT	MOLDING - PLASTIC - 1" U-CHANNEL-1 3/8"FACE-PORTSMOUTH OAK
1	103186-02-10A	FT	MOLDING - PLASTIC - 1" U-CHANNEL-1 3/8"FACE-CONCERT CHERRY
2	105004-01-08A	EA	MOLDING - VINYL WRAPPED - 1" X 96" - WASHED MAPLE
2	105004-01-09A	EA	MOLDING-PAPER WRAP - 1" X 96" - PORTSMOUTH OAK
2	105004-01-10A	EA	MOLDING-PAPER WRAP - 1" X 96" - CHERRY - SALEM CHERRY
2	105004-01-11A	EA	MOLDING-PAPER WRAP - 1" X 96" - WASHED MAPLE
2	105004-01-12A	EA	MOLDING - VINYL WRAPPED - 1" X 96" - PORTSMOUTH OAK
3	109332-02-01A	FT	TRIM-J - W/O ADHESIVE - BRASS
3	109332-02-03A	FT	TRIM-J - W/O ADHESIVE - SALEM CHERRY
3	109332-02-05A	FT	TRIM-J - W/O ADHESIVE - WASHED MAPLE
3	109332-02-06A	FT	TRIM-J - W/O ADHESIVE - PORTSMOUTH OAK
4	109736-02-01A	FT	MOLDING-T/OFFSET - W/EDGE LIP - 1" FACE - NAT OAK/BRASS
5	134185-B2-438	EA	MOLDING - .7" X 1" X 96" - PORTSMOUTH OAK
5	134185-D2-134	EA	MOLDING - .7" X 1.5" X 83" - PORTSMOUTH OAK
5	134185-D2-743	EA	MOLDING - .7" X 1.6" X 96" -PORTSMOUTH OAK
5	134185-F2-438	EA	MOLDING - .7" X 2.5" X 96" -PORTSMOUTH OAK
5	134185-F2-743	EA	MOLDING - .7" X 2.5" X 108"-PORTSMOUTH OAK
5	137895-D2-134	EA	MOLDING - VINYL WRAPPED - .7" X 1.6" X 84" -PORTSMOUTH OAK
5	137895-F2-743	EA	MOLDING - VINYL WRAPPED - .7" X 1.6" X 84" -PORTSMOUTH OAK
6	113794-01-02A	FT	MOLDING - CROWN - 3.5" - CHERRY
6	113794-02-02A	FT	MOLDING - CROWN - 1.8" - CHERRY
6	113794-01-03A	FT	MOLDING - CROWN - 3.5" - MAPLE
6	113794-02-03A	FT	MOLDING - CROWN - 1.8" - MAPLE

INTERIOR FINISH GROUP (CONTINUED)
MOLDINGS & TRIMS (CONTINUED)

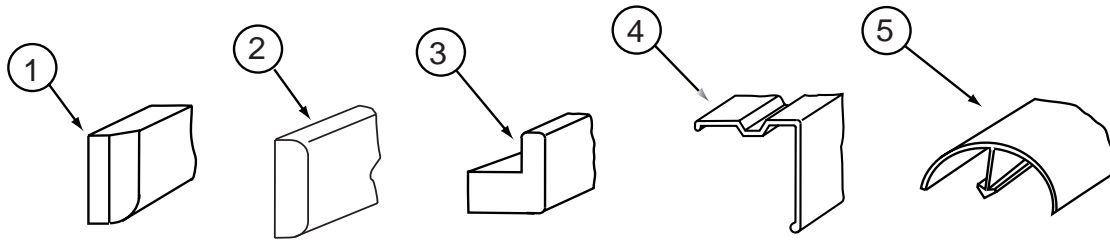


KEY	PART NUMBER	U/M	DESCRIPTION
1	116951-15-K09	EA	MOLDING - TRIM - 1.7" X 11"
1	116951-15-M07	EA	MOLDING - TRIM - 1.7" X 11"
1	134156-01-06A	EA	MOLDING - PAPER WRAP -.7" X 3.8" X 33.8" - WASHED MAPLE
1	134156-01-05A	EA	MOLDING - PAPER WRAP -.7" X 3.8" X 33.8" - CONCERT CHERRY
1	134156-01-04A	EA	MOLDING - PAPER WRAP -.7" X 3.8" X 33.8" - PORTSMOUTH OAK
1	134156-02-06A	EA	MOLDING - PAPER WRAP -.7" X 3.8" X 32.9" - WASHED MAPLE
1	134156-02-05A	EA	MOLDING - PAPER WRAP -.7" X 3.8" X 32.9" - CONCERT CHERRY
1	134156-02-04A	EA	MOLDING - PAPER WRAP -.7" X 3.8" X 32.9" - PORTSMOUTH OAK
1	134156-03-06A	EA	MOLDING - PAPER WRAP -.7" X 3.4" X 28.3" - WASHED MAPLE
1	134156-03-05A	EA	MOLDING - PAPER WRAP -.7" X 3.4" X 28.3" - SALEM CHERRY
1	134156-03-04A	EA	MOLDING - PAPER WRAP -.7" X 3.4" X 28.3" - PORTSMOUTH OAK
1	134156-03-03A	EA	MOLDING - VINYL WRAP -.7" X 3.4" X 28.3" - WASHED MAPLE
1	134156-03-08A	EA	MOLDING - VINYL WRAP -.7" X 3.4" X 28.3" - PORTSMOUTH OAK
2	132647-01-04A	EA	MOLDING/TRIM - DASH - PORTSMOUTH OAK - PAPER
2	132647-01-05A	EA	MOLDING/TRIM - DASH - PORTSMOUTH OAK - VINYL
3	132443-01-02A	FT	MOLDING - COUNTERTOP - WASHED MAPLE
3	132443-01-03A	FT	MOLDING - COUNTERTOP - CHERRY - SALEM CHERRY



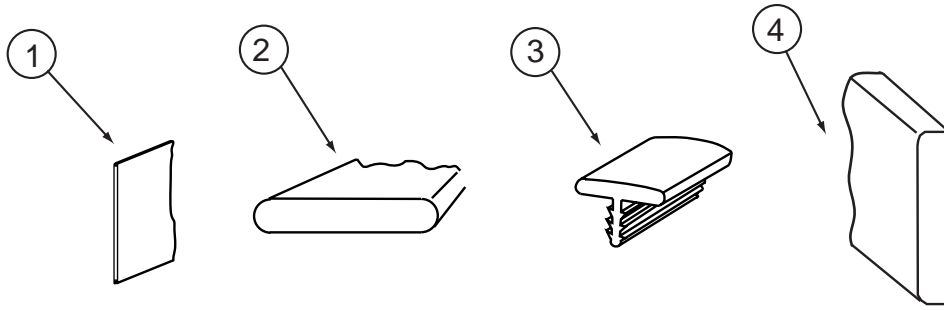
KEY	PART NUMBER	U/M	DESCRIPTION
1	130262-01-000	EA	PROTECTOR - CORNER SAVER - .7" X .7"
2	131923-01-01A	FT	MOLDING - CROWN - ASH
2	131923-01-02A	FT	MOLDING - CROWN - CHERRY
2	131923-01-03A	FT	MOLDING - CROWN - HARD WHITE MAPLE
3	119520-01-01A	FT	MOLDING-T - 1" - W/EDGE LIPS (OFF/WHITE-CREAM)
4	130247-01-02A	FT	MOLDING-T/OFF SET - 1.3" FACE - WASHED MAPLE
4	130247-01-04A	FT	MOLDING-T/OFF SET - 1.3" FACE - PORTSMOUTH OAK
4	130247-01-05A	FT	MOLDING-T/OFF SET - 1.3" FACE - CONCERT CHERRY
5	131923-02-01A	FT	MOLDING - PICTURE - ASH
5	131923-02-02A	FT	MOLDING - PICTURE - CHERRY
5	131923-02-03A	FT	MOLDING - PICTURE - HARD WHITE MAPLE
6	131923-03-01A	FT	MOLDING - CROWN - DIVIDER - ASH
6	131923-03-02A	FT	MOLDING - CROWN - DIVIDER - CHERRY
6	131923-03-03A	FT	MOLDING - CROWN - DIVIDER - HARD WHITE MAPLE

INTERIOR FINISH GROUP (CONTINUED)
MOLDINGS & TRIMS (CONTINUED)

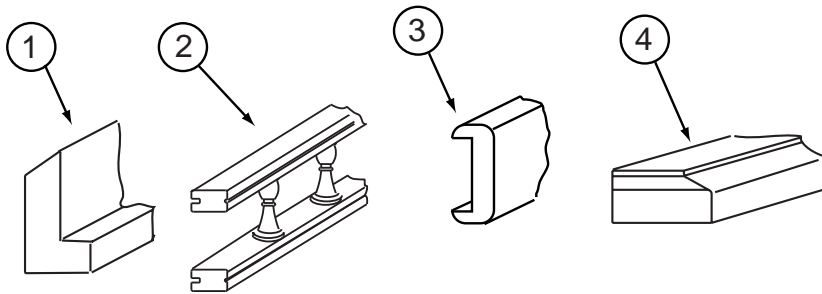


KEY	PART NUMBER	U/M	DESCRIPTION
1	100659-01-J40	EA	MOLDING/TRIM - VINYL FLOOR - WASHED MAPLE
1	100659-30-M42	EA	MOLDING/TRIM - VINYL FLOOR - PORTSMOUTH OAK II
1	100659-27-M70	EA	MOLDING/TRIM - VINYL FLOOR - CHERRY III
2	100818-01-08A	EA	MOLDING - VINYL WRAPPED - 1.6" X .4" X 84"-WASHED MAPLE
2	100818-01-09A	EA	MOLDING - VINYL WRAPPED - 1.6" X .4" X 84" - PORTSMOUTH OAK
2	100818-01-10A	EA	MOLDING - VINYL WRAPPED - 1.6" X .4" X 84" - SALEM CHERRY
2	100818-01-11A	EA	MOLDING - VINYL WRAPPED - 1.6" X .4" X 84" - WASHED MAPLE
2	100818-01-12A	EA	MOLDING - VINYL WRAPPED - 1.6" X .4" X 84"-PORTSMOUTH OAK
3	100819-01-08A	EA	MOLDING - VINYL WRAPPED-L-SHAPED-1.5"X1.5"X84" - WASHED MAPLE
3	100819-01-09A	EA	MOLDING - VINYL WRAPPED-L-SHAPED-1.5"X1.5"X84"-PRTSMTH OAK
3	100819-01-10A	EA	MOLDING - VINYL WRAPPED - L-SHAPED - 1.5"X1.5"X84" - SALEM CHERRY
3	100819-01-11A	EA	MOLDING - VINYL WRAPPED - L-SHAPED - 1.5"X1.5"X84" - WASHED MAPLE
3	100819-01-12A	EA	MOLDING - VINYL WRAPPED-L-SHAPED - 1.5" X 1.5" X 84" - OAK
4	093873-01-01A	EA	TRIM - CARPET - L-ANGLE 1.1" X 1.3" X 12' - GRAY VINYL
5	042357-25-000	EA	MOLDING - CORNER - RADIUS/PLASTIC - WASHED MAPLE
5	042357-26-000	EA	MOLDING - CORNER - RADIUS/PLASTIC - PORTSMOUTH OAK
5	042357-27-000	EA	MOLDING - CORNER - RADIUS/PLASTIC - CONCERT CHERRY

INTERIOR FINISH GROUP (CONTINUED)
MOLDINGS & TRIMS (CONTINUED)

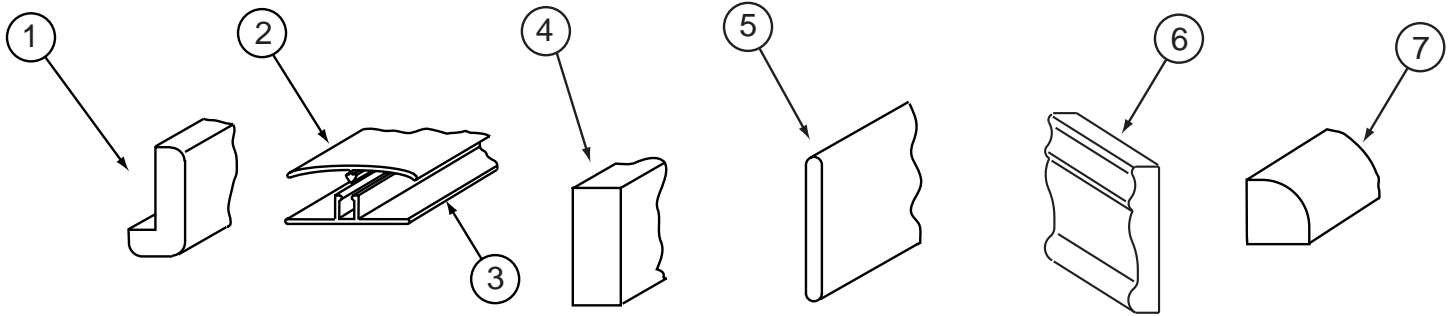


KEY	PART NUMBER	U/M	DESCRIPTION
1	101957-01-04A	EA	EXTRUDED - PLASTIC - SALEM CHERRY
2	120492-01-02A	FT	STRIP - TRIM - 1/2" WIDE - SALEM CHERRY
2	120492-01-06A	FT	STRIP - TRIM - 1/2" WIDE - WASHED MAPLE
3	104676-01-01A	FT	MOLDING-T - 5/16" RIGID GOLD
3	104676-02-06A	FT	MOLDING-T - W/EDGE LIP - 11/16" FACE - WASHED MAPLE
3	104676-02-08A	FT	MOLDING-T - W/EDGE LIP - 11/16" FACE - PORTSMOUTH OAK
3	104676-02-09A	FT	MMOLDING-T - W/EDGE LIP - 11/16" FACE - CONCERT CHERRY
4	091985-01-08A	FT	INSERT - TRIM - SOFT WHITE - 1"



KEY	PART NUMBER	U/M	DESCRIPTION
1	111235-03-E37	EA	MOLDING - COUNTERTOP - 1" X 8' - ASH WOOD - UNSTAINED
1	111235-03-E41	EA	MOLDING - COUNTERTOP - 1" X 8' - CHERRY WOOD - UNSTAINED
1	111235-03-H56	EA	MOLDING - COUNTERTOP - 1" X 8' - WHITE MAPLE - UNSTAINED
2	111775-01-07A	EA	RAIL - DECORATIVE/PLASTIC SPINDLES - 8' - PORTSMOUTH OAK
2	111775-01-06A	EA	RAIL - DECORATIVE/PLASTIC SPINDLES - 71.9" - WASHED MAPLE
2	111775-01-03A	EA	RAIL - DECORATIVE/PLASTIC SPINDLES - 6' - SALEM CHERRY
2	137108-01-02A	EA	RAIL - DECORATIVE - SALEM CHERRY
2	137108-01-03A	EA	RAIL - DECORATIVE - WASHED MAPLE
2	137108-01-07A	EA	RAIL - DECORATIVE - PORTSMOUTH OAK
3	078323-06-M22	EA	MOLDING - CAP/WALL - 79.6" - PORTSMOUTH OAK
4	P34052-01-M52	EA	TRIM/TABLE - 29.7" - SALEM CHERRY
4	P34052-01-M76	EA	TRIM/TABLE - 29.7" - PORTSMOUTH OAK
4	P34052-01-M84	EA	TRIM/TABLE - 29.7" - WASHED MAPLE
4	P34052-02-M52	EA	TRIM/TABLE - 24" - SALEM CHERRY
4	P34052-02-M76	EA	TRIM/TABLE - 24" - PORTSMOUTH OAK
4	P34052-02-M84	EA	TRIM/TABLE - 24" - WASHED MAPLE

INTERIOR FINISH GROUP (CONTINUED)
MOLDINGS & TRIMS (CONTINUED)



KEY	PART NUMBER	U/M	DESCRIPTION
1	077840-01-E41	EA	MOLDING - WALL CAP - 8' - SALEM CHERRY
1	077840-01-J70	EA	MOLDING - WALL CAP - 8' - WASHED MAPLE
1	077840-01-M30	EA	MOLDING - WALL CAP - 8' - PORTSMOUTH II
2	086229-04-000	EA	BATTEN - 1" X 92.24" - IVORY
2	086229-13-000	EA	BATTEN - 1" X 96" - IVORY
2	086229-19-000	EA	BATTEN - 1" X 98.4" - OFF WHITE
2	086229-20-000	EA	BATTEN - 1" X 96" - BEIGE
3	086229-01-000	EA	RETAINER - BATTEN - .75" X 92.1" - ANY COLOR
4	126205-D2-438	EA	LUMBER - VINYL WRAPPED - .7" X 1.5" X 96" - WASHED MAPLE
4	126205-E2-438	EA	LUMBER - VINYL WRAPPED - .7" X 2" X 96" - WASHED MAPLE
4	126205-F2-438	EA	LUMBER - VINYL WRAPPED - .7" X 2.5" X 96" - WASHED MAPLE
4	126205-G2-438	EA	LUMBER - STAINED - .7" X 3" X 96" - WASHED MAPLE
4	126205-J2-438	EA	LUMBER - VINYL WRAPPED - .7" X 5.5" X 96" - WASHED MAPLE
4	126205-R2-438	EA	LUMBER - VINYL WRAPPED - .7" X 3" X 96" - WASHED MAPLE
4	136045-G2-438	EA	LUMBER - PAPER WRAPPED - .7" X 3" X 96" - CHERRY
4	136045-H2-438	EA	LUMBER - PAPER WRAPPED - .7" X 3.5" X 96" - CHERRY
4	136045-D2-438	EA	LUMBER - PAPER WRAPPED - .7" X 1.5" X 96" - CHERRY
4	136045-A2-438	EA	LUMBER - PAPER WRAPPED - .7" X .7" X 96" - CHERRY
4	136045-E2-438	EA	LUMBER - PAPER WRAPPED - .7" X 2" X 96" - CHERRY
4	136045-F2-438	EA	LUMBER - PAPER WRAPPED - .7" X 2.6" X 96" - CHERRY
4	134184-A2-438	EA	LUMBER - .7" X .75" X 96" - PORTSMOUTH OAK
4	134184-D2-438	EA	LUMBER - .7" X 1.5" X 96" - PORTSMOUTH OAK
4	134184-E2-438	EA	LUMBER - .7" X .62" X 96" - PORTSMOUTH OAK
4	134184-F2-438	EA	LUMBER - .7" X 2.5" X 96" - PORTSMOUTH OAK
4	134184-G2-438	EA	LUMBER - .7" X 3" X 96" - PORTSMOUTH OAK
4	134184-H2-438	EA	LUMBER - .7" X .75" X 96" - PORTSMOUTH OAK
4	134184-J2-438	EA	LUMBER - .7" X 5.5" X 96" - PORTSMOUTH OAK
4	134184-R2-438	EA	LUMBER - .7" X 3" X 96" - PORTSMOUTH OAK
4	137894-A2-438	EA	LUMBER - VINYL WRAPPED - .7" X .75" X 96" - PORTSMOUTH OAK
4	137894-D2-438	EA	LUMBER - VINYL WRAPPED - .7" X 1.5" X 96" - PORTSMOUTH OAK
4	137894-E2-438	EA	LUMBER - VINYL WRAPPED - .7" X 2" X 96" - PORTSMOUTH OAK
4	137894-F2-438	EA	LUMBER - VINYL WRAPPED - .7" X 2.5" X 96" - PORTSMOUTH OAK
4	137894-G2-438	EA	LUMBER - VINYL WRAPPED - .7" X 3" X 96" - PORTSMOUTH OAK
4	137894-H2-438	EA	LUMBER - VINYL WRAPPED - .7" X 3.5" X 96" - PORTSMOUTH OAK
4	137894-J2-438	EA	LUMBER - VINYL WRAPPED - .7" X 5.5" X 96" - PORTSMOUTH OAK
4	137894-R2-438	EA	LUMBER - VINYL WRAPPED - .7" X 3" X 96" - PORTSMOUTH OAK
5	127842-01-01A	FT	SEAL - SIGHT SHIELD - 2" BLACK
6	100182-01-L81	EA	TRIM - RAIL - PORTSMOUTH OAK
6	100182-01-K37	EA	TRIM - RAIL - SALEM CHERRY
6	100182-10-E41	EA	TRIM - CHAIR RAIL - 2.5" X 8' EACH - WOOD - SALEM CHERRY
6	100182-10-J70	EA	TRIM - CHAIR RAIL - 2.5" X 8' EACH - WOOD - WASHED MAPLE
6	100182-10-M95	EA	TRIM - CHAIR RAIL - 2.5" X 8' EACH - WOOD
7	109410-16-JQ0	EA	MOLDING - TRIM - WASHED MAPLE
7	109410-01-M53	EA	MOLDING - TRIM - 8' - PORTSMOUTH OAK

INTERIOR FINISH GROUP (CONTINUED)

PANELING & LAMINATES

KEY	PART NUMBER	U/M	DESCRIPTION
	000846-01-000	SF	PLYWOOD - 5/16" X 48" X 96" - CD GRADE
	000846-02-000	SF	PLYWOOD/UNDERLAYMENT - 5/16" X 48" X 96"
	000885-92-000	SF	PARTICLE BOARD-3/8" X 4' X 8'-PORTSMOUTH OAK-VINYL 1 SIDED
	000885-93-000	SF	PARTICLE BOARD - 3/8" X 4' X 8' - PORTSMOUTH OAK - 2-SIDED
	000885-95-000	SF	PARTICLE BOARD - 3/4" X 4' X 8' - PORTSMOUTH OAK - 2-SIDED
	074498-90-000	SF	LAMINATE - PLASTIC - HAZE - 5' X 8' (M36, M28)
	074498-52-000	SF	LAMINATE - PLASTIC - WHITE ETHOS - 4' X 8' (M37, M29)
	074498-84-000	SF	LAMINATE - PLASTIC - WHITE TALC (M38)
	074498-95-000	SF	LAMINATE - PLASTIC - PORTSMOUTH OAK 4' X 8'
	076325-39-000	FT	MOLDING - EDGE BAND - 1 5/16" X .030" - ALMOND
	076325-40-000	FT	MOLDING - EDGE BAND - .93" X .024" - ALMOND
	076325-78-000	FT	MOLDING - EDGE BAND - .93" X .024" - PORTSMOUTH OAK
	076773-15-000	SF	PANELING - WOODGRAINED-2 SIDED/PORTSMOUTH OAK-3MM 4'X 8'
	074497-42-000	SF	PANELING - PORTSMOUTH OAK - 4' X 8'
	085284-G8-000	FT	BATT TAPE - ADHESIVE BACKED - PORTSMOUTH OAK
	069733-87-000	EA	BATT STRIP - WOODGRAINED/PORTSMOUTH OAK - 8'
	088272-H9-000	SF	PANELING - PEBBLE EMBOSSED - WHITE - 4' X 7'
	088272-J6-000	SF	PANELING - CIRRUS - 4' X 7' (M36)
	088272-K1-000	SF	PANELING - VILLA/GRAY - 4' X 7' (M37, M29)
	088272-J8-000	SF	PANELING - DURNHAM MULTI - 4' X 8' (M38)
	088272-J7-000	SF	PANELING - COSMOS/SKY - 4' X 7' (M28)
	085284-G5-000	FT	BATT TAPE - ADHESIVE BACKED - CIRRUS (M36)
	085284-H1-000	FT	BATT TAPE - ADHESIVE BACKED - VILLA/GRAY (M37, M29)
	085284-G7-000	FT	BATT TAPE - ADHESIVE BACKED - DURNHAM MULTI (M38)
	085284-G6-000	FT	BATT TAPE - ADHESIVE BACKED - COSMOS/SKY (M28)
	088263-G6-000	EA	BATT STRIP - DECORATIVE - CIRRUS - 8' (M36)
	088263-H0-000	EA	BATT STRIP - DECORATIVE - VILLA/GRAY - 8' LONG (M37, M29)
	088263-G8-000	EA	BATT STRIP - DECORATIVE - DURNHAM MULTI - 7' (M38)
	088263-G7-000	EA	BATT STRIP - DECORATIVE - COSMOS/SKY - 8' (M28)
	126339-01-000	SF	BOARD - WHEAT - 60" X 72"
	132610-01-02A	FT	WALLPAPER - BORDER - 5 1/8" - SELF-ADHESIVE (M36)
	132610-08-01A	FT	WALLPAPER - BORDER - 4 3/4" - SELF-ADHESIVE (M37, M29)
	132610-03-02A	FT	WALLPAPER - BORDER - 6 7/8" - SELF-ADHESIVE (M38)
	132610-05-05A	FT	WALLPAPER - BORDER - 7" - SELF-ADHESIVE (M28)

INTERIOR FINISH GROUP (CONTINUED)

ACCESSORIES

KEY	PART NUMBER	U/M	DESCRIPTION
	094499-03-000	EA	EXTINGUISHER/FIRE - DRY - 10BC - W/GAUGE - W/O BRACKET
*	094499-02-000	EA	EXTINGUISHER/FIRE - DRY - 10BC - W/GAUGE - CANADIAN
	094499-04-000	EA	BRACKET - FIRE EXTINGUISHER
	072852-01-000	EA	DETECTOR - SMOKE - W/9 VOLT BATTERY - US
	072852-02-000	EA	DETECTOR - SMOKE - W/9 VOLT BATTERY - CANADIAN
	125136-02-000	EA	CO DETECTOR - GAS MODEL - 9 VOLT
	118081-02-01A	EA	CLOCK - WALL - ROUND 8" - BRASS
			FROM: 00-00-00 THRU: 04-14-00
	118081-03-01A	EA	CLOCK - WALL - ROUND 8" - BRASS
			FROM: 04-17-00 THRU: 99-99-99
	091261-01-000	FT	SLIPNOT - ANTISLIP - 1' WIDE X 12' - BLACK
	096764-02-000	FT	SLIPNOT - ANTISLIP - 1' WIDE (180' ROLLS) - WHITE
	058331-A3-000	EA	MIRROR - SAFETY GLASS - 13.4" X 44.7"
	058331-D0-000	EA	MIRROR - SAFETY GLASS - 19.6" X 35.4"
	058331-K3-000	EA	MIRROR - SAFETY GLASS - 12" X 24"
	058331-14-000	EA	MIRROR - SAFETY GLASS - 13.9" X 17"
	058331-47-000	EA	MIRROR - SAFETY GLASS - 22.36" X 15.09"
	058331-51-000	EA	MIRROR - SAFETY GLASS - 25.9" X 40"
	093606-18-000	EA	MIRROR - BEVELED SAFETY GLASS - 15.7" X 31.4"
	113195-25-01A	EA	MIRROR - BEVELED EDGE - 19.7" X 29.5"
	064781-06-000	EA	HOLDER/CUP - TWO STEP - OFF WHITE
	131058-03-02A	EA	HAND RAIL - INTERIOR ENTRY DOOR - BLACK
	P34249-01-M07	EA	HANDLE/ASSIST - 25.9" - PORTSMOUTH OAK
	053552-02-K01	EA	HANDLE - ASSIST - INTERIOR/ENTRY DOOR - VINYL/OFF WHITE - SUNRISE SE ONLY
	095076-02-000	EA	NUT - ACORN - ASSIST HANDLE - 7/16 - 14 - SUNRISE SE ONLY
	095076-02-000	EA	BOLT - CARRIAGE - ASSIST HANDLE - 7/16-14 X 1 - SUNRISE SE ONLY
	069178-03-000	EA	BRACKET/MOUNTING - ASSIST HANDLE - BRIGHT WHITE - SUNRISE SE ONLY
	131493-02-02A	EA	PICTURE - DECORATIVE - 13 X 15" - LILY (M36)
	131493-02-07A	EA	PICTURE - DECORATIVE - 13" X 15" - ORIENTAL FLORAL (M37, M38)
	131493-02-03A	EA	PICTURE - BOUQUET - 13" X 15" (M28, M29)
	131493-02-08A	EA	PICTURE - DECORATIVE - 13" X 15" - LATTICE BOUQUET II (M36, M37, M38)

*COMPONENT PARTS LISTED LATER IN THIS GROUP

INTERIOR FINISH GROUP (CONTINUED)

COMPONENT PARTS FOR ACCESSORIES

094499-02-000

KEY	PART NUMBER	U/M	DESCRIPTION	VENDOR NO
	094499-02-000	EA	EXTINGUISHER/FIRE - DRY - 1A10BC - CANADIAN	
	094499-01-700	EA	BRACKET MTG. W/PLAS. STRAP	294039

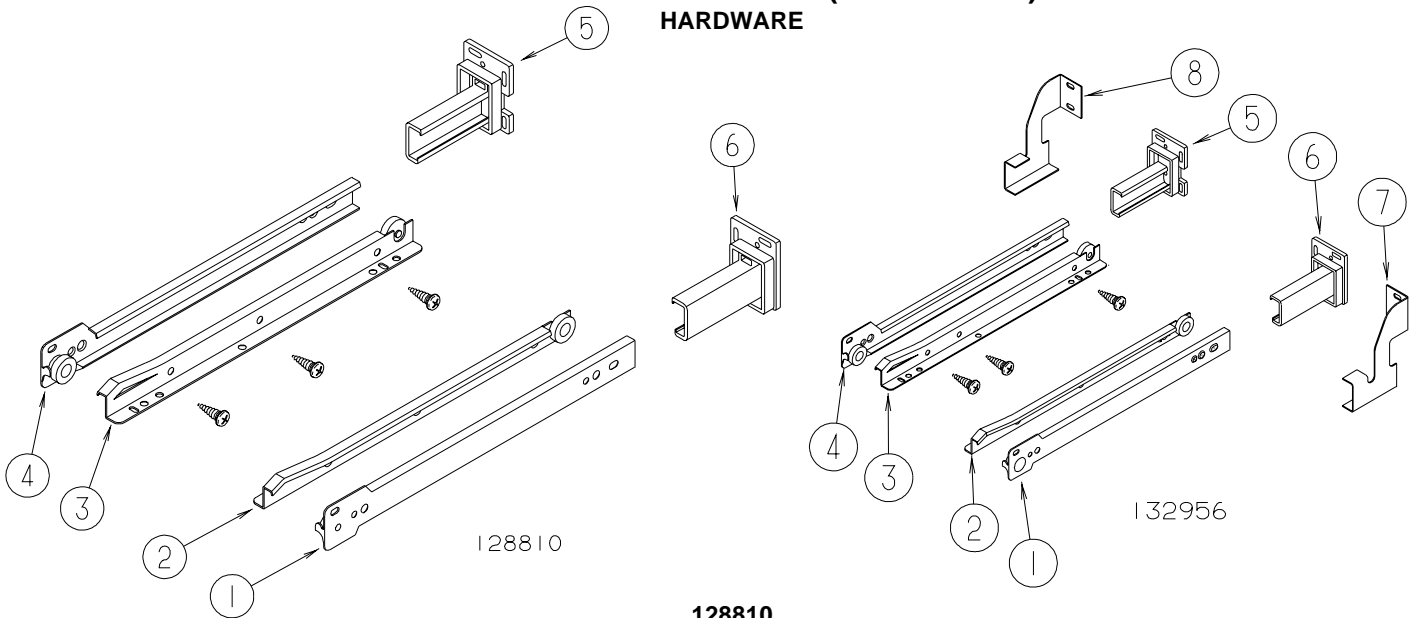
INTERIOR FINISH GROUP (CONTINUED)

FLOOR COVERINGS

KEY	PART NUMBER	U/M	DESCRIPTION
	042720-26-000	SY	VINYL - FLOOR COVERING - 7.5' WIDE - CALAY - SUNRISE
	042720-25-000	SY	VINYL - FLOOR COVERING - 14' WIDE - MODULATION - SUNRISE SE
	093486-01-000	SY	CARPET - COMPARTMENT - 72" WIDE - DARK GRAY
	096060-H0-000	SY	CARPET - JADE GREEN - INCREMENTS OF 4 SY YD (M36)
	096060-G7-000	SY	CARPET - DOVE GRAY - INCREMENTS OF 4 SY YDS (M37, M29)
	096060-H1-000	SY	CARPET - TAPIOCA - INCREMENTS OF 4 SY YDS (M38)
	096060-G8-000	SY	CARPET - CAMEL - INCREMENTS OF 4 SQ YDS (3' X 12') (M28) FROM: 00-00-00 THRU: 08-13-00
	096060-H4-000	SY	CARPET - VENETIAN - INCREMENTS OF 4 SY YDS (M28) FROM: 08-14-00 THRU: 99-99-99
	124253-01-02A	EA	VINYL - FLOOR PLANK - 3" X 12" - MAPLE - SUNRISE ONLY

INTERIOR FINISH GROUP (CONTINUED)

HARDWARE

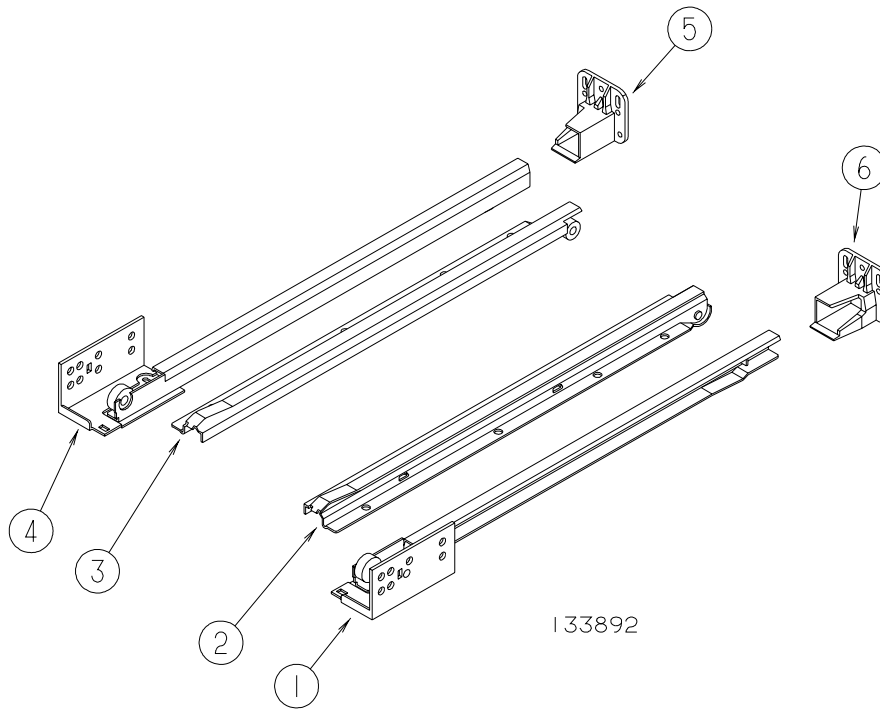


KEY	PART NUMBER	U/M	DESCRIPTION
1	128810-02-01A	EA	SLIDE - DRAWER - 12" - RIGHT CABINET
1	128810-06-01A	EA	SLIDE - DRAWER - 14" - RIGHT CABINET
1	128810-10-01A	EA	SLIDE - DRAWER - 16" - RIGHT CABINET
1	128810-14-01A	EA	SLIDE - DRAWER - 18" - RIGHT CABINET
1	128810-18-01A	EA	SLIDE - DRAWER - 20" - RIGHT CABINET
1	128810-22-01A	EA	SLIDE - DRAWER - 22" - RIGHT CABINET
1	128810-26-01A	EA	SLIDE - DRAWER - 24" - RIGHT CABINET
2	128810-04-01A	EA	SLIDE - DRAWER - 12" - RIGHT DRAWER
2	128810-08-01A	EA	SLIDE - DRAWER - 14" - RIGHT DRAWER
2	128810-12-01A	EA	SLIDE - DRAWER - 16" - RIGHT DRAWER
2	128810-16-01A	EA	SLIDE - DRAWER - 18" - RIGHT DRAWER
2	128810-20-01A	EA	SLIDE - DRAWER - 20" - RIGHT DRAWER
2	128810-24-01A	EA	SLIDE - DRAWER - 22" - RIGHT DRAWER
2	128810-28-01A	EA	SLIDE - DRAWER - 24" - RIGHT DRAWER
3	128810-03-01A	EA	SLIDE - DRAWER - 12" - LEFT DRAWER
3	128810-07-01A	EA	SLIDE - DRAWER - 14" - LEFT DRAWER
3	128810-11-01A	EA	SLIDE - DRAWER - 16" - LEFT DRAWER
3	128810-15-01A	EA	SLIDE - DRAWER - 18" - LEFT DRAWER
3	128810-19-01A	EA	SLIDE - DRAWER - 20" - LEFT DRAWER
3	128810-23-01A	EA	SLIDE - DRAWER - 22" - LEFT DRAWER
3	128810-27-01A	EA	SLIDE - DRAWER - 24" - LEFT DRAWER
4	128810-01-01A	EA	SLIDE - DRAWER - 12" - LEFT CABINET
4	128810-05-01A	EA	SLIDE - DRAWER - 14" - LEFT CABINET
4	128810-09-01A	EA	SLIDE - DRAWER - 16" - LEFT CABINET
4	128810-13-01A	EA	SLIDE - DRAWER - 18" - LEFT CABINET
4	128810-17-01A	EA	SLIDE - DRAWER - 20" - LEFT CABINET
4	128810-21-01A	EA	SLIDE - DRAWER - 22" - LEFT CABINET
4	128810-25-01A	EA	SLIDE - DRAWER - 24" - LEFT CABINET
5	128811-01-01A	EA	BACKSOCKET - ADJUSTABLE - LEFT
6	128811-02-01A	EA	BACKSOCKET - ADJUSTABLE RIGHT

132956 DINETTE CABINET DRAWERS

KEY	PART NUMBER	U/M	DESCRIPTION
1	132956-02-01A	EA	SLIDE - DRAWER - 37.5" - RIGHT CABINET
1	132956-06-01A	EA	SLIDE - DRAWER - RIGHT CABINET - 32"
2	132956-08-01A	EA	SLIDE - DRAWER - 32" - RIGHT DRAWER
2	132956-04-01A	EA	SLIDE - DRAWER - 37.5" - RIGHT DRAWER
3	132956-07-01A	EA	SLIDE - DRAWER - 32" - LEFT DRAWER
3	132956-03-01A	EA	SLIDE - DRAWER - 37.5" - LEFT DRAWER
4	132956-05-01A	EA	SLIDE - DRAWER - 32" - LEFT CABINET
4	132956-01-01A	EA	SLIDE - DRAWER - 37.5" - LEFT CABINET
5	128811-01-01A	EA	BACKSOCKET - ADJUSTABLE - LEFT
6	128811-02-01A	EA	BACKSOCKET - ADJUSTABLE RIGHT
7	134649-01-02B	EA	SUPPORT - BACKSOCKET - E-COATED
8	134649-02-02B	EA	SUPPORT - BACKSOCKET - E-COATED

INTERIOR FINISH GROUP (CONTINUED)
HARDWARE (CONTINUED)



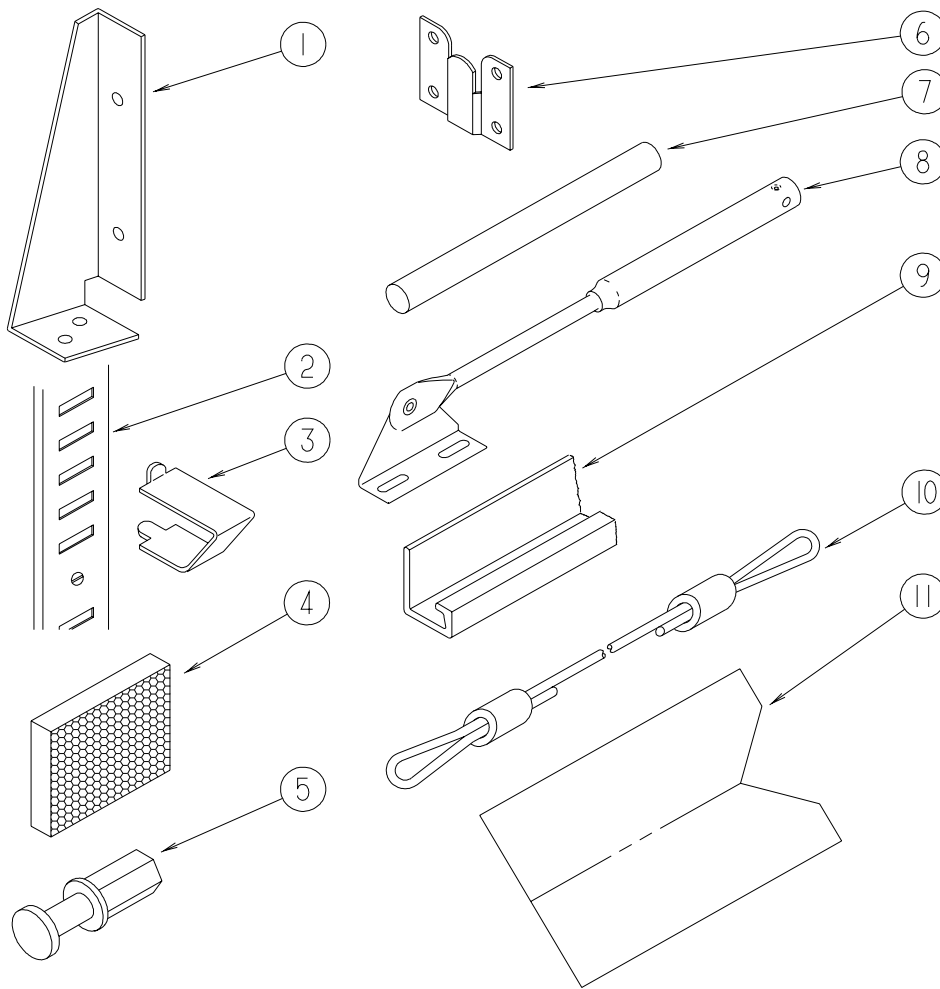
133892 CONCEALED RUNNER DRAWERS

KEY	PART NUMBER	U/M	DESCRIPTION
1	133892-02-01A	EA	SLIDE - DRAWER - RIGHT CABINET - 16"
2	133892-04-01A	EA	SLIDE - DRAWER - RIGHT DRAWER - 16"
2	133892-05-01A	EA	SLIDE - DRAWER - 9"
3	133892-03-01A	EA	SLIDE - DRAWER - LEFT DRAWER - 16"
4	133892-01-01A	EA	SLIDE - DRAWER - LEFT CABINET - 16"
5	133907-02-01A	EA	BACKSOCKET - LEFT HAND
6	133907-01-01A	EA	BACKSOCKET - RIGHT HAND

134576 BANQUETTE DRAWERS

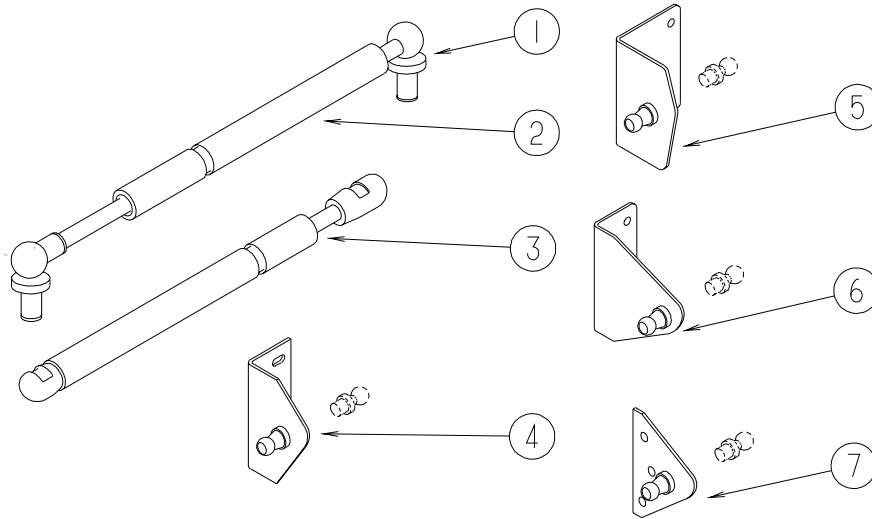
KEY	PART NUMBER	U/M	DESCRIPTION
	134576-01-000	EA	SLIDE KIT - LH & RH SLIDES & RAILS - 22"

INTERIOR FINISH GROUP (CONTINUED)
HARDWARE (CONTINUED)



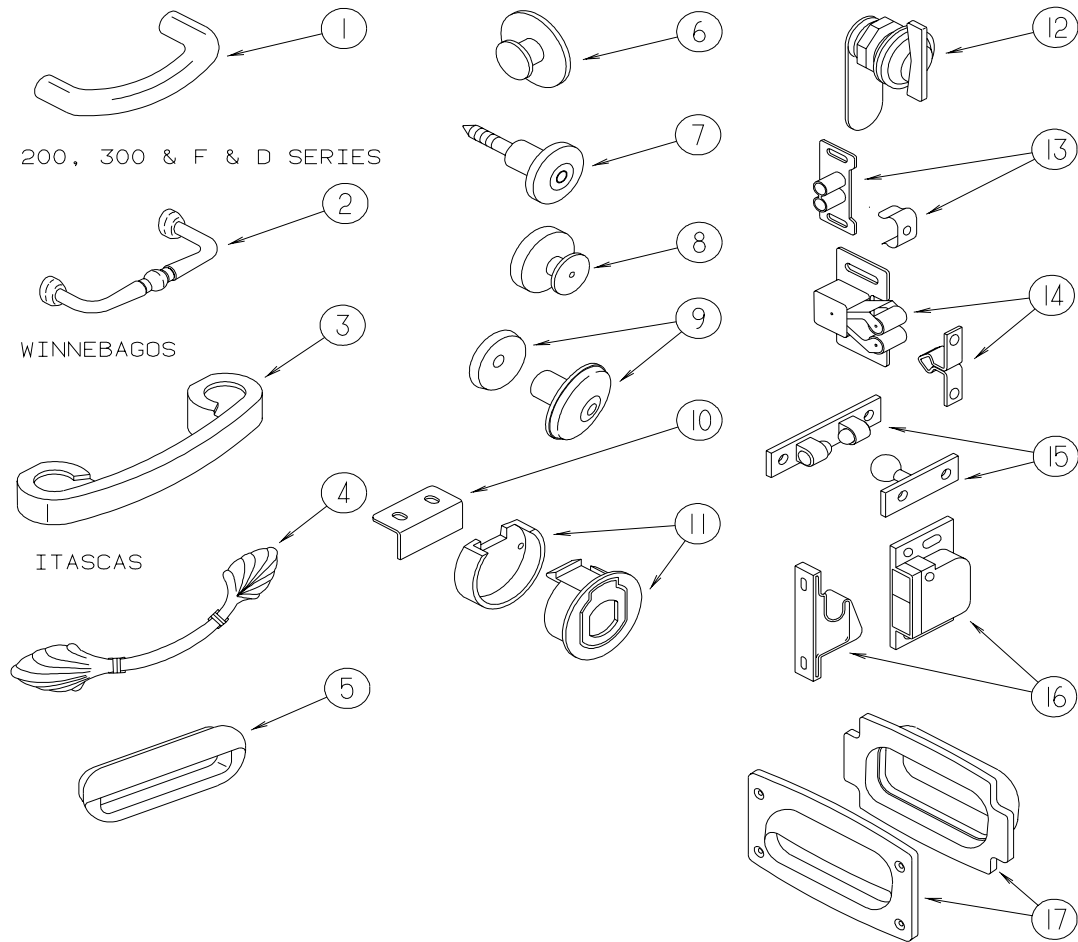
KEY	PART NUMBER	U/M DESCRIPTION
1	076827-02-000	EA BRACKET - 2.9" X 1.8" - TRIANGLE
2	098980-01-000	EA PILASTER - ADJUSTABLE SHELF - 18"
2	098980-02-000	EA PILASTER - ADJUSTABLE SHELF - 12"
2	098980-03-000	EA PILASTER - ADJUSTABLE SHELF - 9"
2	098980-04-000	EA PILASTER - ADJUSTABLE SHELF - 48"
2	098980-05-000	EA PILASTER - ADJUSTABLE SHELF - 15"
2	098980-06-000	EA PILASTER - ADJUSTABLE SHELF - 24"
3	098979-01-000	EA CLIP - ADJUSTABLE SHELF
4	122717-06-01A	FT PAD - NON-SKID - PSA - 5"W
4	122717-08-01A	EA PAD - NON-SKID - PSA - 7.2"W
5	092652-01-000	EA GUIDE WHEEL/DOOR - TOP MOUNT
6	130120-01-01A	EA BRACKET - MOUNTING/MIRROR
7	042438-01-000	EA DOWEL - WOOD - CLOTHES ROD - 1" X 4'
7	042438-02-000	EA DOWEL - WOOD - 2" X 2"
7	042438-06-000	EA DOWEL - WOOD - 1.5" X 26"
8	074493-02-000	EA SUPPORT - PISTON SPRING - CABINET DOOR - 26 LBS
8	074493-03-000	EA SUPPORT - PISTON SPRING - CABINET DOOR - 12 LBS
8	074493-04-000	EA SUPPORT - PISTON SPRING - CABINET DOOR - 32 LBS
9	118933-01-01A	EA SUPPORT - HINGE LOCK
10	076767-01-000	EA CABLE - STEEL - 12"
10	076767-04-000	EA CABLE - SUPPORT - 5.9" STAINLESS STEEL
10	076767-05-000	EA CABLE - STAINLESS STEEL - 15.5"
10	076767-14-000	EA CABLE - STAINLESS STEEL - 14.9"
10	076767-15-000	EA CABLE - STAINLESS STEEL - 9.8"
11	114739-01-01A	EA PAD - NON SKID - PSA - 4"W - 1 EACH=PAIR

INTERIOR FINISH GROUP (CONTINUED)
HARDWARE (CONTINUED)



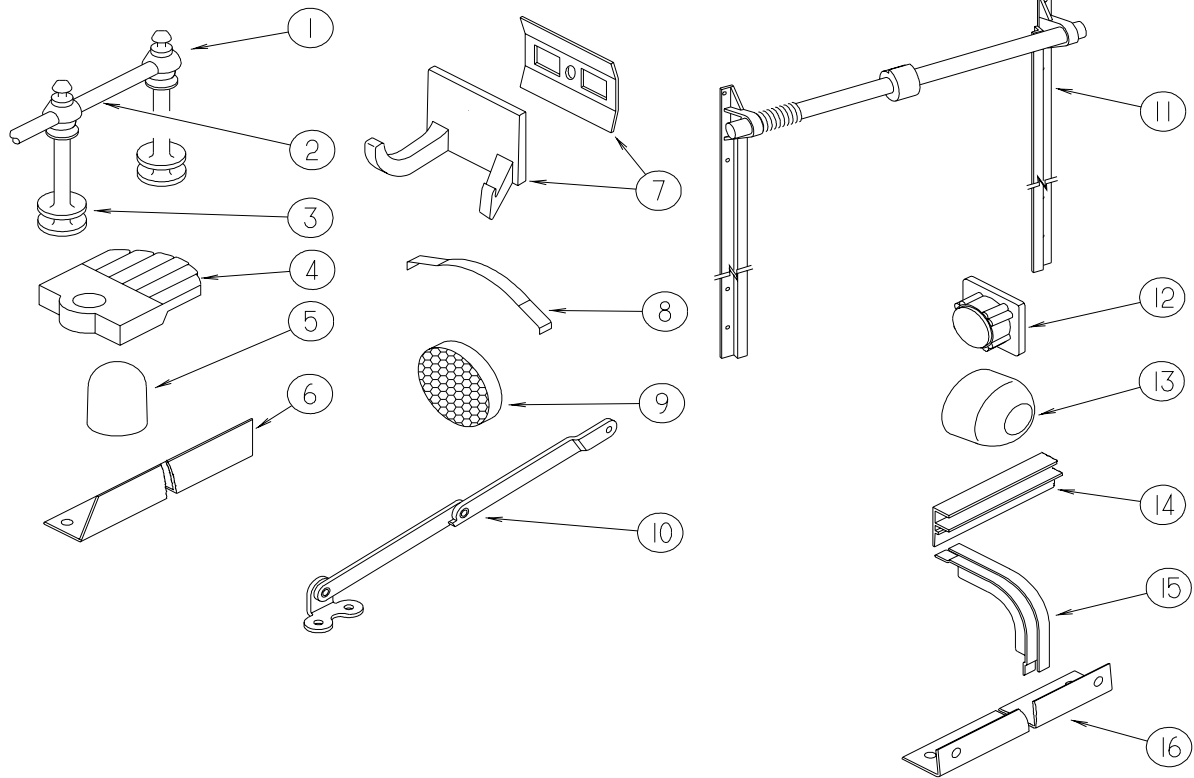
KEY	PART NUMBER	U/M	DESCRIPTION
1	057460-02-000	EA	BALL STUD - F/GAS SPRING .39" - 5/16"-18
2	057460-04-000	EA	SPRING/GAS - BALL STUD STYLE - 120 PI - "SPD6209"
3	107796-06-000	EA	SPRING/GAS - 12" COMPRESSED/20" EXTENDED - 120 LB.
3	107796-08-000	EA	SPRING/GAS - 11" COMPRESSED/17" EXTENDED - 60 LB.
3	107796-09-000	EA	SPRING/GAS - 5.5" COMPRESSED/7.5" EXTENDED - 40 LB.
3	107796-15-000	EA	SPRING/GAS - 24" COMPRESSED/40" EXTENDED - 15 LB.
3	107796-16-000	EA	SPRING/GAS - 6.4" COMPRESSED/9.6" EXTENDED - 65 LB.
4	126263-02-02B	EA	BRACKET - GAS SPRING W/BALL STUD - E-COATED
5	126263-05-02B	EA	BRACKET - GAS SPRING W/BALL STUD - E-COATED
5	126263-06-02B	EA	BRACKET - GAS SPRING W/BALL STUD - E-COATED
6	126263-10-02B	EA	BRACKET - GAS SPRING W/BALL STUD - E-COATED
6	126263-13-02B	EA	BRACKET - GAS SPRING W/BALL STUD - E-COATED
7	126263-08-02B	EA	BRACKET - GAS SPRING W/BALL STUD - E-COATED

INTERIOR FINISH GROUP (CONTINUED)
HARDWARE (CONTINUED)



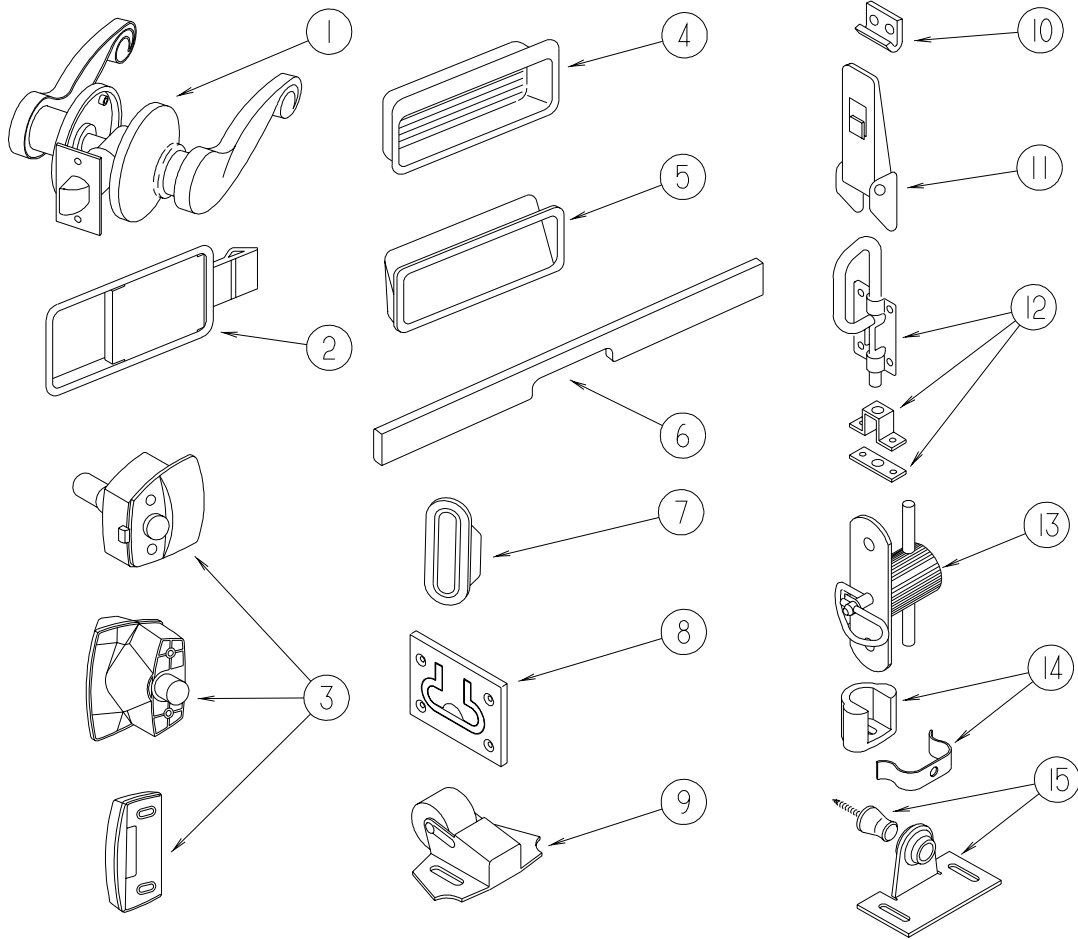
KEY	PART NUMBER	U/M	DESCRIPTION
1	131964-01-01A	EA	PULL - DOOR/DRAWER - POLISHED BRASS
2	131963-01-01A	EA	PULL - DOOR/DRAWER - POLISHED BRASS
3	131962-01-01A	EA	PULL - DOOR/DRAWER - POLISHED BRASS
4	117923-01-01A	EA	PULL - CABINET - BURNISHED BRASS - 5.5"
4	131965-01-01A	EA	PULL - CABINET - BURNISHED BRASS - 6.3"
5	080736-01-000	EA	PULL - RECESSED - 1.25" X 4" - OAK
6	125221-01-01A	EA	PULL - MIRROR - W/ROUND HANDLE
7	113800-01-000	EA	KNOB - CABINET - BRASS
8	133313-01-01A	EA	PULL - DOOR/DRAWER - BURNISHED BRASS
8	133313-01-02A	EA	PULL - DOOR/DRAWER - BRIGHT BRASS
9	117978-01-01A	EA	KNOB - DOOR - BRIGHT BRASS
10	113375-02-01A	EA	STRIKE - DOOR - CHROME
11	113375-05-01A	EA	LATCH - SLAM - BACK - .8" THICK
11	113375-06-01A	EA	LATCH - SLAM - FACE - .7" THICK
12	100710-01-01A	EA	LOCK - GLASS DOOR/TWIST TYPE - BRASS
13	009021-01-000	EA	CATCH - GRILLE - NYLON
13	009021-02-000	EA	STRIKE - SPRING STEEL
14	093586-03-000	EA	CATCH - SPRING ROLLER - .377"
14	093586-04-000	EA	STRIKE - SPRING STEEL - 1.14"
14	093586-05-000	EA	STRIKE - SPRING STEEL - .943"
14	093586-06-000	EA	CATCH - SPRING ROLLER - .236"
15	084451-01-000	EA	CATCH & LATCH - 1.7" - BRASS
16	117095-01-01A	EA	LATCH - DOOR - GRABBER W/KEEPER - PLASTIC - BLK-5 LB PULL
16	117095-02-01A	EA	LATCH - DOOR - GRABBER W/KEEPER - PLASTIC - BLK-10 LB PULL
17	133607-01-01A	EA	PULL - LATCH - BLACK PLASTIC

INTERIOR FINISH GROUP (CONTINUED)
HARDWARE (CONTINUED)



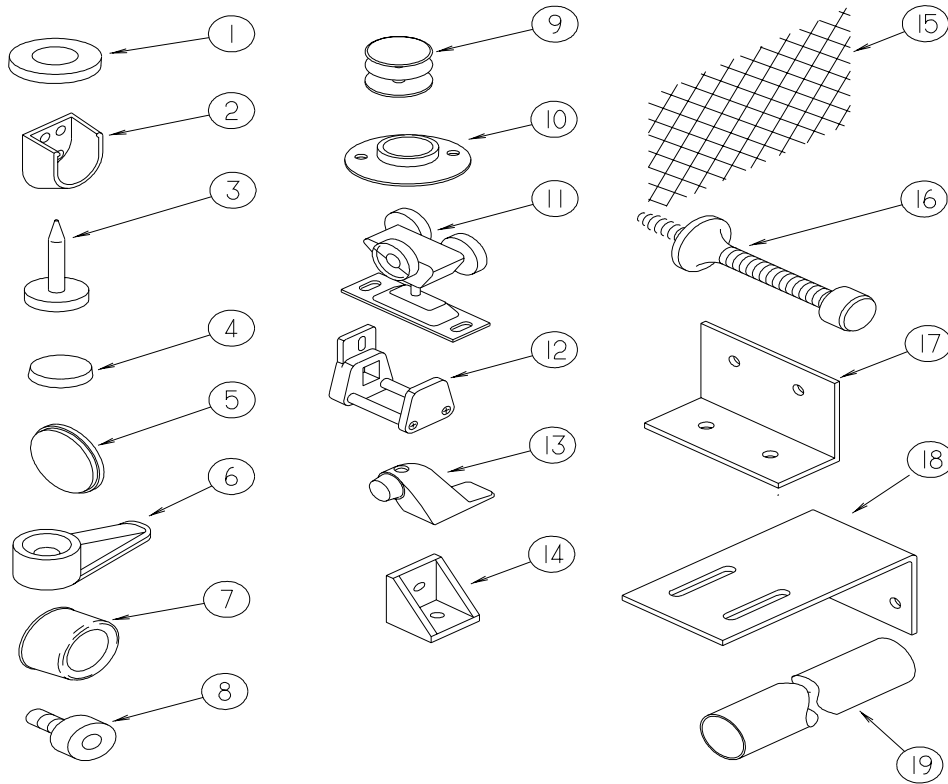
KEY	PART NUMBER	U/M	DESCRIPTION
1	084070-03-000	EA	POST - END - 2.4" - BRASS
2	084071-05-000	EA	ROD - BRASS - 15"
2	084071-08-000	EA	ROD - BRASS - 9.3"
2	084071-19-000	EA	ROD - BRASS - 7.1"
2	084071-20-000	EA	ROD - BRASS - 9.8"
2	084071-22-000	EA	ROD - BRASS - 15.3"
2	084071-23-000	EA	ROD - BRASS - 13.1" NEW STYLE/STEEL ROD W/BRASS PLATING
2	084071-24-000	EA	ROD - BRASS - 3.8"
2	084071-27-000	EA	ROD - BRASS - 2.7"
2	084071-28-000	EA	ROD - BRASS - 6"
2	084071-30-000	EA	ROD - BRASS - 11.6"
2	084071-31-000	EA	ROD - BRASS - 14.08"
2	084071-33-000	EA	ROD - BRASS - 20.4"
3	084070-01-000	EA	POST - CENTER - 2.4" - BRASS
4	009089-01-000	EA	CLIP - MIRROR
5	039984-01-000	EA	CAP - ROUND - VINYL - .28" ID X .62" - BLACK
6	114693-01-01A	EA	SUPPORT - BLACK - RIGHT HAND
6	114693-02-01A	EA	SUPPORT - BLACK - LEFT HAND
7	104174-01-000	EA	HOOK - ROBE - DOUBLE
8	115541-01-000	EA	SPRING - DOOR - SLIDING
9	122717-01-01A	EA	PAD - NON SKID - 4" DIAMETER ROUND
9	122717-04-01A	EA	PAD - NON SKID - 3" DIAMETER ROUND
10	084412-01-000	EA	SUPPORT/HINGE KIT (LEFT & RIGHT HINGES)
11	130787-01-000	EA	TRACK - TAMBOUR DOOR/SPRING - 15.9"
11	130787-02-000	EA	TRACK - TAMBOUR DOOR/SPRING - 24"
11	130787-03-000	EA	TRACK - TAMBOUR DOOR/SPRING - 30"
12	110550-01-000	EA	CAP - TUBE .9" SQUARE
13	117046-01-000	EA	BUMPER - RUBBER/ROUND END - .9"
13	117046-02-000	EA	BUMPER - RUBBER/ROUND END - 1.5"
14	093622-01-000	EA	TRACK - DOOR - TAMBOUR - PLASTIC - 8' LENGTHS
15	093623-01-000	EA	CORNER - TRACK - TAMBOUR DOOR
16	106699-01-01A	EA	BRACKET F/TV INSTALLATION - OVERHEAD CABINET
16	106699-03-02B	EA	BRACKET F/TV INSTALLATION - OVERHEAD CABINET - E-COATED
16	106699-04-02B	EA	BRACKET F/TV INSTALLATION - OVERHEAD CABINET - E-COATED

INTERIOR FINISH GROUP (CONTINUED)
HARDWARE (CONTINUED)



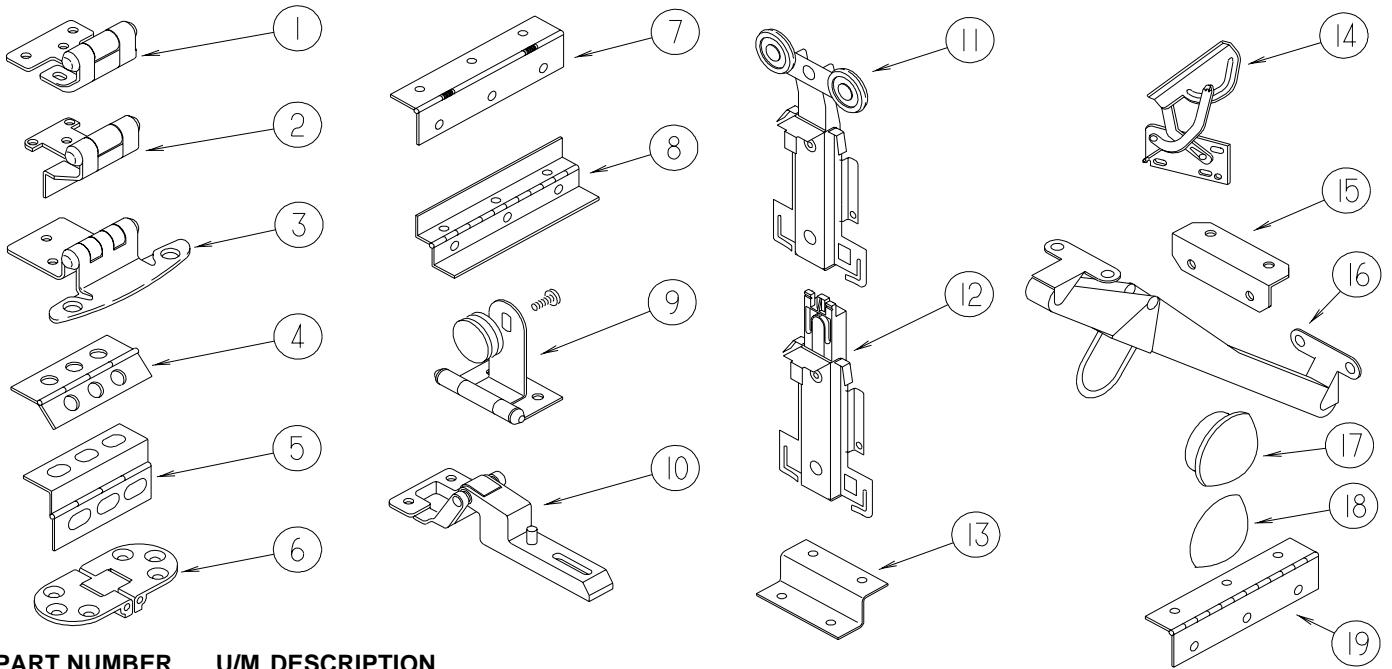
KEY	PART NUMBER	U/M	DESCRIPTION
1	111155-05-01A	EA	LOCK - PRIVACY/LOCKING - S SHAPED - POLISHED BRASS
1	111155-06-01A	EA	LOCK - PASSAGE/NON-LOCKING - S SHAPED - POLISHED BRASS
2	127349-01-01A	EA	LATCH - PADDLE
3	058335-03-000	EA	LATCH W/O LOCK - BATHROOM DOOR BLACK
4	124311-01-01A	EA	HANDLE - RECESSED - BRASS
5	115994-01-01A	EA	HANDLE - POCKET
5	139136-01-01A	EA	HANDLE - RECESSED - BRASS
6	P26866-06-L81	EA	HANDLE - DOOR/TAMBOUR - 18.6" - ASH/PORTSMOUTH II - PORTSMOUTH OAK
6	P26866-06-J30	EA	HANDLE - DOOR/TAMBOUR - 18.6" - CHERRY/CHERRY III - SALEM CHERRY
6	P26866-09-M95	EA	HANDLE - DOOR/TAMBOUR - 14.7" - ASH/PORTSMOUTH II - PORTSMOUTH OAK
6	P26866-09-KQ1	EA	HANDLE - DOOR/TAMBOUR - 14.7" - CHERRY/CHERRY III - SALEM CHERRY
6	P26866-10-K13	EA	HANDLE - DOOR/TAMBOUR - 11.6" - CHERRY/CHERRY III - SALEM CHERRY
6	P26866-10-K09	EA	HANDLE - DOOR/TAMBOUR - 11.6" - MAPLE/WASHED MAPLE - WASHED MAPLE
6	P26866-10-M07	EA	HANDLE - DOOR/TAMBOUR - 11.6" - ASH/PORTSMOUTH OAK - PORTSMOUTH OAK
6	P26866-10-K07	EA	HANDLE - DOOR/TAMBOUR - 11.6" - ASH/WATERFORD OAK - PORTSMOUTH OAK
7	098410-01-01A	EA	PULL - FINGER - OVAL - BRASS
8	072871-01-000	EA	PULL - FLUSH - CHROME
9	109403-01-000	EA	CATCH - SINGLE ROLLER - SCREEN DOOR
10	116975-02-01A	EA	KEEPER/STRIKE - BLACK - NEW STYLE
11	116975-01-01A	EA	LATCH - W/O STRIKE - BLACK - NEW STYLE
12	103256-01-000	EA	LATCH COMPLETE (SLIDE)
13	098196-01-000	EA	LATCH - 1/4 TURN - T-BAR
14	129703-01-01A	EA	CATCH ASSEMBLY (SPRING)
15	009013-01-000	EA	CATCH - BULLDOG - MALE/FEMALE

INTERIOR FINISH GROUP (CONTINUED)
HARDWARE (CONTINUED)



KEY	PART NUMBER	U/M	DESCRIPTION
1	100707-01-000	EA	SPACER - GLASS DOOR - .8" DIA - .3" HOLE - PLASTIC
2	113236-01-01A	EA	BRACKET - CLOTHES - ROD
3	102194-01-000	EA	GUIDE - PLASTIC - 1" (HEAD/PIN)
4	023320-01-000	EA	PAD - FELT 3/8" DIAMETER
4	004354-01-000	EA	BUMPER - RUBBER - .5" DIA - BROWN
5	120760-01-000	EA	RUBBER BUMPER - CLEAR - .1" THICK X .8" DIAMETER
5	081914-01-000	EA	BUMPER - RUBBER - ROUND - 1/2" DIA. X 1/8" THICK
6	083204-03-000	EA	BUTTON - RETAINING MIRROR 5/16" TIP
7	069726-02-000	EA	BUMPER - .88" OD X .40" THICK - BLACK
8	079921-01-000	EA	ROLLER - NYLON - W/STEEL SHAFT - BARBED
9	081114-02-000	EA	CAP - INSERT - ROUND 1" DIAMETER - WHITE
10	009112-01-000	EA	FLANGE - PLASTIC - 1" CLOTHES ROD - OFF WHITE
11	103874-01-000	EA	HANGER - SLIDING DOOR
12	064467-01-000	EA	GUIDE - POCKET - SLIDING DOOR - WALL MOUNTED
13	103257-01-000	EA	STOP - DOOR
14	065740-01-000	EA	BRACE - CABINET/CORNER - PLASTIC
15	118200-01-01A	SF	MESH - PLASTIC 1/2" - 48" X LENGTH = SF - BLACK
15	118200-07-01A	SF	MESH - PLASTIC 1/2" - 10.5" X 24.7" - BLACK
15	118200-10-01A	SF	MESH - PLASTIC 1/2" - 11.4" X 13" - BLACK
16	103194-01-000	EA	STOP - BATH DOOR
17	132871-02-02B	EA	BRACKET/L-ANGLE W/HOLES - 1.9" X 2.8" - E-COATED
17	080668-07-000	EA	ANGLE-JOINT,135 DEGREES
18	083125-07-000	EA	BRACE - ANGLE/COUCH - 2.5" - OFF WHITE
19	102075-01-02A	EA	ROD - SHOWER CURTAIN - 1" OD X 33.5" - SOFT WHITE
19	102075-06-02A	EA	ROD - SHOWER CURTAIN - 1" OD X 33.5" - SOFT WHITE
19	102075-09-02A	EA	ROD - SHOWER CURTAIN - 3/4"OD X 29.5" - SOFT WHITE
19	102075-10-02A	EA	ROD - SHOWER CURTAIN - 1" OD X 46.3" - SOFT WHITE
19	102075-16-02A	EA	ROD - SHOWER CURTAIN - 3/4"OD X 34.2" - SOFT WHITE
19	102075-17-02A	EA	ROD - SHOWER CURTAIN - 1" OD X 39.3" - SOFT WHITE
19	102075-18-02A	EA	ROD - SHOWER CURTAIN - 1" OD X 38.9" - SOFT WHITE

INTERIOR FINISH GROUP (CONTINUED)
HARDWARE (CONTINUED)



KEY	PART NUMBER	U/M	DESCRIPTION
1	113676-01-01A	EA	HINGE - OVERLAY - VARIABLE
2	113677-01-01A	EA	HINGE - SELF CLOSING
3	108138-01-000	EA	HINGE - BURNISHED BRASS
3	108138-03-000	EA	HINGE - BRIGHT BRASS
	000G13-06-08G	EA	SCREW - 6-20 X .50 PFH - ANTIQUE BRASS
4	009059-01-000	EA	HINGE - DOOR - 2" X 1.4" - BRASS
4	009059-02-000	EA	HINGE - DOOR - 2" X 2.7" - BRASS
5	134099-02-01A	EA	HINGE - PIANO - WRAP AROUND - 29.5" - BRASS PLATED
5	136652-01-01A	EA	HINGE - PIANO - BLACK
5	136652-02-01A	EA	HINGE - PIANO
6	111535-01-000	EA	HINGE - TABLE/FOLDING
7	102920-01-01A	EA	HINGE - SPRING LOADED - BRASS
8	135538-01-01A	EA	HINGE - PIANO - FULL WRAP - BRASS PLATED
8	135538-02-01A	EA	HINGE - PIANO - FULL WRAP - STOCKER BRASS
8	135538-03-01A	EA	HINGE - PIANO - FULL WRAP - STOCKER BRASS
9	100711-01-01A	EA	HINGE - GLASS DOOR
10	114443-01-01A	EA	HINGE - CABINET DOOR
11	107390-02-000	EA	CORNER HANGER (DOUBLE ROLLER W/BRACKET) (SOLD AS 1 EACH)
12	107391-01-000	EA	GUIDE - BOTTOM - BY-PASS (4 USED PER DOOR)
13	101926-01-02A	EA	BRACKET - ZEE - 2" - BLACK
14	108126-01-000	EA	TRAY HINGE SET (QTY. 2 PER SET)
15	016604-01-000	EA	BRACE - ANGLE - 2 1/2" - UNPAINTED METAL
15	016604-05-000	EA	BRACE - ANGLE - 2 1/2" - OFF WHITE METAL
15	016604-07-000	EA	BRACE - ANGLE - 2 1/2" - VW GRAY
16	104181-01-01A	EA	SUPPORT - LEAF 5.3" EXTENDS TO 7.5" - SAFETY RING - METAL
17	074045-07-000	EA	PLUG - NATURAL - 3/8" DOWEL-1/2" HEAD - COLONIAL WOOD
17	074045-08-000	EA	PLUG - OAK - 3/8" DOWEL-1/2" HEAD - SALEM CHERRY
17	074045-12-000	EA	PLUG - OAK - 3/8" DOWEL-1/2" HEAD - WASHED MAPLE
17	074045-13-000	EA	PLUG - OAK - 3/8" DOWEL-1/2" HEAD - PORTSMOUTH OAK
17	042356-01-000	EA	PLUG - MAHOGANY - 3/8" DOWEL X 1/2" HEAD
18	057671-01-000	EA	COVER - SCREW - OFF WHITE - #8
18	057671-13-000	EA	COVER - SCREW - DARK GRAY - #8
18	057671-15-000	EA	COVER - SCREW - #8 - BRIGHT WHITE
18	057671-16-000	EA	COVER - SCREW - #8 - SOFT WHITE
19	041389-18-000	EA	HINGE - PIANO - 1 1/2" X 19" - OFF WHITE
19	041389-25-000	EA	HINGE - PIANO - 1 1/2" X 55" - UNPAINTED
19	041389-35-000	EA	HINGE - PIANO - 31" - OFF WHITE
19	084413-01-000	EA	HINGE - 1" X 72" - ALUMINUM - W/HOLES
19	084625-06-000	EA	HINGE - ALUMINUM - W/HOLES - 17.2" - OFF/WHITE
19	110496-01-01A	EA	HINGE - BRASS
19	114278-02-000	EA	HINGE - CONTINUOUS - 3" WIDE

LABELS GROUP

SEWAGE

KEY PART NUMBER U/M DESCRIPTION
006187-01-000 EA LABEL - SEWAGE

WASTE WATER

KEY PART NUMBER U/M DESCRIPTION
006188-01-000 EA LABEL - WASTE WATER

WARNING

THIS SYSTEM IS DESIGNED FOR USE WITH PROPANE ONLY
DO NOT CONNECT NATURAL GAS TO THIS SYSTEM

BEFORE TURNING ON PROPANE:

- (A) BE CERTAIN APPLIANCES ARE CERTIFIED FOR PROPANE AND ARE EQUIPPED WITH CORRECT BURNING ORIFICES.
- (B) MAKE CERTAIN ALL PROPANE CONNECTIONS ARE TIGHT BY TESTING WITH SOAPY WATER. ALL APPLIANCE VALVES ARE TURNED OFF, AND ANY UNCONNECTED OUTLETS ARE CAPPED.

AFTER TURNING ON PROPANE:

- (A) LIGHT ALL PILOT LIGHTS
- (B) ALL CONNECTIONS, INCLUDING THOSE AT THE APPLIANCES, REGULATORS AND CYLINDERS SHOULD BE LEAK-TESTED PERIODICALLY WITH SOAPY WATER BY THE OCCUPANT. NEVER USE A LIGHTED MATCH OR OTHER FLAME WHEN CHECKING FOR LEAKS.
- (C) DO NOT LEAVE SYSTEM TURNED ON OF CONTAINERS CONNECTED UNTIL THE SYSTEM HAS BEEN PROVEN TO BE FREE OF LEAKS.
- (D) COOKING APPLIANCES SHOULD NOT BE USED FOR SPACE HEATING.
- (E) WHEN THE CONTAINERS ARE DISCONNECTED THE PROPANE SUPPLY LINE SHOULD BE CAPPED OR PLUGGED.

AVERTISSEMENT

CETTE INSTALLATION EST CONÇUE POUR LE PROPANE SEULEMENT
NE PAS L'ALIMENTER EN GAZ NATUREL

AVANT LA MISE EN SERVICE:

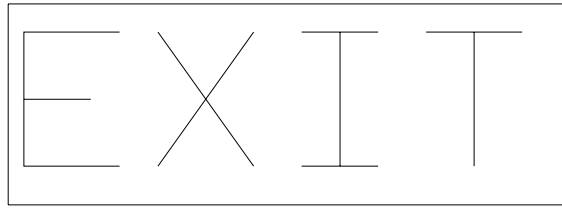
- (A) S'ASSURER QUE LES APPAREILS SONT CERTIFIÉS POUR LE PROPANE ET MUNIS D'ORIFICES DE BRÛLEUR APPROPRIÉS.
- (B) VÉRIFIER L'ÉTANCHEITÉ DE TOUS LES RACCORDEMENTS AU PROPANE. LA PERMÉABILITÉ DE TOUS LES ROBINETS D'APPAREILS ET L'OBTURATION DE TOUTES LES SORTIES NON RACCORDEES.

APRÈS LA MISE EN SERVICE:

- (A) ALLUMER TOUTES LES VEILLEUSES.
- (B) L'OCCUPANT DOIT ÉPROUVER PÉRIODIQUEMENT L'ÉTANCHEITÉ DE TOUS LES RACCORDEMENTS Y COMPRIS CEUX AUX APPAREILS, AUX DÉTENDEURS ET AUX BOUTEILLES, EN Y APPLIQUANT DE L'EAU SAVONNEUSE NE JAMAIS SE SERVIR D'UNE ALLUMETTE OU AUTRE POUR LA DÉTECTION DES FUITES.
- (C) NE PAS LAISSER L'ALIMENTATION OUVERTE NI LES RÉCIPIENTS RACCORDES AVANT D'AVOIR COMPLÉTÉ L'ÉPREUVE D'ÉTANCHEITÉ AU PROPANE DE L'INSTALLATION.
- (D) LES APPAREILS DE CUISSON NE DOIVENT PAS ÊTRE UTILISÉS POUR LE CHAUFFAGE DES LOCAUX.
- (E) LORSQUE LES RÉCIPIENTS SONT DÉCONNECTÉS, L'ALIMENTATION DE PROPANE DOIT ÊTRE OBTURÉE OU SCELLÉE.

KEY PART NUMBER U/M DESCRIPTION
023769-01-000 EA LABEL - WARNING - LPG - CANADIAN

LABELS GROUP (CONTINUED)



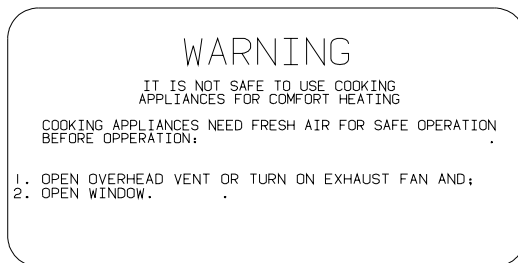
KEY PART NUMBER U/M DESCRIPTION
 039290-01-000 EA LABEL - WARNING - EXIT



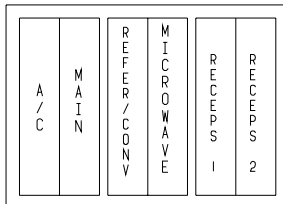
KEY PART NUMBER U/M DESCRIPTION
 040944-01-000 EA LABEL - ENTRANCE DOOR - "OPEN"

"TO ENSURE A SUPPLY OF FRESH AIR TO OCCUPANTS, OPEN VENTILATORS WHEN FUEL BURNING RANGE, FUEL BURNING CARRY-ON APPLIANCES AND/OR FUEL-BURNING LIGHTS ARE IN OPERATION."	DE MANIERE A ASSURE UNE ALIMENTATION EN AIR FRAIS AUX OCCUPANTS, OUVRIE LES VENTILATEURS LORSQUE LA CUISINIERE, LES APPAREILS DE CHAUFFAGE PORTABLES ET/OU LES LAMPES DE COMBUSTION D'HUILE SONT EN FONCTIONNEMENT.
"COOKING APPLIANCES SHOULD NOT BE USED FOR SPACE HEATING PURPOSES"	LES APPAREILS DE CUSSON NE DOIVENT PAS SERVIR AU CHAUFFAGES DES LOCAUX.

KEY PART NUMBER U/M DESCRIPTION
 050222-01-000 EA LABEL - STOVE VENT - CANADIAN
 134540-01-01A EA LABEL - WARNING - STOVE/HEATING - CSA - BLACK ON CLEAR



KEY PART NUMBER U/M DESCRIPTION
 050225-01-000 EA LABEL - WARNING - STOVE VENT - US
 134539-01-01A EA LABEL - WARNING - STOVE/HEATING - US - BLACK ON CLEAR



KEY PART NUMBER U/M DESCRIPTION
 095721-40-000 EA LABEL - CONTROL CENTER

LABELS GROUP (CONTINUED)

CAUTION

THIS MOTOR HOME HAS BEEN DESIGNED, MANUFACTURED AND TESTED WITH CONCERN FOR THE PROTECTION OF IT'S OCCUPANTS. WE RECOMMEND YOU PERFORM THE FOLLOWING INSPECTIONS FOR YOUR SAFETY AND THE SAFETY OF YOUR PASSENGERS BEFORE STARTING YOUR VEHICLE.

1. LP GAS SYSTEM- TURN OFF AT TANK FOR TRAVELING. TEST FOR LEAKS UPON ARRIVAL AT DESTINATION. BEFORE LIGHTING PILOTS.
2. WHEELS- INSPECT FOR DAMAGE AND CHECK LUG NUTS FOR TIGHTNESS.
3. TIRES- INSPECT FOR WEAR AND DAMAGE AND CHECK FOR RECOMMENDED AIR PRESSURE.
4. LIGHTING- TEST FOR PROPER OPERATION OF ALL INTERIOR AND EXTERIOR LIGHTS INCLUDING DASH LIGHTS, HEADLIGHTS, TAIL LIGHTS, BRAKE LIGHTS, CLEARANCE LIGHTS AND TURN SIGNALS.
5. EXITS- INSPECT RELEASE MECHANISM ON EMERGENCY EXIT WINDOW. TEST BOTH LOCKS ON MAIN ENTRANCE DOOR FOR EASE OF OPERATION AND INSTRUCT PASSENGERS HOW TO USE BOTH MEANS OF EXIT.
6. SEAT BELTS- DIRECT PASSENGERS TO DESIGNATED SEATS AND REQUIRE USE OF SEAT BELTS.
7. APPLIANCES- TURN OFF AND LATCH OR LOCK DOORS WHERE PROVIDED.
8. LOOSE PARCELS- STORE SECURELY.
9. UTILITY SUPPLY LINES- DISCONNECT ALL ELECTRIC, SEWER AND WATER LINES AND SECURE PROPERLY.
10. ENTRANCE DOOR STEP- PLACE IN RETRACTED POSITION FOR TRAVELING.

READ YOUR MOTOR HOME AND CHASSIS OWNER'S
MANUAL FOR FURTHER PRECAUTIONS

KEY PART NUMBER U/M DESCRIPTION
056259-01-000 EA LABEL - SAFETY CHECK LIST

UNLEADED FUEL ONLY

KEY PART NUMBER U/M DESCRIPTION
062043-01-000 EA LABEL - FUEL - UNLEADED

WARNING DISCONNECT BATTERIES BEFORE
CONNECTING EXTERNAL CHARGING EQUIPMENT.

KEY PART NUMBER U/M DESCRIPTION
065748-01-000 EA LABEL - CAUTION - BATTERY CHARGING

AVERTISSEMENT : DEBRANCHER LES BATTERIES AVANT
DE BRANCHER TOUT EQUIPEMENT DE CHARGE EXTERIEUR.

KEY PART NUMBER U/M DESCRIPTION
065748-02-000 EA LABEL - WARNING - BATTERY/FRENCH - CANADIAN

LABELS GROUP (CONTINUED)

DIESEL FUEL ONLY

KEY PART NUMBER U/M DESCRIPTION
068383-01-000 EA LABEL - DIESEL FUEL

VEHICLE EMISSION CONTROL INFORMATION

THIS VEHICLE CONFORMS TO U.S. EPA REGULATIONS APPLICABLE TO XXXX MODEL YEAR NEW VEHICLES.

072887-01-000-2 CATALYST

KEY PART NUMBER U/M DESCRIPTION
072887-11-000 EA LABEL - EPA - 2000 MODEL YEAR

IF YOU SMELL GAS

1. EXTINGUISH ANY OPEN FLAME, PILOT LIGHTS AND ALL SMOKING MATERIALS.
2. DO NOT TOUCH ELECTRICAL SWITCHES.
3. SHUT OFF THE GAS SUPPLY AT THE TANK VALVE(S) OR GAS SUPPLY CONNECTION.
4. OPEN DOORS AND OTHER VENTILATING OPENINGS.
5. LEAVE THE AREA UNTIL ODOR CLEARS.
6. HAVE THE GAS SYSTEM CHECKED AND LEAKAGE SOURCE CORRECTED BEFORE USING AGAIN.

KEY PART NUMBER U/M DESCRIPTION
073998-01-000 EA LABEL - LPG ODOR WARNING

WARNING: TEST SMOKE DETECTOR OPERATION AFTER VEHICLE HAS BEEN IN STORAGE, BEFORE EACH TRIP AND AT LEAST ONCE PER WEEK DURING USE.

KEY PART NUMBER U/M DESCRIPTION
077956-01-000 EA LABEL - WARNING - SMOKE DETECTOR

DO NOT FILL LP-GAS CONTAINER(S) TO MORE THAN 80% OF CAPACITY.

KEY PART NUMBER U/M DESCRIPTION
079965-01-000 EA LABEL - LPG - 80% CAPACITY

WARNING

MUST BE STOWED IN LATCHED POSITION WHILE VEHICLE IS IN MOTION

KEY PART NUMBER U/M DESCRIPTION
079966-01-000 EA LABEL - WARNING - STOWED - MOTION

LABELS GROUP (CONTINUED)



KEY PART NUMBER U/M DESCRIPTION
 083588-01-000 EA LABEL - ON/OFF - WATER HEATER



KEY PART NUMBER U/M DESCRIPTION
 083588-02-000 EA LABEL - ON/OFF - ENGINE HEATER

CAUTION	TO HELP AVOID PERSONAL INJURY DURING REMOVAL OF FUEL FILLER CAP, SLOWLY LOOSEN CAP 1/2 TURN TO ALLOW ANY FUEL PRESSURE TO BE RELIEVED BEFORE TURNING CAP FURTHER.
FUEL SPRAY MAY CAUSE PERSONAL INJURY	STOP ADDING FUEL AFTER FIRST SHUTOFF BY AUTOMATIC NOZZLE WHEN TANK IS NEARLY FULL. DO NOT OVERFILL FUEL TANK. SEE OWNERS MANUAL FOR ADDITIONAL INFORMATION. PRINTED IN U.S.A. WLC PT NO 15611763

KEY PART NUMBER U/M DESCRIPTION
 087207-05-000 EA LABEL - FUEL CAP REMOVAL



KEY PART NUMBER U/M DESCRIPTION
 087236-01-000 EA LABEL - CABLE - INPUT

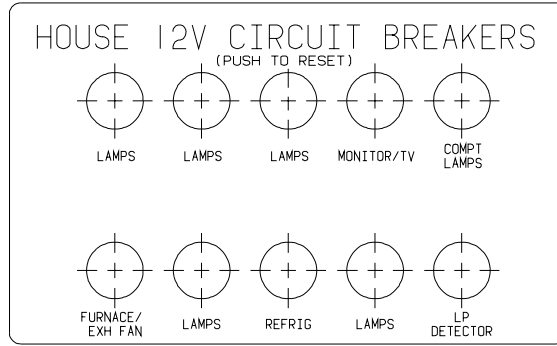


KEY PART NUMBER U/M DESCRIPTION
 087236-02-000 EA LABEL - TV OUTLET

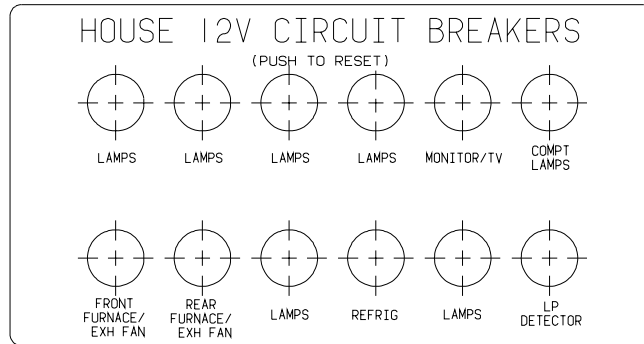
AIR CONDITIONING CIRCUIT.
 THIS CONNECTION IS FOR
 AIR CONDITIONERS RATED 110-
 125 VOLT AC, 60 HZ, 16
 AMPERES MAXIMUM. DO NOT
 EXCEED CIRCUIT RATING.

KEY PART NUMBER U/M DESCRIPTION
 091243-01-000 EA LABEL - A/C COVER "AIR CONDITIONING CIRCUIT ETC."

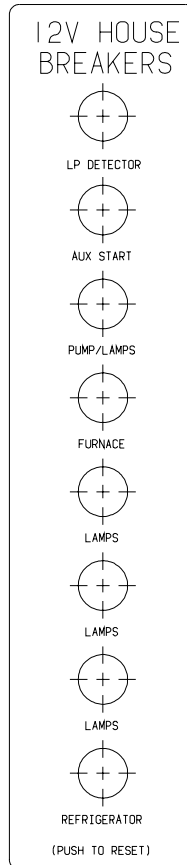
LABELS GROUP (CONTINUED)



KEY	PART NUMBER	U/M	DESCRIPTION
	092547-06-000	EA	LABEL - CIRCUIT BREAKER

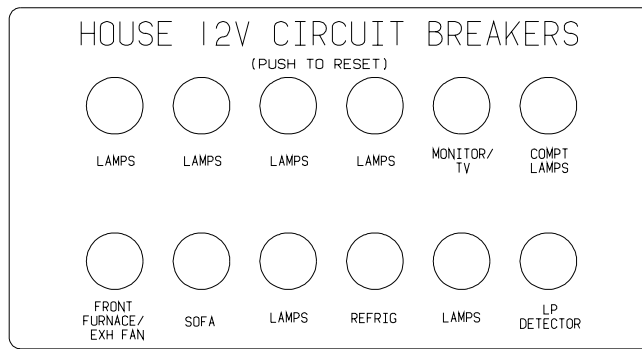


KEY	PART NUMBER	U/M	DESCRIPTION
	092547-07-000	EA	LABEL - CIRCUIT BREAKER

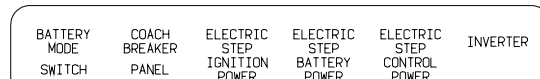


KEY	PART NUMBER	U/M	DESCRIPTION
	092547-08-000	EA	LABEL - CIRCUIT BREAKER

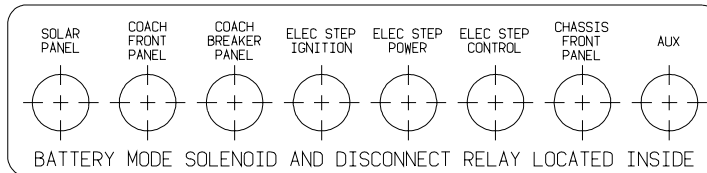
LABELS GROUP (CONTINUED)



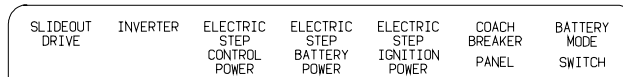
KEY PART NUMBER U/M DESCRIPTION
 092547-10-000 EA LABEL - CIRCUIT BREAKER



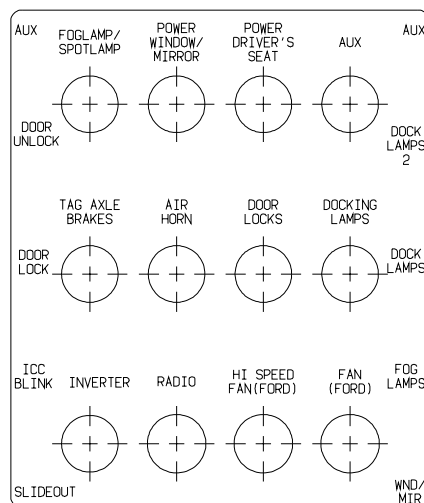
KEY PART NUMBER U/M DESCRIPTION
 093236-08-000 EA LABEL - CIRCUIT BREAKER



KEY PART NUMBER U/M DESCRIPTION
 093236-13-000 EA LABEL - CIRCUIT BREAKER



KEY PART NUMBER U/M DESCRIPTION
 093236-15-000 EA LABEL - CIRCUIT BREAKER

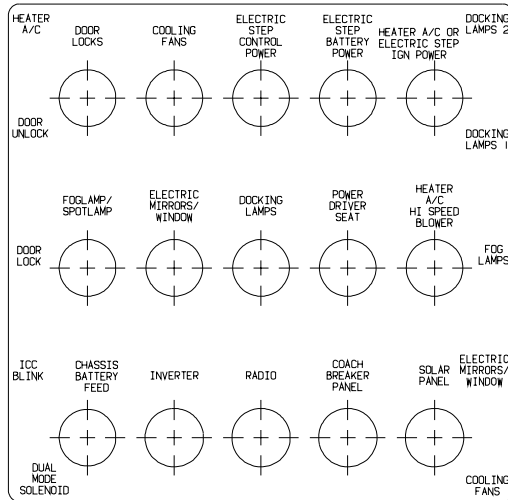


KEY PART NUMBER U/M DESCRIPTION
 093236-16-000 EA LABEL - CIRCUIT BREAKER

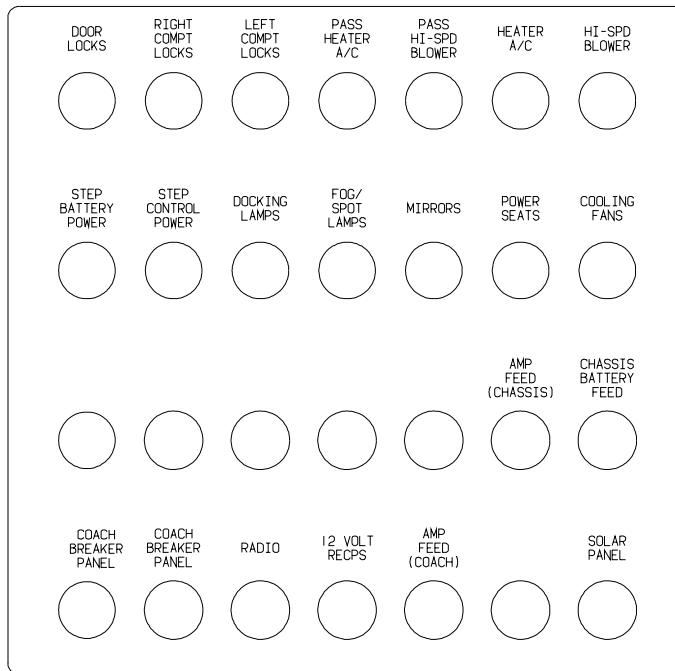
LABELS GROUP (CONTINUED)

BATTERY MODE SWITCH	COACH BREAKER PANEL	ELECTRIC STEP IGNITION POWER	ELECTRIC STEP BATTERY POWER	ELECTRIC STEP CONTROL POWER	INVERTER	SLIDEOUT POWER
---------------------------	---------------------------	---------------------------------------	--------------------------------------	--------------------------------------	----------	-------------------

KEY PART NUMBER U/M DESCRIPTION
 093236-18-000 EA LABEL - CIRCUIT BREAKER



KEY PART NUMBER U/M DESCRIPTION
 093236-19-000 EA LABEL - CIRCUIT BREAKER

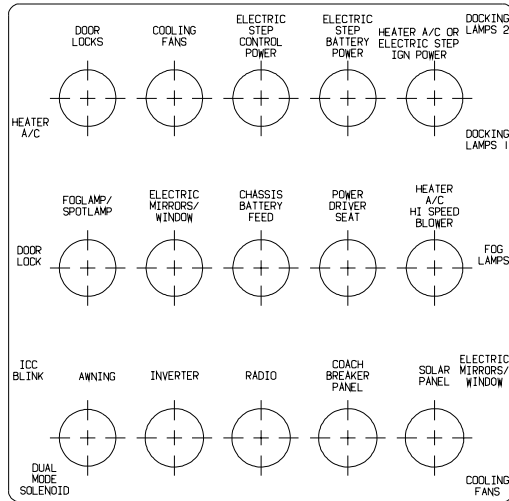


KEY PART NUMBER U/M DESCRIPTION
 093236-20-000 EA LABEL - CIRCUIT BREAKER

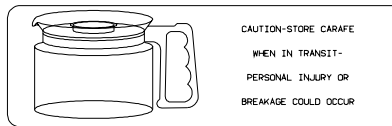
SLIDEOUT CONTROL	BATTERY MODE SWITCH	COACH BREAKER PANEL	ELECTRIC STEP IGNITION POWER	ELECTRIC STEP BATTERY POWER	ELECTRIC STEP CONTROL POWER	INVERTER
---------------------	---------------------------	---------------------------	---------------------------------------	--------------------------------------	--------------------------------------	----------

KEY PART NUMBER U/M DESCRIPTION
 093236-21-000 EA LABEL - CIRCUIT BREAKER

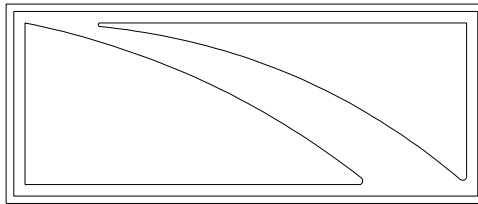
LABELS GROUP (CONTINUED)



KEY	PART NUMBER	U/M DESCRIPTION
	093236-23-000	EA LABEL - CIRCUIT BREAKER - MAIN



KEY	PART NUMBER	U/M DESCRIPTION
	116829-02-000	EA LABEL - COFFEEMAKER



KEY	PART NUMBER	U/M DESCRIPTION
	132651-01-01A	EA DECAL - MIRROR/GALLEY

KEY	PART NUMBER	U/M DESCRIPTION
	125697-07-000	EA LABEL - CAUTION - FLUSHING SYSTEM NO ART AVAILABLE

LABELS GROUP (CONTINUED)

SUB - MAIN	DISHWASHER	RECPs 1	RECPs 2	RECPs 3	MICROWAVE
------------	------------	------------	------------	------------	-----------

KEY PART NUMBER U/M DESCRIPTION
 095721-20-000 EA LABEL - CONTROL CENTER W/INVERTER

A / C CIRCUIT 1	MAIN	MAIN	A / C CIRCUIT 2	I N V E R T E R / C H A R G E R	R E F F R I G / V A C C U U M	W A S H E R / D R Y E R	W A T E R H E A T E R	
-----------------------	------	------	-----------------------	--	---	--	---	--

KEY PART NUMBER U/M DESCRIPTION
 095721-22-000 EA LABEL - CONTROL CENTER - 50AMP

A / C CIRCUIT 1	MAIN		R E F F R I G / C O N V	M I C R O W A V E		R E C P S 1	R E C P S 2	
-----------------------	------	--	--	---	--	--------------------------------	--------------------------------	--

KEY PART NUMBER U/M DESCRIPTION
 095721-25-000 EA LABEL - CONTROL CENTER - 30 AMP

A / C CIRCUIT 1	MAIN	MAIN	A / C CIRCUIT 2	R E F F R I G / C O N V	M I C R O W A V E	R E C P S 1	R E C P S 2	R E C P S 3	W A S H E R / D R Y E R	
-----------------------	------	------	-----------------------	--	---	--------------------------------	--------------------------------	--------------------------------	--	--

KEY PART NUMBER U/M DESCRIPTION
 095721-26-000 EA LABEL - CONTROL CENTER - 30 AMP - CANADIAN

A / C CIRCUIT 1	MAIN	A / C CIRCUIT 2	R E F F R I G / C O N V	M I C R O W A V E	R E C P S 1	R E C P S 2	R E C P S 3		
-----------------------	------	-----------------------	--	---	--------------------------------	--------------------------------	--------------------------------	--	--

KEY PART NUMBER U/M DESCRIPTION
 095721-27-000 EA LABEL - CONTROL CENTER - 30 AM

LABELS GROUP (CONTINUED)

A / C C I R C U I T 1	M A I N	A / C C I R C U I T 2	R E F F R I G / C O N V	M I C R O W A V E	R E C P S 1	R E C P S 2	R E C P S 3	W A S H E R / D R Y E R	W A T E R H E A T E R	
-----------------------------	---------	-----------------------------	-------------------------	-------------------	----------------	----------------	----------------	-------------------------	--------------------------	--

KEY PART NUMBER U/M DESCRIPTION
 095721-31-000 EA LABEL - CONTROL CENTER - 30 AMP - US

A / C C I R C U I T 1	M A I N	A / C C I R C U I T 2	I N V E R T E R / C H A R G E R	R E F F R I G E R A T O R	W A S H E R / D R Y E R	W A T E R H E A T E R	
-----------------------------	---------	-----------------------------	------------------------------------	---------------------------	-------------------------	--------------------------	--

KEY PART NUMBER U/M DESCRIPTION
 095721-32-000 EA LABEL - CONTROL CENTER - 30 AMP W/INVERTER

A / C C I R C U I T 1	M A I N	M A I N	A / C C I R C U I T 2	R E F F R I G / C O N V	M I C R O W A V E	R E C P S 1	R E C P S 2	R E C P S 3	W A S H E R / D R Y E R	W A T E R H E A T E R
-----------------------------	---------	---------	-----------------------------	-------------------------	-------------------	----------------	----------------	----------------	-------------------------	--------------------------

KEY PART NUMBER U/M DESCRIPTION
 095721-33-000 EA LABEL - CONTROL CENTER - 50 AMP - US

A / C C I R C U I T 1	M A I N	M A I N	A / C C I R C U I T 2	I N V E R T E R / C H A R G E R	R E F F R I G E R A T O R	W A S H E R / D R Y E R	W A T E R H E A T E R	
-----------------------------	---------	---------	-----------------------------	------------------------------------	---------------------------	-------------------------	--------------------------	--

KEY PART NUMBER U/M DESCRIPTION
 095721-34-000 EA LABEL - CONTROL CENTER - 50 AMP

M A I N	M I C R O W A V E	G F I / R E C P S	R E F E R / C O N V	W A T E R H T R	A / C
---------	-------------------	-------------------	---------------------	--------------------	-------

KEY PART NUMBER U/M DESCRIPTION
 095721-38-000 EA LABEL - CONTROL CENTER - 30 AMP - US

LABELS GROUP (CONTINUED)

AUTOMOTIVE AND COACH
CIRCUIT BREAKERS

KEY PART NUMBER U/M DESCRIPTION
098379-01-000 EA LABEL - CIRCUIT BREAKER - FRONT BOX

CIRCUIT BREAKERS
AND AUTOMOTIVE
FUSE PANEL

KEY PART NUMBER U/M DESCRIPTION
098379-03-000 EA LABEL - ELECTRICAL BOX - FRONT

BATTERY MODE
SOLENOID AND
RELAYS

KEY PART NUMBER U/M DESCRIPTION
098379-04-000 EA LABEL - ELECTRICAL BOX - SIDE

UNLEADED
FUEL ONLY

KEY PART NUMBER U/M DESCRIPTION
098641-01-000 EA LABEL - FUEL - UNLEADED - DASH

FOR AWNING INSTALLATION
CONTACT YOUR MOTORHOME
DEALERSHIP

KEY PART NUMBER U/M DESCRIPTION
099509-01-000 EA LABEL - AWNING INSTALLATION

WARNING
THIS VEHICLE, LIKE OTHER
VEHICLES, MAY CONTAIN SMALL
AMOUNTS OF ONE OR MORE
SUBSTANCES WHICH ARE LISTED
BY THE STATE OF CALIFORNIA
FOR CAUSING CANCER OR
REPRODUCTIVE TOXICITY.

KEY PART NUMBER U/M DESCRIPTION
099689-01-000 EA LABEL - WARNING - CANCER/TOXICITY

LABELS GROUP (CONTINUED)

THIS CHAIR IS NOT INTENDED FOR OCCUPANCY WHEN VEHICLE IS IN MOTION AND MUST BE RETURNED TO STOWED POSITION

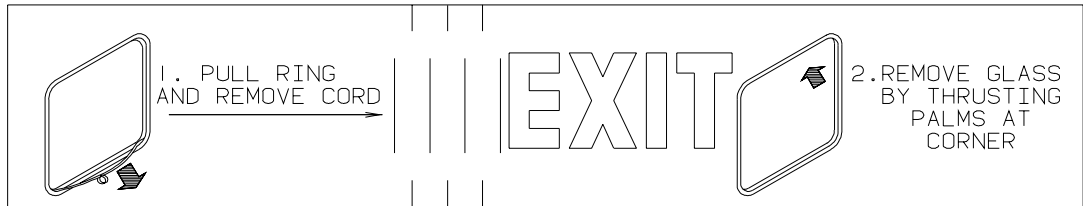
KEY PART NUMBER U/M DESCRIPTION
 102267-01-000 EA LABEL - NO OCCUPANCY - US

DTS ISICE SIEGE N'EST PAS DESTINE A ETRE OCCUPE LORSQUE LE VEHICULE EST EN MOUVEMENT ET IL FAUT QUE LE RANGER	THIS CHAIR IS NOT INTENDED FOR OCCUPANCY WHEN VEHICLE IS IN MOTION AND MUST BE RETURNED TO STOWED POSITION
---	--

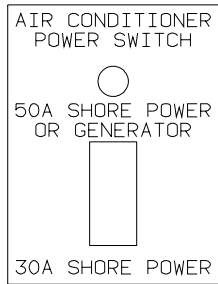
KEY PART NUMBER U/M DESCRIPTION
 102267-02-000 EA LABEL - NO OCCUPANCY - CSA

NOTE: TUNE ANTENNA PER MANUFACTURER'S DIRECTIONS. FAILURE TO COMPLY COULD RESULT IN DAMAGE TO CB.	CB POWER PROVISION RED +12 V BLACK GROUND COAX ANTENNA (SEE REVERSE ALSO)
---	---

KEY PART NUMBER U/M DESCRIPTION
 104678-01-000 EA LABEL - CB PREP



KEY PART NUMBER U/M DESCRIPTION
 107571-01-000 EA LABEL - EXIT/ESCAPE WINDOW



KEY PART NUMBER U/M DESCRIPTION
 109051-02-000 EA LABEL - SWITCH - 50 AMP POWER

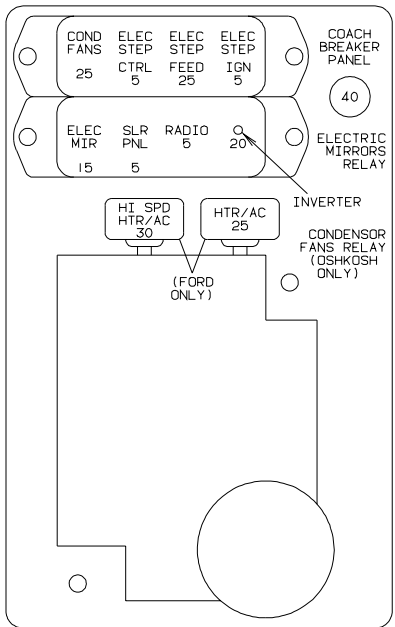
DOOR LOCK	DOOR UNLOCK	RIGHT COMPT DOOR LOCK	RIGHT COMPT DOOR UNLOCK	LEFT COMPT DOOR LOCK	LEFT COMPT DOOR UNLOCK	AUX START SOLENOID	AMP SOURCE
POWER MIRRORS	HEATER BLOWER	PASS HEATER BLOWER	FOG LAMPS	DOCKING LAMPS	DOCKING LAMPS SWITCH TRIGGER	COOLING FANS	

KEY PART NUMBER U/M DESCRIPTION
 136161-01-01A EA LABEL - RELAY - MATTE BLACK/WHITE LETTERS

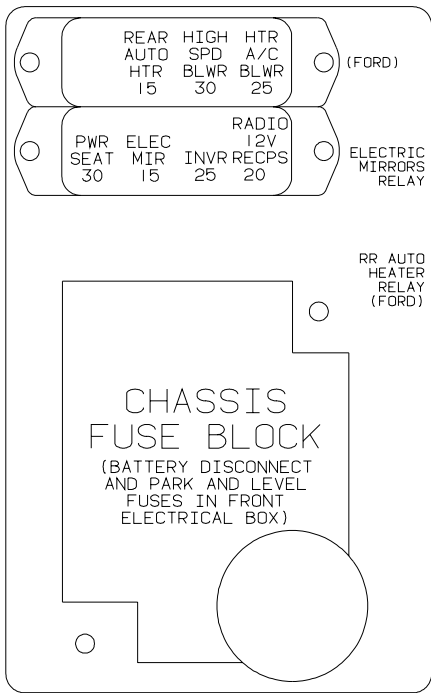
LABELS GROUP (CONTINUED)

DO NOT USE HITCH BEFORE
READING OWNERS MANUAL REGARDING
VEHICLE LOADING AND TOWING

KEY	PART NUMBER	U/M DESCRIPTION
	111104-01-000	EA LABEL - HITCH - READ MANUAL - WHITE
	111104-02-000	EA LABEL - HITCH - READ MANUAL - BLACK

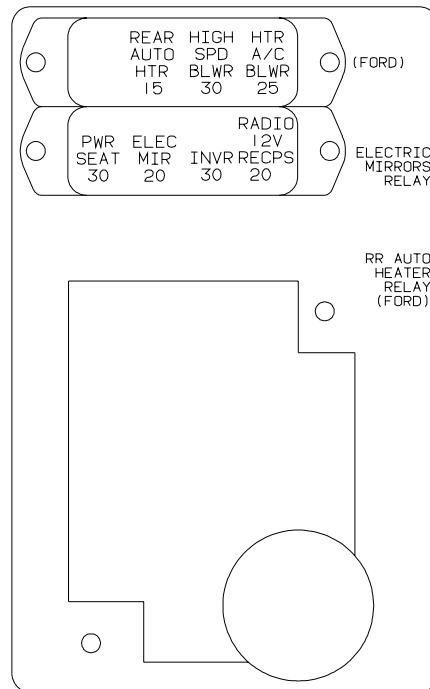


KEY	PART NUMBER	U/M DESCRIPTION
	111537-07-000	EA LABEL - FUSES



KEY	PART NUMBER	U/M DESCRIPTION
	111537-08-000	EA LABEL - FUSES

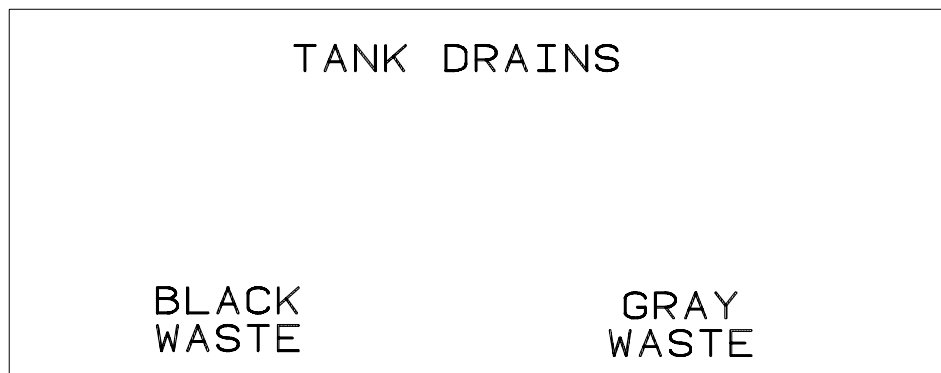
LABELS GROUP (CONTINUED)



KEY	PART NUMBER	U/M DESCRIPTION
	111537-09-000	EA LABEL - FUSES

TIRE ROTATION
SEE RIALTA OWNERS MANUAL
SECTION 9

KEY	PART NUMBER	U/M DESCRIPTION
	129684-01-000	EA LABEL - TIRE ROTATION

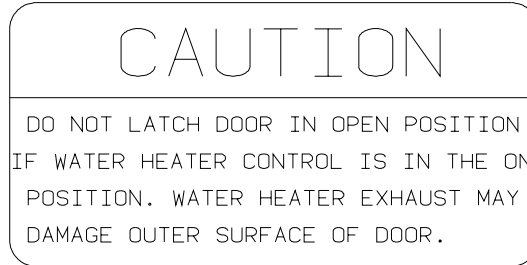


KEY	PART NUMBER	U/M DESCRIPTION
	130166-02-000	EA LABEL - DRAIN

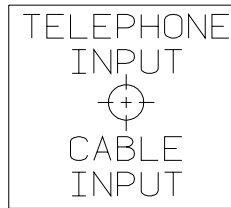
LABELS GROUP (CONTINUED)

WARNING: CONTAINS "CFC" A SUBSTANCE WHICH HARMS PUBLIC HEALTH AND ENVIRONMENT BY DESTROYING OZONE IN THE UPPER ATMOSPHERE.

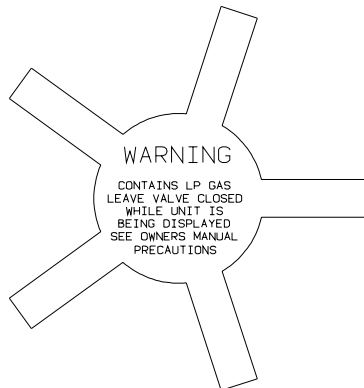
KEY PART NUMBER U/M DESCRIPTION
111802-01-000 EA LABEL - CFC WARNING



KEY PART NUMBER U/M DESCRIPTION
113402-01-000 EA LABEL - CAUTION - WATER HEATER EXHAUST



KEY PART NUMBER U/M DESCRIPTION
114866-02-000 EA LABEL - PHONE & CABLE INPUT - WHITE/CLEAR BACKGROUND
114866-03-000 EA LABEL - PHONE & CABLE INPUT - BLACK/CLEAR BACKGROUND

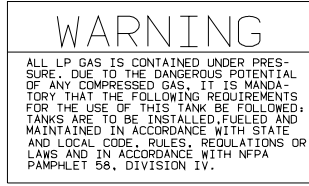


KEY PART NUMBER U/M DESCRIPTION
115600-01-000 EA LABEL - WARNING LPG VALVE

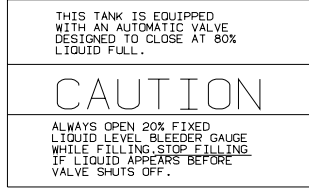
WARNING: REPLACE TIRE ONLY WITH ONE OF EXACTLY SAME TYPE AND RATING. DO NOT REPLACE WITH PASSENGER CAR TIRE. SEE OPERATOR'S MANUAL FOR MORE INFORMATION CALL WINNEBAGO OWNER RELATIONS AT 1-800-537-1885.

KEY PART NUMBER U/M DESCRIPTION
115869-01-000 EA LABEL - WARNING - TIRE

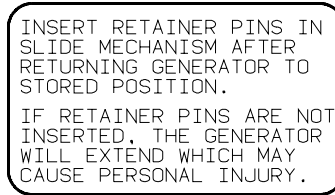
LABELS GROUP (CONTINUED)



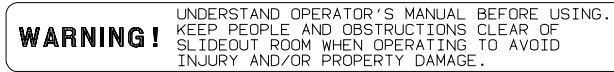
KEY PART NUMBER U/M DESCRIPTION
 116112-01-000 EA LABEL - WARNING - LP



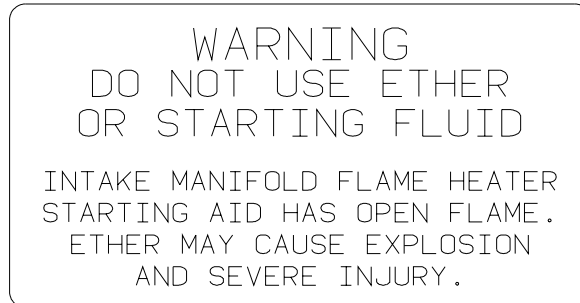
KEY PART NUMBER U/M DESCRIPTION
 116113-01-000 EA LABEL - CAUTION - LP



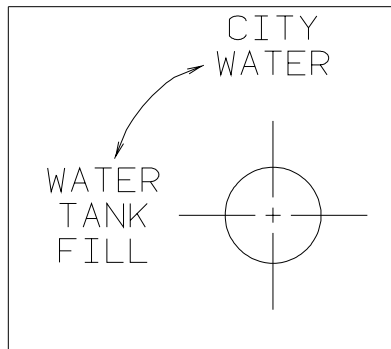
KEY PART NUMBER U/M DESCRIPTION
 116273-01-000 EA LABEL - WARNING - GENERATOR



KEY PART NUMBER U/M DESCRIPTION
 116549-01-000 EA LABEL - WARNING - SLIDEOUT

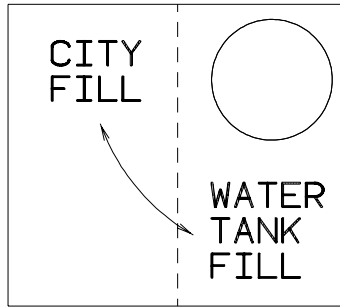


KEY PART NUMBER U/M DESCRIPTION
 116756-01-000 EA LABEL - WARNING ETHER/STARTING

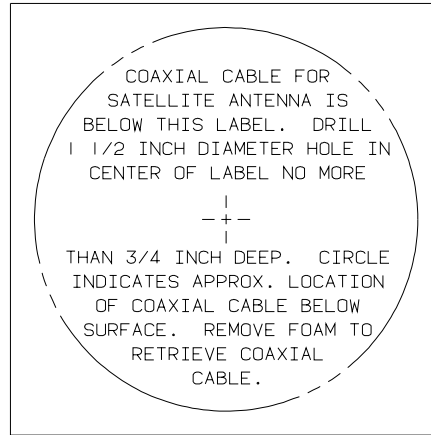


KEY PART NUMBER U/M DESCRIPTION
 117629-03-000 EA LABEL - WATER PUMP/FILL-BLK LETTERS/CLEAR BACKGROUND-.31"

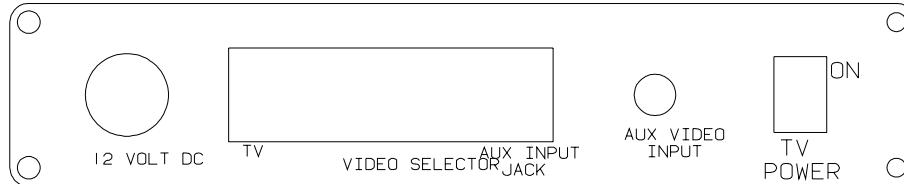
LABELS GROUP (CONTINUED)



KEY PART NUMBER 117629-04-000 **U/M DESCRIPTION**
EA LABEL - CITY WATER/TANK FILL



KEY PART NUMBER 120431-01-000 **U/M DESCRIPTION**
EA LABEL - LOCATION - COAXIAL CABLE/SATELLITE ANTENNA



KEY PART NUMBER 120677-01-000 **U/M DESCRIPTION**
EA LABEL - TV

KEEP THE SERVICE INLET ACCESS
IN THE CLOSED POSITION WHEN
UTILITY CONNECTIONS ARE NOT IN USE

KEY PART NUMBER 123562-01-000 **U/M DESCRIPTION**
EA LABEL - SERVICE/UTILITY ACCESS

LABELS GROUP (CONTINUED)

WARNING

ALL PILOT LIGHTS, APPLIANCES AND THIER IGNITORS (SEE OPERATING INSTRUCTIONS) SHALL BE TURNED OFF DURING REFUELING OF MOTOR FUEL TANKS AND/OR LP GAS CONTAINERS

KEY	PART NUMBER	U/M	DESCRIPTION
	124519-01-01A	EA	LABEL - WARNING/REFUELING - BLACK ON CLEAR
	124519-01-02A	EA	LABEL - WARNING/REFUELING - WHITE ON CLEAR

WARNING :

ALL PILOT LIGHTS AND APPLIANCES SHALL BE TURNED OFF DURING REFUELING OF MOTOR FUEL TANKS AND/OR PROPANE CONTAINERS.

AVERTISSEMENT :

FERMER TOUTES LES VEILLEUSES AINSI QUE TOUTS LES APPAREILS LORSQU'ON FAIT LE PLEIN DES RESERVOIRS A CARBURANT OU A PROPANE.

124519-02

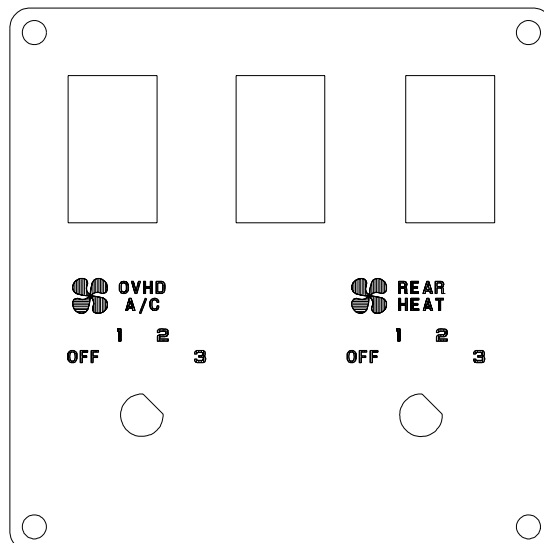
KEY	PART NUMBER	U/M	DESCRIPTION
	124519-02-01A	EA	LABEL - WARNING/REFUELING - BLACK ON CLEAR - CSA
	124519-02-02A	EA	LABEL - WARNING/REFUELING - WHITE ON CLEAR - CSA

LP-GAS SYSTEM
THIS GAS PIPING SYSTEM IS
DESIGNED FOR USE OF
LIQUIFIED PETROLEUM GAS
ONLY. DO NOT CONNECT
NATURAL GAS TO THIS
SYSTEM.

SECURE CAP INLET(S) WHEN NOT
CONNECTED FOR USE. AFTER TURNING
ON GAS, EXCEPT AFTER NORMAL
CONTAINER REPLACEMENT, TEST GAS
PIPING AND CONNECTIONS TO
APPLIANCES FOR LEAKAGE WITH SOAPY
WATER OR BUBBLE SOLUTION. DO NOT
USE PRODUCTS THAT CONTAIN AMMONIA
OR CLORINE.

124520

KEY	PART NUMBER	U/M	DESCRIPTION
	124520-01-01A	EA	LABEL - LP GAS ONLY - BLACK ON CLEAR
	124520-01-02A	EA	LABEL - LP GAS ONLY - WHITE ON CLEAR



KEY	PART NUMBER	U/M	DESCRIPTION
	124572-01-000	EA	LABEL - SWITCHES

LABELS GROUP (CONTINUED)

THIS CONNECTION IS FOR
(B) VOLT AC,60 HZ(CYCLES)
(A) AMPERE SUPPLY

DO NOT CONNECT TO
HIGHER VOLTAGE

KEY	PART NUMBER	U/M	DESCRIPTION
	125306-01-01A	EA	LABEL - ELECTRICAL ENTRANCE - 110V 30AMP - BLACK ON CLEAR
	125306-03-01A	EA	LABEL - ELECTRICAL ENTRANCE - 100 V 30 AMP-BLACK ON CLEAR
	125306-01-02A	EA	LABEL - ELECTRICAL ENTRANCE - 110 V 30 AMP - WHITE ON CLEAR

THIS CONNECTION IS FOR
(B) VOLT AC,3-POLE,4 WIRE
60 HZ(CYCLES),(A) AMPERE SUPPLY

DO NOT CONNECT TO
HIGHER VOLTAGE

KEY	PART NUMBER	U/M	DESCRIPTION
	125306-04-01A	EA	LABEL-ELECTRICAL ENTRANCE-120/240V 50 AMP-BLACK ON CLEAR
	125306-04-02A	EA	LABEL - ELECTRICAL ENTRANCE-120/240V 50 AMP-WHITE ON CLEAR

REMOVE PRIMARY TIRE HANGER BEFORE USING
SPARE TIRE HOIST-SEE OWNERS MANUAL - PERSONAL
INJURY MAY RESULT IF NOT FOLLOWED

KEY	PART NUMBER	U/M	DESCRIPTION
	126024-01-01A	EA	LABEL - TIRE HANGER REMOVAL

GRAY HOLDING TANK

KEY	PART NUMBER	U/M	DESCRIPTION
	126247-01-000	EA	LABEL - GRAY HOLDING TANK-WHITE LETTERS/CLEAR BACKGROUND
	126247-05-000	EA	LABEL - GRAY HOLDING TANK-BLACK LETTERS/CLEAR BACKGROUND

BLACK HOLDING TANK

KEY	PART NUMBER	U/M	DESCRIPTION
	126247-02-000	EA	LABEL - BLACK HOLDING TANK-WHITE LETTERS/BLACK BACKGROUND
	126247-06-000	EA	LABEL - BLACK HOLDING TANK-BLACK LETTERS/CLEAR BACKGROUND

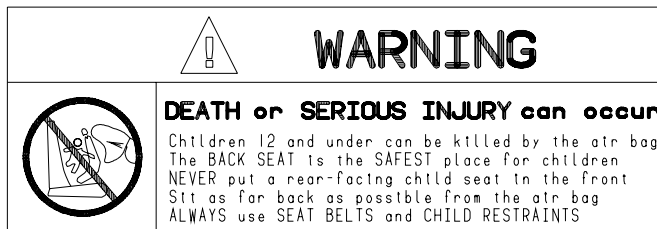
LABELS GROUP (CONTINUED)

EXTERIOR SHOWER

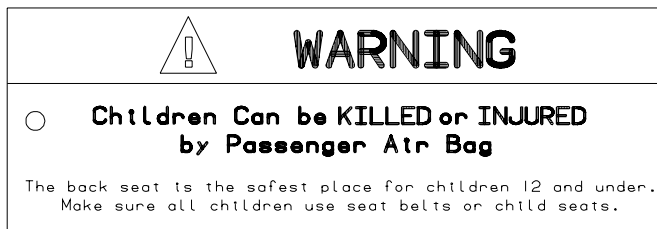
KEY PART NUMBER U/M DESCRIPTION
126248-03-000 EA LABEL - EXTERIOR SHOWER

CITY WATER FILL

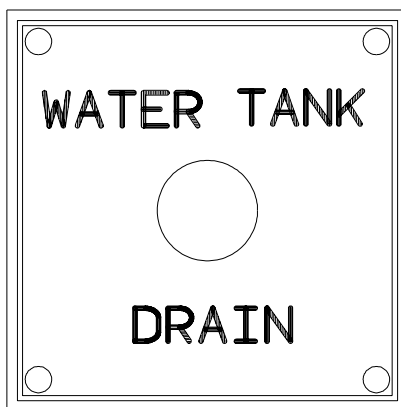
KEY PART NUMBER U/M DESCRIPTION
126249-03-000 EA LABEL - CITY WATER FILL-BLK LETTER/CLEAR BACKGROUND-.31"H



KEY PART NUMBER U/M DESCRIPTION
126611-01-000 EA LABEL - AIR BAG - VISOR



KEY PART NUMBER U/M DESCRIPTION
126612-01-000 EA LABEL - HANG TAG - AIR BAG - DASH



KEY PART NUMBER U/M DESCRIPTION
127170-01-000 EA LABEL - WATER TANK DRAIN

LABELS GROUP (CONTINUED)

WARNING

ROOF SURFACE MAY BE SLIPPERY
ESPECIALLY WHERE MOISTURE IS PRESENT
SLIPPING MAY RESULT IN PERSONAL INJURY.

128218-01

KEY PART NUMBER U/M DESCRIPTION
128218-01-01A EA LABEL - WARNING - SLIPPERY ROOF

ENTRANCE DOOR PROP ROD

THIS ROD IS DESIGNED TO PROP THE
ENTRANCE DOOR OPEN WHEN THE PATIO
AWNING ARM IS ATTACHED TO THE
SIDEWALL AND THE AWNING IS EX-
TENDED.
HOOK ONE END OF ROD INTO LOOP ON
DOOR AND OTHER END INTO LOOP ON THE
SIDEWALL AS SHOWN.

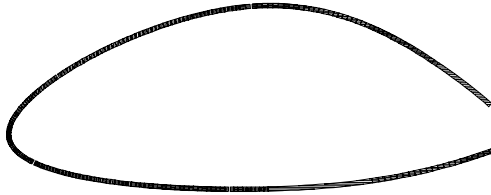
(THIS LABEL TO BE REMOVED BY RETAIL OWNER ONLY)

KEY PART NUMBER U/M DESCRIPTION
128658-01-000 EA LABEL - PROP ROD - ENTRY DOOR

WARNING

POTABLE WATER ONLY
SANITIZE, FLUSH, AND
DRAIN BEFORE USING.
SEE INSTRUCTION MANUAL

KEY PART NUMBER U/M DESCRIPTION
128725-01-01A EA LABEL - POTABLE WATER ONLY



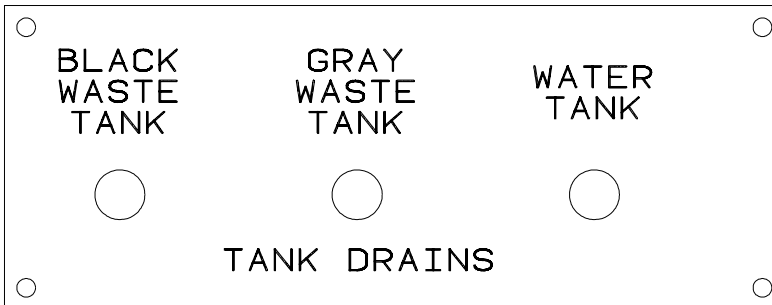
ATTENTION

REMEMBER TO DETACH THE OTHER
TRAVEL LATCH LOCATED IN
GALLEY CABINET BEFORE EXTENDING
THIS ROOM.

KEY PART NUMBER U/M DESCRIPTION
129033-01-000 EA LABEL - HANG TAG - TRAVEL LATCH - 1.5" X3"

TOW VEHICLE RATING MAY BE LESS THAN HITCH RATING.
MAXIMUM VERTICAL HITCH LOAD: 350 LBS
DO NOT EXCEED REAR AXLE RATING.
SEE OWNER'S MANUAL FOR ADDITIONAL INFORMATION.

KEY PART NUMBER U/M DESCRIPTION
129669-01-01A EA LABEL - HITCH/VEHICLE RATE - 350 - WHITE ON CLEAR
129669-02-01A EA LABEL - HITCH/VEHICLE RATE - 500 - WHITE ON CLEAR
129669-02-02A EA LABEL - HITCH/VEHICLE RATE - 500 - BLACK ON CLEAR



KEY PART NUMBER U/M DESCRIPTION
130166-01-000 EA LABEL - DRAIN

LABELS GROUP (CONTINUED)

H
O
S
E

S
T
O
R
A
G
E

KEY PART NUMBER U/M DESCRIPTION
130167-02-000 EA LABEL - HOSE STORAGE

WASTE TANK FLUSH

KEY PART NUMBER U/M DESCRIPTION
130168-01-000 EA LABEL - WASTE TANK FLUSH

MONITOR WATER
PANEL LIGHT PUMP

KEY PART NUMBER U/M DESCRIPTION
130170-01-000 EA LABEL - SWITCH PANEL - BLK/CLEAR BACKGROUND-1.8"H X 5.9"L

LIGHTS WATER
PUMP

KEY PART NUMBER U/M DESCRIPTION
130170-02-000 EA LABEL - SWITCH PANEL - BLK/CLEAR BACKGROUND-1.4H X 3.9"L
117628-02-000 EA LABEL - SWITCH - WATER PUMP/LIGHTS-WHITE/CLEAR BACKGROUND

WATER
PUMP

KEY PART NUMBER U/M DESCRIPTION
130170-03-000 EA LABEL - PANEL SWITCH

LABELS GROUP (CONTINUED)

CAUTION:
OPEN A WINDOW OR VENT WHILE
OPERATING DRYER. IT IS DANGEROUS
TO CREATE A NEGATIVE AIR PRESSURE
INSIDE A VEHICLE CONTAINING
FUEL-BURNING APPLIANCES

KEY PART NUMBER U/M DESCRIPTION
130670-01-01A EA LABEL - CAUTION DRYER VENTING - BLACK ON CLEAR

PUSH TO
RELEASE
GENERATOR
SLIDE ASM

KEY PART NUMBER U/M DESCRIPTION
131779-01-01A EA LABEL - GENERATOR

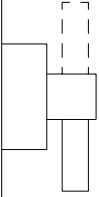
OPEN ○
DRAIN
CLOSED ○

KEY PART NUMBER U/M DESCRIPTION
133423-01-01A EA LABEL - DRAIN

WATER HEATER BY-PASS NORMAL OPERATION

KEY PART NUMBER U/M DESCRIPTION
133424-01-01A EA LABEL - BYPASS - WATER HEATER

WINTERIZATION



NORMAL OPERATION

KEY PART NUMBER U/M DESCRIPTION
133425-01-01A EA LABEL - VALVE - WINTERIZATION

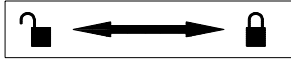
JACKS DOWN

KEY PART NUMBER U/M DESCRIPTION
133533-01-01A EA LABEL - JACKS DOWN - CLEAR W/WHITE LETTERING

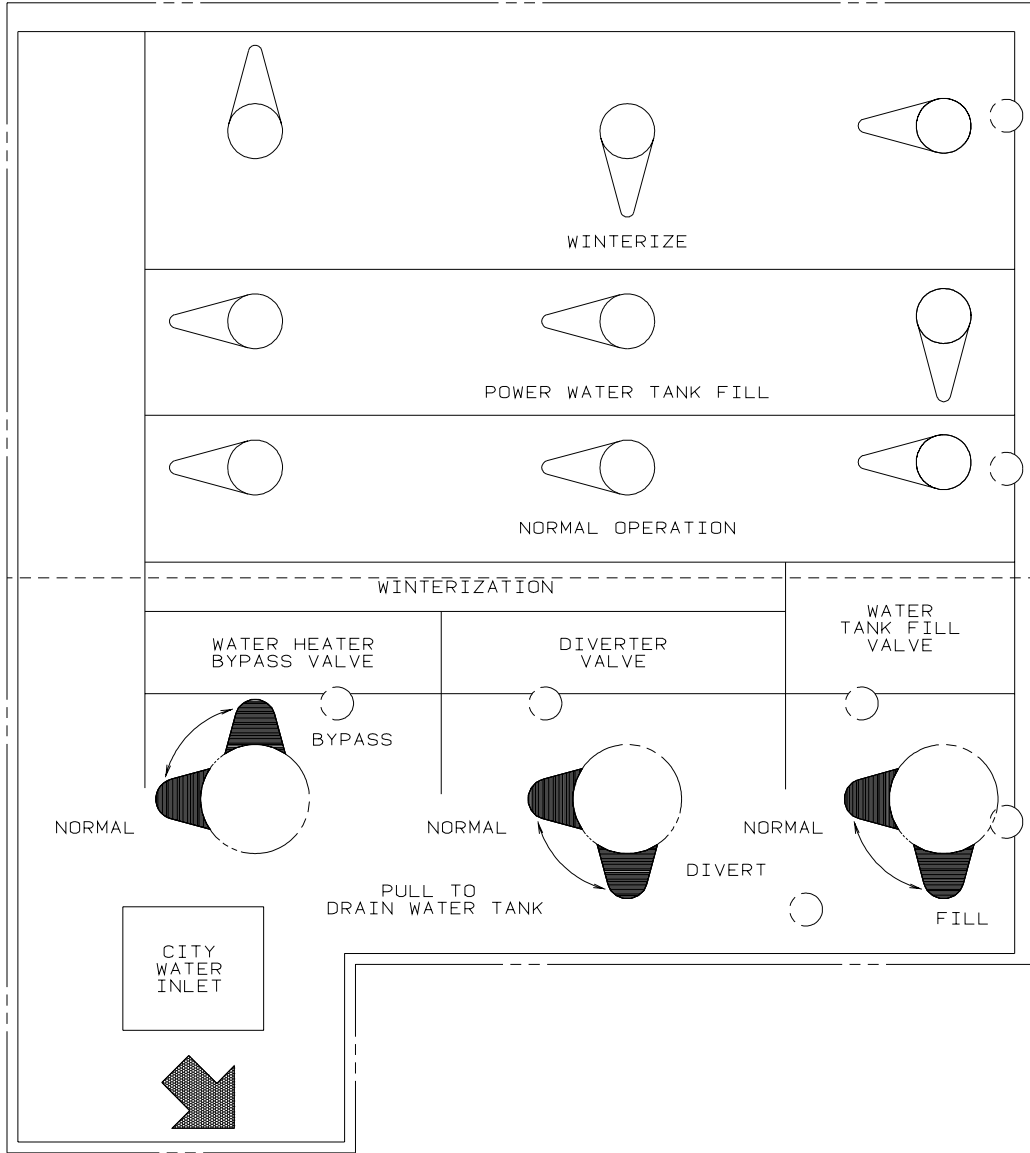
LABELS GROUP (CONTINUED)

CHECK ANTENNA

KEY PART NUMBER U/M DESCRIPTION
 133533-02-01A EA LABEL - CHECK ANTENNA - CLEAR W/WHITE LETTERING

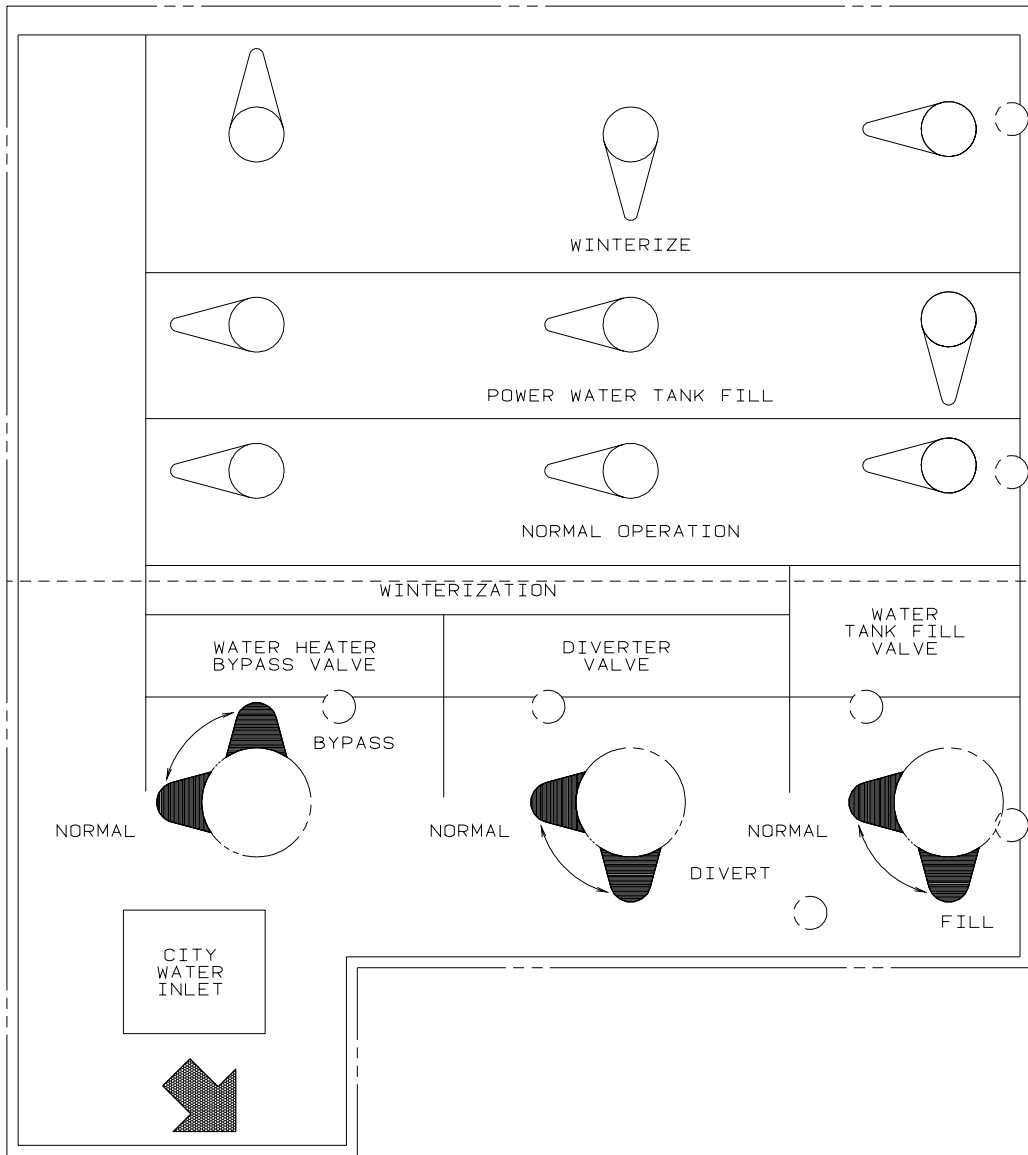


KEY PART NUMBER U/M DESCRIPTION
 133533-03-01A EA LABEL - LOCK/UNLOCK - BLACK/WHITE

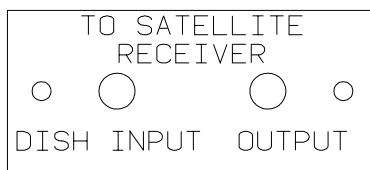


KEY PART NUMBER U/M DESCRIPTION
 133629-01-01A EA LABEL - WATER CENTER

LABELS GROUP (CONTINUED)



KEY PART NUMBER U/M DESCRIPTION
 133629-02-01A EA LABEL - WATER CENTER - BLACK/CLEAR



KEY PART NUMBER U/M DESCRIPTION
 134250-01-01A EA LABEL - SATELLITE RECEIVER - BLACK/CLEAR

THIS SEAT IS NOT INTENDED
 FOR OCCUPANCY WHEN
 VEHICLE IS IN MOTION

KEY PART NUMBER U/M DESCRIPTION
 134538-01-01A EA LABEL - OCCUPANCY - NO SEAT BELT - BLACK ON CLEAR - US

LABELS GROUP (CONTINUED)

DST ISICE SIEGE N/EST PAS	THIS SEAT IS NOT INTENDED
DESTINE A ETRE OCCUPE LORSQUE	FOR OCCUPANCY WHILE
LE VEHICULE EST IN MOVUVEMENT	VEHICLE IS IN MOTION

KEY PART NUMBER U/M DESCRIPTION
 134538-02-01A EA LABEL - OCCUPANCY - NO SEAT BELT - BLACK ON CLEAR - CSA

HOLDING TANK HEATER

TURN OFF WHEN NOT IN USE
 SEE OPERATOR'S MANUAL

KEY PART NUMBER U/M DESCRIPTION
 134563-01-01A EA LABEL - SWITCH - HEATER

THIS VEHICLE MAY INCLUDE MERCURY-CONTAINING DEVICES INSTALLED BY THE MANUFACTURER:
FLUORESCENT TUBES, RANGES WITH OVEN, HWH LEVEL SENSING UNIT.

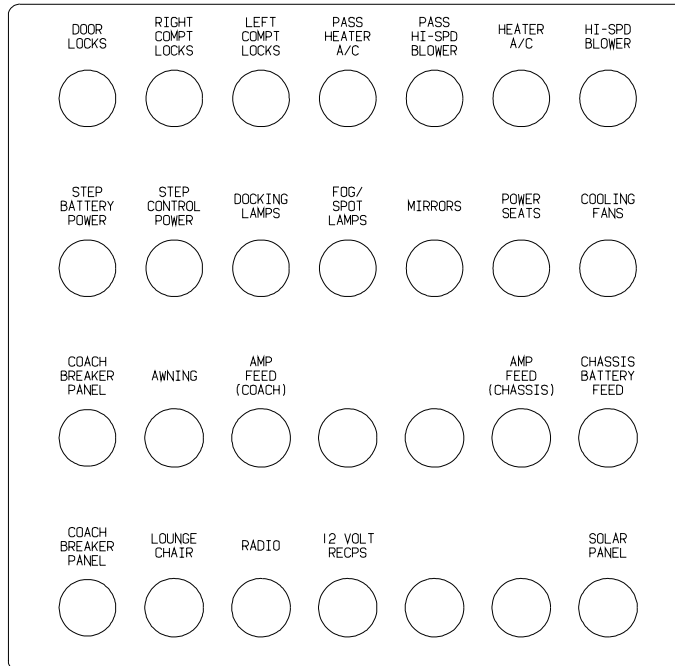
REMOVE DEVICES BEFORE VEHICLE DISPOSAL UPON REMOVAL OF
 DEVICES: PLEASE REUSE, RECYCLE, OR DISPOSE AS HAZARDOUS WASTE

135869-01A

KEY PART NUMBER U/M DESCRIPTION
 135869-01-01A EA LABEL - MERCURY CONTENT - BLACK ON CLEAR

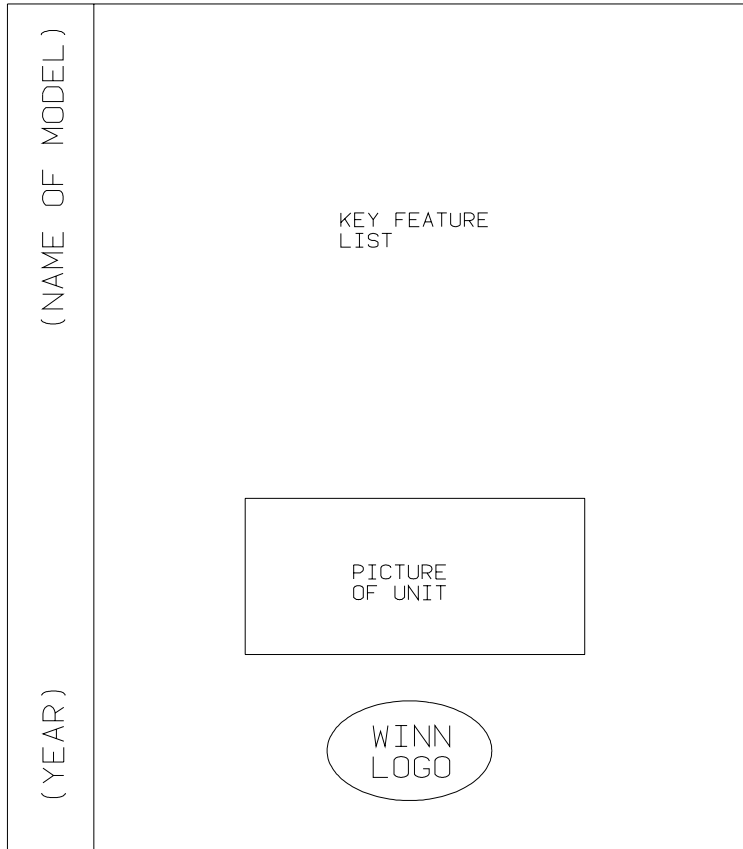
LIQUID SOAP

KEY PART NUMBER U/M DESCRIPTION
 136047-01-01A EA LABEL - LIQUID SOAP



KEY PART NUMBER U/M DESCRIPTION
 093236-22-000 EA LABEL - CIRCUIT BREAKER

LABELS GROUP (CONTINUED)



KEY	PART NUMBER	U/M	DESCRIPTION
	136164-01-01A	EA	STICKET - STATIC CLING - MINNIE
	136164-01-02A	EA	STICKER - STATIC CLING - MINNIE WINNIE
	136164-01-03A	EA	STICKER - STATIC CLING - BRAVE SE
	136164-01-04A	EA	STICKER - STATIC CLING - BRAVE
	136164-01-05A	EA	STICKER - STATIC CLING - ADVENTURER
	136164-01-06A	EA	STICKER - STATIC CLING - CHIEFTAIN
	136164-01-07A	EA	STICKER - STATIC CLING - JOURNEY
	136164-01-08A	EA	STICKER - STATIC CLING - SUNDANCER
	136164-01-09A	EA	STICKER - STATIC CLING - SUNRISE SE
	136164-01-10A	EA	STICKER - STATIC CLING - SUNRISE
	136164-01-11A	EA	STICKER - STATIC CLING - SUNCRUISER
	136164-01-12A	EA	STICKER - STATIC CLING - SUNFLYER
	136164-01-13A	EA	STICKER - STATIC CLING - HORIZON
	136164-01-14A	EA	STICKER - STATIC CLING - RIALTA
	136164-01-15A	EA	STICKER - STATIC CLING - ADVANTAGE
	136164-01-16A	EA	STICKER - STATIC CLING - FREEDOM
	136164-01-17A	EA	STICKER - STATIC CLING - KEY FEATURE

LT - AIR BAGS - RT

KEY	PART NUMBER	U/M	DESCRIPTION
	136360-01-01A	EA	LABEL - AIR BAGS

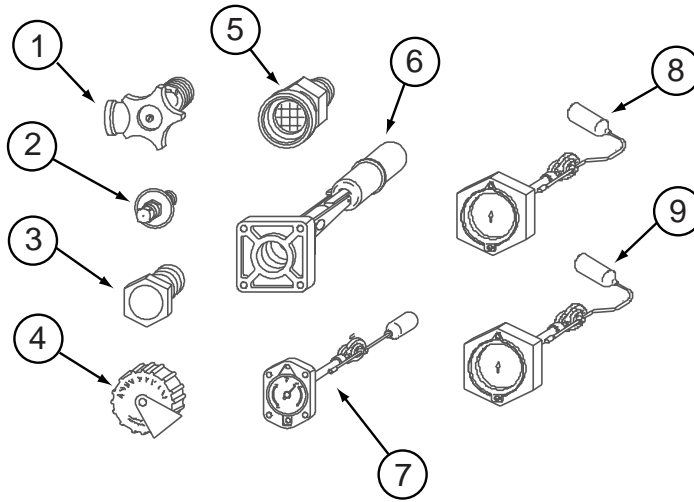
LP GROUP

LP SYSTEM

KEY	PART NUMBER	U/M	DESCRIPTION
	045703-01-000	EA	HOSE - LP - 3/8"ID X 24" - 3/8"MPT X 1/2"F SWIVEL - U.S.
	045703-02-000	EA	HOSE - LP - 3/8"ID X 24" - 3/8"MPT X 1/2"F SWIVEL - CANADA
	045703-03-000	EA	HOSE - LP - 3/8"ID X 18" - 3/8"MPT X 1/2"F SWIVEL - U.S.
	045703-05-000	EA	HOSE - LP - 3/8"ID X 28" - 3/8"MPT X 1/2"F SWIVEL - U.S.
	045703-06-000	EA	HOSE - LP - 3/8"ID X 28" - 3/8"MPT X 1/2"F SWIVEL - CANADA
	045703-12-000	EA	HOSE - LP - 3/8"ID X 18" - 3/8"MPT X 1/2"F SWIVEL - CANADA
	045703-14-000	EA	HOSE - LP - 3/8"ID X 157.5" - 1/2"F SWIVEL X 1/2"F SWIVEL - U.S. OR CANADA
	045703-15-000	EA	HOSE - LP - 3/8"ID X 142" - 1/2F SWIVEL X 3/8FL - U.S. OR CANADA
	065318-02-000	EA	ELBOW - 90 DEGREE - 3/8" MPT TO 3/8" FPT
	105658-01-000	EA	COMPARTMENT - LP REGULATOR
	106150-01-000	EA	REGULATOR - TWO STAGE -W/90 DEGREE ELBOW & 3/8" FPT OUTLET
	010252-01-000	EA	ELBOW - BRASS - 90 DEGREE - 3/8"F X 1/2"MPT
	010265-01-000	EA	ELBOW - BRASS - 90 DEGREE - 3/8"F X 1/2"FPT
	010323-01-000	EA	ADAPTER - BRASS - 3/8"F X 1/2"MPT
	010326-01-000	EA	ADAPTER - FLARE - W/CONE GASKET - 3/8"F X 1/2"F
	010329-01-000	EA	ADAPTER - BRASS - 1/2"F X 1/2"MPT
	010377-02-000	EA	NUT - BRASS - 3/8" FLARE - FORGED
	010380-02-000	EA	NUT - BRASS - 1/2" FLARE - FORGED
	024250-01-000	EA	ADAPTER - BRASS - 3/8"F X 1/2"FPT
	040440-02-000	EA	TRANSMITTER - DIAL/BOLT-ON - 0-90 OHM 2 TERM(POWER/GROUND) FROM: 00-00-00 THRU: 06-18-00
	040440-03-000	EA	TRANSMITTER - DIAL/SNAP-ON - 0-90 OHM 2 TERM(POWER/GROUND) FROM: 06-19-00 THRU: 99-99-99
*	088253-01-000	EA	TANK - LP - 80 LB - 16" DIAMETER X 30" - F32T, F31B
*	088253-07-000	EA	TANK - LP - 80 LB - 16" X 30" - TOP MOUNT - F26P, F29A
*	088253-08-000	EA	TANK - LP/80 LB - 16" DIAMETER X 30" LONG - F30W
*	088253-10-000	EA	TANK - LP - 100 LB - 14" DIAMETER X 47" LONG - F33V, F35C
	103613-03-000	EA	DETECTOR - LP GAS - W/O SHUT-OFF VALVE

*COMPONENT PARTS LISTED LATER IN THIS GROUP

LP GROUP (CONTINUED)
COMPONENT PARTS FOR LP SYSTEM



088253-01-000

KEY	PART NUMBER	U/M	DESCRIPTION	VENDOR NO.
	088253-01-000	EA	TANK - LP - 80 LB - 16" DIAMETER X 30"	
1	040421-01-708	EA	HANDWHEEL-SERVICE VALVE	G-1015-A
1	040421-01-712	EA	VALVE,SERV. W/O VAPOR RELIEF	29000853
2	040421-01-700	EA	VALVE-LIQUID LEVEL, 20%	G-1013
3	040421-01-713	EA	VALVE-RELIEF 1" W/SPRING 7"	29000587
4	040421-01-702	EA	CAP-FILL VALVE, PLASTIC	G-1014-A
5	040421-01-701	EA	VALVE-FILL-SHORT, LP	7547B
6	040421-01-711	EA	VALVE-80% FILL W/AUTO STOP	LLL/TL3
7			NOT WHAT IS ILLUSTRATED HERE	
8			NOT WHAT IS ILLUSTRATED HERE	
9	088253-01-700	EA	FLOAT/BOLT ON-SCREW ON DIAL	SG16C0000071
9	088253-01-702	EA	FLOAT/SCREW IN-SNAP ON DIAL	SG16C0001442
	040421-01-703	EA	VALVE-SERVICE W/VAPOR RELIEF	G-1015
	040421-01-706	EA	DIAL-VISIBLE FACE, LP TANK	MA-8 ROCHST

088253-07-000

KEY	PART NUMBER	U/M	DESCRIPTION	VENDOR NO.
	088253-07-000	EA	TANK - LP - 80 LB - 16" X 30" - TOP MOUNT	BRUNNER12160030075
1	040421-01-708	EA	HANDWHEEL-SERVICE VALVE	G-1015-A
1	040421-01-712	EA	VALVE,SERV. W/O VAPOR RELIEF	29000853
2	040421-01-700	EA	VALVE-LIQUID LEVEL, 20%	G-1013
3	040421-01-713	EA	VALVE-RELIEF 1" W/SPRING 7"	29000587
4	040421-01-702	EA	CAP-FILL VALVE, PLASTIC	G-1014-A
5	040421-01-701	EA	VALVE-FILL-SHORT, LP	7547B
6	040421-01-711	EA	VALVE-80% FILL W/AUTO STOP	LLL/TL3
7			NOT WHAT IS ILLUSTRATED HERE	
8			NOT WHAT IS ILLUSTRATED HERE	
9	088253-01-700	EA	FLOAT/BOLT ON-SCREW ON DIAL	SG16C0000071
9	088253-01-702	EA	FLOAT/SCREW IN-SNAP ON DIAL	SG16C0001442

088253-08-000

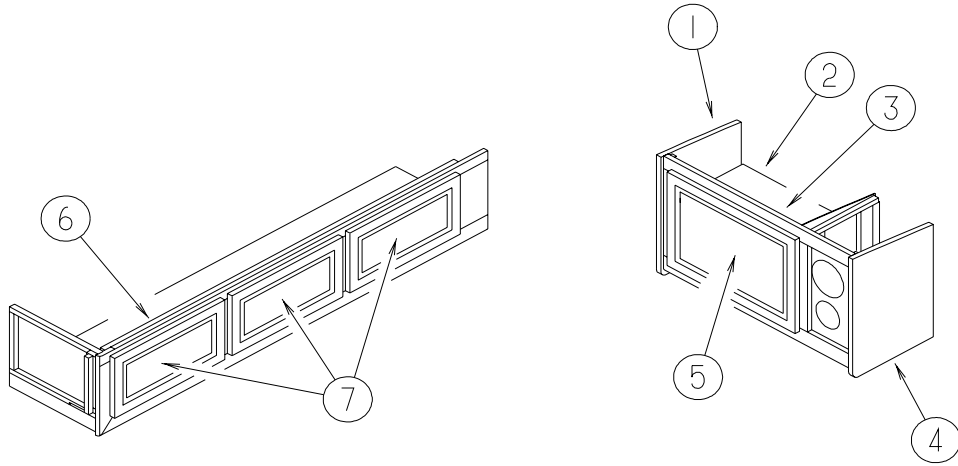
KEY	PART NUMBER	U/M	DESCRIPTION	VENDOR NO.
	088253-08-000	EA	TANK - LP - 80 LB - 16" X 30" - TOP MOUNT	BRUNNER12160030075
1	040421-01-708	EA	HANDWHEEL-SERVICE VALVE	G-1015-A
1	040421-01-712	EA	VALVE,SERV. W/O VAPOR RELIEF	29000853
2	040421-01-700	EA	VALVE-LIQUID LEVEL, 20%	G-1013
3	040421-01-713	EA	VALVE-RELIEF 1" W/SPRING 7"	29000587
4	040421-01-702	EA	CAP-FILL VALVE, PLASTIC	G-1014-A
5	040421-01-701	EA	VALVE-FILL-SHORT, LP	7547B
6	040421-01-711	EA	VALVE-80% FILL W/AUTO STOP	LLL/TL3
7			NOT WHAT IS ILLUSTRATED HERE	
8			NOT WHAT IS ILLUSTRATED HERE	
9	088253-01-700	EA	FLOAT/BOLT ON-SCREW ON DIAL	SG16C0000071
9	088253-01-702	EA	FLOAT/SCREW IN-SNAP ON DIAL	SG16C0001442

LP GROUP (CONTINUED)
COMPONENT PARTS FOR LP SYSTEM (CONTINUED)

088253-10-000

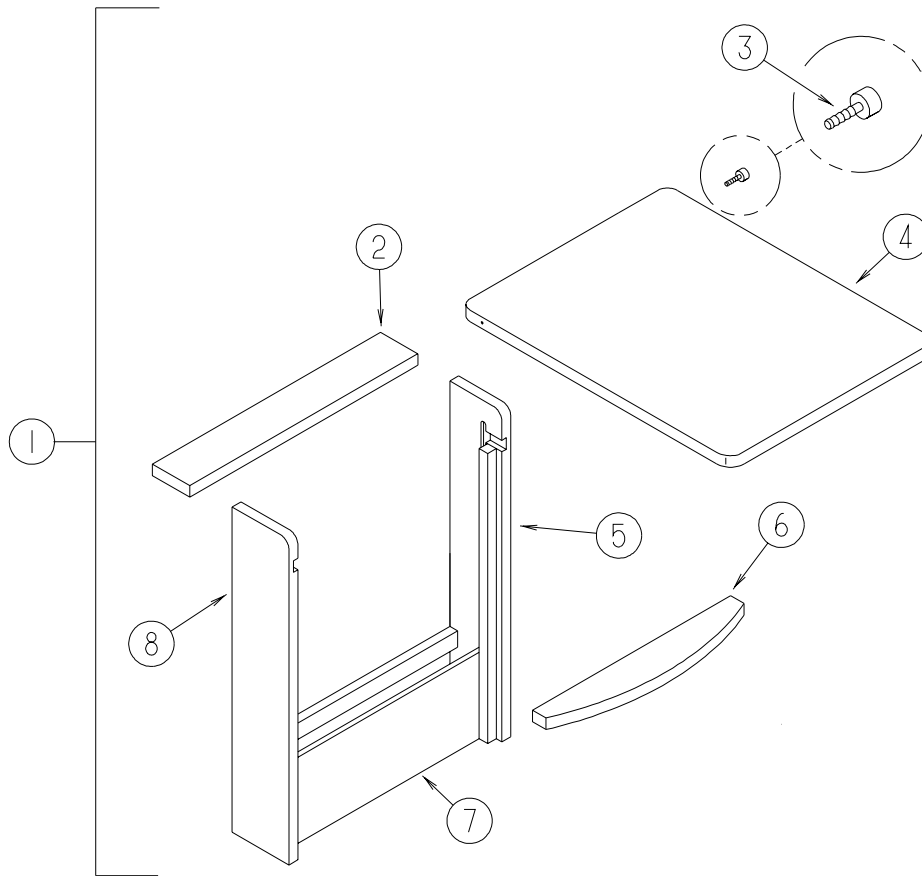
KEY	PART NUMBER	U/M	DESCRIPTION	VENDOR NO.
1	040421-01-708	EA	HANDWHEEL-SERVICE VALVE	G-1015-A
1	040421-01-712	EA	VALVE,SERV. W/O VAPOR RELIEF	29000853
2	040421-01-700	EA	VALVE-LIQUID LEVEL, 20%	G-1013
3	040421-01-713	EA	VALVE-RELIEF 1" W/SPRING 7"	29000587
4	040421-01-702	EA	CAP-FILL VALVE, PLASTIC	G-1014-A
5	040421-01-701	EA	VALVE-FILL-SHORT, LP	7547B
6	040421-01-711	EA	VALVE-80% FILL W/AUTO STOP	LLL/TL3
7	040421-01-707	EA	FLOAT/BOLT ON-SCREW ON DIAL	14C
7	088253-09-700	EA	FLOAT/SCREW IN-SNAP ON DIAL	SG14C0001466
8			NOT WHAT IS ILLUSTRATED HERE	
9			NOT WHAT IS ILLUSTRATED HERE	

LOUNGE GROUP CABINETS



KEY	PART NUMBER	U/M	DESCRIPTION
1	103128-38-M30	EA	END CAP - OVERHEAD CABINET - LEFT HAND
2	129782-14-M30	EA	SHELF - W/PLASTIC EDGE TRIM
3	129782-01-M30	EA	CABINET - OVERHEAD/FRONT/RIGHT HAND - W/O DOORS/HARDWARE (M36)
3	129782-01-M31	EA	CABINET - OVERHEAD/FRONT/RIGHT HAND - W/O DOORS/HARDWARE (M37)
3	129782-01-M32	EA	CABINET - OVERHEAD/FRONT/RIGHT HAND - W/O DOORS/HARDWARE (M38)
4	103128-10-M42	EA	END CAP - OVERHEAD CABINET - RIGHT HAND
5	134781-93-M36	EA	DOOR - RAIL/VENEER - 14.9" X 21.8" - W/O HARDWARE
6	136273-02-M30	EA	CABINET - OVERHEAD/COUCH - W/O DOORS/HARDWARE
7	134781-59-M36	EA	DOOR - RAIL/VENEER - 10" X 19.1" - W/O HARDWARE

LOUNGE GROUP (CONTINUED) TABLES



KEY	PART NUMBER	U/M	DESCRIPTION
1	P19559-04-L81	EA	TABLE ASM - PULLOUT FROM: 00-00-00 THRU: 09-19-00
2	119559-26-L81	EA	TOP - F/CABINET/PULLOUT TABLE
3	079921-01-000	EA	ROLLER - NYLON - W/STEEL SHAFT - BARBED
4	119559-29-L81	EA	TABLE TOP - PULLOUT
5	119559-11-L81	EA	CABINET/RIGHT SIDE - F/PULLOUT TABLE - 8.3" X 28.7"
6	119559-27-L81	EA	SHELF - SUPPORT - F/PULLOUT TABLE
7	119559-28-L81	EA	PANEL - BOTTOM F/TABLE CABINET - 18.1" X 6.7"
8	119559-12-L81	EA	CABINET/LEFT SIDE - F/PULLOUT TABLE - 8.3" X 28.7"

KEY	PART NUMBER	U/M	DESCRIPTION
1	136683-02-M53	EA	CABINET WALL - W/PULLOUT TABLE FROM: 09-20-00 THRU: 99-99-99
2	136683-20-M53	EA	TOP ONLY - F/PULLOUT CABINET
3	079921-01-000	EA	ROLLER - NYLON - W/STEEL SHAFT - BARBED
4	136683-22-M53	EA	TABLE TOP ONLY - F/PULLOUT TABLE
5	119559-11-M53	EA	CABINET/RIGHT SIDE - F/PULLOUT TABLE - 5.7" X 28.7"
6	136683-19-M53	EA	SHELF - TABLE STABILIZER W/EDGE MOLDING
7	136683-21-M53	EA	PANEL - LOWER/FRONT
8	119559-12-M53	EA	CABINET/LEFT SIDE - F/PULLOUT TABLE - 5.7" X 28.7"

SEALANTS & FASTENERS GROUP

SEALANTS & ADHESIVES

KEY	PART NUMBER	U/M	DESCRIPTION
	004001-05-000	EA	EPOXY ADHESIVE (CLEAR)
	004006-01-700	EA	ADHESIVE - 5 GALLON - NATIONAL STARCH
	004020-01-000	QT	ADHESIVE - ABS CEMENT - QUART
	010405-02-000	EA	TAPE - THREAD SEALING 3/8"
	034552-15-000	EA	SILICONE - TUBE - W/O NOZZLE - BRIGHT WHITE
	053766-06-000	EA	BEDDING COMPOUND - TUBE - CLEAR
	053766-08-000	EA	BEDDING COMPOUND - TUBE - GRAY
	062917-03-000	EA	ADHESIVE - LOCTITE 242
	063642-01-000	FT	TAPE - ADHESIVE - .4" X 1.5" X 180"
	067788-01-000	EA	ADHESIVE - SPRAY - 3M - 19.5 AEROSOL CAN
	069640-01-000	FT	SEALER - RIBBON - 1/4" DIAMETER X 30' - BLACK
	069640-02-000	FT	SEALER - TAPE - .13"THICK X .5"WIDE X 60' - GRAY
	069640-03-000	FT	SEALER - TAPE - .13"THICK X .75"WIDE X 60' - BLACK
	069640-07-000	FT	SEALER - TAPE - .09"THICK X 2"WIDE X 45' - GRAY
	069640-09-000	FT	SEALER - TAPE - .032"THICK X 2.50"WIDE X 80' - GRAY
	069640-10-000	FT	SEALER - TAPE - .03"THICK X 1.50"WIDE X 90' - GRAY
	069640-11-000	FT	SEALER - TAPE - .19"THICK X .38"WIDE X 40' - BLACK
	069640-13-000	FT	SEALER - TAPE - .03"THICK X 2"WIDE X 45' - BLACK
	069640-14-000	FT	SEALER - TAPE - .06"THICK X 1"WIDE X 100' - GRAY
	069640-15-000	FT	SEALER - TAPE - .06"THICK X .38"WIDE X 100' - GRAY
	069640-17-000	FT	SEALER - TAPE - .03"THICK X 1"WIDE X 90' - GRAY
	069640-18-000	FT	SEALER - TAPE - .50"THICK X 1/8"WIDE X 60' - BRIGHT WHITE
	069640-19-000	FT	SEALER - TAPE - .75"THICK X 1/8"WIDE X 60'- BRIGHT WHITE
	069640-20-000	FT	SEALER - TAPE - .50" THICK X 1/8" WIDE X 60'-BRIGHT WHITE
	069640-21-000	FT	SEALER - TAPE - .50" THICK X 1/16" WIDE X 100'-BRIGHT WHT
	069640-22-000	FT	SEALER - TAPE - .25" THICK X 1/32" WIDE X 100'- BRIGHT WHT
	069640-23-000	FT	SEALER - TAPE - 1/16" THICK X 3/4" WIDE X 100'-BRIGHT WHT
	069640-25-000	FT	SEALER - TAPE - .06" THICK X 3.5" WIDE X 50' - GRAY
	069640-26-000	FT	SEALER - TAPE - 1/16" X 2" X 50' - BRIGHT WHITE
	069640-27-000	FT	SEALER - TAPE - 1/16" X 2 1/4" X 50' - BRIGHT WHITE
	072889-01-000	EA	SEALANT - URETHANE - BLACK - TUBE
	072889-11-000	EA	SEALANT - URETHANE - GRAY - TUBE
	076314-02-000	FT	TAPE - CARPET SEAM - HEAT-BOND - 4" WIDE
	076322-01-000	FT	TAPE - DOUBLE COATED/ADHESIVE BACK - .025"THK X .75"W X18'
	076322-02-000	FT	TAPE - DOUBLE COATED/ADHESIVE BACK - .045"THK X 1"W X 9'
	076322-03-000	FT	TAPE - DOUBLE COATED/ADHESIVE BACK - .045"THK X .50"W X 9'
	076322-04-000	FT	TAPE-DOUBLE COATED/ADHESIVE BK-.05"THK X .8"W X 108' - WHT
	076322-05-000	FT	TAPE - DOUBLE COATED/ADHESIVE BACK - .045"THK X .75"W X 9'
	076322-07-000	FT	TAPE - DOUBLE COATED/ADHESIVE BACK - .045"THK X .50"W X 9'
	076322-11-000	FT	TAPE - DOUBLE COATED/ADHESIVE BACK - .020"THK X 1"W X 9'
	086276-01-000	EA	TAPE - DOUBLE SIDED - 1/2"
	087211-01-000	GL	PROMOTER - ADHESIVE
	088479-01-000	EA	TAPE - ALUMINUM - 3"
	090340-01-000	FT	SEAL - FOAM - CLOSED CELL - 1/4" X 1/2" X 50'
	091255-02-000	FT	SEAL - ADHESIVE BACKED/FOAM - 3/64" THICK X 3/16" WIDE
	091255-03-000	FT	SEAL - ADHESIVE BACKED/FOAM - 1/4" THICK X 1/4" WIDE
	094401-03-000	EA	SEALER - BODY SEAM - BLACK
	094401-04-000	EA	SEALER - BODY SEAM - CLEAR
	098408-01-000	FT	SEAL - SPONGE RUBBER - CLOSED CELL
	099069-01-000	FT	SEAL - RUBBER - CLOSED SPONGE - .5" WIDE X .12" THICK -BLK
	099418-01-000	FT	SEAL - D-SECTION/ADHESIVE BACK - .44" X .44" - BLK RUBBER
	099952-01-000	FT	CORE - SEAL - BULB SUPPORT
	100128-02-000	FT	SEAL - FOAM/ADHESIVE BACK - .37" WIDE X .37" THICK
	102352-01-000	EA	SEALER - PUMPABLE - TUBE - BLACK
	102352-02-000	EA	SEALER - PUMPABLE - TUBE - BLACK
	104692-01-000	FT	SEAL - ADHESIVE BACKED FOAM - 3/4" THICK X 3/4" WIDE X 25'
	104692-03-000	FT	SEAL - ADHESIVE BACKED FOAM - 1" THICK X 1 3/4" WIDE X 15'
	106206-01-000	EA	SEALER - PUMPABLE - TUBE - BLACK - MANUS
	107828-01-000	EA	SEALANT - SB - 190 EVERSEAL
	108353-01-000	FT	SEAL - FOAM - 5/16" X 1/2" - ADHESIVE BACKED
	109506-12-000	EA	FILM/ABRASION-RESISTANT - TRANSPARENT - 1" DIA.
	110274-01-000	FT	TAPE - DOUBLE SIDED/FOAM - .45" X 1" X 216' - BLACK
	111940-02-000	LB	SEALER - PUTTY - THUMBING
	112864-01-000	FT	SEAL - FOAM/BUTYL COVERED - 3/8"

SEALANTS & FASTENERS GROUP (CONTINUED)

SEALANTS & ADHESIVES (CONTINUED)

KEY	PART NUMBER	U/M	DESCRIPTION
	112864-02-000	FT	FOAM - BUTYL COVERED 5/16"
	112901-01-000	EA	ADHESIVE - PLEXUS - 400 ML CARTRIDGE
	112901-02-000	EA	ADHESIVE - PLEXUS - 50ML
	112901-03-000	EA	ADHESIVE - PLEXUS - MA300 - 50ML - WHITE
	112902-01-000	EA	NOZZLE - ELEMENT - 3/8 X 24
	112902-03-000	EA	NOZZLE - ELEMENT - 1/4 X 6
	113366-01-000	EA	ADHESIVE - INSTANT
	120074-02-02A	EA	SEALANT - SILICONE - SOFT WHITE
	120074-02-03A	EA	SEALANT - SILICONE - SMOKY WHITE
	120534-01-01A	EA	TAPE - SCOTCH - 3M - 1/2" FINE LINE
	123244-01-000	FT	TAPE - DOUBLE SIDED/FOAM - 5/64" THICK X 3/4" WIDE
	123244-02-000	FT	TAPE - DOUBLE SIDED/FOAM - 5/64" THICK X 1/2" WIDE X 108'
	123816-01-000	FT	TAPE - DOUBLE SIDED - 1" X 100'
	123816-02-000	FT	TAPE - DOUBLE SIDED - 1/2" X 1 1/3" X 100'
	123816-03-000	FT	TAPE - DOUBLE SIDED - 1/2" X 3/4" X 100'
	123816-04-000	FT	TAPE - DOUBLE SIDED - 6" X 750'
	123995-03-000	EA	ADHESIVE-TILE,FLOOR
	126427-01-000	EA	ADHESIVE - ALL PURPOSE - ABS/PVC
	126427-02-000	EA	PRIMER - CLEANER - FLEX PIPING
	131137-01-000	YD	TAPE - ADHESIVE - DOUBLE SIDED
	131264-01-02A	EA	SILICONE - W/O NOZZLE - CLEAR
	131264-01-01A	EA	SILICONE - W/O NOZZLE - BLACK
	131264-02-01A	EA	SILICONE - W/O NOZZLE - VW GRAY - BATH ONLY
	131264-03-01A	EA	SILICONE - SELF LEVELING - W/O NOZZLE - BRIGHT WHITE
	131264-04-01A	EA	SILICONE - CLEAR - ADHESIVE
	131384-01-000	EA	ADHESIVE - JETWELD
	900390-01-000	EA	NOZZLE - SILICONE TUBE - 2.5" LONG
	900390-03-000	EA	NOZZLE - SILICONE TUBE - 4.3" LONG

BOLTS, NUTS AND WASHERS

KEY	PART NUMBER	U/M	DESCRIPTION
	OMC04K-06-016	EA	BOLT - HEX - M06 X 1 X 016
	OMC05K-08-055	EA	BOLT - HEX - M08 X 1.25 X 2.2
	OMC13K-14-070	EA	BOLT - HEX - M14 X 2 X 2 3/4
	OMC31K-08-020	EA	BOLT - HEX - SERRATED FLANGE - M8 X 020
	OMC32K-10-030	EA	BOLT - HEX - SERRATED FLANGE - M10 X 1.50
	OMC54K-14-035	EA	BOLT-HEX M14X2,00X035 10.9 - C-TECH DIN 931,10.9
	OMD16K-10-000	EA	NUT - HEX PREV TORQUE M10 X 1 1/2 CLASS 8
	OMD39K-12-000	EA	NUT - HEX W/NYLON LOCK - M12 X 1 3/4
	OMD40K-14-000	EA	NUT - HEX W/NYLON LOCK - M14 X 2.00
	OMD74K-14-000	EA	NUT - HEX - PREVIOUS TORQUE - M14 X 2
	OMD77K-12-000	EA	NUT - HEX - PREVIOUS TORQUE - M12 X 1.75
	OME06K-12-300	EA	WASHER - FLAT - 12 ID X 30 OD
	OME06K-14-280	EA	WASHER - FLAT - 14 ID X 28.00 OD
	000C12-04-08B	EA	BOLT - HEX - 1/4-20 X 1/2 - GRADE #5 - ZINC
	000C12-04-12A	EA	BOLT - HEX - 1/4-20 X 3/4 - PLAIN 5
	000C12-04-40B	EA	BOLT - HEX - 1/4-20 X 2 1/2 - GRADE 5 ZINC
	000C12-05-12B	EA	BOLT - HEX - 5/16-18 X 3/4 - GRADE #5 - ZINC
	000C12-05-16B	EA	BOLT - HEX - 5/16-18 X 1 - GRADE #5 - ZINC
	000C12-05-64B	EA	BOLT - HEX - 5/16-18 X 4
	000C12-06-128	EA	BOLT - HEX - 3/8 - 16 X 8 - ZINC 5
	000C12-06-16B	EA	BOLT - HEX - 3/8-16 X 1 - GRADE #5 - ZINC
	000C12-06-20B	EA	BOLT - HEX - 3/8 - 16 X 1 1/4 - ZINC #5
	000C12-06-24B	EA	BOLT - HEX - 3/8-16 X 1 1/2 - ZINC #5
	000C12-06-44B	EA	BOLT - HEX - 3/8-16 X 2 3/4 - GRADE 5 - ZINC
	000C12-07-20B	EA	BOLT - HEX - 7/16-14 X 1 1/4 - GRADE #5 - ZINC
	000C12-07-24B	EA	BOLT - HEX - 7/16-14 X 1 3/4 - GRADE #5 - ZINC
	000C12-08-16B	EA	BOLT - HEX - 1/2-13 X 1" - GRADE #5 - ZINC
	000C12-08-24B	EA	BOLT - HEX - 1/2-13 X 1 1/2 - GRADE #3 - ZINC
	000C12-08-28B	EA	BOLT - HEX - 1/2-13 X 1 3/4 - GRADE #5 - ZINC
	000C12-10-24B	EA	BOLT - HEX - 5/8-11 X 1 1/2 - GRADE #5 - ZINC
	000C13-07-24B	EA	BOLT - HEX - 7/16-20 X 1 1/2 - GRADE #5
	000C13-07-40B	EA	BOLT - HEX - 7/16-20 X 2 1/2 - GRADE #5 - ZINC
	000C13-07-48B	EA	BOLT - HEX - 7/16-20 X 3 - GRADE #5 - ZINC
	000C14-07-20B	EA	BOLT - HEX - 7/16-14 X 1 1/4 - GRADE #8 - ZINC

SEALANTS & FASTENERS GROUP (CONTINUED)**BOLTS, NUTS AND WASHERS (CONTINUED)**

KEY	PART NUMBER	U/M	DESCRIPTION
	000C14-07-28B	EA	BOLT - HEX - 7/16-14 X 1 3/4 - GRADE #8 - ZINC
	000C14-08-64B	EA	BOLT - HEX - 1/2-13X4 ZN 8
	000C14-10-24K	EA	BOLT - HEX - 5/8-11 X 1 1/2 - GRADE #8 - ZINC
	000C14-10-32K	EA	BOLT - HEX - 5/8"-11 X 2 - GRADE #8 - ZINC
	000C18-05-40A	EA	BOLT - ELEVATOR - 5/16-18 X 2 1/2 - PL
	000C18-06-48B	EA	BOLT - ELEVATOR - 3/8-16 X 3 - GRADE 5 - ZINC
	000C18-06-56A	EA	BOLT - ELEVATOR - 3/8-16 X 3 1/2 - GRADE 5
	000C26-04-10B	EA	BOLT - HEX - SERRATED FLANGE - 1/4-20 X 5/8 - ZINC
	000C26-04-14B	EA	BOLT - HEX - SERRATED FLANGE - 1/4-20 X 7/8 - ZINC
	000C26-04-18B	EA	BOLT - HEX - SERRATED FLANGE - 1/4-20 X 1 1/8 - ZINC
	000C26-05-129	EA	BOLT - HEX - SERRATED FLANGE - 5/16-18 X 3/4
	000C26-05-12B	EA	BOLT - HEX - SERRATED FLANGE - 5/16-18 X 3/4 - ZINC
	000C26-05-16B	EA	BOLT - HEX - SERRATED FLANGE - 5/16-18 X 1 - ZINC
	000C26-05-20B	EA	BOLT - HEX - SERRATED FLANGE - 5/16-18 X 1 1/4 - ZINC
	000C26-05-249	EA	BOLT - HEX - SERRATED FLANGE - 5/16-18 X 1 1/2
	000C26-06-12B	EA	BOLT - HEX - SERRATED FLANGE - 3/8-16 X 3/4 - ZINC
	000C26-06-16B	EA	BOLT - HEX - SERRATED FLANGE - 3/8-16 X 1 - ZINC
	000C26-06-20B	EA	BOLT - HEX, SER FLG 3/8 - 16 X 1 1/4 - ZN
	000C26-06-28B	EA	BOLT - HEX - SERRATED FLANGE - 3/8-16 X 1 3/4 - ZINC
	000C26-06-40B	EA	BOLT - HEX - SERRATED FLANGE - 3/8-16 X 2 1/2 - ZINC
	000C26-08-24B	EA	BOLT - HEX - SERRATED FLANGE - 1/2-13 X 1 1/2 - ZINC
	000C26-08-28B	EA	BOLT - HEX - SERRATED FLANGE - 1/2-13 X 1 3/4 - ZINC
	000C26-08-40B	EA	BOLT - HEX - SERRATED FLANGE-1/2-13 X 2 1/2-GRADE #5 ZINC
	000C27-04-40B	EA	BOLT - CARRIAGE - 1/4-20 X 2 1/2 - ZINC
	000C27-05-16B	EA	BOLT - CARRIAGE - 5/16-18 X 1.0 - ZINC
	000C27-05-44I	EA	BOLT-CARR,5/16-18X2.75" - BLACK ZINC
	000C27-07-40B	EA	BOLT - CARRIAGE - 7/16-14 X 2.50 - GRADE 5
	000C27-10-32B	EA	BOLT - CARRIAGE - 5/8-11 X 2
	000D16-07-00B	EA	NUT - HEX - 7/16-14 - ZINC
	000D18-08-00B	EA	NUT - HEX JAMB - 1/2-13 - ZINC
	000D24-10-00B	EA	NUT - HEX - SELF LOCKING - 10-32 ZINC
	000D28-10-00B	EA	NUT - HEX - W/NYLON LOCK - 10-32 ZINC
	000D29-04-00B	EA	NUT - HEX - SELF LOCKING - 1/4 X 20 - ZINC
	000D29-05-00B	EA	NUT - HEX - LOCKING W/SERRATED FLANGE-NYLON WASHER INSERT
	000D29-06-00B	EA	NUT - HEX - W/NYLON LOCK - 3/8-16 - ZINC
	000D29-09-00B	EA	NUT - HEX - SELF LOCKING - 9/16-12 - ZINC
	000D30-07-00B	EA	NUT - HEX LOCK,NYLON 7/16X20
	000D34-04-00B	EA	NUT - HEX - LOCKING - 1/4-20 ZINC
	000D34-06-00B	EA	NUT - HEX - LOCKING - 3/8-16 GRADE C - ZINC
	000D39-04-00B	EA	NUT - HEX - LOCKING W/SERRATED FLANGE - 1/4-20 - ZINC
	000D39-05-00B	EA	NUT - HEX - LOCKING W/SERRATED FLANGE - 5/16-18 - ZINC
	000D39-06-00B	EA	NUT - HEX - LOCKING W/SERRATED FLANGE - 3/8-18 - ZINC
	000D39-06-00D	EA	NUT - HEX - LOCKING W/SERRATED FLANGE - 3/8"-16 BLACK
	000D39-07-00B	EA	NUT - HEX - LOCKING W/SERRATED FLANGE - 7/16-14 - ZINC
	000D39-08-00B	EA	NUT - HEX - LOCKING W/SERRATED FLANGE - 1/2-13 - ZINC
	000D39-09-00B	EA	NUT - HEX - SERRATED FLANGE LK 9/16-12 - GRADE #5 - ZINC
	000D44-04-00B	EA	NUT - HEX - LOCKING W/SERRATED FLANGE - 1/4-28 - ZINC
	000D44-07-00B	EA	NUT - HEX - LOCKING W/SERRATED FLANGE - 7/16-20 - ZINC
	000D44-08-00B	EA	NUT - HEX - SERRATED FLANGE - 1/2-20 - GRADE #5 - ZINC
	000D46-04-00A	EA	NUT - HEX - WELD - 1/4-20 - PLAIN
	000D58-06-00A	EA	NUT - HEX - WELD 3/8-16 - PLAIN
	000D65-08-00B	EA	NUT - HEX - LOCKING W/SERRATED FLANGE - 8-32 - ZINC
	000D67-07-00B	EA	NUT - HEX - LOCKING - 7/16-13 ZINC
	000D67-10-00B	EA	NUT - HEX - LOCK - 5/8-11 - ZINC
	000D73-07-00C	EA	NUT - HEX FLANGE - 7/16-14 - GRADE 6
	000D73-08-00C	EA	NUT - HEX FLANGE - 1/2-13
	000D75-09-00B	EA	NUT - HEX LOCKING - 9/16-12 - ZINC
	000D76-06-00B	EA	NUT - HEX FLANGE - 3/8-16
	000E11-04-00F	EA	WASHER - LOCKING - 1/4 MED SPLIT - STAINLESS STEEL
	000E11-07-00B	EA	WASHER - LOCKING - 7/16 MED SPLIT - ZINC
	000E11-08-00B	EA	WASHER - LOCKING - 1/2 MED SPLIT - ZINC
	000E13-17-00B	EA	WASHER - FLAT - 3/8 AR - ZINC
	000E13-18-00B	EA	WASHER - FLAT - 3/8 WIDE - ZINC
	000E13-18-00K	EA	WASHER - FLAT - 3/8 WIDE - YELLOW CHROMATE

SEALANTS & FASTENERS GROUP (CONTINUED)

BOLTS, NUTS AND WASHERS (CONTINUED)

KEY	PART NUMBER	U/M	DESCRIPTION
	000E13-20-00B	EA	WASHER - FLAT - 7/16 WIDE - ZINC
	000E13-21-00B	EA	WASHER - FLAT - 1/2 NARROW - ZINC
	000E13-22-00B	EA	WASHER - FLAT - 1/2 WIDE - ZINC
	000E13-26-00B	EA	WASHER - FLAT - 5/8 WIDE - ZINC
	000E14-10-00B	EA	WASHER - LOCKING - #10 EXTERNAL TOOTH - ZINC
	000E16-07-00B	EA	WASHER - HARDENED - 7/16" - FLAT - ZINC
	000E16-08-00B	EA	WASHER - HARDENED - 1/2 - FLAT - ZINC
	000E16-10-00B	EA	WASHER - HARDENED - 5/8 - FLAT - ZINC
	000G45-04-16F	EA	BOLT - LAG - 1/4"-9 X 1" - STAINLESS STEEL HEX HEAD
	000G45-05-16B	EA	BOLT - LAG - 5/16-9 X 1 - ZINC
	000G62-08-24B	EA	SCREW - SF/DR - 8-18 X 1 1/2 PFH
	002329-01-000	EA	WASHER-FLAT, 9/32" ID X 5/8" OD - NYLON
	005081-01-000	EA	NUT - SPEED - C-TYPE - #8 SCREW
	040921-03-000	EA	NUT - SPEED - U TYPE - #10
	040921-04-000	EA	NUT - SPEED - U TYPE - #8-.59" LENGTH X .44" WIDTH
	040921-05-000	EA	NUT - SPEED - U-TYPE - 8-.67" X .44" WIDE
	040921-09-000	EA	NUT - SPEED - U TYPE - #8
	041322-01-000	EA	WASHER - FLANGE - 15/32 ID X 2 3/8 OD - F/SEAT BELT MTG
	044364-01-000	EA	NUT - SPEED - FLAT - RECTANGULAR - SELF LOCKING/ONE PIECE
	044364-02-000	EA	NUT - SPEED - FLAT - ROUND
	044533-01-000	EA	WASHER - PLASTIC - 1 3/8" OD - FOR BUTTONS
	051387-06-000	EA	BOLT - CARRIAGE W/O HOLE - 5/16-18 X 9.5 - ZINC
	058716-02-000	EA	WASHER - FLAT NYLON
	058716-03-000	EA	WASHER - FLAT/NYLON - .500 X 1 1/4 X 060
	064081-03-000	EA	NUT - WING 3/8-16 - W/WELD NUT
	068938-03-000	EA	BEARING - SNAP IN - .38"ID - TYPE 7
	077071-01-000	EA	WASHER - FENDER - 3/16 ID X 1 OD
	083163-06-000	EA	PUSHNUT - FLAT TYPE 3/8 STUD - FORD ONLY
	084406-01-000	EA	NUT - CAPPED - CROSS RECESSED - BLACK - 1/4-20 THD
	087234-01-000	EA	NUT - JACK - 1/4 X 20 THD - MOLLY
	087718-01-000	EA	MONOBOLT - STEEL - 3/16 DIAMETER
	088787-12-000	EA	STUD - WELD - 1/4 - 20 X 1.0 LG - MN
	095076-01-000	EA	WASHER - FL - 1/2"ID X 2"OD X 1/8"
	102333-01-06A	EA	BOLT - CARRIAGE - 7/16-14 STAINLESS STEEL CAP
	102333-02-01A	EA	BOLT - CARRIAGE - 1/4-20
	102378-01-02A	EA	WASHER - BLACK
	102540-02-000	EA	SEAL - SCREW
	103020-02-000	EA	BOLT-U - #8-32 - GRADE 5 ZINC
	104369-01-000	EA	NUT - HEX - HEAVY - 5/8-11 UNC
	106166-01-000	EA	BOLT/COLLARED HANGER - 8-32 X 1"
	106648-01-000	EA	CAP - STUD - .120 TO .130 DIAMETER
	106956-03-000	EA	BOLT - HEX TAP - 1/2-12NC X 3 - GRADE 5 - FULL THREAD/ZINC
	106956-08-000	EA	BOLT - HEX TAP - 1/2-13NC X 4 - GRADE 5 - FULL THREAD/ZINC
	107393-02-000	EA	BOLT - SHOULDER - 3/8" SOCKETHEAD
	107397-01-000	EA	WASHER - FENDER - .25" ID X 1" OD
	108067-03-000	EA	STUD - WELD - 1/4 - 20 X 1/2 CD
	109917-01-000	EA	WASHER - 1.5" X 1.25"
	109917-02-000	EA	WASHER - 1.25" X .75"
	109917-03-000	EA	WASHER - 1" X .50"
	109917-04-000	EA	WASHER - 1" X .75"
	113985-01-000	EA	BOLT - FLANGE - M10-1.5 X 40CL10.9
	113985-02-000	EA	BOLT - FLANGE - M10-1 1/2 X 30CL 10.9
	114259-05-000	EA	BOLT - 7/16-20X1.25 W/WASHER
	116672-01-000	EA	NUT - SPEED
	120506-01-01A	EA	RIVET - PLASTIC - 3/16 DIAMETER
	128444-01-000	EA	WASHER - SPRING - CONICAL
	131377-01-000	EA	NUT-HEX HEAD W/WASHER-1/4-20 X 2" STEEL W/3/4" OD WASHER
	134775-01-000	EA	BOLT - CARRIAGE - 1/2-13 X 4" FULL THROAT-GRADE #5-ZINC/CL
	135092-01-01A	EA	BOLT - HEX - SERRATED FLANGE - 1/2-20 X 1 3/4-GRADE 5 ZINC
	135092-02-01A	EA	BOLT - HEX - SERRATED FLANGE - 1/2-20 X 2 1/2-GRADE 5 ZINC
	135092-04-01A	EA	BOLT - HEX - SERRATED FLANGE - 1/2-20 X 4 1/2 GRADE 5 ZINC

SEALANTS & FASTENERS GROUP (CONTINUED)

SCREWS

KEY	PART NUMBER	U/M	DESCRIPTION
	0G1106-06-160	EA	SCREW - 6-20 X 3/8 PPH
	0G1106-08-240	EA	SCREW - 6-20 X 1/2 PPH - VW LIGHT GRAY
	0G1108-08-250	EA	SCREW - 8-18 X 1/2 PPH
	0G1108-12-240	EA	SCREW - 8-18 X 3/4 PPH - VW LIGHT GRAY
	0G1108-16-240	EA	SCREW - 8-18 X 1.00 PPS - VW LIGHT GRAY
	0G1206-12-110	EA	SCREW - 6-20 X .75 POH - HAMPTON TAN
	0G1208-12-170	EA	SCREW - 8-18 X 3/4 POH - BRIGHT WHITE
	0G1306-08-130	EA	SCREW-6-20X1/2 PFH TAUPE
	0G1308-10-240	EA	SCREW - 8-18 X 5/8 PFH - VW LIGHT GRAY
	0G3804-22-180	EA	SCREW - MACHINE - 1/4-20 X 1 3/8 PFH - BLACK
	0G3908-08-160	EA	SCREW - SF/DR - 8-18 X 1/2 PPH - VW WHITE
	0G3908-08-240	EA	SCREW - SF/DR - 8-18 X 1/2 PPH - VW LIGHT GRAY
	0G3908-08-170	EA	SCREW - SF/DR - 8-18 X 1/2 PPH - BRIGHT WHITE
	0G3908-12-250	EA	SCREW - SF/DR - 8-18 X 3/4 PPH - DARK GRAY
	0G3908-12-240	EA	SCREW - SF/DR - 8-18 X .75 PPH - VW LIGHT GRAY
	0G3908-16-250	EA	SCREW - SF/DR - 8-18 X 1.00 PPH
	0G3908-16-170	EA	SCREW - SF/DR - 8-18 X 1 PPH - BRIGHT WHITE
	0G3908-20-170	EA	SCREW - SF/DR - 8-18 X 1 1/4 PPH - BRIGHT WHITE
	0G3908-24-170	EA	SCREW - SF/DR - 8-18 X 1 1/2 PPH - BRIGHT WHITE
	0G3910-10-240	EA	SCREW - SF/DR - 10-16 X 5/8 PPH - VW LIGHT GRAY
	0G3910-10-160	EA	SCREW - SF/DR - 10-16 X 5/8 PPH - VW WHITE
	0G3910-12-240	EA	SCREW - SF/DR - 10-16 X .75 PPH - VW LIGHT GRAY
	0G3910-12-170	EA	SCREW - SF/DR - 10-16 X 3/4 PPH - BRIGHT WHITE
	0G3910-12-270	EA	SCREW - SF/DR - 10-16 X .75 PPH - TITANIUM
	0G3910-20-310	EA	SCREW - SF/DR - 10-16 X 1 1/4 PPH - CADDY CREAM
	0G3910-20-270	EA	SCREW - SF/DR - 10-16 X 1.25 - PPH - TITANIUM
	0G3910-20-260	EA	SCREW - SF/DR - 10-16 X 1.25 PPH - ALLANTE ANTELOPE
	0G3910-32-240	EA	SCREW - SF/DR - 10-16 X 2.00 PPH - VW LIGHT GRAY
	0G5508-08-250	EA	SCREW - SF/DR - 8-18 X 1/2 PWH - VW DARK GRAY
	0G5508-08-110	EA	SCREW - SF/DR - 8-18 X .5 PWH
	0G5508-12-110	EA	SCREW - SF/DR - 8-18 X 3/4 PWH - HAMPTON TAN
	0G5508-12-310	EA	SCREW - SF/DR - 8-18 X 3/4 PWH - CADDY CREAM
	0G5508-12-270	EA	SCREW - SF/DR - 8-18 X 3/4 PWH - TITANIUM
	0G5508-12-260	EA	SCREW - SF/DR - 8-18 X 3/4 PWH - ALLANTE ANTELOPE
	0G5508-12-240	EA	SCREW - SF/DR - 8-18 X 3/4 PWH - VW LIGHT GRAY
	0G5508-12-170	EA	SCREW - SF/DR - 8-18 X 3/4 PWH - BRIGHT WHITE
	0G5508-16-270	EA	SCREW - SF/DR - 8-18 X 1 PWH ZINC - INTERIOR TITANIUM
	0G5508-16-260	EA	SCREW - SF/DR - 8-18 X 1 PWH ZINC - INTERIOR ANTELOPE
	0G5508-16-250	EA	SCREW - SF/DR - 8-18 X 1 PWH - VW DARK GRAY
	0G5508-16-310	EA	SCREW - SF/DR - 8-18 X 1 PWH - CADDY CREAM
	0G6008-16-170	EA	SCREW - SF/DR - 8-18 X 1 POH - BRIGHT WHITE
	0G6710-08-130	EA	SCREW - 10-12 X 1/2 PPH - TAUPE
	0G6710-08-110	EA	SCREW - 10-12 X 1/2 PPH - HAMPTON TAN
	0G6710-08-250	EA	SCREW - 10-12 X .50 PPH
	0G6710-08-240	EA	SCREW - 10-12 X 1/2 PPH TAUPE - VW LIGHT GRAY
	0G6710-08-170	EA	SCREW - 10-12 X 1/2 PPH - BRIGHT WHITE
	0G6710-12-170	EA	SCREW - 10-12 X 3/4 PPH - BRIGHT WHITE
	0G6806-16-170	EA	SCREW - 6-18 X 1 POH - BRIGHT WHITE
	0G6810-24-170	EA	SCREW - 10-12 X 1.5 POH - BRIGHT WHITE
	0G6810-24-280	EA	SCREW - 10-12 X 1 1/2 POH - SOFT WHITE
	0MD34K-04-000	EA	NUT - HEX W/NYLON LOK - M4 X .70
	000C20-05-28F	EA	SCREW - 5/16-18 X 1 3/4 FLAT SOC - STAINLESS STEEL
	000G11-06-06B	EA	SCREW - 6-20 X 3/8 PPH - ZINC
	000G11-06-24B	EA	SCREW - 6-20 X 1 1/2 PPH ZINC
	000G11-06-10J	EA	SCREW - 6-20 X 5/8 PPH - BRASS
	000G11-06-10B	EA	SCREW - 6-20 X 5/8 PPH - ZINC
	000G11-06-08B	EA	SCREW - 6-20 X 1/2 PPH - ZINC
	000G11-06-18B	EA	SCREW - 6-20 X 1 1/8 PPH - ZINC
	000G11-07-08B	EA	SCREW - 7-19 X 1/2 PPH - ZINC
	000G11-08-08T	EA	SCREW - 8-18 X 1/2 PPH - FLUOROCARBON COATING
	000G11-08-06J	EA	SCREW - 8-18 X 3/8 PPH BRASS
	000G11-08-06B	EA	SCREW - 8-18 X 3/8 PPH - ZINC
	000G11-08-20B	EA	SCREW - 8-18 X 1 1/4 PPH - ZINC
	000G11-08-10B	EA	SCREW - 8-18 X 1/2 PPH - ZINC

SEALANTS & FASTENERS GROUP (CONTINUED)**SCREWS (CONTINUED)**

KEY	PART NUMBER	U/M	DESCRIPTION
	000G11-08-16B	EA	SCREW - 8-18 X 1 PPH - ZINC
	000G11-08-16S	EA	SCREW - 8-18 X 1 PPH - OFF WHITE
	000G11-08-12T	EA	SCREW - 8-18 X 3/4 PPH - BLACK MAGNESIUM
	000G11-08-12P	EA	SCREW - 8-18 X 3/4 PPH - DARK BROWN
	000G11-08-12D	EA	SCREW - 8-18 X 3/4 PPH - BLACK PHOSPHATE
	000G11-08-12B	EA	SCREW - 8-18 X 3/4 PPH - ZINC
	000G11-10-12S	EA	SCREW - 10-16 X 3/4 PPH - OFF WHITE
	000G11-10-12D	EA	SCREW - 10-16 X 3/4 PPH - BLACK
	000G11-10-16B	EA	SCREW - 10-16 X 1 PPH - ZINC
	000G11-10-40B	EA	SCREW - 10-16 X 2 1/2 PPH CADIUM
	000G12-06-12J	EA	SCREW - 6-20 X .75 POH - BRASS
	000G12-06-08T	EA	SCREW - 6-20 X 1/2 POH - BLACK
	000G12-08-12S	EA	SCREW - 8-18 X 3/4 POH - OFF WHITE
	000G12-08-283	EA	SCREW-8-18X1.75 POH - BUFF
	000G13-05-10B	EA	SCREW - 5-12 X 5/8 PFH - ZINC
	000G13-06-06I	EA	SCREW - 6-20 X 3/8 PFH - BLACK ZINC
	000G13-06-06B	EA	SCREW - 6-20 X 3/8 PFH - ZINC
	000G13-06-24J	EA	SCREW - 6-20 X 1 1/2 PFH - BRASS
	000G13-06-16S	EA	SCREW - 6-20 X 1 PFH - OFF WHITE
	000G13-06-16J	EA	SCREW - 6-20 X 1 PFH - BRASS
	000G13-06-10J	EA	SCREW - 6-20 X 5/8 PFH - BRASS
	000G13-06-10G	EA	SCREW - 6-20 X 5/8 PFH - ANTIQUE BRASS
	000G13-06-08G	EA	SCREW - 6-20 X 1/2 PFH - ANTIQUE BRASS
	000G13-06-08B	EA	SCREW - 6-20 X 1/2 PFH - ZINC
	000G13-07-10H	EA	SCREW - 7-19 X 5/8 PFH - BLACK
	000G13-07-12B	EA	SCREW - 7-19 X 3/4 PFH - ZINC
	000G13-08-16B	EA	SCREW - 8-18 X 1 PFH - ZINC
	000G13-08-109	EA	SCREW - 8-18 X 5/8 PFH
	000G13-08-10S	EA	SCREW - 8-18 X 5/8 PFH - OFF WHITE
	000G13-08-10B	EA	SCREW - 8-18 X 5/8 PFH - ZINC
	000G13-08-24B	EA	SCREW - 8-18 X 1 1/2 PFH - ZINC
	000G13-10-16I	EA	SCREW - 10-16 X 1 PFH - BLACK
	000G16-04-24B	EA	SCREW - MACHINE - 1/4-20 X 1 1/2 PPH
	000G18-08-12B	EA	SCREW - MACHINE - 8-32 X 3/4 PPH - ZINC
	000G18-08-20B	EA	SCREW - MACHINE - 8-32 X 1 1/4 PPH - ZINC
	000G18-08-22B	EA	SCREW - MACHINE - 8-32 X 1 3/8 PPH - ZINC
	000G18-08-24B	EA	SCREW - MACHINE - 8-32 X 1 1/2 PPH - ZINC
	000G19-10-10B	EA	SCREW - MACHINE - 10-32 X 5/8 - PPH - ZINC
	000G19-10-08B	EA	SCREW - MACHINE - 10-32 X 1/2 PPH - ZINC
	000G19-10-20B	EA	SCREW - MACHINE - 10-32 X 1 1/2 PPH - ZINC
	000G19-10-12F	EA	SCREW - MACHINE - 10-32 X 3/4 PPH - STAINLESS STEEL
	000G32-10-06B	EA	SCREW - 10-32 X 3/8 PPH - ZINC
	000G36-10-12T	EA	SCREW - 10-24X 3/4 PFH TYPE 23 - BLACK
	000G37-08-12B	EA	SCREW - 8-18 X 3/4 PPH
	000G37-08-089	EA	SCREW - 8 X 18 X 1/2 PPH - FLUOROCARBON SILVER
	000G38-04-16D	EA	SCREW - MACHINE - 1/4-20 X 1 PFN - BLACK
	000G39-06-08B	EA	SCREW - SF/DR - 6-18 X 1/2 - ZINC
	000G39-06-10T	EA	SCREW - SF/DR - 6-20 X 5/8 PPH - BLACK
	000G39-06-16T	EA	SCREW - SF/DR - 6-20 X 1 PPH - BLACK
	000G39-08-08S	EA	SCREW - SF/DR - 8-18 X 1/2 PPH - OFF WHITE
	000G39-08-08B	EA	SCREW - SF/DR - 8-18 X 1/2 PPH - ZINC
	000G39-08-06B	EA	SCREW - SF/DR - 8-18 X 3/8 PPH - ZINC
	000G39-08-32B	EA	SCREW - SF/DR - 8-18 X 2 PPH - ZINC
	000G39-08-24T	EA	SCREW - SF/DR - 8-18 X 1 1/2 PPH - BLACK
	000G39-08-24S	EA	SCREW - SF/DR - 8-18 X 1 1/2 - OFF WHITE
	000G39-08-24B	EA	SCREW - SF/DR - 8-18 X 1 1/2 PPH - ZINC
	000G39-08-16T	EA	SCREW - SF/DR - 6-20 X 1 PPH - BLACK
	000G39-08-16B	EA	SCREW - SF/DR - 8-18 X 1 PPH - ZINC
	000G39-08-12T	EA	SCREW - SF/DR - 8-18 X 3/4 PPH - BLACK
	000G39-08-12B	EA	SCREW - SF/DR - 8-18 X 3/4 PPH - ZINC
	000G39-08-083	EA	SCREW - SF/DR - 8-18 X 1/2 PAH - BUFF
	000G39-08-08T	EA	SCREW - SF/DR - 8-18 X 1/2 PPH - BLACK
	000G39-10-088	EA	SCREW - SF/DR - 10-16 X 1/2 PPH - FLEX FLUOROCARBON
	000G39-10-08B	EA	SCREW - SF/DR - 10-16 X 1/2 PPH - ZINC

SEALANTS & FASTENERS GROUP (CONTINUED)

SCREWS (CONTINUED)

KEY	PART NUMBER	U/M	DESCRIPTION
	000G39-10-48T	EA	SCREW - SF/DR - 10-16 X 3 PPH - BLACK
	000G39-10-48B	EA	SCREW - SF/DR - 10-16 X 3 - PPH - ZINC
	000G39-10-40D	EA	SCREW - SF/DR - 10-16 X 2 1/2 PPH - BLACK
	000G39-10-32I	EA	SCREW - SELF TAPPING - 10-16 X 2 PPH - BLACK
	000G39-10-32B	EA	SCREW - SF/DR - 10-16 X 2 - PPH - ZINC
	000G39-10-209	EA	SCREW - SF/DR - 10-16 X 1 1/4 PPH - FLUOROCARBON SILVER
	000G39-10-20T	EA	SCREW - SF/DR - 10-16 X 1 1/4 PPH - BLACK
	000G39-10-20B	EA	SCREW - SF/DR - 10-16 X 1 1/4 PPH - ZINC
	000G39-10-169	EA	SCREW - SF/DR - 10-16 X 1 PPH - FLUOROCARBON SILVER
	000G39-10-129	EA	SCREW - SF/DR - 10-16 X 3/4 PPH - FLUOROCARBON SILVER
	000G39-10-123	EA	SCREW-SF/DR,10-16X.75 PPH - BUFF
	000G39-10-12T	EA	SCREW - SF/DR - 10-16 X 3/4 - BLACK
	000G39-10-12S	EA	SCREW - SF/DR - 10-16 X 3/4 PPH - OFF WHITE
	000G39-10-12R	EA	SCREW - SF/DR - 10-16 X .75 PPH - BEIGE
	000G39-10-12R	EA	SCREW - SF/DR - 10-16 X .75 PPH - BEIGE
	000G39-10-12B	EA	SCREW - SF/DR - 10-16 X 3/4 PPH - ZINC
	000G39-10-10T	EA	SCREW - SF/DR - 10-16 X 5/8 - BLACK
	000G39-10-10B	EA	SCREW - SF/DR - 10-16 X 5/8 - ZINC
	000G39-12-12E	EA	SCREW - SF/DR - 12-14 X 3/4 PPH - CHROME
	000G42-04-16B	EA	SCREW - SF/DR - 1/4-14 X 1 HWH - ZINC
	000G42-04-20B	EA	SCREW - SF/DR - 1/4-14 X 1 1/4 - ZINC
	000G42-04-24B	EA	SCREW - SF/DR - 1/4-14 X 1 1/2 - ZINC
	000G46-08-24T	EA	SCREW - MACHINE - 8-32 X 1 1/2 PFH - BLACK
	000G50-04-12B	EA	SCREW - MACHINE - 1/4-20 X 3/4 PPH - ZINC
	000G50-04-08B	EA	SCREW - MACHINE - 1/4-20 X 1/2 PTH - ZINC
	000G50-04-06B	EA	SCREW - MACHINE - 1/4-20 X 3/8 PTH - ZINC
	000G51-06-12B	EA	SCREW - 6-20 X 3/4 PTH - ZINC
	000G52-06-06B	EA	SCREW - MACHINE - 6-32 X 3/8 PTN - ZINC
	000G52-06-05B	EA	SCREW - MACHINE - 6-32 X 5/16 PTH ZINC
	000G52-08-18B	EA	SCREW - MACHINE - 8-32 X 1 1/8 PTH - ZINC
	000G52-08-06B	EA	SCREW - MACHINE - 8-32 X 3/8 PTH - ZINC
	000G54-04-20B	EA	SCREW - 1/4-20 X 1 1/4 PTH - TYPE 23 - ZINC PLATED
	000G54-04-14B	EA	SCREW - 1/4-20 X 7/8 PTH - TYPE 23 - ZINC PLATED
	000G55-08-12S	EA	SCREW - SF/DR - 8-18 X 3/4 PWH - OFF WHITE
	000G55-08-12M	EA	SCREW - SF/DR - 8-19 X .75 PWH - GRAY
	000G55-08-16S	EA	SCREW - SF/DR - 8-18 X 1 PWH - WILLOW
	000G55-08-162	EA	SCREW - SF/DR - 8-18 X 1.00 - BEIGE
	000G55-08-16T	EA	SCREW - SF/DR - 8-18 X 1 PWH - BLACK
	000G55-08-16S	EA	SCREW - SF/DR - 8-18 X 1.00 - PWH - OFF WHITE
	000G55-08-125	EA	SCREW - SF/DR - 8-18 X 3/4 PWH - WILLOW
	000G55-08-124	EA	SCREW - SF/DR - 8-18 X 3/4 PWH - ASH GRAY
	000G56-10-24J	EA	SCREW - WOOD - 10-13 X 1 1/2 POH - BRIGHT BRASS
	000G56-12-48B	EA	SCREW - WOOD - 12-11 X 3 POH - SPECIAL HARDENED
	000G57-10-24K	EA	SCREW - 10-12 X 1.5" PFH - CHROME
	000G57-14-72B	EA	SCREW-14-10-X4-1/2 PFH ZN GENERAL MOTORHOMES
	000G57-14-64B	EA	SCREW - 14-10 X 4 PFH ZINC
	000G60-08-16E	EA	SCREW - SF/DR - 8-1 X 1 POH - CHROME
	000G60-08-22B	EA	SCREW - SF/DR - 8-18 X 1.38 POH - ZINC
	000G60-08-20F	EA	SCREW - SF/DR - 8-19X1.25 POH
	000G60-10-20B	EA	SCREW - SF/DR - 10-16 X 1 1/4 POH - ZINC
	000G60-10-16J	EA	SCREW - SF/DR - 10-16 X 1 POH - BRIGHT BRASS
	000G60-10-28T	EA	SCREW - SF/DR - 10-16 X 1 3/4 - BLACK
	000G60-10-209	EA	SCREW - SF/DR - 10-16 X 1 1/4 POH - SILVER STALGAARD
	000G67-08-32B	EA	SCREW - 8-15 X 2 PPH - ZINC
	000G67-10-12B	EA	SCREW - 10-12 X 3/4 PPH - ZINC
	000G67-10-10T	EA	SCREW - 10-12 X 5/8 PPH - BLACK
	000G67-10-10S	EA	SCREW - 10-12 X 5/8 PPH - OFF WHITE
	000G67-10-10P	EA	SCREW - 10-12 X 5/8 PPH - DARK BROWN
	000G67-10-10D	EA	SCREW - 10-12 X 5/8 PPH - BLACK - TYPE A
	000G67-10-10B	EA	SCREW - 10-12 X 5/8 PPH - ZINC - TYPE A
	000G67-10-08S	EA	SCREW - 10-12 X 1/2 PPH - OFF WHITE
	000G67-10-08B	EA	SCREW - 10-12 X 1/2 PPH - ZINC
	000G67-10-48B	EA	SCREW - 10-12 X 3 PPH - ZINC
	000G67-10-36T	EA	SCREW - 10-12 X 2 1/4 - PPH - BLACK

SEALANTS & FASTENERS GROUP (CONTINUED)**SCREWS (CONTINUED)**

KEY	PART NUMBER	U/M	DESCRIPTION
	000G67-10-32B	EA	SCREW - 10-12 X 2 PPH - ZINC
	000G67-10-28B	EA	SCREW - 10-12 X 1 3/4 PPH - ZINC
	000G67-10-24S	EA	SCREW - 10-12 X 1 1/2 PPH - OFF WHITE
	000G67-10-24B	EA	SCREW - 10-12 X 1 1/2 PPH - ZINC
	000G67-10-20D	EA	SCREW - 10-12 X 1 1/4 PPH - BLACK
	000G67-10-16B	EA	SCREW - 10-12 X 1 PPH - ZINC
	000G67-10-12S	EA	SCREW - 10-12 X 3/4 PPH - WILLOW
	000G67-10-08R	EA	SCREW - 10-12 X 1/2 PPH - BEIGE - TYPE A
	000G67-10-12R	EA	SCREW - 10-12 X 3/4 PPH - BEIGE
	000G67-10-12P	EA	SCREW - 10-12 X 3/4 PPH - DARK BROWN
	000G68-06-10G	EA	SCREW - 6-18 X 5/8 POH - ANTIQUE BRASS
	000G68-06-12J	EA	SCREW - 6-18 X 3/4 POH - BRASS
	000G68-06-12S	EA	SCREW - 6-18 X 3/4 POH
	000G68-06-12B	EA	SCREW - 6-18 X 3/4 POH - ZINC & CLEAR
	000G68-06-10J	EA	SCREW - 6-18 X 5/8 POH - BRASS
	000G68-10-20I	EA	SCREW - 10-12 X 1 1/4 POH - BLACK
	029130-05-000	EA	SCREW - SNAP STUD - #8-16 X 5/8" LONG
	049465-01-000	EA	SCREW - 10-16 PTH W/WASHER - DARK BROWN
	049465-03-000	EA	SCREW - 10-16 X 1 POH W/WASHER - OFF WHITE
	049465-04-000	EA	SCREW - 10-16 X 1 PTH W/WASHER - BEIGE
	049465-13-000	EA	SCREW-10+16X1 PTH W/WASHER - *ASH GRAY
	049465-17-000	EA	SCREW - 10-16 X 1 POH W/WASHER - BRIGHT WHITE
	049465-18-000	EA	SCREW - 10-16 X 1 POH W/WASHER - VW GRAY
	049465-22-000	EA	SCREW - 10-16 X 1 1/2 POH W/WASHER - SABLE
	049465-23-000	EA	SCREW - 10-16 X 1.5 POH W/WASHER - VW LIGHT GRAY
	054434-02-000	EA	SCREW - SF/DR - 10-16 X 2 - ZINC
	054434-03-000	EA	SCREW - SF/DR - 10-16 X 2 - PWH - ZINC - W/O WINGS
	075908-01-000	EA	SCREW - MACHINE - 10-32 X .56 PTH - EXTERNAL TOOTH - ZINC
	076790-01-000	EA	SCREW - 6-20 X 1 1/4 PPH - BLACK
	076790-03-000	EA	SCREW - 6-20 X 1 PPH - BLACK
	076790-05-000	EA	SCREW - 6-20 X 1/2 PPH - BLACK - THREAD CUTTING/WOOD
	083554-01-000	EA	SCREW - DRYWALL - 8 X 1 1/4
	083554-04-000	EA	SCREW - DRYWALL - 8 X 2 1/2
	087721-01-000	EA	SCREW - FLAT HEAD - TAPPING - 1/4 X 1 1/4 LONG - ZINC
	090033-02-000	EA	SCREW - 1/4-20 X 5/8 - ROUND WASHER HEAD - OFF/WHITE
	091230-06-000	EA	SCREW-MACH,8-32X3/4 POH SS - BRIGHT WHITE
	097974-01-000	EA	SCREW - PARTICLE BOARD - 7-9 X 3/4 PPH
	101618-01-000	EA	SCREW - 1/4-20 X 3/4 HEX - TAPPING - STALGARD TYPE F
	105126-01-000	EA	SCREW - MACHINE - 8-32 X 1 PPH TAPTIT
	110460-05-02A	EA	SCREW - MACHINE - 10-24 X 2 1/2 PFH - WHITE
	113563-01-01A	EA	SCREW - 8 X 5/8 LONG SHOULDER/WASHER HEAD
	117478-01-04A	EA	SCREW - 8-18 X 3/4 PPH W/WASHER - VW LIGHT GRAY
	118383-01-09A	EA	RETAINER/RECESSED - F/.22" SCREW - GLACIER
	118383-01-05A	EA	RETAINER/RECESSED - F/.22" SCREW - VW LIGHT GRAY
	118383-01-04A	EA	RETAINER/RECESSED - F/.22" SCREW - BRIGHT WHITE
	118383-01-06A	EA	RETAINER/RECESSED - F/.22" SCREW - ALLANTE ANTELOPE
	118383-02-05A	EA	RETAINER/RECESSED - F/.27" SCREW - VW LIGHT GRAY
	118383-02-06A	EA	RETAINER/RECESSED - F/.27" SCREW - ALLANTE ANTELOPE
	118383-02-09A	EA	RETAINER/RECESSED - F/.27" SCREW - GLACIER
	118383-02-04A	EA	RETAINER/RECESSED - F/.27" SCREW - BRIGHT WHITE
	118383-03-05A	EA	RETAINER/RECESSED - F/.32" SCREW - VW LT. GRAY
	118383-03-09A	EA	RETAINER/RECESSED - F/.32" SCREW - GLACIER
	118383-04-04A	EA	CAP - F/RECESSED RETAINER - BRIGHT WHITE
	118383-04-05A	EA	CAP - F/RECESSED RETAINER - VW LIGHT GRAY
	118383-04-09A	EA	CAP - F/RECESSED RETAINER - GLACIER
	118383-04-06A	EA	CAP - F/RECESSED RETAINER - ALLANTE ANTELOPE
	126458-01-01A	EA	SCREW - 8-18 X 1/2 - PRWH - BLACK
	129967-01-01A	EA	SCREW - MACHINE - 8-32 X 3/4 PH STAINLESS STEEL
	130245-01-01A	EA	SCREW - EUROPEAN M6.3 X 10
	134126-01-01A	EA	SCREW/NAIL - HEX HEAD - 3/4"
	134126-02-01A	EA	SCREW/NAIL - HEX HEAD - 1 1/4"
	140040-01-000	EA	SCREW - 1/4-20X1 - BUTTON HEAD SOCKET - W/LOCTITE

SEALANTS & FASTENERS GROUP (CONTINUED)

CLAMPS, CLIPS, GROMMETS, RIVETS & PLUGS

KEY	PART NUMBER	U/M	DESCRIPTION
	000F10-04-16B	EA	PIN - COTTER - 1/8 X 1 - ZINC
	000F10-06-32B	EA	PIN - COTTER - 3/16" X 2" - ZINC
	000H14-04-04A	EA	RIVET - MANDREL BLIND - 1/8 X .400
	000H14-06-14R	EA	RIVET - MANDREL BLIND - 3/16 - CHERRY
	000H14-06-06R	EA	RIVET-MANDREL BLIND,3/16 AL - CHERRY BSP-66
	000H14-06-03R	EA	RIVET - MANDREL BLIND - 3/16 ALUMINUM
	000H16-04-06R	EA	RIVET - POP ALUMINUM - 1/8 X .313 - .375
	000H16-06-10R	EA	RIVET - POP ALUMINUM - 3/16 X .501-.625
	007161-01-000	EA	CLAMP - HOSE - SPRING TYPE - 1/2"
	008384-01-000	EA	GROMMET - SNAP - 3/4 DIAMETER - NYLON
	008386-01-000	EA	GROMMET - SNAP - 3/8" DIAMETER - NYLON
	010495-01-000	EA	CLAMP - CABLE - 9/16"
	010495-02-000	EA	CLAMP - CABLE - 3/8"
	010495-04-000	EA	CLAMP - CABLE - 11/16" - WHITE
	010497-01-000	EA	CLAMP - CLOSED - 5/8" ID
	010497-03-000	EA	CLAMP - CLOSED - 1" ID - CUSHIONED
	010497-04-000	EA	CLAMP - CLOSED - 1 5/8" ID
	010497-05-000	EA	CLAMP - CLOSED - 1/2" ID
	010497-07-000	EA	CLAMP - CLOSED - 3/8" ID
	010497-08-000	EA	CLAMP - CLOSED - .125" ID
	010499-01-000	EA	CLAMP - CLOSED - 3/8" ID
	016188-03-000	EA	GROMMET - L/P LINE - 3/8" HOLE X 2 1/2" LONG - RUBBER
	016188-04-000	EA	GROMMET - L/P LINE - 1/2" HOLE X 2 1/2" LONG - RUBBER
	016188-05-000	EA	GROMMET - L/P LINE - 3/8" HOLE X 1 1/4" LONG - RUBBER
	016188-06-000	EA	GROMMET - L/P LINE - 3/8" X 31 1/4" LONG
	016188-07-000	EA	GROMMET - L/P LINE - 1/2" X 3 1/4" LONG
	023942-01-000	EA	GROMMET - RUBBER - 2" OD
	034141-02-000	EA	PLUG/NYLON - .38" - BLACK
	056134-01-000	EA	HOLDER - RING - 3.6" DIAMETER - METAL
	056134-02-000	EA	HOLDER - RING - 1.8" DIAMETER - METAL
	061420-01-000	EA	PLUG/PLASTIC - 1 3/4" DIAMETER - BROWN
	061420-04-000	EA	PLUG/PLASTIC - 1 1/4" DIAMETER
	061420-05-000	EA	PLUG/PLASTIC - 1 1/2" DIAMETER
	061420-08-000	EA	PLUG/PLASTIC - 2 1/2" DIAMETER
	061420-09-000	EA	PLUG/PLASTIC - 1.00" - DIAMETER
	061420-10-000	EA	PLUG/PLASTIC - 1 1/2" DIAMETER - BLACK
	061420-15-000	EA	PLUG/PLASTIC - 2" DIAMETER - BLACK
	061420-16-000	EA	PLUG/PLASTIC - 2 1/8" DIAMETER
	062401-01-000	EA	CLAMP - HOSE - WORMGEAR - .25" - 1"
	062401-02-000	EA	CLAMP - HOSE - WORMGEAR - 1.56" - 2.5"
	062401-03-000	EA	CLAMP - HOSE - WORMGEAR - .22" - 1"
	062401-04-000	EA	CLAMP - HOSE - WORMGEAR - .69" - 1.25"
	062401-05-000	EA	CLAMP - HOSE - WORMGEAR - 2" - 3" ID
	062401-06-000	EA	CLAMP - HOSE - WORMGEAR - .22" - .62" ID
	062401-07-000	EA	CLAMP - HOSE - WORMGEAR - 5"-7"
	062401-09-000	EA	CLAMP - HOSE - WORMGEAR - 2.8" - 3.75"
	062401-11-000	EA	CLAMP - HOSE - WORMGEAR - 3.50" - 4.50"
	062401-12-000	EA	CLAMP - HOSE - WORMGEAR - .79" X 1.26"
	071015-11-000	EA	GROMMET - RUBBER - 1"ID FITS .12 MATERIAL - BLACK
	071015-13-000	EA	GROMMET - RUBBER - .62" ID X 1" OD W/.09" GROOVE - BLACK
	071015-19-000	EA	GROMMET - RUBBER - .38 ID - FITS .06 MATERIAL - BLACK
	071015-22-000	EA	GROMMET - RUBBER - .62" ID X 1.12" OD W/.19" GROOVE - BLACK
	071015-26-000	EA	GROMMET - RUBBER - 1.5" ID X 2.1" OD W/.06" GROOVE-BLACK
	071015-29-000	EA	GROMMET - RUBBER - .3" ID X 1.3"OD W/.12" GROOVE - BLACK
	071015-30-000	EA	GROMMET - RUBBER - .31" ID X .81" OD W/.12" GROOVE-BLACK
	071015-39-000	EA	GROMMET - .75 ID FITS .06 MTL
	075148-02-000	EA	CLAMP - GROUNDING - BRONZE SCREWS
	077955-01-000	EA	CLIP/J - 3/8" - VINYL COATED
	080211-03-000	EA	CLIP - XMAS TREE W/PANEL RETAINING HEAD - 3/4" SHANK
	080734-02-000	EA	CLIP - WIRE NYLON
	081211-03-000	EA	PLUG/PLASTIC - .50 DIAMETER - BLACK
	081211-04-000	EA	PLUG/PLASTIC - .46 DIAMETER - BLACK
	083609-01-000	EA	CLAMP - WIRE - DUAL - EQUAL DIAMETERS - 5/8"
	083610-01-000	EA	CLAMP - WIRE - DUAL - UNEQUAL DIAMETERS - 3/4" & 1 1/4"

SEALANTS & FASTENERS GROUP (CONTINUED)

CLAMPS, CLIPS, GROMMETS, RIVETS & PLUGS (CONTINUED)

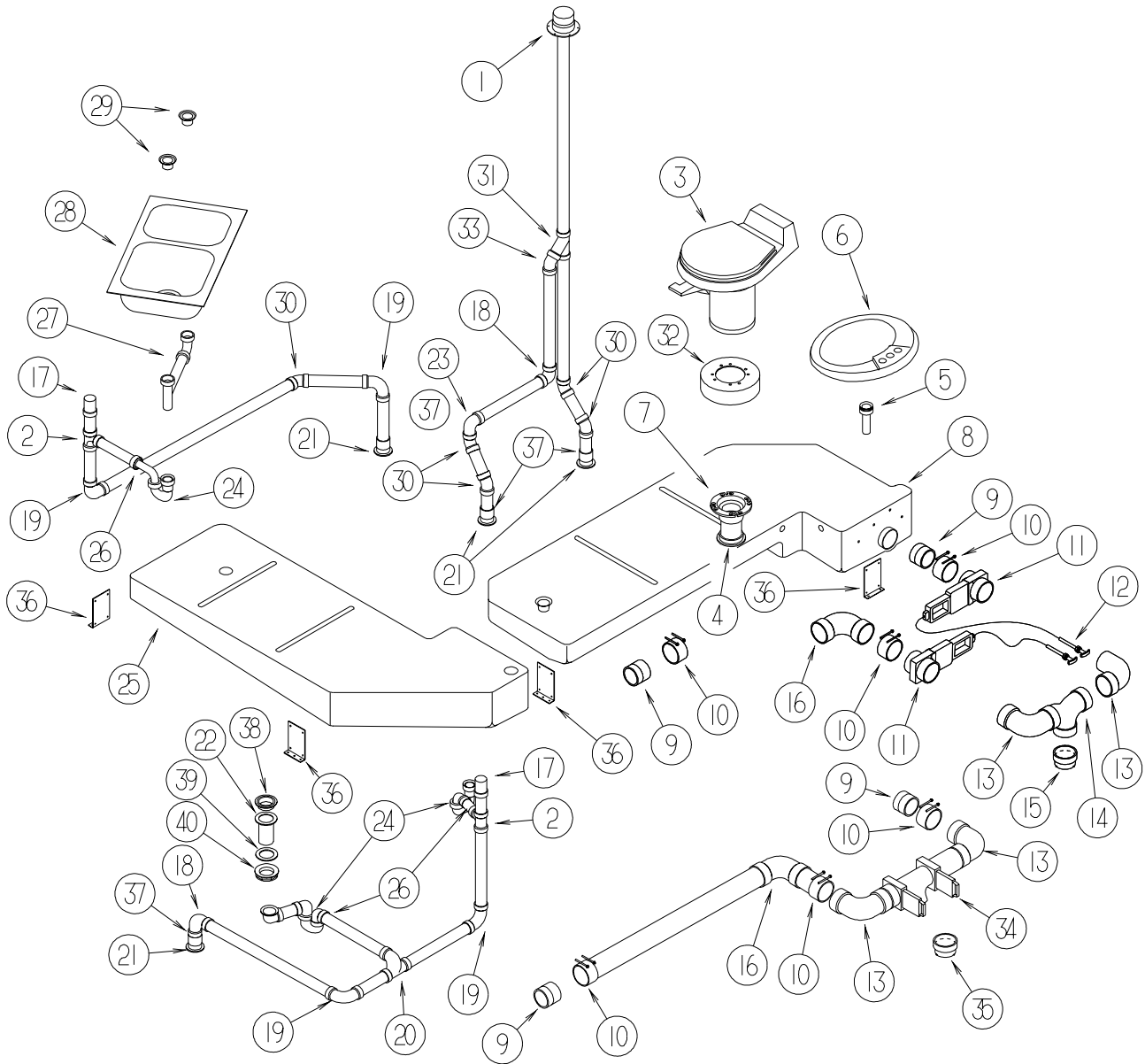
KEY	PART NUMBER	U/M	DESCRIPTION
	083610-02-000	EA	CLAMP - WIRE - DUAL - UNEQUAL DIAMETERS - 3/4" & 2"
	083610-03-000	EA	CLAMP - WIRE - DUAL - EQUAL DIAMETERS - 2" & 2"
	088756-01-000	EA	GROMMET - WEB - 1 1/8 i.i.d.
	091952-01-000	EA	CLIP - GRIPPER - 1"
	091952-02-000	EA	CLIP - GRIPPER - 3/4"
	094362-02-000	EA	CLIP - XMAS TREE - BINDER HEAD - .9" LONG
	094362-05-000	EA	CLIP - XMAS TREE - ROUND HEAD - 1.4" LONG
	094362-06-000	EA	CLIP - XMAS TREE - FLAT HEAD - .745-.755 HEAD DIAMETER
	114208-03-000	EA	GROMMET - EDGE LINER - FITS 2 1/2"
	114208-04-000	EA	GROMMET - EDGE LINER - FITS 1"
	114208-05-000	EA	GROMMET - EDGE LINER - FITS 2"
	118626-01-01A	EA	RIVET - POP - ALUMINUM - 3/16 X .08 - .375
	118626-02-01A	EA	RIVET - POP - ALUMINUM - 3/16 X .500 - .750
	137014-01-02A	EA	GROMMET - CABLE - BROWN

MISCELLANEOUS FASTENERS

KEY	PART NUMBER	U/M	DESCRIPTION
	008343-01-000	EA	TIE - WIRE - 6"
	008343-02-000	EA	TIE - WIRE - 14"
	008343-03-000	EA	TIE - WIRE - 7 1/2" - BLACK
	029094-04-000	YD	VELCRO TAPE - LOOP - 1" WIDE - BLACK
	029096-03-000	YD	VELCRO TAPE - HOOK - 1" WIDE - BLACK
	029096-04-000	YD	VELCRO TAPE - HOOK - 1" WIDE - BLACK
	048394-02-000	YD	VELCRO TAPE - HOOK - ADHESIVE BACK - 3/4" WIDE - BEIGE
	085774-01-000	FT	FASTENER - DUAL LOCK - 1" WIDE - ADHESIVE BACK - BLACK
	085774-02-000	FT	FASTENER - DUAL HOOK - 1" WIDE - ADHESIVE BACK - BLACK
	085774-03-000	FT	FASTENER - DUAL LOCK - 1/2" WIDE - ADHESIVE BACK - BLACK
	085774-04-000	FT	FASTENER - DUAL HOOK - 1/2" WIDE - ADHESIVE BACK - BLACK
	088792-02-000	YD	VELCRO TAPE - LOOP - 3/4" - ADHESIVE BACK - BEIGE
	088792-04-000	YD	VELCRO TAPE - HOOK - 5/8" - NON-ADHESIVE BACK - WHITE
	088792-05-000	YD	VELCRO TAPE - LOOP - 5/8" - NON-ADHESIVE BACK - WHITE
	094362-07-000	EA	CLIP - XMAS TREE - FLAT HEAD
	108046-01-000	EA	CABLE TIE - SCREW MOUNT 8"
	108046-02-000	EA	CABLE TIE - SCREW MOUNT 15"
	110943-02-000	FT	FELT STRIP - 3/8" - ADHESIVE BACK - WHITE
	113133-02-01A	EA	RIVET - POP - ALUMINUM - 3/16 X .252 - .504 - BLACK
	115361-01-01A	EA	PLUG/PLASTIC - 1/2" DIAMETER
	123816-04-000	FT	TAPE - DOUBLE SIDED - 6" X 750'
	127960-01-01A	EA	RETAINER - 3/8" - STAINLESS STEEL

WATER & SEWAGE GROUP

DRAINAGE SYSTEM



KEY	PART NUMBER	U/M	DESCRIPTION
1	083558-03-000	EA	VENT - PLUMBING - ROOF PIPE COVERED - OFF WHITE
2	010071-01-000	EA	TEE - SANITARY - 1 1/2" HUB X HUB X HUB - PLASTIC
3*	131932-02-02A	EA	TOILET - AQUA MAGIC 4 - HIGH - FOOT FLUSH - WHITE
4	061607-02-000	EA	GROMMET - HOLDING TANK - 3" NPS
5	106116-01-02A	EA	STRAINER/PLASTIC - STOPPER/TAILPIECE/GASKET & NUT-LAVATORY
6	105921-01-02A	EA	SINK - LAVATORY - LARGE OVAL - 17" X 20" - WHITE
	105218-01-01A	EA	SPACER - FAUCET/LAVATORY SINK - 2" X 5.9" - ABS PLASTIC
7	116644-01-000	EA	FLANGE/CLOSET - 4 BOLT X 3" FEMALE
8	123055-01-700	EA	TANK - HOLDING - 40 GALLON W/3" OUTLET NIPPLE
9	010129-03-000	EA	NIPPLE - PLASTIC - 3" X 3" TOE
10	078406-01-000	EA	COUPLER - RUBBER - W/CLAMPS - 3" X 3"
11	129147-01-000	EA	VALVE - 3" HUB X 3" HUB - REMOTE
			FROM: 00-00-00 THRU: 11-16-00
12	062421-04-000	EA	CABLE/ROD - F/DUMP VALVE - W/HANDLE - 36"
			FROM: 00-00-00 THRU: 11-16-00
13	041956-01-000	EA	ELBOW - 3" STREET - 90 DEGREE PLASTIC
14	010065-01-000	EA	TEE - PLASTIC - 3" FEMALE

***COMPONENT PARTS LISTED LATER IN THIS GROUP**

WATER & SEWAGE GROUP (CONTINUED)
DRAINAGE SYSTEM (CONTINUED)

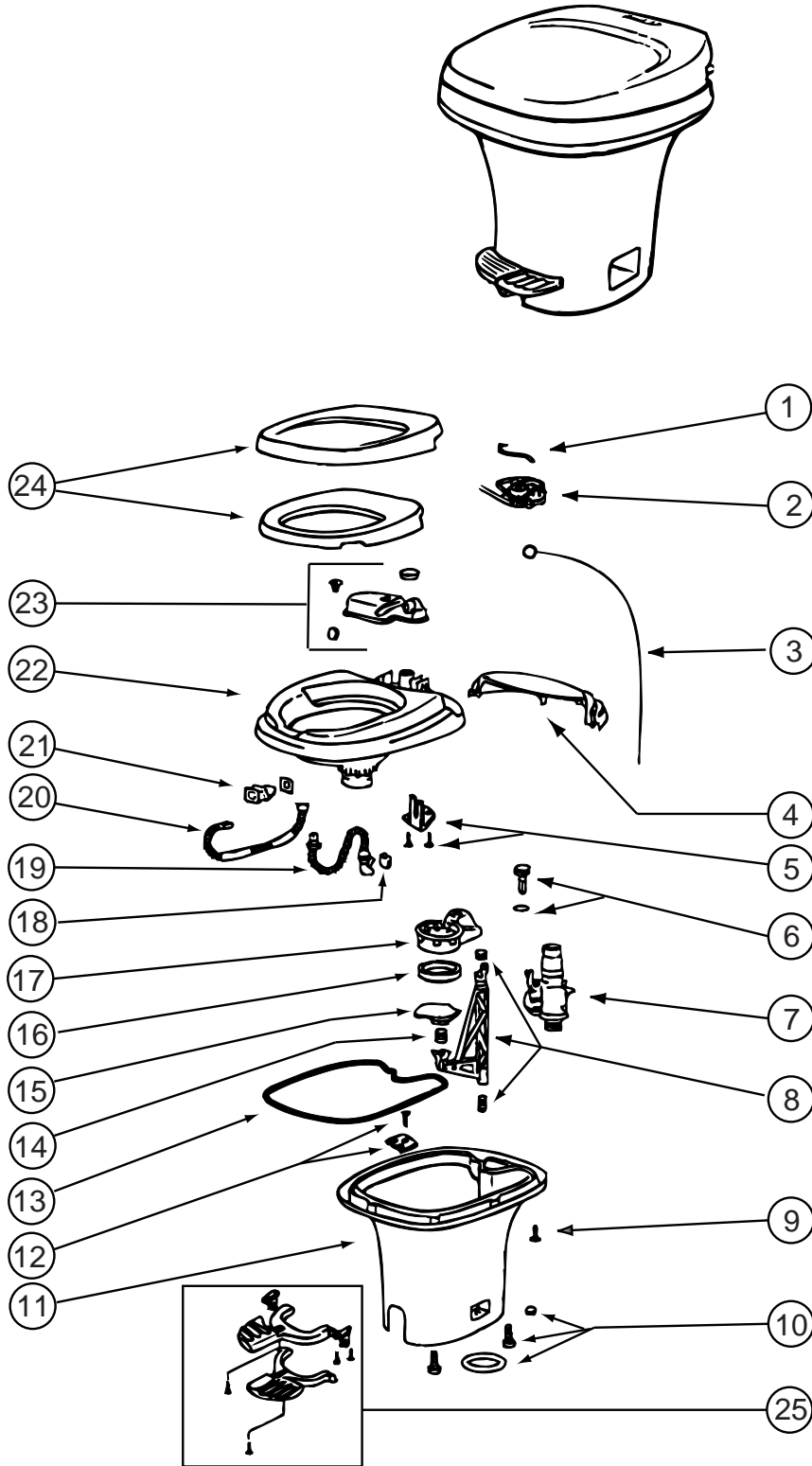
KEY	PART NUMBER	U/M	DESCRIPTION
15	062416-01-000	EA	ADAPTER - SEWER HOSE TO 3" PIPE
			FROM: 00-00-00 THRU: 06-10-01
	010201-01-000	EA	HOSE - SEWER - 3" ID X 8'
			FROM: 00-00-00 THRU: 06-10-01
*	062415-01-000	EA	CAP - SEWER - 3" DIAMETER
15	139513-01-000	EA	HOSE - SEWER - 3" X 10" - W/ADAPTER
			FROM: 06-11-01 THRU: 99-99-99
16	031126-01-000	EA	ELBOW - 1/4 BEND - 3" X 90" XLT - BLACK PLASTIC
17	079968-01-000	EA	VENT - MECHANICAL/TRAP ARM - ANTI-SIPHON-2" X 7.3" PLASTIC
18	034250-01-000	EA	ELBOW - 90 DEGREE - LONG TURN - 1 1/2" HUB X HUB - ABS
19	010008-01-000	EA	ELBOW - 90 DEGREE - 1 1/2" HUB X HUB - PLASTIC
20	031365-02-000	EA	TEE - PLASTIC - 1 1/2" EXTRA LONG TURN
21	061607-01-000	EA	GROMMET - HOLDING TANK - 1 1/2" NPS
22	011069-02-000	EA	TAILPIECE - TUB/SHOWER - 1 1/2" X 1 1/4" X 4" - BRASS
23	010009-01-000	EA	ELBOW - 90 DEGREE - 1/4 BEND - 1 1/2" PLASTIC
24	107538-01-000	EA	P TRAP - PLASTIC - 1 1/4" W/EXTENSION ARM
24	011071-01-000	EA	P-TRAP - PLASTIC - 1 1/2" - CSA
25	135367-01-700	EA	TANK - HOLDING - W/3" NIPPLE
26	109571-01-000	EA	ADAPTER - P-TRAP - 1 1/2" P X 1 1/4" MPT
27	011091-02-000	EA	WASTE - CONTINUOUS - DOUBLE SINK
28	104113-01-000	EA	SINK - DOUBLE - STAINLESS STEEL
29	092303-01-000	EA	STRAINER - W/BASKET - GALLEY SINK - 4" OD
30	010006-01-000	EA	ELBOW - 45 DEGREE - 1 1/2" HUB X HUB - PLASTIC
31	010073-01-000	EA	WYE - 45 DEGREE - 1 1/2" HUB X HUB X HUB - PLASTIC
32	131786-02-01A	EA	SPACER - TOILET - OVAL - 13.5" LONG X 2.8" HIGH - SOFT WHITE
33	010051-01-000	EA	ELBOW - 45 DEGREE - 1 1/2" SPIGOT & HUB - PLASTIC
34	136143-01-000	EA	VALVE - DUAL - 3" X 3"
			FROM: 11-17-00 THRU: 99-99-99
35	062417-01-000	EA	ADAPTER - TERMINATION - 3"
*	062415-01-000	EA	CAP - SEWER - 3" DIAMETER
36	094756-01-01A	EA	BRACKET - ANGLE - W/HOLES
			FROM: 00-00-00 THRU: 05-03-01
36	094756-02-01A	EA	BRACKET - L - 6.1" LONG X 3.9" WIDE - STEEL
			FROM: 05-04-01 THRU: 99-99-99
37	010115-01-000	EA	COUPLING - 1 1/2" HUB X HUB - PLASTIC
38	066729-01-000	EA	STRAINER - TUB/SHOWER W/PLUG - CHROME
39	127440-02-01A	EA	WASHER - RUBBER - 1.8" X .1"
40	130403-01-000	EA	NUT - SLIP - W/WINGS 1 1/2"

*COMPONENT PARTS LISTED LATER IN THIS GROUP

WATER & SEWAGE GROUP (CONTINUED)
COMPONENT PARTS FOR DRAINAGE SYSTEM

062415-01-000

KEY	PART NUMBER	U/M	DESCRIPTION	VENDOR NO.
	062415-01-000	EA	CAP - SEWER - 3" DIAMETER	
	062415-01-700	EA	STRING-SEWER CAP	V#SV7 STRAP



131932-02-02A

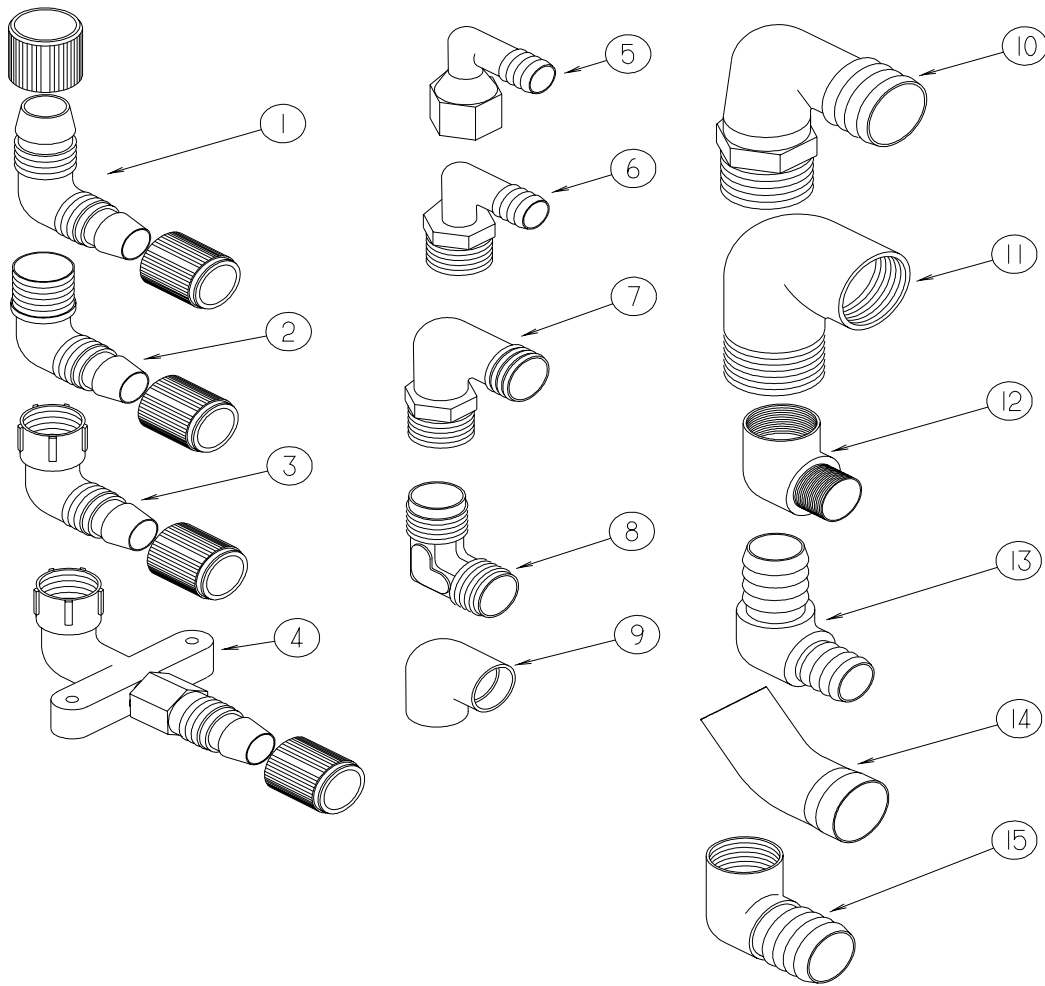
WATER & SEWAGE GROUP (CONTINUED)
COMPONENT PARTS FOR DRAINAGE SYSTEM (CONTINUED)

131932-02-02A (CONTINUED)

KEY	PART NUMBER	U/M	DESCRIPTION	VENDOR NO.
2	063740-02-703	EA	KIT-LEVER/WIRE ASSM FOOT FL	24571
4	131932-02-701	EA	COVER -MECHANISM- WHITE	2086562
7	063740-01-714	EA	VALVE ASM (VALVE-BALL SEAL)	13168
10	063740-01-706	EA	BOLT PACKAGE-FLOOR FLANGE	12524 THETFORD
15	063740-01-721	EA	BLADE ONLY	1248262
16	063740-01-722	EA	SEAL - BLADE	12481
20	063740-01-717	EA	TUBE-FLUSH	12509
23	063740-02-701	EA	RESERVOIR (TANK ASM.)	24630
24	131932-01-701	EA	SEAT/COVER ASSMBLY - WHITE	2464162
25	131932-02-702	EA	PEDAL PACKAGE(WHITE)	2082162

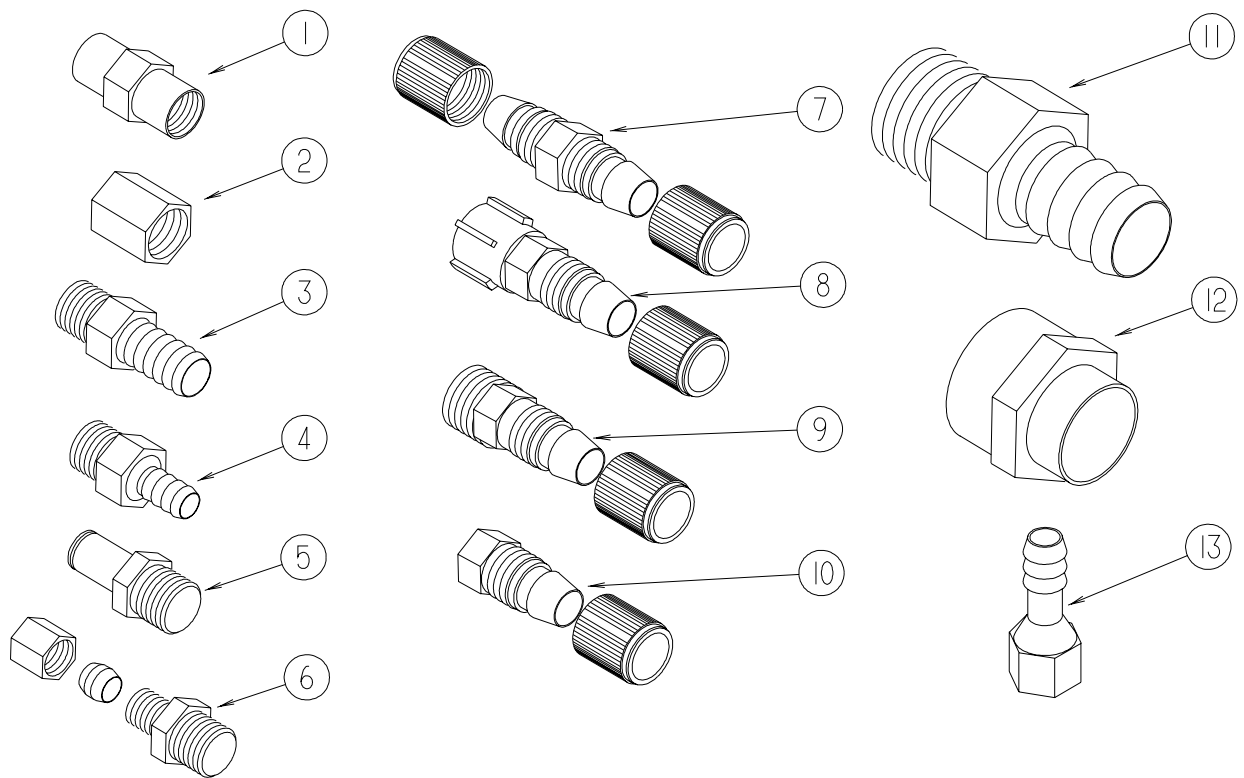
CONTACT WINNEBAGO PART SALES FOR UNLISTED COMPONENT

WATER & SEWAGE GROUP (CONTINUED)
WATER SYSTEM



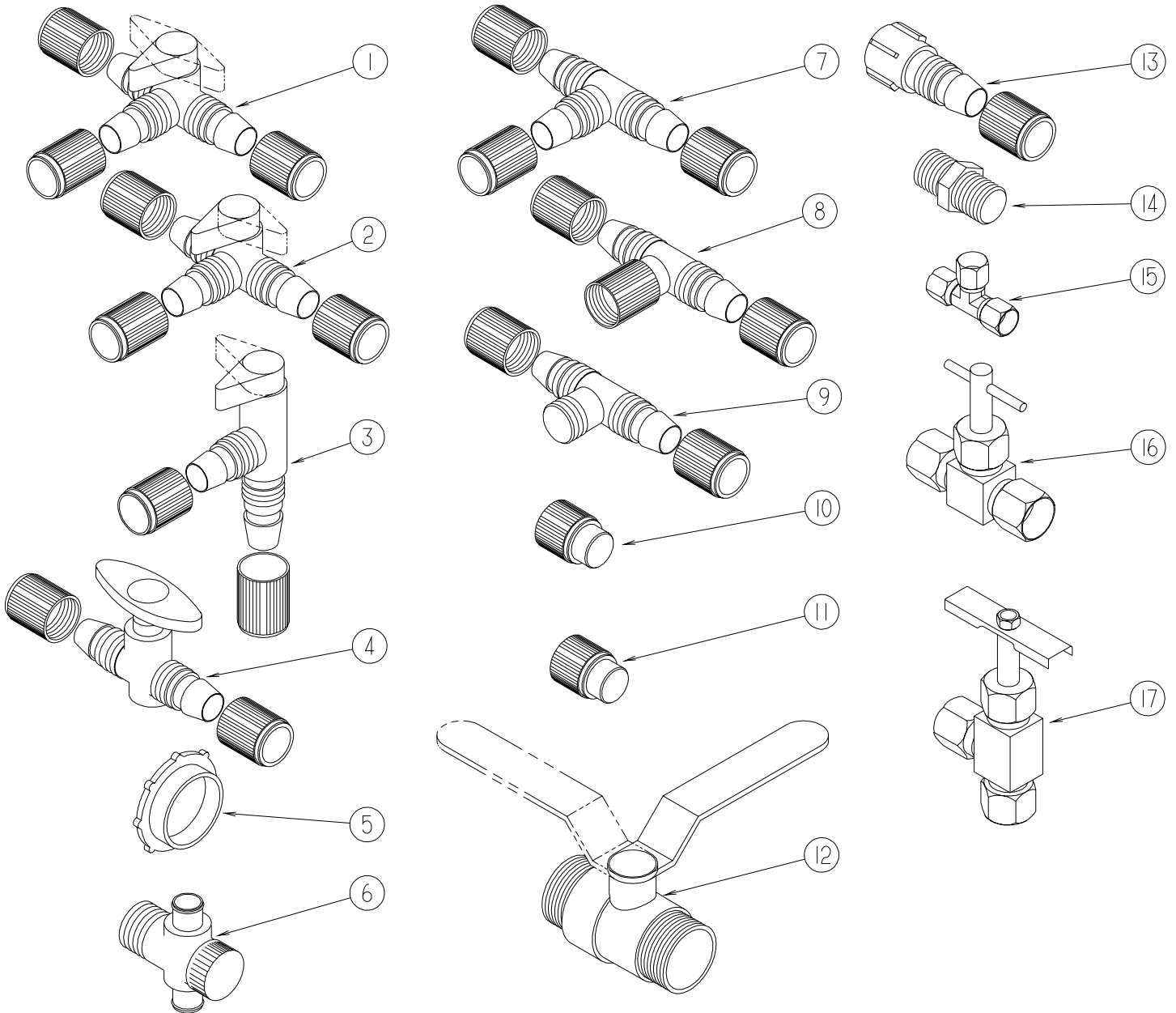
KEY	PART NUMBER	U/M	DESCRIPTION
1	114429-01-000	EA	ELBOW - 1/2"P X 1/2"P
2	114429-02-000	EA	ELBOW - 1/2"P X 1/2"MPT
2	114429-04-000	EA	ELBOW - 1/2"P X 3/8"MPT
2	114429-05-000	EA	ELBOW - 1/2"P X 3/4"MPT
3	114429-03-000	EA	ELBOW - SWIVEL - 1/2"P X 1/2"FPT
3	114429-06-000	EA	ELBOW - SWIVEL - 1/2"P X 3/4"FPT
3	114429-08-000	EA	ELBOW - SWIVEL - 1/2"MPT X 1/2"FPT SWIVEL
4	114429-07-000	EA	ELBOW - 1/2"P X 1/2"FPT
4	114429-09-000	EA	ELBOW - 1/2"P X 1/2"FPT DROP EAR
5	123150-01-000	EA	ELBOW - 1/2 FPT X 1/2 BARB - SWIVEL
6	035539-01-000	EA	ELBOW - 3/8 MPT X 3/8 BARB - PLASTIC
7	010219-01-000	EA	ELBOW - 1 1/4 MPT X 1 1/4 BARB - WATER FILL - PLASTIC
8	039808-03-000	EA	ELBOW - 1/2" MPT X 1/2" MPT - PLASTIC
9	133837-01-000	EA	ELBOW - 1 1/2" X 90 DEGREE - DOUBLE SLIP
10	111223-03-000	EA	ELBOW - 3/4" MPT X 1/2" BARB - PLASTIC
10	111223-04-000	EA	ELBOW - 1/2" MPT X 1/2" BARB - PLASTIC
11	132484-01-000	EA	ELBOW - PLASTIC - 90 DEGREE - 1MPT X 1FPT
12	065318-02-000	EA	ELBOW - 90 DEGREE - 3/8" MPT TO 3/8" FPT
13	132781-01-000	EA	ELBOW - 1.3" BARB X 1.3" BARB - 90 DEGREE - PLASTIC
14	010009-01-000	EA	ELBOW - 90 DEGREE - 1/4 BEND - 1 1/2" PLASTIC
15	132782-01-000	EA	ELBOW - 1"FPT X 1.3" BARB - 90 DEGREE - PLASTIC

WATER & SEWAGE GROUP (CONTINUED)
WATER SYSTEM (CONTINUED)



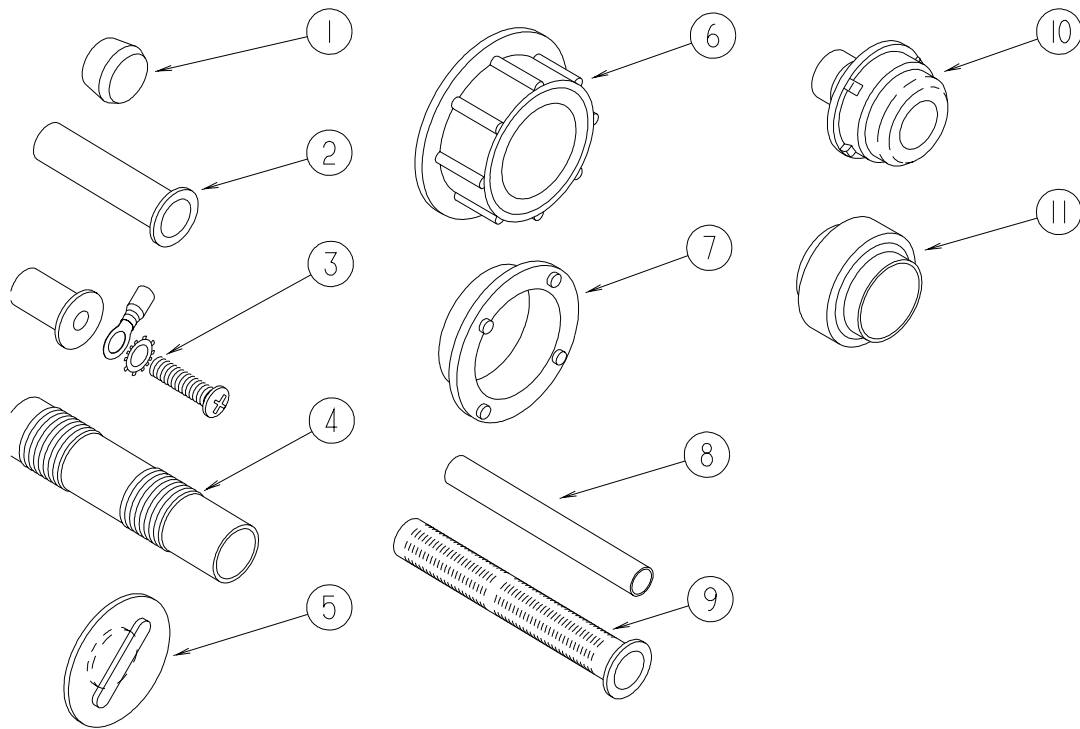
KEY	PART NUMBER	U/M	DESCRIPTION
1	132148-01-000	EA	CONNECTOR - 1/2" X 1/2" MPT - BRASS
2	101814-01-000	EA	COUPLING - FEMALE - 1/2" X 1/2" FPT - GRAY
3	118809-02-000	EA	ADAPTER - 1/2" MPT X 1/2" BARB - PLASTIC
4	010224-01-000	EA	ADAPTER - HOSE TO PIPE - 3/8 MPT X 3/8 BARB - PLASTIC
5	090338-03-000	EA	FITTING - HOSE - 3/4"ID - 2" LENGTH - BRASS
6	103798-01-000	EA	CONNECTOR - 1/4 OD X 3/8 MPT
7	114430-01-000	EA	ADAPTER - 1/2"P X 1/2"P
8	114430-02-000	EA	ADAPTER - SWIVEL - 1/2"P X 1/2"FPT
9	114430-03-000	EA	ADAPTER - 1/2"P X 1/2"MPT
10	114430-06-000	EA	ADAPTER - 1/2"P X 3/8"FPT
10	114430-08-000	EA	ADAPTER - 1/2"P X 3/4"MPT
11	044927-01-000	EA	ADAPTER - HOSE TO PIPE-1 1/4 MPTX1 1/4 BARB-BLACK PLASTIC
12	133835-01-000	EA	ADAPTER - REDUCING - 1 1/2" X 1 1/4"
13	123152-01-000	EA	ADAPTER - 1/2 FPT X 1/2 BARB - SWIVEL

WATER & SEWAGE GROUP (CONTINUED)
WATER SYSTEM (CONTINUED)



KEY	PART NUMBER	U/M	DESCRIPTION
1	114431-01-000	EA	VALVE - 180 DEGREE/CENTER DRAIN - 1/2"P - THREE WAY
2	114431-02-000	EA	VALVE - WATER BYPASS - 1/2"P - THREE WAY (WATER HEATER)
3	114431-03-000	EA	VALVE - 90 DEGREE DRAIN - 1/2"P
4	114431-04-000	EA	VALVE - "INLINE SHUT-OFF" - 1/2"P
5	120069-01-000	EA	PLUG - 3" - POLYETHYLENE MPT
6	128974-01-01A	EA	VALVE - SHOWER HEAD/WATER SAVER (ON/OFF) - BRIGHT BRASS
7	114428-01-000	EA	TEE - 1/2"P X 1/2"P X 1/2"P
8	114428-02-000	EA	TEE - SWIVEL - 1/2"P X 1/2"P X 1/2"FPT
9	114428-03-000	EA	TEE - 1/2"P X 1/2"P X 1/2"MPT
10	113697-01-000	EA	CAP - 3/8 FTG
11	114427-01-000	EA	CAP - 1/2" - FOR CAPPING FLAIR-IT MALE FITTINGS
12	132483-01-000	EA	VALVE - BALL - 1" - THREADED ENDS
13	114427-02-000	EA	PLUG - W/COMP NUT - 1/2" PLASTIC PIPE/1/2" FLAIR-IT
14	110438-02-000	EA	VALVE - CHECK - BRASS - 1/2 MPT X 1/2 MPT
15	118423-01-000	EA	FITTING - BRASS-TEE - 1/4C X 1/4C X 1/4C
16	120868-01-000	EA	VALVE - NEEDLE - 1/4" COMPRESSION X 1/4" COMPRESSION
17	114431-05-000	EA	VALVE - NEEDLE - 1/8" MPT X 1/4" COMPRESSION (ICE MAKER)

WATER & SEWAGE GROUP (CONTINUED)
WATER SYSTEM (CONTINUED)



KEY	PART NUMBER	U/M	DESCRIPTION
1	111888-01-000	EA	FERRULE - PLASTIC - .250 ID X .375 OD
2	111888-02-000	EA	INSERT - BRASS - 1/4 COMP
3	039861-01-000	EA	SENDING UNIT - W/SCREW - WASHER - WELL NUT/TERMINAL RING
4	079381-01-000	FT	TUBING - RIBBED FLEXIBLE - WATER FILL - 1.4" I.D.
5	049032-01-000	EA	PATCH - SPINWELD - 3/8" - PLASTIC
6	120069-01-000	EA	PLUG - 3" - POLYETHYLENE MPT
6	042989-03-000	EA	FITTING - SPINWELD - 1 1/4"NPT - PLASTIC
6	042989-04-000	EA	FITTING - SPINWELD - 3/8"FPT - PLASTIC
6	042989-05-000	EA	FITTING - SPINWELD - 1/2"FPT - PLASTIC
6	042989-07-000	EA	FITTING - SPINWELD - 1 1/2"FPT - PLASTIC
6	042989-08-000	EA	FITTING - SPINWELD - 1"FPT - PLASTIC
7	120070-01-000	EA	FITTING - SPINWELD - PLASTIC 3" FPT
8	124188-01-000	FT	TUBING - PEX - 1/2" ID X 20' - BLUE(COLD)
8	124188-02-000	FT	TUBING - PEX - 1/2" ID X 20' - RED(HOT)
8	112176-01-000	FT	TUBING - VINYL - REINFORCED - 1/2" ID
8	074462-02-000	FT	TUBING - VINYL - 3/8 ID X 20' - CLEAR
8	039800-04-000	FT	TUBING - POLYBUTYL - 1/4"OD
9	077954-02-000	EA	FILTER - WATER TANK - W/SCREEN IN TANK
10	114966-01-000	EA	FILTER - IN LINE - TWIST ON - 1/2"
11	133889-01-000	EA	UNION - 1 1/2 DOUBLE SLIP - PVC

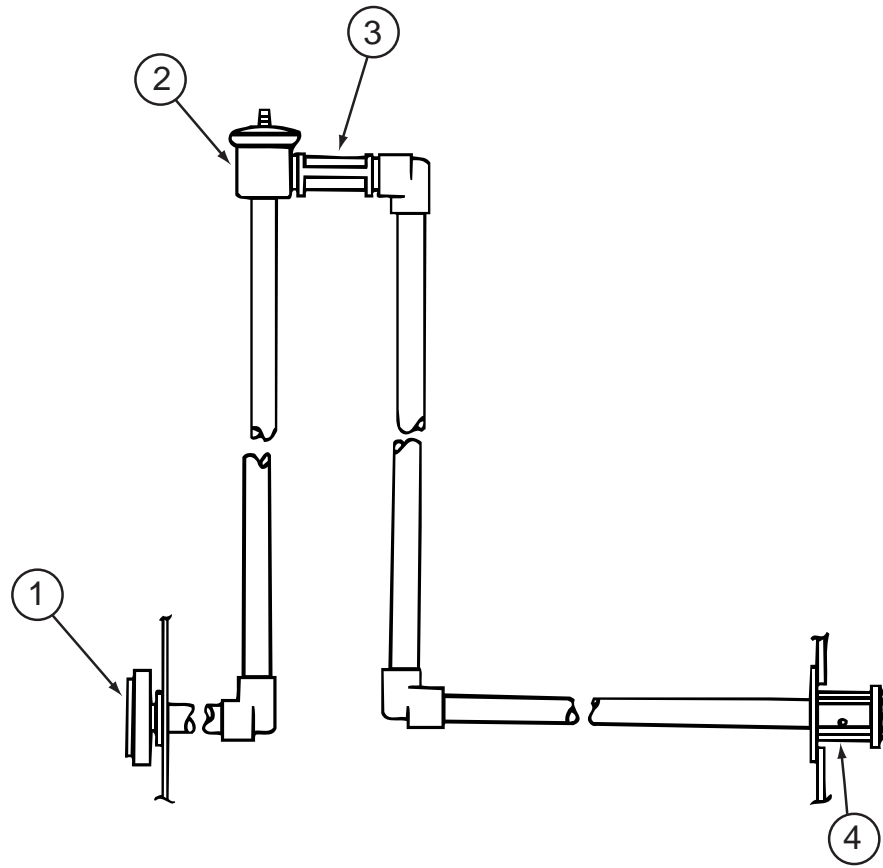
WATER & SEWAGE GROUP (CONTINUED)

WATER SYSTEM (CONTINUED)

KEY	PART NUMBER	U/M	DESCRIPTION
	052009-06-000	EA	DOOR - WATER HEATER - BRIGHT WHITE - 18" X 14.6" - F32T, F35C, F26P, F29A, F31B
	125420-04-03A	EA	DOOR - WATER HEATER - BLACK - F30W, F33V
*	051393-01-000	EA	WATER HEATER - GH6-8E - ELECTRONIC IGNITION W/MOTOR AID
*	098607-01-000	EA	PUMP - WATER - W/.5" MPT FITTING - FLOW 2.8 GPM
	010230-05-000	EA	FILL - CITY WATER - W/CHECK VALVE
			FROM: 00-00-00 THRU: 05-08-00
	010230-06-000	EA	FILL - CITY WATER - W/CHECK VALVE - MPT - BRUSHED ALUM
			FROM: 05-09-00 THRU: 99-99-99
	075240-05-000	EA	FAUCET - LAVATORY/BRASS
	075241-06-000	EA	FAUCET - SHOWER/BRIGHT WHITE - .5" MPT W/1.9" INLET PIPES
	075241-04-000	EA	FAUCET - SHOWER/BRASS - F31B
	075242-03-000	EA	FAUCET - TUB/SHOWER - BRASS - F26P, F29A
	104114-02-01A	EA	FAUCET - GALLEY - SINGLE CONTROL
	091253-01-000	EA	GASKET - FAUCET - LAVATORY/GALLEY - BRAVE SE
	131383-01-02A	EA	SHOWER HEAD - W/60" HOSE & BRACKET - WHITE
	131383-02-02A	EA	SHOWER HEAD - W/60" HOSE & BRACKET - WHITE - CSA
	129390-01-02A	EA	SHOWER HEAD-W/HOSE & BRK/60" HOSE-WHITE/PUSH BUTTON CNTRL - F32T, F33V, F35C
*	131340-01-01A	EA	VALVE - W/SHOWER HEAD - SINGLE LEVER-W/O WATER SAVER-BRASS - F30W BATHROOM ONLY
	131551-01-02B	EA	BRACKET - SHOWER HEAD - F30W BATHROOM ONLY
	109506-12-000	EA	FILM/ABRASION-RESISTANT - TRANSPARENT - 25.4" DIA. - F32T, F33V, F35C
			FROM: 05-14-01 THRU: 99-99-99
	075606-03-000	EA	PANEL - FAUCET SHOWER - SOFT WHITE - F26P, F29A, F31B, F33V, F35C
	081240-20-000	EA	WATER FILL - W/DOOR - LOCKABLE - W/O LOCK - BRT WHT
			FROM: 00-00-00 THRU: 04-02-01
	137169-01-01A	EA	FILL/WATER - GRAVITY - BRIGHT WHITE
			FROM: 04-03-01 THRU: 99-99-99
	137169-02-01A	EA	ADAPTER/LOCK - (WASHER) F/GRAVITY WATERFILL
			FROM: 04-03-01 THRU: 99-99-99
	110506-52-000	EA	CASE/CYLINDER - LOCKING - W/O CAM/KEY - .65" - 702370
	110506-52-001	EA	CASE/CYLINDER - LOCKING - W/O CAM/KEY - .65" - 702371
	110506-52-002	EA	CASE/CYLINDER - LOCKING - W/O CAM/KEY - .65" - 702372
	110506-52-003	EA	CASE/CYLINDER - LOCKING - W/O CAM/KEY - .65" - 702373
	110506-52-004	EA	CASE/CYLINDER - LOCKING - W/O CAM/KEY - .65" - 702374
	110506-52-005	EA	CASE/CYLINDER - LOCKING - W/O CAM/KEY - .65" - 702375
	110506-52-006	EA	CASE/CYLINDER - LOCKING - W/O CAM/KEY - .65" - 702376
	110506-52-007	EA	CASE/CYLINDER - LOCKING - W/O CAM/KEY - .65" - 702377
	110506-52-008	EA	CASE/CYLINDER - LOCKING - W/O CAM/KEY - .65" - 702378
	110506-52-009	EA	CASE/CYLINDER - LOCKING - W/O CAM/KEY - .65" - 702379
	110506-40-700	EA	HDWE KIT
			596950AAL
	110506-76-000	EA	CAM - LOCK
			FROM: 00-00-00 THRU: 05-31-01
	110506-77-000	EA	CAM - LOCK
			FROM: 06-01-01 THRU: 99-99-99

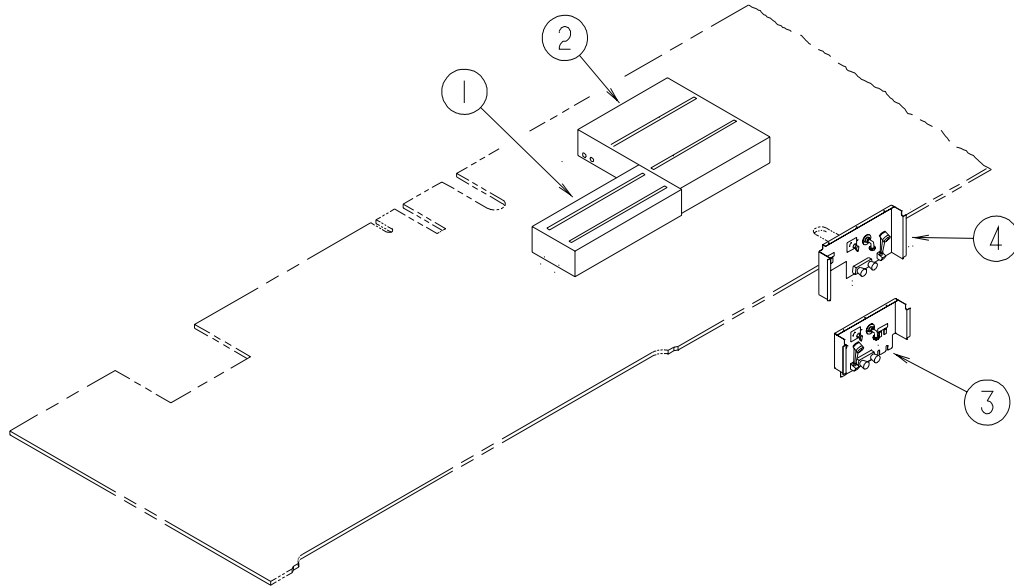
*COMPONENT PARTS LISTED LATER IN THIS GROUP

WATER & SEWAGE GROUP (CONTINUED)
WATER SYSTEM (CONTINUED)



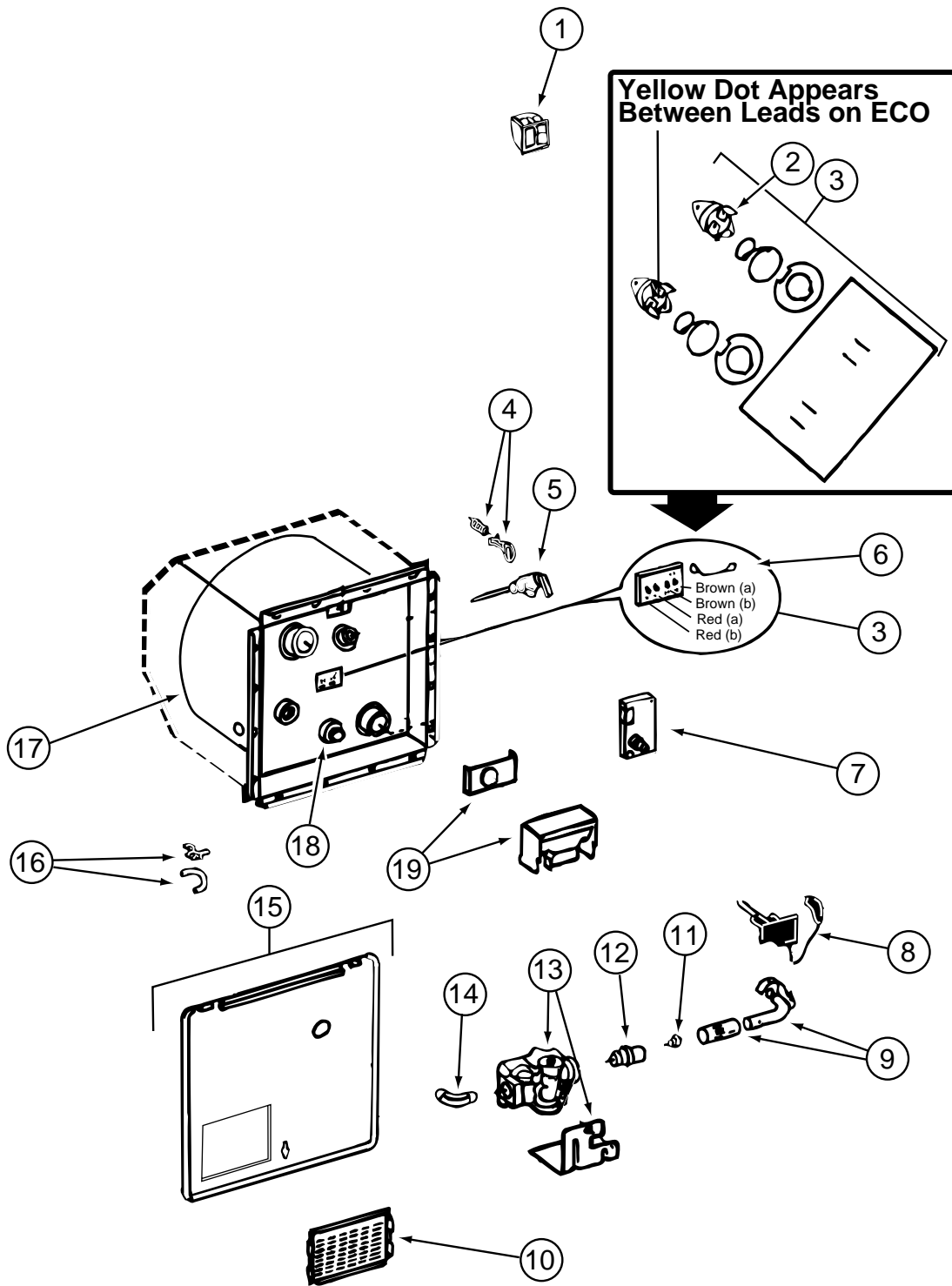
KEY	PART NUMBER	U/M	DESCRIPTION
1	125697-05-000	EA	INLET - WATER - FLUSHING SYSTEM
2	125697-04-000	EA	BREAKER - VACUUM - FLUSHING SYSTEM
3	125697-03-000	EA	CHECK VALVE - FLUSHING SYSTEM
4	125697-02-000	EA	NOZZLE - WELD-A-FLUSH
	125697-06-000	EA	INSTRUCTIONS - USER - FLUSHING SYSTEM

WATER & SEWAGE GROUP (CONTINUED)
WATER SYSTEM (CONTINUED)



KEY	PART NUMBER	U/M	DESCRIPTION
1	133681-02-000	EA	TANK - WATER - W/FITTINGS
	133681-01-000	EA	TANK - WATER - W/O FITTINGS
2	132224-08-000	EA	TANK - WATER - 40 GAL - W/FITTINGS - PRIMARY
	132224-01-000	EA	TANK - WATER - 40 GAL - W/O FITTINGS
3	132865-01-12B	EA	PANEL - SERVICE CENTER - BRIGHT WHITE
			FROM: 00-00-00 THRU: 11-16-00
4	136034-02-12B	EA	PANEL/SERVICE CENTER - BRIGHT WHITE
			FROM: 11-17-00 THRU: 99-99-99

WATER & SEWAGE GROUP (CONTINUED)
COMPONENT PARTS FOR WATER SYSTEM



WATER & SEWAGE GROUP (CONTINUED)
COMPONENT PARTS FOR WATER SYSTEM (CONTINUED)

051393-01-000 (CONTINUED)

KEY	PART NUMBER	U/M	DESCRIPTION	VENDOR NO.
1	051393-01-701	EA	SWITCH PACKAGE	91959
2	051391-04-701	EA	THERMOSTAT 12V DC-120 PRESET	91470
3	051393-01-721	EA	ECO & THERMOSTAT ASM - FRONT MOUNT - 140	91447
4	051391-01-705	EA	FASTENER - CAMLOC	92609
5	051391-01-704	EA	VALVE - RELIEF - 1/2" FITTING	91604
6	051393-01-723	EA	SWITCH - ENERGY CUT-OFF	93866
7	051393-01-724	EA	CIRCUIT BOARD - W/ SPADE TERMINAL	93867
8	051393-01-725	EA	ELECTRODE - SINGLE SPADE CONNECTION	93868
9	051391-04-703	EA	BURNER - MAIN	91638
10	051391-01-717	EA	GRILLE	92640
11	051391-01-710	EA	ORIFICE - MAIN BURNER	92742
12	051391-03-700	EA	ORIFICE HOLDER	91563
13	051393-01-726	EA	SOLENOID VALVE & BRACKET	93870
14	051391-01-714	EA	ELBOW - 45 DEGREE - 3/8" F X 3/8" MPT	91044
15		EA	DOOR-WATER HEATER - SEE EXTERIOR DOOR & COMPARTMENT GROUP BY MODEL	
16	051391-01-700	EA	HINGE KIT - W/CLIP	92568 & 92559
17	051391-04-704	EA	TANK - INNER	91642
18	051391-01-715	EA	DRAIN PLUG	91857
19	051391-04-707	EA	FLUE & GASKET	90960
	111129-01-711	EA	BRACKET-CORNER, SET OF FOUR	91928

098607-01-000

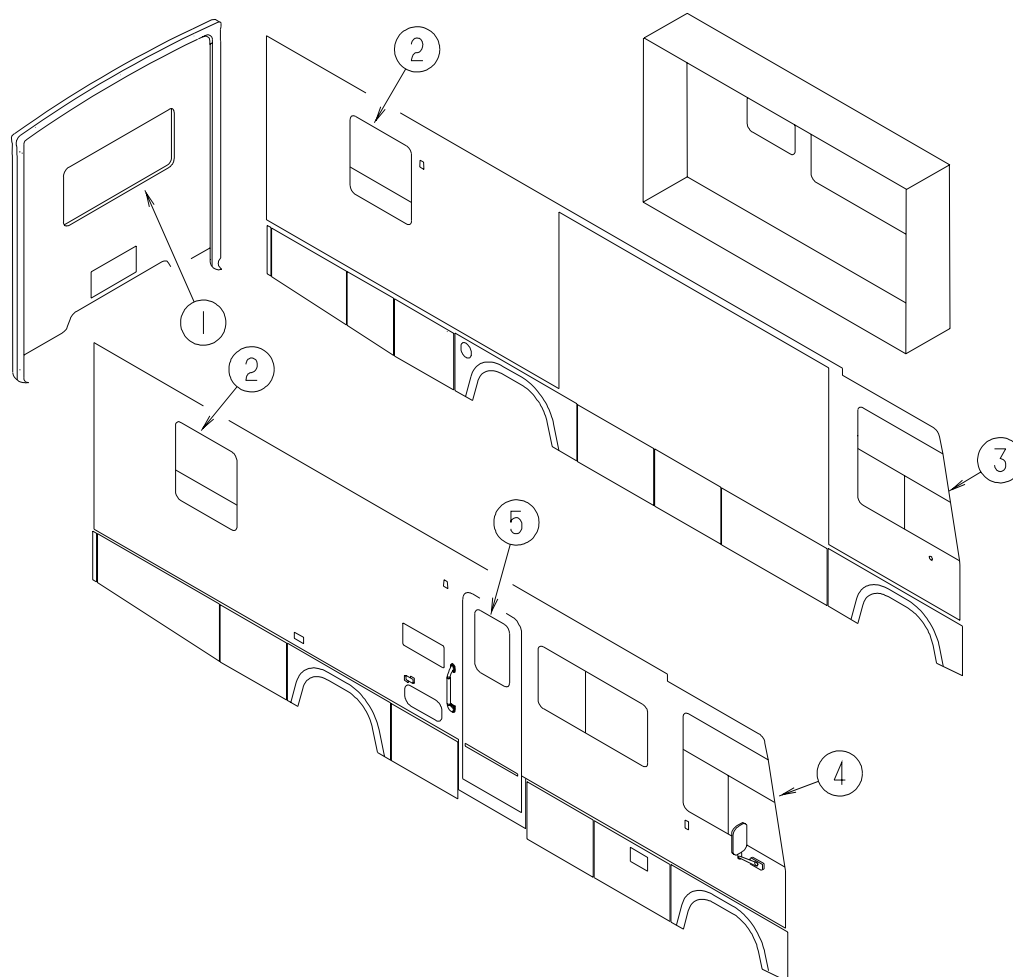
KEY	PART NUMBER	U/M	DESCRIPTION	VENDOR NO
	098607-01-000	EA	PUMP - WATER - W/.5" MPT FITTING - FLOW 2.8 GPM	
	098607-01-702	EA	DIAPHRAGM/DRIVE ASSEMBLY KIT	94-238-04
	098607-01-703	EA	VALVE KIT	94-232-00
	098607-01-705	EA	VALVE-CHECK, KIT	94-237-00
	098607-01-706	EA	HOUSING, W/SWITCH ONLY	94-231-20
	098607-01-707	EA	MOTOR W/BASEPLATE	11-148-04

131340-01-01A

KEY	PART NUMBER	U/M	DESCRIPTION	VENDOR NO
	131340-01-700	EA	BUTTON - HOT/COLD	N1201-16
	131340-01-701	EA	KNOB - CLEAR	N1201-9
	119677-01-701	EA	SHOWER HEAD ONLY 1/2"	34PB

WINDOW & VENTS GROUP

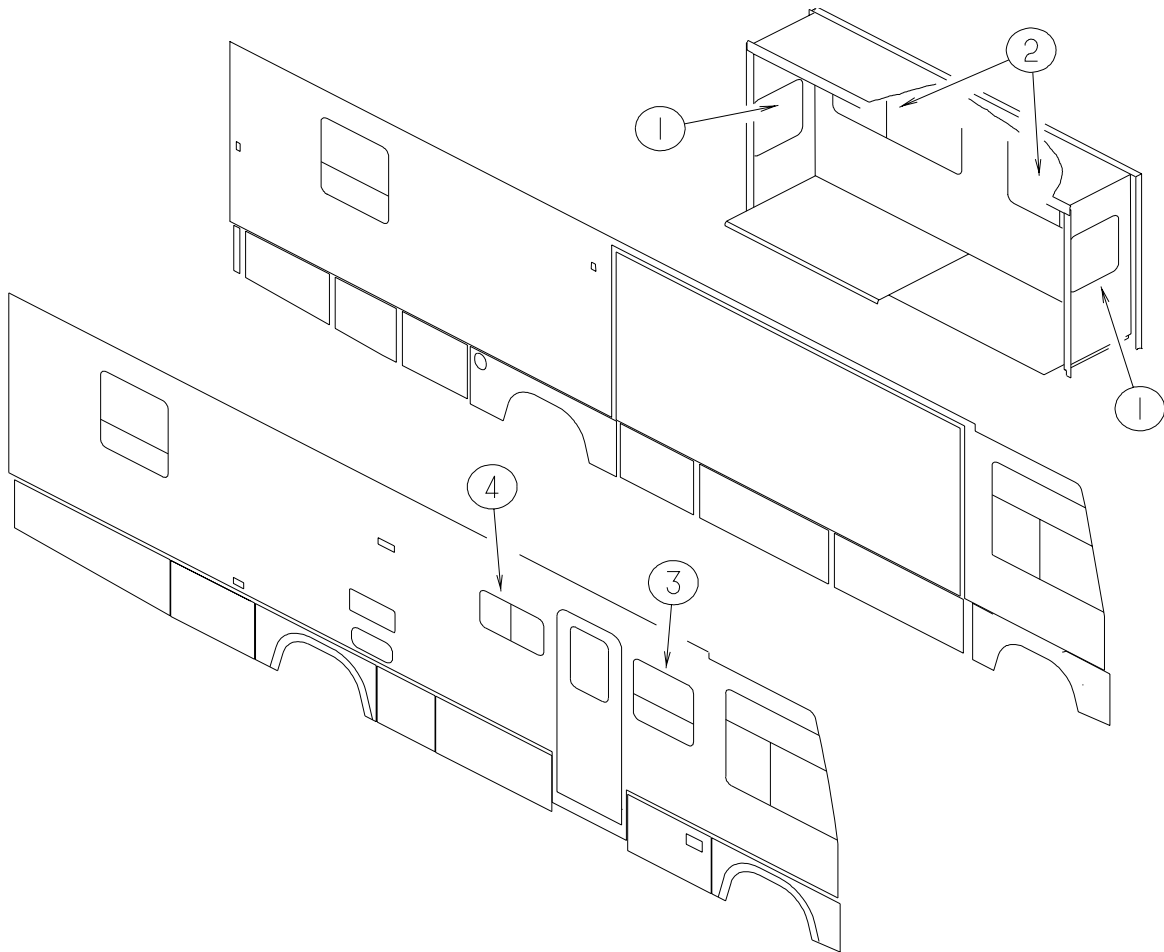
WINDOW & VENT LAYOUT



KEY	PART NUMBER	U/M	DESCRIPTION
1*	113502-09-01A	EA	WINDOW - REAR/ESCAPE - THERMO/EUROPEAN - 24.7" X 48.7"
2*	129929-09-01A	EA	WINDOW - TORQUE - THERMO - 33.2" X 30.2"
3*	125583-04-01A	EA	WINDOW - CAB DRVR-3 GLASS THERMO-31.8"T X 51.6"B X 42.6"H
4*	125583-03-01A	EA	WINDOW - CAB PASS-3 GLASS THERMO- 31.8"T X 51.6"B X 42.6"H
5*	113733-10-01A	EA	WINDOW - STATIONARY - THERMO/EUROPEAN - 26.3" X 17"
	084073-04-000	EA	BASE/VENT - ROOF/REFRIGERATOR - BLACK - NORCOLD
	084073-07-000	EA	VENT - ROOF/REFRIGERATOR - BRIGHT WHITE - NORCOLD
*	122882-01-01A	EA	VENT - ROOF - NONPOWERED - W/O INSIDE GARNISH
	009440-01-000	EA	GEAR/ARM - LIFT - ROOF VENT COVER
*	122882-02-01A	EA	VENT - ROOF - W/FAN - W/O INSIDE GARNISH - UL
	009440-01-000	EA	GEAR/ARM - LIFT - ROOF VENT COVER
	048648-01-000	EA	MOTOR - ROOF VENT - 1/8 SHAFT - 12VOLT
	048649-01-000	EA	FFAN BLADE - ROOF VENT - 6 BLADES - 6"
*	122882-03-01A	EA	VENT - ROOF - W/FAN - W/O INSIDE GARNISH - CSA
	009440-01-000	EA	GEAR/ARM - LIFT - ROOF VENT COVER
	048648-01-000	EA	MOTOR - ROOF VENT - 1/8 SHAFT - 12VOLT
	048649-01-000	EA	FAN BLADE - ROOF VENT - 6 BLADES - 6"
	122882-07-01A	EA	GARNISH - ROOF VENT - 2.5" TO 4.1"
	122214-01-02A	EA	PANEL - SKYLITE - INNER - W/ANGLED CORNER - WHITE - F30W
	122215-01-02A	EA	PANEL - SKYLITE - OUTER - W/ANGLED CORNER - WHITE - F30W
	122191-01-02A	EA	PANEL - SKYLIGHT - INNER - W/LIGHT CUTOUT - F32T , F33V , F35C
	114496-01-02A	EA	PANEL - OUTER SKYLIGHT - 22" X 37" - F32T , F33V , F35C
	122193-01-02A	EA	PANEL - SKYLITE - INNER - F26P , F29A , F31B
	122192-01-02A	EA	PANEL - OUTER SKYLITE - 16.4" X 27.8" - F26P , F29A , F31B
	084616-07-000	EA	SHROUD - EXHAUST VENT/RANGE HOOD - BRIGHT WHITE
	084878-09-000	EA	VENT - EXHAUST/RANGE HOOD - OFF WHITE
*	123780-03-01A	EA	FANTASTIC VENT - 3"-4" ROOF - W/FAN - UL/CSA - SUNRISE ONLY

*COMPONENT PARTS LISTED LATER IN THIS GROUP

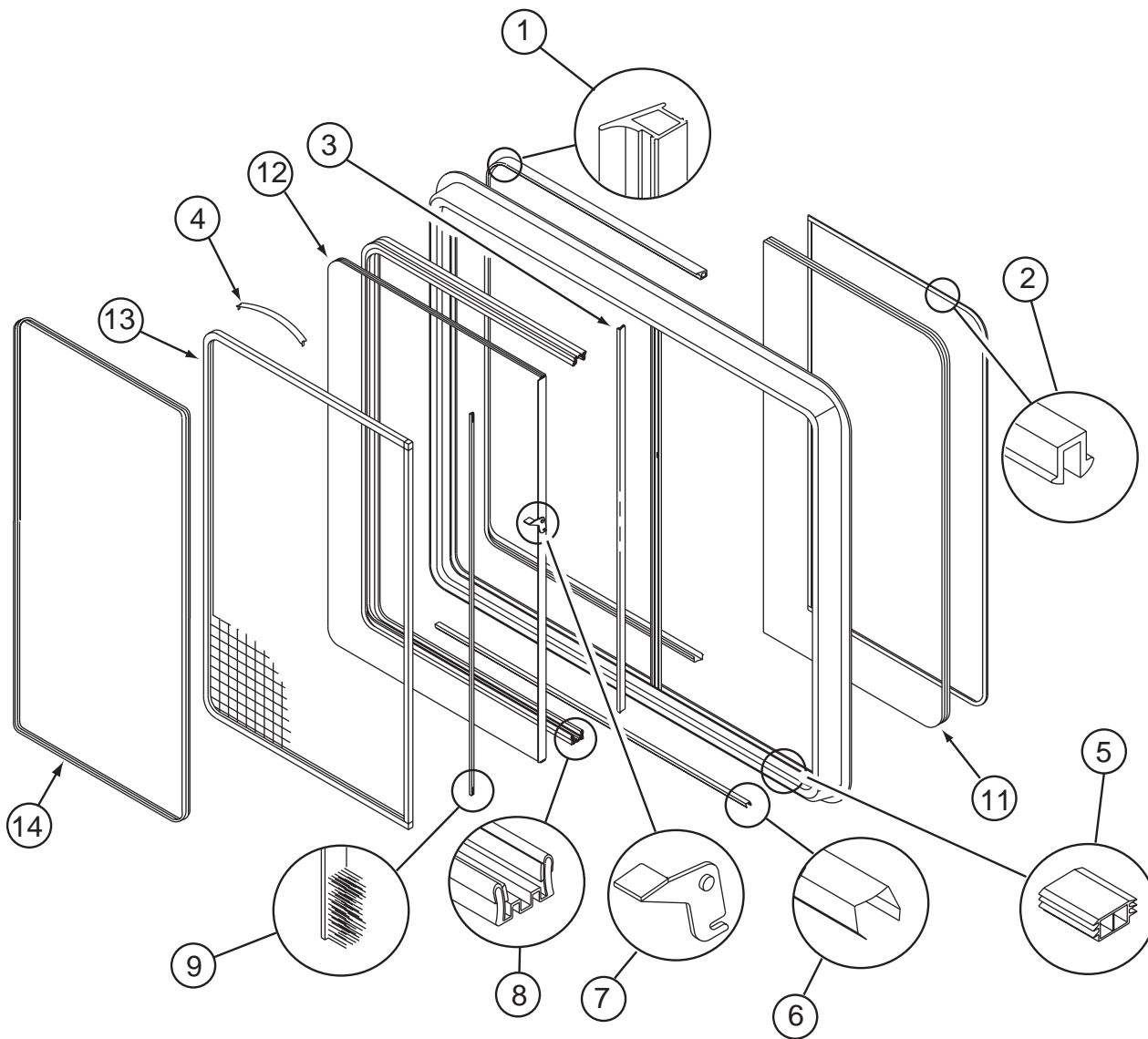
WINDOW & VENTS GROUP (CONTINUED)
WINDOW & VENT LAYOUT (CONTINUED)



KEY	PART NUMBER	U/M	DESCRIPTION
1*	134004-02-01A	EA	WINDOW - VERT SLIDER/FLUSH O/S-THERM- 22.2" X 24.2" - BLK FROM: 00-00-00 THRU: 07-23-00
1*	134004-03-01A	EA	WINDOW - VERT SLIDER/FLUSH O/S-THERMO - 21" X 19.8" FROM: 07-24-00 THRU: 99-99-99
2*	112795-77-01A	EA	WINDOW - DRIVER HORIZONTAL SLIDER - THERMO - 57.5" X 23.6"
3*	112898-25-01A	EA	WINDOW - VERTICAL SLIDER - THERMOPANE - 26.3" X 26.9"
4*	112795-72-01A	EA	WINDOW - PASSENGER HORIZ SLIDER - THERMO - 28.5" X 15.7"

***COMPONENT PARTS LISTED LATER IN THIS GROUP**

WINDOW & VENTS GROUP (CONTINUED)
COMPONENT PARTS FOR WINDOWS & VENT LAYOUT



112795-72-01A

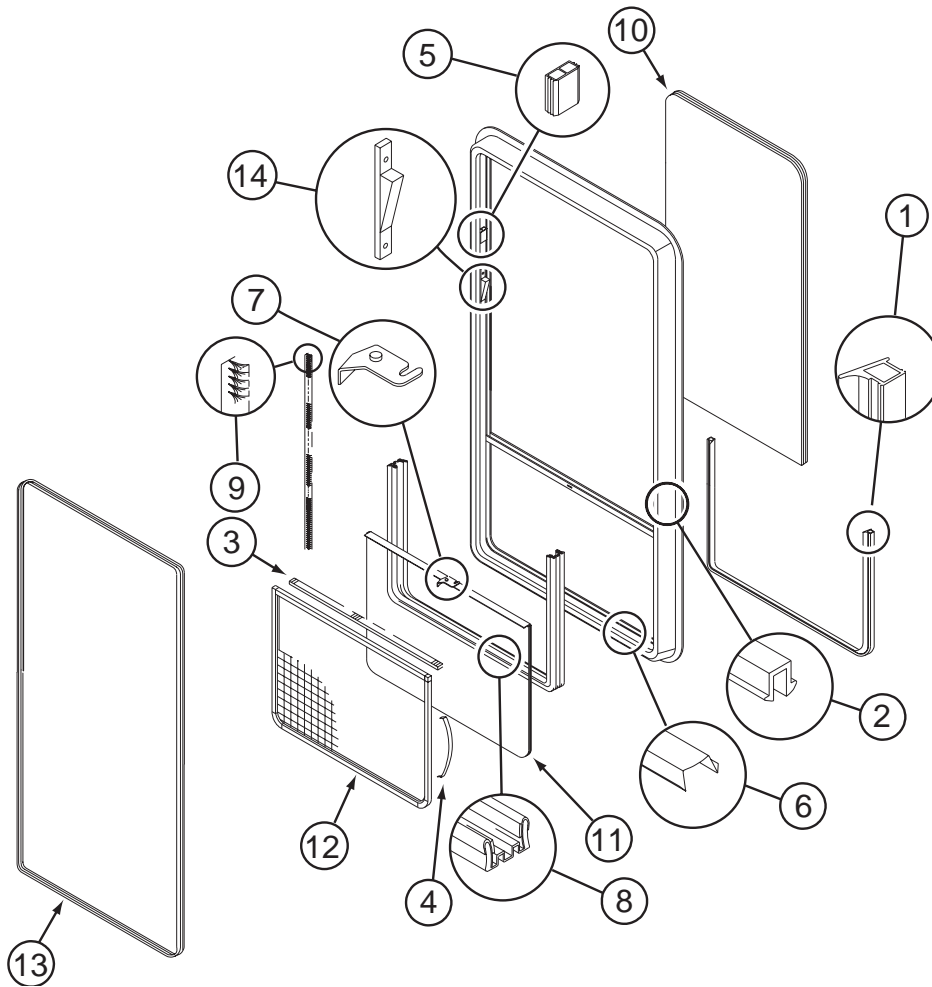
KEY	PART NUMBER	U/M	DESCRIPTION	VENDOR NO.
	112795-72-01A	EA	WINDOW - PASSENGER HORIZ SLIDER - THERMO - 15.9" X 28.7"	
1	112795-01-704	FT	PLUG FILLER (DOUBLE GLAZED)	122-018737
2	112795-01-705	FT	VINYL - GLAZING	132-025736
3	098644-01-706	FT	WEATHERSTRIP - GLASS	171-010668
4	098644-01-713	EA	CLIP - SCREEN - METAL	226-016966
4	125582-01-701	EA	CLIP - SCREEN - PLASTIC	130-005153
	098644-01-717	FT	SPLINE - SCREEN	132-004716
5	112795-01-701	EA	SLIDE-STOP	132-019092
6	098644-01-710	FT	TRACK - SCREEN SPACER 12'	132-017135
7	112795-01-700	EA	LATCH ASM., BLK.,(BOLT ON)	DH287-CK
8	112795-01-703	IN	CHANNEL-RUN (INCHES)	122-018736
9	098644-01-711	FT	WEATHERSTRIP - SCREEN BLACK	171-016965
11	112795-72-700	EA	GLASS - STATIONARY	390-028307
12	112795-72-701	EA	GLASS - SLIDING W/SASH LATCH	DC29-G8
13	098647-31-704	EA	SCREEN ASSY - W/SEAL & CLIPS	410-019128
14	098647-31-705	EA	RETAINER - TRIM	CH29-66

WINDOW & VENTS GROUP (CONTINUED)
COMPONENT PARTS FOR WINDOWS & VENT LAYOUT (CONTINUED)

112795-77-01A

KEY	PART NUMBER	U/M	DESCRIPTION	VENDOR NO.
	112795-77-01A	EA	WINDOW - DRIVER HORIZONTAL SLIDER - THERMO - 23.8" X 57.7"	
1	112795-01-704	FT	PLUG FILLER (DOUBLE GLAZED)	122-018737
2	112795-01-705	FT	VINYL - GLAZING	132-025736
3	098644-01-706	FT	WEATHERSTRIP - GLASS	171-010668
4	098644-01-713	EA	CLIP - SCREEN - METAL	226-016966
4	125582-01-701	EA	CLIP - SCREEN - PLASTIC	130-005153
	098644-01-717	FT	SPLINE - SCREEN	132-004716
5	112795-01-701	EA	SLIDE-STOP	132-019092
6	098644-01-710	FT	TRACK - SCREEN SPACER 12'	132-017135
7	112795-01-700	EA	LATCH ASM., BLK.,(BOLT ON)	DH287-CK
8	112795-01-703	IN	CHANNEL-RUN (INCHES)	122-018736
9	098644-01-711	FT	WEATHERSTRIP - SCREEN BLACK	171-016965
11	112795-77-700	EA	GLASS - STATIONARY	390-28313
12	112795-77-701	EA	GLASS - SLIDING W/SASH LATCH	DH493-G8
13	098647-47-702	EA	SCREEN ASSY - W/SEAL & CLIPS	410-025226
14	098647-47-704	EA	RETAINER - TRIM	H493-66

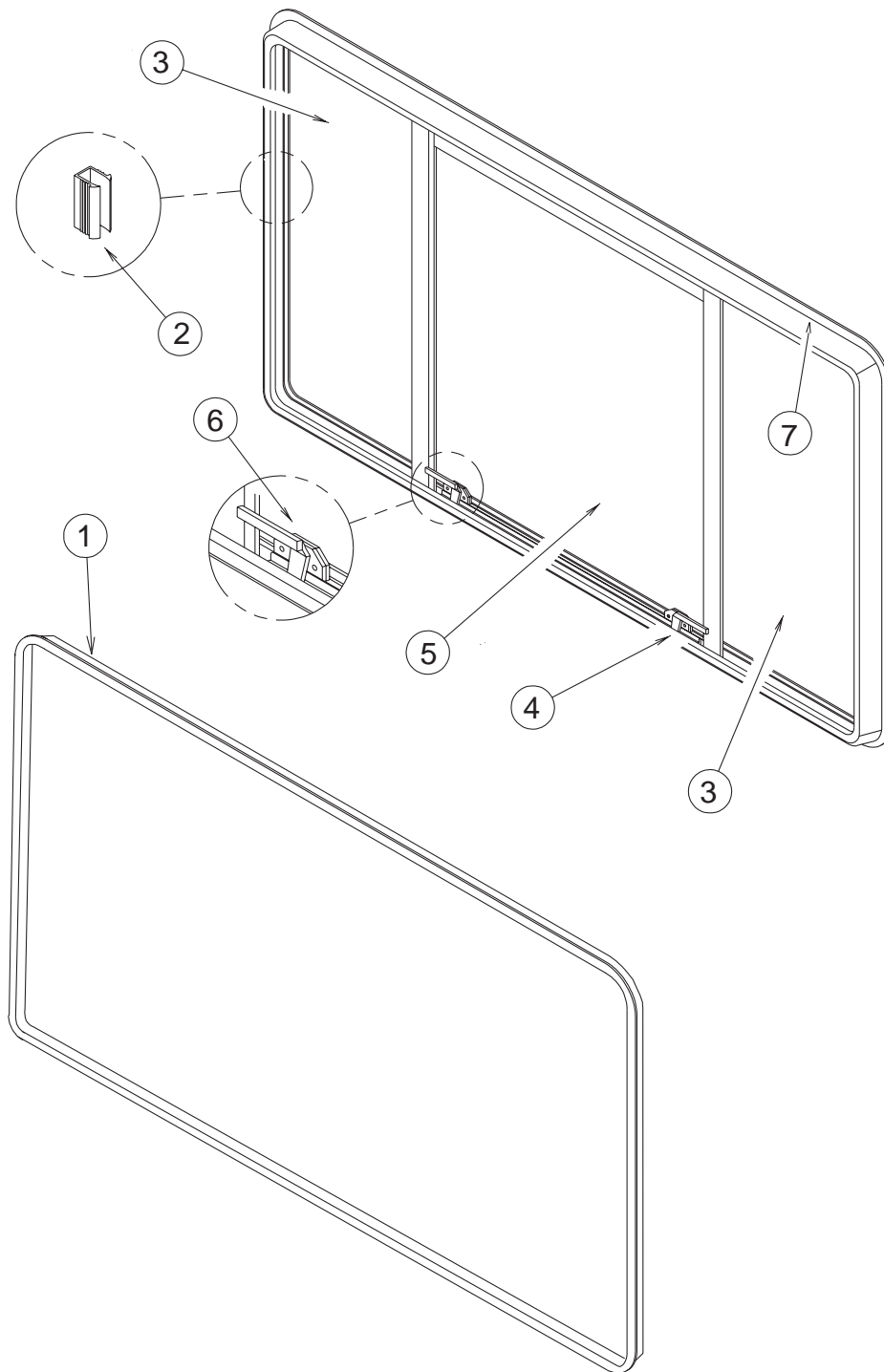
WINDOW & VENTS GROUP (CONTINUED)
COMPONENT PARTS FOR WINDOWS & VENT LAYOUT (CONTINUED)



112898-25-01A

KEY	PART NUMBER	U/M	DESCRIPTION	VENDOR NO.
	112898-25-01A	EA	WINDOW - VERTICAL SLIDER - THERMOPANE - 26.3" X 26.9"	
1	112795-01-704	FT	PLUG FILLER (DOUBLE GLAZED)	122-018737
2	112795-01-705	FT	VINYL - GLAZING	132-025736
3	098644-01-706	FT	WEATHERSTRIP - GLASS	171-010668
4	098644-01-713	EA	CLIP - SCREEN - METAL	226-016966
4	125582-01-701	EA	CLIP - SCREEN - PLASTIC	130-005153
5	112795-01-701	EA	SLIDE-STOP	132-019092
6	098644-01-710	FT	TRACK - SCREEN SPACER 12'	132-017135
7	112795-01-700	EA	LATCH ASM., BLK.,(BOLT ON)	DH287-CK
8	112795-01-703	IN	CHANNEL-RUN (INCHES)	122-018736
9	098644-01-711	FT	WEATHERSTRIP - SCREEN BLACK	171-016965
10	112898-25-700	EA	GLASS - STATIONARY	390-028310
11	112898-25-701	EA	GLASS-SLIDING W/SASH & LATCH	DH564-G8
12	112898-19-702	EA	SCREEN ASM - W/SEALS & CLIPS	410-026279
13	112898-19-703	EA	RETAINER - TRIM	W564-66
14	112898-04-703	EA	VERTICAL LATCH (SASH KIT)	DH343-CK
	098644-01-717	FT	SPLINE - SCREEN	132-004716

WINDOW & VENTS GROUP (CONTINUED)
COMPONENT PARTS FOR WINDOWS & VENT LAYOUT (CONTINUED)



113502-09-01A

KEY	PART NUMBER	U/M	DESCRIPTION	VENDOR NO.
	113502-09-01A	EA	WINDOW - REAR/ESCAPE - THERMO/EUROPEAN - 24.7" X 48.7"	
1	113502-01-705	EA	RETAINER - TRIM	H098-60
2	112795-24-706	FT	SEAL - SPLINE/GRAY - ESCAPE	132-010481
3	113502-09-700	EA	GLASS - STATIONARY	390-028325
3	113502-09-701	EA	GLASS - STATIONARY	390-028326
4	112898-06-707	EA	HANDLE-LATCH/RED-RH (SLIDER)	182-025911
5			CONTACT WINNEBAGO PART SALES FOR THIS COMPONENT	
6	112898-06-708	EA	HANDLE-LATCH/RED-LH (SLIDER)	182-025912
7	098644-01-705	FT	GLAZING - STRIP	132-010231

WINDOW & VENTS GROUP (CONTINUED)
COMPONENT PARTS FOR WINDOWS & VENT LAYOUT (CONTINUED)

113733-10-01A

KEY	PART NUMBER	U/M	DESCRIPTION	VENDOR NO.
	112795-01-705	FT	VINYL - GLAZING	132-025736
	113733-10-700	EA	GLASS-STATIONARY	390-028306
	113733-10-701	EA	RETAINER-TRIM	H416-66

122882-01-01A

KEY	PART NUMBER	U/M	DESCRIPTION	VENDOR NO.
	122882-01-01A	EA	VENT - ROOF - NONPOWERED - W/O INSIDE GARNISH	
	064470-01-700	EA	COVER - VENT - W/O SLIDE BAR	J7291
	064470-01-701	EA	SLIDE BAR - VENT LID	JRP1291B
	122882-01-701	EA	SCREEN	JRP-1124-B
	122882-01-702	EA	HANDLE - CRANK - WHITE	JRP1031B

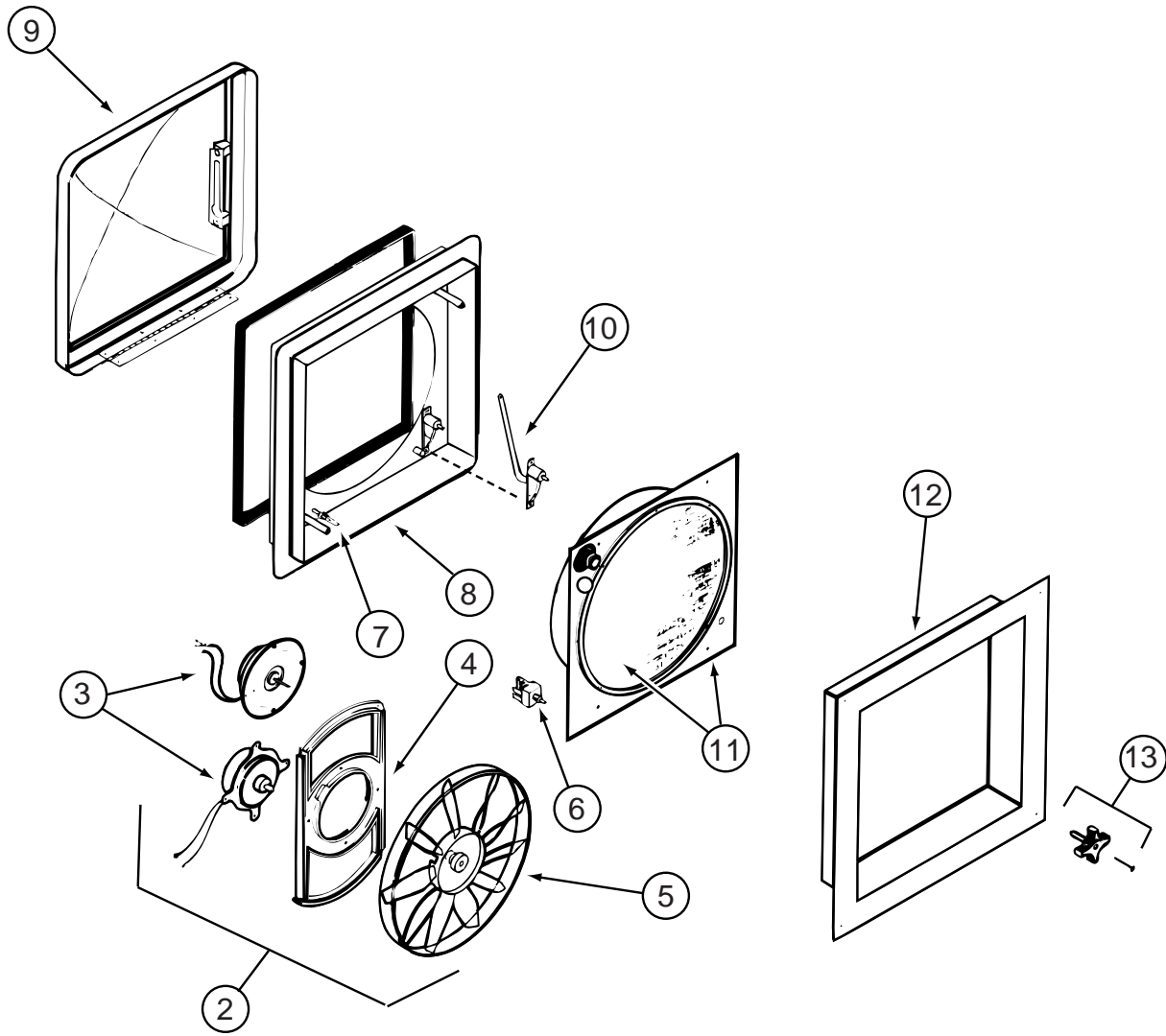
122882-02-01A

KEY	PART NUMBER	U/M	DESCRIPTION	VENDOR NO.
	122882-02-01A	EA	VENT - ROOF - W/FAN - W/O INSIDE GARNISH - UL	
	064470-01-700	EA	COVER - VENT - W/O SLIDE BAR	J7291
	009440-01-000	EA	GEAR-ARM-ROOF VENT	705221K38
	048648-01-000	EA	MOTOR-12V NONVENTED 1/8 SFT	
	048649-01-000	EA	FAN-PLAS-6 IN 6 BLADED	
	122882-01-701	EA	SCREEN	JRP-1124-B
	122882-01-700	EA	HANDLE - CRANK - BLACK	90128
	122882-01-702	EA	HANDLE - CRANK - WHITE	JRP1031B
	064470-01-701	EA	SLIDE BAR - VENT LID	JRP1291B
	110051-03-700	EA	SWITCH-BLACK/PUSH BUTTON	27-0164

122882-03-01A

KEY	PART NUMBER	U/M	DESCRIPTION	VENDOR NO.
	122882-03-01A	EA	VENT - ROOF - W/FAN - W/O INSIDE GARNISH - CSA	
	009440-01-000	EA	GEAR-ARM-ROOF VENT	705221K38
	048648-01-000	EA	MOTOR-12V NONVENTED 1/8 SFT	
	048649-01-000	EA	FAN-PLAS-6 IN 6 BLADED	
	064470-01-700	EA	COVER - VENT	J7291
	064470-01-701	EA	SLIDE BAR - VENT LID	JRP1291B
	110051-03-700	EA	SWITCH-BLACK/PUSH BUTTON	27-0164
	122882-01-700	EA	HANDLE - CRANK - BLACK	90128
	122882-01-701	EA	SCREEN	JRP-1124-B
	122882-01-702	EA	HANDLE - CRANK - WHITE	JRP1031B

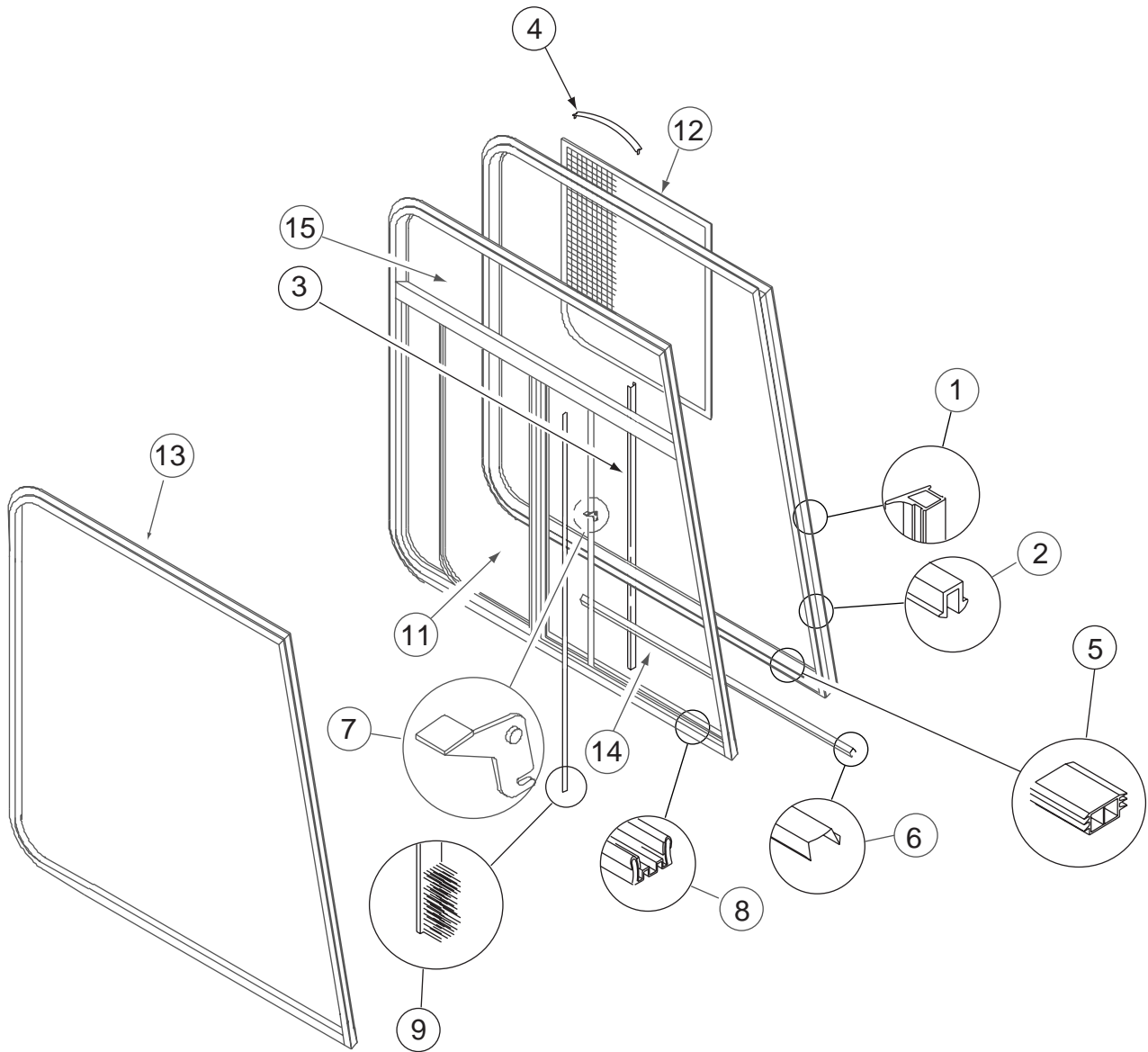
WINDOW & VENTS GROUP (CONTINUED)
COMPONENT PARTS FOR WINDOWS & VENT LAYOUT (CONTINUED)



123780-03-01A

KEY	PART NUMBER	U/M	DESCRIPTION	VENDOR NO.
2	084079-11-700	EA	MOTOR, BRKT., FAN BLADE, KIT	4017K-09
3	084079-01-705	EA	MOTOR	1080-00
4	084079-01-711	EA	H-MOLDING, MOTOR MOUNT	
5	084079-01-704	EA	BLADE-FAN	1070-00
6	084079-01-709	EA	SWITCH - MAIN - 3 SPEED	1031-05
7	084079-01-707	EA	SWITCH - SAFETY	1122.05
8	123780-05-700	EA	BASE - MAIN BRIGHT WHITE	1010K-81
9	123780-01-700	EA	COVER - VENT W/HINGE & SLIDE	1020K-81
10	009440-01-000	EA	GEAR/ARM - LIFT - ROOF VENT COVER	705221K38
11	123780-01-702	EA	SCREEN W/FRAME	103581
12	123780-03-700	EA	GARNISH - INT. 3"-4" BRT/WHT	2040-81
13	084079-01-703	EA	KNOB-LIFT, W/EXT. & SCREW	1140K-00
	123780-03-701	EA	SCREEN ASM 78-100MM W/SWITCH	1030BT-81
	084079-01-706	EA	PLUG, 12 VOLT	1090

WINDOW & VENTS GROUP (CONTINUED)
COMPONENT PARTS FOR WINDOWS & VENT LAYOUT (CONTINUED)



125583-03-01A

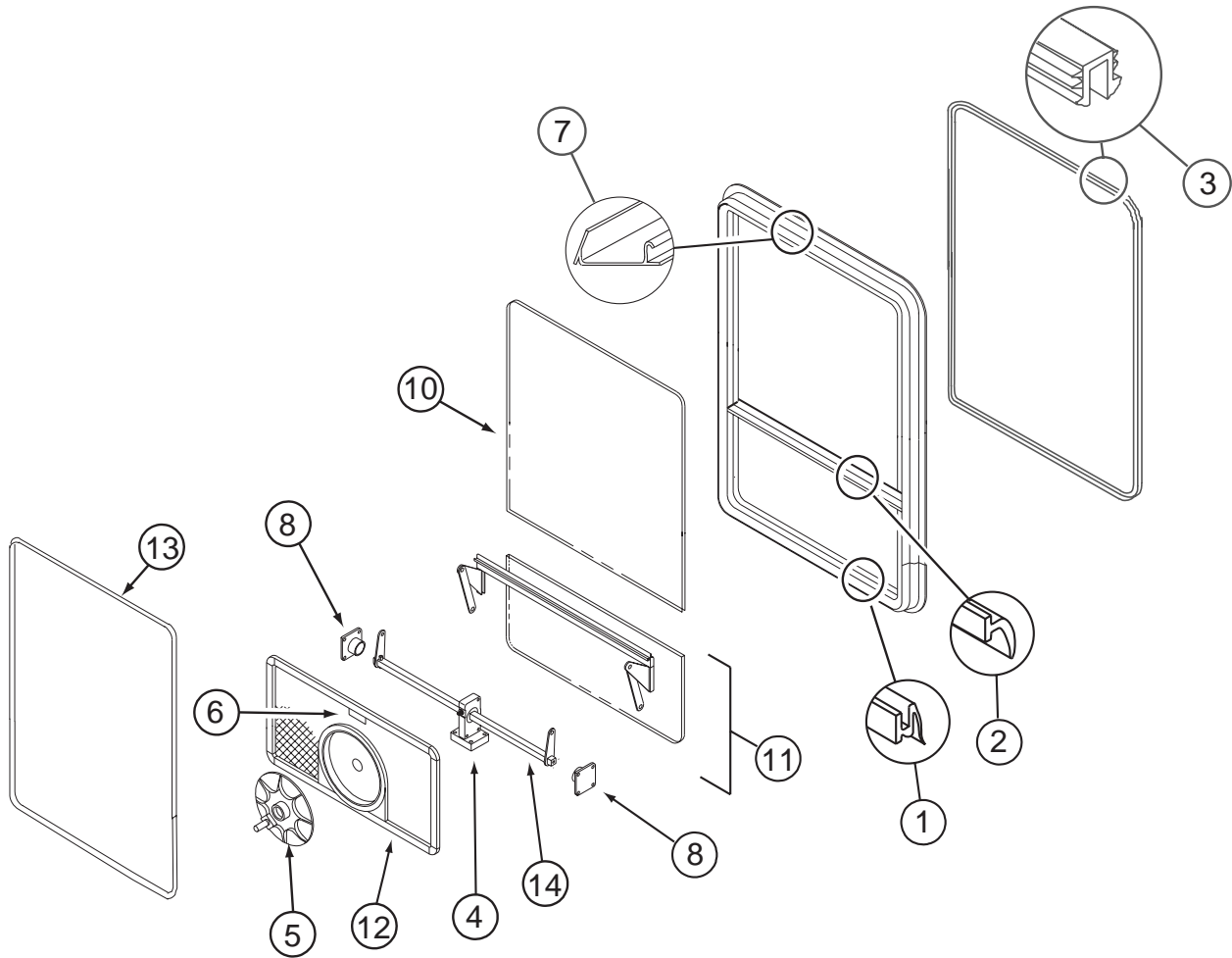
KEY	PART NUMBER	U/M	DESCRIPTION	VENDOR NO.
	125583-03-01A	EA	WINDOW - CAB PASS-3 GLASS THERMO- 31.8"T X 51.6"B X 42.6"H	
1	112795-01-704	FT	PLUG FILLER (DOUBLE GLAZED)	122-018737
2	112795-01-705	FT	VINYL - GLAZING	132-025736
3	098644-01-706	FT	WEATHERSTRIP - GLASS	171-010668
4	098644-01-713	EA	CLIP - SCREEN - METAL	226-016966
4	125582-01-701	EA	CLIP - SCREEN - PLASTIC	130-005153
5	112795-01-701	EA	SLIDE-STOP	132-019092
6	098644-01-710	FT	TRACK - SCREEN SPACER 12'	132-017135
7	112795-01-700	EA	LATCH ASM., BLK.,(BOLT ON)	DH287-CK
8	112795-01-703	IN	CHANNEL-RUN (INCHES)	122-018736
9	098644-01-711	FT	WEATHERSTRIP - SCREEN BLACK	171-016965
11	125583-03-700	EA	GLASS - SLIDING - W/SASH & LATCH	DH567A9R
12	125582-03-703	EA	SCREEN ASM - W/SEALS & CLIPS	H56703R
13	125582-03-704	EA	RETAINER - TRIM	H56727R
14	125583-03-702	EA	GLASS - STATIONARY	390026094
15	125583-03-701	EA	GLASS - STATIONARY	390026093
	125582-01-708	EA	WEEPHOLE COVER - RIGHT HAND	130-026598
	125582-01-709	EA	WEEPHOLE COVER - LEFT HAND	130-026599

WINDOW & VENTS GROUP (CONTINUED)
COMPONENT PARTS FOR WINDOWS & VENT LAYOUT (CONTINUED)

125583-04-01A

KEY	PART NUMBER	U/M	DESCRIPTION	VENDOR NO.
	125583-04-01A	EA	WINDOW - CAB DRVR-3 GLASS THERMO-31.8"T X 51.6"B X 42.6"H	
1	112795-01-704	FT	PLUG FILLER (DOUBLE GLAZED)	122-018737
2	112795-01-705	FT	VINYL - GLAZING	132-025736
3	098644-01-706	FT	WEATHERSTRIP - GLASS	171-010668
4	098644-01-713	EA	CLIP - SCREEN - METAL	226-016966
4	125582-01-701	EA	CLIP - SCREEN - PLASTIC	130-005153
5	112795-01-701	EA	SLIDE-STOP	132-019092
6	098644-01-710	FT	TRACK - SCREEN SPACER 12'	132-017135
7	112795-01-700	EA	LATCH ASM., BLK.,(BOLT ON)	DH287-CK
8	112795-01-703	IN	CHANNEL-RUN (INCHES)	122-018736
9	098644-01-711	FT	WEATHERSTRIP - SCREEN BLACK	171-016965
11	125583-04-700	EA	GLASS-SLIDING W/SASH & LATCH	DH567-A9L
12	125582-04-701	EA	SCREEN ASM - W/SEALS & CLIPS	410-026544
13	125582-04-702	EA	RETAINER - TRIM	H567-27L
14	125583-04-701	EA	GLASS - STATIONARY	390-026095
15	125583-03-701	EA	GLASS - STATIONARY	390026093
	125582-01-708	EA	WEEPHOLE COVER - RIGHT HAND	130-026598
	125582-01-709	EA	WEEPHOLE COVER - LEFT HAND	130-026599

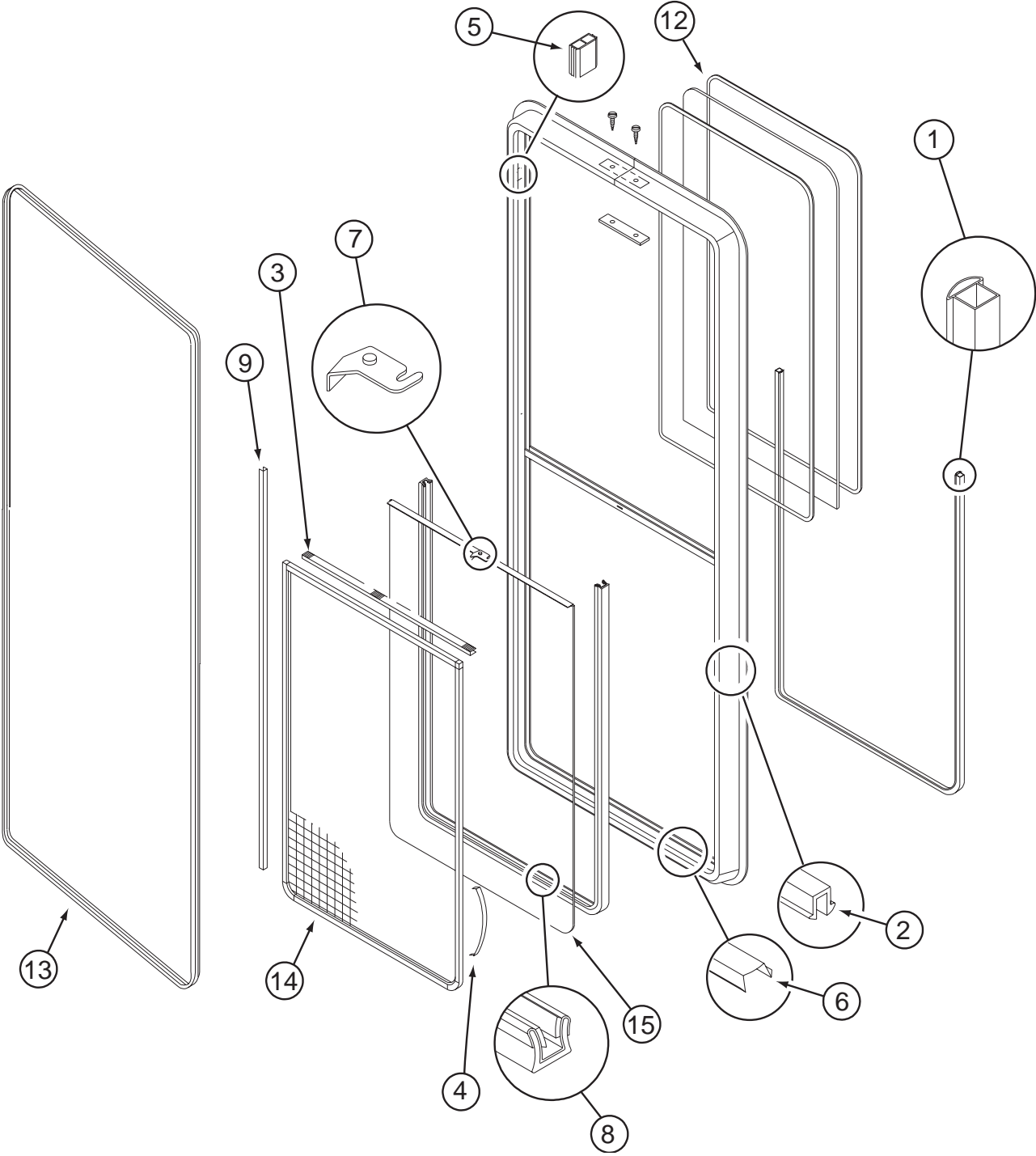
WINDOW & VENTS GROUP (CONTINUED)
COMPONENT PARTS FOR WINDOWS & VENT LAYOUT (CONTINUED)



129929-09-01A

KEY	PART NUMBER	U/M	DESCRIPTION	VENDOR NO.
1	100322-01-701	FT	SEAL-VENT	122-016071
2	100322-01-702	EA	WEATHERSTRIP-HORIZ RAIL-148"	132-019631
3	129929-01-705	FT	GLAZING VINYL	132-026811
4	112519-01-702	EA	OPERATOR-VENT-CENTER SUPPORT	410-016123
5	100322-01-718	EA	HANDLE-DIAL	410-016081
6	129929-01-706	FT	SEAL - TOP F/CENTER EGRESS	132-026811
7	129929-01-707	FT	FILLER STRIP - DOUBLE GLAZED	132-026808
8	129929-01-708	EA	SUPPORT - TORQUE BAR - RT/LT	130-026804
10	129929-09-700	EA	GLASS - STATIONARY	390-028298
11	129929-09-701	EA	VENT GLASS ASSEMBLY	DTH001-G8
12	129929-01-702	EA	SCREEN ASM - W/SEALS & CLIPS	410-026858
13	129920-01-709	EA	RETAINER - TRIM	CH10062
14	129929-01-704	EA	OPERATOR BAR ASSEMBLY	DTH001-15
	129929-02-706	FT	SEAL - FOAM	140-027022

WINDOW & VENTS GROUP (CONTINUED)
COMPONENT PARTS FOR WINDOWS & VENT LAYOUT (CONTINUED)



134004-02-01A

WINDOW & VENTS GROUP (CONTINUED)
COMPONENT PARTS FOR WINDOWS & VENT LAYOUT (CONTINUED)

134004-02-01A (CONTINUED)

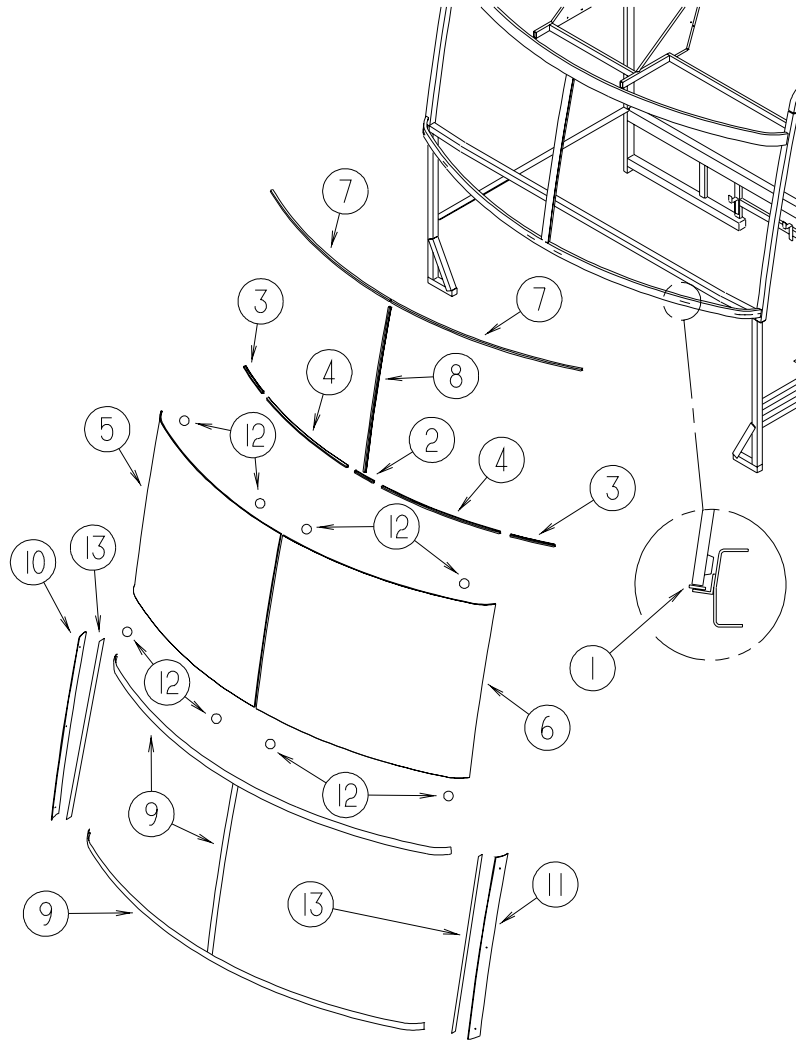
KEY	PART NUMBER	U/M	DESCRIPTION	VENDOR NO.
1	112795-01-704	FT	PLUG FILLER (DOUBLE GLAZED)	122-018737
2	112795-01-705	EA	VINYL - GLAZING	132-027331
3	098644-01-706	FT	WEATHERSTRIP - GLASS	171-010668
4	098644-01-713	EA	CLIP - SCREEN - METAL	226-016966
4	125582-01-701	EA	CLIP - SCREEN - PLASTIC	130-005153
5	112795-01-701	EA	SLIDE-STOP	132-019092
6	098644-01-710	FT	TRACK - SCREEN SPACER 12'	132-017135
7	112795-01-700	EA	LATCH ASM., BLK.,(BOLT ON)	DH287-CK
	112898-04-703	EA	VERTICAL LATCH (SASH KIT)	DH343-CK
8	112795-01-703	EA	CHANNEL-RUN (INCHES)	122-027566
9	098644-01-711	FT	WEATHERSTRIP - SCREEN BLACK	171-016965
	098644-01-717	FT	SPLINE - SCREEN	132-004716
12	134004-02-700	EA	GLASS - STATIONARY	390-028311
13	134004-01-702	EA	RETAINER - TRIM	H08056
14	098644-12-702	EA	SCREEN ASM - W/SEALS/CLIPS	410-016483
15	134004-01-701	EA	GLASS-SLIDING W/SASH & LATCH	DH685-G9

134004-03-01A

KEY	PART NUMBER	U/M	DESCRIPTION	VENDOR NO
1	112795-01-704	FT	PLUG FILLER (DOUBLE GLAZED)	122-018737
2	112795-01-705	FT	VINYL - GLAZING	132-027331
3	098644-01-706	FT	WEATHERSTRIP - GLASS	171-010668
4	125582-01-701	EA	CLIP - SCREEN - PLASTIC	130-005153
4	098644-01-713	EA	CLIP - SCREEN - METAL	226-016966
5	112795-01-701	EA	SLIDE-STOP	132-019092
6	098644-01-710	FT	TRACK - SCREEN SPACER 12'	132-017135
7	112795-01-700	EA	LATCH ASM., BLK.,(BOLT ON)	DH287-CK
8	112795-01-703	IN	CHANNEL-RUN (INCHES)	122-027566
9	098644-01-711	FT	WEATHERSTRIP - SCREEN BLACK	171-016965
12	134004-03-700	EA	GLASS - STATIONARY	390-028662
13	134004-03-702	EA	RETAINER - TRIM	H702-56
14	098644-13-702	EA	SCREEN ASM W/SEALS & CLIPS	410-028663
15	134004-03-701	EA	GLASS-SLIDING W/SASH & LATCH	DH702-G8
	112898-04-703	EA	VERTICAL LATCH (SASH KIT)	DH343-CK
	098644-01-717	FT	SPLINE - SCREEN	132-004716

WINDSHIELD & WIPER GROUP

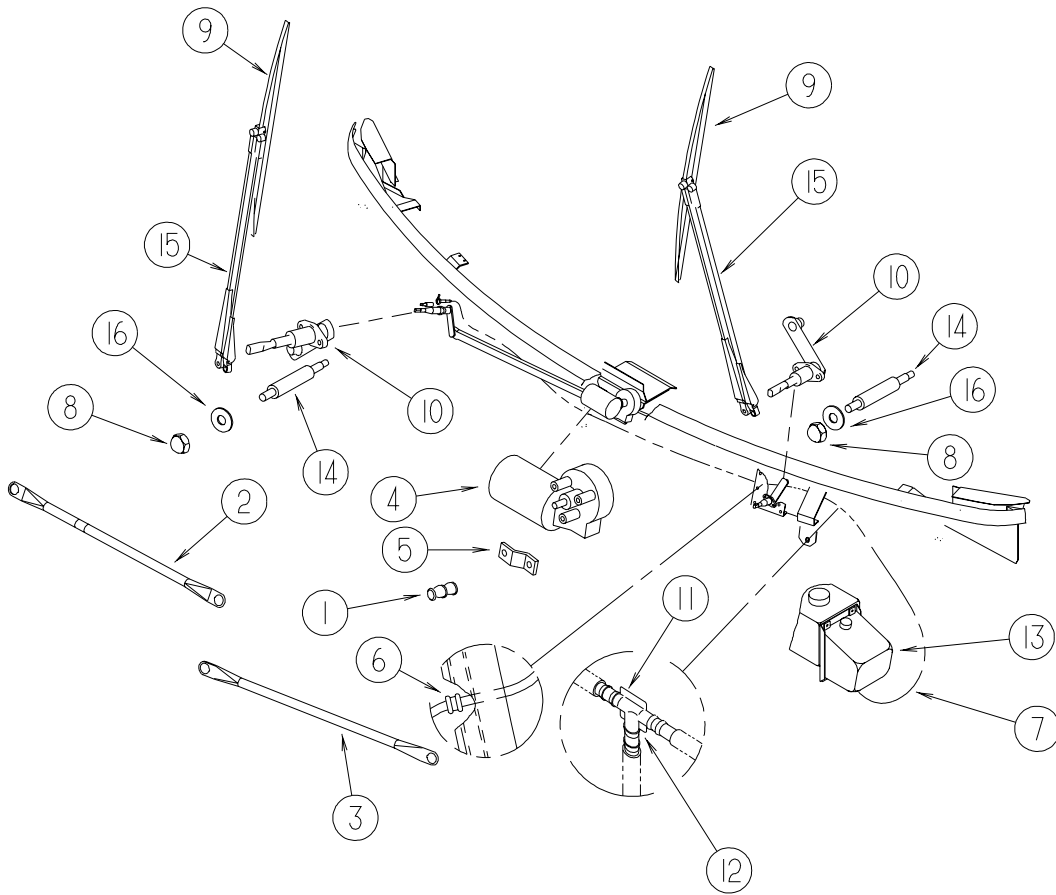
WINDSHIELD



KEY	PART NUMBER	U/M	DESCRIPTION
1	002328-02-000	EA	BLOCK - WINDSHIELD - .062" X .5" X .98"
2	132375-01-000	EA	CARRIER/REVEAL - WINDSHIELD - 5.5"
3	132375-02-000	EA	CARRIER/REVEAL - WINDSHIELD - 10"
4	117335-06-000	EA	REVEAL CARRIER - 29.8"
5	124972-01-000	EA	WINDSHIELD - PASSENGER - 51.5" X 38.1" (CURVED) - SUNRISE SE
5	124329-01-000	EA	WINDSHIELD - PASSENGER - 51.5" X 44.3" (CURVED) - SUNRISE
6	124972-02-000	EA	WINDSHIELD - DRIVER - 51.5" X 38.1" (CURVED) - SUNRISE SE
6	124329-02-000	EA	WINDSHIELD - DRIVER - 51.5" X 44.3" (CURVED) - SUNRISE
7	127862-01-000	EA	CARRIER/REVEAL - WINDSHIELD - 47.2"
8	127862-07-000	EA	CARRIER - REVEAL - WINDSHIELD - 35.4" - SUNRISE SE
8	127862-06-000	EA	CARRIER - REVEAL - WINDSHIELD - 41.9" - SUNRISE
9	120533-01-000	FT	MOLDING - REVEAL - WINDSHIELD
10	125384-07-02A	EA	TRIM - WINDSHIELD - A-PILLAR - PASSENGER - SUNRISE SE
10	125384-03-02A	EA	TRIM - WINDSHIELD - A-PILLAR - PASSENGER - BLACK - SUNRISE
11	125384-08-02A	EA	TRIM - WINDSHIELD - A-PILLAR - DRIVER - SUNRISE SE
11	125384-04-02A	EA	TRIM - WINDSHIELD - A-PILLAR - DRIVER - BLACK - SUNRISE
12	081914-02-000	EA	BUMPER - RUBBER - ROUND - 5/16" DIA. X 13/64" THICK
13	099418-01-000	FT	SEAL - D-SECTION/ADHESIVE BACK - .44" X .44" - BLK RUBBER

WINDSHIELD & WIPER GROUP (CONTINUED)

WIPER



KEY	PART NUMBER	U/M	DESCRIPTION
1	067188-01-000	EA	STUD - CRANK - WIPER MOTOR
	117322-01-000	EA	SCREW - 1/4-28 UNFINISHED - 2A - TORX
2	117770-01-000	EA	LINK - CONNECTING - 24" - CLOSED GROMMET/OPEN GROMMET
3	117770-02-000	EA	LINK - CONNECTING - 24" - CLOSED GROMMET/CLOSED GROMMET
4	104346-04-000	EA	WIPER MOTOR - "COAST TO PARK" W/BKR - W/GRN/RED/WHITE WIRE - WORKHORSE
4	104346-05-000	EA	WIPER MOTOR - W/INTERNAL BREAKER - DYNAMIC PARK - FORD
5	104347-04-000	EA	ARM - DRIVE - WIPER MOTOR
6	061603-01-000	EA	GROMMET - SNAP - 3/16"ID - 3/8" HOLE - PLASTIC BLACK
7	045794-01-000	FT	HOSE - WASHER - WINDSHIELD - 5/32" ID - BLACK
8	077049-02-000	EA	NUT - ACORN - 10-32 BLACK/ANODIZED
9*	095964-01-000	EA	BLADE - WINDSHIELD WIPER - 24"
10*	096505-09-000	EA	SHAFT/PIVOT - WINDSHIELD WIPER
11	110605-01-000	EA	TEE - PLASTIC - BARBED - 1/8" X 1/8" X 3/16"
12	117765-03-000	EA	CONNECTOR - 5/32" - WINDSHIELD WASHER
13	117766-02-000	EA	RESERVOIR/PUMP - WINDSHIELD WASHER
14	117768-01-000	EA	SHAFT - ADAPTER - PANTOGRAPH ARM
15*	117769-01-000	EA	ARM - WIPER - PANTOGRAPH - 28"
16	110742-02-000	EA	GASKET - NEOPRENE - WIPER ADAPTER SHAFT - .5" ID X .9" OD

*COMPONENT PARTS LISTED LATER IN THIS GROUP

WINDSHIELD & WIPER GROUP (CONTINUED)

COMPONENT PARTS FOR WIPER

095964-01-000

KEY	PART NUMBER	U/M	DESCRIPTION	VENDOR NO.
	095964-01-000	EA	BLADE - WINDSHIELD WIPER - 24"	
	095964-01-700	EA	BLADE-REFILL 24" EA= 1 PAIR	12360

096505-09-000

KEY	PART NUMBER	U/M	DESCRIPTION	VENDOR NO.
	096505-09-000	EA	SHAFT/PIVOT - WINDSHIELD WIPER UT	6706220SH25WJ
	096505-02-700	EA	DRIVER-KNURLED,(HD) BRL .687	NT721017
	096505-02-701	EA	NUT-HEX (HD) W/.687 BARREL	NT721021
	096505-02-702	EA	CAP-RUBBER (HD) BARREL .687	CP721084
	096505-02-703	EA	CAP-NUT(ACORN) HD W/.687 BRL	51065-40-NT27WC

117769-01-000

KEY	PART NUMBER	U/M	DESCRIPTION	VENDOR NO.
	117769-01-000	EA	ARM - WIPER - PANTOGRAPH - 28"	UT 6701620LE25WJ
	096931-01-700	FT	HOSE-WIPER	XTU-66-0001
	117769-01-700	EA	RETAINER CLIP - HOSE	