

# **2001 SUNFLYER**

**L - SERIES**

**WASHED MAPLE**

**M62 GRANITE - GRAY**

**M64 BIG SKY - SILVER BLUE**

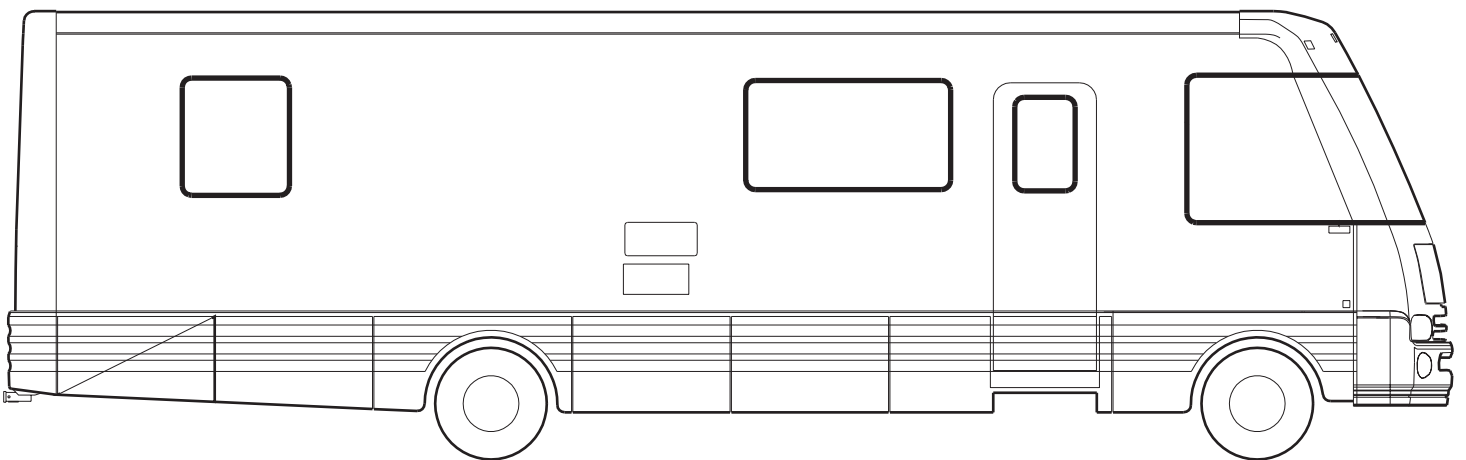
**M66 TARRAGON - GREEN**

**SALEM CHERRY**

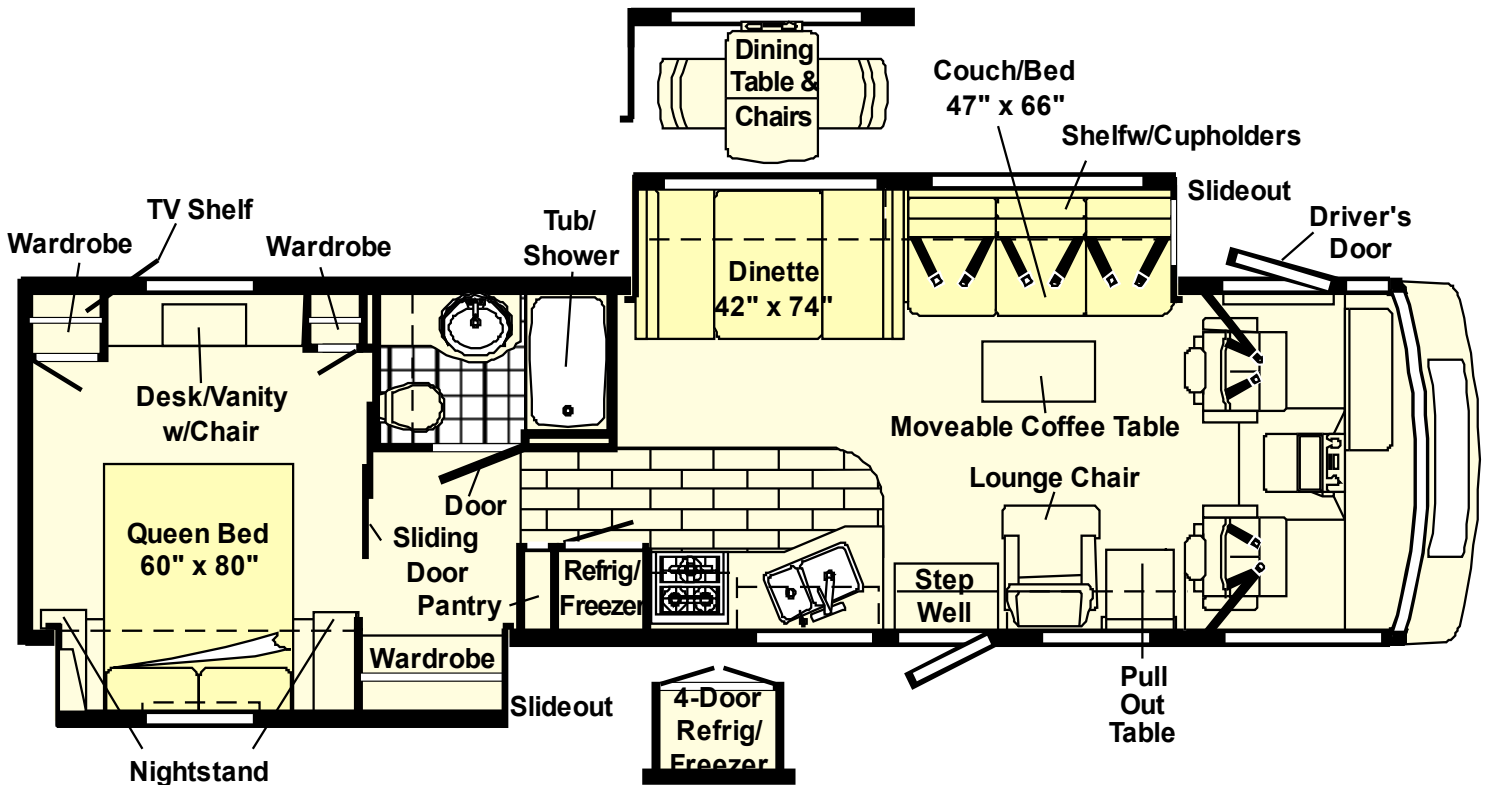
**M63 GRANITE - GRAY**

**M65 BIG SKY - SILVER BLUE**

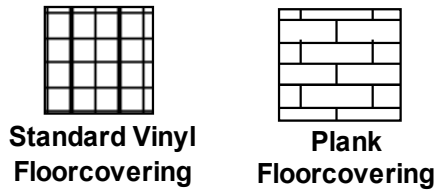
**M67 TARRAGON - GREEN**



# 2001 IFL35U



Note: Dimensions shown are for sleeping space only and dashed lines denote overhead storage areas.



FLOORPLAN

# CONTENTS

<b>FLOORPLAN</b> .....	<b>2</b>
<b>ACCESSORIES GROUP</b> .....	<b>7</b>
OPERATORS MANUAL .....	7
<b>APPLIANCE GROUP</b> .....	<b>8</b>
APPLIANCES .....	8
COMPONENT PARTS FOR APPLIANCE .....	12
115504-01-000 .....	12
119267-04-01A .....	12
119267-06-01A .....	12
120075-13-01A .....	13
125242-02-01A .....	21
126022-01-01A .....	29
133004-02-01A .....	30
135065-01-02A .....	31
135065-02-01A .....	32
135066-01-02A .....	34
<b>AUDIO VIDEO GROUP</b> .....	<b>38</b>
RADIO SYSTEM .....	38
COMPONENT PARTS FOR RADIO SYSTEM .....	39
127517-05-000 .....	39
REAR VIEW MONITOR .....	40
COMPONENT PARTS FOR REAR VIEW MONITOR .....	41
093040-10-000 .....	41
TELEPHONE .....	42
TV & VCR .....	42
COMPONENT PARTS FOR TV & VCR .....	43
076319-23-000 .....	43
076319-25-000 .....	44
120233-04-000 .....	45
124073-08-000 .....	46
126696-04-000 .....	46
126696-05-000 .....	46
130121-05-000 .....	46
EXTERIOR ENTERTAINMENT .....	47
<b>BATH GROUP</b> .....	<b>48</b>
CABINETS .....	48
DOORS & DRAWERS .....	49
SHOWER .....	51
COMPONENT PARTS FOR SHOWER .....	52
115011-03-01A .....	52
<b>BEDROOM GROUP</b> .....	<b>53</b>
QUEEN CABINETS .....	53
DOORS & DRAWERS .....	57
<b>CHASSIS GROUP</b> .....	<b>58</b>
FRAME .....	58
COMPONENT PARTS FOR FRAME .....	60
132643-01-01A .....	60
FRONT END .....	61
EXHAUST .....	63
REAR BUMPER .....	64
FUEL OR FUEL FILL OR EMISSIONS .....	65
HYDRAULIC LEVELING .....	66
COMPONENT PARTS FOR HYDRAULIC LEVELING .....	67
100536-48-000 .....	67
128571-03-000 .....	67
131306-12-000 .....	68
WHEEL, TIRE, COVERS &/OR LINERS .....	70
COMPONENT PARTS FOR WHEEL, TIRE, COVERS &/OR LINERS .....	71
110435-15-000 .....	71
BRAKE .....	72

# CONTENTS (CONTINUED)

<b>CURTAIN &amp; CUSHION GROUP .....</b>	<b>73</b>
NOTICE .....	73
CUSHION LAYOUT .....	74
COMPONENT PARTS FOR CUSHION LAYOUT .....	77
136534-03-000 .....	77
BUCKET SEATS .....	78
COMPONENT PARTS FOR BUCKET SEATS .....	79
081373-03-000 .....	79
LOUNGE CHAIR .....	80
WINDOW TREATMENT .....	81
HARDWARE .....	83
ACCESSORIES .....	85
COMPONENT PARTS ACCESSORIES .....	86
091990-08-01A .....	86
FABRICS .....	87
<b>DINETTE GROUP .....</b>	<b>90</b>
CABINETS .....	90
DOORS & DRAWERS .....	91
TABLE .....	92
<b>DRIVERS COMPARTMENT GROUP .....</b>	<b>94</b>
INSTRUMENT PANEL .....	94
DASH .....	94
MOTOR COVER .....	95
BEVERAGE TRAY .....	96
FRONT INTERIOR .....	97
CABINETS .....	99
<b>ELECTRICAL GROUP .....</b>	<b>100</b>
12V BODY WIRING .....	100
FRONT END WIRING .....	105
COMPONENT PARTS FOR LIGHTS & SWITCHES .....	108
008089-02-000 .....	108
086280-01-000 .....	108
091937-08-000 .....	108
091937-09-000 .....	108
097917-01-06A .....	108
098024-01-03A .....	108
098024-06-02A .....	108
098024-09-02A .....	108
108354-01-01A .....	108
110235-02-01A .....	108
121935-01-01A .....	108
CIRCUIT BREAKERS & FUSES .....	109
CONVERTER, INVERTER, LOAD CENTERS .....	109
110V WIRING .....	110
DRIVERS DOOR WIRING .....	111
ENTERTAINMENT WIRING .....	112
BOXES & CORDS .....	113
WIRE ASSEMBLIES .....	113
CONNECTORS & CONDUIT .....	114
BOOTS, SOLENOIDS, RELAYS & MISCELLANEOUS .....	115

# CONTENTS (CONTINUED)

<b>EXTERIOR BODY GROUP</b> .....	<b>116</b>
GRAPHICS & PAINT .....	116
PANELS .....	118
TRIMS .....	120
FRONT END .....	122
LADDER .....	124
MIRRORS .....	124
COMPONENT PARTS FOR MIRRORS .....	125
106015-16-01A, 106015-17-01A .....	125
106015-18-01A, & 106015-19-01A .....	125
STRUCTURAL COMPONENTS .....	126
AWNINGS .....	126
COMPONENT PARTS FOR AWNINGS .....	127
113874-01-02A .....	127
<b>EXTERIOR DOORS &amp; COMPARTMENTS GROUP</b> .....	<b>128</b>
DOOR & COMPARTMENT LAYOUT .....	128
COMPONENT PARTS FOR DOOR & COMPARTMENT LAYOUT .....	132
084103-08-000 .....	132
094707-03-01A .....	133
COMPARTMENT DOOR COMPONENTS .....	134
DRIVERS .....	135
COMPONENT PARTS FOR DRIVERS .....	136
125581-08-01A .....	136
ENTRY .....	138
COMPONENT PARTS FOR ENTRY .....	140
129676-01-000 - 129676-10-000 .....	140
SCREEN .....	141
LATCH - ENTRY .....	142
<b>EXTERIOR SLIDEOUT GROUP</b> .....	<b>144</b>
FRONT LEFT .....	144
COMPONENT PARTS FOR FRONT LEFT .....	149
100536-42-000 .....	149
131360-01-000 .....	149
RIGHT REAR .....	150
COMPONENT PARTS FOR RIGHT REAR .....	154
128599-05-000 .....	154
<b>GALLEY GROUP</b> .....	<b>155</b>
CABINETS .....	155
DOORS & DRAWERS .....	157
<b>GENERATOR GROUP</b> .....	<b>158</b>
GAS .....	158
<b>HEATING &amp; A/C GROUP</b> .....	<b>160</b>
AUTOMOTIVE .....	160
COMPONENT PARTS FOR AUTOMOTIVE .....	162
103930-39-000 .....	162
103930-43-000 .....	163
103930-44-000 .....	164
103930-45-000 .....	164
FURNACE .....	165
COMPONENT PARTS FOR FURNACE .....	166
098668-22-000 .....	166
139980-04-000 .....	167
REAR HEATER .....	169
COMPONENT PARTS FOR REAR HEATER .....	170
129205-01-000 .....	170
CENTRAL .....	171
COMPONENT PARTS FOR CENTRAL .....	172
105620-11-000 .....	172
105620-12-000 .....	174

# CONTENTS (CONTINUED)

<b>INTERIOR FINISH GROUP</b> .....	<b>176</b>
MOLDINGS & TRIMS .....	176
PANELING & LAMINATES .....	182
ACCESSORIES .....	183
COMPONENT PARTS FOR ACCESSORIES .....	184
094499-02-000 .....	184
FLOOR COVERINGS .....	185
HARDWARE .....	186
<b>LABELS GROUP</b> .....	<b>195</b>
<b>LP GROUP</b> .....	<b>226</b>
LP SYSTEM .....	226
COMPONENT PARTS FOR LP SYSTEM .....	227
088253-03-000 .....	227
088253-10-000 .....	227
<b>LOUNGE GROUP</b> .....	<b>228</b>
CABINETS .....	228
TABLES .....	229
<b>SEALANTS &amp; FASTENERS GROUP</b> .....	<b>231</b>
SEALANTS & ADHESIVES .....	231
BOLTS, NUTS AND WASHERS .....	232
SCREWS .....	235
CLAMPS, CLIPS, GROMMETS, RIVETS & PLUGS .....	239
MISCELLANEOUS FASTENERS .....	240
<b>WATER &amp; SEWAGE GROUP</b> .....	<b>241</b>
DRAINAGE SYSTEM .....	241
COMPONENT PARTS FOR DRAINAGE SYSTEM .....	243
062415-01-000 .....	243
085330-08-000 .....	243
136729-01-01A .....	244
WATER SYSTEM .....	246
COMPONENT PARTS FOR WATER SYSTEM .....	254
051391-05-000 .....	254
098607-01-000 .....	255
118569-01-000 .....	255
131340-01-01A .....	255
<b>WINDOW &amp; VENTS GROUP</b> .....	<b>256</b>
WINDOW & VENT LAYOUT .....	256
COMPONENT PARTS FOR WINDOWS & VENT LAYOUT .....	258
112795-71-01A .....	258
112795-77-01A .....	259
113733-10-01A .....	259
122882-04-01A .....	259
122882-05-01A .....	259
123780-03-01A .....	260
123780-09-01A .....	261
123780-10-01A .....	262
125583-01-01A .....	263
125585-01-01A .....	263
125600-01-01A .....	263
129929-09-01A .....	264
129929-10-01A .....	265
134004-02-01A .....	266
134004-03-01A .....	267
<b>WINDSHIELD &amp; WIPER GROUP</b> .....	<b>268</b>
WINDSHIELD .....	268
WIPER .....	269
COMPONENT PARTS FOR WIPER .....	270
095964-01-000 .....	270
096505-09-000 .....	270
117769-01-000 .....	270

**ACCESSORIES GROUP**  
**OPERATORS MANUAL**

<b>KEY</b>	<b>PART NUMBER</b>	<b>U/M</b>	<b>DESCRIPTION</b>
	129079-01-01A	EA	CASE - VINYL/BLACK-EXPANDABLE ACCORDION SIDES-7"WX9"HX14"L
	132000-16-001	EA	MANUAL/OWNER - SUNFLYER - 2001
	135183-01-000	EA	TOP LEVEL-L,2001
	109506-12-000	EA	FILM/ABRASION-RESISTANT - TRANSPARENT - 25.4" DIA.

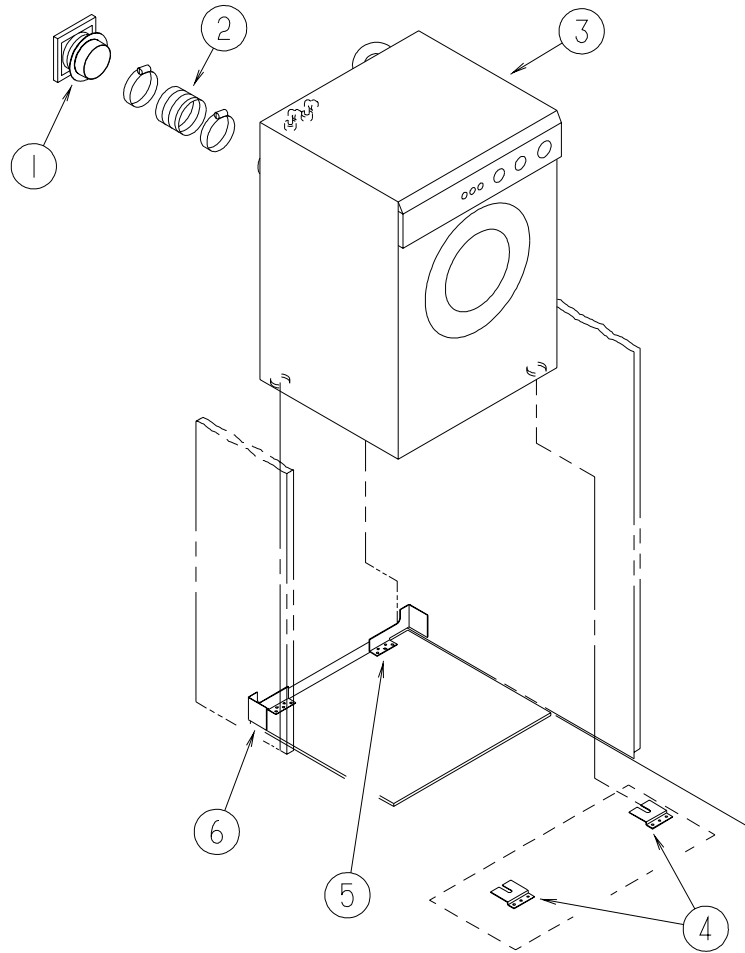
**APPLIANCE GROUP  
APPLIANCES**

<b>KEY</b>	<b>PART NUMBER</b>	<b>U/M</b>	<b>DESCRIPTION</b>
*	119267-04-01A	EA	OVEN - MICROWAVE/CONVECTION W/HOOD - SHARP-#1850A/#1855
*	119267-06-01A	EA	OVEN - MICROWAVE/CONVECTION W/HOOD - CSA
	119267-05-000	EA	FILTER - HOOD - CHARCOAL
	129552-02-02B	EA	BRACKET - MICROWAVE - E-COATED - L34Y
	129836-01-02B	EA	ANGLE - W/HOLES - .7" X 1" X 28.3" - E-COATED - L34Y
	129836-02-02B	EA	ANGLE - W/HOLES - .7" X 1" X 28.3" - E-COATED - L34Y
	130736-01-02B	EA	BRACKET - MICROWAVE - RH - E-COATED - L35U, L36W
	130736-02-02B	EA	BRACKET - MICROWAVE - LH - E-COATED - L35U, L36W
*	135066-01-02A	EA	RANGE - 3 BURNER W/OVEN - SEALED BURNERS - 22"/BISQUE
	135066-02-01A	EA	RANGE - 3 BURNER W/OVEN - SEALED BURNERS - 22"/BLACK
	136382-01-04B	EA	BRACKET - TIEDOWN/OVEN - BLACK - L34Y
	136382-02-04B	EA	BRACKET - TIEDOWN/OVEN - BLACK - L34Y
	136382-05-04B	EA	BRACKET - TIEDOWN/OVEN - BLACK - FRONT - L35U, L36W
	136382-06-04B	EA	BRACKET - TIEDOWN/OVEN - BLACK - REAR - L35U, L36W
*	135065-01-02A	EA	RANGE - 3 BURNER W/O OVEN - SEALED BURNERS - BISQUE
*	135065-02-01A	EA	RANGE - 3 BURNER W/O OVEN - SEALED BURNERS - CSA
	106936-21-04B	EA	BRACKET - STOVE TIEDOWN/FRONT - BLACK - L34Y
	106936-22-04B	EA	BRACKET - STOVE TIEDOWN/REAR - BLACK - L34Y
	106936-35-04B	EA	BRACKET - STOVE TIEDOWN/FRONT - BLACK - L35U, L36W
	106936-36-04B	EA	BRACKET - STOVE TIEDOWN/REAR - BLACK - L35U, L36W
*	126022-01-01A	EA	COVER - RANGE/BI-FOLD - 16" & 22" - BLACK TEXTURED
	130816-01-03A	EA	COUNTERTOP/STOVE LID - ALMONDINE - 1/4" VENDURA
	130816-02-03A	EA	COUNTERTOP/STOVE LID - ALMONDINE - 1/4" VENDURA
	124649-02-01A	EA	COFFEEMAKER - 10 CUP/DEEP BREW - BLACK - UL
*	115504-01-000	EA	PANEL - SOLAR 10 WATT - 12.2"W X 26.9"L X 1.2"H
*	133004-02-01A	EA	PANEL - MONITOR - 2 TANK DIGITAL VOLT METER - SOLAR
	133068-01-000	EA	HAIR DRYER - 3 SPEED W/NIGHT LIGHT - WALL MOUNT
	133139-01-000	EA	VACUUM CLEANER - RECHARGEABLE
	133140-01-000	EA	FLASHLIGHT - RECHARGEABLE
	130818-02-01A	EA	TRASH CONTAINER - 20 QUART ALMOND

**\*COMPONENT PARTS LISTED LATER IN THIS GROUP**

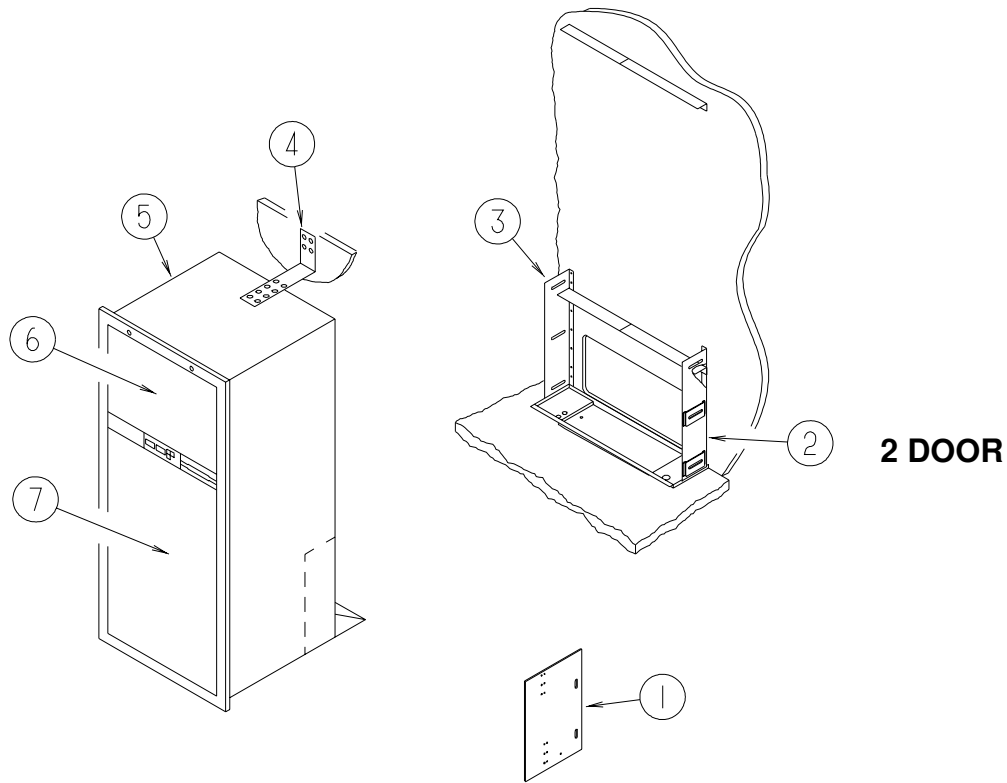


**APPLIANCE GROUP (CONTINUED)**  
**APPLIANCES (CONTINUED)**



KEY	PART NUMBER	U/M	DESCRIPTION
1	111947-02-01A	EA	VENT - DRYER - 3"
2	116653-02-000	FT	DUCT - FLEXIBLE - 3' COMPRESSED/8' EXTENDED
3	107753-03-01A	EA	WASHER - DRYER - VENTED - UL/CSA - WHITE
4	111913-01-01A	EA	BRACKET - WASHER - TIE DOWN
5	113795-03-02B	EA	BRACKET - WASHER - E-COATED
6	113795-04-02B	EA	BRACKET - WASHER - E-COATED

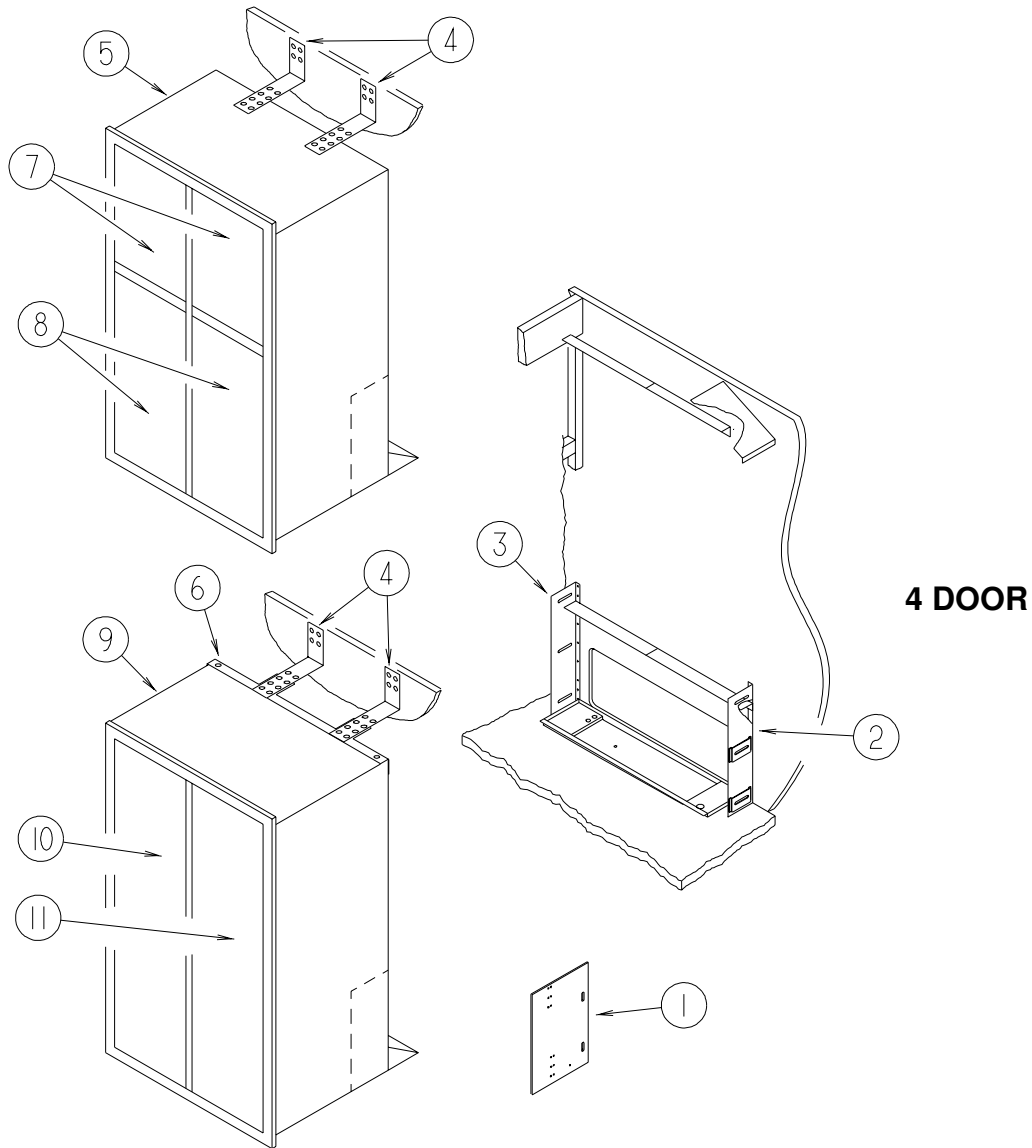
**APPLIANCE GROUP (CONTINUED)**  
**APPLIANCES (CONTINUED)**



KEY	PART NUMBER	U/M	DESCRIPTION
1	065225-04-000	EA	PLATE - TIEDOWN/REFRIGERATOR
2	093646-01-000	EA	BRACKET - TIEDOWN/REFRIGERATOR - RIGHT HAND
3	093646-02-000	EA	BRACKET - TIEDOWN/REFRIGERATOR - LEFT HAND
4	093369-02-000	EA	STRAP - REFRIGERATOR
5*	120075-13-01A	EA	REFRIGERATOR-LARGE DOUBLE DOOR/RH - 2-WAY -ICE MAKER-BLACK
6	P34457-03-L94	EA	PANEL - INSERT RAISED MEMBRANE - 21.5" X 14.5" (WASHED MAPLE)
6	P34457-03-L85	EA	PANEL - INSERT RAISED MEMBRANE - 21.5" X 14.5" (SALEM CHERRY)
7	P34457-04-L94	EA	PANEL - INSERT RAISED MEMBRANE - 21.5" X 38.5" (WASHED MAPLE)
7	P34457-04-L85	EA	PANEL - INSERT RAISED MEMBRANE - 21.5" X 38.5" (SALEM CHERRY)
	116751-01-01A	EA	TRAY - REFRIGERATOR - <a href="#">L36W</a>
	116751-02-01A	EA	TRAY - REFRIGERATOR - BLACK - <a href="#">L34Y</a> , <a href="#">L35U</a>
	090329-01-000	FT	SEAL/T - REFRIGERATOR CABINET
	054450-01-000	EA	LEVEL - REFRIGERATOR

**\*COMPONENT PARTS LISTED LATER IN THIS GROUP**

**APPLIANCE GROUP (CONTINUED)**  
**APPLIANCES (CONTINUED)**



KEY	PART NUMBER	U/M	DESCRIPTION
1	065225-01-000	EA	PLATE - TIEDOWN/REFRIGERATOR
2	093646-01-000	EA	BRACKET - TIEDOWN/REFRIGERATOR - RIGHT HAND
3	093646-02-000	EA	BRACKET - TIEDOWN/REFRIGERATOR - LEFT HAND
4	093369-02-000	EA	STRAP - REFRIGERATOR
5*	125242-02-01A	EA	REFRIGERATOR-4 DR-W/ICE MKR-W/CONTOURED HANDLE-NORCOLD1201
6	NOT USED		
7	P34457-01-L94	EA	PANEL - INSERT RAISED MEMBRANE - 16.1" X 18.3" (WASHED MAPLE)
7	P34457-01-LQ1	EA	PANEL - INSERT RAISED MEMBRANE - 16.1" X 18.3" (SALEM CHERRY)
8	P34457-02-L94	EA	PANEL - INSERT RAISED MEMBRANE - 16.1" X 41.1" (WASHED MAPLE)
8	P34457-02-LQ1	EA	PANEL - INSERT RAISED MEMBRANE - 16.1" X 41.1" (SALEM CHERRY)
9	NOT USED		
10	NOT USED		
11	NOT USED		
	118871-02-01A	EA	TRAY - REFRIGERATOR - SIDE/SIDE - BLACK - 34.5" LONG - <a href="#">L35U</a> , <a href="#">L36W</a>
	118871-05-01A	EA	TRAY - REFRIGERATOR - SIDE/SIDE - BLACK - 35.5" LONG - <a href="#">L34Y</a>
	090329-01-000	FT	SEAL/T - REFRIGERATOR CABINET
	054450-01-000	EA	LEVEL - REFRIGERATOR

**\*COMPONENT PARTS LISTED LATER IN THIS GROUP**

# APPLIANCE GROUP (CONTINUED)

## COMPONENT PARTS FOR APPLIANCE

115504-01-000

KEY	PART NUMBER	U/M	DESCRIPTION	VENDOR NO.
	115504-01-700	EA	PLUG & CABLE, 10 WATT PANEL	600-016

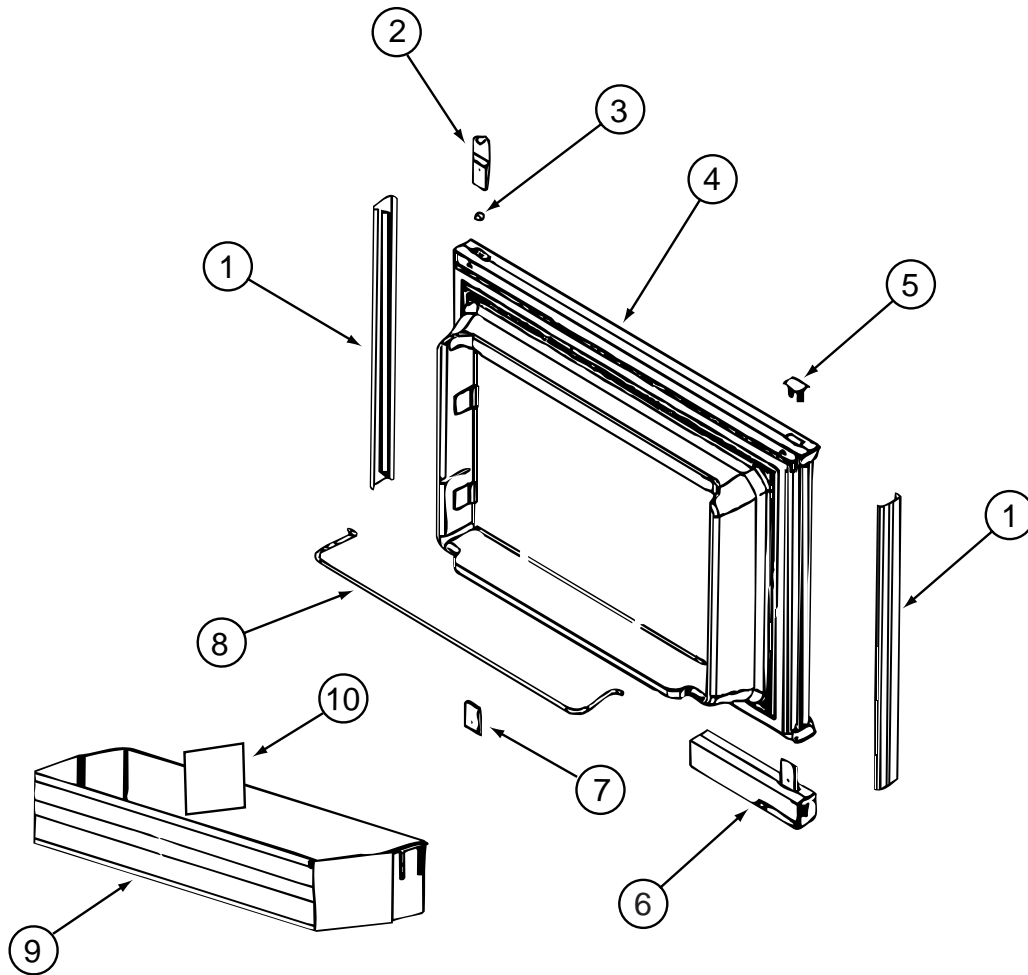
119267-04-01A

KEY	PART NUMBER	U/M	DESCRIPTION	VENDOR NO.
	119267-04-700	EA	FILTER-GREASE	BOO2
	119267-04-704	EA	LIGHT COVER	FANGKB009MRYO
	119267-04-706	EA	BULB/LIGHT (CARDED)	25T7N
	119267-04-708	EA	PAN-BOTTOM (MICROWAVE)	PB015MRE0

119267-06-01A

KEY	PART NUMBER	U/M	DESCRIPTION	VENDOR NO.
	119267-04-700	EA	FILTER-GREASE	BOO2
	119267-04-703	EA	PLATE-MOUNTING W/2 SCREWS	FANGTB003MRV0

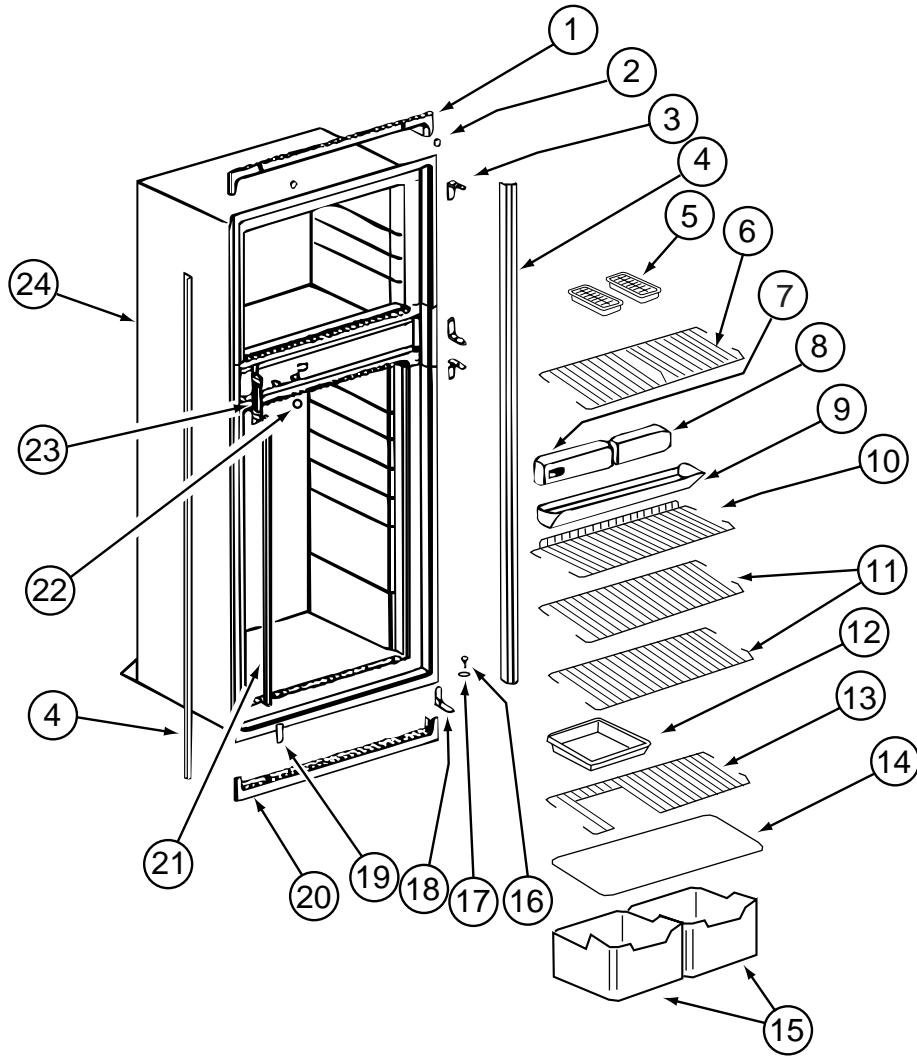
**APPLIANCE GROUP (CONTINUED)**  
**COMPONENT PARTS FOR APPLIANCE (CONTINUED)**



120075-13-01A

KEY	PART NUMBER	U/M	DESCRIPTION	VENDOR NO.
1	121568-03-700	EA	RETAINER - DOOR PANEL/BLACK	619558
2	120075-01-701	EA	HINGE-TOP RH/BOTTOM LH(DOOR)	618511
3	121568-03-701	EA	BUSHING - HINGE PIN/GRAY	619671
4	121568-03-702	EA	DOOR LINER - W/TRIM/BLACK	619627 - SMALL DOOR
5	120075-01-702	EA	CAP, (HINGE PLUG)	618160
6	120075-12-700	EA	HANDLE(CONTOUR)TOP LH/BTM RH	621105
	120075-12-702	EA	HANDLE/HOUSING-TOP-LH/BTM RH	618159GEN
6	120075-12-701	EA	HANDLE(CONTOUR)TOP RH/BTM LH	621104
	120075-12-709	EA	HANDLE/HOUSING-BTM LH/TOP RH	618122GEN
	120075-12-703	EA	HANDLE - PLASTIC - NEW STYLE	620928
	120075-12-704	EA	SPRING - COMPRESSION	618182
	120075-12-705	EA	LATCH - HANDLE	618121
	120075-12-706	EA	PIN - STEEL	618622
	120075-12-707	EA	LATCH	619648
	120075-12-708	EA	LATCH - SPRING	620960
6	121568-03-703	EA	HANDLE/FLUSH-TOP/RH-LWR/LH	619865
6	121568-03-708	EA	HANDLE/FLUSH-TOP/LH-LWR/RH	619866
7	120075-01-705	EA	HINGE-TOP LH/BOTTOM RH(DOOR)	618510
8	121568-01-700	EA	RAIL - DOOR UPPER	618618
9	120075-07-700	EA	DOOR BIN - CLEAR	619006
10	120075-07-701	EA	DIVIDER/DOOR BIN CLEAR	619008
	121568-03-704	EA	TRAVEL LATCH - GRAY	619647
	121568-03-705	EA	STORAGE LATCH - GRAY	619648

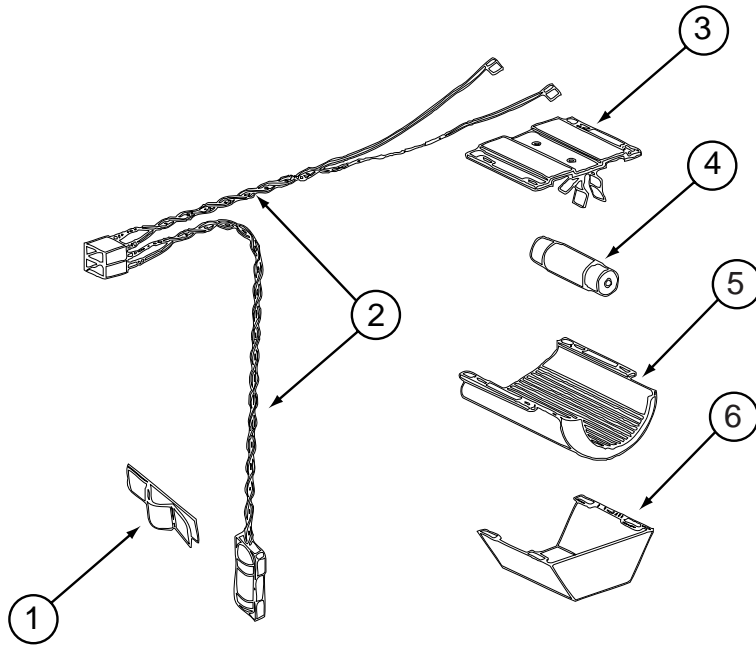
**APPLIANCE GROUP (CONTINUED)**  
**COMPONENT PARTS FOR APPLIANCE (CONTINUED)**



**120075-13-01A (CONTINUED)**

KEY	PART NUMBER	U/M	DESCRIPTION	VENDOR NO.
1	121568-03-709	EA	TRIM - TOP/BLACK	619687
2	120075-01-714	EA	PLUG-HOLE	618170
3	121568-03-710	EA	HINGE/CABINET-TOP/RH-LWR/LH	619335
4	120075-07-705	EA	TRIM - SIDE - BLACK	619802
5	104137-06-724	EA	ICE TRAY	61630422
6	120075-07-706	EA	SHELF - WIRE/FREEZER	620249
7	120075-07-707	EA	CONTROL BOX - BLACK	619665
8	121568-03-713	EA	FRONT BOX/DECORATIVE-BLACK	619282
9	120075-01-720	EA	TRAY-DRIP	618137
10	120075-01-722	EA	SHELF-WIRE, SHORT	618239
11	120075-01-723	EA	SHELF-WIRE	618114
12	104137-06-718	EA	SHELF-TRAY, WHITE, W/CUTOUT	617756
13	120075-01-724	EA	SHELF-WIRE, W/CUTOUT	618177
14	120075-01-725	EA	COVER-CRISPER	618158
15	120075-07-708	EA	CRISPER/ICE BIN	619007
16	120075-01-727	EA	PIN-HINGE	618145
17	121568-03-701	EA	BUSHING - HINGE PIN/GRAY	619671
18	121568-03-715	EA	HINGE/CABINET-TOP/LH-LWR/RH	619336
19	121568-03-716	EA	COVER - HINGE HOLES	619301
20	120075-01-729	EA	TRIM-BOTTOM PIECE	618136
21	120075-01-730	EA	RETAINER-SHELF	618181
22	121568-03-717	EA	HOLE PLUG - WHITE	619561
23	120075-01-732	EA	PLATE-STRIKE	618167
24	120075-09-700	EA	CABINET - FOAMED	619660
	120075-01-721	EA	LOUVER-DRIP TRAY	618176

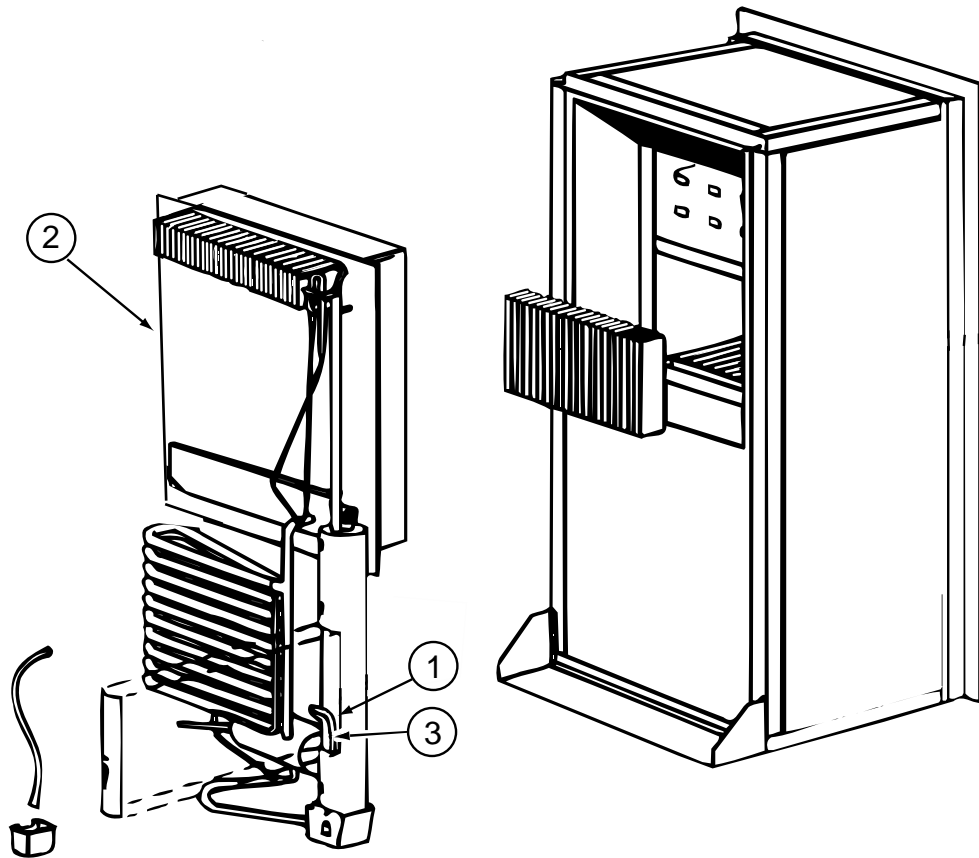
**APPLIANCE GROUP (CONTINUED)**  
**COMPONENT PARTS FOR APPLIANCE (CONTINUED)**



**120075-13-01A (CONTINUED)**

<b>KEY</b>	<b>PART NUMBER</b>	<b>U/M</b>	<b>DESCRIPTION</b>	<b>VENDOR NO.</b>
1	084880-01-760	EA	CLIP (THERMISTER)	61689122
2	120075-01-735	EA	THERMISTER W/LAMP & WIRE/ASM	618548
3	084880-03-705	EA	BRACKET-LIGHT-INTERIOR	61629722
4	084880-03-706	EA	BULB-LAMP	61628922
5	120075-01-734	EA	COVER-LENS	618190
6	084880-03-707	EA	COVER-LAMP, LENS	61627922

**APPLIANCE GROUP (CONTINUED)**  
**COMPONENT PARTS FOR APPLIANCE (CONTINUED)**

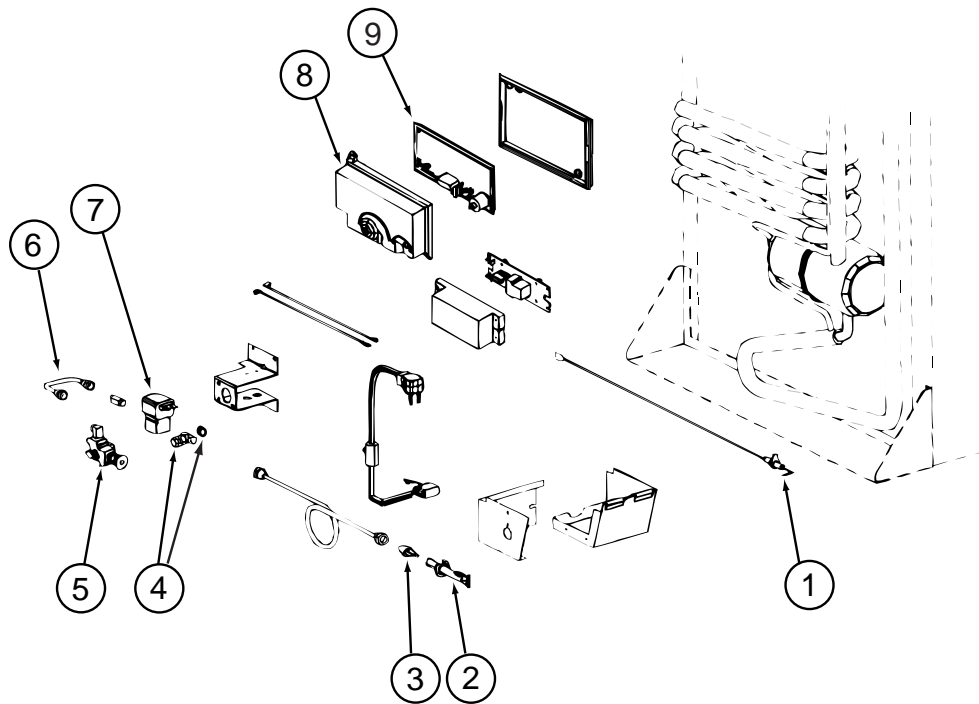


**120075-13-01A (CONTINUED)**

<b>KEY</b>	<b>PART NUMBER</b>	<b>U/M</b>	<b>DESCRIPTION</b>	<b>VENDOR NO.</b>
1	088248-01-710	EA	HEATER DC (HORIZONTAL)	61562822
2	120075-01-736	EA	COOLING UNIT, SERVICE PACK	618542
3	088248-01-709	EA	HEATER-AC (HORIZONTAL)	61562722



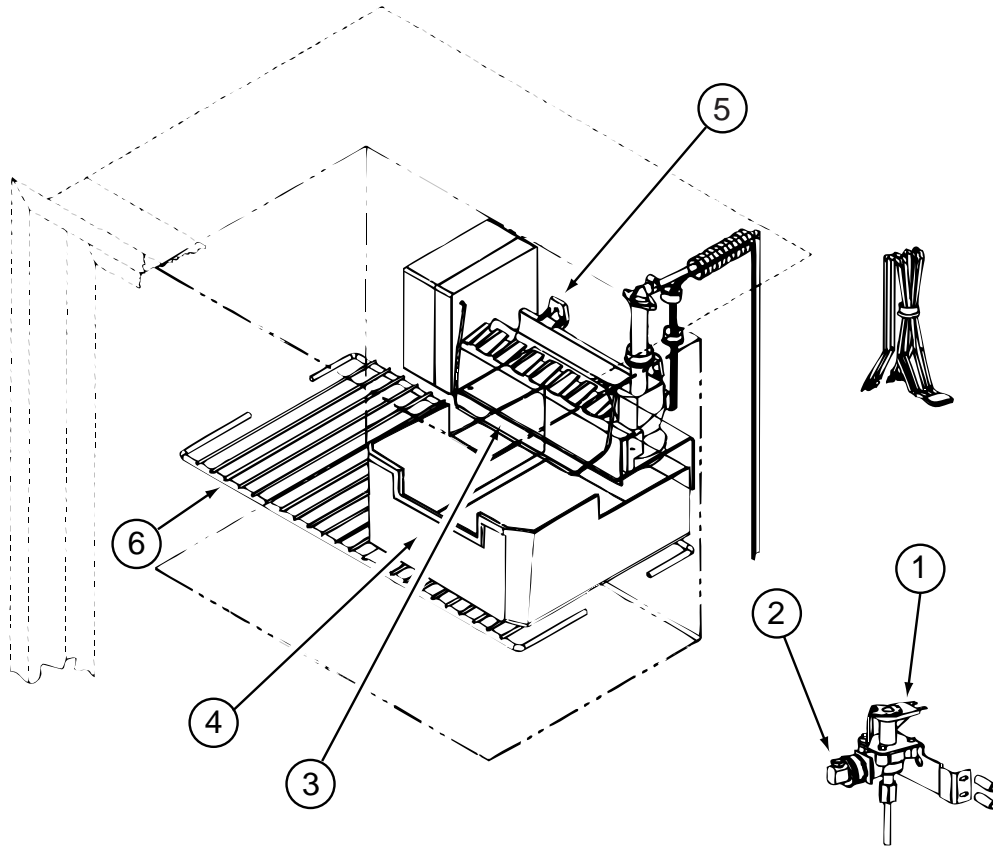
**APPLIANCE GROUP (CONTINUED)**  
**COMPONENT PARTS FOR APPLIANCE (CONTINUED)**



**120075-13-01A (CONTINUED)**

KEY	PART NUMBER	U/M	DESCRIPTION	VENDOR NO.
1	104137-06-715	EA	ELECTRODE-SPARK/SENSOR, SGL	61692222
2	104137-06-714	EA	BURNER ASSEMBLY, 5-SLOT	61705222
3	120075-01-737	EA	ORIFICE - JEWEL - .0155	618284
4	113737-01-702	EA	PLUG 1/8" F/PRESSURE TAP	61445322
4	113737-01-716	EA	TAP-PRESSURE	61594422
5	104137-06-709	EA	VALVE-SHUT OFF/MAN-OLD STYLE	61694922
6	113737-01-750	EA	TUBE-UNION	61694622
7	084880-01-718	EA	VALVE-GAS, (ASCO)	61551822
8	120075-01-738	EA	COVER-POWER BOARD	618185
9	120075-07-710	EA	POWER - BOARD - 2-WAY	619360
	104137-06-734	EA	VALVE-SHUT OFF/MAN-NEW STYLE	618696
	120075-01-744	EA	KIT - GAS VALVE/BURNER TUBE	620609

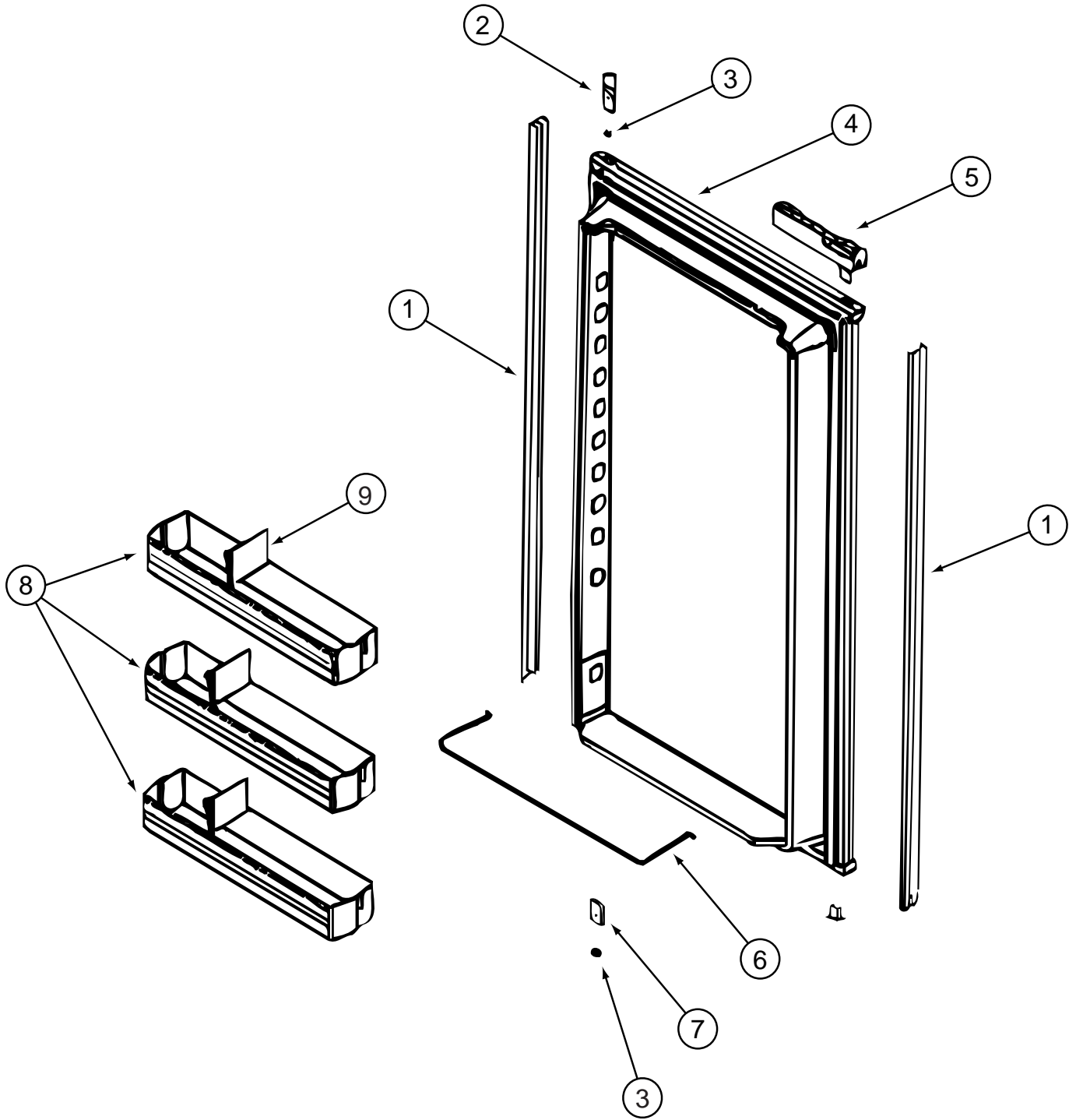
**APPLIANCE GROUP (CONTINUED)**  
**COMPONENT PARTS FOR APPLIANCE (CONTINUED)**



**120075-13-01A (CONTINUED)**

KEY	PART NUMBER	U/M	DESCRIPTION	VENDOR NO.
1	120075-09-701	EA	WATER VALVE W/BRACKET	618253
2	120075-03-702	EA	NUT/COMPRESSION - FITTING	61678722
3	120075-03-703	EA	ARM-SHUT OFF	61656922
4	120075-03-704	EA	BIN-ICE CUBE	618154
5	094039-07-706	EA	ICE MAKER W/O PLATES	61656522
6	120075-01-717	EA	SHELF-FREEZER, WIRE	618172
	120075-09-702	EA	RELAY - 12 VOLT	620239

**APPLIANCE GROUP (CONTINUED)**  
**COMPONENT PARTS FOR APPLIANCE (CONTINUED)**



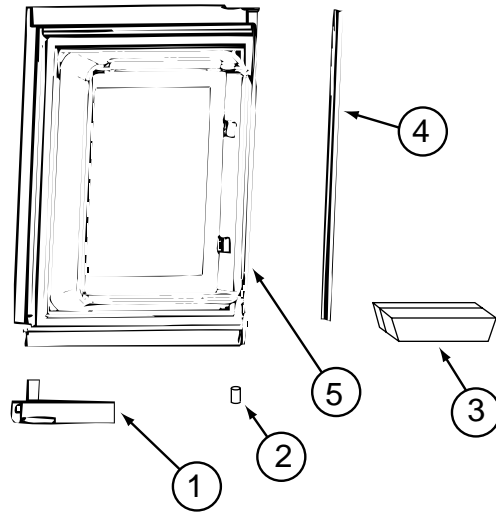
75006

**APPLIANCE GROUP (CONTINUED)**  
**COMPONENT PARTS FOR APPLIANCE (CONTINUED)**

**120075-13-01A (CONTINUED)**

<b>KEY</b>	<b>PART NUMBER</b>	<b>U/M</b>	<b>DESCRIPTION</b>	<b>VENDOR NO.</b>
1	120075-07-702	EA	RETAINER - DOOR PANEL/BLACK	619560
2	120075-01-701	EA	HINGE-TOP RH/BOTTOM LH(DOOR)	618511
3	121568-03-701	EA	BUSHING - HINGE PIN/GRAY	619671
4	120075-07-703	EA	DOOR LINER - BLACK	619631 - LARGE DOOR
5	120075-12-700	EA	HANDLE(CONTOUR)TOP LH/BTM RH	621105
	120075-12-702	EA	HANDLE/HOUSING-TOP-LH/BTM RH	618159GEN
5	120075-12-701	EA	HANDLE(CONTOUR)TOP RH/BTM LH	621104
	120075-12-709	EA	HANDLE/HOUSING-BTM LH/TOP RH	618122GEN
	120075-12-703	EA	HANDLE - PLASTIC - NEW STYLE	620928
	120075-12-704	EA	SPRING - COMPRESSION	618182
	120075-12-705	EA	LATCH - HANDLE	618121
	120075-12-706	EA	PIN - STEEL	618622
	120075-12-707	EA	LATCH	619648
	120075-12-708	EA	LATCH - SPRING	620960
5	121568-03-703	EA	HANDLE/FLUSH-TOP/RH-LWR/LH	619865
5	121568-03-708	EA	HANDLE/FLUSH-TOP/LH-LWR/RH	619866
6	121568-01-704	EA	RAIL - DOOR LOWER	618578
7	120075-01-705	EA	HINGE-TOP LH/BOTTOM RH(DOOR)	618510
8	120075-07-700	EA	DOOR BIN - CLEAR	619006
8	120075-07-704	EA	DOOR BIN - LARGE/CLEAR	619005
9	120075-07-701	EA	DIVIDER/DOOR BIN CLEAR	619008
	121568-03-704	EA	TRAVEL LATCH - GRAY	619647
	121568-03-705	EA	STORAGE LATCH - GRAY	619648

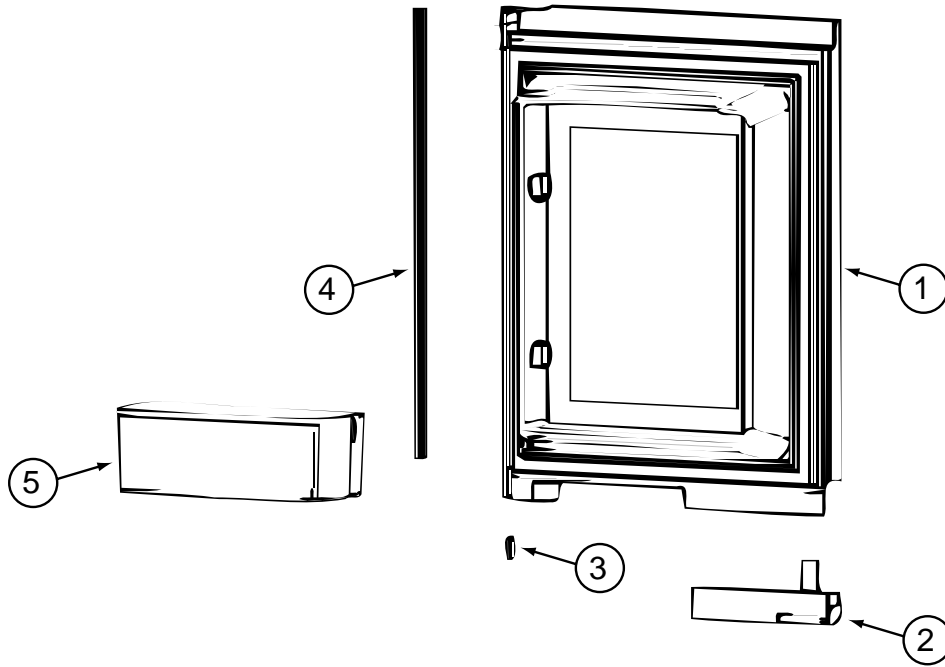
**APPLIANCE GROUP (CONTINUED)**  
**COMPONENT PARTS FOR APPLIANCE (CONTINUED)**



125242-02-01A

KEY	PART NUMBER	U/M	DESCRIPTION	VENDOR NO.
1	125242-02-701	EA	HANDLE(CONTOUR)TOP RH LWR LH	621106
2	125242-01-704	EA	BUSHING - HINGE MIDDLE	618746
3	125242-01-711	EA	DOOR BIN	618765
4	125242-01-719	EA	RETAINER - UPPER PANEL	618825
5	125242-01-754	EA	DOOR-COMP/UPPR-LH-W/WHT GSKT	619843
5	125242-01-762	EA	LINER/FOAMED-UPPER/LH-WHITE	619839

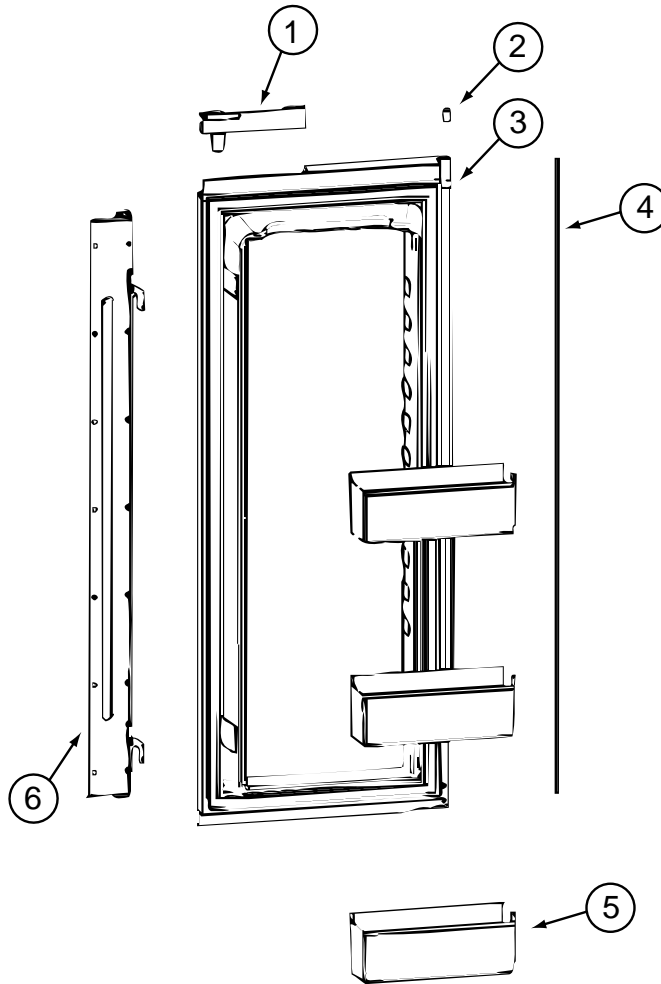
**APPLIANCE GROUP (CONTINUED)**  
**COMPONENT PARTS FOR APPLIANCE (CONTINUED)**



**125242-02-01A (CONTINUED)**

KEY	PART NUMBER	U/M	DESCRIPTION	VENDOR NO.
1	125242-01-756	EA	DOOR-COMP/UPPR-RH-W/WHT GSKT	619844
1	125242-01-763	EA	LINER/FOAMED-UPPER/RH-WHITE	619840
2	125242-02-700	EA	HANDLE(CONTOUR)TOP LH BTM RH	621107
3	125242-01-704	EA	BUSHING - HINGE MIDDLE	618746
4	125242-01-719	EA	RETAINER - UPPER PANEL	618825
5	125242-01-711	EA	DOOR BIN	618765

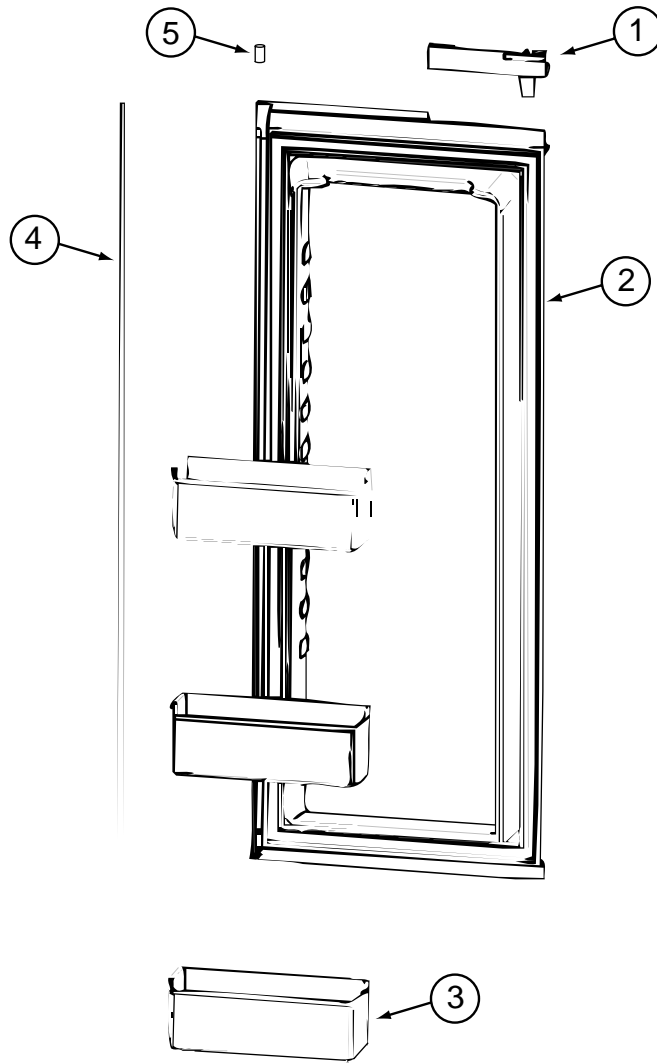
**APPLIANCE GROUP (CONTINUED)**  
**COMPONENT PARTS FOR APPLIANCE (CONTINUED)**



**125242-02-01A (CONTINUED)**

KEY	PART NUMBER	U/M	DESCRIPTION	VENDOR NO.
	125242-01-760	EA	DOOR-COMP/LWR-LH W/WHT GSKT	619841
1	125242-02-700	EA	HANDLE(CONTOUR)TOP LH BTM RH	621107
2	125242-01-704	EA	BUSHING - HINGE MIDDLE	618746
3	125242-01-765	EA	LINER/FOAMED-LOWER-LH-WHITE	619837
4	125242-01-718	EA	RETAINER - LOWER PANEL	618824
5	125242-01-711	EA	DOOR BIN	618765
6	125242-01-747	EA	SEAL/RETRACTABLE (DOOR ASM)	618787

**APPLIANCE GROUP (CONTINUED)**  
**COMPONENT PARTS FOR APPLIANCE (CONTINUED)**

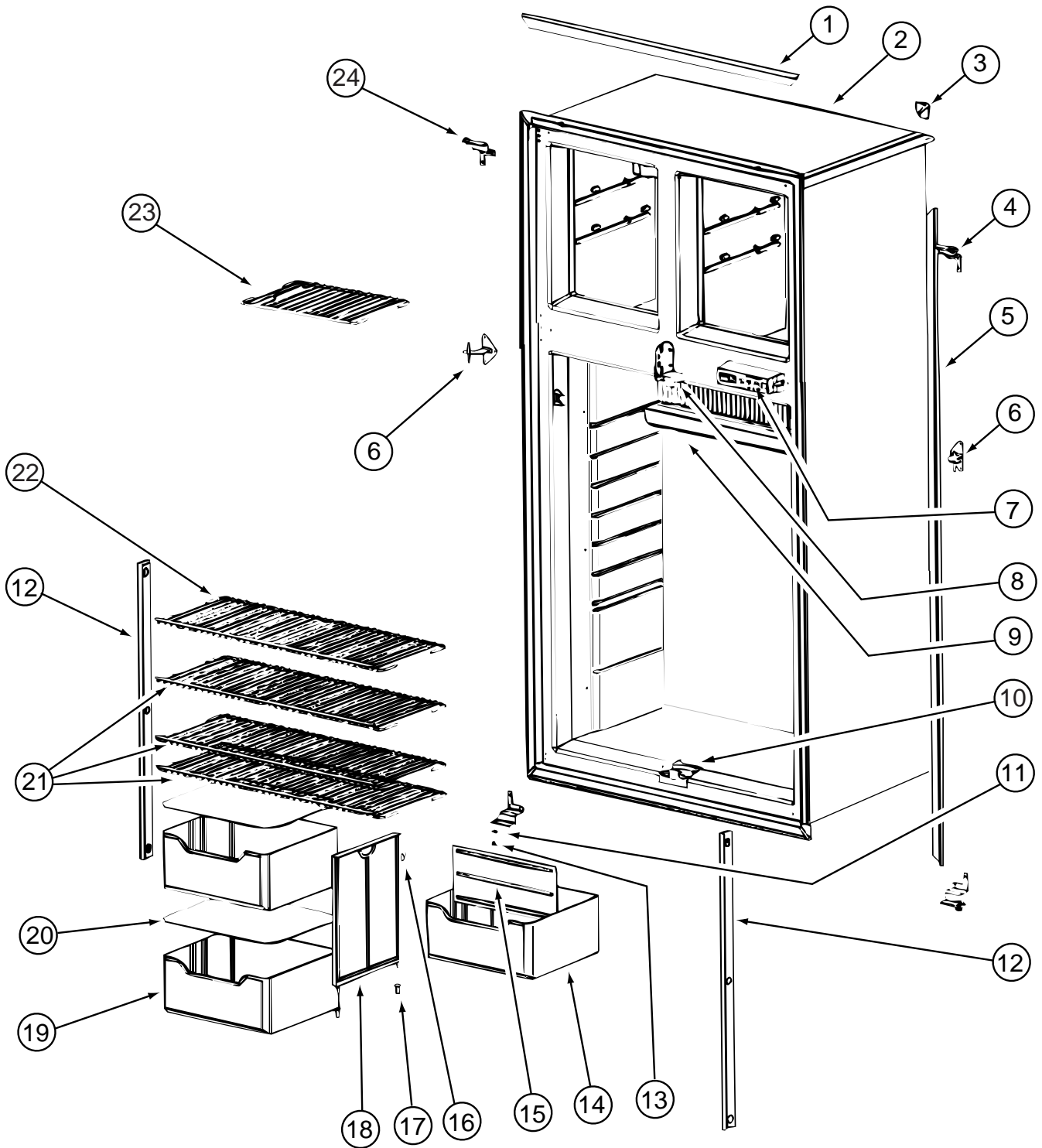


**125242-02-01A (CONTINUED)**

KEY	PART NUMBER	U/M	DESCRIPTION	VENDOR NO.
	125242-01-758	EA	DOOR-COMP/LWR-RH-W/WHT GSKT	619842
1	125242-02-701	EA	HANDLE(CONTOUR)TOP RH LWR LH	621106
2	125242-01-764	EA	LINER/FOAMED-LOWER/RH-WHITE	619838
3	125242-01-711	EA	DOOR BIN	618765
4	125242-01-718	EA	RETAINER - LOWER PANEL	618824
5	125242-01-704	EA	BUSHING - HINGE MIDDLE	618746



**APPLIANCE GROUP (CONTINUED)**  
**COMPONENT PARTS FOR APPLIANCE (CONTINUED)**

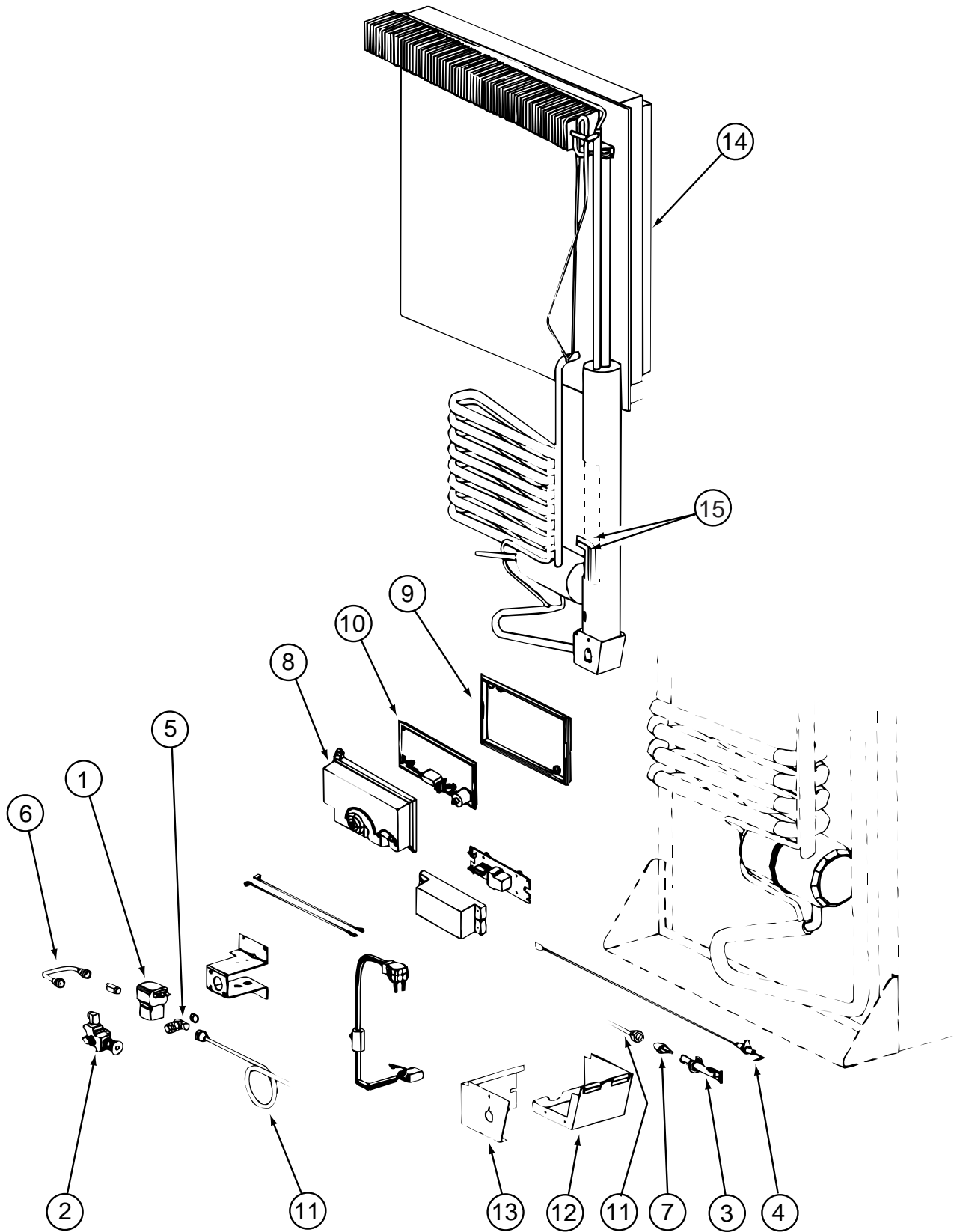


**APPLIANCE GROUP (CONTINUED)**  
**COMPONENT PARTS FOR APPLIANCE (CONTINUED)**

125242-02-01A (CONTINUED)

<b>KEY</b>	<b>PART NUMBER</b>	<b>U/M</b>	<b>DESCRIPTION</b>	<b>VENDOR NO.</b>
1	125242-01-723	EA	TRIM - HORIZONTAL	618845
2	125242-01-748	EA	CABINET/FOAMED ASSEMBLY	618748
3	125242-01-722	EA	TRIM - CORNER	618844
4	125242-01-715	EA	HINGE - TOP RH/BOTTOM LH	618798
5	125242-01-724	EA	TRIM - SIDE	618846
6	125242-01-713	EA	HINGE-MIDDLE (PAINTED)	618794
7	125242-02-704	EA	DISPLAY ASSEMBLY	621188
8	125242-01-751	EA	BLOCK - GUIDE - UPPER	618789
9	125242-01-712	EA	DRIP TRAY	618774
10	125242-01-752	EA	BLOCK - GUIDE - LOWER	618788
11	120075-01-708	EA	BUSHING - DOOR HINGE	618144
12	120075-01-730	EA	RETAINER - SHELF	618181
13	120075-01-727	EA	PIN - HINGE	618145
14	125242-01-734	EA	CRISPER/BOTTLE BIN	618878
15	125242-01-733	EA	DIVIDER - BOTTLE CRISPER	618877
16	125242-01-750	EA	CLIP	61409622
17	113737-01-701	EA	BUSHING - HINGE	61742022
18	125242-01-749	EA	SUPPORT - WALL	618840
19	125242-01-734	EA	CRISPER/BOTTLE BIN	618878
20	125242-01-706	EA	COVER - CRISPER	618757
21	125242-01-726	EA	SHELF - WIRE (LONG)	618848
22	125242-01-727	EA	SHELF - WIRE (SHORT)	618849
23	125242-01-725	EA	SHELF - FREEZER (WIRE)	618847
24	125242-01-714	EA	HINGE - TOP LH/BOTTOM RH	618796
	125242-01-735	EA	SWITCH - DOOR LIGHT	618884

**APPLIANCE GROUP (CONTINUED)**  
**COMPONENT PARTS FOR APPLIANCE (CONTINUED)**

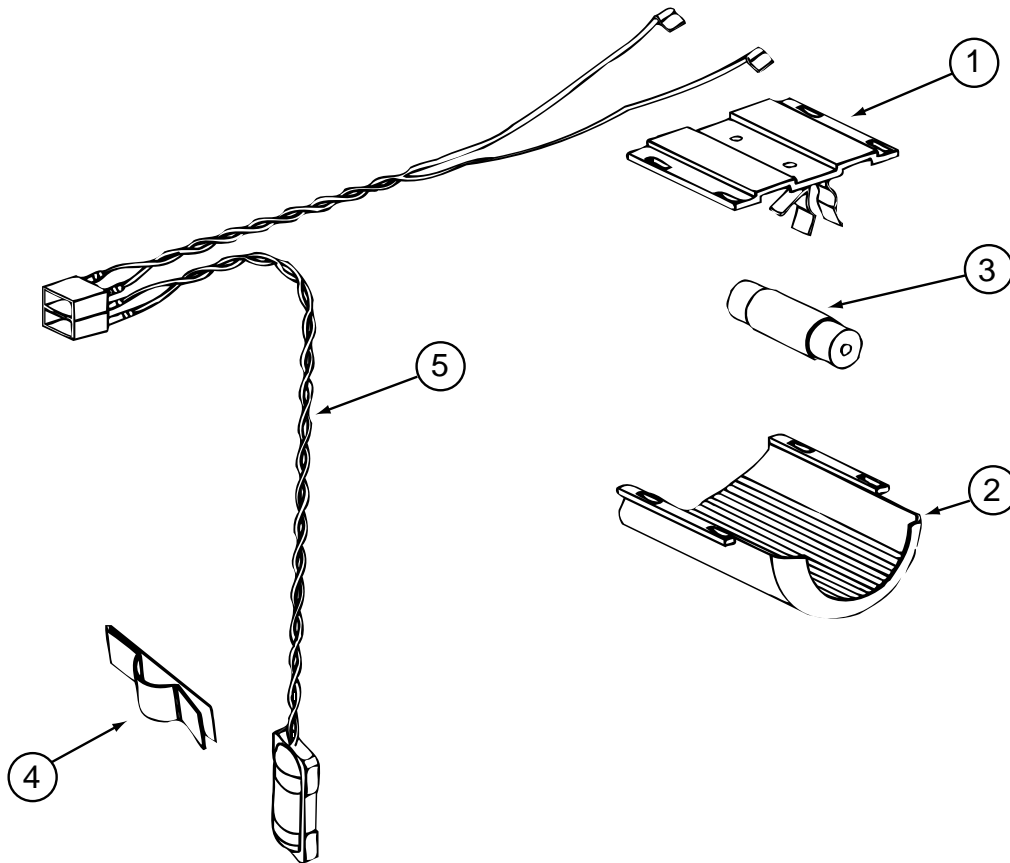


125242-02-01A (CONTINUED)

**APPLIANCE GROUP (CONTINUED)**  
**COMPONENT PARTS FOR APPLIANCE (CONTINUED)**

125242-02-01A (CONTINUED)

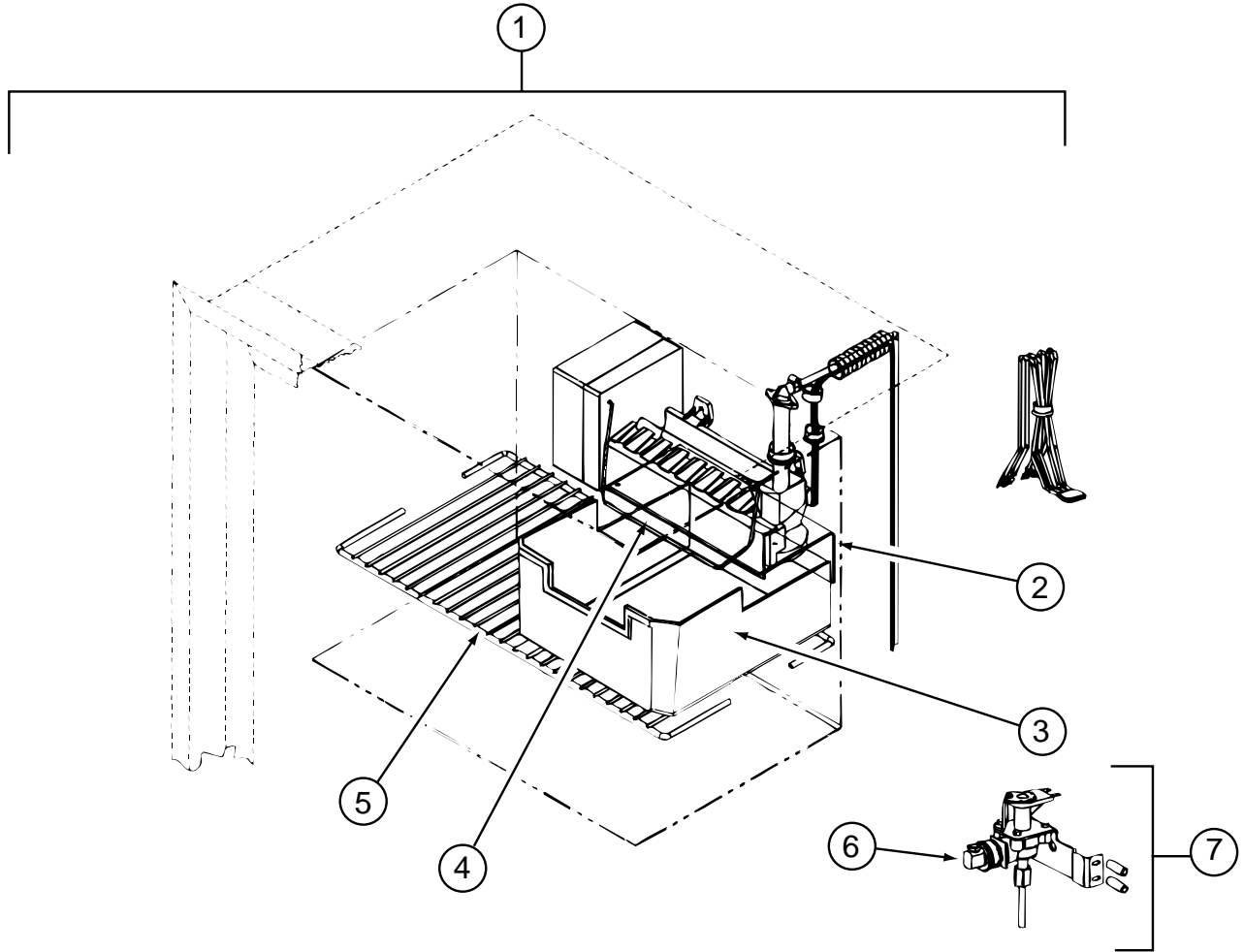
KEY	PART NUMBER	U/M	DESCRIPTION	VENDOR NO.
1	084880-01-718	EA	VALVE - GAS - (ASCO)	61551822
2	104137-06-734	EA	VALVE-SHUT OFF/MAN-NEW STYLE	618696
3	125242-01-743	EA	BURNER - 8 SLOT	618932
4	104137-06-715	EA	ELECTRODE - SPARK/SENSOR - SGL	61692222
5	113737-01-716	EA	TAP - PRESSURE	61594422
6	113737-01-750	EA	TUBE - UNION	61694622
7	125242-01-717	EA	ORIFICE - JEWELLED	618814
8	120075-01-738	EA	COVER - POWER BOARD	618185
9	120075-01-740	EA	COVER - BASE - POWER BOARD	618186
10	125242-01-720	EA	POWER BOARD	618828
			FROM: 00-00-00 THRU: 04-25-00	
10	125242 02 703	EA	POWER BOARD	621271
			FROM: 04-26-00 THRU: 99-99-99	
11	125242-01-744	EA	BURNER TUBE	618937
12	125242-01-739	EA	BASE - BURNER BOX	618902
13	125242-01-740	EA	COVER - BURNER BOX	618910
14	125242-01-746	EA	COOLING UNIT - 1200	618964
15	125242-01-732	EA	HEATER AC - 225W/110VAC	618872
	125242-01-753	EA	KIT - GAS VALVE/BURNER TUBE	620610



125242-02-01A (CONTINUED)

KEY	PART NUMBER	U/M	DESCRIPTION	VENDOR NO.
1	084880-03-705	EA	BRACKET - LIGHT - INTERIOR	61629722
2	120075-01-734	EA	COVER - LENS	618190
3	084880-03-706	EA	BULB - LAMP	61628922
4	084880-01-760	EA	CLIP (THERMISTER)	61689122
5	120075-01-735	EA	THERMISTER W/LAMP & WIRE/ASM	618548

**APPLIANCE GROUP (CONTINUED)**  
**COMPONENT PARTS FOR APPLIANCE (CONTINUED)**



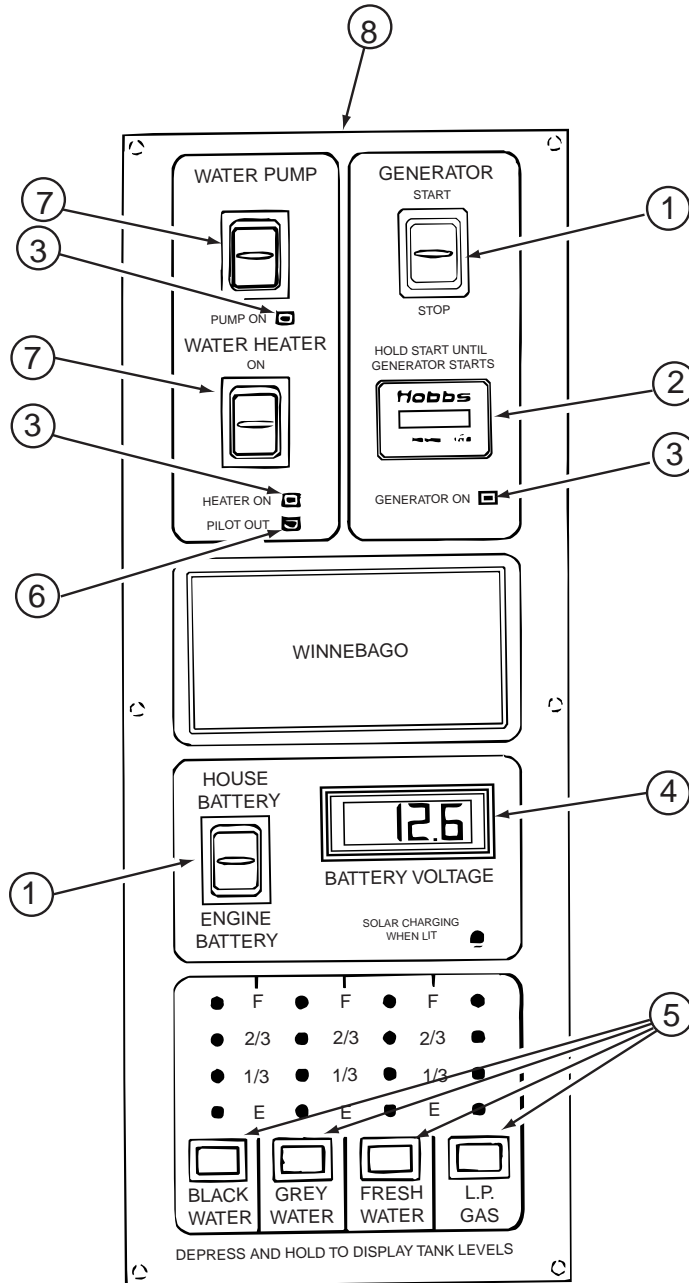
**125242-02-01A (CONTINUED)**

KEY	PART NUMBER	U/M	DESCRIPTION	VENDOR NO.
1	094039-07-706	EA	ICE MAKER W/O PLATES	61656522
2	125242-01-737	EA	BRACKET - MOUNTING (ICE MAKER)	618894
3	125242-01-716	EA	ICE BIN	618803
4	120075-03-703	EA	ARM - SHUT OFF	61656922
5	125242-01-725	EA	SHELF - FREEZER (WIRE)	618847
6	120075-03-702	EA	NUT/COMPRESSION - FITTING	61678722
7	120075-03-701	EA	VALVE - WATER - W/BRACKET	618523

**126022-01-01A**

KEY	PART NUMBER	U/M	DESCRIPTION	VENDOR NO.
	126022-01-700	EA	BUMPER - RANGE BIFOLD COVER MAGIC	8003P007-60
	126022-01-701	EA	HINGE-RANGE BIFOLD COVER-22" MAGIC	3418F067-34
	114030-01-707	EA	PLUG BUTTON BLACK	74002628

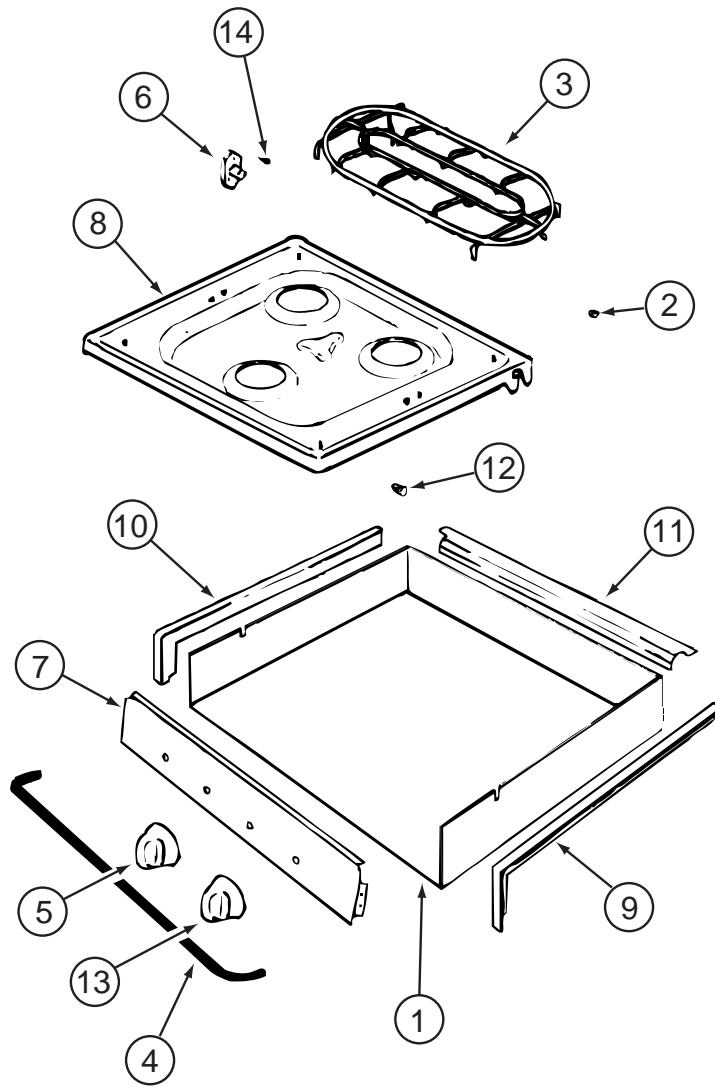
**APPLIANCE GROUP (CONTINUED)**  
**COMPONENT PARTS FOR APPLIANCE (CONTINUED)**



**133004-02-01A**

KEY	PART NUMBER	U/M	DESCRIPTION	VENDOR NO.
1	133004-01-702	EA	SWITCH/DPDT MOM=ON-OFF-ON	L1011-00
2	100258-10-701	EA	GAUGE-HOUR METER-CLIP ON LCD	L0775-00
3	133004-01-706	EA	LED - GREEN - PANEL MOUNT	L0785
4	133004-01-704	EA	METER - DIGITAL PANEL	L1008-00
5	133004-01-705	EA	SWITCH/SPNO MOM ON-OFF PUSH	L0950-00
6	133004-01-703	EA	LED - RED - PANEL MOUNT	L1009-00
7	133004-01-701	EA	SWITCH/DPDT ON-ON/MAINTAINED	L1025-00
8	133004-02-701	EA	SCREENED - CHASSIS	CC0547-00
	133004-02-700	EA	BOARD - PC	L5113-03

**APPLIANCE GROUP (CONTINUED)**  
**COMPONENT PARTS FOR APPLIANCE (CONTINUED)**



**135065-01-02A**

KEY	PART NUMBER	U/M	DESCRIPTION	VENDOR NO.
	135065-01-02A	EA	RANGE - 3 BURNER W/O OVEN - SEALED BURNERS - BISQUE	
1			CONTACT WINNEBAGO PART SALES FOR THIS COMPONENT	
2	102020-01-709	EA	BUMPER-GRATE	8007-P020-60
3	128728-01-700	EA	GRATE - BURNER	74003948
4	114030-02-700	EA	GUARD/FABRIC - TOWEL BAR	3609F006-70
5	112881-01-705	EA	KNOB-TOP BURNER	7733P072-60
5	112881-01-718	EA	KNOB - TOP BURNER HI-OUTPUT	74001794
6	128728-01-703	EA	PIN/T-NUT F/HINGE	7103P109-60
7	135065-01-700	EA	PANEL/MANIFOLD	74003354
8	135066-01-700	EA	TOP - MAIN - BISQUE	74005332
9	114030-01-704	EA	TRIM - RIGHT/BLACK TEXTURED	74002839
10	114030-01-705	EA	TRIM - LEFT/BLACK TEXTURED	74002840
11	114030-01-706	EA	TRIM - REAR/BLACK TEXTURED	74002841
12	102020-01-724	EA	BUMPER-MAIN TOP	8003P008-60
13	126023-01-720	EA	KNOB - IGNITER	74002414
14			CONTACT WINNEBAGO PART SALES FOR THIS COMPONENT	

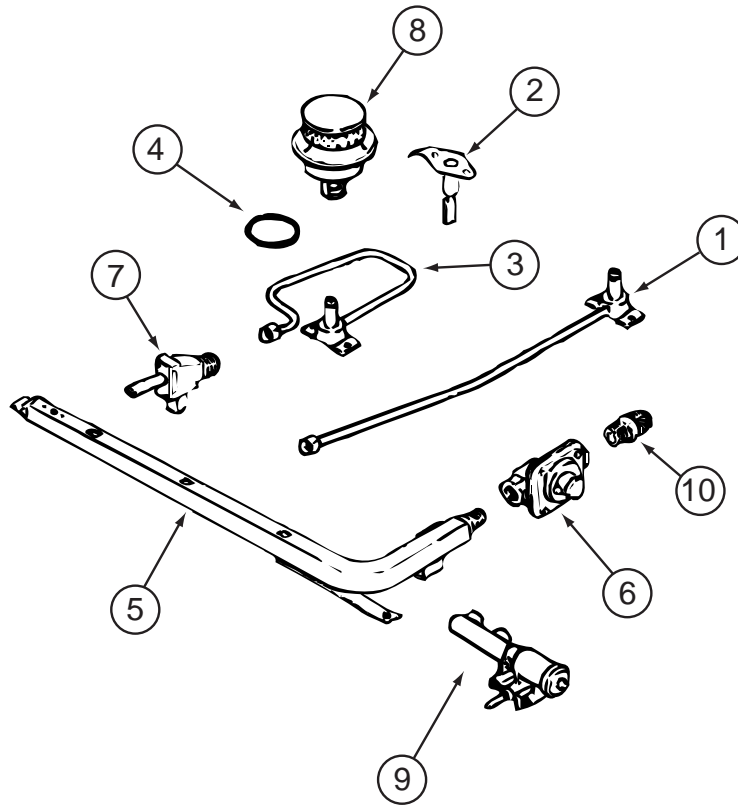
**APPLIANCE GROUP (CONTINUED)**  
**COMPONENT PARTS FOR APPLIANCE (CONTINUED)**

135065-02-01A

<b>KEY</b>	<b>PART NUMBER</b>	<b>U/M</b>	<b>DESCRIPTION</b>	<b>VENDOR NO.</b>
	135065-02-01A	EA	RANGE - 3 BURNER W/O OVEN - SEALED BURNERS - CSA	
1			CONTACT WINNEBAGO PART SALES FOR THIS COMPONENT	
2	102020-01-709	EA	BUMPER-GRATE	8007-P020-60
3	128728-01-700	EA	GRATE - BURNER	74003948
4	114030-02-700	EA	GUARD/FABRIC - TOWEL BAR	3609F006-70
5	112881-01-705	EA	KNOB-TOP BURNER	7733P072-60
5	112881-01-718	EA	KNOB - TOP BURNER HI-OUTPUT	74001794
6	128728-01-703	EA	PIN/T-NUT F/HINGE	7103P109-60
7	135065-01-700	EA	PANEL/MANIFOLD	74003354
8	128728-01-705	EA	TOP - MAIN - BLACK	74003928
9	114030-01-704	EA	TRIM - RIGHT/BLACK TEXTURED	74002839
10	114030-01-705	EA	TRIM - LEFT/BLACK TEXTURED	74002840
11	114030-01-706	EA	TRIM - REAR/BLACK TEXTURED	74002841
12	102020-01-724	EA	BUMPER-MAIN TOP	8003P008-60
13	126023-01-720	EA	KNOB - IGNITER	74002414
14			CONTACT WINNEBAGO PART SALES FOR THIS COMPONENT	



**APPLIANCE GROUP (CONTINUED)**  
**COMPONENT PARTS FOR APPLIANCE (CONTINUED)**



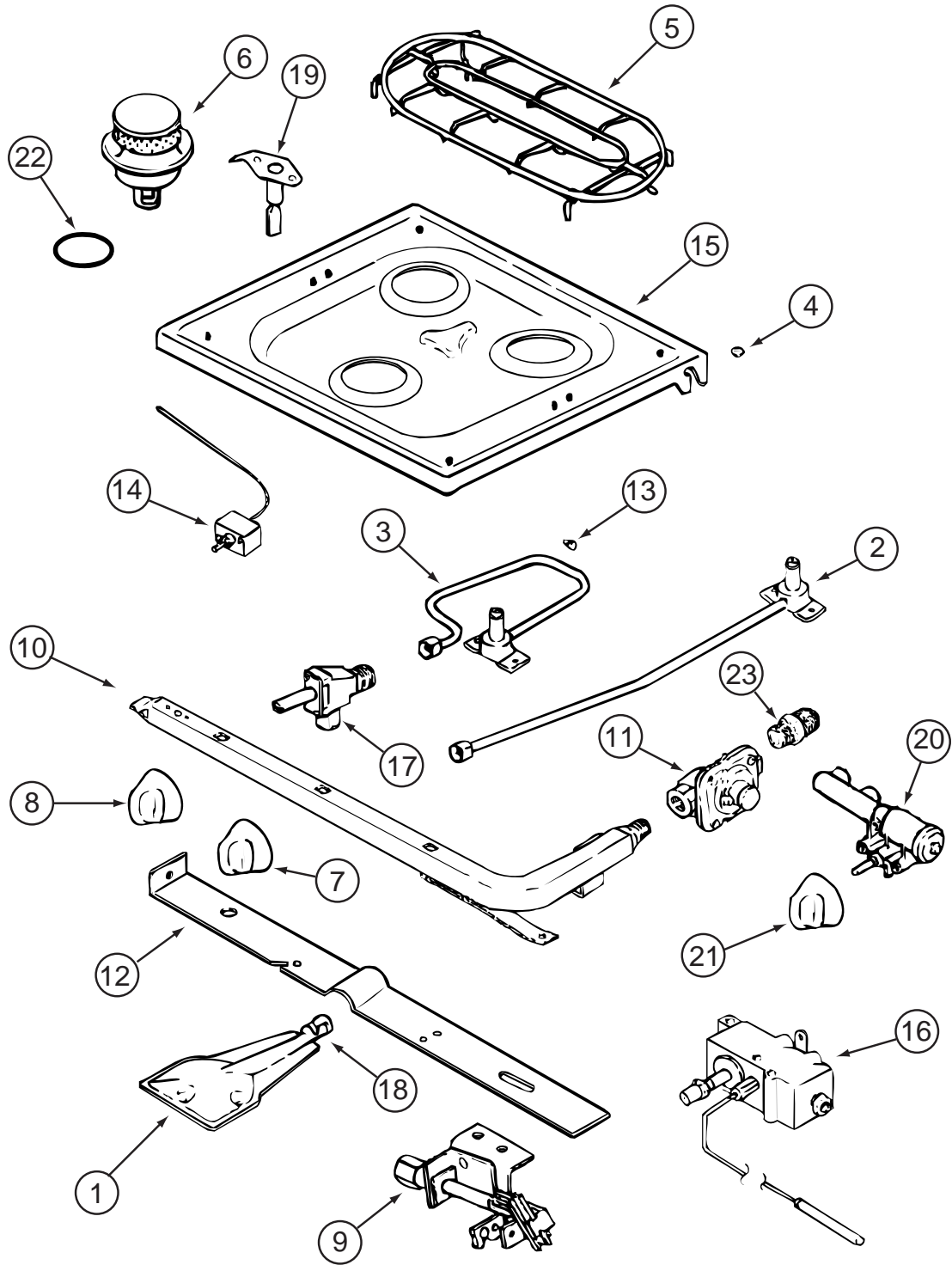
**135065-01-02A (CONTINUED)**

KEY	PART NUMBER	U/M	DESCRIPTION	VENDOR NO.
	135065-01-02A	EA	RANGE - 3 BURNER W/O OVEN - SEALED BURNERS - BISQUE	
1	128728-01-708	EA	FITTING - ORFICE TUBE - REAR	74003931
2	135065-01-701	EA	IGNITOR/TOP BURNER	74004053
3	128728-01-710	EA	FITTING - ORFICE TUBE - FRT	74003930
4	128728-01-711	EA	GASKET - BURNER	74002745
5	135065-01-702	EA	PIPE/MANIFOLD	74004642
6	126023-02-703	EA	REGULATOR - PRESSURE	74004235
7	135065-01-703	EA	VALVE/BURNER - REAR	74004643
7	135065-01-704	EA	VALVE/BURNER - FRONT	74004644
8	135065-01-705	EA	BURNER/SEALED ASSEMBLY	74003967
9	128728-01-716	EA	BURNER - IGNITOR	74003946
9	128728-01-717	EA	WIRES - IGNITOR	74003947

**135065-02-01A (CONTINUED)**

KEY	PART NUMBER	U/M	DESCRIPTION	VENDOR NO.
	135065-02-01A	EA	RANGE - 3 BURNER W/O OVEN - SEALED BURNERS - CSA	
1	128728-01-708	EA	FITTING - ORFICE TUBE - REAR	74003931
2	135065-01-701	EA	IGNITOR/TOP BURNER	74004053
3	128728-01-710	EA	FITTING - ORFICE TUBE - FRT	74003930
4	128728-01-711	EA	GASKET - BURNER	74002745
5	135065-01-702	EA	PIPE/MANIFOLD	74004642
6	126023-02-703	EA	REGULATOR - PRESSURE	74004235
7	135065-01-703	EA	VALVE/BURNER - REAR	74004643
7	135065-01-704	EA	VALVE/BURNER - FRONT	74004644
8	135065-01-705	EA	BURNER/SEALED ASSEMBLY	74003967
9	128728-01-716	EA	BURNER - IGNITOR	74003946
9	128728-01-717	EA	WIRES - IGNITOR	74003947

**APPLIANCE GROUP (CONTINUED)**  
**COMPONENT PARTS FOR APPLIANCE (CONTINUED)**



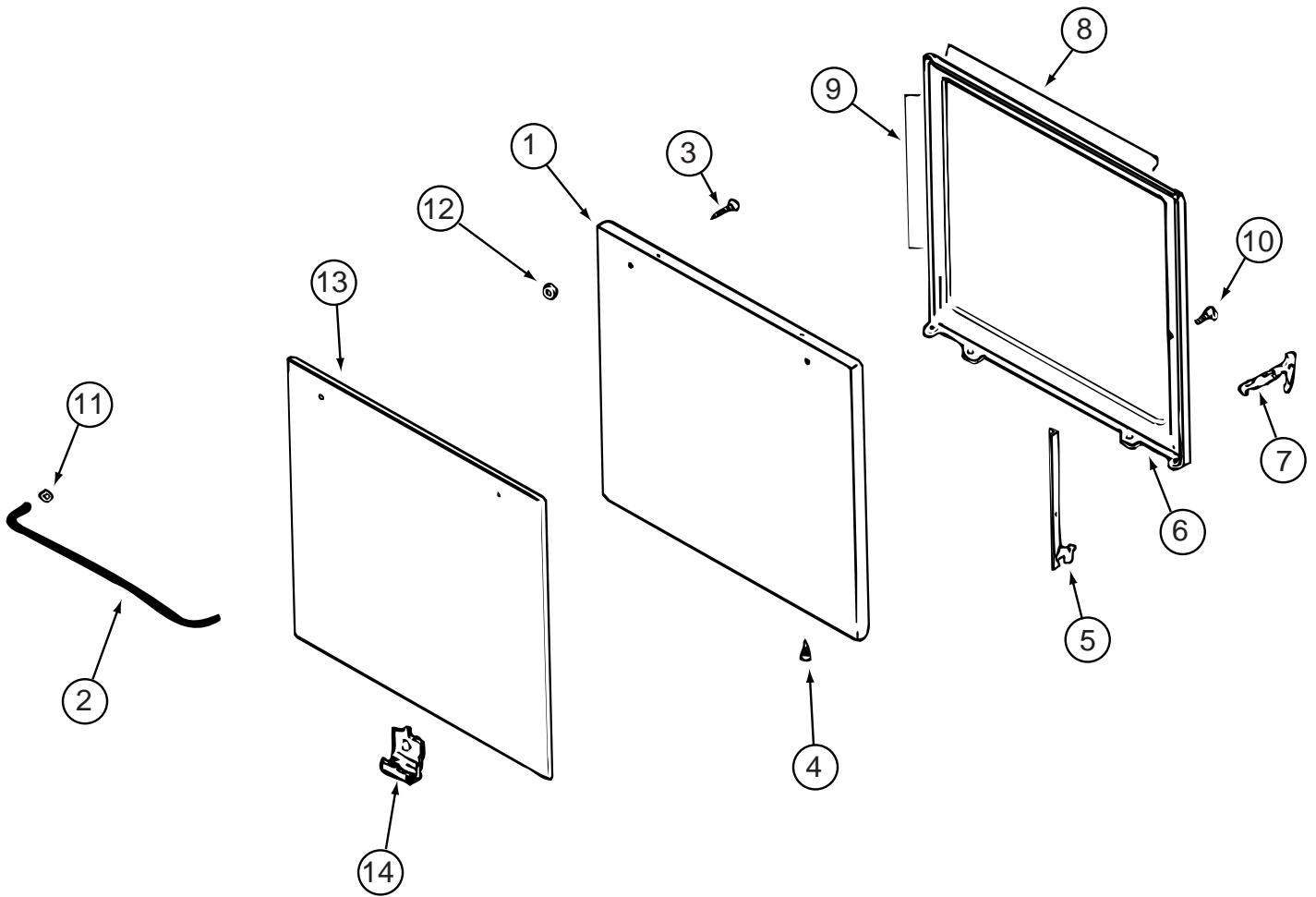
135066-01-02A

**APPLIANCE GROUP (CONTINUED)**  
**COMPONENT PARTS FOR APPLIANCE (CONTINUED)**

**135066-01-02A (CONTINUED)**

<b>KEY</b>	<b>PART NUMBER</b>	<b>U/M</b>	<b>DESCRIPTION</b>	<b>VENDOR NO.</b>
	135066-01-02A	EA	RANGE - 22"3 BURNER W/OVEN - SEALED BURNERS - BISQUE	
1	126023-01-717	EA	BURNER - OVEN	74003343
2	128728-01-708	EA	FITTING - ORFICE TUBE - REAR	74003931
3	128728-01-710	EA	FITTING - ORFICE TUBE - FRT	74003930
4	102020-01-709	EA	BUMPER-GRATE	8007-P020-60
5	128728-01-700	EA	GRATE - BURNER	74003948
6	135065-01-705	EA	BURNER/SEALED ASSEMBLY	74003967
7	112881-01-705	EA	KNOB-TOP BURNER	7733P072-60
7	112881-01-718	EA	KNOB - TOP BURNER HI-OUTPUT	74001794
8	126023-02-700	EA	KNOB - THERMOSTAT	74004359
9	126023-02-701	EA	PILOT - OVEN	74004586
10	126023-02-702	EA	PIPE - MANIFOLD	74004360
11	126023-02-703	EA	REGULATOR - PRESSURE	74004235
12			CONTACT WINNEBAGO PART SALES FOR THIS COMPONENT	
13	102020-01-724	EA	BUMPER-MAIN TOP	8003P008-60
14	126023-01-734	EA	THERMOSTAT OVEN 11/CLY MODEL	74004361
15	135066-01-700	EA	TOP - MAIN - BISQUE	74005332
16	126023-02-704	EA	VALVE - OVEN	74004585
17	135065-01-703	EA	VALVE/BURNER - REAR	74004643
17	135065-01-704	EA	VALVE/BURNER - FRONT	74004644
18	135656-01-701	EA	MIXER/AIR	3411F003-34
19	135065-01-701	EA	IGNITOR/TOP BURNER	74004053
20	128728-01-716	EA	BURNER - IGNITOR	74003946
20	128728-01-717	EA	WIRES - IGNITOR	74003947
21	126023-01-720	EA	KNOB - IGNITER	74002414
22	128728-01-711	EA	GASKET - BURNER	74002745
23			CONTACT WINNEBAGO PART SALES FOR THIS COMPONENT	

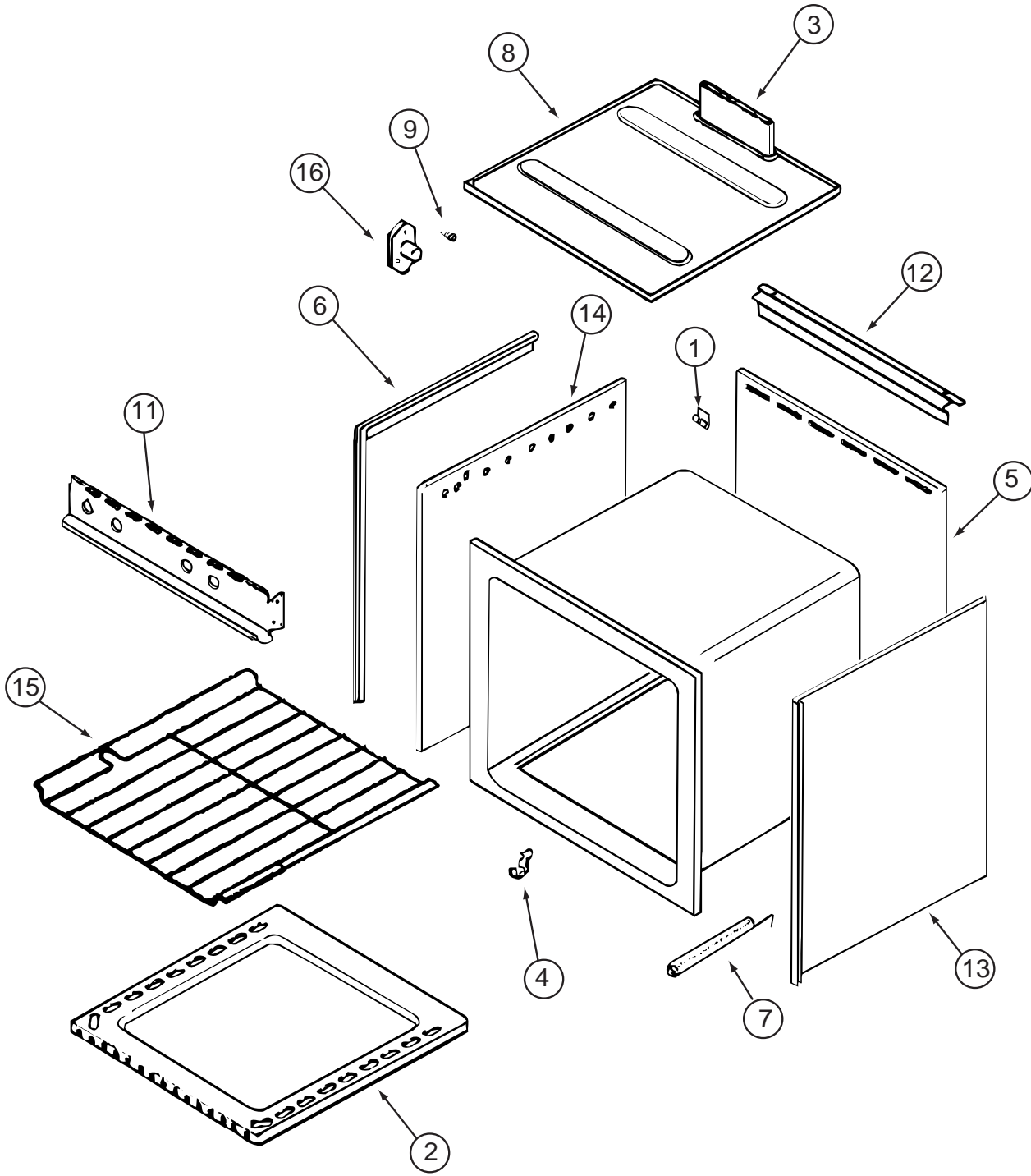
**APPLIANCE GROUP (CONTINUED)**  
**COMPONENT PARTS FOR APPLIANCE (CONTINUED)**



**135066-01-02A (CONTINUED)**

KEY	PART NUMBER	U/M	DESCRIPTION	VENDOR NO.
	135066-01-02A	EA	RANGE - 22"/3 BURNER W/OVEN - SEALED BURNERS - BISQUE	
1	126023-01-712	EA	PANEL - DOOR (BLACK)	74001190
2	102020-01-701	EA	HANDLE,DOOR	7701P092-60
3			CONTACT WINNEBAGO PART SALES FOR THIS COMPONENT	
4			CONTACT WINNEBAGO PART SALES FOR THIS COMPONENT	
5			CONTACT WINNEBAGO PART SALES FOR THIS COMPONENT	
6			CONTACT WINNEBAGO PART SALES FOR THIS COMPONENT	
7			CONTACT WINNEBAGO PART SALES FOR THIS COMPONENT	
8	126023-01-732	EA	SEAL/OVEN DR TOP	7212P014-60
9	126023-01-733	EA	SEAL/OVEN DR SIDES(2PCS)	7212P038-60
10			CONTACT WINNEBAGO PART SALES FOR THIS COMPONENT	
11			CONTACT WINNEBAGO PART SALES FOR THIS COMPONENT	
12			CONTACT WINNEBAGO PART SALES FOR THIS COMPONENT	
13	102020-01-725	EA	GLASS OUTER	7902P266-60
14			CONTACT WINNEBAGO PART SALES FOR THIS COMPONENT	

**APPLIANCE GROUP (CONTINUED)**  
**COMPONENT PARTS FOR APPLIANCE (CONTINUED)**



**135066-01-02A (CONTINUED)**

KEY	PART NUMBER	U/M	DESCRIPTION	VENDOR NO.
	135066-01-02A	EA	RANGE - 22"3 BURNER W/OVEN - SEALED BURNERS - BISQUE	
1	112881-03-702	EA	CLIP - MAIN TOP	74003998
2	126023-01-731	EA	BOTTOM - OVEN	2205F016-19
3	126023-01-718	EA	FLUE BOX ASSEMBLY	4006W075-80
4 THRU 5			CONTACT WINNEBAGO PART SALES FOR THIS COMPONENT	
6	126023-01-713	EA	TRIM - SIDE (RIGHT)	74002827
6	126023-01-714	EA	TRIM - SIDE (LEFT)	74002828
7 THRU 9			CONTACT WINNEBAGO PART SALES FOR THIS COMPONENT	
11	126023-01-729	EA	PANEL - MANIFOLD	74003351
12 THRU 14			CONTACT WINNEBAGO PART SALES FOR THIS COMPONENT	
15	126023-01-716	EA	RACK - OVEN	74003106
16			CONTACT WINNEBAGO PART SALES FOR THIS COMPONENT	

**AUDIO VIDEO GROUP  
RADIO SYSTEM**

KEY	PART NUMBER	U/M	DESCRIPTION
	123256-01-000	EA	ANTENNA - CB - W/O CABLE
	123256-02-000	EA	CABLE - CB - COAX
	077069-02-000	EA	CABLE - ANTENNA/EXTENSION - RADIO - 96"
	090944-01-000	EA	ANTENNA - RADIO - 16" RUBBER
	108847-01-000	EA	BRACKET - ANTENNA GROUND
	115916-01-01B	EA	BRACKET - ANTENNA MOUNT
	109889-04-000	EA	EXTENDER - ANTENNA SHAFT - 3.7"
	089340-02-000	EA	GRILLE - SPEAKER - 6.5" SQUARE
	094097-01-000	EA	SPEAKER - RADIO/TV - W/O GRILLE - 5.25" DIAMETER
	110469-01-000	EA	SPEAKER - 4" X 6" OVAL - COAXIAL
	110470-01-01A	EA	GRILLE - 4" X 6" OVAL SPEAKER - BLACK
	124883-02-000	EA	SPEAKER - CUBE - W/BRACKET
	124883-03-000	EA	SPEAKER - CUBE - W/O CASE - <a href="#">L34Y, L36W</a>
	124883-04-000	EA	SPEAKER - GRILLE - F/CUBE - <a href="#">L34Y, L36W</a>
	124884-01-000	EA	SPEAKER - 6" X 9" - SUB-WOOFER
	124885-01-000	EA	GRILLE - SPEAKER - 6" X 9" - SUB-WOOFER
	102080-11-000	EA	CHANGER - COMPACT DISC - CDX-530RF
			FROM: 00-00-00 THRU: 05-10-01
	102080-14-000	EA	CHANGER - COMPACT DISC - SONY CDX-540RF
			FROM: 05-11-01 THRU: 99-99-99
	128074-02-000	EA	FILTER - NOISE - 12 VOLT DC W/PLUGS
	102080-12-000	EA	CHANGER - REMOTE CONTROL/F/M MODULATOR - SONY CDX-530RF
			FROM: 00-00-00 THRU: 05-08-01
	102080-15-000	EA	CHANGER - CONTROL/FM MODULE & REMOTE - CDX-540RF KIT
			FROM: 05-09-01 THRU: 99-99-99
	127516-05-000	EA	RADIO - AM/FM STEREO/CD PLAYER - PANASONIC CQ-DP22 - <a href="#">EXT. ENTERTAINMENT</a>
			FROM: 00-00-00 THRU: 04-02-00
	127516-06-000	EA	RADIO - AM/FM STEREO/CD PLAYER - PANASONIC CQ-DP202 - <a href="#">EXT. ENTERTAINMENT</a>
			FROM: 04-03-00 THRU: 04-09-00
	127517-07-000	EA	RADIO - AM/FM STEREO/CD PLAYER - SONY CDX-1200 - EXT CMP - <a href="#">EXT. ENTERTAINMENT</a>
			FROM: 04-10-00 THRU: 99-99-99
	125322-02-000	EA	RADIO-AM/FM STEREO/CASSETTE-AUDIOVOX-MS-306-EXT ENT W/CASS - <a href="#">EXT. ENTERTAINMENT</a>
	127517-03-000	EA	RADIO - AM/FM STEREO - CD PLAYER - SONY CDX-2250 - <a href="#">DASH</a>
			FROM: 00-00-00 THRU: 05-14-00
*	127517-05-000	EA	RADIO - AM/FM STEREO/CD PLAYER - SONY CDX-C4005X - <a href="#">DASH</a>
			FROM: 05-15-00 THRU: 04-19-01
	127517-08-000	EA	RADIO - AM/FM STEREO - CD PLAYER - SONY CDX-L550X - <a href="#">DASH</a>
			FROM: 04-20-01 THRU: 99-99-99
	097460-15-000	EA	RADIO - AM/FM CASSETTE/CD - SONY XR-C2200 - <a href="#">DASH</a>
	133307-02-000	EA	RADIO - WALL MOUNT - CD W/ALARM - AUDIOVOX AWN-930 - <a href="#">REAR STEREO</a>
	133307-01-000	EA	RADIO - WALL MOUNT - CASSETTE W/ALARM - AUDIOVOX AWM-820 - <a href="#">REAR STEREO</a>
	124881-01-000	EA	AMPLIFIER - AUDIO
			FROM: 00-00-00 THRU: 10-08-00
	124881-02-000	EA	AMPLIFIER - AUDIO - MTS Q SURROUND
			FROM: 10-09-00 THRU: 99-99-99
	136053-01-000	EA	FILTER - NOISE - AUDIO
			FROM: 00-00-00 THRU: 06-29-00

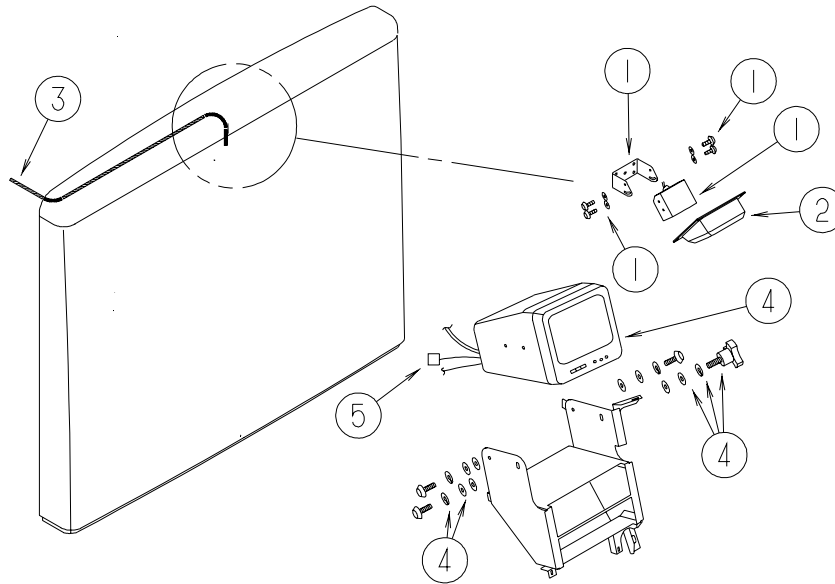
**\*COMPONENT PARTS LISTED LATER IN THIS GROUP**

**AUDIO VIDEO GROUP (CONTINUED)**  
**COMPONENT PARTS FOR RADIO SYSTEM**

127517-05-000

<b>KEY</b>	<b>PART NUMBER</b>	<b>U/M</b>	<b>DESCRIPTION</b>	<b>VENDOR NO.</b>
	127517-05-000	EA	RADIO - AM/FM STEREO/CD PLAYER - SONY CDX-C4005X	
	127517-05-700	EA	REMOTE-WIRED	RMX4S

**AUDIO VIDEO GROUP (CONTINUED)**  
**REAR VIEW MONITOR**



KEY	PART NUMBER	U/M	DESCRIPTION
1	093040-09-000	EA	CAMERA - REAR VIEW - W/BRACKET - SONY
2	125258-01-01A	EA	SHROUD - CAMERA - OUTER
3	093041-01-000	EA	CABLE - MONITOR/CAMERA - INTERNAL USE - 65.6'
4*	093040-10-000	EA	MONITOR - 7" REAR VIEW - W/BRACKET - SONY
5	096717-04-000	EA	WIRE ASSEMBLY - REAR MONITOR - UPPER
	093214-01-02A	EA	GRILLE - SPEAKER - 4" BROWN - DRIVER OVERHEAD
	098819-01-000	EA	SPEAKER - 4" - 2 WATT - 8 OHM - DRIVER OVERHEAD

\*COMPONENT PARTS LISTED LATER IN THIS GROUP



**AUDIO VIDEO GROUP (CONTINUED)**  
**COMPONENT PARTS FOR REAR VIEW MONITOR**

093040-10-000

<b>KEY</b>	<b>PART NUMBER</b>	<b>U/M</b>	<b>DESCRIPTION</b>	<b>VENDOR NO.</b>
	093040-10-000	EA	MONITOR - 7" REAR VIEW - W/BRACKET - SONY	
	093040-10-700	EA	LENS-MONITOR, REAR VIEW F/7"	3-708-537-01

## AUDIO VIDEO GROUP (CONTINUED)

### TELEPHONE

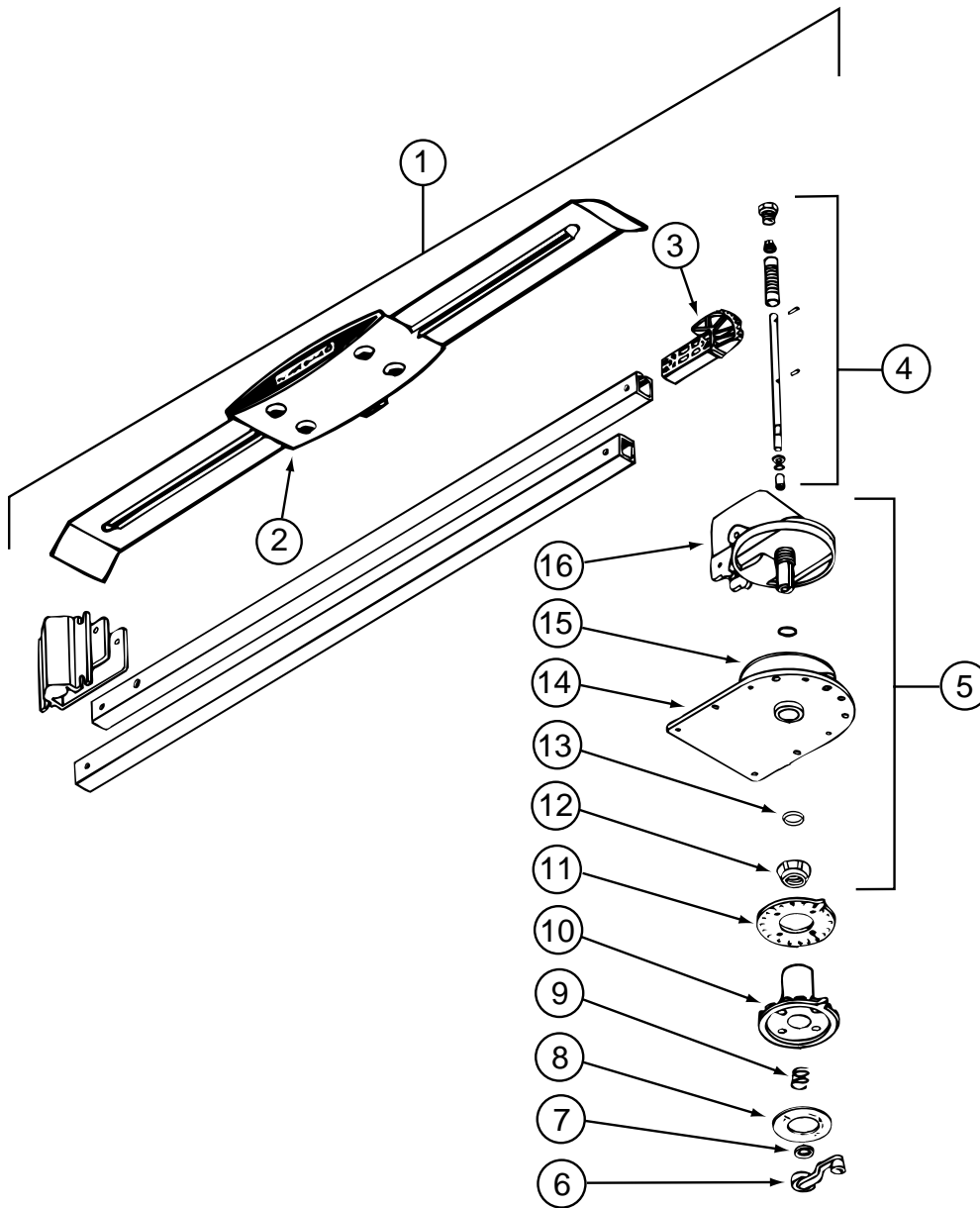
KEY	PART NUMBER	U/M	DESCRIPTION
	093253-01-01A	EA	PLATE - WALL - TELEPHONE - BEIGE
	130686-01-01A	EA	PLATE - WALL - TELEPHONE/COAX - WHITE
	133713-06-02A	EA	SPACER - RECEPTACLE - 110/12V - PHONE - WASHED MAPLE
	133713-06-03A	EA	SPACER - RECEPTACLE - 110/12V - PHONE - SALEM CHERRY

### TV & VCR

KEY	PART NUMBER	U/M	DESCRIPTION
	076319-09-000	EA	WALLPLATE - CABLE RECEPTACLE - TV - SINGLE - BROWN
	076319-03-000	FT	CABLE - COAXIAL - 75 OHM
	076319-12-000	EA	CONNECTOR - COAXIAL - ONE PIECE
*	076319-23-000	EA	ANTENNA - TV ROOF MOUNT - 44.5" MAST
*	076319-25-000	EA	KIT - HARDWARE INTERIOR
	117420-02-000	EA	CABLE - RCA - MALE - MALE - 4 FOOT
			FROM: 00-00-00 THRU: 07-31-00
	136860-01-000	EA	CABLE - RCA - #3 MALE TO #12F MALE CONNECTOR
			FROM: 08-01-00 THRU: 99-99-99
*	120233-04-000	EA	ANTENNA - SATELLITE - W/DIGITAL SENSOR/READ OUT DISPLAY
			FROM: 00-00-00 THRU: 09-17-00
	137135-01-000	EA	ANTENNA - SATELLITE DSS - W/SENSOR
			FROM: 09-18-00 THRU: 99-99-99
	086777-06-000	EA	WALLPLATE - TV CABLE - ANTENNA BOOSTER/1 OUTPUT - BLACK
	123324-01-000	EA	FILTER - GROUND LOOP
	114870-02-000	EA	PLUG - AUDIO W/LEADS - 10"
	086757-04-000	EA	CONTROL CENTER - SWITCH - VCR/TV - 5 INPUTS
	082134-01-000	EA	ADAPTER - TV - CABLE TO CABLE
*	126696-04-000	EA	TV - 19" STEREO W/2-1/8" MINI JACK F/SPEAKER LEVEL OUTPUT - <a href="#">SIDE TV</a>
*	126696-05-000	EA	TV-19" - W/O 1/8" JACK - UL/CSA - GE 19GT240 - <a href="#">REAR TV</a>
			FROM: 00-00-00 THRU: 10-22-00
	126696-07-000	EA	TV - 19" COLOR W/O 1/8" JACK - UL/CSA - GE 19GT243 - <a href="#">REAR TV</a>
			FROM: 10-23-00 THRU: 99-99-99
	130121-03-000	EA	TV - 25" - COLOR/STEREO W/5 JACKS - RCA F25645 - <a href="#">FRONT TV</a>
			FROM: 00-00-00 THRU: 04-23-00
*	130121-05-000	EA	TV - 25" STEREO W/5 JACKS - RCA F25648 - <a href="#">FRONT TV</a>
			FROM: 04-24-00 THRU: 99-99-99
*	124073-08-000	EA	VCR - VHS - HI-FI STEREO
			FROM: 00-00-00 THRU: 04-23-00
	124073-09-000	EA	VCR-VHS - HI-FI STEREO - RCA VR634HF
			FROM: 04-24-00 THRU: 02-06-01
	124073-10-000	EA	VCR-VHS - HI-FI STEREO - RCA VR623HF
			FROM: 02-07-01 THRU: 04-08-01
	124073-11-000	EA	VCR - VHS/HI-FI STEREO - SILVER CASE - RCA VR651HF
			FROM: 04-09-01 THRU: 99-99-99
	086756-01-000	EA	SPLITTER - TV/2 WAY
	082136-01-000	EA	NUT - HEX JAM - 3/8-32
	134006-01-03B	EA	PLATE - COAXIAL CABLE/OFF WHITE

\*COMPONENT PARTS LISTED LATER IN THIS GROUP

**AUDIO VIDEO GROUP (CONTINUED)**  
**COMPONENT PARTS FOR TV & VCR**



076319-23-000

KEY	PART NUMBER	U/M	DESCRIPTION	VENDOR NO.
2	076319-01-700	EA	HEAD - ANTENNA - AMPLIFIED	RVSA U/V
3	076319-01-701	EA	GEAR - ELEVATING - PLASTIC	2200046
4	076319-01-702	EA	SHAFT ASM - ELEVATING	RVP-400A
5	076319-01-711	EA	BASE & LIFT ASM	2762802
7	076319-01-705	EA	BEARING - NYLON - 7/8"ID	3200658
8	076319-01-708	EA	DECAL-CRANK	5413002
9	076319-01-707	EA	SPRING - HANDLE	5160822
11	076319-01-709	EA	PLATE-CEILING (IVORY)	3200621
11	076319-01-712	EA	PLATE - CEILING	3200608
12	076319-01-715	EA	NUT (GEAR HOUSING)	2200047
14	076319-01-713	EA	BASE PLATE	3100523
15	076319-01-703	EA	BEARING - NYLON - 5"OD	3200656
16	076319-01-714	EA	HOUSING - ROTATING GEAR	2200049
	076319-01-716	EA	TUBING, ELEVATING	RP-2900
17	076319-01-704	EA	BEARING-NYLON, 1.25"OD	3200657

CONTACT WINNEBAGO PART SALES FOR UNLISTED COMPONENT

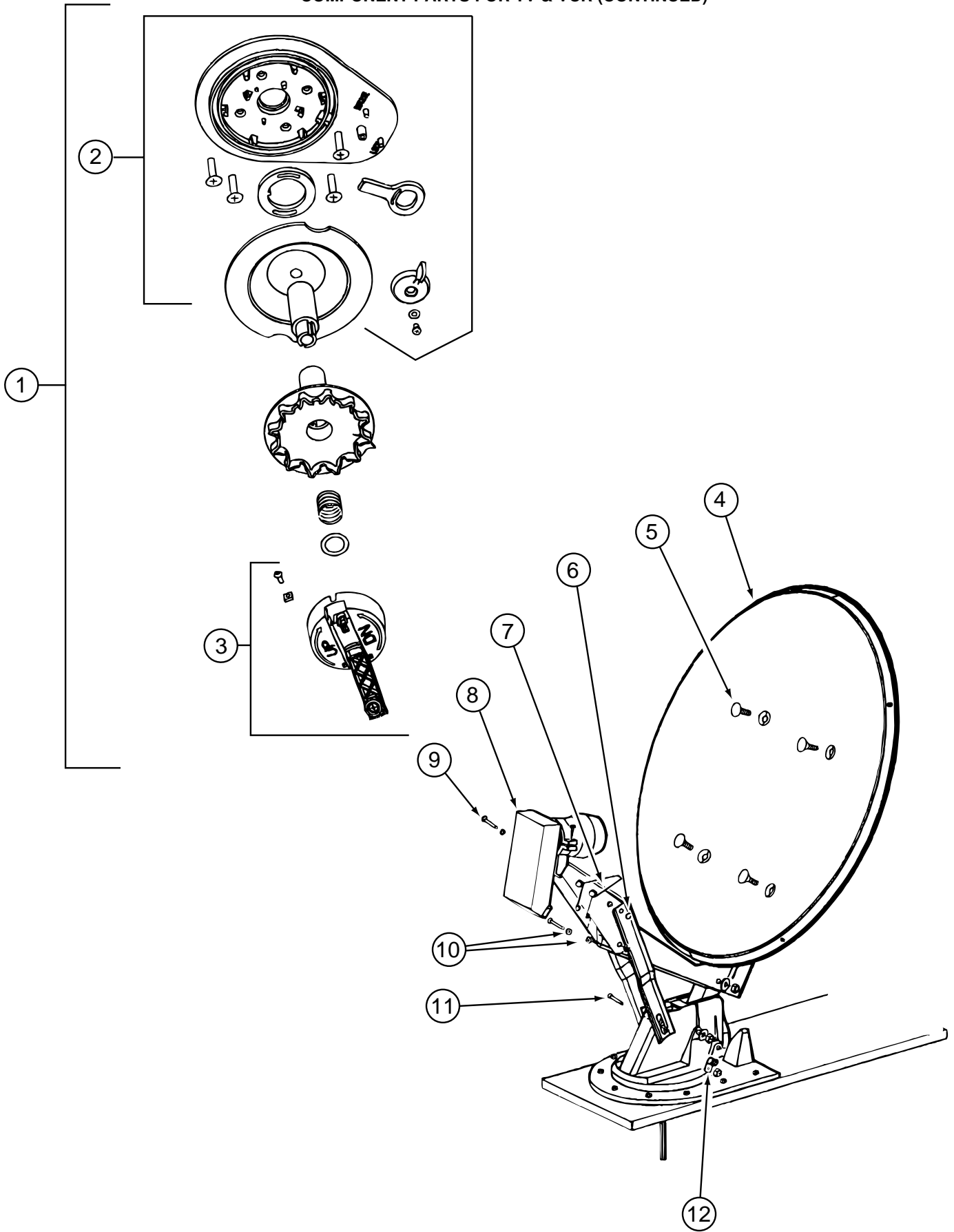
**AUDIO VIDEO GROUP (CONTINUED)**  
**COMPONENT PARTS FOR TV & VCR (CONTINUED)**

076319-25-000

KEY	PART NUMBER	U/M	DESCRIPTION	VENDOR NO.
	076319-25-000	EA	KIT - HARDWARE INTERIOR	
6	076319-01-706	EA	CRANK-ELEVATING W/SET SCREW	2750897
6	120233-01-710	EA	HANDLE-CRANK	RP-6795
8	076319-01-708	EA	DECAL-CRANK	5413002
9	076319-01-707	EA	SPRING-HANDLE	2160822
10	076319-25-700	EA	DIRECTIONAL HANDLE(WHITE)	3200612
11	076319-25-701	EA	PLATE - CEILING(WHITE)	3200609
13	120233-01-709	EA	WASHER-NYLON	RP-2658

UNLISTED COMPONENTS ARE SHOWN UNDER TV ANTENNA PARTS LIST

**AUDIO VIDEO GROUP (CONTINUED)**  
**COMPONENT PARTS FOR TV & VCR (CONTINUED)**



120233-04-000

**AUDIO VIDEO GROUP (CONTINUED)**  
**COMPONENT PARTS FOR TV & VCR (CONTINUED)**

**120233-04-000 (CONTINUED)**

<b>KEY</b>	<b>PART NUMBER</b>	<b>U/M</b>	<b>DESCRIPTION</b>	<b>VENDOR NO.</b>
	120233-04-000	EA	ANTENNA - SATELLITE - W/DIGITAL SENSOR/READ OUT DISPLAY	WINEGARD RD-04DE
1	120233-01-720	EA	CEILING PLATE ASM(RETRO FIT)	RP-4100
1	120233-01-737	EA	PLATE CEILING/DIR PACKAGE	RK-CEIL
1	120233-01-738	EA	CRANK HANDLE & HARDWARE PKG	RK-HAND
2	120233-01-722	EA	PLATE ASSEMBLY (CEILING)	2762826
3	120233-01-721	EA	CRANK HANDLE ASSEMBLY	2762825
4	120233-01-711	EA	REFLECTOR-46CM	2745304
5	120233-01-712	EA	BOLT-FLAT HEAD	2160323
6	120233-01-714	EA	CLIP-E	5160818
7	120233-01-713	EA	SPRING	2160820
8	120233-01-715	EA	LOW NOISE BLOCK FILTER (DBL)	2780177
9	120233-01-716	EA	PIN	2160814
10	120233-01-717	EA	BEARING-NYLON	2200726
11	120233-01-718	EA	PIN	5160817
12	120233-01-719	EA	CLAMP-CABLE	2200060
	076319-01-702	EA	SHAFT ASM-ELEVATING	RP-4000
	120233-04-700	EA	CABLE/WALL PLATE KIT - WALL PLATE W/GRAY BUTTON	
	120233-04-701	EA	DIGITAL READOUT WALL PLATE/DISPLAY PANEL ONLY	

**124073-08-000**

<b>KEY</b>	<b>PART NUMBER</b>	<b>U/M</b>	<b>DESCRIPTION</b>	<b>VENDOR NO.</b>
	124073-08-000	EA	VCR - VHS - HI-FI STEREO	
	126697-04-700	EA	REMOTE	239040

**126696-04-000**

<b>KEY</b>	<b>PART NUMBER</b>	<b>U/M</b>	<b>DESCRIPTION</b>	<b>VENDOR NO.</b>
	126696-04-000	EA	TV - 19" STEREO W/2-1/8" MINI JACK F/SPEAKER LEVEL OUTPUT	
	126696-01-700	EA	REMOTE	226725/228006

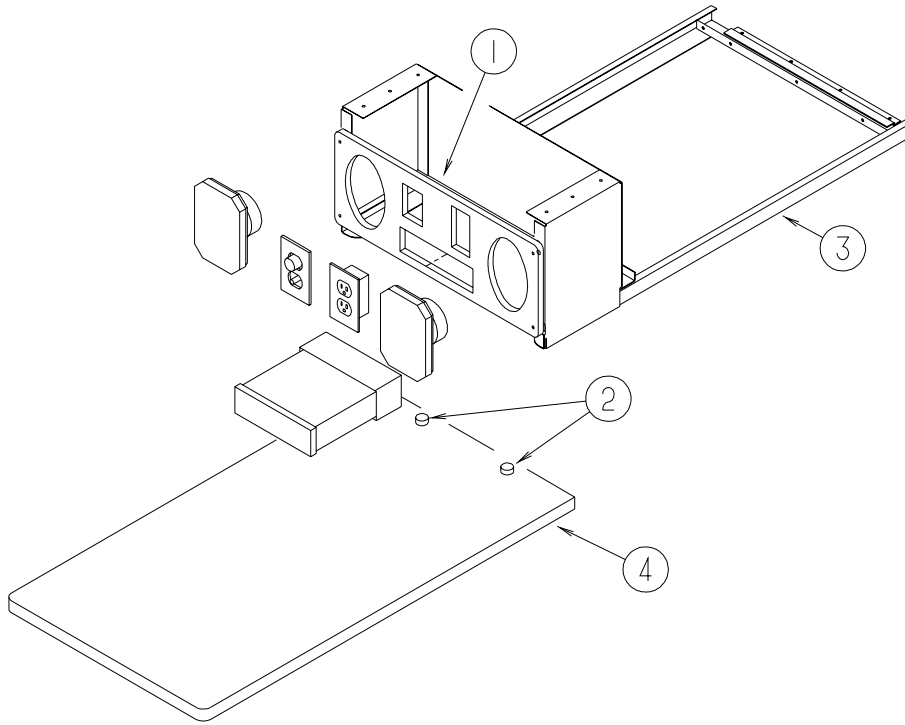
**126696-05-000**

<b>KEY</b>	<b>PART NUMBER</b>	<b>U/M</b>	<b>DESCRIPTION</b>	<b>VENDOR NO.</b>
	126696-05-000	EA	TV-19" - W/O 1/8" JACK - UL/CSA - GE 19GT240	
	126696-01-700	EA	REMOTE	226725/228006

**130121-05-000**

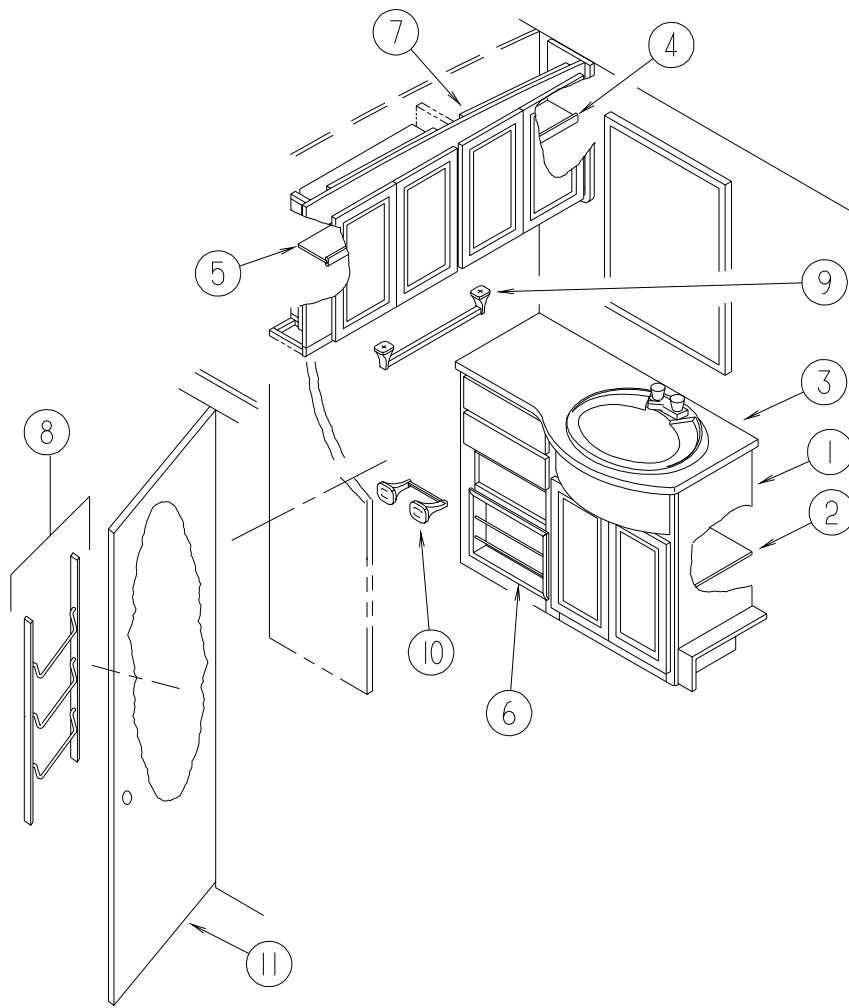
<b>KEY</b>	<b>PART NUMBER</b>	<b>U/M</b>	<b>DESCRIPTION</b>	<b>VENDOR NO.</b>
	130121-05-000	EA	TV - 25" - STEREO W/5 JACKS - RCA F25648	
	130121-05-700	EA	REMOTE	242524

**AUDIO VIDEO GROUP (CONTINUED)**  
**EXTERIOR ENTERTAINMENT**



KEY	PART NUMBER	U/M	DESCRIPTION
1	126123-01-K30	EA	PLATE - RADIO MOUNTING - WHITE LAMINATE - L34Y, L35U
1	126123-04-L52	EA	PLATE - RADIO MOUNTING - L36W
2	069726-02-000	EA	BUMPER - .88" OD X .40" THICK - BLACK
3	126119-02-02B	EA	FRAME - ENTERTAINMENT CENTER - EXTERIOR - 19.7" X 10.3" - L34Y
3	126119-06-02B	EA	FRAME - ENTERTAINMENT CENTER - E-COATED - L35U
3	126119-07-02B	EA	FRAME - ENTERTAINMENT CENTER - E-COATED - L36W
4	126125-01-K30	EA	TABLE - ENTERTAINMENT CENTER - L34Y, L35U
4	134985-01-01A	EA	TABLE - FOLDING - 16"W X 32"L X 26 1/2"H - CHROME LEGS - L36W

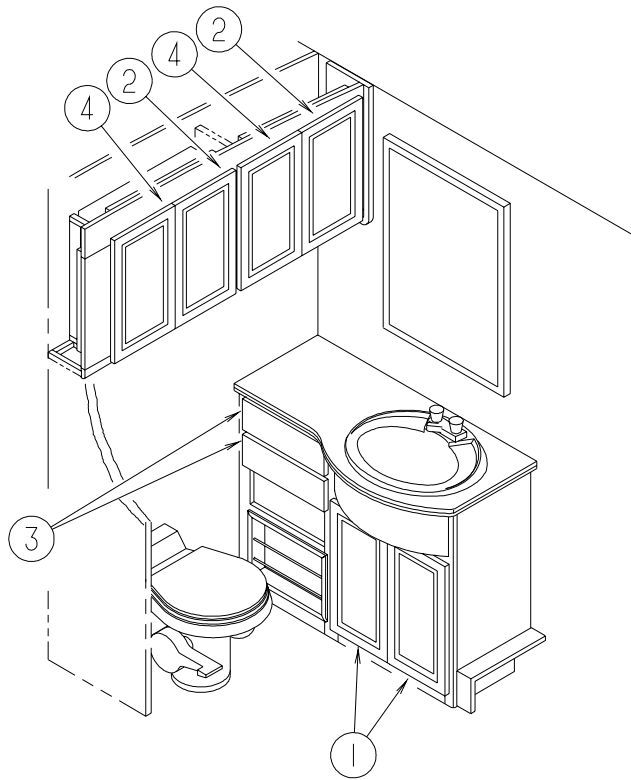
## BATH GROUP CABINETS



KEY	PART NUMBER	U/M	DESCRIPTION
1	132976-02-M62	EA	CABINET - LAVATORY - W/O COUNTERTOP/DOORS/DRAWERS/HDW - WASHED MAPLE
1	132976-02-M52	EA	CABINET - LAVATORY - W/O COUNTERTOP/DOORS/DRAWERS/HDW - SALEM CHERRY
2	132976-14-L58	EA	SHELF - W/EDGE MOLDING - WASHED MAPLE
2	132976-14-M52	EA	SHELF - W/EDGE MOLDING - SALEM CHERRY
3	130812-09-02A	EA	COUNTERTOP - LAVATORY - 1/4" VENDURA - ALMONDINE
4	135856-15-M62	EA	SHELF - W/EDGE MOLDING - WASHED MAPLE
4	135856-15-M52	EA	SHELF - W/EDGE MOLDING - SALEM CHERRY
5	135856-16-M62	EA	SHELF - W/EDGE MOLDING - WASHED MAPLE
5	135856-16-M52	EA	SHELF - W/EDGE MOLDING - SALEM CHERRY
6	131096-01-K09	EA	WALL POCKET - MAGAZINE RACK - WASHED MAPLE
6	131096-01-M08	EA	WALL POCKET - MAGAZINE RACK - SALEM CHERRY
7	135856-01-M62	EA	CABINET - OVERHEAD/MEDICINE - W/O DOORS/HARDWARE - WASHED MAPLE
7	135856-01-M52	EA	CABINET - OVERHEAD/MEDICINE - W/O DOORS/HARDWARE - SALEM CHERRY
8	P34509-01-J70	EA	RAIL END - RH/LH - TOWEL RACK - WASHED MAPLE
8	P34509-01-E41	EA	RAIL END - RH/LH - TOWEL RACK - SALEM CHERRY
8	100357-01-000	EA	ROD - F/TOWEL BAR - BRASS
9	075453-03-000	EA	BRACKET - TOWEL BAR - BRASS - 2 PER PACK
9	075453-04-000	EA	ROD - F/TOWEL BAR - 18" BRASS - W/O END BRACKETS
10	075452-02-000	EA	HOLDER - TOILET TISSUE - BRASS
11	131933-09-L58	EA	DOOR - BATH - W/O HARDWARE - WASHED MAPLE
11	131933-09-M52	EA	DOOR - BATH - W/O HARDWARE - SALEM CHERRY
	111155-05-01A	EA	LOCK - PRIVACY/LOCKING - POLISHED BRASS - S SHAPED
			FROM: 00-00-00 THRU: 01-05-28
	111155-07-01A	EA	LOCK - PRIVACY/LOCKING - POLISHED BRASS - S SHAPED
			FROM: 01-05-29 THRU: 99-99-99

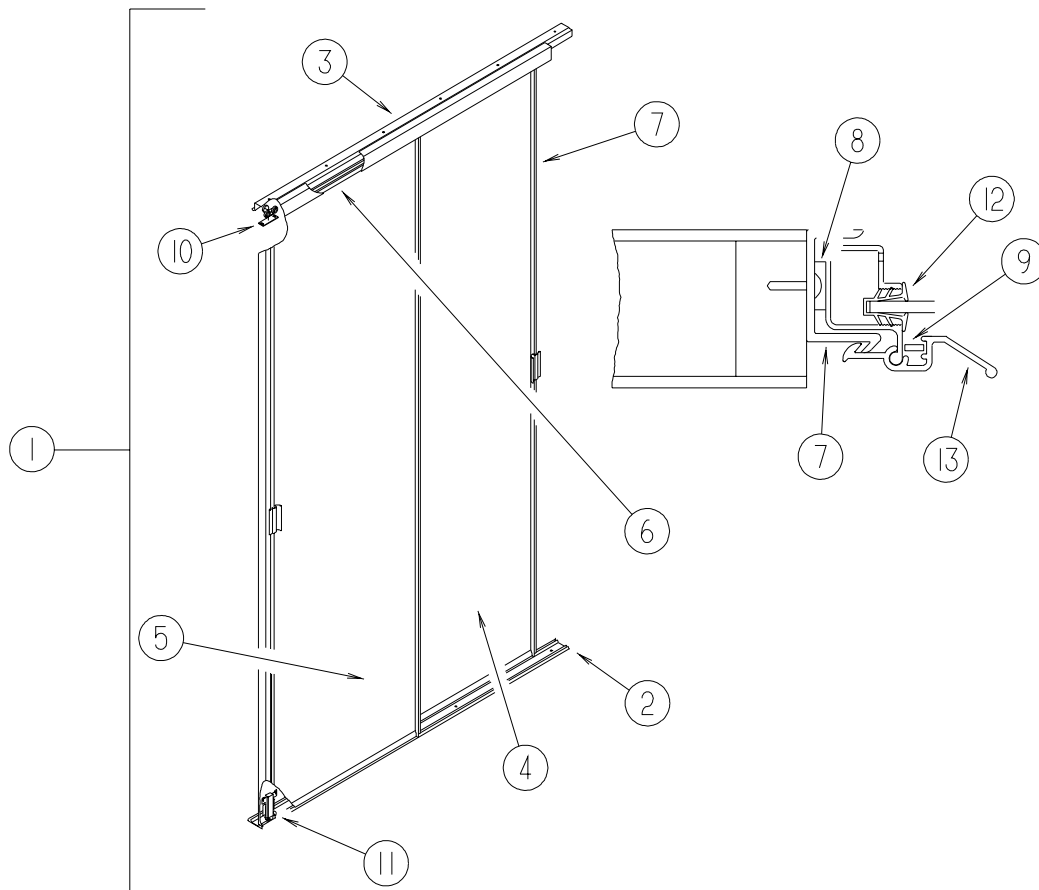


**BATH GROUP (CONTINUED)**  
**DOORS & DRAWERS**



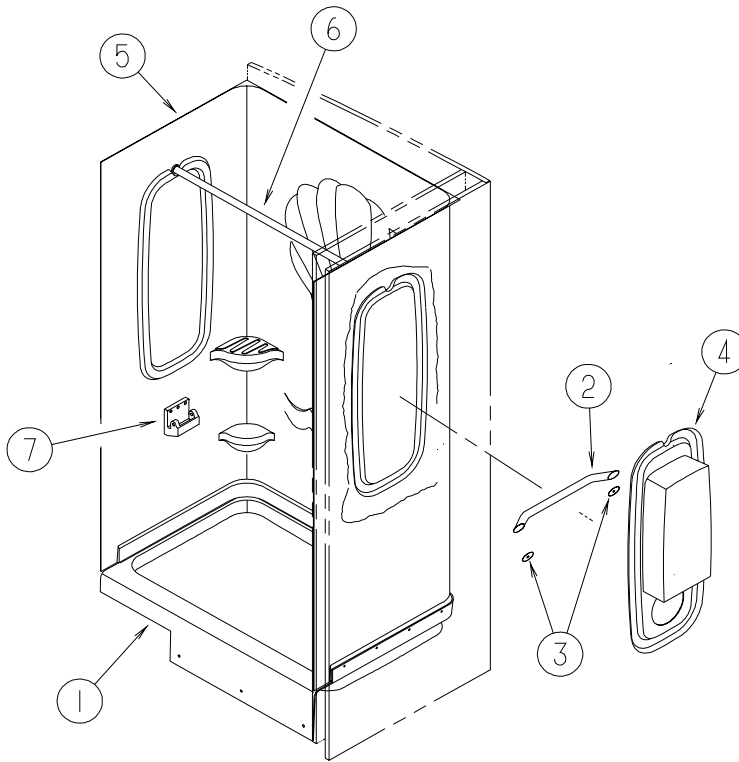
KEY	PART NUMBER	U/M	DESCRIPTION
1	134783-B3-M62	EA	DOOR - RAIL/SOLID PANEL - 10.8" X 21.8" - W/O HARDWARE - WASHED MAPLE
1	134783-B3-M63	EA	DOOR - RAIL/SOLID PANEL - 10.8" X 21.8" - W/O HARDWARE - SALEM CHERRY
2	135238-19-M62	EA	DOOR - RAIL/ARCHED TOP - 11.2" X 19.6" - W/O HARDWARE - WASHED MAPLE FROM: 00-00-00 THRU: 11-05-00
2	135238-70-M62	EA	DOOR - RAIL/ARCHED TOP - 10.6" X 19.9" - W/O HARDWARE - WASHED MAPLE FROM: 11-06-00 THRU: 99-99-99
2	135238-19-M63	EA	DOOR - RAIL/ARCHED TOP - 11.2" X 19.6" - W/O HARDWARE - SALEM CHERRY FROM: 00-00-00 THRU: 11-05-00
2	135238-70-M63	EA	DOOR - RAIL/ARCHED TOP - 10.6" X 19.9" - W/O HARDWARE - SALEM CHERRY FROM: 11-06-00 THRU: 99-99-99
	076767-04-000	EA	CABLE - STAINLESS STEEL - 5.9"
3	P34767-58-M62	EA	DRAWER - PENCIL EDGE - 11.5"W X 11.8"D - W/O SLIDES/HDW - WASHED MAPLE
3	P34767-58-M62	EA	DRAWER - PENCIL EDGE - 11.5"W X 11.8"D - W/O SLIDES/HDW - SALEM CHERRY
4	135238-20-M62	EA	DOOR - RAIL/ARCHED TOP - 11.2" X 19.6" - W/O HARDWARE - WASHED MAPLE FROM: 00-00-00 THRU: 11-05-00
4	135238-71-M62	EA	DOOR - RAIL/ARCHED TOP - 10.6" X 19.9" - W/O HARDWARE - WASHED MAPLE FROM: 11-06-00 THRU: 99-99-99
4	135238-20-M63	EA	DOOR - RAIL/ARCHED TOP - 11.2" X 19.6" - W/O HARDWARE - SALEM CHERRY FROM: 00-00-00 THRU: 11-05-00
4	135238-71-M63	EA	DOOR - RAIL/ARCHED TOP - 10.6" X 19.9" - W/O HARDWARE - SALEM CHERRY FROM: 11-06-00 THRU: 99-99-99
	076767-04-000	EA	CABLE - STAINLESS STEEL - 5.9"

**BATH GROUP (CONTINUED)**  
**DOORS & DRAWERS (CONTINUED)**



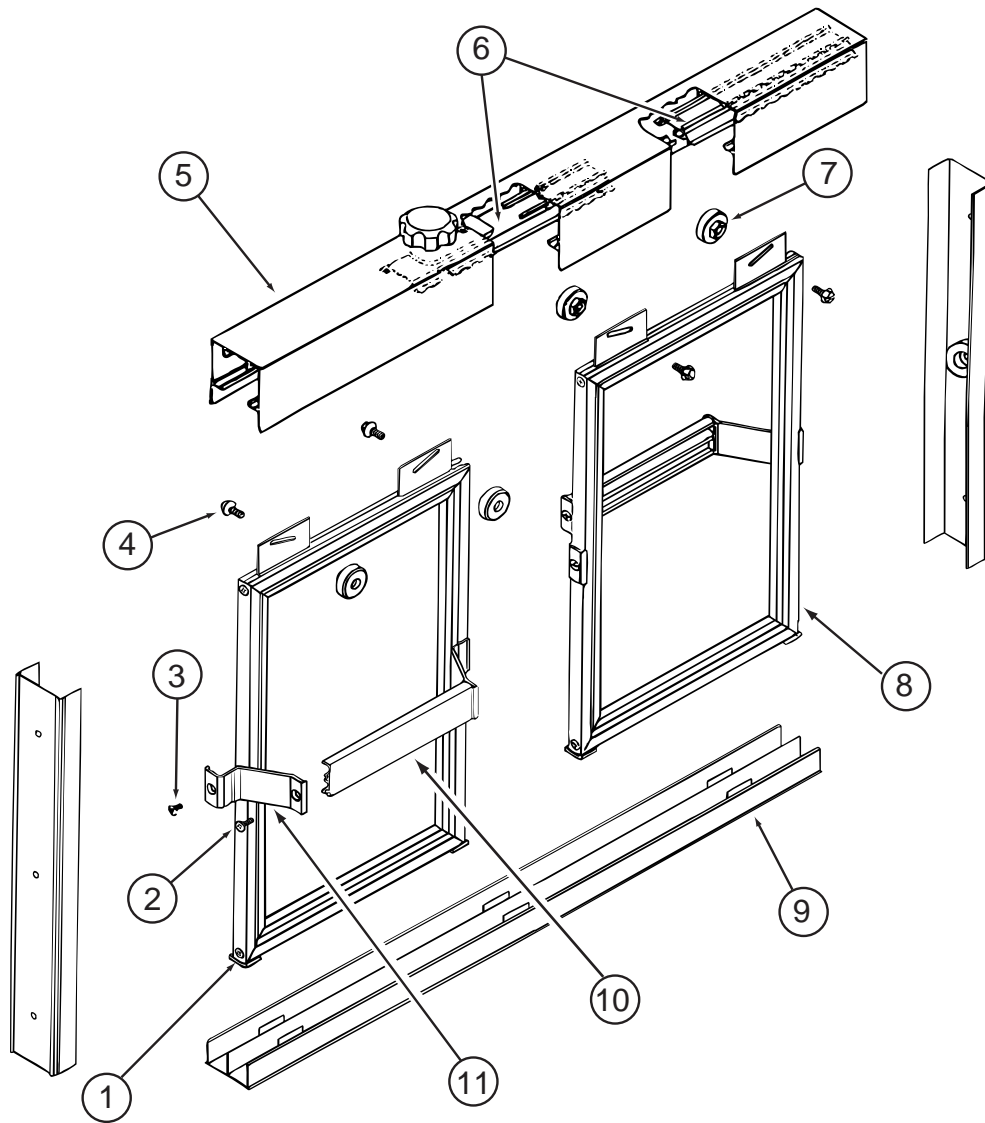
KEY	PART NUMBER	U/M	DESCRIPTION
1	136682-19-M42	EA	DOOR COMPL-WARDROBE,MIRRORED
2	114105-17-01A	EA	TRACK - DOOR - SLIDING/LOWER - 38.7" - TERRATONE
3	114106-17-01A	EA	TRACK - DOOR - SLIDING/UPPER - 37.9" - TERRATONE
4	136680-14-M42	EA	DOOR-MIRRORED/WARDROBE-RH-W/HANGARS/GUIDES/LATCH-66"X22.5"
5	136681-14-M42	EA	DOOR - MIRRORED/WARDROBE - LEFT HAND - 66" X 20.5"
6	114107-13-01A	EA	RAIL - DOOR/SLIDING - UPPER/LOWER - 18.9" - TERRATONE
7	115538-07-01A	EA	JAMB - DOOR - WARDROBE/MIRRORED
8	123655-01-000	EA	SEAL - CLOSED CELL/FOAM
9	115541-01-000	EA	SPRING - DOOR - SLIDING
10	107390-02-000	EA	CORNER HANGER (DOUBLE ROLLER W/BRACKET) (SOLD AS 1 EACH)
11	107391-01-000	EA	GUIDE - BOTTOM - BY-PASS (4 USED PER DOOR)
12	111575-01-01A	EA	CHANNEL - GLAZING - SWING DOOR
13	132038-01-01A	EA	LATCH - DOOR/WARDROBE - TERRATONE

**BATH GROUP (CONTINUED)**  
**SHOWER**



<b>KEY</b>	<b>PART NUMBER</b>	<b>U/M</b>	<b>DESCRIPTION</b>	
1	M02630-42-L32	EA	SHOWER PAN - W/BRASS STRAINER	
2	132083-01-02A	EA	HANDRAIL/ASSIST - 1" DIAMETER/W/END CAPS - SOFT WHITE	
3	132083-02-01A	EA	PAD - OVAL	
4	132192-01-01A	EA	CADDY - SHOWER - SOFT WHITE	
5	132216-01-01A	EA	SURROUND - SHOWER - SOFT WHITE	
6	135607-01-01A	EA	SEAT - SHOWER - FOLDING	
				FROM: 00-00-00 THRU: 06-03-01
6	135607-03-01A	EA	SEAT - SHOWER/FOLDING	
				FROM: 06-04-01 THRU: 99-99-99
*	115011-03-01A	EA	DOOR - SHOWER/BYPASS - 39.3" X 65" - W/HARDWARE & LOCK	
<b>*COMPONENT PARTS LISTED LATER IN THIS GROUP</b>				

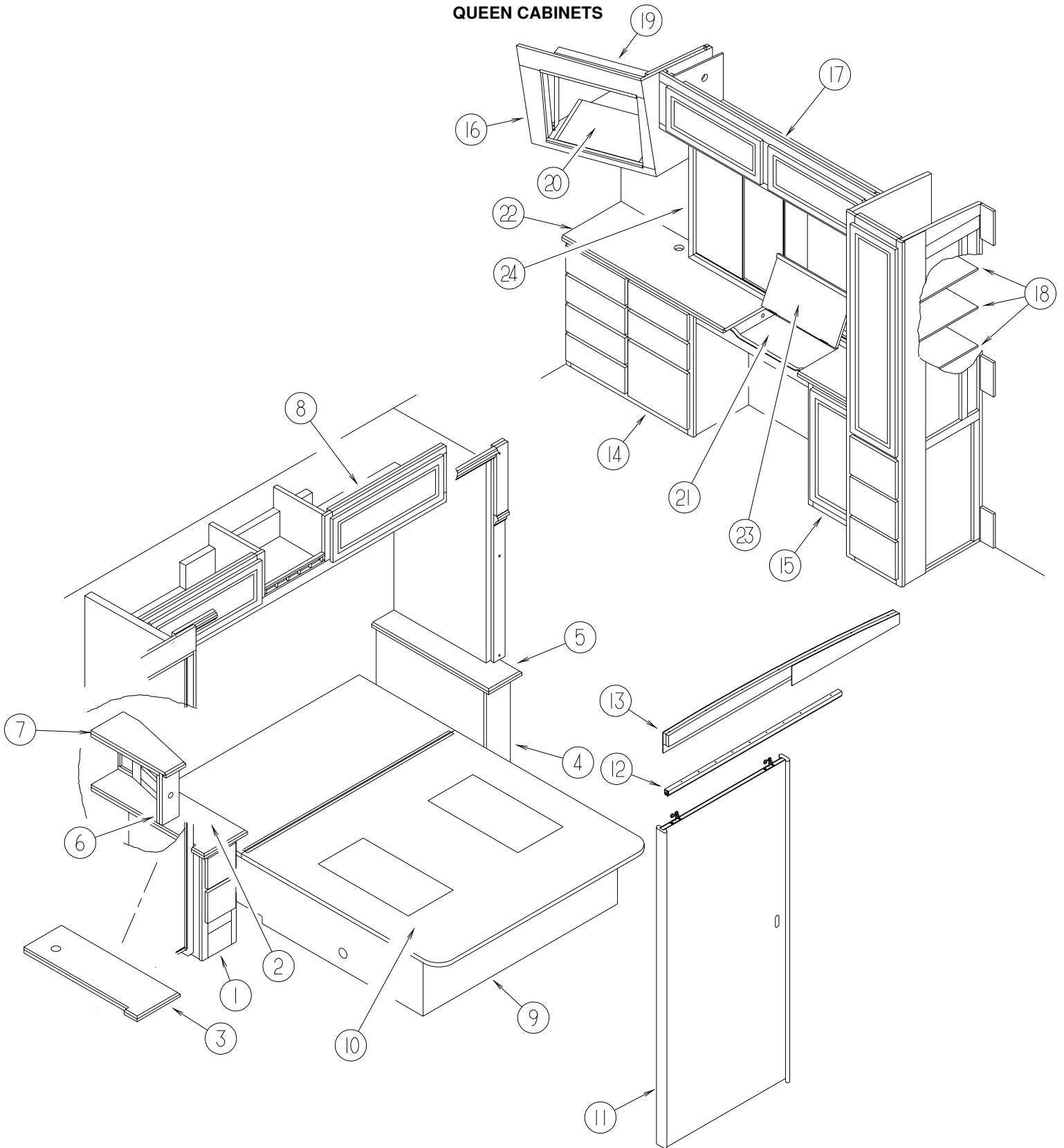
**BATH GROUP (CONTINUED)**  
**COMPONENT PARTS FOR SHOWER**



**115011-03-01A**

KEY	PART NUMBER	U/M	DESCRIPTION	VENDOR NO.	
	115011-03-01A	EA	DOOR - SHOWER/BYPASS - 39.3" X 65" - W/HARDWARE & LOCK		COASTAL 3140-66G-A
1	115011-01-701	EA	GUIDE-NYLON, (W-TRACK)	1104	
2	115011-01-707	EA	SCREW F/TOWEL BAR	612F	
3	115011-01-708	EA	SCREW F/TOWEL BAR BRKTS	638F	
4	115011-01-705	EA	SCREW-ROLLER, (HEX HEAD)	832HEX	
5	115011-01-700	EA	HEADER, W/O ANTI JUMP GUARD	120G	
6	115011-01-710	EA	GUARD-ANTI JUMP	130	
7	115011-01-704	EA	ROLLERS	PN193	
8	115011-01-706	FT	GLAZING VINYL	C 169	
9	115011-01-709	EA	TRACK-BOTTOM- 50"	90	
10	115011-01-703	EA	BAR-TOWEL	136	
11	115011-01-702	EA	BRACKET-TOWEL BAR	135	
	115011-01-711	EA	KNOB-TENSION,(HEADER W/BOLT)	1420K-1420S	
	115011-01-712	EA	BOLT-TENSION, (HEADER)	1420S	
	115011-01-714	EA	BUMPER - RATTLE/SHOWER DOOR	5168S	
	115011-01-715	EA	PAD - FOAM	116R	

## BEDROOM GROUP QUEEN CABINETS



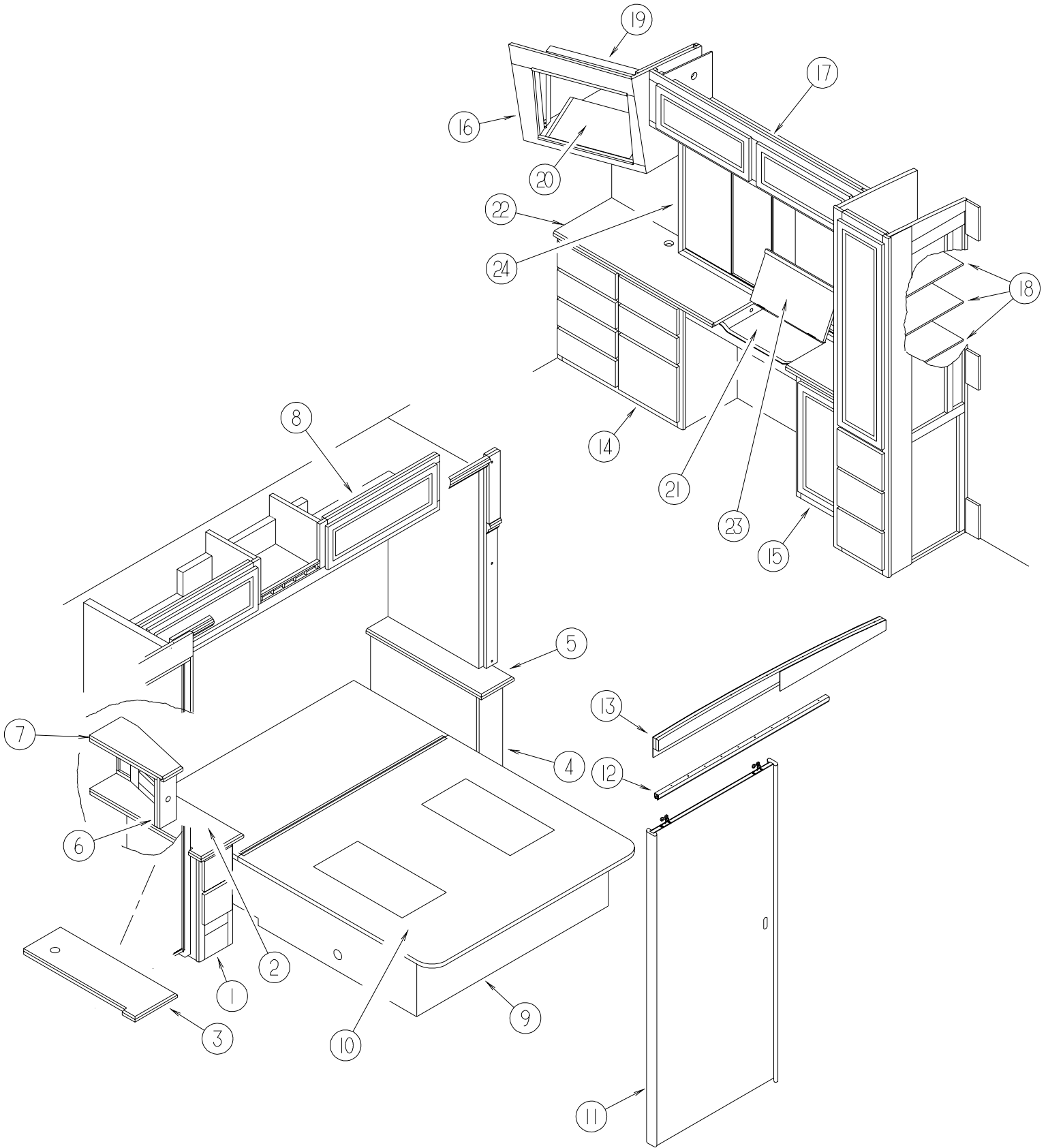
KEY	PART NUMBER	U/M	DESCRIPTION
1	135621-01-M62	EA	CABINET - NIGHTSTAND - W/O CTRTP/DOOR/DWR/HDW - WASHED MAPLE
1	135621-01-M52	EA	CABINET - NIGHTSTAND - W/O CTRTP/DOOR/DWR/HDW/F/SLIDE - SALEM CHERRY
2	133655-12-M62	EA	CTRTP - LAMINATED - WHITE ETHOS/WASHED MAPLE (M62) - <a href="#">W/O REAR STEREO SYSTEM</a>
2	133655-12-M52	EA	CTRTP - LAMINATED - WHITE ETHOS/CHERRY III (M63) - <a href="#">W/O REAR STEREO SYSTEM</a>
2	133655-12-M64	EA	CTRTP - LAMINATED - BEIGE PAM/WASHED MAPLE (M64) - <a href="#">W/O REAR STEREO SYSTEM</a>
2	133655-12-M65	EA	CTRTP - LAMINATED - BEIGE PAM/CHERRY III (M65) - <a href="#">W/O REAR STEREO SYSTEM</a>
2	133655-12-M66	EA	CTRTP - LAMINATED - NATURAL LEGACY/WASHED MAPLE (M66) - <a href="#">W/O REAR STEREO SYSTEM</a>
2	133655-12-M54	EA	CTRTP - LAMINATED - NATURAL LEGACY/CHERRY III (M67) - <a href="#">W/O REAR STEREO SYSTEM</a>

## BEDROOM GROUP (CONTINUED)

### QUEEN CABINETS (CONTINUED)

KEY	PART NUMBER	U/M	DESCRIPTION
3	133655-13-M62	EA	CTRTP - LAMINATED - WHITE ETHOS/WASHED MAPLE (M62) - W/REAR STEREO SYSTEM
3	133655-13-M52	EA	CTRTP - LAMINATED - WHITE ETHOS/CHERRY III (M63) - W/REAR STEREO SYSTEM
3	133655-13-M64	EA	CTRTP - LAMINATED - BEIGE PAM/WASHED MAPLE (M64) - W/REAR STEREO SYSTEM
3	133655-13-M65	EA	CTRTP - LAMINATED - BEIGE PAM/CHERRY III (M65) - W/REAR STEREO SYSTEM
3	133655-13-M66	EA	CTRTP - LAMINATED - NATURAL LEGACY/WASHED MAPLE (M66) - W/REAR STEREO SYSTEM
3	133655-13-M66	EA	CTRTP - LAMINATED - NATURAL LEGACY/CHERRY III (M67) - W/REAR STEREO SYSTEM
4	135621-02-M62	EA	CABINET - NIGHTSTAND - W/O COUNTERTOP/DOOR/DWR/HDW-F/SLIDE - WASHED MAPLE
4	135621-02-M52	EA	CABINET - NIGHTSTAND - W/O COUNTERTOP/DOOR/DWR/HDW-F/SLIDE - SALEM CHERRY
5	133655-15-M62	EA	CTRTP - LAMINATED - WHITE ETHOS/WASHED MAPLE (M62)
5	133655-15-M52	EA	CTRTP - LAMINATED - WHITE ETHOS/CHERRY III (M63)
5	133655-15-M64	EA	CTRTP - LAMINATED - BEIGE PAM/WASHED MAPLE (M64)
5	133655-15-M65	EA	CTRTP - LAMINATED - BEIGE PAM/CHERRY III (M65)
5	133655-15-M66	EA	CTRTP - LAMINATED (M66)
5	133655-15-M54	EA	CTRTP - LAMINATED - NATURAL LEGACY/CHERRY III (M67)
6	129200-06-L58	EA	CABINET - RADIO - W/O CTRTP/DOOR/HDW - WASHED MAPLE - W/REAR STEREO SYSTEM
6	129200-06-M52	EA	CABINET - RADIO - W/O CTRTP/DOOR/HDW - SALEM CHERRY - W/REAR STEREO SYSTEM
7	133131-74-M62	EA	CTRTP - LAMINATED - WHITE ETHOS W/WASHED MAPLE EDGE (M62) - W/REAR STEREO SYSTEM
7	133131-74-M52	EA	CTRTP - LAMINATED - WHITE ETHOS W/CHERRY EDGE (M63) - W/REAR STEREO SYSTEM
7	133131-74-M64	EA	CTRTP - LAMINATED - BEIGE POMPAS W/WASHED MAPLE EDGE (M64) - W/REAR STEREO SYSTEM
7	133131-74-M65	EA	CTRTP - LAMINATED - BEIGE POMPAS W/CHERRY EDGE (M65) - W/REAR STEREO SYSTEM
7	133131-74-M66	EA	CTRTP - LAMINATED - NATURAL LEGACY W/WASHED MAPLE EDGE (M66) - W/REAR STEREO SYSTEM
7	133131-74-M66	EA	CTRTP - LAMINATED - NATURAL LEGACY W/CHERRY EDGE (M67) - W/REAR STEREO SYSTEM
8	133792-01-M62	EA	CABINET - OVHD/REAR/RIGHT HAND - W/O DOORS/HDW (M62) - W/O REAR STEREO SYSTEM
8	133792-01-M63	EA	CABINET - OVHD/REAR/RIGHT HAND - W/O DOORS/HDW (M63) - W/O REAR STEREO SYSTEM
8	133792-01-M64	EA	CABINET - OVHD/REAR/RIGHT HAND - W/O DOORS/HDW (M64) - W/O REAR STEREO SYSTEM
8	133792-01-M65	EA	CABINET - OVHD/REAR/RIGHT HAND - W/O DOORS/HDW (M65) - W/O REAR STEREO SYSTEM
8	133792-01-L62	EA	CABINET - OVHD/REAR/RIGHT HAND - W/O DOORS/HDW (M66) - W/O REAR STEREO SYSTEM
8	133792-01-M67	EA	CABINET - OVHD/REAR/RIGHT HAND - W/O DOORS/HDW (M67) - W/O REAR STEREO SYSTEM
8	133792-02-M62	EA	CABINET - OVHD/REAR/RIGHT HAND - W/O DOORS/HDW (M62) - W/REAR STEREO SYSTEM
8	133792-02-M63	EA	CABINET - OVHD/REAR/RIGHT HAND - W/O DOORS/HDW (M63) - W/REAR STEREO SYSTEM
8	133792-02-M64	EA	CABINET - OVHD/REAR/RIGHT HAND - W/O DOORS/HDW (M64) - W/REAR STEREO SYSTEM
8	133792-02-M65	EA	CABINET - OVHD/REAR/RIGHT HAND - W/O DOORS/HDW (M65) - W/REAR STEREO SYSTEM
8	133792-02-L62	EA	CABINET - OVHD/REAR/RIGHT HAND - W/O DOORS/HDW (M66) - W/REAR STEREO SYSTEM
8	133792-02-M67	EA	CABINET - OVHD/REAR/RIGHT HAND - W/O DOORS/HDW (M67) - W/REAR STEREO SYSTEM
9	132972-02-L58	EA	CABINET/BASE - QUEEN BED - W/O DOOR/DRAWER/HARDWARE - WASHED MAPLE
9	132972-02-M52	EA	CABINET/BASE - QUEEN BED - W/O DOOR/DRAWER/HARDWARE - SALEM CHERRY
10	M07571-14-000	EA	TOP ASM-BED DTL J W/O SUPPRT
	097872-04-000	EA	DOWEL - WOOD - 1" DIAMETER 1.38" LONG - UNFINISHED
11	104013-20-M62	EA	DOOR - SLIDING - W/O HARDWARE - WASHED MAPLE FROM: 00-00-00 THRU: 11-05-00
11	104013-25-M62	EA	DOOR - SLIDING - W/O HARDWARE - WASHED MAPLE FROM: 11-06-00 THRU: 99-99-99
11	104013-20-M52	EA	DOOR - SLIDING - W/O HARDWARE - SALEM CHERRY FROM: 00-00-00 THRU: 11-05-00
11	104013-25-M52	EA	DOOR - SLIDING - W/O HARDWARE - SALEM CHERRY FROM: 11-06-00 THRU: 99-99-99
12	103868-15-01A	EA	TRACK - SLIDING DOOR - 76" - OFF WHITE FROM: 00-00-00 THRU: 11-05-00
12	103868-22-01A	EA	TRACK - SLIDING DOOR - 80.8" - OFF WHITE FROM: 11-06-00 THRU: 99-99-99
13	113114-61-M62	EA	HEADER - DOOR - WASHED MAPLE FROM: 00-00-00 THRU: 11-05-00
13	113114-66-M62	EA	HEADER - DOOR - WASHED MAPLE FROM: 11-06-00 THRU: 99-99-99
13	113114-61-M52	EA	HEADER - DOOR - SALEM CHERRY FROM: 00-00-00 THRU: 11-05-00
13	113114-66-M52	EA	HEADER - DOOR - SALEM CHERRY FROM: 11-06-00 THRU: 99-99-99
14	135076-04-M62	EA	CABINET - VANITY - W/COUNTERTOP - W/O DOORS/DRAWERS/HDW - WASHED MAPLE
14	135076-04-M63	EA	CABINET - VANITY - W/COUNTERTOP - W/O DOORS/DRAWERS/HDW - SALEM CHERRY
	076767-04-000	EA	CABLE - STAINLESS STEEL - 5.9"
15	132971-04-M62	EA	CABINET - HAMPER - W/O DOORS/HARDWARE - WASHED MAPLE
15	132971-04-M63	EA	CABINET - HAMPER - W/O DOORS/HARDWARE - SALEM CHERRY

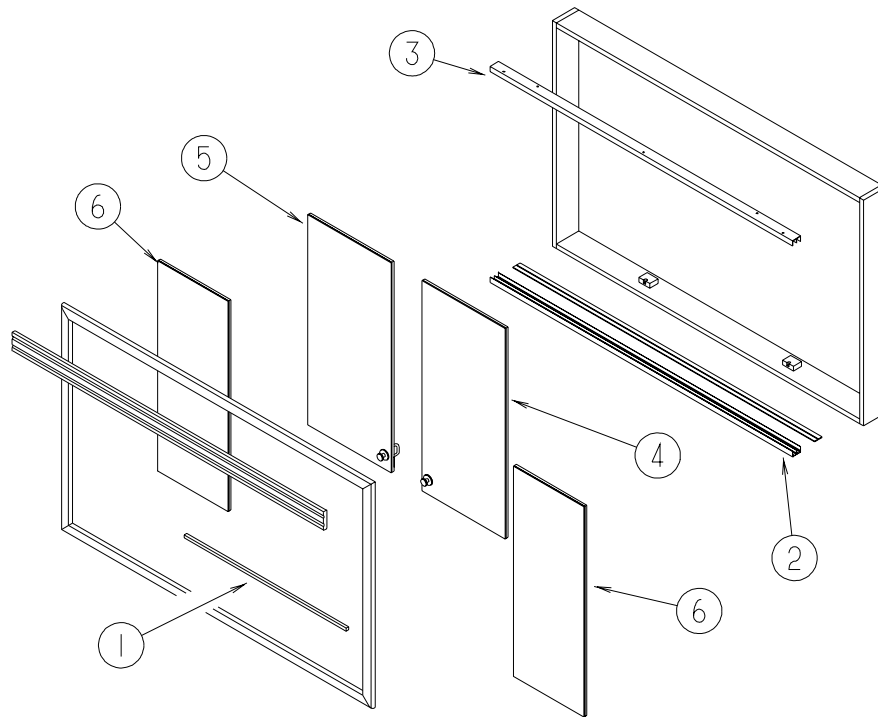
**BEDROOM GROUP (CONTINUED)**  
**QUEEN CABINETS (CONTINUED)**



KEY	PART NUMBER	U/M	DESCRIPTION
16	135075-01-M62	EA	CABINET - OVHD/TV/REAR - W/O DOORS/HARDWARE - WASHED MAPLE
16	135075-01-M52	EA	CABINET - OVHD/TV/REAR - W/O DOORS/HARDWARE - SALEM CHERRY
17	135077-01-M62	EA	CABINET - OVHD/VANITY - W/O DOORS/HARDWARE - WASHED MAPLE
17	135077-01-M52	EA	CABINET - OVHD/VANITY - W/O DOORS/HARDWARE - SALEM CHERRY
18	135074-13-M62	EA	SHELF - W/PLASTIC EDGE MOLDING - WASHED MAPLE
18	135074-13-M52	EA	SHELF - W/PLASTIC EDGE MOLDING - SALEM CHERRY

**BEDROOM GROUP (CONTINUED)**  
**QUEEN CABINETS (CONTINUED)**

KEY	PART NUMBER	U/M	DESCRIPTION
19	115466-28-02B	EA	STRAP - TIEDOWN/TV - E-COATED FROM: 00-00-00 THRU: 10-22-00
19	115466-26-02B	EA	STRAP - TIEDOWN/TV - E-COATED FROM: 10-23-00 THRU: 99-99-99
20	133023-03-L58	EA	WEDGE - TV SHELF - WASHED MAPLE
20	133023-03-M52	EA	WEDGE - TV SHELF - SALEM CHERRY
21	135076-11-M62	EA	DRAWER- VANITY - WASHED MAPLE
21	135076-11-M52	EA	DRAWER/VANITY - W/O HARDWARE - SALEM CHERRY
22	130812-13-02A	EA	COUNTERTOP - LAVATORY - 1/4" VENDURA - ALMONDINE
	134908-01-01A	EA	GROMMET - COUNTERTOP - 2 1/2" DIAMETER - BLACK
23	130812-14-02A	EA	COUNTERTOP - VANITY LID - 1/4" VENDURA - ALMONDINE
24	135073-01-M63	EA	CABINET/MIRRORED - W/O HARDWARE - WASHED MAPLE
24	135073-01-M62	EA	CABINET/MIRRORED - W/O HARDWARE - SALEM CHERRY

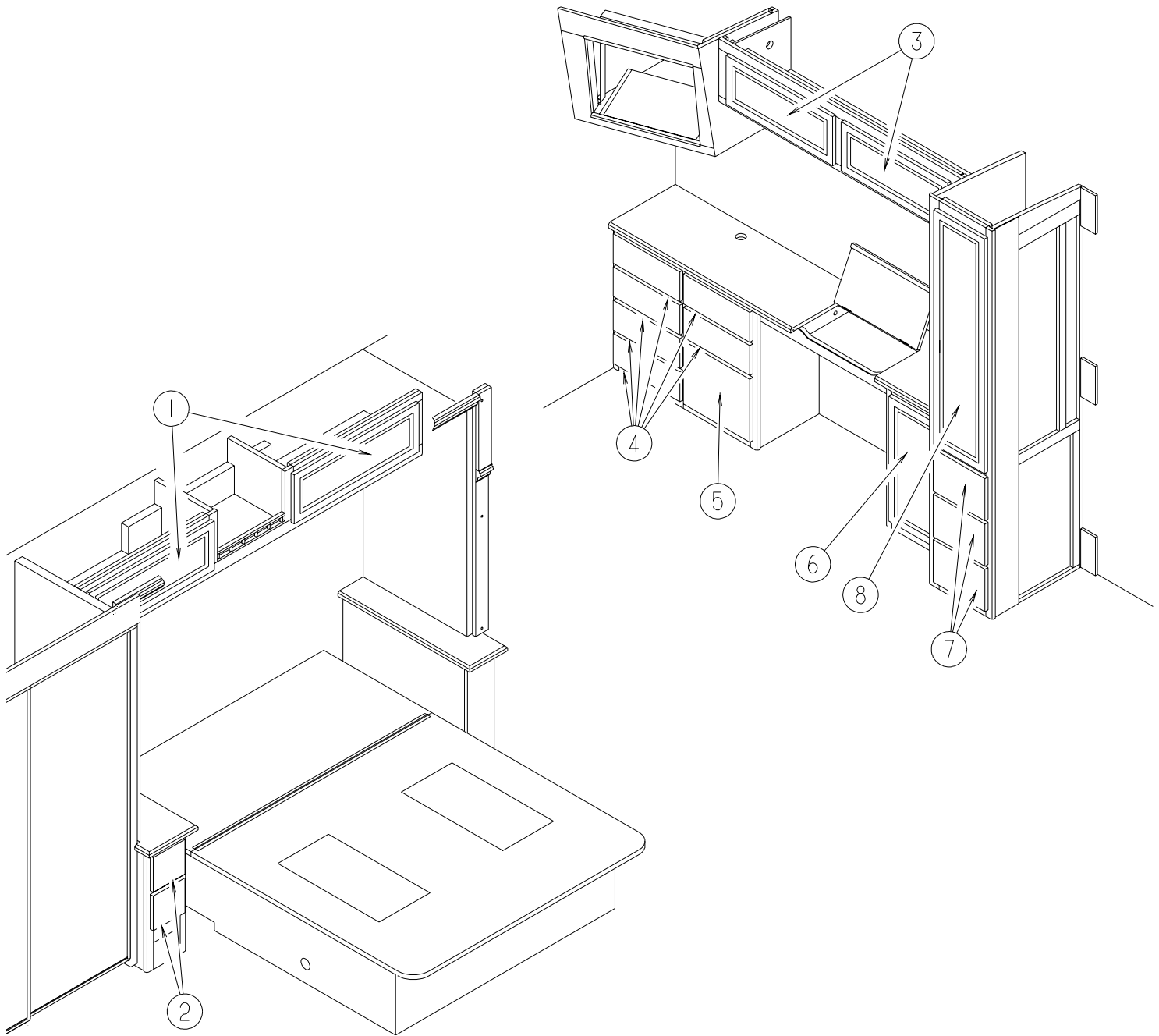


KEY	PART NUMBER	U/M	DESCRIPTION
1	113797-09-01A	EA	STRIP - BLACK PLASTIC W/SELF ADHESIVE - .6" X .12" X 55.7"
2	116698-02-01A	EA	TRACK - SLIDING DOOR - LOWER - OFF WHITE
3	116699-02-01A	EA	TRACK - SLIDING DOOR - UPPER - OFF WHITE
4	M09433-01-M62	EA	MIRROR - RIGHT HAND/SLIDING - 15.3" X 33.4" - WASHED MAPLE
4	M09433-01-M63	EA	MIRROR - RIGHT HAND/SLIDING - 15.3" X 33.4" - SALEM CHERRY
5	M09433-02-M62	EA	MIRROR - LEFT HAND/SLIDING - 15.3" X 33.4" - WASHED MAPLE
5	M09433-02-M63	EA	MIRROR - LEFT HAND/SLIDING - 15.3" X 33.4" - SALEM CHERRY
6	M09433-03-M62	EA	MIRROR - STATIONARY - 13" X 33.4" - WASHED MAPLE
6	M09433-03-M63	EA	MIRROR - STATIONARY - 13" X 33.4" - SALEM CHERRY



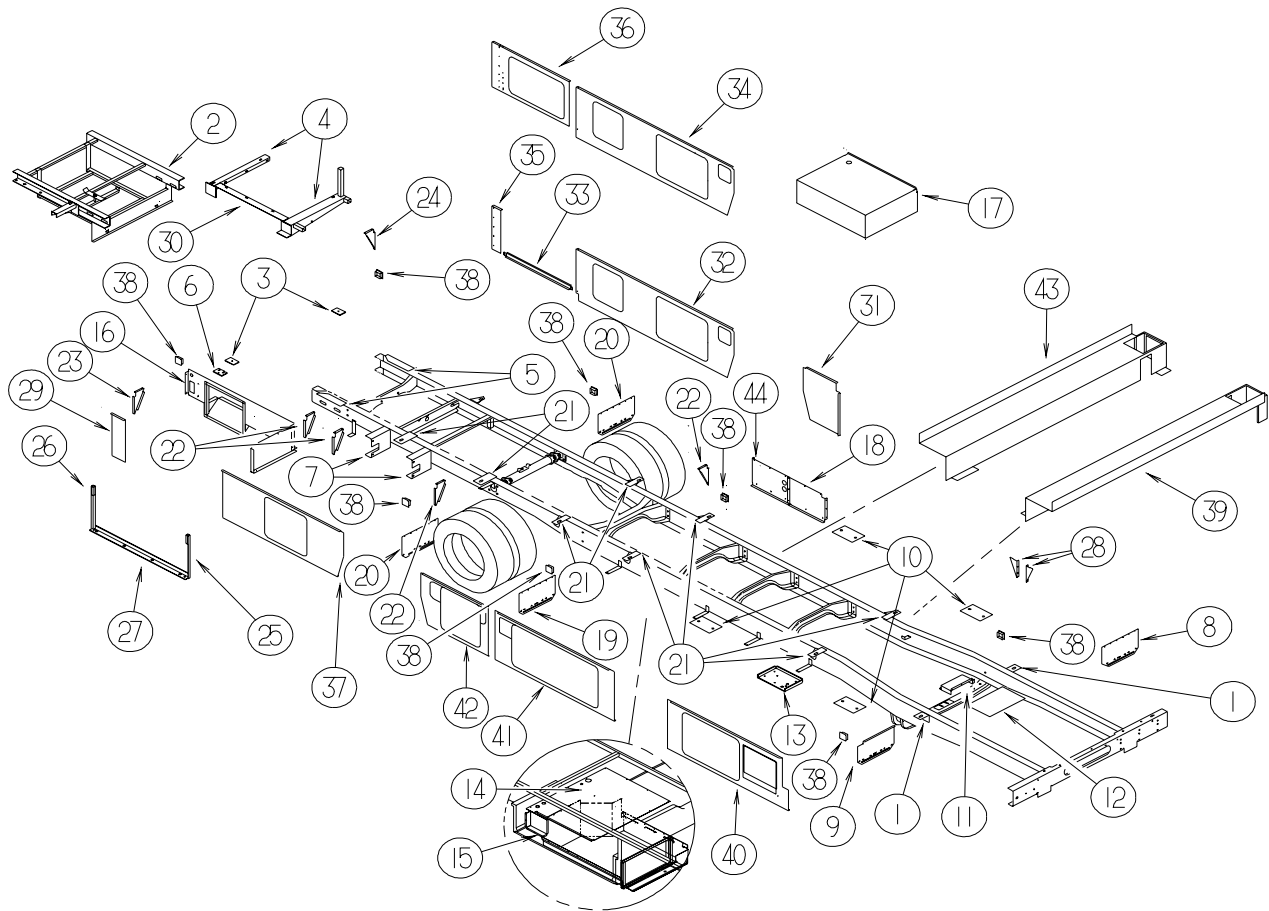
## BEDROOM GROUP (CONTINUED)

### DOORS & DRAWERS



KEY	PART NUMBER	U/M	DESCRIPTION
1	135238-32-M62	EA	DOOR - RAIL/ARCHED TOP - 10" X 29.5" - W/O HARDWARE - WASHED MAPLE
1	135238-32-M63	EA	DOOR - RAIL/ARCHED TOP - 10" X 29.5" - W/O HARDWARE - SALEM CHERRY
2	P34767-12-M15	EA	DRAWER - PENCIL EDGE - 5.2"W X 19.6"D-W/O SLIDES/HARDWARE - WASHED MAPLE
2	P34767-12-M16	EA	DRAWER - PENCIL EDGE - 5.2"W X 19.6"D-W/O SLIDES/HARDWARE - SALEM CHERRY
3	135238-18-M62	EA	DOOR - RAIL/ARCHED TOP - 10" X 25.1" - W/O HARDWARE - WASHED MAPLE
3	135238-18-M63	EA	DOOR - RAIL/ARCHED TOP - 10" X 25.1" - W/O HARDWARE - SALEM CHERRY
4	P34767-47-M62	EA	DRAWER - PENCIL EDGE - 13.4"W X 11.8"D-W/O SLIDES/HARDWARE - WASHED MAPLE
4	P34767-47-M63	EA	DRAWER - PENCIL EDGE - 13.4"W X 11.8"D-W/O SLIDES/HARDWARE - SALEM CHERRY
5	P34767-A7-M62	EA	DRAWER - PENCIL EDGE - 13.5"W X 12"D - W/O SLIDES/HARDWARE - WASHED MAPLE
5	P34767-A7-M63	EA	DRAWER - PENCIL EDGE - 13.5"W X 12"D - W/O SLIDES/HARDWARE - SALEM CHERRY
6	134783-B1-M62	EA	DOOR - RAIL/SOLID PANEL - 25.5" X 15.3" - W/O HARDWARE - WASHED MAPLE
6	134783-B1-M63	EA	DOOR - RAIL/SOLID PANEL - 25.5" X 15.3" - W/O HARDWARE - SALEM CHERRY
7	P34767-50-M62	EA	DRAWER - PENCIL EDGE - 9.9"W X 17.7"D - W/O SLIDES/HDW - WASHED MAPLE
7	P34767-50-M63	EA	DRAWER - PENCIL EDGE - 9.9"W X 17.7"D - W/O SLIDES/HDW - SALEM CHERRY
8	135238-11-M62	EA	DOOR - RAIL/ARCHED TOP - 12" X 48" - W/O HARDWARE - WASHED MAPLE
8	135238-11-M63	EA	DOOR - RAIL/ARCHED TOP - 12" X 48" - W/O HARDWARE - SALEM CHERRY

## CHASSIS GROUP FRAME



KEY	PART NUMBER	U/M	DESCRIPTION
1	117154-07-02B	EA	MOUNT - FRAME RAIL/FLOOR
			FROM: 00-00-00 THRU: 05-18-00
1	117154-04-02B	EA	MOUNT-BODY,E-COAT
			FROM: 05-19-00 THRU: 99-99-99
2*	132643-02-01A	EA	TIRE CARRIER - F/EXTENSION RAIL
3	135712-02-02B	EA	PLATE - BODY MOUNT - E-COATED
4	133022-06-02B	EA	OUTRIGGER - GENERATOR - E-COATED - <a href="#">W/ 5.5KW &amp; 7KW MARQUIS GOLD GENERATOR</a>
4	133022-01-02B	EA	OUTRIGGER - GENERATOR - E-COATED- <a href="#">W/5KW EMERALD &amp; 7KW MARQUIS GENERATOR</a>
5	133095-01-02B	EA	PLATE - CLIP - E-COATED
6	136538-01-02B	EA	SHIM - HITCH - E-COATED
7	120867-01-02B	EA	MOUNT - LP TANK
8	136391-01-02B	EA	GUARD/ROCK - STEEL - W/ANGLE - 18"W X 11"H - E-COATED
9	136389-01-02B	EA	GUARD/ROCK - STEEL - W/BEND - 18"W X 10.9"H - E-COATED
10	134460-01-02B	EA	PLATE - MOUNTING - E-COATED
11	133203-02-02B	EA	COVER - TRANSMISSION - E-COATED
12	124562-05-02B	EA	PANEL - CLOSEOUT - AUTO HEATER - E-COATED
13	138799-01-02B	EA	SHIM - BODY - E-COATED
14	118413-83-02B	EA	COMPARTMENT - LUGGAGE - E-COATED
15	112912-11-02B	EA	PANEL - COMPARTMENT - TOP - E-COATED
16	132146-02-02B	EA	FRAME - RETURN AIR/AC - E-COATED
17	118968-11-02B	EA	COMPARTMENT-GENERATER - E-COATED
18	128008-03-02B	EA	PANEL-CLOSEOUT,E-COAT
19	134191-01-02B	EA	GUARD/ROCK - STEEL - W/BEND - 18"W X 14.9"H - E-COATED

**CHASSIS GROUP (CONTINUED)**  
**FRAME (CONTINUED)**

KEY	PART NUMBER	U/M	DESCRIPTION
20	136391-02-02B	EA	GUARD/ROCK - STEEL - W/ANGLE - 18"W X 15"H - E-COATED
21	135712-01-02B	EA	PLATE - BODY MOUNT - E-COATED
			FROM: 06-16-00 THRU: 99-99-99
22	123440-02-02B	EA	SUPPORT/VALANCE PANEL - E-COATED - 9.9"/7.6"X4.7"
23	123440-06-02B	EA	SUPPORT/VALANCE PANEL - 9.9" X 5.5" X 4.7" - E-COATED
24	123440-07-02B	EA	SUPPORT/VALANCE PANEL - 9.9" X 4.7" - E-COATED
25	133833-01-02B	EA	HANGER - A/C - E-COATED
26	133833-02-02B	EA	HANGER - A/C - E-COATED
27	129328-02-02B	EA	HANGER - A/C - COACH
28	131531-02-02B	EA	GUSSET - SLIDEOUT - E-COATED
29	132849-07-02B	EA	PLATE/SEAL - E-COATED
30	104803-01-000	EA	ANGLE - FORMED W/SLOTS
31	132485-09-02B	EA	PLATE/SEAL - E-COATED
32	132485-10-02B	EA	PLATE/SEAL - E-COATED
			FROM: 00-00-00 THRU: 08-29-00
33	133612-01-02B	EA	ZEE/SEAL PLANE - BOTTOM - E-COATED
			FROM: 00-00-00 THRU: 08-29-00
34	132485-39-02B	EA	PLATE/SEAL - E-COATED
			FROM: 08-30-00 THRU: 99-99-99
35	132848-06-02B	EA	PLATE/SEAL - LEFT HAND - E-COATED
			FROM: 00-00-00 THRU: 08-29-00
36	136862-01-02B	EA	PLATE - SEAL - E-COATED
			FROM: 08-30-00 THRU: 99-99-99
37	132849-08-02B	EA	PLATE/SEAL - E-COATED
38	119845-01-01A	EA	PLUG/PLASTIC - 1 1/2" SQUARE - BLACK
39	134295-04-02B	EA	COMPARTMENT - E-COATED
40	135071-02-02B	EA	PLATE-SEAL
41	135071-03-02B	EA	PLATE-SEAL
42	135071-08-02B	EA	PLATE-SEAL
43	134295-02-02B	EA	COMPARTMENT ASM ,E-CT
44	128007-06-02B	EA	PANEL-CLOSEOUT,E-COAT
			FROM: 00-00-00 THRU: 05-07-00
44	128007-10-02B	EA	PANEL-CLOSEOUT ,E-CT ,*01 L35U
			FROM: 05-08-00 THRU: 99-99-99

\*COMPONENT PARTS LISTED LATER IN THIS GROUP

# CHASSIS GROUP (CONTINUED)

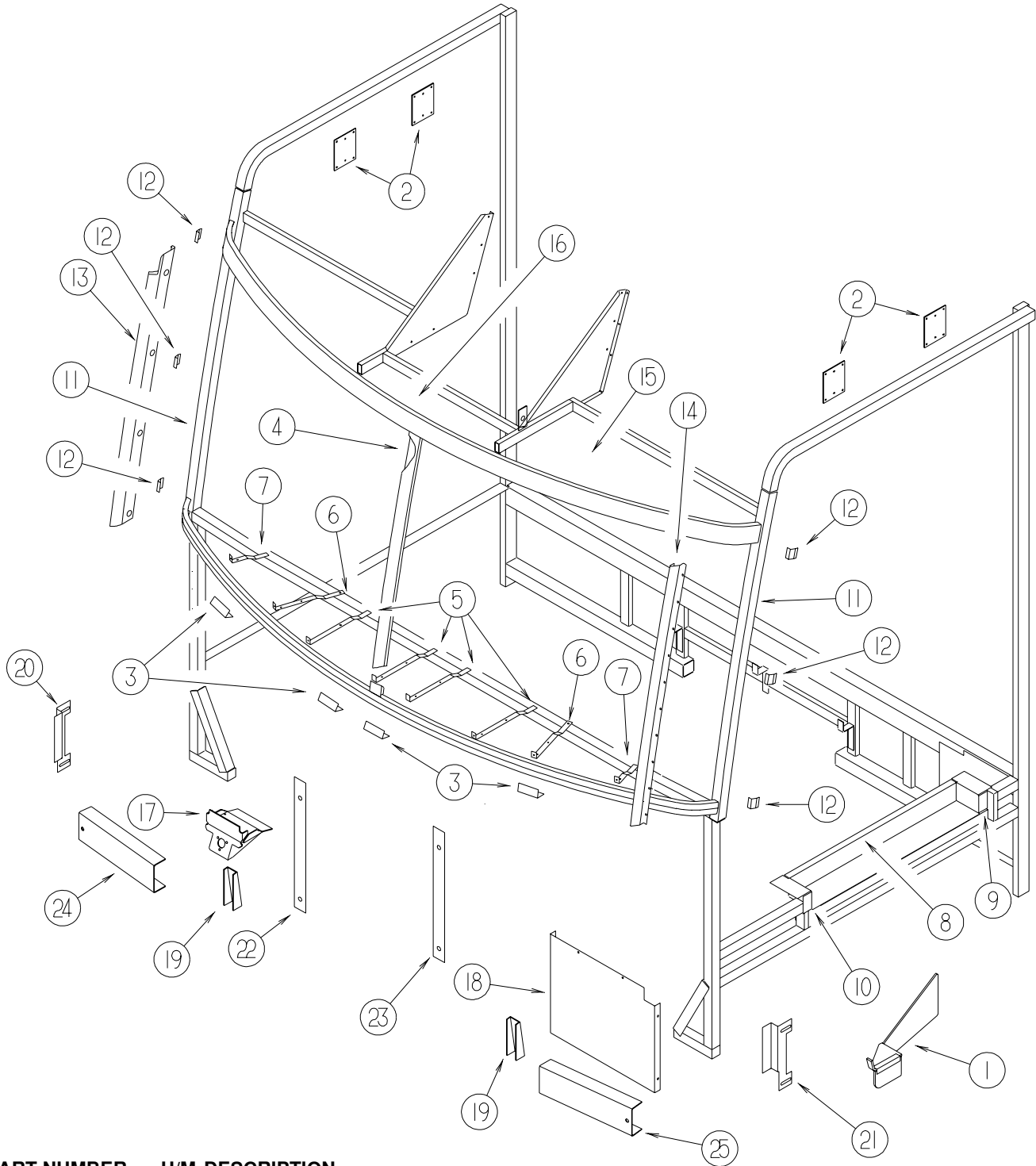
## COMPONENT PARTS FOR FRAME

132643-01-01A

KEY	PART NUMBER	U/M	DESCRIPTION	VENDOR NO.
	132643-01-700	EA	HITCH/RECEIVER WELDED ASM.	72430-47
	132643-01-701	EA	TIRE CARRIER COMPLETE	56610-47
	132643-01-702	EA	RETAINER KIT/SPARE TIRE	55290-47

# CHASSIS GROUP (CONTINUED)

## FRONT END



KEY	PART NUMBER	U/M	DESCRIPTION
1	128255-01-04B	EA	STEP - DRIVER DOOR - BLACK
2	104409-01-000	EA	PLATE-MOUNT, SIDEWALL
3	076364-57-000	EA	ANGLE - FORMED
4	078249-17-000	EA	TUBE - SWEEP - CAB FRAME
5	104797-03-000	EA	BRACKET-DEFROSTER
6	104797-04-000	EA	BRACKET-DEFROSTER
7	104797-05-000	EA	BRACKET-DEFROSTER
8	106746-02-000	EA	PANEL - STEPWELL
9	106747-03-000	EA	PANEL - STEPWELL - RIGHT HAND END
10	106747-04-000	EA	PANEL - STEPWELL - LEFT HAND END
11	117273-01-01A	EA	TUBE - SUPPORT - A-PILLAR
12	120363-01-01B	EA	BRACKET - WINDSHIELD
13	121269-05-01B	EA	FRAME - WINDSHIELD - A-PILLAR - MILL
14	121269-06-01B	EA	FRAME - WINDSHIELD - A-PILLAR - MILL

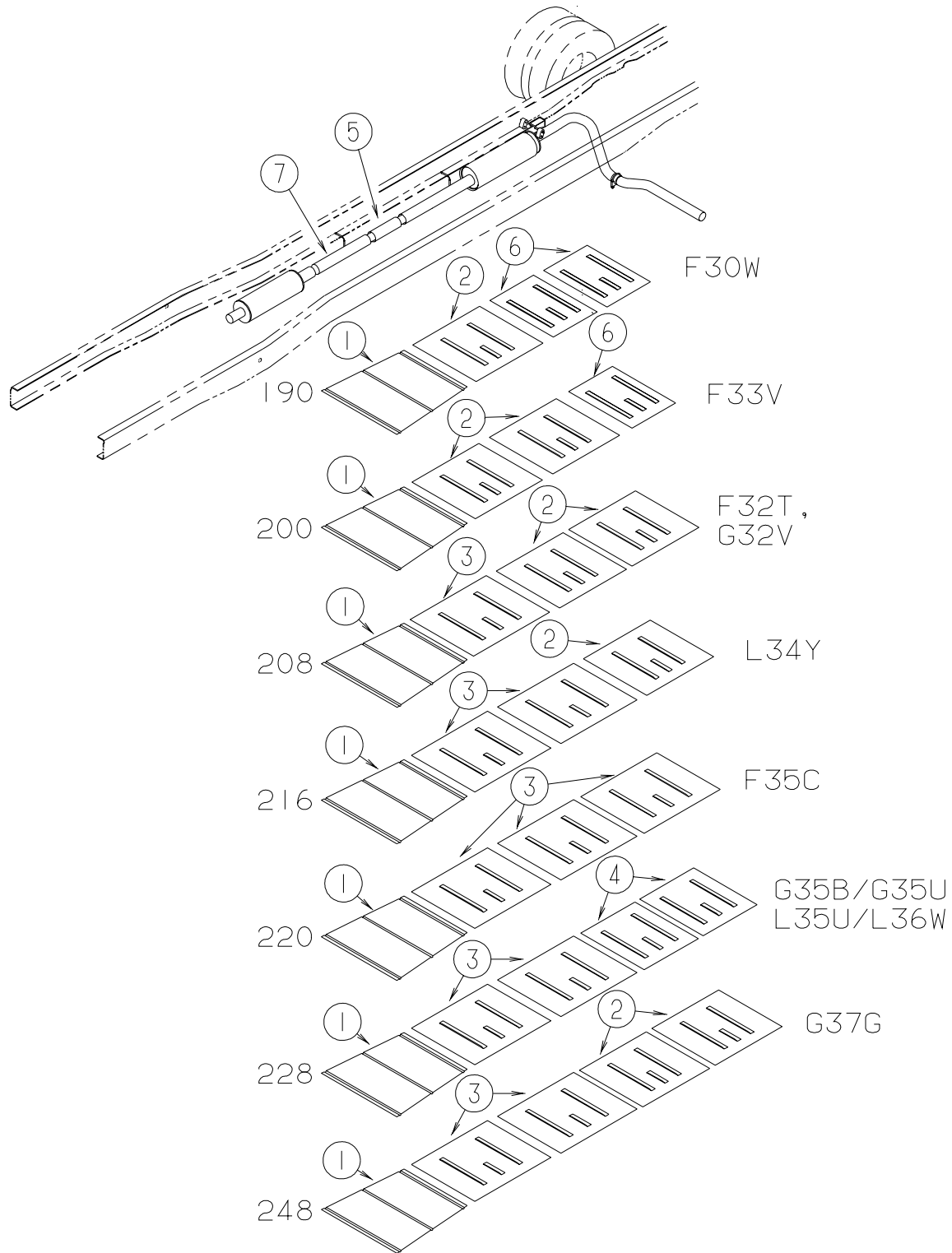
## CHASSIS GROUP (CONTINUED)

### FRONT END (CONTINUED)

KEY	PART NUMBER	U/M	DESCRIPTION
15	133709-51-01B	EA	HEADER - F/TV - MILL
16	124904-04-01B	EA	HEADER/WINDSHIELD - CENTER - 27.5"
17	134506-03-01B	EA	BRACKET - WIPER MOTOR
18	104147-14-000	EA	SHIELD/SPLASH - HEADLIGHT
19	117622-01-02B	EA	BRACE - TUBE/BUMPER - VERTICAL - E-COATED
20	128019-01-02B	EA	SUPPORT - FRONT END/REAR - E-COATED
21	128019-02-02B	EA	SUPPORT - FRONT END/REAR - E-COATED
22	134807-03-02B	EA	SUPPORT - FRONT - E-COATED
23	134807-04-02B	EA	SUPPORT - FRONT - E-COATED
24	125744-02-02B	EA	CHANNEL - SUPPORT - FRONT END - E-COATED
25	125744-10-02B	EA	CHANNEL-SUPPORT,FRT END,E-CT

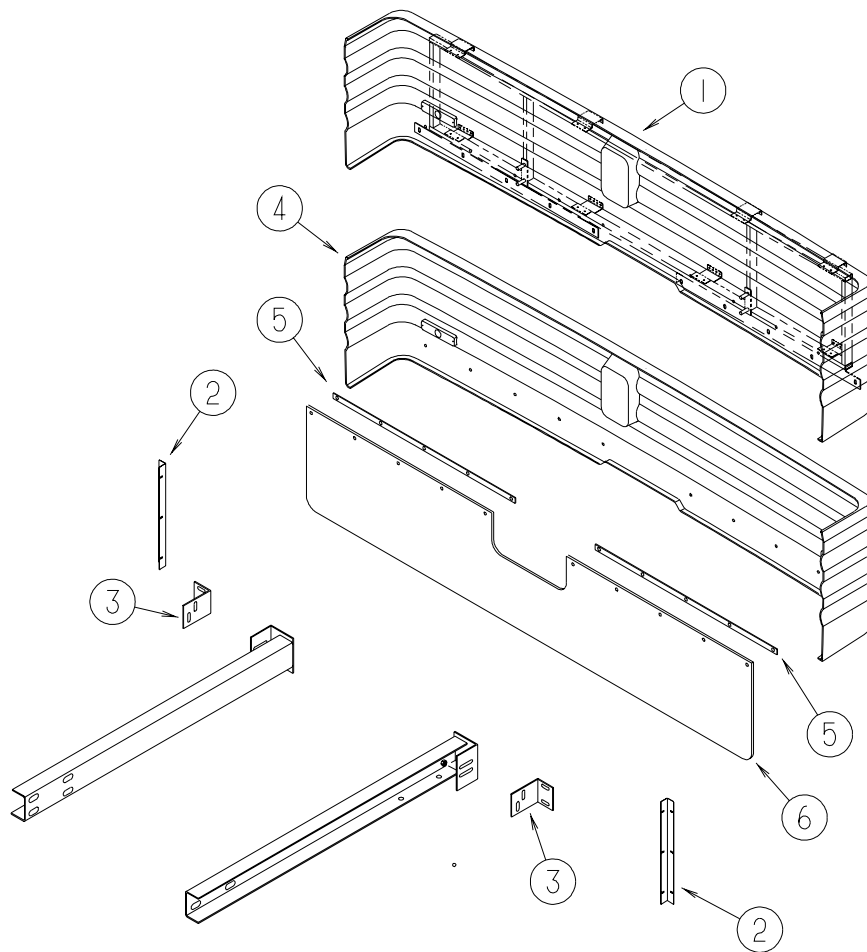
## CHASSIS GROUP (CONTINUED)

### EXHAUST



KEY	PART NUMBER	U/M	DESCRIPTION
1	128756-01-02B	EA	SHIELD - HEAT/EXHAUST - 33.9" X 16.9" - E-COATED
2	101544-02-000	EA	SHIELD - HEAT/EXHAUST - 30" X 29.1" - E-COATED - L34Y
3	101544-06-000	EA	SHIELD - HEAT/EXHAUST - 33.9" X 29.1" - E-COATED
4	101544-10-000	EA	SHIELD - HEAT/EXHAUST - 19.7" X 29.1" - E-COATED - FORD - L35U, L36W
5	112012-04-000	EA	PIPE - EXHAUST - 3" DIAMETER - L34Y
6	NOT USED		
7	NOT USED		
	094918-06-000	EA	CLAMP - EXHAUST - 3" - HEAVY DUTY

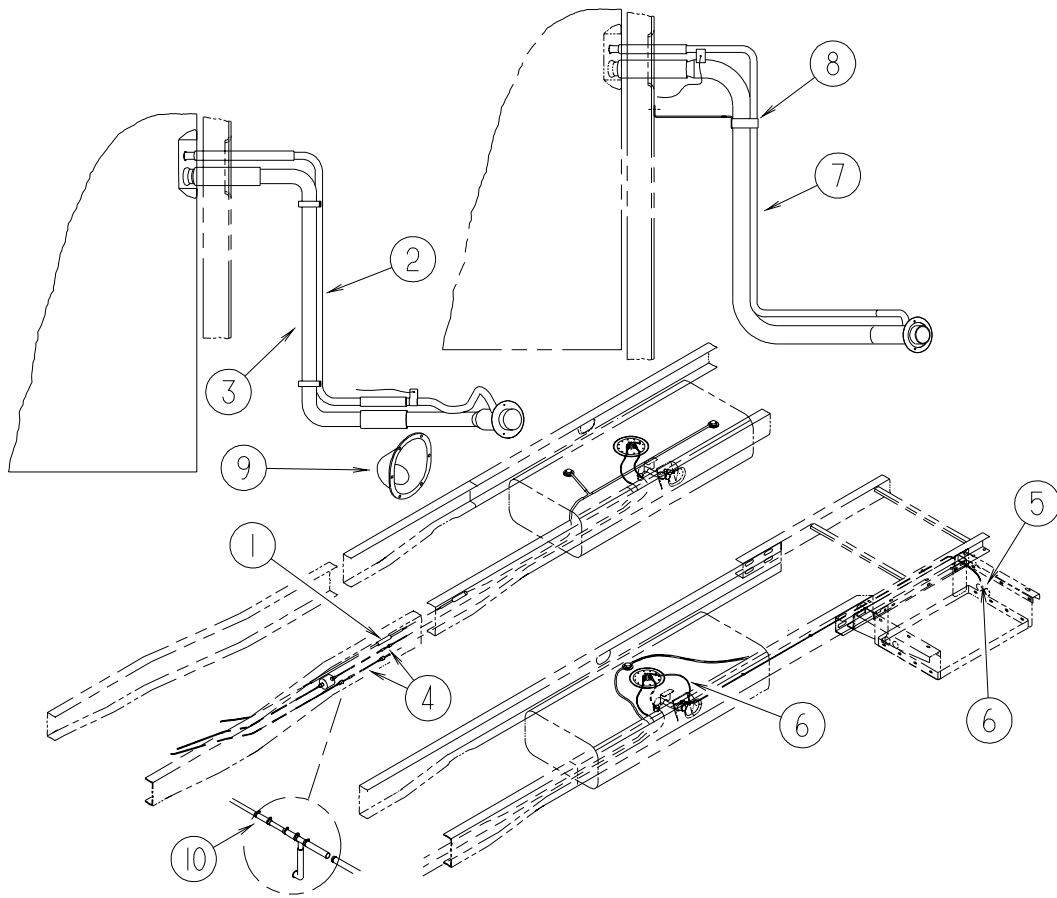
## CHASSIS GROUP (CONTINUED) REAR BUMPER



KEY	PART NUMBER	U/M	DESCRIPTION
1	132537-01-L52	EA	PANEL/BUMPER - REAR - W/O MUDFLAP - L34Y, L35U
1	132537-03-L52	EA	PANEL - REAR BUMPER - W/O MUDFLAP - L36W
2	113041-03-02B	EA	ANGLE - BUMPER MOUNT - 14.9"
2	113041-07-02B	EA	ANGLE - BUMPER MOUNT/REAR - DRIVER/PASSENGER - E-COATED FROM: 00-00-00 THRU: 04-27-01 FROM: 04-28-01 THRU: 99-99-99
3	107524-01-000	EA	ANGLE - BUMPER - INNER/RIGHT & LEFT HAND FROM: 00-00-00 THRU: 07-30-00
3	107524-03-000	EA	ANGLE - BUMPER - INNER/RIGHT & LEFT HAND FROM: 07-31-00 THRU: 99-99-99
4	132537-02-L58	EA	PANEL - REAR BUMPER - W/MUDFLAP - L34Y, L35U
4	132537-04-L58	EA	PANEL - REAR BUMPER - W/MUDFLAP - L36W†
5	133749-04-02B	EA	STRAP - W/HOLES - E-COATED
6	130464-06-01A	EA	MUD FLAP - REAR - L-SERIES



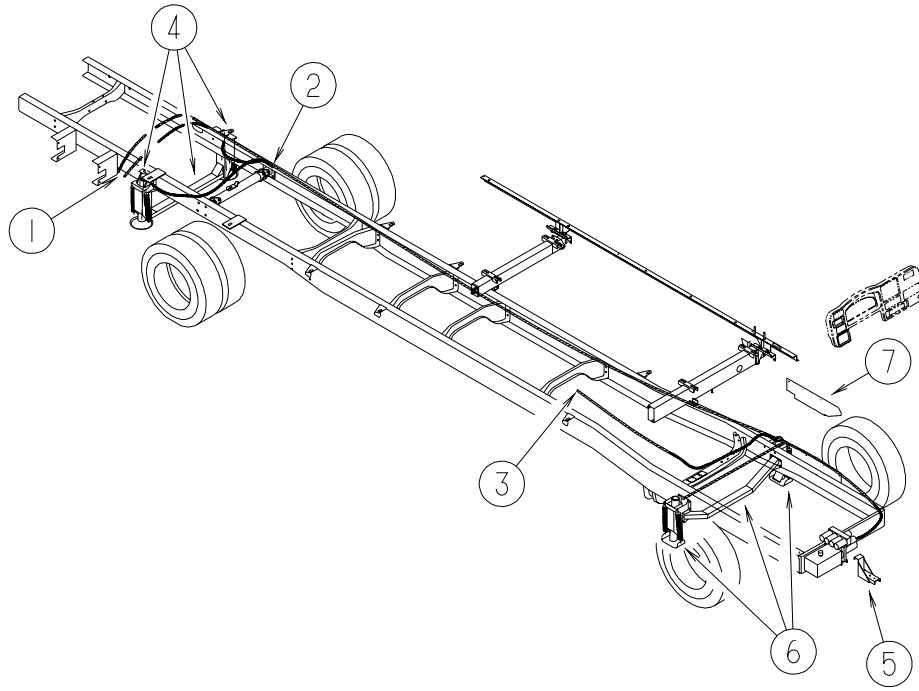
**CHASSIS GROUP (CONTINUED)**  
**FUEL OR FUEL FILL OR EMISSIONS**



KEY	PART NUMBER	U/M	DESCRIPTION
1	128139-02-000	FT	HOSE - FUEL - LOW PERMEABILITY - 5/8" DIAMETER
2	129320-01-000	EA	PIPE - VENT - FILL - <a href="#">L34Y</a>
3	129321-01-000	EA	TUBE - FUEL INLET - <a href="#">L34Y</a>
4	129494-01-000	EA	FUEL LINE - 5/16" X 9.3" - FORD CHASSIS - <a href="#">208-216 STRETCH, 208-200 SHRINK</a>
4	129494-02-000	EA	FUEL LINE - 5/16" X 34.9" - FORD CHASSIS - <a href="#">208-220 STRETCH</a>
4	129494-03-000	EA	FUEL LINE - 5/16" X 21.2" - FORD CHASSIS - <a href="#">208-228, 228-248 STRETCH</a>
5	084884-01-000	EA	PLUG - BRASS - 3/8"
6	128139-03-000	FT	HOSE - FUEL - LOW PERMEABILITY - 1/4" DIAMETER
7	135801-01-000	EA	NECK - FUEL FILL - <a href="#">L35U</a>
7	135801-03-000	EA	NECK - FUEL FILL - <a href="#">L36W</a>
8	136483-02-02B	EA	BRACKET - FUEL FILL - E-COATED - <a href="#">L35U &amp; L36W</a> FROM: 00-00-00 THRU: 07-23-00
8	136483-01-02B	EA	BRACKET - FUEL FILL - E-COATED - <a href="#">L35U &amp; L36W</a> FROM: 07-24-00 THRU: 99-99-99
9	NA	EA	CHASSIS SUPPLIED -
10	125187-02-000	FT	HOSE - FUEL - LOW PERMEABILITY - 12.7" ID - FORD

## CHASSIS GROUP (CONTINUED)

### HYDRAULIC LEVELING



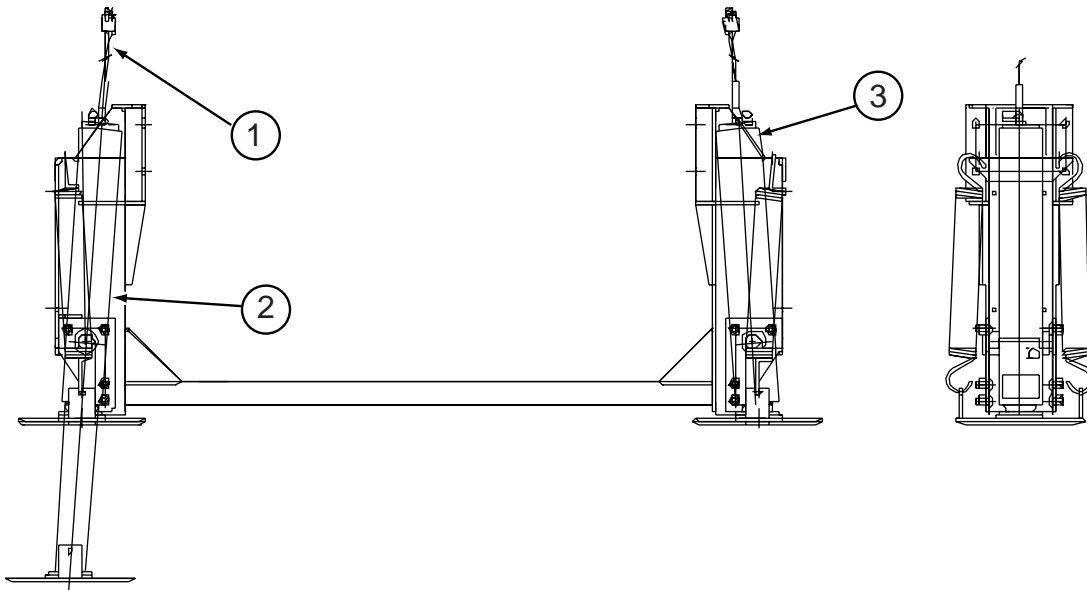
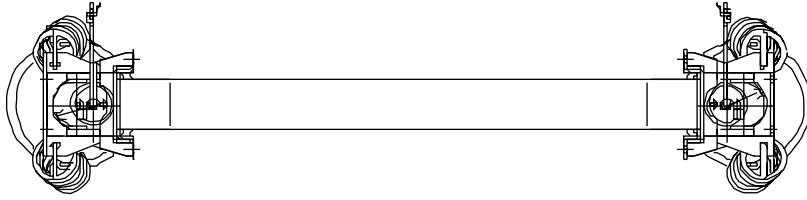
KEY	PART NUMBER	U/M	DESCRIPTION
1	100536-46-000	EA	HOSE KIT - SLIDEOUT
2*	100536-48-000	EA	HOSE KIT - LEVELING JACKS
3	117183-01-02B	EA	COVER - SENSOR - LEVELING
4*	128571-03-000	EA	JACK/CROSSMEMBER - 9K - REAR LEVELING - MANUAL
5	129550-01-02B	EA	BRACKET - PUMP - E-COAT
6*	131306-12-000	EA	LEVELING SYSTEM - FORD CHASSIS W/310 SYS-2 ROOM SLIDEOUT
7	132999-01-02B	EA	SHIELD - HEAT - E-COATED

**\*COMPONENT PARTS LISTED LATER IN THIS GROUP**

**CHASSIS GROUP (CONTINUED)**  
**COMPONENT PARTS FOR HYDRAULIC LEVELING**

100536-48-000

KEY	PART NUMBER	U/M	DESCRIPTION	VENDOR NO.
	100536-48-000	EA	HOSE KIT - LEVELING JACKS	HWH AP19681
	100536-31-700	EA	HOSE - HYDRAULIC - 360"	RAP4163
	100536-31-701	EA	HOSE - HYDRAULIC - 96"	RAP5352
	100536-39-700	EA	HOSE - HYDRAULIC - 384"	RAP4164
	100536-48-700	EA	HOSE - 146"	RAP2443

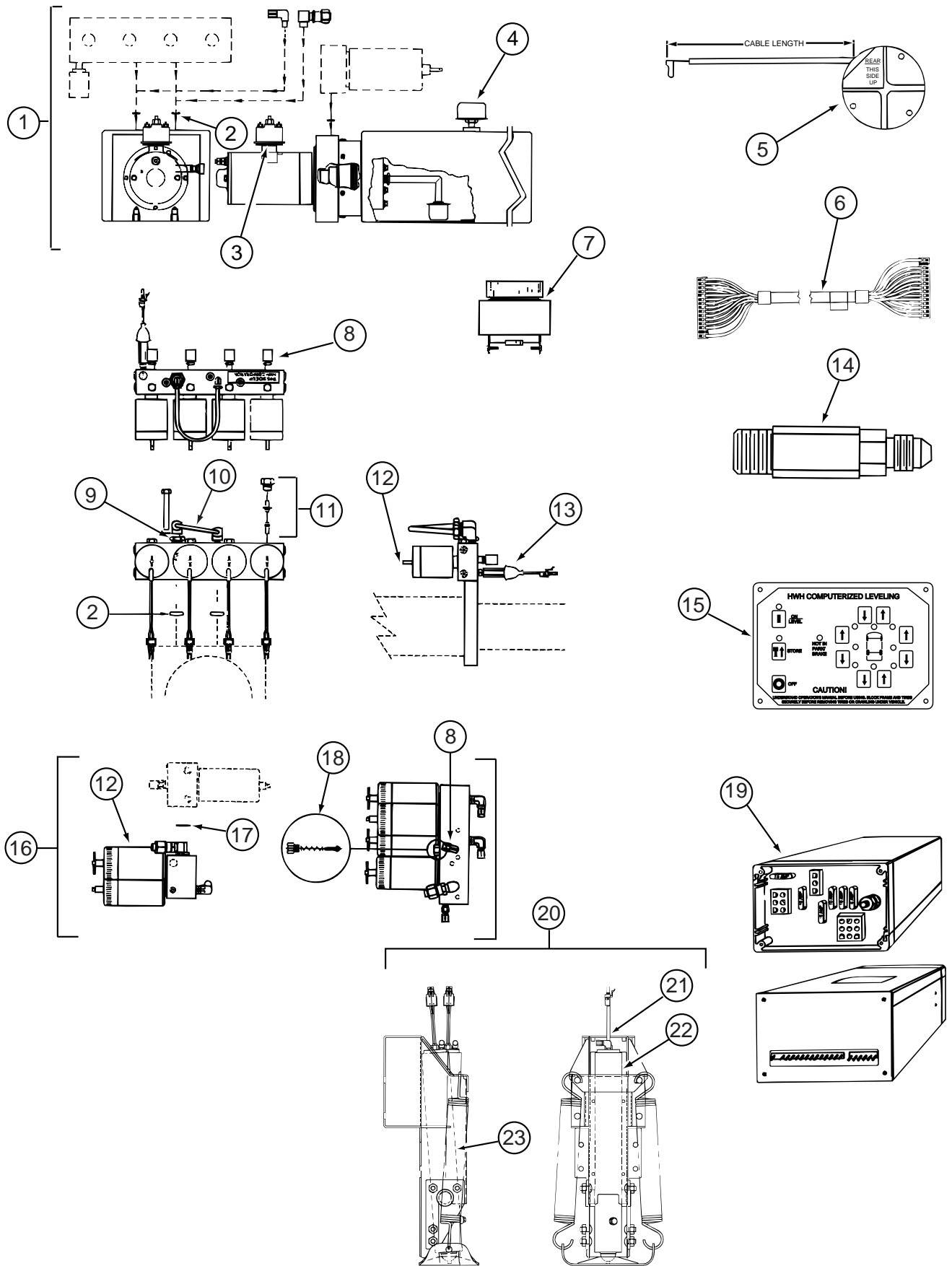


128571-03-000

KEY	PART NUMBER	U/M	DESCRIPTION	VENDOR NO.
	128571-03-000	EA	JACK/CROSSMEMBER - 9K - REAR LEVELING - MANUAL	
1	100532-12-706	EA	SWITCH - WARNING/MAGNETIC	RAP1008 / RAP90496
2	100532-12-707	EA	SPRING KIT	R3847
3	100532-53-700	EA	CYLINDER ASM. - 9K	RAP90491/AP15891
	131306-02-701	EA	FOOT - 9K JACK	RAP8464

# CHASSIS GROUP (CONTINUED)

## COMPONENT PARTS FOR HYDRAULIC LEVELING (CONTINUED)



**CHASSIS GROUP (CONTINUED)**  
**COMPONENT PARTS FOR HYDRAULIC LEVELING (CONTINUED)**

**131306-12-000 (CONTINUED)**

<b>KEY</b>	<b>PART NUMBER</b>	<b>U/M</b>	<b>DESCRIPTION</b>	<b>VENDOR NO.</b>
1	100532-01-713	EA	PUMP-RESERVOIR ASM.-MONARCH	RAP90014/AP2260
2	100532-03-723	EA	O-RING/SEAL KIT	RAP9171
3	100532-09-710	EA	SOLENOID-INTERMITENT DUTY	RAP0533
4	100532-03-715	EA	CAP-BREATH W/DIPSTICK	RAP7876
5	100532-12-703	EA	SENSING UINT BI-AXIS-27'	RAP6800
6	131306-11-702	EA	CONTROL CABLE-12'-310 SYSTEM	RAP90047/AP10619
7	100532-32-703	EA	BUZZER - JACK WARNING	RAP90403
7	100532-32-704	EA	CHIME - JACK WARNING	RAP90681/AP19812
8	100532-03-722	EA	O-RING KIT	R7430
9	100532-03-717	EA	VALVE-PRESS., RETURN SHUTTLE	RAP7964
10	100532-03-719	EA	TUBE ASM. (SHORT SHUTTLE)	RAP8088
11	100532-03-721	EA	VALVE-CHECK KIT (SGL)	RAP7944
12	100532-09-704	EA	VALVE-PRESS SOLENOID(LARGE)	RAP0642
13	131306-11-704	EA	PRESSURE SWITCH - 50 PSI	RAP2082
14	131306-09-700	EA	VELOCITY VALVE ASM.W/4 VALVE	RAP90280
14	131306-09-701	EA	VELOCITY VALVE - SINGLE	RAP90279/AP11578
15	131306-12-700	EA	TOUCH PANEL - 310	RAP90056/AP10215
16	100532-48-701	EA	MANIFOLD - ROOM EXT - 2 ROOM	RAP90035
17	100532-31-702	EA	O-RING/SEAL KIT - MANIFOLD	RAP90127
18	100532-31-701	EA	CHECK VALVE & KIT	RAP10021
19	131306-11-701	EA	CONTROL BOX - 310 SYSTEM	RAP90019/AP10086
20	100532-51-700	EA	JACK - 6K STRAIGHT ACTING	RAP90502/AP16112
21	100532-12-706	EA	SWITCH - WARNING/MAGNETIC	RAP1008 / RAP90496
22	100532-45-700	EA	CYLINDER W/O FOOT - 6K X 13"	RAP90490/AP16112
23	100532-12-707	EA	SPRING KIT	R3847
	100532-53-700	EA	CYLINDER ASM. - 9K	RAP90491/AP15891
	131306-02-700	EA	FOOT - 6K JACK	RAP2004
	131306-02-701	EA	FOOT - 9K JACK	RAP8464
	131306-12-701	EA	PUMP/TANK/MANIFOLD-2 ROOM	AP19501
	131306-12-702	EA	VALVE-PRESS SOLENOID (SMALL),	RAP90729

## CHASSIS GROUP (CONTINUED)

### WHEEL, TIRE, COVERS &/OR LINERS

KEY	PART NUMBER	U/M	DESCRIPTION
	102340-08-000	EA	TIRE - 245/70R 19.5F
	077030-04-000	EA	EXTENSION - VALVE STEM - .75"
	095012-07-000	EA	STABILIZER - VALVE EXTENSION - LIVE - 4"
	095012-09-000	EA	EXTENSION - VALVE STEM - LIVE - 7.7"
*	110435-15-000	EA	LINER - WHEEL - SET/4 - 19.5"

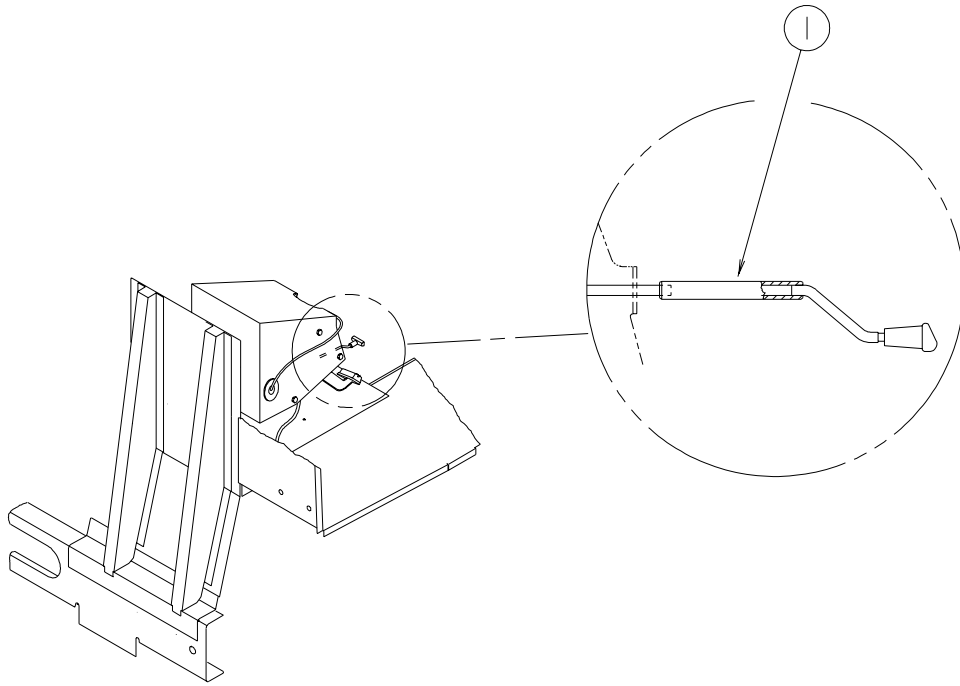
**\*COMPONENT PARTS LISTED LATER IN THIS GROUP**

**CHASSIS GROUP (CONTINUED)**  
**COMPONENT PARTS FOR WHEEL, TIRE, COVERS &/OR LINERS**

110435-15-000

<b>KEY</b>	<b>PART NUMBER</b>	<b>U/M</b>	<b>DESCRIPTION</b>	<b>VENDOR NO.</b>
	110435-04-705	EA	DECAL-CTR HUB 2 3/4" DIAMOND	2 3/4 DECAL DIAMON
	110435-10-705	EA	TOOL - INSTALLATION	V195P7-TOL
	110435-15-700	EA	LINER - WHEEL - FRONT	V195F9-FWC
	110435-15-701	EA	LINER - WHEEL - REAR	V195F9-RWC
	110435-15-702	EA	COVER LUG NUT/JAMB NUT - 14M	V195F9-EJN

**CHASSIS GROUP (CONTINUED)**  
**BRAKE**



<b>KEY</b>	<b>PART NUMBER</b>	<b>U/M</b>	<b>DESCRIPTION</b>
1	113007-01-000	EA	PIN - SPRING - .375 X 3"
	075466-01-000	EA	UNION - INVERTED FLAIR - 1/4" <a href="#">L34Y</a>

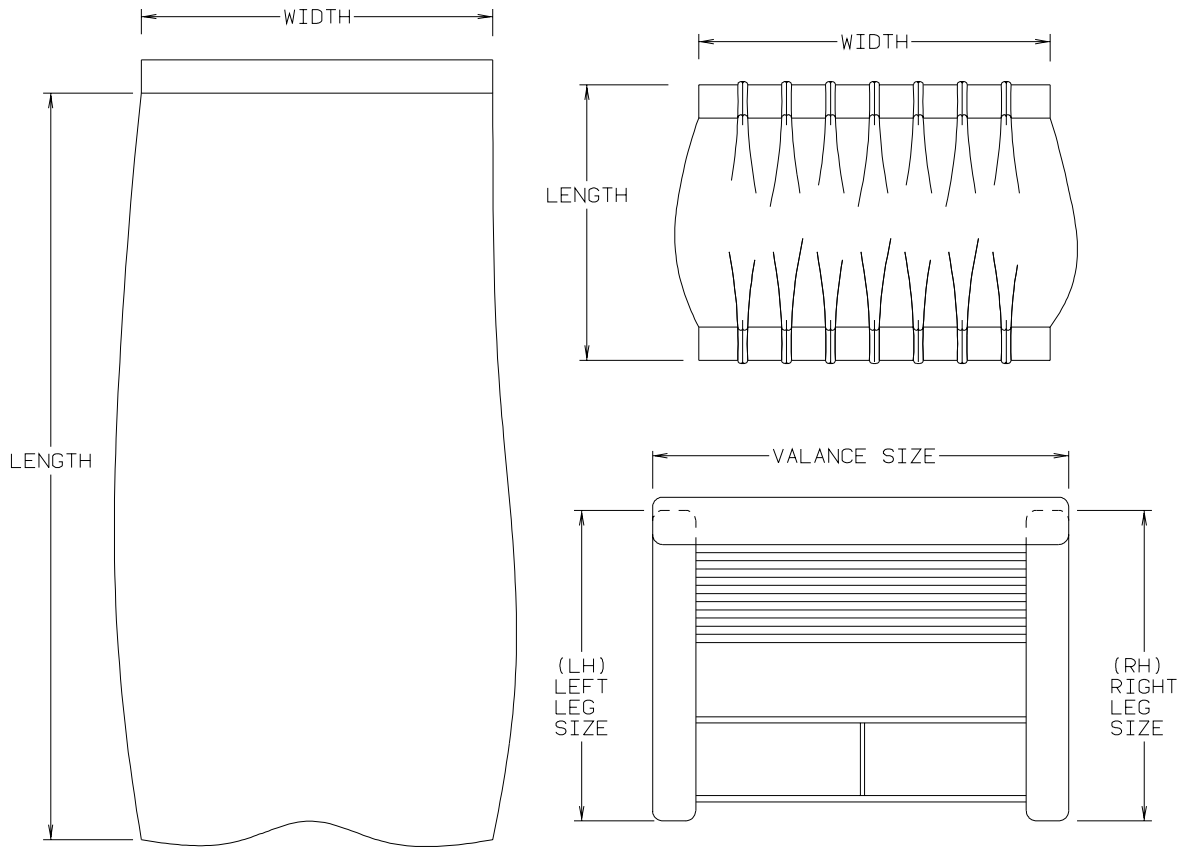


## CURTAIN & CUSHION GROUP

### NOTICE

IN ORDER TO ASSIST OUR PARTS SALES DEPT. IN PROVIDING INTERIOR SOFTWARE ITEMS, PLEASE INCLUDE THE SERIAL NUMBER AND THE COLOR CODE NUMBER FROM THE VEHICLE CERTIFICATION LABEL WHEN ORDERING. THIS LABEL IS LOCATED ON THE LEFT SIDEWALL AT THE END OF THE DASH (A-BODY), OR ON THE DRIVER'S DOOR LATCH PLATE (C-BODY).

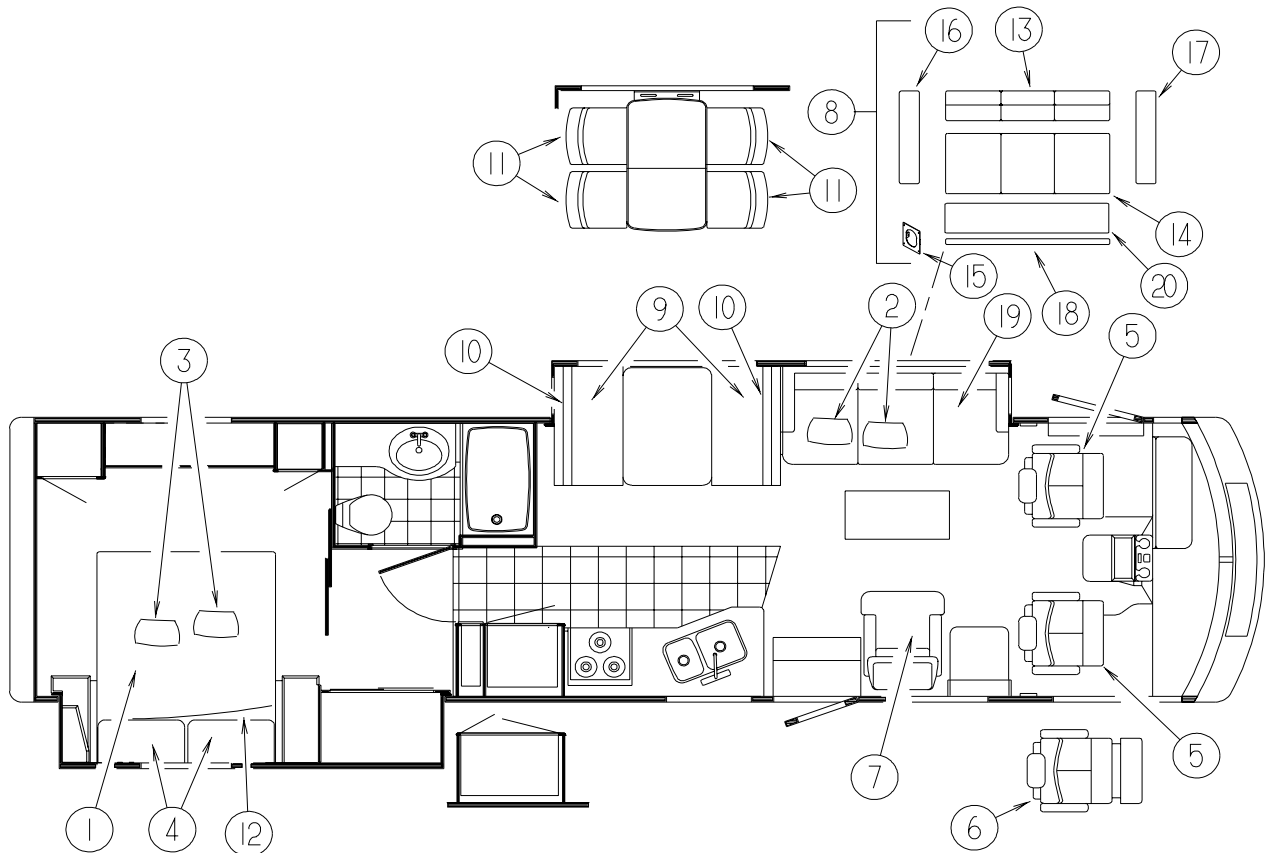
AN EXAMPLE OF A COLOR CODE NUMBER IS B07, WHICH DESIGNATES AN OVERALL COLOR SCHEME OF A PARTICULAR UNIT. THE COLOR LISTED AFTER THE ITEM DESCRIPTION ON THE MICROFICHE, INDICATES THE OVERALL UNIT COLOR. ORDER THE ITEM YOU DESIRE ACCORDING TO UNIT COLOR CODE. IF ALL COLORS USE THE SAME ITEM NO COLOR CODE WILL BE NOTED.



NOTE: USE THIS ILLUSTRATION WHEN DETERMINING LENGTH AND WIDTH MEASUREMENTS FOR CURTAINS. YOU WILL NOTE THE WIDTH MEASUREMENT IS TAKEN ON THE TOP OF THE CURTAIN WITH THE CURTAIN FULLY EXTENDED. THE LENGTH MEASUREMENT IS TAKEN FROM TOP TO BOTTOM. LEFT AND RIGHT WINDOW LEGS ARE DETERMINED WHEN FACING THE WINDOW.

# CURTAIN & CUSHION GROUP (CONTINUED)

## CUSHION LAYOUT

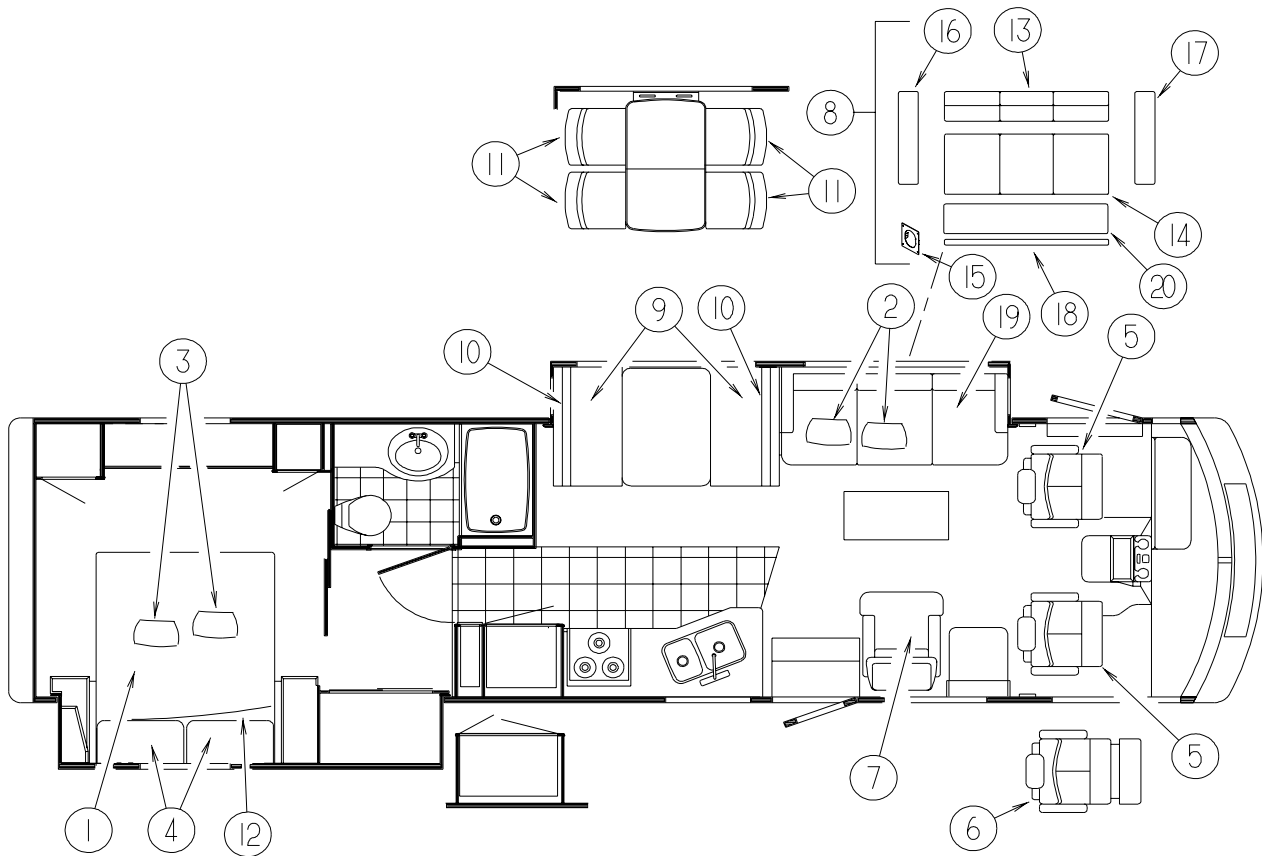


KEY	PART NUMBER	U/M	DESCRIPTION
1	123015-07-000	EA	MATTRESS - INNERSPRING - 60" X 79.5"
2	132319-28-M62	EA	PILLOW - 17" - W/DIAMOND OVERLAY (M62, M63)
2	132319-29-M64	EA	PILLOW - 17" - W/DIAMOND OVERLAY (M64, M65)
2	132319-28-M66	EA	PILLOW - 17" - W/DIAMOND OVERLAY (M66, M67)
3	132319-30-M62	EA	PILLOW - 17" - W/DIAMOND OVERLAY (M62, M63)
3	132319-30-M64	EA	PILLOW - 17" - W/DIAMOND OVERLAY (M64)
3	132319-30-M65	EA	PILLOW - 17" - W/DIAMOND OVERLAY (M65)
3	132319-30-M66	EA	PILLOW - 17" - W/DIAMOND OVERLAY (M66)
3	132319-30-M67	EA	PILLOW - 17" - W/DIAMOND OVERLAY (M67)
4	136057-01-M62	EA	PILLOW SHAM - 20" X 33" (M62, M63)
4	136057-01-M64	EA	PILLOW SHAM - 20" X 33" (M64)
4	136057-01-M65	EA	PILLOW SHAM - 20" X 33" (M65)
4	136057-01-M66	EA	PILLOW SHAM - 20" X 33" (M66)
4	136057-01-M67	EA	PILLOW SHAM - 20" X 33" (M67)
5	135988-01-000	EA	BUCKET SEAT - W/LUMBAR - MINGLE(M62, M63)
5	135988-02-000	EA	BUCKET SEAT - W/LUMBAR - RAFFIA (M64, M65)
5	135988-03-000	EA	BUCKET SEAT - W/LUMBAR - ROMANCE (M66, M67)
5	135988-05-000	EA	BUCKET SEAT - W/LUMBAR - ANTIQUE PEARL LEATHER - <b>LEATHER</b>
6	135994-01-000	EA	BUCKET SEAT - W/FOOTREST - MINGLE (M62, M63)
6	135994-02-000	EA	BUCKET SEAT - W/FOOTREST - RAFFIA (M64, M65)
6	135994-03-000	EA	BUCKET SEAT - W/FOOTREST - ROMANCE (M66, M67)
6	135994-05-000	EA	BUCKET SEAT - W/FOOTREST - <b>LEATHER</b>
7	135996-01-000	EA	CHAIR - RECLINER - MINGLE (M62, M63)
7	135996-02-000	EA	CHAIR - RECLINER - RAFFIA (M64, M65)
7	135996-03-000	EA	CHAIR - RECLINER - ROMANCE (M66, M67)
7	135996-05-000	EA	CHAIR - RECLINER - ANTIQUE PEARL LEATHER - <b>LEATHER</b>
8	135822-01-M62	EA	SOFA/SLEEPER - RECLINER/POWERED - W/TRUNDLE BED (M62, M63)
8	135822-01-M64	EA	SOFA/SLEEPER - RECLINER/POWERED - W/TRUNDLE BED (M64, M65)
8	135822-01-M66	EA	SOFA/SLEEPER - RECLINER/POWERED - W/TRUNDLE BED (M64, M65)
8	135822-09-M62	EA	SOFA/SLEEPER - RECLINER/POWERED - W/TRUNDLE BED - <b>LEATHER</b>
*	136534-03-000	EA	BASE - 27.3" X 60" POWER CL W/10.5"- F/FLAT SLIDEOUT FLOOR
	136534-01-000	EA	CABLE - REMOTE 54" W/Z END & LEVER - ARMREST - REST EASY
	136534-06-000	EA	RAMP - 1" X 17" X 3/4" PLASTIC SQUARE
	136534-10-000	EA	SLIDE RAIL - W/PLATES & STOP ASSEMBLY
	136534-08-000	EA	SKID PLATE - 1.5" X 1.3" X .50"

**CURTAIN & CUSHION GROUP (CONTINUED)**  
**CUSHION LAYOUT (CONTINUED)**

KEY	PART NUMBER	U/M	DESCRIPTION
9	105603-15-M62	EA	CUSHION - SEAT - 23" X 42" X 5" (M62, M63)
9	105603-15-M64	EA	CUSHION - SEAT - 23" X 42" X 5" (M64, M65)
9	105603-15-L62	EA	CUSHION - SEAT - 23" X 42" X 5" (M66, M67)
	P05603-15-M62	EA	COVER - SEAT - 23" X 42" X 5" (M62, M63)
	P05603-15-M64	EA	COVER - SEAT - 23" X 42" X 5" (M64, M65)
	P05603-15-L62	EA	COVER - SEAT - 23" X 42" X 5" (M66, M67)
10	111897-05-M62	EA	CUSHION - BACK - 13.5" X 42" X 5" (M62, M63)
10	111897-05-M64	EA	CUSHION - BACK - 13.5" X 42" X 5" (M64, M65)
10	111897-05-L62	EA	CUSHION - BACK - 13.5" X 42" X 5" (M66, M67)
	P11897-05-M62	EA	COVER - BACK - 13.5" X 42" X 5" (M62, M63)
	P11897-05-M64	EA	COVER - BACK - 13.5" X 42" X 5" (M64, M65)
	P11897-05-L62	EA	COVER - BACK - 13.5" X 42" X 5" (M66, M67)
11	132571-13-000	EA	CHAIR - DINETTE - WASHED MAPLE (M62)
11	132571-14-000	EA	CHAIR - DINETTE - SALEM CHERRY (M63)
			FROM: 00-00-00 THRU: 02-11-01
11	132571-20-000	EA	CHAIR - DINETTE - MINGLE/BRIARWOOD CHERRY (M63)
			FROM: 02-12-01 THRU: 99-99-99
11	132571-15-000	EA	CHAIR - DINETTE - WASHED MAPLE (M64)
11	132571-16-000	EA	CHAIR - DINETTE - SALEM CHERRY (M65)
			FROM: 00-00-00 THRU: 02-11-01
11	132571-21-000	EA	CHAIR - DINETTE - CHESSBOARD/BRIARWOOD CHERRY (M65)
			FROM: 02-12-01 THRU: 99-99-99
11	132571-17-000	EA	CHAIR - DINETTE - WASHED MAPLE (M66)
11	132571-18-000	EA	CHAIR - DINETTE - SALEM CHERRY (M67)
			FROM: 00-00-00 THRU: 02-11-01
11	132571-22-000	EA	CHAIR - DINETTE - ROMANCE/BRIARWOOD CHERRY (M67)
			FROM: 02-12-01 THRU: 99-99-99
11	135600-28-000	EA	CHAIR - FOLDING - MINGLE/MAPLE (M62)
11	135600-29-000	EA	CHAIR - FOLDING - MINGLE/SALEM CHERRY (M63)
11	135600-30-000	EA	CHAIR - FOLDING - NOCTURNA/MAPLE (M64)
11	135600-31-000	EA	CHAIR - FOLDING - NOCTURNA/SALEM CHERRY (M65)
11	135600-32-000	EA	CHAIR - FOLDING - ROMANCE/MAPLE (M66)
11	135600-33-000	EA	CHAIR - FOLDING - ROMANCE/SALEM CHERRY (M67)
12	132336-20-M62	EA	BEDSPREAD/CAP - 60" X 80" (M62, M63)
12	132336-12-M64	EA	BEDSPREAD/CAP - 60" X 80" (M64, M65)
12	132336-20-M66	EA	BEDSPREAD/CAP - 60" X 80" (M66, M67)
13	135822-02-M62	EA	BACK - SOFA/SLEEPER - RECLINER/POWERED (M62, M63)
13	135822-02-M64	EA	BACK - SOFA/SLEEPER - RECLINER/POWERED (M64, M63)
13	135822-02-M66	EA	BACK - SOFA/SLEEPER - RECLINER/POWERED (M66, M67)
13	135822-10-M62	EA	BACK - SOFA/SLEEPER - RECLINER/POWERED - <b>LEATHER</b>
	P35822-02-M62	EA	COVER/BACK - SOFA/SLEEPER - RECLINER/POWERED (M62, M63)
	P35822-02-M64	EA	COVER/BACK - SOFA/SLEEPER - RECLINER/POWERED (M64, M65)
	P35822-02-M66	EA	COVER/BACK - SOFA/SLEEPER - RECLINER/POWERED (M66, M67)
	P35822-10-M62	EA	COVER/BACK - SOFA/SLEEPER - RECLINER/POWERED - <b>LEATHER</b>
	136534-05-000	EA	BACK - 16.5" X 60" CL - W/O STRAPS
14	135822-03-M62	EA	SEAT - SOFA/SLEEPER - RECLINER/POWERED (M62, M63)
14	135822-03-M64	EA	SEAT - SOFA/SLEEPER - RECLINER/POWERED (M64, M65)
14	135822-03-M66	EA	SEAT - SOFA/SLEEPER - RECLINER/POWERED (M66, M67)
14	135822-11-M62	EA	SEAT - SOFA/SLEEPER - RECLINER/POWERED - <b>LEATHER</b>
	P35822-03-M62	EA	COVER/SEAT - SOFA/SLEEPER - RECLINER/POWERED (M62, M63)
	P35822-03-M64	EA	COVER/SEAT - SOFA/SLEEPER - RECLINER/POWERED (M64, M65)
	P35822-03-M66	EA	COVER/SEAT - SOFA/SLEEPER - RECLINER/POWERED (M66, M67)
	P35822-11-M62	EA	COVER/SEAT - SOFA/SLEEPER - RECLINER/POWERED - <b>LEATHER</b>
	136534-04-000	EA	SEAT - 26.5" X 60" CL W/FLEXOLATOR
15	136777-01-02B	EA	BRACKET - SEAT RELEASE - SINGLE REMOTE - E-COATED
16	135823-01-M62	EA	ARMREST - RIGHT HAND (M62, M63)
16	135823-01-M64	EA	ARMREST - RIGHT HAND (M64, M65)
16	135823-01-M66	EA	ARMREST - RIGHT HAND (M66, M67)
16	135823-05-M62	EA	ARMREST - RIGHT HAND - <b>LEATHER</b>
16	136063-05-M62	EA	CABINET/ARM - COUCH - DINETTE ONLY (M62, M64, M66)
16	136063-05-M52	EA	CABINET/ARM - COUCH - DINETTE ONLY (M63, M65, M67)

**CURTAIN & CUSHION GROUP (CONTINUED)**  
**CUSHION LAYOUT (CONTINUED)**



KEY	PART NUMBER	U/M	DESCRIPTION
	P35823-01-M62	EA	COVER/ARMREST - RIGHT HAND (M62, M63)
	P35823-01-M64	EA	COVER/ARMREST - RIGHT HAND (M64, M65)
	P35823-01-M66	EA	COVER/ARMREST - RIGHT HAND (M66, M67)
	P35823-05-M62	EA	COVER/ARMREST - RIGHT HAND - <b>LEATHER</b>
	136118-01-000	EA	SWITCH - SOFA/RECLINER
17	135823-02-M62	EA	ARMREST - LEFT HAND (M62, M63)
17	135823-02-M64	EA	ARMREST - LEFT HAND (M64, M65)
17	135823-02-M66	EA	ARMREST - LEFT HAND (M66, M67)
17	135823-06-M62	EA	ARMREST - LEFT HAND - <b>LEATHER</b>
	P35823-02-M62	EA	COVER/ARMREST - LEFT HAND (M62, M63)
	P35823-02-M64	EA	COVER/ARMREST - LEFT HAND (M64, M65)
	P35823-02-M66	EA	COVER/ARMREST - LEFT HAND (M66, M67)
	P35823-06-M62	EA	COVER/ARMREST - LEFT HAND - <b>LEATHER</b>
18	135824-04-M62	EA	PANEL/FRONT KICK - SOFA/SLEEPER - 60" - FABRIC COVERED (M62, M63)
18	135824-04-M64	EA	PANEL/FRONT KICK - SOFA/SLEEPER - 60" - FABRIC COVERED (M64, M65)
18	135824-04-M66	EA	PANEL/FRONT KICK - SOFA/SLEEPER - 60" - FABRIC COVERED (M66, M67)
18	135824-06-M62	EA	PANEL/FRONT KICK - SOFA/SLEEPER - 60" - FABRIC COVERED - <b>LEATHER</b>
	009126-03-000	EA	HANDLE - ASSIST - BLACK TEXTURED
	136534-01-000	EA	CABLE - REMOTE 54" W/Z END & LEVER - ARMREST - REST EASY
19	136000-06-000	EA	SOFA SLEEPER (M62, M63)
19	136000-07-000	EA	SOFA SLEEPER (M64, M65)
19	136000-08-000	EA	SOFA SLEEPER (M66, M67)
19	136000-09-000	EA	SOFA SLEEPER - <b>LEATHER</b>
20	135822-04-M62	EA	TRUNDLE - SOFA/SLEEPER (M62, M63)
20	135822-04-M64	EA	TRUNDLE - SOFA/SLEEPER (M64, M65)
20	135822-04-M66	EA	TRUNDLE - SOFA/SLEEPER (M66, M67)
20	135822-12-M62	EA	TRUNDLE - SOFA/SLEEPER - <b>LEATHER</b>
	P35822-04-M62	EA	COVER/TRUNDLE - SOFA/SLEEPER (M62, M63)
	P35822-04-M64	EA	COVER/TRUNDLE - SOFA/SLEEPER (M64, M65)
	P35822-04-M66	EA	COVER/TRUNDLE - SOFA/SLEEPER (M66, M67)
	P35822-12-M62	EA	COVER/TRUNDLE - SOFA/SLEEPER - RECLINER/POWERED - <b>LEATHER</b>
	136534-07-000	EA	TRUNDLE - 17.5" X 55" - W/LINKAGE

**\*COMPONENT PARTS LISTED LATER IN THIS GROUP**

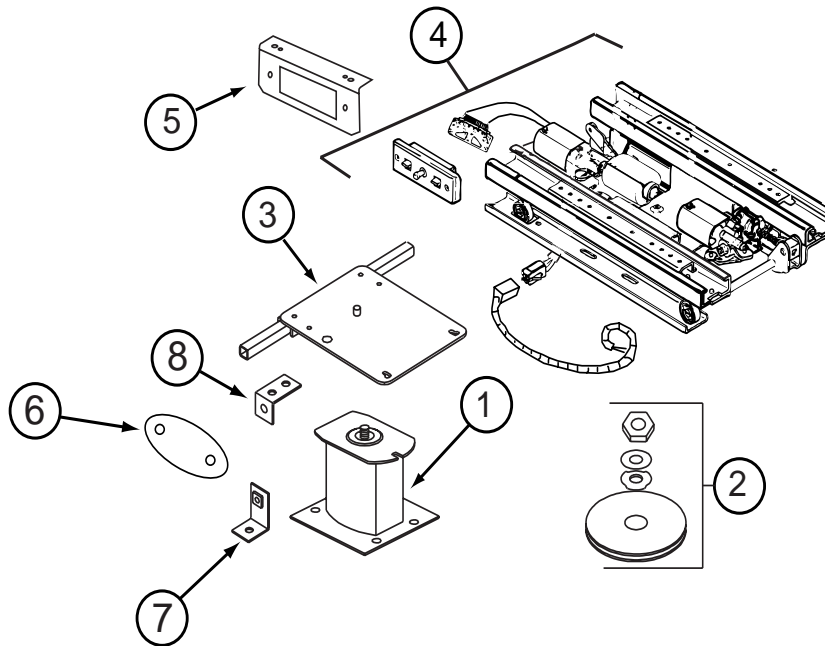
**CURTAIN & CUSHION GROUP (CONTINUED)**  
**COMPONENT PARTS FOR CUSHION LAYOUT**

136534-03-000

<b>KEY</b>	<b>PART NUMBER</b>	<b>U/M</b>	<b>DESCRIPTION</b>	<b>VENDOR NO.</b>	
	136534-02-700	EA	MOTOR	9PL-MO-W/T-1	10
	136534-02-701	EA	CABLE - MOTOR DRIVE - SOFA	9PL-FCA20.25	10

## CURTAIN & CUSHION GROUP (CONTINUED)

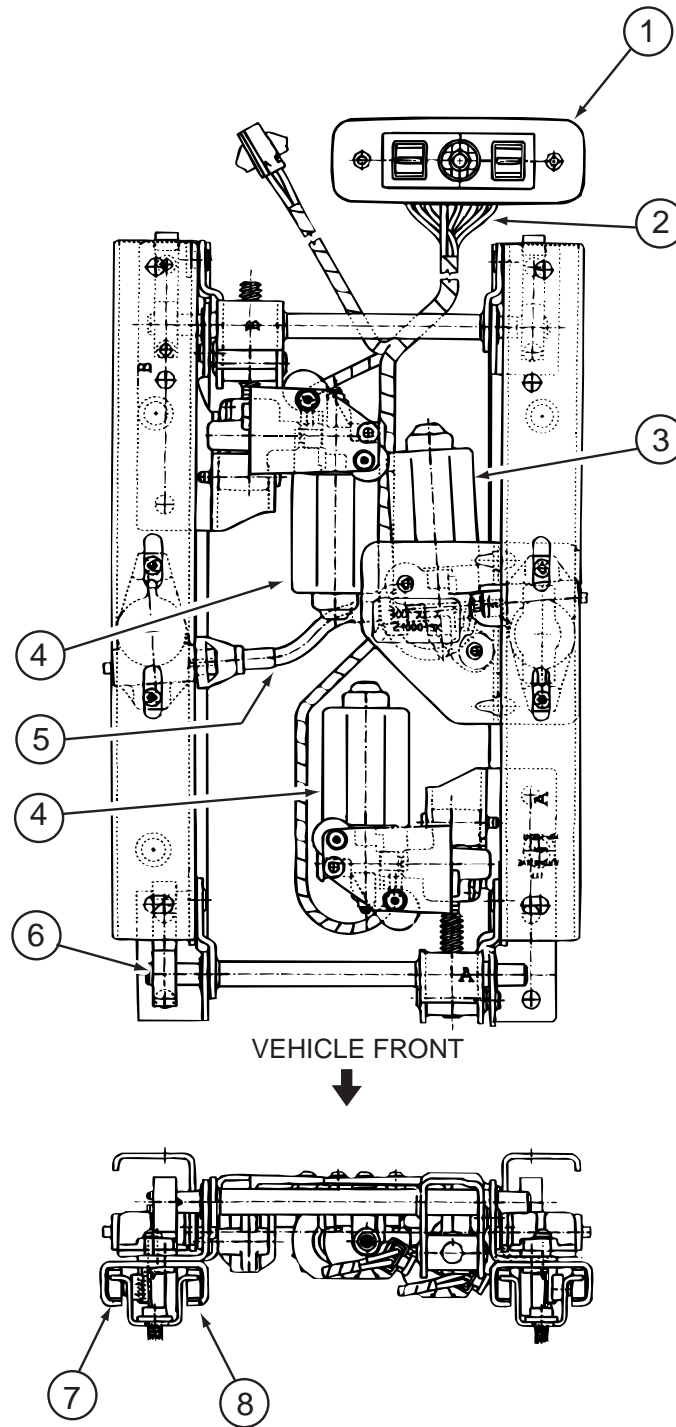
### BUCKET SEATS



KEY	PART NUMBER	U/M	DESCRIPTION
	135988-01-000	EA	BUCKET SEAT - W/LUMBAR (M62, M63)
	135988-02-000	EA	BUCKET SEAT - W/LUMBAR (M64, M65)
	135988-03-000	EA	BUCKET SEAT - W/LUMBAR (M66, M67)
	135994-01-000	EA	BUCKET SEAT - W/FOOTREST (M62, M63)
	135994-02-000	EA	BUCKET SEAT - W/FOOTREST (M64, M65)
	135994-03-000	EA	BUCKET SEAT - W/FOOTREST (M66, M67)
	135988-05-000	EA	BUCKET SEAT - W/LUMBAR - <b>LEATHER</b>
	135994-05-000	EA	BUCKET SEAT - W/FOOTREST - <b>LEATHER</b>
	130184-01-01A	EA	PROTECTOR - SEAT - CLEAR
1	107921-01-000	EA	PEDESTAL/FLOOR MOUNTED - W/9.75" EXTENSION - <b>DRIVER - W/O POWER SEAT</b> FROM: 00-00-00 THRU: 09-30-00
1	133408-01-000	EA	PEDESTAL/SEAT - 9 3/4" - <b>DRIVER - W/O POWER SEAT</b> FROM: 10-01-00 THRU: 99-99-99
1	107921-14-000	EA	PEDESTAL/FLOOR MOUNTED - W/5.75" EXTENSION - <b>DRIVER - W/POWER SEAT</b> FROM: 00-00-00 THRU: 09-30-00
1	133408-05-000	EA	PEDESTAL - SEAT/PASSENGER - 5.75" - <b>DRIVER - W/POWER SEAT</b> FROM: 10-01-00 THRU: 99-99-99
1	133408-01-000	EA	PEDESTAL/SEAT - 9 3/4" - <b>PASSENGER - W/O POWER SEAT</b>
1	133408-05-000	EA	PEDESTAL - SEAT/PASSENGER - 5.75" - <b>PASSENGER - W/POWER SEAT</b>
2	107921-06-000	EA	BEARING KIT - PEDESTAL
3	107921-05-000	EA	TOP PLATE - W/SEAT BELT BAR - <b>DRIVER - W/O POWER SEAT</b> FROM: 00-00-00 THRU: 09-30-00
3	133408-08-000	EA	TOP PLATE - W/BAR - <b>DRIVER - W/O POWER SEAT</b> FROM: 10-01-00 THRU: 99-99-99
3	107921-18-000	EA	PLATE - TOP - POWER - 6-WAY - <b>DRIVER - W/POWER SEAT</b> FROM: 00-00-00 THRU: 09-30-00
3	133408-14-000	EA	TOP PLATE - <b>DRIVER - W/POWER SEAT</b> FROM: 10-01-00 THRU: 99-99-99
3	133408-02-000	EA	TOP PLATE - SINGLE SIDE BELT - <b>PASSENGER</b>
4*	081373-03-000	EA	SEAT - POWER 6 WAY
5	128699-01-02B	EA	BRACKET - SEAT SWITCH - E-COATED
6	133232-01-01A	EA	COVER - SEAT - ADJUSTMENT
7	133408-04-000	EA	BRACKET - ANCHORAGE/FLOOR - <b>PASSENGER</b>
8	NOT USED	EA	BRACKET ANCHORAGE

**\*COMPONENT PARTS LISTED LATER IN THIS GROUP**

**CURTAIN & CUSHION GROUP (CONTINUED)**  
**COMPONENT PARTS FOR BUCKET SEATS**



**081373-03-000**

<b>KEY</b>	<b>PART NUMBER</b>	<b>U/M</b>	<b>DESCRIPTION</b>	<b>VENDOR NO.</b>
1	081373-03-700	EA	SWITCH POWER	22137945
2	081373-03-701	EA	WIRE HARNESS ASM., LT. SIDE	22138093
2	081373-03-702	EA	WIRE HARNESS ASM., RT. SIDE	22138094
3	081373-02-703	EA	MOTOR PKG. ADJ. HORIZONTAL	22063237 & H-195
4	081373-02-704	EA	MOTOR PKG. ADJ. VERTICAL	22063238 & H-196
5	081373-03-704	EA	DRIVE CABLE	22143984
6	081373-03-705	EA	SPRING	22048978
7	081373-03-706	EA	SHOE GUIDE (WHITE)	22048993
8	081373-03-707	EA	SHOE GUIDE (BLACK)	22048994
	081373-03-703	EA	SWITCH-CHROME-PLASTIC F/POWER SEAT 6-WAY	

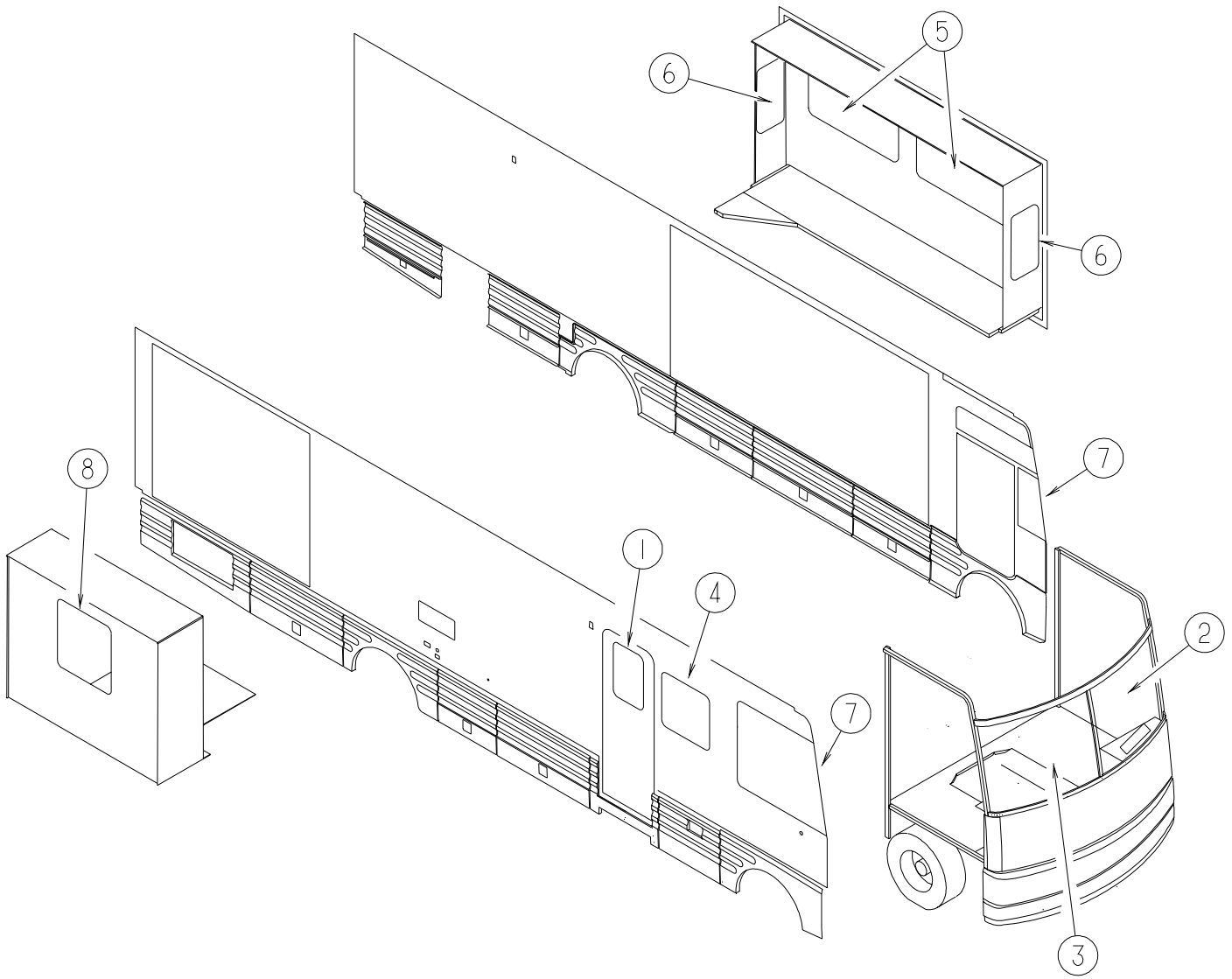
## CURTAIN & CUSHION GROUP (CONTINUED)

### LOUNGE CHAIR

KEY	PART NUMBER	U/M	DESCRIPTION
	135996-01-000	EA	CHAIR - RECLINER - MINGLE (M62, M63)
	135996-02-000	EA	CHAIR - RECLINER - RAFFIA (M64, M65)
	135996-03-000	EA	CHAIR - RECLINER - ROMANCE (M66, M67)
	135996-05-000	EA	CHAIR - RECLINER - ANTIQUE PEARL LEATHER
	107921-07-000	EA	PEDESTAL/FLOOR MOUNTED - 4.5"
			FROM: 00-00-00 THRU: 09-30-00
	133408-09-000	EA	PEDESTAL - 4.5"
			FROM: 10-01-00 THRU: 99-99-99
	108445-02-000	EA	PLATE/FLOOR MOUNTED - PEDESTAL SEAT
	133408-07-000	EA	TOP PLATE - W/O BAR



**CURTAIN & CUSHION GROUP (CONTINUED)**  
**WINDOW TREATMENT**



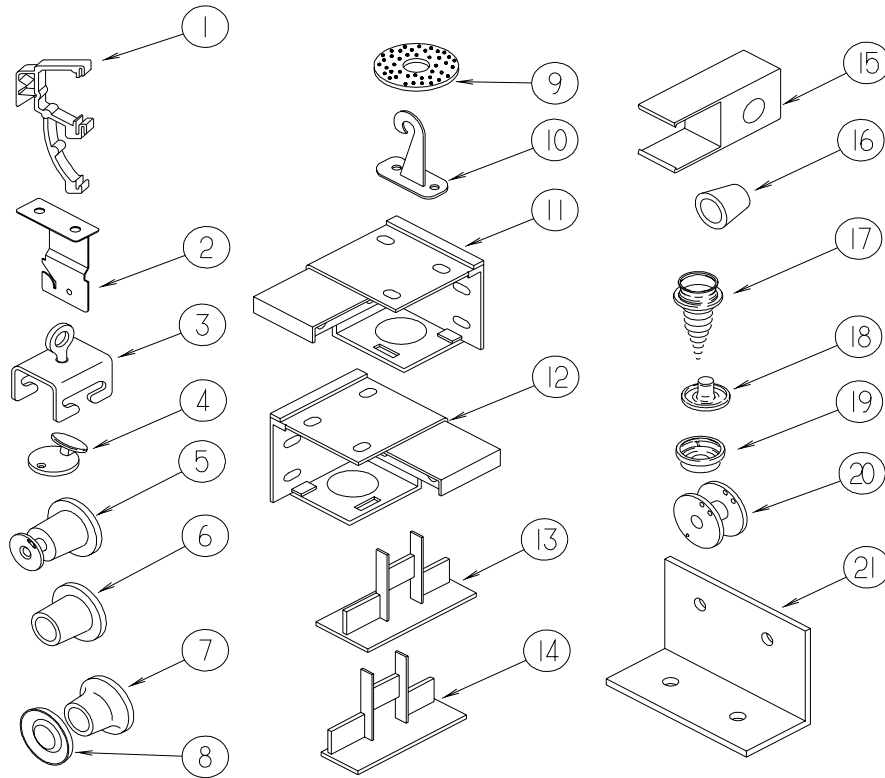
KEY	PART NUMBER	U/M	DESCRIPTION
1	084755-57-E07	EA	SHADE - PULL - 27.25"
2	093487-17-01A	EA	CURTAIN - WRAPAROUND/PRIVACY/PLEATED - DRVR -38.25" X 108"
3	093487-16-01A	EA	CURTAIN - WRAPAROUND/PRIVACY/PLEATED - PASS -38.25" X 108"
4	111910-59-M62	EA	BLIND - DAY/NIGHTER - 31" X 28.5"
4	136054-02-M62	EA	LAMBREQUIN - WHITTINGTON - 33" (M62, M63)
4	136054-02-M64	EA	LAMBREQUIN - WHITTINGTON - 33" (M64, M65)
4	136054-02-M66	EA	LAMBREQUIN - WHITTINGTON - 33" (M66, M67)
5	111910-55-M62	EA	BLIND - DAY/NIGHTER - 59" X 26.5"
5	136054-01-M62	EA	LAMBREQUIN - WHITTINGTON - 61" (M62, M63)
5	136054-01-M64	EA	LAMBREQUIN - WHITTINGTON - 61" (M64, M65)
5	136054-01-M66	EA	LAMBREQUIN - WHITTINGTON - 61" (M66, M67)

**CURTAIN & CUSHION GROUP (CONTINUED)**  
**WINDOW TREATMENT (CONTINUED)**

KEY	PART NUMBER	U/M	DESCRIPTION
6	111910-69-M62	EA	BLIND - DAY/NIGHTER - 23" X 26.5" FROM: 00-00-00 THRU: 07-23-00
6	111910-74-M84	EA	BLIND - DAY/NIGHTER - 22.5" X 23" FROM: 07-24-00 THRU: 99-99-99
6	136054-03-M62	EA	LAMBREQUIN - WHITTINGTON - 25" (M62, M63) FROM: 00-00-00 THRU: 07-23-00
6	136054-15-M62	EA	VALANCE - WHITTINGTON - 25.5" (M62, M63) FROM: 07-24-00 THRU: 99-99-99
6	136054-03-M64	EA	LAMBREQUIN - WHITTINGTON - 25" (M64, M65) FROM: 00-00-00 THRU: 07-23-00
6	136054-15-M64	EA	VALANCE - WHITTINGTON - 25.5" (M64, M65) FROM: 07-24-00 THRU: 99-99-99
6	136054-03-M66	EA	LAMBREQUIN - WHITTINGTON - 25" (M66, M67) FROM: 00-00-00 THRU: 07-23-00
6	136054-15-M66	EA	VALANCE - WHITTINGTON - 25.5" (M66, M67) FROM: 07-24-00 THRU: 99-99-99
6	136988-03-M62	EA	LEG - RIGHT - 22" - FABRIC COVERED (M62, M63) FROM: 07-24-00 THRU: 99-99-99
6	136988-03-M64	EA	LEG - RIGHT - 22" - FABRIC COVERED (M64, M65) FROM: 07-24-00 THRU: 99-99-99
6	136988-03-M66	EA	LEG - RIGHT - 22" - FABRIC COVERED (M66, M67) FROM: 07-24-00 THRU: 99-99-99
6	136988-04-M62	EA	LEG - LEFT - 22" - FABRIC COVERED (M62, M63) FROM: 07-24-00 THRU: 99-99-99
6	136988-04-M64	EA	LEG - LEFT - 22" - FABRIC COVERED (M64, M65) FROM: 07-24-00 THRU: 99-99-99
6	136988-04-M66	EA	LEG - LEFT - 22" - FABRIC COVERED (M66, M67) FROM: 07-24-00 THRU: 99-99-99
7	126841-03-000	EA	SHADE - PULL - CHARCOAL MESH - 40.3" X 60" (M62, M63)
8	111910-59-M62	EA	BLIND - DAY/NIGHTER - 31" X 28.5"
8	136058-04-M62	EA	LAMBREQUIN - VINEYARD - 34" (M62, M63)
8	136058-04-M64	EA	LAMBREQUIN - VINEYARD - 34" (M64, M65)
8	136058-04-M66	EA	LAMBREQUIN - VINEYARD - 34" (M66, M67)

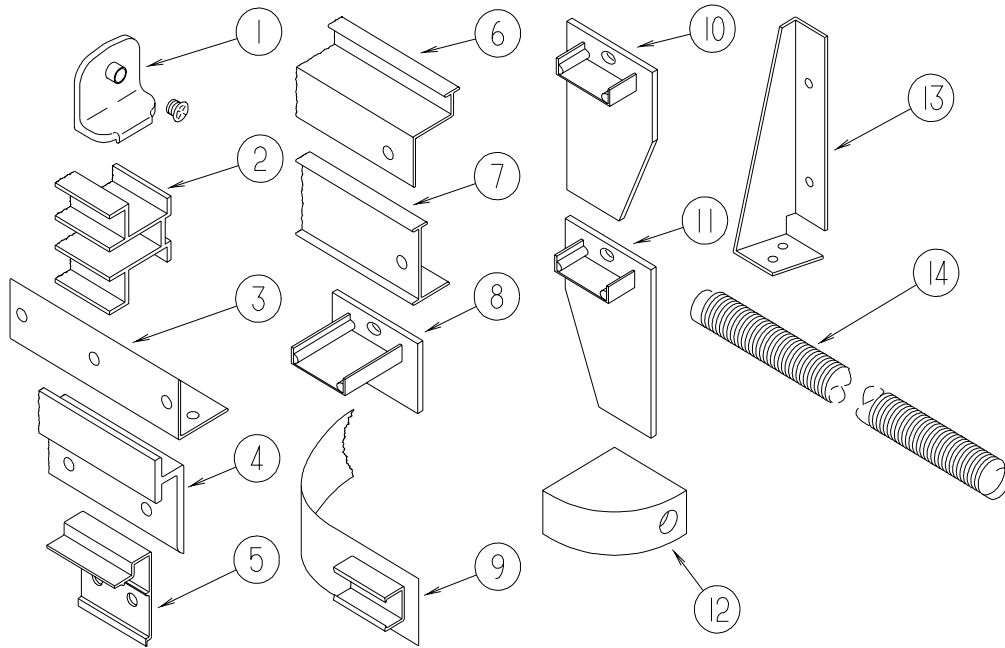
## CURTAIN & CUSHION GROUP (CONTINUED)

### HARDWARE



KEY	PART NUMBER	U/M	DESCRIPTION
1	109353-04-000	EA	CLIP - VALANCE SLAT MOUNTING - CLEAR PLASTIC
2	084434-01-000	EA	BRACKET - MOUNTING - ROLLER SHADE - 1 3/8"
	096843-01-000	EA	SPRING - REWIND/ROLLER SHADE
3	009702-01-000	EA	END STOP - CURTAIN CARRIER - L ROD
4	102555-03-000	EA	CLEAT - BLIND CORD - MILKY WHITE PLASTIC
5	097592-02-000	EA	SPOOL - CORD - ELEVATED BLIND HOLDUP - LARGE - CLEAR
6	094896-02-000	EA	GROMMET - CORD/PLEATED BLIND - NYLON - GRAY
7	046867-03-000	EA	GROMMET - HANDY BUTTON #3
8	046867-02-000	EA	WASHER - HANDY BUTTON #3
9	103242-01-000	EA	VELCRO HOOK - BEIGE 7/8" ROUND W/CENTER HOLE
9	103242-02-000	EA	VELCRO HOOK - BLACK 7/8" ROUND W/CENTER HOLE
10	109441-03-000	EA	BRACKET/HOOK - BLIND HOLD DOWN - CLOUDY
11	083170-01-000	EA	BRACKET/BLIND - LEFT SIDE WHEN FACING WINDOW - CLEAR
12	083170-02-000	EA	BRACKET/BLIND - RIGHT SIDE WHEN FACING WINDOW - CLEAR
13	094907-04-000	EA	END CAP - PLEATED BLIND/BOTTOM - RH & LH
14	094907-02-000	EA	END CAP - PLEATED BLIND/TOP - PLASTIC - GRAY
15	101033-02-000	EA	END CAP - LOW PROFILE TRACK - CLEAR
16	097564-03-000	EA	HANDLE - KNOB - E-Z LIFT SHADE - TAN
16	097564-05-000	EA	HANDLE - KNOB - E-Z LIFT SHADE - TEAL
16	097564-06-000	EA	HANDLE - KNOB - E-Z LIFT SHADE - ALABASTER
16	097564-08-000	EA	HANDLE - KNOB - E-Z LIFT SHADE - PLUM
17	029130-01-000	EA	SCREW - SNAP STUD - #8-16 X 3/8" LONG
17	029130-03-000	EA	SCREW - SNAP STUD - #8-16 X 1" LONG
18	029155-01-000	EA	CAP - SNAP - 5/32" OUTSIDE DIAMETER OF PIN
19	029156-01-000	EA	SOCKET - SNAP - 9/16" O.D.
20	097592-01-000	EA	SPOOL - CORD - ELEVATED BLIND HOLDUP - SMALL - CLEAR
21	083125-07-000	EA	BRACE - ANGLE/COUCH - 2.5" - OFF WHITE
21	083125-08-000	EA	BRACE - WINDOW MOUNT - .75" - OFF WHITE

**CURTAIN & CUSHION GROUP (CONTINUED)**  
**HARDWARE (CONTINUED)**

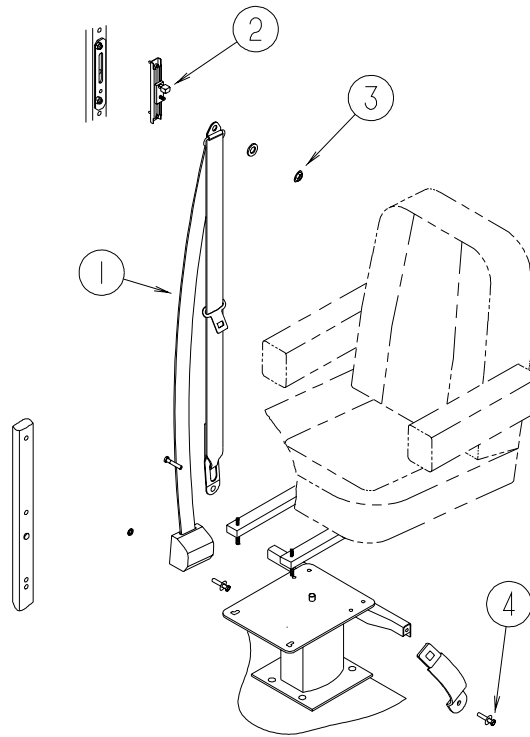


KEY	PART NUMBER	U/M	DESCRIPTION
1	106544-01-000	EA	PULL - SHADE/BRASS
	106544-01-001	EA	SCREW - SHADE/BRASS
2	101033-03-000	FT	TRACK/WALL - 101" - WHITE
2	101033-08-000	EA	TRACK/WALL - 75"
2	101033-09-000	EA	TRACK/WALL - 32"
3	105648-01-02A	EA	BRACE - VALANCE - OFF/WHITE - 14"
3	075943-10-000	EA	BRACE - VALANCE - 20" - OFF WHITE
4	127254-03-02A	EA	TRACK/WRAPAROUND - PASSENGER - ANTELOPE - <b>F SERIES</b>
4	127254-03-03A	EA	TRACK/WRAPAROUND - PASSENGER - TITANIUM - <b>F SERIES</b>
4	127254-04-02A	EA	TRACK/WRAPAROUND - DRIVER - ANTELOPE - <b>F SERIES</b>
4	127254-04-03A	EA	TRACK/WRAPAROUND - DRIVER - TITANIUM - <b>F SERIES</b>
4	133235-01-03A	EA	TRACK - CURTAIN/LEFT HAND - CADDY CREAM - <b>P SERIES</b>
4	133236-01-03A	EA	TRACK - CURTAIN/RIGHT HAND - CADDY CREAM - <b>P SERIES</b>
5	097565-01-000	EA	BRACKET - MOUNTING/PLEATED BLIND
6	105450-14-01A	EA	TRACK - CURTAIN - 90" - OFF WHITE - <b>300 SERIES</b>
7	009700-04-002	EA	TRACK - CURTAIN - L SHAPED - 15.5' - OFF WHITE - <b>400 SERIES</b>
7	126456-03-02A	EA	TRACK/WRAPAROUND - PASSENGER - ANTELOPE - <b>L &amp; G SERIES</b>
7	126456-03-03A	EA	TRACK/WRAPAROUND - PASSENGER - TITANIUM - <b>L SERIES</b>
7	126456-04-02A	EA	TRACK/WRAPAROUND - DRIVER - ANTELOPE - <b>L &amp; G SERIES</b>
7	126456-04-03A	EA	TRACK/WRAPAROUND - DRIVER - TITANIUM - <b>L-SERIES</b>
7	118896-05-03A	EA	TRACK/WRAPAROUND - PASSENGER - CADDY CREAM - <b>Q-SERIES</b>
7	118897-04-03A	EA	TRACK/WRAPAROUND - DRIVER - CADDY CREAM - <b>Q-SERIES</b>
8	094907-06-000	EA	HARDWARE - END CAP - E-Z LIFT - TOP
9	101031-01-000	YD	TAPE/GLIDE - 4.25" SPACING
10	094907-05-700	EA	END CAP-RH BOTTOM BLIND
11	094907-05-701	EA	END CAP-LH BOTTOM BLIND
12	132504-01-M91	EA	BRACKET/SHADE - LAMINATED - W/EDGE BAND MOLDING - <b>RIALTA SERIES</b>
13	076827-02-000	EA	BRACKET/LEG - 2.9" X 1.8" - TRIANGULAR - LEFT/E-COATED
14	097591-01-000	EA	SPRING - EXTENSION/PLEATED BLIND
	097593-02-000	FT	CORD - BLIND - PLEATED - GRAY
	097593-06-000	FT	CORD - BLIND - PLEATED - PEWTER
	097593-07-000	FT	CORD - BLIND - PLEATED - PALE JADE
	097593-10-000	FT	CORD - BLIND - PLEATED - VANILLA

## CURTAIN & CUSHION GROUP (CONTINUED)

### ACCESSORIES

KEY	PART NUMBER	U/M	DESCRIPTION
	007021-01-000	EA	SEAT BELT - 2" X 90" - BLACK
	056271-01-000	EA	SEAT BELT - 2" X 102" - BLACK
	056271-02-000	EA	SEAT BELT - 2" X 72" - BLACK
	057759-01-000	EA	WASHER - FLAT F/SEAT BELT - 4" DIAMETER
	129529-02-000	EA	STRAP - CHAIR RETAINING - 81.9"
	129491-01-000	EA	CATCH - SNAP HOOK - 1"
	057534-03-000	EA	TIEBACK - CLEAR PLASTIC - 7.5"



KEY	PART NUMBER	U/M	DESCRIPTION
1*	091990-08-01A	EA	SEAT BELT - 3 POINT - .766" DIAMETER HOLE IN D-LOOP BRKT
2	127598-01-01A	EA	ADJUSTER - SEATBELT - D-LOOP
3	127598-02-000	EA	NUT - HEX FLANGE - M10 X 1.5 - CLASS 10
4	095076-02-000	EA	WASHER - FL - 7/16"ID X 2"OD X .06

\*COMPONENT PARTS LISTED LATER IN THIS GROUP

# CURTAIN & CUSHION GROUP (CONTINUED)

## COMPONENT PARTS ACCESSORIES

091990-08-01A

KEY	PART NUMBER	U/M	DESCRIPTION	VENDOR NO.
	091990-08-01A	EA	SEAT BELT - 3 POINT - .766" DIAMETER HOLE IN D-LOOP BRKT	
	091900-01-701	EA	REGULATOR-ELECTRIC, BLUE BOX	57C-08X11R
	091900-01-703	EA	HARNESS ASSEMBLY-WIPERMODULE	250-3552
	091990-05-700	EA	SLEEVE/BUCKLE COVER-PLASTIC	209S-2
	091990-05-701	EA	CAP/COVER - BOLT HOLE COVER	209SC-02
	091990-05-702	EA	SLEEVE/RETRACTABLE COVER	309C-02

**CURTAIN & CUSHION GROUP (CONTINUED)**

**FABRICS**

<b>FAMILY 2001 SUNFLYER</b>	<b>M62/M63 GRANITE</b>	<b>M64/M65 BIG SKY</b>	<b>M66/M67 TARRAGON</b>
<b>BUCKET</b>	563 FLEXSTEEL BUSR./FRST 126883-C0-000 *OPT. ULTRA LEATHER ANTIQUÉ PEARL	563 FLEXSTEEL BUSR./FRST 105745-T4-000 *OPT. ULTRA LEATHER ANTIQUÉ PEARL	563 FLEXSTEEL BUSR./FRST 126883-58-000 *OPT. ULTRA LEATHER ANTIQUÉ PEARL
<b>DINETTE</b>	CURVED CLUB 126883-C4-000	CURVED CLUB 126883-B1-000	CURVED CLUB 126883-57-000
<b>DINETTE CHAIRS &amp; FOLDING CHAIRS</b>	FLEX. C5703 FREE STANDING REM FC200 FOLDING 126883-C0-000	FLEX. C5703 FREE STANDING REM FC200 FOLDING 126883-B2-000	FLEX. C5703 FREE STANDING REM FC200 FOLDING 126883-58-000
<b>LOUNGE CHAIR</b>	1375 RICL FLEXSTEEL 126883-C0-000 *OPT. ULTRA LEATHER ANTIQUÉ PEARL	1375 RICL FLEXSTEEL 105745-T4-000 *OPT. ULTRA LEATHER ANTIQUÉ PEARL	1375 RICL FLEXSTEEL 126883-58-000 *OPT. ULTRA LEATHER ANTIQUÉ PEARL
<b>SOFA/COMFORT SLEEPER OR BANQUETTE</b>	4359 FLEXSTEEL 126883-C0-000 *OPT. ULTRA LEATHER ANTIQUÉ PEARL	4359 FLEXSTEEL 126883-B1-000 *OPT. ULTRA LEATHER ANTIQUÉ PEARL	4359 FLEXSTEEL 126883-57-000 *OPT. ULTRA LEATHER ANTIQUÉ PEARL
<b>LOUNGE PILLOWS 2 PER SOFA/BANQ./ COMF. SLEEPER</b>	SQUARE W/DIAMOND OVERLAY & CORD BODY 126883-C4-000 OVERLAY 126883-C0-000 CORD 084415-E1-000	SQUARE W/DIAMOND OVERLAY & CORD BODY 105745-T4-000 OVERLAY 126883-B2-000 CORD 084415-D3-000	SQUARE W/DIAMOND OVERLAY & CORD BODY 126883-57-000 OVERLAY 126883-58-000 CORD 084415-B7-000
<b>DAY-NITERS LOUNGE &amp; BEDROOM</b>	PUTTY 094911-58-000 WHITE DECO 094911-50-000	PUTTY 094911-58-000 WHITE DECO 094911-50-000	PUTTY 094911-58-000 WHITE DECO 094911-50-000
<b>DINETTE PADS</b>	126883-C0-000 *OPT. ULTRA ANTIQUÉ PEARL	105745-T4-000 *OPT. ULTRA ANTIQUÉ PEARL	126883-58-000 *OPT. ULTRA ANTIQUÉ PEARL
<b>FRONT WRAP CURTAIN</b>	PURCHASED PLEATED OFF WHITE	PURCHASED PLEATED OFF WHITE	PURCHASED PLEATED OFF WHITE

**CURTAIN & CUSHION GROUP (CONTINUED)**  
**FABRICS (CONTINUED)**

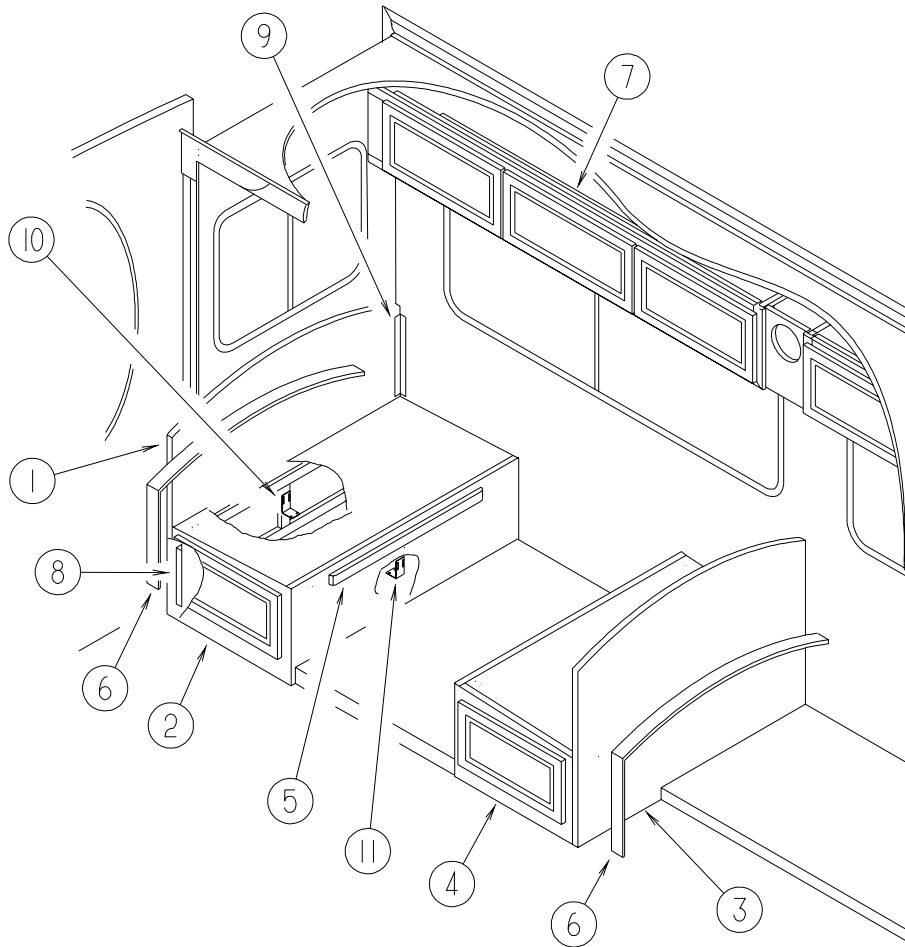
<b>FAMILY 2001 SUNFLYER</b>	<b>M62/M63 GRANITE</b>	<b>M64/M65 BIG SKY</b>	<b>M66/M67 TARRAGON</b>
<b>LOUNGE WINDOWS</b>	WHITTINGTON LAMBREQUIN UNDERLAY 126883-C0-000 OVERLAY 126883-C4-000 1.5" BANDS 105745-U6-000 CORD 084415-E1-000	WHITTINGTON LAMBREQUIN UNDERLAY 126883-B2-000 OVERLAY 126883-B1-000 CORD TRIM 084415-D3-000	WHITTINGTON LAMBREQUIN UNDERLAY 126883-58-000 OVERLAY 126883-57-000 CORD TRIM 084415-B7-000
<b>BEDROOM WINDOWS</b>	VINEYARD LAMBREQUIN UNDERLAY 105745-U6-000 OVERLAY 105745-U5-000 1.5" BANDS 105745-U6-000 CORD 084415-E1-000	VINEYARD LAMBREQUIN UNDERLAY 105745-T3-000 OVERLAY 105745-T4-000 1.5" BANDS 105745-T3-000 CORD 084415-D3-000	VINEYARD LAMBREQUIN UNDERLAY 105745-N0-000 OVERLAY 105745-M9-000 1.5" BANDS 105745-N0-000 CORD 084415-B7-000
<b>OVHD. INSERTS LOUNGE &amp; BEDROOM</b>	LOUNGE 126883-C0-000 BEDROOM 105745-U6-000	LOUNGE 105745-T4-000 BEDROOM 105745-T4-000	LOUNGE 126883-58-000 BEDROOM 105745-N0-000
<b>BEDROOM PILLOW 1 PER MATTRESS</b>	14X14 105745-U6-000 DIAG. OVERLAY 105745-U5-000 CORD TRIM 084415-E1-000	14X14 105745-T3-000 DIAG. OVERLAY 105745-T4-000 CORD TRIM 084415-D3-000	14X14 105745-N0-000 DIAG. OVERLAY 105745-M9-000 CORD TRIM 084415-B7-000
<b>HEADBOARD * IF NEEDED</b>	ERIN .25" NON-GATHERED 105745-U5-000 WELT 105745-U6-000	ERIN .25" NON-GATHERED 105745-T4-000 WELT 105745-T3-000	ERIN .25" NON-GATHERED 105745-M9-000 WELT 105745-N0-000
<b>BEDSPREAD</b>	BEDCAP BODY & DIAMOND INSERT 105745-U5-000 SQUARE INSERT & WELT 105745-U6-000	BEDCAP BODY 105745-T4-000 INSERT & WELT 105745-T3-000	BEDCAP BODY & DIAMOND INSERT 105745-M9-000 SQUARE INSERT & WELT 105745-N0-000
<b>SUNVISORS</b>	TITANIUM 123298-04-02A	TITANIUM 123298-04-02A	TITANIUM 123298-04-02A



**CURTAIN & CUSHION GROUP (CONTINUED)**  
**FABRICS (CONTINUED)**

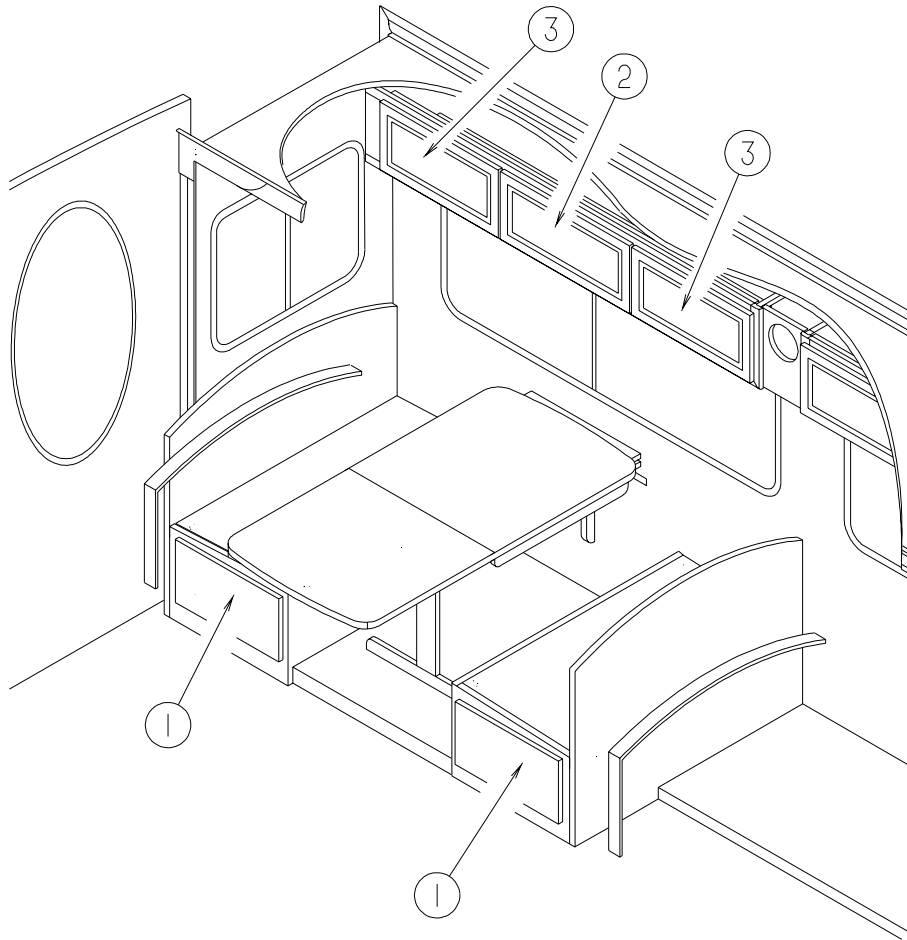
<b>FAMILY 2001 SUNFLYER</b>	<b>M62/M63 GRANITE</b>	<b>M64/M65 BIG SKY</b>	<b>M66/M67 TARRAGON</b>
<b>SHAMS</b>	TRIANGULAR BODY 105745-U6-000 OVERLAY 105745-U5-000 CORD 084415-E1-000	TRIANGULAR BODY 105745-T3-000 OVERLAY 105745-T4-000 CORD 084415-D3-000	TRIANGULAR BODY 105745-N0-000 OVERLAY 105745-M9-000 CORD 084415-B7-000
<b>CEILING MATERIAL</b>	SOFT CLOUD 102" PEARL CREAM 113979-12-01A SOFT CLOUD 30" PEARL CREAM 113979-14-01A	SOFT CLOUD 102" PEARL CREAM 113979-12-01A SOFT CLOUD 30" PEARL CREAM 113979-14-01A	SOFT CLOUD 102" PEARL CREAM 113979-12-01A SOFT CLOUD 30" PEARL CREAM 113979-14-01A
<b>VINYL</b>	TITANIUM 54" 103907-01-08A 30" 103907-03-08A 15" 103907-02-08A	TITANIUM 54" 103907-01-08A 30" 103907-03-08A 15" 103907-02-08A	TITANIUM 54" 103907-01-08A 30" 103907-03-08A 15" 103907-02-08A

## DINETTE GROUP CABINETS



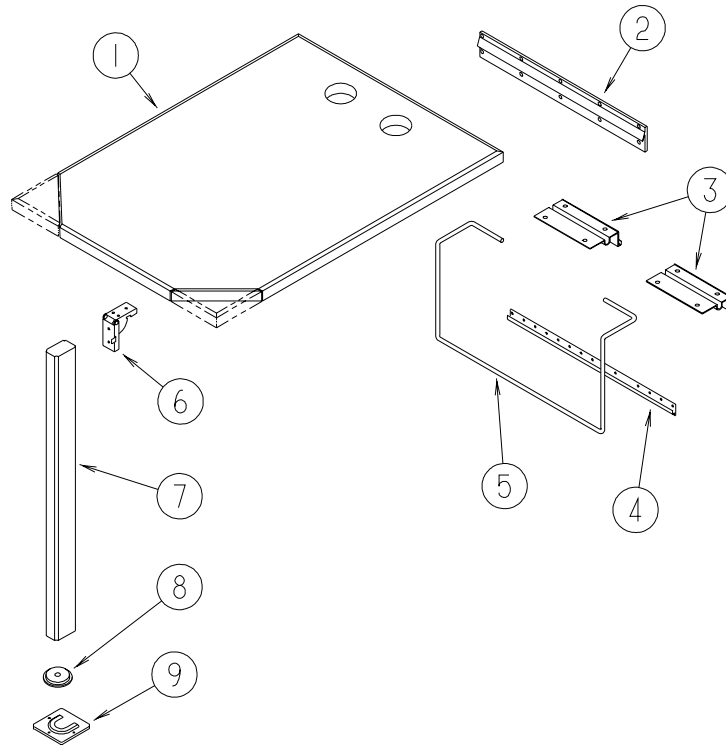
KEY	PART NUMBER	U/M	DESCRIPTION
1	M08755-12-L58	EA	CABINET/SEATBACK - LEFT HAND - W/O HARDWARE - WASHED MAPLE
1	M08755-12-M52	EA	CABINET/SEATBACK - LEFT HAND - W/O HARDWARE - SALEM CHERRY
2	M08756-14-L58	EA	CABINET - SEATBASE/LEFT HAND - W/O DOOR/DRAWER/HARDWARE - WASHED MAPLE
2	M08756-14-M52	EA	CABINET - SEATBASE/LEFT HAND - W/O DOOR/DRAWER/HARDWARE - SALEM CHERRY
3	M08755-11-L58	EA	CABINET/SEATBACK - RIGHT HAND - W/O HARDWARE - WASHED MAPLE
3	M08755-11-M52	EA	CABINET/SEATBACK - RIGHT HAND - W/O HARDWARE - SALEM CHERRY
4	M08756-13-L58	EA	CABINET - SEATBASE/RIGHT HAND - W/O DOOR/DRAWER/HARDWARE - WASHED MAPLE
4	M08756-13-M52	EA	CABINET - SEATBASE/RIGHT HAND - W/O DOOR/DRAWER/HARDWARE - SALEM CHERRY
5	081295-01-H37	EA	SUPPORT - BED DINETTE - 28" LONG - WASHED MAPLE
5	081295-01-M52	EA	SUPPORT - BED DINETTE - 28" LONG - SALEM CHERRY
6	104787-08-M52	EA	PAD - DINETTE - 42" (M62,M63)
6	104787-08-L64	EA	PAD - DINETTE - 42" (M64,M65)
6	104787-08-L62	EA	PAD - DINETTE - 42" (M66,M67)
6	104787-23-L42	EA	PAD - DINETTE SEATBACK - LEATHER
7	135614-01-M62	EA	CABINET - OVERHEAD/DINETTE - W/O DOORS/HARDWARE - WASHED MAPLE
7	135614-01-M52	EA	CABINET - OVERHEAD/DINETTE - W/O DOORS/HARDWARE - SALEM CHERRY
8	122021-01-02A	EA	ANGLE - W/HOLES - 8.6" LONG - OFF WHITE
9	122021-02-02A	EA	ANGLE - W/HOLES - 13.7" LONG - OFF WHITE
10	132871-02-02B	EA	BRACKET/L-ANGLE W/HOLES - 1.9" X 2.8" - E-COATED
11	132871-01-02B	EA	BRACKET/L-ANGLE W/HOLES - 1.3" X 2.8" - E-COATED

**DINETTE GROUP (CONTINUED)**  
**DOORS & DRAWERS**



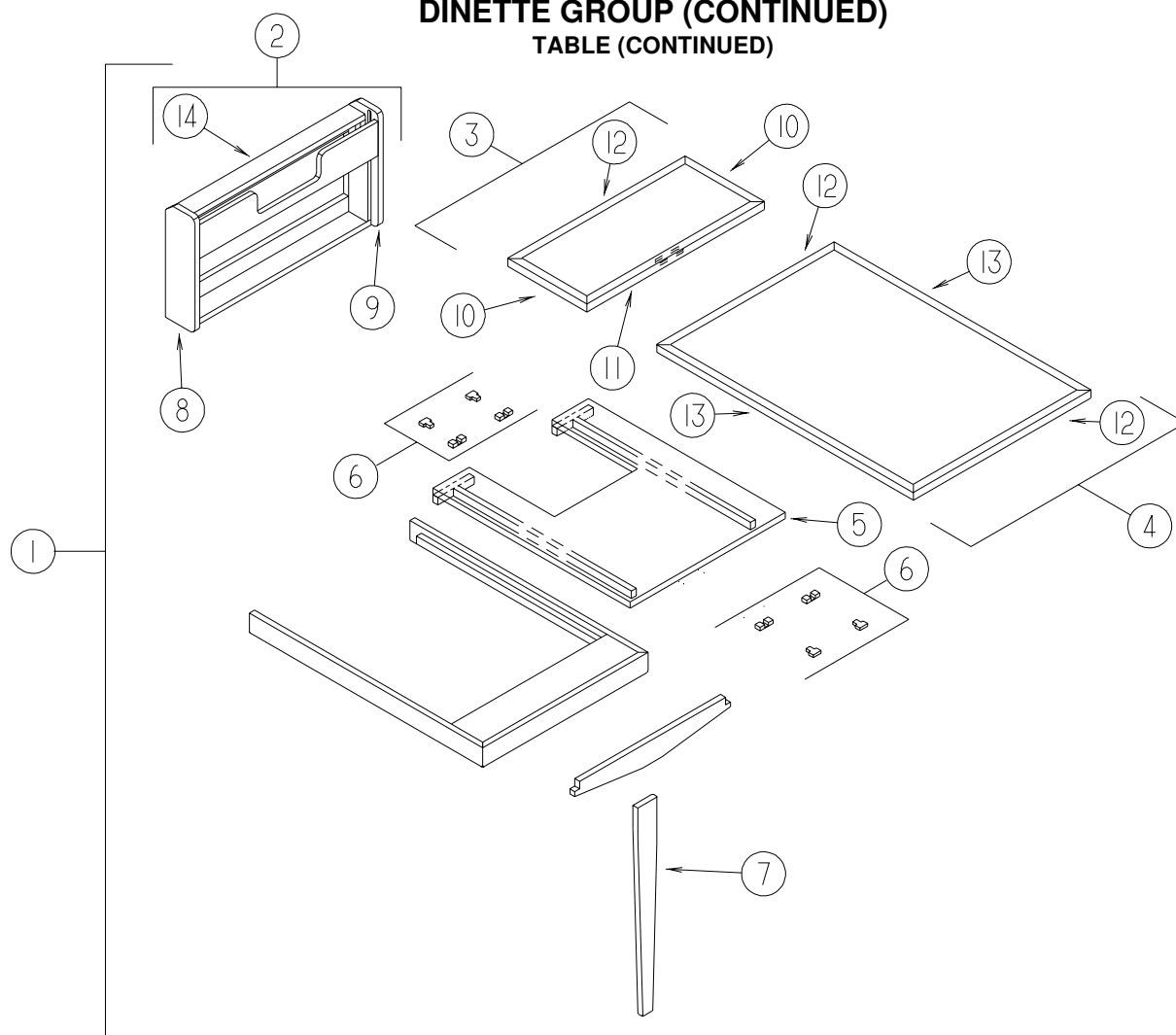
KEY	PART NUMBER	U/M	DESCRIPTION
1	P34767-55-M62	EA	DRAWER - PENCIL EDGE - 16.7"W X 37.3"D-W/O SLIDES/HARDWARE - WASHED MAPLE
1	P34767-55-M63	EA	DRAWER - PENCIL EDGE - 16.7"W X 37.3"D-W/O SLIDES/HARDWARE - SALEM CHERRY
2	135238-17-M62	EA	DOOR - RAIL/ARCHED TOP - 10.8" X 23.8" - W/O HARDWARE - WASHED MAPLE
2	135238-17-M63	EA	DOOR - RAIL/ARCHED TOP - 10.8" X 23.8" - W/O HARDWARE - SALEM CHERRY
3	135238-16-M62	EA	DOOR - RAIL/ARCHED TOP - 10.8" X 21.8" - W/O HARDWARE - WASHED MAPLE
3	135238-16-M63	EA	DOOR - RAIL/ARCHED TOP - 10.8" X 21.8" - W/O HARDWARE - SALEM CHERRY

**DINETTE GROUP (CONTINUED)  
TABLE**



KEY	PART NUMBER	U/M	DESCRIPTION
1	132783-01-08A	EA	TABLE/WOOD EDGE - 29.8" X 41.7" - WHITE ETHOS/WASHED MAPLE (M62)
1	132783-01-06A	EA	TABLE/WOOD EDGE - 29.8" X 41.7" - WHITE ETHOS/SALEM CHERRY (M63)
1	132783-01-09A	EA	TABLE/WOOD EDGE - 29.8" X 41.7"-BEIGE PAMPAS/WASHED MAPLE (M64)
1	132783-01-10A	EA	TABLE/WOOD EDGE - 29.8" X 41.7"-BEIGE PAMPAS/SALEM CHERRY (M65)
1	132783-01-11A	EA	TABLE/WOOD EDGE - 29.8" X 41.7"-NATURAL LEGACY/WASHED MAPLE (M66)
1	132783-01-05A	EA	TABLE/WOOD EDGE - 29.8" X 41.7" - NATURAL LEGACY/SALEM CHERRY (M67)
2	053200-13-000	EA	SUPPORT - TABLE - 18.5"
3	088410-02-000	EA	BRACKET - LIFT - TABLE MOUNTED
4	024281-15-000	EA	BRACKET/TABLE - LIFT ROD/LOWER WALL MOUNTED - 17.1"
5	024275-13-000	EA	ROD - TABLE LIFT - OFF/WHITE
6	093550-01-000	EA	BRACKET - HINGE - MOUNTS TO LEG & TABLE TOP - 1.7" X 2.6"
7	092707-04-08A	EA	LEG - TABLE - W/O HARDWARE - 27" - WASHED MAPLE
7	092707-04-04A	EA	LEG - TABLE - W/O HARDWARE - 27" - CHERRY
8	092593-01-05A	EA	CATCH - TABLE LEG - OFF/WHITE
9	049493-12-000	EA	CATCH - TABLE LEG/FLOOR MOUNTED - OFF WHITE

**DINETTE GROUP (CONTINUED)**  
**TABLE (CONTINUED)**

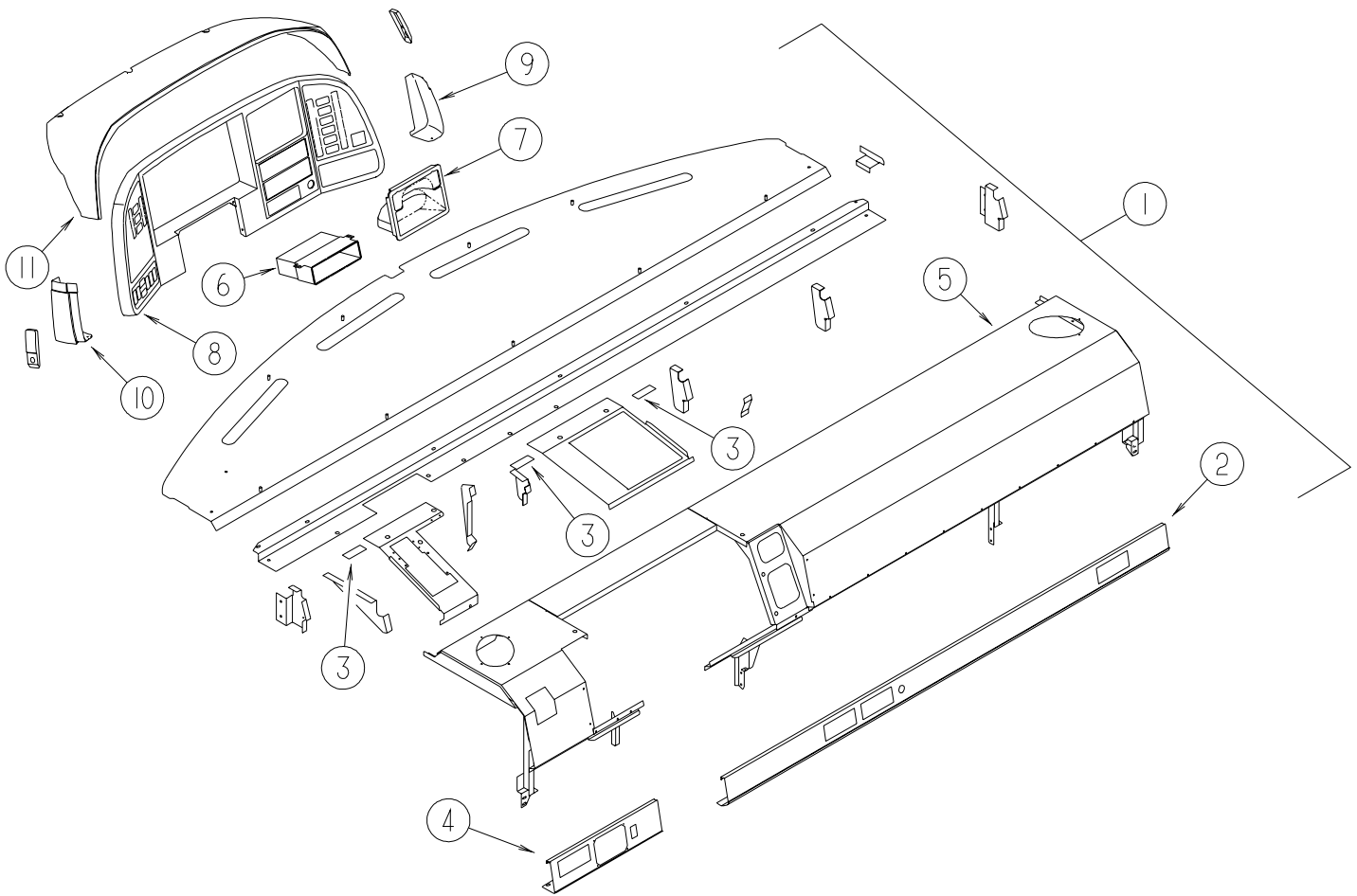


KEY	PART NUMBER	U/M	DESCRIPTION
1	133856-01-L58	EA	TABLE COMPLETE - WASHED MAPLE
1	133856-01-L52	EA	TABLE COMPLETE - SALEM CHERRY
2	133856-31-L58	EA	CABINET/WALL - W/O COUNTERTOP - F/PULLOUT TABLE - WASHED MAPLE
2	133856-31-L52	EA	CABINET/WALL - W/O COUNTERTOP - F/PULLOUT TABLE - SALEM CHERRY
3	133856-12-L58	EA	TABLE TOP - SMALL HINGED SECTION - WASHED MAPLE
3	133856-12-L52	EA	TABLE TOP - SMALL HINGED SECTION - SALEM CHERRY
4	133856-11-L58	EA	TABLE TOP ONLY - LARGE SECTION - WASHED MAPLE
4	133856-11-L52	EA	TABLE TOP ONLY - LARGE SECTION - SALEM CHERRY
5	133856-17-L58	EA	SLIDE - TABLE TOP - WASHED MAPLE
5	133856-17-L52	EA	SLIDE - TABLE TOP - SALEM CHERRY
6	009050-02-000	EA	LEVELER - TABLE TOP - MALE END W/4 SCREWS - PLASTIC
6	009050-03-000	EA	LEVELER - TABLE TOP - FEMALE END W/2 SCREWS - PLASTIC
7	133856-28-L58	EA	LEG - F/TABLE - WASHED MAPLE
7	133856-28-L52	EA	LEG - F/TABLE - SALEM CHERRY
8	133856-26-L58	EA	END - LEFT HAND - F/TABLE CABINET - WASHED MAPLE
8	133856-26-L52	EA	END - LEFT HAND - F/TABLE CABINET - SALEM CHERRY
9	133856-27-L58	EA	END - RIGHT HAND - F/TABLE CABINET - WASHED MAPLE
9	133856-27-L52	EA	END - RIGHT HAND - F/TABLE CABINET - SALEM CHERRY
10	133856-15-L58	EA	TRIM - TABLE MOLDING - 12" - WASHED MAPLE
10	133856-15-L52	EA	TRIM - TABLE MOLDING - 12" - SALEM CHERRY
11	133856-16-L58	EA	TRIM - TABLE MOLDING - 23.8" - WASHED MAPLE
11	133856-16-L52	EA	TRIM - TABLE MOLDING - 23.8" - SALEM CHERRY
12	133856-14-L58	EA	TRIM - TABLE MOLDING - 23.8" - WASHED MAPLE
12	133856-14-L52	EA	TRIM - TABLE MOLDING - 23.8" - SALEM CHERRY
13	133856-13-L58	EA	TRIM - TABLE MOLDING - 41.2" - WASHED MAPLE
13	133856-13-L52	EA	TRIM - TABLE MOLDING - 41.2" - SALEM CHERRY
14	133856-23-L58	EA	COUNTERTOP ONLY - F/WALL CABINET - WASHED MAPLE
14	133856-23-L52	EA	COUNTERTOP ONLY - F/WALL CABINET - SALEM CHERRY

## DRIVERS COMPARTMENT GROUP

### INSTRUMENT PANEL

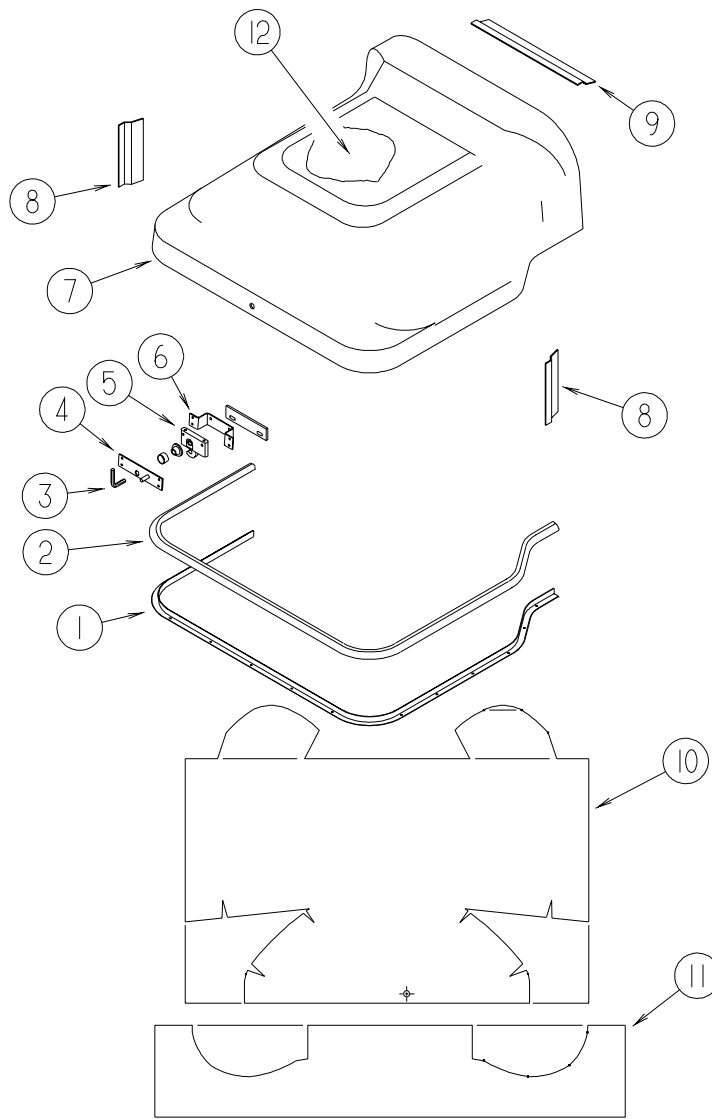
IS NOW LISTED WITH FRONT END WIRING IN THE ELECTRICAL GROUP



#### DASH

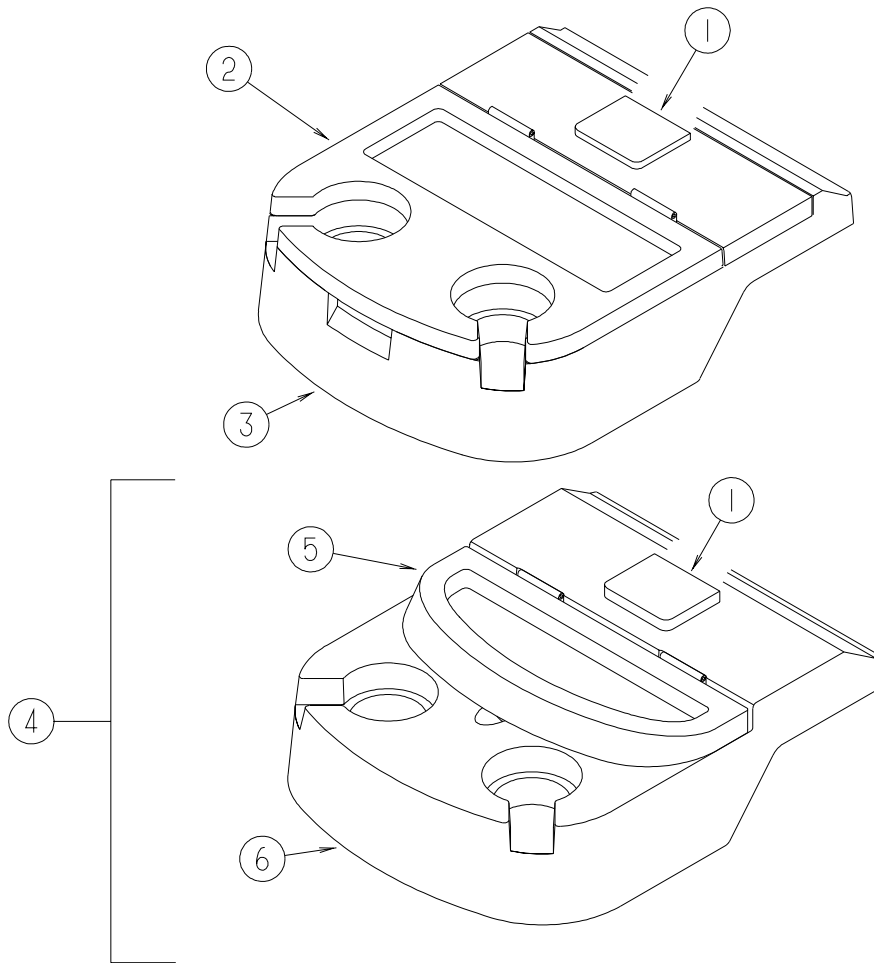
KEY	PART NUMBER	U/M	DESCRIPTION
1	126154-28-J30	EA	DASH - VINYL COVERED - ANTELOPE
2	126044-02-01A	EA	TRIM - DASH - LOWER/PASSENGER - ANTELOPE
3	110530-01-000	FT	SEAL - SPONGE - .31" X .62"
4	126045-16-01A	EA	TRIM - LOWER DASH - DRIVER - ANTELOPE
5	126053-05-02B	EA	DASH - E-COATED
	106569-11-01A	EA	VINYL - LAMINATE - 1/4" X 25" X 100" - ALLANTE ANTELOPE
6	096776-02-000	EA	STORAGE BOX - CASSETTE - 4 TAPE HOLDER
6	096776-03-000	EA	STORAGE BOX - CD'S - 4 DISC HOLDER
7	111350-01-01A	EA	POCKET - INSTRUMENT PANEL - UPPER - BLACK
8	108954-10-01A	EA	BEZEL - INSTRUMENT PANEL - FORD - BLACK
9	129924-02-J30	EA	POD - INSTRUMENT PANEL/LOWER - ANTELOPE
10	129924-04-J30	EA	POD - INSTRUMENT PANEL/LOWER - ANTELOPE
11	130236-02-J30	EA	POD - INSTRUMENT PANEL - ANTELOPE

**DRIVERS COMPARTMENT GROUP (CONTINUED)**  
**MOTOR COVER**



KEY	PART NUMBER	U/M	DESCRIPTION
1	115860-05-01A	EA	TRIM - MOTOR COVER - MILL FINISH - FORD
2	039623-01-000	FT	SEAL - MOTOR COVER - RUBBER BULB TYPE
3	116833-01-02B	EA	WRENCH - HEX MOTOR COVER - E-COATED
4	115852-01-02B	EA	STRIKE - LATCH - MOTOR COVER - E-COATED
5	116581-01-000	EA	LATCH - W/O STRIKE - MOTOR COVER
6	115850-03-02B	EA	RETAINER - LATCH - MOTOR COVER - RIGHT HAND - E-COATED FROM: 00-00-00 THRU: 06-02-00
6	115850-01-02B	EA	RETAINER - LATCH - MOTOR COVER - RIGHT HAND - E-COATED FROM: 06-03-00 THRU: 99-99-99
7	129099-04-01A	EA	COVER - MOTOR - W/O CARPET - 00 FORD
8	115855-02-02B	EA	RETAINER - MOTOR COVER/SIDE - E-COATED
9	115855-03-02B	EA	RETAINER - MOTOR COVER/TOP - E-COATED FROM: 99-99-99 THRU: 07-08-01
9	115855-01-02B	EA	RETAINER - MOTOR COVER/TOP - E-COATED FROM: 07-09-01 THRU: 99-99-99
10	134455-01-000	EA	INSULATION/ENGINE COVER/MAIN
11	134455-02-000	EA	INSULATION/ENGINE COVER/FRONT
12	134497-01-000	SF	FOIL/ALUMINUM - REINFORCED

**DRIVERS COMPARTMENT GROUP (CONTINUED)**  
**BEVERAGE TRAY**

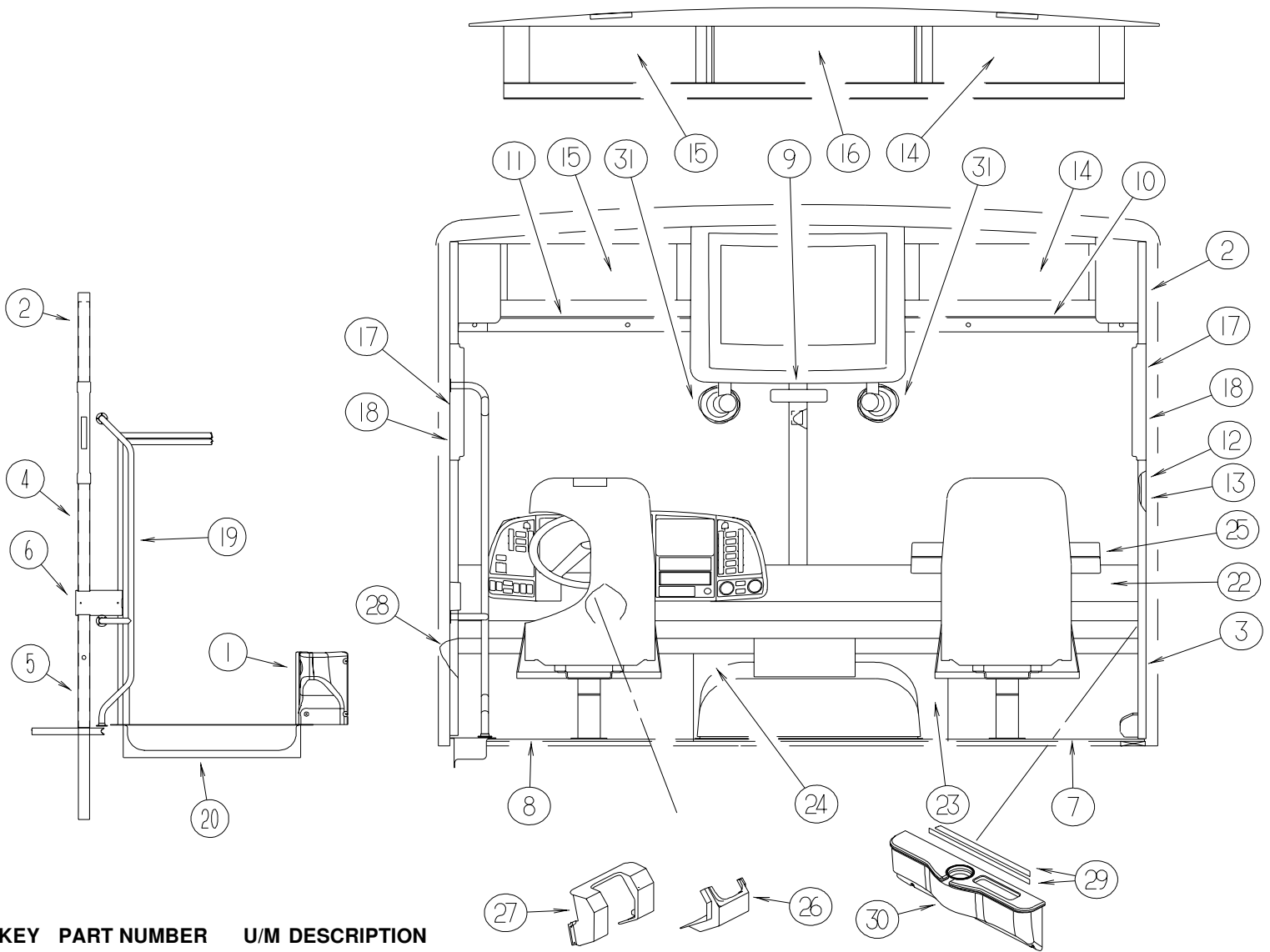


KEY	PART NUMBER	U/M	DESCRIPTION
1	118719-01-01A	EA	ASHTRAY - TOP MOUNT - BLACK PLASTIC
2	126011-01-J30	EA	LID - BEVERAGE TRAY - SALEM CHERRY
3	126009-02-J60	EA	TRAY - BEVERAGE - TITANIUM - SALEM CHERRY ONLY
4	126008-02-J60	EA	TRAY - BEVERAGE - W/DOOR
5	128113-01-J60	EA	LID - BEVERAGE TRAY
6	128114-01-02A	EA	TRAY - BEVERAGE - TITANIUM



## DRIVERS COMPARTMENT GROUP (CONTINUED)

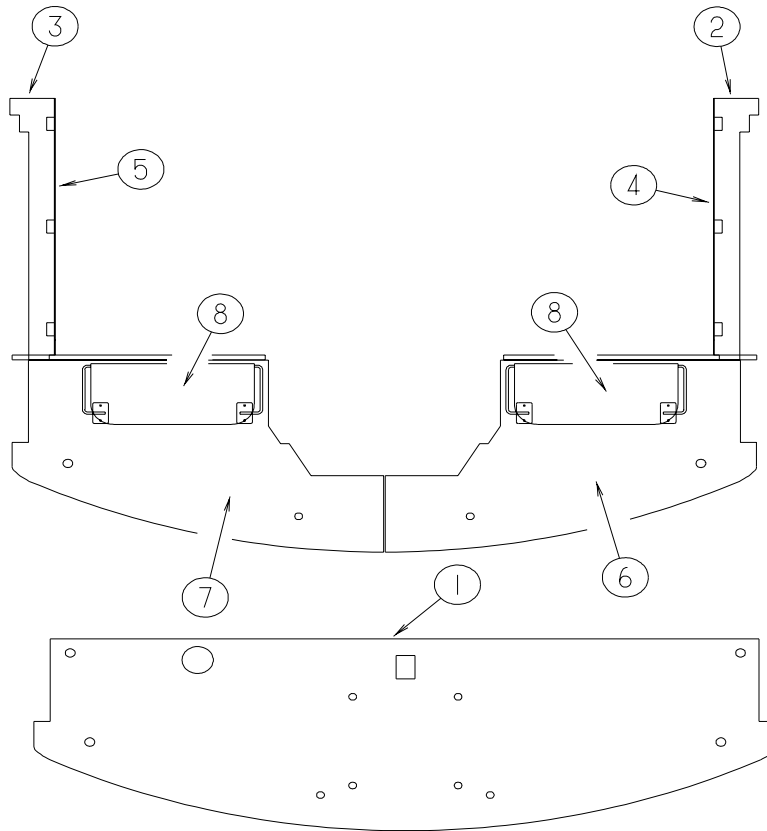
### FRONT INTERIOR



KEY	PART NUMBER	U/M DESCRIPTION
1	132296-01-02A	EA PANEL - TRIM - DASH/CAB DOOR - TITANIUM
2	024700-58-000	EA COVER - ROLL BAR - SIDEWALL - 16.5" - OFF WHITE
3	024700-59-000	EA COVER - ROLL BAR - SIDEWALL - 44.1" - OFF WHITE
4	024700-66-000	EA COVER - SIDEWALL ROLL BAR - 20.6" - OFF WHITE
5	024700-67-000	EA COVER - SIDEWALL ROLL BAR - 20.1" - OFF WHITE
6	103961-07-01A	EA COVER - BRACKET - LATCH - OFF WHITE
7	108152-01-000	EA MAT - FLOOR - PASSENGER
8	108152-03-000	EA MAT - FLOOR - DRIVER
9	118452-04-02A	EA TRIM - WINDSHIELD - CENTER
10	118453-03-02A	EA TRIM - WINDSHIELD - INNER/TOP/PASSENGER
11	118453-04-02A	EA TRIM-WNDSHLD,INT, TOP,LH,TITN
12	125508-01-02A	EA TRIM - A-PILLAR - PASSENGER/INTERIOR - TITANIUM
13	125508-02-02A	EA TRIM - A-PILLAR - DRIVER/INTERIOR - TITANIUM
14	126457-06-M42	EA PANEL - CLOSEOUT - OVERHEAD/FRONT/PASSENGER
15	126457-07-M42	EA PANEL - CLOSEOUT - OVERHEAD/FRONT/DRIVER
16	126457-08-M52	EA PANEL - CLOSEOUT - OVERHEAD/FRONT - <b>W/O FRONT TV</b>
17	127721-01-01A	EA COVER - SLIDE - OFF WHITE
18	127798-01-01A	EA COVER - SLIDE - INNER - 1.5" X 11.4" - BLACK
19	131058-04-02A	EA HAND RAIL - INTERIOR CAB DOOR - BLACK
20	102569-02-000	EA MAT - ANTI SLIP - LOWER
20	P31835-01-02A	EA TRIM/STEP - DRIVER DOOR - TITANIUM
21	134154-01-000	EA MIRROR - CONVEX - 4" X 11.8"
22	127488-01-04A	EA APPLIQUE - LOWER DASH - SUNFLYER
23	134455-03-000	EA INSULATION/RADIATOR COVER/MAIN
24	134455-04-000	EA INSULATION/RADIATOR COVER/LEFT HAND

**DRIVERS COMPARTMENT GROUP (CONTINUED)**  
**FRONT INTERIOR (CONTINUED)**

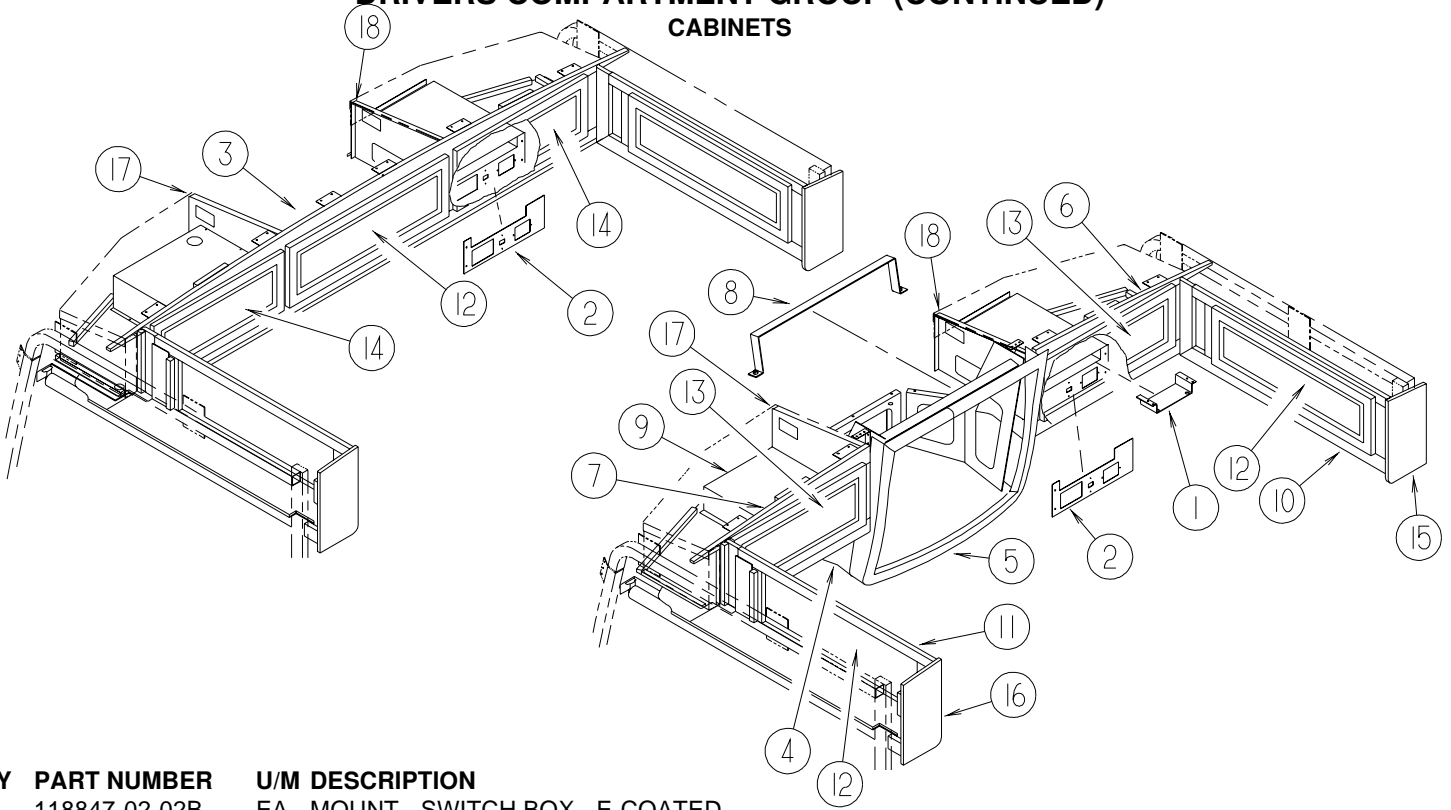
KEY	PART NUMBER	U/M	DESCRIPTION
25	127495-01-J60	EA	TABLE/WORK STATION - COMPLETE
	127147-01-02B	EA	BRACKET - SLIDE - MOUNTING - E-COATED
	127597-01-000	EA	SLIDE - WORK STATION - DASH - .4" LONG STUDS
26	125795-01-01A	EA	COVER - STEERING COLUMN - LOWER - BLACK
27	130259-02-J60	EA	COVER - STEERING COLUMN
28	132296-01-01A	EA	PANEL/TRIM - DASH/CAB DOOR - LOW MOUNT MIRRORS - ANTELOPE
29	106105-03-000	EA	CLIP - MOUNTING - UNIVERSAL
30	132297-01-L58	EA	BEVERAGE TRAY - PASSENGER/DRIVER - WASHED MAPLE
30	132297-01-L52	EA	BEVERAGE TRAY - PASSENGER/DRIVER - SALEM CHERRY
30	132354-02-02A	EA	PANEL/TRIM - INNER/PASSENGER - W/O BEVERAGE TRAY- TITANIUM
30	132595-01-02B	EA	BRACKET - BEVERAGE TRAY HOLDER
31	122856-01-01A	EA	FAN-DEFROSTER-2 SPEED W/SWIVEL BASE/NON-OSCILLATING-CHROME



KEY	PART NUMBER	U/M	DESCRIPTION
1	126440-09-K66	EA	PANEL - OVERHEAD/FRONT/BOTTOM - W/O FRONT TV
2	126443-16-M62	EA	PANEL - OVERHEAD/FRONT/PASSENGER
3	126443-17-M62	EA	PANEL - OVERHEAD/FRONT/LEFT HAND
4	132694-01-M62	EA	PANEL - OVERHEAD/FRONT/PASSENGER
5	132694-02-M62	EA	PANEL - OVERHEAD/FRONT/DRIVER
6	126440-11-M62	EA	PANEL - OVERHEAD/FRONT/BOTTOM/PASSENGER - W/ FRONT TV
7	126440-13-M62	EA	PANEL - OVERHEAD/FRONT/BOTTOM/DRIVER - W/ FRONT TV
8	123298-04-02A	EA	SUNVISOR - 10.5" X 21" - DRIVER/PASSENGER - TITANIUM

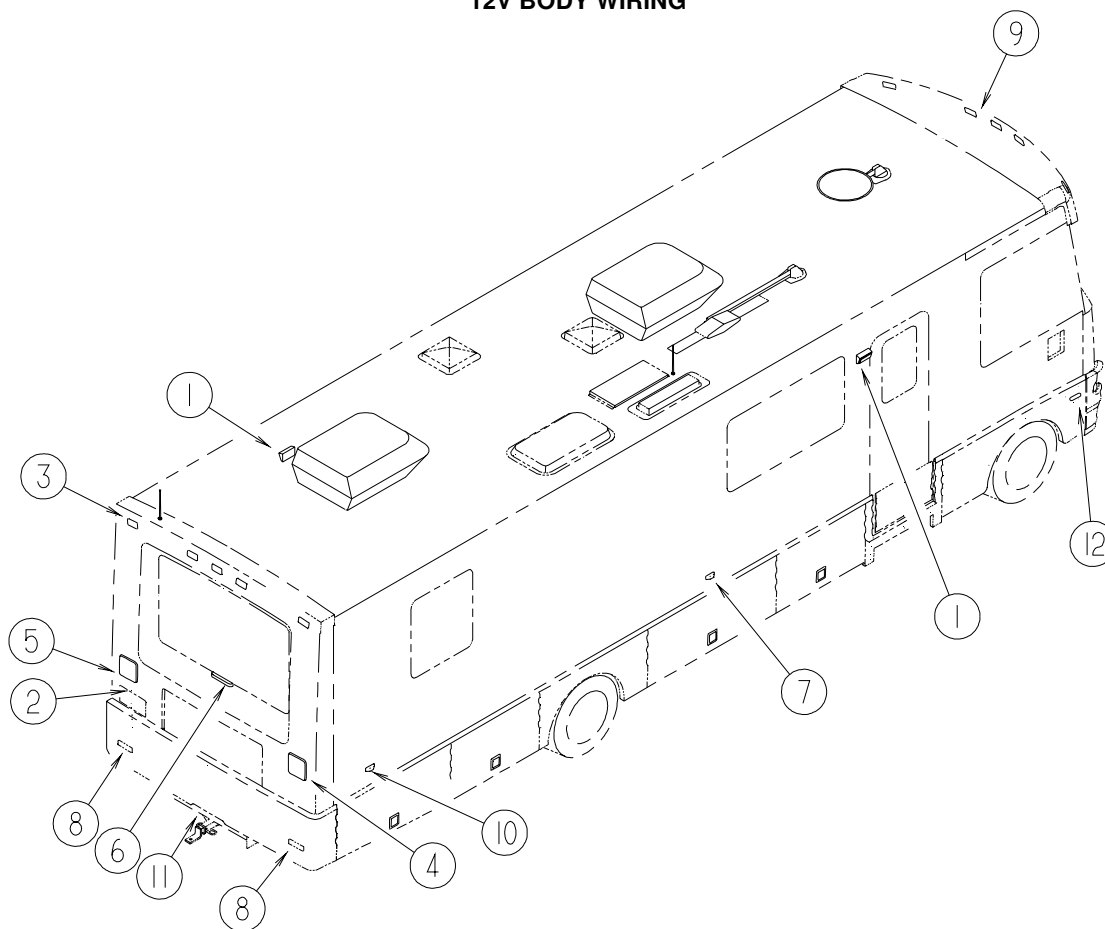
## DRIVERS COMPARTMENT GROUP (CONTINUED)

### CABINETS



KEY	PART NUMBER	U/M	DESCRIPTION
1	118847-02-02B	EA	MOUNT - SWITCH BOX - E-COATED
2	131807-11-M62	EA	PANEL - VINYL COVERED
3	132973-03-M62	EA	CABINET - OVERHEAD/FRONT - W/O DOORS/HARDWARE - WASHED MAPLE
3	132973-03-M52	EA	CABINET - OVERHEAD/FRONT - W/O DOORS/HARDWARE - SALEM CHERRY
4	P30021-02-M62	EA	COVER - TV - OVERHEAD/LOWER
			FROM: 00-00-00 THRU: 07-09-00
4	P30021-03-M62	EA	COVER - TV/OVERHEAD - LOWER
			FROM: 07-10-00 THRU: 99-99-99
5	130030-02-02B	EA	SUPPORT - TV - E-COATED
5	130020-02-02A	EA	COVER - TV - OVERHEAD FRONT - TITANIUM
6	132973-01-M62	EA	CABINET - OVERHEAD/FRONT - W/O DOORS/HARDWARE - WASHED MAPLE
6	132973-01-M52	EA	CABINET - OVERHEAD/FRONT - W/O DOORS/HARDWARE - SALEM CHERRY
7	132973-02-M62	EA	CABINET - OVERHEAD/FRONT - W/O DOORS/HARDWARE - WASHED MAPLE
7	132973-02-M52	EA	CABINET - OVERHEAD/FRONT - W/O DOORS/HARDWARE - SALEM CHERRY
8	133790-08-02B	EA	STRAP - TIEDOWN - TV - E-COATED
9	133827-01-02B	EA	PANEL/SHELF - E-COATED
10	132880-01-M62	EA	CABINET - OVERHEAD/FRONT/RIGHT HAND - W/O DOORS/HARDWARE - WASHED MAPLE
10	132880-01-M52	EA	CABINET - OVERHEAD/FRONT/RIGHT HAND - W/O DOORS/HARDWARE - SALEM CHERRY
11	132880-02-M62	EA	CABINET - OVERHEAD/FRONT/LEFT HAND - W/O DOORS/HARDWARE - WASHED MAPLE
11	132880-02-M52	EA	CABINET - OVERHEAD/FRONT/LEFT HAND - W/O DOORS/HARDWARE - SALEM CHERRY
12	135238-32-M62	EA	DOOR - RAIL/ARCHED TOP - 10" X 29.5" - W/O HARDWARE - WASHED MAPLE
12	135238-32-M63	EA	DOOR - RAIL/ARCHED TOP - 10" X 29.5" - W/O HARDWARE - SALEM CHERRY
13	135238-17-M62	EA	DOOR - RAIL/ARCHED TOP - 10.8" X 23.8" - W/O HARDWARE - WASHED MAPLE
			FROM: 00-00-00 THRU: 11-19-00
13	135238-72-M62	EA	DOOR - RAIL/ARCHED TOP - 10.8" X 23.8" - W/O HARDWARE - WASHED MAPLE
			FROM: 11-20-00 THRU: 99-99-99
13	135238-17-M63	EA	DOOR - RAIL/ARCHED TOP - 10.8" X 23.8" - W/O HARDWARE - SALEM CHERRY
			FROM: 00-00-00 THRU: 11-19-00
13	135238-72-M63	EA	DOOR - RAIL/ARCHED TOP - 10.8" X 23.8" - W/O HARDWARE - SALEM CHERRY
			FROM: 11-20-00 THRU: 99-99-99
13	100708-26-000	EA	DOOR - GLASS - TV CABINET - 7.9" X 21" - W/O HARDWARE
14	135238-18-M62	EA	DOOR - RAIL/ARCHED TOP - 10" X 25.1" - W/O HARDWARE - WASHED MAPLE
14	135238-18-M63	EA	DOOR - RAIL/ARCHED TOP - 10" X 25.1" - W/O HARDWARE - SALEM CHERRY
15	103128-57-M62	EA	END CAP - OVERHEAD CABINET/RIGHT HAND - WASHED MAPLE
15	103128-57-M52	EA	END CAP - OVERHEAD CABINET/RIGHT HAND - SALEM CHERRY
16	103128-58-M62	EA	END CAP - OVERHEAD CABINET/LEFT HAND - WASHED MAPLE
16	103128-58-M52	EA	END CAP - OVERHEAD CABINET/LEFT HAND - SALEM CHERRY
17	132856-01-02B	EA	PANEL/SHELF - E-COATED
18	126270-03-02B	EA	PANEL/SHELF - E-COATED

## ELECTRICAL GROUP 12V BODY WIRING



KEY	PART NUMBER	U/M	DESCRIPTION
1*	097917-01-06A	EA	LIGHT - PORCH - BRIGHT WHITE
	008215-01-000	EA	BULB - 12 VOLT - #1003 - .94 AMP
1*	008089-02-000	EA	LIGHT - PORCH - RECESSED - CANADIAN
	008214-01-000	EA	BULB - 12 VOLT - #67 - .59 AMP
2	087201-01-000	EA	LIGHT - HALF ROUND - 1" X 1.7" - PLASTIC - BLACK
3	102520-02-000	EA	LIGHT - CLEARANCE - W/O SOCKET/HOUSING - RED
3	036196-01-000	EA	BULB - 12V - #194 - .27 AMP - BAYONETTE
3	067789-02-000	EA	SOCKET - LAMP
3	102541-01-000	EA	GASKET - CLEARANCE LIGHT
4	117831-01-000	EA	LAMP - STOP/TURN/TAI/BACKUP
4	119157-01-000	EA	SOCKET - SINGLE CONTACT
4	119158-01-000	EA	SOCKET - DOUBLE CONTACT
4	037934-01-000	EA	BULB - 12V - #1156 - 2.1 AMP - CLEAR GLASS
4	037935-01-000	EA	BULB - 12V - #1157 OR #2057 - 2.1 AMP - CLEAR GLASS
5	117831-02-000	EA	LAMP - STOP/TURN/TAI/BACKUP
5	119157-01-000	EA	SOCKET - SINGLE CONTACT
5	119158-01-000	EA	SOCKET - DOUBLE CONTACT
5	037934-01-000	EA	BULB - 12V - #1156 - 2.1 AMP - CLEAR GLASS
5	037935-01-000	EA	BULB - 12V - #1157 OR #2057 - 2.1 AMP - CLEAR GLASS
6	121950-01-000	EA	LIGHT - BRAKE - CENTER MOUNT
			FROM: 00-00-00 THRU: 10-01-00
6	036196-01-000	EA	BULB - 12V - #194 - .27 AMP - BAYONETTE
			FROM: 00-00-00 THRU: 10-01-00
6	067789-02-000	EA	SOCKET - LAMP
			FROM: 00-00-00 THRU: 10-01-00
6	136916-01-000	EA	LIGHT - CENTER BRAKE - L.E.D.
			FROM: 10-02-00 THRU: 99-99-99
7	111102-01-000	EA	BASE - MARKER LAMP
7	111102-02-000	EA	LENS - AMBER - MARKER LAMP
7	036196-01-000	EA	BULB - 12V - #194 - .27 AMP - BAYONETTE

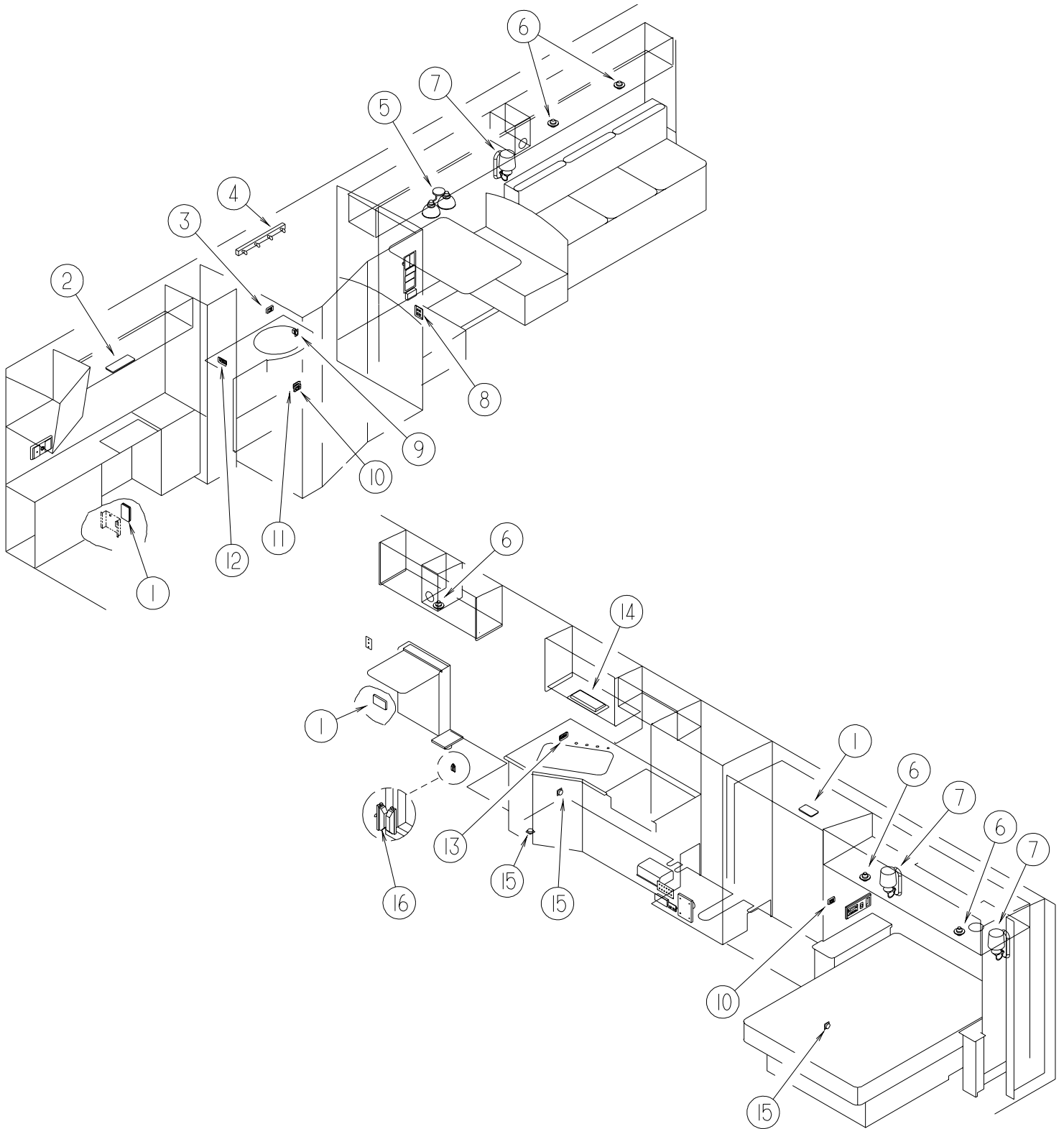
## ELECTRICAL GROUP (CONTINUED)

### 12V BODY WIRING (CONTINUED)

KEY	PART NUMBER	U/M	DESCRIPTION
8	117826-01-000	EA	SIDE MARKER LAMP ASSEMBLY - RED
8	117826-03-000	EA	GASKET - MARKER LIGHT
8	067789-02-000	EA	SOCKET - LAMP
8	036196-01-000	EA	BULB - 12V - #194 - .27 AMP - BAYONETTE
9	102520-01-000	EA	LIGHT - CLEARANCE - W/O SOCKET/HOUSING - AMBER
9	036196-01-000	EA	BULB - 12V - #194 - .27 AMP - BAYONETTE
9	067789-02-000	EA	SOCKET - LAMP
9	102541-01-000	EA	GASKET - CLEARANCE LIGHT
10	111102-01-000	EA	BASE - MARKER LAMP
10	111102-03-000	EA	LENS - RED - MARKER LAMP
10	036196-01-000	EA	BULB - 12V - #194 - .27 AMP - BAYONETTE
11	113589-01-000	EA	CONNECTOR - PLUG - TRAILER
11	113589-02-000	EA	CONNECTOR - SOCKET - TRAILER
12	117826-02-000	EA	SIDE MARKER LAMP ASSEMBLY - AMBER
12	117826-03-000	EA	GASKET - MARKER LIGHT
12	067789-02-000	EA	SOCKET - LAMP
12	036196-01-000	EA	BULB - 12V - #194 - .27 AMP - BAYONETTE

**\*COMPONENT PARTS LISTED LATER IN THIS GROUP**

**ELECTRICAL GROUP (CONTINUED)**  
**12V BODY WIRING (CONTINUED)**



KEY	PART NUMBER	U/M	DESCRIPTION
1*	098024-01-03A	EA	LIGHT - DOME - 1 BULB - WHITE
	008218-01-000	EA	BULB - 12 VOLT - #1141 - 1.44 AMP
2*	098024-06-02A	EA	LIGHT - DOME - 2 BULB - SKYLITE/OPTI CLEAR
	008218-01-000	EA	BULB - 12 VOLT - #1141 - 1.44 AMP
3	132180-02-01A	EA	SWITCH - PADDLE - SPDT - ON/ON - BLACK
3	098351-01-01A	EA	PLATE/SWITCH - 1 GANG - POLISHED BRASS - W/O LABEL
3	095188-01-01A	EA	SPACER - SWITCH - 2.3" X 3.4" - PLASTIC - DARK BROWN

## ELECTRICAL GROUP (CONTINUED)

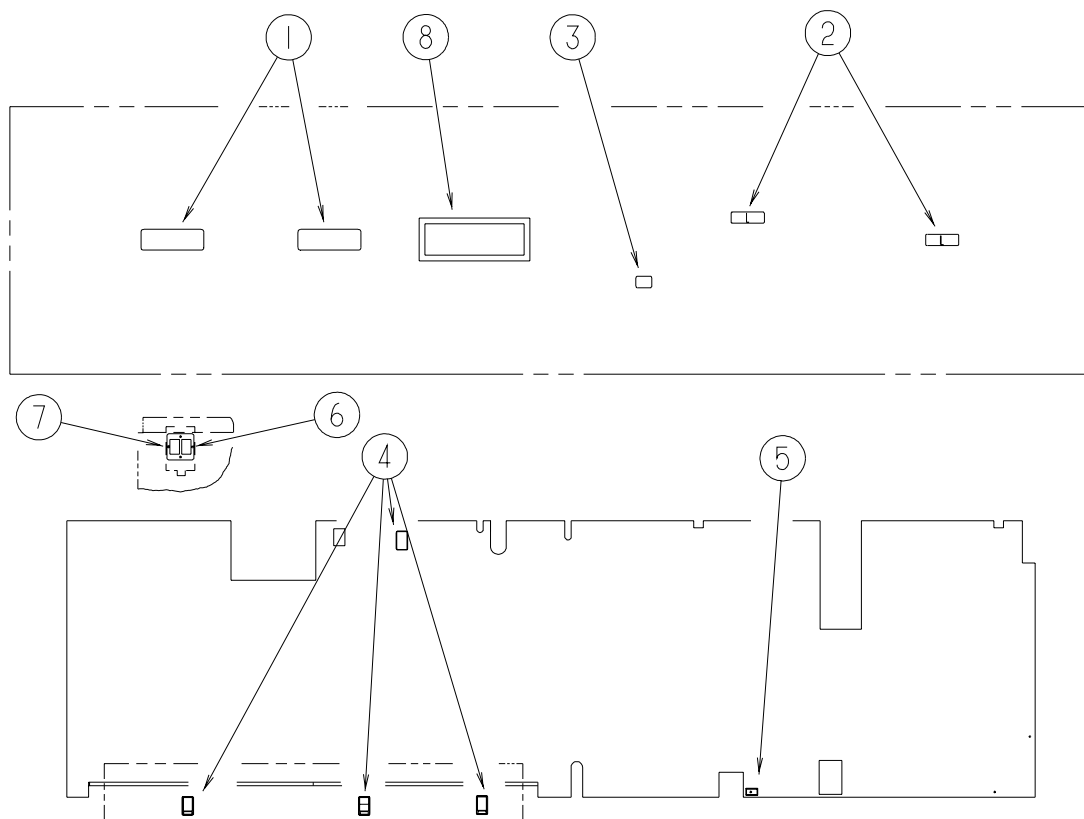
### 12V BODY WIRING (CONTINUED)

KEY	PART NUMBER	U/M	DESCRIPTION
4*	110235-02-01A	EA	LIGHT - MAKE UP - 4 BULB PANLESS
5	093575-17-01A	EA	LIGHT - CEILING/DOUBLE - UL/CSA
5	117806-01-000	EA	BULB - 12V - #912 - 1.0 AMP
6	132427-01-01A	EA	LIGHT - READING/SWIVEL/ROUND - BRASS
6	123917-01-000	EA	BULB - 12V - HALOGEN SPOT
7	119258-19-02A	EA	LAMP - WALL - BRASS/CHROME - UL/CSA
7	119257-13-01A	EA	SHADE - LAMP - SHANGHAI (WHITE) (M62,M63)
7	119257-10-01A	EA	SHADE - LAMP - LONG - WHITE/PINE CONE (M64,M65)
7	119257-11-01A	EA	SHADE - LAMP - LINEN/SLUB SATIN (TAN) (M66,M67)
7	067479-01-000	EA	BULB - 12V - #1076 - 1.80 AMP
8	132180-01-01A	EA	SWITCH - PADDLE - SPST - ON/OFF - BLACK
8	132180-02-01A	EA	SWITCH - PADDLE - SPDT - ON/ON - BLACK
8	098351-13-01A	EA	PLATE/SWITCH - 4 GANG - POLISHED BRASS - W/O LABEL
8	095188-03-01A	EA	SPACER - SWITCH - 3.3" X 4.6" - PLASTIC - DARK BROWN
9	081994-10-000	EA	PLATE/SWITCH - SLIDEOUT
9	108357-06-000	EA	SWITCH - ROCKER - DPDT - MOM/OFF/MOM - 6 TERMINAL
9	108356-02-01A	EA	COVER/ACTUATOR SWITCH - 2 ROWS DIMPLES- CONTURA II - BLACK
9	108355-01-000	EA	HOUSING - SWITCH
10	098351-01-01A	EA	PLATE/SWITCH - 1 GANG - POLISHED BRASS - W/O LABEL - <a href="#">HALL LAMP SWITCH</a>
10	079364-03-000	EA	SWITCH - ON/OFF ROCKER - 3 TERMINAL - BROWN - <a href="#">HALL LAMP SWITCH</a>
10	095188-01-01A	EA	SPACER - SWITCH - 2.3" X 3.4" - PLASTIC - DARK BROWN - <a href="#">HALL LAMP SWITCH</a>
11	132180-01-01A	EA	SWITCH - PADDLE - SPST - ON/OFF - BLACK - <a href="#">BATH SWITCH</a>
11	132180-02-01A	EA	SWITCH - PADDLE - SPDT - ON/ON - BLACK - <a href="#">BATH SWITCH</a>
11	098351-02-01A	EA	PLATE/SWITCH - 2 GANG - POLISHED BRASS - W/O LABEL - <a href="#">BATH SWITCH</a>
11	095188-01-01A	EA	SPACER - SWITCH - 2.3" X 3.4" - PLASTIC - DARK BROWN - <a href="#">BATH SWITCH</a>
12	109294-02-01A	EA	SWITCH PANEL - W/SWITCHES/LIGHT SWITCH - VENT FAN - <a href="#">POWER VENT</a>
12	095188-02-01A	EA	SPACER - SWITCH - 2.3" X 4.1" - PLASTIC - DARK BROWN - <a href="#">POWER VENT</a>
12	132180-01-01A	EA	SWITCH - PADDLE - SPST - ON/OFF - BLACK - <a href="#">VENTILATOR FAN</a>
12	098351-21-01A	EA	PLATE/SWITCH - 1 GANG W/LABEL - POLISHED BRASS - <a href="#">VENTILATOR FAN</a>
12	095188-02-01A	EA	SPACER - SWITCH - 2.3" X 4.1" - PLASTIC - DARK BROWN - <a href="#">VENTILATOR FAN</a>
13	132180-01-01A	EA	SWITCH - PADDLE - SPST - ON/OFF - BLACK
13	098351-05-01A	EA	PLATE/SWITCH - 3 GANG - POLISHED BRASS-PORCH/CEILING/STEP
13	095188-02-01A	EA	SPACER - SWITCH - 2.3" X 4.1" - PLASTIC - DARK BROWN
14*	091937-09-000	EA	LIGHT-FLOURESCENT-12V/30 WATT RECESSED - W/SWITCH
15*	108354-01-01A	EA	LIGHT - COURTESY
16	116995-02-000	EA	SWITCH/MAGNET - ELECTRIC STEP - BLACK/WHITE-CLOSED CIRCUIT

\*COMPONENT PARTS LISTED LATER IN THIS GROUP

## ELECTRICAL GROUP (CONTINUED)

### 12V BODY WIRING (CONTINUED)



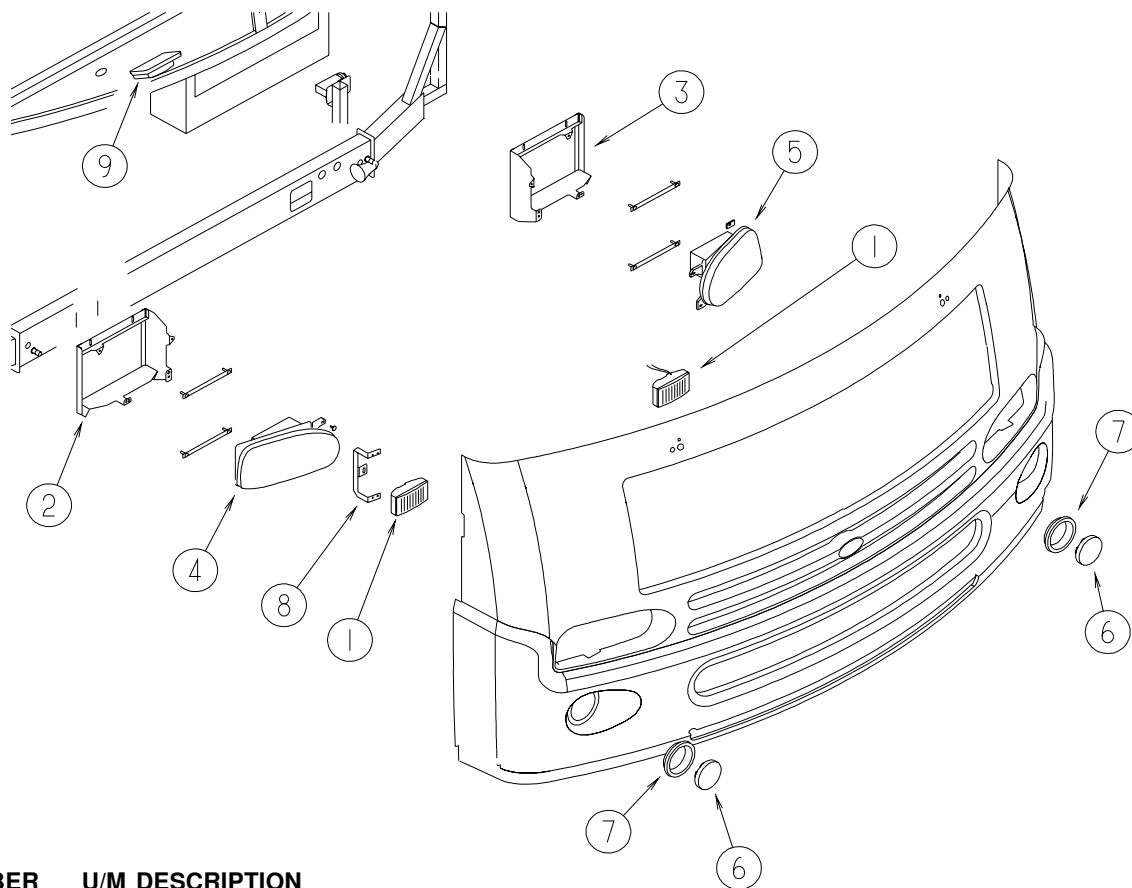
KEY	PART NUMBER	U/M	DESCRIPTION
1*	091937-08-000	EA	LIGHT-FLUORESCENT-12V/30 WATT RECESSED - W/O SWITCH
	091937-03-000	EA	BULB - FLUORESCENT LIGHT - 12 VOLT
2*	098024-09-02A	EA	LIGHT - DOME - 1 LENS/2 BULB FIXTURE - W/O SWITCH
3*	121935-01-01A	EA	LIGHT - DOME - SHOWER
4*	098024-01-03A	EA	LIGHT - DOME - 1 BULB - WHITE
	008218-01-000	EA	BULB - 12 VOLT - #1141 - 1.44 AMP
5*	086280-01-000	EA	LIGHT - SURFACE MOUNT - 12 VOLT
6	108357-06-000	EA	SWITCH - ROCKER - DPDT - MOM/OFF/MOM - 6 TERMINAL
6	108356-11-01A	EA	COVER/ACTUATOR SWITCH - 3 GROOVES - AUX BATT - BLACK
6	098351-07-01A	EA	PLATE/SWITCH - 1 GANG - POLISHED BRASS - GENERATOR
6	108355-01-000	EA	HOUSING - SWITCH
7	108357-07-000	EA	SWITCH - ROCKER - SPDT - MOM/OFF/MOM - 3 TERMINAL
7	108356-12-01A	EA	COVER/ACTUATOR SWITCH - 3 GROOVES
7	098351-22-01A	EA	PLATE/SWITCH - 2 GANG - POLISHED BRASS
7	108355-01-000	EA	HOUSING - SWITCH
8	133416-02-000	EA	LIGHT - FLUORESCENT - 36" - 1 BULB

\*COMPONENT PARTS LISTED LATER IN THIS GROUP



## ELECTRICAL GROUP (CONTINUED)

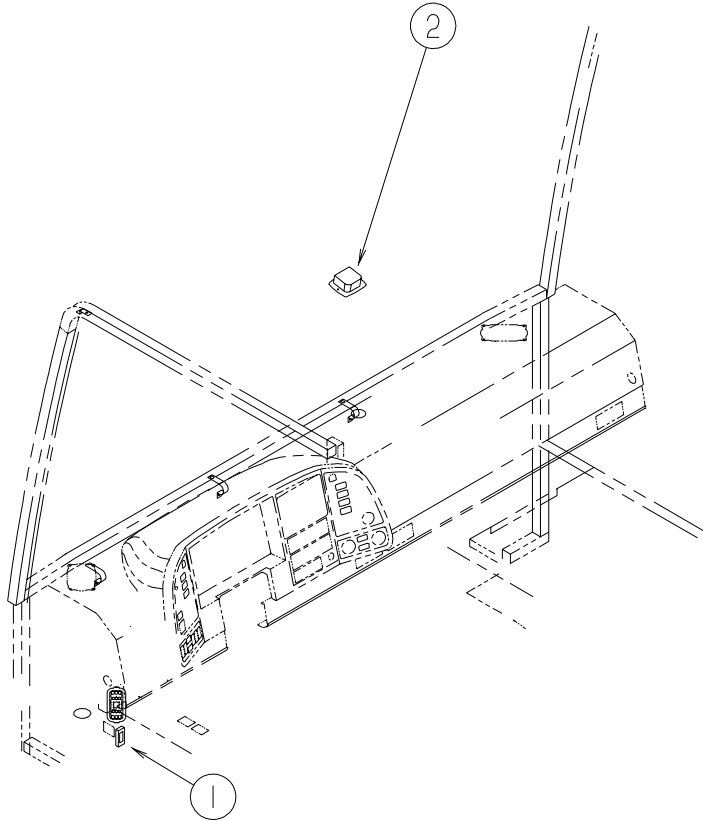
### FRONT END WIRING



KEY	PART NUMBER	U/M	DESCRIPTION
1	124215-01-000	EA	FOG LIGHT - RECTANGULAR/CLEAR LENS
2	125704-01-02B	EA	FRAME - HEADLAMP - RIGHT HAND - E-COATED
3	125704-02-02B	EA	FRAME - HEADLAMP - LEFT HAND - E-COATED
4	126199-01-000	EA	HEADLAMP CAPSULE - PASSENGER W/O BULB
	118054-01-000	EA	BULB-HEADLAMP REPLACEMENT-#9004 GE/SYLVANIA/WESTINGHOUSE
	088758-01-000	EA	HOUSING - HEADLAMP - CONNECTOR TERMINAL W/3 WIRES
5	126199-02-000	EA	HEADLAMP CAPSULE - DRIVER W/O BULB
	118054-01-000	EA	BULB-HEADLAMP REPLACEMENT-#9004 GE/SYLVANIA/WESTINGHOUSE
	088758-01-000	EA	HOUSING - HEADLAMP - CONNECTOR TERMINAL W/3 WIRES
6	126198-01-000	EA	LAMP ASSEMBLY - PARK/TURN - AMBER
7	126198-02-000	EA	GROMMET - MOUNTING - LIGHT/4" RED
8	127420-01-J60	EA	SUPPORT - FOG LIGHT
9*	098024-01-03A	EA	LIGHT - DOME - 1 BULB - WHITE
	008218-01-000	EA	BULB - 12 VOLT - #1141 - 1.44 AMP

**\*COMPONENT PARTS LISTED LATER IN THIS GROUP**

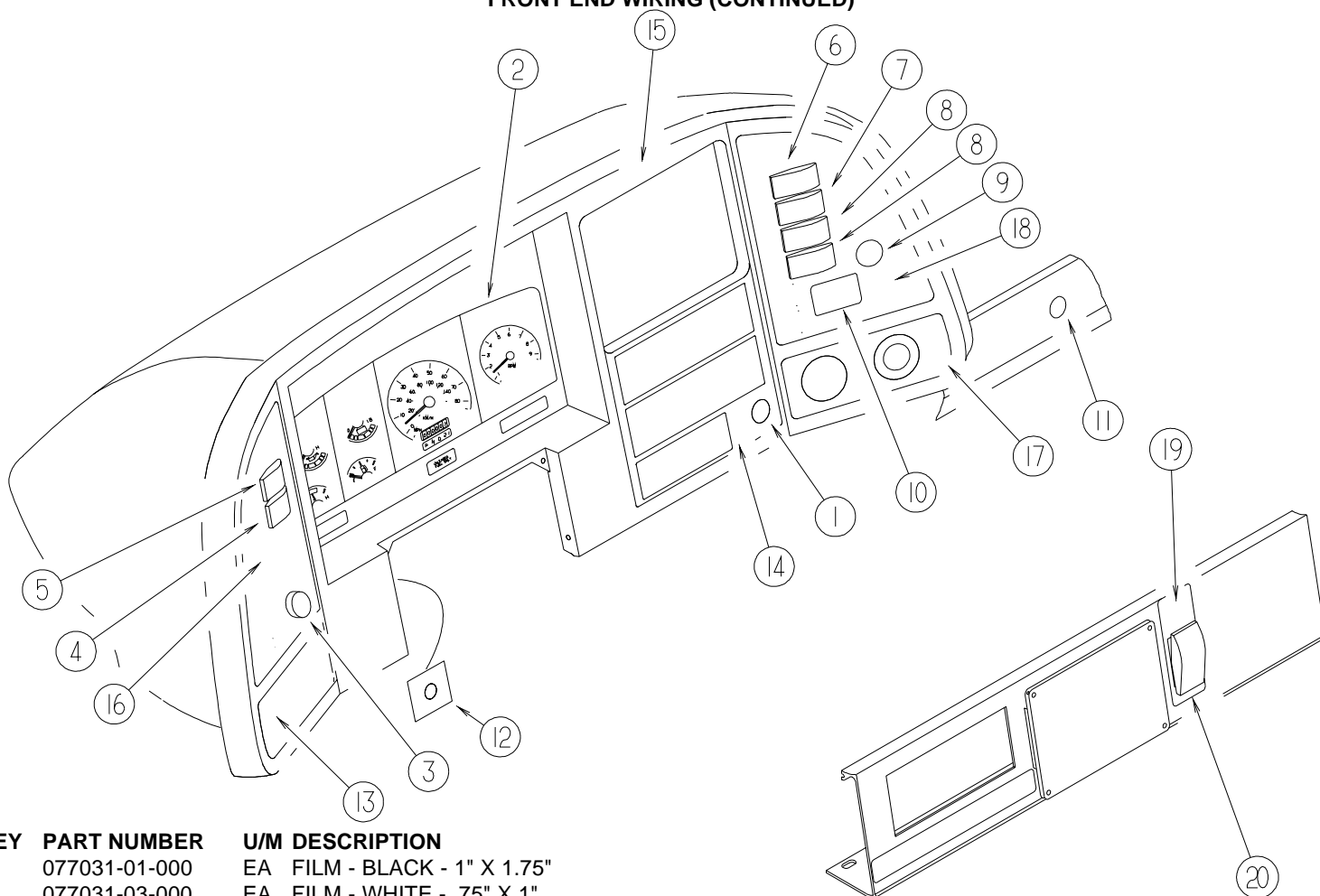
**ELECTRICAL GROUP (CONTINUED)**  
**FRONT END WIRING ( CONTINUED)**



KEY	PART NUMBER	U/M	DESCRIPTION	
1	041250-01-000	EA	SWITCH-PUSH BUTTON, IN DOOR JAMB - METAL - CHROME	
2	112642-01-06A	EA	TRIM RING - SINGLE LIGHT - BLACK	
2	112643-01-000	EA	LIGHT - SINGLE - SWIVEL	FROM: 00-00-00 THRU: 06-16-00
2	135376-01-01A	EA	LIGHT - DOME - CAB - BLACK	FROM: 00-00-00 THRU: 06-16-00 FROM: 06-17-00 THRU: 99-99-99

## ELECTRICAL GROUP (CONTINUED)

### FRONT END WIRING (CONTINUED)



KEY	PART NUMBER	U/M	DESCRIPTION
	077031-01-000	EA	FILM - BLACK - 1" X 1.75"
	077031-03-000	EA	FILM - WHITE - .75" X 1"
1	089294-01-000	EA	LIGHTER - CIGARETTE - W/SOCKET & WIRE
2	094794-06-000	EA	CLUSTER - INSTRUMENT PANEL - KILO/FORD F53 - F5TD-10849-BB
3	096675-01-000	EA	KNOB - HEADLAMP - W/SHAFT
3	096674-01-000	EA	NUT - HEADLAMP KNOB - BLACK
4	108357-01-000	EA	SWITCH - ROCKER SPST - ON/OFF - 2 TERMINAL
4	108356-01-01A	EA	COVER/ACTUATOR SWITCH - 3 GROOVES - CONTURA III - BLACK
5	108357-09-000	EA	SWITCH - ROCKER SPDT - ON/NONE/MOM - 3 TERMINAL
5	108356-01-01A	EA	COVER/ACTUATOR SWITCH - 3 GROOVES - CONTURA III - BLACK
6	108357-08-000	EA	SWITCH - ROCKER DPDT - ON/NONE/ON - 6 TERMINAL
6	108356-01-01A	EA	COVER/ACTUATOR SWITCH - 3 GROOVES - CONTURA III - BLACK
7	108357-10-000	EA	SWITCH - ROCKER SPDT - W/LIGHT - MOM/NONE/MOM - 5 TERMINAL
7	108356-03-01A	EA	COVER/ACTUATOR SWITCH - 3 GROOVES W/LIGHT-CONTRA III-BLACK
8	108357-03-000	EA	SWITCH - ROCKER SPDT - ON/OFF/ON - 3 TERMINAL
8	108356-01-01A	EA	COVER/ACTUATOR SWITCH - 3 GROOVES - CONTURA III - BLACK
8	077031-03-000	EA	FILM - WHITE - .75" X 1"
9	133534-02-000	EA	LIGHT - AMBER INDICATOR WITH 1/4" TERMINALS
10	136119-01-000	EA	COMPASS/THERMOMETER - ELECTRONIC
11	111414-01-000	EA	RECEPTACLE/SOCKET - 12 VOLT
12	133535-01-000	EA	MODULE - TIMER 20 SECOND - WARNING LIGHT - TS61120P
13	110420-04-01A	EA	APPLIQUE - BEZEL - LOWER/LEFT
14	110420-07-01A	EA	APPLIQUE - BEZEL - CENTER
15	110420-08-01A	EA	APPLIQUE - BEZEL - UPPER CENTER
16	110420-25-01A	EA	APPLIQUE - BEZEL - LEFT HAND - BLACK - FORD
17	110420-30-01A	EA	APPLIQUE - BEZEL - LOWER/RIGHT
18	110420-31-01A	EA	APPLIQUE - BEZEL - RIGHT HAND - BLACK
19	116220-01-000	EA	APPLIQUE - SWITCH/SLIDEOUT
20	108357-06-000	EA	SWITCH - ROCKER DPDT - MOM/OFF/MOM - 6 TERMINAL
20	108356-02-01A	EA	COVER/ACTUATOR SWITCH - 2 ROWS DIMPLES- CONTURA II - BLACK
	103603-01-000	EA	BULB - 12 VOLT - #74 - .12A WEDGE - GE 22-25 USED IN DASH
	103608-01-000	EA	SOCKET - WEDGE BASE W/LEADS
	133534-01-000	EA	LIGHT - RED INDICATOR WITH 1/4" TERMINALS

**ELECTRICAL GROUP (CONTINUED)**  
**COMPONENT PARTS FOR LIGHTS & SWITCHES**

**008089-02-000**

<b>KEY</b>	<b>PART NUMBER</b>	<b>U/M</b>	<b>DESCRIPTION</b>
	008089-01-700	EA	LENS-LIGHT, RECESSED, PORCH DECO

**086280-01-000**

<b>KEY</b>	<b>PART NUMBER</b>	<b>U/M</b>	<b>DESCRIPTION</b>	<b>VENDOR NO.</b>
	086280-01-000	EA	LIGHT - SURFACE MOUNT - 12 VOLT	JENSEN 1236
	086280-01-700	EA	BULB, 12V	ARP1089

**091937-08-000**

<b>KEY</b>	<b>PART NUMBER</b>	<b>U/M</b>	<b>DESCRIPTION</b>	<b>VENDOR NO.</b>
	091937-08-000	EA	LIGHT - FLUORESCENT - RECESSED/COVERED - THIN-LITE	
	091937-08-700	EA	LENS - LIGHT - FLUORESCENT , D-766	

**091937-09-000**

<b>KEY</b>	<b>PART NUMBER</b>	<b>U/M</b>	<b>DESCRIPTION</b>	<b>VENDOR NO.</b>
	091937-09-000	EA	LIGHT - FLUORESCENT - RECESSED/COVERED - THIN-LITE	
	091937-09-700	EA	LENS - LIGHT - FLUORESCENT , D-762	

**097917-01-06A**

<b>KEY</b>	<b>PART NUMBER</b>	<b>U/M</b>	<b>DESCRIPTION</b>	<b>VENDOR NO.</b>
	097917-01-06A	EA	LIGHT - PORCH - BRIGHT WHITE	
	097917-01-700	EA	LENS-LIGHT, CLEAR	30-78-021

**098024-01-03A**

<b>KEY</b>	<b>PART NUMBER</b>	<b>U/M</b>	<b>DESCRIPTION</b>	<b>VENDOR NO.</b>
	098024-01-03A	EA	LIGHT - DOME - 1 BULB - WHITE	
	098024-01-700	EA	LENS-LIGHT	807877

**098024-06-02A**

<b>KEY</b>	<b>PART NUMBER</b>	<b>U/M</b>	<b>DESCRIPTION</b>	<b>VENDOR NO.</b>
	098024-06-02A	EA	LIGHT - DOME - 2 BULB - SKYLITE/OPTI CLEAR	PD 772WR US/CSA
	098024-01-701	EA	LENS - OPTI CLEAR - SKYLITE	809902

**098024-09-02A**

<b>KEY</b>	<b>PART NUMBER</b>	<b>U/M</b>	<b>DESCRIPTION</b>	<b>VENDOR NO.</b>
	098024-09-02A	EA	LIGHT - DOME - 1 LENS/2 BULB FIXTURE - W/O SWITCH	
	098024-09-700	EA	LENS-DBL LHT/SGL LENS/FROST	810779

**108354-01-01A**

<b>KEY</b>	<b>PART NUMBER</b>	<b>U/M</b>	<b>DESCRIPTION</b>	<b>VENDOR NO.</b>
	108354-01-01A	EA	LIGHT - COURTESY	
	108354-01-700	EA	BULB-COURTESY LIGHT	395-B

**110235-02-01A**

<b>KEY</b>	<b>PART NUMBER</b>	<b>U/M</b>	<b>DESCRIPTION</b>	<b>VENDOR NO.</b>
	110235-02-01A	EA	LIGHT - MAKE UP - 4 BULB PANLESS	
	081633-01-700	EA	BULB-LIGHT, MAKE-UP	RP1041

**121935-01-01A**

<b>KEY</b>	<b>PART NUMBER</b>	<b>U/M</b>	<b>DESCRIPTION</b>	<b>VENDOR NO.</b>
	121935-01-01A	EA	LIGHT - DOME - SHOWER	
	121935-01-700	EA	LENS ONLY	809511

**ELECTRICAL GROUP (CONTINUED)**  
**CIRCUIT BREAKERS & FUSES**

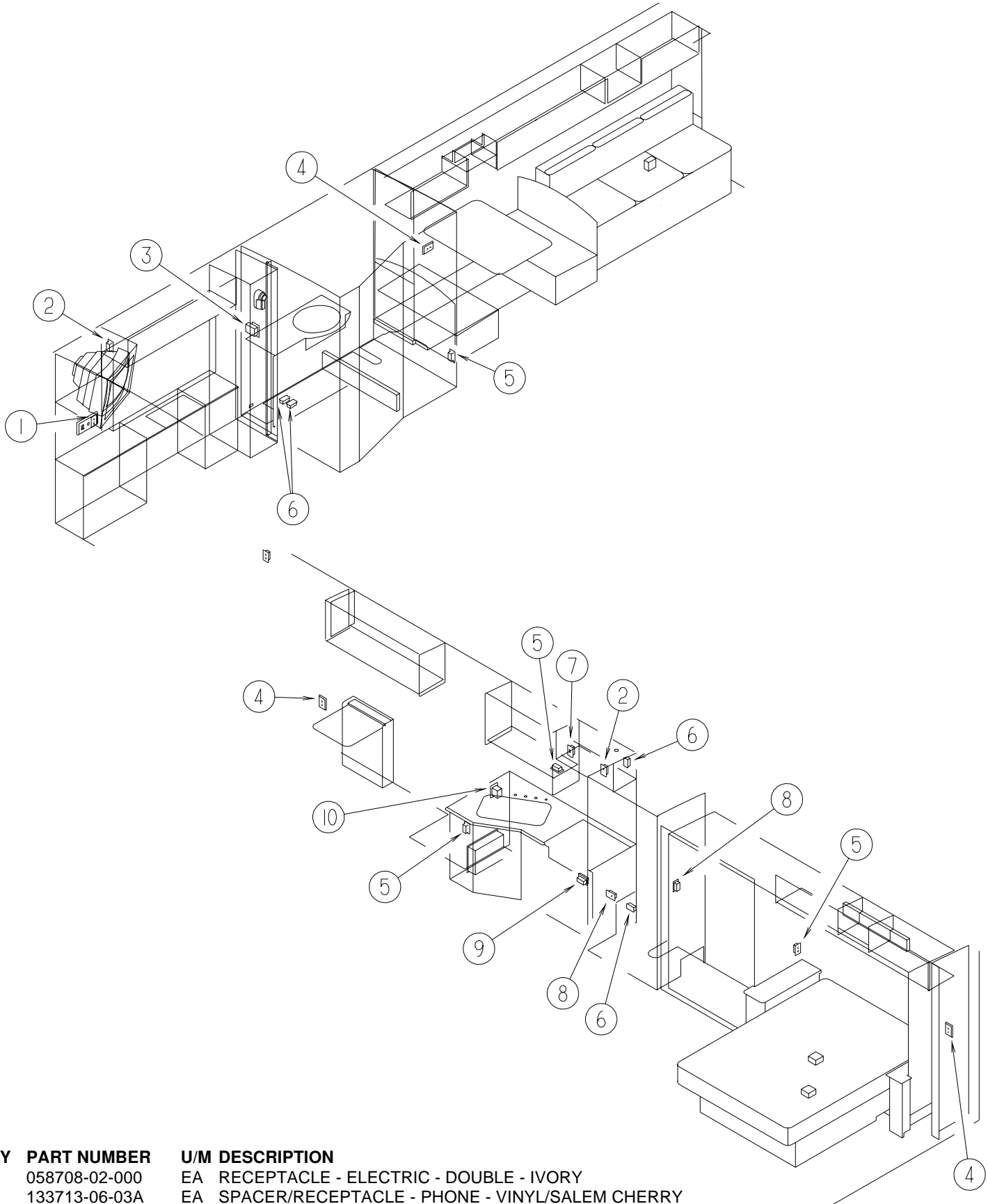
<b>KEY</b>	<b>PART NUMBER</b>	<b>U/M</b>	<b>DESCRIPTION</b>
	062901-02-000	EA	FUSE - 5 AMP - AUTOMOTIVE
	083209-01-000	EA	CIRCUIT BREAKER - 15 AMP - 120 VOLT - CANADIAN
	083209-02-000	EA	CIRCUIT BREAKER - 15/15 AMP - 120 VOLT
	083209-03-000	EA	CIRCUIT BREAKER - 15/20 AMP - 120 VOLT
	083209-05-000	EA	CIRCUIT BREAKER - 20 AMP - 120 VOLT
	083209-07-000	EA	CIRCUIT BREAKER - 20/20 AMP - 120 VOLT
	083209-10-000	EA	CIRCUIT BREAKER - 20/30 AMP - 120 VOLT
	083209-11-000	EA	CIRCUIT BREAKER - 20/15 AMP - 120 VOLT
	093654-01-000	EA	CIRCUIT BREAKER - 6 AMP - 12 VOLT - PUSH BUTTON
	093654-02-000	EA	CIRCUIT BREAKER - 15 AMP - 12 VOLT - PUSH BUTTON
	093654-03-000	EA	CIRCUIT BREAKER - 20 AMP - 12 VOLT - PUSH BUTTON
	093655-01-000	EA	CIRCUIT BREAKER - 25 AMP - 12 VOLT - PUSH BUTTON
	093655-02-000	EA	CIRCUIT BREAKER - 30 AMP - 12 VOLT - PUSH BUTTON
	093655-03-000	EA	CIRCUIT BREAKER - 40 AMP - 12 VOLT - PUSH BUTTON
	113482-01-000	EA	CIRCUIT BREAKER - 55 AMP - MANUAL
	122811-01-000	EA	CIRCUIT BREAKER - 20/50/50/20
	125986-04-000	EA	FUSE - 10 AMP - AUTO - MINI BLADE

**CONVERTER, INVERTER, LOAD CENTERS**

<b>KEY</b>	<b>PART NUMBER</b>	<b>U/M</b>	<b>DESCRIPTION</b>
	099048-04-000	EA	INVERTER - 300 WATT
	108915-03-000	EA	LOAD CENTER - 120/240 VOLT - 100 AMP
	123058-01-000	EA	CONVERTER - 55 AMP - ELECTRONIC - 4 1/8"H X 7"W X 12 3/8"L
	127002-01-000	EA	MODULE/CIRCUIT BOARD - ENERGY MANAGEMENT SYSTEM CONTROL FROM: 00-00-00 THRU: 01-28-01
	127002-04-000	EA	MODULE - EMS CONTROL - W/REMOTE SENSOR FROM: 01-29-01 THRU: 99-99-99
	127002-07-000	EA	SENSOR - CURRENT FROM: 01-29-01 THRU: 99-99-99
	127002-02-000	EA	PANEL/MONITOR - ENERGY MANAGEMENT SYSTEM FROM: 00-00-00 THRU: 01-28-01
	127002-05-000	EA	PANEL - MONITOR/EMS - W/PLUG FROM: 01-29-01 THRU: 99-99-99

# ELECTRICAL GROUP (CONTINUED)

## 110V WIRING

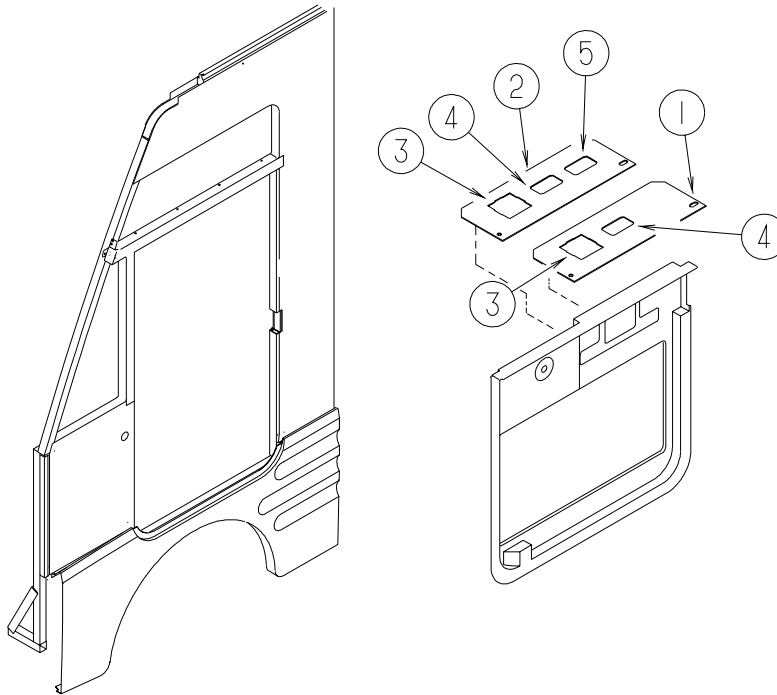


KEY	PART NUMBER	U/M	DESCRIPTION
1	058708-02-000	EA	RECEPTACLE - ELECTRIC - DOUBLE - IVORY
1	133713-06-03A	EA	SPACER/RECEPTACLE - PHONE - VINYL/SALEM CHERRY
1	133713-06-02A	EA	SPACER/RECEPTACLE - PHONE - VINYL/WASHED MAPLE
2	058708-05-000	EA	RECEPTACLE - ELECTRIC - SINGLE - BROWN
3	084076-01-000	EA	RECEPTACLE - GFI - 15 AMP/125 VOLT - IVORY - W/COVER

**ELECTRICAL GROUP (CONTINUED)**  
**110V WIRING (CONTINUED)**

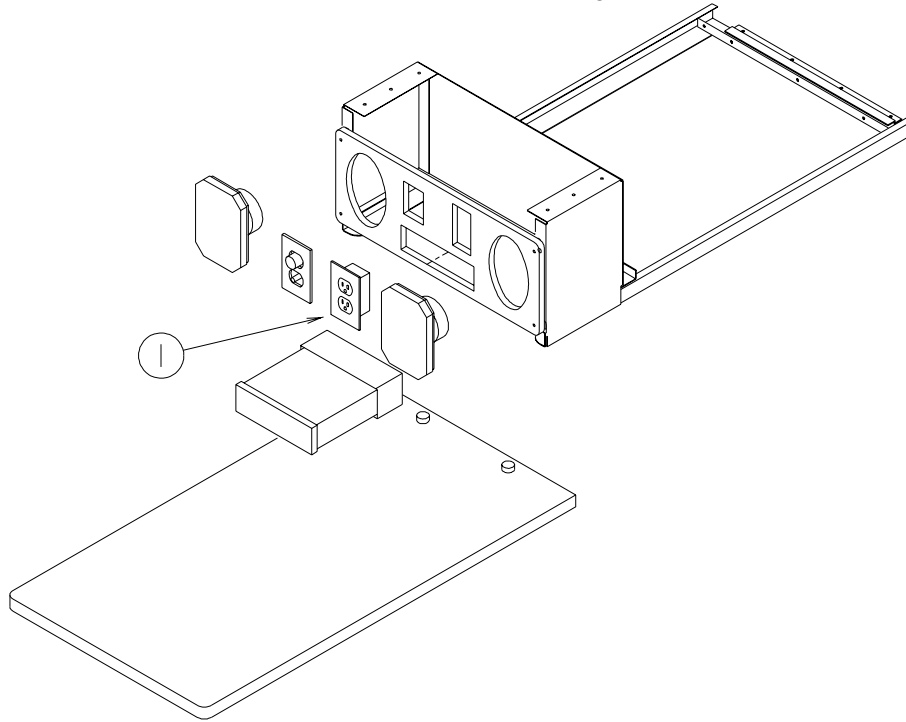
KEY	PART NUMBER	U/M	DESCRIPTION
4	058708-02-000	EA	RECEPTACLE - ELECTRIC - DOUBLE - IVORY
4	133713-01-03A	EA	SPACER/RECEPTACLE - VINYL/SALEM CHERRY
4	133713-01-02A	EA	SPACER/RECEPTACLE - VINYL/WASHED MAPLE
5	058708-01-000	EA	RECEPTACLE - ELECTRIC - DOUBLE - BROWN
6	058707-02-000	EA	RECEPTACLE - BLANK - JUNCTION BOX
7	084420-01-000	EA	SWITCH - TOGGLE - 15 AMP - 120 VOLT - BROWN
8	058707-01-000	EA	RECEPTACLE - ELECTRIC - SINGLE - BROWN
9	131826-01-01A	EA	RECEPTACLE - EXTERIOR - W/COVER/GASKET - WHITE
10	084076-02-000	EA	RECEPTACLE - GFI - 15 AMP/125 VOLT - BROWN - W/COVER

**DRIVERS DOOR WIRING**

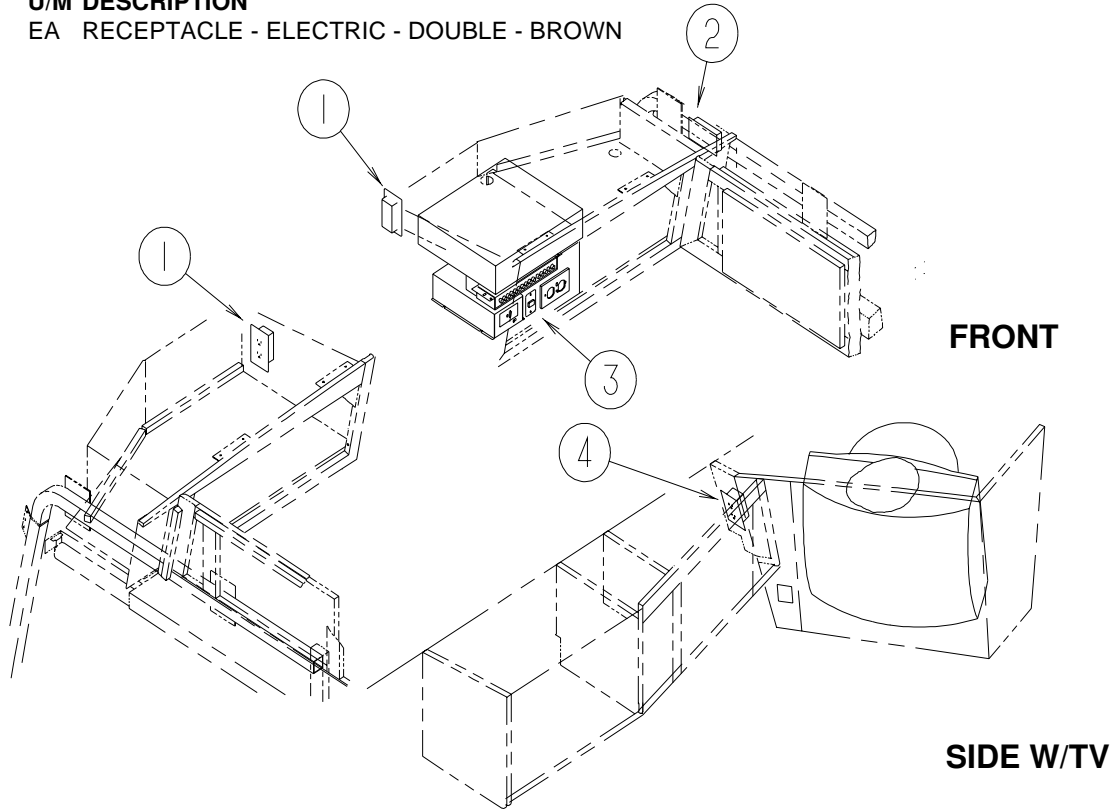


KEY	PART NUMBER	U/M	DESCRIPTION
1	NOT USED		
2	132514-02-02B	EA	PLATE - SWITCH- HEATED MIRROR - E-COATED
3	088246-01-000	EA	SWITCH/REMOTE MIRROR - W/2PIN & 6 PIN CONNECTORS/PIGTAIL
4	108357-14-000	EA	SWITCH - ROCKER SPDT - W/LIGHT - ON/OFF - 4 TERMINAL
4	108356-03-01A	EA	COVER/ACTUATOR SWITCH -3 GROOVES W/LIGHT-CONTRA III-BLACK
5	093132-01-000	EA	SWITCH - ROCKER/POWER WINDOWS - 5 TERM - (ARROWS)
	128131-01-01A	EA	SPACER/SWITCH - DOME - BLACK

**ELECTRICAL GROUP (CONTINUED)**  
**ENTERTAINMENT WIRING**



KEY	PART NUMBER	U/M DESCRIPTION
1	058708-01-000	EA RECEPTACLE - ELECTRIC - DOUBLE - BROWN



KEY	PART NUMBER	U/M DESCRIPTION
1	058708-02-000	EA RECEPTACLE - ELECTRIC - DOUBLE - IVORY
2	058707-02-000	EA RECEPTACLE - BLANK - JUNCTION BOX
3	079364-01-000	EA SWITCH - ON/OFF ROCKER - 2 TERMINAL - BROWN
		FROM: 00-00-00 THRU: 01-07-01
3	079364-04-000	EA SWITCH - ON/OFF ROCKER - 2 TERMINAL - BLACK
		FROM: 01-08-01 THRU: 99-99-99
3	098351-16-01A	EA PLATE/SWITCH - 1 GANG W/LABEL
4	058708-05-000	EA RECEPTACLE - ELECTRIC - SINGLE - BROWN



## ELECTRICAL GROUP (CONTINUED)

### BOXES & CORDS

KEY	PART NUMBER	U/M	DESCRIPTION
	008054-01-000	EA	CORD - POWER - 10/3 WIRE - 30 AMP - 25'
	008289-01-000	EA	BOX - ELECTRIC/STEEL - 1/2" & 3/4" KNOCKOUTS - 4" X 4"
	008294-01-000	EA	COVER - ELECTRIC BOX - BLANK/STEEL - 4" X 4" - GRAY
	091910-01-000	EA	BOX - ELECTRIC - 3.8" X 3.5" X 1.8" - PLASTIC
	091910-02-000	EA	BOX - ELECTRIC - 2.2" X 3.5" X 1.8" - PLASTIC
	092492-11-000	EA	SEAL - ELECTRIC BOX - 7" X 18.4"
	106071-04-000	EA	SWITCH - AUTOMATIC TRANSFER W/CONNECTION LUGS FROM: 00-00-00 THRU: 10-08-00
	106071-05-000	EA	SWITCH - AUTOMATIC TRANSFER - 50/70 - MAGNETEK FROM: 10-09-00 THRU: 99-99-99
	108934-02-000	EA	CORD - POWER - 50 AMP - 4-WIRE - 36'
	109172-01-000	EA	CORD - POWER - 13 AMP - 3-WIRE - 4'
	109925-04-000	EA	DOOR - ELECTRICAL BOX - GM/FORD
	118905-02-02B	EA	DOOR - ELECTRIC - 6.1" X 11.1" - CHEVY/FORD
	131679-01-000	EA	BOX-ELEC-WATERPROOF SEALED 4" X 4" W/4 3/4"OUTLETS-UL/CSA
	131680-01-000	EA	COVER - W/GASKET FOR WATERPROOF 4" X 4" BOX - UL/CSA
	133070-01-000	EA	BOX - ELECTRICAL - PLASTIC - 3" X 2" X 2.8" - UL
	133070-02-000	EA	BOX - ELECTRICAL - PLASTIC - 3" X 2" X 2.8" - CSA

### WIRE ASSEMBLIES

KEY	PART NUMBER	U/M	DESCRIPTION
	073328-B4-000	EA	CABLE ASSEMBLY - BATTERY - W/TERMINALS FROM: 00-00-00 THRU: 09-17-00
	090986-01-000	EA	WIRE ASSEMBLY - ELECTRIC STEP - <a href="#">L34Y</a>
	090986-02-000	EA	WIRE ASSEMBLY - ELECTRIC STEP - <a href="#">L36W</a>
	093040-06-000	EA	WIRE ASM-MONITOR- F/NON-PREWired AFTER MARKET INSTALLATION
	096449-01-000	EA	WIRE ASSEMBLY - WATER TANK TO MONITOR PANEL
	096450-01-000	EA	WIRE F/SENSORS - BLACK WATER - 39.3" - <a href="#">L36W</a>
	096450-05-000	EA	WIRE F/SENSORS - BLACK WATER - 23.6" - <a href="#">L34Y, L35U</a>
	096451-06-000	EA	WIRE F/SENSORS - GREY WATER - 23.6"
	096717-04-000	EA	WIRE ASSEMBLY - REAR MONITOR - UPPER
	108029-01-000	EA	WIRE ASSEMBLY - POWER DRIVER SEAT
	108029-02-000	EA	WIRE ASSEMBLY - POWER PASSENGER SEAT FROM: 00-00-00 THRU: 08-27-00
	108029-03-000	EA	WIRE ASSEMBLY - POWER PASSENGER SEAT FROM: 08-28-00 THRU: 99-99-99
	120233-05-000	EA	WIRE ASSEMBLY - 30" CONNECTS TO WALLPLATE DISPLAY
	124336-11-000	EA	WIRE - REAR STEREO - 12 PIN CONNECTION - <a href="#">L34Y, L36W</a>
	124842-02-000	EA	WIRE ASSEMBLY - SPEAKER/REAR MONITOR
	124843-01-000	EA	WIRE ASSEMBLY - SPEAKER ADAPTER - <a href="#">L34Y, L35U</a>
	124843-02-000	EA	WIRE ASSEMBLY - SPEAKER ADAPTER
	124843-03-000	EA	WIRE ASSEMBLY - SPEAKER ADAPTER
	124843-06-000	EA	WIRE ASSEMBLY - SPEAKER ADAPTER - <a href="#">L35U</a>
	124882-01-000	EA	WIRE ASSEMBLY - AMPLIFIER FROM: 00-00-00 THRU: 06-22-00
	124882-05-000	EA	WIRE ASSEMBLY - AMPLIFIER FROM: 06-23-00 THRU: 99-99-99
	124882-08-000	EA	WIRE ASM-AMP,MTS Q SURROUND
	125853-01-000	EA	WIRE ASSEMBLY - ENTERTAINMENT CENTER
	125853-04-000	EA	WIRE ASSEMBLY - ENTERTAINMENT CENTER
	126779-01-000	EA	WIRE ASSEMBLY - SPEAKER - DELUXE
	127002-03-000	EA	WIRE ASSEMBLY - ENERGY MANAGEMENT SYSTEM FROM: 00-00-00 THRU: 01-28-01
	127002-06-000	EA	WIRE ASSEMBLY - EMS - W/PLUG FROM: 01-29-01 THRU: 99-99-99
	128138-02-000	EA	WIRE - F/SATELLITE - AUTOMATIC - <a href="#">L34Y, L35U</a>
	129436-04-000	EA	WIRE ASSEMBLY - INSTRUMENT PANEL - POWER MIRROR
	131386-02-000	EA	WIRE ASSEMBLY - F/SLIDEOUT CONTROL
	132887-01-000	EA	WIRE ASM-EXTENSION,SLIDEOUT - <a href="#">L35U</a>
	132887-03-000	EA	WIRE ASM-EXTENSION,SLIDEOUT - <a href="#">L35U</a>
	134544-01-000	EA	WIRE ASSEMBLY - SWITCH ADAPTER
	135131-01-000	EA	WIRE ASSEMBLY - THERMOSTAT

## ELECTRICAL GROUP (CONTINUED)

### CONNECTORS & CONDUIT

KEY	PART NUMBER	U/M	DESCRIPTION
	007954-01-000	EA	RECEPTACLE - HOUSING - 6 POSITION
	007956-05-000	EA	INSULATOR - SHRINK - .25 ID X 1.50
	008311-01-000	EA	CONNECTOR - WIRE NUT - INSULATED - RED
	008313-01-000	EA	CONNECTOR - WIRE NUT - INSULATED - YELLOW
	008326-01-000	EA	TERMINAL - RING - 16/14 WIRE - 3/8" STUD
	008348-01-000	EA	TERMINAL - RING - 3/8" STUD 2 GA. WIRE
	008355-01-000	EA	CONNECTOR - CABLE CLAMPING - 3/4"
	008356-01-000	EA	CONNECTOR - PLASTIC - 3/8" AVG
	008356-02-000	EA	CONNECTOR - PLASTIC - 21/32
	008394-01-000	FT	CONDUIT - FLEXIBLE - 1/2"
	035416-04-000	EA	TERMINAL - RING - #10 STUD FIT - INSULATED BARREL #16/14
	041953-01-000	FT	CONDUIT - CONVOLUTE SLIT - .5" ID - POLYETHYLENE
	041953-02-000	FT	CONDUIT - CONVOLUTE SLIT - .6" ID
	041953-03-000	FT	CONDUIT - CONVOLUTE SLIT - 1" ID (CLOTHES ROD COVER)
	041953-05-000	FT	CONDUIT - CONVOLUTE SOLID - .62" ID - POLYETHYLENE
	041953-06-000	FT	CONDUIT - CONVOLUTE SLIT - .375" ID - POLYETHYLENE
	041953-07-000	FT	CONDUIT - CONVOLUTE SLIT - .25" ID - POLYETHYLENE
	041953-08-000	FT	CONDUIT - CONVOLUTE SLIT - 1.50" ID - POLYETHYLENE
	041953-09-000	FT	CONDUIT - CONVOLUTE SLIT - .50" ID - NYLON
	041953-10-000	FT	CONDUIT - CONVOLUTE SLIT - .75" ID - NYLON
	041953-11-000	FT	CONDUIT - CONVOLUTE SLIT - 1.06" ID - NYLON
	041953-12-000	FT	CONDUIT - CONVOLUTE SOLID - 1.1" ID - NYLON
	041953-13-000	FT	CONDUIT - CONVOLUTE SLIT - 1.25
	047443-01-000	EA	TERMINAL - .250 RECEPTACLE FIT - INSULATED - 16/14 AWG
	047443-02-000	EA	TERMINAL - .250 RECEPTACLE FIT - INSULATED - 12/10 AWG
	058028-01-000	EA	CONNECTOR - ELECTRICAL PIGTAIL - NYLON - CLEAR
	062036-01-000	EA	TERMINAL - PACK - CON - 12/10 AWG
	077479-01-000	EA	BOOT - BATTERY TERMINAL - DOUBLE CABLE
	077479-02-000	EA	BOOT - BATTERY TERMINAL - SINGLE CABLE
	080015-02-000	EA	RECEPTACLE - FLAG - .185 - 16/14 GAUGE
	080015-03-000	EA	RECEPTACLE - FLAG - .250 - 14/16 GAUGE
	082109-01-000	EA	HOUSING - CONNECTOR - PACKARD
	087225-01-000	FT	SLEEVING - 1/2" - TYPE H
	087225-02-000	FT	SLEEVING - 5/8" - TYPE H
	087949-01-000	EA	BUSS BAR - 2 POSITION - .6" X 1.5"
	087949-02-000	EA	BUSS BAR - 3 POSITION - .6" X 2.4"
	087949-03-000	EA	BUSS BAR - 4 POSITION
	088267-01-000	EA	TERMINAL - FEMALE - 1/4
	088473-01-000	EA	HOUSING - PIN - 12 CAVITY (3 ROWS OF 4)
	088473-02-000	EA	HOUSING - PIN - 15 CAVITY (3 ROWS OF 5)
	088473-03-000	EA	HOUSING - PIN - 9 CAVITY (3 ROWS OF 3)
	088473-04-000	EA	HOUSING - PIN - 8 CAVITY IN-LINE
	088473-06-000	EA	HOUSING - PIN - 6 CAVITY (2 ROWS OF 3)
	088473-08-000	EA	HOUSING - PIN - 4 CAVITY - IN-LINE
	088473-09-000	EA	HOUSING - PIN - 3 CAVITY - IN-LINE
	088473-10-000	EA	HOUSING - PIN - 2 CAVITY - IN LINE
	088474-01-000	EA	HOUSING - SOCKET - 12 CAVITY
	088474-02-000	EA	HOUSING - SOCKET - 15 CAVITY
	088474-03-000	EA	HOUSING - SOCKET - 9 CAVITY
	088474-06-000	EA	HOUSING - SOCKET - 6 CAVITY
	088474-08-000	EA	HOUSING - SOCKET - 4 CAVITY
	088474-09-000	EA	HOUSING - SOCKET - 3 CAVITY
	088474-10-000	EA	HOUSING - SOCKET - 2 CAVITY
	088475-01-000	EA	PIN - CONNECTOR - 14-20 AWG
	088475-02-000	EA	PIN - CONNECTOR - 10-12 AWG
	088476-01-000	EA	TERMINAL - ELECTRICAL
	088476-02-000	EA	SOCKET - CONNECTOR - 12-10 GA - PRE-TIN
	098261-02-000	EA	SOCKET - CONNECTOR - WEATHERPACK - 14-18 AWG
	098262-01-000	EA	SEAL - CONNECTOR - WEATHERPACK
	098262-05-000	EA	SEAL - CAVITY
	098262-06-000	EA	SEAL - CONNECTOR - M/P - 10 GAUGE
	098263-01-000	EA	HOUSING - 3 PIN - WEATHER PACK
	098263-02-000	EA	HOUSING - 3 PIN - WEATHER PACK
	098264-01-000	EA	HOUSING - 2 PIN - WEATHER PACK - MALE W/FEMALE PINS
	098264-02-000	EA	HOUSING - 2 PIN - WEATHER PACK - FEMALE W/MALE PINS

## ELECTRICAL GROUP (CONTINUED)

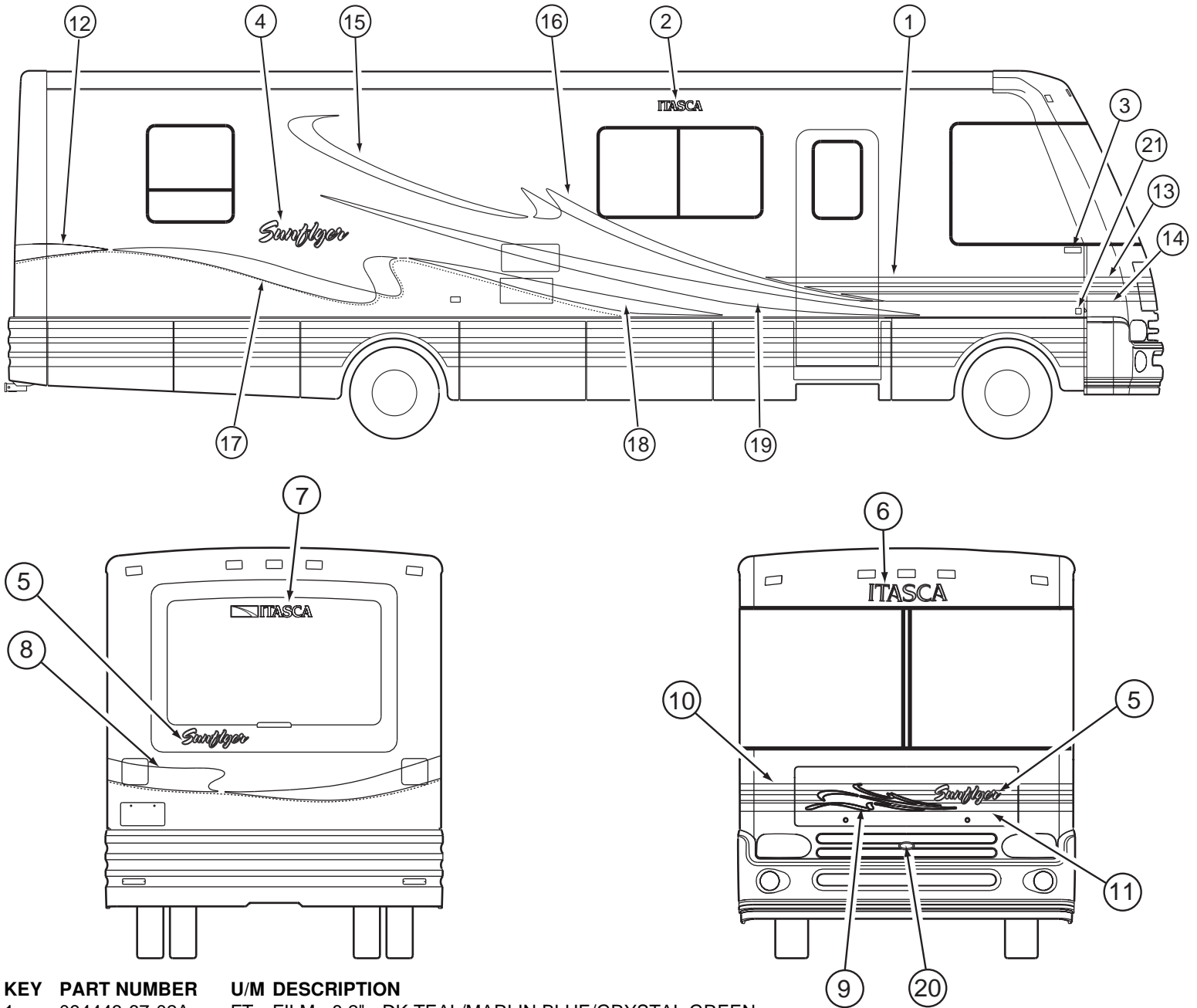
### CONNECTORS & CONDUIT (CONTINUED)

KEY	PART NUMBER	U/M	DESCRIPTION
	098265-02-000	EA	PIN - CONNECTOR - WEATHER PACK
	101571-01-000	EA	HOUSING - 2 POSITION - MALE
	102777-02-000	EA	TERMINAL - RING - #6 STUD - 10 AWG
	104100-01-000	EA	HOUSING - 1 POSITION - 75 AMPS
	104100-03-000	EA	TERMINAL - 75 AMP
	110178-01-000	EA	HOUSING - WIPER MOTOR
	112823-01-000	EA	SPLICE - REDUCER - 16-14 TO 18-22
	113306-01-000	EA	TERMINAL - FEMALE - M/P - 14-16 - F/NON-SEALED TERMINAL
	113306-02-000	EA	TERMINAL - FEMALE - M/P - 10-12 - 480
	113308-01-000	EA	TERMINAL - FEMALE - M/P - 14-16 - 280
	113452-01-000	FT	SEAL/TRIM - FRONT - VINYL W/WIRE CARRIER - .020"
	113452-02-000	FT	SEAL/TRIM - FRONT - VINYL W/WIRE CARRIER - .027"
	113468-01-000	EA	HOUSING - 2 POSITION-FEMALE-USED ON WIPER/WASHER WIRE ASM
	116811-01-000	EA	TERMINAL - .110 RECEPTACLE - 16-14 AWG
	118571-01-000	EA	CONNECTOR - 3-WAY - MALE/SEALED
	118571-02-000	EA	CONNECTOR - 3-WAY - FEMALE/SEALED
	118571-03-000	EA	BRACKET - MOUNTING
	118571-04-000	EA	GASKET
	118571-05-000	EA	LOCK - SECONDARY - FEMALE
	118571-06-000	EA	LOCK - SECONDARY - MALE
	118597-01-000	EA	TERMINAL - MALE - M/P - 480 - 14-16
	118599-01-000	EA	TERMINAL - MALE - M/P - 280 - 14-16
	119223-01-000	EA	HOUSING - 6 POSITION - MALE - WEATHERPACK
	125323-02-000	EA	HOUSING - 8 POSITION - MALE
	125323-03-000	EA	LOCK - SECONDARY 8 POSITION
	125324-01-000	EA	TERMINAL - MALE - METRI-PACK - 150
	125325-01-000	EA	SEAL - CAVITY
	126403-02-000	EA	CONNECTOR - 3 CIRCUIT
	131681-01-000	EA	CONNECTOR - 3/4" SO CORD - UL/CS
	135895-01-000	EA	TERMINAL - FEMALE
	137207-01-000	EA	HOUSING - PIN - 2 CAVITY/HIGH AMP
	137208-01-000	EA	HOUSING - SOCKET - 2 CAVITY/HIGH AMP
	137209-01-000	EA	PIN - CONNECTOR - 10AWG/HIGH AMP
	137210-01-000	EA	SOCKET - CONNECTOR - 10 AWG/HIGH AMP

### BOOTS, SOLENOIDS, RELAYS & MISCELLANEOUS

KEY	PART NUMBER	U/M	DESCRIPTION
	008188-01-000	EA	SOLENOID - 3 POST - BATTERY CHANGE OVER
	063910-01-000	EA	HOUSING - RELAY
	063912-02-000	EA	RELAY - CANISTER - SPDT
	065450-05-000	EA	TIEDOWN - BATTERY - 8.4" TUBE
	086233-01-000	EA	STUD - ISOLATED - 3/8" X 7/8" LONG
	086273-01-000	EA	RELAY - BATTERY DISCONNECT
	115539-01-000	EA	RELAY - RADIO/TV SPEAKER - SWITCH
	131832-01-000	EA	RELAY - 25 AMP/120 VOLT AC/6 TERM - CUTLER-HAMMER D8PR7TEA
	131832-02-000	EA	HOUSING - RELAY

## EXTERIOR BODY GROUP GRAPHICS & PAINT



KEY	PART NUMBER	U/M	DESCRIPTION
1	094443-67-02A	FT	FILM - 8.2" - DK TEAL/MARLIN BLUE/GRYSTAL GREEN
2	124811-01-16A	EA	DECAL - LOGO - ITASCA - MARLIN BLUE/BRIGHT WHITE
3	132664-01-01A	EA	DECAL - LOGO/DOMED - WINNEBAGO - GOLD/BLACK - PLASTIC
4	120712-01-04A	EA	DECAL - LOGO-SUNFLYER/LARGE-CRY GRN/MARLIN BL/DK TEAL/BR/W
5	120712-02-04A	EA	DECAL - LOGO-SUNFLYER/SMALL-CRY GRN/MARLIN BL/DK TEAL/BR/W
6	124989-01-09A	EA	DECAL - LOGO/ITASCA - SWEEP #15 - MARLIN BLUE/BRIGHT WHITE
7	124806-01-16A	EA	DECAL - LOGO - ITASCA W/ICON - MARLIN BLUE/BRIGHT WHITE
8	133192-01-02A	EA	DECAL - RIBBON - BACKWALL - MARLIN BLUE
9	133193-01-02A	EA	DECAL - RIBBON-HOOD-BRT/WHT/CRYSTAL GRN/DK TEAL/MARLINBLU
10	133194-01-02A	EA	DECAL - HOOD/UPPER - DK TEAL/MARLIN BLUE
11	133195-01-02A	EA	DECAL - HOOD/LOWER - CRYSTAL GREEN
12	133191-01-02A	EA	DECAL - RIBBON - CORNER/REAR/PASSENGER - MARLIN BLUE
12	133191-02-02A	EA	DECAL - RIBBON - CORNER/REAR/DRIVER - MARLIN BLUE
13	133189-01-02A	EA	DECAL - CORNER - UPPER/FRONT/PASSENGER - DK TEAL/MARLIN BL
13	133189-02-02A	EA	DECAL - CORNER - UPPER/FRONT/DRIVER - DK TEAL/MARLIN BLUE
14	133190-01-02A	EA	DECAL - CORNER - LOWER/FRONT/PASSENGER - CRYSTAL GREEN
14	133190-02-02A	EA	DECAL - CORNER - LOWER/FRONT/DRIVER - CRYSTAL GREEN
15	133184-01-02A	EA	DECAL - RIBBON #1 - UPPER/PASSENGER - CRYSTAL GREEN
15	133184-02-02A	EA	DECAL - RIBBON #1 - UPPER/DRIVER - CRYSTAL GREEN

## EXTERIOR BODY GROUP (CONTINUED)

### GRAPHICS & PAINT (CONTINUED)

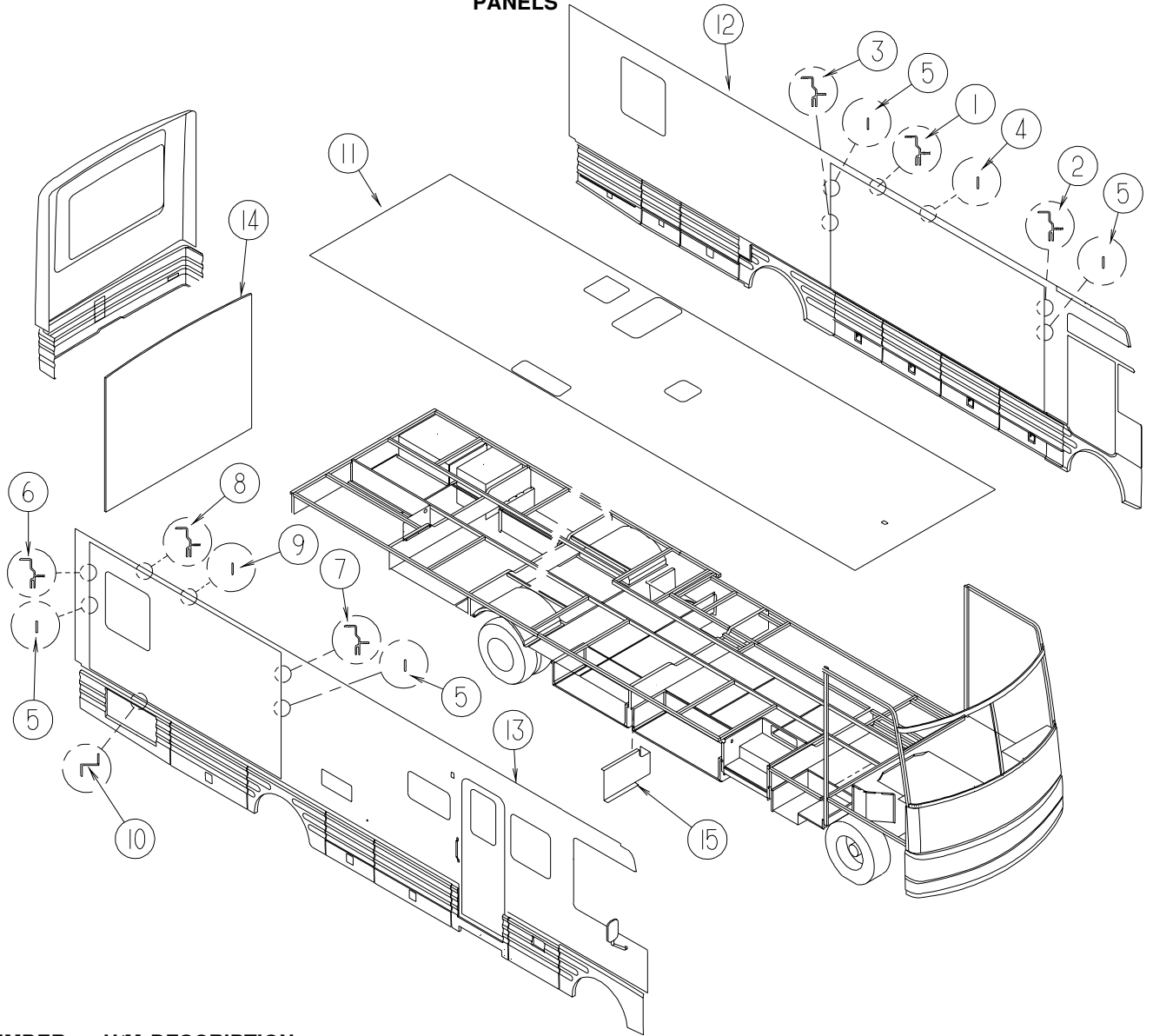
KEY	PART NUMBER	U/M	DESCRIPTION
16	133185-01-02A	EA	DECAL - RIBBON #2 - UPPER/PASSENGER - CRYSTAL GREEN
16	133185-02-02A	EA	DECAL - RIBBON #2 - UPPER/DRIVER - CRYSTAL GREEN
17	133187-01-02A	EA	DECAL - RIBBON #1 - LOWER/PASSENGER - MARLIN BLUE
17	133187-02-02A	EA	DECAL - RIBBON #1 - LOWER/DRIVER - MARLIN BLUE
18	133188-01-02A	EA	DECAL - RIBBON #2 - LOWER/PASSENGER - MARLIN BLUE
18	133188-02-02A	EA	DECAL - RIBBON #2 - LOWER/DRIVER - MARLIN BLUE
19	133186-01-02A	EA	DECAL - RIBBON - MIDDLE/PASSENGER - DARK TEAL
19	133186-02-02A	EA	DECAL - RIBBON - MIDDLE/DRIVER - DARK TEAL
20	120875-02-01A	EA	DECAL - ITASCA - OVAL DOMED - GRILLE - BLACK/GOLD
20	120994-01-01A	EA	BEZEL - DOMED GRILLE LOGO
21	129922-01-01A	EA	EMBLEM - TRITON V10 - BLACK/SILVER METALLIC/SILVER
	041561-03-000	EA	PAINT - 16 OUNCE SPRAY - OFF WHITE
	093681-40-01A	FT	FILM - 2" - FLAT BLACK
	116424-01-000	EA	PROTECTOR - LATCH - WATER HEATER
	091828-61-000	GL	PAINT-CHROMABASE L8723 - OFF WHITE

### DUPONT COLOR CODES

MARLIN BLUE METALLIC	DUPONT #BM500
DARK TEAL METALLIC	DUPONT #GM217
CRYSTAL GREEN METALLIC	DUPONT #GM144
CHAMPAGNE STAR METALLIC	DUPONT #MM081
SAHARA METALLIC	DUPONT #M1024U
BLUE GREEN METALLIC	DUPONT #F4591U

# EXTERIOR BODY GROUP (CONTINUED)

## PANELS



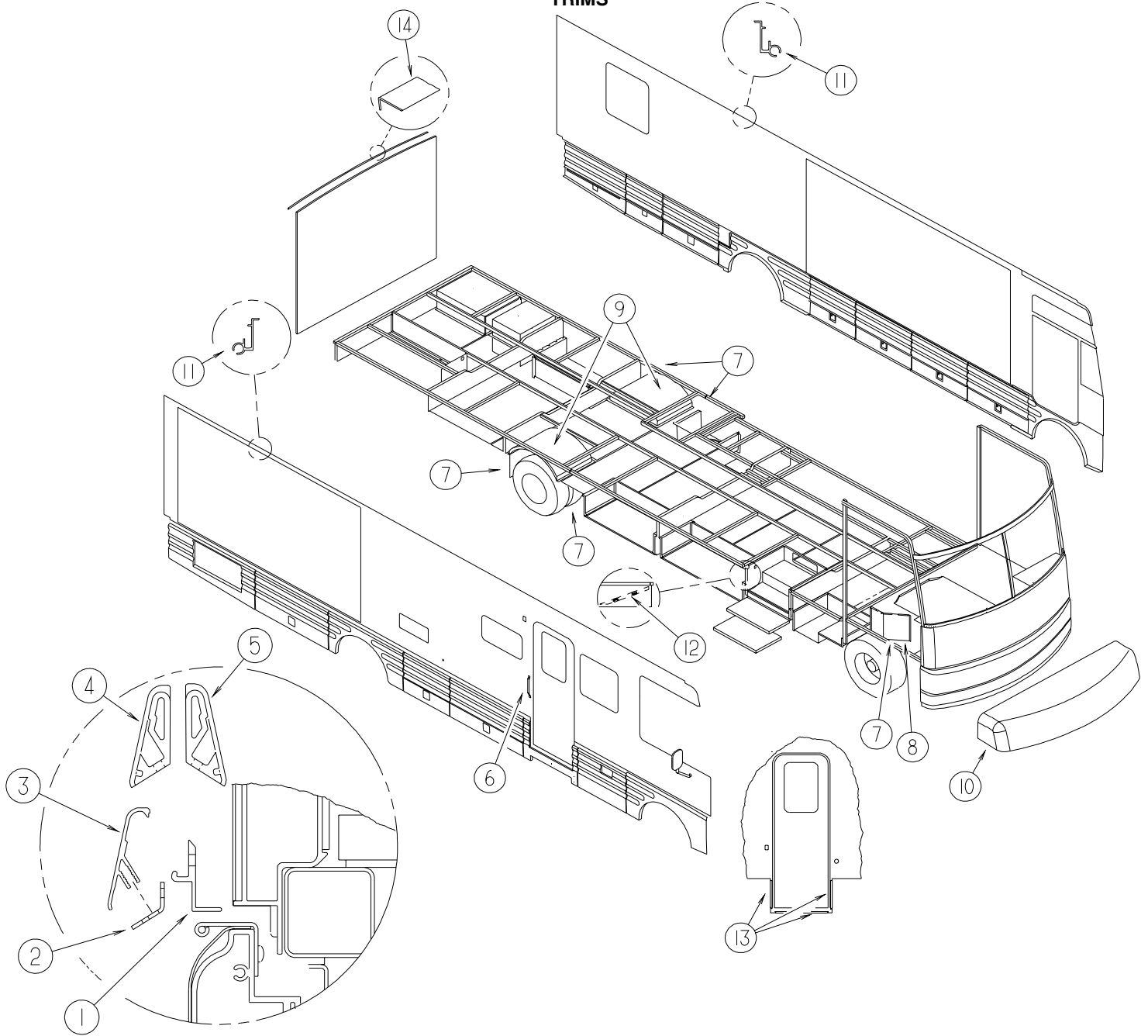
KEY	PART NUMBER	U/M	DESCRIPTION
1	115863-03-03A	EA	TRIM - SIDEWALL/SLIDEOUT - TOP - 159.4" - BRT WHT
2	115863-27-01A	EA	TRIM - SIDEWALL/SLIDEOUT - LEFT HAND - 75.5" BRIGHT WHITE
3	115863-28-01A	EA	TRIM - SIDEWALL/SLIDEOUT - RIGHT HAND - 75.5" BRIGHT WHITE
4	115886-01-03A	EA	RETAINER - SIDEWALL - BRIGHT WHITE - 159.4"
5	115886-02-03A	EA	RETAINER - SIDEWALL - BRIGHT WHITE - 73.5"
6	115863-22-01A	EA	TRIM - SIDEWALL/SLIDEOUT - LEFT HAND - 75.6" - BRT WHT
7	115863-23-01A	EA	TRIM - SIDEWALL/SLIDEOUT - RIGHT HAND - 75.6" - BRT WHT
8	115863-24-01A	EA	TRIM - SIDEWALL/SLIDEOUT - TOP - 133.7" - BRIGHT WHITE
9	115886-10-01A	EA	RETAINER - SIDEWALL - BRIGHT WHITE - 133.8"
10	124303-03-02A	EA	TRIM - SIDEWALL - Z - 132" - BRIGHT WHITE
11	135241-02-M62	EA	ROOF - W/O LIGHTS/VENTS - W/WIRING
12	135243-01-M52	EA	SIDEWALL - DRIVER - W/O WINDOWS/TRIMS (M62, M63) FROM: 00-00-00 THRU: 08-22-00
12	135243-02-M62	EA	SIDEWALL - DRIVER - W/O WINDOWS/TRIMS (M62, M63) FROM: 08-23-00 THRU: 99-99-99
12	135243-01-M56	EA	SIDEWALL - DRIVER - W/O WINDOWS/TRIMS (M64, M65) FROM: 00-00-00 THRU: 08-22-00
12	135243-02-M64	EA	SIDEWALL - DRIVER - W/O WINDOWS/TRIMS (M64, M65) FROM: 08-23-00 THRU: 99-99-99
12	135243-01-M54	EA	SIDEWALL - DRIVER - W/O WINDOWS/TRIMS (M66, M67) FROM: 00-00-00 THRU: 08-22-00
12	135243-02-M66	EA	SIDEWALL - DRIVER - W/O WINDOWS/TRIMS (M66, M67) FROM: 08-23-00 THRU: 99-99-99

**EXTERIOR BODY GROUP (CONTINUED)**  
**PANELS (CONTINUED)**

<b>KEY</b>	<b>PART NUMBER</b>	<b>U/M</b>	<b>DESCRIPTION</b>
13	135263-02-M62	EA	SIDEWALL - PASSENGER - W/O WINDOWS/TRIMS (M62, M63)
13	135263-02-M64	EA	SIDEWALL - PASSENGER - W/O WINDOWS/TRIMS (M64, M65)
13	135263-02-M66	EA	SIDEWALL - PASSENGER - W/O WINDOWS/TRIMS (M66, M67)
14	135244-02-M62	EA	BACKWALL - W/O WINDOW/TRIMS (M62)
14	135244-02-M63	EA	BACKWALL - W/O WINDOW/TRIMS (M63)
14	135244-02-M64	EA	BACKWALL - W/O WINDOW/TRIMS (M64)
14	135244-02-M65	EA	BACKWALL - W/O WINDOW/TRIMS (M65)
14	135244-02-M66	EA	BACKWALL - W/O WINDOW/TRIMS (M66)
14	135244-02-M67	EA	BACKWALL - W/O WINDOW/TRIMS (M67)
15	133569-01-02B	EA	PANEL - COVER - LP - E-COATED

# EXTERIOR BODY GROUP (CONTINUED)

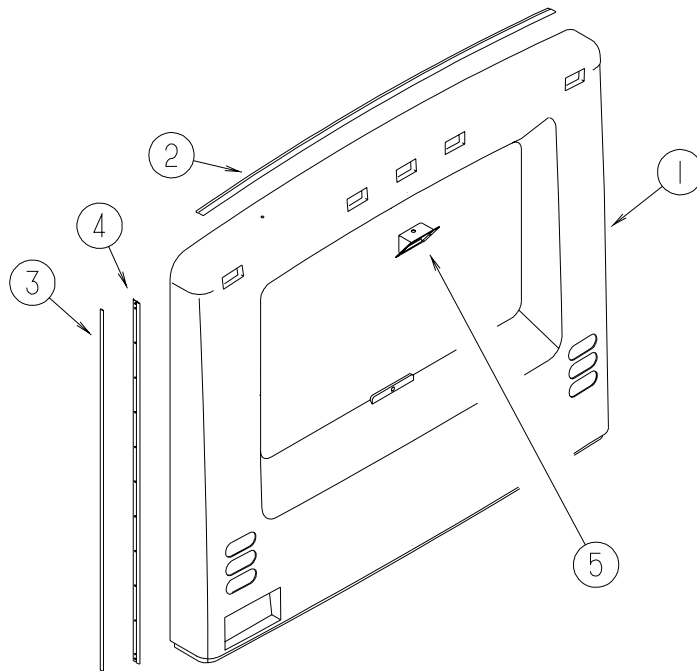
## TRIMS



KEY	PART NUMBER	U/M	DESCRIPTION
1	133376-01-01A	EA	TRIM - RETAINER - MILL
2	124046-02-02B	EA	BRACKET - ANCHOR - E-COATED
			FROM: 00-00-00 THRU: 08-13-00
2	132597-01-02B	EA	ANGLE/SUPPORT/TRIM - E-COATED
			FROM: 08-14-00 THRU: 99-99-99
3	123993-01-03A	EA	TRIM - COVER - 182" ALUMINUM - BRIGHT WHITE
4	126775-01-01A	EA	END CAP - VALANCE TRIM - RIGHT HAND
5	126775-02-01A	EA	END CAP - VALANCE TRIM - LEFT HAND
6	132442-03-01A	EA	HANDLE - ASSIST - W/ITASCA LOGO - CHROME ENDS
7	017516-01-000	EA	MUD FLAP - 14" X 18" - W/O MOUNTING HOLES - BLACK
8	132695-01-02B	EA	ANGLE - MUDFLAP - E-COATED
9	131365-01-000	EA	WHEELWELL - PLASTIC
10	125052-02-J20	EA	CAP - ROOF - W/O LIGHTS/WIRING
11	131483-01-01A	EA	RAIL - AWNING - 192" - BRIGHT WHITE
12	064219-01-000	EA	RETAINER - CHECK STRAP
13	121091-09-01A	EA	ANGLE - ENTRANCE DOOR - 55" HAMPTON TAN
14	114248-02-01A	EA	ANGLE - PLASTIC - 96.6"

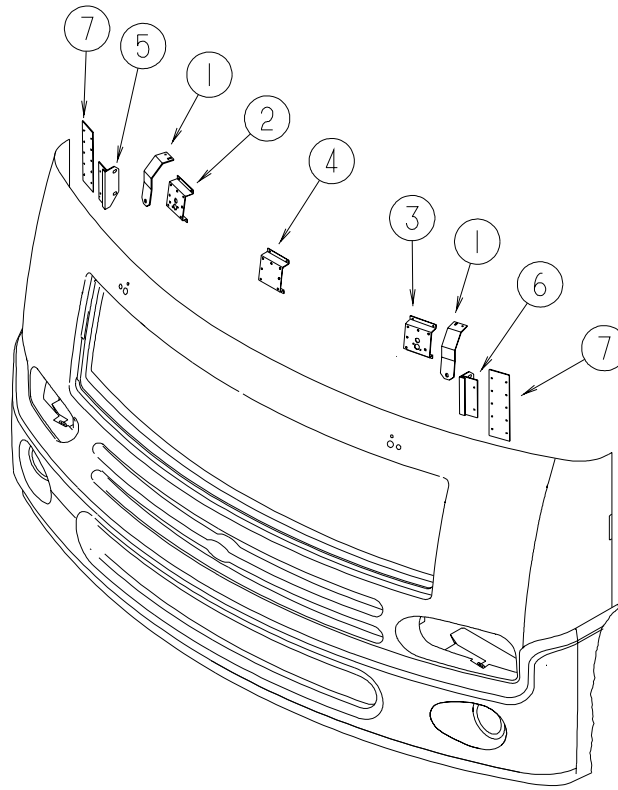


**EXTERIOR BODY GROUP (CONTINUED)**  
**TRIMS (CONTINUED)**



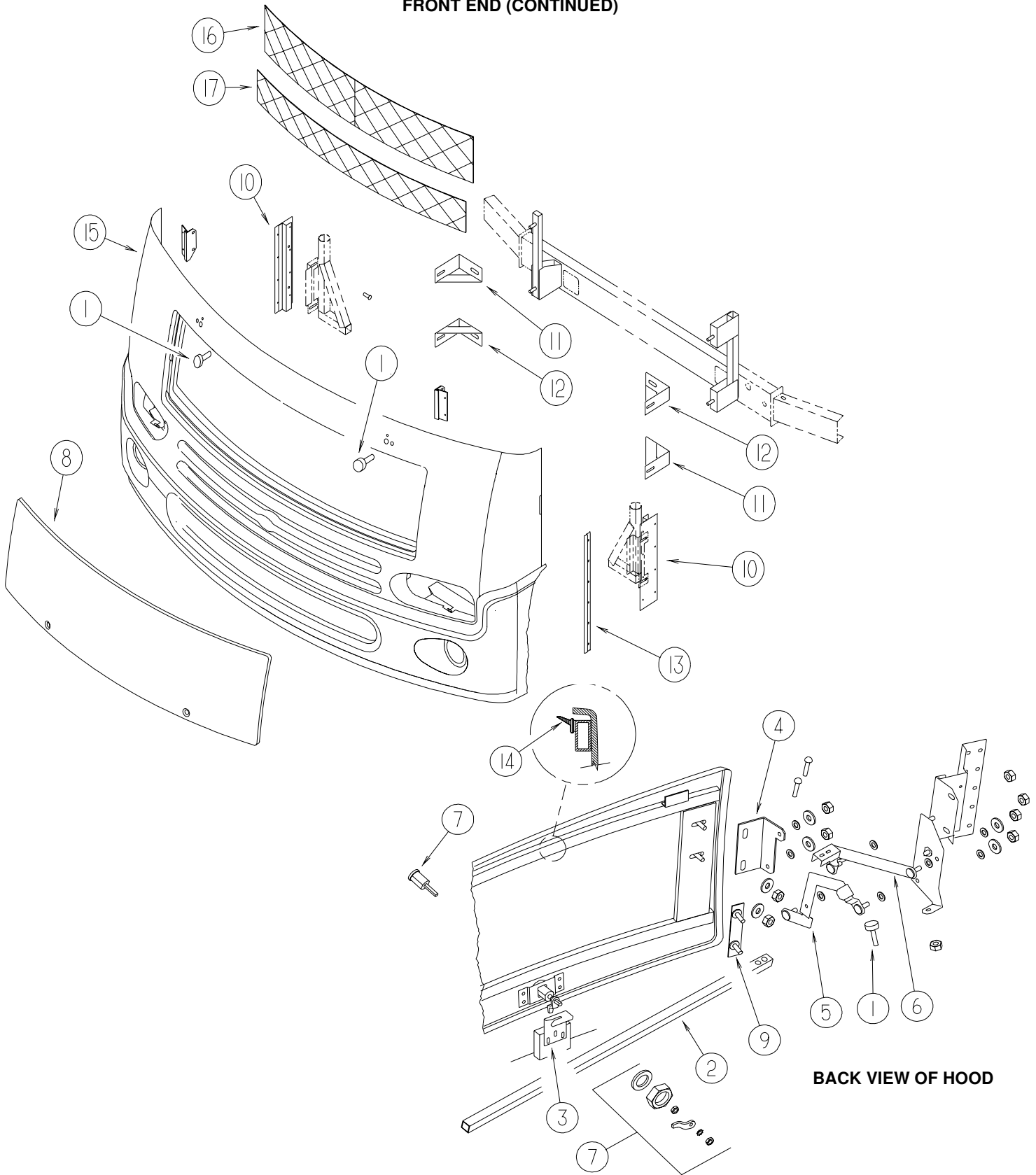
KEY	PART NUMBER	U/M	DESCRIPTION
1	129820-08-L52	EA	PANEL - REAR CAP - W/O DOOR
2	083805-23-000	EA	TRIM - ROOF CAP - 92.1" - BRIGHT WHITE
3	091985-01-07A	FT	INSERT - TRIM - BRIGHT WHITE - 1"
4	092041-04-01A	EA	TRIM - BACKWALL/SIDEWALL - 76.6" - BRIGHT WHITE
5	125259-01-01A	EA	SHROUD - CAMERA - INNER

**EXTERIOR BODY GROUP (CONTINUED)**  
**FRONT END**



KEY	PART NUMBER	U/M	DESCRIPTION
1	125849-01-02A	EA	BRACE-WIPER/HOOD BLACK
2	125847-02-02B	EA	SUPPORT/PIVOT SHAFT - PASSENGER - E-COATED
3	125847-04-02B	EA	SUPPORT/PIVOT SHAFT - DRIVERS - E-COATED
4	125847-09-02B	EA	SUPPORT/PIVOT SHAFT - DRIVERS - E-COATED
5	118595-01-03A	EA	SUPPORT - HINGE LINK - PASSENGER - BRIGHT WHITE
6	118595-02-03A	EA	SUPPORT - HINGE LINK - DRIVER - BRIGHT WHITE
7	113495-06-02B	EA	SUPPORT - HINGE

**EXTERIOR BODY GROUP (CONTINUED)**  
**FRONT END (CONTINUED)**



**BACK VIEW OF HOOD**

KEY	PART NUMBER	U/M	DESCRIPTION
1	058786-01-000	EA	BOLT - HOOD ADJUSTMENT - 5/16"-18 X 1.5"-2" - W/BLACK PAD
2	105096-10-000	EA	TUBE - HOOD HINGE TIMING W/WELDNUTS
	138814-10-02B	EA	TUBE - TIMING - HOOD HINGE - 63.6" - E-COATED
3	106748-03-000	EA	LATCH - HOOD - FRONT END

## EXTERIOR BODY GROUP (CONTINUED)

### FRONT END (CONTINUED)

KEY	PART NUMBER	U/M	DESCRIPTION
4	109927-07-000	EA	ANGLE - LINK - HOOD/RIGHT HAND
4	109927-08-000	EA	ANGLE - LINK - HOOD/LEFT HAND
5	125778-03-02B	EA	LINK - HOOD HINGE - LOWER PASSENGER - E-COATED
5	125778-04-02B	EA	LINK - HOOD HINGE - LOWER DRIVER - E-COATED
6	125798-01-02B	EA	LINK - HOOD HINGE - UPPER PASSENGER - E-COATED
6	125798-02-02B	EA	LINK - HOOD HINGE - UPPER DRIVER - E-COATED
7	102330-02-000	EA	LATCH - VISE ACTION/KEY OPERATED
7	102328-01-000	EA	KEY - BARREL - NICKEL PLATED
8	125303-02-J60	EA	PANEL - HOOD - OUTER
9	106730-10-000	EA	PLATE - STUD - F/HOOD
10	128018-01-02B	EA	BRACKET - FRONT - RIGHT HAND/LEFT HAND - E-COATED
11	128455-03-02B	EA	BRACKET - BUMPER - RIGHT HAND UPPER/LEFT HAND LOWER
12	128455-04-02B	EA	BRACKET - BUMPER - LEFT HAND UPPER/RIGHT HAND LOWER
13	125818-02-01A	EA	TRIM - PANEL - FIBERGLASS - BRIGHT WHITE
13	091985-01-07A	FT	INSERT - TRIM - BRIGHT WHITE - 1"
14	075671-04-000	FT	SEAL - SPONGE - LAZY T - W/ADHESIVE STRIP - .5" WIDE
15	125302-10-M62	EA	PANEL - FRONT/LOWER - W/O HARDWARE
16	115924-12-02A	EA	WIRE MESH - F/GRILLE - FLAT BLACK
17	115924-13-02A	EA	WIRE MESH - F/GRILLE - FLAT BLACK

### LADDER

KEY	PART NUMBER	U/M	DESCRIPTION
	129375-02-000	EA	SEAL - LADDER BRACKET
	130163-02-01A	EA	LADDER - LOWER - ANODIZED ALUMINUM
	130164-04-01A	EA	LADDER - UPPER - ANODIZED ALUMINUM

### MIRRORS

KEY	PART NUMBER	U/M	DESCRIPTION
*	106015-16-01A	EA	MIRROR - EXTERIOR REMOTE/HEAT - PASSENGER FROM: 00-00-00 THRU: 07-09-00
*	106015-18-01A	EA	MIRROR - EXTERIOR/REMOTE/HEAT - PASSENGER FROM: 07-10-00 THRU: 99-99-99
*	106015-17-01A	EA	MIRROR - EXTERIOR REMOTE/HEAT - DRIVER FROM: 00-00-00 THRU: 07-09-00
*	106015-19-01A	EA	MIRROR - EXTERIOR/REMOTE/HEAT - DRIVER FROM: 07-10-00 THRU: 99-99-99

\*COMPONENT PARTS LISTED LATER IN THIS GROUP

**EXTERIOR BODY GROUP (CONTINUED)**  
**COMPONENT PARTS FOR MIRRORS**

**106015-16-01A, 106015-17-01A**

<b>KEY</b>	<b>PART NUMBER</b>	<b>U/M</b>	<b>DESCRIPTION</b>	<b>VENDOR NO.</b>
	106015-16-700	EA	GLASS-FLAT W/HEAT ELEMENT	709450
	106015-16-701	EA	GLASS-CONVEX KIT	709451
	131431-01-700	EA	HANDSET - CONVEX	747541-7

**106015-18-01A, & 106015-19-01A**

<b>KEY</b>	<b>PART NUMBER</b>	<b>U/M</b>	<b>DESCRIPTION</b>	<b>VENDOR NO.</b>
	106015-16-700	EA	GLASS-FLAT W/HEAT ELEMENT	709450
	106015-18-700	EA	GLASS/CONVEX-KIT W/CLIP	709650
	106015-18-701	EA	GLASS-ACTUATOR - CONVEX GLAS	7475410
	106015-18-702	EA	MOTOR - FLAT GLASS	747118
	106015-18-703	EA	CONVEX REBUILT KIT	7709651

**EXTERIOR BODY GROUP (CONTINUED)**  
**STRUCTURAL COMPONENTS**

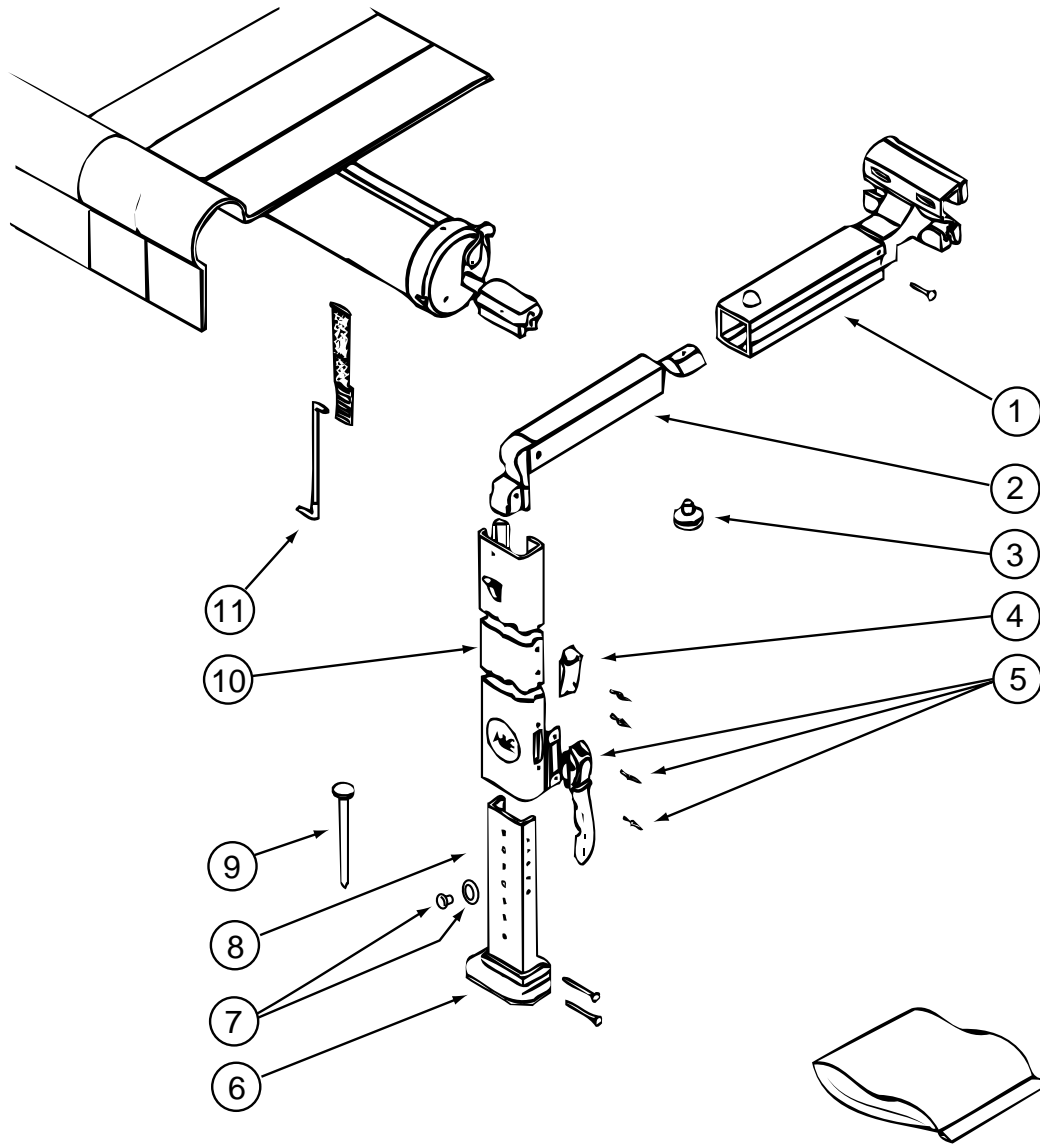
<b>KEY</b>	<b>PART NUMBER</b>	<b>U/M</b>	<b>DESCRIPTION</b>
	002726-01-001	EA	GARNISH - U-CHANNEL - 1.38" X 19' - SERRATED
	002766-01-001	EA	ANGLE - EXTRUDED - 1" X 1.5" X 17'
	068716-01-001	EA	BRACE - 90 DEGREE - L-ANGLE - 16'
	089297-01-000	SF	PLYWOOD - LUAN - OVERLAY GRADE - 4' X 8'
	100619-01-000	BF	FOAM - EXPANDED POLYSTYRENE - 1.34" X 48" X 96"
	100619-02-000	BF	FOAM - EXPANDED POLYSTYRENE - 1.5" X 48" X 96"
	100619-05-000	BF	FOAM - EXPANDED POLYSTYRENE - .75" X 48" X 96"-1.5 DENSITY
	100619-13-000	BF	FOAM - EXPANDED POLYSTYRENE - .34" X 34.65" X 96"
	100619-16-000	BF	FOAM - EXPANDED POLYSTYRENE - .75" X 48" X 96"-2.0 DENSITY
	100619-27-000	BF	FOAM - EXPANDED POLYSTYRENE - 48" X 92.8" X 3"
	105077-08-000	EA	FOAM - PLUG - ROOF CAP
	120107-01-000	EA	FOAM - ROOF COVE - 2.8" X 96" LONG
	120107-02-000	EA	FOAM - PLUG - ROOF TUBE - 2.2" X 2.9" X 1.8" LONG
	120107-03-000	EA	FOAM - PLUG - SIDEWALL TUBE - 1.2" X 2.1" X 1.8" LONG
	128782-02-01A	EA	FIBERGLASS SHEET - 79" X 428"/HIGH GLOSS - BRIGHT WHITE
	128782-03-01A	EA	FIBERGLASS SHEET - 27.4" X 70.8"/HIGH GLOSS/SLIDEOUT - B/W
	128782-07-01A	EA	FIBERGLASS - SHEET - 79" X 456" - HIGH GLOSS - BRIGHT WHT

**AWNINGS**

<b>KEY</b>	<b>PART NUMBER</b>	<b>U/M</b>	<b>DESCRIPTION</b>
*	113874-01-02A	EA	HARDWARE KIT - AWNING - W/O STANDOFF BRACKET-BRIGHT WHITE
	113874-06-27A	EA	AWNING - 16' NAVY TEAL VINYL - BRT/WHT METAL WRAP - <a href="#">L35U</a>
	113874-08-27A	EA	AWNING - 19' NAVY TEAL VINYL - BRT/WHT METAL WRAP - <a href="#">L34Y</a> , <a href="#">L36W</a>
	113874-11-01A	EA	SCREW/LAG - AWNING - 1/4" X 1" STAINLESS STEEL
	113874-12-01A	EA	SCREW/LAG - AWNING - 1/4" X 2 3/4" STAINLESS STEEL
	127647-01-01A	EA	ROD/AWNING GUARD - ENTRY DOOR - <a href="#">L36W</a>
	130320-01-02A	EA	BRACKET - AWNING - F/A&E INSTALLATION - BRIGHT WHITE FROM: 00-00-00 THRU: 09-10-00
	137054-01-02A	EA	BRACKET - AWNING - BRIGHT WHITE FROM: 09-11-00 THRU: 99-99-99
	137084-01-01A	EA	HARDWARE KIT - F/1-STEP AWNING - BRIGHT WHITE - <a href="#">ELECTRIC</a>
	137084-02-01A	EA	AWNING - 1-STEP/ELECTRICAL KIT - <a href="#">ELECTRIC</a>
	137084-06-27A	EA	AWNING-1 STEP,16',NAVY TEAL - <a href="#">L35U</a> - <a href="#">ELECTRIC</a>
	137084-08-27A	EA	AWNING-1 STEP,19',NAVY TEAL - <a href="#">L34Y</a> , <a href="#">L36W</a> - <a href="#">ELECTRIC</a>
	137171-01-01A	EA	BRACKET - AWNING - BRIGHT WHITE - <a href="#">ELECTRIC</a>

**\*COMPONENT PARTS LISTED LATER IN THIS GROUP**

**EXTERIOR BODY GROUP (CONTINUED)**  
**COMPONENT PARTS FOR AWNINGS**

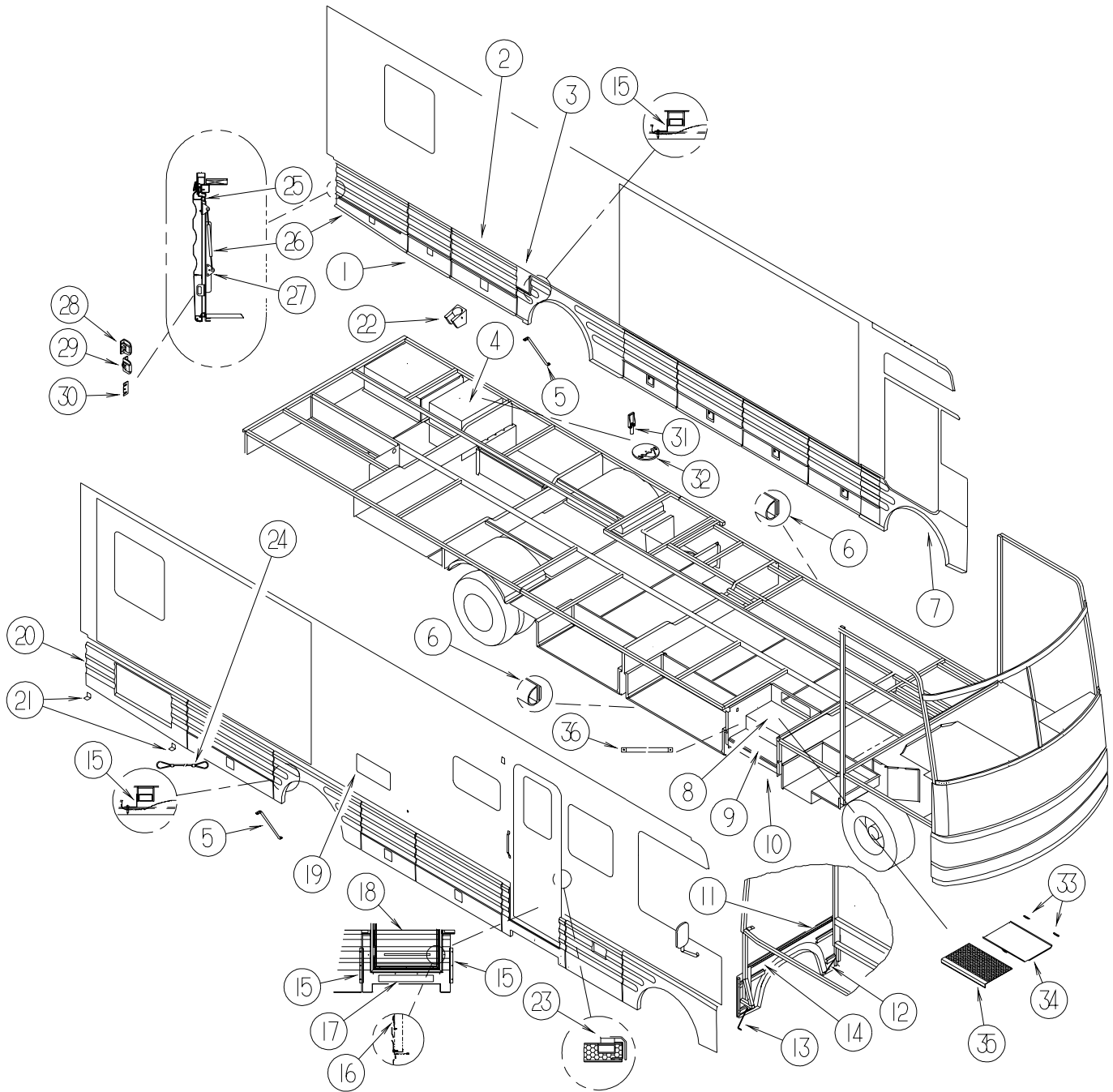


**113874-01-02A**

<b>KEY</b>	<b>PART NUMBER</b>	<b>U/M</b>	<b>DESCRIPTION</b>	<b>VENDOR NO.</b>
1	113874-01-714	EA	RAFTER - MAIN RH/LH BRT/WHT	830295.536F
2	113874-01-715	EA	RAFTER - SECONDARY BRT/WHT	830463.511F
3	113874-01-702	EA	KNOB - ADJUSTING	3105421014
4	113874-01-706	EA	LOCK - TRAVEL	830587.001
5	113874-01-707	EA	HANDLE - LIFT W/RIVETS	830644
6	113874-01-712	EA	FOOT - PATIO	730366-001
7	113874-01-710	EA	PLUG-STOP KIT	830456
8	113874-01-717	EA	ARM - ADJUSTABLE BRT/WHT	830467.517/F
9	113874-01-709	EA	NAIL-SPIKE, 8"	113006
10	113874-01-716	EA	ARM - MAIN SUPPORT BRT/WHT	3104502.293/F
11	113874-01-703	EA	ROD-CENTER PULL W/ACCESSORY	830152.102

# EXTERIOR DOORS & COMPARTMENTS GROUP

## DOOR & COMPARTMENT LAYOUT



KEY	PART NUMBER	U/M	DESCRIPTION
1	129759-18-AA1	EA	VALANCE/DOOR - W/O LATCH/HINGE - 26" X 25"
	125517-05-000	EA	ROD - LATCH - 8.95"
	125517-06-000	EA	ROD - LATCH - 7.14"
2	129759-03-AA1	EA	VALANCE/DOOR - W/O LATCH/HINGE - 39.4" X 25"
	125517-07-000	EA	ROD - LATCH - 15.63"
	125517-08-000	EA	ROD - LATCH - 13.82"
3	126060-02-K36	EA	DOOR - FUEL FILL - W/O LOCK
	125419-01-01A	EA	HINGE - SINGLE PIVOT
	130005-01-000	EA	LOCK - W/O CYLINDER & KEYS - W/CAM - F/KEY ONE SYSTEM
4	133372-01-L32	EA	COMPARTMENT - POWER CORD
			FROM: 00-00-00 THRU: 05-18-01
4	133372 03 M42	EA	COMPARTMENT - POWER CORD
			FROM: 05-19-01 THRU: 99-99-99
5	107865-05-000	EA	ROD - SUPPORT - VALANCE PANEL - 9"
6	126516-01-01A	FT	TRIM - VINYL/EXTRUDED - 8'
7	126062-16-L58	EA	VALANCE/WHEEL LIP - FRONT/DRIVER



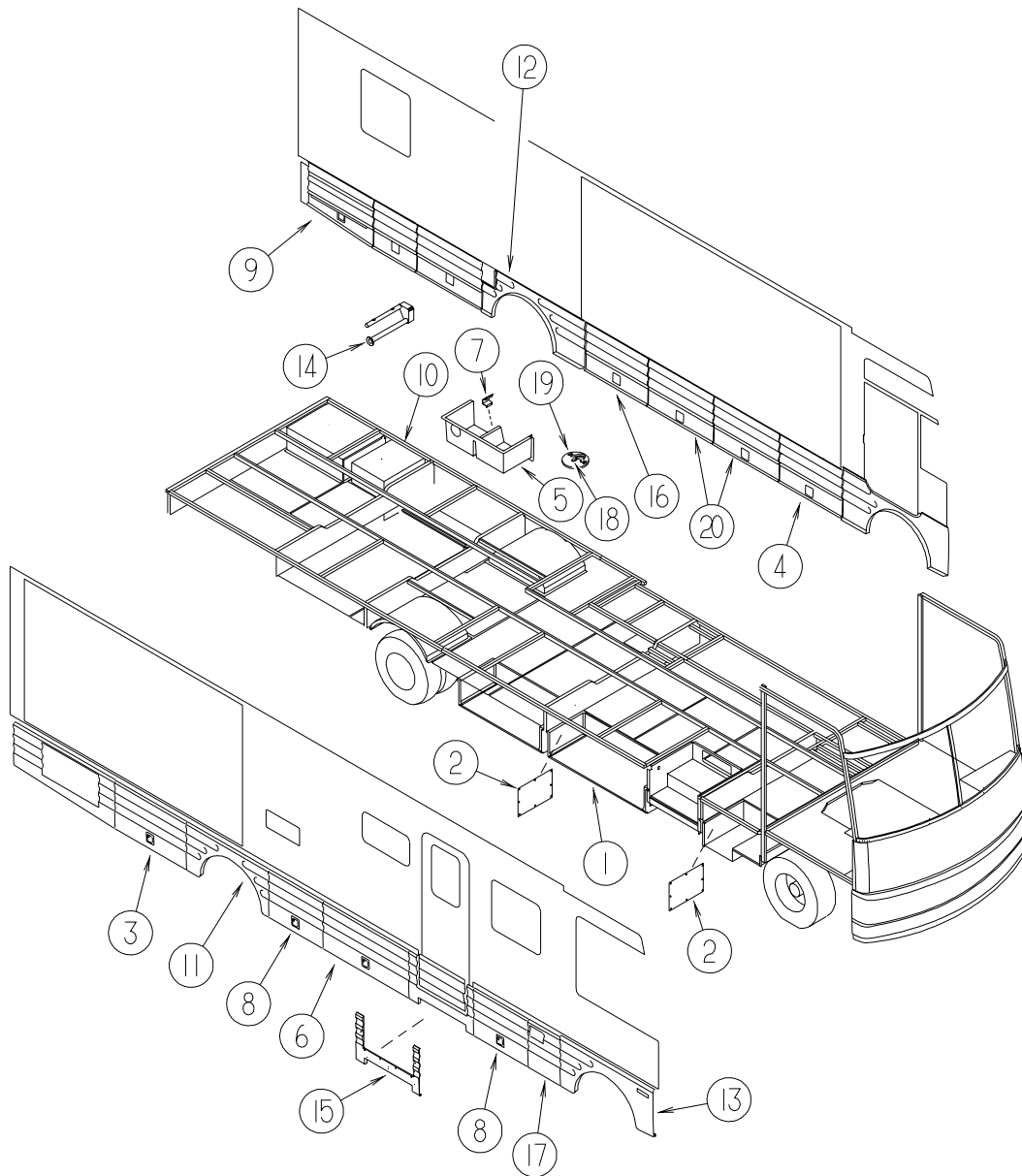
## EXTERIOR DOORS & COMPARTMENTS GROUP (CONTINUED)

### DOOR & COMPARTMENT LAYOUT (CONTINUED)

KEY	PART NUMBER	U/M	DESCRIPTION
8	P20256-07-000	EA	LID/DOOR - ENTRANCE STEP - W/O CARPET/HARDWARE
9	133114-01-03A	EA	TREAD - STEP/RUBBER - 29.2" - GRAY (M62, M63, M64, M65)
9	133114-01-01A	EA	TREAD - STEP/RUBBER - 29.3" - TAUPE (M66, M67)
10*	094707-03-01A	EA	STEP - ELECTRIC DOUBLE - W/BLACK CONTROL BOX - KWIKEE
11	108455-24-000	EA	ANGLE - VALANCE/TRIM - <a href="#">PASSENGER SIDE</a>
11	106105-06-000	EA	CLIP - MOUNTING - UNIVERSAL - <a href="#">PASSENGER SIDE</a>
12	107865-02-000	EA	ROD - SUPPORT - VALANCE PANEL - 13.2" - <a href="#">PASSENGER SIDE</a> FROM: 99-99-99 THRU: 05-10-01
12	107865-19-000	EA	ROD - SUPPORT - VALANCE PANEL - 16.5" - <a href="#">PASSENGER SIDE</a> FROM: 05-11-01 THRU: 99-99-99
12	107865-22-000	EA	ROD - SUPPORT - VALANCE PANEL - 23" - <a href="#">DRIVER SIDE</a>
13	107865-10-000	EA	ROD - SUPPORT - VALANCE PANEL - 15.1"
14	108455-17-000	EA	ANGLE - VALANCE/TRIM - E-COATED - <a href="#">DRIVER SIDE</a>
	106105-05-000	EA	CLIP - MOUNTING - UNIVERSAL - <a href="#">DRIVER SIDE</a>
	108455-21-000	EA	ANGLE - VALANCE/TRIM - <a href="#">PASSENGER SIDE</a>
	106105-17-000	EA	CLIP - MOUNTING - UNIVERSAL - 53.1" - <a href="#">PASSENGER SIDE</a>
15	113041-03-02B	EA	ANGLE - BUMPER MOUNT - 14.9"
16	106105-03-000	EA	CLIP - MOUNTING - UNIVERSAL
17	109506-01-000	EA	FILM - URETHANE - PROTECTANT - 4.25" X 26.75"
18	126159-01-J60	EA	PANEL/VALANCE - ENTRY DOOR
19*	084103-08-000	EA	DOOR - VENT - REFRIGERATOR - W/O JAMB - BRIGHT WHITE
19	084104-08-000	EA	JAMB - VENT DOOR/REFRIGERATOR - BRIGHT WHITE
20	132530-01-L52	EA	VALANCE/PANEL - W/AC GRILLE ASSEMBLY - 22" X 61.2" X 25"
	129116-01-01A	EA	HINGE - SINGLE PIVOT - MILL
	107721-08-000	FT	SEAL - ACCESS DOOR - .9" WIDE X .9" HIGH
21	109216-03-000	EA	ANGLE - DOOR/FURNACE
22	131383-03-02A	EA	BRACKET - SHOWER HEAD - WHITE
23	125459-01-000	EA	SPACER - DOOR BRACKET FROM: 00-00-00 THRU: 12-18-00
24	076767-01-000	EA	CABLE - STAINLESS STEEL - 12"
25	107721-08-000	FT	SEAL - ACCESS DOOR - .9" WIDE X .9" HIGH
26	107796-23-000	EA	SPRING/GAS - 11.3" COMPRESSED/18.5" EXTENDED - 45 LB.
27	126263-05-02B	EA	BRACKET - GAS SPRING W/BALL STUD - E-COATED
28	126263-08-02B	EA	BRACKET - GAS SPRING W/CENTERED BALL STUD - E-COATED
29	130053-01-01A	EA	STRIKER - LUGGAGE DOOR - FLUSH - BLACK
30	130053-02-01A	EA	STRIKER - LUGGAGE DOOR - OFF SET - BLACK
	120494-03-02B	EA	SHIM - STRIKER - LUGGAGE DOOR - .20 - E-COATED
31	121175-02-01A	EA	LATCH - SWELL
32	M08628-01-H17	EA	HATCH ASM W/FOAM
33	101222-01-04A	EA	BRACKET - CATCH - LID - E-COATED
34	123330-03-02B	EA	SUPPORT - ENTRY STEP - E-COATED
35	133114-02-03A	EA	TREAD - STEP/RUBBER - 28.4" - GRAY (M62, M63, M64, M65)
35	133114-02-01A	EA	TREAD - STEP/RUBBER - 28.4" - TAUPE (M66, M67)
36	099856-11-000	EA	STRAP - TIEDOWN - 7.9"

\*COMPONENT PARTS LISTED LATER IN THIS GROUP

**EXTERIOR DOORS & COMPARTMENTS GROUP (CONTINUED)**  
**DOOR & COMPARTMENT LAYOUT (CONTINUED)**



KEY	PART NUMBER	U/M DESCRIPTION
1	126386-33-L32	EA COMPARTMENT - LUGGAGE
2	134297-02-02B	EA PLATE - COVER - E-COATED
3	126065-16-AA1	EA VALANCE/DOOR - W/O LATCH/HINGE - 43.1" X 25"
	125517-03-000	EA ROD - LATCH - 17.50"
	125517-04-000	EA ROD - LATCH - 15.69"
4	129759-02-AA1	EA VALANCE/DOOR - W/O LATCH/HINGE - 43.1" X 25"
	125517-03-000	EA ROD - LATCH - 17.50"
	125517-04-000	EA ROD - LATCH - 15.69"
5	M08627-07-M62	EA COMPARTMENT - ELECTRIC/DRAINAGE - W/HATCH
6	129759-12-AA1	EA VALANCE/DOOR - W/O LATCH/HINGE - 51.9" X 25"
	125517-11-000	EA ROD - LATCH - 21.88"
	125517-12-000	EA ROD - LATCH - 20.07"
7	135890-01-12B	EA HOLDER - BOTTLE - SOAP - BRIGHT WHITE
8	129759-21-AA1	EA VALANCE/DOOR - W/O LATCH/HINGE - 32.7" X 25"
	125517-31-000	EA ROD - LATCH - 12.3"
	125517-32-000	EA ROD - LATCH - 10.5"

**EXTERIOR DOORS & COMPARTMENTS GROUP (CONTINUED)**  
**DOOR & COMPARTMENT LAYOUT (CONTINUED)**

KEY	PART NUMBER	U/M	DESCRIPTION
9	129759-23-AA1	EA	VALANCE/DOOR - DRVR - W/O LATCH/HINGE - 25" X 39.4" X 22"
	125517-07-000	EA	ROD - LATCH - 15.63"
	125517-08-000	EA	ROD - LATCH - 13.82"
10	133372-03-M42	EA	COMPARTMENT - POWERCORD
11	126061-23-L52	EA	PANEL - WHEEL LIP - REAR/PASSENGER
12	126061-27-M52	EA	VALANCE/WHEEL LIP - REAR DRIVER - 62.9" W/NOTCH
13	126062-15-L58	EA	PANEL - WHEEL LIP - FRONT/PASSENGER
14	129041-01-01A	EA	HOLDER - PAPER TOWEL
15	126063-08-L52	EA	PANEL/VALANCE - HORSESHOE
16	126065-32-AA1	EA	VALANCE/DOOR - W/O LATCH/HINGE - 32.7" X 25"
17	132529-02-L52	EA	PANEL/VALANCE - WATER HEATER - W/O HARDWARE
18	121175-02-01A	EA	LATCH - SWELL
19	M08628-01-H17	EA	HATCH - W/FOAM INSERT
20	129759-03-AA1	EA	VALANCE/DOOR - W/O LATCH/HINGE - 39.4" X 25"
	125517-07-000	EA	ROD - LATCH - 15.63"
	125517-08-000	EA	ROD - LATCH - 13.82"

**LOCK CYLINDER USED UP TO 04-30-01**

129686-01-000	EA	CYLINDER - LOCK ASSEMBLY - COMPARTMENT/DRIVER DOOR
129686-02-000	EA	CYLINDER - LOCK ASSEMBLY - COMPARTMENT/DRIVER DOOR
129686-03-000	EA	CYLINDER - LOCK ASSEMBLY - COMPARTMENT/DRIVER DOOR
129686-04-000	EA	CYLINDER - LOCK ASSEMBLY - COMPARTMENT/DRIVER DOOR
129686-05-000	EA	CYLINDER - LOCK ASSEMBLY - COMPARTMENT/DRIVER DOOR
129686-06-000	EA	CYLINDER - LOCK ASSEMBLY - COMPARTMENT/DRIVER DOOR
129686-07-000	EA	CYLINDER - LOCK ASSEMBLY - COMPARTMENT/DRIVER DOOR
129686-08-000	EA	CYLINDER - LOCK ASSEMBLY - COMPARTMENT/DRIVER DOOR
129686-09-000	EA	CYLINDER - LOCK ASSEMBLY - COMPARTMENT/DRIVER DOOR
129686-10-000	EA	CYLINDER - LOCK ASSEMBLY - COMPARTMENT/DRIVER DOOR

**LOCK CYLINDER USED AFTER 05-01-01**

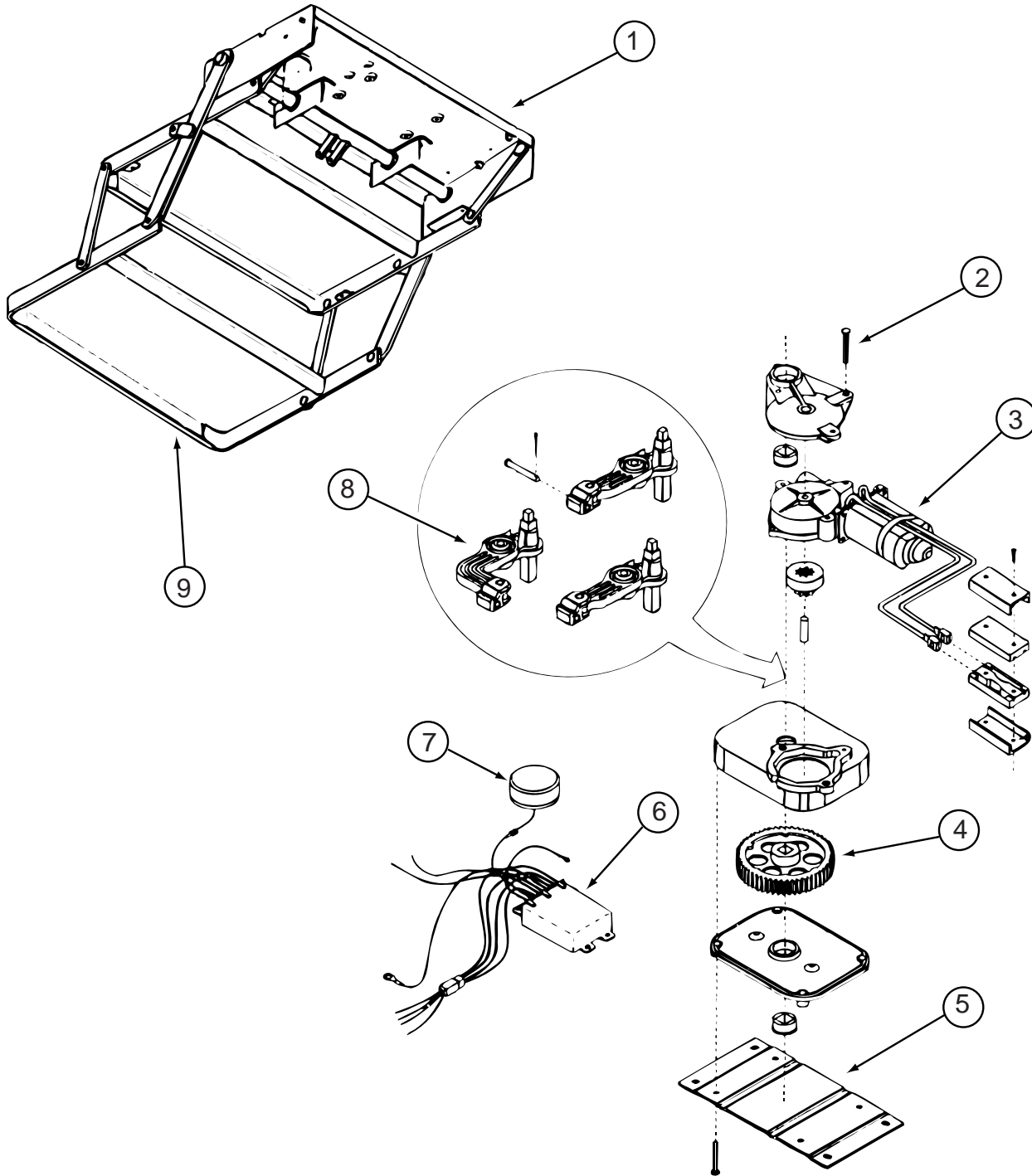
138289-01-000	EA	CYLINDER - LOCKING
138289-02-000	EA	CYLINDER - LOCKING
138289-03-000	EA	CYLINDER - LOCKING
138289-04-000	EA	CYLINDER - LOCKING
138289-05-000	EA	CYLINDER - LOCKING
138289-06-000	EA	CYLINDER - LOCKING
138289-07-000	EA	CYLINDER - LOCKING
138289-08-000	EA	CYLINDER - LOCKING
138289-09-000	EA	CYLINDER - LOCKING
138289-10-000	EA	CYLINDER - LOCKING

**EXTERIOR DOORS & COMPARTMENTS GROUP (CONTINUED)**  
**COMPONENT PARTS FOR DOOR & COMPARTMENT LAYOUT**

084103-08-000

<b>KEY</b>	<b>PART NUMBER</b>	<b>U/M</b>	<b>DESCRIPTION</b>	<b>VENDOR NO.</b>	
	084103-08-000	EA	DOOR - VENT - REFRIGERATOR - W/O JAMB - BRIGHT WHITE		BRIGHT WHITE
	084104-01-700	EA	LOCK-MALE, FASTENER	201-721-010	
	084104-01-701	EA	LOCK-FEMALE, FASTENER	201-802-010	

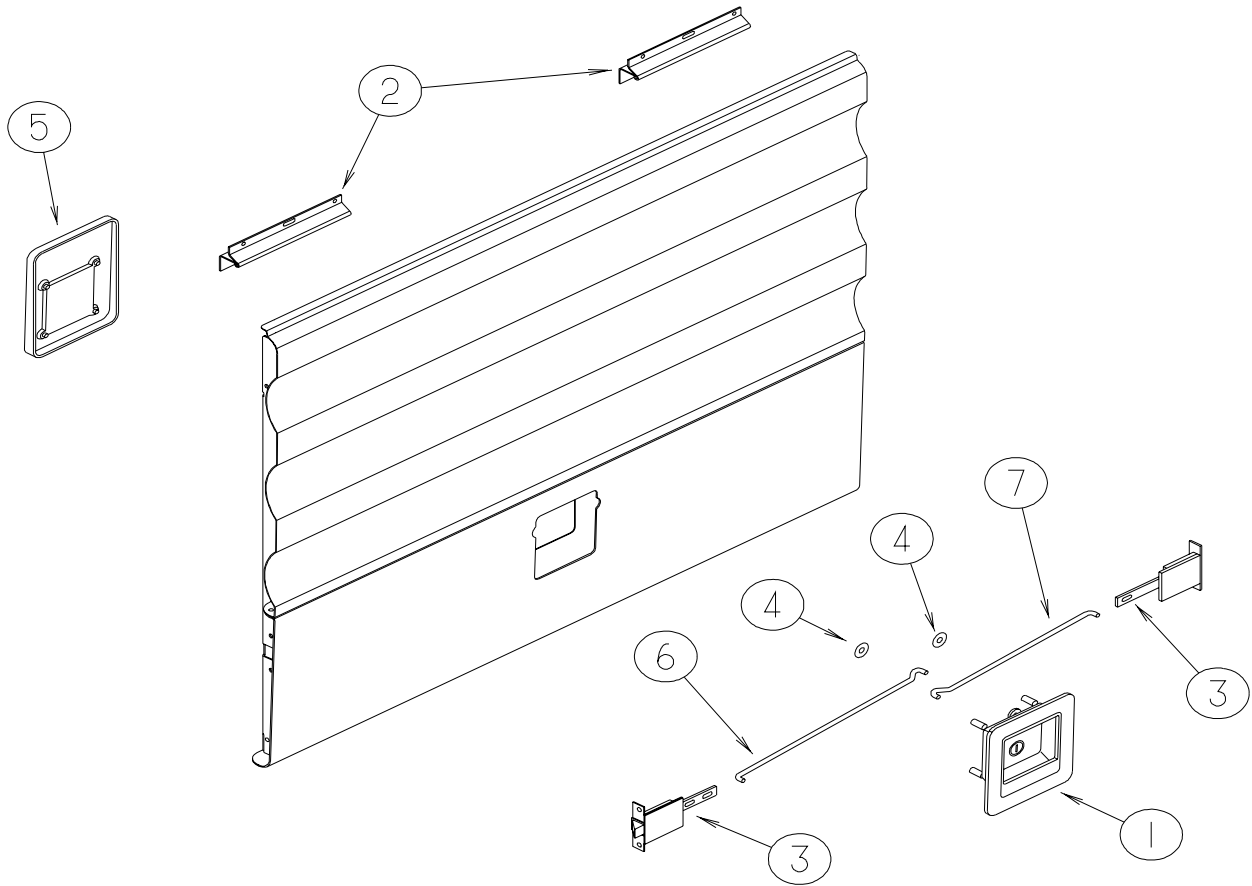
**EXTERIOR DOORS & COMPARTMENTS GROUP (CONTINUED)**  
**COMPONENT PARTS FOR DOOR & COMPARTMENT LAYOUT (CONTINUED)**



094707-03-01A

KEY	PART NUMBER	U/M	DESCRIPTION	VENDOR NO.
	094707-03-01A	EA	STEP - ELECTRIC DOUBLE - W/BLACK CONTROL BOX - KWIKEE	
1	094707-01-702	EA	FRAME W/DBL STEP,3200 SERIES	908032
2	094707-02-703	EA	BEARING & PINS	909530
3	094707-02-700	EA	MOTOR ASM.,W/BEARINGS & PINS	909520
4	094707-02-702	EA	GEAR KIT(GEAR-BEARING-PINS)	909525
5	094707-02-704	EA	CONNECTOR-MOTOR ASM.W/PLATES	909537
6	094707-03-700	EA	KIT CONTROL/SWITCH-RETROFIT	909506005
7	088733-01-700	EA	BULB	9004
7	088746-01-705	EA	LIGHT-UNDER STEP	9004
8	094707-02-701	EA	LINKAGE ASM. W/BEARINGS-PINS	909534
9	094707-02-707	EA	TREAD - NON-SKID - BLACK	909333
	094707-02-706	EA	GEAR BOX ASM. W/O MOTOR	9524
	094707-02-708	EA	TREAD - NON-SKID - YELLOW	909331
	094707-03-701	EA	PLUG - 4-WAY - PACKARD	909306

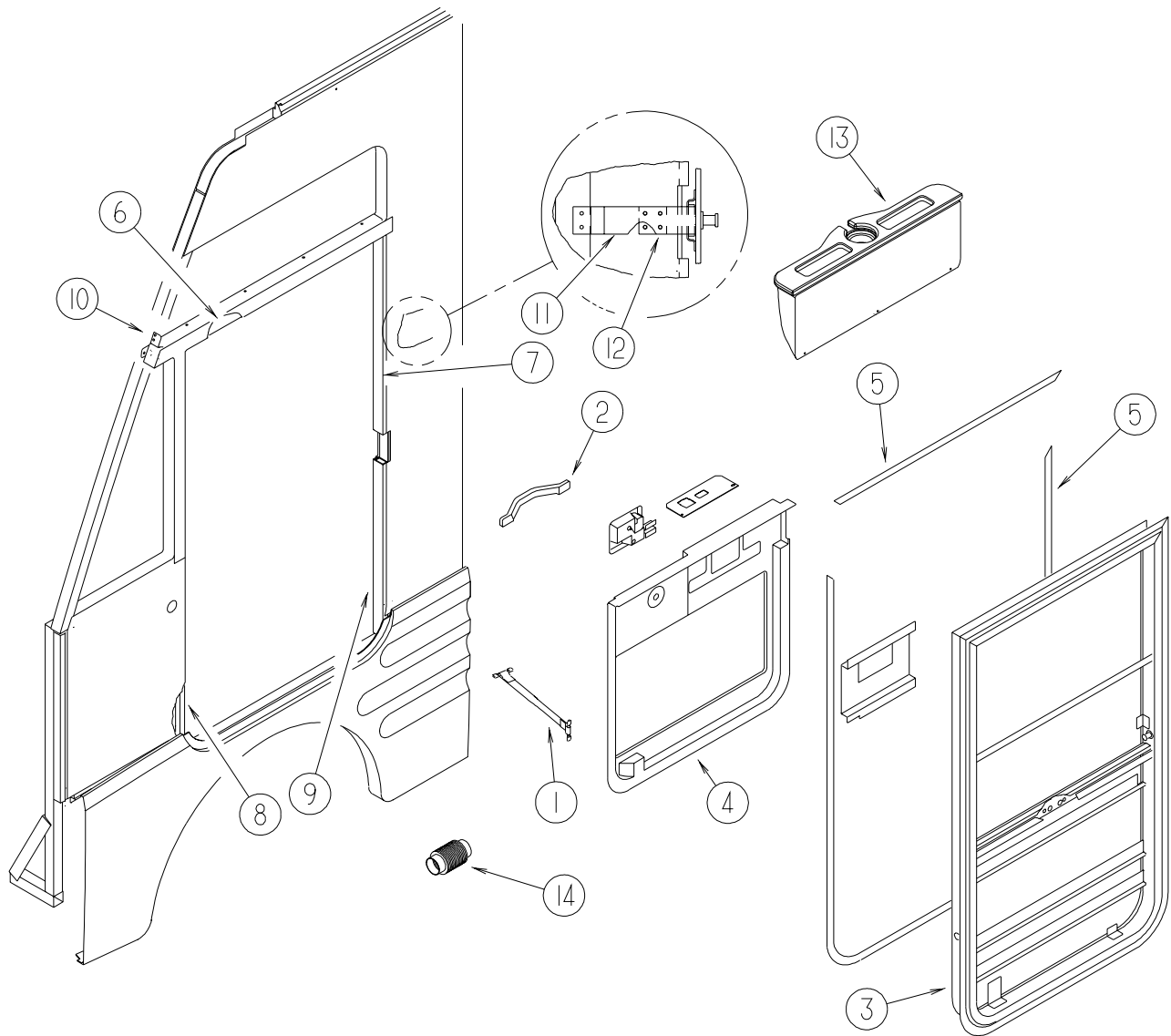
**EXTERIOR DOORS & COMPARTMENTS GROUP (CONTINUED)**  
**COMPARTMENT DOOR COMPONENTS**



KEY	PART NUMBER	U/M	DESCRIPTION
1	112949-02-05A	EA	LATCH - PADDLE NON-LOCKING - BLACK
1	129675-01-01A	EA	LATCH - LOCKING PADDLE - BLACK
2	121677-01-01A	EA	HINGE - SINGLE PIVOT
3	121947-01-01A	EA	BOLT - SLIDE W/PLASTIC PLUNGER
4	124304-01-000	EA	CLIP - ROUND PUSH ON
5	125257-01-02A	EA	COVER - LATCH/VALANCE DOOR - WHITE
6			SEE DOOR & COMPARTMENT LAYOUT FOR ROD - LATCH
7			SEE DOOR & COMPARTMENT LAYOUT FOR ROD - LATCH

# EXTERIOR DOORS & COMPARTMENTS GROUP (CONTINUED)

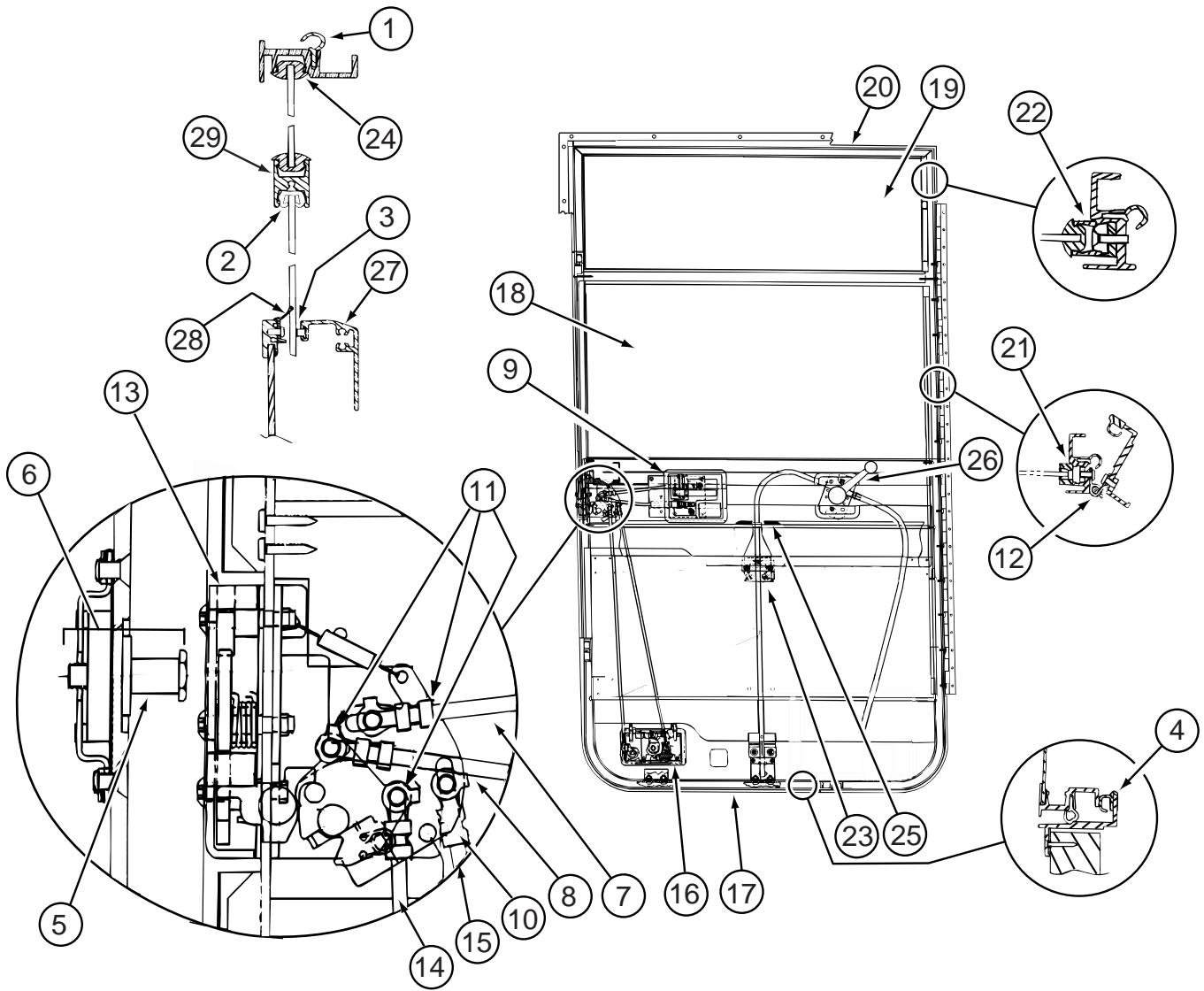
## DRIVERS



KEY	PART NUMBER	U/M DESCRIPTION
1	109378-01-000	EA STRAP - CHECK - DRIVER DOOR - 12.8"
2	110604-01-01A	EA HANDLE - ASSIST - DRIVER DOOR - 10.8" LONG - BLACK
3*	125581-08-01A	EA DOOR - DRIVER - POWER WINDOW
4	132298-03-02A	EA PANEL/DOOR - INNER/DRIVER - W/O BEVERAGE TRAY - TITANIUM
4	132298-01-02A	EA PANEL/DOOR - INNER/DRIVER - W/O BEVERAGE TRAY - TITANIUM
5	109235-01-01A	FT COVER - SCREW - MAT BLACK
5	109235-01-05A	FT COVER - SCREW - BRIGHT WHITE
6	125725-01-01A	EA FRAME - DRIVER DOOR - 33.5" - BLACK
7	125725-03-01A	EA FRAME - DRIVER DOOR - 27.8" - BLACK
8	125725-07-01A	EA FRAME - DRIVER DOOR - 53.3" - BLACK
9	125725-08-01A	EA FRAME - DRIVER DOOR - 21.4" - BLACK
10	125804-02-02B	EA ANGLE - DOOR SUPPORT - E-COATED
11	126506-01-02B	EA BRACKET - STRIKE - DRIVER DOOR - E-COATED
12	126534-01-02B	EA SPACER - STRIKE - DRIVER DOOR - E-COATED
13	132297-01-L58	EA BEVERAGE TRAY - PASSENGER/DRIVER - WASHED MAPLE
13	132297-01-L52	EA BEVERAGE TRAY - PASSENGER/DRIVER - SALEM CHERRY
14	117802-01-000	EA GROMMET - CONVOLUTED - 2"

\*COMPONENT PARTS LISTED LATER IN THIS GROUP

**EXTERIOR DOORS & COMPARTMENTS GROUP (CONTINUED)**  
**COMPONENT PARTS FOR DRIVERS**



125581-08-01A



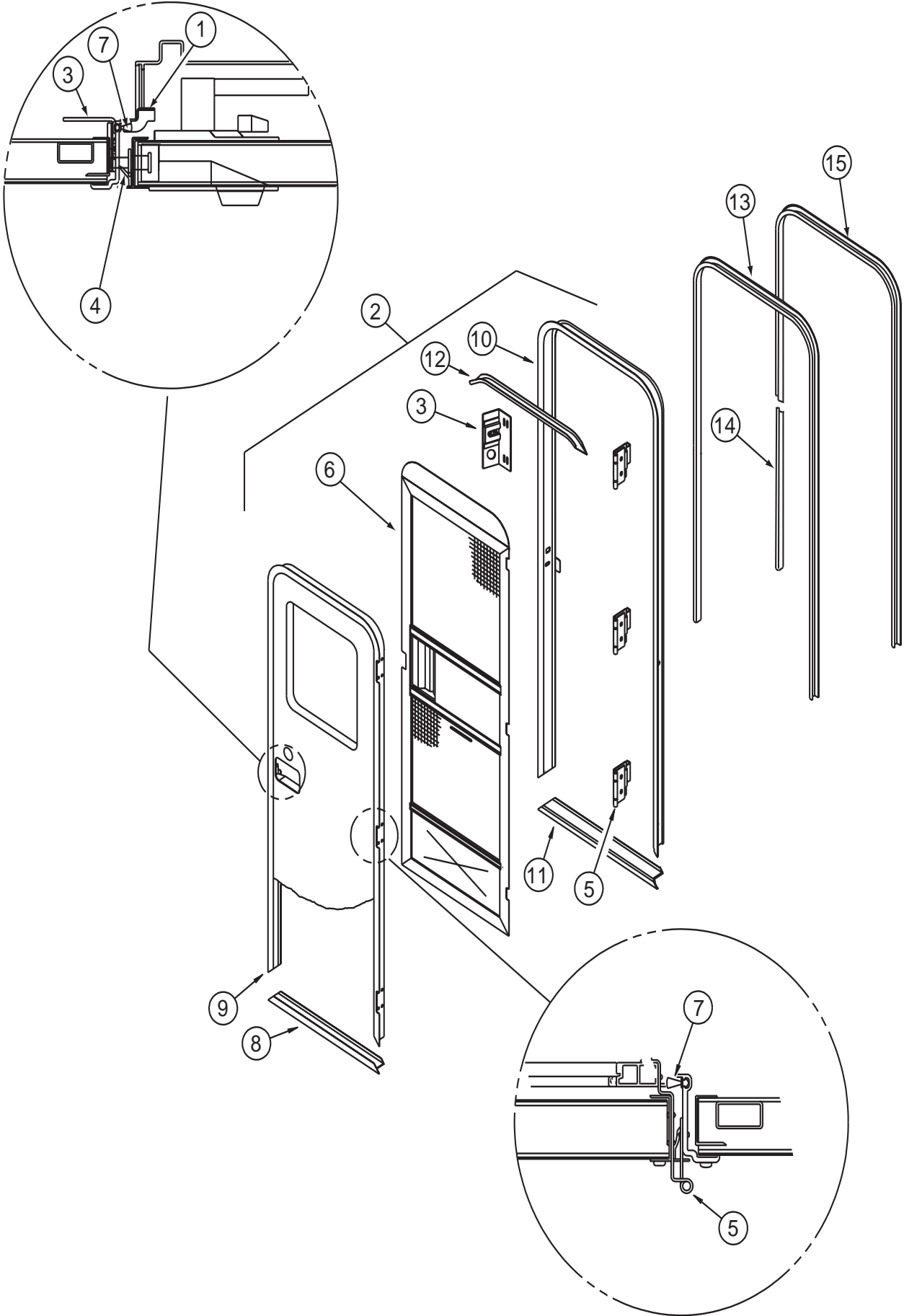
**EXTERIOR DOORS & COMPARTMENTS GROUP (CONTINUED)**  
**COMPONENT PARTS FOR DRIVERS (CONTINUED)**

**125581-08-01A (CONTINUED)**

<b>KEY</b>	<b>PART NUMBER</b>	<b>U/M</b>	<b>DESCRIPTION</b>	<b>VENDOR NO.</b>
1			CONTACT WINNEBAGO PART SALES FOR THIS COMPONENT	
2	106469-01-705	FT	CHANNEL-RUN, SLIDING	122-010850
3	106469-01-702	EA	SEAL-DOOR, (FRAME) EA=1	122-040984
4	106469-04-714	EA	ROD-CLIP, RH	248-041153
5	106469-04-713	EA	ROD-CLIP, LH	248-041154
6	106469-04-704	EA	NUT ASSEMBLY-CAGED W/STRIKER	248-041151
7	106469-04-703	EA	BOLT-STRIKER, W/WASHER	248-041152
8	106469-04-712	EA	HANDLE/DOOR-INNER W/HARDWARE	248-041402
9	106469-05-702	EA	HINGE - 42"	211-041194
10			CONTACT WINNEBAGO PART SALES FOR THIS COMPONENT	
11			CONTACT WINNEBAGO PART SALES FOR THIS COMPONENT	
12	106469-01-709	FT	WEATHERSTRIP FUZZY	171-040630
13	125581-03-703	EA	WEATHERSTRIP - BELTING	132-041069
14	106469-04-711	EA	ROD-LOCK, HORIZONTAL	203-041137
15	125581-04-700	EA	ROD - LATCH/VERTICAL ADJUST.	203-041767
16	125581-04-701	EA	ROD - LOCK/VERTICAL ADJUST.	203-041768
17 THRU 19			CONTACT WINNEBAGO PART SALES FOR THIS COMPONENT	
20	128913-01-707	EA	NUT - HEX/NYLOCK - 1/4 - 20	233-062447
21			CONTACT WINNEBAGO PART SALES FOR THIS COMPONENT	
22			CONTACT WINNEBAGO PART SALES FOR THIS COMPONENT	
23	106469-01-723	EA	SEAL-BULB ASM. (JAMB)	171-040985
24	106469-05-706	EA	LATCH-ROTARY, W/LINKAGE	248-041150
25 THRU 45			CONTACT WINNEBAGO PART SALES FOR THIS COMPONENT	
46	125581-03-704	EA	PADDLE - W/O LOCK/RH - KEY 1	TRI/MARK #14312-02
47	125581-04-703	EA	FRAM - MOUNTING - BLACK	V180-35L
48 THRU 55			CONTACT WINNEBAGO PART SALES FOR THIS COMPONENT	
56	125581-08-703	EA	GLASS - RULL-UP	106-042081
57			CONTACT WINNEBAGO PART SALES FOR THIS COMPONENT	
58	125581-08-702	EA	FRAME/DOOR - SUB ASSY-BLACK	V220-98L
59			CONTACT WINNEBAGO PART SALES FOR THIS COMPONENT	
60	106469-04-705	EA	ROD-LATCH, HORIZONTAL	203-041139
61	125581-08-701	EA	CHANNEL/VERT ROLL UP-BLACK	V220-60
62	125581-08-700	EA	CHANNEL/VERT STA GLASS-BLACK	V220-61
63	125581-03-702	EA	REGULTOR-ELECTRIC-SPECIAL RH	410-040966
64	125581-06-700	EA	PANEL/INTERIOR	V164-97
65			CONTACT WINNEBAGO PART SALES FOR THIS COMPONENT	
66	125581-04-710	FT	VINYL - GLAZING	132-041484
67	125581-07-701	EA	GLASS-STATIONERY/4.95"X29.5"	106-042082
68 THRU 75			CONTACT WINNEBAGO PART SALES FOR THIS COMPONENT	
76	125581-03-701	EA	SILL - INNER - BLACK	V123-68L
77	125581-03-700	EA	MULLION RAIL- BLACK	V123-84
	125581-04-711	EA	CHANNEL-GLASS - LIFT BRKT	N135-66
	125581-07-703	EA	BRACKET-ALUMINUM "L"(INSIDE)	N135-55
	125581-07-704	EA	BRACKET - STRAP/JAMB & DOOR	248-080394
	125581-07-705	EA	BRACKET (L) F/SEAL PROTECT	490201

EXTERIOR DOORS & COMPARTMENTS GROUP (CONTINUED)

ENTRY



**EXTERIOR DOORS & COMPARTMENTS GROUP (CONTINUED)**

**ENTRY (CONTINUED)**

<b>KEY</b>	<b>PART NUMBER</b>	<b>U/M</b>	<b>DESCRIPTION</b>
1	132915-01-01A	EA	LATCH - SCREEN DOOR
2	P32206-02-M52	EA	DOOR - ENTRY W/SCREEN DOOR - W/O WINDOW (M62, M63)
	P32206-02-M56	EA	DOOR - ENTRY W/SCREEN DOOR - W/O WINDOW (M64, M65)
	P32206-02-M54	EA	DOOR - ENTRY W/SCREEN DOOR - W/O WINDOW (M66, M67)
	039715-01-000	EA	NUT-SERT - 1/4" DIAMETER - 20 THREADS
3	041546-08-000	EA	BRACKET - DOOR ANGLE O/W
			FROM: 00-00-00 THRU: 12-18-00
3	137401-01-03B	EA	BRACKET - DOOR ANGLE - OFF WHITE
			FROM: 12-19-00 THRU: 99-99-99
4	075671-04-000	FT	SEAL - SPONGE - LAZY T - W/ADHESIVE STRIP - .5" WIDE
5	106719-01-05A	EA	HINGE - ENTRY DOOR - BRIGHT WHITE
	106719-01-01A	EA	HINGE - ENTRY DOOR - MILL
	116111-02-01A	EA	SCREW - TAPTITE - 1/4-20 X 3/8 PPH - ZINC
6	132208-02-L32	EA	DOOR - SCREEN - W/O HARDWARE
7	118929-01-01A	FT	SEAL - PILE - PUSH ON
8	121893-03-02A	EA	FRAME - ENTRY DOOR/LOWER - BRIGHT WHITE
9	121894-16-01A	EA	FRAME - ENTRY DOOR - BRIGHT WHITE
10	121898-14-01A	EA	JAMB - ENTRY DOOR
11	051049-05-000	EA	JAMB/DOOR - LOWER - ENTRY DOOR
	075673-05-000	FT	SEAL - PILE - ADHESIVE BACK - BLACK
			FROM: 05-01-00 THRU: 99-99-99
	038327-01-000	EA	TAPE - ANTI-SLIP - 2" X 60'
			FROM: 05-01-00 THRU: 99-99-99
12	044582-50-000	EA	CAP - DRIP - JAMB MITERED - BRIGHT WHITE
13	115222-17-01A	EA	GARNISH - RADIUS - ENTRY DOOR - ONE PIECE
			FROM: 00-00-00 THRU: 12-18-00
14	137866-01-01A	EA	GARNISH - STRAIGHT/ENTRY DOOR - BRIGHT WHITE - 36"
			FROM: 12-19-00 THRU: 04-29-01
14	139101-01-01A	EA	GARNISH/STRAIGHT - 36.31" - W/NOTCH - BRIGHT WHITE
			FROM: 04-30-01 THRU: 99-99-99
15	137837-01-02A	EA	GARNISH - RADIUS CORNED - ENTRANCE DOOR - BRIGHT WHITE
			FROM: 12-19-00 THRU: 04-29-01
15	139100-01-01A	EA	GARNISH/RADIUS - ENTRY DOOR - BRIGHT WHITE
			FROM: 04-30-01 THRU: 99-99-99
*	129676-01-000	EA	KEY - T/M 14472-07-1431
*	129676-02-000	EA	KEY - T/M 14472-07-1432
*	129676-03-000	EA	KEY - T/M 14472-07-1433
*	129676-04-000	EA	KEY - T/M 14472-07-1434
*	129676-05-000	EA	KEY - T/M 14472-07-1435
*	129676-06-000	EA	KEY - T/M 14472-07-1436
*	129676-07-000	EA	KEY - T/M 14472-07-1437
*	129676-08-000	EA	KEY - T/M 14472-07-1438
*	129676-09-000	EA	KEY - T/M 14472-07-1439
*	129676-10-000	EA	KEY - T/M 14472-07-1440
	129685-01-000	EA	CYLINDER - LOCK ASSEMBLY - ENTRANCE DOOR (J)
	129685-02-000	EA	CYLINDER - LOCK ASSEMBLY - ENTRANCE DOOR (J)
	129685-03-000	EA	CYLINDER - LOCK ASSEMBLY - ENTRANCE DOOR (J)
	129685-04-000	EA	CYLINDER - LOCK ASSEMBLY - ENTRANCE DOOR (J)
	129685-05-000	EA	CYLINDER - LOCK ASSEMBLY - ENTRANCE DOOR (J)
	129685-06-000	EA	CYLINDER - LOCK ASSEMBLY - ENTRANCE DOOR (J)
	129685-07-000	EA	CYLINDER - LOCK ASSEMBLY - ENTRANCE DOOR (J)
	129685-08-000	EA	CYLINDER - LOCK ASSEMBLY - ENTRANCE DOOR (J)
	129685-09-000	EA	CYLINDER - LOCK ASSEMBLY - ENTRANCE DOOR (J)
	129685-10-000	EA	CYLINDER - LOCK ASSEMBLY - ENTRANCE DOOR (J)

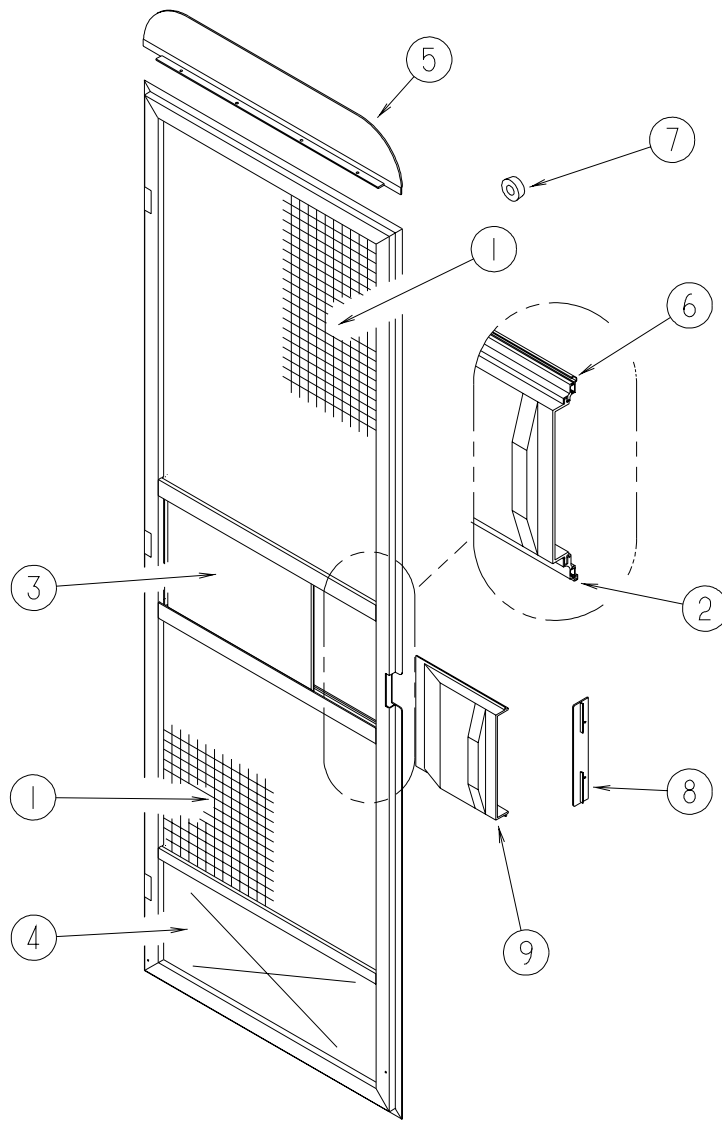
**\*COMPONENT PARTS LISTED LATER IN THIS GROUP**

**EXTERIOR DOORS & COMPARTMENTS GROUP (CONTINUED)**  
**COMPONENT PARTS FOR ENTRY**

129676-01-000 - 129676-10-000

<b>KEY</b>	<b>PART NUMBER</b>	<b>U/M</b>	<b>DESCRIPTION</b>	<b>VENDOR NO .</b>
	129685-01-701	EA	KEY - BLANK KS 150	144472-07-2001

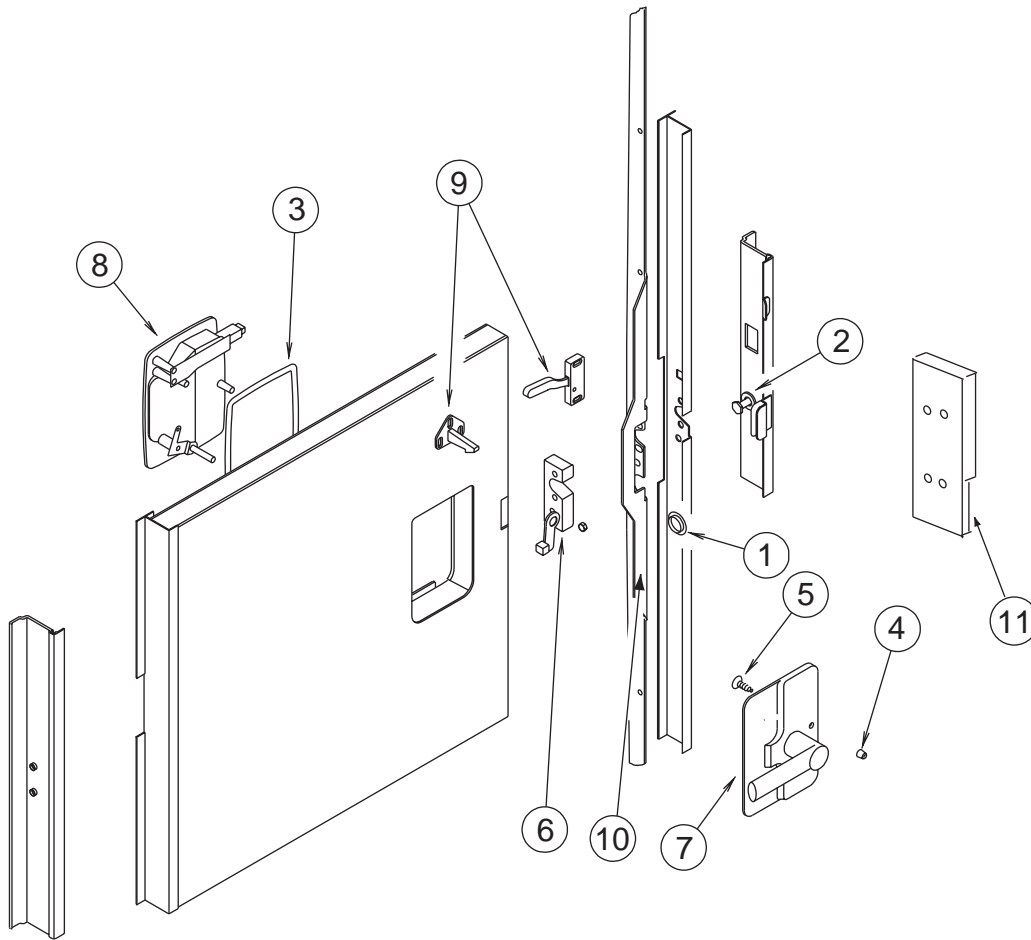
**EXTERIOR DOORS & COMPARTMENTS GROUP (CONTINUED)**  
**SCREEN**



KEY	PART NUMBER	U/M	DESCRIPTION
	132208-02-L32	EA	DOOR - SCREEN - W/O HARDWARE
1	002293-02-000	SF	SCREEN - 26" - CHARCOAL
2	002294-01-000	FT	SPLINE - SCREENING - .13" X .14"
3	016454-18-000	EA	INSERT - SCREEN DOOR - CENTER
4	078552-09-000	EA	INSERT - SCREEN DOOR - LOWER
5	078595-03-000	EA	PLATE - SCREEN DOOR
6	078777-08-000	FT	CHANNEL - SLIDER
7	120863-06-000	EA	BUMPER - RUBBER - 3/4" X 3/8"
8	132081-01-01A	EA	STRIKE - SLIDER - SCREEN DOOR - BRIGHT WHITE
9	132082-01-01A	EA	SLIDER - SCREEN DOOR - BRIGHT WHITE

# EXTERIOR DOORS & COMPARTMENTS GROUP (CONTINUED)

## LATCH - ENTRY

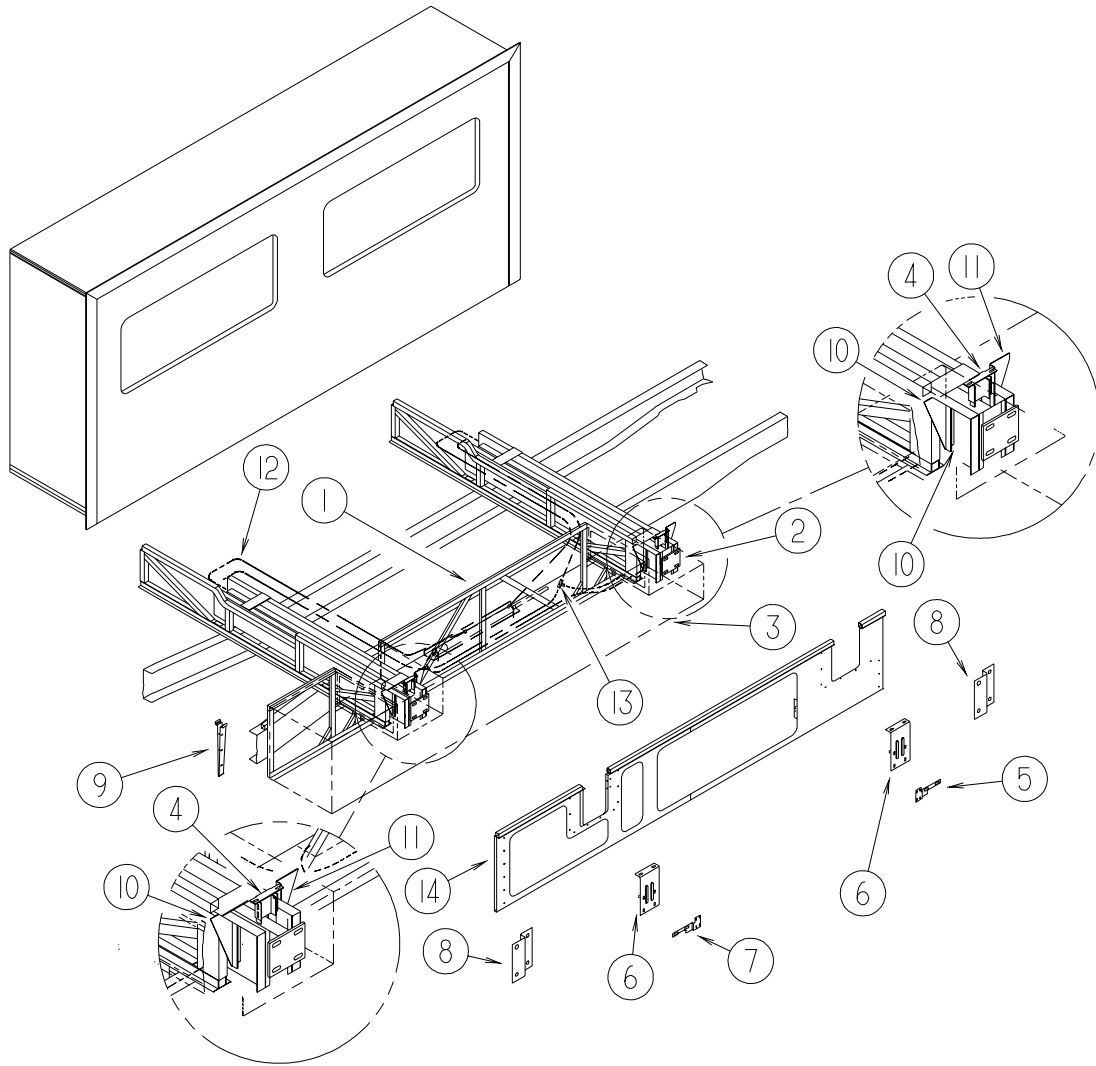


KEY	PART NUMBER	U/M	DESCRIPTION
1	061420-14-000	EA	PLUG/PLASTIC - .034" DIAMETER
2	092927-03-000	EA	STRIKER - ROUND - JAMB MOUNTED
			FROM: 00-00-00 THRU: 09-20-00
2	092927-14-000	EA	STRIKER - ROUND - JAMB MOUNTED
			FROM: 09-21-00 THRU: 99-99-99
3	112782-04-01A	EA	GASKET
4	112782-05-01A	EA	CAP - VINYL - RED
5	112782-08-01A	EA	SCREW - MOUNTING/PLATE - ZINC
6	112782-09-01A	EA	LATCH - SINGLE ROTOR
			FROM: 00-00-00 THRU: 11-12-00
6	112782-15-01A	EA	LATCH - SINGLE ROTOR
			FROM: 11-13-00 THRU: 99-99-99
7	112782-11-01A	EA	LATCH - INTERIOR PLATE
			FROM: 00-00-00 THRU: 10-15-00
7	112782-13-01A	EA	LATCH - INTERIOR PLATE
			FROM: 10-16-00 THRU: 11-12-00
7	112782-16-01A	EA	LATCH - INTERIOR PLATE
			FROM: 11-13-00 THRU: 99-99-99
8	112782-12-01A	EA	LATCH - EXTERIOR - W/O CYLINDER - W/ICON LOCK/UNLOCK
			FROM: 00-00-00 THRU: 10-15-00
8	112782-14-01A	EA	LATCH - EXTERIOR - W/O CYLINDER - W/ICON LOCK/UNLOCK
			FROM: 10-16-00 THRU: 11-12-00
8	112782-17-01A	EA	LATCH - EXTERIOR - W/O CYLINDER - W/ICON LOCK/UNLOCK
			FROM: 11-13-00 THRU: 99-99-99
9	132915-01-01A	EA	LATCH - SCREEN DOOR

**EXTERIOR DOORS & COMPARTMENTS GROUP (CONTINUED)**  
**LATCH - ENTRY (CONTINUED)**

<b>KEY</b>	<b>PART NUMBER</b>	<b>U/M</b>	<b>DESCRIPTION</b>
10	098173-02-01B	EA	STIFFENER-ENTRANCE DOOR,MILL,*00 300-SERIES FROM: 00-00-00 THRU: 09-20-00
10	132207-01-02B	EA	STIFFENER/DOOR - FORMED - E-COATED FROM: 09-21-00 THRU: 99-99-99
	072893-04-000	EA	NUTSERT - 10-32
11	077461-03-000	EA	COVER - STRIKE - ENTRY DOOR - 6.5" X 2.5" - WHITE PLASTIC FROM: 00-00-00 THRU: 12-18-00
11	077461-07-000	EA	COVER/BRACKET - STRIKE - OFF WHITE FROM: 12-19-00 THRU: 05-13-01
11	139102-01-01A	EA	COVER - BRACKET - STRIKE - BRIGHT WHITE FROM: 05-14-01 THRU: 99-99-99

## EXTERIOR SLIDEOUT GROUP FRONT LEFT

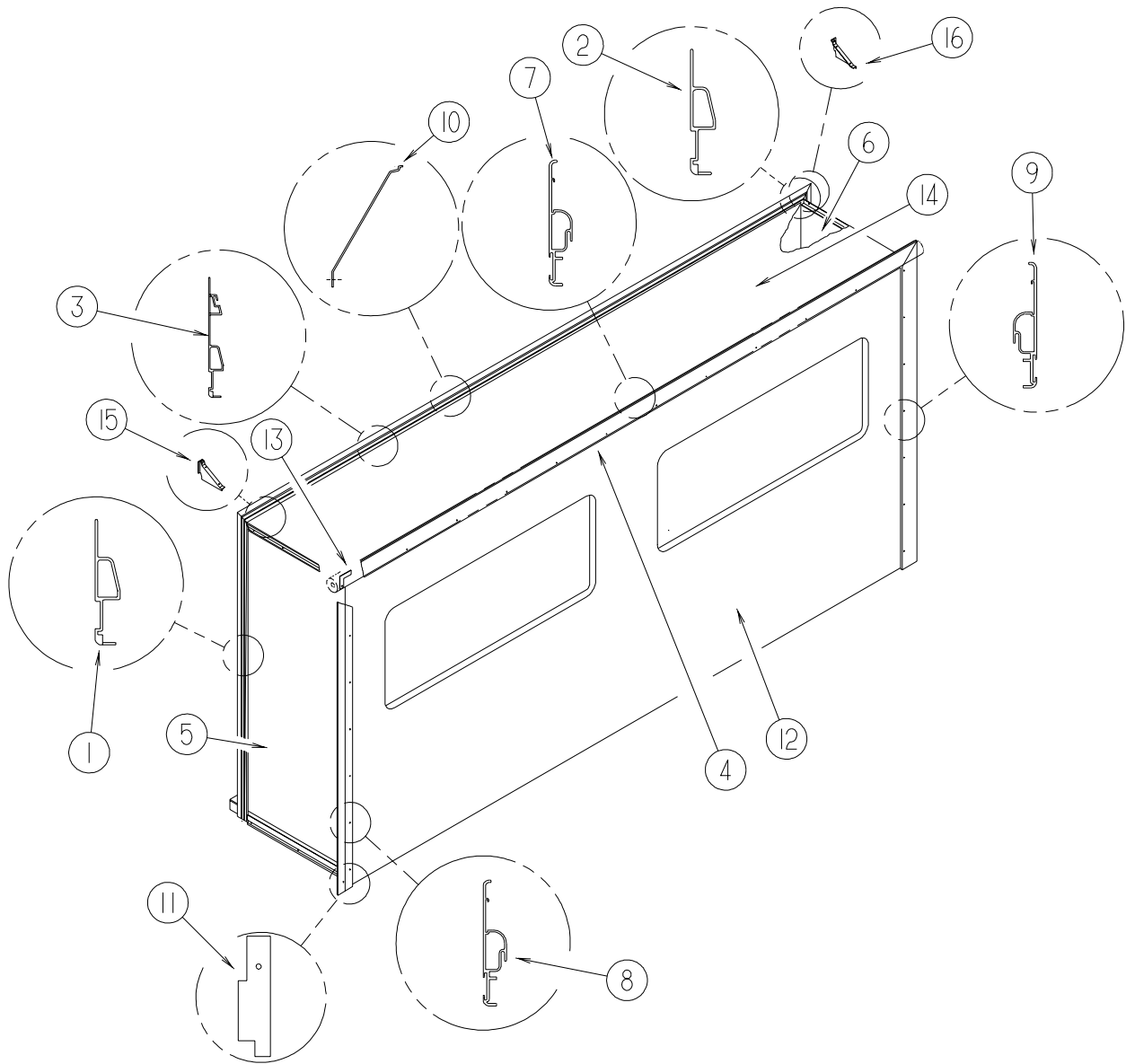


KEY	PART NUMBER	U/M	DESCRIPTION
1	134440-02-02B	EA	SUPPORT - SLIDEOUT COMPARTMENT - E-COATED
2*	131360-01-000	EA	SLIDEOUT - 29" - HYDRAULIC
3	126390-26-000	EA	COMPARTMENT - SLIDEOUT
4	133233-01-02B	EA	BRACKET - SLIDEOUT - E-COATED
5	131528-02-02B	EA	BRACKET - F/SLIDEOUT COMPARTMENT - E-COATED
6	131529-01-02B	EA	BRACKET - MOUNTING - F/SLIDEOUT COMPARTMENT - C-COATED
7	131528-01-02B	EA	BRACKET - F/SLIDEOUT COMPARTMENT - E-COATED
8	116104-06-02B	EA	BRACKET - ZEE W/HOLES - 7.9" - E-COATED
9	126591-01-02B	EA	CARRIER - WIRE ASM - SLIDEOUT
10	131531-02-02B	EA	GUSSET - SLIDEOUT - E-COATED
11	131531-07-02B	EA	GUSSET - SLIDEOUT - E-COATED
12*	100536-42-000	EA	HOSE KIT - PUMP TO SLIDE-OUT VALVE
13	123264-01-000	EA	TEE - UNION - 1/4" X 1/4" X 1/4"
14	134931-02-02B	EA	SEAL PLANE - E-COATED

\*COMPONENT PARTS LISTED LATER IN THIS GROUP



**EXTERIOR SLIDEOUT GROUP (CONTINUED)**  
**FRONT LEFT (CONTINUED)**

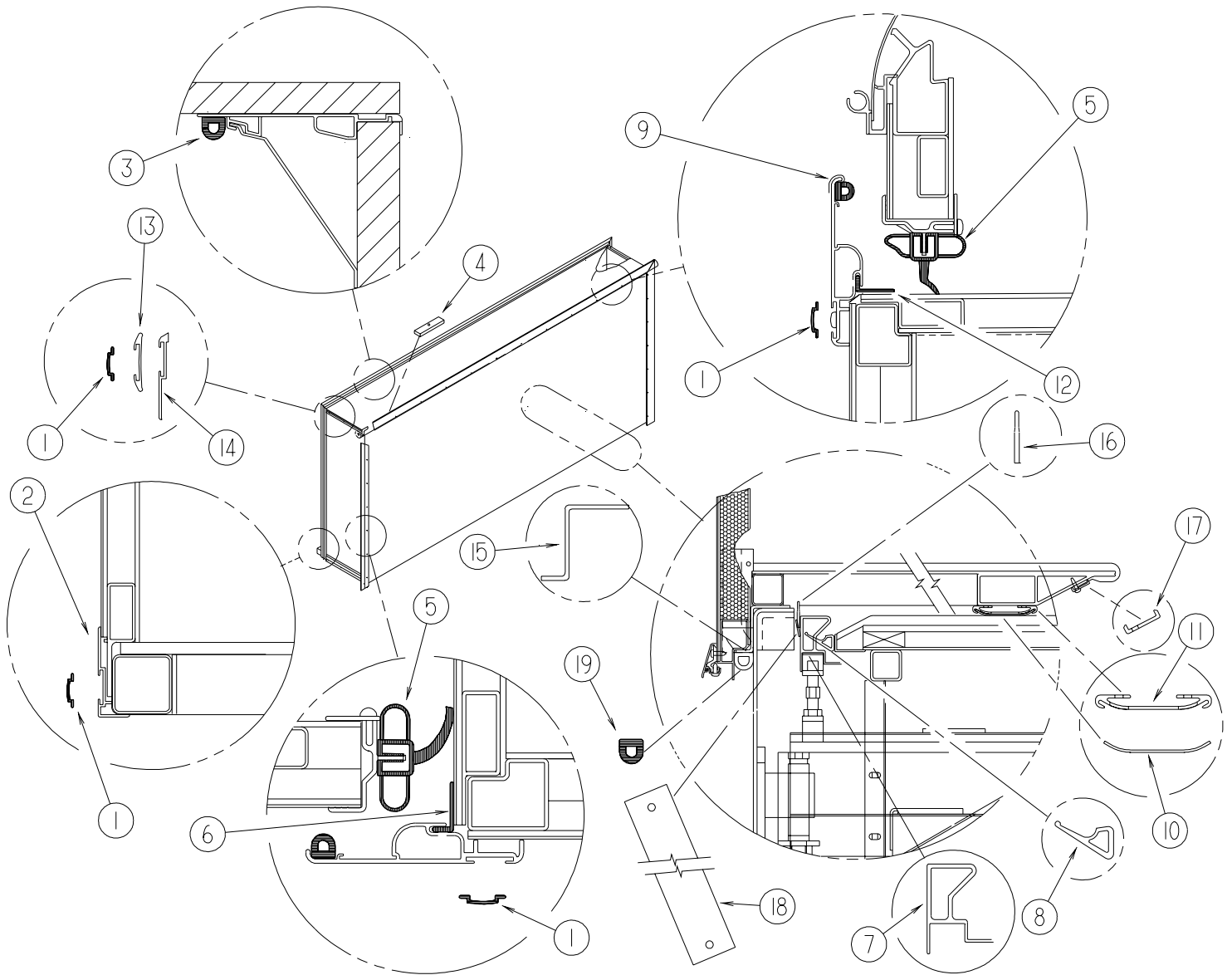


KEY	PART NUMBER	U/M	DESCRIPTION
1	117004-12-01A	EA	TRIM - SEAL/INNER/RT HAND-W/MITERED END-71.3" OFF WHITE
2	117004-13-01A	EA	TRIM - SEAL/INNER/LT HAND-W/MITERED END-71.3" OFF WHITE
3	131578-01-01A	EA	TRIM/SEAL - SLIDEOUT - 158.3" - BRIGHT WHITE
4	122977-06-01A	EA	AWNING/SLIDEOUT W/COVER - 160.24" - BRIGHT WHITE
			FROM: 00-00-00 THRU: 04-15-01
4	122977-06-03A	EA	AWNING/SLIDEOUT W/COVER - 160.24" - WHITE
			FROM: 04-16-01 THRU: 99-99-99
5	131353-04-M52	EA	PANEL - SLIDEOUT/FRONT - W/O HARDWARE (M62,M63)
5	131353-04-M56	EA	PANEL - SLIDEOUT/FRONT - W/O HARDWARE (M64,M65)
5	131353-04-M54	EA	PANEL - SLIDEOUT/FRONT - W/O HARDWARE (M66,M67)
6	131354-04-M52	EA	PANEL - SLIDEOUT/REAR - W/O HARDWARE (M62,M63)
6	131354-04-M56	EA	PANEL - SLIDEOUT/REAR - W/O HARDWARE (M64,M65)
6	131354-04-M54	EA	PANEL - SLIDEOUT/REAR - W/O HARDWARE (M66,M67)
7	133955-01-01A	EA	TRIM/SEAL - W/MITERED ENDS - 160" - BRIGHT WHITE
8	133955-19-01A	EA	TRIM/SEAL - W/MITERED ENDS - 75.5" - BRIGHT WHITE
9	133955-20-01A	EA	TRIM/SEAL - W/MITERED ENDS - 75.5" - BRIGHT WHITE
10	131579-01-01A	EA	TRIM/RETAINER - BRIGHT WHITE
11	126546-02-02A	EA	COVER - END/SIDEWALL SLIDEOUT - BRIGHT WHITE

**EXTERIOR SLIDEOUT GROUP (CONTINUED)**  
**FRONT LEFT (CONTINUED)**

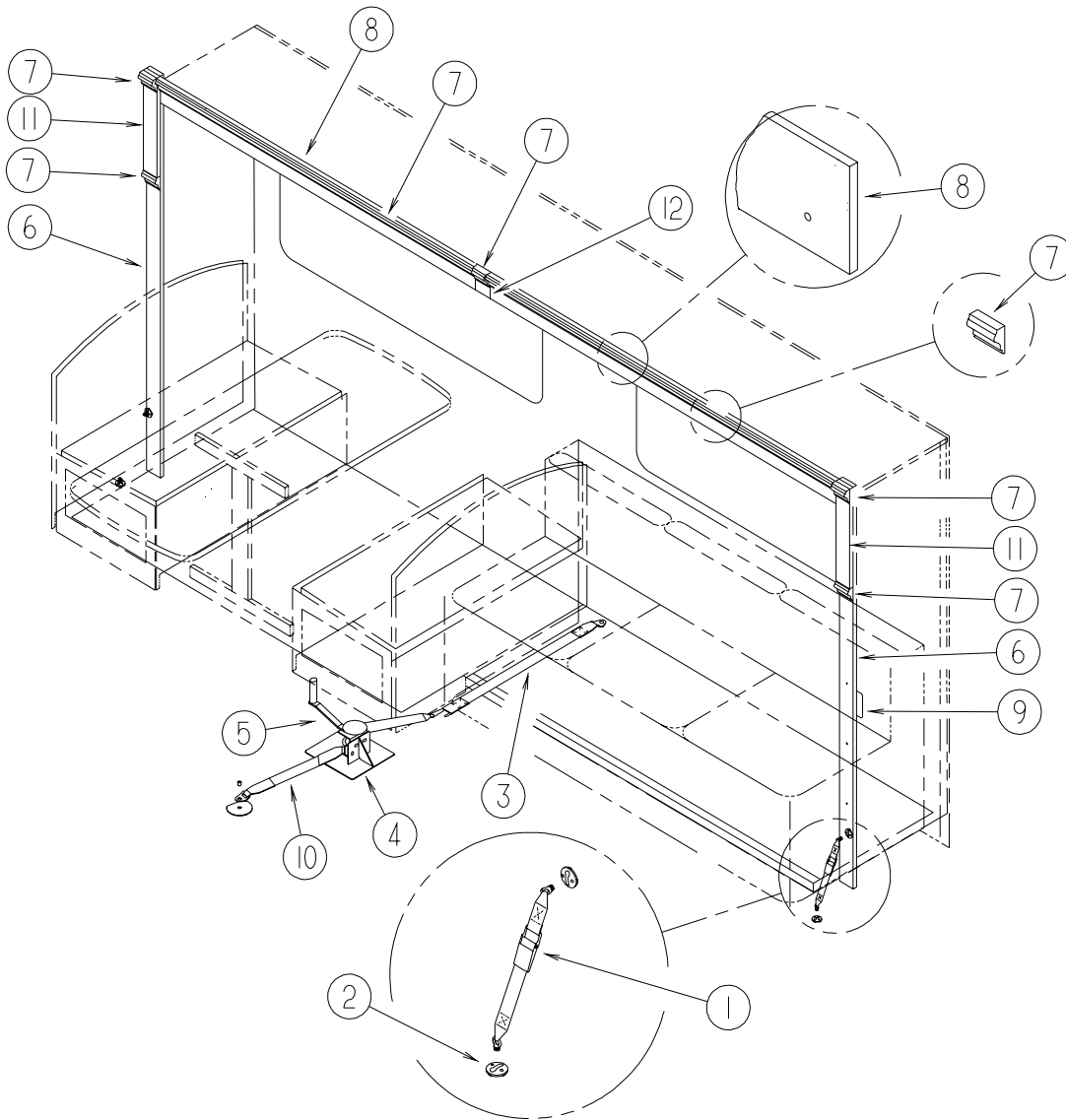
<b>KEY</b>	<b>PART NUMBER</b>	<b>U/M</b>	<b>DESCRIPTION</b>
12	119783-39-M52	EA	PANEL - SLIDEOUT/OUTER (M62,M63)
12	119783-39-M56	EA	PANEL - SLIDEOUT/OUTER (M64,M65)
12	119783-39-M54	EA	PANEL - SLIDEOUT/OUTER (M66,M67)
13	116444-02-12B	EA	TRIM/KEY CORNER - SLIDEOUT - 3.1"X3.1" - BRT WHT FROM: 00-00-00 THRU: 04-29-01
13	116444-04-12B	EA	TRIM/KEY CORNER - SLIDEOUT - 3.1"X3.1" - BRT WHT FROM: 04-30-01 THRU: 99-99-99
14	135274-01-M52	EA	ROOF - SLIDEOUT - W/O LIGHTS/VENTS - W/WIRING
15	131584-01-01A	EA	COVER - TRIM - SLIDEOUT - FRONT - BRIGHT WHITE
16	131584-02-01A	EA	COVER - TRIM - SLIDEOUT - REAR - BRIGHT WHITE

**EXTERIOR SLIDEOUT GROUP (CONTINUED)**  
**FRONT LEFT (CONTINUED)**



KEY	PART NUMBER	U/M	DESCRIPTION
1	105312-01-07A	FT	INSERT - FEATURE STRIP - VINYL - BRIGHT WHITE
2	125051-03-01A	EA	STRIP - FEATURE - LOWER - 29.2" - BRIGHT WHITE
3	112091-01-000	FT	SEAL/D - NEOPRENE - HEAT ACTIVE ADHESIVE - .9"
4	137331-01-01A	EA	SLIDE - COVER - CENTER/BRIGHT WHITE
5	115076-03-000	FT	SEAL - SLIDEOUT
6	133954-16-01A	EA	TRIM/SEAL - W/MITERED ENDS - 71.2" - BRIGHT WHITE
7	131659-04-M52	EA	TUBE ASM-SUPPORT
	137408-02-000	EA	SEAL - BLOCK - F/SLIDEOUT - 1.4" - ONE AT EACH END OF SUPPORT TABLE
	137408-01-000	EA	SEAL - BLOCK - F/SLIDEOUT - 2.2" - ONE AT EACH END OF ROOM
8	131611-01-000	FT	SEAL - SLIDEOUT/LOWER
9	117058-01-01A	FT	TAPE - LOOP - 3/4" WIDE - ADHESIVE BACKED
10	115661-01-000	FT	SHOE/GLIDE - SLIDEOUT ROOM - 1/16" X 3" - POLYEHTYLENE
11	115325-10-01A	EA	RAIL/FLOOR - SLIDEOUT - BLACK
12	133954-01-01A	EA	TRIM/SEAL - W/MITERED ENDS - 154.3" - BRIGHT WHITE
13	108688-01-03A	EA	STRIP - FEATURE - BRIGHT WHITE - 182"
			FROM: 00-00-00 THRU: 03-18-01
14	138659-01-01A	EA	TRIM/FEATURE STRIP - 181.7" - BRIGHT WHITE
			FROM: 03-19-01 THRU: 99-99-99
15	131520-04-01A	EA	EXTRUSION/ZEE - F/SLIDEOUT - 153.4"
16	123012-01-000	FT	SEAL - SLIDEOUT - .09"/.13" THICK X 1.25" - W/ADHESIVE
17	131358-01-01A	EA	RETAINER - U-CHANNEL - 153.4" - BLACK
18	137343-01-02B	EA	PLATE - W/HOLES - E-COATED
19	107721-08-000	FT	SEAL - ACCESS DOOR - .9" WIDE X .9" HIGH

**EXTERIOR SLIDEOUT GROUP (CONTINUED)**  
**FRONT LEFT (CONTINUED)**



KEY	PART NUMBER	U/M	DESCRIPTION
1	135619-01-01A	EA	STRAP - TIEDOWN - SLIDEOUT ROOM
2	135622-01-01B	EA	PLATE - TIEDOWN - SLIDEOUT ROOM
3	116101-02-F31	EA	STRAP - WINCH - 34" CENTER BRACKET/STRAP END
4	116082-01-02B	EA	BRACKET - WINCH
			FROM: 00-00-00 THRU: 03-11-01
4	116082-02-02B	EA	BRACKET - WINCH
			FROM: 03-12-01 THRU: 03-23-01
4	116082-03-02B	EA	BRACKET - WINCH
			FROM: 03-24-01 THRU: 99-99-99
	069726-02-000	EA	BUMPER - .88" OD X .40" THICK - BLACK
5	115767-02-000	EA	WINCH - SLIDEOUT W/10' STRAP
6	116951-16-K90	EA	MOLDING - TRIM - 3.5" X 74.3" - WASHED MAPLE
6	116951-16-K37	EA	MOLDING - TRIM - 3.5" X 74.3" - SALEM CHERRY
7	125547-26-70D	EA	MOLDING - CROWN - MAPLE/MAPLE - 85"
7	125547-26-70B	EA	MOLDING - CROWN - CHERRY/CHERRY - 85"
8	116951-17-K90	EA	MOLDING - TRIM - 5.5" X 76.3" - WASHED MAPLE
8	116951-17-M94	EA	MOLDING - TRIM - 5.5" X 76.3" - CHERRY III - SALEM CHERRY
9	130262-01-000	EA	PROTECTOR - CORNER SAVER - .7" X .7" X 48"
10	116101-01-F31	EA	STRAP - WINCH - 17.8" CENTER/CENTER BRACKET
11	M09412-03-M62	EA	LUMBER-STAIN 19,0X089,0X0162 - WASHED MAPLE
11	M09412-03-M52	EA	LUMBER-STAIN 19,0X089,0X0162 - SALEM CHERRY
12	116951-09-K58	EA	MOLDING - TRIM - 3.5" X 18.5" - WASHED MAPLE
12	116951-09-L52	EA	MOLDING - TRIM - 3.5" X 18.5" - SALEM CHERRY

# EXTERIOR SLIDEOUT GROUP (CONTINUED)

## COMPONENT PARTS FOR FRONT LEFT

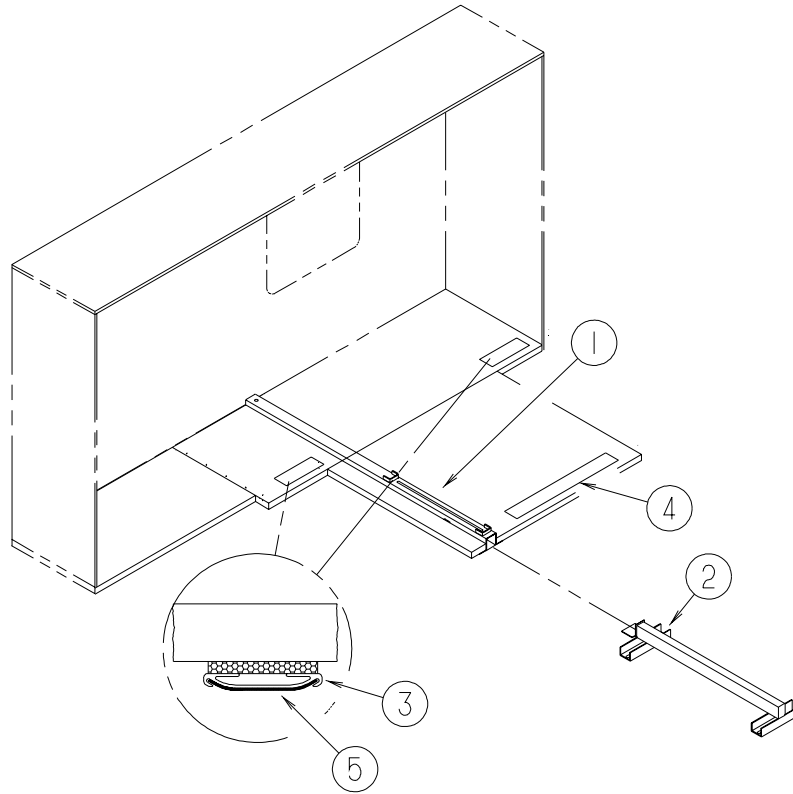
### 100536-42-000

KEY	PART NUMBER	U/M	DESCRIPTION	VENDOR NO.
	100536-42-700	EA	HOSE - HYDRAULIC - 168"	RAP6115
	100536-42-701	EA	HOSE - HYDRAULIC - 175"	RAP90350

### 131360-01-000

KEY	PART NUMBER	U/M	DESCRIPTION	VENDOR NO.
	100536-10-701	EA	HOSE-HYDRAULIC-1/4" X 116"	RAP90349/AP5384
	131360-01-700	EA	CYLINDER - HYDRAULIC (RAM)	RAP90696/AP19256
	131360-01-701	EA	HOSE-HYDRAULIC-1/4" X 125"	AP4906
	131360-01-702	EA	HOSE-HYDRAULIC-3/16" X 172"	AP18996
	131360-01-703	EA	HOSE-HYDRAULIC-3/16" X 42"	AP20533
	131360-01-704	EA	STUD/COMPT MOUNT-3 3/8" LONG	P19715
	131360-01-705	EA	STUD/COMPT MOUNT-4 5/8" LONG	P19716
	132540-01-701	EA	CYLINDER - SYNCRONIZING	RAP90690/AP17966

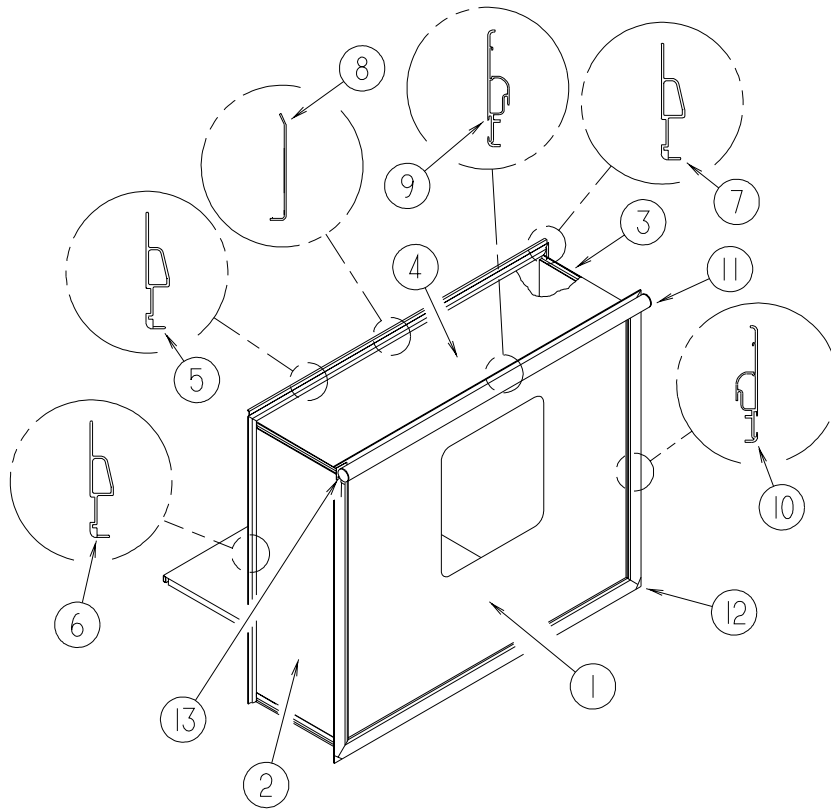
**EXTERIOR SLIDEOUT GROUP (CONTINUED)**  
**RIGHT REAR**



KEY	PART NUMBER	U/M	DESCRIPTION
1	128599-02-000	EA	CHANNEL - F/SLIDEOUT
2*	128599-05-000	EA	CYLINDER/HYDRAULIC - F/SLIDEOUT
3	115325-08-01A	EA	RAIL - FLOOR/SLIDEOUT ROOM - BLACK
4	115325-11-01A	EA	RAIL - FLOOR/SIDEOUT ROOM - BLACK
5	115661-01-000	FT	SHOE/GLIDE - SLIDEOUT ROOM - 1/16" X 3" - POLYETHYLENE

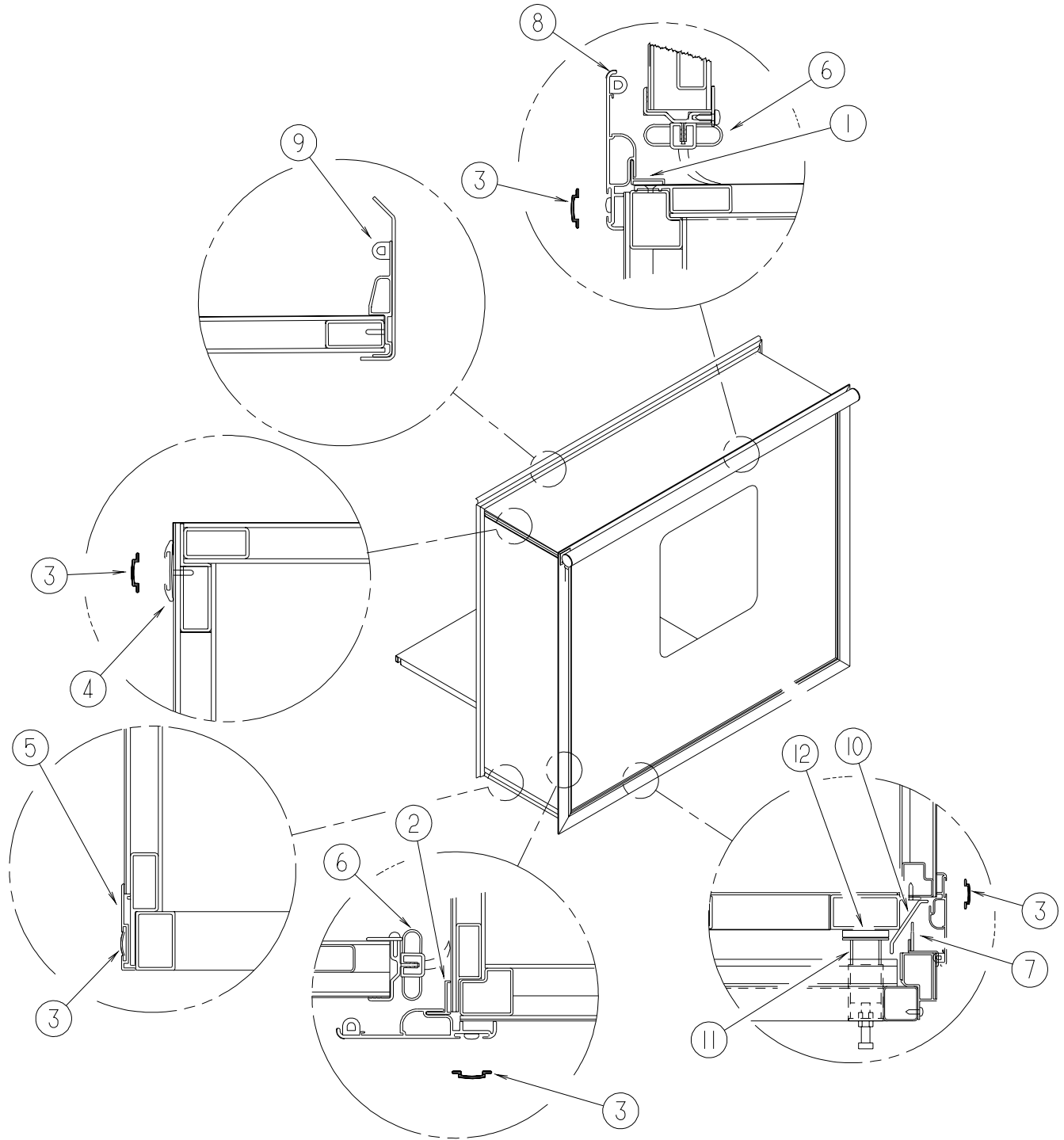
**\*COMPONENT PARTS LISTED LATER IN THIS GROUP**

**EXTERIOR SLIDEOUT GROUP (CONTINUED)**  
**RIGHT REAR (CONTINUED)**



KEY	PART NUMBER	U/M	DESCRIPTION
1	130433-03-M52	EA	PANEL - SLIDEOUT/OUTER (M62,M63)
1	130433-03-M56	EA	PANEL - SLIDEOUT/OUTER (M64,M65)
1	130433-03-M54	EA	PANEL - SLIDEOUT/OUTER (M66,M67)
2	127706-03-M52	EA	PANEL - SLIDEOUT/REAR (M62,M63)
2	127706-03-M56	EA	PANEL - SLIDEOUT/REAR (M64,M65)
2	127706-03-M54	EA	PANEL - SLIDEOUT/REAR (M66,M67)
3	127707-03-M52	EA	PANEL - SLIDEOUT/FRONT (M62,M63)
3	127707-03-L56	EA	PANEL - SLIDEOUT/FRONT (M64,M65)
3	127707-03-L36	EA	PANEL - SLIDEOUT/FRONT (M66,M67)
4	130437-01-M52	EA	ROOF - W/O LIGHTS/VENTS - W/WIRING - F/SLIDEOUT
5	117004-10-01A	EA	TRIM - SEAL/INNER/UPPER- W/MITERED ENDS - 132.7" OFF WHITE
6	117004-06-03A	EA	TRIM - SEAL/INNER/LEFT - W/MITERED END/NOTCH- 73.4" BRT/WT
7	117004-07-03A	EA	TRIM - SEAL/INNER/RIGHT- W/MITERED END/NOTCH- 73.4" BRT/WT
8	125466-05-01A	EA	SUPPORT - ROOF/INTERIOR - OFF WHITE
9	133955-16-01A	EA	TRIM/SEAL - W/MITERED ENDS - 134.6" - BRIGHT WHITE
10	133955-05-01A	EA	TRIM/SEAL - W/MITERED ENDS - 75.6" - BRIGHT WHITE
11	122977-08-01A	EA	AWNING - F/SLIDEOUT - 134.4" - BRIGHT WHITE
			FROM: 00-00-00 THRU: 04-15-01
11	122977-08-03A	EA	AWNING/SLIDEOUT W/COVER - 134.4" - WHITE
			FROM: 04-16-01 THRU: 99-99-99
12	135275-01-01A	EA	PROTECTOR - CORNER - SLIDEOUT - WHITE
13	116444-02-12B	EA	TRIM/KEY CORNER - SLIDEOUT - 3.1"X3.1" - BRT WHT
			FROM: 00-00-00 THRU: 04-29-01
13	116444-04-12B	EA	TRIM/KEY CORNER - SLIDEOUT - 3.1"X3.1" - BRT WHT
			FROM: 04-30-01 THRU: 99-99-99

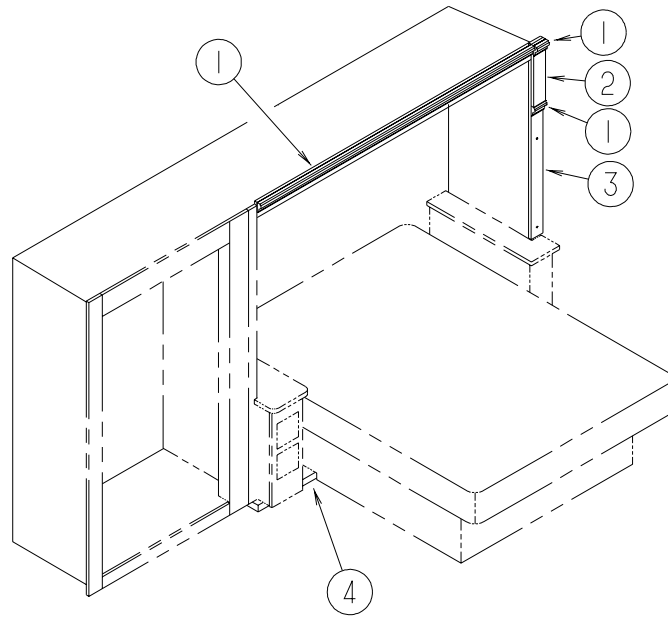
**EXTERIOR SLIDEOUT GROUP (CONTINUED)**  
**RIGHT REAR (CONTINUED)**



KEY	PART NUMBER	U/M	DESCRIPTION
1	133954-14-01A	EA	TRIM/SEAL - W/MITERED ENDS - 129.3" - BRIGHT WHITE
2	133954-24-01A	EA	TRIM/SEAL - W/MITERED END - 70.4" - BRIGHT WHITE - RH
2	133954-25-01A	EA	TRIM/SEAL - W/MITERED END - 70.4" - BRIGHT WHITE - LH
3	105312-01-07A	FT	INSERT - FEATURE STRIP - VINYL - BRIGHT WHITE
4	138659-01-01A	EA	TRIM/FEATURE STRIP - 181.7" - BRIGHT WHITE
5	125051-02-01A	EA	TRIM - LOWER FEATURE - BRIGHT WHITE
6	115076-01-000	FT	SEAL - SLIDEOUT
7	123012-01-000	FT	SEAL - SLIDEOUT - .09"/.13" THICK X 1.25" - W/ADHESIVE
8	117058-01-01A	EA	TAPE - LOOP - 3/4" WIDE - ADHESIVE BACKED
9	112091-01-000	FT	SEAL/D - NEOPRENE - HEAT ACTIVE ADHESIVE - .9"
10	139953-01-02B	EA	ANGLE - REINFORCEMENT - F/SLIDEOUT - E-COATED
11	126313-02-02B	EA	SUPPORT - ROLLER - E-COATED
12	128599-03-000	EA	PAD - F/SLIDEOUT



**EXTERIOR SLIDEOUT GROUP (CONTINUED)**  
**RIGHT REAR (CONTINUED)**



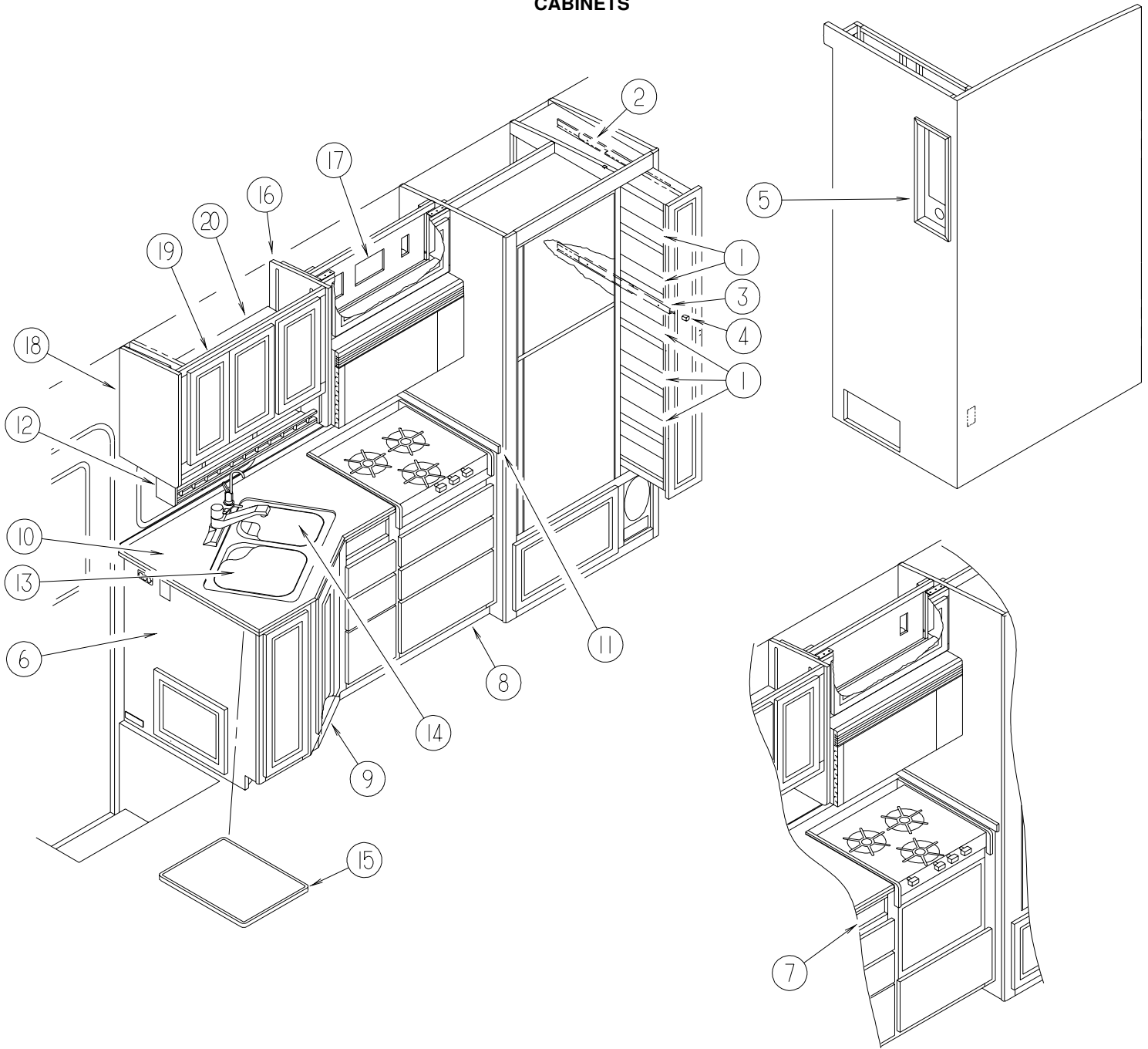
KEY	PART NUMBER	U/M	DESCRIPTION
1	125547-26-70D	EA	MOLDING - CROWN - MAPLE/MAPLE - 85"
1	125547-26-70B	EA	MOLDING - CROWN - CHERRY/CHERRY - 85"
2	M09216-85-L58	EA	LUMBER/STAINED - SLIDEOUT - .7" X 3.5" X 15.7" - WASHED MAPLE
2	M09216-85-L52	EA	LUMBER/STAINED - SLIDEOUT - .7" X 3.5" X 15.7" - SALEM CHERRY
3	116951-22-L58	EA	MOLDING - TRIM - 3.5" X 49.8" - WASHED MAPLE
3	116951-22-L52	EA	MOLDING - TRIM - 3.5" X 49.8" - SALEM CHERRY
4	124624-10-02A	EA	ANGLE - TRIM - BLACK - 7.9"

**EXTERIOR SLIDEOUT GROUP (CONTINUED)**  
**COMPONENT PARTS FOR RIGHT REAR**

128599-05-000

<b>KEY</b>	<b>PART NUMBER</b>	<b>U/M</b>	<b>DESCRIPTION</b>	<b>VENDOR NO.</b>
	128599-05-700	EA	RAM/CYLINDER - SLIDEOUT	RAP90688
	128599-05-701	EA	HOSE - 1/8" X 84"	AP14252
	128599-05-702	EA	HOSE - 1/8" X 72"	AP12071
	128599-05-703	EA	COVER - SLOTTED W/FOAM PAD	AP16465

## GALLEY GROUP CABINETS



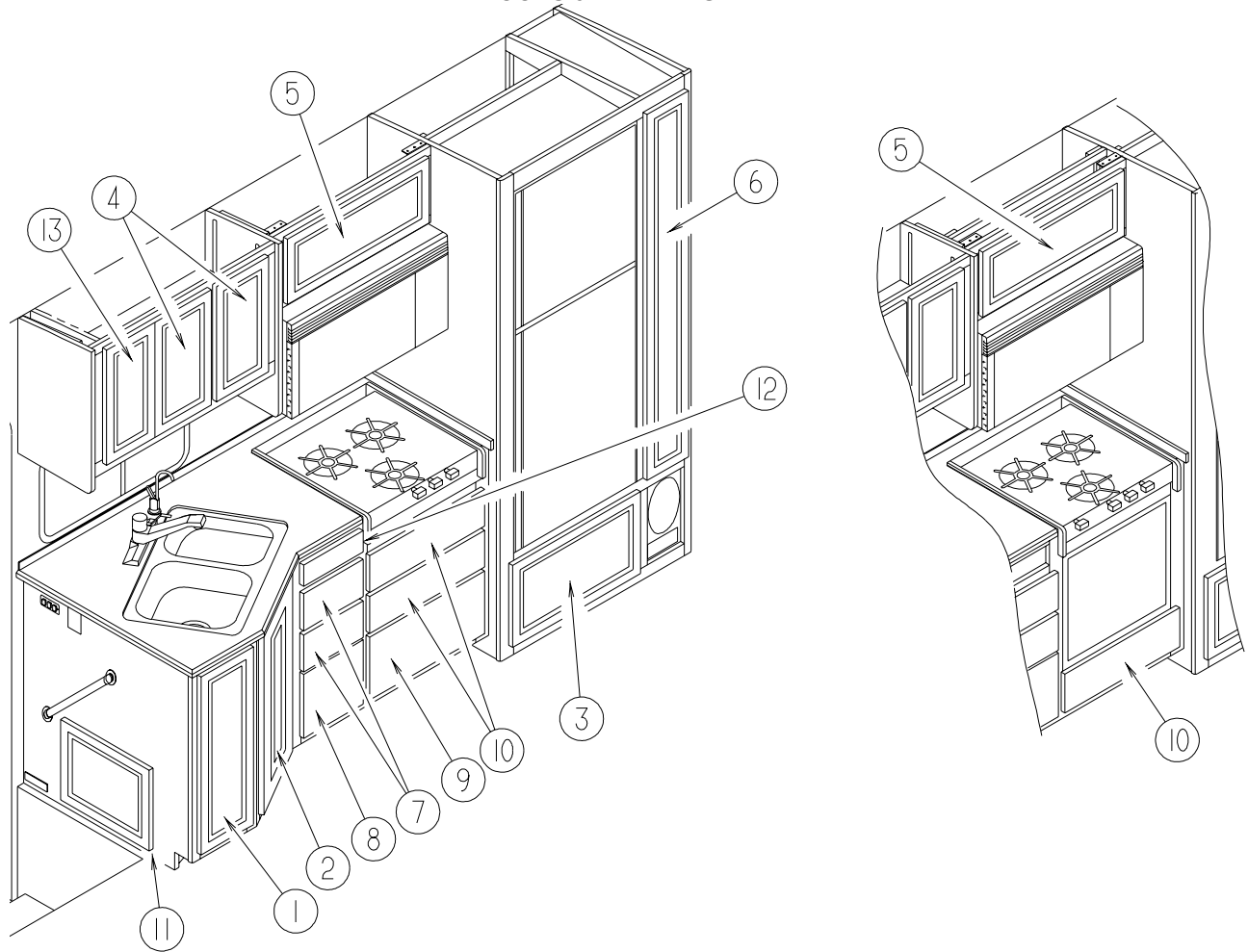
KEY	PART NUMBER	U/M	DESCRIPTION
1	122325-11-J70	EA	SHELF - W/EDGE MOLDING - WASHED MAPLE
1	122325-11-M94	EA	SHELF - W/EDGE MOLDING - SALEM CHERRY
2	122360-02-000	EA	SLIDE - PANTRY - W/O LOCK - RIGHT/LEFT HAND
3	122360-03-000	EA	SLIDE - PANTRY - W/LOCK - RIGHT HAND (FACING PANEL)
4	123673-01-01A	EA	KNOB - PANTRY SLIDE
5	131096-06-L58	EA	WALL POCKET - MONITOR PANEL - WASHED MAPLE
5	131096-06-M52	EA	WALL POCKET - MONITOR PANEL - SALEM CHERRY
6	132600-03-M62	EA	CABINET - GALLEY - W/O COUNTERTOP/DOORS/DRAWERS/HDW - WASHED MAPLE
6	132600-03-M52	EA	CABINET - GALLEY - W/O COUNTERTOP/DOORS/DRAWERS/HDW - SALEM CHERRY
7	132600-04-M62	EA	CABINET - GALLEY - W/O COUNTERTOP/DOORS/DRAWERS/HDW - WASHED MAPLE
7	132600-04-M52	EA	CABINET - GALLEY - W/O COUNTERTOP/DOORS/DRAWERS/HDW - SALEM CHERRY
8	132600-19-M62	EA	TOE KICK - GALLEY CABINET - WASHED MAPLE
8	132600-19-M52	EA	TOE KICK - GALLEY CABINET - SALEM CHERRY
9	132600-18-M62	EA	TOE KICK - GALLEY CABINET - PORTSMOUTH OAK
9	132600-18-M52	EA	TOE KICK - GALLEY CABINET - SALEM CHERRY
10	130812-03-02A	EA	COUNTERTOP - GALLEY - 1/4" VENDURA - ALMONDINE

**GALLEY GROUP (CONTINUED)**  
**CABINETS (CONTINUED)**

<b>KEY</b>	<b>PART NUMBER</b>	<b>U/M</b>	<b>DESCRIPTION</b>
11	130813-04-03A	EA	BACKSPLASH - COUNTERTOP - 1/2" VENDURA - ALMONDINE
12	132347-01-L58	EA	SHELF/SPICE RACK - W/MIRROR - 35" - WASHED MAPLE
12	132347-01-L59	EA	SHELF/SPICE RACK - W/MIRROR - 35" - SALEM CHERRY
13	130815-01-03A	EA	COVER - SINK/LARGE - ALMONDINE- 15" X 15" - 1/4" VENDURA
14	130815-02-03A	EA	COVER - SINK/SMALL - ALMONDINE - 1/4" CORIAN
15	130812-05-02A	EA	EXTENSION - GALLEY - 1/4" VENDURA - ALMONDINE
16	103128-47-M62	EA	END CAP - OVERHEAD CABINET/RIGHT HAND - WASHED MAPLE
16	103128-47-M52	EA	END CAP - OVERHEAD CABINET/RIGHT HAND - SALEM CHERRY
17	131363-01-M62	EA	CABINET - OVERHEAD/MICROWAVE - W/O DOORS/HARDWARE - WASHED MAPLE
17	131363-01-M52	EA	CABINET - OVERHEAD/MICROWAVE - W/O DOORS/HARDWARE - SALEM CHERRY
18	103128-44-M62	EA	END CAP - OVERHEAD CABINET/LEFT HAND - WASHED MAPLE
18	103128-44-M52	EA	END CAP - OVERHEAD CABINET/LEFT HAND - SALEM CHERRY
19	133874-03-M62	EA	CABINET - OVERHEAD/GALLEY - W/O DOORS/HARDWARE - WASHED MAPLE
19	133874-03-M52	EA	CABINET - OVERHEAD/GALLEY - W/O DOORS/HARDWARE - SALEM CHERRY
20	133874-14-L58	EA	SHELF - W/PLASTIC EDGE MOLDING - WASHED MAPLE
20	133874-14-M52	EA	SHELF - W/PLASTIC EDGE MOLDING - SALEM CHERRY

## GALLEY GROUP (CONTINUED)

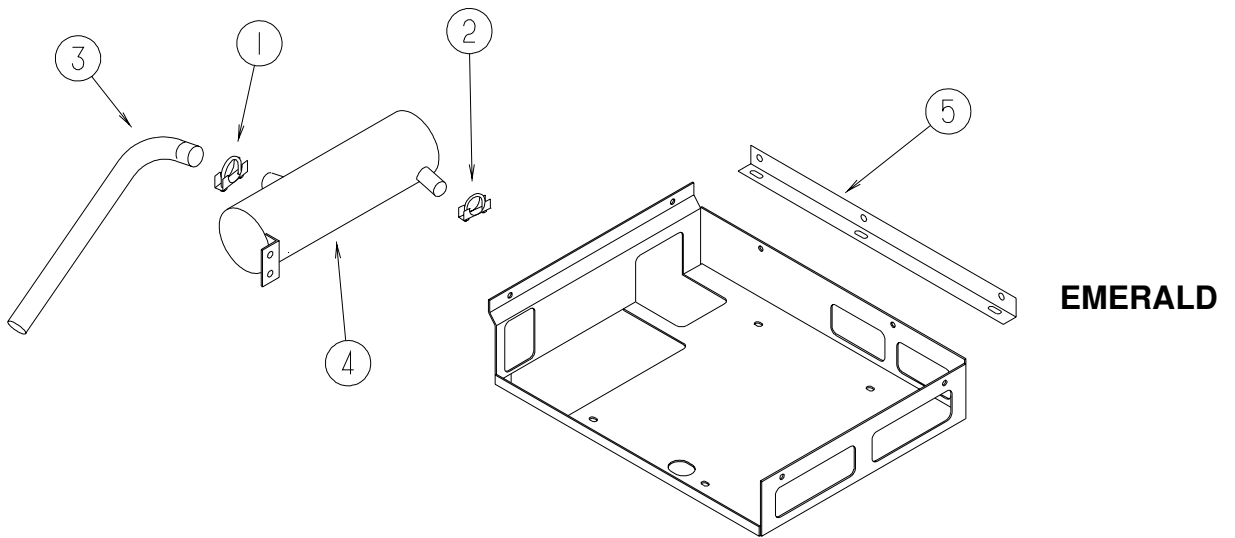
### DOORS & DRAWERS



KEY	PART NUMBER	U/M	DESCRIPTION
1	134783-67-M62	EA	DOOR - RAIL/SOLID PANEL - 10" X 29.5" - W/O HARDWARE - WASHED MAPLE
1	134783-67-M63	EA	DOOR - RAIL/SOLID PANEL - 10" X 29.5" - W/O HARDWARE - SALEM CHERRY
2	134783-82-M62	EA	DOOR - RAIL/SOLID PANEL - 15.5" X 29.5" - W/O HARDWARE - WASHED MAPLE
2	134783-82-M63	EA	DOOR - RAIL/SOLID PANEL - 15.5" X 29.5" - W/O HARDWARE - SALEM CHERRY
3	134783-89-M62	EA	DOOR - RAIL/SOLID PANEL - 12.6" X 6.1" - W/O HARDWARE - WASHED MAPLE
3	134783-89-M63	EA	DOOR - RAIL/SOLID PANEL - 12.6" X 6.1" - W/O HARDWARE - SALEM CHERRY
4	135238-14-M62	EA	DOOR - RAIL/ARCHED TOP - 10" X 19.1" - W/O HARDWARE - WASHED MAPLE
4	135238-14-M63	EA	DOOR - RAIL/ARCHED TOP - 10" X 19.1" - W/O HARDWARE - SALEM CHERRY
5	135238-01-M15	EA	DOOR - RAIL/ARCHED TOP - 10.8" X 27.9" - W/O HARDWARE - WASHED MAPLE
5	135238-01-M16	EA	DOOR - RAIL/ARCHED TOP - 10.8" X 27.9" - W/O HARDWARE - SALEM CHERRY
6	134783-86-M62	EA	DOOR - RAIL/SOLID PANEL - 8.1" X 60.7" - W/O HARDWARE - WASHED MAPLE
6	134783-86-M63	EA	DOOR - RAIL/SOLID PANEL - 8.1" X 60.7" - W/O HARDWARE - SALEM CHERRY
7	P34870-01-M62	EA	DRAWER - PENCIL EDGE - 9.6"W X 15.7"D-W/O SLIDES/HARDWARE - WASHED MAPLE
7	P34870-01-M63	EA	DRAWER - PENCIL EDGE - 9.6"W X 15.7"D-W/O SLIDES/HARDWARE - SALEM CHERRY
8	P34870-02-M62	EA	DRAWER - PENCIL EDGE - 9.6"W X 15.7"D-W/O SLIDES/HARDWARE - WASHED MAPLE
8	P34870-02-M63	EA	DRAWER - PENCIL EDGE - 9.6"W X 15.7"D - W/O SLIDES/HARDWARE - SALEM CHERRY
9	P34870-04-M84	EA	DRAWER - PENCIL EDGE - 20.2"W X 15.7"D-W/O SLIDES/HARDWARE - WASHED MAPLE
9	P34870-04-M85	EA	DRAWER - PENCIL EDGE - 20.2"W X 15.7"D - W/O SLIDES/HARDWARE - SALEM CHERRY
10	P34870-03-M84	EA	DRAWER - PENCIL EDGE - 20.2"W X 15.7"D-W/O SLIDES/HARDWARE - WASHED MAPLE
10	P34870-03-M85	EA	DRAWER - PENCIL EDGE - 20.2"W X 15.7"D - W/O SLIDES/HARDWARE - SALEM CHERRY
11	134783-C5-M62	EA	DOOR - RAIL/SOLID PANEL - 17.9" X 14.3" - W/O HARDWARE - WASHED MAPLE
11	134783-C5-M63	EA	DOOR - RAIL/SOLID PANEL - 17.9" X 14.3" - W/O HARDWARE - SALEM CHERRY
12	132052-68-04W	EA	FACE-DRAWER - WASHED MAPLE
12	132052-68-03W	EA	FACE-DRAWER - SALEM CHERRY
13	135238-15-M62	EA	DOOR - RAIL/ARCHED TOP - 10" X 19.1" - W/O HARDWARE - WASHED MAPLE
13	135238-15-M63	EA	DOOR - RAIL/ARCHED TOP - 10" X 19.1" - W/O HARDWARE - SALEM CHERRY

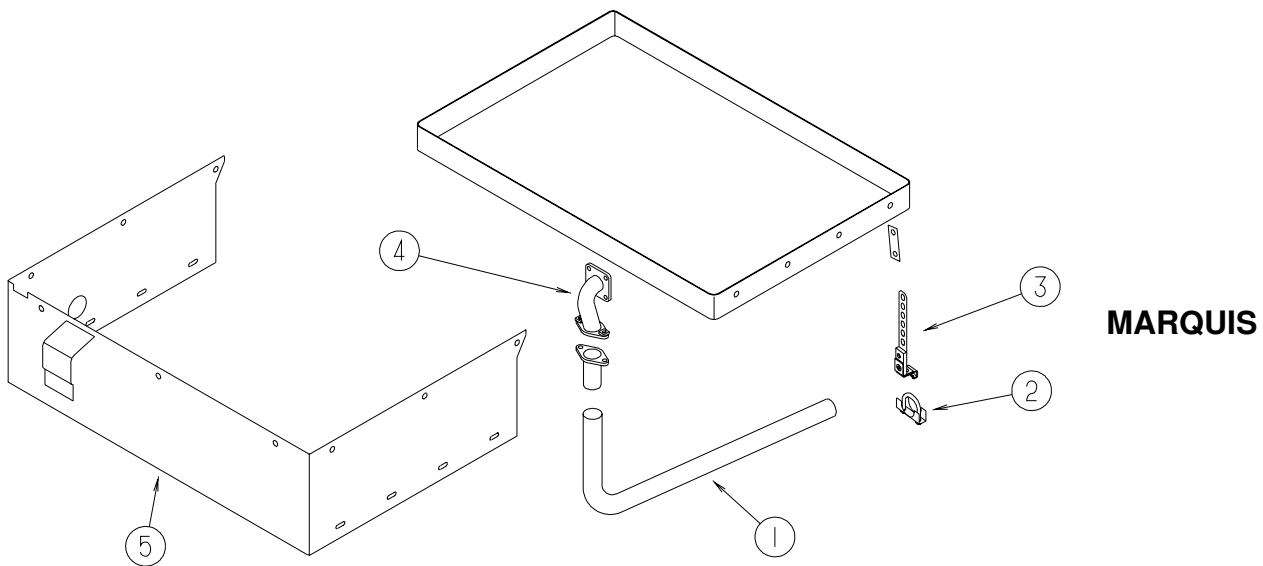
## GENERATOR GROUP

GAS



**EMERALD**

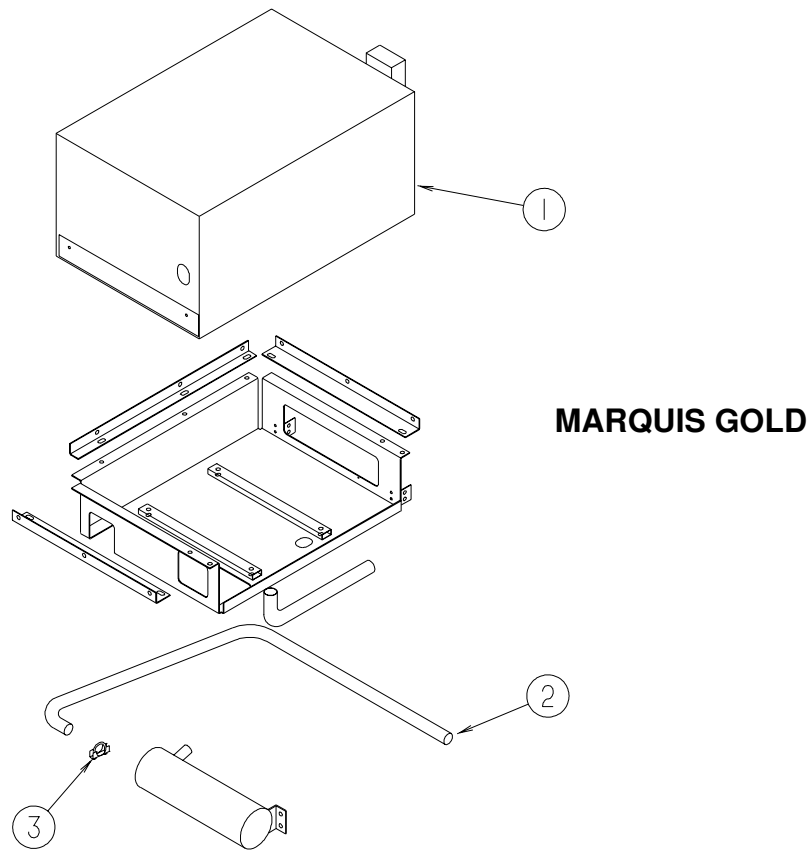
KEY	PART NUMBER	U/M	DESCRIPTION
1	007125-03-000	EA	CLAMP - MUFFLER - 1.5" DIAMETER
2	007125-04-000	EA	CLAMP - MUFFLER - 1.12" DIAMETER
3	105958-01-000	EA	PIPE - GENERATOR EXHAUST - 1.5" OD X 4.9" X 52.2"
4	082272-01-000	EA	MUFFLER - GENERATOR - NELSON #20892-A
5	104644-01-000	EA	ANGLE - FORMED - GENERATOR
	109303-02-000	EA	GENERATOR - 5 KW - EMERALD PLUS W/TRAY - 30 AMP SYSTEM
	109303-03-000	EA	GENERATOR - 5 KW - EMERALD 30/30 W/TRAY - 50 AMP SYSTEM



**MARQUIS**

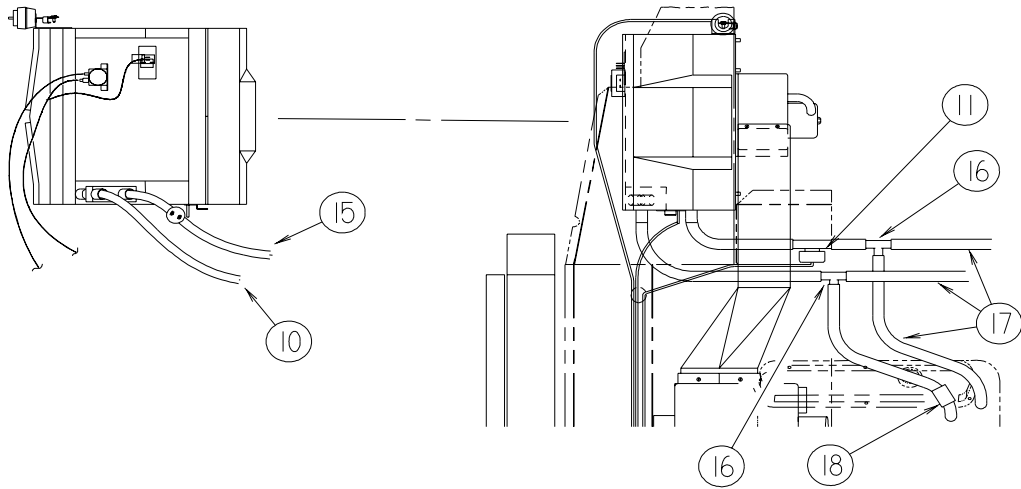
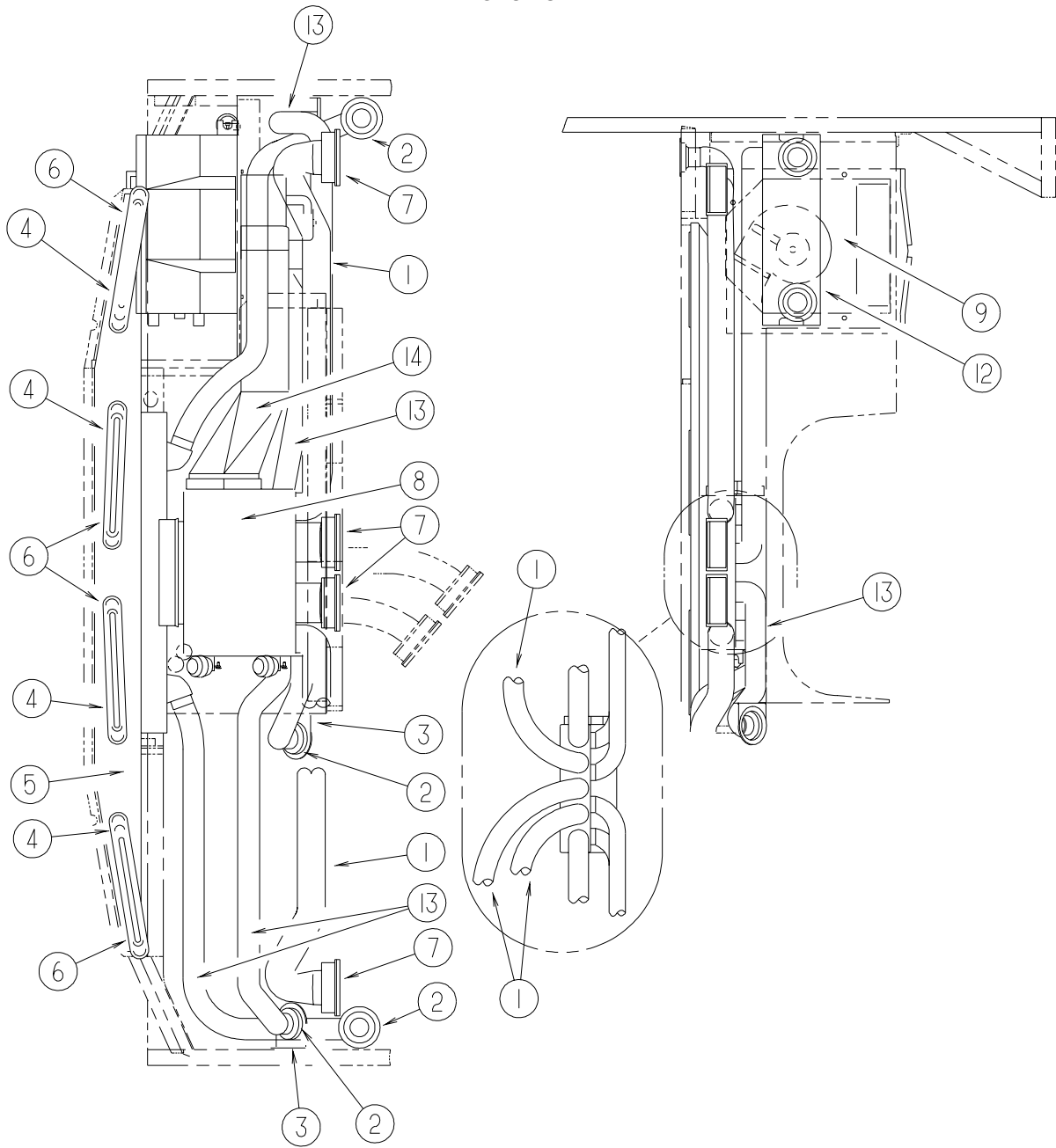
KEY	PART NUMBER	U/M	DESCRIPTION
1	105958-17-000	EA	PIPE - GENERATOR EXHAUST - 1.5" OD X 4.9" X 24"
2	007125-03-000	EA	CLAMP - MUFFLER - 1.5" DIAMETER
3	007131-01-000	EA	HANGER - TAILPIPE - 6 SLOTS
4	106235-01-000	EA	ADAPTOR - GENERATOR EXHAUST
5	116358-02-02B	EA	PANEL-GENERATOR,E-COAT
	105559-01-000	EA	MARQUIS GENERATOR-7KW W/MUFFLER/TRAY - 30 AMP SYSTEM
	105559-03-000	EA	MARQUIS GENERATOR-7KW W/MUFFLER/TRAY-30/30 - 50 AMP SYSTEM

**GENERATOR GROUP (CONTINUED)**  
**GAS (CONTINUED)**



KEY	PART NUMBER	U/M	DESCRIPTION
1	135707-01-000	EA	GENERATOR - 7.9 30/30 MARQUIS GOLD - 50 AMP SYSTEM
1	135707-02-000	EA	GENERATOR - 7.9 30/20 MARQUIS GOLD - 30 AMP SYSTEM
1	135707-06-000	EA	GENERATOR - 5.5 30/30 MARQUIS GOLD - 50 AMP SYSTEM
1	135707-07-000	EA	GENERATOR - 5.5 30/20 MARQUIS GOLD - 30 AMP SYSTEM
2	105958-17-000	EA	PIPE - GENERATOR EXHAUST - 1.5" OD X 4.9" X 24"
3	007125-03-000	EA	CLAMP - MUFFLER - 1.5" DIAMETER

# HEATING & A/C GROUP AUTOMOTIVE





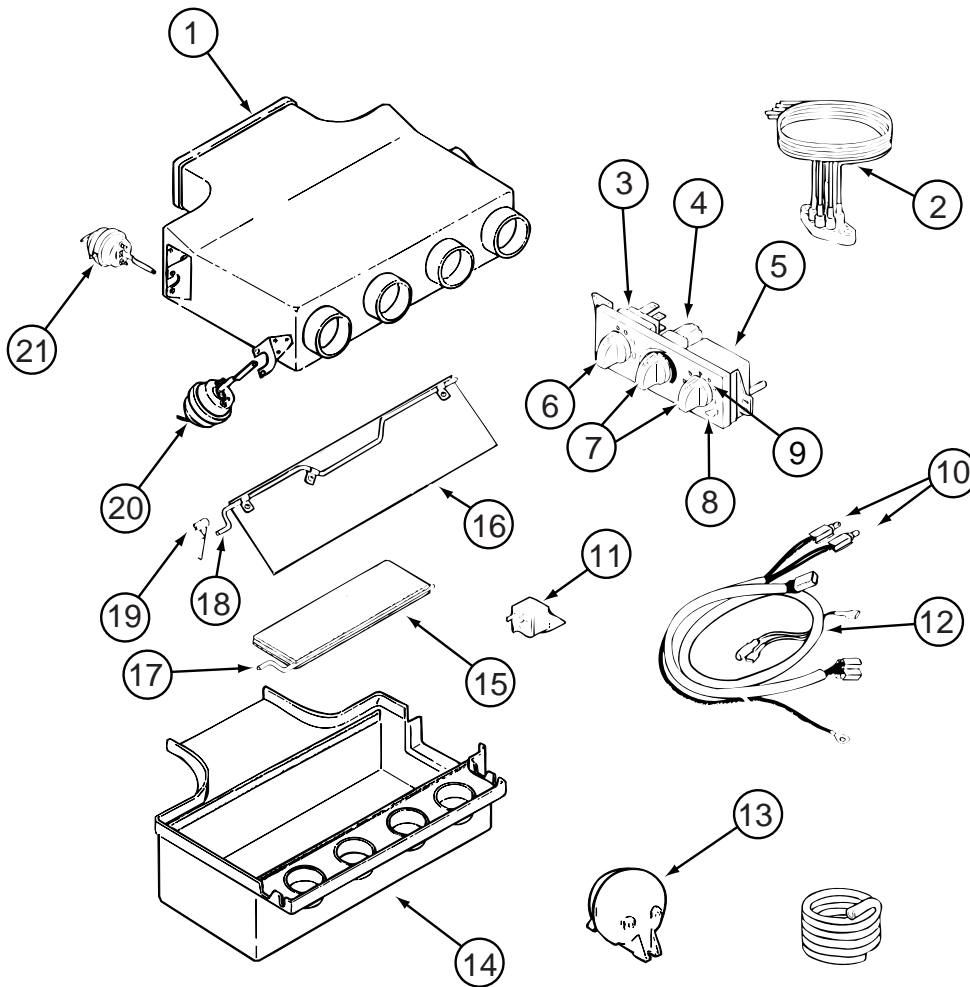
## HEATING & A/C GROUP (CONTINUED)

### AUTOMOTIVE (CONTINUED)

KEY	PART NUMBER	U/M	DESCRIPTION
1	007281-01-000	EA	HOSE - FLEXIBLE PVC - 2.5" ID X 50'
2	024990-05-000	EA	OUTLET - DEFROSTER - 2" SLEEVE/4" OD - W/SWIVEL DEFLECTORS
3	056402-05-000	EA	BRACKET - HEATER VENT - ROUND W/BEND - BLACK FROM: 00-00-00 THRU: 03-29-00
3	136157-03-02B	EA	BRACKET - HEATER - E-COATED FROM: 03-30-00 THRU: 99-99-99
4	077075-01-000	EA	GASKET - INSTRUMENT PANEL/DEFROSTER PLENUM - .6" X 10.2"
5	103017-03-000	EA	PLENUM - DEFROSTER
6	103558-04-04A	EA	VENT - DEFROSTER - PLASTIC/TITANIUM - 1.4"X 14.4" X 1.1" FROM: 00-00-00 THRU: 05-07-00
6	135265-01-02A	EA	VENT - DEFROSTER - PLASTIC/2" X 14.3" - TITANIUM FROM: 05-08-00 THRU: 99-99-99
7	103796-01-01A	EA	LOUVER - A/C-ADJUSTABLE - 2.2" X 5.4" F/2.5" HOSE - BLACK FROM: 00-00-00 THRU: 05-07-00
7	135803-01-01A	EA	LOUVER - A/C - 2.5" - BLACK FROM: 05-08-00 THRU: 99-99-99
8*	103930-39-000	EA	CONTROL/PLENUM - ROTARY
9*	103930-43-000	EA	EVAPORATOR/HEATER ASSEMBLY - NON-CHARGED
10*	103930-45-000	EA	HOSE - EVAPORATOR/COMPRESSOR - FORD
11	103930-23-000	EA	VALVE - WATER - 2 PORT
12	095757-05-M52	EA	COVER - HEATER (M62, M63)
12	095757-05-L56	EA	COVER - HEATER (M64, M65)
12	095757-05-L44	EA	COVER - HEATER (M66, M67)
13	007076-01-000	EA	HOSE - FLEXIBLE PVC - 2" ID - INCREMENTS OF 50'
14	103016-03-000	EA	PLENUM - TRANSITION
15*	103930-44-000	EA	HOSE - EVAPORATOR/DRYER - #6
16	076776-01-000	EA	TEE - BEADED - 5/8" X 5/8" X 5/8"
17	007108-01-000	FT	HOSE - HEATER - 5/8" ID - HI-TEMP
18	103930-50-000	EA	RESTRICTOR-WATER
	103930-37-000	EA	MANUAL - OWNERS - HEATER/A/C

\*COMPONENT PARTS LISTED LATER IN THIS GROUP

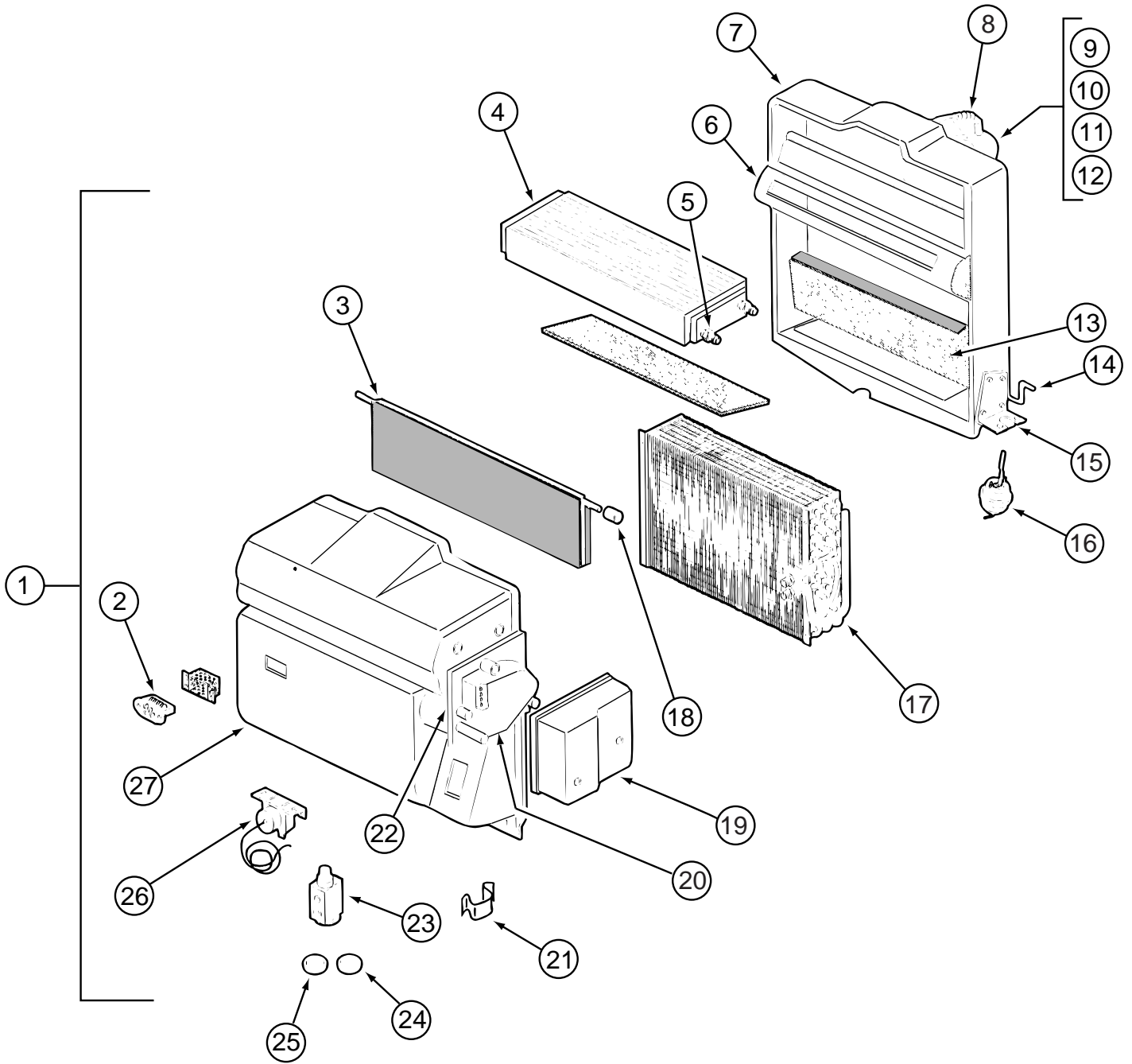
**HEATING & A/C GROUP (CONTINUED)**  
**COMPONENT PARTS FOR AUTOMOTIVE**



103930-39-000

KEY	PART NUMBER	U/M	DESCRIPTION	VENDOR NO.
1	103930-39-705	EA	PLENUM - TOP	060-0482
2	103930-33-703	EA	VACUUM HARNESS	036-0466
3	103930-33-707	EA	SWITCH - BLOWER	032-00066
4	103930-33-708	EA	SWITCH - POTENTIOMETER	032-0184
5	103930-33-709	EA	SWITCH - VACUUM	032-0183
6	103930-33-712	EA	KNOB - BLOWER	062-00539
7	103930-33-713	EA	KNOB - TEMPERATURE	062-0540
8	103930-33-702	EA	CONTROL PANEL	083-0169
9	103930-33-710	EA	DECAL F/CONTROL HEAD	058-0102
10	103930-33-705	EA	LIGHT BULBS	035-0030
11	103930-02-707	EA	RELAY-BOSCH W/RESISTER	031-0001
12	103930-33-711	EA	WIRE HARNESS-W/BULBS(CAVITY)	036-0496
13	103930-02-710	EA	CANISTER-VACUUM	054-0002
14	103930-39-707	EA	PLENUM - BOTTOM	060-0483
15	103930-39-706	EA	PLATE - DOOR - A/C	071-0623
16	103930-04-700	EA	DOOR - DEFROSTER-A/C	071-0149
17	103930-39-700	EA	ROD - DOOR - AC/HEAT	073-067
18	103930-39-701	EA	ROD - DOOR - AC/DEFROST	073-0069
19	103930-39-704	EA	SPRING	022-0119
20	103930-02-708	EA	MOTOR-VACUUM SERVO, A/C	030-0025
21	103930-33-701	EA	MOTOR - VACUUM, 3 STAGE	030-0105

**HEATING & A/C GROUP (CONTINUED)**  
**COMPONENT PARTS FOR AUTOMOTIVE (CONTINUED)**



103930-43-000

**HEATING & A/C GROUP (CONTINUED)**  
**COMPONENT PARTS FOR AUTOMOTIVE (CONTINUED)**  
**103930-43-000 (CONTINUED)**

KEY	PART NUMBER	U/M	DESCRIPTION	VENDOR NO
1	103930-43-000	EA	EVAPORATOR/HEATER ASSEMBLY - NON-CHARGED	
2	103930-01-710	EA	RESISTOR-FUSED, A/C 4 TERM	035-0006
3	103930-30-705	EA	DOOR - AIR BLEND	071-0568
4	103930-01-703	EA	CORE-HEATER	042-0010
5	110279-01-712	EA	FITTING - HEATER CORE	050-0076
6	103930-30-707	EA	DIVIDER ASM.	086-0061
7	103930-20-711	EA	CASE-BACK, SUB-ASSEMBLY	062-0147
8	110279-01-703	EA	HOSE-VENT F/BLOWER MOTOR	051-0034
9	103930-20-707	EA	HOUSING-BLOWER	062-0145
10	103930-30-706	EA	MOTOR-BLOWER PM147 W/ADAPTER	030-0109
11	103930-01-717	EA	WHEEL-BLOWER, CLOCKWISE	062-0010
12	103930-20-708	EA	CLIP-MOTOR SHAFT	022-0001
13	103930-20-705	EA	PANEL-DOOR, RECIRCULATING	071-0213
14	103930-20-704	EA	ROD-DOOR-RECIRCULATING	073-0018
15	103930-01-708	EA	BRACKET-VACUUM MOTOR	070-0113
16	103930-02-708	EA	MOTOR-VACUUM SERVO, A/C	030-0025
17	103930-01-704	EA	COIL-EVAPORATOR	041-0017
18	103930-30-702	EA	BUSHING/DRIVE - BLEND DOOR	062-00634
19	103930-30-704	EA	COVER - SERVO	062-0545
20	103930-30-703	EA	MOTOR - SERVO	030-0104
21	103930-20-706	EA	CLIP-RETAINER - CASE ATTACH	022-0057
22	103930-30-701	EA	PLATE - MOTOR MOUNT	062-0544
23	103930-20-700	EA	VALVE-EXPANSION-BLOCK, 2 TON	034-0032
24	103930-17-702	EA	O'RING #10	045-0127
25	113245-01-707	EA	O'RING #8	045-0126
26	103930-01-711	EA	THERMOSTAT	033-0003
27	103930-30-700	EA	CASE - FRONT	062-0542
	094831-01-709	EA	CLAMP-ROD 3/16"	022-0025
	103930-02-714	EA	CLAMP-CLUTCH, BARREL	022-0006
	103930-20-713	EA	GASKET - BLEND AIR DOOR	045-0160
	103930-20-714	EA	GASKET - BLEND AIR DOOR	045-0161
	103930-30-708	EA	BUSHING/IDLER - BLEND DOOR	062-00167
	113245-01-718	FT	HOSE - DRAIN - 1/2"	051-0002

**103930-44-000**

KEY	PART NUMBER	U/M	DESCRIPTION	VENDOR NO
	103930-29-701	EA	O'RING F/LOW PRESSURE SWITCH	045-0483
	103930-44-700	EA	HOSE ASSEMBLY #6	085-0462
	113245-01-711	EA	HOSE ASM EVAP/DRIER,99 FORD , SCS 093-00512	

**103930-45-000**

KEY	PART NUMBER	U/M	DESCRIPTION	VENDOR NO.
	103930-45-000	EA	HOSE - EVAPORATOR/COMPRESSOR - FORD	
	103930-17-702	EA	O'RING #10	045-0127

## HEATING & A/C GROUP (CONTINUED)

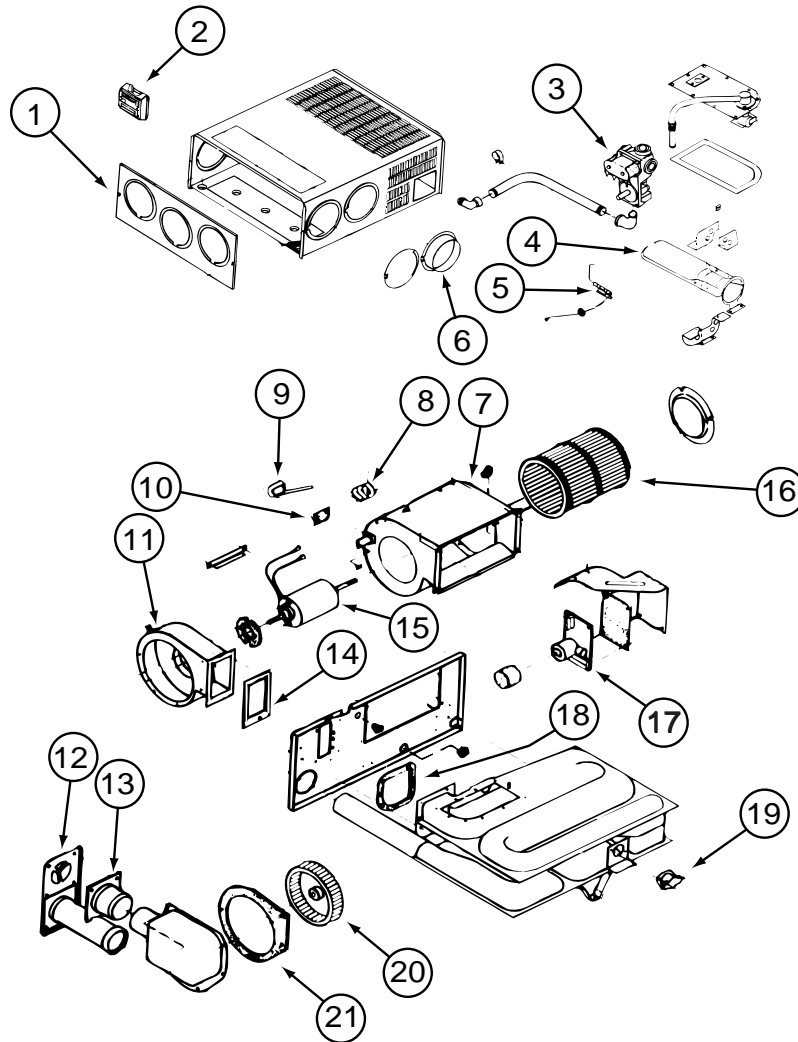
### FURNACE

KEY	PART NUMBER	U/M	DESCRIPTION
*	098668-22-000	EA	FURNACE - 40,000 BTU FROM: 00-00-00 THRU: 06-03-01
*	139980-04-000	EA	FURNACE - 40000 BTU - SF QUIET - SUBURBAN SF-42 2323J FROM: 06-04-01 THRU: 99-99-99
	098668-14-000	EA	GASKET - FIBERGLASS - .5" X 18" X 18" - L35U
	098668-15-000	EA	PLATE-FACE - L34Y, L35U
	098668-16-000	EA	VENT-INTAKE - L35U
	126693-02-02B	EA	PANEL - EXHAUST - FURNACE - E-COATED - L34Y, L35U
	126693-03-02B	EA	PANEL - EXHAUST - FURNACE - E-COATED - L36W
	094600-05-01A	EA	REGISTER W/O DAMPER-3.6" X 11.3" FACE/2.1" X 9.9" - BEIGE
	094600-06-01A	EA	REGISTER W/DAMPER-3.6" X 11.3" FACE/2.1" X 9.9" - BEIGE
	093614-03-02A	EA	GRILLE - RETURN AIR - 14" X 8" - BEIGE
	093614-04-02A	EA	GRILLE - RETURN AIR - 15.9" X 9.9"
	093614-09-01A	EA	GRILLE - RETURN AIR - 20" X 10" - BEIGE
	093614-13-02A	EA	GRILLE - RETURN AIR - 12" X 16" - DURA-BEIGE

\*COMPONENT PARTS LISTED LATER IN THIS GROUP

## HEATING & A/C GROUP (CONTINUED)

### COMPONENT PARTS FOR FURNACE

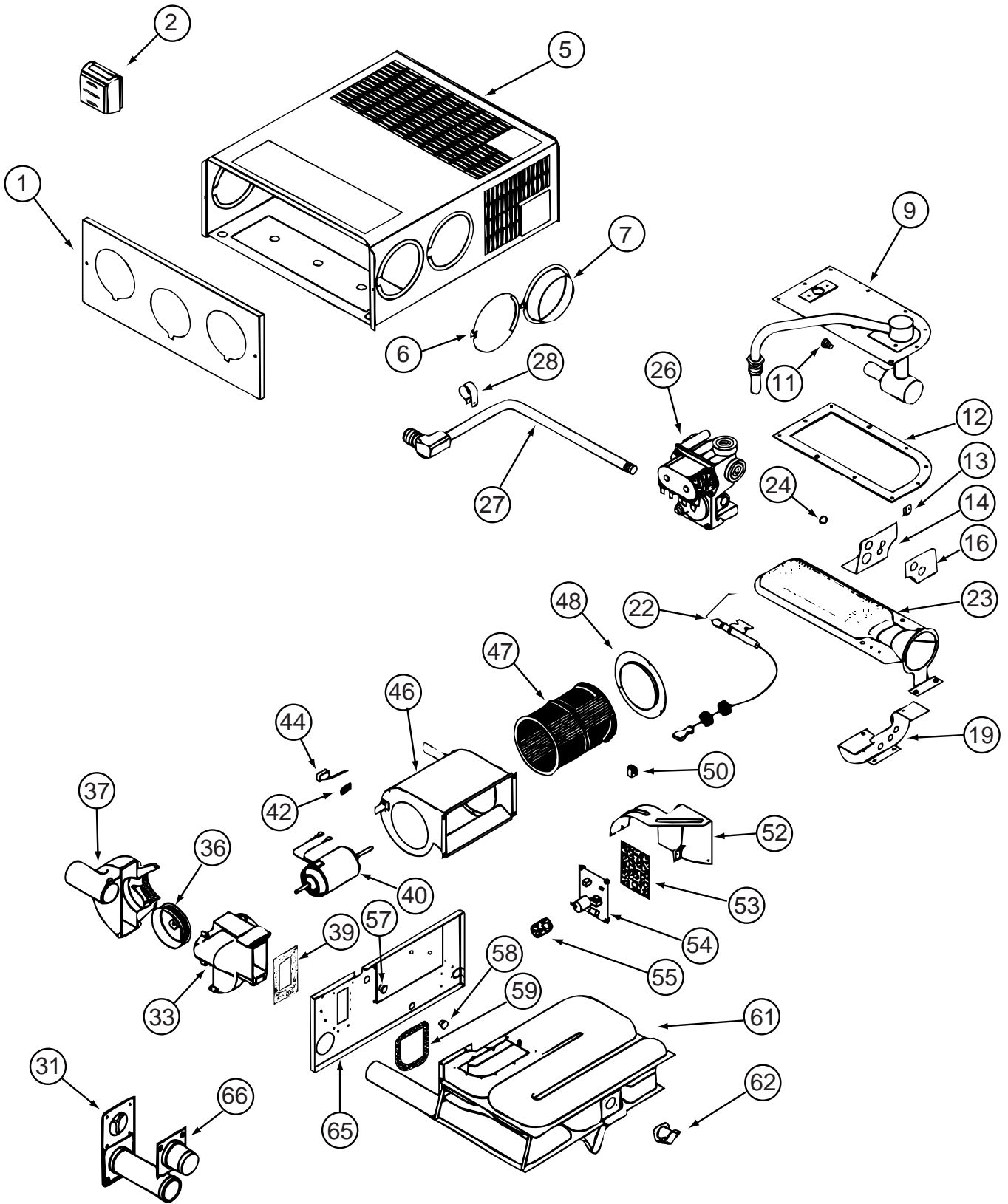


098668-22-000

KEY	PART NUMBER	U/M	DESCRIPTION	VENDOR NO.
1	098668-01-700	EA	CABINET FRONT	101242
3	098668-01-714	EA	VALVE-GAS, SF	161070
4	098668-11-701	EA	BURNER ASSEMBLY, SF-42F	010799
5	098668-01-715	EA	ELECTRODE ASM., SINGLE PROBE	232166
6	075696-02-703	EA	COLLAR-DUCT	050715
7	098668-11-704	EA	BLOWER ASM., ROOM AIR SF-42F	390698
8	074466-01-702	EA	RELAY, TIME DELAY	230625
9	098668-11-703	EA	SWITCH - SAIL - SF-42F	232216
10	101990-01-714	EA	GASKET-MICROSWITCH	230877
11	098668-01-708	EA	HOUSING-BLOWER, COMBUSTION	390441
12	098668-01-707	EA	TUBE ASSEMBLY, EXHAUST W/CAP	260231
13	098668-01-713	EA	TUBE ASSEMBLY, INTAKE	051248
14	098668-01-717	EA	GASKET-FIREWALL, BLOWER SIDE	070809
	098668-11-700	EA	ORIFICE-MAIN BURNER, SF-42F	180216
15	098668-11-702	EA	MOTOR ASSEMBLY, SF-42F	232212
16	098668-01-711	EA	WHEEL-BLOWER, ROOM AIR	350129
17	098668-01-712	EA	BOARD-MODULE	520741
18	098668-01-716	EA	GASKET-FIREWALL, CHAMBER SIDE	070808
19	098668-22-706	EA	SWITCH/LIMIT-195 TRIP TEMP	232505
20	098668-22-702	EA	WHEEL-COMBUSTION AIR	350183
21	098668-22-703	EA	GASKET	070811
	098668-08-700	EA	MODULE BD/FAN CONT - FENWAL	232613
	098668-08-701	EA	MODULE BD/FAN CONT-UNITED TE	232614
	098668-22-704	EA	GASKET - MOTOR	70812

CONTACT WINNEBAGO PART SALES FOR UNLISTED COMPONENTS

**HEATING & A/C GROUP (CONTINUED)**  
**COMPONENT PARTS FOR FURNACE (CONTINUED)**



139980-04-000

**HEATING & A/C GROUP (CONTINUED)**  
**COMPONENT PARTS FOR FURNACE (CONTINUED)**

139980-04-000 (CONTNUED)

KEY	PART NUMBER	U/M	DESCRIPTION	VENDOR NO.
9	098668-20-700	EA	MANIFOLD ASM.	171517
11	139980-04-700	EA	ORFICE - MAIN BURNER	180242
12	098668-22-703	EA	GASKET - BURNER ACCESS COVER	070811
22	139980-01-701	EA	ELECTRODE	232286
23	098668-11-701	EA	BURNER ASSEMBLY,SF-42F	010799
26	098668-01-718	EA	VALVE-GAS SF S.N.974903079	161122
27	139980-01-702	EA	PIPE ASSEMBLY/GAS INLET	171574
31	098668-01-707	EA	TUBE ASSEMBLY, EXHAUST W/CAP	260231
33	139980-01-703	EA	COMBUSTION AIR HOUS FRT/HALF	390852
36	098668-22-702	EA	WHEEL-COMBUSTION AIR	350183
37	139980-01-704	EA	COMBUSTION AIR HOUS RR HALF	390848
39	139980-01-705	EA	GASKET/FIREWALL-COMB AIR	071084
40	139980-04-701	EA	MOTOR ASSEMBLY W/GASKET	232683
42	101990-01-714	EA	GASKET-MICROSWITCH	230877
44	098668-21-700	EA	SWITCH-MICRO-W/O FLAG 3 1/4"	232261
46	139980-04-702	EA	BLOWER ASSEMBLY/ROOM AIR	390740BK
47	098668-01-711	EA	WHEEL-BLOWER, ROOM AIR	350129
48	139980-01-709	EA	ORFICE RING	390696
50	139980-01-710	EA	SWITCH - ON/OFF	232351
52	139980-01-711	EA	PANEL ASSEMBLY-MODULE BD	101663
53	139980-01-712	EA	INSULATOR - MODULE BD	070807
54	098668-22-705	EA	MODULE BD W/RELAY TIME DELAY	520820
55	139980-01-713	EA	CAP/INSULATOR-MODULE BD	070973
57	139980-01-714	EA	BUSHING - UNIVERSAL	070362
58	139980-01-715	EA	BUSHING - STRAIN RELIEF	231809
59	098668-01-716	EA	GASKET-FIREWALL,CHAMBER SIDE	070808
61	139980-04-703	EA	CHAMBER ASSEMBLY FINAL	021150BK
62	098668-22-706	EA	SWITCH/LIMIT - 195 TRIP TEMP	232505
66	098668-01-713	EA	TUBE ASSEMBLY, INTAKE	051248

CONTACT WINNEBAGO PART SALES FOR UNLISTED COMPONENTS



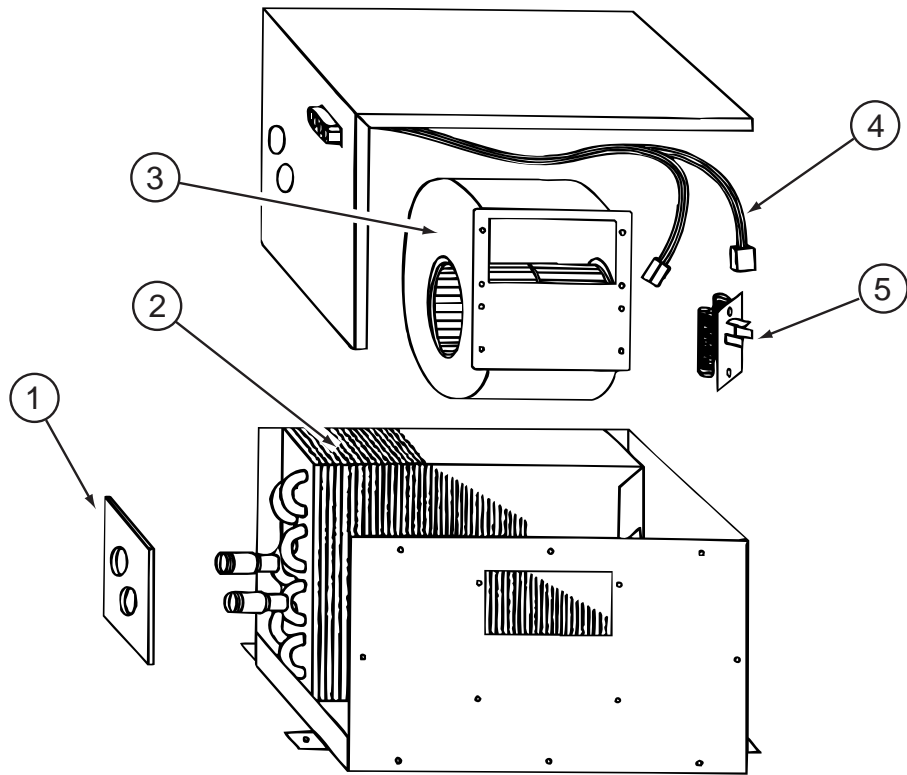
## HEATING & A/C GROUP (CONTINUED)

### REAR HEATER

KEY	PART NUMBER	U/M	DESCRIPTION
*	129205-01-000	EA	HEATER - REAR
	094600-05-01A	EA	REGISTER W/O DAMPER-3.6" X 11.3" FACE/2.1" X 9.9" - BEIGE - <a href="#">L34Y</a> , <a href="#">L35U</a>
	079059-01-000	EA	HOSE - 90 DEGREE - 5/8"ID X 4" X 36" - <a href="#">L34Y</a> , <a href="#">L35U</a>
	079059-13-000	EA	HOSE - 90 DEGREE - .61"ID X 4" X 48" - <a href="#">L36W</a>
	007108-01-000	FT	HOSE - HEATER - 5/8" ID - HI-TEMP
	131978-02-02B	EA	CLAMP - MOTOR AID TUBING - E-COATED
	115466-24-02B	EA	STRAP - TIEDOWN - E-COATED

**\*COMPONENT PARTS LISTED LATER IN THIS GROUP**

**HEATING & A/C GROUP (CONTINUED)**  
**COMPONENT PARTS FOR REAR HEATER**

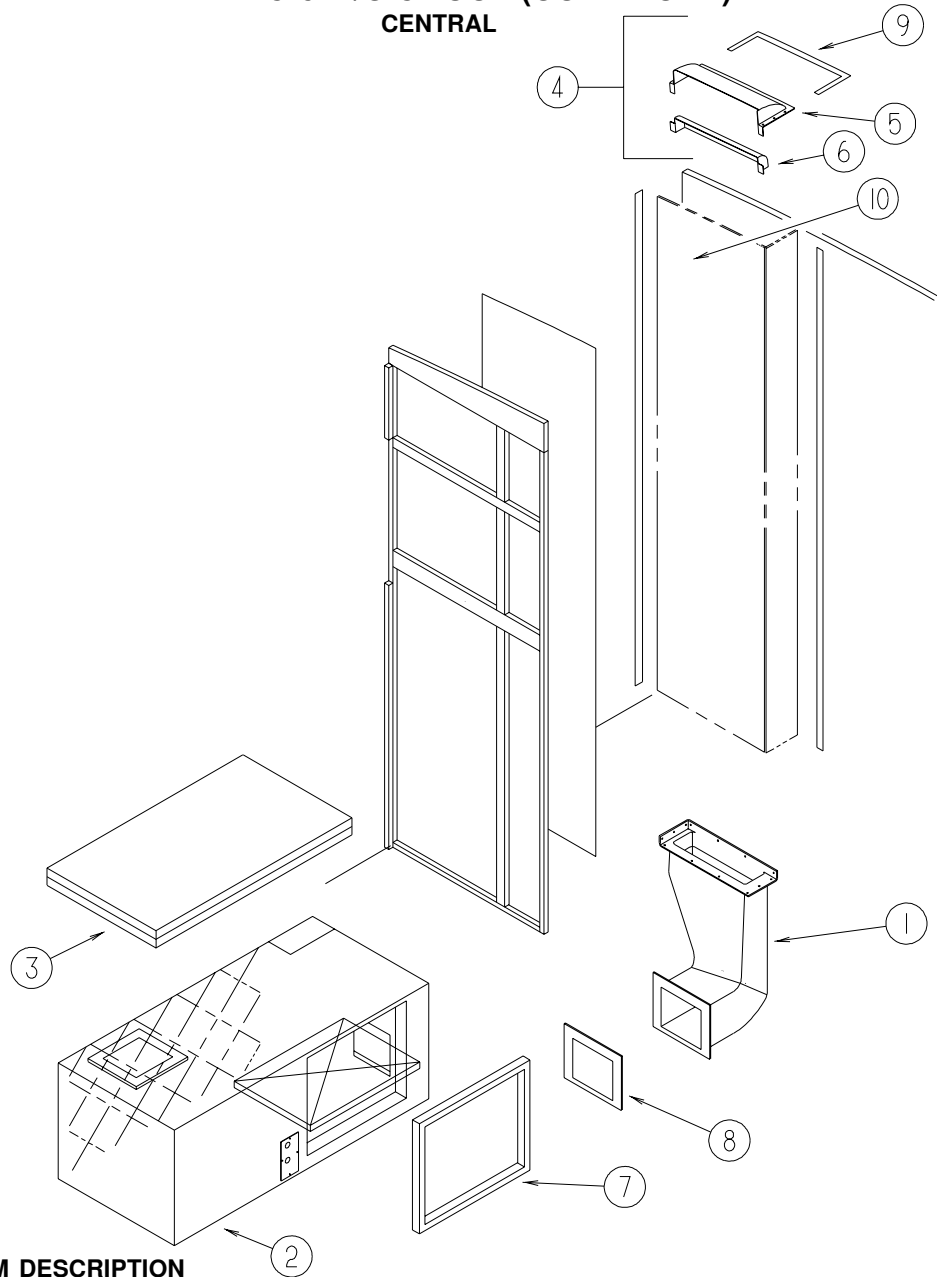


129205-01-000

KEY	PART NUMBER	U/M	DESCRIPTION	VENDOR NO.
	129205-01-000	EA	HEATER - REAR	
1	129205-01-700	EA	SEAL - CORE TUBE	HV218421
2	129205-01-701	EA	CORE - HEATER	HV218426
3	129205-01-702	EA	BLOWER ASSEMBLY	HV218419
4	129205-01-703	EA	WIRE HARNESS	HV218420
5	129205-01-704	EA	RESISTOR	HV218125

# HEATING & A/C GROUP (CONTINUED)

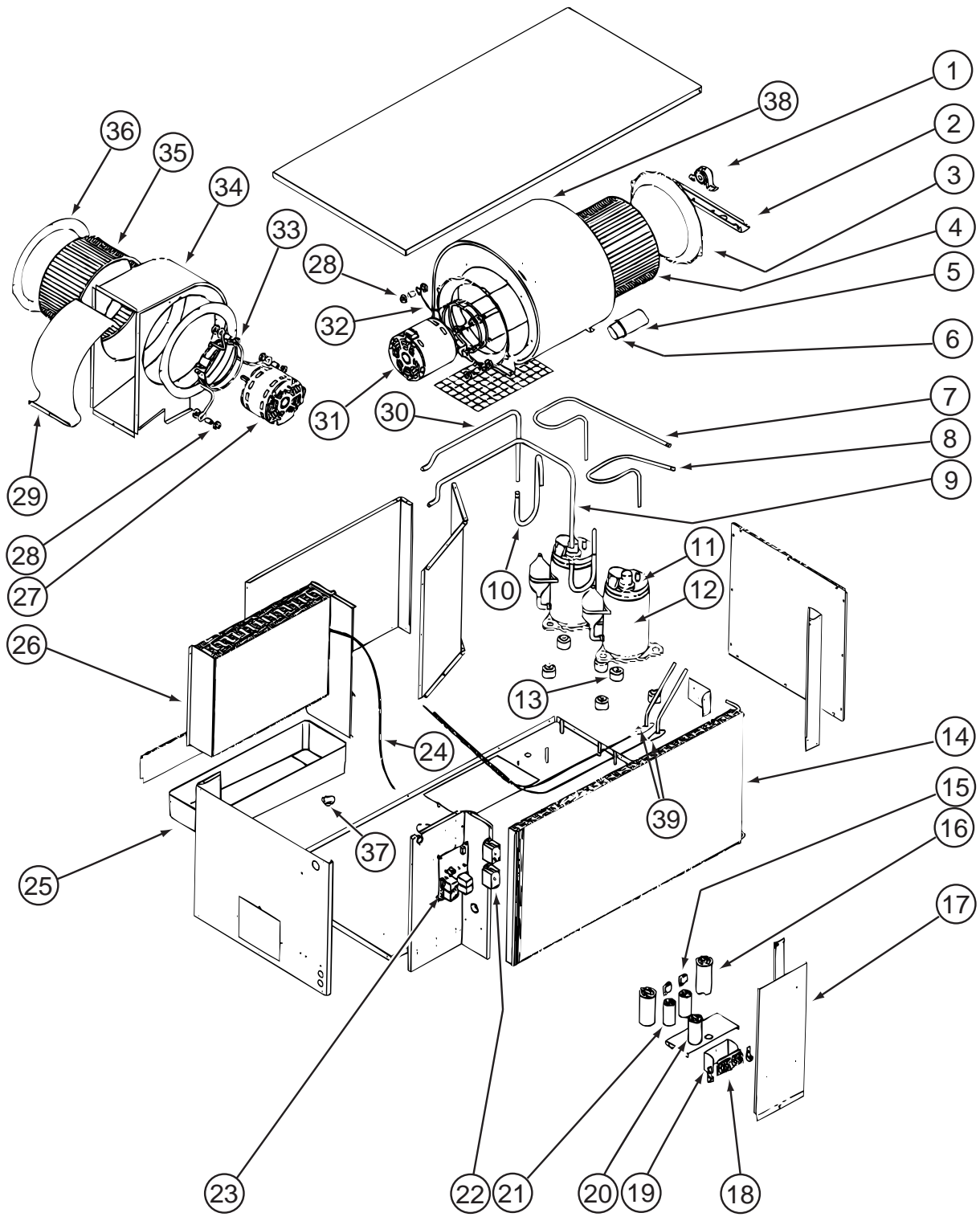
## CENTRAL



KEY	PART NUMBER	U/M	DESCRIPTION
1	133767-01-01A	EA	DUCT - CENTRAL AIR/FORCED/LOWER
2*	105620-11-000	EA	A/C CENTRAL PACKAGE - RIGHT HAND POWER SAVER/LARGE BLOWER
2*	105620-12-000	EA	A/C - CENTRAL - RIGHT HAND/HEAT PUMP - 12,000 BTU COMP
3	109050-02-000	EA	FILTER/FURNACE-AC - FIBERGLASS - 1" X 14" X 20"
4	131936-03-L32	EA	DEFLECTOR - A/C - ROOF - 30.11"
5	131936-01-01A	EA	DEFLECTOR - A/C - ROOF - 14.3"
6	131936-02-01A	EA	DEFLECTOR - A/C - ROOF - 16.8"
	134651-01-000	FT	SEAL - 1/2" X 3/4" PSA 1 SIDE
7	134588-01-000	EA	GASKET - DUCT
8	134588-02-000	EA	GASKET - DUCT
9	134650-01-000	EA	GASKET - CABINET
10	117870-04-01A	EA	PLENUM - A/C - 79.4"
	105620-09-000	EA	THERMOSTAT - A/C & FURNACE - HORIZONTAL MOUNT 4.25" X 2.5" FROM: 00-00-00 THRU: 07-16-00
	105620-14-000	EA	THERMOSTAT - A/C AND FURNACE FROM: 07-17-00 THRU: 99-99-99
	105620-13-000	EA	THERMOSTAT - FURNACE/HEAT PUMP-AC FROM: 00-00-00 THRU: 07-16-00
	105620-15-000	EA	THERMOSTAT - FURNACE/HEAT PUMP-A/C FROM: 07-17-00 THRU: 99-99-99
	120134-01-02A	EA	REGISTER - W/DAMPER - 4" PIPE/7" O.D. FACE - WHITE

\*COMPONENT PARTS LISTED LATER IN THIS GROUP

**HEATING & A/C GROUP (CONTINUED)**  
**COMPONENT PARTS FOR CENTRAL**



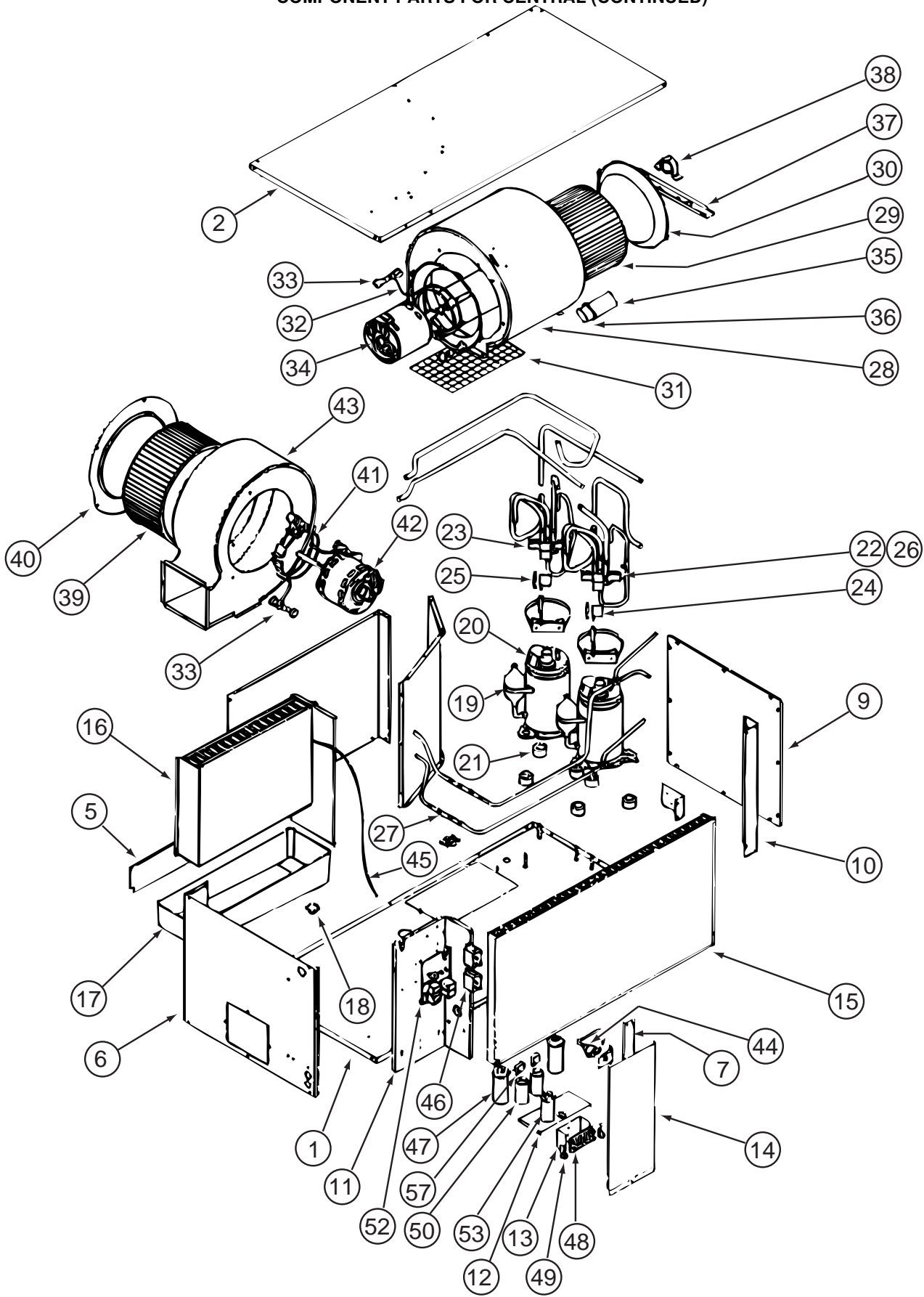
105620-11-000

**HEATING & A/C GROUP (CONTINUED)  
COMPONENT PARTS FOR CENTRAL (CONTINUED)**

**105620-11-000 (CONTINUED)**

<b>KEY</b>	<b>PART NUMBER</b>	<b>U/M</b>	<b>DESCRIPTION</b>	<b>VENDOR NO.</b>
1	105620-10-701	EA	BEARING/PILLOW BLOCK-O.D.	6536-301
2	105620-10-700	EA	BEARING BRACKET - O.D.	6536-574
3	105620-01-714	EA	VENTURI-BLOWER, O.D.	6795A150
4	105620-01-713	EA	WHEEL-BLOWER, O.D.	1472-1011
5	105620-01-718	EA	CAPACITOR-FAN, 12.5 MFD/370V	1499-5631
6	105620-10-715	EA	RUBBER CAPACITOR BOOT	1499-951
7	105620-10-713	EA	DISCHARGE LINE ASSEMBLY#2	6636-125
8	105620-10-712	EA	DISCHARGE LINE ASSEMBLY#1	6636-126
9	105620-10-710	EA	SUCTION LINE ASSY COIL#1	6636-131
10	105620-10-714	EA	SUCTION LINE ASSY COMP#1&2	6636-130
11	126860-01-701	EA	OVERLOAD PROTECTOR MRA# 1460	1450-0071
12	126860-01-700	EA	COMPRESSOR RK136AT-002-A4Y	1450A2119
13	105620-01-706	EA	MOUNTING PKG.,COMP., 3 PER	6759-3081
14	105620-10-707	EA	CONDENSER COIL	1452-1541
15	105620-10-705	EA	PTCR (START DEVICE) - W/CAP.	8333A9021
16	126859-01-703	EA	CAPACITOR - RUN	1499-5671
17			CONTACT WINNEBAGO PART SALES FOR THIS PART	
18	105620-01-738	EA	BOARD-TERMINAL, HIGH VOLTAGE	6795-315
19	105620-01-733	EA	ISOLATOR-HIGH VOLTAGE	6795-117
20	093763-01-704	EA	CAPACITOR-FAN	1499-5461
21	105620-10-704	EA	START COMPACITOR	1497-0861
22	105620-01-729	EA	RELAY-COMPRESSOR	1460-1011
23	105620-05-700	EA	BOARD-PRINTED CIRCUIT, 2 TON	6795A3201
24	105620-01-726	EA	SWITCH - FREEZE	6795A3301
25	105620-10-709	EA	DRAIN PAN	6636-304
26	105620-10-708	EA	EVAPORATOR COIL	1452A1531
27	105620-11-703	EA	BLOWER MOTOR - I.D.	1468-3219
28	105620-01-716	EA	SLEEVE & GROMMET, 4 PER PKG	6795A3031
29			CONTACT WINNEBAGO PART SALES FOR THIS PART	
30	105620-10-711	EA	SUCTION LINE ASSY COIL#2	6636-129
31			CONTACT WINNEBAGO PART SALES FOR THIS PART	
32	105620-01-715	EA	MOUNT-BLOWER, O.D.	6795A3011
33	105620-01-723	EA	MOUNT-MOTOR, BLOWER I.D.	6795-3021
34	105620-11-704	EA	BLOWER HOUSING - I.D.	6535-589
35	105620-11-701	EA	BLOWER WHEEL - I.D.	1472-1121
36	105620-11-702	EA	BLOWER VENTURI - I.D.	6535-287
37	105620-10-717	EA	VALVE - DRAIN	6531-503
38	105620-10-718	EA	BLOWER HOUSING - O.D.	6536-515
39	105620-10-719	EA	LIQUID LINE ASSEMBLY COMP.	6636-520
	109050-02-000	EA	FILTER-FIBERGLASS 1X14X20	
	105620-10-720	EA	FUSE/BUSS(8AMP/250V) 2 PKG	, 6535-3081
	105620-10-721	EA	MOTOR/BLOWER-8 3/4" SHAFT	, 1468A3029

**HEATING & A/C GROUP (CONTINUED)**  
**COMPONENT PARTS FOR CENTRAL (CONTINUED)**



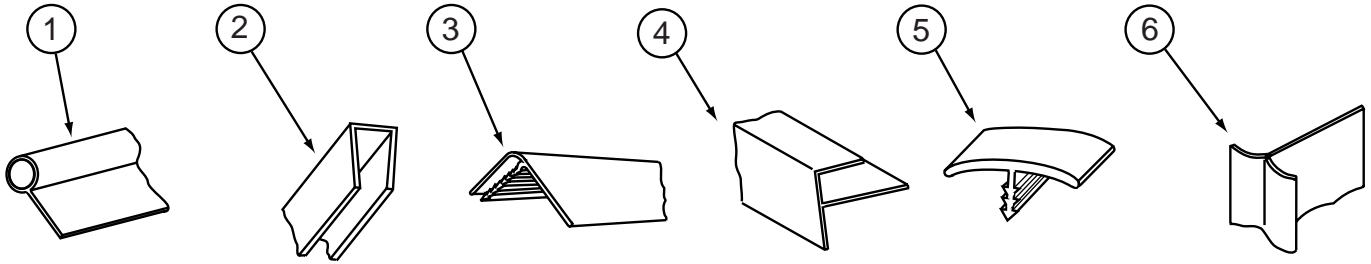
**HEATING & A/C GROUP (CONTINUED)**  
**COMPONENT PARTS FOR CENTRAL (CONTINUED)**

**105620-12-000 (CONTINUED)**

<b>KEY</b>	<b>PART NUMBER</b>	<b>U/M</b>	<b>DESCRIPTION</b>	<b>VENDOR NO.</b>
13	105620-01-733	EA	ISOLATOR-HIGH VOLTAGE	6795-117
15	105620-12-701	EA	COIL - CONDENSER	1452-1621
16	105620-12-702	EA	COIL - EVAPORATOR	1452A1611
17	105620-10-709	EA	DRAIN PAN	6636-304
18	105620-01-703	EA	VALVE-DRAIN, RH & LH	6795-200
18	105620-12-703	EA	VALVE - DRAIN	6795-200
19	105620-12-704	EA	COMPRESSOR	1450-2149
20	105620-12-705	EA	OVERLOAD	1450-0081
21	105620-01-706	EA	MOUNTING PKG.,COMP., 3 PER	6759-3081
22	105620-12-706	EA	REVERSING VALVE ASSEMBLY #1	6535A533
23	105620-12-707	EA	REVERSING VALVE ASSEMBLY #2	6535-5321
24	105620-12-708	EA	COIL - SOLENOID	1460-1081
25	105620-12-709	EA	WIRE HARNESS-REVERSING VALVE	6536-111
26	105620-12-710	EA	VALVE - REVERSE ONLY	1454A350
27	105620-12-711	EA	RESTRICTOR - BY FLOW	1454-2521
28	105620-12-712	EA	BLOWER HOUSING/OUTSIDE AIR	6536-515
29	105620-01-713	EA	WHEEL-BLOWER/OUTSIDE AIR	1472-1011
30	105620-01-714	EA	VENTURI-BLOWER/OUTSIDE AIR	6795A150
32	105620-01-715	EA	MOUNT-BLOWER/OUTSIDE AIR	6795A3011
33	105620-01-716	EA	SLEEVE & GROMMET, 4 PER PKG	6795A3031
34	105620-10-721	EA	MOTOR/BLOWER-8 3/4" SHAFT	1468A3029
35	105620-01-718	EA	CAPACITOR-FAN, 12.5 MFD/370V	1499-5631
36	105620-10-715	EA	RUBBER CAPACITOR BOOT	1499-951
37	105620-12-713	EA	BRACKET/BEARING-O/S AIR BLWR	6536-514
38	105620-10-701	EA	BEARING/PILLOW BLOCK-O/S AIR	6536-3011
39	105620-11-701	EA	BLOWER WHEEL/INSIDE AIR	1472-1121
40	105620-12-715	EA	BLOWER VENTURI/INSIDE AIR	6535A287
41	105620-01-723	EA	MOUNT-BLOWER MOTOR - I/S AIR	6795-3021
42	105620-12-716	EA	BLOWER MOTOR-REVERSIBLE-I/S	1468-3219
43	105620-12-717	EA	BLOWER HOUSING/INSIDE AIR	6535A589
44	105620-12-718	EA	SWITCH ASSM. - HIGH PRESSURE	6535-5291
45	105620-12-719	EA	COIL SENSOR	7330A3231
46	105620-01-729	EA	RELAY-COMPRESSOR -4 TERMINAL	1460-1131
48	105620-01-738	EA	BOARD-TERMINAL, HIGH VOLTAGE	6795-315
52	105620-12-720	EA	KIT-CIRCUIT BD (6535-SERIES)	6535-3209
52	105620-12-721	EA	CIRCUIT BD(6535 A SERIES)	6535-3201
53	093763-01-704	EA	CAPACITOR-FAN	1499-5461
	105620-10-720	EA	FUSE/BUSS(8AMP/250V) 2 PKG	6535-3081
	105620-10-705	EA	PTCR (START DEVICE) - W/CAP.	8333A9021

CONTACT WINNEBAGO PART SALES FOR UNLISTED COMPONENTS

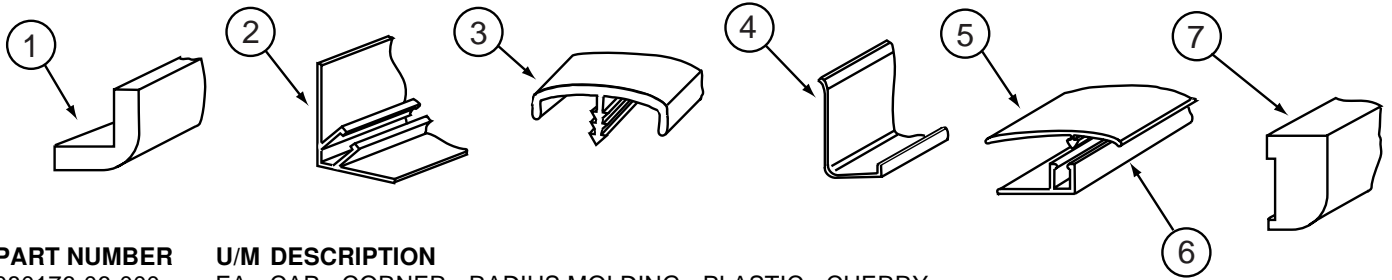
**INTERIOR FINISH GROUP**  
**MOLDINGS & TRIMS**



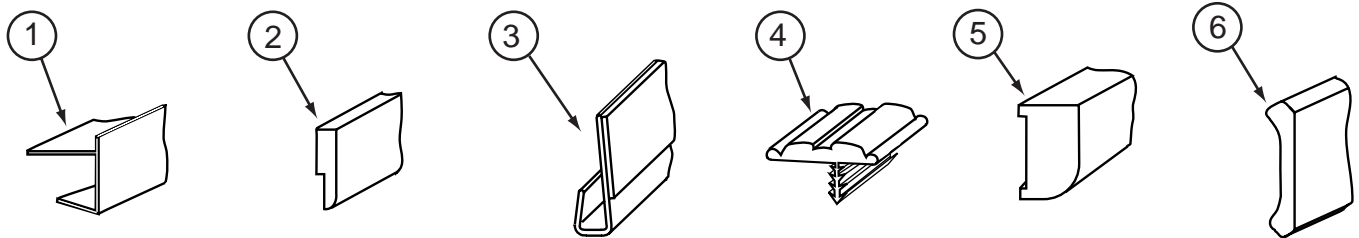
KEY	PART NUMBER	U/M	DESCRIPTION
1	009767-12-000	FT	WELTING - ANTIQUE WHITE
1	009767-17-000	FT	WELTING - PORTSMOUTH OAK
2	009778-18-000	FT	U-CHANNEL - 1" - CHERRY WOOD/CHERRY STAIN
2	009778-27-000	FT	U-CHANNEL - 1" - WASHED MAPLE
2	009778-30-000	FT	U-CHANNEL - 1" - VILLAGE OAK
2	009778-31-000	FT	U-CHANNEL - 1" - GRADY BROWN
2	009778-32-000	FT	U-CHANNEL - 1" - PORTSMOUTH OAK
2	009778-34-000	FT	U-CHANNEL - 1" - CONCERT CHERRY
2	070504-03-000	FT	U-CHANNEL - PLASTIC - .9" X 96" - GRADY BROWN
2	070504-18-000	FT	U-CHANNEL - PLASTIC - .13" X 84" - IVORY
2	070504-30-000	FT	U-CHANNEL - PLASTIC - .13" X 96" - CHERRY
2	070504-42-000	FT	U-CHANNEL - PLASTIC - .13" X 84" - BEIGE ILLUSION
2	070504-50-000	FT	U-CHANNEL - PLASTIC - .13" X 84" - WASHED MAPLE
2	070504-51-000	FT	U-CHANNEL - PLASTIC - .9" X 84" - WASHED MAPLE
2	070504-54-000	FT	U-CHANNEL - PLASTIC - .9" X 96" - VILLAGE OAK
2	070504-57-000	FT	U-CHANNEL - PLASTIC - .6" X 84" - PORTSMOUTH OAK
2	070504-58-000	FT	U-CHANNEL - PLASTIC - .8" X 84" - PORTSMOUTH OAK
2	070504-61-000	FT	U-CHANNEL - PLASTIC - .8" X 84" - CONCERT CHERRY
3	009809-28-000	EA	MOLDING - CORNER - OUTSIDE - 1" X 84" - CHERRY
3	009809-30-000	EA	MOLDING - CORNER - OUTSIDE - 1" X 84" - BEIGE ILLUSION
3	009809-31-000	EA	MOLDING - CORNER - OUTSIDE - 1" X 84" - WASHED MAPLE
3	009809-32-000	EA	MOLDING - CORNER - OUTSIDE - 1" X 84" - PORTSMOUTH OAK
3	009809-33-000	EA	MOLDING - CORNER - OUTSIDE - 1" X 84" - CONCERT CHERRY
4	009812-24-000	EA	MOLDING - CORNER - 1/2" W/1/4"CHAN X 108" - IVORY PLASTIC
4	009812-31-000	EA	MOLDING - CORNER - 1/2" W/1/4"CHAN X 84" - BEIGE ILLUSION
4	009812-33-000	EA	MOLDING - CORNER - 1/2" W/1/4"CHAN X 84" - WASHED MAPLE
4	009812-34-000	EA	MOLDING - CORNER - 1/2" W/1/4"CHAN X 84" - VW LIGHT GRAY
4	009812-35-000	EA	MOLDING - CORNER - 1/2" W/1/4"CHAN X 84" - PORTSMOUTH OAK
4	009812-36-000	EA	MOLDING - CORNER - 1/2" W/1/4"CHAN X 84" - CONCERT CHERRY
5	009815-09-000	FT	MOLDING-T - W/EDGE LIP - 3/4" FACE - IVORY
5	009815-10-000	FT	MOLDING-T - W/EDGE LIP - 3/4" FACE - BEIGE ILLUSION
5	105709-01-000	FT	MOLDING-T - W/EDGE LIP - 3/4" FACE - IVORY
5	105709-02-000	FT	MOLDING-T - W/EDGE LIP - 3/4" FACE - BEIGE ILLUSION
6	022992-11-000	FT	MOLDING - REVERSE COVE - T-SHAPED - IVORY
6	022992-14-000	FT	MOLDING - REVERSE COVE - T-SHAPED - BRIGHT WHITE
6	022992-15-000	FT	MOLDING - REVERSE COVE - T-SHAPED - VW GRAY



**INTERIOR FINISH GROUP (CONTINUED)**  
**MOLDINGS & TRIMS (CONTINUED)**

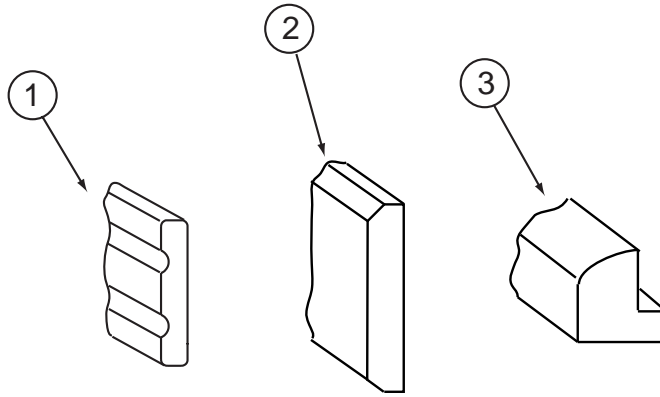


KEY	PART NUMBER	U/M	DESCRIPTION
1	080176-06-000	EA	CAP - CORNER - RADIUS MOLDING - PLASTIC - CHERRY
1	080176-08-000	EA	CAP - CORNER - RADIUS MOLDING - PLASTIC - WASHED MAPLE
2	081521-02-007	EA	MOUNT - METAL MOLDING - F/RADIUS CORNER MOLDING - 151.5"
3	083620-09-000	FT	MOLDING-T - W/EDGE LIP - 7/8" FACE - MODERN IVORY
3	083620-19-000	FT	MOLDING-T - W/EDGE LIP - 7/8" FACE - WASHED MAPLE
3	083620-20-000	FT	MOLDING-T - W/EDGE LIP - 7/8" FACE - PORTSMOUTH OAK
3	083620-21-000	FT	MOLDING-T - W/EDGE LIP - 7/8" FACE - CONCERT CHERRY
3	104676-02-06A	FT	MOLDING-T - W/EDGE LIP - 11/16" FACE - WASHED MAPLE
3	104676-02-08A	FT	MOLDING-T - W/EDGE LIP - 11/16" FACE - PORTSMOUTH OAK
3	104676-02-09A	FT	MOLDING-T - W/EDGE LIP - 11/16" FACE - CONCERT CHERRY
4	085746-04-000	FT	TRIM-J - CARPET 1.2" X .5" ANGLE - 12' LONG - OFF WHITE
5	086229-12-000	EA	BATTEN - 1.5" OFFSET X 97.01" IVORY
6	086229-11-000	EA	RETAINER - OFFSET - 97.01"
7	126204-D2-134	EA	MOLDING - VINYL WRAPPED - .7" X 1.6" X 84" - WASHED MAPLE
7	126204-F2-134	EA	MOLDING - VINYL WRAPPED - .7" X 2.5" X 84" - WASHED MAPLE
7	126204-F2-438	EA	MOLDING - VINYL WRAPPED - .7" X 2.6" X 84" - WASHED MAPLE

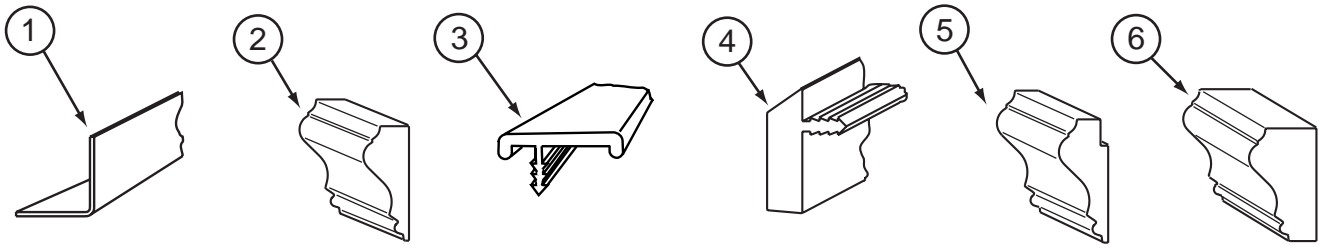


KEY	PART NUMBER	U/M	DESCRIPTION
1	103186-01-07A	FT	MOLDING - PLASTIC - 3/8" U-CHANNEL-3/4"FACE-BEIGE ILLUS
1	103186-01-08A	FT	MOLDING - PLASTIC - 3/8" U-CHANNEL-3/4"FACE-WASHED MAPLE
1	103186-01-09A	FT	MOLDING - PLASTIC - 3/8" U-CHANNEL-3/4"FACE-PORTSMOUTH OAK
1	103186-01-10A	FT	MOLDING - PLASTIC - 3/8" U-CHANNEL-3/4"FACE-CONCERT CHERRY
1	103186-02-08A	FT	MOLDING - PLASTIC - 1" U-CHANNEL-1 3/8"FACE-WASHED MAPLE
1	103186-02-09A	FT	MOLDING - PLASTIC - 1" U-CHANNEL-1 3/8"FACE-PORTSMOUTH OAK
1	103186-02-10A	FT	MOLDING - PLASTIC - 1" U-CHANNEL-1 3/8"FACE-CONCERT CHERRY
2	105004-01-08A	EA	MOLDING - VINYL WRAPPED - 1" X 96" - WASHED MAPLE
2	105004-01-09A	EA	MOLDING-PAPER WRAP - 1" X 96" - PORTSMOUTH OAK
2	105004-01-10A	EA	MOLDING-PAPER WRAP - 1" X 96" - CHERRY - SALEM CHERRY
2	105004-01-11A	EA	MOLDING-PAPER WRAP - 1" X 96" - WASHED MAPLE
2	105004-01-12A	EA	MOLDING - VINYL WRAPPED - 1" X 96" - PORTSMOUTH OAK
3	109332-02-01A	FT	TRIM-J - W/O ADHESIVE - BRASS
3	109332-02-03A	FT	TRIM-J - W/O ADHESIVE - SALEM CHERRY
3	109332-02-05A	FT	TRIM-J - W/O ADHESIVE - WASHED MAPLE
3	109332-02-06A	FT	TRIM-J - W/O ADHESIVE - PORTSMOUTH OAK
4	109736-02-01A	FT	MOLDING-T/OFFSET - W/EDGE LIP - 1" FACE - NAT OAK/BRASS
5	134185-B2-438	EA	MOLDING - .7" X 1" X 96" - PORTSMOUTH OAK
5	134185-D2-134	EA	MOLDING - .7" X 1.5" X 83" - PORTSMOUTH OAK
5	134185-D2-743	EA	MOLDING - .7" X 1.6" X 96" -PORTSMOUTH OAK
5	134185-F2-438	EA	MOLDING - .7" X 2.5" X 96" -PORTSMOUTH OAK
5	134185-F2-743	EA	MOLDING - .7" X 2.5" X 108"-PORTSMOUTH OAK
5	137895-D2-134	EA	MOLDING - VINYL WRAPPED - .7" X 1.6" X 84" -PORTSMOUTH OAK
5	137895-F2-743	EA	MOLDING - VINYL WRAPPED - .7" X 1.6" X 84" -PORTSMOUTH OAK
6	113794-01-02A	FT	MOLDING - CROWN - 3.5" - CHERRY
6	113794-02-02A	FT	MOLDING - CROWN - 1.8" - CHERRY
6	113794-01-03A	FT	MOLDING - CROWN - 3.5" - MAPLE
6	113794-02-03A	FT	MOLDING - CROWN - 1.8" - MAPLE

**INTERIOR FINISH GROUP (CONTINUED)**  
**MOLDINGS & TRIMS (CONTINUED)**

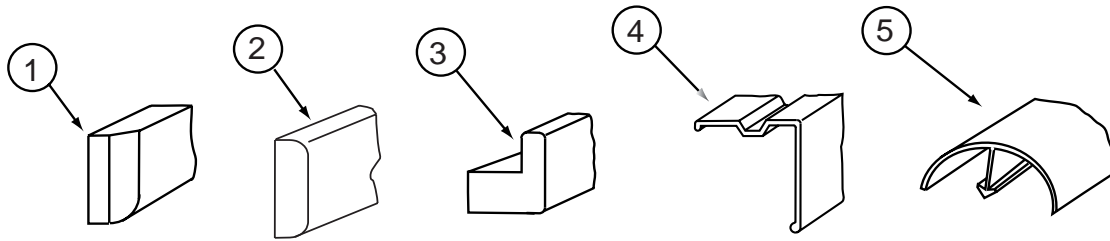


KEY	PART NUMBER	U/M	DESCRIPTION
1	116951-15-K09	EA	MOLDING - TRIM - 1.7" X 11"
1	116951-15-M07	EA	MOLDING - TRIM - 1.7" X 11"
1	134156-01-06A	EA	MOLDING - PAPER WRAP -.7" X 3.8" X 33.8" - WASHED MAPLE
1	134156-01-05A	EA	MOLDING - PAPER WRAP -.7" X 3.8" X 33.8" - CONCERT CHERRY
1	134156-01-04A	EA	MOLDING - PAPER WRAP -.7" X 3.8" X 33.8" - PORTSMOUTH OAK
1	134156-02-06A	EA	MOLDING - PAPER WRAP -.7" X 3.8" X 32.9" - WASHED MAPLE
1	134156-02-05A	EA	MOLDING - PAPER WRAP -.7" X 3.8" X 32.9" - CONCERT CHERRY
1	134156-02-04A	EA	MOLDING - PAPER WRAP -.7" X 3.8" X 32.9" - PORTSMOUTH OAK
1	134156-03-06A	EA	MOLDING - PAPER WRAP -.7" X 3.4" X 28.3" - WASHED MAPLE
1	134156-03-05A	EA	MOLDING - PAPER WRAP -.7" X 3.4" X 28.3" - SALEM CHERRY
1	134156-03-04A	EA	MOLDING - PAPER WRAP -.7" X 3.4" X 28.3" - PORTSMOUTH OAK
1	134156-03-03A	EA	MOLDING - VINYL WRAP -.7" X 3.4" X 28.3" - WASHED MAPLE
1	134156-03-08A	EA	MOLDING - VINYL WRAP -.7" X 3.4" X 28.3" - PORTSMOUTH OAK
2	132647-01-04A	EA	MOLDING/TRIM - DASH - PORTSMOUTH OAK - PAPER
2	132647-01-05A	EA	MOLDING/TRIM - DASH - PORTSMOUTH OAK - VINYL
3	132443-01-02A	FT	MOLDING - COUNTERTOP - WASHED MAPLE
3	132443-01-03A	FT	MOLDING - COUNTERTOP - CHERRY - SALEM CHERRY

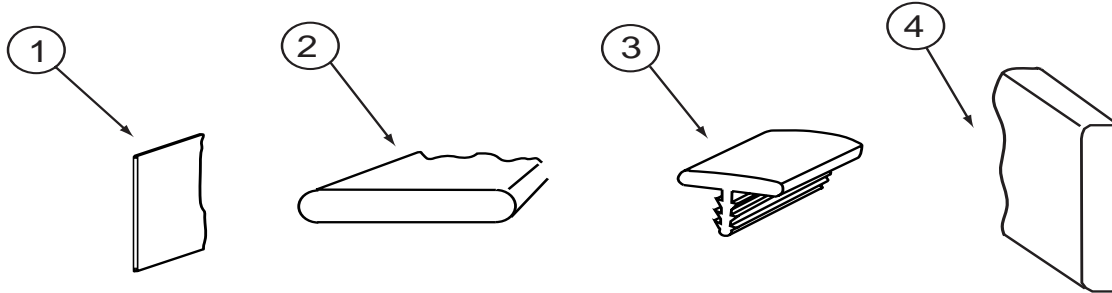


KEY	PART NUMBER	U/M	DESCRIPTION
1	130262-01-000	EA	PROTECTOR - CORNER SAVER - .7" X .7"
2	131923-01-01A	FT	MOLDING - CROWN - ASH
2	131923-01-02A	FT	MOLDING - CROWN - CHERRY
2	131923-01-03A	FT	MOLDING - CROWN - HARD WHITE MAPLE
3	119520-01-01A	FT	MOLDING-T - 1" - W/EDGE LIPS (OFF/WHITE-CREAM)
4	130247-01-02A	FT	MOLDING-T/OFF SET - 1.3" FACE - WASHED MAPLE
4	130247-01-04A	FT	MOLDING-T/OFF SET - 1.3" FACE - PORTSMOUTH OAK
4	130247-01-05A	FT	MOLDING-T/OFF SET - 1.3" FACE - CONCERT CHERRY
5	131923-02-01A	FT	MOLDING - PICTURE - ASH
5	131923-02-02A	FT	MOLDING - PICTURE - CHERRY
5	131923-02-03A	FT	MOLDING - PICTURE - HARD WHITE MAPLE
6	131923-03-01A	FT	MOLDING - CROWN - DIVIDER - ASH
6	131923-03-02A	FT	MOLDING - CROWN - DIVIDER - CHERRY
6	131923-03-03A	FT	MOLDING - CROWN - DIVIDER - HARD WHITE MAPLE

**INTERIOR FINISH GROUP (CONTINUED)**  
**MOLDINGS & TRIMS (CONTINUED)**



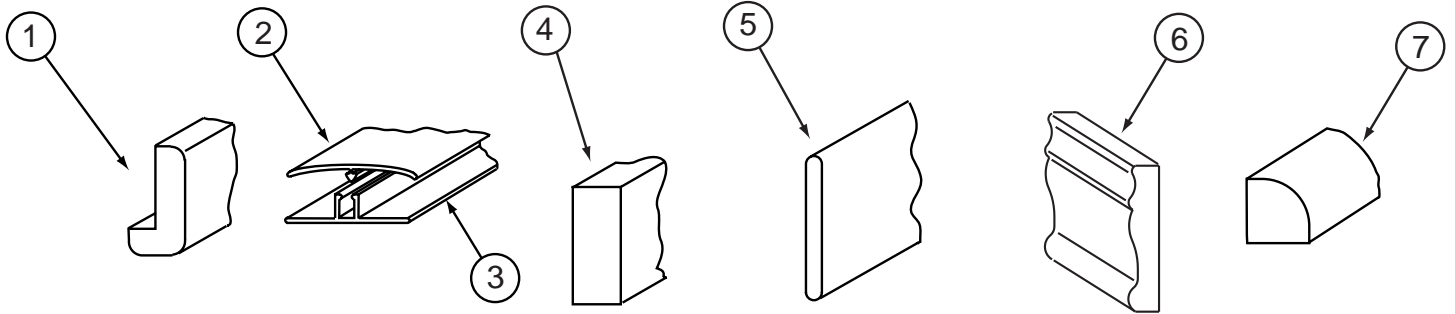
KEY	PART NUMBER	U/M	DESCRIPTION
1	100659-01-J40	EA	MOLDING/TRIM - VINYL FLOOR - WASHED MAPLE
1	100659-30-M42	EA	MOLDING/TRIM - VINYL FLOOR - PORTSMOUTH OAK II
1	100659-27-M70	EA	MOLDING/TRIM - VINYL FLOOR - CHERRY III
2	100818-01-08A	EA	MOLDING - VINYL WRAPPED - 1.6" X .4" X 84"-WASHED MAPLE
2	100818-01-09A	EA	MOLDING - VINYL WRAPPED - 1.6" X .4" X 84" - PORTSMOUTH OAK
2	100818-01-10A	EA	MOLDING - VINYL WRAPPED - 1.6" X .4" X 84" - SALEM CHERRY
2	100818-01-11A	EA	MOLDING - VINYL WRAPPED - 1.6" X .4" X 84" - WASHED MAPLE
2	100818-01-12A	EA	MOLDING - VINYL WRAPPED - 1.6" X .4" X 84"-PORTSMOUTH OAK
3	100819-01-08A	EA	MOLDING - VINYL WRAPPED-L-SHAPED-1.5"X1.5"X84" - WASHED MAPLE
3	100819-01-09A	EA	MOLDING - VINYL WRAPPED-L-SHAPED-1.5"X1.5"X84"-PRTSMTH OAK
3	100819-01-10A	EA	MOLDING - VINYL WRAPPED - L-SHAPED - 1.5"X1.5"X84" - SALEM CHERRY
3	100819-01-11A	EA	MOLDING - VINYL WRAPPED - L-SHAPED - 1.5"X1.5"X84" - WASHED MAPLE
3	100819-01-12A	EA	MOLDING - VINYL WRAPPED-L-SHAPED - 1.5" X 1.5" X 84" - OAK
4	093873-01-01A	EA	TRIM - CARPET - L-ANGLE 1.1" X 1.3" X 12' - GRAY VINYL
5	042357-25-000	EA	MOLDING - CORNER - RADIUS/PLASTIC - WASHED MAPLE
5	042357-26-000	EA	MOLDING - CORNER - RADIUS/PLASTIC - PORTSMOUTH OAK
5	042357-27-000	EA	MOLDING - CORNER - RADIUS/PLASTIC - CONCERT CHERRY



KEY	PART NUMBER	U/M	DESCRIPTION
1	101957-01-04A	EA	EXTRUDED - PLASTIC - SALEM CHERRY
2	120492-01-02A	FT	STRIP - TRIM - 1/2" WIDE - SALEM CHERRY
2	120492-01-06A	FT	STRIP - TRIM - 1/2" WIDE - WASHED MAPLE
3	104676-01-01A	FT	MOLDING-T - 5/16" RIGID GOLD
3	104676-02-06A	FT	MOLDING-T - W/EDGE LIP - 11/16" FACE - WASHED MAPLE
3	104676-02-08A	FT	MOLDING-T - W/EDGE LIP - 11/16" FACE - PORTSMOUTH OAK
3	104676-02-09A	FT	MMOLDING-T - W/EDGE LIP - 11/16" FACE - CONCERT CHERRY
4	091985-01-08A	FT	INSERT - TRIM - SOFT WHITE - 1"

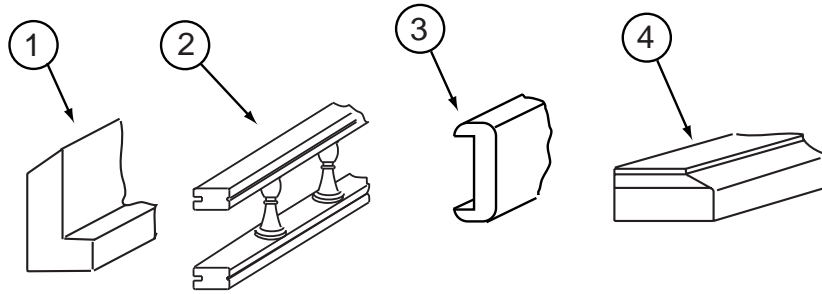
## INTERIOR FINISH GROUP (CONTINUED)

### MOLDINGS & TRIMS (CONTINUED)



KEY	PART NUMBER	U/M	DESCRIPTION
1	077840-01-E41	EA	MOLDING - WALL CAP - 8' - SALEM CHERRY
1	077840-01-J70	EA	MOLDING - WALL CAP - 8' - WASHED MAPLE
1	077840-01-M30	EA	MOLDING - WALL CAP - 8' - PORTSMOUTH II
2	086229-04-000	EA	BATTEN - 1" X 92.24" - IVORY
2	086229-13-000	EA	BATTEN - 1" X 96" - IVORY
2	086229-19-000	EA	BATTEN - 1" X 98.4" - OFF WHITE
2	086229-20-000	EA	BATTEN - 1" X 96" - BEIGE
3	086229-01-000	EA	RETAINER - BATTEN - .75" X 92.1" - ANY COLOR
4	126205-D2-438	EA	LUMBER - VINYL WRAPPED - .7" X 1.5" X 96" - WASHED MAPLE
4	126205-E2-438	EA	LUMBER - VINYL WRAPPED - .7" X 2" X 96" - WASHED MAPLE
4	126205-F2-438	EA	LUMBER - VINYL WRAPPED - .7" X 2.5" X 96" - WASHED MAPLE
4	126205-G2-438	EA	LUMBER - STAINED - .7" X 3" X 96" - WASHED MAPLE
4	126205-J2-438	EA	LUMBER - VINYL WRAPPED - .7" X 5.5" X 96" - WASHED MAPLE
4	126205-R2-438	EA	LUMBER - VINYL WRAPPED - .7" X 3" X 96" - WASHED MAPLE
4	136045-G2-438	EA	LUMBER - PAPER WRAPPED - .7" X 3" X 96" - CHERRY
4	136045-H2-438	EA	LUMBER - PAPER WRAPPED - .7" X 3.5" X 96" - CHERRY
4	136045-D2-438	EA	LUMBER - PAPER WRAPPED - .7" X 1.5" X 96" - CHERRY
4	136045-A2-438	EA	LUMBER - PAPER WRAPPED - .7" X .7" X 96" - CHERRY
4	136045-E2-438	EA	LUMBER - PAPER WRAPPED - .7" X 2" X 96" - CHERRY
4	136045-F2-438	EA	LUMBER - PAPER WRAPPED - .7" X 2.6" X 96" - CHERRY
4	134184-A2-438	EA	LUMBER - .7" X .75" X 96" - PORTSMOUTH OAK
4	134184-D2-438	EA	LUMBER - .7" X 1.5" X 96" - PORTSMOUTH OAK
4	134184-E2-438	EA	LUMBER - .7" X .62" X 96" - PORTSMOUTH OAK
4	134184-F2-438	EA	LUMBER - .7" X 2.5" X 96" - PORTSMOUTH OAK
4	134184-G2-438	EA	LUMBER - .7" X 3" X 96" - PORTSMOUTH OAK
4	134184-H2-438	EA	LUMBER - .7" X .75" X 96" - PORTSMOUTH OAK
4	134184-J2-438	EA	LUMBER - .7" X 5.5" X 96" - PORTSMOUTH OAK
4	134184-R2-438	EA	LUMBER - .7" X 3" X 96" - PORTSMOUTH OAK
4	137894-A2-438	EA	LUMBER - VINYL WRAPPED - .7" X .75" X 96" - PORTSMOUTH OAK
4	137894-D2-438	EA	LUMBER - VINYL WRAPPED - .7" X 1.5" X 96" - PORTSMOUTH OAK
4	137894-E2-438	EA	LUMBER - VINYL WRAPPED - .7" X 2" X 96" - PORTSMOUTH OAK
4	137894-F2-438	EA	LUMBER - VINYL WRAPPED - .7" X 2.5" X 96" - PORTSMOUTH OAK
4	137894-G2-438	EA	LUMBER - VINYL WRAPPED - .7" X 3" X 96" - PORTSMOUTH OAK
4	137894-H2-438	EA	LUMBER - VINYL WRAPPED - .7" X 3.5" X 96" - PORTSMOUTH OAK
4	137894-J2-438	EA	LUMBER - VINYL WRAPPED - .7" X 5.5" X 96" - PORTSMOUTH OAK
4	137894-R2-438	EA	LUMBER - VINYL WRAPPED - .7" X 3" X 96" - PORTSMOUTH OAK
5	127842-01-01A	FT	SEAL - SIGHT SHIELD - 2" BLACK
6	100182-01-L81	EA	TRIM - RAIL - PORTSMOUTH OAK
6	100182-01-K37	EA	TRIM - RAIL - SALEM CHERRY
6	100182-10-E41	EA	TRIM - CHAIR RAIL - 2.5" X 8' EACH - WOOD - SALEM CHERRY
6	100182-10-J70	EA	TRIM - CHAIR RAIL - 2.5" X 8' EACH - WOOD - WASHED MAPLE
6	100182-10-M95	EA	TRIM - CHAIR RAIL - 2.5" X 8' EACH - WOOD
7	109410-16-JQ0	EA	MOLDING - TRIM - WASHED MAPLE
7	109410-01-M53	EA	MOLDING - TRIM - 8' - PORTSMOUTH OAK

**INTERIOR FINISH GROUP (CONTINUED)**  
**MOLDINGS & TRIMS (CONTINUED)**



KEY	PART NUMBER	U/M	DESCRIPTION
1	111235-03-E37	EA	MOLDING - COUNTERTOP - 1" X 8' - ASH WOOD - UNSTAINED
1	111235-03-E41	EA	MOLDING - COUNTERTOP - 1" X 8' - CHERRY WOOD - UNSTAINED
1	111235-03-H56	EA	MOLDING - COUNTERTOP - 1" X 8' - WHITE MAPLE - UNSTAINED
2	111775-01-07A	EA	RAIL - DECORATIVE/PLASTIC SPINDLES - 8' - PORTSMOUTH OAK
2	111775-01-06A	EA	RAIL - DECORATIVE/PLASTIC SPINDLES - 71.9" - WASHED MAPLE
2	111775-01-03A	EA	RAIL - DECORATIVE/PLASTIC SPINDLES - 6' - SALEM CHERRY
2	137108-01-02A	EA	RAIL - DECORATIVE - SALEM CHERRY
2	137108-01-03A	EA	RAIL - DECORATIVE - WASHED MAPLE
2	137108-01-07A	EA	RAIL - DECORATIVE - PORTSMOUTH OAK
3	078323-06-M22	EA	MOLDING - CAP/WALL - 79.6" - PORTSMOUTH OAK
4	P34052-01-M52	EA	TRIM/TABLE - 29.7" - SALEM CHERRY
4	P34052-01-M76	EA	TRIM/TABLE - 29.7" - PORTSMOUTH OAK
4	P34052-01-M84	EA	TRIM/TABLE - 29.7" - WASHED MAPLE
4	P34052-02-M52	EA	TRIM/TABLE - 24" - SALEM CHERRY
4	P34052-02-M76	EA	TRIM/TABLE - 24" - PORTSMOUTH OAK
4	P34052-02-M84	EA	TRIM/TABLE - 24" - WASHED MAPLE

## INTERIOR FINISH GROUP (CONTINUED)

### PANELING & LAMINATES

KEY	PART NUMBER	U/M	DESCRIPTION
	088272-K1-000	SF	PANELING - VILLA/GRAY - 4' X 7' (M62, M63)
	088272-J7-000	SF	PANELING - COSMOS/SKY - 4' X 7' (M64, M65)
	088272-J6-000	SF	PANELING - CIRRUS - 4' X 7' (M66, M67)
	088272-H9-000	SF	PANELING - PEBBLE EMBOSSED - WHITE - 4' X 7'
	088263-H0-000	EA	BATT STRIP - DECORATIVE - VILLA/GRAY - 8' LONG (M62, M63)
	088263-G7-000	EA	BATT STRIP - DECORATIVE - COSMOS/SKY - 8' LONG (M64, M65)
	088263-G6-000	EA	BATT STRIP - DECORATIVE - CIRRUS - 8' LONG (M66, M67)
	088263-G1-000	EA	BATT STRIP - DECORATIVE - PEBBLE EMBOSSED - 8' LONG
	085284-H1-000	FT	BATT TAPE - ADHESIVE BACKED - DECORATIVE - VILLA/GRAY (M62, M63)
	085284-G6-000	FT	BATT TAPE - ADHESIVE BACKED - DECORATIVE - COSMOS/SKY (M64, M65)
	085284-G5-000	FT	BATT TAPE - ADHESIVE BACKED - DECORATIVE - CIRRUS (M66, M67)
	085284-F9-000	FT	BATT TAPE - ADHESIVE BACKED - PEBBLE EMBOSSED
	074497-39-000	SF	PANELING - WASHED MAPLE - 4' X 8'
	074497-39-U82	SF	PANELING - WASHED MAPLE - 4' X 8'
	074497-44-000	SF	PANELING - WASHED MAPLE - 4' X 8'
	074497-43-000	SF	PANELING - SALEM CHERRY - 4' X 8'
	076773-17-000	SF	PANELING - WASHED MAPLE - 2 SIDED - 1/8" X 4' X 8'
	076773-16-000	SF	PANELING - SALEM CHERRY - 2 SIDED - 1/8" X 4' X 8'
	079666-03-000	SF	PANELING - CLOSET - CEDAR - 4' X 7'
	083618-07-000	SF	PLYWOOD - MAPLE - 1 SIDE 3/16" X 4' X 8'
	000885-89-000	SF	PARTICLE BOARD - 3/8" X 4' X 8' - WASHED MAPLE - 2-SIDED
	000885-91-000	SF	PARTICLE BOARD - 3/4" X 4' X 8' - WASHED MAPLE - 2-SIDED
	000885-91-024	SF	PART BD-19X0118X0786MM VINYL, 2 SIDE
	000885-99-000	SF	PARTICLE BOARD - WASHED MAPLE - 3/8" X 4' X 8' - 2 SIDED
	000885-A2-000	SF	PARTICLE BOARD - WASHED MAPLE - 1/2" X 4' X 8' - 2 SIDED
	000885-A4-000	SF	PARTICLE BOARD - WASHED MAPLE - 3/4" X 4' X 8' - 2 SIDED
	000885-71-000	SF	PARTICLE BOARD - 3/8" X 4' X 8' - CHERRY - VINYL 1 SIDED
	000885-98-000	SF	PARTICLE BOARD - 3/8" X 4' X 8' - SALEM CHERRY - 2-SIDED
	000885-A1-000	SF	PARTICLE BOARD - SALEM CHERRY - 1/2" X 4' X 8' - 2 SIDED
	000885-A3-000	SF	PARTICLE BOARD - 3/4" X 4' X 8' - SALEM CHERRY - 2 SIDED
	074498-52-000	SF	LAMINATE - PLASTIC - WHITE ETHOS - 4' X 8' (M62, M63)
	074498-87-000	SF	LAMINATE - PLASTIC - BEIGE POMPAS (M64, M65)
	074498-83-000	SF	LAMINATE - PLASTIC - NATURAL LEGACY (M66, M67)
	074498-82-000	SF	LAMINATE - PLASTIC - WASHED MAPLE - 4' X 8'
	074498-58-000	SF	LAMINATE - PLASTIC - CHERRY - 4' X 8'
	074498-96-000	SF	LAMINATE - PLASTIC - CHERRY - 4' X 8' FROM: 00-00-00 THRU: 10-08-00
	074498-40-000	SF	LAMINATE - PLASTIC - OFF WHITE - 5' X 8' FROM: 10-09-00 THRU: 99-99-99
	076325-74-000	FT	MOLDING - EDGE BAND - 1 5/16" X .038" - WASHED MAPLE
	076325-75-000	FT	MOLDING - EDGE BAND - .93" X .024" - WASHED MAPLE
	076325-50-000	FT	MOLDING - EDGE BAND - 1 5/16" X .030" - CHERRY FROM: 00-00-00 THRU: 10-22-00
	076325-80-000	FT	MOLDING - EDGE BAND - 1 5/16" X .030" - CHERRY FROM: 10-23-00 THRU: 99-99-99
	076325-52-000	FT	MOLDING - EDGE BAND - .93" X .024" - CHERRY FROM: 00-00-00 THRU: 10-22-00
	076325-79-000	FT	MOLDING - EDGE BAND - .93" X .024" - CONCERT CHERRY FROM: 10-23-00 THRU: 99-99-99
	076325-73-000	FT	MOLDING - EDGE BAND - .93" X .024" - OFF WHITE
	000846-01-000	SF	PLYWOOD - 5/16" X 48" X 96" - CD GRADE
	000846-02-000	SF	PLYWOOD/UNDERLAYMENT - 5/16" X 48" X 96"
	085284-F7-000	FT	TAPE/STRIP - TRUE GRIP - 1.5" WIDE - ADHESIVE BACKED

## INTERIOR FINISH GROUP (CONTINUED)

### ACCESSORIES

KEY	PART NUMBER	U/M	DESCRIPTION
	P02786-03-K29	EA	HANDRAIL ONLY - W/O BRACKETS - WASHED MAPLE
	P02786-03-E41	EA	HANDRAIL ONLY - W/O BRACKETS - SALEM CHERRY
	064781-07-000	EA	HOLDER/CUP - TWO STEP - BLACK
	099682-01-01A	EA	BRACKET - MOUNTING/HAND RAIL - ROUND BASE
	108808-03-01A	EA	HANDRAIL - ENTRANCE - 26"H X 20.7"L - OFF WHITE
	129779-03-K67	EA	FRAME - W/O MIRROR - 40.5"H X 42.3"W - WASHED MAPLE
	129779-03-K37	EA	FRAME - W/O MIRROR - 40.5"H X 42.3"W - SALEM CHERRY
	131333-01-01A	EA	HOLDER - CUP - VERTICAL DROP/FLUSH MOUNT - BLACK
	133713-02-02A	EA	SPACER - CUPHOLDER - WASHED MAPLE
	133713-02-03A	EA	SPACER - CUPHOLDER - SALEM CHERRY
	072852-01-000	EA	DETECTOR - SMOKE - W/9 VOLT BATTERY - US
	072852-02-000	EA	DETECTOR - SMOKE - W/9 VOLT BATTERY - CANADIAN
*	094499-02-000	EA	EXTINGUISHER/FIRE - DRY - 10BC - W/GAUGE - CANADIAN
	094499-03-000	EA	EXTINGUISHER/FIRE - DRY - 10BC - W/GAUGE - W/O BRACKET
	094499-04-000	EA	BRACKET - FIRE EXTINGUISHER
	125136-02-000	EA	CO DETECTOR - GAS MODEL - 9 VOLT
	058331-H4-000	EA	MIRROR - SAFETY GLASS - 25.6" X 31.5"
	058331-J1-000	EA	MIRROR - SAFETY GLASS - 19.5" X 65.2"
	058331-J4-000	EA	MIRROR - SAFETY GLASS - 6.7" X 34.3"
	058331-J6-000	EA	MIRROR - SAFETY GLASS - 10" X 14.9"
	058331-K7-000	EA	MIRROR - SAFETY GLASS - 21.1" X 69.4"
	058331-L1-000	EA	MIRROR - SAFETY GLASS - 15.3" X 33.6"
	058331-L2-000	EA	MIRROR - SAFETY GLASS - 13" X 33.6"
	058331-L3-000	EA	MIRROR - SAFETY GLASS - 11.9" X 32.2"
	058331-L4-000	EA	MIRROR - SAFETY GLASS - 9" X 32.2"
	088742-16-000	EA	MIRROR - BEVELED/SAFETY GLASS - 14.4" X 18.5"
	093606-28-000	EA	MIRROR - BEVELED PANEL - 17.5" X 27.9"
	093606-29-000	EA	MIRROR - BEVELED PANEL - 23.6" X 31.4"
	093606-30-000	EA	MIRROR - BEVELED PANEL - 16.5" X 25.9"
	093606-32-000	EA	MIRROR - BEVELED EDGE - 9" X 47.9"
	093606-33-000	EA	MIRROR - BEVELED EDGE - 16.5" X 34.1"
	093606-36-000	EA	MIRROR/PANEL - BEVELED 1/8" - 16" X 24.4"
	093606-37-000	EA	MIRROR - BEVELED EDGE - 13.3" X 66.1"
	093606-38-000	EA	MIRROR - BEVELED EDGE - 13.3" X 24"
	093606-39-000	EA	MIRROR - BEVELED EDGE - 13" X 34"
	131494-01-01A	EA	MIRROR - BEVELED - 24" X 36"
	100793-05-01A	EA	CLOCK - WALL - 8" SQUARE GOLD
	118081-03-01A	EA	CLOCK - WALL - ROUND 8" - BRASS
	132738-01-01A	EA	CLOCK - DIGITAL W/ALARM - 12 VOLT - BLACK
	133713-03-02A	EA	SPACER - RECEPTACLE - 110/12V - CLOCK - WASHED MAPLE
	133713-03-03A	EA	SPACER - RECEPTACLE - 110/12V - CLOCK - SALEM CHERRY
	131058-03-02A	EA	HAND RAIL - INTERIOR ENTRY DOOR - BLACK
	131493-02-09A	EA	PICTURE - DECORATIVE - 13" X 15" - MEDITERRANEAN
	112515-05-01A	EA	PICTURE - DECORATIVE - 12" X 15" - PALM TREE
	091261-01-000	FT	SLIPNOT - ANTISLIP - 1' WIDE X 12' - BLACK
	096764-02-000	FT	SLIPNOT - ANTISLIP - 1' WIDE (180' ROLLS) - WHITE

\*COMPONENT PARTS LISTED LATER IN THIS GROUP

**INTERIOR FINISH GROUP (CONTINUED)**

**COMPONENT PARTS FOR ACCESSORIES**

094499-02-000

<b>KEY</b>	<b>PART NUMBER</b>	<b>U/M</b>	<b>DESCRIPTION</b>	<b>VENDOR NO</b>
	094499-02-000	EA	EXTINGUISHER/FIRE - DRY - 1A10BC - CANADIAN	
	094499-01-700	EA	BRACKET MTG. W/PLAS. STRAP	294039



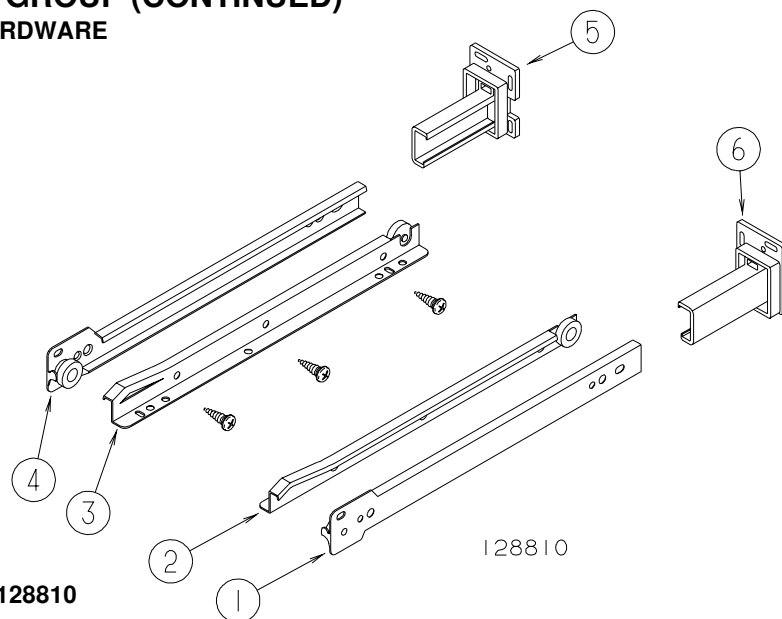
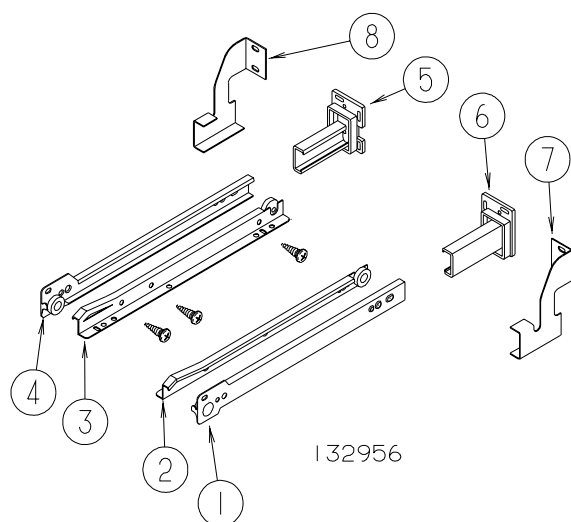
## INTERIOR FINISH GROUP (CONTINUED)

### FLOOR COVERINGS

KEY	PART NUMBER	U/M	DESCRIPTION
	096060-H5-000	SY	CARPET - CHARCOAL - INCREMENTS OF 4 SY YARDS (M62, M63)
	096060-E6-000	SY	CARPET - PEWTER BLUE - INCREMENTS OF 4 SQ YARDS (M64, M65)
	096060-F0-000	SY	CARPET - PALE SAGE - INCREMENTS OF 4 SQ YARDS (M66, M67)
	093486-01-000	SY	CARPET - COMPARTMENT - 72" WIDE - DARK GRAY
	131711-01-04A	EA	TILE/FLOOR - VINYL - 12" X 12" - DOVER WHITE

## INTERIOR FINISH GROUP (CONTINUED)

### HARDWARE

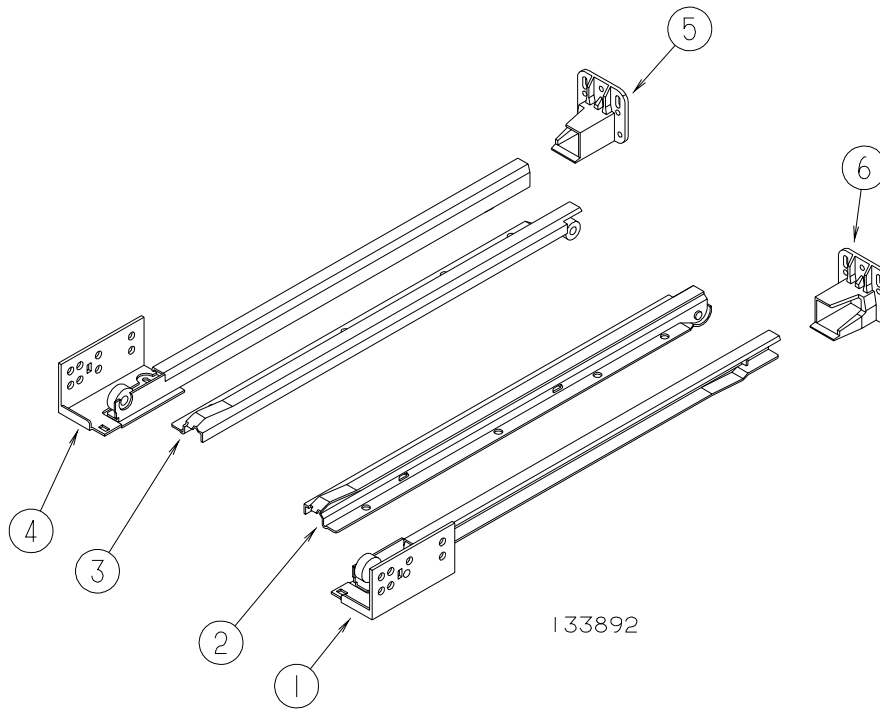


KEY	PART NUMBER	U/M	DESCRIPTION
1	128810-02-01A	EA	SLIDE - DRAWER - 12" - RIGHT CABINET
1	128810-06-01A	EA	SLIDE - DRAWER - 14" - RIGHT CABINET
1	128810-10-01A	EA	SLIDE - DRAWER - 16" - RIGHT CABINET
1	128810-14-01A	EA	SLIDE - DRAWER - 18" - RIGHT CABINET
1	128810-18-01A	EA	SLIDE - DRAWER - 20" - RIGHT CABINET
1	128810-22-01A	EA	SLIDE - DRAWER - 22" - RIGHT CABINET
1	128810-26-01A	EA	SLIDE - DRAWER - 24" - RIGHT CABINET
2	128810-04-01A	EA	SLIDE - DRAWER - 12" - RIGHT DRAWER
2	128810-08-01A	EA	SLIDE - DRAWER - 14" - RIGHT DRAWER
2	128810-12-01A	EA	SLIDE - DRAWER - 16" - RIGHT DRAWER
2	128810-16-01A	EA	SLIDE - DRAWER - 18" - RIGHT DRAWER
2	128810-20-01A	EA	SLIDE - DRAWER - 20" - RIGHT DRAWER
2	128810-24-01A	EA	SLIDE - DRAWER - 22" - RIGHT DRAWER
2	128810-28-01A	EA	SLIDE - DRAWER - 24" - RIGHT DRAWER
3	128810-03-01A	EA	SLIDE - DRAWER - 12" - LEFT DRAWER
3	128810-07-01A	EA	SLIDE - DRAWER - 14" - LEFT DRAWER
3	128810-11-01A	EA	SLIDE - DRAWER - 16" - LEFT DRAWER
3	128810-15-01A	EA	SLIDE - DRAWER - 18" - LEFT DRAWER
3	128810-19-01A	EA	SLIDE - DRAWER - 20" - LEFT DRAWER
3	128810-23-01A	EA	SLIDE - DRAWER - 22" - LEFT DRAWER
3	128810-27-01A	EA	SLIDE - DRAWER - 24" - LEFT DRAWER
4	128810-01-01A	EA	SLIDE - DRAWER - 12" - LEFT CABINET
4	128810-05-01A	EA	SLIDE - DRAWER - 14" - LEFT CABINET
4	128810-09-01A	EA	SLIDE - DRAWER - 16" - LEFT CABINET
4	128810-13-01A	EA	SLIDE - DRAWER - 18" - LEFT CABINET
4	128810-17-01A	EA	SLIDE - DRAWER - 20" - LEFT CABINET
4	128810-21-01A	EA	SLIDE - DRAWER - 22" - LEFT CABINET
4	128810-25-01A	EA	SLIDE - DRAWER - 24" - LEFT CABINET
5	128811-01-01A	EA	BACKSOCKET - ADJUSTABLE - LEFT
6	128811-02-01A	EA	BACKSOCKET - ADJUSTABLE RIGHT

### 132956 DINETTE CABINET DRAWERS

KEY	PART NUMBER	U/M	DESCRIPTION
1	132956-02-01A	EA	SLIDE - DRAWER - 37.5" - RIGHT CABINET
1	132956-06-01A	EA	SLIDE - DRAWER - RIGHT CABINET - 32"
2	132956-08-01A	EA	SLIDE - DRAWER - 32" - RIGHT DRAWER
2	132956-04-01A	EA	SLIDE - DRAWER - 37.5" - RIGHT DRAWER
3	132956-07-01A	EA	SLIDE - DRAWER - 32" - LEFT DRAWER
3	132956-03-01A	EA	SLIDE - DRAWER - 37.5" - LEFT DRAWER
4	132956-05-01A	EA	SLIDE - DRAWER - 32" - LEFT CABINET
4	132956-01-01A	EA	SLIDE - DRAWER - 37.5" - LEFT CABINET
5	128811-01-01A	EA	BACKSOCKET - ADJUSTABLE - LEFT
6	128811-02-01A	EA	BACKSOCKET - ADJUSTABLE RIGHT
7	134649-01-02B	EA	SUPPORT - BACKSOCKET - E-COATED
8	134649-02-02B	EA	SUPPORT - BACKSOCKET - E-COATED

**INTERIOR FINISH GROUP (CONTINUED)**  
**HARDWARE (CONTINUED)**



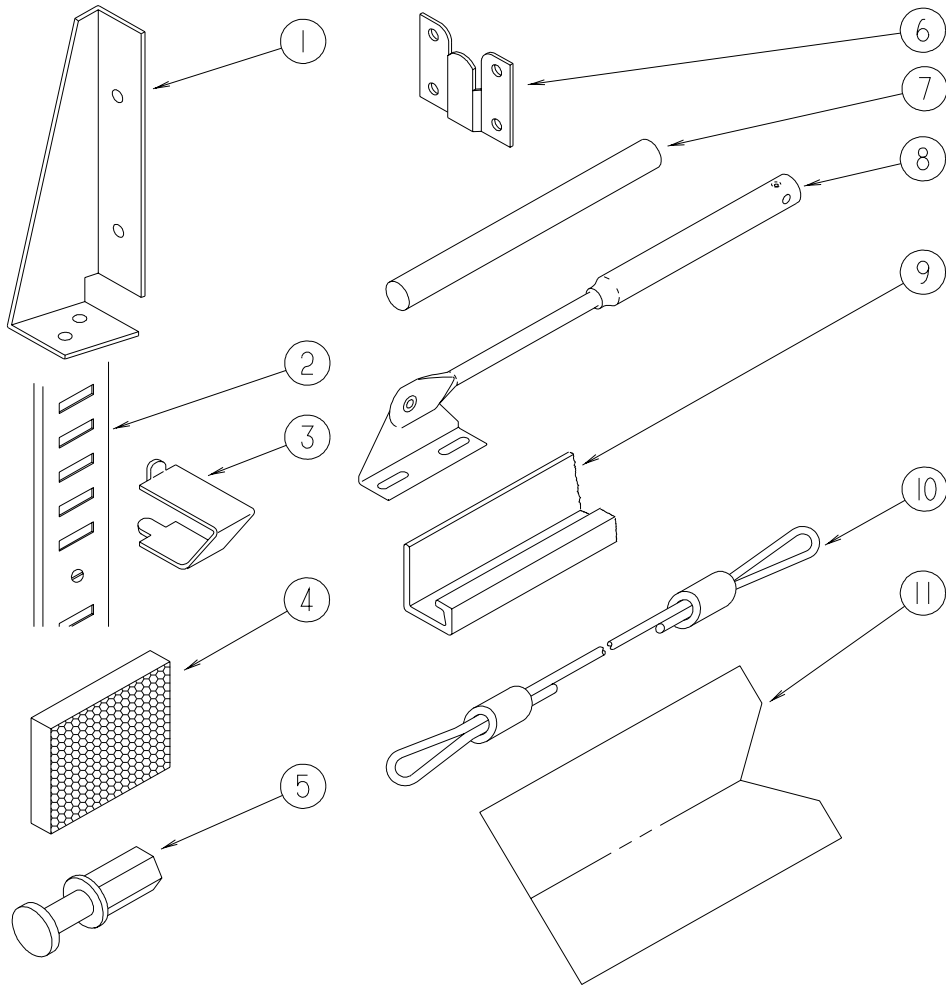
**133892 CONCEALED RUNNER DRAWERS**

KEY	PART NUMBER	U/M	DESCRIPTION
1	133892-02-01A	EA	SLIDE - DRAWER - RIGHT CABINET - 16"
2	133892-04-01A	EA	SLIDE - DRAWER - RIGHT DRAWER - 16"
2	133892-05-01A	EA	SLIDE - DRAWER - 9"
3	133892-03-01A	EA	SLIDE - DRAWER - LEFT DRAWER - 16"
4	133892-01-01A	EA	SLIDE - DRAWER - LEFT CABINET - 16"
5	133907-02-01A	EA	BACKSOCKET - LEFT HAND
6	133907-01-01A	EA	BACKSOCKET - RIGHT HAND

**134576 BANQUETTE DRAWERS**

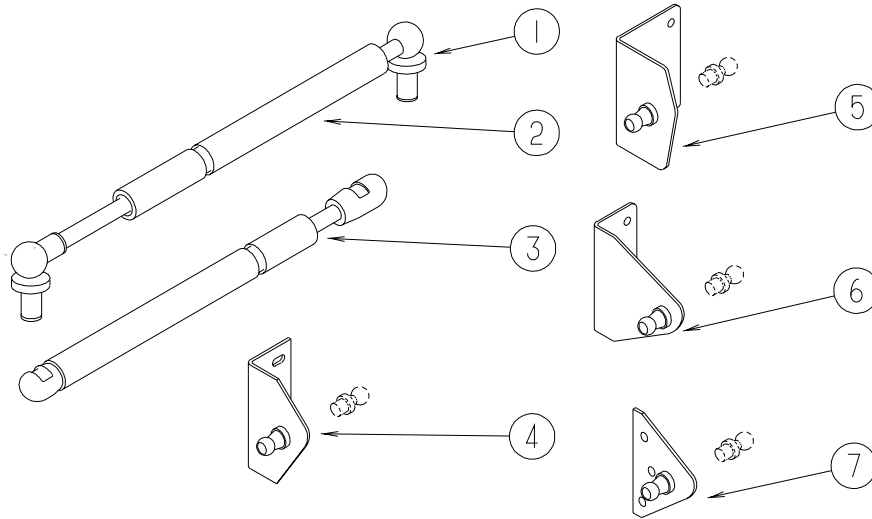
KEY	PART NUMBER	U/M	DESCRIPTION
	134576-01-000	EA	SLIDE KIT - LH & RH SLIDES & RAILS - 22"

**INTERIOR FINISH GROUP (CONTINUED)**  
**HARDWARE (CONTINUED)**



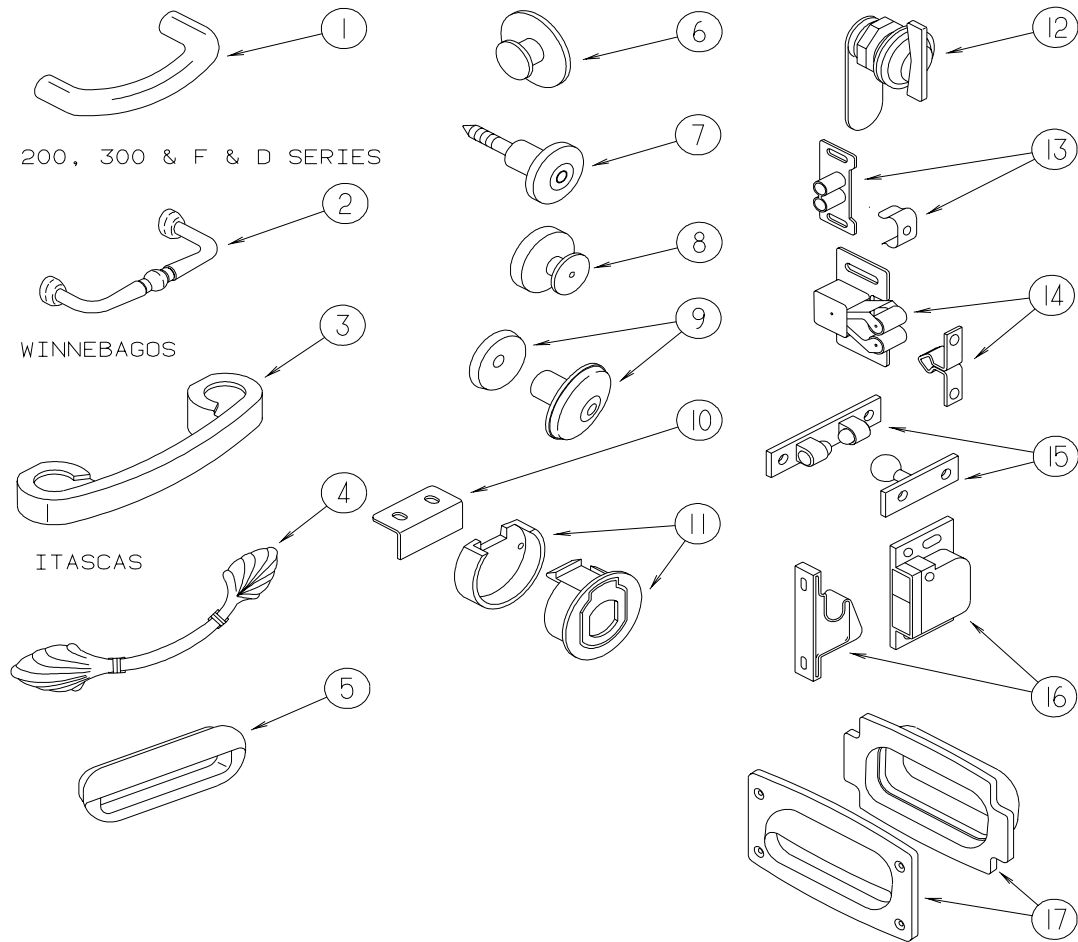
KEY	PART NUMBER	U/M DESCRIPTION
1	076827-02-000	EA BRACKET - 2.9" X 1.8" - TRIANGLE
2	098980-01-000	EA PILASTER - ADJUSTABLE SHELF - 18"
2	098980-02-000	EA PILASTER - ADJUSTABLE SHELF - 12"
2	098980-03-000	EA PILASTER - ADJUSTABLE SHELF - 9"
2	098980-04-000	EA PILASTER - ADJUSTABLE SHELF - 48"
2	098980-05-000	EA PILASTER - ADJUSTABLE SHELF - 15"
2	098980-06-000	EA PILASTER - ADJUSTABLE SHELF - 24"
3	098979-01-000	EA CLIP - ADJUSTABLE SHELF
4	122717-06-01A	FT PAD - NON-SKID - PSA - 5"W
4	122717-08-01A	EA PAD - NON-SKID - PSA - 7.2"W
5	092652-01-000	EA GUIDE WHEEL/DOOR - TOP MOUNT
6	130120-01-01A	EA BRACKET - MOUNTING/MIRROR
7	042438-01-000	EA DOWEL - WOOD - CLOTHES ROD - 1" X 4'
7	042438-02-000	EA DOWEL - WOOD - 2" X 2"
7	042438-06-000	EA DOWEL - WOOD - 1.5" X 26"
8	074493-02-000	EA SUPPORT - PISTON SPRING - CABINET DOOR - 26 LBS
8	074493-03-000	EA SUPPORT - PISTON SPRING - CABINET DOOR - 12 LBS
8	074493-04-000	EA SUPPORT - PISTON SPRING - CABINET DOOR - 32 LBS
9	118933-01-01A	EA SUPPORT - HINGE LOCK
10	076767-01-000	EA CABLE - STEEL - 12"
10	076767-04-000	EA CABLE - SUPPORT - 5.9" STAINLESS STEEL
10	076767-05-000	EA CABLE - STAINLESS STEEL - 15.5"
10	076767-14-000	EA CABLE - STAINLESS STEEL - 14.9"
10	076767-15-000	EA CABLE - STAINLESS STEEL - 9.8"
11	114739-01-01A	EA PAD - NON SKID - PSA - 4"W - 1 EACH=PAIR

**INTERIOR FINISH GROUP (CONTINUED)**  
**HARDWARE (CONTINUED)**



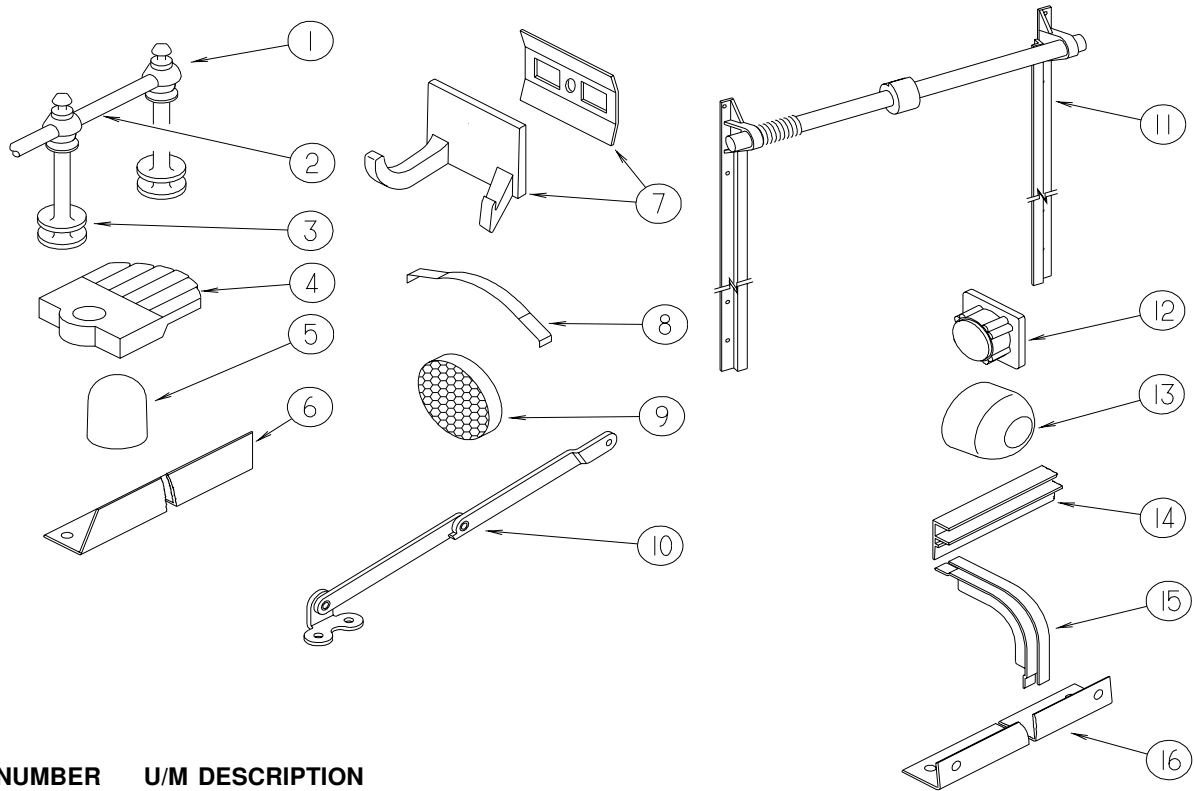
KEY	PART NUMBER	U/M	DESCRIPTION
1	057460-02-000	EA	BALL STUD - F/GAS SPRING .39" - 5/16"-18
2	057460-04-000	EA	SPRING/GAS - BALL STUD STYLE - 120 PI - "SPD6209"
3	107796-06-000	EA	SPRING/GAS - 12" COMPRESSED/20" EXTENDED - 120 LB.
3	107796-08-000	EA	SPRING/GAS - 11" COMPRESSED/17" EXTENDED - 60 LB.
3	107796-09-000	EA	SPRING/GAS - 5.5" COMPRESSED/7.5" EXTENDED - 40 LB.
3	107796-15-000	EA	SPRING/GAS - 24" COMPRESSED/40" EXTENDED - 15 LB.
3	107796-16-000	EA	SPRING/GAS - 6.4" COMPRESSED/9.6" EXTENDED - 65 LB.
4	126263-02-02B	EA	BRACKET - GAS SPRING W/BALL STUD - E-COATED
5	126263-05-02B	EA	BRACKET - GAS SPRING W/BALL STUD - E-COATED
5	126263-06-02B	EA	BRACKET - GAS SPRING W/BALL STUD - E-COATED
6	126263-10-02B	EA	BRACKET - GAS SPRING W/BALL STUD - E-COATED
6	126263-13-02B	EA	BRACKET - GAS SPRING W/BALL STUD - E-COATED
7	126263-08-02B	EA	BRACKET - GAS SPRING W/BALL STUD - E-COATED

**INTERIOR FINISH GROUP (CONTINUED)**  
**HARDWARE (CONTINUED)**



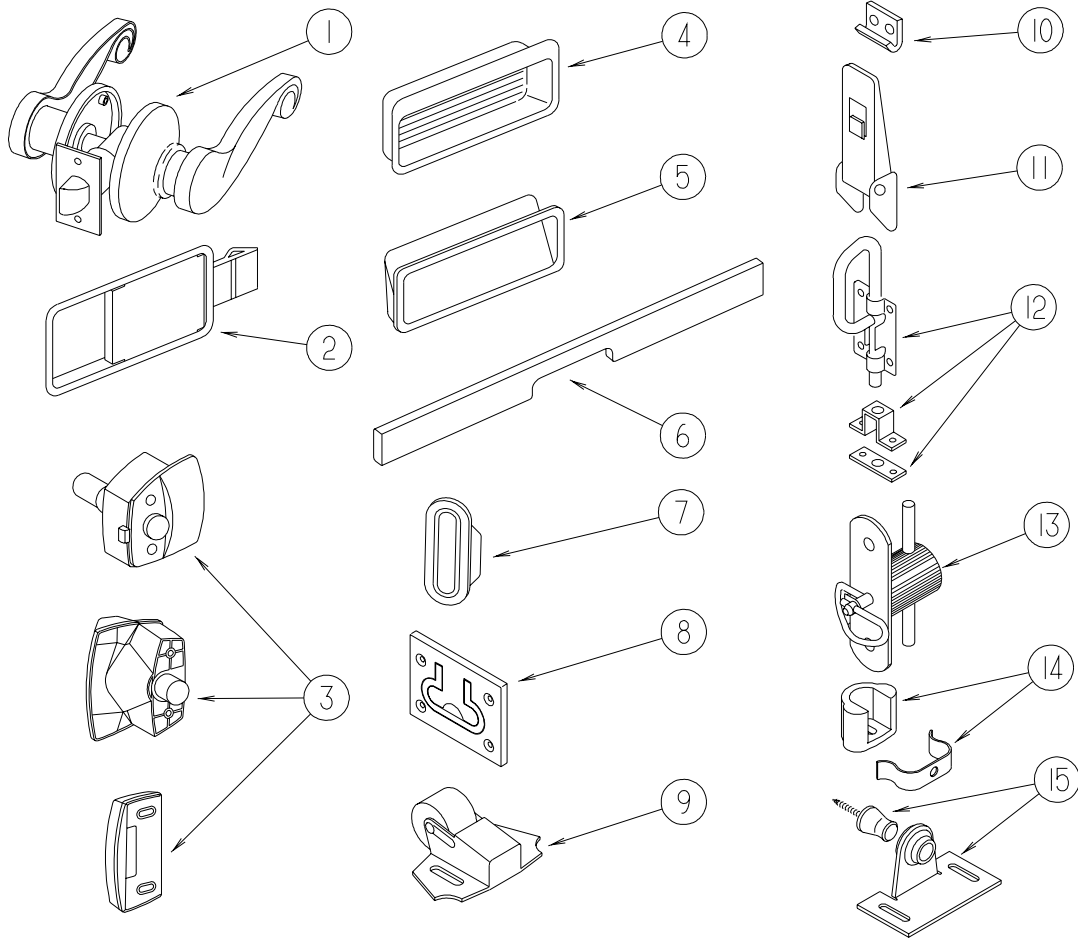
KEY	PART NUMBER	U/M	DESCRIPTION
1	131964-01-01A	EA	PULL - DOOR/DRAWER - POLISHED BRASS
2	131963-01-01A	EA	PULL - DOOR/DRAWER - POLISHED BRASS
3	131962-01-01A	EA	PULL - DOOR/DRAWER - POLISHED BRASS
4	117923-01-01A	EA	PULL - CABINET - BURNISHED BRASS - 5.5"
4	131965-01-01A	EA	PULL - CABINET - BURNISHED BRASS - 6.3"
5	080736-01-000	EA	PULL - RECESSED - 1.25" X 4" - OAK
6	125221-01-01A	EA	PULL - MIRROR - W/ROUND HANDLE
7	113800-01-000	EA	KNOB - CABINET - BRASS
8	133313-01-01A	EA	PULL - DOOR/DRAWER - BURNISHED BRASS
8	133313-01-02A	EA	PULL - DOOR/DRAWER - BRIGHT BRASS
9	117978-01-01A	EA	KNOB - DOOR - BRIGHT BRASS
10	113375-02-01A	EA	STRIKE - DOOR - CHROME
11	113375-05-01A	EA	LATCH - SLAM - BACK - .8" THICK
11	113375-06-01A	EA	LATCH - SLAM - FACE - .7" THICK
12	100710-01-01A	EA	LOCK - GLASS DOOR/TWIST TYPE - BRASS
13	009021-01-000	EA	CATCH - GRILLE - NYLON
13	009021-02-000	EA	STRIKE - SPRING STEEL
14	093586-03-000	EA	CATCH - SPRING ROLLER - .377"
14	093586-04-000	EA	STRIKE - SPRING STEEL - 1.14"
14	093586-05-000	EA	STRIKE - SPRING STEEL - .943"
14	093586-06-000	EA	CATCH - SPRING ROLLER - .236"
15	084451-01-000	EA	CATCH & LATCH - 1.7" - BRASS
16	117095-01-01A	EA	LATCH - DOOR - GRABBER W/KEEPER - PLASTIC - BLK-5 LB PULL
16	117095-02-01A	EA	LATCH - DOOR - GRABBER W/KEEPER - PLASTIC - BLK-10 LB PULL
17	133607-01-01A	EA	PULL - LATCH - BLACK PLASTIC

**INTERIOR FINISH GROUP (CONTINUED)**  
**HARDWARE (CONTINUED)**



KEY	PART NUMBER	U/M	DESCRIPTION
1	084070-03-000	EA	POST - END - 2.4" - BRASS
2	084071-05-000	EA	ROD - BRASS - 15"
2	084071-08-000	EA	ROD - BRASS - 9.3"
2	084071-19-000	EA	ROD - BRASS - 7.1"
2	084071-20-000	EA	ROD - BRASS - 9.8"
2	084071-22-000	EA	ROD - BRASS - 15.3"
2	084071-23-000	EA	ROD - BRASS - 13.1" NEW STYLE/STEEL ROD W/BRASS PLATING
2	084071-24-000	EA	ROD - BRASS - 3.8"
2	084071-27-000	EA	ROD - BRASS - 2.7"
2	084071-28-000	EA	ROD - BRASS - 6"
2	084071-30-000	EA	ROD - BRASS - 11.6"
2	084071-31-000	EA	ROD - BRASS - 14.08"
2	084071-33-000	EA	ROD - BRASS - 20.4"
3	084070-01-000	EA	POST - CENTER - 2.4" - BRASS
4	009089-01-000	EA	CLIP - MIRROR
5	039984-01-000	EA	CAP - ROUND - VINYL - .28" ID X .62" - BLACK
6	114693-01-01A	EA	SUPPORT - BLACK - RIGHT HAND
6	114693-02-01A	EA	SUPPORT - BLACK - LEFT HAND
7	104174-01-000	EA	HOOK - ROBE - DOUBLE
8	115541-01-000	EA	SPRING - DOOR - SLIDING
9	122717-01-01A	EA	PAD - NON SKID - 4" DIAMETER ROUND
9	122717-04-01A	EA	PAD - NON SKID - 3" DIAMETER ROUND
10	084412-01-000	EA	SUPPORT/HINGE KIT (LEFT & RIGHT HINGES)
11	130787-01-000	EA	TRACK - TAMBOUR DOOR/SPRING - 15.9"
11	130787-02-000	EA	TRACK - TAMBOUR DOOR/SPRING - 24"
11	130787-03-000	EA	TRACK - TAMBOUR DOOR/SPRING - 30"
12	110550-01-000	EA	CAP - TUBE .9" SQUARE
13	117046-01-000	EA	BUMPER - RUBBER/ROUND END - .9"
13	117046-02-000	EA	BUMPER - RUBBER/ROUND END - 1.5"
14	093622-01-000	EA	TRACK - DOOR - TAMBOUR - PLASTIC - 8' LENGTHS
15	093623-01-000	EA	CORNER - TRACK - TAMBOUR DOOR
16	106699-01-01A	EA	BRACKET F/TV INSTALLATION - OVERHEAD CABINET
16	106699-03-02B	EA	BRACKET F/TV INSTALLATION - OVERHEAD CABINET - E-COATED
16	106699-04-02B	EA	BRACKET F/TV INSTALLATION - OVERHEAD CABINET - E-COATED

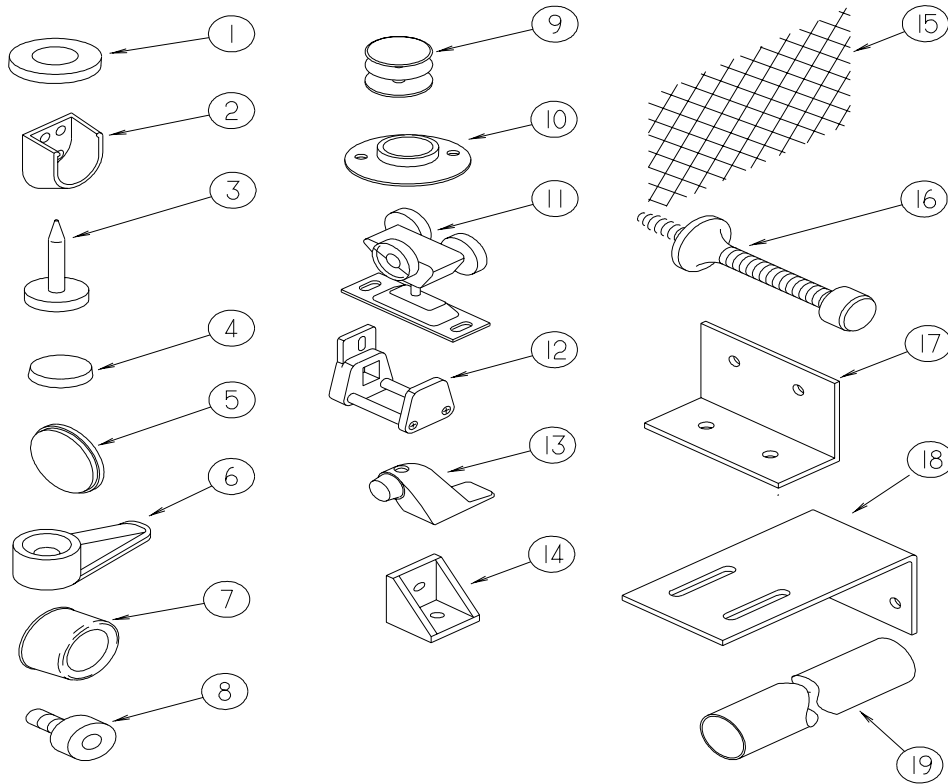
**INTERIOR FINISH GROUP (CONTINUED)**  
**HARDWARE (CONTINUED)**



KEY	PART NUMBER	U/M DESCRIPTION
1	111155-05-01A	EA LOCK - PRIVACY/LOCKING - S SHAPED - POLISHED BRASS
1	111155-06-01A	EA LOCK - PASSAGE/NON-LOCKING - S SHAPED - POLISHED BRASS
2	127349-01-01A	EA LATCH - PADDLE
3	058335-03-000	EA LATCH W/O LOCK - BATHROOM DOOR BLACK
4	124311-01-01A	EA HANDLE - RECESSED - BRASS
5	115994-01-01A	EA HANDLE - POCKET
5	139136-01-01A	EA HANDLE - RECESSED - BRASS
6	P26866-06-L81	EA HANDLE - DOOR/TAMBOUR - 18.6" - ASH/PORTSMOUTH II - PORTSMOUTH OAK
6	P26866-06-J30	EA HANDLE - DOOR/TAMBOUR - 18.6" - CHERRY/CHERRY III - SALEM CHERRY
6	P26866-09-M95	EA HANDLE - DOOR/TAMBOUR - 14.7" - ASH/PORTSMOUTH II - PORTSMOUTH OAK
6	P26866-09-KQ1	EA HANDLE - DOOR/TAMBOUR - 14.7" - CHERRY/CHERRY III - SALEM CHERRY
6	P26866-10-K13	EA HANDLE - DOOR/TAMBOUR - 11.6" - CHERRY/CHERRY III - SALEM CHERRY
6	P26866-10-K09	EA HANDLE - DOOR/TAMBOUR - 11.6" - MAPLE/WASHED MAPLE - WASHED MAPLE
6	P26866-10-M07	EA HANDLE - DOOR/TAMBOUR - 11.6" - ASH/PORTSMOUTH OAK - PORTSMOUTH OAK
6	P26866-10-K07	EA HANDLE - DOOR/TAMBOUR - 11.6" - ASH/WATERFORD OAK - PORTSMOUTH OAK
7	098410-01-01A	EA PULL - FINGER - OVAL - BRASS
8	072871-01-000	EA PULL - FLUSH - CHROME
9	109403-01-000	EA CATCH - SINGLE ROLLER - SCREEN DOOR
10	116975-02-01A	EA KEEPER/STRIKE - BLACK - NEW STYLE
11	116975-01-01A	EA LATCH - W/O STRIKE - BLACK - NEW STYLE
12	103256-01-000	EA LATCH COMPLETE (SLIDE)
13	098196-01-000	EA LATCH - 1/4 TURN - T-BAR
14	129703-01-01A	EA CATCH ASSEMBLY (SPRING)
15	009013-01-000	EA CATCH - BULLDOG - MALE/FEMALE

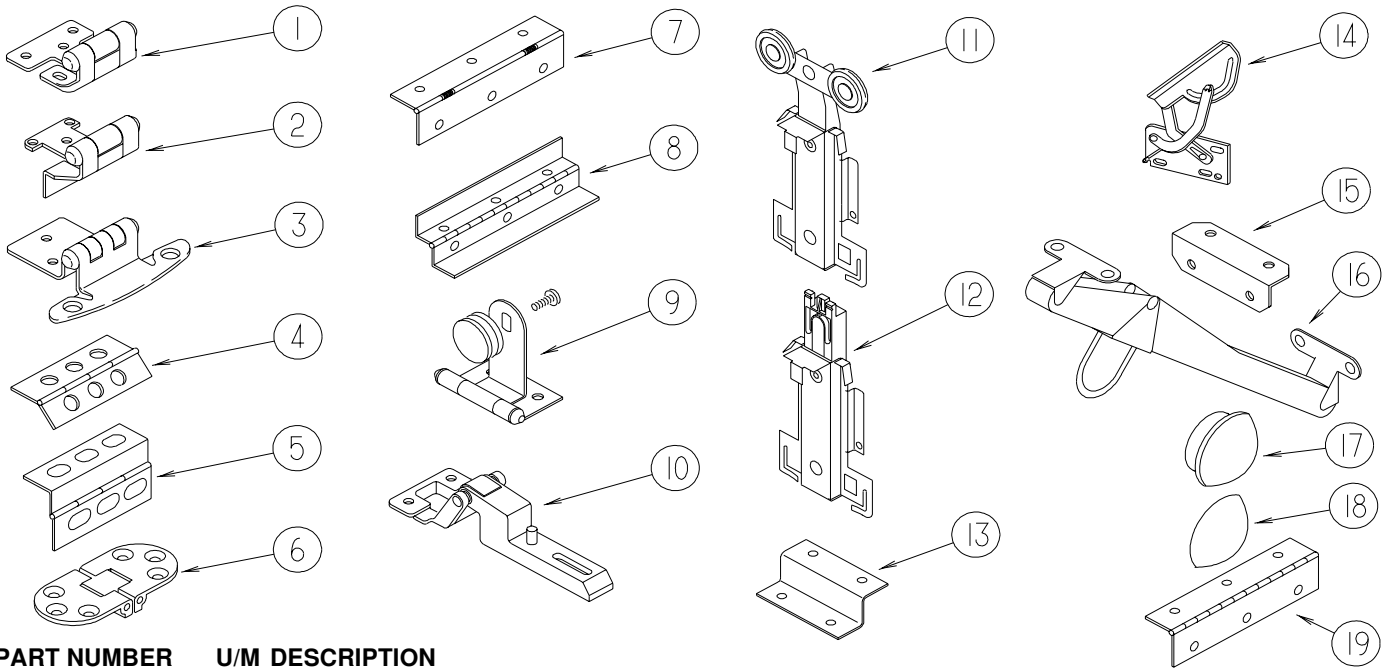


**INTERIOR FINISH GROUP (CONTINUED)**  
**HARDWARE (CONTINUED)**



KEY	PART NUMBER	U/M	DESCRIPTION
1	100707-01-000	EA	SPACER - GLASS DOOR - .8" DIA - .3" HOLE - PLASTIC
2	113236-01-01A	EA	BRACKET - CLOTHES - ROD
3	102194-01-000	EA	GUIDE - PLASTIC - 1" (HEAD/PIN)
4	023320-01-000	EA	PAD - FELT 3/8" DIAMETER
4	004354-01-000	EA	BUMPER - RUBBER - .5" DIA - BROWN
5	120760-01-000	EA	RUBBER BUMPER - CLEAR - .1" THICK X .8" DIAMETER
5	081914-01-000	EA	BUMPER - RUBBER - ROUND - 1/2" DIA. X 1/8" THICK
6	083204-03-000	EA	BUTTON - RETAINING MIRROR 5/16" TIP
7	069726-02-000	EA	BUMPER - .88" OD X .40" THICK - BLACK
8	079921-01-000	EA	ROLLER - NYLON - W/STEEL SHAFT - BARBED
9	081114-02-000	EA	CAP - INSERT - ROUND 1" DIAMETER - WHITE
10	009112-01-000	EA	FLANGE - PLASTIC - 1" CLOTHES ROD - OFF WHITE
11	103874-01-000	EA	HANGER - SLIDING DOOR
12	064467-01-000	EA	GUIDE - POCKET - SLIDING DOOR - WALL MOUNTED
13	103257-01-000	EA	STOP - DOOR
14	065740-01-000	EA	BRACE - CABINET/CORNER - PLASTIC
15	118200-01-01A	SF	MESH - PLASTIC 1/2" - 48" X LENGTH = SF - BLACK
15	118200-07-01A	SF	MESH - PLASTIC 1/2" - 10.5" X 24.7" - BLACK
15	118200-10-01A	SF	MESH - PLASTIC 1/2" - 11.4" X 13" - BLACK
16	103194-01-000	EA	STOP - BATH DOOR
17	132871-02-02B	EA	BRACKET/L-ANGLE W/HOLES - 1.9" X 2.8" - E-COATED
17	080668-07-000	EA	ANGLE-JOINT,135 DEGREES
18	083125-07-000	EA	BRACE - ANGLE/COUCH - 2.5" - OFF WHITE
19	102075-01-02A	EA	ROD - SHOWER CURTAIN - 1" OD X 33.5" - SOFT WHITE
19	102075-06-02A	EA	ROD - SHOWER CURTAIN - 1" OD X 33.5" - SOFT WHITE
19	102075-09-02A	EA	ROD - SHOWER CURTAIN - 3/4"OD X 29.5" - SOFT WHITE
19	102075-10-02A	EA	ROD - SHOWER CURTAIN - 1" OD X 46.3" - SOFT WHITE
19	102075-16-02A	EA	ROD - SHOWER CURTAIN - 3/4"OD X 34.2" - SOFT WHITE
19	102075-17-02A	EA	ROD - SHOWER CURTAIN - 1" OD X 39.3" - SOFT WHITE
19	102075-18-02A	EA	ROD - SHOWER CURTAIN - 1" OD X 38.9" - SOFT WHITE

**INTERIOR FINISH GROUP (CONTINUED)**  
**HARDWARE (CONTINUED)**



KEY	PART NUMBER	U/M	DESCRIPTION
1	113676-01-01A	EA	HINGE - OVERLAY - VARIABLE
2	113677-01-01A	EA	HINGE - SELF CLOSING
3	108138-01-000	EA	HINGE - BURNISHED BRASS
3	108138-03-000	EA	HINGE - BRIGHT BRASS
	000G13-06-08G	EA	SCREW - 6-20 X .50 PFH - ANTIQUE BRASS
4	009059-01-000	EA	HINGE - DOOR - 2" X 1.4" - BRASS
4	009059-02-000	EA	HINGE - DOOR - 2" X 2.7" - BRASS
5	134099-02-01A	EA	HINGE - PIANO - WRAP AROUND - 29.5" - BRASS PLATED
5	136652-01-01A	EA	HINGE - PIANO - BLACK
5	136652-02-01A	EA	HINGE - PIANO
6	111535-01-000	EA	HINGE - TABLE/FOLDING
7	102920-01-01A	EA	HINGE - SPRING LOADED - BRASS
8	135538-01-01A	EA	HINGE - PIANO - FULL WRAP - BRASS PLATED
8	135538-02-01A	EA	HINGE - PIANO - FULL WRAP - STOCKER BRASS
8	135538-03-01A	EA	HINGE - PIANO - FULL WRAP - STOCKER BRASS
9	100711-01-01A	EA	HINGE - GLASS DOOR
10	114443-01-01A	EA	HINGE - CABINET DOOR
11	107390-02-000	EA	CORNER HANGER (DOUBLE ROLLER W/BACKET) (SOLD AS 1 EACH)
12	107391-01-000	EA	GUIDE - BOTTOM - BY-PASS (4 USED PER DOOR)
13	101926-01-02A	EA	BRACKET - ZEE - 2" - BLACK
14	108126-01-000	EA	TRAY HINGE SET (QTY. 2 PER SET)
15	016604-01-000	EA	BRACE - ANGLE - 2 1/2" - UNPAINTED METAL
15	016604-05-000	EA	BRACE - ANGLE - 2 1/2" - OFF WHITE METAL
15	016604-07-000	EA	BRACE - ANGLE - 2 1/2" - VW GRAY
16	104181-01-01A	EA	SUPPORT - LEAF 5.3" EXTENDS TO 7.5" - SAFETY RING - METAL
17	074045-07-000	EA	PLUG - NATURAL - 3/8" DOWEL-1/2" HEAD - COLONIAL WOOD
17	074045-08-000	EA	PLUG - OAK - 3/8" DOWEL-1/2" HEAD - SALEM CHERRY
17	074045-12-000	EA	PLUG - OAK - 3/8" DOWEL-1/2" HEAD - WASHED MAPLE
17	074045-13-000	EA	PLUG - OAK - 3/8" DOWEL-1/2" HEAD - PORTSMOUTH OAK
17	042356-01-000	EA	PLUG - MAHOGANY - 3/8" DOWEL X 1/2" HEAD
18	057671-01-000	EA	COVER - SCREW - OFF WHITE - #8
18	057671-13-000	EA	COVER - SCREW - DARK GRAY - #8
18	057671-15-000	EA	COVER - SCREW - #8 - BRIGHT WHITE
18	057671-16-000	EA	COVER - SCREW - #8 - SOFT WHITE
19	041389-18-000	EA	HINGE - PIANO - 1 1/2" X 19" - OFF WHITE
19	041389-25-000	EA	HINGE - PIANO - 1 1/2" X 55" - UNPAINTED
19	041389-35-000	EA	HINGE - PIANO - 31" - OFF WHITE
19	084413-01-000	EA	HINGE - 1" X 72" - ALUMINUM - W/HOLES
19	084625-06-000	EA	HINGE - ALUMINUM - W/HOLES - 17.2" - OFF/WHITE
19	110496-01-01A	EA	HINGE - BRASS
19	114278-02-000	EA	HINGE - CONTINUOUS - 3" WIDE

## LABELS GROUP

SEWAGE

**KEY PART NUMBER U/M DESCRIPTION**  
006187-01-000 EA LABEL - SEWAGE

WASTE WATER

**KEY PART NUMBER U/M DESCRIPTION**  
006188-01-000 EA LABEL - WASTE WATER

### WARNING

THIS SYSTEM IS DESIGNED FOR USE WITH PROPANE ONLY  
DO NOT CONNECT NATURAL GAS TO THIS SYSTEM

**BEFORE TURNING ON PROPANE:**

- (A) BE CERTAIN APPLIANCES ARE CERTIFIED FOR PROPANE AND ARE EQUIPPED WITH CORRECT BURNING ORIFICES.
- (B) MAKE CERTAIN ALL PROPANE CONNECTIONS ARE TIGHT BY TESTING WITH SOAPY WATER. ALL APPLIANCE VALVES ARE TURNED OFF, AND ANY UNCONNECTED OUTLETS ARE CAPPED.

**AFTER TURNING ON PROPANE:**

- (A) LIGHT ALL PILOT LIGHTS
- (B) ALL CONNECTIONS, INCLUDING THOSE AT THE APPLIANCES, REGULATORS AND CYLINDERS SHOULD BE LEAK-TESTED PERIODICALLY WITH SOAPY WATER BY THE OCCUPANT. NEVER USE A LIGHTED MATCH OR OTHER FLAME WHEN CHECKING FOR LEAKS.
- (C) DO NOT LEAVE SYSTEM TURNED ON OF CONTAINERS CONNECTED UNTIL THE SYSTEM HAS BEEN PROVEN TO BE FREE OF LEAKS.
- (D) COOKING APPLIANCES SHOULD NOT BE USED FOR SPACE HEATING.
- (E) WHEN THE CONTAINERS ARE DISCONNECTED THE PROPANE SUPPLY LINE SHOULD BE CAPPED OR PLUGGED.

### AVERTISSEMENT

CETTE INSTALLATION EST CONÇUE POUR LE PROPANE SEULEMENT  
NE PAS L'ALIMENTER EN GAZ NATUREL

**AVANT LA MISE EN SERVICE:**

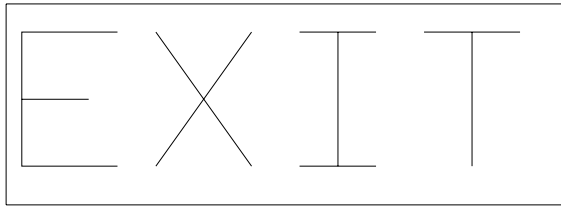
- (A) S'ASSURER QUE LES APPAREILS SONT CERTIFIÉS POUR LE PROPANE ET MUNIS D'ORIFICES DE BRULEUR APPROPRIÉS.
- (B) VÉRIFIER L'ÉTANCHEITÉ DE TOUS LES RACCORDEMENTS AU PROPANE. LA PERMÉTURE DE TOUS LES ROBINETS D'APPAREILS ET L'OBTURATION DE TOUTES LES SORTIES NON RACCORDEES.

**APRES LA MISE EN SERVICE:**

- (A) ALLUMER TOUTES LES VEILLEUSES.
- (B) L'OCCUPANT DOIT ÉPROUVER PÉRIODIQUEMENT L'ÉTANCHEITÉ DE TOUS LES RACCORDEMENTS Y COMPRIS CEUX AUX APPAREILS, AUX DÉTENDEURS ET AUX BOUTEILLES, EN Y APPLIQUANT DE L'EAU SAVONNEUSE NE JAMAIS SE SERVIR D'UNE ALLUMETTE OU AUTRE POUR LA DÉTECTION DES FUITES.
- (C) NE PAS LAISSER L'ALIMENTATION OUVERTE NI LES RÉCIPIENTS RACCORDES AVANT D'AVOIR COMPLÉTÉ L'ÉPREUVE D'ÉTANCHEITÉ AU PROPANE DE L'INSTALLATION.
- (D) LES APPAREILS DE CUISSON NE DOIVENT PAS ÊTRE UTILISÉS POUR LE CHAUFFAGE DES LOCAUX.
- (E) LORSQUE LES RÉCIPIENTS SONT DÉCONNECTÉS, L'ALIMENTATION DE PROPANE DOIT ÊTRE OBTURÉE OU SCELLÉE.

**KEY PART NUMBER U/M DESCRIPTION**  
023769-01-000 EA LABEL - WARNING - LPG - CANADIAN

## LABELS GROUP (CONTINUED)



KEY	PART NUMBER	U/M DESCRIPTION
	039290-01-000	EA LABEL - WARNING - EXIT



KEY	PART NUMBER	U/M DESCRIPTION
	040944-01-000	EA LABEL - ENTRANCE DOOR - "OPEN"

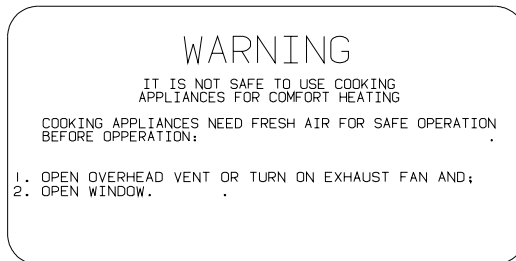
"TO ENSURE A SUPPLY OF FRESH AIR TO OCCUPANTS, OPEN VENTILATORS WHEN FUEL BURNING RANGE, FUEL BURNING CARRY-ON APPLIANCES AND/OR FUEL-BURNING LIGHTS ARE IN OPERATION."

"COOKING APPLIANCES SHOULD NOT BE USED FOR SPACE HEATING PURPOSES"

DE MANIERE A ASSURE UNE ALIMENTATION EN AIR FRAIS AUX OCCUPANTS, OUVRIR LES VENTILATEURS LORSQUE LA CUISINIÈRE, LES APPAREILS DE CHAUFFAGE PORTABLES ET/OU LES LAMPES DE COMBUSTION D'HUILE SONT EN FONCTIONNEMENT.

LES APPAREILS DE CUSSON NE DOIVENT PAS SERVIR AU CHAUFFAGES DES LOCAUX.

KEY	PART NUMBER	U/M DESCRIPTION
	050222-01-000	EA LABEL - STOVE VENT - CANADIAN
	134540-01-01A	EA LABEL - WARNING - STOVE/HEATING - CSA - BLACK ON CLEAR



KEY	PART NUMBER	U/M DESCRIPTION
	050225-01-000	EA LABEL - WARNING - STOVE VENT - US
	134539-01-01A	EA LABEL - WARNING - STOVE/HEATING - US - BLACK ON CLEAR

## LABELS GROUP (CONTINUED)

### CAUTION

THIS MOTOR HOME HAS BEEN DESIGNED, MANUFACTURED AND TESTED WITH CONCERN FOR THE PROTECTION OF IT'S OCCUPANTS. WE RECOMMEND YOU PERFORM THE FOLLOWING INSPECTIONS FOR YOUR SAFETY AND THE SAFETY OF YOUR PASSENGERS BEFORE STARTING YOUR VEHICLE.

1. LP GAS SYSTEM- TURN OFF AT TANK FOR TRAVELING. TEST FOR LEAKS UPON ARRIVAL AT DESTINATION. BEFORE LIGHTING PILOTS.
2. WHEELS- INSPECT FOR DAMAGE AND CHECK LUG NUTS FOR TIGHTNESS.
3. TIRES- INSPECT FOR WEAR AND DAMAGE AND CHECK FOR RECOMMENDED AIR PRESSURE.
4. LIGHTING- TEST FOR PROPER OPERATION OF ALL INTERIOR AND EXTERIOR LIGHTS INCLUDING DASH LIGHTS, HEADLIGHTS, TAIL LIGHTS, BRAKE LIGHTS, CLEARANCE LIGHTS AND TURN SIGNALS.
5. EXITS- INSPECT RELEASE MECHANISM ON EMERGENCY EXIT WINDOW. TEST BOTH LOCKS ON MAIN ENTRANCE DOOR FOR EASE OF OPERATION AND INSTRUCT PASSENGERS HOW TO USE BOTH MEANS OF EXIT.
6. SEAT BELTS- DIRECT PASSENGERS TO DESIGNATED SEATS AND REQUIRE USE OF SEAT BELTS.
7. APPLIANCES- TURN OFF AND LATCH OR LOCK DOORS WHERE PROVIDED.
8. LOOSE PARCELS- STORE SECURELY.
9. UTILITY SUPPLY LINES- DISCONNECT ALL ELECTRIC, SEWER AND WATER LINES AND SECURE PROPERLY.
10. ENTRANCE DOOR STEP- PLACE IN RETRACTED POSITION FOR TRAVELING.

READ YOUR MOTOR HOME AND CHASSIS OWNER'S  
MANUAL FOR FURTHER PRECAUTIONS

**KEY PART NUMBER U/M DESCRIPTION**  
056259-01-000 EA LABEL - SAFETY CHECK LIST

UNLEADED FUEL ONLY

**KEY PART NUMBER U/M DESCRIPTION**  
062043-01-000 EA LABEL - FUEL - UNLEADED

**WARNING** DISCONNECT BATTERIES BEFORE  
CONNECTING EXTERNAL CHARGING EQUIPMENT.

**KEY PART NUMBER U/M DESCRIPTION**  
065748-01-000 EA LABEL - CAUTION - BATTERY CHARGING

AVERTISSEMENT : DEBRANCHER LES BATTERIES AVANT  
DE BRANCHER TOUT EQUIPEMENT DE CHARGE EXTERIEUR.

**KEY PART NUMBER U/M DESCRIPTION**  
065748-02-000 EA LABEL - WARNING - BATTERY/FRENCH - CANADIAN

## LABELS GROUP (CONTINUED)

DIESEL FUEL ONLY

**KEY PART NUMBER U/M DESCRIPTION**  
068383-01-000 EA LABEL - DIESEL FUEL

VEHICLE EMISSION CONTROL INFORMATION

THIS VEHICLE CONFORMS TO U.S. EPA REGULATIONS APPLICABLE TO XXXX MODEL YEAR NEW VEHICLES.

072887-01-000-2 CATALYST

**KEY PART NUMBER U/M DESCRIPTION**  
072887-11-000 EA LABEL - EPA - 2000 MODEL YEAR

### IF YOU SMELL GAS

1. EXTINGUISH ANY OPEN FLAME, PILOT LIGHTS AND ALL SMOKING MATERIALS.
2. DO NOT TOUCH ELECTRICAL SWITCHES.
3. SHUT OFF THE GAS SUPPLY AT THE TANK VALVE(S) OR GAS SUPPLY CONNECTION.
4. OPEN DOORS AND OTHER VENTILATING OPENINGS.
5. LEAVE THE AREA UNTIL ODOR CLEARS.
6. HAVE THE GAS SYSTEM CHECKED AND LEAKAGE SOURCE CORRECTED BEFORE USING AGAIN.

**KEY PART NUMBER U/M DESCRIPTION**  
073998-01-000 EA LABEL - LPG ODOR WARNING

WARNING: TEST SMOKE DETECTOR OPERATION AFTER VEHICLE HAS BEEN IN STORAGE, BEFORE EACH TRIP AND AT LEAST ONCE PER WEEK DURING USE.

**KEY PART NUMBER U/M DESCRIPTION**  
077956-01-000 EA LABEL - WARNING - SMOKE DETECTOR

DO NOT FILL  
LP-GAS CONTAINER(S)  
TO MORE THAN 80%  
OF CAPACITY.

**KEY PART NUMBER U/M DESCRIPTION**  
079965-01-000 EA LABEL - LPG - 80% CAPACITY

### WARNING

MUST BE STOWED  
IN LATCHED POSITION  
WHILE VEHICLE IS IN MOTION

**KEY PART NUMBER U/M DESCRIPTION**  
079966-01-000 EA LABEL - WARNING - STOWED - MOTION

## LABELS GROUP (CONTINUED)



**KEY PART NUMBER U/M DESCRIPTION**  
 083588-01-000 EA LABEL - ON/OFF - WATER HEATER



**KEY PART NUMBER U/M DESCRIPTION**  
 083588-02-000 EA LABEL - ON/OFF - ENGINE HEATER

<b>CAUTION</b>	TO HELP AVOID PERSONAL INJURY DURING REMOVAL OF FUEL FILLER CAP, SLOWLY LOOSEN CAP 1/2 TURN TO ALLOW ANY FUEL PRESSURE TO BE RELIEVED BEFORE TURNING CAP FURTHER.
FUEL SPRAY MAY CAUSE PERSONAL INJURY	STOP ADDING FUEL AFTER FIRST SHUTOFF BY AUTOMATIC NOZZLE WHEN TANK IS NEARLY FULL. DO NOT OVERFILL FUEL TANK. SEE OWNERS MANUAL FOR ADDITIONAL INFORMATION. PRINTED IN U.S.A. <span style="float: right;">WLC PT NO 15611763</span>

**KEY PART NUMBER U/M DESCRIPTION**  
 087207-05-000 EA LABEL - FUEL CAP REMOVAL



**KEY PART NUMBER U/M DESCRIPTION**  
 087236-01-000 EA LABEL - CABLE - INPUT

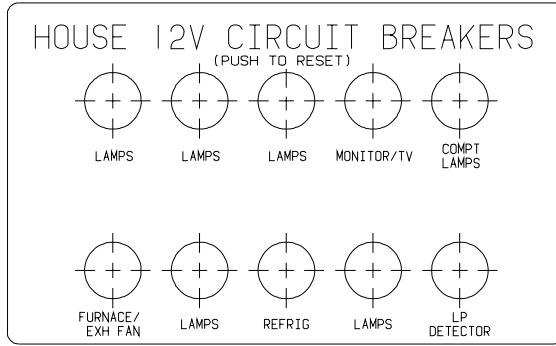


**KEY PART NUMBER U/M DESCRIPTION**  
 087236-02-000 EA LABEL - TV OUTLET

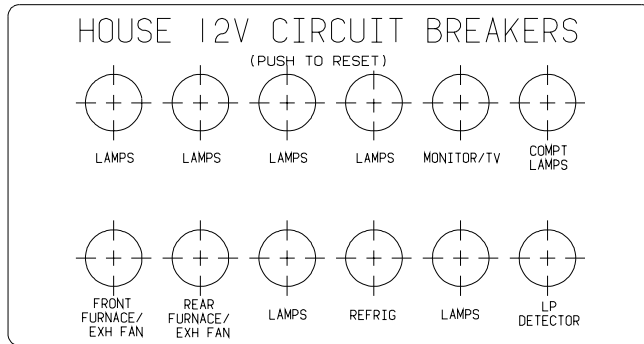
AIR CONDITIONING CIRCUIT.  
 THIS CONNECTION IS FOR  
 AIR CONDITIONERS RATED 110-  
 125 VOLT AC, 60 HZ, 16  
 AMPERES MAXIMUM. DO NOT  
 EXCEED CIRCUIT RATING.

**KEY PART NUMBER U/M DESCRIPTION**  
 091243-01-000 EA LABEL - A/C COVER (AIR CONDITIONING CIRCUIT ETC.)

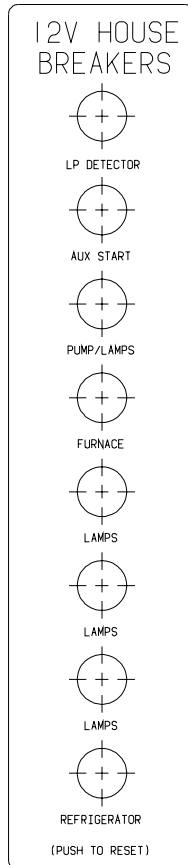
## LABELS GROUP (CONTINUED)



KEY	PART NUMBER	U/M DESCRIPTION
	092547-06-000	EA LABEL - CIRCUIT BREAKER



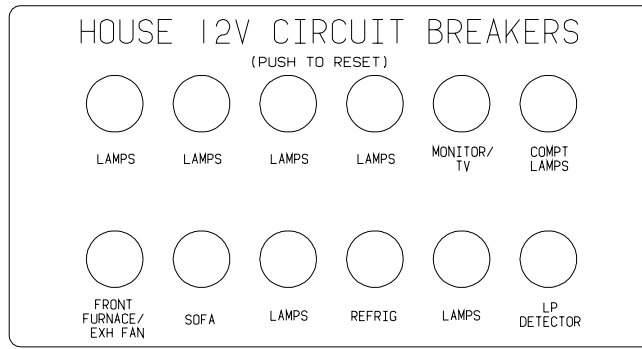
KEY	PART NUMBER	U/M DESCRIPTION
	092547-07-000	EA LABEL - CIRCUIT BREAKER



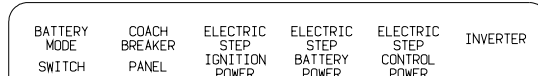
KEY	PART NUMBER	U/M DESCRIPTION
	092547-08-000	EA LABEL - CIRCUIT BREAKER



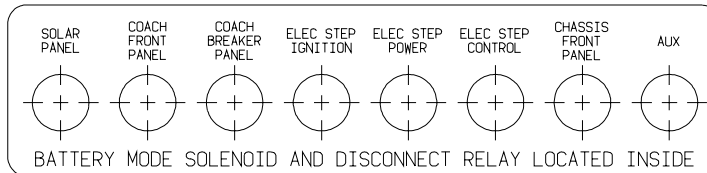
## LABELS GROUP (CONTINUED)



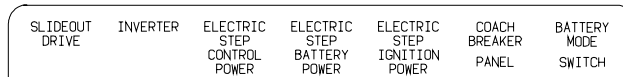
**KEY PART NUMBER U/M DESCRIPTION**  
 092547-10-000 EA LABEL - CIRCUIT BREAKER



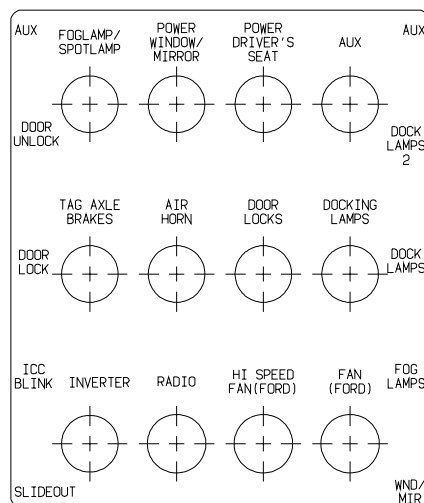
**KEY PART NUMBER U/M DESCRIPTION**  
 093236-08-000 EA LABEL - CIRCUIT BREAKER



**KEY PART NUMBER U/M DESCRIPTION**  
 093236-13-000 EA LABEL - CIRCUIT BREAKER



**KEY PART NUMBER U/M DESCRIPTION**  
 093236-15-000 EA LABEL - CIRCUIT BREAKER

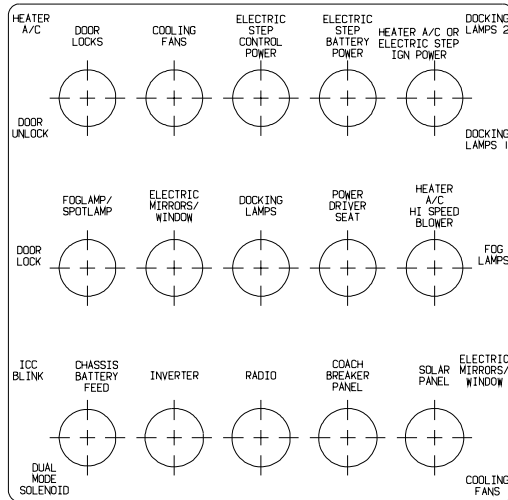


**KEY PART NUMBER U/M DESCRIPTION**  
 093236-16-000 EA LABEL - CIRCUIT BREAKER

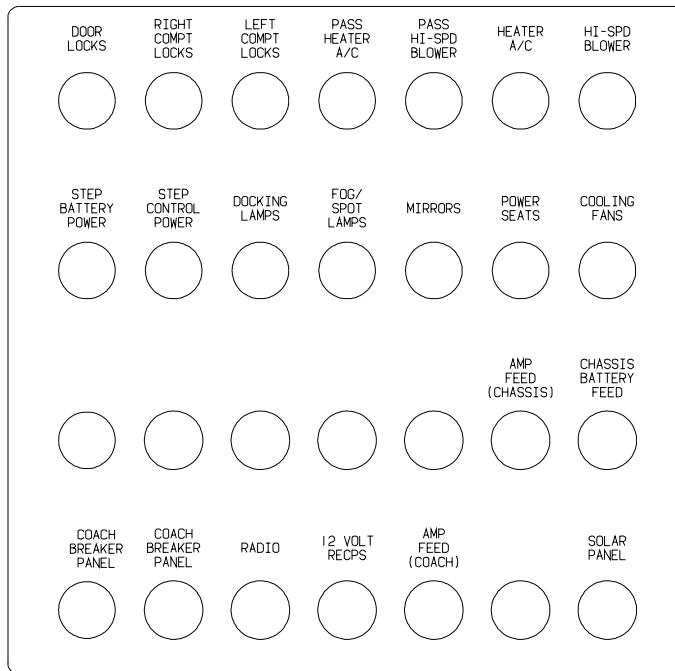
## LABELS GROUP (CONTINUED)

BATTERY MODE SWITCH	COACH BREAKER PANEL	ELECTRIC STEP IGNITION POWER	ELECTRIC STEP BATTERY POWER	ELECTRIC STEP CONTROL POWER	INVERTER	SLIDEOUT POWER
---------------------------	---------------------------	---------------------------------------	--------------------------------------	--------------------------------------	----------	-------------------

**KEY PART NUMBER U/M DESCRIPTION**  
 093236-18-000 EA LABEL - CIRCUIT BREAKER



**KEY PART NUMBER U/M DESCRIPTION**  
 093236-19-000 EA LABEL - CIRCUIT BREAKER

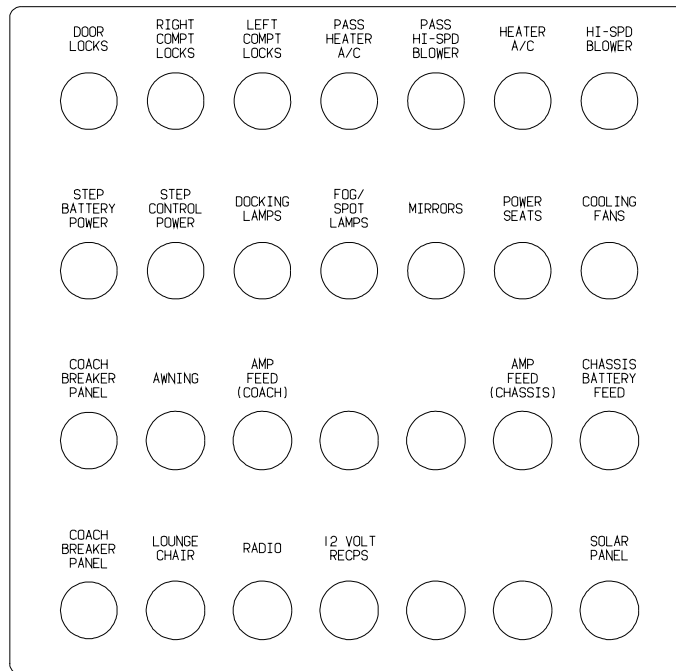


**KEY PART NUMBER U/M DESCRIPTION**  
 093236-20-000 EA LABEL - CIRCUIT BREAKER

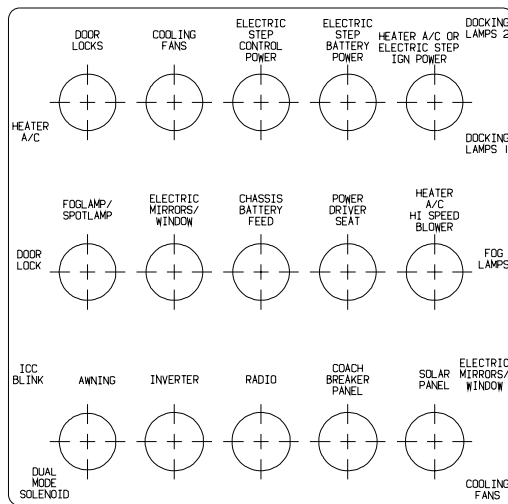
SLIDEOUT CONTROL	BATTERY MODE SWITCH	COACH BREAKER PANEL	ELECTRIC STEP IGNITION POWER	ELECTRIC STEP BATTERY POWER	ELECTRIC STEP CONTROL POWER	INVERTER
---------------------	---------------------------	---------------------------	---------------------------------------	--------------------------------------	--------------------------------------	----------

**KEY PART NUMBER U/M DESCRIPTION**  
 093236-21-000 EA LABEL - CIRCUIT BREAKER

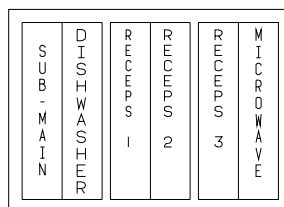
## LABELS GROUP (CONTINUED)



**KEY PART NUMBER**    **U/M DESCRIPTION**  
 093236-22-000    EA LABEL - CIRCUIT BREAKER



**KEY PART NUMBER**    **U/M DESCRIPTION**  
 093236-23-000    EA LABEL - CIRCUIT BREAKER - MAIN



**KEY PART NUMBER**    **U/M DESCRIPTION**  
 095721-20-000    EA LABEL - CONTROL CENTER W/INVERTER

## LABELS GROUP (CONTINUED)

A / C  C I R C U I T  1	M A I N	M A I N	A / C  C I R C U I T  2	I N V E R T E R /  C H A R G E R	R E F R I G / V A C C U U M	W A S H E R / D R Y E R	W A T E R  H E A T E R	
---	------------------	------------------	---	--	--	--	---	--

**KEY PART NUMBER U/M DESCRIPTION**  
 095721-22-000 EA LABEL - CONTROL CENTER - 50AMP

A / C  C I R C U I T  1	M A I N		R E F R I G / C O N V	M I C R O W A V E		R E C P S  1	R E C P S  2	
---	------------------	--	---	---	--	--------------------------------	--------------------------------	--

**KEY PART NUMBER U/M DESCRIPTION**  
 095721-25-000 EA LABEL - CONTROL CENTER - 30 AMP

A / C  C I R C U I T  1	M A I N	M A I N	A / C  C I R C U I T  2	R E F R I G / C O N V	M I C R O W A V E	R E C P S  1	R E C P S  2	R E C P S  3	W A S H E R / D R Y E R	
---	------------------	------------------	---	---	---	--------------------------------	--------------------------------	--------------------------------	--	--

**KEY PART NUMBER U/M DESCRIPTION**  
 095721-26-000 EA LABEL - CONTROL CENTER - 30 AMP - CANADIAN

A / C  C I R C U I T  1	M A I N	A / C  C I R C U I T  2	R E F R I G / C O N V	M I C R O W A V E	R E C P S  1	R E C P S  2	R E C P S  3		
---	------------------	---	---	---	--------------------------------	--------------------------------	--------------------------------	--	--

**KEY PART NUMBER U/M DESCRIPTION**  
 095721-27-000 EA LABEL - CONTROL CENTER - 30 AM

## LABELS GROUP (CONTINUED)

A / C C I R C U I T 1	M A I N	A / C C I R C U I T 2	R E F R I G / C O N V	M I C R O W A V E	R E C P S 1	R E C P S 2	R E C P S 3	W A S H E R / D R Y E R	W A T E R H E A T E R	
-----------------------------	---------	-----------------------------	-----------------------	-------------------	----------------	----------------	----------------	-------------------------	--------------------------	--

**KEY PART NUMBER U/M DESCRIPTION**  
 095721-31-000 EA LABEL - CONTROL CENTER - 30 AMP - US

A / C C I R C U I T 1	M A I N	A / C C I R C U I T 2	I N V E R T E R / C H A R G E E R	R E F R I G E R A T O R	W A S H E R / D R Y E R	W A T E R H E A T E R	
-----------------------------	---------	-----------------------------	--------------------------------------	-------------------------	-------------------------	--------------------------	--

**KEY PART NUMBER U/M DESCRIPTION**  
 095721-32-000 EA LABEL - CONTROL CENTER - 30 AMP W/INVERTER

A / C C I R C U I T 1	M A I N	M A I N	A / C C I R C U I T 2	R E F R I G / C O N V	M I C R O W A V E	R E C P S 1	R E C P S 2	R E C P S 3	W A S H E R / D R Y E R	W A T E R H E A T E R
-----------------------------	---------	---------	-----------------------------	-----------------------	-------------------	----------------	----------------	----------------	-------------------------	--------------------------

**KEY PART NUMBER U/M DESCRIPTION**  
 095721-33-000 EA LABEL - CONTROL CENTER - 50 AMP - US

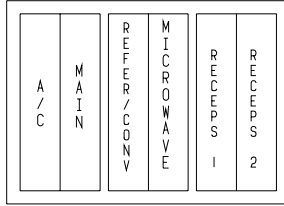
A / C C I R C U I T 1	M A I N	M A I N	A / C C I R C U I T 2	I N V E R T E R /	C H A R G E E R	R E F R I G E R A T O R	W A S H E R / D R Y E R	W A T E R H E A T E R	
-----------------------------	---------	---------	-----------------------------	-------------------	-----------------	-------------------------	-------------------------	--------------------------	--

**KEY PART NUMBER U/M DESCRIPTION**  
 095721-34-000 EA LABEL - CONTROL CENTER - 50 AMP

M A I N	M I C R O W A V E	G F I / R E C E P S	R E F E R / C O N V	W A T E R H T R	A / C
---------	-------------------	---------------------	---------------------	--------------------	-------

**KEY PART NUMBER U/M DESCRIPTION**  
 095721-38-000 EA LABEL - CONTROL CENTER - 30 AMP - US

## LABELS GROUP (CONTINUED)



**KEY PART NUMBER U/M DESCRIPTION**  
 095721-40-000 EA LABEL - CONTROL CENTER

AUTOMOTIVE AND COACH  
CIRCUIT BREAKERS

**KEY PART NUMBER U/M DESCRIPTION**  
 098379-01-000 EA LABEL - CIRCUIT BREAKER - FRONT BOX

CIRCUIT BREAKERS  
AND AUTOMOTIVE  
FUSE PANEL

**KEY PART NUMBER U/M DESCRIPTION**  
 098379-03-000 EA LABEL - ELECTRICAL BOX - FRONT

BATTERY MODE  
SOLENOID AND  
RELAYS

**KEY PART NUMBER U/M DESCRIPTION**  
 098379-04-000 EA LABEL - ELECTRICAL BOX - SIDE

UNLEADED  
FUEL ONLY

**KEY PART NUMBER U/M DESCRIPTION**  
 098641-01-000 EA LABEL - FUEL - UNLEADED - DASH

FOR AWNING INSTALLATION  
CONTACT YOUR MOTORHOME  
DEALERSHIP

**KEY PART NUMBER U/M DESCRIPTION**  
 099509-01-000 EA LABEL - AWNING INSTALLATION

WARNING  
 THIS VEHICLE, LIKE OTHER  
VEHICLES, MAY CONTAIN SMALL  
AMOUNTS OF ONE OR MORE  
SUBSTANCES WHICH ARE LISTED  
BY THE STATE OF CALIFORNIA  
FOR CAUSING CANCER OR  
REPRODUCTIVE TOXICITY.

**KEY PART NUMBER U/M DESCRIPTION**  
 099689-01-000 EA LABEL - WARNING - CANCER/TOXICITY

## LABELS GROUP (CONTINUED)

THIS CHAIR IS NOT INTENDED  
FOR OCCUPANCY WHEN VEHICLE  
IS IN MOTION AND MUST BE  
RETURNED TO STOWED POSITION

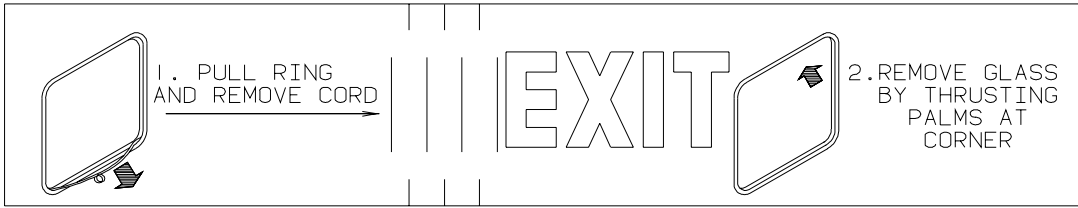
**KEY PART NUMBER U/M DESCRIPTION**  
102267-01-000 EA LABEL - NO OCCUPANCY - US

DTS ISICE SIEGE N'EST PAS DESTINE A ETRE OCCUPE LORSQUE LE VEHICULE EST EN MOUVEMENT ET IL FAUT QUE LE RANGER	THIS CHAIR IS NOT INTENDED FOR OCCUPANCY WHEN VEHICLE IS IN MOTION AND MUST BE RETURNED TO STOWED POSITION
--	---

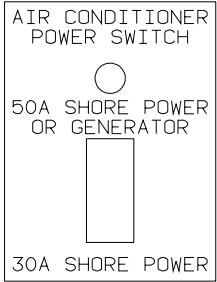
**KEY PART NUMBER U/M DESCRIPTION**  
102267-02-000 EA LABEL - NO OCCUPANCY - CSA

NOTE: TUNE ANTENNA PER MANUFACTURER'S DIRECTIONS. FAILURE TO COMPLY COULD RESULT IN DAMAGE TO CB.	CB POWER PROVISION  RED +12 V BLACK GROUND COAX ANTENNA (SEE REVERSE ALSO)
---	---

**KEY PART NUMBER U/M DESCRIPTION**  
104678-01-000 EA LABEL - CB PREP



**KEY PART NUMBER U/M DESCRIPTION**  
107571-01-000 EA LABEL - EXIT/ESCAPE WINDOW

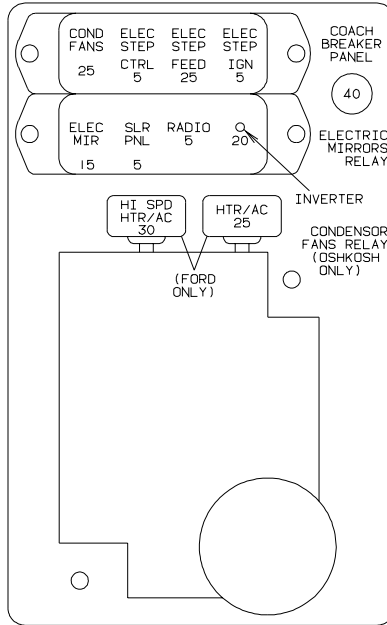


**KEY PART NUMBER U/M DESCRIPTION**  
109051-02-000 EA LABEL - SWITCH - 50 AMP POWER

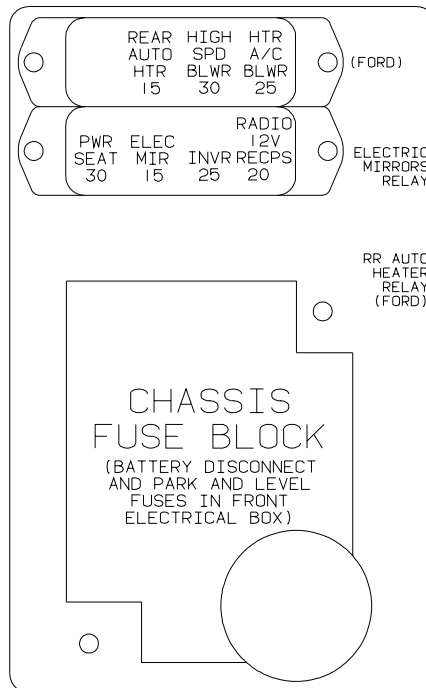
## LABELS GROUP (CONTINUED)

DO NOT USE HITCH BEFORE  
READING OWNERS MANUAL REGARDING  
VEHICLE LOADING AND TOWING

KEY	PART NUMBER	U/M DESCRIPTION
	111104-01-000	EA LABEL - HITCH - READ MANUAL - WHITE
	111104-02-000	EA LABEL - HITCH - READ MANUAL - BLACK



KEY	PART NUMBER	U/M DESCRIPTION
	111537-07-000	EA LABEL - FUSES



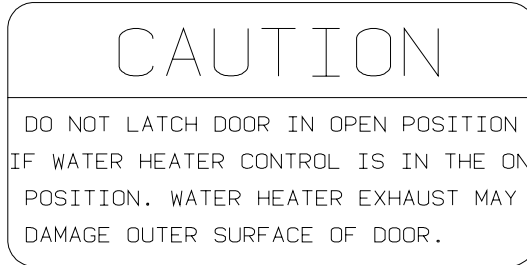
KEY	PART NUMBER	U/M DESCRIPTION
	111537-08-000	EA LABEL - FUSES



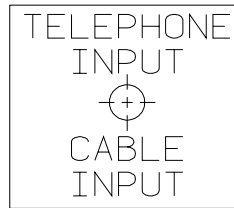
## LABELS GROUP (CONTINUED)

WARNING: CONTAINS "CFC" A SUBSTANCE WHICH HARMS PUBLIC HEALTH AND ENVIRONMENT BY DESTROYING OZONE IN THE UPPER ATMOSPHERE.

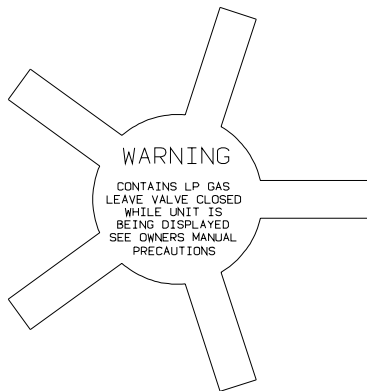
**KEY PART NUMBER U/M DESCRIPTION**  
111802-01-000 EA LABEL - CFC WARNING



**KEY PART NUMBER U/M DESCRIPTION**  
113402-01-000 EA LABEL - CAUTION - WATER HEATER EXHAUST



**KEY PART NUMBER U/M DESCRIPTION**  
114866-02-000 EA LABEL - PHONE & CABLE INPUT - WHITE/CLEAR BACKGROUND  
114866-03-000 EA LABEL - PHONE & CABLE INPUT - BLACK/CLEAR BACKGROUND



**KEY PART NUMBER U/M DESCRIPTION**  
115600-01-000 EA LABEL - WARNING LPG VALVE

WARNING: REPLACE TIRE ONLY WITH ONE OF EXACTLY SAME TYPE AND RATING. DO NOT REPLACE WITH PASSENGER CAR TIRE. SEE OPERATOR'S MANUAL FOR MORE INFORMATION CALL WINNEBAGO OWNER RELATIONS AT 1-800-537-1885.

**KEY PART NUMBER U/M DESCRIPTION**  
115869-01-000 EA LABEL - WARNING - TIRE

## LABELS GROUP (CONTINUED)

### WARNING

ALL LP GAS IS CONTAINED UNDER PRESSURE. DUE TO THE DANGEROUS POTENTIAL OF ANY COMPRESSED GAS, IT IS MANDATORY THAT THE FOLLOWING REQUIREMENTS FOR THE USE OF THIS TANK BE FOLLOWED: TANKS ARE TO BE INSTALLED, FUELED AND MAINTAINED IN ACCORDANCE WITH STATE AND LOCAL CODE, RULES, REGULATIONS OR LAWS AND IN ACCORDANCE WITH NFPA PAMPHLET 88, DIVISION IV.

**KEY PART NUMBER**      **U/M DESCRIPTION**  
116112-01-000      EA LABEL - WARNING - LP

THIS TANK IS EQUIPPED WITH AN AUTOMATIC VALVE DESIGNED TO CLOSE AT 80% LIQUID FULL.

### CAUTION

ALWAYS OPEN 20% FIXED LIQUID LEVEL BLEEDER GAUGE WHILE FILLING. STOP FILLING IF LIQUID APPEARS BEFORE VALVE SHUTS OFF.

**KEY PART NUMBER**      **U/M DESCRIPTION**  
116113-01-000      EA LABEL - CAUTION - LP

INSERT RETAINER PINS IN SLIDE MECHANISM AFTER RETURNING GENERATOR TO STORED POSITION.

IF RETAINER PINS ARE NOT INSERTED, THE GENERATOR WILL EXTEND WHICH MAY CAUSE PERSONAL INJURY.

**KEY PART NUMBER**      **U/M DESCRIPTION**  
116273-01-000      EA LABEL - WARNING - GENERATOR

### WARNING!

UNDERSTAND OPERATOR'S MANUAL BEFORE USING. KEEP PEOPLE AND OBSTRUCTIONS CLEAR OF SLIDEOUT ROOM WHEN OPERATING TO AVOID INJURY AND/OR PROPERTY DAMAGE.

**KEY PART NUMBER**      **U/M DESCRIPTION**  
116549-01-000      EA LABEL - WARNING - SLIDEOUT

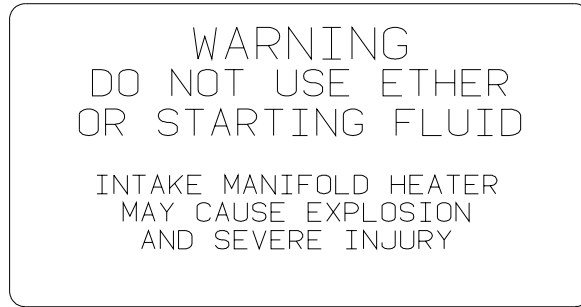
### WARNING

DO NOT USE ETHER OR STARTING FLUID

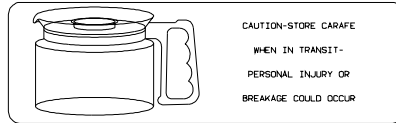
INTAKE MANIFOLD FLAME HEATER STARTING AID HAS OPEN FLAME. ETHER MAY CAUSE EXPLOSION AND SEVERE INJURY.

**KEY PART NUMBER**      **U/M DESCRIPTION**  
116756-01-000      EA LABEL - WARNING ETHER/STARTING

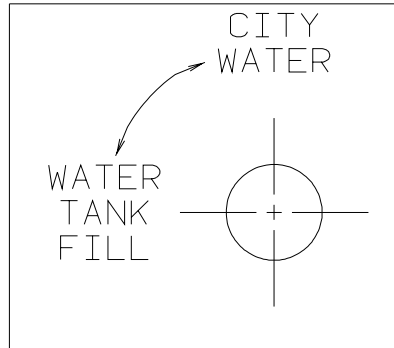
## LABELS GROUP (CONTINUED)



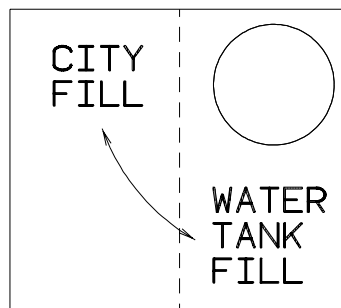
**KEY PART NUMBER U/M DESCRIPTION**  
116756-02-000 EA LABEL - WARNING - ETHER/STARTING



**KEY PART NUMBER U/M DESCRIPTION**  
116829-02-000 EA LABEL - COFFEEMAKER

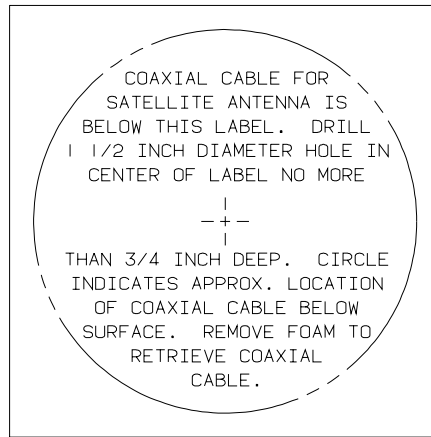


**KEY PART NUMBER U/M DESCRIPTION**  
117629-03-000 EA LABEL - WATER PUMP/FILL-BLK LETTERS/CLEAR BACKGROUND-.31"

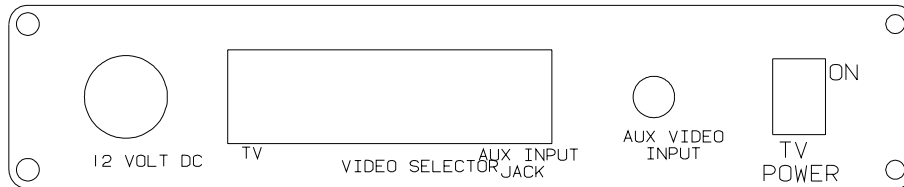


**KEY PART NUMBER U/M DESCRIPTION**  
117629-04-000 EA LABEL - CITY WATER/TANK FILL

## LABELS GROUP (CONTINUED)



KEY	PART NUMBER	U/M DESCRIPTION
	120431-01-000	EA LABEL - LOCATION - COAXIAL CABLE/SATELLITE ANTENNA



KEY	PART NUMBER	U/M DESCRIPTION
	120677-01-000	EA LABEL - TV

KEEP THE SERVICE INLET ACCESS  
IN THE CLOSED POSITION WHEN  
UTILITY CONNECTIONS ARE NOT IN USE

KEY	PART NUMBER	U/M DESCRIPTION
	123562-01-000	EA LABEL - SERVICE/UTILITY ACCESS

## LABELS GROUP (CONTINUED)

WARNING

ALL PILOT LIGHTS, APPLIANCES AND THIER  
IGNITORS (SEE OPERATING INSTRUCTIONS) SHALL  
BE TURNED OFF DURING REFUELING OF MOTOR  
FUEL TANKS AND/OR LP GAS CONTAINERS

KEY	PART NUMBER	U/M	DESCRIPTION
	124519-01-01A	EA	LABEL - WARNING/REFUELING - BLACK ON CLEAR
	124519-01-02A	EA	LABEL - WARNING/REFUELING - WHITE ON CLEAR

WARNING :

ALL PILOT LIGHTS AND APPLIANCES SHALL BE TURNED  
OFF DURING REFUELING OF MOTOR FUEL TANKS AND/  
OR PROPANE CONTAINERS.

AVERTISSEMENT :

FERMER TOUTES LES VEILLEUSES AINSI QUE TOUS LES  
APPAREILS LORSQU'ON FAIT LE PLEIN DES RESERVOIRS  
À CARBURANT OU À PROPANE.

124519-02

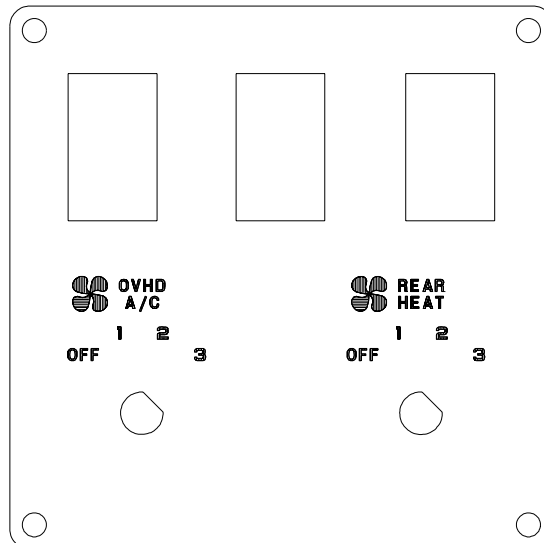
KEY	PART NUMBER	U/M	DESCRIPTION
	124519-02-01A	EA	LABEL - WARNING/REFUELING - BLACK ON CLEAR - CSA
	124519-02-02A	EA	LABEL - WARNING/REFUELING - WHITE ON CLEAR - CSA

LP-GAS SYSTEM  
THIS GAS PIPING SYSTEM IS  
DESIGNED FOR USE OF  
LIQUIFIED PETROLEUM GAS  
ONLY. DO NOT CONNECT  
NATURAL GAS TO THIS  
SYSTEM.

SECURE CAP INLET(S) WHEN NOT  
CONNECTED FOR USE. AFTER TURNING  
ON GAS, EXCEPT AFTER NORMAL  
CONTAINER REPLACEMENT, TEST GAS  
PIPING AND CONNECTIONS TO  
APPLIANCES FOR LEAKAGE WITH SOAPY  
WATER OR BUBBLE SOLUTION. DO NOT  
USE PRODUCTS THAT CONTAIN AMMONIA  
OR CLORINE.

124520

KEY	PART NUMBER	U/M	DESCRIPTION
	124520-01-01A	EA	LABEL - LP GAS ONLY - BLACK ON CLEAR
	124520-01-02A	EA	LABEL - LP GAS ONLY - WHITE ON CLEAR



KEY	PART NUMBER	U/M	DESCRIPTION
	124572-01-000	EA	LABEL - SWITCHES

## LABELS GROUP (CONTINUED)

THIS CONNECTION IS FOR  
(B) VOLT AC,60 HZ(CYCLES)  
(A) AMPERE SUPPLY

DO NOT CONNECT TO  
HIGHER VOLTAGE

KEY	PART NUMBER	U/M DESCRIPTION
	125306-01-01A	EA LABEL - ELECTRICAL ENTRANCE - 110V 30AMP - BLACK ON CLEAR
	125306-03-01A	EA LABEL - ELECTRICAL ENTRANCE - 100 V 30 AMP-BLACK ON CLEAR
	125306-01-02A	EA LABEL - ELECTRICAL ENTRANCE - 110 V 30 AMP - WHITE ON CLEAR

THIS CONNECTION IS FOR  
(B) VOLT AC,3-POLE,4 WIRE  
60 HZ(CYCLES),(A) AMPERE SUPPLY

DO NOT CONNECT TO  
HIGHER VOLTAGE

KEY	PART NUMBER	U/M DESCRIPTION
	125306-04-01A	EA LABEL-ELECTRICAL ENTRANCE-120/240V 50 AMP-BLACK ON CLEAR
	125306-04-02A	EA LABEL - ELECTRICAL ENTRANCE-120/240V 50 AMP-WHITE ON CLEAR

KEY	PART NUMBER	U/M DESCRIPTION
	125697-07-000	EA LABEL - CAUTION - FLUSHING SYSTEM NO ART AVAILABLE

REMOVE PRIMARY TIRE HANGER BEFORE USING  
SPARE TIRE HOIST-SEE OWNERS MANUAL - PERSONAL  
INJURY MAY RESULT IF NOT FOLLOWED

KEY	PART NUMBER	U/M DESCRIPTION
	126024-01-01A	EA LABEL - TIRE HANGER REMOVAL

# GRAY HOLDING TANK

KEY	PART NUMBER	U/M DESCRIPTION
	126247-01-000	EA LABEL - GRAY HOLDING TANK-WHITE LETTERS/CLEAR BACKGROUND
	126247-05-000	EA LABEL - GRAY HOLDING TANK-BLACK LETTERS/CLEAR BACKGROUND

# BLACK HOLDING TANK

KEY	PART NUMBER	U/M DESCRIPTION
	126247-02-000	EA LABEL - BLACK HOLDING TANK-WHITE LETTERS/BLACK BACKGROUND
	126247-06-000	EA LABEL - BLACK HOLDING TANK-BLACK LETTERS/CLEAR BACKGROUND

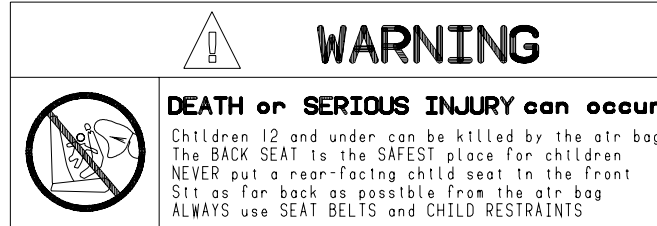
## LABELS GROUP (CONTINUED)

EXTERIOR SHOWER

**KEY PART NUMBER**    **U/M DESCRIPTION**  
126248-03-000    EA LABEL - EXTERIOR SHOWER

CITY WATER FILL

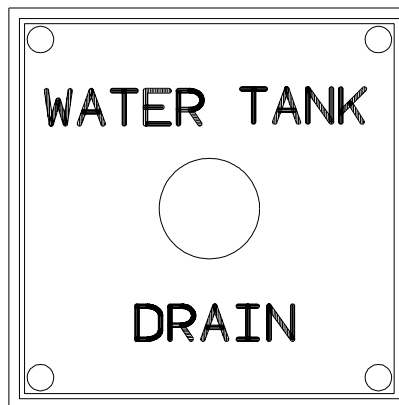
**KEY PART NUMBER**    **U/M DESCRIPTION**  
126249-03-000    EA LABEL - CITY WATER FILL-BLK LETTER/CLEAR BACKGROUND-.31"H



**KEY PART NUMBER**    **U/M DESCRIPTION**  
126611-01-000    EA LABEL - AIR BAG - VISOR



**KEY PART NUMBER**    **U/M DESCRIPTION**  
126612-01-000    EA LABEL - HANG TAG - AIR BAG - DASH



**KEY PART NUMBER**    **U/M DESCRIPTION**  
127170-01-000    EA LABEL - WATER TANK DRAIN

## LABELS GROUP (CONTINUED)

### WARNING

ROOF SURFACE MAY BE SLIPPERY  
ESPECIALLY WHERE MOISTURE IS PRESENT  
SLIPPING MAY RESULT IN PERSONAL INJURY.

128218-01

KEY	PART NUMBER	U/M	DESCRIPTION
	128218-01-01A	EA	LABEL - WARNING - SLIPPERY ROOF

### ENTRANCE DOOR PROP ROD

THIS ROD IS DESIGNED TO PROP THE  
ENTRANCE DOOR OPEN WHEN THE PATIO  
AWNING ARM IS ATTACHED TO THE  
SIDEWALL AND THE AWNING IS EX-  
TENDED.  
HOOK ONE END OF ROD INTO LOOP ON  
DOOR AND OTHER END INTO LOOP ON THE  
SIDEWALL AS SHOWN.

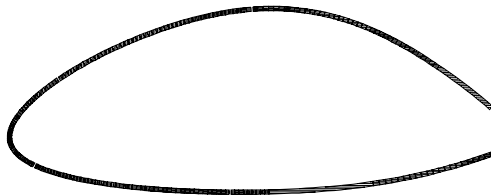
(THIS LABEL TO BE REMOVED BY RETAIL OWNER ONLY)

KEY	PART NUMBER	U/M	DESCRIPTION
	128658-01-000	EA	LABEL - PROP ROD - ENTRY DOOR

### WARNING

POTABLE WATER ONLY  
SANITIZE, FLUSH, AND  
DRAIN BEFORE USING.  
SEE INSTRUCTION MANUAL

KEY	PART NUMBER	U/M	DESCRIPTION
	128725-01-01A	EA	LABEL - POTABLE WATER ONLY



### ATTENTION

REMEMBER TO DETACH THE OTHER  
TRAVEL LATCH LOCATED IN  
GALLEY CABINET BEFORE EXTENDING  
THIS ROOM.

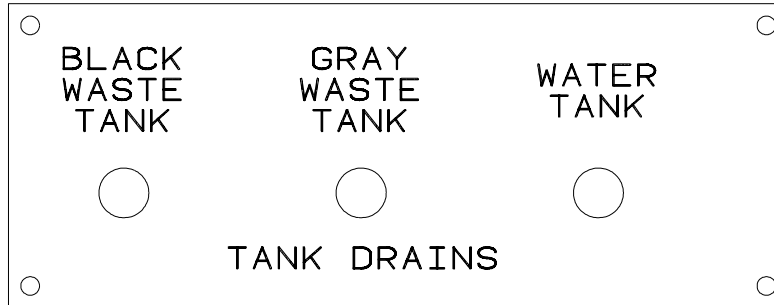
KEY	PART NUMBER	U/M	DESCRIPTION
	129033-01-000	EA	LABEL - HANG TAG - TRAVEL LATCH - 1.5" X3"



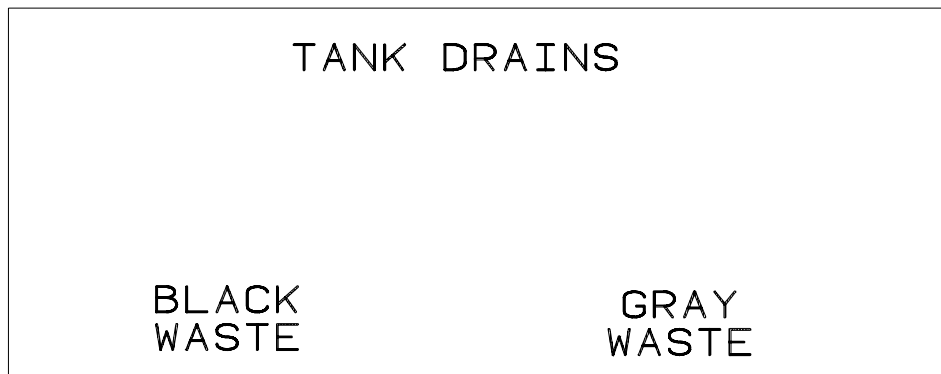
## LABELS GROUP (CONTINUED)

TOW VEHICLE RATING MAY BE LESS THAN HITCH RATING.  
MAXIMUM VERTICAL HITCH LOAD: 350 LBS  
DO NOT EXCEED REAR AXLE RATING.  
SEE OWNER'S MANUAL FOR ADDITIONAL INFORMATION.

KEY	PART NUMBER	U/M	DESCRIPTION
	129669-01-01A	EA	LABEL - HITCH/VEHICLE RATE - 350 - WHITE ON CLEAR
	129669-02-01A	EA	LABEL - HITCH/VEHICLE RATE - 500 - WHITE ON CLEAR
	129669-02-02A	EA	LABEL - HITCH/VEHICLE RATE - 500 - BLACK ON CLEAR



KEY	PART NUMBER	U/M	DESCRIPTION
	130166-01-000	EA	LABEL - DRAIN



KEY	PART NUMBER	U/M	DESCRIPTION
	130166-02-000	EA	LABEL - DRAIN

**LABELS GROUP (CONTINUED)**

HOSE  
STORAGE

**KEY PART NUMBER U/M DESCRIPTION**  
130167-02-000 EA LABEL - HOSE STORAGE

WASTE TANK FLUSH

**KEY PART NUMBER U/M DESCRIPTION**  
130168-01-000 EA LABEL - WASTE TANK FLUSH

MONITOR WATER  
PANEL LIGHT PUMP

**KEY PART NUMBER U/M DESCRIPTION**  
130170-01-000 EA LABEL - SWITCH PANEL - BLK/CLEAR BACKGROUND-1.8"H X 5.9"L

LIGHTS WATER  
PUMP

**KEY PART NUMBER U/M DESCRIPTION**  
130170-02-000 EA LABEL - SWITCH PANEL - BLK/CLEAR BACKGROUND-1.4H X 3.9"L  
117628-02-000 EA LABEL - SWITCH - WATER PUMP/LIGHTS-WHITE/CLEAR BACKGROUND

WATER  
PUMP

**KEY PART NUMBER U/M DESCRIPTION**  
130170-03-000 EA LABEL - PANEL SWITCH

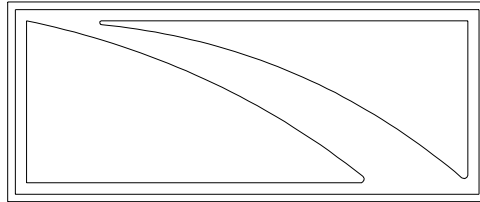
**LABELS GROUP (CONTINUED)**

CAUTION:  
OPEN A WINDOW OR VENT WHILE  
OPERATING DRYER. IT IS DANGEROUS  
TO CREATE A NEGATIVE AIR PRESSURE  
INSIDE A VEHICLE CONTAINING  
FUEL-BURNING APPLIANCES

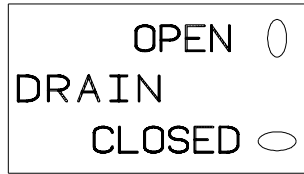
**KEY PART NUMBER U/M DESCRIPTION**  
130670-01-01A EA LABEL - CAUTION DRYER VENTING - BLACK ON CLEAR



**KEY PART NUMBER U/M DESCRIPTION**  
131779-01-01A EA LABEL - GENERATOR



**KEY PART NUMBER U/M DESCRIPTION**  
132651-01-01A EA DECAL - MIRROR/GALLEY

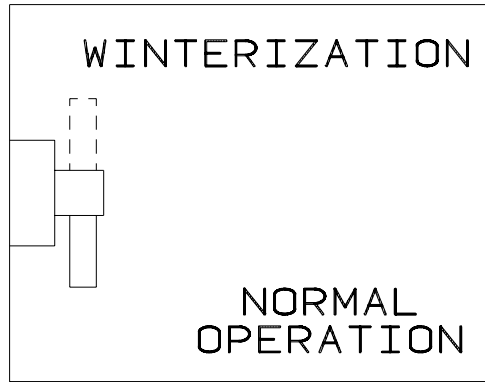


**KEY PART NUMBER U/M DESCRIPTION**  
133423-01-01A EA LABEL - DRAIN



**KEY PART NUMBER U/M DESCRIPTION**  
133424-01-01A EA LABEL - BYPASS - WATER HEATER

**LABELS GROUP (CONTINUED)**



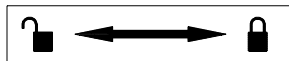
**KEY PART NUMBER U/M DESCRIPTION**  
133425-01-01A EA LABEL - VALVE - WINTERIZATION



**KEY PART NUMBER U/M DESCRIPTION**  
133533-01-01A EA LABEL - JACKS DOWN - CLEAR W/WHITE LETTERING

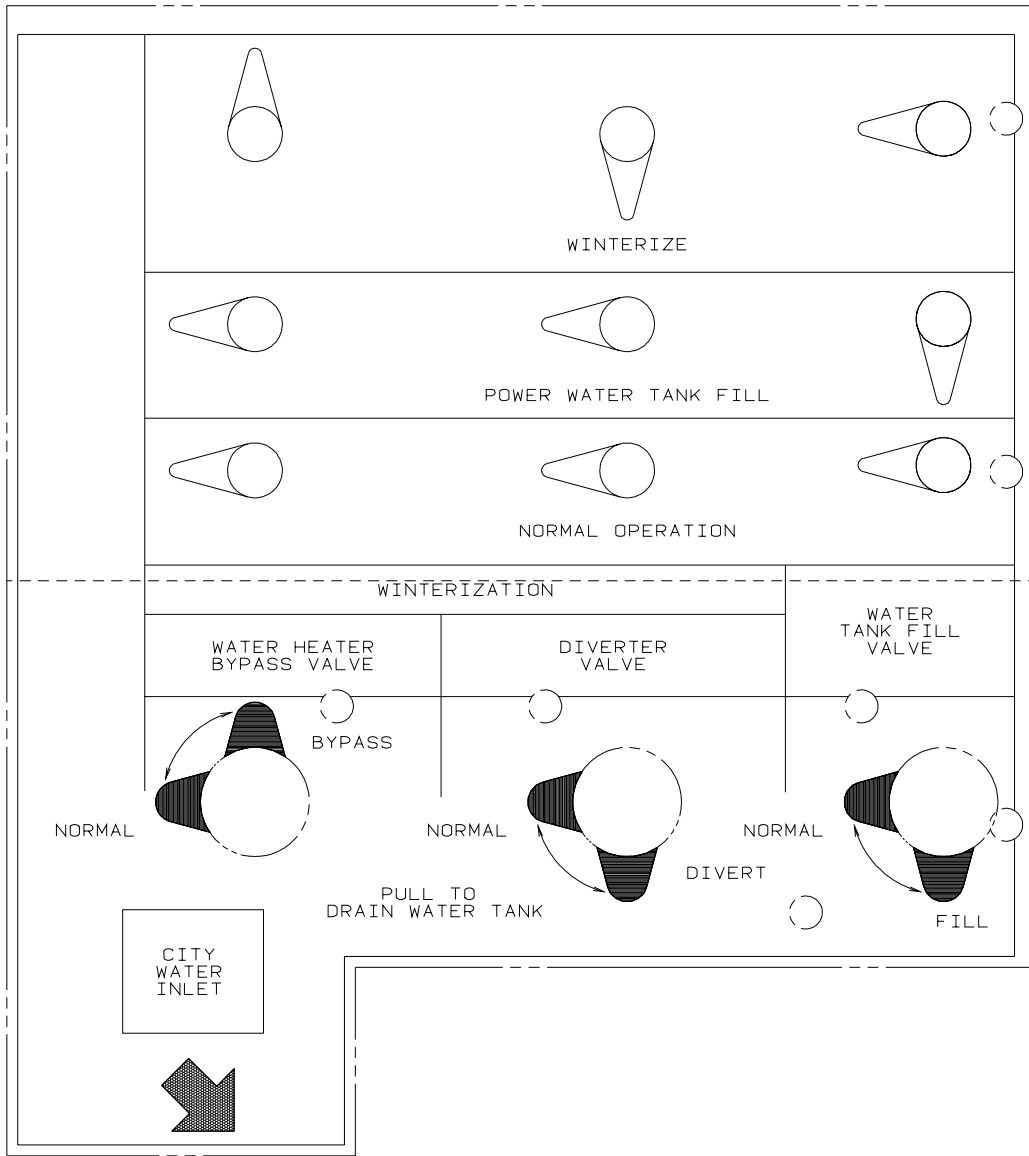


**KEY PART NUMBER U/M DESCRIPTION**  
133533-02-01A EA LABEL - CHECK ANTENNA - CLEAR W/WHITE LETTERING



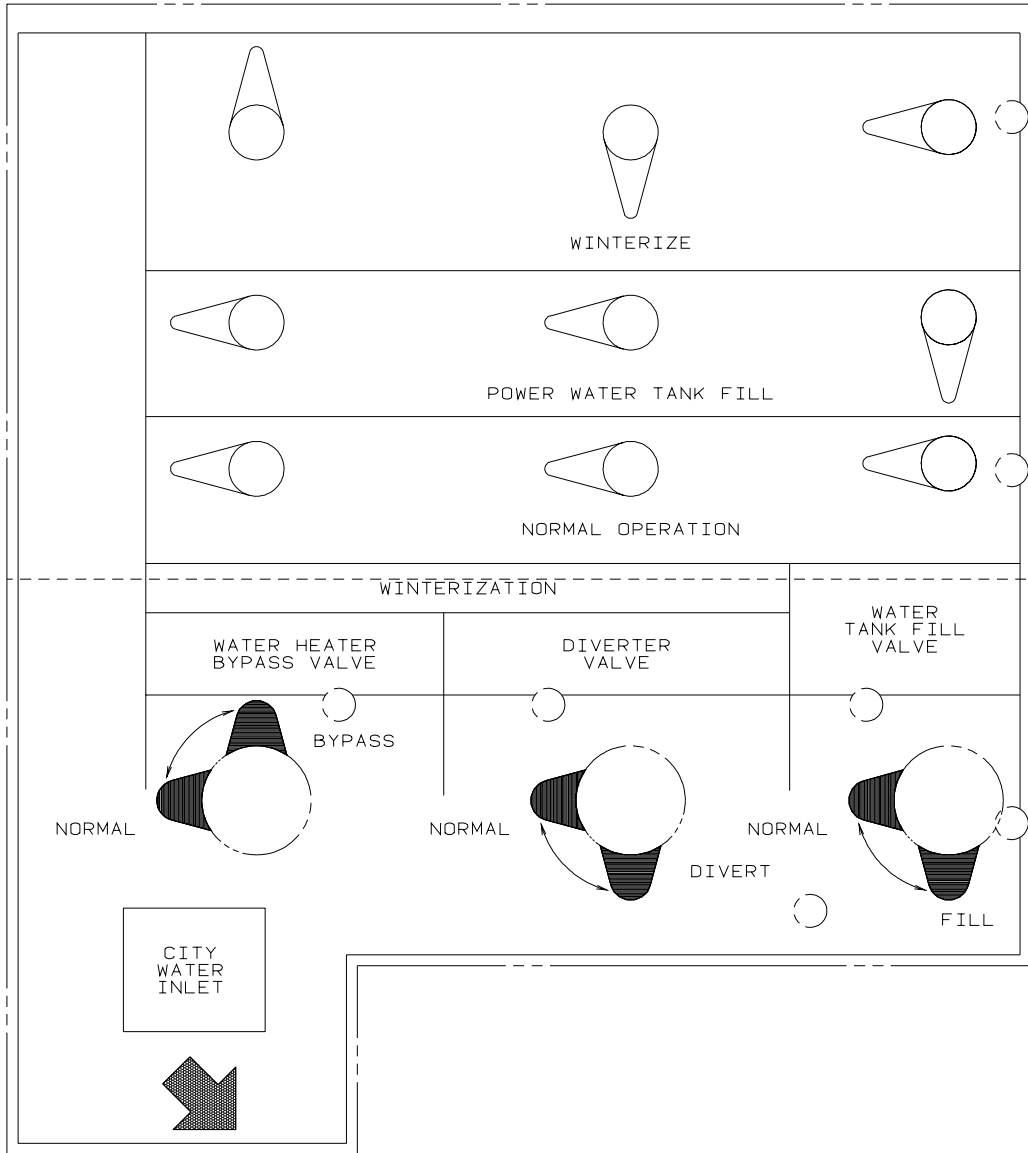
**KEY PART NUMBER U/M DESCRIPTION**  
133533-03-01A EA LABEL - LOCK/UNLOCK - BLACK/WHITE

# LABELS GROUP (CONTINUED)



KEY	PART NUMBER	U/M DESCRIPTION
	133629-01-01A	EA LABEL - WATER CENTER

**LABELS GROUP (CONTINUED)**



**KEY PART NUMBER U/M DESCRIPTION**  
 133629-02-01A EA LABEL - WATER CENTER - BLACK/CLEAR

THIS SEAT IS NOT INTENDED FOR OCCUPANCY WHEN VEHICLE IS IN MOTION

**KEY PART NUMBER U/M DESCRIPTION**  
 134538-01-01A EA LABEL - OCCUPANCY - NO SEAT BELT - BLACK ON CLEAR - US

## LABELS GROUP (CONTINUED)

DST ISICE SIEGE N/EST PAS DESTINE A ETRE OCCUPE LORSQUE LE VEHICULE EST IN MOVUVEMENT	THIS SEAT IS NOT INTENDED FOR OCCUPANCY WHILE VEHICLE IS IN MOTION
---	--

**KEY PART NUMBER U/M DESCRIPTION**  
134538-02-01A EA LABEL - OCCUPANCY - NO SEAT BELT - BLACK ON CLEAR - CSA

**HOLDING TANK HEATER**

TURN OFF WHEN NOT IN USE  
SEE OPERATOR'S MANUAL

**KEY PART NUMBER U/M DESCRIPTION**  
134563-01-01A EA LABEL - SWITCH - HEATER

THIS VEHICLE MAY INCLUDE MERCURY-CONTAINING DEVICES INSTALLED BY THE MANUFACTURER:  
FLUORESCENT TUBES, RANGES WITH OVEN, HWH LEVEL SENSING UNIT.

REMOVE DEVICES BEFORE VEHICLE DISPOSAL UPON REMOVAL OF  
DEVICES: PLEASE REUSE, RECYCLE, OR DISPOSE AS HAZARDOUS WASTE

135869-01A

**KEY PART NUMBER U/M DESCRIPTION**  
135869-01-01A EA LABEL - MERCURY CONTENT - BLACK ON CLEAR

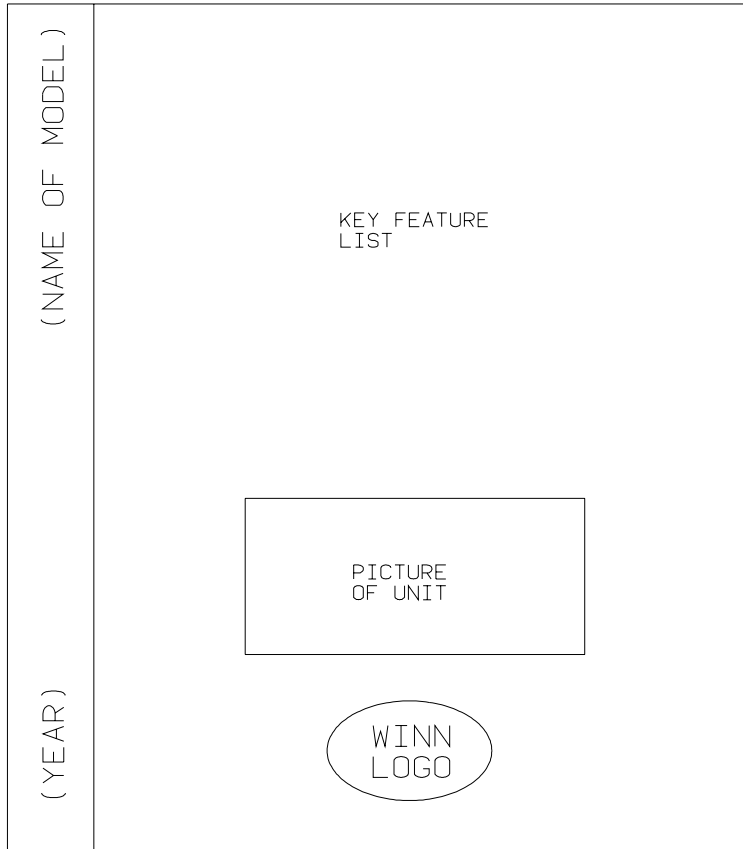
LIQUID SOAP

**KEY PART NUMBER U/M DESCRIPTION**  
136047-01-01A EA LABEL - LIQUID SOAP

DOOR LOCK	DOOR UNLOCK	RIGHT COMPT DOOR LOCK	RIGHT COMPT DOOR UNLOCK	LEFT COMPT DOOR LOCK	LEFT COMPT DOOR UNLOCK	AUX START SOLENOID	AMP SOURCE
POWER MIRRORS	HEATER BLOWER	PASS HEATER BLOWER	FOG LAMPS	DOCKING LAMPS	DOCKING LAMPS SWITCH TRIGGER	COOLING FANS	

**KEY PART NUMBER U/M DESCRIPTION**  
136161-01-01A EA LABEL - RELAY - MATTE BLACK/WHITE LETTERS

## LABELS GROUP (CONTINUED)



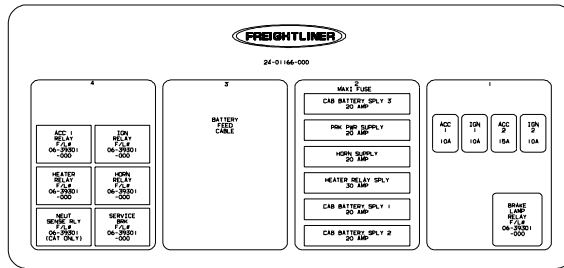
KEY	PART NUMBER	U/M	DESCRIPTION
	136164-01-01A	EA	STICKET - STATIC CLING - MINNIE
	136164-01-02A	EA	STICKER - STATIC CLING - MINNIE WINNIE
	136164-01-03A	EA	STICKER - STATIC CLING - BRAVE SE
	136164-01-04A	EA	STICKER - STATIC CLING - BRAVE
	136164-01-05A	EA	STICKER - STATIC CLING - ADVENTURER
	136164-01-06A	EA	STICKER - STATIC CLING - CHIEFTAIN
	136164-01-07A	EA	STICKER - STATIC CLING - JOURNEY
	136164-01-08A	EA	STICKER - STATIC CLING - SUNDANCER
	136164-01-09A	EA	STICKER - STATIC CLING - SUNRISE SE
	136164-01-10A	EA	STICKER - STATIC CLING - SUNRISE
	136164-01-11A	EA	STICKER - STATIC CLING - SUNCRUISER
	136164-01-12A	EA	STICKER - STATIC CLING - SUNFLYER
	136164-01-13A	EA	STICKER - STATIC CLING - HORIZON
	136164-01-14A	EA	STICKER - STATIC CLING - RIALTA
	136164-01-15A	EA	STICKER - STATIC CLING - ADVANTAGE
	136164-01-16A	EA	STICKER - STATIC CLING - FREEDOM
	136164-01-17A	EA	STICKER - STATIC CLING - KEY FEATURE

**LT - AIR BAGS - RT**

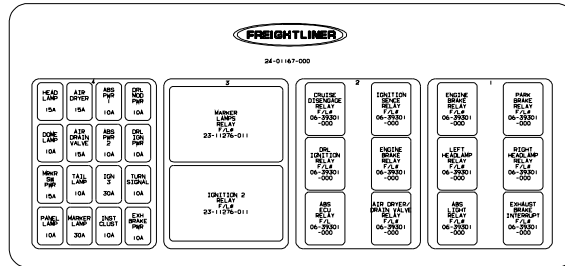
KEY	PART NUMBER	U/M	DESCRIPTION
	136360-01-01A	EA	LABEL - AIR BAGS



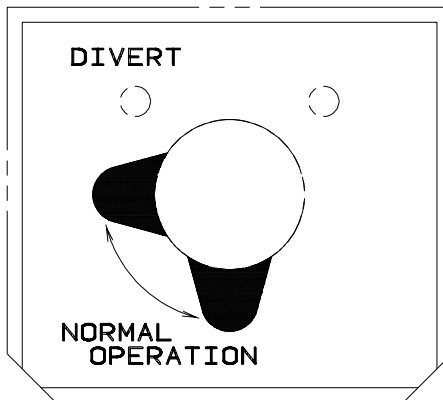
## LABELS GROUP (CONTINUED)



**KEY PART NUMBER U/M DESCRIPTION**  
137090-01-000 EA LABEL - ELECTRICAL CENTER



**KEY PART NUMBER U/M DESCRIPTION**  
137090-02-000 EA LABEL - 4 MODULE BASE



**KEY PART NUMBER U/M DESCRIPTION**  
137997-01-01A EA LABEL - WINTERIZATION VALVE - BLACK/CLEAR

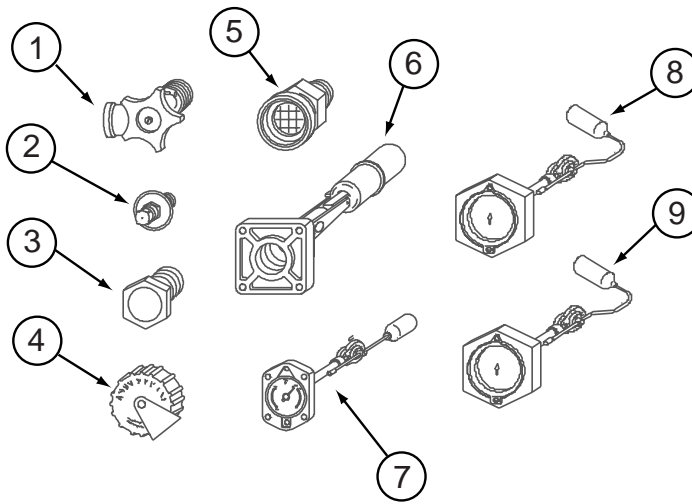
## LP GROUP

### LP SYSTEM

KEY	PART NUMBER	U/M	DESCRIPTION
	045703-01-000	EA	HOSE - LP - 3/8"ID X 24" - 3/8"MPT X 1/2"F SWIVEL - U.S.
	045703-02-000	EA	HOSE - LP - 3/8"ID X 24" - 3/8"MPT X 1/2"F SWIVEL - CANADA
	045703-05-000	EA	HOSE - LP - 3/8"ID X 28" - 3/8"MPT X 1/2"F SWIVEL - U.S.
	045703-06-000	EA	HOSE - LP - 3/8"ID X 28" - 3/8"MPT X 1/2"F SWIVEL - CANADA
	105658-01-000	EA	COMPARTMENT - LP REGULATOR
	106150-01-000	EA	REGULATOR - TWO STAGE -W/90 DEGREE ELBOW & 3/8" FPT OUTLET
	065318-02-000	EA	ELBOW - 90 DEGREE - 3/8" MPT TO 3/8" FPT
	010323-01-000	EA	ADAPTER - BRASS - 3/8"F X 1/2"MPT
	010329-01-000	EA	ADAPTER - BRASS - 1/2"F X 1/2"MPT
	024250-01-000	EA	ADAPTER - BRASS - 3/8"F X 1/2"FPT
	010377-02-000	EA	NUT - BRASS - 3/8" FLARE - FORGED
	010380-02-000	EA	NUT - BRASS - 1/2" FLARE - FORGED
	040440-02-000	EA	TRANSMITTER - DIAL/BOLT-ON - 0-90 OHM 2 TERM(POWER/GROUND) FROM: 00-00-00 THRU: 08-13-00
	040440-03-000	EA	TRANSMITTER - DIAL/SNAP-ON - 0-90 OHM 2 TERM(POWER/GROUND) FROM: 08-14-00 THRU: 99-99-99
*	088253-03-000	EA	TANK - LP - 100 LB - 16"DIAMETER X 36" LONG - SPL - <a href="#">L34Y</a> , <a href="#">L36W</a>
*	088253-10-000	EA	TANK - LP - 100 LB - 14" DIAMETER X 47" LONG - <a href="#">L35U</a>
	103613-03-000	EA	DETECTOR - LP GAS - W/O SHUT-OFF VALVE
	010326-01-000	EA	ADAPTER - FLARE - W/CONE GASKET - 3/8"F X 1/2"F

**\*COMPONENT PARTS LISTED LATER IN THIS GROUP**

**LP GROUP (CONTINUED)**  
**COMPONENT PARTS FOR LP SYSTEM**



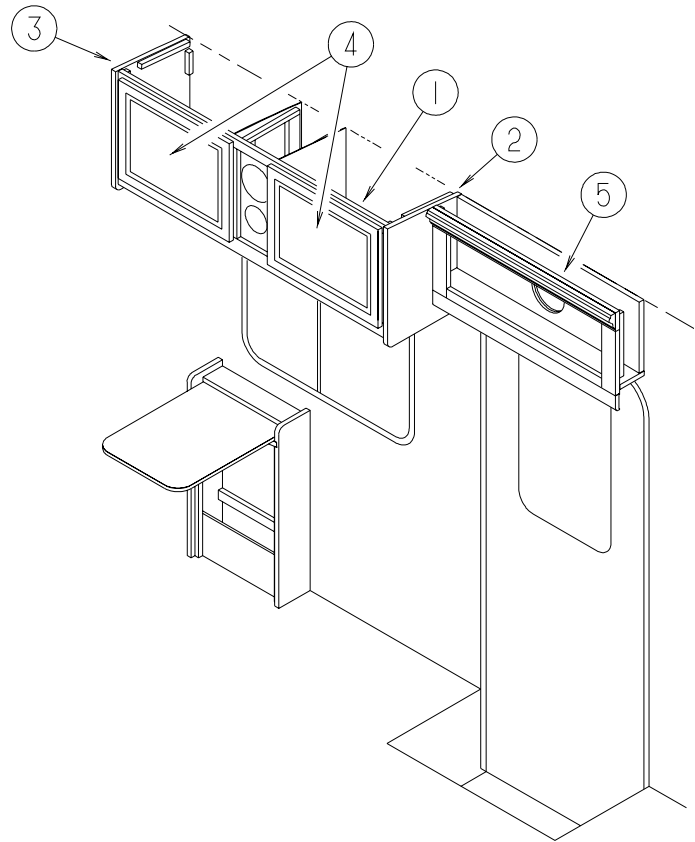
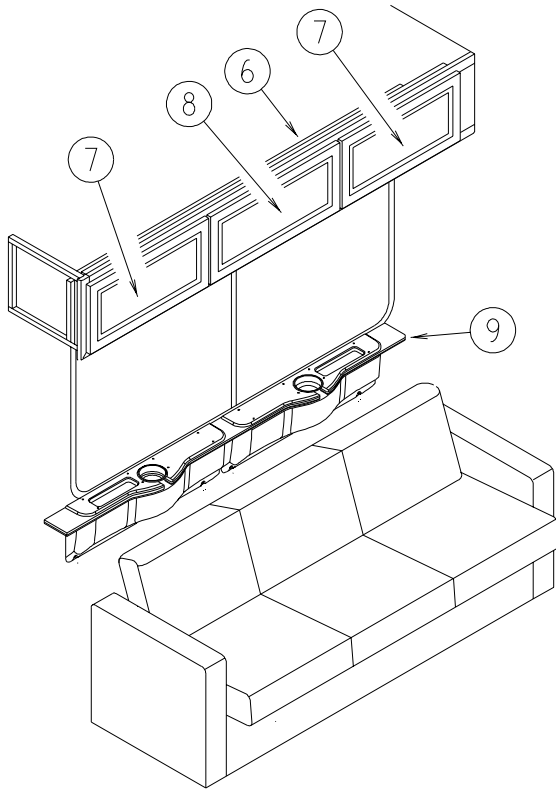
**088253-03-000**

KEY	PART NUMBER	U/M	DESCRIPTION	VENDOR NO.
	088253-03-000	EA	TANK - LP - 100 LB - 16"DIAMETER X 36" LONG - SPL88 P32RQ W/SIDE E	
1	040421-01-708	EA	HANDWHEEL-SERVICE VALVE	G-1015-A
1	040421-01-712	EA	VALVE,SERV. W/O VAPOR RELIEF	29000853
2	040421-01-700	EA	VALVE-LIQUID LEVEL, 20%	G-1013
3	040421-01-713	EA	VALVE-RELIEF 1" W/SPRING 7"	29000587
4	040421-01-702	EA	CAP-FILL VALVE, PLASTIC	G-1014-A
5	040421-01-701	EA	VALVE-FILL-SHORT, LP	7547B
6	040421-01-711	EA	VALVE-80% FILL W/AUTO STOP	LLL/TL3
7			NOT WHAT IS ILLUSTRATED HERE	
8			NOT WHAT IS ILLUSTRATED HERE	
9	088253-01-700	EA	FLOAT/BOLT ON-SCREW ON DIAL	SG16C0000071
9	088253-01-702	EA	FLOAT/SCREW IN-SNAP ON DIAL	SG16C0001442

**088253-10-000**

KEY	PART NUMBER	U/M	DESCRIPTION	VENDOR NO.
1	040421-01-708	EA	HANDWHEEL-SERVICE VALVE	G-1015-A
1	040421-01-712	EA	VALVE,SERV. W/O VAPOR RELIEF	29000853
2	040421-01-700	EA	VALVE-LIQUID LEVEL, 20%	G-1013
3	040421-01-713	EA	VALVE-RELIEF 1" W/SPRING 7"	29000587
4	040421-01-702	EA	CAP-FILL VALVE, PLASTIC	G-1014-A
5	040421-01-701	EA	VALVE-FILL-SHORT, LP	7547B
6	040421-01-711	EA	VALVE-80% FILL W/AUTO STOP	LLL/TL3
7	040421-01-707	EA	FLOAT/BOLT ON-SCREW ON DIAL	14C
7	088253-09-700	EA	FLOAT/SCREW IN-SNAP ON DIAL	SG14C0001466
8			NOT WHAT IS ILLUSTRATED HERE	
9			NOT WHAT IS ILLUSTRATED HERE	

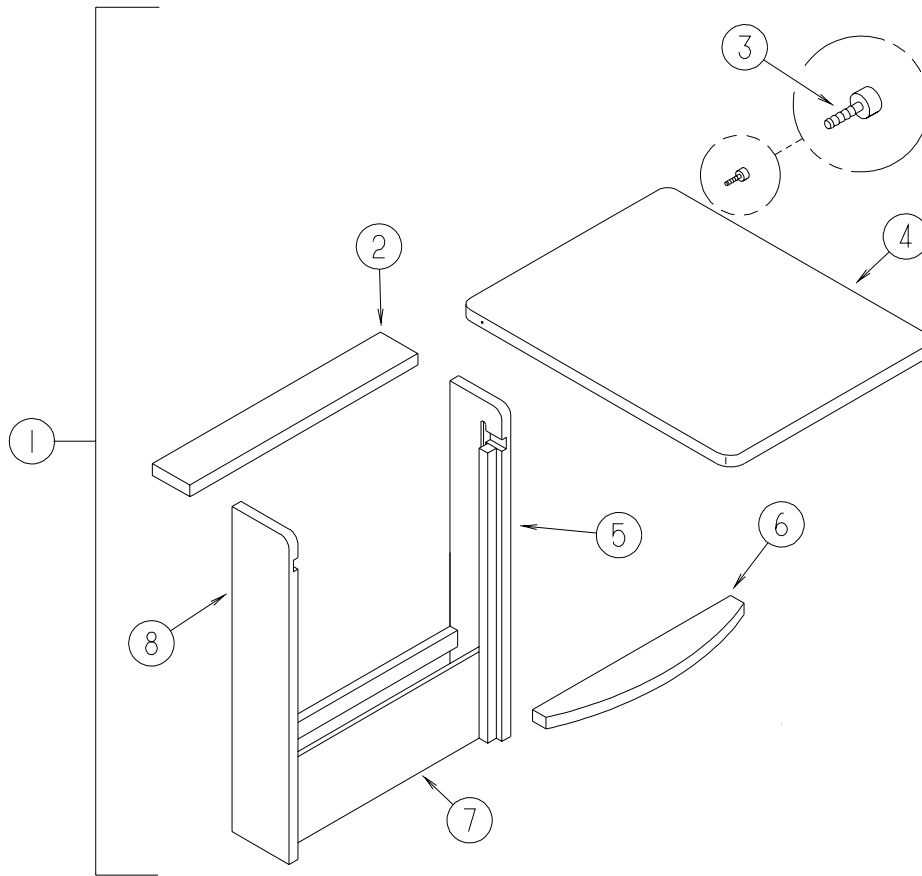
## LOUNGE GROUP CABINETS



KEY	PART NUMBER	U/M	DESCRIPTION
1	133850-01-M62	EA	CABINET - OVERHEAD/FRONT/RIGHT HAND - W/O DOORS/HARDWARE (M62)
1	133850-01-M52	EA	CABINET - OVERHEAD/FRONT/RIGHT HAND - W/O DOORS/HARDWARE (M63)
1	133850-01-M64	EA	CABINET - OVERHEAD/FRONT/RIGHT HAND - W/O DOORS/HARDWARE (M64)
1	133850-01-M65	EA	CABINET - OVERHEAD/FRONT/RIGHT HAND - W/O DOORS/HARDWARE (M65)
1	133850-01-L62	EA	CABINET - OVERHEAD/FRONT/RIGHT HAND - W/O DOORS/HARDWARE (M66)
1	133850-01-M54	EA	CABINET - OVERHEAD/FRONT/RIGHT HAND - W/O DOORS/HARDWARE (M67)
2	103128-01-J52	EA	END CAP - OVERHEAD CABINET/RIGHT HAND - WASHED MAPLE
2	103128-01-M52	EA	END CAP - OVERHEAD CABINET/RIGHT HAND - SALEM CHERRY
3	103128-39-J52	EA	END CAP - OVERHEAD CABINET/LEFT HAND - WASHED MAPLE
3	103128-39-M52	EA	END CAP - OVERHEAD CABINET/LEFT HAND - SALEM CHERRY
4	135238-06-M15	EA	DOOR - RAIL/ARCHED TOP - 15.7" X 20.4" - W/O HARDWARE - WASHED MAPLE
4	135238-06-M16	EA	DOOR - RAIL/ARCHED TOP - 15.7" X 20.4" - W/O HARDWARE - SALEM CHERRY
5	134013-02-M62	EA	CABINET - OVERHEAD/ENTRY DOOR - W/O DOORS/HARDWARE - WASHED MAPLE
5	134013-02-M52	EA	CABINET - OVERHEAD/ENTRY DOOR - W/O DOORS/HARDWARE - SALEM CHERRY
6	135613-01-M62	EA	CABINET - OVERHEAD/COUCH - W/O DOORS/HARDWARE - WASHED MAPLE
6	135613-01-M52	EA	CABINET - OVERHEAD/COUCH - W/O DOORS/HARDWARE - SALEM CHERRY
7	135238-16-M62	EA	DOOR - RAIL/ARCHED TOP - 10.8" X 21.8" - W/O HARDWARE - WASHED MAPLE
7	135238-16-M63	EA	DOOR - RAIL/ARCHED TOP - 10.8" X 21.8" - W/O HARDWARE - SALEM CHERRY
8	135238-17-M62	EA	DOOR - RAIL/ARCHED TOP - 10.8" X 23.8" - W/O HARDWARE - WASHED MAPLE
8	135238-17-M63	EA	DOOR - RAIL/ARCHED TOP - 10.8" X 23.8" - W/O HARDWARE - SALEM CHERRY
9	132297-02-L58	EA	BEVERAGE TRAY - PASSENGER - WASHED MAPLE
9	132297-02-L52	EA	BEVERAGE TRAY/DOUBLE - COUCH - CHERRY
9	132354-02-02A	EA	PANEL/TRIM - INNER/PASSENGER - W/O BEVERAGE TRAY- TITANIUM
9	132595-01-02B	EA	BRACKET - BEVERAGE TRAY HOLDER
9	106105-03-000	EA	CLIP - MOUNTING - UNIVERSAL

## LOUNGE GROUP (CONTINUED) TABLES

KEY	PART NUMBER	U/M DESCRIPTION
	133604-01-L58	EA TABLE/COFFEE - COMPLETE - WASHED MAPLE
	133604-01-L52	EA TABLE/COFFEE - COMPLETE - CHERRY
	134334-01-000	EA BAG - COFFEE TABLE



KEY	PART NUMBER	U/M DESCRIPTION
1	P19559-03-M62	EA CABINET - W/PULLOUT TABLE - W/HARDWARE - WASHED MAPLE FROM: 00-00-00 THRU: 11-05-00
1	136683-01-M84	EA CABINET WALL - W/PULLOUT TABLE - WASHED MAPLE FROM: 11-06-00 THRU: 99-99-99
1	119559-03-M52	EA CABINET - W/PULLOUT TABLE - W/HARDWARE - SALEM CHERRY FROM: 00-00-00 THRU: 11-05-00
1	136683-01-M85	EA CABINET WALL - W/PULLOUT TABLE - SALEM CHERRY FROM: 11-06-00 THRU: 99-99-99
2	119559-22-J52	EA TOP - F/CABINET/PULLOUT TABLE - WASHED MAPLE FROM: 00-00-00 THRU: 11-05-00
2	136683-13-M84	EA TOP/BACK PANEL - F/PULLOUT CABINET - WASHED MAPLE FROM: 11-06-00 THRU: 99-99-99
2	119559-22-M52	EA TOP - F/CABINET/PULLOUT TABLE - SALEM CHERRY FROM: 00-00-00 THRU: 11-05-00
2	136683-13-M85	EA TOP/BACK PANEL - F/PULLOUT CABINET - SALEM CHERRY FROM: 11-06-00 THRU: 99-99-99
3	079921-01-000	EA ROLLER - NYLON - W/STEEL SHAFT - BARBED
4	119559-25-M62	EA TABLE TOP - PULLOUT - WASHED MAPLE FROM: 00-00-00 THRU: 11-05-00
4	136683-16-M84	EA TABLE TOP ONLY - F/PULLOUT TABLE - WASHED MAPLE FROM: 11-06-00 THRU: 99-99-99
4	119559-25-K37	EA TABLE TOP - PULLOUT - SALEM CHERRY FROM: 00-00-00 THRU: 11-05-00
4	136683-16-M85	EA TABLE TOP ONLY - F/PULLOUT TABLE - PLANK CHERRY FROM: 11-06-00 THRU: 99-99-99

**LOUNGE GROUP (CONTINUED)**  
**TABLES (CONTINUED)**

<b>KEY</b>	<b>PART NUMBER</b>	<b>U/M</b>	<b>DESCRIPTION</b>
5	119559-11-J52	EA	CABINET/RIGHT SIDE - F/PULLOUT TABLE - 8.3" X 28.7" - WASHED MAPLE FROM: 00-00-00 THRU: 11-05-00
5	136683-11-M62	EA	CABINET/RIGHT SIDE - F/PULLOUT TABLE - 5.7" X 28.7" - WASHED MAPLE FROM: 11-06-00 THRU: 99-99-99
5	119559-11-M52	EA	CABINET/RIGHT SIDE - F/PULLOUT TABLE - 8.3" X 28.7" - SALEM CHERRY FROM: 00-00-00 THRU: 11-05-00
5	136683-11-M52	EA	CABINET/RIGHT SIDE - F/PULLOUT TABLE - 5.7" X 28.7" - SALEM CHERRY FROM: 11-06-00 THRU: 99-99-99
6	119559-23-J52	EA	SHELF - SUPPORT - F/PULLOUT TABLE - WASHED MAPLE FROM: 00-00-00 THRU: 11-05-00
6	136683-15-M84	EA	SHELF - TABLE STABILIZER-W/EDGE MOLDING - WASHED MAPLE FROM: 11-06-00 THRU: 99-99-99
6	119559-23-M52	EA	SHELF - SUPPORT - F/PULLOUT TABLE - SALEM CHERRY FROM: 00-00-00 THRU: 11-05-00
6	136683-15-M85	EA	SHELF - TABLE STABILIZER W/EDGE MOLDING - SALEM CHERRY FROM: 11-06-00 THRU: 99-99-99
7	119559-24-L09	EA	PANEL - LOWER/FRONT - WASHED MAPLE FROM: 00-00-00 THRU: 11-05-00
7	136683-14-M84	EA	PANEL - LOWER/FRONT - WASHED MAPLE FROM: 11-06-00 THRU: 99-99-99
7	119559-24-M52	EA	PANEL - LOWER/FRONT - SALEM CHERRY FROM: 00-00-00 THRU: 11-05-00
7	136683-14-M85	EA	PANEL - LOWER/FRONT - SALEM CHERRY FROM: 11-06-00 THRU: 99-99-99
8	119559-12-J52	EA	CABINET/LEFT SIDE - F/PULLOUT TABLE - 8.3" X 28.7" - WASHED MAPLE FROM: 00-00-00 THRU: 11-05-00
8	136683-12-M62	EA	CABINET/LEFT SIDE - F/PULLOUT TABLE - 5.7" X 28.7" - WASHED MAPLE FROM: 11-06-00 THRU: 99-99-99
8	119559-12-M52	EA	CABINET/LEFT SIDE - F/PULLOUT TABLE - 8.3" X 28.7" - SALEM CHERRY FROM: 00-00-00 THRU: 11-05-00
8	136683-12-M52	EA	CABINET/LEFT SIDE - F/PULLOUT TABLE - 5.7" X 28.7" - SALEM CHERRY FROM: 11-06-00 THRU: 99-99-99

# SEALANTS & FASTENERS GROUP

## SEALANTS & ADHESIVES

KEY	PART NUMBER	U/M	DESCRIPTION
	004001-05-000	EA	EPOXY ADHESIVE (CLEAR)
	004006-01-700	EA	ADHESIVE - 5 GALLON - NATIONAL STARCH
	004020-01-000	QT	ADHESIVE - ABS CEMENT - QUART
	010405-02-000	EA	TAPE - THREAD SEALING 3/8"
	034552-15-000	EA	SILICONE - TUBE - W/O NOZZLE - BRIGHT WHITE
	053766-06-000	EA	BEDDING COMPOUND - TUBE - CLEAR
	053766-08-000	EA	BEDDING COMPOUND - TUBE - GRAY
	062917-03-000	EA	ADHESIVE - LOCTITE 242
	063642-01-000	FT	TAPE - ADHESIVE - .4" X 1.5" X 180"
	067788-01-000	EA	ADHESIVE - SPRAY - 3M - 19.5 AEROSOL CAN
	069640-01-000	FT	SEALER - RIBBON - 1/4" DIAMETER X 30' - BLACK
	069640-02-000	FT	SEALER - TAPE - .13"THICK X .5"WIDE X 60' - GRAY
	069640-03-000	FT	SEALER - TAPE - .13"THICK X .75"WIDE X 60' - BLACK
	069640-07-000	FT	SEALER - TAPE - .09"THICK X 2"WIDE X 45' - GRAY
	069640-09-000	FT	SEALER - TAPE - .032"THICK X 2.50"WIDE X 80' - GRAY
	069640-10-000	FT	SEALER - TAPE - .03"THICK X 1.50"WIDE X 90' - GRAY
	069640-11-000	FT	SEALER - TAPE - .19"THICK X .38"WIDE X 40' - BLACK
	069640-13-000	FT	SEALER - TAPE - .03"THICK X 2"WIDE X 45' - BLACK
	069640-14-000	FT	SEALER - TAPE - .06"THICK X 1"WIDE X 100' - GRAY
	069640-15-000	FT	SEALER - TAPE - .06"THICK X .38"WIDE X 100' - GRAY
	069640-17-000	FT	SEALER - TAPE - .03"THICK X 1"WIDE X 90' - GRAY
	069640-18-000	FT	SEALER - TAPE - .50"THICK X 1/8"WIDE X 60' - BRIGHT WHITE
	069640-19-000	FT	SEALER - TAPE - .75"THICK X 1/8"WIDE X 60'- BRIGHT WHITE
	069640-20-000	FT	SEALER - TAPE - .50" THICK X 1/8" WIDE X 60'-BRIGHT WHITE
	069640-21-000	FT	SEALER - TAPE - .50" THICK X 1/16" WIDE X 100'-BRIGHT WHT
	069640-22-000	FT	SEALER - TAPE - .25" THICK X 1/32" WIDE X 100'- BRIGHT WHT
	069640-23-000	FT	SEALER - TAPE - 1/16" THICK X 3/4" WIDE X 100'-BRIGHT WHT
	069640-25-000	FT	SEALER - TAPE - .06" THICK X 3.5" WIDE X 50' - GRAY
	069640-26-000	FT	SEALER - TAPE - 1/16" X 2" X 50' - BRIGHT WHITE
	069640-27-000	FT	SEALER - TAPE - 1/16" X 2 1/4" X 50' - BRIGHT WHITE
	072889-01-000	EA	SEALANT - URETHANE - BLACK - TUBE
	072889-11-000	EA	SEALANT - URETHANE - GRAY - TUBE
	076314-02-000	FT	TAPE - CARPET SEAM - HEAT-BOND - 4" WIDE
	076322-01-000	FT	TAPE - DOUBLE COATED/ADHESIVE BACK - .025"THK X .75"W X18'
	076322-02-000	FT	TAPE - DOUBLE COATED/ADHESIVE BACK - .045"THK X 1"W X 9'
	076322-03-000	FT	TAPE - DOUBLE COATED/ADHESIVE BACK - .045"THK X .50"W X 9'
	076322-04-000	FT	TAPE-DOUBLE COATED/ADHESIVE BK-.05"THK X .8"W X 108' - WHT
	076322-05-000	FT	TAPE - DOUBLE COATED/ADHESIVE BACK - .045"THK X .75"W X 9'
	076322-07-000	FT	TAPE - DOUBLE COATED/ADHESIVE BACK - .045"THK X .50"W X 9'
	076322-11-000	FT	TAPE - DOUBLE COATED/ADHESIVE BACK - .020"THK X 1"W X 9'
	086276-01-000	EA	TAPE - DOUBLE SIDED - 1/2"
	087211-01-000	GL	PROMOTER - ADHESIVE
	088479-01-000	EA	TAPE - ALUMINUM - 3"
	090340-01-000	FT	SEAL - FOAM - CLOSED CELL - 1/4" X 1/2" X 50'
	091255-02-000	FT	SEAL - ADHESIVE BACKED/FOAM - 3/64" THICK X 3/16" WIDE
	091255-03-000	FT	SEAL - ADHESIVE BACKED/FOAM - 1/4" THICK X 1/4" WIDE
	094401-03-000	EA	SEALER - BODY SEAM - BLACK
	094401-04-000	EA	SEALER - BODY SEAM - CLEAR
	098408-01-000	FT	SEAL - SPONGE RUBBER - CLOSED CELL
	099069-01-000	FT	SEAL - RUBBER - CLOSED SPONGE - .5" WIDE X .12" THICK -BLK
	099418-01-000	FT	SEAL - D-SECTION/ADHESIVE BACK - .44" X .44" - BLK RUBBER
	099952-01-000	FT	CORE - SEAL - BULB SUPPORT
	100128-02-000	FT	SEAL - FOAM/ADHESIVE BACK - .37" WIDE X .37" THICK
	102352-01-000	EA	SEALER - PUMPABLE - TUBE - BLACK
	102352-02-000	EA	SEALER - PUMPABLE - TUBE - BLACK
	104692-01-000	FT	SEAL - ADHESIVE BACKED FOAM - 3/4" THICK X 3/4" WIDE X 25'
	104692-03-000	FT	SEAL - ADHESIVE BACKED FOAM - 1" THICK X 1 3/4" WIDE X 15'
	106206-01-000	EA	SEALER - PUMPABLE - TUBE - BLACK - MANUS
	107828-01-000	EA	SEALANT - SB - 190 EVERSEAL
	108353-01-000	FT	SEAL - FOAM - 5/16" X 1/2" - ADHESIVE BACKED
	109506-12-000	EA	FILM/ABRASION-RESISTANT - TRANSPARENT - 1" DIA.
	110274-01-000	FT	TAPE - DOUBLE SIDED/FOAM - .45" X 1" X 216' - BLACK
	111940-02-000	LB	SEALER - PUTTY - THUMBING
	112864-01-000	FT	SEAL - FOAM/BUTYL COVERED - 3/8"

## SEALANTS & FASTENERS GROUP (CONTINUED)

### SEALANTS & ADHESIVES (CONTINUED)

KEY	PART NUMBER	U/M	DESCRIPTION
	112864-02-000	FT	FOAM - BUTYL COVERED 5/16"
	112901-01-000	EA	ADHESIVE - PLEXUS - 400 ML CARTRIDGE
	112901-02-000	EA	ADHESIVE - PLEXUS - 50ML
	112901-03-000	EA	ADHESIVE - PLEXUS - MA300 - 50ML - WHITE
	112902-01-000	EA	NOZZLE - ELEMENT - 3/8 X 24
	112902-03-000	EA	NOZZLE - ELEMENT - 1/4 X 6
	113366-01-000	EA	ADHESIVE - INSTANT
	120074-02-02A	EA	SEALANT - SILICONE - SOFT WHITE
	120074-02-03A	EA	SEALANT - SILICONE - SMOKY WHITE
	120534-01-01A	EA	TAPE - SCOTCH - 3M - 1/2" FINE LINE
	123244-01-000	FT	TAPE - DOUBLE SIDED/FOAM - 5/64" THICK X 3/4" WIDE
	123244-02-000	FT	TAPE - DOUBLE SIDED/FOAM - 5/64" THICK X 1/2" WIDE X 108'
	123816-01-000	FT	TAPE - DOUBLE SIDED - 1" X 100'
	123816-02-000	FT	TAPE - DOUBLE SIDED - 1/2" X 1 1/3" X 100'
	123816-03-000	FT	TAPE - DOUBLE SIDED - 1/2" X 3/4" X 100'
	123816-04-000	FT	TAPE - DOUBLE SIDED - 6" X 750'
	123995-03-000	EA	ADHESIVE-TILE,FLOOR
	126427-01-000	EA	ADHESIVE - ALL PURPOSE - ABS/PVC
	126427-02-000	EA	PRIMER - CLEANER - FLEX PIPING
	131137-01-000	YD	TAPE - ADHESIVE - DOUBLE SIDED
	131264-01-02A	EA	SILICONE - W/O NOZZLE - CLEAR
	131264-01-01A	EA	SILICONE - W/O NOZZLE - BLACK
	131264-02-01A	EA	SILICONE - W/O NOZZLE - VW GRAY - BATH ONLY
	131264-03-01A	EA	SILICONE - SELF LEVELING - W/O NOZZLE - BRIGHT WHITE
	131264-04-01A	EA	SILICONE - CLEAR - ADHESIVE
	131384-01-000	EA	ADHESIVE - JETWELD
	900390-01-000	EA	NOZZLE - SILICONE TUBE - 2.5" LONG
	900390-03-000	EA	NOZZLE - SILICONE TUBE - 4.3" LONG

### BOLTS, NUTS AND WASHERS

KEY	PART NUMBER	U/M	DESCRIPTION
	OMC04K-06-016	EA	BOLT - HEX - M06 X 1 X 016
	OMC05K-08-055	EA	BOLT - HEX - M08 X 1.25 X 2.2
	OMC13K-14-070	EA	BOLT - HEX - M14 X 2 X 2 3/4
	OMC31K-08-020	EA	BOLT - HEX - SERRATED FLANGE - M8 X 020
	OMC32K-10-030	EA	BOLT - HEX - SERRATED FLANGE - M10 X 1.50
	OMC54K-14-035	EA	BOLT-HEX M14X2,00X035 10.9 - C-TECH DIN 931,10.9
	OMD16K-10-000	EA	NUT - HEX PREV TORQUE M10 X 1 1/2 CLASS 8
	OMD39K-12-000	EA	NUT - HEX W/NYLON LOCK - M12 X 1 3/4
	OMD40K-14-000	EA	NUT - HEX W/NYLON LOCK - M14 X 2.00
	OMD74K-14-000	EA	NUT - HEX - PREVIOUS TORQUE - M14 X 2
	OMD77K-12-000	EA	NUT - HEX - PREVIOUS TORQUE - M12 X 1.75
	OME06K-12-300	EA	WASHER - FLAT - 12 ID X 30 OD
	OME06K-14-280	EA	WASHER - FLAT - 14 ID X 28.00 OD
	000C12-04-08B	EA	BOLT - HEX - 1/4-20 X 1/2 - GRADE #5 - ZINC
	000C12-04-12A	EA	BOLT - HEX - 1/4-20 X 3/4 - PLAIN 5
	000C12-04-40B	EA	BOLT - HEX - 1/4-20 X 2 1/2 - GRADE 5 ZINC
	000C12-05-12B	EA	BOLT - HEX - 5/16-18 X 3/4 - GRADE #5 - ZINC
	000C12-05-16B	EA	BOLT - HEX - 5/16-18 X 1 - GRADE #5 - ZINC
	000C12-05-64B	EA	BOLT - HEX - 5/16-18 X 4
	000C12-06-128	EA	BOLT - HEX - 3/8 - 16 X 8 - ZINC 5
	000C12-06-16B	EA	BOLT - HEX - 3/8-16 X 1 - GRADE #5 - ZINC
	000C12-06-20B	EA	BOLT - HEX - 3/8 - 16 X 1 1/4 - ZINC #5
	000C12-06-24B	EA	BOLT - HEX - 3/8-16 X 1 1/2 - ZINC #5
	000C12-06-44B	EA	BOLT - HEX - 3/8-16 X 2 3/4 - GRADE 5 - ZINC
	000C12-07-20B	EA	BOLT - HEX - 7/16-14 X 1 1/4 - GRADE #5 - ZINC
	000C12-07-24B	EA	BOLT - HEX - 7/16-14 X 1 3/4 - GRADE #5 - ZINC
	000C12-08-16B	EA	BOLT - HEX - 1/2-13 X 1" - GRADE #5 - ZINC
	000C12-08-24B	EA	BOLT - HEX - 1/2-13 X 1 1/2 - GRADE #3 - ZINC
	000C12-08-28B	EA	BOLT - HEX - 1/2-13 X 1 3/4 - GRADE #5 - ZINC
	000C12-10-24B	EA	BOLT - HEX - 5/8-11 X 1 1/2 - GRADE #5 - ZINC
	000C13-07-24B	EA	BOLT - HEX - 7/16-20 X 1 1/2 - GRADE #5
	000C13-07-40B	EA	BOLT - HEX - 7/16-20 X 2 1/2 - GRADE #5 - ZINC
	000C13-07-48B	EA	BOLT - HEX - 7/16-20 X 3 - GRADE #5 - ZINC
	000C14-07-20B	EA	BOLT - HEX - 7/16-14 X 1 1/4 - GRADE #8 - ZINC



**SEALANTS & FASTENERS GROUP (CONTINUED)****BOLTS, NUTS AND WASHERS (CONTINUED)**

<b>KEY</b>	<b>PART NUMBER</b>	<b>U/M</b>	<b>DESCRIPTION</b>
	000C14-07-28B	EA	BOLT - HEX - 7/16-14 X 1 3/4 - GRADE #8 - ZINC
	000C14-08-64B	EA	BOLT - HEX - 1/2-13X4 ZN 8
	000C14-10-24K	EA	BOLT - HEX - 5/8-11 X 1 1/2 - GRADE #8 - ZINC
	000C14-10-32K	EA	BOLT - HEX - 5/8"-11 X 2 - GRADE #8 - ZINC
	000C18-05-40A	EA	BOLT - ELEVATOR - 5/16-18 X 2 1/2 - PL
	000C18-06-48B	EA	BOLT - ELEVATOR - 3/8-16 X 3 - GRADE 5 - ZINC
	000C18-06-56A	EA	BOLT - ELEVATOR - 3/8-16 X 3 1/2 - GRADE 5
	000C26-04-10B	EA	BOLT - HEX - SERRATED FLANGE - 1/4-20 X 5/8 - ZINC
	000C26-04-14B	EA	BOLT - HEX - SERRATED FLANGE - 1/4-20 X 7/8 - ZINC
	000C26-04-18B	EA	BOLT - HEX - SERRATED FLANGE - 1/4-20 X 1 1/8 - ZINC
	000C26-05-129	EA	BOLT - HEX - SERRATED FLANGE - 5/16-18 X 3/4
	000C26-05-12B	EA	BOLT - HEX - SERRATED FLANGE - 5/16-18 X 3/4 - ZINC
	000C26-05-16B	EA	BOLT - HEX - SERRATED FLANGE - 5/16-18 X 1 - ZINC
	000C26-05-20B	EA	BOLT - HEX - SERRATED FLANGE - 5/16-18 X 1 1/4 - ZINC
	000C26-05-249	EA	BOLT - HEX - SERRATED FLANGE - 5/16-18 X 1 1/2
	000C26-06-12B	EA	BOLT - HEX - SERRATED FLANGE - 3/8-16 X 3/4 - ZINC
	000C26-06-16B	EA	BOLT - HEX - SERRATED FLANGE - 3/8-16 X 1 - ZINC
	000C26-06-20B	EA	BOLT - HEX, SER FLG 3/8 - 16 X 1 1/4 - ZN
	000C26-06-28B	EA	BOLT - HEX - SERRATED FLANGE - 3/8-16 X 1 3/4 - ZINC
	000C26-06-40B	EA	BOLT - HEX - SERRATED FLANGE - 3/8-16 X 2 1/2 - ZINC
	000C26-08-24B	EA	BOLT - HEX - SERRATED FLANGE - 1/2-13 X 1 1/2 - ZINC
	000C26-08-28B	EA	BOLT - HEX - SERRATED FLANGE - 1/2-13 X 1 3/4 - ZINC
	000C26-08-40B	EA	BOLT - HEX - SERRATED FLANGE-1/2-13 X 2 1/2-GRADE #5 ZINC
	000C27-04-40B	EA	BOLT - CARRIAGE - 1/4-20 X 2 1/2 - ZINC
	000C27-05-16B	EA	BOLT - CARRIAGE - 5/16-18 X 1.0 - ZINC
	000C27-05-44I	EA	BOLT-CARR,5/16-18X2.75" - BLACK ZINC
	000C27-07-40B	EA	BOLT - CARRIAGE - 7/16-14 X 2.50 - GRADE 5
	000C27-10-32B	EA	BOLT - CARRIAGE - 5/8-11 X 2
	000D16-07-00B	EA	NUT - HEX - 7/16-14 - ZINC
	000D18-08-00B	EA	NUT - HEX JAMB - 1/2-13 - ZINC
	000D24-10-00B	EA	NUT - HEX - SELF LOCKING - 10-32 ZINC
	000D28-10-00B	EA	NUT - HEX - W/NYLON LOCK - 10-32 ZINC
	000D29-04-00B	EA	NUT - HEX - SELF LOCKING - 1/4 X 20 - ZINC
	000D29-05-00B	EA	NUT - HEX - LOCKING W/SERRATED FLANGE-NYLON WASHER INSERT
	000D29-06-00B	EA	NUT - HEX - W/NYLON LOCK - 3/8-16 - ZINC
	000D29-09-00B	EA	NUT - HEX - SELF LOCKING - 9/16-12 - ZINC
	000D30-07-00B	EA	NUT - HEX LOCK,NYLON 7/16X20
	000D34-04-00B	EA	NUT - HEX - LOCKING - 1/4-20 ZINC
	000D34-06-00B	EA	NUT - HEX - LOCKING - 3/8-16 GRADE C - ZINC
	000D39-04-00B	EA	NUT - HEX - LOCKING W/SERRATED FLANGE - 1/4-20 - ZINC
	000D39-05-00B	EA	NUT - HEX - LOCKING W/SERRATED FLANGE - 5/16-18 - ZINC
	000D39-06-00B	EA	NUT - HEX - LOCKING W/SERRATED FLANGE - 3/8-18 - ZINC
	000D39-06-00D	EA	NUT - HEX - LOCKING W/SERRATED FLANGE - 3/8"-16 BLACK
	000D39-07-00B	EA	NUT - HEX - LOCKING W/SERRATED FLANGE - 7/16-14 - ZINC
	000D39-08-00B	EA	NUT - HEX - LOCKING W/SERRATED FLANGE - 1/2-13 - ZINC
	000D39-09-00B	EA	NUT - HEX - SERRATED FLANGE LK 9/16-12 - GRADE #5 - ZINC
	000D44-04-00B	EA	NUT - HEX - LOCKING W/SERRATED FLANGE - 1/4-28 - ZINC
	000D44-07-00B	EA	NUT - HEX - LOCKING W/SERRATED FLANGE - 7/16-20 - ZINC
	000D44-08-00B	EA	NUT - HEX - SERRATED FLANGE - 1/2-20 - GRADE #5 - ZINC
	000D46-04-00A	EA	NUT - HEX - WELD - 1/4-20 - PLAIN
	000D58-06-00A	EA	NUT - HEX - WELD 3/8-16 - PLAIN
	000D65-08-00B	EA	NUT - HEX - LOCKING W/SERRATED FLANGE - 8-32 - ZINC
	000D67-07-00B	EA	NUT - HEX - LOCKING - 7/16-13 ZINC
	000D67-10-00B	EA	NUT - HEX - LOCK - 5/8-11 - ZINC
	000D73-07-00C	EA	NUT - HEX FLANGE - 7/16-14 - GRADE 6
	000D73-08-00C	EA	NUT - HEX FLANGE - 1/2-13
	000D75-09-00B	EA	NUT - HEX LOCKING - 9/16-12 - ZINC
	000D76-06-00B	EA	NUT - HEX FLANGE - 3/8-16
	000E11-04-00F	EA	WASHER - LOCKING - 1/4 MED SPLIT - STAINLESS STEEL
	000E11-07-00B	EA	WASHER - LOCKING - 7/16 MED SPLIT - ZINC
	000E11-08-00B	EA	WASHER - LOCKING - 1/2 MED SPLIT - ZINC
	000E13-17-00B	EA	WASHER - FLAT - 3/8 AR - ZINC
	000E13-18-00B	EA	WASHER - FLAT - 3/8 WIDE - ZINC
	000E13-18-00K	EA	WASHER - FLAT - 3/8 WIDE - YELLOW CHROMATE

**SEALANTS & FASTENERS GROUP (CONTINUED)****BOLTS, NUTS AND WASHERS (CONTINUED)**

<b>KEY</b>	<b>PART NUMBER</b>	<b>U/M</b>	<b>DESCRIPTION</b>
	000E13-20-00B	EA	WASHER - FLAT - 7/16 WIDE - ZINC
	000E13-21-00B	EA	WASHER - FLAT - 1/2 NARROW - ZINC
	000E13-22-00B	EA	WASHER - FLAT - 1/2 WIDE - ZINC
	000E13-26-00B	EA	WASHER - FLAT - 5/8 WIDE - ZINC
	000E14-10-00B	EA	WASHER - LOCKING - #10 EXTERNAL TOOTH - ZINC
	000E16-07-00B	EA	WASHER - HARDENED - 7/16" - FLAT - ZINC
	000E16-08-00B	EA	WASHER - HARDENED - 1/2 - FLAT - ZINC
	000E16-10-00B	EA	WASHER - HARDENED - 5/8 - FLAT - ZINC
	000G45-04-16F	EA	BOLT - LAG - 1/4"-9 X 1" - STAINLESS STEEL HEX HEAD
	000G45-05-16B	EA	BOLT - LAG - 5/16-9 X 1 - ZINC
	000G62-08-24B	EA	SCREW - SF/DR - 8-18 X 1 1/2 PFH
	002329-01-000	EA	WASHER-FLAT, 9/32" ID X 5/8" OD - NYLON
	005081-01-000	EA	NUT - SPEED - C-TYPE - #8 SCREW
	040921-03-000	EA	NUT - SPEED - U TYPE - #10
	040921-04-000	EA	NUT - SPEED - U TYPE - #8-.59" LENGTH X .44" WIDTH
	040921-05-000	EA	NUT - SPEED - U-TYPE - 8-.67" X .44" WIDE
	040921-09-000	EA	NUT - SPEED - U TYPE - #8
	041322-01-000	EA	WASHER - FLANGE - 15/32 ID X 2 3/8 OD - F/SEAT BELT MTG
	044364-01-000	EA	NUT - SPEED - FLAT - RECTANGULAR - SELF LOCKING/ONE PIECE
	044364-02-000	EA	NUT - SPEED - FLAT - ROUND
	044533-01-000	EA	WASHER - PLASTIC - 1 3/8" OD - FOR BUTTONS
	051387-06-000	EA	BOLT - CARRIAGE W/O HOLE - 5/16-18 X 9.5 - ZINC
	058716-02-000	EA	WASHER - FLAT NYLON
	058716-03-000	EA	WASHER - FLAT/NYLON - .500 X 1 1/4 X 060
	064081-03-000	EA	NUT - WING 3/8-16 - W/WELD NUT
	068938-03-000	EA	BEARING - SNAP IN - .38"ID - TYPE 7
	077071-01-000	EA	WASHER - FENDER - 3/16 ID X 1 OD
	083163-06-000	EA	PUSHNUT - FLAT TYPE 3/8 STUD - FORD ONLY
	084406-01-000	EA	NUT - CAPPED - CROSS RECESSED - BLACK - 1/4-20 THD
	087234-01-000	EA	NUT - JACK - 1/4 X 20 THD - MOLLY
	087718-01-000	EA	MONOBOLT - STEEL - 3/16 DIAMETER
	088787-12-000	EA	STUD - WELD - 1/4 - 20 X 1.0 LG - MN
	095076-01-000	EA	WASHER - FL - 1/2"ID X 2"OD X 1/8"
	102333-01-06A	EA	BOLT - CARRIAGE - 7/16-14 STAINLESS STEEL CAP
	102333-02-01A	EA	BOLT - CARRIAGE - 1/4-20
	102378-01-02A	EA	WASHER - BLACK
	102540-02-000	EA	SEAL - SCREW
	103020-02-000	EA	BOLT-U - #8-32 - GRADE 5 ZINC
	104369-01-000	EA	NUT - HEX - HEAVY - 5/8-11 UNC
	106166-01-000	EA	BOLT/COLLARED HANGER - 8-32 X 1"
	106648-01-000	EA	CAP - STUD - .120 TO .130 DIAMETER
	106956-03-000	EA	BOLT - HEX TAP - 1/2-12NC X 3 - GRADE 5 - FULL THREAD/ZINC
	106956-08-000	EA	BOLT - HEX TAP - 1/2-13NC X 4 - GRADE 5 - FULL THREAD/ZINC
	107393-02-000	EA	BOLT - SHOULDER - 3/8" SOCKETHEAD
	107397-01-000	EA	WASHER - FENDER - .25" ID X 1" OD
	108067-03-000	EA	STUD - WELD - 1/4 - 20 X 1/2 CD
	109917-01-000	EA	WASHER - 1.5" X 1.25"
	109917-02-000	EA	WASHER - 1.25" X .75"
	109917-03-000	EA	WASHER - 1" X .50"
	109917-04-000	EA	WASHER - 1" X .75"
	113985-01-000	EA	BOLT - FLANGE - M10-1.5 X 40CL10.9
	113985-02-000	EA	BOLT - FLANGE - M10-1 1/2 X 30CL 10.9
	114259-05-000	EA	BOLT - 7/16-20X1.25 W/WASHER
	116672-01-000	EA	NUT - SPEED
	120506-01-01A	EA	RIVET - PLASTIC - 3/16 DIAMETER
	128444-01-000	EA	WASHER - SPRING - CONICAL
	131377-01-000	EA	NUT-HEX HEAD W/WASHER-1/4-20 X 2" STEEL W/3/4" OD WASHER
	134775-01-000	EA	BOLT - CARRIAGE - 1/2-13 X 4" FULL THROAT-GRADE #5-ZINC/CL
	135092-01-01A	EA	BOLT - HEX - SERRATED FLANGE - 1/2-20 X 1 3/4-GRADE 5 ZINC
	135092-02-01A	EA	BOLT - HEX - SERRATED FLANGE - 1/2-20 X 2 1/2-GRADE 5 ZINC
	135092-04-01A	EA	BOLT - HEX - SERRATED FLANGE - 1/2-20 X 4 1/2 GRADE 5 ZINC

## SEALANTS & FASTENERS GROUP (CONTINUED)

### SCREWS

KEY	PART NUMBER	U/M	DESCRIPTION
	0G1106-06-160	EA	SCREW - 6-20 X 3/8 PPH
	0G1106-08-240	EA	SCREW - 6-20 X 1/2 PPH - VW LIGHT GRAY
	0G1108-08-250	EA	SCREW - 8-18 X 1/2 PPH
	0G1108-12-240	EA	SCREW - 8-18 X 3/4 PPH - VW LIGHT GRAY
	0G1108-16-240	EA	SCREW - 8-18 X 1.00 PPS - VW LIGHT GRAY
	0G1206-12-110	EA	SCREW - 6-20 X .75 POH - HAMPTON TAN
	0G1208-12-170	EA	SCREW - 8-18 X 3/4 POH - BRIGHT WHITE
	0G1306-08-130	EA	SCREW-6-20X1/2 PFH TAUPE
	0G1308-10-240	EA	SCREW - 8-18 X 5/8 PFH - VW LIGHT GRAY
	0G3804-22-180	EA	SCREW - MACHINE - 1/4-20 X 1 3/8 PFH - BLACK
	0G3908-08-160	EA	SCREW - SF/DR - 8-18 X 1/2 PPH - VW WHITE
	0G3908-08-240	EA	SCREW - SF/DR - 8-18 X 1/2 PPH - VW LIGHT GRAY
	0G3908-08-170	EA	SCREW - SF/DR - 8-18 X 1/2 PPH - BRIGHT WHITE
	0G3908-12-250	EA	SCREW - SF/DR - 8-18 X 3/4 PPH - DARK GRAY
	0G3908-12-240	EA	SCREW - SF/DR - 8-18 X .75 PPH - VW LIGHT GRAY
	0G3908-16-250	EA	SCREW - SF/DR - 8-18 X 1.00 PPH
	0G3908-16-170	EA	SCREW - SF/DR - 8-18 X 1 PPH - BRIGHT WHITE
	0G3908-20-170	EA	SCREW - SF/DR - 8-18 X 1 1/4 PPH - BRIGHT WHITE
	0G3908-24-170	EA	SCREW - SF/DR - 8-18 X 1 1/2 PPH - BRIGHT WHITE
	0G3910-10-240	EA	SCREW - SF/DR - 10-16 X 5/8 PPH - VW LIGHT GRAY
	0G3910-10-160	EA	SCREW - SF/DR - 10-16 X 5/8 PPH - VW WHITE
	0G3910-12-240	EA	SCREW - SF/DR - 10-16 X .75 PPH - VW LIGHT GRAY
	0G3910-12-170	EA	SCREW - SF/DR - 10-16 X 3/4 PPH - BRIGHT WHITE
	0G3910-12-270	EA	SCREW - SF/DR - 10-16 X .75 PPH - TITANIUM
	0G3910-20-310	EA	SCREW - SF/DR - 10-16 X 1 1/4 PPH - CADDY CREAM
	0G3910-20-270	EA	SCREW - SF/DR - 10-16 X 1.25 - PPH - TITANIUM
	0G3910-20-260	EA	SCREW - SF/DR - 10-16 X 1.25 PPH - ALLANTE ANTELOPE
	0G3910-32-240	EA	SCREW - SF/DR - 10-16 X 2.00 PPH - VW LIGHT GRAY
	0G5508-08-250	EA	SCREW - SF/DR - 8-18 X 1/2 PWH - VW DARK GRAY
	0G5508-08-110	EA	SCREW - SF/DR - 8-18 X .5 PWH
	0G5508-12-110	EA	SCREW - SF/DR - 8-18 X 3/4 PWH - HAMPTON TAN
	0G5508-12-310	EA	SCREW - SF/DR - 8-18 X 3/4 PWH - CADDY CREAM
	0G5508-12-270	EA	SCREW - SF/DR - 8-18 X 3/4 PWH - TITANIUM
	0G5508-12-260	EA	SCREW - SF/DR - 8-18 X 3/4 PWH - ALLANTE ANTELOPE
	0G5508-12-240	EA	SCREW - SF/DR - 8-18 X 3/4 PWH - VW LIGHT GRAY
	0G5508-12-170	EA	SCREW - SF/DR - 8-18 X 3/4 PWH - BRIGHT WHITE
	0G5508-16-270	EA	SCREW - SF/DR - 8-18 X 1 PWH ZINC - INTERIOR TITANIUM
	0G5508-16-260	EA	SCREW - SF/DR - 8-18 X 1 PWH ZINC - INTERIOR ANTELOPE
	0G5508-16-250	EA	SCREW - SF/DR - 8-18 X 1 PWH - VW DARK GRAY
	0G5508-16-310	EA	SCREW - SF/DR - 8-18 X 1 PWH - CADDY CREAM
	0G6008-16-170	EA	SCREW - SF/DR - 8-18 X 1 POH - BRIGHT WHITE
	0G6710-08-130	EA	SCREW - 10-12 X 1/2 PPH - TAUPE
	0G6710-08-110	EA	SCREW - 10-12 X 1/2 PPH - HAMPTON TAN
	0G6710-08-250	EA	SCREW - 10-12 X .50 PPH
	0G6710-08-240	EA	SCREW - 10-12 X 1/2 PPH TAUPE - VW LIGHT GRAY
	0G6710-08-170	EA	SCREW - 10-12 X 1/2 PPH - BRIGHT WHITE
	0G6710-12-170	EA	SCREW - 10-12 X 3/4 PPH - BRIGHT WHITE
	0G6806-16-170	EA	SCREW - 6-18 X 1 POH - BRIGHT WHITE
	0G6810-24-170	EA	SCREW - 10-12 X 1.5 POH - BRIGHT WHITE
	0G6810-24-280	EA	SCREW - 10-12 X 1 1/2 POH - SOFT WHITE
	0MD34K-04-000	EA	NUT - HEX W/NYLON LOK - M4 X .70
	000C20-05-28F	EA	SCREW - 5/16-18 X 1 3/4 FLAT SOC - STAINLESS STEEL
	000G11-06-06B	EA	SCREW - 6-20 X 3/8 PPH - ZINC
	000G11-06-24B	EA	SCREW - 6-20 X 1 1/2 PPH ZINC
	000G11-06-10J	EA	SCREW - 6-20 X 5/8 PPH - BRASS
	000G11-06-10B	EA	SCREW - 6-20 X 5/8 PPH - ZINC
	000G11-06-08B	EA	SCREW - 6-20 X 1/2 PPH - ZINC
	000G11-06-18B	EA	SCREW - 6-20 X 1 1/8 PPH - ZINC
	000G11-07-08B	EA	SCREW - 7-19 X 1/2 PPH - ZINC
	000G11-08-08T	EA	SCREW - 8-18 X 1/2 PPH - FLUOROCARBON COATING
	000G11-08-06J	EA	SCREW - 8-18 X 3/8 PPH BRASS
	000G11-08-06B	EA	SCREW - 8-18 X 3/8 PPH - ZINC
	000G11-08-20B	EA	SCREW - 8-18 X 1 1/4 PPH - ZINC
	000G11-08-10B	EA	SCREW - 8-18 X 1/2 PPH - ZINC

**SEALANTS & FASTENERS GROUP (CONTINUED)****SCREWS (CONTINUED)**

<b>KEY</b>	<b>PART NUMBER</b>	<b>U/M</b>	<b>DESCRIPTION</b>
	000G11-08-16B	EA	SCREW - 8-18 X 1 PPH - ZINC
	000G11-08-16S	EA	SCREW - 8-18 X 1 PPH - OFF WHITE
	000G11-08-12T	EA	SCREW - 8-18 X 3/4 PPH - BLACK MAGNESIUM
	000G11-08-12P	EA	SCREW - 8-18 X 3/4 PPH - DARK BROWN
	000G11-08-12D	EA	SCREW - 8-18 X 3/4 PPH - BLACK PHOSPHATE
	000G11-08-12B	EA	SCREW - 8-18 X 3/4 PPH - ZINC
	000G11-10-12S	EA	SCREW - 10-16 X 3/4 PPH - OFF WHITE
	000G11-10-12D	EA	SCREW - 10-16 X 3/4 PPH - BLACK
	000G11-10-16B	EA	SCREW - 10-16 X 1 PPH - ZINC
	000G11-10-40B	EA	SCREW - 10-16 X 2 1/2 PPH CADIUM
	000G12-06-12J	EA	SCREW - 6-20 X .75 POH - BRASS
	000G12-06-08T	EA	SCREW - 6-20 X 1/2 POH - BLACK
	000G12-08-12S	EA	SCREW - 8-18 X 3/4 POH - OFF WHITE
	000G12-08-283	EA	SCREW-8-18X1.75 POH - BUFF
	000G13-05-10B	EA	SCREW - 5-12 X 5/8 PFH - ZINC
	000G13-06-06I	EA	SCREW - 6-20 X 3/8 PFH - BLACK ZINC
	000G13-06-06B	EA	SCREW - 6-20 X 3/8 PFH - ZINC
	000G13-06-24J	EA	SCREW - 6-20 X 1 1/2 PFH - BRASS
	000G13-06-16S	EA	SCREW - 6-20 X 1 PFH - OFF WHITE
	000G13-06-16J	EA	SCREW - 6-20 X 1 PFH - BRASS
	000G13-06-10J	EA	SCREW - 6-20 X 5/8 PFH - BRASS
	000G13-06-10G	EA	SCREW - 6-20 X 5/8 PFH - ANTIQUE BRASS
	000G13-06-08G	EA	SCREW - 6-20 X 1/2 PFH - ANTIQUE BRASS
	000G13-06-08B	EA	SCREW - 6-20 X 1/2 PFH - ZINC
	000G13-07-10H	EA	SCREW - 7-19 X 5/8 PFH - BLACK
	000G13-07-12B	EA	SCREW - 7-19 X 3/4 PFH - ZINC
	000G13-08-16B	EA	SCREW - 8-18 X 1 PFH - ZINC
	000G13-08-109	EA	SCREW - 8-18 X 5/8 PFH
	000G13-08-10S	EA	SCREW - 8-18 X 5/8 PFH - OFF WHITE
	000G13-08-10B	EA	SCREW - 8-18 X 5/8 PFH - ZINC
	000G13-08-24B	EA	SCREW - 8-18 X 1 1/2 PFH - ZINC
	000G13-10-16I	EA	SCREW - 10-16 X 1 PFH - BLACK
	000G16-04-24B	EA	SCREW - MACHINE - 1/4-20 X 1 1/2 PPH
	000G18-08-12B	EA	SCREW - MACHINE - 8-32 X 3/4 PPH - ZINC
	000G18-08-20B	EA	SCREW - MACHINE - 8-32 X 1 1/4 PPH - ZINC
	000G18-08-22B	EA	SCREW - MACHINE - 8-32 X 1 3/8 PPH - ZINC
	000G18-08-24B	EA	SCREW - MACHINE - 8-32 X 1 1/2 PPH - ZINC
	000G19-10-10B	EA	SCREW - MACHINE - 10-32 X 5/8 - PPH - ZINC
	000G19-10-08B	EA	SCREW - MACHINE - 10-32 X 1/2 PPH - ZINC
	000G19-10-20B	EA	SCREW - MACHINE - 10-32 X 1 1/2 PPH - ZINC
	000G19-10-12F	EA	SCREW - MACHINE - 10-32 X 3/4 PPH - STAINLESS STEEL
	000G32-10-06B	EA	SCREW - 10-32 X 3/8 PPH - ZINC
	000G36-10-12T	EA	SCREW - 10-24X 3/4 PFH TYPE 23 - BLACK
	000G37-08-12B	EA	SCREW - 8-18 X 3/4 PPH
	000G37-08-089	EA	SCREW - 8 X 18 X 1/2 PPH - FLUOROCARBON SILVER
	000G38-04-16D	EA	SCREW - MACHINE - 1/4-20 X 1 PFN - BLACK
	000G39-06-08B	EA	SCREW - SF/DR - 6-18 X 1/2 - ZINC
	000G39-06-10T	EA	SCREW - SF/DR - 6-20 X 5/8 PPH - BLACK
	000G39-06-16T	EA	SCREW - SF/DR - 6-20 X 1 PPH - BLACK
	000G39-08-08S	EA	SCREW - SF/DR - 8-18 X 1/2 PPH - OFF WHITE
	000G39-08-08B	EA	SCREW - SF/DR - 8-18 X 1/2 PPH - ZINC
	000G39-08-06B	EA	SCREW - SF/DR - 8-18 X 3/8 PPH - ZINC
	000G39-08-32B	EA	SCREW - SF/DR - 8-18 X 2 PPH - ZINC
	000G39-08-24T	EA	SCREW - SF/DR - 8-18 X 1 1/2 PPH - BLACK
	000G39-08-24S	EA	SCREW - SF/DR - 8-18 X 1 1/2 - OFF WHITE
	000G39-08-24B	EA	SCREW - SF/DR - 8-18 X 1 1/2 PPH - ZINC
	000G39-08-16T	EA	SCREW - SF/DR - 6-20 X 1 PPH - BLACK
	000G39-08-16B	EA	SCREW - SF/DR - 8-18 X 1 PPH - ZINC
	000G39-08-12T	EA	SCREW - SF/DR - 8-18 X 3/4 PPH - BLACK
	000G39-08-12B	EA	SCREW - SF/DR - 8-18 X 3/4 PPH - ZINC
	000G39-08-083	EA	SCREW - SF/DR - 8-18 X 1/2 PAH - BUFF
	000G39-08-08T	EA	SCREW - SF/DR - 8-18 X 1/2 PPH - BLACK
	000G39-10-088	EA	SCREW - SF/DR - 10-16 X 1/2 PPH - FLEX FLUOROCARBON
	000G39-10-08B	EA	SCREW - SF/DR - 10-16 X 1/2 PPH - ZINC

## SEALANTS & FASTENERS GROUP (CONTINUED)

### SCREWS (CONTINUED)

KEY	PART NUMBER	U/M	DESCRIPTION
	000G39-10-48T	EA	SCREW - SF/DR - 10-16 X 3 PPH - BLACK
	000G39-10-48B	EA	SCREW - SF/DR - 10-16 X 3 - PPH - ZINC
	000G39-10-40D	EA	SCREW - SF/DR - 10-16 X 2 1/2 PPH - BLACK
	000G39-10-32I	EA	SCREW - SELF TAPPING - 10-16 X 2 PPH - BLACK
	000G39-10-32B	EA	SCREW - SF/DR - 10-16 X 2 - PPH - ZINC
	000G39-10-209	EA	SCREW - SF/DR - 10-16 X 1 1/4 PPH - FLUOROCARBON SILVER
	000G39-10-20T	EA	SCREW - SF/DR - 10-16 X 1 1/4 PPH - BLACK
	000G39-10-20B	EA	SCREW - SF/DR - 10-16 X 1 1/4 PPH - ZINC
	000G39-10-169	EA	SCREW - SF/DR - 10-16 X 1 PPH - FLUOROCARBON SILVER
	000G39-10-129	EA	SCREW - SF/DR - 10-16 X 3/4 PPH - FLUOROCARBON SILVER
	000G39-10-123	EA	SCREW-SF/DR,10-16X.75 PPH - BUFF
	000G39-10-12T	EA	SCREW - SF/DR - 10-16 X 3/4 - BLACK
	000G39-10-12S	EA	SCREW - SF/DR - 10-16 X 3/4 PPH - OFF WHITE
	000G39-10-12R	EA	SCREW - SF/DR - 10-16 X .75 PPH - BEIGE
	000G39-10-12R	EA	SCREW - SF/DR - 10-16 X .75 PPH - BEIGE
	000G39-10-12B	EA	SCREW - SF/DR - 10-16 X 3/4 PPH - ZINC
	000G39-10-10T	EA	SCREW - SF/DR - 10-16 X 5/8 - BLACK
	000G39-10-10B	EA	SCREW - SF/DR - 10-16 X 5/8 - ZINC
	000G39-12-12E	EA	SCREW - SF/DR - 12-14 X 3/4 PPH - CHROME
	000G42-04-16B	EA	SCREW - SF/DR - 1/4-14 X 1 HWH - ZINC
	000G42-04-20B	EA	SCREW - SF/DR - 1/4-14 X 1 1/4 - ZINC
	000G42-04-24B	EA	SCREW - SF/DR - 1/4-14 X 1 1/2 - ZINC
	000G46-08-24T	EA	SCREW - MACHINE - 8-32 X 1 1/2 PFH - BLACK
	000G50-04-12B	EA	SCREW - MACHINE - 1/4-20 X 3/4 PPH - ZINC
	000G50-04-08B	EA	SCREW - MACHINE - 1/4-20 X 1/2 PTH - ZINC
	000G50-04-06B	EA	SCREW - MACHINE - 1/4-20 X 3/8 PTH - ZINC
	000G51-06-12B	EA	SCREW - 6-20 X 3/4 PTH - ZINC
	000G52-06-06B	EA	SCREW - MACHINE - 6-32 X 3/8 PTN - ZINC
	000G52-06-05B	EA	SCREW - MACHINE - 6-32 X 5/16 PTH ZINC
	000G52-08-18B	EA	SCREW - MACHINE - 8-32 X 1 1/8 PTH - ZINC
	000G52-08-06B	EA	SCREW - MACHINE - 8-32 X 3/8 PTH - ZINC
	000G54-04-20B	EA	SCREW - 1/4-20 X 1 1/4 PTH - TYPE 23 - ZINC PLATED
	000G54-04-14B	EA	SCREW - 1/4-20 X 7/8 PTH - TYPE 23 - ZINC PLATED
	000G55-08-12S	EA	SCREW - SF/DR - 8-18 X 3/4 PWH - OFF WHITE
	000G55-08-12M	EA	SCREW - SF/DR - 8-19 X .75 PWH - GRAY
	000G55-08-16S	EA	SCREW - SF/DR - 8-18 X 1 PWH - WILLOW
	000G55-08-162	EA	SCREW - SF/DR - 8-18 X 1.00 - BEIGE
	000G55-08-16T	EA	SCREW - SF/DR - 8-18 X 1 PWH - BLACK
	000G55-08-16S	EA	SCREW - SF/DR - 8-18 X 1.00 - PWH - OFF WHITE
	000G55-08-125	EA	SCREW - SF/DR - 8-18 X 3/4 PWH - WILLOW
	000G55-08-124	EA	SCREW - SF/DR - 8-18 X 3/4 PWH - ASH GRAY
	000G56-10-24J	EA	SCREW - WOOD - 10-13 X 1 1/2 POH - BRIGHT BRASS
	000G56-12-48B	EA	SCREW - WOOD - 12-11 X 3 POH - SPECIAL HARDENED
	000G57-10-24K	EA	SCREW - 10-12 X 1.5" PFH - CHROME
	000G57-14-72B	EA	SCREW-14-10-X4-1/2 PFH ZN GENERAL MOTORHOMES
	000G57-14-64B	EA	SCREW - 14-10 X 4 PFH ZINC
	000G60-08-16E	EA	SCREW - SF/DR - 8-1 X 1 POH - CHROME
	000G60-08-22B	EA	SCREW - SF/DR - 8-18 X 1.38 POH - ZINC
	000G60-08-20F	EA	SCREW - SF/DR - 8-19X1.25 POH
	000G60-10-20B	EA	SCREW - SF/DR - 10-16 X 1 1/4 POH - ZINC
	000G60-10-16J	EA	SCREW - SF/DR - 10-16 X 1 POH - BRIGHT BRASS
	000G60-10-28T	EA	SCREW - SF/DR - 10-16 X 1 3/4 - BLACK
	000G60-10-209	EA	SCREW - SF/DR - 10-16 X 1 1/4 POH - SILVER STALGAARD
	000G67-08-32B	EA	SCREW - 8-15 X 2 PPH - ZINC
	000G67-10-12B	EA	SCREW - 10-12 X 3/4 PPH - ZINC
	000G67-10-10T	EA	SCREW - 10-12 X 5/8 PPH - BLACK
	000G67-10-10S	EA	SCREW - 10-12 X 5/8 PPH - OFF WHITE
	000G67-10-10P	EA	SCREW - 10-12 X 5/8 PPH - DARK BROWN
	000G67-10-10D	EA	SCREW - 10-12 X 5/8 PPH - BLACK - TYPE A
	000G67-10-10B	EA	SCREW - 10-12 X 5/8 PPH - ZINC - TYPE A
	000G67-10-08S	EA	SCREW - 10-12 X 1/2 PPH - OFF WHITE
	000G67-10-08B	EA	SCREW - 10-12 X 1/2 PPH - ZINC
	000G67-10-48B	EA	SCREW - 10-12 X 3 PPH - ZINC
	000G67-10-36T	EA	SCREW - 10-12 X 2 1/4 - PPH - BLACK

**SEALANTS & FASTENERS GROUP (CONTINUED)****SCREWS (CONTINUED)**

<b>KEY</b>	<b>PART NUMBER</b>	<b>U/M</b>	<b>DESCRIPTION</b>
	000G67-10-32B	EA	SCREW - 10-12 X 2 PPH - ZINC
	000G67-10-28B	EA	SCREW - 10-12 X 1 3/4 PPH - ZINC
	000G67-10-24S	EA	SCREW - 10-12 X 1 1/2 PPH - OFF WHITE
	000G67-10-24B	EA	SCREW - 10-12 X 1 1/2 PPH - ZINC
	000G67-10-20D	EA	SCREW - 10-12 X 1 1/4 PPH - BLACK
	000G67-10-16B	EA	SCREW - 10-12 X 1 PPH - ZINC
	000G67-10-12S	EA	SCREW - 10-12 X 3/4 PPH - WILLOW
	000G67-10-08R	EA	SCREW - 10-12 X 1/2 PPH - BEIGE - TYPE A
	000G67-10-12R	EA	SCREW - 10-12 X 3/4 PPH - BEIGE
	000G67-10-12P	EA	SCREW - 10-12 X 3/4 PPH - DARK BROWN
	000G68-06-10G	EA	SCREW - 6-18 X 5/8 POH - ANTIQUE BRASS
	000G68-06-12J	EA	SCREW - 6-18 X 3/4 POH - BRASS
	000G68-06-12S	EA	SCREW - 6-18 X 3/4 POH
	000G68-06-12B	EA	SCREW - 6-18 X 3/4 POH - ZINC & CLEAR
	000G68-06-10J	EA	SCREW - 6-18 X 5/8 POH - BRASS
	000G68-10-20I	EA	SCREW - 10-12 X 1 1/4 POH - BLACK
	029130-05-000	EA	SCREW - SNAP STUD - #8-16 X 5/8" LONG
	049465-01-000	EA	SCREW - 10-16 PTH W/WASHER - DARK BROWN
	049465-03-000	EA	SCREW - 10-16 X 1 POH W/WASHER - OFF WHITE
	049465-04-000	EA	SCREW - 10-16 X 1 PTH W/WASHER - BEIGE
	049465-13-000	EA	SCREW-10+16X1 PTH W/WASHER - *ASH GRAY
	049465-17-000	EA	SCREW - 10-16 X 1 POH W/WASHER - BRIGHT WHITE
	049465-18-000	EA	SCREW - 10-16 X 1 POH W/WASHER - VW GRAY
	049465-22-000	EA	SCREW - 10-16 X 1 1/2 POH W/WASHER - SABLE
	049465-23-000	EA	SCREW - 10-16 X 1.5 POH W/WASHER - VW LIGHT GRAY
	054434-02-000	EA	SCREW - SF/DR - 10-16 X 2 - ZINC
	054434-03-000	EA	SCREW - SF/DR - 10-16 X 2 - PWH - ZINC - W/O WINGS
	075908-01-000	EA	SCREW - MACHINE - 10-32 X .56 PTH - EXTERNAL TOOTH - ZINC
	076790-01-000	EA	SCREW - 6-20 X 1 1/4 PPH - BLACK
	076790-03-000	EA	SCREW - 6-20 X 1 PPH - BLACK
	076790-05-000	EA	SCREW - 6-20 X 1/2 PPH - BLACK - THREAD CUTTING/WOOD
	083554-01-000	EA	SCREW - DRYWALL - 8 X 1 1/4
	083554-04-000	EA	SCREW - DRYWALL - 8 X 2 1/2
	087721-01-000	EA	SCREW - FLAT HEAD - TAPPING - 1/4 X 1 1/4 LONG - ZINC
	090033-02-000	EA	SCREW - 1/4-20 X 5/8 - ROUND WASHER HEAD - OFF/WHITE
	091230-06-000	EA	SCREW-MACH,8-32X3/4 POH SS - BRIGHT WHITE
	097974-01-000	EA	SCREW - PARTICLE BOARD - 7-9 X 3/4 PPH
	101618-01-000	EA	SCREW - 1/4-20 X 3/4 HEX - TAPPING - STALGARD TYPE F
	105126-01-000	EA	SCREW - MACHINE - 8-32 X 1 PPH TAPTIT
	110460-05-02A	EA	SCREW - MACHINE - 10-24 X 2 1/2 PFH - WHITE
	113563-01-01A	EA	SCREW - 8 X 5/8 LONG SHOULDER/WASHER HEAD
	117478-01-04A	EA	SCREW - 8-18 X 3/4 PPH W/WASHER - VW LIGHT GRAY
	118383-01-09A	EA	RETAINER/RECESSED - F/.22" SCREW - GLACIER
	118383-01-05A	EA	RETAINER/RECESSED - F/.22" SCREW - VW LIGHT GRAY
	118383-01-04A	EA	RETAINER/RECESSED - F/.22" SCREW - BRIGHT WHITE
	118383-01-06A	EA	RETAINER/RECESSED - F/.22" SCREW - ALLANTE ANTELOPE
	118383-02-05A	EA	RETAINER/RECESSED - F/.27" SCREW - VW LIGHT GRAY
	118383-02-06A	EA	RETAINER/RECESSED - F/.27" SCREW - ALLANTE ANTELOPE
	118383-02-09A	EA	RETAINER/RECESSED - F/.27" SCREW - GLACIER
	118383-02-04A	EA	RETAINER/RECESSED - F/.27" SCREW - BRIGHT WHITE
	118383-03-05A	EA	RETAINER/RECESSED - F/.32" SCREW - VW LT. GRAY
	118383-03-09A	EA	RETAINER/RECESSED - F/.32" SCREW - GLACIER
	118383-04-04A	EA	CAP - F/RECESSED RETAINER - BRIGHT WHITE
	118383-04-05A	EA	CAP - F/RECESSED RETAINER - VW LIGHT GRAY
	118383-04-09A	EA	CAP - F/RECESSED RETAINER - GLACIER
	118383-04-06A	EA	CAP - F/RECESSED RETAINER - ALLANTE ANTELOPE
	126458-01-01A	EA	SCREW - 8-18 X 1/2 - PRWH - BLACK
	129967-01-01A	EA	SCREW - MACHINE - 8-32 X 3/4 PH STAINLESS STEEL
	130245-01-01A	EA	SCREW - EUROPEAN M6.3 X 10
	134126-01-01A	EA	SCREW/NAIL - HEX HEAD - 3/4"
	134126-02-01A	EA	SCREW/NAIL - HEX HEAD - 1 1/4"
	140040-01-000	EA	SCREW - 1/4-20X1 - BUTTON HEAD SOCKET - W/LOCTITE

## SEALANTS & FASTENERS GROUP (CONTINUED)

### CLAMPS, CLIPS, GROMMETS, RIVETS & PLUGS

KEY	PART NUMBER	U/M	DESCRIPTION
	000F10-04-16B	EA	PIN - COTTER - 1/8 X 1 - ZINC
	000F10-06-32B	EA	PIN - COTTER - 3/16" X 2" - ZINC
	000H14-04-04A	EA	RIVET - MANDREL BLIND - 1/8 X .400
	000H14-06-14R	EA	RIVET - MANDREL BLIND - 3/16 - CHERRY
	000H14-06-06R	EA	RIVET-MANDREL BLIND,3/16 AL - CHERRY BSP-66
	000H14-06-03R	EA	RIVET - MANDREL BLIND - 3/16 ALUMINUM
	000H16-04-06R	EA	RIVET - POP ALUMINUM - 1/8 X .313 - .375
	000H16-06-10R	EA	RIVET - POP ALUMINUM - 3/16 X .501-.625
	007161-01-000	EA	CLAMP - HOSE - SPRING TYPE - 1/2"
	008384-01-000	EA	GROMMET - SNAP - 3/4 DIAMETER - NYLON
	008386-01-000	EA	GROMMET - SNAP - 3/8" DIAMETER - NYLON
	010495-01-000	EA	CLAMP - CABLE - 9/16"
	010495-02-000	EA	CLAMP - CABLE - 3/8"
	010495-04-000	EA	CLAMP - CABLE - 11/16" - WHITE
	010497-01-000	EA	CLAMP - CLOSED - 5/8" ID
	010497-03-000	EA	CLAMP - CLOSED - 1" ID - CUSHIONED
	010497-04-000	EA	CLAMP - CLOSED - 1 5/8" ID
	010497-05-000	EA	CLAMP - CLOSED - 1/2" ID
	010497-07-000	EA	CLAMP - CLOSED - 3/8" ID
	010497-08-000	EA	CLAMP - CLOSED - .125" ID
	010499-01-000	EA	CLAMP - CLOSED - 3/8" ID
	016188-03-000	EA	GROMMET - L/P LINE - 3/8" HOLE X 2 1/2" LONG - RUBBER
	016188-04-000	EA	GROMMET - L/P LINE - 1/2" HOLE X 2 1/2" LONG - RUBBER
	016188-05-000	EA	GROMMET - L/P LINE - 3/8" HOLE X 1 1/4" LONG - RUBBER
	016188-06-000	EA	GROMMET - L/P LINE - 3/8" X 31 1/4" LONG
	016188-07-000	EA	GROMMET - L/P LINE - 1/2" X 3 1/4" LONG
	023942-01-000	EA	GROMMET - RUBBER - 2" OD
	034141-02-000	EA	PLUG/NYLON - .38" - BLACK
	056134-01-000	EA	HOLDER - RING - 3.6" DIAMETER - METAL
	056134-02-000	EA	HOLDER - RING - 1.8" DIAMETER - METAL
	061420-01-000	EA	PLUG/PLASTIC - 1 3/4" DIAMETER - BROWN
	061420-04-000	EA	PLUG/PLASTIC - 1 1/4" DIAMETER
	061420-05-000	EA	PLUG/PLASTIC - 1 1/2" DIAMETER
	061420-08-000	EA	PLUG/PLASTIC - 2 1/2" DIAMETER
	061420-09-000	EA	PLUG/PLASTIC - 1.00" - DIAMETER
	061420-10-000	EA	PLUG/PLASTIC - 1 1/2" DIAMETER - BLACK
	061420-15-000	EA	PLUG/PLASTIC - 2" DIAMETER - BLACK
	061420-16-000	EA	PLUG/PLASTIC - 2 1/8" DIAMETER
	062401-01-000	EA	CLAMP - HOSE - WORMGEAR - .25" - 1"
	062401-02-000	EA	CLAMP - HOSE - WORMGEAR - 1.56" - 2.5"
	062401-03-000	EA	CLAMP - HOSE - WORMGEAR - .22" - 1"
	062401-04-000	EA	CLAMP - HOSE - WORMGEAR - .69" - 1.25"
	062401-05-000	EA	CLAMP - HOSE - WORMGEAR - 2" - 3" ID
	062401-06-000	EA	CLAMP - HOSE - WORMGEAR - .22" - .62" ID
	062401-07-000	EA	CLAMP - HOSE - WORMGEAR - 5"-7"
	062401-09-000	EA	CLAMP - HOSE - WORMGEAR - 2.8" - 3.75"
	062401-11-000	EA	CLAMP - HOSE - WORMGEAR - 3.50" - 4.50"
	062401-12-000	EA	CLAMP - HOSE - WORMGEAR - .79" X 1.26"
	071015-11-000	EA	GROMMET - RUBBER - 1"ID FITS .12 MATERIAL - BLACK
	071015-13-000	EA	GROMMET - RUBBER - .62" ID X 1" OD W/.09" GROOVE - BLACK
	071015-19-000	EA	GROMMET - RUBBER - .38 ID - FITS .06 MATERIAL - BLACK
	071015-22-000	EA	GROMMET - RUBBER - .62" ID X 1.12" OD W/.19" GROOVE - BLACK
	071015-26-000	EA	GROMMET - RUBBER - 1.5" ID X 2.1" OD W/.06" GROOVE-BLACK
	071015-29-000	EA	GROMMET - RUBBER - .3" ID X 1.3"OD W/.12" GROOVE - BLACK
	071015-30-000	EA	GROMMET - RUBBER - .31" ID X .81" OD W/.12" GROOVE-BLACK
	071015-39-000	EA	GROMMET - .75 ID FITS .06 MTL
	075148-02-000	EA	CLAMP - GROUNDING - BRONZE SCREWS
	077955-01-000	EA	CLIP/J - 3/8" - VINYL COATED
	080211-03-000	EA	CLIP - XMAS TREE W/PANEL RETAINING HEAD - 3/4" SHANK
	080734-02-000	EA	CLIP - WIRE NYLON
	081211-03-000	EA	PLUG/PLASTIC - .50 DIAMETER - BLACK
	081211-04-000	EA	PLUG/PLASTIC - .46 DIAMETER - BLACK
	083609-01-000	EA	CLAMP - WIRE - DUAL - EQUAL DIAMETERS - 5/8"
	083610-01-000	EA	CLAMP - WIRE - DUAL - UNEQUAL DIAMETERS - 3/4" & 1 1/4"

## SEALANTS & FASTENERS GROUP (CONTINUED)

### CLAMPS, CLIPS, GROMMETS, RIVETS & PLUGS (CONTINUED)

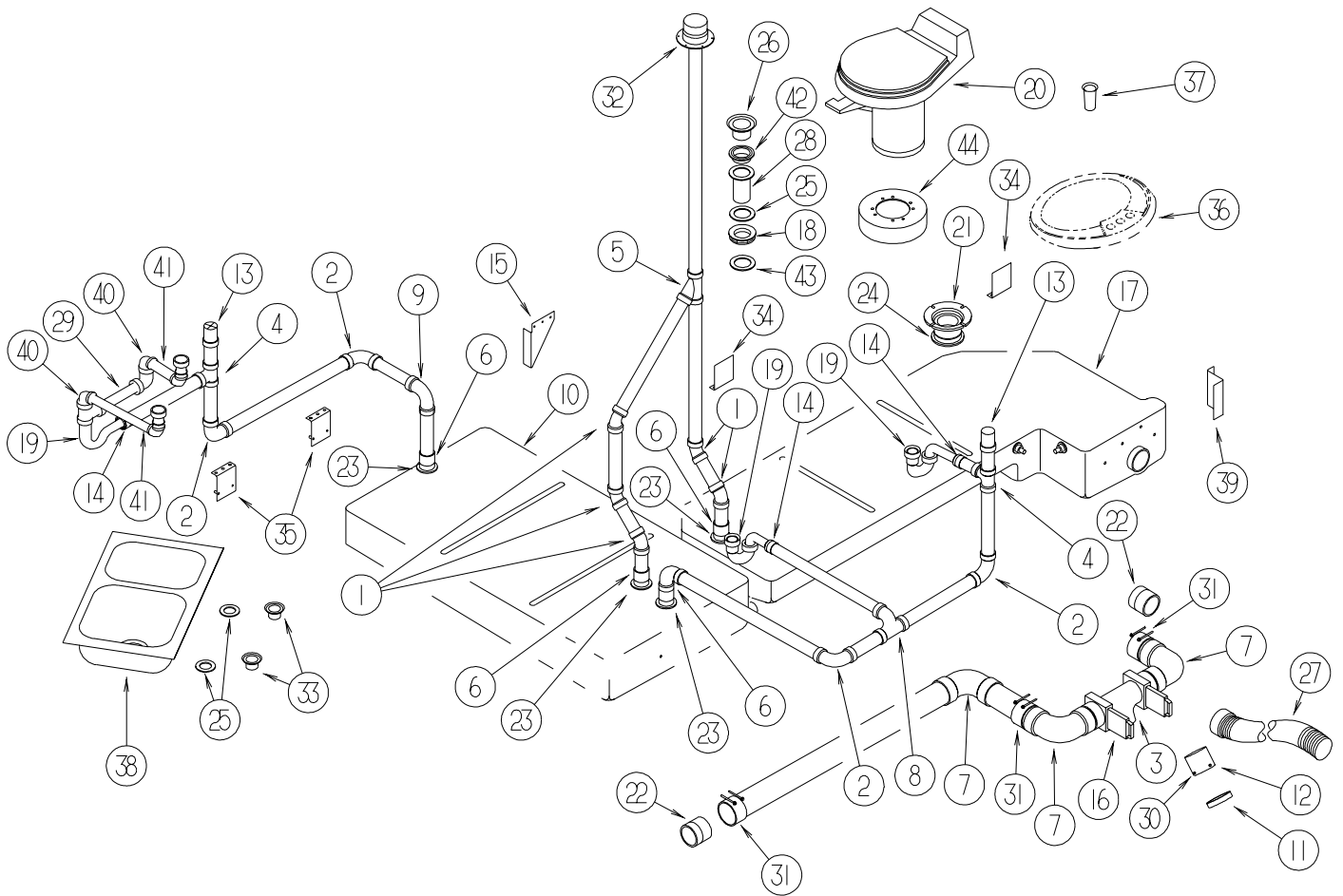
KEY	PART NUMBER	U/M	DESCRIPTION
	083610-02-000	EA	CLAMP - WIRE - DUAL - UNEQUAL DIAMETERS - 3/4" & 2"
	083610-03-000	EA	CLAMP - WIRE - DUAL - EQUAL DIAMETERS - 2" & 2"
	088756-01-000	EA	GROMMET - WEB - 1 1/8 i.i.d.
	091952-01-000	EA	CLIP - GRIPPER - 1"
	091952-02-000	EA	CLIP - GRIPPER - 3/4"
	094362-02-000	EA	CLIP - XMAS TREE - BINDER HEAD - .9" LONG
	094362-05-000	EA	CLIP - XMAS TREE - ROUND HEAD - 1.4" LONG
	094362-06-000	EA	CLIP - XMAS TREE - FLAT HEAD - .745-.755 HEAD DIAMETER
	114208-03-000	EA	GROMMET - EDGE LINER - FITS 2 1/2"
	114208-04-000	EA	GROMMET - EDGE LINER - FITS 1"
	114208-05-000	EA	GROMMET - EDGE LINER - FITS 2"
	118626-01-01A	EA	RIVET - POP - ALUMINUM - 3/16 X .08 - .375
	118626-02-01A	EA	RIVET - POP - ALUMINUM - 3/16 X .500 - .750
	137014-01-02A	EA	GROMMET - CABLE - BROWN

### MISCELLANEOUS FASTENERS

KEY	PART NUMBER	U/M	DESCRIPTION
	008343-01-000	EA	TIE - WIRE - 6"
	008343-02-000	EA	TIE - WIRE - 14"
	008343-03-000	EA	TIE - WIRE - 7 1/2" - BLACK
	029094-04-000	YD	VELCRO TAPE - LOOP - 1" WIDE - BLACK
	029096-03-000	YD	VELCRO TAPE - HOOK - 1" WIDE - BLACK
	029096-04-000	YD	VELCRO TAPE - HOOK - 1" WIDE - BLACK
	048394-02-000	YD	VELCRO TAPE - HOOK - ADHESIVE BACK - 3/4" WIDE - BEIGE
	085774-01-000	FT	FASTENER - DUAL LOCK - 1" WIDE - ADHESIVE BACK - BLACK
	085774-02-000	FT	FASTENER - DUAL HOOK - 1" WIDE - ADHESIVE BACK - BLACK
	085774-03-000	FT	FASTENER - DUAL LOCK - 1/2" WIDE - ADHESIVE BACK - BLACK
	085774-04-000	FT	FASTENER - DUAL HOOK - 1/2" WIDE - ADHESIVE BACK - BLACK
	088792-02-000	YD	VELCRO TAPE - LOOP - 3/4" - ADHESIVE BACK - BEIGE
	088792-04-000	YD	VELCRO TAPE - HOOK - 5/8" - NON-ADHESIVE BACK - WHITE
	088792-05-000	YD	VELCRO TAPE - LOOP - 5/8" - NON-ADHESIVE BACK - WHITE
	094362-07-000	EA	CLIP - XMAS TREE - FLAT HEAD
	108046-01-000	EA	CABLE TIE - SCREW MOUNT 8"
	108046-02-000	EA	CABLE TIE - SCREW MOUNT 15"
	110943-02-000	FT	FELT STRIP - 3/8" - ADHESIVE BACK - WHITE
	113133-02-01A	EA	RIVET - POP - ALUMINUM - 3/16 X .252 - .504 - BLACK
	115361-01-01A	EA	PLUG/PLASTIC - 1/2" DIAMETER
	123816-04-000	FT	TAPE - DOUBLE SIDED - 6" X 750'
	127960-01-01A	EA	RETAINER - 3/8" - STAINLESS STEEL



# WATER & SEWAGE GROUP DRAINAGE SYSTEM



KEY	PART NUMBER	U/M	DESCRIPTION
1	010006-01-000	EA	ELBOW - 45 DEGREE - 1 1/2" HUB X HUB - PLASTIC
2	010008-01-000	EA	ELBOW - 90 DEGREE - 1 1/2" HUB X HUB - PLASTIC
3	010065-01-000	EA	TEE - PLASTIC - 3" FEMALE
			FROM: 00-00-00 THRU: 10-08-00
4	010071-01-000	EA	TEE - SANITARY - 1 1/2" HUB X HUB X HUB - PLASTIC
5	010073-01-000	EA	WYE - 45 DEGREE - 1 1/2" HUB X HUB X HUB - PLASTIC
6	010115-01-000	EA	COUPLING - 1 1/2" HUB X HUB - PLASTIC
7	041956-01-000	EA	ELBOW - 3" STREET - 90 DEGREE PLASTIC
			FROM: 00-00-00 THRU: 10-08-00
7	031126-01-000	EA	ELBOW - 1/4 BEND - 3" X 90" XLT - BLACK PLASTIC
			FROM: 10-09-00 THRU: 99-99-99
8	031365-02-000	EA	TEE - PLASTIC - 1 1/2" EXTRA LONG TURN
9	034250-01-000	EA	ELBOW - 90 DEGREE - LONG TURN - 1 1/2" HUB X HUB - ABS
10	135139-01-700	EA	TANK - HOLDING W/3" NIPPLE
11*	062415-01-000	EA	CAP - SEWER - 3" DIAMETER
			FROM: 00-00-00 THRU: 10-08-00
12	062417-01-000	EA	ADAPTER - TERMINATION - 3"
			FROM: 00-00-00 THRU: 10-08-00
13	079968-01-000	EA	VENT - MECHANICAL/TRAP ARM - ANTI-SIPHON-2" X 7.3" PLASTIC
14	109571-01-000	EA	ADAPTER - P-TRAP - 1 1/2"P X 1 1/4"MPT
15	112628-06-02B	EA	BRACKET/TIEDOWN - WATER TANK - E-COATED
16	129147-01-000	EA	VALVE - 3" HUB X 3" HUB - REMOTE
			FROM: 00-00-00 THRU: 10-08-00
16	136143-01-000	EA	VALVE - DUAL - 3" X 3"
			FROM: 10-09-00 THRU: 99-99-99
17	123055-06-000	EA	TANK - HOLDING - 40 GALLONS
	123055-01-000	EA	TANK - HOLDING - 40 GALLON - W/O FITTINGS
18	130403-01-000	EA	NUT - SLIP - W/WINGS 1 1/2"

**WATER & SEWAGE GROUP (CONTINUED)**  
**DRAINAGE SYSTEM (CONTINUED)**

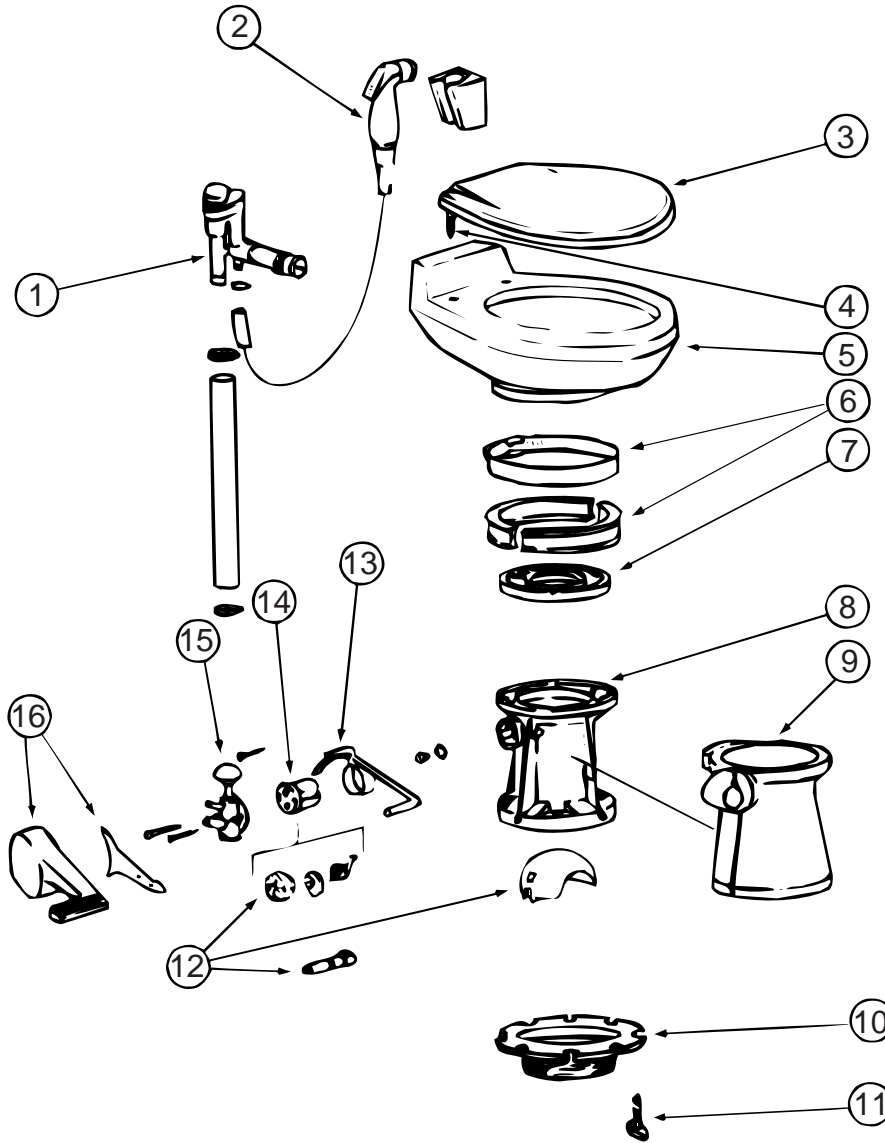
KEY	PART NUMBER	U/M	DESCRIPTION
19	107538-01-000	EA	P-TRAP - PLASTIC - 1 1/4" W/EXTENSION ARM
19	011071-01-000	EA	P-TRAP - PLASTIC - 1 1/2" - CSA
20*	085330-08-000	EA	TOILET - CHINA - STANDARD - GLACIER WHITE
20*	136729-01-01A	EA	TOILET - CHINA - STANDARD W/SPRAYER - WHITE
21	116644-01-000	EA	FLANGE/CLOSET - 4 BOLT X 3" FEMALE
22	010129-03-000	EA	NIPPLE - PLASTIC - 3" X 3" TOE
23	061607-01-000	EA	GROMMET - HOLDING TANK - 1 1/2" NPS
24	061607-02-000	EA	GROMMET - HOLDING TANK - 3" NPS
25	127440-02-01A	EA	WASHER - RUBBER - 1.8" X .1"
26	132150-01-01A	EA	STRAINER - SHOWER - BRASS
27	010201-01-000	EA	HOSE - SEWER - 3" ID X 8'
			FROM: 00-00-00 THRU: 06-10-01
27	139513-01-000	EA	HOSE - SEWER - 3" X 10' - W/ADAPTER
			FROM: 06-11-01 THRU: 99-99-99
28	011069-06-000	EA	TAILPIECE - 1 1/2" X 1 1/4" X 2 1/2"
29	011091-02-000	EA	WASTE - CONTINUOUS - DOUBLE SINK
30	062416-01-000	EA	ADAPTER - SEWER HOSE TO 3" PIPE
			FROM: 00-00-00 THRU: 06-10-01
31	078406-01-000	EA	COUPLER - RUBBER - W/CLAMPS - 3" X 3"
32	083558-06-000	EA	VENT - ROOF PLUMBING PIPE - COVERED
33	092303-01-000	EA	STRAINER - W/BASKET - GALLEY SINK - 4" OD
34	094756-02-01A	EA	BRACKET - L - 6.1" LONG X 3.9" WIDE - STEEL
35	094756-03-J23	EA	BRACKET/ANGLE - W/HOLES E-COATED
36	105921-01-01A	EA	SINK - LAVATORY - LARGE/OVAL - 17" X 20" PLASTIC/OFF WHITE
37	106116-01-01A	EA	STRAINER/PLASTIC - STOPPER/TAILPIECE/GASKET & NUT-LAVATORY
38	110654-01-000	EA	SINK - STAINLESS STEEL/DOUBLE BASIN (1 LG-1 SM BASIN)
39	123282-03-02B	EA	BRACKET - WATER TANK - E-COATED
40	125569-01-000	EA	ELBOW - 1 1/2" X 90 DEGREE - DOUBLE SLIP
41	126588-02-000	EA	ARM - WASTE - 1 1/2 X 20 - FEMALE
42	066440-01-000	EA	STRAINER - SHOWER DRAIN - W/RUBBER WASHER
43	132376-01-01A	EA	GASKET - FOAM - 1 1/2" - TUB STRAINER
			FROM: 00-00-00 THRU: 05-02-01
44	131786-01-01A	EA	SPACER - TOILET - ROUND - 10" DIAM. X 2.8" HIGH - SOFT WHT

**\*COMPONENT PARTS LISTED LATER IN THIS GROUP**

**WATER & SEWAGE GROUP (CONTINUED)**  
**COMPONENT PARTS FOR DRAINAGE SYSTEM**

062415-01-000

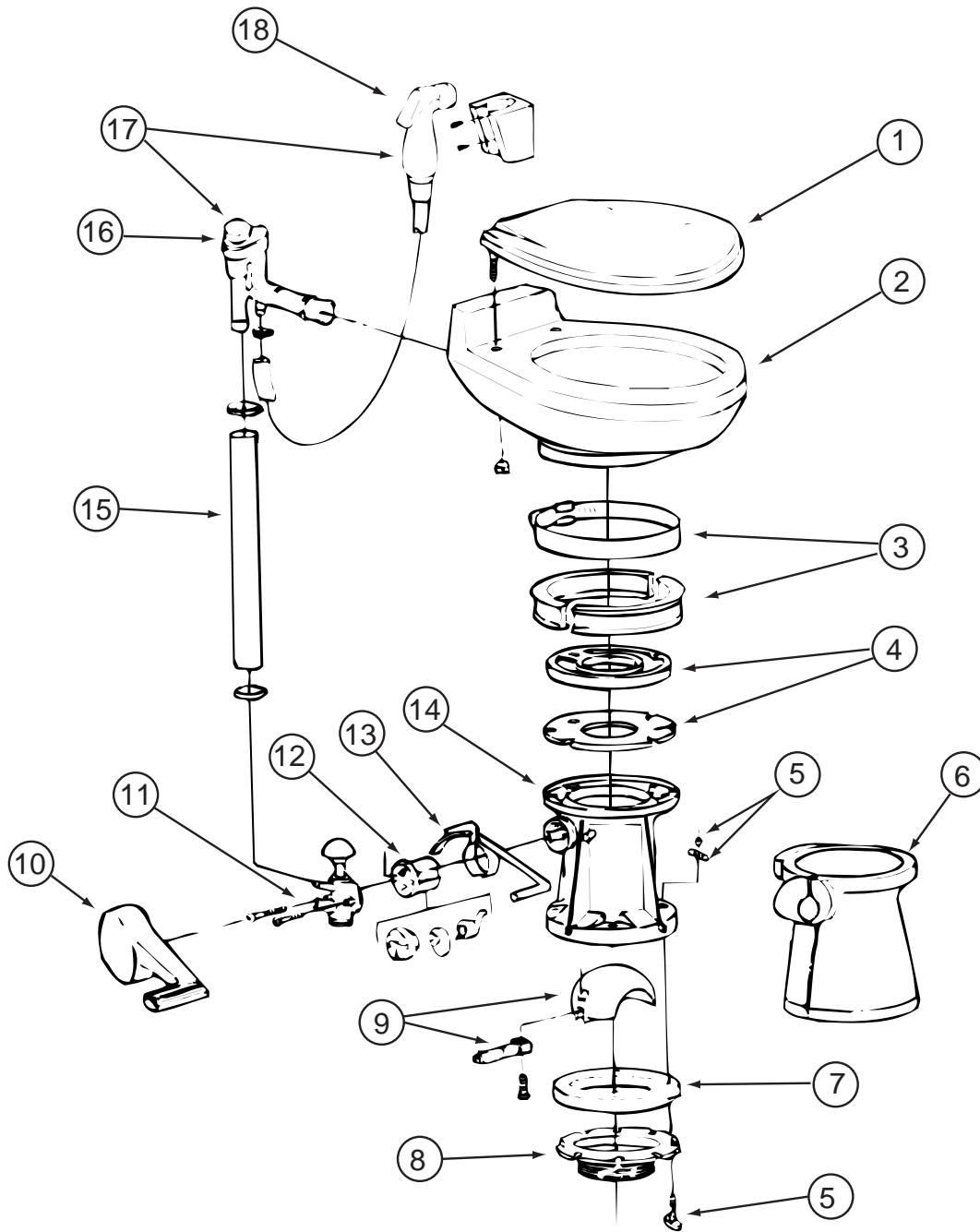
KEY	PART NUMBER	U/M	DESCRIPTION	VENDOR NO.
	062415-01-000	EA	CAP - SEWER - 3" DIAMETER	
	062415-01-700	EA	STRING-SEWER CAP	V#SV7 STRAP



085330-08-000

KEY	PART NUMBER	U/M	DESCRIPTION	VENDOR NO.
1	085330-01-701	EA	BREAKER-VACUUM	385318065
2	085330-04-701	EA	HAND SPRAY W/HOSE(500 & 900)	340683
3	085330-08-701	EA	SEAT ASSEMBLY - WHITE	341605
4	085330-08-703	EA	HINGE-HARDWARE SET - (WHITE)	341706
5	085330-08-702	EA	BOWL/CHINA - WHITE	310080
6	085330-01-703	EA	RING & HALF CLAMPS, BONE	385310048
7	085330-01-704	EA	TEFLON & RUBBER SEAL KIT	385316140
8	085330-09-703	EA	BASE KIT - BONE	310120
9	085330-09-704	EA	PEDESTAL COVER - WHITE	310111
10	085330-01-716	EA	FLANGE-FLOOR, 3" MPT	345889
11	085330-01-717	EA	BOLT MOUNTING PACKAGE	3100-64
12	085330-01-706	EA	BALL(FLAPPER)SHAFT/CARTRIDGE	385318162
13	085330-06-703	EA	LEVER-FLUSH	340873
14	085330-01-707	EA	CARTRIDGE SPRING ASSEMBLY	381236096
15	085330-01-709	EA	VALVE-WATER	385314349
16	085330-09-702	EA	COVER/PEDAL KIT - WHITE	310114
	085330-01-723	EA	SEAL - FLOOR FLANGE	341549

**WATER & SEWAGE GROUP (CONTINUED)**  
**COMPONENT PARTS FOR DRAINAGE SYSTEM (CONTINUED)**



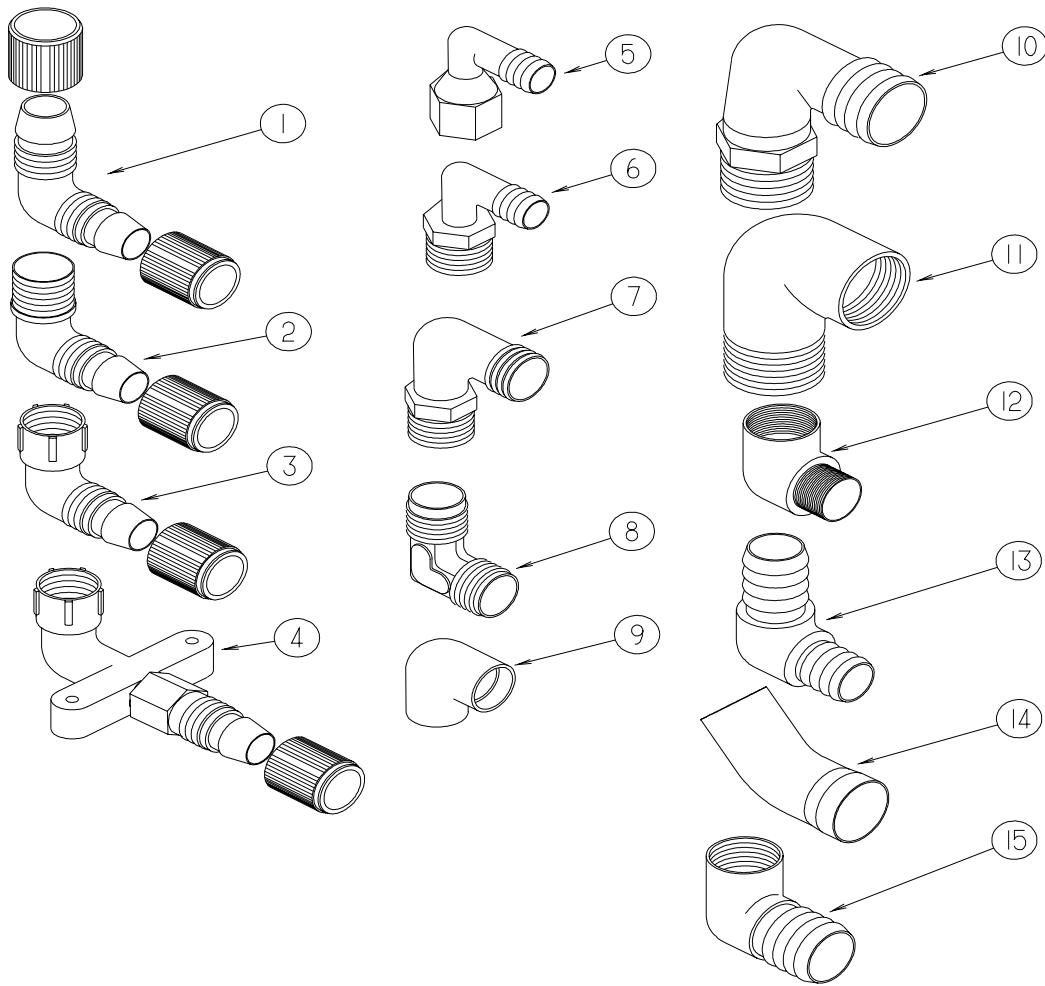
136729-01-01A

**WATER & SEWAGE GROUP (CONTINUED)**  
**COMPONENT PARTS FOR DRAINAGE SYSTEM (CONTINUED)**

**136729-01-01A (CONTINUED)**

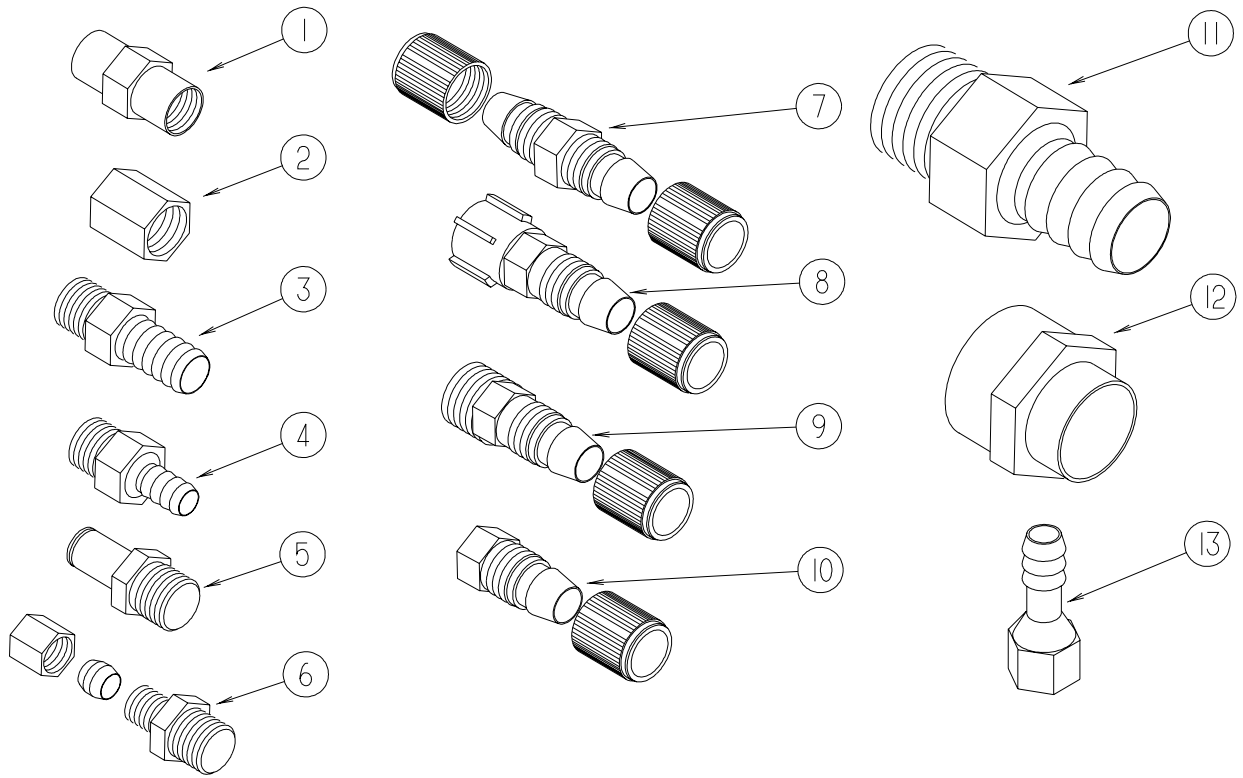
<b>KEY</b>	<b>PART NUMBER</b>	<b>U/M</b>	<b>DESCRIPTION</b>	<b>VENDOR NO.</b>
	136729-01-01A	EA	TOILET - CHINA - STANDARD W/SPRAYER - WHITE	
1	136729-01-700	EA	SEAT ASSEMBLY - WHITE	343829
2	136729-01-701	EA	BOWL/CHINA - WHITE	310739
3	085330-01-703	EA	RING & HALF CLAMPS, BONE	385310048
4	085330-01-704	EA	TEFLON & RUBBER SEAL KIT	385316140
5	085330-01-717	EA	BOLT MOUNTING PACKAGE	3100-64
6	085330-09-704	EA	PEDESTAL COVER - WHITE	310111
7	085330-01-714	EA	SEAL-FLANGE, FLOOR	390343892
8	085330-01-716	EA	FLANGE-FLOOR, 3" MPT	345889
9			CONTACT WINNEBAGO PART SALES FOR THIS COMPONENT	
10	085330-09-702	EA	COVER/PEDAL KIT - WHITE	310114
11	085330-01-709	EA	VALVE-WATER	385314349
12	085330-01-707	EA	CARTRIDGE SPRING ASSEMBLY	381236096
13	085330-06-703	EA	LEVER-FLUSH	340873
14	085330-09-703	EA	BASE KIT - BONE	310120
15			CONTACT WINNEBAGO PART SALES FOR THIS COMPONENT	
16	085330-06-701	EA	BREAKER-VACUUM/DIVERTER(900)	230335
17			CONTACT WINNEBAGO PART SALES FOR THIS COMPONENT	
18	085330-04-701	EA	HAND SPRAY W/HOSE(500 & 900)	340683

**WATER & SEWAGE GROUP (CONTINUED)**  
**WATER SYSTEM**



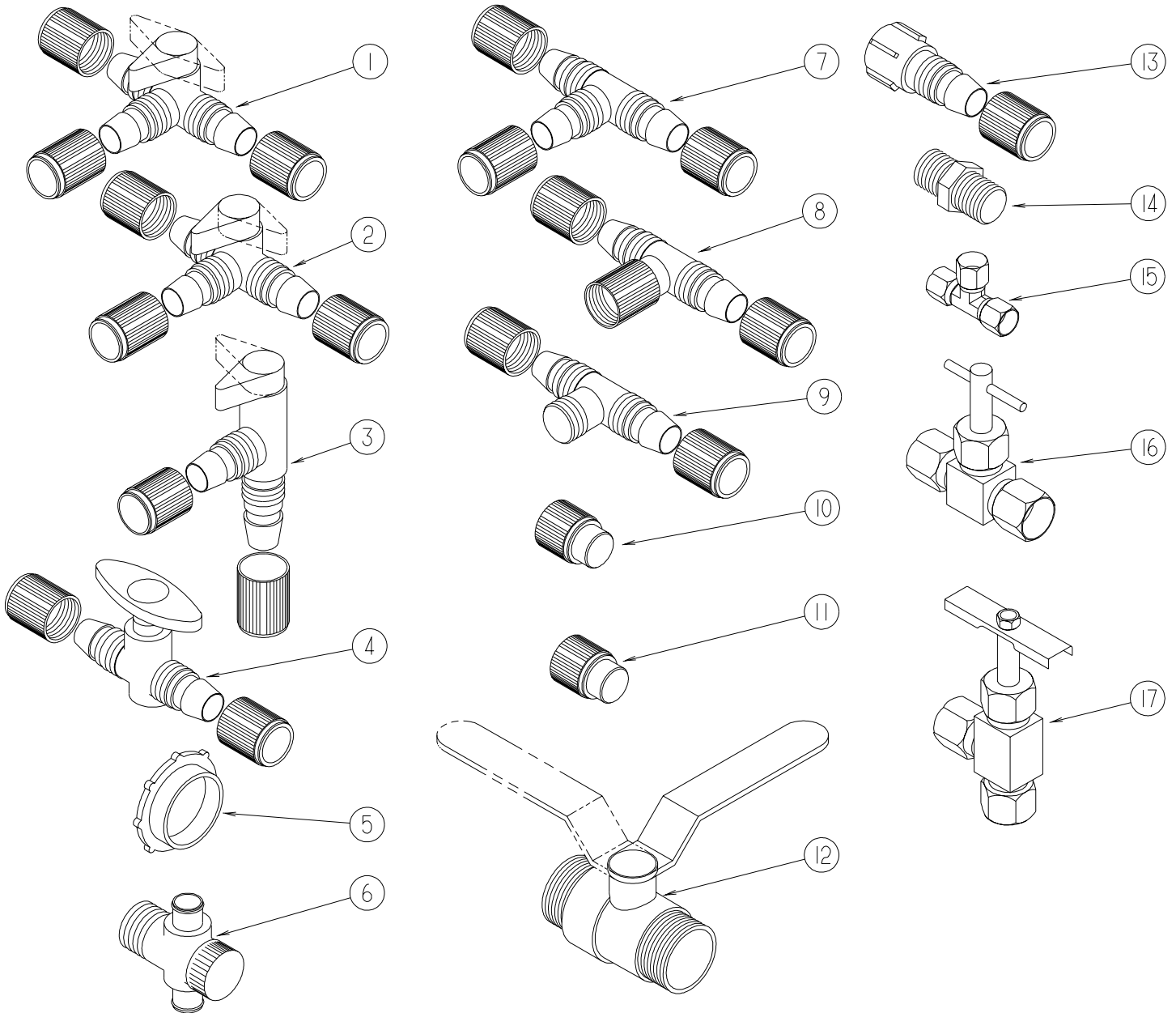
KEY	PART NUMBER	U/M	DESCRIPTION
1	114429-01-000	EA	ELBOW - 1/2"P X 1/2"P
2	114429-02-000	EA	ELBOW - 1/2"P X 1/2"MPT
2	114429-04-000	EA	ELBOW - 1/2"P X 3/8"MPT
2	114429-05-000	EA	ELBOW - 1/2"P X 3/4"MPT
3	114429-03-000	EA	ELBOW - SWIVEL - 1/2"P X 1/2"FPT
3	114429-06-000	EA	ELBOW - SWIVEL - 1/2"P X 3/4"FPT
3	114429-08-000	EA	ELBOW - SWIVEL - 1/2"MPT X 1/2"FPT SWIVEL
4	114429-07-000	EA	ELBOW - 1/2"P X 1/2"FPT
4	114429-09-000	EA	ELBOW - 1/2"P X 1/2"FPT DROP EAR
5	123150-01-000	EA	ELBOW - 1/2 FPT X 1/2 BARB - SWIVEL
6	035539-01-000	EA	ELBOW - 3/8 MPT X 3/8 BARB - PLASTIC
7	010219-01-000	EA	ELBOW - 1 1/4 MPT X 1 1/4 BARB - WATER FILL - PLASTIC
8	039808-03-000	EA	ELBOW - 1/2" MPT X 1/2" MPT - PLASTIC
9	133837-01-000	EA	ELBOW - 1 1/2" X 90 DEGREE - DOUBLE SLIP
10	111223-03-000	EA	ELBOW - 3/4" MPT X 1/2" BARB - PLASTIC
10	111223-04-000	EA	ELBOW - 1/2" MPT X 1/2" BARB - PLASTIC
11	132484-01-000	EA	ELBOW - PLASTIC - 90 DEGREE - 1MPT X 1FPT
12	065318-02-000	EA	ELBOW - 90 DEGREE - 3/8" MPT TO 3/8" FPT
13	132781-01-000	EA	ELBOW - 1.3" BARB X 1.3" BARB - 90 DEGREE - PLASTIC
14	010009-01-000	EA	ELBOW - 90 DEGREE - 1/4 BEND - 1 1/2" PLASTIC
15	132782-01-000	EA	ELBOW - 1"FPT X 1.3" BARB - 90 DEGREE - PLASTIC

**WATER & SEWAGE GROUP (CONTINUED)**  
**WATER SYSTEM (CONTINUED)**



KEY	PART NUMBER	U/M	DESCRIPTION
1	132148-01-000	EA	CONNECTOR - 1/2" X 1/2" MPT - BRASS
2	101814-01-000	EA	COUPLING - FEMALE - 1/2" X 1/2" FPT - GRAY
3	118809-02-000	EA	ADAPTER - 1/2" MPT X 1/2" BARB - PLASTIC
4	010224-01-000	EA	ADAPTER - HOSE TO PIPE - 3/8 MPT X 3/8 BARB - PLASTIC
5	090338-03-000	EA	FITTING - HOSE - 3/4"ID - 2" LENGTH - BRASS
6	103798-01-000	EA	CONNECTOR - 1/4 OD X 3/8 MPT
7	114430-01-000	EA	ADAPTER - 1/2"P X 1/2"P
8	114430-02-000	EA	ADAPTER - SWIVEL - 1/2"P X 1/2"FPT
9	114430-03-000	EA	ADAPTER - 1/2"P X 1/2"MPT
10	114430-06-000	EA	ADAPTER - 1/2"P X 3/8"FPT
10	114430-08-000	EA	ADAPTER - 1/2"P X 3/4"MPT
11	044927-01-000	EA	ADAPTER - HOSE TO PIPE-1 1/4 MPTX1 1/4 BARB-BLACK PLASTIC
12	133835-01-000	EA	ADAPTER - REDUCING - 1 1/2" X 1 1/4"
13	123152-01-000	EA	ADAPTER - 1/2 FPT X 1/2 BARB - SWIVEL

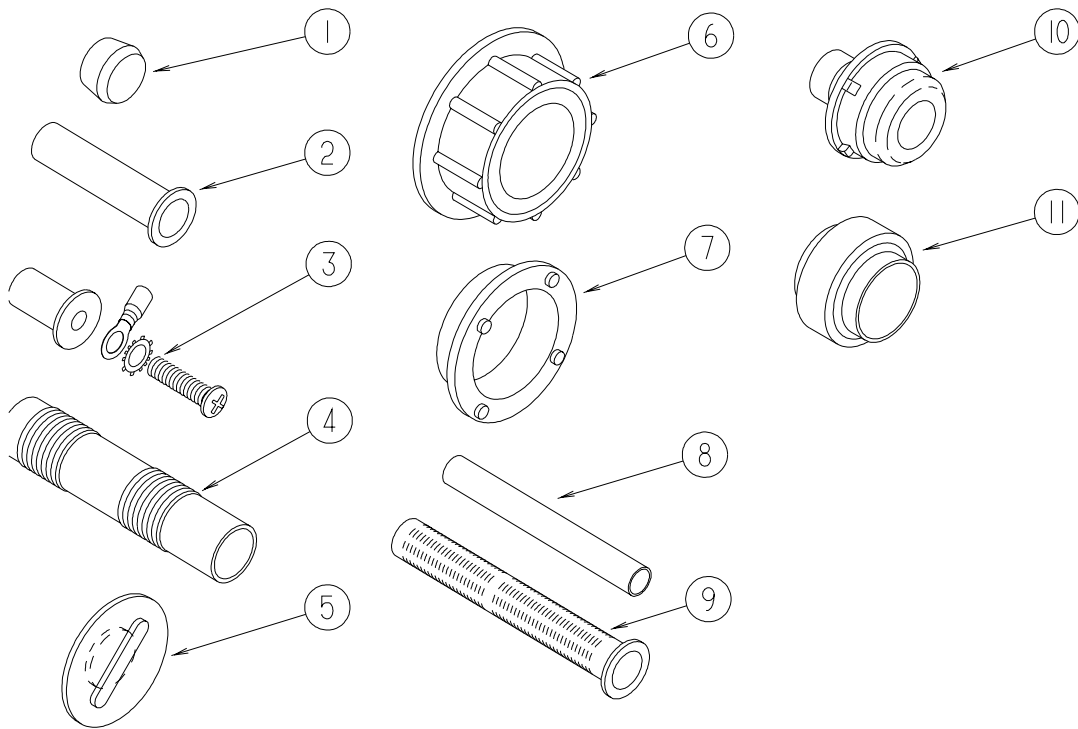
**WATER & SEWAGE GROUP (CONTINUED)**  
**WATER SYSTEM (CONTINUED)**



KEY	PART NUMBER	U/M	DESCRIPTION
1	114431-01-000	EA	VALVE - 180 DEGREE/CENTER DRAIN - 1/2"P - THREE WAY
2	114431-02-000	EA	VALVE - WATER BYPASS - 1/2"P - THREE WAY (WATER HEATER)
3	114431-03-000	EA	VALVE - 90 DEGREE DRAIN - 1/2"P
4	114431-04-000	EA	VALVE - ìINLINE SHUT-OFF" - 1/2"P
5	120069-01-000	EA	PLUG - 3" - POLYETHYLENE MPT
6	128974-01-01A	EA	VALVE - SHOWER HEAD/WATER SAVER (ON/OFF) - BRIGHT BRASS
7	114428-01-000	EA	TEE - 1/2"P X 1/2"P X 1/2"P
8	114428-02-000	EA	TEE - SWIVEL - 1/2"P X 1/2"P X 1/2"FPT
9	114428-03-000	EA	TEE - 1/2"P X 1/2"P X 1/2"MPT
10	113697-01-000	EA	CAP - 3/8 FTG
11	114427-01-000	EA	CAP - 1/2" - FOR CAPPING FLAIR-IT MALE FITTINGS
12	132483-01-000	EA	VALVE - BALL - 1" - THREADED ENDS
13	114427-02-000	EA	PLUG - W/COMP NUT - 1/2" PLASTIC PIPE/1/2" FLAIR-IT
14	110438-02-000	EA	VALVE - CHECK - BRASS - 1/2 MPT X 1/2 MPT
15	118423-01-000	EA	FITTING - BRASS-TEE - 1/4C X 1/4C X 1/4C
16	120868-01-000	EA	VALVE - NEEDLE - 1/4" COMPRESSION X 1/4" COMPRESSION
17	114431-05-000	EA	VALVE - NEEDLE - 1/8" MPT X 1/4" COMPRESSION (ICE MAKER)

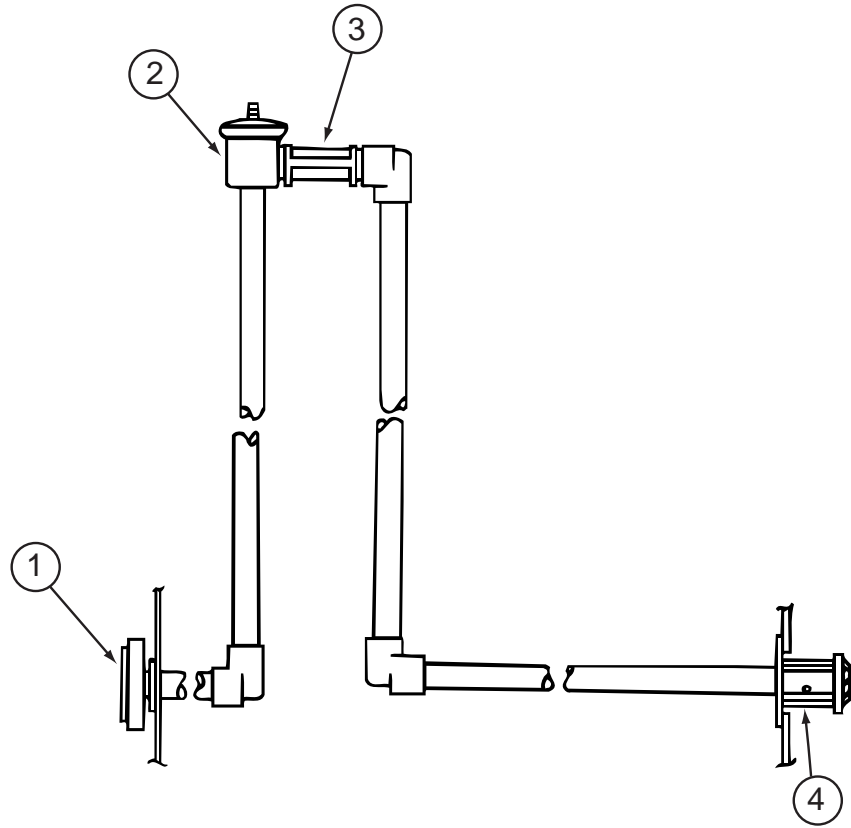


**WATER & SEWAGE GROUP (CONTINUED)**  
**WATER SYSTEM (CONTINUED)**



KEY	PART NUMBER	U/M	DESCRIPTION
1	111888-01-000	EA	FERRULE - PLASTIC - .250 ID X .375 OD
2	111888-02-000	EA	INSERT - BRASS - 1/4 COMP
3	039861-01-000	EA	SENDING UNIT - W/SCREW - WASHER - WELL NUT/TERMINAL RING
4	079381-01-000	FT	TUBING - RIBBED FLEXIBLE - WATER FILL - 1.4" I.D.
5	049032-01-000	EA	PATCH - SPINWELD - 3/8" - PLASTIC
6	120069-01-000	EA	PLUG - 3" - POLYETHYLENE MPT
6	042989-03-000	EA	FITTING - SPINWELD - 1 1/4"NPT - PLASTIC
6	042989-04-000	EA	FITTING - SPINWELD - 3/8"FPT - PLASTIC
6	042989-05-000	EA	FITTING - SPINWELD - 1/2"FPT - PLASTIC
6	042989-07-000	EA	FITTING - SPINWELD - 1 1/2"FPT - PLASTIC
6	042989-08-000	EA	FITTING - SPINWELD - 1"FPT - PLASTIC
7	120070-01-000	EA	FITTING - SPINWELD - PLASTIC 3" FPT
8	124188-01-000	FT	TUBING - PEX - 1/2" ID X 20' - BLUE(COLD)
8	124188-02-000	FT	TUBING - PEX - 1/2" ID X 20' - RED(HOT)
8	112176-01-000	FT	TUBING - VINYL - REINFORCED - 1/2" ID
8	074462-02-000	FT	TUBING - VINYL - 3/8 ID X 20' - CLEAR
8	039800-04-000	FT	TUBING - POLYBUTYL - 1/4"OD
9	077954-02-000	EA	FILTER - WATER TANK - W/SCREEN IN TANK
10	114966-01-000	EA	FILTER - IN LINE - TWIST ON - 1/2"
11	133889-01-000	EA	UNION - 1 1/2 DOUBLE SLIP - PVC

**WATER & SEWAGE GROUP (CONTINUED)**  
**WATER SYSTEM (CONTINUED)**



KEY	PART NUMBER	U/M	DESCRIPTION
1	125697-05-000	EA	INLET - WATER - FLUSHING SYSTEM
2	125697-04-000	EA	BREAKER - VACUUM - FLUSHING SYSTEM
3	125697-03-000	EA	CHECK VALVE - FLUSHING SYSTEM
4	125697-02-000	EA	NOZZLE - WELD-A-FLUSH
	125697-06-000	EA	INSTRUCTIONS - USER - FLUSHING SYSTEM

# WATER & SEWAGE GROUP (CONTINUED)

## WATER SYSTEM (CONTINUED)

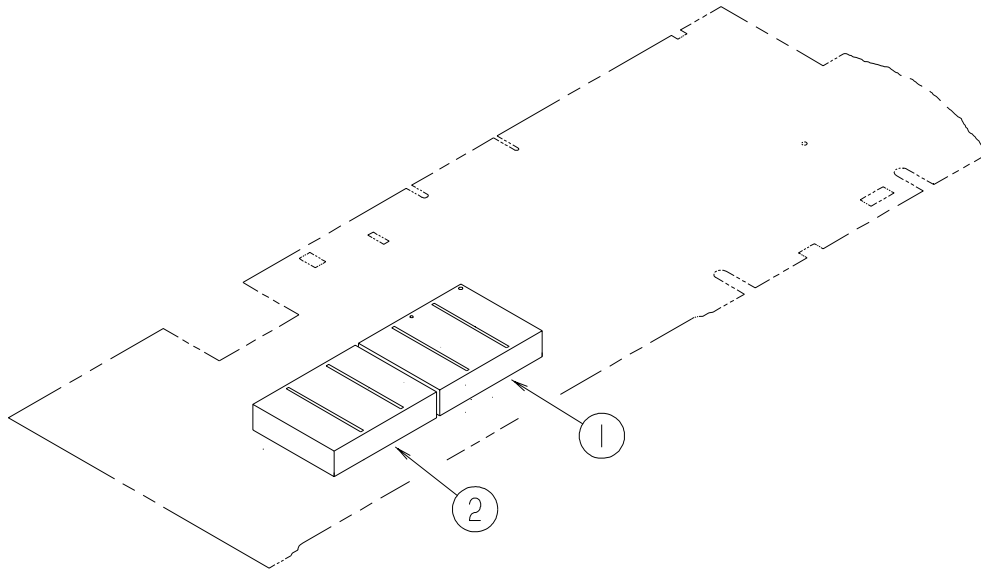
KEY	PART NUMBER	U/M	DESCRIPTION
	131383-01-02A	EA	SHOWER HEAD - W/60" HOSE & BRACKET - WHITE - <a href="#">EXTERIOR WASH STATION</a>
	131383-02-02A	EA	SHOWER HEAD - W/60" HOSE & BRACKET - WHITE - CSA - <a href="#">EXTERIOR WASH STATION</a>
	131383-03-02A	EA	BRACKET - SHOWER HEAD - WHITE - <a href="#">EXTERIOR WASH STATION</a>
	075241-06-000	EA	FAUCET - SHOWER/BRIGHT WHITE - 1/2"MPT X 1.9" INLET PIPES - <a href="#">EXTERIOR WASH STATION</a>
	129041-01-01A	EA	HOLDER - PAPER TOWEL - <a href="#">EXTERIOR WASH STATION</a>
	135890-01-12B	EA	HOLDER - BOTTLE - SOAP - BRIGHT WHITE - <a href="#">EXTERIOR WASH STATION</a>
	128974-01-01A	EA	VALVE - SHOWER HEAD/WATER SAVER (ON/OFF) - BRIGHT BRASS - <a href="#">FIXED SHOWER HEAD</a>
*	131340-01-01A	EA	FAUCET - SHOWER HEAD W/O WATER SAVER-SINGLE LEVER -BRASS - <a href="#">FIXED SHOWER HEAD</a>
	129390-01-01A	EA	SHOWER HEAD - W/HOSE & BRACKET - BRASS - <a href="#">HAND HELD SHOWER HEAD</a>
	131340-02-01A	EA	VALVE ASSEMBLY - SHOWER - BRASS - <a href="#">HAND HELD SHOWER HEAD</a>
	135386-01-000	EA	NIPPLE - 1/2" - <a href="#">HAND HELD SHOWER HEAD</a>
	135028-01-01A	EA	DROP ELL - F/SHOWER HOSE - BRASS - 1/2" - <a href="#">HAND HELD SHOWER HEAD</a>
	130041-01-02A	EA	SPACER/SHOWER HEAD - SOFT WHITE - <a href="#">HAND HELD SHOWER HEAD</a>
			FROM: 09-25-00 THRU: 99-99-99
	131551-01-02B	EA	BRACKET - SHOWER HEAD - <a href="#">L34Y, L36W</a>
	133721-01-02B	EA	BRACKET - SHOWER CONTROL - E-COATED - <a href="#">L35U</a>
	133727-01-02B	EA	BRACKET - SHOWER HEAD - E-COATED - <a href="#">L35U</a>
	134735-02-01A	EA	FAUCET - LAVATORY - SINGLE CONTROL - CHROME
	105218-01-01A	EA	SPACER - FAUCET/LAVATORY SINK - 2" X 5.9" - ABS PLASTIC
	098419-01-000	EA	FAUCET - WASHER - 90 DEGREE - <a href="#">W/WASHER/DRYER</a>
	111842-01-01A	EA	BRACKET - FAUCET - WASHER - <a href="#">W/WASHER/DRYER, L34Y</a>
	134472-01-02B	EA	BRACKET - FAUCET - WASHER - E-COATED - <a href="#">W/WASHER/DRYER, L36W</a>
	123744-03-01A	EA	FAUCET - GALLEY/SINGLE CONTROL W/SPRAYER HEAD - CHROME
	103635-01-000	EA	FAUCET - SINGLE CONTROL/DRINKING WATER
*	118569-01-000	EA	WINTERIZATION SYSTEM
	099717-09-000	EA	STRAP - W/5.1" FEMALE STRAP AND 22.4" MALE STRAP
	010230-06-000	EA	FILL - CITY WATER - W/CHECK VALVE - MPT - BRUSHED ALUM
	081240-20-000	EA	WATER FILL - W/DOOR - LOCKABLE - W/O LOCK - BRT WHT
<b>LOCK CYLINDER USED UP TO 04-30-01</b>			
	129686-01-000	EA	CYLINDER - LOCK ASSEMBLY - COMPARTMENT/DRIVER DOOR
	129686-02-000	EA	CYLINDER - LOCK ASSEMBLY - COMPARTMENT/DRIVER DOOR
	129686-03-000	EA	CYLINDER - LOCK ASSEMBLY - COMPARTMENT/DRIVER DOOR
	129686-04-000	EA	CYLINDER - LOCK ASSEMBLY - COMPARTMENT/DRIVER DOOR
	129686-05-000	EA	CYLINDER - LOCK ASSEMBLY - COMPARTMENT/DRIVER DOOR
	129686-06-000	EA	CYLINDER - LOCK ASSEMBLY - COMPARTMENT/DRIVER DOOR
	129686-07-000	EA	CYLINDER - LOCK ASSEMBLY - COMPARTMENT/DRIVER DOOR
	129686-08-000	EA	CYLINDER - LOCK ASSEMBLY - COMPARTMENT/DRIVER DOOR
	129686-09-000	EA	CYLINDER - LOCK ASSEMBLY - COMPARTMENT/DRIVER DOOR
	129686-10-000	EA	CYLINDER - LOCK ASSEMBLY - COMPARTMENT/DRIVER DOOR
<b>LOCK CYLINDER USED AFTER 05-01-01</b>			
	138289-01-000	EA	CYLINDER - LOCKING
	138289-02-000	EA	CYLINDER - LOCKING
	138289-03-000	EA	CYLINDER - LOCKING
	138289-04-000	EA	CYLINDER - LOCKING
	138289-05-000	EA	CYLINDER - LOCKING
	138289-06-000	EA	CYLINDER - LOCKING
	138289-07-000	EA	CYLINDER - LOCKING
	138289-08-000	EA	CYLINDER - LOCKING
	138289-09-000	EA	CYLINDER - LOCKING
	138289-10-000	EA	CYLINDER - LOCKING

**WATER & SEWAGE GROUP (CONTINUED)**  
**WATER SYSTEM (CONTINUED)**

KEY	PART NUMBER	U/M	DESCRIPTION
	129215-03-12B	EA	PANEL/SERVICE CENTER - BRIGHT WHITE - L34Y FROM: 00-00-00 THRU: 10-29-00
	136034-03-12B	EA	PANEL/SERVICE CENTER - BRIGHT WHITE - L34Y FROM: 10-30-00 THRU: 99-99-99
	136034-01-12B	EA	PANEL/SERVICE CENTER - BRIGHT WHITE - L35U FROM: 00-00-00 THRU: 10-08-00
	136034-02-12B	EA	PANEL - SERVICE CENTER - BRIGHT WHITE - L35U FROM: 10-09-00 THRU: 99-99-99
	129215-04-12B	EA	PANEL - SERVICE CENTER - BRIGHT WHITE - L36W FROM: 00-00-00 THRU: 10-22-00
	136034-03-12B	EA	PANEL/SERVICE CENTER - BRIGHT WHITE - L36W FROM: 10-23-00 THRU: 99-99-99
*	051391-05-000	EA	WATER HEATER/MOTOR AID-GAS/ELECT IGN - GCH10A-3E - 10 GAL
	125420-01-03A	EA	DOOR - WATER HEATER - 10 GALLON - BLACK W/BLACK GRILLE
	087200-01-000	EA	WATER PURIFICATION SYSTEM
	087200-02-000	EA	CARTRIDGE-WATER FILTER,AC,EVERPURE 9601-11
*	098607-01-000	EA	PUMP - WATER - W/.5" MPT FITTING - FLOW 2.8 GPM
	124184-01-000	EA	SUPPORT - WATER LINE - BEND

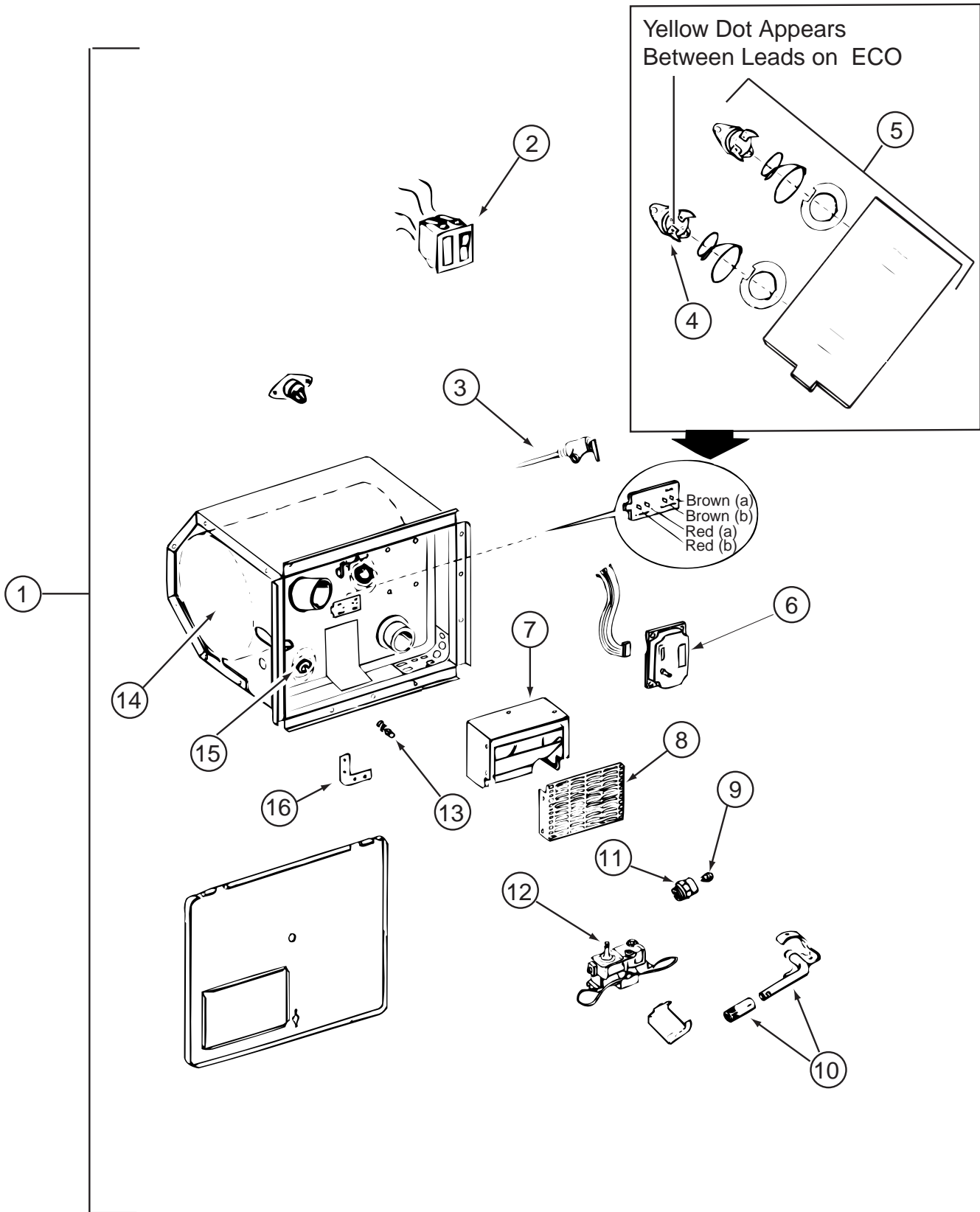
**\*COMPONENT PARTS LISTED LATER IN THIS GROUP**

**WATER & SEWAGE GROUP (CONTINUED)**  
**WATER SYSTEM (CONTINUED)**



<b>KEY</b>	<b>PART NUMBER</b>	<b>U/M</b>	<b>DESCRIPTION</b>
1	132224-04-000	EA	TANK - WATER - 40 GAL - W/FITTINGS - PRIMARY
	132224-01-000	EA	TANK - WATER - 40 GALLON - W/O FITTINGS
2	132224-05-000	EA	TANK - WATER - 40 GAL - W/FITTINGS - SECONDARY
	132224-01-000	EA	TANK - WATER - 40 GALLON - W/O FITTINGS

**WATER & SEWAGE GROUP (CONTINUED)**  
**COMPONENT PARTS FOR WATER SYSTEM**



**WATER & SEWAGE GROUP (CONTINUED)**  
**COMPONENT PARTS FOR WATER SYSTEM (CONTINUED)**

**051391-05-000 (CONTINUED)**

<b>KEY</b>	<b>PART NUMBER</b>	<b>U/M</b>	<b>DESCRIPTION</b>	<b>VENDOR NO.</b>
2	051393-01-701	EA	SWITCH - REMOTE - W/LIGHT	91959
3	051391-01-704	EA	VALVE-RELIEF, 1/2" FITTING	91604
4	051391-04-701	EA	THERMOSTAT 12V DC-120 PRESET	91470
5	051391-05-707	EA	THERMOSTAT & ECO - 110 VOLT	91873
5	051393-01-721	EA	THERMOSTAT W/ECO, 140 FRT MT	91447
6	051393-01-704	EA	BOARD-CIRCUIT	93865
7	051391-04-707	EA	KIT-EXHAUST, (FLUE & GASKET)	90960
8	051391-01-717	EA	GRILLE-WATER HEATER DOOR	92640
9	051391-05-701	EA	ORIFICE-MAIN BURNER	93914
10	051391-05-700	EA	BURNER-MAIN	93221
11	051391-03-700	EA	HOLDER-ORIFICE	91563
12	051393-01-726	EA	VALVE-SOLENOID, W/O BRACKET	93870
13	051391-01-715	EA	PLUG-DRAIN, 1 EA = 2 PER PKG	91857
14	051391-05-704	EA	TANK-INNER	93593
15	051391-05-706	EA	ELEMENT-HEATING 1500 WATT	91160 W/GASKET
16	111129-01-711	EA	BRACKET-CORNER, SET OF FOUR	91928
	051391-05-703	EA	HARDWARE KIT-DOOR	91858
	051391-05-705	EA	SWITCH - ON/OFF SWITCH - BOX	91182
	051393-01-723	EA	SWITCH - THERMAL CUTOUT 2/PK	93866
	051393-01-725	EA	ELECTRODE-SGL SPADE CONNECT.	93868
	051393-01-730	EA	BRACKET - F/10 GAL SYSTEM	93862

**098607-01-000**

<b>KEY</b>	<b>PART NUMBER</b>	<b>U/M</b>	<b>DESCRIPTION</b>	<b>VENDOR NO</b>
	098607-01-000	EA	PUMP - WATER - W/.5" MPT FITTING - FLOW 2.8 GPM	
	098607-01-702	EA	DIAPHRAGM/DRIVE ASSEMBLY KIT	94-238-04
	098607-01-703	EA	VALVE KIT	94-232-00
	098607-01-705	EA	VALVE-CHECK, KIT	94-237-00
	098607-01-706	EA	HOUSING, W/SWITCH ONLY	94-231-20
	098607-01-707	EA	MOTOR W/BASEPLATE	11-148-04

**118569-01-000**

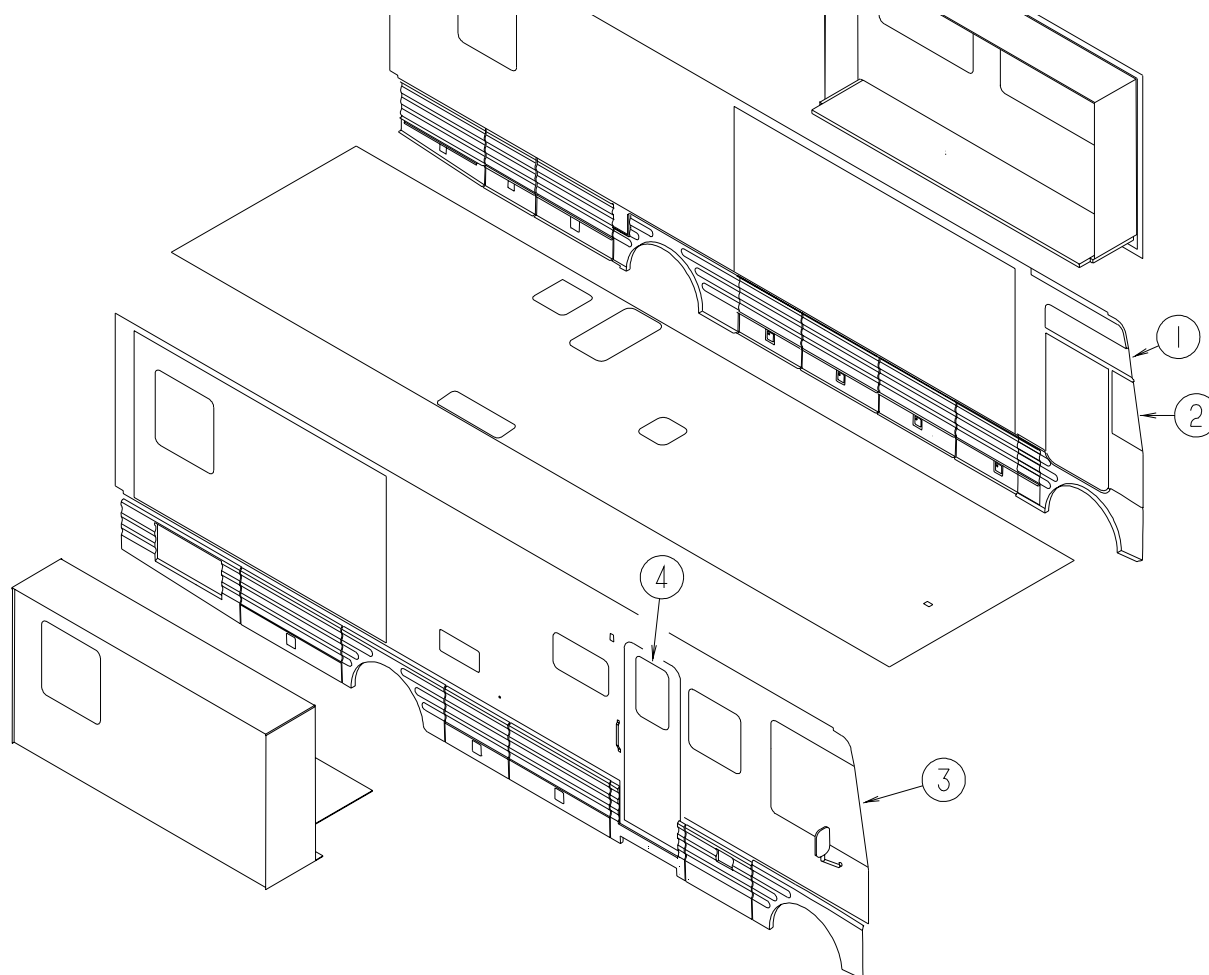
<b>KEY</b>	<b>PART NUMBER</b>	<b>U/M</b>	<b>DESCRIPTION</b>	<b>VENDOR NO</b>
	118569-01-000	EA	WINTERIZATION SYSTEM	
	118569-01-700	EA	VALVE/SOLENOID-ELECT CONTROL	NO VDR#
	118569-01-701	EA	SWITCH - ELECTRIC	EA1-31
	118569-01-702	EA	PLATE - SWITCH	ERUS-1
	118569-01-703	EA	TANK - 2 GALLON	NO VDR#
	118569-01-704	EA	PLUG - 3/4 MPT	NO VDR#
	118569-01-705	EA	PLUG - 1/2 MPT	NO VDR#
	118569-01-706	EA	SCREEN - WHITE	NO VDR#

**131340-01-01A**

<b>KEY</b>	<b>PART NUMBER</b>	<b>U/M</b>	<b>DESCRIPTION</b>	<b>VENDOR NO</b>
	131340-01-700	EA	BUTTON - HOT/COLD	N1201-16
	131340-01-701	EA	KNOB - CLEAR	N1201-9
	119677-01-701	EA	SHOWER HEAD ONLY 1/2"	34PB

## WINDOW & VENTS GROUP

### WINDOW & VENT LAYOUT

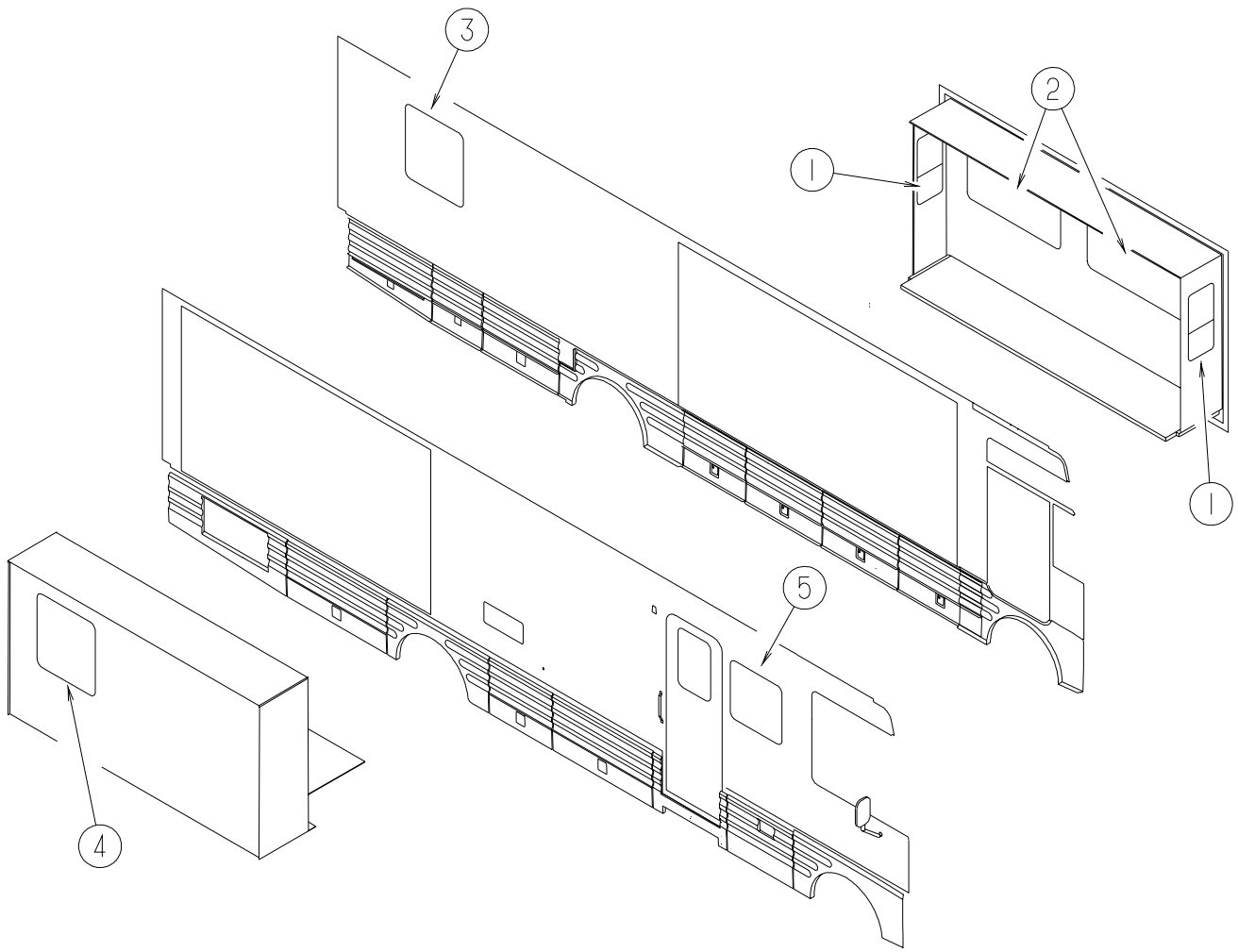


KEY	PART NUMBER	U/M	DESCRIPTION
1*	125600-01-01A	EA	WINDOW - VISTA - THERMOPANE
2*	125585-01-01A	EA	WINDOW - FRONT SLANT/THERMO - 11.6"T X 29.2"H X 16.8"B
3*	125583-01-01A	EA	WINDOW - CAB PASS-3 GLASS THERMO- 42.9"T X 51.2"B X 42.6"H
4*	113733-10-01A	EA	WINDOW - STATIONARY - THERMO/EUROPEAN - 26.3" X 17"
*	123780-03-01A	EA	FANTASTIC VENT - 3"-4" ROOF - W/FAN - UL/CSA
	009440-01-000	EA	GEAR/ARM - LIFT - ROOF VENT COVER
*	122882-04-01A	EA	VENT - ROOF - W/FAN/POWER LIFT - W/O INSIDE GARNISH - UL
	048648-01-000	EA	MOTOR - ROOF VENT - 1/8 SHAFT - 12VOLT
	048649-01-000	EA	FAN BLADE - ROOF VENT - 6 BLADES - 6"
	122882-07-01A	EA	GARNISH - ROOF VENT - 2.5" TO 4.1"
*	122882-05-01A	EA	VENT - ROOF - W/FAN/POWER LIFT - W/O INSIDE GARNISH - CSA
	048648-01-000	EA	MOTOR - ROOF VENT - 1/8 SHAFT - 12VOLT
	048649-01-000	EA	FAN BLADE - ROOF VENT - 6 BLADES - 6"
	122882-07-01A	EA	GARNISH - ROOF VENT - 2.5" TO 4.1"
*	123780-09-01A	EA	FANTASTIC VENT - 3"-4" ROOF - W/FAN - INSULATED
	009440-01-000	EA	GEAR/ARM - LIFT - ROOF VENT COVER
*	123780-10-01A	EA	FANTASTIC VENT - 3"-4" ROOF - W/FAN/POWER LIFT/INSULATED
	009440-01-000	EA	GEAR/ARM - LIFT - ROOF VENT COVER
	122214-01-02A	EA	PANEL - SKYLITE - INNER - W/ANGLED CORNER - <a href="#">L34Y</a> , <a href="#">L36W</a>
	122215-01-02A	EA	PANEL - SKYLITE - OUTER - W/ANGLED CORNER - <a href="#">L34Y</a> , <a href="#">L36W</a>
	114496-01-02A	EA	PANEL - OUTER SKYLIGHT - 22" X 37" - <a href="#">L35U</a>
	122191-01-02A	EA	PANEL - SKYLIGHT - INNER W/LIGHT CUTOUT - 20.7" X 35.4" - <a href="#">L35U</a>
	084073-04-000	EA	BASE/VENT - ROOF/REFRIGERATOR - BLACK - NORCOLD
	084073-07-000	EA	VENT - ROOF/REFRIGERATOR - BRIGHT WHITE - NORCOLD

\*COMPONENT PARTS LISTED LATER IN THIS GROUP



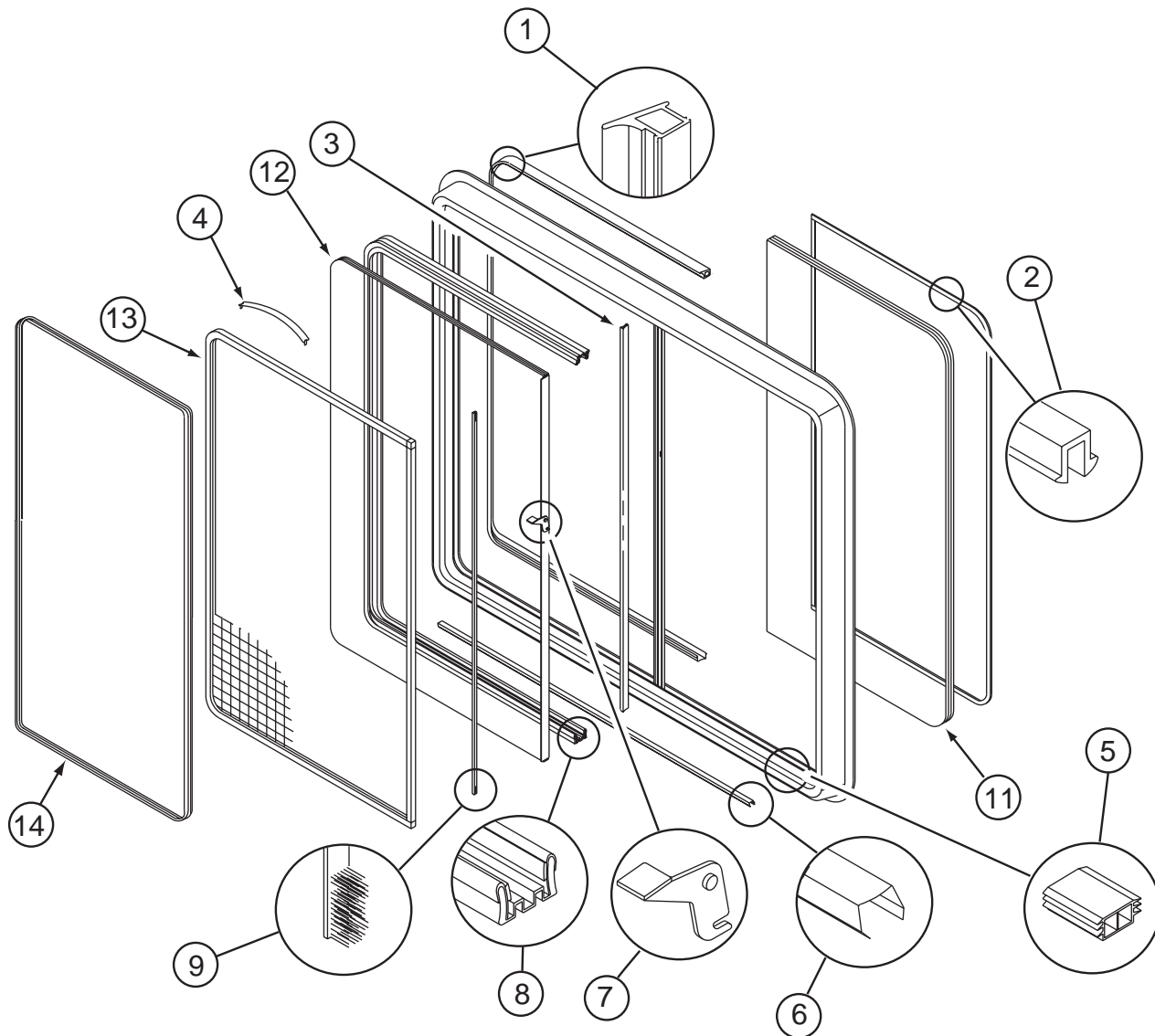
**WINDOW & VENTS GROUP (CONTINUED)**  
**WINDOW & VENT LAYOUT (CONTINUED)**



KEY	PART NUMBER	U/M	DESCRIPTION
1*	134004-02-01A	EA	WINDOW - VERT SLIDER/FLUSH O/S-THERM- 22.2" X 24.2" - BLK FROM: 00-00-00 THRU: 07-23-00
1*	134004-03-01A	EA	WINDOW - VERT SLIDER/FLUSH O/S-THERMO - 21" X 19.8" FROM: 07-24-00 THRU: 99-99-99
2*	112795-77-01A	EA	WINDOW - DRIVER HORIZONTAL SLIDER - THERMO - 57.5" X 23.6"
3*	129929-10-01A	EA	WINDOW - TORQUE - THERMO/ESCAPE - 30" X 33"
4*	129929-09-01A	EA	WINDOW - TORQUE - THERMO - 30" X 33"
5*	112795-71-01A	EA	WINDOW - PASSENGER HORIZ SLIDER - THERMO - 29.6" X 26.1"

**\*COMPONENT PARTS LISTED LATER IN THIS GROUP**

**WINDOW & VENTS GROUP (CONTINUED)**  
**COMPONENT PARTS FOR WINDOWS & VENT LAYOUT**



**112795-71-01A**

KEY	PART NUMBER	U/M	DESCRIPTION	VENDOR NO.
	112795-71-01A	EA	WINDOW - PASSENGER HORIZ SLIDER - THERMO - 26.3"X 29.8"	
1	112795-01-704	FT	PLUG FILLER (DOUBLE GLAZED)	122-018737
2	112795-01-705	FT	VINYL - GLAZING	132-025736
3	098644-01-706	FT	WEATHERSTRIP - GLASS	171-010668
4	098644-01-713	EA	CLIP - SCREEN - METAL	226-016966
4	125582-01-701	EA	CLIP - SCREEN - PLASTIC	130-005153
	098644-01-717	FT	SPLINE - SCREEN	132-004716
5	112795-01-701	EA	SLIDE-STOP	132-019092
6	098644-01-710	FT	TRACK - SCREEN SPACER 12'	132-017135
7	112795-01-700	EA	LATCH ASM., BLK.,(BOLT ON)	DH287-CK
8	112795-01-703	IN	CHANNEL-RUN (INCHES)	122-018736
9	098644-01-711	FT	WEATHERSTRIP - SCREEN BLACK	171-016965
11	112795-71-700	EA	GLASS - STATIONARY	390-028380
12	112795-71-701	EA	GLASS - SLIDING W/SASH LATCH	DH286-G8
13	098647-25-704	EA	SCREEN ASSY - W/SEAL & CLIPS	410-019065
14	098647-25-705	EA	RETAINER - TRIM	H286-66

**WINDOW & VENTS GROUP (CONTINUED)**  
**COMPONENT PARTS FOR WINDOWS & VENT LAYOUT (CONTINUED)**

**112795-77-01A**

<b>KEY</b>	<b>PART NUMBER</b>	<b>U/M</b>	<b>DESCRIPTION</b>	<b>VENDOR NO.</b>
	112795-77-01A	EA	WINDOW - DRIVER HORIZONTAL SLIDER - THERMO - 23.8" X 57.7"	
1	112795-01-704	FT	PLUG FILLER (DOUBLE GLAZED)	122-018737
2	112795-01-705	FT	VINYL - GLAZING	132-025736
3	098644-01-706	FT	WEATHERSTRIP - GLASS	171-010668
4	098644-01-713	EA	CLIP - SCREEN - METAL	226-016966
4	125582-01-701	EA	CLIP - SCREEN - PLASTIC	130-005153
	098644-01-717	FT	SPLINE - SCREEN	132-004716
5	112795-01-701	EA	SLIDE-STOP	132-019092
6	098644-01-710	FT	TRACK - SCREEN SPACER 12'	132-017135
7	112795-01-700	EA	LATCH ASM., BLK.,(BOLT ON)	DH287-CK
8	112795-01-703	IN	CHANNEL-RUN (INCHES)	122-018736
9	098644-01-711	FT	WEATHERSTRIP - SCREEN BLACK	171-016965
11	112795-77-700	EA	GLASS - STATIONARY	390-28313
12	112795-77-701	EA	GLASS - SLIDING W/SASH LATCH	DH493-G8
13	098647-47-702	EA	SCREEN ASSY - W/SEAL & CLIPS	410-025226
14	098647-47-704	EA	RETAINER - TRIM	H493-66

**113733-10-01A**

<b>KEY</b>	<b>PART NUMBER</b>	<b>U/M</b>	<b>DESCRIPTION</b>	<b>VENDOR NO.</b>
	112795-01-705	FT	VINYL - GLAZING	132-025736
	113733-10-700	EA	GLASS-STATIONARY	390-028306
	113733-10-701	EA	RETAINER-TRIM	H416-66

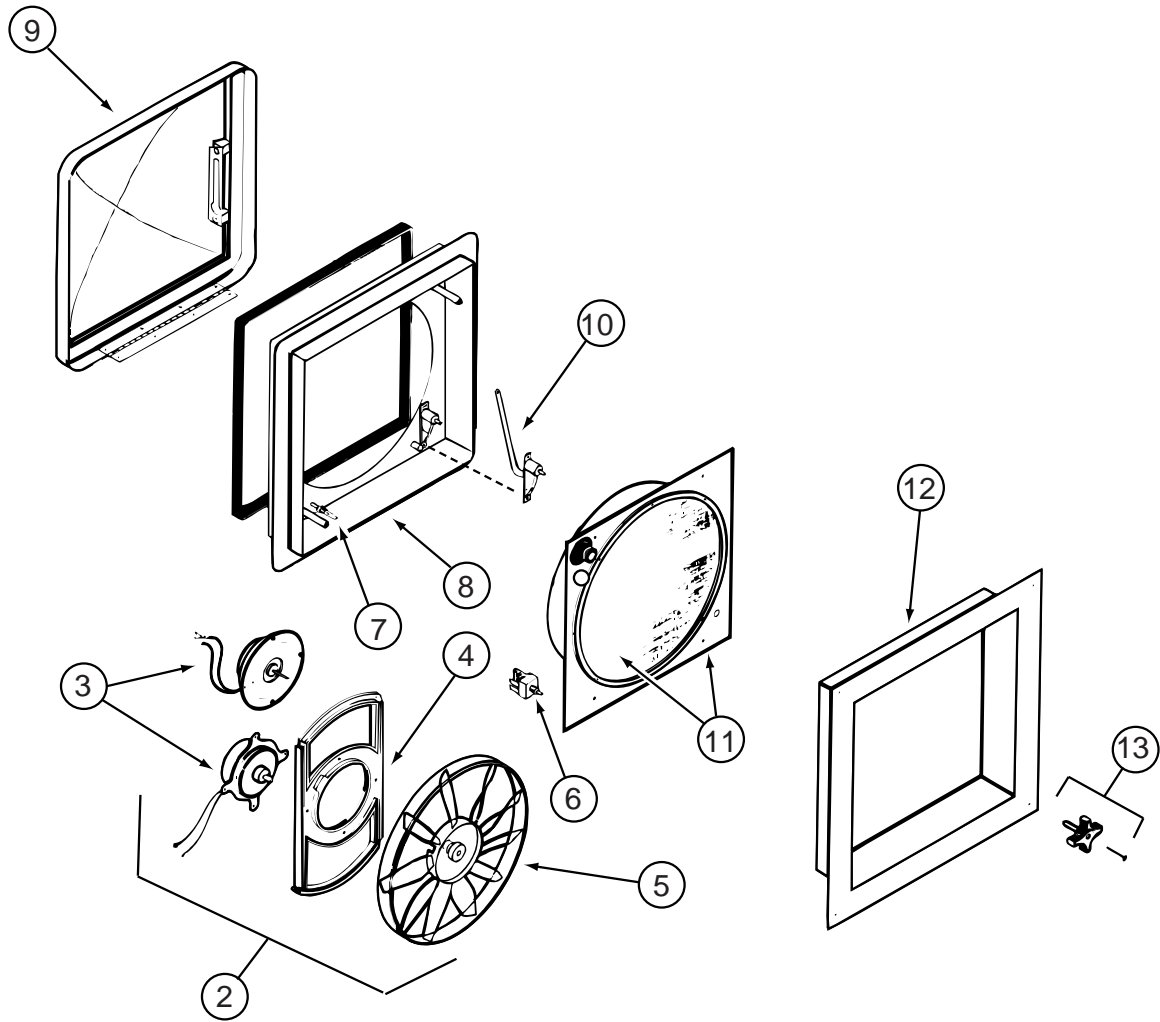
**122882-04-01A**

<b>KEY</b>	<b>PART NUMBER</b>	<b>U/M</b>	<b>DESCRIPTION</b>	<b>VENDOR NO</b>
	122882-04-01A	EA	VENT - ROOF - W/FAN/POWER LIFT - W/O INSIDE GARNISH - UL	
	064470-01-700	EA	COVER - VENT - W/O SLIDE BAR	J7291
	064469-03-708	EA	GEAR-DRIVE	RP-1024
	110051-07-701	EA	MOTOR-LIFT, W/BRKT-GEAR 3/16	RP1099B
	122882-04-700	EA	SCREEN	J29-670-01A
	064470-01-701	EA	SLIDE BAR - VENT LID	JRP1291B

**122882-05-01A**

<b>KEY</b>	<b>PART NUMBER</b>	<b>U/M</b>	<b>DESCRIPTION</b>	<b>VENDOR NO</b>
	122882-05-01A	EA	VENT - ROOF - W/FAN/POWER LIFT - W/O INSIDE GARNISH - CSA	
	064469-03-708	EA	GEAR-DRIVE	RP-1024
	064470-01-700	EA	COVER - VENT	J7291
	064470-01-701	EA	SLIDE BAR - VENT LID	JRP1291B
	110051-07-701	EA	MOTOR-LIFT, W/BRKT-GEAR 3/16	RP1099B
	122882-04-700	EA	SCREEN	J29-670-01A

**WINDOW & VENTS GROUP (CONTINUED)**  
**COMPONENT PARTS FOR WINDOWS & VENT LAYOUT (CONTINUED)**



**123780-03-01A**

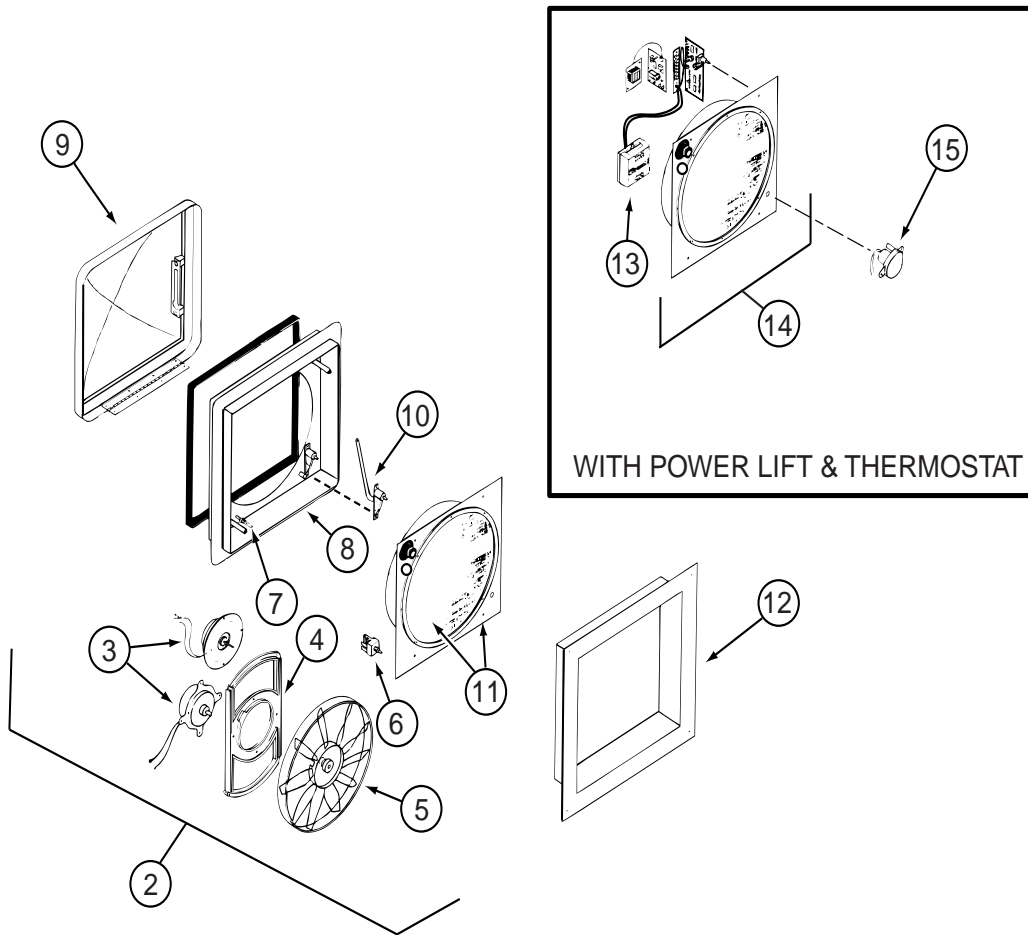
<b>KEY</b>	<b>PART NUMBER</b>	<b>U/M</b>	<b>DESCRIPTION</b>	<b>VENDOR NO.</b>
2	084079-11-700	EA	MOTOR, BRKT., FAN BLADE, KIT	4017K-09
3	084079-01-705	EA	MOTOR	1080-00
4	084079-01-711	EA	H-MOLDING, MOTOR MOUNT	
5	084079-01-704	EA	BLADE-FAN	1070-00
6	084079-01-709	EA	SWITCH - MAIN - 3 SPEED	1031-05
7	084079-01-707	EA	SWITCH - SAFETY	1122.05
8	123780-05-700	EA	BASE - MAIN BRIGHT WHITE	1010K-81
9	123780-01-700	EA	COVER - VENT W/HINGE & SLIDE	1020K-81
10	009440-01-000	EA	GEAR/ARM - LIFT - ROOF VENT COVER	705221K38
11	123780-01-702	EA	SCREEN W/FRAME	103581
12	123780-03-700	EA	GARNISH - INT. 3"-4" BRT/WHT	2040-81
13	084079-01-703	EA	KNOB-LIFT, W/EXT. & SCREW	1140K-00
	123780-03-701	EA	SCREEN ASM 78-100MM W/SWITCH	1030BT-81
	084079-01-706	EA	PLUG, 12 VOLT	1090

**WINDOW & VENTS GROUP (CONTINUED)**  
**COMPONENT PARTS FOR WINDOWS & VENT LAYOUT (CONTINUED)**

123780-09-01A

KEY	PART NUMBER	U/M	DESCRIPTION	VENDOR NO.
2	084079-11-700	EA	MOTOR, BRKT., FAN BLADE, KIT	4017K-09
3	084079-01-705	EA	MOTOR	1080-00
4	084079-01-711	EA	H-MOLDING, MOTOR MOUNT	
5	084079-01-704	EA	BLADE-FAN	1070-00
6	084079-01-709	EA	SWITCH - MAIN - 3 SPEED	1031-05
7	084079-01-707	EA	SWITCH - SAFETY	1122.05
8	123780-05-700	EA	BASE - MAIN BRIGHT WHITE	1010K-81
9	123780-09-700	EA	DOME/WHITE - INSULATED	K2020-82
10	009440-01-000	EA	GEAR-ARM-ROOF VENT	705221K38
11	123780-01-702	EA	SCREEN W/FRAME	103581
12	123780-03-700	EA	GARNISH - INT. 3"-4" BRT/WHT	2040-81
13	084079-01-703	EA	KNOB-LIFT, W/EXT. & SCREW	1140K-00
	123780-03-701	EA	SCREEN ASM 78-100MM W/SWITCH	1030BT-81
	084079-01-706	EA	PLUG, 12 VOLT	1090

**WINDOW & VENTS GROUP (CONTINUED)**  
**COMPONENT PARTS FOR WINDOWS & VENT LAYOUT (CONTINUED)**



**123780-10-01A**

<b>KEY</b>	<b>PART NUMBER</b>	<b>U/M</b>	<b>DESCRIPTION</b>	<b>VENDOR NO.</b>
2	084079-11-700	EA	MOTOR, BRKT., FAN BLADE, KIT	4017K-09
3	084079-01-705	EA	MOTOR	1080-00
4	084079-01-711	EA	H-MOLDING, MOTOR MOUNT	
5	084079-01-704	EA	BLADE-FAN	1070-00
	084079-01-709	EA	SWITCH - MAIN - 3 SPEED	1031-05
6	084079-01-707	EA	SWITCH - SAFETY	1122.05
8	123780-05-700	EA	BASE - MAIN BRIGHT WHITE	1010K-81
9	123780-09-700	EA	DOME/WHITE - INSULATED	K2020-82
10	009440-01-000	EA	GEAR/ARM - LIFT - ROOF VENT COVER	
11	123780-01-702	EA	SCREEN W/FRAME	103581
12	123780-03-700	EA	GARNISH - INT. 3"-4" BRT/WHT	2040-81
13	084079-01-710	EA	THERMOSTAT, WALL MOUNT	9988-39
14	123780-05-701	EA	SCREEN ASM., INT W/SWITCHES	2000TK-81
15	084079-11-705	EA	MOTOR - LIFT (BC MOTOR)	5050-40
15	084079-11-703	EA	MOTOR-LIFT (AUTOTROL) W/CAP	6050-05

CONTACT WINNEBAGO PART SALES FOR UNLISTED COMPONENTS

**WINDOW & VENTS GROUP (CONTINUED)**  
**COMPONENT PARTS FOR WINDOWS & VENT LAYOUT (CONTINUED)**

**125583-01-01A**

<b>KEY</b>	<b>PART NUMBER</b>	<b>U/M</b>	<b>DESCRIPTION</b>	<b>VENDOR NO.</b>
1	112795-01-704	FT	PLUG FILLER (DOUBLE GLAZED)	122-018737
2	112795-01-705	FT	VINYL - GLAZING	132-025736
3	098644-01-706	FT	WEATHERSTRIP - GLASS	171-010668
4	098644-01-713	EA	CLIP - SCREEN - METAL	226-016966
4	125582-01-701	EA	CLIP - SCREEN - PLASTIC	130-005153
5	112795-01-701	EA	SLIDE-STOP	132-019092
6	098644-01-710	FT	TRACK - SCREEN SPACER 12'	132-017135
7	112795-01-700	EA	LATCH ASM., BLK.,(BOLT ON)	DH287-CK
8	112795-01-703	IN	CHANNEL-RUN (INCHES)	122-018736
9	098644-01-711	FT	WEATHERSTRIP - SCREEN BLACK	171-016965
11	125583-01-700	EA	GLASS-SLIDING W/SASH & LATCH	DH573-A9R
12	125582-01-705	EA	SCREEN ASM - W/SEALS & CLIPS	410-026545
13	125582-01-706	EA	RETAINER - TRIM	H573-27R
14	125583-01-702	EA	GLASS - STATIONARY - R.H.	390-026101
15	125583-01-701	EA	GLASS - STATIONARY - UPPER	390-026100
	125582-01-708	EA	WEEPHOLE COVER - RIGHT HAND	130-026598
	125582-01-709	EA	WEEPHOLE COVER - LEFT HAND	130-026599
	098644-01-717	EA	SPLINE - SCREEN	132-004716

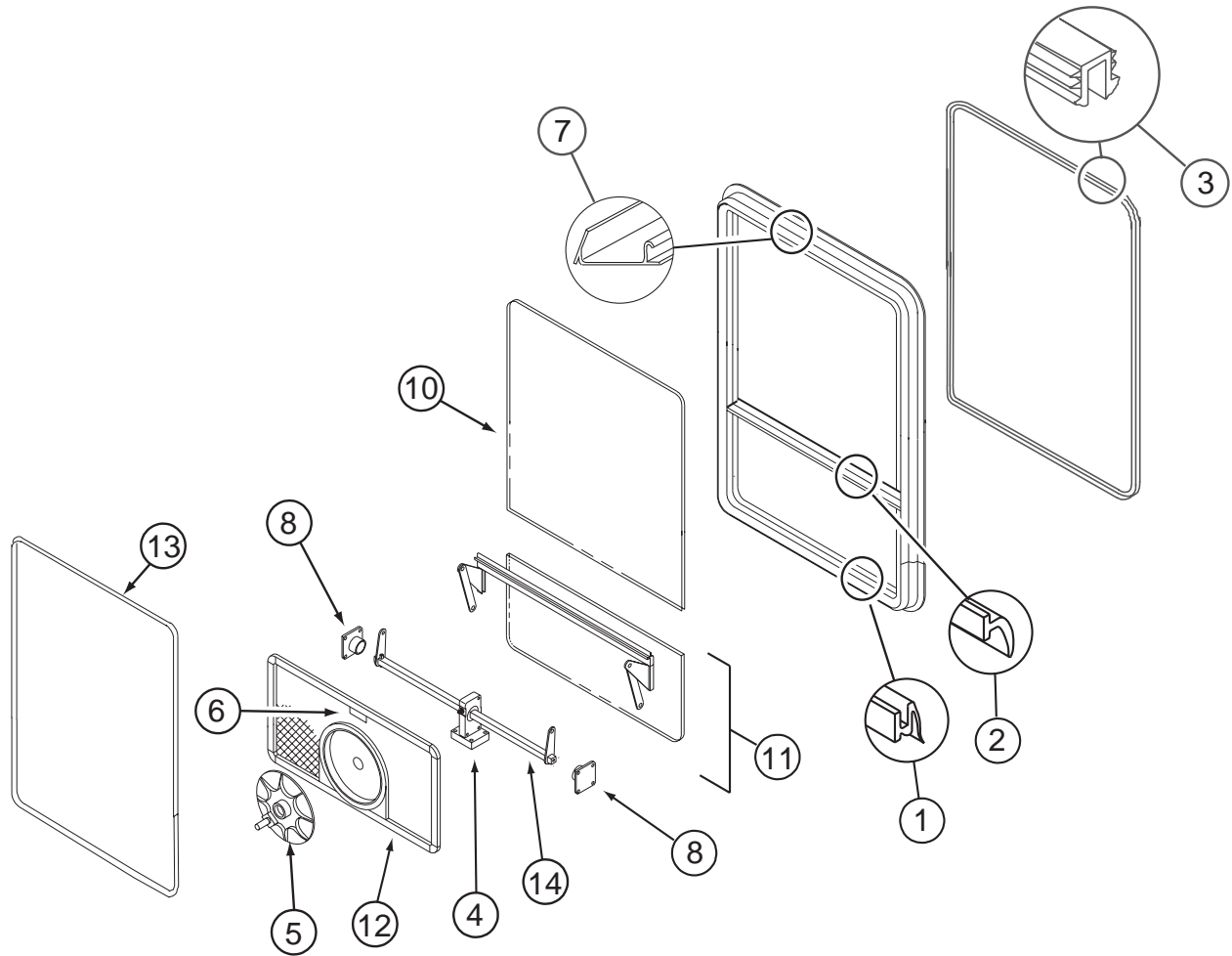
**125585-01-01A**

<b>KEY</b>	<b>PART NUMBER</b>	<b>U/M</b>	<b>DESCRIPTION</b>	<b>VENDOR NO.</b>
	125585-01-01A	EA	WINDOW - FRONT SLANT/THERMO - 11.6"T X 29.2"H X 16.8"B	
	125585-01-700	EA	GLASS - STATIONARY	390026092
	116000-01-704	EA	VINYL - GLAZING	132-018161
	125584-01-701	EA	RETAINER - TRIM	106026078

**125600-01-01A**

<b>KEY</b>	<b>PART NUMBER</b>	<b>U/M</b>	<b>DESCRIPTION</b>	<b>VENDOR NO.</b>
	125600-01-01A	EA	WINDOW - VISTA - THERMOPANE	
	125600-01-700	EA	GLASS - STATIONARY	390026099
	116000-01-704	EA	VINYL - GLAZING	132-018161
	125586-01-701	EA	RETAINER - TRIM	H57027L

**WINDOW & VENTS GROUP (CONTINUED)**  
**COMPONENT PARTS FOR WINDOWS & VENT LAYOUT (CONTINUED)**



129929-09-01A

KEY	PART NUMBER	U/M	DESCRIPTION	VENDOR NO.
1	100322-01-701	FT	SEAL-VENT	122-016071
2	100322-01-702	EA	WEATHERSTRIP-HORIZ RAIL-148"	132-019631
3	129929-01-705	FT	GLAZING VINYL	132-026811
4	129929-01-710	EA	TORQUE - CENTER SUPPORT	410-026806
5	100322-01-718	EA	HANDLE-DIAL	410-016081
6	129929-01-706	FT	SEAL - TOP F/CENTER EGRESS	132-026811
7	129929-01-707	FT	FILLER STRIP - DOUBLE GLAZED	132-026808
8	129929-01-708	EA	SUPPORT - TORQUE BAR - RT/LT	130-026804
10	129929-09-700	EA	GLASS - STATIONARY	390-028298
11	129929-09-701	EA	VENT GLASS ASSEMBLY	DTH001-G8
12	129929-01-702	EA	SCREEN ASM - W/SEALS & CLIPS	410-026858
13	129920-01-709	EA	RETAINER - TRIM	CH10062
14	129929-01-704	EA	OPERATOR BAR ASSEMBLY	DTH001-15
	129929-02-706	FT	SEAL - FOAM	140-027022

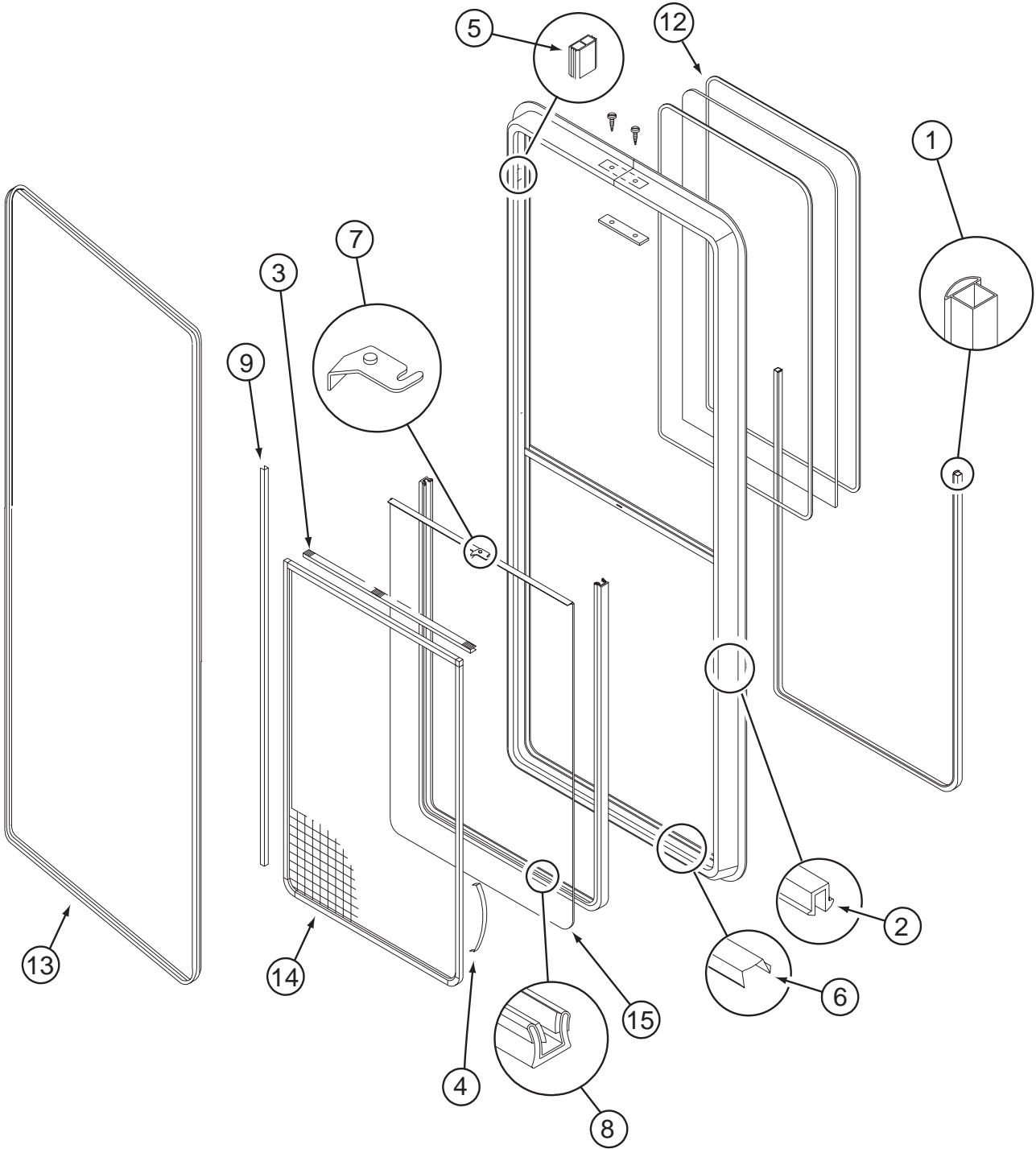


**WINDOW & VENTS GROUP (CONTINUED)**  
**COMPONENT PARTS FOR WINDOWS & VENT LAYOUT (CONTINUED)**

129929-10-01A

<b>KEY</b>	<b>PART NUMBER</b>	<b>U/M</b>	<b>DESCRIPTION</b>	<b>VENDOR NO.</b>
1	100322-01-701	FT	SEAL-VENT	122-016071
2	100322-01-702	EA	WEATHERSTRIP-HORIZ RAIL-148"	132-019631
3	129929-01-705	FT	GLAZING VINYL	132-026811
4	129929-01-710	EA	TORQUE - CENTER SUPPORT	410-026806
5	100322-01-718	EA	HANDLE-DIAL	410-016081
6	129929-01-706	FT	SEAL - TOP F/CENTER EGRESS	132-026811
7	129929-01-707	FT	FILLER STRIP - DOUBLE GLAZED	132-026808
8	129929-01-708	EA	SUPPORT - TORQUE BAR - RT/LT	130-026804
10	129929-10-700	EA	GLASS - STATIONARY	390-028300
11	129929-10-701	EA	VENT GLASS ASSEMBLY	DTH002-G8
12	129929-02-702	EA	SCREEN ASM - W/SEALS & CLIPS	410-026861
13	129929-02-707	EA	RETAINER - TRIM	CH10162
14	129929-02-704	EA	OPERATOR BAR ASSEMBLY	DTH002-15
	129929-02-706	FT	SEAL - FOAM	140-027022

**WINDOW & VENTS GROUP (CONTINUED)**  
**COMPONENT PARTS FOR WINDOWS & VENT LAYOUT (CONTINUED)**



134004-02-01A

**WINDOW & VENTS GROUP (CONTINUED)**  
**COMPONENT PARTS FOR WINDOWS & VENT LAYOUT (CONTINUED)**

**134004-02-01A (CONTINUED)**

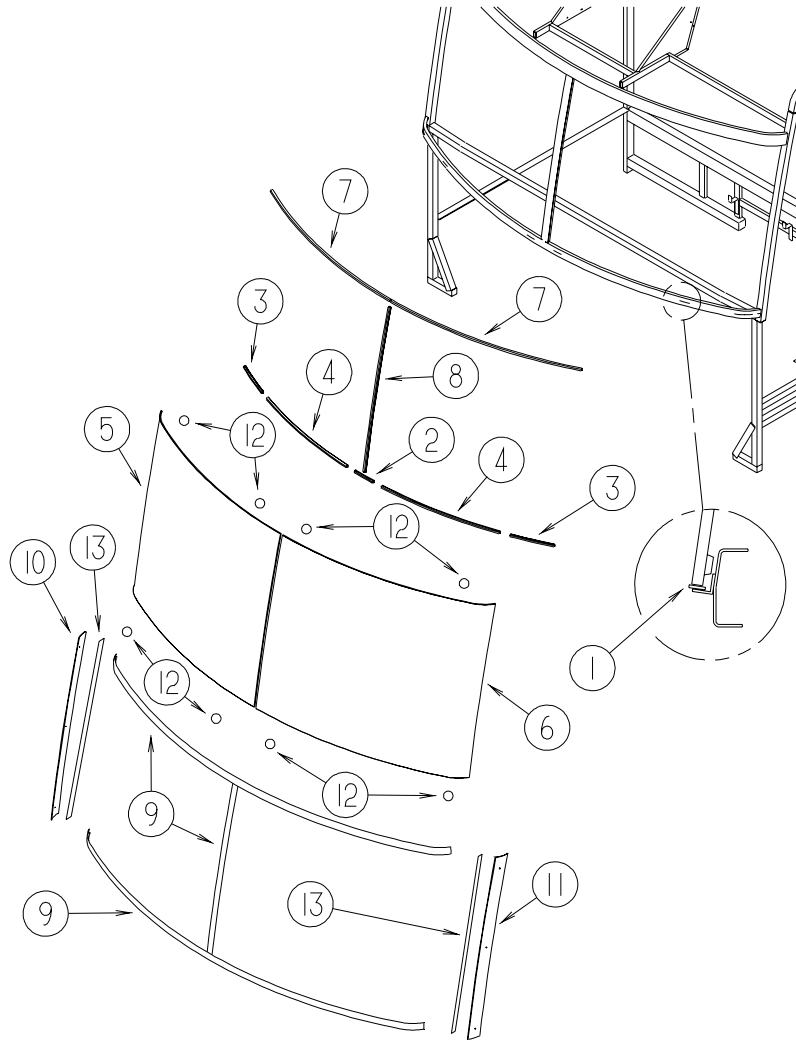
<b>KEY</b>	<b>PART NUMBER</b>	<b>U/M</b>	<b>DESCRIPTION</b>	<b>VENDOR NO.</b>
1	112795-01-704	FT	PLUG FILLER (DOUBLE GLAZED)	122-018737
2	112795-01-705	EA	VINYL - GLAZING	132-027331
3	098644-01-706	FT	WEATHERSTRIP - GLASS	171-010668
4	098644-01-713	EA	CLIP - SCREEN - METAL	226-016966
4	125582-01-701	EA	CLIP - SCREEN - PLASTIC	130-005153
5	112795-01-701	EA	SLIDE-STOP	132-019092
6	098644-01-710	FT	TRACK - SCREEN SPACER 12'	132-017135
7	112795-01-700	EA	LATCH ASM., BLK.,(BOLT ON)	DH287-CK
	112898-04-703	EA	VERTICAL LATCH (SASH KIT)	DH343-CK
8	112795-01-703	EA	CHANNEL-RUN (INCHES)	122-027566
9	098644-01-711	FT	WEATHERSTRIP - SCREEN BLACK	171-016965
	098644-01-717	FT	SPLINE - SCREEN	132-004716
12	134004-02-700	EA	GLASS - STATIONARY	390-028311
13	134004-01-702	EA	RETAINER - TRIM	H08056
14	098644-12-702	EA	SCREEN ASM - W/SEALS/CLIPS	410-016483
15	134004-01-701	EA	GLASS-SLIDING W/SASH & LATCH	DH685-G9

**134004-03-01A**

<b>KEY</b>	<b>PART NUMBER</b>	<b>U/M</b>	<b>DESCRIPTION</b>	<b>VENDOR NO</b>
1	112795-01-704	FT	PLUG FILLER (DOUBLE GLAZED)	122-018737
2	112795-01-705	FT	VINYL - GLAZING	132-027331
3	098644-01-706	FT	WEATHERSTRIP - GLASS	171-010668
4	125582-01-701	EA	CLIP - SCREEN - PLASTIC	130-005153
4	098644-01-713	EA	CLIP - SCREEN - METAL	226-016966
5	112795-01-701	EA	SLIDE-STOP	132-019092
6	098644-01-710	FT	TRACK - SCREEN SPACER 12'	132-017135
7	112795-01-700	EA	LATCH ASM., BLK.,(BOLT ON)	DH287-CK
8	112795-01-703	IN	CHANNEL-RUN (INCHES)	122-027566
9	098644-01-711	FT	WEATHERSTRIP - SCREEN BLACK	171-016965
12	134004-03-700	EA	GLASS - STATIONARY	390-028662
13	134004-03-702	EA	RETAINER - TRIM	H702-56
14	098644-13-702	EA	SCREEN ASM W/SEALS & CLIPS	410-028663
15	134004-03-701	EA	GLASS-SLIDING W/SASH & LATCH	DH702-G8
	112898-04-703	EA	VERTICAL LATCH (SASH KIT)	DH343-CK
	098644-01-717	FT	SPLINE - SCREEN	132-004716

# WINDSHIELD & WIPER GROUP

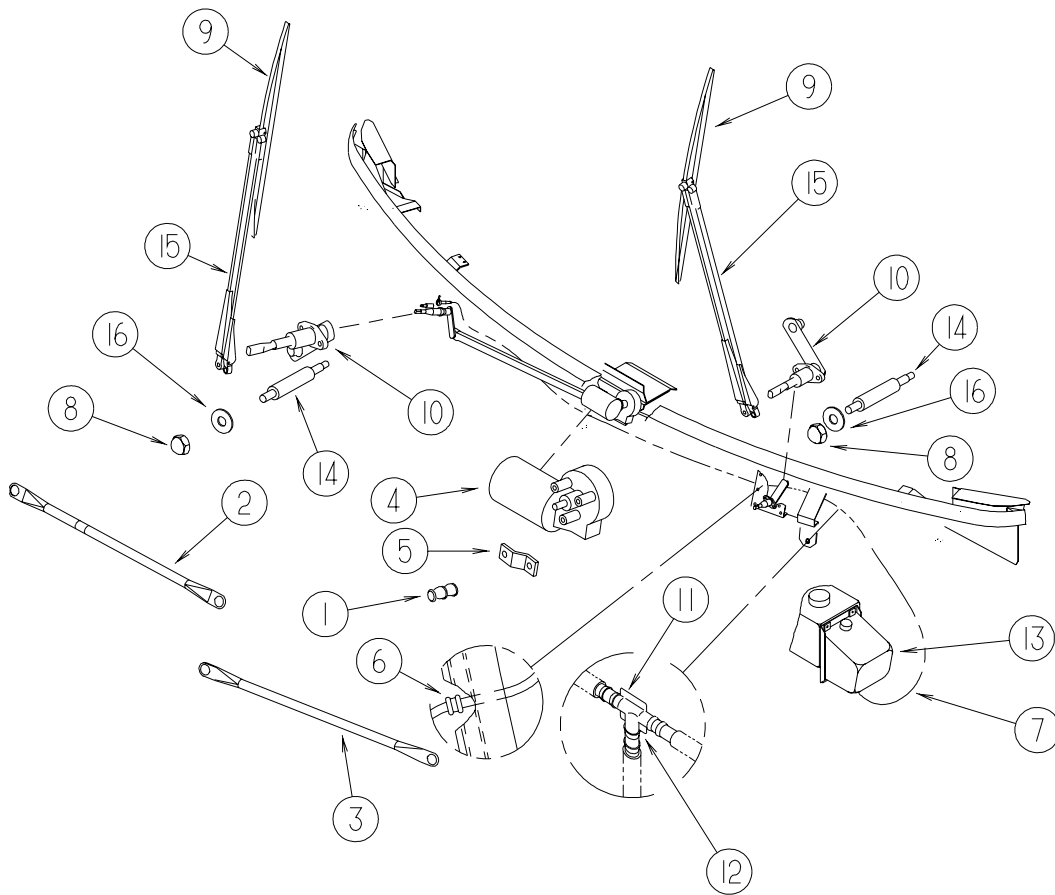
## WINDSHIELD



KEY	PART NUMBER	U/M	DESCRIPTION
1	002328-02-000	EA	BLOCK - WINDSHIELD - .062" X .5" X .98"
2	132375-01-000	EA	CARRIER/REVEAL - WINDSHIELD - 5.5"
3	132375-02-000	EA	CARRIER/REVEAL - WINDSHIELD - 10"
4	117335-06-000	EA	REVEAL CARRIER - 29.8"
5	124328-01-000	EA	WINDSHIELD - PASSENGER - 52" X 41" (CURVED)
6	124328-02-000	EA	WINDSHIELD - DRIVER - 52" X 41" (CURVED)
7	127862-01-000	EA	CARRIER/REVEAL - WINDSHIELD - 47.2"
8	127862-09-000	EA	CARRIER - REVEAL - WINDSHIELD - 38.6"
9	120533-01-000	FT	MOLDING - REVEAL - WINDSHIELD
10	125384-01-02A	EA	TRIM - WINDSHIELD - A-PILLAR - PASSENGER - BLACK
11	125384-02-02A	EA	TRIM - WINDSHIELD - A-PILLAR - DRIVER - BLACK
12	081914-02-000	EA	BUMPER - RUBBER - ROUND - 5/16" DIA. X 13/64" THICK
13	099418-01-000	FT	SEAL - D-SECTION/ADHESIVE BACK - .44" X .44"- BLK RUBBER

# WINDSHIELD & WIPER GROUP (CONTINUED)

## WIPER



KEY	PART NUMBER	U/M	DESCRIPTION
1	067188-01-000	EA	STUD - CRANK - WIPER MOTOR
	117322-01-000	EA	SCREW - 1/4-28 UNFINISHED - 2A - TORX
2	117770-01-000	EA	LINK - CONNECTING - 24" - CLOSED GROMMET/OPEN GROMMET
3	117770-02-000	EA	LINK - CONNECTING - 24" - CLOSED GROMMET/CLOSED GROMMET
4	104346-05-000	EA	WIPER MOTOR - W/INTERNAL BREAKER - DYNAMIC PARK
5	104347-04-000	EA	ARM - DRIVE - WIPER MOTOR
6	061603-01-000	EA	GROMMET - SNAP - 3/16"ID - 3/8" HOLE - PLASTIC BLACK
7	045794-01-000	FT	HOSE - WASHER - WINDSHIELD - 5/32" ID - BLACK
8	077049-02-000	EA	NUT - ACORN - 10-32 BLACK/ANODIZED
9*	095964-01-000	EA	BLADE - WINDSHIELD WIPER - 24"
10*	096505-09-000	EA	SHAFT/PIVOT - WINDSHIELD WIPER
11	110605-01-000	EA	TEE - PLASTIC - BARBED - 1/8" X 1/8" X 3/16"
12	117765-03-000	EA	CONNECTOR - 5/32" - WINDSHIELD WASHER
13	117766-02-000	EA	RESERVOIR/PUMP - WINDSHIELD WASHER
14	117768-01-000	EA	SHAFT - ADAPTER - PANTOGRAPH ARM
15*	117769-01-000	EA	ARM - WIPER - PANTOGRAPH - 28"
16	110742-02-000	EA	GASKET - NEOPRENE - WIPER ADAPTER SHAFT - .5" ID X .9" OD

\*COMPONENT PARTS LISTED LATER IN THIS GROUP

# WINDSHIELD & WIPER GROUP (CONTINUED)

## COMPONENT PARTS FOR WIPER

095964-01-000

KEY	PART NUMBER	U/M	DESCRIPTION	VENDOR NO.
	095964-01-000	EA	BLADE - WINDSHIELD WIPER - 24"	
	095964-01-700	EA	BLADE-REFILL 24" EA= 1 PAIR	12360

096505-09-000

KEY	PART NUMBER	U/M	DESCRIPTION	VENDOR NO.
	096505-09-000	EA	SHAFT/PIVOT - WINDSHIELD WIPER UT	6706220SH25WJ
	096505-02-700	EA	DRIVER-KNURLED,(HD) BRL .687	NT721017
	096505-02-701	EA	NUT-HEX (HD) W/.687 BARREL	NT721021
	096505-02-702	EA	CAP-RUBBER (HD) BARREL .687	CP721084
	096505-02-703	EA	CAP-NUT(ACORN) HD W/.687 BRL	51065-40-NT27WC

117769-01-000

KEY	PART NUMBER	U/M	DESCRIPTION	VENDOR NO.
	117769-01-000	EA	ARM - WIPER - PANTOGRAPH - 28"	UT 6701620LE25WJ
	096931-01-700	FT	HOSE-WIPER	XTU-66-0001
	117769-01-700	EA	RETAINER CLIP - HOSE	