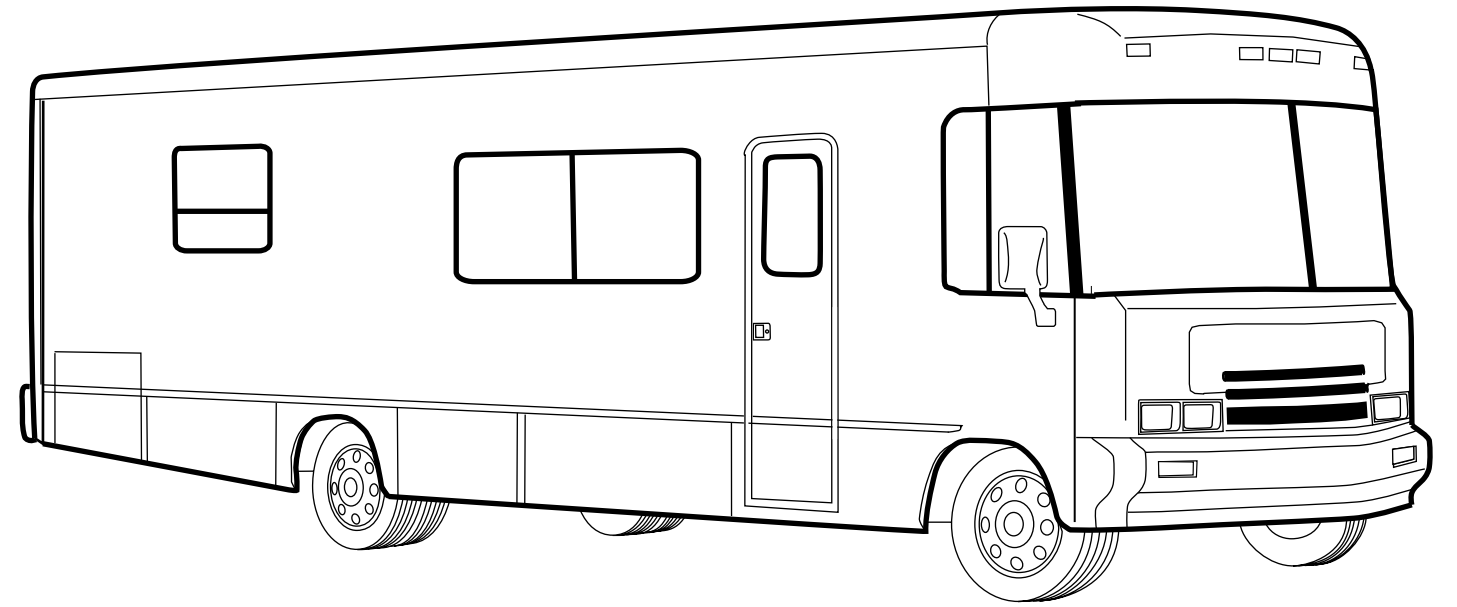


# 1997 WCF33RQ



**H12**

**COPPERCREEK(TERRACOTTA)**

**H13**

**COPPER CANYON(TERRACOTTA)**

**H14**

**SPUNSILVER(WARMGRAY)**

**H15**

**STARS&STRIPES(BLUE)**

**H16**

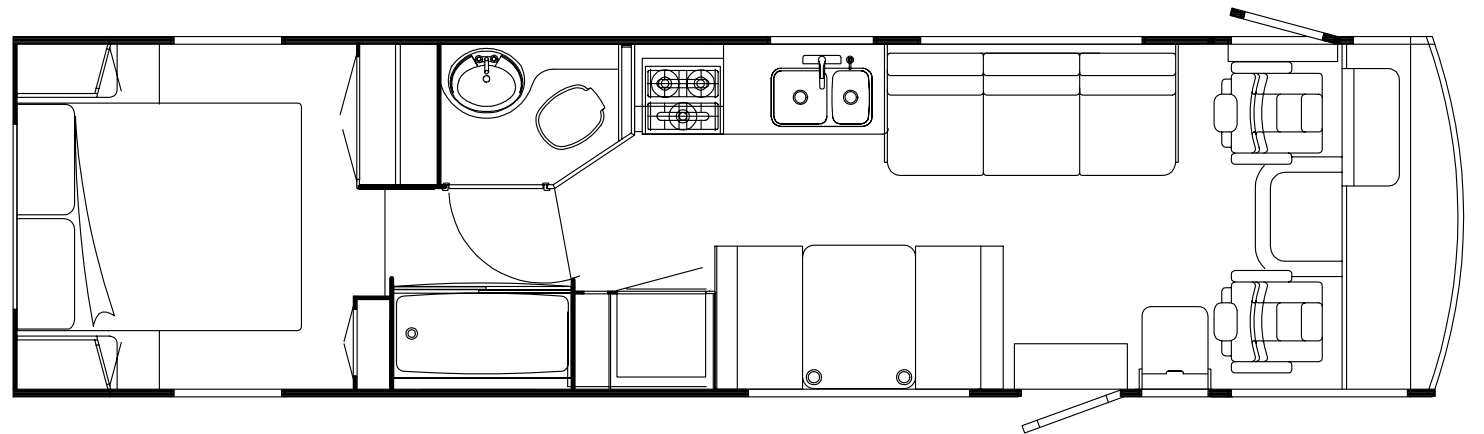
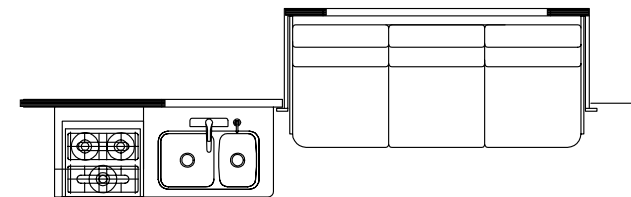
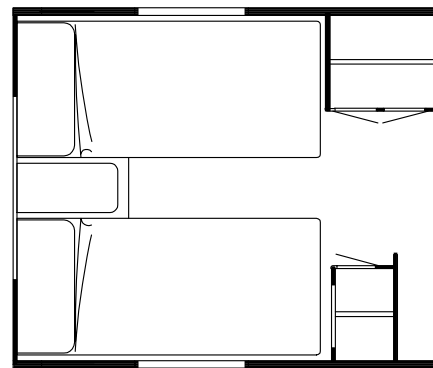
**NEWPORT(BLUE)**

**H21**

**REGENCY(BLUE)**

**H22**

**MALACHITE(SAGE)**



**ACCESSORIESGROUP  
OPERATORMANUAL**

KEY	PARTNUMBER	U/M	DESCRIPTION
	054185-F7-000	EA	MANUAL-OPERATOR,1997BRAVE
	092318-01-000	EA	BINDER-3RING,MOTORHOMEMANUAL
	092319-01-000	EA	POCKETPAGE-3RINGBINDER,PLASTIC
	121518-01-000	DW	TOPLEVELDRAWING-F,1997

**AUDIOVIDEOGROUP  
PATIENTENTERTAINMENTCENTER**

KEY	PARTNUMBER	U/M	DESCRIPTION
	076319-09-000	EA	WALLPLATE-CABLERECEPTACLE,TV-SINGLE-BROWN
	077069-02-000	EA	CABLE-ANTENNA/EXTENSION-RADIO-96"
	082134-01-000	EA	ADAPTER-TV,CABLETOCABLE
	086756-01-000	EA	SPLITTER-TV,2WAY
	087683-03-000	EA	RADIO-AM/FMSTEREOCASSETTE-AUDIOVOX
	108847-01-000	EA	BRACKET-ANTENNAGROUND
	109889-04-000	EA	EXTENDER-ANTENNASHAFT-3"
	110469-01-000	EA	SPEAKER-4"X6"OVAL-COAXIAL
	110470-01-01A	EA	GRILLE-4"X6"OVAL-BLACK

**RADIOSYSTEMS&ANTENNA**

KEY	PARTNUMBER	U/M	DESCRIPTION
	116148-03-000	EA	RADIO-AM/FMSTEREOW/CDPLAYER-CLARION FROM: 00-00-00 THRU: 02-09-97
	116148-04-000	EA	RADIO-AM/FMSTEREOW/CDPLAYER-CLARION FROM: 02-10-97 THRU: 99-99-99
	110267-03-000	EA	RADIO-AM/FMSTEREO-CDCOMPATIBLE-MODEL400-500-AUDIOVOX FROM: 00-00-00 THRU: 08-13-96
	110267-04-000	EA	RADIO-AM/FMSTEREO-CDCOMPATIBLE-AUDIOVOX FROM: 08-14-96 THRU: 99-99-99
	077069-02-000	EA	CABLE-ANTENNA/EXTENSION-RADIO-96"
	090944-01-000	EA	ANTENNA-RADIO,16"RUBBER
	115916-01-01B	EA	BRACKET-ANTENNAMOUNT
	089340-02-000	EA	GRILLE-SPEAKER,6.5"SQUARE
	089340-03-000	EA	SPACER-GRILLE,6.5"SQUARE-TAN
	094097-01-000	EA	SPEAKER-RADIO/TV-W/OGRILLE-5.25"DIAMETER
	110469-01-000	EA	SPEAKER-4"X6"OVAL-COAXIAL
	110470-01-01A	EA	GRILLE-4"X6"OVAL-BLACK

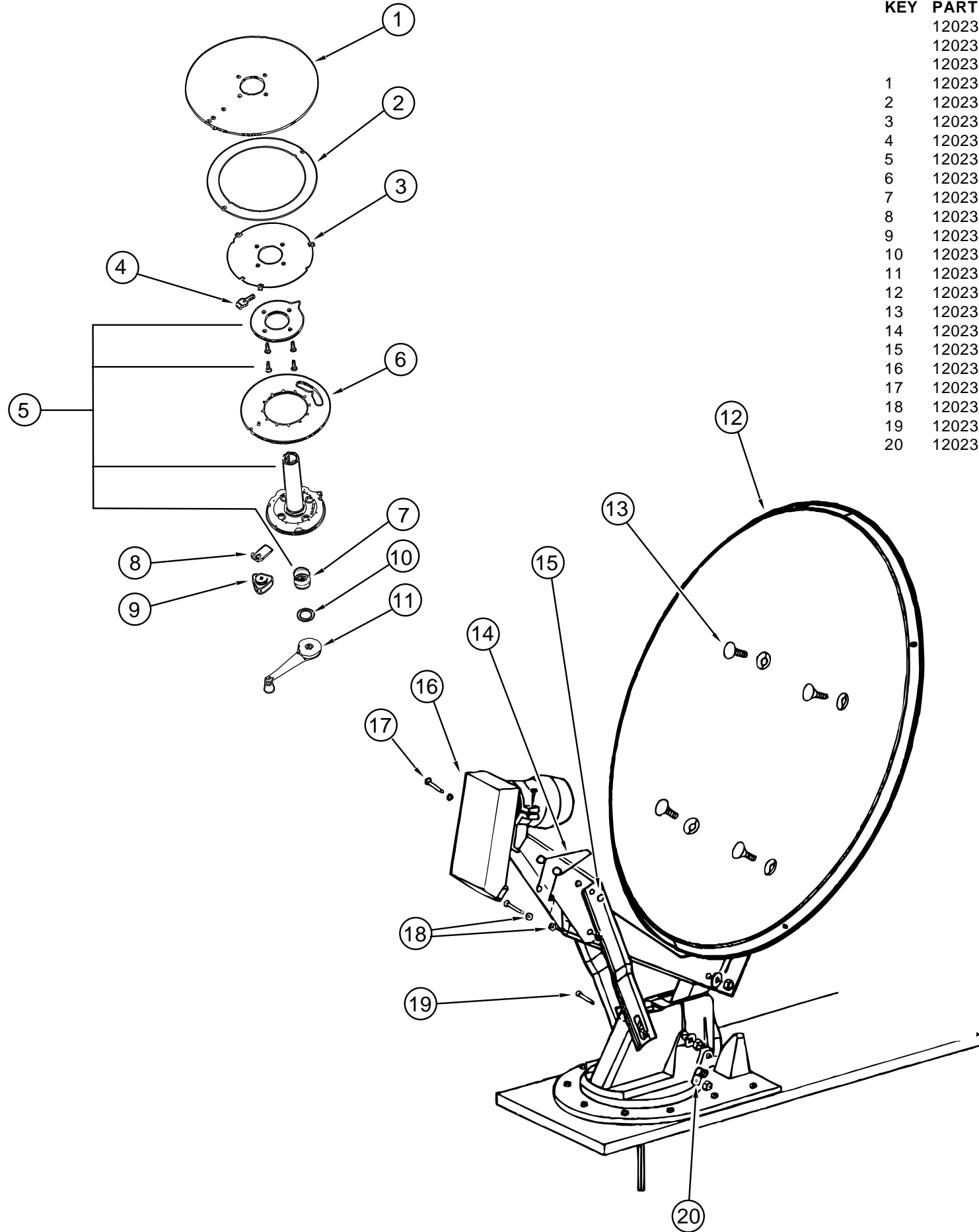
**CBANTENNA**

KEY	PARTNUMBER	U/M	DESCRIPTION
	123256-01-000	EA	ANTENNA-CBW/OCABLE
	123256-02-000	EA	CABLE-CBCOAX

**TV,VCR&COMPONENTS**

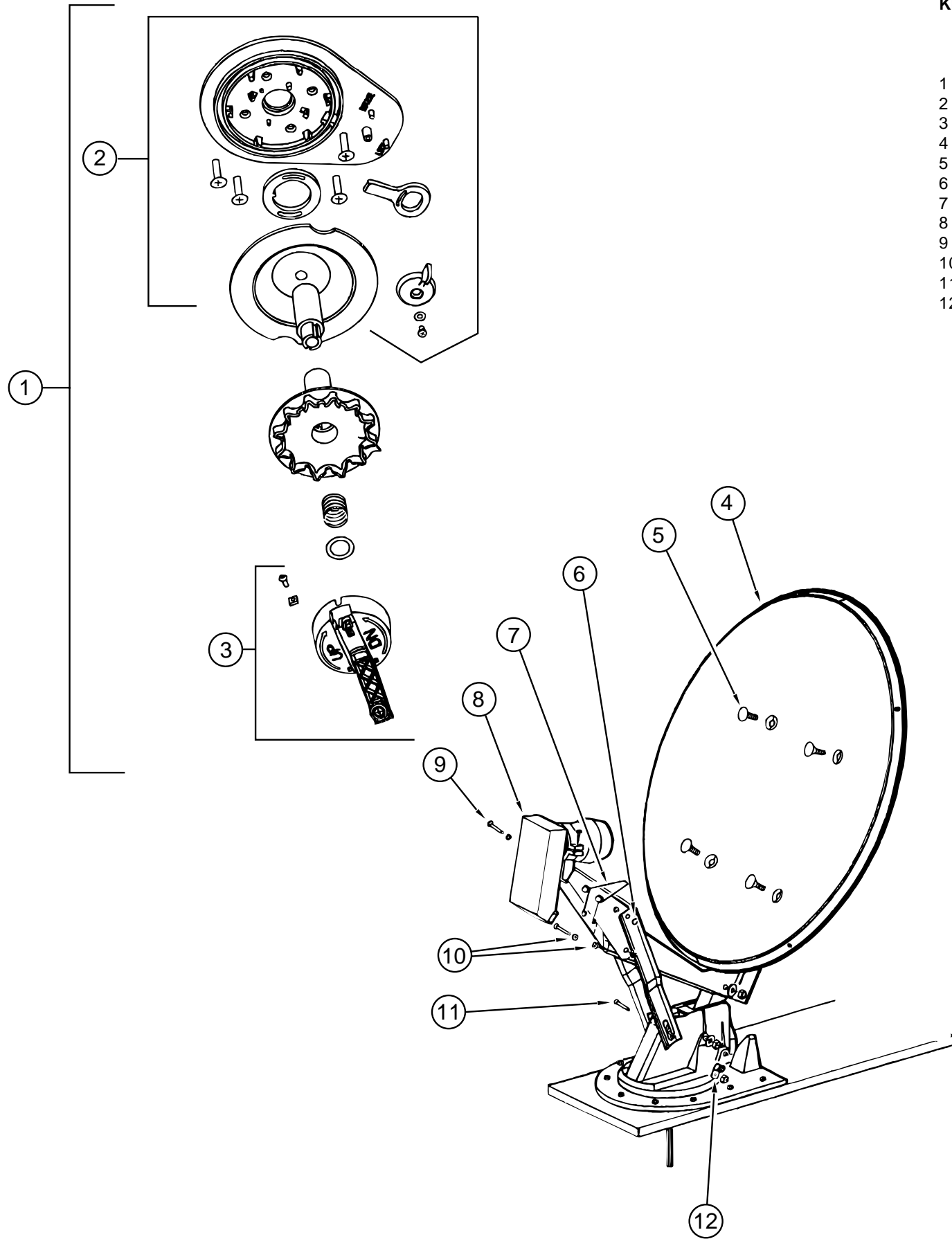
KEY	PARTNUMBER	U/M	DESCRIPTION	VENDORNO.
	113684-02-000	EA	TV-19"COLORUL/CSA-1/8"JACK-AUDIOVOXAVT-1980	
	113684-02-700	EA	REMOTEFORAUDIOVOXAVT-1980TV	0892355
	119120-02-000	EA	VCR-VHS,CABLEREADYW/REMOTE-AUDIOVOXAVR-1170 FROM: 00-00-00 THRU: 02-16-97	
	119120-02-700	EA	REMOTEFORAUDIOVOXAVR-1170VCR FROM: 00-00-00 THRU: 02-16-97	0994569
	119120-03-000	EA	VCR-VHS-CABLEREADY-REMOTE-AUDIOVOXAVR-1108 FROM: 02-17-97 THRU: 99-99-99	
	119120-03-700	EA	REMOTEFORAUDIOVOXAVR-1108VCR FROM: 02-17-97 THRU: 99-99-99	0994571
	122863-01-000	EA	TV-13"COLORW/SPEAKERUL/CSA-AUDIOVOXAVT-1390	
	122863-01-700	EA	REMOTEFORAUDIOVOXAVT-1390TV	0892345
	086757-03-000	EA	CONTROLCENTER-SWITCH,VCR/TV	
	086777-05-000	EA	PLATE-WALL,ANTENNA-1OUTPUT-IVORY	
	093214-01-02A	EA	GRILLE-SPEAKER,4"BROWN	
	098819-01-000	EA	SPEAKER-2WATT,8OHM-4"	
	099717-01-000	EA	STRAP-TVTIEDOWNW/24"FEMALESTRAP&14.2"MALESTRAP	
	076319-09-000	EA	WALLPLATE-CABLERECEPTACLE,TV-SINGLE-BROWN	
	076319-08-000	EA	WALLPLATE-CABLERECEPTACLE,TV-SINGLE-IVORY	
	086777-01-000	EA	WALLPLATE-TV CABLE,W/ANTENNASWITCH-IVORY	
	093901-03-000	EA	PLATE-COAXIALCABLE,64MMX45MM-STEEL-E-COAT	
	076319-12-000	EA	CONNECTOR-COAXIAL,ONEPIECE	
	082134-01-000	EA	ADAPTER-TV,CABLETOCABLE	
	086756-01-000	EA	SPLITTER-TV,2WAY	
	076319-03-000	FT	CABLE-COAXIAL,75OHM	
	082136-01-000	EA	NUT-HEXJAM-3/8-32	
	076319-06-000	EA	ADAPTOR-CABLEROOFPLATE	
	114870-02-000	EA	PLUG-.14"AUDIOW/LEADS	

**AUDIOVIDEOGROUP(CONTINUED)**  
**WINEGARDSATELLITEANTENNA-OLDSTYLE**



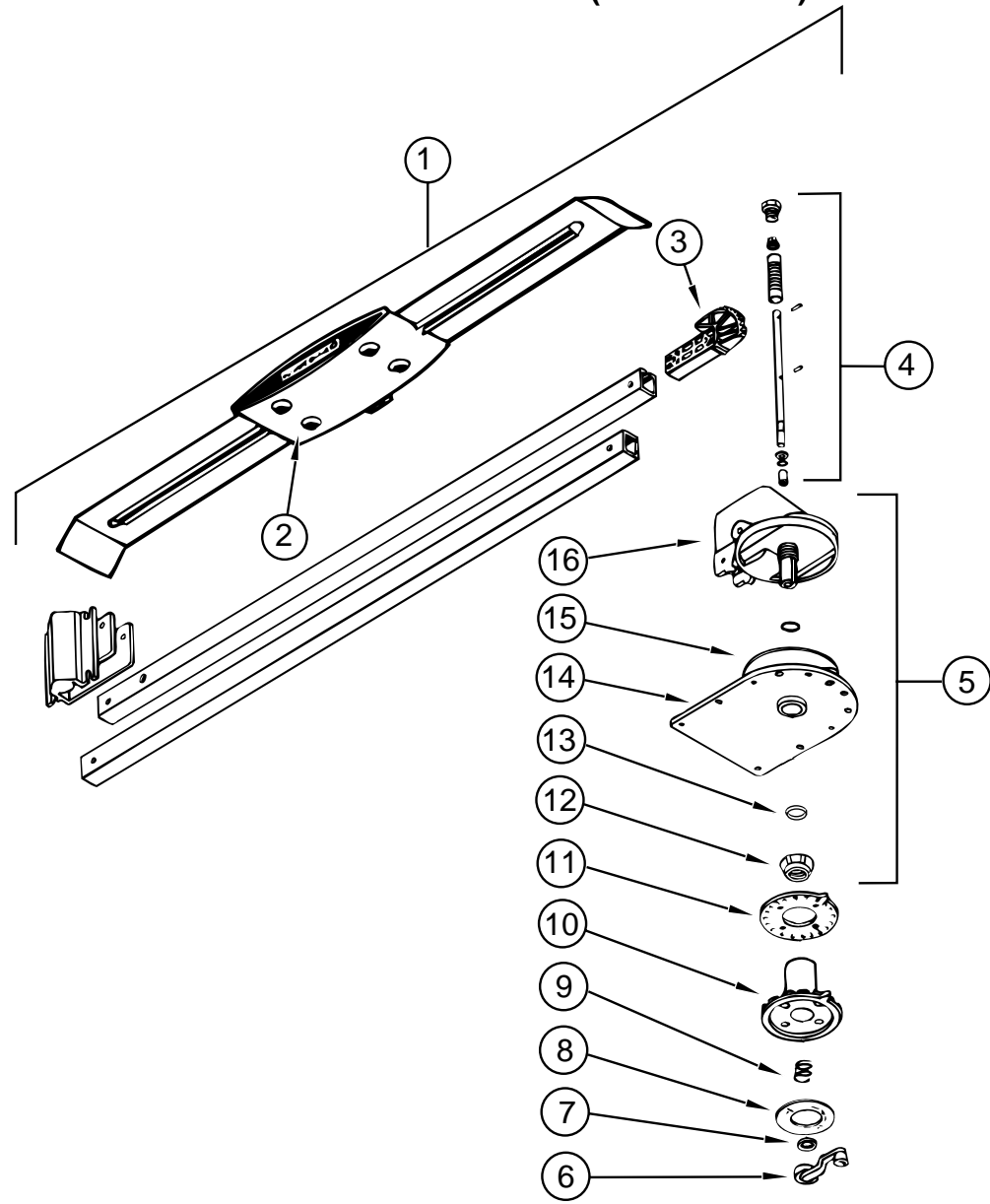
KEY	PARTNUMBER	U/M	DESCRIPTION	VENDOR NO.
	120233-02-000	EA	RECEIVER ONLY-SATELLITE ANTENNA-RC-1000	
	120233-02-700	EA	REMOTE	RC-0012
	120233-01-000	EA	ANTENNA-SATELLITE W/O RECEIVER-(DISH&HARDWARE KIT)-MANUAL	
1	120233-01-700	EA	PLATE-FIXED	3750821
2	120233-01-701	EA	DIAL-DIRECTIONAL	2745056
3	120233-01-702	EA	PIVOT-DIAL-DIRECTIONAL	2745058
4	120233-01-703	EA	STOP-ROTATION	3711281
5	120233-01-704	EA	PLATE-CEILING W/DIRECTIONAL HANDLE	RP-6300
6	120233-01-705	EA	PLATE-ROTATE	3750820
7	120233-01-706	EA	SPRING	RP-6822
8	120233-01-707	EA	CLAMP-ROTATE	3711280
9	120233-01-708	EA	KNOB-CLAMP	2200061
10	120233-01-709	EA	WASHER-NYLON	RP-2658
11	120233-01-710	EA	HANDLE-CRANK	RP-6795
12	120233-01-711	EA	REFLECTOR-46CM	2745304
13	120233-01-712	EA	BOLT-FLATHEAD	2160253
14	120233-01-713	EA	SPRING	2160820
15	120233-01-714	EA	CLIP-E	5160818
16	120233-01-715	EA	GARDINER-LNBF	2780177
17	120233-01-716	EA	PIN	2160814
18	120233-01-717	EA	BEARING-NYLON	2200726
19	120233-01-718	EA	PIN	5160817
20	120233-01-719	EA	CLAMP-CABLE	2200060

**AUDIOVIDEOGROUP(CONTINUED)**  
**WINEGARDSATELLITEANTENNA-NEWSTYLE**



KEY	PARTNUMBER	U/M	DESCRIPTION	VENDOR NO.
	120233-02-000	EA	RECEIVER ONLY-SATELLITE ANTENNA-RC-1000	
	120233-02-700	EA	REMOTE	RC-0012
	120233-01-000	EA	ANTENNA-SATELLITE W/O RECEIVER-(DISH&HARDWARE KIT)-MANUAL	
1	120233-01-720	EA	CEILING PLATE ASM (RETROFIT)	RP-4100
2	120233-01-722	EA	PLATE ASSEMBLY (CEILING)	2762826
3	120233-01-721	EA	CRANK HANDLE ASSEMBLY	2762825
4	120233-01-711	EA	REFLECTOR-46CM	2745304
5	120233-01-712	EA	BOLT-FLATHEAD	2160253
6	120233-01-714	EA	CLIP-E	5160818
7	120233-01-713	EA	SPRING	2160820
8	120233-01-715	EA	GARDINER-LNBF	2780177
9	120233-01-716	EA	PIN	2160814
10	120233-01-717	EA	BEARING-NYLON	2200726
11	120233-01-718	EA	PIN	5160817
12	120233-01-719	EA	CLAMP-CABLE	2200060

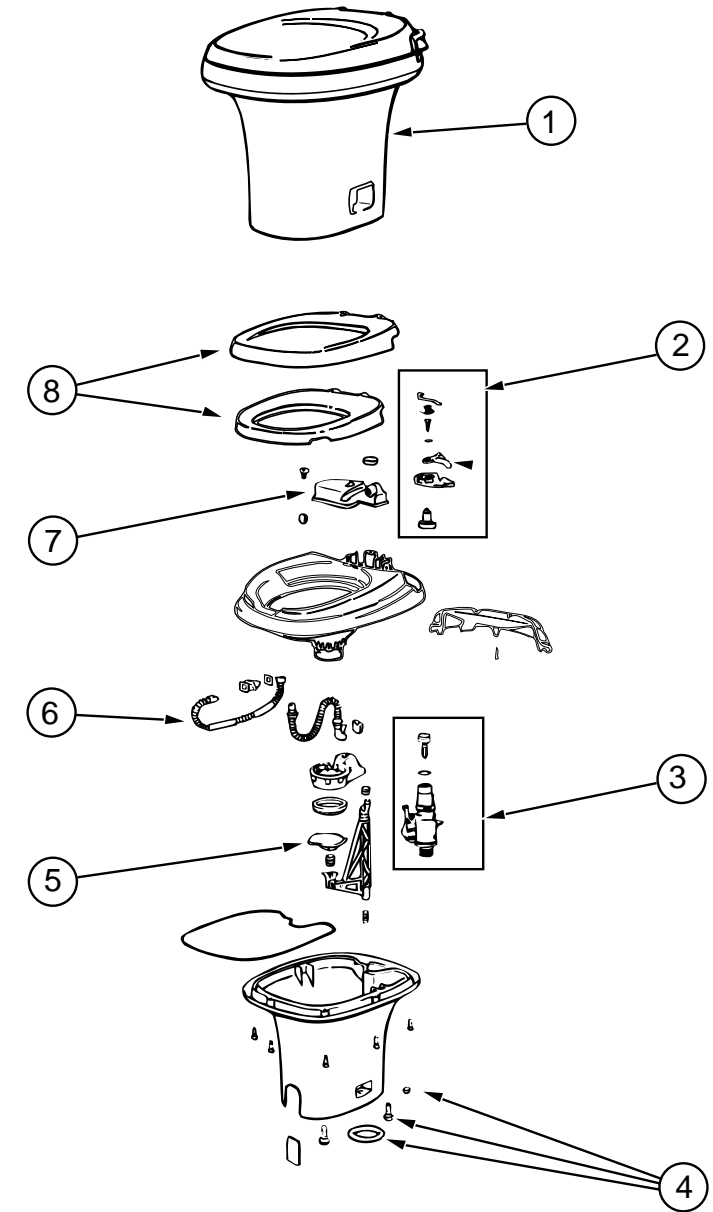
**AUDIOVIDEOGROUP(CONTINUED)**



**WINEGARDTVANTENNA**

KEY	PARTNUMBER	U/M	DESCRIPTION	VENDORNO.
1	076319-21-000	EA	ANTENNA-TV, ROOFMOUNT-3"ROOF	
2	076319-01-700	EA	HEAD-ANTENNA,AMPLIFIED	RVSAU/V
3	076319-01-701	EA	GEAR-ELEVATING,PLASTIC	2200046
4	076319-01-702	EA	SHAFTASM-ELEVATING	RVP-400A
5	076319-01-711	EA	BASE&LIFTASM	2762802
6	076319-01-706	EA	CRANK-ELEVATING,W/SETSCREW	2750897
7	076319-01-705	EA	GROMMET-NYLON,7/8"ID	3200658
8	076319-01-708	EA	DECAL-CRANK	5413002
9	076319-01-707	EA	SPRING-HANDLE	5160822
10	076319-01-709	EA	PLATE-DIRECTIONAL,FORHEAD	3200621
11	076319-01-712	EA	PLATE-CEILING,DIRECTIONAL	3200608
12	076319-01-715	EA	NUT(GEARHOUSING)	2200047
13	076319-01-704	EA	BEARING-NYLON,1.25"OD	3200657
14	076319-01-713	EA	PLATE-BASE,STEEL	3100523
15	076319-01-703	EA	BEARING-NYLON,5"OD	3200656
16	076319-01-714	EA	HOUSING,ROTATINGGEAR	2200049

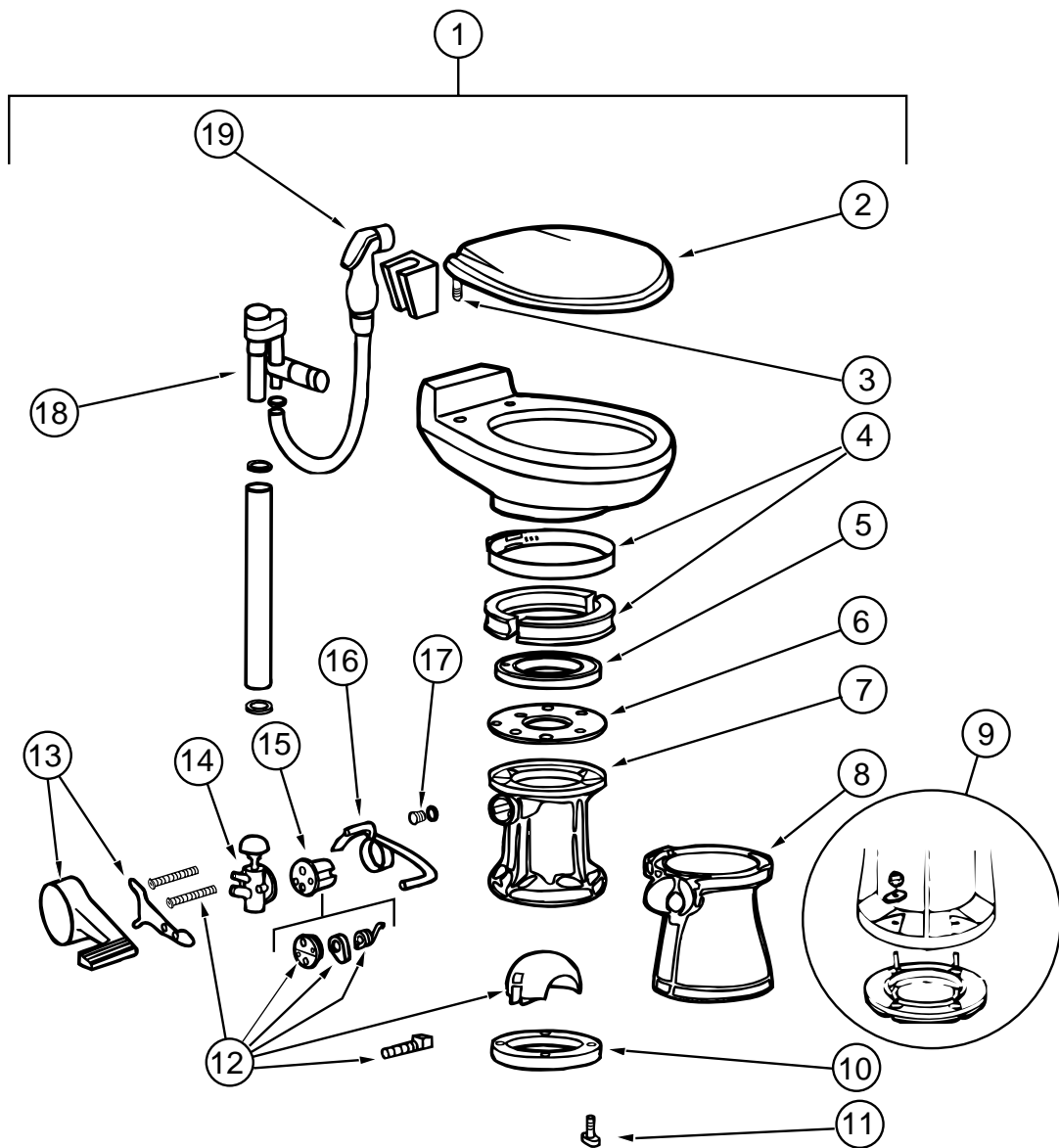
**BATHGROUP**



**THETFORDAQUAMAGICIV-HIGH-FOOTFLUSHTOILET**

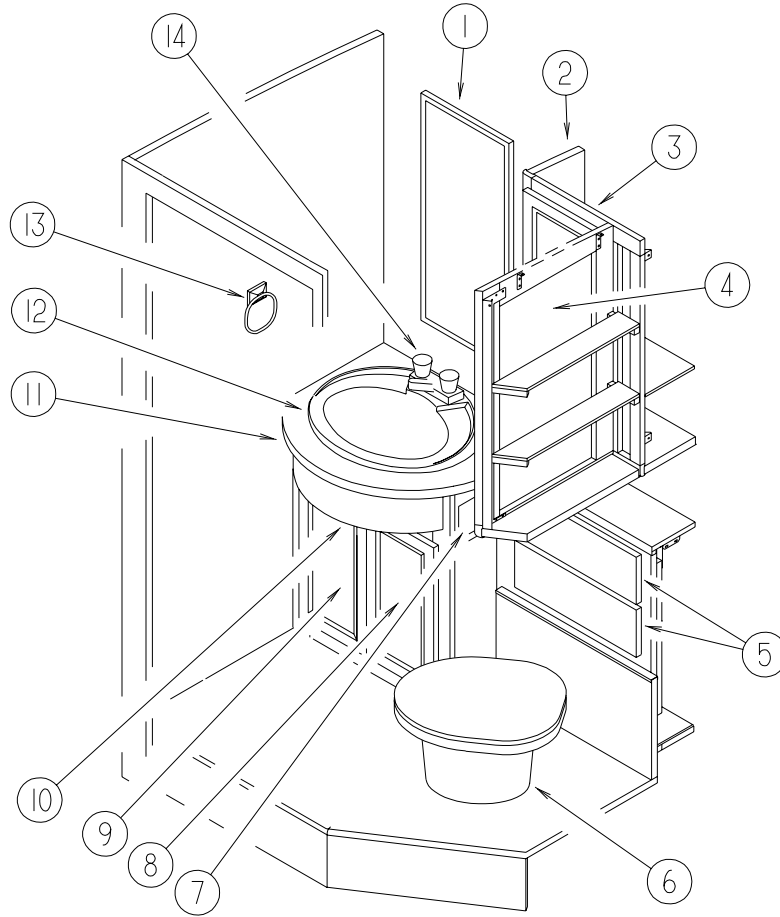
KEY	PARTNUMBER	U/M	DESCRIPTION	VENDORNO.
1	063740-02-000	EA	TOILET-HIGH,FOOTFLUSH-THETFORD	
2	063740-01-720	EA	LEVERKIT,WAT-FLUSH-BEARING	24629
3	063740-01-714	EA	VALVEASM,W/GASKET&FLOAT	12492
4	063740-01-706	EA	BOLTPACKAGE-FLOORFLANGE	12524
5	063740-01-721	EA	BLADEONLY	1248232
6	063740-01-717	EA	TUBE-FLUSH	12509
7	063740-02-701	EA	RESERVOIR(TANKASSEMBLY)	24630
8	063740-02-700	EA	SEAT&COVER,PARCHMENT	20829

**BATHGROUP(CONTINUED)**  
**SEALANDMODEL910W/SPRAYERTOILET(MCCLAINANNIVERSARYOPTION)**



KEY	PARTNUMBER	U/M	DESCRIPTION	VENDOR NO.
1	085330-06-000	EA	TOILET-STANDARDW/SPRAYER,CHINA-BONE-591003	
2	085330-06-700	EA	SEATASSEMBLY,BONE	340591
3	085330-06-702	EA	HINGEHARDWARE(BONE)SET	342131
4	085330-01-703	EA	RING&HALFCLAMPS,BONE	385310048
5	085330-01-704	EA	TEFLON&RUBBERSEALKIT	385316140
6	085330-01-705	EA	SUPPORT-SEAL,PLASTIC	390346405
7	085330-02-700	EA	BASEASSEMBLY	310121
8	085330-02-702	EA	COVER-PEDESTAL,BONE510	310112
9	085330-01-718	EA	SEAL&BASEW/MOUNTINGHARDWARE	3853100-63
10	085330-01-714	EA	SEAL-FLANGE,FLOOR	390343892
11	085330-01-717	EA	STOOLMOUNTINGPACKAGE-BOLT&SEAL	3100-64
12	085330-01-706	EA	BALL-SHAFT&CARTRIDGE	385318162
13	085330-02-703	EA	COVER-PEDAL,BONENEWSTYLE	310115
14	085330-01-709	EA	VALVE-WATER	385314349
15	085330-01-707	EA	CARTRIDGE-SPRINGASSEMBLY	381236096
16	085330-06-703	EA	LEVER-FLUSH	340873
17	085330-01-710	EA	DRAIN-KIT,PLUG-CAPW/SEAL	230384
18	085330-06-701	EA	BREAKER-VACUUM/DIVERTER(900)	230335
19	085330-04-701	EA	HANDSPRAYW/HOSE(500&900)	340683

**BATHGROUP(CONTINUED)**  
**BATHROOMCABINET&COMPONENTS**

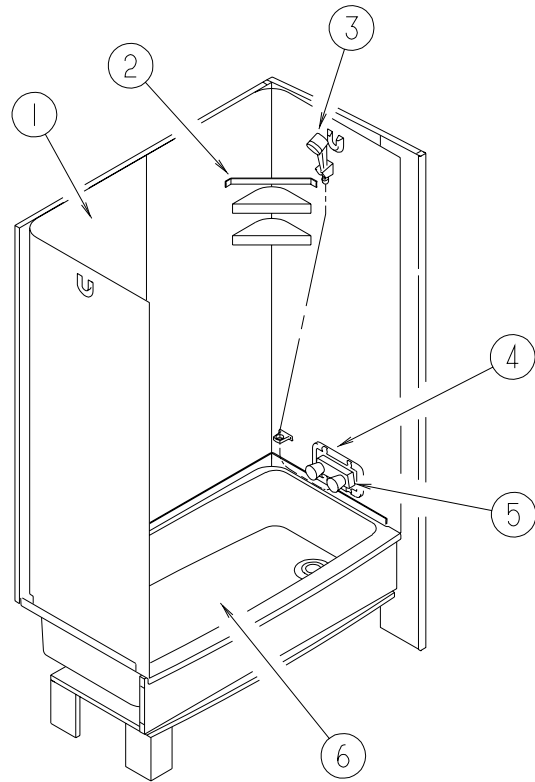


KEY	PARTNUMBER	U/M	DESCRIPTION
1	058331-D0-000	EA	MIRROR-SAFETYGLASS-19.65X35.37"
1	105004-01-05A	EA	MOLDING-VINYLRAPPED-1"X96"-WATERFORDOAK
2	122148-01-H13	EA	CABINET-LINEN/MEDICINE-W/ODOORS/HARDWARE
	122148-12-H13	EA	SHELF-W/PLASTICEDGETRIM
3	M06803-49-G09	EA	DOOR-MITEREDCORNER/OGEEEDGE-11.4"X28.1"-W/OHDW(H12/H13/H14/H15/H16)
3	M06803-49-G13	EA	DOOR-MITEREDCORNER/OGEEEDGE-11.4"X28.1"-W/OHDW(H21/H22)
3	M06803-D5-G13	EA	DOOR-MITEREDCORNER/OGEEEDGE-11.4"X28.1"-W/OHDW(H21/H22) DECORATORDOOROPTION-RAISEDPANEL
	076767-04-000	EA	CABLE-SUPPORT,5.9"-STAINLESSSTEEL
4	M06803-02-G09	EA	DOOR-MITEREDCORNER/OGEEEDGE-15.7"X27.9"-W/OHDW(H12/H13/H14/H15H16)
4	M06803-02-G13	EA	DOOR-MITEREDCORNER/OGEEEDGE-15.7"X27.9"-W/OHDW(H21/H22)
4	M06803-82-G13	EA	DOOR-MITEREDCORNER/OGEEEDGE-15.7"X28"-W/OHDW(H21/H22) DECORATORDOOROPTION-RAISEDPANEL
5	M08630-01-H13	EA	DRAWER-OGEEEDGE-TIPOUT-W/TRAY
6	063740-02-000	EA	TOILET-HIGH-FOOTFLUSH-THETFORD
6	085330-06-000	EA	TOILET-STANDARDCHINAW/SPRAYER-BONE-MCCLAINSANNIVERSARYOPTION
7	085278-01-000	EA	HOLDER-TOILETPAPER-RECESSED-BRASS
8	M06803-C5-G09	EA	DOOR-MTRDCORNER/OGEEEDGE-10.02"X19.1"-W/OHDW(H12/H13/H14/H15H16)
8	M06803-C5-G13	EA	DOOR-MITEREDCORNER/OGEEEDGE-10.02"X19.1"-W/OHDW(H21/H22)
9	M06803-C4-G09	EA	DOOR-MTRDCORNER/OGEEEDGE-10.02"X19.1"-W/OHDW(H12/H13/H14/H15H16)
9	M06803-C4-G13	EA	DOOR-MITEREDCORNER/OGEEEDGE-10.02"X19.1"-W/OHDW(H21/H22)
10	122201-01-H13	EA	CABINET-LAVATORY-W/ODOORS/DRAWERS/HARDWARE(H12/H13)
10	122201-01-H14	EA	CABINET-LAVATORY-W/ODOORS/DRAWERS/HARDWARE(H14/H15)
10	122201-01-H33	EA	CABINET-LAVATORY-W/ODOORS/DRAWERS/HARDWARE(H16)
10	122201-02-H21	EA	CABINET-LAVATORY-W/ODOORS/DRAWERS/HARDWARE(H21)
10	122201-02-H22	EA	CABINET-LAVATORY-W/ODOORS/DRAWERS/HARDWARE(H22)
11	122201-12-H13	EA	COUNTERTOP-LAVATORY(H12/H13)
11	122201-12-H14	EA	COUNTERTOP-LAVATORY(H14/H15)
11	122201-12-H33	EA	COUNTERTOP-LAVATORY(H16)
11	122201-13-H21	EA	COUNTERTOP-LAVATORY(H21)
11	122201-13-H22	EA	COUNTERTOP-LAVATORY(H22)
12	105921-01-01A	EA	SINK-LAVATORY-LARGE/OVAL-17"X20"PLASTIC/OFFWHITE
	106116-01-01A	EA	STRAINER-SINK-W/STOPPER/TAILPIECE/GASKET&NUT-PLASTIC
	105218-01-01A	EA	SPACER-FAUCET/LAVATORY SINK,2"X5.9"-ABSPLASTIC
13	075454-02-000	EA	RING-TOWEL-W/MOUNTINGHARDWARE-BRASS
14	075240-06-000	EA	FAUCET-LAVATORY/BONE
	091253-01-000	EA	GASKET-FAUCET-LAVATORY/GALLEY
	122192-01-01A	EA	PANEL-SKYLITE-OUTER-16.4"X27.8" FROM: 00-00-00 THRU: 02-13-97
	122192-01-02A	EA	PANEL-SKYLITE-OUTER-16.4"X27.8" FROM: 02-14-97 THRU: 99-99-99
	122193-02-01A	EA	PANEL-SKYLITE-INNER FROM: 00-00-00 THRU: 02-13-97
	122193-02-02A	EA	PANEL-SKYLITE-INNER FROM: 02-14-97 THRU: 99-99-99

**BATHROOMDOOR&COMPONENTS**

KEY	PARTNUMBER	U/M	DESCRIPTION
	121449-10-H13	EA	DOOR-BATH-W/TOWELRACK-20.6"X73.2"
	094485-03-01A	EA	KNOB-BRASS
	102920-01-01A	EA	HINGE-SPRINGLOADED/BRASS
	110496-01-01A	EA	HINGE-BRASS
	121449-12-G04	EA	RACK-TOWEL-BATHDOOR
	100357-01-000	EA	ROD-F/TOWELBAR-BRASS

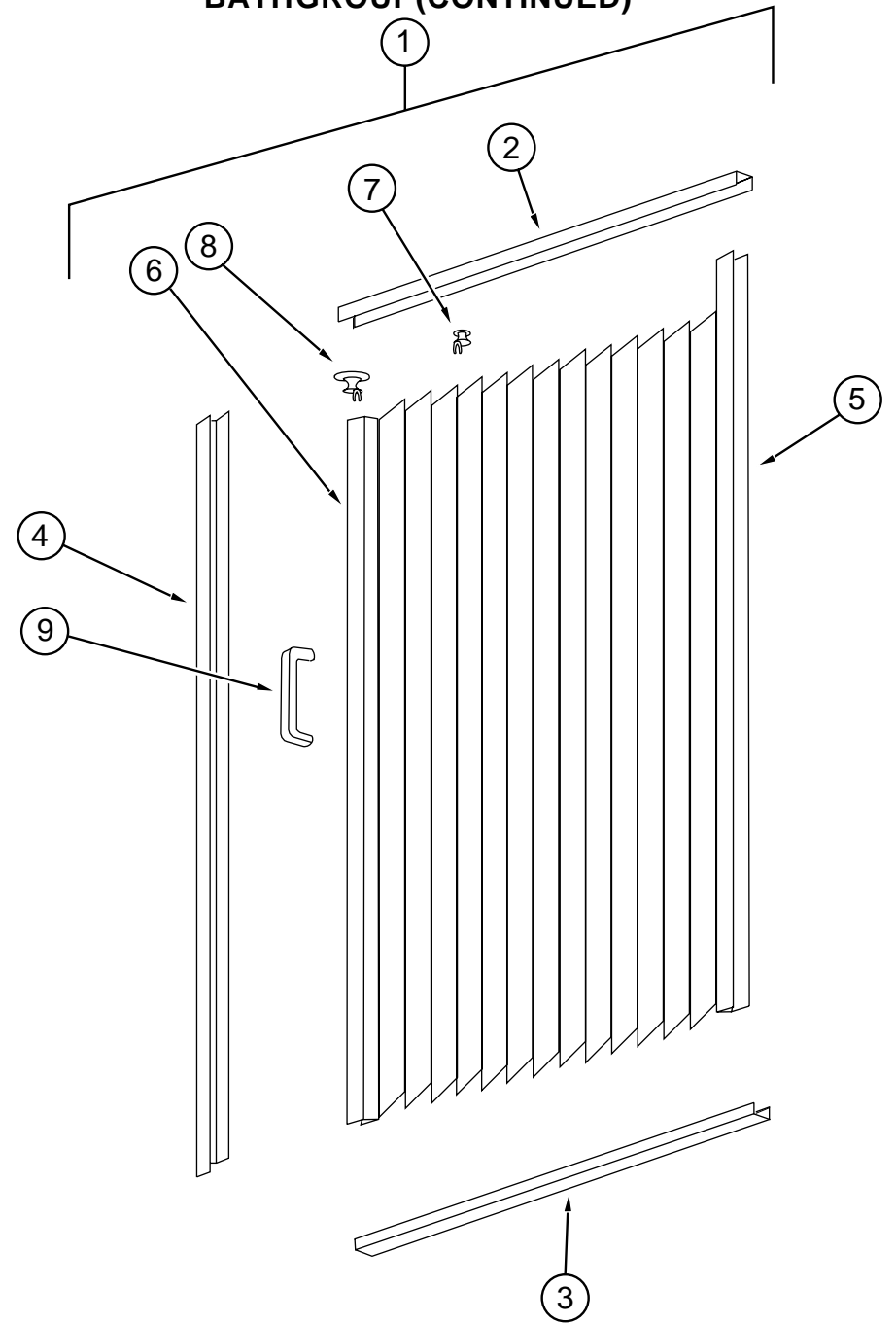
**BATHGROUP(CONTINUED)**



**SHOWERCOMPONENTS**

KEY	PARTNUMBER	U/M	DESCRIPTION	VENDORNO.
1	110541-01-01A	EA	SURROUND-SHOWER/TUBW/MOLDEDRODBRACKETS	
	102075-10-01A	EA	ROD-CURTAIN/SHOWER	
2	113714-02-01A	EA	RETAINER-SHELF	
			FROM: 00-00-00 THRU: 08-17-96	
2	113714-04-01A	EA	RETAINER-SHELF-SHOWER	
			FROM: 08-18-96 THRU: 12-06-96	
3	103092-02-000	EA	SHOWERHEAD-W/60"HOSE-CSA	
	011048-03-700	EA	BRACKET-F/SHOWERHEAD	2328029-3
3	103092-01-000	EA	SHOWERHEAD-W/60"HOSE-WHITE	
	103092-01-700	EA	BRACKET-F/SHOWERHEAD,CLEAR	2328028
	103092-01-702	EA	SEALS-SPRAYHEAD	24466
4	075606-01-000	EA	PANEL-PLASTIC-FAUCETBACK-5"X9"	
5	079563-04-01A	EA	FAUCET-SHOWER1/2MPTX11/4LONGINLETPIPE	
6	M02630-25-E37	EA	SHOWERPAN	
	066729-01-000	EA	STRAINER-TUB/SHOWER-W/PLUG	
	066436-01-000	EA	NUT-SLIP, TAILPIECE-1.5"	
	114496-01-01A	EA	PANEL-OUTERSKYLIGHT-22"X37"	
			FROM: 00-00-00 THRU: 02-05-97	
	114496-01-02A	EA	PANEL-OUTERSKYLIGHT-22"X37"	
			FROM: 02-06-97 THRU: 99-99-99	
	122191-01-01A	EA	PANEL-SKYLITE-INNERW/LIGHTCUTOUT-20.7"X35.4"	
			FROM: 00-00-00 THRU: 02-05-97	
	122191-01-02A	EA	PANEL-SKYLITE-INNERW/LIGHTCUTOUT-20.7"X35.4"	
			FROM: 02-06-97 THRU: 99-99-99	

**BATHGROUP(CONTINUED)**

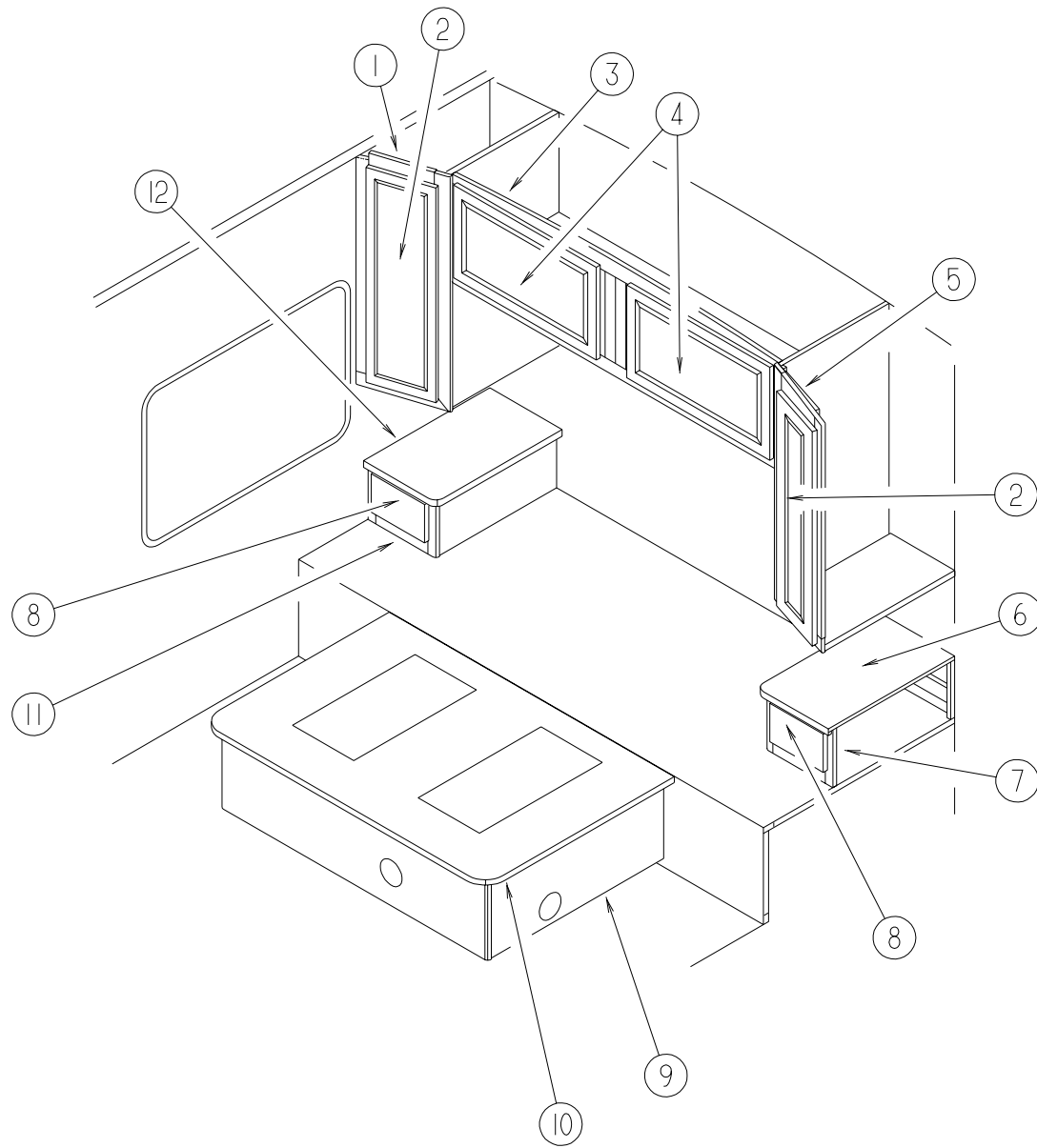


**SHOWERDOOR**

KEY	PARTNUMBER	U/M	DESCRIPTION
1	117431-05-01A	EA	DOOR-SHOWER,FABRIC-PLEATED
2	117431-01-700	EA	TRACK-TOP,48"-W/IVORYINSERT-ALUMINUM
3	117431-01-701	EA	TRACK-BOTTOM,40"
4	117431-01-702	EA	RAIL-SIDE,67"
5	117431-01-703	EA	RAIL-STATIONARY,67"
6	117431-01-704	EA	RAIL-LEAD,67"
7	117431-01-705	EA	GLIDE-IVORY,TRAVELER
8	117431-01-706	EA	GLIDE-IVORYLEAD,TRAVELER
9	117431-01-708	EA	HANDLES&SCREWS
	117431-01-707	EA	LATCH
	117431-05-700	EA	STRAP-SHOWER,VINYL

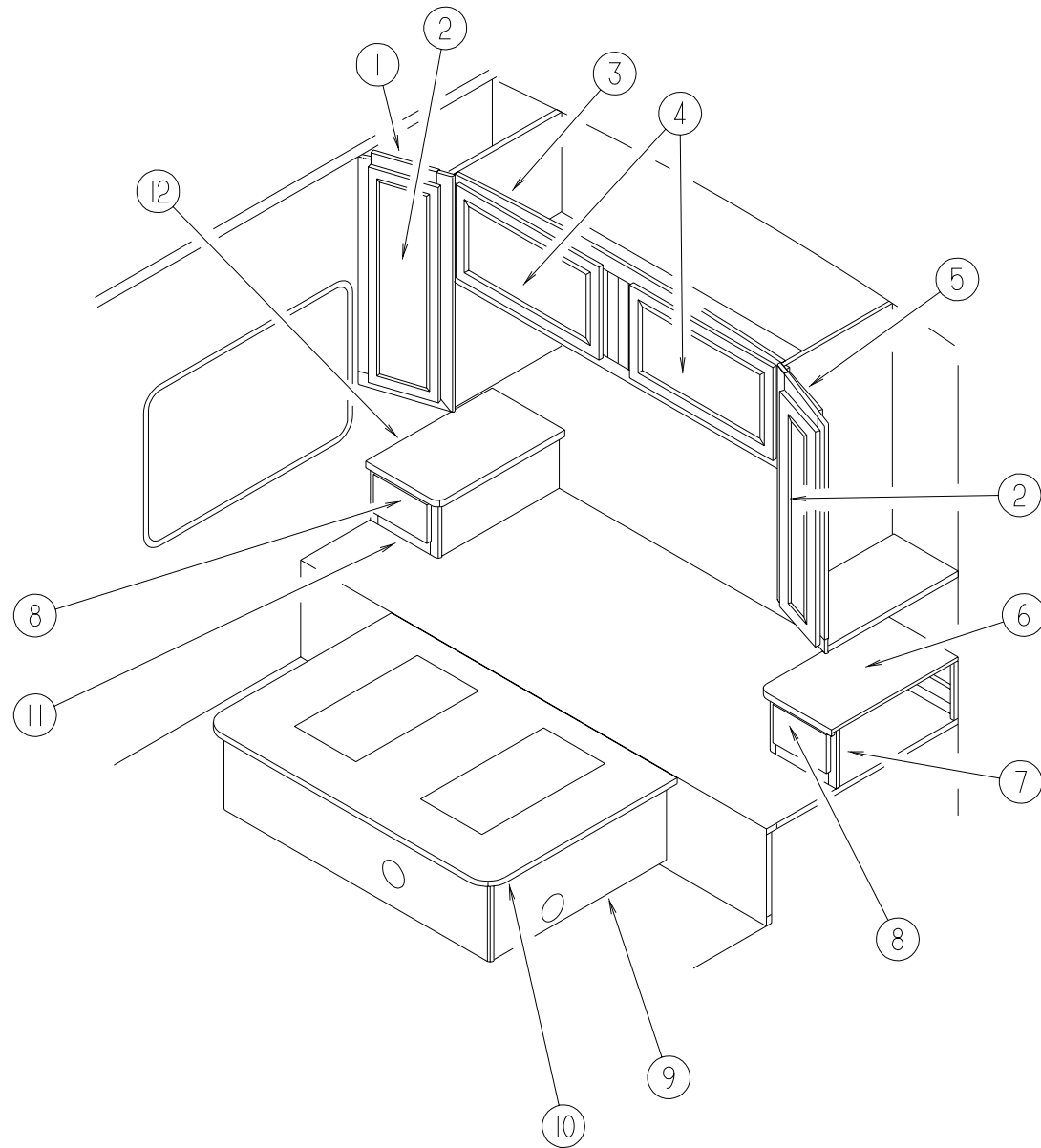


**BEDROOMGROUP  
QUEENBEDROOMCABINTRY**



KEY	PARTNUMBER	U/M	DESCRIPTION
1	110625-01-G35	EA	CABINET-SHIRT CLOSET/RIGHTHAND-W/ODOORS/HARDWARE
	009112-01-000	EA	FLANGE-1" ROD,CLOTHES-PLASTIC-OFFWHITE
	042438-01-000	EA	DOWEL-WOOD-CLOTHES ROD-1"DIAMETERX4'
2	M06803-10-G09	EA	DOOR-MITEREDCORNER/OGEEEDGE-10.8"X36.4"-W/OHDW(H12/H13/H14/H15/H16)
2	M06803-10-G13	EA	DOOR-MITEREDCORNER/OGEEEDGE-10.8"X36.4"-W/OHDW(H21/H22)
2	M06803-H5-G13	EA	DOOR-MITEREDCORNER/OGEEEDGE-10.8"X36.4"-W/OHDW(H21/H22) DECORATORDOOROPTION-RAISED PANEL
3	106523-01-G09	EA	CABINET-OVERHEAD/REAR-W/ODOORS/HARDWARE
4	M06803-13-H33	EA	DOOR-MIRROR/MTRDCRNR/OGEDGE-15.7"X28"-W/OHDW(H12/H13/H14/H15/H16)
4	M06803-13-G13	EA	DOOR-MIRROR/MTRDCRNR/OGEDGE-15.7"X28"-W/OHDW(H21/H22)
4	M06803-02-G09	EA	DOOR-MTRDCORNER/OGEEEDGE-15.7"X27.9"-W/OHDW(H12/H13/H14/H15/H16) DECORATORDOOROPTION-FLAT PANEL
4	M06803-82-G13	EA	DOOR-MITEREDCORNER/OGEDGE-15.7"X27.9"-W/OHDW(H21/H22) DECORATORDOOROPTION-RAISED PANEL
5	110625-02-G35	EA	CABINET-SHIRT CLOSET/LEFTHAND-W/ODOORS/HARDWARE
	009112-01-000	EA	FLANGE-1" ROD,CLOTHES-PLASTIC-OFFWHITE
	042438-01-000	EA	DOWEL-WOOD-CLOTHES ROD-1"DIAMETERX4'
6	117901-12-G09	EA	COUNTERTOP-NIGHTSTAND(H12/H13/H22)
			FROM: 00-00-00 THRU: 11-17-96
6	117901-12-G10	EA	COUNTERTOP-NIGHTSTAND(H14/H15)
			FROM: 00-00-00 THRU: 11-17-96
6	117901-12-G31	EA	COUNTERTOP-NIGHTSTAND(H16)
			FROM: 00-00-00 THRU: 11-17-96
6	117901-12-H21	EA	COUNTERTOP-NIGHTSTAND(H21)
			FROM: 00-00-00 THRU: 11-17-96
6	114482-12-F04	EA	COUNTERTOP-NIGHTSTAND(H12/H13/H22)
			FROM: 11-18-96 THRU: 99-99-99
6	114482-12-G10	EA	COUNTERTOP-NIGHTSTAND(H14/H15)
			FROM: 11-18-96 THRU: 99-99-99
6	114482-12-F05	EA	COUNTERTOP-NIGHTSTAND(H16/H21)
			FROM: 11-18-96 THRU: 99-99-99
7	P17901-02-G09	EA	CABINET-NIGHTSTAND/LEFTHAND-W/ODOORS/DRAWERS/HDW(H12/H13/H22)
			FROM: 00-00-00 THRU: 11-17-96
7	P17901-02-G10	EA	CABINET-NIGHTSTAND/LEFTHAND-W/ODOORS/DRAWERS/HDW(H14/H15)
			FROM: 00-00-00 THRU: 11-17-96
7	P17901-02-G31	EA	CABINET-NIGHTSTAND/LEFTHAND-W/ODOORS/DRAWERS/HDW(H16)
			FROM: 00-00-00 THRU: 11-17-96
7	P17901-02-H21	EA	CABINET-NIGHTSTAND/LEFTHAND-W/ODOORS/DRAWERS/HDW(H21)
			FROM: 00-00-00 THRU: 11-17-96
7	P14482-02-H13	EA	CABINET-NIGHTSTAND/LEFTHAND-W/ODOORS/DRAWERS/HDW(H12/H13/H22)
			FROM: 11-18-96 THRU: 99-99-99
7	P14482-02-H14	EA	CABINET-NIGHTSTAND/LEFTHAND-W/ODOORS/DRAWERS/HDW(H14/H15)
			FROM: 11-18-96 THRU: 99-99-99
7	P14482-02-H16	EA	CABINET-NIGHTSTAND/LEFTHAND-W/ODOORS/DRAWERS/HDW(H16/H21)
			FROM: 11-18-96 THRU: 99-99-99
8	M05971-R3-G09	EA	DRAWER-OGEEEDGE-8.9"WX23.6"D-W/OSLIDES/HARDWARE(H12/H13/H14/H15/H16)
			FROM: 00-00-00 THRU: 11-17-96
8	M05971-R3-G13	EA	DRAWER-OGEEEDGE-8.9"WX23.6"D-W/OSLIDES/HARDWARE(H21/H22)
			FROM: 00-00-00 THRU: 11-17-96
8	M05971-J8-G09	EA	DRAWER-OGEEEDGE-8.9"WX19.7"D-W/OSLIDES/HARDWARE(H12/H13/H14/H15/H16)
			FROM: 11-18-96 THRU: 99-99-99
8	M05971-J8-G13	EA	DRAWER-OGEEEDGE-8.9"WX19.7"D-W/OSLIDES/HARDWARE(H21/H22)
			FROM: 11-18-96 THRU: 99-99-99

**BEDROOMGROUP(CONTINUED)**  
**QUEENBEDROOMCABINERY(CONTINUED)**



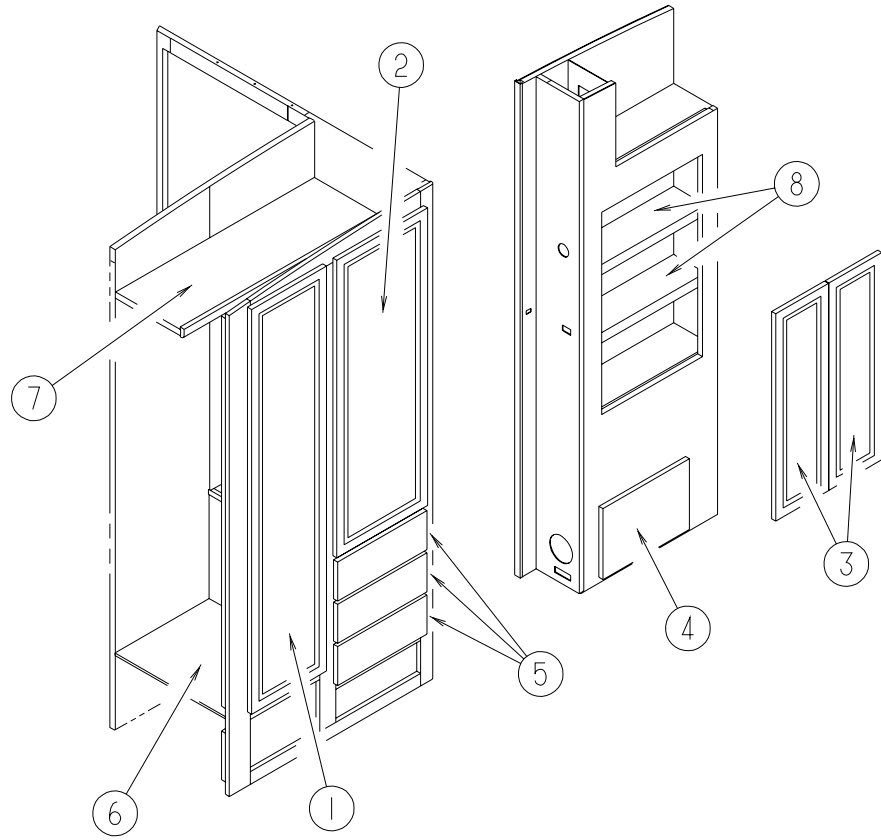
KEY	PARTNUMBER	U/M	DESCRIPTION
9	P21862-01-H13	EA	CABINET-QUEENBEDW/OTOP
	057534-01-000	EA	TIEBACK/TIEDOWN-BED/CURTAIN/DOOR,6"-PLASTIC-CLEAR
	097872-04-000	EA	DOWEL-WOOD-1"DIAMETERX1.38"LONG
10	M05706-17-000	EA	TOP-QUEENBEDCABINET
11	P17901-01-G09	EA	CABINET-NIGHTSTANDW/COUNTERTOPW/ODRAWERORHWD(H12/H13/H22) FROM: 00-00-00 THRU: 11-17-96
11	P17901-01-G10	EA	CABINET-NIGHTSTANDW/COUNTERTOPW/ODRAWERORHARDWARE(H14/H15) FROM: 00-00-00 THRU: 11-17-96
11	P17901-01-G31	EA	CABINET-NIGHTSTANDW/COUNTERTOPW/ODRAWERORHARDWARE(H16) FROM: 00-00-00 THRU: 11-17-96
11	P17901-01-H21	EA	CABINET-NIGHTSTANDW/COUNTERTOPW/ODRAWERORHARDWARE(H21) FROM: 00-00-00 THRU: 11-17-96
11	P14482-01-H13	EA	CABINET-NIGHTSTANDW/COUNTERTOPW/ODRAWERORHWD(H12/H13/H22) FROM: 11-18-96 THRU: 99-99-99
11	P14482-01-H14	EA	CABINET-NIGHTSTANDW/COUNTERTOPW/ODRAWERORHARDWARE(H14/H15) FROM: 11-18-96 THRU: 99-99-99
11	P14482-01-H16	EA	CABINET-NIGHTSTANDW/COUNTERTOPW/ODRAWERORHARDWARE(H16/H21) FROM: 11-18-96 THRU: 99-99-99
12	117901-11-G09	EA	COUNTERTOP-NIGHTSTAND(H12/H13/H22) FROM: 00-00-00 THRU: 11-17-96
12	117901-11-G10	EA	COUNTERTOP-NIGHTSTAND(H14/H15) FROM: 00-00-00 THRU: 11-17-96
12	117901-11-G31	EA	COUNTERTOP-NIGHTSTAND(H16) FROM: 00-00-00 THRU: 11-17-96
12	117901-11-H21	EA	COUNTERTOP-NIGHTSTAND(H21) FROM: 00-00-00 THRU: 11-17-96
12	114482-11-F04	EA	COUNTERTOP-NIGHTSTAND(H12/H13/H22) FROM: 11-18-96 THRU: 99-99-99
12	114482-11-G10	EA	COUNTERTOP-NIGHTSTAND(H14/H15) FROM: 11-18-96 THRU: 99-99-99
12	114482-11-F05	EA	COUNTERTOP-NIGHTSTAND(H16/H21) FROM: 11-18-96 THRU: 99-99-99

**BATHROOM/BEDROOMFOLDINGDOOR&COMPONENTS**

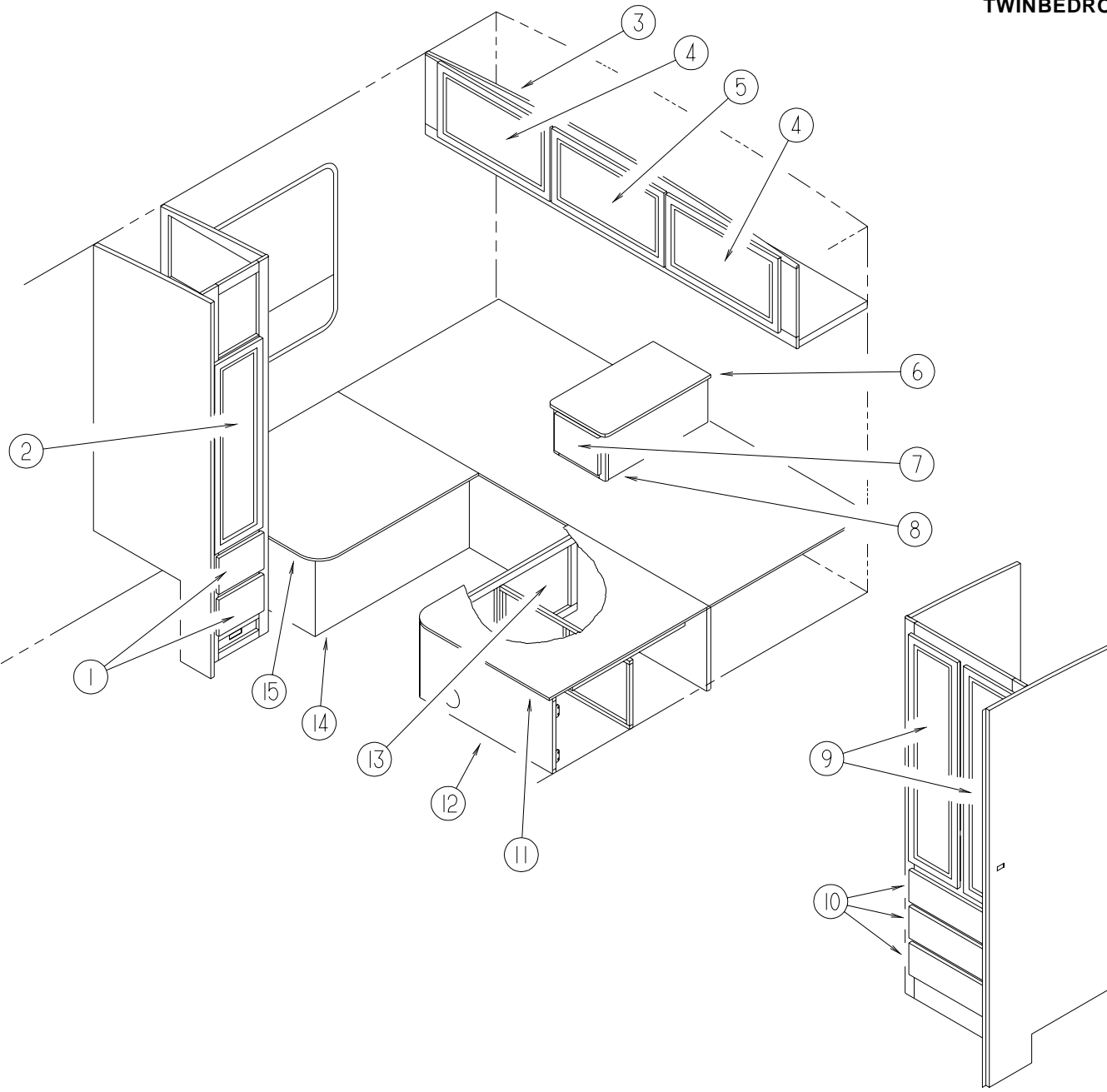
KEY	PARTNUMBER	U/M	DESCRIPTION	VENDORNO.
	009700-04-002	EA	TRACK-FOLDINGDOOR,L-SHAPED-195.5"-OFFWHITE	
	042488-12-000	EA	DOOR-FOLDING-OFFWHITEFABRIC-27.50"X75"	
	080224-01-703	EA	HANDLEW/LATCH-CATCH,ALMOND	DE03505
	080224-01-705	EA	LATCH&CATCHASM.,ALMOND	DE25010&DE25020

**BEDROOMGROUP(CONTINUED)**  
**QUEENBEDROOMCABINERY(CONTINUED)**

KEY	PARTNUMBER	U/M	DESCRIPTION
1	M06803-V5-H13	EA	DOOR-MITEREDCORNER/OGEEEDGE-13.7"X65.4"-W/OHDW(H12/H13/H14/H15/H16)
1	M06803-V5-H21	EA	DOOR-MITEREDCORNER/OGEEEDGE-13.7"X65.4"-W/OHDW(H21/H22)
2	M06803-W6-H13	EA	DOOR-MITEREDCORNER/OGEEEDGE-16.7"X48"-W/OHDW(H12/H13/H14/H15/H16)
2	M06803-W6-H21	EA	DOOR-MITEREDCORNER/OGEEEDGE-16.7"X48"-W/OHDW(H21/H22)
3	M06803-84-H13	EA	DOOR-MITEREDCORNER/OGEEEDGE-9.8"X33"-W/OHARDWARE(H12/H13/H14/H15/H16)
3	M06803-84-H21	EA	DOOR-MITEREDCORNER/OGEEEDGE-9.8"X33"-W/OHARDWARE(H21/H22)
4	M06803-V4-H13	EA	DOOR-MITEREDCORNER/OGEEEDGE-11.4"X16"-W/OHDW
5	M05971-AA-H13	EA	DRAWER-OGEEEDGE-14.8"WX19.7"D-W/OSLIDES/HARDWARE(H12/H13/H14/H15/H16)
5	M05971-AA-H21	EA	DRAWER-OGEEEDGE-14.8"WX19.7"D-W/OSLIDES/HARDWARE(H21/H22)
6	122130-18-H13	EA	SHELF-WARDROBECABINET,W/PLASTICEDGEMOLDING
7	122130-12-H13	EA	SHELF-WARDROBECABINET,W/PLASTICEDGEMOLDING
8	121866-11-H13	EA	SHELF-STORAGECABINET,W/PLASTICEDGEMOLDING



**BEDROOMGROUP(CONTINUED)**  
**TWINBEDROOMCABINERY**

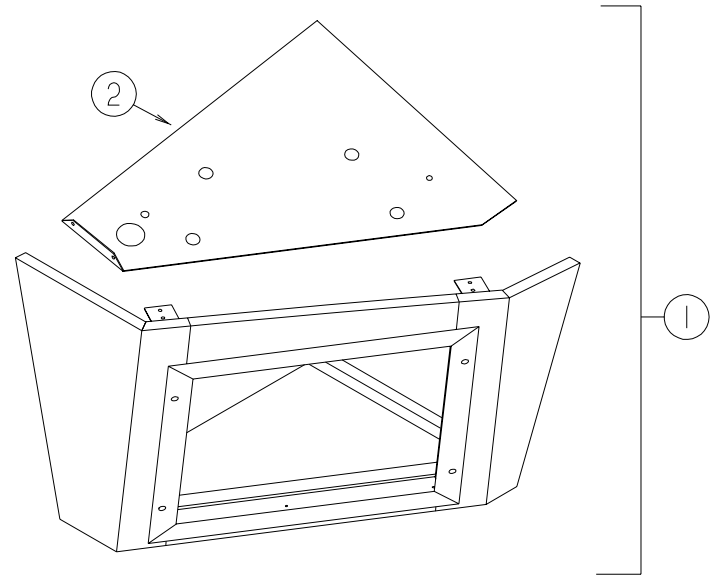


KEY	PARTNUMBER	U/M	DESCRIPTION
1	M05971-Z8-H13	EA	DRAWER-OGEDGE-8.9"WX23.6"D-W/OSLIDES/HARDWARE(H12/H13/H14/H15/H16)
1	M05971-Z8-H21	EA	DRAWER-OGEDGE-8.9"WX23.6"D-W/OSLIDES/HARDWARE(H21/H22)
2	M06803-15-H13	EA	DOOR-MITEREDCORNER/OGEEEDGE-12"X40"-W/OHDW(H12/H13/H14/H15/H16)
2	M06803-15-H21	EA	DOOR-MITEREDCORNER/OGEEEDGE-12"X40"-W/OHDW(H21/H22)
	009112-01-000	EA	FLANGE-1"ROD,CLOTHES-PLASTIC-OFFWHITE
	042438-01-000	EA	DOWEL-WOOD-CLOTHESROD-1"DIAMETERX4'
3	121864-01-H33	EA	CABINET-OVERHEAD/REAR-W/ODOORS/HARDWARE
4	M06803-13-H13	EA	DOOR-MIRROR/MTRDCRNR/OGEDGE-15.7"X28"-W/OHDW(H12/H13/H14/H15/H16)
4	M06803-13-G13	EA	DOOR-MIRROR/MTRDCRNR/OGEDGE-15.7"X28"-W/OHDW(H21/H22)
4	M06803-02-G09	EA	DOOR-MTRDCORNER/OGEEEDGE-15.7"X27.9"-W/OHDW(H12/H13/H14/H15/H16) DECORATORDOOROPTION-FLATPANEL
4	M06803-82-G13	EA	DOOR-MITEREDCORNER/OGEDGE-15.7"X27.9"-W/OHDW(H21/H22) DECORATORDOOROPTION-RAISED PANE
5	M06803-13-H13	EA	DOOR-MIRROR/MTRDCRNR/OGEDGE-15.7"X28"-W/OHDW(H12/H13/H14/H15/H16) FROM: 00-00-00 THRU: 01-02-97
5	M06803-13-G13	EA	DOOR-MIRROR/MTRDCRNR/OGEDGE-15.7"X28"-W/OHDW(H21/H22) FROM: 00-00-00 THRU: 01-02-97
5	M06803-02-G09	EA	DOOR-MITEREDCORNER/OGEDGE-15.7"X27.9"-W/OHDW(H12/H13/H14/H15/H16) DECORATORDOOROPTION-FLATPANEL FROM: 00-00-00 THRU: 01-02-97
5	M06803-82-G13	EA	DOOR-MITEREDCORNER/OGEDGE-15.7"X27.9"-W/OHDW(H21/H22) DECORATORDOOROPTION-RAISED PANE FROM: 00-00-00 THRU: 01-02-97
5	M06803-03-H13	EA	DOOR-MIRROR/MTRDCRNR/OGEDGE-15.7"X20.4"-W/OHDW(H12/H13/H14/H15/H16) FROM: 01-03-97 THRU: 99-99-99
5	M06803-03-G13	EA	DOOR-MIRROR/MTRDCRNR/OGEDGE-15.7"X20.4"-W/OHDW(H21/H22) FROM: 01-03-97 THRU: 99-99-99
5	M06803-41-G09	EA	DOOR-MITEREDCORNER/OGEDGE-15.7"X20.4"-W/OHDW(H12/H13/H14/H15/H16) DECORATORDOOROPTION-FLATPANEL FROM: 01-03-97 THRU: 99-99-99
5	M06803-B1-G13	EA	DOOR-MITEREDCORNER/OGEDGE-15.7"X20.4"-W/OHDW(H21/H22) DECORATORDOOROPTION-RAISED PANE FROM: 01-03-97 THRU: 99-99-99
6	121863-11-H13	EA	COUNTERTOP-NIGHTSTAND(H12/H13/H22)
6	121863-11-H14	EA	COUNTERTOP-NIGHTSTAND(H14/H15)
6	121863-11-H33	EA	COUNTERTOP-NIGHTSTAND(H16)
6	121863-11-H21	EA	COUNTERTOP-NIGHTSTAND(H21)
7	M05971-Z9-H13	EA	DRAWER-OGEDGE-8.7"WX23.6"D-W/OSLIDES/HARDWARE(H12/H13/H14/H15/H16)
7	M05971-Z9-H21	EA	DRAWER-OGEDGE-8.7"WX23.6"D-W/OSLIDES/HARDWARE(H21/H22)
8	121863-01-H13	EA	CABINET-NIGHTSTAND-W/ODOORS/DRAWERS/HDW(H12/H13/H22)
8	121863-01-H14	EA	CABINET-NIGHTSTAND-W/ODOORS/DRAWERS/HDW(H14/H15)
8	121863-01-H33	EA	CABINET-NIGHTSTAND-W/ODOORS/DRAWERS/HDW(H16)
8	121863-01-H21	EA	CABINET-NIGHTSTAND-W/ODOORS/DRAWERS/HDW(H21)
9	M06803-28-H13	EA	DOOR-MIRROR/MTRDCRNR/OEDGE-12"X48"-W/OHDW(H12/H13/H14/H15/H16)
9	M06803-28-H21	EA	DOOR-MIRROR/MTRDCRNR/OEDGE-12"X48"-W/OHDW(H21/H22)
	009112-01-000	EA	FLANGE-1"ROD,CLOTHES-PLASTIC-OFFWHITE
	042438-01-000	EA	DOWEL-WOOD-CLOTHESROD-1"DIAMETERX4'
10	M05971-AB-H13	EA	DRAWER-OGEDGE-23"WX23.6"D-W/OSLIDES/HARDWARE(H12/H13/H14/H15/H16)
10	M05971-AB-H21	EA	DRAWER-OGEDGE-23"WX23.6"D-W/OSLIDES/HARDWARE(H21/H22)
11	M04170-12-000	EA	TOP-TWINBED/LEFTHAND-W/OHARDWARE
12	P21859-01-H13	EA	CABINET-BASE-TWINBED-W/ODOORS/DRAWERS/HARDWARE
13	M06803-V1-H13	EA	DOOR-MITEREDCORNER/OGEEEDGE-14.4"X17.8"-W/OHDW
14	P21860-01-H13	EA	CABINET-BASE-TWINBED-W/ODOORS/DRAWERS/HARDWARE
15	M04170-13-000	EA	TOP-TWINBED/RIGHTHAND-W/OHARDWARE

**BATHROOM/BEDROOMFOLDINGDOOR&COMPONENTS**

KEY	PARTNUMBER	U/M	DESCRIPTION	VENDORNO.
	042488-10-000	EA	DOOR-FOLDING-OFFWHITEFABRIC-37"X75"	
	094832-02-01A	EA	TRACK-DOOR/FOLDING	
	042488-04-700	EA	LATCH&CATCHASM.LEADEDGE DW-21632	
	042488-10-700	EA	LEADRAIL-PREPUNCHEDF/HANDLE	DW2100
	080224-01-703	EA	HANDLEW/LATCH-CATCH,ALMOND	DE03505
	080224-01-705	EA	LATCH&CATCHASM.,ALMOND	DE25010&DE25020

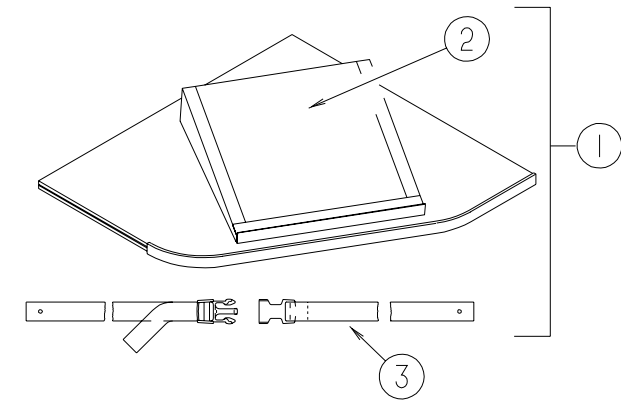
**BEDROOMGROUP(CONTINUED)**



**TVCABINET**

KEY	PARTNUMBER	U/M	DESCRIPTION
1	122901-01-H13	EA	CABINET-TV,REARW/SHELF-W/OHARDWARE-F/QUEENORTWINBED
2	122855-02-02B	EA	SHELF-SUPPORT,REARTV-STEEL

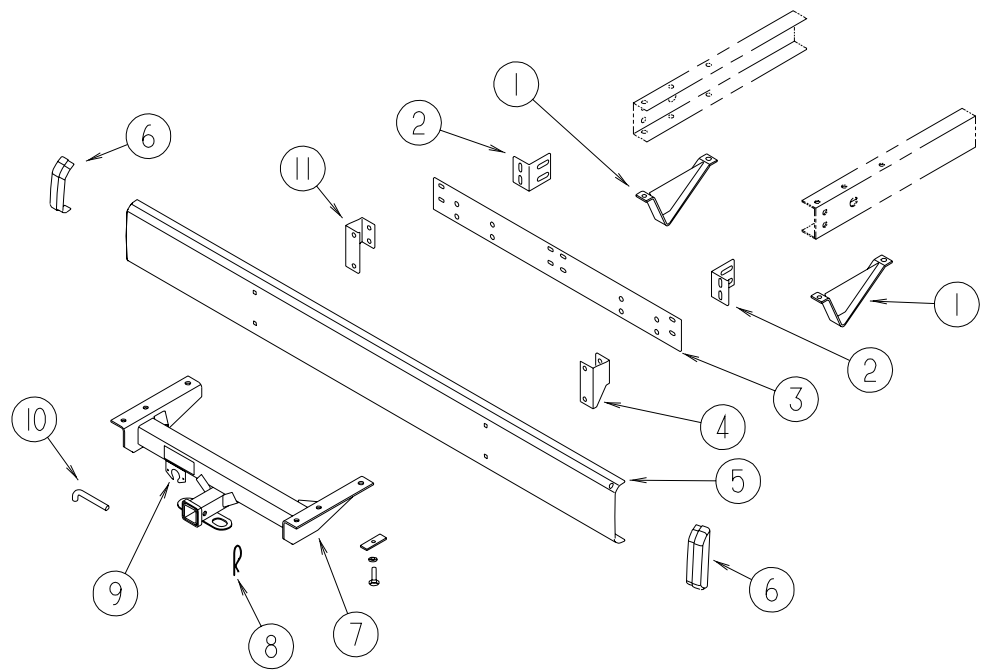
**BEDROOMGROUP(CONTINUED)**



**TVSHELF**

KEY	PARTNUMBER	U/M	DESCRIPTION
1	P23534-02-H13	EA	SHELF-TV-W/OTIEDDOWN-F/TWINBED
1	P23534-01-H13	EA	SHELF-TV-W/OTIEDDOWN-F/QUEENBED
2	123534-12-H13	EA	WEDGE-TV-SHELF
3	099717-01-000	EA	TIEDOWN-TV,STRAPONFEMALEENDIS22.8"LONG

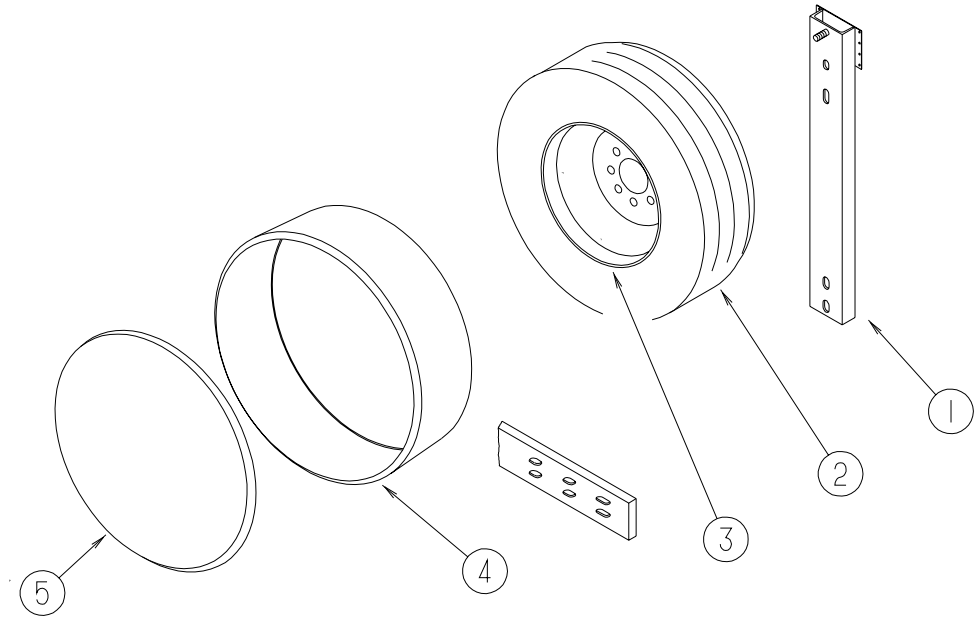
## CHASSISGROUP



### REARBUMPER, TRAILERHITCH & COMPONENTS

KEY	PARTNUMBER	U/M	DESCRIPTION
1	093048-05-000	EA	PLATE-SKID-REARBUMPER
2	078668-01-000	EA	SUPPORTANGLE-BUMPER/REAR-LANGLE-4"X3"STEEL/BLK
3	078678-02-000	EA	PLATE-MOUNTING-BUMPER/REAR-46"X5"-W/WELDNUTS
4	117950-03-02B	EA	BRACKET-BUMPER/REAR
5	103099-01-06A	EA	BUMPER-REAR-BRIGHTWHITE
6	103228-01-06A	EA	CAP-END,BUMPER-REAR-DRIVERORPASSENGERSIDE
7	107707-01-000	EA	HITCHRECEIVER-BOLT-ONCLASSII
8	034513-01-000	EA	PIN-HITCH-3/16"WIRE
9	113588-02-01B	EA	BRACKET-CONNECTOR-TRAILERW/OLIP
10	034512-01-000	EA	PIN-LOCKING-DRAWBAR
11	117950-04-02B	EA	BRACKET-BUMPER/REAR
	070579-09-000	EA	PLATE-ANCHOR,1.8"X1.5"-STEEL-E-COAT
	113589-02-000	EA	CONNECTOR-SOCKET-TRAILER
	113589-01-000	EA	CONNECTOR-PLUG-TRAILER

## CHASSISGROUP(CONTINUED)



### SPARETIRE, CARRIER, SPARETIRE COVER & LUGWRENCH

KEY	PARTNUMBER	U/M	DESCRIPTION
1	102944-05-000	EA	BRACKETASM-TIRECARRIER,CHEVY
1	102944-06-000	EA	BRACKETASM-TIRECARRIER,FORDOPTION
2	083425-05-000	EA	TIRE-MICHELIN-LT235/85R16-LOADRANGEE-FORD
2	091673-01-000	EA	TIRE-225.70R19.5LRF-XZA-CHEVY
3	095853-02-000	EA	WHEEL-STEEL-16"X6K-F2TA-1015-NA-FORD
3	064963-01-000	EA	WHEEL-STEEL-19.5"X6"-CHEVY
4	108163-04-01A	EA	COVER-TIRE-W/OINSERT-81/4"WIDEX100"CIRCUMFERENCE-FORD
4	108163-05-01A	EA	COVER-TIRE-81/4"X101"-CHEVY
5	108560-04-01A	EA	INSERT-TIRECOVER
	051377-05-000	EA	VALVESTEM-FORD
	051377-01-000	EA	VALVESTEM-CHEVY
	077030-02-000	EA	EXTENSION-VALVESTEM-1.25"
	080208-02-000	EA	BAR-LEVERAGE-LUGWRENCH-CHEVY
	080208-06-000	EA	LUGWRENCH-1"X1.06"W/DEEPSOCKETENDS-CHEVY

**CHASSISGROUP(CONTINUED)**

**19.5"CHEVYSTAINLESSSTEELWHELLINERS(FROM:00-00-00THRU:07-14-96)**

KEY	PARTNUMBER	U/M DESCRIPTION	VENDORNO.
	091209-01-000	EA LINER-WHEEL-19.5"STAINLESSSTEEL-SET4F/GMCHASSIS	
	091209-01-700	EA LINER-WHEELFRT10LUG	37N
	091209-01-701	EA LINER-WHEELRR10LUGEA=1	38N
	091209-01-702	EA COVER-AXLE-FRT19.510LUG	34N
	091209-01-703	EA COVER-AXLE-REAR19.510LUG	35N
	091209-01-704	EA COVER-LUGNUTW/OFLANGE	36

**19.5"CHEVYSTAINLESSSTEELWHELLINERS(FROM:07-15-96THRU:05-06-97)**

KEY	PARTNUMBER	U/M DESCRIPTION	VENDORNO.
	110435-06-000	EA LINER-WHEELSET(SET=4)19.5"F/GMW/LONGSTUDS-DICOR	
	110435-01-711	EA DECAL-CENTERCAP-2"	
	110435-02-703	EA NUT(JAMB)	V160SD-JNT
	110435-02-704	EA COVER-LUGNUT	V160F0-LNC
	110435-02-705	EA TOOLF/JAMBNUT-INSTALL.	V160F0-TOL
	110435-06-700	EA LINER-WHEEL-FRONT	V195P5-FWC
	110435-06-701	EA LINER-WHEEL-REAR	V195P5-RWC
	110435-06-702	EA BRACKET-BRIDGE	V195P5-BRK
	110435-06-703	EA NUT-JAM-BRIDGEBRKT11/16	V195P5-BJN
	110435-06-704	EA STUDEXTENDERS-P30	V195P5-STX

**19.5"CHEVYSTAINLESSSTEELWHELLINERS(FROM:05-07-97THRU:99-99-99)**

KEY	PARTNUMBER	U/M DESCRIPTION	VENDORNO.
	110435-10-000	EA LINER-WHEEL-SET4-19.5"	
	110435-10-700	EA LINER-WHEEL-FRONT-1PC	V195P7-FWC
	110435-10-701	EA LINER-WHEEL-REAR-1PC.	V195P7-RWC
	110435-10-702	EA JAMBNUT-ENCLOSED/LNC	V195P7-EJN
	110435-10-703	EA STUD-PLASTIC	V195P7-PST
	110435-10-704	EA JAMBNUT-PLASTIC/LNC	V195P7-PJN
	110435-10-705	EA TOOL-INSTALLATION	V195P7-TOL

**19.5"CHEVYWHEELCOVERS(FROM:00-00-00THRU:12-20-96)**

KEY	PARTNUMBER	U/M DESCRIPTION	VENDORNO.
	109443-01-000	EA WHEEL-COVER-4/SET-19.5W/HDW	
	109443-01-700	EA COVER-WHEEL19.5FRT.&REAR	SHAG95
	109443-01-701	EA BRACKET-RETENTION-FRONTWHEEL	SHAG95-FBS
	109443-01-702	EA BRACKET-RETENTION-REARWHEEL	SHAG95-RBS
	109443-01-703	EA CAP-CENTER-HUB-DICOR	SP-AUCAP
	109443-01-704	EA CLIP-RETAINER	V160GM-PNT

**19.5"CHEVYWHEELCOVERS(FROM:12-21-96THRU:99-99-99)**

KEY	PARTNUMBER	U/M DESCRIPTION	VENDORNO.
	109443-06-000	EA WHEEL-COVER-4/SET-19.5"	
	109443-01-700	EA COVER-WHEEL19.5FRT/RREA=1	SHAG95
	109443-01-701	EA BRACKET-RETENTIONFRONT	SHAG95-FBS
	109443-01-703	EA CAP-CENTER-HUB-DICOR	SHAU95-CAP
	109443-01-704	EA CLIP-RETAINER	V160GM-PNT
	109443-06-701	EA BRACKET-RETENTIONREAR	SHG795-RBS

**CHASSISGROUP(CONTINUED)**

**16" FORDCHROMEWHELLINERS**

KEY	PARTNUMBER	U/M DESCRIPTION	VENDORNO.
	110435-08-000	EA LINER-WHEELSET(SET=4)16"	
	110435-01-711	EA DECAL-CENTERCAP-2"	
	110435-02-702	EA STUDEXTENDER	V160SD-STX
	110435-02-703	EA NUT(JAMB)	V160SD-JNT
	110435-02-704	EA COVER-LUGNUT	V160F0-LNC
	110435-02-705	EA TOOLF/JAMBNUT-INSTALL.	V160F0-TOL
	110435-08-700	EA LINER-WHEEL-FRONT	V160SD-FWC
	110435-08-701	EA LINER-WHEEL-REAR	V160SD-RWC

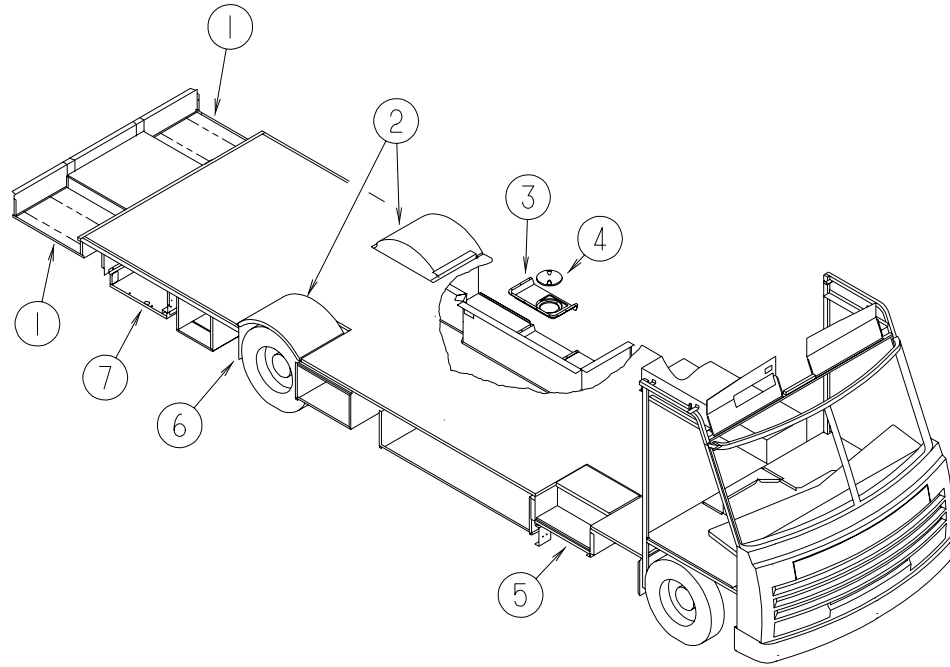
**16" FORDWHEELCOVERS**

KEY	PARTNUMBER	U/M DESCRIPTION	VENDORNO.
	098532-01-000	EA COVER-WHEEL-FORD-16"-SETOF4-DICORSH-SD-16	
	098532-01-700	EA COVER-LUGNUT(CHROME)	SHAU-LNC
	098532-01-701	EA COVER-WHEEL(FRONTORREAR)	SH-SD-16

**SUSPENSIONSYSTEM(CHEVY)**

KEY	PARTNUMBER	U/M DESCRIPTION	VENDORNO.
	104993-02-000	EA SHOCKABSORBER-GAS-P30FRONT	
	122756-01-000	EA SHOCK&STABILIZER(REDBOOT)KIT-FRONTENDP30CHASSIS	
		FROM: 00-00-00 THRU: 12-11-96	
	122756-02-000	EA SHOCKANDSTABILIZER(BLUEBOOT)KIT-FRONTENDP30CHASS	
		FROM: 12-12-96 THRU: 99-99-99	
	122756-02-700	EA BRACKETASM-DRIVERSSIDE	T818L
	122756-02-701	EA BRACKETASM-PASSENGERSIDE	T818R
	122756-02-702	EA BRACKETONLY-DRIVERSSIDE	T818L
	122756-02-703	EA BRACKETONLY-PASSENGERSIDE	T818R
	122756-02-704	EA BOLTPACKAGE-BOLTS/NUTSETC	T818R
	122756-02-705	EA SHOCK	T818SH
	122756-02-706	EA STUD-SHOCKMOUNTING	T818S
	122756-02-707	EA DAMPENER-STEERING	T818SD
	122756-02-708	EA BOOT-STEERINGDAMPENER	T818SDB
	122756-02-709	EA BUSHINGPKG-STEERINGDAMPENER	T818SDBSH
	122756-02-710	EA BOLTPKG-STEERINGDAMPENER	T818S

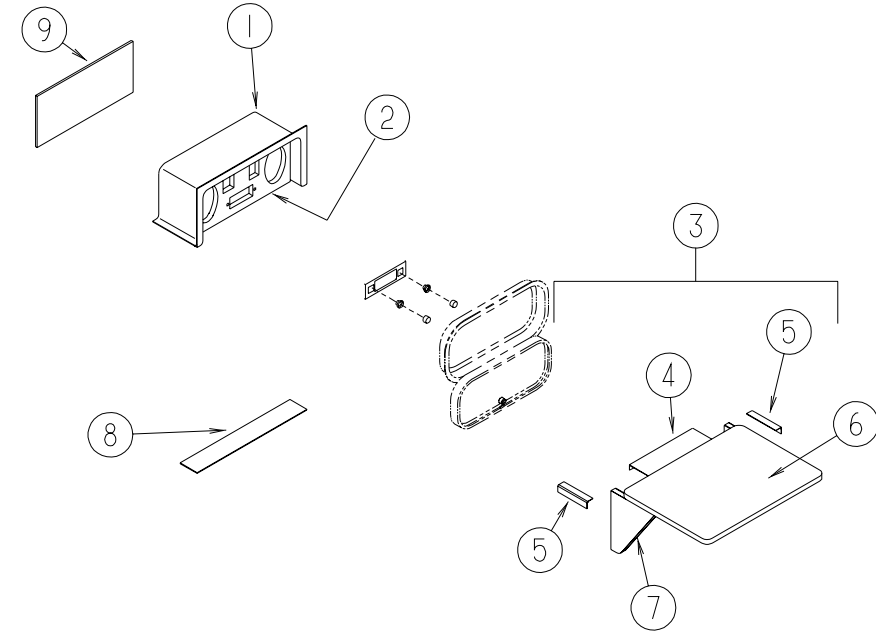
## CHASSISGROUP(CONTINUED)



### STORAGECOMPARTMENTS&WHEELWELLS

KEY	PARTNUMBER	U/M	DESCRIPTION
1	110820-02-000	EA	COMPARTMENTASM-STORAGE
2	102921-01-000	EA	WHEELWELL-PLASTIC
3	121784-01-01A	EA	COVER-VALVEW/OHATCHORCHAIN, DRAINAGE-BLACK
4	092887-01-000	EA	HATCH-COMPARTMENTW/OCHAIN, SEWERHOSE-6"
	092887-04-000	EA	CHAIN-TWISTCAP, 9"
5	094708-01-01A	EA	STEP-ENTRYDOOR-ELECTRIC-SINGLE-W/ODOORSWITCH
6	020167-04-000	EA	GUARD-DIRT
6	020167-05-000	EA	DIRTGUARD-STEEL-15"LONG
			FROM: 00-00-00 THRU: 08-01-96
			FROM: 08-02-96 THRU: 99-99-99
6	017516-01-000	EA	FLAP-MUD, 14"X18"-BLACK
7	081420-05-000	EA	COMPARTMENT-GENERATOR
7	105732-02-000	EA	TRAYASM-GENERATOR

## CHASSISGROUP(CONTINUED)

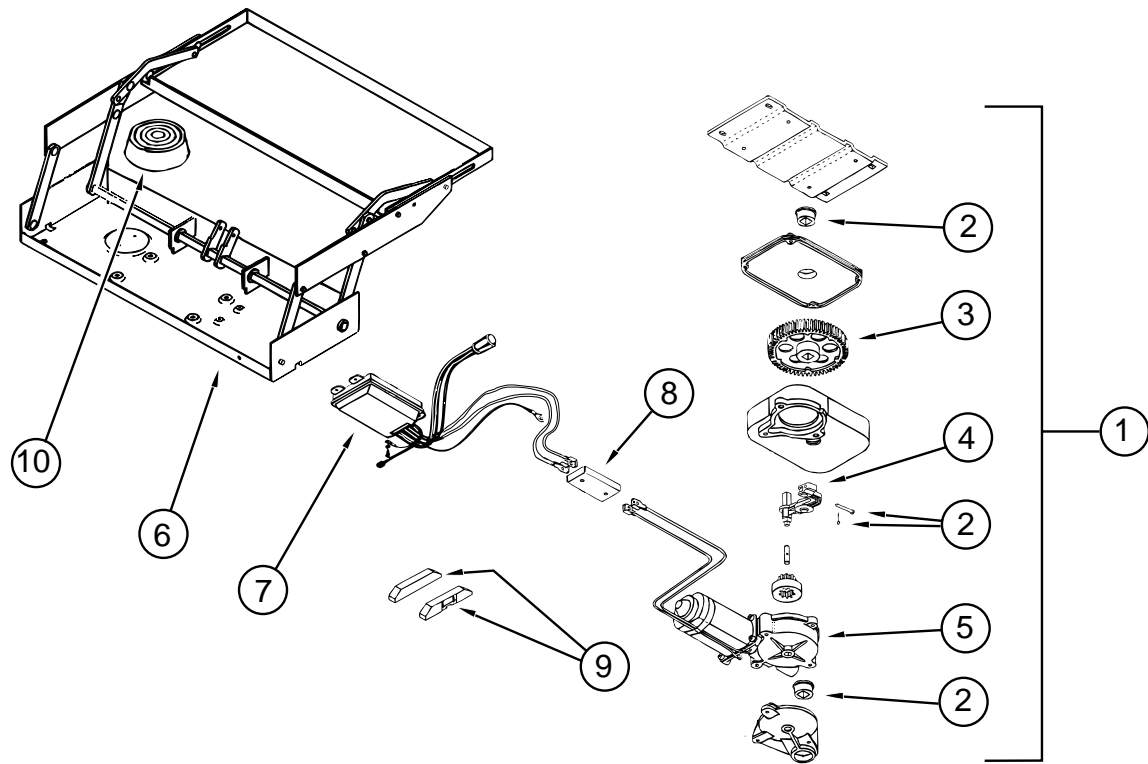


### PATIOENTERTAINMENTCENTER

KEY	PARTNUMBER	U/M	DESCRIPTION
1	104897-01-02A	EA	BOX-ENTERTAINMENTCENTER-BRIGHTWHITE
2	104899-01-C05	EA	PLATE-RADIOMOUNTING
3	105230-01-E01	EA	SHELF
4	105377-01-01A	EA	BRACKET-TABLEHANGER, OFFWHITE
			FROM: 00-00-00 THRU: 01-05-97
4	105377-01-04A	EA	BRACKET-TABLEHANGER, BRIGHTWHITE
			FROM: 01-06-97 THRU: 99-99-99
5	105376-01-02A	EA	HINGE-CONTINUOUS, 2"X5.5"-OFFWHITE
			FROM: 00-00-00 THRU: 01-05-97
5	105376-01-03A	EA	HINGE-CONTINUOUS, 2"X5.5"-BRIGHTWHITE
			FROM: 01-06-97 THRU: 99-99-99
6	105230-11-E01	EA	SHELF
7	105230-12-E01	EA	SUPPORT-SHELF
8	104898-01-02A	EA	PLATE-PLASTIC, BOTTOM-19.38"X3.1"-BRIGHTWHITE
9	104898-02-02A	EA	PLATE-PLASTIC, REAR-16.1"X6.3"-BRIGHTWHITE



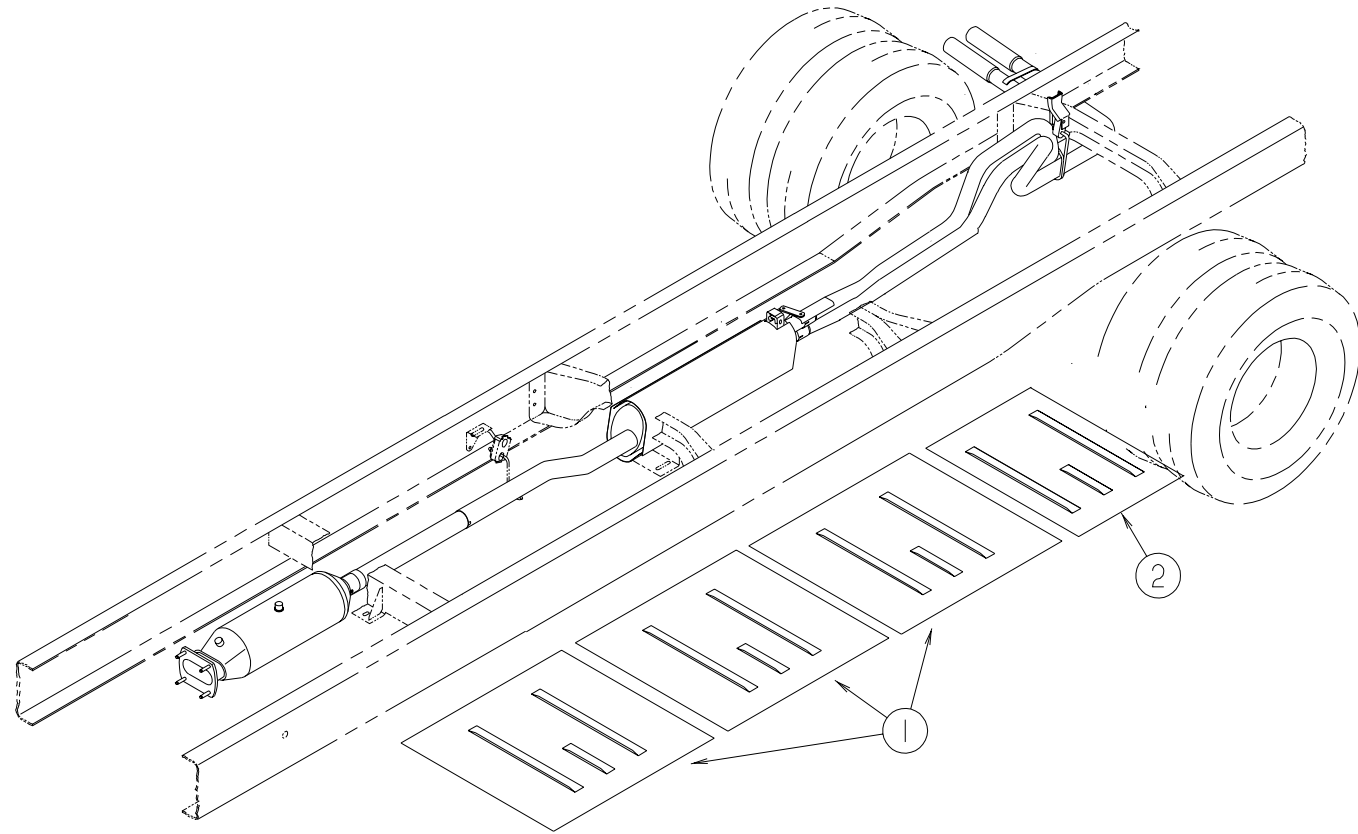
**CHASSISGROUP(CONTINUED)**



**KWIKEELECTRICENTRYP**

KEY	PARTNUMBER	U/M	DESCRIPTION	VENDORNO.
1	094708-01-01A	EA	STEP-ENTRYDOOR,ELECTRIC-SINGLE-KWIKEE2813	
2	094707-02-703	EA	PARTSKIT,(BEARINGS&PINS)	9530
3	094707-02-702	EA	GEARKIT-KWIKEE	9525
4	094708-03-700	EA	LINKAGEASMF/28SERIES	9522
5	094707-02-700	EA	MOTORREPLACEMENTKIT-MODELS32&28	9520
6	088746-01-709	EA	FRAMEW/SINGLESTEP,2800SERIES	908028
7	094707-02-705	EA	CONTROLUNIT,WHITE	909513
8	094707-02-704	EA	CONNECTORKIT-MOTOR	9537
9	116995-01-000	EA	SWITCH/MAGNET-STEP,ELECTRIC-KWIKEE905306	
10	088746-01-705	EA	LIGHT-UNDERSTEP	9004
	088733-01-700	EA	BULB	9004
	094707-02-707	EA	TREAD-NON-SKID,BLACK-6"X21"	909333

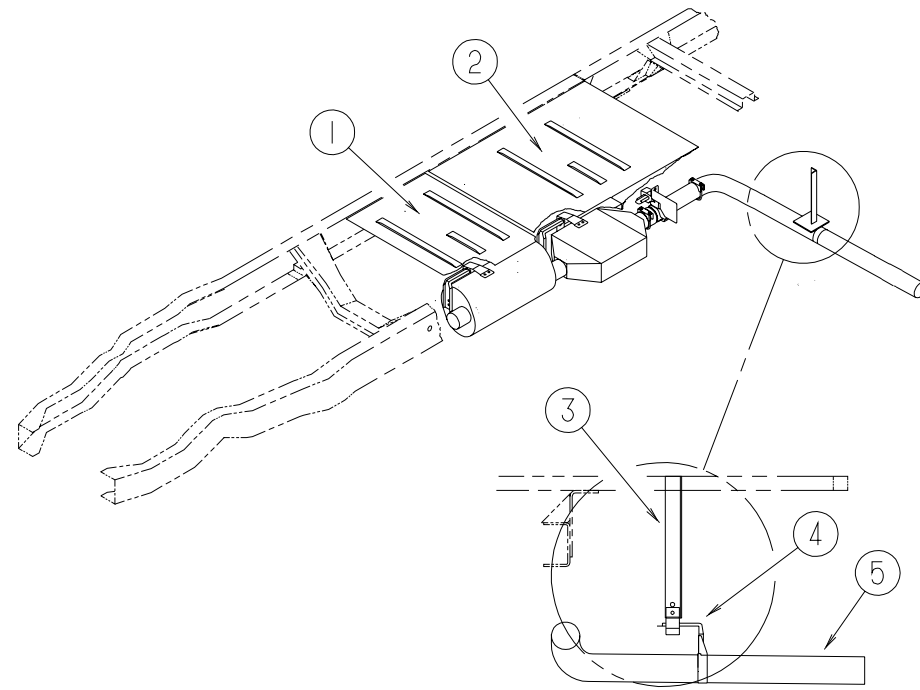
**CHASSISGROUP(CONTINUED)**



**FORDEXHAUSTSYSTEM**

KEY	PARTNUMBER	U/M	DESCRIPTION
1	101544-06-000	EA	SHIELD-HEAT-EXHAUST-33.9"X29.1"
2	101544-01-000	EA	SHIELD-HEAT-EXHAUST-19.7"X29.1"
	098762-16-000	EA	PIPE-EXHAUST-STRAIGHT-3"

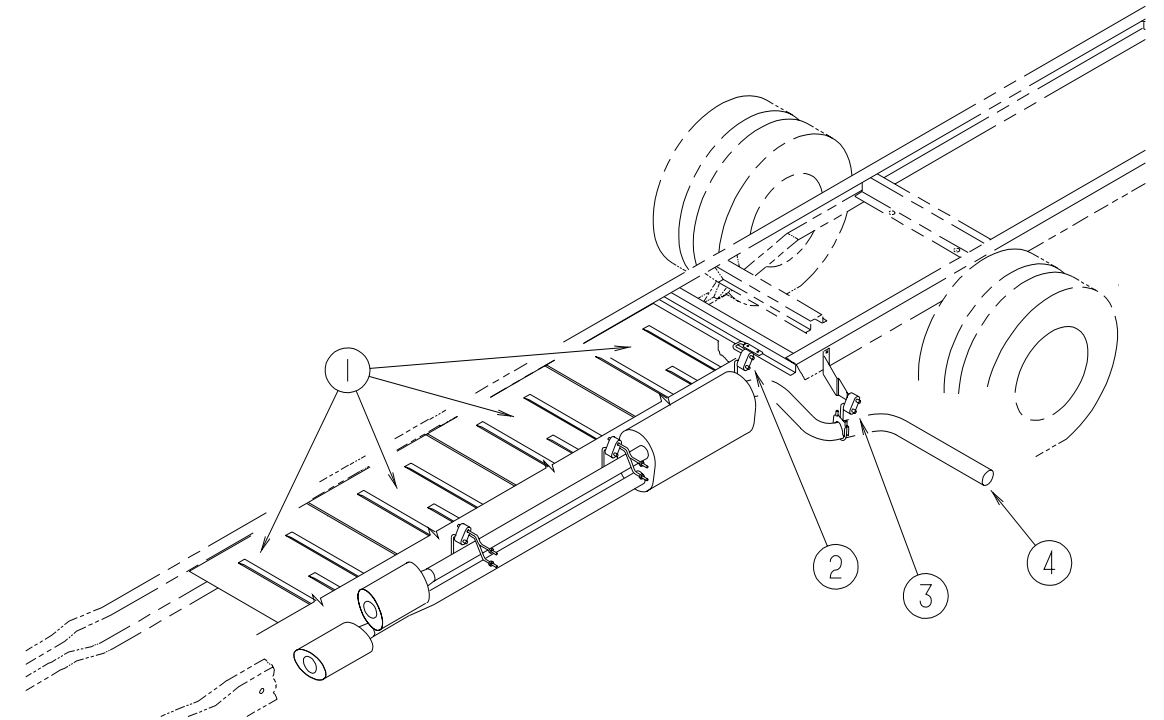
### CHASSISGROUP(CONTINUED)



#### STANDARD CHEVY EXHAUST SYSTEM-GAS OR DIESEL

KEY	PARTNUMBER	U/M	DESCRIPTION
1	101544-01-000	EA	SHIELD-HEAT, EXHAUST-19.7"X29.1"-STEEL
2	101544-02-000	EA	SHIELD-HEAT, EXHAUST-30"X29.1"-STEEL
3	098833-03-000	EA	BRACKET-EXHAUST,HANGER
4	125110-01-02B	EA	HANGER-TAILPIPE
5	098608-03-000	EA	PIPE-EXHAUST
5	122529-01-000	EA	PIPE-EXHAUST(DIESEL)
	094918-01-000	EA	CLAMP-EXHAUST-3"-GUILLOTINESTYLE

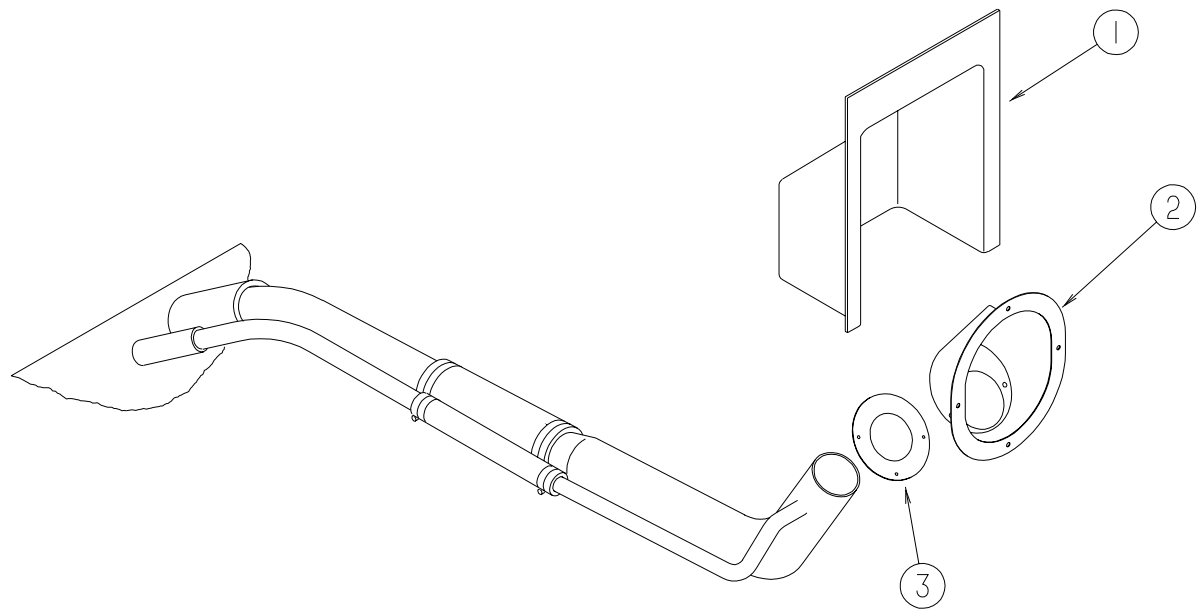
### CHASSISGROUP(CONTINUED)



#### VORTEC CHEVY EXHAUST SYSTEM-GAS

KEY	PARTNUMBER	U/M	DESCRIPTION
1	101544-02-000	EA	SHIELD-HEAT, EXHAUST-30"X29.1"-STEEL
2	122392-01-02B	EA	HANGER-TAILPIPE,E-COAT
3	122392-03-02B	EA	HANGER-TAILPIPE,REAR,E-COAT
4	122529-01-000	EA	PIPE-EXHAUST
	094918-01-000	EA	CLAMP-EXHAUST,3"-GUILLOTINESTYLE

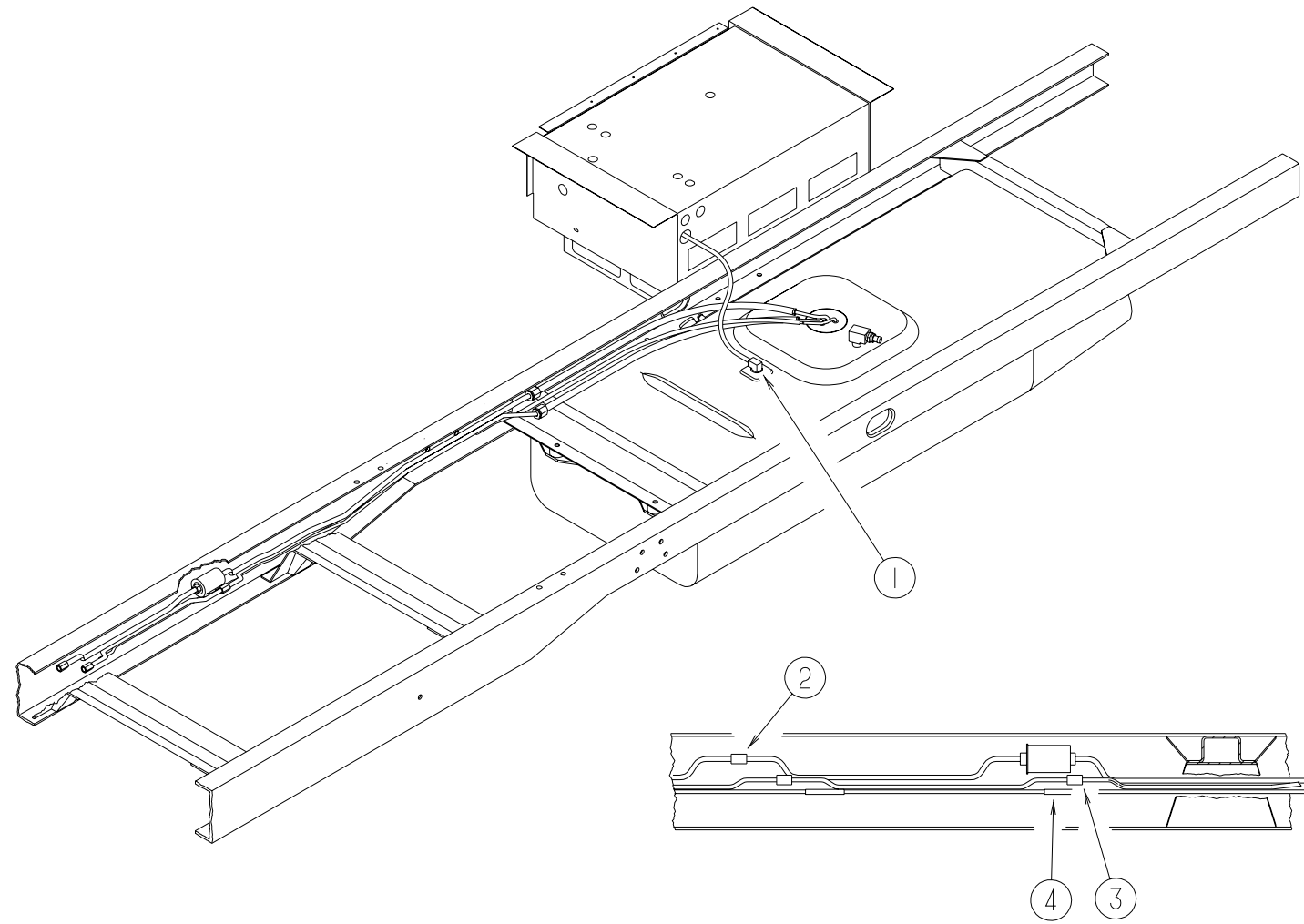
**CHASSISGROUP(CONTINUED)**



**CHEVYFUELSYSTEM**

KEY	PARTNUMBER	U/M	DESCRIPTION
1	072447-09-000	EA	SHROUD-FUELFILL-UPPER
2	095854-01-04A	EA	SHROUD-FUELFILL,BRIGHTWHITE
3	078200-01-000	EA	GASKET-FUELFILL-3.5"ODX2"ID

**CHASSISGROUP(CONTINUED)**

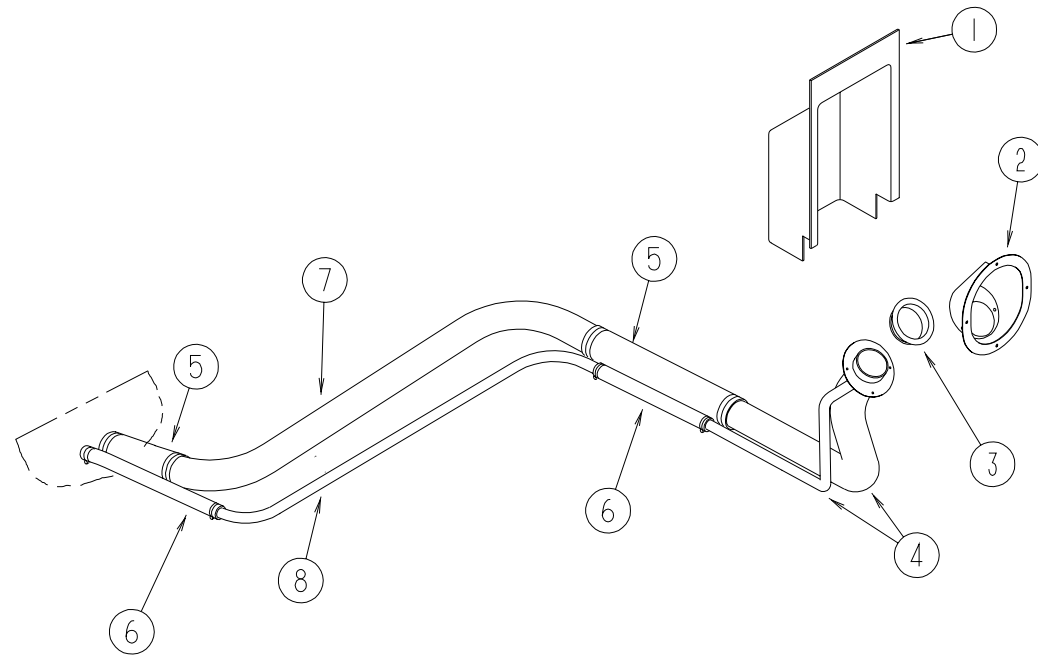


**CHEVYFUELSYSTEM(CONTINUED)**

KEY	PARTNUMBER	U/M	DESCRIPTION
1	114254-01-000	EA	ADAPTER-1/4" SINGLE BARB X 1/8" MPT-WEATHERHEAD 1537
2	098779-02-000	EA	COUPLER-FUELLINE
3	098779-01-000	EA	COUPLER-FUELLINE
4	007063-01-000	FT	HOSE-FUEL-1/4"ID X 1/2"OD
	084884-01-000	EA	PLUG-BRASS-3/8"

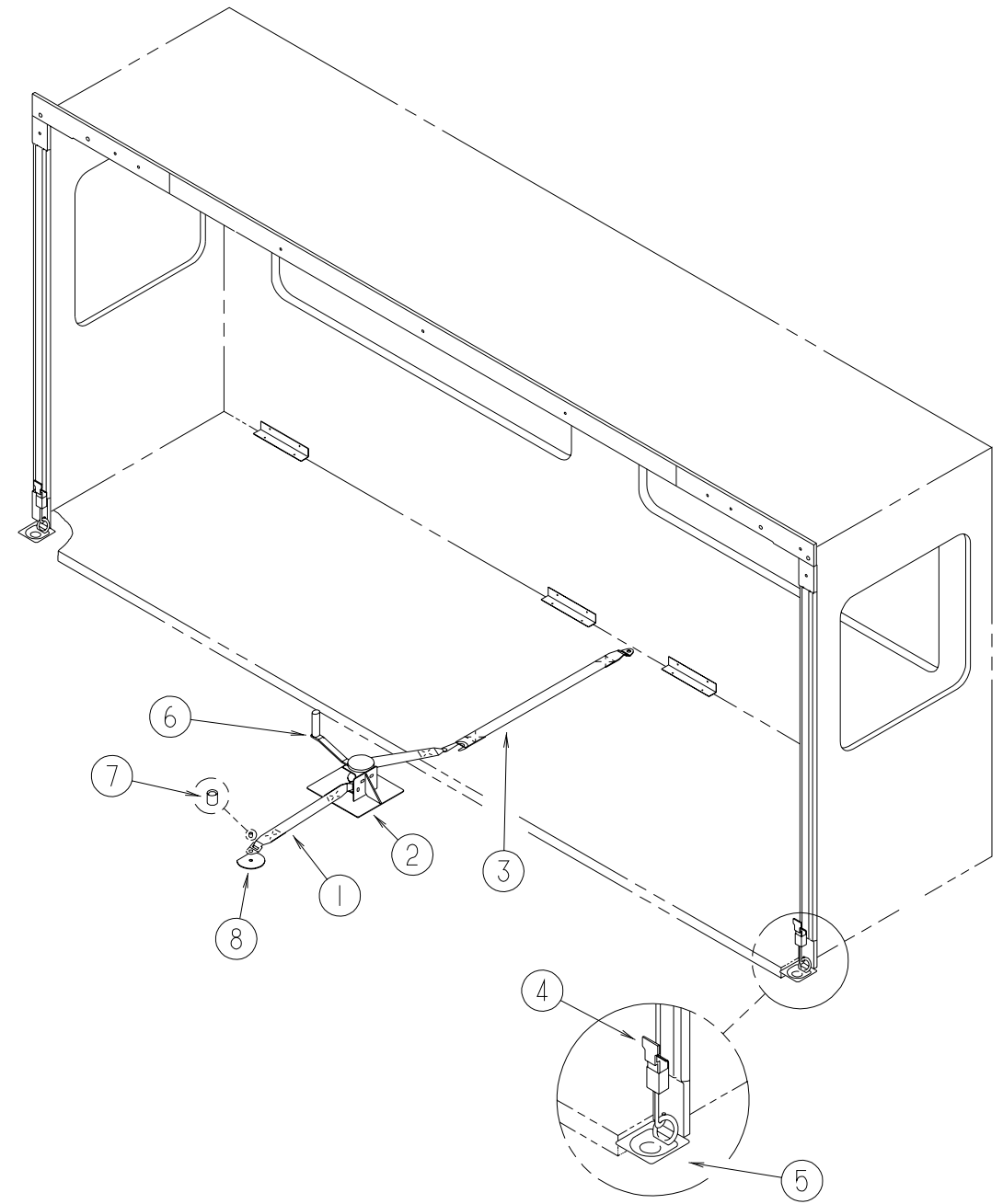
### CHASSISGROUP(CONTINUED)

### CHASSISGROUP(CONTINUED)



#### FORD FUEL SYSTEM

KEY	PARTNUMBER	U/M	DESCRIPTION
1	072447-09-000	EA	SHROUD-FUELFILL
2	095854-01-04A	EA	SHROUD-FUELFILL-BRIGHTWHITE
3	078200-01-000	EA	GASKET-FUELFILL-3.5"ODX2"ID
4	095606-01-000	EA	NECK-FUELFILL-W/CHECKVALVE-L-SHAPERD-18.2"-FORD
5	007111-02-000	EA	HOSE-FUELFILL-2"ID
6	066732-01-000	FT	HOSE-FUEL.62"ID
7	100140-02-000	EA	TUBE-FUELINLET
8	100139-02-000	EA	TUBE-FUELVENT
	007063-01-000	FT	HOSE-FUEL-1/4"IDX1/2"OD
	084884-01-000	EA	PLUG-BRASS-3/8"



#### SLIDEOUT HARDWARE

KEY	PARTNUMBER	U/M	DESCRIPTION
1	116101-01-F31	EA	STRAP-WINCH
			FROM: 00-00-00 THRU: 09-04-96
1	116101-03-H13	EA	STRAP-WINCH
			FROM: 09-05-96 THRU: 09-15-96
2	116082-01-02B	EA	BRACKET-WINCH
3	116101-02-F31	E	STRAP-WINCH
4	116737-01-01A	EA	LATCH-DRAW-ADJUSTABLE-ZINC
5	116736-01-01A	EA	TIEDOWN-DROP/D-ZINC
6	115767-02-000	EA	WINCH-SLIDEOUT
7	116743-01-01A	EA	CAP-LUGCOVER-THREAD-BLACK
8	057759-01-000	EA	WASHERBRACKET-SEATBELT-4"DIAMETER
8	064081-03-000	EA	NUT-WING3/8-16-W/WELDNUT

**CHASSISGROUP(CONTINUED)**  
**DRIVESHAFT&BRAKELINEUNIONS**

KEY	PARTNUMBER	U/M	DESCRIPTION
	088498-01-000	EA	UNION-INVERTEDFLARE-BRASS-3/16 BRAKELINE
	075466-01-000	EA	UNION-INVERTEDFLAIR-1/4" BRAKELINEUNIONWHENCHASSISISSTRETCHED
	088497-02-000	EA	NUT-INVERTEDFLARE-1/4"
	083415-01-000	EA	SHIELD-HEAT-DRIVESHAFTBEARING-4"X5.5"-STEEL
	075302-25-000	EA	DRIVESHAFTASM-BALANCEDPAIR20/21-CHEVY228"CHASSIS FROM: 00-00-00 THRU: 08-25-96
	075302-29-000	EA	DRIVESHAFTASSEMBLY-3PIECESBALANCED-CHEVY216" FROM: 08-26-96 THRU: 99-99-99
	075302-20-000	EA	DRIVESHAFTASSEMBLY-YOKE/BEARING/SPLINE
	M75302-20-000	EA	DRIVESHAFTASM-YOKE/BRG/SPL
	075302-21-000	EA	DRIVESHAFTASSEMBLY-SLIP-YOKE/YOKE
	M75302-28-000	EA	DRIVESHAFTASM-YOKE/YOKE/BRG
	M75302-17-000	EA	DRIVESHAFT-YOKE/BEARING/SPLINE
	M75302-31-000	EA	DRIVESHAFT-SPLINE/YOKE/YOKE

**HYDRAULICSLIDEOUTSYSTEM(CHEVY,FORD)**

KEY	PARTNUMBER	U/M	DESCRIPTION	VENDORNO.
	122359-01-000	EA	SLIDEOUT-HYDRAULIC	
	122359-01-700	EA	CYLINDER-HYDRAULIC(RAM)	RAP90324
	122359-01-701	EA	HOSEASSEMBLY.125"X180"HP	RAP90322
	122359-01-702	EA	HOSEASSEMBLY.125"X204"	RAP90321
	122359-01-703	EA	HOSEASSEMBLY.125X60"	RAP90320
	122359-01-704	EA	CYLINDER-SYNCHRONIZING	RAP90326
	122359-04-000	EA	SLIDEOUT-PUMP-CONTROL(W/OHYDRAULICLEVELINGSYSTEM)	
	123452-02-000	EA	WIRE-PUMP-SLIDEOUT	
	107938-06-000	EA	BRACKET-PUMP	

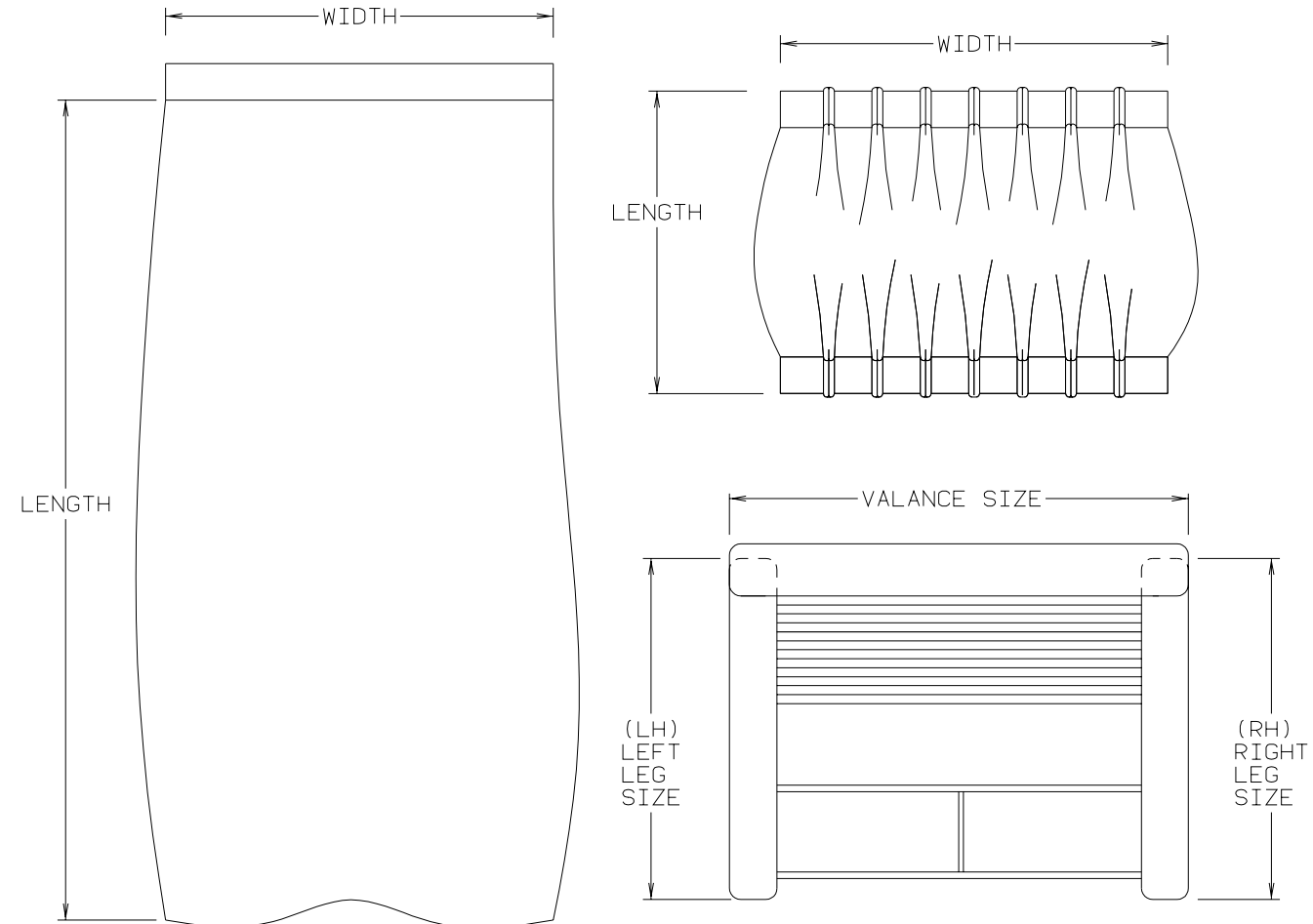
**CHASSISMISCELLANEOUS**

KEY	PARTNUMBER	U/M	DESCRIPTION
	065450-05-000	EA	TIEDOWN-BATTERY-8.4" TUBE
	102805-01-000	EA	CHANNEL-EXTENSION-FRONTFRAME-13.7"
	102805-03-000	EA	CHANNEL-EXTENSION-FRONTFRAME-10.6"
	112864-01-000	FT	FOAM-BUTYLCOATEDSEAL-3/8"
	056748-01-000	EA	PLUG-CAP-1.5"DIAMETER
	115361-01-01A	EA	PLUG-PLASTIC
	104147-02-000	EA	SHIELD-SPLASH-RIGHTHAND
	123361-01-000	EA	DUCT-AIRINTAKE
	119847-01-02B	EA	SHIELD-A/C COMPRESSOR
	113452-01-000	FT	SEAL/TRIM-FRONT-VINYLLW/WIRECARRIER

**CURTAIN&CUSHIONGROUP**  
**NOTICE**

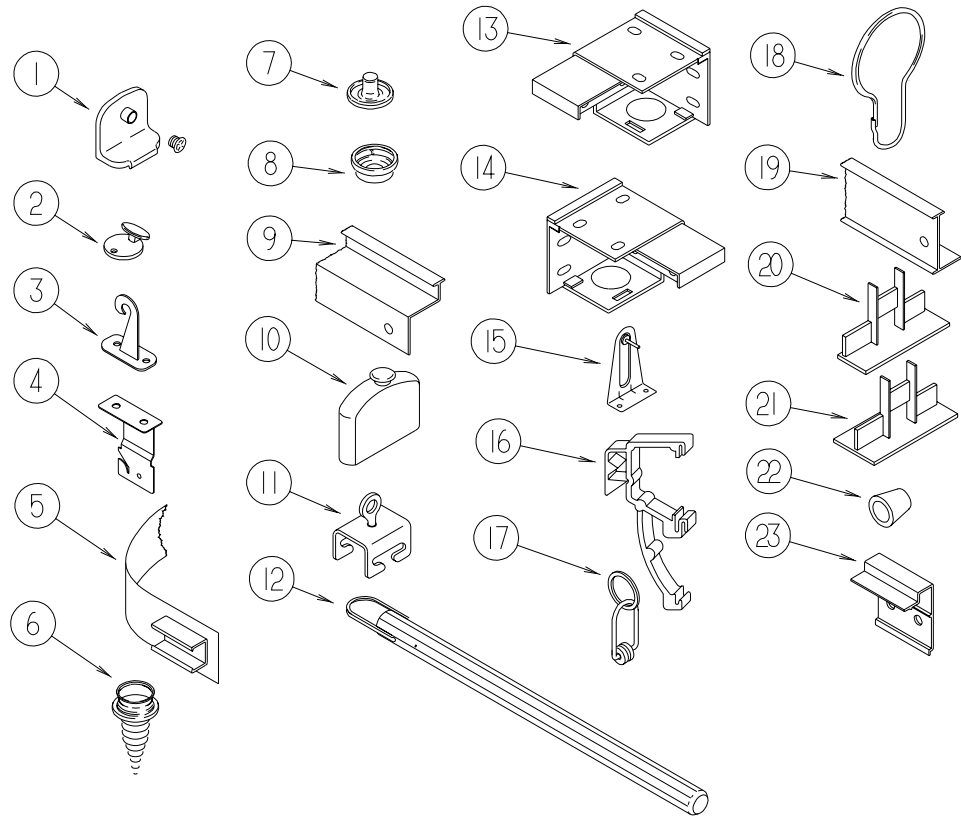
INORDERTOASSISTOURPARTSSALESDEPT.INPROVIDINGINTERIORSOFTGOODSITEMS, PLEASEINCLUDETHESERIALNUMBERANDTHECOLORCODENUMBERFROMTHEVEHICLE CERTIFICATIONLABELWHENORDERING. THISLABELISLOCATEDONTHELEFTSIDEWALL ATTHEENDOFTHEDASH(A-BODY),ORONTHEDRIVER'SDOORLATCHPLATE(C-BODY).

ANEXAMPLEOFACOLORCODENUMBERISB07,WHICHDESIGNATESANOVERALLCOLOR SCHEMEOFPARTICULARUNIT. THECOLORLISTEDAFTERTHEITEMDESCRIPTIONONTHE MICROFICHE,INDICATESTHEOVERALLUNITCOLOR. ORDERTHEITEMYOUDESIREACCORD- INGTOUNITCOLORCODE.



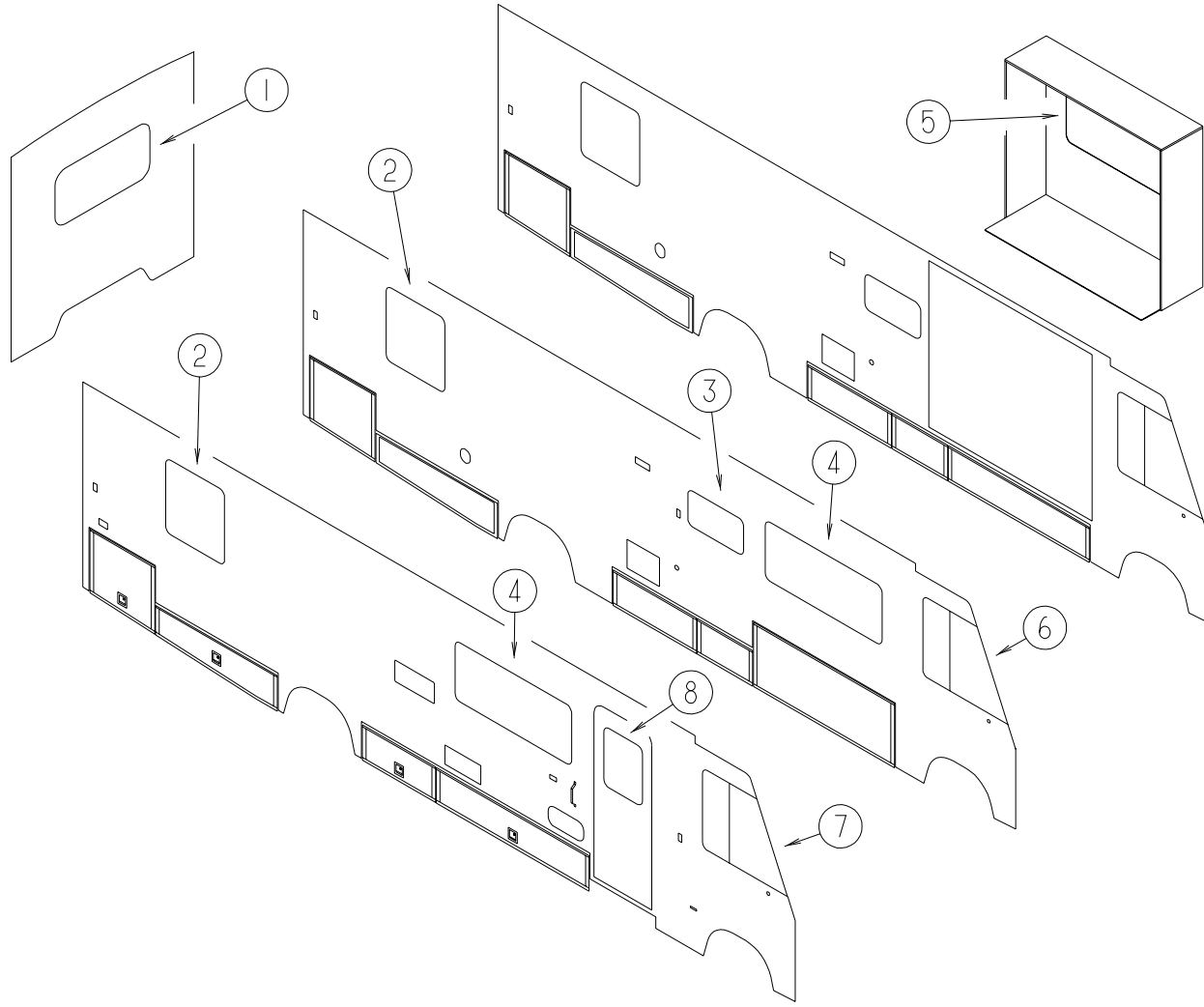
NOTE:USETHISILLUSTRATIONWHENDETERMININGLENGTHANDWIDTHMEASUREMENTSFOR CURTAINS. YOUWILLNOTETHIEWIDTHMEASUREMENTISTAKENONTHETOPOFTHE CURTAINWITHTHECURTAINFULLYEXTENDED. THELENGTHMEASUREMENTISTAKEN FROMTOPTOBOTTOM. LEFTANDRIGHTWINDOWLEGSAREDETERMINEDWHENFACING THEWINDOW.

**CURTAIN&CUSHIONGROUP(CONTINUED)**  
**CURTAIN,BLINDHARDWARE&TRACKS**



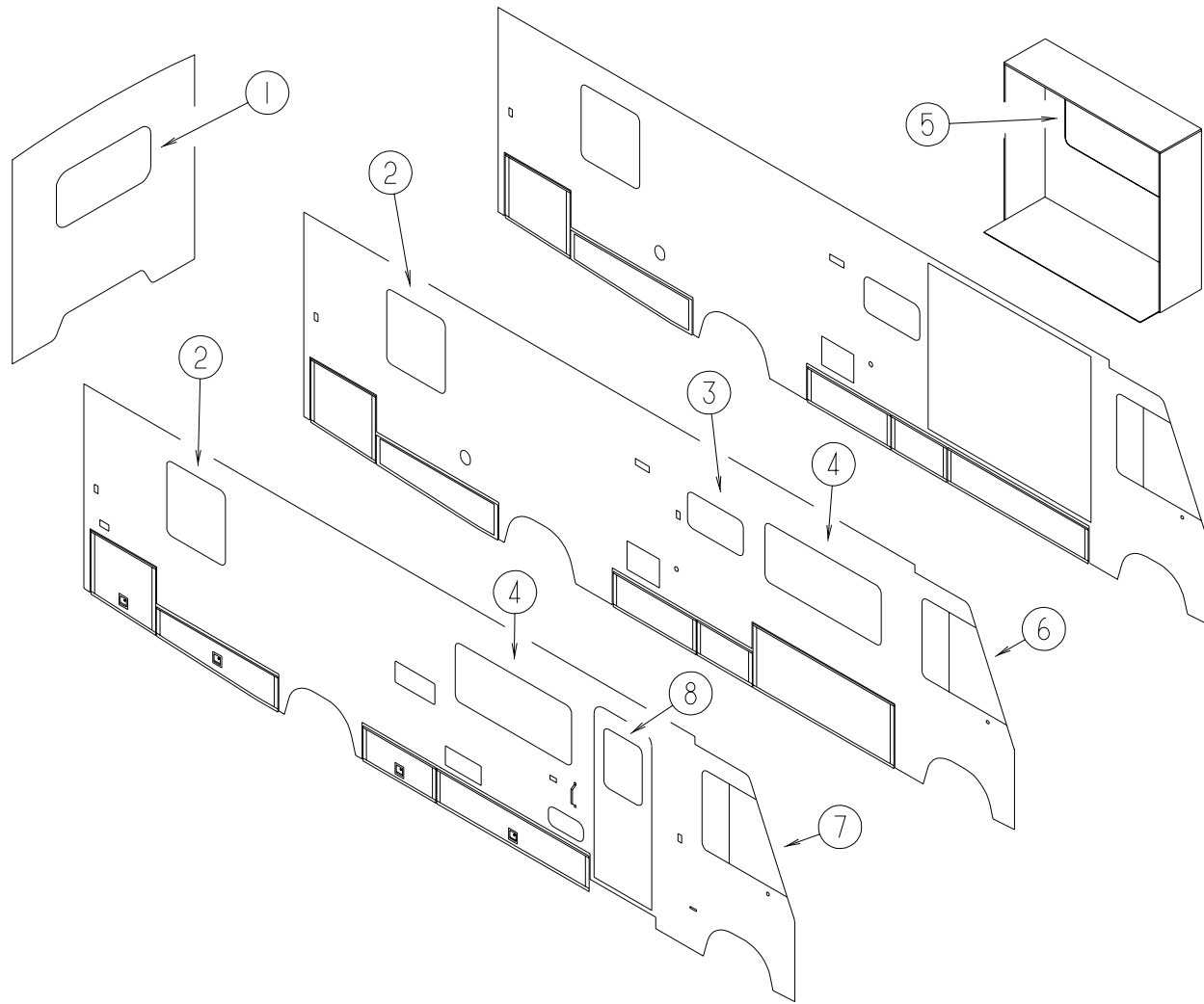
KEY	PARTNUMBER	U/M	DESCRIPTION
1	106544-01-000	EA	PULL-SHADE,BRASS
1	106544-01-001	EA	SCREW-SHADEPULL,BRASS
2	102555-03-000	EA	CLEAT-BLINDCORD,MILKYWHITEPLASTIC
3	109441-03-000	EA	HOLDDOWNBLIND,CLOUDY
	109441-02-000	EA	SPACER-HOLDDOWN,BLIND
4	084434-01-000	EA	BRACKET-MOUNTING,ROLLERSHADE-13/8"
	096843-01-000	EA	SPRING-REWIND,ROLLERSHADE
	086276-01-000	EA	TAPE-DOUBLESIDED,1/2"
5	101031-01-000	YD	TAPE-GLIDE,CURTAIN-4.25"SPACING
6	029130-01-000	EA	SCREW-SNAPSOCKET,#8PHX5/8"
6	029130-03-000	EA	SCREW-SNAPSOCKET,#8PHX1"
7	029155-01-000	EA	CAP-SNAP,5/32"O.D.OFPIN
8	029156-01-000	EA	SOCKET-SNAP,9/16"O.D.
9	122222-01-02A	EA	TRACK-CURTAIN,WRAPAROUND-RH
9	122222-02-02A	EA	TRACK-CURTAIN,WRAPAROUND-LH
10	093475-01-701	EA	ENDCAP-BLIND,W/STUD
11	009702-01-000	EA	ENDSTOP-CURTAINCARRIER,LROD
12	093475-01-700	EA	WAND-BLIND,W/METALCLIP-8"LONG
13	083170-01-000	EA	BRACKET-BLIND-LEFTSIDEWHENFACINGWINDOW
14	083170-02-000	EA	BRACKET-BLIND-RIGHTSIDEWHENFACINGWINDOW
15	095591-02-000	EA	BRACKET-HOLDDOWN,W/PIN-BLIND-METAL
16	109353-04-000	EA	CLIP-MOUNTING,VALANCESLAT-CLEARPLASTIC
17	009701-01-000	EA	CARRIER-CURTAIN,L-ROD
18	009136-02-000	EA	HANGER-RING,PINTYPE-CURTAIN-BRASS
19	009700-04-002	EA	TRACK-L-SHAPED195.5"-OFFWHITE
20	094907-04-000	EA	ENDCAP-BOTTOM,PLEATEDBLIND-PLASTIC-GRAY
	094907-04-701	EA	ENDCAP-LH,BOTTOMBLIND
	094907-04-700	EA	ENDCAP-RH,BOTTOMBLIND
21	094907-02-000	EA	ENDCAP-TOP,PLEATEDBLIND-PLASTIC-GRAY
22	097564-01-000	EA	HANDLE-T,PLEATEDBLIND
23	097565-01-000	EA	BRACKET-MOUNTING,PLEATEDBLIND
	046867-03-000	EA	GROMMET-HANDYBUTTONNO3
	056003-01-000	EA	BRACKET-DRAPERYRETAINING-FRONT-METAL
	056003-02-000	EA	BRACKET-DRAPERYRETAINING-REAR-METAL
	048394-02-000	YD	VELCROTAPE-HOOK,ADHESIVEBACK-.75"WIDE-BEIGE
	088792-01-000	YD	VELCRO-HOOK,.75"WIDE-BEIGE-NONADHESIVEBACKED
	088792-02-000	YD	VELCROTAPE-LOOP,ADHESIVEBACKED-.75"WIDE-BEIGE
	068716-01-001	EA	BRACE-90DEGREEL-ANGLE,192"-EXTRUDEDALUMINUM
	094896-02-000	EA	GROMMET-CORD,PLEATEDBLIND-NYLON-GRAY
	095567-01-000	EA	TACK-STRIP-.5"X625'ROLL
	097591-01-000	EA	SPRING-EXTENSION,PLEATEDBLIND
	097592-01-000	EA	SPOOL-CORD,PLEATEDBLIND-CLEARPLASTIC
	097593-02-000	EA	CORD-BLIND,GRAY(H12/H13/H14/H15/H22)
	097593-06-000	EA	CORD-BLIND,PEWTER(H16/H21)
	105648-01-02A	EA	BRACE-VALANCE,ANGLE-1.5"X1.5"X14"-OFFWHITE

**CURTAIN&CUSHIONGROUP(CONTINUED)**  
**WINDOWTREATMENT**



KEY	PARTNUMBER	U/M	DESCRIPTION
1	112113-10-G13	EA	VALANCE-52", VALERIE (H12/H13)
1	112113-10-H14	EA	VALANCE-52", VALERIE (H14)
1	114993-06-H15	EA	VALANCE-52", TAILOR (H15)
1	112113-10-H16	EA	VALANCE-52", VALERIE (H16)
1	119299-13-H21	EA	VALANCE-53", WHITNEY (H21)
1	119299-13-H22	EA	VALANCE-53", WHITNEY (H22)
1	112986-11-G13	EA	CURTAIN-27.5"X6", PENCILPLEATEDTOP, POCKETBOTTOM (H12/H13)
1	112986-11-H14	EA	CURTAIN-29.5"X6", PENCILPLEATEDTOP, POCKETBOTTOM (H14)
1	112986-11-H15	EA	CURTAIN-29.5"X6", PENCILPLEATEDTOP, POCKETBOTTOM (H15)
1	112986-11-H16	EA	CURTAIN-29.5"X6", PENCILPLEATEDTOP, POCKETBOTTOM (H16)
1	119333-07-H21	EA	LEG-RH, 25" -GATHERED-W/OHOLE-3.5"FACEWOOD/FABRIC (H21)
1	119333-07-H22	EA	LEG-RH, 25" -GATHERED-W/OHOLE-3.5"FACEWOOD/FABRIC (H22)
1	119333-08-H21	EA	LEG-LH, 25" -GATHERED-W/OHOLE-3.5"FACEWOOD/FABRIC (H21)
1	119333-08-H22	EA	LEG-LH, 25" -GATHERED-W/OHOLE-3.5"FACEWOOD/FABRIC (H22)
1	093475-68-08A	EA	BLIND-MINI, 48"X27" DROP (H12/H13)
1	093475-68-07A	EA	BLIND-MINI, 48"X27" DROP (H14/H15/H16)
1	111910-35-F05	EA	BLIND-DAY/NIGHTER, 48"X27" (H21)
1	111910-35-F14	EA	BLIND-DAY/NIGHTER, 48"X27" (H22)
1	111910-35-HA3	EA	BLIND-DAY/NIGHTER, 48"X27" (H22) FROM: 00-00-00 THRU: 10-27-96
1	111910-35-F14	EA	BLIND-DAY/NIGHTER, 48"X27"-WINDOWCOVERINGSOPTION (H12/H13/H14/H15) FROM: 10-28-96 THRU: 99-99-99
1	111910-35-HA3	EA	BLIND-DAY/NIGHTER, 48"X27"-WINDOWCOVERINGSOPTION (H12/H13/H14/H15) FROM: 00-00-00 THRU: 10-27-96
1	111910-35-HA3	EA	BLIND-DAY/NIGHTER, 48"X27"-WINDOWCOVERINGSOPTION (H12/H13/H14/H15) FROM: 10-28-96 THRU: 99-99-99
1	111910-35-F05	EA	BLIND-DAY/NIGHTER, 48"X27"-WINDOWCOVERINGSOPTION (H16)
2	112113-16-H13	EA	VALANCE-34", VALERIE (H12/H13)
2	112113-16-H14	EA	VALANCE-34", VALERIE (H14)
2	114993-10-H15	EA	VALANCE-34", TAILOR (H15)
2	112113-16-H16	EA	VALANCE-34", VALERIE (H16)
2	119299-08-H21	EA	VALANCE-34", WHITNEY (H21)
2	119299-08-H22	EA	VALANCE-34", WHITNEY (H22)
2	112986-07-G13	EA	CURTAIN-38.5"X6", PENCILPLEATEDTOP, POCKETBOTTOM (H12/H13)
2	112986-07-H14	EA	CURTAIN-38.5"X6", PENCILPLEATEDTOP, POCKETBOTTOM (H14)
2	112986-07-H15	EA	CURTAIN-38.5"X6", PENCILPLEATEDTOP, POCKETBOTTOM (H15)
2	112986-07-F05	EA	CURTAIN-38.5"X6", PENCILPLEATEDTOP, POCKETBOTTOM (H16)
2	119333-25-H21	EA	LEG-RH, 34" -GATHERED-W/OHOLE-3.5"FACEWOOD/FABRIC (H21)
2	119333-25-H22	EA	LEG-RH, 34" -GATHERED-W/OHOLE-3.5"FACEWOOD/FABRIC (H22)
2	119333-26-H21	EA	LEG-LH, 34" -GATHERED-W/OHOLE-3.5"FACEWOOD/FABRIC (H21)
2	119333-26-H22	EA	LEG-LH, 34" -GATHERED-W/OHOLE-3.5"FACEWOOD/FABRIC (H22)
2	109041-48-02A	EA	BLIND-MINI, 30"X37" DROP (H12/H13)
2	109041-48-01A	EA	BLIND-MINI, 30"X37" DROP (H14/H15/H16)
2	111910-51-H37	EA	BLIND-DAY/NIGHTER, 30"X37" (H21)
2	111910-51-H38	EA	BLIND-DAY/NIGHTER, 30"X37" (H22)
2	111910-51-HA3	EA	BLIND-DAY/NIGHTER, 30"X37" (H22) FROM: 00-00-00 THRU: 10-27-96
2	111910-51-H38	EA	BLIND-DAY/NIGHTER, 30"X37"-WINDOWCOVERINGSOPTION (H12/H13/H14/H15) FROM: 10-28-96 THRU: 99-99-99
2	111910-51-H38	EA	BLIND-DAY/NIGHTER, 30"X37"-WINDOWCOVERINGSOPTION (H12/H13/H14/H15) FROM: 00-00-00 THRU: 10-27-96
2	111910-51-HA3	EA	BLIND-DAY/NIGHTER, 30"X37"-WINDOWCOVERINGSOPTION (H12/H13/H14/H15) FROM: 10-28-96 THRU: 99-99-99
2	111910-51-H37	EA	BLIND-DAY/NIGHTER, 30"X37"-WINDOWCOVERINGSOPTION (H16)
3	109041-44-02A	EA	BLIND-MINI, 30.5"X18" DROP (H12/H13)
3	109041-44-01A	EA	BLIND-MINI, 30.5"X18" DROP (H14/H15/H16)
3	111861-09-01A	EA	BLIND-MINI, 30.5"X18" DROP (H21/H22)
	109353-04-000	EA	CLIP-VALANCE SLAT MOUNTING-CLEAR PLASTIC
3	109353-10-02A	EA	BLIND-SLAT, 30.5" (H12/H13/H21/H22)
3	109353-10-01A	EA	BLIND-SLAT, 30.5" (H14/H15/H16)

**CURTAIN&CUSHIONGROUP(CONTINUED)**  
**WINDOWTREATMENT(CONTINUED)**

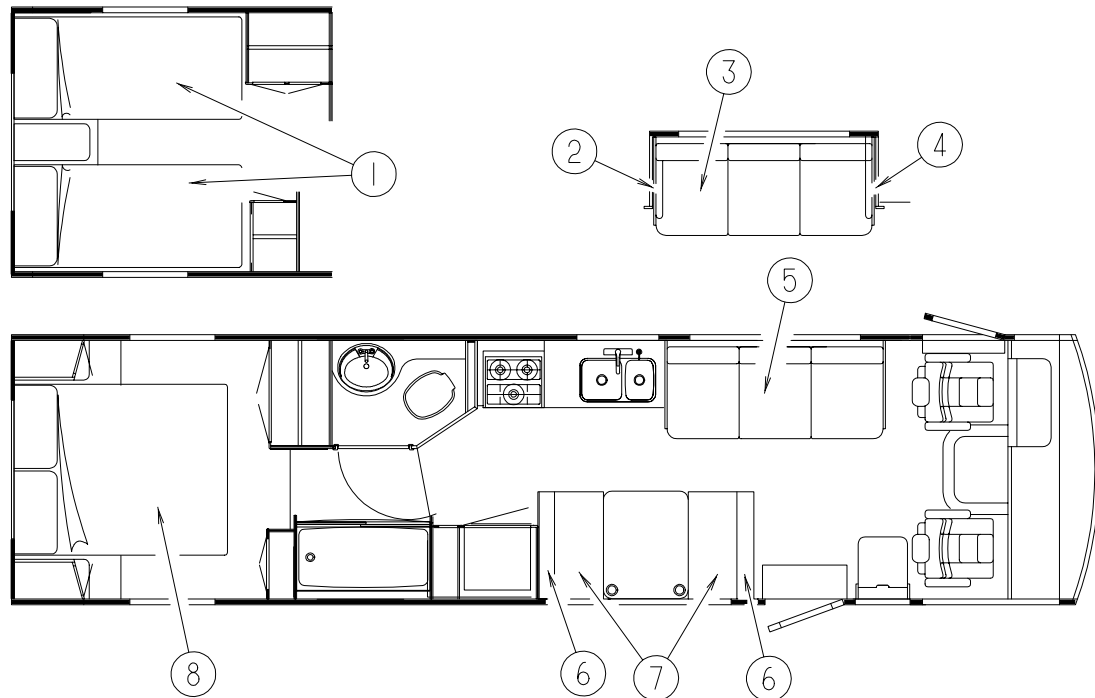


KEY	PARTNUMBER	U/M	DESCRIPTION
4	118537-23-H13	EA	VALANCE-64.5"GALAXY(H12/H13)
4	118537-23-H14	EA	VALANCE-64.5"GALAXY(H14)
4	121410-12-H15	EA	VALANCE-64.5"MODERATE(H15)
4	118537-23-H16	EA	VALANCE-64.5"GALAXY(H16)
4	119262-39-G45	EA	VALANCE-64.5"MONACO(H21)
4	119262-01-H22	EA	VALANCE-64.5"MONACO(H22)
4	119333-01-GE1	EA	LEG-RH,25"-PLAIN-W/OHOLE(H12/H13)
4	119333-01-H14	EA	LEG-RH,25"-PLAIN-W/OHOLE(H14)
4	119333-11-H15	EA	LEG-RH,25"-PLAIN-W/OHOLE(H15)
4	119333-01-GB1	EA	LEG-RH,25"-PLAIN-W/OHOLE(H16)
4	119333-01-G45	EA	LEG-RH,25"-PLAIN-W/OHOLE(H21)
4	119333-33-H22	EA	LEG-RH,25"-PLAIN-W/OHOLE(H22)
4	119333-02-GE1	EA	LEG-LH,25"-PLAIN-W/OHOLE(H12/H13)
4	119333-02-H14	EA	LEG-LH,25"-PLAIN-W/OHOLE(H14)
4	119333-12-H15	EA	LEG-LH,25"-PLAIN-W/OHOLE(H15)
4	119333-02-GB1	EA	LEG-LH,25"-PLAIN-W/OHOLE(H16)
4	119333-02-G45	EA	LEG-LH,25"-PLAIN-W/OHOLE(H21)
4	119333-34-H22	EA	LEG-LH,25"-PLAIN-W/OHOLE(H22)
4	093475-76-06A	EA	BLIND-MINI,60"X28.5"DROP(H12/H13)
4	093475-76-05A	EA	BLIND-MINI,60"X28.5"DROP(H14/H15/H16)
4	109802-10-G12	EA	BLIND-PLEATED,60"X28.5"DROP(H21)
4	109802-10-G01	EA	BLIND-PLEATED,60"X28.5"DROP(H22)
4	109802-10-G01	EA	BLIND-PLEATED,60"X28.5"-WINDOWCOVERINGSOPTION(H12/H13/H14/H15)
4	109802-10-E04	EA	BLIND-PLEATED,60"X28.5"-WINDOWCOVERINGSOPTION(H16)
5	118537-27-H13	EA	VALANCE-63"GALAXY(H12/H13)
5	118537-27-H14	EA	VALANCE-63"GALAXY(H14)
5	121410-18-H15	EA	VALANCE-62.5"MODERATE(H15)
5	118537-27-H16	EA	VALANCE-63"GALAXY(H16)
5	119262-60-H21	EA	VALANCE-62.5"MONACO(H21)
5	119262-61-H22	EA	VALANCE-62.5"MONACO(H22)
5	109041-45-02A	EA	BLIND-MINI-58"X26" DROP (H12/H13)
5	109041-45-01A	EA	BLIND-MINI-58"X26" DROP (H14/H15/H16)
5	109802-48-G45	EA	BLIND-PLEATED,59"X26.5"(H21)
5	109802-48-G35	EA	BLIND-PLEATED,59"X26.5"(H22)
5	109802-48-G35	EA	BLIND-PLEATED,59"X26.5"-WINDOWCOVERINGSOPTION(H12/H13/H14/H15)
5	109802-48-G45	EA	BLIND-PLEATED,59"X26.5"-WINDOWCOVERINGSOPTION(H16)
6	101668-57-G09	EA	CURTAIN-38"X95" TAPETOP, LH(H12/H13)
6	101668-57-G10	EA	CURTAIN-38"X95" TAPETOP, LH(H14/H15/H16)
6	101668-57-H21	EA	CURTAIN-38"X95" TAPETOP, LH(H21)
6	101668-57-H22	EA	CURTAIN-38"X95" TAPETOP, LH(H22)
7	101668-56-G09	EA	CURTAIN-38"X95" TAPETOP, RH(H12/H13)
7	101668-56-G10	EA	CURTAIN-38"X95" TAPETOP, RH(H14/H15/H16)
7	101668-56-H21	EA	CURTAIN-38"X95" TAPETOP, RH(H21)
7	101668-56-H22	EA	CURTAIN-38"X95" TAPETOP, RH(H22)
	073260-42-D09	EA	TIEBACK-6"X18"(H12/H13)
	073260-42-D10	EA	TIEBACK-6"X18"(H14/H15/H16)
	073260-42-C17	EA	TIEBACK-6"X18"(H21)
	073260-42-C18	EA	TIEBACK-6"X18"(H22)
8	118537-24-H13	EA	VALANCE-12"X35", GALAXY(H12/H13)
8	118537-24-H14	EA	VALANCE-12"X35", GALAXY(H14)
8	121410-13-H15	EA	VALANCE-12"X35", MODERATE(H15)
8	118537-24-H16	EA	VALANCE-12"X35", GALAXY(H16)
8	119262-54-H39	EA	VALANCE-12"X35", MONOCO(H21)
8	119262-55-H22	EA	VALANCE-12"X35", MONOCO(H22)
8	084755-57-E07	EA	SHADE-PULL,27.25"-W/OTRIM



**CURTAIN&CUSHIONGROUP(CONTINUED)**

**SOFA/BED-SLIDE-OUT**



KEY	PARTNUMBER	U/M	DESCRIPTION
2	125198-01-H13	EA	ARMREST-RIGHTHAND(H12/H13)
2	125198-01-H14	EA	ARMREST-RIGHTHAND(H14)
2	125198-01-H15	EA	ARMREST-RIGHTHAND(H15)
2	125198-01-H16	EA	ARMREST-RIGHTHAND(H16)
2	125198-01-H21	EA	ARMREST-RIGHTHAND(H21)
2	125198-01-H22	EA	ARMREST-RIGHTHAND(H22)
2	P25198-01-H13	EA	COVER-ARMREST-RIGHTHAND(H12/H13)
2	P25198-01-H14	EA	COVER-ARMREST-RIGHTHAND(H14)
2	P25198-01-H15	EA	COVER-ARMREST-RIGHTHAND(H15)
2	P25198-01-H16	EA	COVER-ARMREST-RIGHTHAND(H16)
2	P25198-01-H21	EA	COVER-ARMREST-RIGHTHAND(H21)
2	P25198-01-H22	EA	COVER-ARMREST-RIGHTHAND(H22)
3	123480-01-H13	EA	SOFA/BED-BACKANDSEAT(H12/H13)
3	123480-01-H14	EA	SOFA/BED-BACKANDSEAT(H14)
3	123380-02-H15	EA	BED-BASE-SOFA/BED-68"(H15)
3	123480-01-H16	EA	SOFA/BED-BACKANDSEAT(H16)
3	123480-01-H21	EA	SOFA/BED-BACKANDSEAT(H21)
3	123480-01-H22	EA	SOFA/BED-BACKANDSEAT(H22)
3	P23480-01-H13	EA	COVER-BACKANDSEAT-SOFA/BED(H12/H13)
3	P23480-01-H14	EA	COVER-BACKANDSEAT-SOFA/BED(H14)
3	P23380-01-H15	EA	COVER-BACKANDSEAT-SOFA/BED(H15)
3	P23480-01-H16	EA	COVER-BACKANDSEAT-SOFA/BED(H16)
3	P23480-01-H21	EA	COVER-BACKANDSEAT-SOFA/BED(H21)
3	P23480-01-H22	EA	COVER-BACKANDSEAT-SOFA/BED(H22)
	123622-01-000	EA	FRAME-SOFA/BED-BACK-68"
	123622-02-000	EA	FRAME-SOFA/BED-SEAT-68"
	123622-03-000	EA	FRAME-SOFA/BED-BASEWITHLEGS-68"
	113990-09-000	EA	LOCK-BRACKET-MALEFLEXSTEEL-CANADIAN
	122556-04-01A	EA	LOCK-JACKKNIFESEAT-CANADIAN
4	125198-02-H13	EA	ARMREST-LEFTHAND(H12/H13)
4	125198-02-H14	EA	ARMREST-LEFTHAND(H14)
4	125198-02-H15	EA	ARMREST-LEFTHAND(H15)
4	125198-02-H16	EA	ARMREST-LEFTHAND(H16)
4	125198-02-H21	EA	ARMREST-LEFTHAND(H21)
4	125198-02-H22	EA	ARMREST-LEFTHAND(H22)
4	P25198-02-H13	EA	COVER-ARMREST-LEFTHAND(H12/H13)
4	P25198-02-H14	EA	COVER-ARMREST-LEFTHAND(H14)
4	P25198-02-H15	EA	COVER-ARMREST-LEFTHAND(H15)
4	P25198-02-H16	EA	COVER-ARMREST-LEFTHAND(H16)
4	P25198-02-H21	EA	COVER-ARMREST-LEFTHAND(H21)
4	P25198-02-H22	EA	COVER-ARMREST-LEFTHAND(H22)

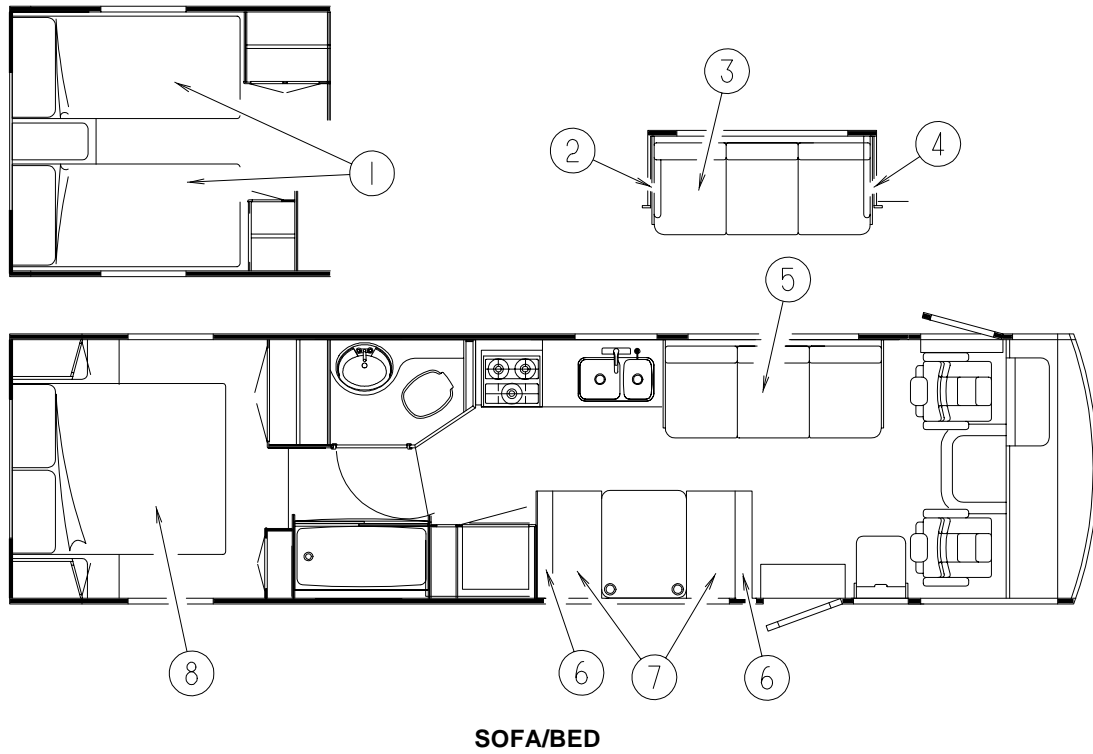
**TWINMATTRESSES&BEDSPREADS**

KEY	PARTNUMBER	U/M	DESCRIPTION	
1	123015-04-000	EA	MATTRESS-INNERSPRING,36"X79.5"	
1	123471-07-H13	EA	BEDSPREAD/THROW-36"X80"(H12/H13)	
1	123471-07-H14	EA	BEDSPREAD/THROW-36"X80"(H14)	
1	123471-19-H15	EA	BEDSPREAD/THROW-36"X80"(H15)	
1	123471-07-H16	EA	BEDSPREAD/THROW-36"X80"(H16)	
1	123471-09-H21	EA	BEDSPREAD/THROW-36"X80"(H21)	
1	123471-09-H22	EA	BEDSPREAD/THROW-36"X80"(H22)	
	111863-07-G04	EA	PILLOWSHAM-22"X37"(H12/H13)	
	111863-07-H14	EA	PILLOWSHAM-22"X37"(H14)	
	104565-09-H15	EA	PILLOWSHAM-22"X37"(H15)	
	111863-07-H16	EA	PILLOWSHAM-22"X37"(H16)	
	119555-03-H21	EA	PILLOWSHAM-22"X37"(H21)	
	119555-03-H22	EA	PILLOWSHAM-22"X37"(H22)	
	111862-03-G04	EA	PILLOW-15"X15"(H12/H13)	FROM: 00-00-00 THRU: 11-30-96
	111862-01-H13	EA	PILLOW-15"X15"(H12/H13)	FROM: 12-01-96 THRU: 99-99-99
	111862-03-H14	EA	PILLOW-15"X15"(H14)	FROM: 00-00-00 THRU: 11-30-96
	111862-01-H14	EA	PILLOW-15"X15"(H14)	FROM: 12-01-96 THRU: 99-99-99
	111862-06-H15	EA	PILLOW-15"X15"(H15)	FROM: 00-00-00 THRU: 11-30-96
	111862-03-F05	EA	PILLOW-15"X15"(H16)	FROM: 12-01-96 THRU: 99-99-99
	111862-01-H16	EA	PILLOW-15"X15"(H16)	FROM: 00-00-00 THRU: 11-30-96
	104166-07-H21	EA	PILLOW-14"X14"(H21)	FROM: 12-01-96 THRU: 99-99-99
	104166-06-H21	EA	PILLOW-14"X14"(H21)	FROM: 00-00-00 THRU: 11-30-96
	104166-07-H22	EA	PILLOW-14"X14"(H22)	FROM: 12-01-96 THRU: 99-99-99

NOTE: COUCHFRONTANDSIDE PANELSARE FOUNDINTHE LOUNGE GROUP

**CURTAIN & CUSHION GROUP (CONTINUED)**

**DINETTE CUSHIONS**



**SOFA/BED**

KEY	PARTNUMBER	U/M DESCRIPTION
6	111897-04-G13	EA CUSHION-DINETTEBACK, 13.5"X38"X5" (H12/H13)
6	111897-04-H14	EA CUSHION-DINETTEBACK, 13.5"X38"X5" (H14)
6	111897-12-H15	EA CUSHION-DINETTEBACK, 13.5"X38"X5" (H15)
6	111897-04-H16	EA CUSHION-DINETTEBACK, 13.5"X38"X5" (H16)
6	111897-04-G45	EA CUSHION-DINETTEBACK, 13.5"X38"X5" (H21)
6	111897-04-H22	EA CUSHION-DINETTEBACK, 13.5"X38"X5" (H22)
6	P11897-04-G13	EA COVER-DINETTEBACKCUSHION, 13.5"X38"X5" (H12/H13)
6	P11897-04-H14	EA COVER-DINETTEBACKCUSHION, 13.5"X38"X5" (H14)
6	P11897-12-H15	EA COVER-DINETTEBACKCUSHION, 13.5"X38"X5" (H15)
6	P11897-04-H16	EA COVER-DINETTEBACKCUSHION, 13.5"X38"X5" (H16)
6	P11897-04-G45	EA COVER-DINETTEBACKCUSHION, 13.5"X38"X5" (H21)
6	P11897-04-H22	EA COVER-DINETTEBACKCUSHION, 13.5"X38"X5" (H22)
	078155-01-000	EA STRAP-SNAP, BACKRESTCUSHION
7	088927-87-G13	EA CUSHION-DINETTE SEAT, 23"X38"X5" (H12/H13)
7	088927-87-H14	EA CUSHION-DINETTE SEAT, 23"X38"X5" (H14)
7	088927-87-H15	EA CUSHION-DINETTE SEAT, 23"X38"X5" (H15)
7	088927-87-H16	EA CUSHION-DINETTE SEAT, 23"X38"X5" (H16)
7	088927-87-G45	EA CUSHION-DINETTE SEAT, 23"X38"X5" (H21)
7	088927-87-H22	EA CUSHION-DINETTE SEAT, 23"X38"X5" (H22)
7	M88927-87-G13	EA COVER-DINETTE SEATCUSHION, 23"X38"X5" (H12/H13)
7	M88927-87-H14	EA COVER-DINETTE SEATCUSHION, 23"X38"X5" (H14)
7	M88927-87-H15	EA COVER-DINETTE SEATCUSHION, 23"X38"X5" (H15)
7	M88927-87-H16	EA COVER-DINETTE SEATCUSHION, 23"X38"X5" (H16)
7	M88927-87-G45	EA COVER-DINETTE SEATCUSHION, 23"X38"X5" (H21)
7	M88927-87-H22	EA COVER-DINETTE SEATCUSHION, 23"X38"X5" (H22)

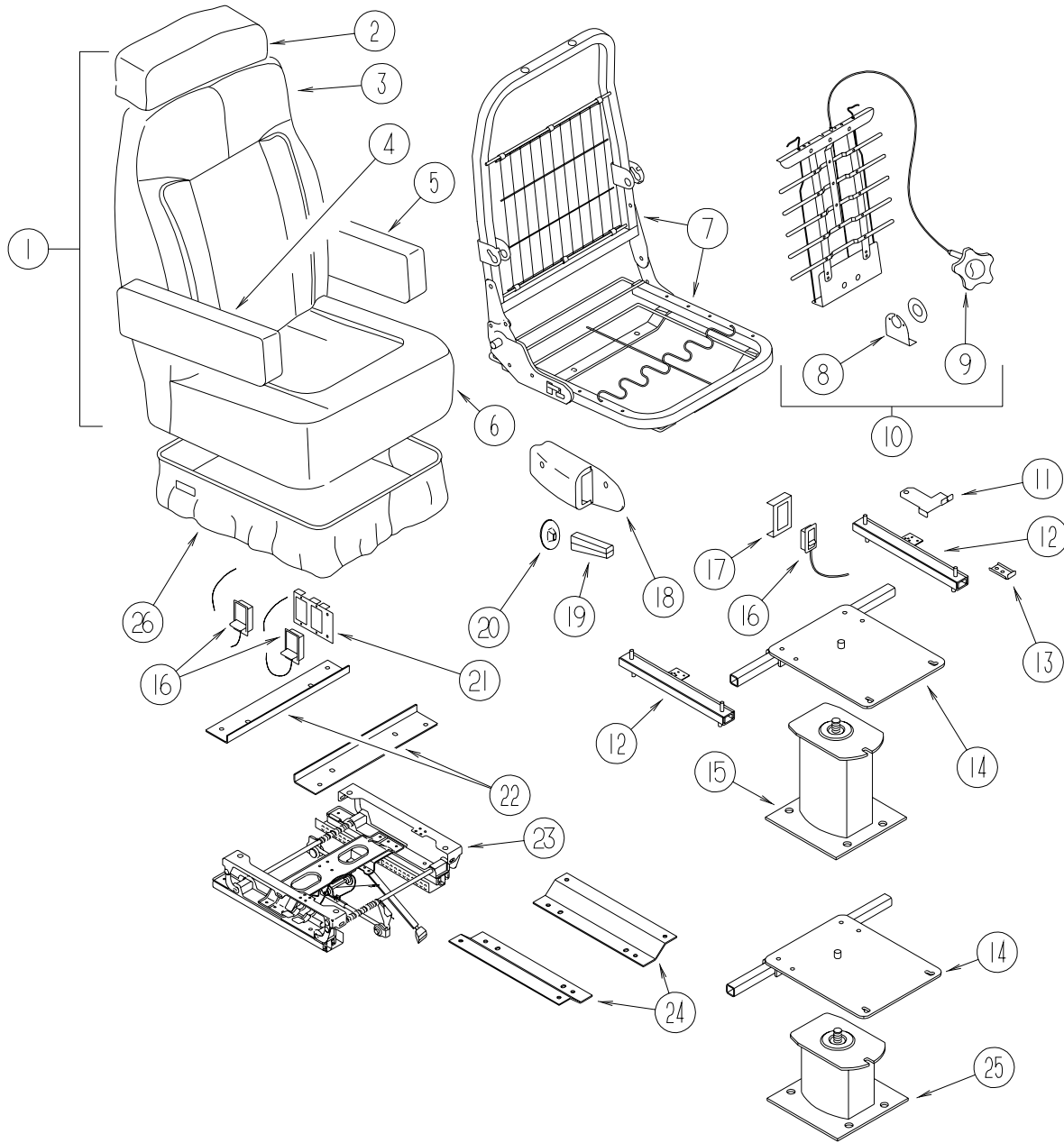
KEY	PARTNUMBER	U/M DESCRIPTION
5	111319-01-G13	EA SOFA/BED-JACKKNIFE BACK, KNIFE EDGE-74" (H12/H13)
5	111319-01-H14	EA SOFA/BED-JACKKNIFE BACK, KNIFE EDGE-74" (H14)
5	111319-02-H15	EA SOFA/BED-JACKKNIFE BACK, KNIFE EDGE-74" (H15)
5	111319-01-H16	EA SOFA/BED-JACKKNIFE BACK, KNIFE EDGE-74" (H16)
5	112104-01-H21	EA SOFA/BED-JACKKNIFE BACK, CHANNEL-74" (H21)
5	112104-01-H22	EA SOFA/BED-JACKKNIFE BACK, CHANNEL-74" (H22)
5	P11319-01-G13	EA COVER-SOFA/BED, JACKKNIFE BACK-74" (H12/H13)
5	P11319-01-H14	EA COVER-SOFA/BED, JACKKNIFE BACK-74" (H14)
5	P11319-02-H15	EA COVER-SOFA/BED, JACKKNIFE BACK-74" (H15)
5	P11319-01-H16	EA COVER-SOFA/BED, JACKKNIFE BACK-74" (H16)
5	P12104-01-H21	EA COVER-SOFA/BED, JACKKNIFE BACK-74" (H21)
5	P12104-01-H22	EA COVER-SOFA/BED, JACKKNIFE BACK-74" (H22)
	101085-10-000	EA FRAME-SOFA/BED, JACKKNIFE BACK-74.5"X16"
5	100032-43-G13	EA SOFA/BED-JACKKNIFE SEAT, 74" TUCK-W/OARMS (H12/H13)
5	100032-43-H14	EA SOFA/BED-JACKKNIFE SEAT, 74" TUCK-W/OARMS (H14)
5	100032-30-H15	EA SOFA/BED-JACKKNIFE SEAT, 74" TUCK-W/OARMS (H15)
5	100032-43-H16	EA SOFA/BED-JACKKNIFE SEAT, 74" TUCK-W/OARMS (H16)
5	100032-43-H21	EA SOFA/BED-JACKKNIFE SEAT, 74" TUCK-W/OARMS (H21)
5	100032-43-H22	EA SOFA/BED-JACKKNIFE SEAT, 74" TUCK-W/OARMS (H22)
5	P00032-43-G13	EA COVER-SOFA/BED, JACKKNIFE SEAT, 74" TUCK-W/OARMS (H12/H13)
5	P00032-43-H14	EA COVER-SOFA/BED, JACKKNIFE SEAT, 74" TUCK-W/OARMS (H14)
5	P00032-30-H15	EA COVER-SOFA/BED, JACKKNIFE SEAT, 74" TUCK-W/OARMS (H15)
5	P00032-43-H16	EA COVER-SOFA/BED, JACKKNIFE SEAT, 74" TUCK-W/OARMS (H16)
5	P00032-43-H21	EA COVER-SOFA/BED, JACKKNIFE SEAT, 74" TUCK-W/OARMS (H21)
5	P00032-43-H22	EA COVER-SOFA/BED, JACKKNIFE SEAT, 74" TUCK-W/OARMS (H22)
	101085-04-000	EA FRAME-SOFA/BED, JACKKNIFE SEAT, 74.75"
	101085-06-000	EA FRAME-SOFA/BED, JACKKNIFE BASE, 74.75"
	111637-02-H13	EA PILLOW ASM-22"X22", KNIFE EDGE W/WELT (H12/H13)
	111637-02-H14	EA PILLOW ASM-22"X22", KNIFE EDGE W/WELT (H14)
	111637-01-H15	EA PILLOW ASM-22"X22", KNIFE EDGE W/WELT (H15)
	111637-02-H16	EA PILLOW ASM-22"X22", KNIFE EDGE W/WELT (H16)
	111637-03-H21	EA PILLOW ASM-22"X22", KNIFE EDGE W/WELT (H21)
	111637-03-H22	EA PILLOW ASM-22"X22", KNIFE EDGE W/WELT (H22)
	113990-09-000	EA BRACKET-LOCK, MALE-FLEXSTEEL
	122556-04-01A	EA LOCK-JACKKNIFE SEAT

**QUEEN MATTRESS & BEDSPREAD**

KEY	PARTNUMBER	U/M DESCRIPTION
8	123015-06-000	EA MATTRESS-INNERSPRING-60"X74.5"
8	123471-04-H13	EA BEDSPREAD/THROW-60"X75" (H12/H13)
8	123471-04-H14	EA BEDSPREAD/THROW-60"X75" (H14)
8	123471-18-H15	EA BEDSPREAD/THROW-60"X80" (H15)
8	123471-04-H16	EA BEDSPREAD/THROW-60"X75" (H16)
8	123471-08-H21	EA BEDSPREAD/THROW-60"X75" (H21)
8	123471-08-H22	EA BEDSPREAD/THROW-60"X75" (H22)
	111863-05-G04	EA PILLOW SHAM-20"X33" (H12/H13)
	111863-05-H14	EA PILLOW SHAM-20"X33" (H14)
	104565-08-H15	EA PILLOW SHAM-20"X33" (H15)
	111863-05-H16	EA PILLOW SHAM-20"X33" (H16)
	119555-01-H21	EA PILLOW SHAM-20"X33" (H21)
	119555-01-H22	EA PILLOW SHAM-20"X33" (H22)
	111862-03-G04	EA PILLOW-15"X15" (H12/H13)
	111862-01-H13	EA PILLOW-15"X15" (H12/H13)
	111862-03-H14	EA PILLOW-15"X15" (H14)
	111862-01-H14	EA PILLOW-15"X15" (H14)
	111862-06-H15	EA PILLOW-15"X15" (H15)
	111862-03-F05	EA PILLOW-15"X15" (H16)
	111862-01-H16	EA PILLOW-15"X15" (H16)
	104166-07-H21	EA PILLOW-14"X14" (H21)
	104166-06-H21	EA PILLOW-14"X14" (H21)
	104166-07-H22	EA PILLOW-14"X14" (H22)
	111862-08-H13	EA PILLOW-15"X15" (H12/H13) MCCLAINS ANNIVERSARY OPTION
	111862-08-H14	EA PILLOW-15"X15" (H14) MCCLAINS ANNIVERSARY OPTION
	111862-08-H15	EA PILLOW-15"X15" (H15) MCCLAINS ANNIVERSARY OPTION
	111862-08-H16	EA PILLOW-15"X15" (H16) MCCLAINS ANNIVERSARY OPTION

FROM: 00-00-00 THRU: 11-30-96  
 FROM: 12-01-96 THRU: 99-99-99  
 FROM: 00-00-00 THRU: 11-30-96  
 FROM: 12-01-96 THRU: 99-99-99  
 FROM: 00-00-00 THRU: 11-30-96  
 FROM: 12-01-96 THRU: 99-99-99

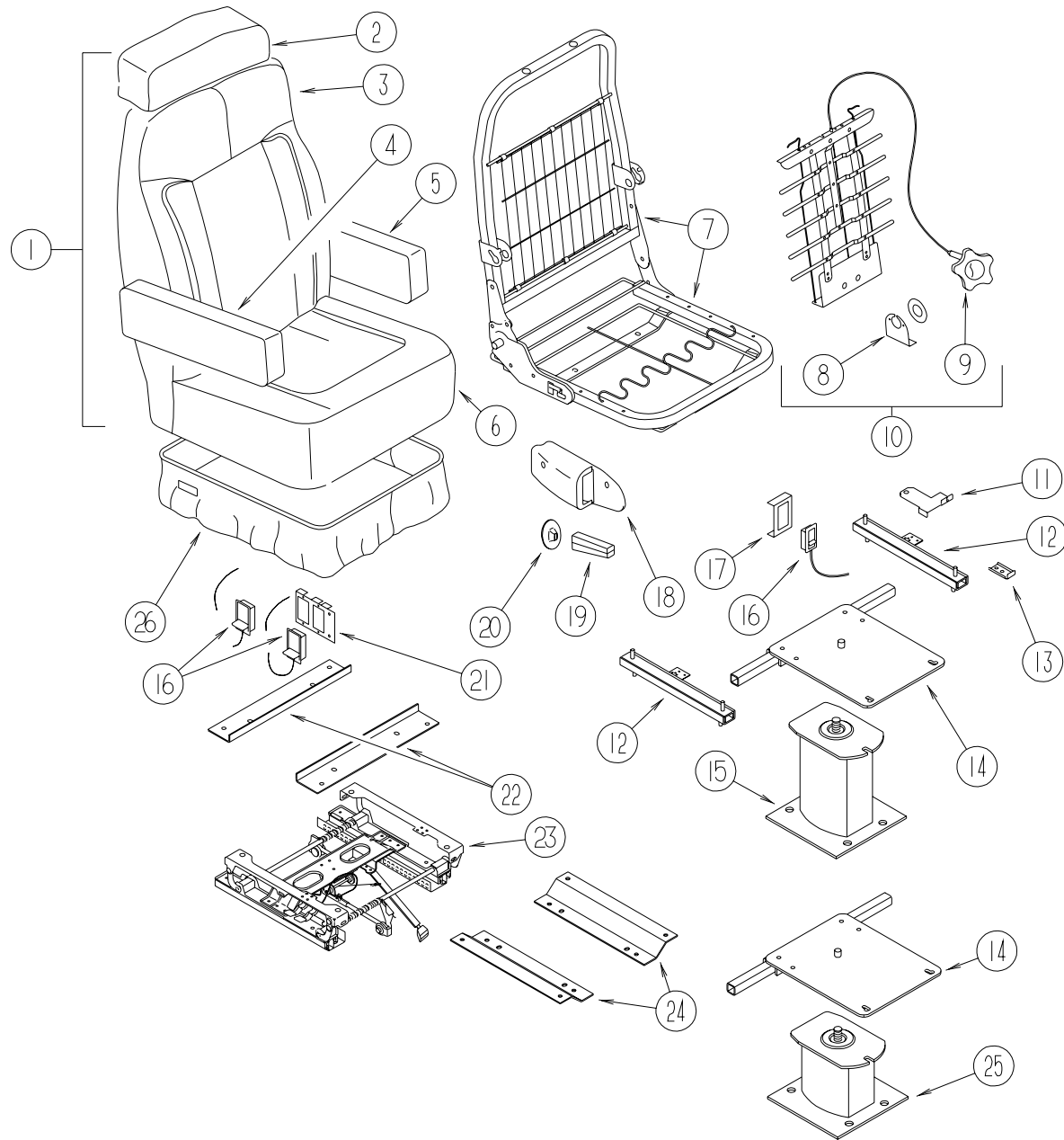
**CURTAIN&CUSHIONGROUP(CONTINUED)**  
**DRIVERBUCKETSEAT**



KEY	PARTNUMBER	U/M	DESCRIPTION
1	119508-06-H13	EA	SEAT-BUCKET, W/ARMRESTS, HEADREST&LUMBAR SUPPORT (H12/H13)
1	119508-06-H14	EA	SEAT-BUCKET, W/ARMRESTS, HEADREST&LUMBAR SUPPORT (H14)
1	119508-06-H15	EA	SEAT-BUCKET, W/ARMRESTS, HEADREST&LUMBAR SUPPORT (H15)
1	119508-06-H16	EA	SEAT-BUCKET, W/ARMRESTS, HEADREST&LUMBAR SUPPORT (H16)
1	122684-01-H21	EA	SEAT-BUCKET, W/ARMRESTS, HEADREST&LUMBAR SUPPORT (H21)
1	122684-01-H22	EA	SEAT-BUCKET, W/ARMRESTS, HEADREST&LUMBAR SUPPORT (H22)
1	123820-03-H13	EA	SEAT-BUCKET-MCCLAINS ANNIVERSARY OPTION
2	119509-01-H13	EA	HEADREST-BUCKETSEAT (H12/H13)
2	119509-01-G24	EA	HEADREST-BUCKETSEAT (H14)
2	119509-01-H15	EA	HEADREST-BUCKETSEAT (H15)
2	119509-01-H16	EA	HEADREST-BUCKETSEAT (H16)
2	119509-01-H39	EA	HEADREST-BUCKETSEAT (H21)
2	119509-01-H22	EA	HEADREST-BUCKETSEAT (H22)
2	124682-02-H56	EA	HEADREST-MCCLAINS

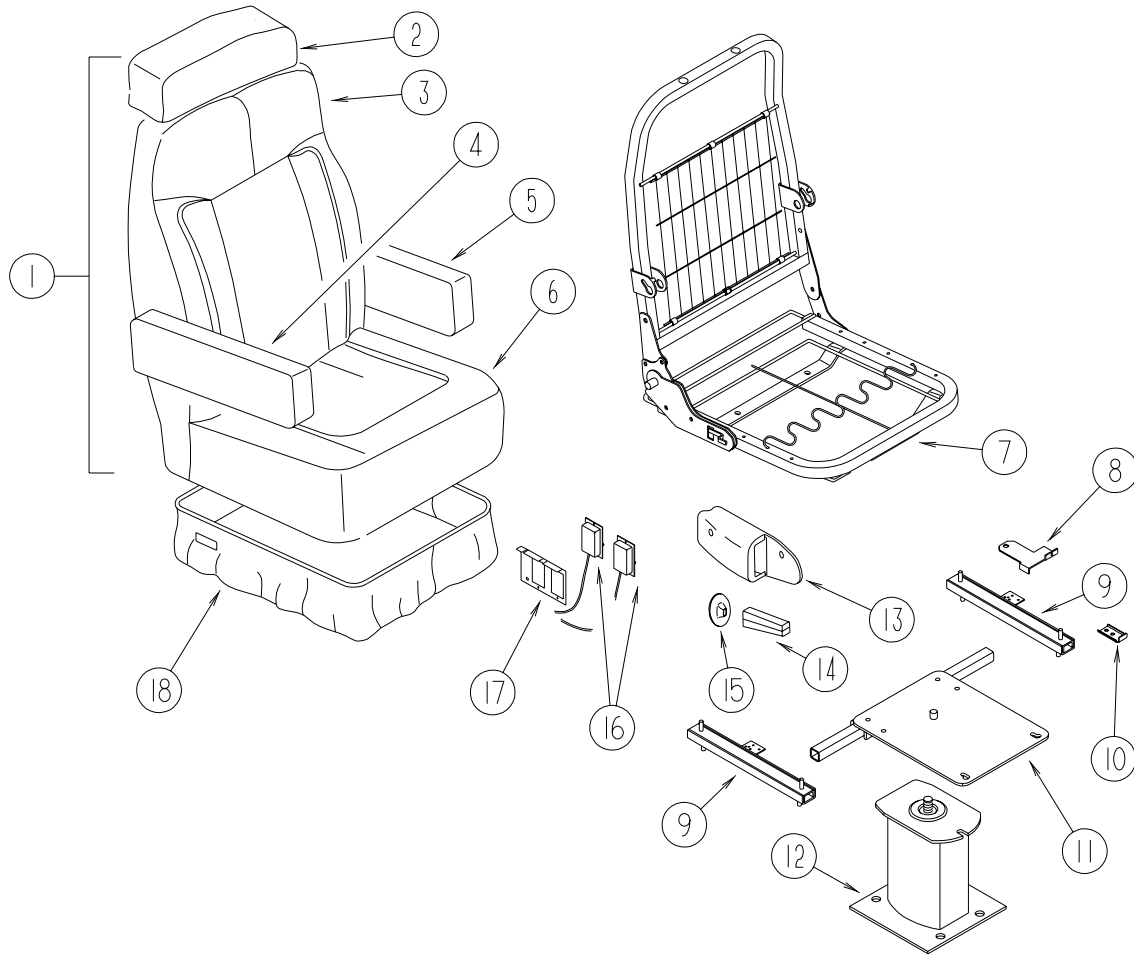
KEY	PARTNUMBER	U/M	DESCRIPTION
2	P19509-01-H13	EA	COVER-HEADREST (H12/H13)
2	P19509-01-G24	EA	COVER-HEADREST (H14)
2	P19509-01-H15	EA	COVER-HEADREST (H15)
2	P19509-01-H16	EA	COVER-HEADREST (H16)
2	P19509-01-H39	EA	COVER-HEADREST (H21)
2	P19509-01-H22	EA	COVER-HEADREST (H22)
2	P24682-02-H56	EA	COVER-HEADREST-MCCLAINS ANNIVERSARY OPTION
	113977-12-000	EA	INSERT/HEADREST-W/O LOCK
	113977-13-000	EA	INSERT/HEADREST-W/LOCK
3	M05962-44-H13	EA	COVER-BACK-BUCKETSEAT (H12/H13)
3	M05962-44-H14	EA	COVER-BACK-BUCKETSEAT (H14)
3	M05962-44-H15	EA	COVER-BACK-BUCKETSEAT (H15)
3	M05962-44-H16	EA	COVER-BACK-BUCKETSEAT (H16)
3	M05962-39-H21	EA	COVER-BACK-BUCKETSEAT (H21)
3	M05962-39-H22	EA	COVER-BACK-BUCKETSEAT (H22)
3	M05962-49-H60	EA	COVER-BACK-LEATHER/VINYL-MCCLAINS ANNIVERSARY OPTION
4	122780-01-H13	EA	ARMREST-RIGHTHAND (H12/H13)
4	122780-01-H14	EA	ARMREST-RIGHTHAND (H14)
4	122780-01-H15	EA	ARMREST-RIGHTHAND (H15)
4	122780-01-H16	EA	ARMREST-RIGHTHAND (H16)
4	122780-01-H39	EA	ARMREST-RIGHTHAND (H21)
4	122780-01-H22	EA	ARMREST-RIGHTHAND (H22)
4	123962-03-H50	EA	ARMREST-ADJUSTABLE/RIGHTHAND-MCCLAINS ANNIVERSARY OPTION
	122622-01-000	EA	BRACKET-ADJUSTABLE/ARMREST-RIGHTHAND-MCCLAINS ANNIVERSARY OPTION FROM: 00-00-00 THRU: 08-17-96
	122622-04-000	EA	BRACKET-ADJUSTABLE/ARMREST-RIGHTHAND-MCCLAINS ANNIVERSARY OPTION FROM: 08-18-96 THRU: 99-99-99
	122622-03-000	EA	BRACKET-ADJUSTABLE KNOB-MCCLAINS ANNIVERSARY OPTION FROM: 00-00-00 THRU: 08-17-96
	122622-06-000	EA	BRACKET-ADJUSTABLE KNOB-3/8"-MCCLAINS ANNIVERSARY OPTION FROM: 08-18-96 THRU: 99-99-99
4	P22780-01-H13	EA	COVER-ARMREST-RIGHTHAND (H12/H13)
4	P22780-01-H14	EA	COVER-ARMREST-RIGHTHAND (H14)
4	P22780-01-H15	EA	COVER-ARMREST-RIGHTHAND (H15)
4	P22780-01-H16	EA	COVER-ARMREST-RIGHTHAND (H16)
4	P22780-01-H39	EA	COVER-ARMREST-RIGHTHAND (H21)
4	P22780-01-H22	EA	COVER-ARMREST-RIGHTHAND (H22)
	115617-03-000	EA	ARMREST-W/O COVER-RIGHTHAND
4	P23962-03-H50	EA	COVER-ARMREST-RIGHTHAND-MCCLAINS ANNIVERSARY OPTION
5	122780-02-H13	EA	ARMREST-LEFTHAND (H12/H13)
5	122780-02-H14	EA	ARMREST-LEFTHAND (H14)
5	122780-02-H15	EA	ARMREST-LEFTHAND (H15)
5	122780-02-H16	EA	ARMREST-LEFTHAND (H16)
5	122780-02-H39	EA	ARMREST-LEFTHAND (H21)
5	122780-02-H22	EA	ARMREST-LEFTHAND (H22)
	115617-04-000	EA	ARMREST-W/O COVER-LEFTHAND
5	123962-04-H13	EA	ARMREST-ADJUSTABLE/LEFTHAND-MCCLAINS ANNIVERSARY OPTION
	122622-02-000	EA	BRACKET-ADJUSTABLE/ARMREST-LEFTHAND-MCCLAINS ANNIVERSARY OPTION FROM: 00-00-00 THRU: 08-17-96
	122622-05-000	EA	BRACKET-ADJUSTABLE/ARMREST-LEFTHAND-MCCLAINS ANNIVERSARY OPTION FROM: 08-18-96 THRU: 99-99-99
	122622-03-000	EA	BRACKET-ADJUSTABLE KNOB-MCCLAINS ANNIVERSARY OPTION FROM: 00-00-00 THRU: 08-17-96
	122622-06-000	EA	BRACKET-ADJUSTABLE KNOB-3/8"-MCCLAINS ANNIVERSARY OPTION FROM: 08-18-96 THRU: 99-99-99
5	P22780-02-H13	EA	COVER-ARMREST-LEFTHAND (H12/H13)
5	P22780-02-H14	EA	COVER-ARMREST-LEFTHAND (H14)
5	P22780-02-H15	EA	COVER-ARMREST-LEFTHAND (H15)
5	P22780-02-H16	EA	COVER-ARMREST-LEFTHAND (H16)
5	P22780-02-H39	EA	COVER-ARMREST-LEFTHAND (H21)
5	P22780-02-H22	EA	COVER-ARMREST-LEFTHAND (H22)
5	P23962-05-H13	EA	COVER-ARMREST-LEFTHAND-MCCLAINS ANNIVERSARY OPTION

**CURTAIN&CUSHIONGROUP(CONTINUED)**  
**DRIVERBUCKETSEAT(CONTINUED)**



KEY	PARTNUMBER	U/M	DESCRIPTION	VENDOR NO.
6	M05962-43-H13	EA	COVER-SEAT, BUCKETSEAT (H12/H13)	
6	M05962-43-H14	EA	COVER-SEAT, BUCKETSEAT (H14)	
6	M05962-43-H15	EA	COVER-SEAT, BUCKETSEAT (H15)	
6	M05962-43-H16	EA	COVER-SEAT, BUCKETSEAT (H16)	
6	M05962-40-H21	EA	COVER-SEAT, BUCKETSEAT (H21)	
6	M05962-40-H22	EA	COVER-SEAT, BUCKETSEAT (H22)	
6	M05962-50-H60	EA	COVER-SEAT-LEATHER/VINYL-MCCLAINS ANNIVERSARY OPTION	
7	122695-01-01B	EA	FRAME-SEAT/BACK	
8	122611-01-702	EA	LUMBAR-BRACKET	157C-90
	122611-01-703	EA	LUMBAR-SCREW	210
9	122611-01-701	EA	LUMBAR-KNOB	218
10	122611-01-000	EA	LUMBAR	
11	117125-01-02B	EA	BRACKET-CABLEHOLDER, ADJUSTER W/LOCK-E-COAT	
12	119952-06-000	EA	SLIDE-SEAT, HEAVY DUTY LOCKING-4 STUDS	
	119952-07-000	EA	WIRE-LATCH RELEASE/ROTARY	
13	114889-01-000	EA	STOPBAR-UNIVERSAL	
14	107921-05-000	EA	PLATE-TOPW/SEATBELT BAR	
	107921-06-000	EA	BEARING KIT-PEDESTAL	
15	107921-01-000	EA	PEDESTAL-SEAT, FLOOR MOUNTED W/9.75" EXTENSION	
16	108049-03-000	EA	CABLE/CONTROL 25.5" SHEATH/28.5" CABLE W/DOG LEG	
	108049-02-000	EA	CLIP-CABLE, PEDESTAL	
17	097683-03-000	EA	BRACKET-REMOTE/SIDEMOUNT-SINGLE	
18	080730-09-000	EA	SHIELD-RECLINER HANDLE	
19	080730-08-000	EA	HANDLE-RECLINER	
20	080730-11-000	EA	SHIELD-RUBBER BOOT	
21	097683-02-000	EA	BRACKET-REMOTE/SIDEMOUNT-DOUBLE	
22	116215-02-000	EA	BRACKET-UPPER MOUNT-6-WAY MANUAL SEAT	
	007221-01-000	EA	SPACER-SEAT/ADJUSTER-4 USED PER SWIVEL CHAIR	
23	116215-01-000	EA	SEAT ADJUSTER-DRIVERS 6-WAY MECHANICAL	
24	116215-03-000	EA	PLATE-LOWER-6-WAY MANUAL CONTROL	
25	107921-07-000	EA	PEDESTAL-BASE-POWER	
26	071126-58-H13	EA	SKIRT-SINGLE-W/SEATBELT SLOT (H12/H13)	
26	071126-58-H14	EA	SKIRT-SINGLE-W/SEATBELT SLOT (H14)	
26	071126-58-H15	EA	SKIRT-SINGLE-W/SEATBELT SLOT (H15)	
26	071126-58-H16	EA	SKIRT-SINGLE-W/SEATBELT SLOT (H16)	
26	071126-58-H21	EA	SKIRT-SINGLE-W/SEATBELT SLOT (H21)	
26	071126-58-H22	EA	SKIRT-SINGLE-W/SEATBELT SLOT (H22)	
26	071126-60-H13	EA	SKIRT-SINGLE-10.5"-6-WAY MANUAL (H12/H13)	
26	071126-60-H14	EA	SKIRT-SINGLE-10.5"-6-WAY MANUAL (H14)	
26	071126-60-H15	EA	SKIRT-SINGLE-10.5"-6-WAY MANUAL (H15)	
26	071126-60-H16	EA	SKIRT-SINGLE-10.5"-6-WAY MANUAL (H16)	
26	071126-60-H21	EA	SKIRT-SINGLE-10.5"-6-WAY MANUAL (H21)	
26	071126-60-H22	EA	SKIRT-SINGLE-10.5"-6-WAY MANUAL (H22)	
26	071126-62-H13	EA	SKIRT-SINGLE-10.5"-W/SEATBELT SLOT-MCCLAINS ANNIVERSARY OPTION	

**CURTAIN&CUSHIONGROUP(CONTINUED)**  
**PASSENGERBUCKETSEAT**



KEY	PARTNUMBER	U/M	DESCRIPTION
1	119508-07-H13	EA	SEAT-BUCKET-W/ARMRESTS/HEADREST/MANUALRECLINE(H12/H13)
1	119508-07-H14	EA	SEAT-BUCKET-W/ARMRESTS/HEADREST/MANUALRECLINE(H14)
1	119508-07-H15	EA	SEAT-BUCKET-W/ARMRESTS/HEADREST/MANUALRECLINE(H15)
1	119508-07-H16	EA	SEAT-BUCKET-W/ARMRESTS/HEADREST/MANUALRECLINE(H16)
1	122684-02-H21	EA	SEAT-BUCKET-W/ARMRESTS/HEADREST/MANUALRECLINE(H21)
1	122684-02-H22	EA	SEAT-BUCKET-W/ARMRESTS/HEADREST/MANUALRECLINE(H22)
1	123820-04-H13	EA	SEAT-BUCKET-MCCLAINSANNIVERSARYOPTION
2	119509-01-H13	EA	HEADREST-BUCKETSEAT(H12/H13)
2	119509-01-G24	EA	HEADREST-BUCKETSEAT(H14)
2	119509-01-H15	EA	HEADREST-BUCKETSEAT(H15)
2	119509-01-H16	EA	HEADREST-BUCKETSEAT(H16)
2	119509-01-H39	EA	HEADREST-BUCKETSEAT(H21)
2	119509-01-H22	EA	HEADREST-BUCKETSEAT(H22)
2	124682-02-H56	EA	HEADREST-MCCLAINSANNIVERSARYOPTION
2	P19509-01-H13	EA	COVER-HEADREST(H12/H13)
2	P19509-01-G24	EA	COVER-HEADREST(H14)
2	P19509-01-H15	EA	COVER-HEADREST(H15)
2	P19509-01-H16	EA	COVER-HEADREST(H16)
2	P19509-01-H39	EA	COVER-HEADREST(H21)
2	P19509-01-H22	EA	COVER-HEADREST(H22)
2	P24682-02-H56	EA	COVER-HEADREST-MCCLAINSANNIVERSARYOPTION
	113977-12-000	EA	HEADRESTINSERTW/OLOCK
	113977-13-000	EA	HEADRESTINSERTW/LOCK
3	M05962-44-H13	EA	COVER-BACK-BUCKETSEAT(H12/H13)
3	M05962-44-H14	EA	COVER-BACK-BUCKETSEAT(H14)
3	M05962-44-H15	EA	COVER-BACK-BUCKETSEAT(H15)
3	M05962-44-H16	EA	COVER-BACK-BUCKETSEAT(H16)
3	M05962-39-H21	EA	COVER-BACK-BUCKETSEAT(H21)
3	M05962-39-H22	EA	COVER-BACK-BUCKETSEAT(H22)
3	M05962-49-H60	EA	COVER-BACK-LEATHER/VINYL-MCCLAINSANNIVERSARYOPTION

KEY	PARTNUMBER	U/M	DESCRIPTION
4	122780-01-H13	EA	ARMREST-RIGHTHAND(H12/H13)
4	122780-01-H14	EA	ARMREST-RIGHTHAND(H14)
4	122780-01-H15	EA	ARMREST-RIGHTHAND(H15)
4	122780-01-H16	EA	ARMREST-RIGHTHAND(H16)
4	122780-01-H39	EA	ARMREST-RIGHTHAND(H21)
4	122780-01-H22	EA	ARMREST-RIGHTHAND(H22)
4	122780-03-H60	EA	ARMREST-RIGHTHAND-MCCLAINSANNIVERSARYOPTION
4	P22780-01-H13	EA	COVER-ARMREST-RIGHTHAND(H12/H13)
4	P22780-01-H14	EA	COVER-ARMREST-RIGHTHAND(H14)
4	P22780-01-H15	EA	COVER-ARMREST-RIGHTHAND(H15)
4	P22780-01-H16	EA	COVER-ARMREST-RIGHTHAND(H16)
4	P22780-01-H39	EA	COVER-ARMREST-RIGHTHAND(H21)
4	P22780-01-H22	EA	COVER-ARMREST-RIGHTHAND(H22)
4	P22780-03-H60	EA	COVER-ARMREST-RIGHTHAND-MCCLAINSANNIVERSARYOPTION
	115617-03-000	EA	ARMREST-W/OCOVER-RIGHTHAND
5	122780-02-H13	EA	ARMREST-LEFTHAND(H12/H13)
5	122780-02-H14	EA	ARMREST-LEFTHAND(H14)
5	122780-02-H15	EA	ARMREST-LEFTHAND(H15)
5	122780-02-H16	EA	ARMREST-LEFTHAND(H16)
5	122780-02-H39	EA	ARMREST-LEFTHAND(H21)
5	122780-02-H22	EA	ARMREST-LEFTHAND(H22)
5	122780-04-H60	EA	ARMREST-LEFTHAND-MCCLAINSANNIVERSARYOPTION
	115617-04-000	EA	ARMREST-W/OCOVER-LEFTHAND
5	P22780-02-H13	EA	COVER-ARMREST-LEFTHAND(H12/H13)
5	P22780-02-H14	EA	COVER-ARMREST-LEFTHAND(H14)
5	P22780-02-H15	EA	COVER-ARMREST-LEFTHAND(H15)
5	P22780-02-H16	EA	COVER-ARMREST-LEFTHAND(H16)
5	P22780-02-H39	EA	COVER-ARMREST-LEFTHAND(H21)
5	P22780-02-H22	EA	COVER-ARMREST-LEFTHAND(H22)
5	P22780-05-H60	EA	COVER-ARMREST-LEFTHAND-MCCLAINSANNIVERSARYOPTION
6	M05962-43-H13	EA	COVER-SEAT/BUCKET-WIDE(H12/H13)
6	M05962-43-H14	EA	COVER-SEAT/BUCKET-WIDE(H14)
6	M05962-43-H15	EA	COVER-SEAT/BUCKET-WIDE(H15)
6	M05962-43-H16	EA	COVER-SEAT/BUCKET-WIDE(H16)
6	M05962-40-H21	EA	COVER-SEAT/BUCKET-WIDE(H21)
6	M05962-40-H22	EA	COVER-SEAT/BUCKET-WIDE(H22)
6	M05962-50-H60	EA	COVER-SEAT-LEATHER/VINYL-MCCLAINSANNIVERSARYOPTION
7	122695-01-01B	EA	FRAME-SEAT/BACK
8	117125-01-02B	EA	BRACKET-CABLEMOUNT-ADJUSTERW/LOCK
9	119952-06-000	EA	SLIDE/SEAT-HEAVYDUTYLOCKING-4STUDS
	119952-07-000	EA	WIRE-LATCHRELEASE/ROTARY
10	114889-01-000	EA	STOPBAR-UNIVERSAL
11	107921-05-000	EA	PLATE-TOP-W/SEATBELTBAR
	107921-06-000	EA	BEARINGKIT-PEDESTAL
12	107921-01-000	EA	PEDESTAL/FLOORMOUNTED-W/9.75"EXTENSION
13	080730-09-000	EA	SHIELD-RECLINERHANDLE
14	080730-08-000	EA	HANDLE-RECLINER
15	080730-11-000	EA	SHIELD-RUBBERBOOT
16	108049-03-000	EA	CABLE/CONTROL25.5"SHEATH/28.5"CABLEW/DOGLEG
	108049-02-000	EA	CLIP-CABLE/PEDESTAL
17	097683-02-000	EA	BRACKET-REMOTE/SIDEMOUNT-DOUBLE
18	071126-58-H13	EA	SKIRT-SINGLE-W/SEATBELTSLOT(H12/H13)
18	071126-58-H14	EA	SKIRT-SINGLE-W/SEATBELTSLOT(H14)
18	071126-58-H15	EA	SKIRT-SINGLE-W/SEATBELTSLOT(H15)
18	071126-58-H16	EA	SKIRT-SINGLE-W/SEATBELTSLOT(H16)
18	071126-58-H21	EA	SKIRT-SINGLE-W/SEATBELTSLOT(H21)
18	071126-58-H22	EA	SKIRT-SINGLE-W/SEATBELTSLOT(H22)
18	071126-62-H13	EA	SKIRT-SINGLE-10.5"-W/SEATBELTSLOT-MCCLAINSANNIVERSARYOPTION

**CURTAIN & CUSHION GROUP (CONTINUED)**  
**BUTTON, TRIM, ASSIST HANDLE & SEAT BELT**

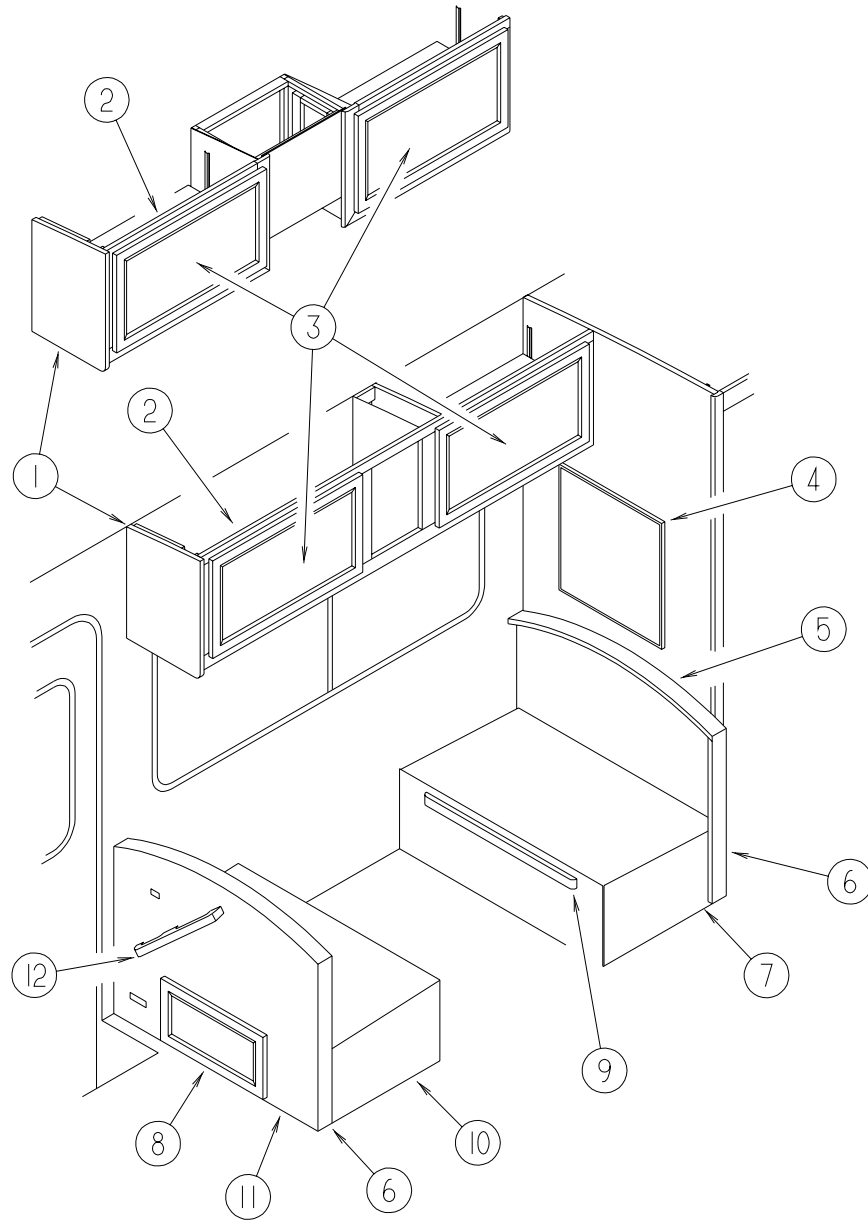
KEY	PART NUMBER	U/M DESCRIPTION
	070578-02-E38	EA BUTTON-SCREW STUD, #30 - VINYL - WILLOW
	079349-04-H13	YD WELT ASM-NARROW, ACCENT (H12/H13)
	079349-04-GD1	YD WELT ASM-NARROW, ACCENT (H14)
	079349-04-H15	YD WELT ASM-NARROW, ACCENT (H15)
	079349-04-H16	YD WELT ASM-NARROW, ACCENT (H16)
	079349-04-G45	YD WELT ASM-NARROW, ACCENT (H21)
	079349-04-H22	YD WELT ASM-NARROW, ACCENT (H22)
	084415-78-000	YD TRIM-BRAID, CORD 68208-1809 (H21)
	084415-77-000	YD TRIM-BRAID, CORD 61814-N10 (H22)
	057759-01-000	EA WASHER BRACKET-SEAT BELT, 4" DIAMETER
	007021-01-000	EA BELT-SEAT, 2" X 90" - BLACK
	056271-02-000	EA BELT-SEAT, 2" X 72" - BLACK
	069178-02-000	EA BRACKET-MOUNTING, ASSIST HANDLE - L ANGLE - W/HOLES - STEEL
	053552-02-AA8	EA HANDLE-ASSIST, INTERIOR - ENTRY DOOR - VINYL - OFF WHITE
	057534-03-000	EA TIEBACK/TIEDOWN-BED/CURTAIN/DOOR, 7.5" - PLASTIC - CLEAR
	000D20-07-00B	EA NUT - ACORN - ASSIST HANDLE - 7/16 - 14

**CURTAIN & CUSHION GROUP (CONTINUED)**  
**BRAVE FABRIC**

COLOR CODES	H12/H13	H14	H15	H16	H21	H22
	COPPER-CREEK COPPER-CANYON (TERRA COTTA)	SPUN SILVER (WARM GRAY)	STARS & STRIPES (BLUE)	NEWPORT (BLUE)	REGENCY (BLUE)	MALACHITE (SAGE)
<b>CEILING MATERIAL</b>	113979-01-01A	113979-01-01A	113979-01-01A	113979-01-01A	113979-01-01A	113979-01-01A
<b>BUNK VINYL</b>	089351-03-000	089351-03-000	089351-03-000	089351-03-000	089351-03-000	089351-03-000
<b>WILLOW VINYL</b>	103907-01-03A	103907-01-03A	103907-01-03A	103907-01-03A	103907-01-03A	103907-01-03A
<b>DRAPERY LINING</b>	087272-03-000	087272-03-000	087272-03-000	087272-03-000	087272-03-000	087272-03-000
<b>BUCKET SEATS</b>	108446-L4-000	108446-B4-000	108446-L8-000	108446-F7-000	108446-L2-000	108446-J6-000
<b>MC CLAIMS BUCKET SEATS</b>	103907-01-04A	103907-01-04A	103907-01-04A	103907-01-04A		
<b>DINETTE</b>	108446-H0-000	108446-L3-000	108446-M1-000 108446-L9-000 108446-L8-000	108446-R3-000	108446-L1-000	108446-M5-000
<b>DINETTE PADS</b>	108446-L4-000	108446-B4-000	108446-L8-000	108446-F7-000	108446-L2-000	108446-J6-000
<b>SOFA</b>	108446-H0-000	108446-L3-000	108446-L9-000 108446-L8-000	108446-R3-000	108446-L1-000	108446-M5-000
<b>SOFA PILLOWS</b>	108446-F3-000	108446-L0-000	108446-L8-000	108446-F4-000	108446-L2-000	108446-J6-000
<b>SWIVEL CHAIR</b>	108446-F3-000	108446-L0-000	108446-L8-000	108446-F4-000	108446-L2-000	108446-J6-000
<b>LOUNGE WINDOWS</b>	108446-F3-000 108446-H0-000 108446-L4-000	108446-L0-000 108446-L3-000 108446-B4-000	108446-L8-000 108446-L9-000	108446-F4-000 108446-R3-000 108446-F7-000	108446-L2-000	108446-M5-000
<b>BEDROOM WINDOWS</b>	105745-A2-000 105745-B7-000	105745-D7-000 105745-62-000	105745-D8-000	105745-65-000 105745-64-000	105745-64-000 105745-D6-000	105745-E2-000 105745-E0-000
<b>BEDSPREAD</b>	105745-A2-000 105745-B7-000	105745-D7-000 105745-62-000	105745-D8-000 108446-L8-000	105745-65-000 105745-64-000	105745-D6-000	105745-E0-000
<b>PILLOW SHAMS</b>	105745-A2-000 105745-B7-000	105745-D7-000 105745-62-000	105745-D8-000 108446-L8-000	105745-65-000 105745-64-000	105745-D6-000	105745-E0-000
<b>HEADBOARD</b>	105745-A2-000 105745-B7-000	105745-D7-000 105745-62-000	105745-D8-000	105745-65-000 105745-64-000	105745-D6-000 105745-64-000	105745-E0-000 105745-E2-000
<b>BEDROOM PILLOWS</b>	105745-B7-000 105745-A2-000	105745-62-000 105745-D7-000	105745-D8-000 108446-L8-000	105745-64-000 105745-65-000	105745-64-000	105745-E2-000
<b>FRONT WRAP AROUND</b>	072333-90-000	072333-82-000	072333-82-000	072333-82-000	072333-88-000	072333-85-000
<b>DIVIDER CURTAIN</b>	072333-90-000	072333-82-000	072333-82-000	072333-82-000		
<b>MAP POCKETS</b>	108446-L4-000	108446-B4-000	108446-L8-000	108446-F7-000	108446-L2-000	108446-J6-000

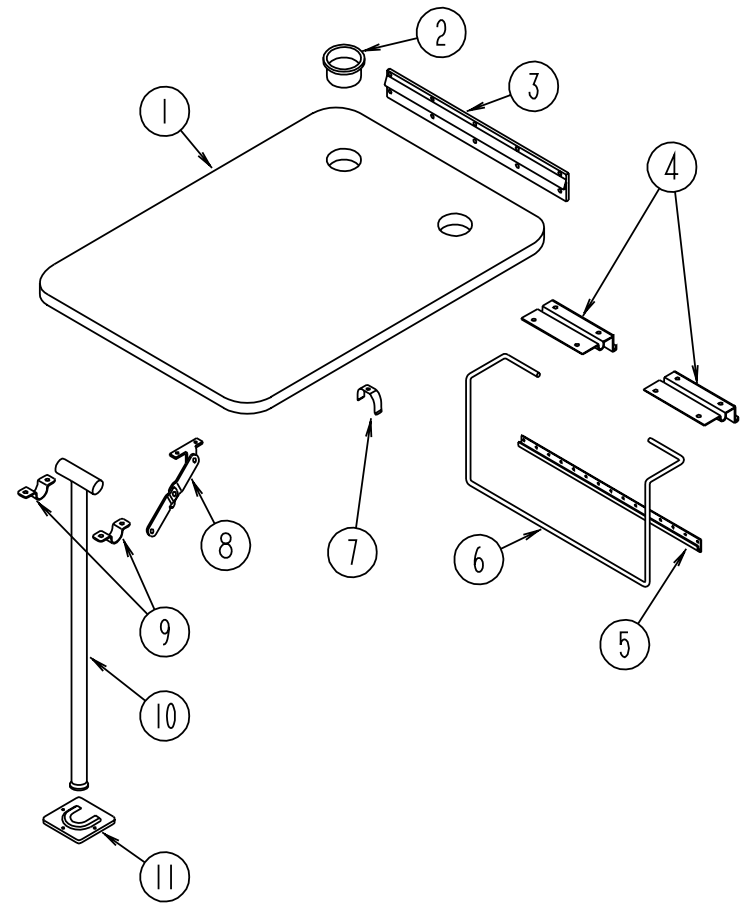
**NOTE:** FABRIC LISTED FIRST, IN A BLOCK, IS THE LARGEST QUANTITY OF FABRIC USED.

**DINETTEGROUP**  
**DINETTECABINTRY**



KEY	PARTNUMBER	U/M	DESCRIPTION
1	103128-02-G09	EA	ENDCAP-OVERHEADCABINET-LEFTHAND
2	117902-01-H13	EA	CABINET-OVERHEAD/DINETTE-W/ODOORS/HARDWARE(H12/H13)
2	117902-01-H14	EA	CABINET-OVERHEAD/DINETTE-W/ODOORS/HARDWARE(H14)
2	117902-01-H15	EA	CABINET-OVERHEAD/DINETTE-W/ODOORS/HARDWARE(H15)
2	117902-01-H16	EA	CABINET-OVERHEAD/DINETTE-W/ODOORS/HARDWARE(H16)
2	117902-01-G45	EA	CABINET-OVERHEAD/DINETTE-W/ODOORS/HARDWARE(H21)
2	117902-01-H22	EA	CABINET-OVERHEAD/DINETTE-W/ODOORS/HARDWARE(H22)
	117579-13-G09	EA	SHELF-W/PLASTICEDGETRIM
2	117579-01-H13	EA	CABINET-OVERHEAD/DINETTE-W/ODOORS/HDW-F/COFFEEMAKER(H12/H13)
2	117579-01-H14	EA	CABINET-OVERHEAD/DINETTE-W/ODOORS/HDW-F/COFFEEMAKER(H14)
2	117579-01-H15	EA	CABINET-OVERHEAD/DINETTE-W/ODOORS/HDW-F/COFFEEMAKER(H15)
2	117579-01-H16	EA	CABINET-OVERHEAD/DINETTE-W/ODOORS/HDW-F/COFFEEMAKER(H16)
2	117579-01-H21	EA	CABINET-OVERHEAD/DINETTE-W/ODOORS/HDW-F/COFFEEMAKER(H21)
2	117579-01-H22	EA	CABINET-OVERHEAD/DINETTE-W/ODOORS/HDW-F/COFFEEMAKER(H22)
3	M06803-02-G09	EA	DOOR-W/OHARDWAREW/OMIRROR-15.7"X27.9"(H12/H13/H14/H15/H16)
3	M06803-02-G13	EA	DOOR-W/OHARDWAREW/OMIRROR-15.7"X27.9"(H21/H22)
3	M06803-82-G13	EA	DOOR-W/OHARDWAREW/OMIRROR-15.7"X27.9"(H21/H22) DECORATORDOOROPTION-RAISED PANEL
4	058331-47-000	EA	MIRROR-SAFETYGLASS-22.36"X15.09"-WALLMOUNTED
4	105004-01-05A	EA	MOLDING-MIRROR, VINYLWRAPPED-1"X8'-OAK
5	104787-04-H13	EA	PAD-DINETTE(H12/H13)
5	104787-04-H14	EA	PAD-DINETTE(H14)
5	104787-04-H15	EA	PAD-DINETTE(H15)
5	104787-04-H16	EA	PAD-DINETTE(H16)
5	104787-04-G45	EA	PAD-DINETTE(H21)
5	104787-04-G35	EA	PAD-DINETTE(H22)
6	M04174-96-H13	EA	CABINET-SEATBACK,RH-W/OHARDWARE
7	M04175-96-H13	EA	CABINET-SEATBASE,RH-W/OHARDWARE
8	M06803-07-G09	EA	DOOR-W/OHARDWARE-10.02"X19.06"(H12/H13/H14/H15/H16)
8	M06803-07-G13	EA	DOOR-W/OHARDWARE-10.02"X19.06"(H21/H22)
9	081295-01-G01	EA	SUPPORT-BED/DINETTE-28"LONG
10	M04175-90-H13	EA	CABINET-SEATBOTTOM/LEFTHAND-W/ODOOR/DRAWER/HDW
10	M04175-94-H13	EA	CABINET-SEATBOTTOM/LEFTHAND-W/ODOOR/DRAWER/HDW-W/SLIDEOUT
11	M04174-90-H13	EA	CABINET-SEATBACK/LEFTHAND-W/ODOORORHARDWARE
11	M04174-94-H13	EA	CABINET-SEATBACK/LEFTHAND-W/ODOORORHARDWARE-W/SLIDEOUT
12	091257-10-000	EA	HANDLE-ASSIST-WATERFORDOAK

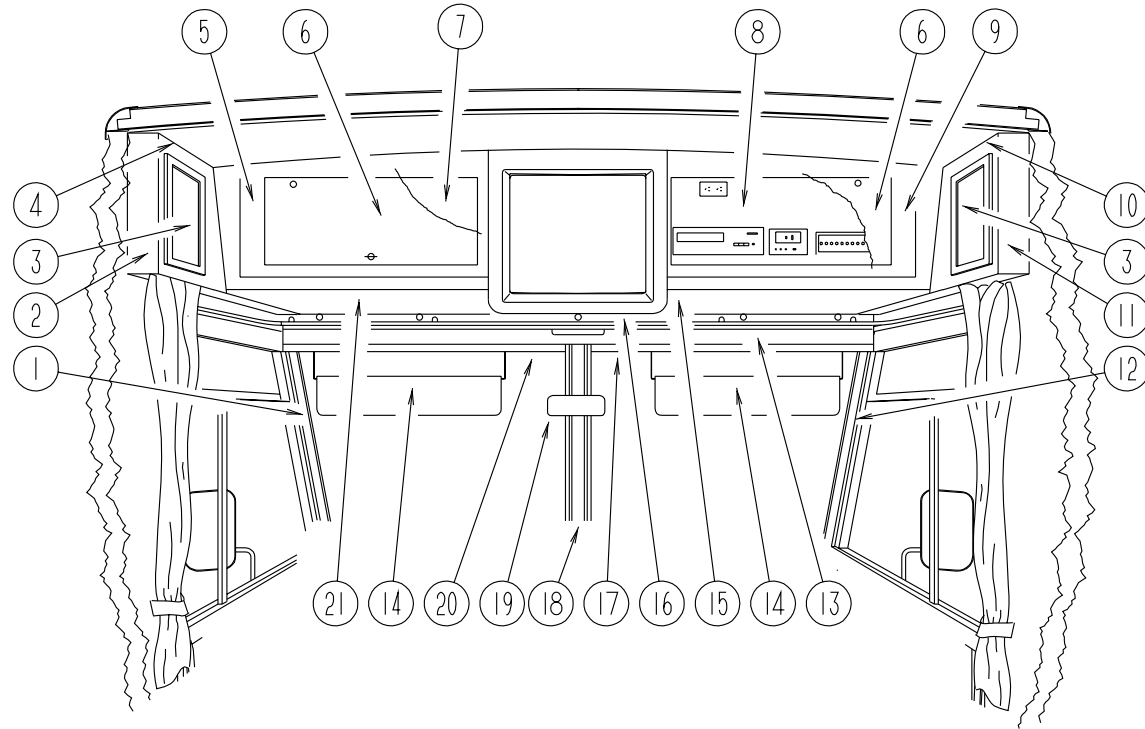
**DINETTEGROUP(CONTINUED)**  
**DINETTABLE**



KEY	PARTNUMBER	U/M	DESCRIPTION
1	081322-01-G09	EA	TABLETOPONLY(H12/H13/H22)
1	081322-01-G10	EA	TABLETOPONLY(H14/H15)
1	081322-01-G31	EA	TABLETOPONLY(H16)
1	081322-01-H21	EA	TABLETOPONLY(H21)
2	064781-06-000	EA	HOLDER-CUP, TWOSTEP-OFFWHITE
3	053200-12-000	EA	SUPPORT-TABLE,23.5"-BEIGE
4	088410-02-000	EA	BRACKET-LIFT, TABLEMOUNTED-OFFWHITE
5	024281-14-000	EA	BRACKET-LIFTROD, LOWERWALLMOUNTED-22.12"-OFFWHITE
6	024275-12-000	EA	ROD-TABLELIFT, OFFWHITE
7	024283-01-000	EA	CLIP-LEG, 1"X1.125"OD-BLACK
8	024282-01-000	EA	BRACE-TABLELEG, HINGED
9	064050-05-000	EA	HINGE-TABLELEG, OFFWHITE
10	024276-23-000	EA	LEG-TABLE, METAL-OFFWHITE
11	049493-12-000	EA	CATCH-LEG, FLOORMOUNTED-2.5"X2.7"-METAL-OFFWHITE
11	049493-11-700	EA	CATCH-LEG, FLOORMOUNTED-2.5"X2.7"-METAL-E-COAT

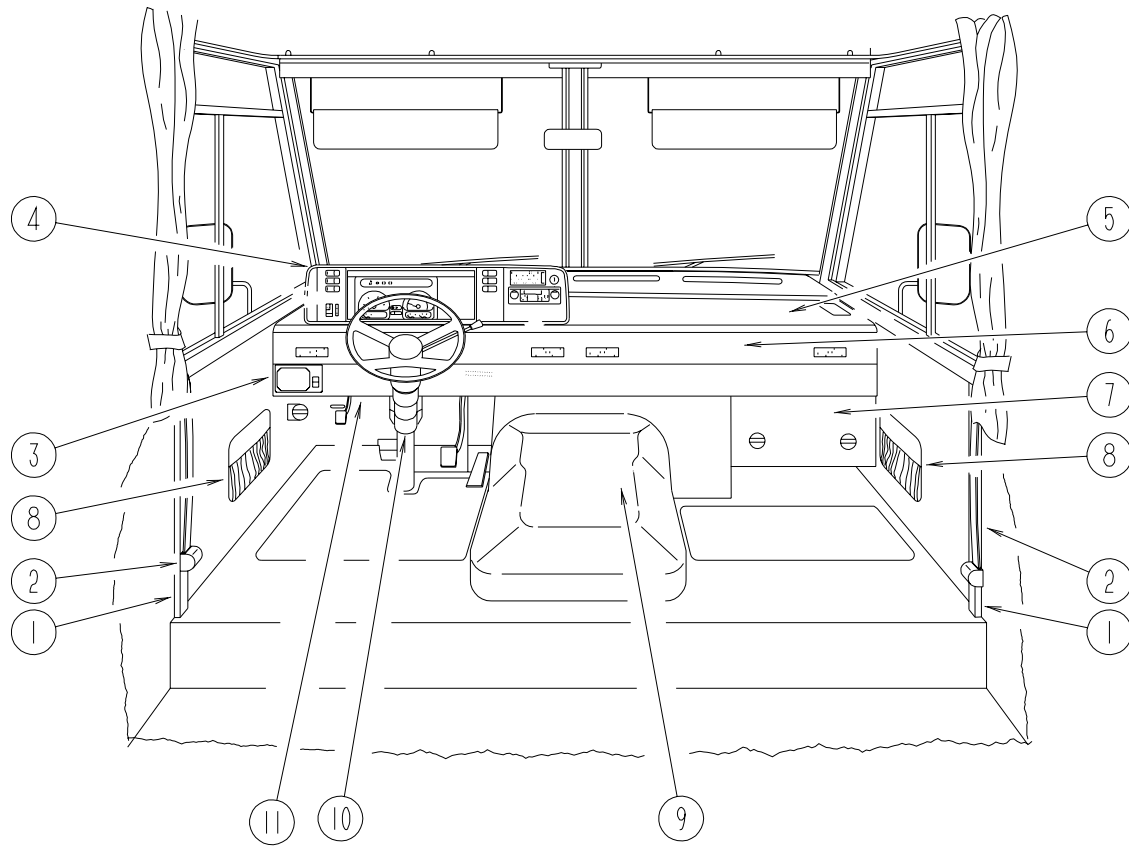


**DRIVERSCOMPARTMENTGROUP**  
**DRIVERSCOMPARTMENT-UPPER**



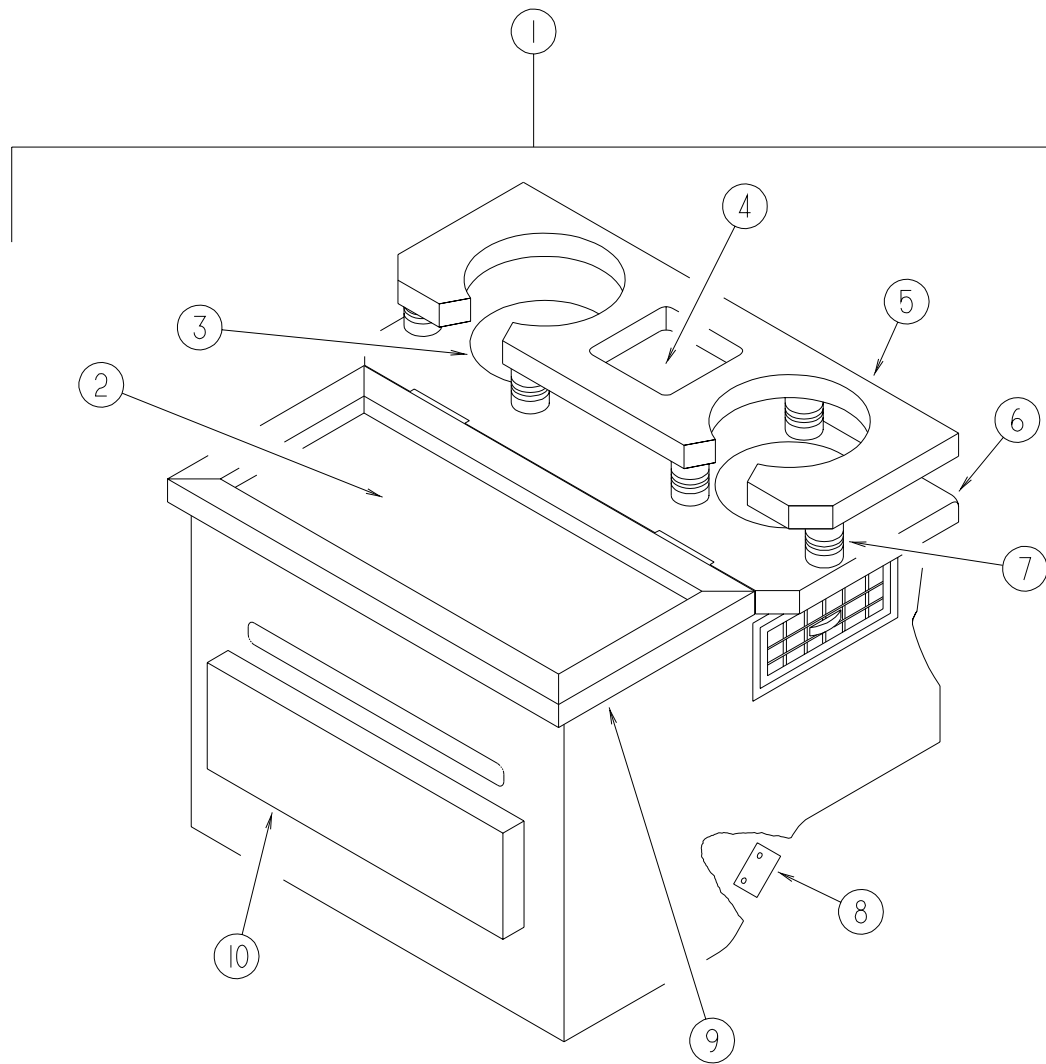
KEY	PARTNUMBER	U/M	DESCRIPTION
1	107942-04-01A	EA	COVER-INNER,A-PILLAR-DRIVERSSIDE-WILLOW
2	103128-09-G09	EA	CAP-END,FRONTOVERHEAD,DRIVERSSIDE
3	M06803-01-H13	EA	DOOR-CABINET,W/OHARDWARE-10"X25.2"(H12/H13/H14/H15/H16)
3	M06803-01-H21	EA	DOOR-CABINET,W/OHARDWARE-10"X25.2"(H21/H22)
3	M06803-G5-H21	EA	DOOR-CABINET,W/OHARDWARE-10"X25.2"(H21/H22) DECORATORDOOROPTION-RAISED PANEL
4	122244-02-H13	EA	CABINET-FRONTOVERHEADW/ODOOR,DRIVERSSIDE(H12/H13)
4	122244-02-H14	EA	CABINET-FRONTOVERHEADW/ODOOR,DRIVERSSIDE(H14)
4	122244-02-H15	EA	CABINET-FRONTOVERHEADW/ODOOR,DRIVERSSIDE(H15)
4	122244-02-H16	EA	CABINET-FRONTOVERHEADW/ODOOR,DRIVERSSIDE(H16)
4	122244-02-H21	EA	CABINET-FRONTOVERHEADW/ODOOR,DRIVERSSIDE(H21)
4	122244-02-H22	EA	CABINET-FRONTOVERHEADW/ODOOR,DRIVERSSIDE(H22)
	104289-10-H13	EA	PAD-VINYLCOVERED,39"X11.4"-ANGLED-DRIVERSSIDE
5	114612-02-G32	EA	FACE-OVERHEAD/TVW/ODOOR,LEFTHAND-15.4"X33.7"
	100676-02-000	EA	SHELF-OVHDCABINETVCR/INVERTER/SATELLITEDISHPACKAGE-7.1"X28.75"
	106699-01-01A	EA	BRACKET-L-ANGLE,TVCABINETFACE-5.1"LONG-OFFWHITESTEEL
6	100708-12-000	EA	DOOR-GLASS,TVCABINET-W/OHARDWARE-9.7"X23.2"
7	122195-01-H13	EA	PANEL-HEADLINERFRONTOVERHEAD,LH-TVOPTIONS
7	122195-06-H13	EA	PANEL-HEADLINERFRONTOVERHEAD,LH-SATELLITEDISHPACKAGE
	118836-02-GV0	EA	PANEL-VINYLCOVERED,BACK-SATELLITEDISHPACKAGEW/ORECEIVER
8	122195-07-H13	EA	PANEL-HEADLINERFRONTOVERHEAD,RH-TVOPTION-W/OTV
8	122195-02-H13	EA	PANEL-HEADLINERFRONTOVERHEAD,RH-TVOPTION
8	122195-03-H13	EA	PANEL-HEADLINERFRONTOVERHEAD,RH-TV/VCROPTION
8	122195-04-H13	EA	PANEL-HEADLINERFRONTOVERHEAD,RH-TV/VCR/INVERTEROPTION
8	122195-05-H13	EA	PANEL-HEADLINERFRONTOVERHEAD,RH-TV/INVERTEROPTION
9	114612-01-G32	EA	FACE-OVERHEAD/TVW/ODOOR,RIGHTHAND-15.4"X33.7"
10	122244-03-H13	EA	CABINET-FRONTOVERHEADW/ODOOR,PASSENGERSIDE(H12/H13)
10	122244-03-H14	EA	CABINET-FRONTOVERHEADW/ODOOR,PASSENGERSIDE(H14)
10	122244-03-H15	EA	CABINET-FRONTOVERHEADW/ODOOR,PASSENGERSIDE(H15)
10	122244-03-H16	EA	CABINET-FRONTOVERHEADW/ODOOR,PASSENGERSIDE(H16)
10	122244-03-H21	EA	CABINET-FRONTOVERHEADW/ODOOR,PASSENGERSIDE(H21)
10	122244-03-H22	EA	CABINET-FRONTOVERHEADW/ODOOR,PASSENGERSIDE(H22)
11	103128-08-G09	EA	CAP-END,FRONTOVERHEAD,PASSENGERSIDE
	104289-09-H13	EA	PAD-VINYLCOVERED,39"X11.4"-ANGLED-PASSENGERSIDE
12	107942-03-01A	EA	COVER-INNER,A-PILLAR-PASSENGERSIDE-WILLOW
13	122197-01-H13	EA	PANEL-TRIM,LOWERHEADER-90.2"LONG-VINYLCOVERED
14	123298-01-03A	EA	SUNVISORASM-7"X28.5"-DRIVERSORPASSENGERSIDE
15	P03077-08-G15	EA	SHELF-CABINET,PASSENGERSIDE-VINYLCOVERED-TVOPTION
15	P03077-04-G15	EA	SHELF-CABINET,PASSENGERSIDE-VINYLCOVERED-W/OTV
16	122881-01-01A	EA	COVER-TVFACE,OVERHEADFRONT-WILLOW-TVOPTIONS
	118022-06-H13	EA	COVERASM-FRONTTV,OVERHEAD(ASSEMBLEDKIT)-TVOPTIONS
	114706-02-02B	EA	SUPPORTASM-SHELF,TV-E-COAT-TVOPTIONS
	091261-01-000	FT	SLIPNOT-ANTISLIP,1'WIDE(100'ROLL)-TVOPTIONS
16	116791-01-H33	EA	FACEFRAME-TVCABINET,20.6"X22.2"-W/OHARDWARE-W/OTV
	P18192-02-H13	EA	COVERASM-FRONTTV,OVERHEAD-VINYLCOVERED-W/OTV
	114706-02-02B	EA	SUPPORTASM-SHELF,TV-E-COAT-W/OTV
	M06803-C1-H33	EA	DOOR-CABINET,W/OHARDWARE-16.7"X18.1"(H12/H13/H14/H15/H16)-W/OTV
	M06803-C1-H21	EA	DOOR-CABINET,W/OHARDWARE-16.7"X18.1"(H21/H22)-W/OTV
	115638-01-G15	EA	PANEL-TVCABINETTOP,VINYLCOVERED-W/OTV
	115639-01-G15	EA	PANEL-TVCABINETSIDES,VINYLCOVERED-W/OTV
17	122083-01-01A	EA	TRIM-WINDSHIELD,UPPERINNER-PASSENGERSIDE-WILLOW
18	118452-02-01A	EA	TRIM-WINDSHIELD,CENTERINNER-WILLOW
19	040714-01-000	EA	MIRROR-REARVIEW,W/ARMMOUNT&SETSCREW
	067490-01-000	EA	BUTTON-MIRROR,REARVIEW
20	122083-02-01A	EA	TRIM-WINDSHIELD,UPPERINNER-DRIVERSSIDE-WILLOW
21	P03077-07-G15	EA	SHELF-CABINET,DRIVERSSIDE-VINYLCOVERED-TVOPTIONS
21	P03077-03-G15	EA	SHELF-CABINET,DRIVERSSIDE-VINYLCOVERED-W/OTV

**DRIVERSCOMPARTMENTGROUP(CONTINUED)**  
**DRIVERSCOMPARTMENT-LOWER**



KEY	PARTNUMBER	U/M	DESCRIPTION	VENDORNO.
1	024700-44-000	EA	COVER-SIDEWALLROLLBAR,OFFWHITE-53"	
1	024700-45-000	EA	COVER-SIDEWALLROLLBAR,OFFWHITE-12.8"	
	024700-47-000	EA	COVER-SIDEWALLROLLBAR,OFFWHITE-18.9"-DRIVERDOOR	
	024700-48-000	EA	COVER-SIDEWALLROLLBAR,OFFWHITE-25"-DRIVERDOOR	
2	091990-04-01A	EA	SEATBELT-SHOULDERHARNES-DRIVERS/PASSENGERS-BLACK	
	091990-01-700	EA	BOLTCOVER	
	091990-01-701	EA	EXTENDER-SEATBELTSHOULDERHARNES,9"	I-1331-02
	109146-01-000	EA	BOLT-SHOULDER,SEATBELT	
	103961-01-01A	EA	COVER-BRACKET,SEATBELT-OFFWHITE	
	103961-02-01A	EA	COVER-BRACKET,SEATBELT-OFFWHITE-DRIVERDOOROPTION	
3	112236-02-G15	EA	BEZEL-LEVELINGSYSTEM/SLIDEOUTCONTROL	
3	108356-02-01A	EA	COVER/ACTUATORSWITCH-2ROWSDIMPLES-CONTURAII-BLACK	
3	108357-06-000	EA	SWITCH-ROCKERDPT-MOM/OFF/MOM-6TERMINAL	FROM: 00-00-00 THRU: 12-12-96
3	108357-07-000	EA	SWITCH-ROCKERSPT-MOM/OFF/MOM-3TERMINAL	FROM: 12-13-96 THRU: 99-99-99
3	116220-01-000	EA	APPLIQUE-SWITCH/SLIDEOUT	
4	111499-01-03A	EA	POD-INSTRUMENTPANEL,WILLOW-PLASTIC	
5	P03817-17-000	EA	DASHASM,W/OVINYL-FORD	
5	P03817-18-000	EA	DASHASM,W/OVINYL-CHEVY	
	106569-07-01A	YD	VINYL-LAMINATE,1/4"X17"X100"-MADRIDWILLOW	
	077539-01-000	EA	BRACKET-MOUNTING,DASHPANEL-L/SHAPED-2.5"X1"X1.5"	
	112804-02-02B	EA	PANEL-DASHTOPW/STUD,STEEL	
	113452-01-000	FT	SEAL-TRIM,U-SHAPEDVINYL	FROM: 02-03-97 THRU: 99-99-99
6	104354-01-06A	EA	APPLIQUE-LOWERDASH,2300MMLONG	
7	095757-03-G36	EA	COVER-HEATERW/CARPET(H12)	
7	095757-03-GE1	EA	COVER-HEATERW/CARPET(H13)	
7	095757-03-FC1	EA	COVER-HEATERW/CARPET(H14)	
7	095757-03-F05	EA	COVER-HEATERW/CARPET(H15)	
7	095757-03-GB1	EA	COVER-HEATERW/CARPET(H16/H21)	
7	095757-03-G35	EA	COVER-HEATERW/CARPET(H22)	
8	086120-01-H13	EA	PAD-MAPPOCKET,12"X16"(H12/H13)	
8	086120-01-H14	EA	PAD-MAPPOCKET,12"X16"(H14)	
8	086120-01-H15	EA	PAD-MAPPOCKET,12"X16"(H15)	
8	086120-01-H16	EA	PAD-MAPPOCKET,12"X16"(H16)	
8	086120-01-H39	EA	PAD-MAPPOCKET,12"X16"(H21)	
8	086120-01-G35	EA	PAD-MAPPOCKET,12"X16"(H22)	
9	115840-01-01A	EA	COVER-MOTOR,W/OCARPET	
	115840-02-01A	EA	COVER-MOTOR,W/OCARPET-VORTECEENGINEOPTION	
	115850-01-02B	EA	RETAINER-LATCH-MOTORCOVER-RIGHTHAND-E-COAT	
	116581-01-000	EA	LATCH-MOTORCOVER	
	115852-01-02B	EA	STRIKE-LATCH-MOTORCOVER-E-COATED	
	116833-01-02B	EA	WRENCH-HEX,MOTORCOVER-E-COAT	
	115860-01-01A	EA	TRIM-MOTORCOVER,BOTTOM-MILLFINISHALUMINUM	
	039623-01-000	FT	SEAL-MOTORCOVER,RUBBERBULBTYPE-BLACK	
	122772-02-02B	EA	BRACKETASM-MOUNTNG,BEVERAGETRAY-E-COAT	
10	103498-06-000	EA	BOOT-STEERINGCOLUMN/UNIVERSAL	FROM: 00-00-00 THRU: 12-18-96
10	103498-09-000	EA	BOOT-STEERINGCOLUMN-W/1/2CIRCLE	FROM: 12-19-96 THRU: 99-99-99
	111521-04-01A	EA	COVER-STEERINGCOLUMN-FORD	
	112634-01-01A	EA	TRIM-STEERINGCOLUMN,RIGHTHAND-FORD	
	112634-02-01A	EA	TRIM-STEERINGCOLUMN,LEFTHAND-FORD	
11	103812-11-01A	EA	TRIM-DASH,LOWER-WILLOW-CHEVY	
11	117306-01-G09	EA	TRIMASM-DASH,LOWERRH-WILLOW-FORD	
11	111528-06-02A	EA	TRIMASM-DASH,LOWERRH-WILLOW-FORD	

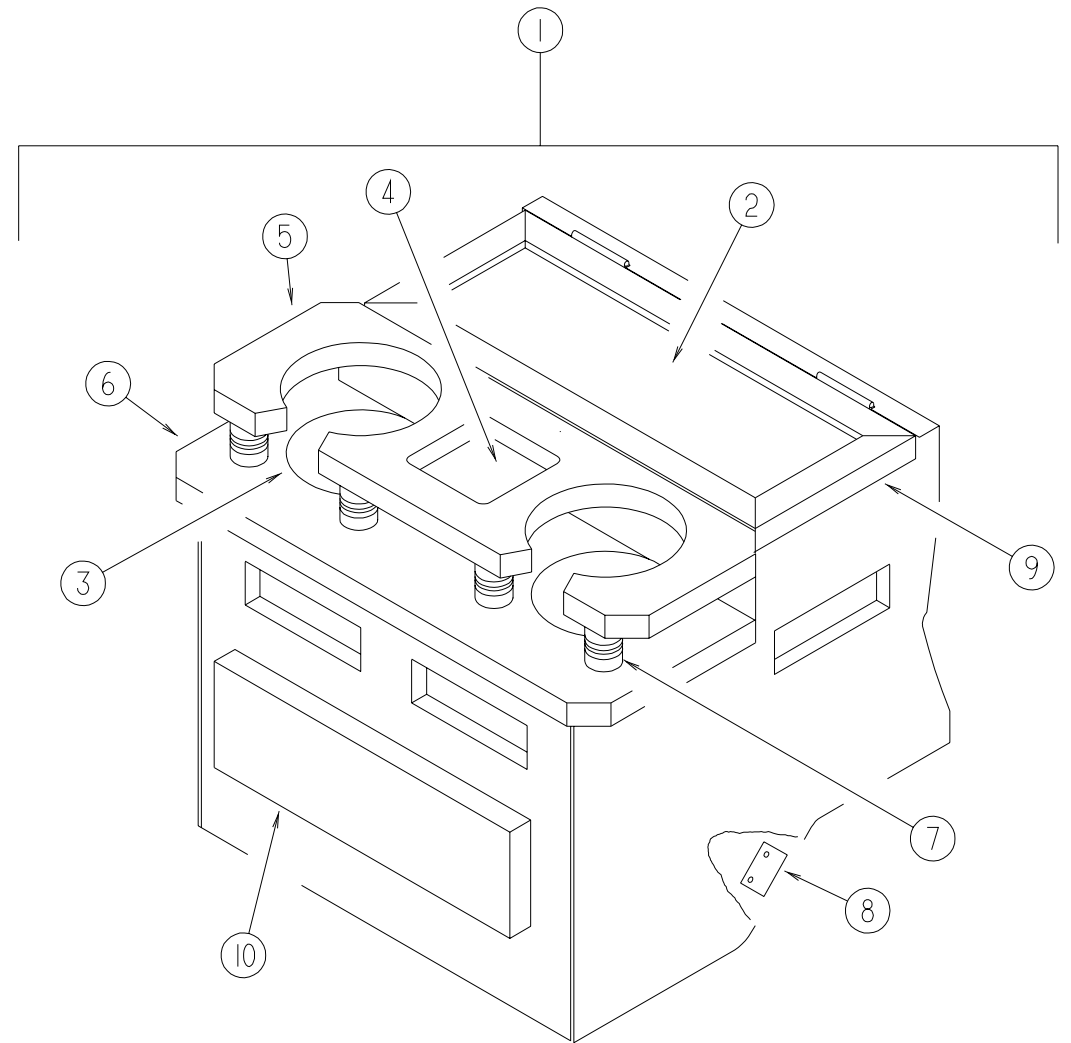
**DRIVERSCOMPARTMENTGROUP(CONTINUED)**



**BEVERAGETRAY(FROM: 00-00-00 THRU: 03-16-97)**

KEY	PARTNUMBER	U/M	DESCRIPTION
1	122707-01-H17	EA	TRAYASM-BEVERAGE, W/ODRAWERORLOUVERS
1	122707-02-H17	EA	TRAYASM-BEVERAGE, W/ODRAWERORLOUVERS-VORTECEENGINEOPTION
2	122717-03-01A	FT	PAD-NON-SKID, PSA-6.5" X50"
3	122717-01-01A	EA	PAD-NONSKID, PSA-4" DIAMETERROUND
4	122717-02-01A	EA	PAD-NONSKID, PSA-4" X4"
5	122707-11-H17	EA	SHELFW/OPADORDOWELS
6	122707-12-H17	EA	SHELFASMW/PADSW/OHARDWAREORDOWELS
7	097872-04-000	EA	DOWEL-WOOD, 1"DIAMETERX1.38"LONG-UNFINISHED
8	122832-01-02B	EA	BRACKET-MOUNT, BEVERAGETRAY-E-COAT
9	122707-13-H17	EA	LIDW/OPADORHARDWARE
10	M05971-AZ-H33	EA	DRAWER-OGEEEDGE-10"WX11.8"D-W/OSLIDES/HDW(H12/H13/H14/H15/H16)
10	M05971-AZ-H21	EA	DRAWER-OGEEEDGE-10"WX11.8"D-W/OSLIDES/HARDWARE(H21/H22)
	100128-02-000	FT	SEAL-FOAM, ADHESIVEBACK-.37"WX.37"THICK

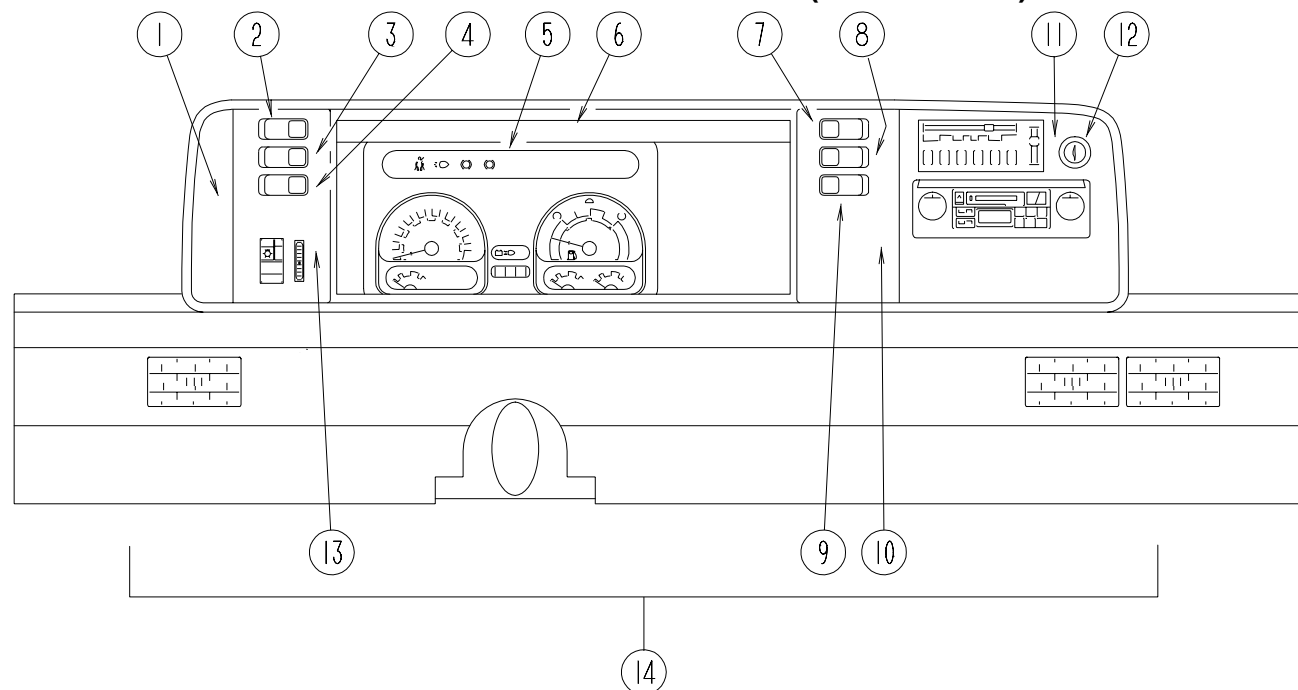
**DRIVERSCOMPARTMENTGROUP(CONTINUED)**



**BEVERAGETRAY(FROM: 03-17-97 THRU: 99-99-99)**

KEY	PARTNUMBER	U/M	DESCRIPTION
1	126680-01-H17	EA	TRAYASM-BEVERAGE, W/ODRAWERORLOUVERS
1	126680-02-H17	EA	TRAYASM-BEVERAGE, W/ODRAWERORLOUVERS-VORTECEENGINEOPTION
2	122717-06-01A	FT	PAD-NON-SKID, PSA-6.5" X13.8"
3	122717-01-01A	EA	PAD-NONSKID, PSA-4" DIAMETERROUND
4	122717-02-01A	EA	PAD-NONSKID, PSA-4" X4"
5	126680-15-H17	EA	SHELFW/OPADORDOWELS
6	126680-14-H17	EA	SHELFASMW/PADSW/OHARDWAREORDOWELS
7	097872-04-000	EA	DOWEL-WOOD, 1"DIAMETERX1.38"LONG-UNFINISHED
8	122832-01-02B	EA	BRACKET-MOUNT, BEVERAGETRAY-E-COAT
9	126680-16-H17	EA	LIDW/PADW/OHARDWARE
10	M05971-AZ-H33	EA	DRAWER-OGEEEDGE-10"WX11.8"D-W/OSLIDES/HDW(H12/H13/H14/H15/H16)
10	M05971-AZ-H21	EA	DRAWER-OGEEEDGE-10"WX11.8"D-W/OSLIDES/HARDWARE(H21/H22)
	100128-02-000	FT	SEAL-FOAM, ADHESIVEBACK-.37" WIDEX.37" THICKX60' ROLL

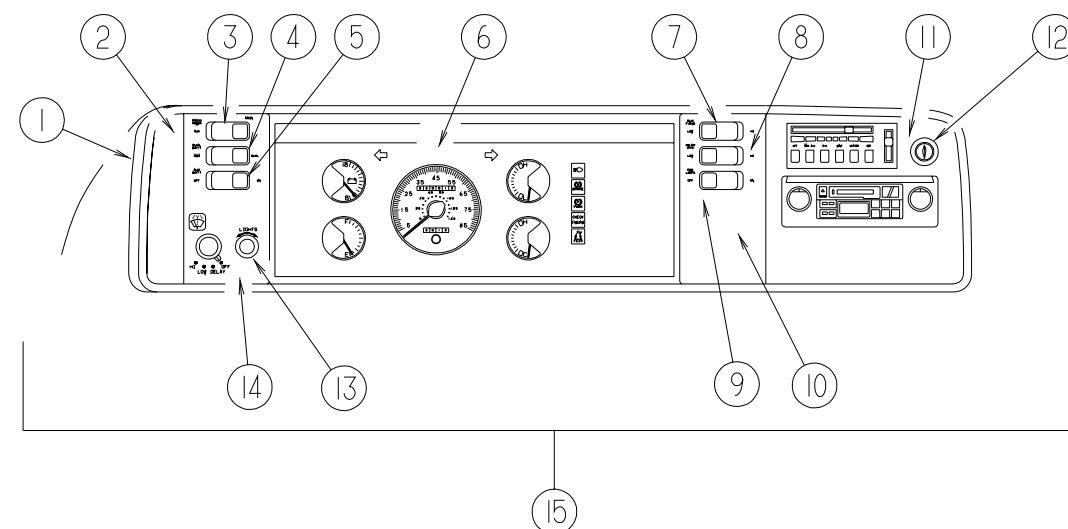
**DRIVERSCOMPARTMENTGROUP(CONTINUED)**



**DASH, GAUGES & SWITCHES - CHEVY**

KEY	PARTNUMBER	U/M	DESCRIPTION
1	104056-01-04A	EA	APPLIQUE-BEZEL
2	108356-02-01A	EA	COVER/ACTUATOR SWITCH-2 ROWS DIMPLES-CONTUR AII-BLACK
2	108357-05-000	EA	SWITCH-ROCKER, SPDT ON/NONE/ON-RADIO POWER W/OCD
2	108357-08-000	EA	SWITCH-ROCKER, DPDT ON/NONE/ON 6 TERMINAL-RADIO POWER W/CD
3	108356-02-01A	EA	COVER/ACTUATOR SWITCH-2 ROWS DIMPLES-CONTUR AII-BLACK
3	108357-09-000	EA	SWITCH-ROCKER SPDT-ON/NONE/MOM-3 TERMINAL-DUAL BATTERY
4	108356-02-01A	EA	COVER/ACTUATOR SWITCH-2 ROWS DIMPLES-CONTUR AII-BLACK
4	108357-06-000	EA	SWITCH-ROCKER DPDT-MOM/OFF/MOM-6 TERMINAL BATTERY DISCONNECT SWITCH OPTION
4	096241-03-000	EA	SWITCH-BLANK
5	094796-07-000	EA	CLUSTER-INSTRUMENT PANEL, KILOMETERS-GAS FROM: 00-00-00 THRU: 10-06-96
5	125001-02-000	EA	CLUSTER-INSTRUMENT PANEL, KILOMETERS/MILES-GAS FROM: 10-07-96 THRU: 99-99-99
5	094796-08-000	EA	CLUSTER-INSTRUMENT PANEL, KILOMETERS-DIESEL FROM: 00-00-00 THRU: 12-08-96
5	125001-04-000	EA	CLUSTER-INSTRUMENT PANEL, KILOMETERS/MILES-DIESEL FROM: 12-09-96 THRU: 99-99-99
5	094796-11-000	EA	CLUSTER-INSTRUMENT PANEL, MILES-DIESEL-ENGLAND FROM: 00-00-00 THRU: 10-06-96
5	125001-03-000	EA	CLUSTER-INSTRUMENT PANEL, MILES/KILOMETERS-DIESEL-ENGLAND FROM: 10-07-96 THRU: 99-99-99
6	103662-01-01A	EA	BEZEL-INSTRUMENT PANEL
7	108356-04-01A	EA	COVER/ACTUATOR SWITCH-2 ROWS DIMPLES W/LIGHT-CONTUR AII-BLACK
7	108357-10-000	EA	SWITCH-ROCKER SPDT W/LIGHT-MOM/NONE/MOM-5 TERMINAL GENERATOR OPTION
7	096241-03-000	EA	SWITCH-BLANK
8	108356-02-01A	EA	COVER/ACTUATOR SWITCH-2 ROWS DIMPLES-CONTUR AII-BLACK
8	108357-03-000	EA	SWITCH-ROCKER SPDT-ON/OFF/ON-3 TERMINAL REAR HEATER OPTION
8	096241-03-000	EA	SWITCH-BLANK
9	096241-03-000	EA	SWITCH-BLANK
10	104056-21-01A	EA	APPLIQUE-BEZEL
11	104056-06-04A	EA	APPLIQUE-BEZEL
12	089294-01-000	EA	LIGHTER-CIGARETTE-W/O WIRES
13	104056-22-01A	EA	APPLIQUE-BEZEL
14	M05946-38-H13	EA	DASH POD-CHEVY-W/O CLUSTER
	100138-01-000	EA	MODULE-DAY TIME RUNNING LIGHT-CANADIAN
	077031-01-000	EA	FILM-BLACK, 1" X 1.75"
	077031-03-000	EA	FILM-WHITE, .75" X 1"
	049176-01-000	EA	HEDLOCK II-3/4" DIAMETER, SCREW MOUNT
	103603-01-000	EA	BULB-12V NO. 740.12A WEDGE

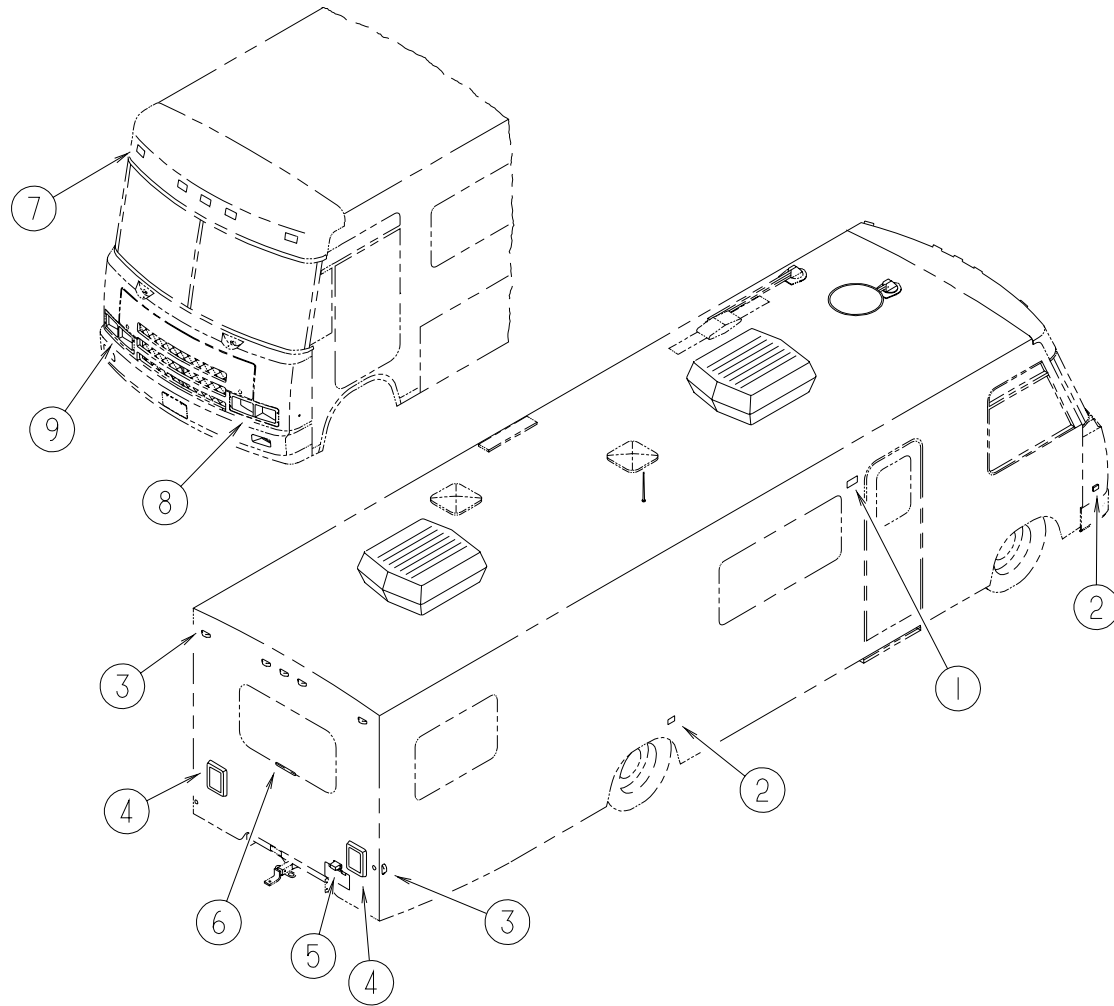
**DRIVERSCOMPARTMENTGROUP(CONTINUED)**



**DASH, GAUGES & SWITCHES - FORD**

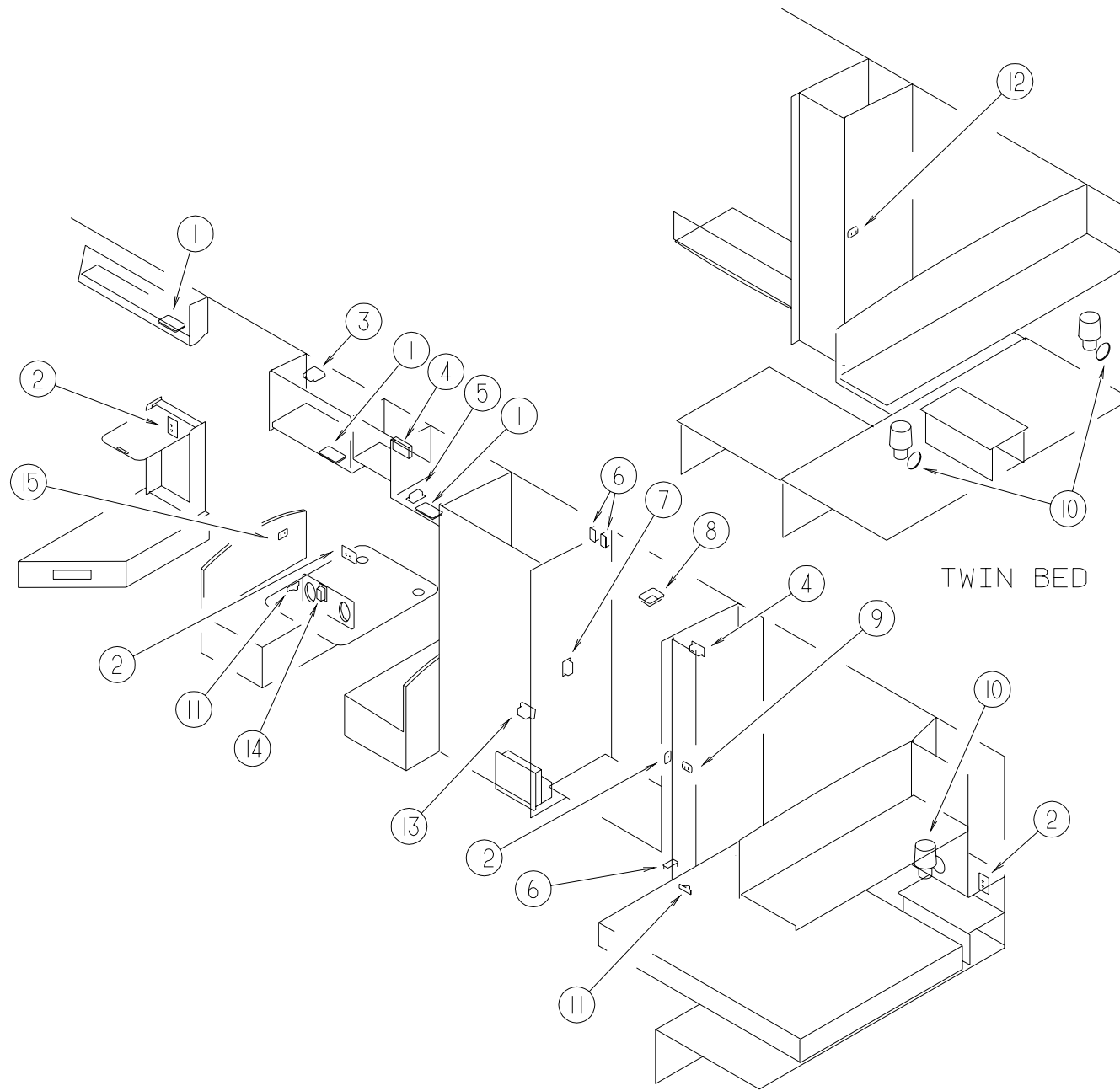
KEY	PARTNUMBER	U/M	DESCRIPTION
1	103662-04-01A	EA	BEZEL-INSTRUMENT PANEL
2	104056-01-04A	EA	APPLIQUE-BEZEL
3	108356-02-01A	EA	COVER/ACTUATOR SWITCH-2 ROWS DIMPLES-CONTUR AII-BLACK
3	108357-05-000	EA	SWITCH-ROCKER, SPDT ON/NONE/ON-RADIO POWER W/OCD
3	108357-08-000	EA	SWITCH-ROCKER, DPDT ON/NONE/ON 6 TERMINAL-RADIO POWER W/CD
4	108356-02-01A	EA	COVER/ACTUATOR SWITCH-2 ROWS DIMPLES-CONTUR AII-BLACK
4	108357-09-000	EA	SWITCH-ROCKER SPDT-ON/NONE/MOM-3 TERMINAL
5	108356-02-01A	EA	COVER/ACTUATOR SWITCH-2 ROWS DIMPLES-CONTUR AII-BLACK
5	108357-06-000	EA	SWITCH-ROCKER DPDT-MOM/OFF/MOM-6 TERMINAL BATTERY DISCONNECT SWITCH OPTION
5	096241-03-000	EA	SWITCH-BLANK
6	094794-06-000	EA	CLUSTER-INSTRUMENT PANEL, KILOMETERS
7	108356-04-01A	EA	COVER/ACTUATOR SWITCH-2 ROWS DIMPLES W/LIGHT-CONTUR AII-BLACK
7	108357-10-000	EA	SWITCH-ROCKER SPDT W/LIGHT-MOM/NONE/MOM-5 TERMINAL GENERATOR OPTION
7	096241-03-000	EA	SWITCH-BLANK
8	108356-02-01A	EA	COVER/ACTUATOR SWITCH-2 ROWS DIMPLES-CONTUR AII-BLACK
8	108357-03-000	EA	SWITCH-ROCKER, SPDT ON/OFF/ON-CARLING V6D1000B-0 REAR HEATER OPTION
8	096241-03-000	EA	SWITCH-BLANK
9	096241-03-000	EA	SWITCH-BLANK
10	104056-21-01A	EA	APPLIQUE-BEZEL
11	104056-06-04A	EA	APPLIQUE-BEZEL
12	089294-01-000	EA	LIGHTER-CIGARETTE-W/O WIRES
13	096674-01-000	EA	NUT-HEADLAMP KNOB, BLACK
13	096675-01-000	EA	KNOB-HEADLAMP-W/SHAFT
14	104056-24-01A	EA	APPLIQUE-BEZEL
15	M05946-39-H13	EA	DASH POD-FORD-W/O CLUSTER
	100138-01-000	EA	MODULE-DAY TIME RUNNING LIGHT-CANADIAN
	103603-01-000	EA	BULB-12VOLT-#74-.12A WEDGE-GE 22-25 USED IN DASH
	077031-01-000	EA	FILM-BLACK, 1" X 1.75"
	077031-03-000	EA	FILM-WHITE, .75" X 1"
	049176-01-000	EA	HEDLOCK II-3/4" DIAMETER, SCREW MOUNT
	111904-01-000	EA	INDICATOR-TRANSMISSION-FORD

**ELECTRICALGROUP  
EXTERIORLIGHTS**



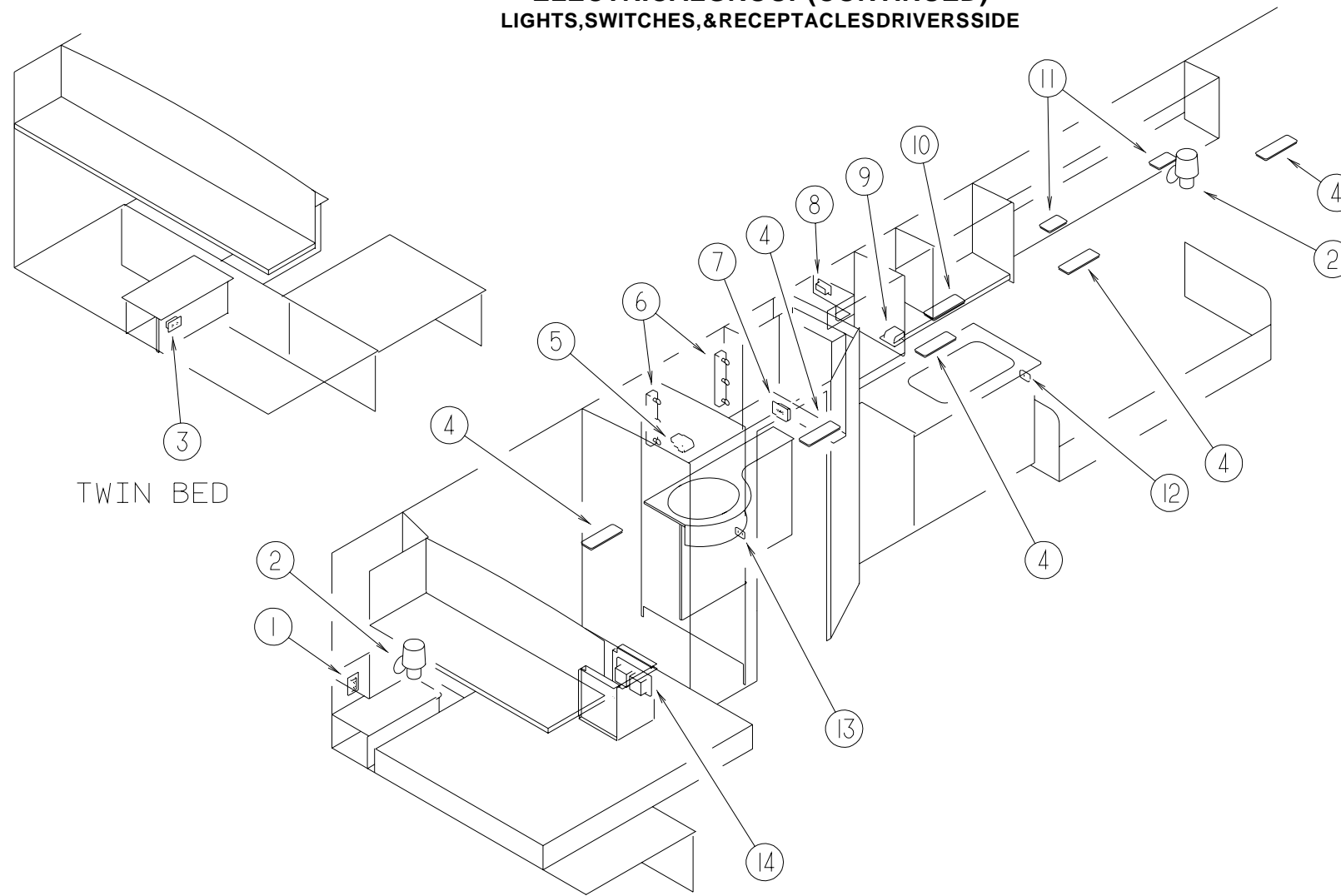
KEY	PARTNUMBER	U/M	DESCRIPTION	VENDORNO.
1	097917-01-06A	EA	LIGHT-PORCH-BRIGHTWHITE	
	008215-01-000	EA	BULB-12V,.94AMP-#1003	
	097917-01-700	EA	LENS-LIGHT,PORCH	
2	111102-01-000	EA	BASE-LAMPMARKER	
2	111102-02-000	EA	LENS-MARKERLAMP,AMBER	
	036196-01-000	EA	BULB-12V,#194-.27AMP-BAYONETTE	
3	111102-01-000	EA	BASE-LAMPMARKER	
3	111102-03-000	EA	LENS-MARKERLAMP,RED	
	036196-01-000	EA	BULB-12V,#194-.27AMP-BAYONETTE	
4	081638-01-000	EA	TAILLIGHT-DOUBLE,W/BLACKTRIM-DRIVERORPASSENGERSIDE	
	037934-01-000	EA	BULB-12V,#1156-2.1AMP-CLEARGLASS	
	037935-01-000	EA	BULB-12V,#1157OR#2057-2.1AMP-CLEARGLASS	
	081638-01-700	EA	LENS-TAILLIGHT,RED-BARGMAN	30-84-010
	081638-01-701	EA	LENS-TAILLIGHT,W/BACKUP-BARGMAN	30-84-700
	103355-01-05A	EA	POD-TAILLIGHT,BRIGHTWHITE	
5	066432-02-000	EA	LIGHT-LICENSE,BLACK	
	066432-03-000	EA	BRACKET-LICENSEPLATE	
6	121950-01-000	EA	LIGHTASM-BRAKE,CENTERMOUNT	
7	102520-01-000	EA	LIGHT-CLEARANCE,W/OSOCKETCONNECTIONS-AMBER	
	036196-01-000	EA	BULB-12V,.27AMP-BAYONETTE -#194	
	102540-01-000	EA	SEAL-SCREW,ROUND-RUBBER	
	102541-01-000	EA	GASKET-CLEARANCELIGHT	
	067789-02-000	EA	SOCKET-LAMP	
8	049186-04-000	EA	HEADLAMP-DRIVER-HIGH/LOW-HALOGEN	
	049188-04-000	EA	HEADLAMP-DRIVER-HIGHBEAM/HALOGEN	
9	049185-04-000	EA	HEADLAMP-PASSENGER-HIGH/LOW-HALOGEN	
	049187-04-000	EA	HEADLAMP-PASSENGER-HIGHBEAM-HALOGEN	
	049359-01-000	EA	SPRING-RETAINER-HEADLAMP-GM#496096	
	110750-01-000	EA	SCREW-ADJUSTING,HEADLAMP	
	098024-01-03A	EA	LIGHT-DOME,1BULB-WHITE(COMPARTMENTS)	
	008218-01-000	EA	BULB-DOMELIGHT,12V-NUMBER1141	
	098024-01-700	EA	LENS-LIGHT	807877

**ELECTRICAL GROUP (CONTINUED)**  
**LIGHTS, SWITCHES, & RECEPTACLES PASSENGER'S SIDE**



KEY	PART NUMBER	U/M	DESCRIPTION	VENDOR NO.
1	098024-05-02A	EA	LIGHT-DOME, 1 BULB-SKYLITE-WHITE	
	008218-01-000	EA	BULB-DOME LIGHT, 12VOLT-NO. 1141	
	098024-01-701	EA	LENS-LIGHT, OPTICLEAR	809902
2	058708-02-000	EA	RECEPTACLE-ELECTRIC, DOUBLE-IVORY	
2	102568-01-GB1	EA	SPACER-SIDEWALL RECEPTACLE	
3	091927-01-000	EA	COVER-RECEPTACLE, DOUBLE-IVORY-W/O ROOFA/COPTION	
4	058708-05-000	EA	RECEPTACLE-SINGLE, BROWN-COFFEE MAKER OPTION	
5	058708-01-000	EA	RECEPTACLE-ELECTRIC-DOUBLE-BROWN-W/O COFFEE MAKER OPTION	
6	058707-02-000	EA	RECEPTACLE-BLANK JUNCTION BOX	
7	058707-01-000	EA	RECEPTACLE-ELECTRIC-SINGLE-BROWN-REFRIGERATOR	
8	121935-01-01A	EA	LIGHT-DOME, SHOWER	
9	079364-03-000	EA	SWITCH-ON/OFFROCKER, 3 TERMINAL-BROWN-COURTESY LIGHT	
9	079364-01-000	EA	SWITCH-ON/OFFROCKER, 2 TERMINAL-BROWN-BEDROOM CEILING LIGHT	
9	095188-01-01A	EA	SPACER-SWITCH-2.3"X3.4"-PLASTIC-DARK BROWN	
9	098351-02-01A	EA	PLATE-SWITCH, 2 GANG-POLISHED BRASS	
10	119257-04-01A	EA	SHADE-LAMP, LINEN WHITE (H12/H13/H14/H15/H16)	
10	119258-05-01A	EA	LAMP-WALL, UL/CSA-BRASS (H12/H13/H14/H15/H16)	
10	119258-01-700	EA	FINIAL-PYRAMID (H12/H13/H14/H15/H16)	12-0322
10	065202-24-000	EA	LAMP-WALL, BRASS UL/CSA (H21/H22)	
10	065201-12-000	EA	SHADE-LAMP, FABRIC-PARCHMENT (H21)	
10	119257-01-01A	EA	SHADE-LAMP, POTPOUR (H22)	
10	067479-01-000	EA	BULB-12V, NUMBER 1076	
11	061424-01-000	EA	LIGHT-AISLE-12VOLT-RECTANGULAR	
	008103-01-000	EA	BULB-DASH/AISLE LIGHT-#53-12VOLT-.12AMP	
12	095188-01-01A	EA	SPACER-SWITCH-2.3"X3.4"-PLASTIC-DARK BROWN	
12	079364-03-000	EA	SWITCH-ON/OFFROCKER, 3 TERMINAL-BROWN-SHOWER LIGHT	
12	098351-01-01A	EA	PLATE-SWITCH, 1 GANG-POLISHED BRASS	
13	112822-01-01A	EA	RECEPTACLE-DUPLEX-IVORY	
13	112824-01-03A	EA	COVER-RECEPTACLE-EXTERIOR DUPLEX-WHITE	
14	058708-01-000	EA	RECEPTACLE-ELECTRIC-DOUBLE-BROWN	
15	098351-05-01A	EA	PLATE-SWITCH-3 GANG POLISHED BRASS	
15	079364-01-000	EA	SWITCH-ON/OFFROCKER, 2 TERMINAL-BROWN-STEP-CEILING/PORCH LIGHT	
15	095188-02-01A	EA	SPACER-SWITCH-2.3"X4.1"-PLASTIC-DARK BROWN	
	086280-01-000	EA	LIGHT-SURFACE MOUNT, 12VOLT	
	086280-01-700	EA	BULB-12VOLT, 6WATT	ARP1089

**ELECTRICAL GROUP (CONTINUED)**  
**LIGHTS, SWITCHES, & RECEPTACLES DRIVERS SIDE**



KEY	PARTNUMBER	U/M	DESCRIPTION	VENDOR NO.
1	058708-02-000	EA	RECEPTACLE-ELECTRIC, DOUBLE-IVORY	
1	102568-01-GB1	EA	SPACER-SIDEWALL RECEPTACLE	
2	119257-04-01A	EA	SHADE-LAMP, LINEN WHITE (H12/H13/H14/H15/H16)	
2	119258-05-01A	EA	LAMP-WALL, UL/CSA-BRASS (H12/H13/H14/H15/H16)	
2	119258-01-700	EA	FINIAL-PYRAMID (H12/H13/H14/H15/H16)	12-0322
2	065202-24-000	EA	LAMP-WALL, BRASS/UL/CSA (H21/H22)	
2	065201-12-000	EA	SHADE-LAMP, FABRIC-PARCHMENT (H21)	
2	119257-01-01A	EA	SHADE-LAMP, POTPOUR (H22)	
2	067479-01-000	EA	BULB-12V, NUMBER 1076	
3	058708-01-000	EA	RECEPTACLE-ELECTRIC, DOUBLE-BROWN	
4	098024-03-02A	EA	LIGHT-DOME, 2BULB-WHITE	
	008218-01-000	EA	BULB-DOMELIGHT, 12VOLT-NO. 1141	
	098024-01-700	EA	LENS-LIGHT	807877
5	091927-01-000	EA	COVER-RECEPTACLE, DOUBLE-IVORY-W/O ROOF A/OPTION	
6	110235-01-01A	EA	LIGHT-MAKEUP, 3BULB	
	081633-01-700	EA	BULB-LIGHT, MAKE-UP	RP1041
7	084076-01-000	EA	RECEPTACLE-GFI-15AMP-125VOLT-IVORY	

KEY	PARTNUMBER	U/M	DESCRIPTION	VENDOR NO.
8	058708-05-000	EA	RECEPTACLE-SINGLE, BROWN	
9	084076-02-000	EA	RECEPTACLE-GFI-15AMP-125VOLT-BROWN	
10	098024-06-02A	EA	LIGHT-DOME, 2BULB-SKYLITE-WHITE	
	008218-01-000	EA	BULB-DOMELIGHT, 12VOLT-NO. 1141	
	098024-01-701	EA	LENS-LIGHT, OPTICLEAR	809902
11	098024-05-02A	EA	LIGHT-DOME, 1BULB-SKYLITE-WHITE	
	008218-01-000	EA	BULB-DOMELIGHT, 12VOLT-NO. 1141	
	098024-01-701	EA	LENS-LIGHT, OPTICLEAR	809902
12	079364-03-000	EA	SWITCH-ON/OFFROCKER, 3TERMINAL-BROWN	
12	098351-01-01A	EA	PLATE-SWITCH, 1GANG-POLISHED BRASS	
13	079364-03-000	EA	SWITCH-ON/OFFROCKER, 3TERMINAL-BROWN-WATERPUMP	
13	079364-01-000	EA	SWITCH-ON/OFFROCKER, 2TERMINAL-BROWN-MAKEUPLIGHT	
13	095188-02-01A	EA	SPACER-SWITCH-2.3"X4.1"-PLASTIC-DARKBROWN	
13	098351-02-01A	EA	PLATE-SWITCH, 2GANG-POLISHED BRASS	
14	024924-02-000	EA	RECEPTACLE-POWERCORD, W/PARTIAL PLATE	
	086280-01-000	EA	LIGHT-SURFACEMOUNT, 12VOLT	
	086280-01-700	EA	BULB-12VOLT, 6WATT	ARP1089

**ELECTRICALGROUP(CONTINUED)**  
**FUSES&FUSEHOUSINGS**

KEY	PARTNUMBER	U/M	DESCRIPTION
	008234-01-000	EA	FUSE -10AMPS,12VOLT
	062901-02-000	EA	FUSE-5AMPS,AUTOMOTIVE
	062901-05-000	EA	FUSE-15AMPS,AUTOMOTIVE
	062901-06-000	EA	FUSE-20AMPS,AUTOMOTIVE
	062901-07-000	EA	FUSE-25AMPS,AUTOMOTIVE
	062901-08-000	EA	FUSE-30AMPS,AUTOMOTIVE
	062037-01-000	EA	HOUSING-AUTOFUSE,NATURAL
	062037-02-000	EA	HOUSING-AUTOFUSE,GREEN
	062037-03-000	EA	HOUSING-AUTOFUSE,BLACK
	062037-04-000	EA	HOUSING-AUTOFUSE,BLUE
	062037-06-000	EA	HOUSING-AUTOFUSE,BROWN
	062037-07-000	EA	HOUSING-AUTOFUSE,RED
	108669-01-000	EA	HOUSING-AUTOFUSEHOLDER
	106656-01-000	EA	FUSEBLOCK-4CAVITY-AUTOFUSE

**CIRCUITBREAKERS**

KEY	PARTNUMBER	U/M	DESCRIPTION
	083209-01-000	EA	CIRCUITBREAKER-15AMP-120VOLT
	083209-02-000	EA	CIRCUITBREAKER-15/15AMP-120VOLT
	083209-03-000	EA	CIRCUITBREAKER-15/20AMP-120VOLT
	083209-04-000	EA	CIRCUITBREAKER-30AMP-120VOLT
	083209-06-000	EA	CIRCUITBREAKER-30/15AMP-120VOLT
	083209-07-000	EA	CIRCUITBREAKER-20/20AMP-120VOLT
	093655-03-000	EA	CIRCUITBREAKER-40AMP-12VOLT
	097611-01-000	EA	CIRCUITBREAKER-10AMP-12VOLT

**TERMINALS**

KEY	PARTNUMBER	U/M	DESCRIPTION
	008326-01-000	EA	TERMINAL-RING,16/14WIRE-3/8"STUD
	008328-01-000	EA	TERMINAL-RING,12/10WIRE-#10STUDFIT
	008331-01-000	EA	TERMINAL-RING,TONGUE-#4WIRE-3/8"STUD-COPPER
	008348-01-000	EA	TERMINAL-RING,3/8"STUD-#2WIRE
	035416-04-000	EA	TERMINAL-RING#10STUDFIT,INSULATEDBARREL#16/14
	047443-01-000	EA	TERMINAL-.250RECEPTACLEFIT,INSULATED-16/14AWG
	062036-01-000	EA	TERMINAL-PACK-CON,12/10AWG
	062036-02-000	EA	TERMINAL-PACK-CON,16/14AWG
	088267-01-000	EA	TERMINAL-FEMALE,1/4
	098260-01-000	EA	TERMINAL-MALE,56SERIES
	104100-03-000	EA	TERMINAL-75AMP
	106007-01-000	EA	TERMINAL-FEMALE,14-16AWG
	106655-01-000	EA	TERMINAL-FUSEBLOCK,14-16AWG
	106655-02-000	EA	TERMINAL-FUSEBLOCK,10-12AWG
	113306-01-000	EA	TERMINAL-FEMALE,METRI-PACK-14-16
	113307-01-000	EA	TERMINAL-FEMALE,METRI-PACK-16-20
	125324-01-000	EA	TERMINAL-MALE,M/P-150

**ELECTRICALGROUP(CONTINUED)**  
**ELECTRICBOXES&COVERS**

KEY	PARTNUMBER	U/M	DESCRIPTION
	008289-01-000	EA	BOX-ELECTRIC,STEEL-1/2"AND3/4"KNOCKOUTS-4"X4"-US
	008289-02-000	EA	BOX-ELECTRIC,STEEL-1/2"AND3/4"KNOCKOUTS-4"X4"-CANADIAN
	091910-01-000	EA	BOX-ELECTRIC-3.8"X3.5"X1.8"-PLASTIC
	091910-02-000	EA	BOX-ELECTRIC-2.2"X3.5"X1.7"-PLASTIC
	074890-01-000	EA	BOX-EXTENSION,STEEL-OPENSIDES-4"X4"X1 1/2"
	074897-01-000	EA	COVER-ELECTRICBOX,1LARGE&2SMALLHOLES-4"X4"
	008294-01-000	EA	COVER-ELECTRICALBOX,BLANK/STEEL-4"X4"-GRAY
	008294-02-000	EA	COVER-ELECTRICALBOX,BLANKSTEEL-4"X4"-CANADIAN
	069238-01-000	EA	COVER-ELECTRICALBOX,W/HOLE-4"X4"-GRAY USEDWITH30AMPRECEPTACLE
	111509-01-000	EA	BOXASM-ELECTRICAL,FRONT
	111510-01-000	EA	DOOR-ELECTRICALBOX,FRONT

**HOUSINGS,PINS&SOCKETS**

KEY	PARTNUMBER	U/M	DESCRIPTION
	088473-01-000	EA	HOUSING-PIN,4ROWSOF3
	088473-02-000	EA	HOUSING-PIN,15CAVITY-AMP1-480710-0
	088473-03-000	EA	HOUSING-PIN,9POSITION
	088473-05-000	EA	HOUSING-PIN,6POSITION(SINGLEROW)
	088473-06-000	EA	HOUSING-PIN,6POSITION(TWOROWSOFTHREE)
	088473-08-000	EA	HOUSING-PIN,4POSITION
	088473-09-000	EA	HOUSING-PIN,3POSITION(SINGLEROW)
	088473-10-000	EA	HOUSING-PIN,2POSITION
	088474-01-000	EA	HOUSING-SOCKET-12CAVITY
	088474-02-000	EA	HOUSING-SOCKET-15CAVITY
	088474-03-000	EA	HOUSING-SOCKET-9CAVITY
	088474-06-000	EA	HOUSING-SOCKET-6CAVITY
	088474-07-000	EA	HOUSING-SOCKET-5CAVITY
	088474-08-000	EA	HOUSING-SOCKET-4CAVITY
	088474-09-000	EA	HOUSING-ELECTRICAL-3TERMINAL
	088474-10-000	EA	HOUSING-SOCKET-2CAVITY
	088475-01-000	EA	PIN-CONNECTOR,14TO20AWG
	088475-02-000	EA	PIN-CONNECTOR,10TO12AWG
	088476-01-000	EA	TERMINAL-ELECTRICAL
	088476-02-000	EA	SOCKET-CONNECTOR-12-10GA-PRE-TIN
	103608-01-000	EA	SOCKET-WEDGEBASEW/LEADS
	098263-01-000	EA	HOUSING-3PIN-WEATHERPACK
	098264-01-000	EA	HOUSING-2PIN-WEATHERPACK
	100690-01-000	EA	HOUSING-5PIN,WEATHERPACK
	101571-01-000	EA	HOUSING-2POSITION,MALE
	104100-01-000	EA	HOUSING-1POSITION,75AMP
	106006-01-000	EA	HOUSING-1POSITION,FEMALE
	110178-01-000	EA	HOUSING-WIPERMOTOR
	113468-01-000	EA	HOUSING-2POSITION,FEMALE-56-SERIES USEDONWIPER/WASHERWIREASM
	115556-01-000	EA	HOUSING-3POSITION-FEM
	115556-02-000	EA	HOUSING-2POSITION-FEM
	119248-02-000	EA	HOUSING-7POSITION,FEMALE-METRI-PACK
	125323-02-000	EA	HOUSING-8POSITION,MALE
	108355-01-000	EA	HOUSING-SWITCH



**ELECTRICALGROUP(CONTINUED)**  
**CONNECTORS**

KEY	PARTNUMBER	U/M	DESCRIPTION
	008311-01-000	EA	CONNECTOR-WIRENUT,INSULATED-RED
	008312-01-000	EA	CONNECTOR-WIRENUT,INSULATED-BLUE
	008313-01-000	EA	CONNECTOR-WIRENUT,INSULATED-YELLOW
	008314-01-000	EA	CONNECTOR-WIRENUT,INSULATED-GRAY
	008355-01-000	EA	CONNECTOR-CABLECLAMPING,3/4"
	008356-01-000	EA	CONNECTOR-PLASTIC,3/8"AVG
	008398-01-000	EA	CONNECTOR - 1/2" X90DEGREE,FLEXCONDUIT-ULANDCSA
	041480-01-000	EA	CONNECTOR-STRAIGHT,1/2"FLEXCONDUIT
	058028-01-000	EA	CONNECTOR-ELECTRICALPIGTAIL,NYLON-CLEAR
	082741-01-000	EA	CONNECTORBODY-2CONNECTOR-MALE
	098261-02-000	EA	SOCKET-CONNECTOR,WEATHERPACK
	098262-01-000	EA	SEAL-CONNECTOR,WEATHERPACK
	098265-02-000	EA	PIN-CONNECTOR,WEATHERPACK
	007940-01-000	EA	RECEPTACLE-SLIDE,16TO12AWG-FEMALEEND
	007954-01-000	EA	RECEPTACLE-HOUSING,6POSITION
	080015-02-000	EA	RECEPTACLE-FLAG,.185-16/14GAUGE
	112823-01-000	EA	SPLICE-REDUCER,16-14TO18-22

**POWERCORDS**

KEY	PARTNUMBER	U/M	DESCRIPTION
	008052-01-000	EA	CORD-POWER,10/3-30AMP-25'-CANADIAN
	008054-01-000	EA	CORD-POWER,10/3-30AMP-25'-US
	121470-01-000	EA	CORD-EXTENSTION,6FT-16-2-SATELLITEDISHOPTION

**WIREASSEMBLIES**

KEY	PARTNUMBER	U/M	DESCRIPTION
	096449-01-000	EA	WIREASSEMBLY-WATERTANKTOMONITORPANEL
	097618-01-000	EA	WIREASSEMBLY-MONITORPANEL,W/3WIRES&ORANGERESISTOR-LVS
	102636-02-000	EA	WIREASSEMBLY-CLEARANCELAMPS
	100677-01-000	EA	WIREASSEMBLY-RADIO
	103342-02-000	EA	WIREASSEMBLY-CLEARANCE,UPPERLEFT
	103342-03-000	EA	WIREASSEMBLY-CLEARANCE,UPPERRIGHT
	110256-01-000	EA	WIREASSEMBLY-IP,GENERATOR
	113134-03-000	EA	WIREASSEMBLY-WIPER/WASHER
	111915-01-000	EA	WIREASSEMBLY-DAYRUNLAMPS,FUSE-GM
	111915-03-000	EA	WIREASSEMBLY-DAYRUNLAMPS,FUSE-FORD
	P03784-01-000	EA	WIREASSEMBLY-HEADLAMP,GM
	P03784-02-000	EA	WIREASSEMBLY-HEADLAMP,FORD
	081059-02-000	EA	WIREASSEMBLY-9PIN-F/RADIO
	103328-06-000	EA	WIREASSEMBLY-PUMP-EXTERIORSHOWER
	123452-02-000	EA	WIRE-PUMP-SLIDEOUT
	108303-01-000	EA	WIREASSEMBLY-REARAUTOHEATER

**CONDUIT**

KEY	PARTNUMBER	U/M	DESCRIPTION
	041953-01-000	FT	CONDUIT-CONVOLUTE,SLIT-.5"ID
	041953-03-000	FT	CONDUIT-CONVOLUTE,SLIT-1"ID(CLOTHESRODCOVER)
	041953-05-000	FT	CONDUIT-CONVOLUTE,SOLID-.62"ID
	041953-06-000	FT	CONDUIT-CONVOLUTE,SLIT-.375"ID
	041953-07-000	FT	CONDUIT-CONVOLUTE,SLIT-.25"ID
	041953-08-000	FT	CONDUIT-CONVOLUTE,SLIT-1.50"ID
	041953-09-000	FT	CONDUIT-CONVOLUTE,SLIT-.50"ID
	041953-10-000	FT	CONDUIT-CONVOLUTE,SLIT-.75"ID
	041953-11-000	FT	CONDUIT-CONVOLUTE,SLIT-1.06"ID
	041953-12-000	FT	CONDUIT-CONVOLUTE,NSLIT-1.1"ID

**ELECTRICALGROUP(CONTINUED)**  
**CONVERTER&INVERTER**

KEY	PARTNUMBER	U/M	DESCRIPTION
	083208-02-000	EA	CONVERTER-POWER,45A-120V/12V
	099048-03-000	EA	INVERTER-130WATT

**WATERPUMPSWITCH&COVER/ACTUATOR**

KEY	PARTNUMBER	U/M	DESCRIPTION
	108357-08-000	EA	SWITCH-ROCKERDPDT-ON/NONE/ON-6TERMINAL
	108356-02-01A	EA	COVER/ACTUATORSWITCH-2ROWSDIMPLES-CONTURAI-11-BLACK

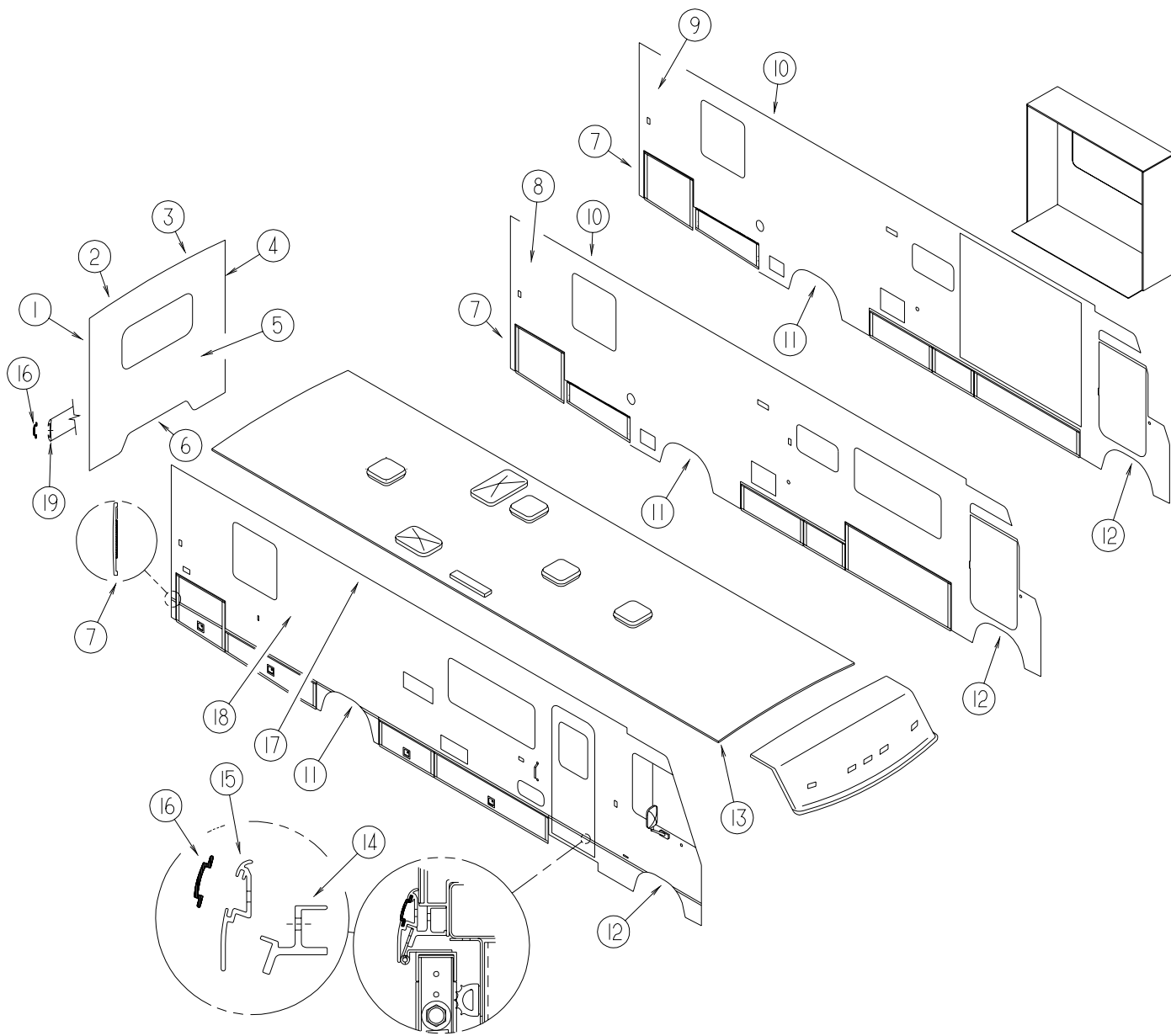
**SOLARPANEL&MONITOR(MCCLAINANNIVERSARYOPTION)**

KEY	PARTNUMBER	U/M	DESCRIPTION	VENDORNO.
	115504-01-000	EA	PANEL-SOLAR,10WATT	
	115504-01-700	EA	PLUG&CABLE,10WATTPANEL	600-016
	115505-01-000	EA	LIGHT-MONITOR/SOLARPANEL-REDLEDINDICATOR	

**MISCELLANEOUSELECTRICALCOMPONENTS**

KEY	PARTNUMBER	U/M	DESCRIPTION
	007093-01-000	EA	FLASHER-SIGNAL,STAT
	007956-05-000	EA	INSULATOR-SHRINK-.25IDX1.50-BLACK
	008188-01-000	EA	SOLENOID-3POST,BATTERYCHANGEOVER
	022756-03-000	EA	COVER-A/C,OFFWHITE-PLASTIC
	063910-01-000	EA	HOUSING-RELAY
	063912-02-000	EA	RELAY-CANISTER,SPDT
	086233-01-000	EA	STUD-ISOLATED,3/8"X7/8"LONG
	086273-01-000	EA	RELAY-BATTERYDISCONNECT
	054250-01-000	EA	COVER-ANGLED,W/OHOLE-3.6"X4.5"-PLASTIC-BEIGE ELECTRICALPLATESUPPORTW/OHOLES
	073626-04-000	EA	COVER-ELECTRIC,10.4"X7.8"
	103987-02-000	EA	SEAL-SOLENOIDACCESS
	125325-01-000	EA	SEAL-CAVITY
	087225-01-000	FT	SLEEVING-1/2",TYPEH
	087225-02-000	FT	SLEEVING-5/8",TYPEH
	073328-B4-000	EA	CABLEASSEMBLY-BATTERY,W/TERMINALS
	077479-01-000	EA	BOOT-BATTERYTERMINAL,DOUBLECABLE
	077479-02-000	EA	BOOT-BATTERYTERMINAL,SINGLECABLE

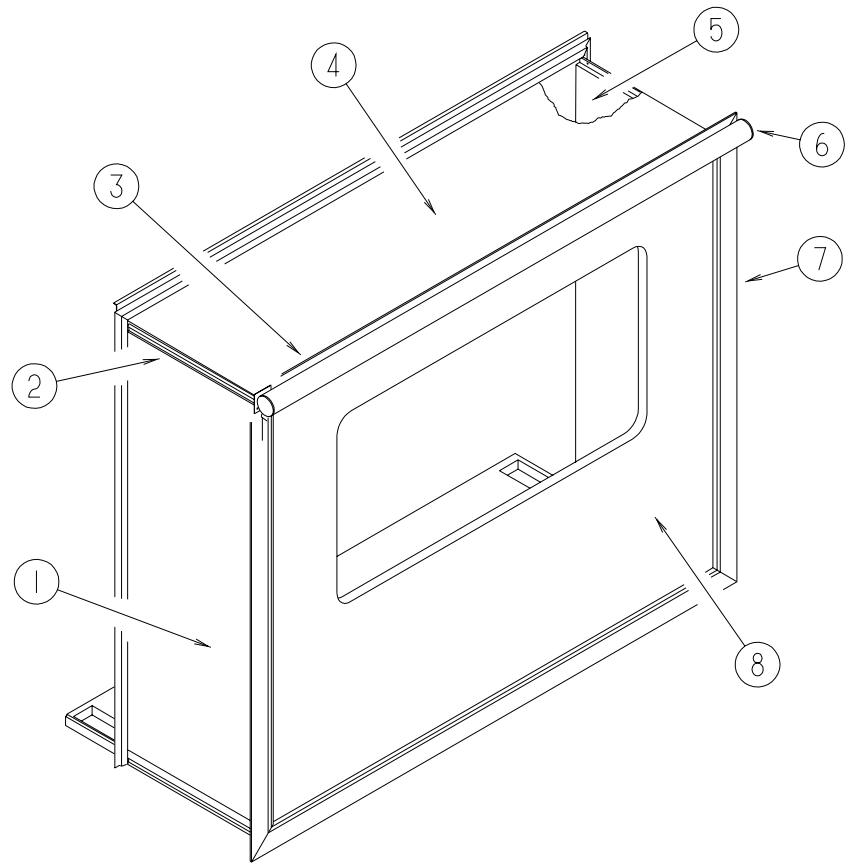
**EXTERIORBODYGROUP**  
**EXTERIORBODYPANELSANDTRIM**



KEY	PARTNUMBER	U/M	DESCRIPTION
7	093673-01-06A	FT	TRIM-1.3"WIDE,BRIGHTWHITE
8	122374-01-H13	EA	SIDEWALL-DRIVER-W/OWINDOWS/TRIM(H12/H13)
8	122374-01-H14	EA	SIDEWALL-DRIVER-W/OWINDOWS/TRIM(H14/H16)
8	122374-01-H15	EA	SIDEWALL-DRIVER-W/OWINDOWS/TRIM(H15)
8	122374-01-H21	EA	SIDEWALL-DRIVER-W/OWINDOWS/TRIM(H21)
8	122374-01-H22	EA	SIDEWALL-DRIVER-W/OWINDOWS/TRIM(H22)
9	121521-01-H13	EA	SIDEWALL-DRIVER-W/OWINDOWS/TRIM(H12,H13)
9	121521-01-H14	EA	SIDEWALL-DRIVER-W/OWINDOWS/TRIM(H14,H16)
9	121521-01-H15	EA	SIDEWALL-DRIVER-W/OWINDOWS/TRIM(H15)
9	121521-01-H21	EA	SIDEWALL-DRIVER-W/OWINDOW/TRIM(H21)
9	121521-01-H22	EA	SIDEWALL-DRIVER-W/OWINDOWS/TRIM(H22)
10	120091-01-02A	EA	TRIM-ROOF,BRIGHTWHITE
11	122560-01-01A	EA	TRIM-WHEELWELL,REAR-DRIVERORPASSENGER-BRIGHTWHITE FROM: 00-00-00 THRU: 09-2-96
11	124512-01-01A	EA	TRIM-WHEELWELL,REAR-DRIVERORPASSENGER-BRIGHTWHITE FROM: 09-3-96 THRU: 99-99-99
12	122561-02-01A	EA	TRIM-WHEELWELL,FRONT-DRIVERORPASSENGER-BRIGHTWHITE FROM: 00-00-00 THRU: 09-2-96
12	124513-02-01A	EA	TRIM-WHEELWELL,FRONT-DRIVERORPASSENGER-BRIGHTWHITE FROM: 09-3-96 THRU: 99-99-99
13	121520-01-H13	EA	ROOF-W/OLIGHTS/VENTS-W/WIRING
14	122802-01-01A	EA	RETAINER-SIDEWALLTRIM-MILLALUMINUM
15	124176-01-01A	EA	TRIM-SIDEWALL,BRIGHTWHITEALUMINUM
16	105312-01-07A	EA	INSERT-FEATURESTRIP,BRIGHTWHITE
16	105312-01-03A	FT	INSERT-FEATURESTRIP,GRAYMET-EXTERIORPAINTOPTION
17	120092-01-02A	EA	RAIL-AWNING,BRIGHTWHITE
18	121522-01-H13	EA	SIDEWALL-PASSENGER-W/OWINDOWS/TRIMS(H12/H13)
18	121522-01-H14	EA	SIDEWALL-PASSENGER-W/OWINDOWS/TRIMS(H14/H16)
18	121522-01-H15	EA	SIDEWALL-PASSENGER-W/OWINDOWS/TRIM(H15)
18	121522-01-H21	EA	SIDEWALL-PASSENGER-W/OWINDOWS/TRIM(H21)
18	121522-01-H22	EA	SIDEWALL-PASSENGER-W/OWINDOWS/TRIM(H22)
19	108688-01-03A	EA	FEATURESTRIP-W/HOLES-BRIGHTWHITE(BACKWALL)
	108651-01-01A	EA	ENDCAP-FEATURESTRIP(BACKWALL)
	124179-01-01A	EA	CAP-SIDEWALLTRIM,ANGLED-LEFTHAND-BRIGHTWHITE(WHEELWELL)
	124179-02-01A	EA	CAP-SIDEWALLTRIM,ANGLED-RIGHTHAND-BRIGHTWHITE(WHEELWELL)
	124132-01-01A	EA	CAP-SIDEWALLTRIMW/OKNOTCH,90DEGREE-RIGHTHAND-BRIGHTWHITE
	124132-02-01A	EA	CAP-SIDEWALLTRIMW/OKNOTCH,90DEGREE-LEFTHAND-BRIGHTWHITE
	124132-03-01A	EA	CAP-SIDEWALLTRIMW/KNOTCH,90DEGREE-RIGHTHAND-BRIGHTWHITE
	124132-04-01A	EA	CAP-SIDEWALLTRIMW/KNOTCH,90DEGREE-LEFTHAND-BRIGHTWHITE
	002726-01-001	EA	GARNISH-U-CHANNEL,1.38"X19'-SERRATED-MILLALUMINUM
	033381-17-001	FT	STEEL-TUBE-16GAUGE1.5"X1.5"X16'
	068716-01-001	EA	BRACE-90DEGREEL-ANGLE-16'
	069726-02-000	EA	BUMPER-.88"DIA X.40",BLACK
	116800-55-005	EA	U-CHANNEL-EXTRUDED,1.7"X16'-BRIGHTWHITE
	123718-01-01A	EA	RETAINER-SIDEWALL,TRIMW/HOLES-27.7MMX3050MM-PVC-BLACK FROM: 00-00-00 THRU: 09-13-96
	122613-55-001	EA	EXTRUDED-ROCKERPANEL-192"-BRIGHTWHITE
	122613-55-004	EA	EXTRUDED-ROCKERPANEL-192"-DELFTBLUE
	122613-55-006	EA	EXTRUDED-ROCKERPANEL-192"-SILVER
	123725-05-H13	EA	TRIM-SIDEWALL FROM: 09-02-96 THRU: 99-99-99
	124010-62-01A	EA	TRIM-ROCKERPANEL FROM: 09-02-96 THRU: 99-99-99
	124010-63-01A	EA	TRIM-ROCKERPANEL FROM: 09-02-96 THRU: 99-99-99

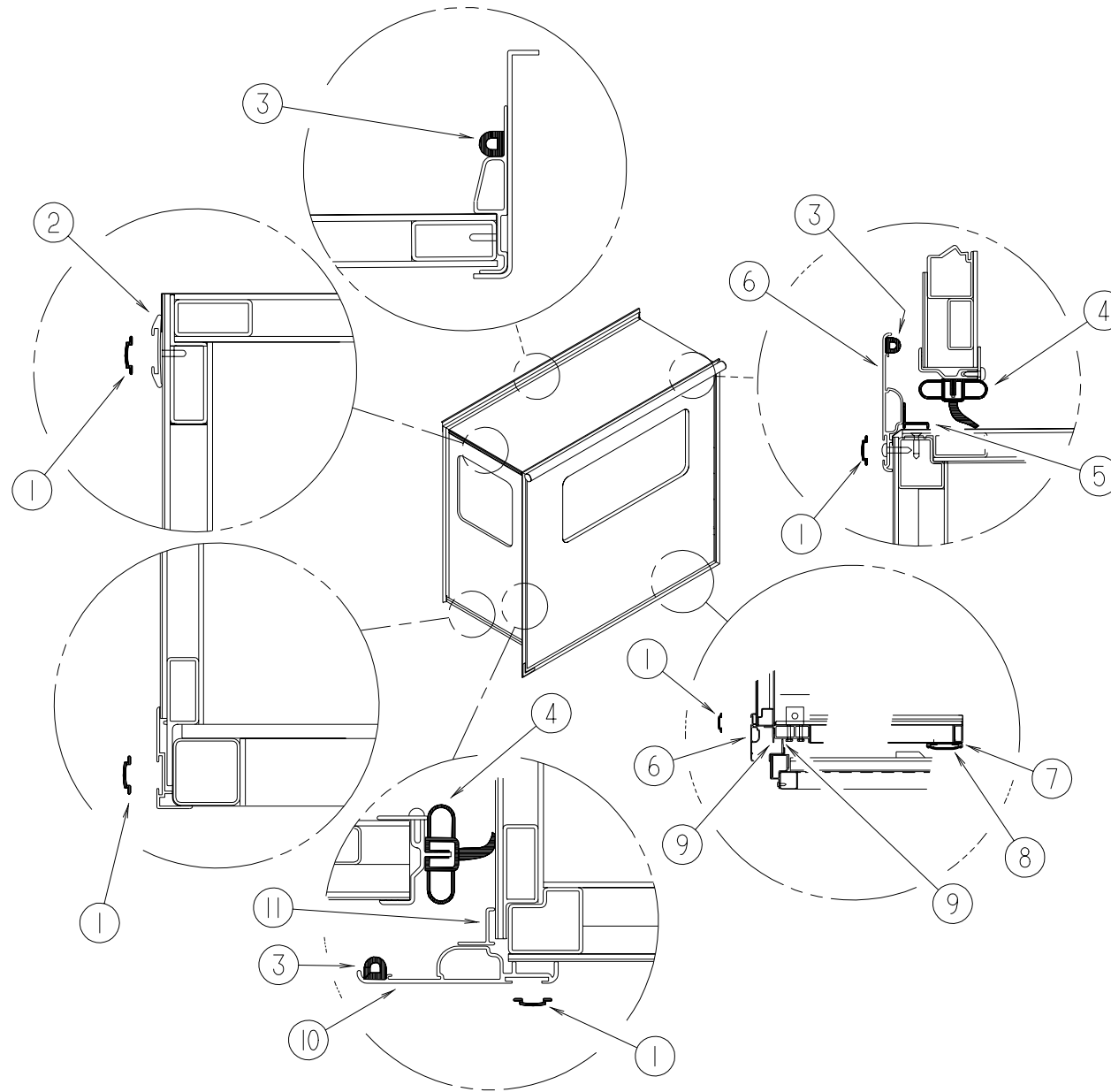
KEY	PARTNUMBER	U/M	DESCRIPTION
1	114874-05-12B	EA	TRIM-BACKWALLSIDE,RIGHT-BRIGHTWHITE-STEEL
1	104033-11-02A	EA	TRIM-J,BACKWALL-RIGHT-BRIGHTWHITE-ALUMINUM
2	114872-01-02A	EA	TRIM-BACKWALL, TOPW/OCLEARANCELIGHTS-RH-BRIGHTWHITEPLASTIC
3	114873-01-02A	EA	TRIM-BACKWALL, TOPW/OCLEARANCELIGHTS-LH-BRIGHTWHITEPLASTIC
4	114874-06-12B	EA	TRIM-BACKWALLSIDE,LEFT-BRIGHTWHITE-STEEL
4	104033-12-02A	EA	TRIM-J,BACKWALL-LEFT-BRIGHTWHITE-ALUMINUM
5	M07419-15-H13	EA	BACKWALL-W/OWINDOW&TRIM-CHEVY(H12/H13)
5	M07419-15-H14	EA	BACKWALL-W/OWINDOW&TRIM-CHEVY(H14/H16/H21)
5	M07419-15-H15	EA	BACKWALL-W/OWINDOW&TRIM-CHEVY(H15)
5	M07419-15-H22	EA	BACKWALL-W/OWINDOW&TRIM-CHEVY(H22)
5	M07419-16-H13	EA	BACKWALL-W/OWINDOW&TRIM-FORD(H12/H13)
5	M07419-16-H14	EA	BACKWALL-W/OWINDOW&TRIM-FORD(H14/H16/H21)
5	M07419-16-H15	EA	BACKWALL-W/OWINDOW&TRIM-FORD(H15)
5	M07419-16-H22	EA	BACKWALL-W/OWINDOW&TRIM-FORD(H22)
6	050406-24-000	EA	TRIM-BACKWALL,LOWER-BRIGHTWHITE

**EXTERIORBODYGROUP(CONTINUED)**  
**EXTERIORBODYSLIDEOUTPANELSANDTRIM**



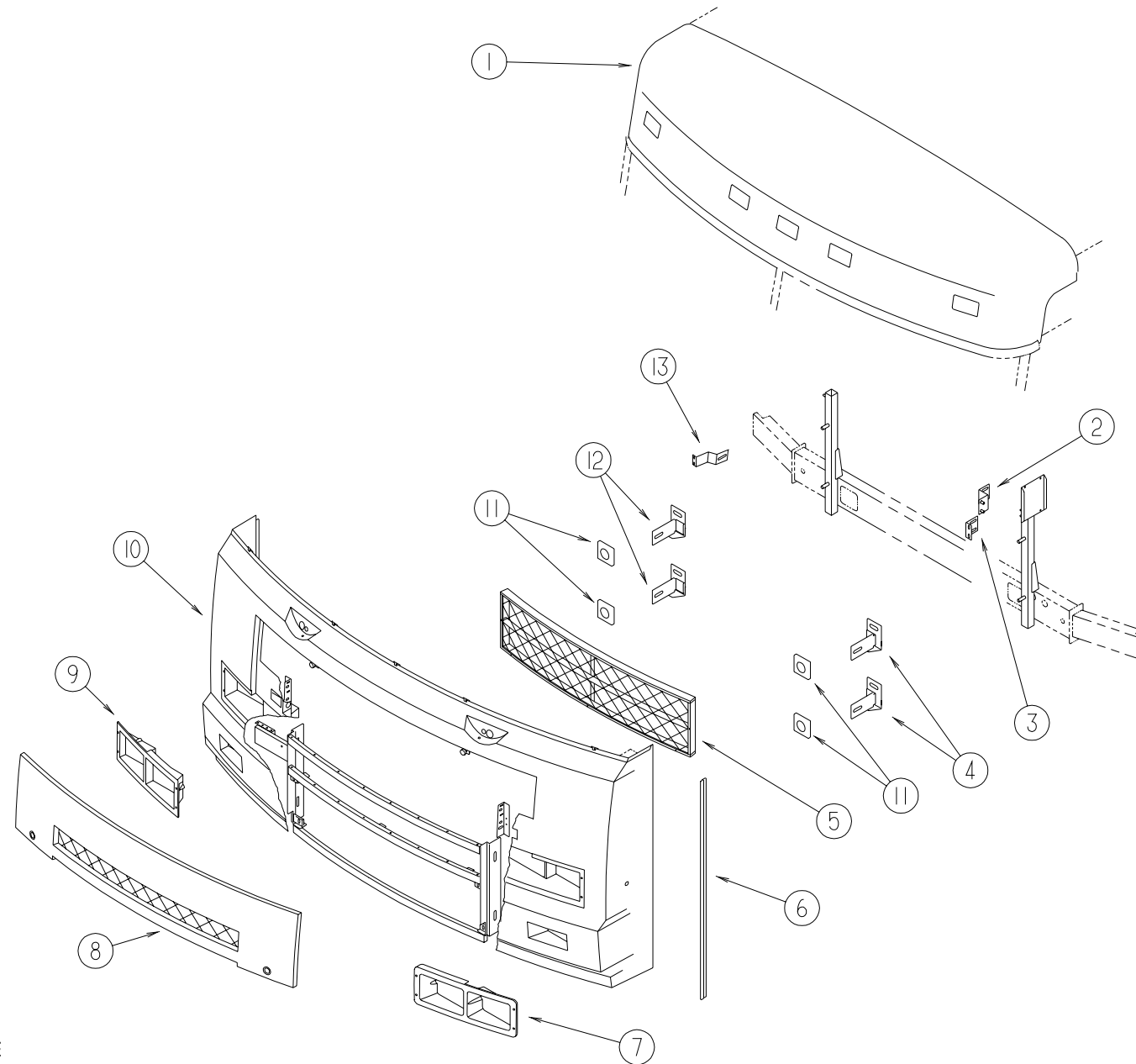
KEY	PARTNUMBER	U/M	DESCRIPTION
1	121401-01-H13	EA	PANEL-SLIDEOUT/FRONT(H12/H13)
1	121401-01-H14	EA	PANEL-SLIDEOUT/FRONT(H14/H16/H21)
1	121401-01-H15	EA	PANEL-SLIDEOUT/FRONT(H15)
1	121401-01-H22	EA	PANEL-SLIDEOUT/FRONT(H22)
2	108688-01-03A	EA	STRIP-FEATURE-15'
	105312-01-03A	FT	INSERT-VINYLFEATURESTRIP-GRAYMETALLIC
	105312-01-07A	FT	INSERT-VINYLFEATURESTRIP-BRIGHTWHITE
3	119992-06-01A	EA	TRIM-SEAL-W/MITEREDENDS
4	122146-01-H13	EA	ROOF-SLIDEOUT-W/OLIGHTS/VENTS-W/WIRING
5	121402-01-H13	EA	PANEL-SLIDEOUT/REAR(H12/H13)
5	121402-01-H14	EA	PANEL-SLIDEOUT/REAR(H14/H16/H21)
5	121402-01-H15	EA	PANEL-SLIDEOUT/REAR(H15)
5	121402-01-H22	EA	PANEL-SLIDEOUT/REAR(H22)
6	122977-02-01A	EA	AWNING-SLIDEOUT-W/COVER-90"
			FROM00-00-00THRU11-10-96
6	122977-04-01A	EA	AWNING-SLIDEOUTCOVER
			FROM11-11-96THRU99-99-99
7	119992-05-02A	EA	TRIM-SEAL-W/MITEREDENDS
8	122208-01-H13	EA	PANEL-SLIDEOUT-OUTER(H12/H13)
8	122208-01-H14	EA	PANEL-SLIDEOUT-OUTER(H14/H16/H21)
8	122208-01-H15	EA	PANEL-SLIDEOUT-OUTER(H15)
8	122208-01-H22	EA	PANEL-SLIDEOUT-OUTER(H22)
	064675-54-005	EA	STEEL-ANGLEROOFJOINT-5'-OFF/WHITE
	122175-01-02B	EA	PLATE-SEAL-SLIDEOUT
	122175-02-02B	EA	PLATE-SEAL-SLIDEOUT
	122176-01-01B	EA	PLATE-SEAL-SLIDEOUT
	122177-01-02B	EA	PLATE-RETAINER-SLIDEOUT
	122178-01-02B	EA	PLATE-SUPPORT-SLIDEOUT
	099069-01-000	FT	SEAL-RUBBER-CLOSEDSPONGE-.5"WIDEX.12"THICK-BLK

**EXTERIORBODYGROUP(CONTINUED)**  
**EXTERIORBODYSLIDEOUTPANELSANDTRIM**



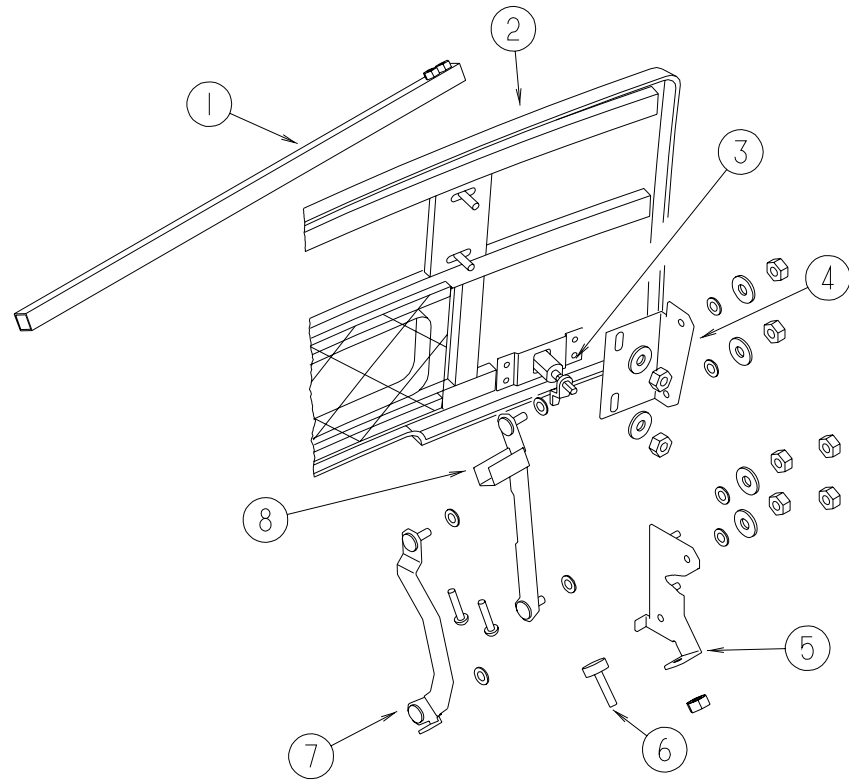
KEY	PARTNUMBER	U/M	DESCRIPTION
1	105312-01-03A	FT	INSERT-VINYLFEATURESTRIP-GRAYMETALLIC
1	105312-01-07A	FT	INSERT-VINYLFEATURESTRIP-BRIGHTWHITE
2	108688-01-03A	EA	STRIP-FEATURE-15'
3	099418-01-000	FT	SEAL-D-SECTION/ADHESIVEBACK-.44"X.44"-BLACKRUBBER
4	115076-01-000	FT	SEAL-SLIDEOUT
5	116933-06-01A	EA	TRIM-SEAL
6	119992-06-01A	EA	TRIM-SEAL-W/MITEREDENDS
7	115325-03-02A	EA	RAIL-FLOOR,SLIDEOUT-BLACK
8	115661-01-000	FT	POLYETHYLENE-HIGHDENSITY-1/16"X3'
9	123012-01-000	FT	SEAL-SLIDEOUT
10	119992-05-02A	EA	TRIM-SEAL-W/MITEREDENDS
11	116933-05-02A	EA	TRIM-SEAL

**EXTERIORBODYGROUP(CONTINUED)**  
**FRONTENDCOMPONENTS**



KEY	PARTNUMBER	U/M	DESCRIPTION
1	122513-02-H13	EA	PANEL-ROOFCAP,BRIGHTWHITE
	070579-06-000	EA	PLATE-ANCHOR,W/7/16WELDNUT-1.5"X3.3"
2	122842-01-02B	EA	BRACE-FRONTEND,LH-E-COATSTEEL
3	122800-01-02B	EA	ANGLE-FRONTEND,LH-E-COATSTEEL
4	122826-02-02B	EA	BRACKET-BUMPER,LH-E-COATSTEEL
5	123945-01-H13	EA	GRILLEASSEMBLY-FRONTW/GRILLEMESH
	115924-09-02A	EA	MESH-GRILLE,WOVENWIRE,FLATBLACK
6	089922-34-000	EA	TRIM-FIBERGLASSPANEL,BRIGHTWHITE
			FROM: 00-00-00 THRU: 12-01-96
6	123680-03-01A	EA	TRIM-FIBERGLASSPANEL,BRIGHTWHITE
			FROM: 12-02-96 THRU: 99-99-99
7	122510-02-01A	EA	BEZEL-HEADLAMP,LH-BRIGHTWHITE
	110690-02-D18	EA	PLATEASSEMBLY-HEADLAMP,QUAD-LH
8	122511-02-H13	EA	PANEL-HOODW/OGRILLE-BRIGHTWHITE
9	122510-01-01A	EA	BEZEL-HEADLAMP,RH-BRIGHTWHITE
	110690-01-D18	EA	PLATEASSEMBLY-HEADLAMP,QUAD-RH
10	122512-01-01A	EA	CAP-FRONT,LOWER-W/OGRILLE,HOODORBEZELS-BRIGHTWHITE
	002328-02-000	EA	BLOCK-RUBBER,.062"X.5"X.98"
	007157-05-000	EA	NUT-WELL,HEADLIGHTBEZEL
	119445-01-02B	EA	PLATE-W/HOLES,1"X1 1/2"-E-COATSTEEL
11	116617-02-02B	EA	SPACER/WASHER-BUMPER,SQUARE-E-COATSTEEL
12	122826-01-02B	EA	BRACKET-BUMPER,RH-E-COATSTEEL
13	122787-01-02B	EA	BRACE-FRONTEND,RH-E-COATSTEEL

**EXTERIORBODYGROUP(CONTINUED)**



**HOOD&COMPONENTS**

KEY	PARTNUMBER	U/M	DESCRIPTION
1	105096-12-000	EA	TUBE-HOODHINGETIMINGW/WELDNUTS
2	122511-02-H13	EA	PANEL-HOODW/OGRILLE-BRIGHTWHITE
	115924-08-02A	EA	MESH-GRILLE,WOVENWIRE,FLATBLACK
3	102330-02-000	EA	LATCH-VISEACTION/KEYOPERATED
	102328-01-000	EA	KEY-BARREL,NICKELPLATED
4	122736-01-02B	EA	ANGLE-LINK,HOOD-RH
4	122736-02-02B	EA	ANGLE-LINK,HOOD-LH
5	106613-07-000	EA	BRACKET-LINK,HINGE-HOOD-RH
5	106613-08-000	EA	BRACKET-LINK,HINGE-HOOD-LH
6	058786-01-000	EA	BOLT-HOOD,ADJUSTINGW/RUBBERBUMPER
7	106612-05-000	EA	LINKASSEMBLY-HINGE,HOOD-LOWER-RH
7	106612-06-000	EA	LINKASSEMBLY-HINGE,HOOD-LOWER-LH
8	106618-03-000	EA	LINKASSEMBLY-HINGE,HOOD-UPPER-RH
8	106618-04-000	EA	LINKASSEMBLY-HINGE,HOOD-UPPER-LH
	106748-05-000	EA	LATCH-HOOD,FRONTEND
	106730-10-000	EA	PLATEASSEMBLY-4"X1"WITH2WELDNUTS-E-COATSTEEL

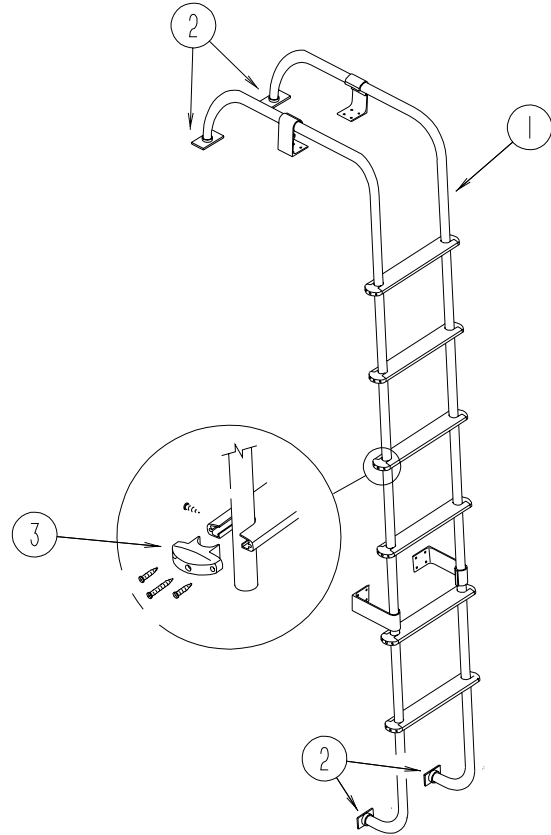
**EXTERIORBODYGROUP(CONTINUED)**  
**FIBERGLASS,STYROFOAM&INSULATION**

KEY	PARTNUMBER	U/M	DESCRIPTION
	076054-P4-000	EA	FIBERGLASS-SHEET,FLAT-96"X97"-BRIGHTWHITE
	076054-W6-000	EA	FIBERGLASS-SHEET,FLAT-79"X367"-BRIGHTWHITE
	076054-W7-000	SF	FIBERGLASS-COIL,FLAT-16.38"X500FT-BRIGHTWHITE
	076054-R9-000	EA	FIBERGLASSSHEET-38.1"X70.6"-BRIGHTWHITE
	076054-X9-000	EA	FIBERGLASSSHEET-22.1"X70.6"-BRIGHTWHITE
	077517-62-000	EA	FIBERGLASS-SHEET,FLAT-.045"X48"X96"-BRIGHTWHITE
	077517-65-000	EA	FIBERGLASS-SHEET,FLAT-.070"X48"X96"-BRIGHTWHITE
	077517-66-000	EA	FIBERGLASSSHEET,FLAT-.070"X48"X96"-GRAY
	108535-04-701	EA	FIBERGLASSSHEET-FLAT,104"X396"-BRIGHTWHITE(ROOFCOVERING)
	108535-04-705	EA	FIBERGLASSSHEET-FLAT,6"X34'-BRIGHTWHITE(ROOFCOVERING)
	072877-03-000	EA	INSULATION-SOUNDBARRIER,1"X36"X57"
	072878-01-000	SF	INSULATION-SOUNDBARRIERPAD,.058"X33"X58"
	000870-08-000	SF	STYROFOAM-.75"X48"X96"-PLANED-INCREMENTSOF32SF
	100619-01-000	BF	FOAM-EXPANDEDPOLYSTYRENE,1.34"X48"X96"-1.5LB/SQFTDENSITY
	100619-02-000	BF	FOAM-EXPANDEDPOLYSTYRENE,1.5"X48"X96"-1.5LB/SQFTDENSITY
	100619-04-000	BF	FOAM-EXPANDEDPOLYSTYRENE,.5"X48"X96"-2LB/SQFTDENSITY
	100619-05-000	BF	FOAM-EXPANDEDPOLYSTYRENE,.75"X48"X96"-1.5LB/SQFTDENSITY
	100619-10-000	BF	FOAM-EXPANDEDPOLYSTYRENE,1.5"X48"X96"-2LB/SQFTDENSITY
	100619-11-000	BF	FOAM-EXPANDEDPOLYSTYRENE,2"X48"X96"-1.5LB/SQFTDENSITY
	100619-13-000	BF	FOAM-EXPANDEDPOLYSTYRENE,.34"X34.65"X96"
	100619-16-000	BF	FOAM-EXPANDEDPOLYSTYRENE,.75"X48"X96"-2LB/SQFTDENSITY
	105077-08-000	EA	FOAM-PLUG,ROOFCAP
	120107-03-000	EA	FOAM-PLUG,TUBE-29.6MMX54.5MMX45MMLONG-POLYSTYRENEFOAM
	120107-01-000	EA	FOAM-COVE,ROOF-70.6MMX2438MMLONG-POLYSTYRENEFOAM
	120107-02-000	EA	FOAM-PLUG,TUBE-57MMX74.3MMX45MMLONG-POLYSTYRENEFOAM

**A&EAWNING&HARDWARE**

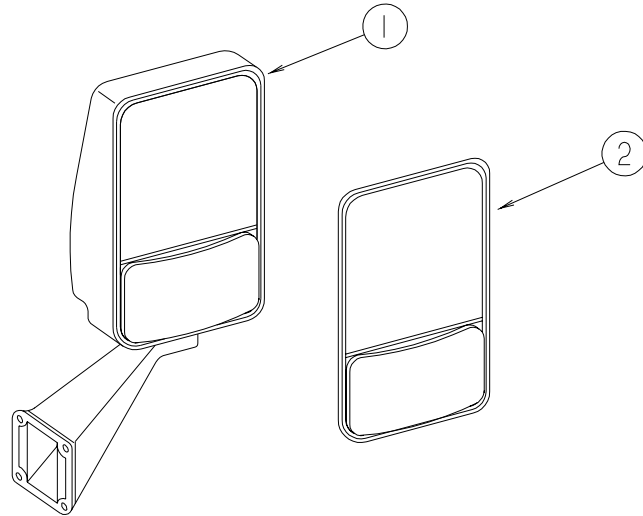
KEY	PARTNUMBER	U/M	DESCRIPTION	VENDORNO.
	117058-01-01A	FT	TAPE-LOOP-3/4"WIDE-ADHESIVEBACKED	
	122977-02-01A	EA	AWNING-SLIDEOUT-W/COVER-90"	
			FROM: 00-00-00 THRU: 11-10-96	
	122977-04-01A	EA	AWNING-SLIDEOUTCOVER	
			FROM: 11-11-96 THRU: 99-99-99	
	113874-07-02A	EA	AWNING-W/OHDW18'(POLARNAVYTEAL)VINYL	
	111037-01-01A	EA	SPACER-AWNING-UPPER-BLACK	
	111038-01-01A	EA	SPACER-AWNING-LOWER	
	113874-01-02A	EA	HARDWAREKIT-AWNING-W/OSTANDOFFBRACKET-BRIGHTWHITE	
	113874-01-702	EA	KNOB-ADJUSTING	3105421.014
	113874-01-703	EA	ROD-CENTERPULLW/ACCESSORY	830152.102
	113874-01-706	EA	LOCK-TRAVEL	830587.001
	113874-01-707	EA	HANDLE-LIFTW/RIVETS	830644
	113874-01-709	EA	NAIL-SPIKE,8"	113006
	113874-01-710	EA	PLUG-STOPKIT	830456
	113874-01-712	EA	FOOT-PATIO	730366-001
	113874-01-714	EA	RAFTER-MAINRH/LH-BRIGHTWHITE	830295.536F
	113874-01-715	EA	RAFTER-SECONDARY-BRIGHTWHITE	830463.511F
	113874-01-716	EA	ARM-MAINSUPPORT-BRIGHTWHITE	3104502.293/F
	113874-01-717	EA	ARM-ADJUSTABLE-BRIGHTWHITE	830467.517/F
	113874-10-01A	EA	SPACER-AWNING-LOWERBRACKET	
			FROM: 00-00-00 THRU: 08-28-96	
	119496-01-02A	EA	SPACER/ZEE-AWNING	

**EXTERIORBODYGROUP(CONTINUED)**



**LADDER**

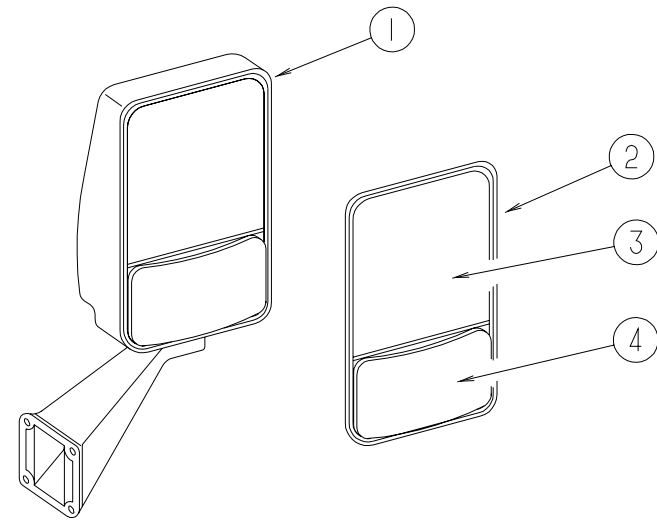
KEY	PARTNUMBER	U/M DESCRIPTION
1	102953-16-G09	EA LADDERASSEMBLY
2	067165-01-000	EA MOUNTINGBRACKET-LADDER,LOWER
3	076980-02-000	EA ENDCAP-STEP,BLACK
	038327-01-000	EA TAPE-ANTISLIP,2"X60'



**VELVACEXTERIORMIRRORS**

KEY	PARTNUMBER	U/M DESCRIPTION	VENDORNO.
1	106015-09-01A	EA MIRRORASM-EXTERIORADJUSTGLASSRIGHT-BLACK FROM: 00-00-00 THRU: 01-05-97	
1	106015-14-01A	EA MIRRORASM-EXTERIORADJUSTGLASSRIGHT-BLACK FROM: 01-06-97 THRU: 99-99-99	
1	106015-10-01A	EA MIRRORASM-EXTERIORADJUSTGLASSLEFT-BLACK FROM: 00-00-00 THRU: 01-05-97	
1	106015-15-01A	EA MIRRORASM-EXTERIORADJUSTGLASSLEFT-BLACK FROM: 01-06-97 THRU: 99-99-99	
2	106015-01-703	EA MIRRORKIT(BEZELW/MIRRORS)PASSENGERSIDE	709266
2	106015-02-702	EA MIRRORKIT(BEZELW/MIRRORS)DRIVERSIDE	709267

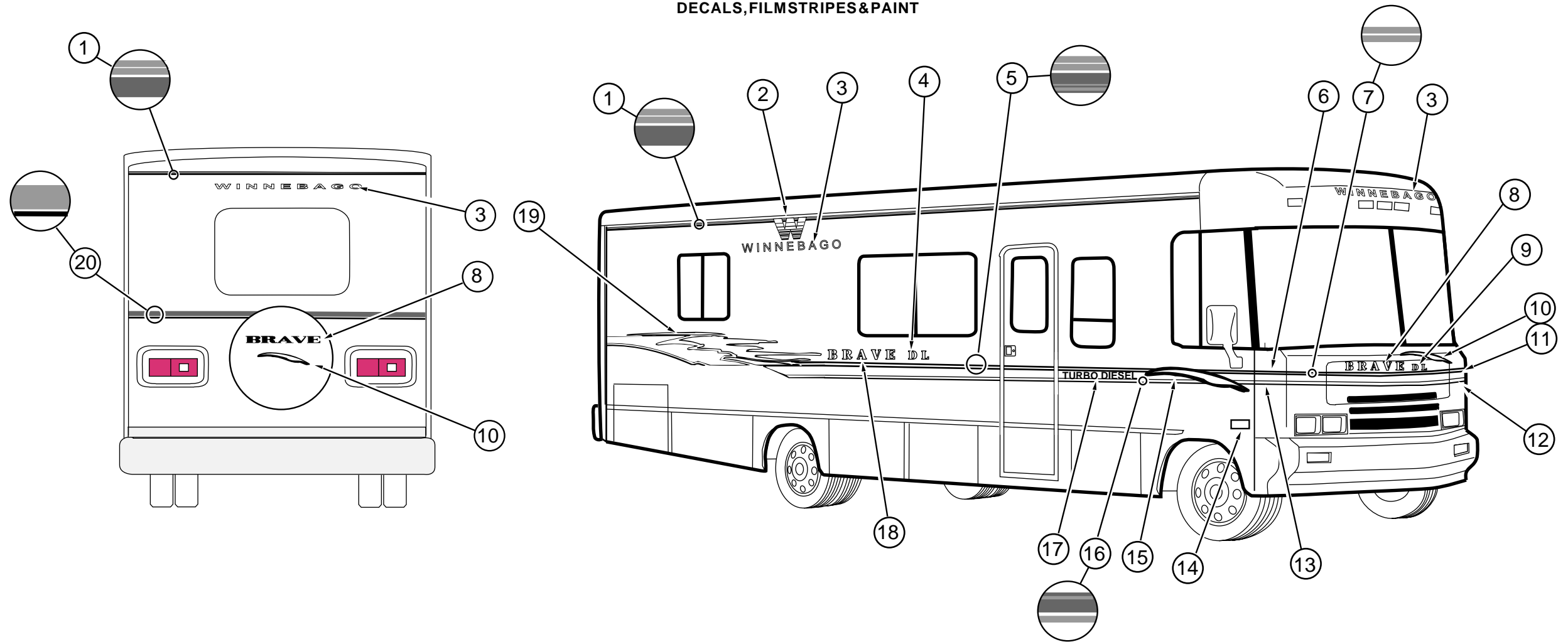
**EXTERIORBODYGROUP(CONTINUED)**



**VELVACHEATEDEXTERIORMIRRORS**

KEY	PARTNUMBER	U/M DESCRIPTION	VENDORNO.
1	106015-05-01A	EA MIRRORASM-REMOTE/HEATEDRIGHTW/OSWITCHES FROM: 00-00-00 THRU: 11-05-96	
1	106015-12-01A	EA MIRRORASM-REMOTE/HEATEDRIGHTW/OSWITCHES FROM: 11-06-96 THRU: 99-99-99	
1	106015-06-01A	EA MIRRORASM-REMOTE/HEATEDLEFTW/OSWITCHES FROM: 00-00-00 THRU: 11-05-96	
1	106015-13-01A	EA MIRRORASM-REMOTE/HEATEDLEFTW/OSWITCHES FROM: 11-06-96 THRU: 99-99-99	
2	086261-01-704	EA MIRRORKIT(BEZELW/MIRRORS)PASSENGERSIDE	709091-8
2	086261-02-701	EA MIRRORKIT(BEZELW/MIRRORS)DRIVERSIDE	709269
3	106015-12-700	EA GLASS-FLATW/HEAT&CLIP	709448
4	106015-12-701	EA GLASS-CONVEXW/HEAT&CLIP	709449
	087695-02-000	EA SWITCH-HEATER,EXTERIORMIRROR-EURAMTECDAV4720-12	FROM: 11-06-96 THRU: 99-99-99
	087695-03-000	EA CONNECTOR-ASSEMBLY-EURAMTECRT10484802	
	088246-01-000	EA SWITCH-REMOTE,EXTERIORMIRROR-SQUAREPUSH7471290	

**EXTERIOR BODY GROUP (CONTINUED)**  
DECALS, FILM STRIPES & PAINT



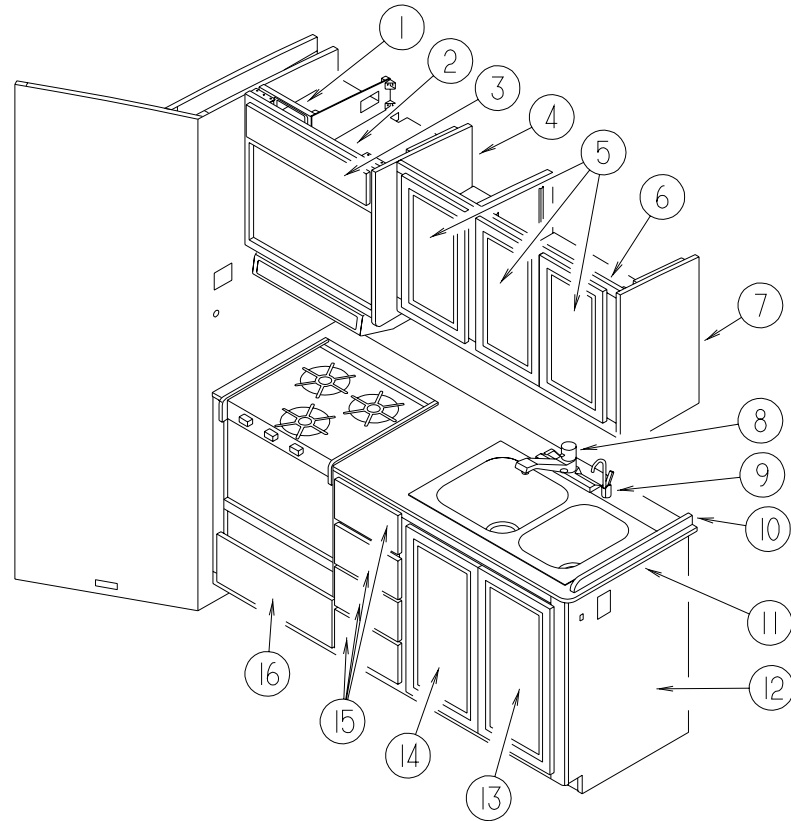
KEY	PARTNUMBER	U/M	DESCRIPTION
1	094443-43-01A	FT	FILM-MULTISTRIPE,101.6MMWIDE-SEAFOAM/SEAFOAM/DELFTBLUE
2	120700-02-01A	EA	DECAL-LOGO,W-DELFTBLUE
3	120702-03-01A	EA	DECAL-LOGO,WINNEBAGO-SMALL-DELFTBLUE
4	120995-03-01A	EA	DECAL-LOGO,DL-LARGE-MENDOCINO/DELFTBLUE
5	121426-01-01A	FT	FILM-OVERLAY,MULTISTRIPE-177.8MMWIDE-SEAFOAM/DELFTBLUE/MENDOCINO
6	121432-01-01A	EA	DECAL-CORNER,UPPER-RH-SEAFOAM
7	105781-57-01A	FT	FILM-MULTISTRIPE,38.1MMWIDE-SEAFOAM/SEAFOAM
8	121437-02-01A	EA	DECAL-LOGO,BRAVE,SMALL-MENDOCINO/DELFTBLUE
9	120995-04-01A	EA	DECAL-LOGO,DL-SMALL-DELFTBLUE
10	121430-01-01A	EA	DECAL-SLASH,SMALL-SEAFOAM/BRIGHTWHITE
11	121432-02-01A	EA	DECAL-CORNER,UPPER-LH-SEAFOAM
12	121434-02-01A	EA	DECAL-CORNER,LOWER-LH-DELFTBLUE/MENDOCINO
13	121434-01-01A	EA	DECAL-CORNER,LOWER-RH-DELFTBLUE/MENDOCINO
14	122312-01-01A	EA	DECAL-VORTEC7400-BLACK/OFFWHITE/MISTGRAY/SPECTRARED
15	121429-01-01A	EA	DECAL-SLASH,RH-SEAFOAM/BRIGHTWHITE
	121429-02-01A	EA	DECAL-SLASH,LH-SEAFOAM/BRIGHTWHITE
16	121427-01-01A	FT	FILM-OVERLAY,MULTISTRIPE-41.3MMWIDE-SPARKLINGTEAL/SEAFOAM
17	111318-03-03A	EA	DECAL-TURBODIESEL-BRIGHTWHITE
18	121437-01-01A	EA	DECAL-LOGO,BRAVE,LARGE-MENDOCINO/DELFTBLUE
19	121428-01-01A	EA	DECAL-HORIZON,RH-DELFTBLUE/SEAFOAM/MENDOCINO
	121428-02-01A	EA	DECAL-HORIZON,LH-DELFTBLUE/SEAFOAM/MENDOCINO
20	105781-52-01A	FT	FILM-MULTISTRIPE,104.8MMWIDE-DELFTBLUE/MENDOCINO
	126511-01-01A	EA	DECAL-MCCLAINSRV34THANNIVERSARY

**DUPONT COLOR CODES**

BRIGHTWHITE #B8951  
 DELFTBLUOMET. #F1919  
 LT.SILVERMET. #F2573U

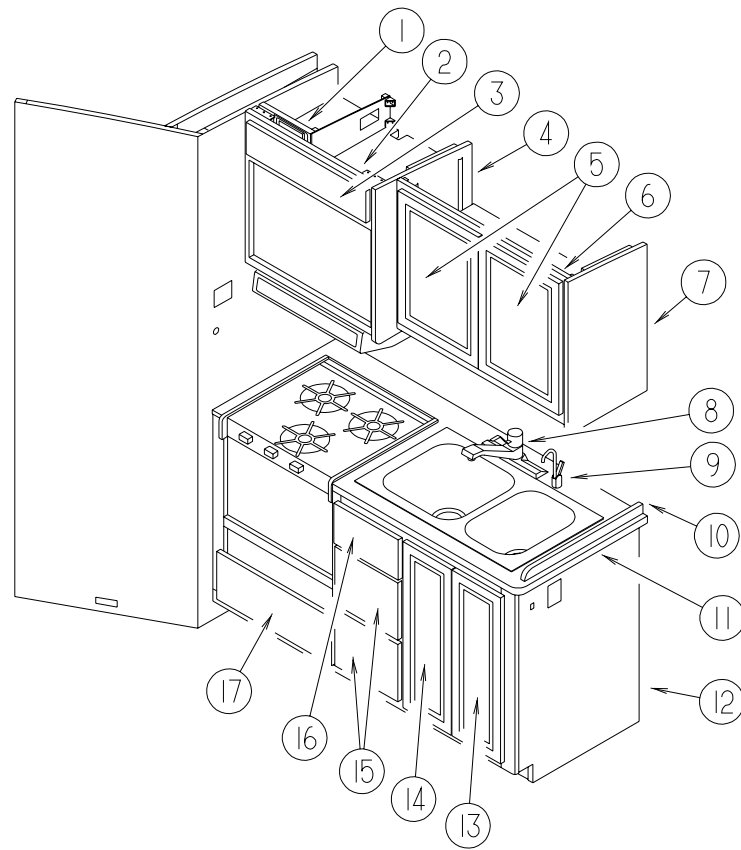


**GALLEYGROUP**  
**GALLEYCABINERYW/OSLIDEOUTOPTION**



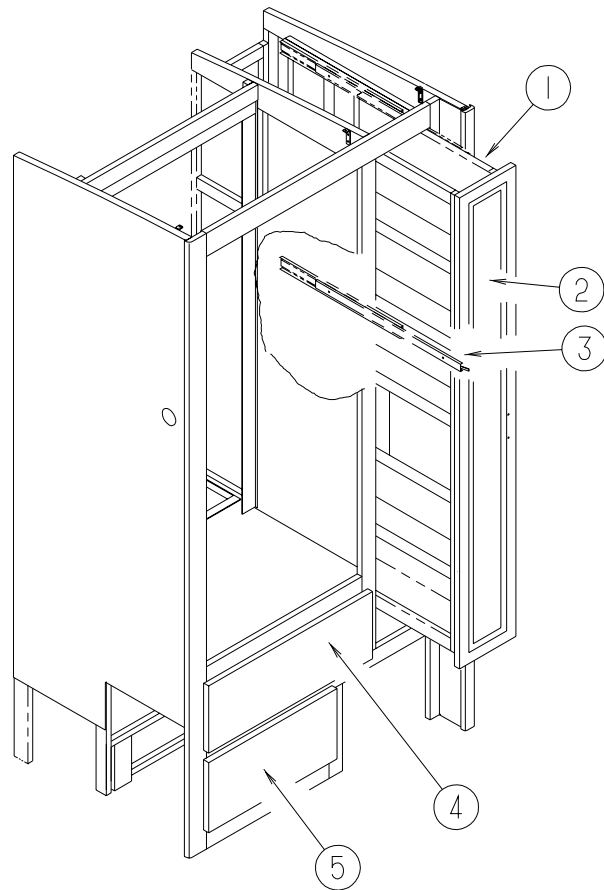
KEY	PARTNUMBER	U/M	DESCRIPTION
1	121329-01-H13	EA	CABINET-A/C SWITCH
2	121328-01-H13	EA	CABINET-MICROWAVE/OVERHEAD-W/ODOORS/HARDWARE
3	M05992-J9-H13	EA	DOOR-MITEREDCORNER/OGEEEDGE-5.1"X22.4"-W/OHDW(H12/H13/H14/H15/H16)
3	M05992-J9-H21	EA	DOOR-MITEREDCORNER/OGEEEDGE-5.1"X22.4"-W/OHDW(H21/H22)
4	081320-16-G09	EA	ENDCAP-OVERHEADCABINET
5	M06803-58-G09	EA	DOOR-MITEREDCORNER/OGEEEDGE-12"X21.8"-W/OHDW(H12/H13/H14/H15/H16)
5	M06803-58-G13	EA	DOOR-MITEREDCORNER/OGEEEDGE-12"X21.8"-W/OHDW(H21/H22)
5	M06803-J7-H17	EA	DOOR-MITEREDCORNER/OGEEEDGE-12"X21.8"-W/OHDW(H21/H22) DECORATORDOOROPTION-RAISED PANEL
6	122093-01-H13	EA	CABINET-OVERHEAD/GALLEY-W/ODOORS/HARDWARE
7	081320-20-G09	EA	ENDCAP-CABINETFRONT
8	103243-01-000	EA	FAUCET-GALLEY,DUALCONTROL-P5043(H12/H13/H14/H15/H16)
8	104114-02-01A	EA	FAUCET-GALLEY,SINGLECONTROL(H21/H22)
9	103635-01-000	EA	FAUCET-SINGLECONTROL,(WATERPURIFIER)EVERPURE 5435-00 (H21/H22)(MCCLAINANNIVERSARYOPTION)
	110654-01-000	EA	SINK-STAINLESSSTEEL,DOUBLEBASIN(1LARGE-1SMALL)
	092303-01-000	EA	STRAINER-SINK
	108464-03-G42	EA	COVERASM-SINK,14.9"X11"-SMALL(H12/H13/H22)
	108464-03-F40	EA	COVERASM-SINK,14.9"X11"-SMALL(H14/H15)
	108464-03-E38	EA	COVERASM-SINK,14.9"X11"-SMALL(H16,H21)
	108464-04-E08	EA	COVERASM-SINK,15"X15"-LARGE(H12/H13/H22)
	108464-04-F40	EA	COVERASM-SINK,15"X15"-LARGE(H14/H15)
	108464-04-E38	EA	COVERASM-SINK,15"X15"-LARGE(H16,H21)
10	098335-07-G42	EA	RAIL-GALLEY-22.2"(H12,H13,H22)
10	098335-07-F40	EA	RAIL-GALLEY-22.2"(H14,H15)
10	098335-07-E38	EA	RAIL-GALLEY-22.2"(H16)
10	098335-07-G36	EA	RAIL-GALLEY-22.2"(H21)
11	122373-13-H13	EA	COUNTERTOP(H12,H13)
11	122373-13-H14	EA	COUNTERTOP(H14,H15)
11	122373-13-H33	EA	COUNTERTOP(H16)
11	122373-14-H21	EA	COUNTERTOP(H21)
11	122373-14-H22	EA	COUNTERTOP(H22)
12	122373-01-H13	EA	CABINET-GALLEY-W/ODOORS/DRAWERS/HARDWARE(H12,H13)
12	122373-01-H14	EA	CABINET-GALLEY-W/ODOORS/DRAWERS/HARDWARE(H14,H15)
12	122373-01-H33	EA	CABINET-GALLEY-W/ODOORS/DRAWERS/HARDWARE(H16)
12	122373-02-H21	EA	CABINET-GALLEY-W/ODOORS/DRAWERS/HARDWARE(H21)
12	122373-02-H22	EA	CABINET-GALLEY-W/ODOORS/DRAWERS/HARDWARE(H22)
	122373-11-H13	EA	SHELFASM
13	M06803-V6-H13	EA	DOOR-MITEREDCORNER/OGEEEDGE-13.8"X28"-W/OHDW(H12/H13/H14/H15/H16)
13	M06803-V6-H21	EA	DOOR-MITEREDCORNER/OGEEEDGE-13.8"X28"-W/OHDW(H21/H22)
14	M06803-W3-H13	EA	DOOR-MITEREDCORNER/OGEEEDGE-13.7"X28"-W/OHDW(H12/H13/H14/H15/H16)
14	M06803-W3-H21	EA	DOOR-MITEREDCORNER/OGEEEDGE-13.7"X28"-W/OHDW(H21/H22)
15	M05971-11-G09	EA	DRAWER-OGEEEDGE-9.9"WX17.7"D-W/OSLIDES/HDW(H12/H13/H14/H15/H16)
15	M05971-11-G13	EA	DRAWER-OGEEEDGE-9.9"WX17.7"D-W/OSLIDES/HDW(H21/H22)
16	M06803-W5-H13	EA	DOOR-MITEREDCORNER/OGEEEDGE-12"X21.8"-W/OHDW(H12/H13/H14/H15/H16)
16	M06803-W5-H21	EA	DOOR-MITEREDCORNER/OGEEEDGE-12"X21.8"-W/OHDW(H21/H22)

**GALLEYGROUP(CONTINUED)**  
**GALLEYCABINETRYW/SLIDEOUTOPTION**

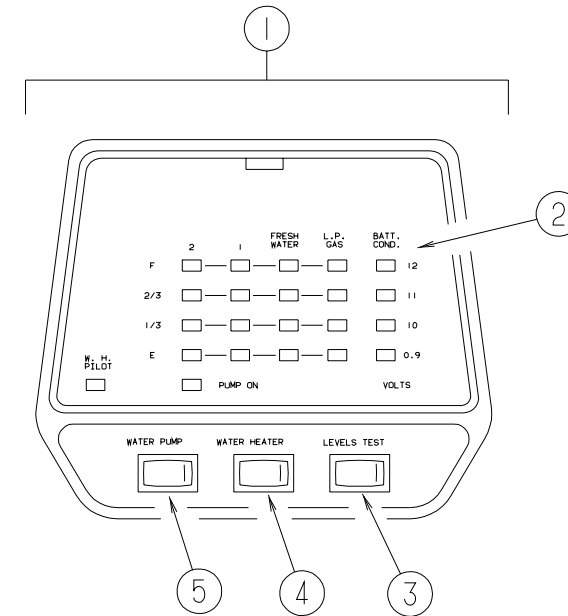


KEY	PARTNUMBER	U/M	DESCRIPTION
1	121329-01-H13	EA	CABINET-A/C SWITCH
2	121328-01-H13	EA	CABINET-MICROWAVE/OVERHEAD-W/ODOORS/HARDWARE
3	M05992-J9-H13	EA	DOOR-MITEREDCORNER/OGEEEDGE-5.1"X22.4"-W/OHDW(H12/H13/H14/H15/H16)
3	M05992-J9-H21	EA	DOOR-MITEREDCORNER/OGEEEDGE-5.1"X22.4"-W/OHDW(H21/H22)
4	081320-16-G09	EA	ENDCAP-OVERHEADCABINET
5	M06803-54-H13	EA	DOOR-MITEREDCORNER/OGEEEDGE-15"X21.8"-W/OHDW(H12/H13/H14/H15/H16)
5	M06803-54-H21	EA	DOOR-MITEREDCORNER/OGEEEDGE-15"X21.8"-W/OHDW(H21/H22)
5	M06803-V3-H21	EA	DOOR-MITEREDCORNER/OGEEEDGE-15"X21.8"-W/OHDW(H21/H22) DECORATORDOOROPTION-RAISED PANEL
6	122310-01-H13	EA	CABINET-OVERHEAD/GALLEY-W/ODOORS/HARDWARE
7	081320-20-G09	EA	ENDCAP-CABINETFRONT
8	103243-01-000	EA	FAUCET-GALLEY,DUALCONTROL-P5043(H12/H13/H14/H15/H16)
8	104114-02-01A	EA	FAUCET-GALLEY,SINGLECONTROL(H21/H22)
9	103635-01-000	EA	FAUCET-SINGLECONTROL,(WATERPURIFIER)EVERPURE 5435-00 (H21/H22)(MCCLAINANNIVERSARYOPTION)
	110654-01-000	EA	SINK-STAINLESSSTEEL,DOUBLEBASIN(1LARGE-1SMALL)
	092303-01-000	EA	STRAINER-SINK
	108464-03-G42	EA	COVERASM-SINK,14.9"X11"-SMALL(H12/H13/H22)
	108464-03-F40	EA	COVERASM-SINK,14.9"X11"-SMALL(H14/H15)
	108464-03-E38	EA	COVERASM-SINK,14.9"X11"-SMALL(H16,H21)
	108464-04-E08	EA	COVERASM-SINK,15"X15"-LARGE(H12/H13/H22)
	108464-04-F40	EA	COVERASM-SINK,15"X15"-LARGE(H14/H15)
	108464-04-E38	EA	COVERASM-SINK,15"X15"-LARGE(H16,H21)
10	098335-07-G42	EA	RAIL-GALLEY-22.2"(H12,H13,H22)
10	098335-07-F40	EA	RAIL-GALLEY-22.2"(H14,H15)
10	098335-07-E38	EA	RAIL-GALLEY-22.2"(H16)
10	098335-07-G36	EA	RAIL-GALLEY-22.2"(H21)
11	122345-13-H13	EA	COUNTERTOP-GALLEY(H12,H13)
11	122345-13-H14	EA	COUNTERTOP-GALLEY(H14,H15)
11	122345-13-H33	EA	COUNTERTOP-GALLEY(H16)
11	122345-14-H21	EA	COUNTERTOP-GALLEY(H21)
11	122345-14-H22	EA	COUNTERTOP-GALLEY(H22)
12	122345-01-H13	EA	CABINET-GALLEY-W/ODOORS/DRAWERS/HARDWARE(H12,H13)
12	122345-01-H14	EA	CABINET-GALLEY-W/ODOORS/DRAWERS/HARDWARE(H14,H15)
12	122345-01-H33	EA	CABINET-GALLEY-W/ODOORS/DRAWERS/HARDWARE(H16)
12	122345-02-H21	EA	CABINET-GALLEY-W/ODOORS/DRAWERS/HARDWARE(H21)
12	122345-02-H22	EA	CABINET-GALLEY-W/ODOORS/DRAWERS/HARDWARE(H22)
	122345-11-H13	EA	SHELF-W/PLASTICEDGETRIM
13	M06803-09-G09	EA	DOOR-MITEREDCORNER/OGEEEDGE-9"X26"-W/OHDW(H12/H13/H14/H15/H16)
13	M06803-09-G13	EA	DOOR-MITEREDCORNER/OGEEEDGE-9"X26"-W/OHDW(H21/H22)
14	M06803-08-G09	EA	DOOR-MITEREDCORNER/OGEEEDGE-8.8"X27"-W/OHDW(H12/H13/H14/H15/H16)
14	M06803-08-G13	EA	DOOR-MITEREDCORNER/OGEEEDGE-8.8"X27"-W/OHDW(H21/H22)
15	M05971-11-G09	EA	DRAWER-OGEEEDGE-9.9"WX17.7"D-W/OSLIDES/HDW(H12/H13/H14/H15/H16)
15	M05971-11-G13	EA	DRAWER-OGEEEDGE-9.9"WX17.7"D-W/OSLIDES/HDW(H21/H22)
16	M05992-J0-H13	EA	DOOR-OGEEEDGE-6.28"X12"-W/OHARDWARE(H12/H13/H14/H15/H16)
16	M05992-J0-H21	EA	DOOR-OGEEEDGE-6.28"X12"-W/OHARDWARE(H21/H22)
17	M06803-W5-H13	EA	DOOR-MITEREDCORNER/OGEEEDGE-12"X21.8"-W/OHDW(H12/H13/H14/H15/H16)
17	M06803-W5-H21	EA	DOOR-MITEREDCORNER/OGEEEDGE-12"X21.8"-W/OHDW(H21/H22)

**GALLEYGROUP(CONTINUED)**



**GALLEYGROUP(CONTINUED)**



**PANTRYANDREFRIGERATORCABINERY**

KEY	PARTNUMBER	U/M	DESCRIPTION
1	122325-03-H13	EA	CABINET-PANTRY/RIGHTHANDSLIDING-W/OSLIDES/HARDWARE
2	M06803-V7-H13	EA	DOOR-MITEREDCORNER/OGEEEDGE-9"X64"-W/OHDW(H12/H13/H14/H15/H16)
2	M06803-V7-H21	EA	DOOR-MITEREDCORNER/OGEEEDGE-9"X64"-W/OHDW(H21/H22)
3	122360-02-000	EA	SLIDE-PANTRY-W/OLOCK-RIGHT&LEFTHAND
	122360-01-000	EA	SLIDE-PANTRY-W/LOCK-LEFTHAND
	122360-03-000	EA	SLIDE-PANTRY-W/LOCK-RIGHTHAND
	123673-01-01A	EA	KNOB-PANTRYSLIDE
4	M05971-AC-H13	EA	DRAWER-OGEEEDGE-22.5"WX23.6"D-W/OSLIDE/HDW(H12/H13/H14/H15/H16)
4	M05971-AC-H21	EA	DRAWER-OGEEEDGE-22.5"WX23.6"D-W/OSLIDE/HDW(H21/H22)
5	M05971-AD-H13	EA	DRAWER-OGEEEDGE-17.2"WX13.8"D-W/OSLIDE/HDW(H12/H13/H14/H15/H16)
5	M05971-AD-H21	EA	DRAWER-OGEEEDGE-17.2"WX13.8"D-W/OSLIDE/HDW(H21/H22)
	090329-01-000	FT	SEAL-T,REFRIGERATORCABINET-.6"WIDETOPX2"TAIL

**LVSMONITORPANEL**

KEY	PARTNUMBER	U/M	DESCRIPTION	VENDORNO.
1	102765-04-01A	EA	PANEL-MONITOR,W/PLUG-FOR2TANKS&WATERHEATER	
2	102765-04-700	EA	BOARD-CIRCUIT,2HOLDINGTANK	5076-11
3	097617-01-702	EA	SWITCH(ALMOND)	107
4	097617-01-701	EA	SWITCH-ON/OFF,ALMOND	106
5	102765-01-700	EA	SWITCH-ON-ON,ALMOND	110-01

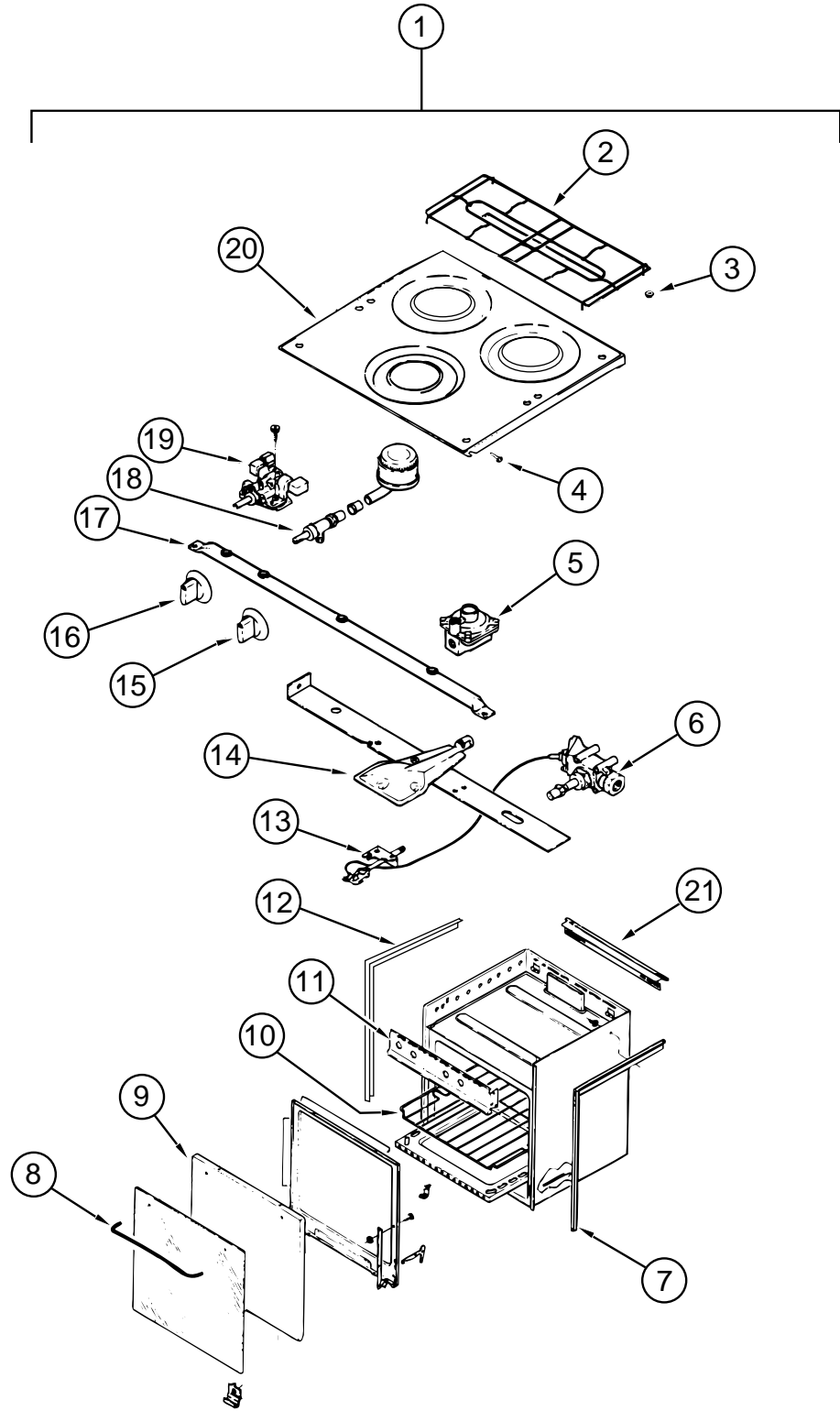
**MAGICCHEFMICROWAVEOVEN**

KEY	PARTNUMBER	U/M	DESCRIPTION
	115303-02-000	EA	OVEN-MICROWAVE-MAGICCHEFMCD-DM46K-15B
	115401-02-01A	EA	TRIM-MICROWAVE,BLACK
	094750-07-000	EA	BRACKET-MICROWAVE,89DEGREE-STEEL
	098916-16-02B	EA	BRACE-MICROWAVECABINET,LEFT-7.5"X7.5"-E-COATSTEEL
	098916-17-02B	EA	BRACE-MICROWAVECABINET,RIGHT-7.5"X7.5"-E-COATSTEEL

**COFFEEMAKER**

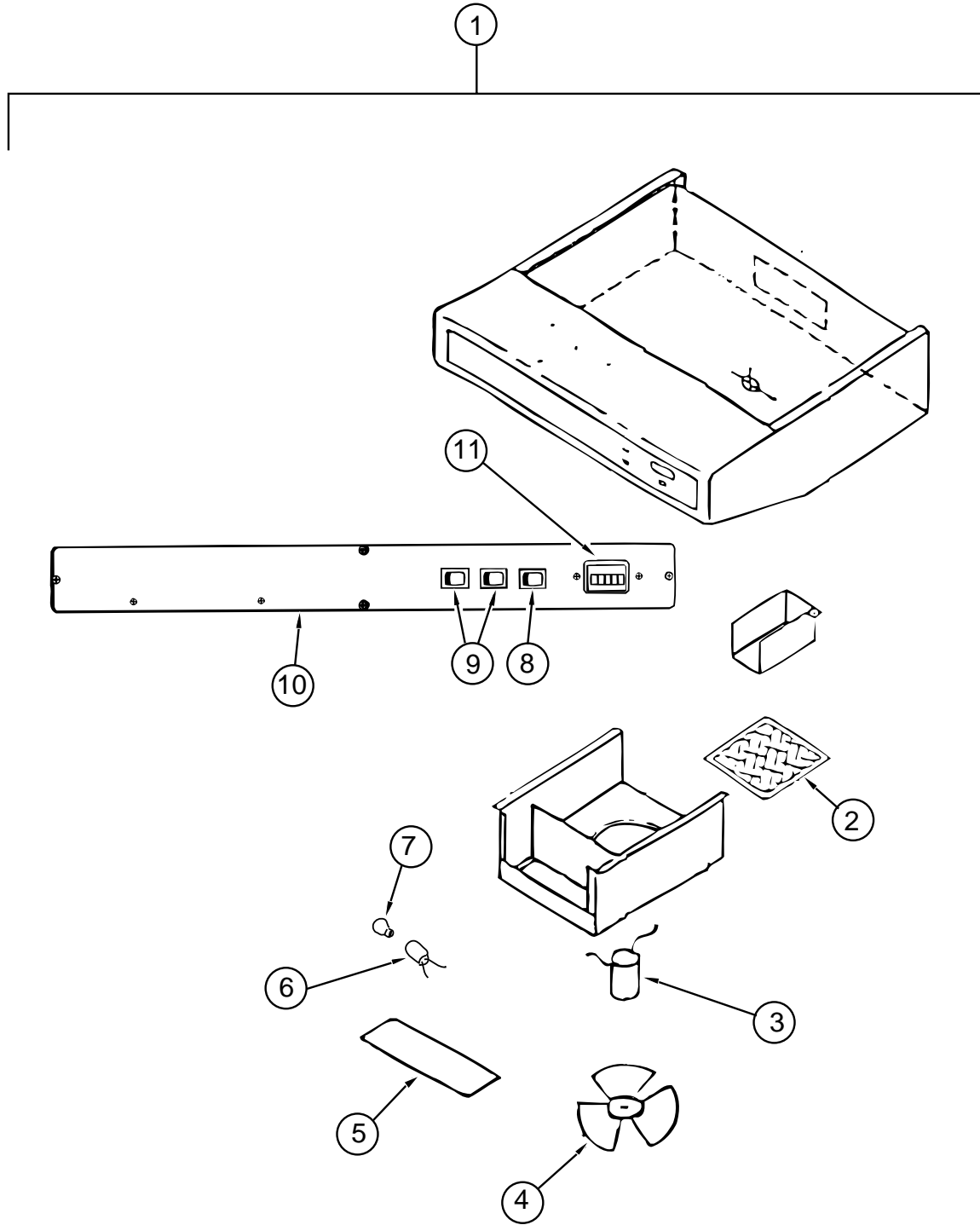
KEY	PARTNUMBER	U/M	DESCRIPTION	VENDORNO.
	103799-02-01A	EA	COFFEEMAKERWITHCLOCK,WHITE-BLACK&DECKERSDC2B	
			FROM: 00-00-00 THRU: 04-13-97	
	103799-01-700	EA	CARAFE-GLASSPOT-BLACK&DECKER	679420
			FROM: 00-00-00 THRU: 04-13-97	
	103799-01-701	EA	BRACKETS-WHITE,PAIR-BLACK&DECKER	164734-06
			FROM: 00-00-00 THRU: 04-13-97	
	126019-01-01A	EA	COFFEEMAKER-OPTIMA-W/BRACKETS	
			FROM: 04-14-97 THRU: 99-99-99	

**GALLEYGROUP(CONTINUED)**  
**MAGICCHEFRANGE**



KEY	PARTNUMBER	U/M	DESCRIPTION	VENDORNO.
1	112881-01-04A	EA	RANGE - 16", 3BURNER -MAGICCHEF 16RB-3B49	
2	102020-01-711	EA	GRATE-TOP	7518P012-60
3	102020-01-709	EA	BUMPER-GRATE	8007-P020-60
4	102020-01-724	EA	BUMPER-MAINTOP	8003P008-60
5	102022-01-708	EA	REGULATOR-PRESSURE, 1/4IN1/2OUT	7510P041-60
6	112881-01-702	EA	VALVE-MERCURY, SAFETYVALVE	7501-P121-60
7	112881-01-720	EA	TRIM-FLAT, RIGHT-BLACKTEXTURED	74002813
8	102020-01-701	EA	HANDLE-DOOR	7701P092-60
9	112881-01-713	EA	DOOR-OVEN, TEXTURED	2401F079-70
10	102020-01-700	EA	SHELF-OVEN	7801-P027-60
11	112881-01-701	EA	MANIFOLDPANEL	2616F091-70
12	112881-01-707	EA	TRIM-FLAT, LEFT-BLACKTEXTURED	74002812
13	112881-01-710	EA	PILOT-OVEN	7505P202-60
14	112881-01-711	EA	BURNERASSEMBLY-OVEN	3404W025045
15	112881-01-705	EA	KNOB-TOPBURNER	7733P072-60
15	112881-01-718	EA	KNOB-HIGHOUTPUT, FLAMEINDICATOR, MAGICCHEF	74001794
16	112881-01-704	EA	KNOB-THERMOSTAT	7731P067-60
16	112881-01-716	EA	KNOB-THERMOSTAT, REF. SER. #3C	7731P107-60
17	112881-01-709	EA	PIPE-MANIFOLD	7513P097-60
18	102020-01-722	EA	VALVE-TOPBURNER	7502P181-60
18	112881-01-703	EA	VALVE-TOPBURNER, HI-OUTPUT	7502P180-60
19	112881-01-706	EA	THERMOSTAT-REF. SER. #2C	12400026
19	112881-01-715	EA	THERMOSTAT-REF. SER. #3C	7515P037-60
19	112881-01-722	EA	THERMOSTAT-REF. SER. #1C, 11, 12, 13, ETC. -HARPER-WYMAN	7515P029-60
20	112881-01-712	EA	TOP-MAIN, BLACK	740101486
21	112881-01-721	EA	DEFLECTOR-FLUE, BLACKTEXTURED	74002809
	105458-03-000	EA	BRACKET-STOVETIEDOWN-RIGHTHAND	
	105458-04-000	EA	BRACKET-STOVETIEDOWN-LEFTHAND	

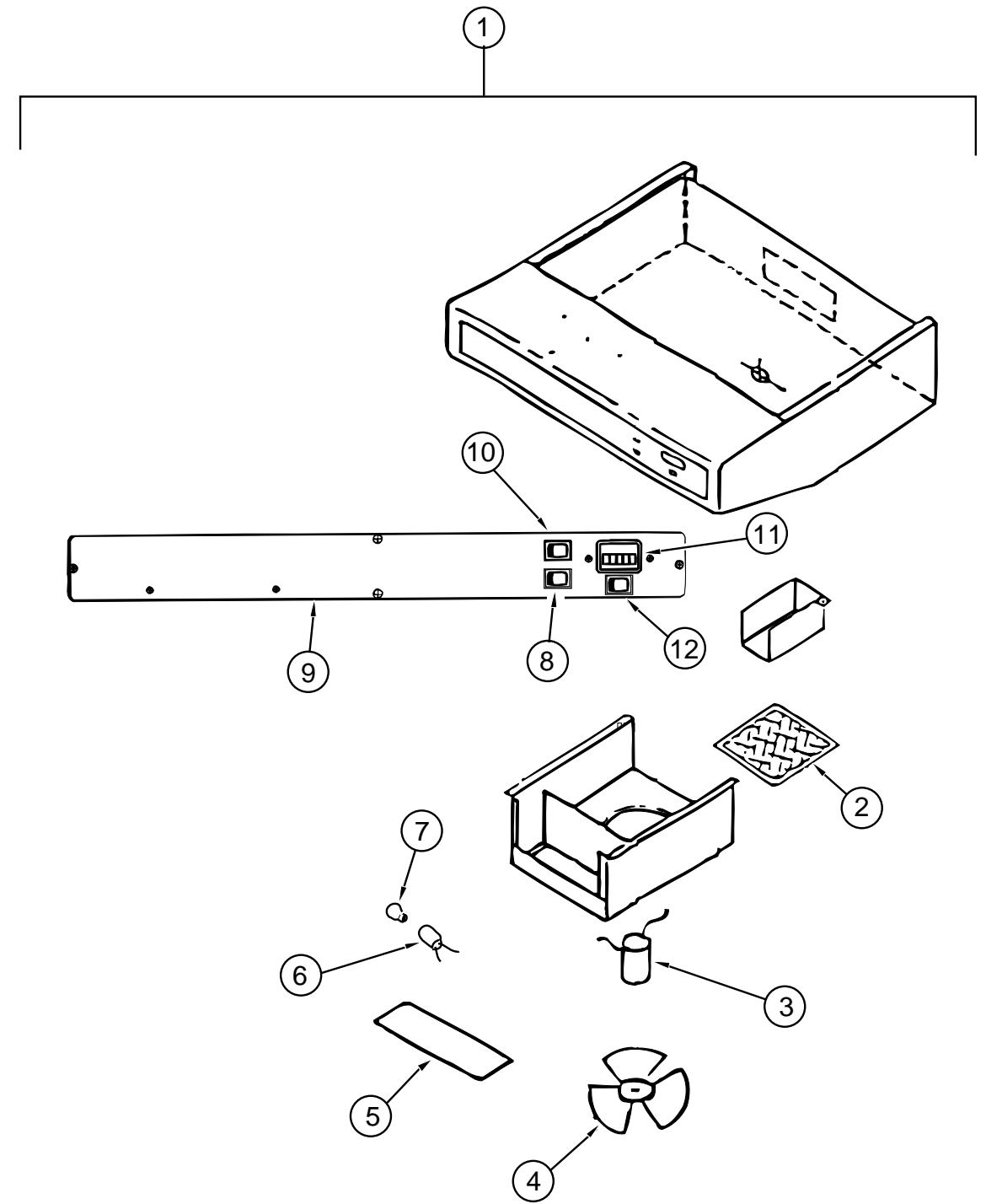
**GALLEYGROUP(CONTINUED)**



**RANGEHOOD-US-GENERATOROPTIONS**

KEY	PARTNUMBER	U/M	DESCRIPTION	VENDORNO.
1	100258-18-03A	EA	HOOD-RANGE, W/OMONITORPANEL-VENTLINETP-55009-SBO-LG	
2	096983-01-707	EA	FILTER-MESH	CC246
3	090973-01-700	EA	MOTOR-12VOLT, CSA&UL	CA508-1
4	090973-01-702	EA	BLADE-FAN	VA183-1
5	092696-02-701	EA	LENS-LAMP	CC179-2
6	092696-01-710	EA	HOLDER-LAMP	CB267-2
7	092696-01-709	EA	LAMP#912	VA415
8	096983-01-702	EA	SWITCH-MOM/MOM	112
9	096983-01-700	EA	SWITCH-ON/OFF	108
10	100258-01-700	EA	LABEL-HOODNOSE	CC428
11	100258-10-01A	EA	GAUGE-HOURMETERW/SWITCH-SCREWONSTYLE-150	
11	100258-10-701	EA	GAUGE-HOURMETER, CLIPON	L0775-00

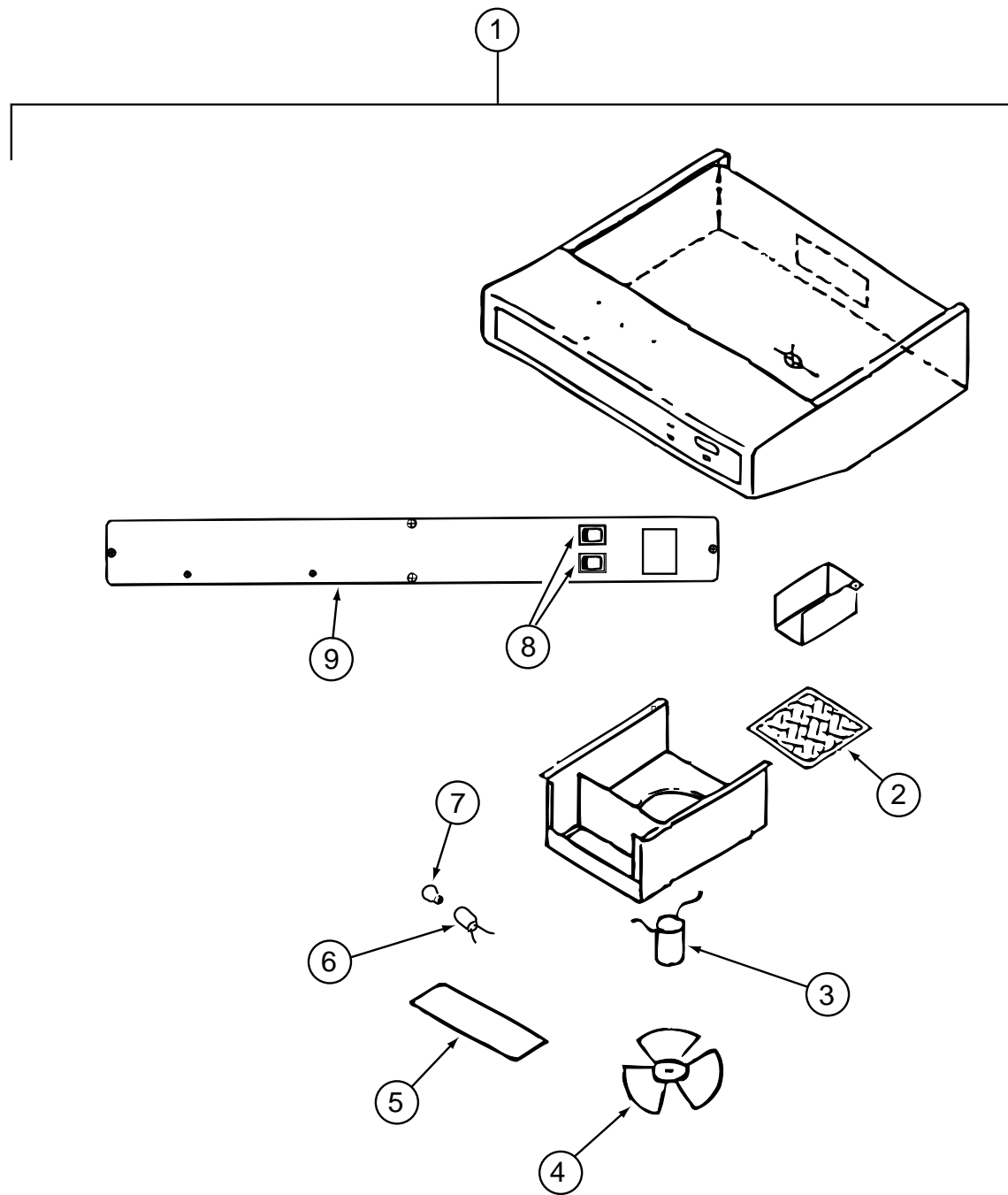
**GALLEYGROUP(CONTINUED)**



**RANGEHOOD-CANADIAN**

KEY	PARTNUMBER	U/M	DESCRIPTION	VENDORNO.
1	100258-17-04A	EA	HOOD-RANGE, W/OMONITORPANELVENTLINETCS500-NBCLG	
2	096983-01-707	EA	FILTER-MESH	CC246
3	090973-01-700	EA	MOTOR-12VOLT, CSA&UL	CA508-1
4	090973-01-702	EA	BLADE-FAN	VA183-1
5	092696-02-701	EA	LENS-LAMP	CC179-2
6	092696-01-710	EA	HOLDER-LAMP	CB267-2
7	092696-01-709	EA	LAMP#912	VA415
8	096983-01-700	EA	SWITCH-ON/OFF	108
9	100258-01-700	EA	LABEL-HOODNOSE	CC428
10	096983-01-702	EA	SWITCH-MOM/MOM	112
11	100258-10-01A	EA	GAUGE-HOURMETERW/SWITCH-SCREWON(OPTION)-150	
11	100258-10-701	EA	GAUGE-HOURMETER, CLIPON(OPTION)	L0775-00
12	096983-01-702	EA	SWITCH-MOM/MOM(OPTION)	112

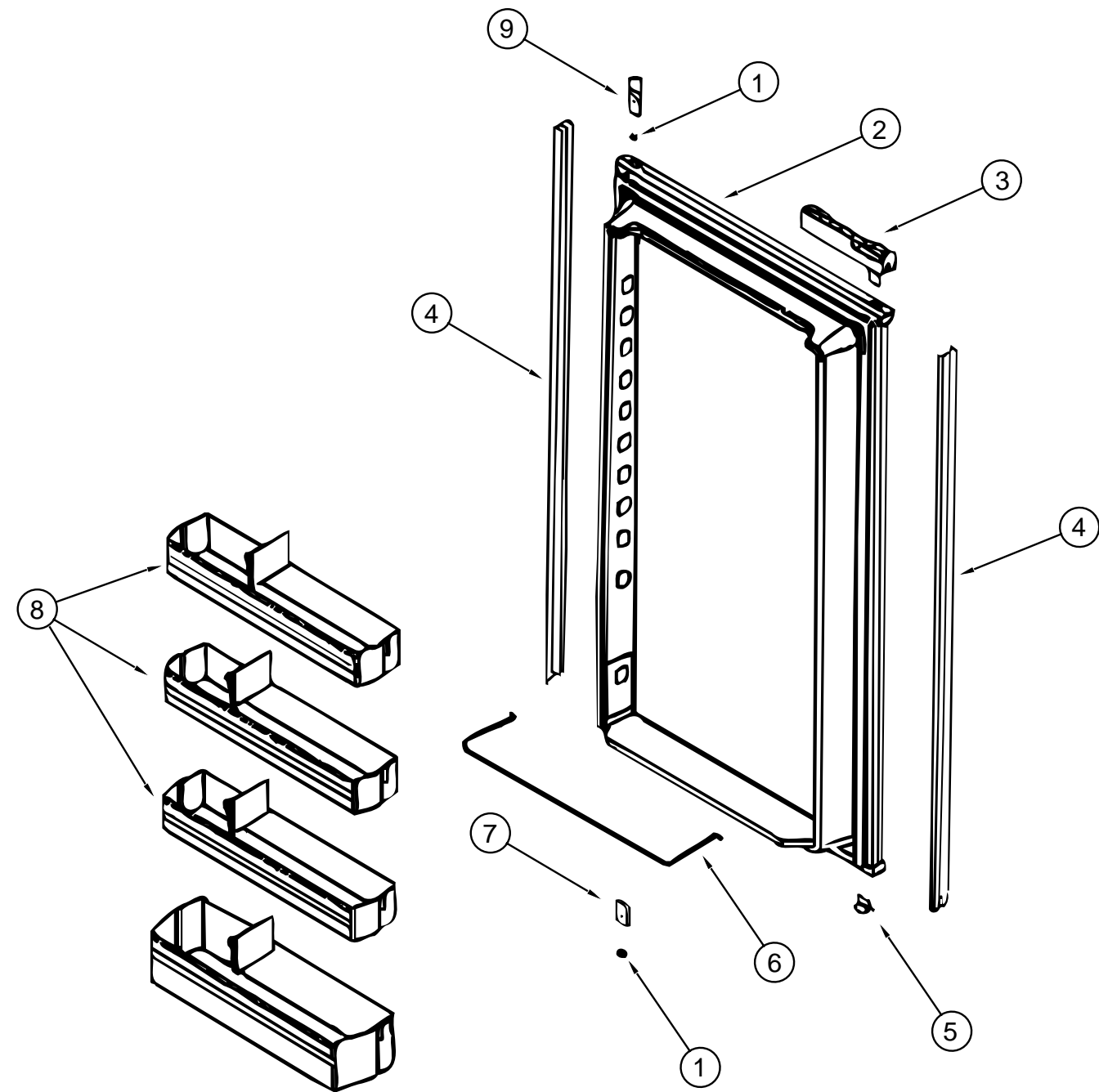
**GALLEY GROUP (CONTINUED)**



**RANGE HOOD - US - STANDARD**

KEY	PART NUMBER	U/M	DESCRIPTION	VENDOR NO.
1	100258-16-04A	EA	HOOD-RANGE, W/O MONITOR PANEL - VENTLINE TCS-5008-NBDLG	
2	096983-01-707	EA	FILTER-MESH	CC246
3	090973-01-700	EA	MOTOR-12 VOLT, CSA & UL	CA508-1
4	090973-01-702	EA	BLADE-FAN	VA183-1
5	092696-02-701	EA	LENS-LAMP	CC179-2
6	092696-01-710	EA	HOLDER-LAMP	CB267-2
7	092696-01-709	EA	LAMP #912	VA415
8	096983-01-700	EA	SWITCH-ON/OFF	108
9	100258-01-700	EA	LABEL-HOOD NOSE	CC428
10	096983-01-702	EA	SWITCH-MOM/MOM	112

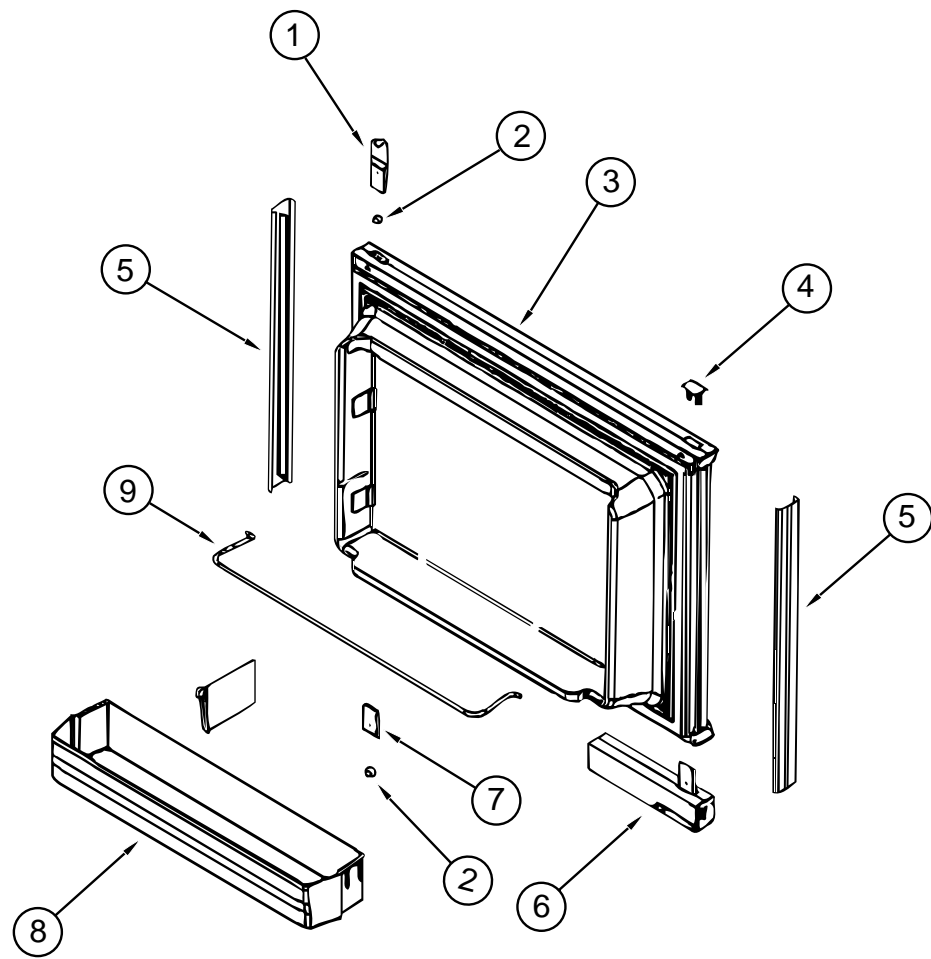
**GALLEY GROUP (CONTINUED)**



**NORCOLD MODEL 9162 R REFRIGERATOR LOWER DOOR**

KEY	PART NUMBER	U/M	DESCRIPTION	VENDOR NO.
	121568-01-01A	EA	REFRIGERATOR-DOUBLE DOOR, 2-WAY	
1	120075-01-708	EA	BUSHING-DOOR HINGE	618144
2	120075-01-710	EA	DOOR-LOWER, FOAMED W/GASKET	618270
3	120075-01-711	EA	HANDLE ASSEMBLY-UPPER RH/LOWER LH	618235
4	120076-01-700	EA	RETAINER-LOWER DOOR PANEL	618132
5	120075-01-702	EA	CAP-HINGE PLUG	618160
6	121568-01-704	EA	RAIL-DOOR, LOWER	618578
7	120075-01-705	EA	HINGE-PAINTED, TOP LH/BOTTOM RH	618510

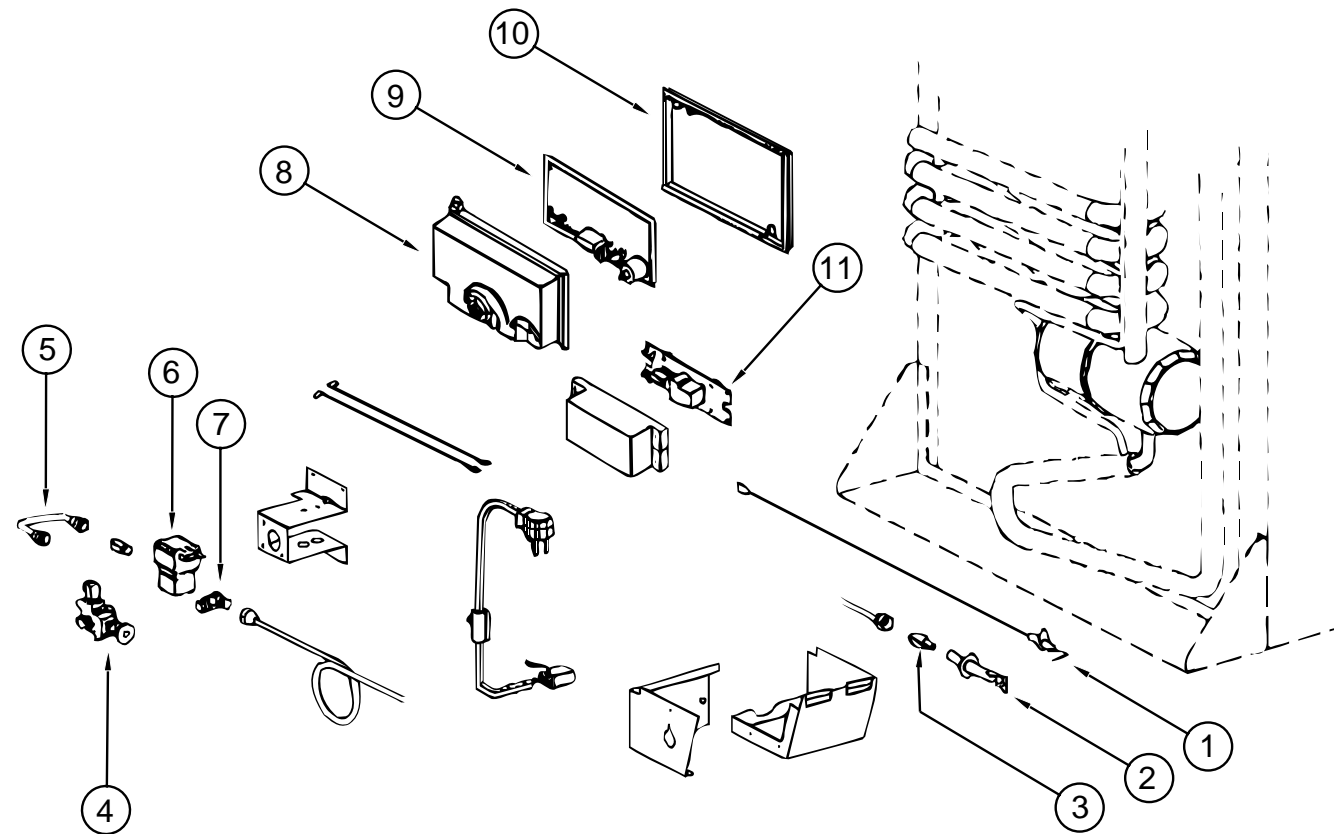
**GALLEYGROUP(CONTINUED)**



**NORCOLDMODEL9162RREFRIGERATORUPPERDOOR**

KEY	PARTNUMBER	U/M	DESCRIPTION	VENDORNO.
	121568-01-01A	EA	REFRIGERATOR-DOUBLEDOOR,2-WAY	
1	120075-01-701	EA	HINGE-TOPRH/BOTTOMLH,PAINTED	618511
2	120075-01-708	EA	BUSHING-DOORHINGE	618144
3	120075-01-703	EA	DOORASSEMBLY-FOAMED,W/GASKET	618205
4	120075-01-702	EA	CAP-HINGEPLUG	618160
5	120075-01-700	EA	RETAINER-DOOR,DECORPANEL	618128
6	121568-01-702	EA	HANDLEASSEMBLY-DOOR,LOWERLH/TOPRH	618230
7	120075-01-705	EA	HINGE-PAINTED,TOPLH/BOTTOMRH	618510
8	121568-01-701	EA	BIN-DOOR,WHITE	618619
9	121568-01-700	EA	RAIL-DOOR,UPPER	618618

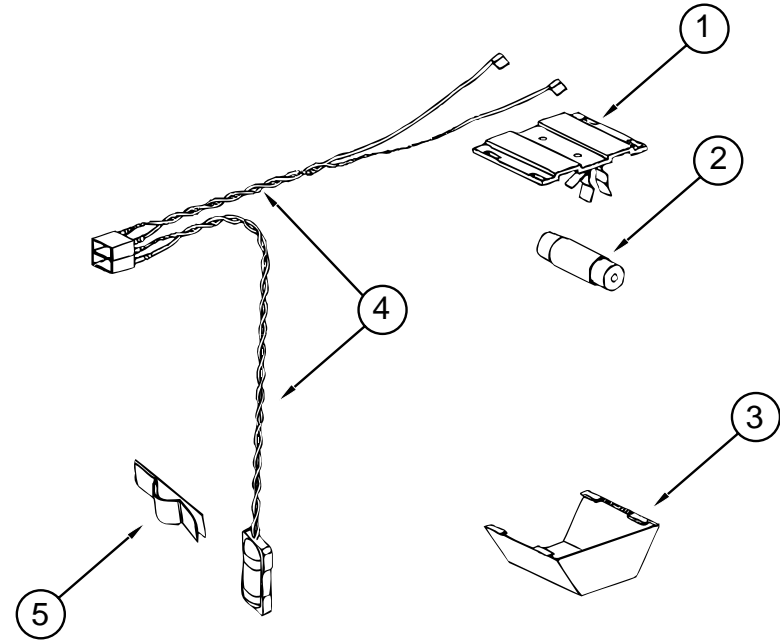
**GALLEYGROUP(CONTINUED)**



**NORCOLDMODEL9162RREFRIGERATORBURNER&POWERBOARDS**

KEY	PARTNUMBER	U/M	DESCRIPTION	VENDORNO.
	121568-01-01A	EA	REFRIGERATOR-DOUBLEDOOR,2-WAY	
1	104137-06-715	EA	ELECTRODE-SPARK/SENSOR,SGL	61692222
2	104137-06-714	EA	BURNERASSEMBLY,5SLOT	61705222
3	120076-01-705	EA	ORIFICE-JEWEL,.015	618283
4	104137-06-709	EA	VALVE-SHUTOFF,MANUAL	61694922
5	113737-01-750	EA	TUBE-UNION	61694622
6	084880-01-718	EA	VALVE-GAS,ASCO	61551822
7	113737-01-716	EA	TAP-PRESSURE	61594422
8	120075-01-738	EA	COVER-POWERBOARD	618185
9	120075-01-739	EA	BOARD-POWER,2-WAY	618198
9	121568-01-710	EA	BOARD-POWER,3-WAY	618575
10	120075-01-740	EA	COVER-BASE,POWERBOARD	618186
11	121568-01-711	EA	BOARD-MODULE,DC	618561
	113737-01-702	EA	PLUG-1/8" F/PRESSURETAP	61445322

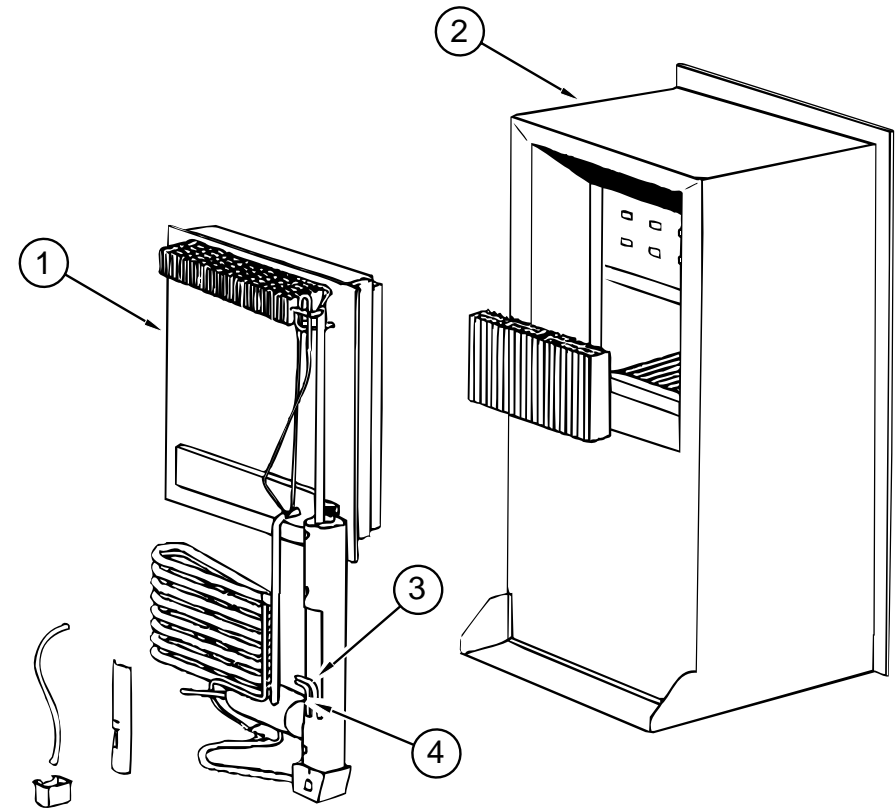
**GALLEYGROUP(CONTINUED)**



**NORCOLDMODEL9162RREFRIGERATORLAMPASM**

KEY	PARTNUMBER	U/M	DESCRIPTION	VENDORNO.
	121568-01-01A	EA	REFRIGERATOR-DOUBLEDOOR,2-WAY	
1	084880-03-705	EA	BRACKET-LIGHT,INTERIOR	61629722
2	084880-03-706	EA	BULB-LAMP	61628922
3	084880-03-707	EA	COVER-LAMP,LENS	61627922
4	120075-01-735	EA	WIREASSEMBLY-LAMP	618548
5	084880-01-760	EA	CLIP-THERMISTER	61689122

**GALLEYGROUP(CONTINUED)**

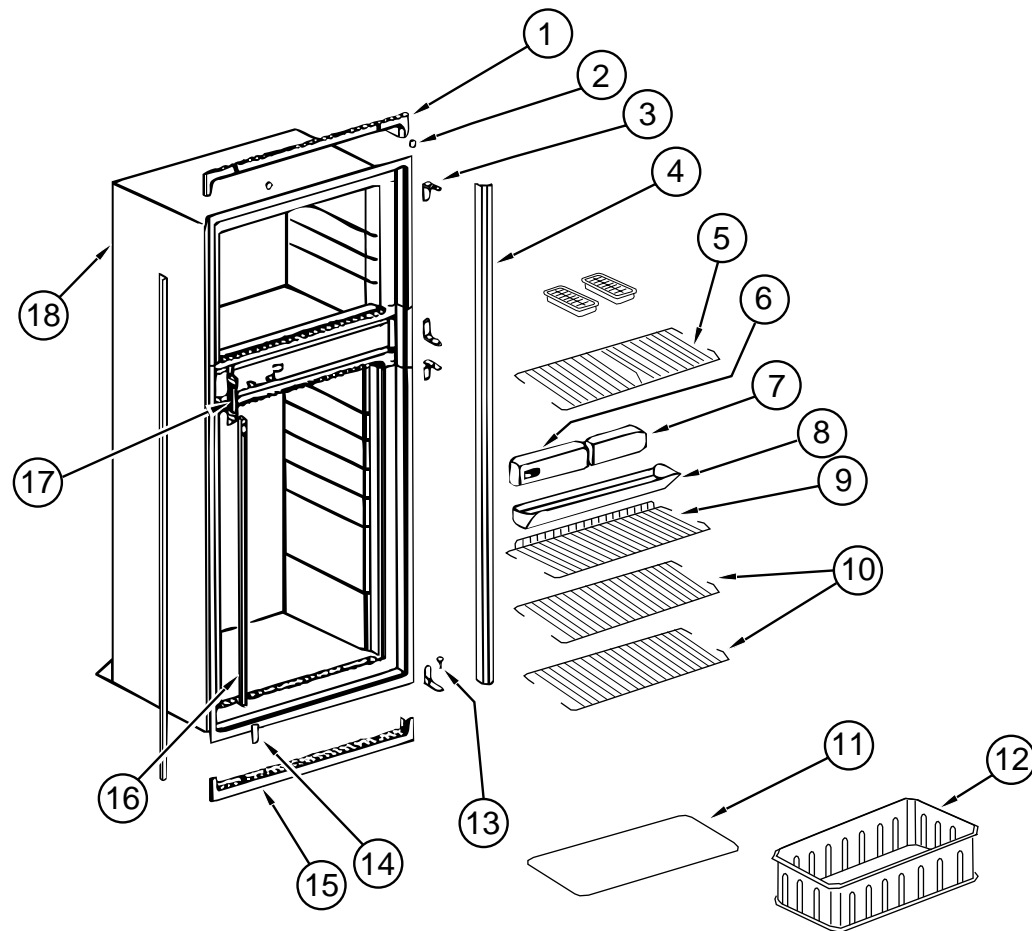


**NORCOLDMODEL9162RREFRIGERATORCOOLINGUNIT,CABINET,&HEATERS**

KEY	PARTNUMBER	U/M	DESCRIPTION	VENDORNO.
	121568-01-01A	EA	REFRIGERATOR-DOUBLEDOOR,2-WAY	
1	120076-01-704	EA	COOLINGUNIT-SERVICEPACK	618543
2	120076-01-703	EA	CABINET-FOAMED	618260
3	088248-01-710	EA	HEATER-DC,HORIZONTAL	61562822
4	088248-01-709	EA	HEATER-AC,HORIZONTAL	61562722



## GALLEYGROUP(CONTINUED)



### NORCOLD MODEL 9162R REFRIGERATOR CABINET ASM WITH TRAY, TIEDOWNS & LEVEL

KEY	PARTNUMBER	U/M DESCRIPTION	VENDOR NO.
	121568-01-01A	EA REFRIGERATOR-DOUBLE DOOR, 2-WAY	
1	120075-01-713	EA TRIM-TOPPIECE	618124
2	120075-01-714	EA PLUG-HOLE	618170
3	120075-01-715	EA HINGE-CABINET SIDE, PAINTED	618512
	120075-01-708	EA BUSHING-DOOR HINGE	618144
4	120076-01-702	EA TRIM, SIDEPIECE	618133
5	121568-01-705	EA SHELF-WIRE, FREEZER	618620
6	121568-01-706	EA CONTROL BOX ASSEMBLY	618588
7	120075-01-718	EA BOX-FILLER	618112
8	120075-01-720	EA TRAY-DRIP	618137
	120075-01-721	EA LOUVER-DRIP TRAY	618176
9	121568-01-707	EA SHELF-WIRE, SHORT	618624
10	121568-01-708	EA SHELF-WIRE	618589
11	120075-01-725	EA COVER-CRISPER	618158
12	121568-01-709	EA CRISPER	618571
13	120075-01-727	EA PIN-HINGE	618145
14	120075-01-728	EA COVER-HINGE HOLE	618171
15	120075-01-729	EA TRIM-BOTTOMPIECE	618136
16	120075-01-730	EA RETAINER-SHELF	618181
17	120075-01-732	EA PLATE-STRIKE	618167
18	120076-01-703	EA CABINET-FOAMED	618260
	120075-01-731	EA PLUG-FACADE	618184
	116751-05-01A	EA TRAY-REFRIGERATOR	
	054450-01-000	EA LEVEL-REFRIGERATOR	
	065225-02-000	EA PLATE-TIEDOWN, REFRIGERATOR	
	093646-01-000	EA BRACKET ASM-TIEDOWN, REFRIGERATOR-RH	
	093646-02-000	EA BRACKET ASM-TIEDOWN, REFRIGERATOR-LH	

## GENERATOR GROUP 5,000 WATT ONAN EMERALD PLUS-EXPORT

KEY	PARTNUMBER	U/M DESCRIPTION
	100975-03-000	EA GENERATOR-5. KW EMERALD PLUS
	007125-03-000	EA CLAMP-MUFFLER-1.5" DIAMETER
	007125-04-000	EA CLAMP-MUFFLER-1.12" DIAMETER
	007131-01-000	EA HANGER-TAILPIPE-6 SLOTS
	082272-01-000	EA MUFFLER-GENERATOR
	094059-01-000	EA SPACER-GENERATOR-ONAN
	007067-01-000	SF INSULATION-FIBERGLASS-1" THICK X 4'-INCREMENTS/4SF
	079654-05-000	EA PIPE-EXHAUST-ANGLED W/FLANGE-2" ID
	105958-03-000	EA PIPE-GENERATOR EXHAUST 1.5" ODX 4.4" X 15.7"

### 4,000 WATT ONAN LOW PRO

KEY	PARTNUMBER	U/M DESCRIPTION
	100974-01-000	EA GENERATOR-4 KW EMERALD PLUS-ONAN BGE-FA26100G
	007067-01-000	SF INSULATION-FIBERGLASS-1" THICK X 4'-INCREMENTS/4SF
	007125-03-000	EA CLAMP-MUFFLER-1.5" DIAMETER
	007125-04-000	EA CLAMP-MUFFLER-1.12" DIAMETER
	007131-01-000	EA HANGER-TAILPIPE-6 SLOTS
	079654-05-000	EA PIPE-EXHAUST-ANGLED W/FLANGE-2" ID
	081364-03-000	EA MUFFLER-GENERATOR-ONAN
	094059-01-000	EA SPACER-GENERATOR-ONAN
	106602-01-000	EA PIPE-EXHAUST-GENERATOR
	106607-01-000	EA ANGLE-SUPPORT-EXHAUST

### 5,000 WATT ONAN

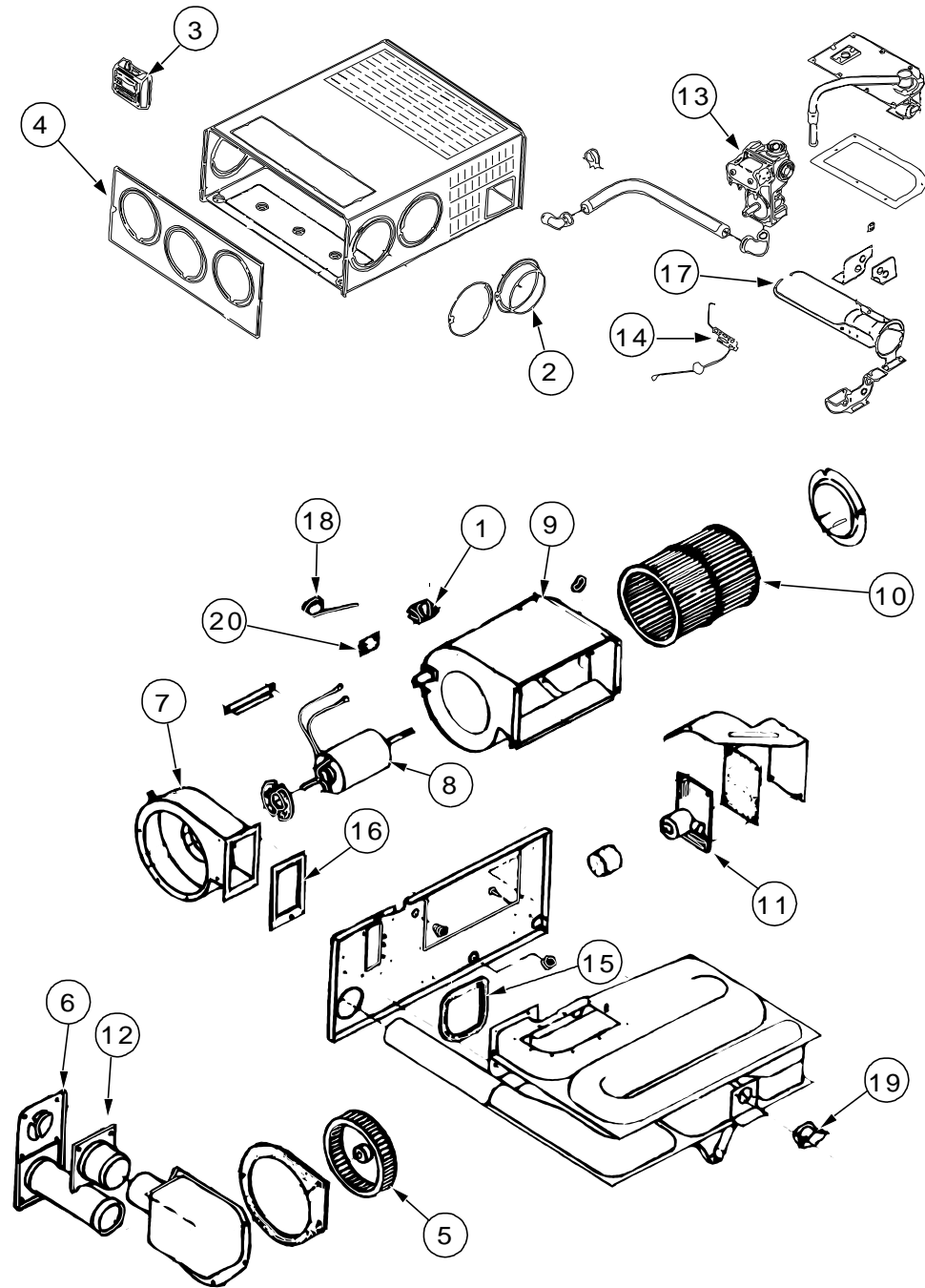
KEY	PARTNUMBER	U/M DESCRIPTION
	109303-01-000	EA GENERATOR-5 KW-EMERALD PLUS
	007067-01-000	SF INSULATION-FIBERGLASS-1" THICK X 4'-INCREMENTS/4SF
	007125-03-000	EA CLAMP-MUFFLER-1.5" DIAMETER
	007125-04-000	EA CLAMP-MUFFLER-1.12" DIAMETER
	007131-01-000	EA HANGER-TAILPIPE-6 SLOTS
	079654-05-000	EA PIPE-EXHAUST-ANGLED W/FLANGE-2" ID
	094059-01-000	EA SPACER-GENERATOR-ONAN
	082272-01-000	EA MUFFLER-GENERATOR
	105958-03-000	EA PIPE-GENERATOR EXHAUST 1.5" ODX 4.4" X 15.7"
	007125-03-000	EA CLAMP-MUFFLER-1.5" DIAMETER
	008401-01-000	EA STRAP-CONDUIT-3/4"-1 HOLE-GALVANIZED STEEL

### 6,500 WATT ONAN LOW PRO

KEY	PARTNUMBER	U/M DESCRIPTION
	100975-01-000	EA GENERATOR-6.5 KW EMERALD PLUS
	007067-01-000	SF INSULATION-FIBERGLASS-1" THICK X 4'-INCREMENTS/4SF
	007125-03-000	EA CLAMP-MUFFLER-1.5" DIAMETER
	007125-04-000	EA CLAMP-MUFFLER-1.12" DIAMETER
	007131-01-000	EA HANGER-TAILPIPE-6 SLOTS
	079654-05-000	EA PIPE-EXHAUST-ANGLED W/FLANGE-2" ID
	082272-01-000	EA MUFFLER-GENERATOR
	094059-01-000	EA SPACER-GENERATOR-ONAN
	105958-03-000	EA PIPE-GENERATOR EXHAUST 1.5" ODX 4.4" X 15.7"
	007125-03-000	EA CLAMP-MUFFLER-1.5" DIAMETER

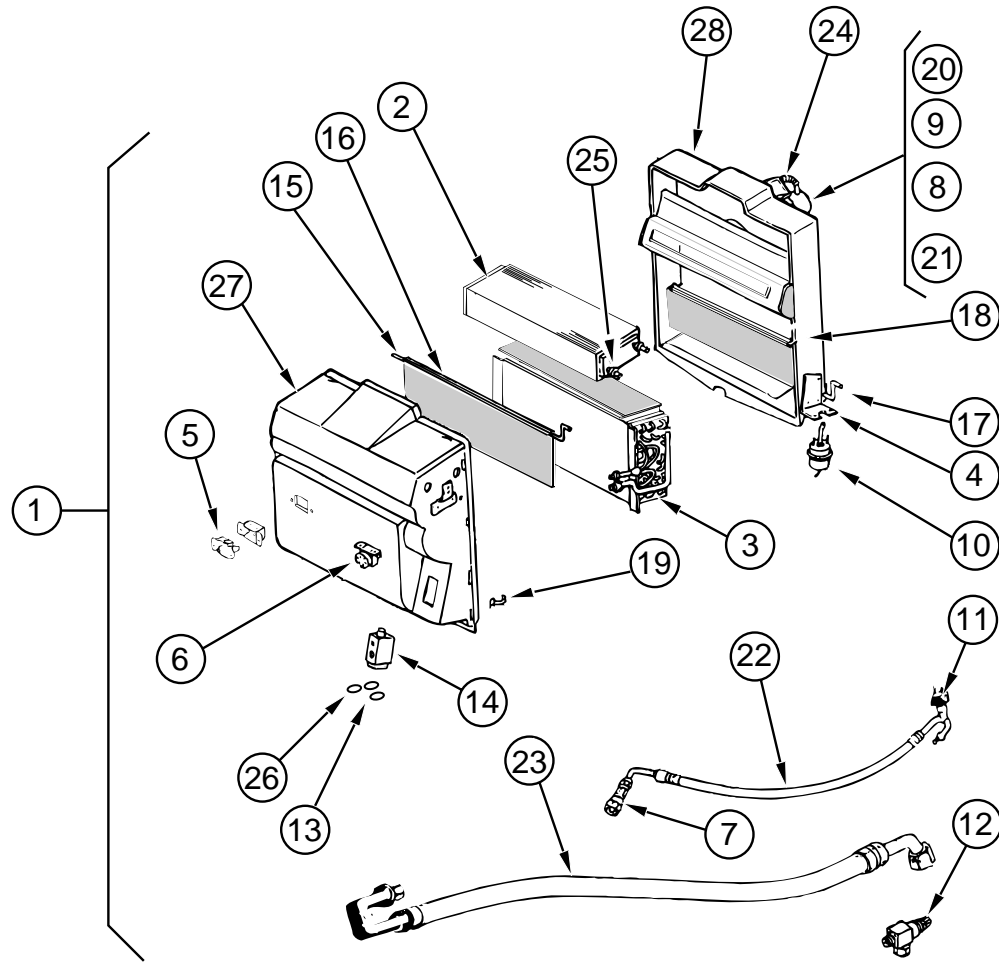
**NOTE: ADDITIONAL GENERATOR COMPONENTS ARE FOUND IN THE CHASSIS GROUP.**

**HEATING&AIRCONDITIONINGGROUP**  
**35,000BTUSUBURBANFURNACE&WALLTHERMOSTAT**



KEY	PARTNUMBER	U/M	DESCRIPTION	VENDOR NO.
	098668-21-000	EA	FURNACE-35,000BTU-SUBURBANSF352274	
1	074466-01-702	EA	RELAY-TIMEDELAY	230625
2	075696-02-703	EA	COLLAR-DUCT	050715
3	115764-01-01A	EA	THERMOSTAT-WALL,FURNACE-SUBURBAN160902	
4	098668-01-700	EA	CABINET-FRONT	101242
5	098668-01-706	EA	WHEEL-COMBUSTIONAIR	350128
6	098668-01-707	EA	VENTASSEMBLY-CAPANDTUBE	260193
7	098668-01-708	EA	BLOWERASSEMBLY-COMBUSTIONAIR	390441
8	098668-03-700	EA	MOTORASSEMBLY-SF-35	231707
9	098668-01-710	EA	BLOWERASSEMBLY-ROOMAIR	390440
10	098668-01-711	EA	WHEEL-ROOMAIR	350123
11	098668-01-712	EA	BOARD-MODULE	231741
12	098668-01-713	EA	INTAKEVENTTUBEASSEMBLY	051044
13	098668-01-714	EA	VALVE-GAS,WHITEROGERS	161070
14	098668-01-715	EA	ELECTRODEASSEMBLY-SINGLEPROBE	232166
15	098668-01-716	EA	GASKET-FIREWALL,CHAMBERSIDE	070808
16	098668-01-717	EA	GASKET-FIREWALL,BLOWERSIDE	070163
17	098668-02-700	EA	BURNERASSEMBLYCOMPLETE-(SF-30/SF35)	010745
18	098668-21-700	EA	MICROSWITCHW/OFLAG31/4"	232261
19	098668-21-701	EA	LIMITSWITCH	231799
20	101990-01-714	EA	MICROSWITCHGASKET	230877
	069634-01-720	EA	ORIFICE-MAINBURNER	0180222
	098668-23-000	EA	DOOR-ACCESS,FURNACE-BRIGHTWHITE	
	056464-09-000	EA	REGISTER-4"DIAMETER,PLASTIC	
	056464-10-000	EA	REGISTER-W/ODAMPER,4"DIAMETER-DURA-BEIGEPLASTIC	
	094600-05-01A	EA	REGISTER-HEAT-W/ODAMPER-11.3"	
	093614-01-02A	EA	GRILLE-RETURNAIR,FURNACE-15.6"X7.6"-BEIGE	
	009198-01-000	FT	DUCT-HEAT,FLEXIBLE-4"IDX25FT	
	009198-02-000	FT	DUCT-FLEXIBLE,2"IDX25FT	
	009200-01-000	EA	TAPE-FURNACE,11/2"	
	093741-01-000	EA	BOX-BOOT-FLOORREGISTER	
	076776-01-000	EA	TEE-BEADED-5/8"X5/8"X5/8"	
	092776-01-000	EA	ADAPTER-DUCT-2"	
	092777-01-000	EA	ADAPTER-DUCT-4"	
	083081-01-000	EA	HOSE-FORMED-90DEGREES-5/8"ID	
	115764-01-01A	EA	THERMOSTAT-FURNACE	

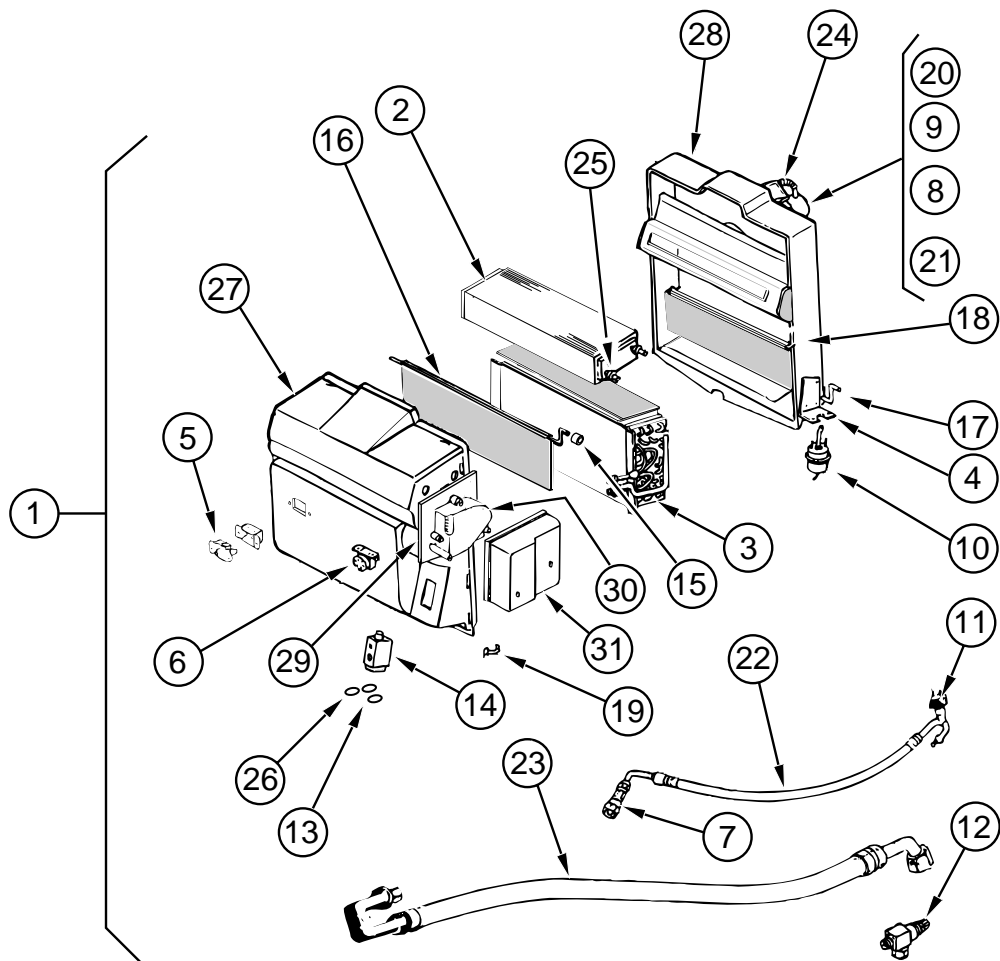
**HEATING & AIR CONDITIONING GROUP (CONTINUED)**  
**SC SEVAPORATOR/HEATER ASSEMBLY - FORD GAS CHASSIS (FROM: 00-00-00 THRU: 09-01-96)**



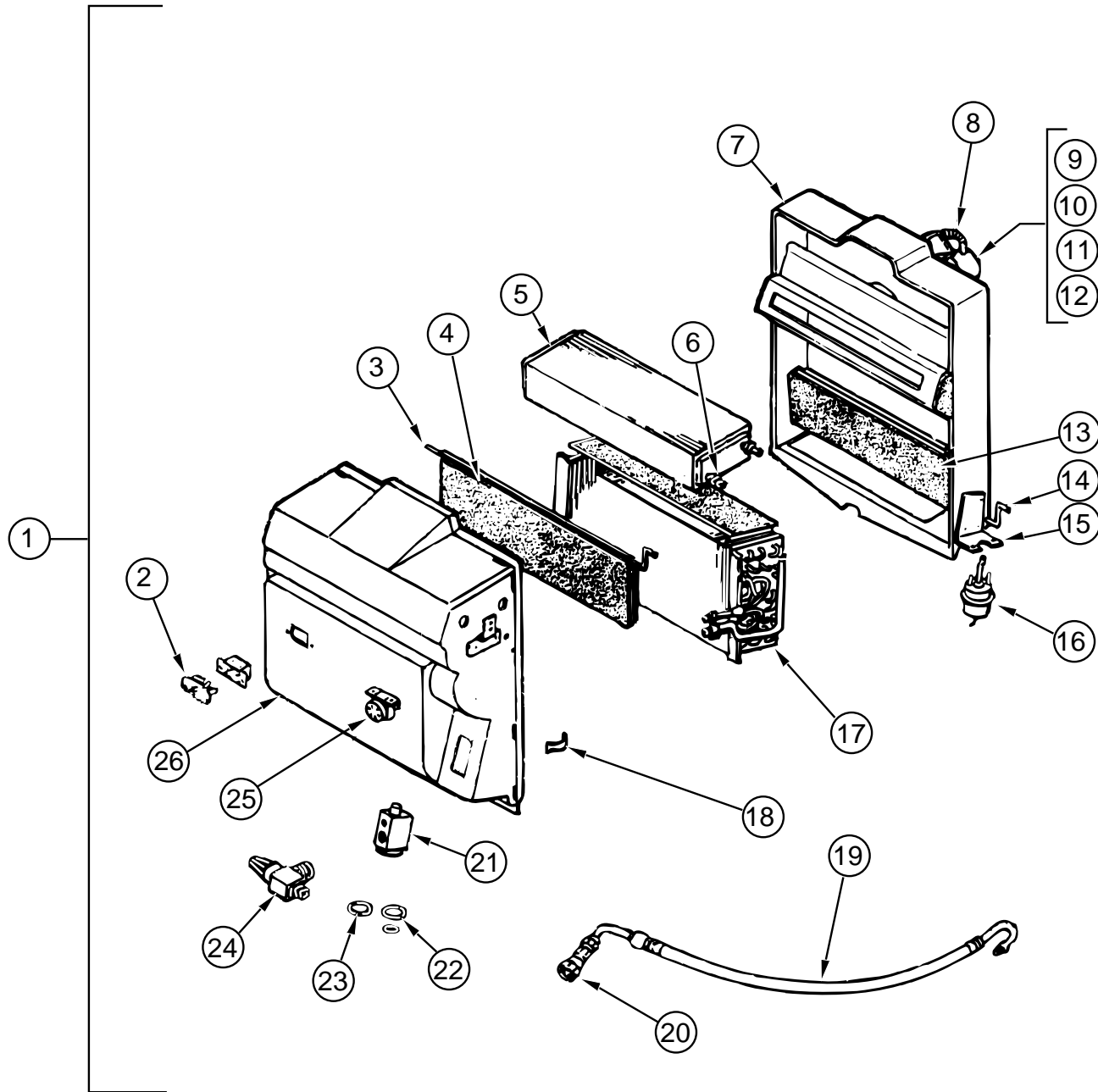
KEY	PART NUMBER	U/M	DESCRIPTION	VENDOR NO.
1	103930-21-000	EA	EVAPORATOR/HEATER ASSEMBLY-R134A BLOCK	
2	103930-01-703	EA	CORE-HEATER	042-0010
3	103930-01-704	EA	COIL-EVAPORATOR	041-0017
4	103930-01-708	EA	BRACKET-VACUUM MOTOR	070-0113
5	103930-01-710	EA	RESISTOR-FUSED, A/C	035-0006
6	103930-01-711	EA	THERMOSTAT	033-0003
7	103930-01-713	EA	FITTING-QUICK CONNECT, #4	050-0030
8	103930-01-717	EA	WHEEL-BLOWER, CLOCKWISE	062-0010
9	103930-01-720	EA	MOTOR-BLOWER, PM105	030-0004
10	103930-02-708	EA	MOTOR-VACUUM SERVO, A/C	030-0025
11	103930-12-708	EA	SWITCH-BINARY, HI-LOW CUTOUT	032-0048
12	103930-13-702	EA	VALVE-SERVICE, W/O COMP	050-0152
13	103930-17-702	EA	O'RING-#10	045-0127
14	103930-20-700	EA	VALVE-EXPANSION BLOCK, 2 TON	034-0032
15	103930-20-702	EA	ROD-DOOR, BLEND AIR	073-0039
16	103930-20-703	EA	DOOR-BLEND AIR	071-0212
17	103930-20-704	EA	ROD-DOOR, RECIRCULATING	073-0018
18	103930-20-705	EA	PANEL-DOOR, RECIRCULATING	071-0213
19	103930-20-706	EA	CLIP-RETAINER	022-0057
20	103930-20-707	EA	HOUSING-BLOWER	062-0145
21	103930-20-708	EA	CLIP-MOTOR SHAFT	022-0001
22	103930-21-700	EA	HOSE ASSEMBLY-#6, EXPANSION VALVE-DRIER	085-0139
23	103930-21-701	EA	HOSE ASSEMBLY-#10, EXPANSION VALVE-COMP	085-0149
24	110279-01-703	EA	HOSE-VENT, BLOWER MOTOR	051-0034
25	110279-01-712	EA	FITTING-HEATER	050-0076
26	113245-01-707	EA	O'RING-#8	045-0126
27	103930-20-710	EA	CASE-FRONT, SUB-ASSEMBLY	062-0146
28	103930-20-711	EA	CASE-BACK, SUB-ASSEMBLY	062-0147

**HEATING & AIR CONDITIONING GROUP (CONTINUED)**  
**SC SEVAPORATOR/HEATER ASSEMBLY - FORD GAS CHASSIS (FROM: 09-02-96 THRU: 99-99-99)**

KEY	PART NUMBER	U/M	DESCRIPTION	VENDOR NO.
1	103930-31-000	EA	EVAPORATOR/HEATER ASM-SERVOMOTOR CONTROLLED	
2	103930-01-703	EA	CORE-HEATER	042-0010
3	103930-01-704	EA	COIL-EVAPORATOR	041-0017
4	103930-01-708	EA	BRACKET-VACUUM MOTOR	070-0113
5	103930-01-710	EA	RESISTOR-FUSED, A/C	035-0006
6	103930-01-711	EA	THERMOSTAT	033-0003
7	103930-01-713	EA	FITTING-QUICK CONNECT, #4	050-0030
8	103930-01-717	EA	WHEEL-BLOWER, CLOCKWISE	062-0010
9	103930-01-720	EA	MOTOR-BLOWER, PM105	030-0004
			FROM: 09-02-96 THRU: 12-21-96	
9	103930-30-706	EA	MOTOR-BLOWER, PM147	030-0109
			FROM: 12-22-96 THRU: 99-99-99	
10	103930-02-708	EA	MOTOR-VACUUM SERVO, A/C	030-0025
11	103930-12-708	EA	SWITCH-BINARY, HI-LOW CUTOUT	032-0048
12	103930-13-702	EA	VALVE-SERVICE, W/O COMP	050-0152
13	103930-17-702	EA	O'RING - #10	045-0127
14	103930-20-700	EA	VALVE-EXPANSION BLOCK, 2TON	034-0032
15	103930-30-702	EA	BUSHING-BLEND AIR DOOR	062-0168
16	103930-30-705	EA	DOOR-BLEND AIR	071-0568
17	103930-20-704	EA	ROD-DOOR, RECIRCULATING	073-0018
18	103930-20-705	EA	PANEL-DOOR, RECIRCULATING	071-0213
19	103930-20-706	EA	CLIP-RETAINER	022-0057
20	103930-20-707	EA	HOUSING-BLOWER	062-0145
21	103930-20-708	EA	CLIP-MOTOR SHAFT	022-0001
22	103930-21-700	EA	HOSE ASSEMBLY - #6, EVAPORATOR/DRIER	085-0139
23	103930-21-701	EA	HOSE ASSEMBLY - #10, EVAPORATOR/COMP	085-0149
24	110279-01-703	EA	HOSE-VENT, BLOWER MOTOR	051-0034
25	110279-01-712	EA	FITTING-HEATER	050-0076
26	113245-01-707	EA	O'RING - #8	045-0126
27	103930-30-700	EA	CASE-FRONT, SUB-ASSEMBLY	062-0542
28	103930-20-711	EA	CASE-BACK, SUB-ASSEMBLY	062-0147
29	103930-30-701	EA	PLATE-MOTOR MOUNT	062-0544
30	103930-30-703	EA	MOTOR-SERVO	030-0104
31	103930-30-704	EA	COVER-SERVO	062-0545

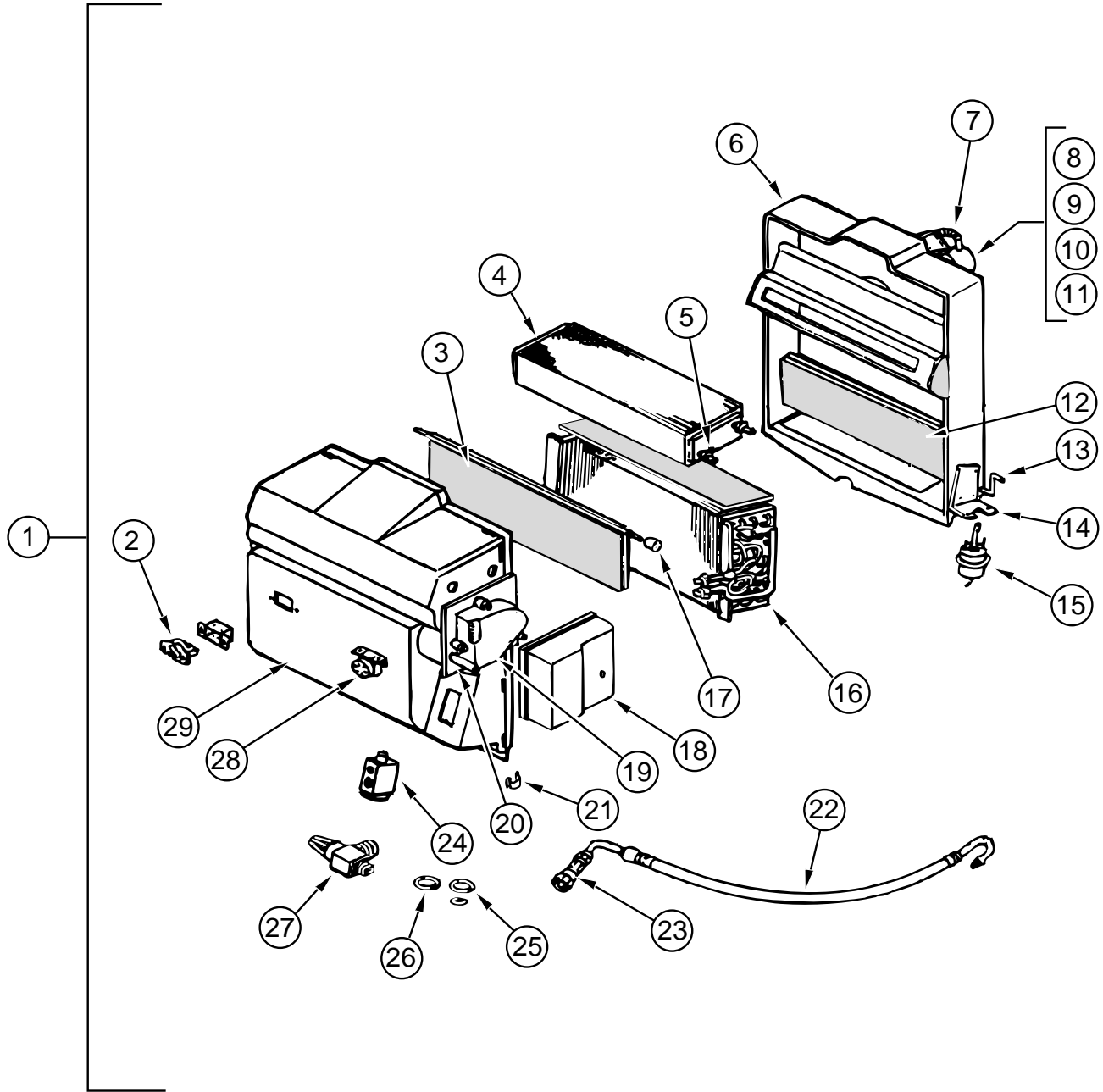


**HEATING & AIR CONDITIONING GROUP (CONTINUED)**  
**SCSEVAPORATOR/HEATER ASSEMBLY - CHEVY GAS & DIESEL CHASSIS (FROM: 00-00-00 THRU: 09-01-96)**



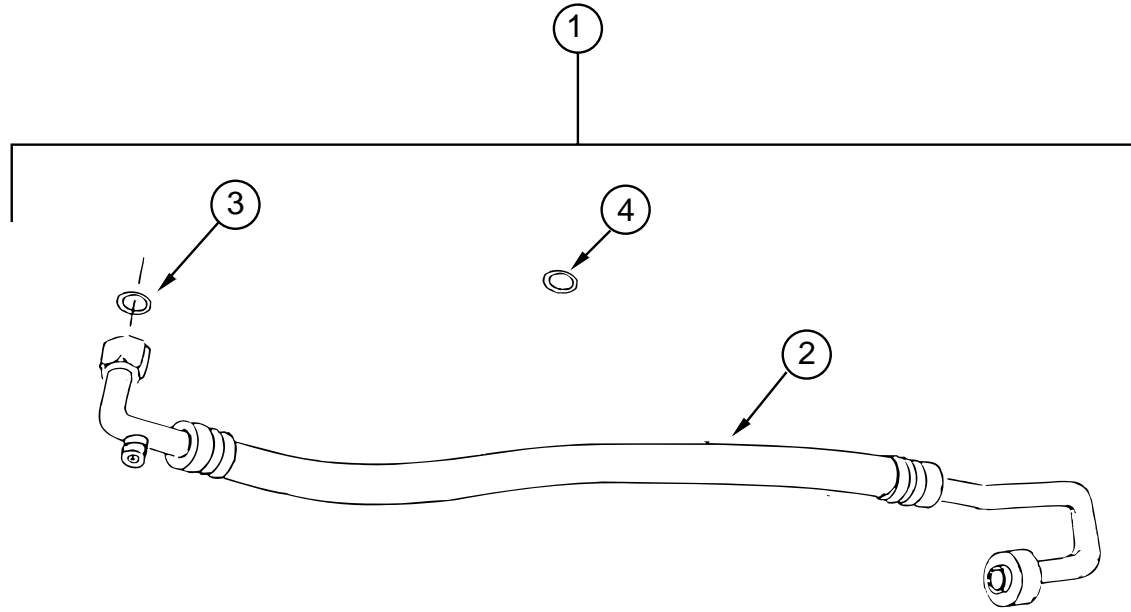
KEY	PARTNUMBER	U/M	DESCRIPTION	VENDOR NO.
1	103930-25-000	EA	EVAPORATOR/HEATER-CHEVY-"96"	
2	103930-01-710	EA	RESISTOR-FUSED	035-0006
3	103930-20-702	EA	ROD-DOOR,BLENDAIR	073-0039
4	103930-20-703	EA	DOOR-BLENDAIR	071-0212
5	103930-01-703	EA	CORE-HEATER	042-0010
6	110279-01-712	EA	FITTING-HEATER	050-0076
7	103930-20-711	EA	CASE-BACK,SUB-ASSEMBLY	062-0147
8	110279-01-703	EA	HOSE-VENT,BLOWERMOTOR	051-0034
9	103930-20-707	EA	HOUSING-BLOWER	062-0145
10	103930-01-720	EA	MOTOR-BLOWER,PM105	030-0004
11	103930-01-717	EA	WHEEL-BLOWER,CLOCKWISE	062-0010
12	103930-20-708	EA	CLIP-MOTORSHAFT	022-0001
13	103930-20-705	EA	PANEL-DOOR,RECIRCULATING	071-0213
14	103930-20-704	EA	ROD-DOOR,RECIRCULATING	073-0018
15	103930-01-708	EA	BRACKET-VACUUMMOTOR	070-0113
16	103930-02-708	EA	MOTOR-VACUUMSERVO,A/C	030-0025
17	103930-01-704	EA	COIL-EVAPORATOR	041-0017
18	103930-20-706	EA	CLIP-RETAINER-CASEATTACH	022-0057
19	103930-25-700	EA	HOSE ASSEMBLY-#6, EVAPORATOR TODRIER	085-0350
20	103930-12-709	EA	FITTING-QUICKCONNECT	050-0120
21	103930-20-700	EA	VALVE-EXPANSIONBLOCK,2TON	034-0032
22	103930-17-702	EA	O'RING-#10	045-0127
23	113245-01-707	EA	O'RING-#8	045-0126
24	103930-20-709	EA	VALVE-SERVICE	050-0159
25	103930-01-711	EA	THERMOSTAT	033-0003
26	103930-20-710	EA	CASE-FRONT,SUB-ASSEMBLY	062-0146
	103930-02-714	EA	CLAMP-CLUTCH,BARREL	022-0006

**HEATING & AIRCONDITIONING GROUP (CONTINUED)**  
**SCSEVAPORATOR/HEATER ASSEMBLY - CHEVY GAS & DIESEL CHASSIS (FROM: 09-02-96 THRU: 99-99-99)**



KEY	PARTNUMBER	U/M	DESCRIPTION	VENDOR NO.
1	103930-30-000	EA	EVAPORATOR/HEATER ASM-SERVOMOTOR CONTROLLED	
2	103930-01-710	EA	RESISTOR-FUSED, A/C	035-0006
3	103930-30-705	EA	PANEL-DOOR, BLEND AIR	071-0568
4	103930-01-703	EA	CORE-HEATER	042-0010
5	110279-01-712	EA	FITTING-HEATER	050-0076
6	103930-20-711	EA	CASE-BACK, SUB-ASSEMBLY	062-0147
7	110279-01-703	EA	HOSE-VENT, BLOWER MOTOR	051-0034
8	103930-20-707	EA	HOUSING-BLOWER	062-0145
9	103930-01-720	EA	MOTOR-BLOWER, PM105	030-0004
			FROM: 09-02-96 THRU: 12-21-96	
9	103930-30-706	EA	MOTOR-BLOWER, PM147W/ADAPTER	030-0109
			FROM: 12-22-96 THRU: 99-99-99	
10	103930-01-717	EA	WHEEL-BLOWER, CLOCKWISE	062-0010
11	103930-20-708	EA	CLIP-MOTOR SHAFT	022-0001
12	103930-20-705	EA	PANEL-DOOR, RECIRCULATING	071-0213
13	103930-20-704	EA	ROD-DOOR, RECIRCULATING	073-0018
14	103930-01-708	EA	BRACKET-VACUUM MOTOR	070-0113
15	103930-02-708	EA	MOTOR-VACUUM SERVO, A/C	030-0025
16	103930-01-704	EA	COIL-EVAPORATOR	041-0017
17	103930-30-702	EA	BUSHING-BLEND AIR DOOR	062-0168
18	103930-30-704	EA	COVER-SERVO	062-0545
19	103930-30-703	EA	MOTOR-SERVO	030-0104
20	103930-30-701	EA	PLATE-SERVOMOTOR MOUNT	062-0544
21	103930-20-706	EA	CLIP-RETAINER	022-0057
22	103930-25-700	EA	HOSE ASSEMBLY-#6, EVAPORATOR TO DRIER	085-0350
23	103930-12-709	EA	FITTING-QUICK CONNECT	050-0120
24	103930-20-700	EA	VALVE-EXPANSION BLOCK, 2 TON	034-0032
25	103930-17-702	EA	O'RING - #10	045-0127
26	113245-01-707	EA	O'RING - #8	045-0126
27	103930-20-709	EA	VALVE-SERVICE	050-0159
28	103930-01-711	EA	THERMOSTAT	033-0003
29	103930-30-700	EA	CASE-FRONT	062-0542

**HEATING&AIRCONDITIONINGGROUP(CONTINUED)**



**CHEVYHOSEKIT-STANDARDGAS**

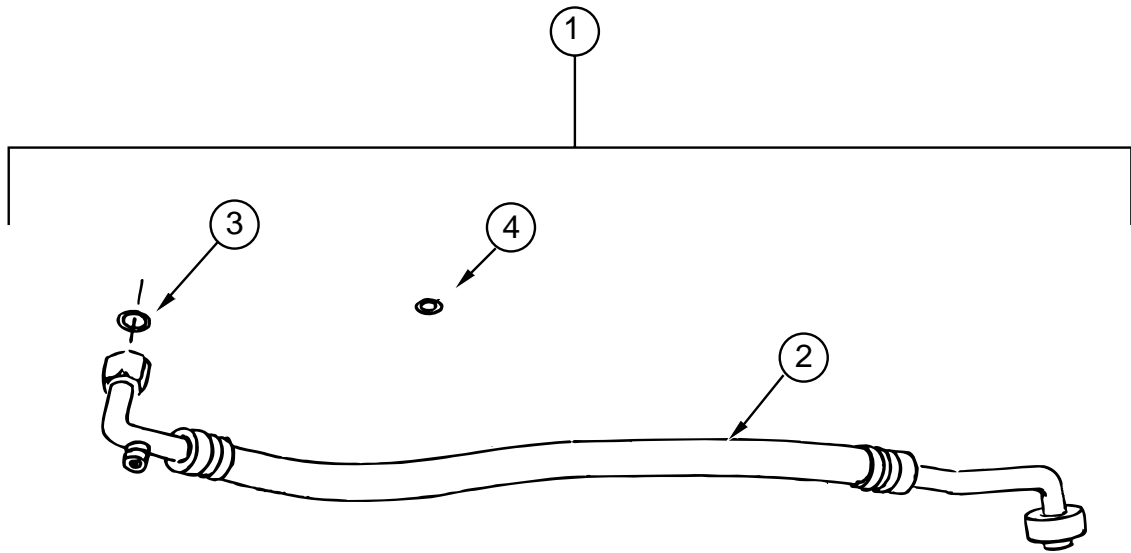
KEY	PARTNUMBER	U/M DESCRIPTION	VENDORNO.
1	103930-28-000	EA HOSEKIT-#10W/GML-19CHASSIS	
2	103930-28-700	EA HOSEASM#10EVAPORATOR/COMP	085-0347
3	103930-17-702	EA O'RING#10	045-0127
4	103930-29-701	EA O'RINGF/LOWPRESSURESWITCH	045-0483

**HEATING&AIRCONDITIONINGGROUP(CONTINUED)**  
**AUTOMOTIVEHEATERMISCELLANEOUS**

KEY	PARTNUMBER	U/M DESCRIPTION
	007076-01-000	EA HOSE-FLEXIBLEPVC-2"IDINCREMENTSOF50'
	007108-01-000	FT HOSE-HEATER,5/8"ID-HI-TEMP-FORDESE-M2D192-A
	007281-01-000	EA HOSE-FLEXIBLEPVC,2.5"IDX50'-ATCOFLEXA-182-355
	007281-01-700	FT HOSE-FLEXIBLEPVC,2.5"ID
	024990-05-000	EA OUTLET-4"DIAMETERW/SWIVELDEFLECTORS
	056402-05-000	EA BRACKET-HEATERVENT,ROUND-W/BEND-BLACK
	077075-01-000	EA GASKET-INSTRUMENTPANELTODEFROSTERPLENUM-1.8"X12.5"
	077075-03-000	EA GASKET-INSTRUMENTPANELTODEFROSTERPLENUM-1.8"X12.25"
	103016-01-000	EA PLENUM-TRANSITION
	103017-01-000	EA PLENUM-DEFROSTER
	103930-23-000	EA VALVE-WATER,2PORT
	103930-24-000	EA VALVE-WATER,4PORT
	103558-01-07A	EA VENT-DEFROSTER,ABS-WILLOW
	103796-01-01A	EA LOUVERASSEMBLY-A/CCARYPROD-BLACK
	097494-02-000	EA TEE-BRASS,BARB-3/8"X5/32"X3/8"-PARKER224-8-8-4
	103930-37-000	EA MANUAL-OWNERS,HEATER/A/C
	7SB010-96-14Z	EA MANUAL-DEALERSERVICE/PARTS-SCS057-00171

**EVANSREARHEATER&COMPONENTS**

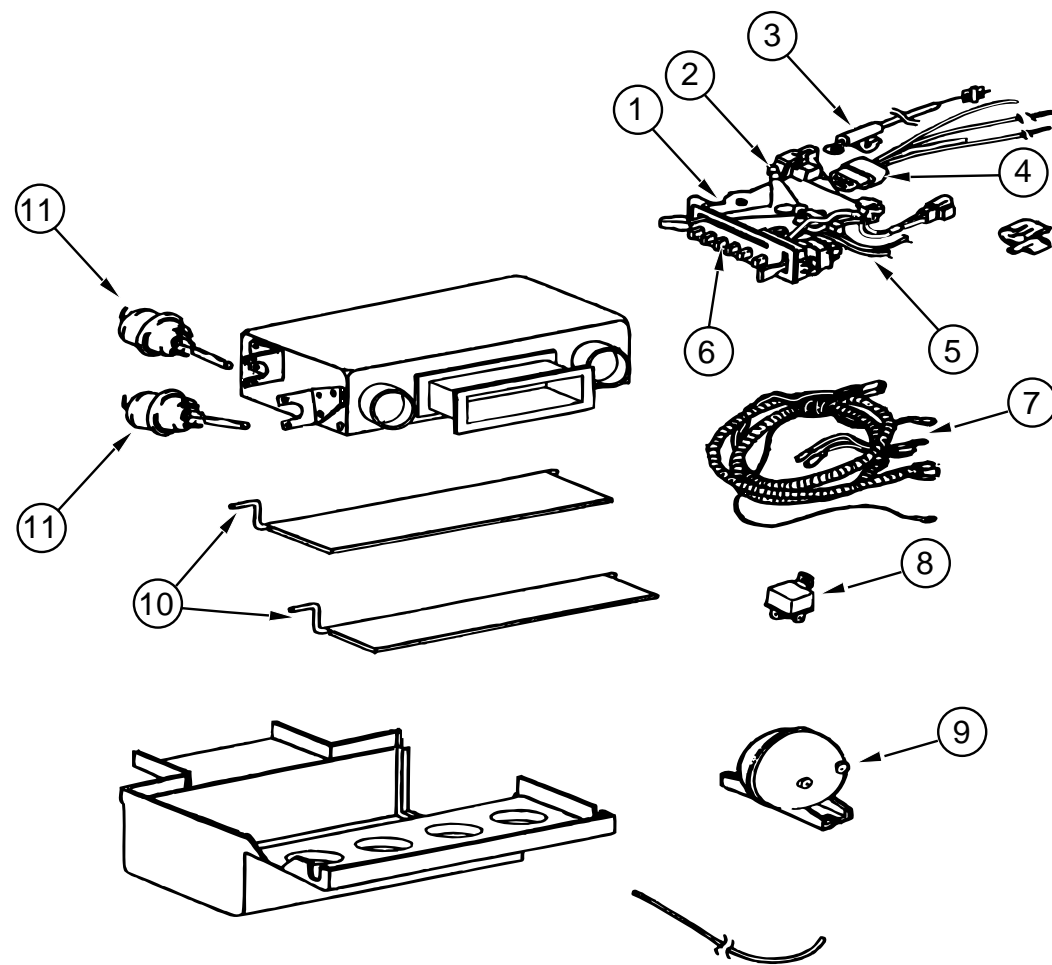
KEY	PARTNUMBER	U/M DESCRIPTION	VENDORNO.
	084405-01-000	EA HEATERASSEMBLY-REAR,DUCTED-W/MOTOR	EVANS
	084405-01-700	EA CORE-HEATER	FT200229
	084405-01-701	EA FANBLADES	HV029931
	084405-01-702	EA MOTORASSEMBLY,12VOLT	R0200180
	007108-01-000	FT HOSE-HEATER,5/8"ID-HI-TEMP-FORDESE-M2D192-A	
	061673-01-000	EA BRACKET-MOTORAIDTUBES,4"X1.5"-STEEL	
	079059-02-000	EA HOSE-90DEGREE-.61"IDX4"X6"	



**CHEVYHOSEKIT-VORTECGASORDIESELOPTION**

KEY	PARTNUMBER	U/M DESCRIPTION	VENDORNO.
1	103930-29-000	EA HOSEKIT-#10F/GML-29&L-65CHASSIS	
2	103930-29-700	EA HOSEASM#10EVAPORATOR/COMP	085-0348
3	103930-17-702	EA O'RING#10	045-0127
4	103930-29-701	EA O'RINGF/LOWPRESSURESWITCH	045-0483

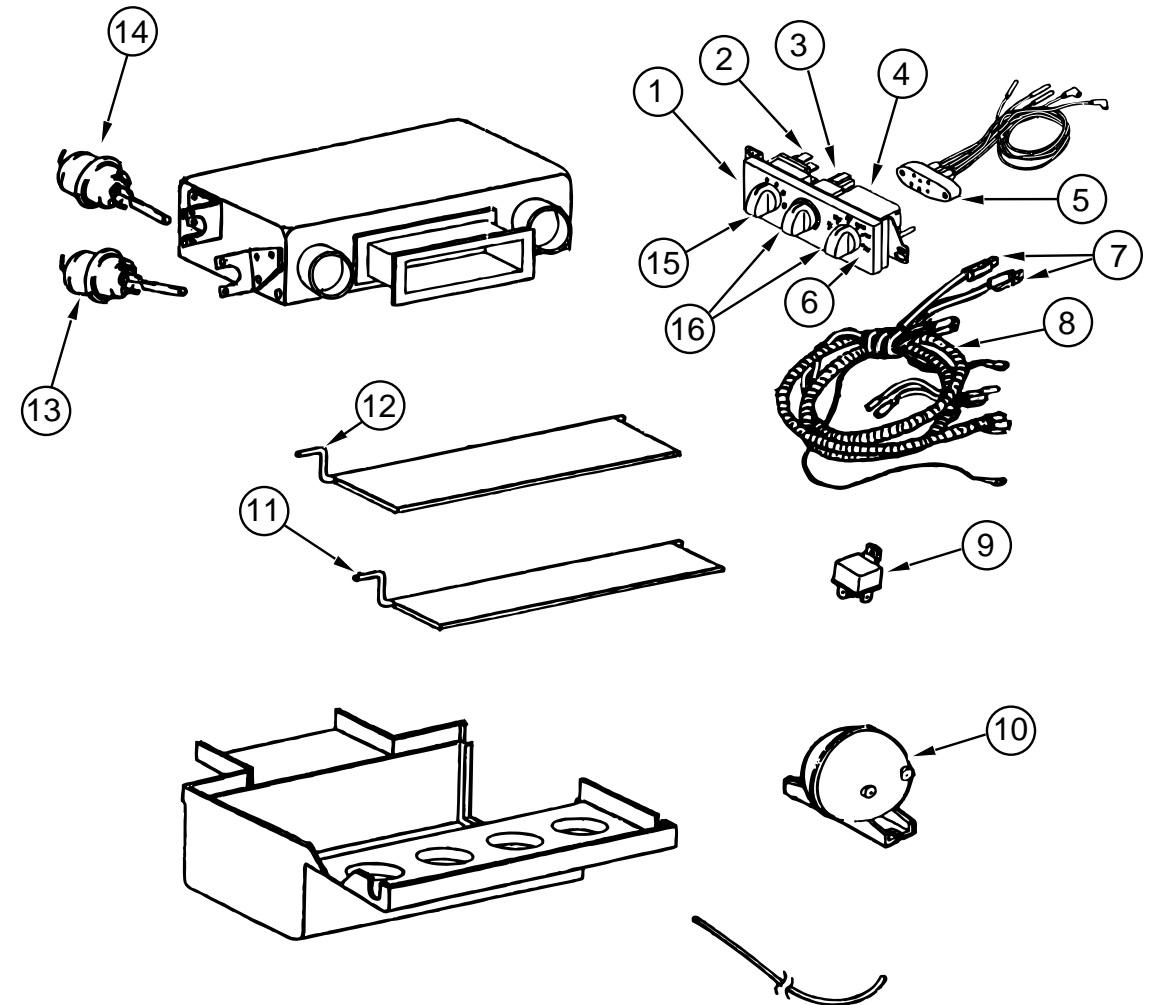
### HEATING&AIRCONDITIONINGGROUP(CONTINUED)



SCSCONTROL/PLENUM(FROM: 00-00-00 THRU: 09-01-96)

KEY	PARTNUMBER	U/M	DESCRIPTION	VENDORN.
	103930-38-000	EA	CONTROL/PLENUMSET	
1	103930-02-712	EA	PANEL-CONTROL, BLACKBEZEL	032-0054
	072341-06-700	EA	SWITCH-4SPEED, FAN	032-0043
2	103930-02-714	EA	CLAMP-CLUTCH, BARREL	022-0006
3	103930-02-705	EA	CABLE-CONTROL, BOWDENW/OLEVER-89"	074-0011
4	103930-02-704	EA	HARNESS-VACUUMCONTROL	036-0049
5	103930-02-701	EA	SWITCH-VACUUM, CONTROLHEAD	034-0015
6	103930-02-702	EA	DECAL-CONTROLHEAD	058-0009
7	103930-02-703	EA	HARNESS-WIRECONTROL	036-0048
8	103930-02-707	EA	RELAY-BOSCHW/RESISTOR	031-0001
9	103930-02-710	EA	CANISTER-VACUUM	054-0002
10	103930-33-700	EA	ROD-DOOR, DEFROSTER/A/C	073-0028
11	103930-02-708	EA	MOTOR-VACUUMSERVO, A/C	030-0025
	094831-01-731	EA	ADAPTER-2"	062-0001

### HEATING&AIRCONDITIONINGGROUP(CONTINUED)

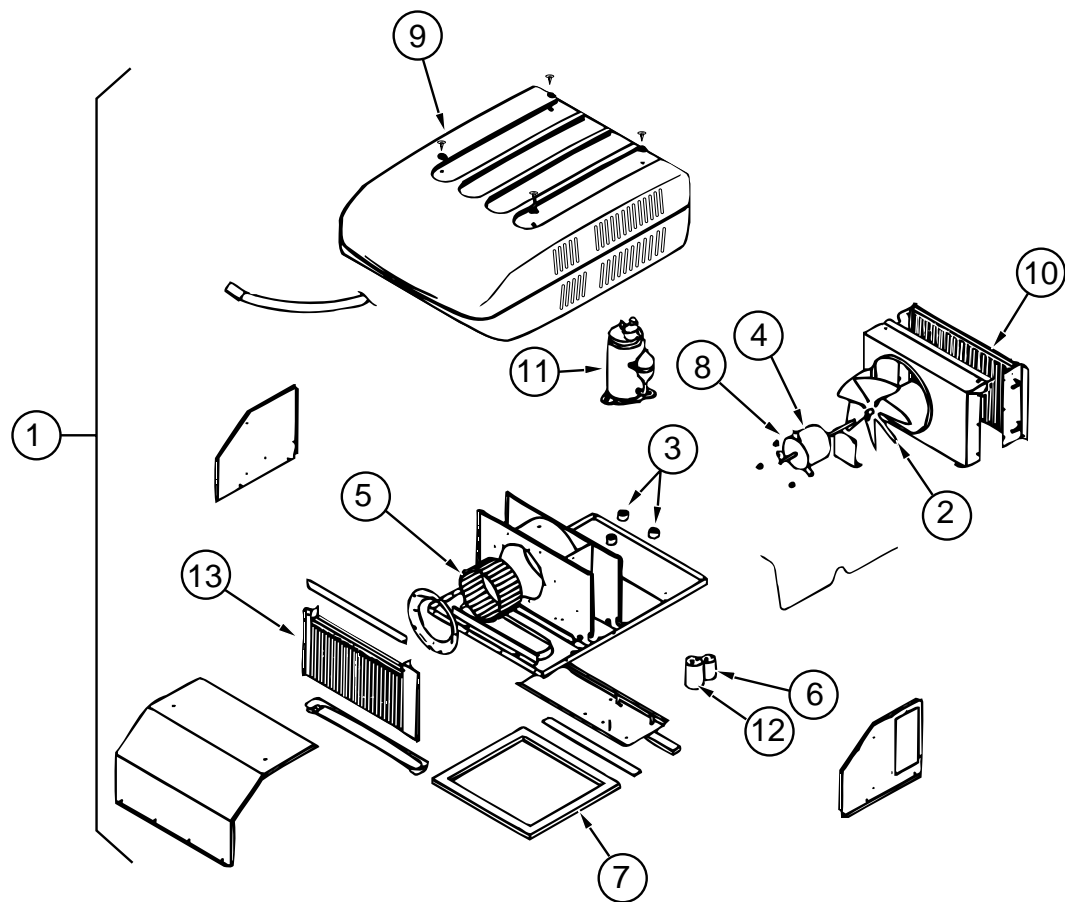


SCSCONTROL/PLENUM(FROM: 09-02-96 THRU: 99-99-99)

KEY	PARTNUMBER	U/M	DESCRIPTION	VENDORN.
	103930-34-000	EA	CONTROL/PLENUM-ROTARYCONTROLHEAD	
1	103930-33-702	EA	PANELASSEMBLY-CONTROL	083-0169
2	103930-33-707	EA	SWITCH-BLOWER	032-00066
3	103930-33-708	EA	SWITCH-POTENTIOMETER	032-0184
4	103930-33-709	EA	SWITCH-VACUUM	032-0183
5	103930-33-703	EA	HARNESS-VACUUM	036-0466
6	103930-33-710	EA	DECAL-CONTROLHEAD	058-0102
7	103930-33-705	EA	BULB-LIGHT	035-0030
8	103930-33-704	EA	HARNESS-WIREW/BULBS	036-0465
			FROM: 09-02-96 THRU: 12-21-96	
8	103930-33-711	EA	HARNESS-WIRE, MAIN	036-0496
			FROM: 12-22-96 THRU: 99-99-99	
9	103930-02-707	EA	RELAY-BOSCHW/RESISTOR	031-0001
10	103930-02-710	EA	CANISTER-VACUUM	054-0002
11	103930-33-700	EA	ROD-DOOR, DEFROSTER/A/C	073-0028
12	103930-33-706	EA	ROD-DOOR, A/C/DEFROST	073-0060
13	103930-02-708	EA	MOTOR-VACUUMSERVO, A/C	030-0025
14	103930-33-701	EA	MOTOR-VACUUM, 3STAGE	030-0105
15	103930-33-712	EA	KNOB-BLOWER	062-00539
16	103930-33-713	EA	KNOB	062-00540



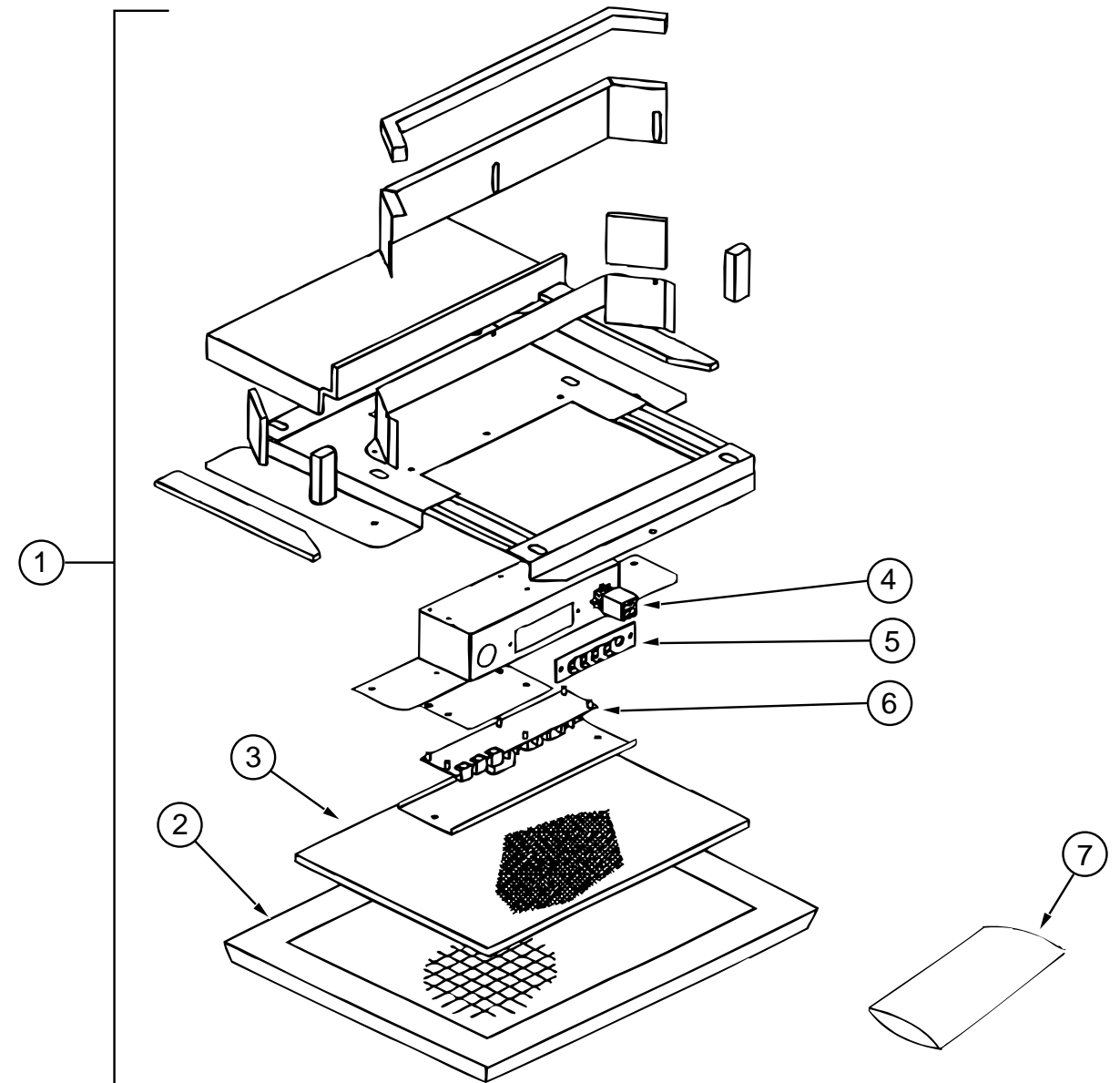
**HEATING&AIRCONDITIONINGGROUP(CONTINUED)**



**COLEMAN13,500BTUROOFA/C**

KEY	PARTNUMBER	U/M	DESCRIPTION	VENDORNO.
1	108889-01-05A	EA	A/C-ROOF, 13,500BTUTSRHO-BRIGHTWHITE	
2	093763-01-712	EA	BLADE-FAN,CONDENSER	6733-3221
3	105620-01-706	EA	FOOTPACKAGE-COMPRESSOR,3PERPACKAGE	6759-3081
4	108889-01-705	EA	MOTOR-115V,60HZ	1468-3049
5	108889-01-706	EA	IMPELLOR	1472-1041
6	093763-01-704	EA	CAPACITOR-FAN	1499-5461
	108889-01-710	EA	PAD-FILLER,CONDENSERSEAL	6759B3971
7	108889-01-711	EA	GASKETPACKAGE	6792A3301
8	108889-01-715	EA	MOTORMOUNT&SHAFTSEALKIT	6792A3361
9	108889-05-700	EA	SHROUD-BRIGHTWHITE,W/OLOGO	7333-4601
10	108889-01-703	EA	COIL-CONDENSER	1452A1301
11	108889-01-721	EA	COMPRESSOR-TSR3MODELS"A&B"ONLY	1450-2079
11	108889-01-722	EA	COMPRESSOR-TSR3MODELS"C&D"ONLY	1450-2099
12	108889-01-707	EA	CAPACITOR-RUN,COMPRESSOR-25MFD/370	1499-5661
	091225-01-709	EA	RELAY-START	1497-4131
13	108889-01-709	EA	COIL-EVAPORATOR	1452A1311
	108889-01-712	EA	LINE-SUCTION,REDUCER-3/8"X1/2"	1215-2161
	108889-01-713	EA	LINE-SUCTION,3/8"ODX032WALL	6792-130
	108889-01-714	EA	LINEASSEMBLY-DISCHARGE	6792-531
	108889-01-704	EA	OVERLOAD(MRA#98693)	6749-3541
	091225-01-710	EA	CAPACITOR-START	1497-0881
	108889-01-720	EA	TUBE-CAP	6792-1351
	093306-01-701	EA	DECALPACKAGE-LEFT&RIGHT	6798B3591
	102289-01-000	EA	SPRING-SCREW,ROOFA/CGASKET-COLEMAN6757-150	

**HEATING&AIRCONDITIONINGGROUP(CONTINUED)**



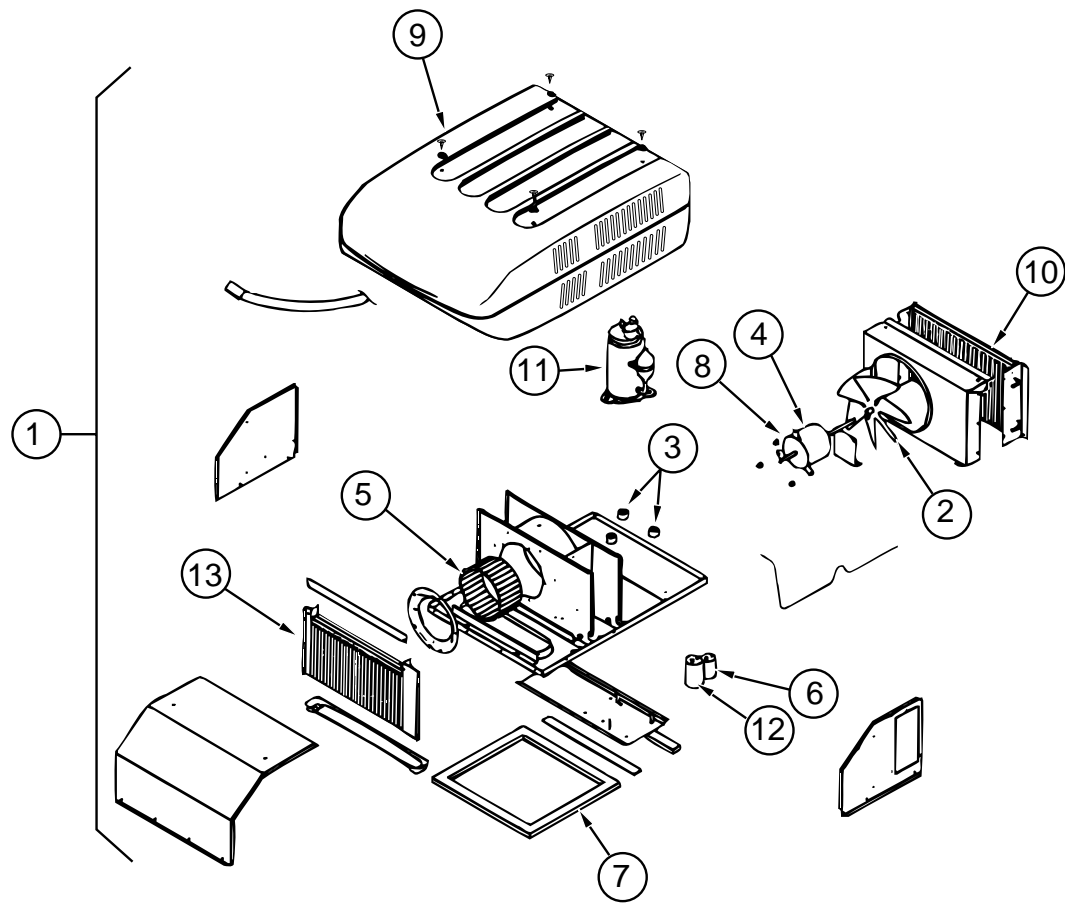
**COLEMAN13,500BTUA/CCEILINGASSEMBLY,THERMOSTAT,&REGISTER**

KEY	PARTNUMBER	U/M	DESCRIPTION	VENDORNO.
1	108892-01-01A	EA	CEILINGASM-A/CDUCTED-COLEMAN7330-730IV	
2	108892-01-704	EA	GRILLE(PLASTIC)	6798-3041
3	108892-01-703	EA	FILTER	6798A3761
4	108892-01-700	EA	PLUGASSEMBLY	7330-540
5	108892-01-701	EA	BOARD-TERMINAL	7330-3201
6	108892-01-702	EA	BOARD-PRINTEDCIRCUIT	7330A3211
7	108892-01-705	EA	SMALLPARTSPACKAGE	7330A6101
	117238-01-01A	EA	THERMOSTAT-A/CANDFURNACE-COLEMAN7330-3371	
	117238-02-01A	EA	THERMOSTAT-A/CONLY-COLEMAN7330-3381	
	120134-01-02A	EA	REGISTER-4"-5"DIAMETERW/DAMPER-WHITE-DTW8840	

**ROOFA/CCOVERS&ACSELECTORSWITCH**

KEY	PARTNUMBER	U/M	DESCRIPTION
	092633-02-02A	EA	COVER-BLANK,ROOFA/C-5.1"X5.1"-PLASTIC-OFFWHITE
	073937-03-000	EA	SWITCH-ROTARYSELECTOR,3DECK-A/C-CA20-USA892
	121365-01-01A	EA	COVER-A/C SWITCH,DUAL
	105290-01-000	SF	INSULATION-AIRPOCKETW/FOIL

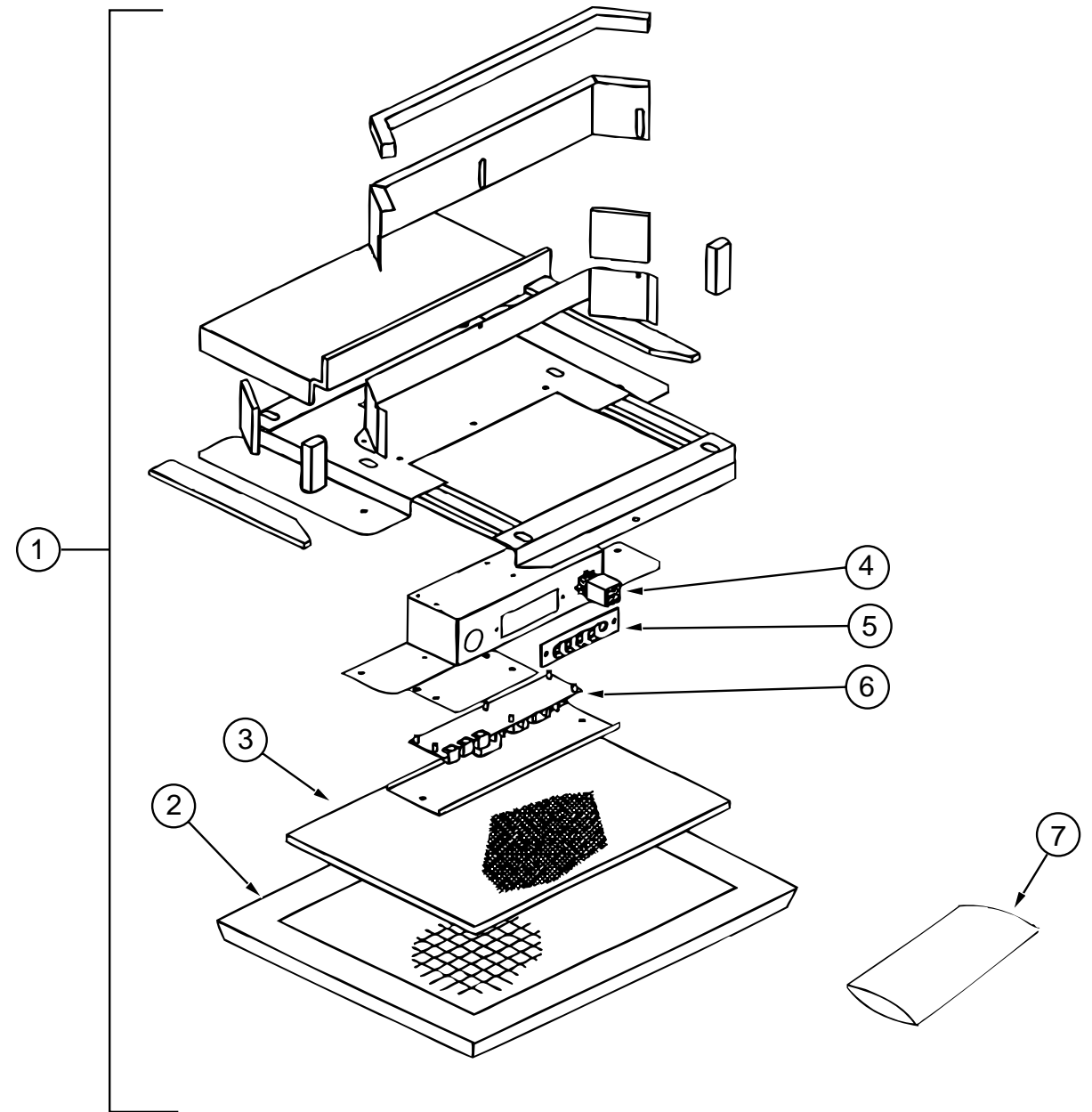
**HEATING&AIRCONDITIONINGGROUP(CONTINUED)**



**COLEMAN 14,800 BTU ROOF A/C**

KEY	PARTNUMBER	U/M	DESCRIPTION	VENDOR NO.
1	115219-01-03A	EA	A/C-ROOF, 14,800 BTU MACH 15-BRIGHT WHITE	
2	093763-01-712	EA	BLADE-FAN, CONDENSER	6733-3221
3	105620-01-706	EA	FOOT PACKAGE-COMPRESSOR, 3 PER PACKAGE	6759-3081
4	108889-01-705	EA	MOTOR-115V, 60HZ	1468-3049
5	108889-01-706	EA	IMPELLOR	1472-1041
6	093763-01-704	EA	CAPACITOR-FAN	1499-5461
	108889-01-710	EA	PAD-FILLER, CONDENSER SEAL	6759B3971
7	108889-01-711	EA	GASKET PACKAGE	6792A3301
8	108889-01-715	EA	MOTOR MOUNT & SHAFT SEAL KIT	6792A3361
9	108889-05-700	EA	SHROUD-BRIGHT WHITE, W/O LOGO	7333-4601
10	115219-01-700	EA	COIL-CONDENSER	1452A1321
11	115219-01-708	EA	COMPRESSOR, CONVERSION KIT	1450A2061
12	115219-01-702	EA	CAPACITOR-RUN, COMPRESSOR	1499-5741
	115219-01-703	EA	RELAY-START	1497-4151
13	115219-01-704	EA	COIL-EVAPORATOR	1452-1331
	115219-01-705	EA	LINE-SUCTION, LOWER	7335-130
	115219-01-706	EA	LINE-SUCTION, UPPER	7335-131
	115219-01-707	EA	LINE ASSEMBLY, DISCHARGE	7335A132
	093306-01-720	EA	CAPACITOR-START, 21-25 MFD 33	1497-3351
	093306-01-701	EA	DECAL PACKAGE-LEFT & RIGHT	6798B3591
	102289-01-000	EA	SPRING-SCREW, ROOF A/C GASKET-COLEMAN 6757-150	

**HEATING&AIRCONDITIONINGGROUP(CONTINUED)**



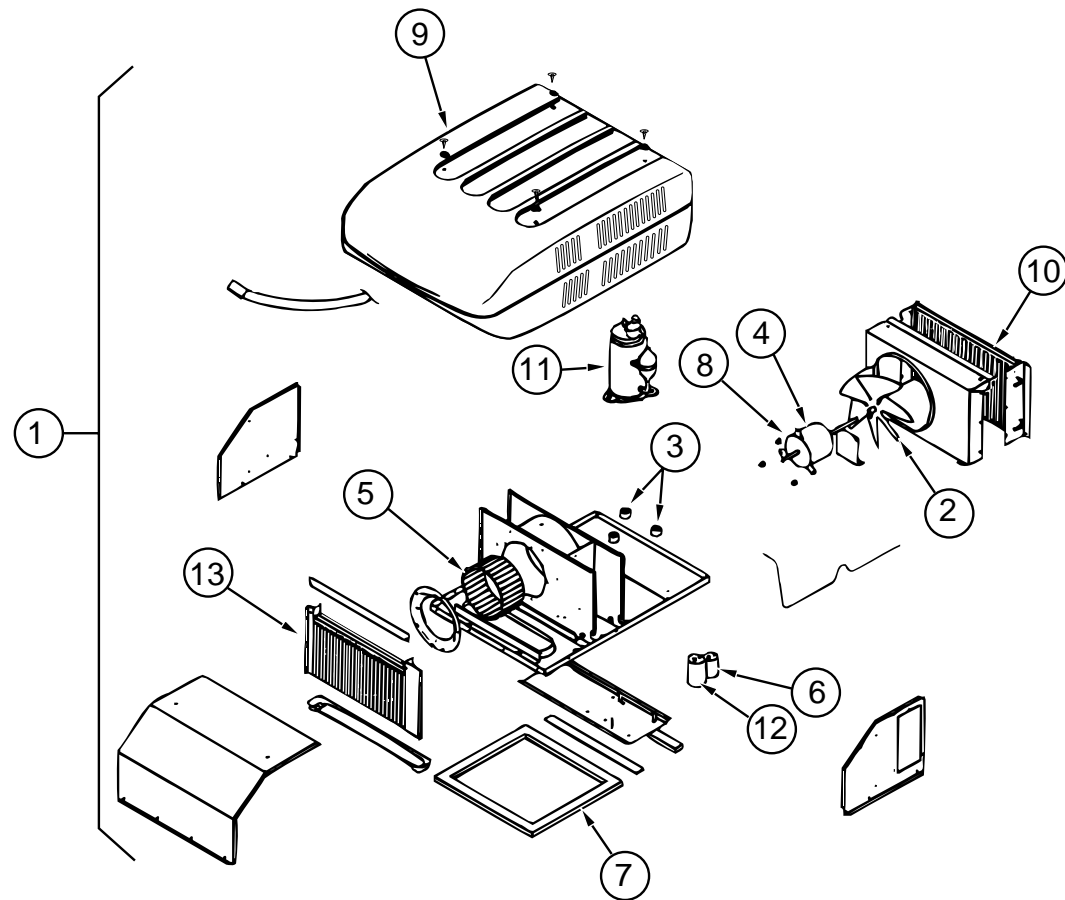
**COLEMAN 14,800 BTU A/C CEILING ASSEMBLY, THERMOSTAT, & REGISTER**

KEY	PARTNUMBER	U/M	DESCRIPTION	VENDOR NO.
1	108892-01-01A	EA	CEILING ASM-A/C DUCTED-COLEMAN 7330-730IV	
2	108892-01-704	EA	GRILLE (PLASTIC)	6798-3041
3	108892-01-703	EA	FILTER	6798A3761
4	108892-01-700	EA	PLUG ASSEMBLY	7330-540
5	108892-01-701	EA	BOARD-TERMINAL	7330-3201
6	108892-01-702	EA	BOARD-PRINTED CIRCUIT	7330A3211
7	108892-01-705	EA	SMALL PARTS PACKAGE	7330A6101
	117238-01-01A	EA	THERMOSTAT-A/C AND FURNACE-COLEMAN 7330-3371	
	117238-02-01A	EA	THERMOSTAT-A/C ONLY-COLEMAN 7330-3381	
	120134-01-02A	EA	REGISTER-4"-5" DIAMETER W/DAMPER-WHITE-DTW8840	

**ROOF A/C COVERS & A/C SELECTOR SWITCH**

KEY	PARTNUMBER	U/M	DESCRIPTION
	092633-02-02A	EA	COVER-BLANK, ROOF A/C-5.1" X 5.1"-PLASTIC-OFF WHITE
	073937-03-000	EA	SWITCH-ROTARY SELECTOR, 3 DECK-A/C-CA20-USA892
	121365-02-01A	EA	COVER-A/C SWITCH, SINGLE
	105290-01-000	SF	INSULATION-AIR POCKET W/FOIL

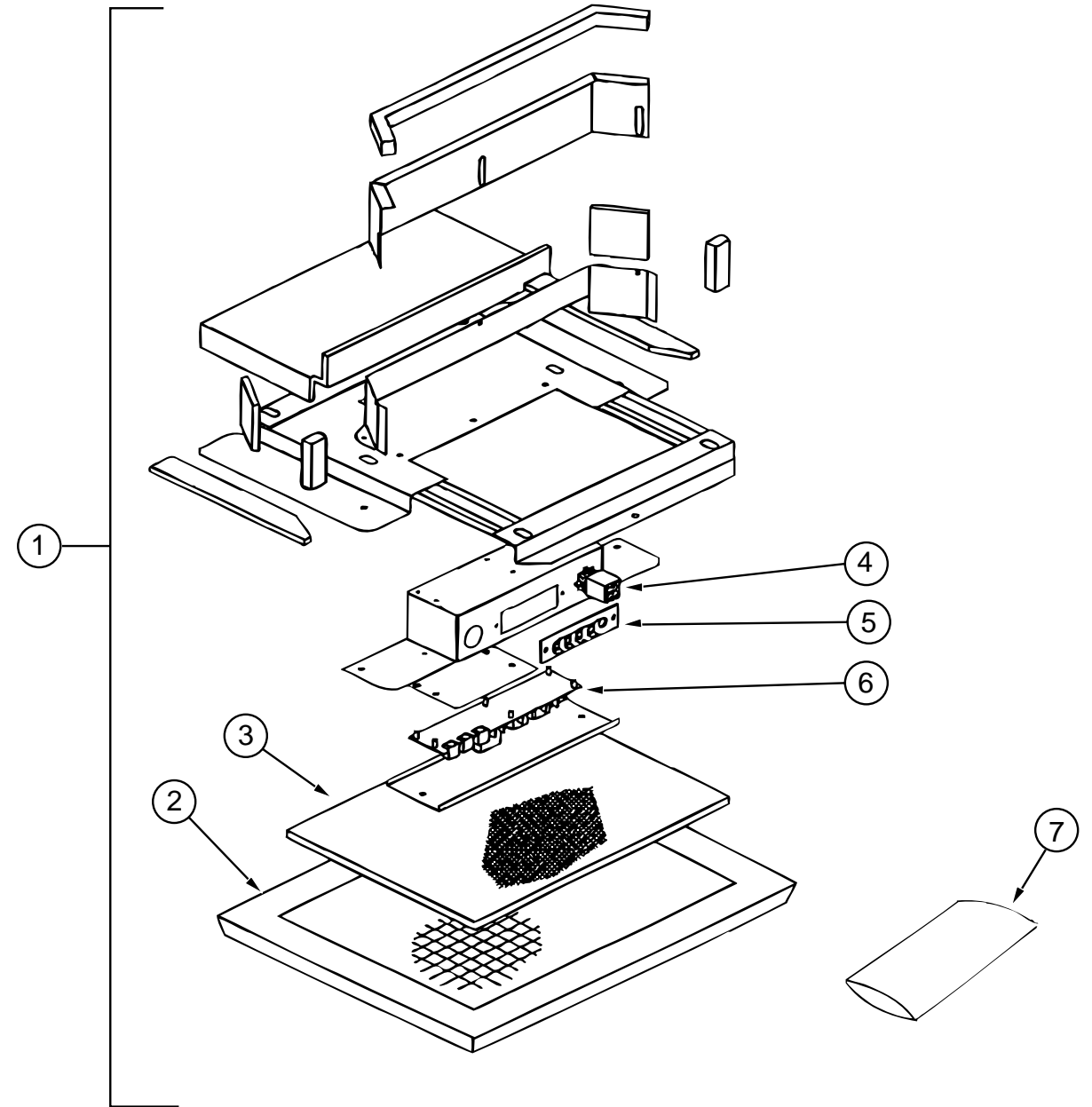
## HEATING&AIRCONDITIONINGGROUP(CONTINUED)



**COLEMAN 13,500 BTU ROOF A/C - EUROPEAN**

KEY	PARTNUMBER	U/M	DESCRIPTION	VENDORNO.
1	108889-02-03A	EA	A/C-ROOF, 13,500BTU-TSR-220VOLT-BRIGHTWHITE-COLEMAN7373A891	
	093306-01-701	EA	DECALPACKAGE-LEFT&RIGHT	6798B3591
2	093763-01-712	EA	FANBLADE-CONDENSER	6733-3221
	105620-01-705	EA	PROTECTOR-OVERLOAD,RH&LH	6759-3791
3	105620-01-706	EA	FOOTPACKAGE-COMPRESSOR,3PERPKG	76759-3081
4	108889-02-701	EA	MOTOR	1468-3059
5	108889-01-706	EA	IMPELLOR	1472-1041
6	093763-01-704	EA	CAPACITOR-FAN	1499-5461
7	108889-01-711	EA	GASKETPACKAGE	6792A3301
8	108889-01-715	EA	MOTORMOUNT&SHAFTSEALKIT	6792A3361
9	108889-05-700	EA	SHROUD-BRIGHT/WHT.W/OLOGO	7333-4601
10	108889-01-703	EA	COIL-CONDENSER	1452A1301
11	108889-02-700	EA	COMPRESSOR-TECUMSEH	1450A2029
12	108889-01-707	EA	CAPACITOR-RUN,COMPRESSOR-25MFD/370	1499-5661
13	108889-01-709	EA	COIL-EVAPORATOR	1452A1311
	108889-01-710	EA	PAD-FILLER,CONDENSERSEAL	6759B3971
	108889-01-713	EA	SUCTIONLINE,3/8"ODX.032"WALL	6792-130
	108889-01-714	EA	LINEASSEMBLY-DISCHARGE	6792-531
	108889-02-702	EA	CAPACITOR-START	1497-0891
	108889-02-703	EA	RELAY-START	1497-4141
	102289-01-000	EA	SPRING-SCREW,ROOFA/CGASKET-COLEMAN6757-150	

## HEATING&AIRCONDITIONINGGROUP(CONTINUED)



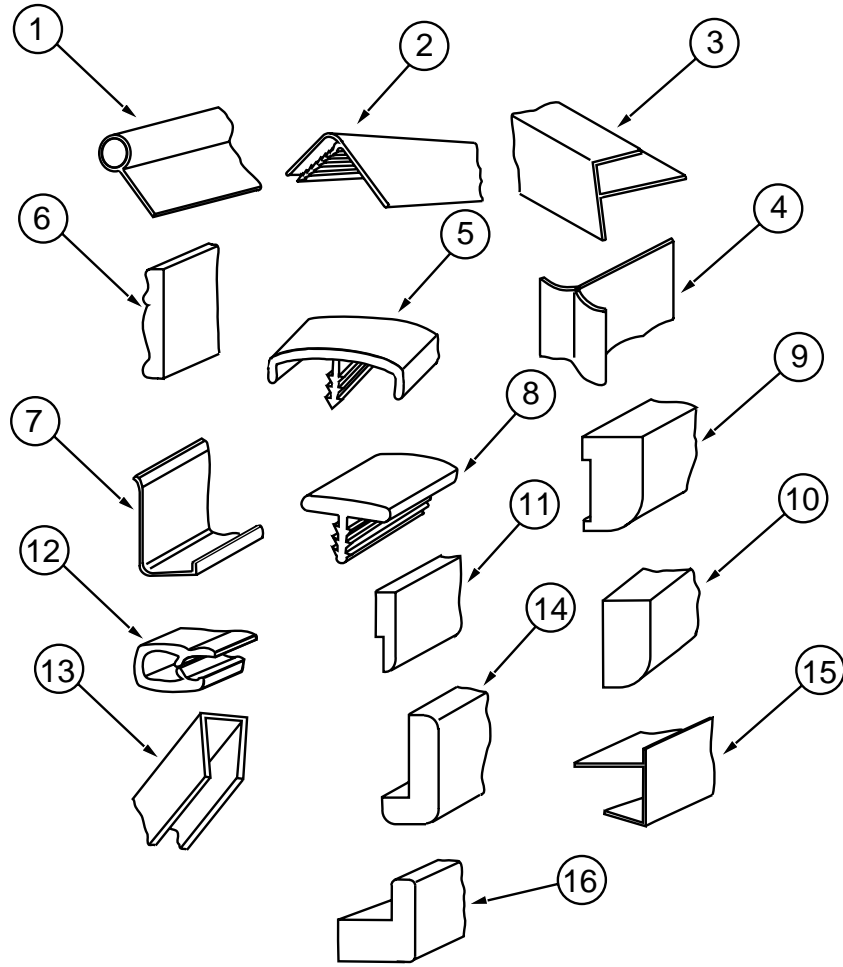
**COLEMAN 13,500 BTU A/C CEILING ASSEMBLY, THERMOSTAT, & REGISTER - EUROPEAN**

KEY	PARTNUMBER	U/M	DESCRIPTION	VENDORNO.
1	108892-01-01A	EA	CEILINGASM-A/C DUCTED-COLEMAN7330-730IV	
2	108892-01-704	EA	GRILLE(PLASTIC)	6798-3041
3	108892-01-703	EA	FILTER	6798A3761
4	108892-01-700	EA	PLUGASSEMBLY	7330-540
5	108892-01-701	EA	BOARD-TERMINAL	7330-3201
6	108892-01-702	EA	BOARD-PRINTEDCIRCUIT	7330A3211
7	108892-01-705	EA	SMALLPARTSPACKAGE	7330A6101
	117238-01-01A	EA	THERMOSTAT-A/CANDFURNACE-COLEMAN7330-3371	
	117238-02-01A	EA	THERMOSTAT-A/CONLY-COLEMAN7330-3381	
	120134-01-02A	EA	REGISTER-4"-5"DIAMETERW/DAMPER-WHITE-DTW8840	

### ROOFA/CCOVERS&ACSELECTORSWITCH

KEY	PARTNUMBER	U/M	DESCRIPTION
	092633-02-02A	EA	COVER-BLANK,ROOFA/C-5.1"X5.1"-PLASTIC-OFFWHITE
	073937-03-000	EA	SWITCH-ROTARYSELECTOR,3DECK-A/C-CA20-USA892
	121365-01-01A	EA	COVER-A/C SWITCH,DUAL
	105290-01-000	SF	INSULATION-AIRPOCKETW/FOIL

**INTERIORFINISHGROUP**



**MOLDINGS&TRIMS**

KEY	PARTNUMBER	U/M	DESCRIPTION
1	009767-12-000	FT	MOLDING-SIDEWALLTOCEILING/CABINET-WELTING-OFFWHITE
2	009809-28-000	EA	MOLDING-CORNER,OUTSIDE-1"-PLASTIC-WATERFORDOAK
3	009812-29-000	EA	MOLDING-CORNER,OUTSIDE-.5"X7'-PLASTIC-WATERFORDOAK
4	022992-11-000	FT	MOLDING-REVERSECOVE,T-SHAPED-VINYL-IVORY
5	083620-12-000	FT	MOLDING-T,ENDCAPEDGE-W/EDGELIPS-.75"-WATERFORDOAK
6	100182-10-G29	EA	TRIM-CHAIRRAIL,8'LONG-WOOD-WATERFORDOAKSTAINED(H21/H22)
7	085746-01-000	FT	TRIM-J,CARPET-1.2"X.5"ANGLE-10'LONG-PVC-BEIGE
8	104676-01-01A	FT	T-MOLDING,5/16-RIGID-GOLD
9	117268-D2-134	EA	MOLDING-VINYLRAPPED-.7"X1.6"X84"-WATERFORDOAK
9	117268-D2-438	EA	MOLDING-VINYLRAPPED-.7"X1.5"X96"-WATERFORDOAK
9	117268-F2-134	EA	MOLDING-VINYLRAPPED-.7"X2.7"X84"-WATERFORDOAK
9	117268-F2-438	EA	MOLDING-VINYLRAPPED-.7"X2.6"X96"-WATERFORDOAK
10	100818-01-05A	EA	MOLDING-VINYLRAPPED,1"X8'-WATERFORDOAK
11	105004-01-05A	EA	MOLDING-VINYLRAPPED,1"X8'-WATERFORDOAK
12	072368-02-000	EA	TRIM-VINYL-EDGE-BLACK
			FROM: 00-00-00 THRU: 02-02-97
12	113452-01-000	FT	SEAL/TRIM-FRONT-VINYLR/WIRECARRIER
			FROM: 02-03-97 THRU: 99-99-99
13	009778-21-000	FT	U-CHANNEL,1"WIDEX8'INCREMENTS-PLASTIC-WATERFORDOAK
13	070504-18-000	FT	U-CHANNEL-PLASTIC,.065"WIDE-IVORY-INCREMENTSOF8'(H21/H22)
13	070504-36-000	FT	U-CHANNEL-PLASTIC,1.65"WIDE-WATERFORDOAK-INCREMENTSOF8'
13	070504-37-000	FT	U-CHANNEL-PLASTIC,.815"WIDE-WATERFORDOAK-INCREMENTSOF8'
14	077840-01-G01	EA	MOLDING-CAP/WALL-8'WATERFORDOAK
15	103186-01-05A	FT	MOLDING-PLASTIC3/8"U-CHANNELW/3/4"FACE-WATERFORDOAK
15	103186-02-05A	FT	MOLDING-PLASTIC1"U-CHANNELW/13/8"FACE-WATERFORDOAK
16	100819-01-05A	EA	MOLDING-VINYLRAPPED,DOOR-WATERFORDOAK
	117267-D2-438	EA	LUMBER-VINYLRAPPED,.7"X11/2"X8'-WATERFORDOAK
	117267-E2-438	EA	LUMBER-VINYLRAPPED,.7"X2"X8'-WATERFORDOAK
	117267-G2-438	EA	LUMBER-VINYLRAPPED,.7"X3"X8'-WATERFORDOAK

**INTERIORFINISHGROUP(CONTINUED)**  
**BATTSTRIPS**

KEY	PARTNUMBER	U/M	DESCRIPTION
	069733-83-000	EA	BATTSTRIP-WOODGRAIN,8'-WATERFORDOAK
	088263-E3-000	EA	BATTSTRIP-SHOWER,8'-PEBBLEEMBOSSANTIQUE
	088263-C7-000	EA	BATTSTRIP-DECORATIVE,ETCHINGSSAGE-8'(H12/H13)(MAINWALL)
	088263-B8-000	EA	BATTSTRIP-DECORATIVE,METROMIST-8'(H14/H16/H21)(MAINWALL)
	088263-D9-000	EA	BATTSTRIP-DECORATIVE,CELESTIALGLOW-8'(H15)(MAINWALL)
	088263-E4-000	EA	BATTSTRIP-DECORATIVE,LAJOLLA SEAMIST-8'(H22)(MAINWALL)
	085284-B5-000	FT	BATT-TAPE,WATERFORDOAKWOODGRAIN-ADHESIVEBACKED
	085284-D6-000	FT	BATT-TAPE,SHOWER-PEBBLEEMBOSSANTIQUE-ADHESIVEBACKED
	085284-C1-000	FT	BATT-TAPE,ETCHINGSSAGE-ADHESIVEBACKED(H12/H13)(MAINWALL)
	085284-B1-000	FT	BATT-TAPE,METROMIST-ADHESIVEBACKED(H14/H16/H21)(MAINWALL)
	085284-D3-000	FT	BATT-TAPE,CELESTIALGLOW-ADHESIVEBACKED(H15)(MAINWALL)
	085284-D7-000	FT	BATT-TAPE,LAJOLLA SEAMIST-ADHESIVEBACKED(H22)(MAINWALL)
	086229-20-000	EA	BATTEN-CEILING,1"X98"-BEIGE
	086229-01-000	EA	RETAINER-BATTEN,CEILING-.75"X92.24"-ANYCOLOR

**PLASTICLAMINATE&EDGE BAND**

KEY	PARTNUMBER	U/M	DESCRIPTION
	074498-54-000	SF	LAMINATE-PLASTIC,SANDSPEKTRUM-5'X8'-INCOF40SF(H12/H13/H22) (GALLEY,DINETTE,BATH,&BEDROOM)
	074498-71-000	SF	LAMINATE-PLASTIC,NEUTRALSANTOS-5'X8'-INCREMENTSOF40SF(H14/H15) (GALLEY,DINETTE,BATH,&BEDROOM)
	074498-62-000	SF	LAMINATE-PLASTIC,GREYFINESSE-5'X8'-INCREMENTSOF40SF(H16/H21) (GALLEY,DINETTE,BATH,&BEDROOM)
	076325-47-000	FT	MOLDING-EDGE BAND,1032SAND-15/16"X.030"X600"(H12/H13)
	076325-39-000	FT	MOLDING-EDGE BAND,1527NEUTRAL-15/16"X.030"X600"(H14/H15)
	076325-46-000	FT	MOLDING-EDGE BAND,1035CLOUD-15/16"X.030"X600"(H16)
	076325-46-000	FT	MOLDING-EDGE BAND,1035CLOUD-15/16"X.030"X600"(H21) (DINETTE/BEDROOM)
	076325-47-000	FT	MOLDING-EDGE BAND,1032SAND-15/16"X.030"X600"(H22) (DINETTE/BEDROOM)
	109736-01-01A	FT	T-MOLDING,EDGE BAND-1"WIDE-BRASS/BLACK(H21/H22) (BATH/GALLEY)
	076325-44-000	FT	MOLDING-EDGE BAND,1032SAND-.875"X.024"X600"(H12/H13)
	076325-40-000	FT	MOLDING-EDGE BAND,1527NEUTRAL-.875"X.024"X600"(H14/H15)
	076325-43-000	FT	MOLDING-EDGE BAND,1035CLOUD-.875"X.024"X600"(H16)
	076325-43-000	FT	MOLDING-EDGE BAND,1035CLOUD-.875"X.024"X600"(H21) (DINETTE/BEDROOM)
	076325-44-000	FT	MOLDING-EDGE BAND,1032SAND-.875"X.024"X600"(H22) (DINETTE/BEDROOM)
	074498-77-000	SF	LAMINATE-PLASTIC,ARTCABINOAK-5'X8'-INCREMENTSOF40SF (PULLOUTTABLE)
	076325-68-000	FT	MOLDING-EDGE BAND,WATERFORDOAK-15/16"X.030"X600" (PULLOUTTABLE)
	074498-67-000	SF	LAMINATE-PLASTIC,ORCHIDMIST-5'X8'-INCREMENTSOF40SF (PATIOENTERTAINMENTCENTERTABLE)
	076325-34-000	FT	MOLDING-EDGE BAND,1233ORCHIDMIST-15/16"X.030"X600" (PATIOENTERTAINMENTCENTERTABLE)

**INTERIORFINISHGROUP(CONTINUED)**  
**SMOKEDETECTOR,CODETECTOR,FIREEXTINGUISHER&CLOCK**

KEY	PARTNUMBER	U/M	DESCRIPTION	VENDORNO.
	072852-01-000	EA	DETECTOR-SMOKE,W/9VOLT BATTERY-US	
	072852-02-000	EA	DETECTOR-SMOKE,W/9VOLT BATTERY-CANADIAN	
	094499-01-000	EA	EXTINGUISHER-FIRE, DRYW/MOUNTING BRACKET-10BC	
	094499-01-700	EA	BRACKET-MOUNTING, W/PLASTIC STRAP-FIRE EXTINGUISHER	
	094499-01-701	EA	STRAPONLY (METAL)	320351
	094499-02-000	EA	EXTINGUISHER-FIRE, DRY-1A10BC-CANADIAN	
	112320-03-000	EA	DETECTOR-COGAS, MODEL 9D-I	
			FROM: 00-00-00 THRU: 10-20-96	
	112320-04-000	EA	BATTERY/SENSOR MODULE-CO (BLACK MODULE) F/9D-ISYSTEM	
			FROM: 00-00-00 THRU: 10-20-96	
	125136-01-000	EA	DETECTOR-COGAS, MODEL 9L-I	
			FROM: 10-21-96 THRU: 99-99-99	
	118081-01-01A	EA	CLOCK-WALL, ROUND 8" - BRASS	

**ANTISLIP&FLOORMATS**

KEY	PARTNUMBER	U/M	DESCRIPTION
	091261-01-000	FT	SLIPNOT-ANTISLIP, 1' WIDE (100' ROLL)
	105924-01-H12	EA	MAT-FLOOR, 18" X 27" (H12)
	105924-01-H13	EA	MAT-FLOOR, 18" X 27" (H13)
	105924-01-H14	EA	MAT-FLOOR, 18" X 27" (H14)
	105924-01-F05	EA	MAT-FLOOR, 18" X 27" (H15)
	105924-01-H39	EA	MAT-FLOOR, 18" X 27" (H16/H21)
	105924-01-G35	EA	MAT-FLOOR, 18" X 27" (H22)

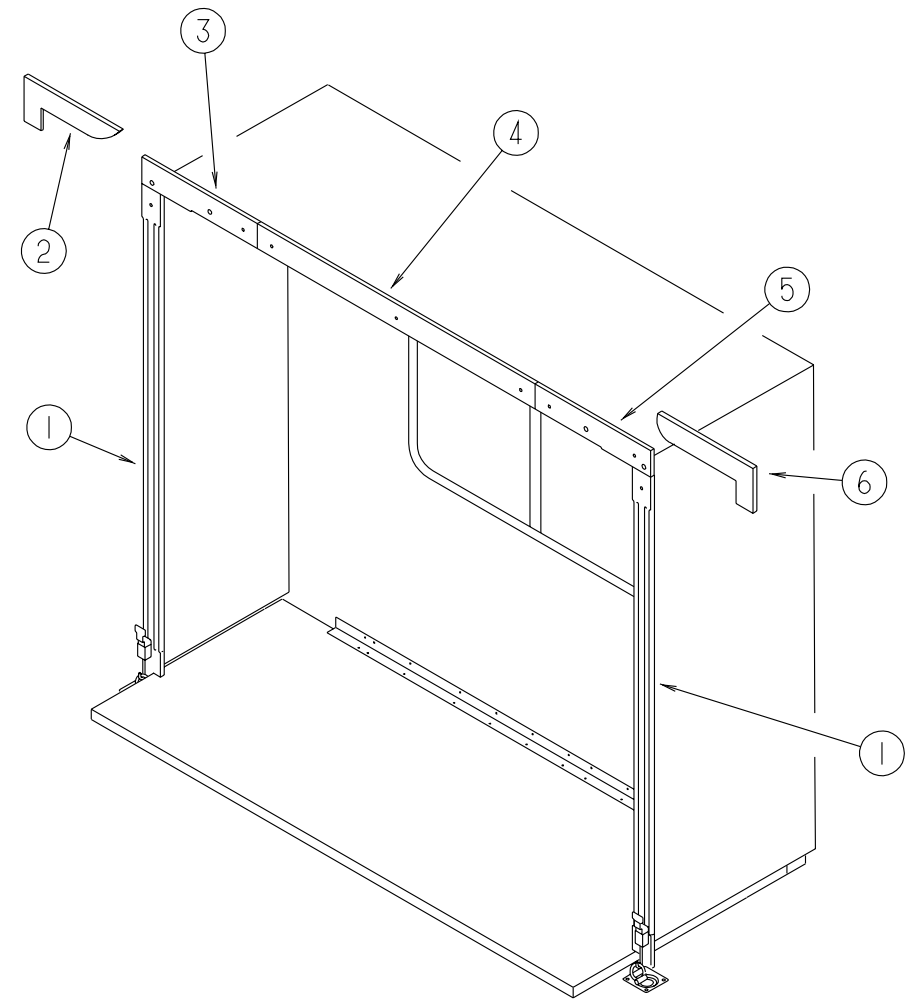
**CARPET&TILE**

KEY	PARTNUMBER	U/M	DESCRIPTION
	093486-01-000	SY	CARPET-COMPARTMENT, 72" WIDE - DARK GRAY
	096060-95-000	SY	CARPET-DOESKIN (H12)
	096060-B2-000	SY	CARPET-JUBILATION-INCREMENTS OF 4 SQ YDS (H13)
	096060-A1-000	SY	CARPET-ARTIC GRAY-INCREMENTS OF 4 SQ YDS (H14)
	096060-97-000	SY	CARPET-LAPIS-INCREMENTS OF 4 SY YDS (H15)
	096060-96-000	SY	CARPET-JUBILATION-INCREMENTS OF 4 SQ YD (H16/H21)
	096060-B3-000	SY	CARPET-CASTILE-INCREMENTS OF 4 SQ YD (H22)
	122755-06-01A	EA	TILE-RUBBER/ENTRANCE DOOR, 11.2" X 26.9"

**PANELING, PLYWOOD, & PARTICLE BOARD**

KEY	PARTNUMBER	U/M	DESCRIPTION
	074497-28-000	SF	PANELING-WATERFORD OAK, 4' X 8' - INCREMENTS OF 32 SF
	088272-G1-000	SF	PANELING-SHOWER, PEBBLE EMBOSS ANTIQUE - 4' X 7' - INCREMENTS OF 28 SF
	088272-E8-000	SF	PANELING-DECORATIVE, ETCHING SAGE - 4' X 7' - INCOF 28 SF (H12/H13) (MAIN WALL)
	088272-E0-000	SF	PANELING-DECORATIVE, METROMIST - 4' X 7' - INCOF 28 SF (H14/H16/H21) (MAIN WALL)
	088272-F7-000	SF	PANELING-DECORATIVE, CELESTIAL GLOW - 4' X 7' - INCREMENTS OF 28 SF (H15) (MAIN WALL)
	088272-G2-000	SF	PANELING-DECORATIVE, LAJOLLA SEAMIST - 4' X 7' - INCOF 28 SF (H22) (MAIN WALL)
	080215-10-000	SF	PANELING-2 SIDED, WATERFORD - 4' X 8'
	000846-01-000	SF	PLYWOOD - 5/16" X 4' X 8'
	000846-02-000	SF	PLYWOOD/UNDERLAYMENT - 5/16" X 48" X 96"
	089297-01-000	SF	PLYWOOD-LUAN, OVERLAY GRADE - 4' X 8'
	000885-76-000	SF	PARTICLE BOARD - 3/8" X 48" X 96" - WATERFORD OAK/VINYL 1 SIDE
	000885-77-000	SF	PARTICLE BOARD - 3/8" X 48" X 96" - WATERFORD OAK/VINYL 2 SIDE
	000885-78-000	SF	PARTICLE BOARD - 1/2" X 48" X 96" - WATERFORD OAK/VINYL 2 SIDE
	000885-79-000	SF	PARTICLE BOARD - 3/4" X 48" X 96" - WATERFORD OAK/VINYL 2 SIDE
	095688-01-000	SF	VENEER - .14" X 4' X 8' UNFINISHED
	114129-01-02A	SF	LINER-CABINET - .02" X 48" X 96"
			FROM: 01-02-97 THRU: 99-99-99
	126339-01-000	SF	BOARD-WHEAT - 60" X 72"

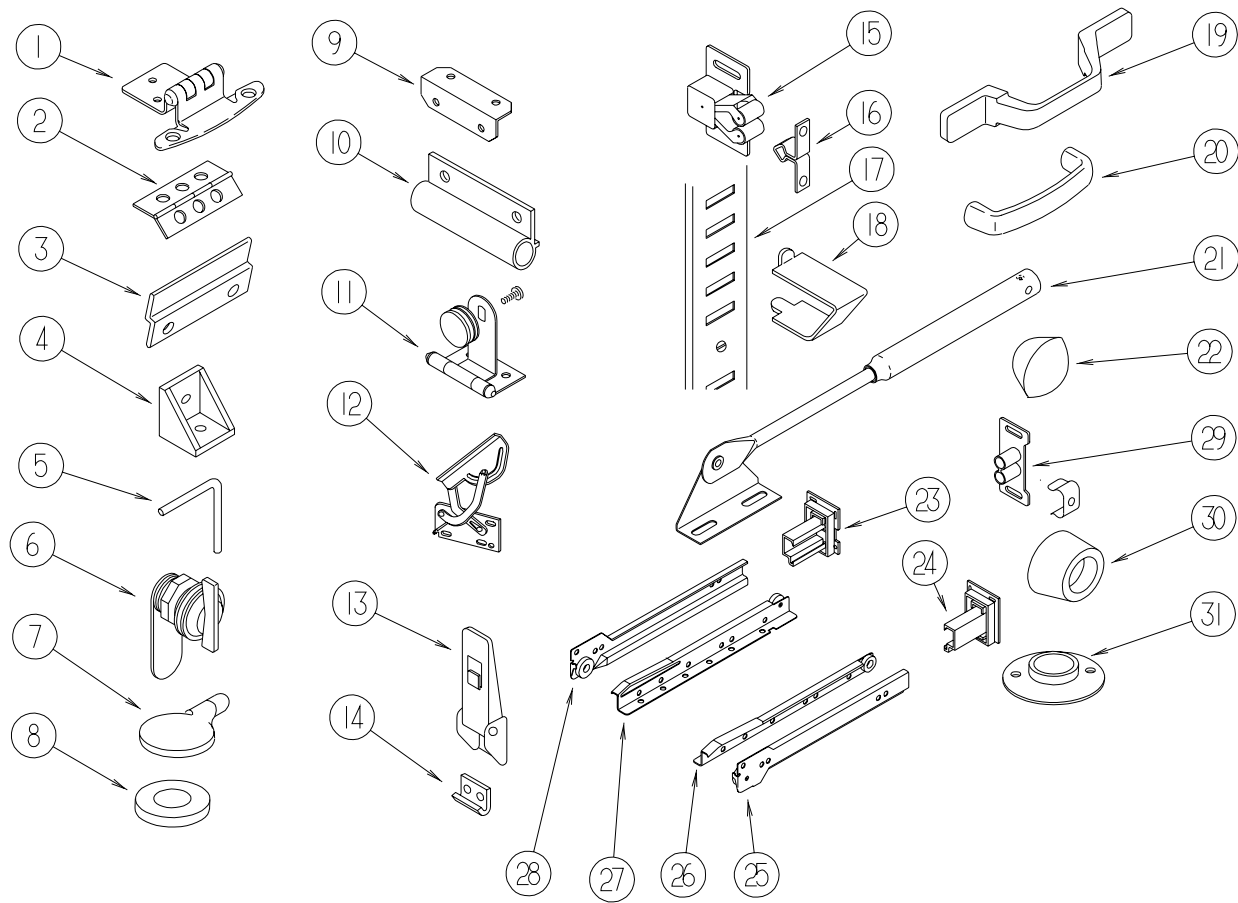
**INTERIORFINISHGROUP(CONTINUED)**



**SLIDEOUT INTERIOR TRIMS**

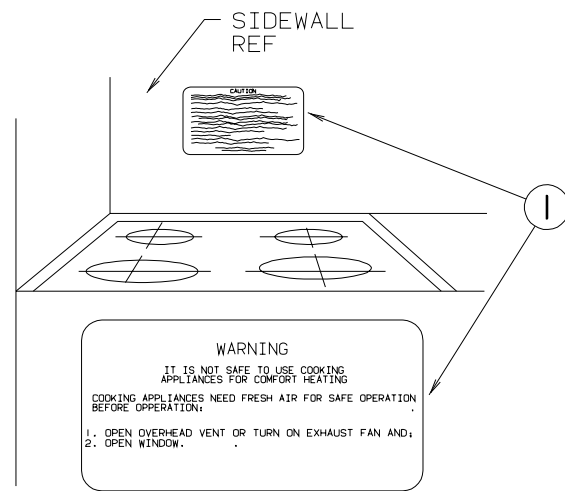
KEY	PARTNUMBER	U/M	DESCRIPTION
	116951-01-G35	EA	MOLDING-WOOD - 3" X 70.5"
	115811-16-H13	EA	OVERLAY - 7.5" X 223/8" (H12, H13)
	115811-16-H14	EA	OVERLAY - 7.5" X 223/8" (H14)
	115811-16-H15	EA	OVERLAY - 7.5" X 223/8" (H15)
	115811-16-H16	EA	OVERLAY - 7.5" X 223/8" (H16)
	115811-16-G45	EA	OVERLAY - 7.5" X 223/8" (H21)
	115811-16-G35	EA	OVERLAY - 7.5" X 223/8" (H22)
	116968-01-G35	EA	TRIM-END/RIGHT HAND-WOOD - 3.8" X 19.1"
	116967-02-H13	EA	TRIM-CENTER-WOOD - 3.8" X 46.1"
	116968-02-G35	EA	TRIM-END/LEFT HAND-WOOD - 3.8" X 19.1"
	115811-15-H13	EA	OVERLAY - 7.5" X 223/8" (H12, H13)
	115811-15-H14	EA	OVERLAY - 7.5" X 223/8" (H14)
	115811-15-H15	EA	OVERLAY - 7.5" X 223/8" (H15)
	115811-15-H16	EA	OVERLAY - 7.5" X 223/8" (H16)
	115811-15-G45	EA	OVERLAY - 7.5" X 223/8" (H21)
	115811-15-G35	EA	OVERLAY - 7.5" X 223/8" (H22)

**INTERIORFINISHGROUP(CONTINUED)**  
**CABINETHARDWARE**



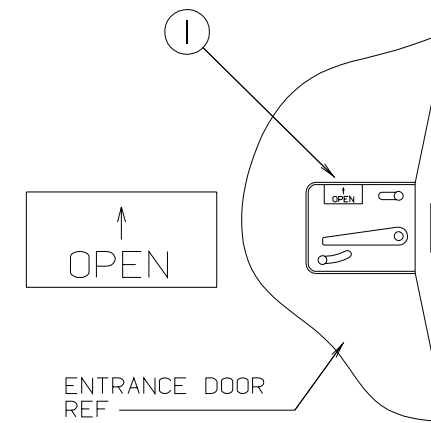
KEY	PARTNUMBER	U/M	DESCRIPTION
1	108138-01-000	EA	HINGE-DOOR, CABINET-BURNISHEDBRASS
2	009059-02-000	EA	HINGE-DOOR, 2" X 2.7" -BRASS
3	101272-01-000	EA	CATCH-DOOR, GLASS
4	065740-01-000	EA	BRACE-CABINETCORNER, PLASTIC
5	108487-02-01A	EA	SUPPORT-PROPROD, OVERHEAD-BLACK
6	100710-01-01A	EA	LOCK-GLASSDOOR, TWISTTYPE-BRASS
7	101766-01-000	EA	PIN-SUPPORT, GLASSDOOR
8	100707-01-000	EA	SPACER-DOOR, GLASS- .8" DIA- .3" HOLE- PLASTIC
9	016604-01-000	EA	BRACE-CABINET, ANGLE-2.5"-METAL-UNPAINTED
9	016604-05-000	EA	BRACE-CABINET, ANGLE-2.5"-METAL-OFFWHITE
10	108486-01-01A	EA	BRACKET-PROPROD, OVERHEAD-BLACK
11	100711-01-01A	EA	HINGE-DOOR, GLASS
12	108126-01-000	EA	TRAYHINGESET (QTY. 2PERSET)
13	116975-01-01A	EA	LATCH-W/OSTRIKE
14	042541-05-000	EA	STRIKE
15	093586-06-000	EA	CATCH-SPRING, ROLLER
16	093586-05-000	EA	STRIKE-SPRINGSTEEL
17	098980-01-000	EA	PILASTER-ADJUSTABLESHELF-18"
17	098980-02-000	EA	PILASTER-ADJUSTABLESHELF-12"
17	098980-03-000	EA	PILASTER-ADJUSTABLESHELF-9"
17	098980-04-000	EA	PILASTER-ADJUSTABLESHELF-48"
18	098979-01-000	EA	CLIP-ADJUSTABLESHELF
19	117801-01-01A	EA	PULL-CABINET, BRASS(H12/H13/H14/H15/H16)
20	111093-01-000	EA	PULL-CABINET, BRASS-AMEROCKCM1940-AU(H21/H22&EXPORT)
21	074493-02-000	EA	SUPPORT-PISTONSRING, CABINETDOOR
22	042356-01-000	EA	PLUG-BUTTON, MAHOGANY-3/8" DIAMETER-WOOD
23	114045-01-000	EA	BACKSOCKET-ADJUSTABLELEFT
24	114045-02-000	EA	BACKSOCKET-ADJUSTABLERIGHT
25	114031-02-000	EA	SLIDE-12"-RIGHTSIDE/CABINET
25	114031-06-000	EA	SLIDE-14"-RIGHTSIDE/CABINET
25	114031-14-000	EA	SLIDE-18"-RIGHTSIDE/CABINET
25	114031-18-000	EA	SLIDE-20"-RIGHTSIDE/CABINET
25	114031-22-000	EA	SLIDE-22"-RIGHTSIDE/CABINET
25	114031-26-000	EA	SLIDE-24"-RIGHTSIDE/CABINET
26	114031-04-000	EA	SLIDE-12"-RIGHTSIDE/DRAWER
26	114031-08-000	EA	SLIDE-14"-RIGHTSIDE/DRAWER
26	114031-16-000	EA	SLIDE-18"-RIGHTSIDE/DRAWER
26	114031-20-000	EA	SLIDE-20"-RIGHTSIDE/DRAWER
26	114031-24-000	EA	SLIDE-22"-RIGHTSIDE/DRAWER
26	114031-28-000	EA	SLIDE-24"-RIGHTSIDE/DRAWER
27	114031-03-000	EA	SLIDE-12"-LEFTSIDE/DRAWER
27	114031-07-000	EA	SLIDE-14"-LEFTSIDE/DRAWER
27	114031-15-000	EA	SLIDE-18"-LEFTSIDE/DRAWER
27	114031-19-000	EA	SLIDE-20"-LEFTSIDE/DRAWER
27	114031-23-000	EA	SLIDE-22"-LEFTSIDE/DRAWER
27	114031-27-000	EA	SLIDE-24"-LEFTSIDE/DRAWER
28	114031-01-000	EA	SLIDE-12"-LEFTSIDE/CABINET
28	114031-05-000	EA	SLIDE-14"-LEFTSIDE/CABINET
28	114031-17-000	EA	SLIDE-20"-LEFTSIDE/CABINET
28	114031-13-000	EA	SLIDE-18"-LEFTSIDE/CABINET
28	114031-21-000	EA	SLIDE-22"-LEFTSIDE/CABINET
28	114031-25-000	EA	SLIDE-24"-LEFTSIDE/CABINET
29	009021-01-000	EA	CATCH-GRILLE-NYLON
30	004354-01-000	EA	BUMPER-RUBBER- .5" DIA-BROWN
31	009112-01-000	EA	FLANGE-PLASTIC-1"CLOTHESROD-OFFWHITE
	104181-01-01A	EA	SUPPORT-LEAF, 5.3"-EXTENDSTO7.5"-SAFETYRING-METAL
	009089-01-000	EA	CLIP-MIRROR
	023320-01-000	EA	PAD-FELT, 3/8" DIAMETER-BROWN
	042438-01-000	EA	DOWEL-WOOD, CLOTHESROD-1" DIAMETERX4'
	042438-02-000	EA	DOWEL-WOOD, 2" X2"
	122021-01-01A	EA	ANGLE-W/HOLES, 1" X1" X9"-MILL
	122021-02-02A	EA	ANGLE-W/HOLES, 1" X1" X13.8"-MILL

**LABELSGROUP**

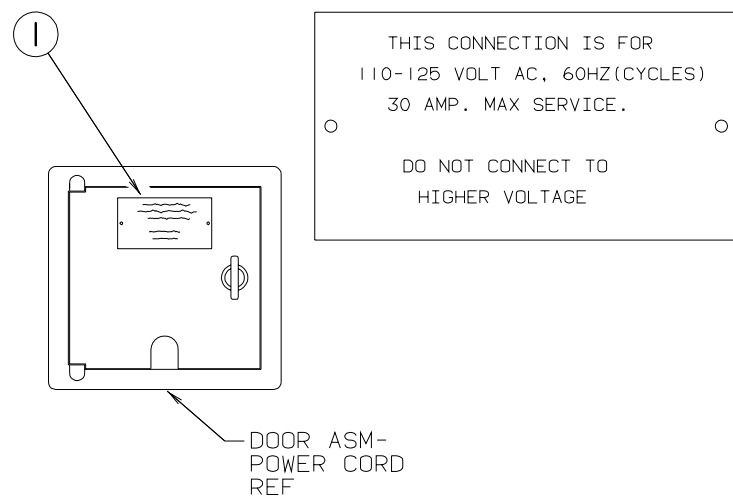


KEY	PARTNUMBER	U/M DESCRIPTION
1	050225-01-000	EA LABEL-WARNING,STOVEVENT-US
1	050222-01-000	EA LABEL-WARNING,STOVEVENT-CANADIAN

**LABELSGROUP(CONTINUED)**

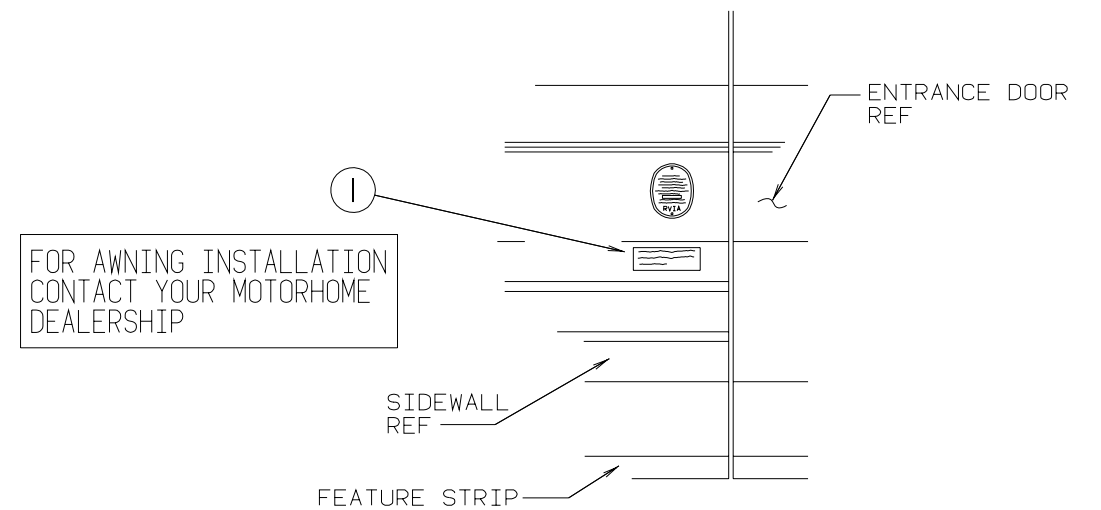


KEY	PARTNUMBER	U/M DESCRIPTION
1	040944-01-000	EA LABEL-ENTRANCEDOOR,"OPEN"



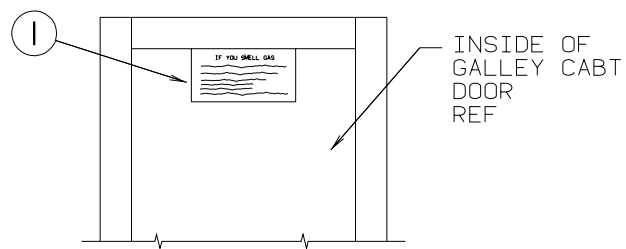
KEY	PARTNUMBER	U/M DESCRIPTION
1	006062-01-000	EA LABEL-ELECTRIC-110VOLTCONNECTION
1	125306-01-01A	EA LABEL-ELECTRICALENTRANCE-110VOLT30AMP

FROM: 00-00-00 THRU: 07-13-97  
FROM: 07-14-97 THRU: 99-99-99



KEY	PARTNUMBER	U/M DESCRIPTION
1	099509-01-000	EA LABEL-AWNINGINSTALLATION

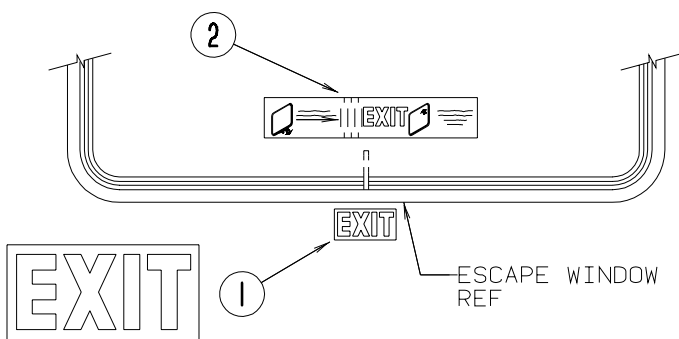
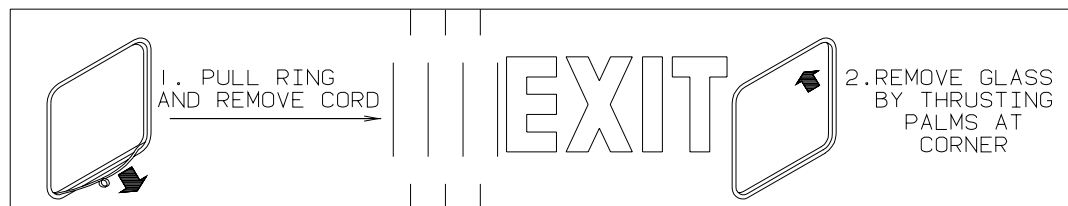
**LABELS GROUP (CONTINUED)**



**IF YOU SMELL GAS**

1. EXTINGUISH ANY OPEN FLAME, PILOT LIGHTS AND ALL SMOKING MATERIALS.
2. SHUT OFF THE GAS SUPPLY AT THE TANK VALVE( OR GAS SUPPLY CONNECTION.
3. OPEN DOORS AND OTHER VENTILATING OPENINGS.
4. DO NOT TOUCH ELECTRICAL SWITCHES.
5. LEAVE THE AREA UNTIL ODOR CLEARS.
6. HAVE THE GAS SYSTEM CHECKED AND LEAKAGE SOURCE CORRECTED BEFORE USING AGAIN.

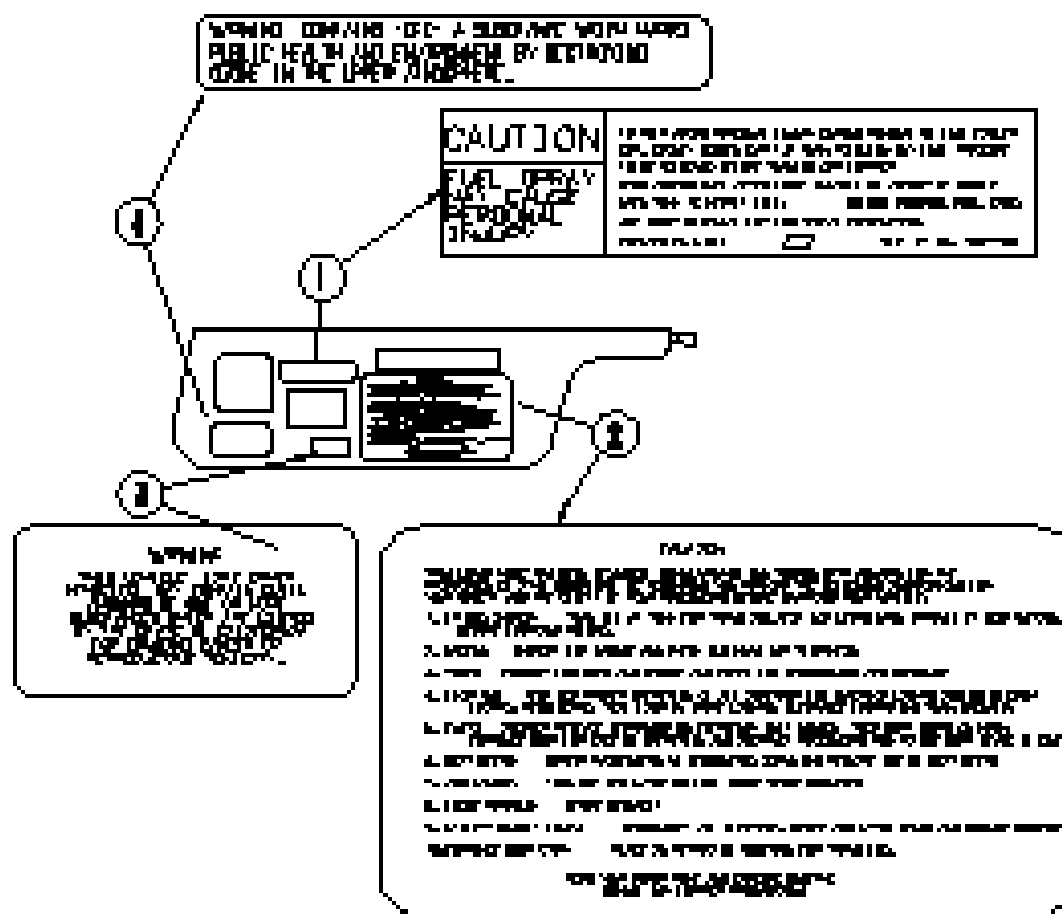
KEY	PARTNUMBER	U/M DESCRIPTION
1	073998-01-000	EA LABEL-LPGODORWARNING



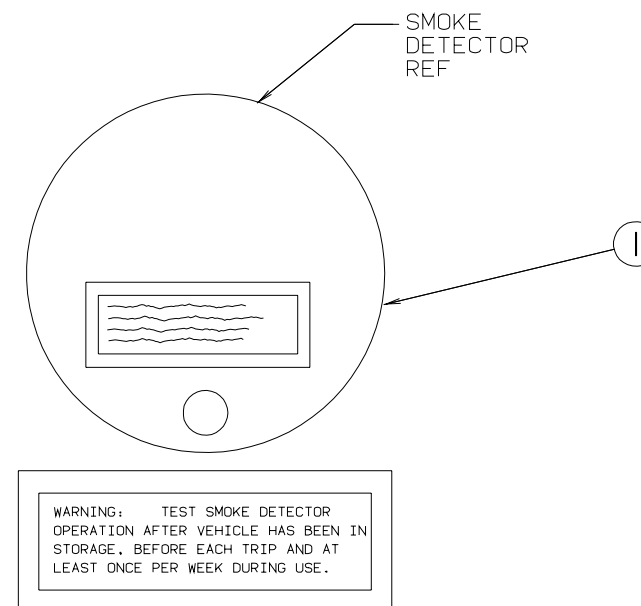
KEY	PARTNUMBER	U/M DESCRIPTION
1	039290-01-000	EA LABEL-WARNING,EXIT
2	107571-01-000	EA LABEL-EXIT/ESCAPEWINDOW

FROM: 00-00-00 THRU: 09-01-96

**LABELS GROUP (CONTINUED)**



KEY	PARTNUMBER	U/M DESCRIPTION
1	087207-05-000	EA LABEL-FUELCAPREMOVAL
2	056259-01-000	EA LABEL-SAFETYCHECKLIST
3	099689-01-000	EA LABEL-WARNING,CANCER/TOXICITY-CALIFORNIA
4	111802-01-000	EA LABEL-CFCWARNING

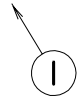


KEY	PARTNUMBER	U/M DESCRIPTION
1	077956-01-000	EA LABEL-WARNING,SMOKEDETECTOR

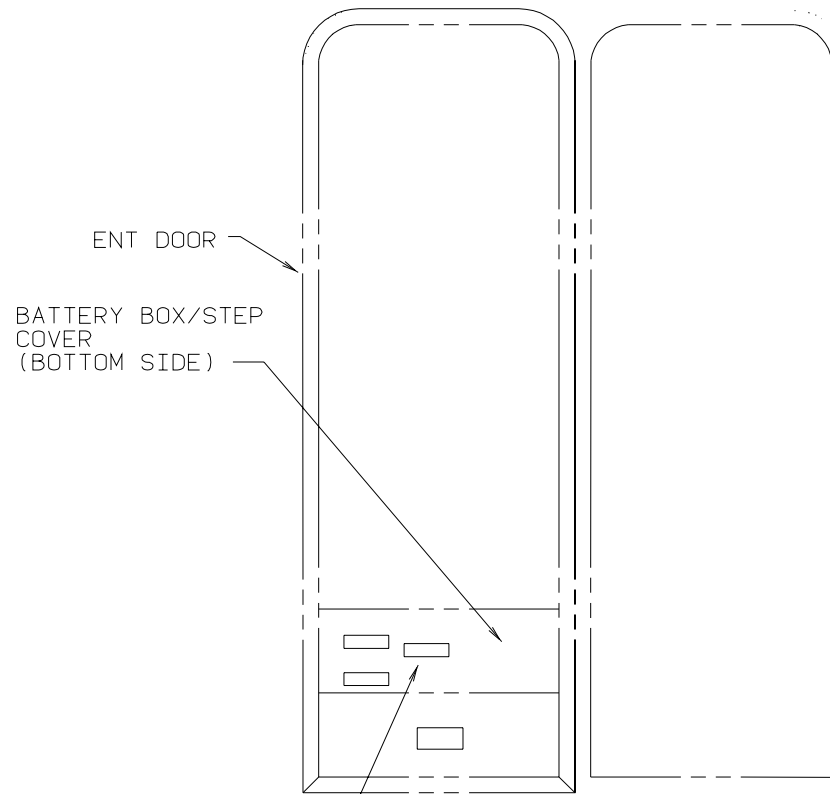


**LABELS GROUP(CONTINUED)**

AIR CONDITIONING CIRCUIT.  
THIS CONNECTION IS FOR  
AIR CONDITIONERS RATED 110-  
125 VOLT AC, 60 HZ, 16  
AMPERES MAXIMUM. DO NOT  
EXCEED CIRCUIT RATING.



KEY	PARTNUMBER	U/M DESCRIPTION
1	091243-01-000	EA LABEL-A/CCOVER,"AIRCONDITIONINGCIRCUIT.ETC."



WARNING: DISCONNECT BATTERIES BEFORE CONNECTING EXTERNAL CHARGING EQUIPMENT.

AVERTISSEMENT: DEBRANCHER LES BATTERIES AVANT DE BRANCHER TOUT EQUIPEMENT DE CHARGE EXTERIEUR.

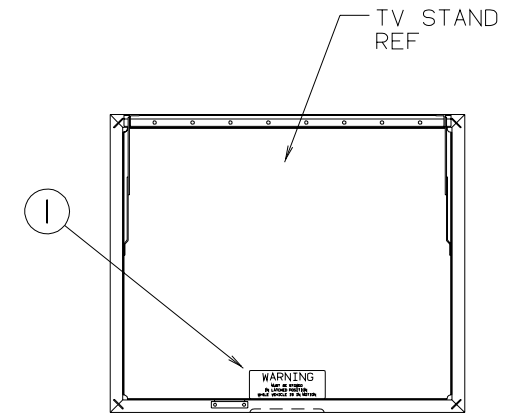
KEY	PARTNUMBER	U/M DESCRIPTION
1	065748-01-000	EA LABEL-CAUTION,BATTERYCHARGING-US
1	065748-02-000	EA LABEL-CAUTION,BATTERYCHARGING-FRENCH

**LABELSGROUP(CONTINUED)**

DO NOT USE HITCH BEFORE READING OWNERS MANUAL REGARDING VEHICLE LOADING AND TOWING



KEY	PARTNUMBER	U/M DESCRIPTION
1	111104-01-000	EA LABEL-HITCH,READMANUAL-WHITELETTERS
1	111104-02-000	EA LABEL-HITCH,READMANUAL-BLACKLETTERS



WARNING  
MUST BE STOWED  
IN LATCHED POSITION  
WHILE VEHICLE IS IN MOTION

KEY	PARTNUMBER	U/M DESCRIPTION
1	079966-01-000	EA LABEL-WARNING,STOWED-MOTION

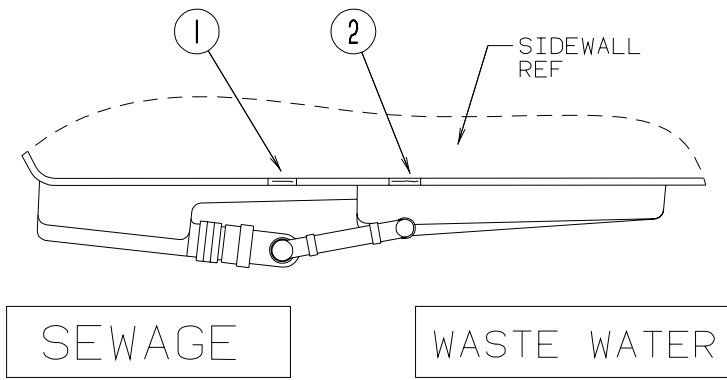


NOTE: TUNE ANTENNA PER MANUFACTURER'S DIRECTIONS. FAILURE TO COMPLY COULD RESULT IN DAMAGE TO CB.

CB POWER PROVISION  
RED +12 V  
BLACK GROUND  
COAX ANTENNA  
(SEE REVERSE ALSO)

KEY	PARTNUMBER	U/M DESCRIPTION
1	104678-01-000	EA LABEL-CBPREP

**LABELS GROUP(CONTINUED)**

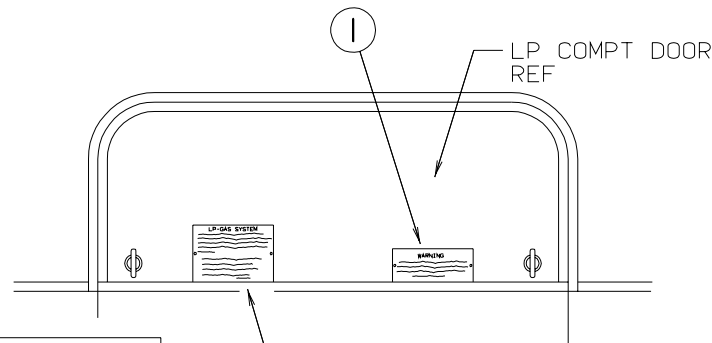


SEWAGE

WASTE WATER

KEY	PARTNUMBER	U/M DESCRIPTION
1	006187-01-000	EA LABEL-SEWAGE
2	006188-01-000	EA LABEL-WASTEWATER

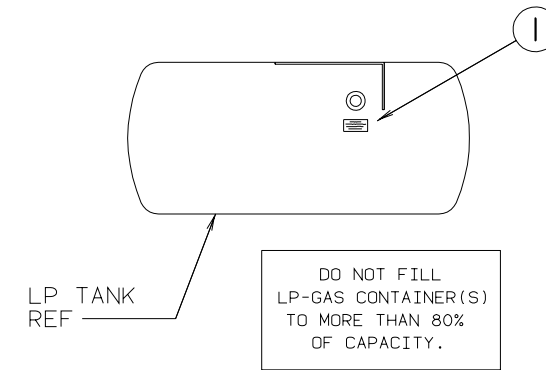
**WARNING**  
ALL PILOT LIGHTS AND APPLIANCES SHALL BE TURNED OFF DURING REFUELING OF MOTOR FUEL TANKS AND/OR PERMANENTLY MOUNTED LP-GAS CONTAINERS.



**LP-GAS SYSTEM**  
THIS GAS PIPING SYSTEM IS DESIGNED FOR USE OF LIQUEFIED PETROLEUM GAS ONLY. DO NOT CONNECT NATURAL GAS TO THIS SYSTEM.  
  
SECURELY CAP INLET(S) WHEN NOT CONNECTED FOR USE. AFTER TURNING ON GAS, EXCEPT AFTER NORMAL CONTAINER REPLACEMENT, TEST GAS PIPING AND CONNECTIONS TO APPLIANCE FOR LEAKAGE WITH SOAPY WATER OR BUBBLE SOLUTION. DO NOT USE PRODUCTS THAT CONTAIN AMMONIA OR CHLORINE.  
P.N. 54531

KEY	PARTNUMBER	U/M DESCRIPTION
1	006040-01-000	EA TAG-GASREFUELINGWARNING,US FROM: 00-00-00 THRU: 09-01-96
1	124519-01-01A	EA LABEL-WARNING/REFUELING,US FROM: 09-02-96 THRU: 99-99-99
1	006040-02-000	EA TAG-GASREFUELINGWARNING,CANADIAN FROM: 00-00-00 THRU: 09-01-96
1	124519-02-02A	EA LABEL-WARNING/REFUELING,CANADIAN FROM: 09-02-96 THRU: 99-99-99
2	054531-01-000	EA LABEL-LPGASONLY,US FROM: 00-00-00 THRU: 09-01-96
2	124520-01-01A	EA LABEL-LPGASONLY,US FROM: 09-02-96 THRU: 99-99-99
2	023769-01-000	EA LABEL-WARNING,LPG-CANADIAN

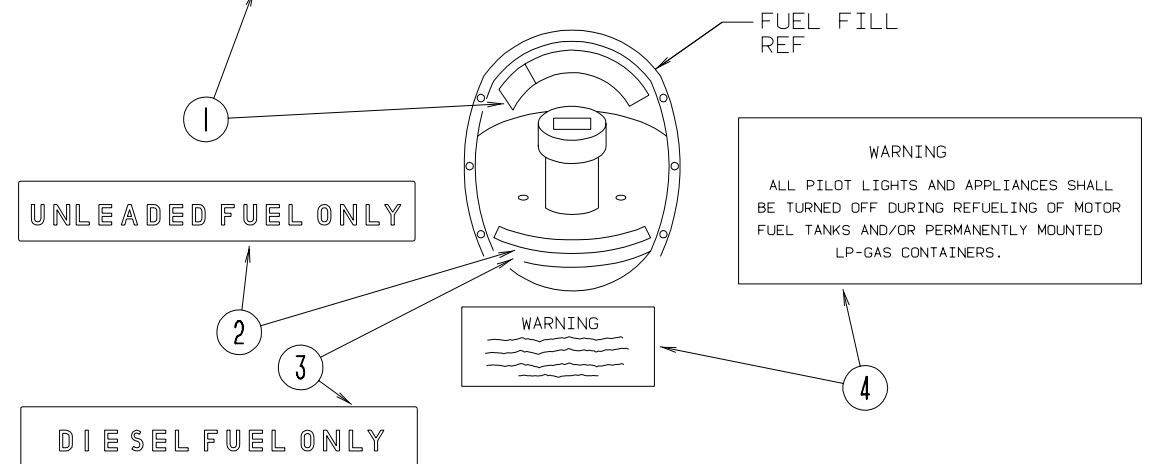
**LABELS GROUP(CONTINUED)**



DO NOT FILL LP-GAS CONTAINER(S) TO MORE THAN 80% OF CAPACITY.

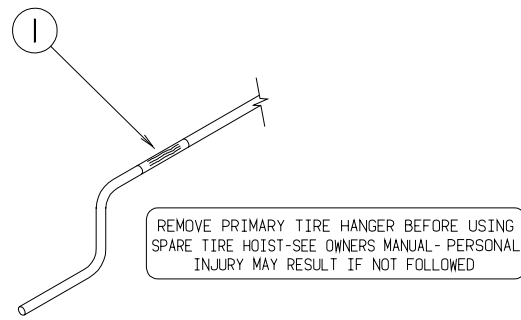
KEY	PARTNUMBER	U/M DESCRIPTION
1	079965-01-000	EA LABEL-LPG,80%CAPACITY

**CAUTION**  
TO HELP AVOID PERSONAL INJURY DURING REMOVAL OF FUEL FILLER CAP, SLOWLY LOOSEN CAP 1/2 TURN TO ALLOW ANY FUEL PRESSURE TO BE RELIEVED BEFORE TURNING CAP FURTHER.  
  
**FUEL SPRAY MAY CAUSE PERSONAL INJURY**  
STOP ADDING FUEL AFTER FIRST SHUTOFF BY AUTOMATIC NOZZLE WHEN TANK IS NEARLY FULL. DO NOT OVERFILL FUEL TANK. SEE OWNERS MANUAL FOR ADDITIONAL INFORMATION.  
PRINTED IN U.S.A. MLC PT NO 15611763



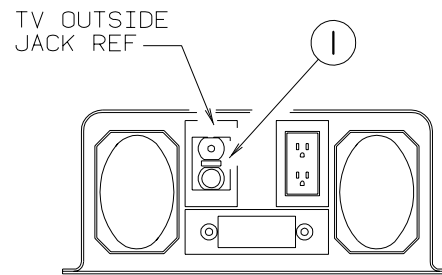
KEY	PARTNUMBER	U/M DESCRIPTION
1	087207-05-000	EA LABEL-FUELCAPREMOVAL
2	062043-01-000	EA LABEL-FUEL,UNLEADED
3	068383-01-000	EA LABEL-DIESELFUELONLY,GM-557005
4	006040-01-000	EA TAG-GASREFUELINGWARNING,US FROM: 00-00-00 THRU: 09-01-96
4	124519-01-01A	EA LABEL-WARNING/REFUELING,US FROM: 09-02-96 THRU: 99-99-99
4	006040-02-000	EA TAG-GASREFUELINGWARNING,CANADIAN FROM: 00-00-00 THRU: 09-01-96
4	124519-02-02A	EA LABEL-WARNING/REFUELING,CANADIAN FROM: 09-02-96 THRU: 99-99-99

## LABELS GROUP(CONTINUED)



KEY	PARTNUMBER	U/M	DESCRIPTION
1	126024-01-01A	EA	LABEL-TIREHANGERREMOVAL

FROM: 03-14-97 THRU: 99-99-99



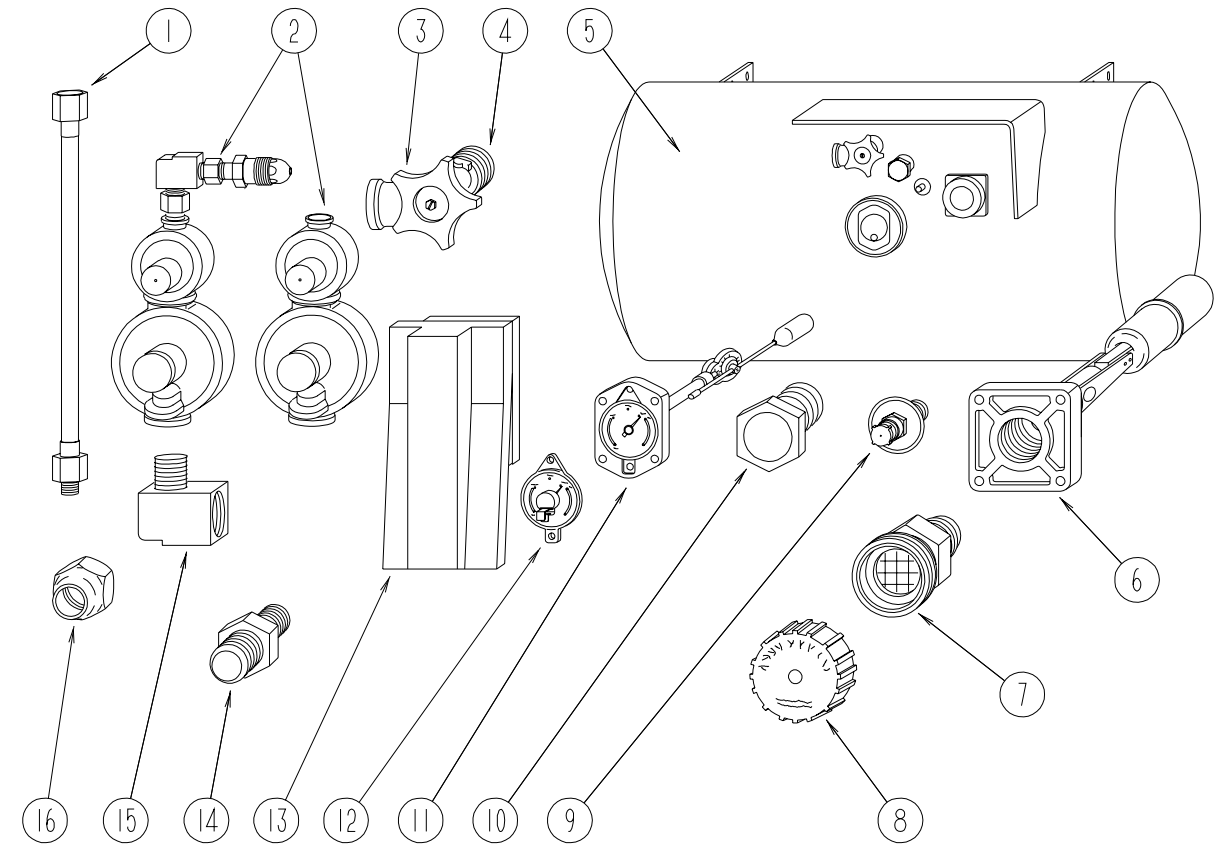
OUTLET

KEY	PARTNUMBER	U/M	DESCRIPTION
1	087236-01-000	EA	LABEL-CABLE-INPUT

### MISCELLANEOUSLABELS

KEY	PARTNUMBER	U/M	DESCRIPTION
	006064-01-000	EA	LABEL-SEATW/OSEATBELT"NOTINTENDEDFORUSEWHILECOACHINMOTION"
	074983-01-000	EA	LABEL-SWITCH,A/CSELECTORFORFRONTORREAR
	098379-04-000	EA	LABEL-ELECTRICALBOX,SIDE
	098641-01-000	EA	LABEL-FUEL,UNLEADED-DASH
	111537-07-000	EA	LABEL-FUSES
	113402-02-000	EA	LABEL-CAUTION,FURNACEEXHAUST

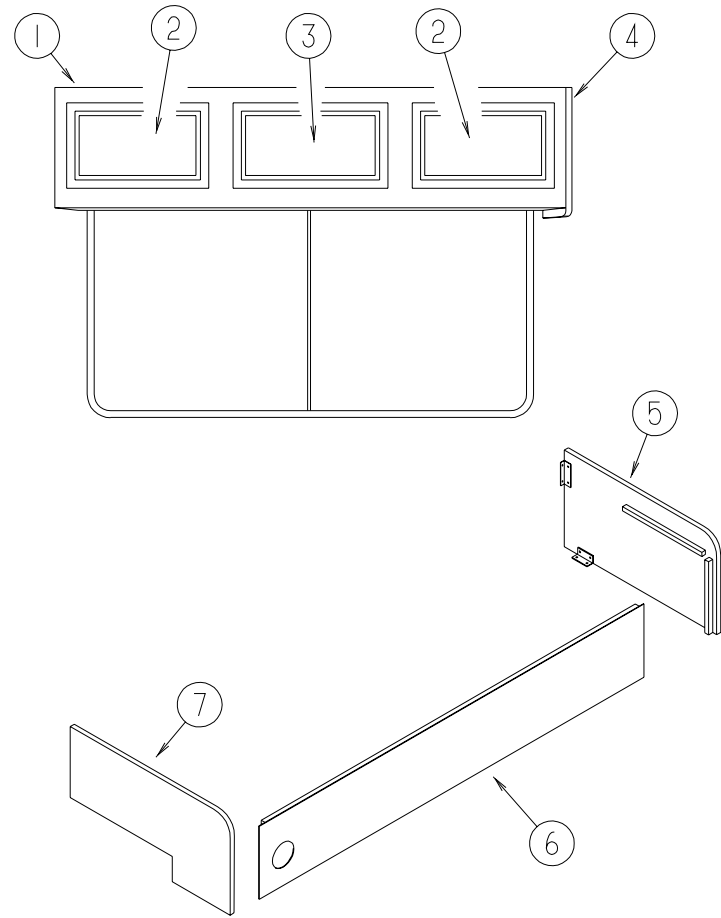
## LPGROUP



### LPTANK&COMPONENTS

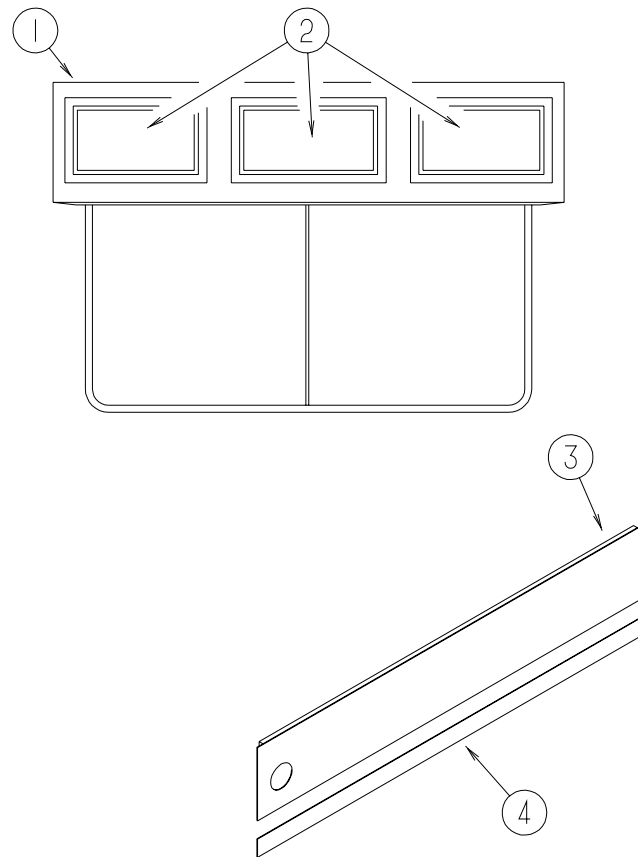
KEY	PARTNUMBER	U/M	DESCRIPTION	VENDORNO.
1	045703-01-000	EA	HOSE-LP, 3/8"ID X 24" - 3/8" MPT X 1/2" F SWIVEL - US	
1	045703-02-000	EA	HOSE-LP, 3/8"ID X 24" - 3/8" MPT X 1/2" F SWIVEL - CANADIAN	
2	106150-01-000	EA	REGULATOR-TWOSTAGE	
2	106150-02-000	EA	REGULATOR-TWOSTAGE-EUROPEAN	
3	040421-01-708	EA	HANDWHEEL-SERVICEVALVE	G-1015-A
4	040421-01-712	EA	VALVE-SERVICEW/OVAPORRELIEF	29000853
5	088253-03-000	EA	TANK-LP, 100LB- 16" DIAMETER X 36" LONG - SPL	
6	040421-01-711	EA	VALVE-80% FILL W/AUTOSTOP	LLL/TL3
7	040421-01-701	EA	VALVE-SHORTLP FILLER W/YELLOW CAP	7547B
8	040421-01-702	EA	CAP-LP FILLER VALVE, PLASTIC-YELLOW	G-1014-A
9	040421-01-700	EA	GAUGE-LIQUID LEVEL, 20% LP	G-1013
10	040421-01-713	EA	VALVE-VAPOR ONLY	29000587
11	088253-01-700	EA	GAUGE-FLOAT ASSEMBLY, LP	16C
12	040440-02-000	EA	TRANSMITTER - DIAL - 0-90 OHM - 2 TERMINAL (POWER & GROUND)	
13	105658-01-000	EA	COMPARTMENT-LP REGULATOR	
14	010323-01-000	EA	ADAPTER-BRASS, 3/8" FX 1/2" MPT	
14	010329-01-000	EA	ADAPTER-BRASS, 1/2" FX 1/2" MPT	
15	065318-02-000	EA	ELBOW-90 DEGREE, 3/8" MPT TO 3/8" FPT	
16	010377-02-000	EA	NUT-BRASS, 3/8" FLARE-FORGED	
16	010380-02-000	EA	NUT-BRASS, 1/2" FLARE-FORGED	
	008042-01-000	FT	TUBING-VINYL, .65" ID	
	010252-01-000	EA	ELBOW-BRASS, 90 DEGREE, 3/8" FX 1/2" MPT	
	010326-01-000	EA	ADAPTER-FLARE-W/CONE GASKET-3/8" FEMALE X 1/2" MALE	
	036346-02-000	EA	BUSHING-STEEL, 3/4" MPT X 3/8" FPT	
	103613-01-000	EA	DETECTOR-LPGAS	
				FROM: 00-00-00 THRU: 11-10-96
	103613-02-000	EA	DETECTOR-LPGAS	
				FROM: 11-11-96 THRU: 04-27-97
	103613-03-000	EA	DETECTOR-LPGAS	
				FROM: 04-28-97 THRU: 99-99-99

**LOUNGE GROUP**  
**DRIVERSIDE LOUNGE WITHOUT SLIDE OUT OPTION**



KEY	PARTNUMBER	U/M	DESCRIPTION
1	122094-01-H13	EA	CABINET-OVERHEAD, W/ODOORS OR HARDWARE
	122094-12-H13	EA	SHELF ASM-LOUNGE OVERHEAD CABINET W/PLASTIC EDGE TRIM
2	M06803-03-H33	EA	DOOR-MIRROR/MTRDCRNR/OGEE EDGE - 15.7" X 20.4" - W/OHDW (H12/H13/H14/H15/H16)
2	M06803-03-G13	EA	DOOR-MIRROR/MTRDCORNER/OGEE EDGE - 15.7" X 20.4" - W/OHDW (H21/H22)
3	M06803-41-G09	EA	DOOR-W/O HARDWARE W/O MIRROR - 15.7" X 20.4" (H12/H13/H14/H15/H16)
			DECORATOR DOOR OPTION-FLAT PANEL
2	M06803-B1-G13	EA	DOOR-MITERED CORNER/OGEE EDGE - 15.7" X 20.4" - W/OHDW (H21/H22)
			DECORATOR DOOR OPTION-RAISED PANEL
3	M06803-13-H33	EA	DOOR-MIRROR/MITERED CRNR/OGEE EDGE - 15.7" X 28" - W/OHDW (H12/H13/H14/H15/H16)
3	M06803-13-G13	EA	DOOR-MIRROR/MITERED CRNR/OGEE EDGE - 15.7" X 28" - W/OHDW (H21/H22)
3	M06803-02-H13	EA	DOOR-MITERED CORNER/OGEE EDGE - 15.7" X 28" - W/OHDW (H12/H13/H14/H15/H16)
			DECORATOR DOOR OPTION-FLAT PANEL
3	M06803-82-G13	EA	DOOR-MITERED CORNER/OGEE EDGE - 15.7" X 28" - W/OHDW (H21/H22)
			DECORATOR DOOR OPTION-RAISED PANEL
4	103128-01-G09	EA	ENDCAP-OVERHEAD CABINET-RIGHT HAND
5	122716-12-H13	EA	PANEL-COUCH CABINET-LEFT SIDE-FABRIC COVERED (H12/H13)
5	122716-12-H14	EA	PANEL-COUCH CABINET-LEFT SIDE-FABRIC COVERED (H14)
5	122716-12-H15	EA	PANEL-COUCH CABINET-LEFT SIDE-FABRIC COVERED (H15)
5	122716-12-H16	EA	PANEL-COUCH CABINET-LEFT SIDE-FABRIC COVERED (H16)
5	122716-12-H21	EA	PANEL-COUCH CABINET-LEFT SIDE-FABRIC COVERED (H21)
5	122716-12-H22	EA	PANEL-COUCH CABINET-LEFT SIDE-FABRIC COVERED (H22)
6	M08164-01-H13	EA	CABINET-COUCHFACE-FABRIC COVERED (H12/H13)
6	M08164-01-H14	EA	CABINET-COUCHFACE-FABRIC COVERED (H14)
6	M08164-01-H15	EA	CABINET-COUCHFACE-FABRIC COVERED (H15)
6	M08164-01-H16	EA	CABINET-COUCHFACE-FABRIC COVERED (H16)
6	M08164-01-H21	EA	CABINET-COUCHFACE-FABRIC COVERED (H21)
6	M08164-01-H22	EA	CABINET-COUCHFACE-FABRIC COVERED (H22)
7	122716-11-H13	EA	PANEL-COUCH CABINET-RIGHT SIDE-FABRIC COVERED (H12/H13)
7	122716-11-H14	EA	PANEL-COUCH CABINET-RIGHT SIDE-FABRIC COVERED (H14)
7	122716-11-H15	EA	PANEL-COUCH CABINET-RIGHT SIDE-FABRIC COVERED (H15)
7	122716-11-H16	EA	PANEL-COUCH CABINET-RIGHT SIDE-FABRIC COVERED (H16)
7	122716-11-H21	EA	PANEL-COUCH CABINET-RIGHT SIDE-FABRIC COVERED (H21)
7	122716-11-H22	EA	PANEL-COUCH CABINET-RIGHT SIDE-FABRIC COVERED (H22)
	082525-01-000	EA	BRACE-COUCH, FLOOR MOUNT-ANGLE 3" LONG-ALUMINUM

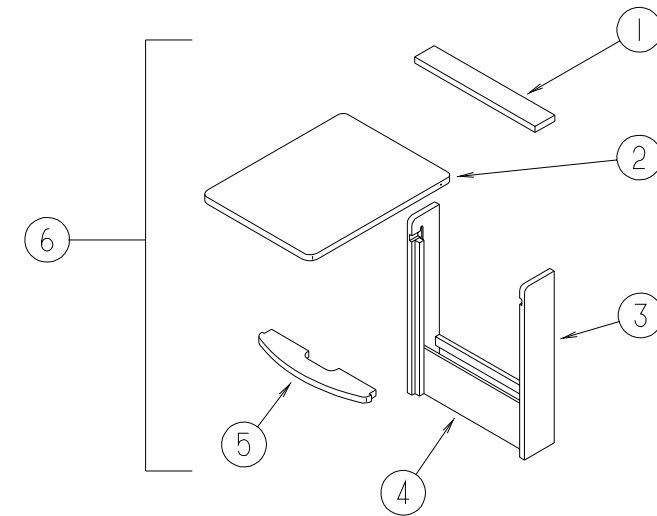
## LOUNGE GROUP (CONTINUED)



### DRIVERSIDE LOUNGE WITH SLIDE OUT OPTION

KEY	PART NUMBER	U/M	DESCRIPTION
1	122602-01-H13	EA	CABINET-OVERHEAD, W/O DOORS OR HARDWARE
2	120035-07-H13	EA	DOOR-FABRIC WRAPPED-8.6" X 24.6" - W/O HARDWARE (H12/H13)
2	120035-07-H14	EA	DOOR-FABRIC WRAPPED-8.6" X 24.6" - W/O HARDWARE (H14)
2	120035-07-H15	EA	DOOR-FABRIC WRAPPED-8.6" X 24.6" - W/O HARDWARE (H15)
2	120035-07-H16	EA	DOOR-FABRIC WRAPPED-8.6" X 24.6" - W/O HARDWARE (H16)
2	120035-07-H21	EA	DOOR-FABRIC WRAPPED-8.6" X 24.6" - W/O HARDWARE (H21)
2	120035-07-H22	EA	DOOR-FABRIC WRAPPED-8.6" X 24.6" - W/O HARDWARE (H22)
3	123482-01-H13	EA	KICKBOARD-SOFA/BED-W/FABRIC (H12/H13)
3	123482-01-H14	EA	KICKBOARD-SOFA/BED-W/FABRIC (H14)
3	123482-01-H15	EA	KICKBOARD-SOFA/BED-W/FABRIC (H15)
3	123482-01-H16	EA	KICKBOARD-SOFA/BED-W/FABRIC (H16)
3	123482-01-H21	EA	KICKBOARD-SOFA/BED-W/FABRIC (H21)
3	123482-01-H22	EA	KICKBOARD-SOFA/BED-W/FABRIC (H22)
3	123482-02-H13	EA	KICKBOARD-NOTCHED-CANADIAN (H12/H13)
3	123482-02-H14	EA	KICKBOARD-NOTCHED-CANADIAN (H14)
3	123482-02-H15	EA	KICKBOARD-NOTCHED-CANADIAN (H15)
3	123482-02-H16	EA	KICKBOARD-NOTCHED-CANADIAN (H16)
3	123482-02-H21	EA	KICKBOARD-NOTCHED-CANADIAN (H21)
3	123482-02-H22	EA	KICKBOARD-NOTCHED-CANADIAN (H22)
4	125002-01-H13	EA	TRIM-KICK PANEL/BOTTOM (H12/H13)
4	125002-01-H14	EA	TRIM-KICK PANEL/BOTTOM (H14)
4	125002-01-H15	EA	TRIM-KICK PANEL/BOTTOM (H15)
4	125002-01-H16	EA	TRIM-KICK PANEL/BOTTOM (H16)
4	125002-01-H21	EA	TRIM-KICK PANEL/BOTTOM (H21)
4	125002-01-H22	EA	TRIM-KICK PANEL/BOTTOM (H22)

## LOUNGE GROUP (CONTINUED)



### PULLOUT TABLE AND PASSENGER SIDE LOUNGE

KEY	PART NUMBER	U/M	DESCRIPTION
1	119559-13-G35	EA	SHELF-TOP/F/PULLOUT TABLE
2	119559-17-G35	EA	TABLETOP-PULLOUT
3	119559-11-G35	EA	END-TABLE-RIGHT SIDE-28.7" X 5.7"
	119559-12-G35	EA	END-TABLE-LEFT SIDE-28.7" X 5.7"
4	119559-15-G35	EA	PANEL-BOTTOM/F/TABLE CABINET-18.1" X 6.7"
5	119559-14-G35	EA	SHELF-SUPPORT/F/PULLOUT TABLE
6	P19559-01-G35	EA	CABINET-TABLE-W/O PULLOUT TOP
	104006-01-C05	EA	LID-ENTRANCE STEP COMPARTMENT, W/O CARPET OR HARDWARE
	101222-01-02A	EA	BRACKET-CATCH, LID-60MM X 36.7MM-STEEL-OFF WHITE
	107941-01-02A	EA	SUPPORT-LID, ENTRANCE STEP-645MM X 378MM-STEEL-OFF WHITE
	116975-01-01A	EA	LATCH ASM-UNDER CENTER, BLACK-SOUTHCO 91-522-69
	042541-05-000	EA	STRIKE-BRASS W/O LATCH

**SEALANTS&FASTENERSGROUP**

**ADHESIVES**

KEY	PARTNUMBER	U/M	DESCRIPTION
	004020-01-000	QT	ADHESIVE-ABSCEMENT-QUART
	004006-05-700	EA	ADHESIVE-5GALLON-NATURALSTARCH
	062917-03-000	EA	ADHESIVE-LOCTITE242
	067788-01-000	EA	ADHESIVE-SPRAY-3M-19.5AEROSOLCAN
	110943-02-000	FT	FELTSTRIP-3/8"-ADHESIVEBACK-WHITE
			FROM: 09-02-96 THRU: 99-99-99
	087211-01-000	GL	PROMOTER-ADHESIVE

**TAPES**

KEY	PARTNUMBER	U/M	DESCRIPTION
	076314-02-000	FT	TAPE-CARPETSEAM-HEAT-BOND-4"WIDE
	076322-02-000	FT	TAPE-DOUBLECOATED/ADHESIVEBACK-.045"THKX1"WX9'
	076322-05-000	FT	TAPE-DOUBLECOATED/ADHESIVEBACK-.045"THKX.75"WX9'
	076322-07-000	FT	TAPE-DOUBLECOATED/ADHESIVEBACK-.045"THKX.50"WX9'
	110274-01-000	FT	TAPE-DOUBLESIDEDFOAM-.45"X1"
	063642-01-000	FT	TAPE-ADHESIVE-10MILX1.5"X180"
	088479-01-000	EA	TAPE-ALUMINUM-3"
	120534-01-01A	EA	TAPE-SCOTCH-3M-1/2"FINELINE
	123816-01-000	FT	TAPE-DOUBLESIDED-1"
	123816-02-000	FT	TAPE-DOUBLESIDED-1/2"
	123816-03-000	FT	TAPE-DOUBLESIDED-1/2"
	118085-02-01A	FT	TAPE-FOIL-1"

**BOLTS**

KEY	PARTNUMBER	U/M	DESCRIPTION
	000C12-05-12B	EA	BOLT-HEX-5/16-13X3/4ZINC5
	000C12-05-16B	EA	BOLT-HEX-5/16-18X1-ZINC5
	000C12-06-16B	EA	BOLT-HEX-3/8-16X1LG-ZINC5
	000C12-06-44B	EA	BOLT-HEX-3/8-16X23/4-ZINC5
	000C12-08-24B	EA	BOLT-HEX-1/2-13X1.50-ZINC5
	000C12-08-16B	EA	BOLT-HEX-1/2-13X1.OO-GD5-ZINC
	000C12-09-20B	EA	BOLT-HEX-9/16-12X1.25-ZINC5
	000C12-10-24B	EA	BOLT-HEX-5/8-11X1.50-ZINC5
	000C13-07-48B	EA	BOLT-HEX-7/16-20X3-ZINC5
	000C18-05-40A	EA	BOLT-ELEVATOR-5/16-18X2.50-PL
	000C26-04-10B	EA	BOLT-HEX-SERRATEDFLANGE-1/4-20X5/8-ZINC
	000C26-04-14B	EA	BOLT-HEX-SERRATEDFLANGE-1/4-20X7/8-ZINC
	000C26-04-18B	EA	BOLT-HEX-SERRATEDFLANGE-1/4-20X11/8-ZINC
	000C26-05-12B	EA	BOLT-HEX-SERRATEDFLANGE-5/16-18X3/4-ZINC
	000C26-05-16B	EA	BOLT-HEX-SERRATEDFLANGE-5/16-18X3/4-ZINC
	000C26-06-12B	EA	BOLT-HEX-SERRATEDFLANGE-3/8-16X3/4-ZINC
	000C26-06-16B	EA	BOLT-HEX-SERRATEDFLANGE-3/8-16X1-ZINC
	000C26-06-28B	EA	BOLT-HEX-SERRATEDFLANGE-3/8-16X13/4-ZINC
	000C27-10-32B	EA	BOLT-CARRIAGE-5/8-11X2
	000G45-05-16B	EA	BOLT-LAG-5/16-9X1-ZINC
	000G45-04-24B	EA	BOLT-LAG-1/4-9X1.50ZINC
	051387-06-000	EA	BOLT-CARRIAGEW/OHOLE-5/16-18X9.5-ZINC
	102333-01-06A	EA	BOLT-CARRIAGE-7/16-14STAINLESSSTEELCAP
	088787-12-000	EA	STUD-WELD-1/4-20X1.0LG-MN
	108067-03-000	EA	STUD-WELD-1/4-20X1/2CD

**SEALANTS&FASTENERSGROUP(CONTINUED)**

**WASHERS**

KEY	PARTNUMBER	U/M	DESCRIPTION
	000E11-07-00B	EA	WASHER-LOCKING-7/16MEDSPLIT-ZINC
	000E11-08-00B	EA	WASHER-LOCKING-1/2MEDSPLIT-ZINC
	000E13-14-00B	EA	WASHER-FLAT-1/4WIDE-ZINC
	000E13-18-00B	EA	WASHER-FLAT-3/8WIDE-ZINC
	000E13-20-00B	EA	WASHER-FLAT-7/16WIDE-ZINC
	000E13-22-00B	EA	WASHER-FLAT-1/2WIDE-ZINC
	000E13-26-00B	EA	WASHER-FLAT-5/8WIDE-ZINC
	000E14-10-00B	EA	WASHER-LOCKING-#10EXTERNALTOOTH-ZINC
	044533-01-000	EA	WASHER-PLASTIC-13/8"OD-FORBUTTONS
	058716-02-000	EA	WASHER-FLATNYLON
	077071-01-000	EA	WASHER-FENDER-3/16"IDX1"OD
	106649-01-000	EA	WASHER-SEALING-GALVANIZED

**NUTS**

KEY	PARTNUMBER	U/M	DESCRIPTION
	000D24-10-00B	EA	NUT-HEX-SELFLOCKING-10-32ZINC
	000D29-05-00B	EA	NUT-5/16-18UNC-SF/LOCKING-NYLONWASHERINSERT
	000D29-09-00B	EA	NUT-HEX-SELFLOCKING-9/16-12-ZINC
	000D34-06-00B	EA	NUT-HEX-LOCKING-3/8-16GRADE-C-ZINC-PREVAILINGT
	000D39-04-00B	EA	NUT-HEX-SERRATEDFLANGE-LOCKING-1/4-20-ZINC
	000D39-05-00B	EA	NUT-HEX-SERRATEDFLANGE-LOCKING-5/16-18-ZINC
	000D39-06-00B	EA	NUT-HEX-SERRATEDFLANGE-LOCKING-3/8-18-ZINC
	000D39-07-00B	EA	NUT-HEX-SERRATEDFLANGE-LOCKING-7/16-14-ZINC
	000D39-08-00B	EA	NUT-HEX-SERRATEDFLANGE-LOCKING-1/2-13-ZINC
	000D44-07-00B	EA	NUT-HEX-SERRATEDFLANGE-LOCKING-7/16-20-ZINC
	000D46-04-00A	EA	NUT-HEX-WELD-1/4-20-PLAIN
	040921-03-000	EA	NUT-SPEED-UTYPE-#10
	040921-04-000	EA	NUT-SPEED-UTYPE-#8-.59"LENGTHX.44"WIDTH
	040921-09-000	EA	NUT-SPEED-UTYPE-#8
	044364-02-000	EA	NUT-SPEED-FLAT-ROUND
	063253-07-000	EA	NUT-J-#8A-.120-.130PNLTHK
	083163-06-000	EA	PUSHNUT-FLATTYPE3/8STUD-FORDONLY TORETAINTHEAIRBAFFLEONTHEOILDIPSTICKTUBE
	087234-01-000	EA	NUT-JACK-1/4X20THD-MOLLY-MOUNTSLICENSEPLATES
	104369-01-000	EA	NUT-HEX-HEAVY-5/8-11UNC

**CLAMPS**

KEY	PARTNUMBER	U/M	DESCRIPTION
	007161-01-000	EA	CLAMP-HOSE-SPRINGTYPE-1/2"
	010495-01-000	EA	CLAMP-CABLE-9/16"
	010497-01-000	EA	CLAMP-CLOSED-5/8"ID
	010497-03-000	EA	CLAMP-CLOSED-1"ID-CUSHIONED
	010497-04-000	EA	CLAMP-CLOSED-1.62"ID
	010497-05-000	EA	CLAMP-CLOSED-1/2ID
	010499-01-000	EA	CLAMP-CLOSED-3/8"ID
	062401-01-000	EA	CLAMP-HOSE-WORMGEAR-.25"-1"
	062401-02-000	EA	CLAMP-HOSE-WORMGEAR-1.56"-2.5"
	062401-03-000	EA	CLAMP-HOSE-WORMGEAR-.22"-1"
	062401-04-000	EA	CLAMP-HOSE-WORMGEAR-.69"-1.25"
	062401-05-000	EA	CLAMP-HOSE-WORMGEAR-2"TO3"ID
	062401-06-000	EA	CLAMP-HOSE-WORMGEAR-.22-.62ID
	062401-11-000	EA	CLAMP-HOSE-WORMGEAR-3.50-4.50
	075148-02-000	EA	CLAMP-GROUNDING-BRONZESCREWS
	083609-01-000	EA	CLAMP-WIRE-DUAL-EQUALDIAMETERS-5/8"
	083610-01-000	EA	CLAMP-WIRE-DUAL-UNEQUALDIAMETERS-3/4" & 1 1/4"
	083610-02-000	EA	CLAMP-WIRE-DUAL-UNEQUALDIAMETERS

**SEALANTS&FASTENERSGROUP(CONTINUED)**

**SCREWS**

KEY	PARTNUMBER	U/M	DESCRIPTION
	000G54-04-20B	EA	SCREW-1/4-20X1.25PTH-TYPE23-ZINCPLATED
	000G11-05-08B	EA	SCREW-5-20X.50PPH-ZINC
	000G68-06-12S	EA	SCREW-6-18X3/4POH
	000G68-06-10G	EA	SCREW-6-18X5/8POH-ANTIQUEBRASS
	000G11-06-10J	EA	SCREW-6-20X5/8PPH-BRASS
	000G11-06-08B	EA	SCREW-6-20X.50PPH-ZINC
	000G11-06-06B	EA	SCREW-6-20X3/8PPH-ZINC
	000G12-06-08T	EA	SCREW-6-20X1/2POH-BLACK
	000G13-06-10G	EA	SCREW-6-20X5/8PFH-ANTIQUEBRASS
	076790-01-000	EA	SCREW-6-20X11/4PPH-BLACK
	000G11-07-08B	EA	SCREW-7-19X.50PPH-ZINC
	000G13-07-12B	EA	SCREW-7-19X.75PFH-ZINC
	000G11-08-12B	EA	SCREW-8-18X.75PPH-ZINC
	000G11-08-08B	EA	SCREW-8-18X1/2PPH-ZINC
	000G11-08-12P	EA	SCREW-8-18X3/4PPH-OFFWHITE
	000G11-08-06B	EA	SCREW-8-18X3/8PPH-ZINC
	000G11-08-20B	EA	SCREW-8-18X1.25PPH-ZINC
	000G11-08-16S	EA	SCREW-8-18X1PPH-OFFWHITE
	000G11-08-12T	EA	SCREW-8-18X.75PPH-BLACK
	0G1208-12-170	EA	SCREW-8-18X.75POH-BRIGHTWHITE
	000G11-08-12P	EA	SCREW-8-18X3/4PPH-DARKBROWN
	000G11-08-12P	EA	SCREW-8-18X3/4PPH-DARKBROWN
	000G11-08-12D	EA	SCREW-8-18X.75PPH-BLACK
	000G67-10-08B	EA	SCREW-10-12X.50PPH-ZINC
	000G67-10-36T	EA	SCREW-10-12X2.25-PPH-BLACK
	000G67-10-24B	EA	SCREW-10-12X1.25PPH-ZINC
	000G67-10-20D	EA	SCREW-10-12X1.25PPH-BLACK
	000G67-10-120	EA	SCREW-10-12X.75PPH-TAN
	000G67-10-120	EA	SCREW-10-12X.75PPH-TAN
	000G67-10-12B	EA	SCREW-10-12X.75PPH-ZINC
	000G67-10-10D	EA	SCREW-10-12X5/8PPH-BLACK-TYPEA
	000G67-10-10B	EA	SCREW-10-12X5/8PPH-ZINC-TYPEA
	000G11-10-12S	EA	SCREW-10-16X.75PPH-OFFWHITE
	000G11-10-12D	EA	SCREW-10-16X.75PPH-BLACK
	000G11-10-40B	EA	SCREW-10-16X21/2PPHCAD-34927-01-000
	000G11-10-16B	EA	SCREW-10-16X1PPH-ZINC
	000G32-10-06B	EA	SCREW-10-32X3/8PPH-ZINC
	000G42-04-12B	EA	SCREW-SF/DR-1/4-14X.75HWH-ZINC
	000G39-06-16T	EA	SCREW-SF/DR-6-20X1PPH-BLACK
	000G39-06-10T	EA	SCREW-SF/DR-6-20X5/8PPH-BLACK
	086256-01-000	EA	SCREW-SF/DR-8X3/4HWHLONG
	000G39-08-06B	EA	SCREW-SF/DR-8-18X3/8PPH-ZINC
	000G39-08-16T	EA	SCREW-SF/DR-6-20X1PPH-BLACK
	000G39-08-16R	EA	SCREW-SF/DR-8-18X1PPH-BEIGE
	000G39-08-16B	EA	SCREW-SF/DR-8-18X1PPH-ZINC
	000G39-08-12T	EA	SCREW-SF/DR-8-18X.75PPH-BLACK
	000G39-08-12B	EA	SCREW-SF/DR-8-18X.75PPH-ZINC
	000G39-08-08T	EA	SCREW-SF/DR-8-18X1/2PPH-BLACK
	000G39-08-08S	EA	SCREW-SF/DR-8-18X.50PPH-OFFWHITE
	0G3908-08-170	EA	SCREW-SF/DR-8-18X.50PPH-BRIGHTWHITE
	000G55-08-12S	EA	SCREW-SF/DR-8-18X.75PWH-OFFWHITE
	000G55-08-16S	EA	SCREW-SF/DR-8-18X1.00-PWH-OFFWHITE
	0G3908-24-170	EA	SCREW-SF/DR-8-18X1.50PPH-BRIGHTWHITE
	000G39-08-08B	EA	SCREW-SF/DR-8-18X1.50PPH-ZINC
	000G39-08-32B	EA	SCREW-SF/DR-8-18X2PPH-ZINC
	000G68-10-20I	EA	SCREW-10-12X11/4POH-BLACK

**SEALANTS&FASTENERSGROUP(CONTINUED)**

**SCREWS(CONTINUED)**

KEY	PARTNUMBER	U/M	DESCRIPTION
	049465-01-000	EA	SCREW-10-16W/WASHERPTH-DARKBROWN
	000G39-10-10B	EA	SCREW-SF/DR-10-16X.625-ZINC
	000G39-10-088	EA	SCREW-SF/DR-10-16X1/2PPH-FLEXFLUOROCARBON
	000G39-10-08B	EA	SCREW-SF/DR-10-16X.50PPH-ZINC
	000G39-10-129	EA	SCREW-SF/DR-10-16X.75PPH-FLUOROCARBONSILVER
	000G39-10-12D	EA	SCREW-SF/DR-10-16X.75PPH-BLACK
	000G39-10-12B	EA	SCREW-SF/DR-10-16X.75PPH-ZINC
	0G3910-12-170	EA	SCREW-SF/DR-10-16X.75PPH
	000G60-10-209	EA	SCREW-SF/DR-10-16X1.25POH
	000G60-10-20B	EA	SCREW-SF/DR-10-16X1.25POH-ZINC
	000G60-10-28T	EA	SCREW-SF/DR-10-16X1.75-BLACK
	054434-02-000	EA	SCREW-SF/DR-10-16X2-ZINC
	049465-03-000	EA	SCREW-10-16X1POHW/WASHER-OFFWHITE
	049465-17-000	EA	SCREW-10-16X1POHW/WASHER
	000G39-10-209	EA	SCREW-SF/DR-10-16X11/4PPH-FLUOROCARBONSILVER
	000G39-10-20B	EA	SCREW-SF/DR-10-16X1.25PPH-ZINC
	000G39-10-48B	EA	SCREW-SF/DR-10-16X3-PPH-ZINC
	000G43-06-24B	EA	SCREW-MACHINE-6-32X1.50-ZINC
	000G50-04-12B	EA	SCREW-MACHINE-1/4-20X.75PPH-ZINC
	000G52-08-18B	EA	SCREW-MACHINE-8-32X11/8PTH-ZINC
	000G18-08-22B	EA	SCREW-MACHINE-8-32X13/8PPH-ZINC
	000G19-10-20B	EA	SCREW-MACHINE-10-32X1.25PPH-ZINC
	000G19-10-12F	EA	SCREW-MACHINE-10-32X.75-PPH-STAINLESSSTEEL
	000G56-12-48B	EA	SCREW-WOOD-12-11X3POH-SPECIALHARDENED
	057671-01-000	EA	COVER-SCREW-#8-PLASTIC-OFFWHITE
	057671-03-000	EA	COVER-SCREW-#8-WILLOW
	057671-15-000	EA	COVER-SCREW
			FROM: 02-06-97 THRU: 99-99-99
	083554-04-000	EA	SCREW-DRYWALL-8X21/2
	097974-01-000	EA	SCREW-PARTICLEBOARD-7-9X3/4PPH
	113563-01-01A	EA	SCREW-8X.62LONGSHOULDER/WASHERHD
			FROM: 09-30-96 THRU: 99-99-99

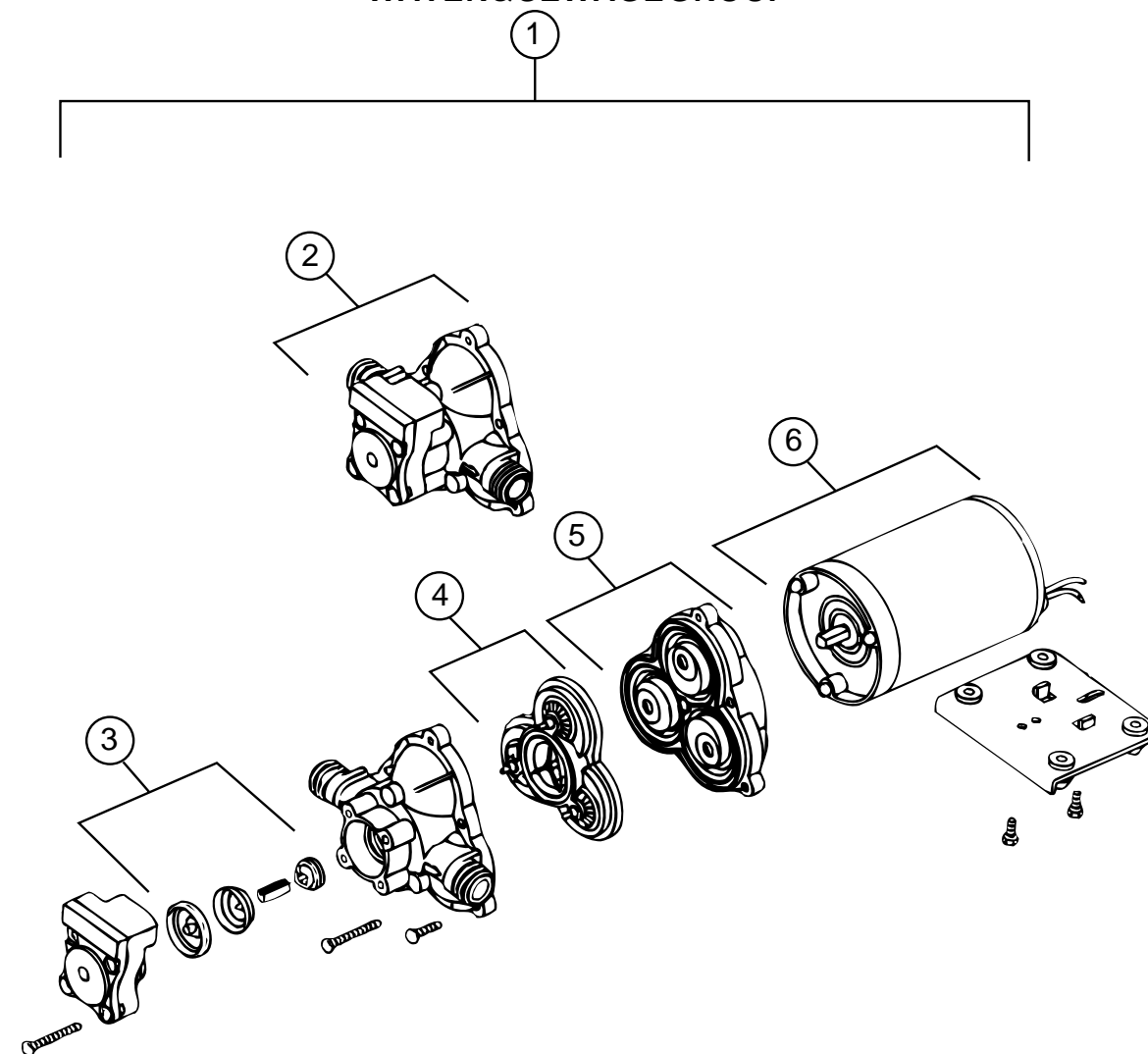
**SEALANTS&FASTENERSGROUP(CONTINUED)**  
**SEALERS**

KEY	PARTNUMBER	U/M	DESCRIPTION
	069640-01-000	FT	SEALER-RIBBON-1/4"DIAMETERX30'
	069640-02-000	FT	SEALER-TAPE-1/8"THICKX.50"WIDEX60'
	069640-03-000	FT	SEALER-TAPE-1/8"THICKX.75"WIDEX60'
	069640-07-000	FT	SEALER-TAPE-3/32"THICKX2"WIDEX45'
	069640-09-000	FT	SEALER-TAPE-1/32"THICKX2.50"WIDEX80'
	069640-11-000	FT	SEALER-TAPE-3/16"THICKX3/8"WIDEX40'
	069640-13-000	FT	SEALER-TAPE-3/32"THICKX2"WIDEX45'
	069640-14-000	FT	SEALER-TAPE-1/16"THICKX1"WIDEX100'
	069640-15-000	FT	SEALER-TAPE-1/16"THICKX3/8"WIDEX80'
	069640-17-000	FT	SEALER-TAPE-1/32"THICKX1"WIDEX90'
	069640-18-000	FT	SEALER-TAPE-1/2"THICKX1/8"X60'
	900390-01-000	EA	TIP-21/2"X1/8"ORIFICE
	900390-03-000	EA	NOZZLES-SILICONETUBE,CSLD10
	034552-02-000	EA	SILICONE-TUBE-300ML-W/ONOZZLE-CLEAR
	034552-06-000	EA	SILICONE-TUBE-300ML-W/ONOZZLE-OFFWHITE
			FROM: 00-00-00 THRU: 07-26-97
	034552-15-000	EA	SILICONE-TUBE-300ML-W/ONOZZLE-BRIGHTWHITE
			FROM: 00-00-00 THRU: 01-01-97
	039518-01-000	EA	SILICONE-TUBE-300ML-BLACK-W/ONOZZLE
	053766-02-000	EA	BEDDINGCOMPOUND-TUBE-WHITE
	053766-06-000	EA	BEDDINGCOMPOUND-TUBE-CLEAR
	120074-02-01A	EA	SEALANT-SILICONE-OFFWHITE
			FROM: 07-27-97 THRU: 99-99-99
	072889-01-000	EA	SEALANT-URETHANE-BLACK-1/10
	072889-09-000	EA	SEALANT-URETHANE-BLACK(TUBE)
	072889-10-000	EA	SEALANT-URETHANE(HV)-BRIGHTWHITE
	072889-12-000	EA	SEALANT-URETHANE(LV)BRIGHTWHITE
	072889-16-000	EA	SEALANT-URETHANE-BLACK
	102352-01-000	EA	SEALER-PUMPABLE-BLACK
	102352-02-000	EA	SEALER-PUMPABLE-CLEAR
	106206-01-000	EA	SEALER-PUMPABLE-MANUS30A-BLACK
	108716-03-000	EA	SILICONE-TUBE-BRIGHTWHITE/SELFLEVELING

**RIVETS,GROMMETSANDMISCELLANEOUSFASTENERS**

KEY	PARTNUMBER	U/M	DESCRIPTION
	000H14-04-04A	EA	RIVET-MANDRELBLIND-1/8X.400
	000H16-04-06R	EA	RIVET-POPALUMINUM-1/8"X.313-.375
	000H16-06-10R	EA	RIVET-POPALUMINUM-3/16X.501-.625
	069592-02-000	EA	RIVET-T-POP-1/4X.093-.156
	008380-01-000	EA	GROMMET-RUBBER-5/8"HOLEX1 1/2"DIAMETER-BLACK
	016188-05-000	EA	GROMMET-L/PLINE-3/8"HOLEX1 1/4"LONG-RUBBER
	023942-01-000	EA	GROMMET-RUBBER-2"OD
	071015-19-000	EA	GROMMET-.38ID-FITS.06MATERIAL
	071015-21-000	EA	GROMMET-RUBBER-1/2IDX1.06OD-W/.19GROOVE-BLACK
	071015-29-000	EA	GROMMET-RUBBER,.5"IDX1.25"ODW/.12"GROOVE-BLACK
	114208-02-000	EA	GROMMET-EDGELINER-FITS.625
	056134-02-000	EA	HOLDER-RING-1.8"DIAMETER-METAL
	086285-01-000	EA	SPACER-NYLON-.5"ODX.257"ID
	081211-05-000	EA	PLUG-PLASTIC-.188DIAMETER-NATURAL
	029094-04-000	YD	VELCROTAPE-LOOP-1"WIDE-BLACK
	029096-03-000	YD	VELCROTAPE-HOOK-1"WIDE-BLACK
	085774-01-000	FT	FASTENER-DUALHOOK-1"WIDE-ADHESIVEBACK-BLACK
	085774-02-000	FT	FASTENER-DUALLOOP-1"WIDE-ADHESIVEBACK-BLACK
	008343-01-000	EA	TIE-WIRE-6"
	008343-02-000	EA	TIE-WIRE-14"
	108046-02-000	EA	CABLETIE-SCREWMOUNT15"
	080734-02-000	EA	CLIP-WIRENYLON
	091952-02-000	EA	CLIP-GRIPPER-3/4"
	094362-02-000	EA	CLIP-XMASTREE-BINDERHEAD-.9"LONG
	061420-10-000	EA	PLUG/PLASTIC-1.50"DIAMETER-BLACK
	049176-01-000	EA	HEDLOCKII-3/4DIAMETER,SCREWMOUNT

**WATER&SEWAGEGROUP**

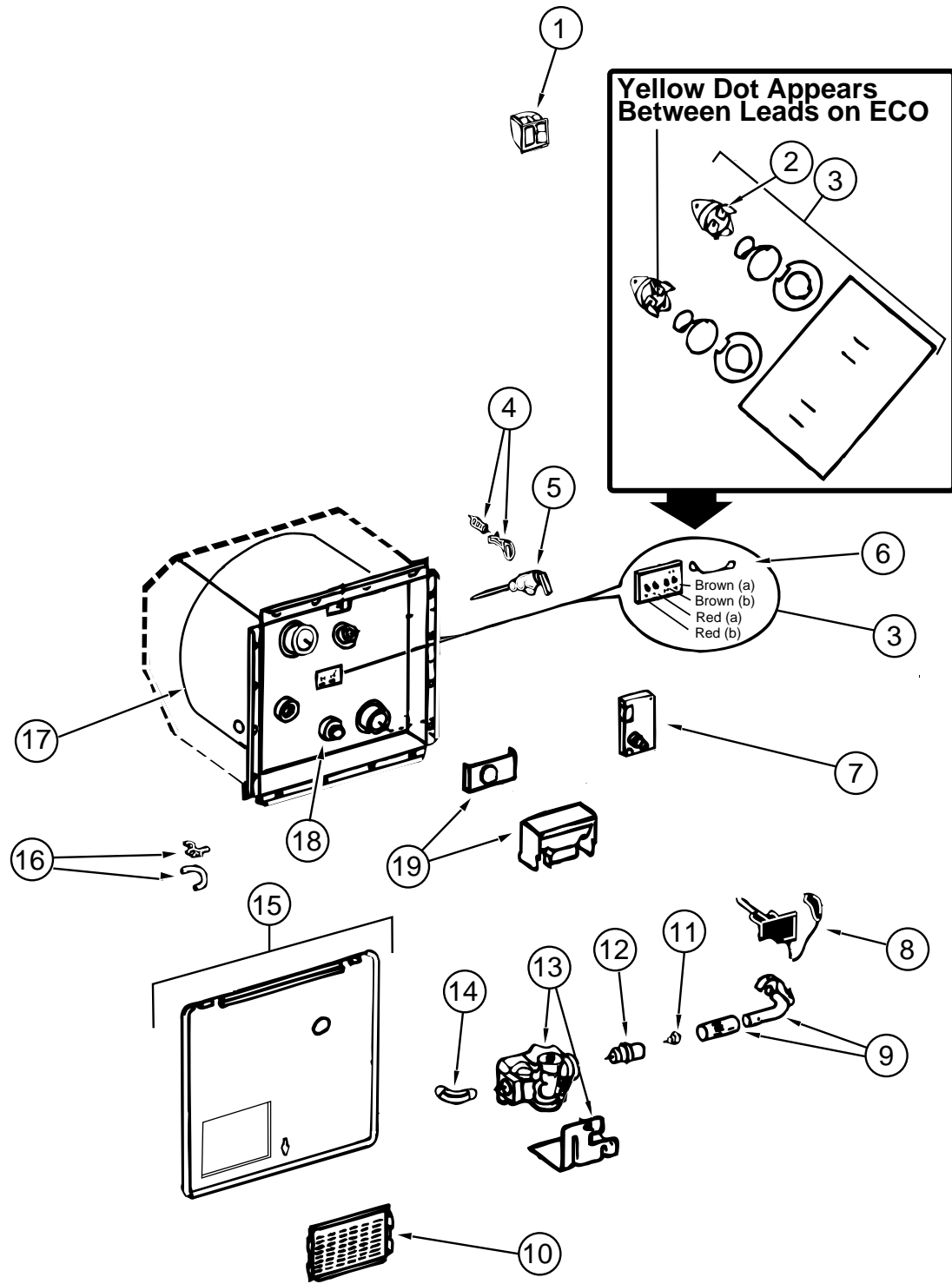


**SHURFLOWATERPUMP**

KEY	PARTNUMBER	U/M	DESCRIPTION	VENDORNO.
1	098607-01-000	EA	PUMP-WATER, W/.5"MPTFITTING-FLOW2.8GPM-UL	
2	098607-01-706	EA	HOUSINGW/SWITCHONLY	94-231-20
3	098607-01-705	EA	VALVE-CHECK,KIT	94-237-00
4	098607-01-703	EA	VALVEKIT	94-232-00
5	098607-01-702	EA	DIAPHRAGM/DRIVEASSEMBLYKIT	94-238-04
6	098607-01-707	EA	MOTORW/BASEPLATE	94-234-03



**WATER & SEWAGE GROUP (CONTINUED)**  
**ATWOOD WATER HEATER W/MOTOR AID (GH6-8E)**



KEY	PARTNUMBER	U/M	DESCRIPTION	VENDOR NO.
	051393-01-000	EA	WATERHEATER-W/MOTORAID-PILOTLESSIGNITION	
1	051393-01-701	EA	SWITCHPACKAGE	91959
2	051391-04-701	EA	THERMOSTAT12VDC-120PRESET	91470
3	051393-01-721	EA	ECO&THERMOSTATASM-FRONTMOUNT-140°	91447
4	051391-01-705	EA	FASTENER-CAMLOC	92609
5	051391-01-704	EA	VALVE-RELIEF-1/2"FITTING	91604
6	051393-01-723	EA	SWITCH-ENERGYCUT-OFF	93866
7	051393-01-724	EA	CIRCUITBOARD-W/SPADETERMINAL	93867
8	051393-01-725	EA	ELECTRODE-SINGLE SPADECONNECTION	93868
9	051391-04-703	EA	BURNER-MAIN	91638
10	051391-01-717	EA	GRILLE	92640
11	051391-01-710	EA	ORIFICE-MAINBURNER	92742
12	051391-03-700	EA	ORIFICEHOLDER	91563
13	051393-01-726	EA	SOLENOIDVALVE&BRACKET	93870
14	051391-01-714	EA	ELBOW-45DEGREE-3/8"FX3/8"MPT	91044
15	052009-06-000	EA	DOOR-WATERHEATERW/OLATCHES,BRIGHTWHITE	
16	051391-01-700	EA	HINGEKIT-W/CLIP	92568&92559
17	051391-04-704	EA	TANK-INNER	91642
18	051391-01-715	EA	DRAINPLUG	91857
19	051391-04-707	EA	FLUE&GASKET	90960
	111129-01-711	EA	BRACKET-CORNER,SETOFFOUR	91928
	116424-01-000	EA	PROTECTOR-ROUNDVINYL-WATERHEATERLATCH	

**WATER&SEWAGEGROUP(CONTINUED)**

**WATERPURIFICATIONSYSTEM(H21/H22)(MCCLAINANNIVERSARYOPTION)**

KEY	PARTNUMBER	U/M DESCRIPTION	VENDORNO.
	701069-01-000	EA WATERPURIFICATIONSYSTEM-EVERPURE9252	
	701069-03-700	EA CARTRIDGE-WATERFILTER,AC-EVERPURE	9601-11

**EXTERIORSHOWER**

KEY	PARTNUMBER	U/M DESCRIPTION	VENDORNO.
	075241-05-000	EA FAUCET-SHOWER,BONE	
	103092-01-000	EA SHOWERHEAD-W/60"HOSE-US	
	103092-02-000	EA SHOWERHEAD-W/60"HOSE-CANADIAN	
	103092-01-700	EA BRACKETONLY-CLEAR,F/SHOWERHEAD-BPC	2328028
	103092-01-702	EA SEALS-SPRAYHEAD	24466
	011048-03-700	EA BRACKET/FSHOWERHEAD-BPC	2328029-3
	093527-02-000	EA BRACKET-SQUEEGEE/SHOWERHEAD	
	108357-08-000	EA SWITCH-ROCKERDPDTON/NONE/ON6TERMINAL	
	108356-02-01A	EA COVER/ACTUATORSWITCH-2ROWSDIMPLES-CONTURAIIBLACK	
	114293-01-01A	EA PAN-DRIP,280MMX250MM-OFFWHITEPLASTIC	

**WATERTANK**

KEY	PARTNUMBER	U/M DESCRIPTION
	121959-01-000	EA TANK-WATER-50GALLON-W/OFITTINGS(TWINBEDS)
	121959-02-000	EA TANK-WATER-50GALLON-W/FITTINGS(TWINBEDS)
	117898-01-000	EA TANK-WATER-50GALLON-W/OFITTINGS(QUEENBED)
	117898-02-000	EA TANK-WATER-50GALLON-W/FITTINGS(QUEENBED)
	039861-01-000	EA SENDINGUNIT-W/SCREW-WASHER-WELLNUT/TERMINALRING
	042989-03-000	EA FITTING-WATERTANK-SPINWELD-11/4"NPT-PLASTIC
	042989-04-000	EA FITTING-WATERTANK-SPINWELD-3/8FPT-WHITEPLASTIC
	042989-05-000	EA FITTING-WATERTANK-SPINWELD-1/2"FPT-PLASTIC
	049032-01-000	EA PATCH-SPINWELD-3/8"-PLASTIC
	077954-02-000	EA FILTER-WATERTANK-W/SCREENINTANK

**WATER&SEWAGEGROUP(CONTINUED)**

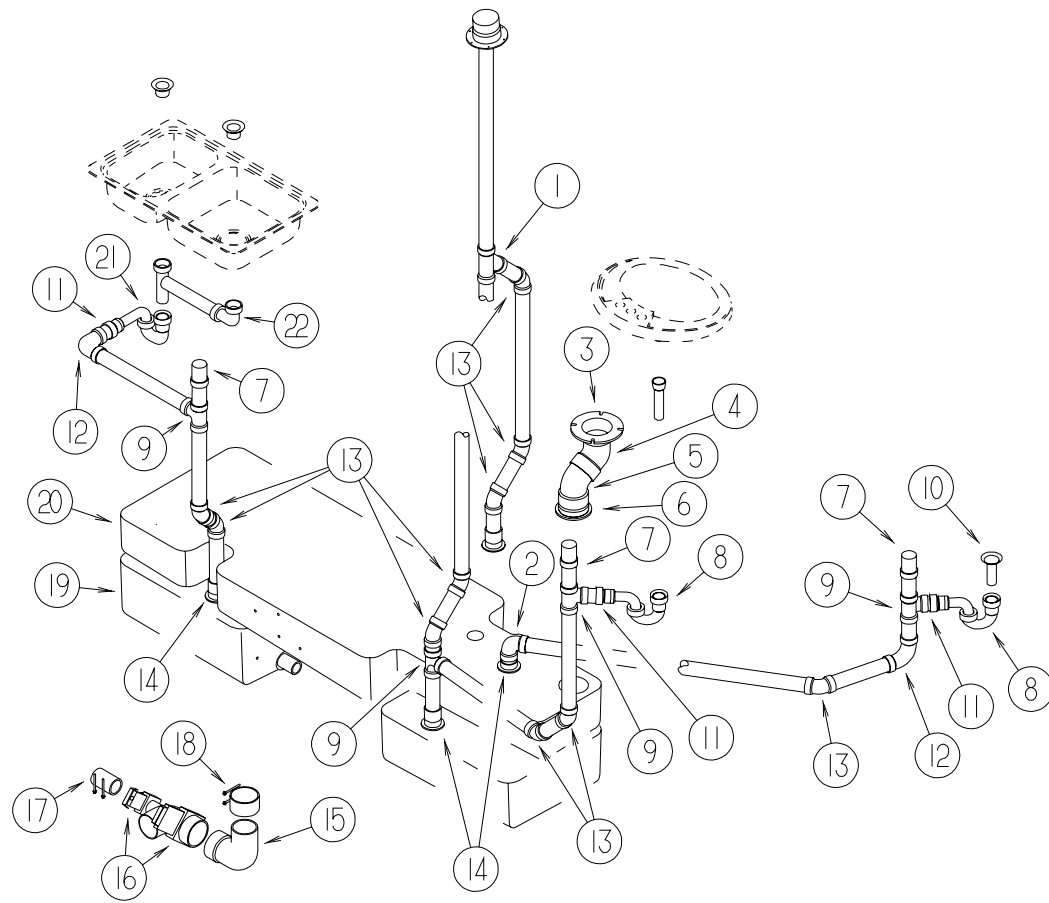
**WATERSYSTEMCOMPONENTS**

KEY	PARTNUMBER	U/M DESCRIPTION
	010224-01-000	EA ADAPTER-HOSE TO PIPE -3/8MPTX3/8BARB-PLASTIC
	044927-01-000	EA ADAPTER-HOSE TO PIPE -1 1/4MPTX1 1/4BARB-BLKPLS
	123152-01-000	EA ADAPTER-1/2FPTX1/2BARB-SWIVEL
	101814-01-000	EA COUPLING-FEMALE-1/2"X1/2"FPT-GRAY
	103798-01-000	EA CONNECTOR-1/4ODX3/8MPT(MCCLAINANNIVERSARYOPTION)
	110438-01-000	EA VALVE-CHECK-BRASS-1/2MPTX1/2FPT FROM: 00-00-00 THRU: 02-16-97
	110438-02-000	EA VALVE-CHECK-BRASS-1/2MPTX1/2MPT FROM: 02-17-97 THRU: 99-99-99
	110915-01-01A	EA FILL-CITYWATER-CHROME
	074462-02-000	FT TUBING-VINYL-3/8IDX20'-CLEAR
	112176-01-000	FT TUBING-VINYL,REINFORCED-1/2ID
	039800-02-000	FT TUBING-POLYBUTYL-5/8ODX20'-INCOF20'
	039800-05-000	FT TUBING-POLYBUTYL-5/8ODX20'
	079381-01-000	FT TUBING-SMOOTHFLEXIBLE-13/8IDX20'
	039808-03-000	EA ELBOW-1/2"MPTX1/2"MPT-PLASTIC
	123150-01-000	EA ELBOW-1/2FPTX1/2BARB-SWIVEL

**WATERSYSTEMCOMPONENTS(FLAIR-IT)**

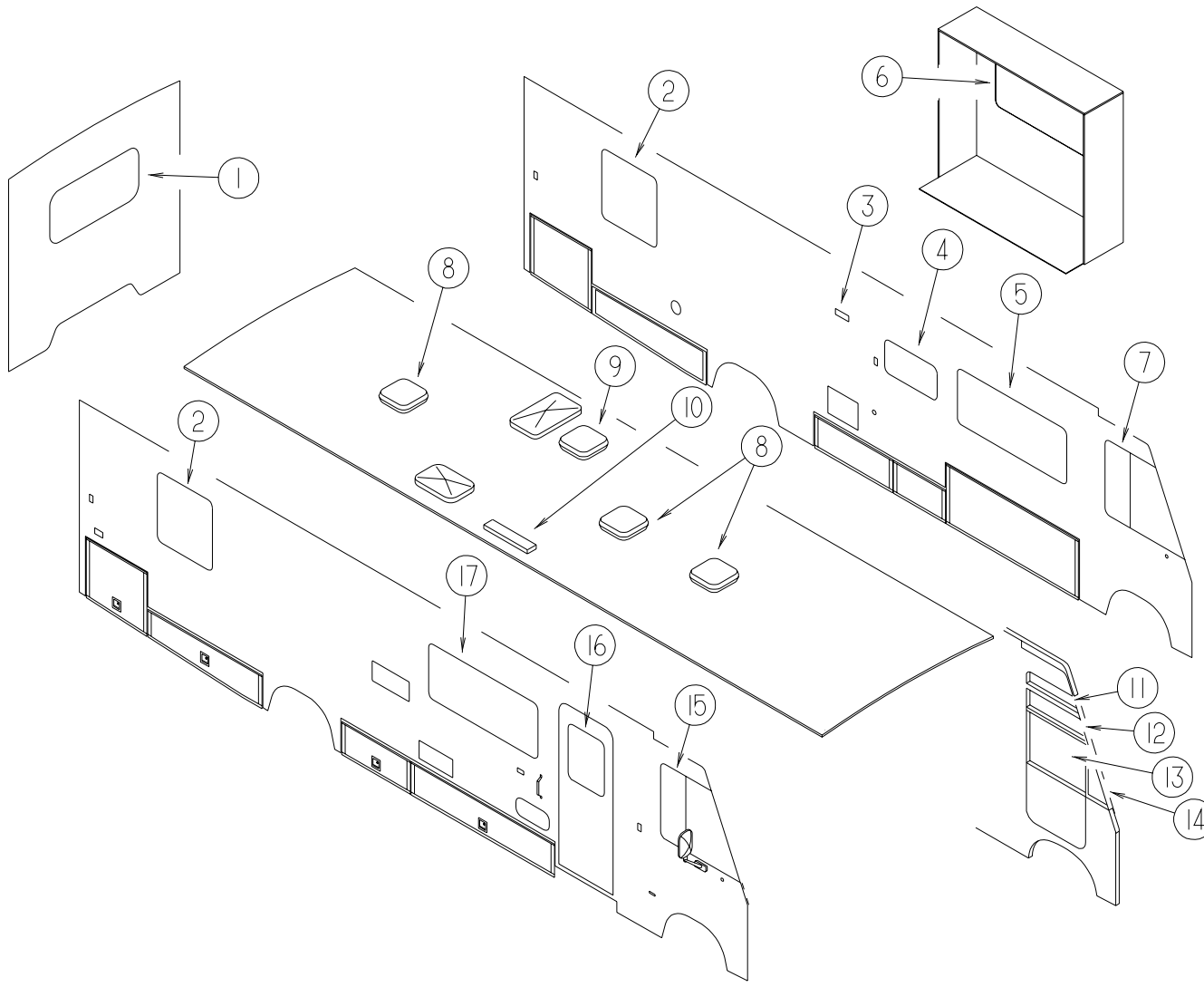
KEY	PARTNUMBER	U/M DESCRIPTION
	114427-01-000	EA CAP-1/2P
	114427-02-000	EA PLUG-1/2P
	114427-03-000	EA NUT-1/2"Q
	114428-01-000	EA TEE-1/2PX1/2PX1/2P
	114428-02-000	EA TEE-SWIVEL-1/2PX1/2PX1/2FPT
	114428-03-000	EA TEE-1/2PX1/2PX1/2MPT
	114428-04-000	EA TEE-1/2PX1/2PX1/8FPT
	114429-01-000	EA ELBOW-1/2PX1/2P
	114429-02-000	EA ELBOW-1/2PX1/2MPT
	114429-03-000	EA ELBOW-SWIVEL-1/2PX1/2FPT
	114429-04-000	EA ELBOW-1/2PX3/8MPT
	114429-05-000	EA ELBOW-1/2PX3/4MPT
	114429-06-000	EA ELBOW-SWIVEL-1/2PX3/4FPT
	114429-07-000	EA ELBOW-1/2PX1/2FPTDROPEAR
	114430-01-000	EA ADAPTER-1/2PX1/2P
	114430-02-000	EA ADAPTER-SWIVEL-1/2PX1/2FPT
	114430-03-000	EA ADAPTER-1/2PX1/2MPT
	114430-04-000	EA ADAPTER-1/2PX3/8MPT
	114430-05-000	EA ADAPTER-1/2PX1/8FPT
	114430-06-000	EA ADAPTER-1/2PX3/8FPT
	114430-07-000	EA ADAPTER-1/2PX3/8P
	114430-08-000	EA ADAPTER-1/2PX3/4MPT
	114431-01-000	EA VALVE-180DEGREE/CENTERDRAIN-1/2P-THREWAY
	114431-02-000	EA VALVE-WATERBYPASS-1/2"P-THREWAY(WATERHEATER)
	114431-03-000	EA VALVE-1/2PX1/2P
	114431-04-000	EA VALVE-STOP-1/2PX1/2P
	114431-05-000	EA VALVE-NEEDLE-COMP1/8MPTX1/4
	114431-06-000	EA VALVE-3/8PX3/8P
	114431-07-000	EA VALVE-3/8PTHREE-WAY
	114431-08-000	EA STRAIGHTSTOPVALVE3/8PX3/8P

**WATER & SEWAGE GROUP (CONTINUED)**  
DRAINAGE SYSTEM



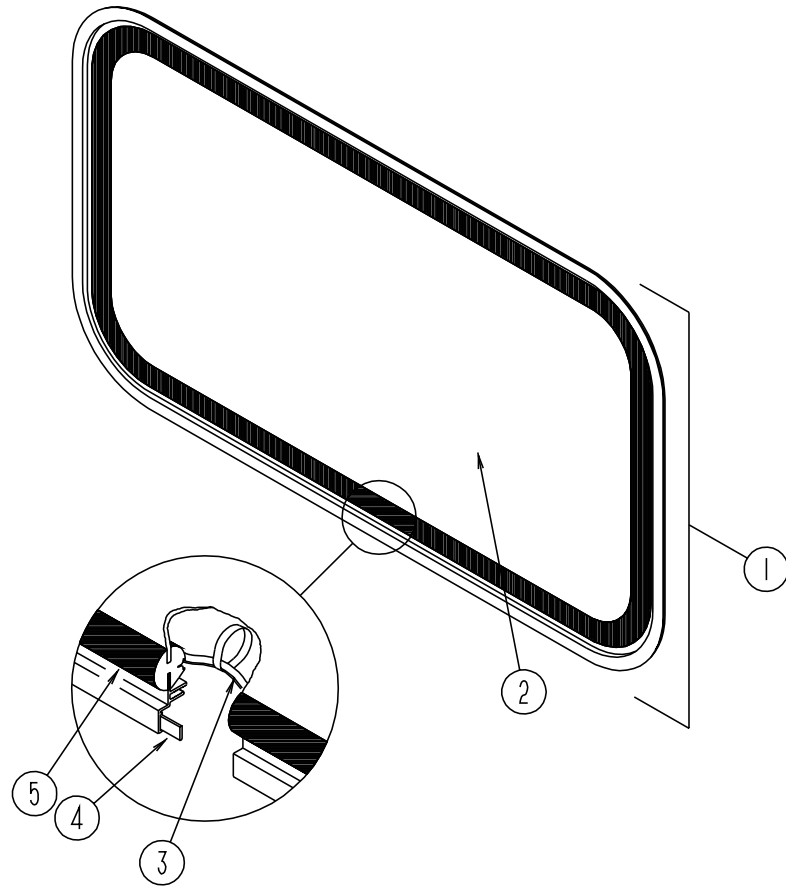
KEY	PARTNUMBER	U/M	DESCRIPTION	VENDOR NO.
1	010073-01-000	EA	WYE - 45 DEGREE - 1 1/2" HUB X HUB X HUB - PLASTIC	
2	010009-01-000	EA	ELBOW - 90 DEGREE - 1/4 BEND - 1 1/2" PLASTIC	
3	116644-01-000	EA	FLANGE - CLOSET - 4" X 3"	
4	010061-01-000	EA	ELBOW - 45 DEGREE - 3" SPIGOT/HUB - PLASTIC	
5	010024-01-000	EA	ELBOW - 45 DEGREE - 3" HUB X HUB - PLASTIC	
6	061607-02-000	EA	GROMMET - HOLDING TANK - 3" NPS	
7	079968-01-000	EA	VENT - MECHANICAL/TRAP ARM - ANTI-SIPHON - 2" X 7.3" PLASTIC	
8	107538-01-000	EA	PTRAP - PLASTIC - 1 1/4" W/EXTENSION ARM	
8	011066-03-700	EA	PTRAP - 1 1/4" HUB X SLIP JOINT - W/UNION - ABS - CANADIA	
9	010071-01-000	EA	TEE - SANITARY - 1 1/2" HUB X HUB X HUB - PLASTIC	
10	011069-02-000	EA	TAILPIECE - TUB/SHOWER - 1 1/2" X 1 1/4" X 4" - BRASS	
10	069735-01-000	EA	WASHER - STRAINER TO TAILPIECE - PLASTIC - 1.5"	
11	109571-01-000	EA	ADAPTER - PTRAP - 1 1/2" PX 1 1/4" MPT	
12	010008-01-000	EA	ELBOW - 90 DEGREE - 1 1/2" HUB X HUB - PLASTIC	
13	010006-01-000	EA	ELBOW - 45 DEGREE - 1 1/2" HUB X HUB - PLASTIC	
14	010115-01-000	EA	COUPLING - 1 1/2" HUB X HUB - PLASTIC	
14	061607-01-000	EA	GROMMET - HOLDING TANK - 1 1/2" NPS	
15	031126-01-000	EA	ELBOW - 1/4 BEND - 3" X 90" XLT - BLACK PLASTIC	
16	070916-01-000	EA	VALVE - DUAL DUMP - W/CAP - 3" X 1 1/2"	
	070916-01-700	EA	VALVE ONLY (WASTE) 3"	T1003BU
	070916-01-701	EA	VALVE ONLY (WASTE) 1 1/2"	T1001BU
17	089355-01-000	EA	COUPLER - RUBBER - 1 1/2" X 1 1/2"	
18	078406-01-000	EA	COUPLER - RUBBER - W/CLAMPS - 3" X 3"	
19	121505-01-000	EA	TANK - HOLDING - 43 GALLON - W/O FITTINGS	
20	121500-01-000	EA	TANK - HOLDING - 35 GALLON - W/O FITTINGS	
21	107538-01-000	EA	PTRAP - PLASTIC - 1 1/4" W/EXTENSION ARM	
21	011071-01-000	EA	PTRAP - PLASTIC - 1 1/2" - ABS - CANADIA	
22	011091-02-000	EA	WASTE - CONTINUOUS - DOUBLE SINK	
	010201-01-000	EA	HOSE - SEWER - 3" ID X 8'	
	062416-01-000	EA	ADAPTER - SEWER HOSE TO 3" PIPE	

**WINDOW, VENT & EXTERIOR DOOR GROUP**  
**WINDOWS & VENTS**



KEY	PARTNUMBER	U/M	DESCRIPTION	VENDOR NO.
1	078528-06-E10	EA	WINDOW-ESCAPE-W/O RETAINER/TRIM-48.5"X24.5"	
1	113502-01-01A	EA	WINDOW-REAR/ESCAPE-THERMO-24.8"X48.7"	
2	112463-03-01A	EA	WINDOW-TIPOUTW/RETAINER TRIM-33.3"X30.2"	
2	112898-16-01A	EA	WINDOW-SLIDER/VERTICAL-THERMOPANE-33.2"X30.2"	
3	084616-07-000	EA	VENT-SHROUD-RANGE/SHORT-OFFWHITE	
	084878-09-000	EA	VENT-HOOD-RANGE/SHORT-OFFWHITE	
4	098647-34-01A	EA	WINDOW-DRIVERS/HORIZONTAL SLIDER-15.7"X28.5"	
4	112795-20-01A	EA	WINDOW-DRIVER/HORIZONTAL SLIDER-THERMO 16.7"X28.5"	
5	098647-22-01A	EA	WINDOW-DRIVERS-HORIZONTAL SLIDER-26.1"X59.7"	
5	112795-15-01A	EA	WINDOW-DRIVER-HORIZONTAL SLIDER-THERMO-263/8"X60"	
6	098647-47-01A	EA	WINDOW-DRIVERS-HORIZONTAL SLIDER-23.6"X57.5"	
6	112795-54-01A	EA	WINDOW-DRIVERS/HORIZONTAL SLIDER-THERMO-30"X57.75"	
7	103658-11-01A	EA	WINDOW-DRIVER CAB-38.3"TX45.2"BX36.7"HH	
7	113501-10-01A	EA	WINDOW-DRIVER CAB THERMO (2 WINDOW) 35.7"X37.2"X43.9"	
8	122882-01-01A	EA	VENT-ROOF-NONPOWERED	
9	122882-02-01A	EA	VENT-ROOF-W/FAN-POWERED	
9	122882-03-01A	EA	VENT-ROOF-W/FAN-CSA	
10	084073-07-000	EA	VENT-ROOF-REFRIGERATOR-BRIGHTWHITE	
10	084073-04-000	EA	BASE-ROOF VENT-REFRIGERATOR	
11	106467-06-01A	EA	WINDOW-DRIVER VISTA (ABOVE DR DOOR) 39.2"TX40.6"BX7.3"H	
11	116000-08-01A	EA	WINDOW-DRIVER VISTA-THERMO-6.3"X38.2"X39.4"	
12	106469-02-702	EA	GLASS-STATIONARY	106-041104
13	106469-01-704	EA	GLASS ASM-ROLL-UP W/BACKET	V103-65L
14	106468-05-01A	EA	WINDOW-DRIVER WING-6.8"TX23.3"BX28.9"H	
14	115999-06-01A	EA	WINDOW-DRIVER WING-THERMO-5.8"X11"X27.9"	
15	103658-12-01A	EA	WINDOW-PASSENGER CAB-38.3"TX45.2"BX36.7"H	
15	113501-09-01A	EA	WINDOW-PASS CAB THERMO (2 WINDOW)-35.7"X37.2"X43.9"	
16	117053-02-F36	EA	WINDOW-PICTURE-ENTRANCE DOOR-17"X26.4"	
16	113733-01-01A	EA	WINDOW-STATIONARY-THERMOPANE-17"X26.4"	
17	098647-23-01A	EA	WINDOW-PASSENGER-HORIZONTAL SLIDER-26.1"X59.7"	
17	112795-16-01A	EA	WINDOW-PASSENGER-HORIZONTAL SLIDER-THERMO-263/8"X60"	
	083558-03-000	EA	VENT-PLUMBING-PIPE ROOF-W/COVER-OFFWHITE	

**WINDOW, VENT & EXTERIOR DOOR GROUP (CONTINUED)**



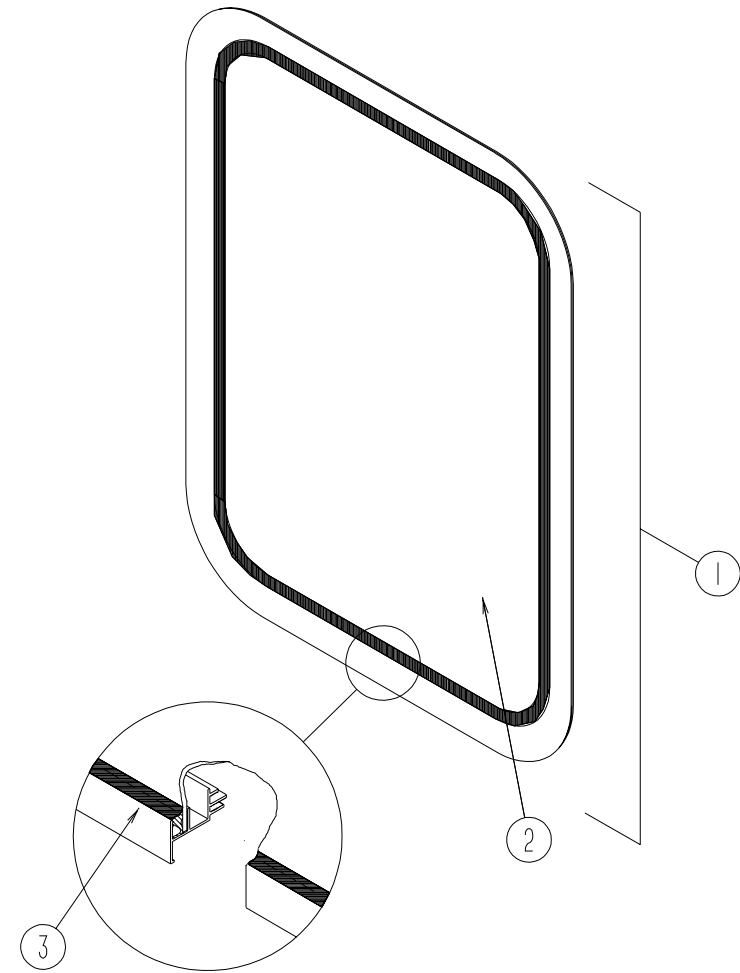
**BACK WALL ESCAPE WINDOW**

KEY	PARTNUMBER	U/M	DESCRIPTION
	074816-11-000	EA	RETAINER-TRIM, ESCAPE WINDOW-OFFWHITE
1	078528-06-E10	EA	WINDOW ASM-ESCAPE, BACKWALL-W/ORETAINER
2	076337-12-000	EA	GLASS-WINDOW, ESCAPE-1157.4MMX548.1MM
3	002285-01-000	FT	FILLER-WEATHERSTRIP, RUBBER-BLACK
	077066-01-702	EA	TAPE ASM-ESCAPE WINDOW, RED
4	069640-11-000	FT	SEALER-TAPE, 3/16" THICK X 3/8" WIDE-INCREMENTS OF 40'
5	002282-09-000	EA	WEATHERSTRIP-WINDOW, .125" X 130.53"-BLACK

**EXCEL BACK WALL ESCAPE WINDOW-THERMOPANE WINDOW OPTION**

KEY	PARTNUMBER	U/M	DESCRIPTION	VENDOR NO.
	113502-01-01A	EA	WINDOW ASM-ESCAPE, BACKWALL-W/RETAINER	
	098644-01-705	FT	GLAZING-STRIP	132-010231
	112898-06-704	EA	HANDLE-LATCH-RED-RH	182-11293
	112898-06-705	EA	HANDLE-LATCH-RED-LH	182-11294
	113502-01-703	EA	GLASS-STATIONARY, RH&LH	390-019083
	113502-01-704	EA	GLASS-EGRESS, CENTER-ESCAPE	390-019084

**WINDOW, VENT & EXTERIOR DOOR GROUP (CONTINUED)**



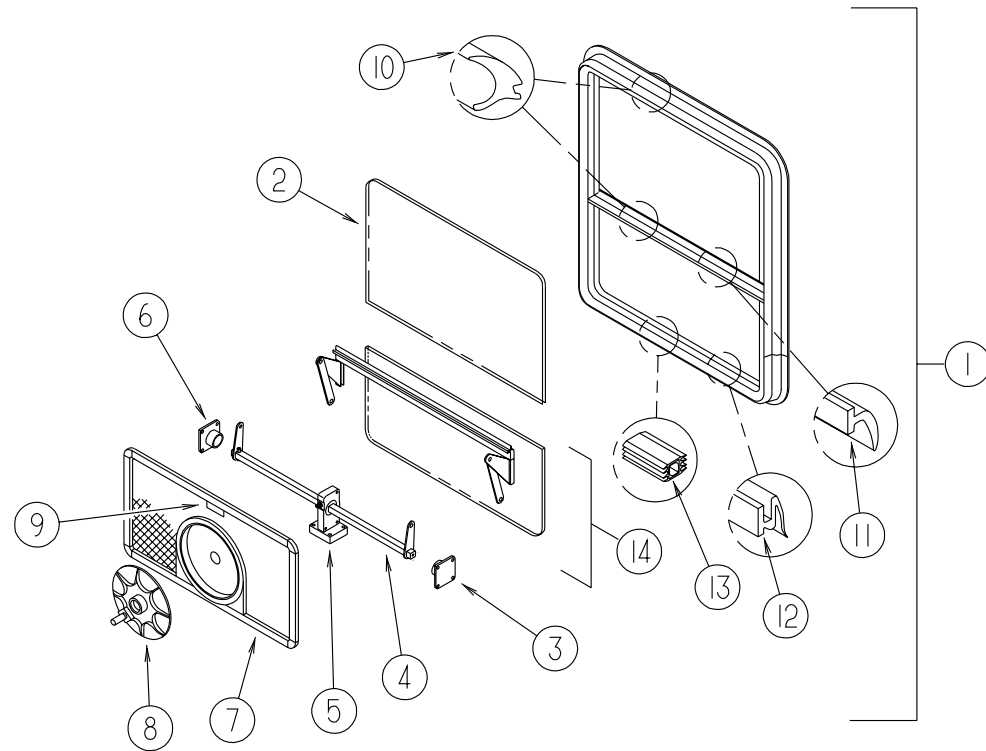
**ENTRANCE DOOR WINDOW**

KEY	PARTNUMBER	U/M	DESCRIPTION
	117054-02-02A	EA	RETAINER-TRIM, ENTRY DOOR WINDOW-BRIGHTWHITE
1	117053-02-F36	EA	WINDOW ASM-PICTURE W/ORETAINER, ENTRANCE DOOR-26.4" X 17"
2	002181-25-000	EA	GLASS-PICTURE WINDOW, 655MM X 417MM
3	087561-01-000	FT	SEAL-GLASS, EXTERIOR-.5" WIDE-VINYL-BLACK

**EXCEL ENTRANCE DOOR WINDOW-THERMOPANE WINDOW OPTION**

KEY	PARTNUMBER	U/M	DESCRIPTION	VENDOR NO.
	113733-01-01A	EA	WINDOW ASM-STATIONARY W/RETAINER, 26.4" X 17"	
	113733-01-700	EA	WINDOW-PICTURE, W/ORETAINER	DH416-G2
	113733-01-701	EA	RETAINER-TRIM, ENTRY DOOR WINDOW	W41666
	113733-01-702	EA	GLASS-STATIONARY	390-019187
	112795-01-705	FT	VINYL-GLAZING	132-019702

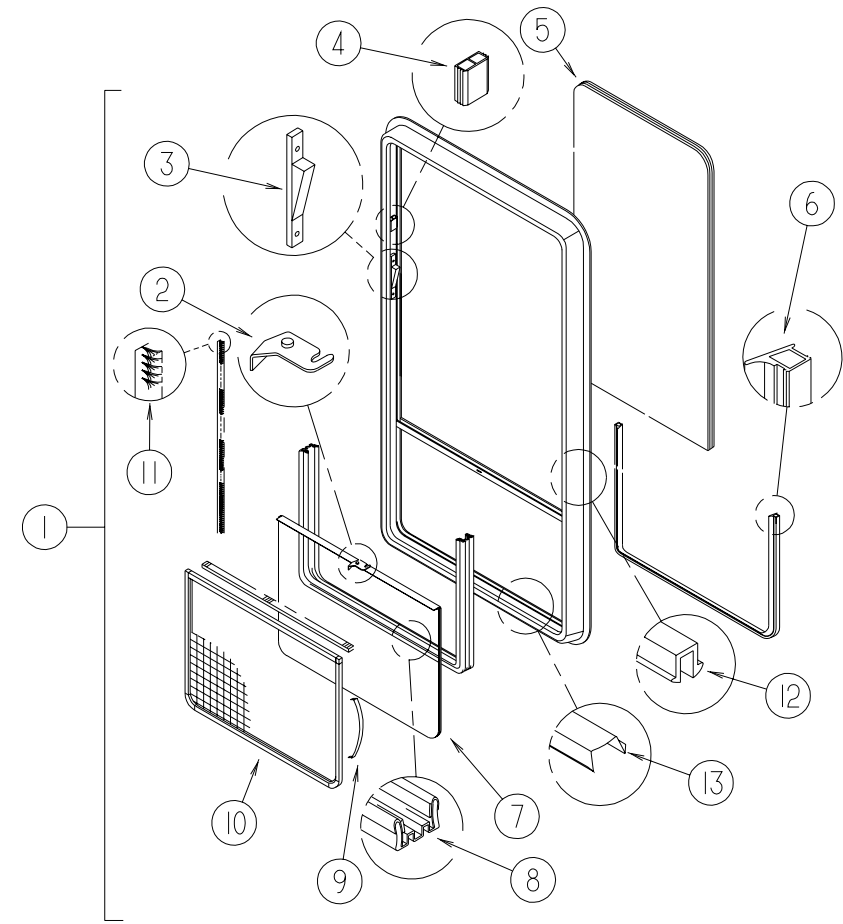
**WINDOW, VENT & EXTERIOR DOOR GROUP (CONTINUED)**



**EXCEL BEDROOM TIPOUT WINDOW-DRIVER OR PASSENGER SIDE**

KEY	PARTNUMBER	U/M	DESCRIPTION	VENDORNO.
1	112463-03-01A	EA	WINDOW-TIPOUTW/RETAINERTRIM-33.3"X30.2"	
	113500-05-705	EA	RETAINER-TRIM	CW100-59
2	112463-03-701	EA	GLASS-STATIONARY	106-025377
3	100322-01-714	EA	SUPPORT-TORQUEBAR-LH	130-015978
4	112463-03-702	EA	OPERATOR&BARASSEMBLY	CH10-18
5	100322-01-716	EA	SUPPORT-TORQUEBAR-CTRRAIL	130-015980
6	100322-01-715	EA	SUPPORT-TORQUEBAR-RH	130-015979
7	112463-03-703	EA	SCREENASM-W/SEALS&CLIPS	410-018439
8	100322-01-718	EA	HANDLE-DIAL	410-016081
9	112519-01-706	EA	CLIP-SCREEN	CH21-50
10	100322-01-703	FT	VINYL-GLAZING-BUTYL	132-010723
11	100322-01-702	EA	WEATHERSTRIP-HORIZONTALRAIL	132-015976
12	100322-01-701	FT	SEAL-VENT	122-016071
13	098644-01-716	FT	PLUG-FILLER	132-014470
14	112463-03-700	EA	VENTASSEMBLY	CH100-G9
	100322-01-704	FT	TAPE-BUTYL	154-016083
	100322-01-717	EA	E-RING	245-015975

**WINDOW, VENT & EXTERIOR DOOR GROUP (CONTINUED)**

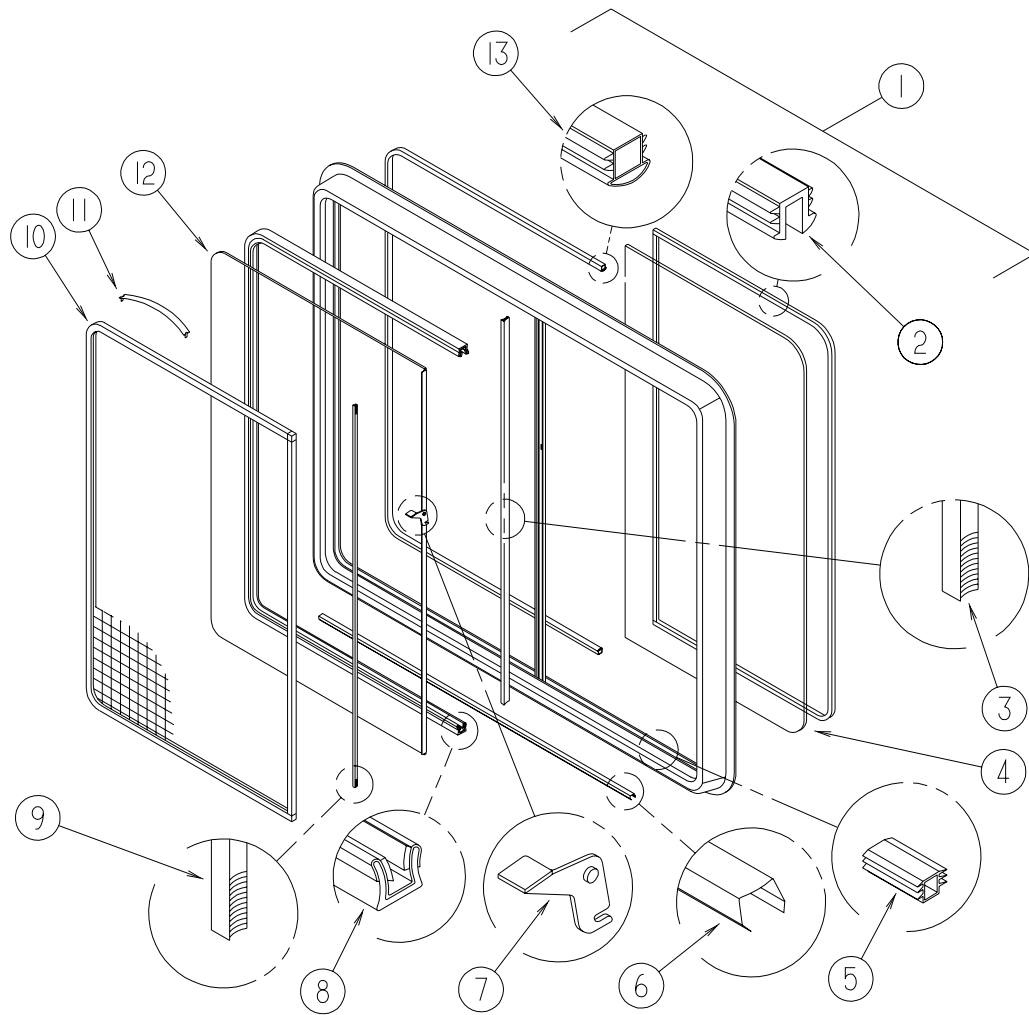


**EXCEL BEDROOM VERTICAL SLIDER WINDOW-DRIVER OR PASSENGER SIDE-THERMOPANE**

KEY	PARTNUMBER	U/M	DESCRIPTION	VENDORNO.
1	112898-16-01A	EA	WINDOW-SLIDER/VERTICAL-THERMOPANE-33.2"X30.2"	
	112898-16-702	EA	RETAINER-TRIM	CW100-66
2	112795-01-700	EA	LATCHASM-BLACK,BOLTON	DH287-CK
3	112898-04-703	EA	SASHLATCHKIT,RAISED	DH343-CK
4	112795-01-701	EA	SLIDE-STOP	132-019092
5	112898-16-701	EA	GLASS-STATIONARY	390-025433
6	112795-01-704	FT	PLUGFILLER(DOUBLEGLAZED)	122-018737
7	112898-16-700	EA	GLASS-SLIDINGW/SASH&LATCH	DH510-G9
8	112795-01-703	IN	CHANNEL-RUN(INCHES)	122-018736
9	098644-01-713	EA	CLIP-SPRING-METAL	226-016966
10	112898-05-704	EA	SCREENASM-W/SEALS&CLIPS	410-018862
11	098644-01-711	FT	WEATHERSTRIP-SCREENBLACK	171-016965
12	112795-01-705	FT	VINYL-GLAZING	132-025736
13	098644-01-710	FT	TRACK-SCREENSPACER,12'	132-017135

**WINDOW, VENT & EXTERIOR DOOR GROUP (CONTINUED)**

**WINDOW, VENT & EXTERIOR DOOR GROUP (CONTINUED)**  
**SINGLE SLIDER WINDOW (EXCEL) (DRIVERSIDE, LOUNGE)**



KEY	PARTNUMBER	U/M	DESCRIPTION	VENDORNO.
1	098647-22-01A	EA	WINDOW-DRIVERS-HORIZONTAL SLIDER-26.1" X 59.7"	
	098647-27-701	EA	RETAINER-TRIM	W287-66
2	098644-01-705	FT	GLAZING-STRIP	132-010231
3	098644-01-706	FT	WEATHERSTRIP-GLASS	171-010668
4	098647-23-703	EA	GLASS-STATIONARY	106-017622
5	098644-01-719	EA	STOP-SLIDER GLASS	132-014203
6	098644-01-710	FT	TRACK-SCREENSPACER 12'	132-017135
7	098644-01-700	EA	LATCH-REPAIRKIT (BLACK)	B801-CK
8	098644-01-708	FT	CHANNEL-RUNPIERCED	122-016543
9	098644-01-711	FT	WEATHERSTRIP-SCREENBLACK	171-016965
10	098647-23-704	EA	SCREENASM-W/SEALS&CLIPS	410-019066
11	098644-01-713	EA	CLIP-SPRING-METAL	226-016966
12	098647-23-700	EA	GLASS SLIDING W/SASH&LATCH	H287-G9
13	098644-01-716	FT	PLUG-FILLER	132-014470
	098644-01-717	FT	SPLINE-SCREEN	132-004716

**SINGLE SLIDER WINDOW (EXCEL) (DRIVERSIDE, GALLEY)**

KEY	PARTNUMBER	U/M	DESCRIPTION	VENDORNO.
1	098647-34-01A	EA	WINDOW-DRIVERS/HORIZONTAL SLIDER-15.7" X 28.5"	
	098647-31-701	EA	RETAINER-TRIM	CW29-66
2	098644-01-705	FT	GLAZING-STRIP	132-010231
3	098644-01-706	FT	WEATHERSTRIP-GLASS	171-010668
4	098647-33-702	EA	GLASS-STATIONARY	106-019297
5	098644-01-719	EA	STOP-SLIDER GLASS	132-014203
6	098644-01-710	FT	TRACK-SCREENSPACER 12'	132-017135
7	098644-01-700	EA	LATCH-REPAIRKIT (BLACK)	B801-CK
8	098644-01-708	FT	CHANNEL-RUNPIERCED	122-016543
9	098644-01-711	FT	WEATHERSTRIP-SCREENBLACK	171-016965
10	098647-33-704	EA	SCREENASM-W/SEALS&CLIPS	410-019134
11	098644-01-713	EA	CLIP-SPRING-METAL	226-016966
12	098647-33-703	EA	GLASS-SLIDING W/SASH&LATCH	H425-G9
13	098644-01-716	FT	PLUG-FILLER	132-014470
	098644-01-717	FT	SPLINE-SCREEN	132-004716

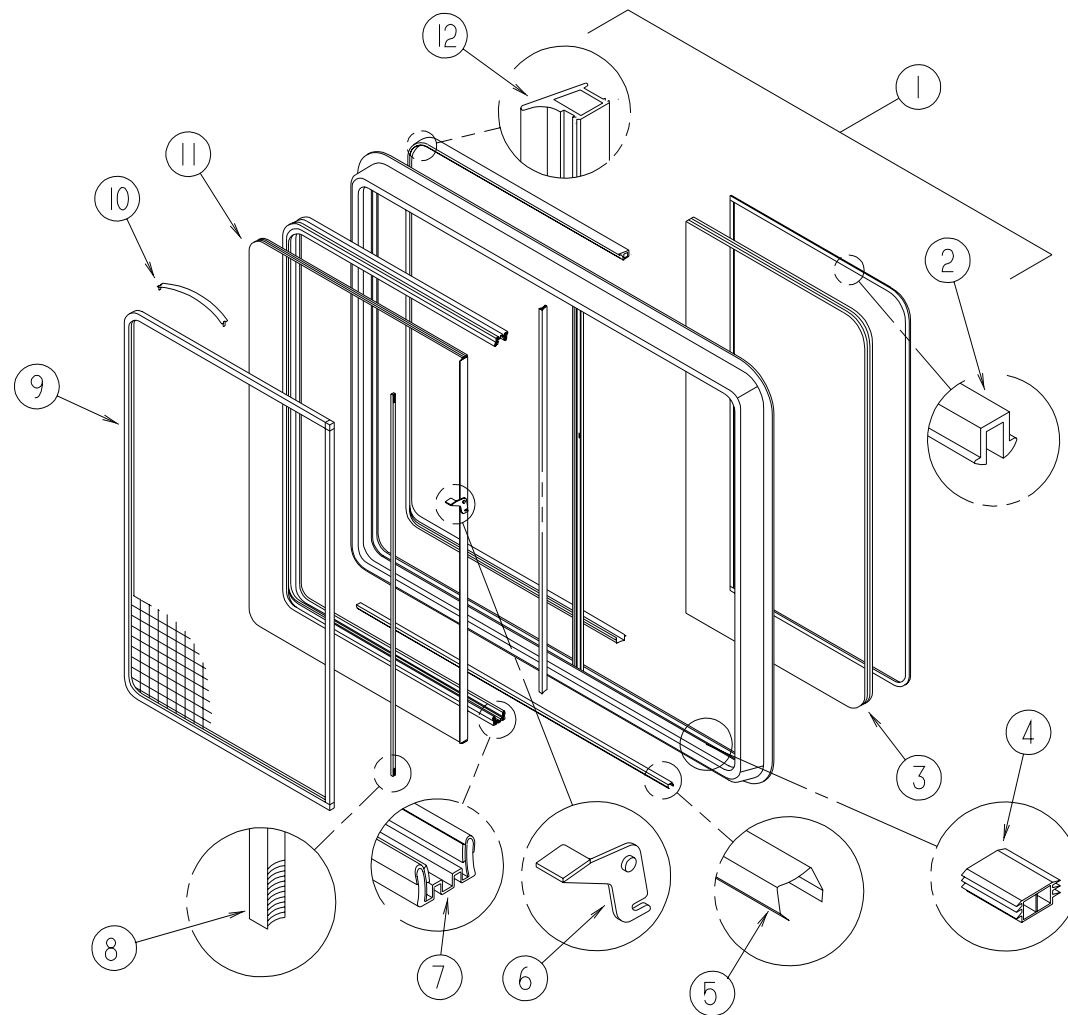
**SINGLE SLIDER WINDOW (EXCEL) SLIDEOUT WALL (SIDE)**

KEY	PARTNUMBER	U/M	DESCRIPTION	VENDORNO.
1	098647-47-01A	EA	WINDOW-DRIVERS HORIZONTAL SLIDER-23.6" X 57.5"	
	098647-47-703	EA	RETAINER-TRIM	W493-66
2	098644-01-705	FT	GLAZING-STRIP	132-010231
3	098644-01-706	FT	WEATHERSTRIP-GLASS	171-010668
4	098647-47-700	EA	GLASS-STATIONARY	106-025224
5	098644-01-719	EA	STOP-SLIDER GLASS	132-014203
6	098644-01-710	FT	TRACK-SCREENSPACER-12' LENGTH	132-017135
7	098644-01-700	EA	LATCH-REPAIRKIT	B801-CK
8	098644-01-708	FT	CHANNEL-PIERCED RUN	122-016543
9	098644-01-711	FT	WEATHERSTRIP-SCREEN-BLACK	171-016965
10	098647-47-702	EA	SCREENASM-W/SEALS&CLIPS	410-025226
11	098644-01-713	EA	CLIP-SPRING-METAL	226-016966
12	098647-47-701	EA	GLASS-SLIDING W/SASH&LATCH	H493-G9
13	098644-01-716	FT	PLUG-FILLER	132-014470
	098644-01-717	FT	SPLINE-SCREEN	132-004716

**SINGLE SLIDER WINDOW (EXCEL) (PASSENGERSIDE, DINETTE)**

KEY	PARTNUMBER	U/M	DESCRIPTION	VENDORNO.
1	098647-23-01A	EA	WINDOW-PASSENGER-HORIZONTAL SLIDER-26.1" X 59.7"	
	098647-23-702	EA	RETAINER-TRIM	W287-66
2	098644-01-705	FT	GLAZING-STRIP	132-010231
3	098644-01-706	FT	WEATHERSTRIP-GLASS	171-010668
4	098647-23-703	EA	GLASS-STATIONARY	106-017622
5	098644-01-719	EA	STOP-SLIDER GLASS	132-014203
6	098644-01-710	FT	TRACK-SCREENSPACER 12'	132-017135
7	098644-01-700	EA	LATCH-REPAIRKIT (BLACK)	B801-CK
8	098644-01-708	FT	CHANNEL-RUNPIERCED	122-016543
9	098644-01-711	FT	WEATHERSTRIP-SCREENBLACK	171-016965
10	098647-23-704	EA	SCREENASM-W/SEALS&CLIPS	410-019066
11	098644-01-713	EA	CLIP-SPRING-METAL	226-016966
12	098647-23-700	EA	GLASS SLIDING W/SASH&LATCH	H287-G9
13	098644-01-716	FT	PLUG-FILLER	132-014470
	098644-01-717	FT	SPLINE-SCREEN	132-004716

**WINDOW, VENT & EXTERIOR DOOR GROUP (CONTINUED)**



**SINGLE SLIDER WINDOW (EXCEL) (THERMOINSULATED) (DRIVERSIDE, LOUNGE)**

KEY	PARTNUMBER	U/M DESCRIPTION	VENDORNO.
1	112795-15-01A	EA WINDOW-DRIVER-HORIZONTAL SLIDER-THERMO-263/8" X60"	
	098647-23-702	EA RETAINER-TRIM	W287-66
2	112795-01-705	FT VINYL-GLAZING	132-025736
3	112795-15-701	EA GLASS-STATIONARY	390-019045
4	112795-01-701	EA SLIDE-STOP	132-019092
5	098644-01-710	FT TRACK-SCREENSPACER 12'	132-017135
6	112795-01-700	EA LATCHASM., BLK., (BOLTON)	DH287-CK
7	112795-01-703	IN CHANNEL-RUN (INCHES)	122-018736
8	098644-01-711	FT WEATHERSTRIP-SCREENBLACK	171-016965
9	098647-23-704	EA SCREENASM-W/SEALS&CLIPS	410-019066
10	098644-01-713	EA CLIP-SPRING-METAL	226-016966
11	112795-15-702	EA GLASS-SLIDINGW/SASH&LATCH	DH287-G9
12	112795-01-704	FT PLUGFILLER (DOUBLEGLAZED)	122-018737

**WINDOW, VENT & EXTERIOR DOOR GROUP (CONTINUED)**  
**SINGLE SLIDER WINDOW (EXCEL) (THERMOINSULATED) (DRIVERSIDE, SLIDEOUT)**

KEY	PARTNUMBER	U/M DESCRIPTION	VENDORNO.
1	112795-54-01A	EA WINDOW-DRIVERS/HORIZONTAL SLIDER-THERMO-30" X57.75"	
	098647-47-703	EA RETAINER-TRIM	W493-66
2	112795-01-705	FT VINYL-GLAZING	132-025736
3	112795-54-701	EA GLASS-STATIONARY	390-025248
4	112795-01-701	EA SLIDE-STOP	132-019092
5	098644-01-710	FT TRACK-SCREENSPACER 12'	132-017135
6	112795-01-700	EA LATCHASM.-BLK., (BOLTON)	DH287-CK
7	112795-01-703	IN CHANNEL-RUN (INCHES)	122-018736
8	098644-01-711	FT WEATHERSTRIP-SCREENBLACK	171-016965
9	098647-47-702	EA SCREENASM-W/SEALS&CLIPS	410-025226
10	098644-01-713	EA CLIP-SPRING-METAL	226-016966
11	112795-54-700	EA GLASS-SLIDINGW/SASH&LATCH	DH493-G9
12	112795-01-704	FT PLUGFILLER (DOUBLEGLAZED)	122-018737

**SINGLE SLIDER WINDOW (EXCEL) (THERMOINSULATED) (PASSENGERSIDE, DINETTE)**

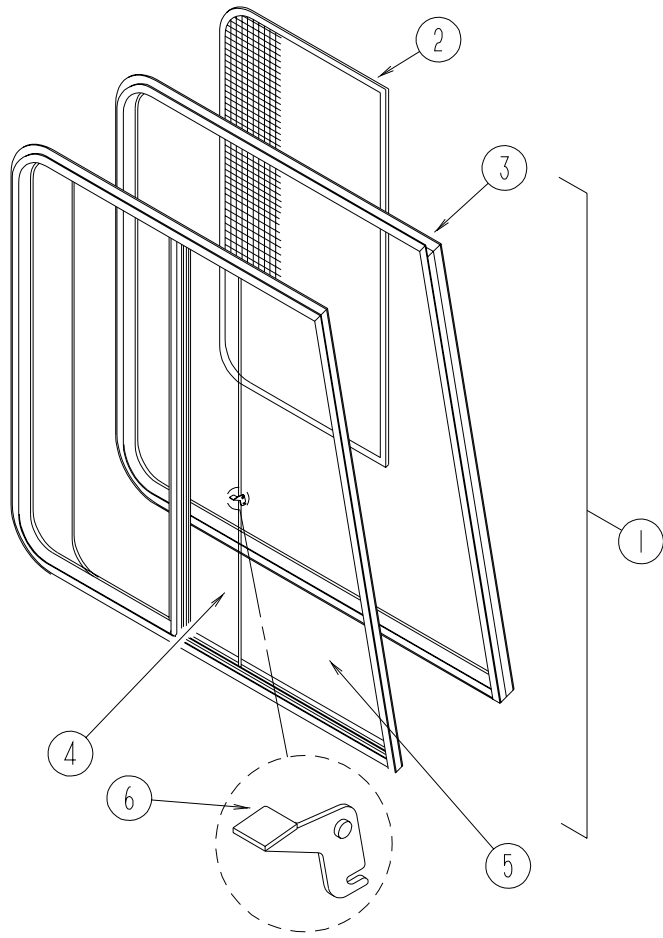
KEY	PARTNUMBER	U/M DESCRIPTION	VENDORNO.
1	112795-16-01A	EA WINDOW-PASSENGER-HORIZONTAL SLIDER-THERMO-263/8" X60"	
	098647-23-702	EA RETAINER-TRIM	W287-66
2	112795-01-705	FT VINYL-GLAZING	132-025736
3	112795-15-701	EA GLASS-STATIONARY	390-019045
4	112795-01-701	EA SLIDE-STOP	132-019092
5	098644-01-710	FT TRACK-SCREENSPACER 12'	132-017135
7	112795-01-703	IN CHANNEL-RUN (INCHES)	122-018736
8	098644-01-711	FT WEATHERSTRIP-SCREENBLACK	171-016965
9	098647-23-704	EA SCREENASM-W/SEALS&CLIPS	410-019066
10	098644-01-713	EA CLIP-SPRING-METAL	226-016966
11	112795-15-702	EA GLASS-SLIDINGW/SASH&LATCH	DH287-G9
12	112795-01-704	FT PLUGFILLER (DOUBLEGLAZED)	122-018737

**SINGLE SLIDING WINDOW (EXCEL) (THERMOINSULATED) (DRIVERSIDE, GALLEY)**

KEY	PARTNUMBER	U/M DESCRIPTION	VENDORNO.
1	112795-20-01A	EA WINDOW-DRIVER/HORIZONTAL SLIDER-THERMO 16.7" X28.5"	
	098647-31-701	EA RETAINER-TRIM	CW29-66
2	112795-01-705	FT VINYL-GLAZING	132-025736
3	112795-19-701	EA GLASS-STATIONARY	390-019134
4	112795-01-701	EA SLIDE-STOP	132-019092
5	098644-01-710	FT TRACK-SCREENSPACER 12'	132-017135
6	112795-01-700	EA LATCHASM., BLK., (BOLTON)	DH287-CK
7	112795-01-703	IN CHANNEL-RUN (INCHES)	122-018736
8	098644-01-711	FT WEATHERSTRIP-SCREENBLACK	171-016965
9	098647-31-704	EA SCREENASM-W/SEALS&CLIPS	410-019128
10	098644-01-713	EA CLIP-SPRING-METAL	226-016966
11	112795-19-702	EA GLASS-SLIDINGW/SASH&LATCH	DC29-G9
12	112795-01-704	FT PLUGFILLER (DOUBLEGLAZED)	122-018737



**WINDOW, VENT & EXTERIOR DOOR GROUP (CONTINUED)**



**EXCELCABWINDOWS**

KEY	PARTNUMBER	U/M DESCRIPTION	VENDORNO.
1	103658-11-01A	EA WINDOWASM-CAB, W/RETAINER-38.3"TX45.2"BX36.7"H-DRIVERSSIDE	
1	103658-12-01A	EA WINDOWASM-CAB, W/RETAINER-38.3"TX45.2"BX36.7"H-PASSENGERSIDE	
2	113501-09-702	EA SCREENASSEMBLY-W/SEALS&CLIPS	410-025381
	098644-01-717	FT SPLINE-SCREEN	132-004716
	098644-01-713	EA CLIP-SPRING, METAL	226-016966
	098644-01-710	FT TRACK-SCREENSPACER, 12'LENGTH	132-017135
	098644-01-711	FT WEATHERSTRIP-SCREEN, BLACK	171-016965
3	113501-10-702	EA RETAINER-TRIM, DRIVERSSIDE	H506-41L & H506-42L
3	113501-09-703	EA RETAINER-TRIM, PASSENGERSIDE	H506-41R & H506-42R
4	113501-11-701	EA GLASS-SLIDING, W/SASH&LATCH	DH506-EA9R
5	113501-11-700	EA GLASS-STATIONARY, BOTTOM	390-025769
6	098644-01-700	EA LATCH-REPAIRKIT, BLACK	B801-CK
	098644-01-706	FT WEATHERSTRIP-GLASS	171-010668
	098644-01-708	FT CHANNEL-RUN, PIERCED	122-016543
	098644-01-716	FT PLUG-FILLER	132-014470

**WINDOW, VENT & EXTERIOR DOOR GROUP (CONTINUED)**

**EXCELCABWINDOW-DRIVERSIDE-THERMOPANE**

KEY	PARTNUMBER	U/M DESCRIPTION	VENDORNO.
	113501-10-01A	EA WINDOWASM-CAB, W/RETAINER-35.7"X37.2"X43.9"	
	113501-10-702	EA RETAINER-TRIM, OFFWHITE	H506-41L & H506-42L
	098644-01-711	FT WEATHERSTRIP-SCREEN, BLACK	171-016965
	098644-01-713	EA CLIP-SPRING, METAL	226-016966
	098644-01-717	FT SPLINE-SCREEN	132-004716
	103501-09-702	EA SCREENASM-W/SEALS&CLIPS	410-025381
	112795-01-700	EA LATCHASM-BLACK, BOLTON	DH287-CK
	112795-01-701	FT SLIDE-STOP	132-019092
	112795-01-703	IN CHANNEL-RUN(INCHES)	122-018736
	112795-01-704	FT PLUGFILLER(DOUBLEGLAZED)	122-018737
	112795-01-705	FT VINYL-GLAZING	132-025736
	112898-04-703	EA SASHLATCHKIT, RAISED	DH343-CK
	113501-10-700	EA GLASS-STATIONARY	390-025388
	113501-10-701	EA GLASS-SLIDING, W/SASH&LATCH	DH506-A9L

**EXCELCABWINDOW-PASSENGERSIDE-THERMOPANE**

KEY	PARTNUMBER	U/M DESCRIPTION	VENDORNO.
	113501-09-01A	EA WINDOWASM-CAB, W/RETAINER-35.7"X37.2"X43.9"	
	113501-09-703	EA RETAINER-TRIM, OFFWHITE	H506-41R & H506-42R
	113501-09-700	EA GLASS-STATIONARY	390-025839
	113501-09-701	EA GLASS-SLIDING, W/SASH&LATCH	DH506-A9R
	103501-09-702	EA SCREENASM-W/SEALS&CLIPS	410-025381
	098644-01-711	FT WEATHERSTRIP-SCREEN, BLACK	171-016965
	098644-01-713	EA CLIP-SPRING, METAL	226-016966
	098644-01-717	FT SPLINE-SCREEN	132-004716
	112795-01-700	EA LATCHASM-BLACK, BOLTON	DH287-CK
	112795-01-701	FT SLIDE-STOP	132-019092
	112795-01-703	IN CHANNEL-RUN(INCHES)	122-018736
	112795-01-704	FT PLUGFILLER(DOUBLEGLAZED)	122-018737
	112795-01-705	FT VINYL-GLAZING	132-025736
	112898-04-703	EA SASHLATCHKIT, RAISED	DH343-CK

**EXCELDIVERSDOORWINGWINDOW**

KEY	PARTNUMBER	U/M DESCRIPTION	VENDORNO.
	106468-05-01A	EA WINDOW-WING, INFRONTOFDRIVERDOOR-6.8"TX12.2"BX28.9"H	
	100322-01-703	FT STRIP-GLAZING, BUTYL	132-010723

**EXCELDIVERSDOORWINGWINDOW-THERMOPANE**

KEY	PARTNUMBER	U/M DESCRIPTION	VENDORNO.
	115999-06-01A	EA WINDOW-WING, INFRONTOFDRIVERDOOR-5.8"X11"X27.9"H	
	115999-06-700	EA GLASS-STATIONARY	390-025392
	115999-06-701	EA RETAINER-TRIMRAIL, REAR	H507-41L
	115999-06-702	EA RETAINER-TRIMRAIL, TOP	H507-42L
	116000-01-704	FT GLAZING-VINYL	132-018161

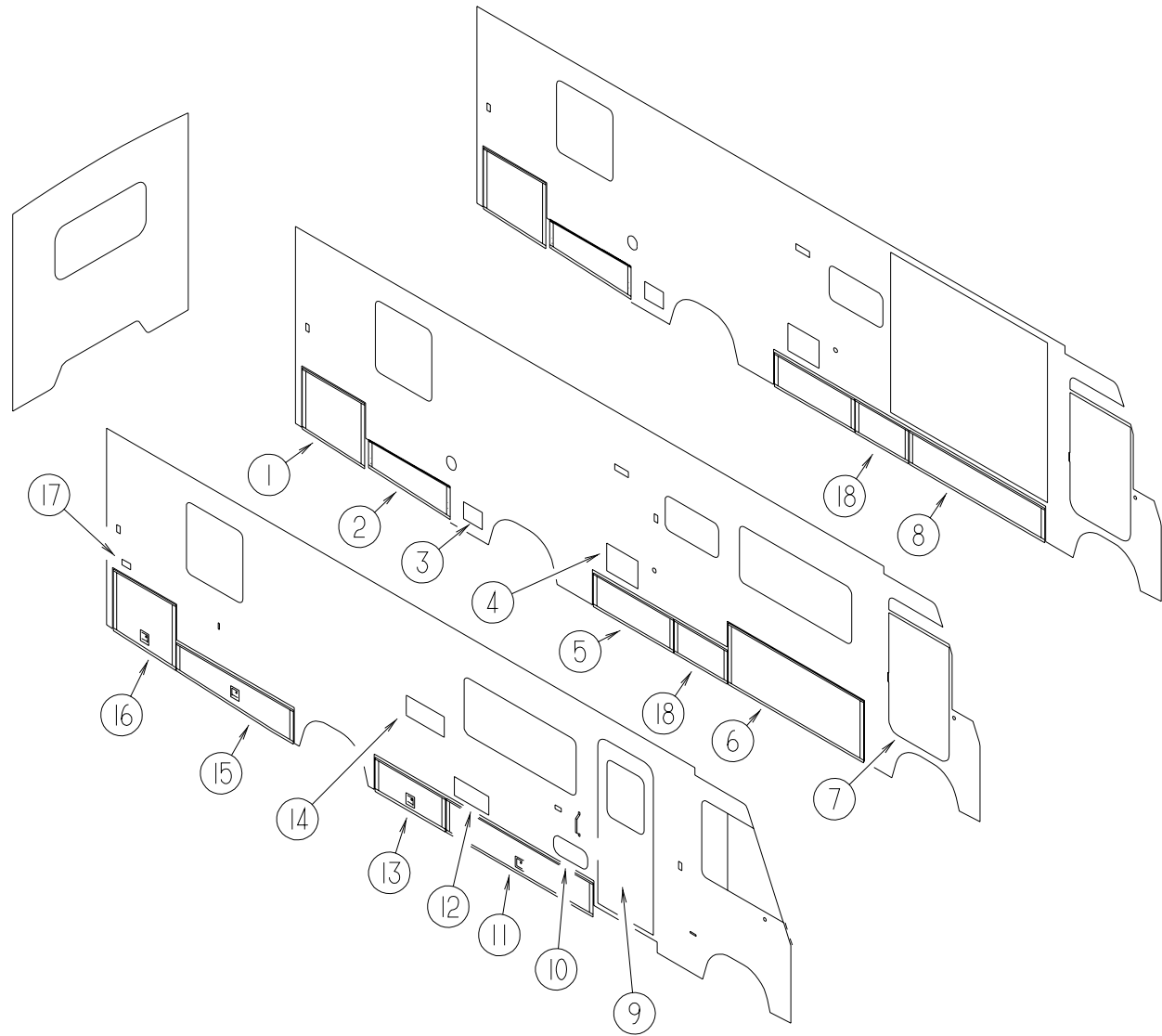
**EXCELDIVERSDOORVISTAWINDOW**

KEY	PARTNUMBER	U/M DESCRIPTION	VENDORNO.
	106467-06-01A	EA WINDOW-VISTA, ABOVEDRIVERDOOR-39.2"TX40.6"BX7.3"H	
	100322-01-703	FT STRIP-GLAZING, BUTYL	132-010723

**EXCELDIVERSDOORVISTAWINDOW-THERMOPANE**

KEY	PARTNUMBER	U/M DESCRIPTION	VENDORNO.
	116000-08-01A	EA WINDOW-VISTA, ABOVEDRDOOR-6.3"X38.2"X39.4"	
	116000-08-700	EA GLASS-STATIONARY	390-025393
	116000-08-701	EA RETAINER-TRIMRAIL, TOP/REAR	H508-41L
	116000-08-702	EA RETAINER-TRIMRAIL, FRONT	H508-42L
	116000-08-703	EA RETAINER-TRIMRAIL, BOTTOM	H508-43L
	116000-01-704	FT GLAZING-VINYL	132-018161

**WINDOW, VENT & EXTERIOR DOOR GROUP (CONTINUED)**  
**EXTERIOR DOORS & PANEL**



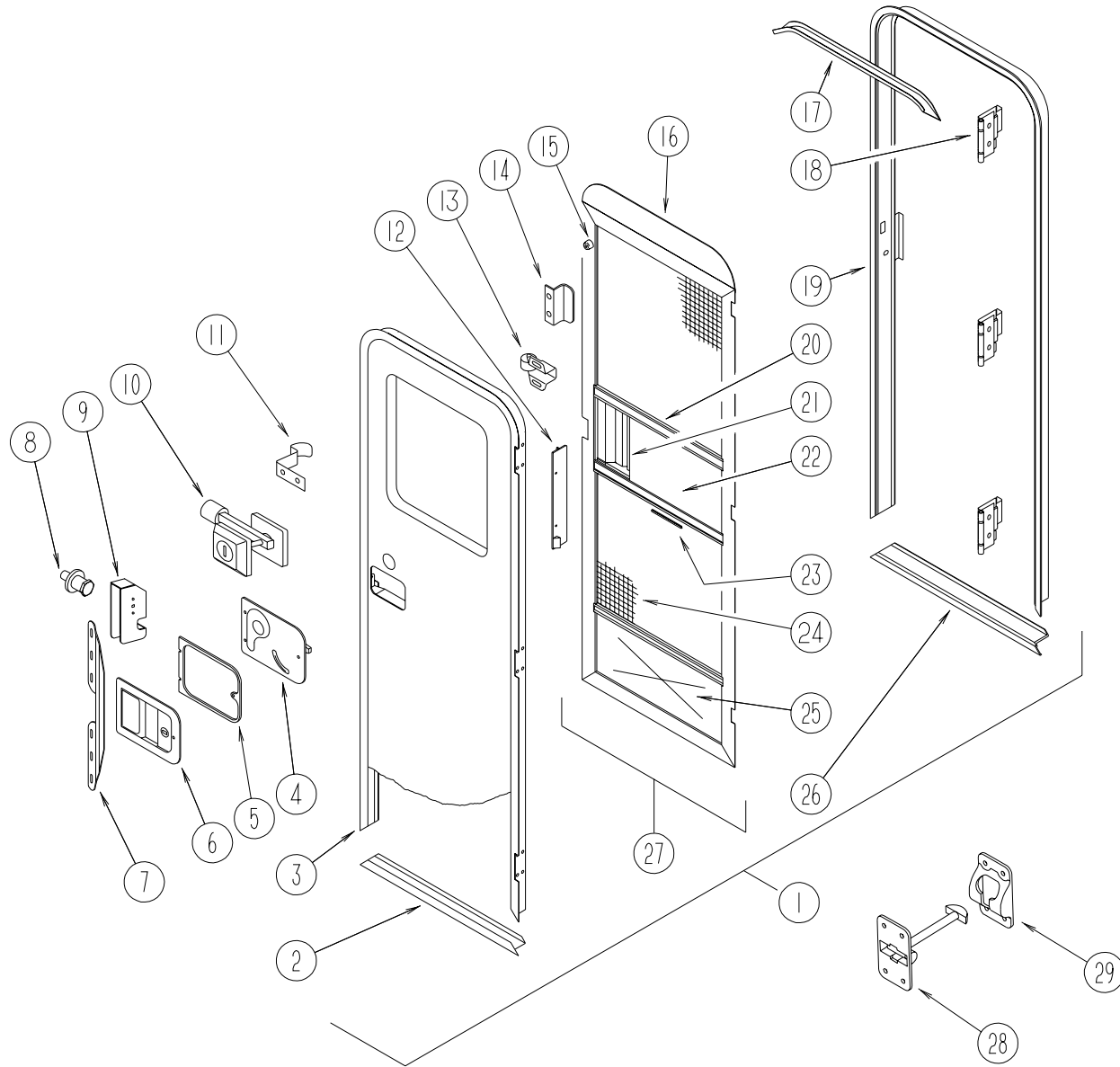
KEY	PARTNUMBER	U/M	DESCRIPTION
1	124245-06-H13	EA	DOOR-STORAGE-W/OPADDLELATCH-34.1"
2	122391-20-H37	EA	DOOR-STORAGE-W/OPADDLELATCH-43.7" (BLUETRIM)
2	122391-20-HA3	EA	DOOR-STORAGE-W/OPADDLELATCH-43.7" (SILVERTRIM)
2	122391-20-H13	EA	DOOR-STORAGE-W/OPADDLELATCH-43.7" (WHITETRIM)
3	088794-06-000	EA	DOOR-POWERCORDW/HATCH-BRIGHTWHITE-9.2" X 11"
4	052009-06-000	EA	DOOR-WATERHEATER-BRIGHTWHITE-18" X 14.6"
4	116424-01-000	EA	PROTECTOR-LATCH-WATERHEATER
5	122239-01-H37	EA	DOOR-STORAGE-W/OPADDLELATCH-42.9" (BLUETRIM)
5	122239-01-HA3	EA	DOOR-STORAGE-W/OPADDLELATCH-42.9" (SILVERTRIM)
5	122239-01-H13	EA	DOOR-STORAGE-W/OPADDLELATCH-42.9" (WHITETRIM)
6	124245-08-H13	EA	DOOR-STORAGE-W/OPADDLELATCH-73.3"
7	106469-07-01A	EA	DOOR-DRIVER-BLACK
8	122239-09-H37	EA	DOOR-STORAGE-W/OPADDLELATCH-72.6" (BLUETRIM)
8	122239-09-HA3	EA	DOOR-STORAGE-W/OPADDLELATCH-72.6" (SILVERTRIM)
8	122239-09-H13	EA	DOOR-STORAGE-W/OPADDLELATCH-72.6" (WHITETRIM)
9	115108-09-H13	EA	DOOR-ENTRY-W/SCREENDOOR-W/OWINDOW (H12, H13)
9	115108-09-H14	EA	DOOR-ENTRY-W/SCREENDOOR-W/OWINDOW (H14, H16)
9	115108-09-H15	EA	DOOR-ENTRY-W/SCREENDOOR-W/OWINDOW (H15)
9	115108-09-H21	EA	DOOR-ENTRY-W/SCREENDOOR-W/OWINDOW (H21)
9	115108-09-H22	EA	DOOR-ENTRY-W/SCREENDOOR-W/OWINDOW (H22)
10	111017-01-H23	EA	DOOR-STORAGE-8.1" X 17.8"
10	079775-D3-000	EA	JAMB-DOOR-STORAGE
11	122239-10-H37	EA	DOOR-STORAGE-W/OPADDLELATCH-77.5" (BLUETRIM)
11	122239-10-HA3	EA	DOOR-STORAGE-W/OPADDLELATCH-77.5" (SILVERTRIM)
11	122239-10-H13	EA	DOOR-STORAGE-W/OPADDLELATCH-77.5" (WHITETRIM)
12	098668-23-000	EA	DOOR-ACCESS-FURNACE
13	122239-31-H37	EA	DOOR-STORAGE-W/OPADDLELATCH-36" (BLUETRIM)
13	122239-31-HA3	EA	DOOR-STORAGE-W/OPADDLELATCH-36" (SILVERTRIM)
13	122239-31-H13	EA	DOOR-STORAGE-W/OPADDLELATCH-36" (WHITETRIM)
14	084103-08-000	EA	DOOR-REFRIGERATOR-VENTED-W/OJAMB
14	084104-08-000	EA	JAMB-REFRIGERATOR DOOR
14	084104-01-700	EA	LOCK-MALE-FASTENER
14	084104-01-701	EA	LOCK-FEMALE-FASTENER
15	122391-19-H37	EA	DOOR-STORAGE-TAPERED-W/OPADDLELATCH-60.6" (BLUETRIM)
15	122391-19-HA3	EA	DOOR-STORAGE-TAPERED-W/OPADDLELATCH-60.6" (SILVERTRIM)
15	122391-19-H13	EA	DOOR-STORAGE-TAPERED-W/OPADDLELATCH-60.6" (WHITETRIM)
16	124245-05-H13	EA	DOOR-STORAGE-W/OPADDLELATCH-34.1"
17	081240-16-000	EA	DOOR-WATERFILL-LOCKABLEW/OLOCK-4" X 45/8"
18	122776-04-H37	EA	PANEL-VALANCE-W/OHARDWARE (BLUETRIM)
18	122776-04-HA3	EA	PANEL-VALANCE-W/OHARDWARE (SILVERTRIM)
18	122776-04-H13	EA	PANEL-VALANCE-W/OHARDWARE (WHITETRIM)

**VENDOR NO.**

201-721-010

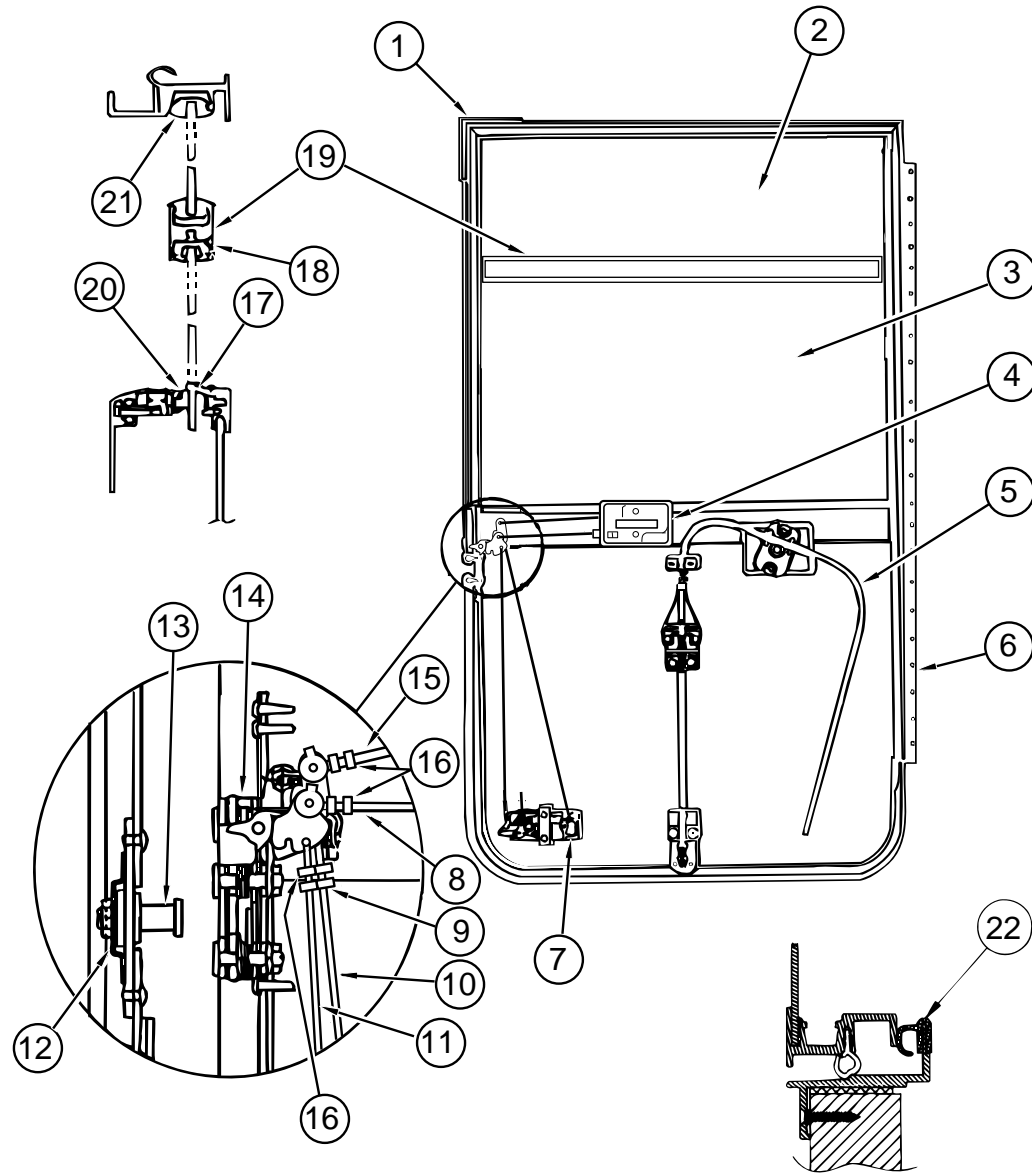
201-802-010

**WINDOW, VENT & EXTERIOR DOOR GROUP (CONTINUED)**  
**ENTRANCEDOOR**



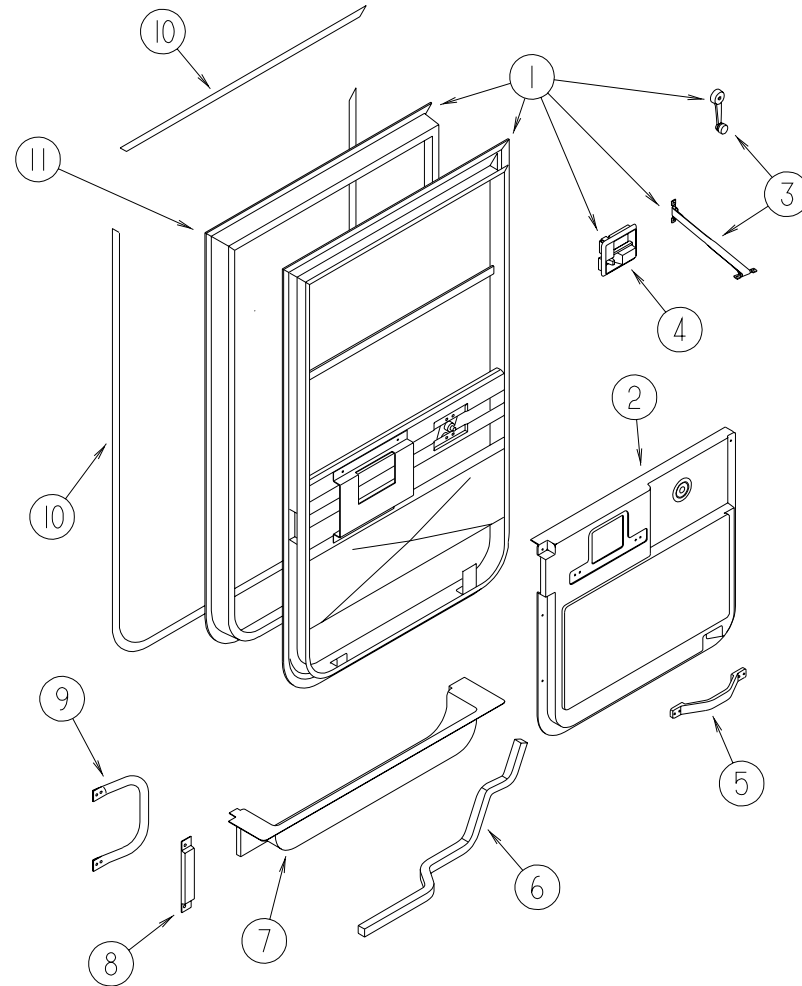
KEY	PARTNUMBER	U/M	DESCRIPTION	VENDOR NO.
1	115108-09-H13	EA	DOOR-ENTRY-W/SCREENDOOR-W/OWINDOW(H12,H13)	
1	115108-09-H14	EA	DOOR-ENTRY-W/SCREENDOOR-W/OWINDOW(H14,H16)	
1	115108-09-H15	EA	DOOR-ENTRY-W/SCREENDOOR-W/OWINDOW(H15)	
1	115108-09-H21	EA	DOOR-ENTRY-W/SCREENDOOR-W/OWINDOW(H21)	
1	115108-09-H22	EA	DOOR-ENTRY-W/SCREENDOOR-W/OWINDOW(H22)	
2	121893-03-02A	EA	FRAME-BOTTOM,ENTRYDOOR-BRIGHTWHITE	
3	121894-10-01A	EA	FRAME-ENTRYDOOR,W/OBOTTOM-BRIGHTWHITE	
4	039979-06-000	EA	COVER-LATCHPLATE-RIGHTHAND-BLACKTEXTURED	
	039984-01-000	EA	CAP-ROUND,VINYL-.28"IDX.62"LONG-BLACK	
5	096810-01-01A	EA	PLATE-LATCH,ENTRYDOOR-PLASTIC-BLACK	
	041546-07-000	EA	BRACKET-DOORANGLE,OFFWHITE-METAL	
6	045017-13-000	EA	LATCH-ENTRYDOOR-BLACKTEXTURED	
	045017-11-701	EA	KEY-BLANK-F1SERIES	81312-02
	045017-11-703	EA	CYLINDER-LOCKASM.W/KEYS	81266-09
	075671-04-000	FT	SEAL-SPONGE-LAZYT-W/ADHESIVESTRIP-.5"WIDE	
7	098173-01-07A	EA	STIFFENER-ENTRYDOOR-SUPPORTSLATCH/STRIKEAREA	
7	098173-01-04A	EA	STIFFENER-ENTRYDOOR-SUPPORTSLATCH/STRIKEAREA-UNPAINTED	
8	039539-01-000	EA	STRIKE-LOCK-ENTRYDOOR-ROUNDW/THREADEDWASHER	
	077461-03-000	EA	COVER-STRIKE-ENTRYDOOR-6.5"X2.5"-WHITEPLASTIC	
9	039540-01-000	EA	LATCHMECHANISM-HOOK-ENTRYDOOR-INTERIOR	
10	101145-01-06A	EA	DEADBOLT-ENTRYDOORW/OSECURITYBOLTW/2KEYS-BLACKTEXTURED	
	095229-01-700	EA	KEY-BLANK-DEADBOLT	81205-03
	101145-01-701	EA	CYLINDER-LOCKASSEMBLY,W/KEY	81306-03
	101147-01-000	EA	BOLT-SECURITY,4.12"BACKSET	
11	100412-01-000	EA	CATCH-SCREENDOOR	
12	079087-03-000	EA	STRIKE-SLIDER,W/LIPFORELBOWCATCH-1.5"X8.6"-BRIGHTWHITE	
13	109403-01-000	EA	CATCH-SCREENDOORROLLER	
14	050712-06-000	EA	HANDLE-SCREENDOOR-BRIGHTWHITE	
15	120863-05-000	EA	BUMPER-RUBBER-SCREENDOOR	
16	078595-03-000	EA	TOPPLATE-SCREENDOOR-CURVEDTOP	
17	044582-50-000	EA	CAP-DRIP-JAMB-BRIGHTWHITE	
18	106719-01-05A	EA	HINGE-ENTRANCEDOOR	
18	106719-01-01A	EA	HINGE-ENTRANCEDOOR-MILL	
	102248-01-000	EA	SHIM-DOOR	
	039715-01-000	EA	NUT-SERT-1/4"DIAMETER-20THREADS	
	116111-02-01A	EA	SCREW-TAPTITE-1/4-20X3/8PPH-ZINC	
	118929-01-01A	FT	SEAL-PILE-PUSHON	
	076725-02-000	EA	COVER-HINGE,ENTRYDOOR-6"X3.2"-PLASTIC-OFFWHITE	
19	121898-08-01A	EA	JAMB-ENTRYDOOR,W/BOTTOM-BRIGHTWHITE	
	115222-11-01A	EA	GARNISH-RADIUS-ENTRYDOOR-OFFWHITE	
20	078777-06-000	EA	CHANNEL-SLIDE-SCREENDOORCENTERSLIDECOVER	
21	079086-03-000	EA	SLIDER-SCREENDOOR-BRIGHTWHITE	
22	016454-15-000	EA	INSERT-CENTER-LEATHERGRAINALUMINUM-UNPAINTED	
22	001014-01-013	EA	INSERT-CENTER-10.25"X16.31"-UNPAINTED	
23	002294-01-000	FT	SPLINE-SCREENING,.135"X.138"-BLACK	
24	002293-02-000	SF	SCREENING-WINDOW/DOOR,26"-CHARCOAL	
25	078552-09-000	EA	KICKPANEL-SCREENDOOR-LOWERINSERT-UNPAINTED	
26	051049-05-000	EA	JAMB-BOTTOM-ENTRYDOOR-25.9"-UNPAINTED	
27	121899-04-H13	EA	DOOR-SCREEN-W/OHARDWARE	
	075673-01-000	FT	SEAL-PILE-ADHESIVEBACK-GRAY	
	075673-05-000	FT	SEAL-PILE-ADHESIVEBACK-BLACK	
	086285-05-000	EA	SPACER-NYLON-.7"X.56"	
	122241-01-01A	EA	BUMPER-FOAMRUBBERW/ADHESIVEBACK,12.7MMX12.7MMX6.4MM-BLACK	
28	104099-01-04A	EA	CATCH-DOORHOLDER-STRIKE-BRIGHTWHITE	
29	104099-02-04A	EA	CATCH-DOORHOLDER-RETAINER-BRIGHTWHITE	
	009126-03-000	EA	HANDLE-ASSIST-BLACKTEXTURED	
	100128-02-000	FT	SEAL-FOAM,ADHESIVEBACK-.37"WX.37"THICK	

**WINDOW, VENT & EXTERIOR DOOR GROUP (CONTINUED)**  
**EXCEL DRIVERS DOOR**



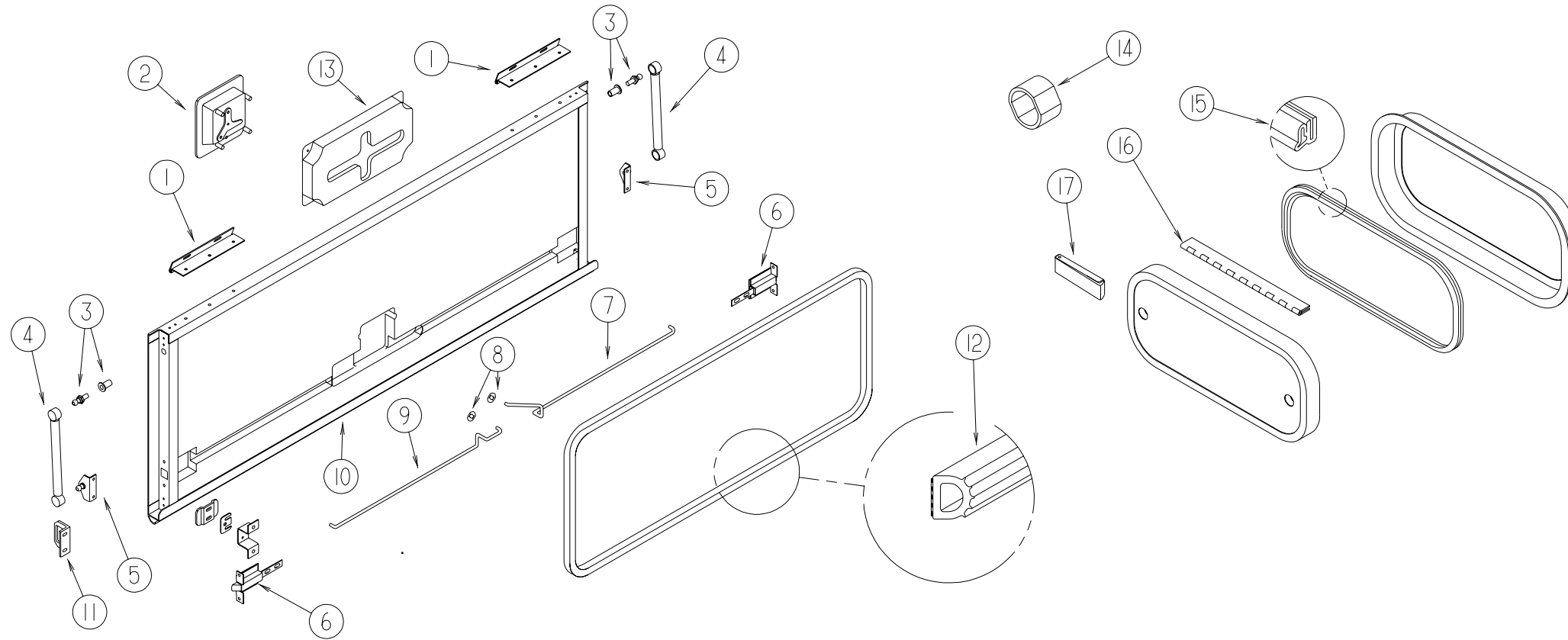
KEY	PART NUMBER	U/M	DESCRIPTION	VENDOR NO.
1	106469-01-702	EA	SEAL-DOOR,(FRAME)EA=1	122-040984
2	106469-02-702	EA	GLASS-STATIONARY,HORIZONTAL	106-041104
3	106469-01-704	EA	GLASSASSEMBLY-ROLL-UPW/BACKET	V103-65L
4	106469-04-712	EA	HARDWARE-INNERHANDLE,LH	248-041402
5	106469-02-701	EA	REGULATORASSEMBLY	V108-90L
6	106469-05-702	EA	HINGE - 42"	211-041194
7	106469-04-700	EA	PADDEASSEMBLYW/COLLAR	248-041237
	106469-04-701	EA	TUMBLER&KEYS,TRI-MARK	248-041179
	106469-04-715	EA	LATCHCOMPLETEW/TUMBLER&KEYS	V123-15
	045017-11-701	EA	KEY-BLANK,TRIMARK	81312-02
8	106469-04-711	EA	ROD-LOCK,HORIZONTAL	203-041137
9	106469-04-713	EA	ROD-CLIP,LH	248-041154
10	106469-05-703	EA	LATCHROD,VERTICALADJUSTMENT	203-041239
11	106469-05-705	EA	ROD-LOCK,VERTICALADJUSTMENT	203-041279
12	106469-04-704	EA	NUTASSEMBLY-CAGEDW/STRIKER	248-041151
13	106469-04-703	EA	BOLT-STRIKER,W/WASHER	248-041152
14	106469-05-706	EA	LATCH-ROTARY,W/LINKAGE	248-041150
15	106469-04-705	EA	ROD-LATCH,HORIZONTAL	203-041139
16	106469-04-714	EA	ROD-CLIP,RH	248-041153
17	106469-02-703	EA	BELT-WEATHERSTRIP,EXTERIOR-ROLL-UPGLASS	V047-57
18	106469-01-705	FT	CHANNEL-RUN,SLIDING	122-010850
19	106469-01-719	EA	MULLIONRAIL	V103-84
20	106469-01-709	FT	WEATHERSTRIP-FUZZY	171-040630
21	106469-02-705	EA	GLAZING-VINYL,HORIZONTAL-6.3317"	V108-87
22	106469-01-723	EA	SEALASSEMBLY-BULB,DRIVERSDOORJAMB-PREFORMED	171-040985
	106469-02-704	EA	PARTSBAG-WINDOWHANDLEMISCELLANEOUS	V068-16
	106469-07-700	EA	FRAMEMOUNTINGASSEMBLY	V130-30L

**WINDOW, VENT & EXTERIOR DOOR GROUP (CONTINUED)**  
**EXCEL DRIVERS DOOR**



KEY	PARTNUMBER	U/M	DESCRIPTION	VENDOR NO.
1	106469-07-01A	EA	DOOR-DRIVER-BLACK	
2	114973-01-02A	EA	PANEL-DRIVERSDOOR, INNER-WILLOW-PLASTIC	
3	106469-02-704	EA	PARTSBAG (WINDOWHANDLE & CHECKSTRAP)	V068-16
4	106469-04-712	EA	INNERHANDLEHARDWARE-LEFTHAND	248-041148
5	110604-01-01A	EA	HANDLE-ASSIST, DRIVERSDOOR-10.8"LONG-BLACK	
6	063977-11-000	EA	STEP-DRIVERDOOR-LEFT-UNPAINTED	
7	107818-01-01A	EA	TRIM-STEP-DRIVERSDOOR	
			FROM: 00-00-00 THRU: 01-14-97	
7	126069-03-01A	EA	TRIM-STEP-DRIVER	
			FROM: 01-15-97 THRU: 99-99-99	
	102569-02-000	EA	MAT-ANTISLIP, 4"X22"-LOWER	
8	108654-01-01A	EA	COVER-STRIKE, DRIVERSDOOR-BLACK	
9	108832-01-02A	EA	HANDLE-ASSIST-DRIVERDOOR-METAL-OFFWHITE	
	108833-01-01A	EA	COVER-HANDLE-ASSIST-OFFWHITE	
10	109235-01-01A	FT	COVER-SCREW-MATBLACK	
11	106469-07-700	EA	MOUNTINGFRAMEASM.	V130-30L
	108129-02-02A	EA	GARNISH-DRIVERSDOOR-FRONT-BLACK	
	108107-01-02A	EA	GARNISH-DRIVERSDOOR-TOP-BLACK	
	108108-04-02A	EA	GARNISH-DRIVERSDOOR-REARUPPER-BLACK	
	108897-02-01A	EA	GARNISH-DRIVERSDOOR-REARLOWER-BLACK	
	P01713-01-000	EA	SWITCH-PUSHBUTTON-INDOORJAMB-METALCHROME	
	076725-06-000	EA	COVER-ACCESS-DOORJAMB-PUSHBUTTON-BLACK	
	109235-01-05A	FT	COVER-SCREW, BRIGHTWHITE	
	106746-01-000	EA	PANEL-STEPWELL, 789MMLONG-STEEL	
	106747-01-000	EA	PANEL-STEPWELL, RHEND-STEEL	
	106747-02-000	EA	PANEL-STEPWELL, LHEND-STEEL	
	107868-01-000	EA	ANGLE-SUPPORT, DOOR-38MMX38MMX19MM-E-COAT-STEEL	

**WINDOW, VENT & EXTERIOR DOOR GROUP (CONTINUED)**  
**EXTERIOR ACCESS DOOR COMPONENTS**

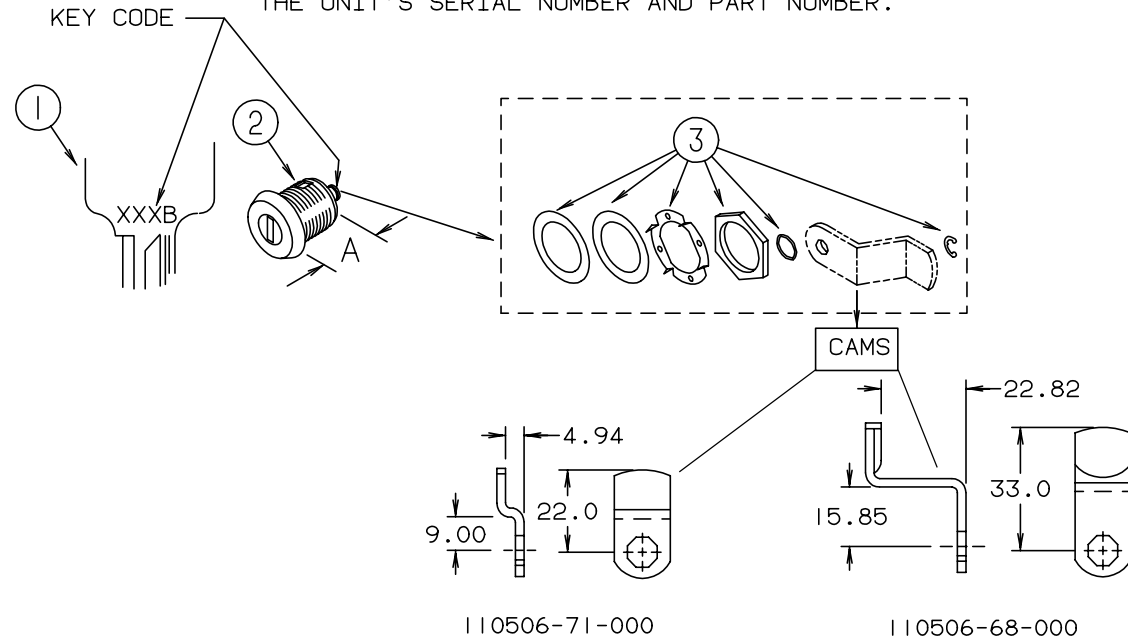


KEY	PARTNUMBER	U/M	DESCRIPTION
1	121755-01-04A	EA	HINGE-6" LONG
2	112949-01-04A	EA	LATCH-PADDLE W/LOCK, BLACK-EXTERIOR PAINT OPTION
2	112949-01-03A	EA	LATCH-PADDLE W/LOCK, BRIGHT WHITE
2	112949-02-05A	EA	LATCH-PADDLE W/O LOCK, BLACK-EXTERIOR PAINT OPTION
2	112949-02-04A	EA	LATCH-PADDLE W/O LOCK, BRIGHT WHITE
	112949-03-000	EA	KEY-PADDLE LATCH W/LOCK-TRI-MARK#TM500
3	057460-08-000	EA	BALL STUD-10MM BALL, 5/16-18
4	107796-08-000	EA	SPRING-GAS, 11" COMPRESSED/17" EXTENDED-60LB
4	107796-11-000	EA	SPRING-GAS, 11" COMPRESSED/17" EXTENDED-90LB
4	107796-18-000	EA	SPRING-GAS, 7" COMPRESSED/10" EXTENDED-80LB
4	107796-20-000	EA	SPRING-GAS, 7" COMPRESSED/10" EXTENDED-60LB
4	107796-27-000	EA	SPRING-GAS, 8.5" COMPRESSED/12" EXTENDED-90LB
5	107796-19-000	EA	BRACKET-GASSPRING, SMALL-BLACK
6	121947-01-01A	EA	BOLT-SLIDE, LATCH-STEEL
7	122269-16-000	EA	ROD-LATCH-8.96" LONG (CLIPPED TO UPPER PINON PADDLE LATCH)
7	122269-01-000	EA	ROD-LATCH-13.71" LONG (CLIPPED TO UPPER PINON PADDLE LATCH)
7	122269-10-000	EA	ROD-LATCH-31.03" LONG (CLIPPED TO UPPER PINON PADDLE LATCH)
7	122269-08-000	EA	ROD-LATCH-28.5" LONG (CLIPPED TO UPPER PINON PADDLE LATCH)
7	122269-39-000	EA	ROD-LATCH-10.31" LONG (CLIPPED TO UPPER PINON PADDLE LATCH)
7	122269-40-000	EA	ROD-LATCH-22.58" LONG (CLIPPED TO UPPER PINON PADDLE LATCH)
7	122269-41-000	EA	ROD-LATCH-14.19" LONG (CLIPPED TO UPPER PINON PADDLE LATCH)
8	124304-01-000	EA	CLIP-ROUND, PUSH ON

KEY	PARTNUMBER	U/M	DESCRIPTION
9	122268-16-000	EA	ROD-LATCH-8.96" LONG (CLIPPED TO LOWER PINON PADDLE LATCH)
9	122268-01-000	EA	ROD-LATCH-13.71" LONG (CLIPPED TO LOWER PINON PADDLE LATCH)
9	122268-10-000	EA	ROD-LATCH-31.03" LONG (CLIPPED TO LOWER PINON PADDLE LATCH)
9	122268-08-000	EA	ROD-LATCH-28.5" LONG (CLIPPED TO LOWER PINON PADDLE LATCH)
9	122268-39-000	EA	ROD-LATCH-10.31" LONG (CLIPPED TO LOWER PINON PADDLE LATCH)
9	122268-40-000	EA	ROD-LATCH-22.58" LONG (CLIPPED TO LOWER PINON PADDLE LATCH)
9	122268-41-000	EA	ROD-LATCH-14.19" LONG (CLIPPED TO LOWER PINON PADDLE LATCH)
10	122613-55-001	EA	EXTRUDED-ROCKER PANEL-192"-BRIGHT WHITE
10	122613-55-004	EA	EXTRUDED-ROCKER PANEL-192"-BLUE
10	122613-55-006	EA	EXTRUDED-ROCKER PANEL-192"-SILVER
11	123783-01-01A	EA	STRIKER-DOOR, SLIDE LATCH-MILL
12	107721-04-000	FT	SEAL-ACCESS DOOR
			FROM: 00-00-00 THRU: 03-11-97
12	107721-07-000	FT	SEAL-ACCESS DOOR
			FROM: 03-12-97 THRU: 99-99-99
13	122277-02-01A	EA	COVER-LATCH, PLASTIC-BLACK
14	107997-51-001	EA	SPACER-DOOR LOCK-.6" DEEP
	107997-51-002	EA	EXTRUDED SPACER-16'
15	064075-07-000	FT	SEAL-BULB, W/WIRED CHANNEL-.3" X .5" CHANNEL-BLACK
16	081801-V3-000	EA	HINGE-DOOR, PIANO-2" X 96", BRIGHT WHITE-ALUMINUM
17	102768-01-000	EA	HOLDER-COMPARTMENT/ENTRY DOOR, METAL-MILL FINISH
	068559-01-001	FT	EXTRUSION-ANGLE, 1" X .9" X 192"-MILL ALUMINUM
	104692-01-000	FT	SEAL-3/4" X 3/4", ADHESIVE BACK FOAM SEAL
	112160-01-000	FT	SEAL-DSECTION, 6 X 10-FOAM RUBBER-BLACK-LAUREN 1153

**WINDOW, VENT & EXTERIOR DOOR GROUP (CONTINUED)**  
**BRIGGS & STRATTON LOCKS & COMPONENTS**

NOTE:  
 WHEN ORDERING THE LOCK CASE, THE KEY CODE MUST MATCH THE LAST DIGIT OF THE UNIT'S SERIAL NUMBER AND PART NUMBER; WHEN ORDERING THE KEYS, THE THIRD DIGIT OF THE KEY CODE MUST MATCH THE LAST DIGIT OF THE UNIT'S SERIAL NUMBER AND PART NUMBER.



KEY	PART NUMBER	U/M	DESCRIPTION	VENDOR NO.
1	110506-59-000	EA	KEYS-SET OF 2	596720
2	110506-52-000	EA	CASE-LOCK, A=17 MM	702370
2	110506-53-000	EA	CASE-LOCK, A=25 MM	702380
1	110506-59-001	EA	KEYS-SET OF 2	596721
2	110506-52-001	EA	CASE-LOCK, A=17 MM	702371
2	110506-53-001	EA	CASE-LOCK, A=25 MM	702381
1	110506-59-002	EA	KEYS-SET OF 2	596722
2	110506-52-002	EA	CASE-LOCK, A=17 MM	702372
2	110506-53-002	EA	CASE-LOCK, A=25 MM	702382
1	110506-59-003	EA	KEYS-SET OF 2	596723
2	110506-52-003	EA	CASE-LOCK, A=17 MM	702373
2	110506-53-003	EA	CASE-LOCK, A=25 MM	702383
1	110506-59-004	EA	KEYS-SET OF 2	596724
2	110506-52-004	EA	CASE-LOCK, A=17 MM	702374
2	110506-53-004	EA	CASE-LOCK, A=25 MM	702384
1	110506-59-005	EA	KEYS-SET OF 2	596725
2	110506-52-005	EA	CASE-LOCK, A=17 MM	702375
2	110506-53-005	EA	CASE-LOCK, A=25 MM	702385
1	110506-59-006	EA	KEYS-SET OF 2	596726
2	110506-52-006	EA	CASE-LOCK, A=17 MM	702376
2	110506-53-006	EA	CASE-LOCK, A=25 MM	702386
1	110506-59-007	EA	KEYS-SET OF 2	596727
2	110506-52-007	EA	CASE-LOCK, A=17 MM	702377
2	110506-53-007	EA	CASE-LOCK, A=25 MM	702387
1	110506-59-008	EA	KEYS-SET OF 2	596728
2	110506-52-008	EA	CASE-LOCK, A=17 MM	702378
2	110506-53-008	EA	CASE-LOCK, A=25 MM	702388
1	110506-59-009	EA	KEYS-SET OF 2	596729
2	110506-52-009	EA	CASE-LOCK, A=17 MM	702379
2	110506-53-009	EA	CASE-LOCK, A=25 MM	702389
3	110506-40-700	EA	HARDWARE KIT-LOCK, W/GASKET, NUT, CLIP & WASHERS	
	110506-59-701	EA	KEY BLANK	

**WINDOW, VENT & EXTERIOR DOOR GROUP (CONTINUED)**  
**ELIXIR ROOF VENT - NONPOWERED**

KEY	PART NUMBER	U/M	DESCRIPTION	VENDOR NO.
	122882-01-01A	EA	VENT-ROOF, NONPOWERED	
	009440-01-000	EA	GEAR/ARM - LIFT - ROOF VENT COVER - 705221K38	
	064470-01-700	EA	COVER-VENT, W/O (SLIDE BAR)	J7291
	064470-01-701	EA	SLIDE BAR, (VENT-LID)	JRP1291B
	122882-01-700	EA	HANDLE-CRANK, BLACK	90128
	122882-01-701	EA	SCREEN	JRP-1124-B
	122882-07-01A	EA	GARNISH-ROOF VENT, 63.5 - 104.6 - POWERED OR NONPOWERED	

**ELIXIR ROOF VENT - POWERED**

KEY	PART NUMBER	U/M	DESCRIPTION	VENDOR NO.
	122882-02-01A	EA	VENT-ROOF, POWERED	
	009440-01-000	EA	GEAR/ARM - LIFT - ROOF VENT COVER - 705221K38	
	048648-01-000	EA	MOTOR-ROOF VENT, 1/8 SHAFT - 12V - JENSEN	
	048649-01-000	EA	FAN-ROOF VENT, 6 BLADES - 6" - JENSEN	
	064470-01-700	EA	COVER-VENT, W/O (SLIDE BAR)	J7291
	064470-01-701	EA	SLIDE BAR, (VENT-LID)	JRP1291B
	110051-03-700	EA	SWITCH-BLACK/PUSH BUTTON	27-0164
	122882-01-700	EA	HANDLE-CRANK, BLACK	90128
	122882-01-701	EA	SCREEN	JRP-1124-B
	122882-07-01A	EA	GARNISH-ROOF VENT, 63.5 - 104.6 - POWERED OR NONPOWERED	

**ELIXIR ROOF VENT - POWERED - CANADIAN**

KEY	PART NUMBER	U/M	DESCRIPTION	VENDOR NO.
	122882-03-01A	EA	VENT-ROOF, POWERED - CANADIAN	
	009440-01-000	EA	GEAR/ARM - LIFT - ROOF VENT COVER - 705221K38	
	048648-01-000	EA	MOTOR-ROOF VENT, 1/8 SHAFT - 12V - JENSEN	
	048649-01-000	EA	FAN-ROOF VENT, 6 BLADES - 6" - JENSEN	
	064470-01-700	EA	COVER-VENT, W/O (SLIDE BAR)	J7291
	064470-01-701	EA	SLIDE BAR, (VENT-LID)	JRP1291B
	110051-03-700	EA	SWITCH-BLACK/PUSH BUTTON	27-0164
	122882-01-700	EA	HANDLE-CRANK, BLACK	90128
	122882-01-701	EA	SCREEN	JRP-1124-B
	122882-07-01A	EA	GARNISH-ROOF VENT, 63.5 - 104.6 - POWERED OR NONPOWERED	

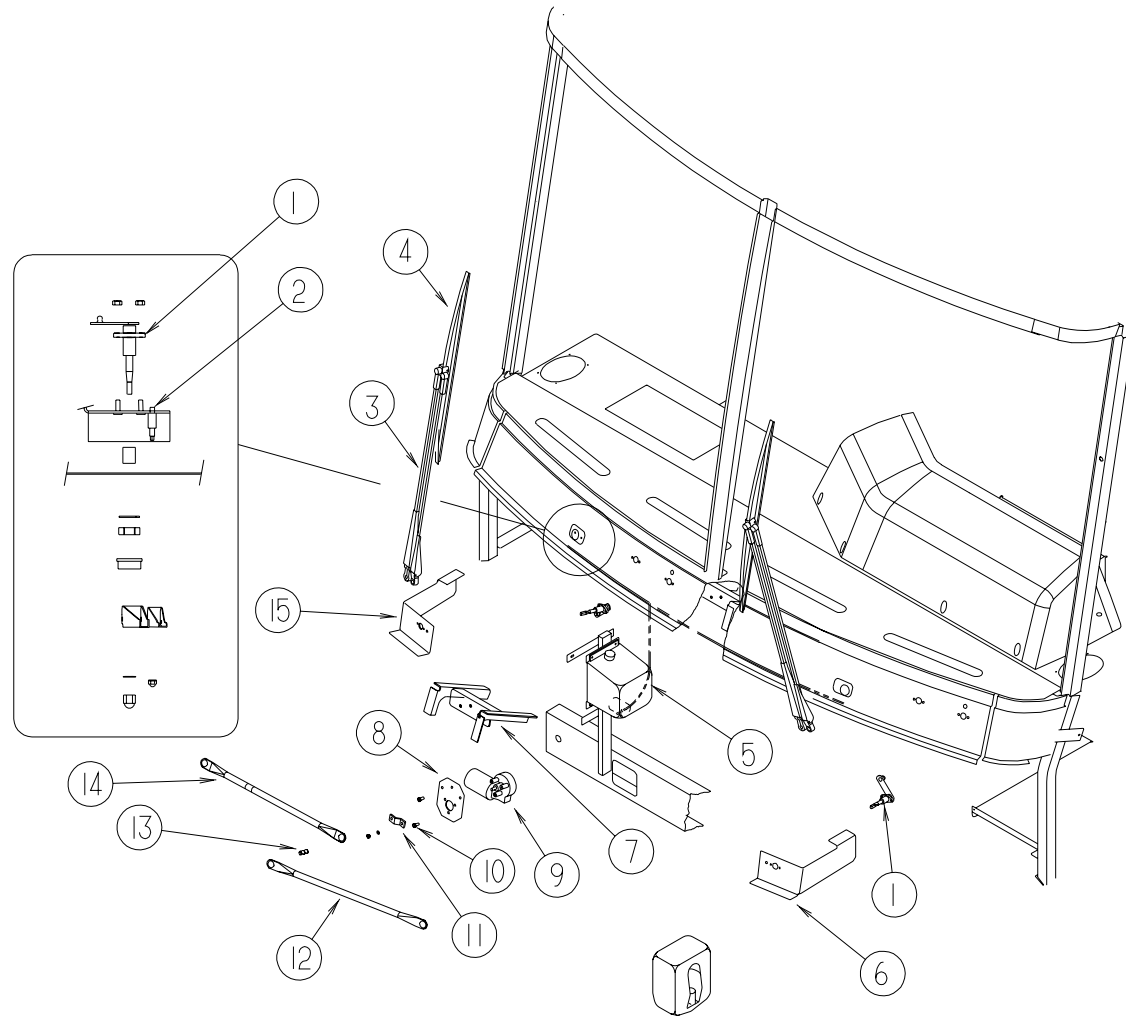
**ROOF VENTS**

KEY	PART NUMBER	U/M	DESCRIPTION
	083558-03-000	EA	VENT - PLUMBING - PIPE ROOF - W/COVER - OFF WHITE
	084073-04-000	EA	BASE - ROOF VENT - REFRIGERATOR
	084073-07-000	EA	VENT - ROOF - REFRIGERATOR - BRIGHT WHITE

**SIDEWALL VENTS**

KEY	PART NUMBER	U/M	DESCRIPTION
	084616-07-000	EA	VENT - SHROUD - RANGE HOOD - BRIGHT WHITE
	084878-09-000	EA	VENT - HOOD - RANGE/SHORT - OFF WHITE

**WINDSHIELD & WIPER GROUP  
WIPER & WASHER COMPONENTS**



KEY	PARTNUMBER	U/M	DESCRIPTION	VENDOR NO.	
1	096505-05-000	EA	PIVOT&SHAFTASM-WIPER		
	096505-02-700	EA	DRIVER-KNURLED,(HD)BARREL.687	NT721017	
	096505-02-701	EA	NUT-HEX(HD)W/.687BARREL	NT721021	
	096505-02-702	EA	CAP-RUBBER(HD)BARREL.687	CP721084	
	096505-02-703	EA	CAP-NUT(ACORN)HDW/.687BARREL	51065-40-NT27WC	
	077049-02-000	EA	NUT-ACORN,10-32BLACK/ANODIZED		
2	077048-02-000	EA	SHAFT-ADAPTERPANTOGRAPHARM		
	3	117769-01-000	EA	ARM-WIPER,PANTOGRAPH-28"	
		096931-01-700	FT	HOSE-WIPER,TOBLADE	
4	096931-01-701	EA	NOZZLE-HARDWAREKIT,INCLUDESNOZZLE,NUT,SHORTTHREADSCREW, LONGTHREADSCREW,ANDPLASTICCAP		
	097978-01-000	EA	BLADE-WIPER,FLEX-22"		
5	117766-02-000	EA	RESERVOIR/PUMP-WINDSHIELDWASHER		
	045794-01-000	FT	HOSE-WASHER,WINDSHIELD-5/32"ID-BLACK		
	110605-01-000	EA	TEE-BARBED,1/8X1/8X3/16		
	117765-03-000	EA	CONNECTOR-5/32-WINDSHIELDWASHER		
6	106680-02-000	EA	BRACKET-MOUNT,WIPERPIVOT		
7	106603-01-000	EA	MOUNTASM-PLATEW/SIDEBRACKETS,WIPERMOTOR		
	106604-01-000	EA	PLATE-WIPERW/OSIDEBRACKETS,MOTORMOUNT		
8	103935-03-000	EA	PLATE-MOUNTING,WIPERMOTOR		
9	104346-05-000	EA	MOTOR-WIPERW/INTERNALBREAKER&DRIVEARM-DYNAMICPARK-FORD		
9	104346-04-000	EA	MOTOR-WIPERW/INTERNALBREAKER&DRIVEARM-CHEVY		
10	117322-01-000	EA	SCREW-1/4-28UNF-2A,TORX		
11	104347-04-000	EA	ARM-DRIVE,WIPERMOTOR-FORDORCHEVY		
12	117770-04-000	EA	LINK-CONNECTING,DRIVERSSIDE		
13	067188-01-000	EA	STUD-CRANK,WIPER-WINDSHIELD		
14	117770-03-000	EA	LINK-CONNECTING,PASSENGERSIDE		
15	106680-01-000	EA	BRACKET-MOUNT,WIPERPIVOT		
	000D28-10-00B	EA	NUT-HEXW/NYLONLOCK,10-32-ZINC		
	061603-01-000	EA	GROMMET-SNAP,3/16ID-3/8HOLE-PLASTIC-BLACK		
	110934-01-000	EA	CONNECTOR-BARB,5/16"-PLASTIC		



**WINDSHIELD&WIPERGROUP(CONTINUED)**  
**WINDSHIELDMOLDINGS&GLASS**

KEY	PARTNUMBER	U/M	DESCRIPTION
1	098788-06-000	EA	CHANNEL-49"PVC,DRIVERORPASSENGERSIDE
2	122037-12-01B	EA	HEADER-F/TVOPTION
3	077847-02-000	EA	SUPPORT-WINDSHIELD,LOWER-W/OBRACKETS
4	121963-02-000	EA	WINDSHIELD-DRIVERS-CURVED50.5"X35.75"
5	107285-01-000	EA	BRACKET-WINDSHIELD,SUPPORT ONLYNEEDEDIFBROKENOFFWINDSHIELDFRAMEASSEMBLY
6	103107-08-01A	EA	TRIM-WINDSHIELD,DRIVERSIDE-BLACK
7	102936-01-000	FT	MOLDING-REVEAL,WINDSHIELD-LOWER
8	118586-01-000	FT	MOLDING-REVEAL,WINDSHIELD-CENTER
9	120533-01-000	FT	MOLDING-REVEAL,WINDSHIELD-UPPER
10	103107-07-01A	EA	TRIM-WINDSHIELD,PASSENGERSIDE-BLACK
11	110268-01-000	EA	WINDSHIELDCARRIER-50.4"
12	081914-01-000	EA	BUMPER-RUBBER,ROUND-.43"DIAMETER-BLACK
13	121963-01-000	EA	WINDSHIELD-PASSENGER-CURVED50.5"X35.75"
14	117335-01-000	EA	CARRIER/REVEAL-94.6"W/ADHESIVEBACKING
15	121964-01-01B	EA	SUPPORT-WINDSHIELD,UPPER-MILL
	100128-02-000	FT	SEAL-FOAM,ADHESIVEBACK-.37"WX.37"THICK
	002328-02-000	EA	BLOCK-WINDSHIELD-.062"X.5"X.98"

