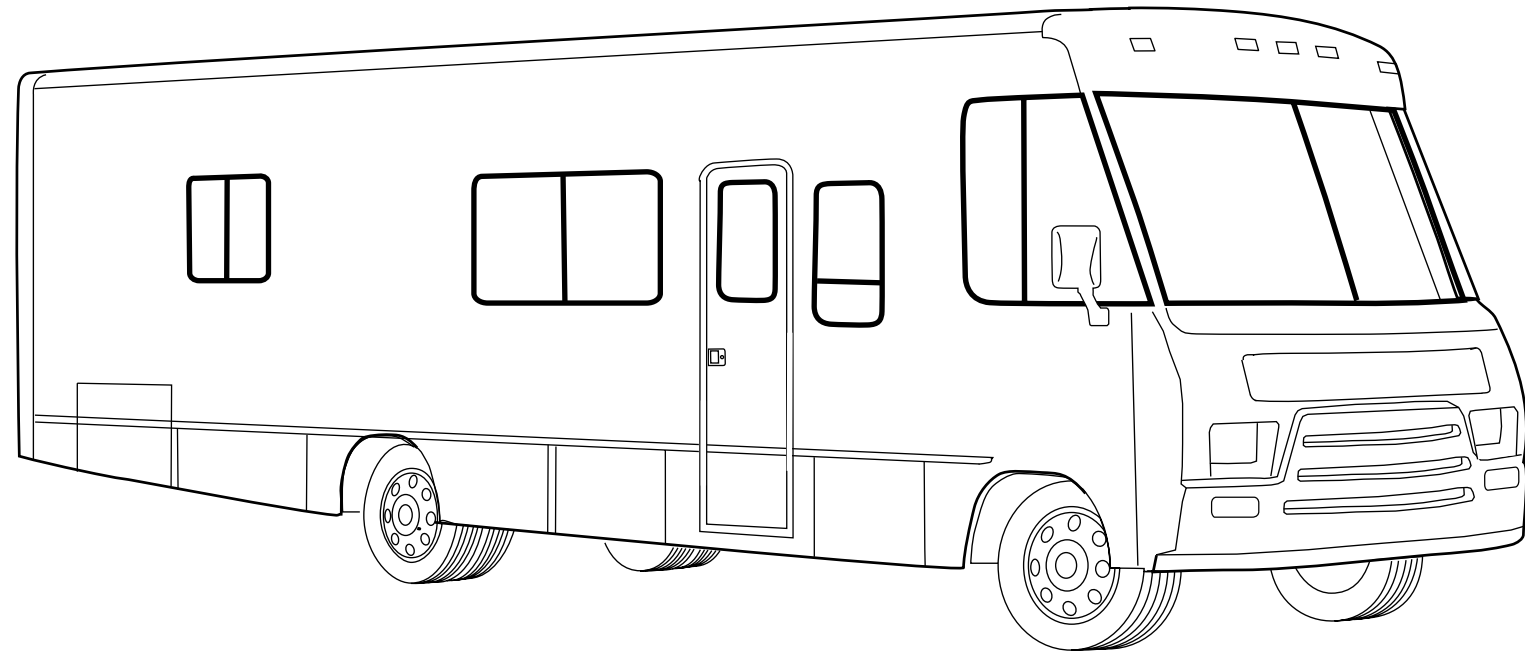


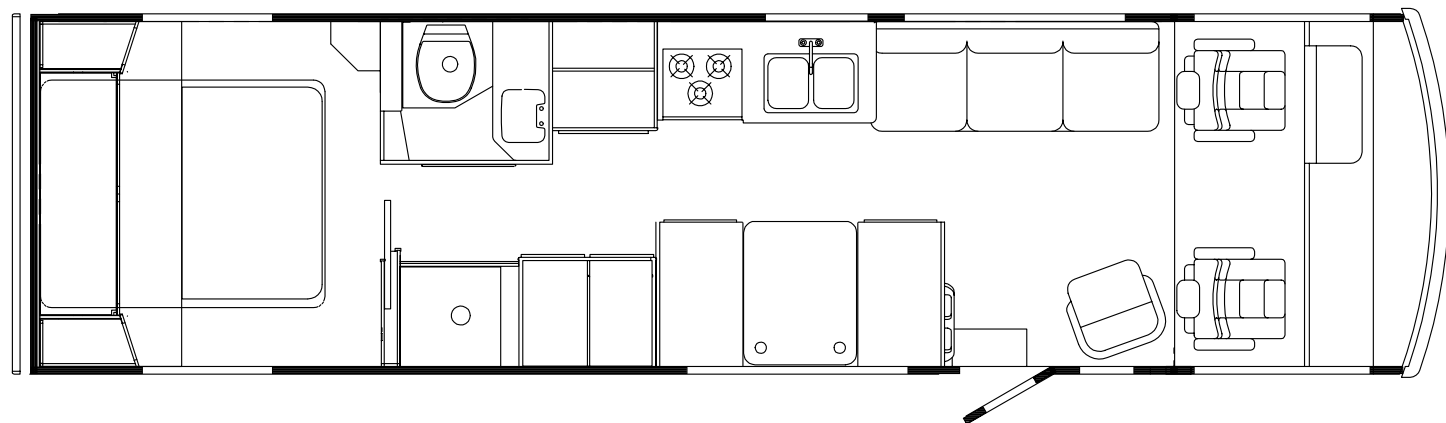
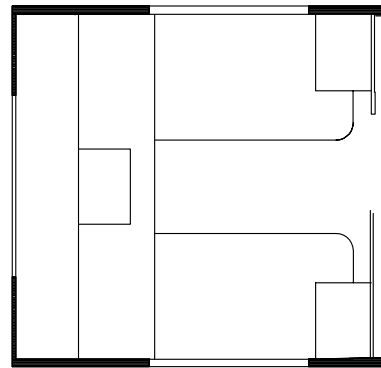
**1997  
ICF31RQ**



**H33  
BLUELAGOON(BLUE)**

**H34  
KRYPTONITE(TAN)**

**H35  
SEQUOIA(SAGE)**



**ACCESSORIESGROUP  
OPERATORMANUAL**

KEY	PARTNUMBER	U/M	DESCRIPTION
	054185-F8-000	EA	MANUAL-OPERATOR,1997SUNRISE
	092318-01-000	EA	BINDER-3RING,MOTORHOMEMANUAL
	092319-01-000	EA	POCKETPAGE-3RINGBINDER,PLASTIC
	121518-01-000	DW	TOPLEVELDRAWING-F,1997

**AUDIOVIDEOGROUP  
PATIENTENTERTAINMENTCENTER**

KEY	PARTNUMBER	U/M	DESCRIPTION
	076319-09-000	EA	WALLPLATE-CABLERECEPTACLE,TV-SINGLE-BROWN
	077069-02-000	EA	CABLE-ANTENNA,RADIO-EXTENSION96"-ARA6700667
	082134-01-000	EA	ADAPTER-TV,CABLETOCABLE-WINEGARDF-81M
	086756-01-000	EA	SPLITTER-TV,2WAY
	087683-03-000	EA	RADIO-AM/FMSTEREOCASSETTE-AUDIOVOXRS-100 FROM: 00-00-00 THRU: 02-09-97
	125322-01-000	EA	RADIO-AM/FMSTEREOCASSETTE-AUDIOVOXMC-236 FROM: 02-10-97 THRU: 08-13-96
	090944-01-000	EA	ANTENNA-RADIO,16"RUBBER
	108847-01-000	EA	BRACKET-ANTENNAGROUND
	109889-04-000	EA	ANTENNA-SHAFTEXTENDER3"-MAGNADYNERV71EX3
	110469-01-000	EA	SPEAKER-4X6OVAL,COAXIAL-MAGNADYNEF46XB-12
	110470-01-01A	EA	GRILLE-SPEAKER,OVAL4X6BLACK-MAGNADYNEG46WI

**RADIOSYSTEM&ANTENNA**

KEY	PARTNUMBER	U/M	DESCRIPTION
	116148-03-000	EA	RADIO-AM/FMSTEREO,CDPLAYER-CLARIONRDB325D
	110267-03-000	EA	RADIO-AM/FMSTEREO-CDCOMPATIBLE-MODEL400OR450-AUDIOVOXIM-450 FROM: 00-00-00 THRU: 08-13-96
	110267-04-000	EA	RADIO-AM/FMSTEREO-CDCOMPATIBLE-AUDIOVOXIM-500 FROM: 08-14-96 THRU: 99-99-99
	077069-02-000	EA	CABLE-ANTENNA,RADIO-EXTENSION96"-ARA6700667
	090944-01-000	EA	ANTENNA-RADIO,16"RUBBER
	081059-02-000	EA	WIREASM-9-PIN,RADIO-AUDIOVOX112B-1761
	089340-02-000	EA	GRILLE-SPEAKER,6.5"SQUARE
	089340-03-000	EA	SPACER-GRILLE,6.5"SQUARE-TAN-MAGNADYNEG514
	094097-01-000	EA	SPEAKER-RADIO,W/GRILLE-5.25"DIA-AUDIOVOX110C3030
	110469-01-000	EA	SPEAKER-4"X6",OVAL-MAGNADYNEF46XB-12
	110470-01-01A	EA	GRILLE-SPEAKER,OVAL-4"X6"-BLACK-MAGNADYNEG46WI

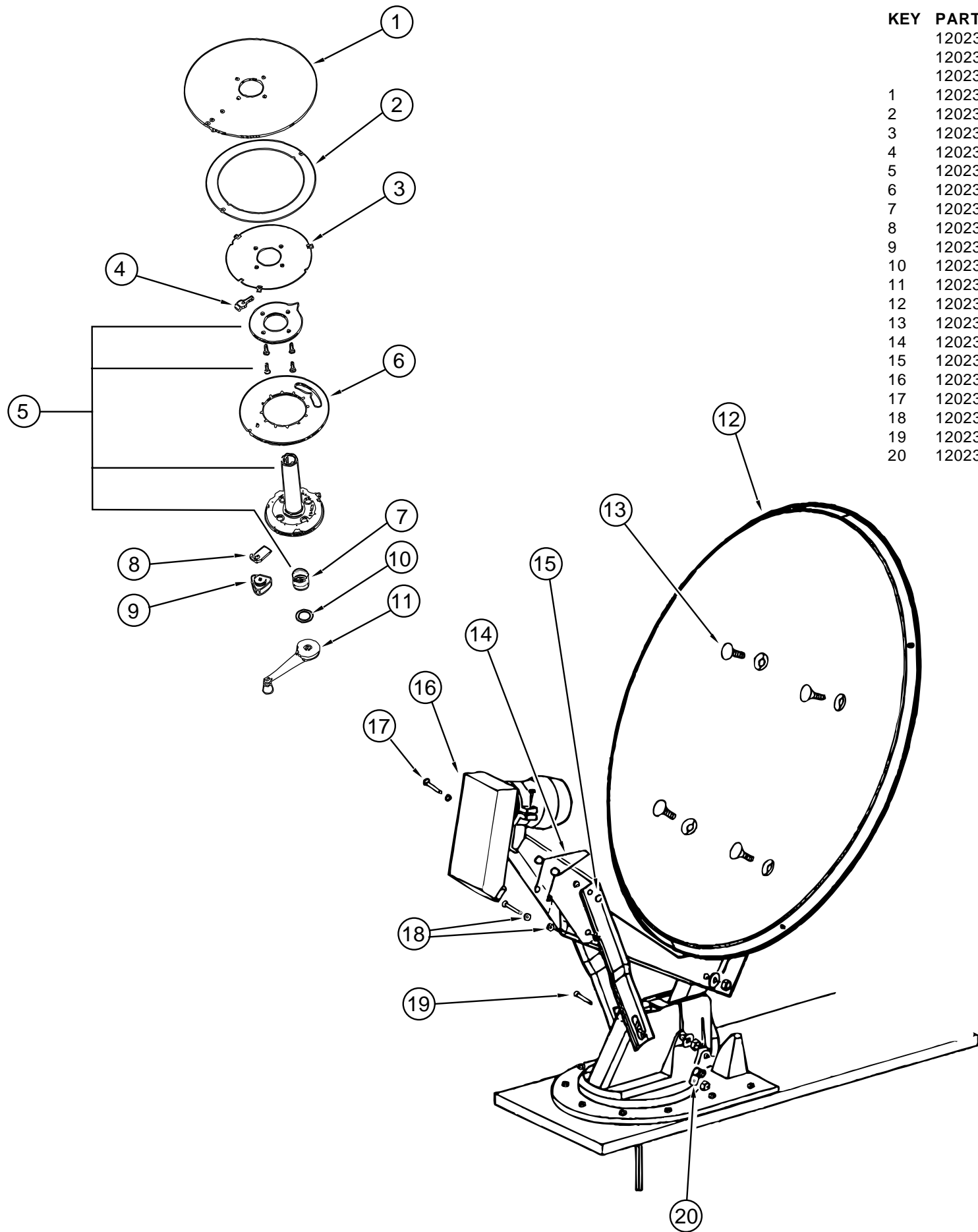
**CBANTENNA**

KEY	PARTNUMBER	U/M	DESCRIPTION
	123256-01-000	EA	ANTENNA-CBWO/CABLE
	123256-02-000	EA	CABLE-CBCOAX

**TV,VCR&COMPONENTS**

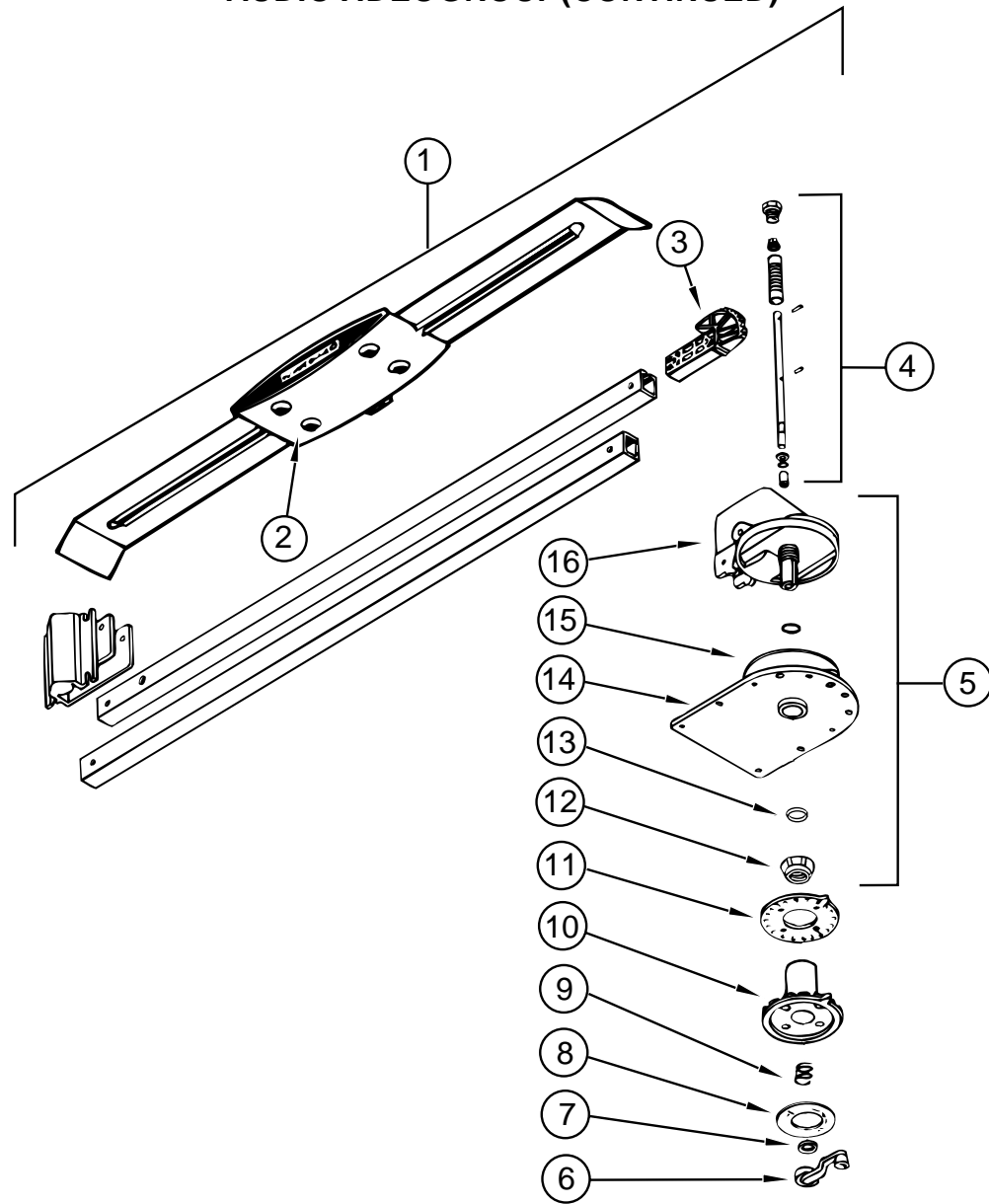
KEY	PARTNUMBER	U/M	DESCRIPTION	VENDORNO.
	113684-02-000	EA	TV-19"COLORUL/CSA-1/8"JACK-AUDIOVOXAVT-1980	
	113684-02-700	EA	REMOTEFORAUDIOVOXAVT-1980TV	0892355
	119120-02-000	EA	VCR-VHS,CABLEREADYW/REMOTE-AUDIOVOXAVR-1170	
	119120-02-700	EA	REMOTEFORAUDIOVOXAVT01170VCR	0994569
	122863-01-000	EA	TV-13"COLORW/SPEAKERUL/CSA-AUDIOVOXAVT-1390	
	122863-01-700	EA	REMOTEFORAUDIOVOXAVT-1390TV	0892345
	086757-03-000	EA	CONTROLCENTER-SWITCH,VCR/TV-AUDIOVOXAVCC-100	
	086777-05-000	EA	PLATE-WALL,ANTENNA-1OUTPUT-IVORY-WINEGARDRV-0921	
	093214-01-02A	EA	GRILLE-SPEAKER,4"BROWN	
	098819-01-000	EA	SPEAKER-2WATT,8OHM-4"	
	115466-02-02B	EA	STRAPASMW/WELDNUTS-TIEDOWN,13"TV-E-COAT	
	076319-09-000	EA	WALLPLATE-CABLERECEPTACLE,TV-SINGLE-BROWN	
	076319-08-000	EA	WALLPLATE-CABLERECEPTACLE,TV-SINGLE-IVORY	
	086777-01-000	EA	WALLPLATE-TV,CABLE,W/ANTENNASWITCH-IVORY	
	093901-03-000	EA	PLATE-COAXIALCABLE,64MMX45MM-STEEL-E-COAT	
	082134-01-000	EA	ADAPTER-TV,CABLETOCABLE-WINEGARDF-81M	
	086756-01-000	EA	SPLITTER-TV,2WAY	
	076319-03-000	FT	CABLE-COAXIAL,75OHM	
	076319-12-000	EA	CONNECTOR-COAXIAL,ONEPIECE	
	082136-01-000	EA	NUT-HEXJAM3/8-32,WINEGARD	
	076319-06-000	EA	ADAPTOR-CABLEROOFPLATE-WINEGARDRPJ-1	
	114870-02-000	EA	PLUGASM-3.5MMAUDIOW/LEADS-OW-DONALD35-P8	

**AUDIOVIDEOGROUP(CONTINUED)**  
**WINEGARDSATELLITEANTENNA**



KEY	PARTNUMBER	U/M	DESCRIPTION	VENDOR NO.
	120233-02-000	EA	RECEIVER ONLY-SATELLITE ANTENNA-RC-1000	
	120233-02-700	EA	REMOTE-RECEIVER, SATELLITE ANTENNA-RC-0012	
	120233-01-000	EA	ANTENNA-SATELLITE W/RECEIVER-(DISH&HDWKIT)-MANUAL DSS-RD-4600	
1	120233-01-700	EA	PLATE-FIXED	3750821
2	120233-01-701	EA	DIAL-DIRECTIONAL	2745056
3	120233-01-702	EA	PIVOT-DIAL-DIRECTIONAL	2745058
4	120233-01-703	EA	STOP-ROTATION	3711281
5	120233-01-704	EA	PLATE-CEILING W/DIRECTIONAL HANDLE	RP-6300
6	120233-01-705	EA	PLATE-ROTATE	3750820
7	120233-01-706	EA	SPRING	RP-6822
8	120233-01-707	EA	CLAMP-ROTATE	3711280
9	120233-01-708	EA	KNOB-CLAMP	160822
10	120233-01-709	EA	WASHER-NYLON	RP-2658
11	120233-01-710	EA	HANDLE-CRANK	RP-6795
12	120233-01-711	EA	REFLECTOR-46CM	2745304
13	120233-01-712	EA	BOLT-FLATHEAD	2160253
14	120233-01-713	EA	SPRING	2160820
15	120233-01-714	EA	CLIP-E	5160818
16	120233-01-715	EA	RCA LNB	278015
17	120233-01-716	EA	PIN	2160814
18	120233-01-717	EA	BEARING-NYLON	2200728
19	120233-01-718	EA	PIN	5160817
20	120233-01-719	EA	CLAMP-CABLE	2200060

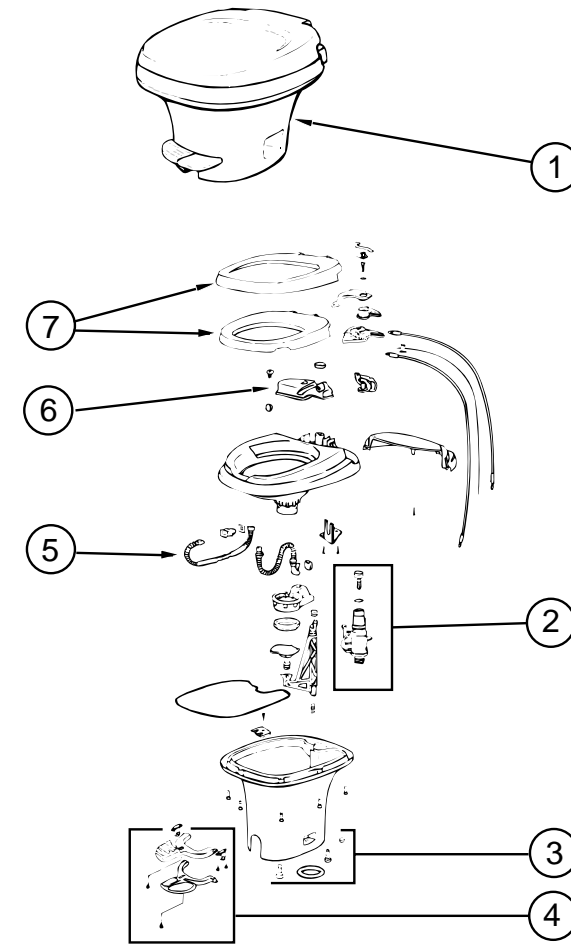
**AUDIOVIDEOGROUP(CONTINUED)**



**WINEGARDTVANTENNA**

KEY	PARTNUMBER	U/M	DESCRIPTION	VENDORNO.
1	076319-21-000	EA	ANTENNA-TV, ROOFMOUNT-3"ROOF-WI-0294	
2	076319-01-700	EA	HEAD-ANTENNA,AMPLIFIED	RVSAU/V
3	076319-01-701	EA	GEAR-ELEVATING,PLASTIC	2200046
4	076319-01-702	EA	SHAFTASM-ELEVATING	RVP-400A
5	076319-01-711	EA	BASE&LIFTASM	2762802
6	076319-01-706	EA	CRANK-ELEVATING,W/SETSCREW	5755100
7	076319-01-705	EA	GROMMET-NYLON,7/8"ID	3200658
8	076319-01-708	EA	CRANKCOVERDECAL	5413002
9	076319-01-707	EA	SPRING-HANDLE	5160800
10	076319-01-709	EA	PLATE-DIRECTIONAL,FORHEAD	3200644
11	076319-01-712	EA	PLATE-CEILING	3200608
12	076319-01-715	EA	NUT(GEARHOUSING)	2200047
13	076319-01-704	EA	BEARING-NYLON,1.25"OD	3200657
14	076319-01-713	EA	PLATE-BASE	3100523
15	076319-01-703	EA	BEARING-NYLON,5"OD	3200656
16	076319-01-714	EA	HOUSING,ROTATINGGEAR	2200049

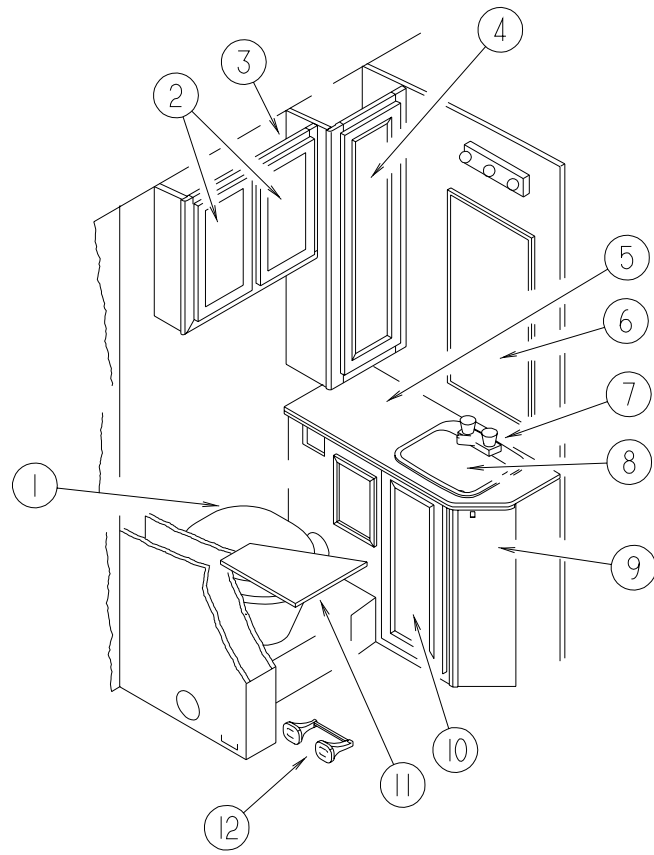
**BATHGROUP**



**THETFORDAQUAMAGICIV-LOW-FOOTFLUSHTOILET**

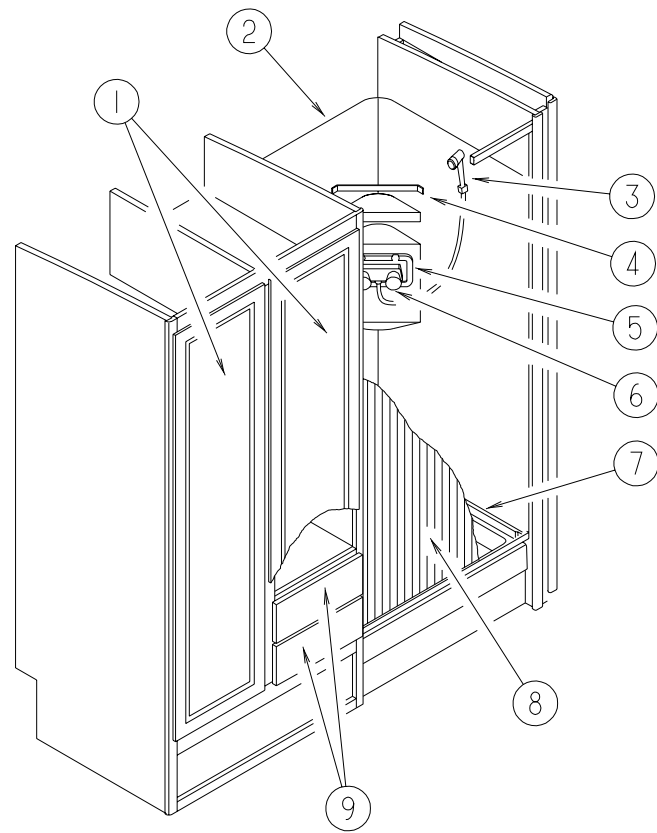
KEY	PARTNUMBER	U/M	DESCRIPTION	VENDORNO.
1	067487-02-000	EA	TOILET-AQUAMAGICIV-LOW-FOOTFLUSH	
2	063740-01-714	EA	VALVEASM,W/GASKET&FLOAT	12492
3	063740-01-706	EA	BOLTPACKAGE-FLOORFLANGE	12524
4	067487-02-701	EA	PEDALPACKAGE(FOOTFLUSH)	20821
5	063740-01-717	EA	TUBE-FLUSH	12509
6	063740-02-701	EA	RESERVOIR(TANKASSEMBLY)	24630
7	063740-02-700	EA	SEAT&COVER,PARCHMENT	20829

**BATHGROUP(CONTINUED)**  
**BATHROOMCABINET&COMPONENTS**



KEY	PARTNUMBER	U/M	DESCRIPTION	VENDORNO.
1	067487-02-000	EA	TOILET-AQUAMAGICIV-LOW-FOOTFLUSH	
2	M06803-06-G09	EA	DOOR-W/OHARDWARE/MIRROR-11.2"X19.6"	
3	111178-01-G09	EA	CABINETASM-LINENW/ODOORSORHARDWARE	
	111178-12-G09	EA	SHELFASM-LINENCABINET	
	076767-04-000	EA	CABLE-SUPPORT,5.9"-STAINLESSSTEEL	
4	M06803-10-G09	EA	DOOR-W/OHARDWARE-10.8"X36.4"	
5	106300-11-F05	EA	COUNTERTOPASM(H33)	
5	106300-11-H34	EA	COUNTERTOPASM(H34)	
5	106300-11-H35	EA	COUNTERTOPASM(H35)	
6	058331-51-000	EA	MIRROR-GLASS,SAFETY-25.9"X40"-WALLMOUNTED	
6	105004-01-05A	EA	MOLDING-MIRROR,VINYLWRAPPED-1"X8'-OAK	
7	075240-06-000	EA	FAUCET-LAVATORY,BONE	
	091253-01-000	EA	GASKET-FAUCET,LAVATORY/GALLEY	
8	096927-01-01A	EA	SINK-LAVATORY,RECTANGULAR-PLASTIC-BONE	
	096927-01-700	EA	SINK-STOPPER	M9801
	096927-01-701	EA	TAILPIECE-SINK	M9802
9	P06300-01-H33	EA	CABINETASM-LAVATORY,W/ODOORORHARDWARE	
9	P06300-01-H34	EA	CABINETASM-LAVATORY,W/ODOORORHARDWARE	
9	P06300-01-H35	EA	CABINETASM-LAVATORY,W/ODOORORHARDWARE	
10	M06803-12-G09	EA	DOOR-W/OHARDWARE-285MMX500MM	
11	101859-02-F05	EA	SHELFASM-BATH(H33)	
11	101859-02-F14	EA	SHELFASM-BATH(H34/H35)	
12	075452-02-000	EA	HOLDER-TOILETTISSUE,BRASS	
	058331-52-000	EA	MIRROR-SAFETYGLASS-10.9"X37.9"-WALLMOUNTED	
	105004-01-05A	EA	MOLDING-MIRROR,VINYLWRAPPED-1"X8'-OAK	
	075453-02-000	EA	BAR-TOWEL,18"BRASS	
	121449-12-G04	EA	RACKASM-TOWELW/RODS	
	100357-01-000	EA	ROD-TOWEL,BRASSW/ENDSBENTFORBACKOFBATHDOOR	
	121449-05-H13	EA	DOORASM-BATH,FULLSWING	
	094485-03-01A	EA	KNOB-DOOR,BRASS-THUNADERL132PB	
	102920-01-01A	EA	HINGE-DOOR,SPRINGLOADED-BRASS	
	110496-01-01A	EA	HINGE-BRASS-STOCKER	
	104013-02-G09	EA	DOORASM-SLIDING	
	103874-01-000	EA	HANGER-SLIDINGDOOR	
	103868-02-01A	EA	TRACK-SLIDINGDOOR,48.6"-OFFWHITE	

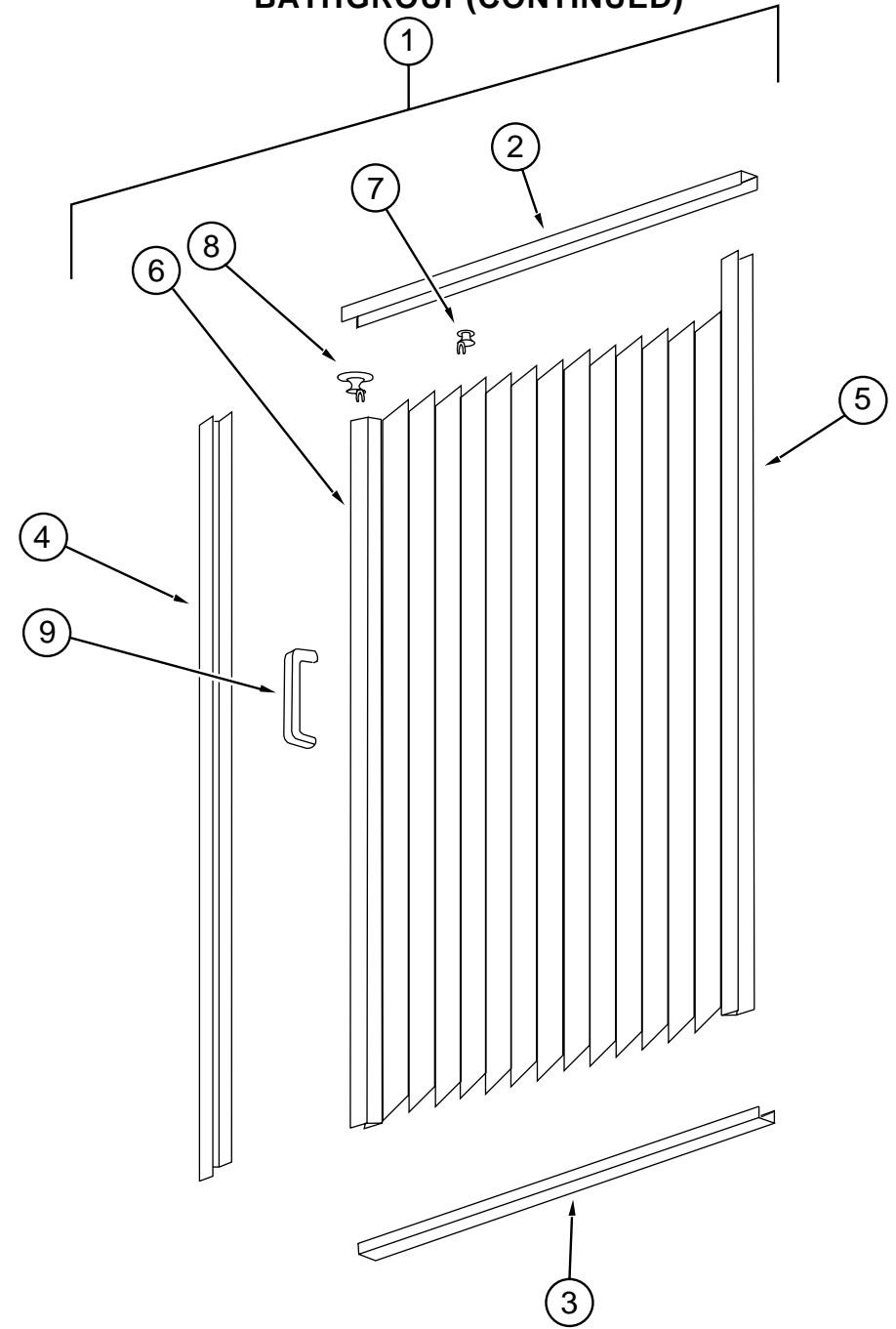
**BATHGROUP(CONTINUED)**



**WARDROBE&SHOWERCOMPONENTS**

KEY	PARTNUMBER	U/M	DESCRIPTION	VENDORN.O.
1	M06803-11-G09	EA	DOOR-W/OHARDWAREW/MIRROR-16"X65"	
2	121583-01-01A	EA	SURROUND-SHOWER,OFFWHITE	
3	103092-02-000	EA	SHOWERHEAD-W/HOSE,CANADIAN	
3	103092-01-000	EA	SHOWERHEAD-W/60"HOSE,US	
	103092-01-700	EA	BRACKETONLY-CLEARFORSHOWER	2328028
	011048-03-700	EA	BRACKETONLY-BONEFORSHOWER	2328029-3
4	113714-02-01A	EA	RETAINER-SHELF,SHOWER-OFFWHITE	
			FROM: 00-00-00 THRU: 08-17-96	
4	113714-04-01A	EA	RETAINER-SHELF,SHOWER-OFFWHITE	
			FROM: 08-18-96 THRU: 12-08-96	
5	075606-01-000	EA	PANEL-FAUCETBACK,SHOWER-5"X9"-PLASTIC	
6	075241-05-000	EA	FAUCET-SHOWER,BONE	
7	M02429-07-000	EA	PAN-SHOWER	
	066436-01-000	EA	NUT-SLIP,TAILPIECE-1.5"	
8	117431-04-01A	EA	DOOR-SHOWER,FABRIC-PLEATED	
9	P11023-03-G09	EA	DRAWER-CABINET,W/OHARDWARE	
	122192-01-01A	EA	PANEL-SKYLIGHT,OUTER	
	122193-01-01A	EA	PANEL-SKYLITE,INNER	

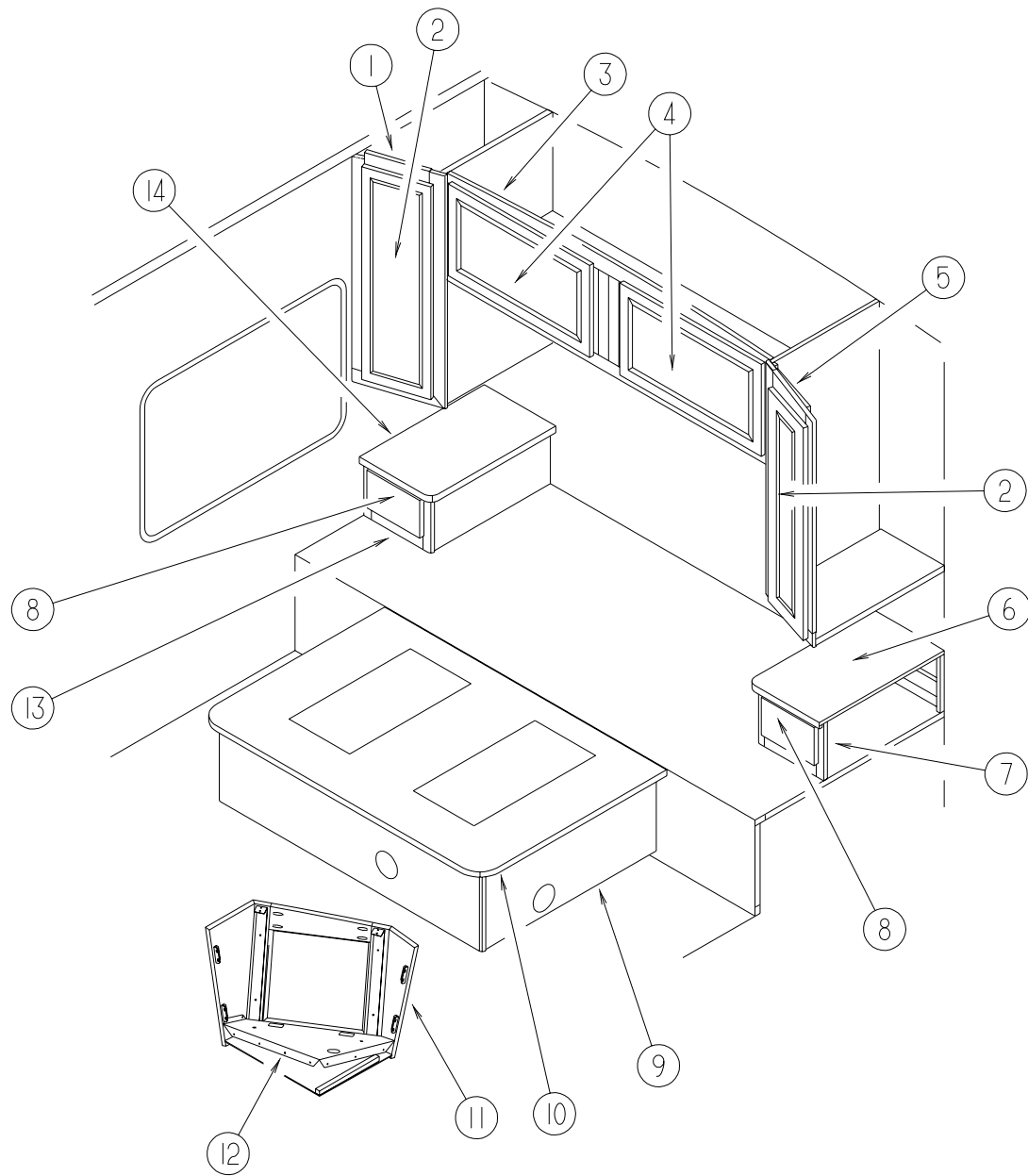
**BATHGROUP(CONTINUED)**



**SHOWERDOOR**

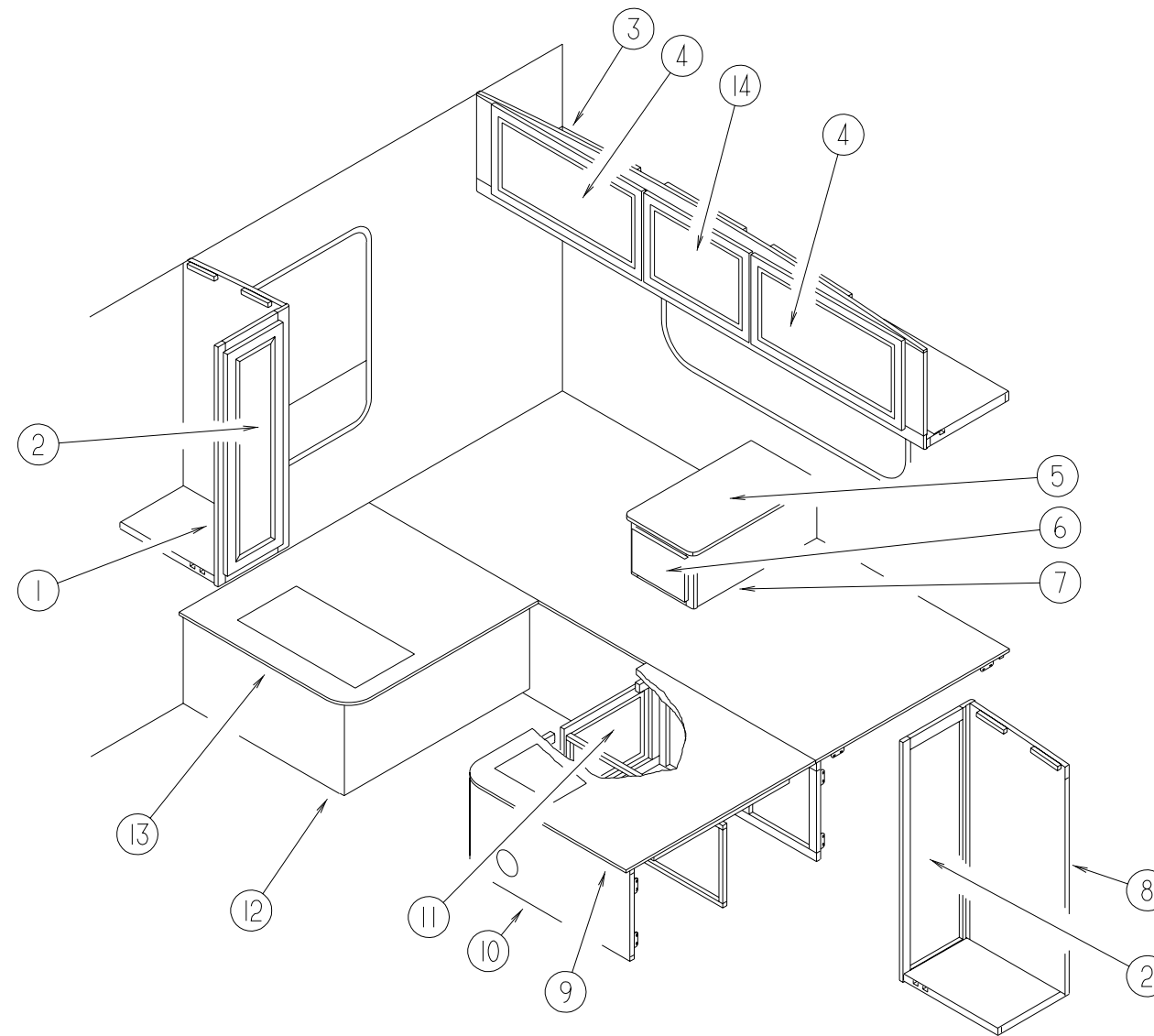
KEY	PARTNUMBER	U/M	DESCRIPTION
1	117431-04-01A	EA	DOOR-SHOWER,FABRIC-PLEATED
2	117431-01-700	EA	TRACK-TOP,48"-W/IVORYINSERT-ALUMINUM
3	117431-01-701	EA	TRACK-BOTTOM,40"
4	117431-01-702	EA	RAIL-SIDE,67"
5	117431-01-703	EA	RAIL-STATIONARY,67"
6	117431-01-704	EA	RAIL-LEAD,67"
7	117431-01-705	EA	GLIDE-IVORY,TRAVELER
8	117431-01-706	EA	GLIDE-IVORYLEAD,TRAVELER
9	117431-01-708	EA	HANDLES&SCREWS
	117431-01-707	EA	LATCH
	117431-04-700	EA	STRAP-SHOWER,VINYL

**BEDROOMGROUP  
QUEENBEDROOMCABINERY**



KEY	PARTNUMBER	U/M	DESCRIPTION
1	110625-01-G35	EA	CABINET-SHIRT CLOSET, W/ODOOR OR HARDWARE
	009112-01-000	EA	FLANGE-1" ROD, CLOTHES-PLASTIC-OFFWHITE
	042438-01-000	EA	DOWEL-WOOD, CLOTHES ROD-1" DIAMETER X 4'
2	M06803-10-G09	EA	DOOR-W/O HARDWARE-10.8" X 36.4"
3	106523-01-G09	EA	CABINET-OVERHEAD, W/ODOORS OR HARDWARE
4	M06803-13-H33	EA	DOOR-W/O HARDWARE/MIRROR-15.7" X 27.9"
	M06803-02-G09	EA	DOOR-W/O HARDWARE/MIRROR-15.7" X 27.9" DECORATOR DOOR OPTION-FLAT PANEL
4	M06803-02-G09	EA	DOOR-W/O HARDWARE/MIRROR-15.7" X 27.9"-GENERAL TRAILER OPTION
5	110625-02-G35	EA	CABINET-SHIRT CLOSET, W/ODOOR OR HARDWARE
	009112-01-000	EA	FLANGE-1" ROD, CLOTHES-PLASTIC-OFFWHITE
	042438-01-000	EA	DOWEL-WOOD, CLOTHES ROD-1" DIAMETER X 4'
6	117901-12-G31	EA	COUNTERTOP-NIGHTSTAND (H33)
			FROM: 00-00-00 THRU: 11-17-96
6	117901-12-G14	EA	COUNTERTOP-NIGHTSTAND (H34/H35)
			FROM: 00-00-00 THRU: 11-17-96
6	114482-12-F05	EA	COUNTERTOP-NIGHTSTAND (H33)
			FROM: 11-18-96 THRU: 99-99-99
6	114482-12-F14	EA	COUNTERTOP-NIGHTSTAND (H34/H35)
			FROM: 11-18-96 THRU: 99-99-99
7	P17901-02-G31	EA	CABINET-NIGHTSTAND W/COUNTERTOP W/DRAWER OR HARDWARE (H33)
			FROM: 00-00-00 THRU: 11-17-96
7	P17901-02-G14	EA	CABINET-NIGHTSTAND W/COUNTERTOP W/DRAWER OR HARDWARE (H34/H35)
			FROM: 00-00-00 THRU: 11-17-96
7	P14482-02-G31	EA	CABINET-NIGHTSTAND W/COUNTERTOP W/DRAWER OR HARDWARE (H33)
			FROM: 11-18-96 THRU: 99-99-99
7	P14482-02-H34	EA	CABINET-NIGHTSTAND W/COUNTERTOP W/DRAWER OR HARDWARE (H34/H35)
			FROM: 11-18-96 THRU: 99-99-99
8	M05971-R3-G09	EA	DRAWER-CABINET, W/O HARDWARE-155MM X 290MM FACE SIZE
			FROM: 00-00-00 THRU: 11-17-96
8	M05971-J8-G09	EA	DRAWER-CABINET, W/O HARDWARE-155MM X 290MM FACE SIZE
			FROM: 11-18-96 THRU: 99-99-99
9	P21862-01-H13	EA	CABINET-QUEEN BED W/OTOP
	057534-01-000	EA	TIEBACK/TIEDOWN-BED/CURTAIN/DOOR, 6"-PLASTIC-CLEAR
	097872-04-000	EA	DOWEL-WOOD, 1" DIAMETER X 1.38" LONG
10	M05706-17-000	EA	TOP-QUEEN BED CABINET
11	121822-01-H13	EA	CABINET-OVERHEAD, TV W/SHELF ASM-REAR
12	122855-01-02B	EA	SHELF ASM-SUPPORT, TV-REAR-E-COAT STEEL
13	P17901-01-G31	EA	CABINET-NIGHTSTAND W/COUNTERTOP W/DRAWER OR HARDWARE (H33)
			FROM: 00-00-00 THRU: 11-17-96
13	P17901-01-G14	EA	CABINET-NIGHTSTAND W/COUNTERTOP W/DRAWER OR HARDWARE (H34/H35)
			FROM: 00-00-00 THRU: 11-17-96
13	P14482-01-G31	EA	CABINET-NIGHTSTAND W/COUNTERTOP W/DRAWER OR HARDWARE (H33)
			FROM: 11-18-96 THRU: 99-99-99
13	P14482-01-H34	EA	CABINET-NIGHTSTAND W/COUNTERTOP W/DRAWER OR HARDWARE (H34/H35)
			FROM: 11-18-96 THRU: 99-99-99
14	117901-11-G31	EA	COUNTERTOP-NIGHTSTAND (H33)
			FROM: 00-00-00 THRU: 11-17-96
14	117901-11-G14	EA	COUNTERTOP-NIGHTSTAND (H34/H35)
			FROM: 00-00-00 THRU: 11-17-96
14	114482-11-F05	EA	COUNTERTOP-NIGHTSTAND (H33)
			FROM: 11-18-96 THRU: 99-99-99
14	114482-11-F14	EA	COUNTERTOP-NIGHTSTAND (H34/H35)
			FROM: 11-18-96 THRU: 99-99-99

**BEDROOMGROUP(CONTINUED)**  
**TWINBEDROOMCABINERY**

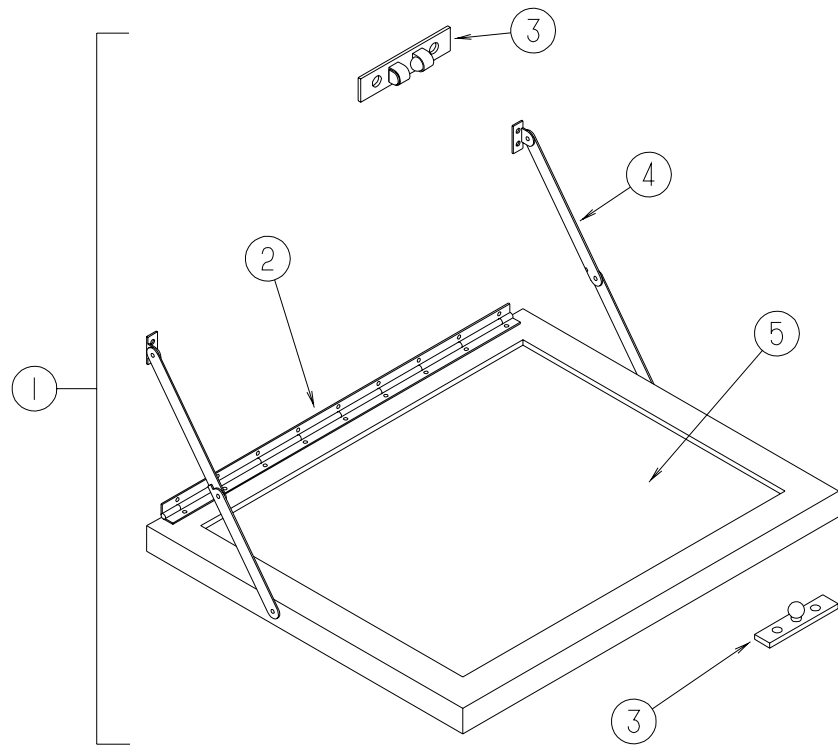


KEY	PARTNUMBER	U/M	DESCRIPTION
1	110946-01-G09	EA	CABINET-SHIRT CLOSET, W/ODOOR OR HARDWARE
	009112-01-000	EA	FLANGE - 1" ROD, CLOTHES - PLASTIC - OFF WHITE
	042438-01-000	EA	DOWEL - WOOD, CLOTHES ROD - 1" DIAMETER X 4'
2	M06803-15-H33	EA	DOOR - W/O HARDWARE - 12" X 40"
3	121864-01-H33	EA	CABINET - OVERHEAD, W/ODOORS OR HARDWARE
4	M06803-13-H33	EA	DOOR - W/O HARDWARE W/MIRROR - 15.7" X 27.9"
4	M06803-02-G09	EA	DOOR - W/O HARDWARE W/OMIRROR - 15.7" X 27.9" - GENERAL TRAILER OPTION
4	M06803-02-G09	EA	DOOR - W/O HARDWARE W/OMIRROR - 15.7" X 27.9" - GENERAL TRAILER OPTION
5	121863-11-H33	EA	COUNTERTOP - NIGHT STAND CABINET (H33)
5	121863-11-H34	EA	COUNTERTOP - NIGHT STAND CABINET (H34)
5	121863-11-H35	EA	COUNTERTOP - NIGHT STAND CABINET (H35)
6	M05971-Z9-H13	EA	DRAWER - CABINET, W/O HARDWARE
7	121863-01-H33	EA	CABINET - NIGHT STAND, W/COUNTERTOP - W/ODRAWER (H33)
7	121863-01-H34	EA	CABINET - NIGHT STAND, W/COUNTERTOP - W/ODRAWER (H34)
7	121863-01-H35	EA	CABINET - NIGHT STAND, W/COUNTERTOP - W/ODRAWER (H35)

KEY	PARTNUMBER	U/M	DESCRIPTION
8	110947-01-G09	EA	CABINET-SHIRT CLOSET, W/ODOOR OR HARDWARE - DRIVERSIDE
	009112-01-000	EA	FLANGE - 1" ROD, CLOTHES - PLASTIC - OFF WHITE
	042438-01-000	EA	DOWEL - WOOD, CLOTHES ROD - 1" DIAMETER X 4'
9	M04170-12-000	EA	TOP - TWIN BED, DRIVERSIDE
10	P21859-01-H13	EA	CABINET - TWIN BED W/OTOP, DRIVERSIDE
11	M06803-V1-H13	EA	DOOR - W/O HARDWARE - 365MM X 455MM
12	P21860-01-H13	EA	CABINET - TWIN BED W/OTOP, PASSENGER SIDE
13	M04170-13-000	EA	TOP - TWIN BED, PASSENGER SIDE
14	M06803-03-H33	EA	DOOR - W/O HARDWARE W/MIRROR - 15.7" X 20.4"
14	M06803-41-G09	EA	DOOR - W/O HARDWARE W/OMIRROR - 15.7" X 20.4" - GENERAL TRAILER OPTION
14	M06803-41-G09	EA	DOOR - W/O HARDWARE W/OMIRROR - 15.7" X 20.4" - GENERAL TRAILER OPTION



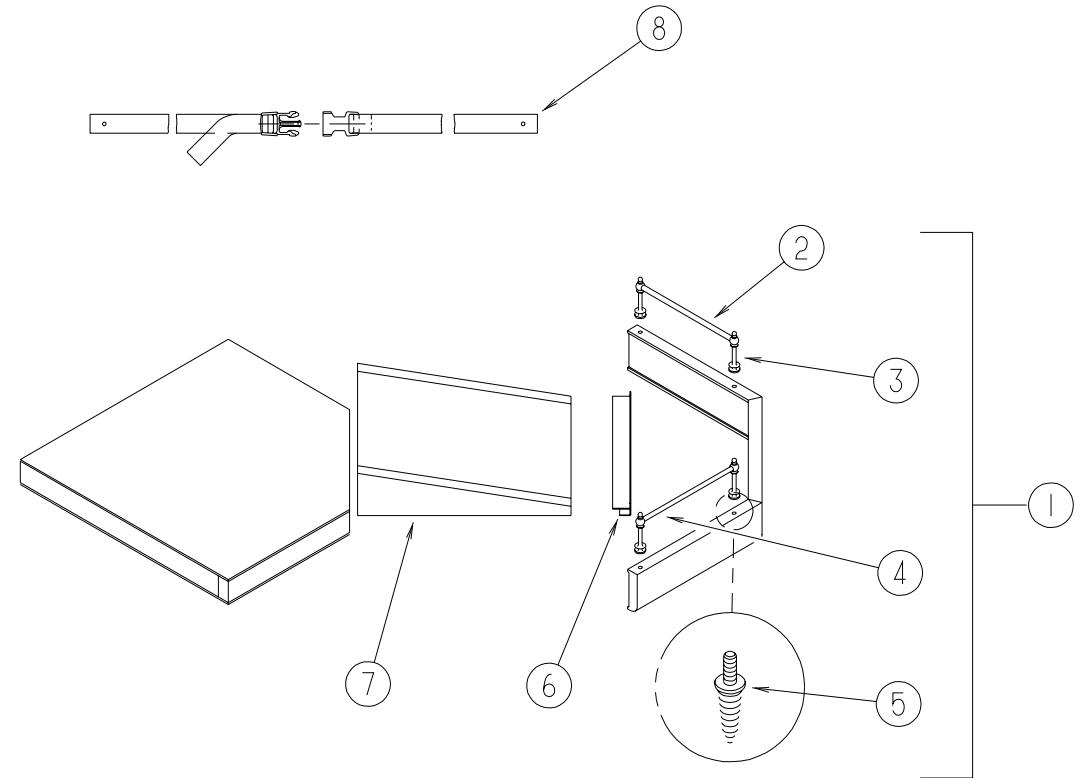
**BEDROOMGROUP(CONTINUED)**



**TVSTAND**

KEY	PARTNUMBER	U/M	DESCRIPTION
1	084357-02-H13	EA	STAND-FOLDDOWN,TV-W/MIRROR
2	084413-01-000	EA	HINGE-CONTINUOUS,W/HOLES
3	084451-01-000	EA	CATCH-TV SHELF,BRASS
4	084412-01-000	EA	SUPPORT-HINGED(PAIR)
5	084356-08-000	EA	INSERT-TVSTAND,W/SUPPORTHINGE-METAL-OFFWHITE
5	058331-14-000	EA	MIRROR-GLASS,SAFETY-14"X12.7"

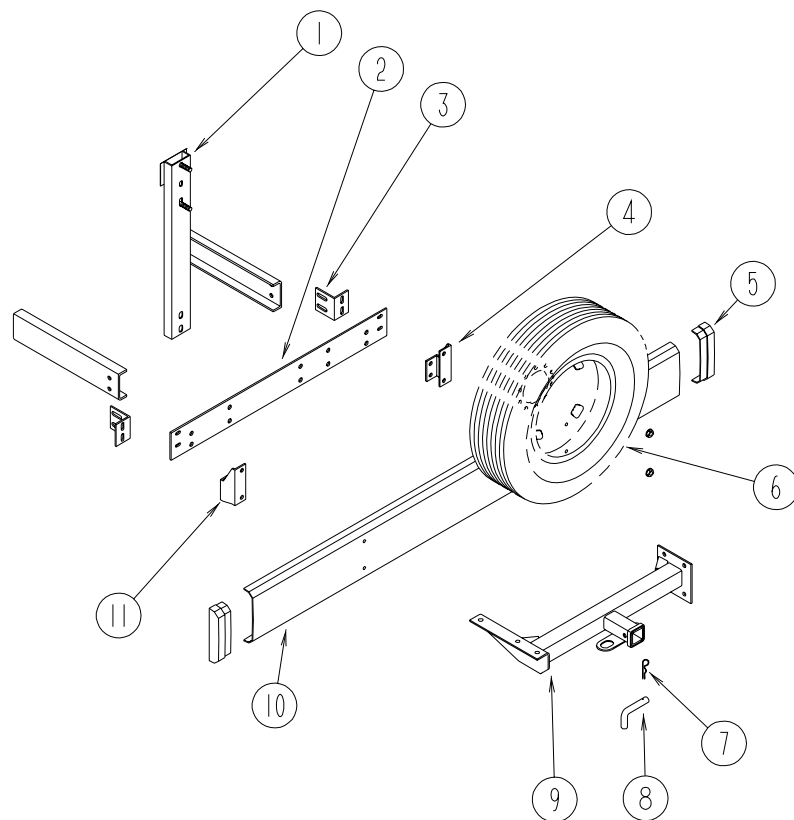
**BEDROOMGROUP(CONTINUED)**



**TVSHELF**

KEY	PARTNUMBER	U/M	DESCRIPTION
1	116553-02-G09	EA	SHELFASM-TV,W/BRASSRAILING&WEDGE-420MMX410MM
2	084071-12-000	EA	ROD-BRASS,104MMLONG
3	084070-02-000	EA	POST-END,2.4"-BRASS
			FROM: 00-00-00 THRU: 07-14-96
3	084070-03-000	EA	POST-END,BRASS
			FROM: 07-15-96 THRU: 99-99-99
4	084071-19-000	EA	ROD-BRASS,198MMLONG
5	106166-01-000	EA	BOLT-COLLAREDHANGER
6	103186-01-05A	FT	MOLDING-EDGE,SHELF-.78"WIDE-PLASTIC-WATERFORDOAK
7	116553-15-G09	EA	WEDGE-TV
8	099717-01-000	EA	TIEDOWN-TV,STRAPONFEMALEENDIS22.8"LONG

**CHASSISGROUP**



**REAR BUMPER, TRAILER HITCH & COMPONENTS**

KEY	PARTNUMBER	U/M	DESCRIPTION
1	102944-05-000	EA	BRACKET ASM-TIRE CARRIER, CHEVY
1	102944-06-000	EA	BRACKET ASM-TIRE CARRIER, FORD OPTION
2	078678-02-000	EA	PLATE-MOUNTING, BUMPER-REAR
3	078668-01-000	EA	SUPPORT ANGLE-BUMPER, REAR
4	117950-03-02B	EA	BRACKET ASM-BUMPER, REAR
5	103228-01-06A	EA	CAP-END, BUMPER-REAR-DRIVER OR PASSENGER SIDE
6	083425-10-000	EA	TIRE-LT215/85R16, LREXCH4-MICHELIN XCH4 OR BL-FORD OPTION
6	007324-03-000	EA	TIRE-8R-19.5 LOAD RANGE F, MICHELIN-CHEVY
			FROM: 00-00-00 THRU: 09-01-96
6	091673-01-000	EA	TIRE-225/70R19.5 LRF-MICHELIN XZA-CHEVY
			FROM: 09-02-96 THRU: 99-99-99
	051377-05-000	EA	STEM-VALVE, EATON VS-938 F53-92-FORD OPTION
	051377-01-000	EA	STEM-VALVE, TR500-CHEVY
	095853-02-000	EA	WHEEL-STEEL, 16" X 6K-F2TA-1015-NA-ACCURIDE 28513-7-FORD OPTION
	064963-01-000	EA	WHEEL-STEEL, 19.5" X 6"-GM 14005758-CHEVY
7	034513-01-000	EA	PIN-HITCH-3/16" WIRE
8	034512-01-000	EA	PIN-LOCKING-DRAWBAR
9	107707-01-000	EA	HITCH ASM W/ODRAWBAR
10	103099-01-06A	EA	BUMPER-REAR, BRIGHT WHITE
11	117950-04-02B	EA	BRACKET ASM-BUMPER, REAR
	070579-09-000	EA	PLATE-ANCHOR, 1.8" X 1.5"-STEEL-E-COAT
	113589-02-000	EA	CONNECTOR-SOCKET, TRAILER-GENERAL 433601
	113589-01-000	EA	CONNECTOR-PLUG, TRAILER-GENERAL 433501
	113588-02-01B	EA	BRACKET-CONNECTOR, TRAILER W/OLIP

**CHASSISGROUP (CONTINUED)**

**KAPER II 19.5" CHEVY STAINLESS STEEL WHEEL LINERS (FROM: 00-00-00 THRU: 07-14-96)**

KEY	PARTNUMBER	U/M	DESCRIPTION	VENDOR NO.
	091209-01-000	EA	LINER-WHEEL-19.5"-SST-SET OF 4F/GM CHASSIS-KAPER II	
	091209-01-700	EA	LINER-WHEEL, FRONT W/O AXLE COVER-10 LUG	37N
	091209-01-701	EA	LINER-WHEEL, REAR W/O AXLE COVER-10 LUG	38N
	091209-01-702	EA	COVER-AXLE, FRONT-19.5-10 LUG	34N
	091209-01-703	EA	COVER-AXLE, REAR-19.5-10 LUG	35N
	091209-01-704	EA	COVER-LUG NUT W/O FLANGE	36

**DICOR 19.5" CHEVY STAINLESS STEEL WHEEL LINERS (FROM: 07-15-96 THRU: 99-99-99)**

KEY	PARTNUMBER	U/M	DESCRIPTION	VENDOR NO.
	110435-06-000	EA	LINER-WHEEL SET (SET=4) 19.5" F/GMW/LONG STUDS-DICOR	
	110435-01-711	EA	DECAL-CENTER CAP, 2"	
	110435-02-703	EA	NUT (JAMB)	V160SD-JNT
	110435-02-704	EA	COVER-LUG NUT	V160F0-LNC
	110435-02-705	EA	TOOL F/JAMB NUT, INSTALL.	V160F0-TOL
	110435-06-700	EA	LINER-WHEEL, FRONT	V195P5-FWC
	110435-06-701	EA	LINER-WHEEL, REAR	V195P5-RWC
	110435-06-702	EA	BRACKET-BRIDGE	V195P5-BRK
	110435-06-703	EA	NUT-JAM, BRIDGE BRKT 1 1/16	V195P5-BJN
	110435-06-704	EA	STUD EXTENDERS-P30	V195P5-STX
	077030-02-000	EA	EXTENSION-VALVE STEM, 1.25"	

**16" FORD CHROME WHEEL LINERS**

KEY	PARTNUMBER	U/M	DESCRIPTION	VENDOR NO.
	110435-08-000	EA	LINER-WHEEL SET, (SET=4) 16"	
	110435-01-711	EA	DECAL-CENTER CAP, 2"	
	110435-02-702	EA	STUD EXTENDER	V160SD-STX
	110435-02-703	EA	NUT (JAMB)	V160SD-JNT
	110435-02-704	EA	COVER-LUG NUT	V160F0-LNC
	110435-02-705	EA	TOOL F/JAMB NUT, INSTALL.	V160F0-TOL
	110435-08-700	EA	LINER-WHEEL, FRONT	V160SD-FWC
	110435-08-701	EA	LINER-WHEEL, REAR	V160SD-RWC
	077030-02-000	EA	EXTENSION-VALVE STEM, 1.25"	

**16" FORD WHEEL COVERS**

KEY	PARTNUMBER	U/M	DESCRIPTION	VENDOR NO.
	098532-01-000	EA	COVER-WHEEL, FORD-16"-SET OF 4-DICOR SH-SD-16	
	098532-01-700	EA	COVER-LUG NUT (CHROME)	SH-AU-LNC
	098532-01-701	EA	COVER-WHEEL (FRONT OR REAR)	SH-SD-16

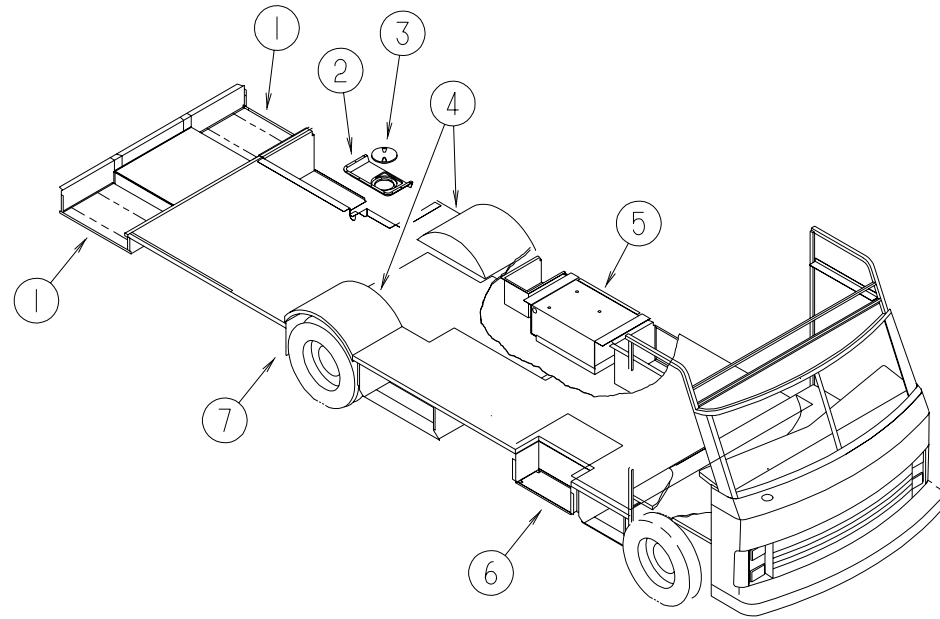
**19.5" CHEVY WHEEL COVERS (FROM: 00-00-00 THRU: 12-20-96)**

KEY	PARTNUMBER	U/M	DESCRIPTION	VENDOR NO.
	109443-01-000	EA	WHEEL-COVER, 4/SET-19.5W/HDW	
	109443-01-700	EA	COVER-WHEEL 19.5 FRT. & REAR	SHAG95
	109443-01-701	EA	BRACKET-RETENTION, FRONT WHEEL THE RETENTION BRACKET COMES WITH JAMB NUTS	SHAG95-FBS
	109443-01-702	EA	BRACKET-RETENTION, REAR WHEEL	SHAG95-RBS
	109443-01-703	EA	CAP-CENTER, HUB-DICOR	SP-AUCAP
	109443-01-704	EA	CLIP-RETAINER	V160GM-PNT

**19.5" CHEVY WHEEL COVERS (FROM: 12-21-96 THRU: 99-99-99)**

KEY	PARTNUMBER	U/M	DESCRIPTION	VENDOR NO.
	109443-06-000	EA	WHEEL-COVER, 4/SET-19.5W/HDW	

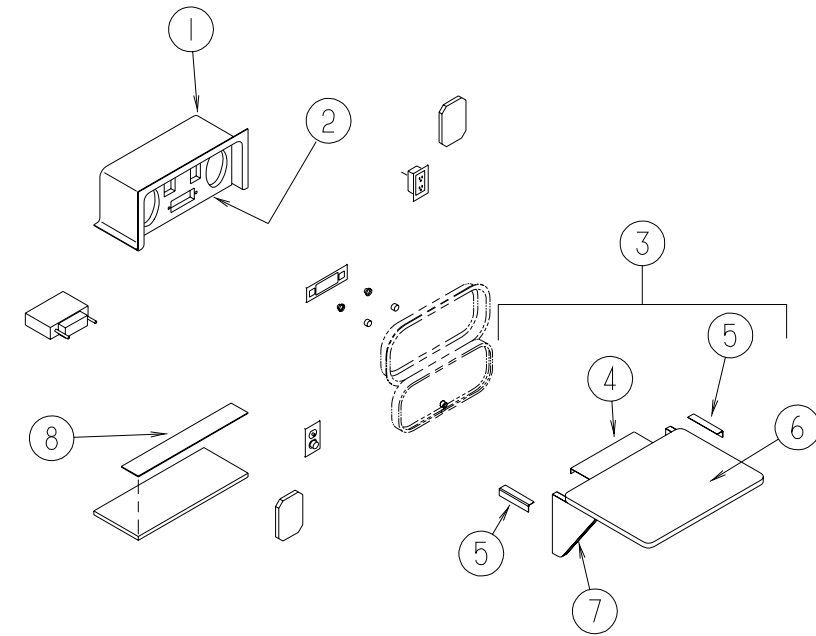
## CHASSISGROUP(CONTINUED)



### STORAGECOMPARTMENTS&WHEELWELLS

KEY	PARTNUMBER	U/M	DESCRIPTION
1	110820-02-000	EA	COMPARTMENTASM-STORAGE
2	121784-01-01A	EA	COVER-VALVE/OHATCHORCHAIN,DRAINAGE-BLACK
3	092887-01-000	EA	HATCH-COMPARTMENTW/OCHAIN,SEWERHOSE-6"
	092887-04-000	EA	CHAIN-TWISTCAP,9"
4	102921-01-000	EA	WHEELWELL-PLASTIC
5	081420-05-000	EA	COMPARTMENT-GENERATOR
5	105732-02-000	EA	TRAYASM-GENERATOR
6	094708-01-01A	EA	STEP-ENTRYDOOR,ELECTRIC-SINGLE-KWIKEE2813
	091176-01-000	EA	SUPPORT-BASE-ENTRANCESTEP
7	017516-01-000	EA	FLAP-MUD,14"X18"-BLACK
7	020167-04-000	EA	GUARD-DIRT
	065450-05-000	EA	TIEDOWN-BATTERY,8.4" TUBE
	115361-01-01A	EA	PLUG-PLASTIC,CAPLUGNO.W5
	112864-01-000	FT	FOAM-BUTYLCOVERED,3/8"

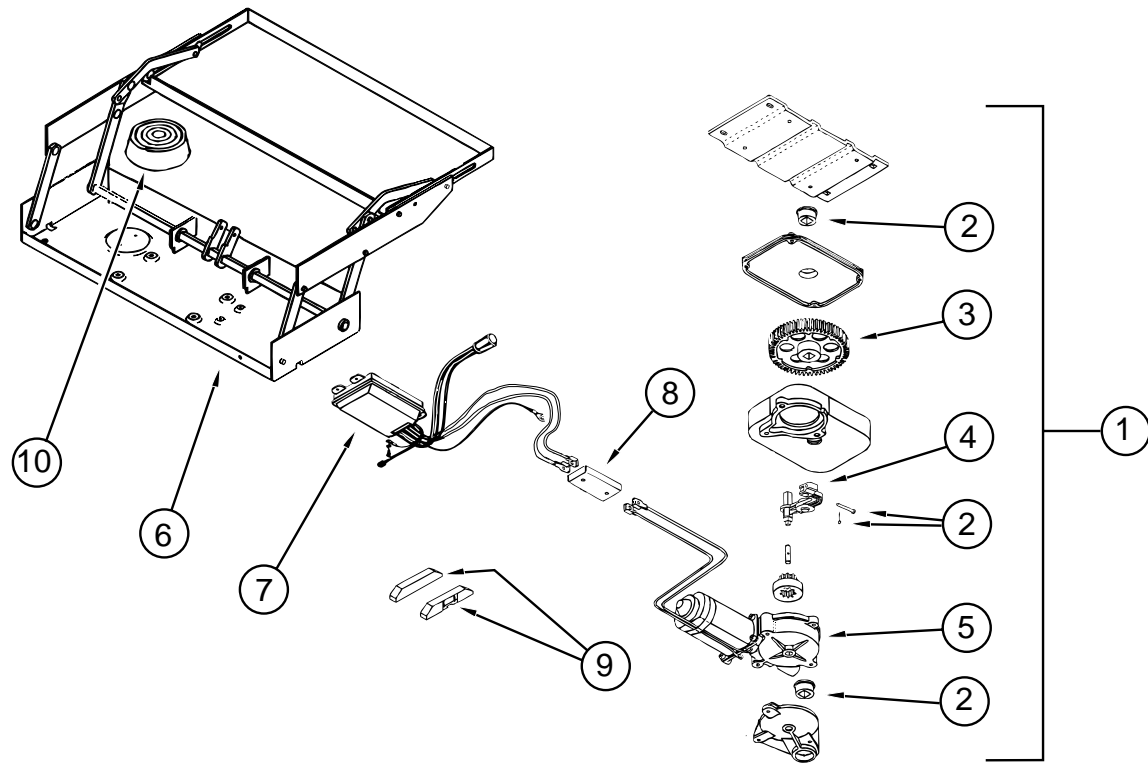
## CHASSISGROUP(CONTINUED)



### PATIOENTERTAINMENTCENTER

KEY	PARTNUMBER	U/M	DESCRIPTION
1	104897-01-02A	EA	BOX-ENTERTAINMENTCENTER-BRIGHTWHITE
2	104899-01-C05	EA	PLATE-RADIOMOUNTING
3	105230-01-E01	EA	SHELF
4	105377-01-01A	EA	BRACKET-TABLEHANGER,OFFWHITE
			FROM: 00-00-00 THRU: 01-05-97
4	105377-01-01A	EA	BRACKET-TABLEHANGER,BRIGHTWHITE
			FROM: 01-06-97 THRU: 99-99-99
5	105376-01-02A	EA	HINGE-CONTINUOUS,2"X5.5"-OFFWHITE
			FROM: 00-00-00 THRU: 01-05-97
5	105376-01-03A	EA	HINGE-CONTINUOUS,2"X5.5"-BRIGHTWHITE
			FROM: 01-06-97 THRU: 99-99-99
6	105230-11-E01	EA	SHELF
7	105230-12-E01	EA	SUPPORT-SHELF
8	104898-01-02A	EA	PLATE-PLASTIC,BOTTOM-19.38"X3.1"-BRIGHTWHITE

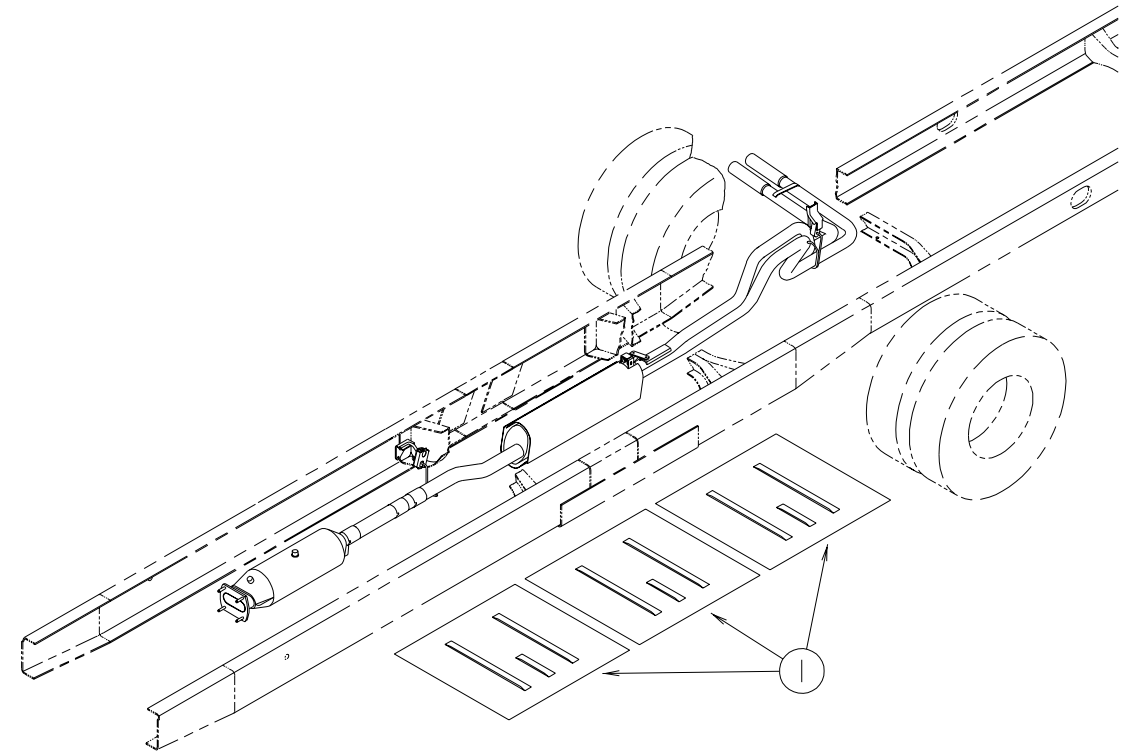
**CHASSISGROUP(CONTINUED)**



**KWIKEELECTRICENTRYSTEP**

KEY	PARTNUMBER	U/M	DESCRIPTION	VENDORN.
1	094708-01-01A	EA	STEP-ENTRYDOOR,ELECTRIC-SINGLE-KWIKEE2813	
2	094707-02-703	EA	PARTSKIT,(BEARINGS&PINS)	9530
3	094707-02-702	EA	GEARKIT-KWIKEE	9525
4	094708-03-700	EA	LINKAGEASM/28SERIES	9522
5	094707-02-700	EA	MOTORREPLACEMENTKIT-MODELS32&28	9520
6	088746-01-709	EA	FRAMEW/SINGLESTEP,2800SERIES	908028
7	094707-02-705	EA	CONTROLUNIT,WHITE	909513
8	094707-02-704	EA	CONNECTORKIT-MOTOR	9537
	094707-02-707	EA	TREAD-NON-SKID,BLACK-6"X21"	909333
9	116995-01-000	EA	SWITCH/MAGNET-STEP,ELECTRIC-KWIKEE905306	
10	088746-01-705	EA	LIGHT-UNDERSTEP	9004
	088733-01-700	EA	BULB	9004

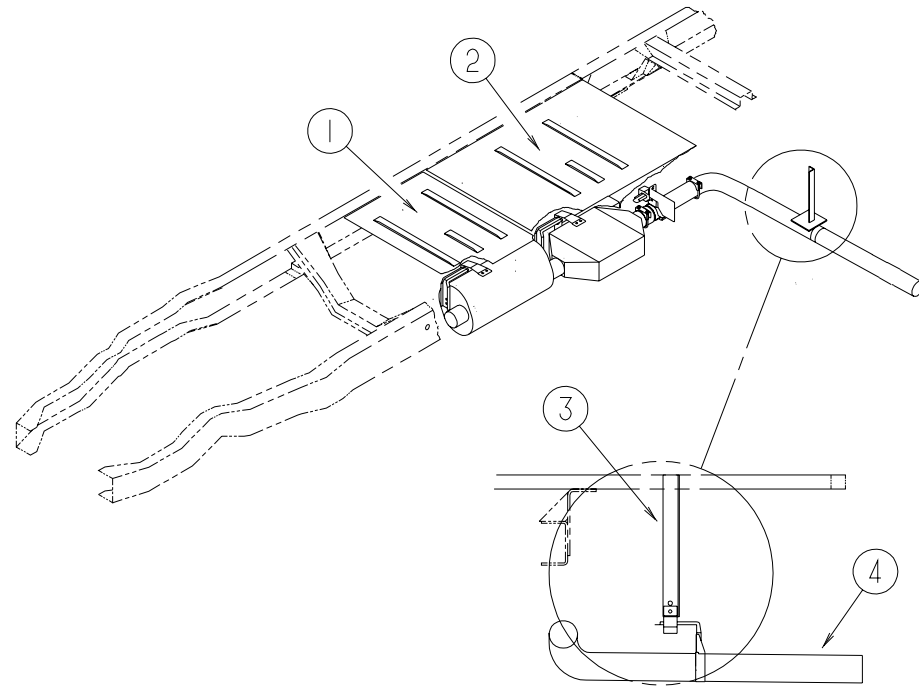
**CHASSISGROUP(CONTINUED)**



**FORDEXHAUSTSYSTEM**

KEY	PARTNUMBER	U/M	DESCRIPTION
1	101544-06-000	EA	SHIELD-HEAT,EXHAUST,FORD

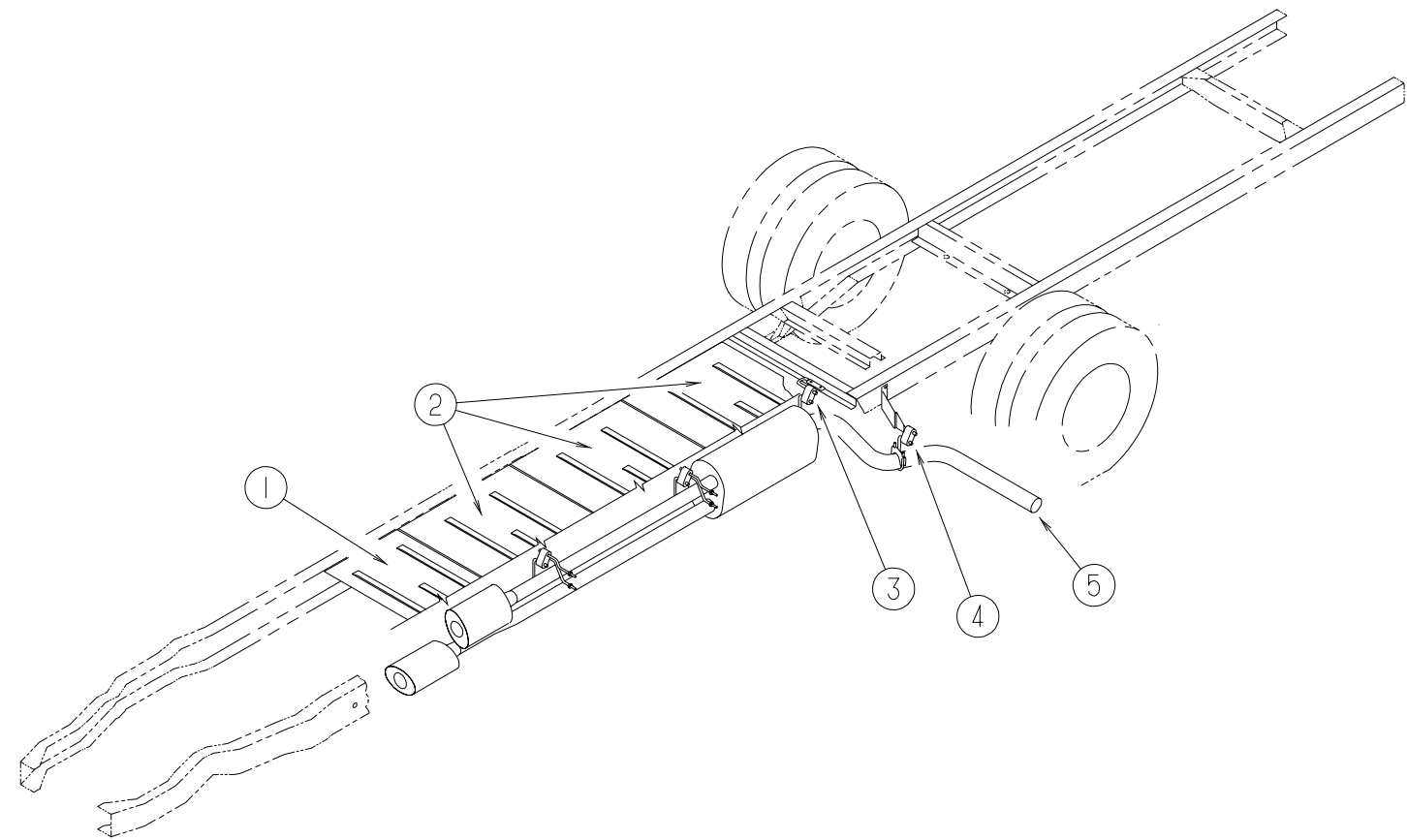
### CHASSISGROUP(CONTINUED)



#### STANDARD CHEVY EXHAUST SYSTEM - GAS OR DIESEL

KEY	PARTNUMBER	U/M	DESCRIPTION
1	101544-01-000	EA	SHIELD-HEAT, EXHAUST-19.7"X28.9"-STEEL
2	101544-02-000	EA	SHIELD-HEAT, EXHAUST-30"X28.9"-STEEL
3	098833-03-000	EA	BRACKET-EXHAUST, HANGER
4	098608-03-000	EA	PIPE-EXHAUST, GAS
4	122529-01-000	EA	PIPE-EXHAUST, DIESEL
	094918-01-000	EA	CLAMP-EXHAUST, 3"-GUILLOTIN STYLE

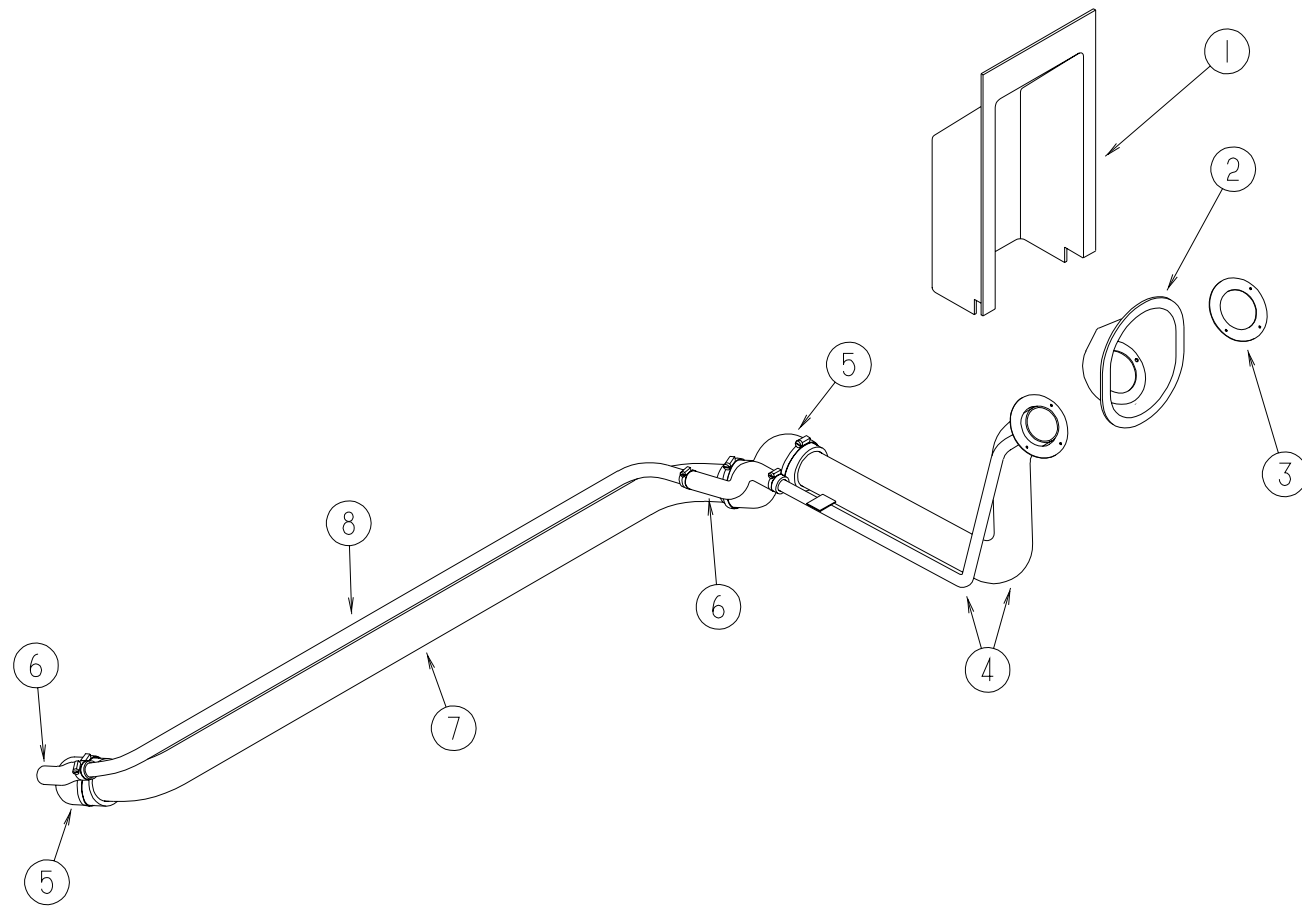
### CHASSISGROUP(CONTINUED)



#### VORTEC CHEVY EXHAUST SYSTEM - GAS

KEY	PARTNUMBER	U/M	DESCRIPTION
1	101544-01-000	EA	SHIELD-HEAT, EXHAUST-19.7"X28.9"-STEEL
2	101544-02-000	EA	SHIELD-HEAT, EXHAUST-30"X28.9"-STEEL
3	122392-01-02B	EA	HANGER-TAILPIPE, E-COAT
4	122392-03-02B	EA	HANGER-TAILPIPE, REAR, E-COAT
5	122529-01-000	EA	PIPE-EXHAUST
	094918-01-000	EA	CLAMP-EXHAUST, 3"-GUILLOTIN STYLE

### CHASSISGROUP(CONTINUED)

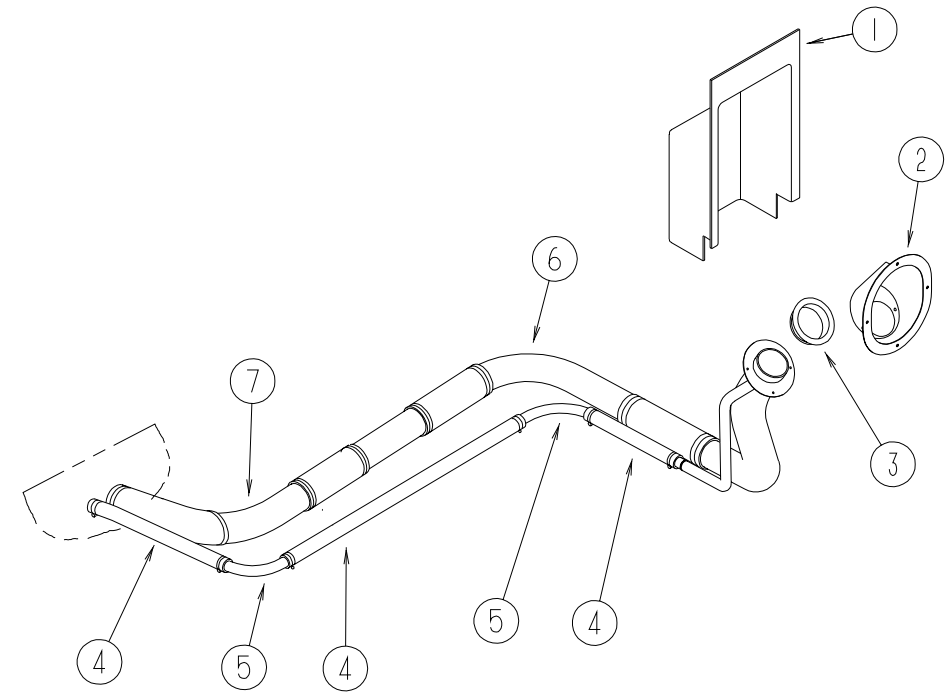


### FORDFUELSYSTEM

KEY	PARTNUMBER	U/M	DESCRIPTION
1	072447-04-000	EA	SHROUD-FUELFILL,UPPER-PLASTIC
2	095854-01-04A	EA	SHROUD-FUELFILL,BRIGHTWHITE
3	078200-01-000	EA	GASKET-FUELFILL,3.5"ODX2"ID
4	095606-01-000	EA	NECK-FUELFILL,W/CHECKVALVE-L-SHAPED-18.2"LONG
5	007111-02-000	EA	HOSE-FUELFILL,2"ID-IN3FTLENGTHS
6	066732-01-000	FT	HOSE-FUELFILL,.62"ID
7	100140-04-000	EA	TUBE-FUELINLET
8	100139-03-000	FT	TUBE-VENT
	007063-01-000	FT	HOSE-GAS,1/4"IDX1/2"OD
	084884-01-000	EA	PLUG-BRASS,3/8"
	024138-01-000	FT	HOSE-FUEL,5/16"ID
	100156-01-000	EA	HOSE-FUELFILL,8.3"LONGW/2"ID

FROM: 00-00-00 THRU: 07-23-96

### CHASSISGROUP(CONTINUED)



### CHEVYFUELSYSTEM

KEY	PARTNUMBER	U/M	DESCRIPTION
1	072447-04-000	EA	SHROUD-FUELFILL,UPPER-PLASTIC
2	095854-01-04A	EA	SHROUD-FUELFILL,BRIGHTWHITE
3	078200-01-000	EA	GASKET-FUELFILL,3.5"ODX2"ID
4	066732-01-000	FT	HOSE-FUELFILL,.62"ID
5	098806-01-000	EA	PIPE-FILLVENT,90DEGREEBEND-.625"OD-STEEL
6	098803-01-000	EA	PIPE-FUELFILL,90DEGREEBEND-13.2"-13/4"OD-STEEL
7	098803-02-000	EA	PIPE-FUELFILL,90DEGREEBEND-10.1"-13/4"OD-STEEL
	084884-01-000	EA	PLUG-BRASS,3/8"
	007063-01-000	FT	HOSE-GAS,1/4"IDX1/2"OD
	068382-06-000	EA	BUSHING-BRASS,3/8"MPTX1/8"FPT-PARKER209P-6-2
	114254-01-000	EA	ADAPTER-1/4" SINGLEBARBX1/8"MPT-WEATHERHEAD1537

**CHASSISGROUP(CONTINUED)  
FRONTSHOCKS**

KEY	PARTNUMBER	U/M DESCRIPTION
	104993-02-000	EA SHOCKABSORBER-GAS,P30FRONT-BILSTEINB46-2137

**SHOCKS&STABILIZERKIT-FRONT**

KEY	PARTNUMBER	U/M DESCRIPTION
	701390-29-000	EA SHOCKS&STABILIZERKIT-FRONTENDP30CHASSIS

**LUGWRENCH&LEVERAGEBAR**

KEY	PARTNUMBER	U/M DESCRIPTION
	080208-01-000	EA LUGWRENCH,1.06X1.00
	080208-02-000	EA LEVERAGEBAR-LUGWRENCH

**TIRECOVERS**

KEY	PARTNUMBER	U/M DESCRIPTION
	108163-01-01A	EA COVER-TIREW/OINSERT,16"FORD-KEMBERLYCHROME
	108560-02-03A	EA INSERT-TIRECOVER,16"FORD,BRIGHTWHITE
	108163-04-01A	EA COVER-TIREW/OINSERT,81/4"WIDEX100"CIRCUMFERENCE-CHEVY FROM: 00-00-00 THRU: 08-17-96
	108163-05-01A	EA COVER-TIREW/OINSERT,81/4"WIDEX101"CIRCUMFERENCE-CHEVY FROM: 08-18-96 THRU: 99-99-99
	108560-04-01A	EA INSERT-TIRECOVER,CHEVY-BRIGHTWHITE

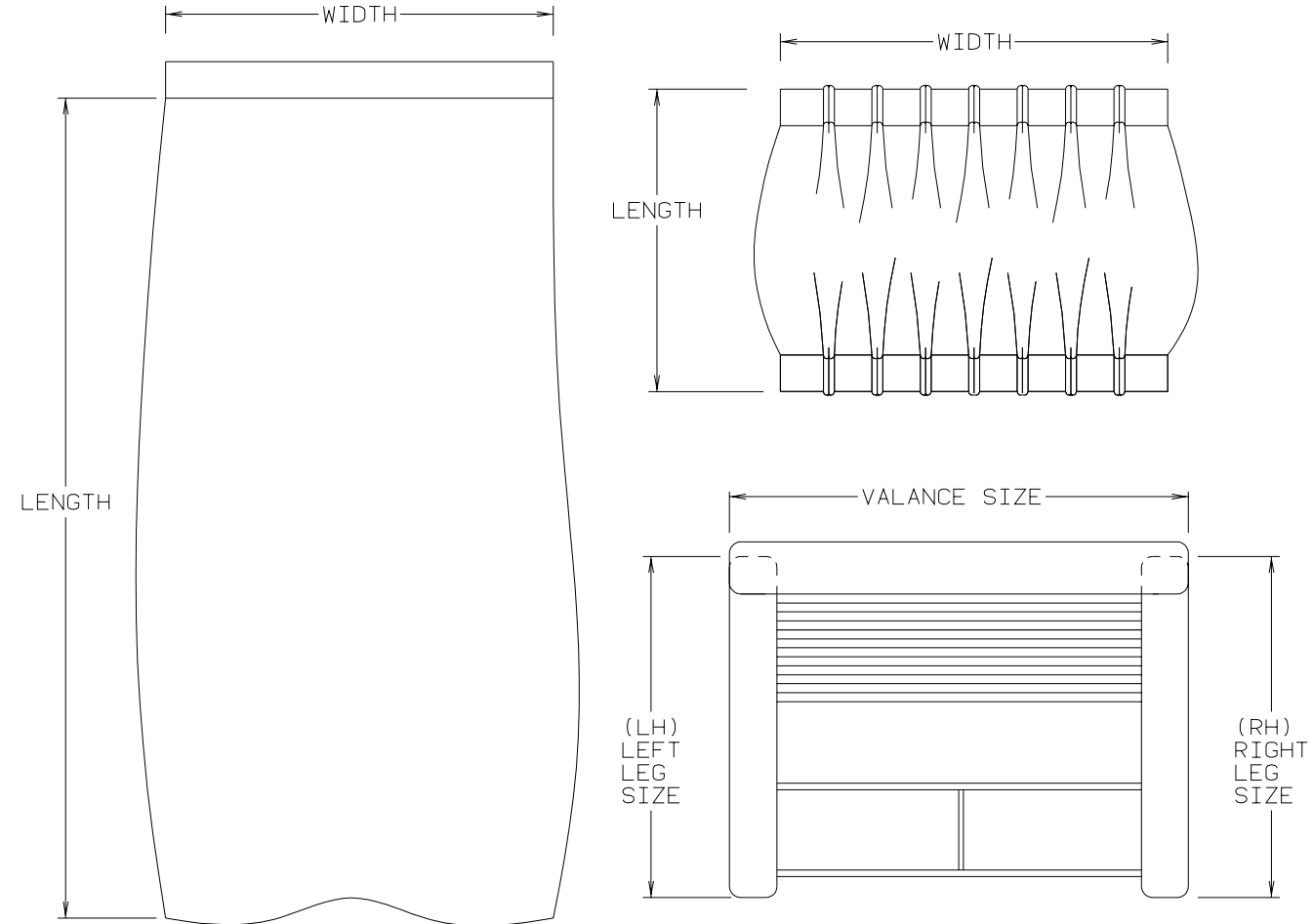
**CHASSISMISCELLANEOUS**

KEY	PARTNUMBER	U/M DESCRIPTION
	113007-01-000	EA PIN-SPRING,.375"X3"-FORDOPTION
	087269-01-000	EA TEE-1/4"X1/4"X1/4",BRASS-DIESEL
	075307-03-000	EA SHIELD-HEAT,LP-1016MMX178MM-STEEL
	076776-01-000	EA TEE-BARB,5/8"X5/8"X5/8"
	102805-01-000	EA U-CHANNEL-FRAMEEXTENSION,114MMX54MMX350MMLONG (LH&RHCHEVY-RHFORD)
	102805-03-000	EA U-CHANNEL-FRAMEEXTENSION,114MMX54MMX270MMLONG(LHFORD)
	104147-02-000	EA SHIELDASM-SPLASH,RH
	119847-01-02B	EA SHIELD-A/C COMPRESSOR,E-COAT
	123361-01-000	EA DUCT-AIRINTAKE

**CURTAIN&CUSHIONGROUP  
NOTICE**

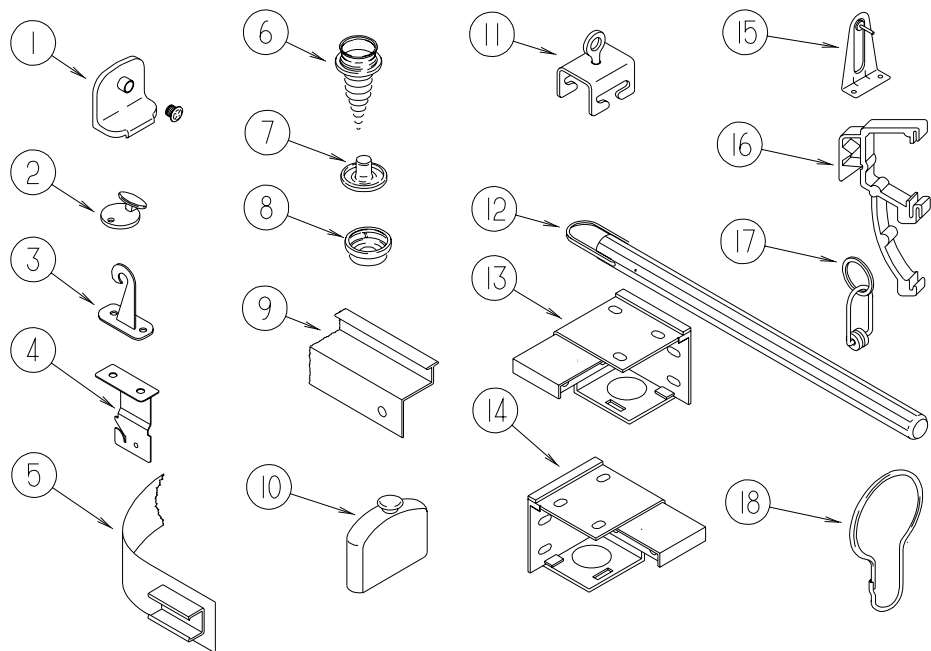
INORDERTOASSISTOURPARTSSALESDEPT.INPROVIDINGINTERIORSOFTGOODSITEMS, PLEASEINCLUDETHESERIALNUMBERANDTHECOLORCODENUMBERFROMTHEVEHICLE CERTIFICATIONLABELWHENORDERING.THISLABELISLOCATEDONTHELEFTSIDEWALL ATTHEENDOFTHEDASH(A-BODY),ORONTHEDRIVER'SDOORLATCHPLATE(C-BODY).

ANEXAMPLEOFACOLORCODENUMBERISB07,WHICHDESIGNATESANOVERALLCOLOR SCHEMEOFPARTICULARUNIT.THECOLORLISTEDAFTERTHEITEMDESCRIPTIONONTHE MICROFICHE,INDICATESTHEOVERALLUNITCOLOR.ORDERTHEITEMYOUDESIREACCORD- INGTOUNITCOLORCODE.



NOTE:USETHISILLUSTRATIONWHENDETERMININGLENGTHANDWIDTHMEASUREMENTSFOR CURTAINS.YOUWILLNOTETHIEWIDTHMEASUREMENTISTAKENONTHETOPOFTHE CURTAINWITHTHECURTAINFULLYEXTENDED.THELENGTHMEASUREMENTISTAKEN FROMTOPTOBOTTOM.LEFTANDRIGHTWINDOWLEGSAREDETERMINEDWHENFACING THEWINDOW.

**CURTAIN&CUSHIONGROUP(CONTINUED)**  
**CURTAIN,BLINDHARDWARE&TRACKS**

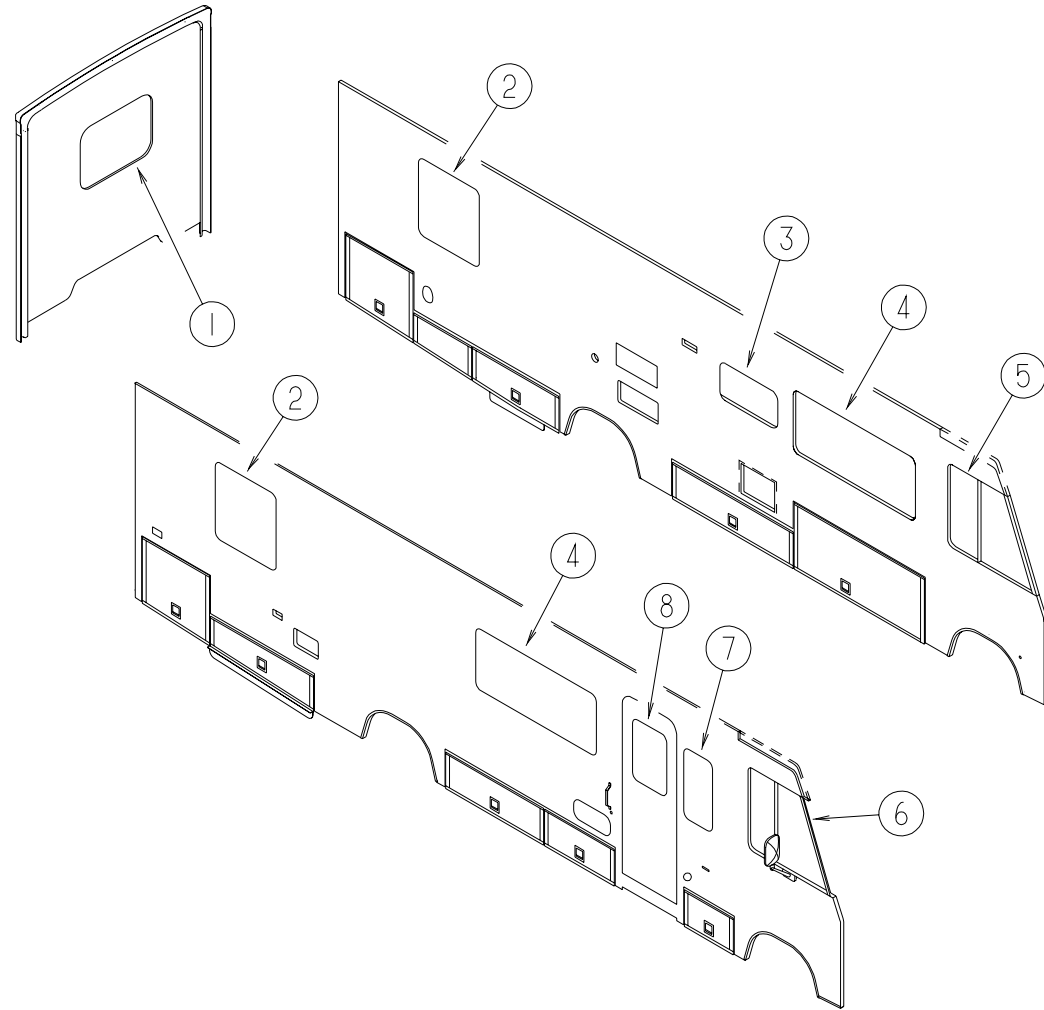


KEY	PARTNUMBER	U/M	DESCRIPTION
1	106544-01-000	EA	PULL-SHADE,BRASS
1	106544-01-001	EA	SCREW-SHADEPULL,BRASS
2	102555-03-000	EA	CLEAT-BLINDCORD,MILKYWHITEPLASTIC
3	109441-03-000	EA	HOLDDOWNBLIND,CLOUDY
	109441-02-000	EA	SPACER-HOLDDOWN,BLIND
4	084434-01-000	EA	BRACKET-MOUNTING,ROLLERSHADE-13/8"
	096843-01-000	EA	SPRING-REWIND,ROLLERSHADE
	086276-01-000	EA	TAPE-DOUBLESIDED,1/2"
5	101031-01-000	YD	TAPE-GLIDE,CURTAIN-4.25"SPACING
6	029130-01-000	EA	SCREW-SNAPSOCKET,#8PHX5/8"
7	029155-01-000	EA	CAP-SNAP,5/32"O.D.OFPIN
8	029156-01-000	EA	SOCKET-SNAP,9/16"O.D.
9	114641-07-G35	EA	TRACK-CURTAIN,WRAPAROUND-RH
9	114641-08-G35	EA	TRACK-CURTAIN,WRAPAROUND-LH
10	093475-01-701	EA	ENDCAP-BLIND,W/STUD
11	009702-01-000	EA	ENDSTOP-CURTAINCARRIER,LROD
12	093475-01-700	EA	WAND-BLIND,W/METALCLIP-8"LONG
13	083170-01-000	EA	BRACKET-BLIND,RIGHTHAND
14	083170-02-000	EA	BRACKET-BLIND,LEFTHAND
15	095591-02-000	EA	BRACKET-HOLDDOWN,W/PIN-BLIND-METAL
16	109353-04-000	EA	CLIP-MOUNTING,VALANCESLAT-CLEARPLASTIC
17	009701-01-000	EA	CARRIER-CURTAIN,L-ROD
18	009136-02-000	EA	HANGER-RING,PINTYPE-CURTAIN-BRASS
	046867-03-000	EA	GROMMET-HANDYBUTTONNO3
	048394-02-000	YD	VELCROTAPE-HOOK,ADHESIVEBACK-.75"WIDE-BEIGE
	088792-01-000	YD	VELCRO-HOOK,.75"WIDE-BEIGE
	088792-02-000	YD	VELCROTAPE-LOOP,ADHESIVEBACKED-.75"WIDE-BEIGE
	088792-06-000	YD	VELCRO-3/4"NON-ADHESIVE,LOOP-BUFMED
	068716-01-001	EA	BRACE-90DEGREEL-ANGLE,192"-EXTRUDEDALUMINUM
	094896-02-000	EA	GROMMET-CORD,PLEATEDBLIND-NYLON-GRAY
	094907-02-000	EA	ENDCAP-TOP,PLEATEDBLIND-PLASTIC-GRAY
	094907-04-000	EA	HARDWARE-ENDCAPBOTTOM-PULLTYPE(RH&LH)-PLASTIC-GRAY
	094907-04-701	EA	ENDCAP-LH,BOTTOMBLIND
	094907-04-700	EA	ENDCAP-RH,BOTTOMBLIND
	097564-01-000	EA	HANDLE-T,PLEATEDBLIND
	097565-01-000	EA	BRACKET-MOUNTING,PLEATEDBLIND
	097591-01-000	EA	SPRING-EXTENSION,PLEATEDBLIND
	097592-01-000	EA	SPOOL-CORD,PLEATEDBLIND-CLEARPLASTIC
	097593-02-000	EA	CORD-BLIND,GRAY
	105648-01-02A	EA	BRACE-VALANCE,ANGLE-1.5"X1.5"X14"-OFFWHITE
	110943-01-000	FT	FELTSTRIP-3/8"-ADHESIVEBACK

FROM: 00-00-00 THRU: 09-01-96

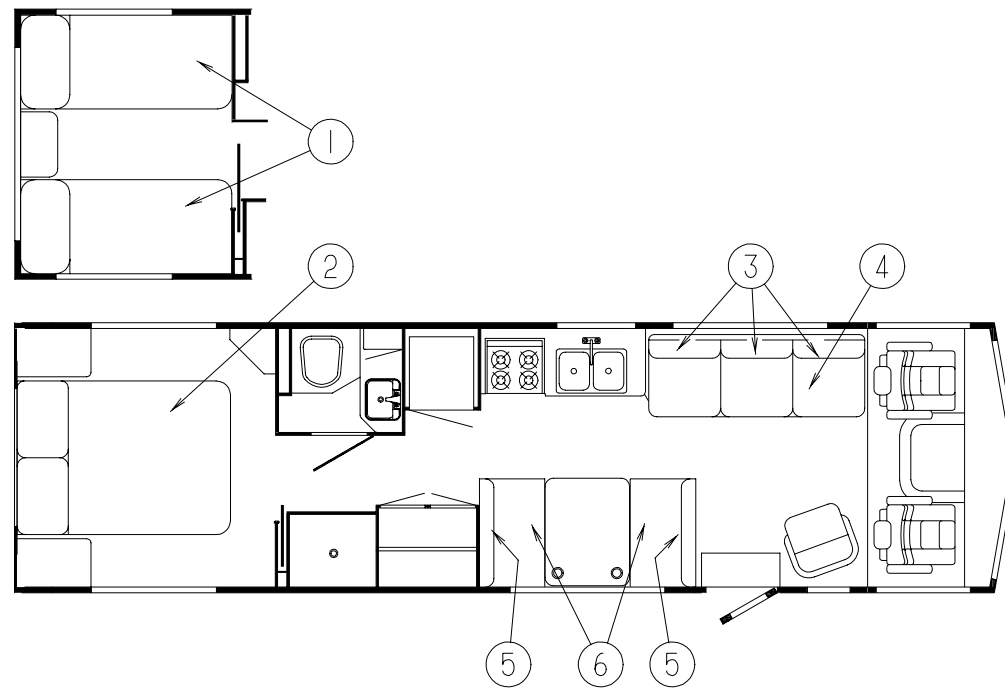


**CURTAIN&CUSHIONGROUP(CONTINUED)**  
**WINDOWTREATMENT**



KEY	PARTNUMBER	U/M	DESCRIPTION
1	118064-01-GB1	EA	VALANCE-52", VALENCIA(H33)
1	118064-01-H05	EA	VALANCE-52", VALENCIA(H34)
1	118064-01-H35	EA	VALANCE-52", VALENCIA(H35)
1	109041-41-01A	EA	BLIND-MINI, 51"X27"DROP(H33)
1	109041-41-02A	EA	BLIND-MINI, 51"X27"DROP(H34/H35)
1	111910-48-H33	EA	BLIND-DAY/NIGHTER, 51"X27"-WINDOWCOVERINGSOPTION(H33/H34/H35) FROM: 00-00-00 THRU: 10-27-96
1	111910-48-HA3	EA	BLIND-DAY/NIGHTER, 51"X27"-WINDOWCOVERINGSOPTION(H33/H34/H35) FROM: 10-28-96 THRU: 99-99-99
2	118064-06-H33	EA	VALANCE-34", VALENCIA
2	118064-06-H34	EA	VALANCE-34", VALENCIA
2	118064-06-H35	EA	VALANCE-34", VALENCIA
2	109041-42-01A	EA	BLIND-MINI, 32"X36"DROP(H33)
2	109041-42-02A	EA	BLIND-MINI, 32"X36"DROP(H34/H35)
2	111910-49-H33	EA	BLIND-DAY/NIGHTER, 32"X36"-WINDOWCOVERINGSOPTION(H33/H34/H35) FROM: 00-00-00 THRU: 10-27-96
2	111910-49-HA3	EA	BLIND-DAY/NIGHTER, 32"X36"-WINDOWCOVERINGSOPTION(H33/H34/H35) FROM: 10-28-96 THRU: 99-99-99
3	109041-44-01A	EA	BLIND-MINI, 30.5"X18"DROP(H33)
3	109041-44-02A	EA	BLIND-MINI, 30.5"X18"DROP(H34/H35)
3	109353-10-01A	EA	BLIND-SLAT, 30.5"(H33)
3	109353-10-02A	EA	BLIND-SLAT, 30.5"(H34/H35)
4	118299-10-H33	EA	VALANCE-64.5"METROII(H33) FROM: 00-00-00 THRU: 01-12-97
4	118299-10-H3A	EA	VALANCE-64.5"METROII(H33) FROM: 01-13-97 THRU: 99-99-99
4	118299-10-H34	EA	VALANCE-64.5"METROII(H34)
4	118299-10-H35	EA	VALANCE-64.5"METROII(H35)
4	119333-01-H04	EA	LEG-RH, 25"-PLAIN-W/OHOLE(H33) FROM: 00-00-00 THRU: 01-12-97
4	119333-01-H3A	EA	LEG-RH, 25"-PLAIN-W/OHOLE(H33) FROM: 01-13-97 THRU: 99-99-99
4	119333-01-G16	EA	LEG-RH, 25"-PLAIN-W/OHOLE(H34)
4	119333-01-H35	EA	LEG-RH, 25"-PLAIN-W/OHOLE(H35)
4	119333-02-H04	EA	LEG-LH, 25"-PLAIN-W/OHOLE(H33) FROM: 00-00-00 THRU: 01-12-97
4	119333-02-H3A	EA	LEG-LH, 25"-PLAIN-W/OHOLE(H33) FROM: 01-13-97 THRU: 99-99-99
4	119333-02-G16	EA	LEG-LH, 25"-PLAIN-W/OHOLE(H34)
4	119333-02-H35	EA	LEG-LH, 25"-PLAIN-W/OHOLE(H35)
4	093475-76-05A	EA	BLIND-MINI, 60"X28.5"DROP(H33)
4	093475-76-06A	EA	BLIND-MINI, 60"X28.5"DROP(H34/H35)
4	109802-10-G01	EA	BLIND-PLEATED, 60"X28.5"-WINDOWCOVERINGSOPTION(H33/H34/H35)
5	101668-57-G09	EA	CURTAIN-38"X95" TAPETOP, LH(H33/H35)
5	101668-57-G10	EA	CURTAIN-38"X95" TAPETOP, LH(H34)
6	101668-56-G09	EA	CURTAIN-38"X95" TAPETOP, RH(H33/H35)
6	101668-56-G10	EA	CURTAIN-38"X95" TAPETOP, RH(H34)
	073260-42-D09	EA	TIEBACK-6"X18"(H33/H35)
	073260-42-D10	EA	TIEBACK-6"X18"(H34)
7	118299-13-H33	EA	VALANCE-17"METROII(H33) FROM: 00-00-00 THRU: 01-12-97
7	118299-13-H3A	EA	VALANCE-17"METROII(H33) FROM: 01-13-97 THRU: 99-99-99
7	118299-13-H34	EA	VALANCE-17"METROII(H34)
7	118299-13-H35	EA	VALANCE-17"METROII(H35)
7	109041-30-01A	EA	BLIND-MINI, 15.5"X33"(H33)
7	109041-30-02A	EA	BLIND-MINI, 15.5"X33"(H34/H35)
7	109802-28-E05	EA	BLIND-PLEATED, 16"X32"-WINDOWCOVERINGSOPTION(H33/H34/H35)
8	118299-14-H33	EA	VALANCE-11"X31.75", METROII(H33) FROM: 00-00-00 THRU: 01-12-97
8	118299-14-H3A	EA	VALANCE-11"X31.75", METROII(H33) FROM: 01-13-97 THRU: 99-99-99
8	118299-14-H34	EA	VALANCE-11"X31.75", METROII(H34)
8	118299-14-H35	EA	VALANCE-11"X31.75", METROII(H35)
8	084755-57-E07	EA	SHADE-PULL, 27.25"-W/OTRIM(H33/H34/H35)

**CURTAIN&CUSHIONGROUP(CONTINUED)**



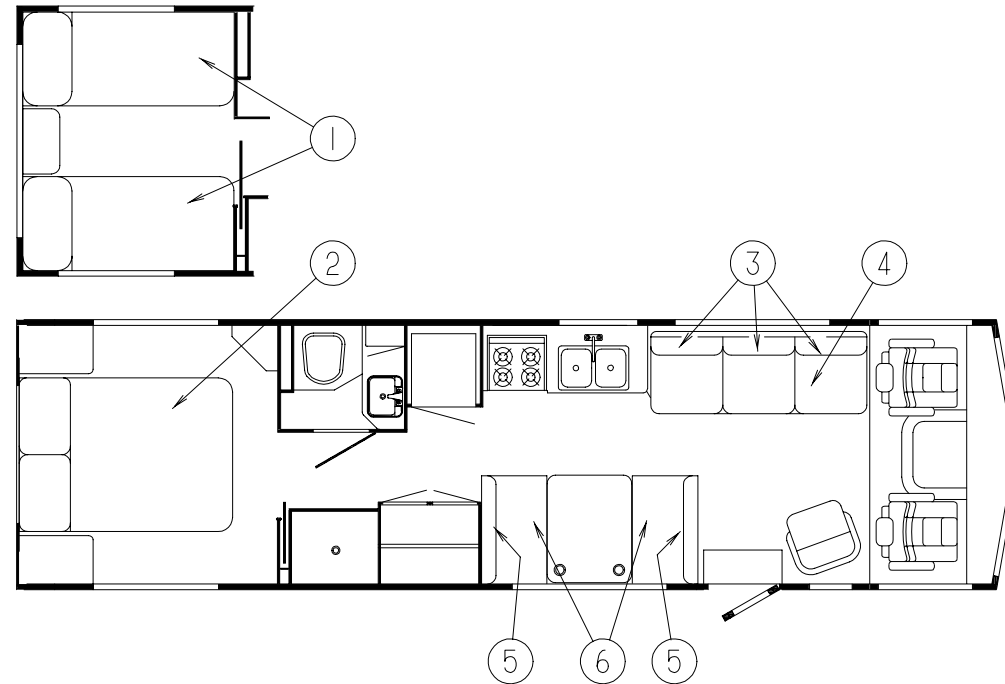
**TWINMATTRESSES&BEDSPREADS**

KEY	PARTNUMBER	U/M	DESCRIPTION
1	123015-04-000	EA	MATTRESS-INNERSPRING,36"X79.5"
1	123471-07-H33	EA	BEDSPREAD-36"X80"THROWW/1"GATHEREDWELT
1	123471-07-H34	EA	BEDSPREAD-36"X80"THROWW/1"GATHEREDWELT
1	123471-07-H35	EA	BEDSPREAD-36"X80"THROWW/1"GATHEREDWELT
	111863-07-H33	EA	PILLOWSHAM-1"GATHEREDACCENTWELT
	111863-07-H34	EA	PILLOWSHAM-1"GATHEREDACCENTWELT
	111863-07-H35	EA	PILLOWSHAM-1"GATHEREDACCENTWELT
	111862-03-H33	EA	PILLOW-15"X15"ACCENTW/.50"MAINWELT
	111862-03-H34	EA	PILLOW-15"X15"ACCENTW/.50"MAINWELT
			FROM: 00-00-00 THRU: 11-30-96
	111862-01-H34	EA	PILLOW-15"X15"W/.50"GATHEREDWELT
			FROM: 12-01-96 THRU: 99-99-99
	111862-03-H35	EA	PILLOW-15"X15"ACCENTW/.50"MAINWELT

**QUEENMATTRESS&BEDSPREAD**

KEY	PARTNUMBER	U/M	DESCRIPTION
2	123015-06-000	EA	MATTRESS-INNERSPRING,60"X74.5"
2	123471-04-H33	EA	BEDSPREAD-60"X75"THROW,W/1"GATHEREDWELT
2	123471-04-H34	EA	BEDSPREAD-60"X75"THROW,W/1"GATHEREDWELT
2	123471-04-H35	EA	BEDSPREAD-60"X75"THROW,W/1"GATHEREDWELT
	111863-05-H33	EA	PILLOWSHAM-1"GATHEREDACCENTWELT
	111863-05-H34	EA	PILLOWSHAM-1"GATHEREDACCENTWELT
	111863-05-H35	EA	PILLOWSHAM-1"GATHEREDACCENTWELT
	111862-03-H33	EA	PILLOW-15"X15"ACCENTW/.50"MAINWELT
	111862-03-H34	EA	PILLOW-15"X15"ACCENTW/.50"MAINWELT
			FROM: 00-00-00 THRU: 11-30-96
	111862-01-H34	EA	PILLOW-15"X15"W/.50"GATHEREDWELT
			FROM: 12-01-96 THRU: 99-99-99
	111862-03-H35	EA	PILLOW-15"X15"ACCENTW/.50"MAINWELT

## CURTAIN&CUSHIONGROUP(CONTINUED)



### SOFA/BED

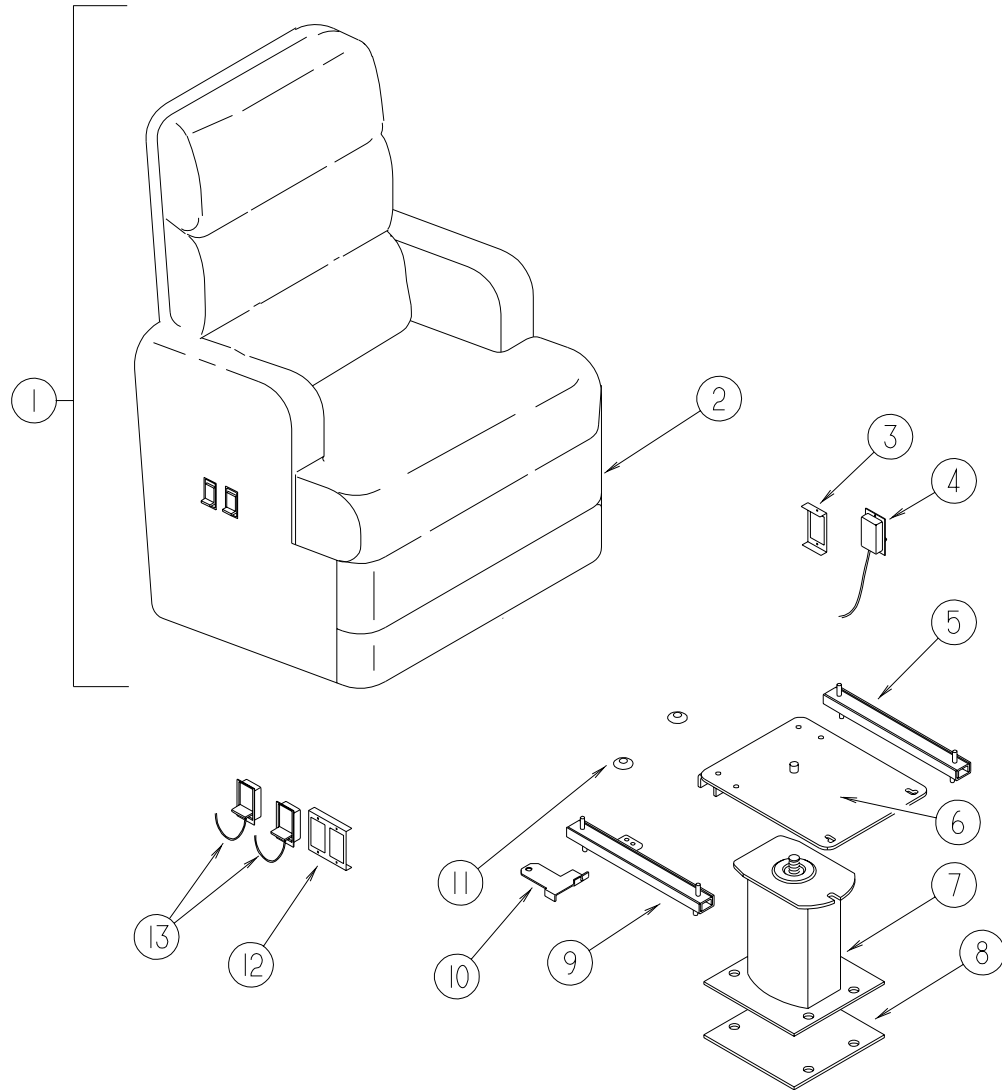
KEY	PARTNUMBER	U/M	DESCRIPTION
3	112104-01-H33	EA	SOFA/BED-JACKKNIFEBACK,CHANNEL-74"
3	112104-01-H34	EA	SOFA/BED-JACKKNIFEBACK,CHANNEL-74"
3	112104-01-H35	EA	SOFA/BED-JACKKNIFEBACK,CHANNEL-74"
3	P12104-01-H33	EA	COVER-SOFA/BED,JACKKNIFEBACK-74"
3	P12104-01-H34	EA	COVER-SOFA/BED,JACKKNIFEBACK-74"
3	P12104-01-H35	EA	COVER-SOFA/BED,JACKKNIFEBACK-74"
	101085-10-000	EA	FRAME-SOFA/BED,JACKKNIFEBACK-74.5"X16"
4	100032-43-H04	EA	SOFA/BED-JACKKNIFESEAT,74"-W/OARMS(H33)
4	100032-43-H05	EA	SOFA/BED-JACKKNIFESEAT,74"-W/OARMS(H34)
4	100032-43-H35	EA	SOFA/BED-JACKKNIFESEAT,74"-W/OARMS(H35)
4	P00032-43-H04	EA	COVER-SOFA/BED,JACKKNIFESEAT,74"-W/OARMS(H33)
4	P00032-43-H05	EA	COVER-SOFA/BED,JACKKNIFESEAT,74"-W/OARMS(H34)
4	P00032-43-H35	EA	COVER-SOFA/BED,JACKKNIFESEAT,74"-W/OARMS(H35)
	101085-04-000	EA	FRAME-SOFA/BED,JACKKNIFESEAT,74.75"
	101085-06-000	EA	FRAME-SOFA/BED,JACKKNIFEBASE,74.75"
	111637-02-H33	EA	PILLOWASM-22"X22",KNIFEEDGEW/WELT(H33)
			FROM: 00-00-00 THRU: 01-12-97
	111637-02-H3A	EA	PILLOWASM-22"X22",KNIFEEDGEW/WELT(H33)
			FROM: 01-13-97 THRU: 99-99-99
	111637-02-H34	EA	PILLOWASM-22"X22",KNIFEEDGEW/WELT(H34)
	111637-02-H35	EA	PILLOWASM-22"X22",KNIFEEDGEW/WELT(H35)
	113990-09-000	EA	BRACKET-LOCK,MALE-FLEXSTEEL
	122556-04-01A	EA	LOCK-JACKKNIFESEAT

### DINETTECUSHIONS

KEY	PARTNUMBER	U/M	DESCRIPTION
5	111880-01-H33	EA	CUSHION-DINETTEBACK,13.5"X38"X5"
5	111880-01-H34	EA	CUSHION-DINETTEBACK,13.5"X38"X5"
5	111880-01-H35	EA	CUSHION-DINETTEBACK,13.5"X38"X5"
5	P11880-01-H33	EA	COVER-DINETTEBACKCUSHION,13.5"X38"X5"
5	P11880-01-H34	EA	COVER-DINETTEBACKCUSHION,13.5"X38"X5"
5	P11880-01-H35	EA	COVER-DINETTEBACKCUSHION,13.5"X38"X5"
	078155-01-000	EA	STRAP-SNAP,BACKRESTCUSHION
6	088927-87-H04	EA	CUSHION-DINETTESEAT,23"X38"X5"(H33)
6	088927-87-H05	EA	CUSHION-DINETTESEAT,23"X38"X5"(H34)
6	088927-87-H35	EA	CUSHION-DINETTESEAT,23"X38"X5"(H35)
6	M88927-87-H04	EA	COVER-DINETTESEATCUSHION,23"X38"X5"(H33)
6	M88927-87-H05	EA	COVER-DINETTESEATCUSHION,23"X38"X5"(H34)
6	M88927-87-H35	EA	COVER-DINETTESEATCUSHION,23"X38"X5"(H35)

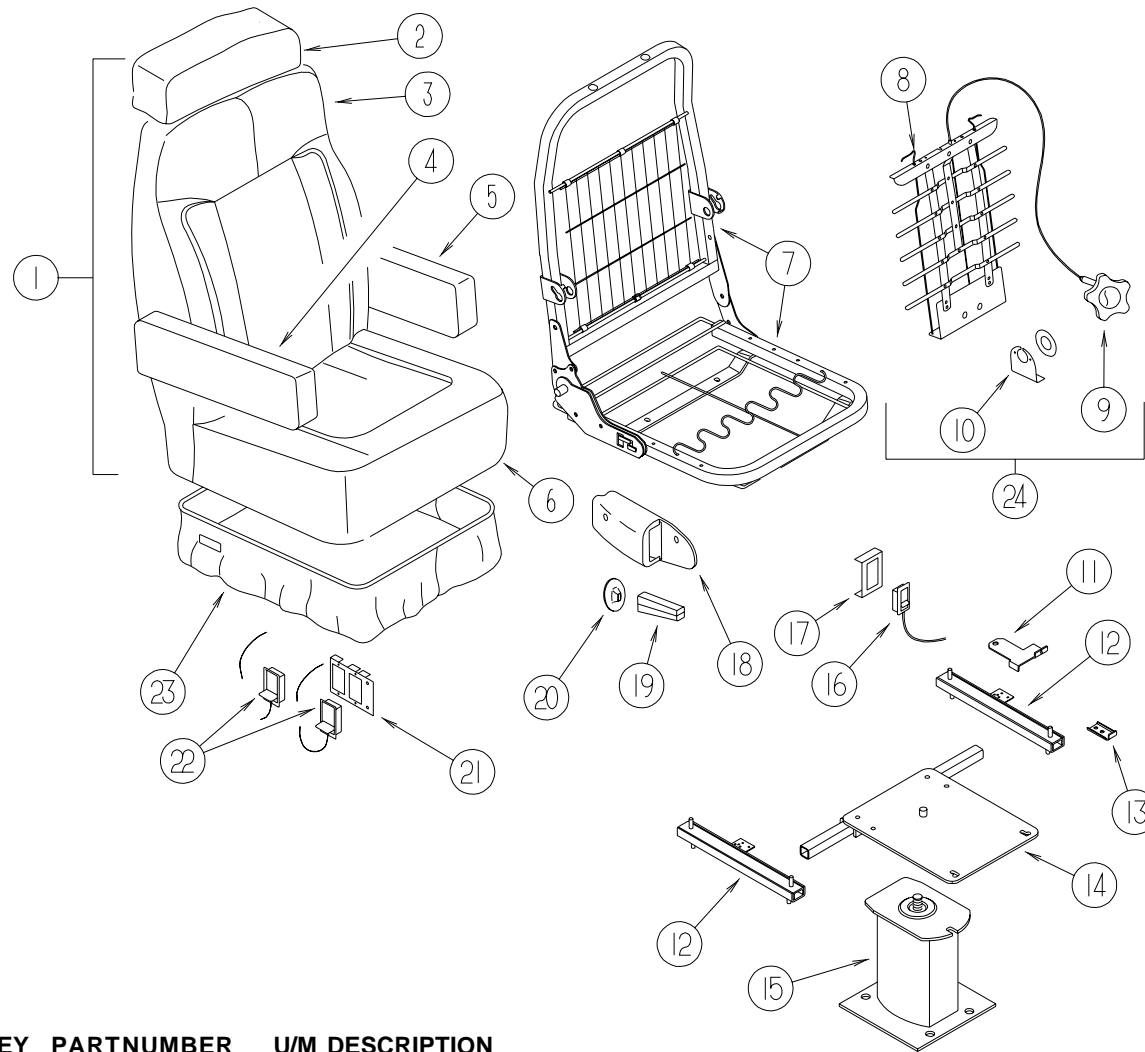
NOTE: COUCHFRONTANDSIDE PANELSARE FOUNDINTHE LOUNGE GROUP

**CURTAIN & CUSHION GROUP (CONTINUED)**  
**SWIVEL CHAIR**



KEY	PART NUMBER	U/M	DESCRIPTION
1	118538-01-H33	EA	CHAIR-RECLINER, W/SKIRTW/OARMCAPS(H33) FROM: 00-00-00 THRU: 01-12-97
1	118538-01-H3A	EA	CHAIR-RECLINER, W/SKIRTW/OARMCAPS(H33) FROM: 01-13-97 THRU: 99-99-99
1	118538-01-H34	EA	CHAIR-RECLINER, W/SKIRTW/OARMCAPS(H34)
1	118538-01-H35	EA	CHAIR-RECLINER, W/SKIRTW/OARMCAPS(H35)
	P18538-01-H33	EA	COVER-RECLINERCHAIR(H33)
	P18538-01-H34	EA	COVER-RECLINERCHAIR(H34)
	P18538-01-H35	EA	COVER-RECLINERCHAIR(H35)
2	118539-01-H33	EA	SKIRT-RECLINERCHAIR
2	118539-01-H34	EA	SKIRT-RECLINERCHAIR
2	118539-01-H35	EA	SKIRT-RECLINERCHAIR
3	097683-03-000	EA	BRACKET-REMOTE, SIDEMOUNT-SINGLE
4	089368-05-000	EA	CABLE-W/CONTROL25.5" SHEATH-293/4" CABLEW/DOGLEG
	108049-02-000	EA	CLIP-CABLE, PEDESTAL
5	119952-02-000	EA	SLIDE-SEAT, HEAVYDUTY-NONLOCKING
6	107921-08-000	EA	TOPPLATE-PEDESTAL, W/OSEATBELT BAR-FLEXSTEEL2759PDTP
7	107921-01-000	EA	PEDESTAL-SEAT, FLOORMOUNTEDW/9.75" EXTENSION
8	108445-02-000	EA	PLATEASM-PEDESTAL, SEAT-230MMX157MM-W/WELDNUTS
	107921-06-000	EA	BEARINGKIT-SEATSWIVEL-FLEXSTEEL
9	119952-04-000	EA	SLIDE-SEAT, HEAVYDUTY-LOCKING
10	117125-01-02B	EA	BRACKET-CABLEHOLDER, ADJUSTERW/LOCK-E-COAT
11	007221-01-000	EA	SPACER-SEAT, ADJUSTER
12	097683-02-000	EA	BRACKET-REMOTE, SIDEMOUNT-DOUBLE
13	108049-03-000	EA	CABLE-W/CONTROL25.5" SHEATH/28.5" CABLEW/DOGLEG
	108049-02-000	EA	CLIP-CABLE, PEDESTAL
	P18538-27-H33	EA	COVER-ARMCAP, RECLINERCHAIR-RHORLH(H33) FROM: 00-00-00 THRU: 01-12-97
	P18538-27-H3A	EA	COVER-ARMCAP, RECLINERCHAIR-RHORLH(H33) FROM: 01-13-97 THRU: 99-99-99
	P18538-27-H34	EA	COVER-ARMCAP, SWIVELCHAIR-RHORLH(H34)
	P18538-27-H35	EA	COVER-ARMCAP, SWIVELCHAIR-RHORLH(H35)

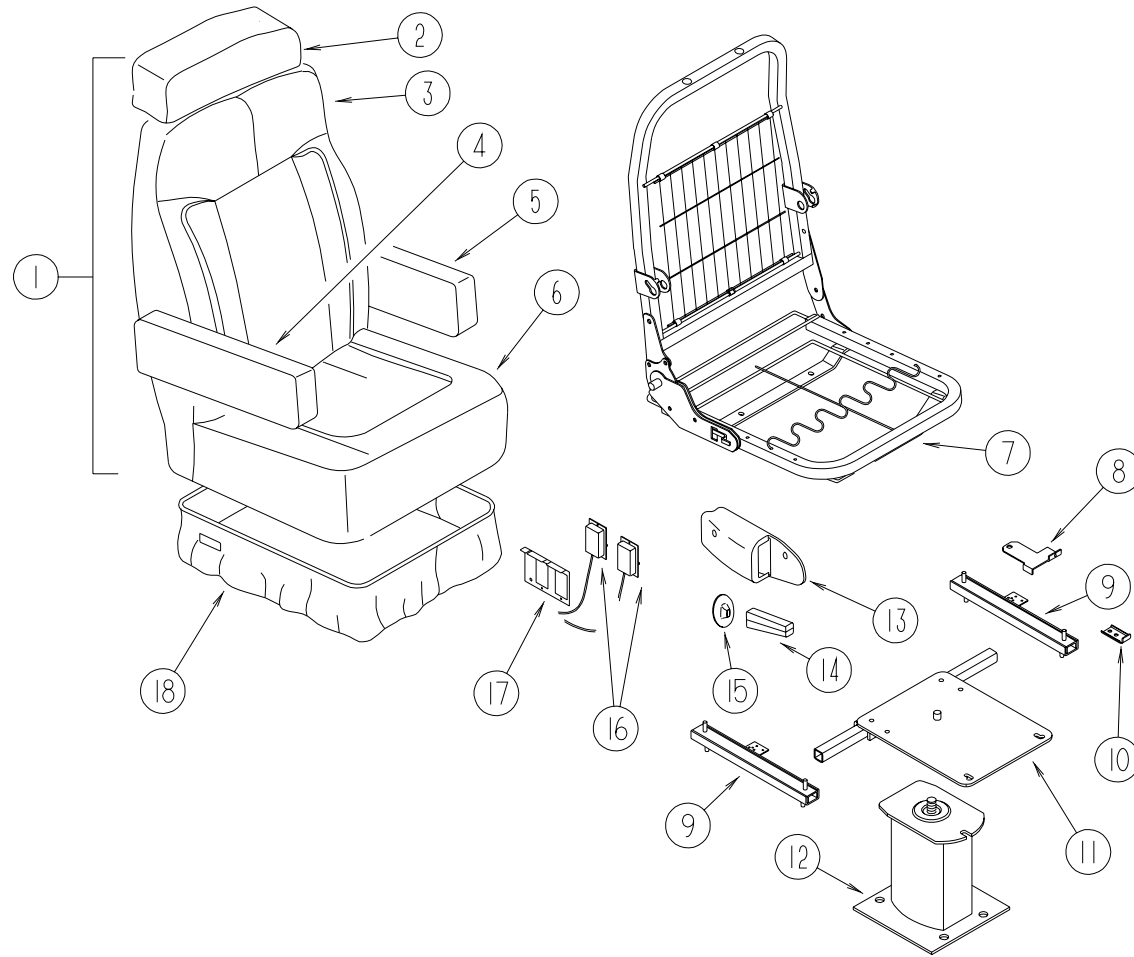
**CURTAIN&CUSHIONGROUP(CONTINUED)**  
**DRIVERBUCKETSEAT**



KEY	PARTNUMBER	U/M	DESCRIPTION
1	122684-01-H33	EA	SEAT-BUCKET,W/ARMRESTS,HEADREST&LUMBAR SUPPORT-W/OSKIRT(H33) FROM: 00-00-00 THRU: 01-12-97
1	122684-01-H3A	EA	SEAT-BUCKET,W/ARMRESTS,HEADREST&LUMBAR SUPPORT-W/OSKIRT(H33) FROM: 01-13-97 THRU: 99-99-99
1	122684-01-H34	EA	SEAT-BUCKET,W/ARMRESTS,HEADREST&LUMBAR SUPPORT-W/OSKIRT(H34)
1	122684-01-H35	EA	SEAT-BUCKET,W/ARMRESTS,HEADREST&LUMBAR SUPPORT-W/OSKIRT(H35)
2	119509-01-H33	EA	HEADREST ASM(H33) FROM: 00-00-00 THRU: 01-12-97
2	119509-01-H3A	EA	HEADREST ASM(H33) FROM: 01-13-97 THRU: 99-99-99
2	119509-01-G10	EA	HEADREST ASM(H34)
2	119509-01-H35	EA	HEADREST ASM(H35)
2	P19509-01-H33	EA	COVER-HEADREST(H33) FROM: 00-00-00 THRU: 01-12-97
2	P19509-01-H3A	EA	COVER-HEADREST(H33) FROM: 01-13-97 THRU: 99-99-99
2	P19509-01-G10	EA	COVER-HEADREST(H34)
2	P19509-01-H35	EA	COVER-HEADREST(H35)
	113977-12-000	EA	HEADREST INSERT W/O LOCK
	113977-13-000	EA	HEADREST INSERT W/LOCK
3	M05962-39-H33	EA	COVER-BACK, BUCKETSEAT(H33) FROM: 00-00-00 THRU: 01-12-97
3	M05962-39-H3A	EA	COVER-BACK, BUCKETSEAT(H33) FROM: 01-13-97 THRU: 99-99-99
3	M05962-39-H34	EA	COVER-BACK, BUCKETSEAT(H34)

KEY	PARTNUMBER	U/M	DESCRIPTION	VENDOR NO.
3	M05962-39-H35	EA	COVER-BACK, BUCKETSEAT(H35)	
4	122780-01-H33	EA	ARMREST-RIGHT, BUCKETSEAT(H33) FROM: 00-00-00 THRU: 01-12-97	
4	122780-01-H3A	EA	ARMREST-RIGHT, BUCKETSEAT(H33) FROM: 01-13-97 THRU: 99-99-99	
4	122780-01-H34	EA	ARMREST-RIGHT, BUCKETSEAT(H34)	
4	122780-01-H35	EA	ARMREST-RIGHT, BUCKETSEAT(H35)	
4	P22780-01-H33	EA	COVER-ARMREST, RIGHT(H33) FROM: 00-00-00 THRU: 01-12-97	
4	P22780-01-H3A	EA	COVER-ARMREST, RIGHT(H33) FROM: 01-13-97 THRU: 99-99-99	
4	P22780-01-H34	EA	COVER-ARMREST, RIGHT(H34)	
4	P22780-01-H35	EA	COVER-ARMREST, RIGHT(H35)	
4	115617-03-000	EA	ARMREST W/O COVER-RIGHT	
5	122780-02-H33	EA	ARMREST-LEFT, BUCKETSEAT(H33) FROM: 00-00-00 THRU: 01-12-97	
5	122780-02-H3A	EA	ARMREST-LEFT, BUCKETSEAT(H33) FROM: 01-13-97 THRU: 99-99-99	
5	122780-02-H34	EA	ARMREST-LEFT, BUCKETSEAT(H34)	
5	122780-02-H35	EA	ARMREST-LEFT, BUCKETSEAT(H35)	
5	P22780-02-H33	EA	COVER-ARMREST, LEFT(H33) FROM: 00-00-00 THRU: 01-12-97	
5	P22780-02-H3A	EA	COVER-ARMREST, LEFT(H33) FROM: 01-13-97 THRU: 99-99-99	
5	P22780-02-H34	EA	COVER-ARMREST, LEFT(H34)	
5	P22780-02-H35	EA	COVER-ARMREST, LEFT(H35)	
5	115617-04-000	EA	ARMREST W/O COVER-LEFT	
6	M05962-40-H33	EA	COVER-SEAT, BUCKETSEAT(H33) FROM: 00-00-00 THRU: 01-12-97	
6	M05962-40-H3A	EA	COVER-SEAT, BUCKETSEAT(H33) FROM: 01-13-97 THRU: 99-99-99	
6	M05962-40-H34	EA	COVER-SEAT, BUCKETSEAT(H34)	
6	M05962-40-H35	EA	COVER-SEAT, BUCKETSEAT(H35)	
7	122695-01-01B	EA	FRAME ASM-SEAT&BACK-WIDE-ML	
8	122611-01-700	EA	ACTUATOR-MANUAL, LUMBAR-SCHUKRA	284LH
9	122611-01-701	EA	LUMBAR-KNOB-SCHUKRA	218
10	122611-01-702	EA	LUMBAR-BRACKET-SCHUKRA	157C-90
	122611-01-703	EA	LUMBAR-SCREW-SCHUKRA	210A
11	117125-01-02B	EA	BRACKET-CABLEHOLDER, ADJUSTER W/LOCK-E-COAT	
12	119952-06-000	EA	SLIDE-SEAT, HEAVY DUTY LOCKING-4 STUDS	
	119952-07-000	EA	WIRE-LATCH RELEASE/ROTARY	
13	114889-01-000	EA	STOPBAR-UNIVERSAL	
14	107921-05-000	EA	PLATE-TOP W/SEATBELT BAR	
	107921-06-000	EA	BEARING KIT-PEDESTAL	
15	107921-01-000	EA	PEDESTAL-SEAT, FLOOR MOUNTED W/9.75" EXTENSION	
16	108049-03-000	EA	CABLE-W/CONTROL 25.5" SHEATH/28.5" CABLE W/DOG LEG	
	108049-02-000	EA	CLIP-CABLE, PEDESTAL	
17	097683-03-000	EA	BRACKET-REMOTE, SIDE MOUNT-SINGLE	
18	080730-09-000	EA	SHIELD-RECLINER HANDLE	
19	080730-08-000	EA	HANDLE-RECLINER, BLACK	
20	080730-11-000	EA	SHIELD-RUBBER BOOT	
21	097683-02-000	EA	BRACKET-REMOTE, SIDE MOUNT-DOUBLE	
22	108049-03-000	EA	CABLE-W/CONTROL 25.5" SHEATH/28.5" CABLE W/DOG LEG	
	108049-02-000	EA	CLIP-CABLE, PEDESTAL	
23	071126-58-H33	EA	SKIRT-BUCKETSEAT(H33) FROM: 00-00-00 THRU: 01-12-97	
23	071126-58-H3A	EA	SKIRT-BUCKETSEAT(H33) FROM: 01-13-97 THRU: 99-99-99	
23	071126-58-H34	EA	SKIRT-BUCKETSEAT(H34)	
23	071126-58-H35	EA	SKIRT-BUCKETSEAT(H35)	
24	122611-01-000	EA	LUMBAR ASSEMBLY-MANUAL-SCHUKRA	390
	089323-01-000	FT	STRIP-POLYETHYLENE, J-CHANNEL-FLEX-O-LATORS	

**CURTAIN&CUSHIONGROUP(CONTINUED)**  
**PASSENGERBUCKETSEAT**



KEY	PARTNUMBER	U/M	DESCRIPTION
1	122684-02-H33	EA	SEAT-BUCKET, W/ARMRESTS&HEADREST-W/OSKIRT(H33) FROM: 00-00-00 THRU: 01-12-97
1	122684-02-H3A	EA	SEAT-BUCKET, W/ARMRESTS&HEADREST-W/OSKIRT(H33) FROM: 01-13-97 THRU: 99-99-99
1	122684-02-H34	EA	SEAT-BUCKET, W/ARMRESTS&HEADREST-W/OSKIRT(H34)
1	122684-02-H35	EA	SEAT-BUCKET, W/ARMRESTS&HEADREST-W/OSKIRT(H35)
2	119509-01-H33	EA	HEADRESTASM(H33) FROM: 00-00-00 THRU: 01-12-97
2	119509-01-H3A	EA	HEADRESTASM(H33) FROM: 01-13-97 THRU: 99-99-99
2	119509-01-G10	EA	HEADRESTASM(H34)
2	119509-01-H35	EA	HEADRESTASM(H35)
2	P19509-01-H33	EA	COVER-HEADREST(H33) FROM: 00-00-00 THRU: 01-12-97
2	P19509-01-H3A	EA	COVER-HEADREST(H33) FROM: 01-13-97 THRU: 99-99-99
2	P19509-01-G10	EA	COVER-HEADREST(H34)
2	P19509-01-H35	EA	COVER-HEADREST(H35)
	113977-12-000	EA	HEADRESTINSERTW/OLOCK
	113977-13-000	EA	HEADRESTINSERTW/LOCK
3	M05962-39-H33	EA	COVER-BACK, BUCKETSEAT(H33) FROM: 00-00-00 THRU: 01-12-97
3	M05962-39-H3A	EA	COVER-BACK, BUCKETSEAT(H33) FROM: 01-13-97 THRU: 99-99-99
3	M05962-39-H34	EA	COVER-BACK, BUCKETSEAT(H34)
3	M05962-39-H35	EA	COVER-BACK, BUCKETSEAT(H35)

KEY	PARTNUMBER	U/M	DESCRIPTION
4	122780-01-H33	EA	ARMREST-RIGHT, BUCKETSEAT(H33) FROM: 00-00-00 THRU: 01-12-97
4	122780-01-H3A	EA	ARMREST-RIGHT, BUCKETSEAT(H33) FROM: 01-13-97 THRU: 99-99-99
4	122780-01-H34	EA	ARMREST-RIGHT, BUCKETSEAT(H34)
4	122780-01-H35	EA	ARMREST-RIGHT, BUCKETSEAT(H35)
4	P22780-01-H33	EA	COVER-ARMREST, RIGHT(H33) FROM: 00-00-00 THRU: 01-12-97
4	P22780-01-H3A	EA	COVER-ARMREST, RIGHT(H33) FROM: 01-13-97 THRU: 99-99-99
4	P22780-01-H34	EA	COVER-ARMREST, RIGHT(H34)
4	P22780-01-H35	EA	COVER-ARMREST, RIGHT(H35)
4	115617-03-000	EA	ARMRESTW/COVER-RIGHT
5	122780-02-H33	EA	ARMREST-LEFT, BUCKETSEAT(H33) FROM: 00-00-00 THRU: 01-12-97
5	122780-02-H3A	EA	ARMREST-LEFT, BUCKETSEAT(H33) FROM: 01-13-97 THRU: 99-99-99
5	122780-02-H34	EA	ARMREST-LEFT, BUCKETSEAT(H34)
5	122780-02-H35	EA	ARMREST-LEFT, BUCKETSEAT(H35)
5	P22780-02-H33	EA	COVER-ARMREST, LEFT(H33) FROM: 00-00-00 THRU: 01-12-97
5	P22780-02-H3A	EA	COVER-ARMREST, LEFT(H33) FROM: 01-13-97 THRU: 99-99-99
5	P22780-02-H34	EA	COVER-ARMREST, LEFT(H34)
5	P22780-02-H35	EA	COVER-ARMREST, LEFT(H35)
5	115617-04-000	EA	ARMRESTW/COVER-LEFT
6	M05962-40-H33	EA	COVER-SEAT, BUCKETSEAT(H33) FROM: 00-00-00 THRU: 01-12-97
6	M05962-40-H3A	EA	COVER-SEAT, BUCKETSEAT(H33) FROM: 01-13-97 THRU: 99-99-99
6	M05962-40-H34	EA	COVER-SEAT, BUCKETSEAT(H34)
6	M05962-40-H35	EA	COVER-SEAT, BUCKETSEAT(H35)
7	122695-01-01B	EA	FRAME ASM-SEAT&BACK-WIDE-ML
8	117125-01-02B	EA	BRACKET-CABLEHOLDER, ADJUSTERW/LOCK-E-COAT
9	119952-06-000	EA	SLIDE-SEAT, HEAVYDUTYLOCKING-4STUDS
	119952-07-000	EA	WIRE-LATCHRELEASE/ROTARY
10	114889-01-000	EA	STOPBAR-UNIVERSAL
11	107921-05-000	EA	PLATE-TOPW/SEATBELTBAR
	107921-06-000	EA	BEARINGKIT-PEDESTAL
12	107921-01-000	EA	PEDESTAL-SEAT, FLOORMOUNTEDW/9.75"EXTENSION
13	080730-09-000	EA	SHIELD-RECLINERHANDLE
14	080730-08-000	EA	HANDLE-RECLINER, BLACK
15	080730-11-000	EA	SHIELD-RUBBERBOOT
16	108049-03-000	EA	CABLE-W/CONTROL25.5"SHEATH/28.5"CABLEW/DOGLEG
	108049-02-000	EA	CLIP-CABLE, PEDESTAL
17	097683-02-000	EA	BRACKET-REMOTE, SIDEMOUNT-DOUBLE
18	071126-58-H33	EA	SKIRT-BUCKETSEAT(H33) FROM: 00-00-00 THRU: 01-12-97
18	071126-58-H3A	EA	SKIRT-BUCKETSEAT(H33) FROM: 01-13-97 THRU: 99-99-99
18	071126-58-H34	EA	SKIRT-BUCKETSEAT(H34)
18	071126-58-H35	EA	SKIRT-BUCKETSEAT(H35)

**CURTAIN&CUSHIONGROUP(CONTINUED)**  
**BUTTON,TRIM,ASSISTHANDLE&SEATBELT**

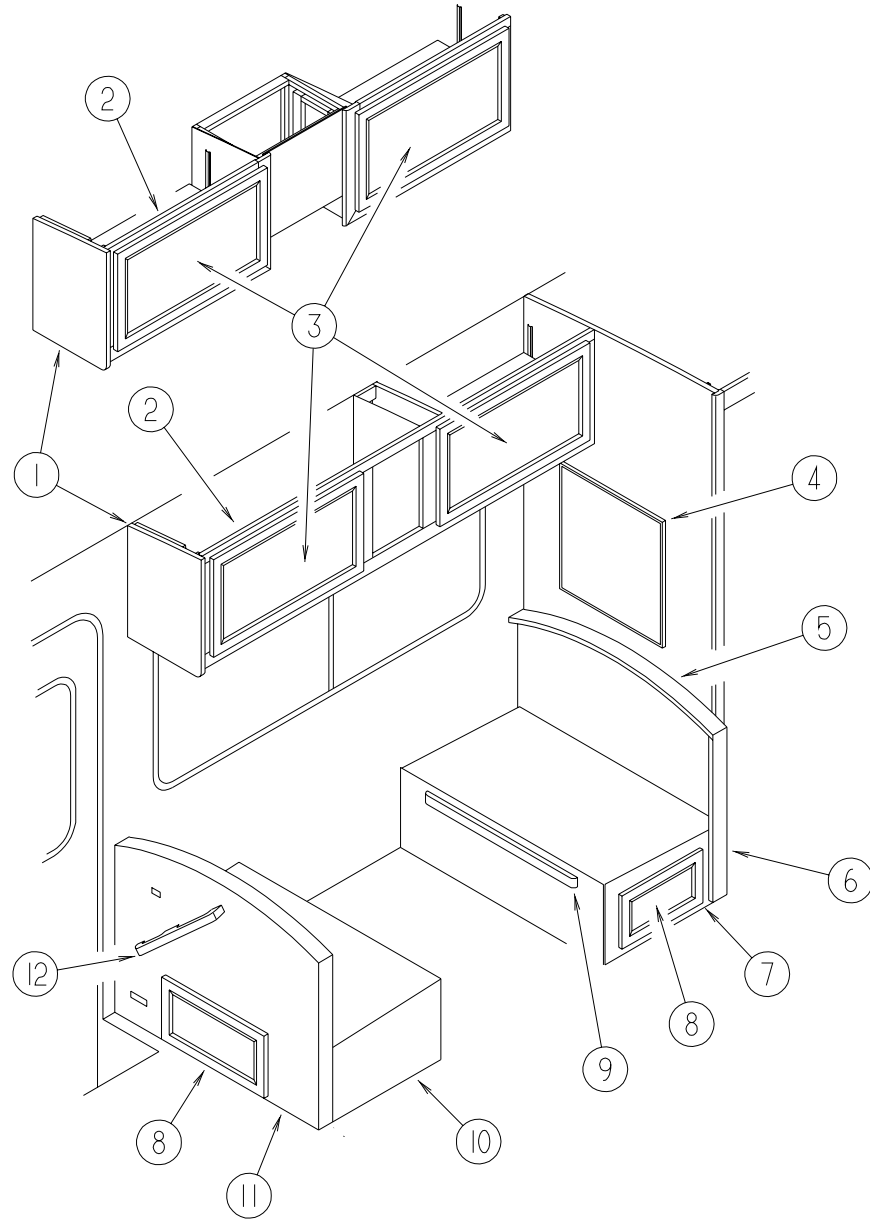
KEY	PARTNUMBER	U/M	DESCRIPTION
	070578-02-B10	EA	BUTTON-SCREWSTUD,#30-VINYL-OFFWHITE
	118337-01-H33	EA	BUTTON-PIVOTTACK,#60-FABRIC(H33)
	118337-01-G10	EA	BUTTON-PIVOTTACK,#60-FABRIC(H34)
	118337-01-H35	EA	BUTTON-PIVOTTACK,#60-FABRIC(H35)
	074494-02-000	EA	BUTTON-RETAINING.PIVOT#60
	074494-03-000	EA	BUTTON-SERRATED,PIVOTTACK3/8
	079349-04-H33	YD	WELTASM-NARROW,ACCENT(H33)
	079349-04-H34	YD	WELTASM-NARROW,ACCENT(H34)
	079349-04-H35	YD	WELTASM-NARROW,ACCENT(H35)
	057759-01-000	EA	WASHERBRACKET-SEATBELT,4"DIAMETER
	007021-01-000	EA	BELT-SEAT,2"X90"-BLACK
	056271-02-000	EA	BELT-SEAT,2"X72"-BLACK
	069178-02-000	EA	BRACKET-MOUNTING,ASSISTHANDLE-LANGLE-W/HOLES-STEEL
	053552-02-AA8	EA	HANDLE-ASSIST,INTERIOR-ENTRYDOOR-VINYL-OFFWHITE
	057534-03-000	EA	TIEBACK/TIEDOWN-BED/CURTAIN/DOOR,7.5"-PLASTIC-CLEAR

**CURTAIN&CUSHIONGROUP(CONTINUED)**

COLOR CODES	H33 FROM: 00-00-00 THRU: 01-12-97	H33 FROM: 01-13-97 THRU: 99-99-99	H34	H35
	BLUE LAGOON (BLUE)	BLUE LAGOON (BLUE)	KRYPTONITE (TAN)	SEQUOIA (SAGE)
CEILING MATERIAL FROM: 00-00-00 THRU: 10-13-96	113979-01-01A	113979-01-01A	113979-01-01A	113979-01-01A
CEILING MATERIAL FROM: 10-14-96 THRU: 03-31-97	113979-04-01A	113979-04-01A	113979-04-01A	113979-04-01A
CEILING MATERIAL FROM: 04-01-97 THRU: 99-99-99	113979-01-01A	113979-01-01A	113979-01-01A	113979-01-01A
QUICKSILVER VINYL	103907-01-05A	103907-01-05A	103907-01-05A	103907-01-05A
DRAPERY LINING	087272-03-000	087272-03-000	087272-03-000	087272-03-000
BUCKET SEATS	108446-K9-000	108446-S9-000	108446-77-000	108446-59-000
MC CLAIN'S BUCKET SEATS	103907-01-04A	103907-01-04A	103907-01-04A	103907-01-04A
DINETTE	108446-K7-000	108446-K7-000	108446-K8-000	108446-M2-000
DINETTE PADS	108446-K9-000	108446-S9-000	108446-77-000	108446-59-000
SOFA	108446-K7-000	108446-K7-000	108446-K8-000	108446-M2-000
SOFA PILLOWS	108446-K9-000	108446-S9-000	108446-G2-000	108446-M7-000
SWIVEL CHAIR	108446-K9-000	108446-S9-000	108446-G2-000	108446-M7-000
DINETTE/LOUNGE WINDOWS	108446-K9-000 108446-K7-000	108446-K9-000 108446-K7-000 108446-S9-000	108446-77-000 108446-K8-000 108446-G2-000	108446-59-000 108446-M2-000 108446-M7-000
BEDROOM WINDOWS	105745-B3-000	105745-B3-000	105745-D5-000	105745-E5-000
BEDSPREAD	105745-B3-000 105745-61-000	105745-B3-000 105745-61-000	105745-D5-000 108446-62-000	105745-E5-000 105745-E2-000
PILLOW SHAMS	105745-B3-000 105745-61-000	105745-B3-000 105745-61-000	105745-D5-000 108446-62-000	105745-E5-000 105745-E2-000
HEADBOARD	105745-B3-000 105745-61-000	105745-B3-000 105745-61-000	105745-D5-000 108446-62-000	105745-E5-000 105745-E2-000
BEDROOM PILLOWS	105745-B7-000 105745-A2-000	105745-B7-000 105745-A2-000	105745-D5-000 108446-62-000	105745-D0-000 105745-E5-000
FRONT WRAP AROUND	072333-90-000	072333-90-000	072333-82-000	072333-90-000
MAP POCKETS	108446-K9-000	108446-S9-000	108446-G2-000	108446-59-000

NOTE:FABRIC LISTED FIRST, IN A BLOCK, IS THE LARGEST QUANTITY OF FABRIC USED.

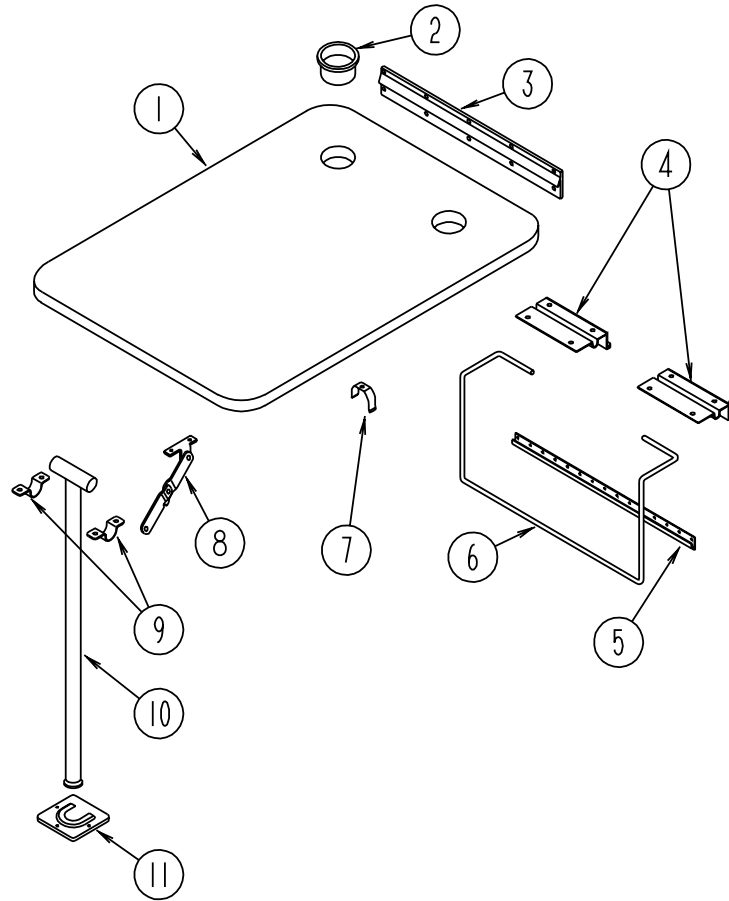
**DINETTEGROUP**  
**DINETTECABINTRY**



KEY	PARTNUMBER	U/M	DESCRIPTION
1	103128-02-G09	EA	ENDCAPASM,OVERHEAD
2	117902-01-H33	EA	CABINET-OVERHEAD,W/ODOORS(H33)
2	117902-01-G14	EA	CABINET-OVERHEAD,W/ODOORS(H34)
2	117902-01-H35	EA	CABINET-OVERHEAD,W/ODOORS(H35)
	117902-14-G09	EA	SHELF-CABINET,W/PLASTICEDGETRIM-W/COFFEEMAKEROPTION
2	117579-01-H33	EA	CABINET-OVERHEAD,W/ODOORS-COFFEEMAKEROPTION(H33)
2	117579-01-G14	EA	CABINET-OVERHEAD,W/ODOORS-COFFEEMAKEROPTION(H34)
2	117579-01-H35	EA	CABINET-OVERHEAD,W/ODOORS-COFFEEMAKEROPTION(H35)
3	M06803-02-G09	EA	DOOR-W/OHARDWAREW/OMIRROR-15.7"X27.9"
3	M06803-82-G09	EA	DOOR-W/OHARDWAREW/OMIRROR-15.7"X27.9"-GENERALTRAILEROPTION
4	058331-47-000	EA	MIRROR-SAFETYGLASS-22.36"X15.09"-WALLMOUNTED
4	105004-01-05A	EA	MOLDING-MIRROR,VINYLRAPPED-1"X8'-OAK
5	104787-04-H33	EA	PAD-DINETTE(H33)
			FROM: 00-00-00 THRU: 01-12-97
5	104787-04-H3A	EA	PAD-DINETTE(H33)
			FROM: 01-13-97 THRU: 99-99-99
5	104787-04-E33	EA	PAD-DINETTE(H34)
5	104787-04-E70	EA	PAD-DINETTE(H35)
6	M04174-96-H13	EA	CABINET-SEATBACK,RH-W/OHARDWARE
7	M04175-96-H13	EA	CABINET-SEATBASE,RH-W/ODOORORHARDWARE
8	M06803-07-G09	EA	DOOR-W/OHARDWARE-10.02"X19.06"
9	081295-01-G01	EA	SUPPORT-BED,DINETTE-712MMLONG
10	M04175-90-H13	EA	CABINET-SEATBASE,LH-W/OHARDWARE
11	M04174-90-H13	EA	CABINET-SEATBACK,LH-W/ODOORORHARDWARE
12	091257-10-000	EA	HANDLE-ASSIST,WATERFORDOAK

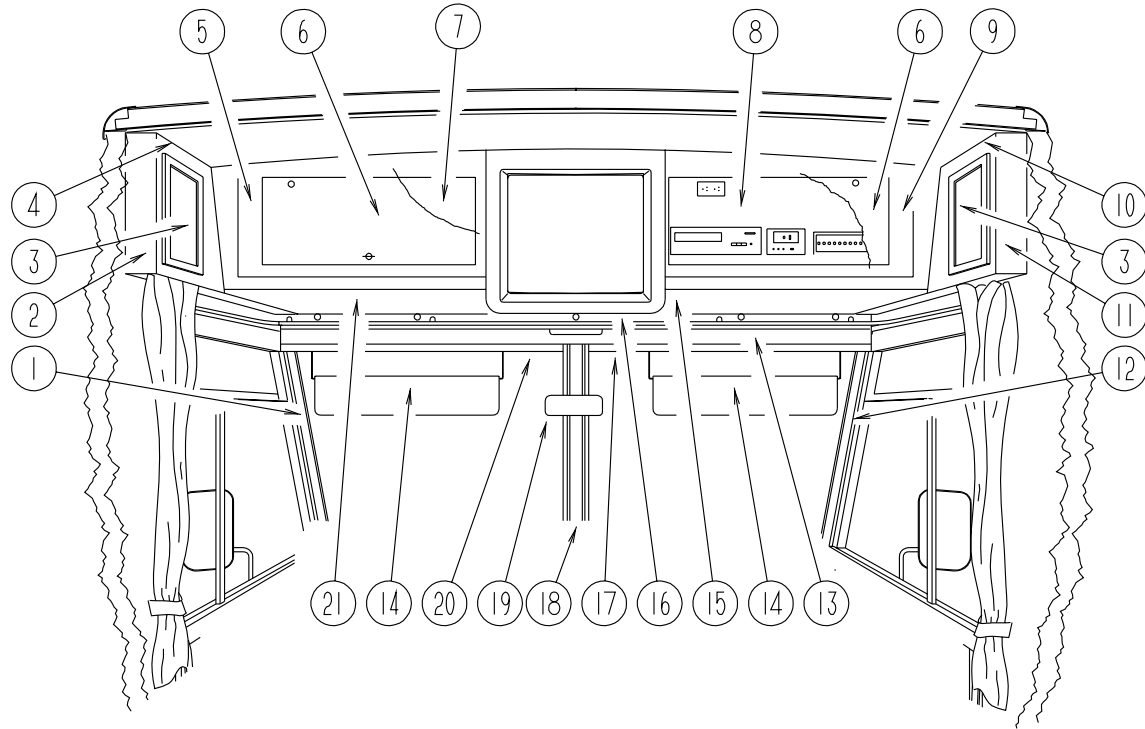


**DINETTEGROUP(CONTINUED)**  
**DINETTETABLE**



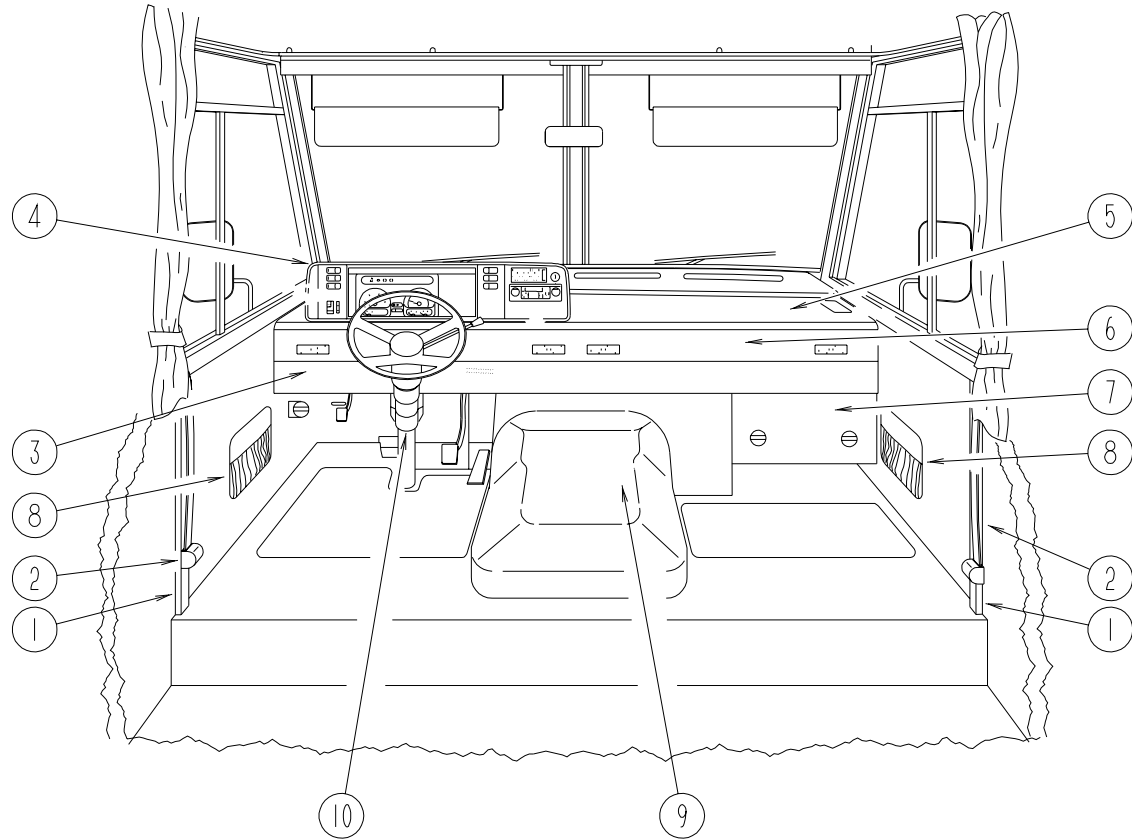
KEY	PARTNUMBER	U/M	DESCRIPTION
1	081322-01-G31	EA	TABLE-DINETTE, W/OEDGE BAND OR HARDWARE (H33)
1	081322-01-G14	EA	TABLE-DINETTE, W/OEDGE BAND OR HARDWARE (H34/H35)
2	064781-06-000	EA	HOLDER-CUP, TWO STEP-OFFWHITE
3	053200-12-000	EA	SUPPORT-TABLE, 23.5"-BEIGE
4	088410-02-000	EA	BRACKET-LIFT, TABLE MOUNTED-OFFWHITE
5	024281-14-000	EA	BRACKET-LIFT ROD, LOWER WALL MOUNTED-22.12"-OFFWHITE
6	024275-12-000	EA	ROD-TABLE LIFT, OFFWHITE
7	024283-01-000	EA	CLIP-LEG, 1" X 1.125" OD-BLACK
8	024282-01-000	EA	BRACE-TABLE LEG, HINGED
9	064050-05-000	EA	HINGE-TABLE LEG, OFFWHITE
10	024276-23-000	EA	LEG-TABLE, METAL-OFFWHITE
11	049493-12-000	EA	CATCH-LEG, FLOOR MOUNTED-2.5" X 2.7"-METAL-OFFWHITE
11	049493-11-700	EA	CATCH-LEG, FLOOR MOUNTED-2.5" X 2.7"-METAL-E-COAT

**DRIVERSCOMPARTMENTGROUP**  
**DRIVERSCOMPARTMENT-UPPER**



KEY	PARTNUMBER	U/M	DESCRIPTION
1	103931-02-03A	EA	COVER-INNER, A-PILLAR-DRIVERSSIDE-QUICKSILVER
2	103128-09-G09	EA	CAP-END,FRONTOVERHEAD,DRIVERSSIDE
3	M06803-04-G09	EA	DOOR-W/OHARDWARE - 10.02"X19.06"
3	M06803-F8-G12	EA	DOOR-W/OHARDWARE - 10.02"X19.06"-GENERALTRAILOPTION
4	109561-02-H33	EA	CABINET-FRONTOVERHEADW/ODOOR,DRIVERSSIDE
4	109561-02-H34	EA	CABINET-FRONTOVERHEADW/ODOOR,DRIVERSSIDE
4	109561-02-H35	EA	CABINET-FRONTOVERHEADW/ODOOR,DRIVERSSIDE
	P09561-02-G29	EA	BOTTOM-VINYLCOVERED,FRONTOVERHEAD-DRIVERSSIDE
	104289-04-H33	EA	PAD-VINYLCOVERED,25.8"X11.4"-ANGLED-DRIVERSSIDE
5	114612-02-G32	EA	FACE-TV CABINETW/ODOOR,FRONTOVERHEAD-DRIVERSSIDE
	100676-02-000	EA	SHELF-OVHDCABINETVCR/INVERTER/SATELLITEDISHPACKAGE-7.1"X28.75"
	106699-01-01A	EA	BRACKET-L-ANGLE, TVCABINETFACE-5.1"LONG-OFFWHITESTEEL
6	100708-12-000	EA	DOOR-GLASS, TVCABINET-W/OHARDWARE-9.7"X23.2"
7	114661-06-H33	EA	PANEL-HEADLINERFRONTOVERHEAD,LH-TVOPTION-W/OTV
7	114661-12-H33	EA	PANEL-HEADLINERFRONTOVERHEAD,LH-TVOPTIONS
7	114661-24-H33	EA	PANEL-HEADLINERFRONTOVERHEAD,LH-SATELLITEDISHPACKAGE
	118836-02-H33	EA	PANEL-VINYLCOVERED,BACK-SATELLITEDISHPACKAGEW/ORECEIVER
8	114661-01-H33	EA	PANEL-HEADLINERFRONTOVERHEAD,RH-TVOPTION-W/OTV
8	114661-13-H33	EA	PANEL-HEADLINERFRONTOVERHEAD,RH-TVOPTION
8	114661-14-H33	EA	PANEL-HEADLINERFRONTOVERHEAD,RH-TV/VCROPTION
8	114661-15-H33	EA	PANEL-HEADLINERFRONTOVERHEAD,RH-TV/VCR/INVERTEROPTION
8	114661-16-H33	EA	PANEL-HEADLINERFRONTOVERHEAD,RH-TV/INVERTEROPTION
9	114612-01-G32	EA	FACE-TV CABINETW/ODOOR,FRONTOVERHEAD-PASSENGERSSIDE
10	114188-01-H33	EA	CABINET-FRONTOVERHEADW/ODOOR,PASSENGERSSIDE
10	114188-01-H34	EA	CABINET-FRONTOVERHEADW/ODOOR,PASSENGERSSIDE
10	114188-01-H35	EA	CABINET-FRONTOVERHEADW/ODOOR,PASSENGERSSIDE
11	103128-08-G09	EA	CAP-END,FRONTOVERHEAD,PASSENGERSIDE
	P14188-01-G29	EA	BOTTOM-VINYLCOVERED,FRONTOVERHEAD-PASSENGERSSIDE
	104289-03-H33	EA	PAD-VINYLCOVERED,25.8"X11.4"-ANGLEDPASSENGERSIDE
12	103931-01-03A	EA	COVER-INNER, A-PILLAR-PASSENGERSIDE-QUICKSILVER
13	078811-08-G29	EA	PANEL-TRIM, LOWERHEADER-90.2"LONG-VINYLCOVERED
14	123298-01-02A	EA	SUNVISORASM-7"X28.5"-DRIVERSORPASSENGERSIDE
15	P03077-08-H33	EA	SHELF-CABINET,PASSENGERSSIDE-VINYLCOVERED-TVOPTION
15	P03077-04-H33	EA	SHELF-CABINET,PASSENGERSSIDE-VINYLCOVERED-W/OTV
16	122881-01-02A	EA	COVER-TVFACE,OVERHEADFRONT-QUICKSILVER-TVOPTIONS
	118022-06-H33	EA	COVERASM-FRONTTV,OVERHEAD(ASSEMBLEDKIT)-TVOPTIONS
	114706-02-02B	EA	SUPPORTASM-SHELF,TV-E-COAT-TVOPTIONS
	091261-01-000	FT	SLIPNOT-ANTISLIP,1'WIDE(100'ROLL)-TVOPTIONS
16	116791-01-H33	EA	FACEFRAME-TV CABINET,20.6"X22.2"-W/OHARDWARE-W/OTV
	P18192-01-G35	EA	COVERASM-FRONTTV,OVERHEAD-VINYLCOVERED-W/OTV
	114706-02-02B	EA	SUPPORTASM-SHELF,TV-E-COAT-W/OTV
	M06803-C1-H33	EA	DOOR-W/OHARDWARE-425MMX460MM-W/OTV
	115638-01-H33	EA	PANEL-TV CABINETTOP,VINYLCOVERED-W/OTV
	115639-01-H33	EA	PANEL-TV CABINETSIDES,VINYLCOVERED-W/OTV
17	078579-19-000	EA	TRIM-WINDSHIELD,UPPERINNER-PASSENGERSIDE-QUICKSILVER
18	079765-12-000	EA	TRIM-WINDSHIELD,CENTERINNER-QUICKSILVER
19	040714-01-000	EA	MIRROR-REARVIEW,W/ARMMOUNT&SETSCREW-GM#911722
	067490-01-000	EA	BUTTON-MIRROR,REARVIEW-STANKS927H
20	078579-20-000	EA	TRIM-WINDSHIELD,UPPERINNER-DRIVERSSIDE-QUICKSILVER
21	P03077-07-H33	EA	SHELF-CABINET,DRIVERSSIDE-VINYLCOVERED-TVOPTION
21	P03077-03-H33	EA	SHELF-CABINET,DRIVERSSIDE-VINYLCOVERED-W/OTV

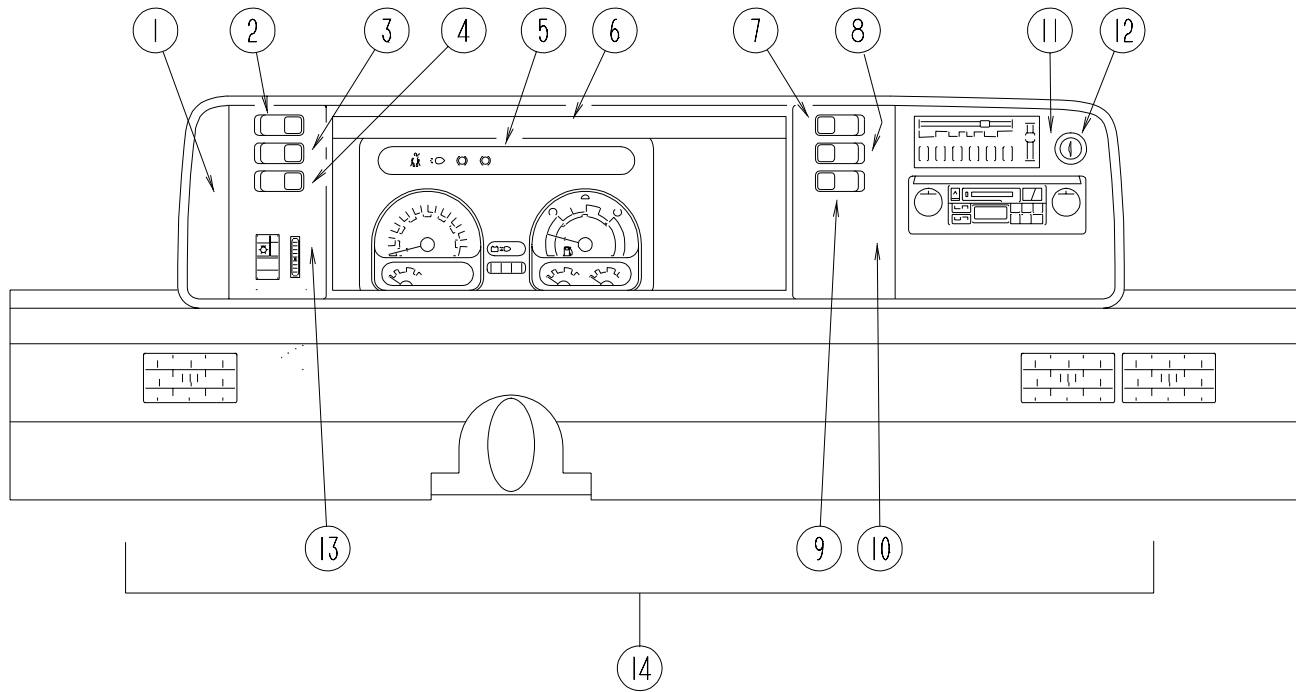
**DRIVERSCOMPARTMENTGROUP(CONTINUED)**  
**DRIVERSCOMPARTMENT-LOWER**



KEY	PARTNUMBER	U/M	DESCRIPTION
1	024700-44-000	EA	COVER-SIDEWALLROLLBAR,OFFWHITE-53"
1	024700-45-000	EA	COVER-SIDEWALLROLLBAR,OFFWHITE-12.8"
	024700-47-000	EA	COVER-SIDEWALLROLLBAR,OFFWHITE-18.9"-DRIVERDOOR
	024700-48-000	EA	COVER-SIDEWALLROLLBAR,OFFWHITE-25"-DRIVERDOOR
2	091990-04-01A	EA	SEATBELT-SHOULDERHARNES-DRIVERS/PASSENGERS-BLACK
	091990-01-700	EA	BOLTCOVER
	091990-01-701	EA	EXTENDER-SEATBELTSHOULDERHARNES,9"-I-1331-02
	109146-01-000	EA	BOLT-SHOULDER,SEATBELT
3	103812-11-02A	EA	TRIM-DASH,LOWER-QUICKSILVER-CHEVY
3	117306-01-G35	EA	TRIMASM-DASH,LOWERLH-QUICKSILVER-FORD
3	111528-06-03A	EA	TRIMASM-DASH,LOWERRH-QUICKSILVER-FORD
4	111499-01-05A	EA	POD-INSTRUMENTPANEL,QUICKSILVER-PLASTIC
5	P03817-17-000	EA	DASHASM,W/OVINYL-FORD
5	P03817-18-000	EA	DASHASM,W/OVINYL-CHEVY
	106569-02-05A	YD	VINYL-LAMINATE,1/4"X16"X8'-QUICKSILVER
	077539-01-000	EA	BRACKET-MOUNTING,DASHPANEL-L/SHAPED-2.5"X1"X1.5"
	105927-02-000	EA	PANEL-DASHTOPW/STUD
	113452-01-000	FT	SEAL-TRIM,U-SHAPEDVINYL
			FROM: 02-03-97 THRU: 99-99-99
6	104354-01-07A	EA	APPLIQUE-LOWERDASH,2300MMLONG
7	095757-03-F25	EA	COVER-HEATERW/CARPET(H33)
7	095757-03-E33	EA	COVER-HEATERW/CARPET(H34)
7	095757-03-H35	EA	COVER-HEATERW/CARPET(H35)
8	086120-01-H33	EA	PAD-MAPPOCKET,12"X16"(H33)
			FROM: 00-00-00 THRU: 01-12-97
8	086120-01-H3A	EA	PAD-MAPPOCKET,12"X16"(H33)
			FROM: 01-13-97 THRU: 99-99-99
8	086120-01-H34	EA	PAD-MAPPOCKET,12"X16"(H34)
8	086120-01-H35	EA	PAD-MAPPOCKET,12"X16"(H35)
9	115840-01-01A	EA	COVER-MOTOR,W/OCARPET
9	115840-02-01A	EA	COVER-MOTOR,W/OCARPET-CHEVYVORTECEENGINEOPTION
	115850-01-02B	EA	RETAINER-LATCH,MOTORCOVER
	116581-01-000	EA	LATCH-MOTORCOVER-SOUTHCO2710074088
	115852-01-02B	EA	STRIKE-LATCH-MOTORCOVER-E-COATED
	116833-01-02B	EA	WRENCH-HEX,MOTORCOVER-E-COAT
	115860-01-01A	EA	TRIM-MOTORCOVER,BOTTOM-MILLFINISHALUMINUM
	039623-01-000	FT	SEAL-MOTORCOVER,RUBBERBULBTYPE-BLACK
	122772-02-02B	EA	BRACKETASM-MOUNTNG,TRAY-E-COAT
10	103498-06-000	EA	BOOT-STEERINGCOLUMN,BLACKVINYL-CHEVY
			FROM: 00-00-00 THRU: 12-18-96
10	103498-09-000	EA	BOOT-STEERINGCOLUMN,BLACKVINYL-CHEVY
			FROM: 12-19-96 THRU: 99-99-99
	111521-04-01A	EA	COVER-STEERINGCOLUMN-FORD
	112634-01-01A	EA	TRIM-STEERINGCOLUMN,RIGHTHAND-FORD
	112634-02-01A	EA	TRIM-STEERINGCOLUMN,LEFTHAND-FORD

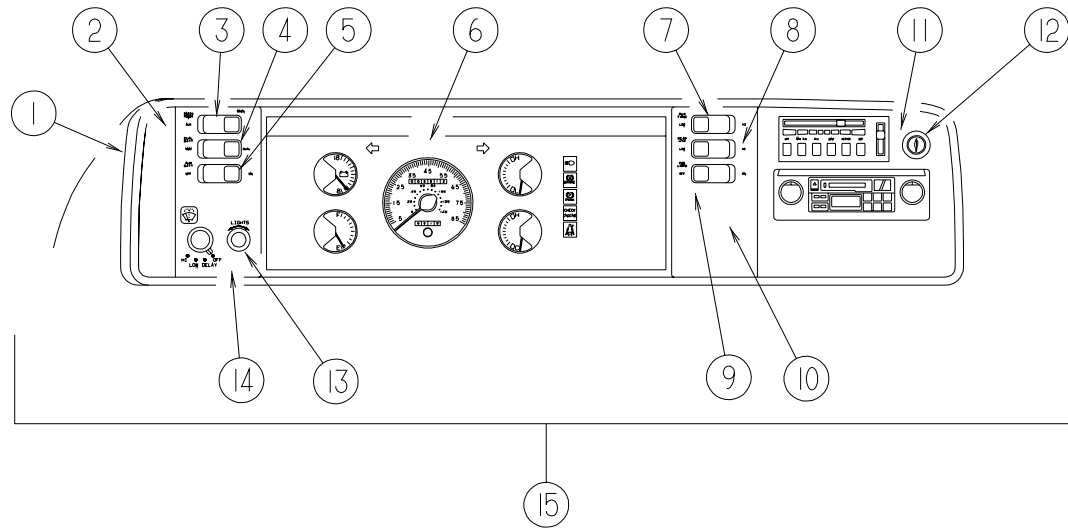


**DRIVERSCOMPARTMENTGROUP(CONTINUED)**  
**DASH,GAUGES&SWITCHES-CHEVY**



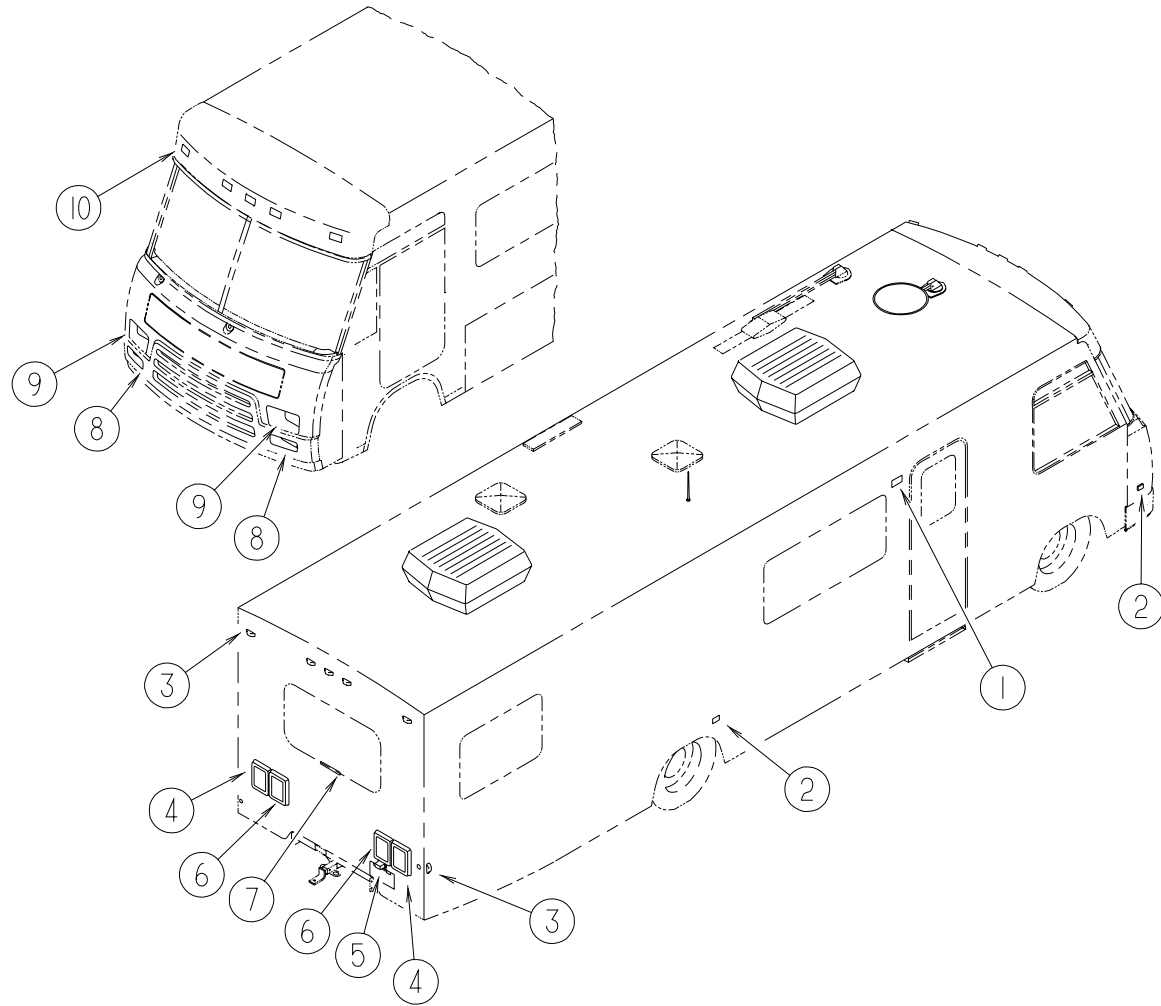
KEY	PARTNUMBER	U/M	DESCRIPTION
1	104056-01-04A	EA	APPLIQUE-BEZEL
2	108356-02-01A	EA	COVER-SWITCHW/DIMPLES-CARLINGVVAZC00BLA
2	108357-05-000	EA	SWITCH-ROCKER,SPDTON/NONE/ON-RADIOPOWERW/OCD
2	108357-08-000	EA	SWITCH-ROCKER,DPDTON/NONE/ON6TERMINAL-RADIOPOWERW/CD
3	108356-02-01A	EA	COVER-SWITCHW/DIMPLES-CARLINGVVAZC00BLA
3	108357-09-000	EA	SWITCH-ROCKER,SPDTON/NONE/MOM-DUALBATTERY-CARLINGV5D1000B-0
4	108356-02-01A	EA	COVER-SWITCHW/DIMPLES-CARLINGVVAZC00BLA
4	108357-06-000	EA	SWITCH-ROCKER,DPDTMOM/OFF/MOM-6TERMINAL-CARLINGVLD1000B-0 BATTERYDISCONNECTSWITCHOPTION
4	096241-03-000	EA	SWITCH-BLANK
5	094796-07-000	EA	CLUSTER-INSTRUMENTPANEL,KILOMETERS-GAS FROM: 00-00-00 THRU: 10-06-96
5	125001-02-000	EA	CLUSTER-INSTRUMENTPANEL,KILOMETERS/MILES-GAS FROM: 10-07-96 THRU: 99-99-99
5	094796-08-000	EA	CLUSTER-INSTRUMENTPANEL,KILOMETERS-DIESEL FROM: 00-00-00 THRU: 12-01-96
5	125001-04-000	EA	CLUSTER-INSTRUMENTPANEL,KILOMETERS/MILES-DIESEL FROM: 12-02-96 THRU: 99-99-99
5	094796-11-000	EA	CLUSTER-INSTRUMENTPANEL,MILES-DIESEL-ENGLAND FROM: 00-00-00 THRU: 02-16-97
5	125001-03-000	EA	CLUSTER-INSTRUMENTPANEL,MILES/KILOMETERS-DIESEL-ENGLAND FROM: 02-17-97 THRU: 99-99-99
6	103662-01-01A	EA	BEZEL-INSTRUMENTPANEL
7	108356-04-01A	EA	COVER-SWITCHW/DIMPLES&LENS-CARLINGVVAGC00
7	108357-10-000	EA	SWITCH-ROCKER,SPDTMOM/OFF/MOM-LIGHTED-CARLINGV8D1160B-0 GENERATOROPTION
7	096241-03-000	EA	SWITCH-BLANK
8	108356-02-01A	EA	COVER-SWITCHW/DIMPLES-CARLINGVVAZC00BLA
8	108357-03-000	EA	SWITCH-ROCKER,SPDTON/OFF/ON-CARLINGV6D1000B-0 REARHEATEROPTION
8	096241-03-000	EA	SWITCH-BLANK
9	096241-03-000	EA	SWITCH-BLANK
10	104056-21-01A	EA	APPLIQUE-BEZEL
11	104056-06-04A	EA	APPLIQUE-BEZEL
12	089294-01-000	EA	LIGHTERASM-CIGARETTE-CASCOC213275
13	104056-22-01A	EA	APPLIQUE-BEZEL
14	M05946-40-H33	EA	DASHPODASM-CHEVY
	100138-01-000	EA	MODULE-DAYTIMERUNNINGLIGHT-CANADIAN
	077031-01-000	EA	FILM-BLACK,1"X1.75"
	077031-03-000	EA	FILM-WHITE,.75"X1"
	049176-01-000	EA	HEDLOCKII-3/4"DIAMETER,SCREWMOUNT
	103603-01-000	EA	BULB-12VNO.740.12AWEDGE

**DRIVERSCOMPARTMENTGROUP(CONTINUED)**  
**DASH,GAUGES&SWITCHES-FORD**



KEY	PARTNUMBER	U/M	DESCRIPTION
1	103662-04-01A	EA	BEZEL-INSTRUMENTPANEL
2	104056-01-04A	EA	APPLIQUE-BEZEL
3	108356-02-01A	EA	COVER-SWITCHW/DIMPLES-CARLINGVVAZC00BLA
3	108357-05-000	EA	SWITCH-ROCKER,SPDTON/NONE/ON-RADIOPOWERW/OCD
3	108357-08-000	EA	SWITCH-ROCKER,DPDTON/NONE/ON6TERMINAL-RADIOPOWERW/CD
4	108356-02-01A	EA	COVER-SWITCHW/DIMPLES-CARLINGVVAZC00BLA
4	108357-09-000	EA	SWITCH-ROCKER,SPDTON/NONE/MOM-DUALBATTERY-CARLINGV5D1000B-0
5	108356-02-01A	EA	COVER-SWITCHW/DIMPLES-CARLINGVVAZC00BLA
5	108357-06-000	EA	SWITCH-ROCKER,DPDTMOM/OFF/MOM-6TERMINAL-CARLINGVLD1000B-0 BATTERYDISCONNECTSWITCHOPTION
5	096241-03-000	EA	SWITCH-BLANK
6	094794-06-000	EA	CLUSTER-INSTRUMENTPANEL,KILOMETERS-FORDF5TD-10849-BB
7	108356-04-01A	EA	COVER-SWITCHW/DIMPLES&LENS-CARLINGVVAGC00
7	108357-10-000	EA	SWITCH-ROCKER,SPDTMOM/OFF/MOM-LIGHTED-CARLINGV8D1160B-0 GENERATOROPTION
7	096241-03-000	EA	SWITCH-BLANK
8	108356-02-01A	EA	COVER-SWITCHW/DIMPLES-CARLINGVVAZC00BLA
8	108357-03-000	EA	SWITCH-ROCKER,SPDTON/OFF/ON-CARLINGV6D1000B-0 REARHEATEROPTION
8	096241-03-000	EA	SWITCH-BLANK
9	096241-03-000	EA	SWITCH-BLANK
10	104056-21-01A	EA	APPLIQUE-BEZEL
11	104056-06-04A	EA	APPLIQUE-BEZEL
12	089294-01-000	EA	LIGHTERASSEMBLY-CIGARETTE-CASCOC213275
13	096674-01-000	EA	NUT-HEADLAMPKNOB,BLACK
13	096675-01-000	EA	KNOB-HEADLAMP-W/SHAFT
14	104056-24-01A	EA	APPLIQUE-BEZEL
15	M05946-39-H33	EA	DASHPODASM-FORD
	100138-01-000	EA	MODULE-DAYTIMERUNNINGLIGHT-CANADIAN
	103603-01-000	EA	BULB-12VNO.740.12AWEDGE
	077031-01-000	EA	FILM-BLACK,1"X1.75"
	077031-03-000	EA	FILM-WHITE,.75"X1"
	049176-01-000	EA	HEDLOCKII-3/4"DIAMETER,SCREWMOUNT
	111904-01-000	EA	INDICATORASSEMBLY-TRANSMISSION-FORDFGUS-7B053AA

**ELECTRICALGROUP  
EXTERIORLIGHTS**

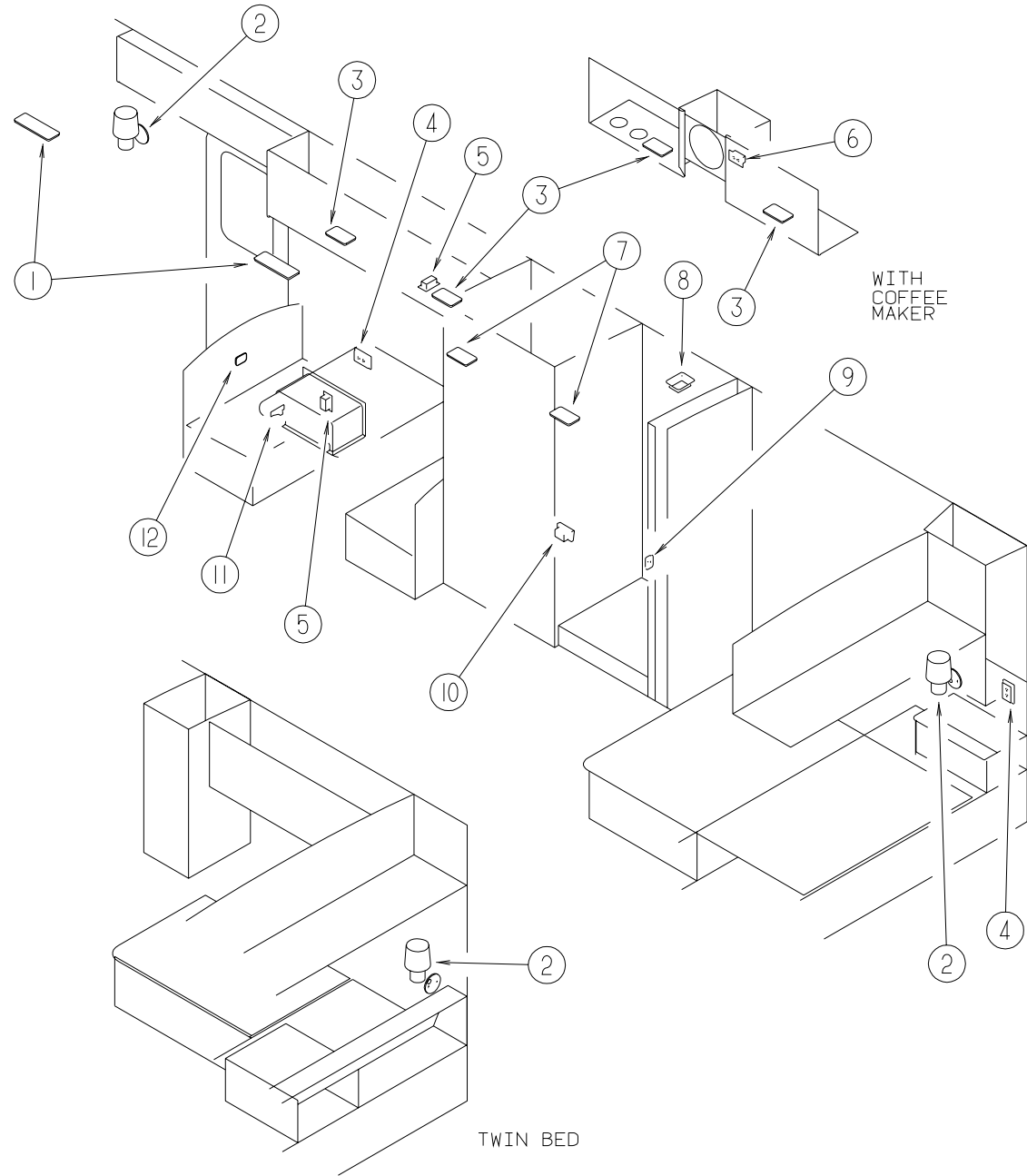


KEY	PARTNUMBER	U/M	DESCRIPTION
1	097917-01-06A	EA	LIGHT-PORCH,ENTRYDOOR-BRIGHTWHITE
	008215-01-000	EA	BULB-12V,.94AMP-#1003
1	097917-01-700	EA	LENS-LIGHT,PORCH
2	111102-01-000	EA	LAMP-MARKER,BASE-TRIPLEX117XAS
	036196-01-000	EA	BULB-12V,#194-.27AMP-BAYONETTE
2	111102-02-000	EA	LENS-MARKERLAMP,AMBER-TRIPLEX118A
3	111102-01-000	EA	LAMP-MARKER,BASE-TRIPLEX117XAS
	036196-01-000	EA	BULB-12V,#194-.27AMP-BAYONETTE
3	111102-03-000	EA	LENS-MARKERLAMP,RED-TRIPLEX117R
4	115632-03-02A	EA	LIGHT-STOP/TAIL/BACKUP
	121621-01-01A	EA	POD-TAILLIGHTS,BRIGHTWHITE
5	066432-02-000	EA	LIGHT-LICENSE,BLACK
	066432-03-000	EA	BRACKET-LICENSEPLATE-BARGMAN30-60-030
6	115632-01-02A	EA	LIGHT-STOP/TURN/TAI,RED
	121621-01-01A	EA	POD-TAILLIGHTS,BRIGHTWHITE
7	121950-01-000	EA	LIGHTASM-BRAKE,CENTERMOUNT-RUSSELLJI-100
8	106688-02-000	EA	LIGHT-TURNSIGNAL,AMBER(LENS/BACKPAN)
	037935-01-000	EA	BULB-12V-#1157OR#2057-2.1AMP-CLEARGLASS
9	070907-04-000	EA	HEADLAMP-HIGH/LOWHALOGEN
	049359-01-000	EA	SPRING-RETAINER,HEADLAMP-GM#496096
	073308-01-000	EA	SCREW-ADJUSTING,HEADLAMP
	106687-02-000	EA	SOCKET-LIGHT,3-WIRE
10	102520-01-000	EA	LIGHT-CLEARANCE,W/OSOCKETCONNECTIONS-AMBER
	036196-01-000	EA	BULB-12V,.27AMP-BAYONETTE -#194
	102540-01-000	EA	SEAL-SCREW,ROUND-RUBBER
	102541-01-000	EA	GASKET-CLEARANCELIGHT
	067789-02-000	EA	SOCKET-LAMP
	098024-01-03A	EA	LIGHT-DOME,1BULB-WHITE(COMPARTMENTS)
	008218-01-000	EA	BULB-DOMELIGHT,12V-NUMBER1141
	098024-01-700	EA	LENS-LIGHT

VENDORNO.

807877

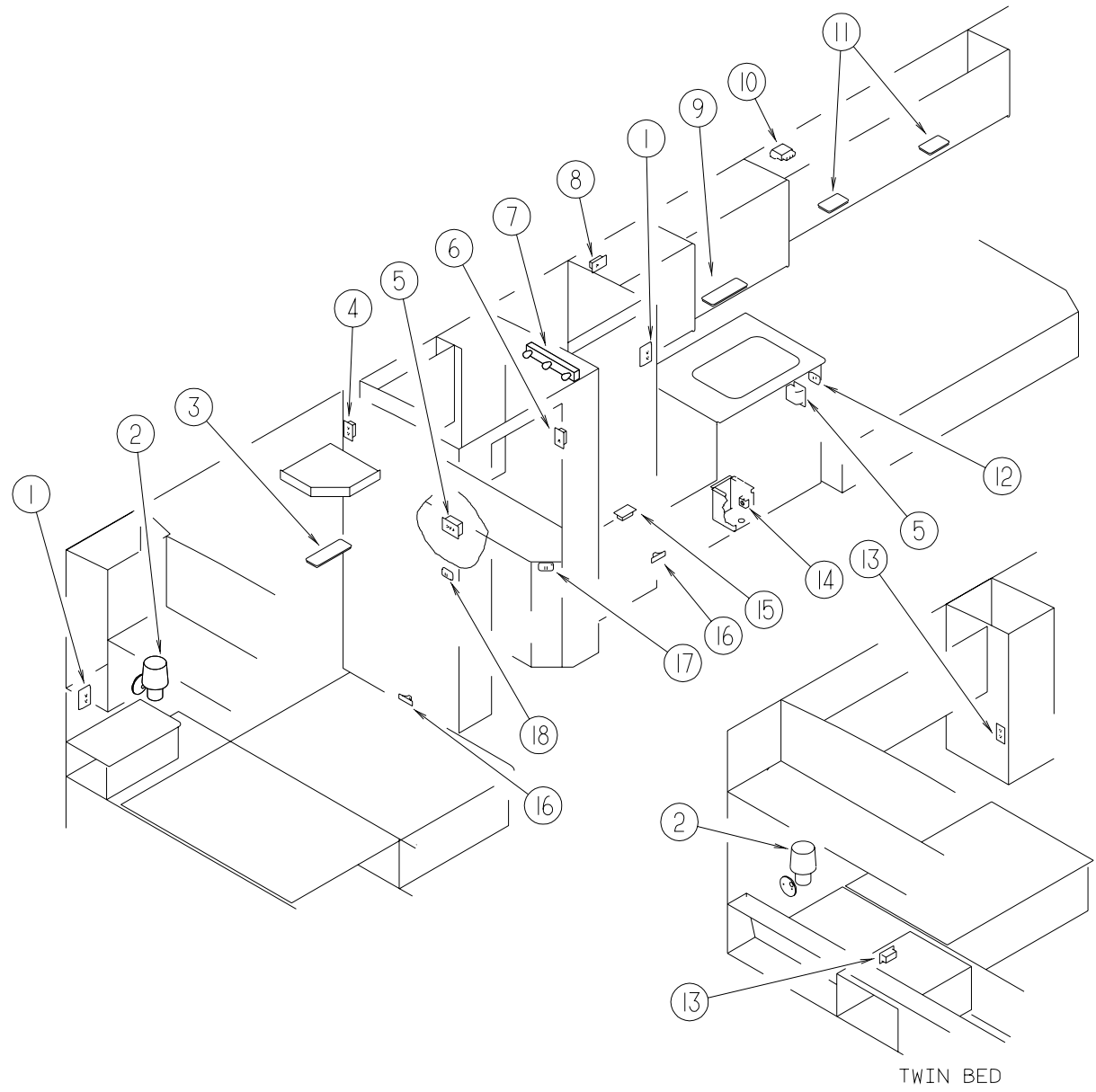
**ELECTRICAL GROUP (CONTINUED)**  
**LIGHTS, SWITCHES, & RECEPTACLES PASSENGER'S SIDE**



KEY	PART NUMBER	U/M	DESCRIPTION	VENDOR NO.
1	098024-03-02A	EA	LIGHT-DOME, 2BULB-WHITE	
	008218-01-000	EA	BULB-DOMELIGHT, 12V-1141	
	098024-01-700	EA	LENS-LIGHT	807877
2	119257-04-01A	EA	SHADE-LAMP, LINEN-WHITEHARDSM-100-121X2BS	
	119258-05-01A	EA	LAMP-WALL, UL/CSA-53-512XNN7Y23-BRASS	
2	119258-01-700	EA	FINIAL-PYRAMID	12-0322
	067479-01-000	EA	BULB-12V, NUMBER 1076	
3	098024-05-02A	EA	LIGHT-DOME, 1BULB-SKYLITE-WHITE-PD771WRR	
	008218-01-000	EA	BULB-DOMELIGHT, 12V-NUMBER 1141	
	098024-01-701	EA	LENS-LIGHT, OPTICLEAR	809902
4	058708-02-000	EA	RECEPTACLE-ELECTRIC, DOUBLE-IVORY	
	102568-01-GB1	EA	SPACER-SIDEWALLRECEPTACLE	
5	058708-01-000	EA	RECEPTACLE-ELECTRIC, DOUBLE-BROWN	
6	058708-05-000	EA	RECEPTACLE-SINGLE-BROWN-WIRECONWDR15BRS	
7	098024-01-01A	EA	LIGHT-DOME, 1BULB-IVORY	
	008218-01-000	EA	BULB-DOMELIGHT, 12V-NUMBER 1141	
	098024-01-700	EA	LENS-LIGHT	807877
8	121935-01-01A	EA	LIGHT-DOME, SHOWER-PD770WS	
9	098351-01-01A	EA	PLATE-SWITCH, 1GANG-POLISHEDBRASS-JENSEN	
9	079364-01-000	EA	SWITCH-ON/OFFROCKER, 2PRONGS-BROWN-SHOWERLIGHT	
10	112822-01-01A	EA	RECEPTACLE-DUPLEX, IVORY-WIRECONWDRU15IV	
10	112824-01-03A	EA	COVER-EXTERIORDUPLEXRECEPTACLE, WHITE-P&S3780-SC-WH	
11	061424-01-000	EA	LIGHT-AISLE, 12V-RECTANGULAR	
	008103-01-000	EA	BULB-DASH/AISLELIGHT, #53-12V-.12AMP	
12	098351-05-01A	EA	PLATE-SWITCH, 3GANG-POLISHEDBRASS-W/LABEL-JENSEN	
	079364-01-000	EA	SWITCH-ON/OFFROCKER, 2PRONGS-BROWN-PORCH&CEILINGLIGHT&STEP	
12	095188-02-01A	EA	SPACER-SWITCH, 2.3"X4.1"-PLASTIC-DARKBROWN	
	086280-01-000	EA	LIGHT-SURFACEMOUNT, 12V-JENSEN1236	
	086280-01-700	EA	BULB-12VOLT, 6WATT	



**ELECTRICAL GROUP (CONTINUED)**  
**LIGHTS, SWITCHES, & RECEPTACLES DRIVERS SIDE**



KEY	PARTNUMBER	U/M	DESCRIPTION	VENDOR NO.
1	058708-02-000	EA	RECEPTACLE-ELECTRIC, DOUBLE-IVORY	
1	102568-01-GB1	EA	SPACER-SIDEWALL RECEPTACLE	
2	119257-04-01A	EA	SHADE-LAMP, LINEN-WHITE HARD SM-100-121X2BS	
2	119258-05-01A	EA	LAMP-WALL, UL/CSA-53-512XNN7Y23-BRASS	
2	119258-01-700	EA	FINIAL-PYRAMID	12-0322
2	067479-01-000	EA	BULB-12V, NUMBER 1076	
3	098024-03-02A	EA	LIGHT-DOME, 2BULB-WHITE	
	008218-01-000	EA	BULB-DOMELIGHT, 12V-1141	
	098024-01-700	EA	LENS-LIGHT	807877
4	058708-01-000	EA	RECEPTACLE-ELECTRIC, DOUBLE-BROWN	
4	058708-05-000	EA	RECEPTACLE-SINGLE, BROWN-WIRECONWDR15BRS-13" TV OPTION	
5	084076-02-000	EA	RECEPTACLE-GFI, 15A-125V-BROWN	
6	058707-01-000	EA	RECEPTACLE-ELECTRIC, SINGLE-BROWN-REFRIGERATOR	
7	110235-01-01A	EA	LIGHT-MAKEUP, 3BULBPANLESS-BRASS PDPD200-621	
	081633-01-700	EA	BULB-LIGHT, MAKE-UP	RP1041
8	058708-05-000	EA	RECEPTACLE-SINGLE, BROWN-WIRECONWDR15BRS-MICROWAVE	
9	098024-06-02A	EA	LIGHT-DOME, 2BULB-SKYLITE-WHITE-PD772WRR	
	008218-01-000	EA	BULB-DOMELIGHT, 12V-NUMBER 1141	
	098024-01-701	EA	LENS-LIGHT, OPTICLEAR	809902
10	091927-01-000	EA	COVER-RECEPTACLE, DOUBLE-IVORY-W/OROOFACOITION	
11	098024-05-02A	EA	LIGHT-DOME, 1BULB-SKYLITE-WHITE-PD771WRR	
	008218-01-000	EA	BULB-DOMELIGHT, 12V-NUMBER 1141	
	098024-01-701	EA	LENS-LIGHT, OPTICLEAR	809902
12	079364-03-000	EA	SWITCH-ON/OFFROCKER, 3PRONGS-BROWN	
12	098351-01-01A	EA	PLATE-SWITCH, 1GANG-POLISHEDBRASS-JENSEN	
13	058708-01-000	EA	RECEPTACLE-ELECTRIC, DOUBLE-BROWN	
14	024924-02-000	EA	RECEPTACLE-POWERCORD, W/PARTIALPLATE	
15	058707-02-000	EA	RECEPTACLE-BLANK, JUNCTION-WIRECONWDJ20BR	
16	061424-01-000	EA	LIGHT-AISLE, 12V-RECTANGULAR	
	008103-01-000	EA	BULB-DASH/AISLELIGHT, #53-12V-.12AMP	
17	079364-03-000	EA	SWITCH-ON/OFFROCKER, 3PRONGS-BROWN-WATERPUMP	
17	079364-01-000	EA	SWITCH-ON/OFFROCKER, 2PRONGS-BROWN-MAKEUPLIGHT	
17	098351-01-01A	EA	PLATE-SWITCH, 1GANG-POLISHEDBRASS-JENSEN	
18	098351-02-01A	EA	PLATE-SWITCH, 2GANG-POLISHEDBRASS-JENSEN	
18	079364-01-000	EA	SWITCH-ON/OFFROCKER, 2PRONGS-BROWN-CEILINGLIGHT	
18	079364-03-000	EA	SWITCH-ON/OFFROCKER, 3PRONGS-BROWN-COURTESYLIGHT	
18	095188-01-01A	EA	SPACER-SWITCH, 2.3"X3.4"-PLASTIC-DARKBROWN	
	086280-01-000	EA	LIGHT-SURFACEMOUNT, 12V-JENSEN1236	
	086280-01-700	EA	BULB-12VOLT, 6WATT	

TWIN BED

**ELECTRICALGROUP(CONTINUED)**  
**FUSES&FUSEHOUSINGS**

KEY	PARTNUMBER	U/M	DESCRIPTION
	008234-01-000	EA	FUSE -10AMPS,12VOLT
	062901-02-000	EA	FUSE-5AMPS,AUTOMOTIVE
	062901-05-000	EA	FUSE-15AMPS,AUTOMOTIVE
	062901-06-000	EA	FUSE-20AMPS,AUTOMOTIVE
	062901-07-000	EA	FUSE-25AMPS,AUTOMOTIVE
	062901-08-000	EA	FUSE-30AMPS,AUTOMOTIVE
	062037-01-000	EA	HOUSING-AUTOFUSE,NATURAL
	062037-02-000	EA	HOUSING-AUTOFUSE,GREEN
	062037-03-000	EA	HOUSING-AUTOFUSE,BLACK
	062037-04-000	EA	HOUSING-AUTOFUSE,BLUE
	062037-06-000	EA	HOUSING-AUTOFUSE,BROWN
	062037-07-000	EA	HOUSING-AUTOFUSE,RED
	108669-01-000	EA	HOUSING-AUTOFUSEHOLDER,PACKARD12010105
	106656-01-000	EA	FUSEBLOCK-4CAVITYAUTOFUSE-PACKARD12004943

**CIRCUITBREAKERS**

KEY	PARTNUMBER	U/M	DESCRIPTION
	083209-01-000	EA	CIRCUITBREAKER-15AMP,120V-BWG-15
	083209-02-000	EA	CIRCUITBREAKER-15/15AMP,120V-BWH-15/15
	083209-03-000	EA	CIRCUITBREAKER-15/20AMP,120V-BW0-15/20
	083209-05-000	EA	CIRCUITBREAKER-20AMP,120V-BWJ-20
	083209-06-000	EA	CIRCUITBREAKER-30/15AMP,120V-BWD-30/15
	093655-03-000	EA	CIRCUITBREAKER-40AMP,12V-USD17440-4E03A2A
	097611-01-000	EA	CIRCUITBREAKER-6AMP,ATC-BLACK-FASCOVB3-A10-F57

**TERMINALS**

KEY	PARTNUMBER	U/M	DESCRIPTION
	008326-01-000	EA	TERMINAL-RING,16/14WIRE-3/8"STUD
	008328-01-000	EA	TERMINAL-RING,12/10WIRE-#10STUDFIT
	008331-01-000	EA	TERMINAL-RING,TONGUE-#4WIRE-3/8"STUD-COPPER
	008348-01-000	EA	TERMINAL-RING,3/8"STUD-#2WIRE
	035416-04-000	EA	TERMINAL-RING#10STUDFIT,INSULATEDBARREL#16/14
	047443-01-000	EA	TERMINAL-.250RECEPTACLEFIT,INSULATED-16/14AWG
	062036-01-000	EA	TERMINAL-PACK-CON,12/10AWG-PACKARD12033817
	062036-02-000	EA	TERMINAL-PACK-CON,16/14AWG
	088267-01-000	EA	TERMINAL-FEMALE,1/4-PACKARD2962573
	098260-01-000	EA	TERMINAL-MALE,56SERIES-PACKARD02971962
	104100-03-000	EA	TERMINAL-75AMP,AMP53880-4LOOSE
	106007-01-000	EA	TERMINAL-FEMALE,14-16AWG-PACKARD12015861-L
	106655-01-000	EA	TERMINAL-FUSEBLOCK,14-16AWG-PACKARD12020321
	106655-02-000	EA	TERMINAL-FUSEBLOCK,10-12AWG-PACKARD12020400
	113306-01-000	EA	TERMINAL-FEMALE,METRI-PACK-PACKARD12048451
	113307-01-000	EA	TERMINAL-FEMALE,METRI-PACK-PACKARD12048074
	125324-01-000	EA	TERMINAL-MALE,M/P-150-PACKARD12045773

**ELECTRICALGROUP(CONTINUED)**  
**ELECTRICBOXES&COVERS**

KEY	PARTNUMBER	U/M	DESCRIPTION
	008289-01-000	EA	BOX-ELECTRIC,STEEL-1/2"AND3/4"KNOCKOUTS-4"X4"-US
	008289-02-000	EA	BOX-ELECTRIC,4"X4"-1/2"&3/4"KNOCKOUTS-CANADIAN
	091910-01-000	EA	BOX-ELECTRIC,3.75"X3.5"X1.75"-PLASTIC
	091910-02-000	EA	BOX-ELECTRIC,57MMX88MM-PLASTIC
	074890-01-000	EA	BOX-EXTENSION,STEEL-OPENSIDES-4"X4"X11/2"
	074897-01-000	EA	COVER-ELECTRICBOX,1LARGE&2SMALLHOLES-4"X4"
	008294-01-000	EA	COVER-ELECTRICBOX,BLANK/STEEL-4"X4"-GRAY
	008294-02-000	EA	COVER-ELECTRICBOX,BLANKSTEEL-4"X4"-CANADIAN
	069238-01-000	EA	COVER-ELECTRICBOX,W/HOLE-4"X4"-GRAY USEDWITH30AMPRECEPTACLE
	111509-01-000	EA	BOXASM-ELECTRICAL,FRONT
	111510-01-000	EA	DOOR-ELECTRICALBOX,FRONT

**HOUSINGS,PINS&SOCKETS**

KEY	PARTNUMBER	U/M	DESCRIPTION
	088473-01-000	EA	HOUSING-PIN,4ROWSOF3
	088473-02-000	EA	HOUSING-PIN,15CAVITY-AMP1-480710-0
	088473-03-000	EA	HOUSING-PIN,9POSITION
	088473-05-000	EA	HOUSING-PIN,6POSITION(SINGLEROW)
	088473-06-000	EA	HOUSING-PIN,6POSITION(TWOROWSOFTHREE)
	088473-08-000	EA	HOUSING-PIN,4POSITION
	088473-09-000	EA	HOUSING-PIN,3POSITION(SINGLEROW)
	088473-10-000	EA	HOUSING-PIN,2POSITION
	088474-01-000	EA	HOUSING-SOCKET,12POSITION
	088474-02-000	EA	HOUSING-SOCKET,12CAVITY-AMP1-480711-0
	088474-03-000	EA	HOUSING-SOCKET,9POSITION
	088474-06-000	EA	SOCKET-HOUSING,6POSITION(2ROWSOFTHREE)
	088474-07-000	EA	HOUSING-SOCKET,5CAVITY-AMP1-480764-0
	088474-08-000	EA	SOCKET-HOUSING,4POSITION(SINGLEROW)
	088474-09-000	EA	HOUSING-SOCKET,3POSITION
	088474-10-000	EA	HOUSING-SOCKET,2POSITION
	088475-01-000	EA	PIN-CONNECTOR,14TO20AWG
	088475-02-000	EA	PIN-CONNECTOR,10TO12AWG
	088476-01-000	EA	SOCKET-CONNECTOR,BRASS-PRE-TIN
	088476-02-000	EA	SOCKET-CONNECTOR,12-10GA-PHOS.BRZ-PRE-TIN
	103608-01-000	EA	SOCKET-WEDGEBASEW/LEADS,JKL2944-6OREQUIVALENT
	100690-01-000	EA	HOUSING-5PIN,WEATHERPACK
	101571-01-000	EA	HOUSING-2POSITION,MALE
	104100-01-000	EA	HOUSING-1POSITION,75AMP-AMP53884-1
	106006-01-000	EA	HOUSING-1POSITION,FEMALE-PACKARD12015952
	110178-01-000	EA	HOUSING-WIPERMOTOR-UT6237440-EC25WJ
	113468-01-000	EA	HOUSING-2POSITION,FEMALE-56-SERIES-PACKARD02965981 USEDONWIPER/WASHERWIREASM
	115556-01-000	EA	HOUSING-3POSITION-FEMALE
	115556-02-000	EA	HOUSING-2POSITION-FEMALE
	119248-02-000	EA	HOUSING-7POSITION,FEMALE-METRI-PACK-PACKARD12059472
	125323-02-000	EA	HOUSING-8POSITION,MALE
	063910-01-000	EA	HOUSING-RELAY-BOSCH3334485008
	108355-01-000	EA	HOUSING-SWITCH-CARLINGVCH

**ELECTRICALGROUP(CONTINUED)**  
**CONNECTORS**

KEY	PARTNUMBER	U/M	DESCRIPTION
	008311-01-000	EA	CONNECTOR-WIRENUT,INSULATED-RED
	008312-01-000	EA	CONNECTOR-WIRENUT,INSULATED-BLUE
	008313-01-000	EA	CONNECTOR-WIRENUT,INSULATED-YELLOW
	008314-01-000	EA	CONNECTOR-WIRENUT,INSULATED-GRAY
	008355-01-000	EA	CONNECTOR-CABLECLAMPING,3/4"
	008356-01-000	EA	CONNECTOR-PLASTIC,3/8"AVG
	008398-01-000	EA	CONNECTOR-1/2"X90DEGREE,FLEXCONDUIT-ULANDCSA
	041480-01-000	EA	CONNECTOR-STRAIGHT,1/2"FLEXCONDUIT
	058028-01-000	EA	CONNECTOR-ELECTRICALPIGTAIL,NYLON-CLEAR
	098261-02-000	EA	SOCKET-CONNECTOR,WEATHERPACK-PACKARD12124580
	098262-01-000	EA	SEAL-CONNECTOR,WEATHERPACK-PACKARD12010293
	098265-02-000	EA	PIN-CONNECTOR,WEATHERPACK-PACKARD12089305
	007940-01-000	EA	RECEPTACLE-SLIDE,16TO12AWG-FEMALEEND
	007954-01-000	EA	RECEPTACLE-HOUSING,6POSITION
	080015-02-000	EA	RECEPTACLE-FLAG,.185-16/14GA-AMP3-520340-2
	112823-01-000	EA	SPLICE-REDUCER,16-14T018-22-ETCBA-631X

**POWERCORDS**

KEY	PARTNUMBER	U/M	DESCRIPTION
	008052-01-000	EA	CORD-POWER,10/3-30AMP-25'-CANADIAN
	008054-01-000	EA	CORD-POWER,10/3-30AMP-25'-US
	121470-01-000	EA	CORD-EXTENSTION,6FT-16-2-AWI2030-SATELLITEDISHOPTION

**WIREASSEMBLIES**

KEY	PARTNUMBER	U/M	DESCRIPTION
	096449-01-000	EA	WIREASSEMBLY-WATERTANKTOMONITORPANEL
	097618-01-000	EA	WIREASSEMBLY-MONITORPANEL,W/3WIRES&ORANGERESISTOR-LVS
	102636-02-000	EA	WIREASSEMBLY-CLEARANCELAMPS
	090986-01-000	EA	WIREASSEMBLY-ELECTRICSTEP,KWIKEE9009
	100677-01-000	EA	WIREASSEMBLY-RADIO
	103342-02-000	EA	WIREASSEMBLY-CLEARANCE,UPPERLEFT
	103342-03-000	EA	WIREASSEMBLY-CLEARANCE,UPPERRIGHT
	110256-01-000	EA	WIREASSEMBLY-IP,GENERATOR
	113134-03-000	EA	WIREASSEMBLY-WIPER/WASHER
	111915-01-000	EA	WIREASSEMBLY-DAYRUNLAMPS,FUSE-GM
	111915-03-000	EA	WIREASSEMBLY-DAYRUNLAMPS,FUSE-FORD
	108303-01-000	EA	WIREASSEMBLY-REARAUTOHEATER
	110256-01-000	EA	WIREASSEMBLY-INSTRUMENTPANEL,GENERATOR
	085908-04-000	EA	WIREASSEMBLY-TAILLIGHTTEXTEND

FROM: 00-00-00 THRU: 07-31-96

**CONDUIT**

KEY	PARTNUMBER	U/M	DESCRIPTION
	041953-01-000	FT	CONDUIT-CONVOLUTE,SLIT-.5"ID
	041953-03-000	FT	CONDUIT-CONVOLUTE,SLIT-1"ID(CLOTHESRODCOVER)
	041953-05-000	FT	CONDUIT-CONVOLUTE,SOLID-.62"ID
	041953-06-000	FT	CONDUIT-CONVOLUTE,SLIT-.375"ID
	041953-07-000	FT	CONDUIT-CONVOLUTE,SLIT-.25"ID
	041953-08-000	FT	CONDUIT-CONVOLUTE,SLIT-1.50"ID
	041953-09-000	FT	CONDUIT-CONVOLUTE,SLIT-.50"ID
	041953-10-000	FT	CONDUIT-CONVOLUTE,SLIT-.75"ID
	041953-11-000	FT	CONDUIT-CONVOLUTE,SLIT-1.06"ID
	041953-12-000	FT	CONDUIT-CONVOLUTE,NONSLIT-1.1"ID

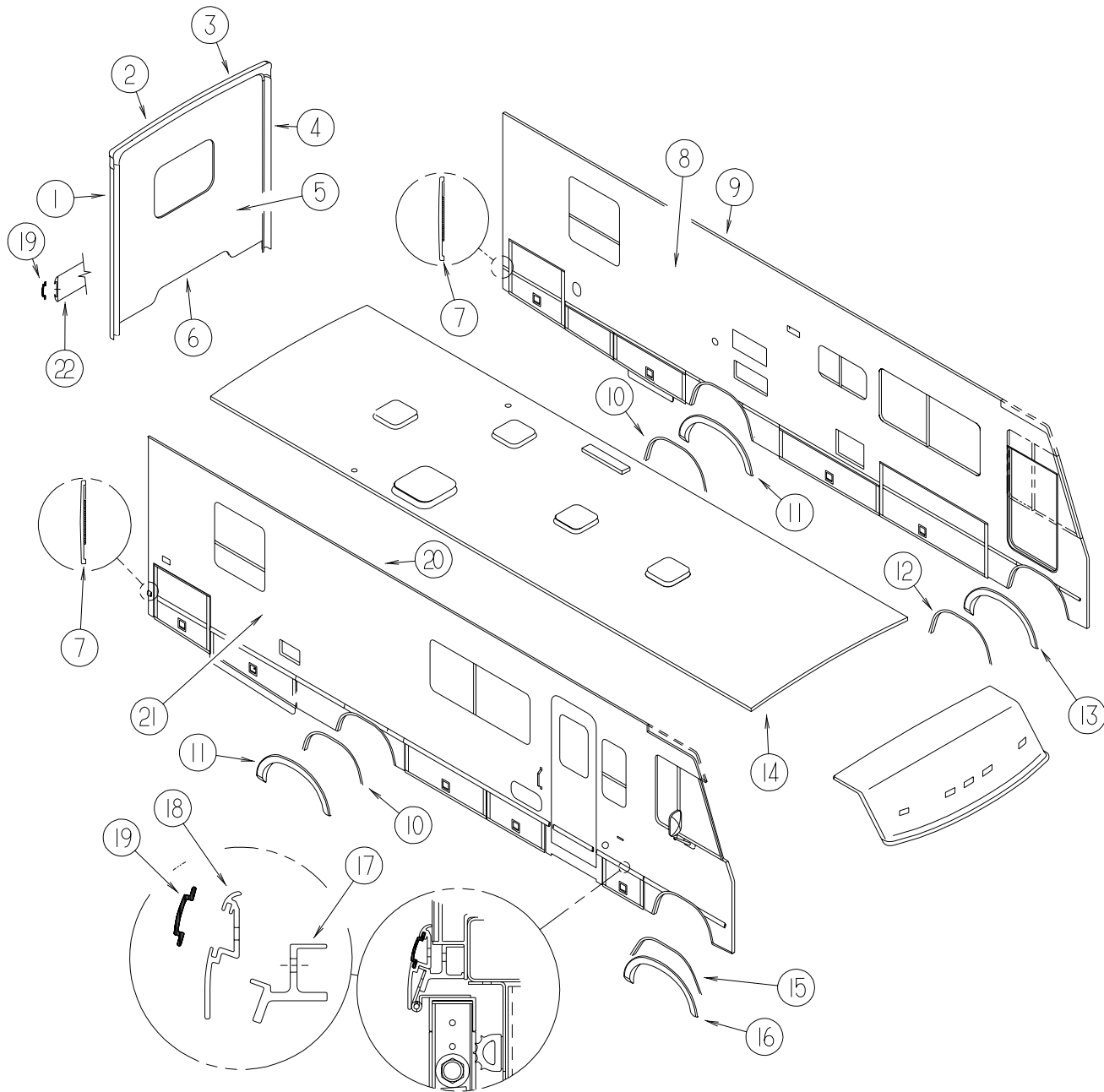
**ELECTRICALGROUP(CONTINUED)**  
**CONVERTER&INVERTER**

KEY	PARTNUMBER	U/M	DESCRIPTION
	083208-02-000	EA	CONVERTER-POWER,45A-120V/12V-BW6345
	099048-02-000	EA	INVERTER-100WATTW/EXTRASURGECAPACITY
			FROM: 00-00-00 THRU: 06-16-96
	099048-03-000	EA	INVERTER-130WATT
			FROM: 06-17-96 THRU: 99-99-99

**MISCELLANEOUSELECTRICALCOMPONENTS**

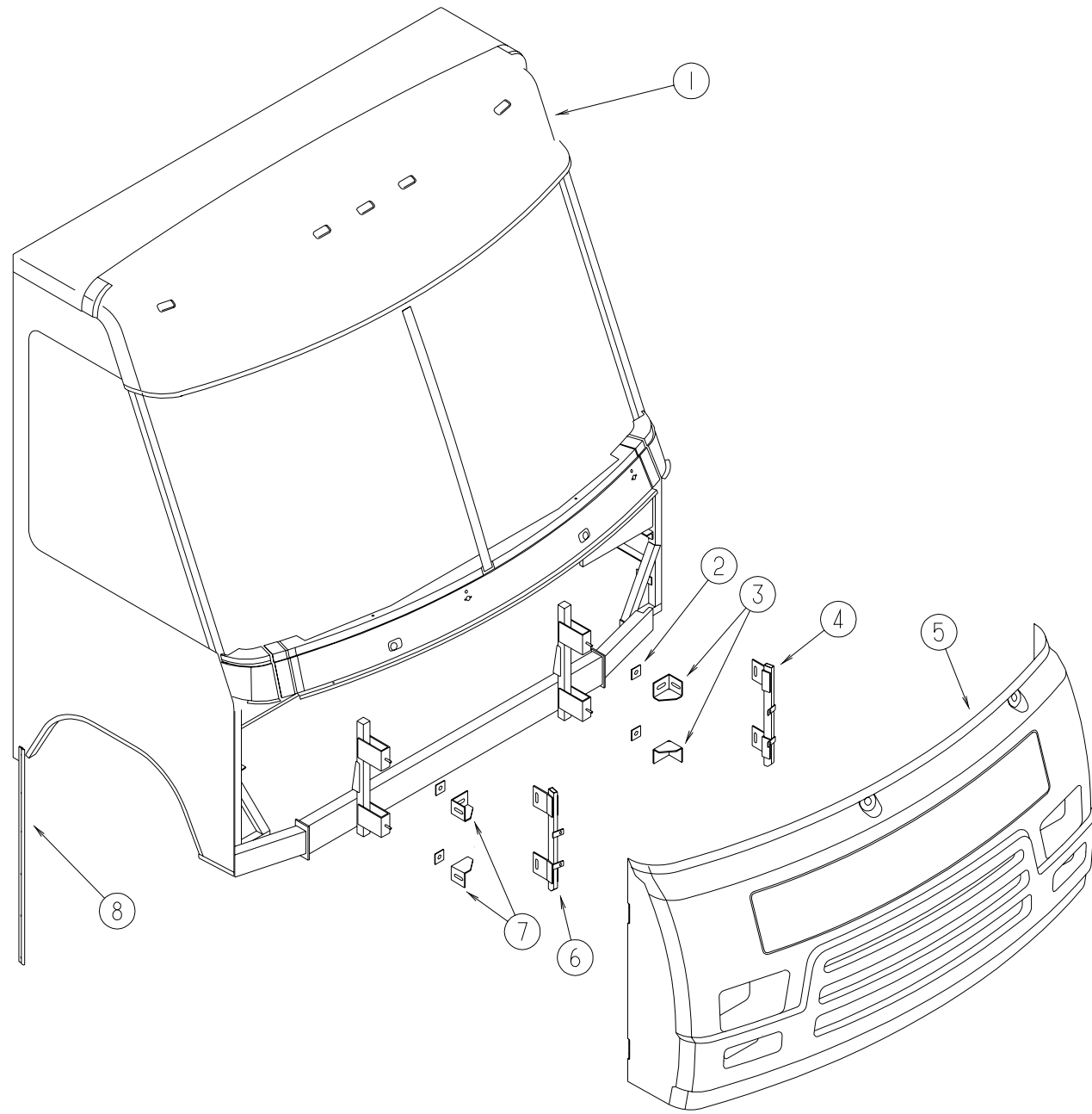
KEY	PARTNUMBER	U/M	DESCRIPTION
	007093-01-000	EA	FLASHER-SIGNAL,STAT
	007956-05-000	EA	INSULATOR-SHRINK,.25IDX1.50-BLACK
	008188-01-000	EA	SOLENOID-3POST,BATTERYCHANGEOVER
	022756-03-000	EA	COVER-A/C,OFFWHITE-PLASTIC
	022756-02-000	EA	COVER-PROTECTIVE,5.5"ENDSX8.2"-PLASTIC-OFFWHITE
	063910-01-000	EA	HOUSING-RELAY,BOSCH3334485008
	063912-02-000	EA	RELAY-CANISTER,SPDT-BOSCH0332204101
	086233-01-000	EA	STUD-ISOLATED,3/8"X7/8"LONG
	086273-01-000	EA	RELAY-BATTERYDISCONNECT
	087949-01-000	EA	BUSSBAR-2POSITION-.6"X1.5"
	087949-02-000	EA	BUSSBAR-3POSITION-.6"X2.4"
	054250-01-000	EA	COVER-ANGLED,W/OHOLE-3.6"X4.5"-PLASTIC-BEIGE
			ELECTRICALPLATESUPPORTW/OHOLES
	073626-04-000	EA	COVER-ELECTRIC,10.4"X7.8"
	103987-02-000	EA	SEAL-SOLENOIDACCESS
	125325-01-000	EA	SEAL-CAVITY
	087225-01-000	FT	SLEEVING-1/2",TYPEH-VARFLEX
	087225-02-000	FT	SLEEVING-5/8",TYPEH-VARFLEXVARGLAS
	073328-B4-000	EA	CABLEASSEMBLY-BATTERY,W/TERMINALS
	077479-01-000	EA	BOOT-BATTERYTERMINAL,DOUBLECABLE
	077479-02-000	EA	BOOT-BATTERYTERMINAL,SINGLECABLE

**EXTERIOR BODY GROUP**  
**EXTERIOR BODY PANELS AND TRIM**



KEY	PART NUMBER	U/M	DESCRIPTION
1	114874-05-12B	EA	TRIM-BACKWALLSIDE,RIGHT-BRIGHTWHITE-STEEL
1	104033-11-02A	EA	TRIM-J,BACKWALL-RIGHT-BRIGHTWHITE-ALUMINUM
2	114872-01-02A	EA	TRIM-BACKWALL, TOPW/OCLEARANCELIGHTS-RH-BRIGHTWHITEPLASTIC
3	114873-01-02A	EA	TRIM-BACKWALL, TOPW/OCLEARANCELIGHTS-LH-BRIGHTWHITEPLASTIC
4	114874-06-12B	EA	TRIM-BACKWALLSIDE,LEFT-BRIGHTWHITE-STEEL
4	104033-12-02A	EA	TRIM-J,BACKWALL-LEFT-BRIGHTWHITE-ALUMINUM
5	M07419-17-H33	EA	BACKWALL-W/OWINDOW&TRIM-CHEVY
5	M07419-17-H34	EA	BACKWALL-W/OWINDOW&TRIM-CHEVY
5	M07419-17-H35	EA	BACKWALL-W/OWINDOW&TRIM-CHEVY
5	M07419-18-H33	EA	BACKWALL-W/OWINDOW&TRIM-FORD
5	M07419-18-H34	EA	BACKWALL-W/OWINDOW&TRIM-FORD
5	M07419-18-H35	EA	BACKWALL-W/OWINDOW&TRIM-FORD
6	050406-24-000	EA	TRIM-BACKWALL,LOWER-BRIGHTWHITE
7	093673-01-06A	FT	TRIM-1.3"WIDE,BRIGHTWHITE
8	P22209-02-H33	EA	SIDEWALL-DRIVERW/OWINDOWS/TRIM-CONVENTIONALFRONTEND
8	P22209-02-H34	EA	SIDEWALL-DRIVERW/OWINDOWS/TRIM-CONVENTIONALFRONTEND
8	P22209-02-H35	EA	SIDEWALL-DRIVERW/OWINDOWS/TRIM-CONVENTIONALFRONTEND
9	120091-01-02A	EA	TRIM-ROOF,BRIGHTWHITE
10	122560-01-01A	EA	TRIM-WHEELWELL,REAR-DRIVERORPASSENGER-BRIGHTWHITEALUMINUM FROM: 00-00-00 THRU: 08-24-96
10	124512-01-01A	EA	TRIM-WHEELWELL,REAR-DRIVERORPASSENGER-BRIGHTWHITEALUMINUM FROM: 08-25-96 THRU: 99-99-99
11	122276-01-01A	EA	PANEL-WHEELWELL,REAR-DRIVERORPASSENGER-BRIGHTWHITEPLASTIC
12	122561-01-01A	EA	TRIM-WHEELWELL,FRONT-DRIVER-BRIGHTWHITEALUMINUM FROM: 00-00-00 THRU: 08-24-96
12	124513-01-01A	EA	TRIM-WHEELWELL,FRONT-DRIVER-BRIGHTWHITEALUMINUM FROM: 08-25-96 THRU: 99-99-99
13	122275-02-01A	EA	PANEL-WHEELWELL,FRONT-DRIVER-BRIGHTWHITEPLASTIC
13	122275-03-01A	EA	PANEL-WHEELWELL,FRONT-DRIVER-BRIGHTWHITEPLASTIC-DRIVERDOOR
14	P22245-02-H33	EA	ROOFW/OLIGHTS/VENTS-W/WIRING-CONVENTIONALFRONTEND
15	122561-01-01A	EA	TRIM-WHEELWELL,FRONT-PASSENGER-BRIGHTWHITEALUMINUM FROM: 00-00-00 THRU: 08-24-96
15	124513-01-01A	EA	TRIM-WHEELWELL,FRONT-PASSENGER-BRIGHTWHITEALUMINUM FROM: 08-25-96 THRU: 99-99-99
16	122275-01-01A	EA	PANEL-WHEELWELL,FRONT-PASSENGER-BRIGHTWHITEPLASTIC
17	122802-01-01A	EA	RETAINER-SIDEWALLTRIM-MILLALUMINUM
18	124176-01-01A	EA	TRIM-SIDEWALL,BRIGHTWHITEALUMINUM
19	105312-01-07A	EA	INSERT-FEATURESTRIP,BRIGHTWHITE
19	105312-01-03A	FT	INSERT-FEATURESTRIP,GRAYMET-EXTERIORPAINTOPTION
20	120092-01-02A	EA	RAIL-AWNING,BRIGHTWHITE
21	P22210-02-H33	EA	SIDEWALL-PASSENGERW/OWINDOWS/TRIM-CONVENTIONALFRONTEND
21	P22210-02-H34	EA	SIDEWALL-PASSENGERW/OWINDOWS/TRIM-CONVENTIONALFRONTEND
21	P22210-02-H35	EA	SIDEWALL-PASSENGERW/OWINDOWS/TRIM-CONVENTIONALFRONTEND
22	108688-01-03A	EA	FEATURESTRIP-W/HOLES-BRIGHTWHITE(BACKWALL)
	108651-01-01A	EA	ENDCAP-FEATURESTRIP(BACKWALL)
	124179-03-01A	EA	CAP-SIDEWALLTRIM,ANGLED-LEFTHAND-BRIGHTWHITE(WHEELWELL)
	124179-04-01A	EA	CAP-SIDEWALLTRIM,ANGLED-RIGHTHAND-BRIGHTWHITE(WHEELWELL)
	124132-01-01A	EA	CAP-SIDEWALLTRIMW/OKNOTCH,90DEGREE-RIGHTHAND-BRIGHTWHITE
	124132-02-01A	EA	CAP-SIDEWALLTRIMW/OKNOTCH,90DEGREE-LEFTHAND-BRIGHTWHITE
	124132-03-01A	EA	CAP-SIDEWALLTRIMW/KNOTCH,90DEGREE-RIGHTHAND-BRIGHTWHITE
	124132-04-01A	EA	CAP-SIDEWALLTRIMW/KNOTCH,90DEGREE-LEFTHAND-BRIGHTWHITE
	002726-01-001	EA	GARNISH-U-CHANNEL,1.38"X19'-SERRATED-MILLALUMINUM
	069726-02-000	EA	BUMPER-.88"DIA X.40",BLACK
	116800-55-005	EA	U-CHANNEL-EXTRUDED,1.7"X16'-BRIGHTWHITE
	123718-01-01A	EA	RETAINER-SIDEWALL,TRIMW/HOLES-27.7MMX3050MM-PVC-BLACK FROM: 00-00-00 THRU: 09-13-96

**EXTERIOR BODY GROUP (CONTINUED)**  
**FRONT END COMPONENTS**

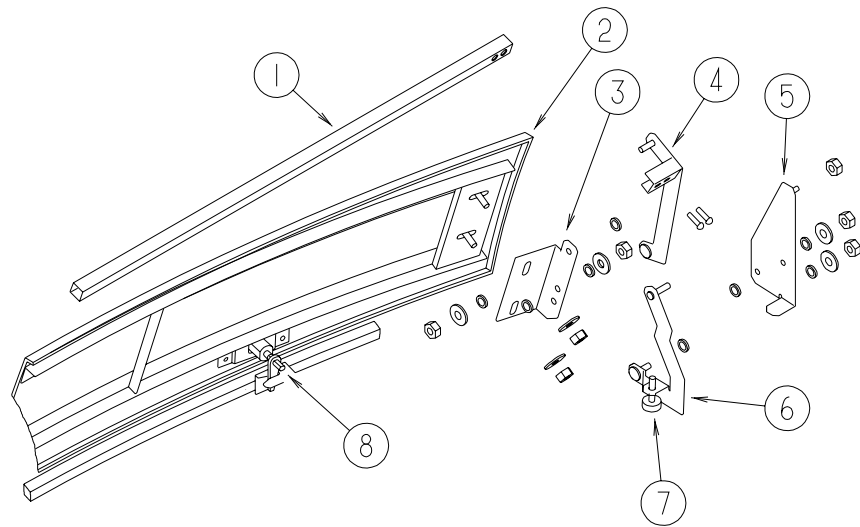


KEY	PART NUMBER	U/M	DESCRIPTION
1	115042-01-02A	EA	PANEL-ROOFCAP,BRIGHTWHITE
	070579-06-000	EA	PLATE-ANCHOR,W/7/16WELDNUT-1.5"X3.3"
	077001-01-000	EA	ANGLE-MOUNTINGROOFPANELVANGLE-3"X2.4"X1.5"
2	116617-02-02B	EA	SPACER/WASHER-BUMPER,SQUARE-E-COATSTEEL
3	117611-04-02B	EA	BRACKET-BUMPER,E-COATED-LH
4	118997-07-H33	EA	SUPPORTASM-GRILLE,FRONT-LH
5	121540-01-H33	EA	CAP-FRONT,LOWER-W/GRILLESANDPLATES-W/OHOOD-BRIGHTWHITE
	002328-02-000	EA	BLOCK-RUBBER,.062"X.5"X.98"
	121554-01-H33	EA	GRILLEASSEMBLY-UPPER
	121555-01-H33	EA	GRILLEASSEMBLY-LOWER
	115951-01-02B	EA	PLATEASSEMBLY-HEADLAMP-DUAL-RH
	115951-02-02B	EA	PLATEASSEMBLY-HEADLAMP-DUAL-LH
	119445-01-02B	EA	PLATE-W/HOLES-1.5"X1",E-COATSTEEL
	103136-03-000	EA	BRACKET-SUPPORTUPPER-HINGE/RIGHT
	103136-04-000	EA	BRACKET-SUPPORTUPPER-HINGE/LEFT
	6	118997-06-H33	EA
7	117611-03-02B	EA	BRACKET-BUMPER,E-COATED-RH
8	089922-34-000	EA	TRIM-FIBERGLASSPANEL,BRIGHTWHITE
	123680-03-01A	EA	TRIM-FIBERGLASSPANEL,BRIGHTWHITE

FROM: 00-00-00 THRU: 12-01-96

FROM: 12-02-96 THRU: 99-99-99

**EXTERIORBODYGROUP(CONTINUED)**



**HOOD&COMPONENTS**

KEY	PARTNUMBER	U/M	DESCRIPTION
1	105096-10-000	EA	TUBE-HOODHINGETIMINGW/WELDNUTS
2	115976-04-H01	EA	PANEL-HOOD,BRIGHTWHITE
3	109927-03-000	EA	ANGLE-LINK,HOOD-RH
3	109927-04-000	EA	ANGLE-LINK,HOOD-LH
4	109929-07-000	EA	LINK-HINGE,HOOD-UPPER-RH
4	109929-08-000	EA	LINK-HINGE,HOOD-UPPER-LH
5	109926-23-000	EA	BRACKET-LINK,HINGE-RH
5	109926-24-000	EA	BRACKET-LINK,HINGE-LH
6	109930-15-000	EA	LINK-HINGEW/OBUMPERBOLT,HOOD-LOWER-RH
6	109930-16-000	EA	LINK-HINGEW/OBUMPERBOLT,HOOD-LOWER-LH
7	058786-01-000	EA	BOLT-HOOD,ADJUSTINGW/RUBBERBUMPER
8	102330-02-000	EA	LOCK-SINGLEHOLE, VISEACTION-SOUTHCOE3-56-715-5
	102328-01-000	EA	KEY-BARREL,NICKELPLATED-SOUTHCOE3-26-715-19
	099418-01-000	FT	SEAL-D-SECTION/ADHESIVEBACK-.44"X.44"-BLACKRUBBER
	106748-06-000	EA	LATCH-HOOD,FRONTEND

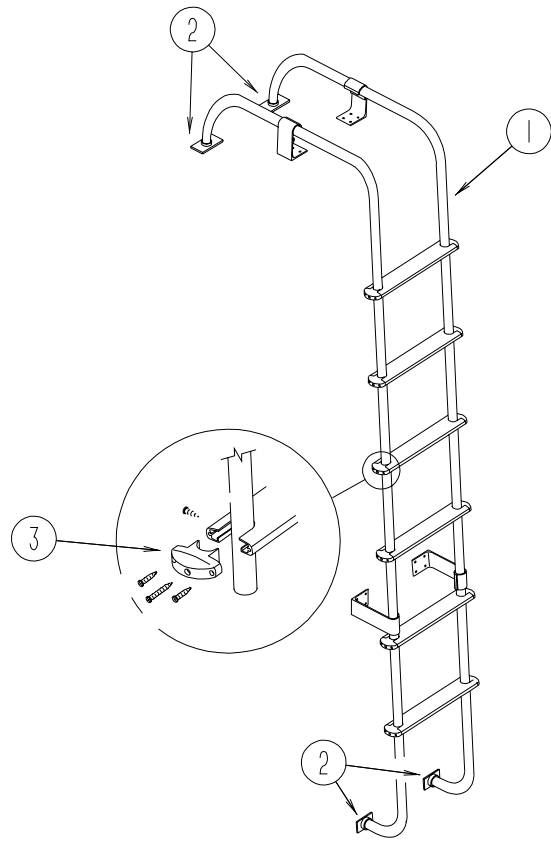
**EXTERIORBODYGROUP(CONTINUED)**  
**FIBERGLASS,STYROFOAM&INSULATION**

KEY	PARTNUMBER	U/M	DESCRIPTION
	076054-P4-000	EA	FIBERGLASS-SHEET,FLAT-96"X97"-BRIGHTWHITE
	076054-W6-000	EA	FIBERGLASS-SHEET,FLAT-2010MMX9359MM-BRIGHTWHITE
	076054-W7-000	SF	FIBERGLASS-COIL,FLAT-16.38"X500FT-BRIGHTWHITE
	077517-62-000	EA	FIBERGLASS-SHEET,FLAT-.045"X48"X96"-BRIGHTWHITE
	077517-65-000	EA	FIBERGLASS-SHEET,FLAT-.070"X48"X96"-BRIGHTWHITE
	077517-66-000	EA	FIBERGLASSSHEET,FLAT-.070"X48"X96"-GRAY
	108535-05-702	EA	FIBERGLASSSHEET-FLAT,110"X396"-BRIGHTWHITE(ROOFCOVERING)
	108535-04-705	EA	FIBERGLASSSHEET-FLAT,6"X34"-BRIGHTWHITE(ROOFCOVERING)
	072877-03-000	EA	INSULATION-SOUNDBARRIER,1"X36"X57"
	072878-01-000	SF	INSULATION-SOUNDBARRIERPAD,.058"X33"X58"
	000870-08-000	SF	STYROFOAM-.75"X48"X96"-PLANED-INCREMENTSOF32SF
	100619-01-000	BF	FOAM-EXPANDEDPOLYSTYRENE,1.34"X48"X96"-1.5LB/SQFTDENSITY
	100619-02-000	BF	FOAM-EXPANDEDPOLYSTYRENE,1.5"X48"X96"-1.5LB/SQFTDENSITY
	100619-04-000	BF	FOAM-EXPANDEDPOLYSTYRENE,.5"X48"X96"-2LB/SQFTDENSITY
	100619-05-000	BF	FOAM-EXPANDEDPOLYSTYRENE,.75"X48"X96"-1.5LB/SQFTDENSITY
	100619-10-000	BF	FOAM-EXPANDEDPOLYSTYRENE,1.5"X48"X96"-2LB/SQFTDENSITY
	100619-11-000	BF	FOAM-EXPANDEDPOLYSTYRENE,2"X48"X96"-1.5LB/SQFTDENSITY
	100619-16-000	BF	FOAM-EXPANDEDPOLYSTYRENE,.75"X48"X96"-2LB/SQFTDENSITY
	12010703000	EA	FOAM-PLUG,TUBE-29.6MMX54.5MMX45MMLONG-POLYSTYRENEFOAM
	12010701000	EA	FOAM-COVE,ROOF-70.6MMX2438MMLONG-POLYSTYRENEFOAM
	12010702000	EA	FOAM-PLUG,TUBE-57MMX74.3MMX45MMLONG-POLYSTYRENEFOAM

**A&EAWNING&HARDWARE**

KEY	PARTNUMBER	U/M	DESCRIPTION	VENDORNO.
	113874-06-01A	EA	AWNING-ROLLERASSEMBLYW/OHDW,16'(POLARBLUELAVENDER)VINYL	
	113874-01-02A	EA	HARDWAREKIT-AWNING,BRIGHTWHITE	
	113874-01-702	EA	KNOB-ADJUSTING,W/HARDWARE	143249
	113874-01-703	EA	ROD-CENTERPULL,W/GRIP	830152.002
	113874-01-706	EA	LOCK-TRAVEL	830587
	113874-01-707	EA	HANDLE-LIFT	830644
	113874-01-709	EA	NAIL-SPIKE,8"	113006
	113874-01-710	EA	PLUG-STOPKIT	830456
	113874-01-711	EA	ARM-ADJUSTABLE/TALLSATIN	830466.016
	113874-01-712	EA	FOOT-PATIO	730366
	113874-01-714	EA	RAFTER-MAINRH/LH,BRIGHTWHITE	830295.036F
	113874-01-715	EA	RAFTER-SECONDARY,BRIGHTWHITE	830463.011F
	113874-01-716	EA	ARM-MAINSUPPORT,BRIGHTWHITE	3104502.277F
	113874-01-717	EA	ARM-ADJUSTABLE,BRIGHTWHITE	830466.016/F
	111037-01-01A	EA	SPACER-AWNING,UPPER-BLACK	
	111038-01-01A	EA	SPACER-AWNING,LOWER-BLACK	
	113874-10-01A	EA	SPACER-AWNING,LOWERBRACKET	
				FROM:00-00-00 THRU:08-28-96
	119496-01-02A	EA	SPACER/ZEE-AWNING,BRIGHTWHITE	

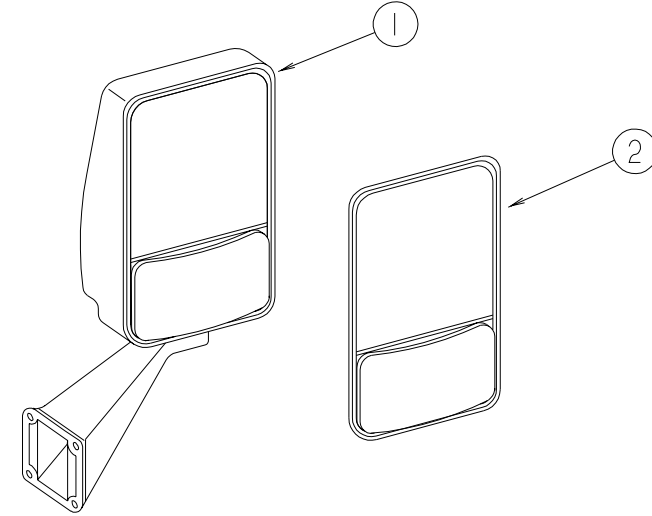
**EXTERIORBODYGROUP(CONTINUED)**



**LADDER**

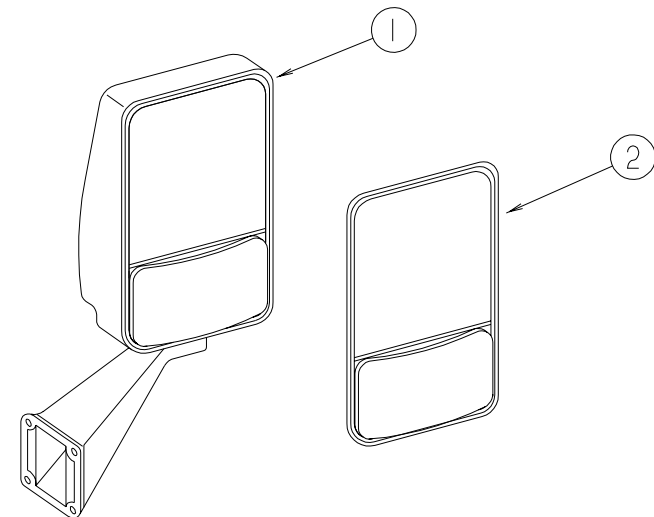
KEY	PARTNUMBER	U/M DESCRIPTION
1	102953-16-G09	EA LADDERASSEMBLY
2	067165-01-000	EA MOUNTINGBRACKET-LADDER,LOWER
3	076980-02-000	EA ENDCAP-STEP,BLACK
	038327-01-000	EA TAPE-ANTISLIP,2"X60'

**EXTERIORBODYGROUP(CONTINUED)**



**VELVACHEATEDEXTERIORMIRRORS**

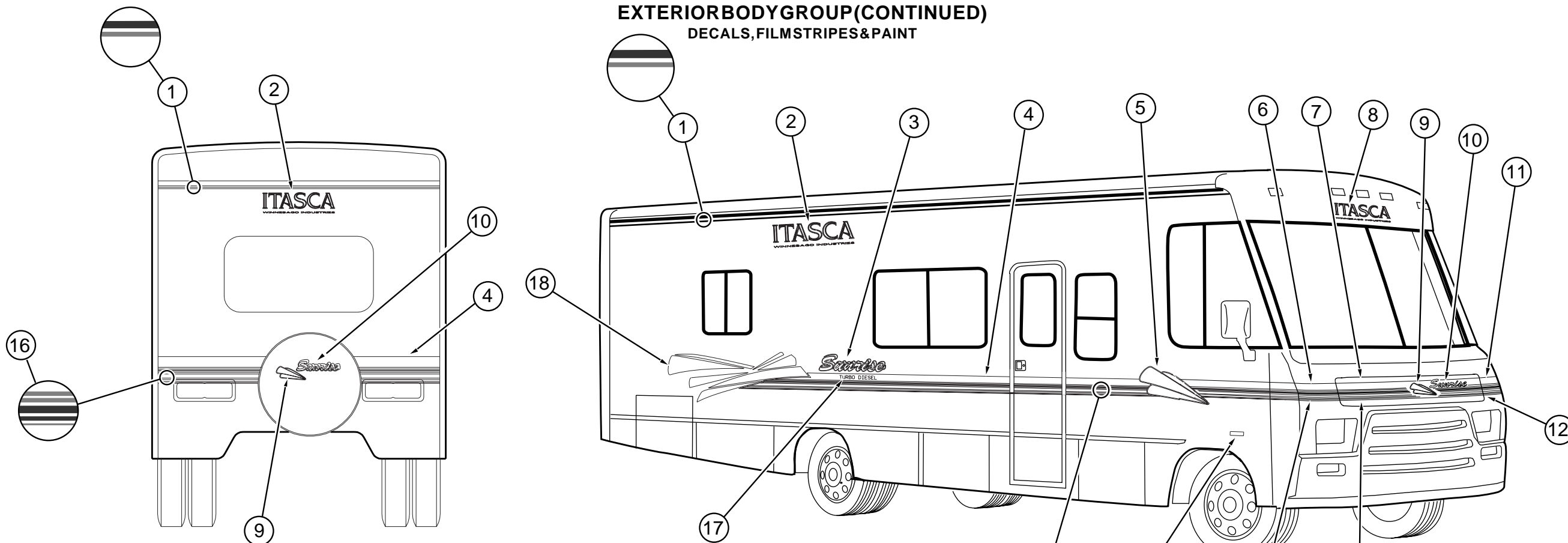
KEY	PARTNUMBER	U/M DESCRIPTION	VENDORNO.
1	106015-05-01A	EA MIRRORASM-REMOTE/HEATEDRIGHTW/OSWITCHES-VELVAC713170 FROM: 00-00-00 THRU: 11-05-96	
1	106015-12-01A	EA MIRRORASM-REMOTE/HEATEDRIGHTW/OSWITCHES-VELVAC713802 FROM: 11-06-96 THRU: 99-99-99	
1	106015-06-01A	EA MIRRORASM-REMOTE/HEATEDLEFTW/OSWITCHES-VELVAC713171 FROM: 00-00-00 THRU: 11-05-96	
1	106015-13-01A	EA MIRRORASM-REMOTE/HEATEDLEFTW/OSWITCHES-VELVAC713801-5 FROM: 11-06-96 THRU: 99-99-99	
2	086261-01-704	EA MIRRORKIT(BEZELW/MIRRORS)RIGHT	709091-8
2	086261-02-701	EA MIRRORKIT(BEZELW/MIRRORS)DRIVERSIDE	709269
	087695-02-000	EA SWITCH-HEATER,EXTERIORMIRROR-EURAMTECDAV4720-12	
	087695-03-000	EA CONNECTOR-ASSEMBLY-EURAMTECRT10484802	
	088246-01-000	EA SWITCH-REMOTE,EXTERIORMIRROR-SQUAREPUSH7471290	



**VELVACEXTERIORMIRRORS**

KEY	PARTNUMBER	U/M DESCRIPTION	VENDORNO.
1	106015-09-01A	EA MIRRORASM-EXTERIORADJUSTGLASSRIGHT-BLACK-VELVAC713126 FROM: 00-00-00 THRU: 03-02-97	
1	106015-14-01A	EA MIRRORASM-EXTERIORADJUSTGLASSRIGHT-BLACK-VELVAC713856 FROM: 03-03-97 THRU: 99-99-99	
1	106015-10-01A	EA MIRRORASM-EXTERIORADJUSTGLASSLEFT-BLACK-VELVAC713125 FROM: 00-00-00 THRU: 03-02-97	
1	106015-15-01A	EA MIRRORASM-EXTERIORADJUSTGLASSLEFT-BLACK-VELVAC713855-5 FROM: 03-03-97 THRU: 99-99-99	
2	106015-01-703	EA MIRRORKIT(BEZELW/MIRRORS)PASSENGERSIDE	709266
2	106015-02-702	EA MIRRORKIT(BEZELW/MIRRORS)DRIVERSIDE	709267

**EXTERIOR BODY GROUP (CONTINUED)**  
**DECALS, FILM STRIPES & PAINT**



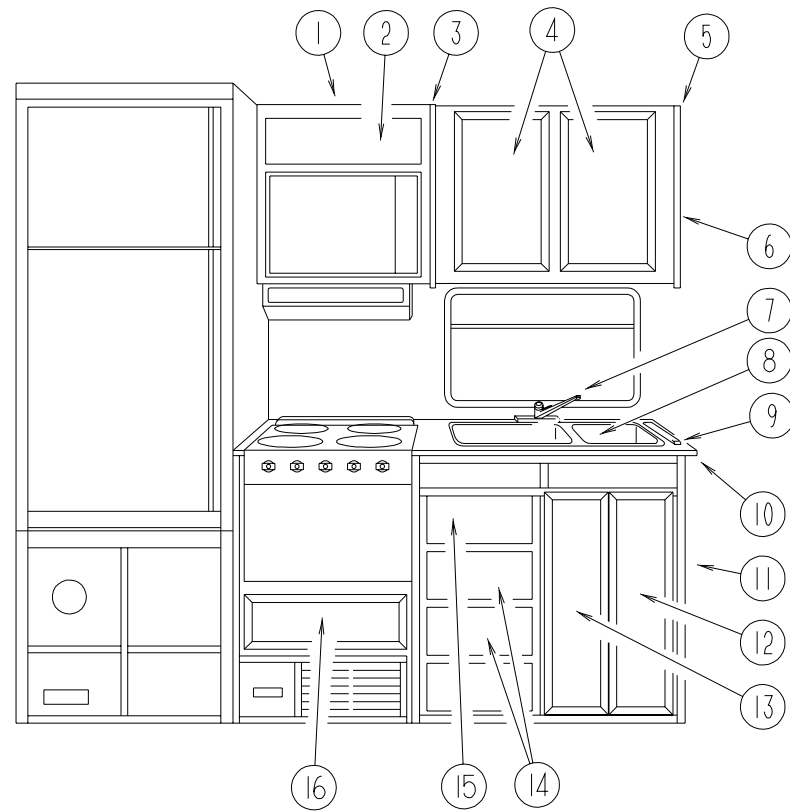
KEY	PARTNUMBER	U/M	DESCRIPTION
1	105781-51-01A	FT	FILM-MULTISTRIPE,65.1MMWIDE-MAJESTICPURPLE/UMBRABROWN
2	120711-01-02A	EA	DECAL-LOGO,ITASCA-WINNEBAGOINDUSTRIES-AMETHYSTFROST/BRIGHTWHITE
3	121425-01-01A	EA	DECAL-LOGO,SUNRISE-LARGE AMETHYSTFROST/MAJESTICPURPLE/UMBRABROWN/BRIGHTWHITE
4	093681-49-01A	FT	FILM-STRIPE,88.9MMWIDE-MAJESTICPURPLE
5	121419-01-01A	EA	DECAL-BURST,SMALL-RH SHALEBLUE/AMETHYSTFROST/MAJESTICPURPLE/UMBRABROWN/BRIGHTWHITE
	121419-02-01A	EA	DECAL-BURST,SMALL-LH SHALEBLUE/AMETHYSTFROST/MAJESTICPURPLE/UMBRABROWN/BRIGHTWHITE
6	121421-01-01A	EA	DECAL-CORNER,UPPER-RH-MAJESTICPURPLE
7	121423-01-01A	EA	DECAL-HOOD,UPPER-MAJESTICPURPLE
8	120710-02-01A	EA	DECAL-LOGO,ITASCA-WINNEBAGOINDUSTRIES-AMETHYSTFROST/BRIGHTWHITE
9	121420-01-01A	EA	DECAL-BURST,HOOD&BACK SHALEBLUE/AMETHYSTFROST/MAJESTICPURPLE/UMBRABROWN/BRIGHTWHITE
10	121425-02-01A	EA	DECAL-LOGO,SUNRISE-SMALL AMETHYSTFROST/MAJESTICPURPLE/UMBRABROWN/BRIGHTWHITE
11	121421-02-01A	EA	DECAL-CORNER,UPPER-LH-MAJESTICPURPLE
12	121422-02-01A	EA	DECAL-CORNER,LOWER-LH-AMETHYSTFROST/UMBRABROWN/SHALEBLUE
13	121424-01-01A	EA	DECAL-HOOD,LOWER-AMETHYSTFROST/UMBRABROWN/SHALEBLUE
14	121422-01-01A	EA	DECAL-CORNER,LOWER-RH-AMETHYSTFROST/UMBRABROWN/SHALEBLUE
15	122312-01-01A	EA	DECAL-VORTEC7400-BLACK/OFFWHITE/MISTGRAY/SPECTRARED
16	094445-05-01A	FT	FILM-MULTISTRIPE,119.1MMWIDE-AMETHYSTFROST/UMBRABROWN/SHALEBLUE
17	111318-03-03A	EA	DECAL-TURBODIESEL,BRIGHTWHITE
18	121418-01-01A	EA	DECAL-BURST,LARGE-RH SHALEBLUE/AMETHYSTFROST/MAJESTICPURPLE/UMBRABROWN
	121418-02-01A	EA	DECAL-BURST,LARGE-LH SHALEBLUE/AMETHYSTFROST/MAJESTICPURPLE/UMBRABROWN

**DUPONT COLOR CODES**

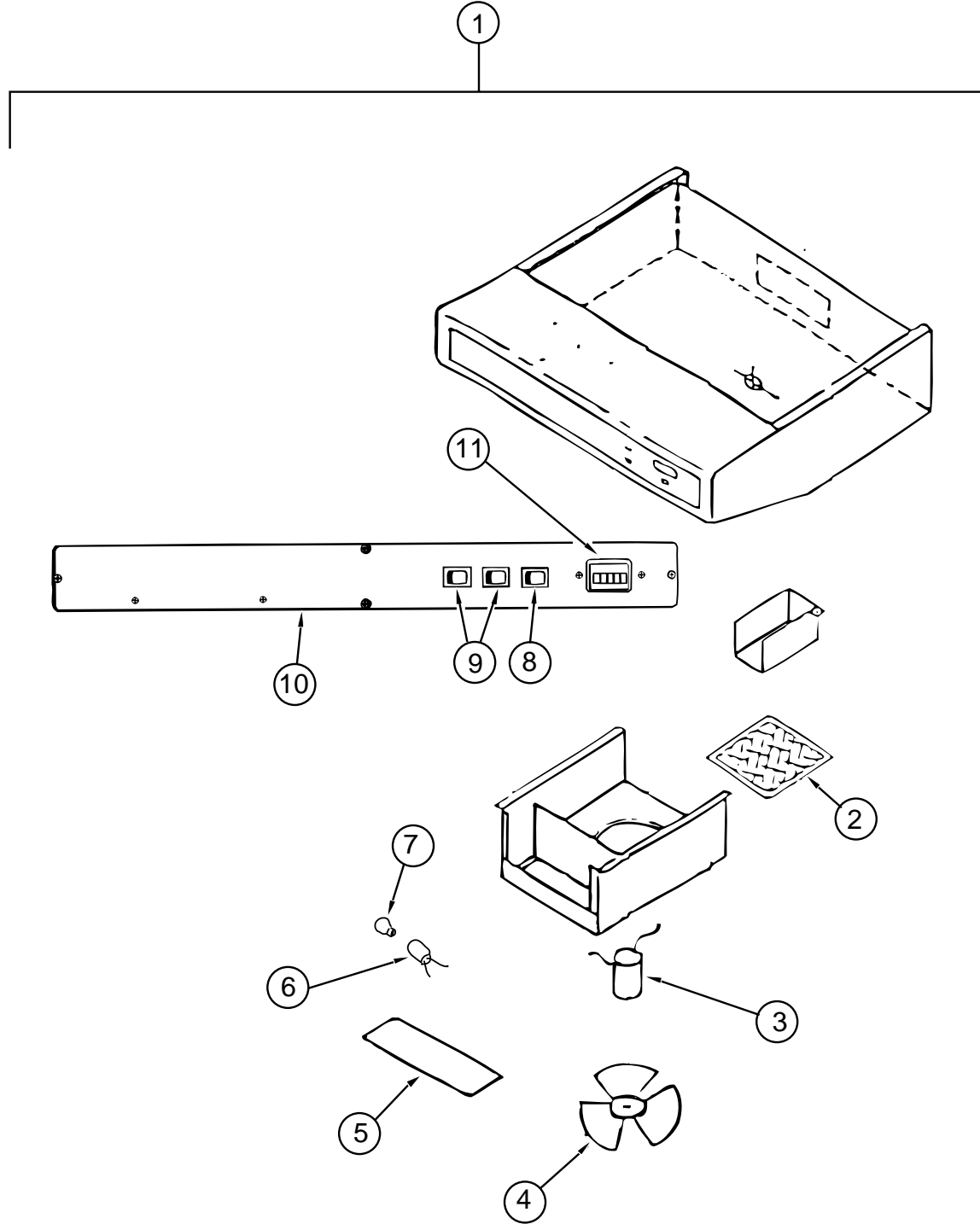
BRIGHTWHITE(MAINBODYCOLOR)	#B8951
UMBRA(LOWERACCENTCOLOR)	#F2529
UMBRABROWN(DECALCOLOR)	#F2529
MAJESTICPURPLEMETALLIC(DECALCOLOR)	#F0740
AMETHYSTFROSTMETTALLIC(DECALCOLOR)	#RM012
SHALEBLUEMETALLIC(DECALCOLOR)	#F0744



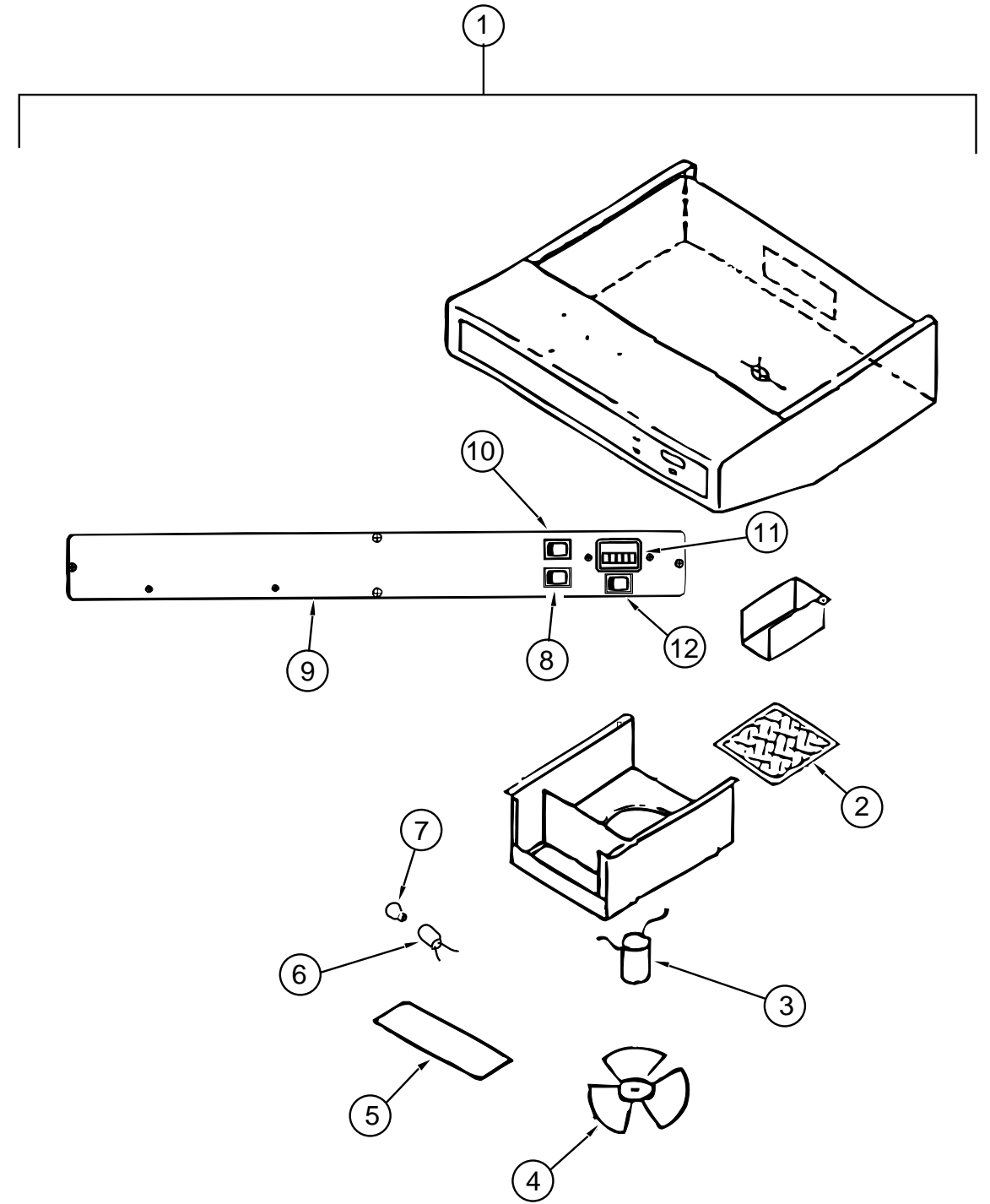
**GALLEYGROUP**  
**GALLEYCABINERY**



KEY	PARTNUMBER	U/M	DESCRIPTION
1	121328-01-H13	EA	CABINETASM-MICROWAVE,OVERHEADW/ODOOR
2	M05992-J9-H13	EA	DOOR-CABINET, W/OHARDWARE -130MMX570MM
3	081320-16-G09	EA	CAP-END,OVERHEAD
	121329-01-H13	EA	CABINETASM-A/CSWITCH(INSIDECABINET)
4	M06803-05-G09	EA	DOOR-CABINET, W/OHARDWARE -14.3"X21.8"
4	M06803-93-H33	EA	DOOR-CABINET, W/OHARDWARE -14.3"X21.8"-GENERALTRAILEROPTION
5	121823-01-H13	EA	CABINETASM-OVERHEAD,GALLEYW/ODOORS
	121823-11-H13	EA	SHELFASM-GALLEYOVERHEADCABINET
6	081320-17-G09	EA	CAPASM-END,OVERHEAD
7	104114-02-01A	EA	FAUCET-GALLEY, SINGLECONTROL
	103635-01-000	EA	FAUCET-SINGLECONTROL, (WATERPURIFIER)EVERPURE 5435-00
8	110654-01-000	EA	SINK-STAINLESSSTEEL, DOUBLEBASIN(1LARGE-1SMALL)
	092303-01-000	EA	STRAINER-SINK
	108464-03-E38	EA	COVERASM-SINK, 14.9"X11"-SMALL(H33)
	108464-03-GV4	EA	COVERASM-SINK, 14.9"X11"-SMALL(H34/H35)
	108464-04-E38	EA	COVERASM-SINK, 15"X15"-LARGE(H33)
	108464-04-F32	EA	COVERASM-SINK, 15"X15"-LARGE(H34/H35)
9	098335-18-H33	EA	RAIL-GALLEY,25"
9	098335-18-H34	EA	RAIL-GALLEY,25"
9	098335-18-H35	EA	RAIL-GALLEY,25"
10	121858-13-H33	EA	COUNTERTOPASM
10	121858-13-H34	EA	COUNTERTOPASM
10	121858-13-H35	EA	COUNTERTOPASM
11	121858-01-H33	EA	CABINETASM-GALLEY
11	121858-01-H34	EA	CABINETASM-GALLEY
11	121858-01-H35	EA	CABINETASM-GALLEY
	121858-12-H13	EA	SHELFASM-GALLEYCABINET
12	M06803-09-G09	EA	DOOR-CABINET, W/OHARDWARE-9.04"X26.5"
13	M06803-08-G09	EA	DOOR-CABINET, W/OHARDWARE-9.04"X26.5"
14	M05971-11-G09	EA	DRAWER-CABINET, W/OHDW-6.1"X12.2"FACE SIZE
15	M05971-83-G09	EA	DRAWER-CABINET, W/OHDW-6.1"X12.2"FACE SIZE
16	M05971-50-G09	EA	DRAWER-CABINET, W/OHARDWARE-7.1"X22"FACE SIZE
	090329-01-000	FT	SEAL-T, REFRIGERATORCABINET-.6"WIDETOPX2"TAIL



**RANGEHOOD-US-GENERATOROPTIONS**

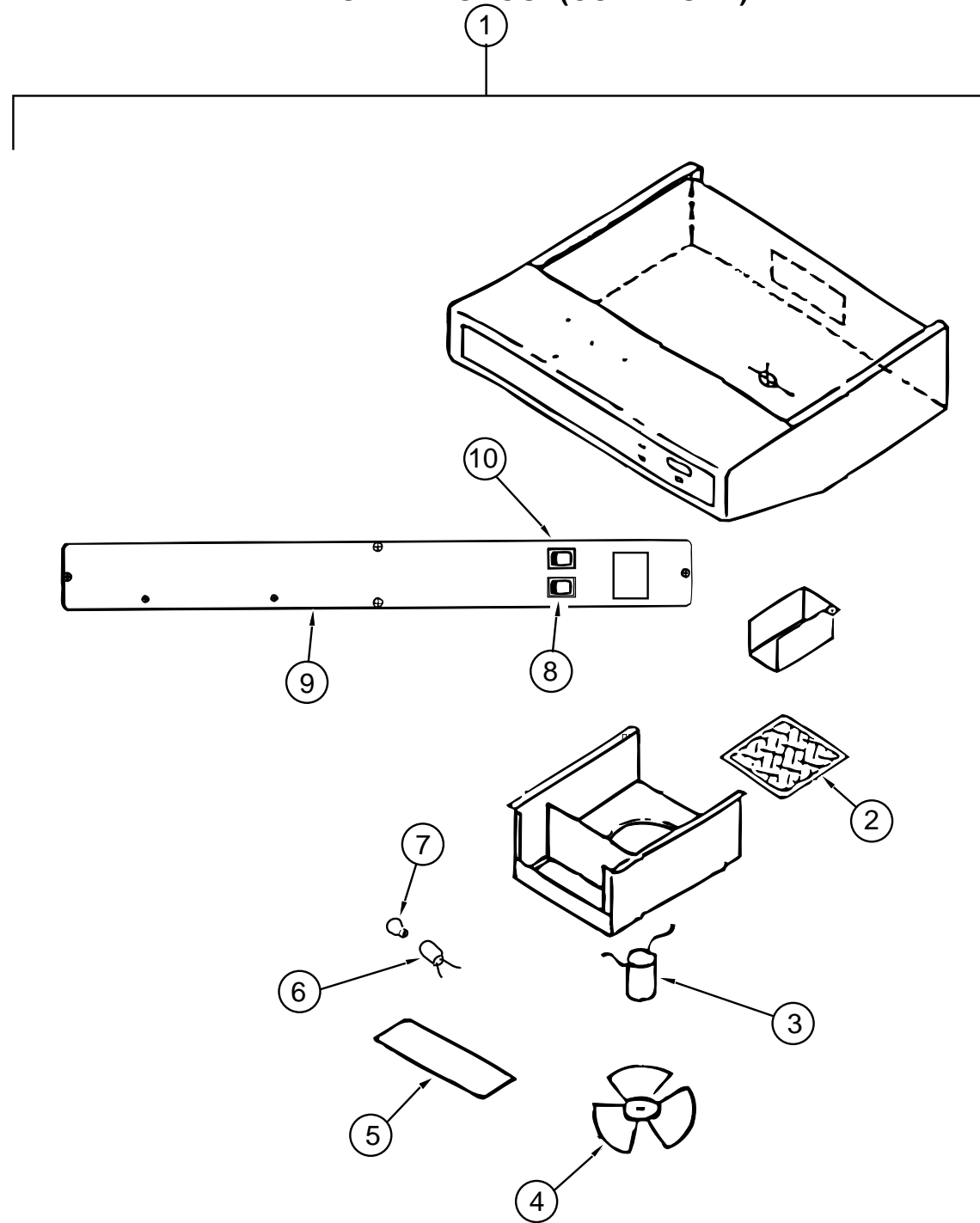


**RANGEHOOD-CANADIAN**

KEY	PARTNUMBER	U/M	DESCRIPTION	VENDORNO.
1	100258-18-03A	EA	HOOD-RANGE,W/OMONITORPANEL-VENTLINETP-55009-SBO-LG	
2	096983-01-707	EA	FILTER-MESH	CC246
3	090973-01-700	EA	MOTOR-12VOLT,CSA&UL	CA508-1
4	090973-01-702	EA	BLADE-FAN	VA183-1
5	092696-02-701	EA	LENS-LAMP	CC179-2
6	092696-01-710	EA	HOLDER-LAMP	CB267-2
7	092696-01-709	EA	LAMP#912	VA415
8	096983-01-702	EA	SWITCH-MOM/MOM	112
9	096983-01-700	EA	SWITCH-ON/OFF	108
10	100258-01-700	EA	LABEL-HOODNOSE	CC428
11	100258-10-01A	EA	GAUGE-HOURMETERW/SWITCH-SCREWONSTYLE-150	
11	100258-10-701	EA	GAUGE-HOURMETER,CLIPON	L0775-00

KEY	PARTNUMBER	U/M	DESCRIPTION	VENDORNO.
1	100258-17-04A	EA	HOOD-RANGE,W/OMONITORPANELVENTLINETCS500-NBCLG	
2	096983-01-707	EA	FILTER-MESH	CC246
3	090973-01-700	EA	MOTOR-12VOLT,CSA&UL	CA508-1
4	090973-01-702	EA	BLADE-FAN	VA183-1
5	092696-02-701	EA	LENS-LAMP	CC179-2
6	092696-01-710	EA	HOLDER-LAMP	CB267-2
7	092696-01-709	EA	LAMP#912	VA415
8	096983-01-700	EA	SWITCH-ON/OFF	108
9	100258-01-700	EA	LABEL-HOODNOSE	CC428
10	096983-01-702	EA	SWITCH-MOM/MOM	112
11	100258-10-01A	EA	GAUGE-HOURMETERW/SWITCH-SCREWON(OPTION)-150	
11	100258-10-701	EA	GAUGE-HOURMETER,CLIPON(OPTION)	L0775-00
12	096983-01-702	EA	SWITCH-MOM/MOM(OPTION)	112

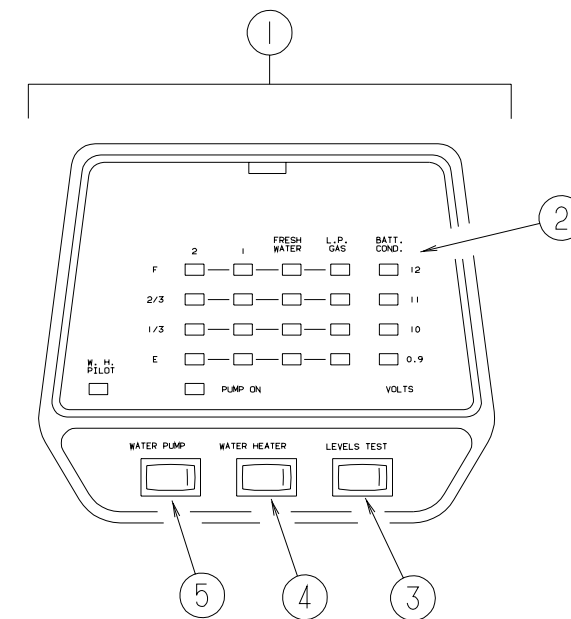
### GALLEYGROUP(CONTINUED)



### RANGEHOOD-US-STANDARD

KEY	PARTNUMBER	U/M DESCRIPTION	VENDORNO.
1	100258-16-04A	EA HOOD-RANGE,W/OMONITORPANEL-VENTLINETCS-5008-NBDLG	
2	096983-01-707	EA FILTER-MESH	CC246
3	090973-01-700	EA MOTOR-12VOLT,CSA&UL	CA508-1
4	090973-01-702	EA BLADE-FAN	VA183-1
5	092696-02-701	EA LENS-LAMP	CC179-2
6	092696-01-710	EA HOLDER-LAMP	CB267-2
7	092696-01-709	EA LAMP#912	VA415
8	096983-01-700	EA SWITCH-ON/OFF	108
9	100258-01-700	EA LABEL-HOODNOSE	CC428
10	096983-01-702	EA SWITCH-MOM/MOM	112

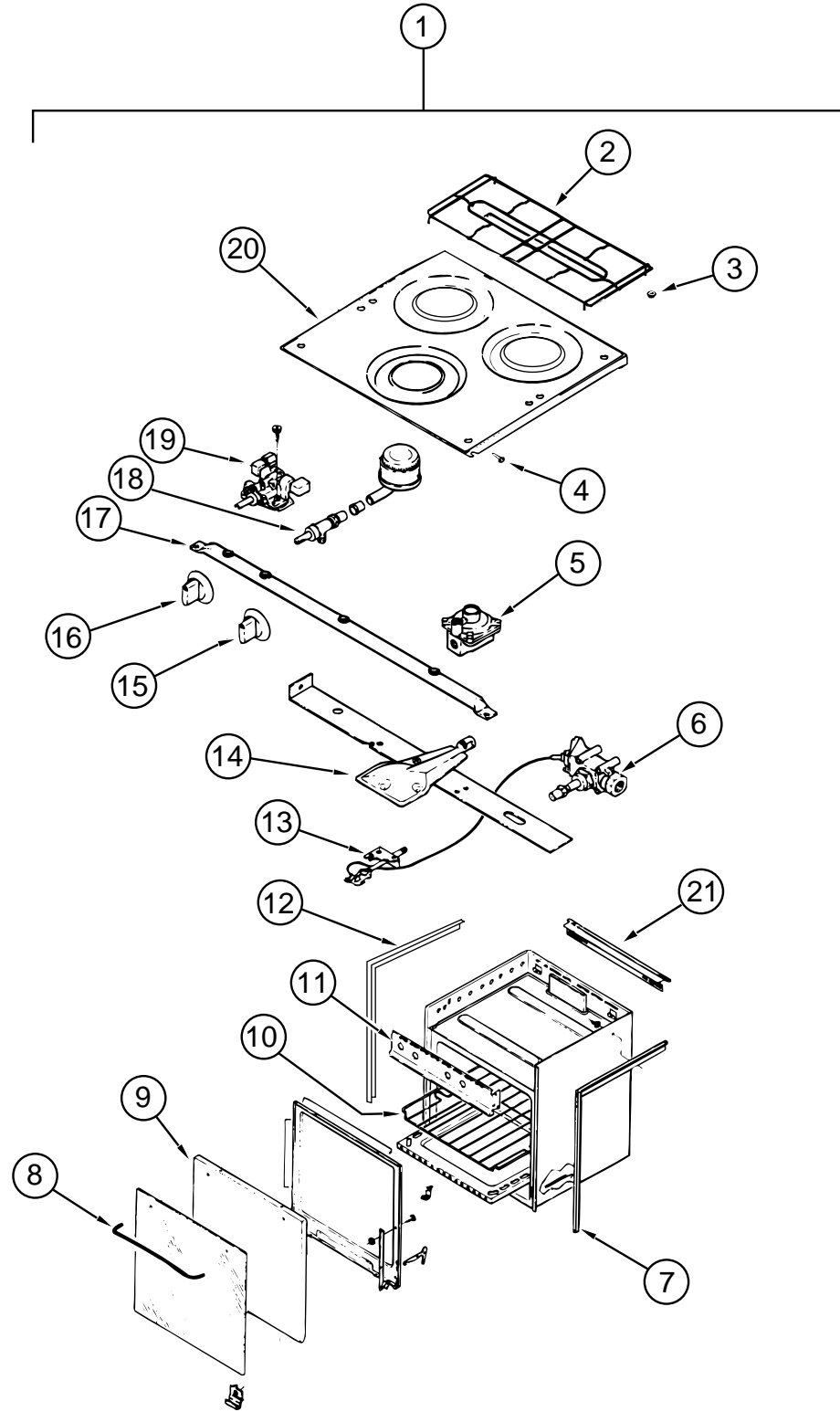
### GALLEYGROUP(CONTINUED)



### LVSMONITORPANEL

KEY	PARTNUMBER	U/M DESCRIPTION	VENDORNO.
1	102765-04-01A	EA PANEL-MONITOR,W/PLUG-FOR2TANKS&WATERHEATER	
2	102765-04-700	EA BOARD-CIRCUIT,2HOLDINGTANK	5076-11
3	097617-01-702	EA SWITCH(ALMOND)	107
4	097617-01-701	EA SWITCH-ON/OFF,ALMOND	106
5	102765-01-700	EA SWITCH-ON-ON,ALMOND	110-01

**GALLEYGROUP(CONTINUED)**  
**MAGICCHEFRANGE**



KEY	PARTNUMBER	U/M	DESCRIPTION	VENDORNO.
1	112881-01-04A	EA	RANGE-16",3BURNER-MAGICCHEF16RB-3B49	
2	102020-01-711	EA	GRATE-TOP	7518P012-60
3	102020-01-709	EA	BUMPER-GRATE	8007-P020-60
4	102020-01-724	EA	BUMPER-MAINTOP	8003P008-60
5	102022-01-708	EA	REGULATOR-PRESSURE,1/4IN1/2OUT	7510P041-60
6	112881-01-702	EA	VALVE-MERCURY,SAFETYVALVE	7501-P121-60
7	112881-01-708	EA	TRIM-FLAT,RIGHT-BLACK	3608W036-70
			FROM: 00-00-00 THRU: 07-14-96	
7	112881-01-720	EA	TRIM-FLAT,RIGHT-BLACKTEXTURED	74002813
			FROM: 07-15-96 THRU: 99-99-99	
8	102020-01-701	EA	HANDLE-DOOR	7701P092-60
9	112881-01-713	EA	DOOR-OVEN,TEXTURED	2401F079-70
			FROM: 07-15-96 THRU: 99-99-99	
10	102020-01-700	EA	SHELF-OVEN	7801-P027-60
11	112881-01-701	EA	MANIFOLDPANEL	2616F091-70
12	112881-01-707	EA	TRIM-FLAT,LEFT-BLACK	3608W035-70
			FROM: 00-00-00 THRU: 07-14-96	
12	112881-01-719	EA	TRIM-FLAT,LEFT-BLACKTEXTURED	74002812
			FROM: 07-15-96 THRU: 99-99-99	
13	112881-01-710	EA	PILOT-OVEN	7505P202-60
14	112881-01-711	EA	BURNERASSEMBLY-OVEN	3404W025045
15	112881-01-705	EA	KNOB-TOPBURNER	7733P072-60
15	112881-01-718	EA	KNOB-HIGHOUTPUT,FLAMEINDICATOR,MAGICCHEF	7733P072-60
16	112881-01-704	EA	KNOB-THERMOSTAT	7731P067-60
16	112881-01-716	EA	KNOB-THERMOSTAT,REF.SER.#3C	7731P107-60
17	112881-01-709	EA	PIPE-MANIFOLD	7513P097-60
18	102020-01-722	EA	VALVE-TOPBURNER	7502P181-60
18	112881-01-703	EA	VALVE-TOPBURNER,HI-OUTPUT	7502P180-60
19	112881-01-706	EA	THERMOSTAT-REF.SER.#2C	12400026
19	112881-01-715	EA	THERMOSTAT-REF.SER.#3C	7515P037-60
19	112881-01-722	EA	THERMOSTAT-REF.SER.#1C,11,12,13,ETC.-HARPER-WYMAN	7515P029-60
20	112881-01-712	EA	TOP-MAIN,BLACK	740101486
21	112881-01-721	EA	DEFLECTOR-FLUE,BLACKTEXTURED	74002809
			FROM: 07-15-96 THRU: 99-99-99	
	105458-01-000	EA	TIEDOWNBRACKET-STOVE-RH	
	105458-02-000	EA	TIEDOWNBRACKET-STOVE-LH	

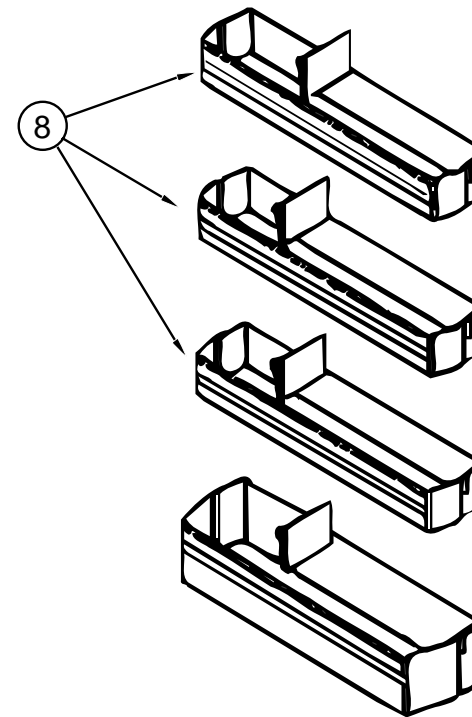
**GALLEYGROUP(CONTINUED)**  
**MAGICCHEFMICROWAVEOVEN**

KEY	PARTNUMBER	U/M DESCRIPTION
	115303-02-000	EA OVEN-MICROWAVE-MAGICCHEFMCD-DM46K-15B
	115401-02-01A	EA TRIM-MICROWAVE,BLACK
	094750-07-000	EA BRACKET-MICROWAVE,89DEGREE-STEEL
	098916-16-02B	EA BRACE-MICROWAVECABINET,LEFT-7.5"X7.5"-E-COATSTEEL
	098916-17-02B	EA BRACE-MICROWAVECABINET,RIGHT-7.5"X7.5"-E-COATSTEEL

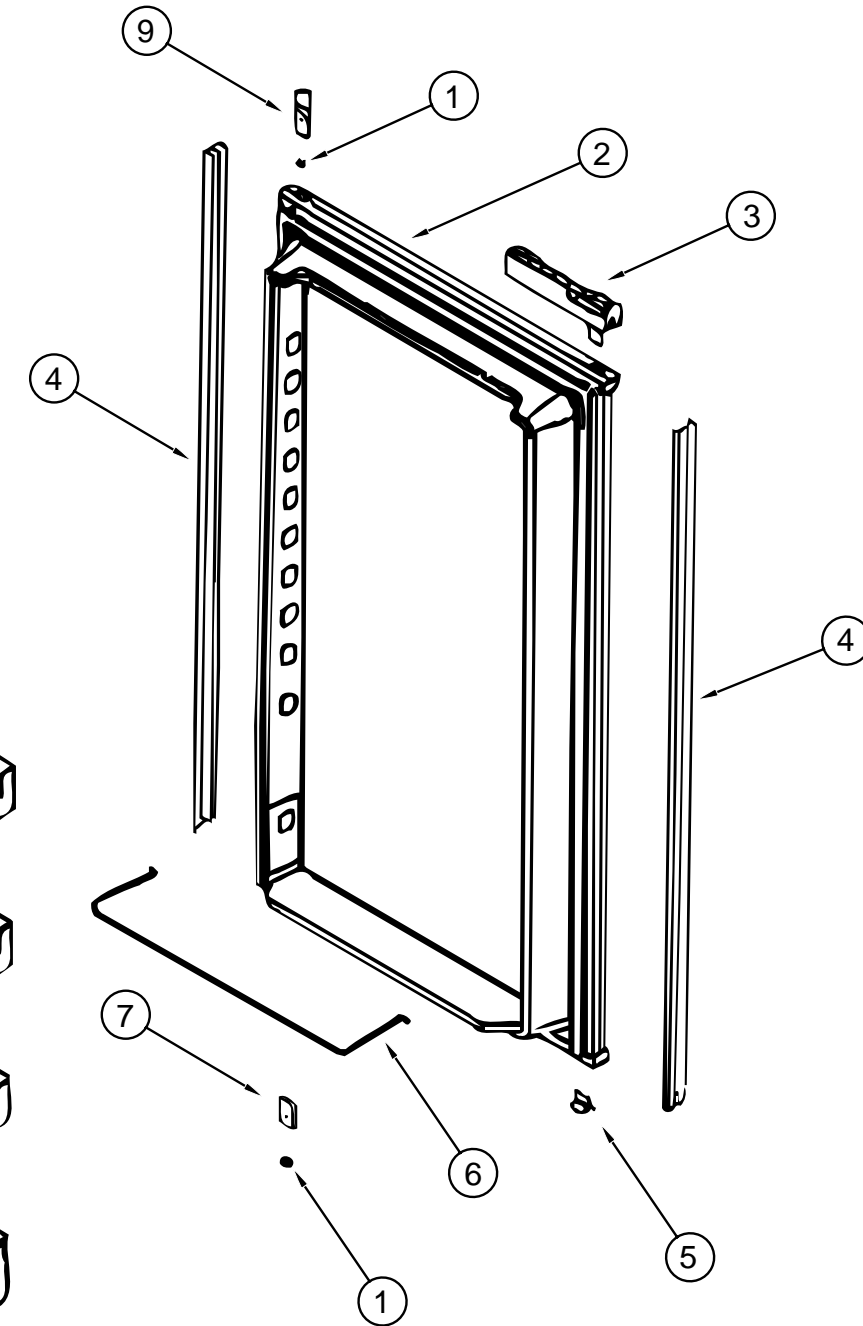
**COFFEEMAKER**

KEY	PARTNUMBER	U/M DESCRIPTION
	103799-02-01A	EA COFFEEMAKERWITHCLOCK,WHITE-BLACK&DECKERSDC2B
	103799-01-700	EA CARAFE-GLASSPOT-BLACK&DECKER
	103799-01-701	EA BRACKETS-WHITE,PAIR-BLACK&DECKER

VENDORNO.
679420
164734-06



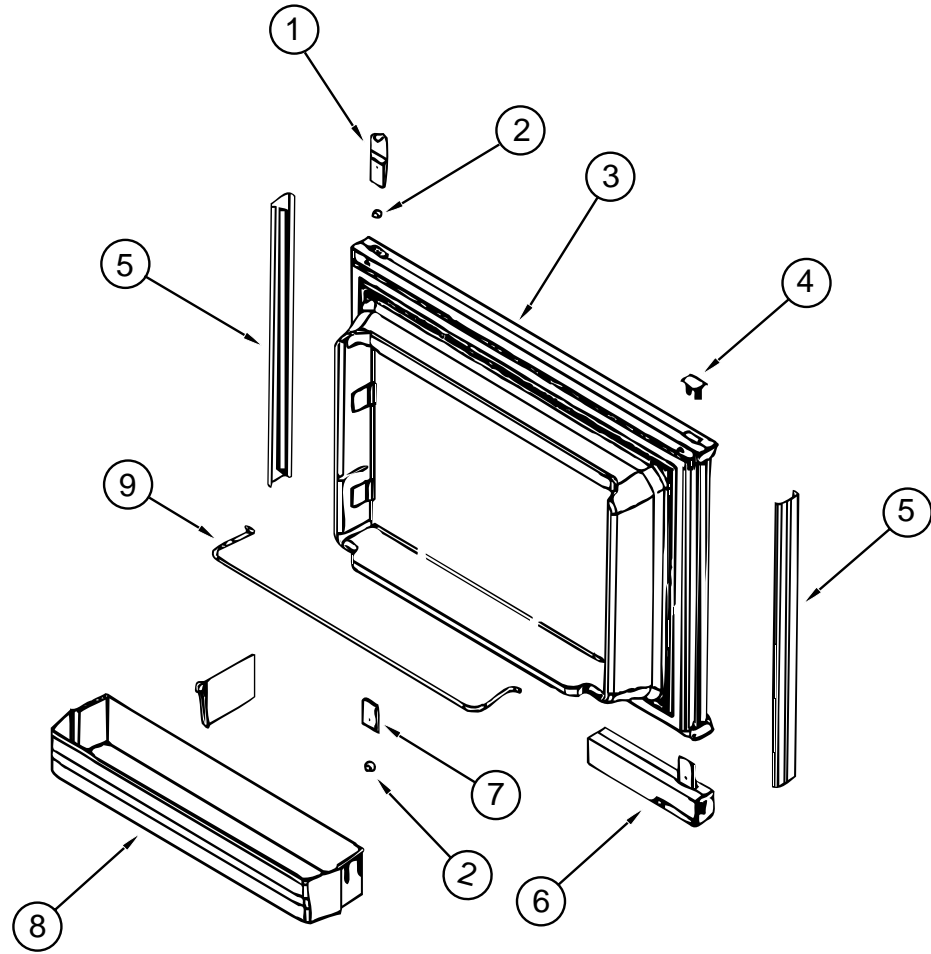
**GALLEYGROUP(CONTINUED)**



**NORCOLDMODEL9162LREFRIGERATORLOWERDOOR**

KEY	PARTNUMBER	U/M DESCRIPTION	VENDORNO.
	121568-02-01A	EA REFRIGERATOR-DOUBLEDOOR,2-WAY-NORCOLD9162L	
1	120075-01-708	EA BUSHING-DOORHINGE	618144
2	120075-01-710	EA DOOR-LOWER,FOAMEDW/GASKET	618270
3	120075-01-711	EA HANDLEASSEMBLY-UPPERRH/LOWERLH	618235
4	120076-01-700	EA RETAINER-LOWERDOORPANEL	618132
5	120075-01-702	EA CAP-HINGEPLUG	618160
6	121568-01-704	EA RAIL-DOOR,LOWER	618578
7	120075-01-705	EA HINGE-PAINTED,TOPLH/BOTTOMRH	618510
8	121568-01-701	EA BIN-DOOR,WHITE	618619
9	120075-01-701	EA HINGE-TOPRH/BOTTOMLH,PAINTED	618511

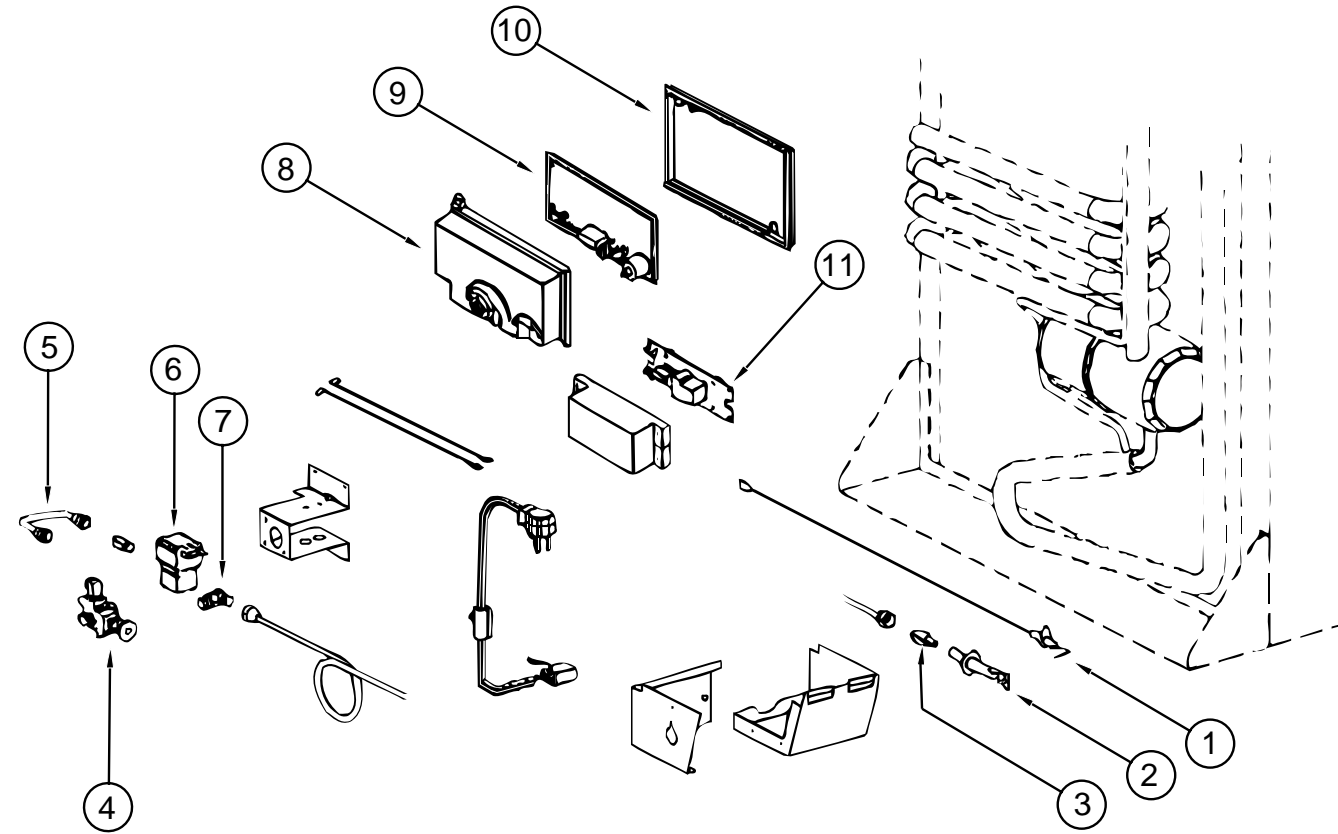
**GALLEYGROUP(CONTINUED)**



**NORCOLD MODEL 9162L REFRIGERATOR UPPER DOOR**

KEY	PARTNUMBER	U/M	DESCRIPTION	VENDOR NO.
	121568-02-01A	EA	REFRIGERATOR-DOUBLE DOOR, 2-WAY-NORCOLD9162L	
1	120075-01-701	EA	HINGE-TOPRH/BOTTOM LH, PAINTED	618511
2	120075-01-708	EA	BUSHING-DOOR HINGE	618144
3	120075-01-703	EA	DOOR ASSEMBLY-FOAMED, W/GASKET	618205
4	120075-01-702	EA	CAP-HINGE PLUG	618160
5	120075-01-700	EA	RETAINER-DOOR, DECOR PANEL	618128
6	121568-01-702	EA	HANDLE ASSEMBLY-DOOR, LOWER LH/TOP RH	618230
7	120075-01-705	EA	HINGE-PAINTED, TOP LH/BOTTOM RH	618510
8	121568-01-701	EA	BIN-DOOR, WHITE	618619
9	121568-01-700	EA	RAIL-DOOR, UPPER	618618

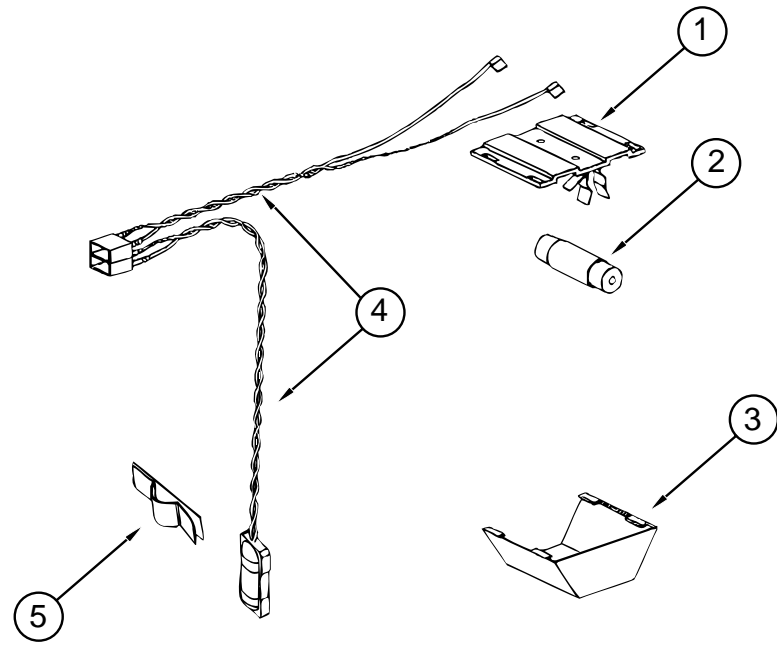
**GALLEYGROUP(CONTINUED)**



**NORCOLD MODEL 9162L REFRIGERATOR BURNER & POWER BOARDS**

KEY	PARTNUMBER	U/M	DESCRIPTION	VENDOR NO.
	121568-02-01A	EA	REFRIGERATOR-DOUBLE DOOR, 2-WAY-NORCOLD9162L	
1	104137-06-715	EA	ELECTRODE-SPARK/SENSOR, SGL	61692222
2	104137-06-714	EA	BURNER ASSEMBLY, 5 SLOT	61705222
3	120076-01-705	EA	ORIFICE-JEWEL, .015	618283
4	104137-06-709	EA	VALVE-SHUTOFF, MANUAL	61694922
5	113737-01-750	EA	TUBE-UNION	61694622
6	084880-01-718	EA	VALVE-GAS, ASCO	61551822
7	113737-01-716	EA	TAP-PRESSURE	61594422
8	120075-01-738	EA	COVER-POWERBOARD	618185
9	120075-01-739	EA	BOARD-POWER, 2-WAY	618198
9	121568-01-710	EA	BOARD-POWER, 3-WAY	618575
10	120075-01-740	EA	COVER-BASE, POWERBOARD	618186
11	121568-01-711	EA	BOARD-MODULE, DC	618561
	113737-01-702	EA	PLUG-1/8" F/PRESSURE TAP	61445322

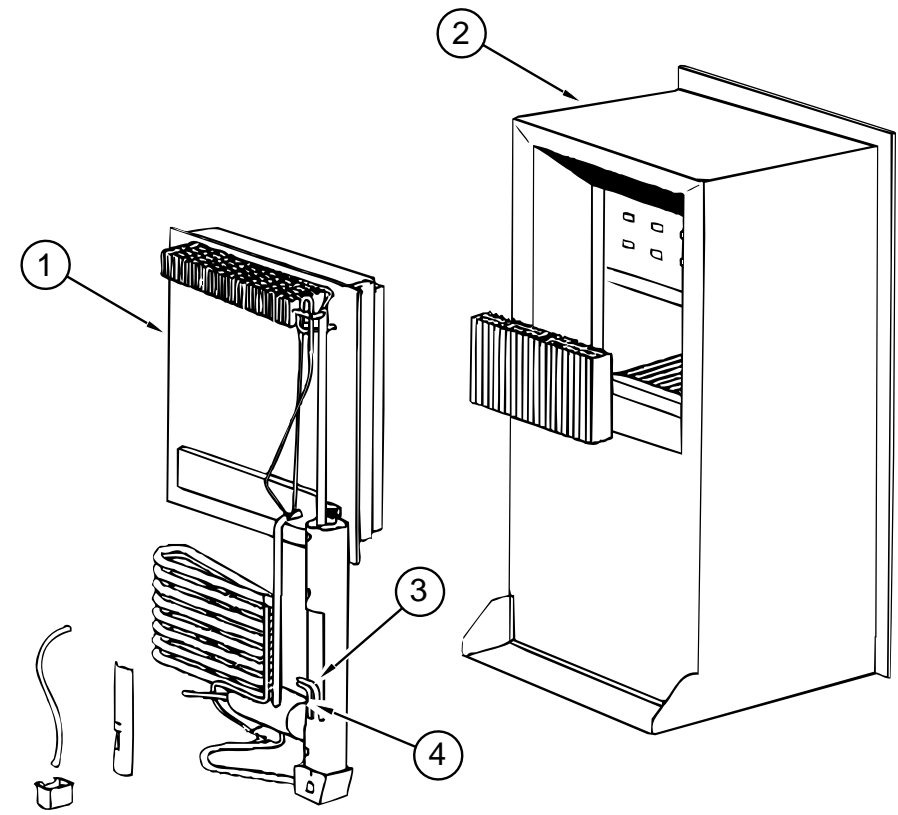
**GALLEYGROUP(CONTINUED)**



**NORCOLDMODEL9162LREFRIGERATORLAMPASM**

KEY	PARTNUMBER	U/M	DESCRIPTION	VENDORNO.
	121568-02-01A	EA	REFRIGERATOR-DOUBLEDOOR,2-WAY-NORCOLD9162L	
1	084880-03-705	EA	BRACKET-LIGHT,INTERIOR	61629722
2	084880-03-706	EA	BULB-LAMP	61628922
3	084880-03-707	EA	COVER-LAMP,LENS	61627922
4	120075-01-735	EA	WIREASSEMBLY-LAMP	618548
5	084880-01-760	EA	CLIP-THERMISTER	61689122

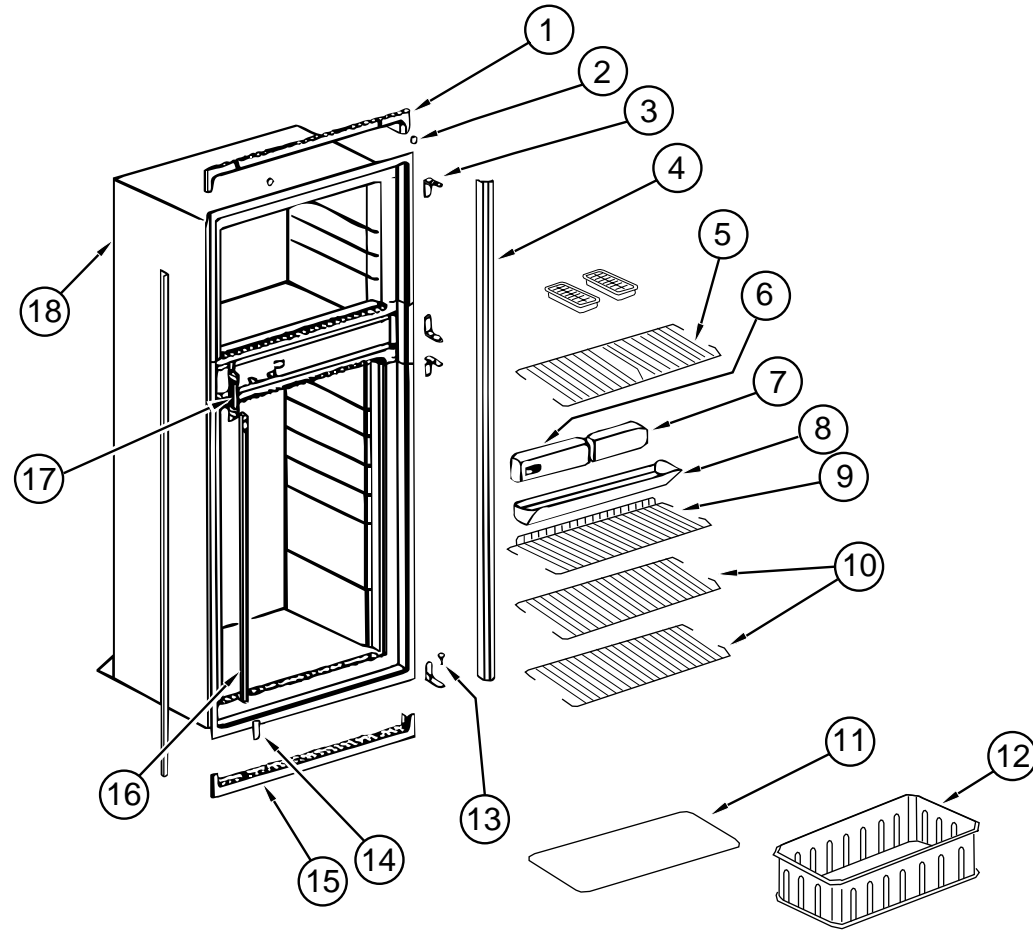
**GALLEYGROUP(CONTINUED)**



**NORCOLDMODEL9162LREFRIGERATORCOOLINGUNIT,CABINET,&HEATERS**

KEY	PARTNUMBER	U/M	DESCRIPTION	VENDORNO.
	121568-02-01A	EA	REFRIGERATOR-DOUBLEDOOR,2-WAY-NORCOLD9162L	
1	120076-01-704	EA	COOLINGUNIT-SERVICEPACK	618543
2	120076-01-703	EA	CABINET-FOAMED	618260
3	088248-01-710	EA	HEATER-DC,HORIZONTAL	61562822
4	088248-01-709	EA	HEATER-AC,HORIZONTAL	61562722

**GALLEYGROUP(CONTINUED)**  
**NORCOLDMODEL9162LREFRIGERATORCABINETASMWITHTRAY,TIEDOWNS&LEVEL**



KEY	PARTNUMBER	U/M	DESCRIPTION	VENDORNO.
	121568-02-01A	EA	REFRIGERATOR-DOUBLEDOOR,2-WAY-NORCOLD9162L	
1	120075-01-713	EA	TRIM-TOPPIECE	618124
2	120075-01-714	EA	PLUG-HOLE	618170
3	120075-01-715	EA	HINGE-CABINETSIDE,PAINTED	618512
	120075-01-708	EA	BUSHING-DOORHINGE	618144
4	120076-01-702	EA	TRIM,SIDIEPIECE	618133
5	121568-01-705	EA	SHELF-WIRE,FREEZER	618620
6	121568-01-706	EA	CONTROLBOXASSEMBLY	618588
7	120075-01-718	EA	BOX-FILLER	618112
8	120075-01-720	EA	TRAY-DRIP	618137
	120075-01-721	EA	LOUVER-DRIPTRAY	618176
9	121568-01-707	EA	SHELF-WIRE,SHORT	618624
10	121568-01-708	EA	SHELF-WIRE	618589
11	120075-01-725	EA	COVER-CRISPER	618158
12	121568-01-709	EA	CRISPER	618571
13	120075-01-727	EA	PIN-HINGE	618145
14	120075-01-728	EA	COVER-HINGEHOLE	618171
15	120075-01-729	EA	TRIM-BOTTOMPIECE	618136
16	120075-01-730	EA	RETAINER-SHELF	618181
17	120075-01-732	EA	PLATE-STRIKE	618167
18	120076-01-703	EA	CABINET-FOAMED	618260
	120075-01-731	EA	PLUG-FACADE	618184
	116751-03-01A	EA	TRAY-REFRIGERATOR,BLACK	
	054450-01-000	EA	LEVEL-REFRIGERATOR	
	065225-02-000	EA	PLATE-TIEDOWN,REFRIGERATOR	
	093646-03-000	EA	BRACKETASM-TIEDOWN,REFRIGERATOR	
	093646-04-000	EA	BRACKETASM-TIEDOWN,REFRIGERATOR	



**GENERATORGROUP**  
**4,000WATTONANEMERALDPLUS-110VOLT-LP**

KEY	PARTNUMBER	U/M	DESCRIPTION
	100974-01-000	EA	GENERATOR-4.0KWEMERALDPLUS-BGE-FA/26100G WITHONANTRAY#403-2218
	007067-01-000	SF	INSULATION-FIBERGLASS,1"THICKX4'-INCREMENTSOF4SF
	007125-03-000	EA	CLAMP-MUFFLER-1.5"DIAMETER
	007125-04-000	EA	CLAMP-MUFFLER-1.1"DIAMETER
	007131-01-000	EA	HANGER-TAILPIPE,6SLOTS
	079654-05-000	EA	PIPE-EXHAUST, ANGLED-W/FLANGE-2"ID-ONAN#154-2539
	081364-03-000	EA	MUFFLER-GENERATOR,ONAN
	093511-01-000	EA	VAPORKIT-LP,GENERATOR
	094059-01-000	EA	SPACER-GENERATOR,ONAN
	106602-01-000	EA	PIPE-EXHAUST,GENERATOR
	106607-01-000	EA	ANGLE-SUPPORT,EXHAUST

**4,000WATTONANEMERALDPLUS**

KEY	PARTNUMBER	U/M	DESCRIPTION
	100974-01-000	EA	GENERATOR-4.0KWEMERALDPLUS-BGE-FA/26100G WITHONANTRAY#403-2218
	007067-01-000	SF	INSULATION-FIBERGLASS,1"THICKX4'-INCREMENTSOF4SF
	007125-03-000	EA	CLAMP-MUFFLER-1.5"DIAMETER
	007125-04-000	EA	CLAMP-MUFFLER-1.1"DIAMETER
	007131-01-000	EA	HANGER-TAILPIPE,6SLOTS
	079654-05-000	EA	PIPE-EXHAUST, ANGLED-W/FLANGE-2"ID-154-2539
	081364-03-000	EA	MUFFLER-GENERATOR,ONAN
	094059-01-000	EA	SPACER-GENERATOR,ONAN
	106602-01-000	EA	PIPE-EXHAUST,GENERATOR
	106607-01-000	EA	ANGLE-SUPPORT,EXHAUST

**5,000WATTONANEMERALDPLUS**

KEY	PARTNUMBER	U/M	DESCRIPTION
	109303-01-000	EA	GENERATOR-5.0KWEMERALDPLUS WITHONANTRAY#403-2727
	007067-01-000	SF	INSULATION-FIBERGLASS,1"THICKX4'-INCREMENTSOF4SF
	007125-03-000	EA	CLAMP-MUFFLER-1.5"DIAMETER
	007125-04-000	EA	CLAMP-MUFFLER-1.1"DIAMETER
	007131-01-000	EA	HANGER-TAILPIPE,6SLOTS
	079654-05-000	EA	PIPE-EXHAUST, ANGLED-W/FLANGE-2"ID-154-2539
	081364-03-000	EA	MUFFLER-GENERATOR,ONAN
	094059-01-000	EA	SPACER-GENERATOR,ONAN
	106602-01-000	EA	PIPE-EXHAUST,GENERATOR
	106607-01-000	EA	ANGLE-SUPPORT,EXHAUST

**GENERATORGROUP(CONTINUED)**  
**6,500WATTONANEMERALDPLUS**

KEY	PARTNUMBER	U/M	DESCRIPTION
	100975-01-000	EA	GENERATOR-6.5KWEMERALDPLUS-NHE-FA/26100G WITHONANTRAY#403-2218
	007067-01-000	SF	INSULATION-FIBERGLASS,1"THICKX4'-INCREMENTSOF4SF
	007125-03-000	EA	CLAMP-MUFFLER-1.5"DIAMETER
	007125-04-000	EA	CLAMP-MUFFLER-1.1"DIAMETER
	007131-01-000	EA	HANGER-TAILPIPE,6SLOTS
	079654-05-000	EA	PIPE-EXHAUST, ANGLED-W/FLANGE-2"ID-154-2539
	081364-03-000	EA	MUFFLER-GENERATOR,ONAN
	094059-01-000	EA	SPACER-GENERATOR,ONAN
	106602-01-000	EA	PIPE-EXHAUST,GENERATOR
	106607-01-000	EA	ANGLE-SUPPORT,EXHAUST

**6,500WATTONANEMERALDPLUS-LP**

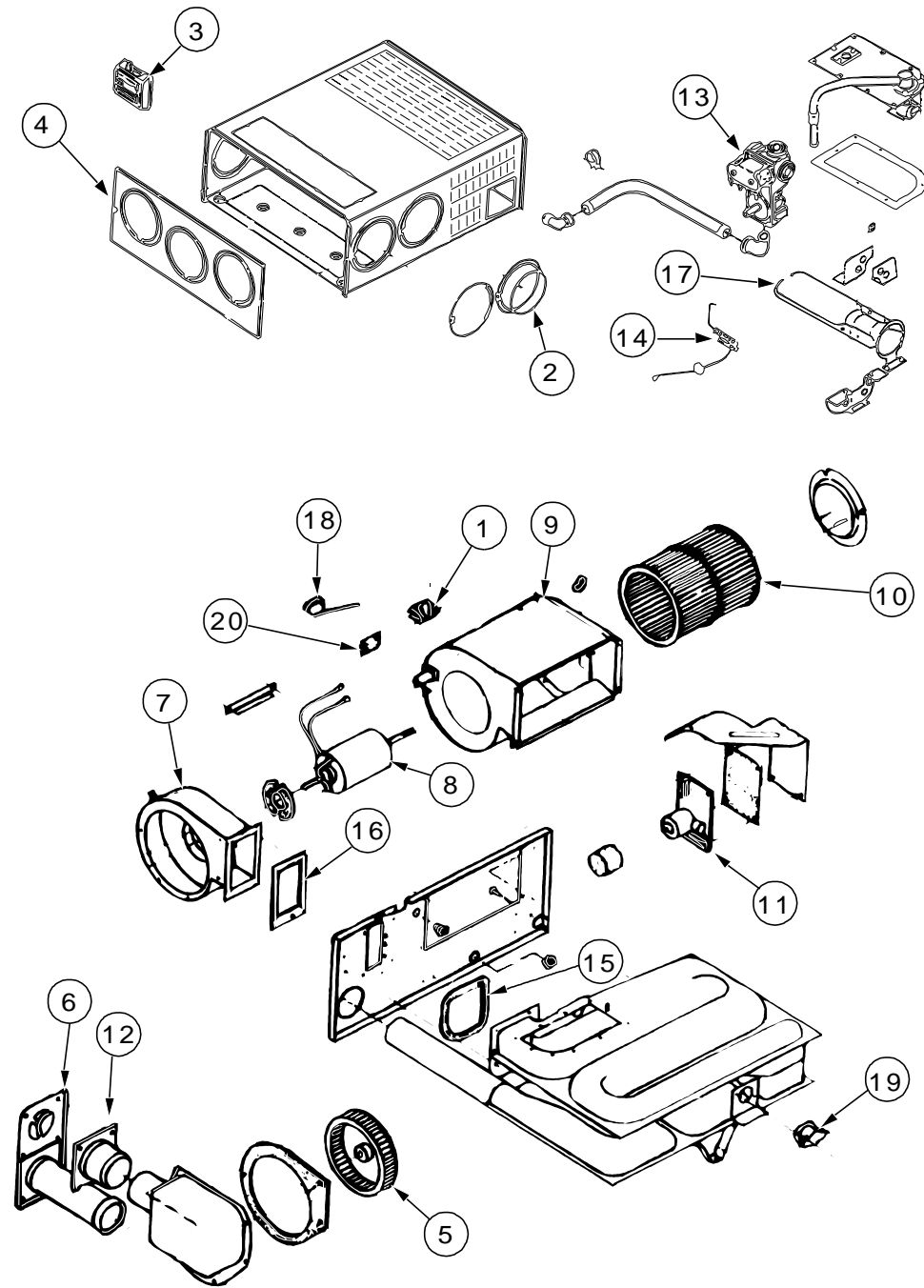
KEY	PARTNUMBER	U/M	DESCRIPTION
	100975-01-000	EA	GENERATOR-6.5KWEMERALDPLUS-NHE-FA/26100G WITHONANTRAY#403-2218
	007067-01-000	SF	INSULATION-FIBERGLASS,1"THICKX4'-INCREMENTSOF4SF
	007125-03-000	EA	CLAMP-MUFFLER-1.5"DIAMETER
	007125-04-000	EA	CLAMP-MUFFLER-1.1"DIAMETER
	079654-05-000	EA	PIPE-EXHAUST, ANGLED-W/FLANGE-2"ID-154-2539
	081364-03-000	EA	MUFFLER-GENERATOR,ONAN
	093511-01-000	EA	VAPORKIT-LP,GENERATOR
	094059-01-000	EA	SPACER-GENERATOR,ONAN
	106602-01-000	EA	PIPE-EXHAUST,GENERATOR
	106607-01-000	EA	ANGLE-SUPPORT,EXHAUST

**5,000WATTONANEMERALDPLUS-220VOLT-LP-EXPORT**

KEY	PARTNUMBER	U/M	DESCRIPTION
	100975-03-000	EA	GENERATOR-5.0KWEMERALDPLUS-ONANNHE-FN/29236G WITHONANTRAY#403-2218
	007125-03-000	EA	CLAMP-MUFFLER-1.5"DIAMETER
	007125-04-000	EA	CLAMP-MUFFLER-1.1"DIAMETER
	007131-01-000	EA	HANGER-TAILPIPE,6SLOTS
	079654-05-000	EA	PIPE-EXHAUST, ANGLED-W/FLANGE-2"ID-ONAN#154-2539
	081364-03-000	EA	MUFFLER-GENERATOR,ONAN
	093511-01-000	EA	VAPORKIT-LP,GENERATOR
	094059-01-000	EA	SPACER-GENERATOR,ONAN
	106602-01-000	EA	PIPE-EXHAUST,GENERATOR
	106607-01-000	EA	ANGLE-SUPPORT,EXHAUST

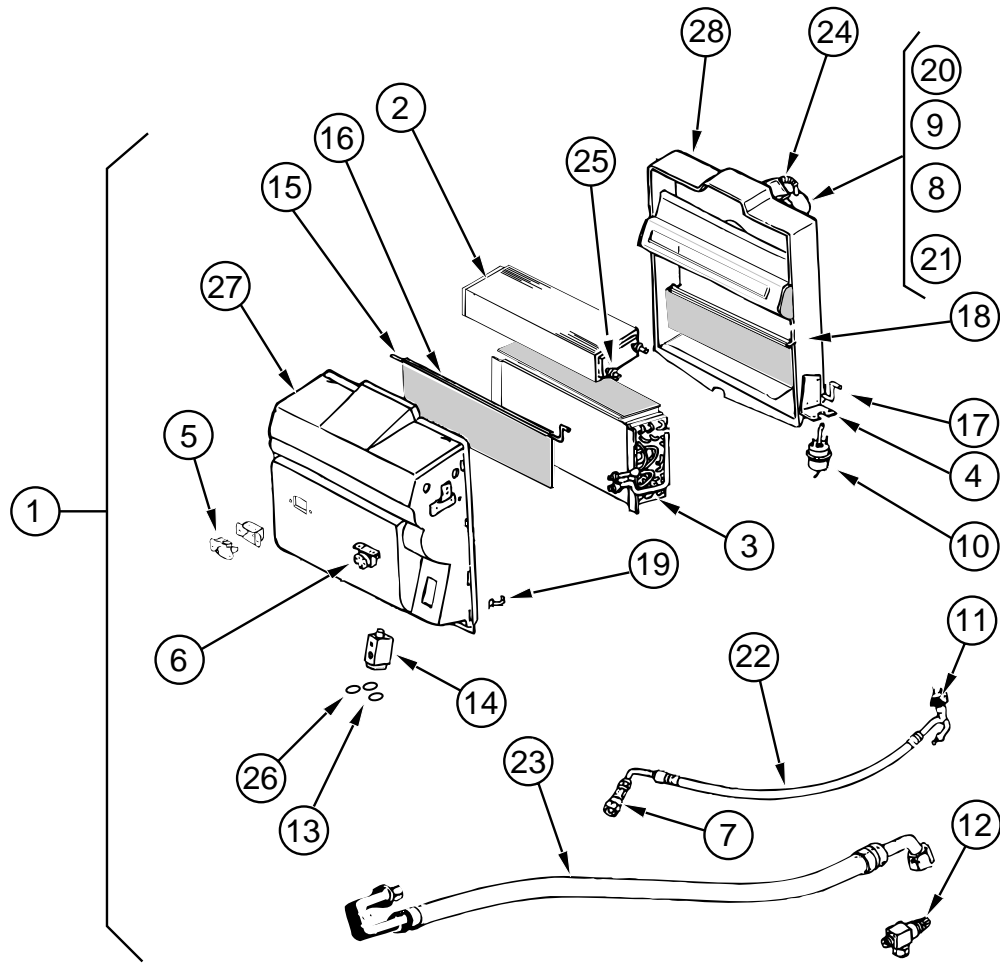
**NOTE:ADDITIONALGENERATORCOMPONENTSAREFOUNDINTHECHASSISGROUP**

**HEATING & AIR CONDITIONING GROUP**  
**30,000 BTU SUBURBAN FURNACE & WALL THERMOSTAT**



KEY	PART NUMBER	U/M	DESCRIPTION	VENDOR NO.
	098668-20-000	EA	FURNACE-30,000BTU-SUBURBANSF302273	
1	074466-01-702	EA	RELAY-TIMEDELAY	230625
2	075696-02-703	EA	COLLAR-DUCT	050715
3	115764-01-01A	EA	THERMOSTAT-WALL,FURNACE160902	
4	098668-01-700	EA	CABINET-FRONT	101242
5	098668-01-706	EA	WHEEL-COMBUSTIONAIR	350122
6	098668-01-707	EA	VENTASSEMBLY-CAPANDTUBE	260193
7	098668-01-708	EA	BLOWERASSEMBLY-COMBUSTIONAIR	390441
8	098668-01-709	EA	MOTORASSEMBLY-F/SF-25,SF-30	231706
9	098668-01-710	EA	BLOWERASSEMBLY-ROOMAIR	390440
10	098668-01-711	EA	WHEEL-ROOMAIR	350123
11	098668-01-712	EA	BOARD-MODULE	231741
12	098668-01-713	EA	INTAKEVENTTUBEASSEMBLY	051044
13	098668-01-714	EA	VALVE-GAS,SFS.N.921401821	161070
14	098668-01-715	EA	ELECTRODEASSEMBLY-SINGLEPROBE	232166
15	098668-01-716	EA	GASKET-FIREWALL,CHAMBERSIDE	232166
16	098668-01-717	EA	GASKET-FIREWALL,BLOWERSIDE	070163
17	098668-02-700	EA	BURNERASSEMBLYCOMPLETE-(SF-30/SF35)	010745
18	098668-21-700	EA	MICROSWITCHW/OFLAG31/4"	232261
19	098668-21-701	EA	LIMITSWITCH	231799
20	101990-01-714	EA	MICROSWITCHGASKET	230877
	092300-02-701	EA	ORIFICE-MAINBURNER	180214
	098668-23-000	EA	DOOR-ACCESS,FURNACE-BRIGHTWHITE	
	056464-09-000	EA	REGISTER-4"DIAMETER,PLASTIC	
	056464-10-000	EA	REGISTER-W/ODAMPER,4"DIAMETER-DURA-BEIGEPLASTIC	
	093614-01-02A	EA	GRILLE-RETURNAIR,FURNACE-15.6"X7.6"-BEIGE	
	009198-01-000	FT	DUCT-HEAT,FLEXIBLE-4"IDX25FT	
	009198-02-000	FT	DUCT-FLEXIBLE,2"IDX25FT	
	089367-02-000	EA	TEE-4"X2"X4"	
	009200-01-000	EA	TAPE-FURNACE,11/2"	
	069636-02-000	EA	CONNECTOR-DUCT,4"ID-050715	

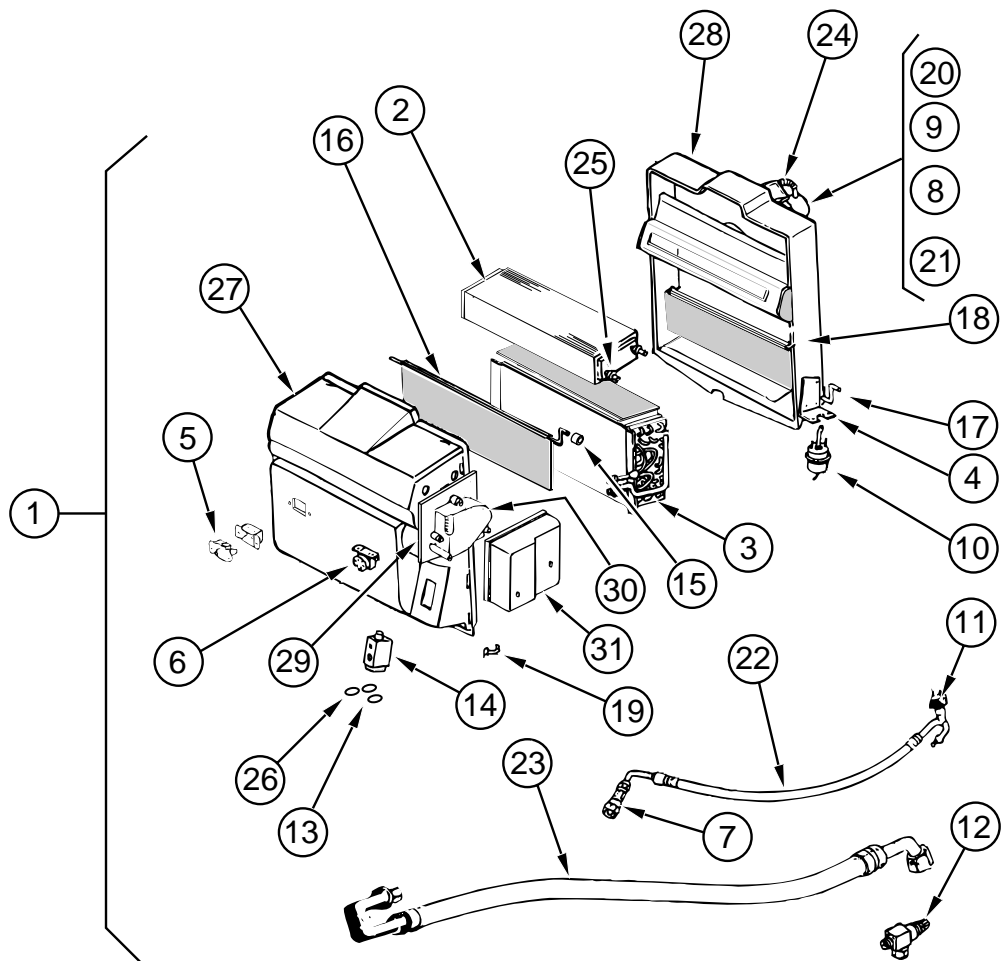
**HEATING & AIR CONDITIONING GROUP (CONTINUED)**  
**SCSEVAPORATOR/HEATER ASSEMBLY - FORD GAS CHASSIS (FROM: 00-00-00 THRU: 09-01-96)**



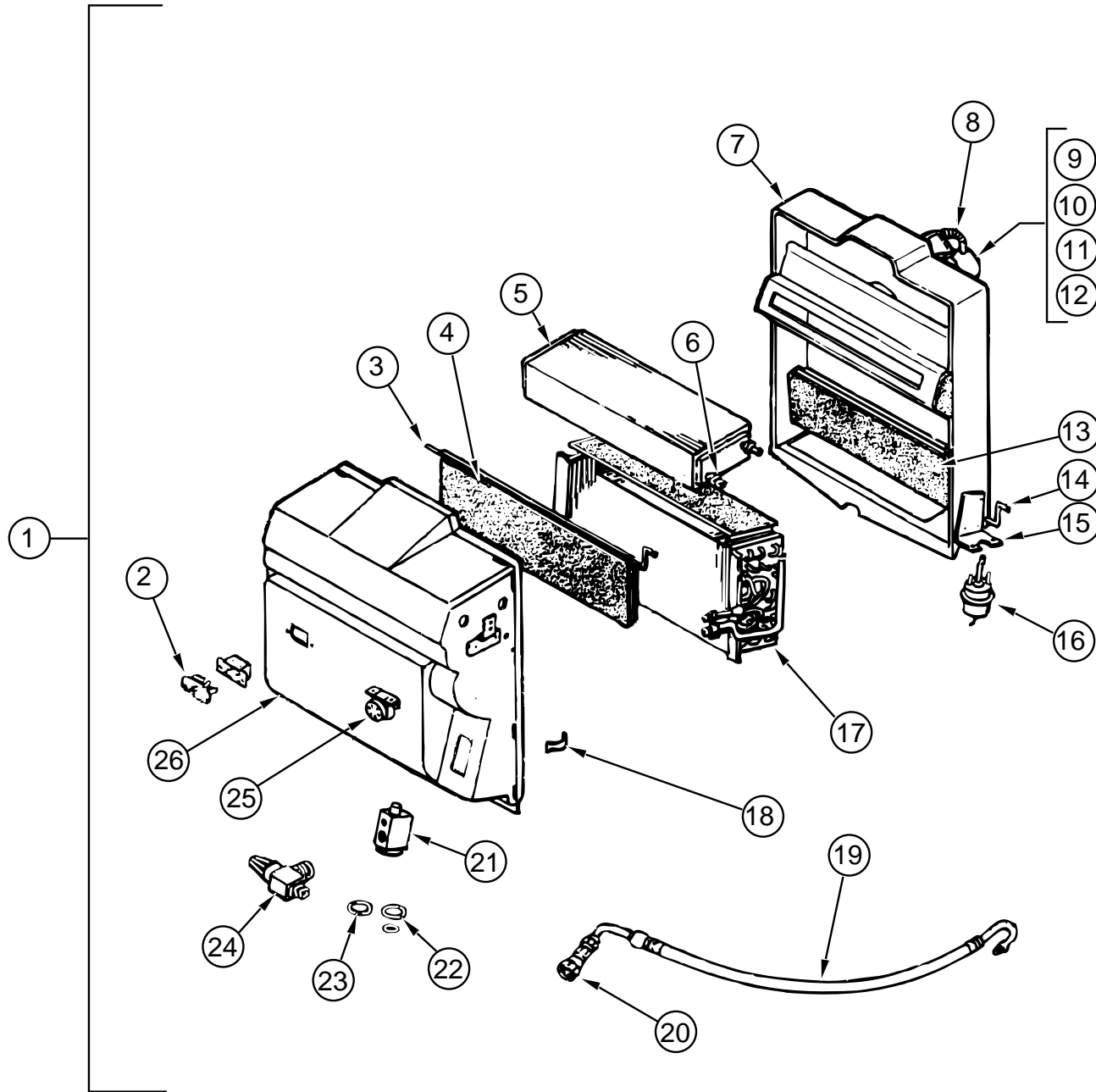
KEY	PART NUMBER	U/M	DESCRIPTION	VENDOR NO.
1	103930-21-000	EA	EVAPORATOR/HEATER ASSEMBLY-R134A BLOCK-SCS090-00084	
2	103930-01-703	EA	CORE-HEATER	042-0010
3	103930-01-704	EA	COIL-EVAPORATOR	041-0017
4	103930-01-708	EA	BRACKET-VACUUM MOTOR	070-0113
5	103930-01-710	EA	RESISTOR-FUSED, A/C	035-0006
6	103930-01-711	EA	THERMOSTAT	033-0003
7	103930-01-713	EA	FITTING-QUICK CONNECT, #4	050-0030
8	103930-01-717	EA	WHEEL-BLOWER, CLOCKWISE	062-0010
9	103930-01-720	EA	MOTOR-BLOWER, PM105	030-0004
10	103930-02-708	EA	MOTOR-VACUUM SERVO, A/C	030-0025
11	103930-12-708	EA	SWITCH-BINARY, HI-LOW CUTOUT	032-0048
12	103930-13-702	EA	VALVE-SERVICE, W/O COMP	050-0152
13	103930-17-702	EA	O'RING - #10	045-0127
14	103930-20-700	EA	VALVE-EXPANSION BLOCK, 2 TON	034-0032
15	103930-20-702	EA	ROD-DOOR, BLEND AIR	073-0039
16	103930-20-703	EA	DOOR-BLEND AIR	071-0212
17	103930-20-704	EA	ROD-DOOR, RECIRCULATING	073-0018
18	103930-20-705	EA	PANEL-DOOR, RECIRCULATING	071-0213
19	103930-20-706	EA	CLIP-RETAINER	022-0057
20	103930-20-707	EA	HOUSING-BLOWER	062-0145
21	103930-20-708	EA	CLIP-MOTOR SHAFT	022-0001
22	103930-21-700	EA	HOSE ASSEMBLY-#6, EXPANSION VALVE-DRIER	085-0139
23	103930-21-701	EA	HOSE ASSEMBLY-#10, EXPANSION VALVE-COMP	085-0149
24	110279-01-703	EA	HOSE-VENT, BLOWER MOTOR	051-0034
25	110279-01-712	EA	FITTING-HEATER	050-0076
26	113245-01-707	EA	O'RING - #8	045-0126
27	103930-20-710	EA	CASE-FRONT, SUB-ASSEMBLY	062-0146
28	103930-20-711	EA	CASE-BACK, SUB-ASSEMBLY	062-0147

**HEATING & AIR CONDITIONING GROUP (CONTINUED)**  
**SCSEVAPORATOR/HEATER ASSEMBLY - FORD GAS CHASSIS (FROM: 09-02-96 THRU: 99-99-99)**

KEY	PART NUMBER	U/M	DESCRIPTION	VENDOR NO.
1	103930-31-000	EA	EVAPORATOR/HEATER ASM-SERVOMOTOR CONTROLLED-SCS	090-00310
2	103930-01-703	EA	CORE-HEATER	042-0010
3	103930-01-704	EA	COIL-EVAPORATOR	041-0017
4	103930-01-708	EA	BRACKET-VACUUM MOTOR	070-0113
5	103930-01-710	EA	RESISTOR-FUSED, A/C	035-0006
6	103930-01-711	EA	THERMOSTAT	033-0003
7	103930-01-713	EA	FITTING-QUICK CONNECT, #4	050-0030
8	103930-01-717	EA	WHEEL-BLOWER, CLOCKWISE	062-0010
9	103930-01-720	EA	MOTOR-BLOWER, PM105	030-0004
			FROM: 09-02-96 THRU: 12-21-96	
9	103930-30-706	EA	MOTOR-BLOWER, PM147	030-0109
			FROM: 12-22-96 THRU: 99-99-99	
10	103930-02-708	EA	MOTOR-VACUUM SERVO, A/C	030-0025
11	103930-12-708	EA	SWITCH-BINARY, HI-LOW CUTOUT	032-0048
12	103930-13-702	EA	VALVE-SERVICE, W/O COMP	050-0152
13	103930-17-702	EA	O'RING - #10	045-0127
14	103930-20-700	EA	VALVE-EXPANSION BLOCK, 2TON	034-0032
15	103930-30-702	EA	BUSHING-BLEND AIR DOOR	062-0168
16	103930-20-703	EA	DOOR-BLEND AIR	071-0212
17	103930-20-704	EA	ROD-DOOR, RECIRCULATING	073-0018
18	103930-20-705	EA	PANEL-DOOR, RECIRCULATING	071-0213
19	103930-20-706	EA	CLIP-RETAINER	022-0057
20	103930-20-707	EA	HOUSING-BLOWER	062-0145
21	103930-20-708	EA	CLIP-MOTOR SHAFT	022-0001
22	103930-21-700	EA	HOSE ASSEMBLY - #6, EXPANSION VALVE-DRIER	085-0139
23	103930-21-701	EA	HOSE ASSEMBLY - #10, EXPANSION VALVE-COMP	085-0149
24	110279-01-703	EA	HOSE-VENT, BLOWER MOTOR	051-0034
25	110279-01-712	EA	FITTING-HEATER	050-0076
26	113245-01-707	EA	O'RING - #8	045-0126
27	103930-30-700	EA	CASE-FRONT, SUB-ASSEMBLY	062-0542
28	103930-20-711	EA	CASE-BACK, SUB-ASSEMBLY	062-0147
29	103930-30-701	EA	PLATE-MOTOR MOUNT	062-0544
30	103930-30-703	EA	MOTOR-SERVO	030-0104
31	103930-30-704	EA	COVER-SERVO	062-0545

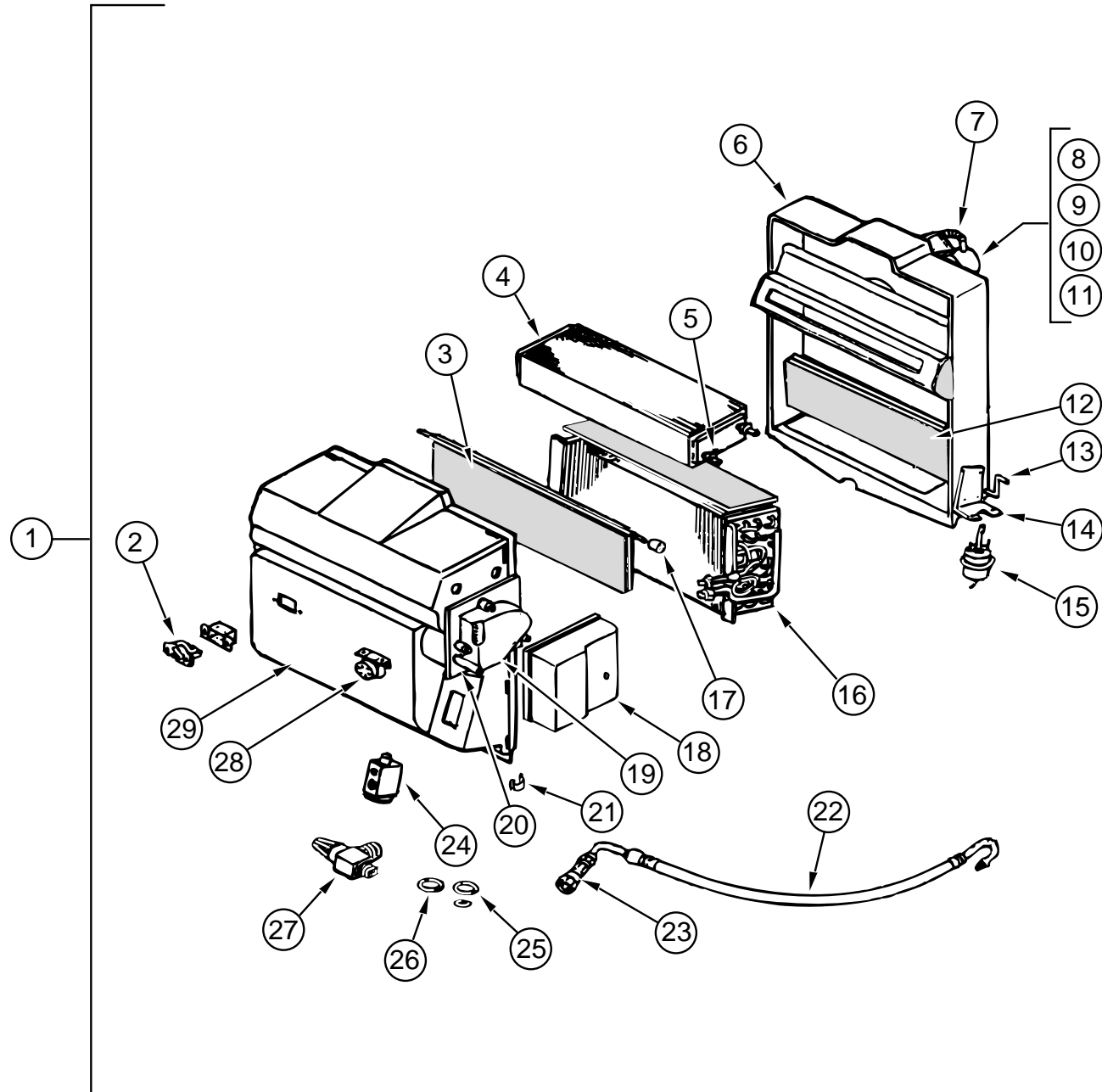


**HEATING & AIR CONDITIONING GROUP (CONTINUED)**  
**SCSEVAPORATOR/HEATER ASSEMBLY - CHEVY GAS & DIESEL CHASSIS (FROM: 00-00-00 THRU: 09-01-96)**



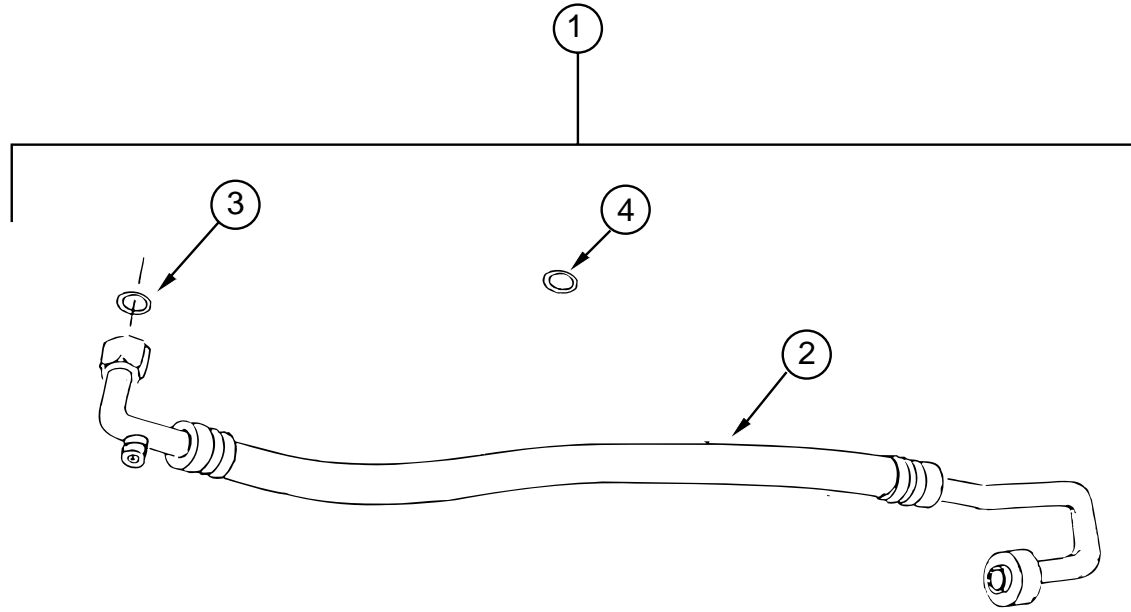
KEY	PARTNUMBER	U/M	DESCRIPTION	VENDOR NO.
1	103930-25-000	EA	EVAPORATOR/HEATER ASSEMBLY-SCS090-00296	
2	103930-01-710	EA	RESISTOR-FUSED	035-0006
3	103930-20-702	EA	ROD-DOOR,BLENDAIR	073-0039
4	103930-20-703	EA	DOOR-BLENDAIR	071-0212
5	103930-01-703	EA	CORE-HEATER	042-0010
6	110279-01-712	EA	FITTING-HEATER	050-0076
7	103930-20-711	EA	CASE-BACK,SUB-ASSEMBLY	062-0147
8	110279-01-703	EA	HOSE-VENT,BLOWER MOTOR	051-0034
9	103930-20-707	EA	HOUSING-BLOWER	062-0145
10	103930-01-720	EA	MOTOR-BLOWER,PM105	030-0004
11	103930-01-717	EA	WHEEL-BLOWER,CLOCKWISE	062-0010
12	103930-20-708	EA	CLIP-MOTORSHAFT	022-0001
13	103930-20-705	EA	PANEL-DOOR,RECIRCULATING	071-0213
14	103930-20-704	EA	ROD-DOOR,RECIRCULATING	073-0018
15	103930-01-708	EA	BRACKET-VACUUM MOTOR	070-0113
16	103930-02-708	EA	MOTOR-VACUUMSERVO,A/C	030-0025
17	103930-01-704	EA	COIL-EVAPORATOR	041-0017
18	103930-20-706	EA	CLIP-RETAINER	022-0057
19	103930-25-700	EA	HOSE ASSEMBLY-#6, EVAPORATOR TO DRIER	085-0350
20	103930-12-709	EA	FITTING-QUICKCONNECT	050-0120
21	103930-20-700	EA	VALVE-EXPANSION BLOCK, 2TON	034-0032
22	103930-17-702	EA	O'RING-#10	045-0127
23	113245-01-707	EA	O'RING-#8	045-0126
24	103930-20-709	EA	VALVE-SERVICE	050-0159
25	103930-01-711	EA	THERMOSTAT	033-0003
26	103930-20-710	EA	CASE-FRONT,SUB-ASSEMBLY	062-0146
	103930-02-714	EA	CLAMP-CLUTCH,BARREL	022-0006
	110279-02-702	EA	O'RING-#12	045-0125

**HEATING & AIR CONDITIONING GROUP (CONTINUED)**  
**SCSEVAPORATOR/HEATER ASSEMBLY - CHEVY GAS & DIESEL CHASSIS (FROM: 09-02-96 THRU: 99-99-99)**



KEY	PART NUMBER	U/M	DESCRIPTION	VENDOR NO.
1	103930-30-000	EA	EVAPORATOR/HEATER ASM-SERVOMOTOR CONTROLLED-SCS	090-00296
2	103930-01-710	EA	RESISTOR-FUSED	035-0006
3	103930-30-705	EA	PANEL-DOOR,BLEND AIR	071-0568
4	103930-01-703	EA	CORE-HEATER	042-0010
5	110279-01-712	EA	FITTING-HEATER	050-0076
6	103930-20-711	EA	CASE-BACK,SUB-ASSEMBLY	062-0147
7	110279-01-703	EA	HOSE-VENT,BLOWER MOTOR	051-0034
8	103930-20-707	EA	HOUSING-BLOWER	062-0145
9	103930-01-720	EA	MOTOR-BLOWER,PM105	030-0004
			FROM: 09-02-96 THRU: 12-21-96	
9	103930-30-706	EA	MOTOR-BLOWER,PM147	030-0109
			FROM: 12-22-96 THRU: 99-99-99	
10	103930-01-717	EA	WHEEL-BLOWER,CLOCKWISE	062-0010
11	103930-20-708	EA	CLIP-MOTOR SHAFT	022-0001
12	103930-20-705	EA	PANEL-DOOR,RECIRCULATING	071-0213
13	103930-20-704	EA	ROD-DOOR,RECIRCULATING	073-0018
14	103930-01-708	EA	BRACKET-VACUUM MOTOR	070-0113
15	103930-02-708	EA	MOTOR-VACUUMSERVO,A/C	030-0025
16	103930-01-704	EA	COIL-EVAPORATOR	041-0017
17	103930-30-702	EA	BUSHING-BLEND AIR DOOR	062-0168
18	103930-30-704	EA	COVER-SERVO	062-0545
19	103930-30-703	EA	MOTOR-SERVO	030-0104
20	103930-30-701	EA	PLATE-SERVOMOTOR MOUNT	062-0544
21	103930-20-706	EA	CLIP-RETAINER	022-0057
22	103930-25-700	EA	HOSE ASSEMBLY-#6, EVAPORATOR TO DRIER	085-0350
23	103930-12-709	EA	FITTING-QUICK CONNECT	050-0120
24	103930-20-700	EA	VALVE-EXPANSION BLOCK, 2TON	034-0032
25	103930-17-702	EA	O'RING-#10	045-0127
26	113245-01-707	EA	O'RING-#8	045-0126
27	103930-20-709	EA	VALVE-SERVICE	050-0159
28	103930-01-711	EA	THERMOSTAT	033-0003
29	103930-30-700	EA	CASE-FRONT	062-0542

**HEATING&AIRCONDITIONINGGROUP(CONTINUED)**



**CHEVYHOSEKIT-STANDARDGAS**

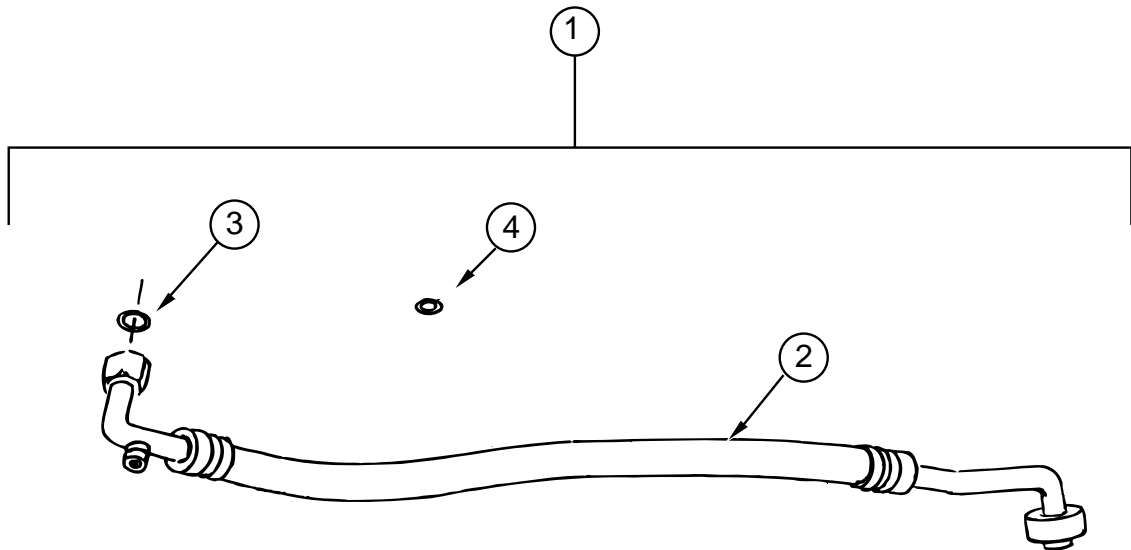
KEY	PARTNUMBER	U/M DESCRIPTION	VENDORNO.
1	103930-28-000	EA HOSEKIT#10GM-L-19-SCS093-00426	
2	103930-28-700	EA HOSEASM#10W/SELTECCOMPRESSOR	085-0347
3	103930-17-702	EA GASKETORSAE015=#1033-781	045-0127
4	103930-29-701	EA GASKET-GM,LOWPRESSURESWITCH	045-0483

**HEATING&AIRCONDITIONINGGROUP(CONTINUED)**  
**AUTOMOTIVEHEATERMISCELLANEOUS**

KEY	PARTNUMBER	U/M DESCRIPTION
	007076-01-000	EA HOSE-FLEXIBLEPVC-2"IDINCREMENTSOF50'
	007108-01-000	FT HOSE-HEATER,5/8"ID-HI-TEMP-FORDESE-M2D192-A
	007281-01-000	EA HOSE-FLEXIBLEPVC,2.5"IDX50'-ATCOFLEXA-182-355
	007281-01-700	FT HOSE-FLEXIBLEPVC,2.5"ID
	024990-05-000	EA OUTLET-4"DIAMETERW/SWIVELDEFLECTORS
	056402-05-000	EA BRACKET-HEATERVENT,ROUND-W/BEND-BLACK
	077075-01-000	EA GASKET-INSTRUMENTPANELTODEFROSTERPLENUM-1.8"X12.5"
	077075-03-000	EA GASKET-INSTRUMENTPANELTODEFROSTERPLENUM-1.8"X12.25"
	103016-01-000	EA PLENUM-TRANSITION
	103017-01-000	EA PLENUM-DEFROSTER
	103930-23-000	EA VALVE-WATER,2PORT
	103930-24-000	EA VALVE-WATER,4PORT
	103558-01-06A	EA VENT-DEFROSTER,ABS-QUICKSILVER
	103796-01-01A	EA LOUVERASSEMBLY-A/CCARYPROD-BLACK
	097494-02-000	EA TEE-BRASS,BARB-3/8"X5/32"X3/8"-PARKER224-8-8-4
	103930-37-000	EA MANUAL-OWNERS,HEATER/A/C
	7SB010-96-14Z	EA MANUAL-DEALERSERVICE/PARTS-SCS057-00171

**EVANSREARHEATER&COMPONENTS**

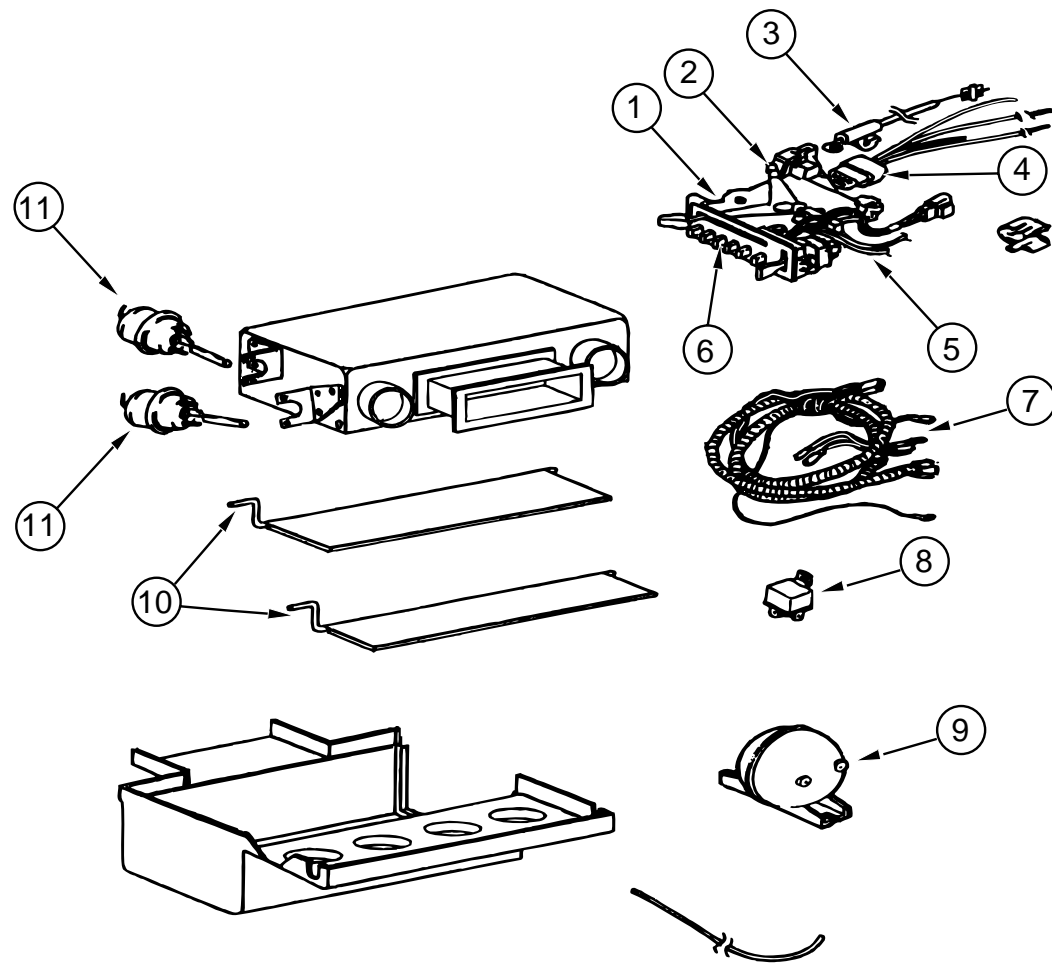
KEY	PARTNUMBER	U/M DESCRIPTION	VENDORNO.
	084405-01-000	EA HEATER-REAR,DUCTED-W/MOTORRID-EVANS	
	084405-01-700	EA CORE-HEATER	FT200229
	084405-01-701	EA FANBLADES	HV029931
	084405-01-702	EA MOTORASSEMBLY,12VOLT	R0200180
	007076-01-000	EA HOSE-FLEXIBLEPVC-2"ID-INCREMENTSOF50'	
	007108-01-000	FT HOSE-HEATER,5/8"ID-HI-TEMP-FORDESE-M2D192-A	
	061673-01-000	EA BRACKET-MOTORRIDTUBES,4"X1.5"-STEEL	
	089353-01-000	EA UNION-5/8",TUBETOTUBE	
	079059-01-000	EA HOSE-90DEGREE,5/8"IDX4"X36"	



**CHEVYHOSEKIT-VORTECGASORDIESELOPTION**

KEY	PARTNUMBER	U/M DESCRIPTION	VENDORNO.
1	103930-29-000	EA HOSEKIT#10GM-L-29&L-65-SCS093-00427	
2	103930-29-700	EA HOSEASM#10W/HARRISONCOMPRESSOR	085-0348
3	103930-17-702	EA GASKETORSAE015=#1033-781	045-0127
4	103930-29-701	EA GASKET-GM,LOWPRESSURESWITCH	045-0483

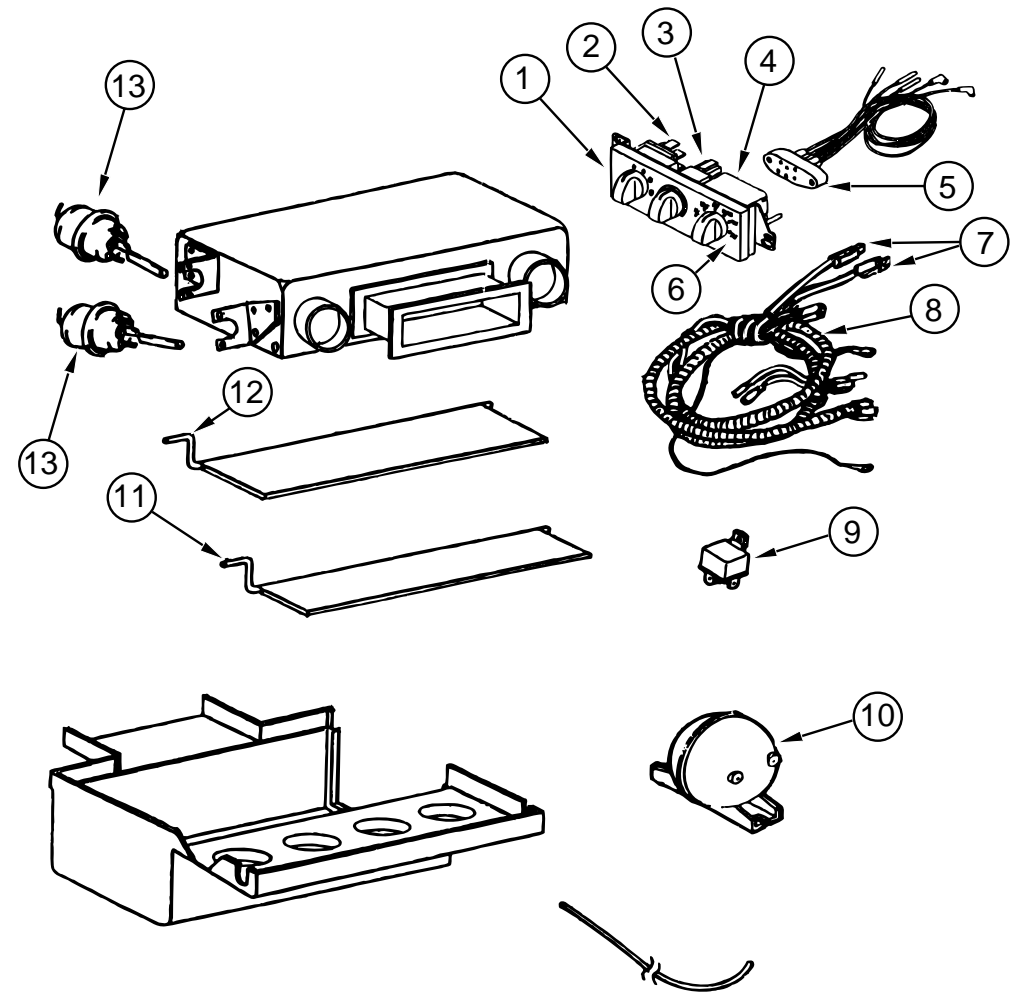
### HEATING&AIRCONDITIONINGGROUP(CONTINUED)



SCSCONTROL/PLENUM(FROM: 00-00-00 THRU: 09-01-96)

KEY	PARTNUMBER	U/M	DESCRIPTION	VENDORNO.
	103930-38-000	EA	CONTROL/PLENUMSET-SCS090-0445	
1	103930-02-712	EA	PANEL-CONTROL, BLACKBEZEL	032-0054
	072341-06-700	EA	SWITCH-4SPEED, FAN	032-0043
2	103930-02-706	EA	CLIP-CABLECONTROL	022-0017
3	103930-02-705	EA	CABLE-CONTROL, BOWDENW/OLEVER-89"	074-0011
4	103930-02-704	EA	HARNESS-VACUUMCONTROL	036-0049
5	103930-02-701	EA	SWITCH-VACUUM, CONTROLHEAD	034-0015
6	103930-02-702	EA	DECAL-CONTROLHEAD	058-0009
7	103930-02-703	EA	HARNESS-WIRECONTROL	036-0048
8	103930-02-707	EA	RELAY-BOSCHW/RESISTOR	031-0001
9	103930-02-710	EA	CANISTER-VACUUM	054-0002
10	103930-33-700	EA	ROD-DOOR, DEFROSTER/A/C	073-0028
11	103930-02-708	EA	MOTOR-VACUUMSERVO, A/C	030-0025
	094831-01-731	EA	ADAPTER-2"	062-0001

### HEATING&AIRCONDITIONINGGROUP(CONTINUED)

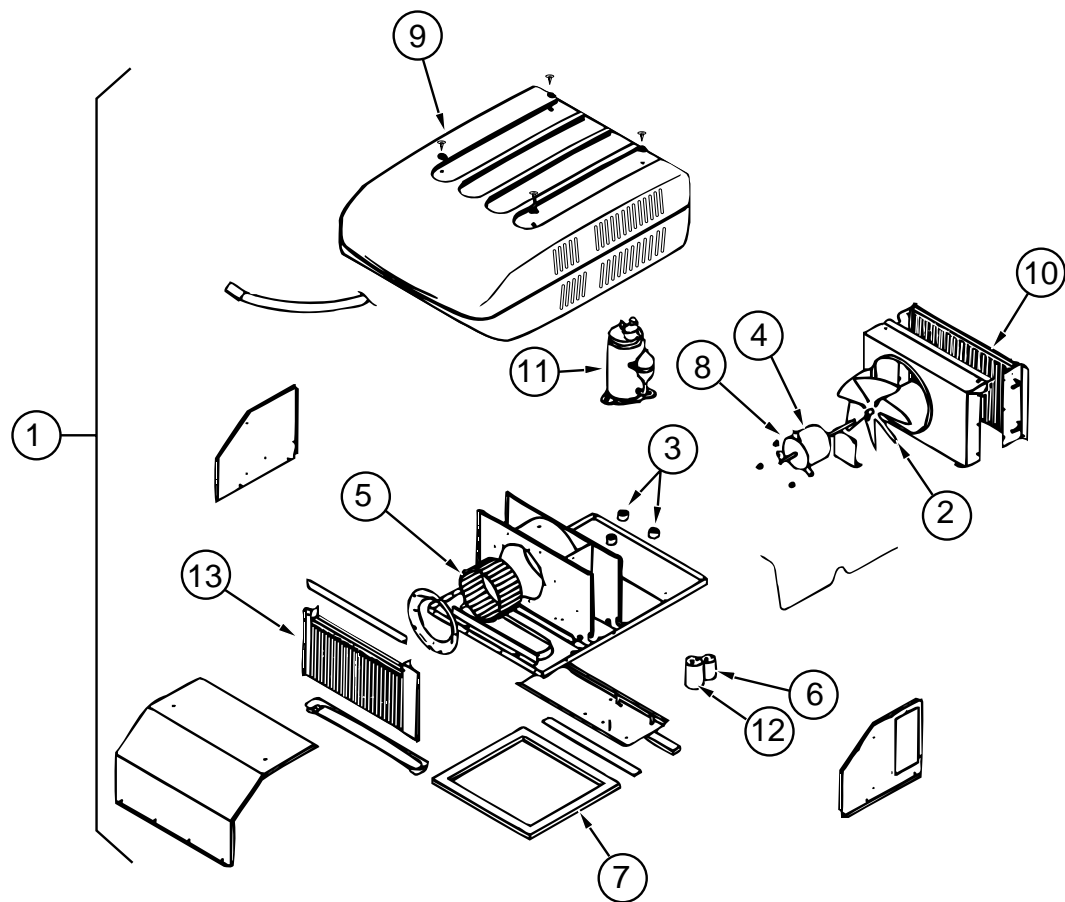


SCSCONTROL/PLENUM(FROM: 09-02-96 THRU: 99-99-99)

KEY	PARTNUMBER	U/M	DESCRIPTION	VENDORNO.
	103930-34-000	EA	CONTROL/PLENUM-ROTARYCONTROLHEAD-SCS093-00037	
1	103930-33-702	EA	PANEL-CONTROLW/KEYS#2, #3, #4, AND#6	083-0169
2	103930-33-707	EA	SWITCH-BLOWER	032-0186
3	103930-33-708	EA	SWITCH-POTENTIOMETER	032-0184
4	103930-33-709	EA	SWITCH-VACUUM	032-0183
5	103930-33-703	EA	HARNESS-VACUUM	036-0466
6	103930-33-710	EA	DECAL-CONTROLHEAD	058-0102
7	103930-33-705	EA	BULB-LIGHT	035-0030
8	103930-33-704	EA	HARNESS-WIREW/BULBS	036-0465
			FROM: 09-02-96 THRU: 12-21-96	
8	103930-33-711	EA	HARNESS-WIRE, MAIN	036-0496
			FROM: 12-22-96 THRU: 99-99-99	
9	103930-02-707	EA	RELAY-BOSCHW/RESISTOR	031-0001
10	103930-02-710	EA	CANISTER-VACUUM	054-0002
11	103930-33-700	EA	ROD-DOOR, DEFROSTER/A/C	073-0028
12	103930-33-706	EA	ROD-DOOR, A/C/DEFROST	073-0060
13	103930-02-708	EA	MOTOR-VACUUMSERVO, A/C	030-0025
	103930-33-701	EA	MOTOR-VACUUM, 3STAGE	030-0105



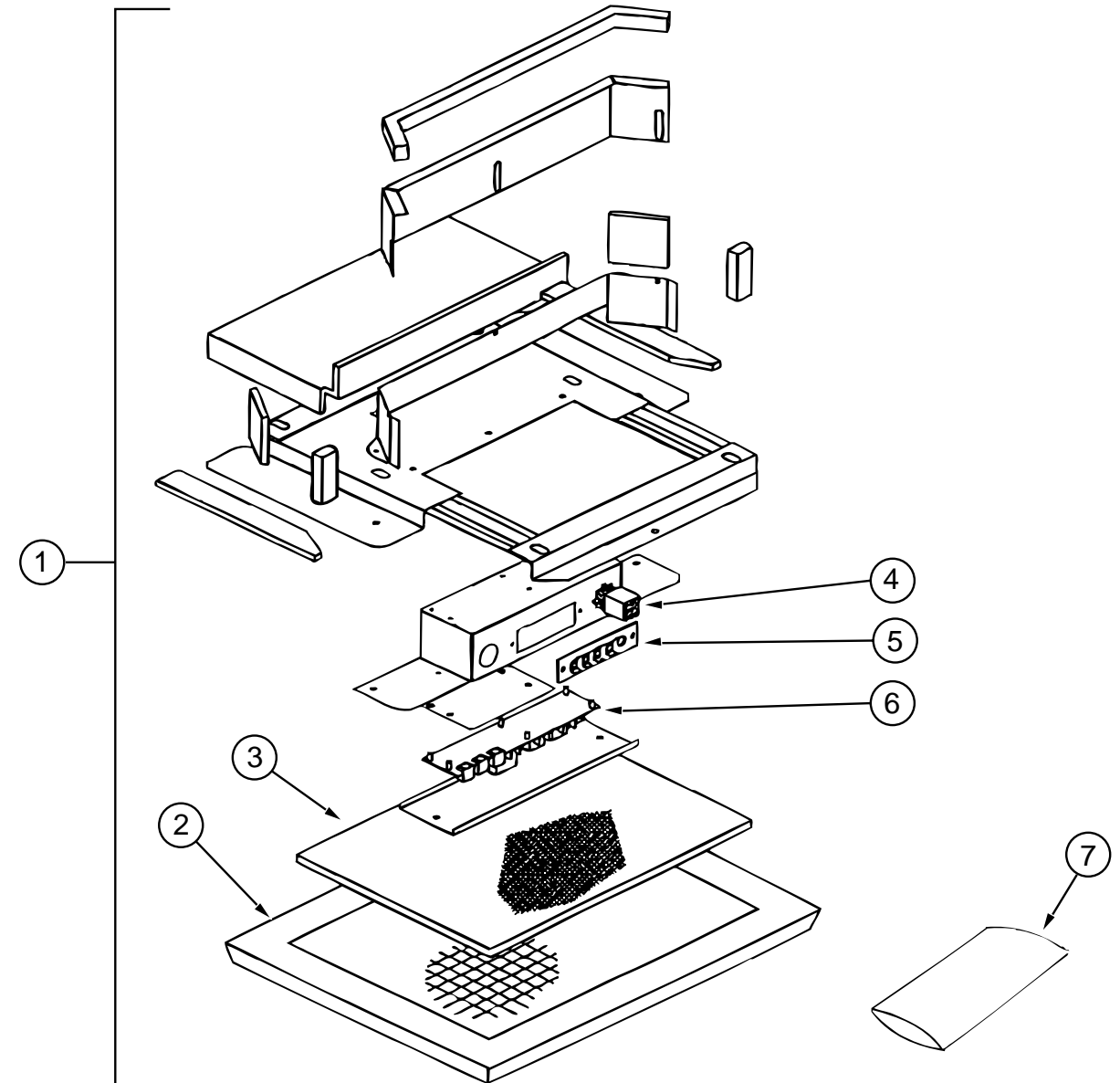
### HEATING&AIRCONDITIONINGGROUP(CONTINUED)



**COLEMAN 13,500 BTU ROOF A/C**

KEY	PARTNUMBER	U/M	DESCRIPTION	VENDOR NO.
1	108889-01-05A	EA	A/C-ROOF, 13,500 BTU TS RHO-BRIGHT WHITE-COLEMAN	7333A886
2	093763-01-712	EA	BLADE-FAN, CONDENSER	6733-3221
3	105620-01-706	EA	FOOTPACKAGE-COMPRESSOR, 3 PER PACKAGE	6759-3081
4	108889-01-705	EA	MOTOR-115V, 60HZ	1468-3049
5	108889-01-706	EA	IMPELLOR	1472-1041
6	093763-01-704	EA	CAPACITOR-FAN	1499-5461
	108889-01-710	EA	PAD-FILLER, CONDENSER SEAL	6759A3971
7	108889-01-711	EA	GASKET PACKAGE	6792-3301
8	108889-01-715	EA	MOTOR MOUNT & SHAFT SEAL KIT	6792-3361
9	108889-05-700	EA	SHROUD-BRIGHT WHITE, W/O LOGO	7333-4601
10	108889-01-703	EA	COIL-CONDENSER	1452A1301
11	105620-01-704	EA	COMPRESSOR-TECUMSEH, RH & LH	1450-2009
12	108889-01-707	EA	CAPACITOR-RUN, COMPRESSOR-25MFD/370	1499-5661
	091225-01-709	EA	RELAY-START	1497-4131
13	108889-01-709	EA	COIL-EVAPORATOR	1452A1311
	108889-01-712	EA	LINE-SUCTION, REDUCER-3/8" X 1/2"	1215-2161
	108889-01-713	EA	LINE-SUCTION, 3/8" OD X 0.32 WALL	6792-130
	108889-01-714	EA	LINE ASSEMBLY-DISCHARGE	6792-531
	108889-01-704	EA	OVERLOAD (MRA#98693)	6749-3541
	091225-01-710	EA	CAPACITOR-START	1497-0881
	108889-01-720	EA	TUBE-CAP	6792-1351
	093306-01-701	EA	DECAL PACKAGE-LEFT & RIGHT	6798B3591
	102289-01-000	EA	SPRING-SCREW, ROOFA/CGASKET-COLEMAN	6757-150

### HEATING&AIRCONDITIONINGGROUP(CONTINUED)



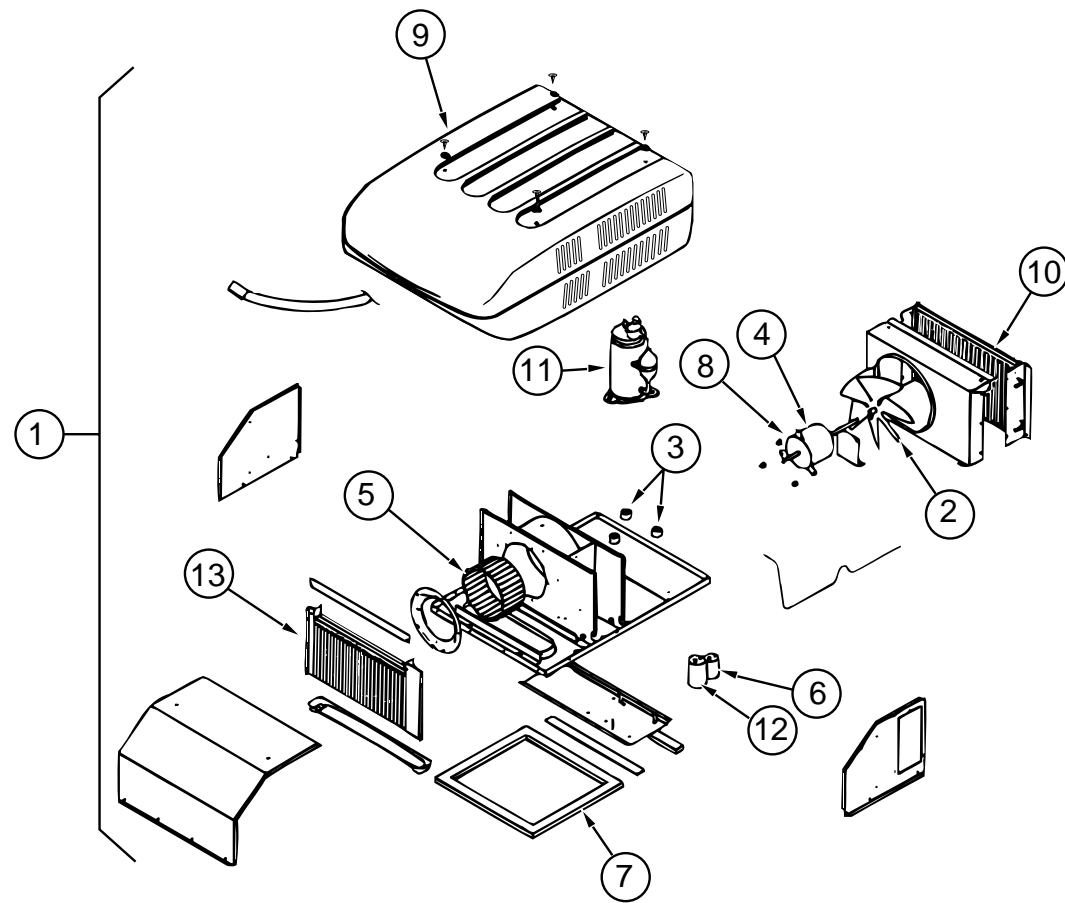
**COLEMAN 13,500 BTU A/C CEILING ASSEMBLY, THERMOSTAT, & REGISTER**

KEY	PARTNUMBER	U/M	DESCRIPTION	VENDOR NO.
1	108892-01-01A	EA	CEILING ASM-A/C DUCTED-COLEMAN	7330-730IV
2	108892-01-704	EA	GRILLE (PLASTIC)	6798-3041
3	108892-01-703	EA	FILTER	6798A3761
4	108892-01-700	EA	PLUG ASSEMBLY	7330-540
5	108892-01-701	EA	BOARD-TERMINAL	7330-3201
6	108892-01-702	EA	BOARD-PRINTED CIRCUIT	7330A3211
7	108892-01-705	EA	SMALL PARTS PACKAGE	7330A6101
	117238-01-01A	EA	THERMOSTAT-A/C AND FURNACE-COLEMAN	7330-3371
	117238-02-01A	EA	THERMOSTAT-A/ONLY-COLEMAN	7330-3381
	120134-01-02A	EA	REGISTER-4"-5" DIAMETER W/DAMPER-WHITE-DTW	8840

#### ROOFA/CCOVERS & AC SELECTOR SWITCH

KEY	PARTNUMBER	U/M	DESCRIPTION
	092633-02-02A	EA	COVER-BLANK, ROOFA/C-5.1" X 5.1"-PLASTIC-OFF WHITE
	073937-03-000	EA	SWITCH-ROTARY SELECTOR, 3 DECK-A/C-CA20-USA892
	121365-01-01A	EA	COVER-A/C SWITCH, DUAL

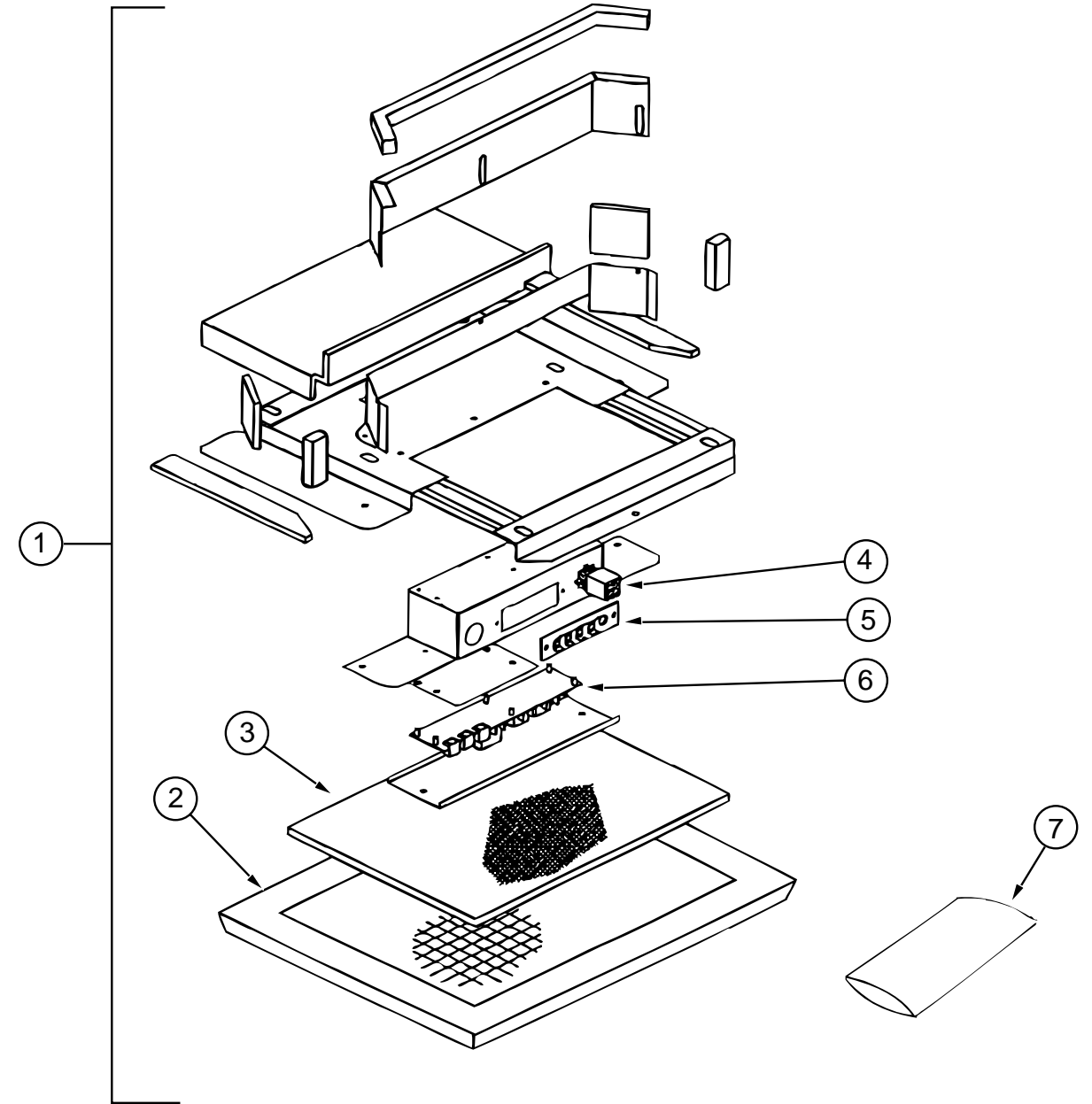
### HEATING&AIRCONDITIONINGGROUP(CONTINUED)



**COLEMAN14,800BTUROOFA/C**

KEY	PARTNUMBER	U/M	DESCRIPTION	VENDORNO.
1	115219-01-03A	EA	A/C-ROOF, 14,800BTUMACH15-BRIGHTWHITE-COLEMAN	7335B896
2	093763-01-712	EA	BLADE-FAN,CONDENSER	6733-3221
3	105620-01-706	EA	FOOTPACKAGE-COMPRESSOR,3PERPACKAGE	6759-3081
4	108889-01-705	EA	MOTOR-115V,60HZ	1468-3049
5	108889-01-706	EA	IMPELLOR	1472-1041
6	093763-01-704	EA	CAPACITOR-FAN	1499-5461
	108889-01-710	EA	PAD-FILLER,CONDENSERSEAL	6759A3971
7	108889-01-711	EA	GASKETPACKAGE	6792-3301
8	108889-01-715	EA	MOTORMOUNT&SHAFTSEALKIT	6792-3361
9	108889-05-700	EA	SHROUD-BRIGHTWHITE,W/OLOGO	7333-4601
10	115219-01-700	EA	COIL-CONDENSER	1452-1321
11	115219-01-708	EA	COMPRESSOR,CONVERSIONKIT	1450A2061
12	115219-01-702	EA	CAPACITOR-RUN,COMPRESSOR	1499-5741
	115219-01-703	EA	RELAY-START	1497-4151
13	115219-01-704	EA	COIL-EVAPORATOR	1452-1331
	115219-01-705	EA	LINE-SUCTION,LOWER	7335-130
	115219-01-706	EA	LINE-SUCTION,UPPER	7335-131
	115219-01-707	EA	LINEASSEMBLY,DISCHARGE	7335A132
	093306-01-720	EA	CAPACITOR-START, 21-25MFD33	1497-3351
	093306-01-701	EA	DECALPACKAGE-LEFT&RIGHT	6798B3591
	102289-01-000	EA	SPRING-SCREW,ROOFA/CGASKET-COLEMAN6757-150	

### HEATING&AIRCONDITIONINGGROUP(CONTINUED)



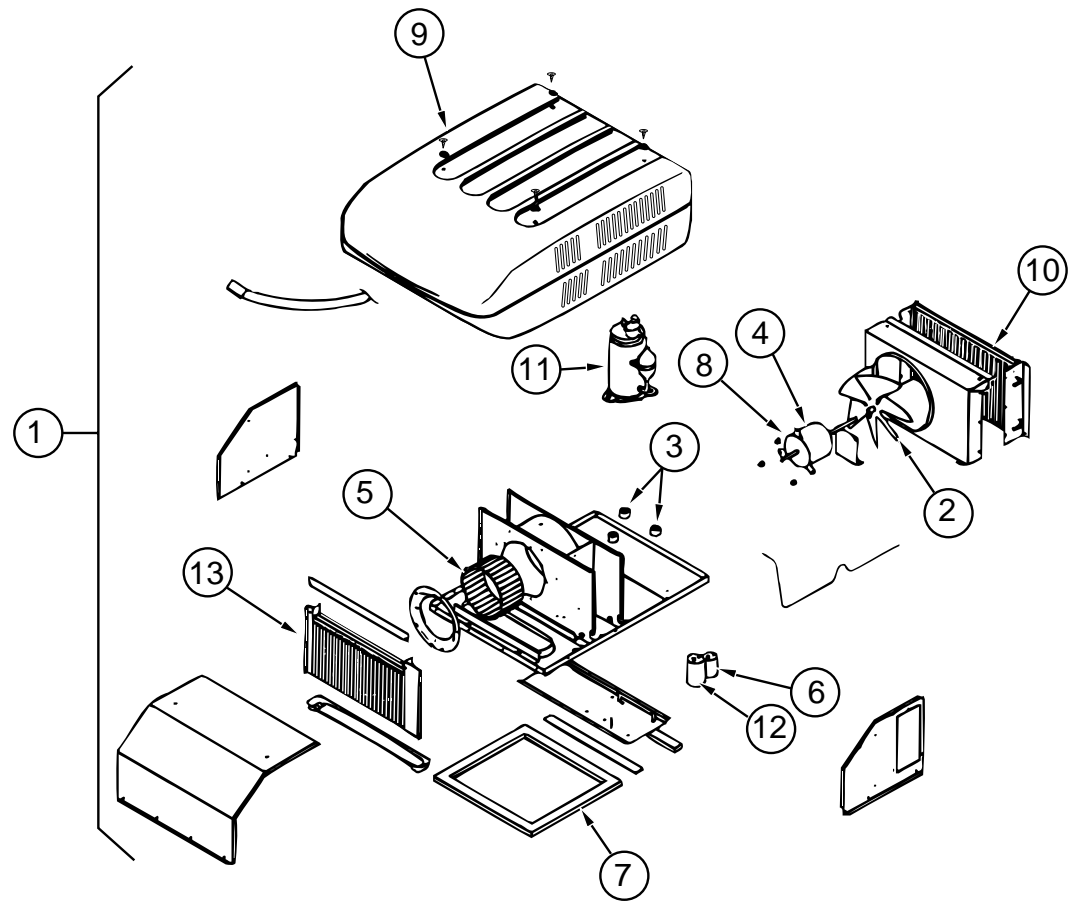
**COLEMAN14,800BTUA/CCEILINGASSEMBLY,THERMOSTAT,&REGISTER**

KEY	PARTNUMBER	U/M	DESCRIPTION	VENDORNO.
1	108892-01-01A	EA	CEILINGASM-A/CDUCTED-COLEMAN7330-730IV	
2	108892-01-704	EA	GRILLE(PLASTIC)	6798-3041
3	108892-01-703	EA	FILTER	6798A3761
4	108892-01-700	EA	PLUGASSEMBLY	7330-540
5	108892-01-701	EA	BOARD-TERMINAL	7330-3201
6	108892-01-702	EA	BOARD-PRINTEDCIRCUIT	7330A3211
7	108892-01-705	EA	SMALLPARTSPACKAGE	7330A6101
	117238-01-01A	EA	THERMOSTAT-A/CANDFURNACE-COLEMAN7330-3371	
	120134-01-02A	EA	REGISTER-4"-5"DIAMETERW/DAMPER-WHITE-DTW8840	

### ROOFA/CCOVERS&ACSELECTORSWITCH

KEY	PARTNUMBER	U/M	DESCRIPTION
	092633-02-02A	EA	COVER-BLANK,ROOFA/C-5.1"X5.1"-PLASTIC-OFFWHITE
	073937-03-000	EA	SWITCH-ROTARYSELECTOR,3DECK-A/C-CA20-USA892
	121365-02-01A	EA	COVER-A/C SWITCH,SINGLE

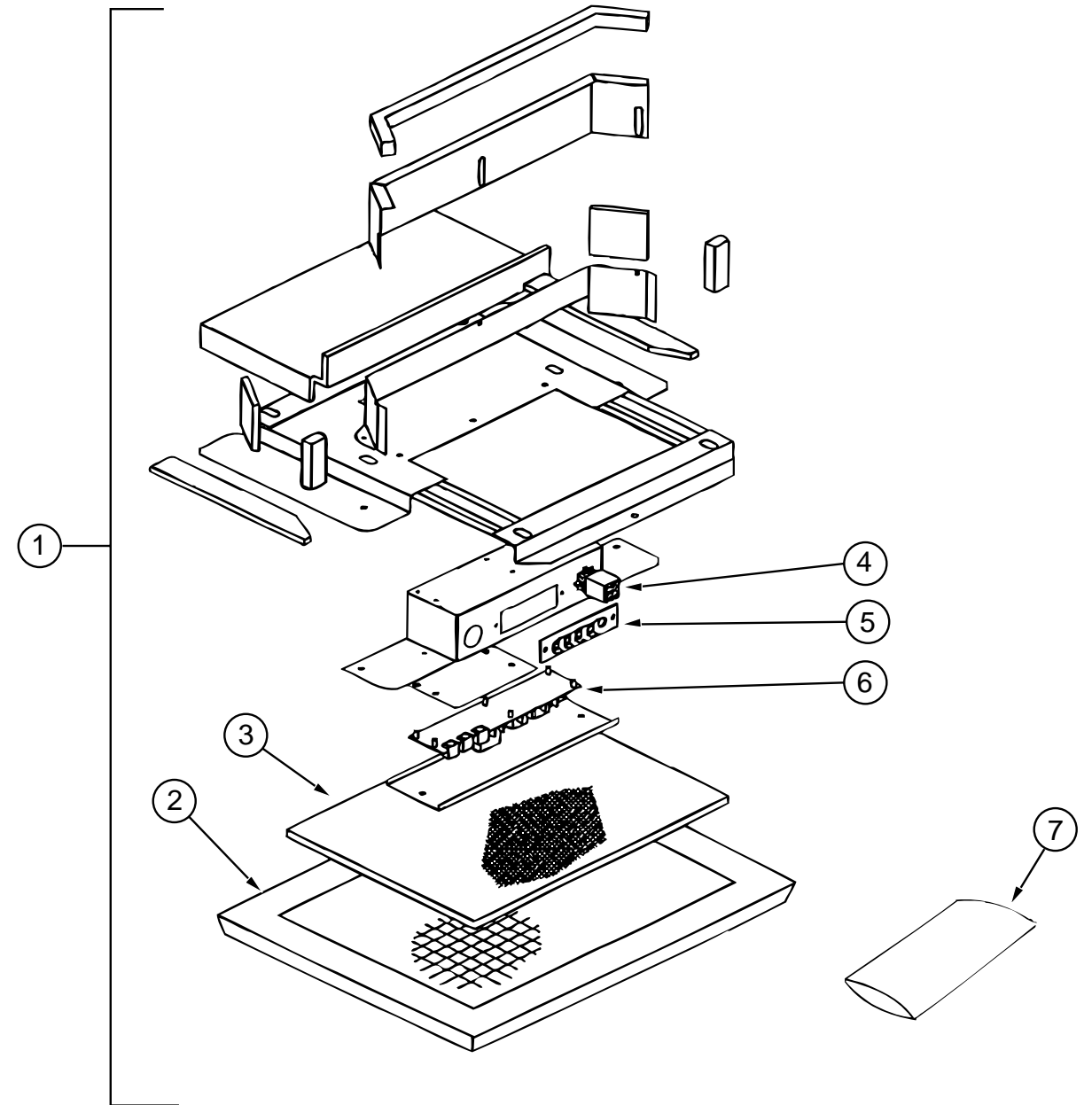
## HEATING&AIRCONDITIONINGGROUP(CONTINUED)



**COLEMAN 13,500 BTU ROOF A/C - EUROPEAN**

KEY	PARTNUMBER	U/M	DESCRIPTION	VENDORNO.
1	108889-02-03A	EA	A/C-ROOF, 13,500BTU-TSR-220VOLT-BRIGHTWHITE-COLEMAN	7373A891
	093306-01-701	EA	DECALPACKAGE-LEFT&RIGHT	6798B3591
2	093763-01-712	EA	FANBLADE-CONDENSER	6733-3221
	105620-01-705	EA	PROTECTOR-OVERLOAD,RH&LH	6759-3791
3	105620-01-706	EA	FOOTPACKAGE-COMPRESSOR,3PERPKG	6759-3081
4	108889-02-701	EA	MOTOR	1468-3059
5	108889-01-706	EA	IMPELLOR	1472-1041
6	093763-01-704	EA	CAPACITOR-FAN	1499-5461
7	108889-01-711	EA	GASKETPACKAGE	6792-3301
8	108889-01-715	EA	MOTORMOUNT&SHAFTSEALKIT	6792-3361
9	108889-05-700	EA	SHROUD-BRIGHT/WHT.W/OLOGO	7333-4601
10	108889-01-703	EA	COIL-CONDENSER	1452A1301
11	108889-02-700	EA	COMPRESSOR-TECUMSEH	1450A2029
12	108889-01-707	EA	CAPACITOR-RUN,COMPRESSOR-25MFD/370	1499-5661
13	108889-01-709	EA	COIL-EVAPORATOR	1452A1311
	108889-01-710	EA	PAD-FILLER,CONDENSERSEAL	6759A3971
	108889-01-713	EA	SUCTIONLINE,3/8"ODX.032"WALL	6792-130
	108889-01-714	EA	LINEASSEMBLY-DISCHARGE	6792-531
	108889-02-702	EA	CAPACITOR-START,COLEMAN	1497-0891
	108889-02-703	EA	RELAY-START,COLEMAN	1497-4141
	102289-01-000	EA	SPRING-SCREW,ROOFA/CGASKET-COLEMAN	6757-150

## HEATING&AIRCONDITIONINGGROUP(CONTINUED)



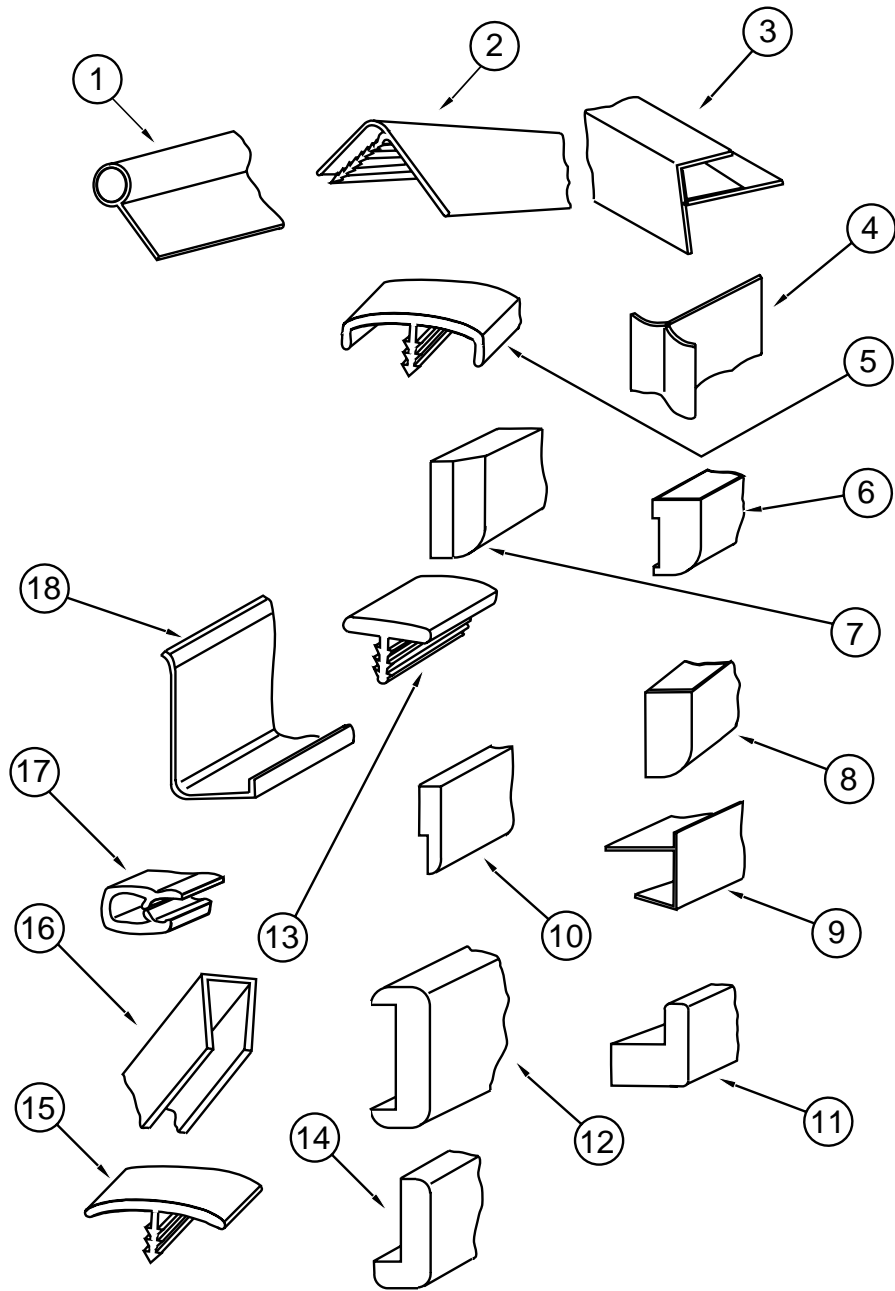
**COLEMAN 13,500 BTU A/C CEILING ASSEMBLY, THERMOSTAT, & REGISTER - EUROPEAN**

KEY	PARTNUMBER	U/M	DESCRIPTION	VENDORNO.
1	108892-01-01A	EA	CEILINGASM-A/CDUCTED-COLEMAN	7330-730IV
2	108892-01-704	EA	GRILLE(PLASTIC)	6798-3041
3	108892-01-703	EA	FILTER	6798A3761
4	108892-01-700	EA	PLUGASSEMBLY	7330-540
5	108892-01-701	EA	BOARD-TERMINAL	7330-3201
6	108892-01-702	EA	BOARD-PRINTEDCIRCUIT	7330A3211
7	108892-01-705	EA	SMALLPARTSPACKAGE	7330A6101
	117238-01-01A	EA	THERMOSTAT-A/CANDFURNACE-COLEMAN	7330-3371
	117238-02-01A	EA	THERMOSTAT-A/CONLY-COLEMAN	7330-3381
	120134-01-02A	EA	REGISTER-4"-5"DIAMETERW/DAMPER-WHITE-DTW8840	

### ROOFA/CCOVERS&ACSELECTORSWITCH

KEY	PARTNUMBER	U/M	DESCRIPTION
	092633-02-02A	EA	COVER-BLANK,ROOFA/C-5.1"X5.1"-PLASTIC-OFFWHITE
	073937-03-000	EA	SWITCH-ROTARYSELECTOR,3DECK-A/C-CA20-USA892
	121365-01-01A	EA	COVER-A/C SWITCH,DUAL

**INTERIORFINISHGROUP  
MOLDINGS&TRIMS**



KEY	PARTNUMBER	U/M	DESCRIPTION
1	009767-12-000	FT	MOLDING-SIDEWALLTOCEILING/CABINET-WELTING-OFFWHITE
2	009809-28-000	EA	MOLDING-CORNER,OUTSIDE-1"-PLASTIC-WATERFORDOAK
3	009812-29-000	EA	MOLDING-CORNER,OUTSIDE-.5"X7'-PLASTIC-WATERFORDOAK
4	022992-11-000	FT	MOLDING-REVERSECOVE,T-SHAPED-VINYL-IVORY
5	083620-12-000	FT	MOLDING-T,ENDCAPEDGE-W/EDGELIPS-.75"-WATERFORDOAK
6	117268-D2-134	EA	MOLDING-VINYLWRAPPED,.7"X1.6"X7'-WATERFORDOAK
6	117268-F2-134	EA	MOLDING-VINYLWRAPPED,.7"X2.6"X7'-WATERFORDOAK
6	117268-F2-438	EA	MOLDING-VINYLWRAPPED,.7"X2.6"X8'-WATERFORDOAK
7	100659-01-G09	EA	MOLDING-TRIM,VINYL FLOOR
8	100818-01-05A	EA	MOLDING-VINYLWRAPPED,-1"X8'-WATERFORDOAK
9	103186-01-05A	FT	MOLDING-EDGE,SHELF-.78"WIDE-PLASTIC-WATERFORDOAK
9	103186-02-05A	FT	MOLDING-EDGE,SHELF-1.3"WIDE-PLASTIC-WATERFORDOAK
10	105004-01-05A	EA	MOLDING-VINYLWRAPPED,1"X8'-WATERFORDOAK
11	100819-01-05A	EA	MOLDING-VINYLWRAPPED,DOOR-WATERFORDOAK
12	078323-06-G15	EA	MOLDING-CAP,WALL-6.6'LONG
13	104676-01-01A	FT	T-MOLDING,5/16-RIGID-GOLD
14	077840-01-G01	EA	MOLDING-CAP,WALL-8'LONG
15	105709-01-000	FT	T-MOLDING,1",IVORY
16	009778-21-000	FT	U-CHANNEL,1"WIDEX8'INCREMENTS-PLASTIC-WATERFORDOAK
16	070504-18-000	FT	U-CHANNEL-PLASTIC,.065"WIDE-IVORY-INCREMENTSOF8'
16	070504-36-000	FT	U-CHANNEL-PLASTIC,1.65"WIDE-WATERFORDOAK-INCREMENTSOF8'
16	070504-37-000	FT	U-CHANNEL-PLASTIC,.815"WIDE-WATERFORDOAK-INCREMENTSOF8'
17	072368-02-000	EA	TRIM-VINYL,EDGE-BLACK-GM14004305
			FROM: 00-00-00 THRU: 02-02-97
17	113452-01-000	EA	TRIM-SEAL
			FROM: 02-03-97 THRU: 99-99-99
18	085746-01-000	FT	TRIM-J,CARPET-1.2"X.5"ANGLE-10'LONG-PVC-BEIGE
	117267-D2-438	EA	LUMBER-VINYLWRAPPED,.7"X1 1/2"X8'-WATERFORDOAK
	117267-E2-438	EA	LUMBER-VINYLWRAPPED,.7"X2"X8'-WATERFORDOAK
	117267-G2-438	EA	LUMBER-VINYLWRAPPED,.7"X3"X8'-WATERFORDOAK

**INTERIORFINISHGROUP(CONTINUED)**  
**BATTSTRIPS**

KEY	PARTNUMBER	U/M	DESCRIPTION
	069733-83-000	EA	BATTSTRIP-WOODGRAIN,8'-WATERFORDOAK
	079653-28-000	EA	BATTSTRIP-WOODGRAIN,8'-KERFED-WATERFORDOAK
	088263-E3-000	EA	BATTSTRIP-SHOWER,8'-PEBBLEEMBOSSANTIQUE
	088263-D8-000	EA	BATTSTRIP-DECORATIVE,MCKENSIECREAM-8'(H33)(MAINWALL)
	088263-D7-000	EA	BATTSTRIP-DECORATIVE,WINDYWILLOW-8'(H34)(MAINWALL)
	088263-E5-000	EA	BATTSTRIP-DECORATIVE,WYNDEMERCINNAMON-8'(H35)(MAINWALL)
	085284-B5-000	FT	BATT-TAPE,WATERFORDOAKWOODGRAIN-ADHESIVEBACKED
	085284-D6-000	FT	BATT-TAPE,SHOWER-PEBBLEEMBOSSANTIQUE-ADHESIVEBACKED
	085284-D2-000	FT	BATT-TAPE,MCKENSIECREAM-ADHESIVEBACKED(H33)(MAINWALL)
	085284-D1-000	FT	BATT-TAPE,WINDYWILLOW-ADHESIVEBACKED(H34)(MAINWALL)
	085284-D9-000	FT	BATT-TAPE,WYNDEMERCINNAMON-ADHESIVEBACKED(H35)(MAINWALL)
	086229-13-000	EA	BATTEN-CEILING,1"X99.61"-IVORY
			FROM: 00-00-00 THRU: 06-09-96
	086229-20-000	EA	BATTEN-CEILING,1"X98"-BEIGE
			FROM: 06-10-96 THRU: 99-99-99
	086229-01-000	EA	RETAINER-BATTEN,CEILING-.75"X92.24"-IVORY

**PLASTICLAMINATE&EDGE BAND**

KEY	PARTNUMBER	U/M	DESCRIPTION
	074498-62-000	SF	LAMINATE-PLASTIC,GREYFINESSE-5'X8'-INCREMENTSOF40SF(H33) (GALLEY,DINETTE,BATH,&BEDROOM)
	074498-72-000	SF	LAMINATE-PLASTIC,PEBBLE SANTOS-5'X8'-INCREMENTSOF40SF(H34/H35) (GALLEY,DINETTE,BATH,&BEDROOM)
	076325-46-000	FT	MOLDING-EDGE BAND,1035CLOUD-15/16"X.030"X600"(H33)
	076325-37-000	FT	MOLDING-EDGE BAND,1136NEUTRAL-15/16"X.030"X600"(H34/H35)
	076325-43-000	FT	MOLDING-EDGE BAND,1035CLOUD-.875"X.024"X600"(H33)
	076325-38-000	FT	MOLDING-EDGE BAND,1136NEUTRAL-.875"X.024"X600"(H34/H35)
	074498-77-000	SF	LAMINATE-PLASTIC,ARTCABINOAK-5'X8'-INCREMENTSOF40SF (PULLOUTTABLE)
	076325-68-000	FT	MOLDING-EDGE BAND,WATERFORDOAK-15/16"X.030"X600" (PULLOUTTABLE)
	074498-67-000	SF	LAMINATE-PLASTIC,ORCHIDMIST-5'X8'-INCREMENTSOF40SF (PATIOENTERTAINMENTCENTERTABLE)
	076325-34-000	FT	MOLDING-EDGE BAND,1233ORCHIDMIST-15/16"X.030"X600" (PATIOENTERTAINMENTCENTERTABLE)

**WALLPAPER BORDER-QUEENBED**

KEY	PARTNUMBER	U/M	DESCRIPTION
	122481-02-000	FT	WALLPAPER-4"BORDER,DECOR(H33)
	122481-03-000	FT	WALLPAPER-4"BORDER,DECOR(H34)
	122481-01-000	FT	WALLPAPER-4"BORDER,DECOR(H35)

**INTERIORFINISHGROUP(CONTINUED)**  
**SMOKEDETECTOR,CODETECTOR,FIREEXTINGUISHER&CLOCK**

KEY	PARTNUMBER	U/M	DESCRIPTION
	072852-01-000	EA	DETECTOR-SMOKE,W/9VOLT BATTERY-US
	072852-02-000	EA	DETECTOR-SMOKE,W/9VOLT BATTERY-CANADIAN
	094499-01-000	EA	EXTINGUISHER-FIRE,DRYW/MOUNTINGBRACKET-10BC
	094499-01-700	EA	BRACKET-MOUNTING,W/PLASTICSTRAP-FIREEXTINGUISHER
	094499-01-701	EA	STRAPONLY(METAL)-320351
	094499-02-000	EA	EXTINGUISHER-FIRE,DRY-1A10BC-CANADIAN
	112320-03-000	EA	DETECTOR-COGAS,MODEL9D-I
			FROM: 00-00-00 THRU: 10-20-96
	112320-04-000	EA	BATTERY/SENSORMODULE-CO(BLACKMODULE)F/9D-ISYSTEM
			FROM: 00-00-00 THRU: 10-20-96
	125136-01-000	EA	DETECTOR-COGAS,MODEL9L-I
			FROM: 10-21-96 THRU: 99-99-99
	118081-01-01A	EA	CLOCK-WALL,ROUND8"-BRASS

**ANTISLIP&FLOORMATS**

KEY	PARTNUMBER	U/M	DESCRIPTION
	091261-01-000	FT	SLIPNOT-ANTISLIP,1'WIDE(100'ROLL)
	105924-01-F25	EA	MAT-FLOOR,18"X27"(H33)
	105924-01-F12	EA	MAT-FLOOR,18"X27"(H34)
	105924-01-H35	EA	MAT-FLOOR,18"X27"(H35)

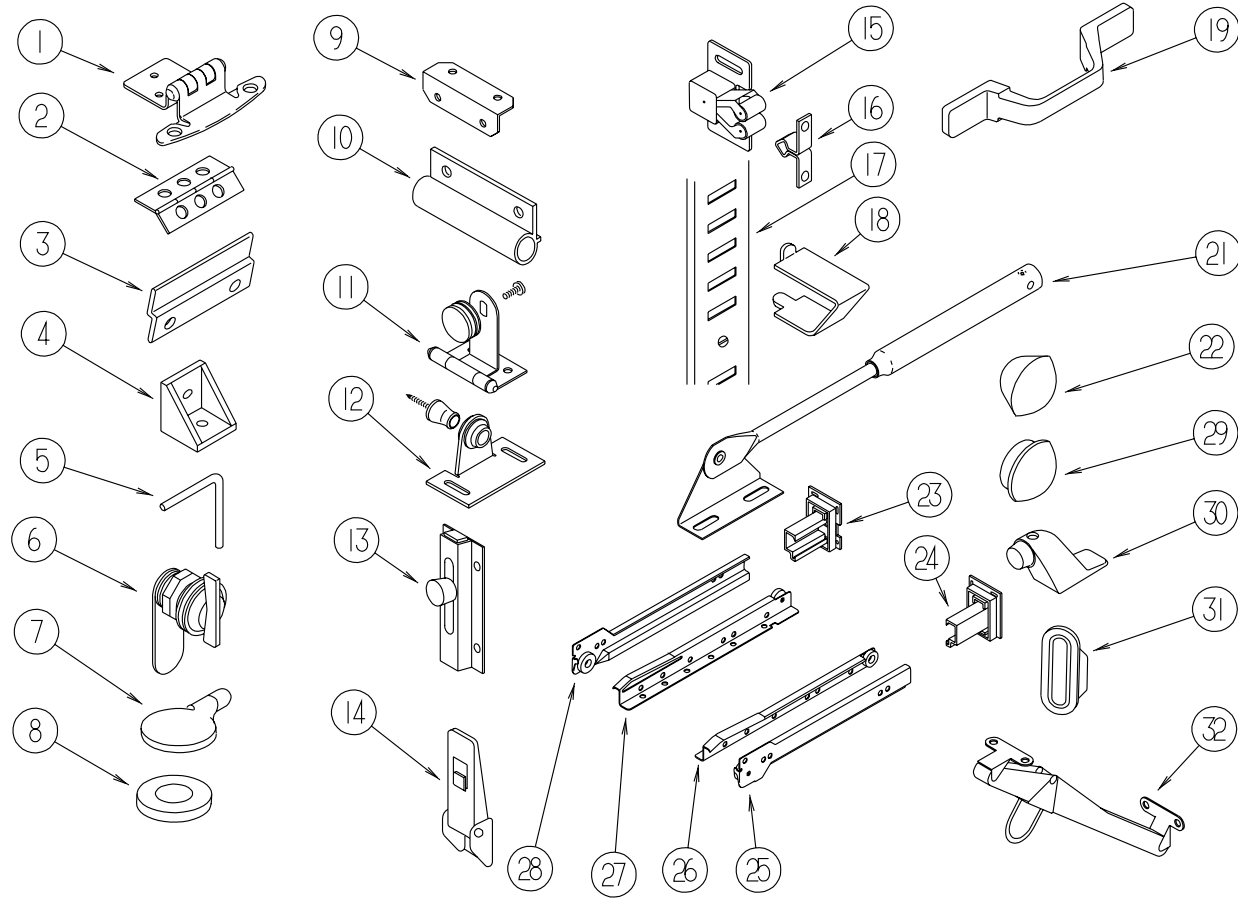
**CARPET&TILE**

KEY	PARTNUMBER	U/M	DESCRIPTION
	093486-01-000	SY	CARPET-COMPARTMENT,54"WIDE-DARKGRAY
	096060-A8-000	SY	CARPET-12'ROLL,INCREMENTSOF4SY(H33)
	096060-99-000	SY	CARPET-12'ROLL,INCREMENTSOF4SY(H34)
	096060-C3-000	SY	CARPET-12'ROLL,INCREMENTSOF4SY(H35)
	122755-05-01A	EA	TILE-RUBBER/ENTRANCEDOOR,11.2"X26.9"

**PANELING,PLYWOOD,&PARTICLEBOARD**

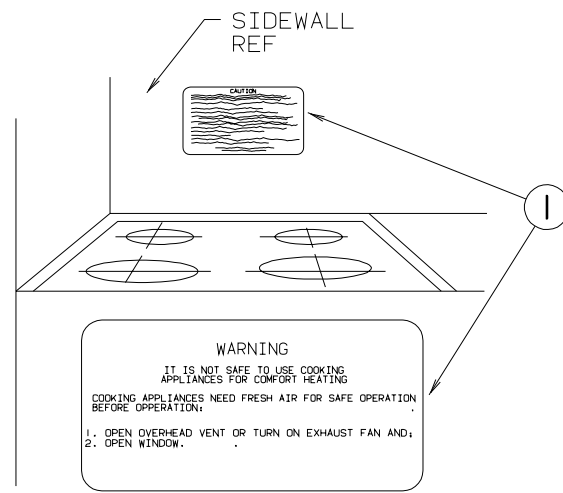
KEY	PARTNUMBER	U/M	DESCRIPTION
	074497-28-000	SF	PANELING-WOODGRAIN,4'X8'-INCREMENTSOF32SF
	088272-G1-000	SF	PANELING-SHOWER,PEBBLEEMBOSSANTIQUE-4'X7'-INCREMENTSOF28SF
	088272-F6-000	SF	PANELING-DECORATIVE,MCKENSIECREAM-4'X7'-INCOF28SF(H33) (MAINWALL)
	088272-F5-000	SF	PANELING-DECORATIVE,WINDYWILLOW-4'X7'-INCREMENTSOF28SF(H34) (MAINWALL)
	088272-G3-000	SF	PANELING-DECORATIVE,WYNDEMERCINNAMON-4'X7'-INCOF28SF(H35) (MAINWALL)
	080215-10-000	SF	PANELING-2SIDED,WATERFORD-4'X8'
	000846-01-000	SF	PLYWOOD-5/16"X4'X8'
	000846-02-000	SF	PLYWOOD-UNDR,5/16"X4'X8'
	089297-01-000	SF	PLYWOOD-LUAN,OVERLAYGRADE-4'X8'
	000885-76-000	SF	PARTICLEBOARD-3/8"X4'X8',WATERFORDOAKVINYL1SIDE
	000885-77-000	SF	PARTICLEBOARD-3/8"X4'X8',WATERFORDOAKVINYL2SIDED
	000885-79-000	SF	PARTICLEBOARD-3/4"X4'X8',WATERFORDOAKVINYL2SIDED

**INTERIORFINISHGROUP(CONTINUED)**  
**CABINETHARDWARE**



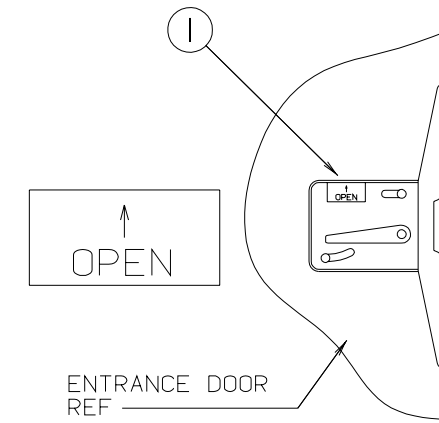
KEY	PARTNUMBER	U/M	DESCRIPTION
1	108138-01-000	EA	HINGE-DOOR,CABINET-BURNISHEDBRASS
2	009059-02-000	EA	HINGE-DOOR,2"X2.7"-BRASS
3	101272-01-000	EA	CATCH-DOOR,GLASS
4	065740-01-000	EA	BRACE-CABINETCORNER,PLASTIC
5	108487-02-01A	EA	SUPPORT-PROPROD,OVERHEAD-BLACK
6	100710-01-01A	EA	LOCK-GLASSDOOR,TWISTTYPE-BRASS
7	101766-01-000	EA	PIN-SUPPORT,GLASSDOOR
8	100707-01-000	EA	SPACER-DOOR,GLASS-.8"DIA-.3"HOLE-PLASTIC
9	016604-01-000	EA	BRACE-CABINET,ANGLE-2.5"-METAL-UNPAINTED
9	016604-05-000	EA	BRACE-CABINET,ANGLE-2.5"-METAL-OFFWHITE
10	108486-01-01A	EA	BRACKET-PROPROD,OVERHEAD-BLACK
11	100711-01-01A	EA	HINGE-DOOR,GLASS
12	009013-01-000	EA	CATCH-MALE&FEMALEBULLDOG,ANTIQUECOPPER
13	061604-01-000	EA	SLIDE-BOLT,BRIGHTBRASS-GMHDWBB-789-BW/S
14	116975-01-01A	EA	LATCHASM-UNDERCENTER,BLACK-SOUTHCO91-522-69
15	093586-06-000	EA	CATCH-SPRING,ROLLER
16	093586-05-000	EA	STRIKE-SPRINGSTEEL
17	098980-01-000	EA	PILASTER-ADJUSTABLESHELF,18"LONG
17	098980-02-000	EA	PILASTER-ADJUSTABLESHELF,12"LONG
17	098980-03-000	EA	PILASTER-ADJUSTABLESHELF,9"LONG
18	098979-01-000	EA	CLIP-ADJUSTABLESHELF
19	117801-01-01A	EA	PULL-CABINET,BRASS
21	074493-02-000	EA	SUPPORT-PISTONSRING,CABINETDOOR
22	042356-01-000	EA	PLUG-BUTTON,MAHOGANY-3/8"DIAMETER-WOOD
23	114045-01-000	EA	BACKSOCKET-ADJUSTABLELEFT
24	114045-02-000	EA	BACKSOCKET-ADJUSTABLERIGHT
25	114031-02-000	EA	SLIDE-12"-RIGHTSIDE/CABINET
25	114031-14-000	EA	SLIDE-18"-RIGHTSIDE/CABINET
25	114031-22-000	EA	SLIDE-22"-RIGHTSIDE/CABINET
25	114031-26-000	EA	SLIDE-24"-RIGHTSIDE/CABINET
26	114031-04-000	EA	SLIDE-12"-RIGHTSIDE/DRAWER
26	114031-16-000	EA	SLIDE-18"-RIGHTSIDE/DRAWER
26	114031-24-000	EA	SLIDE-22"-RIGHTSIDE/DRAWER
26	114031-28-000	EA	SLIDE-24"-RIGHTSIDE/DRAWER
27	114031-03-000	EA	SLIDE-12"-LEFTSIDE/DRAWER
27	114031-15-000	EA	SLIDE-18"-LEFTSIDE/DRAWER
27	114031-23-000	EA	SLIDE-22"-LEFTSIDE/DRAWER
27	114031-27-000	EA	SLIDE-24"-LEFTSIDE/DRAWER
28	114031-01-000	EA	SLIDE-12"-LEFTSIDE/CABINET
28	114031-13-000	EA	SLIDE-18"-LEFTSIDE/CABINET
28	114031-21-000	EA	SLIDE-22"-LEFTSIDE/CABINET
28	114031-25-000	EA	SLIDE-24"-LEFTSIDE/CABINET
29	074045-07-000	EA	PLUG-WOOD,1/2"
30	103257-01-000	EA	STOP-DOOR
31	098410-01-01A	EA	PULL-FINGER,OVAL-BRASS
32	104181-01-01A	EA	SUPPORT-LEAF,5.3"-EXTENDSTO7.5"-SAFETYRING-METAL
	009021-01-000	EA	CATCH-GRILLE,NYLON
	004354-01-000	EA	BUMPER-RUBBER,.5"DIA-BROWN
	009112-01-000	EA	FLANGE-1"ROD,CLOTHES-PLASTIC-OFFWHITE
	023320-01-000	EA	PAD-FELT,3/8"DIAMETER-BROWN
	039984-01-000	EA	CAP-ROUND,VINYL-.28"IDX.62"LONG-BLACK
	042438-01-000	EA	DOWEL-WOOD,CLOTHESROD-1"DIAMETERX4'
	042438-02-000	EA	DOWEL-WOOD,2"X2"
	122021-01-01A	EA	ANGLE-W/HOLES,1"X1"X9"-MILL

**LABELSGROUP**

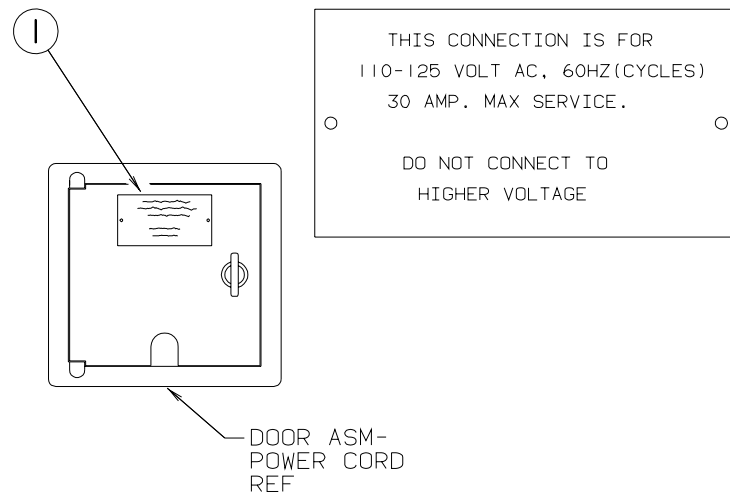


KEY	PARTNUMBER	U/M DESCRIPTION
1	050225-01-000	EA LABEL-WARNING,STOVEVENT-US
1	050222-01-000	EA LABEL-WARNING,STOVEVENT-CANADIAN

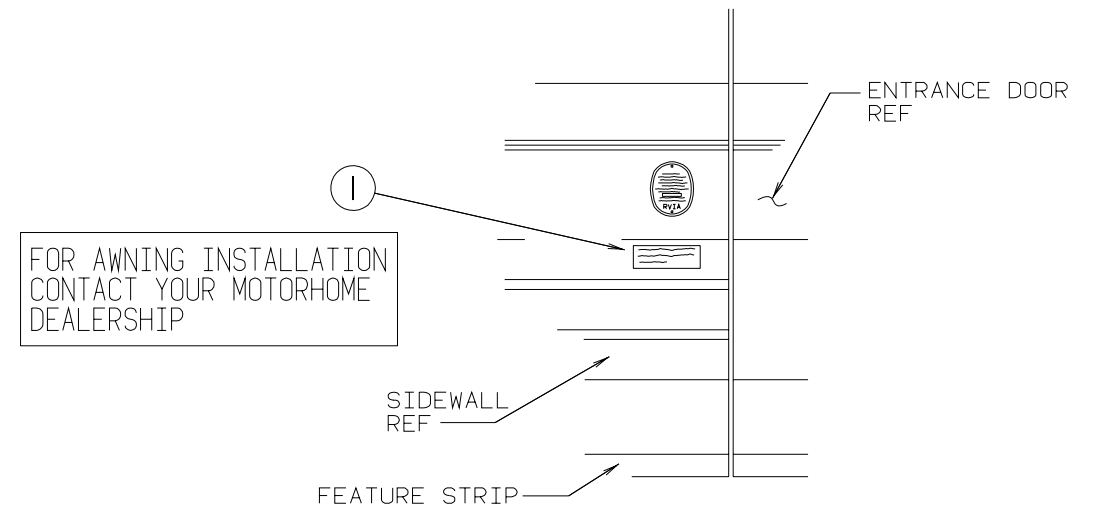
**LABELSGROUP(CONTINUED)**



KEY	PARTNUMBER	U/M DESCRIPTION
1	040944-01-000	EA LABEL-ENTRANCEDOOR,"OPEN"

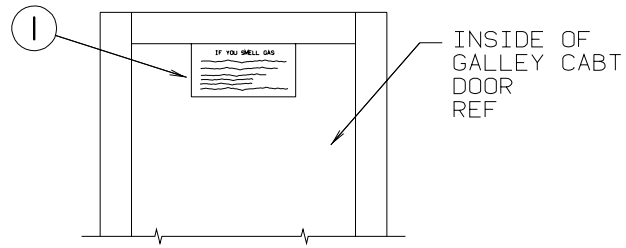


KEY	PARTNUMBER	U/M DESCRIPTION
1	006062-01-000	EA TAG-ELECTRIC,110VCONNECTION



KEY	PARTNUMBER	U/M DESCRIPTION
1	099509-01-000	EA LABEL-AWNINGINSTALLATION

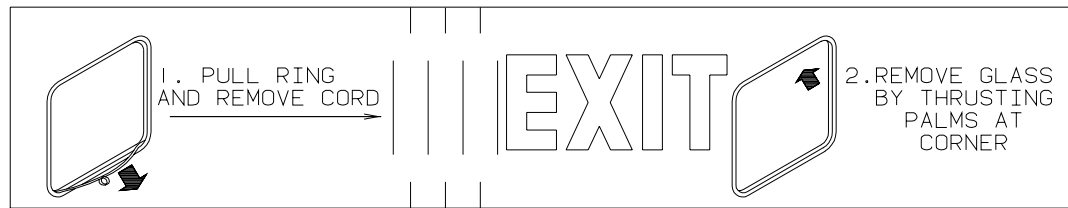
**LABELS GROUP (CONTINUED)**



**IF YOU SMELL GAS**

1. EXTINGUISH ANY OPEN FLAME, PILOT LIGHTS AND ALL SMOKING MATERIALS.
2. SHUT OFF THE GAS SUPPLY AT THE TANK VALVE( OR GAS SUPPLY CONNECTION.
3. OPEN DOORS AND OTHER VENTILATING OPENINGS.
4. DO NOT TOUCH ELECTRICAL SWITCHES.
5. LEAVE THE AREA UNTIL ODOR CLEARS.
6. HAVE THE GAS SYSTEM CHECKED AND LEAKAGE SOURCE CORRECTED BEFORE USING AGAIN.

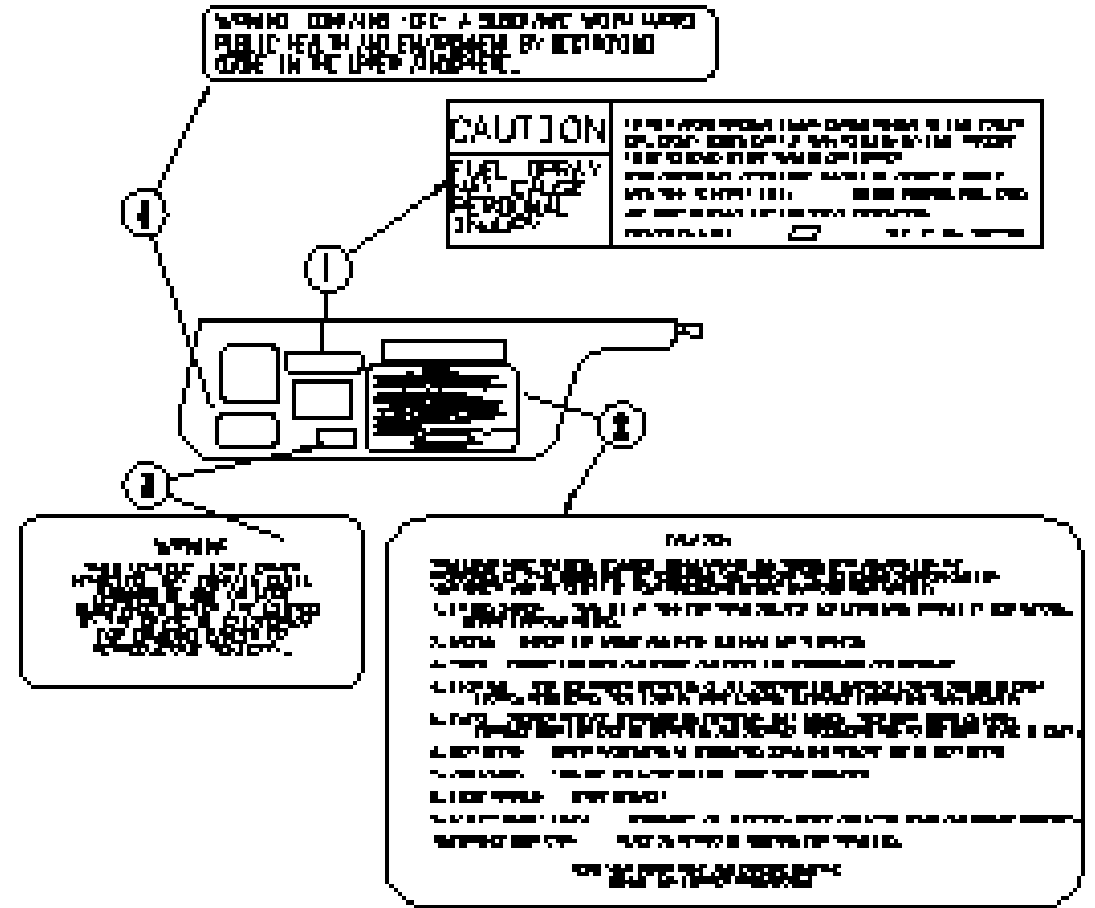
KEY	PARTNUMBER	U/M DESCRIPTION
1	073998-01-000	EA LABEL-LPGODORWARNING



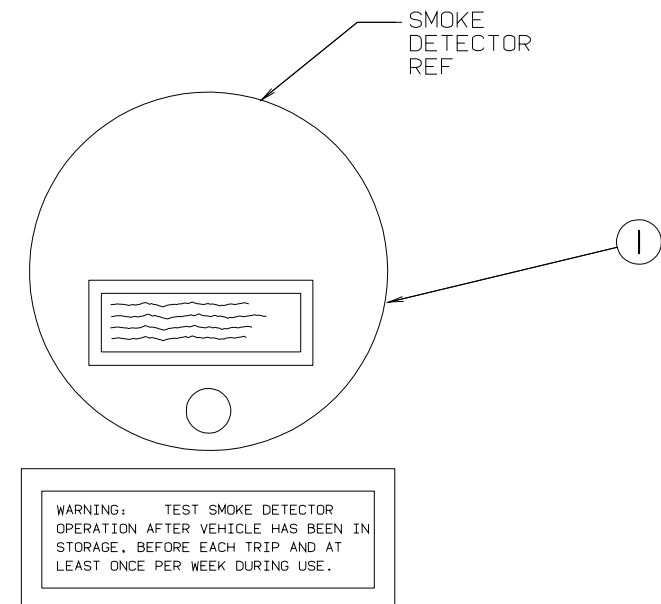
KEY	PARTNUMBER	U/M DESCRIPTION
1	039290-01-000	EA LABEL-WARNING,EXIT
2	107571-01-000	EA LABEL-EXIT/ESCAPEWINDOW

FROM: 00-00-00 THRU: 09-01-96

**LABELS GROUP (CONTINUED)**



KEY	PARTNUMBER	U/M DESCRIPTION
1	087207-05-000	EA LABEL-FUELCAPREMOVAL
2	056259-01-000	EA LABEL-SAFETYCHECKLIST
3	099689-01-000	EA LABEL-WARNING,CANCER/TOXICITY-CALIFORNIA
4	111802-01-000	EA LABEL-CFCWARNING

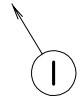


KEY	PARTNUMBER	U/M DESCRIPTION
1	077956-01-000	EA LABEL-WARNING,SMOKEDETECTOR

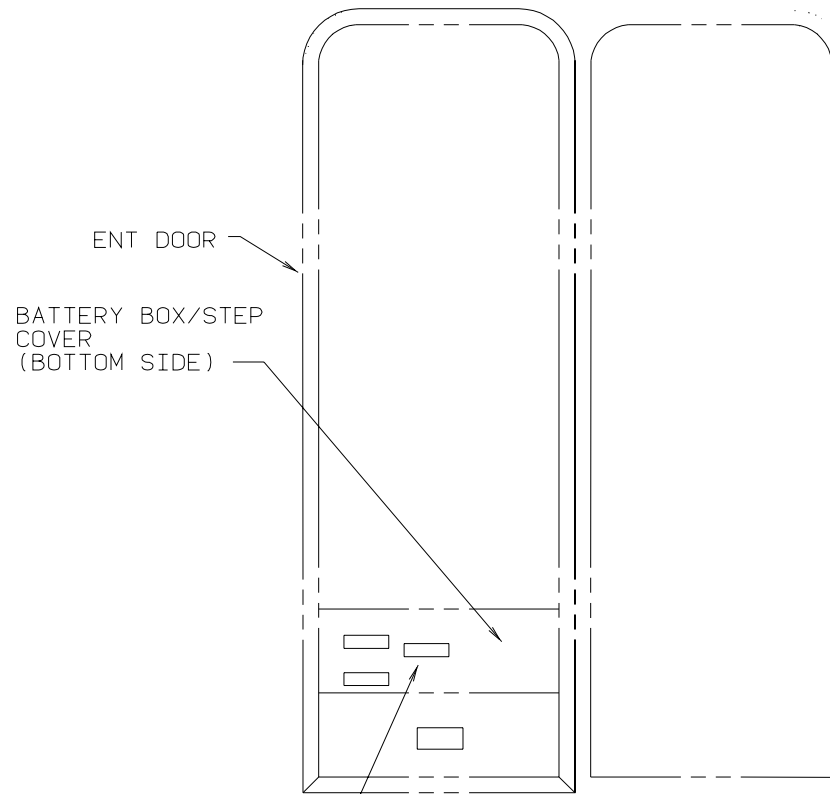


**LABELS GROUP (CONTINUED)**

AIR CONDITIONING CIRCUIT.  
THIS CONNECTION IS FOR  
AIR CONDITIONERS RATED 110-  
125 VOLT AC, 60 HZ, 16  
AMPERES MAXIMUM. DO NOT  
EXCEED CIRCUIT RATING.



KEY	PARTNUMBER	U/M DESCRIPTION
1	091243-01-000	EA LABEL-A/CCOVER,"AIRCONDITIONINGCIRCUIT.ETC."



WARNING: DISCONNECT BATTERIES BEFORE  
CONNECTING EXTERNAL CHARGING EQUIPMENT.

AVERTISSEMENT: DEBRANCHER LES BATTERIES AVANT  
DE BRANCHER TOUT EQUIPEMENT DE CHARGE EXTERIEUR.

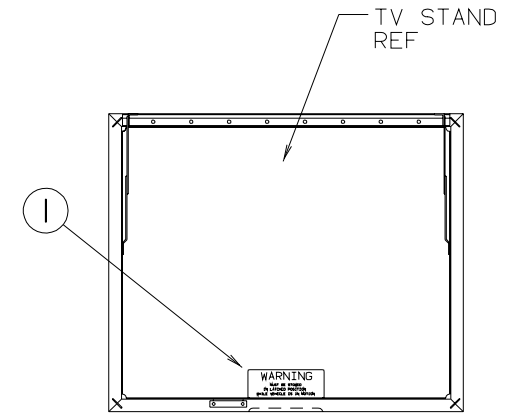
KEY	PARTNUMBER	U/M DESCRIPTION
1	065748-01-000	EA LABEL-CAUTION,BATTERYCHARGING-US
1	065748-02-000	EA LABEL-CAUTION,BATTERYCHARGING-FRENCH

**LABELSGROUP(CONTINUED)**

DO NOT USE HITCH BEFORE  
READING OWNERS MANUAL REGARDING  
VEHICLE LOADING AND TOWING



KEY	PARTNUMBER	U/M DESCRIPTION
1	111104-01-000	EA LABEL-HITCH,READMANUAL



WARNING  
MUST BE STOWED  
IN LATCHED POSITION  
WHILE VEHICLE IS IN MOTION

KEY	PARTNUMBER	U/M DESCRIPTION
1	079966-01-000	EA LABEL-WARNING,STOWED-MOTION

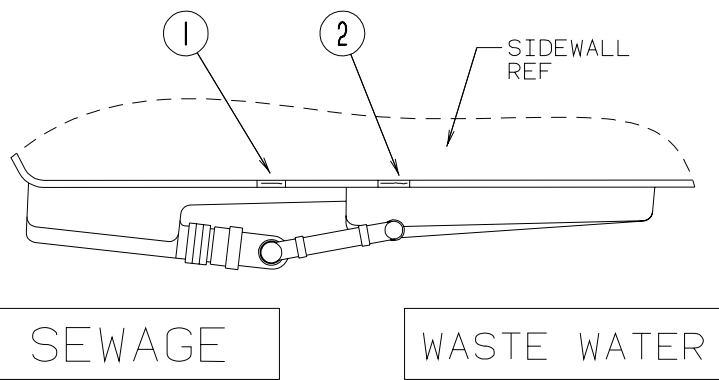
NOTE: TUNE ANTENNA  
PER MANUFACTURER'S  
DIRECTIONS. FAILURE TO  
COMPLY COULD RESULT IN  
DAMAGE TO CB.

CB POWER PROVISION  
RED +12 V  
BLACK GROUND  
COAX ANTENNA  
(SEE REVERSE ALSO)



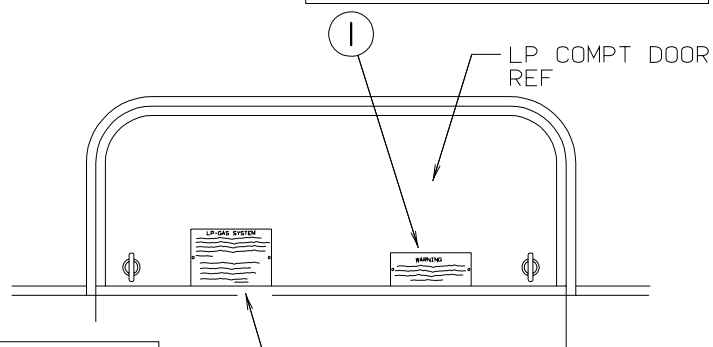
KEY	PARTNUMBER	U/M DESCRIPTION
1	104678-01-000	EA LABEL-CBPREP

**LABELS GROUP(CONTINUED)**



KEY	PARTNUMBER	U/M DESCRIPTION
1	006187-01-000	EA LABEL-SEWAGE
2	006188-01-000	EA LABEL-WASTEWATER

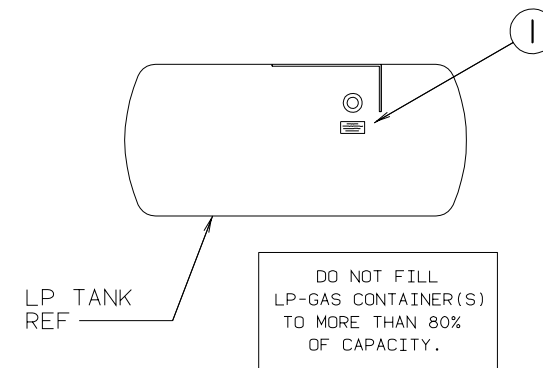
**WARNING**  
 ALL PILOT LIGHTS AND APPLIANCES SHALL BE TURNED OFF DURING REFUELING OF MOTOR FUEL TANKS AND/OR PERMANENTLY MOUNTED LP-GAS CONTAINERS.



**LP-GAS SYSTEM**  
 THIS GAS PIPING SYSTEM IS DESIGNED FOR USE OF LIQUEFIED PETROLEUM GAS ONLY. DO NOT CONNECT NATURAL GAS TO THIS SYSTEM.  
 SECURELY CAP INLET(S) WHEN NOT CONNECTED FOR USE. AFTER TURNING ON GAS, EXCEPT AFTER NORMAL CONTAINER REPLACEMENT, TEST GAS PIPING AND CONNECTIONS TO APPLIANCE FOR LEAKAGE WITH SOAPY WATER OR BUBBLE SOLUTION. DO NOT USE PRODUCTS THAT CONTAIN AMMONIA OR CHLORINE.  
 P.N. 54531

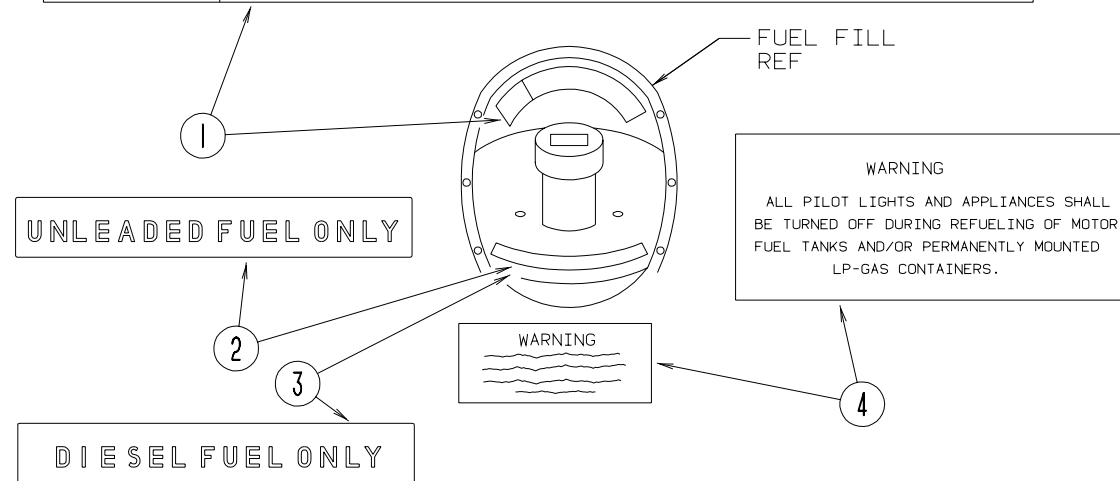
KEY	PARTNUMBER	U/M DESCRIPTION
1	006040-01-000	EA TAG-GASREFUELINGWARNING,US FROM: 00-00-00 THRU: 09-01-96
1	124519-01-01A	EA LABEL-WARNING/REFUELING,US FROM: 09-02-96 THRU: 99-99-99
1	006040-02-000	EA TAG-GASREFUELINGWARNING,CANADIAN
2	054531-01-000	EA LABEL-LPGASONLY,US FROM: 00-00-00 THRU: 09-01-96
2	124520-01-01A	EA LABEL-LPGASONLY,US FROM: 09-02-96 THRU: 99-99-99
2	023769-01-000	EA LABEL-WARNING,LPG-CANADIAN

**LABELS GROUP (CONTINUED)**



KEY	PARTNUMBER	U/M DESCRIPTION
1	079965-01-000	EA LABEL-LPG,80%CAPACITY

**CAUTION**  
 TO HELP AVOID PERSONAL INJURY DURING REMOVAL OF FUEL FILLER CAP, SLOWLY LOOSEN CAP 1/2 TURN TO ALLOW ANY FUEL PRESSURE TO BE RELIEVED BEFORE TURNING CAP FURTHER.  
**FUEL SPRAY MAY CAUSE PERSONAL INJURY**  
 STOP ADDING FUEL AFTER FIRST SHUTOFF BY AUTOMATIC NOZZLE WHEN TANK IS NEARLY FULL. DO NOT OVERFILL FUEL TANK.  
 SEE OWNERS MANUAL FOR ADDITIONAL INFORMATION.  
 PRINTED IN U.S.A. MLC PT NO 15611763

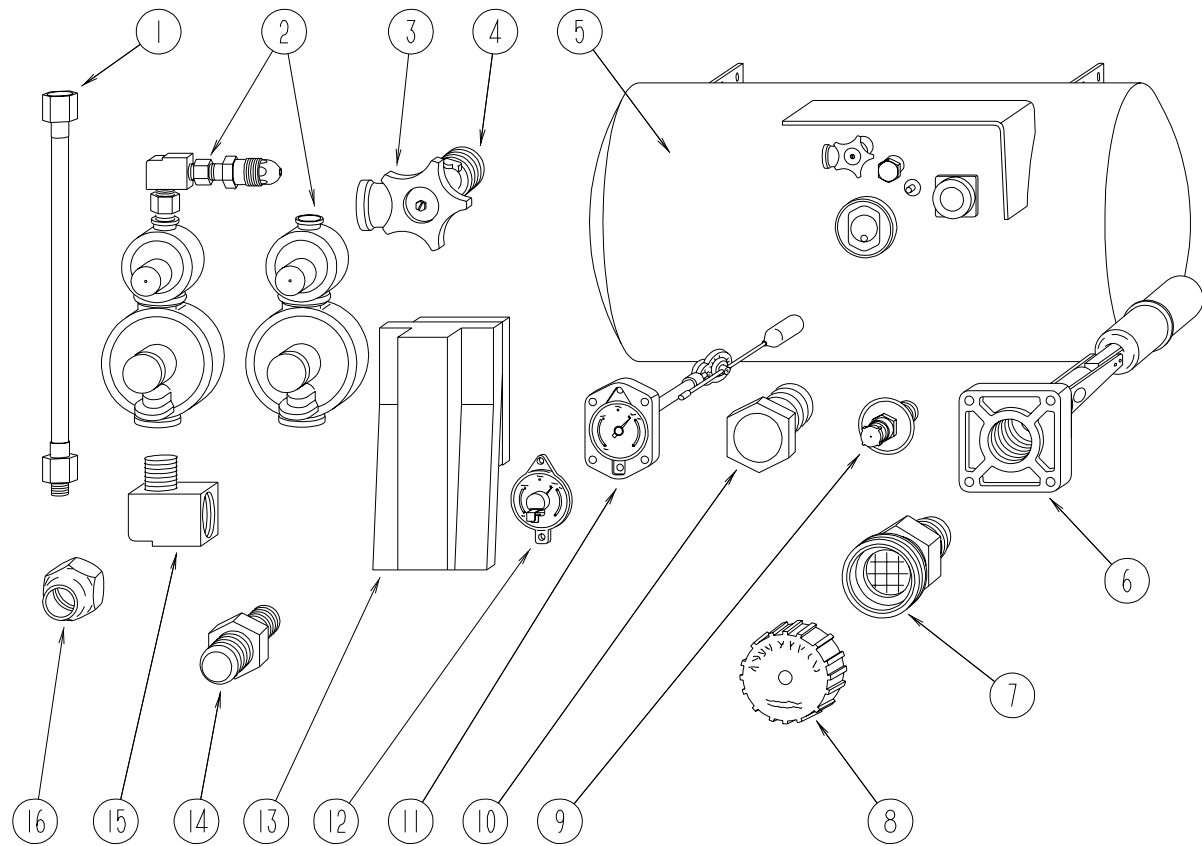


KEY	PARTNUMBER	U/M DESCRIPTION
1	087207-05-000	EA LABEL-FUELCAPREMOVAL
2	062043-01-000	EA LABEL-FUEL,UNLEADED
3	068383-01-000	EA LABEL-DIESELFUELONLY,GM-557005
4	006040-01-000	EA TAG-GASREFUELINGWARNING,US FROM: 00-00-00 THRU: 09-01-96
4	124519-01-01A	EA LABEL-WARNING/REFUELING,US FROM: 09-02-96 THRU: 99-99-99
4	006040-02-000	EA TAG-GASREFUELINGWARNING,CANADIAN

**MISCELLANEOUSLABELS**

KEY	PARTNUMBER	U/M DESCRIPTION
	006064-01-000	EA LABEL-SEATW/OSEATBELT"NOTINTENDEDFORUSEWHILECOACHINMOTION"
	074983-01-000	EA LABEL-SWITCH,A/CSELECTORFORFRONTORREAR
	087236-01-000	EA LABEL-CABLE,INPUT
	098379-04-000	EA LABEL-ELECTRICALBOX,SIDE
	098641-01-000	EA LABEL-FUEL,UNLEADED-DASH
	111537-04-000	EA LABEL-FUSES
	113402-02-000	EA LABEL-CAUTION,FURNACEEXHAUST

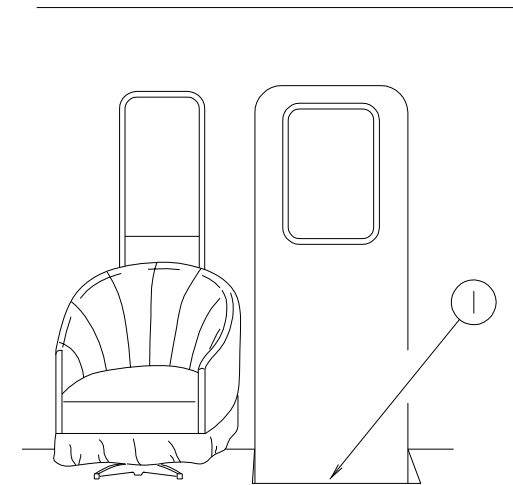
**LPGROUP**



**LPTANK&COMPONENTS**

KEY	PARTNUMBER	U/M	DESCRIPTION	VENDOR NO.
1	045703-01-000	EA	HOSE-LP, 3/8"IDX24" - 3/8" MPTX 1/2" FSWIVEL - US	
1	045703-02-000	EA	HOSE-LP, 3/8"IDX24" - 3/8" MPTX 1/2" FSWIVEL - CANADIAN	
2	106150-01-000	EA	REGULATOR-TWOSTAGE-USANDEUROPEAN	
2	106150-02-000	EA	REGULATOR-TWOSTAGE-EUROPEAN	
3	040421-01-708	EA	HANDWHEEL-VAPORRELIEFVALVE,BRUNNER	
4	040421-01-712	EA	VALVE-SERVICEW/OVAPORRELIEF	
5	088253-01-000	EA	TANK-LP,80LB-16"DX30"	
6	040421-01-711	EA	VALVE-80%W/FLOAT,PLATE,BOLTS&GASKET-BRUNNER	
7	040421-01-701	EA	VALVE-SHORTLPFILLERW/YELLOWCAP-BRUNNER	75478
8	040421-01-702	EA	CAP-LPFILLERVALVE,PLASTIC-YELLOW-BRUNNER	G-1014-A
9	040421-01-700	EA	GAUGE-LIQUIDLEVEL,20%LP-BRUNNER	G-1013
10	040421-01-713	EA	PRESSURERELIEFVALVE	
11	088253-01-700	EA	GAUGE-FLOATW/VISIBLEDIAL-BRUNNER	16C
12	040440-02-000	EA	TRANSMITTER-DIAL,90OHM	
13	105658-01-000	EA	COMPARTMENT-LPREGULATOR	
14	010323-01-000	EA	ADAPTER-BRASS,3/8"FX1/2"MPT	
14	010329-01-000	EA	ADAPTER-BRASS,1/2"FX1/2"MPT	
15	065318-02-000	EA	ELBOW-90DEGREE,3/8"MPTTO3/8"FPT	
16	010377-02-000	EA	NUT-BRASS,3/8"FEMALE-FORGED	
16	010380-02-000	EA	NUT-BRASS,1/2"FEMALE-FORGED	
	008042-01-000	FT	TUBING-VINYL,.65"ID	
	010252-01-000	EA	ELBOW-BRASS,90DEGREE,3/8"FX1/2"MPT	
	024250-01-000	EA	ADAPTER-BRASS,3/8"FX1/2"FPT	
	036346-02-000	EA	BUSHING-STEEL,3/4"MPTX3/8"FPT	
	071391-02-000	EA	NIPPLE-HEX,1/4"PIPE-3325X4WEATHERHEAD	
	103613-01-000	EA	DETECTOR-LPGAS	
			FROM: 00-00-00 THRU: 11-10-96	
	103613-02-000	EA	DETECTOR-LPGAS	
			FROM: 11-11-96 THRU: 99-99-99	

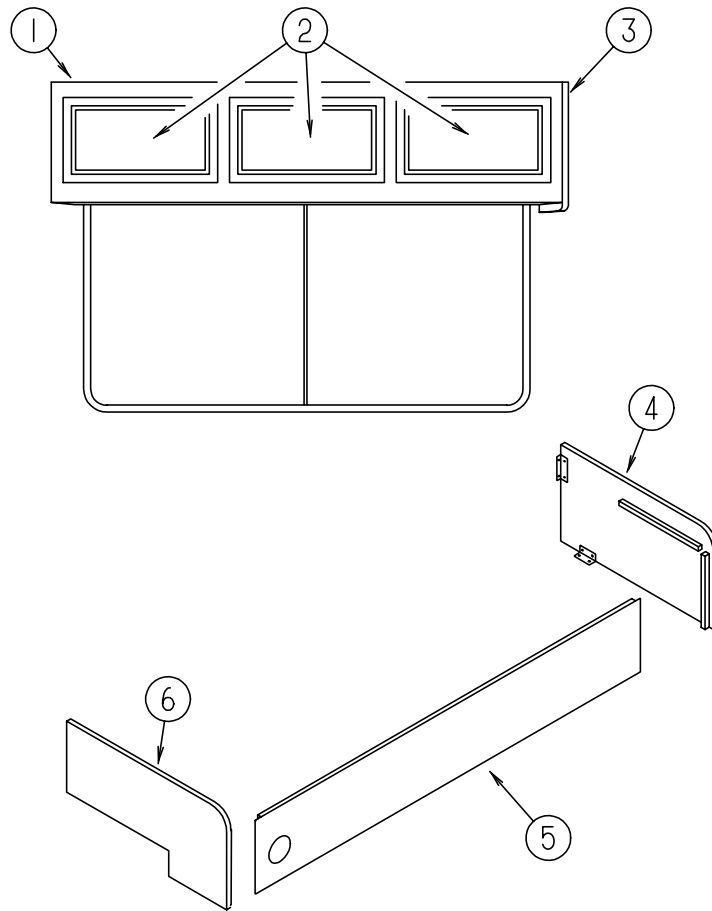
**LOUNGEGROUP**



**PASSENGERSIDELOUNGE**

KEY	PARTNUMBER	U/M	DESCRIPTION
1	104006-01-C05	EA	LID-ENTRANCESTEPCOMPARTMENT,W/OCARPETORHARDWARE
	101222-01-02A	EA	BRACKET-CATCH,LID-60MMX36.7MM-STEEL-OFFWHITE
	107941-01-02A	EA	SUPPORT-LID,ENTRANCESTEP-645MMX378MM-STEEL-OFFWHITE
	116975-01-01A	EA	LATCHASM-UNDERCENTER,BLACK-SOUTHCO91-522-69
	042541-05-000	EA	STRIKE-BRASSW/OLATCH

**LOUNGE GROUP (CONTINUED)**  
**DRIVERS SIDE LOUNGE**



KEY	PART NUMBER	U/M	DESCRIPTION
1	103275-02-H13	EA	CABINET-OVERHEAD, W/O DOORS OR HARDWARE
	103275-12-G09	EA	SHELF ASM-LOUNGE OVERHEAD CABINET
2	M06803-03-G09	EA	DOOR-W/O HARDWARE W/MIRROR - 15.7" X 20.4"
2	M06803-41-G09	EA	DOOR-W/O HARDWARE W/O MIRROR - 15.7" X 20.4" DECORATOR DOOR OPTION - FLAT PANEL
2	M06803-B1-G09	EA	DOOR-W/O HARDWARE W/O MIRROR - 15.7" X 20.4" - GENERAL TRAILER OPTION
3	103128-01-G09	EA	CAP ASM-END, OVERHEAD
4	122716-12-H33	EA	PANEL-SOFA/BED CABINET - LEFT SIDE - FABRIC COVERED
4	122716-12-H34	EA	PANEL-SOFA/BED CABINET - LEFT SIDE - FABRIC COVERED
4	122716-12-H35	EA	PANEL-SOFA/BED CABINET - LEFT SIDE - FABRIC COVERED
5	M08164-02-H33	EA	CABINET-SOFA/BED CABINET, FRONT - FABRIC COVERED
5	M08164-02-H34	EA	CABINET-SOFA/BED CABINET, FRONT - FABRIC COVERED
5	M08164-02-H35	EA	CABINET-SOFA/BED CABINET, FRONT - FABRIC COVERED
6	122716-13-H33	EA	PANEL-SOFA/BED CABINET - RIGHT SIDE - FABRIC COVERED
6	122716-13-H34	EA	PANEL-SOFA/BED CABINET - RIGHT SIDE - FABRIC COVERED
6	122716-13-H35	EA	PANEL-SOFA/BED CABINET - RIGHT SIDE - FABRIC COVERED
	082525-01-000	EA	BRACE-COUCH, FLOOR MOUNT - ANGLE 3" LONG - ALUMINUM
	083125-07-000	EA	BRACE-COUCH, OFF WHITE

**SEALANTS&FASTENERSGROUP**

**ADHESIVE**

KEY	PARTNUMBER	U/M DESCRIPTION
	004020-01-000	QT ADHESIVE-ABSCEMENT,QUART
	081377-01-700	EA ADHESIVE-CYANOACRYLATE,10GRAMTUBE
	087211-01-000	GL ADHESIVE-PROMOTER
	004006-05-700	EA ADHESIVE-5GALLON-NATURALSTARCH
	062917-03-000	EA ADHESIVE-LOCTITE242
	067788-01-000	EA ADHESIVE-SPRAY,19.5OZAEROSOLCAN-3M74
	114311-01-000	GL ADHESIVE-GLUE,NATIONALSTARCH72-7843
	110943-02-000	FT ADHESIVE-3/8"FELTSTRIP

FROM: 09-02-96 THRU: 99-99-99

**TAPES**

KEY	PARTNUMBER	U/M DESCRIPTION
	076314-02-000	FT TAPE-CARPETSEAM,HEAT-BOND-4"WIDE
	076322-02-000	FT TAPE-FOAM,DOUBLECOATEDADHESIVEBACKED-1"X108'
	076322-05-000	FT TAPE-FOAM,DOUBLECOATED-.025"X1.5"X108'
	076322-07-000	FT TAPE-FOAM,DOUBLECOATED-.045"X.50"X200'-NORTONV2000
	110274-01-000	FT TAPE-FOAM,DOUBLECOATED-.045"X1.00"-NORTONV-2800
	063642-01-000	FT TAPE-ADHESIVE,10MIL.X1.5"WIDEX180"
	088479-01-000	FT TAPE-SCOTCH,3M-1/2"FINELINE
	120534-01-01A	FT TAPE-ALUMINUM,3"-3M
	123816-01-000	FT TAPE-DOUBLESIDED,1"
	123816-02-000	FT TAPE-DOUBLESIDED,1/2"

**NUTS**

KEY	PARTNUMBER	U/M DESCRIPTION
	000D24-10-00B	EA NUT-HEX,SF/LK-10-32-ZINC
	000D29-05-00B	EA NUT-HEX,SELFLOCK-5/16-18-UNC
	000D29-09-00B	EA NUT-HEX,SELFLOCK-9/16-12-ZINC
	000D34-06-00B	EA NUT-HEX,LK-3/8-16GRADE-ZINC-PREVAILINGTORQUE
	000D39-04-00B	EA NUT-HEX,SERFLGLK-1/4-20-ZINC
	000D39-05-00B	EA NUT-HEX,SERFLGLK-5/16-18-ZINC
	000D39-06-00B	EA NUT-HEX,SERFLGLK-3/8-16-ZINC
	000D39-07-00B	EA NUT-HEX,SERFLGLK-7/16-14-ZINC
	000D39-08-00B	EA NUT-HEX,SERFLGLK-1/2-13-ZINC
	000D44-07-00B	EA NUT-HEX,SERFLGLK-7/16-20-ZINC
	000D46-04-00A	EA NUT-HEX,WELD-1/4-20-PLAIN-SHORTPILOT
	040921-01-000	EA NUT-SPEED,UTYPE-10-24-BLACK
	040921-03-000	EA NUT-SPEED,UTYPE-NO10
	040921-04-000	EA NUT-SPEED,UTYPE-NO8-.59"LENGTHX.44"WIDTH
	040921-09-000	EA NUT-SPEED,UTYPE-NO8-TINNERMANC9812-8A
	044364-02-000	EA NUT-SPEED,FLAT-ROUND
	063253-07-000	EA NUT-J,#8A-.120-.130PANELTHICKNESS
	083163-06-000	EA PUSHNUT-FLATTYPE3/8STUD-FORDONLY TORETAINTHEAIRBAFFLEONTHEOILDIPSTICKTUBE
	087234-01-000	EA NUT-JACK,1/4X20THD,MOLLY-ARDEN8-L,JNBRASS MOUNTSLICENSEPLATES
	104369-01-000	EA NUT-HEX,HEAVY-5/8-11UNC

**WASHERS**

KEY	PARTNUMBER	U/M DESCRIPTION
	000E11-07-00B	EA WASHER-LK,7/16"MEDSPLIT-ZINC
	000E11-08-00B	EA WASHER-LK,1/2"MEDSPLIT-ZINC
	000E13-14-00B	EA WASHER-FL,1/4"WIDE-ZINC
	000E13-18-00B	EA WASHER-FL,3/8"WIDE-ZINC
	000E13-20-00B	EA WASHER-FL,7/16"WIDE-ZINC
	000E13-22-00B	EA WASHER-FL,1/2WIDE-ZINC
	000E13-26-00B	EA WASHER-FL,5/8WIDE-ZINC
	000E14-10-00B	EA WASHER-LK,NO10EXTTOOTH-ZINC
	044533-01-000	EA WASHER-PLASTIC,13/8"OD-FORBUTTONS
	058716-02-000	EA WASHER-FLAT,NYLON-.406X.750X.060
	077071-01-000	EA WASHER-FENDER,3/16"IDX1"OD
	106649-01-000	EA WASHER-SEALING,5/8"ID-GALVANIZED
	110794-01-000	EA WASHER-FLAT-1"IDX13/4'OD

**SEALANTS&FASTENERSGROUP(CONTINUED)**

**SCREWS**

KEY	PARTNUMBER	U/M DESCRIPTION
	000G11-05-08B	EA SCREW,5-20X1/2PPH-ZINC
	000G11-06-06B	EA SCREW,6-20X3/8PPH-ZINC
	000G11-06-08B	EA SCREW,6-20X1/2PPH-ZINC
	000G11-06-10J	EA SCREW,6-20X5/8PPH-BRASS
	000G11-07-08B	EA SCREW,7-19X1/2PPH-ZINC
	000G11-08-06B	EA SCREW,8-18X3/8PPH-ZINC
	000G11-08-08B	EA SCREW,8-18X1/2PPH-ZINC
	000G11-08-12S	EA SCREW,8-18X3/4PPH-OFFWHITE MAYNEEDTOPAINTTHISSCREW-USEDASAREPLACEMENTFOR VARIOUSCOLOREDSCREWS
	000G11-08-12P	EA SCREW,8-18X3/4PPH-DARKBROWN
	000G11-08-12D	EA SCREW,8-18X3/4PPH-BLACKPHOS
	000G11-08-12B	EA SCREW,8-18X3/4PPH-ZINC
	000G11-08-12T	EA SCREW,8-18X.75PPH-BLACK
	000G11-08-16S	EA SCREW,8-18X1.00PPH-OFFWHITE
	000G11-08-20B	EA SCREW,8-18X11/4PPH-ZINC
	000G11-10-12S	EA SCREW,10-16X.75PPH-OFFWHITE
	000G11-10-12D	EA SCREW,10-16X3/4PPH-BLACK
	000G11-10-40B	EA SCREW,10-16X21/2PPH-CAD-34927-01-000
	000G11-10-16B	EA SCREW,10-16X1-PPH-ZINC
	000G12-06-08T	EA SCREW,6-20X.50POH-BLACK
	000G13-06-08G	EA SCREW,6-20X1/2PFH-ANTIQUEBRASS
	000G13-06-10G	EA SCREW,6-20X5/8PFH-ANTIQUEBRASS
	000G13-06-16J	EA SCREW,6-20X1.00PFH-BRASS
	000G13-06-24J	EA SCREW,6-20X1.50PFH-BRASS
	000G13-07-12B	EA SCREW,7-19X.75PFH-ZINC
	000G18-08-22B	EA SCREW-MACHINE,8-32X13/8PPH-ZINC
	000G19-10-12F	EA SCREW-MACHINE,10-32X.75PPH-SST
	000G19-10-20B	EA SCREW-MACHINE,10-32X11/14PPH-ZINC
	000G32-10-06B	EA SCREW,10-32X3/8"-PPH-ZINC
	000G39-06-10T	EA SCREW-SF/DR,6-20X5/8PPH-BLACK
	000G39-06-16T	EA SCREW-SF/DR,6-20X1.00PPH-BLACK
	000G39-08-08B	EA SCREW-SF/DR,8-18X1/2PPH-ZINC
	000G39-08-06B	EA SCREW-SF/DR,8-18X3/8PPH-ZINC
	000G39-08-08S	EA SCREW-SF/DR,8-18X1/2PPH-OFFWHITE
	000G39-08-12B	EA SCREW-SF/DR,8-18X3/4PPH-ZINC
	000G39-08-12T	EA SCREW-SF/DR,8-18X3/4PPH-BLACK
	000G39-08-16B	EA SCREW-SF/DR,8-18X1PPH-ZINC
	000G39-08-16R	EA SCREW-SF/DR,8-18X1.00PPH-BEIGE
	000G39-08-16T	EA SCREW-SF/DR,8-18X1PPH-BLACK
	000G39-10-08B	EA SCREW-SF/DR,10-16X.50PPH-ZINC
	000G39-10-12B	EA SCREW-SF/DR,10-16X.75PPH-ZINC
	000G39-10-12D	EA SCREW-SF/DR,10-16X3/4PPH-BLACK
	000G39-10-129	EA SCREW-SF/DR,10-16X3/4PPH-FLUOROCARBONSILVER
	000G39-10-20B	EA SCREW-SF/DR,10-16X11/4PPH-ZINC
	000G39-10-088	EA SCREW-SF/DR,10-16XPPH-DRILL-FLEXFCARBON
	000G39-10-48B	EA SCREW-SF/DR,10-16X3.00PPH-ZINC
	000G39-10-10B	EA SCREW-SF/DR,10-16X.625-ZINC
	000G42-04-12B	EA SCREW-SF/DR,1/4-14X3/4HWH-ZINC
	000G43-06-24B	EA SCREW-MACHINE,8-32X1.50PFH-BLACK
	000G46-08-24T	EA SCREW-MACHINE,8-32X1.50PFH-BLACK
	000G50-04-12B	EA SCREW-MACHINE,1/4-20X3/4PPH-ZINC
	000G52-08-18B	EA SCREW-MACHINE,8-32X11/8PTH-ZINC
	000G54-04-20B	EA SCREW,1/4-20X11/4PTH-TYPE23-ZINCPLATED
	000G55-08-12S	EA SCREW-SF/DR,8-18X.75PWH-OFFWHITE
	000G56-12-48B	EA SCREW-WOOD,12-11X3POH-SPECIALHARDENED
	000G60-10-28T	EA SCREW-SF/DR,10-16X1.75-BLACK
	000G67-10-08B	EA SCREW,10-12X1/2PPH-ZINC
	000G67-10-08R	EA SCREW,10-12X1/2PPH-BEIGE-TYPEA
	000G67-10-36T	EA SCREW,10-12X2.25PPH-BLACK-STALGAURD
	000G67-10-24B	EA SCREW,10-12X11/2PPH-ZINC
	000G67-10-20D	EA SCREW,10-12X11/4PPH-BLACK
	000G67-10-120	EA SCREW,10-12X.75"PPH-TAN

**SEALANTS&FASTENERSGROUP(CONTINUED)**  
**SCREWS(CONTINUED)**

KEY	PARTNUMBER	U/M	DESCRIPTION
	000G67-10-12B	EA	SCREW, 10-12X3/4" PPH-ZINC
	000G67-10-12P	EA	SCREW, 10-12X.75PPH-DARKBROWN
	000G67-10-10D	EA	SCREW, 10-12X5/8PPH-BLACK-TYPEA
	000G67-10-10B	EA	SCREW, 10-12X5/8PPH-ZINC-TYPEA
	000G68-06-10G	EA	SCREW, 6-18X5/8POH-ANTIQUEBRASS
	0G1208-12-170	EA	SCREW, 8-18X.75POH-BRIGHTWHITE
	0G3908-08-170	EA	SCREW-SF/DR, 8-18X.50PPH-BRIGHTWHITE
	0G3910-12-170	EA	SCREW-SF/DR, 10-16X.75PPH-BRIGHTWHITE
	0G5508-16-190	EA	SCREW-SF/DR, 8-18X1.00PWH-QUICKSILVER
	049465-03-000	EA	SCREW, 10-16X1POHW/WASHER-OFFWHITE
	054434-02-000	EA	SCREW-SF/DR, 10-16X2-ZINC-TORQ'S#25HEAD
	075908-01-000	EA	SCREW-MACHINE, 10-32X.56PTH-ZINC-EXTERNALTOOTH
	076790-01-000	EA	SCREW, 6-20X 1 1/4PPH-BLACK
	083554-04-000	EA	SCREW-DRYWALL, 8X2.50
	086256-01-000	EA	SCREW-SF/DR, 8X.75HWHLG

**BOLTS**

KEY	PARTNUMBER	U/M	DESCRIPTION
	000C12-05-12B	EA	BOLT-HEX, 5/16-18X3/4-ZINC5
	000C12-05-16B	EA	BOLT-HEX, 5/16-18X1-ZINC5
	000C12-06-16B	EA	BOLT-HEX, 3/8-16X1LG-ZINC5
	000C12-08-24B	EA	BOLT-HEX, 1/2-13X1 1/2-ZINC5
	000C12-08-16B	EA	BOLT-HEX, 1/2-13X1-GRADE5-ZINC
	000C12-09-20B	EA	BOLT-HEX, 9/16-12X1 1/4-ZINC5
	000C12-10-24B	EA	BOLT-HEX, 5/8-11X1 1/2-ZINC5
	000C13-07-48B	EA	BOLT-HEX, 7/16-20X3-ZINC5
	000C18-05-40A	EA	BOLT-ELEVATOR, 5/16"-18X2 1/2"-PL
	000C26-04-10B	EA	BOLT-HEX, SERFLG-1/4-20X5/8-ZINC
	000C26-04-14B	EA	BOLT-HEX, SERFLG-1/4-20X7/8-ZINC
	000C26-04-18B	EA	BOLT-HEX, SERFLG-1/4-20X1 1/8-ZINC
	000C26-05-12B	EA	BOLT-HEX, SERFLG-5/16-18X3/4-ZINC
	000C26-05-16B	EA	BOLT-HEX, SERFLG-5/16-18X1-ZINC
	000C26-06-12B	EA	BOLT-HEX, SERFLG-3/8-16X3/4-ZINC
	000C26-06-16B	EA	BOLT-HEX, SERFLG-3/8-16X1-ZINC
	000C27-10-32B	EA	BOLT-CARRIAGE, 5/8-11X2.00
	000G45-04-24B	EA	BOLT-LAG, 1/4-9X1 1/2-ZINC
	051387-06-000	EA	BOLT-CARRIAGE, W/OHOLE-5/16-18X9.5-ZINC
	102333-01-06A	EA	BOLT-CARRIAGE, 7/16-14SSTCAP-BRIGHTWHITEBUMPERBOLT
	088787-12-000	EA	STUD-WELD, 1/4-20X1.0LGMN-ARDENMN-1420-S-100
	108067-03-000	EA	STUD-WELD, 1/4-20X1/2CD-IMAGE

**CLAMPS**

KEY	PARTNUMBER	U/M	DESCRIPTION
	007161-01-000	EA	CLAMP-HOSE, SPRINGTYPE-1/2"
	010495-01-000	EA	CLAMP-CABLE, 9/16"
	010497-01-000	EA	CLAMP-CLOSED, 5/8"ID
	010497-03-000	EA	CLAMP-CLOSED, 1"ID-CUSHIONED
	010497-05-000	EA	CLAMP-CLOSED, 1/2"ID
	010499-01-000	EA	CLAMP-CLOSED, 3/8"ID
	062401-01-000	EA	CLAMP-HOSE, WORMGEAR .25"-1"
	062401-02-000	EA	CLAMP-HOSE, WORMGEAR 1.56"-2.5"
	062401-03-000	EA	CLAMP-HOSE, WORMGEAR .22"-1"
	062401-04-000	EA	CLAMP-HOSE, WORMGEAR .69"-1.25"
	062401-06-000	EA	CLAMP-HOSE, WORMGEAR .22"-.62"
	062401-11-000	EA	CLAMP-HOSE, WORMGEAR 3.56"-4.5"
	075148-02-000	EA	CLAMP-GROUNDING, BRONZESCREWS
	083609-01-000	EA	CLAMP-WIRE, DUALEQUAL-5/8"DIAMETER
	083610-01-000	EA	CLAMP-WIRE, DUAL-UNEQUALDIAMETERS-.75" & 1.25"

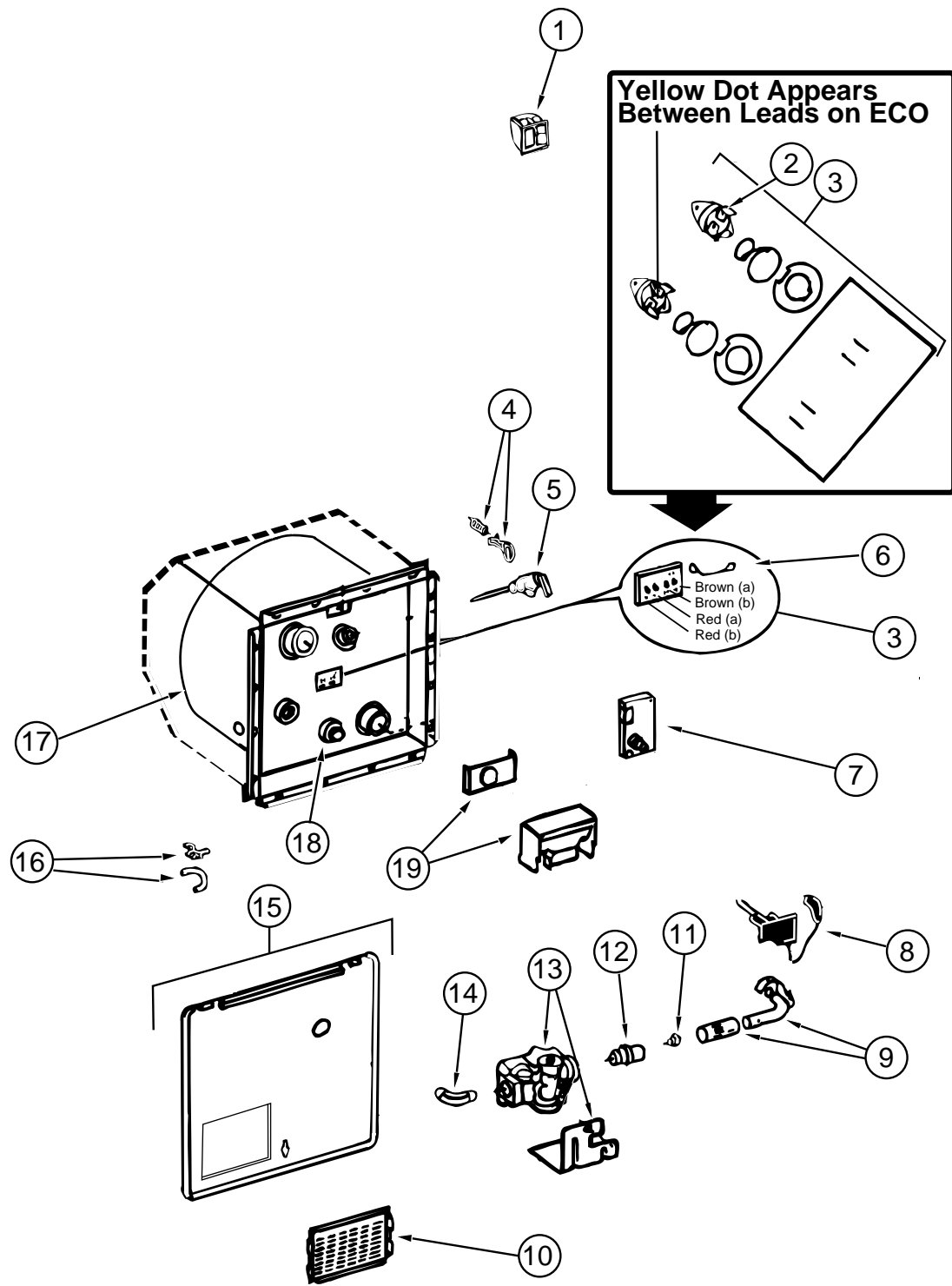
**SEALANTS&FASTENERSGROUP(CONTINUED)**  
**SEALERS**

KEY	PARTNUMBER	U/M	DESCRIPTION
	069640-02-000	FT	SEALER-RIBBON, 1/2"X1/8"-INCREMENTSOF60'
	069640-03-000	FT	SEALER-RIBBON, 3/4"X1/8"-INCREMENTSOF60'
	069640-07-000	FT	SEALER-RIBBON, 2"X3/32"-INCREMENTSOF45'
	069640-09-000	FT	SEALER-RIBBON, 1/32"X2 1/2"-INCREMENTSOF80'
	069640-11-000	FT	SEALER-TAPE, 3/16"X3/8", BLACK-INCREMENTSOF40'
	069640-13-000	FT	SEALER-TAPE, 3/32"X2"-BLACK
	069640-14-000	FT	SEALER-TAPE, 1/16"X1"-GRAY-INCREMENTSOF60'
	069640-15-000	FT	SEALER-RIBBON, 1/16"X3/8"-GRAY
	069640-17-000	FT	SEALER-TAPE, 1/32"X1"
	900390-01-000	EA	TIP-21/2"X1/8"ORIFICE, ELLSWORTHTS216
	900390-03-000	EA	NOZZLES-SILICONETUBE, CSLD10
	034552-02-000	EA	SILICONE-TUBE, 300ML-CLEAR-W/ONOZZLE
	034552-06-000	EA	SILICONE-TUBE, 300ML-OFFWHITE-W/ONOZZLE
	034552-15-000	EA	SILICONE-TUBE, 300ML-BRIGHTWHITE-W/ONOZZLE
	039518-01-000	EA	SILICONE-TUBE, 300ML-BLACK-W/ONOZZLE
	053766-02-000	EA	BEDDINGCOMPOUND-TUBE, WHITE-SCHNEE5522
	053766-06-000	EA	BEDDINGCOMPOUND-TUBE, CLEAR
	072889-01-000	EA	SEALANT-URETHANE, BLACK-1/10-ESSEX552.2
	072889-09-000	EA	SEALANT-URETHANE, BLACK-TUBE
	072889-10-000	EA	SEALANT-URETHANE, (HV)BRIGHTWHITE-MANUS75AM
	072889-12-000	EA	SEALANT-URETHANE, (LV)BRIGHTWHITE-MANUS75AM
	102352-01-000	EA	SEALER-PUMPABLE, BLACK-COLORIMETRICMS101
	102352-02-000	EA	SEALER-PUMPABLE, CLEAR-COLORIMETRICM5101
	106206-01-000	EA	SEALER-PUMPABLE, BLACK-MANUS30A
	108716-01-000	EA	SILICONE-TUBE OFFWHITESSELFLEVELING
			FROM: 00-00-00 THRU: 07-21-96
	108716-03-000	EA	SILICONE-TUBE, BRIGHTWHITE-SELFLEVELING

**RIVETS, GROMMETS AND MISCELLANEOUS FASTENERS**

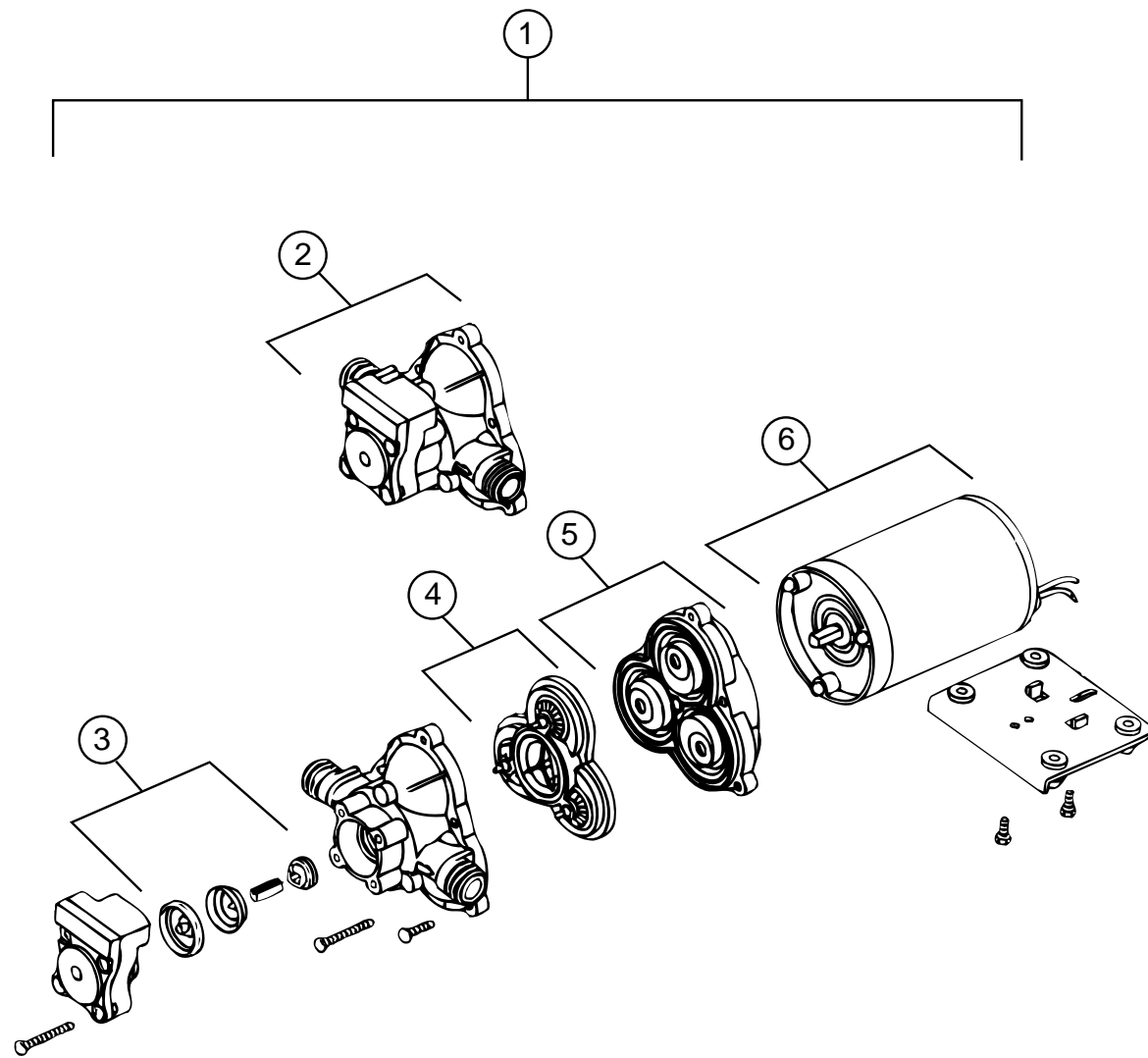
KEY	PARTNUMBER	U/M	DESCRIPTION
	000H16-04-06R	EA	RIVET-POP, 1/8X .313-.375-AL
	000H16-06-10R	EA	RIVET-POP, 3/16X .501-.625-AL
	069592-02-000	EA	RIVET-T-POP, 1/4X .093-.156
	008380-01-000	EA	GROMMET-RUBBER, 5/8"HOLEX1 1/2"DIAMETER-BLACK
	016188-03-000	EA	GROMMET-L/PLINE, 3/8"HOLEX2 1/2"LONG-RUBBER
	016188-05-000	EA	GROMMET-L/PLINE, 3/8"HOLEX1 1/4"LONG-RUBBER
	023942-01-000	EA	GROMMET-RUBBER, 2"OD
	099637-01-000	EA	GROMMET-RUBBER, .37"X.94"DIAMETER-BLACK
	114208-02-000	EA	GROMMET-EDGELINER, FITS .625-HEYCO2073
	056134-02-000	EA	HOLDER-RING, 1.8"DIAMETER-METAL
	086285-01-000	EA	SPACER-NYLON, .5"ODX.257"ID
	081211-05-000	EA	PLUG-PLASTIC, .188DIA-NATURAL
	029094-04-000	YD	VELCROTAPE-LOOP, 1"WIDE-BLACK
	029096-03-000	YD	VELCROTAPE-HOOK, 1"WIDE-BLACK
	085774-01-000	FT	FASTENER-DUALHOOK, 1"WIDE-ADHESIVEBACK-BLACK
	085774-02-000	FT	FASTENER-DUALLOOP, 1"WIDE-ADHESIVEBACK-BLACK
	008343-01-000	EA	TIE-WIRE, 6"
	008343-02-000	EA	TIE-WIRE, 14"
	108046-02-000	EA	CABLE-TIE, SCREWMOUNT-15"
	077955-01-000	EA	CLIP-J-VINYLCOATED-3/8"
	080734-02-000	EA	CLIP-WIRE, NYLON
	091952-02-000	EA	CLIP-GRIPPER, 3/4"
	094362-02-000	EA	CLIP-XMASTREE, FLATHEAD
	094362-05-000	EA	CLIP-XMASTREE, BLACK-ARDENPC47617
	057671-01-000	EA	COVER-SCREW, #8-PLASTIC-OFFWHITE
	057671-03-000	EA	COVER-SCREW, #8-PLASTIC-WILLOW
	057671-12-000	EA	COVER-SCREW, #8-PLASTIC-QUICKSILVER
	049176-01-000	EA	HEDLOCKII-3/4DIAMETER, SCREWMOUNT
	102540-01-000	EA	SEAL-SCREW, ROUND-RUBBER

**WATER & SEWAGE GROUP**  
**ATWOOD WATER HEATER W/MOTOR AID (GH6-8E)**



KEY	PARTNUMBER	U/M	DESCRIPTION	VENDOR NO.
	051393-01-000	EA	WATERHEATER-W/MOTOR AID, PILOTLESS IGNITION-ATWOOD GH6-8E	
1	051393-01-701	EA	SWITCH PACKAGE-ATWOOD	91959
2	051391-04-701	EA	THERMOSTAT 12VDC-120 PRESET, FRONT MOUNT-ATWOOD	91470
3	051393-01-721	EA	ECO & THERMOSTAT ASM-FRONT MOUNT, 140 DEGREE-ATWOOD	91447
4	051391-01-705	EA	FASTENER-CAMLOC, ATWOOD	92609
5	051391-01-704	EA	VALVE-RELIEF, 1/2" FITTING-ATWOOD	91604
6	051393-01-723	EA	SWITCH-THERMAL CUT-OFF 2/PKG, ATWOOD	93866
7	051393-01-724	EA	CIRCUIT BOARD-SPADE TERMINAL, ATWOOD	93867
8	051393-01-725	EA	ELECTRODE-SINGLE SPADE CONNECT-ATWOOD	93868
9	051391-04-703	EA	BURNER-MAIN, ATWOOD	91638
10	051391-01-717	EA	GRILLE ONLY-ATWOOD	92640
11	051391-01-710	EA	ORIFICE-MAIN BURNER, ATWOOD	92742
12	051391-03-700	EA	ORIFICE HOLDER-ATWOOD	91563
13	051393-01-726	EA	SOLENOID VALVE AND BRACKET-ATWOOD	93870
14	051391-01-714	EA	ELBOW-45 DEGREE, 3/8" FX 3/8" MPT-ATWOOD	91044
15	052009-06-000	EA	DOOR-WATER HEATER W/OLATCHES, BRIGHT WHITE	
16	051391-01-700	EA	HINGE KIT-W/CLIP, ATWOOD	92568 & 92559
17	051391-04-704	EA	TANK-INNER-ATWOOD	91642
18	051391-01-715	EA	DRAIN PLUG, ATWOOD	91561
19	051391-04-707	EA	FLUE, & GASKET-ATWOOD	90960
	111129-01-711	EA	BRACKET-CORNER, SET OFF FOUR	91928
	112176-01-000	FT	TUBING-VINYL, REINFORCED-1/2" ID	
	116424-01-000	EA	PROTECTOR-WATER HEATER LATCH-ATWOOD 92611	
	110438-01-000	EA	VALVE-CHECK, BRASS-G784	
			FROM: 00-00-00 THRU: 02-16-97	
	110438-02-000	EA	VALVE-CHECK, BRASS-MPT X MPT	
			FROM: 02-17-97 THRU: 99-99-99	

**WATER & SEWAGE GROUP (CONTINUED)**



**SHURFLOW WATER PUMP**

KEY	PARTNUMBER	U/M DESCRIPTION
1	098607-01-000	EA PUMP-WATER, W/.5" MPT FITTING-FLOW 2.8 GPM-UL
2	098607-01-706	EA HOUSING W/SWITCH ONLY
3	098607-01-705	EA VALVE-CHECK, KIT
4	098607-01-703	EA VALVE KIT
5	098607-01-702	EA DIAPHRAGM/DRIVE ASSEMBLY KIT
6	098607-01-707	EA MOTOR W/BASE PLATE

VENDOR NO.
94-231-20
94-237-00
94-232-00
94-238-04
94-234-03

**WATER & SEWAGE GROUP (CONTINUED)  
WATER TANK**

KEY	PARTNUMBER	U/M DESCRIPTION
	117898-02-000	EA TANK ASSEMBLY-WATER, 50 GAL-42" X 26.5" X 15.4"-W/FITTINGS-QUEENBED
	117898-01-000	EA TANK-WATER, 50 GAL-42" X 26.5" X 15.4"-W/O FITTINGS-QUEENBED
	121959-02-000	EA TANK ASSEMBLY-WATER, 50 GAL-34.7" X 27.9" X 15.4"-W/FITTINGS-TWINBED
	121959-01-000	EA TANK-WATER, 50 GAL-34.7" X 27.9" X 15.4"-W/O FITTINGS-TWINBED
	039861-01-000	EA SENDING UNIT-W/SCREW, WASHER, WELL NUT & TERMINAL RING
	010224-01-000	EA ADAPTER-HOSE TO PIPE, 3/8" MPT X 3/8" BARB-PLASTIC-BLACK
	114429-02-000	EA ELBOW-1/2" P X 1/2" MPT-FLAIR-IT02803-QUEENBED
	114430-03-000	EA ADAPTER-1/2" P X 1/2" MPT-FLAIR-IT02842-TWINBED
	042989-03-000	EA FITTING-WATER TANK, SPINWELD-1 1/4" NPT-PLASTIC-WHITE
	042989-04-000	EA FITTING-WATER TANK, SPINWELD-3/8" FPT-PLASTIC-WHITE
	042989-05-000	EA FITTING-WATER TANK, SPINWELD-1/2" FPT-PLASTIC-WHITE
	049032-01-000	EA PATCH-SPINWELD, 3/8"-PLASTIC
	044927-01-000	EA ADAPTER-HOSE TO PIPE, 1 1/4" MPT X 1 1/4" BARB-PLASTIC-BLACK
	074462-02-000	FT TUBING-VINYL, 3/8" ID-CLEAR-INCREMENTS OF 20'
	077954-02-000	EA FILTER-WATER TANK, SCREEN IN TANK
	079381-01-000	FT TUBING-SMOOTH FLEXIBLE, 1 1/4" ID-INCREMENTS OF 20'

**EXTERIOR SHOWER**

KEY	PARTNUMBER	U/M DESCRIPTION	VENDOR NO.
	046128-01-000	EA VALVE-DRAIN, PLASTIC-1/2" FPT	
	075241-05-000	EA FAUCET-SHOWER, BONE	
	103092-01-000	EA SHOWERHEAD-W/60" HOSE-US	
	103092-02-000	EA SHOWERHEAD-W/60" HOSE-CANADIAN	
	103092-01-700	EA BRACKET ONLY-CLEAR, F/SHOWERHEAD-BPC	2328028
	103092-01-702	EA SEALS-SPRAYHEAD	24466
	011048-03-700	EA BRACKET/F SHOWERHEAD-BPC	2328029-3
	093527-02-000	EA BRACKET-SQUEEGEE/SHOWERHEAD	
	108357-08-000	EA SWITCH-ROCKER DPDT ON/NONE/ON 6 TERMINAL	
	108356-02-01A	EA COVER-SWITCH W/DIMPLES, CARLING VVAZC00BLA	
	114293-01-01A	EA PAN-DRIP, 280MM X 250MM-OFF WHITE PLASTIC	

**WATER SYSTEM**

KEY	PARTNUMBER	U/M DESCRIPTION
	039800-02-000	FT TUBING-POLYBUTYL, 5/8" OD-INCREMENTS OF 20'-BLACK
	039808-03-000	EA ELBOW-1/2" MPT X 1/2" MPT, PLASTIC-KEVCO 17296
	091208-01-000	EA WASHER-RUBBER, .06" X .75" X .5"
	101814-01-000	EA COUPLING-FEMALE, 1/2" X 1/2" FPT W/COMP.SLEEVE-GRAY
	110915-01-01A	EA FILL-WATER, CITY-CHROME-KEVCO 64713
	111039-02-000	EA BRACKET-FAUCET
	114428-01-000	EA TEE-1/2" P X 1/2" P X 1/2" P-FLAIR-IT02820
	114429-01-000	EA ELBOW-1/2" P X 1/2" P-FLAIR-IT02800
	114429-02-000	EA ELBOW-1/2" P X 1/2" MPT-FLAIR-IT02803
	114429-03-000	EA ELBOW-SWIVEL, 1/2" P X 1/2" FPT-FLAIR-IT02816
	114430-02-000	EA ADAPTER-SWIVEL, 1/2" P X 1/2" FPT-FLAIR-IT02873
	114430-03-000	EA ADAPTER-1/2" P X 1/2" MPT-FLAIR-IT02842
	114430-06-000	EA ADAPTER-1/2" P X 3/8" FPT-FLAIR-IT02851
	114431-01-000	EA VALVE-LINE DRAIN, 1/2" P-FLAIR-IT02914
	114431-02-000	EA VALVE-1/2" P, BYPASS-FLAIR-IT02910
	117089-01-000	FT HOSE-1/2" ID, GARDEN-KEVCO 49154
	123150-01-000	EA ELBOW-1/2" FPT X 1/2" BARB SWIVEL
	123152-01-000	EA ADAPTER-1/2" FPT X 1/2" BARB SWIVEL

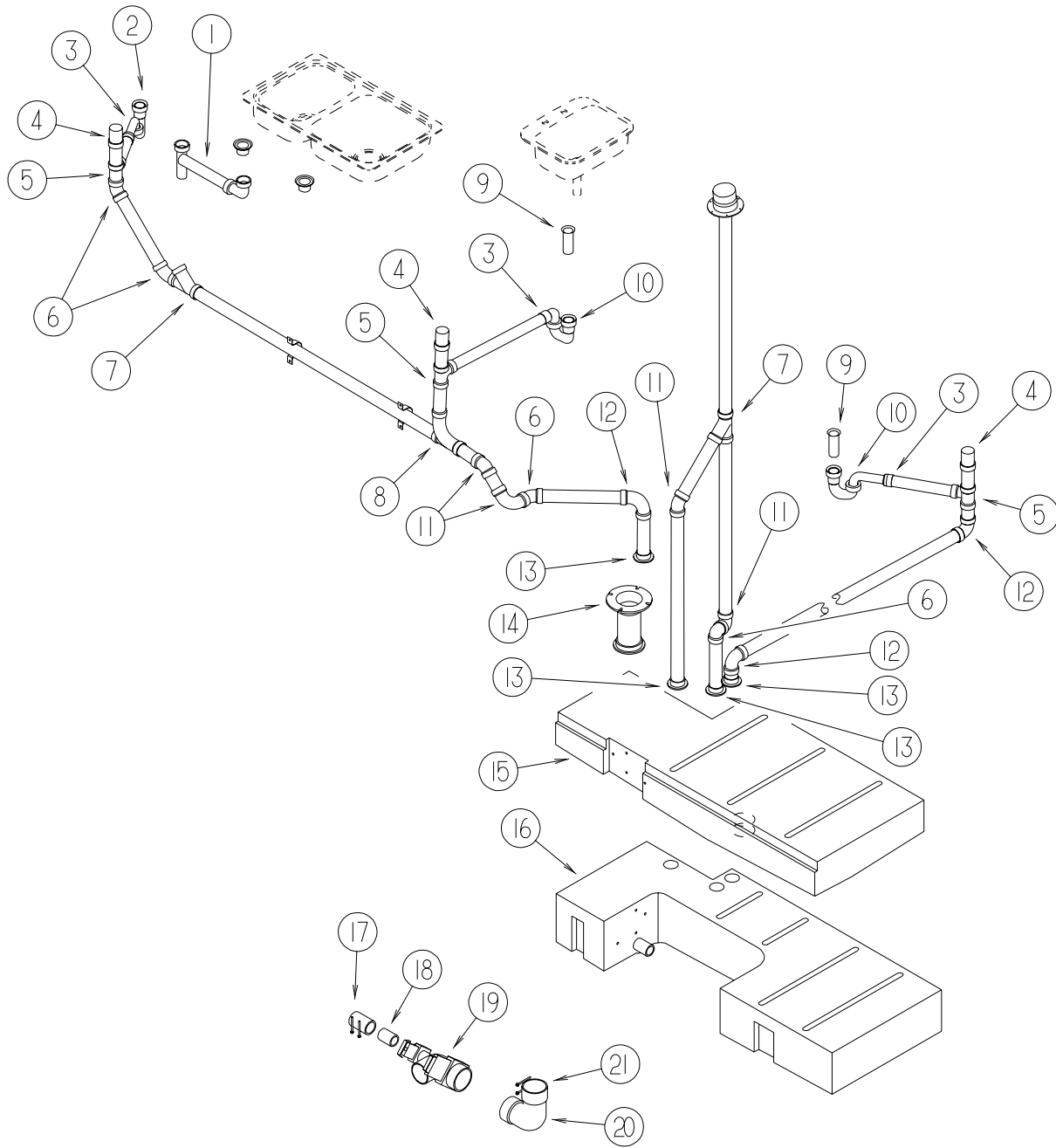
FROM: 00-00-00 THRU: 07-16-96

**WATER PURIFICATION SYSTEM (H21/H22)**

KEY	PARTNUMBER	U/M DESCRIPTION	VENDOR NO.
	701069-01-000	EA WATER PURIFICATION SYSTEM-EVERPURE 9252	
	701069-03-700	EA CARTRIDGE-WATER FILTER, AC-EVERPURE	9601-11

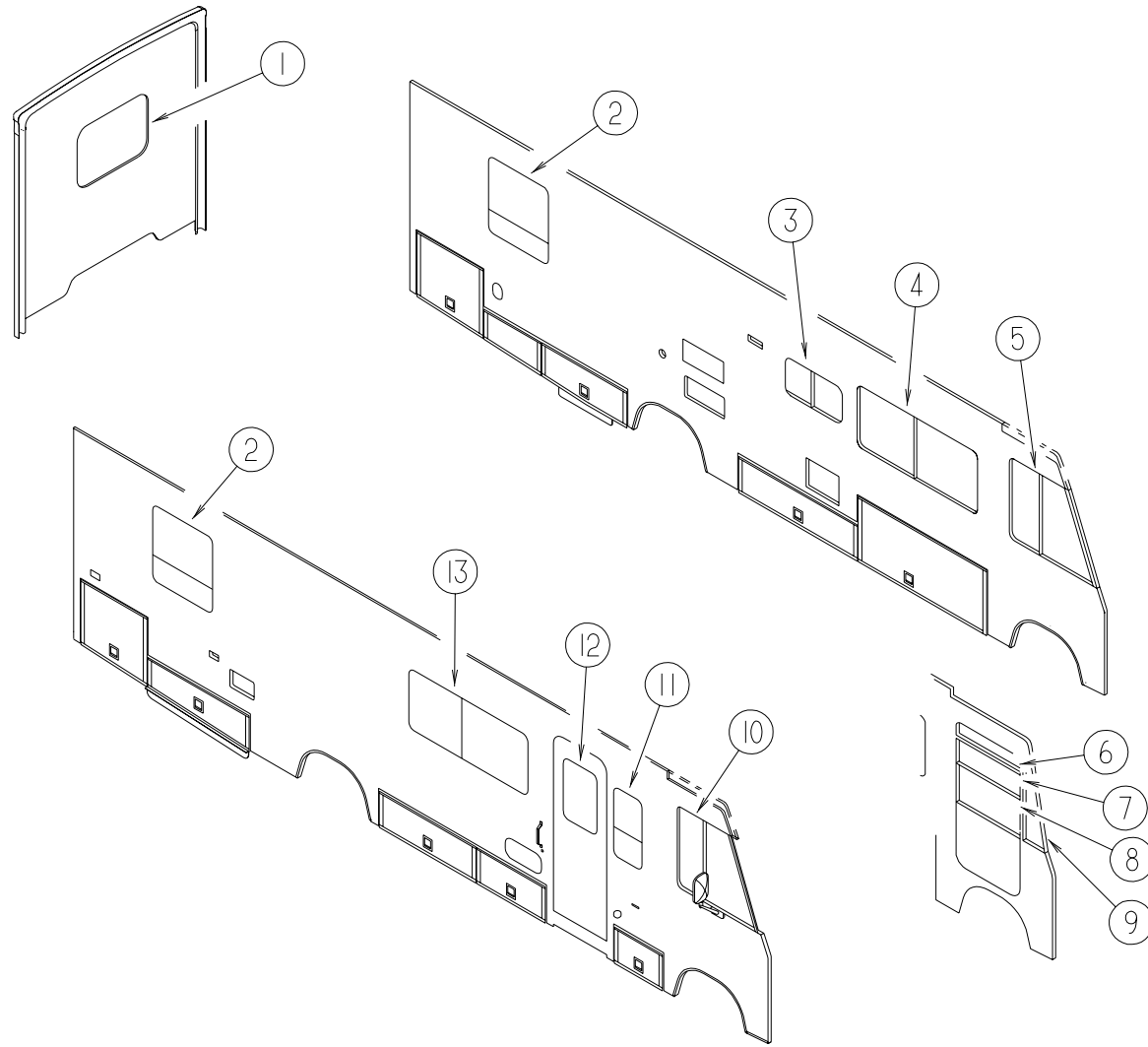


**WATER & SEWAGE GROUP (CONTINUED)**  
**DRAINAGE SYSTEM**



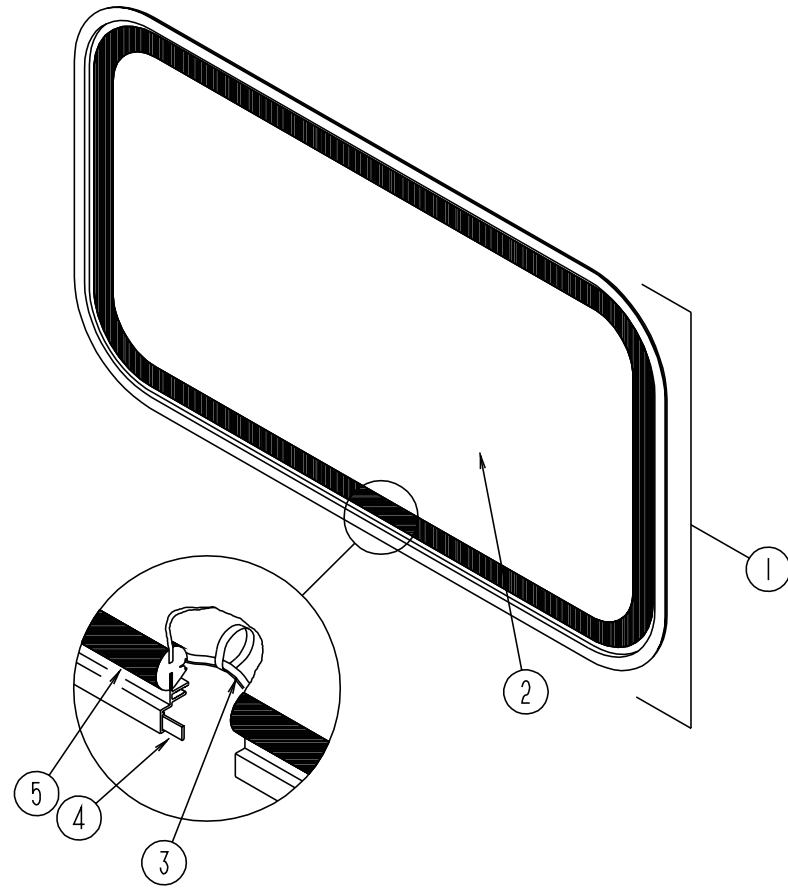
KEY	PARTNUMBER	U/M	DESCRIPTION
1	011091-02-000	EA	PIPE-DRAIN, DOUBLE SINK-BAFFLE TEE-1 1/2"
2	107538-01-000	EA	P-TRAP-PLASTIC, 1 1/4" W/EXT ARM-US
2	011071-01-000	EA	P-TRAP, 1 1/2"-PLASTIC-CANADIAN
3	109571-01-000	EA	ADAPTER-P-TRAP, 1 1/2" PX 1 1/4" MPT-US
4	079968-01-000	EA	VENT-MECHANICAL TRAP ARM, ANTI-SIPHON-2" DIA X 7.3"-PLASTIC
5	010071-01-000	EA	TEE-SANITARY, 1 1/2" HUB X HUB X HUB-PLASTIC-BLACK
6	010051-01-000	EA	ELBOW-45 DEGREE BEND, 1 1/2" SPIGOT AND HUB-PLASTIC-BLACK
7	010073-01-000	EA	WYE-45 DEGREE, 1 1/2" HUB X HUB X HUB-PLASTIC-BLACK
	010122-01-000	EA	BUSHING-REDUCER, 1 1/2" SMTH X 1 1/4" THD-PLASTIC-BLACK
	010166-01-000	EA	PLUG-THREADED, 1 1/4" DIAMETER-PLASTIC-BLACK
8	031365-02-000	EA	TEE-1 1/2" EXTRA LONG TURN, PLASTIC-BLACK
9	011069-02-000	EA	TAILPIECE-TUB/SHOWER, 1 1/2" X 1 1/4" X 4"-BRASS
10	107538-01-000	EA	PTRAP-PLASTIC, 1 1/4" W/EXT ARM-US
10	011066-03-700	EA	PTRAPKIT-PLASTIC, 1 1/2" X 1 1/2"-CANADIAN
10	010121-01-000	EA	BUSHING-REDUCER, 1 1/2" SMOOTH X 1 1/4" HUB-BLACK PLASTIC-CANADIAN
10	011066-03-701	EA	PTRAP-PLASTIC-CANADIAN
10	011066-03-702	EA	ADAPTER-PTRAP, 1 1/2"-CANADIAN
11	010006-01-000	EA	ELBOW-45 DEGREE, 1/8" BEND-1 1/2" HUB X HUB-BLACK PLASTIC
12	010008-01-000	EA	ELBOW-90 DEGREE, 1/4" BEND-1 1/2" HUB X HUB-BLACK PLASTIC
13	010115-01-000	EA	COUPLING-1 1/2" HUB X HUB, PLASTIC
14	063641-01-000	EA	FLANGE-CLOSET, 4" X 3"
15	122006-01-000	EA	TANK-HOLDING W/O FITTINGS-30 GALLONS-55.7" X 23.5" X 7.4"
	061607-01-000	EA	GROMMET-HOLDING TANK, 1 1/2" NPS
	039861-01-000	EA	SENDING UNIT-W/SCREW, WASHER, WELLNUT & TERMINAL RING
16	122027-01-000	EA	TANK-HOLDING W/O FITTINGS-39 GALLONS-59.3" X 23.5" X 9.2"
	061607-01-000	EA	GROMMET-HOLDING TANK, 1 1/2" NPS
	061607-02-000	EA	GROMMET-HOLDING TANK, 3" NPS
	039861-01-000	EA	SENDING UNIT-W/SCREW, WASHER, WELLNUT & TERMINAL RING
17	089355-01-000	EA	COUPLER-RUBBER, 1 1/2" X 1 1/2"
18	102024-01-000	EA	NIPPLE-1.5" X 2.62" TOE, PLASTIC
19	070916-01-000	EA	VALVE-DUAL DUMP, W/CAP-3" X 1 1/2"-PLASTIC-BLACK
	070916-01-700	EA	VALVE ONLY (WASTE) 3"-T1003BU
	070916-01-701	EA	VALVE ONLY (WASTE) 1 1/2"-T1001BU
	010201-01-000	EA	HOSE-SEWER, 3" ID X 8'
	062416-01-000	EA	ADAPTER-SEWER HOSE TO 3" PIPE
20	031126-01-000	EA	ELBOW-1/4" BEND, 3 X 90 X LT-PLASTIC-BLACK
21	078406-01-000	EA	COUPLER-RUBBER, W/CLAMPS-3" X 3"
	066440-01-000	EA	STRAINER-SHOWER, W/RUBBER WASHER

**WINDOW, VENT & EXTERIOR DOOR GROUP**  
**WINDOWS**



KEY	PARTNUMBER	U/M	DESCRIPTION	VENDOR NO.
1	078528-06-E10	EA	WINDOWASM-ESCAPE, BACKWALL-W/ORETAINER	
1	113502-01-01A	EA	WINDOWASM-ESCAPE, BACKWALL-W/RETAINER-EXCELDH153-G2W66 THERMOPANEWINDOWOPTION	
2	112463-03-01A	EA	WINDOWASM-TIPOUT/ESCAPEW/RETAINER, 33.3"X30.2"-EXCELCH100-G2W59	
2	112898-16-01A	EA	WINDOWASM-VERTICALSLIDERW/RETAINER, EXCELDH510-G2W66 THERMOPANEWINDOWOPTION	
3	098647-34-01A	EA	WINDOWASM-HORIZONTALSLIDER, 15.7"X28.5"-EXCELH425-G2W66L	
3	112795-20-01A	EA	WINDOWASM-HORIZONTALSLIDER, 16"X283/4"-EXCELDH29-G2W66L THERMOPANEWINDOWOPTION	
4	098647-22-01A	EA	WINDOW ASM-HORIZONTAL SLIDER, 26.1" X 59.7" - EXCEL H287-G2W66L	
4	112795-15-01A	EA	WINDOW ASM-HORIZONTAL SLIDER, 263/8" X 60" - EXCEL DH287-G2W66L THERMOPANEWINDOWOPTION	
5	103658-09-01A	EA	WINDOWASM-CAB, W/RETAINER-38.3"TX45.2"BX36.7"H-EXCELH405-A2B66L	
5	113501-03-01A	EA	WINDOWASM-CAB, W/RETAINER-35.7"X28.3"X44.1"-EXCELDH405-A2B66L THERMOPANEWINDOWOPTION	
6	106467-02-01A	EA	WINDOW-VISTA, ABOVE DRIVER DOOR-30.3"TX33.5"BX7.3"H-EXCEL	
6	116000-05-01A	EA	WINDOW-VISTA, ABOVE DRIVER DOOR-6.3"X29.5"X32.2"-EXCEL THERMOPANEWINDOWOPTION	
7	106469-02-702	EA	GLASS-STATIONARY HORIZONTAL, EXCEL	106-041104
8	106469-01-704	EA	GLASS ASSEMBLY-ROLL-UPW/BACKET, EXCEL	V103-65L
9	106468-02-01A	EA	WINDOW-WING, IN FRONT OF DR DOOR-TRIANGULAR-EXCELH383-A2B27L	
9	115999-02-01A	EA	WINDOW-WING, IN FRONT OF DRIVER DOOR-TRIANGULAR-EXCELDH383A2B27L THERMOPANEWINDOWOPTION	
10	103658-10-01A	EA	WINDOWASM-CAB, W/RETAINER-29.1"TX45.4"BX36.7"H-EXCELH405-A2B66R	
10	113501-04-01A	EA	WINDOWASM-CAB, W/RETAINER-35.7"X28.3"X44.1"-EXCELDH405-A2B66R THERMOPANEWINDOWOPTION	
11	098644-07-01A	EA	WINDOWASM-VERTICALSLIDER, W/RETAINER-30.2"X14.3"-EXCELH170-G2W66	
11	112898-04-01A	EA	WINDOWASM-VERTICALSLIDER, W/RETAINER-30.2"X14.3"-EXCELDH02-G2W66 THERMOPANEWINDOWOPTION	
12	117053-02-F36	EA	WINDOWASM-PICTURE W/ORETAINER, ENTRANCE DOOR-26.4"X17"	
12	113733-01-01A	EA	WINDOWASM-STATIONARY W/RETAINER, 26.4"X17"-EXCELDH416-G2W66 THERMOPANEWINDOWOPTION	
13	098647-23-01A	EA	WINDOWASM-HORIZONTALSLIDER, 26.1"X59.7"-EXCELH287-G2W66R	
13	112795-16-01A	EA	WINDOWASM-HORIZONTALSLIDER, 263/8"X60"-EXCELDH287-G2W66R THERMOPANEWINDOWOPTION	
	117046-01-000	EA	BUMPER-RUBBER, ROUNDEND-LAKEVIEW 22134	
	117046-02-000	EA	BUMPER-RUBBER, ROUNDEND-LAKEVIEW 22073 THERMOPANEWINDOWOPTION	

**WINDOW, VENT & EXTERIOR DOOR GROUP (CONTINUED)**



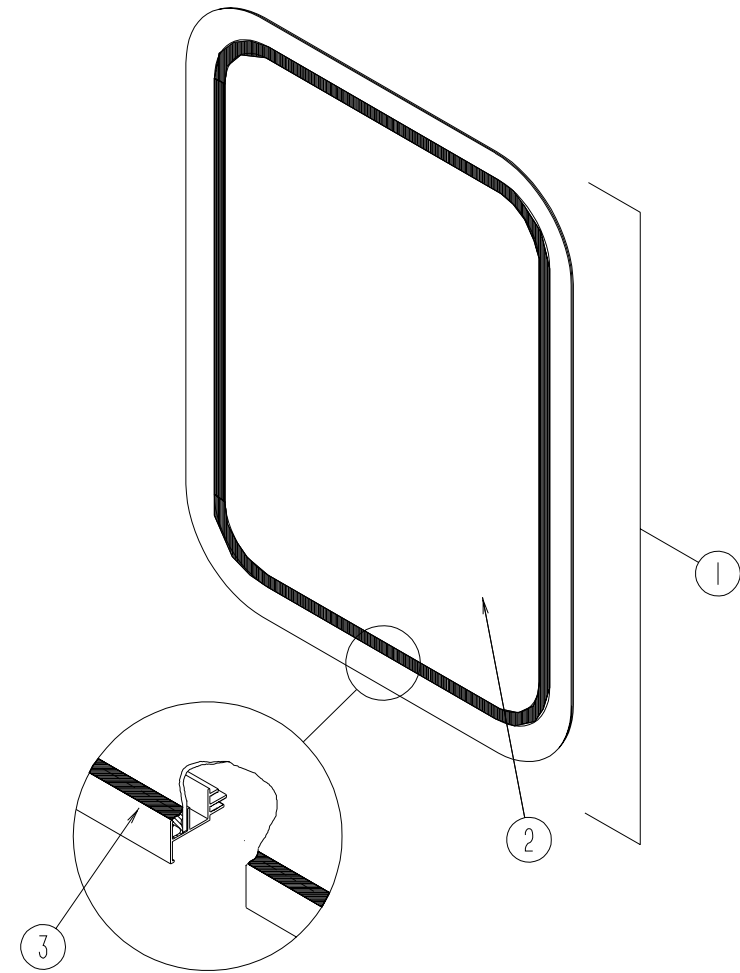
**BACK WALL ESCAPE WINDOW**

KEY	PART NUMBER	U/M	DESCRIPTION
	074816-11-000	EA	RETAINER-TRIM, ESCAPE WINDOW-OFFWHITE
1	078528-06-E10	EA	WINDOW ASM-ESCAPE, BACKWALL-W/ORETAINER
2	076337-12-000	EA	GLASS-WINDOW, ESCAPE-1157.4MMX548.1MM
3	002285-01-000	FT	FILLER-WEATHERSTRIP, RUBBER-BLACK
	077066-01-702	EA	TAPE ASM-ESCAPE WINDOW, RED
4	069640-10-000	FT	SEALER-RIBBON, 1/32" X 1 1/2" - INCREMENTS OF 90'
5	002282-09-000	EA	WEATHERSTRIP-WINDOW, .125" X 130.53" - BLACK

**EXCEL BACK WALL ESCAPE WINDOW-THERMOPANE WINDOW OPTION**

KEY	PART NUMBER	U/M	DESCRIPTION	VENDOR NO.
	113502-01-01A	EA	WINDOW ASM-ESCAPE, BACKWALL-W/RETAINER-EXCELDH153-G2W60	
	098644-01-705	FT	GLAZING-STRIP	132-010231
	112898-06-704	EA	LOCK-HANDLE, CAM-RED-RH	182-11293
	112898-06-705	EA	LOCK-HANDLE, CAM-RED-LH	182-11294
	113502-01-703	EA	GLASS-STATIONARY, RH&LH	390-019083
	113502-01-704	EA	GLASS-EGRESS, CENTER-ESCAPE	390-019084

**WINDOW, VENT & EXTERIOR DOOR GROUP (CONTINUED)**



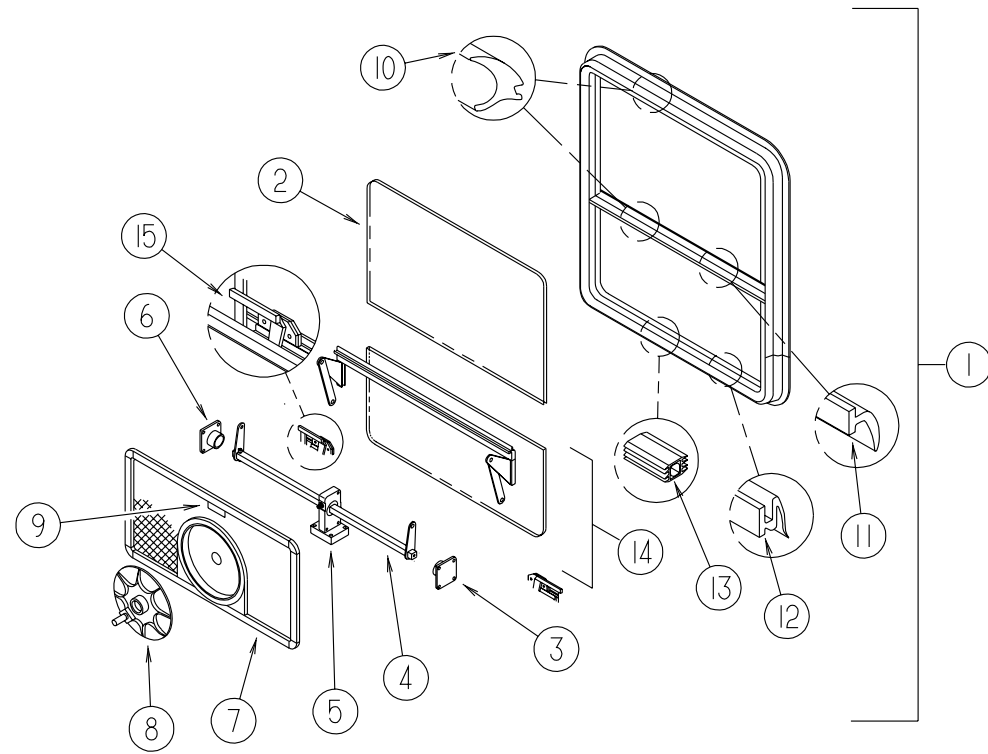
**ENTRANCE DOOR WINDOW**

KEY	PART NUMBER	U/M	DESCRIPTION
	117054-02-02A	EA	RETAINER-TRIM, ENTRY DOOR WINDOW-BRIGHTWHITE
1	117053-02-F36	EA	WINDOW ASM-PICTURE W/ORETAINER, ENTRANCE DOOR-26.4" X 17"
2	002181-25-000	EA	GLASS-PICTURE WINDOW, 655MM X 417MM
3	087561-01-000	FT	SEAL-GLASS, EXTERIOR-.5" WIDE-VINYL-BLACK

**EXCEL ENTRANCE DOOR WINDOW-THERMOPANE WINDOW OPTION**

KEY	PART NUMBER	U/M	DESCRIPTION	VENDOR NO.
	113733-01-01A	EA	WINDOW ASM-STATIONARY W/RETAINER, 26.4" X 17"-EXCELDH416-G2W66	
	113733-01-700	EA	WINDOW-PICTURE, W/ORETAINER	DH416-G2
	113733-01-701	EA	RETAINER-TRIM, ENTRY DOOR WINDOW	W41666
	113733-01-702	EA	GLASS-STATIONARY	390-019187
	112795-01-705	FT	VINYL-GLAZING	132-019702

**WINDOW, VENT & EXTERIOR DOOR GROUP (CONTINUED)**



**WINDOW, VENT & EXTERIOR DOOR GROUP (CONTINUED)**  
**EXCEL BEDROOM VERTICAL SLIDER WINDOW - DRIVER OR PASSENGER SIDE - THERMOPANE**

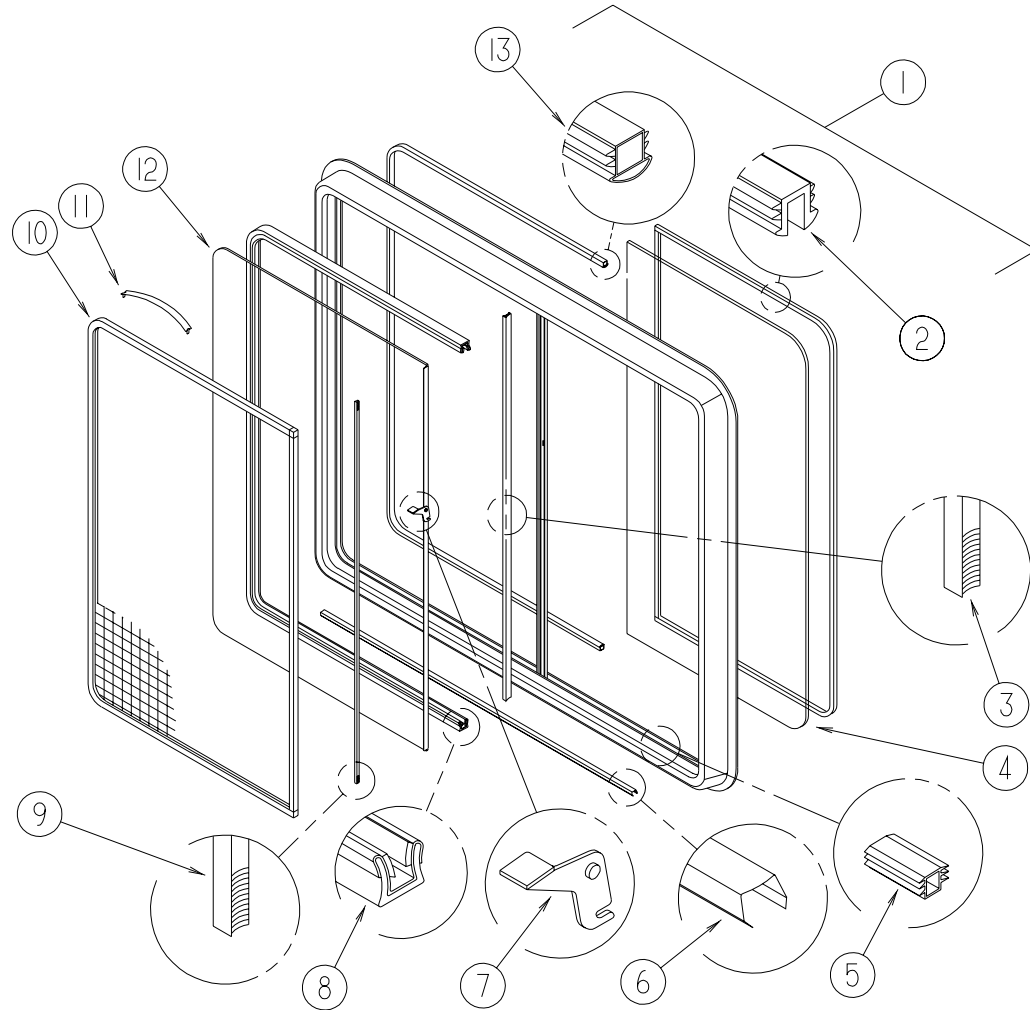
KEY	PART NUMBER	U/M	DESCRIPTION	VENDOR NO.
	112898-16-01A	EA	WINDOW ASM - VERTICAL SLIDER W/RETAINER, EXCEL DH510-G2W66	
	112795-01-700	EA	LATCH ASM - BLACK, BOLTON	DH287-CK
	112795-01-701	EA	SLIDE - STOP	132-019092
	112795-01-704	FT	PLUG FILLER (DOUBLE GLAZED)	122-018737
	112795-01-703	IN	CHANNEL - RUN (INCHES)	122-018736
	098644-01-713	EA	CLIP - SPRING, METAL	226-016966
	098644-01-711	FT	WEATHER STRIP - SCREEN, BLACK	171-016965
	112795-01-705	FT	VINYL - GLAZING	132-019702
	098644-01-710	FT	TRACK - SCREEN SPACER, 12'	132-017135

**EXCEL BEDROOM TIPOUT/ESCAPE WINDOW - DRIVER OR PASSENGER SIDE**

KEY	PART NUMBER	U/M	DESCRIPTION	VENDOR NO.
1	112463-03-01A	EA	WINDOW ASM - TIPOUT/ESCAPE W/RETAINER, 33.3" X 30.2" - EXCEL CH100-G2W59	
	113500-05-705	EA	RETAINER - TRIM	CW100-59
2	112463-03-701	EA	GLASS - STATIONARY	106-025377
	100322-01-704	EA	TAPE - BUTYL, WINDOW	154-016083
3	100322-01-714	EA	SUPPORT - TORQUE BAR, LH	130-015978
4	112463-03-702	EA	OPERATOR & BAR ASSEMBLY	CH10-18
5	100322-01-716	EA	SUPPORT - TORQUE BAR, CENTER RAIL	130-015980
6	100322-01-715	EA	SUPPORT - TORQUE BAR, RH	130-015979
7	112463-03-703	EA	SCREEN ASSEMBLY, W/SEALS & CLIPS	410-018439
8	100322-01-718	EA	HANDLE - DIAL	410-016081
9	112519-01-706	EA	CLIP - SCREEN	CH21-50
10	100322-01-703	FT	VINYL - GLAZING, BUTYL	132-010723
11	100322-01-702	FT	WEATHER STRIP - HORIZONTAL RAIL	132-015976
12	100322-01-701	FT	SEAL - VENT, WINDOW	122-016071
13	098644-01-716	EA	PLUG - FILLER	132-014470
14	112463-03-700	EA	VENT ASSEMBLY	CH100-G9
15	112898-06-704	EA	HANDLE - LATCH, RED - RH	182-11293
	112898-06-705	EA	HANDLE - LATCH, RED - LH	182-11294
	100322-01-717	EA	E - RING, WINDOW	245-015975

## WINDOW, VENT & EXTERIOR DOOR GROUP (CONTINUED)

### EXCEL COUCH SINGLE SLIDING WINDOW - DRIVER SIDE



KEY	PARTNUMBER	U/M	DESCRIPTION	VENDOR NO.
	098647-22-01A	EA	WINDOW ASM-HORIZONTAL SLIDER, 26.1" X 59.7" - EXCEL H287-G2W66L	
	098647-23-702	EA	RETAINER-TRIM, OFFWHITE	W28766
1	098647-22-700	EA	WINDOW-HORIZONTAL SLIDER, W/O RETAINER	H287-G2L
2	098644-01-705	FT	STRIP-GLAZING	132-010231
3	098644-01-706	FT	WEATHERSTRIP	171-010668
4	098647-23-703	EA	GLASS-STATIONARY	106-017622
5	098644-01-719	EA	STOP-SLIDER GLASS	132-014203
6	098644-01-710	FT	TRACK-SCREEN SPACER, 12' LENGTH	132-017135
7	098644-01-700	EA	LATCH-REPAIR KIT, BLACK	B801-CK
8	098644-01-708	FT	CHANNEL-RUN, PIERCED	122-016543
9	098644-01-711	FT	WEATHERSTRIP-SCREEN, BLACK	171-016965
10	098647-23-704	EA	SCREEN ASM-W/SEALS & CLIPS	410-019066
11	098644-01-713	EA	CLIP-SPRING, METAL	226-016966
12	098647-23-700	EA	GLASS-SLIDING, W/SASH & LATCH	H287-G9
13	098644-01-716	FT	PLUG-FILLER	132-014470
	098644-01-717	FT	SPLINE-SCREEN	132-004716

### EXCEL DINETTE SINGLE SLIDING WINDOW - PASSENGER SIDE

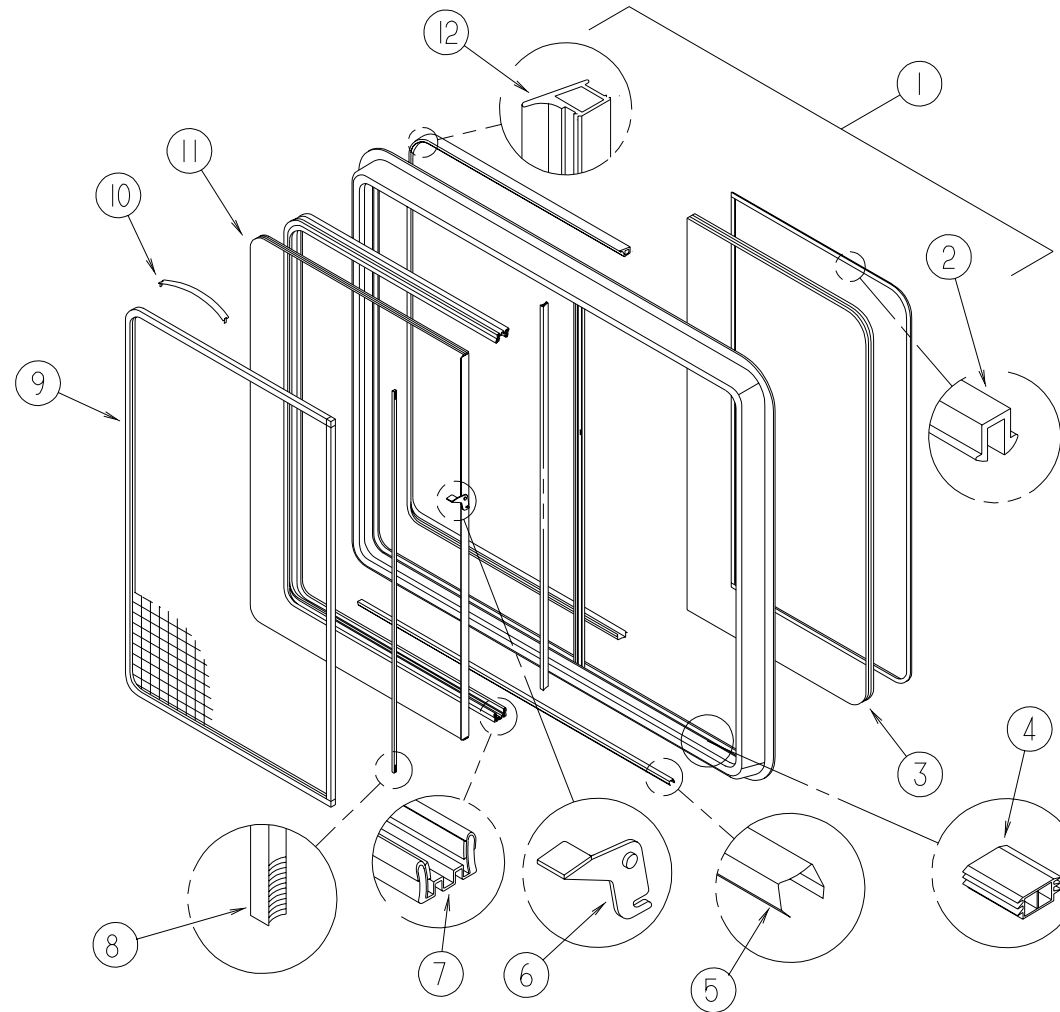
KEY	PARTNUMBER	U/M	DESCRIPTION	VENDOR NO.
	098647-23-01A	EA	WINDOW ASM-HORIZONTAL SLIDER, 26.1" X 59.7" - EXCEL H287-G2W66R	
	098647-23-702	EA	RETAINER-TRIM, OFFWHITE	W28766
1	098647-23-701	EA	WINDOW-HORIZONTAL SLIDER, W/O RETAINER	H287-G2R
2	098644-01-705	FT	STRIP-GLAZING	132-010231
3	098644-01-706	FT	WEATHERSTRIP	171-010668
4	098647-23-703	EA	GLASS-STATIONARY	106-017622
5	098644-01-719	EA	STOP-SLIDER GLASS	132-014203
6	098644-01-710	FT	TRACK-SCREEN SPACER, 12' LENGTH	132-017135
7	098644-01-700	EA	LATCH-REPAIR KIT, BLACK	B801-CK
8	098644-01-708	FT	CHANNEL-RUN, PIERCED	122-016543
9	098644-01-711	FT	WEATHERSTRIP-SCREEN, BLACK	171-016965
10	098647-23-704	EA	SCREEN ASM-W/SEALS & CLIPS	410-019066
11	098644-01-713	EA	CLIP-SPRING, METAL	226-016966
12	098647-23-700	EA	GLASS-SLIDING, W/SASH & LATCH	H287-G9
13	098644-01-716	FT	PLUG-FILLER	132-014470
	098644-01-717	FT	SPLINE-SCREEN	132-004716

### EXCEL GALLEY SINGLE SLIDING WINDOW - DRIVER SIDE

KEY	PARTNUMBER	U/M	DESCRIPTION	VENDOR NO.
	098647-34-01A	EA	WINDOW ASM-HORIZONTAL SLIDER, 15.7" X 28.5" - EXCEL H425-G2W66L	
	098647-31-701	EA	RETAINER-TRIM, OFFWHITE	CW29-66
1	098647-34-700	EA	WINDOW-HORIZONTAL SLIDER, W/O RETAINER	H425-G2L
2	098644-01-705	FT	STRIP-GLAZING	132-010231
3	098644-01-706	FT	WEATHERSTRIP	171-010668
4	098647-33-702	EA	GLASS-STATIONARY	106-019297
5	098644-01-719	EA	STOP-SLIDER GLASS	132-014203
6	098644-01-710	FT	TRACK-SCREEN SPACER, 12' LENGTH	132-017135
7	098644-01-700	EA	LATCH-REPAIR KIT, BLACK	B801-CK
8	098644-01-708	FT	CHANNEL-RUN, PIERCED	122-016543
9	098644-01-711	FT	WEATHERSTRIP-SCREEN, BLACK	171-016965
10	098647-33-704	EA	SCREEN ASM-W/SEALS & CLIPS	410-019134
11	098644-01-713	EA	CLIP-SPRING, METAL	226-016966
12	098647-33-702	EA	GLASS-SLIDING, W/SASH & LATCH	H287-G9
13	098644-01-716	FT	PLUG-FILLER	132-014470
	098644-01-717	FT	SPLINE-SCREEN	132-004716

## WINDOW, VENT & EXTERIOR DOOR GROUP (CONTINUED)

### EXCEL COUCH SINGLE SLIDING WINDOW - DRIVERSIDE - THERMOPANE



KEY	PARTNUMBER	U/M	DESCRIPTION	VENDORNO.
	112795-15-01A	EA	WINDOW ASM-HORIZONTAL SLIDER, 26 3/8" X 60" - EXCEL DH287-G2W66L	
	098647-23-702	EA	RETAINER-TRIM, OFFWHITE	W28766
1	112795-15-700	EA	WINDOW-HORIZONTAL SLIDER, W/O RETAINER	DH287-G2L
2	112795-01-705	FT	VINYL-GLAZING	132-019702
3	112795-15-701	EA	GLASS-STATIONARY	390-019045
4	112795-01-701	FT	SLIDE-STOP	132-019092
5	098644-01-710	FT	TRACK-SCREEN SPACER, 12' LENGTH	132-017135
6	112795-01-700	EA	LATCH ASM-BLACK, BOLTON	DH287-CK
7	112795-01-703	IN	CHANNEL-RUN	122-018736
8	098644-01-711	FT	WEATHERSTRIP-SCREEN, BLACK	171-016965
9	098647-23-704	EA	SCREEN ASM - W/SEALS & CLIPS	410-019066
10	098644-01-713	EA	CLIP-SPRING, METAL	226-016966
11	112795-15-702	EA	GLASS-SLIDING, W/SASH & LATCH	DH287-G9
12	112795-01-704	FT	PLUG FILLER (DOUBLE GLAZED)	122-018737

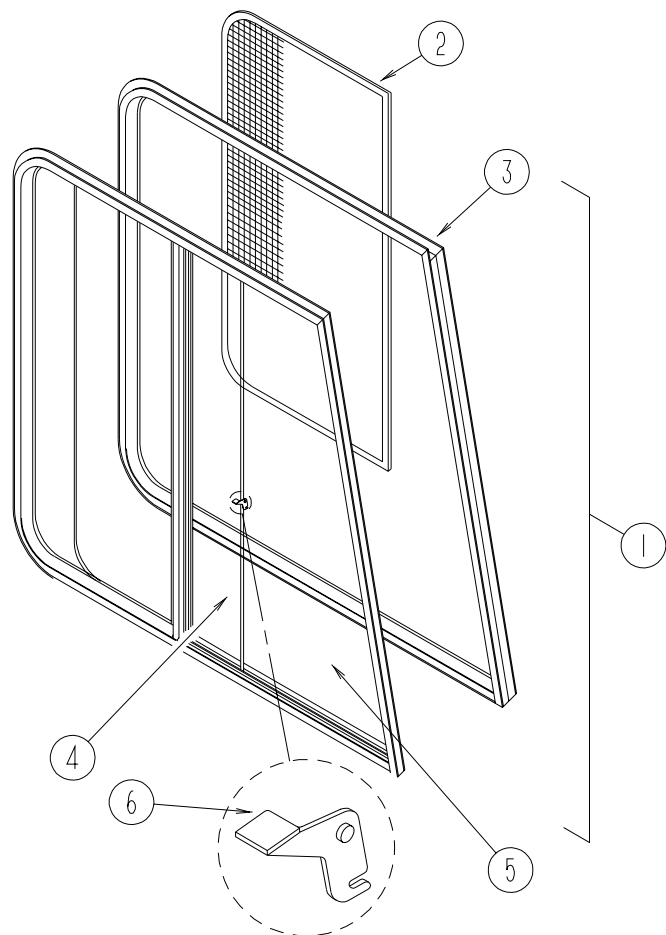
### EXCEL DINETTE SINGLE SLIDING WINDOW - PASSENGER SIDE - THERMOPANE

KEY	PARTNUMBER	U/M	DESCRIPTION	VENDORNO.
	112795-16-01A	EA	WINDOW ASM-HORIZONTAL SLIDER, 26 3/8" X 60" - EXCEL DH287-G2W66R	
	098647-23-702	EA	RETAINER-TRIM, OFFWHITE	W28766
1	112795-16-700	EA	WINDOW-HORIZONTAL SLIDER, W/O RETAINER	DH287-G2R
2	112795-01-705	FT	VINYL-GLAZING	132-019702
3	112795-15-701	EA	GLASS-STATIONARY	390-019045
4	112795-01-701	FT	SLIDE-STOP	132-019092
5	098644-01-710	FT	TRACK-SCREEN SPACER, 12' LENGTH	132-017135
6	112795-01-700	EA	LATCH ASM-BLACK, BOLTON	DH287-CK
7	112795-01-703	IN	CHANNEL-RUN	122-018736
8	098644-01-711	FT	WEATHERSTRIP-SCREEN, BLACK	171-016965
9	098647-23-704	EA	SCREEN ASM - W/SEALS & CLIPS	410-019066
10	098644-01-713	EA	CLIP-SPRING, METAL	226-016966
11	112795-15-702	EA	GLASS-SLIDING, W/SASH & LATCH	DH287-G9
12	112795-01-704	FT	PLUG FILLER (DOUBLE GLAZED)	122-018737

### EXCEL GALLEY SINGLE SLIDING WINDOW - DRIVERSIDE - THERMOPANE

KEY	PARTNUMBER	U/M	DESCRIPTION	VENDORNO.
	112795-20-01A	EA	WINDOW ASM-HORIZONTAL SLIDER, 16" X 28 3/4" - EXCEL DC29-G2W66L	
	098647-31-701	EA	RETAINER-TRIM, OFFWHITE	CW29-66
1	112795-20-700	EA	WINDOW-HORIZONTAL SLIDER, W/O RETAINER	DC29-G2L
2	112795-01-705	FT	VINYL-GLAZING	132-019702
3	112795-19-701	EA	GLASS-STATIONARY	390-019134
4	112795-01-701	FT	SLIDE-STOP	132-019092
5	098644-01-710	FT	TRACK-SCREEN SPACER, 12' LENGTH	132-017135
6	112795-01-700	EA	LATCH ASM-BLACK, BOLTON	DH287-CK
7	112795-01-703	IN	CHANNEL-RUN	122-018736
8	098644-01-711	FT	WEATHERSTRIP-SCREEN, BLACK	171-016965
9	098647-31-704	EA	SCREEN ASM - W/SEALS & CLIPS	410-019128
10	098644-01-713	EA	CLIP-SPRING, METAL	226-016966
11	112795-19-702	EA	GLASS-SLIDING, W/SASH & LATCH	DC29-G9
12	112795-01-704	FT	PLUG FILLER (DOUBLE GLAZED)	122-018737

**WINDOW, VENT & EXTERIOR DOOR GROUP (CONTINUED)**



**EXCELCABWINDOWS**

KEY	PARTNUMBER	U/M	DESCRIPTION	VENDORNO.
1	103658-09-01A	EA	WINDOWASM-CAB, W/RETAINER-29.1"TX45.4"BX36.7"H-DRIVERSSIDE	
1	103658-10-01A	EA	WINDOWASM-CAB, W/RETAINER-29.1"TX45.4"BX36.7"H-PASSENGERSSIDE	
2	103658-09-705	EA	SCREENASSEMBLY-W/SEALS&CLIPS-DRIVERSSIDE	410-018973L
2	103658-10-704	EA	SCREENASSEMBLY-W/SEALS&CLIPS-PASSSIDE	410-018973R
	098644-01-717	FT	SPLINE-SCREEN	132-004716
	098644-01-713	EA	CLIP-SPRING, METAL	226-016966
	098644-01-710	FT	TRACK-SCREENSPACER, 12' LENGTH	132-017135
	098644-01-711	FT	WEATHERSTRIP-SCREEN, BLACK	171-016965
3	103658-09-702	EA	RETAINER-TRIM, DRIVERSSIDE	H373-66L&H373-76L
3	103658-10-701	EA	RETAINER-TRIM, PASSENGERSIDE	H373-66R&H373-76R
4	103658-09-704	EA	GLASS-SLIDING, W/SASH&LATCH-DRIVERSSIDE	H405-A9L
4	103658-10-703	EA	GLASS-SLIDING, W/SASH&LATCH-PASSENGERSIDE	H405-A9R
5	103658-09-700	EA	GLASS-STATIONARY	106-018971
6	098644-01-700	EA	LATCH-REPAIRKIT, BLACK	B801-CK
	098644-01-706	FT	WEATHERSTRIP-GLASS	171-010668
	098644-01-708	FT	CHANNEL-RUN, PIERCED	122-016543
	098644-01-716	FT	PLUG-FILLER	132-014470

**WINDOW, VENT & EXTERIOR DOOR GROUP (CONTINUED)**

**EXCELCABWINDOW-DRIVERSIDE-THERMOPANE**

KEY	PARTNUMBER	U/M	DESCRIPTION	VENDORNO.
	113501-03-01A	EA	WINDOWASM-CAB, W/RETAINER-35.7"X28.3"X44.1"-EXCELDH405-A2B66L	
	103658-09-702	EA	RETAINER-TRIM, OFFWHITE	H373-66L&H373-76L
	113501-03-700	EA	WINDOW-CAB, W/ORETAINER-35.7"X28.3"X44.1"-EXCELDH405-A2L	
	098644-01-711	FT	WEATHERSTRIP-SCREEN, BLACK	171-016965
	098644-01-713	EA	CLIP-SPRING, METAL	226-016966
	098644-01-717	FT	SPLINE-SCREEN	132-004716
	103658-09-705	EA	SCREENASM-W/SEALS&CLIPS	410-018973L
	112795-01-700	EA	LATCHASM-BLACK, BOLTON	DH287-CK
	112795-01-701	FT	SLIDE-STOP	132-019092
	112795-01-703	IN	CHANNEL-RUN	122-018736
	112795-01-704	FT	PLUGFILLER(DOUBLEGLAZED)	122-018737
	112795-01-705	FT	VINYL-GLAZING	132-019702
	112898-04-703	EA	SASHLATCHKIT, RAISED	DH343-CK
	113501-03-701	EA	GLASS-STATIONARY	390-019397L
	113501-03-702	EA	GLASS-SLIDING, W/SASH&LATCH	DH405-A9L

**EXCELCABWINDOW-PASSENGERSIDE-THERMOPANE**

KEY	PARTNUMBER	U/M	DESCRIPTION	VENDORNO.
	113501-04-01A	EA	WINDOWASM-CAB, W/RETAINER-35.7"X28.3"X44.1"-EXCELDH405-A2B66R	
	103658-10-701	EA	RETAINER-TRIM, OFFWHITE	H373-66R&H373-76R
	113501-04-700	EA	WINDOW-CAB, W/ORETAINER-35.7"X28.3"X44.1"-EXCELDH405-A2R	
	113501-04-701	EA	GLASS-STATIONARY	390-019395R
	113501-09-702	EA	GLASS-SLIDING, W/SASH&LATCH	DH405-A9R
	103658-10-704	EA	SCREENASM-W/SEALS&CLIPS	410-018973R
	098644-01-711	FT	WEATHERSTRIP-SCREEN, BLACK	171-016965
	098644-01-713	EA	CLIP-SPRING, METAL	226-016966
	098644-01-717	FT	SPLINE-SCREEN	132-004716
	112795-01-700	EA	LATCHASM-BLACK, BOLTON	DH287-CK
	112795-01-701	FT	SLIDE-STOP	132-019092
	112795-01-703	IN	CHANNEL-RUN	122-018736
	112795-01-704	FT	PLUGFILLER(DOUBLEGLAZED)	122-018737
	112795-01-705	FT	VINYL-GLAZING	132-019702
	112898-04-703	EA	SASHLATCHKIT, RAISED	DH343-CK

**EXCELDIVERSDOORWINGWINDOW**

KEY	PARTNUMBER	U/M	DESCRIPTION	VENDORNO.
	106468-02-01A	EA	WINDOW-WING, INFRONT OF DR DOOR-TRIANGULAR-EXCELDH383-A2B27L	
	100322-01-703	FT	STRIP-GLAZING, BUTYL	132-010723
	106468-02-701	EA	RETAINER-TRIM	H383-27L
	106468-02-702	EA	GLASS-STATIONARY	106-018740

**EXCELDIVERSDOORWINGWINDOW-THERMOPANE**

KEY	PARTNUMBER	U/M	DESCRIPTION	VENDORNO.
	115999-02-01A	EA	WINDOW-WING, INFRONT OF DR DOOR-TRIANGULAR-EXCELDH383A2B27L	
	115999-03-701	EA	GLASS-STATIONARY	390-019550
	115999-02-700	EA	RETAINER-TRIMRAIL, REAR	H383-41L
	115999-01-701	EA	RETAINER-TRIMRAIL	H358-27L
	116000-01-704	FT	GLAZING-VINYL	132-018161

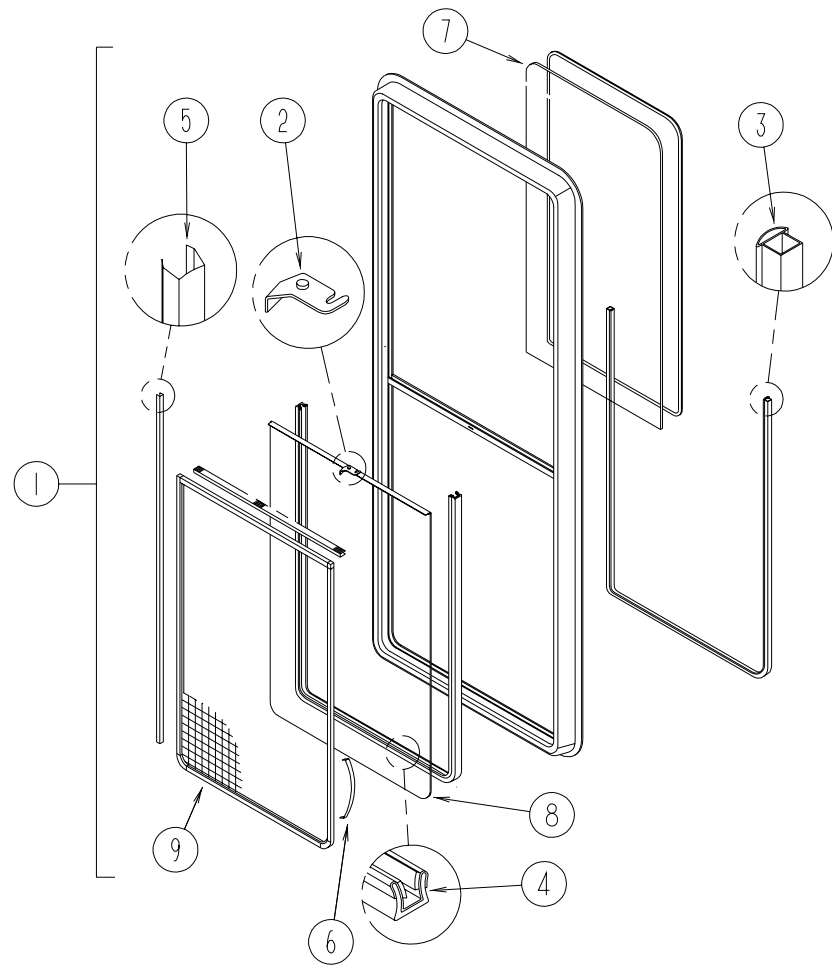
**EXCELDIVERSDOORVISTAWINDOW**

KEY	PARTNUMBER	U/M	DESCRIPTION	VENDORNO.
	106467-02-01A	EA	WINDOW-VISTA, ABOVE DRIVER DOOR-30.3"TX33.5"BX7.3"H-EXCEL	
	100322-01-703	FT	STRIP-GLAZING, BUTYL	132-010723

**EXCELDIVERSDOORVISTAWINDOW-THERMOPANE**

KEY	PARTNUMBER	U/M	DESCRIPTION	VENDORNO.
	116000-05-01A	EA	WINDOW-VISTA, ABOVE DRIVER DOOR-6.3"X29.5"X32.2"-EXCEL	
	116000-05-700	EA	GLASS-STATIONARY	390-019688
	116000-04-701	EA	RETAINER-TRIMRAIL, TOP/REAR	H382-41L
	116000-04-702	EA	RETAINER-TRIMRAIL, FRONT	H382-42L
	116000-04-703	EA	RETAINER-TRIMRAIL, BOTTOM	H382-43L
	116000-01-704	FT	GLAZING-VINYL	132-018161

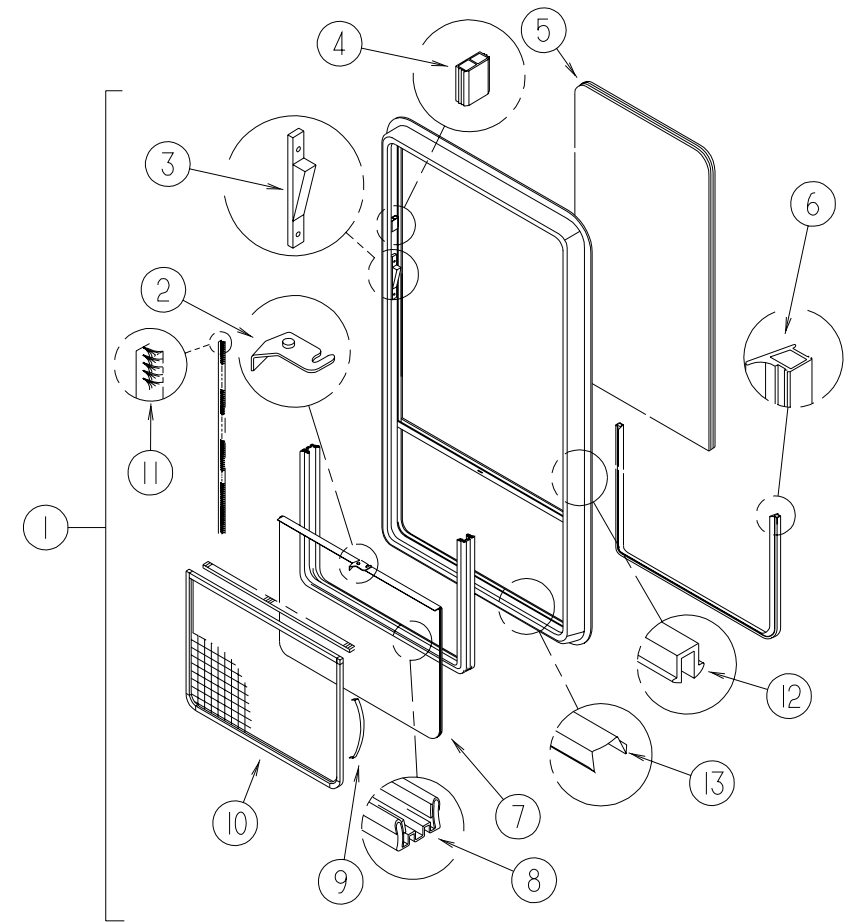
**WINDOW, VENT & EXTERIOR DOOR GROUP (CONTINUED)**



**EXCELSWIVELCHAIRVERTICALSLIDINGWINDOW**

KEY	PARTNUMBER	U/M	DESCRIPTION	VENDORNO.
	098644-07-01A	EA	WINDOWASM-VERTICALSLIDER, W/RETAINER -30.2"X14.3"EXCEL	H170-G2W66
	098644-07-701	EA	RETAINER-TRIM, OFFWHITE	CW02-66
1	098644-07-700	EA	WINDOW-VERTICALSLIDER, W/ORETAINER	H170-G2
2	098644-01-700	EA	LATCH-REPAIRKIT, BLACK	B801-CK
3	098644-01-706	FT	WEATHERSTRIP	171-010668
4	098644-01-708	FT	CHANNEL-RUN, PIERCED	122-016543
5	098644-01-710	FT	TRACK-SCREENSPACER, 12'LENGTH	132-017135
	098644-01-711	FT	WEATHERSTRIP-SCREEN, BLACK	171-016965
6	098644-01-713	EA	CLIP-SPRING, METAL	226-016966
	098644-01-705	FT	STRIP-GLAZING	132-010231
	098644-01-716	FT	PLUG-FILLER	132-014470
	098644-01-717	FT	SPLINE-SCREEN	132-004716
	098644-01-719	EA	STOP-SLIDERGLASS	132-014203
7	098644-07-702	EA	GLASS-STATIONARY	106-015777
8	098644-07-703	EA	GLASS-SLIDING, W/SASH&LATCH	H170-G9
9	098644-07-704	EA	SCREENASM-W/SEALS&CLIPS	410-018863

**WINDOW, VENT & EXTERIOR DOOR GROUP (CONTINUED)**

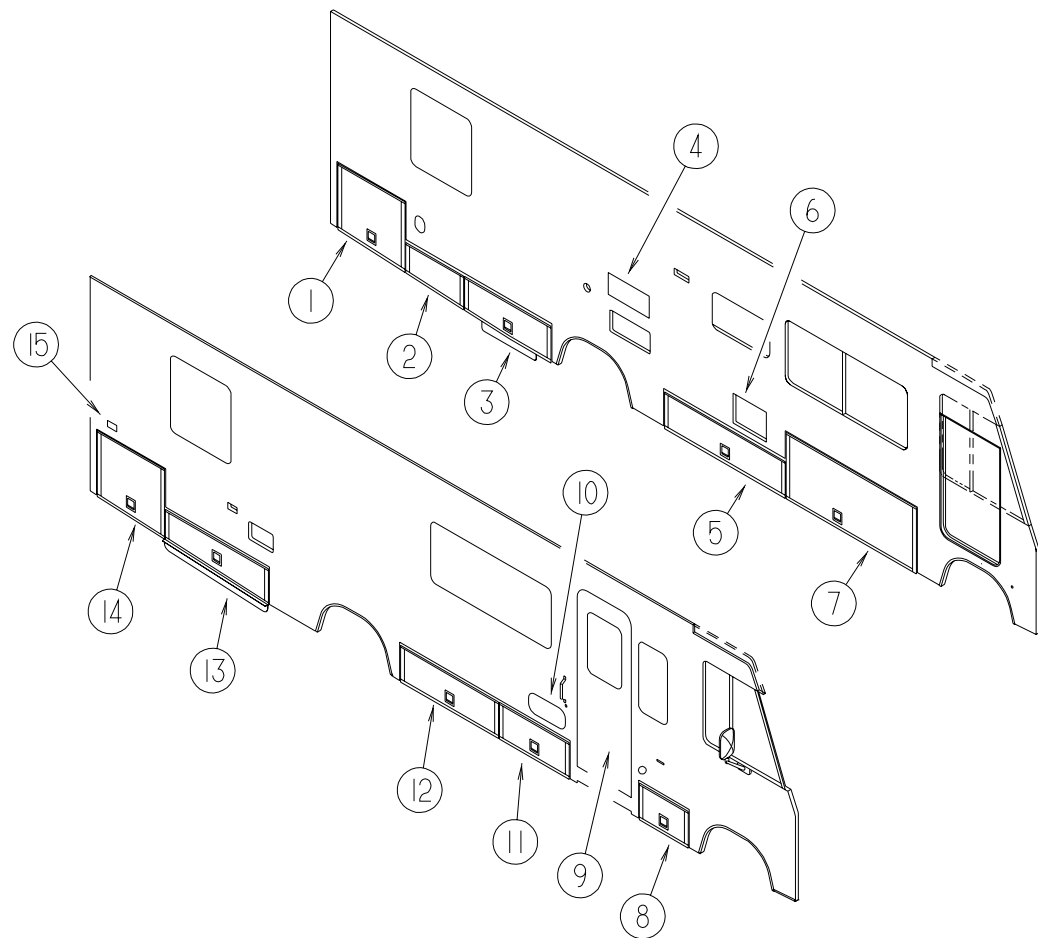


**EXCELSWIVELCHAIRVERTICALSLIDINGWINDOW-THERMOPANEWINDOWOPTION**

KEY	PARTNUMBER	U/M	DESCRIPTION	VENDORNO.
	112898-04-01A	EA	WINDOWASM-VERTICALSLIDER, W/RETAINER -30.2"X14.3"EXCEL	DC02-G2W66
	098644-07-701	EA	RETAINER-TRIM, OFFWHITE	CW02-66
1	112898-04-700	EA	WINDOW-VERTICALSLIDER, W/ORETAINER	DC02-G2
2	112795-01-700	EA	LATCHASM-BLACK, BOLTON	DH287-CK
3	112898-04-703	EA	SASHLATCHKIT, RAISED	DH343-CK
4	112795-01-701	FT	SLIDE-STOP	132-019092
5	112898-04-701	EA	GLASS-STATIONARY	390-019130
6	112795-01-704	FT	PLUGFILLER (DOUBLEGLAZED)	122-018737
7	112898-04-702	EA	GLASS-SLIDING, W/SASH&LATCH	DC02-G9
8	112795-01-703	IN	CHANNEL-RUN	122-018736
9	098644-01-713	EA	CLIP-SPRING, METAL	226-016966
10	098644-07-704	EA	SCREENASM-W/SEALS&CLIPS	410-018863
11	098644-01-711	FT	WEATHERSTRIP-SCREEN, BLACK	171-016965
12	112795-01-705	FT	VINYL-GLAZING	132-019702
13	098644-01-710	FT	TRACK-SCREENSPACER, 12'LENGTH	132-017135

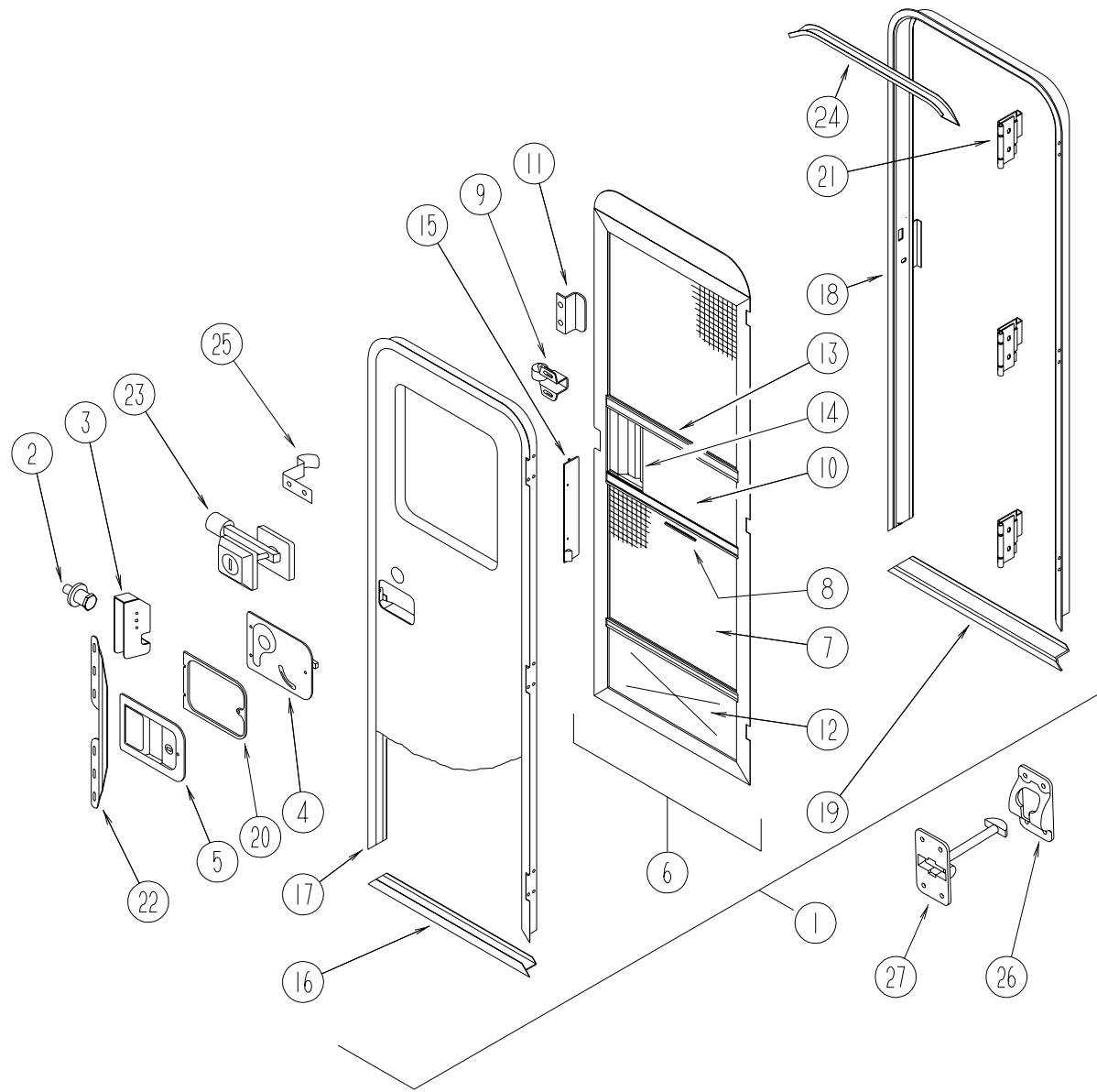


**WINDOW, VENT & EXTERIOR DOOR GROUP (CONTINUED)**  
**EXTERIOR DOORS & PANEL**



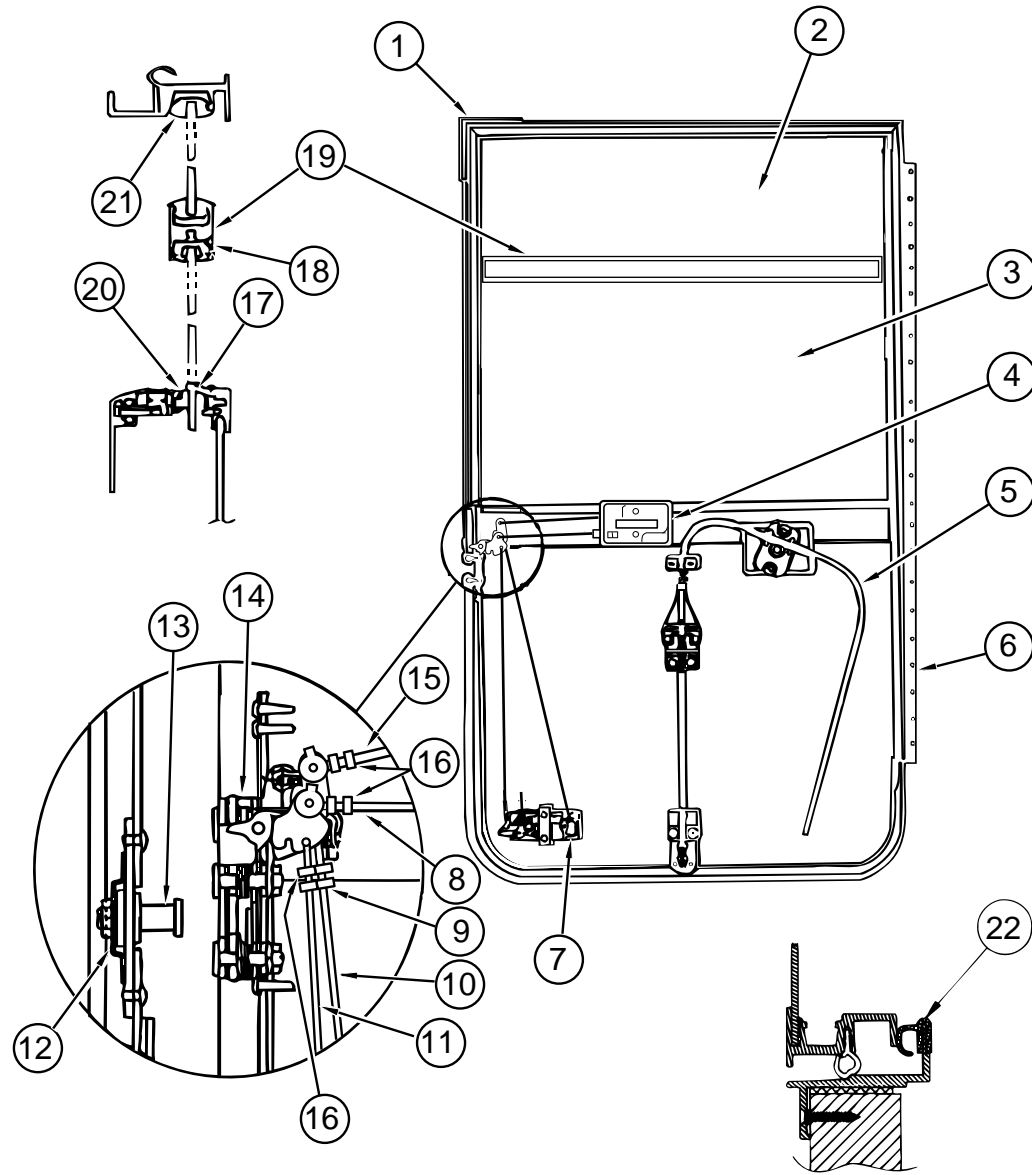
KEY	PARTNUMBER	U/M	DESCRIPTION
1	124245-06-H13	EA	DOOR-STORAGEW/OPADDLELATCH-33.4" TAPERED
2	122732-05-H13	EA	PANEL-REARVALANCE
3	122391-13-H13	EA	DOOR-ACCESSW/OPADDLELATCH, TAPERED-40.3"WIDE (SEWERVE)
4	084103-08-000	EA	DOOR-REFRIGERATOR-VENTED-W/OJAMB-BRIGHTWHITE
4	084104-08-000	EA	JAMB-DOOR, REFRIGERATOR-BRIGHTWHITE
	084104-01-700	EA	LOCK-MALE, FASTENER-REFRIGERATOR DOOR
	084104-01-701	EA	LOCK-FEMALE, FASTENER-REFRIGERATOR DOOR
5	122239-13-H13	EA	DOOR-GENERATOR/STORAGE/POWERCORDW/OPADDLELATCH
	009426-01-000	EA	HATCH-POWERCORD, WHITE
6	052009-06-000	EA	DOOR-WATERHEATERW/OLATCHES, BRIGHTWHITE
7	124245-07-H13	EA	DOOR-STORAGEW/OPADDLELATCH-64.9"WIDE
8	122239-14-H13	EA	DOOR-STORAGE, W/OPADDLELATCH-24.4"WIDE
9	115108-05-H33	EA	DOOR-ENTRYW/SCREENDOOR-W/OWINDOW
9	115108-05-H34	EA	DOOR-ENTRYW/SCREENDOOR-W/OWINDOW
9	115108-05-H35	EA	DOOR-ENTRYW/SCREENDOOR-W/OWINDOW
10	111017-01-H23	EA	DOOR-PATIOENTERTAINMENTCENTER, 17.8"X8.1"-BRIGHTWHITE
11	122239-15-H13	EA	DOOR-LPW/OPADDLELATCH-34.7"WIDE
12	122239-16-H13	EA	DOOR-STORAGEW/OPADDLELATCH-48.7"WIDE
13	122391-14-H13	EA	DOOR-STORAGEW/OPADDLELATCH-TAPERED-51.2"WIDE
14	124245-05-H13	EA	DOOR-STORAGEW/OPADDLELATCH-TAPERED-33.4"WIDE
15	081240-16-000	EA	DOOR-WATERFILL, LOCKABLEW/OLOCK-4"X45/8"

**WINDOW, VENT & EXTERIOR DOOR GROUP (CONTINUED)**  
**ENTRANCEDOOR**



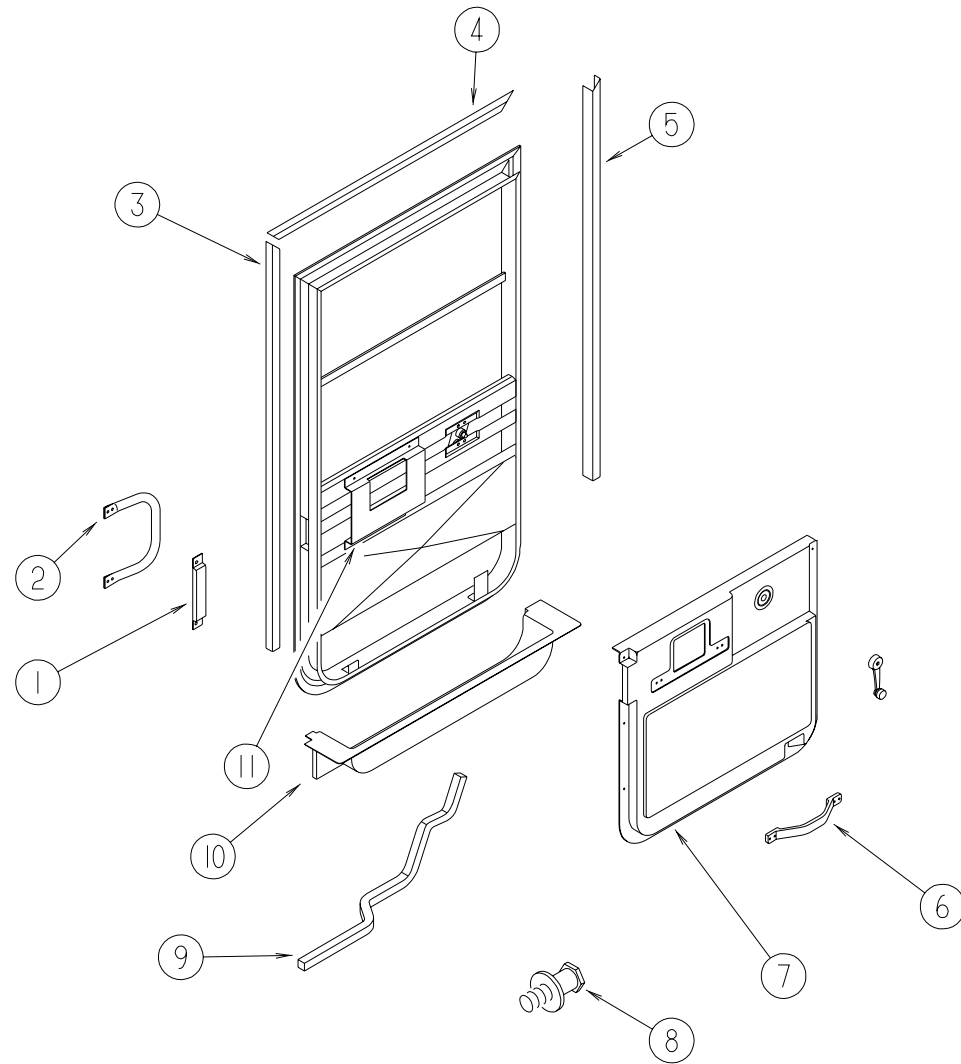
KEY	PARTNUMBER	U/M	DESCRIPTION	VENDOR NO.
1	115108-05-H33	EA	DOOR-ENTRYW/SCREENDOOR-W/OWINDOW	
1	115108-05-H34	EA	DOOR-ENTRYW/SCREENDOOR-W/OWINDOW	
1	115108-05-H35	EA	DOOR-ENTRYW/SCREENDOOR-W/OWINDOW	
2	039539-01-000	EA	STRIKE-LOCK, ENTRYDOOR-ROUNDW/THREADEDWASHER	
3	039540-01-000	EA	LATCHMECHANISM-HOOK, ENTRYDOOR-INTERIOR	
	039715-01-000	EA	NUT-SERT, 1/4" DIAMETER-20 THREADS	
4	039979-06-000	EA	COVER-INTERIORLATCHPLATE, RIGHT-BLACKTEXTURED	
	039984-01-000	EA	CAP-ROUND, VINYL-.28"IDX.62"LONG-BLACK	
	041546-07-000	EA	BRACKET-DOORANGLE, OFFWHITE-METAL	
5	045017-13-000	EA	LATCH-ENTRANCEDOOR-BLACKTEXTURED	
	045017-11-701	EA	KEYBLANK	
	045017-11-703	EA	CYLINDER-LOCKASSEMBLYW/KEYS-TRIMARK	81266-09
	036618-02-000	EA	E-RING-EXTERNAL, LYNOR DOOR LOCK-3/16" SHAFT DIAMETER	
	075671-04-000	FT	SEAL-SPONGE, LAZYT SHAPE-W/ADHESIVE STRIPE-.5" WIDE	
6	121899-03-GB1	EA	DOOR-SCREEN	
	075673-01-000	FT	SEAL-PILE, ADHESIVE BACK-GRAY	
7	002293-02-000	SF	SCREENING-WINDOW/DOOR, 26"-CHARCOAL	
8	002294-01-000	FT	SPLINE-SCREENING, .135"X.138"-BLACK	
9	109403-01-000	EA	CATCH-ASM-SINGLEROLLER	
10	016454-01-000	EA	INSERT-CENTER, LEATHERGRAIN ALUMINUM-UNPAINTED	
10	001014-01-013	EA	INSERT-CENTER, 10.25"X16.31"-UNPAINTED	
11	050712-06-000	EA	HANDLE-SCREENDOOR, ALUMINUM-BRIGHTWHITE	
12	078552-03-000	EA	KICK PANEL-SCREENDOOR, LOWER INSERT-UNPAINTED	
	078595-01-000	EA	TOP PLATE-SCREENDOOR, CURVED TOP-4.7"X25.35"	
13	078777-01-000	EA	CHANNEL-SLIDE, SCREENDOOR CENTER SLIDER COVER	
14	079086-03-000	EA	SLIDER-SCREENDOOR, BRIGHTWHITE	
15	079087-03-000	EA	STRIKE-SLIDER, W/LIP FORELBOW CATCH-1.5"X8.6"-BRIGHTWHITE	
16	121893-01-01A	EA	FRAME-BOTTOM, ENTRYDOOR-BRIGHTWHITE	
17	121894-07-01A	EA	FRAME-ENTRYDOOR, W/O BOTTOM-BRIGHTWHITE	
18	121898-04-01A	EA	JAMB-ENTRYDOOR, W/BOTTOM-BRIGHTWHITE	
19	051049-01-000	EA	JAMB-BOTTOM, ENTRYDOOR-UNPAINTED	
20	096810-01-01A	EA	PLATE-LATCH, ENTRYDOOR-PLASTIC-BLACK	
21	106719-01-05A	EA	HINGE-ENTRYDOOR, BRIGHTWHITE	
	076725-02-000	EA	COVER-HINGE, ENTRYDOOR-6"X3.2"-PLASTIC-OFFWHITE	
22	098173-01-07A	EA	STIFFENER-ENTRYDOOR, SUPPORTSLATCH/STRIKE AREA-BRIGHTWHITE	
22	098173-01-04A	EA	STIFFENER-ENTRYDOOR, SUPPORTSLATCH/STRIKE AREA-UNPAINTED	
23	101145-01-06A	EA	DEADBOLT ASM-BLACKTEXTURED-TRI/MARK11840-02	
	095229-01-700	EA	KEYBLANK FOR DEADBOLT-TRI/MARK81205-03	
	101145-01-701	EA	CYLINDER-LOCKASSEMBLY, W/KEY-TRI/MARK81306-03	
	101147-01-000	EA	BOLT-SECURITY, 4.12" BACKSET	
24	044582-44-000	EA	CAP-DRIP, ENTRYDOOR-JAMB MOUNTED-ALUMINUM-BRIGHTWHITE	
	115222-01-01A	EA	GARNISH-RADIUS, ENTRYDOOR-OFFWHITE	
	077461-03-000	EA	COVER-STRIKE, ENTRYDOOR-6.5"X2.5"-PLASTIC-WHITE	
25	100412-01-000	EA	CATCH-SCREENDOOR, THUMBCLIP W/BLACK PLASTIC CAP	
26	104099-01-04A	EA	CATCH-DOORHOLDER, STRIKE-BRIGHTWHITE	
27	104099-02-04A	EA	CATCH-DOORHOLDER, RETAINER-BRIGHTWHITE	
	009126-03-000	EA	HANDLE-ASSIST, BLACK-TEXTURED	
	086285-05-000	EA	SPACER-NYLON, 17.91 ODX 14.3-MICROPLAS 17W07051	
	102248-01-000	EA	SHIM-DOOR	
	116111-02-01A	EA	SCREW-TAPTITE, 1/4-20X3/8PPH-ZINC	
	100128-02-000	FT	SEAL-FOAM, ADHESIVE BACK-.37"WX.37"THICK	
	118929-01-01A	FT	SEAL-PILE, PUSH-ON-AMESBURY 5250148	
	122241-01-01A	EA	BUMPER-FOAM RUBBER W/ADHESIVE BACK, 12.7MMX12.7MMX6.4MM-BLACK	

**WINDOW, VENT & EXTERIOR DOOR GROUP (CONTINUED)**  
**EXCEL DRIVERS DOOR**



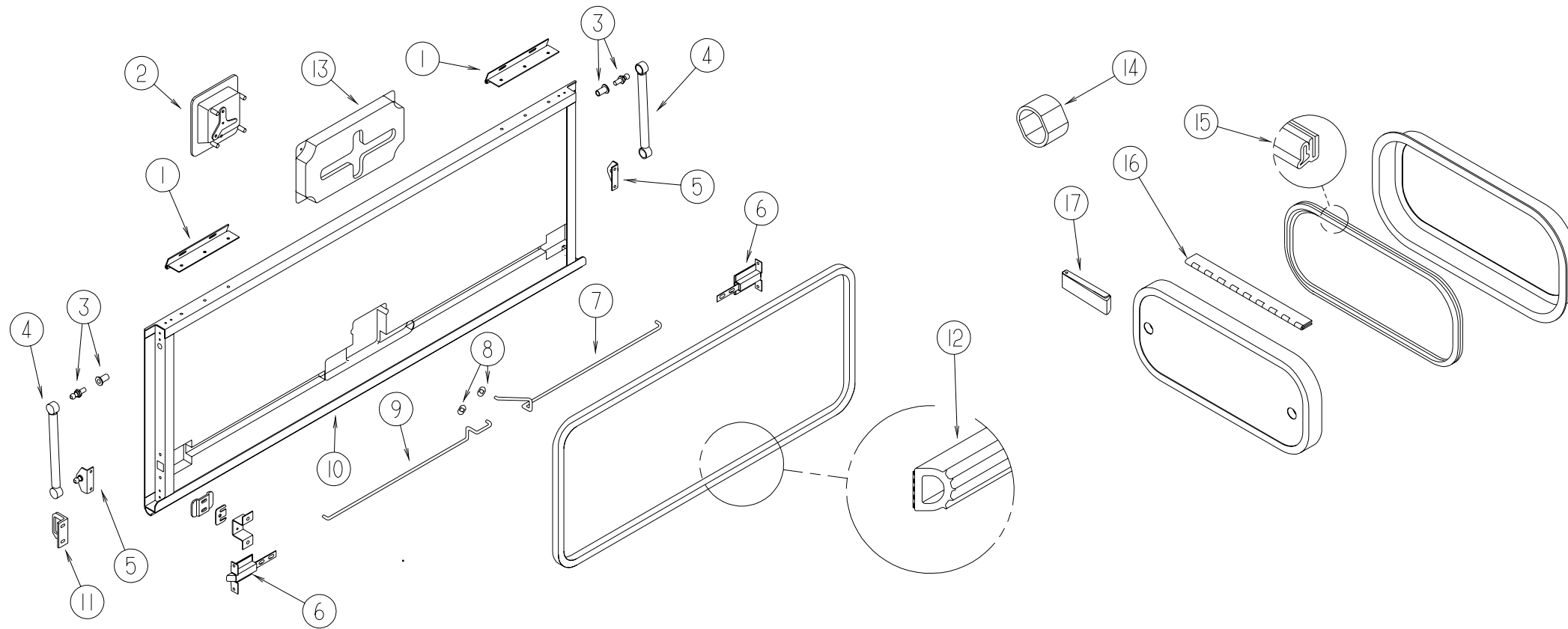
KEY	PARTNUMBER	U/M	DESCRIPTION	VENDOR NO.
1	106469-01-702	EA	SEAL-DOOR,(FRAME)EA=1	122-040984
2	106469-02-702	EA	GLASS-STATIONARY,HORIZONTAL	106-041104
3	106469-01-704	EA	GLASSASSEMBLY-ROLL-UPW/BACKET	V103-65L
4	106469-04-712	EA	HARDWARE-INNERHANDLE,LH	248-041402
5	106469-02-701	EA	REGULATORASSEMBLY	V108-90L
6	106469-05-702	EA	HINGE - 42"	211-041194
7	106469-04-700	EA	PADLEASSEMBLYW/COLLAR	248-041237
	106469-04-701	EA	TUMBLER&KEYS,TRI-MARK	248-041179
	106469-04-715	EA	LATCHCOMPLETEW/TUMBLER&KEYS	V123-15
	045017-11-701	EA	KEY-BLANK,TRIMARK	81312-02
8	106469-04-711	EA	ROD-LOCK,HORIZONTAL	203-041137
9	106469-04-713	EA	ROD-CLIP,LH	248-041154
10	106469-05-703	EA	LATCHROD,VERTICALADJUSTMENT	203-041239
11	106469-05-705	EA	ROD-LOCK,VERTICALADJUSTMENT	203-041279
12	106469-04-704	EA	NUTASSEMBLY-CAGEDW/STRIKER	248-041151
13	106469-04-703	EA	BOLT-STRIKER,W/WASHER	248-041152
14	106469-05-706	EA	LATCH-ROTARY,W/LINKAGE	248-041150
15	106469-04-705	EA	ROD-LATCH,HORIZONTAL	203-041139
16	106469-04-714	EA	ROD-CLIP,RH	248-041153
17	106469-02-703	EA	BELT-WEATHERSTRIP,EXTERIOR-ROLL-UPGLASS	V047-57
18	106469-01-705	FT	CHANNEL-RUN,SLIDING	122-010850
19	106469-08-700	EA	MULLIONRAILL,HORIZONTAL	V090-84
20	106469-01-709	FT	WEATHERSTRIP-FUZZY	171-040630
21	106469-02-705	EA	GLAZING-VINYL,HORIZONTAL-6.3317"	V108-87
22	106469-01-723	EA	SEALASSEMBLY-BULB,DRIVERSDOORJAMB-PREFORMED	171-040985
	106469-02-704	EA	PARTSBAG-WINDOWHANDLEMISCELLANEOUS	V068-16
	106469-07-700	EA	FRAMEMOUNTINGASSEMBLY	V130-30L

**WINDOW, VENT & EXTERIOR DOOR GROUP (CONTINUED)**  
**EXCEL DRIVERS DOOR**



KEY	PART NUMBER	U/M	DESCRIPTION	VENDOR NO.
	106469-07-01A	EA	DOOR ASSEMBLY-DRIVERS, BLACK	
1	108654-01-01A	EA	COVER-STRIKE, DRIVERS DOOR-BLACK	
2	108832-01-02A	EA	HANDLE-ASSIST, DRIVERS DOOR-METAL-OFFWHITE	
	108833-01-01A	EA	COVER-HANDLE, ASSIST-OFFWHITE	
3	108129-02-02A	EA	GARNISH-DRIVERS DOOR, BLACK	
4	108107-01-02A	EA	GARNISH-DRIVERS DOOR, BLACK	
5	108108-04-02A	EA	GARNISH-DRIVERS DOOR, BLACK	
6	110604-01-01A	EA	HANDLE-ASSIST, DRIVERS DOOR-10.8" LONG-BLACK	
7	114973-01-04A	EA	PANEL-DRIVERS DOOR, INNER-QUICKSILVER-PLASTIC	
8	106469-04-703	EA	BOLT-STRIKER, W/WASHER-(SUPPLIED W/DRIVERS DOOR) 248-041152	
9	063977-11-000	EA	STEP-DRIVER DOOR, LEFT-UNPAINTED	
10	107818-01-07A	EA	TRIM-STEP, DRIVERS DOOR-PLASTIC-QUICKSILVER	
	102569-02-000	EA	MAT-ANTISLIP, 4" X 22"-LOWER	
11	115051-01-01B	EA	BRACKET-HANDLE, MOUNT-MILL	
	108897-02-01A	EA	GARNISH-DOOR, DRIVERS-U-CHANNEL-BLACK	
	109378-01-000	EA	STRAP-CHECK, DRIVERS DOOR-BLACK	
	109235-01-01A	FT	COVER-SCREW, MAT BLACK	
	109235-01-05A	FT	COVER-SCREW, BRIGHT WHITE	
	076725-06-000	EA	COVER-ACCESS, HINGE-BLACK	
	090340-01-000	FT	SEAL-FOAM, CLOSED CELL-1/4" X 1/2" X 50'	
	106746-01-000	EA	PANEL-STEPWELL, 789MM LONG-STEEL	
	106747-01-000	EA	PANEL-STEPWELL, RH END-STEEL	
	106747-02-000	EA	PANEL-STEPWELL, LH END-STEEL	
	107868-01-000	EA	ANGLE-SUPPORT, DOOR-38MM X 38MM X 19MM-E-COAT-STEEL	

**WINDOW, VENT & EXTERIOR DOOR GROUP (CONTINUED)**  
**EXTERIOR ACCESS DOOR COMPONENTS**

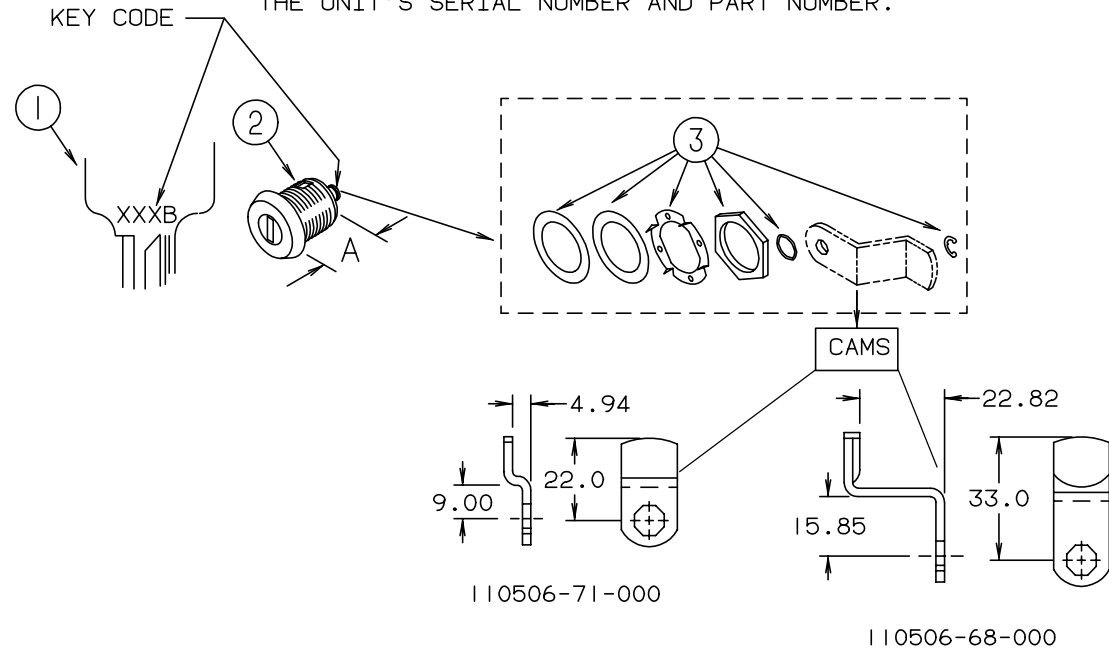


KEY	PARTNUMBER	U/M	DESCRIPTION
1	121755-01-04A	EA	HINGE-6" LONG
2	112949-01-04A	EA	LATCH-PADDLEW/LOCK, BLACK-EXTERIOR PAINT OPTION
2	112949-01-03A	EA	LATCH-PADDLEW/LOCK, BRIGHT WHITE
2	112949-02-05A	EA	LATCH-PADDLEW/OLOCK, BLACK-EXTERIOR PAINT OPTION
2	112949-02-04A	EA	LATCH-PADDLEW/OLOCK, BRIGHT WHITE
	112949-03-000	EA	KEY-PADDLE LATCH W/LOCK-TRI-MARK#TM500
3	057460-08-000	EA	BALL STUD- 10MM BALL, 5/16-18
4	107796-08-000	EA	SPRING-GAS, 11" COMPRESSED/17" EXTENDED-60LB
4	107796-11-000	EA	SPRING-GAS, 11" COMPRESSED/17" EXTENDED-90LB
4	107796-18-000	EA	SPRING-GAS, 7" COMPRESSED/10" EXTENDED-80LB
4	107796-20-000	EA	SPRING-GAS, 7" COMPRESSED/10" EXTENDED-60LB
4	107796-27-000	EA	SPRING-GAS, 8.5" COMPRESSED/12" EXTENDED-90LB
5	107796-19-000	EA	BRACKET-GASSPRING, SMALL-BLACK
6	121947-01-01A	EA	BOLT-SLIDE, LATCH-STEEL
7	122269-07-000	EA	ROD-LATCH, 512.4MMLONG (CLIPPED TO UPPER PIN ON PADDLE LATCH)
7	122269-11-000	EA	ROD-LATCH, 717.6MMLONG (CLIPPED TO UPPER PIN ON PADDLE LATCH)
7	122269-12-000	EA	ROD-LATCH, 656MMLONG (CLIPPED TO UPPER PIN ON PADDLE LATCH)
7	122269-13-000	EA	ROD-LATCH, 203.3MMLONG (CLIPPED TO UPPER PIN ON PADDLE LATCH)
7	122269-14-000	EA	ROD-LATCH, 334.7MMLONG (CLIPPED TO UPPER PIN ON PADDLE LATCH)
7	122269-16-000	EA	ROD-LATCH, 317.7MMLONG (CLIPPED TO UPPER PIN ON PADDLE LATCH)
7	122269-26-000	EA	ROD-LATCH, 544.3MMLONG (CLIPPED TO UPPER PIN ON PADDLE LATCH)
7	122269-38-000	EA	ROD-LATCH, 405.3MMLONG (CLIPPED TO UPPER PIN ON PADDLE LATCH)
8	124304-01-000	EA	CLIP-ROUND, PUSH ON

KEY	PARTNUMBER	U/M	DESCRIPTION
9	122268-07-000	EA	ROD-LATCH, 465.4MMLONG (CLIPPED TO LOWER PIN ON PADDLE LATCH)
9	122268-11-000	EA	ROD-LATCH, 670.6MMLONG (CLIPPED TO LOWER PIN ON PADDLE LATCH)
9	122268-12-000	EA	ROD-LATCH, 609MMLONG (CLIPPED TO LOWER PIN ON PADDLE LATCH)
9	122268-13-000	EA	ROD-LATCH, 156.3MMLONG (CLIPPED TO LOWER PIN ON PADDLE LATCH)
9	122268-14-000	EA	ROD-LATCH, 287.7MMLONG (CLIPPED TO LOWER PIN ON PADDLE LATCH)
9	122268-16-000	EA	ROD-LATCH, 370.7MMLONG (CLIPPED TO LOWER PIN ON PADDLE LATCH)
9	122268-26-000	EA	ROD-LATCH, 497.3MMLONG (CLIPPED TO LOWER PIN ON PADDLE LATCH)
9	122268-38-000	EA	ROD-LATCH, 358.3MMLONG (CLIPPED TO LOWER PIN ON PADDLE LATCH)
10	122613-55-001	EA	EXTRUSION-ROCKER PANEL, 16' LONG-BRIGHT WHITE
10	122613-55-003	EA	EXTRUSION-ROCKER PANEL, 16' LONG-UMBRA-EXTERIOR PAINT OPTION
11	123783-01-01A	EA	STRIKER-DOOR, SLIDE LATCH-MILL
12	107721-04-000	FT	SEAL-D, ACCESS DOOR
13	122277-01-01A	EA	COVER-LATCH, PLASTIC-BLACK
14	107997-51-001	EA	SPACER-DOOR LOCK, .86" X .6" - ALUMINUM
15	064075-07-000	FT	SEAL-BULB, W/WIRED CHANNEL-.3" X .5" CHANNEL-BLACK
16	081801-02-000	EA	HINGE-DOOR, PIANO-2" X 96", OFFWHITE-ALUMINUM
16	081801-V3-000	EA	HINGE-DOOR, PIANO-2" X 96", BRIGHT WHITE-ALUMINUM
17	102768-01-000	EA	HOLDER-COMPARTMENT/ENTRY DOOR, METAL-MILL FINISH
	068559-01-001	FT	EXTRUSION-ANGLE, 1" X .9" X 192" - MILL ALUMINUM
	104692-01-000	FT	SEAL-3/4" X 3/4", ADHESIVE BACK FOAM SEAL
	112160-01-000	FT	SEAL-D SECTION, 6X10-FOAM RUBBER-BLACK-LAUREN 1153
	116424-01-000	EA	PROTECTOR-WATER HEATER LATCH
	120863-02-000	EA	BUMPER-RUBBER, 1" DIAMETER X 1.50"

**WINDOW, VENT & EXTERIOR DOOR GROUP (CONTINUED)**  
**BRIGGS & STRATTON LOCKS & COMPONENTS**

NOTE:  
 WHEN ORDERING THE LOCK CASE, THE KEY CODE MUST MATCH THE LAST DIGIT OF THE UNIT'S SERIAL NUMBER AND PART NUMBER; WHEN ORDERING THE KEYS, THE THIRD DIGIT OF THE KEY CODE MUST MATCH THE LAST DIGIT OF THE UNIT'S SERIAL NUMBER AND PART NUMBER.



KEY	PART NUMBER	U/M	DESCRIPTION	VENDOR NO.
1	110506-59-000	EA	KEYS-SET OF 2	596720
2	110506-52-000	EA	CASE-LOCK, A=17 MM	702370
2	110506-53-000	EA	CASE-LOCK, A=25 MM	702380
1	110506-59-001	EA	KEYS-SET OF 2	596721
2	110506-52-001	EA	CASE-LOCK, A=17 MM	702371
2	110506-53-001	EA	CASE-LOCK, A=25 MM	702381
1	110506-59-002	EA	KEYS-SET OF 2	596722
2	110506-52-002	EA	CASE-LOCK, A=17 MM	702372
2	110506-53-002	EA	CASE-LOCK, A=25 MM	702382
1	110506-59-003	EA	KEYS-SET OF 2	596723
2	110506-52-003	EA	CASE-LOCK, A=17 MM	702373
2	110506-53-003	EA	CASE-LOCK, A=25 MM	702383
1	110506-59-004	EA	KEYS-SET OF 2	596724
2	110506-52-004	EA	CASE-LOCK, A=17 MM	702374
2	110506-53-004	EA	CASE-LOCK, A=25 MM	702384
1	110506-59-005	EA	KEYS-SET OF 2	596725
2	110506-52-005	EA	CASE-LOCK, A=17 MM	702375
2	110506-53-005	EA	CASE-LOCK, A=25 MM	702385
1	110506-59-006	EA	KEYS-SET OF 2	596726
2	110506-52-006	EA	CASE-LOCK, A=17 MM	702376
2	110506-53-006	EA	CASE-LOCK, A=25 MM	702386
1	110506-59-007	EA	KEYS-SET OF 2	596727
2	110506-52-007	EA	CASE-LOCK, A=17 MM	702377
2	110506-53-007	EA	CASE-LOCK, A=25 MM	702387
1	110506-59-008	EA	KEYS-SET OF 2	596728
2	110506-52-008	EA	CASE-LOCK, A=17 MM	702378
2	110506-53-008	EA	CASE-LOCK, A=25 MM	702388
1	110506-59-009	EA	KEYS-SET OF 2	596729
2	110506-52-009	EA	CASE-LOCK, A=17 MM	702379
2	110506-53-009	EA	CASE-LOCK, A=25 MM	702389
3	110506-40-700	EA	HARDWARE KIT-LOCK, W/GASKET, NUT, CLIP & WASHERS	
	110506-59-701	EA	KEY BLANK	

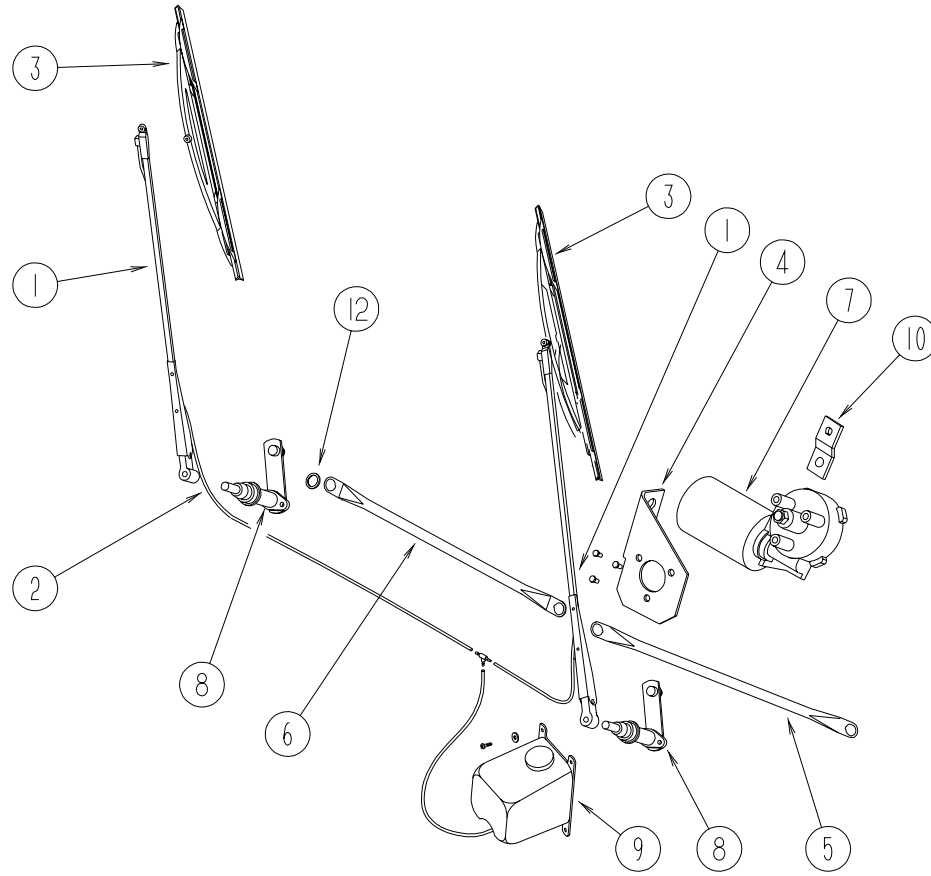
**WINDOW, VENT & EXTERIOR DOOR GROUP (CONTINUED)**  
**ELIXIR ROOF VENTS**

KEY	PART NUMBER	U/M	DESCRIPTION
	122882-01-01A	EA	VENT-ROOF, NONPOWERED
	122882-02-01A	EA	VENT-ROOF, POWERED
	122882-03-01A	EA	VENT-ROOF, POWERED - CANADIAN
	122882-07-01A	EA	GARNISH-ROOF VENT, 63.5 - 104.6 - POWERED OR NONPOWERED

**VENTS, SHROUD & COVER**

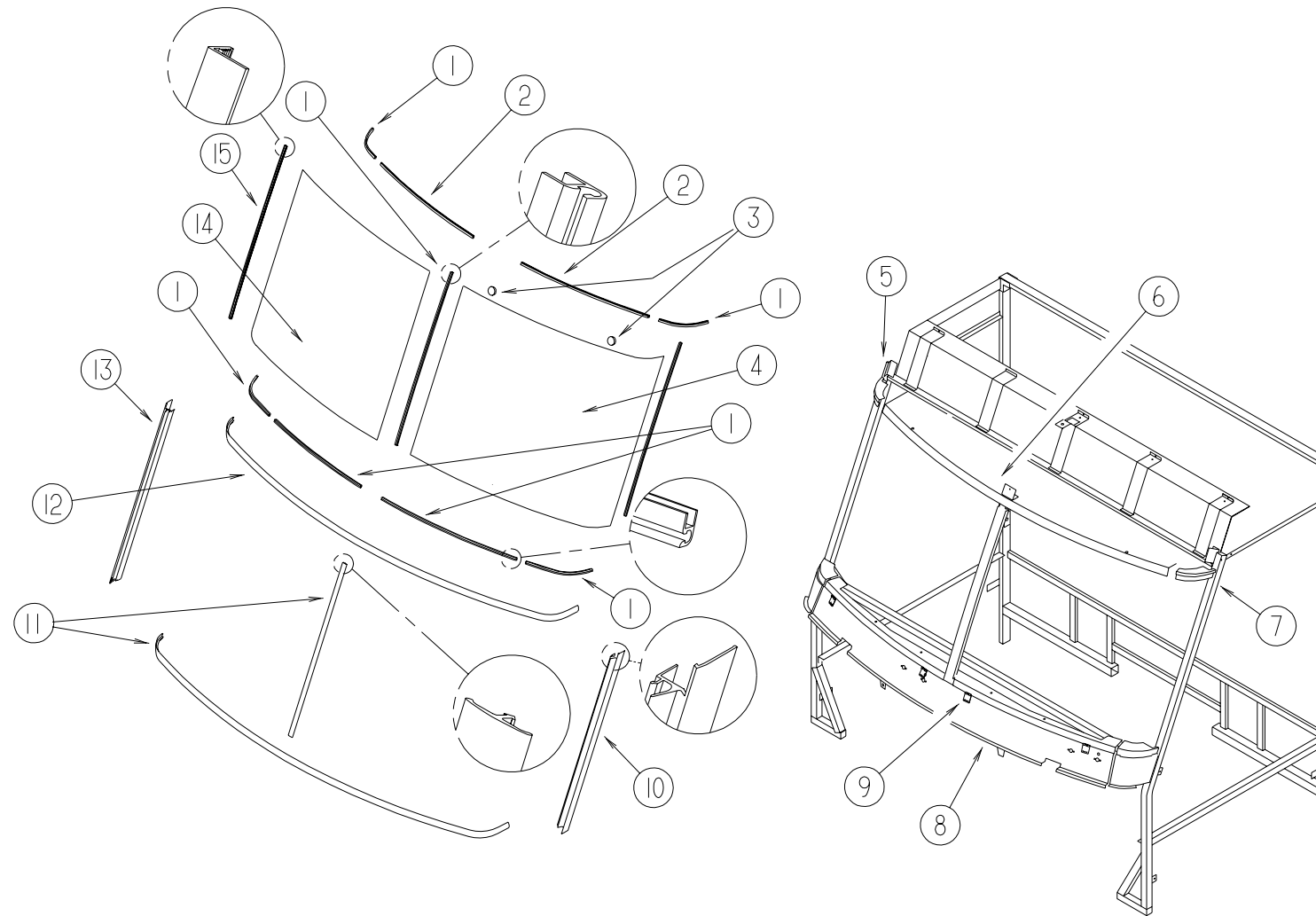
KEY	PART NUMBER	U/M	DESCRIPTION
	083558-03-000	EA	VENT-PLUMBING PIPE ROOF W/COVER - OFF WHITE
	084616-07-000	EA	SHROUD-RANGE HOOD VENT, PLASTIC - BRIGHT WHITE
	084878-09-000	EA	VENT-RANGE HOOD, SHORT - LVS
	084073-04-000	EA	BASE-ROOF VENT, REFRIGERATOR - BLACK - NORCOLD
	084073-07-000	EA	COVER-ROOF VENT, REFRIGERATOR - BRIGHT WHITE - NORCOLD

**WINDSHIELD & WIPER GROUP  
WIPER & WASHER COMPONENTS**



KEY	PARTNUMBER	U/M	DESCRIPTION	VENDORNO.
1	103671-01-000	EA	ARM-WIPER,PANTOGRAPH-24"	
	096931-01-700	FT	HOSE-WIPER,TOBLADE	
	096931-01-701	EA	NOZZLE-HARDWAREKIT,INCLUDESNOZZLE,NUT,SHORTTHREAD SCREW, LONG THREADSCREW, ANDPLASTICCAP	
2	045794-01-000	FT	HOSE-WASHER,WINDSHIELD-5/32"ID-BLACK	
3	095964-01-000	EA	BLADE-WIPER,24"	
	095964-01-700	EA	REFILL-WIPERBLADE,24"-PAIR	
4	104549-01-000	EA	BRACKETASSEMBLY-WIPERMOTOR	
5	117008-01-000	EA	LINKASM-CONNECTING-DRIVERSSIDE	
6	117008-02-000	EA	LINKASM-CONNECTING-PASSENGERSIDE	
7	104346-05-000	EA	MOTOR-WIPER,FORDCHASSIS	
7	104346-04-000	EA	MOTOR-WIPER,CHEVYCHASSIS-UT65714M02025WJ	
	117322-01-000	EA	SCREW-1/4-28UNF-2A,TORX-U.T.6270020SC25WJ	
8	096505-05-000	EA	PIVOT&SHAFTASM-WIPER,PASSENGERWINDSHIELD	
8	096505-06-000	EA	PIVOT&SHAFTASM-WIPER,DRIVERWINDSHIELD	
	096505-02-700	EA	DRIVER-KNURLED,(HD)BARREL.687	NT721017
	096505-02-701	EA	NUT-HEX(HD)W/.687BARREL	NT721021
	096505-02-702	EA	CAP-RUBBER(HD)BARREL.687	CP721084
	096505-02-703	EA	CAP-NUT(ACORN)HDW/.687BRL	51065-40-NT27WC
9	117766-02-000	EA	WASHER-WINDSHIELD,BOTTLE&PUMP-MCCORD600328	
	110605-01-000	EA	TEE-BARBED,1/8X1/8X3/16-BAYLOCK3799721	
	110934-01-000	EA	CONNECTOR-BARB,5/16"-PLASTIC-KEVCOTC7055	
	117765-03-000	EA	CONNECTOR-5/32W/SWSH-ITTH-BAYLOCK116756	
10	104347-01-000	EA	ARM-DRIVE,WIPERMOTOR-1.54"	
	061603-01-000	EA	GROMMET-SNAP,3/16ID-3/8HOLE-PLASTIC-BLACK	
	067188-01-000	EA	STUD-CRANK,WIPER	
	110742-01-000	EA	GASKET-WIPER	
	077298-55-003	EA	EXTR-TUBE,0007MM-BLACK	

**WINDSHIELD&WIPERGROUP(CONTINUED)**  
**WINDSHIELDMOLDINGS&GLASS**



KEY	PARTNUMBER	U/M	DESCRIPTION
1	110268-01-000	EA	CARRIER-REVEAL-50.4"-WINDSHIELD
2	117335-09-000	EA	CARRIER-REVEAL-42.2"-WINDSHIELD
3	081914-01-000	EA	BUMPER-RUBBER-ROUND-.43"DIAMETER-BLACK
4	088793-04-000	EA	WINDSHIELD-DRIVER,49.5"X38.5"
5	077922-03-000	EA	HEADER-WINDSHIELD/END,PASSENGERSIDE
6	077922-05-000	EA	HEADER-WINDSHIELD,CENTER
7	077922-04-000	EA	HEADER-WINDSHIELD/END,DRIVERSIDE
8	077847-02-000	EA	SUPPORT-WINDSHIELD,LOWER-W/OBRACKETS
9	104449-01-000	EA	SUPPORT-WINDSHIELD ONLYNEEDEDIFBROKENOFFWINDSHIELDFRAMEASSEMBLY
10	103107-02-01A	EA	TRIM-WINDSHIELD,DRIVERSIDE-BLACK
11	102936-01-000	FT	MOLDING-REVEAL,WINDSHIELD
12	120533-01-000	FT	MOLDING-REVEAL,WINDSHIELD-UPPER
13	103107-01-01A	EA	TRIM-WINDSHIELD-PASSENGERSIDE-BLACK
14	088793-03-000	EA	WINDSHIELD-PASSENGER,49.5"X38.5"
15	098788-06-000	EA	CHANNEL-49"PVC,DRIVERORPASSENGERSIDE
	002328-02-000	EA	BLOCK-WINDSHIELD,.062"X.5"X.98"
	123244-01-000	FT	TAPE-DOUBLECOATEDFOAM,.80"THICKX.75"WIDE