

RELAY-CANISTER, SPDT W/RESIST
063912-02-000
BLUETOOTH AWNING CONTROL
(SUPPLIED W/AWNING)
DETAIL EA

CONTROL-CHARGE, SOLAR 40 AMP
000260959 / 351588-01-000
SCREW
G11-08-12U (2)
DETAIL AB

DISPLAY-TOUCH SCREEN
194354-01-CHT

PANEL ASM-SWITCH, 6POS, ENTRY
000112438 / 322998-01-CHT

SENSOR-ROOM TEMP
192038-35-CHT
PLATE-TEMP SENSOR
192254-01-CHT
SCREW
G11-08-08U (2)

PANEL-CONTROL, TRUMA CP PLUS
000256121 / 350322-01-CHT
SCREW
G11-08-08U (4)

SWITCH
DETAIL CH

PANEL ASM-SWITCH, 2POS, AWNING
000112434 / 323395-01-CHT

STEREO-AM/FM/DVD WALLMOUNT
000131254 / 325732-01-000
SCREW
76790-03-000 (4)
DETAIL AC

LIGHT-TAPE, LED
187693-13-CHT

LAMP ASM-PORCH
184120-01-CHT
SCREW
G39-06-10U (2)
CONNECTOR
058028-01-000 (2)

PLATE-WALL
179004-02-CHT
DETAIL BB

PLATE-WALL
175530-04-CHT
SCREW
G12-06-080 (2)

CABLE-DATA, PCS-MINI 25'
174295-04-000

MODULE-WIRELESS LIN
000121418 / 323153-01-000
SCREW
G11-08-08U (4)

WIRE ASM-COACH
TO WIRE ASM-OVHD

SPEAKER
171547-01-CHT (2)
SCREW
G39-10-12U (8)

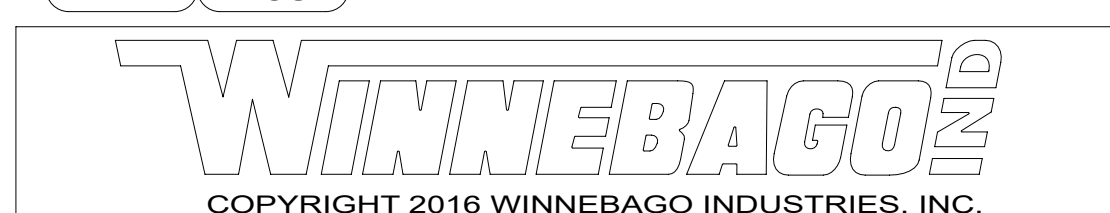
TV-24", INSIGNIA
000247073 / 349368-01-000
PLATE-MTNING, TV, 24
000254143 / 349796-01-CHT
SCREW
0MG02U-06-010 (4)
CONNECTOR-90, COAX
176986-01-000
DETAIL CB

WIRE ASM-COACH
000186581 / 335078-01-000

OUTLET-COAX/12V EXTERIOR
168516-01-CHT
SCREW
G39-08-16T (2)
DETAIL AA

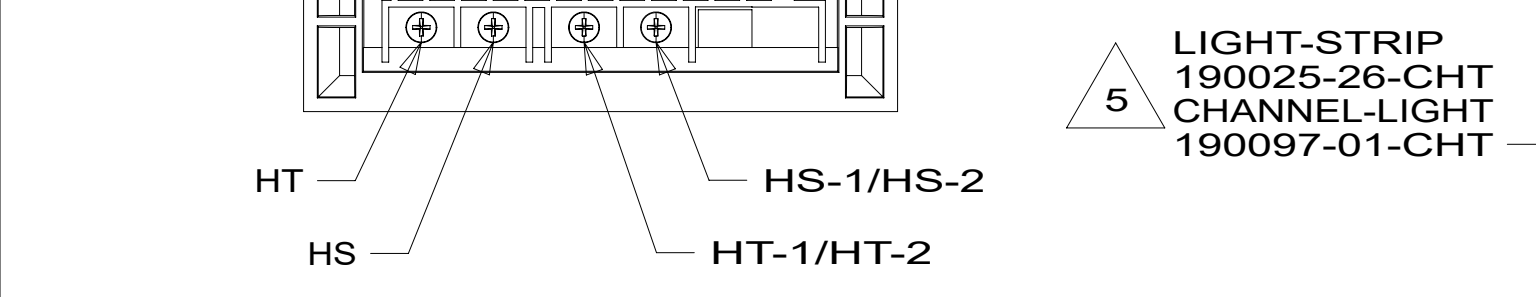
265 CODES/STANDARDS-CSA/CMVSS
1B1 CODES/STANDARDS USA

1B1 265

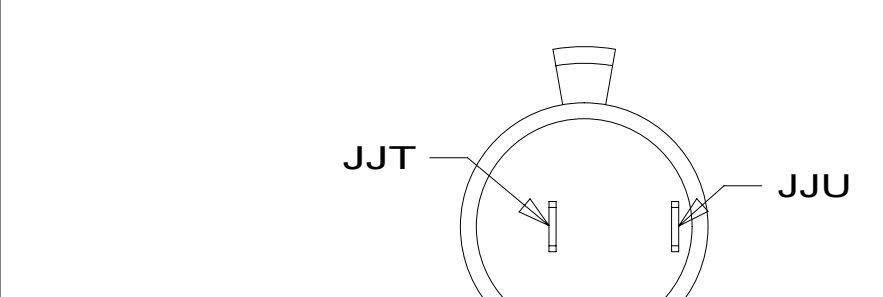


DSNR:	ALL DIMENSIONS ARE IN MILLIMETERS	
DFFR:	MATERIAL:	
UNSPECIFIED TOLERANCES:		
WHOLE DIM (X)	3	
ONE-PLACE (X.X)	1.5	
TWO-PLACE (X.XX)	0.50	
ANGLE	1°	
REFER TO ES0018 FOR FASTENER TIGHTENING GUIDELINES	WEIGHT: (LBS)	FIRST USED:
		20 170B

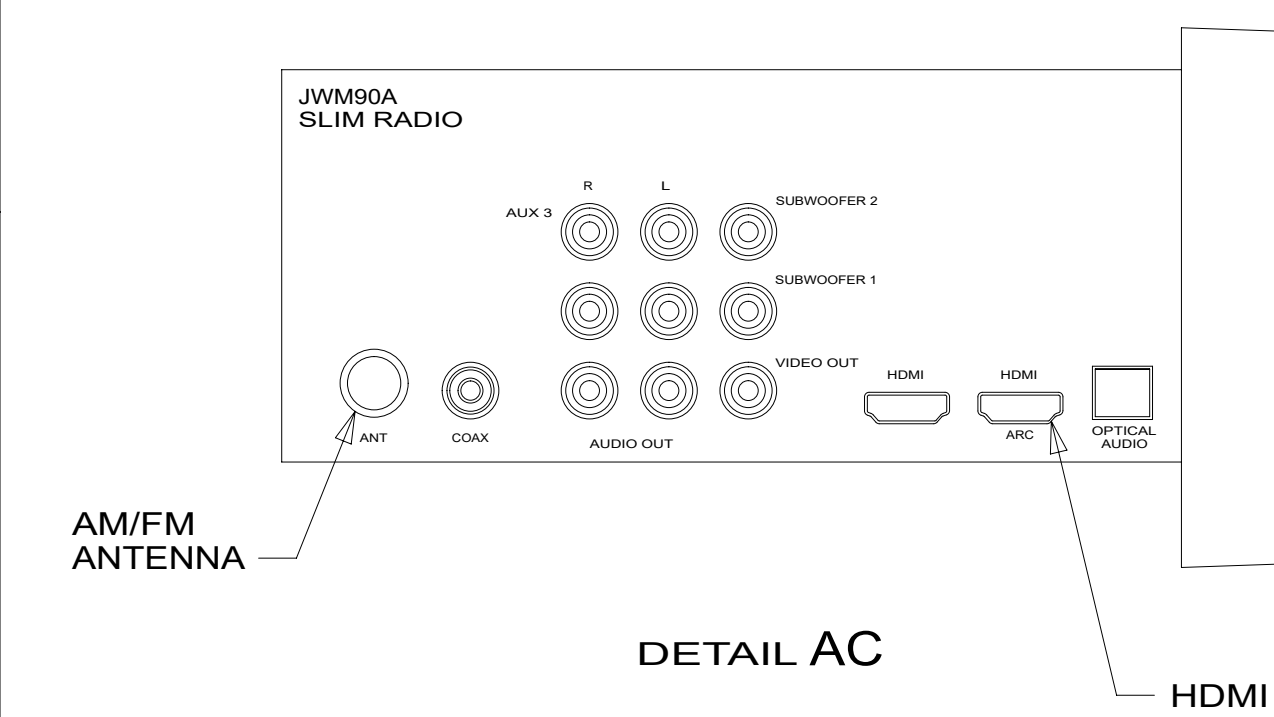
DESCRIPTION: WIRING INSTL-BODY, 12V		
SHEET: 1 OF 5	ITEM/PART NO: 000185062 / 3347160100	REV:
REF: 1 10-Jan-2023		



DETAIL AB



DETAIL AA

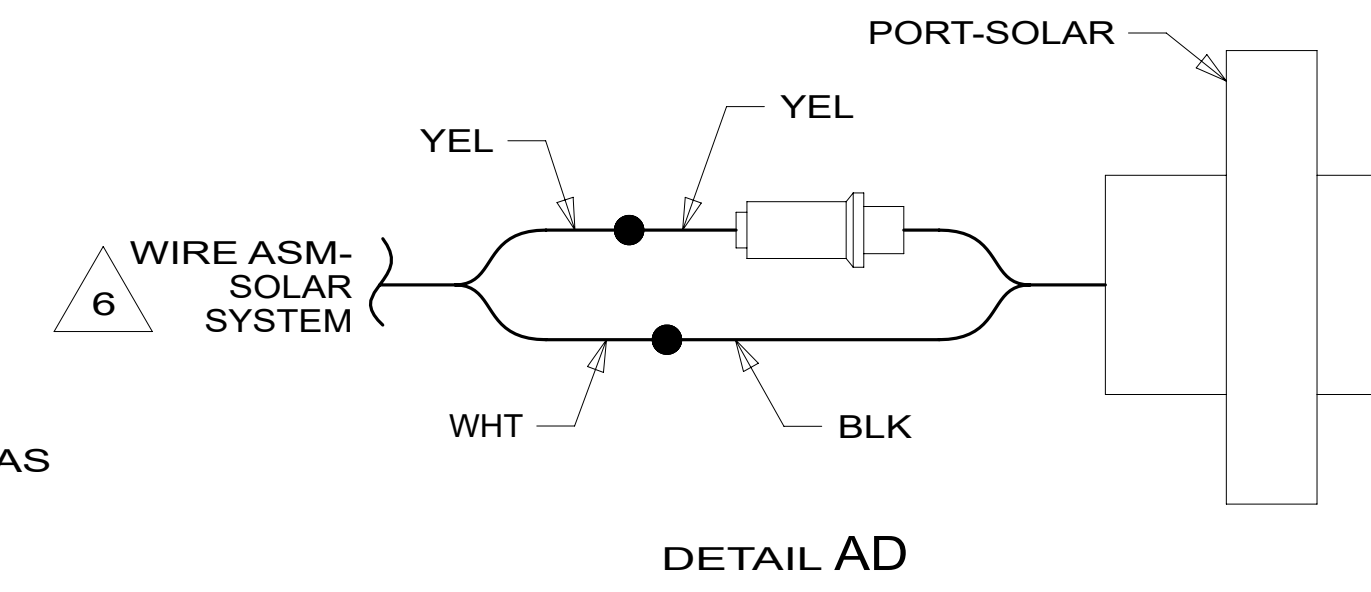


DETAIL AC

- 9 ROUTE DATA CABLE FROM A/C MODULE WITH RED 110 V CABLE TO PCS MODULE NEAR CONVERTER.
- 8 WIRE TO BE MARKED WITH WRAP OF ORG TAPE 19MM WIDE WITHIN 50MM OF END.
- 7 MOUNT TO TOP OF WHEEL WELL. CLEAN SURFACES.
- 6 SEE WIRE ASM-SOLAR SYSTEM AND WIRING INSTL-CHASSIS FOR ADDITIONAL INFORMATION.
- 5 CUT TO LENGTH NEEDED TO FIT CABINET.
- 4 MOUNT ON EXTERIOR SURFACE OF VAN SIDEWALL.
- 3 PLACE CROSS LOCATOR ON SENSORS OVER DIMPLES ON TANK.

2. ROUTE TANK SENSOR WIRES SO THEY DO NOT PASSOVER SENSORS. USE WIRE TIE MOUNT 155366-01-000 AND WIRE TIE 8343-01-000 AS NEEDED. TANK SURFACE MUST BE CLEANED USING ISOPROPYL ALCOHOL AND PRIMED WITH PRIMER 94.
1. AT MINIMUM ALL WIRES TO BE SUPPORTED AND SECURED PER CODE REQUIREMENTS. USE CLAMP 10495 OR 10497 OR WIRE TIE 8343 OR 108046 AND SCREW G67-XX-XXX OR G56-XX-XXX AS APPROPRIATE FOR INSTALLATION.

NOTES:



DETAIL AD

MODULE-PCS, MINI, LIN BUS
000121295 / 322997-01-000
FASTENER-DUAL LOCK
085774-01-000 (100 MM) (2)
085774-02-000 (100 MM) (2)
DETAIL CG

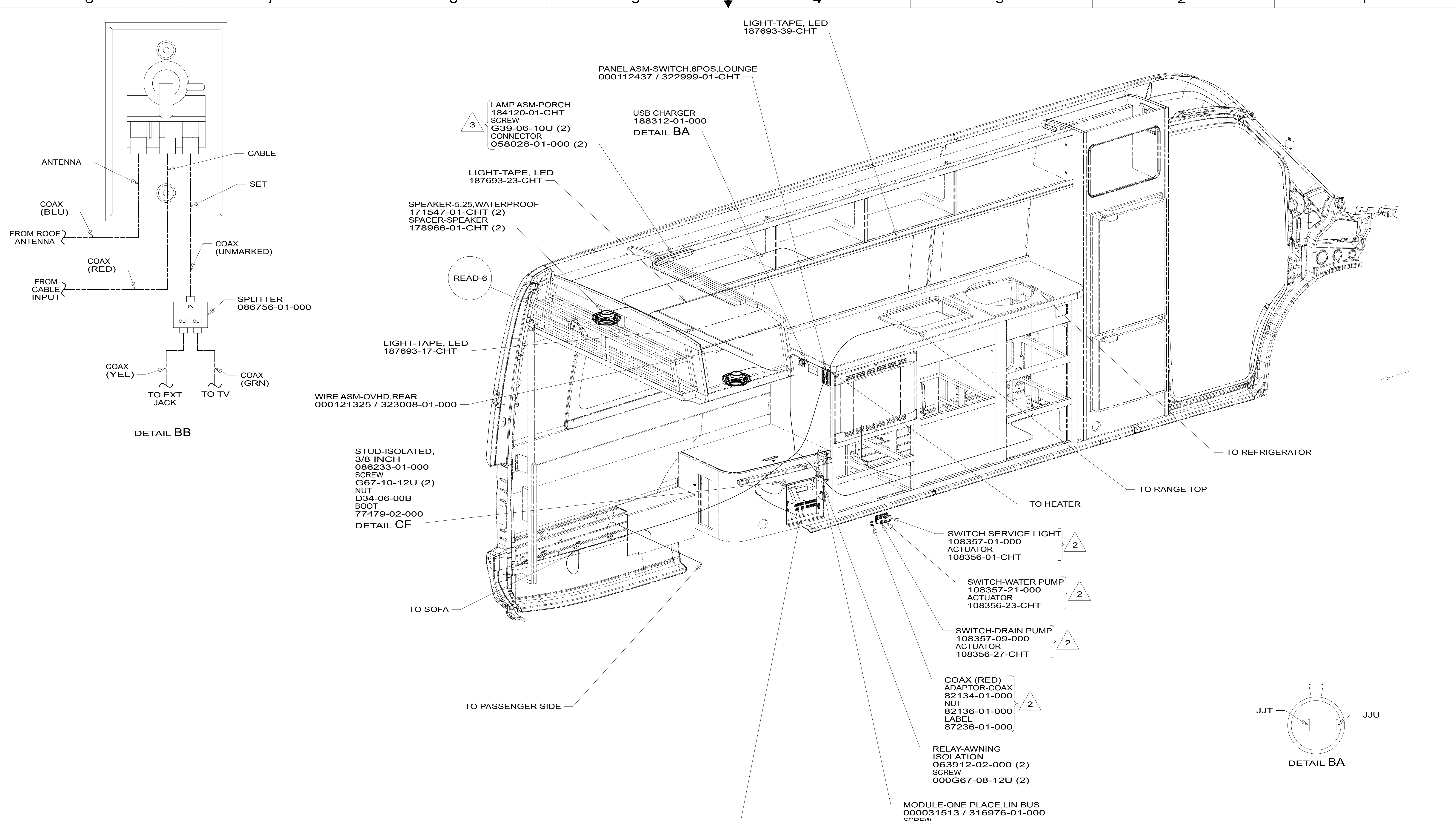
CONVERTER
184353-01-000
SCREW
G67-10-12U (3)
DETAIL CE

PORT-SOLAR, SINGLE, FUSED
000169763 / 330845-01-000
SCREW
G39-10-16T (4)
DETAIL AD

3AA WIRE ASM-SOLAR PANEL
192440-01-000

FOR ELECTRICAL TORQUE SPECIFICATIONS SEE DWG NO. 128783-01-000

FOR ELECTRICAL CALLOUTS SEE DWG 000228177 344479-01-000



- 3 MOUNT ON EXTERIOR SURFACE OF VAN SIDEWALL.
- 2 MOUNTED IN EXTERIOR SERVICE CENTER.

1. AT MINIMUM ALL WIRES TO BE SUPPORTED AND SECURED PER CODE REQUIREMENTS. USE CLAMP 10495 OR 10497 OR WIRE TIE 8343 OR 108046 AND SCREW G67-XX-XXX OR G56-XX-XXX AS APPROPRIATE FOR INSTALLATION.

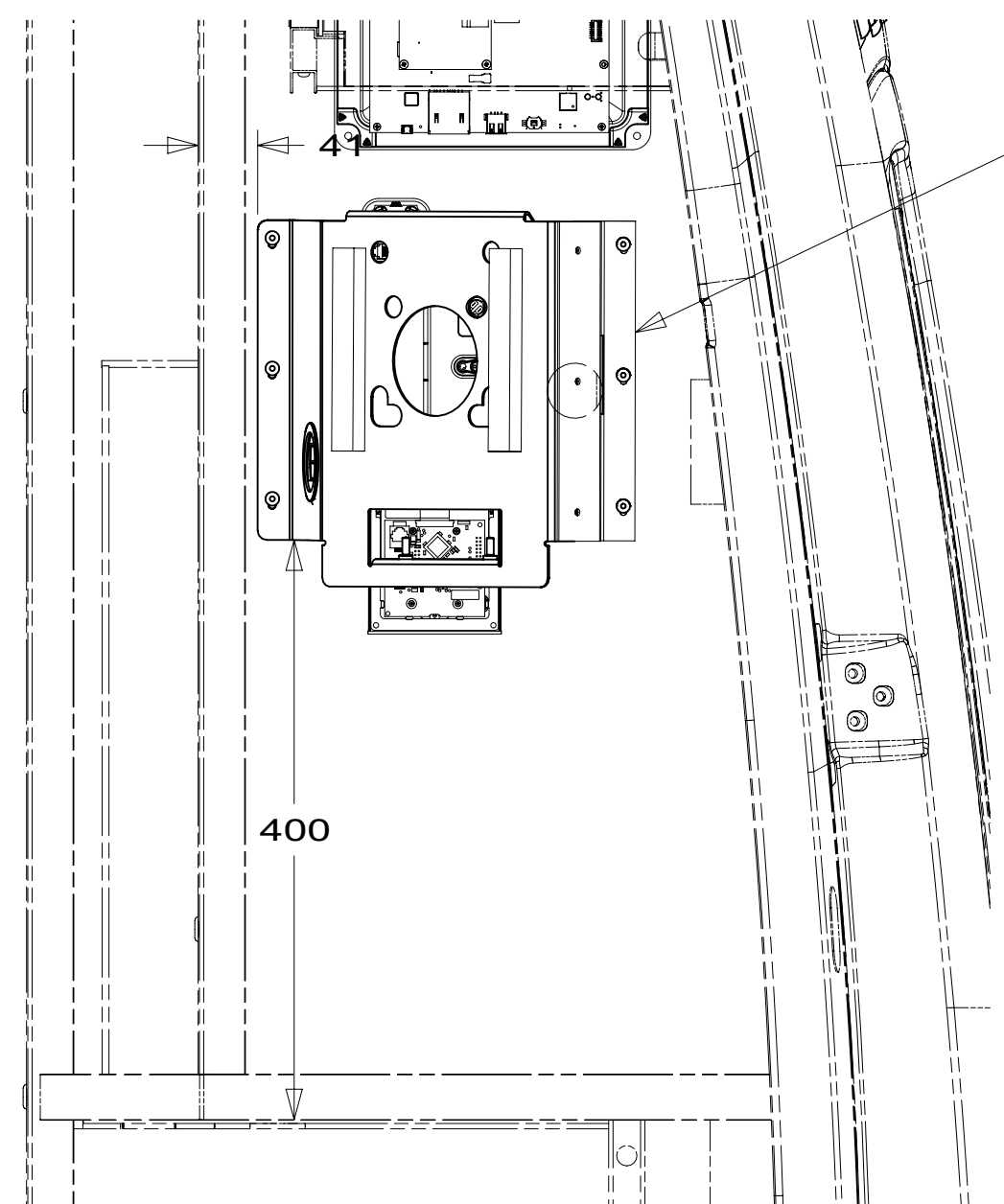
NOTES:

FOR ELECTRICAL TORQUE SPECIFICATIONS SEE DWG NO. 128783-01-000

FOR ELECTRICAL CALLOUTS SEE DWG 000228177 344479-01-000

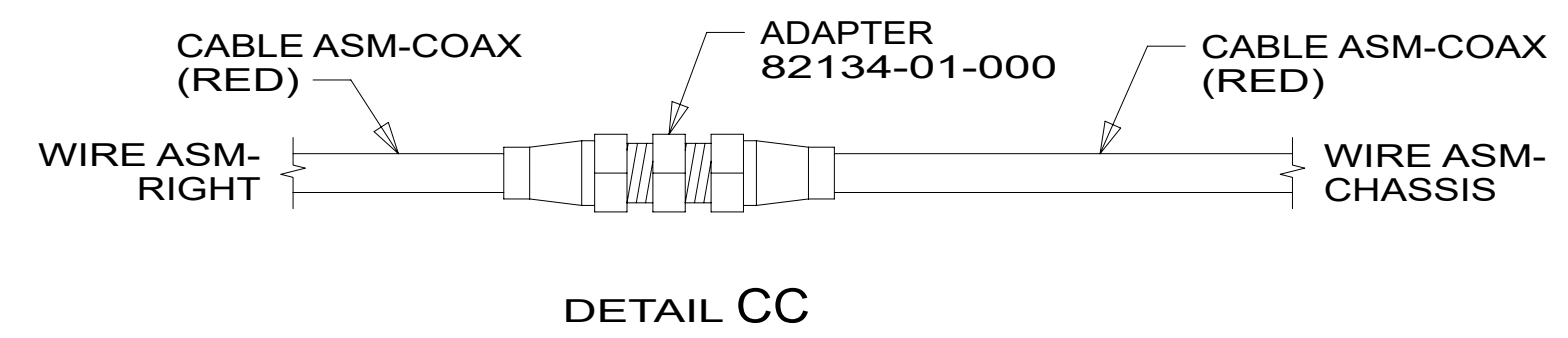
265 CODES/STANDARDS-CSA/CMVSS
1B1 CODES/STANDARDS USA

1B1 265	
DESCRIPTION:	
WIRING INSTL-BODY, 12V	
SHEET:	ITEM/PART NO.:
2 OF 5	000185062 / 33471601000
REV	

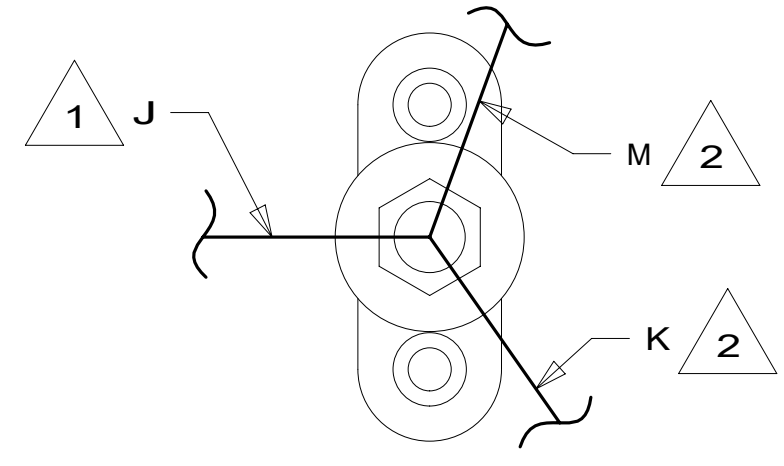


- BRACKET-TV, 24
000254176 / 349808-01-CHT
- BRACKET-TV
192438-02-CHT
- SCREW
G39-10-08U (3)
- SCREW
000G11-10-08U (6)
- GROMMET-EDGE LINER
114208-05-000 (2)
- SEAL-FOAM TAPE
154585-02-CHT (140 MM) (2)

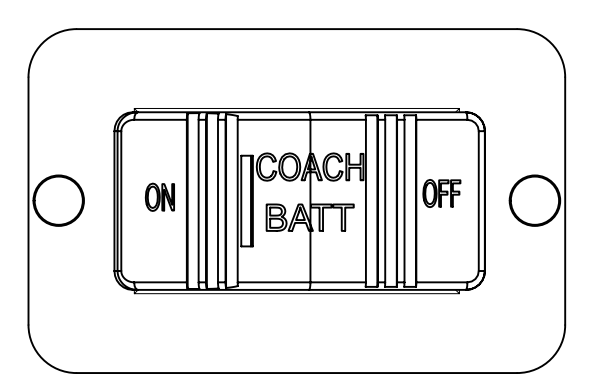
VIEW CA
(TV NOT SHOWN)



DETAIL CC

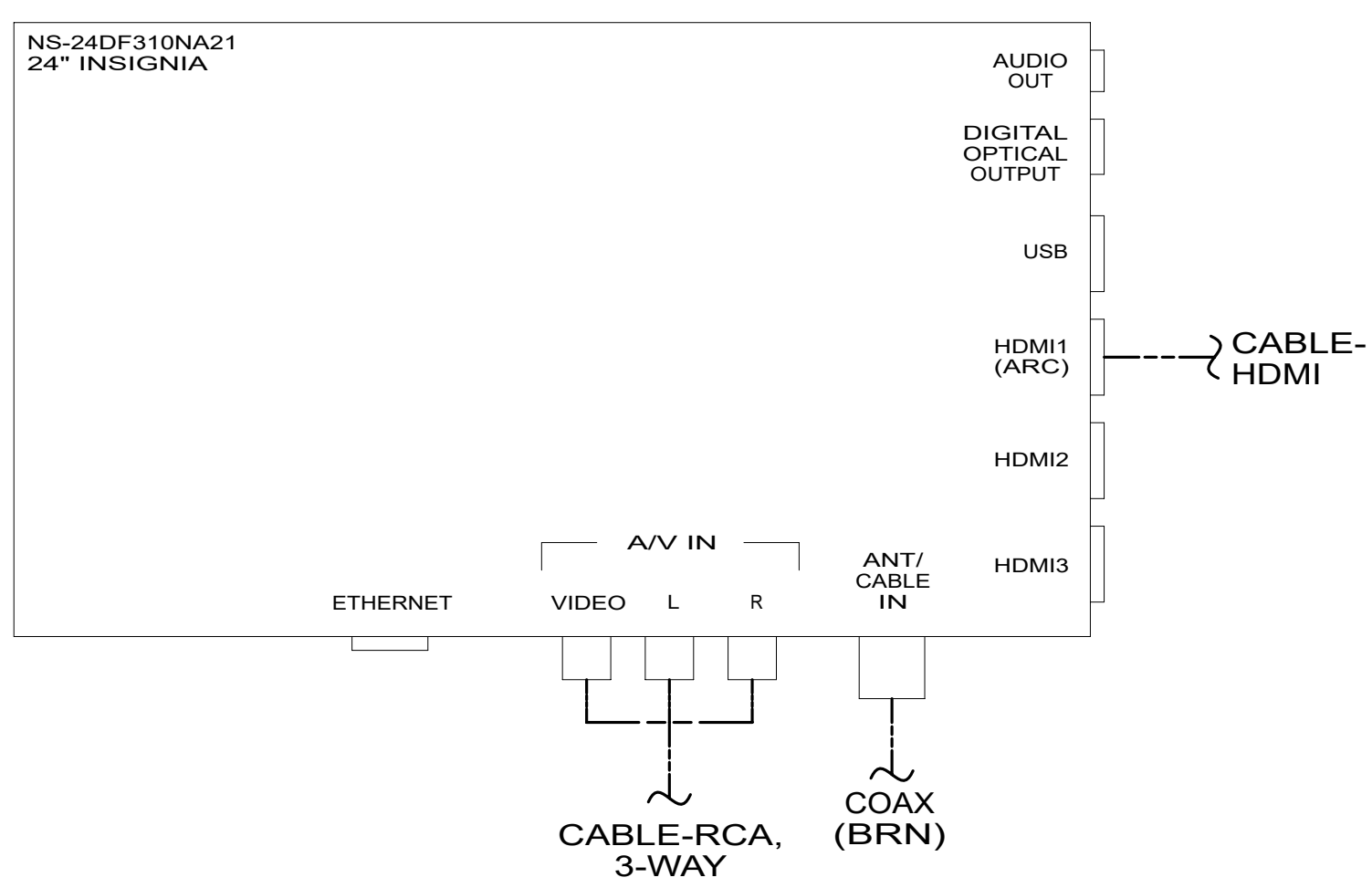


DETAIL CF

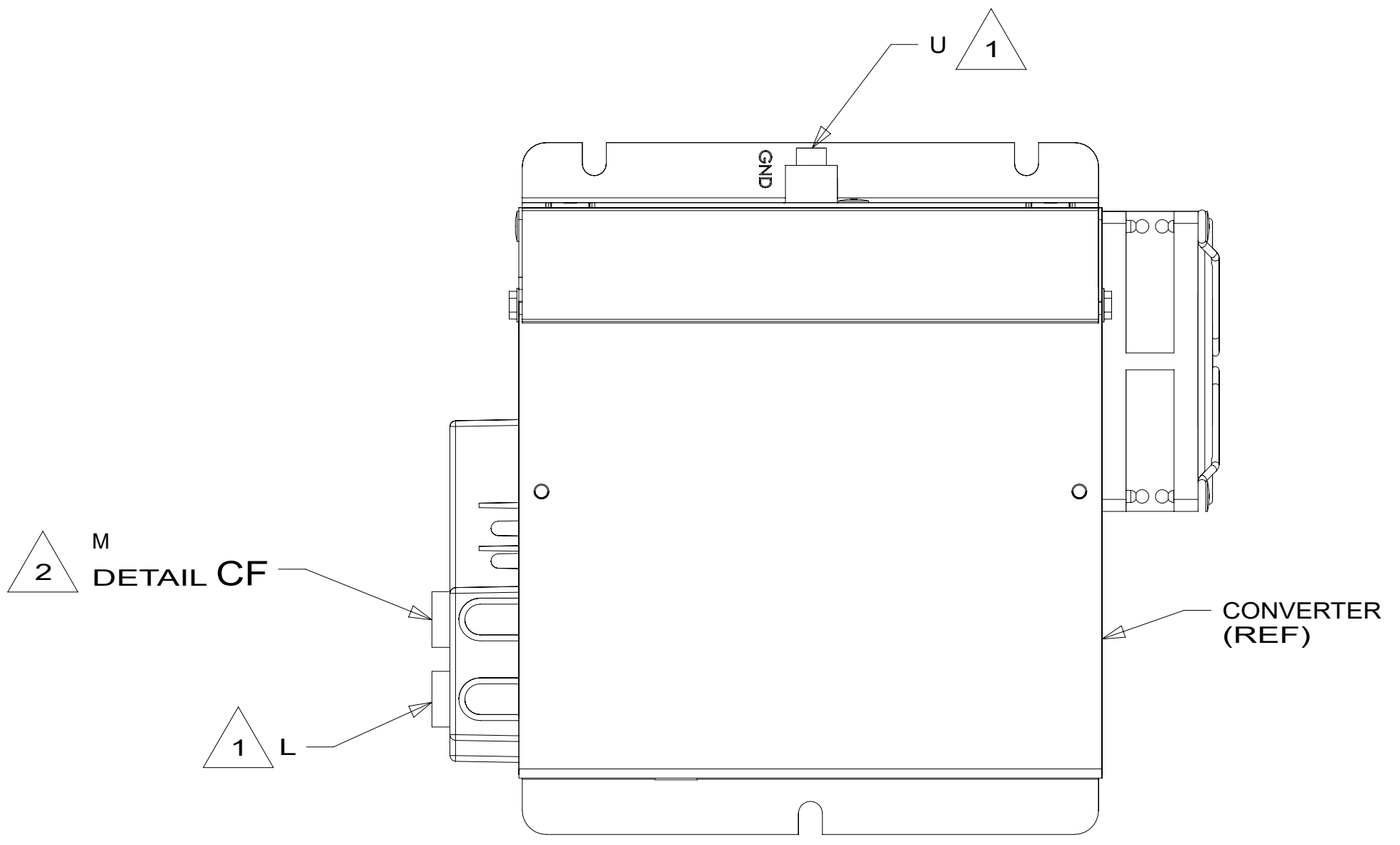


DETAIL CD

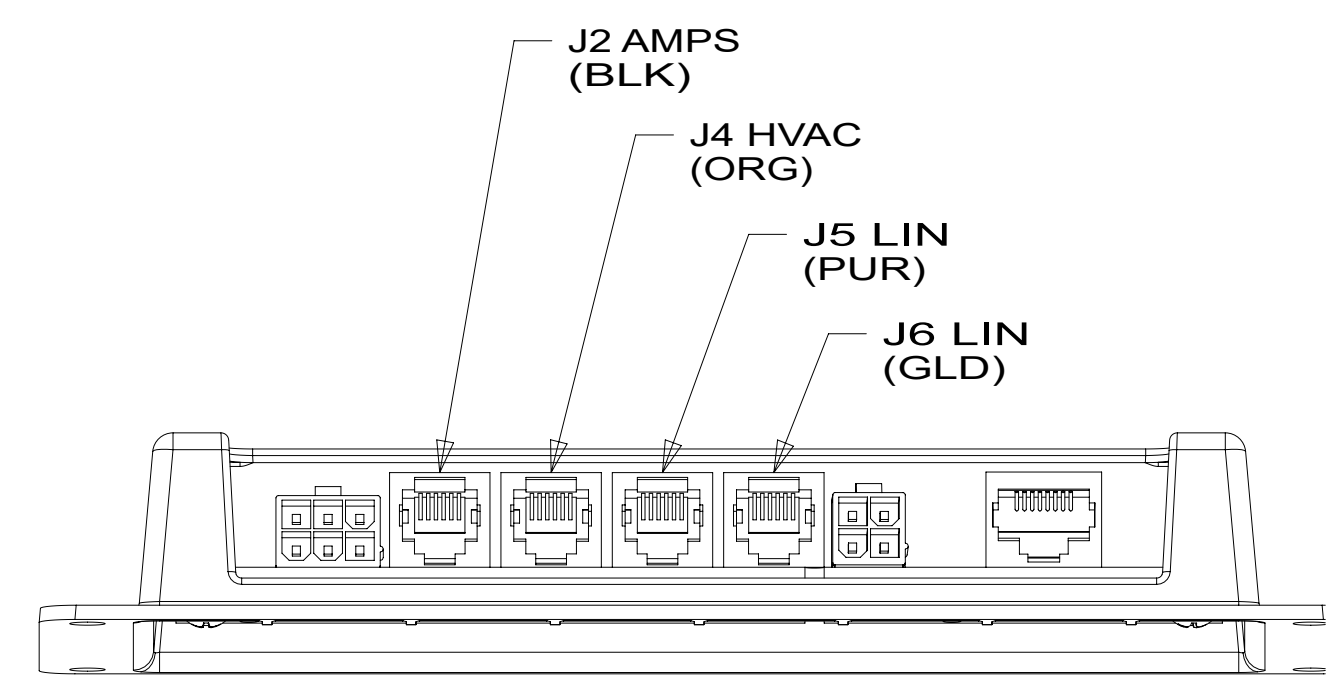
- SWITCH-BATTERY,DISC
108357-18-000
- ACTUATOR-SWITCH
108356-19-CHT
- PLATE-SWITCH
144363-02-CHT
- SCREW
G11-06-10U (2)
- WIRE ASM-THERMISTOR
186796-01-000



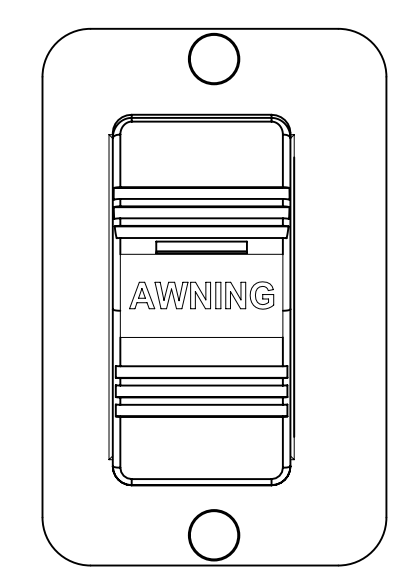
DETAIL CB



DETAIL CE



DETAIL CG



DETAIL CH

- SWITCH-ROCKER
108357-14-000
- ACTUATOR-SWITCH
108356-03-CHT
- PLATE-SWITCH
144363-02-CHT
- SCREW
000G11-06-10U (2)
- LABEL-SWITCH AWNING
000270950 / 353917-01-CHT

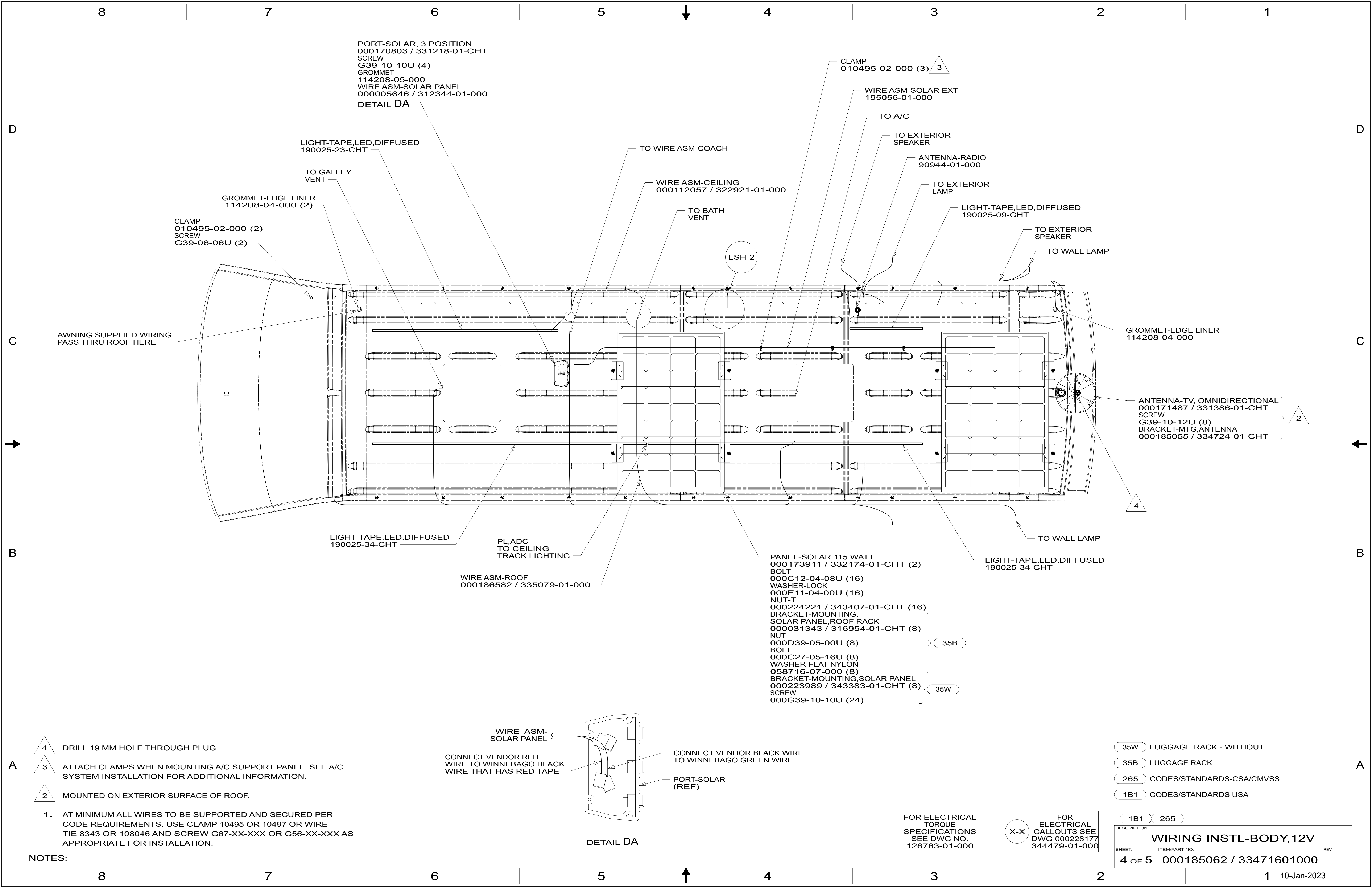
- NOTES:
- 2 CIRCUIT FROM WIRE ASM-COACH.
 - 1 CIRCUIT FROM WIRE ASM-CHASSIS

FOR ELECTRICAL TORQUE SPECIFICATIONS SEE DWG NO. 128783-01-000

FOR ELECTRICAL CALLOUTS SEE DWG 000228177 344479-01-000

- 265 CODES/STANDARDS-CSA/CMVSS
- 1B1 CODES/STANDARDS USA

DESCRIPTION: WIRING INSTL-BODY,12V	
SHEET: 3 OF 5	ITEM/PART NO.: 000185062 / 33471601000
REV	



PORT-SOLAR, 3 POSITION
000170803 / 331218-01-CHT
SCREW
G39-10-10U (4)
GROMMET
114208-05-000
WIRE ASM-SOLAR PANEL
000005646 / 312344-01-000
DETAIL DA

CLAMP
010495-02-000 (3) 3

WIRE ASM-SOLAR EXT
195056-01-000

TO A/C

TO EXTERIOR
SPEAKER

ANTENNA-RADIO
90944-01-000

TO EXTERIOR
LAMP

LIGHT-TAPE, LED, DIFFUSED
190025-09-CHT

TO EXTERIOR
SPEAKER

TO WALL LAMP

LIGHT-TAPE, LED, DIFFUSED
190025-23-CHT

TO WIRE ASM-COACH

WIRE ASM-CEILING
000112057 / 322921-01-000

TO BATH
VENT

LSH-2

GROMMET-EDGE LINER
114208-04-000 (2)

CLAMP
010495-02-000 (2)
SCREW
G39-06-06U (2)

AWNING SUPPLIED WIRING
PASS THRU ROOF HERE

GROMMET-EDGE LINER
114208-04-000

ANTENNA-TV, OMNIDIRECTIONAL
000171487 / 331386-01-CHT
SCREW
G39-10-12U (8)
BRACKET-MTG, ANTENNA
000185055 / 334724-01-CHT 2

LIGHT-TAPE, LED, DIFFUSED
190025-34-CHT

PL, ADC
TO CEILING
TRACK LIGHTING

WIRE ASM-ROOF
000186582 / 335079-01-000

PANEL-SOLAR 115 WATT
000173911 / 332174-01-CHT (2)
BOLT
000C12-04-08U (16)
WASHER-LOCK
000E11-04-00U (16)
NUT-T
000224221 / 343407-01-CHT (16)
BRACKET-MOUNTING,
SOLAR PANEL, ROOF RACK
000031343 / 316954-01-CHT (8)
NUT
000D39-05-00U (8)
BOLT
000C27-05-16U (8)
WASHER-FLAT NYLON
058716-07-000 (8)
BRACKET-MOUNTING, SOLAR PANEL
000223989 / 343383-01-CHT (8)
SCREW
000G39-10-10U (24)

35B

35W

LIGHT-TAPE, LED, DIFFUSED
190025-34-CHT

TO WALL LAMP

4 DRILL 19 MM HOLE THROUGH PLUG.

3 ATTACH CLAMPS WHEN MOUNTING A/C SUPPORT PANEL. SEE A/C SYSTEM INSTALLATION FOR ADDITIONAL INFORMATION.

2 MOUNTED ON EXTERIOR SURFACE OF ROOF.

1. AT MINIMUM ALL WIRES TO BE SUPPORTED AND SECURED PER CODE REQUIREMENTS. USE CLAMP 10495 OR 10497 OR WIRE TIE 8343 OR 108046 AND SCREW G67-XX-XXX OR G56-XX-XXX AS APPROPRIATE FOR INSTALLATION.

NOTES:

WIRE ASM-SOLAR PANEL

CONNECT VENDOR RED WIRE TO WINNEBAGO BLACK WIRE THAT HAS RED TAPE

CONNECT VENDOR BLACK WIRE TO WINNEBAGO GREEN WIRE

PORT-SOLAR (REF)

DETAIL DA

35W LUGGAGE RACK - WITHOUT

35B LUGGAGE RACK

265 CODES/STANDARDS-CSA/CMVSS

1B1 CODES/STANDARDS USA

1B1 265

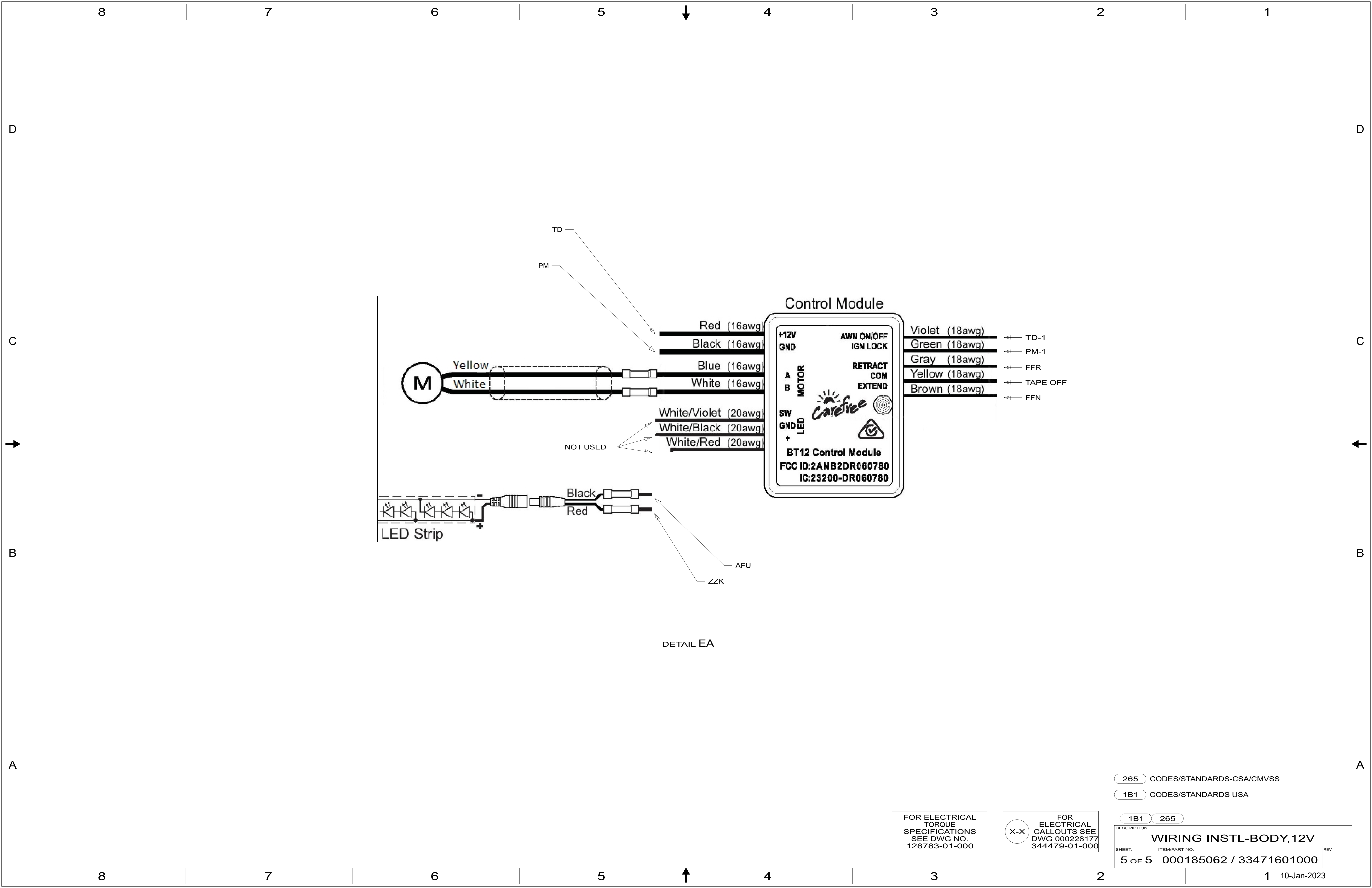
FOR ELECTRICAL TORQUE SPECIFICATIONS SEE DWG NO. 128783-01-000

FOR ELECTRICAL CALLOUTS SEE DWG 000228177 344479-01-000

DESCRIPTION:
WIRING INSTL-BODY, 12V

SHEET: 4 OF 5 ITEM/PART NO.: 000185062 / 33471601000 REV

1 10-Jan-2023



265 CODES/STANDARDS-CSA/CMVSS

1B1 CODES/STANDARDS USA

1B1 265

DESCRIPTION:
WIRING INSTL-BODY, 12V

SHEET: 5 OF 5
ITEM/PART NO.: 000185062 / 33471601000
REV:

FOR ELECTRICAL TORQUE SPECIFICATIONS SEE DWG NO. 128783-01-000

FOR ELECTRICAL CALLOUTS SEE DWG 000228177 344479-01-000