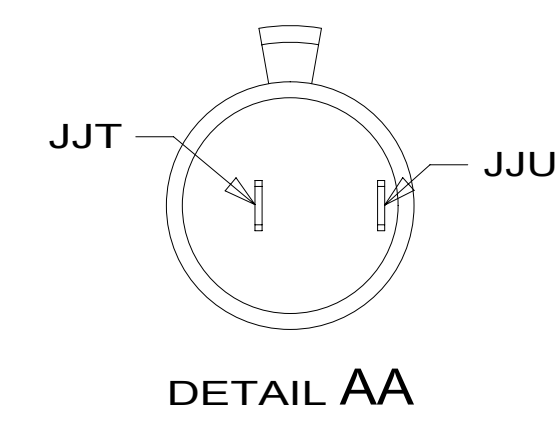
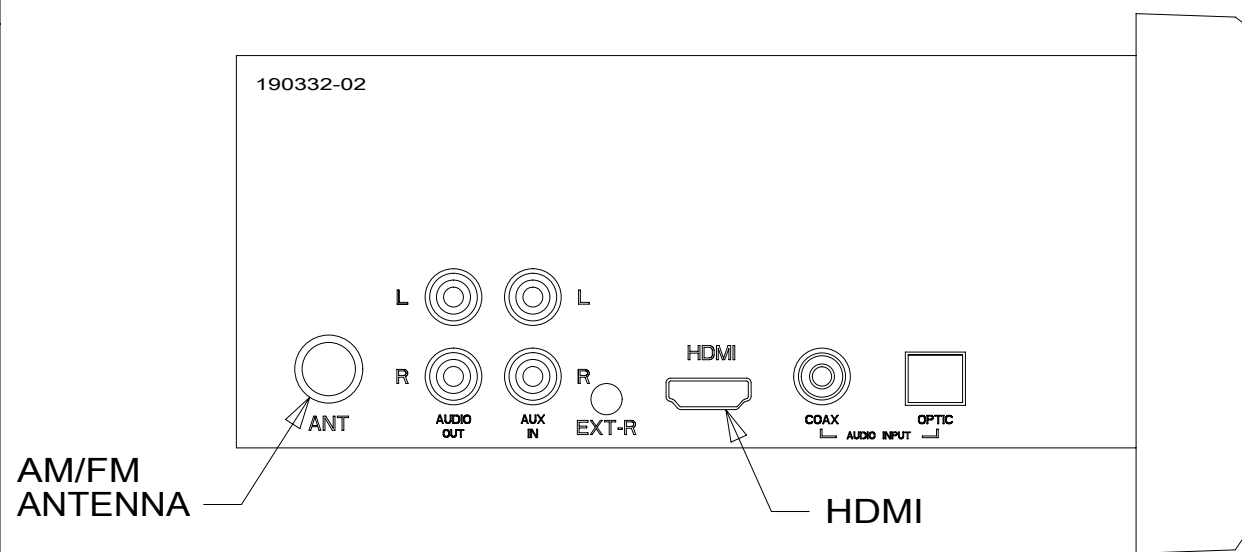


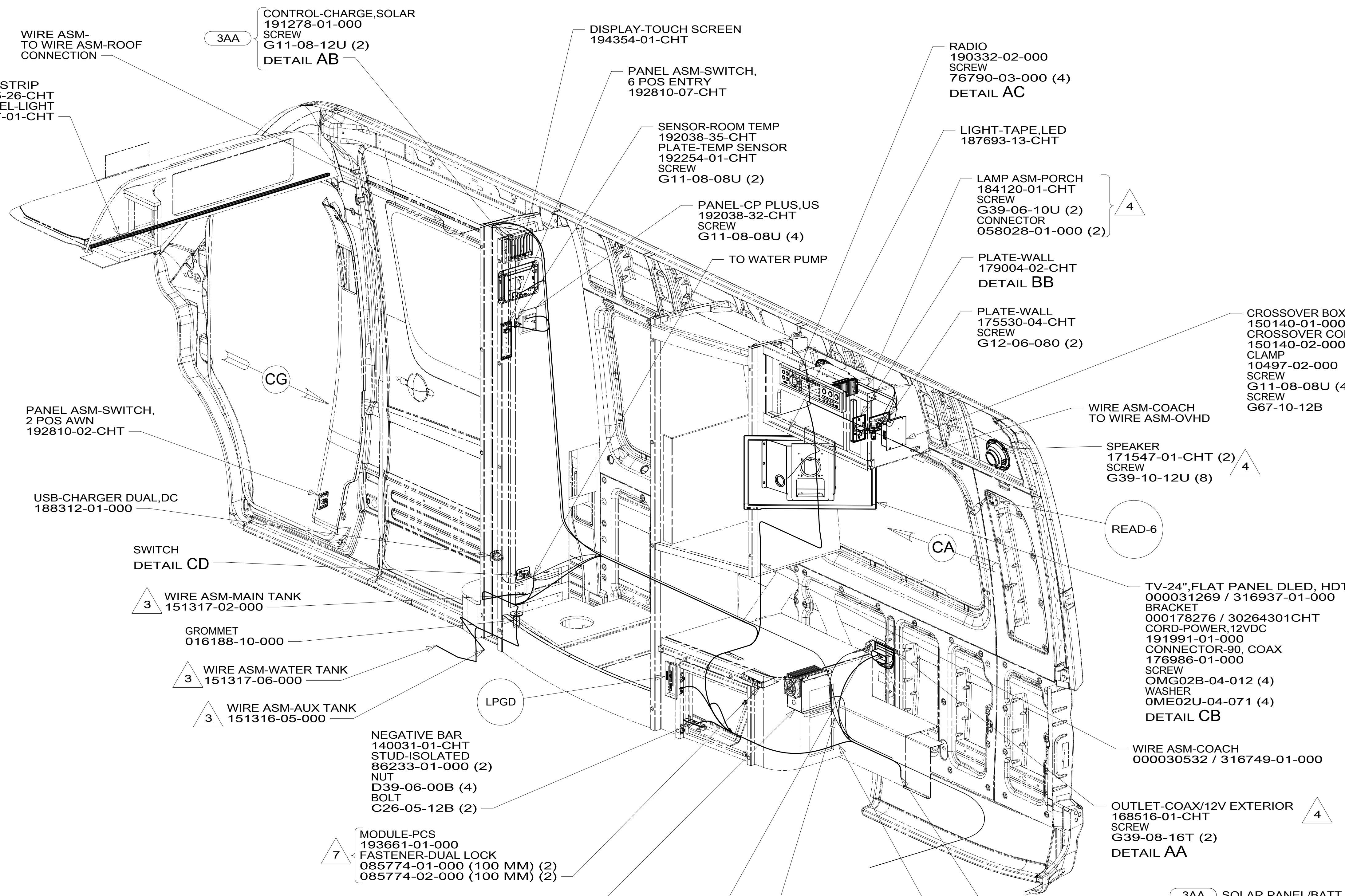
DETAIL AB 6 3AA



DETAIL AA

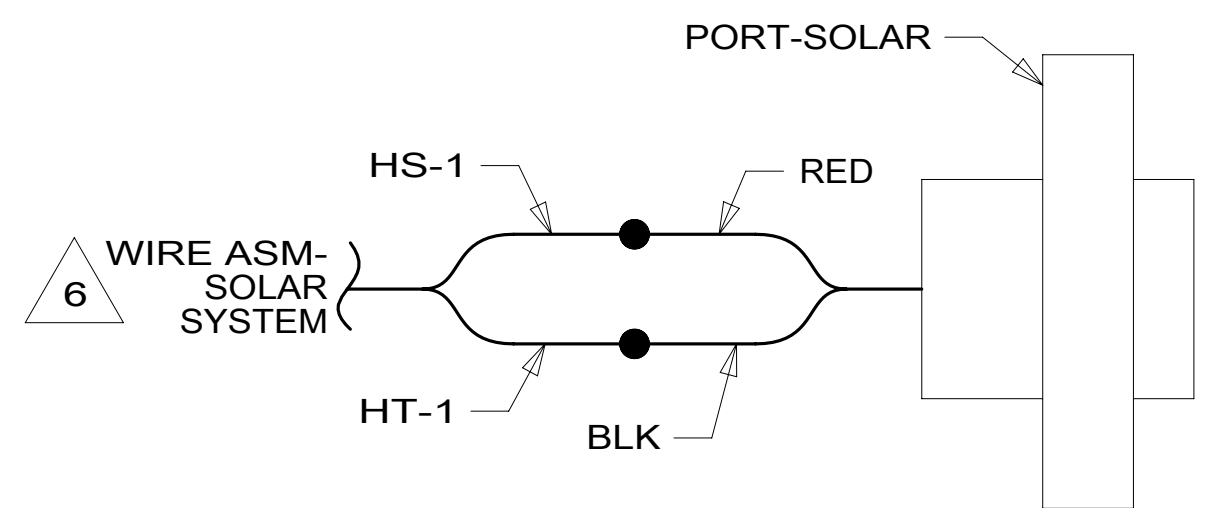


DETAIL AC



- 7 MOUNT TO TOP OF WHEEL WELL. CLEAN SURFACES.
- 6 SEE WIRE ASM-SOLAR SYSTEM AND WIRING INSTL-CHASSIS FOR ADDITIONAL INFORMATION.
- 5 CUT TO LENGTH NEEDED TO FIT CABINET.
- 4 MOUNT ON EXTERIOR SURFACE OF VAN SIDEWALL.
- 3 PLACE CROSS LOCATOR ON SENSORS OVER DIMPLES ON TANK.

2. ROUTE TANK SENSOR WIRES SO THEY DO NOT PASSOVER SENSORS. USE WIRE TIE MOUNT 155366-01-000 AND WIRE TIE 8343-01-000 AS NEEDED. TANK SURFACE MUST BE CLEANED USING ISOPROPYL ALCOHOL AND PRIMED WITH PRIMER 94.
1. AT MINIMUM ALL WIRES TO BE SUPPORTED AND SECURED PER CODE REQUIREMENTS. USE CLAMP 10495 OR 10497 OR WIRE TIE 8343 OR 108046 AND SCREW G67-XX-XXX OR G56-XX-XXX AS APPROPRIATE FOR INSTALLATION.



DETAIL AD 3AA

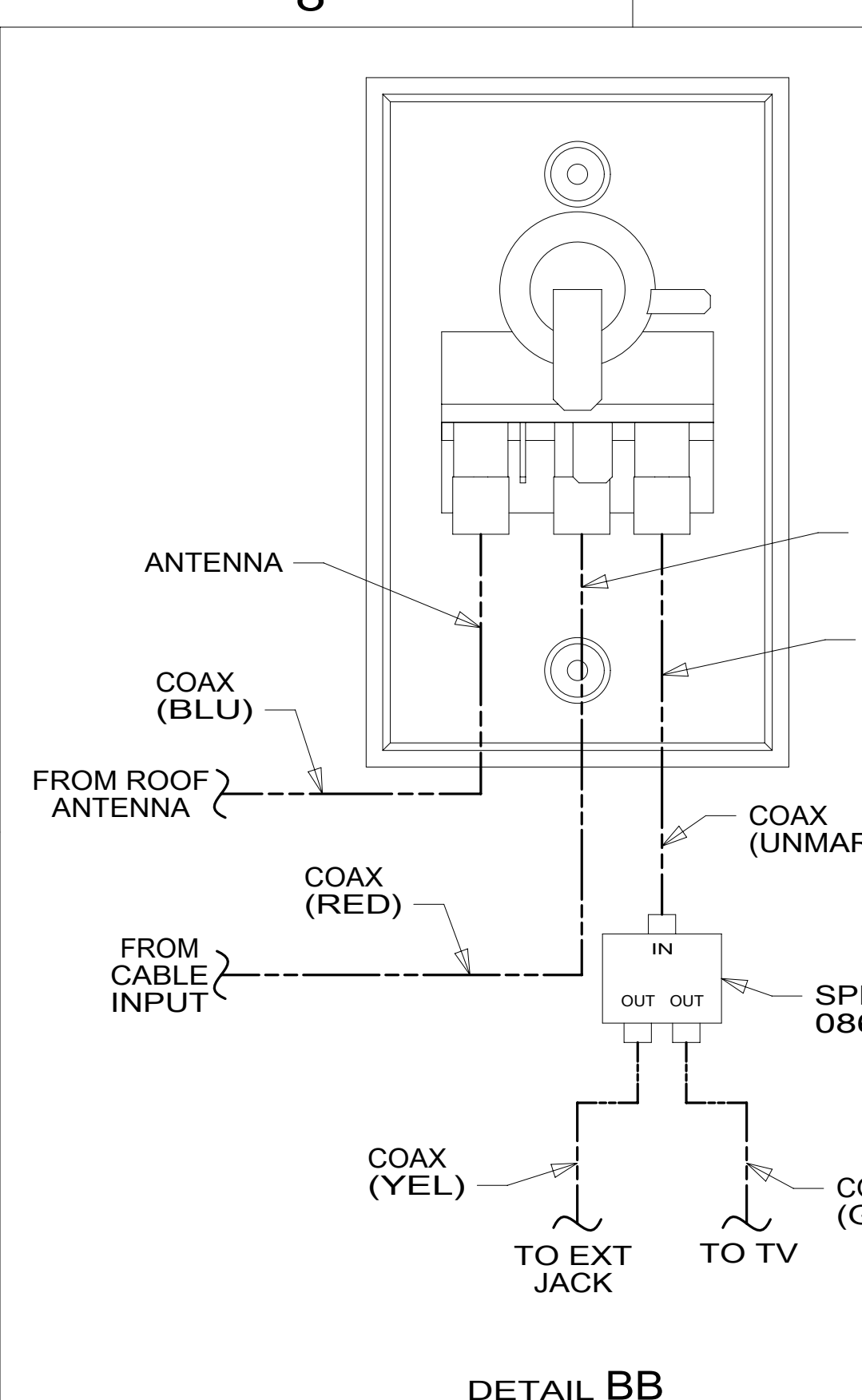
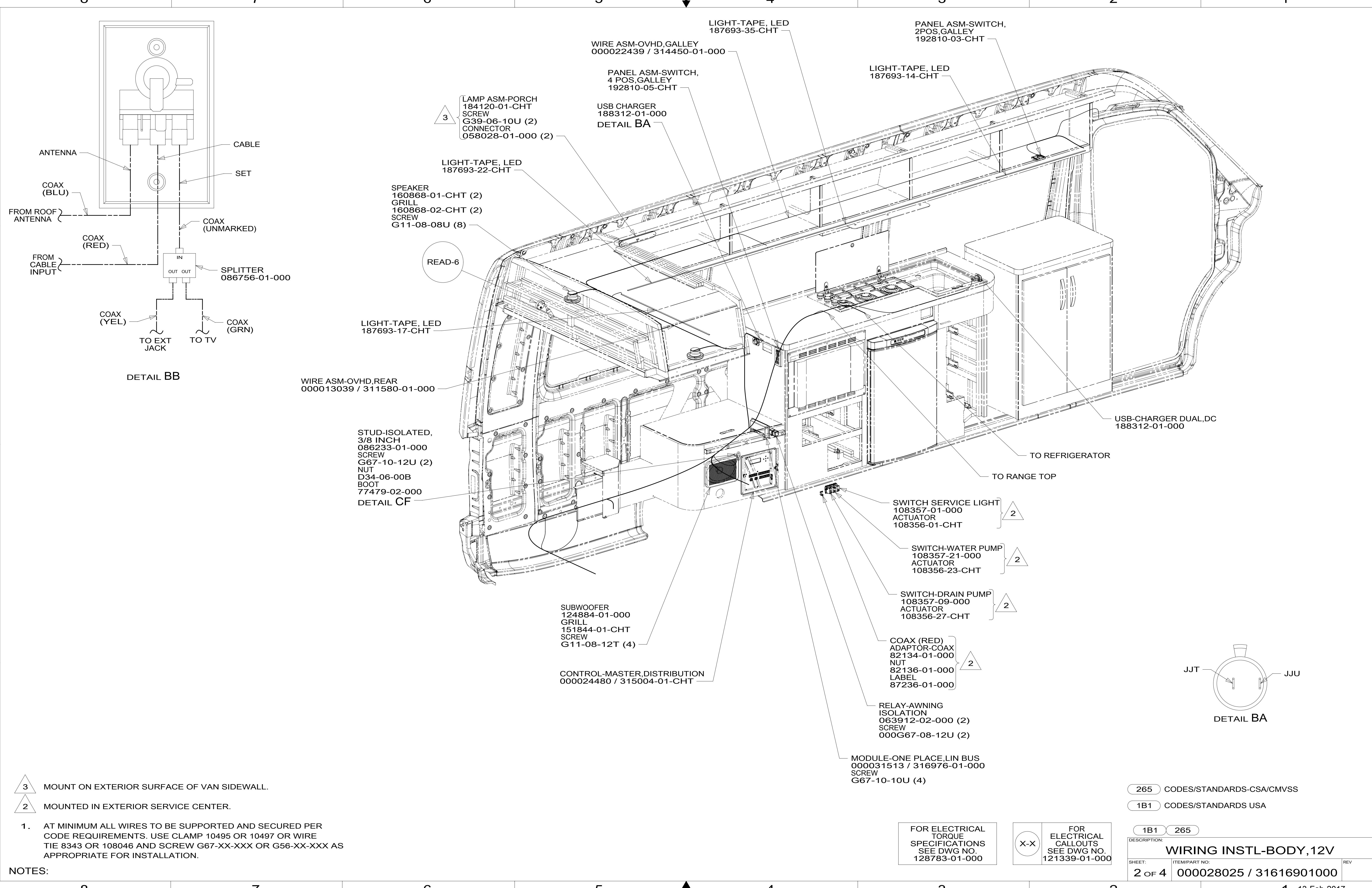
FOR ELECTRICAL TORQUE SPECIFICATIONS SEE DWG NO. 128783-01-000

FOR ELECTRICAL CALLOUTS SEE DWG NO. 121339-01-000

- 3AA SOLAR PANEL/BATT CHARGER SYS
- 265 CODES/STANDARDS-CSA/CMVSS
- 1B1 CODES/STANDARDS USA

WINNEBAGO
COPYRIGHT 2016 WINNEBAGO INDUSTRIES, INC.

DSNR:	ALL DIMENSIONS ARE IN MILLIMETERS
DFFR:	
UNSPECIFIED TOLERANCES:	MATERIAL:
WHOLE DIM (X) : 3	
ONE-PLACE (X.X) : 1.5	
TWO-PLACE (X.XX) : 0.50	
ANGLE : 1°	
REFER TO ES0018 FOR FASTENER TIGHTENING GUIDELINES	WEIGHT: (LBS) FIRST USED: 17 170X
DESCRIPTION: WIRING INSTL-BODY, 12V	
SHEET: 1 OF 4	ITEM/PART NO: 000028025 / 31616901000
REF:	1 13-Feb-2017



3 MOUNT ON EXTERIOR SURFACE OF VAN SIDEWALL.
 2 MOUNTED IN EXTERIOR SERVICE CENTER.
 1. AT MINIMUM ALL WIRES TO BE SUPPORTED AND SECURED PER CODE REQUIREMENTS. USE CLAMP 10495 OR 10497 OR WIRE TIE 8343 OR 108046 AND SCREW G67-XX-XXX OR G56-XX-XXX AS APPROPRIATE FOR INSTALLATION.

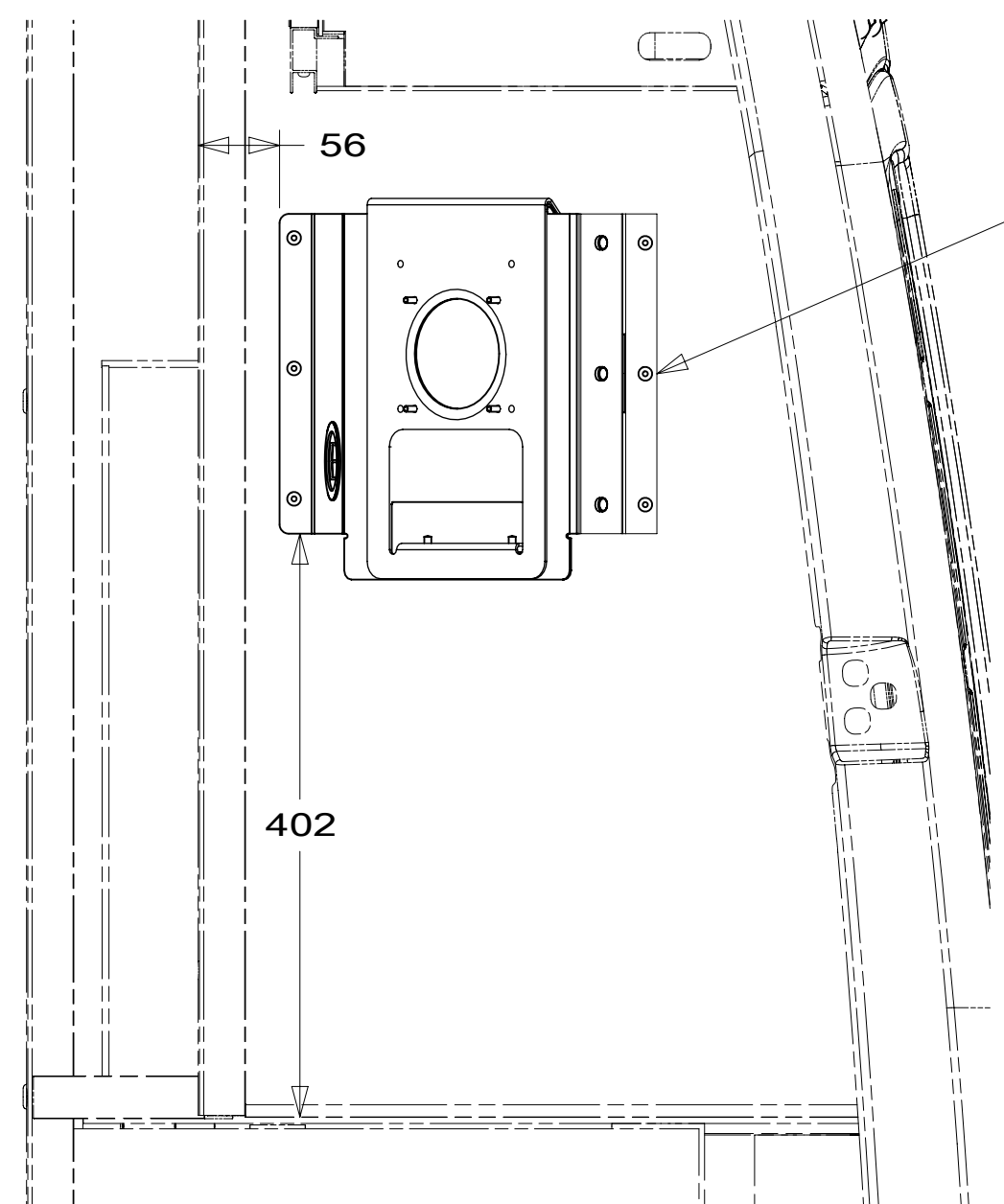
NOTES:

- ANTENNA
- CABLE
- SET
- COAX (BLU)
- FROM ROOF ANTENNA
- COAX (RED)
- FROM CABLE INPUT
- COAX (UNMARKED)
- SPLITTER 086756-01-000
- COAX (YEL)
- TO EXT JACK
- TO TV
- COAX (GRN)
- DETAIL BB
- WIRE ASM-OVHD,GALLEY 000022439 / 314450-01-000
- PANEL ASM-SWITCH, 2POS,GALLEY 192810-03-CHT
- LIGHT-TAPE, LED 187693-35-CHT
- PANEL ASM-SWITCH, 4 POS,GALLEY 192810-05-CHT
- USB CHARGER 188312-01-000
- DETAIL BA
- LAMP ASM-PORCH 184120-01-CHT
- SCREW G39-06-10U (2)
- CONNECTOR 058028-01-000 (2)
- LIGHT-TAPE, LED 187693-22-CHT
- SPEAKER 160868-01-CHT (2)
- GRILL 160868-02-CHT (2)
- SCREW G11-08-08U (8)
- READ-6
- LIGHT-TAPE, LED 187693-17-CHT
- WIRE ASM-OVHD,REAR 000013039 / 311580-01-000
- STUD-ISOLATED, 3/8 INCH 086233-01-000
- SCREW G67-10-12U (2)
- NUT D34-06-00B
- BOOT 77479-02-000
- DETAIL CF
- TO REFRIGERATOR
- TO RANGE TOP
- USB-CHARGER DUAL,DC 188312-01-000
- SWITCH SERVICE LIGHT 108357-01-000
- ACTUATOR 108356-01-CHT
- SWITCH-WATER PUMP 108357-21-000
- ACTUATOR 108356-23-CHT
- SWITCH-DRAIN PUMP 108357-09-000
- ACTUATOR 108356-27-CHT
- COAX (RED) ADAPTOR-COAX 82134-01-000
- NUT 82136-01-000
- LABEL 87236-01-000
- RELAY-AWNING ISOLATION 063912-02-000 (2)
- SCREW 000G67-08-12U (2)
- MODULE-ONE PLACE,LIN BUS 000031513 / 316976-01-000
- SCREW G67-10-10U (4)
- SUBWOOFER 124884-01-000
- GRILL 151844-01-CHT
- SCREW G11-08-12T (4)
- CONTROL-MASTER,DISTRIBUTION 000024480 / 315004-01-CHT

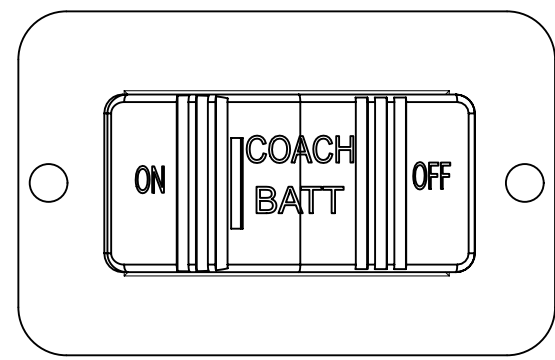
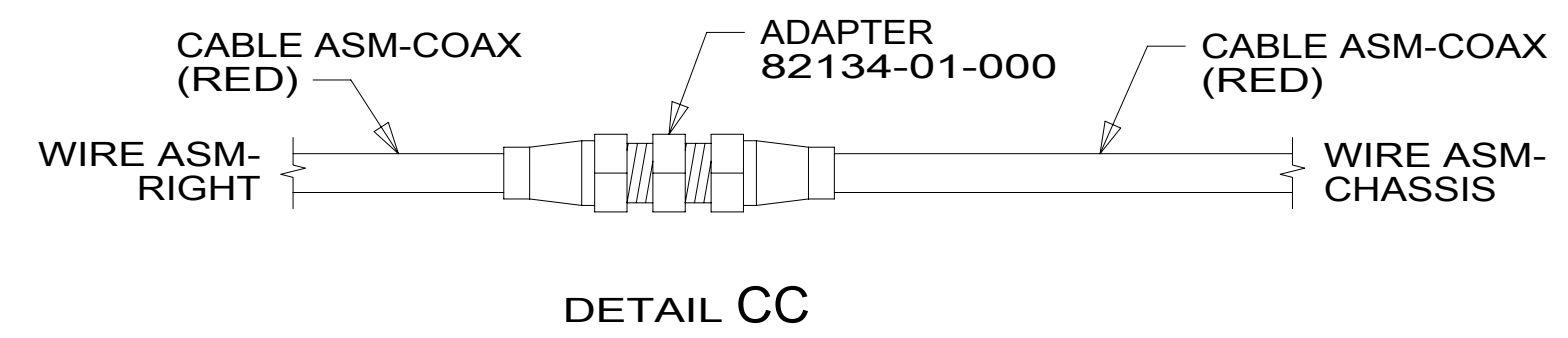
FOR ELECTRICAL TORQUE SPECIFICATIONS SEE DWG NO. 128783-01-000

FOR ELECTRICAL CALLOUTS SEE DWG NO. 121339-01-000

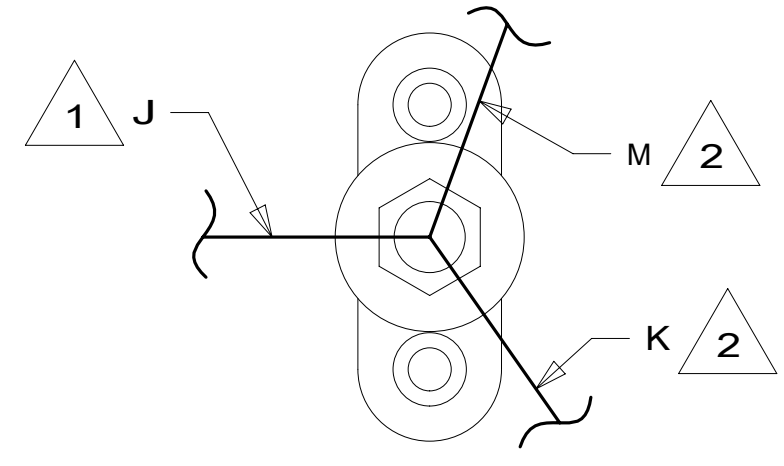
265	CODES/STANDARDS-CSA/CMVSS
1B1	CODES/STANDARDS USA
1B1	265
DESCRIPTION: WIRING INSTL-BODY, 12V	
SHEET: 2 OF 4	ITEM/PART NO: 000028025 / 31616901000
REV	



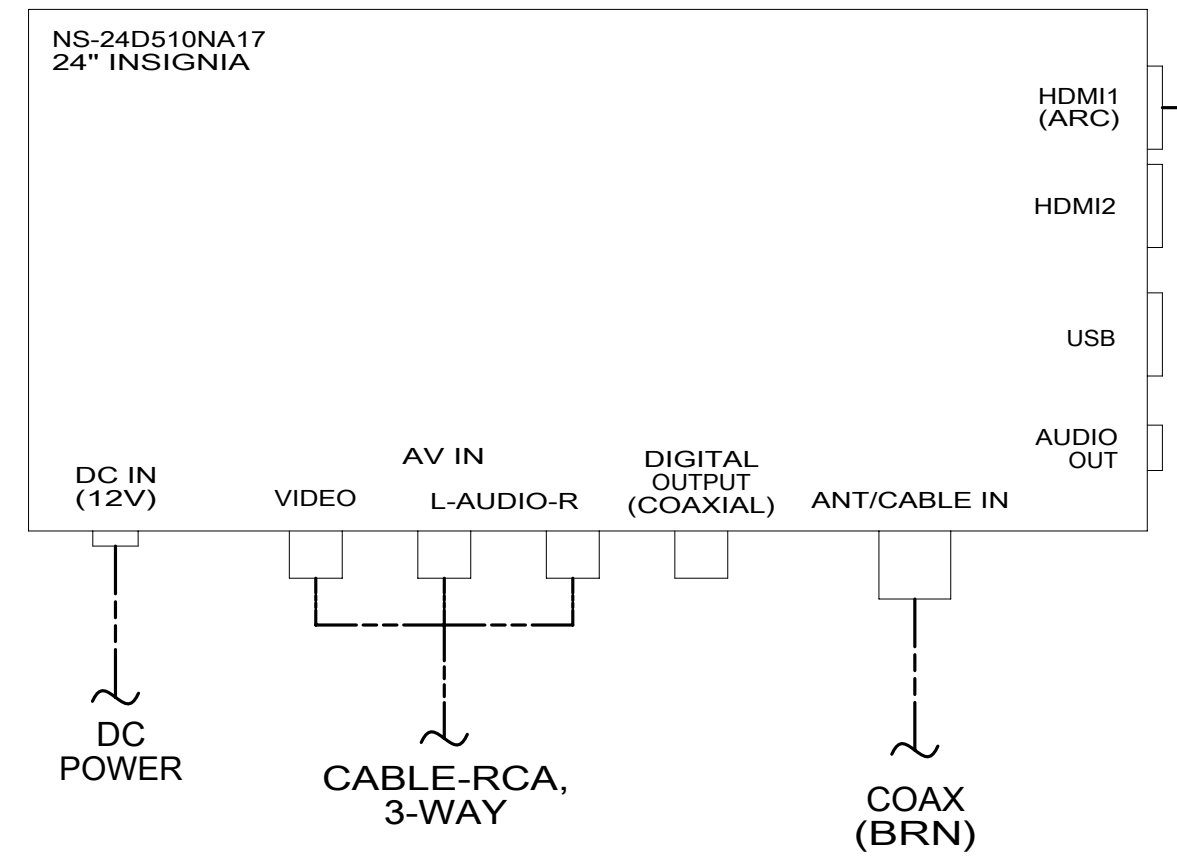
BRACKET-TV
 302677-01-CHT
 192438-02-CHT
 SCREW
 G39-10-08U (5)
 G11-10-08U (6)
 GROMMET
 114208-05-000 (2)



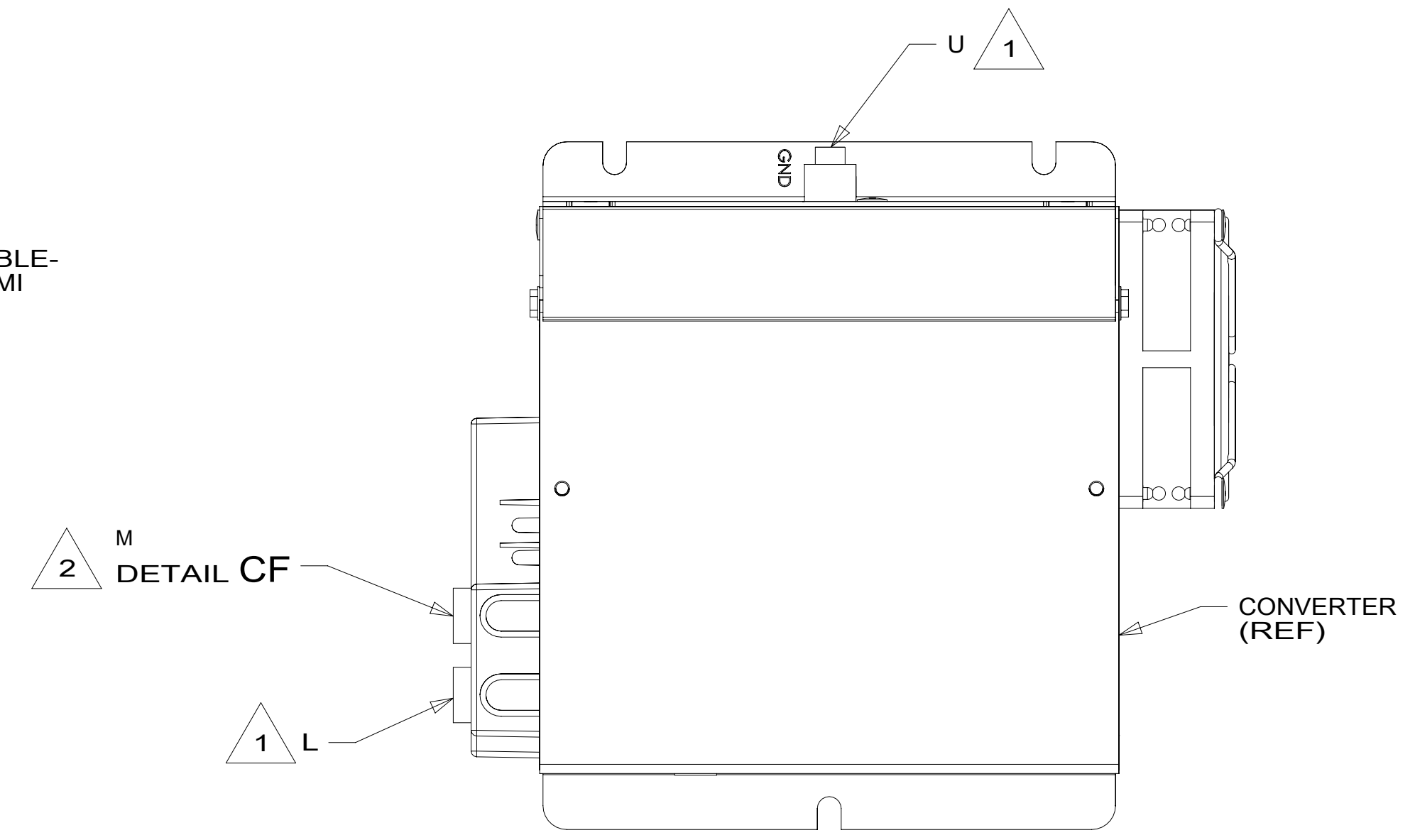
SWITCH-BATTERY,DISC
 108357-18-000
 ACTUATOR-SWITCH
 108356-19-CHT
 PLATE-SWITCH
 144363-02-CHT
 SCREW
 G11-06-10U (2)
 WIRE ASM-THERMISTOR
 186796-01-000



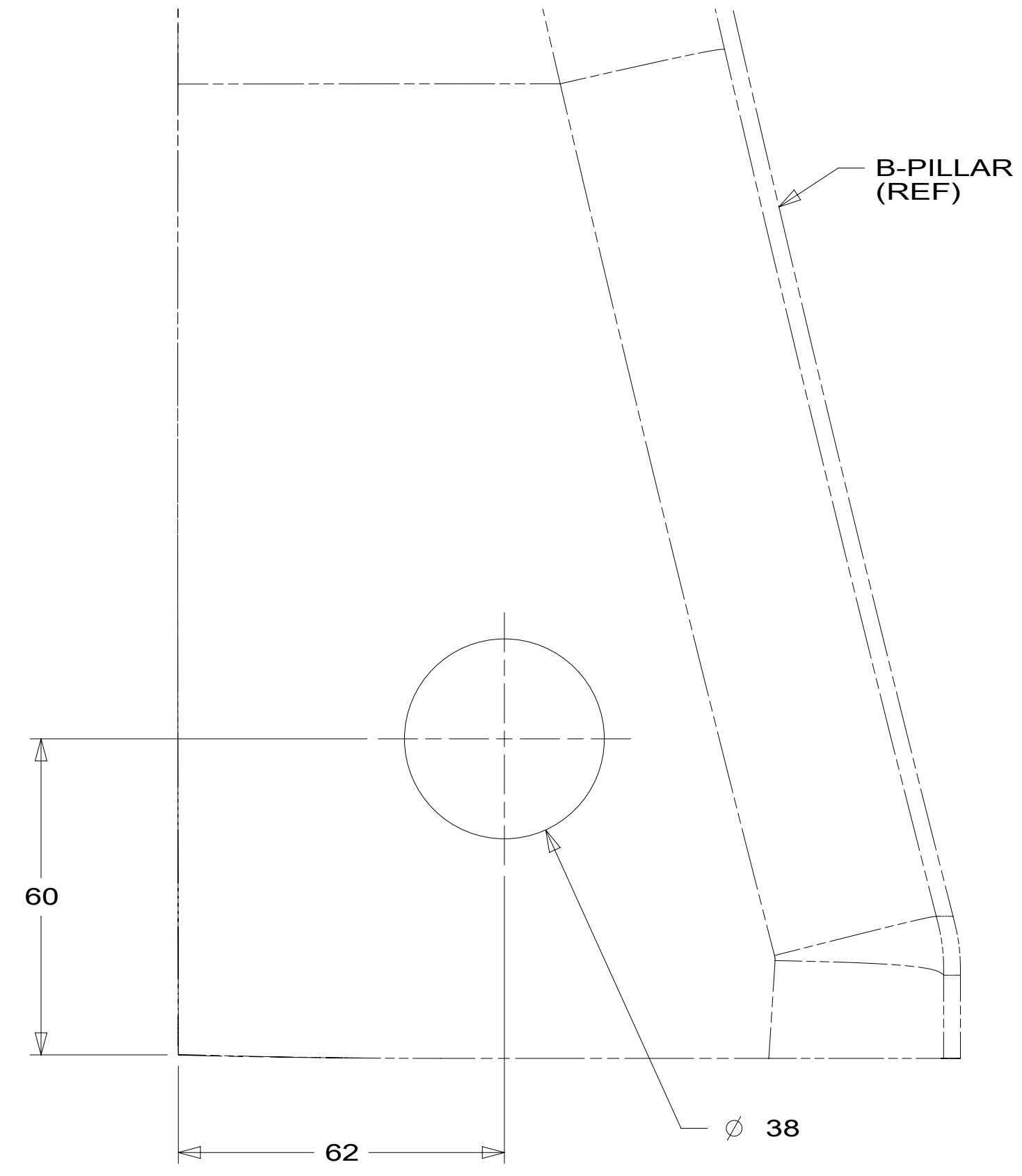
VIEW CA
 (TV NOT SHOWN)



DETAIL CB



DETAIL CE



VIEW CG

2 CIRCUIT FROM WIRE ASM-COACH.
 1 CIRCUIT FROM WIRE ASM-CHASSIS

NOTES:

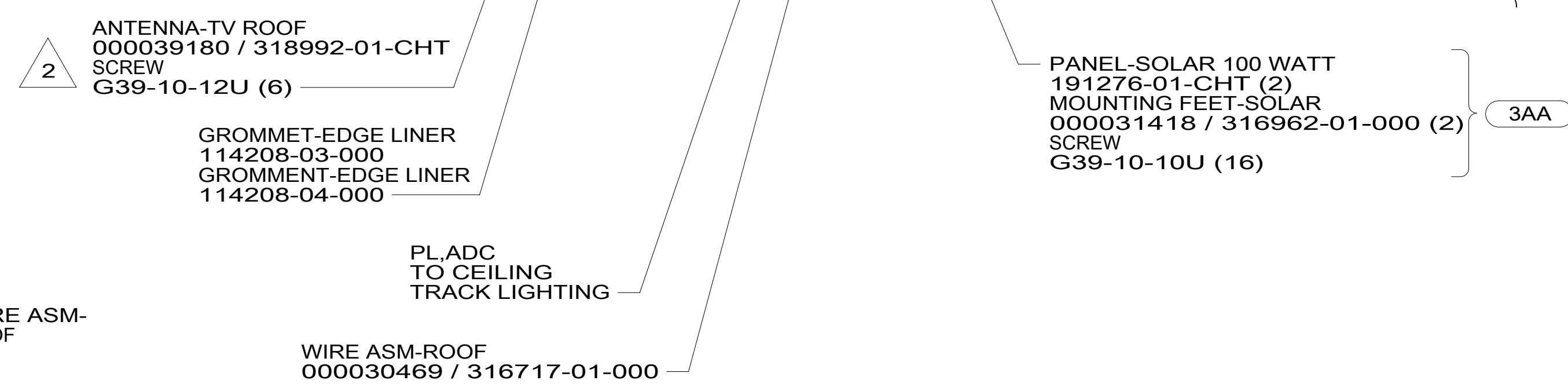
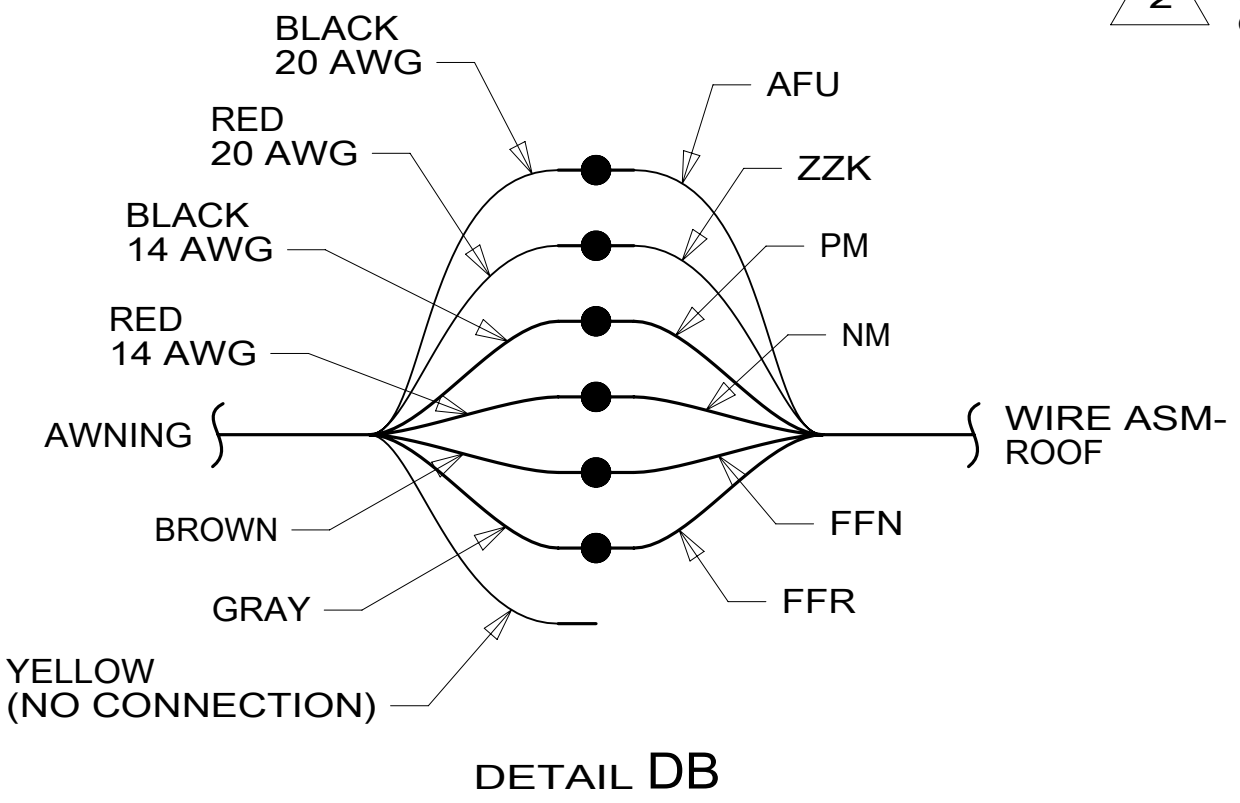
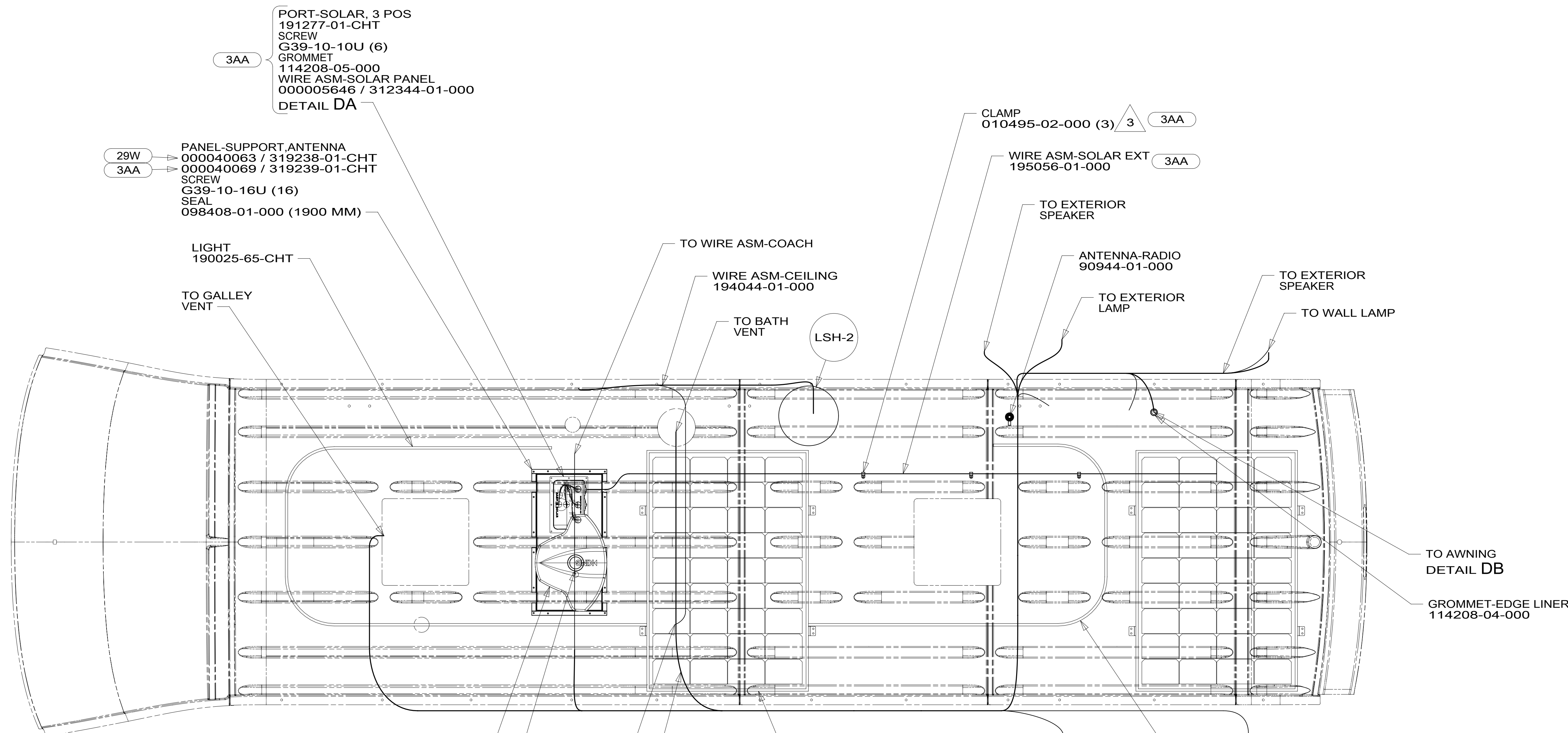
FOR ELECTRICAL TORQUE SPECIFICATIONS SEE DWG NO. 128783-01-000

FOR ELECTRICAL CALLOUTS SEE DWG NO. 121339-01-000

265 CODES/STANDARDS-CSA/CMVSS
 1B1 CODES/STANDARDS USA

DESCRIPTION:	1B1 265	
WIRING INSTL-BODY, 12V		
SHEET:	ITEM/PART NO.:	REV
3 OF 4	000028025 / 31616901000	

8 7 6 5 4 3 2 1



- 3 ATTACH CLAMPS WHEN MOUNTING A/C SUPPORT PANEL. SEE A/C SYSTEM INSTALLATION FOR ADDITIONAL INFORMATION.
- 2 MOUNTED ON EXTERIOR SURFACE OF ROOF.
1. AT MINIMUM ALL WIRES TO BE SUPPORTED AND SECURED PER CODE REQUIREMENTS. USE CLAMP 10495 OR 10497 OR WIRE TIE 8343 OR 108046 AND SCREW G67-XX-XXX OR G56-XX-XXX AS APPROPRIATE FOR INSTALLATION.

- 3AA SOLAR PANEL/BATT CHARGER SYS
- 29W SOLAR PANEL/BATTERY CHRGR W/O
- 265 CODES/STANDARDS-CSA/CMVSS
- 1B1 CODES/STANDARDS USA

FOR ELECTRICAL TORQUE SPECIFICATIONS SEE DWG NO. 128783-01-000

FOR ELECTRICAL CALLOUTS SEE DWG NO. 121339-01-000

DESCRIPTION: WIRING INSTL-BODY, 12V		
SHEET: 4 OF 4	ITEM/PART NO: 000028025 / 31616901000	REV: