

8 7 6 5 4 3 2 1

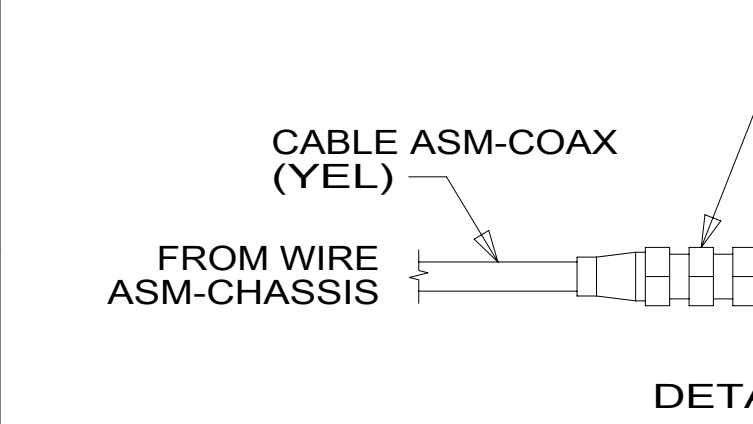
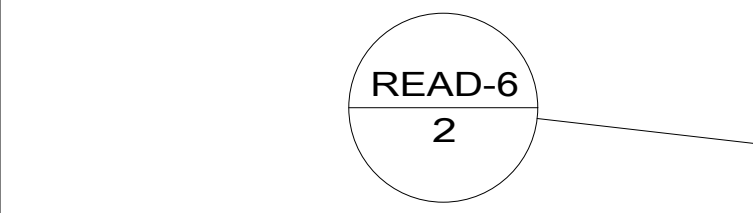
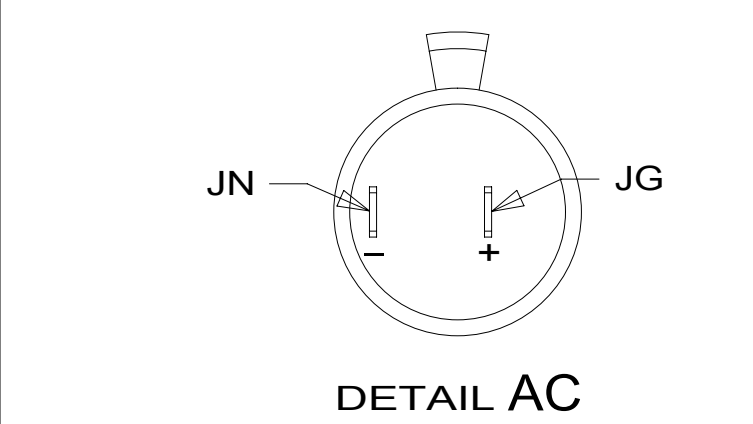
D

C

B

A

8 7 6 5 4 3 2 1

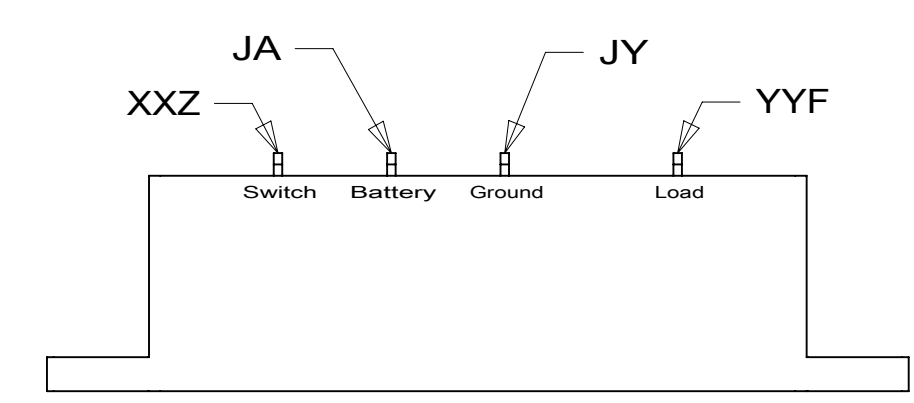
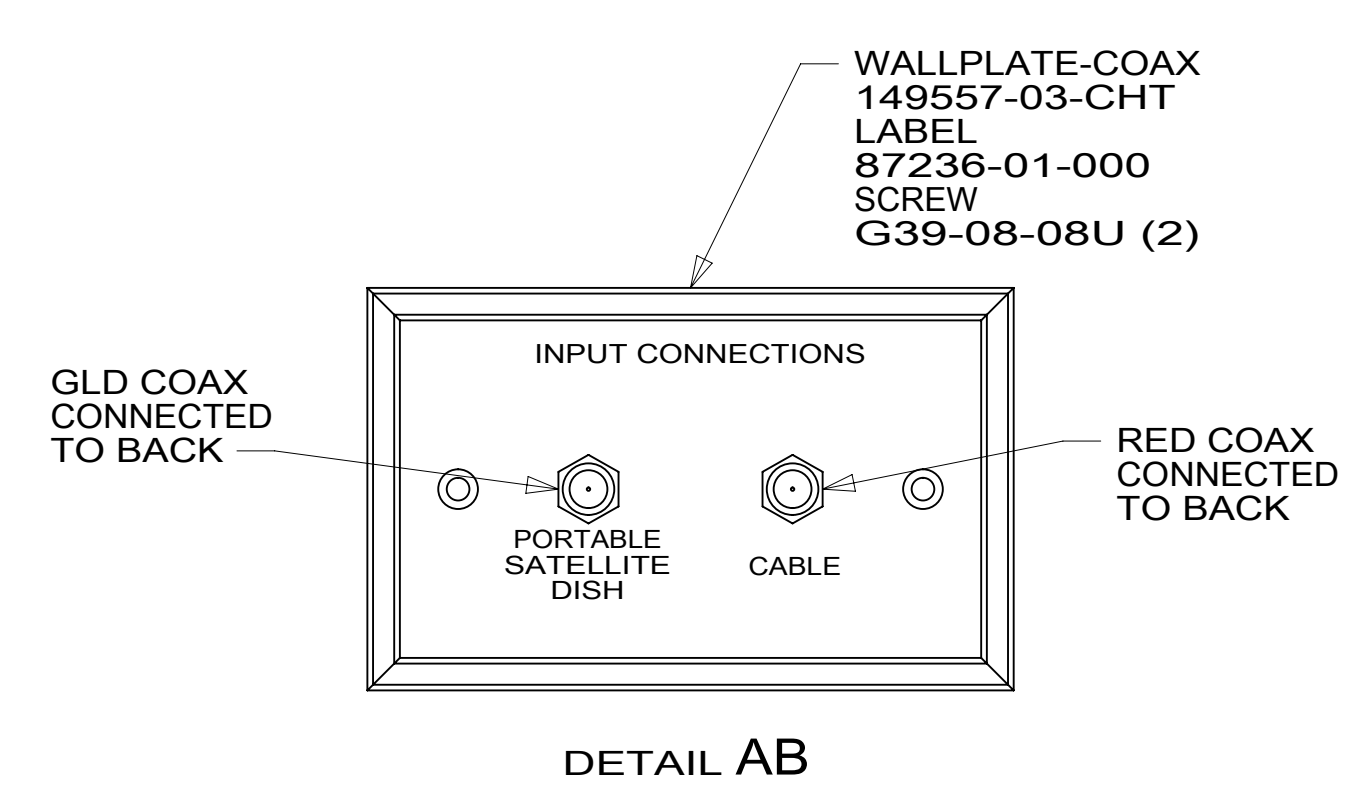


4 SPLICE YELLOW TO RED AND WHITE TO BLACK.  
 3 WIRE PASSES THROUGH FLOOR IN THIS AREA.

2. ROUTE TANK SENSOR WIRES SO THEY DO NOT PASS OVER SENSORS. USE WIRE TIE MOUNT 155366-01-000 AND WIRE TIE 8343-01-000 AS NEEDED. TANK SURFACE MUST BE CLEANED USING ISOPROPYL ALCOHOL AND PRIMED WITH PRIMER 94.

1. AT MINIMUM ALL WIRES TO BE SUPPORTED AND SECURED PER CODE REQUIREMENTS. USE CLAMP 10495 OR 10497 OR WIRE TIE 8343 OR 108046 AND SCREW G67-XX-XXX OR G56-XX-XXX AS APPROPRIATE FOR INSTALLATION.

NOTES:



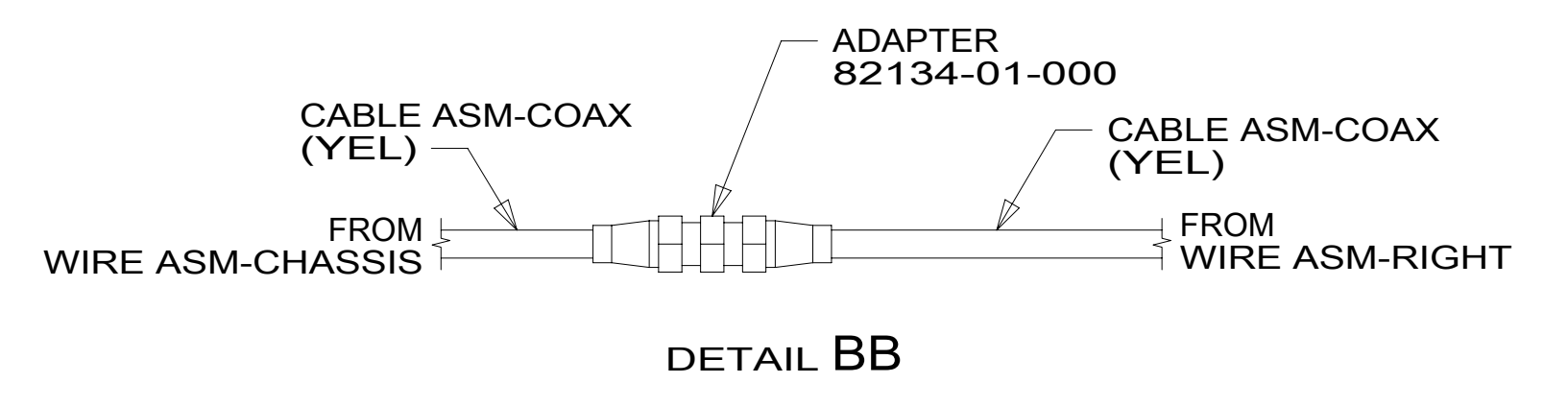
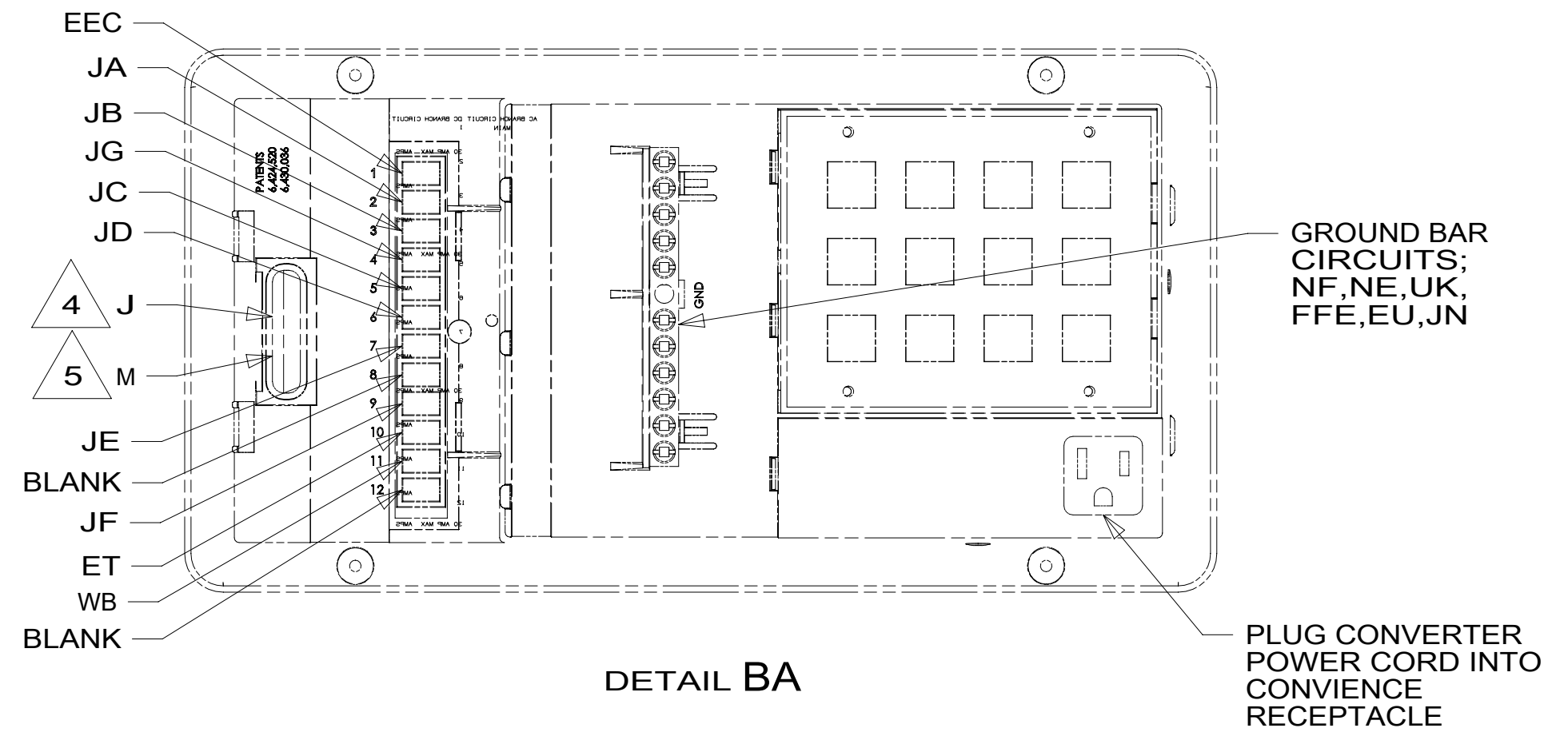
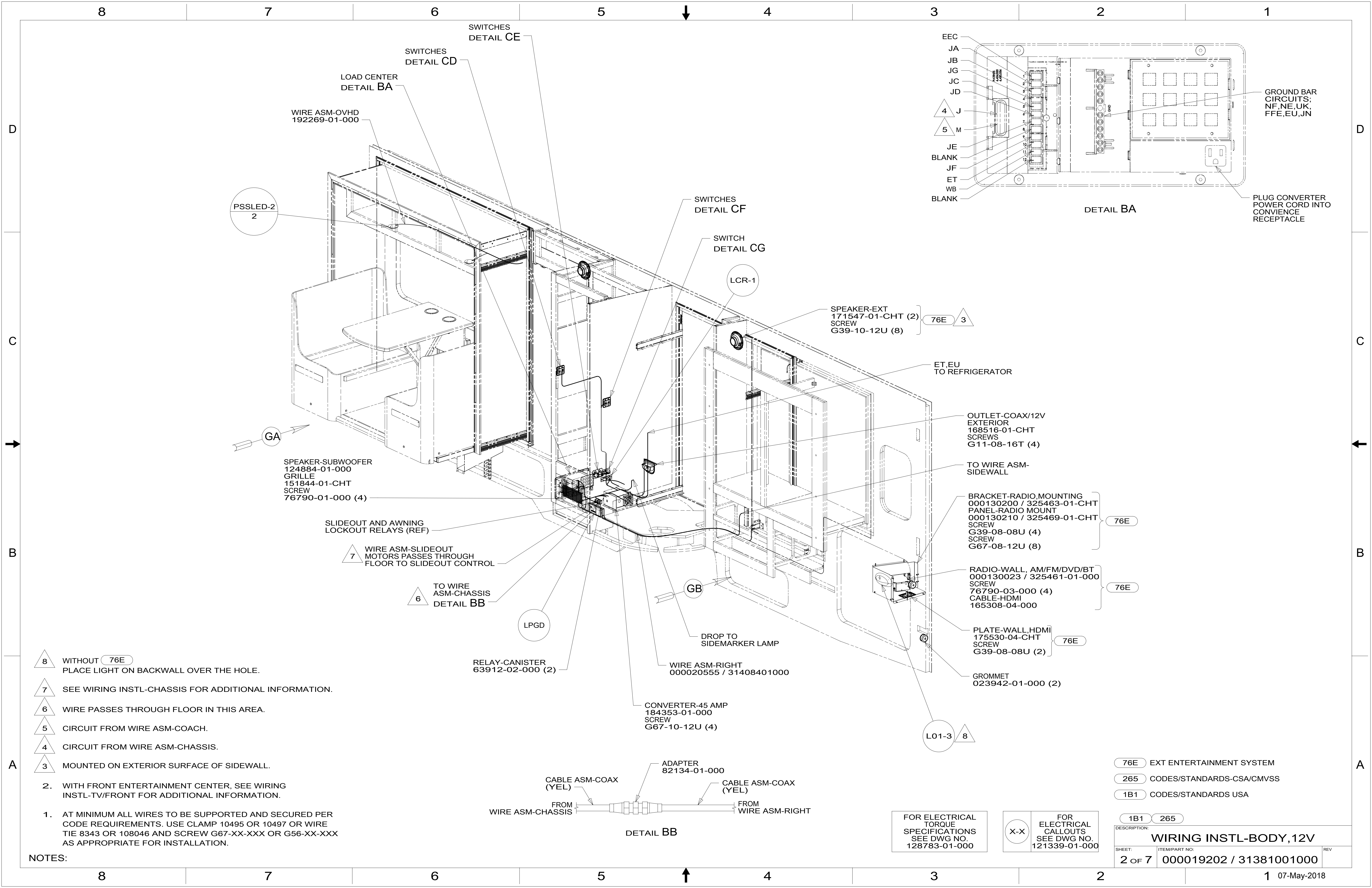
- 1BU WTR HTR TKLS W/RECIRCUL PUMP
- 282 SOLAR PANEL - 100 WATT
- 29Z A/C ROOF MOUNT-HEAT PUMP
- 265 CODES/STANDARDS-CSA/CMVSS
- 1B1 CODES/STANDARDS USA

**WINNEBAGO**  
 COPYRIGHT 2016 WINNEBAGO INDUSTRIES, INC.

DSNR:	ALL DIMENSIONS ARE IN MILLIMETERS
DFFR:	MATERIAL:
UNSPECIFIED TOLERANCES:	
WHOLE DIM (X) :	3
ONE-PLACE (X.X) :	1.5
TWO-PLACE (X.XX) :	0.50
ANGLE :	1°
REFER TO ES0018 FOR FASTENER TIGHTENING GUIDELINES	WEIGHT: (LBS) FIRST USED:
	17 730J
<b>WIRING INSTL-BODY, 12V</b>	
SHEET: 1 OF 7	ITEM/PART NO: 000019202 / 31381001000
REF:	1 07-May-2018

FOR ELECTRICAL TORQUE SPECIFICATIONS SEE DWG NO. 128783-01-000

FOR ELECTRICAL CALLOUTS SEE DWG NO. 121339-01-000

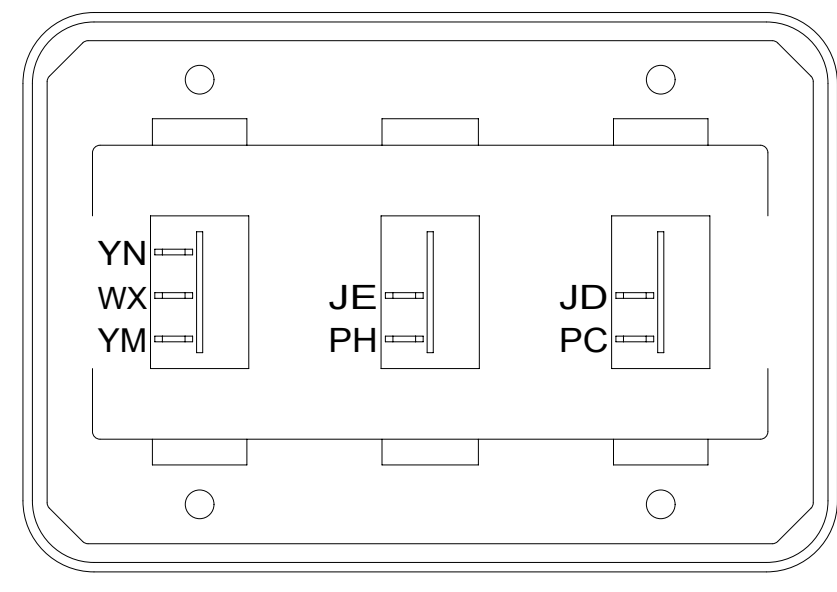


- NOTES:**
- 1. AT MINIMUM ALL WIRES TO BE SUPPORTED AND SECURED PER CODE REQUIREMENTS. USE CLAMP 10495 OR 10497 OR WIRE TIE 8343 OR 108046 AND SCREW G67-XX-XXX OR G56-XX-XXX AS APPROPRIATE FOR INSTALLATION.
  - 2. WITH FRONT ENTERTAINMENT CENTER, SEE WIRING INSTL-TV/FRONT FOR ADDITIONAL INFORMATION.
- 8 WITHOUT 76E PLACE LIGHT ON BACKWALL OVER THE HOLE.
- 7 SEE WIRING INSTL-CHASSIS FOR ADDITIONAL INFORMATION.
- 6 WIRE PASSES THROUGH FLOOR IN THIS AREA.
- 5 CIRCUIT FROM WIRE ASM-COACH.
- 4 CIRCUIT FROM WIRE ASM-CHASSIS.
- 3 MOUNTED ON EXTERIOR SURFACE OF SIDEWALL.

76E	EXT ENTERTAINMENT SYSTEM
265	CODES/STANDARDS-CSA/CMVSS
1B1	CODES/STANDARDS USA
1B1	265
DESCRIPTION: <b>WIRING INSTL-BODY, 12V</b>	
SHEET: 2 OF 7	ITEM/PART NO: 000019202 / 31381001000
REV 07-May-2018	

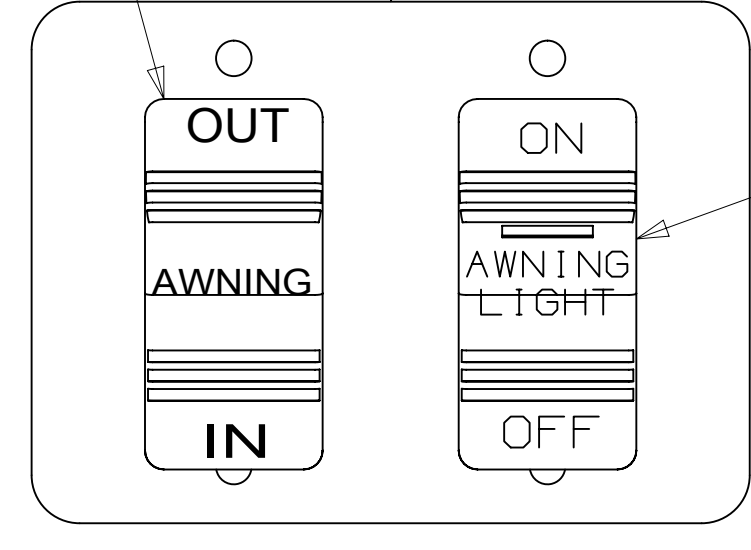
FOR ELECTRICAL TORQUE SPECIFICATIONS SEE DWG NO. 128783-01-000

FOR ELECTRICAL CALLOUTS SEE DWG NO. 121339-01-000



SWITCH-ROCKER  
135740-01-CHT (2)  
135740-02-CHT  
SWITCH-BASE  
135741-03-CHT  
SWITCH-BEZEL  
135742-03-CHT  
SCREW  
G11-08-08U (4)

DETAIL CA

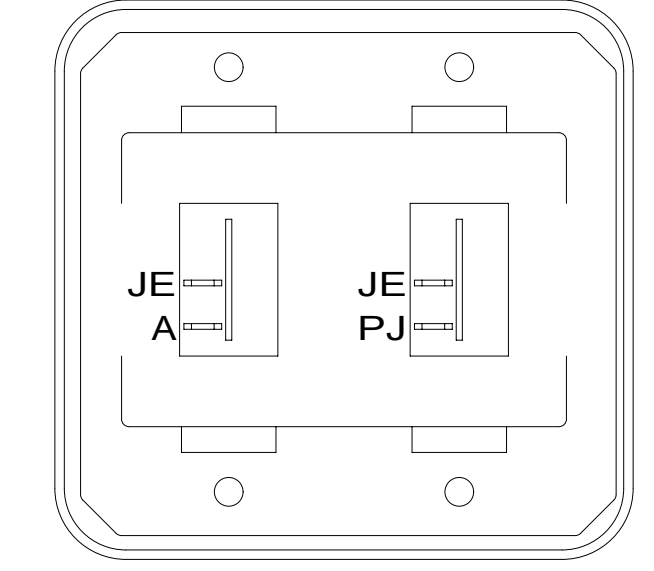


SWITCH-ROCKER  
108357-06-000  
ACTUATOR-SWITCH  
108356-12-CHT

PLATE-SWITCH  
158431-17-CHT  
SCREW  
G11-06-10U (4)

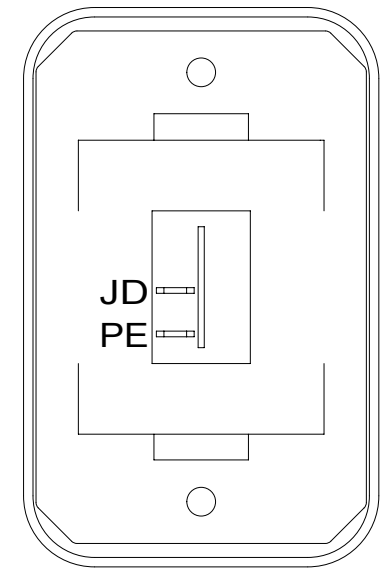
SWITCH-ROCKER  
108357-14-000  
ACTUATOR-SWITCH  
108356-28-CHT

DETAIL CE



SWITCH-ROCKER  
135740-01-CHT (2)  
SWITCH-BASE  
135741-02-CHT  
SWITCH-BEZEL  
135742-02-CHT  
SCREW  
G11-08-08U (4)

DETAIL CF



SWITCH-ROCKER  
135740-01-CHT  
SWITCH-BASE  
135741-01-CHT  
SWITCH-BEZEL  
135742-01-CHT  
SCREW  
G11-08-08U (2)

DETAIL CC

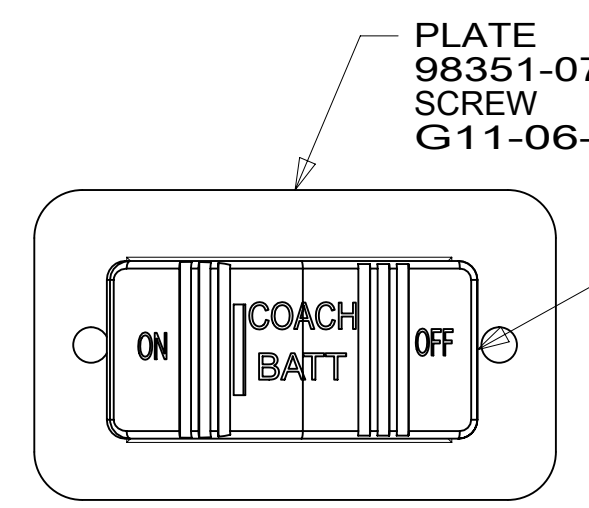
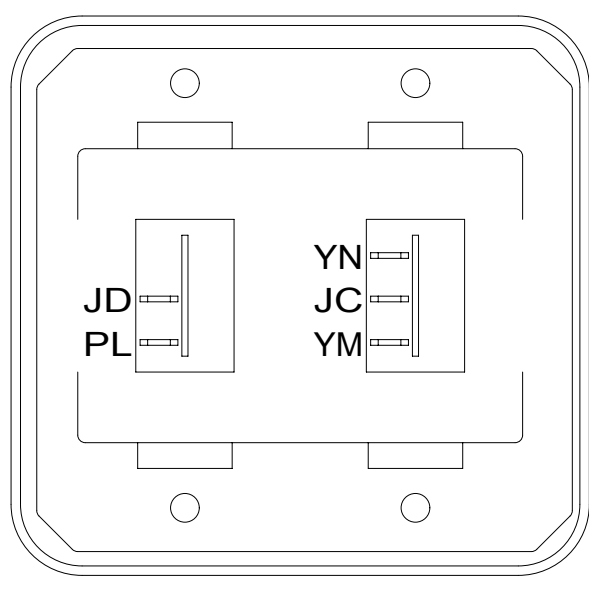


PLATE  
98351-07-CHT  
SCREW  
G11-06-10U (4)

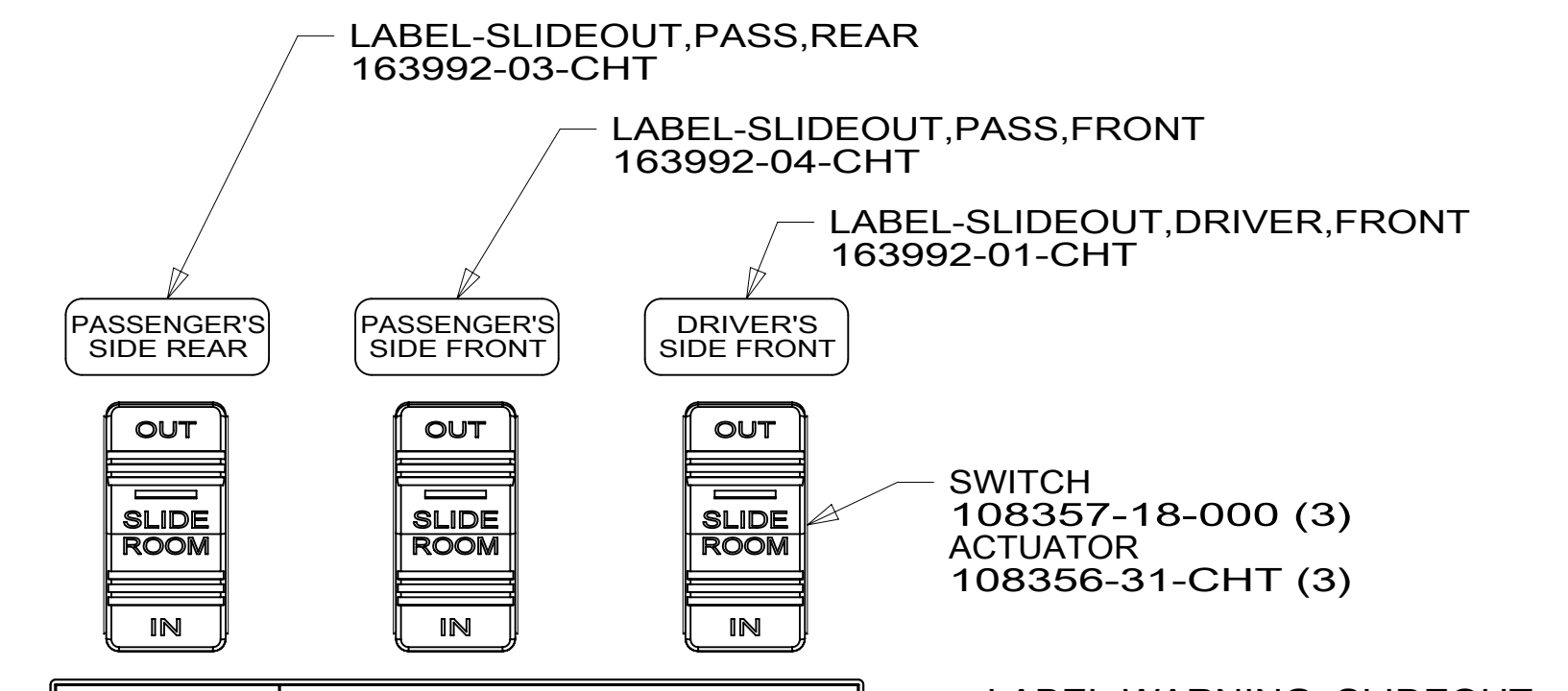
SWITCH-BATT DISC  
108357-18-000  
ACTUATOR  
108356-19-CHT  
(CIRCUITS LH,LJ,  
LG,JP,JA)  
WIRE ASM- THERM.  
186796-01-000

DETAIL CG



SWITCH-ROCKER  
135740-01-CHT  
135740-02-CHT  
SWITCH-BASE  
135741-02-CHT  
SWITCH-BEZEL  
135742-02-CHT  
SCREW  
G11-08-08U (4)

DETAIL CD



LABEL-SLIDEOUT,PASS,REAR  
163992-03-CHT

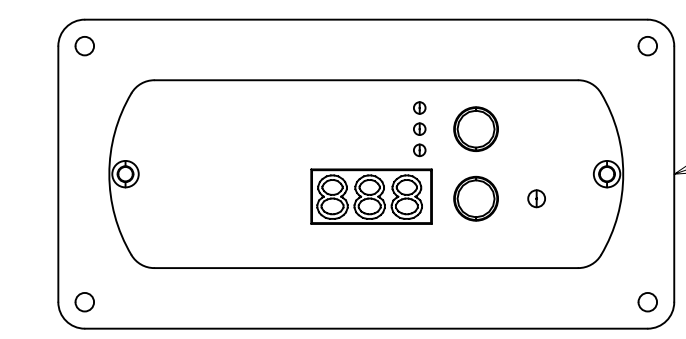
LABEL-SLIDEOUT,PASS,FRONT  
163992-04-CHT

LABEL-SLIDEOUT,DRIVER,FRONT  
163992-01-CHT

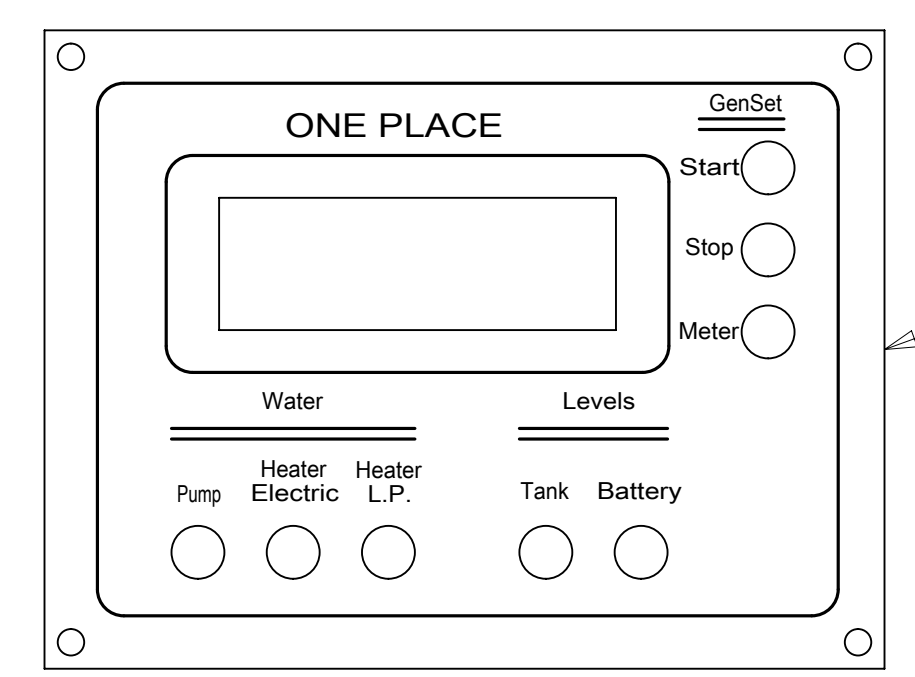
SWITCH  
108357-18-000 (3)  
ACTUATOR  
108356-31-CHT (3)



CONTROL-CHARGE,  
SOLAR 30 AMP  
191278-01-000  
SCREW  
G11-08-08U (2)  
DETAIL CJ

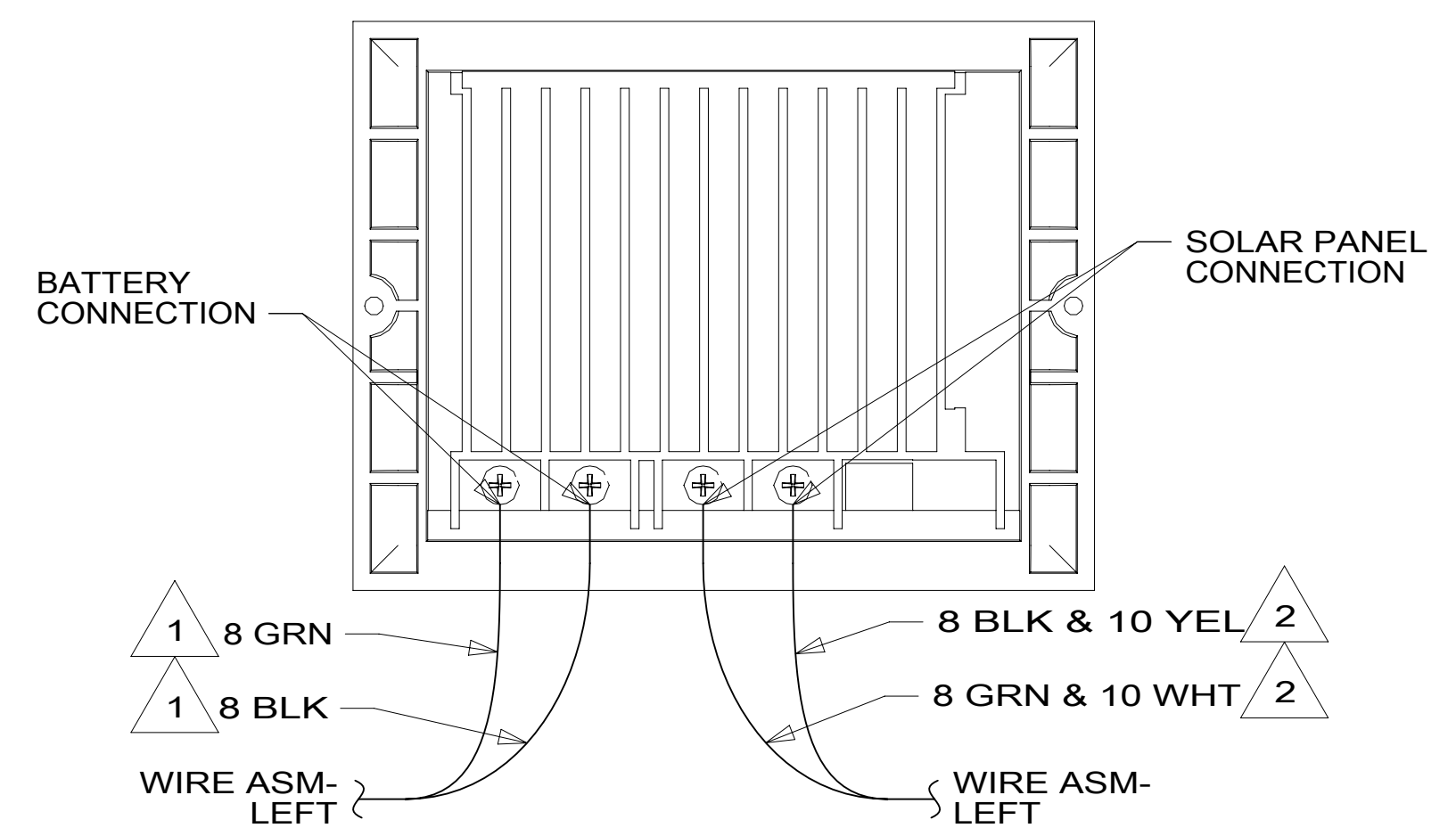


REMOTE PANEL-INVERTER  
(SUPPLIED WITH INVERTER)  
MODULE-12V DISC  
173355-01-000



PANEL-MONITOR,LCD  
175724-01-000 (53B)  
175724-06-000 (1BU)  
SCREW  
G11-08-12U (4)

DETAIL CH



BATTERY CONNECTION

SOLAR PANEL CONNECTION

1 8 GRN

1 8 BLK

8 BLK & 10 YEL 2

8 GRN & 10 WHT 2

WIRE ASM- LEFT

WIRE ASM- LEFT

DETAIL CJ (282)  
(BACK VIEW OF COMPONENT)

NOTES:

2 WIRE IS MARKED WITH YELLOW TAPE.

1 WIRE IS MARKED WITH GOLD TAPE.

- 282 SOLAR PANEL - 100 WATT
- 53B WTR HTR-6GAL ELECTRIC/LP GAS
- 1BU WTR HTR TKLS W/RECIRCUL PUMP
- 265 CODES/STANDARDS-CSA/CMVSS
- 1B1 CODES/STANDARDS USA

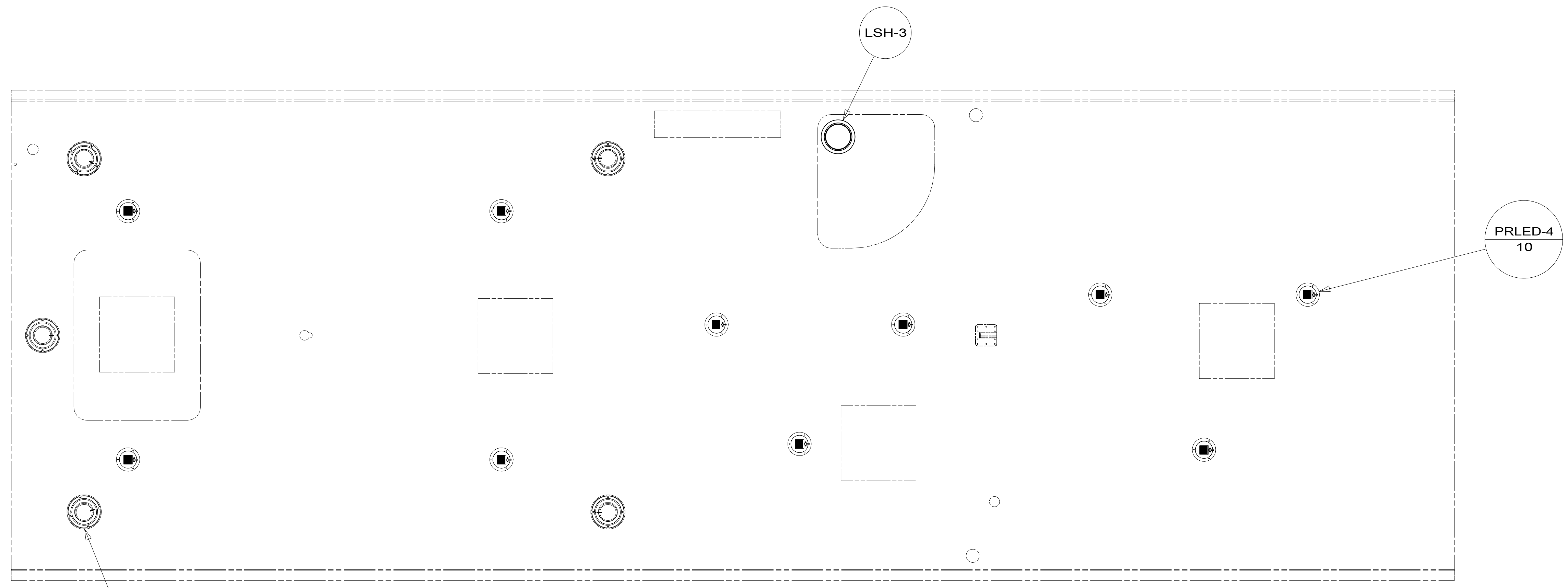
FOR ELECTRICAL  
TORQUE  
SPECIFICATIONS  
SEE DWG NO.  
128783-01-000

FOR ELECTRICAL  
CALLOUTS  
SEE DWG NO.  
121339-01-000

DESCRIPTION: <b>WIRING INSTL-BODY, 12V</b>	
SHEET: 3 OF 7	ITEM/PART NO: 000019202 / 31381001000
REV 07-May-2018	

8 7 6 5 4 3 2 1

D  
C  
B  
A



SPEAKER-ROUND  
179783-01-CHT (5)  
SCREW  
G1208-12-170 (20)

LSH-3

PRLED-4  
10

NOTES:  
1. SEE ROOF ASSEMBLY FOR ADDITIONAL INFORMATION.

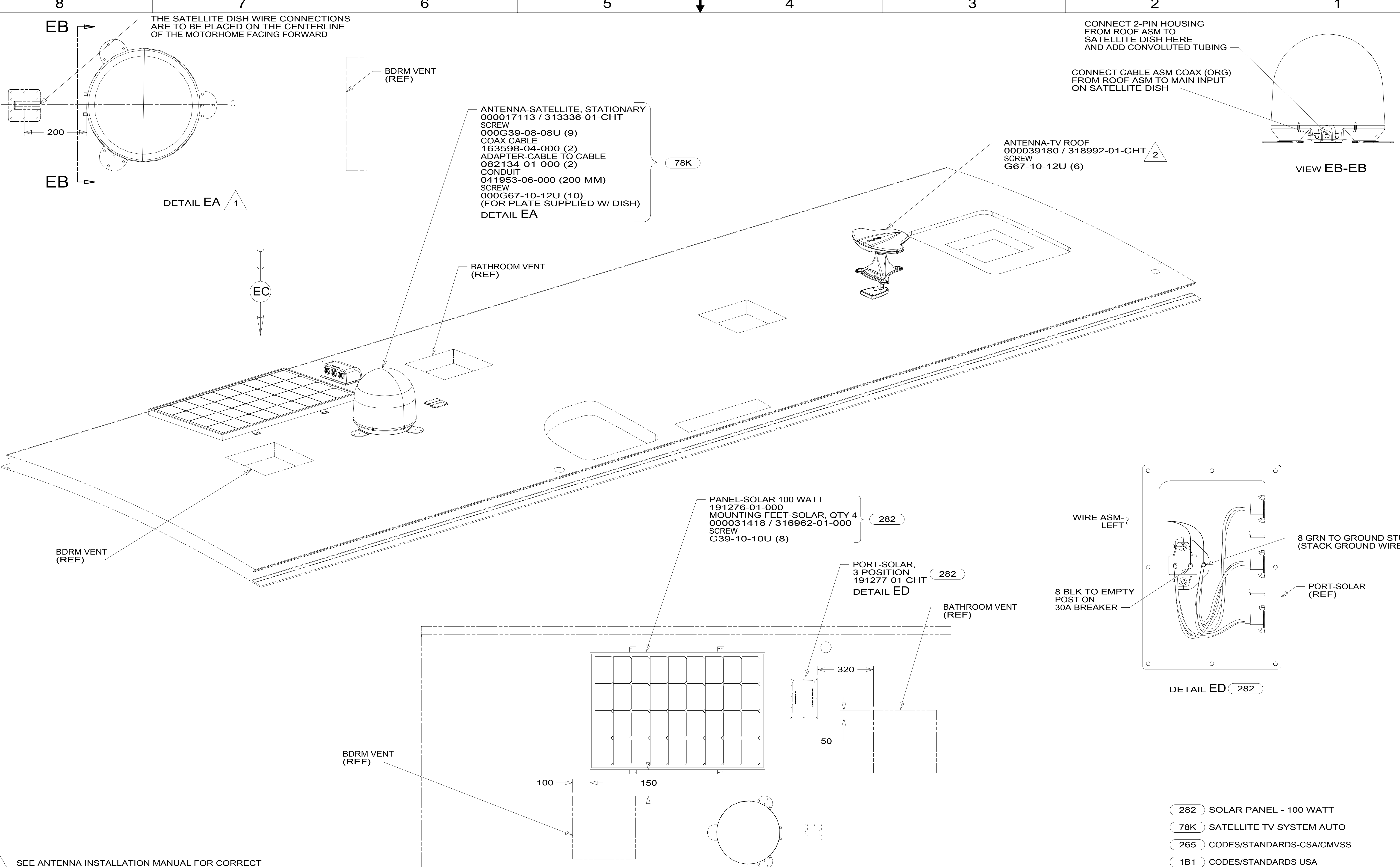
FOR ELECTRICAL  
TORQUE  
SPECIFICATIONS  
SEE DWG NO.  
128783-01-000

FOR  
ELECTRICAL  
CALLOUTS  
SEE DWG NO.  
121339-01-000

265 CODES/STANDARDS-CSA/CMVSS  
1B1 CODES/STANDARDS USA

DESCRIPTION: <b>WIRING INSTL-BODY, 12V</b>	
SHEET: 4 OF 7	ITEM/PART NO.: 000019202 / 31381001000
REV 1 07-May-2018	

8 7 6 5 4 3 2 1



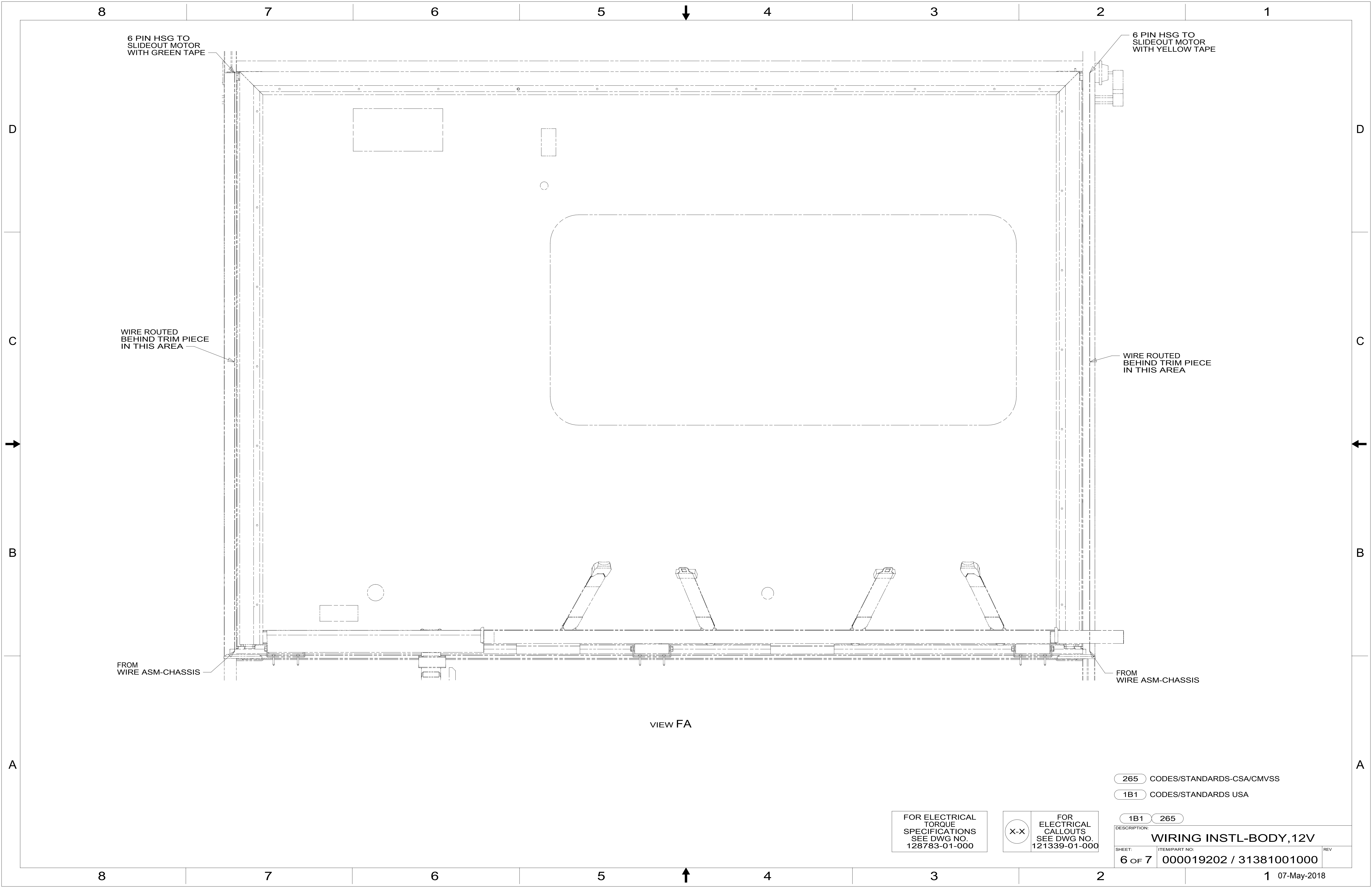
- NOTES:
- 2 SEE ANTENNA INSTALLATION MANUAL FOR CORRECT INSTALLATION PROCEDURE.
  - 1 REMOVE ALL SHIPPING RESTRAINTS AND FIRMLY INSERT THE SUPPLIED PLUGS INTO THE APPROPRIATE SIZED HOLES AS SPECIFIED IN THE INSTALLATION PROCESS.

FOR ELECTRICAL TORQUE SPECIFICATIONS SEE DWG NO. 128783-01-000

FOR ELECTRICAL CALLOUTS SEE DWG NO. 121339-01-000

- 282 SOLAR PANEL - 100 WATT
- 78K SATELLITE TV SYSTEM AUTO
- 265 CODES/STANDARDS-CSA/CMVSS
- 1B1 CODES/STANDARDS USA

DESCRIPTION: <b>WIRING INSTL-BODY, 12V</b>		
SHEET: 5 OF 7	ITEM/PART NO: 000019202 / 31381001000	REV



6 PIN HSG TO  
SLIDEOUT MOTOR  
WITH GREEN TAPE

6 PIN HSG TO  
SLIDEOUT MOTOR  
WITH YELLOW TAPE

WIRE ROUTED  
BEHIND TRIM PIECE  
IN THIS AREA

WIRE ROUTED  
BEHIND TRIM PIECE  
IN THIS AREA

FROM  
WIRE ASM-CHASSIS

FROM  
WIRE ASM-CHASSIS

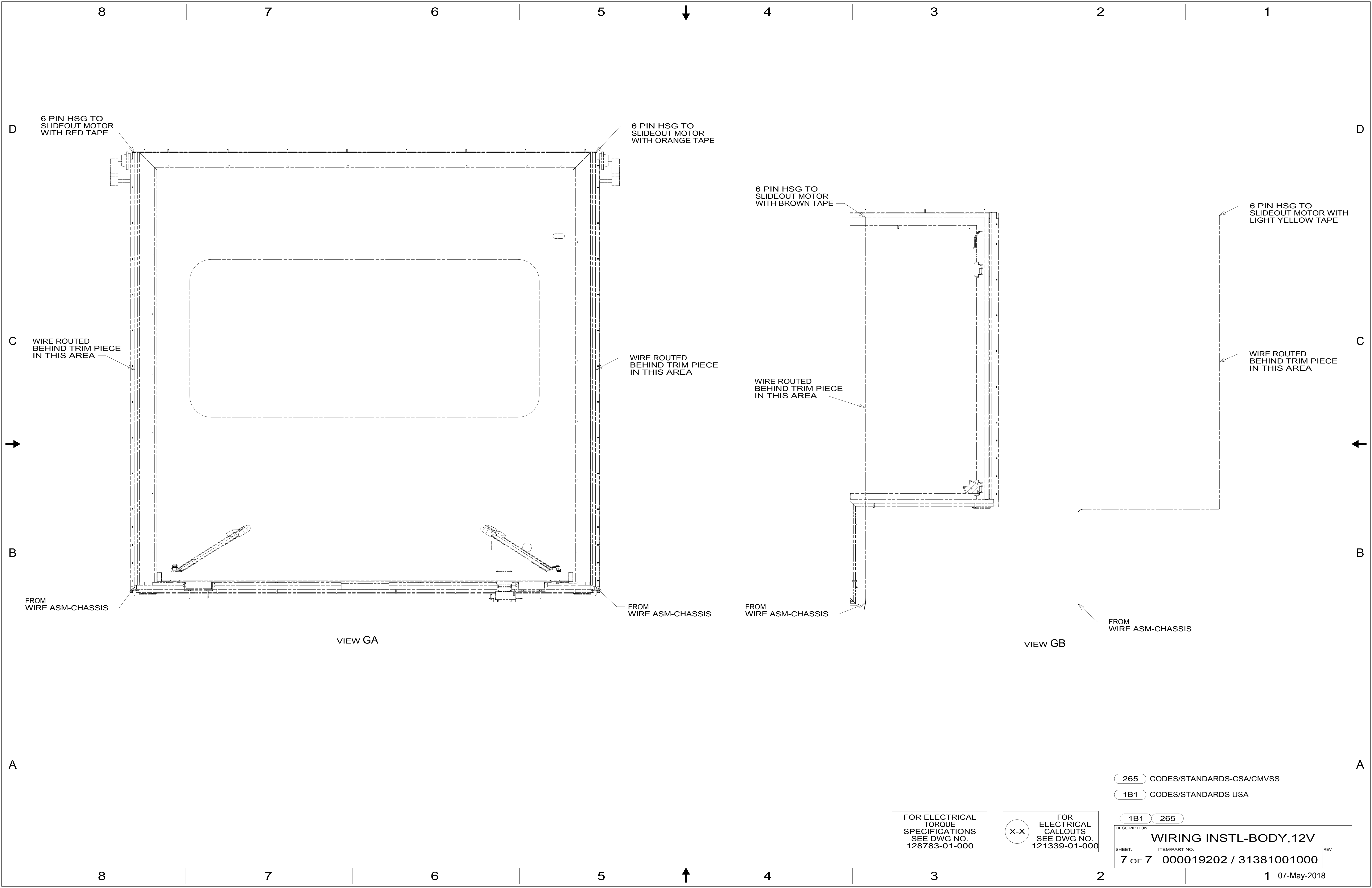
VIEW FA

FOR ELECTRICAL  
TORQUE  
SPECIFICATIONS  
SEE DWG NO.  
128783-01-000

FOR  
ELECTRICAL  
CALLOUTS  
SEE DWG NO.  
121339-01-000

- 265 CODES/STANDARDS-CSA/CMVSS
- 1B1 CODES/STANDARDS USA

1B1 265	
DESCRIPTION: <b>WIRING INSTL-BODY, 12V</b>	
SHEET: 6 OF 7	ITEM/PART NO: 000019202 / 31381001000
REV	



265 CODES/STANDARDS-CSA/CMVSS  
 1B1 CODES/STANDARDS USA

FOR ELECTRICAL TORQUE SPECIFICATIONS SEE DWG NO. 128783-01-000

FOR ELECTRICAL CALLOUTS SEE DWG NO. 121339-01-000

DESCRIPTION: <b>WIRING INSTL-BODY, 12V</b>		
SHEET: 7 OF 7	ITEM/PART NO: 000019202 / 31381001000	REV