



## Regency 3 Bowl Underbar Sink with Two Drainboards - 60" x 18 3/4"

#600B31014213



### Technical Data

Length	60 Inches
Width	18 3/4 Inches
Height	33 Inches
Drainboard Length	13 Inches
Bowl Depth	10 Inches
Backsplash Height	3 Inches
Backsplash	With Backsplash
Bowl Front to Back	14 Inches
Bowl Left to Right	10 Inches
Gauge	18 Gauge

### Features

- Durable stainless steel construction
- Three 2" drains (1 1/2" IPS) with drain baskets included
- Galvanized legs with bullet feet
- Deep bowls accommodate tall glasses and pitchers
- Two drainboards aid in fast drying

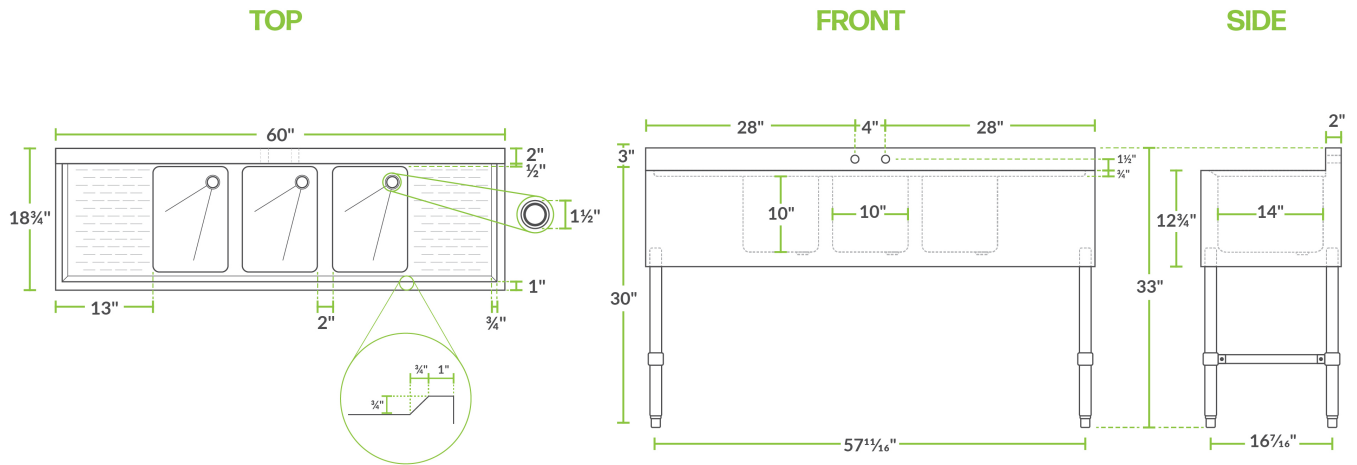
### Certifications



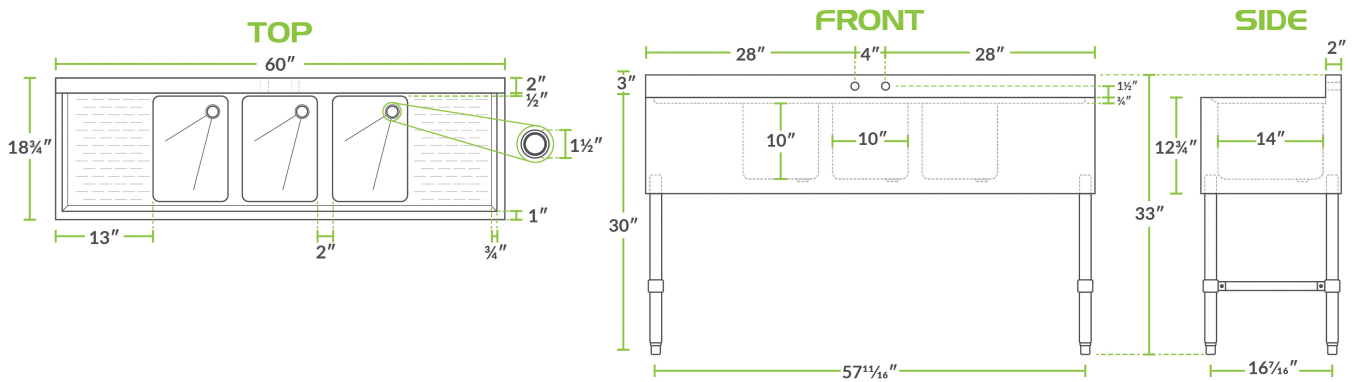
## Technical Data

Features	Massachusetts Accepted Plumbing Product NSF Listed
Leg Construction	Galvanized Steel
Material	Stainless Steel
Number of Compartments	3 Compartments
Number of Drainboards	2 Drainboards
Stainless Steel Type	Type 304
Type	Bar Sinks

## Plan View




600B31014213



## Notes & Details

This 3-bowl bar sink comes standard with two 13" drainboards for efficient washing and drying of your barware. The deep, 10" sink bowls accommodate all types of glasses, including pitchers! As an added convenience, it features a 3" high backsplash to keep your bar better protected from accidental spills. This 3-bowl underbar sink has two holes punched on 4" centers.

This sink offers a durable 18 gauge type 304 stainless steel construction along its top, bowls, and back. For maximum stability, it has 16-gauge galvanized steel legs with plastic bullet feet.

 **WARNING:** This product can expose you to chemicals including Lead and Nickel, which are known to the State of California to cause cancer, birth defects, or other reproductive harm. For more information, go to [www.p65warnings.ca.gov](http://www.p65warnings.ca.gov).