

**Multifan**



# Panel Fans (50Hz)

The standard fan with endless possibilities



**VOSTERMANS**  
VENTILATION

YOUR SPECIALIST IN AIR

# Multifan Panel Fans (50Hz)

## The versatile exhaust fan

With the extensive line of standard Multifan Panel Fans, we offer a wide range of reliable and efficient fans. These robust fans are used for various agricultural applications like greenhouses, pork-, dairy- and poultry barns and industrial applications like factories and buildings. These fans are engineered for continuous operation in extreme environments and are suitable for outdoor use. Multifan Panel Fans are optional available with the energy efficient ECplus technology.



## Why choose this fan

- Materials resistant to extreme environments
- Extremely durable fan
- Easy installation and maintenance
- High performance and energy efficient
- 3-year warranty



## Features

- Available range: 30 to 92 cm
- Standard suitable for ambient temperatures up to 40 °C
- Water and dust resistant fan motor (IP55)
- Class 'F' insulation
- Low noise level

## Applications

- Agricultural: Pigs, Poultry and Dairy
- Horticultural: Greenhouse
- Industrial

## Options available

- CE compliant intake or exhaust grill (affects the performances)
- System 1 weather hood
- ECplus technology for more energy savings



## Technical data single-phase

Article	ø (cm)	Power supply			(n) RPM	P <sub>in</sub> (W)	I <sub>nom</sub> (A)	Q <sub>v</sub> (m³/h)						SFP @0Pa (W/1000m³/h)	dB(A) *	Control options **
		~	V	Hz				0 Pa	30 Pa	50 Pa	80 Pa	100 Pa	150 Pa			
V4E30CAM10100	30	1	230	50	1.415	100	0,5	2.300	2.050	1.700	-	-	-	43,2	47	E / T
V4E35C1M10100	35	1	230	50	1.375	140	0,6	3.400	3.000	2.600	-	-	-	40,8	51	E / T
V4E35AAM10100	35	1	230	50	1.455	150	0,8	3.600	3.300	3.050	-	-	-	40,9	51	-
V4E40CAM10100	40	1	230	50	1.415	200	0,9	4.900	4.450	4.100	3.350	-	-	40,7	54	E / T
V4E45CAM10100	45	1	230	50	1.405	300	1,5	6.550	6.000	5.600	4.900	-	-	46,4	56	E / T
V6E50AAM10100	50	1	230	50	950	170	0,9	5.600	4.800	4.150	-	-	-	29,6	49	E / T
V4E50CAM10100	50	1	230	50	1.370	400	1,8	8.300	7.600	7.100	6.300	5.600	-	48,0	58	E / T
V6E56AAM10100	56	1	230	50	910	280	1,3	8.350	7.250	6.350	-	-	-	33	50	E / T
V6E63AAM10100	63	1	230	50	935	500	2,2	11.500	10.600	9.850	8.500	-	-	43,1	58	E / T
V6E71AAM10100	71	1	230	50	930	520	2,3	13.500	12.300	11.200	9.350	-	-	38,2	56	E / T
V6E92AAM10100	92	1	230	50	910	590	2,7	17.300	15.600	14.200	11.400	-	-	34,2	66	E / T

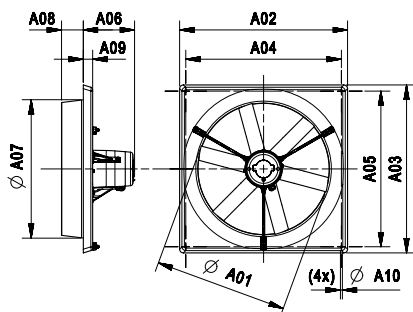
## Technical data three-phase

Article	ø (cm)	Power supply			(n) RPM	P <sub>in</sub> (W)	I <sub>nom</sub> (A)		Q <sub>v</sub> (m³/h)							SFP @0Pa (W/1000m³/h)	dB(A) *	Control options **
		~	V (Δ / Y)	Hz			Δ	Y	0 Pa	30 Pa	50 Pa	80 Pa	100 Pa	150 Pa	200 Pa			
V4D30AAM10100	30	3	230/400	50	1.435	110	0,5	0,3	2.350	2.100	1.750	-	-	-	-	44,5	48	T / F
V4D35AAM10100	35	3	230/400	50	1.440	140	0,6	0,4	3.550	3.200	2.950	-	-	-	-	39,3	50	T / F
V4D40AAM10100	40	3	230/400	50	1.405	210	0,8	0,4	4.950	4.500	4.200	3.450	-	-	-	41,5	53	T / F
V4D45AAM10100	45	3	230/400	50	1.370	280	1	0,6	6.450	5.900	5.450	4.750	-	-	-	43,2	54	T / F
V6D50AAM10100	50	3	230/400	50	965	210	0,9	0,5	6.550	5.700	4.950	-	-	-	-	31,8	48	F
V4D50AAM10100	50	3	230/400	50	1.415	410	1,6	0,9	8.600	8.000	7.550	6.750	6.100	-	-	47,8	58	T / F
V6D56AAM10100	56	3	230/400	50	955	290	1,1	0,6	8.750	7.750	7.000	-	-	-	-	32,6	51	F
V4D56AAM10100	56	3	230/400	50	1.455	950	3,6	2,1	13.100	12.500	12.000	11.300	10.900	9.400	-	72,7	65	F
V6D63AAM10100	63	3	230/400	50	965	520	2,3	1,3	11.900	11.000	10.400	9.150	8.100	-	-	43,9	59	F
V4D63AAM10100	63	3	230/400	50	1.450	1.000	3,5	2,0	14.700	14.000	13.600	12.800	12.200	10.200	-	65,6	69	F
V4D63ABM10100	63	3	230/400	50	1.460	1.400	5,2	3	17.900	17.100	16.600	15.800	15.300	13.900	12.000	77,1	69	F
V6D71AAM10100	71	3	230/400	50	945	690	2,5	1,4	15.300	14.200	13.300	11.800	10.500	-	-	44,9	59	F
V4D71AAM10100	71	3	230/400	50	1.435	1.150	3,9	2,2	17.500	16.800	16.300	15.600	15.000	13.300	-	65,1	69	F
V4D71ABM10100	71	3	230/400	50	1.450	1.650	5,6	3,3	21.400	20.600	20.000	18.900	18.200	16.500	14.300	76,3	69	F
V6D92AAM10100	92	3	230/400	50	945	760	2,7	1,6	21.100	19.400	17.900	15.200	12.900	-	-	36,2	66	F

\* Sound pressure level (LpA) at 7 meter distance from the center of the fan

\*\* Transformer Voltage Control (T), Frequency Control (F), Electronic / Triac / Solid State Voltage Control (E)

## Dimensions (mm)

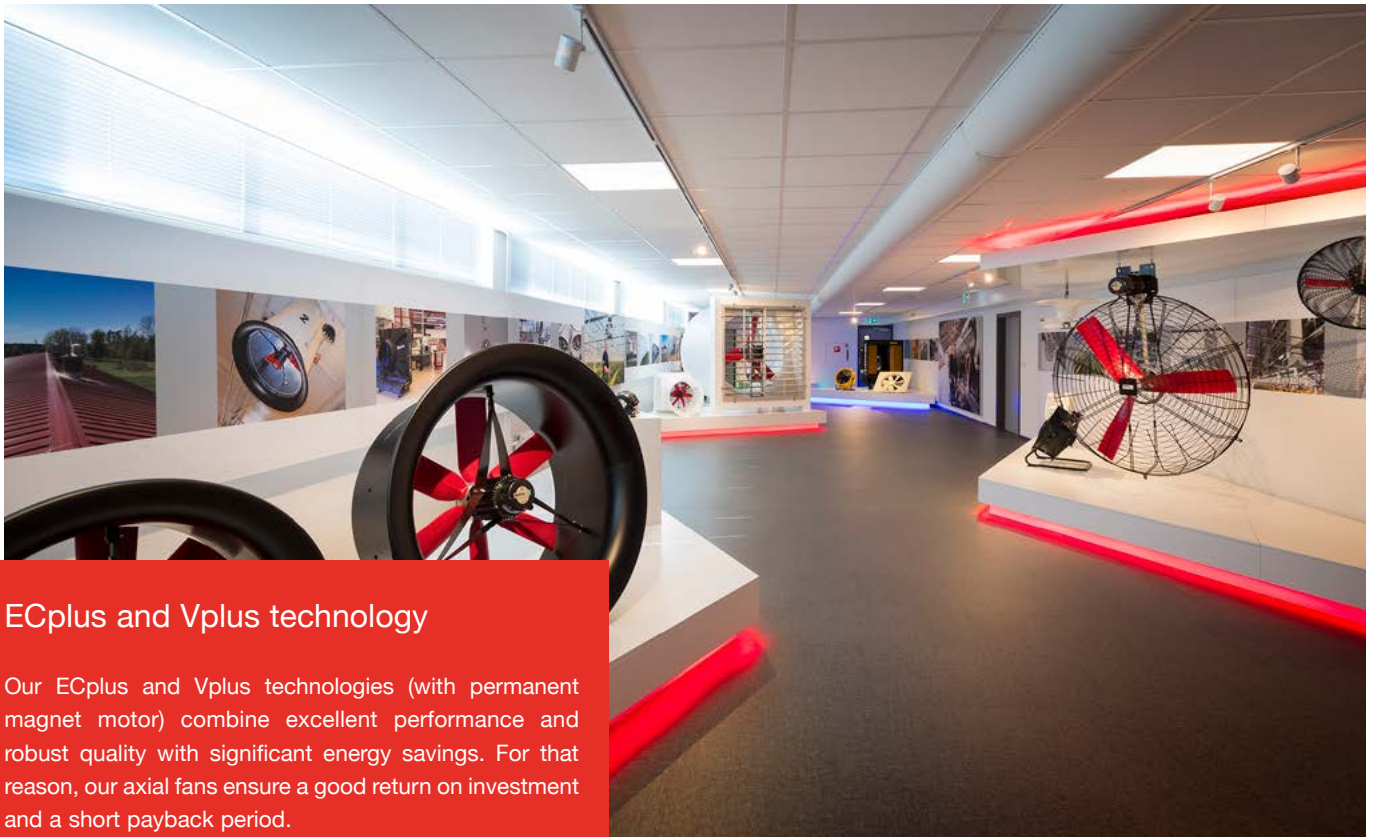


ø (cm)	A01	A02	A03	A04	A05	A06	A07	A08	A09	A10
30	312	443	443	395	395	192	340	84	36	8
35	362	493	492,5	445	445	192	390	84	36	8
40	415	543	543	495	495	192	440	84	36	8
45	460	593	593	545	545	max. 247	490	84	36	8
50	512	648	648	600	600	max. 247	540	84	36	8
56	574	700	700	640	640	max. 247	600	105	40	10
63	646	775	775	715	715	max. 247	670	105	40	10
71	712	850	850	790	790	247	740	105	40	10
92	915	1005	1005	947	947	247	940	93	40	10

**Save more energy**

Our standard fans are also available in extra an energy-efficient variant. With the help of the MFD frequency controller, it is possible to lower the speed of these fans on a continuous scale. For every 20% reduction in speed, the fan’s energy consumption is halved. To provide optimum protection for the sensitive electronics

inside a controller, the fan is placed in a separate housing with at least IP65 protection class. This is essential to safeguard reliability in even the most extreme environments.



**ECplus and Vplus technology**

Our ECplus and Vplus technologies (with permanent magnet motor) combine excellent performance and robust quality with significant energy savings. For that reason, our axial fans ensure a good return on investment and a short payback period.

**Why choose Vostermans Ventilation:**

**LOYAL TO YOU**

We care for your specific needs based on our long expertise. In close cooperation with you we secure your business outcomes.

**RELIABLE**

Since our foundation in the Netherlands in 1952, we maintain our reputation as reliable partner. Our carefully selected global network of independent distributors strive to deliver you dedicated service and expertise.

**FUTURE PROOF**

Our future proof approach, which combines energy efficiency solutions with robust quality and rigorous testing, is based on a genuine commitment to serve as a trusted partner.

Vostermans Ventilation is a global developer and manufacturer of sustainable axial fans for the agricultural and industrial market. Sustainability is key for Vostermans. Their premium brandlines Multifan and EMI are showcasing the drive for advanced energy efficient fans. The company applies continuous innovation and research in their own motor production facility and in house state of the art R&D department. Vostermans Ventilation, part of Vostermans Companies founded in 1952, is based in Venlo, the Netherlands and operates in USA, China and Malaysia.



YOUR SPECIALIST IN AIR

All rights reserved. Vostermans Companies is not responsible for inaccurate or incomplete data. In case of any questions and / or remarks please contact ventilation@vostermans.com. Subject to alterations 08/2023

Venlo - The Netherlands  
Tel. +31 (0)77 389 32 32  
ventilation@vostermans.com

Bloomington, IL- USA  
Tel. +1 309 827-9798  
ventilation@vostermansusa.com

Tmn Klang Jaya - Malaysia  
Tel. +60 (0)3 3324 3638  
ventilation@vostermansasia.com

Shanghai - China  
Tel. +86 21 5290 2889/2899  
ventilation@vostermanschina.com