



























**The Global
Integrated
Manufacturing
Specialists**

Plugs

	ARGENTINA	IRAM	4
	AUSTRALIA	SAA	8
	BRAZIL	INMETRO	17
	CAMBODIA	ISC	25
	CHINA	CCC	27
	DENMARK	DEMKO	38
	EUROPE	KEMA (CB) , CEBEC, DEMKO, NEMKO, FIMKO, SEMKO, OVE, VDE, IMQ	41
	GULF	GCC	54
	HONGKONG	TIS	61
	INDIA	BIS	64
	INDONESIA	SNI	68
	ISRAEL	SII	75
	ITALY	IMQ	81
	JAPAN	PSE	84
	KOREA	KC	123
	MALAYSIA	SIRIM	130
	N.AMERICA	UL/c-UL, CSA	132
	RUSSIA	EAC	178
	SOUTH AFRICA	SABS	187
	SINGAPORE	CPS	188
	SWITZERLAND	SEV	198
	TAIWAN	BSMI	202
	THAILAND	TISI	208
	UNITED KINGDOM	ASTA	210

Connectors

IEC Std. C5	220
IEC Std. C7	226
IEC Std. C13	234
IEC Std. C15	250
IEC Std. C17	255
IEC Std. C19	260
IEC Std. C21	266

Plug Connectors

IEC Std. C14	268
IEC Std. C20	279

V-Lock

	284
--	-----

Halogen-Free Plugs and Connectors

	300
--	-----

Splashproof/Splitters/PDU

	333
--	-----

Generic EV Products

	341
--	-----

Generic Powercord Sets

	347
--	-----

Index

	374
--	-----

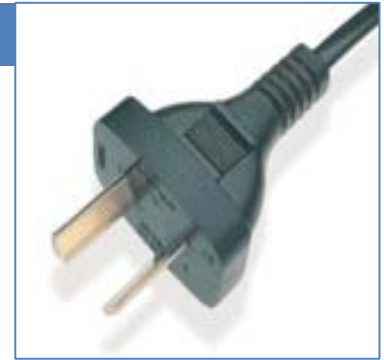


**PLUGS
01**

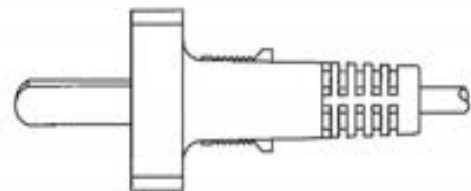
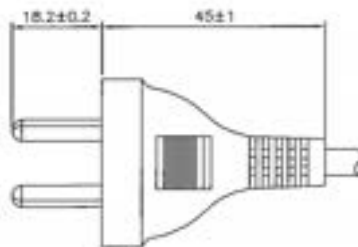
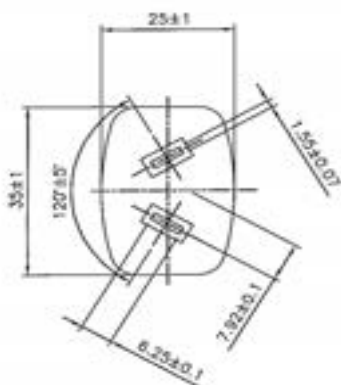


ARGENTINA

Cat. No.	AR10S2
Desc.	Small Profile Straight Plug for Class II Appliance (RoHS 2)
Std.	IRAM 2063 & IRAM-NM 60884-1
Max. Rating	10A, 250V
Safety Approval	IRAM



Cable Type	Size (mm ²)	Matching Connector
H03VVH2-F	2 x 0.75	VAC7A, VAC7S
H05VV-F	2 x 0.75	VAC17S
H05VV-F	2 x 1.00	VAC17S



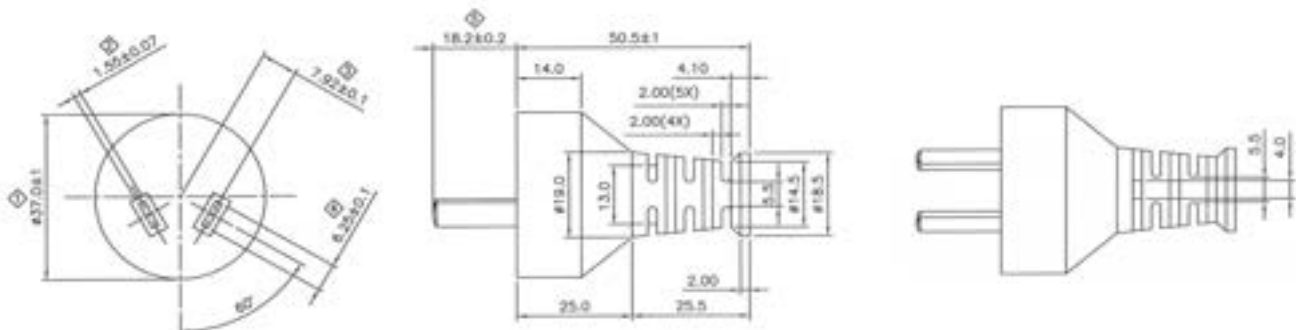


ARGENTINA

Cat. No.	VA2063
Desc.	Straight Plug for Class II Appliance (RoHS 2)
Std.	IRAM 2063 & IRAM-NM 60884-1
Max. Rating	10A, 250V
Safety Approval	IRAM



Cable Type	Size (mm ²)	Matching Connector
H03VVH2-F	2 x 0.75	VAC7S, VAC7A
H05VVH2-F	2 x 0.75	SZC7S
H05VV-F	2 x 0.75	-
H05VV-F	2 x 1.00	-
H05RR-F	2 x 0.75	-
H05RR-F	2 x 1.00	-
H05RN-F	2 x 0.75	-
H05RN-F	2 x 1.00	-





ARGENTINA

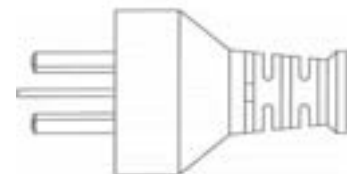
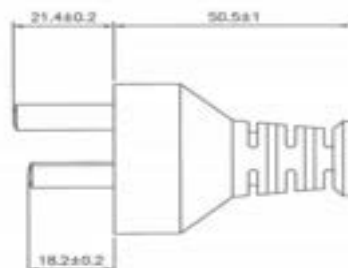
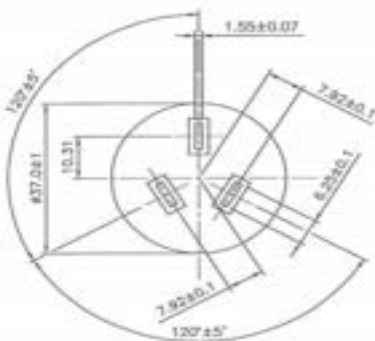
Cat. No.	VA2073
Desc.	Straight Plug for Class I Appliance (RoHS 2)
Std.	IRAM 2063 & IRAM-NM 60884-1
Max. Rating	10A, 250V
Safety Approval	IRAM



Cable Type	Size (mm ²)	Matching Connector
H03VV-F	3 x 0.75	VNBC5S
H05VV-F	3 x 0.75	VNBC5S, V1625*, V1625A*, V1625LA*
H05VV-F	3 x 1.00	V1625, V1625A, V1625LA, VAC13AD
H05VV-F	3 x 1.50	
H05RR-F	3 x 0.75	-
H05RR-F	3 x 1.00	VSCC15
H05RN-F	3 x 0.75	-
H05RN-F	3 x 1.00	-
H03RT-H	3 x 0.75	-
H03RT-H	3 x 1.00	-

Remarks:

* Cable length limit to 2 meters.



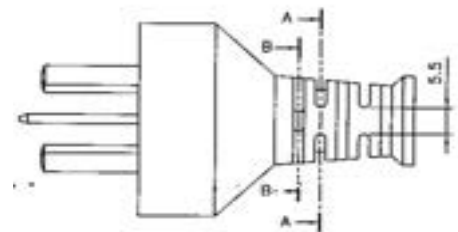
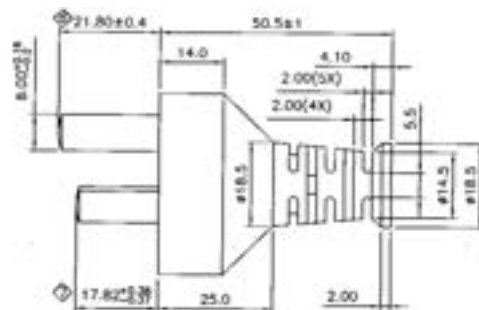
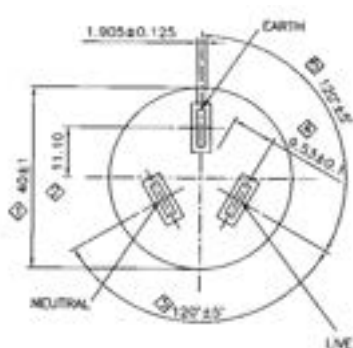


ARGENTINA

Cat. No. AR20S
Desc. High Amperage Straight Plug for Class I Appliance (RoHS 2)
Std. IRAM 2073 & IRAM - NM 60884-1
Max. Rating 20A, 250V
Safety Approval IRAM



Cable Type	Size (mm ²)	Matching Connector
H05VV-F	3 x 1.50	VSC19,VAC19,VAC19A, VAC19LA
H05VV-F	3 x 2.50	-
H05RR-F	3 x 1.50	-
H07RN-F	3 x 1.50	-





AUSTRALIA

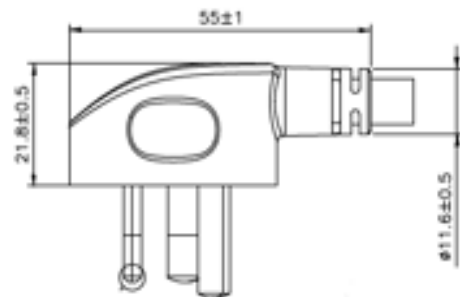
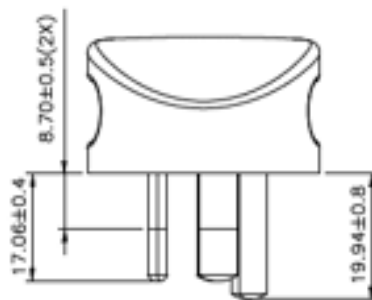
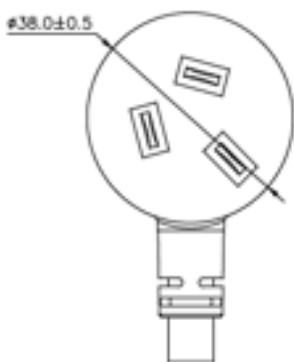
New!



Cat. No. VNBAU1045A3
Desc. 45 Degree Angled Plug for Class I Appliance
 for Class I Appliance (RoHS 2)
Std. AS/NZS 3112: 2011 + A1
Max. Rating 10A, 250V
Safety Approval SAA



Australia Cord Description	Type	Size (mm ²)	Matching Connector	Rated Current
Circular ordinary V-90 3x0.75	H05V2V2-F	3 x 0.75	Free End	10A
Circular ordinary V-90 3x1.0	H05V2V2-F	3 x 1.00	Free End	10A





AUSTRALIA

New!



Cat. No. VNBAU10S3
Desc. Straight Plug with Insulated Pins
 for Class I and Class II Appliance (RoHS 2)
Std. AS/NZS 3112: 2011 + A1
Max. Rating 10A, 250V
Safety Approval SAA



Australia Cord Description	Type	Size (mm ²)	Matching Connector	Rated Current
V-75, 250/250 V, Light Duty (Circular)	H03VV-F	3 x 0.75	VNBC5S, VAC5AR	10A
V-75, 250/440 V, Ordinary Duty (Circular)	H05VV-F	2 x 0.75	VAC7SR, VNBC17S*	10A
V-75, 250/440 V, Ordinary Duty (Circular)	H05VV-F	2 x 1.00	VNBC17S, VAC17A, VAC17KS	10A
V-75, 250/440 V, Ordinary Duty (Circular)	H05VV-F	3 x 0.75	VNBC5S, VAC5AR, VAC5ALS, VNBC13S*, V1625A*, VAC13KS*	10A
V-75, 250/440 V, Ordinary Duty (Circular)	H05VV-F	3 x 1.00	VNBC13S, V1625A, V1625LA, VAC13KS, VAC19*	10A
V-75, 250/440 V, Ordinary Duty (Circular)	H05VV-F	3 x 1.50	VNBC13S, VAC13KS	10A
V-75 or V-90, 0.6/1 KV, Heavy Duty (Circular)	H07VV-F	2 x 0.75	-	10A
V-75 or V-90, 0.6/1 KV, Heavy Duty (Circular)	H07VV-F	2 x 1.00	-	10A
R-EP-90, 250/440 V, Ordinary Duty (Circular)	H05RR-F	3 x 1.00	VSCC15	10A
250/250 V crosslinked elastomer insulated, textile braided	H03RT-H	3 x 0.75	-	10A
250/250 V crosslinked elastomer insulated, textile braided	H03RT-H	3 x 1.00	-	10A
V-90, 300/500V, Heat-resistant PVC Ordinary Duty (Circular)	H05V2V2-F	2 x 1.00	-	10A



AUSTRALIA

New!

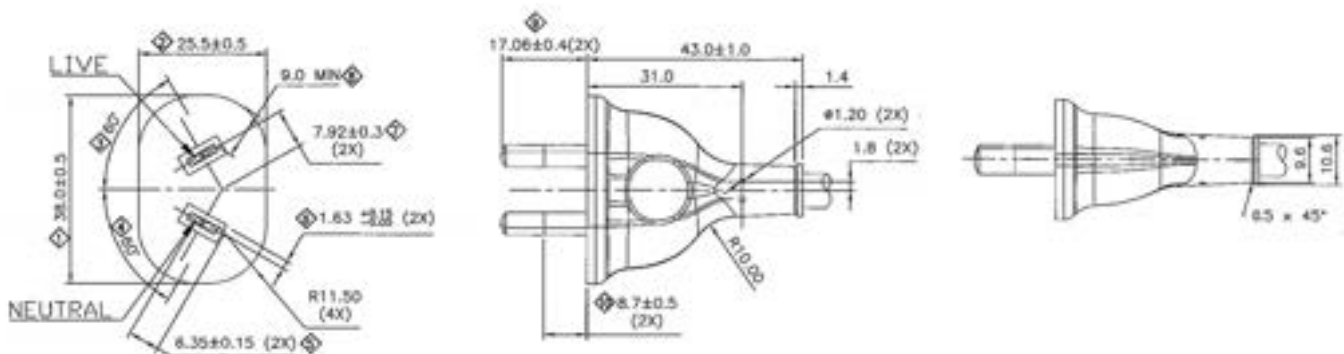


Cat. No.	VNAU10S2
Desc.	Australia 2 Pin Plug - Insulated Flat-Pins (RoHS 2)
Std.	AS/NZS 3112: 2011 + A1
Max. Rating	10A, 250V
Safety Mark	SAA

Australia Cord Description	Type	Size (mm ²)	Matching Connector	Rated Current
V-75, 250/250V, PVC Light Duty (Circular)	H03VV-F	2 x 0.75	-	7.5A /10A
V-75, 250/250V, PVC Light Duty (Flat)	H03VVH2-F	2 x 0.75	-	7.5A /10A
V-75, 250/440V, PVC Ordinary Duty (Flat)	H05VVH2-F	2 x 0.75	-	7.5A /10A
V-75, 250/440V, PVC Ordinary Duty (Circular)	H05VV-F	2 x 0.75	VAC17S*	7.5A /10A
V-75, 250/440V, PVC Ordinary Duty (Circular)	H05VV-F	2 x 1.00	VAC17S	7.5A /10A
V-90, 300/500V, Heat-resistant PVC Ordinary Duty (Circular)	H05V2V2-F	2 x 0.75	-	7.5A /10A
V-90, 300/500V, Heat-resistant PVC Ordinary Duty (Circular)	H05V2V2-F	2 x 1.00	-	10A

Remarks:

* Cable length limit to 2 meters.





AUSTRALIA

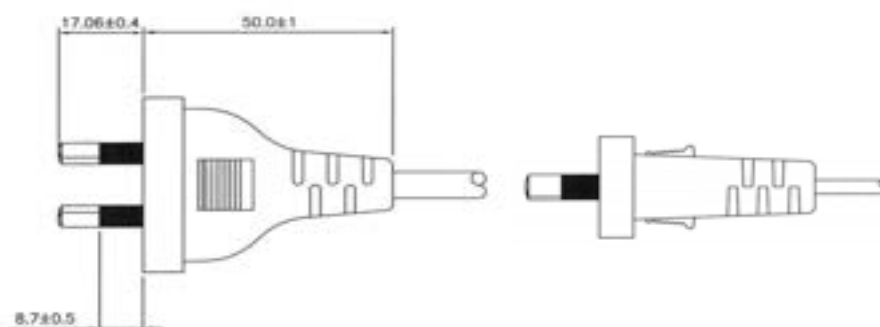
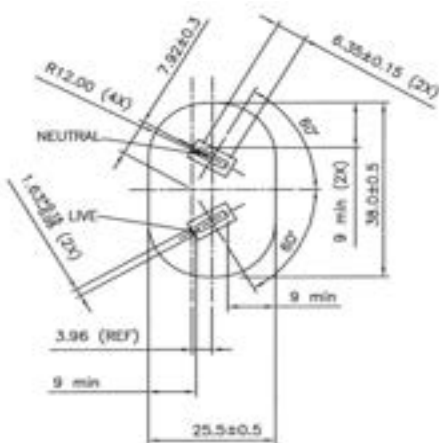
Cat. No. AU10LS2
Desc. Straight Plug with Insulated Pins for Class II Appliance (RoHS 2)
Std. AS/NZS 3112: 2011 + A1
Max. Rating 10A, 250V
Safety Approval SAA



Australia Cord Description	Type	Size (mm ²)	Matching Connector	Rated Current
V-75 or V-90, 0.6/1 KV, Heavy Duty (Circular)	H07VV-F ¹⁾	2 x 0.75	-	7.5A /10A
V-75 or V-90, 0.6/1 KV, Heavy Duty (Circular)	H07VV-F ¹⁾	2 x 1.00	-	10A
R-EP-90, 250/440 V, Ordinary Duty (Circular)	H05RR-F	2 x 0.75	-	7.5A /10A
R-EP-90, 250/440 V, Ordinary Duty (Circular)	H05RN-F	2 x 0.75	-	7.5A /10A
R-EP-90, 250/440 V, Ordinary Duty (Circular)	H05RN-F	2 x 1.00	-	10A
V-90, 250/440 V, Ordinary Duty (Circular)	H05V2V2-F	2 x 0.75	-	7.5A /10A
V-90, 250/440 V, Ordinary Duty (Circular)	H05V2V2-F	2 x 1.00	-	10A
V-75, 250/440 V, Ordinary Duty (Circular)	H05VV-F	2 x 0.75	-	7.5A /10A
V-75, 250/440 V, Ordinary Duty (Circular)	H05VV-F	2 x 1.0	-	10A
V-75, 250/440 V, Ordinary Duty (Flat)	H05VVH2-F	2 x 0.75	VNBC7S	7.5A /10A
V-75, 250/250 V, Light Duty (Flat)	H03VVH2-F	2 x 0.75	VNBC7S, VAC7A	7.5A /10A
V-75, 250/250 V, Light Duty (Circular)	H03VV-F	2 x 0.75	-	7.5A /10A

NOTE:

1) This is not available for <HAR> or IEC227 types of cable.



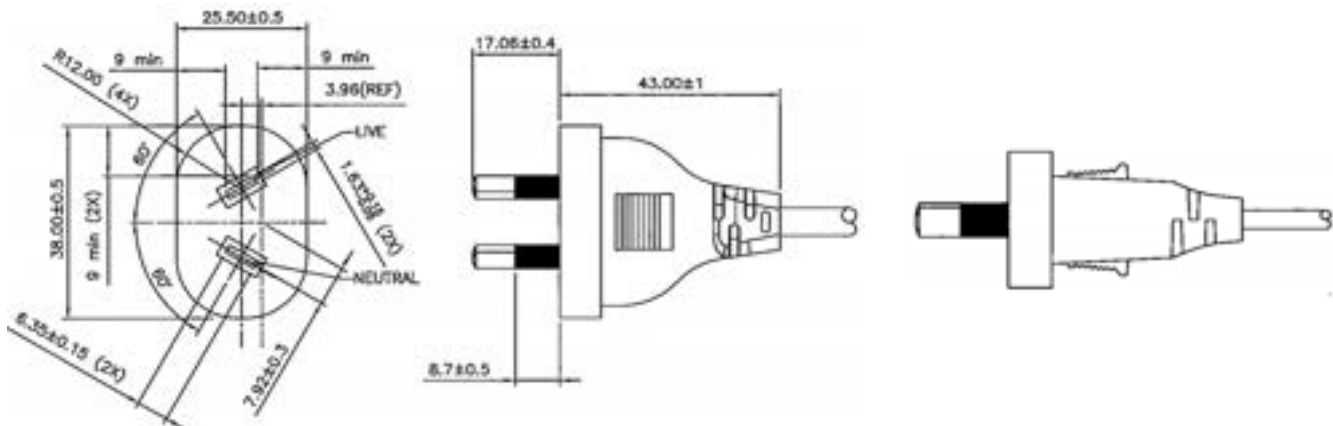


AUSTRALIA

Cat. No. AU10LSF2
Desc. Straight Plug with Insulated Pins for Class II Appliance (RoHS 2)
Std. AS/NZS 3112: 2011 + A1
Max. Rating 10A, 250V
Safety Approval SAA



Australia Cord Description	Type	Size (mm ²)	Matching Connector	Rated Current
V-75, 250/250 V, Light Duty (Flat)	H03VVH2-F	2 x 0.75	VNBC7S, VAC7A	7.5A /10A
V-75, 250/440 V, Ordinary Duty (Flat)	H05VVH2-F	2 x 0.75	VNBC7S	7.5A /10A





AUSTRALIA

Cat. No.	AU10LS3
Desc.	Straight Plug with Insulated Pins for Class I and Class II Appliance (RoHS 2)
Std.	AS/NZS 3112: 2011 + A1
Max. Rating	10A, 250V
Safety Approval	SAA



1) Dummy earth pin for 2 cores cable type

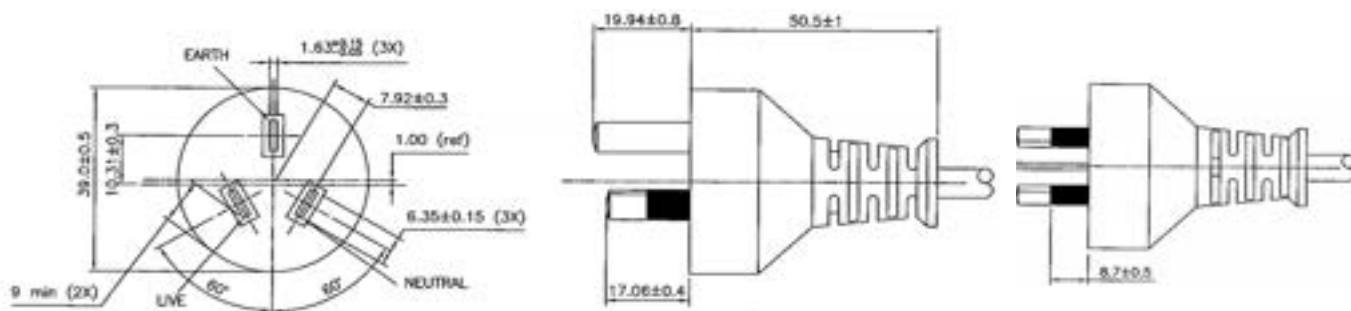
Australia Cord Description	Type	Size (mm ²)	Matching Connector	Rated Current
V-75, 250/250 V, Light Duty (Circular)	H03VV-F	2 x 0.75	-	10A
V-75, 250/250 V, Light Duty (Circular)	H03VV-F	3 x 0.75	VNBC5S, VAC5AR	10A
V-75, 250/250 V, Light Duty (Flat)	H03VVH2-F	2 x 0.75	VNBC7S, VAC7A	10A
V-75, 250/440 V, Ordinary Duty (Circular)	H05VV-F	2 x 0.75	VAC7SR, VAC17S*	10A
V-75, 250/440 V, Ordinary Duty (Circular)	H05VV-F	2 x 1.00	VAC17S, VAC17A, VAC17KS	10A
V-75, 250/440 V, Ordinary Duty (Circular)	H05VV-F	3 x 0.75	VNBC5S, VAC5AR, VAC5ALS, VNBC13S*, V1625A*, VAC13KS*	10A
V-75, 250/440 V, Ordinary Duty (Circular)	H05VV-F	3 x 1.00	VNBC13S, V1625A, V1625LA, VAC13KS, VAC19*	10A
V-75, 250/440 V, Ordinary Duty (Flat)	H05VVH2-F	2 x 0.75	VNBC7S	10A
V-75, 250/440 V, Ordinary Duty (Circular)	H05VV-F	3 x 1.50	VNBC13S, VAC13KS	10A
V-75 or V-90, 0.6/1 KV, Heavy Duty (Circular)	H07VV-F ¹⁾	2 x 0.75	-	10A
V-75 or V-90, 0.6/1 KV, Heavy Duty (Circular)	H07VV-F ¹⁾	2 x 1.00	-	10A
R-EP-90, 250/440 V, Ordinary Duty (Circular)	H05RN-F	2 x 0.75	-	10A
R-EP-90, 250/440 V, Ordinary Duty (Circular)	H05RN-F	3 x 0.75	-	10A
R-EP-90, 250/440 V, Ordinary Duty (Circular)	H05RN-F	3 x 1.00	-	10A
R-EP-90, 250/440 V, Ordinary Duty (Circular)	H05RR-F	2 x 0.75	-	10A
R-EP-90, 250/440 V, Ordinary Duty (Circular)	H05RR-F	3 x 0.75	VSCC15*	10A
R-EP-90, 250/440 V, Ordinary Duty (Circular)	H05RR-F	3 x 1.00	VSCC15	10A
250/250 V crosslinked elastomer insulated, textile braided	H03RT-H	3 x 0.75	-	10A
250/250 V crosslinked elastomer insulated, textile braided	H03RT-H	3 x 1.00	-	10A

AUSTRALIA (CONT...)

Australia Cord Description	Type	Size (mm ²)	Matching Connector	Rated Current
V-90, 250/440 V, Ordinary Duty (Circular)	H05V2V2-F	2 x 0.75	-	10A
V-90, 250/440 V, Ordinary Duty (Circular)	H05V2V2-F	2 x 1.00	-	10A
V-90, 250/440 V, Ordinary Duty (Circular)	H05V2V2-F	3 x 1.00	-	10A
-	(H)05VV-F screened (Al-Mylar)	3 x 1.00	VAC13KS	10A

NOTE:

- 1) This is not available for <HAR> or IEC227 types of cable.
- 2) * Cable length limit to 2 meters.





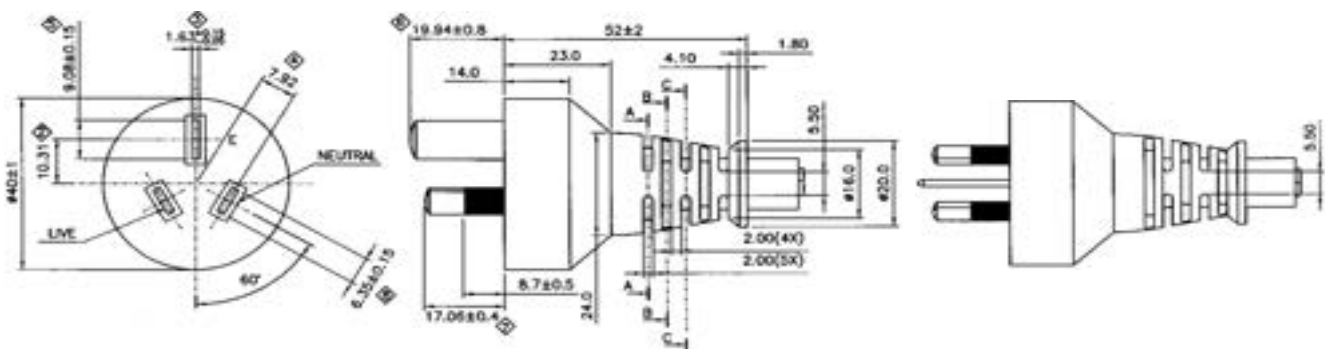
AUSTRALIA

Cat. No.	AU15S3
Desc.	Straight Plug with Flat and insulated pins for Class I and Class II Appliance (RoHS 2)
Std.	AS/NZS 3112: 2000
Max. Rating	15A, 250V
Safety Approval	SAA



1) Dummy earth pin for 2 cores cable type

Australia Cord Description	Type	Size (mm ²)	Matching Connector	Rated Current
V-75, 250/440 V, Ordinary Duty (Circular)	H05VV-F	2 x 1.50	-	15A
V-75, 250/440 V, Ordinary Duty (Circular)	H05VV-F	3 x 1.50	VNBC13S, VAC19	15A
---	H07RN-F	3 x 1.50	-	15A



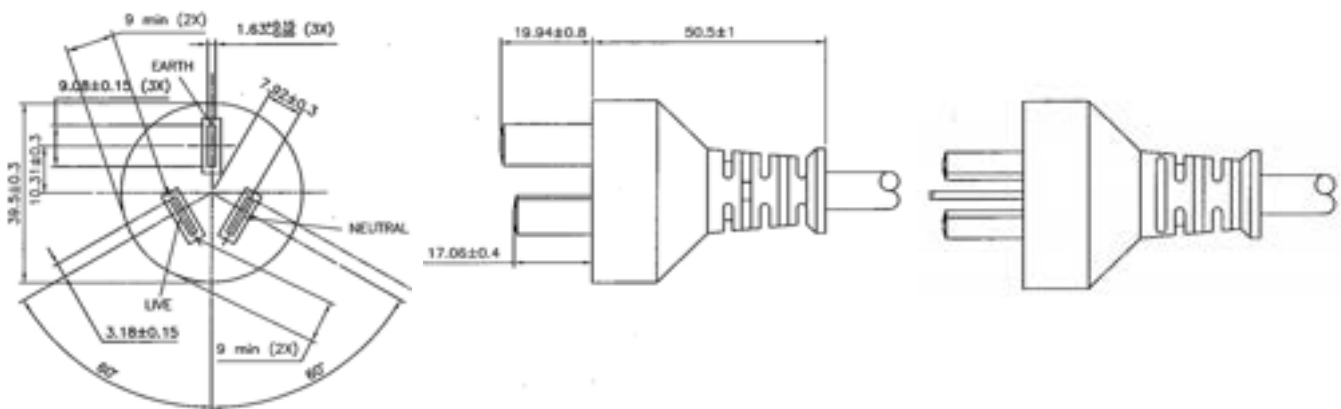


AUSTRALIA

Cat. No. AU20LS3
Desc. Straight Plug with Non-Insulated Pins
 for Class I Appliance (RoHS 2)
Std. AS/NZS 3112: 2011 + A1
Max. Rating 20A, 250V
Safety Approval SAA



Australia Cord Description	Type	Size (mm ²)	Matching Connector	Rated Current
V-75, 250/440 V, Ordinary Duty (Circular)	H05VV-F	3 x 1.50	VNBC13S, VAC19	20A
V-75, 250/440 V, Ordinary Duty (Circular)	H05VV-F	3 x 2.50	-	20A





BRAZIL

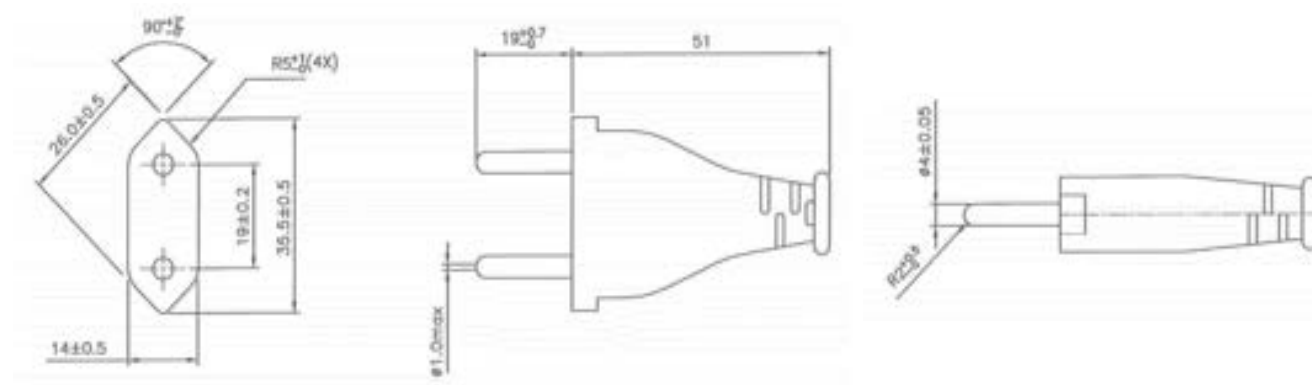
Cat. No.	CH10S2
Desc.	Straight Plug with non-insulated pins for Class II Appliance
Std.	NBR 6147 & NBR 14136 - Figure 9A
Max. Rating	10A, 250V
Safety Approval	INMETRO



Cable Type	Size (mm ²)	Matching Connector	Rated Current
60227 IEC 52 (H03VVH2-F)	2 x 0.50	SZC7S*	2.5A
60227 IEC 52 (H03VVH2-F)	2 x 0.75	VAC7S, VAC7A	10A
60227 IEC 53 (H05VVH2-F)	2 x 0.75	SZC7S	10A
60227 IEC 52 (H03VV-F)	2 x 0.75	-	10A
60227 IEC 53 (H05VV-F)	2 x 0.75	-	10A
60227 IEC 53 (H05VV-F)	2 x 1.00	-	10A
60245 IEC 53 (H05RR-F)	2 x 0.75	-	10A
60245 IEC 53 (H05RR-F)	2 x 1.00	-	10A
60245 IEC 57 (H05RN-F)	2 x 0.75	-	10A
60245 IEC 57 (H05RN-F)	2 x 1.00	-	10A

Remarks:

* Cable length limit to 2 meters.





BRAZIL

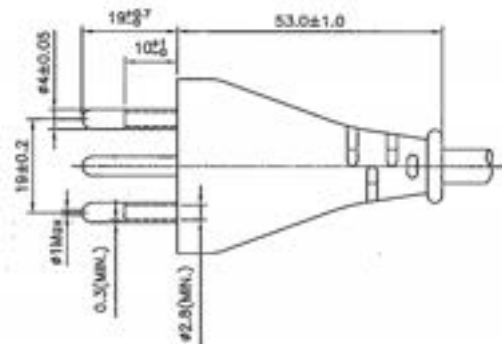
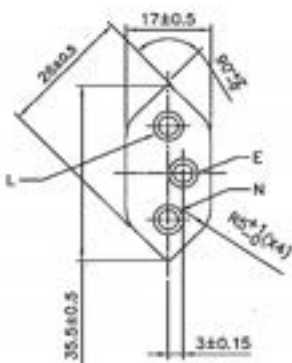
Cat. No.	CH10S3
Desc.	Straight Plug with insulated pins for Class I Appliance
Std.	NBR 6147 & NBR 14136 - Figure 4A
Max. Rating	10A, 250V
Safety Approval	INMETRO



Cable Type	Size (mm ²)	Matching Connector	Rated Current
60227 IEC 52 (H03VV-F)	3 x 0.75	VNBC5S	10A
60227 IEC 53 (H05VV-F)	3 x 0.75	VNBC5S, V1625*, V1625A*	10A
60227 IEC 53 (H05VV-F)	3 x 1.00	V1625, V1625A	10A
60245 IEC 53 (H05RR-F)	3 x 1.00	-	10A

Remarks:

* Cable length limit to 2 meters.





BRAZIL

Cat. No.	IT10S2
Desc.	Straight Plug with insulated pins for Class II Appliance
Std.	NBR 6147 & NBR 14136 - Figure 9A
Max. Rating	10A, 250V
Safety Approval	INMETRO



Cable Type	Size (mm ²)	Matching Connector	Rated Current
60227 IEC 52 (H03VVH2-F)	2 x 0.50	SZC7S*	2.5A
60227 IEC 52 (H03VVH2-F)	2 x 0.75	VAC7S, VAC7A	10A
60227 IEC 53 (H05VVH2-F)	2 x 0.75	SZC7S	10A
60227 IEC 52 (H03VV-F)	2 x 0.75	-	10A
60227 IEC 53 (H05VV-F)	2 x 0.75	-	10A
60227 IEC 53 (H05VV-F)	2 x 1.00	-	10A
60245 IEC 53 (H05RR-F)	2 x 0.75	-	10A
60245 IEC 53 (H05RR-F)	2 x 1.00	-	10A
60245 IEC 57 (H05RN-F)	2 x 0.75	-	10A
60245 IEC 57 (H05RN-F)	2 x 1.00	-	10A
60245 IEC 89 (H03RT-H)	2 x 0.75	-	10A
60245 IEC 89 (H03RT-H)	2 x 1.00	-	10A

Remarks:

* Cable length limit to 2 meters.





BRAZIL

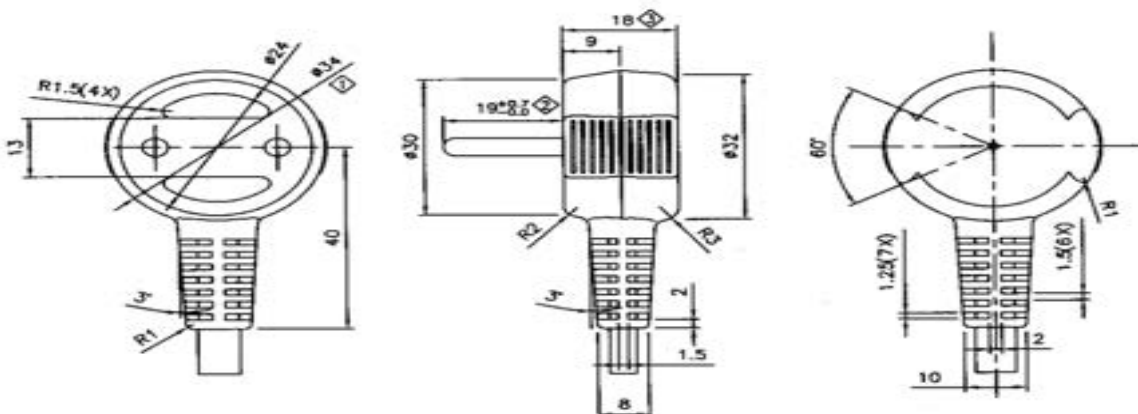
Cat. No. CH10A2
Desc. Angled Plug with non-insulated pins
 for Class II Appliance
Std. NBR 6147 & NBR 14136 - Figure 9A
Max. Rating 10A, 250V
Safety Approval INMETRO



Cable Type	Size (mm ²)	Matching Connector	Rated Current
60227 IEC 52 (H03VVH2-F)	2 x 0.50	SZC7S*	2.5A
60227 IEC 52 (H03VVH2-F)	2 x 0.75	VAC7S, VAC7A	10A
60227 IEC 53 (H05VVH2-F)	2 x 0.75	SZC7S	10A

Remarks:

* Cable length limit to 2 meters.



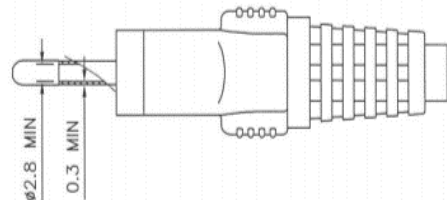
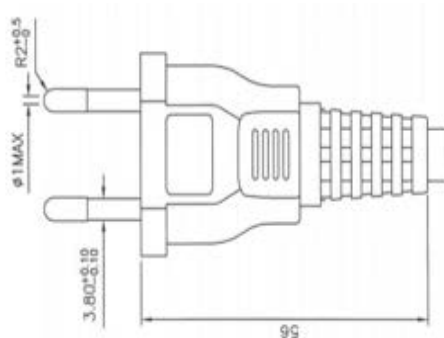
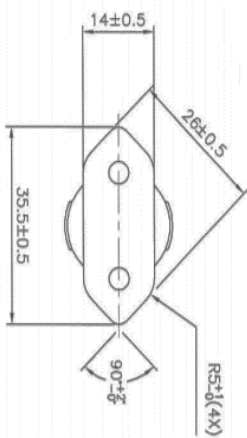


BRAZIL

Cat. No.	BR10JS2
Desc.	Straight Plug with insulated pins for Class II Appliance
Std.	NBR 6147 & NBR 14136 - Figure 9A
Max. Rating	10A, 250V
Safety Approval	INMETRO



Cable Type	Size (mm ²)	Matching Connector	Rated Current
60227 IEC 57 (H05V2V2-F)	2 x 1.00	-	10A
60227 IEC 53 (H05VV-F)	2 x 1.50	-	10A
60245 IEC 66 (H07RN-F)	2 x 1.00	-	10A



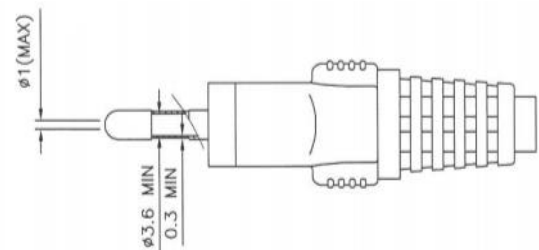
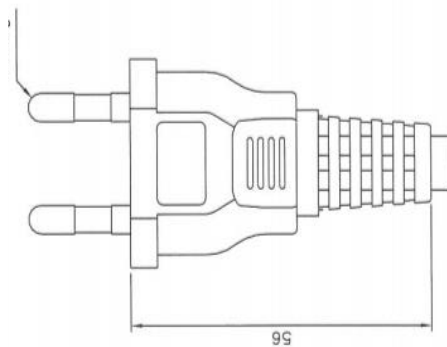
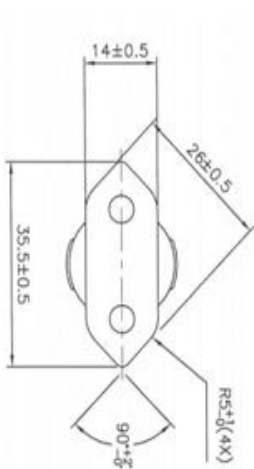


BRAZIL

Cat. No.	BR20JS2
Desc.	Straight Plug with insulated pins for Class II Appliance
Std.	NBR 6147 & NBR 14136 - Figure 9B
Max. Rating	20A, 250V
Safety Approval	INMETRO



Cable Type	Size (mm ²)	Matching Connector	Rated Current
60227 IEC 53 (H05VV-F)	2 x 1.50	-	16A
60245 IEC 66 (H07RN-F)	2 x 1.50	-	16A



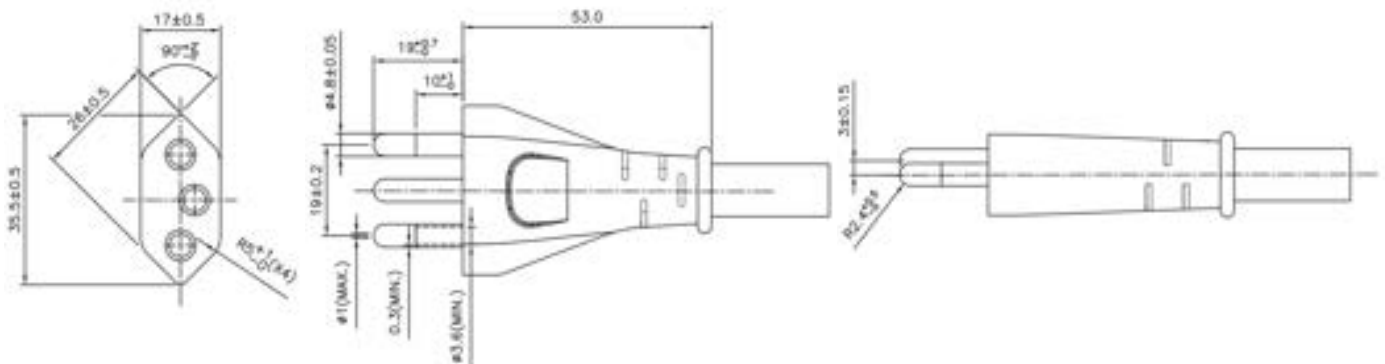


BRAZIL

Cat. No.	BR20ES3
Desc.	Straight Plug with insulated pins for Class I Appliance
Std.	NBR 6147& NBR 14136 - Figure 4B
Max. Rating	20A, 250V
Safety Approval	INMETRO



Cable Type	Size (mm ²)	Matching Connector	Rated Current
60227 IEC 53 (H05VV-F)	3 x 1.50	-	16A
60245 IEC 53 (H05RR-F)	3 x 1.50	-	16A
60245 IEC 66 (H07RN-F)	3 x 1.50	-	16A





BRAZIL

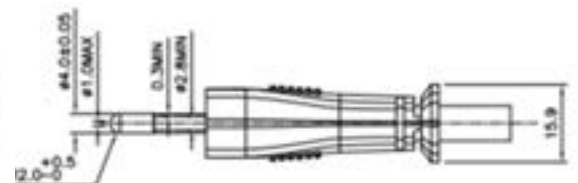
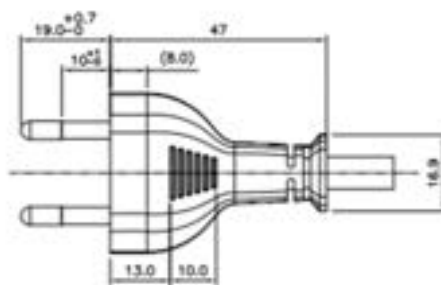
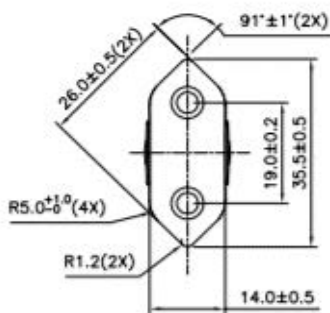
New!



Cat. No. VNBBR10S2
Desc. Straight Plug with non-insulated pins for Class II Appliance
Std. NBR 6147 & NBR 14136 - Figure 9A
Max. Rating 10A, 250V
Safety Approval INMETRO



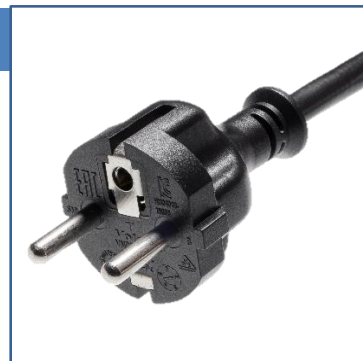
Cable Type	Size (mm ²)	Matching Connector	Rated Current
60227 IEC 52 (H03VVH2-F)	2 x 0.75	VNBC7S, VAC7A	10A
60227 IEC 53 (H05VVH2-F)	2 x 0.75	VNBC7S	10A
60227 IEC 53 (H05VV-F)	2 x 0.75	-	10A
60227 IEC 53 (H05VV-F)	2 x 1.00	-	10A
60245 IEC 57 (H05RN-F)	2 x 0.75	-	10A
60245 IEC 57 (H05RN-F)	2 x 1.00	-	10A





CAMBODIA

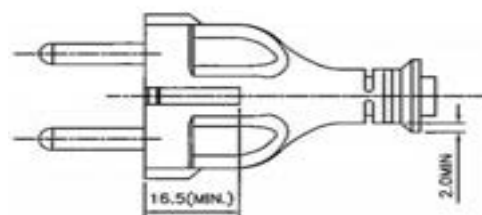
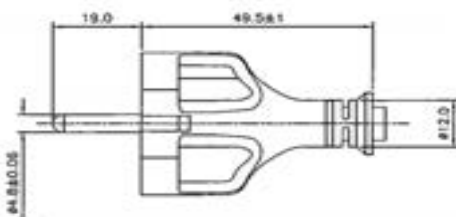
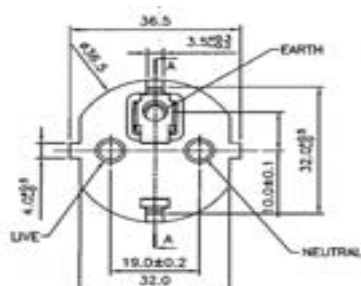
Cat. No.	VNBEU16S3
Desc.	Straight Plug with Dual-earth contacts for Class I Appliance (RoHS 2)
Std.	CS IEC 60884-1: 2002 + A1 + A2
Max. Rating	16A, 250V
Safety Approval	ISC



Cable Type	Size (mm ²)	Matching Connector	Combo Approvals
H03VV-F	3 x 0.75	VNBC5S*	VDE
H03VV-F + 60227 KS IEC 52 (H03VV-F)+ 60227 IEC 52 (H03VV-F)	3 x 0.75	-	VDE/EAC/KC
H05VV-F	3 x 0.75	V1625A*, VNBC5S*	VDE
H05VV-F + 60227 KS IEC 53 (H05VV-F)+ 60227 IEC 53 (H05VV-F)	3 x 0.75	VNBC13S*	VDE/EAC/KC
H05VV-F	3 x 1.00	V1625A, V1625LA	VDE
H05VV-F + 60227 KS IEC 53 (H05VV-F)+ 60227 IEC 53 (H05VV-F)	3 x 1.00	VNBC13S	VDE/EAC/KC
H05VV-F	3 x 1.50	VAC19, VAC19A, VAC19LA, VSC19	VDE
H05VV-F + 60227 KS IEC 53 (H05VV-F)+ 60227 IEC 53 (H05VV-F)	3 x 1.50	VNBC13S	VDE/EAC/KC

Remarks

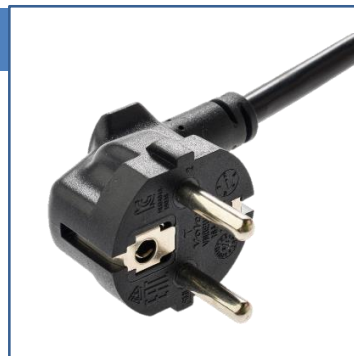
* Cable length limit to 2 meters.





CAMBODIA

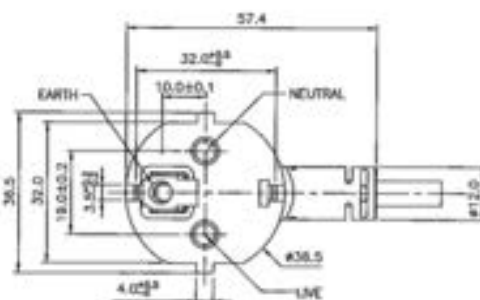
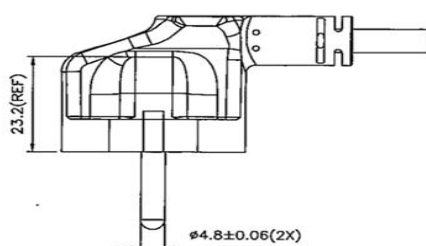
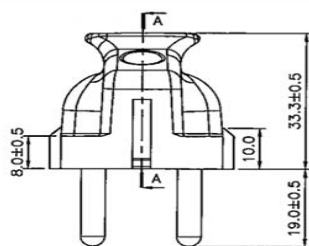
Cat. No.	VNBEU16A3
Desc.	Angled Plug with Dual-earth contacts for Class I Appliance (RoHS 2)
Std.	CS IEC 60884-1: 2002 + A1 + A2
Max. Rating	16A, 250V
Safety Approval	ISC



Cable Type	Size (mm ²)	Matching Connector	Combo Approvals
H03VV-F	3 x 0.75	VNBC5S*	VDE
H03VV-F + 60227 KS IEC 52 (H03VV-F)+ 60227 IEC 52 (H03VV-F)	3 x 0.75	-	VDE/EAC/KC
H05VV-F	3 x 0.75	V1625A*, VNBC5S*	VDE
H05VV-F + 60227 KS IEC 53 (H05VV-F)+ 60227 IEC 53 (H05VV-F)	3 x 0.75	VNBC13S*	VDE/EAC/KC
H05VV-F	3 x 1.00	V1625A, V1625LA	VDE
H05VV-F + 60227 KS IEC 53 (H05VV-F)+ 60227 IEC 53 (H05VV-F)	3 x 1.00	VNBC13S	VDE/EAC/KC
H05VV-F	3 x 1.50	VAC19, VAC19A, VAC19LA, VSC19	VDE
H05VV-F + 60227 KS IEC 53 (H05VV-F)+ 60227 IEC 53 (H05VV-F)	3 x 1.50	VNBC13S	VDE/EAC/KC

Remarks

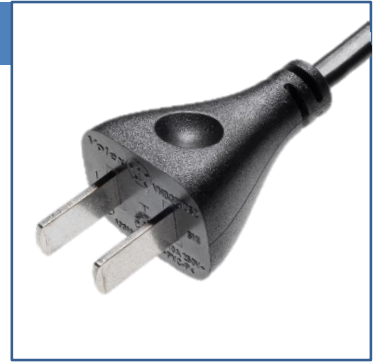
* Cable length limit to 2 meters.





CHINA

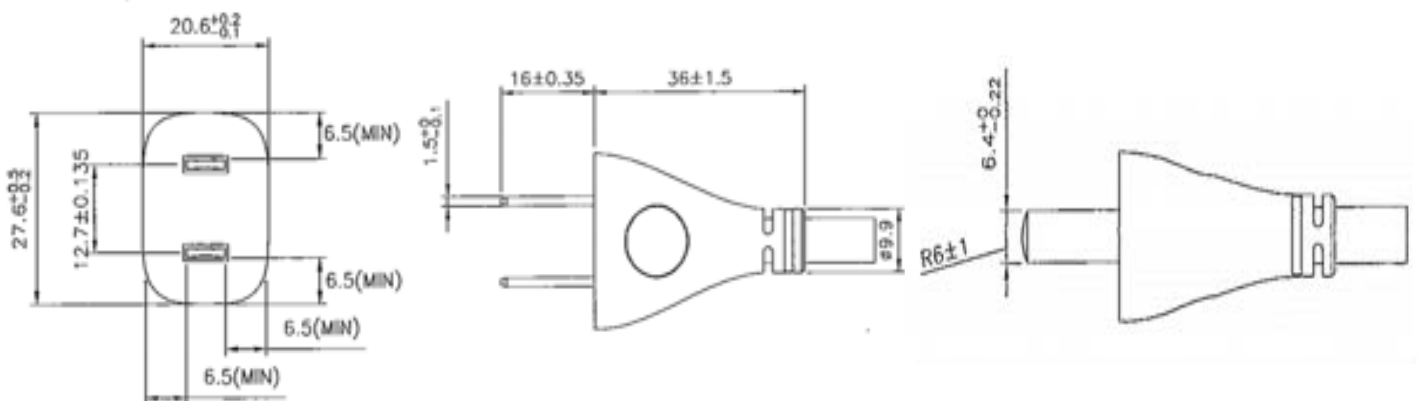
Cat. No. VNGB10S2
Desc. Straight Plug for Class II Appliance (RoHS 2)
Std. GB2099.1 / GB1002
Max. Rating 10A, 250V
Safety Approval CCC



Cable Type	Size (mm ²)	Matching Connector	Rated Current
60227 IEC 52 (RVV) 300/300 (Flat)	2 x 0.50	VNBC7S*	2.5A
60227 IEC 52 (RVV) 300/300 (Flat)	2 x 0.75	VNBC7S,VNBC7SL	6A
60227 IEC 53 (RVV) 300/500 (Flat)	2 x 0.75	VNBC7S	6A
60227 IEC 52 (RVV) 300/300 (Round)	2 x 0.75	-	6A
60227 IEC 53 (RVV) 300/500 (Round)	2 x 0.75	VNBC17S*	6A
60227 IEC 53 (RVV) 300/500 (Round)	2 x 1.00	VNBC17S	10A

Remarks:

* Cable length limit to 2 meters.





CHINA

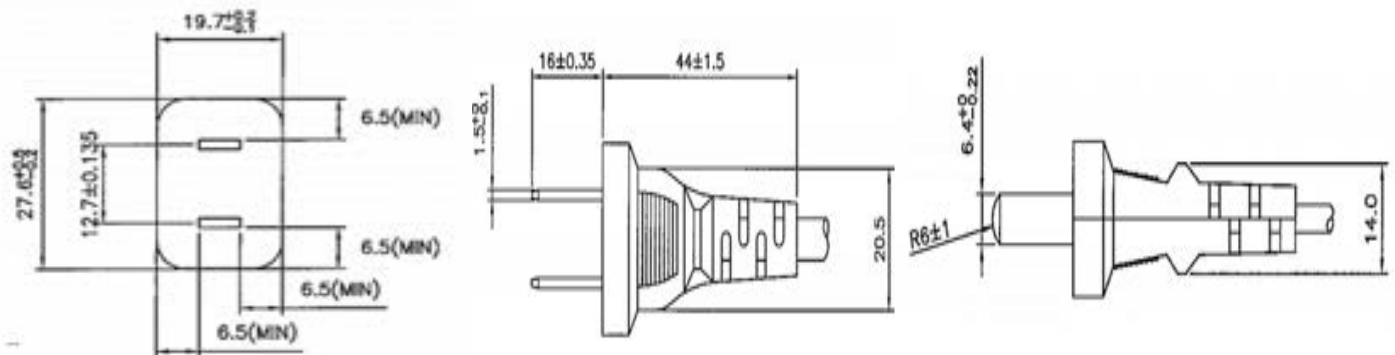
Cat. No. V301C
Desc. Straight Plug for Class II Appliance (RoHS 2)
Std. GB2099.1 / GB1002
Max. Rating 10A, 250V
Safety Approval CCC



Cable Type	Size (mm ²)	Matching Connector	Rated Current
60227 IEC 52 (RVV) 300/300 (Flat)	2 x 0.50	VAC7A*	2.5A
60227 IEC 52 (RVV) 300/300 (Flat)	2 x 0.75	VAC7A	6A
60227 IEC 53 (RVV) 300/500 (Round)	2 x 1.00	VAC17A	10A

Remarks:

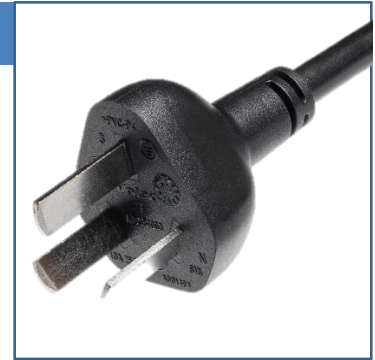
* Cable length limit to 2 meters.





CHINA

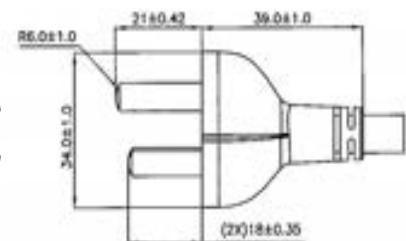
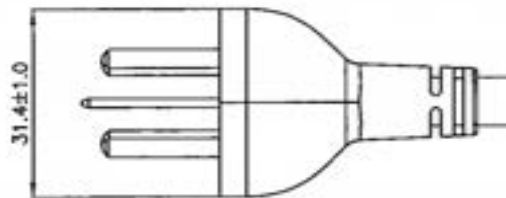
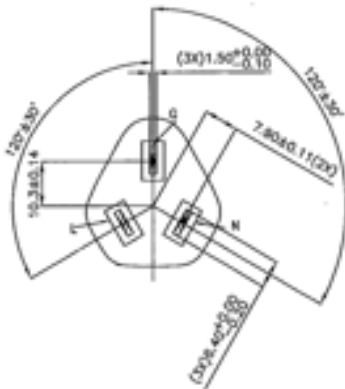
Cat. No. VNBGB10S3
Desc. Straight Plug for Class I Appliance (RoHS 2)
Std. GB2099.1 / GB1002
Max. Rating 10A, 250V
Safety Approval CCC



Cable Type	Size (mm ²)	Matching Connector	Rated Current
60227 IEC 52 (RVV) 300/300 (Round)	3 x 0.75	VNBC5S	6A
60227 IEC 53 (RVV) 300/500 (Round)	3 x 0.75	VNBC13S*, VNBC5S	6A
60245 IEC 89 (RQB) 300/300	3 x 0.75	-	6A
60227 IEC 53 (RVV) 300/500 (Round)	3 x 1.00	VNBC13S	10A
60245 IEC 53 (YZ) 300/500	3 x 1.00	-	10A
60245 IEC 89 (RQB) 300/300	3 x 1.00	-	10A

Remarks:

* Cable length limit to 2 meters.





CHINA

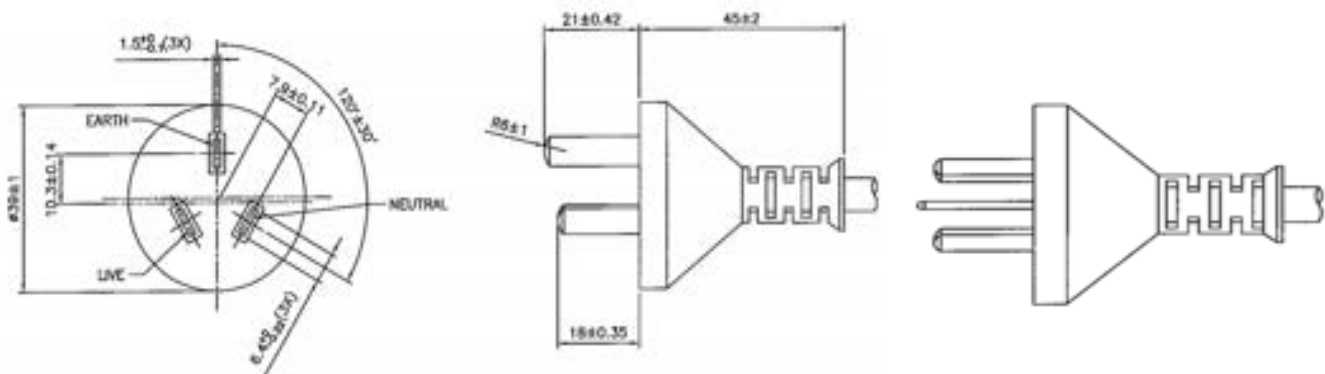
Cat. No.	V3203C
Desc.	Straight Plug for Class I Appliance (RoHS 2)
Std.	GB2099.1 / GB1002
Max. Rating	10A, 250V
Safety Approval	CCC



Cable Type	Size (mm ²)	Matching Connector	Rated Current
60227 IEC 52 (RVV) 300/300 (Round)	3 x 0.75	VAC5AR	6A
60227 IEC 53 (RVV) 300/500 (Round)	3 x 0.75	VAC5AR, V1625A*, V1625LA*	6A
60227 IEC 53 (RVV) 300/500 (Round)	3 x 1.00	V1625A, V1625LA	10A
60245 IEC 53 (YZ) 300/500	3 x 0.75	VSCC15*	6A
60245 IEC 53 (YZ) 300/500	3 x 1.00	VSCC15, VAC15A	10A
60245 IEC 57 (YZW)	3 x 0.75	-	6A
60245 IEC 57 (YZW)	3 x 1.00	VAC15A	10A
60245 IEC 89 (RQB) 300/300	3 x 0.75	VSCC15*	6A
60245 IEC 89 (RQB) 300/300	3 x 1.00	VSCC15	10A

Remarks:

* Cable length limit to 2 meters.





CHINA

New!



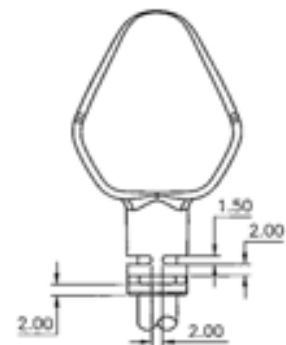
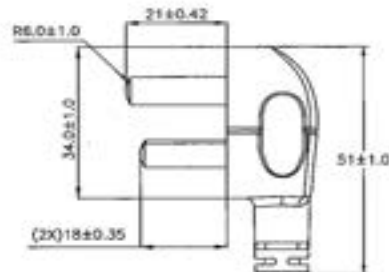
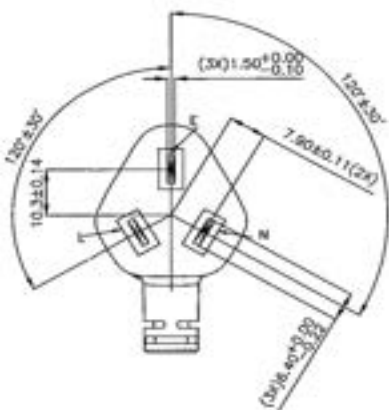
Cat. No. VNBGB10A3
Desc. Angled Plug for Class I Appliance (RoHS 2)
Std. GB2099.1 / GB1002
Max. Rating 10A, 250V
Safety Approval CCC



Cable Type	Size (mm ²)	Matching Connector	Rated Current
60227 IEC 52 (RVV) 300/300 (Round)	3 x 0.75	VNBC5S	6A
60227 IEC 53 (RVV) 300/500 (Round)	3 x 0.75	VNBC13S*, VNBC5S	6A/10A
60227 IEC 53 (RVV) 300/500 (Round)	3 x 1.00	VNBC13S	10A

Remarks:

* Cable length limit to 2 meters.





CHINA

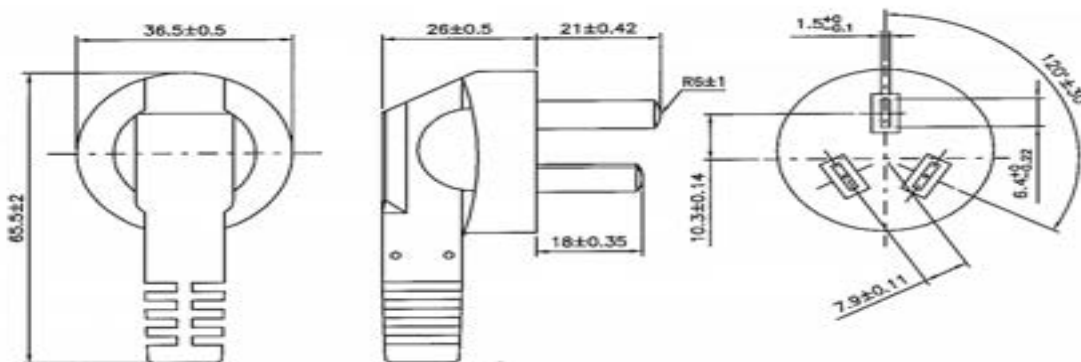
Cat. No.	V3203CA
Desc.	Angled Plug for Class I Appliance (RoHS 2)
Std.	GB2099.1 / GB1002
Max. Rating	10A, 250V
Safety Approval	CCC



Cable Type	Size (mm ²)	Matching Connector	Rated Current
60227 IEC 53 (RVV) 300/500 (Round)	3 x 0.75	V1625A*	6A
60227 IEC 53 (RVV) 300/500 (Round)	3 x 1.00	V1625A	10A
60245 IEC 53 (YZ) 300/500	3 x 0.75	VSCC15*	6A
60245 IEC 53 (YZ) 300/500	3 x 1.00	-	10A
60245 IEC 57 (YZW)	3 x 0.75	-	6A
60245 IEC 57 (YZW)	3 x 1.00	-	10A
60245 IEC 89 (RQB) 300/300	3 x 0.75	VSCC15*	6A
60245 IEC 89 (RQB) 300/300	3 x 1.00	VSCC15	10A
60227 IEC 53 (RVV) 300/500 (Round)	3 x 1.50	-	10A

Remarks:

* Cable length limit to 2 meters.





CHINA

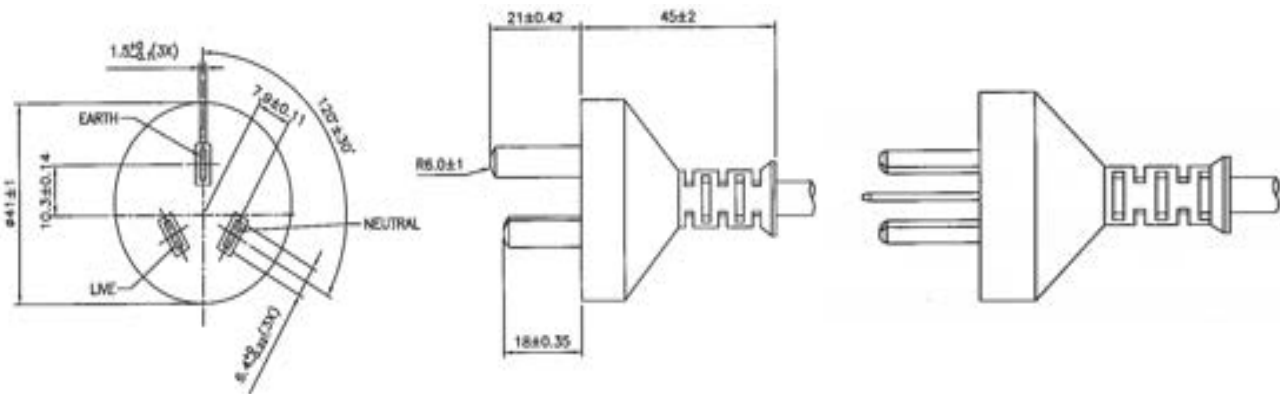
Cat. No. GB10S3
Desc. Straight Plug with double insulation
 for Class I Appliance (RoHS 2)
Std. GB2099.1 / GB1002
Max. Rating 10A, 250V
Safety Approval CCC



Cable Type	Size (mm ²)	Matching Connector	Rated Current
60227 IEC 52 (RVV) 300/300 (Round)	3 x 0.75	VAC5S	6A
60227 IEC 53 (RVV) 300/500 (Round)	3 x 0.75	VAC5S, VAC5AR, V1625A*	6A
60227 IEC 53 (RVV) 300/500 (Round)	3 x 1.00	V1625A	10A
60227 IEC 53 (RVV) 300/500 (Round)	3 x 1.50	VAC13KS	10A

Remarks:

* Cable length limit to 2 meters.



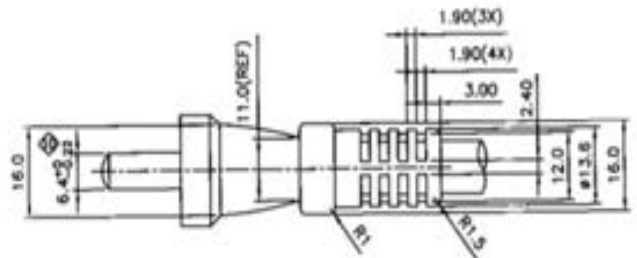
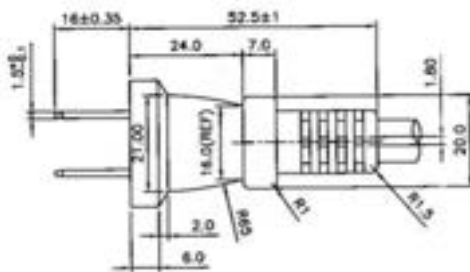
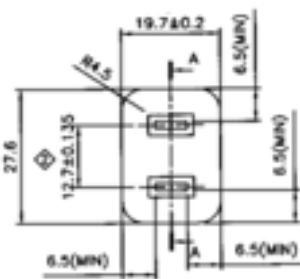


CHINA



Cat. No. GB10BS
Desc. Straight Plug with double insulation and Larger Cable Size for Class II Appliance (RoHS 2)
Std. GB2099.1 / GB1002
Max. Rating 10A, 250V
Safety Approval CCC

Cable Type	Size (mm ²)	Matching Connector	Rated Current
60227 IEC 53 (RVV) 300/500 (Round)	2 x 1.00	VAC17A, VAC17S	10A
60245 IEC 57 (YZW)	2 x 1.00	-	10A





CHINA

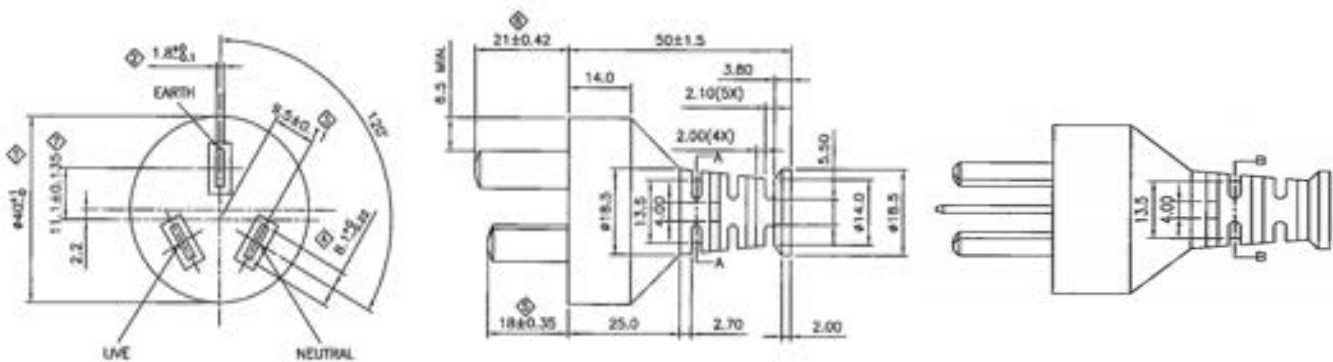
Cat. No. GB16C
Desc. High Ampereage Straight Plug
 for Class I Appliance (RoHS 2)
Std. GB2099.1 / GB1002
Max. Rating 16A, 250V
Safety Approval CCC



Cable Type	Size (mm ²)	Matching Connector	Rated Current
60227 IEC 53 (RVV) 300/500 (Round)	3 x 1.00	VAC19*	16A
60227 IEC 53 (RVV) 300/500 (Round)	3 x 1.50	VAC19, VSC19, VAC19LA	16A
60245 IEC 89 (RQB) 300/300	3 x 1.50	-	16A

Remarks:

* Cable length limit to 2 meters.



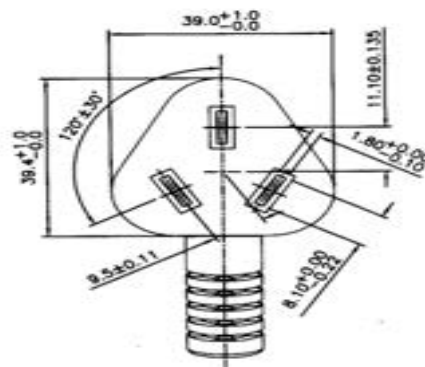
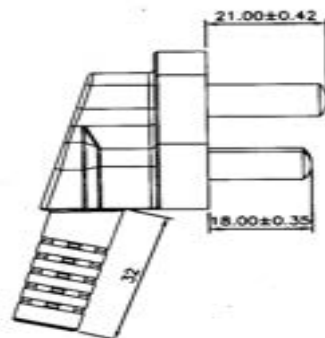
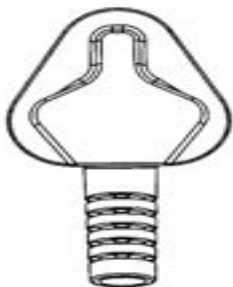


CHINA

Cat. No. GB16CA
Desc. High Ampereage Angled Plug
 for Class I Appliance (RoHS 2)
Std. GB2099.1 / GB1002
Max. Rating 16A, 250V
Safety Approval CCC



Cable Type	Size (mm ²)	Matching Connector	Rated Current
60227 IEC 53 (RVV) 300/500 (Round)	3 x 1.50	VSC19, VAC19A	16A





CHINA

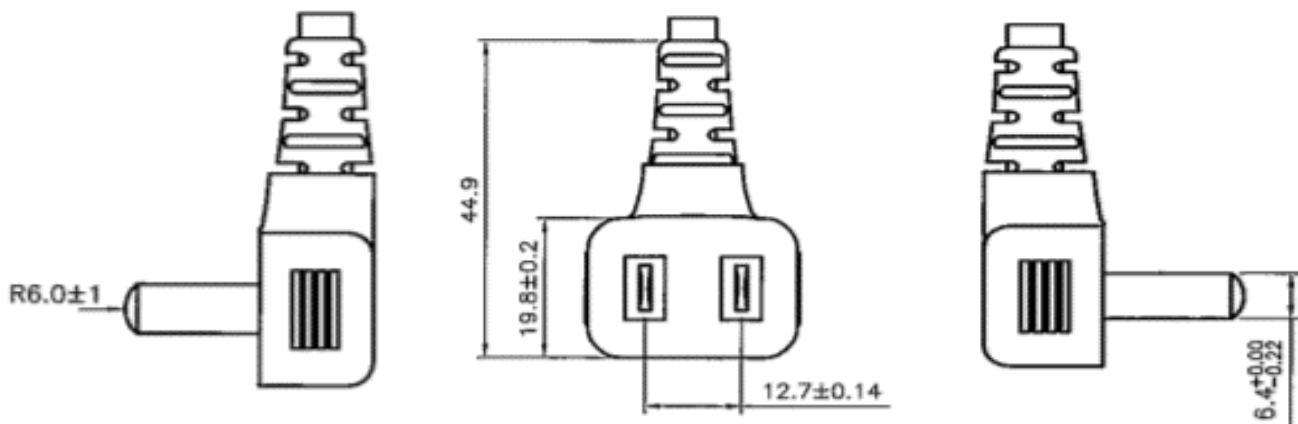


Cat. No. GB10FA2
Desc. Angled Plug for Class II Appliance (RoHS 2)
Std. GB2099.1 / GB1002
Max. Rating 10A, 250V
Safety Approval CCC

Cable Type	Size (mm ²)	Matching Connector	Rated Current
60227 IEC 53 (RVV) 300/500 (Round)	2 x 0.75	VAC17S*	10A
60227 IEC 52 (RVV) 300/300 (Flat)	2 x 0.75	-	10A

Remarks:

* Cable length limit to 2 meters.





DENMARK

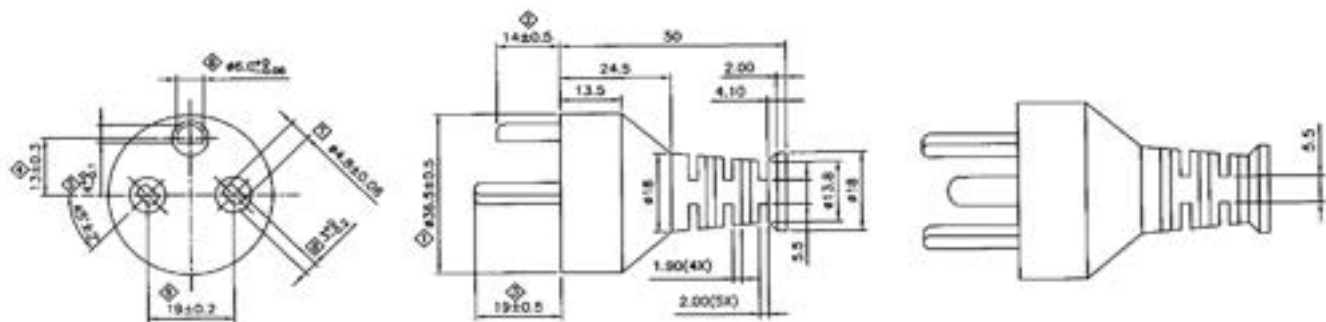
Cat. No.	MP233
Desc.	Straight Plug for Class I Appliance
Std.	IEC 884-1 & SB107-2-DI (STANDARD SHEET DK2-5A)
Max. Rating	13A, 250V
Safety Approval	DEMKO



Cable Type	Size (mm ²)	Matching Connector	Rated Current
H03VV-F	3 x 0.75	VNBC5S, VAC5AR	10A/13A
H05VV-F	3 x 0.75	VNBC5S, VAC5AR, VNBC13S*, V1625A*	10A/13A
H05VV-F	3 x 1.00	VNBC13S, V1625A, VAC19*	10A/13A
H05RR-F	3 x 0.75	VSCC15*	10A/13A

Remarks:

* Cable length limit to 2 meters.





DENMARK

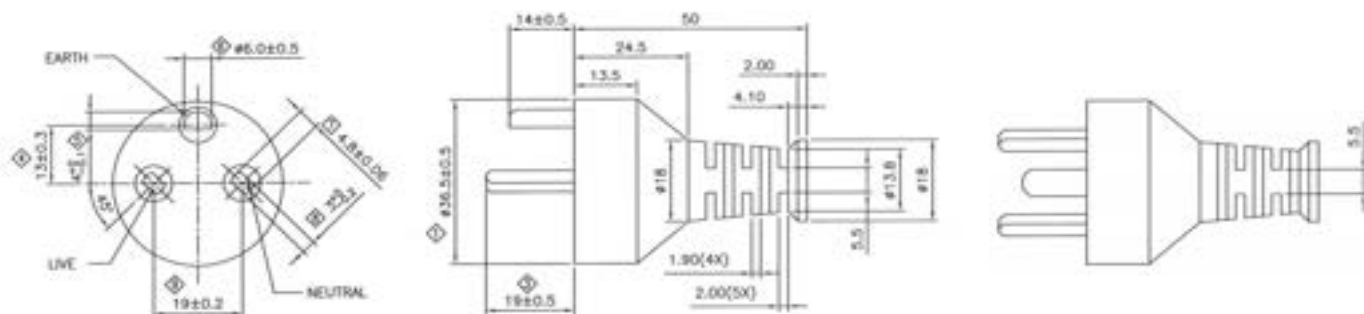
Cat. No.	MP233D
Desc.	Straight Plug with double insulation for Class I Appliance
Std.	IEC 884-1 & SB107-2-DI (STANDARD SHEET DK2-5A)
Max. Rating	13A, 250V
Safety Approval	DEMKO



Cable Type	Size (mm ²)	Matching Connector	Rated Current
H03VV-F	3 x 0.75	VNBC5S, VAC5AR	10A/13A
H05VV-F	3 x 0.75	VNBC5S, VAC5AR, VNBC13S* V1625A*	10A/13A
H05VV-F	3 x 1.00	VNBC13S, V1625A, VAC19*	10A/13A
H05VV-F	3 x 1.50	V1625LA, VAC19, VAC19A, VAC19LA	13A

Remarks:

* Cable length limit to 2 meters.





DENMARK

New!

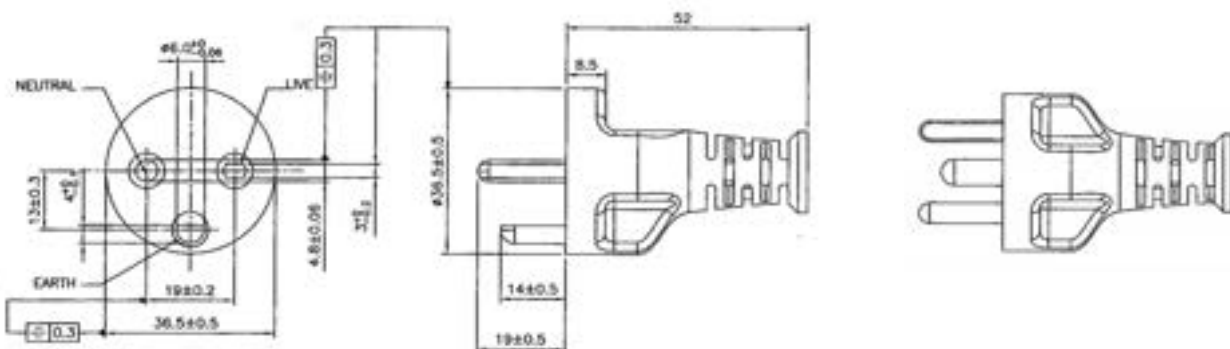


Cat. No.	DM133SH (Hospital plug)
Desc.	Non-Rewirable Two-Pole Hospital Plug with Earthing Pin
Std.	DS 60884-2 D1 (STANDARD SHEET DK 2-8a)
Max. Rating	13A, 250V
Safety Approval	DEMKO

Cable Type	Size (mm ²)	Matching Connector	Rated Current
H05VV-F	3 x 1.00	VNBC13S, V1625A, VAC19*	10A/13A
H05VV-F	3 x 1.50	V1625LA, VAC19, VAC19A, VAC19LA	13A

Remarks:

* Cable length limit to 2 meters.





EUROPE

Cat. No.	VNBEU16S3
Desc.	Straight Plug with Dual-earth contacts for Class I Appliance (RoHS 2)
Std.	IEC 60884-1 (CEE 7 Standard Sheet VII)
Max. Rating	16A, 250V
Safety Approval	VDE

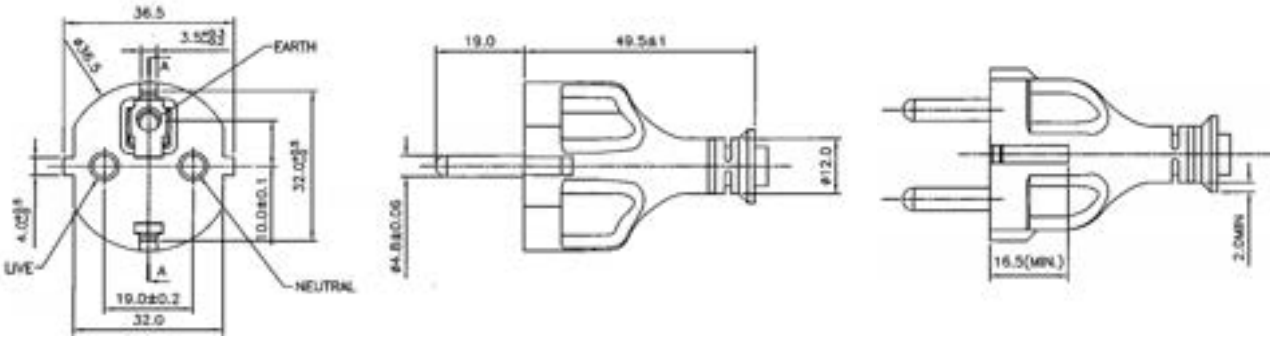


Cable Type	Size (mm ²)	Matching Connector	Combo Approvals
H03VV-F	3 x 0.75	VNBC5S*	ISC
H03VV-F + 60227 KS IEC 52 (H03VV-F) + 60227 IEC 52 (H03VV-F)	3 x 0.75	VNBC5S*	EAC/KC/ISC
H05VV-F	3 x 0.75	V1625A*, VNBC5S*	ISC
H05VV-F + 60227 KS IEC 53 (H05VV-F) + 60227 IEC 53 (H05VV-F)	3 x 0.75	VNBC5S* VNBC13S*	EAC/KC/ISC
H03RT-H	3 x 0.75	-	EAC
H05RN-F	3 x 0.75	-	EAC
H05RR-F	3 x 0.75	-	EAC
60245 KS IEC 53 (H05RR-F)	3 x 1.00	-	EAC/KC
H05V2V2-F	3 x 1.00	-	EAC
H05RN-F	3 x 1.00	-	EAC
H03RT-H	3 x 1.00	-	EAC
H05VV-F	3 x 1.00	V1625A, V1625LA	ISC
H05VV-F + 60227 KS IEC 53 (H05VV-F) + 60227 IEC 53 (H05VV-F)	3 x 1.00	VNBC13S	EAC/KC/ISC
H05VV-F + 60227 KS IEC 53 (H05VV-F) + 60227 IEC 53 (H05VV-F)	3 x 1.50	VNBC13S	EAC/KC/ISC
H05VV-F	3 x 1.50	VAC19, VAC19A, VAC19LA VSC19	ISC

Remarks

* Cable length limit to 2 meters.

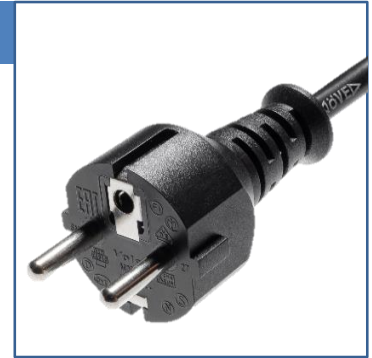
EUROPE (CONT...)





EUROPE

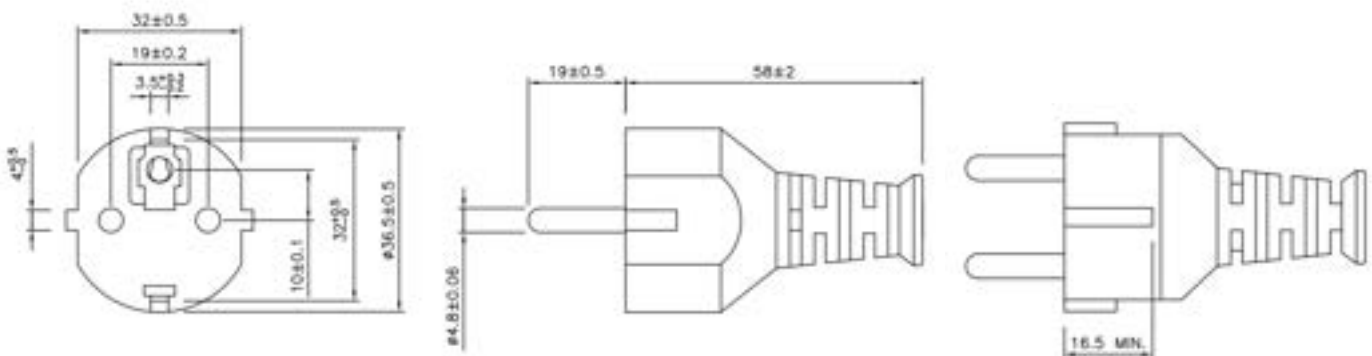
Cat. No.	M2511
Desc.	Straight Plug with Dual-earth contacts for Class I Appliance
Std.	IEC 60884-1 (CEE 7 Standard Sheet VII)
Max. Rating	16A, 250V
Safety Approval	KEMA, CEBEC, DEMKO, FIMKO, NEMKO, SEMKO, SEV, OVE, VDE, IMQ



Cable Type	Size (mm ²)	Matching Connector
H03VV-F	3 x 0.75	VAC5AR
H05RR-F	3 x 0.75	VSCC15*
H05RR-F	3 x 1.00	VSCC15
H05VV-F	3 x 0.75	VAC5AR, V1625LA*
H05VV-F	3 x 1.00	VAC19*
H05VV-F	3 x 1.50	V1625LA

Remarks

* Cable length limit to 2 meters.





EUROPE

Cat. No.	VNBEU16A3
Desc.	Angled Plug with Dual-earth contacts for Class I Appliance (RoHS 2)
Std.	IEC 60884-1 (CEE 7 Standard Sheet VII)
Max. Rating	16A, 250V
Safety Approval	VDE

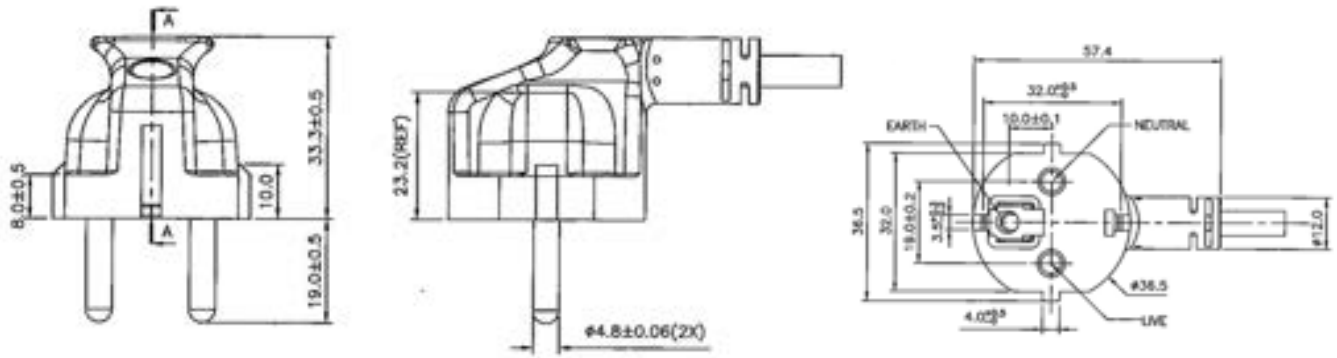


Cable Type	Size (mm ²)	Matching Connector	Combo Approvals
H03VV-F	3 x 0.75	VNBC5S*	ISC
H03VV-F + 60227 KS IEC 52 (H03VV-F) + 60227 IEC 52 (H03VV-F)	3 x 0.75	VNBC5S*	EAC/KC/ISC
H05VV-F	3 x 0.75	V1625A*, VNBC5S*	ISC
H05VV-F + 60227 KS IEC 53 (H05VV-F) + 60227 IEC 53 (H05VV-F)	3 x 0.75	VNBC5S* VNBC13S*	EAC/KC/ISC
H03RT-H	3 x 0.75	-	EAC
H05RN-F	3 x 0.75	-	EAC
H05RR-F	3 x 0.75	-	EAC
60245 KS IEC 53 (H05RR-F)	3 x 1.00	-	EAC/KC
H05V2V2-F	3 x 1.00	-	EAC
H05RN-F	3 x 1.00	-	EAC
H03RT-H	3 x 1.00	-	EAC
H05VV-F	3 x 1.00	V1625A, V1625LA	ISC
H05VV-F + 60227 KS IEC 53 (H05VV-F) + 60227 IEC 53 (H05VV-F)	3 x 1.00	VNBC13S	EAC/KC/ISC
H05VV-F + 60227 KS IEC 53 (H05VV-F) + 60227 IEC 53 (H05VV-F)	3 x 1.50	VNBC13S	EAC/KC/ISC
H05VV-F	3 x 1.50	VAC19, VAC19A, VAC19LA VSC19	ISC

Remarks

* Cable length limit to 2 meters.

EUROPE (CONT...)





EUROPE

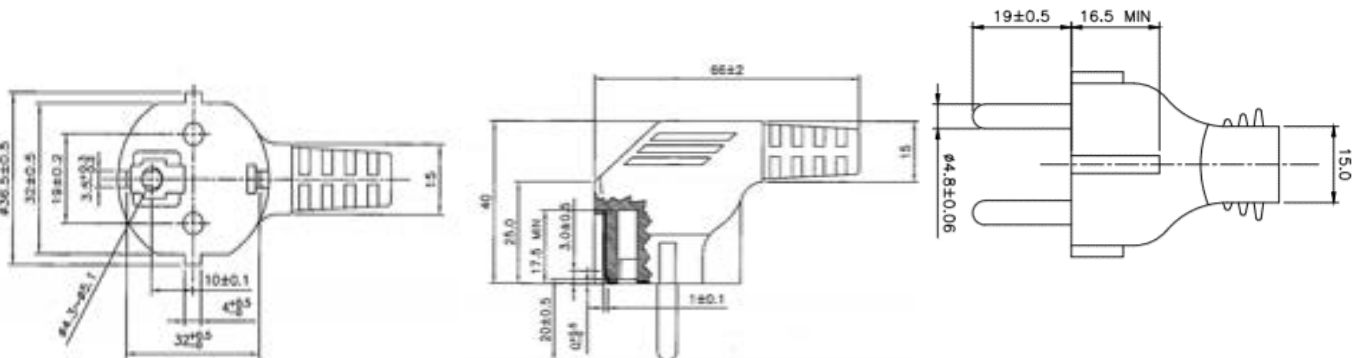


Cat. No.	M2511A
Desc.	Angled Plug with Dual-earth contacts for Class I Appliance
Std.	IEC 60884-1 (CEE 7 Standard Sheet VII)
Max. Rating	16A, 250V
Safety Approval	KEMA - ENEC , CEBC, DEMKO, NEMKO, FIMKO, SEMKO, SEV, OVE, VDE, IMQ

Cable Type	Size (mm ²)	Matching Connector
H03VV-F	3 x 0.75	VAC5AR
H05RR-F	3 x 0.75	VSCC15*
H05RR-F	3 x 1.00	VSCC15
H05VV-F	3 x 0.75	VAC5AR, V1625LA*
H05VV-F	3 x 1.00	VAC19*
H05VV-F	3 x 1.50	V1625LA

Remarks

* Cable length limit to 2 meters.



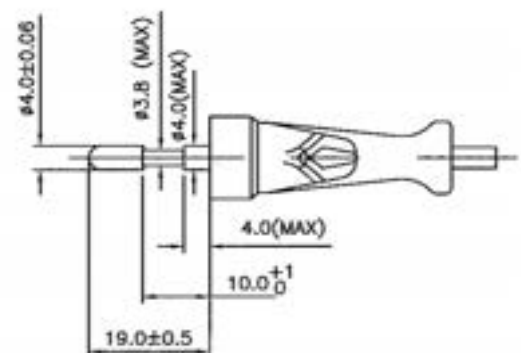
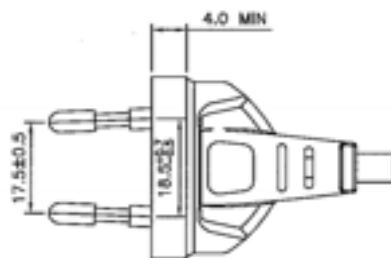


EUROPE

Cat. No.	EU2.5S2
Desc.	Small Profile Straight Plug for Class II Appliance
Std.	EN 50075
Max. Rating	2.5A, 250V
Safety Approval	KEMA - ENEC , CEBC, DEMKO, NEMKO, FIMKO, SEMKO, SEV, OVE, VDE, IMQ



Cable Type	Size (mm ²)	Matching Connector
H03VVH2-F	2 x 0.75	VNBC7S ,VAC7A





EUROPE

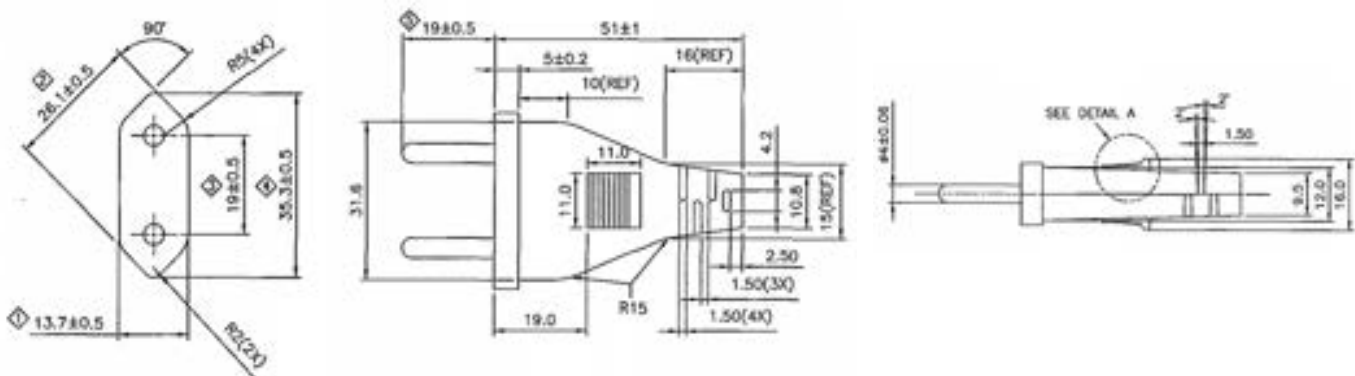
Cat. No.	M4206
Desc.	Straight Plug for Class II Appliance
Std.	EN 50075
Max. Rating	2.5A, 250V
Safety Approval	KEMA - ENEC , CEBEC, DEMKO, NEMKO, FIMKO, SEMKO, SEV, OVE, VDE, IMQ



Cable Type	Size (mm ²)	Matching Connector
H03VV-F	2 x 0.75	-
H03VVH2-F	2 x 0.50	VNBC7S*, VAC7A*
H03VVH2-F (Tin-Coated)	2 x 0.75	-
H05VV-F	2 x 0.75	VNBC17S*
H05VV-F	2 x 1.00	VNBC17S, VAC17A
H05VVH2-F	2 x 0.75	-

Remarks

* Cable length limit to 2 meters.





EUROPE

New!



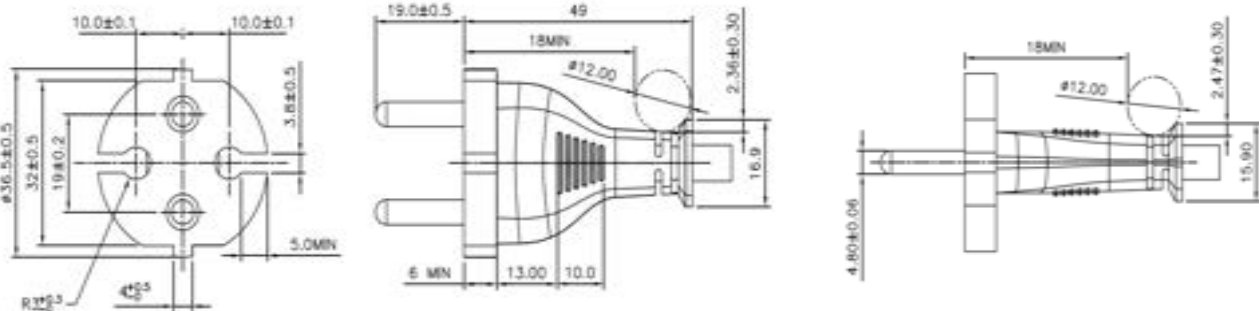
Cat. No. VNBEU16S2
Desc. Non-rewirable Straight Plug For Class II Equipment
Std. IEC 60884-1 (CEE 7 Standard Sheet VII)
 GOST R 51322.1
Max. Rating 16A, 250V
Safety Approval VDE



Cable Type	Size (mm ²)	Matching Connector	Safety Approval
H03VVH2-F	2 x 0.75	VNBC7S, VNC7A, VAC7A	EAC
H05VVH2-F	2 x 0.75	VNBC7S	EAC
H05VVH2-F	2 x 1.00	-	EAC
H03VV-F	2 x 0.75	-	EAC
H05VV-F	2 x 0.75	VAC7SR, VNBC17S*	EAC
H05VV-F	2 x 1.00	VAC17KS, VNBC17S, VAC17A	EAC
H05VV-F	2 x 1.50	-	EAC
H05V2V2-F	2 x 0.75	VAC17S*	EAC
H05V2V2-F	2 x 1.00	VAC17S	EAC
H05RR-F	2 x 0.75	-	EAC
H05RR-F	2 x 1.00	-	
H05RN-F	2 x 0.75	-	
H05RN-F	2 x 1.00	-	EAC
H03RT-H	2 x 0.75	-	EAC
H03RT-H	2 x 1.00	-	EAC

Remarks

* Cable length limit to 2 meters.



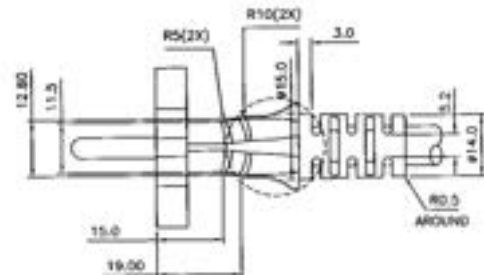
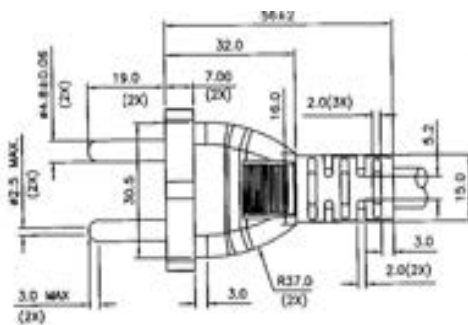
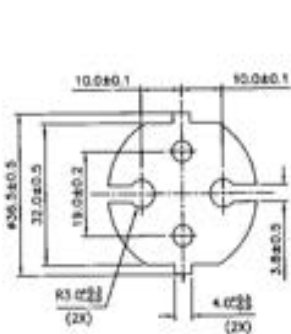


EUROPE



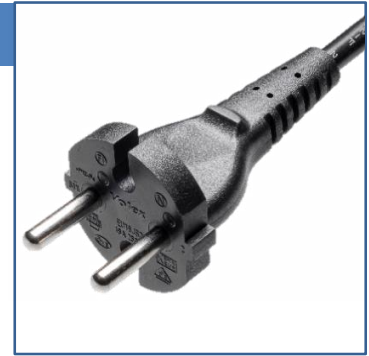
Cat. No.	EUC6
Desc.	Straight Plug with rubber cable type for Class II Appliance
Std.	IEC 60884-1 (CEE 7 Standard Sheet XVII)
Max. Rating	16A, 250V
Safety Approval	KEMA, CEBC, DEMKO, FIMKO, NEMKO, SEMKO, SEV, OVE, VDE, IMQ

Cable Type	Size (mm ²)	Matching Connector
H05VV-F	2 x 1.50	-
H07RN-F	2 x 1.00	-
H07RN-F	2 x 1.50	-





EUROPE

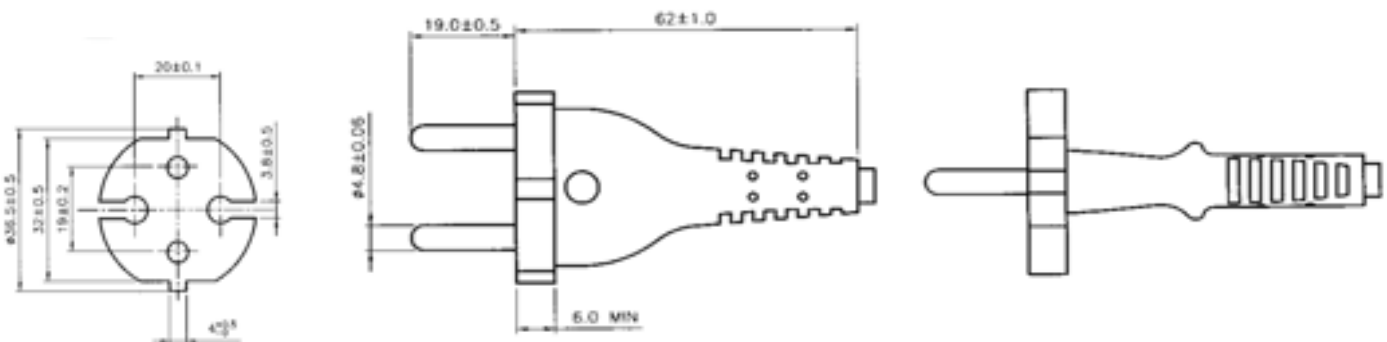


Cat. No.	EU16JS2
Desc.	Straight Plug for Class II Appliance with Long Strain Relief
Std.	IEC 60884-1 (CEE 7 Standard Sheet XVII)
Max. Rating	16A, 250V
Safety Approval	KEMA, CEBEC, DEMKO, FIMKO, NEMKO, SEMKO, SEV, OVE, VDE, IMQ

Cable Type	Size (mm ²)	Matching Connector
H05V2V2-F	2 x 0.75	VAC17S*
H05V2V2-F	2 x 1.00	VAC17S
H05V2V2H2-F	2 x 0.75	-
H05V2V2H2-F	2 x 1.00	-
H05VV-F	2 x 0.75	VNBC17S*
H05VV-F	2 x 1.00	VNBC17S, VAC17A
H05VVH2-F	2 x 0.75	-
H05VVH2-F	2 x 1.00	-

Remarks

* Cable length limit to 2 meters.





EUROPE

New!



Cat. No. EU16S3SP
Desc. IP54 Splash-proof EU 3P SCHUKO plug
 Non-rewirable Plug with dual-earthing contacts for Class I Equipment
Std. IEC 60884-1 (CEE 7 Standard Sheet VII)
Max. Rating 16A, 250V
Safety Approval KEMA

Cable Type	Size (mm ²)	Matching Connector
H05VV-F	3 x 0.75	VNBC13S, V1625A, VAC13KS
H05VV-F	3 x 1.00	VNBC13S, V1625A, VAC13KS
H05VV-F	3 x 1.50	VNBC13S, V1625LA, VAC13KS
H05RN-F	3 x 0.75	-
H05RN-F	3 x 1.00	-
H05BQ-F	3 x 0.75	-
H05BQ-F	3 x 1.00	-
H07RN-F	3 x 1.50	-



EUROPE

New!



Cat. No.	EU16S2SP
Desc.	IP54 Splash-proof EU 2P SCHUKO plug Non-rewirable Two-Pole Plug for Class II Equipment
Std.	IEC 60884-1 (CEE 7 Standard Sheet VII)
Max. Rating	16A, 250V
Safety Approval	KEMA

Cable Type	Size (mm ²)	Matching Connector
H05VV-F	2 x 0.75	VNBC17S
H05VV-F	2 x 1.00	VNBC17S, VAC17A, VAC17KS
H05VV-F	2 x 1.50	-
H05RN-F	2 x 0.75	-
H05RN-F	2 x 1.00	-
H07RN-F	2 x 1.50	-



GULF COUNTRIES

Cat. No. VNBUK13A2
Desc. Angled Plug for Class II Appliance
Std. IEC 60884
Max. Rating 10A, 250V
Safety Approval GCC



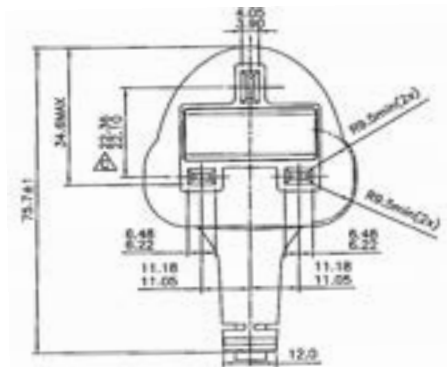
Cable Type	Size (mm ²)	Matching Connector	Rated Current	Max. Fuse Rating	Combo Approvals
H03VVH2-F	2 x 0.50	VNBC7S*	3A	5A	ASTA/CPS
H05V2V2-F	2 x 0.75	-	6A	13A	
H05VV-F	2 x 0.75	-	6A	13A	
H03VVH2-F	2 x 0.75	VNBC7S, VAC7A	6A	13A	
H05VVH2-F	2 x 0.75	VNBC7S	6A	13A	
H05RR-F	2 x 0.75	-	6A	13A	
H05RN-F	2 x 0.75	-	6A	13A	
H05V2V2-F	2 x 1.00	-	10A	13A	
H05VV-F	2 x 1.00	-	10A	13A	
H05RR-F	2 x 1.00	-	10A	13A	
H05RN-F	2 x 1.00	-	10A	13A	

Remarks

* Cable length limit to 2 meters.

NOTE:

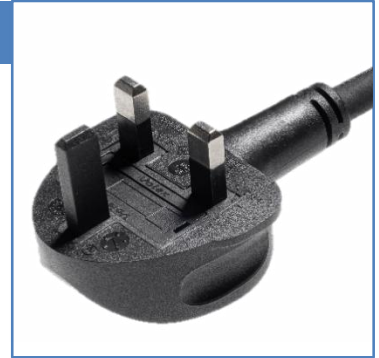
Gulf countries include Bahrain, Kuwait, Iraq, Oman, Qatar, Saudi Arabia and the United Arab Emirates (UAE)





GULF COUNTRIES

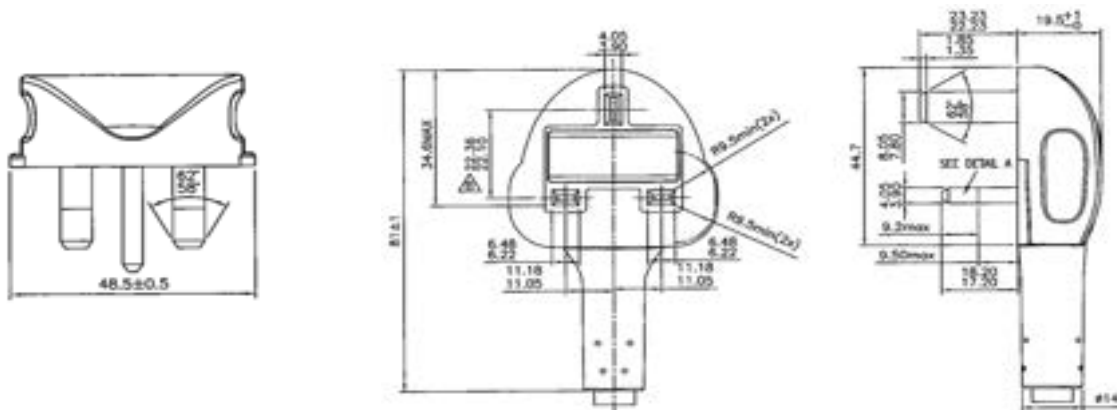
Cat. No. VNBUK13A2B
Desc. Angled Plug for Class II Appliance
 (Big Strain Relief for rubber cables)
Std. IEC 60884
Max. Rating 13A, 250V
Safety Approval GCC



Cable Type	Size (mm ²)	Rated Current	Max. Fuse Rating	Combo Approvals
H07RN-F	2 x 1.00	10A	13A	ASTA/CPS
H05RR-F	2 x 1.50	13A	13A	
H07RN-F	2 x 1.50	13A	13A	

NOTE:

Gulf countries include Bahrain, Kuwait, Iraq, Oman, Qatar, Saudi Arabia and the United Arab Emirates (UAE)





GULF COUNTRIES

Cat. No. VNBUK13A3
Desc. Angled Plug for Class I Appliance
Std. IEC 60884
Max. Rating 13A, 250V
Safety Approval GCC



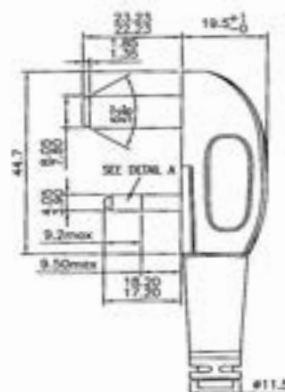
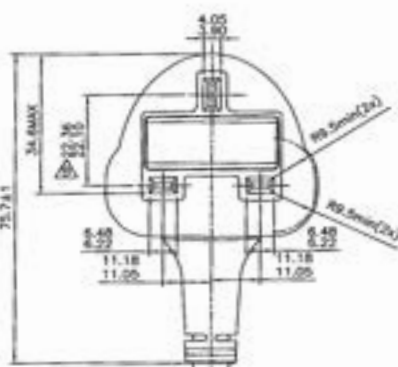
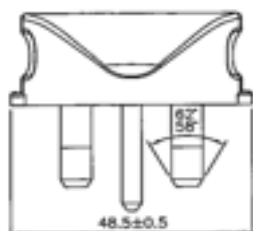
Cable Type	Size (mm ²)	Matching Connector	Rated Current	Max. Fuse Rating	Combo Approvals
H05V2V2-F	3 x 0.75	-	6A	13A	ASTA/CPS
H03VV-F	3 x 0.75	VNBC5S, VAC5AR	6A	13A	
H05VV-F	3 x 0.75	VNBC13S*, V1625A* , VNBC5S	6A	13A	
H05VV-F	3 x 1.00	VNBC13S, V1625A	10A	13A	
H05V2V2-F	3 x 1.00	-	10A	13A	
H05VV-F	3 x 1.50	VNBC13S	13A	13A	

Remarks

* Cable length limit to 2 meters.

NOTE:

Gulf countries include Bahrain, Kuwait, Iraq, Oman, Qatar, Saudi Arabia and the United Arab Emirates (UAE)





GULF COUNTRIES

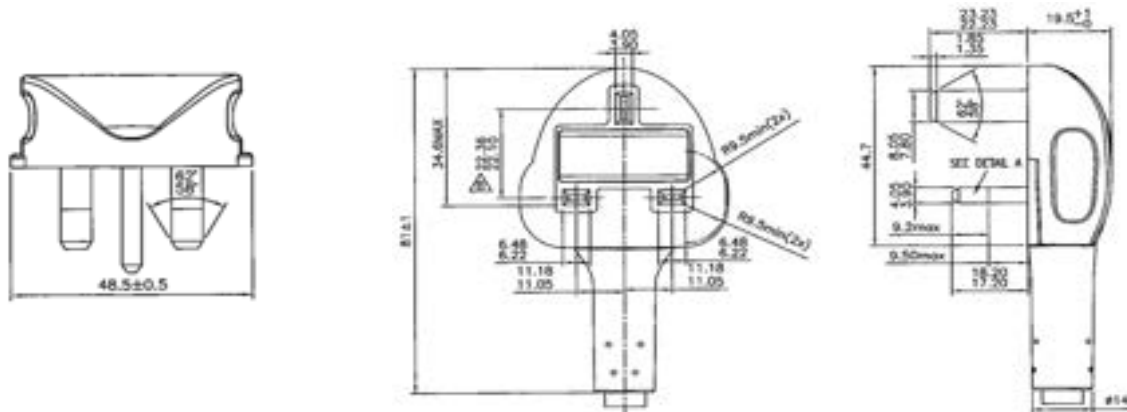
Cat. No. VNBUK13A3B
Desc. Angled Plug for Class I Appliance
 (Big Strain Relief for rubber cables)
Std. IEC 60884
Max. Rating 13A, 250V
Safety Approval GCC



Cable Type	Size (mm ²)	Rated Current	Max. Fuse Rating	Combo Approvals
H03RT-H	3 x 0.75	6A	13A	ASTA/CPS
H05RR-F	3 x 0.75	6A	13A	
H05RN-F	3 x 0.75	6A	13A	
H05RR-F	3 x 1.00	10A	13A	
H03RT-H	3 x 1.00	10A	13A	
H05RN-F	3 x 1.00	10A	13A	
H03RT-H	3 x 1.50	13A	13A	

NOTE:

Gulf countries include Bahrain, Kuwait, Iraq, Oman, Qatar, Saudi Arabia and the United Arab Emirates (UAE)





GULF COUNTRIES

Cat. No. UK13A3
Desc. Angled Plug for Class I and Class II Appliance
Std. IEC 60884
Max. Rating 10A, 250V
Safety Approval GCC



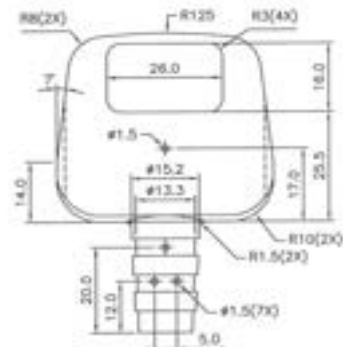
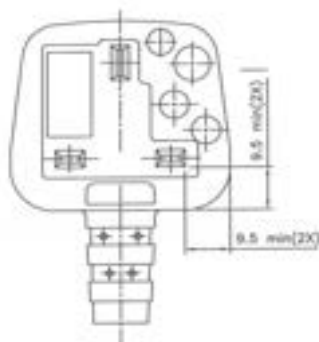
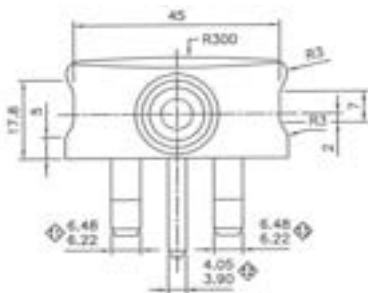
Cable Type	Size (mm ²)	Matching Connector	Rated Current	Max. Fuse Rating
H05VV-F	2 x 1.00	VNBC17S	10A	13A
H05VV-F	3 x 0.75	VAC5AR, V1625LA*	6A	13A
H05VV-F	3 x 1.00	V1625LA, VAC19*	10A	13A

Remarks

* Cable length limit to 2 meters.

NOTE:

Gulf countries include Bahrain, Kuwait, Iraq, Oman, Qatar, Saudi Arabia and the United Arab Emirates (UAE)





GULF COUNTRIES

Cat. No. MP5004
Desc. Angled Plug for Class I and Class II Appliance
Std. IEC 60884
Max. Rating 13A, 250V
Safety Approval GCC



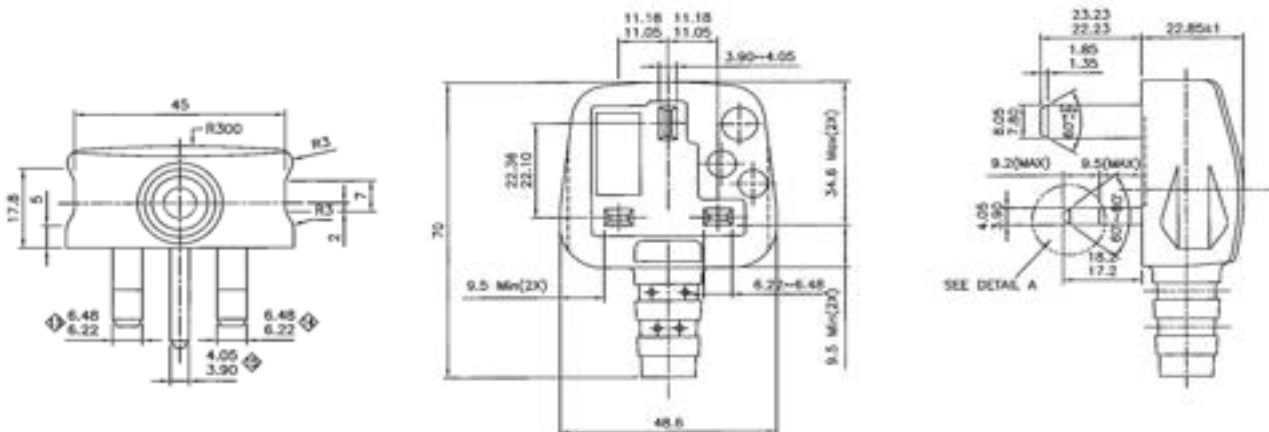
Cable Type	Size (mm ²)	Matching Connector	Rated Current	Max. Fuse Rating
H05V2V2-F	2 x 0.75	VAC17S*	6A	13A
H05V2V2-F	2 x 1.00	VAC17S	10A	13A
H05VV-F	2 x 1.00	VAC17A	10A	13A
H05RR-F	3 x 1.00	VSCC15	10A	13A
H05VV-F	3 x 0.75	VAC5AR, V1625LA*	6A	13A
H05VV-F	3 x 1.00	VAC19*	10A	13A
H05VV-F	3 x 1.50	V1625LA, VAC19, VAC19A, VAC19LA, VSC19	13A	13A

Remarks

* Cable length limit to 2 meters.

NOTE:

Gulf countries include Bahrain, Kuwait, Iraq, Oman, Qatar, Saudi Arabia and the United Arab Emirates (UAE)





GULF COUNTRIES

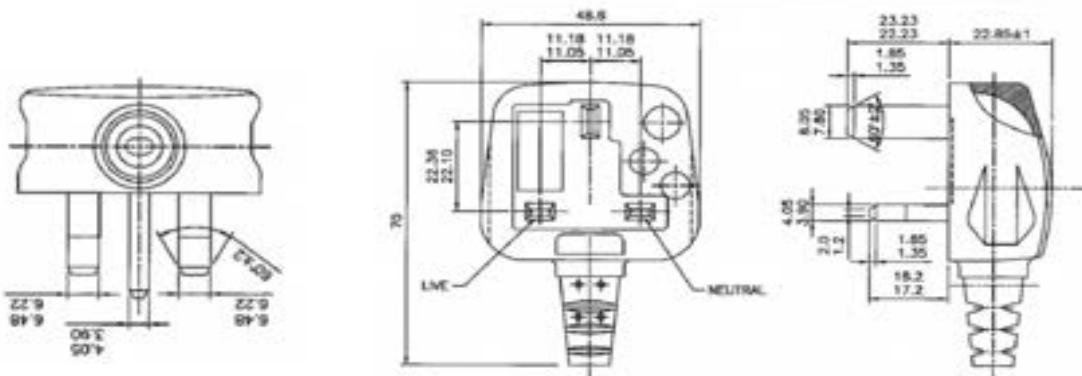
Cat. No.	MP5004A
Desc.	Angled Plug for Class I and Class II Appliance
Std.	IEC 60884
Max. Rating	13A, 250V
Safety Approval	GCC



Cable Type	Size (mm ²)	Matching Connector	Rated Current	Max. Fuse Rating
H03VV-F	3 x 0.75	VNBC5S	6A	13A

NOTE:

Gulf countries include Bahrain, Kuwait, Iraq, Oman, Qatar, Saudi Arabia and the United Arab Emirates (UAE)





HONG KONG

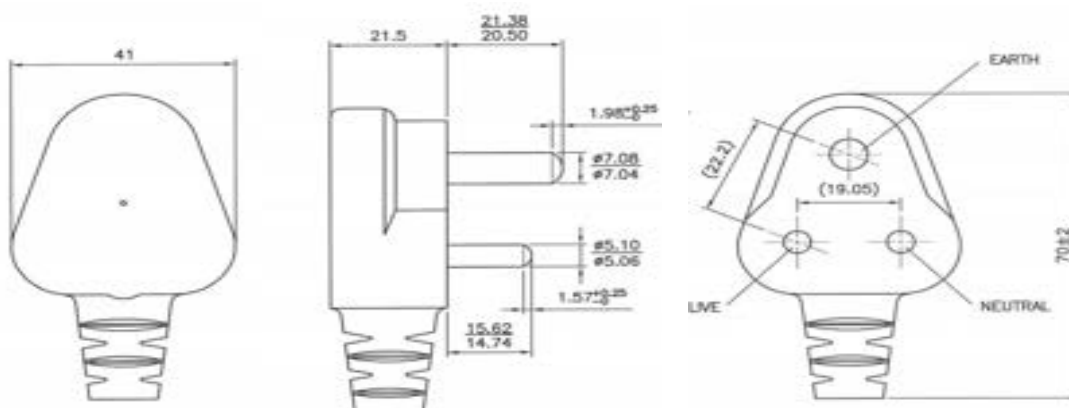
Cat. No.	MP234
Desc.	Angled Plug for Class I and II Appliance
Std.	BS546
Max. Rating	5A, 250V
Safety Approval	Cable Type Test with ITS Certificate of compliance



Cable Type	Size (mm ²)	Matching Connector
H03VVH2-F	2 x 0.75	VNBC7S, VAC7A
H03VV-F	3 x 0.75	VNBC5S, VAC5AR
H05VV-F	3 x 0.75	VNBC5S, VAC5AR, VNBC13S*, V1625A*

Remarks:

* Cable length limit to 2 meters.





HONG KONG

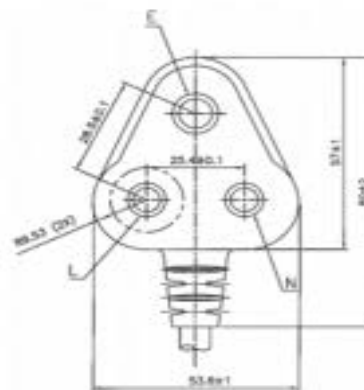
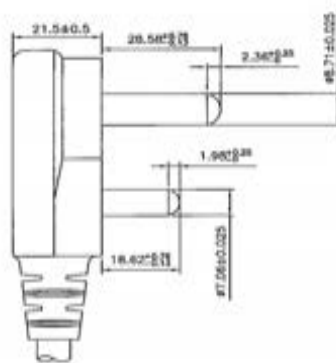
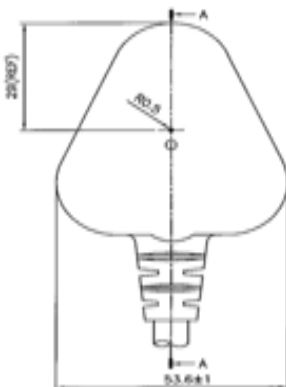
Cat. No.	MP235
Desc.	Angled Plug for Class I Appliance
Std.	BS546
Max. Rating	15A, 250V
Safety Approval	Cable Type Test with ITS Certificate of compliance



Cable Type	Size (mm ²)	Matching Connector
H05VV-F	3 x 0.75	VNBC5S, VAC5AR, VNBC13S*, V1625A*
H05VV-F	3 x 1.00	VNBC13S, VAC19*
H05VV-F	3 x 1.50	V1625LA, VAC19, VAC19A, VAC19LA

Remarks:

* Cable length limit to 2 meters.



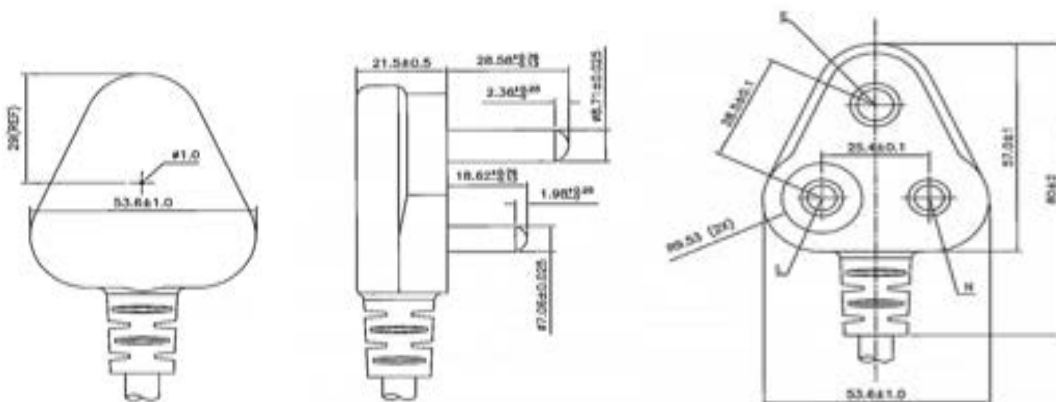


HONG KONG

Cat. No.	MP235B
Desc.	Angled Plug for Class I Appliance
Std.	BS546
Max. Rating	15A, 250V
Safety Approval	Cable Type Test with ITS Certificate of compliance



Cable Type	Size (mm ²)	Matching Connector
H05VV-F	3 x 2.50	-



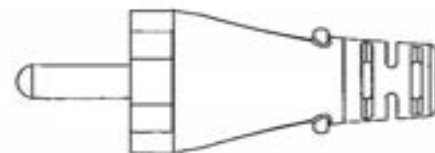
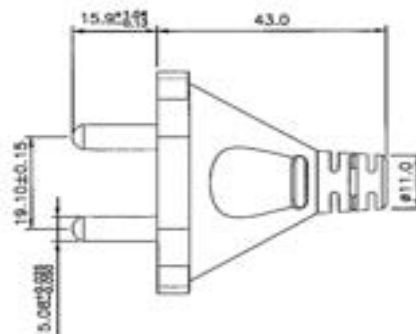
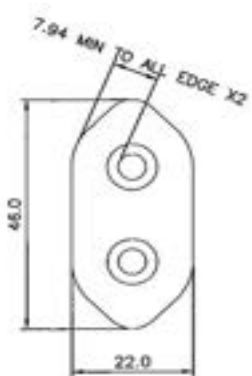


INDIA

Cat. No. IA6S2
Desc. Straight Plug for Class II Appliance
Std. IS 1293: 2005
Max. Rating 6A, 250V
Safety Approval BIS



Cable Type	Size (mm ²)	Matching Connector	Rated Current
IS 694, Flat (PVC insulated cable)	2 x 0.50	-	2.5A
IS 694, Flat (PVC insulated cable)	2 x 0.75	VNBC7S	6A
IS 694, Round (PVC insulated cable)	2 x 1.00	-	6A





INDIA

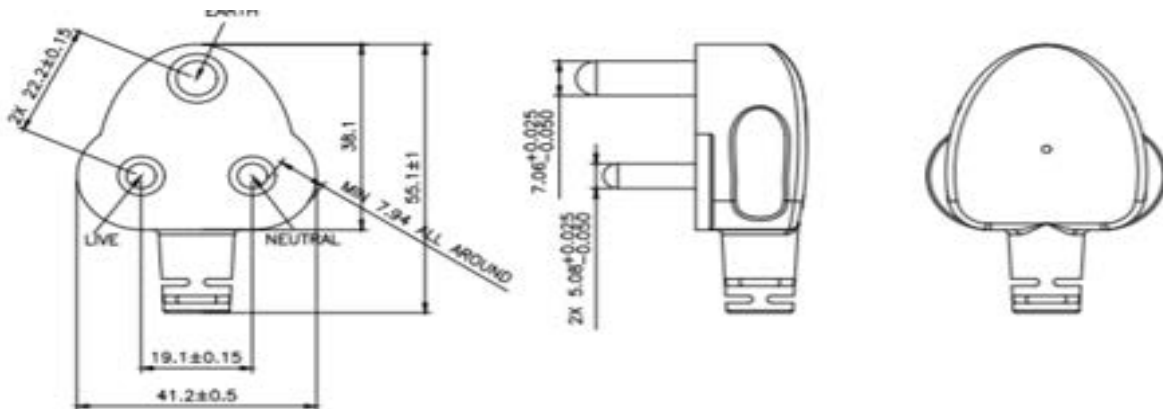
New!



Cat. No. VN6A3
Desc. Angled Plug for Class II Appliance
Std. IS 1293: 2005
Max. Rating 6A, 250V
Safety Approval BIS



Cable Type	Size (mm ²)	Matching Connector
IS 694, Round (PVC insulated cable)	3 x 0.75	VNBC5S
IS 694, Round (PVC insulated cable)	3 x 1.00	VNBC13S



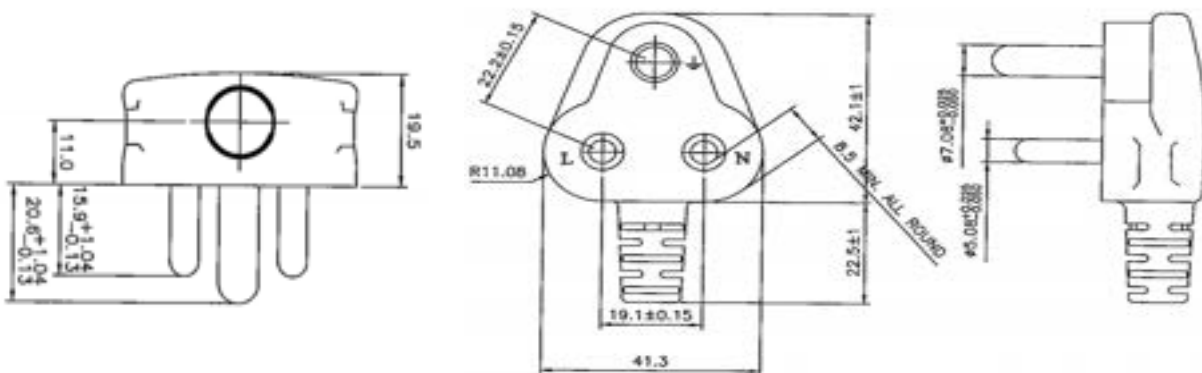


INDIA

Cat. No. IA6A3
Desc. Angled Plug for Class I Appliance
Std. IS 1293: 2005
Max. Rating 6A, 250V
Safety Approval BIS



Cable Type	Size (mm ²)	Matching Connector
IS : 9968 (Cotton-braided cable)	3 x 0.75	-



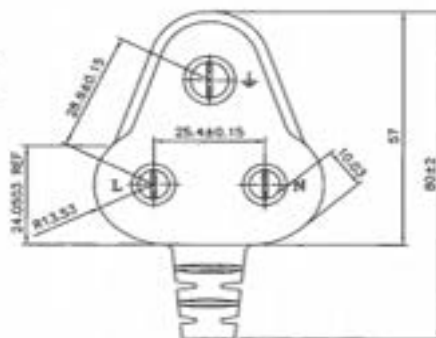
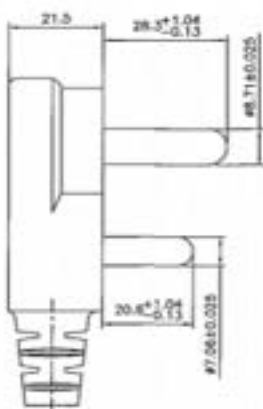


INDIA

Cat. No. IA16A3
Desc. Angled Plug for Class I Appliance
Std. IS 1293: 2005
Max. Rating 16A, 250V
Safety Approval BIS



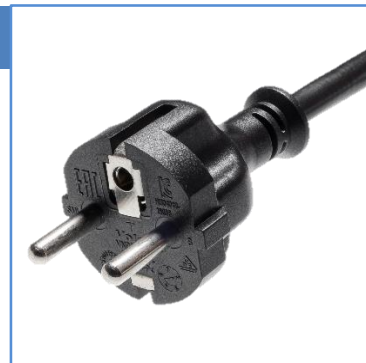
Cable Type	Size (mm ²)	Matching Connector
IS 694, Round (PVC insulated cable)	3 x 1.5	VSC19
IS : 9968 (Cotton-braided cable)	3 x 1.5	-





INDONESIA

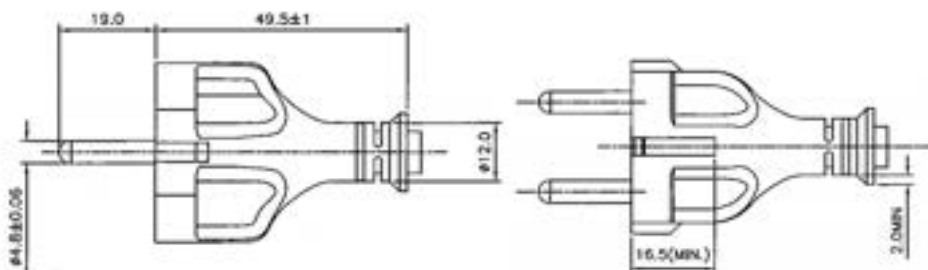
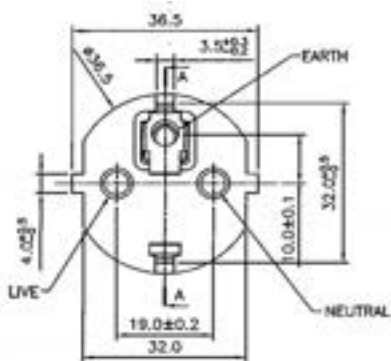
Cat. No. VNBEU16S3
Desc. Straight Plug with Dual-earth contacts
 for Class I Appliance (RoHS 2)
Std. SNI 04-3892.1
Max. Rating 16A, 250V
Safety Approval SNI



Cable Type	Size (mm ²)	Matching Connector
60227 IEC 53 (H05VV-F)	3 x 0.75	VNBC13S*, V1625A*, VNBC5S*
60245 IEC 89 (H03RT-H)	3 x 0.75	-
60245 IEC 57 (H05RN-F)	3 x 0.75	-
60245 IEC 53 (H05RR-F)	3 x 0.75	-
60227 IEC 53 (H05VV-F)	3 x 1.00	VNBC13S, V1625A
60245 IEC 89 (H03RT-H)	3 x 1.00	-
60245 IEC 57 (H05RN-F)	3 x 1.00	-
60245 IEC 53 (H05RR-F)	3 x 1.00	-
60227 IEC 53 (H05VV-F)	3 x 1.50	VNBC13S

Remarks

* Cable length limit to 2 meters



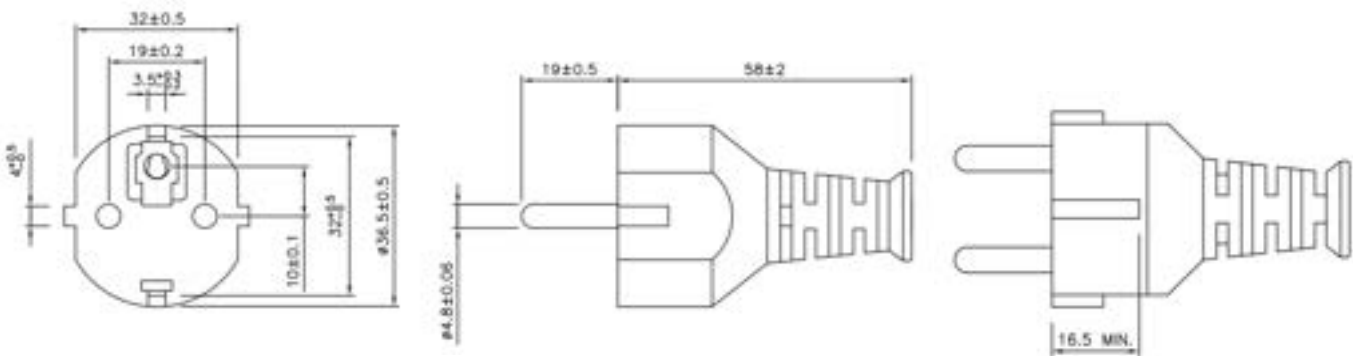


INDONESIA

Cat. No. M2511
Desc. Straight Plug with Dual-earth contacts
 for Class I Appliance
Std. SNI 04-3892.1
Max. Rating 16A, 250V
Safety Approval SNI



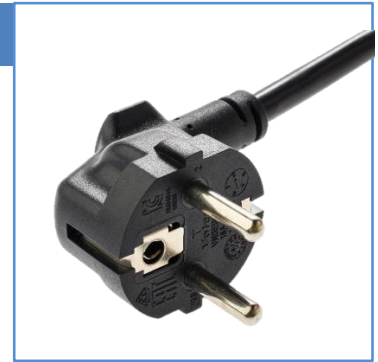
Cable Type	Size (mm ²)	Matching Connector
60245 IEC 53 (H05RR-F)	3 x 1.00	VSCC15





INDONESIA

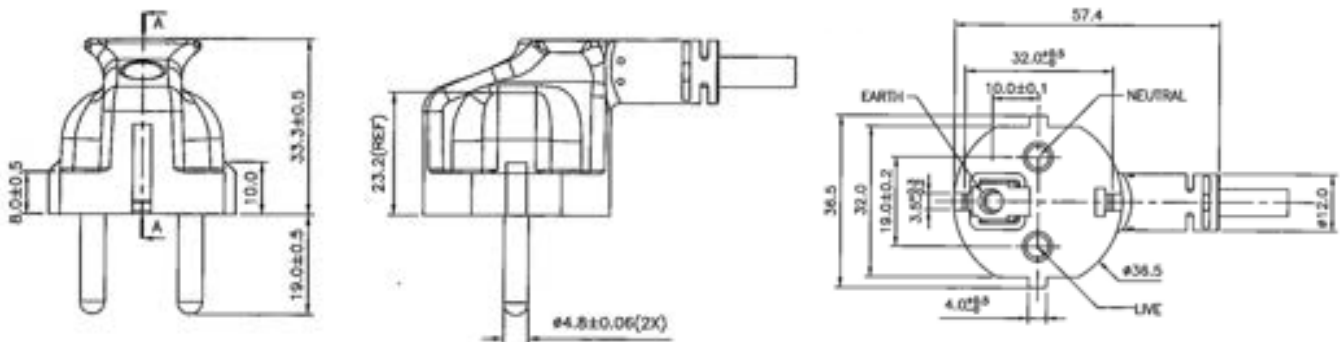
Cat. No. VNBEU16A3
Desc. Angled Plug with Dual-earth contacts
 for Class I Appliance (RoHS 2)
Std. SNI 04-3892.1
Max. Rating 16A, 250V
Safety Approval SNI



Cable Type	Size (mm ²)	Matching Connector
60227 IEC 53 (H05VV-F)	3 x 0.75	VNBC13S*, V1625A*, VNBC5S*
60245 IEC 89 (H03RT-H)	3 x 0.75	-
60245 IEC 57 (H05RN-F)	3 x 0.75	-
60245 IEC 53 (H05RR-F)	3 x 0.75	-
60227 IEC 53 (H05VV-F)	3 x 1.00	VNBC13S, V1625A
60245 IEC 89 (H03RT-H)	3 x 1.00	-
60245 IEC 57 (H05RN-F)	3 x 1.00	-
60245 IEC 53 (H05RR-F)	3 x 1.00	-
60227 IEC 53 (H05VV-F)	3 x 1.50	VNBC13S

Remarks

* Cable length limit to 2 meters



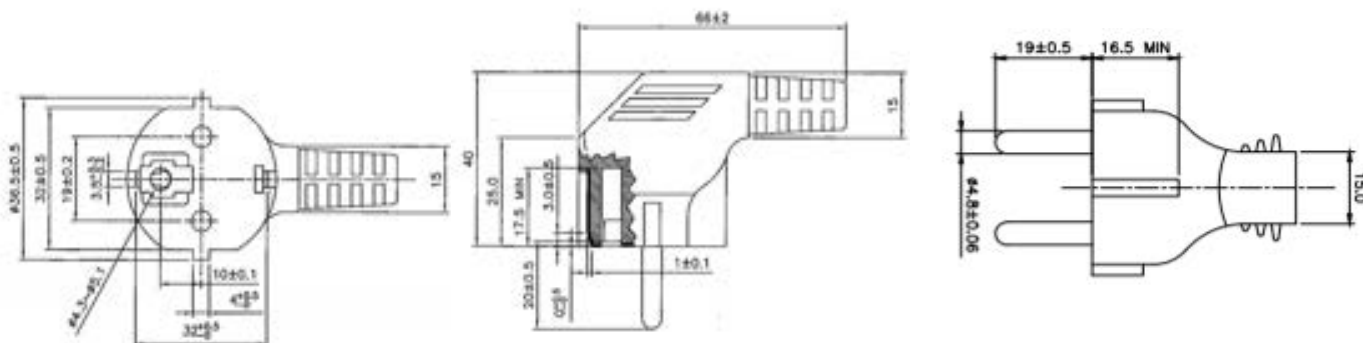


INDONESIA

Cat. No.	M2511A
Desc.	Angled Plug with Dual-earth contacts for Class I Appliance
Std.	SNI 04-3892.1
Max. Rating	16A, 250V
Safety Approval	SNI



Cable Type	Size (mm ²)	Matching Connector
60245 IEC 53 (H05RR-F)	3 x 1.00	VSCC15





INDONESIA

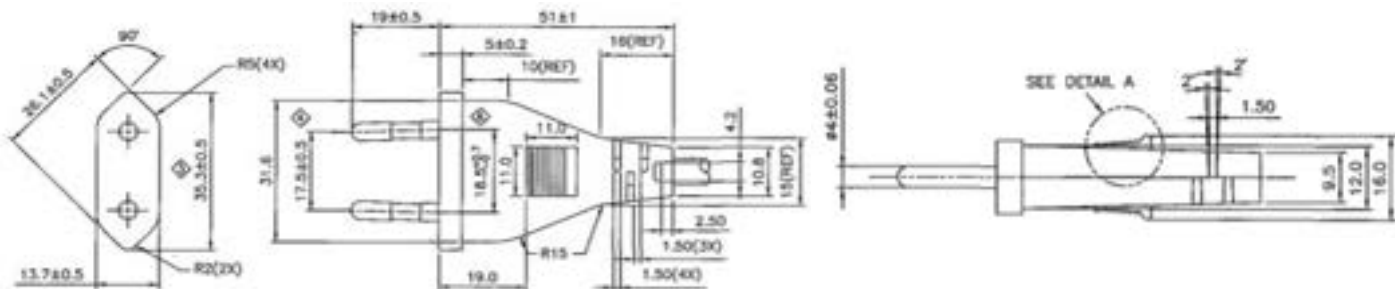
Cat. No. M4206
Desc. Straight Plug for Class II Appliance
Std. SNI 04-3892.1
Max. Rating 2.5A, 250V
Safety Approval SNI



Cable Type	Size (mm ²)	Matching Connector
60227 IEC 52 (H03VVH2-F)	2 x 0.50	VNBC7S*
60228 IEC 52 (H03VVH2-F)	2 x 0.75	VNBC7S, VAC7A
60227 IEC 53 (H05VVH2-F)	2 x 0.75	VNBC7S
60245 IEC 89 (H03RT-H)	2 x 0.75	-

Remarks

* Cable length limit to 2 meters





INDONESIA

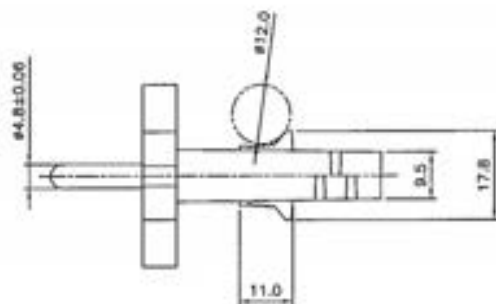
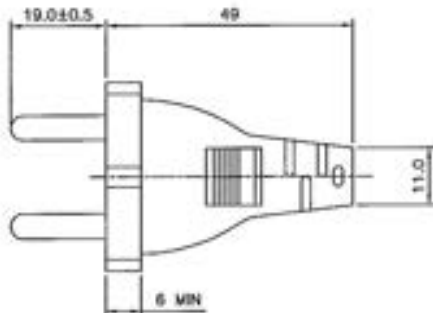
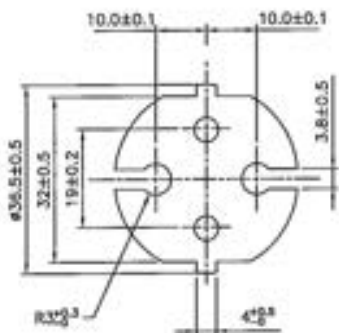
Cat. No. M3204
Desc. Straight Plug for Class II Appliance
Std. SNI 04-3892.1
Max. Rating 16A, 250V
Safety Approval SNI



Cable Type	Size (mm ²)	Matching Connector
60227 IEC 52 (H03VVH2-F)	2 x 0.50	VNBC7S*
60227 IEC 52 (H03VVH2-F)	2 x 0.75	VNBC7S, VAC7A
60227 IEC 53 (H05VVH2-F)	2 x 0.75	VNBC7S
60245 IEC 53 (H05RR-F)	2 x 0.75	-
60245 IEC 53 (H05RR-F)	2 x 1.00	-
60245 IEC 57 (H05RN-F)	2 x 0.75	-
60245 IEC 57 (H05RN-F)	2 x 1.00	-
60245 IEC 89 (H03RT-H)	2 x 0.75	-
60245 IEC 89 (H03RT-H)	2 x 1.00	-

Remarks

* Cable length limit to 2 meters



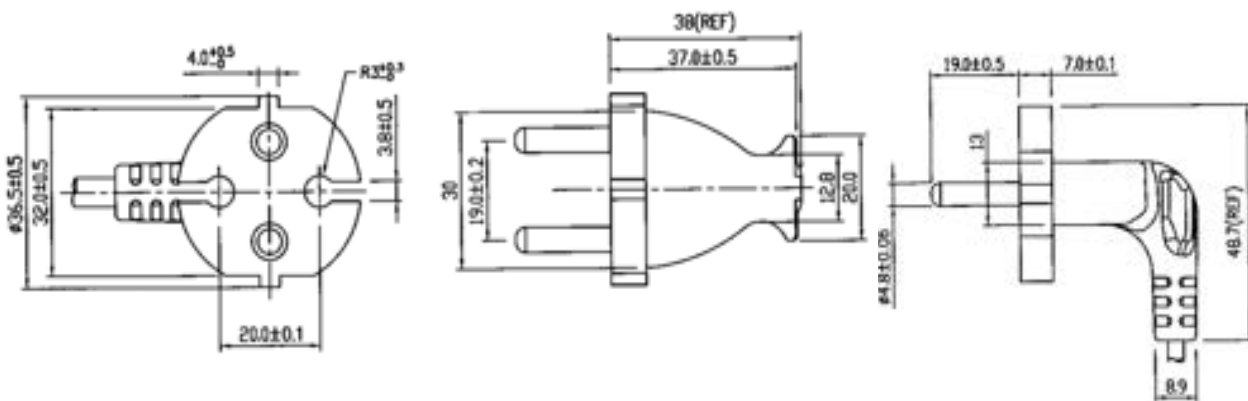
New!

INDONESIA

Cat. No. EU2.5S2
Desc. Small Profile Straight Plug for Class II Appliance
Std. SNI 04-3892.1
Max. Rating 2.5A, 250V
Safety Approval SNI



Cable Type	Size (mm ²)	Matching Connector
60227 IEC 52 (H03VVH2-F)	2 x 0.50	VNBC7S*
60227 IEC 52 (H03VVH2-F)	2 x 0.75	VNBC7S



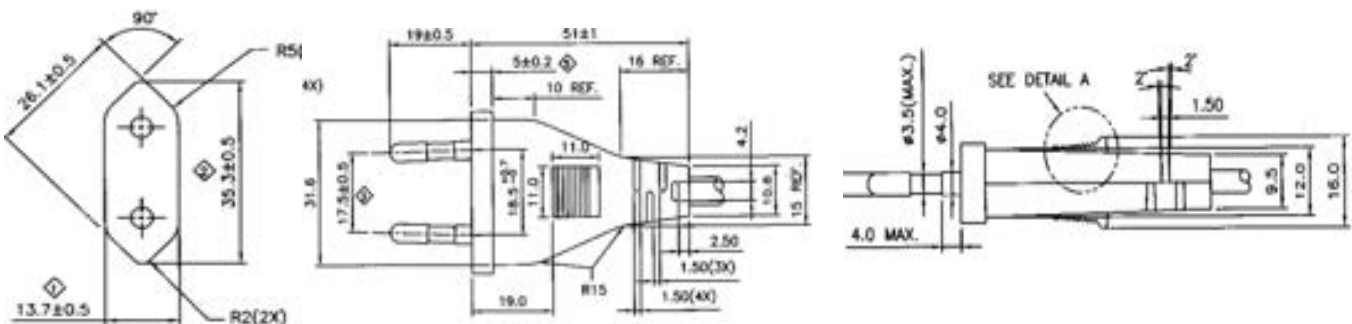


ISRAEL

Cat. No.	SI2.5S2
Desc.	Straight Plug for Class II Appliance
Std.	SI 32 Part 1.01
Max. Rating	2.5A, 250V
Safety Approval	SII



Cable Type	Size (mm ²)	Matching Connector
H03VVH2-F	2 x 0.75	VAC7S, VAC7A





ISRAEL

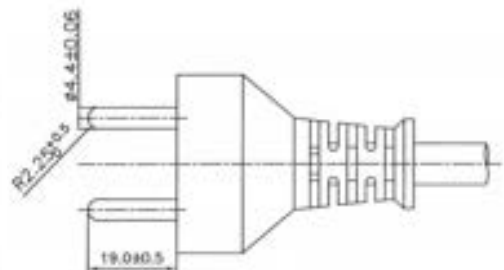
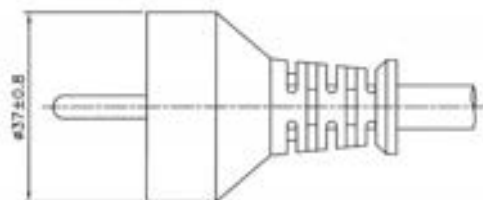
Cat. No.	SI16S2
Desc.	Straight Plug for Class II Appliance
Std.	SI 32 Part 1.01
Max. Rating	16A, 250V
Safety Approval	SII



Cable Type	Size (mm ²)	Matching Connector
H05VV-F	2 x 0.75	VNBC17S*
H05VV-F	2 x 1.00	VAC17A, VNBC17S
H05VV-F	2 x 1.50	-
H03VV-F	2 x 0.75	-
H05V2V2-F	2 x 0.75	VAC17S*
H05V2V2-F	2 x 1.00	VAC17S

Remarks:

* Cable length limit to 2 meters.





ISRAEL

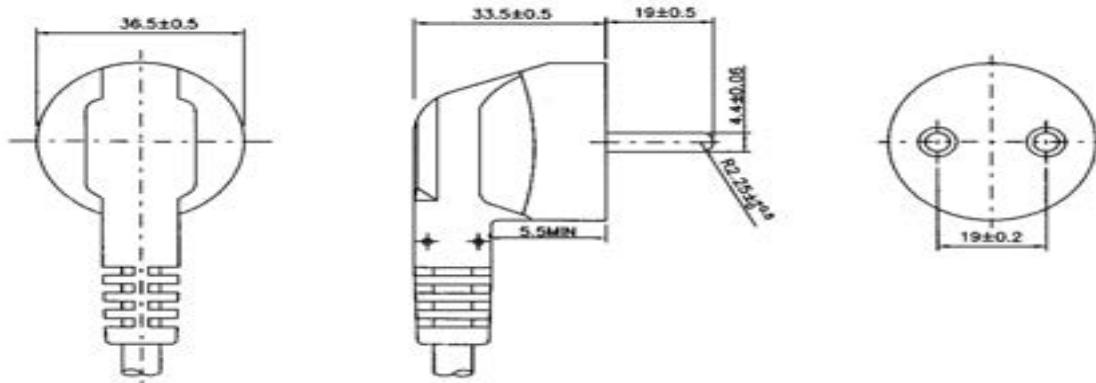


Cat. No.	SI16A2
Desc.	Angled Plug for Class II Appliance
Std.	SI 32 Part 1.01
Max. Rating	16A, 250V
Safety Approval	SII

Cable Type	Size (mm ²)	Matching Connector
H05VV-F	2 x 0.75	VNBC17S*
H05VV-F	2 x 1.00	VNBC17S, VAC17A
H05VV-F	2 x 1.50	-
H03VV-F	2 x 0.75	-

Remarks:

* Cable length limit to 2 meters.





ISRAEL

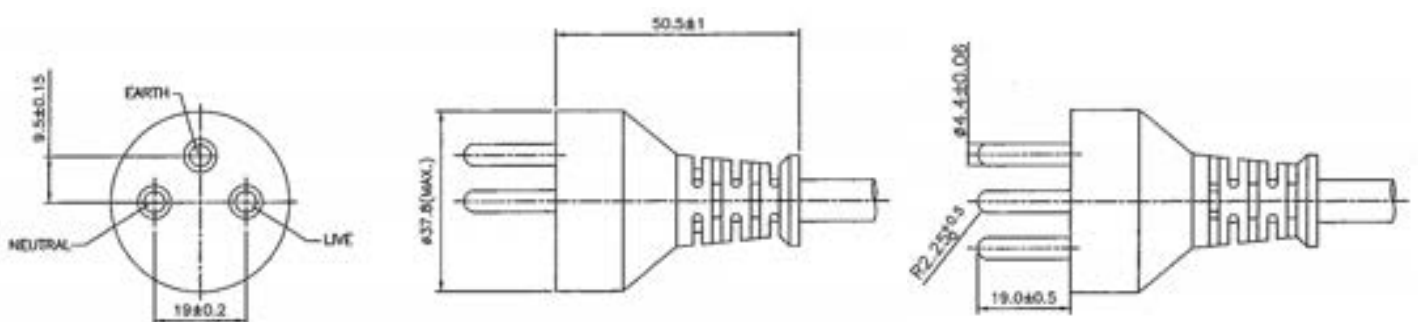
Cat. No.	SI16S3
Desc.	Straight Plug for Class I Appliance
Std.	SI 32 Part 1.01
Max. Rating	16A, 250V
Safety Approval	SII



Cable Type	Size (mm ²)	Matching Connector
H05VV-F	3 x 0.75	VNBC5S, VAC5AR, V1625*, V1625A*
H05VV-F	3 x 1.00	V1625, VAC19*
H05VV-F	3 x 1.50	V1625LA, VAC19, VAC19A, VAC19LA
H03VV-F	3 x 0.75	VNBC5S, VAC5AR
H05RR-F	3 x 1.00	VSCC15

Remarks:

* Cable length limit to 2 meters.





ISRAEL

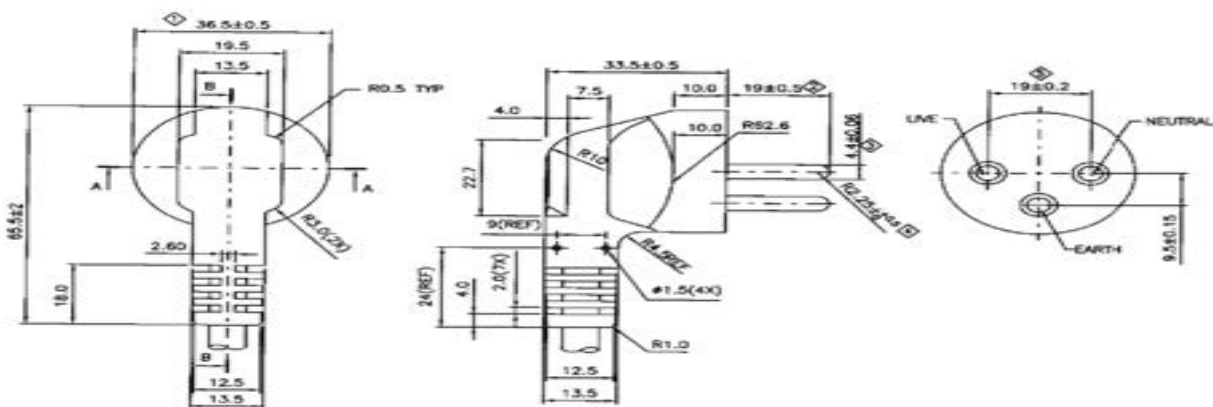
Cat. No.	SI16A3
Desc.	Angled Plug for Class I Appliance
Std.	SI 32 Part 1.01
Max. Rating	16A, 250V
Safety Approval	SII



Cable Type	Size (mm ²)	Matching Connector
H05VV-F	3 x 0.75	VNBC5S, VAC5AR, V1625*, V1625A*
H05VV-F	3 x 1.00	V1625, VAC19*
H05VV-F	3 x 1.50	V1625LA, VAC19, VAC19A, VAC19LA
H03VV-F	3 x 0.75	VNBC5S, VAC5AR
H05RR-F	3 x 1.00	VSCC15

Remarks:

* Cable length limit to 2 meters.



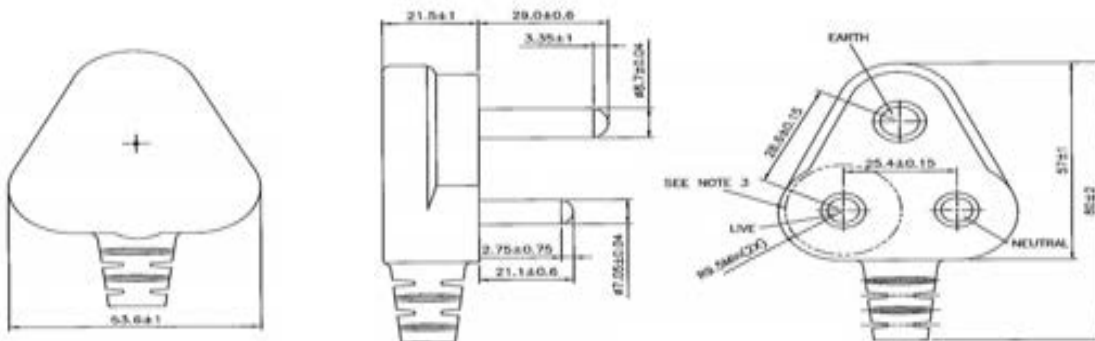


ISRAEL

Cat. No.	SA16A
Desc.	Angled Plug for Class I Appliance
Std.	SI 32 Part 1.01
Max. Rating	16A, 250V
Safety Approval	SII



Cable Type	Size (mm ²)	Matching Connector
H05VV-F	3 x 2.50	-





ITALY

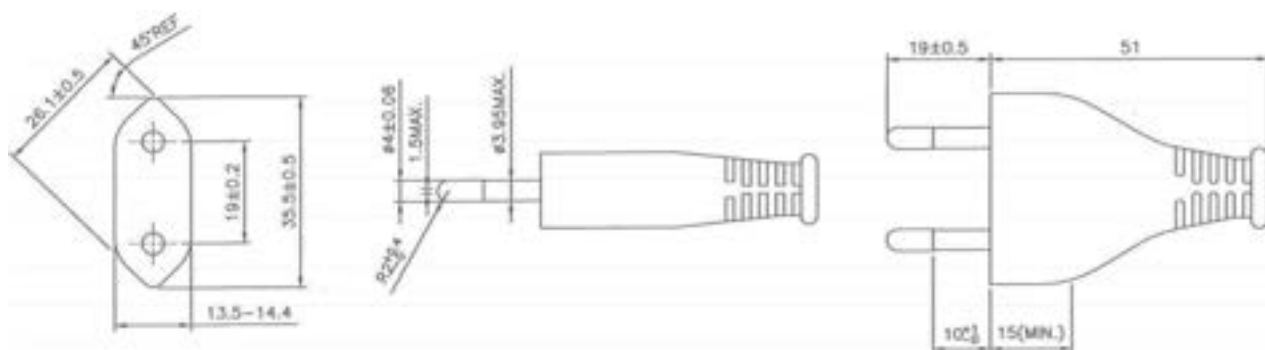
Cat. No. IT10S2
Desc. Straight Plug for Class II Appliance
Std. CEI 23-50
Max. Rating 10A, 250V
Safety Approval IMQ



Cable Type	Size (mm ²)	Matching Connector
H03VVH2-F	2 x 0.75	VNBC7S, VAC7A
H05VVH2-F	2 x 0.75	-
H03VV-F	2 x 0.75	-
H05VV-F	2 x 0.75	VNBC17S*
H05VV-F	2 x 1.00	VNBC17S
H05RN-F	2 x 0.75	-
H05RN-F	2 x 1.00	-
H05RR-F	2 x 0.75	-
H05RR-F	2 x 1.00	-

Remarks:

* Cable length limit to 2 meters.





ITALY

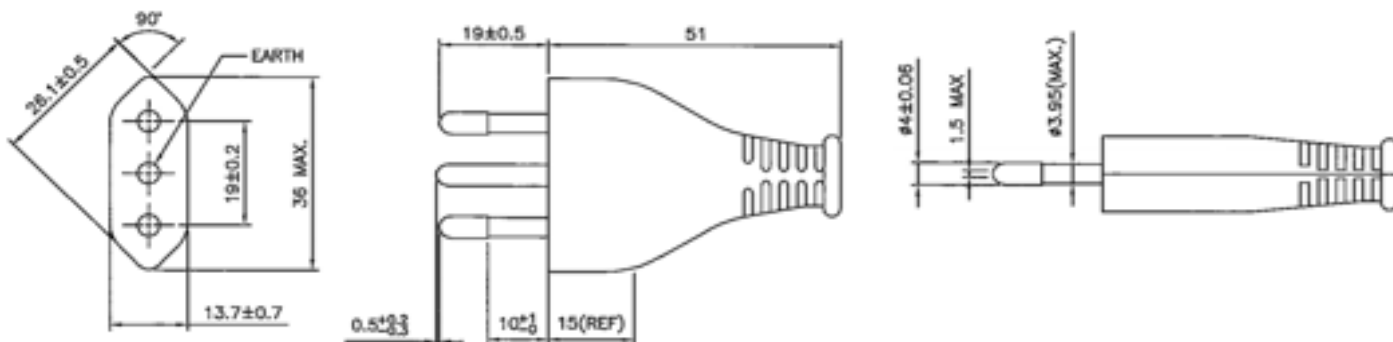
Cat. No. IT10S3
Desc. Straight Plug for Class I Appliance
Std. CEI 23-50
Max. Rating 10A, 250V
Safety Approval IMQ



Cable Type	Size (mm ²)	Matching Connector
H03VV-F	3 x 0.75	VNBC5S, VAC5AR
H05VV-F	3 x 0.75	VNBC5S, VAC5AR, VNBC13S* , V1625A*
H05VV-F	3 x 1.00	VNBC13S, V1625A, V1625LA
H05RN-F	3 x 0.75	-
H05RN-F	3 x 1.00	-
H05RR-F	3 x 0.75	VSCC15*
H05RR-F	3 x 1.00	VSCC15
H03RT-H	3 x 0.75	VSCC15*
H03RT-H	3 x 1.00	-

Remarks:

* Cable length limit to 2 meters.



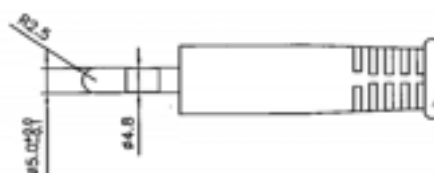
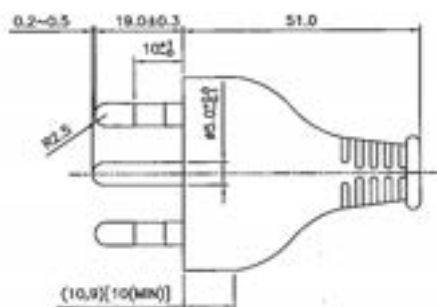
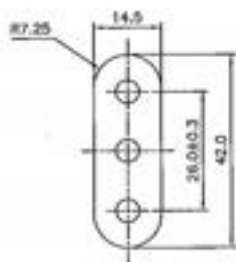


ITALY

Cat. No. IT16S3
Desc. Straight Plug for Class I Appliance
Std. CEI 23-50
Max. Rating 16A, 250V
Safety Approval IMQ



Cable Type	Size (mm ²)	Matching Connector
H05VV-F	3 x 1.50	V1625BS, VAC19, VAC19A



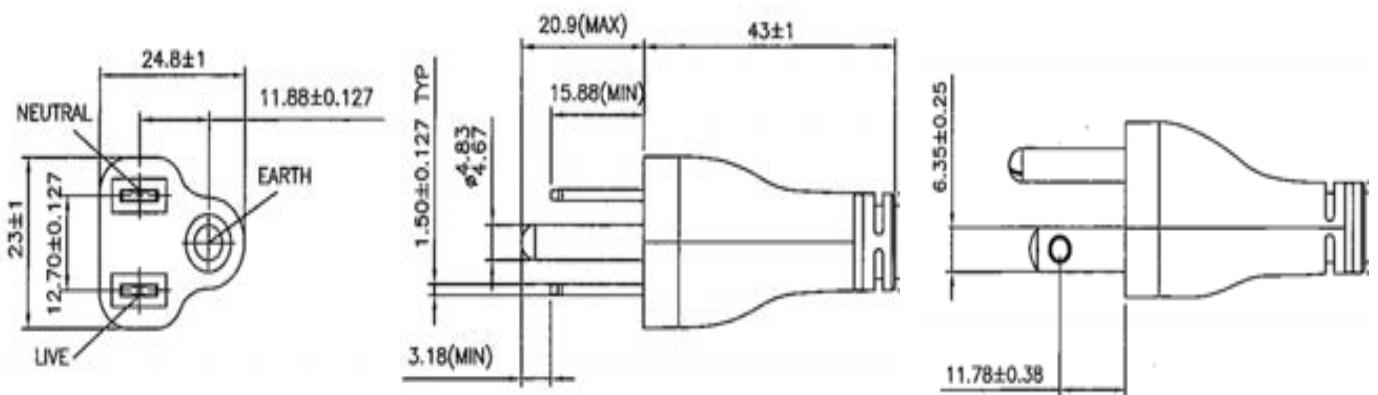


JAPAN

Cat. No. VNBUS15S3
Desc. 3 Pins Straight Plug - (Without sleeve)
 for Class I Appliance
Std. JIS C8303 & JIS C8306
 (Under Ordinance 1)
Max. Rating 15A, 125V
Safety Mark PSE



Cable Type	Size (mm ²)	Rated Current
VCTF	3 x 2.00	15A, 125V



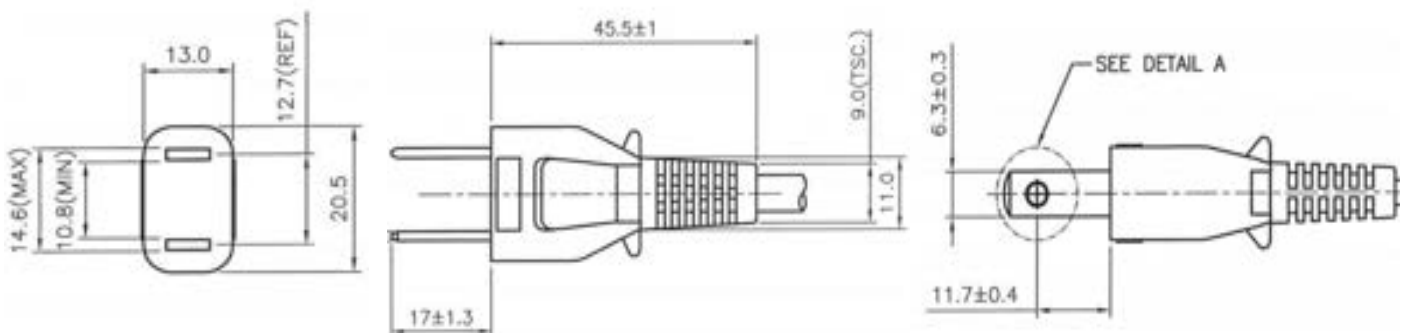


JAPAN

Cat. No.	M711
Desc.	Small Profile Straight Plug for Class II Appliance (RoHS 2)
Std.	JIS C8303 & JIS C8306 (Under Ordinance 1)
Max. Rating	15A, 125V
Safety Approval	PSE



Cable Type	Size (mm ²)	Matching Connector	Rated Current
VFF	2 x 0.75	VNBC7S, VAC7A	7A
HVFF	2 x 0.75	VAC7A	7A
HHFF	2 x 0.75	-	7A
PSE IEC 52 (Flat)	2 x 0.75	VNBC7S	7A
VCTFK	2 x 0.75	VNBC7S, VAC7A, V1625, V1625A	7A
VFF	2 x 1.25	V1625	12A
HVFF	2 x 1.25	-	12A



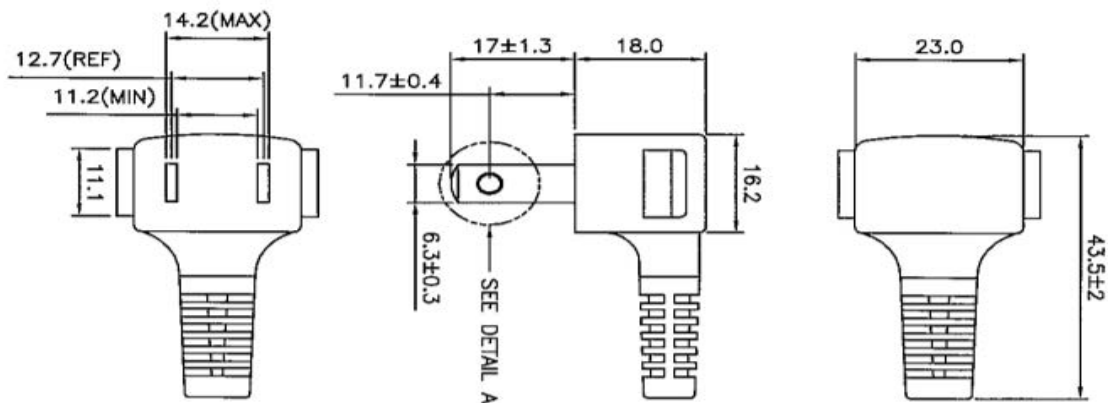


JAPAN

Cat. No. M711A
Desc. Small Profile Angled Plug for Class II Appliance (RoHS 2)
Std. JIS C8303 & JIS C8306 (Under Ordinance 1)
Max. Rating 15A, 125V
Safety Approval PSE



Cable Type	Size (mm ²)	Matching Connector	Rated Current
VFF	2 x 0.75	VNBC7S, VAC7A	7A
HHFF	2 x 0.75	-	7A
VCTFK	2 x 0.75	VNBC7S, VAC7A, V1625A	7A
VFF	2 x 1.25	V1625	12A
VFF	2 x 2.00	-	15A



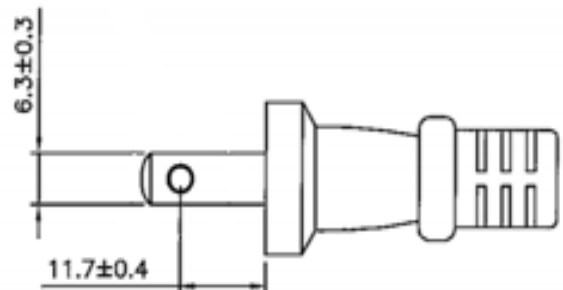
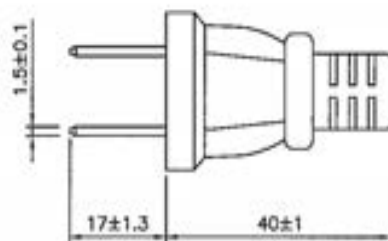
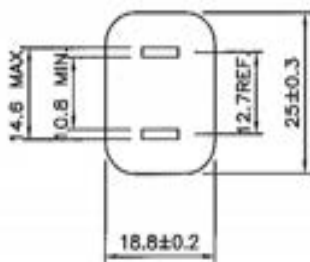


JAPAN

Cat. No.	M733
Desc.	Straight Plug for Class II Appliance (RoHS 2)
Std.	JIS C8303 & JIS C8306 (Under Ordinance 1)
Max. Rating	15A, 125V
Safety Approval	PSE



Cable Type	Size (mm ²)	Matching Connector	Rated Current
HVFF	2 x 0.75	VAC7A	7A
HHFF	2 x 0.75	-	7A
VCT	2 x 0.75	-	7A
VCTF	2 x 0.75	V1625, V1625A, VAC7S	7A
HVCTF	2 x 0.75	-	7A
PSE IEC 53	2 x 0.75	-	7A
PNCTF	2 x 0.75	-	7A
VCT	2 x 1.25	-	12A
VCTF	2 x 1.25	VNBC13S, VAC17A, VAC17S	12A
HVCTF	2 x 1.25	-	12A
PNCTF	2 x 1.25	-	12A
HHFF	2 x 1.25	-	12A
VCTF	2 x 2.00	VNBC13S, V1625BS, VAC17BS	15A
HVCTF	2 x 2.00	-	15A



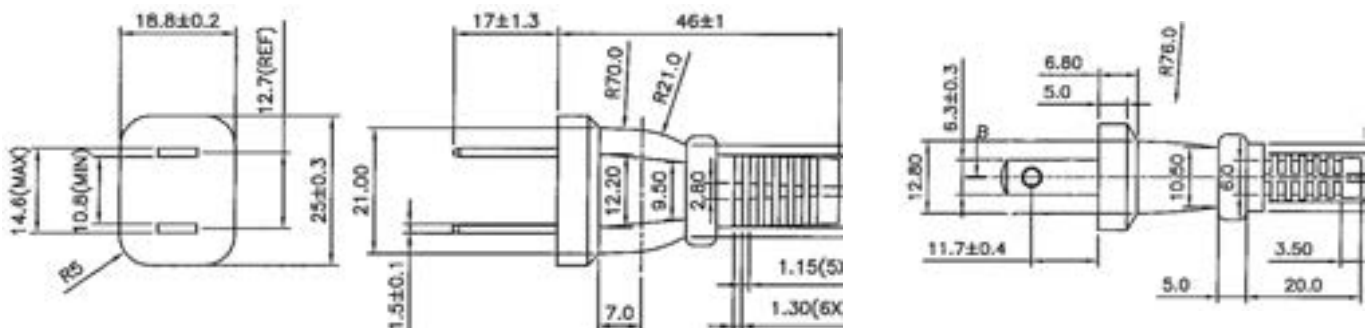


JAPAN

Cat. No. M733F
Desc. Straight Plug with Flat cable for Class II Appliance (RoHS 2)
Std. JIS C8303 & JIS C8306 (Under Ordinance 1)
Max. Rating 15A, 125V
Safety Approval PSE



Cable Type	Size (mm ²)	Matching Connector	Rated Current
VFF	2 x 0.75	VNBC7S, VAC7A	7A
VCTFK	2 x 0.75	-	7A
HVFF	2 x 0.75	VAC7A	7A
HHFF	2 x 0.75	-	7A
HVCTFK	2 x 0.75	VNBC7S	7A
227 IEC 52 (Flat)	2 x 0.75	VNBC7S	7A
VFF	2 x 1.25	V1625	12A
HVFF	2 x 1.25	-	12A
HHFF	2 x 1.25	-	12A
VFF	2 x 2.00	-	15A
HVFF	2 x 2.00	-	15A
HHFF	2 x 2.00	-	15A





JAPAN

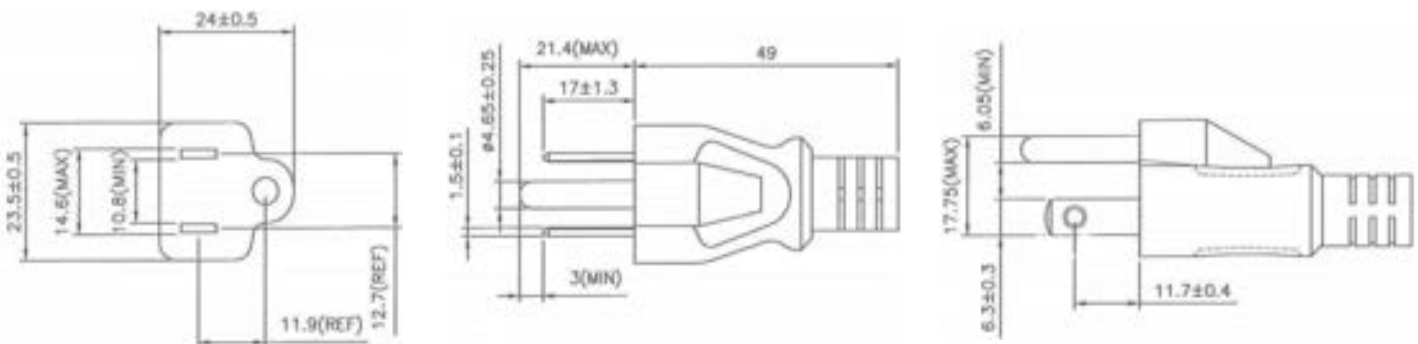
Cat. No. M744
Desc. Straight Plug for Class I Appliance (RoHS 2)
Std. JIS C8303 & JIS C8306 (Under Ordinance 1)
Max. Rating 15A, 125V
Safety Approval PSE



Cable Type	Size (mm ²)	Matching Connector	Rated Current
VCTF	3 x 0.75	VNBC5S, VAC5AR, VNBC13S*, V1625A*	7A
HVCTF	3 x 0.75	VNBC5S, VNBC13S*, V1625A*	7A
PNCTF	3 x 0.75	V1625*	7A
HVCTF (AL/MY)	3 x 0.75	V1625*	7A
PSE 227 IEC 52 (Round)	3 x 0.75	VNBC5S	7A
PSE 227 IEC 53 (Round)	3 x 0.75	VNBC5S	7A
VCTF	3 x 1.25	VNBC13S, V1625A, VSCC15	12A
HVCTF	3 x 1.25	VNBC13S, V1625A, V1625LA	12A
PNCTF	3 x 1.25	-	12A
VCTF	3 x 2.00	VNBC13S, V1625A, VAC19, VAC19A	15A
HVCTF	3 x 2.00	VNBC13S, VAC19A, VAC19LA	15A

Remarks:

* Cable length limit to 2 meters.





JAPAN

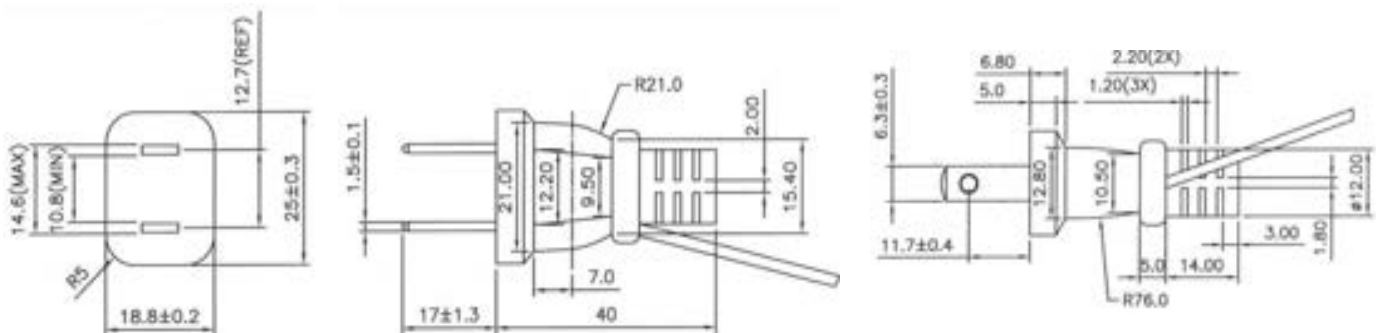
Cat. No. M755
Desc. Straight Plug with external earth contact
 for Class I Appliance (RoHS 2)
Std. JIS C8303 & JIS C8306 (Under Ordinance 1)
Max. Rating 15A, 125V
Safety Approval PSE



Cable Type	Size (mm ²)	Matching Connector	Rated Current
VCTF	3 x 0.75	VNBC5S, VAC5AR, VNBC13S*, V1625A*	7A
SVCT	3 x 0.75	-	7A
PSE IEC 52	3 x 0.75	VNBC5S	7A
PSE IEC 53	3 x 0.75	VNBC5S, VNBC13S*, V1625A*	7A
HVCTF	3 x 0.75	VNBC5S, VNBC13S*	7A
VCTF	3 x 1.25	VNBC13S, V1625A	12A
HVCTF	3 x 1.25	VNBC13S, V1625A, V1625LA	12A
VCTF	3 x 2.00	VNBC13S, V1625LA, VAC19, VAC19A	15A

Remarks:

* Cable length limit to 2 meters.



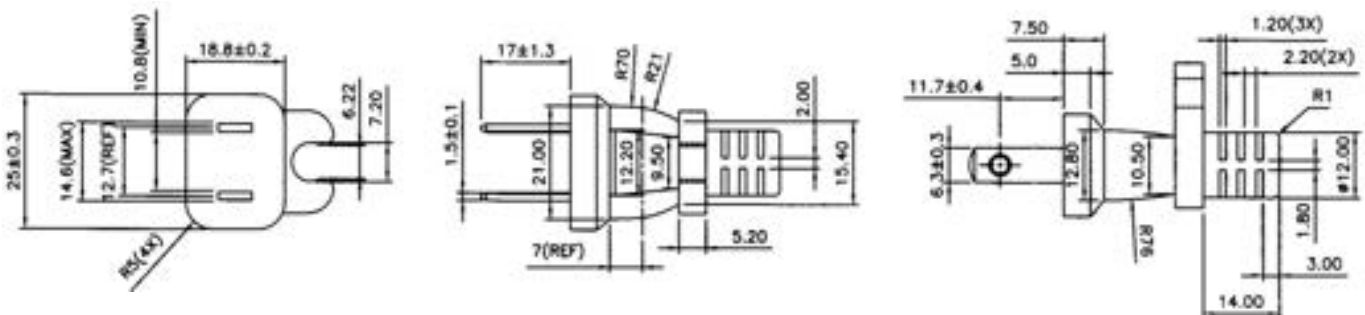


JAPAN

Cat. No. JS15GS2
Desc. Straight Plug with Cord-grip for Class II Appliance (RoHS 2)
Std. JIS C8303 & JIS C8306 (Under Ordinance 1)
Max. Rating 15A, 125V
Safety Approval PSE



Cable Type	Size (mm ²)	Matching Connector	Rated Current
VCTF	2 x 1.25	VNBC13S, VAC17A, VNBC17S	12A
HVCTF	2 x 1.25	-	12A



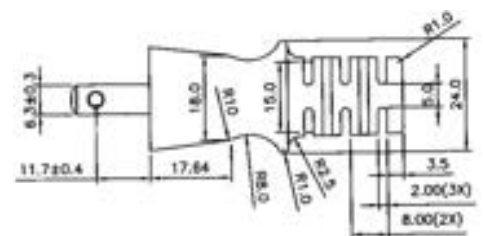
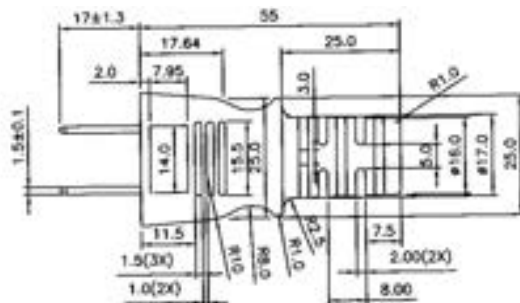


JAPAN

Cat. No. JS15QS2
Desc. Straight Plug with Gold-plated blades for Class II Appliance (RoHS 2)
Std. JIS C8303 & JIS C8306 (Under Ordinance 1)
Max. Rating 15A, 125V
Safety Approval PSE



Cable Type	Size (mm ²)	Matching Connector	Rated Current
VCTF	2 x 1.25	VNBC13S, VAC17A, VNBC17S	12A
VCTF	2 x 2.00	VNBC13S, VAC17BS	15A



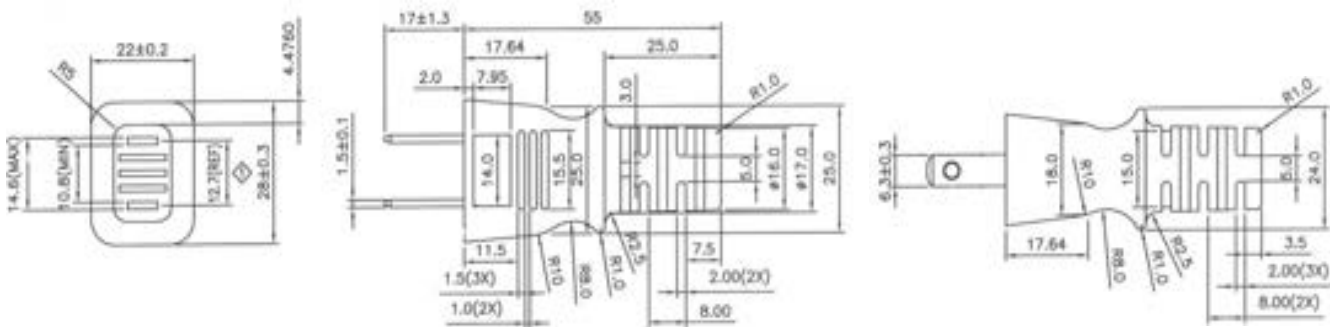


JAPAN

Cat. No. JS15QTS2
Desc. Straight Plug with Gold-plated blades (Housing Cable Type) for Class II Appliance (RoHS 2)
Std. JIS C8303 & JIS C8306 (Under Ordinance 1)
Max. Rating 15A, 125V
Safety Approval PSE



Cable Type	Size (mm ²)	Matching Connector	Rated Current
VCTF	2 x 2.00	VNBC13S, V1625BS, VAC17BS	15A





JAPAN

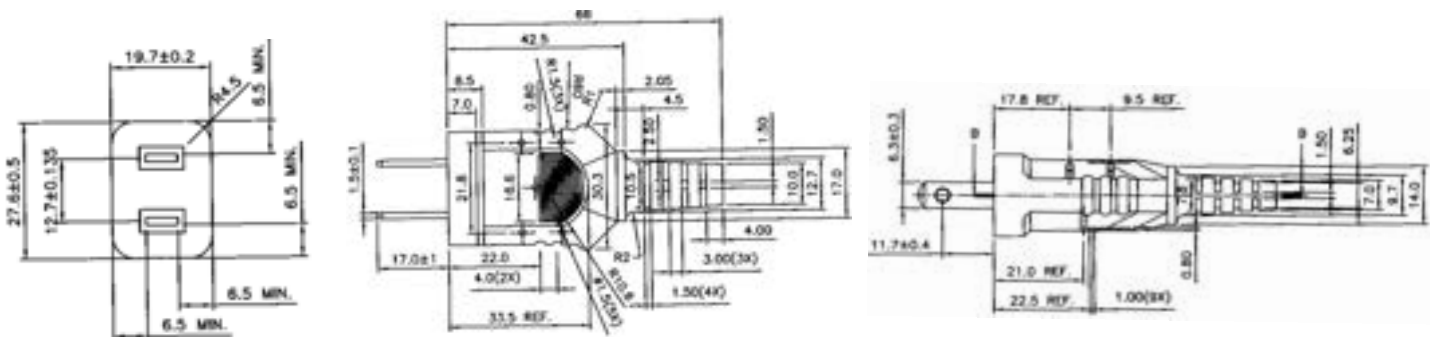


Cat. No. JS15SC
Desc. Filtered Straight Plug with Radio Interference Suppression Choke for Class II Appliance (RoHS 2)
Std. JIS C8303 & JIS C8306 (Under Ordinance 1)
Max. Rating 15A, 125V
Safety Approval PSE

Cable Type	Size (mm ²)	Matching Connector	Rated Current
HVFF	2 x 0.75	VAC7A	7A

NOTE:

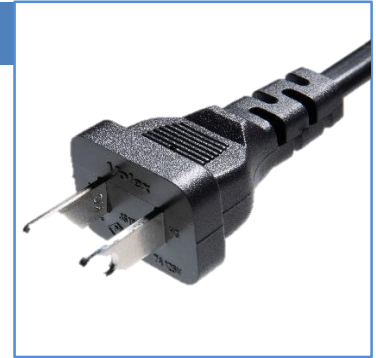
Please check tooling availability.



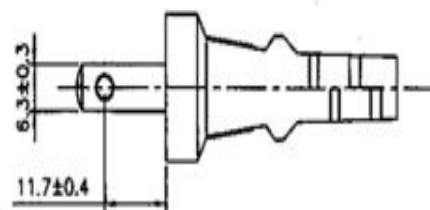
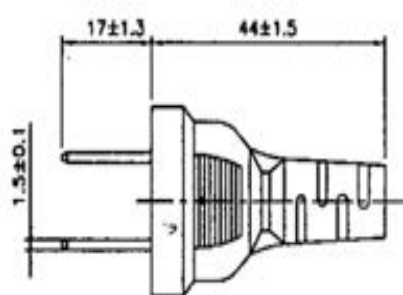
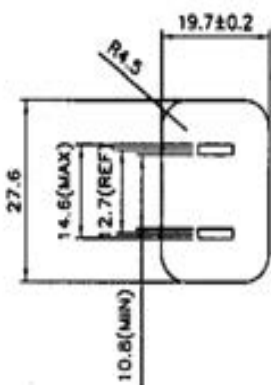


JAPAN

Cat. No.	JS15ES2
Desc.	Straight Plug with double insulation & Quadrate Strain relief for Class II Appliance (RoHS 2)
Std.	JIS C8303 & JIS C8306 (Under Ordinance 1)
Max. Rating	15A, 125V
Safety Approval	PSE



Cable Type	Size (mm ²)	Matching Connector	Rated Current
VCTFK	2 x 0.75	VNBC7S, VAC7A, V1625A	7A



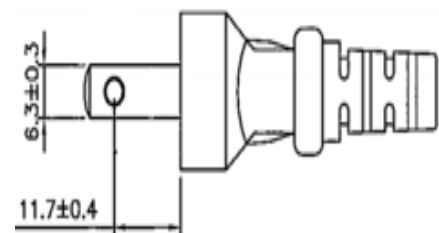
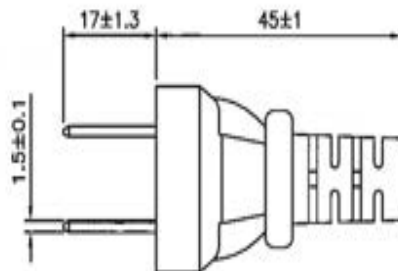
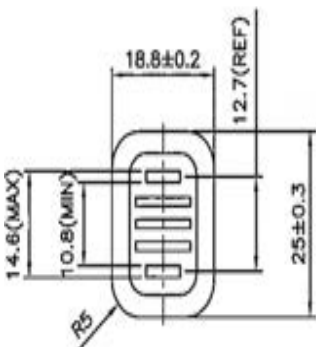


JAPAN

Cat. No. V722-S
Desc. Anti Tracking Straight Plug (Sleeve Cable Type)
 for Class II Appliance (RoHS 2)
Std. JIS C8303 & JIS C8306 (Under Ordinance 1)
Max. Rating 15A, 125V
Safety Approval PSE



Cable Type	Size (mm ²)	Matching Connector	Rated Current
VCTF	2 x 0.75	V1625, V1625A, VAC17S	7A
VFF	2 x 0.75	VNBC7S, VAC7A	7A
HVFF	2 x 0.75	VAC7A	7A
HVCTF	2 x 0.75	-	7A
PSE 227 IEC 52	2 x 0.75	VAC7A	7A
VFF	2 x 1.25	V1625	12A
HVFF	2 x 1.25	-	12A
VCTF	2 x 1.25	VNBC13S, VAC17A, VNBC17S	12A
VCTFK	2 x 1.25	VNBC13S	12A
VFF	2 x 2.00	-	15A
HVFF	2 x 2.00	-	15A
VCTFK	2 x 2.00	-	15A



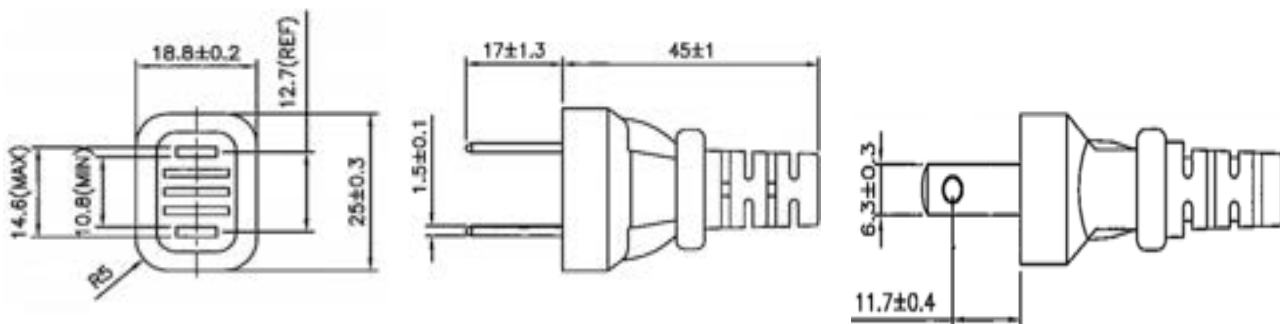


JAPAN

Cat. No. V722
Desc. Anti Tracking Straight Plug (Housing Cable Type)
 for Class II Appliance (RoHS 2)
Std. JIS C8303 & JIS C8306 (Under Ordinance 1)
Max. Rating 15A, 125V
Safety Approval PSE



Cable Type	Size (mm ²)	Matching Connector	Rated Current
VCTFK	2 x 0.75	VNBC7S, VAC7A, V1625A	7A
227 IEC 52 (Flat)	2 x 0.75	VNBC7S	7A
VFF	2 x 0.75	VNBC7S, VAC7A	7A
HVFF	2 x 0.75	VAC7A	7A
HHFF	2 x 0.75	-	7A
VCTF	2 x 0.75	V1625, V1625A, VAC17S	7A
HVCTF	2 x 0.75	-	7A
VFF	2 x 1.25	V1625	12A
HVFF	2 x 1.25	-	12A
HHFF	2 x 1.25	-	12A
VCTFK	2 x 1.25	VNBC13S	12A
VCTF	2 x 1.25	VNBC13S, VAC17A, VNBC17S	12A
HVCTF	2 x 1.25	-	12A
VFF	2 x 2.00	-	15A
HVFF	2 x 2.00	-	15A
HHFF	2 x 2.00	-	15A
VCTFK	2 x 2.00	-	15A
VCTF	2 x 2.00	VNBC13S, V1625BS, VAC17BS	15A
HVCTF	2 x 2.00	-	15A



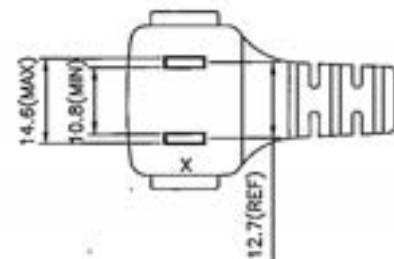
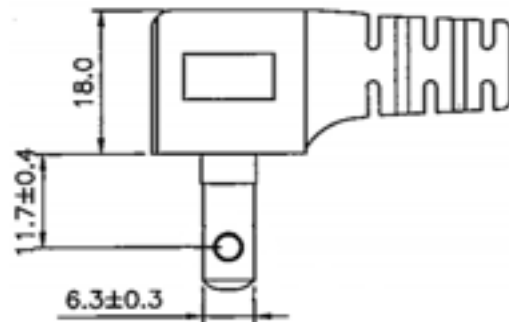
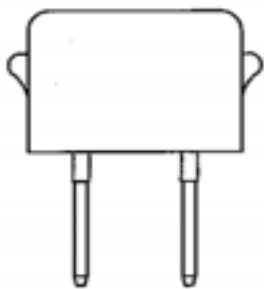


JAPAN

Cat. No. V722A-S
Desc. Anti Tracking Angled Plug (Sleeve Cable Type)
 for Class II Appliance (RoHS 2)
Std. JIS C8303 & JIS C8306 (Under Ordinance 1)
Max. Rating 15A, 125V
Safety Approval PSE



Cable Type	Size (mm ²)	Matching Connector	Rated Current
VCTF	2 x 0.75	V1625, V1625A, VAC17S	7A
VCTFK	2 x 0.75	VNBC7S, VAC7A, V1625A	7A
VCTF	2 x 1.25	VNBC13S, VAC17A, VNBC17S	12A
VCTF	2 x 2.00	VNBC13S, V1625BS, VAC17BS	15A



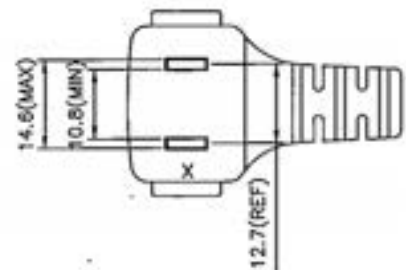
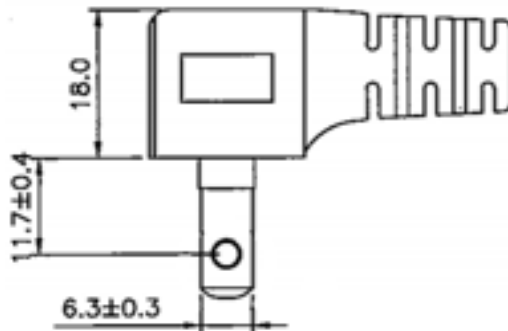
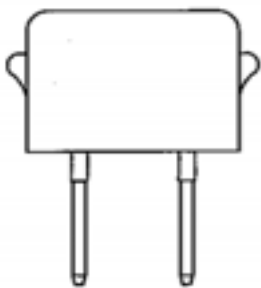


JAPAN

Cat. No.	V722A
Desc.	Anti Tracking Angled Plug (Housing Cable Type) for Class II Appliance (RoHS 2)
Std.	JIS C8303 & JIS C8306 (Under Ordinance 1)
Max. Rating	15A, 125V
Safety Approval	PSE



Cable Type	Size (mm ²)	Matching Connector	Rated Current
VCTF	2 x 0.75	V1625, V1625A, VAC17S	7A
VCTFK	2 x 0.75	-	7A
HVFF	2 x 0.75	VAC7A	7A
VCTF	2 x 1.25	VNBC13S, VAC17A, VNBC17S	12A
VCTFK	2 x 1.25	VNBC13S	12A
VCTF	2 x 2.00	VNBC13S, V1625BS, VAC17BS	15A
VCTFK	2 x 2.00	-	15A
VFF	2 x 2.00	-	15A
HVFF	2 x 2.00	-	15A



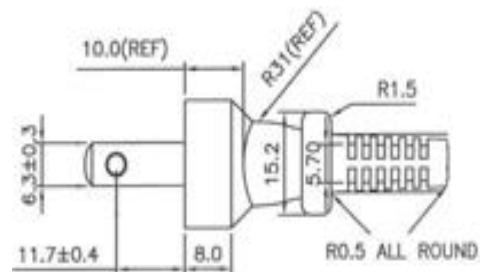
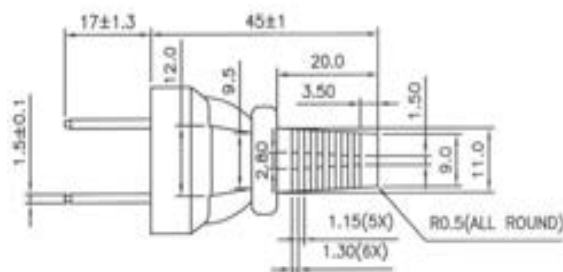
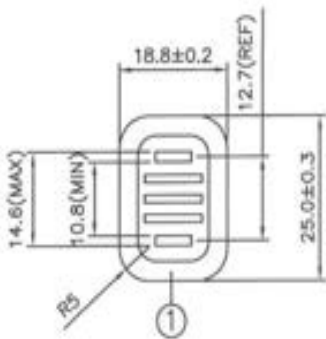


JAPAN

Cat. No. V722F
Desc. Anti Tracking Straight Plug with Built-in Fuse
 (Sleeve Cable Type) for Class II Appliance (RoHS 2)
Std. JIS C8303 & JIS C8306 (Under Ordinance 1)
Max. Rating 15A, 125V
Safety Approval PSE



Cable Type	Size (mm ²)	Matching Connector	Rated Current
HVFF	2 x 0.75	VAC7A	7A
VFF	2 x 0.75	VNBC7S, VAC7A	7A
HHFF	2 x 0.75	-	7A



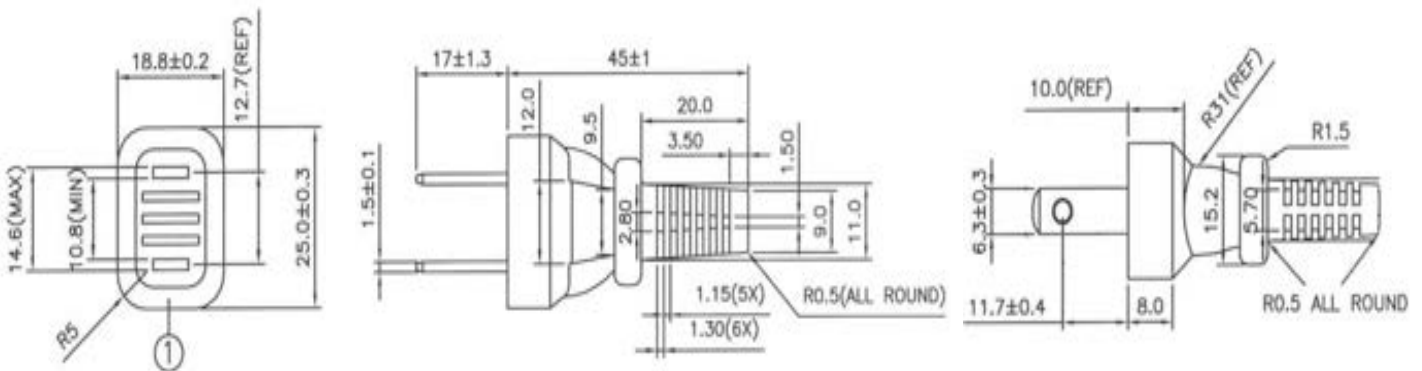


JAPAN



Cat. No. V722F
Desc. Anti Tracking Straight Plug with Built-in Fuse
 (Housing Cable Type) for Class II Appliance (RoHS 2)
Std. JIS C8303 & JIS C8306 (Under Ordinance 1)
Max. Rating 15A, 125V
Safety Approval PSE

Cable Type	Size (mm ²)	Matching Connector	Rated Current
VCTFK	2 x 0.75	VNBC7S, VAC7A, V1625A	7A
HVCTFK	2 x 0.75	VNBC7S	7A
HHFF	2 x 0.75	-	7A



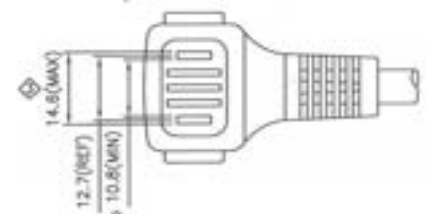
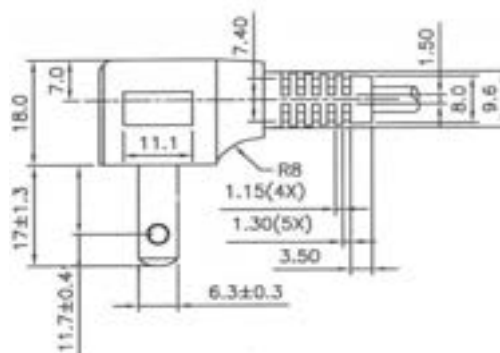
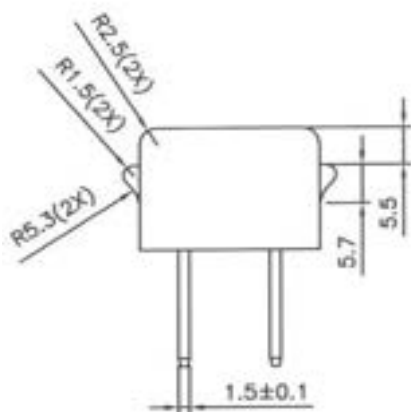


JAPAN

Cat. No. V722AF
Desc. Anti Tracking Angled Plug with Built-in Fuse
 (Housing Cable Type) for Class II Appliance (RoHS 2)
Std. JIS C8303 & JIS C8306 (Under Ordinance 1)
Max. Rating 15A, 125V
Safety Approval PSE



Cable Type	Size (mm ²)	Matching Connector	Rated Current
VCTFK	2 x 0.75	VNBC7S, VAC7A, V1625	7A
HVCTFK	2 x 0.75	VNBC7S	7A
227 IEC 52 (Flat)	2 x 0.75	VNBC7S	7A
VFF	2 x 0.75	VNBC7S, VAC7A	7A
VCTFK	2 x 1.25	VNBC13S	12A
VFF	2 x 2.00	-	15A
VCTFK	2 x 2.00	-	15A
HVFF	2 x 2.00	-	15A



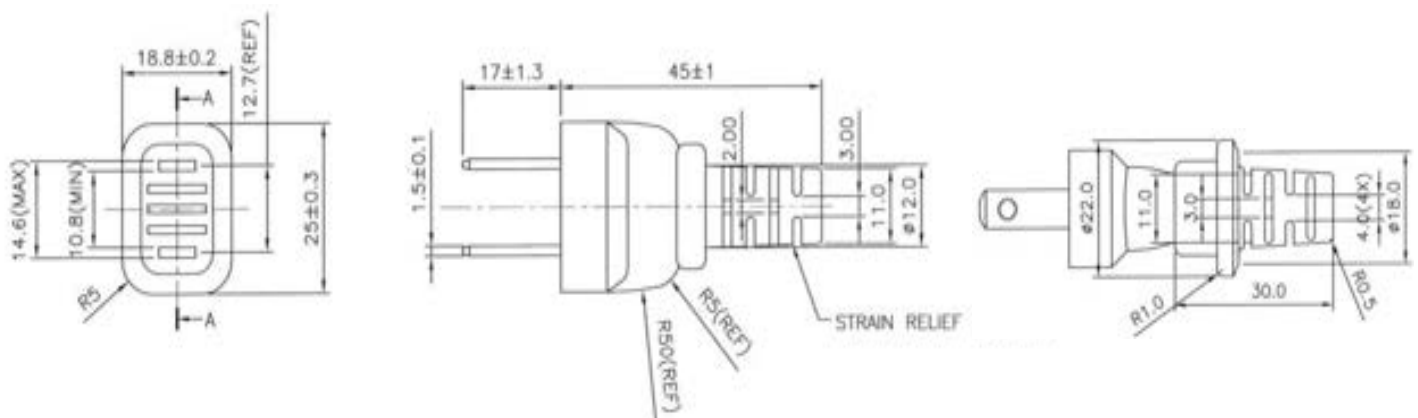


JAPAN

Cat. No.	V722T
Desc.	Anti Tracking Straight Plug with Double crimp (Housing Cable Type) for Class II Appliance (RoHS 2)
Std.	JIS C8303 & JIS C8306 (Under Ordinance 1)
Max. Rating	15A, 125V
Safety Approval	PSE



Cable Type	Size (mm ²)	Matching Connector	Rated Current
VFF	2 x 0.75	VNBC7S, VAC7A	7A
HVFF	2 x 0.75	VAC7A	7A
HHFF	2 x 0.75	-	7A
VFF	2 x 1.25	V1625	12A
HVFF	2 x 1.25	-	12A
HHFF	2 x 1.25	-	12A
HHFF	2 x 2.00	-	15A





JAPAN

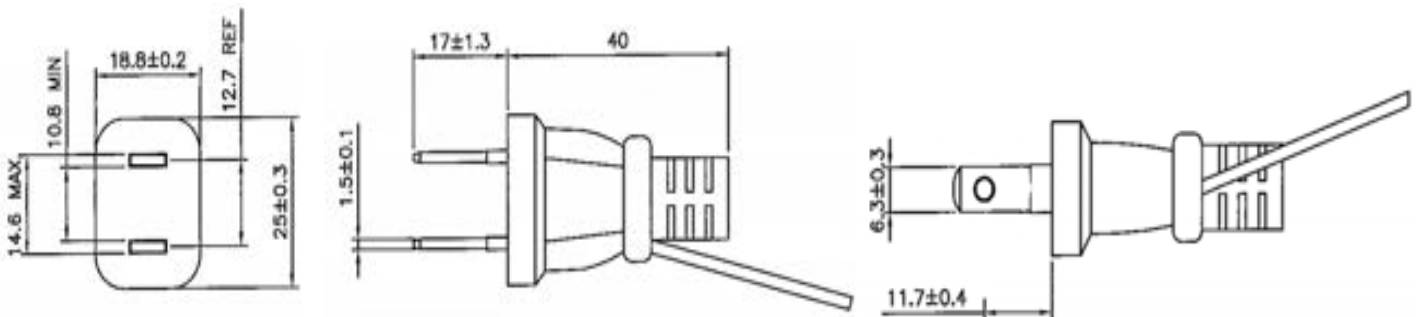
Cat. No.	JS15T3
Desc.	Anti Tracking Straight Plug (Sleeve Cable Type) with external earth contact for Class I Appliance (RoHS 2)
Std.	JIS C8303 & JIS C8306 (Under Ordinance 1)
Max. Rating	15A, 125V
Safety Approval	PSE



Cable Type	Size (mm ²)	Matching Connector	Rated Current
VCTF	3 x 0.75	VNBC5S, VAC5AR, VNBC13S*, V1625A*	7A
HVCTF	3 x 0.75	VNBC5S, VNBC13S*, V1625A*	7A
PSE IEC 52	3 x 0.75	VNBC5S	7A
PSE IEC 53	3 x 0.75	VNBC5S, V1625*, V1625A*	7A
VCTF	3 x 1.25	VNBC13S, V1625A, VAC15BS	12A
HVCTF	3 x 1.25	VNBC13S, V1625A, V1625LA	12A
VCTF	3 x 2.00	V1625A, V1625LA, VAC19, VAC19A	15A

Remarks:

* Cable length limit to 2 meters.



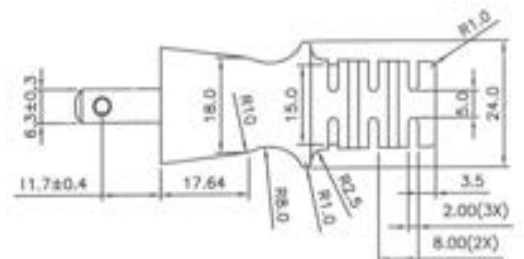
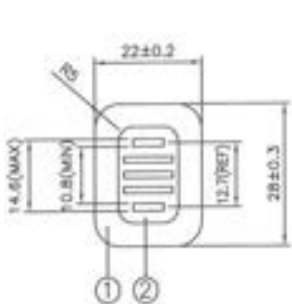


JAPAN



Cat. No. JS15TS2
Desc. Anti Tracking Straight Plug with big cable
 (Housing Cable Type) for Class II Appliance (RoHS 2)
Std. JIS C8303 & JIS C8306 (Under Ordinance 1)
Max. Rating 15A, 125V
Safety Approval PSE

Cable Type	Size (mm ²)	Matching Connector	Rated Current
VCT	2 x 2.00	-	15A
VCTF	2 x 2.00	VNBC13S, V1625BS, VAC17BS	15A



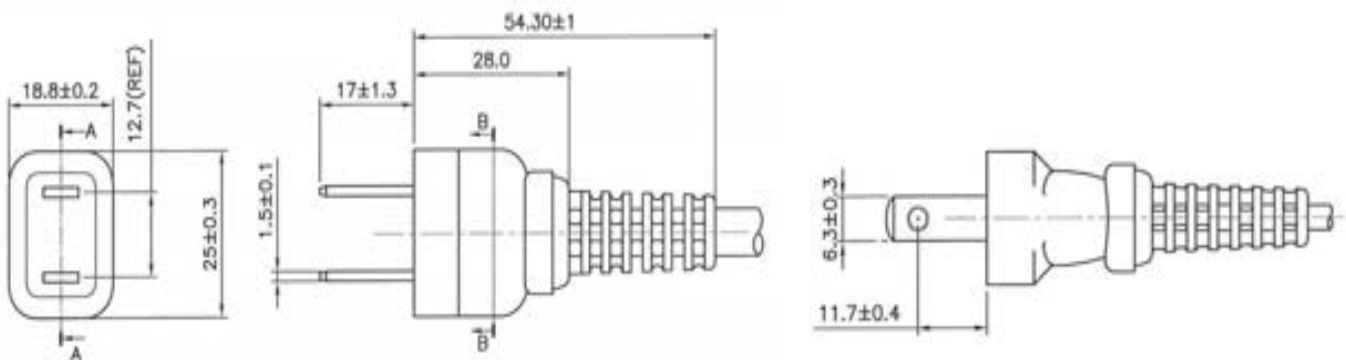


JAPAN

Cat. No.	JS15TZS2
Desc.	Anti Tracking Straight Plug (Housing Cable Type) for Class II Appliance (RoHS 2)
Std.	JIS C8303 & JIS C8306 (Under Ordinance 1)
Max. Rating	15A, 125V
Safety Approval	PSE



Cable Type	Size (mm ²)	Matching Connector	Rated Current
HFFF	2 x 1.25	-	12A





JAPAN

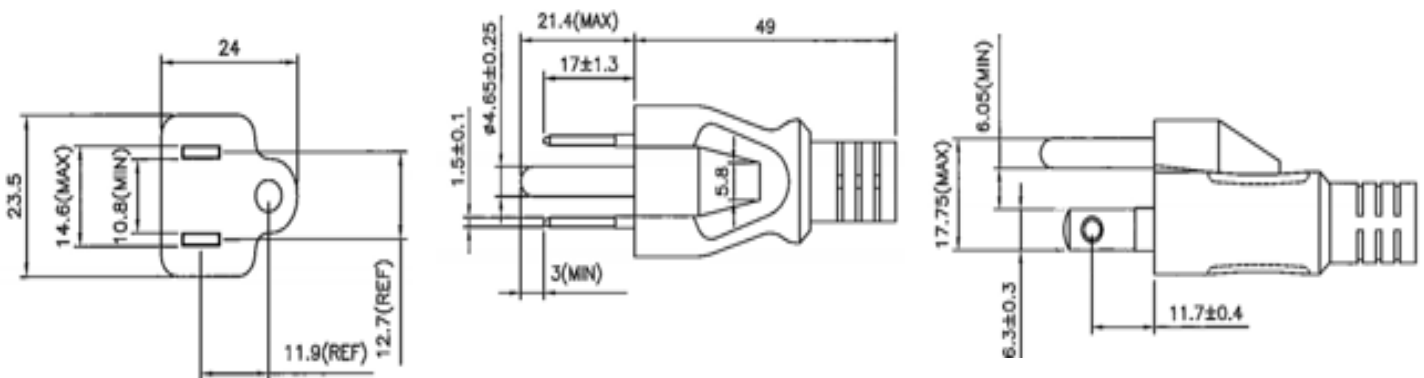
Cat. No. JS15TZS3
Desc. Anti Tracking Straight Plug (Sleeve Cable Type) for Class I Appliance
Std. JIS C8303 & JIS C8306 (Under Ordinance 1)
Max. Rating 15A, 125V
Safety Approval PSE



Cable Type	Size (mm ²)	Matching Connector	Rated Current
HVCTF	3 x 0.75	VNBC5S, VNBC13S*, V1625A*	7A
VCTF	3 x 0.75	VNBC5S, VAC5AR, VNBC13S*, V1625A*	7A
VCT	3 x 0.75	-	7A
HVCTF	3 x 1.25	VNBC13S, V1625A, V1625LA	12A
VCTF	3 x 1.25	VNBC13S, V1625A, VAC15BS	12A
HVCTF	3 x 2.00	VNBC13S, VAC19A, VAC19LA	15A
VCTF	3 x 2.00	VNBC13S, V1625A, VAC19, VAC19A	15A

Remarks:

* Cable length limit to 2 meters.





JAPAN

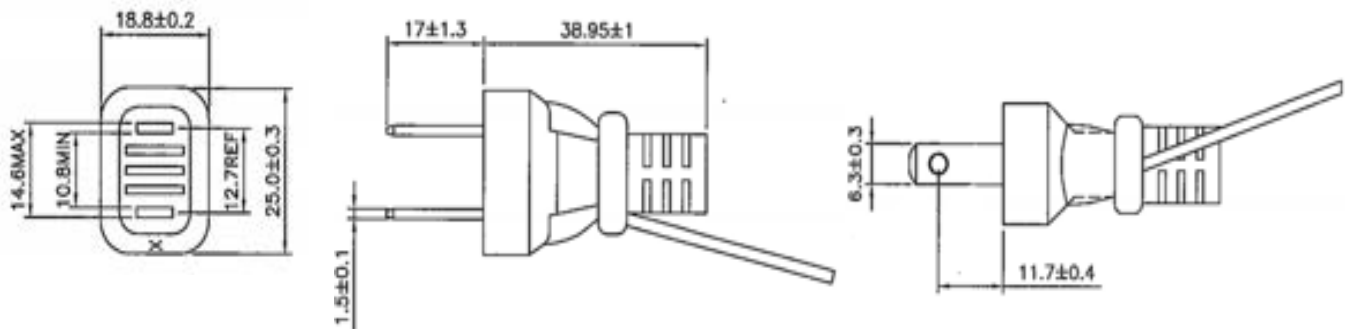
Cat. No.	JS15TS3
Desc.	Anti Tracking Straight Plug (Housing Cable Type) with external earth contact for Class I Appliance (RoHS 2)
Std.	JIS C8303 & JIS C8306 (Under Ordinance 1)
Max. Rating	15A, 125V
Safety Approval	PSE



Cable Type	Size (mm ²)	Matching Connector	Rated Current
VCTF	3 x 0.75	VNBC5S, VAC5AR, VNBC13S*, V1625A*	7A
PSE IEC 52	3 x 0.75	VNBC5S	7A
VCTF	3 x 1.25	VNBC13S, V1625A, VAC15BS	12A
VCTF	3 x 2.00	VNBC13S, V1625A, VAC19, VAC19A	15A

Remarks:

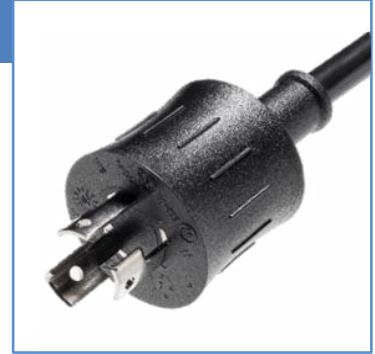
* Cable length limit to 2 meters.





JAPAN

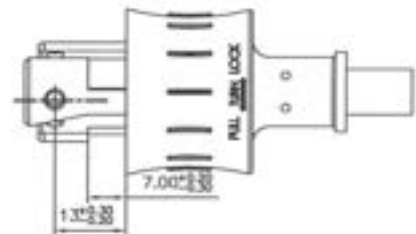
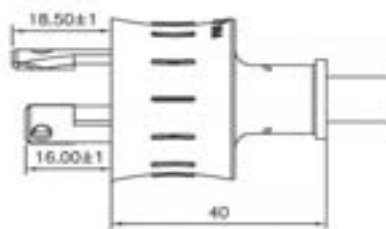
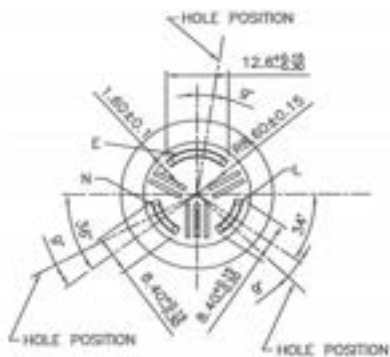
Cat. No. JP15TKS3
Desc. Anti Tracking Straight Plug (Twist Locking Cable Type)
 for Class I Appliance (RoHS 2)
Std. JIS C8303 & JIS C8306 (Under Ordinance 1)
Max. Rating 15A, 125V
Safety Approval PSE



Cable Type	Size (mm ²)	Matching Connector	Rated Current
HVCTF	3 x 0.75	VNBC5S, VNBC13S*, V1625A*	7A
HVCTF	3 x 1.25	VNBC13S, V1625A, V1625LA	12A

Remarks:

* Cable length limit to 2 meters.



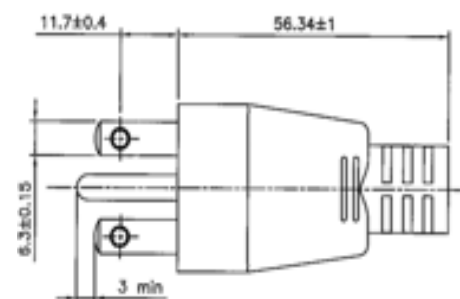
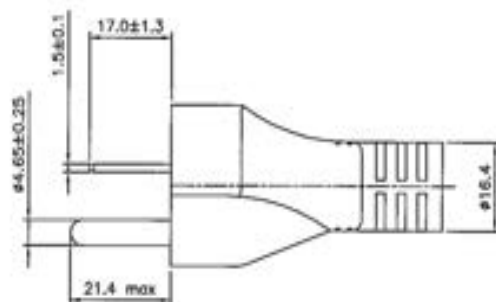
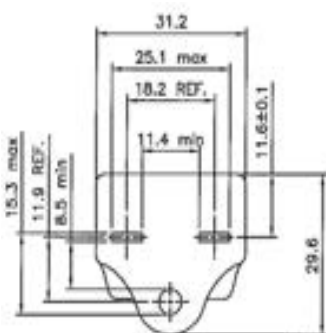


JAPAN



Cat. No. JP615S3
Desc. NEMA 6-15P Straight Plug for Class I Appliance (RoHS 2)
Std. JIS C8303 & JIS C8306 (Under Ordinance 1)
Max. Rating 15A, 250V
Safety Approval PSE

Cable Type	Size (mm ²)	Matching Connector	Rated Current
VCTF	3 x 1.25	VNBC13S, V1625A, VAC15BS	12A
VCTF	3 x 2.00	VNBC13S, V1625A, VAC19, VAC19A	15A



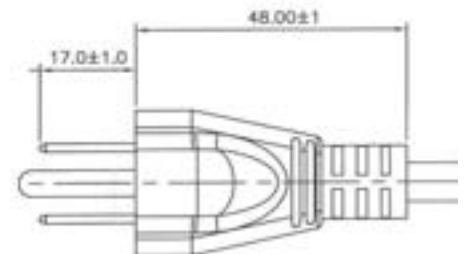
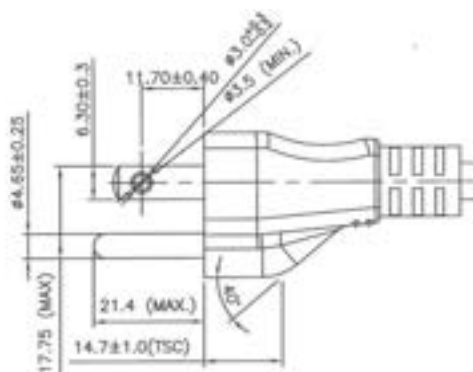
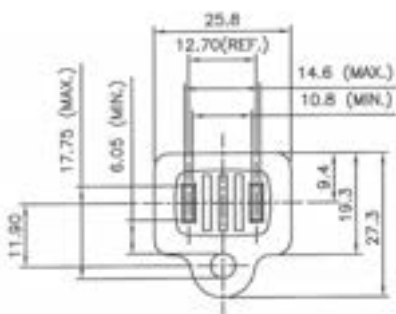


JAPAN

Cat. No. JS15THS3
Desc. Anti Tracking Straight Plug (Housing Cable Type) for Class I Appliance (RoHS 2)
Std. JIS C8303 & JIS C8306 (Under Ordinance 1)
Max. Rating 15A, 125V
Safety Approval PSE



Cable Type	Size (mm ²)	Matching Connector	Rated Current
PSE 227 IEC 53 (IEC-J)	3 x 0.75	VNBC5S	7A
PSE 227 IEC 53 (IEC-J)	3 x 1.00	V1625A	7A
HVCTF	3 x 1.25	VNBC13S, V1625A, V1625LA	12A
VCTF	3 x 1.25	VNBC13S, V1625A, VAC15BS	12A
VCTF	3 x 2.00	VNBC13S, V1625A, VAC19, VAC19A	15A





JAPAN

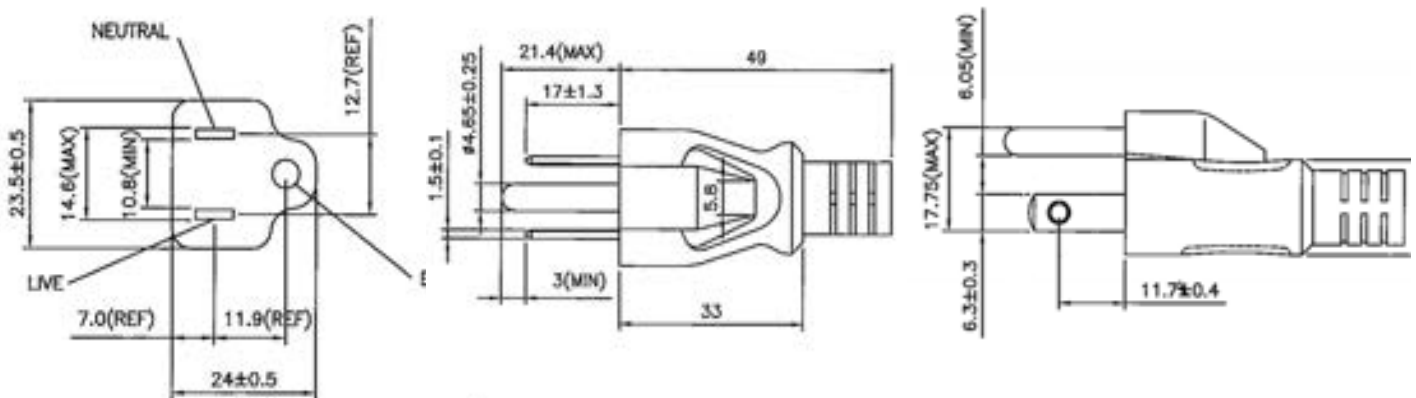
Cat. No.	JS15S3
Desc.	Straight Plug for Class I Appliance (RoHS 2)
Std.	JIS C8303 & JIS C8306 (Under Ordinance 1)
Max. Rating	15A, 125V
Safety Approval	PSE



Cable Type	Size (mm ²)	Matching Connector	Rated Current
VCTF	3 x 0.75	VNBC5S, VAC5AR, VNBC13S*, V1625A*	7A
PSE 227 IEC 52 (Round)	3 x 0.75	VNBC5S	7A
PSE 227 IEC 53 (Round)	3 x 0.75	VNBC5S	7A
VCTF	3 x 1.25	VNBC13S, V1625A, VAC15BS	12A
VCTF	3 x 2.00	VNBC13S, V1625A, VAC19, VAC19A	15A

Remarks:

* Cable length limit to 2 meters.





JAPAN

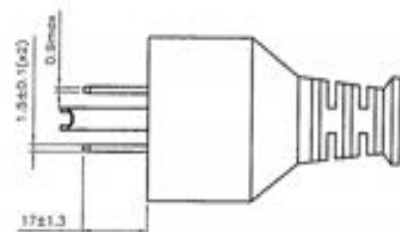
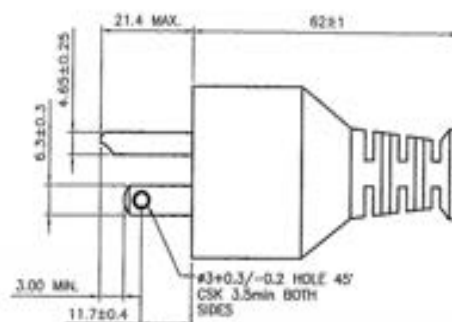
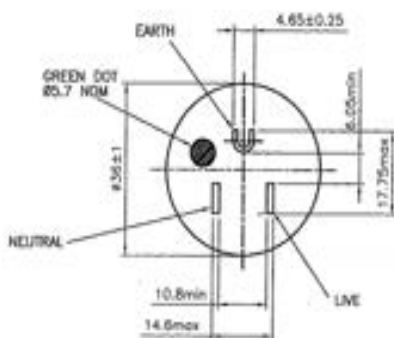
Cat. No.	JP15CS3
Desc.	Straight Plug (Hospital-grade) for Class I Appliance (RoHS 2)
Std.	JIS C8303 & JIS C8306 (Under Ordinance 1)
Max. Rating	15A, 125V
Safety Approval	PSE



Cable Type	Size (mm ²)	Matching Connector	Rated Current
VCTF	3 x 0.75	VNBC5S, VAC5AR, VNBC13S*, V1625A*	7A
PSE 227 IEC 53 (IEC-J)	3 x 1.00	V1625A	7A
VCTF	3 x 1.25	VNBC13S, V1625A, VAC15BS	12A
VCTF	3 x 2.00	VNBC13S, V1625A, VAC19, VAC19A	15A

Remarks:

* Cable length limit to 2 meters.



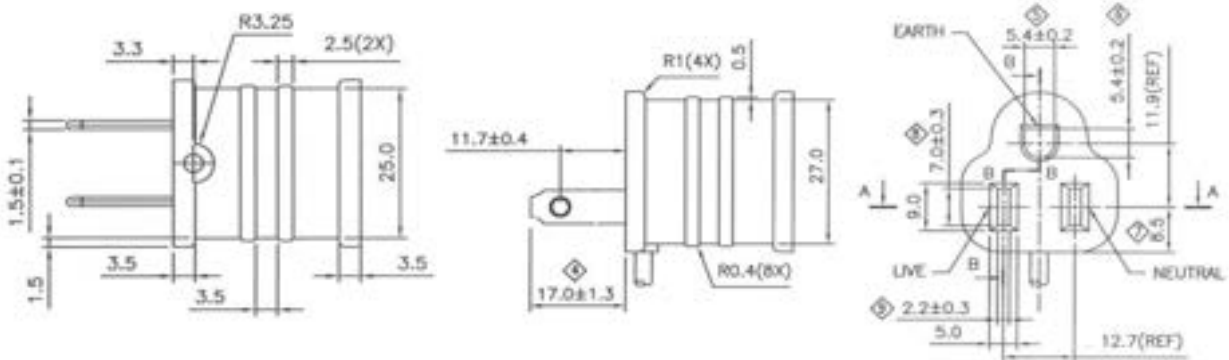


JAPAN



Cat. No. JS15RS3
Desc. 3-pole Plug Receptacle with external earth contact (RoHS 2)
Std. JIS C8303 & JIS C8306 (Under Ordinance 1)
Max. Rating 15A, 125V
Safety Approval PSE

Cable Type	Size (mm ²)	Matching Connector	Rated Current
VSF	1 x 2.00	-	15A



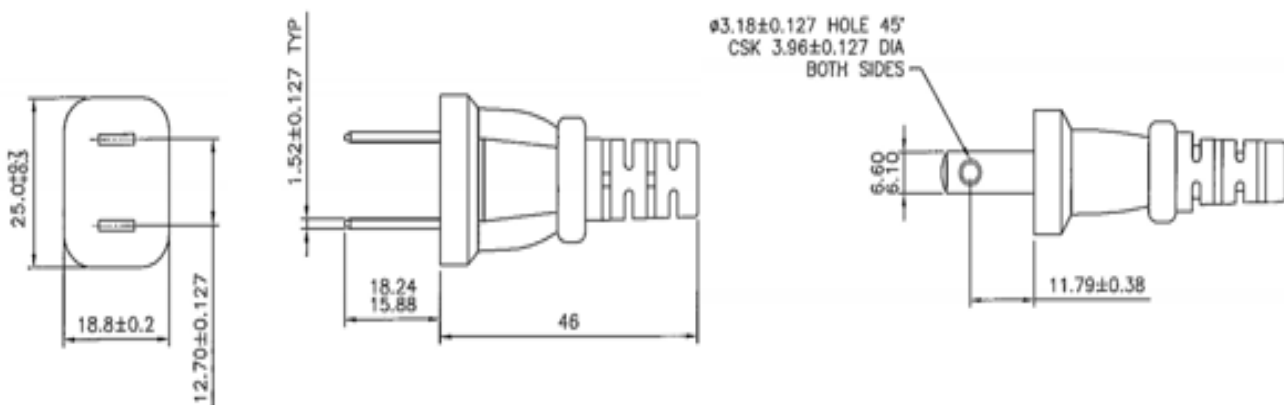


JAPAN

Cat. No.	USJ15B
Desc.	Two-pole Plug for Class II Appliance (RoHS 2)
Std.	JIS C8303 & JIS C8306 (Under Ordinance 1)
Max. Rating	15A, 125V
Safety Approval	PSE



Cable Type	Size (mm ²)	Matching Connector	Combo Approvals
SPT-2 + VFF	AWG 18 x 2 + 2 x 0.75	VNBC7S rated 7A, 125V	UL/c-UL, CSA
NISPT-2 + VCTFK	AWG 18 x 2 + 2 x 0.75	VNBC7S rated 7A, 125V	



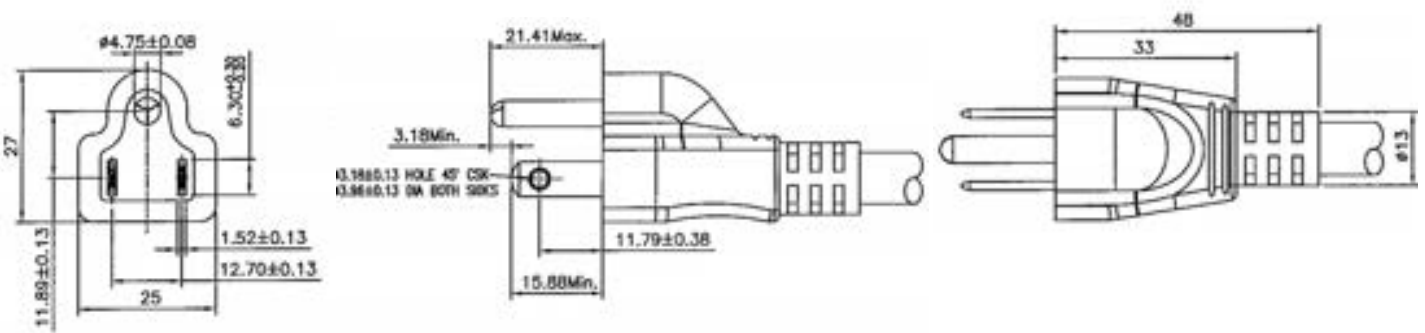


JAPAN

Cat. No.	USJ15TS3
Desc.	3 Pins Plug - 125V (With or without sleeve)
Std.	JIS C8303 & JIS C8306 (Under Ordinance 1)
Max. Rating	15A, 125V
Safety Approval	PSE



Cable Type	Size (mm ²)	Matching Connector	Combo Approvals
VCTF	3 x 1.25	-	UL/c-UL, CSA
VCTF	3 x 2.00	-	



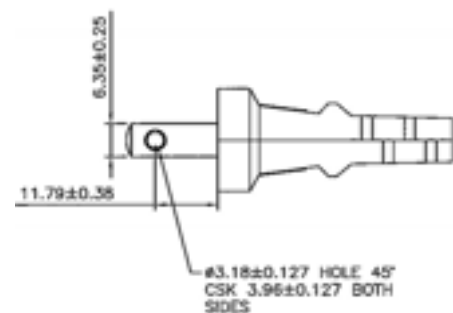
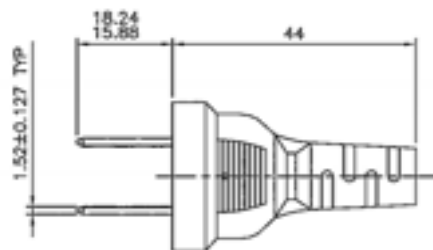
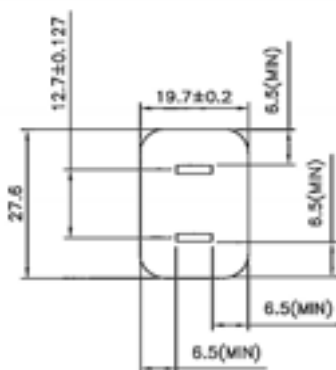


JAPAN

Cat. No.	US115S
Desc.	2 Pins Plug (Without sleeve) (RoHS 2)
Std.	JIS C8303 & JIS C8306 (Under Ordinance 1)
Max. Rating	15A, 250V
Safety Approval	PSE



Cable Type	Size (mm ²)	Matching Connector	Rated Current	Combo Approvals
SPT-2 + VFF	AWG 18/2 + 2 x 0.75	-	7A, 125V	BSMI + UL/CSA
NISPT-2 + VCTFK	AWG 18/2 + 2 x 0.75	-	7A, 125V	





JAPAN

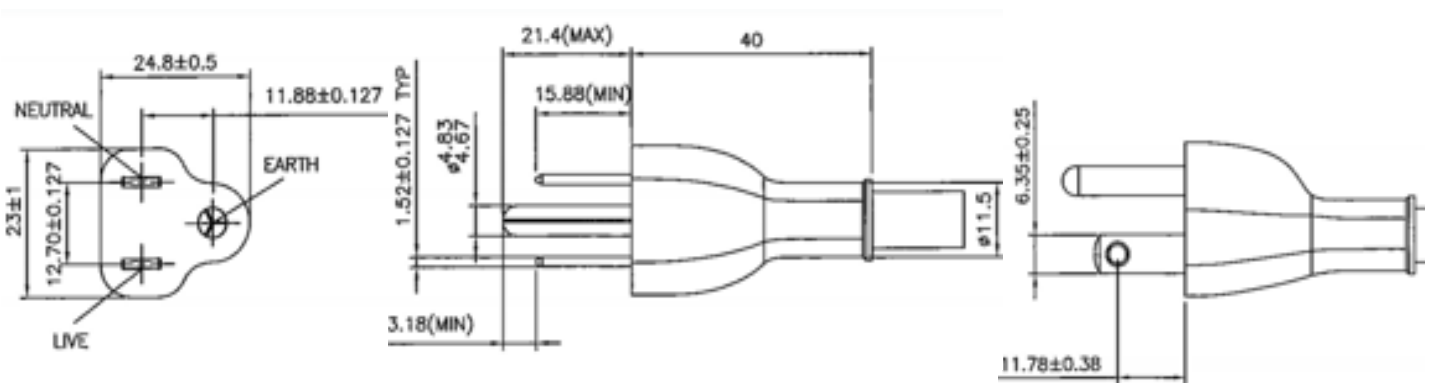


Cat. No. VNUS15S3
Desc. Straight Plug for Class I Appliance
Std. JIS C8303 & JIS C8306 (Under Ordinance 1)
Max. Rating 7A, 125V
Safety Mark PSE

Cable Type	Size (mm ²)	Matching Connector
VCTF	3 x 0.75	VNBC5S, VNBC13S*, VNC13A

Remarks

* Cable length limit to 2 meters.



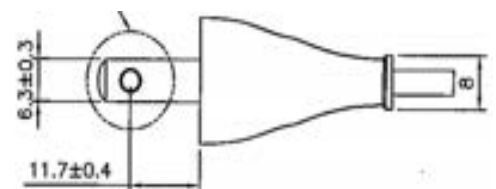
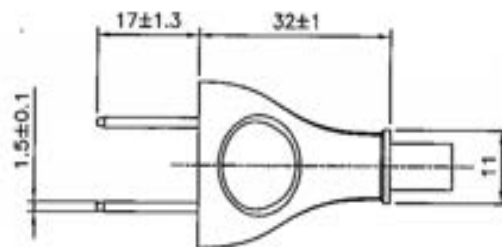
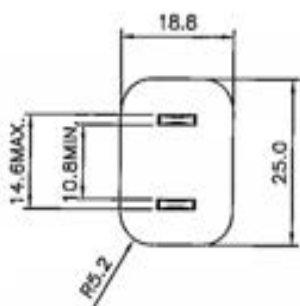


JAPAN

Cat. No. VNJS15S2
Desc. Straight Plug for Class II Appliance (RoHS 2)
Std. JIS C8303 & JIS C8306 (Under Ordinance I)
Max. Rating 15A, 125V
Safety Mark PSE



Cable Type	Size (mm ²)	Matching Connector
VCTFK	2 x 0.75	VNBC7S, VNC7A



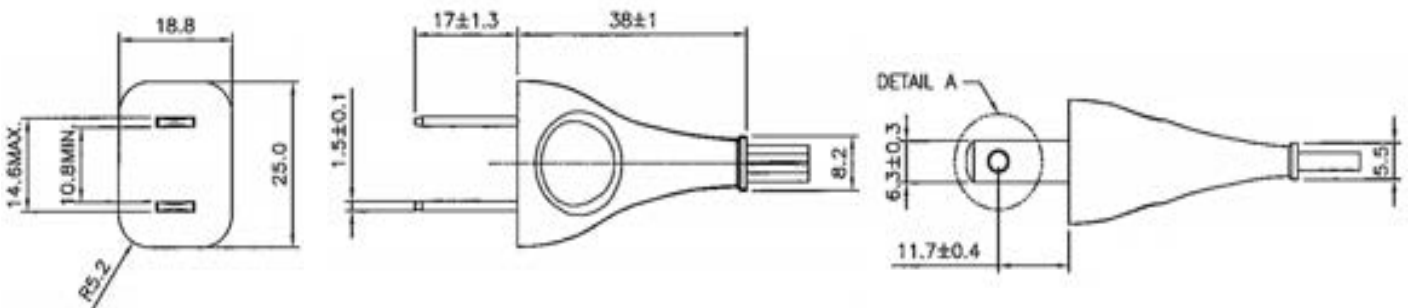


JAPAN

Cat. No.	VNJS15FS2
Desc.	Straight Plug (Flat Strain Relief) for Class II Appliance (RoHS 2)
Std.	JIS C8303 & JIS C8306 (Under Ordinance I)
Max. Rating	15A, 125V
Safety Mark	PSE



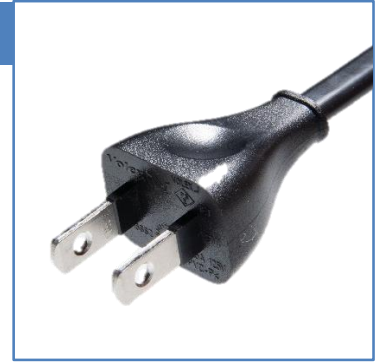
Cable Type	Size (mm ²)	Matching Connector
VFF	2 x 0.75	VNBC7S, VNC7A



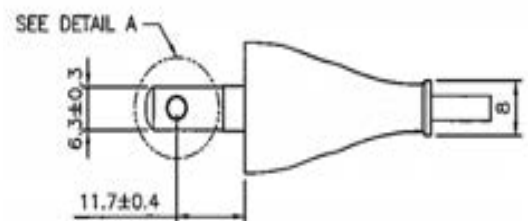
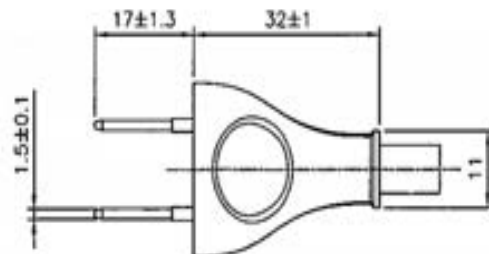
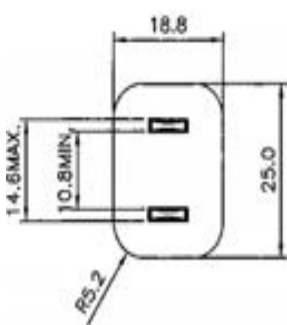


JAPAN

Cat. No. VNJS15SS2
Desc. Anti-Tracking Straight Plug (Sleeve Cable Type)
 for Class II Appliance (RoHS 2)
Std. JIS C8303 & JIS C8306 (Under Ordinance I)
Max. Rating 15A, 125V
Safety Mark PSE



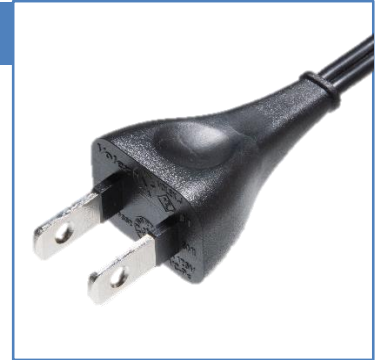
Cable Type	Size (mm ²)	Matching Connector
VCTFK	2 x 0.75	VNBC7S, VNC7A



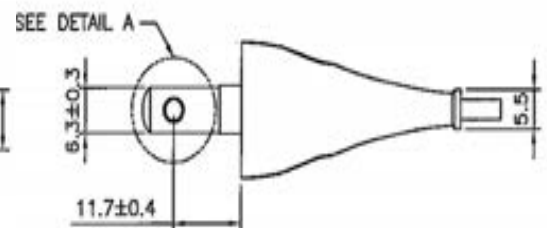
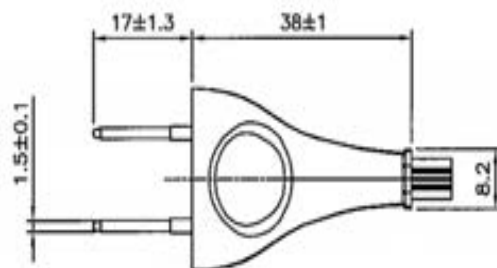
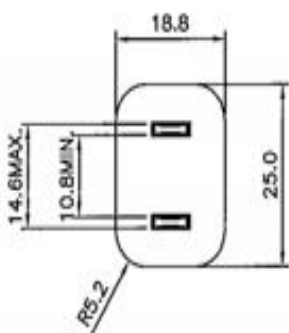


JAPAN

Cat. No. VNJS15FSS2
Desc. Anti-Tracking Straight Plug
 (Flat Strain Relief & Sleeve Cable Type)
 for Class II Appliance (RoHS 2)
Std. JIS C8303 & JIS C8306 (Under Ordinance I)
Max. Rating 15A, 125V
Safety Mark PSE



Cable Type	Size (mm ²)	Matching Connector
VFF	2 x 0.75	VNBC7S, VNC7A





KOREA

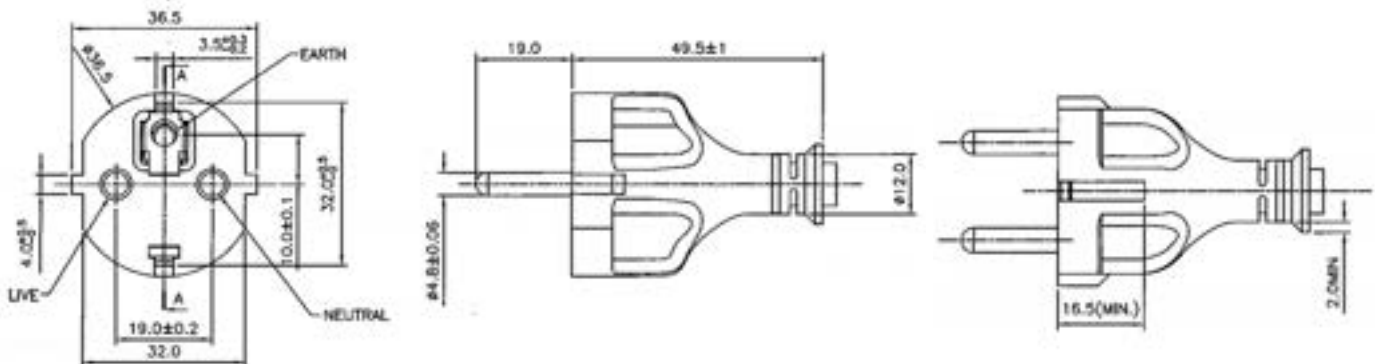
Cat. No. VNBEU16S3
Desc. Straight Plug with Dual-earth contacts
 for Class I Appliance (RoHS 2)
Std. K60884-1
Max. Rating 16A, 250V
Safety Approval KC



Cable Type	Size (mm ²)	Matching Connector	Combo Approvals
H03VV-F + 60227 KS IEC 52 (H03VV-F)+ 60227 IEC 52 (H03VV-F)	3 x 0.75	VNBC5S*	VDE/EAC/ISC
H05VV-F + 60227 KS IEC 53 (H05VV-F)+ 60227 IEC 53 (H05VV-F)	3 x 0.75	VNBC5S* VNBC13S*	VDE/EAC/ISC
H05RR-F + 60245 KS IEC 53 (H05RR-F)	3 x 1.00	-	VDE/EAC
H05VV-F + 60227 KS IEC 53 (H05VV-F)+ 60227 IEC 53 (H05VV-F)	3 x 1.00	VNBC13S	VDE/EAC/ISC
H05VV-F + 60227 IEC 53 (H05VV-F)	3 x 1.50	VNBC13S	EAC/ISC
60227 KS IEC 53 (H05VV-F)	3 x 1.50	-	-

Remarks

* Cable length limit to 2 meters.





KOREA

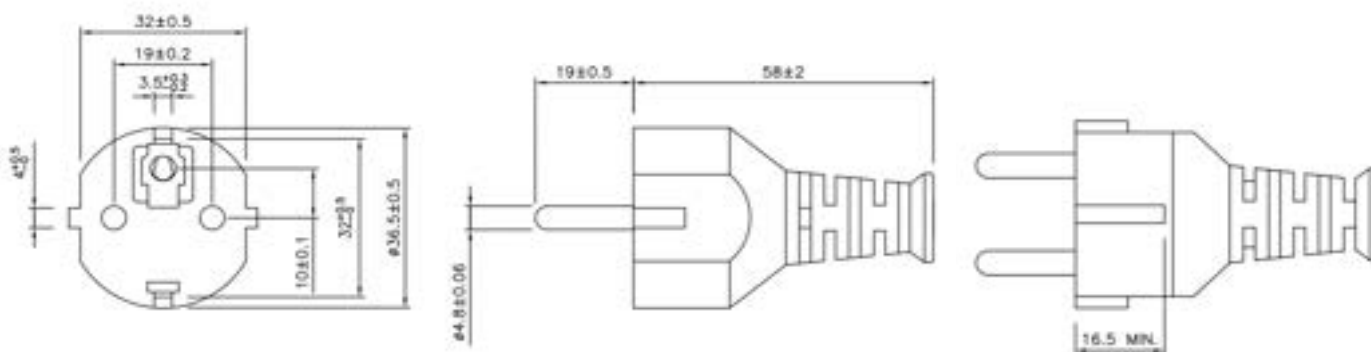
Cat. No.	M2511
Desc.	Straight Plug with Dual-earth contacts for Class I Appliance
Std.	K60884-1
Max. Rating	16A, 250V
Safety Approval	KC



Cable Type	Size (mm ²)	Matching Connector	Rated Current
60227 KS IEC 53 (H05VV-F)	3 x 0.75	VAC5AR, V1625A*	7A
60227 KS IEC 53 (H05VV-F)	3 x 1.00	V1625A, V1625LA	10A
60227 KS IEC 53 (H05VV-F)	3 x 1.50	VAC19A, VAC19LA, VSC19	15A

Remarks:

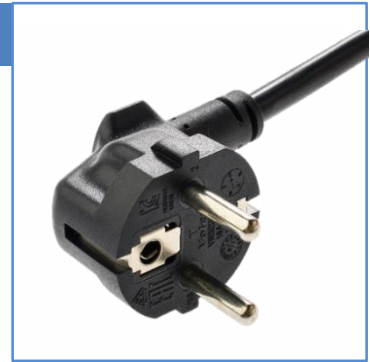
* Cable length limit to 2 meters.





KOREA

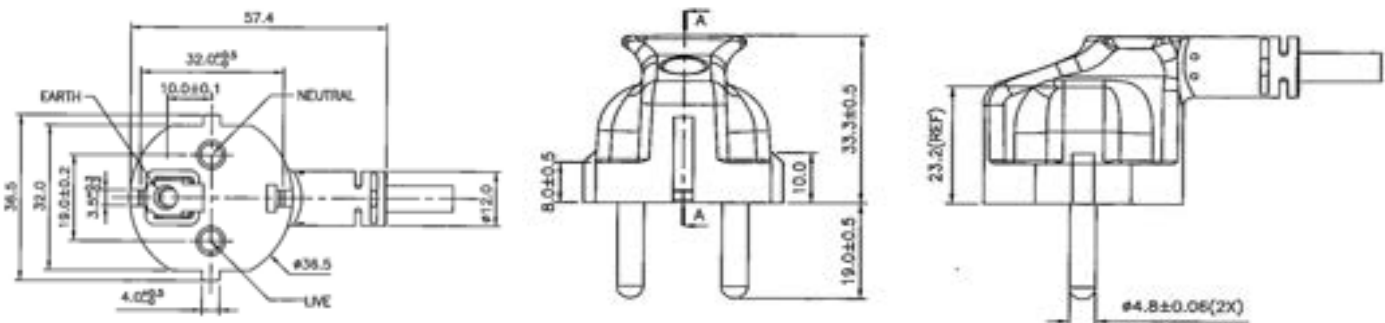
Cat. No. VNBEU16A3
Desc. Angled Plug with Dual-earth contacts
 for Class I Appliance (RoHS 2)
Std. K60884-1
Max. Rating 16A, 250V
Safety Approval KC



Cable Type	Size (mm ²)	Matching Connector	Combo Approvals
H03VV-F + 60227 KS IEC 52 (H03VV-F) + 60227 IEC 52 (H03VV-F)	3 x 0.75	VNBC5S*	VDE/EAC/ISC
H05VV-F + 60227 KS IEC 53 (H05VV-F) + 60227 IEC 53 (H05VV-F)	3 x 0.75	VNBC5S* VNBC13S*	VDE/EAC/ISC
H05RR-F + 60245 KS IEC 53 (H05RR-F)	3 x 1.00	-	VDE/EAC
H05VV-F + 60227 KS IEC 53 (H05VV-F) + 60227 IEC 53 (H05VV-F)	3 x 1.00	VNBC13S	VDE/EAC/ISC
H05VV-F + 60227 IEC 53 (H05VV-F)	3 x 1.50	VNBC13S	EAC/ISC
60227 KS IEC 53 (H05VV-F)	3 x 1.50	-	-

Remarks

* Cable length limit to 2 meters.





KOREA

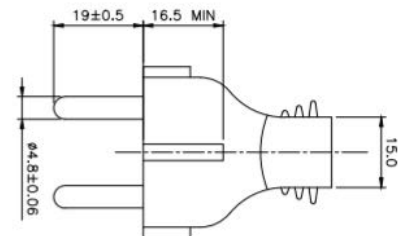
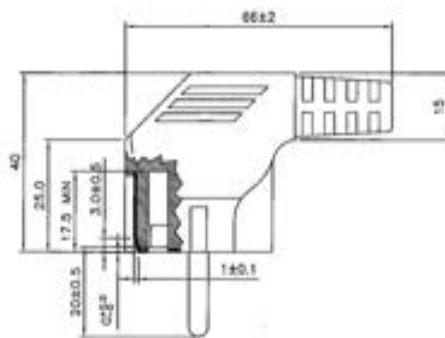
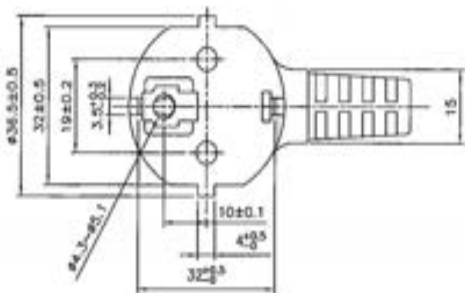
Cat. No.	M2511A
Desc.	Angled Plug with Dual-earth contacts for Class I Appliance
Std.	K 60884-1
Max. Rating	16A, 250V
Safety Approval	KC



Cable Type	Size (mm ²)	Matching Connector	Rated Current
60227 KS IEC 53 (H05VV-F)	3 x 0.75	V1625A*	7A
60227 KS IEC 53 (H05VV-F)	3 x 1.00	V1625A	10A
60227 KS IEC 53 (H05VV-F)	3 x 1.50	VAC19A	15A

Remarks:

* Cable length limit to 2 meters.





KOREA

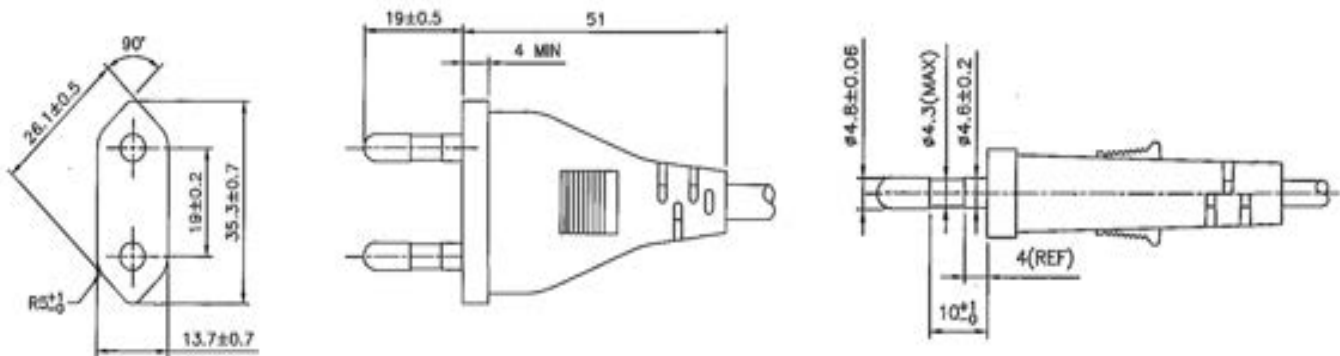
Cat. No.	MP2217
Desc.	Straight Plug for Class II Appliance
Std.	K 60884-1
Max. Rating	2.5A, 250V
Safety Approval	KC



Cable Type	Size (mm ²)	Matching Connector	Rated Current
60227 KS IEC 52 (H03VVH2-F)	2 x 0.50	VAC7S*, VAC7A*	2.5A
60227 KS IEC 52 (H03VVH2-F)	2 x 0.75	VAC7S, VAC7A	2.5A
60227 KS IEC 53 (H05VVH2-F)	2 x 0.75	-	2.5A

Remarks:

* Cable length limit to 2 meters.





KOREA

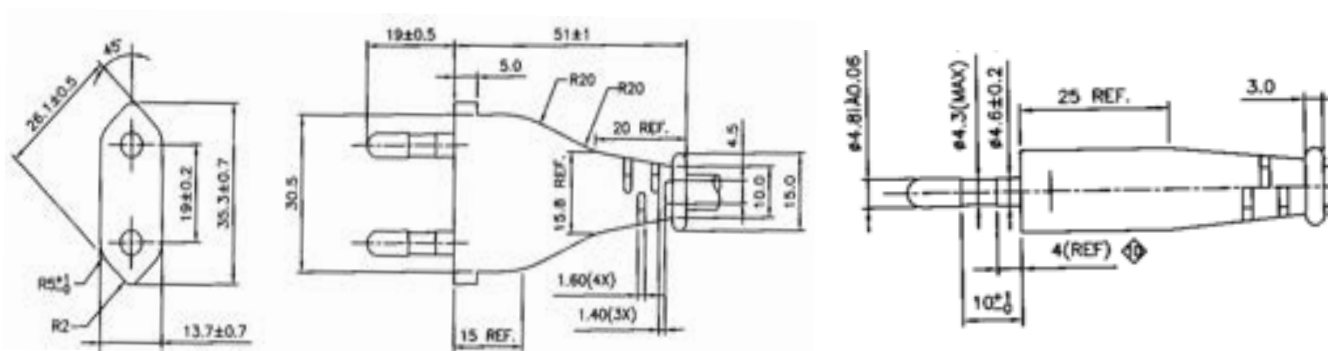
Cat. No. KR3SC2
Desc. Filtered Straight Plug with Radio Interference
 Suppression Choke for Class II Appliance
Std. K 60884-1
Max. Rating 2.5A, 250V
Safety Approval KC



Cable Type	Size (mm ²)	Matching Connector	Inductance
60227 KS IEC 52 (H03VVH2-F)	2 x 0.75	SZC7S	1200μH to 1000μH

NOTE:

Please check tooling availability.





KOREA

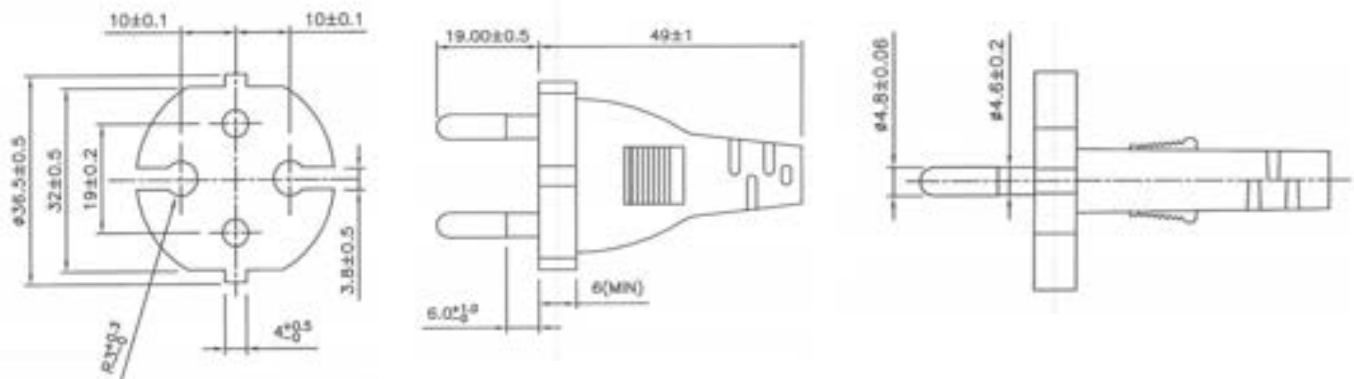
Cat. No. KR16S2
Desc. Straight Plug for Class II Appliance
Std. K 60884-1
Max. Rating 16A, 250V
Safety Approval KC



Cable Type	Size (mm ²)	Matching Connector	Rated Current
60227 KS IEC 52 (H03VVH2-F)	2 x 0.75	VAC7S	10A
60227 KS IEC 53 (H05VVH2-F)	2 x 0.75	-	10A
60227 KS IEC 53 (H05VV-F)	2 x 0.75	VAC17S*	10A
60227 KS IEC 53 (H05VV-F)	2 x 1.00	VAC17A	10A
60245 IEC 57 (H05RN-F)	2 x 1.00	-	10A

Remarks:

* Cable length limit to 2 meters.



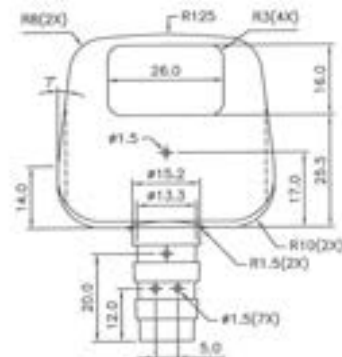
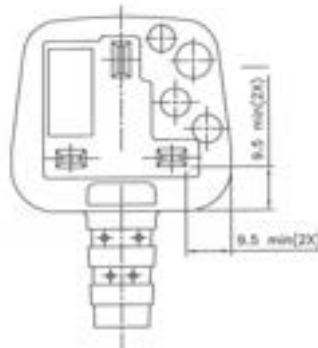
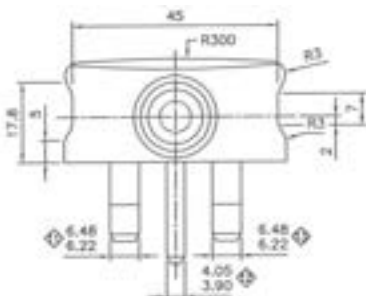


MALAYSIA

Cat. No. UK13A2
Desc. Design Improved Cable Type 4 Angled Plug for Class II Appliance
Std. MS 589-1
Max. Rating 13A, 250V
Safety Approval SIRIM



Cable Type	Size (mm ²)	Matching Connector	Rated Current	Max. Fuse Rating
H03VVH2-F	2 x 0.75	VAC7S	6A	13A





MALAYSIA

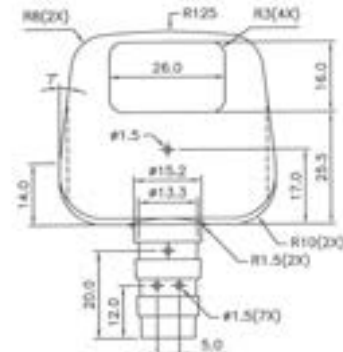
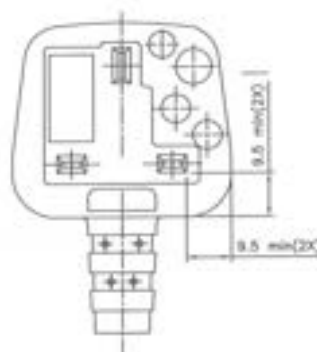
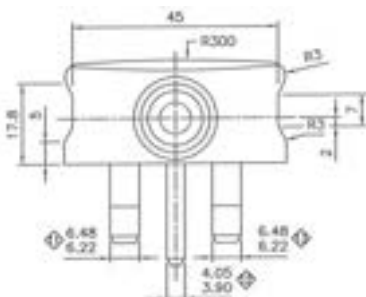
Cat. No. UK13A3
Desc. Design Improved Cable Type 4 Angled Plug
 for Class I and II Appliance
Std. MS 589-1
Max. Rating 13A, 250V
Safety Approval SIRIM



Cable Type	Size (mm ²)	Matching Connector	Rated Current	Max. Fuse Rating
H03VV-F	3 x 0.75	VNBC5S, VAC5AR	6A	13A
H05VV-F	3 x 0.75	VNBC5S, V1625*, V1625A*	6A	13A

Remarks:

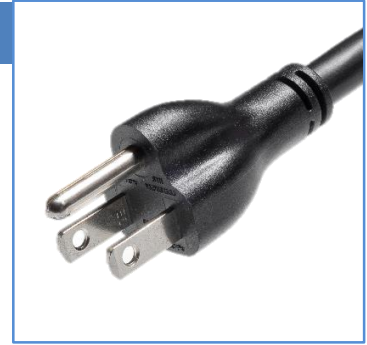
* Cable length limit to 2 meters.



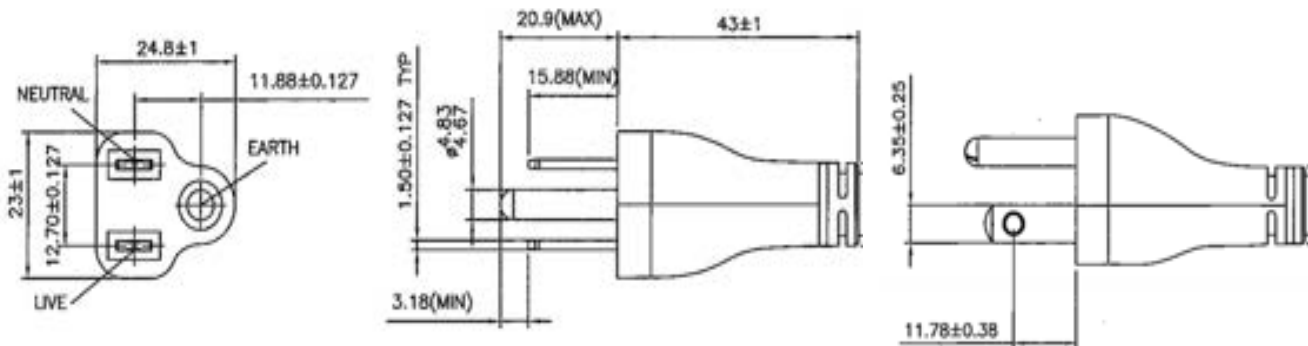


NORTH AMERICA

Cat. No. VNBUS15S3
Desc. NEMA 5-15P Straight Plug for Class I Appliance
Std. UL498 , UL817 , CSA Std C22.2
Max. Rating 15A, 125V
Safety Mark UL/c-UL



Cable Type	Size	Rated Current
SJT	3 x AWG 14	15A, 125V





NORTH AMERICA

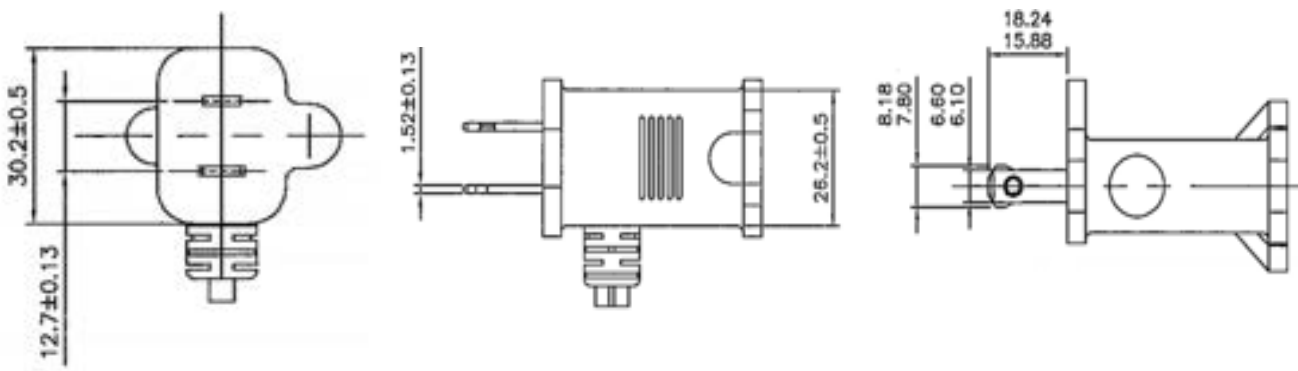
Cat. No.	US115RPS
Desc.	NEMA 1-15P Plug Receptacle use only on Telephone Appliance with a IEC Std. C7 configuration (RoHS 2)
Std.	UL498, UL817, CSA Std C22.2
Max. Rating	10A, 125V
Safety Approval	UL, CSA



Cable Type	Size	Matching Connector
SPT-2	2 x AWG 18	VNBC7S, VAC7A
NISPT-2	2 x AWG 18	VNBC7S, VAC7A

NOTE:

Please check tooling availability.





NORTH AMERICA

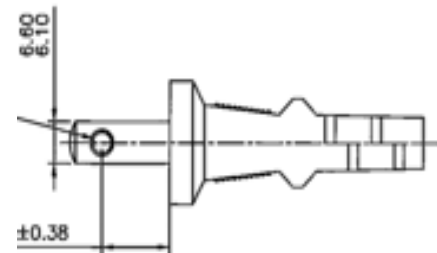
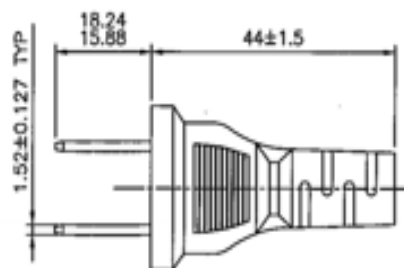
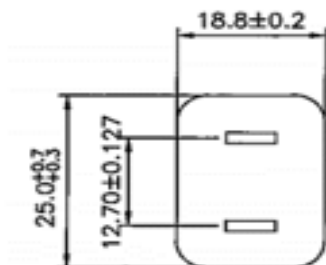
Cat. No.	ME301S
Desc.	NEMA 1-15P Straight Plug for Class II Appliance (RoHS 2)
Std.	UL498, UL817, CSA Std C22.2
Max. Rating	15A, 125V
Safety Approval	UL/c-UL, CSA



Polarized version catalogue No.: ME301P

* rated current at 7A

Cable Type	Size	Matching Connector
NISPT-1	2 x AWG 16	-
NISPT-1	2 x AWG 18	VNBC7S, VAC7A
NISPT-2	2 x AWG 16	-
NISPT-2	2 x AWG 18	VNBC7S, VAC7A
SPT-1	2 x AWG 18	VNBC7S, VAC7A
SPT-2	2 x AWG 16	-
SPT-2	2 x AWG 18	VNBC7S, VAC7A
SPT-3	2 x AWG 18	-
XTW*	2 x AWG 20	-





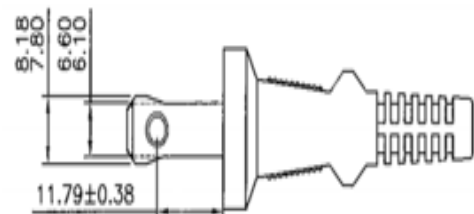
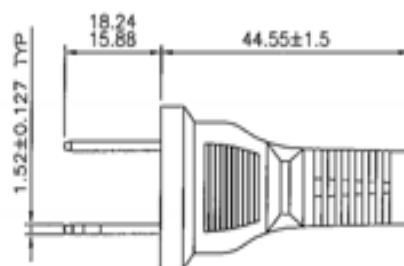
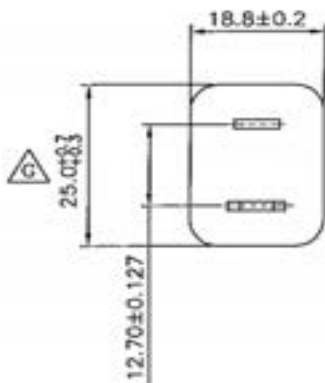
NORTH AMERICA

Cat. No. ME301RP
Desc. NEMA 1-15P Straight Polarized Plug
 for Hot Class II Appliance (RoHS 2)
Std. UL498, UL817, CSA Std C22.2
Max. Rating 15A, 125V
Safety Approval UL/c-UL, CSA



Non-Polarized version catalogue No.: ME301R

Cable Type	Size	Matching Connector
HPN	2 x AWG 16	-
HPN	2 x AWG 18	-





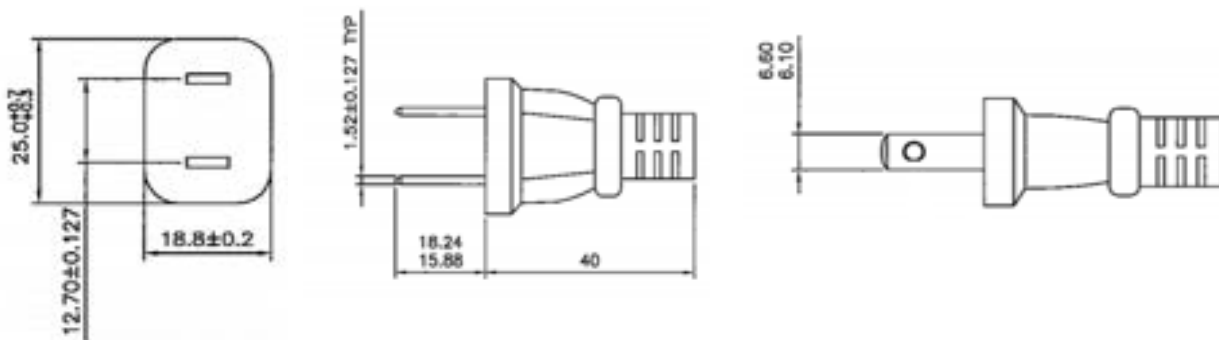
NORTH AMERICA

Cat. No.	ME302
Desc.	NEMA 1-15P Straight Plug for Class II Appliance (RoHS 2)
Std.	UL498, UL817, CSA Std C22.2
Max. Rating	15A, 125V
Safety Approval	UL/c-UL, CSA



Polarized version catalogue No.: ME302P

Cable Type	Size	Matching Connector
SJ	2 x AWG 16	-
SJ	2 x AWG 18	-
SJO	2 x AWG 16	-
SJO	2 x AWG 18	-
SJT	2 x AWG 16	VAC17S, VAC17A
SJT	2 x AWG 18	VAC7S, VAC17S
SJTW	2 x AWG 16	-
SJTW	2 x AWG 18	-
SJTOW	2 x AWG 16	-
SJTOW	2 x AWG 18	-
SPT-2	2 x AWG 16	-
SPT-2	2 x AWG 18	VNBC7S, VAC7A
SVT	2 x AWG 16	VAC17S
SVT	2 x AWG 17	-
SVT	2 x AWG 18	VAC17S





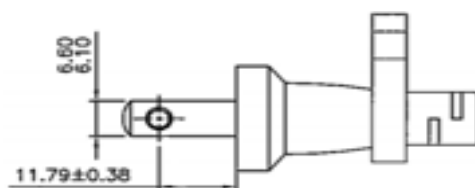
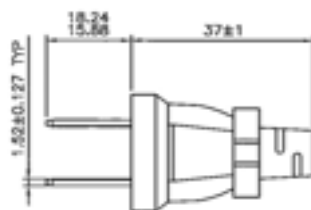
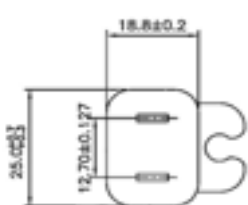
NORTH AMERICA



Cat. No. ME302GR
Desc. NEMA 1-15P Straight Plug with Cord-Grip for Class II Appliance (RoHS 2)
Std. UL498, UL817, CSA Std C22.2
Max. Rating 15A, 125V
Safety Approval UL/c-UL, CSA

Polarized version catalogue No.: ME302GR P

Cable Type	Size	Matching Connector
HPN	2 x AWG 16	-
HPN	2 x AWG 17	-
HPN	2 x AWG 18	-
SJO	2 x AWG 16	-
SJO	2 x AWG 18	-
SJT	2 x AWG 16	VAC17S, VAC17A
SJT	2 x AWG 18	VAC7S, VAC17S
SJTO	2 x AWG 16	-
SJTO	2 x AWG 18	-
SJTOW	2 x AWG 16	-
SJTOW	2 x AWG 18	-
SJTW	2 x AWG 16	-
SJTW	2 x AWG 18	-
SPT-2	2 x AWG 18	VNBC7S, VAC7A
NISPT-2	2 x AWG 18	VNBC7S, VAC7A
SV	2 x AWG 18	-
SVT	2 x AWG 16	VAC17S
SVT	2 x AWG 17	-
SVT	2 x AWG 18	VAC17S





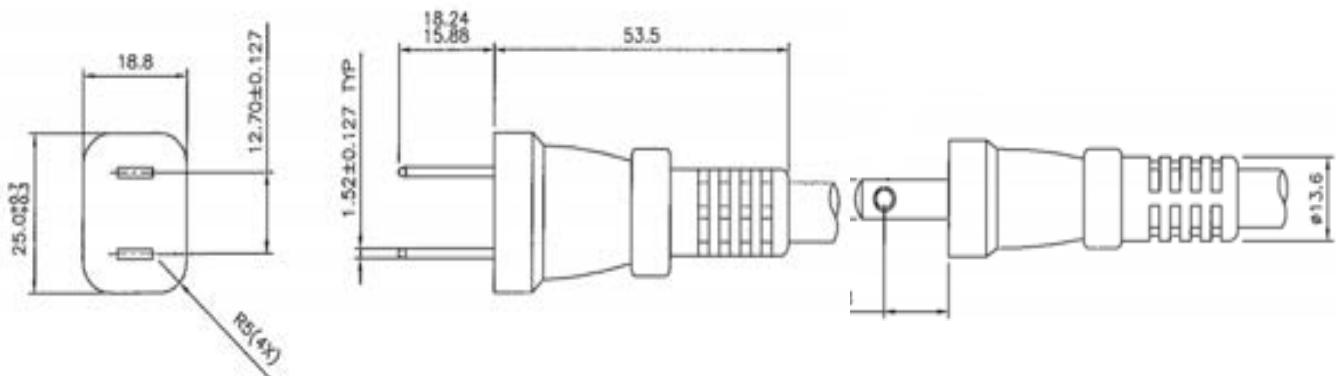
NORTH AMERICA

Cat. No.	US15B
Desc.	NEMA 1-15P Straight Plug for Class II Appliance with Enhanced Strain Relief (RoHS 2)
Std.	UL498, UL817, CSA Std C22.2
Max. Rating	15A, 125V
Safety Approval	UL/c-UL, CSA



Polarized version catalogue No.: US15BP

Cable Type	Size	Matching Connector
SJ	2 x AWG 14	-
SJ	2 x AWG 16	-
SJ	2 x AWG 18	-
SJT	2 x AWG 14	-
SJT	2 x AWG 16	VAC17S, VAC17A
SJT	2 x AWG 18	VAC7S, VAC17S
SOW	2 x AWG 16	-
SJTOW	2 x AWG 18	-
S	2 x AWG 16	-
S	2 x AWG 18	-
ST	2 x AWG 18	-
SJO	2 x AWG 16	-



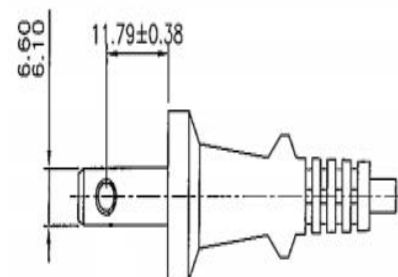
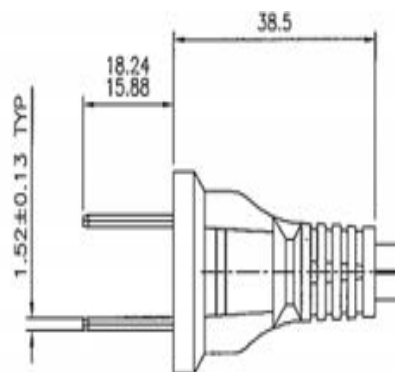
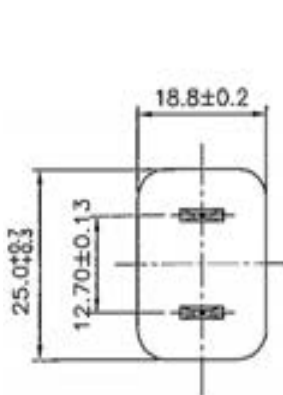


NORTH AMERICA

Cat. No. US15S2
Desc. NEMA 1-15P Straight Plug with Folded-blades for Class II Appliance (RoHS 2)
Std. UL498, UL817, CSA Std C22.2
Max. Rating 15A, 125V
Safety Approval UL/c-UL, CSA



Cable Type	Size	Matching Connector
SPT-1	2 x AWG 18	VNBC7S, VAC7A
SPT-2	2 x AWG 18	VNBC7S, VAC7A
NISPT-2	2 x AWG 18	VNBC7S, VAC7A





NORTH AMERICA



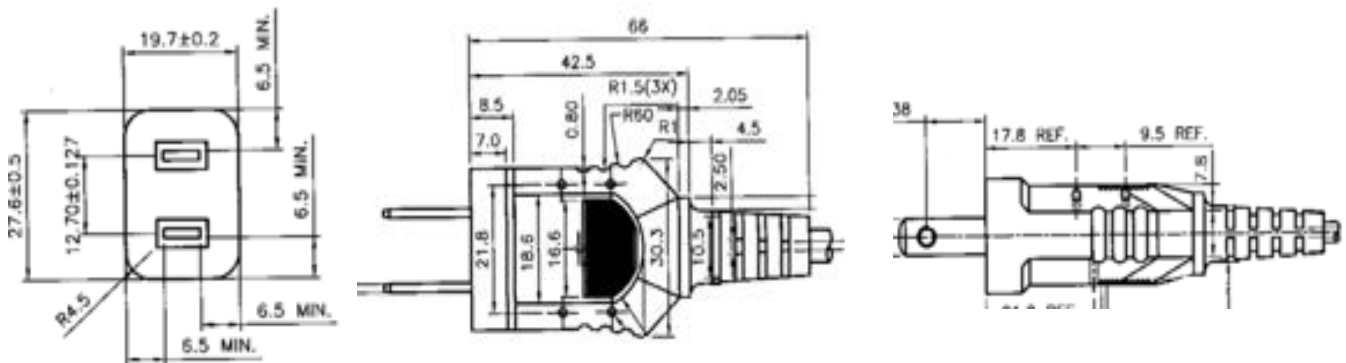
Cat. No. US115SC
Desc. NEMA 1-15P Straight Plug with ferrite core
 for Class II Appliance (RoHS 2)
Std. UL498, UL817, CSA Std C22.2
Max. Rating 7A, 125V
Safety Approval UL/c-UL, CSA

Polarized version catalogue No.: US115PSC

Cable Type	Size	Matching Connector	Inductance
NISPT-1	2 x AWG 18	VNBC7S, VAC7A	650 μ H -30% +30%
NISPT-2	2 x AWG 18	VNBC7S, VAC7A	
SPT-1	2 x AWG 18	VNBC7S, VAC7A	
SPT-2	2 x AWG 18	VNBC7S, VAC7A	

NOTE:

Please check tooling availability.



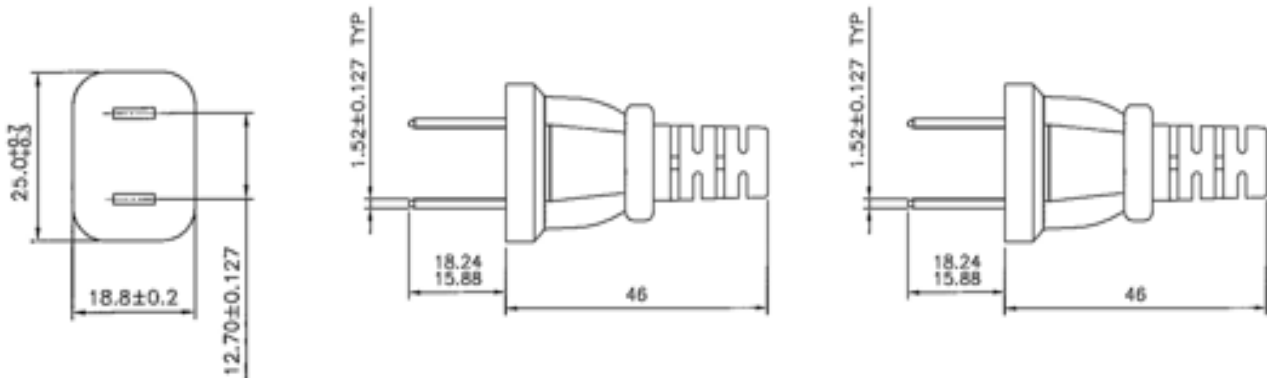


NORTH AMERICA

Cat. No.	USJ15B
Desc.	NEMA 1-15P Straight Plug for Class II Appliance (RoHS 2)
Std.	UL498, UL817, CSA Std C22.2
Max. Rating	15A, 125V
Safety Approval	UL/c-UL, CSA



Cable Type	Size	Matching Connector	Combo Approvals
NISPT-2	2 x AWG 18	VNBC7S, VAC7A	-
SPT-2	2 x AWG 18	VNBC7S, VAC7A	-
SPT-2 + VFF	2 x AWG 18 + 2 x 0.75	VNBC7S rated 7A, 125V	PSE
NISPT-2 + VCTFK	2 x AWG 18 + 2 x 0.75	VNBC7S rated 7A, 125V	





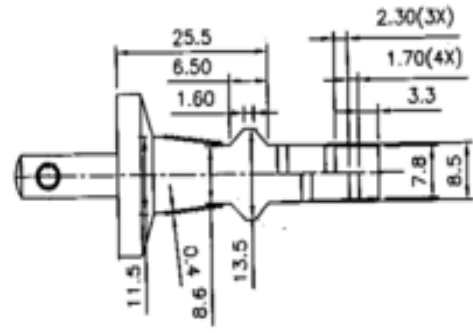
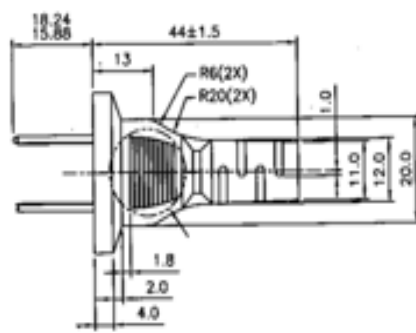
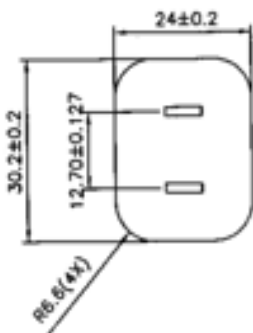
NORTH AMERICA

Cat. No. US115LS
Desc. NEMA 1-15P Straight Plug with larger face for use on Electric Toys (RoHS 2)
Std. UL498, UL817, CSA Std C22.2
Max. Rating 15A, 125V
Safety Approval UL/c-UL, CSA



Polarized version catalogue No.: US115LPS

Cable Type	Size	Matching Connector
NISPT-2	2 x AWG 18	VNBC7S, VAC7A
SPT-2	2 x AWG 18	VNBC7S, VAC7A



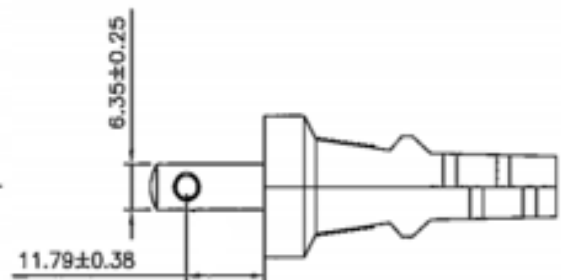
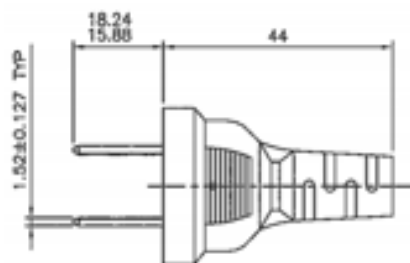
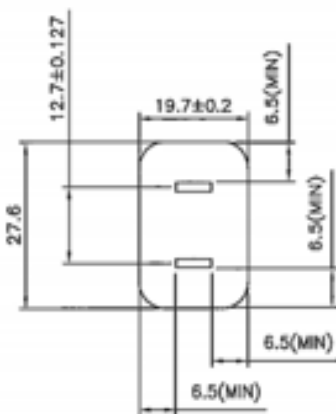


NORTH AMERICA

Cat. No. US115S
Desc. NEMA 1-15P Double Insulated Straight Plug
 for Class II Appliance (RoHS 2)
Std. UL498, UL817, CSA Std C22.2
Max. Rating 15A, 125V
Safety Approval UL/c-UL, CSA



Cable Type	Size	Matching Connector	Combo Approvals
NISPT-1	2 x AWG 18	VNBC7S, VAC7A	-
NISPT-2	2 x AWG 16	-	-
NISPT-2	2 x AWG 18	VNBC7S, VAC7A	-
SPT-1	2 x AWG 18	VNBC7S, VAC7A	-
SPT-2	2 x AWG 16	-	-
SPT-2	2 x AWG 18	VNBC7S, VAC7A	-
SPT-2 + VFF	2 x AWG 18 + 2 x 0.75	-	BSMI + PSE
NISPT-2 + VCTFK	2 x AWG 18 + 2 x 0.75	-	





NORTH AMERICA

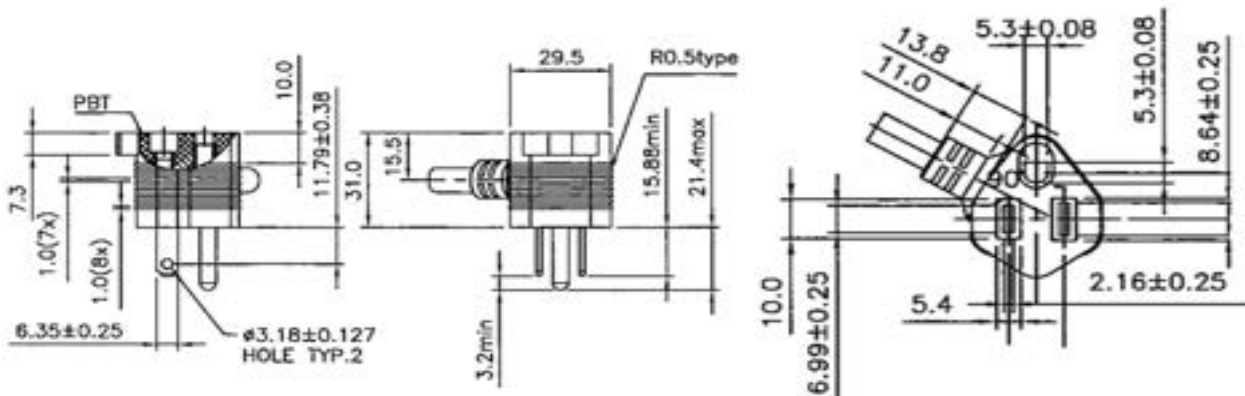
Cat. No. US515RP
Desc. NEMA 5-15P Plug Receptacle use only on IT Appliance with an IEC Std. C13 configuration (RoHS 2)
Std. UL498, UL817, CSA Std C22.2
Max. Rating 10A, 125V
Safety Approval UL/c-UL, CSA



Cable Type	Size	Matching Connector
SJT	3 x AWG 18	VNBC13S, V1625A, V1625LA,
SJTOW	3 x AWG 18	VNBC13S, V1625A, V1625LA, VAC15BS
SVT	3 x AWG 18	VNBC13S, V1625A, V1625LA, VNBC5S, VAC5AR, VAC5AL
SVT (Shielded)	3 x AWG 18	VNBC13S, V1625A, V1625LA, VAC5S, VAC5AR, VAC5AL

NOTE:

Please check tooling availability.





NORTH AMERICA

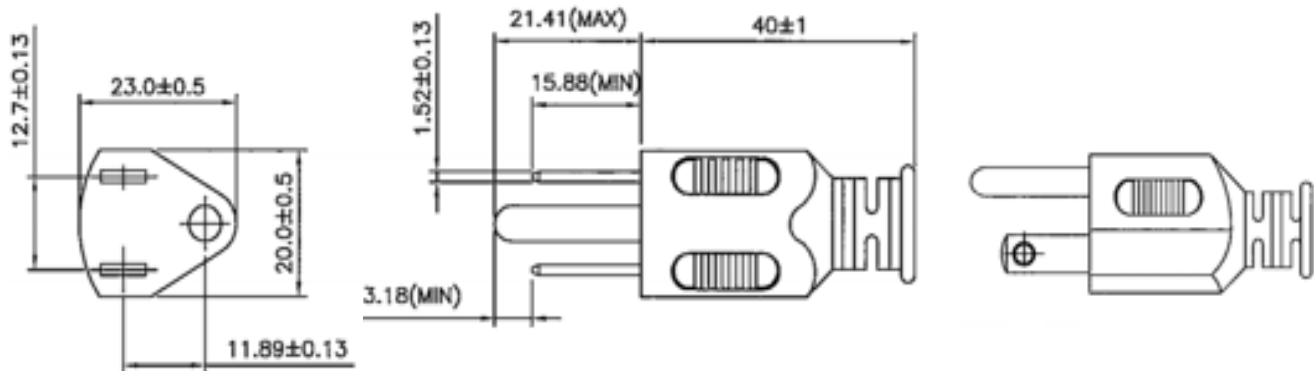
Cat. No.	MP204
Desc.	NEMA 5-15P Straight Plug for Class I Appliance
Std.	UL498, UL817, CSA Std C22.2
Max. Rating	15A, 125V
Safety Approval	UL/c-UL, CSA



Cable Type	Size	Matching Connector
HPN	3 x AWG 16	
HPN	3 x AWG 18	
NISPT-2	3 x AWG 16	-
NISPT-2	3 x AWG 18	VAC5S, VAC5AR, VAC5AL
NISPT-3	3 x AWG 16	-
NISPT-3	3 x AWG 18	-
SJ (Shielded)	3 x AWG 18	-
SJO	3 x AWG 14	-
SJO	3 x AWG 16	-
SJO	3 x AWG 18	-
SJO (Shielded)	3 x AWG 18	-
SJT	3 x AWG 14	V1625LA, V1625BA, V1625BS, VAC15A VAC19A, VAC19LA, VSC19
SJT	3 x AWG 16	VNBC13S, V1625A, V1625LA, V1625BA, VAC15A, VAC19A, VAC19LA, VSC19
SJT	3 x AWG 18	VNBC13S, V1625A, V1625LA, VSC19
SJT (Shielded)	3 x AWG 16	VNBC13S, V1625A, V1625LA
SJT (Shielded)	3 x AWG 18	VNBC13S, V1625A, V1625LA
SJTW	3 x AWG 14	V1625BA, V1625BS, VAC15A, VSC19
SJTW	3 x AWG 16	VNBC13S, V1625BA, VAC15A, VSC19
SJTW	3 x AWG 18	VNBC13S, V1625A, V1625LA, VSC19
SJTO	3 x AWG 14	V1625BA, V1625BS
SJTO	3 x AWG 16	VNBC13S, V1625BA
SJTO	3 x AWG 18	VNBC13S, V1625A, V1625LA
SJTOW	3 x AWG 14	V1625BA, V1625BS, VAC15BS
SJTOW	3 x AWG 16	VNBC13S, V1625BA, VAC15BS

NORTH AMERICA (CONT...)

Cable Type	Size	Matching Connector
SJTOW	3 x AWG 18	VNBC13S, V1625A, V1625LA, VAC15BS
SPT-2	3 x AWG 16	-
SPT-2	3 x AWG 18	VNBC13S, VNBC5S, VAC5AR, VAC5AL
SPT-3	3 x AWG 14	-
SPT-3	3 x AWG 16	-
SPT-3	3 x AWG 18	-
SVT	3 x AWG 16	VNBC13S, V1625A, V1625LA, VSC19
SVT	3 x AWG 18	VNBC13S, VNBC5S, VAC5AR, VAC5AL, V1625A, V1625LA, VSC19, V1625AT
SVT (Shielded)	3 x AWG 18	VNBC13S, VNBC5S, VAC5AR, VAC5AL, V1625A, V1625LA





NORTH AMERICA

Cat. No.	PS204
Desc.	NEMA 5-15P Straight Plug for Class I Appliance
Std.	UL498, UL817, CSA Std C22.2
Max. Rating	15A, 125V
Safety Approval	UL/c-UL, CSA



Cord-grip version catalogue No.: PS204GR

Polarized version catalogue No.: ME301R

Double-insulated version catalogue No.: PS204D

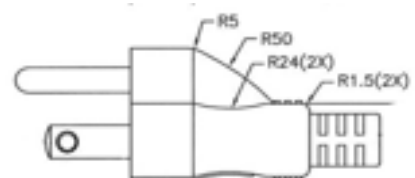
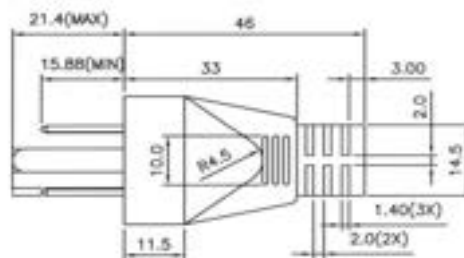
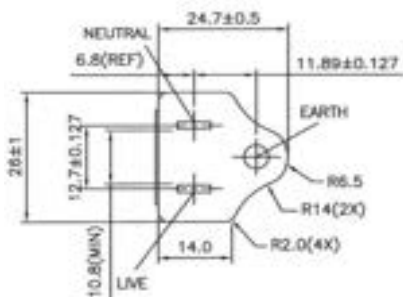
Cable Type	Size	Matching Connector
HPN	3 x AWG 16	
HPN	3 x AWG 18	
SPT-2	3 x AWG 16	-
SPT-2	3 x AWG 17	-
SPT-2	3 x AWG 18	VNBC13S, VNBC5S, VAC5AR, VAC5AL
SPT-3	3 x AWG 14	-
SPT-3	3 x AWG 16	-
SPT-3	3 x AWG 17	-
SPT-3	3 x AWG 18	-
NISPT-2	3 x AWG 16	-
NISPT-2	3 x AWG 17	-
NISPT-2	3 x AWG 18	VAC5S, VAC5AR, VAC5AL
NISPT-3	3 x AWG 16	-
NISPT-3	3 x AWG 17	-
NISPT-3	3 x AWG 18	-
SJ	3 x AWG 14	VAC15BS
SJ	3 x AWG 16	VAC15BS
SJ	3 x AWG 18	VAC15BS
SJ (Shielded)	3 x AWG 18	-
SJO	3 x AWG 14	-
SJO	3 x AWG 16	-
SJO	3 x AWG 17	-
SJO	3 x AWG 18	-
SJOW	3 x AWG 16	-
SJT	3 x AWG 14	V1625LA, V1625BA, V1625BS, VAC15A, VAC19A, VAC19LA, VSC19

NORTH AMERICA (CONT...)

Cable Type	Size	Matching Connector
SJT	3 x AWG 16	VNBC13S, V1625A, V1625LA, V1625BA, VAC15A, VAC19A VAC19LA, VSC19
SJT	3 x AWG 17	VNBC13S
SJT	3 x AWG 18	VNBC13S, V1625A, V1625LA, VSC19
SJT (Shielded)	3 x AWG 14	V1625BA, V1625BS
SJT (Shielded)	3 x AWG 16	VNBC13S, V1625A, V1625LA
SJT (Shielded)	3 x AWG 17	-
SJT (Shielded)	3 x AWG 18	VNBC13S, V1625A, V1625LA
SJTO	3 x AWG 14	V1625BA, V1625BS
SJTO	3 x AWG 16	VNBC13S, V1625BA
SJTO	3 x AWG 17	-
SJTO	3 x AWG 18	VNBC13S, V1625A, V1625LA
SJTOO	3 x AWG 14	V1625BA, V1625BS, VAC15BS
SJTOO	3 x AWG 16	VNBC13S, V1625BA, VAC15BS
SJTOO	3 x AWG 18	VNBC13S, V1625A, V1625LA, VAC15BS
SJTOOW	3 x AWG 14	VNBC13S, V1625BA, VAC15BS
SJTOOW	3 x AWG 16	V1625BA, V1625BS, VAC15BS
SJTOOW	3 x AWG 18	VNBC13S, V1625A, V1625LA, VAC15BS
SJTOW	3 x AWG 14	V1625BA, V1625BS, VAC15BS
SJTOW	3 x AWG 16	V1625BA, V1625BS, VAC15BS
SJTOW	3 x AWG 17	-
SJTOW	3 x AWG 18	VNBC13S, V1625A, V1625LA, VAC15BS
SJTOW (Shielded)	3 x AWG 18	-
SJTW	3 x AWG 14	V1625BA, V1625BS, VAC15BS, VAC15A, VSC19
SJTW	3 x AWG 16	VNBC13S, V1625BA, VAC15BS, VAC15A, VSC19
SJTW	3 x AWG 17	-
SJTW	3 x AWG 18	VNBC13S, V1625A, V1625LA, VAC15BS, VSC19
SVT	3 x AWG 16	VNBC13S, V1625A, V1625LA, VSC19
SVT	3 x AWG 17	-
SVT	3 x AWG 18	VNBC13S, VNBC5S, VAC5AR, VAC5AL, V1625A, V1625LA, V1625AT, VSC19
SVT (Shielded)	3 x AWG 16	VNBC13S, V1625A, V1625LA

NORTH AMERICA (CONT...)

Cable Type	Size	Matching Connector
SVT (Shielded)	3 x AWG 17	-
SVT (Shielded)	3 x AWG 18	VNBC13S, VNBC5S, VAC5AR, VAC5AL, V1625A, V1625LA
SVTO	3 x AWG 16	-
SVTO	3 x AWG 17	-
SVTO	3 x AWG 18	V1625, V1625A, V1625LA
SVTOO	3 x AWG 16	-
SVTOO	3 x AWG 17	-
SVTOO	3 x AWG 18	V1625, V1625A, V1625LA
SOW	3 x AWG 16	-
ST	3 x AWG 16	V1625BA
ST	3 x AWG 18	-
STO	3 x AWG 16	VAC15BS
STOO	3 x AWG 16	VAC15BS
STW	3 x AWG 16	V1625BA, V1625BA
STOW	3 x AWG 16	VAC15BS
STOOW	3 x AWG 16	VAC15BS
SV	3 x AWG 18	-
HSJO	3 x AWG 16	-
SJOOW	3 x AWG 16	-





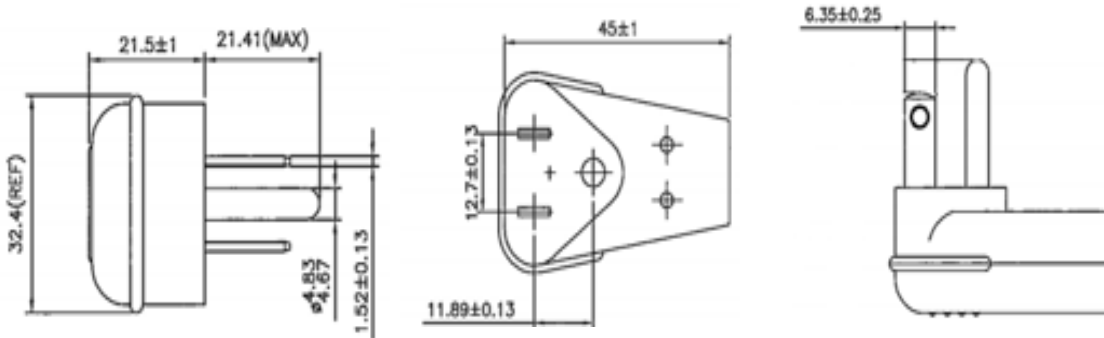
NORTH AMERICA

Cat. No. PS204A
Desc. NEMA 5-15P Angled Plug for Class I Appliance
Std. UL498, UL817, CSA Std C22.2
Max. Rating 15A, 125V
Safety Approval UL/c-UL, CSA



Cable Type	Size	Matching Connector
SPT-2	3 x AWG 16	-
SPT-2	3 x AWG 18	VNBC13S, VNBC5S, VAC5AR, VAC5AL
SPT-3	3 x AWG 14	-
SPT-3	3 x AWG 16	-
SPT-3	3 x AWG 18	-
NISPT-2	3 x AWG 16	-
NISPT-2	3 x AWG 18	VAC5S, VAC5AR, VAC5AL
NISPT-3	3 x AWG 16	-
NISPT-3	3 x AWG 18	-
SJT	3 x AWG 14	VAC15BS, VAC15BS
SJT	3 x AWG 16	VNBC13S, VAC15BS
SJT	3 x AWG 18	VNBC13S, VAC15BS
SJTW	3 x AWG 14	V1625BA, V1625BS, VAC15BS, VAC15A, VSC19
SJTW	3 x AWG 16	VNBC13S, V1625BA, VAC15BS, VAC15A, VSC19
SJTW	3 x AWG 18	VNBC13S, V1625A, V1625LA, VAC15BS, VSC19
SJTOW	3 x AWG 14	V1625BA, V1625BS, VAC15BS
SJTOW	3 x AWG 16	V1625BA, V1625BS, VAC15BS
SJTOW	3 x AWG 18	VNBC13S, V1625A, V1625LA, VAC15BS
SJO	3 x AWG 16	
SJO	3 x AWG 18	
SVT	3 x AWG 17	-
SVT	3 x AWG 18	VNBC13S, VNBC5S, VAC5AR, VAC5AL, V1625A, V1625LA, V1625AT, VSC19
SVT (Shielded)	3 x AWG 17	-
SVT (Shielded)	3 x AWG 18	VNBC13S, VNBC5S, VAC5AR, VAC5AL, V1625A, V1625LA

NORTH AMERICA (CONT...)



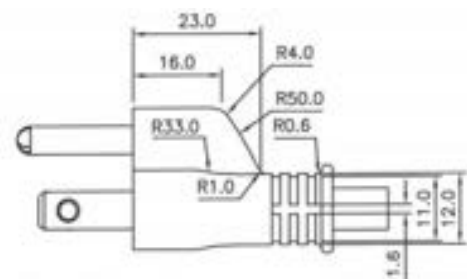
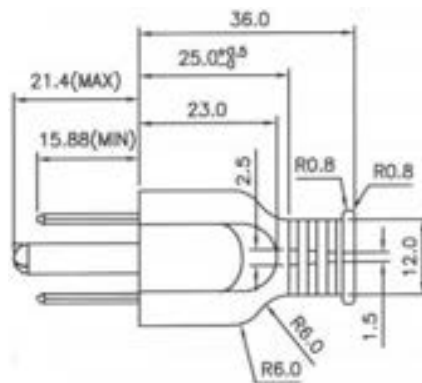
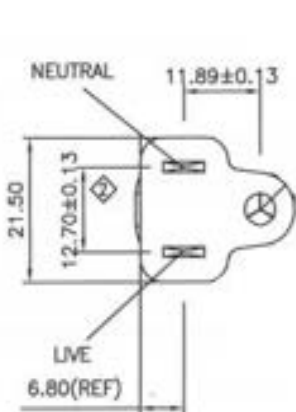


NORTH AMERICA

Cat. No. US15S3
Desc. NEMA 5-15P Straight Plug with Folded-blades
 for Class I Appliance
Std. UL498, UL817, CSA Std C22.2
Max. Rating 15A, 125V
Safety Approval UL/c-UL, CSA



Cable Type	Size	Matching Connector
SVT	3 x AWG 18	VNBC13S, VNBC5S, VAC5AR, VAC5AL, V1625A, V1625LA, V1625AT, VSC19
SJT	3 x AWG 18	VNBC13S, VAC15BS, VAC15BS
SJTOW	3 x AWG 18	VNBC13S, V1625A, V1625LA, VAC15BS
SPT-2	3 x AWG 18	VNBC13S, VAC5S, VAC5AR, VAC5AL



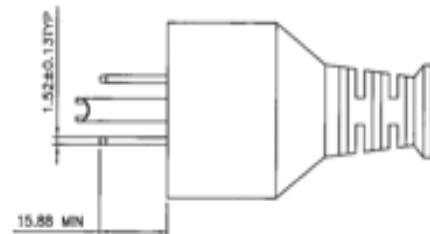
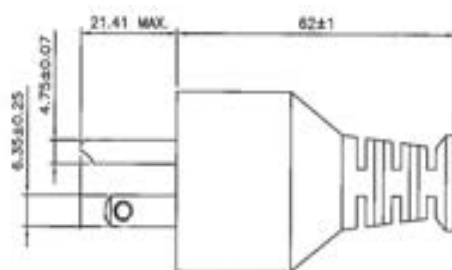
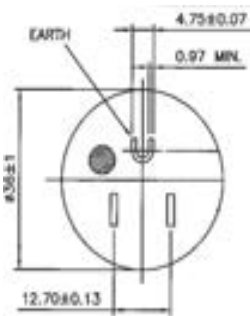


NORTH AMERICA

Cat. No. PS206
Desc. NEMA 5-15P Straight Hospital Grade Plug
 for Class I Appliance (RoHS 2)
Std. UL498, UL817, CSA Std C22.2
Max. Rating 15A, 125V
Safety Approval UL/c-UL, CSA



Cable Type	Size	Matching Connector
SJT	3 x AWG 14	V1625LA, V1625BA, V1625BS, VAC15A, VAC19A, VAC19LA, VSC19
SJT	3 x AWG 16	VNBC13S, V1625A, V1625LA V1625BA, VAC15A VAC19A, VAC19LA, VSC19
SJT	3 x AWG 18	VNBC13S, V1625A, V1625LA, VSC19
SJT (Shielded)	3 x AWG 16	VNBC13S, V1625A, V1625LA
SJT (Shielded)	3 x AWG 18	VNBC13S, V1625A, V1625LA
SVT	3 x AWG 18	VNBC13S, VNBC5S, VAC5AR, VAC5AL, V1625A, V1625LA, V1625AT, VSC19
SVT (Shielded)	3 x AWG 18	VNBC13S, VAC5S, VAC5AR, VAC5AL, V1625A, V1625LA



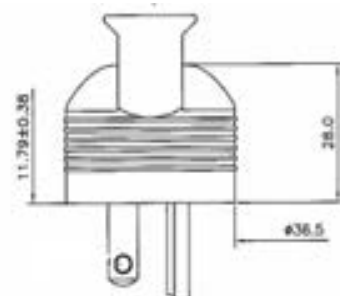
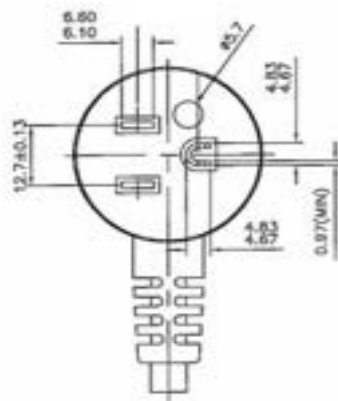
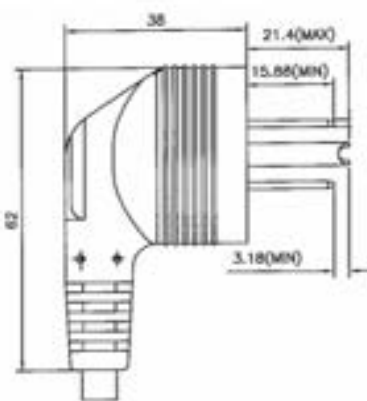


NORTH AMERICA



Cat. No. PS206A
Desc. NEMA 5-15P Straight Hospital Grade Plug
 for Class I Appliance (RoHS 2)
Std. UL498, UL817, CSA Std C22.2
Max. Rating 15A, 125V
Safety Approval UL/c-UL, CSA

Cable Type	Size	Matching Connector
SJT	3 x AWG 14	V1625LA, V1625BA, V1625BS, VAC15A VAC19A, VAC19LA, VSC19
SJT	3 x AWG 16	VNBC13S, VAC13AD, VAC13KS, VSC19
SJT	3 x AWG 18	VNBC13S, V1625A, V1625LA, VSC19
SJT (Shielded)	3 x AWG 16	VNBC13S, V1625A, V1625LA
SJT (Shielded)	3 x AWG 18	VNBC13S, V1625A, V1625LA
SVT (Shielded)	3 x AWG 18	VNBC13S, VAC5S, VAC5AR, VAC5AL, V1625A, V1625LA



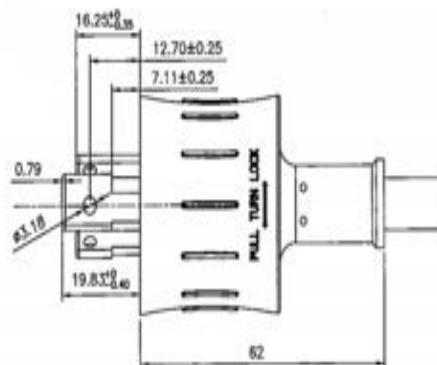
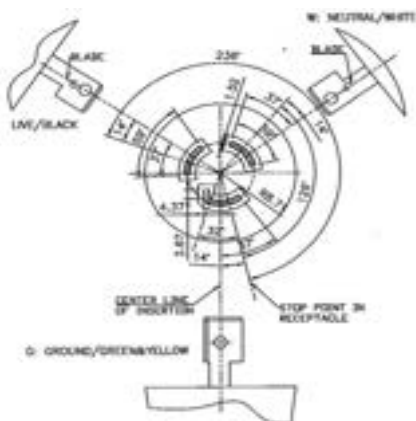


NORTH AMERICA

Cat. No. USL515PS3
Desc. NEMA WD 6, L5-15P Straight Plug for Class I Appliance (RoHS 2)
Std. UL498, UL817, CSA Std C22.2
Max. Rating 15A, 125V
Safety Approval UL/c-UL, CSA



Cable Type	Size	Matching Connector
SJT	3 x AWG 14	V1625LA, V1625BA, V1625BS, VAC15A, VAC19A, VAC19LA, VSC19
SJT	3 x AWG 18	-





NORTH AMERICA

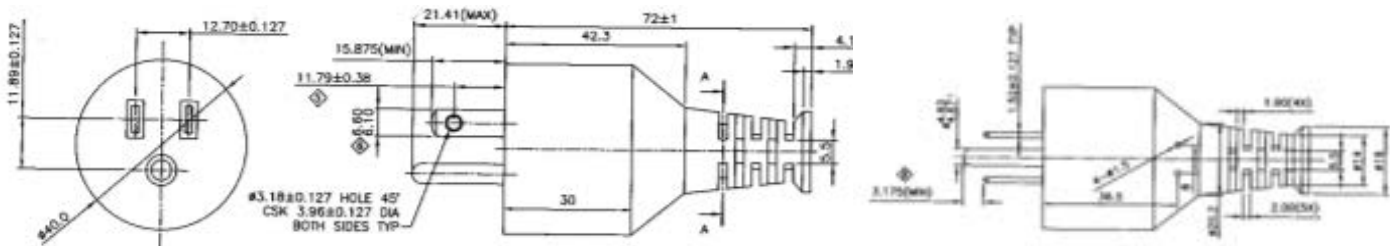


Cat. No.	US515SC
Desc.	Filtered NEMA 5-15P Straight Plug for Class I Appliance (RoHS 2)
Std.	UL498, UL817, CSA Std C22.2
Max. Rating	15A, 125V
Safety Approval	UL/c-UL, CSA

Cable Type	Size	Matching Connector	Inductance
SJT	3 x AWG 16	VNBC13S, V1625A, V1625LA, V1625BS, VAC15A VAC19A, VAC19LA, VSC19	950 μ H -35% +35%

NOTE:

Please check tooling availability.





NORTH AMERICA

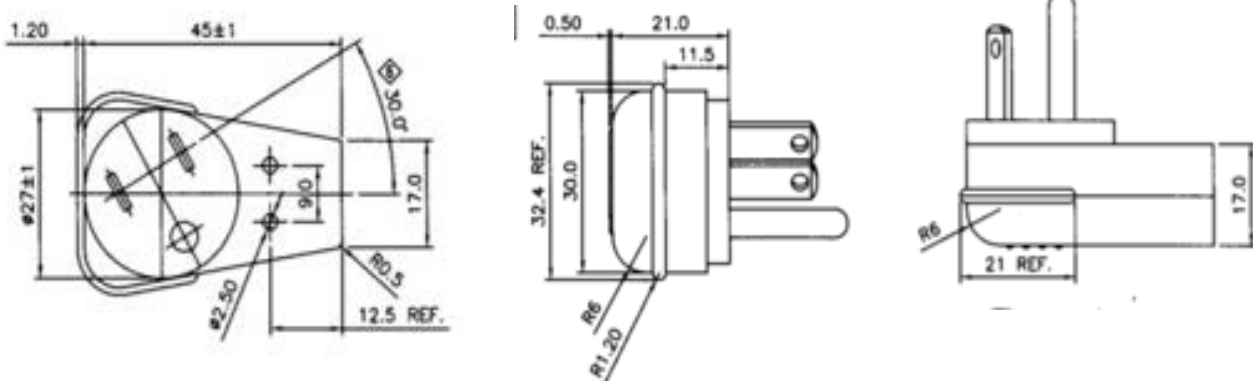
Cat. No.	USI515A
Desc.	NEMA 5-15P 30-degree Angled Plug for Class I Appliance
Std.	UL498, UL817, CSA Std C22.2
Max. Rating	15A, 125V
Safety Approval	UL/c-UL, CSA



Cable Type	Size	Matching Connector
SJT	3 x AWG 14	V1625LA, V1625BA, V1625BS VAC15A VAC19A, VAC19LA VSC19
SJT	3 x AWG 16	VNBC13S, V1625A, V1625LA V1625BA, VAC15A, VAC19A VAC19LA, VSC19
SJT	3 x AWG 18	VNBC13S, V1625A, V1625LA, VSC19

NOTE:

Subject to tooling availability





NORTH AMERICA

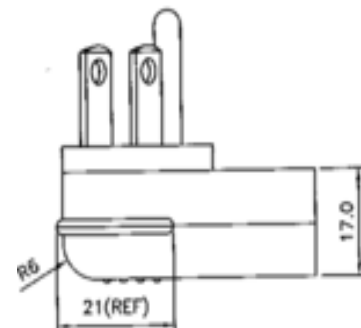
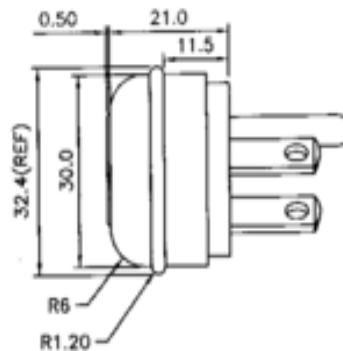
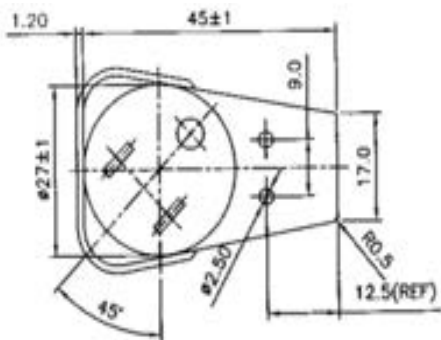
Cat. No. US515A
Desc. NEMA 5-15P 45-degree Angled Plug for Class I Appliance
Std. UL498, UL817, CSA Std C22.2
Max. Rating 15A, 125V
Safety Approval UL/c-UL, CSA



Cable Type	Size	Matching Connector
SJT	3 x AWG 14	V1625LA, V1625BA, V1625BS, VAC15A, VAC19A, VAC19LA, VSC19
SJT	3 x AWG 16	VNBC13S, V1625A, V1625LA, V1625BA, VAC15A, VAC19A, VAC19LA, VSC19
SJT	3 x AWG 18	VNBC13S, V1625A, V1625LA, VSC19
SJT (Shielded)	3 x AWG 14	V1625BA, V1625BS
SJT (Shielded)	3 x AWG 16	VNBC13S, V1625A, V1625LA
SJT (Shielded)	3 x AWG 18	VNBC13S, V1625A, V1625LA

NOTE:

Subject to tooling availability



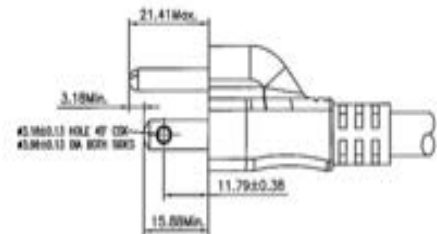
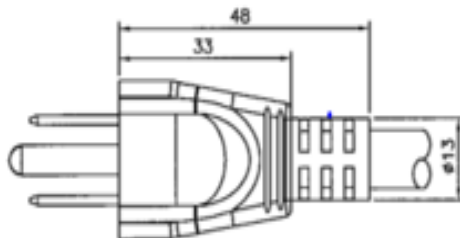
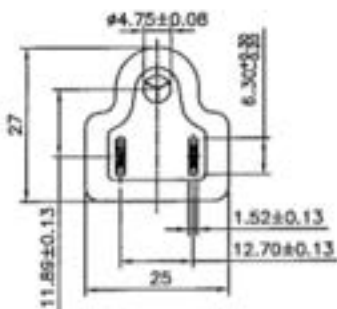


NORTH AMERICA

Cat. No. USJ15TS3
Desc. NEMA 5-15P Straight Anti-Tracking Plug for Class I Appliance
Std. UL498, UL817, CSA Std C22.2
Max. Rating 15A, 125V
Safety Approval UL/c-UL, CSA



Cable Type	Size	Matching Connector	Combo Approvals
SJT	3 x AWG 14	V1625LA, V1625BA, V1625BS, VAC15A, VAC19A, VAC19LA, VSC19	-
SJT	3 x AWG 16	VNBC13S, V1625A, V1625LA, V1625BA, VAC15A, VAC19A, VAC19LA, VSC19	-
SJT	3 x AWG 18	VNBC13S, V1625A, V1625LA, VSC19	-
SVT	3 x AWG 16	VNBC13S, V1625A, V1625LA, VSC19	-
VCTF	3 x 1.25	-	PSE
VCFT	3 x 2.00	-	



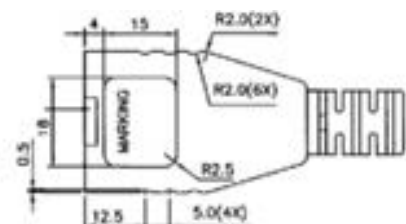
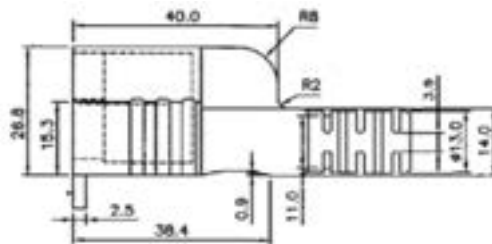
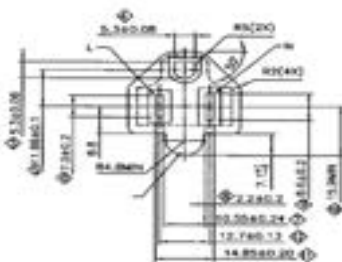


NORTH AMERICA

Cat. No. US515RS
Desc. NEMA 5-15P Receptacle use only on Uninterrupted Power Supply Appliances
Std. UL498, UL817, CSA Std C22.2
Max. Rating 15A, 125V
Safety Approval UL/c-UL, CSA



Cable Type	Size	Matching Connector
SJ	3 x AWG 14	VAC15BS, VAC15BS
SJ	3 x AWG 16	VAC15BS, VAC15BS
SJO	3 x AWG 14	VAC15B
SJO	3 x AWG 16	VAC15BS
SJOO	3 x AWG 14	V1625BA, V1625BS, VAC15BS
SJOO	3 x AWG 16	V1625BA, V1625BS, VAC15BS
SJOOW	3 x AWG 14	V1625BA, V1625BS, VAC15BS
SJOOW	3 x AWG 16	V1625BA, V1625BS, VAC15BS
SJOW	3 x AWG 14	V1625BA, V1625BS, VAC15BS
SJOW	3 x AWG 16	V1625BA, V1625BS, VAC15BS
SJT	3 x AWG 14	V1625LA, V1625BA, V1625BS, VAC15A, VAC19A, VAC19LA, VSC19
SJT	3 x AWG 16	VNBC13S, V1625A, V1625LA, V1625BA, VAC15A, VAC19A, VAC19LA, VSC19
SJT	3 x AWG 18	VNBC13S, V1625A, V1625LA, VSC19
SVT	3 x AWG 16	VNBC13S, V1625A, V1625LA, VSC19
SVT	3 x AWG 18	VNBC13S, VNBC5S, VAC5AR, VAC5AL, V1625A, V1625LA, VSC19



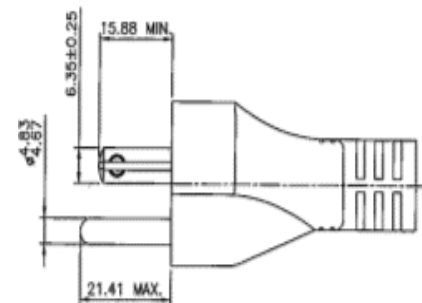
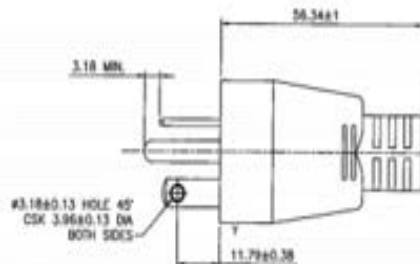
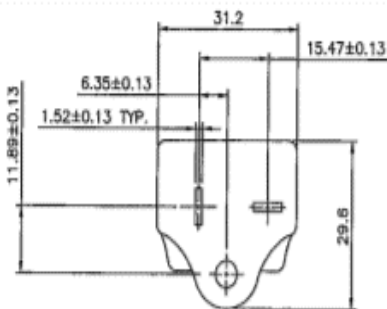


NORTH AMERICA

Cat. No. PS520
Desc. NEMA 5-20P Straight Plug for Class I Appliance
Std. UL498, UL817, CSA Std C22.2
Max. Rating 20A, 125V
Safety Approval UL/c-UL, CSA



Cable Type	Size	Matching Connector
SJT	3 x AWG 12	VAC19A, VAC19LA, VSC19
SJT	3 x AWG 14	V1625LA, V1625BA, V1625BS, VAC15A, VAC19A, VAC19LA, VSC19
SJT	3 x AWG 16	VNBC13S, V1625A, V1625LA, V1625BA, VAC15A, VAC19A, VAC19LA, VSC19
SJT	3 x AWG 18	VNBC13S, V1625A, V1625LA, VSC19
SJT (Shielded)	3 x AWG 12	VAC19A
SJT (Shielded)	3 x AWG 14	V1625BA, V1625BS
SJT (Shielded)	3 x AWG 16	VNBC13S, V1625A, V1625LA
SJT (Shielded)	3 x AWG 18	VNBC13S, V1625A, V1625LA
SJTW	3 x AWG 12	VSC19
SJTW	3 x AWG 14	V1625BA, V1625BS, VAC15BS, VAC15A, VSC19
SJTW	3 x AWG 16	VNBC13S, V1625BA, VAC15BS, VAC15A, VSC19
SJTW	3 x AWG 18	VNBC13S, V1625A, V1625LA, VAC15BS, VSC19



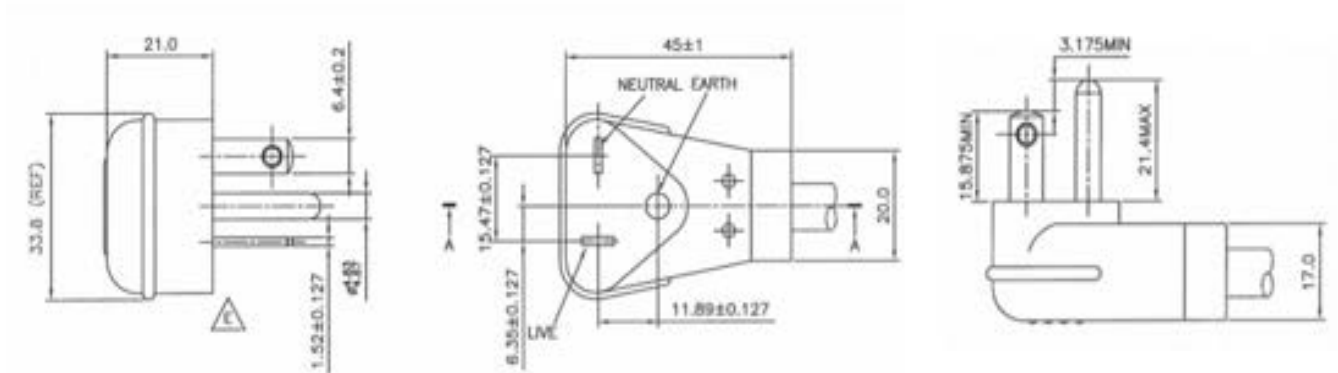


NORTH AMERICA

Cat. No. PS520A
Desc. NEMA 5-20P Angled Plug for Class I Appliance
Std. UL498, UL817, CSA Std C22.2
Max. Rating 20A, 125V
Safety Approval UL/c-UL, CSA



Cable Type	Size	Matching Connector
SJT	3 x AWG 12	VAC19A, VAC19LA, VSC19



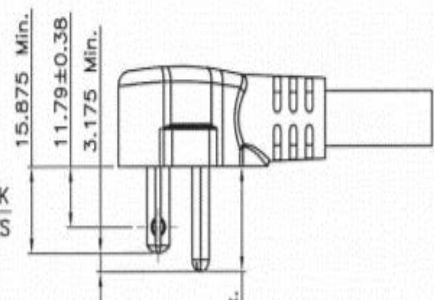
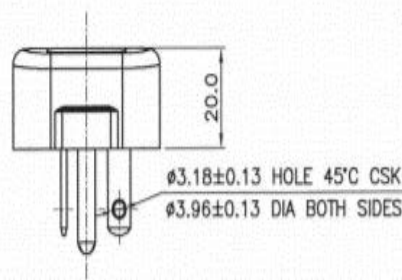
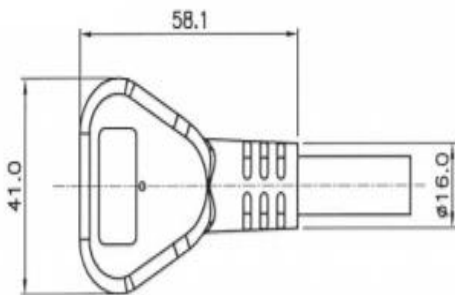


NORTH AMERICA

Cat. No. US520A3
Desc. NEMA WD 6, 5-20P Angled Anti-Tracking Plug for Class I Appliance
Std. UL498, UL817, CSA Std C22.2
Max. Rating 20A, 125V
Safety Approval UL/c-UL, CSA



Cable Type	Size	Matching Connector
SJT	3 x AWG 12	VAC19A, VAC19LA, VSC19





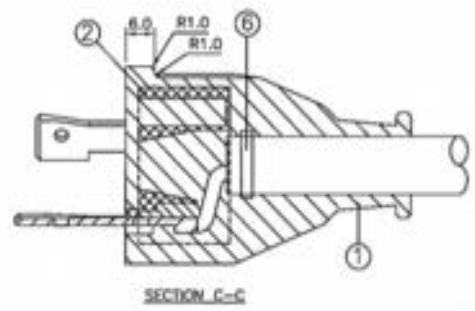
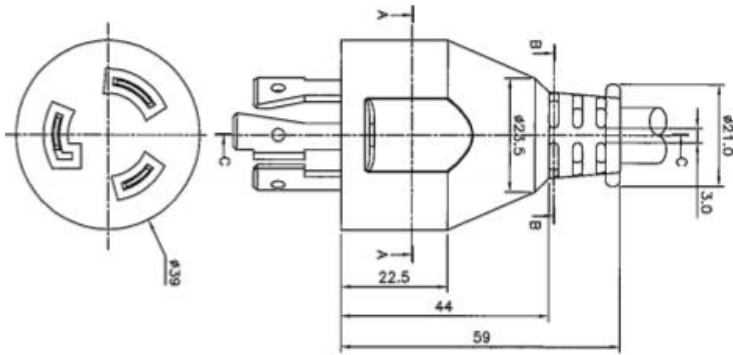
NORTH AMERICA

Cat. No.	USL520PS3
Desc.	NEMA WD 6, L5-20P Straight Plug for Class I Appliance (RoHS 2)
Std.	UL498, UL817, CSA Std C22.2
Max. Rating	20A, 125V
Safety Approval	UL/c-UL, CSA



Cable Type	Size	Matching Connector
SJ	3 x AWG 12	VAC19A, VAC19LA, VSC19
SJ	3 x AWG 14	VAC15BS, VAC15BS
SJ	3 x AWG 16	VAC15BS, VAC15BS
SJ	3 x AWG 18	VAC15BS, VAC15BS
SJO	3 x AWG 12	-
SJO	3 x AWG 14	VAC15BS
SJO	3 x AWG 16	VAC15BS
SJO	3 x AWG 18	VAC15BS
SJOW	3 x AWG 12	-
SJOW	3 x AWG 14	-
SJOW	3 x AWG 16	-
SJOW	3 x AWG 18	-
SJT	3 x AWG 12	VAC19A, VAC19LA, VSC19
SJT	3 x AWG 14	V1625LA, V1625BA, V1625BS, VAC15A, VAC19A VAC19LA, VSC19
SJT	3 x AWG 16	VNBC13S, V1625A, V1625LA, V1625BA, VAC15A VAC19A, VAC19LA, VSC19
SJT	3 x AWG 18	VNBC13S, V1625A, V1625LA, VSC19
SJTOW	3 x AWG 12	-
SJTOW	3 x AWG 14	V1625BA, V1625BS, VAC15BS
SJTOW	3 x AWG 16	V1625BA, V1625BS, VAC15BS
SJTOW	3 x AWG 18	VNBC13S, V1625A, V1625LA, VAC15BS
SJTW	3 x AWG 12	VSC19
SJTW	3 x AWG 14	V1625BA, V1625BS, VAC15BS, VAC15A, VSC19
SJTW	3 x AWG 16	VNBC13S, V1625BA, V1625BS, VAC15BS, VAC15A, VSC19
SJTW	3 x AWG 18	VNBC13S, V1625A, V1625LA, VAC15BS, VSC19

NORTH AMERICA (CONT...)



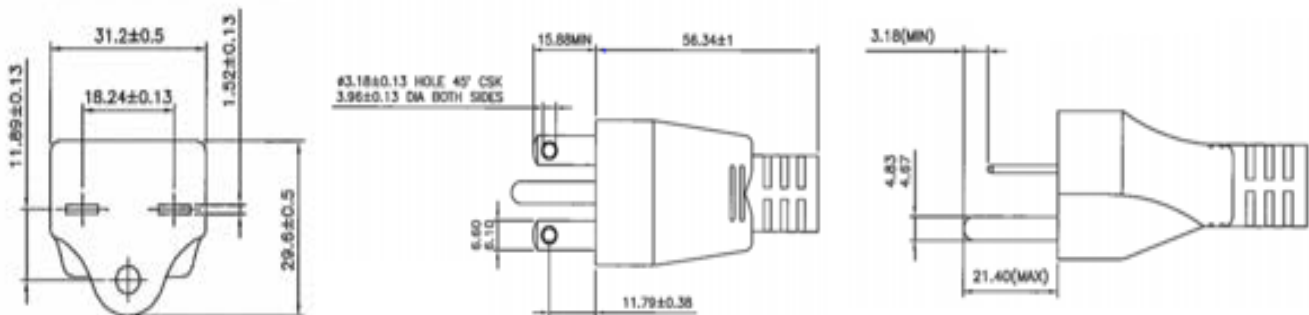


NORTH AMERICA

Cat. No. VS205S
Desc. NEMA 6-15P Straight Plug for Class I Appliance
Std. UL498, UL817, CSA Std C22.2
Max. Rating 15A, 250V
Safety Approval UL/c-UL, CSA



Cable Type	Size	Matching Connector
SJT	3 x AWG 14	V1625LA, V1625BA, V1625BS, VAC15A VAC19A, VAC19LA, VSC19
SJT	3 x AWG 16	VNBC13S, V1625A, V1625LA, V1625BA, VAC15A, VAC19A, VAC19LA, VSC19
SJT	3 x AWG 18	VNBC13S, V1625A, V1625LA, VSC19
SJTOW	3 x AWG 14	V1625BA, V1625BS, VAC15BS
SJTOW	3 x AWG 16	V1625BA, V1625BS, VAC15BS
SJTOW	3 x AWG 18	VNBC13S, V1625A, V1625LA, VAC15BS
SJTW	3 x AWG 14	V1625BA, V1625BS, VAC15BS, VAC15A, VSC19
SJTW	3 x AWG 16	VNBC13S, V1625BA, VAC15BS, VAC15A, VSC19
SJTW	3 x AWG 18	VNBC13S, V1625A, V1625LA, VAC15BS, VSC19
SVT	3 x AWG 18	VNBC13S, VNBC5S, VAC5AR, VAC5AL, V1625A, V1625LA, V1625AT, VSC19



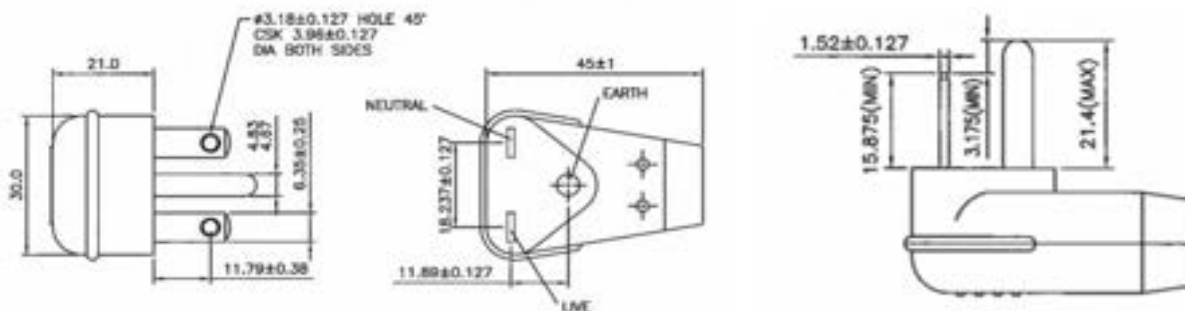


NORTH AMERICA

Cat. No. VS205A
Desc. NEMA 6-15P Angled Plug for Class I Appliance
Std. UL498, UL817, CSA Std C22.2
Max. Rating 15A, 250V
Safety Approval UL/c-UL, CSA



Cable Type	Size	Matching Connector
SPT-3	3 x AWG 14	-
SPT-3	3 x AWG 16	-
NISPT-3	3 x AWG 14	-
NISPT-3	3 x AWG 16	-
SJT	3 x AWG 14	V1625LA, V1625BA, V1625BS, VAC15A, VAC19A VAC19LA, VSC19
SJT	3 x AWG 16	VNBC13S, V1625A, V1625LA, V1625BA, VAC15A VAC19A, VAC19LA, VSC19
SJTW	3 x AWG 14	V1625BA, V1625BS, VAC15BS, VAC15A, VSC19
SJTW	3 x AWG 16	VNBC13S, V1625BA, VAC15BS, VAC15A, VSC19
SJTW	3 x AWG 18	VNBC13S, V1625A, V1625LA, VAC15BS, VSC19
SJTOW	3 x AWG 14	V1625BA, V1625BS, VAC15BS
SJTOW	3 x AWG 16	V1625BA, V1625BS, VAC15BS
SJTOW	3 x AWG 18	VNBC13S, V1625A, V1625LA, VAC15BS
SJOW	3 x AWG 14	-
STW	3 x AWG 18	-





NORTH AMERICA

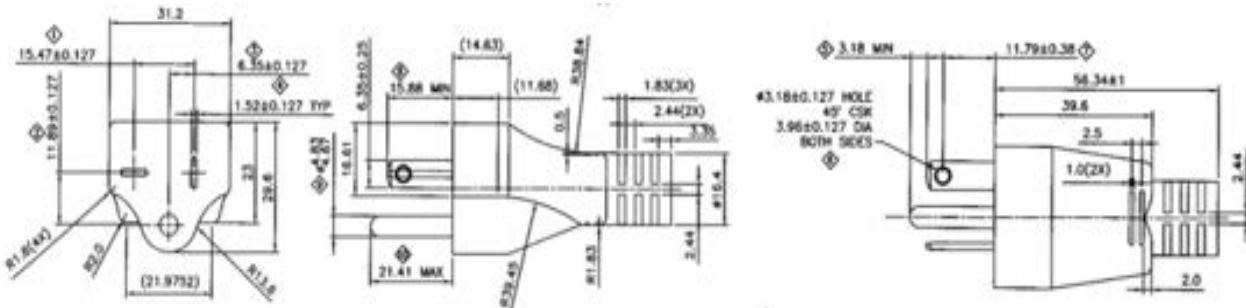


Cat. No.	PS620
Desc.	NEMA 6-20P Straight Plug for Class I Appliance (RoHS 2)
Std.	UL498, UL817, CSA Std C22.2
Max. Rating	20A, 250V
Safety Approval	UL/c-UL, CSA

Cable Type	Size	Matching Connector
SJT	3 x AWG 12	VAC19A, VAC19LA, VSC19
SJT	3 x AWG 14	V1625LA, V1625BA, V1625BS, VAC15A, VAC19A, VAC19LA, VSC19
SJT	3 x AWG 16	VNBC13S, V1625A, V1625LA, V1625BA, VAC15A, VAC19A, VAC19LA, VSC19
SJT	3 x AWG 18	VNBC13S, V1625A, V1625LA, VSC19
SJTW	3 x AWG 12	VSC19

NOTE:

Please check tooling availability.



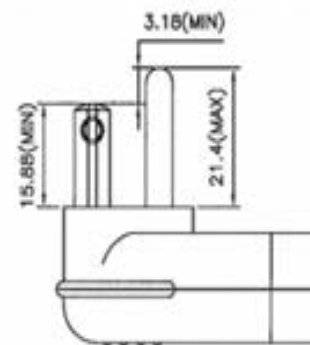
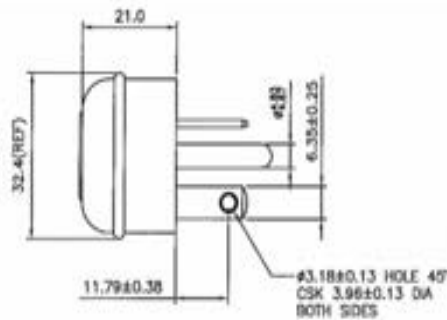
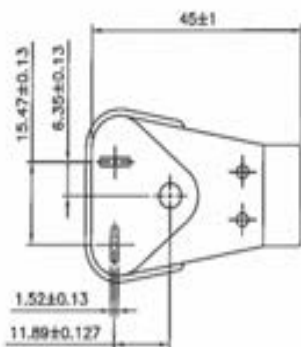


NORTH AMERICA

Cat. No. VS207A
Desc. NEMA 6-20P Angled Plug for Class I Appliance
Std. UL498, UL817, CSA Std C22.2
Max. Rating 20A, 250V
Safety Approval UL/c-UL, CSA



Cable Type	Size	Matching Connector
SJT	3 x AWG 12	VAC19A, VAC19LA, VSC19
SJT	3 x AWG 14	V1625LA, V1625BA, V1625BS, VAC15A, VAC19A, VAC19LA, VSC19
SPT-3	3 x AWG 12	-
SPT-3	3 x AWG 14	-
NISPT-3	3 x AWG 12	-
NISPT-3	3 x AWG 14	-



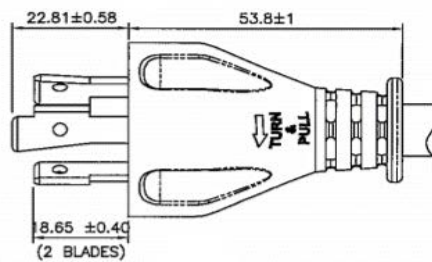
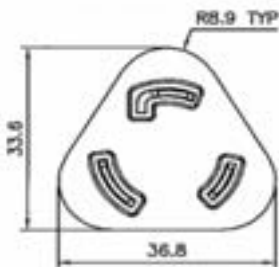


NORTH AMERICA

Cat. No. USL620PS3
Desc. NEMA WD 6, L6-20P Straight Plug for Class I Appliance (RoHS 2)
Std. UL498, UL817, CSA Std C22.2
Max. Rating 20A, 250V
Safety Approval UL/c-UL, CSA



Cable Type	Size	Matching Connector
SJT	3 x AWG 12	VAC19A, VAC19LA, VSC19
SJT	3 x AWG 14	V1625LA, V1625BA, V1625BS, VAC15A, VAC19A, VAC19LA, VSC19
SJTW	3 x AWG 12	VSC19
SJTW	3 x AWG 14	V1625BA, V1625BS, VAC15BS, VAC15A, VSC19



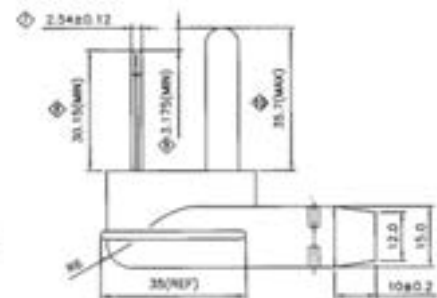
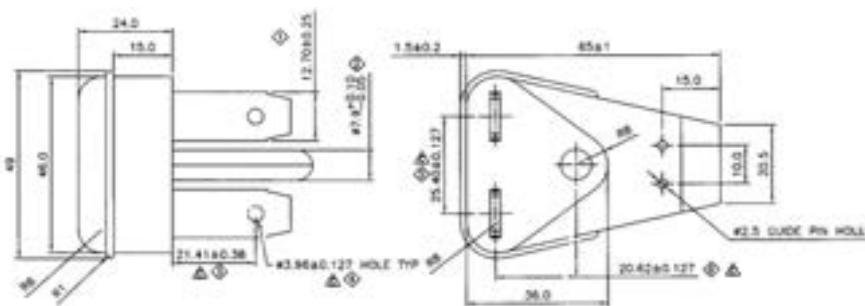


NORTH AMERICA

Cat. No. VS208A
Desc. NEMA 6-30P Angled Plug for Class I Appliance
Std. UL498, UL817, CSA Std C22.2
Max. Rating 25A, 250V
Safety Approval UL/c-UL, CSA



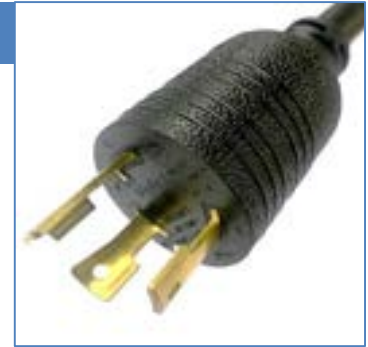
Cable Type	Size	Matching Connector
SPT-3	3 x AWG 12	-
NISPT-3	3 x AWG 12	-



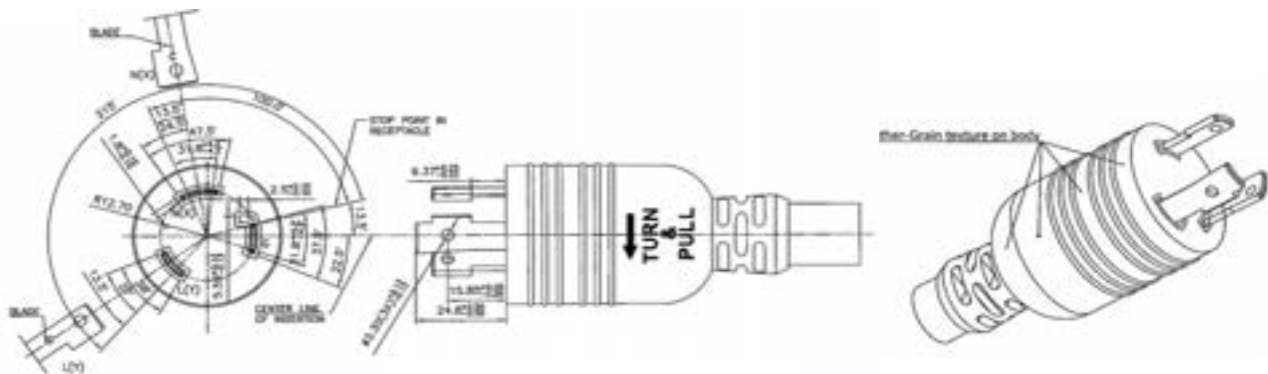


NORTH AMERICA

Cat. No. USL630PS
Desc. NEMA WD 6, L6-30P Locking Cable Type Plug
 for Class I Appliance (RoHS 2)
Std. UL498 , UL817 , CSA STD C22.2
 JIS C8303 & JIS C8306 (Under Ordinance 1)
Max. Rating 30A, 250V
Safety Approval UL/c-UL, CSA



Cable Type	Size	Matching Connector	Combo Approvals
SJT	3 x AWG 10	-	-
ST + VCT	3 x AWG 9 + 3 x 5.50	-	PSE
VCT	3 x 5.5	-	PSE



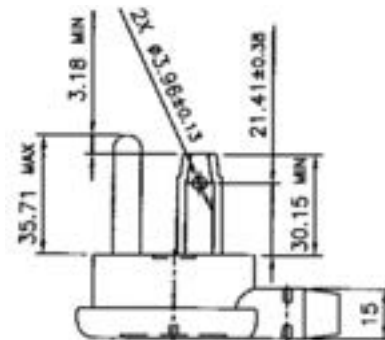
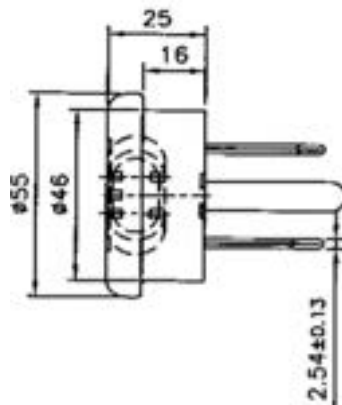
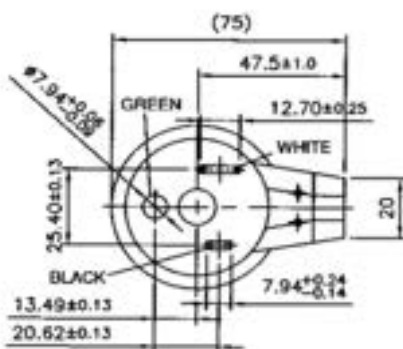


NORTH AMERICA

Cat. No. US650A
Desc. NEMA 6-50P Angled Plug for Class I Appliance
Std. UL498, UL817, CSA Std C22.2
Max. Rating 25A, 250V
Safety Approval UL/c-UL, CSA



Cable Type	Size	Matching Connector
SPT-3	3 x AWG 12	-
ST	3 x AWG 12	-
STO	3 x AWG 12	-
STOO	3 x AWG 12	-
STW	3 x AWG 12	-
STOW	3 x AWG 12	-
STOOW	3 x AWG 12	-



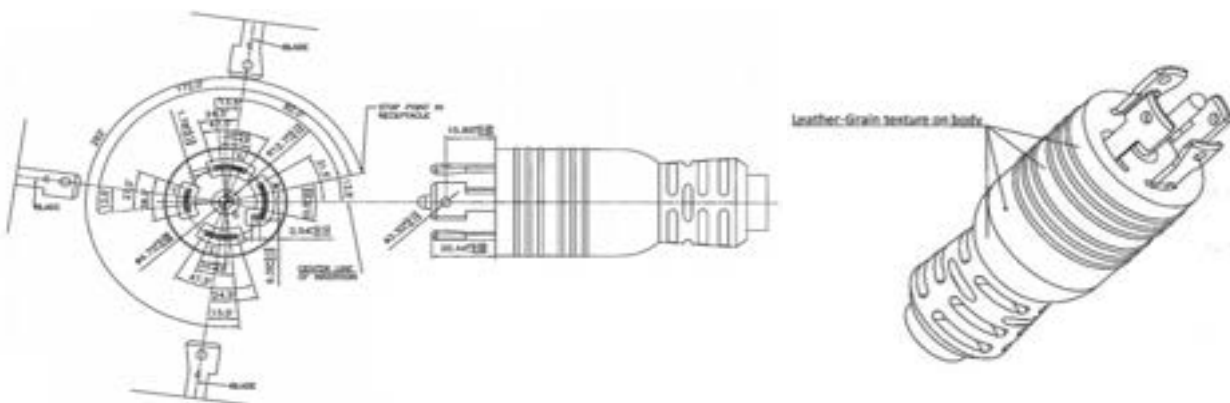


NORTH AMERICA

Cat. No. USL2130PS
Desc. NEMA WD 6, L21-30P Locking Cable Type Plug for Class I Appliance 3 phase Y, 4 pole, 5 wire, GRounding type
Std. UL498 , UL817 , CSA STD C22.2
Max. Rating 30A, 208V
Safety Approval UL/c-UL, CSA



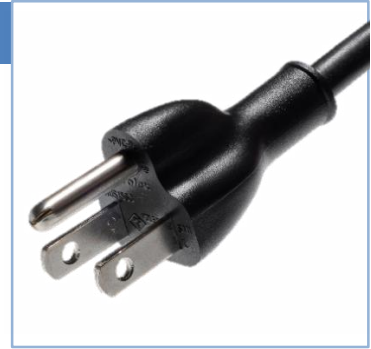
Cable Type	Size	Matching Connector
SOOW	5 x AWG 10	-



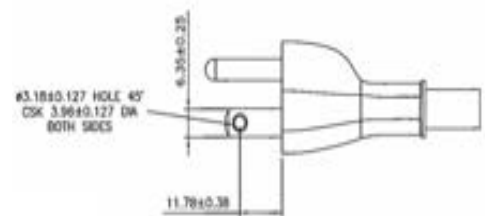
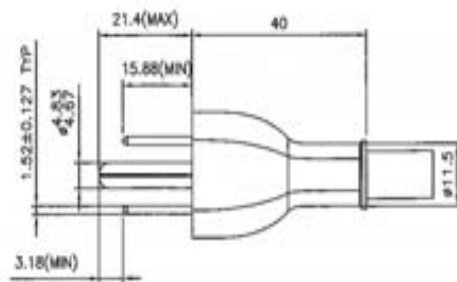
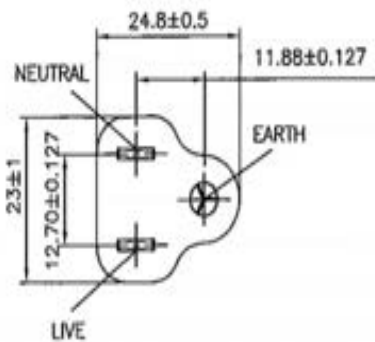


NORTH AMERICA

Cat. No. VNUS15S3
Desc. NEMA 5-15P Straight Plug for Class I Appliance
Std. UL498, UL817, CSA Std. C22.2
Max. Rating 15A, 125V
Safety Mark UL, CSA



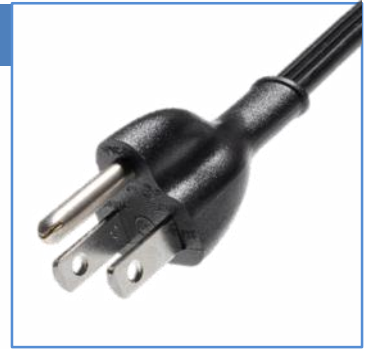
Cable Type	Size	Matching Connector	Rated Current
SVT	3 x AWG 18	VNBC13S, VNBC5S	10A
SJT	3 x AWG 18	VNBC13S	10A
SJT	3 x AWG 16	VNBC13S	13A



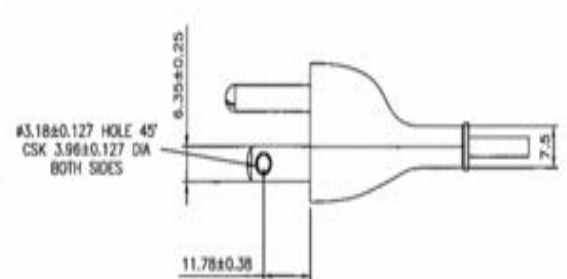
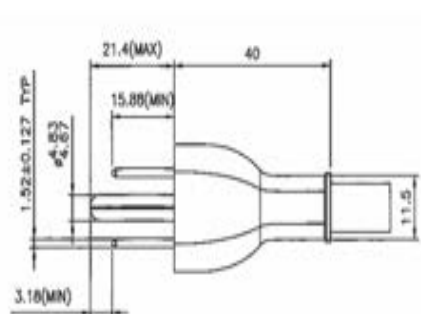
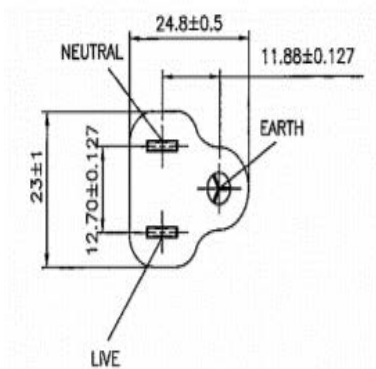


NORTH AMERICA

Cat. No.	VNUS15FS3
Desc.	NEMA 5-15P Straight Plug for Class I Appliance
Std.	UL498, UL817, CSA Std. C22.2
Max. Rating	15A, 125V
Safety Mark	UL, CSA



Cable Type	Size	Matching Connector	Rated Current
SPT-2	3 x AWG 18	VNBC5S	10A



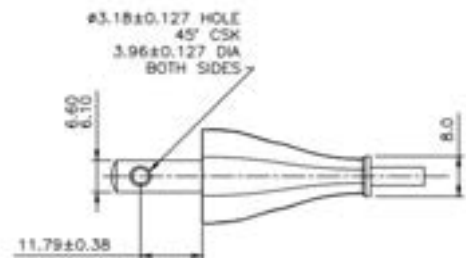
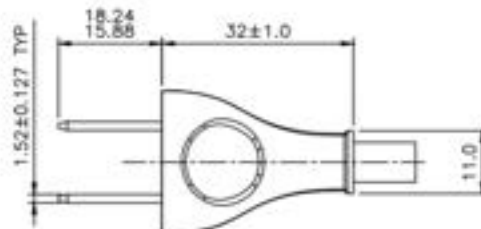
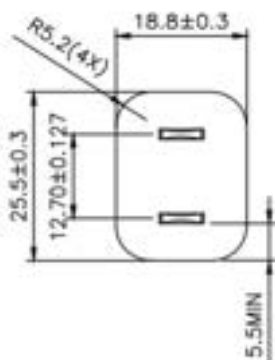


NORTH AMERICA

Cat. No.	VNUS15S2
Desc.	NEMA 1-15P Straight Plug for Class II Appliance (RoHS 2)
Std.	UL498, UL817, CSA Std. C22.2
Max. Rating	15A, 125V
Safety Mark	UL, CSA



Cable Type	Size	Matching Connector	Rated Current
NISPT-2	2 x AWG 18	VNBC7S, VNC7A	10A
SPT-2	2 x AWG 18	VNBC7S, VNC7A	10A





RUSSIA

New!

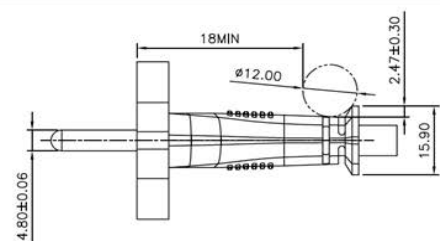
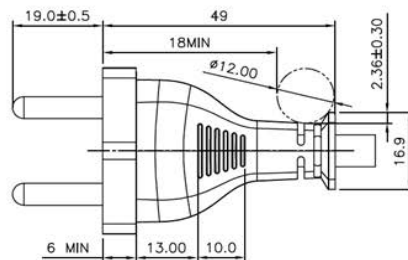
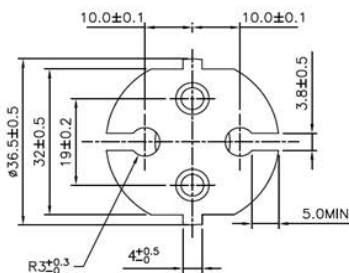


Cat. No. VNBEU16S2
Desc. Non-rewirable Straight Plug For Class II Equipment
Std. IEC 60884-1 (CEE 7 Standard Sheet VII)
 GOST R 51322.1
Max. Rating 16A, 250V
Safety Approval EAC

Cable Type	Size (mm ²)	Matching Connector	Combo Approval
H03VVH2-F	2 x 0.75	VNBC7S, VNC7A, VAC7A	VDE
H05VVH2-F	2 x 0.75	VNBC7S	VDE
H05VVH2-F	2 x 1.00	-	VDE
H03VV-F	2 x 0.75	-	VDE
H05VV-F	2 x 0.75	VAC7SR, VNBC17S*	VDE
H05VV-F	2 x 1.00	VAC17KS, VNBC17S, VAC17A	VDE
H05VV-F	2 x 1.50	-	VDE
H05V2V2-F	2 x 0.75	VAC17S*	VDE
H05V2V2-F	2 x 1.00	VAC17S*	VDE
H05RR-F	2 x 0.75	-	VDE
H05RN-F	2 x 1.00	-	VDE
H03RT-H	2 x 0.75	-	VDE
H03RT-H	2 x 1.00	-	VDE

Remarks

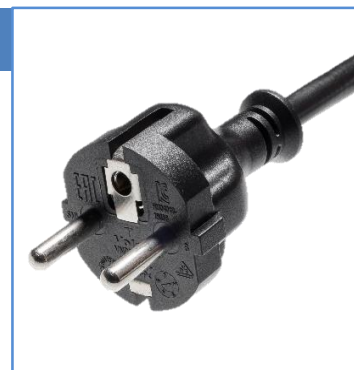
* Cable length limit to 2 meters.





RUSSIA

Cat. No.	VNBEU16S3
Desc.	Straight Plug with Dual-earth contacts for Class I Appliance (RoHS 2)
Std.	GOST R 51322.1 (CEE 7 Standard Sheet VII)
Max. Rating	16A, 250V
Safety Approval	EAC

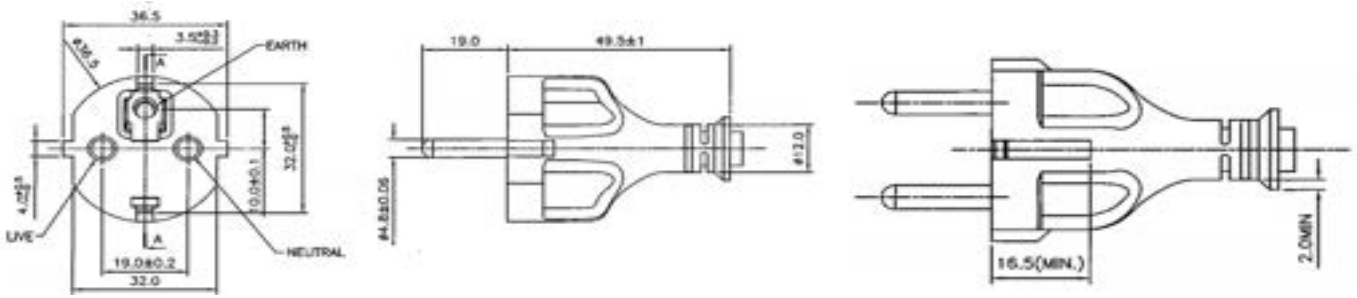


Cable Type	Size (mm ²)	Matching Connector	Combo Approvals
H03VV-F + 60227 KS IEC 52 (H03VV-F) + 60227 IEC 52 (H03VV-F)	3 x 0.75	VNBC5S*	VDE/KC/ISC
H05VV-F + 60227 KS IEC 53 (H05VV-F) + 60227 IEC 53 (H05VV-F)	3 x 0.75	VNBC5S* VNBC13S*	VDE/KC/ISC
H03RT-H	3 x 0.75	-	VDE
H05RN-F	3 x 0.75	-	VDE
H05RR-F	3 x 0.75	-	VDE
H05RR-F + 60227 KS IEC 53 (H05VV-F) + 60227 IEC 53 (H05VV-F)	3 x 1.00	-	VDE/KC
H05V2V2-F	3 x 1.00	-	VDE
H05RN-F	3 x 1.00	-	VDE
H03RT-H	3 x 1.00	-	VDE
H05VV-F + 60227 KS IEC 53 (H05VV-F) + 60227 IEC 53 (H05VV-F)	3 x 1.50	VNBC13S	VDE/KC/ISC

Remarks

* Cable length limit to 2 meters.

RUSSIA (CONT...)



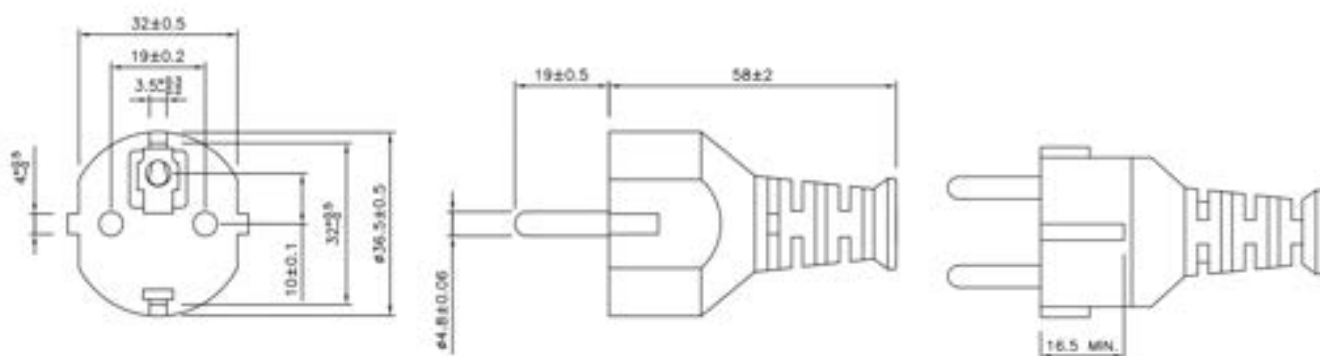


RUSSIA

Cat. No.	M2511
Desc.	Straight Plug with Dual-earth contacts for Class I Appliance
Std.	GOST R 51322.1
Max. Rating	16A, 250V
Safety Approval	EAC



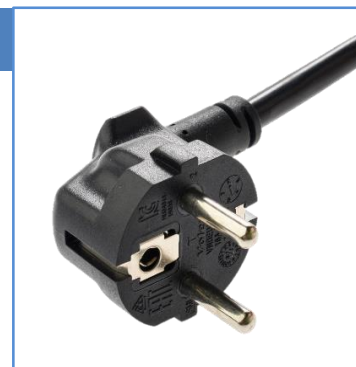
Cable Type	Size (mm ²)	Matching Connector
H05VV-F	3 x 1.50	VSC19
05VV-F(Screened / Al-Mlyar)	3 x 1.00	-
RD 7056(Screened cable)	3 x 1.00	-





RUSSIA

Cat. No.	VNBEU16A3
Desc.	Angled Plug with Dual-earth contacts for Class I Appliance (RoHS 2)
Std.	GOST R 51322.1 (CEE 7 Standard Sheet VII)
Max. Rating	16A, 250V
Safety Approval	EAC

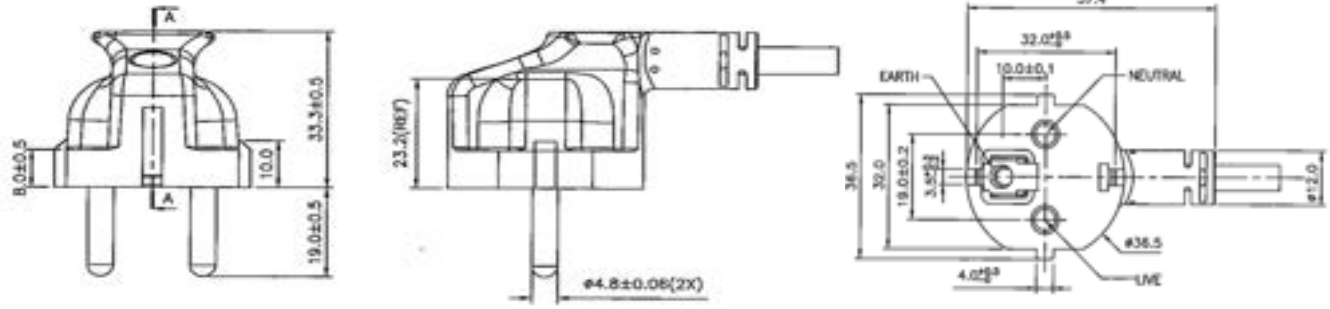


Cable Type	Size (mm ²)	Matching Connector	Combo Approvals
H03VV-F + 60227 KS IEC 52 (H03VV-F) + 60227 IEC 52 (H03VV-F)	3 x 0.75	VNBC5S*	VDE/KC/ISC
H05VV-F + 60227 KS IEC 53 (H05VV-F) + 60227 IEC 53 (H05VV-F)	3 x 0.75	VNBC5S* VNBC13S*	VDE/KC/ISC
H03RT-H	3 x 0.75	-	VDE
H05RN-F	3 x 0.75	-	VDE
H05RR-F	3 x 0.75	-	VDE
H05RR-F + 60227 KS IEC 53 (H05VV-F) + 60227 IEC 53 (H05VV-F)	3 x 1.00	-	VDE/KC
H05V2V2-F	3 x 1.00	-	VDE
H05RN-F	3 x 1.00	-	VDE
H03RT-H	3 x 1.00	-	VDE
H05VV-F + 60227 KS IEC 53 (H05VV-F) + 60227 IEC 53 (H05VV-F)	3 x 1.50	VNBC13S	VDE/KC/ISC

Remarks

* Cable length limit to 2 meters.

RUSSIA (CONT...)



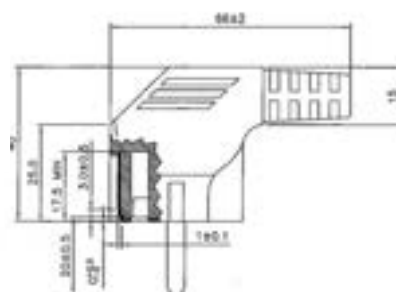
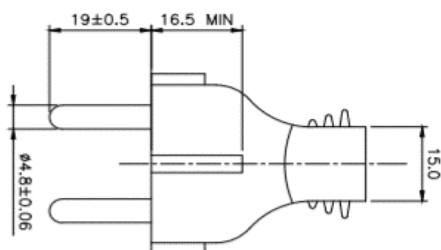
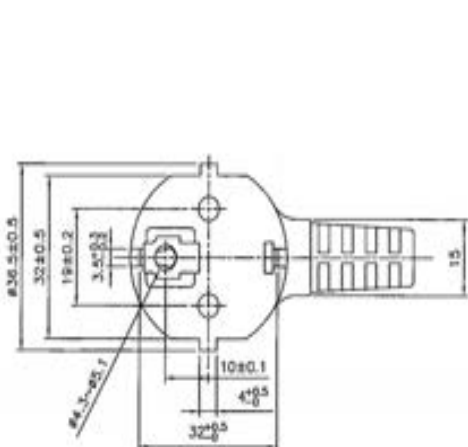


RUSSIA

Cat. No.	M2511A
Desc.	Angled Plug with Dual-earth contacts for Class I Appliance
Std.	GOST R 51322.1
Max. Rating	16A, 250V
Safety Approval	EAC



Cable Type	Size (mm ²)	Matching Connector
H05VV-F	3 x 1.50	VSC19





RUSSIA

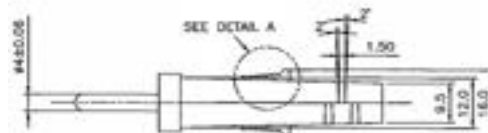
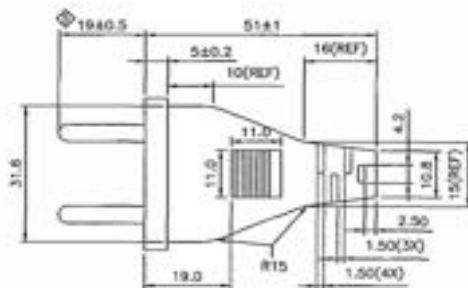
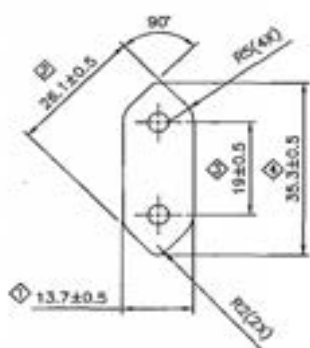
Cat. No.	M4206
Desc.	Straight Plug for Class II Appliance
Std.	GOST R 51322.1
Max. Rating	2.5A, 250V
Safety Approval	EAC



Cable Type	Size (mm ²)	Matching Connector
H03RT-H	2 x 0.75	-
H03VV-F	2 x 0.75	-
H03VVH2-F	2 x 0.50	SZC7S*
H03VVH2-F	2 x 0.75	SZC7S
H05VV-F	2 x 0.75	-
H05VV-F	2 x 1.00	-
H05VVH2-F	2 x 0.75	SZC7S

Remarks

* Cable length limit to 2 meters.



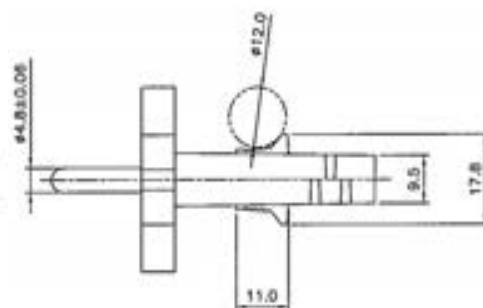
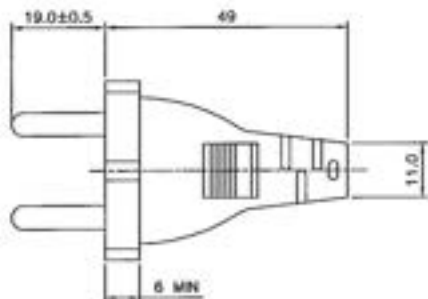
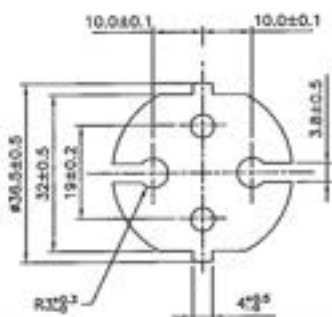


RUSSIA

Cat. No.	M3204
Desc.	Straight Plug for Class II Appliance
Std.	GOST R 51322.1
Max. Rating	16A, 250V
Safety Approval	EAC



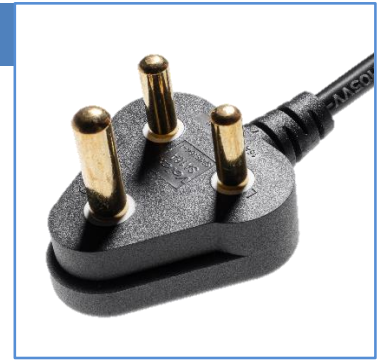
Cable Type	Size (mm ²)	Matching Connector
H03RT-H	2 x 0.75	-
H03RT-H	2 x 1.00	-
H03VV-F	2 x 0.75	-
H03VVH2-F	2 x 0.75	-
H05RN-F	2 x 0.75	-
H05RN-F	2 x 1.00	-
H05RR-F	2 x 0.75	-
H05RR-F	2 x 1.00	-
H05V2V2H2-F	2 x 0.75	-
H05V2V2H2-F	2 x 1.00	-
H05VVH2-F	2 x 0.75	-
H05VVH2-F	2 x 1.00	-





SOUTH AFRICA

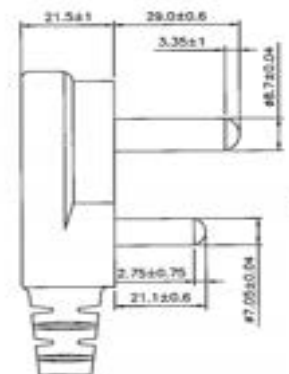
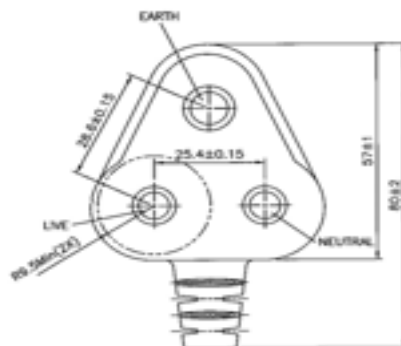
Cat. No.	SA16A
Desc.	Angled Plug for Class I and Class II Appliance
Std.	SANS 164-1
Max. Rating	16A, 250V
Safety Approval	SABS or SANS Compliance



Cable Type	Size (mm ²)	Matching Connector
H03VVH2-F	2 x 0.75	VAC7S
H05VV-F	2 x 0.75	VAC17S*, VAC17A
H03VV-F	3 x 0.75	VAC5S, VAC5AR
H03VV-F	3 x 0.75	-
H05VV-F	3 x 0.75	V1625*, V1625A, VAC5S
H05VV-F	3 x 1.00	V1625, V1625A
H05VV-F	3 x 1.50	VSC19
H03RT-F	3 x 0.75	-
H03RT-F	3 x 1.00	-
H05RR-F	3 x 1.00	VSCC15
H05RR-F	3 x 0.75	VSCC15*

Remarks

* Cable length limit to 2 meters.





SINGAPORE

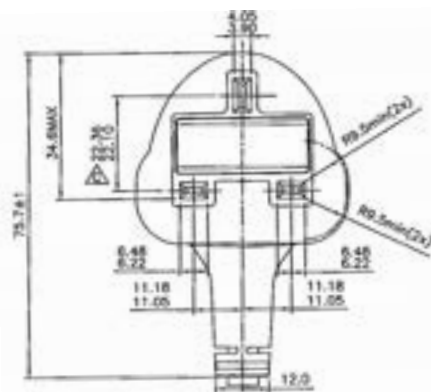
Cat. No. VNBUK13A2
Desc. Angled Plug for Class II Appliance
Std. SS145/A
Max. Rating 10A, 250V
Safety Approval CPS



Cable Type	Size (mm ²)	Matching Connector	Rated Current	Max. Fuse Rating	Combo Approvals
H03VVH2-F	2 x 0.50	VNBC7S*	3A	5A	ASTA/GCC
H05V2V2-F	2 x 0.75	-	6A	13A	
H05VV-F	2 x 0.75	-	6A	13A	
H03VVH2-F	2 x 0.75	VNBC7S, VAC7A	6A	13A	
H05VVH2-F	2 x 0.75	VNBC7S	6A	13A	
H05RR-F	2 x 0.75	-	6A	13A	
H05RN-F	2 x 0.75	-	6A	13A	
H05V2V2-F	2 x 1.00	-	10A	13A	
H05VV-F	2 x 1.00	-	10A	13A	
H05RR-F	2 x 1.00	-	10A	13A	
H05RN-F	2 x 1.00	-	10A	13A	

Remarks

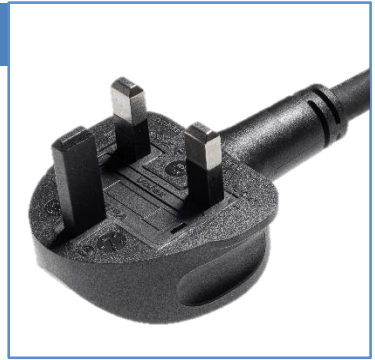
* Cable length limit to 2 meters.



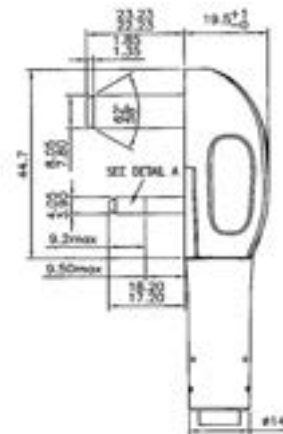
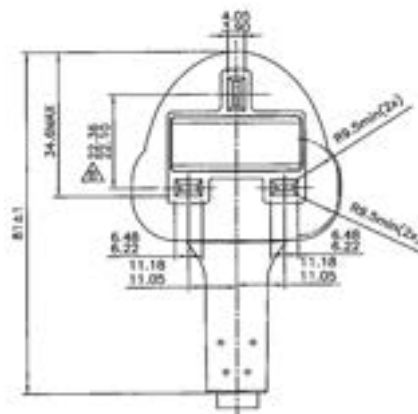


SINGAPORE

Cat. No. VNBUK13A2B
Desc. Angled Plug for Class II Appliance
 (Big Strain Relief for rubber cables)
Std. SS145/A
Max. Rating 13A, 250V
Safety Approval CPS



Cable Type	Size (mm ²)	Rated Current	Max. Fuse Rating	Combo Approvals
H07RN-F	2 x 1.00	10A	13A	ASTA/GCC
H05RR-F	2 x 1.50	13A	13A	
H07RN-F	2 x 1.50	13A	13A	





SINGAPORE

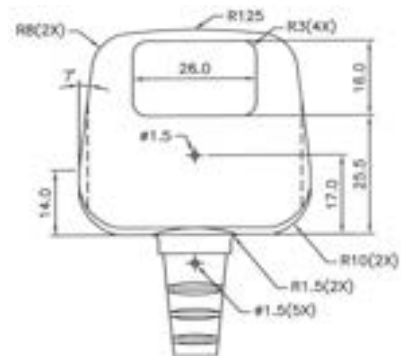
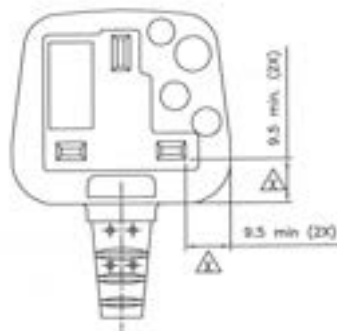
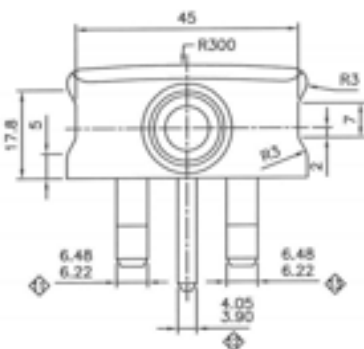


Cat. No. UK13A2
Desc. Angled Plug for Class II Appliance
Std. SS145/A
Max. Rating 13A, 250V
Safety Approval CPS

Cable Type	Size (mm ²)	Matching Connector	Max. Fuse Rating
H03VVH2-F	2 x 0.50	VAC7A*	5A

Remarks

* Cable length limit to 2 meters.





SINGAPORE

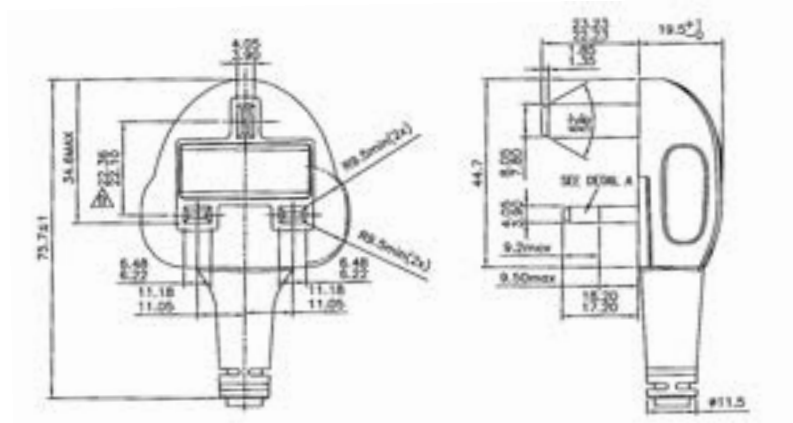
Cat. No. VNBUK13A3
Desc. Angled Plug for Class I Appliance
Std. SS145/A
Max. Rating 13A, 250V
Safety Approval CPS



Cable Type	Size (mm ²)	Matching Connector	Rated Current	Max. Fuse Rating	Combo Approvals
H05V2V2-F	3 x 0.75	-	6A	13A	ASTA/GCC
H03VV-F	3 x 0.75	VNBC5S, VAC5AR	6A	13A	
H05VV-F	3 x 0.75	VNBC13S*, V1625A*, VNBC5S	6A	13A	
H05VV-F	3 x 1.00	VNBC13S, V1625A	10A	13A	
H05V2V2-F	3 x 1.00	-	10A	13A	
H05VV-F	3 x 1.50	VNBC13S	13A	13A	

Remarks

* Cable length limit to 2 meters.



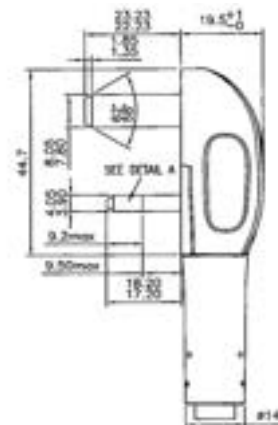
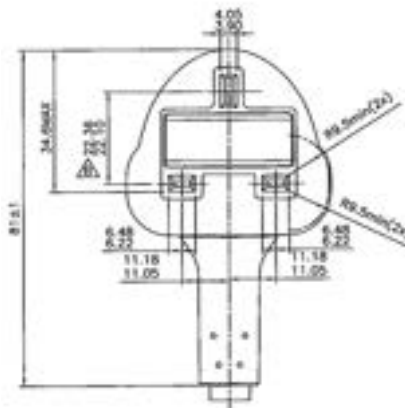


SINGAPORE

Cat. No. VNBUK13A3B
Desc. Angled Plug for Class I Appliance
 (Big Strain Relief for rubber cables)
Std. SS145/A
Max. Rating 13A, 250V
Safety Approval CPS



Cable Type	Size (mm ²)	Rated Current	Max. Fuse Rating	Combo Approvals
H03RT-H	3 x 0.75	6A	13A	ASTA/GCC
H05RR-F	3 x 0.75	6A	13A	
H05RN-F	3 x 0.75	6A	13A	
H05RR-F	3 x 1.00	10A	13A	
H03RT-H	3 x 1.00	10A	13A	
H05RN-F	3 x 1.00	10A	13A	
H03RT-H	3 x 1.50	13A	13A	





SINGAPORE

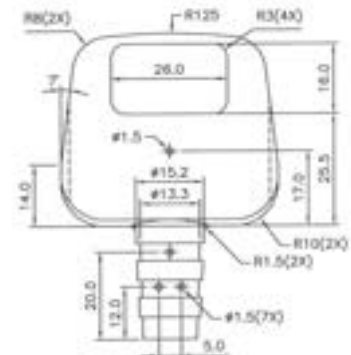
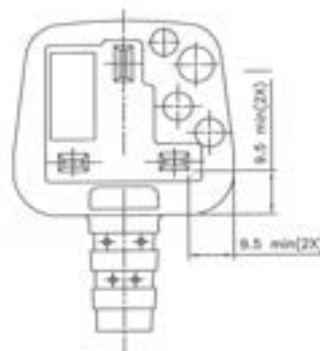
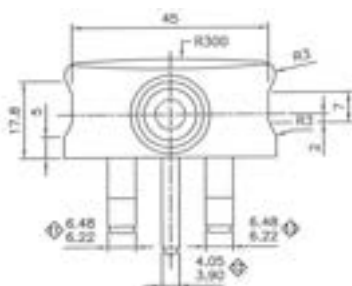
Cat. No. UK13A3
Desc. Angled Plug for Class I and Class II Appliance
Std. SS145/A
Max. Rating 13A, 250V
Safety Approval CPS



Cable Type	Size (mm ²)	Matching Connector	Max. Fuse Rating
H05VV-F	2 x 0.75	VNBC17S*	13A
H05VV-F	2 x 1.00	VNBC17S, VAC17A	13A
H03VV-F	3 x 0.75	VNBC5S	13A
H05RR-F	3 x 0.75	VSCC15*	13A
H05RR-F	3 x 1.00	VSCC15	13A
H05VV-F	3 x 0.75	VNBC5S, VAC5AR, V1625LA*	13A
H05VV-F	3 x 1.00	V1625LA, VAC19*	13A

Remarks

* Cable length limit to 2 meters.





SINGAPORE

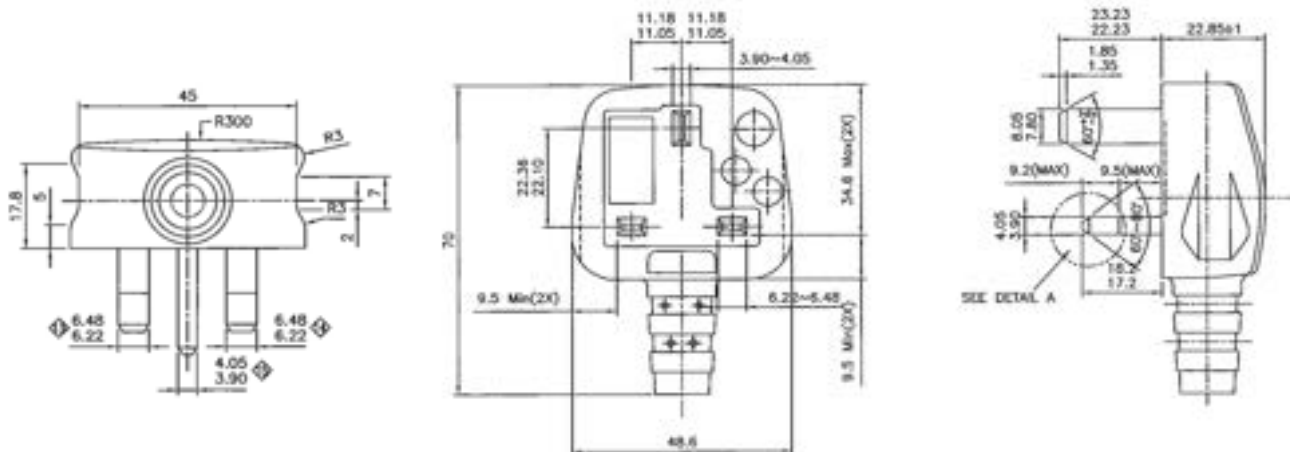
Cat. No. MP5004
Desc. Angled Plug for Class I and Class II Appliance
Std. SS145/A
Max. Rating 13A, 250V
Safety Approval CPS



Cable Type	Size (mm ²)	Matching Connector	Max. Fuse Rating
H05V2V2-F	2 x 0.75	VAC17S*	13A
H05V2V2-F	2 x 1.00	VAC17S	13A
H05VV-F	2 x 0.75	VNBC17S*	13A
H05VV-F	2 x 1.00	VNBC17S, VAC17A	13A
H03RT-F	3 x 0.75	VSCC15*	13A
H05RR-F	3 x 0.75	VSCC15*	13A
H05RR-F	3 x 1.00	VSCC15	13A
H05VV-F	3 x 0.75	VAC5AR, V1625LA*	13A
H05VV-F	3 x 1.00	V1625LA, VAC19*	13A
H05VV-F	3 x 1.50	V1625LA, VAC19, VAC19A, VAC19LA, VSC19	13A

Remarks

* Cable length limit to 2 meters.





SINGAPORE

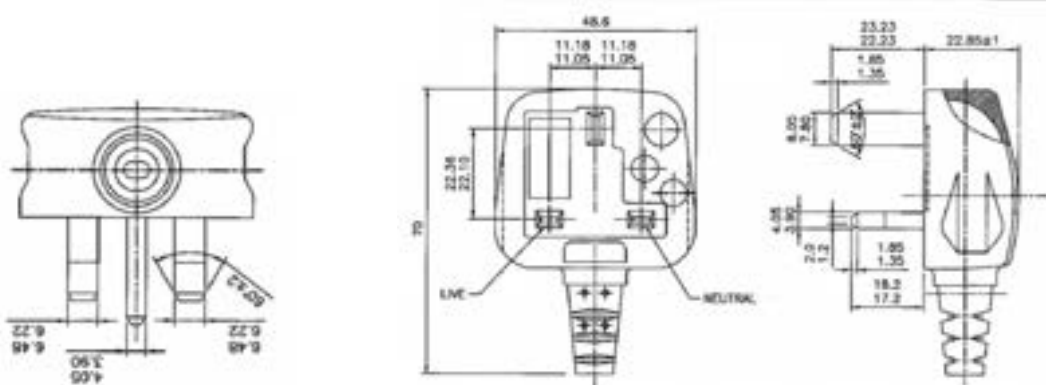
Cat. No. MP5004A
Desc. Angled Plug for Class I and Class II Appliance
Std. SS145/A
Max. Rating 13A, 250V
Safety Approval CPS



Cable Type	Size (mm ²)	Matching Connector	Max. Fuse Rating
H03VVH2-F	2 x 0.75	VAC7A	13A
H05VVH2-F	2 x 0.75	VNBC17S*	13A
H05VVH2-F	2 x 1.00	VNBC17S	13A
H03VV-F	3 x 0.75	VNBC5S	13A

Remarks

* Cable length limit to 2 meters.





SINGAPORE

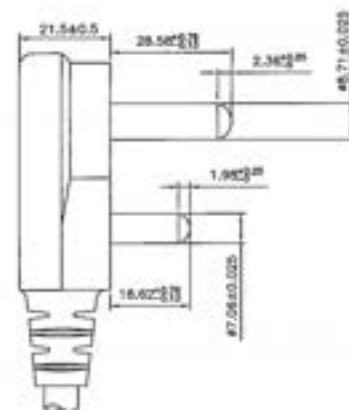
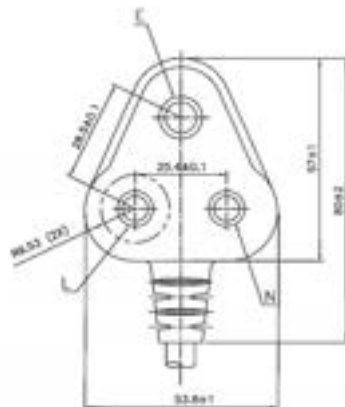
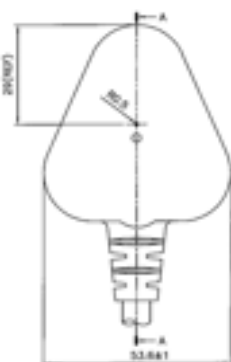
Cat. No. MP235
Desc. Angled Plug for Class I Appliance
Std. SS 472: 1999 and Selected Clauses of SS 241: 1996
Max. Rating 15A, 250V
Safety Approval CPS



Cable Type	Size (mm ²)	Matching Connector
H05VV-F	3 x 1.00	V1625, V1625A, V1625LA
H05VV-F	3 x 1.50	V1625BS, V1625LA, VAC19, VAC19A, VAC19LA, VSC19

Remarks

* Cable length limit to 2 meters.



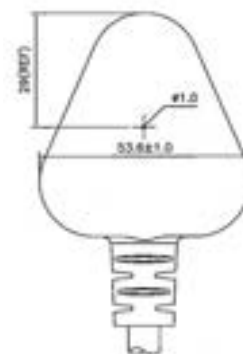
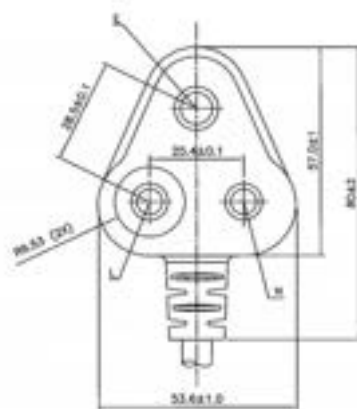
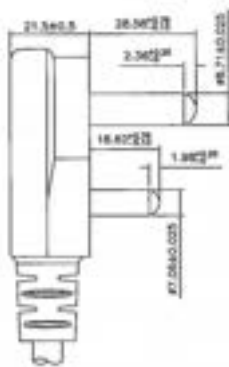


SINGAPORE

Cat. No. MP235B
Desc. Angled Plug with Big Strain Relief Design
 for Class I Appliance
Std. SS 472: 1999 and Selected Clauses of SS 241: 1996
Max. Rating 15A, 250V
Safety Approval CPS



Cable Type	Size (mm ²)	Matching Connector
H05VV-F	3 x 2.50	-





SWITZERLAND

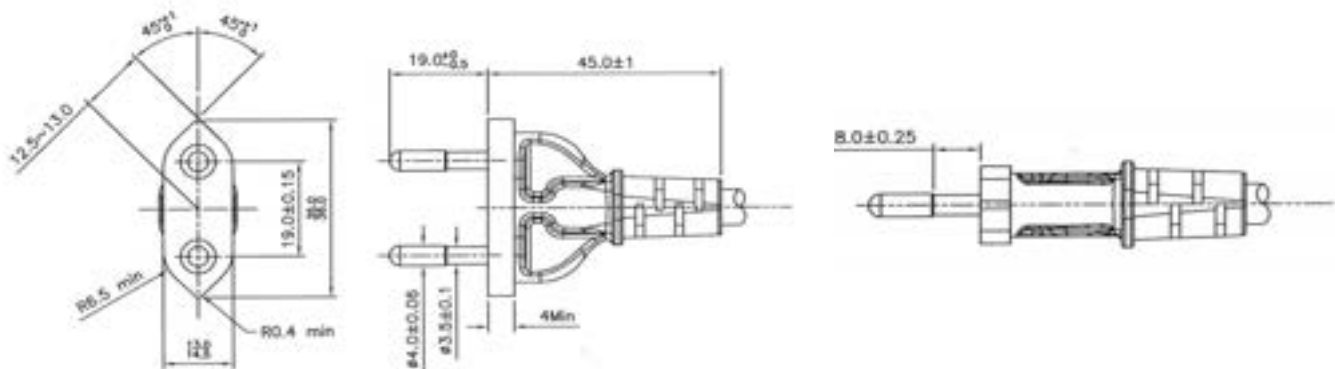
Cat. No. SW10ZS2
Desc. Straight Plug for Class II Appliance
Std. IEC 60884-1 & SEV 1011, Standard Sheet SEV 5934-2
Max. Rating 10A, 250V
Safety Approval SEV



Cable Type	Size (mm ²)	Matching Connector
H03RT-H	2 x 0.75	-
H03RT-H	2 x 1.00	-
H03VVH2-F	2 x 0.75	VNBC7S, VAC7A
H05V2V2-F	2 x 0.75	VAC17S*
H05V2V2-F	2 x 1.00	VAC17S
H05VV-F	2 x 0.75	VNBC17S*
H05VV-F	2 x 1.00	VNBC17S, VAC17A
H05VVH2-F	2 x 0.75	-
H05VVH2-F	2 x 1.00	-

Remarks

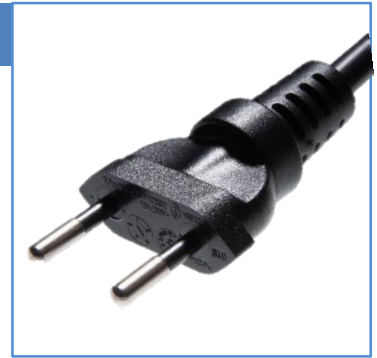
* Cable length limit to 2 meters.



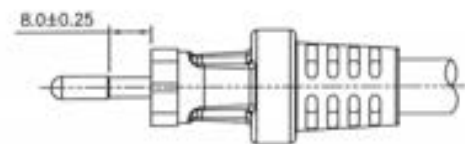
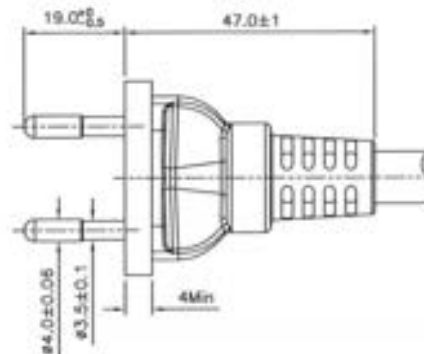
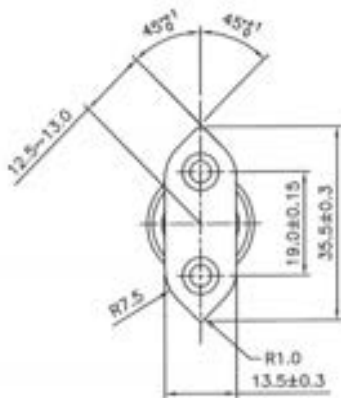


SWITZERLAND

Cat. No. SW10BS2
Desc. Straight Plug for Class II Appliance
Std. IEC 60884-1 & SEV 1011, Standard Sheet SEV 5934-2
Max. Rating 10A, 250V
Safety Approval SEV



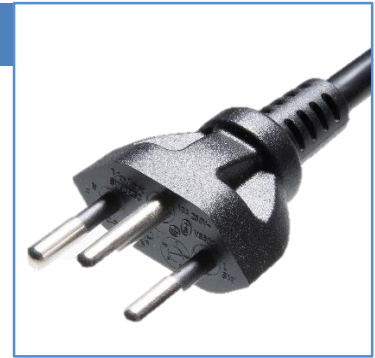
Cable Type	Size (mm ²)	Matching Connector
H05RN-F	2 x 1.00	-
H05RR-F	2 x 1.00	-
H05VV-F	2 x 1.50	-
H07RN-F	2 x 1.00	-
H07RN-F	2 x 1.50	-





SWITZERLAND

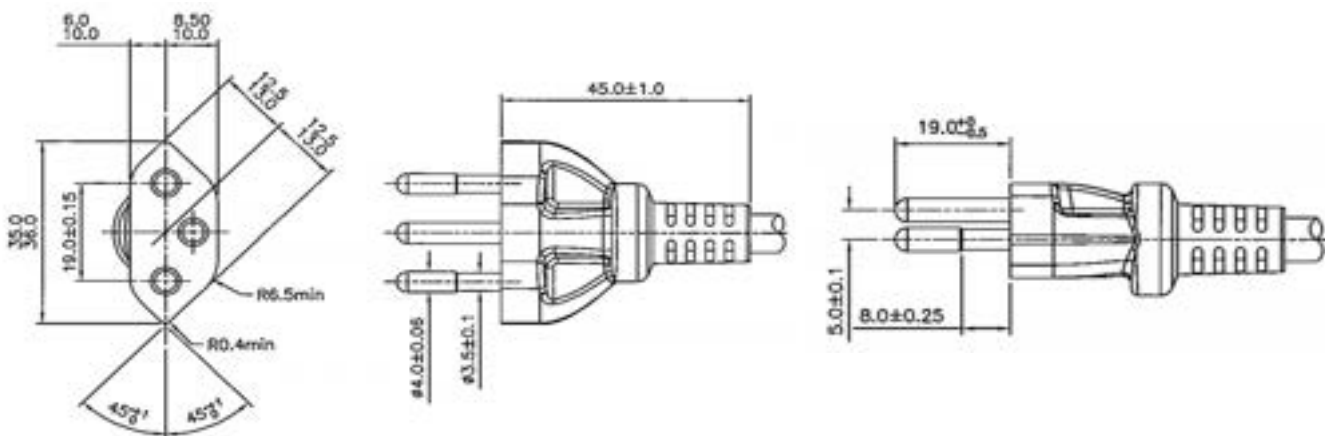
Cat. No.	SW10ZS3
Desc.	Straight Plug for Class I Appliance
Std.	IEC 60884-1 & SEV 1011, Standard Sheet SEV 5934-2
Max. Rating	10A, 250V
Safety Approval	SEV



Cable Type	Size (mm ²)	Matching Connector
H03VV-F	3 x 0.75	VNBC5S, VAC5AR
H05VV-F	3 x 0.75	VNBC5S, VAC5AR, VNBC13S*, V1625A* , V1625LA*
H05VV-F	3 x 1.00	VNBC13S, V1625A, V1625LA, VAC19*
H05V2V2-F	3 x 1.00	-
H05RR-F	3 x 0.75	VSCC15*
H05RR-F	3 x 1.00	VSCC15
H03RT-H	3 x 0.75	VSCC15*
H03RT-H	3 x 1.00	-

Remarks

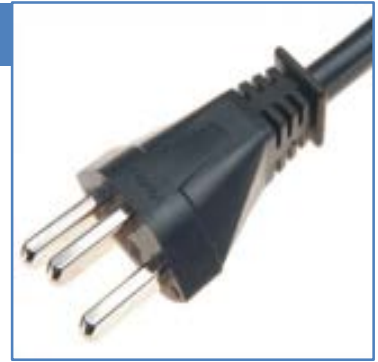
* Cable length limit to 2 meters.



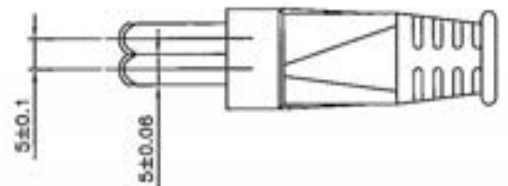
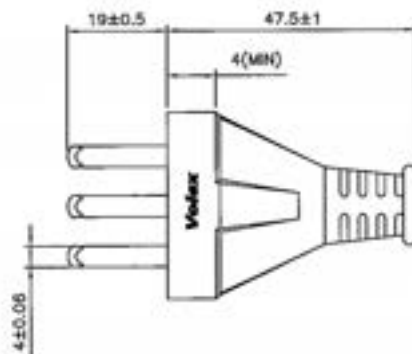
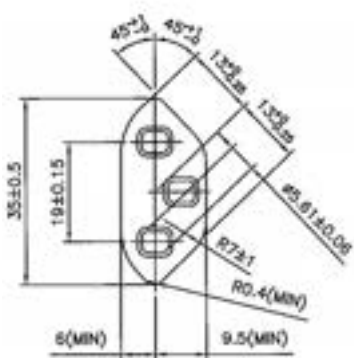


SWITZERLAND

Cat. No.	CH16S3
Desc.	Straight Plug for Class I Appliance
Std.	IEC 60884-1 & SEV 1011, Standard Sheet SEV 5934-2
Max. Rating	16A, 250V
Safety Approval	SEV



Cable Type	Size (mm ²)	Matching Connector
H05VV-F	3 x 1.50	V1625BS, V1625LA, VAC19, VAC19A, VAC19LA, VSC19





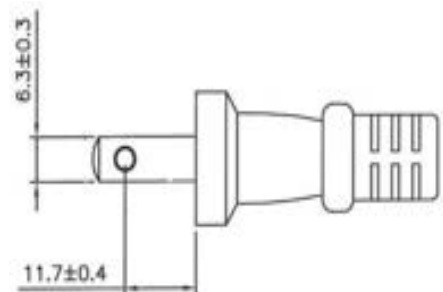
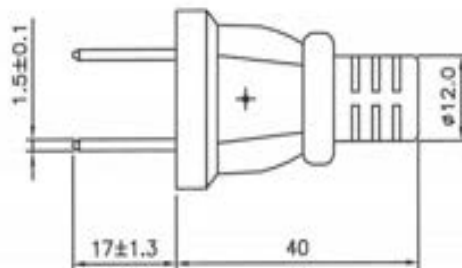
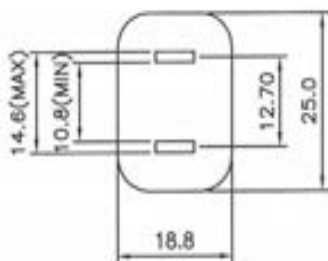
TAIWAN

Cat. No. TW15CS2
Desc. Straight Plug for Class II Appliance (RoHS 2)
Std. CNS15663, CNS690, CNS15767-1
Max. Rating 15A, 125V
Safety Approval BSMI



Polarized version catalogue no.: TW15CPS2

Cable Type	Size (mm ²)	Matching Connector	Rated Current
HVCTF	2 x 0.75	-	7A, 125V
HVCTF	2 x 1.25	-	11A, 125V
HVCTF	2 x 2.00	-	15A, 125V
VCTF	2 x 0.75	-	7A, 125V
VCTF	2 x 1.25	-	11A, 125V
VCTF	2 x 2.00	-	15A, 125V





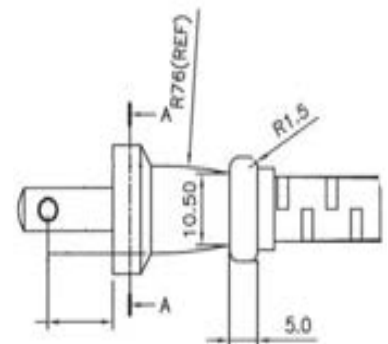
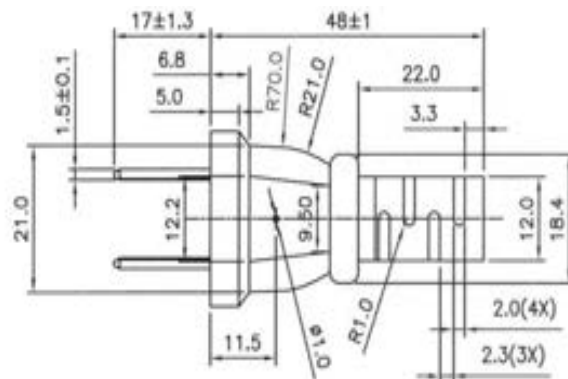
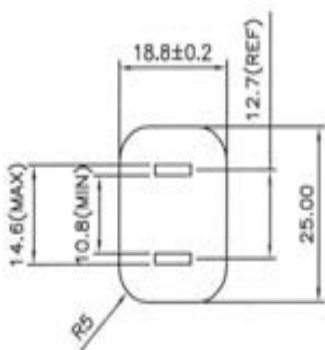
TAIWAN

Cat. No. TW15GS2
Desc. Straight Plug for Class II Appliance (RoHS 2)
Std. CNS15663, CNS690, CNS15767-1
Max. Rating 15A, 125V
Safety Approval BSMI



Polarized version catalogue no.: TW15GPS2

Cable Type	Size (mm ²)	Matching Connector	Rated Current
HVCTFK	2 x 0.75	SZC7S	7A, 125V
HVCTFK	2 x 1.25	-	11A, 125V
HVCTFK	2 x 2.00	-	15A, 125V
VCTFK	2 x 0.75	VAC7A	7A, 125V
VCTFK	2 x 1.25	-	11A, 125V
VCTFK	2 x 2.00	-	15A, 125V





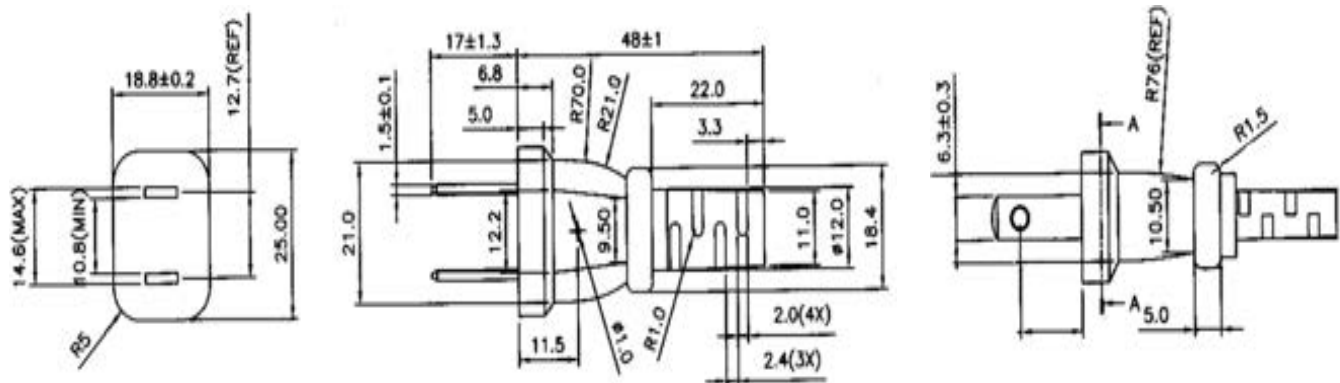
TAIWAN

Cat. No. TW15ES2
Desc. Straight Plug for Class II Appliance (RoHS 2)
Std. CNS15663, CNS690, CNS15767-1
Max. Rating 15A, 125V
Safety Approval BSMI



Polarized version catalogue no.: TW15EPS2

Cable Type	Size (mm ²)	Matching Connector	Rated Current
HVFF	2 x 1.25	-	11A, 125V
HVFF	2 x 2.00	-	15A, 125V
VFF	2 x 0.75	-	7A, 125V
VFF	2 x 1.25	-	11A, 125V
VFF	2 x 2.00	-	15A, 125V



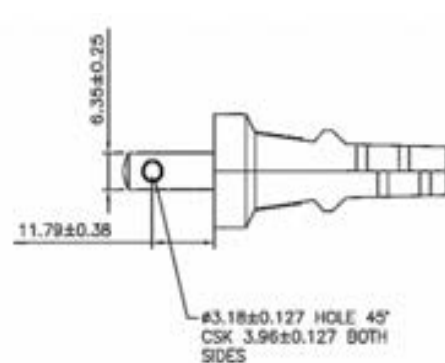
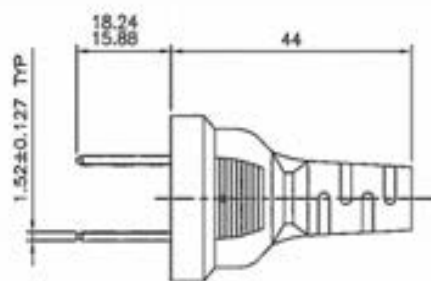
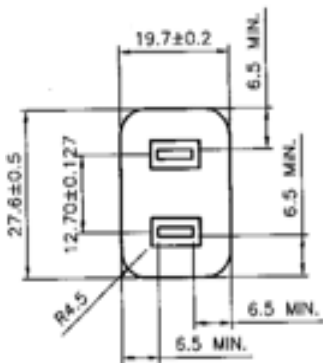


TAIWAN

Cat. No.	US115S
Desc.	Straight Plug for Class II Appliance (RoHS 2)
Std.	CNS15663, CNS690, CNS15767-1
Max. Rating	15A, 125V
Safety Approval	BSMI



Cable Type	Size (mm ²)	Matching Connector	Rated Current	Combo Approvals
HVCTFK	2 x 0.75	VAC7S	7A, 125V	-
VCTFK	2 x 0.75	VAC7S	7A, 125V	-
VFF	2 x 0.75	VAC7S	7A, 125V	-
SPT-2 + VFF	AWG 18/2 + 2 x 0.75	-	7A, 125V	PSE + UL/CSA
NISPT-2 + VCTFK	AWG 18/2 + 2 x 0.75	-	7A, 125V	





TAIWAN

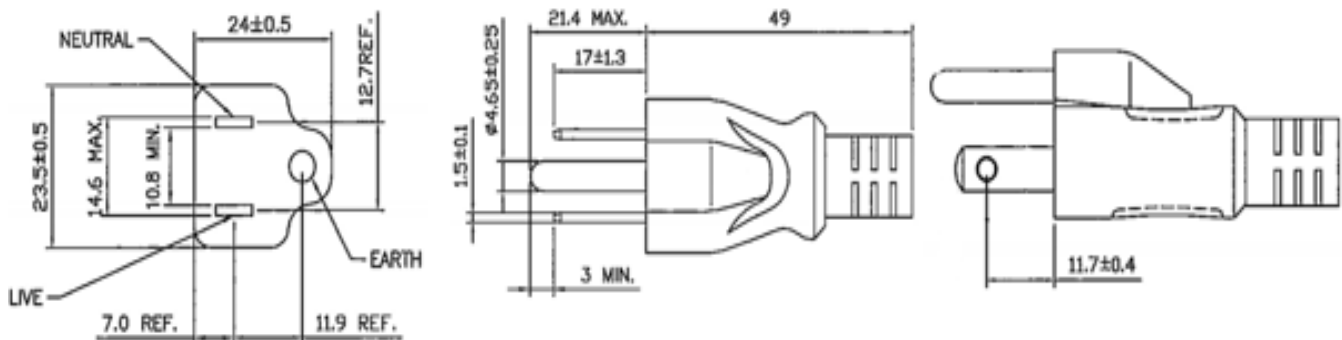
Cat. No.	TW15CS3
Desc.	Straight Plug for Class I Appliance
Std.	CNS15663, CNS690, CNS15767-1
Max. Rating	15A, 125V
Safety Approval	BSMI



Cable Type	Size (mm ²)	Matching Connector	Rated Current
245 IEC 89 (H03RT-H)	3 x 1.00	-	10A, 125V
HVCTF	3 x 0.75	V1625*, V1625A*	7A, 125V
HVCTF	3 x 1.25	V1625, V1625A, V1625LA	11A, 125V
HVCTF	3 x 2.00	-	13A/15A, 125V
PNCTF	3 x 0.75	VAC15BS*, VAC15A*	7A, 125V
PNCTF	3 x 1.25	VAC15BS, VAC15A	11A, 125V
PNCTF	3 x 2.00	VAC15BS	15A, 125V
VCTF	3 x 0.75	VAC5AR, VAC5S, V1625*, V1625A*	7A, 125V
VCTF	3 x 1.25	V1625, V1625A	11A, 125V
VCTF	3 x 2.00	V1625, V1625BA, V1625BS, VSC19	13A/15A, 125V

Remarks

* Cable length limit to 2 meters.



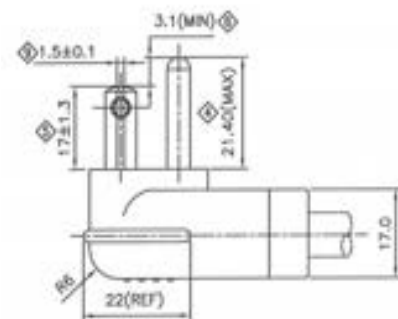
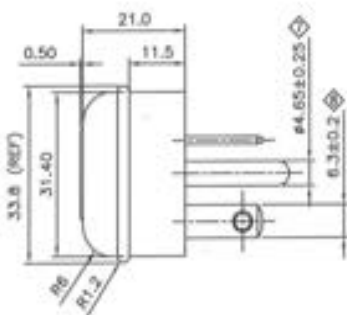


TAIWAN

Cat. No. TW20A3
Desc. Straight Plug for Class I Appliance
Std. CNS15663, CNS690, CNS15767-1
Max. Rating 20A, 250V
Safety Approval BSMI



Cable Type	Size (mm ²)	Matching Connector	Rated Current
VCTF	3 x 1.25	V1625, V1625A	11A, 250V
VCTF	3 x 2.00	VAC19A	15A, 250V
HVCTF	3 x 2.00	VSC19	16A, 250V





THAILAND

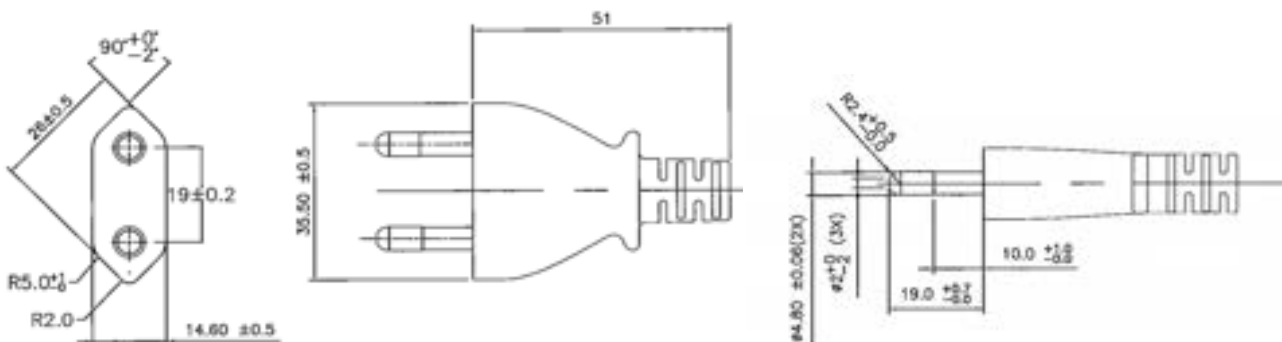
Cat. No.	T116S2
Desc.	Straight Plug for Class II Appliance
Std.	TIS166-2549
Max. Rating	16A, 250V
Safety Approval	Non-Mandatory (TISI 166 Compliant)?



Cable Type	Size (mm ²)	Matching Connector	Rated Current
H05RR-F	2 x 0.75	VAC7A, VAC7S	2.5A, 250V
H05VV-F	2 x 0.75	VAC17S	2.5A, 250V
H05V2V2-F	2 x 1.00	VAC17S	16A, 250V
H03RT-H	2 x 0.75	-	2.5A, 250V
H03VVH2-F	2 x 0.50	VAC7S	2.5A, 250V
H03VVH2-F	2 x 0.75	VAC7A, VAC7S	2.5A, 250V
H05VVH2-F	2 x 1.00	VAC17S	2.5A/6A, 250V
H05VVH2-F	2 x 0.75	VAC7S	2.5A, 250V
H05VV-F	2 x 1.00	VAC17S	6A, 250V
VKF	2 x 1.00	-	6A, 250V

NOTE:

Subject to TIS Safety Mark Application.





THAILAND

Cat. No.	T116S3
Desc.	Straight Plug for Class I Appliance
Std.	TIS166-2549
Max. Rating	16A, 250V
Safety Approval	Non-Mandatory (TISI 166 Compliant)

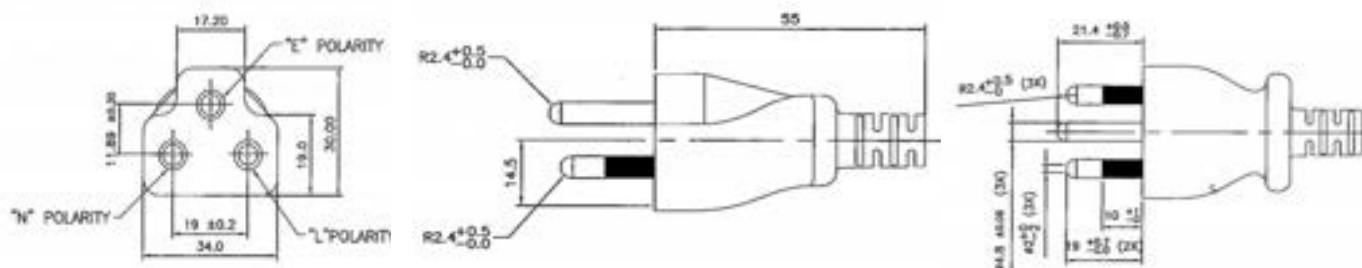


Cable Type	Size (mm ²)	Matching Connector	Rated Current
VCT	2 x 1.0 + 1.0	-	10A,250V
VCT	2 x 1.5 + 1.0	-	16A,250V
H03VV-F	3 x 0.75	VAC5AR, VAC5S	6A,250V
H05VV-F	3 x 0.75	VAC5S, VAC5AR, V1625*, V1625A*, V1625LA*	6A,250V
H05VV-F	3 x 1.00	V1625, V1625A, V1625LA, VAC19*	10A,250V
H05V2V2-F	3 x 1.00	-	16A,250V
H05VV-F	3 x 1.50	V1625BS, V1625LA, VAC19, VAC19A, VAC19LA, VSC19	16A,250V
H05V2V2-F	3 x 1.50	-	16A,250V
H03RT-H	3 x 1.50	-	16A,250V
H03RT-H	3 x 0.75	VSCC15	6A,250V
H03RT-H	3 x 1.00	-	10A,250V
H03RR-H	3 x 1.00	-	10A,250V
H05RR-H	3 x 1.00	-	10A,250V
H05RR-F	3 x 0.75	VSCC15	16A,250V
H05RN-F	3 x 1.00	-	16A,250V

Remarks

* Cable length limit to 2 meters.

Subject to TIS Safety Mark Application.





UNITED KINGDOM

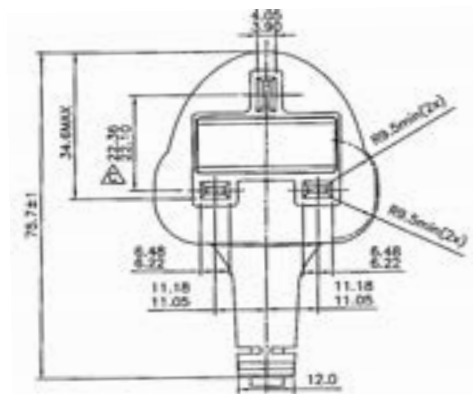
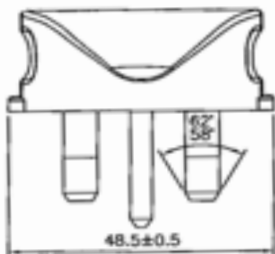
Cat. No. VNBUK13A2
Desc. Angled Plug for Class II Appliance
Std. BS 1363/A
Max. Rating 10A, 250V
Safety Approval ASTA



Cable Type	Size (mm ²)	Matching Connector	Rated Current	Max. Fuse Rating	Combo Approvals
H03VVH2-F	2 x 0.50	VNBC7S*, VAC7A*	3A	5A	CPS/GCC
H05V2V2-F	2 x 0.75	-	6A	13A	
H05VV-F	2 x 0.75	-	6A	13A	
H03VVH2-F	2 x 0.75	VNBC7S, VAC7A	6A	13A	
H05VVH2-F	2 x 0.75	VNBC7S	6A	13A	
H05RR-F	2 x 0.75	-	6A	13A	
H05RN-F	2 x 0.75	-	6A	13A	
H05V2V2-F	2 x 1.00	-	10A	13A	
H05VV-F	2 x 1.00	-	10A	13A	
H05RR-F	2 x 1.00	-	10A	13A	
H05RN-F	2 x 1.00	-	10A	13A	

Remarks

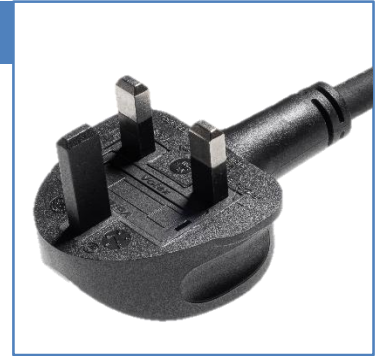
* Cable length limit to 2 meters.



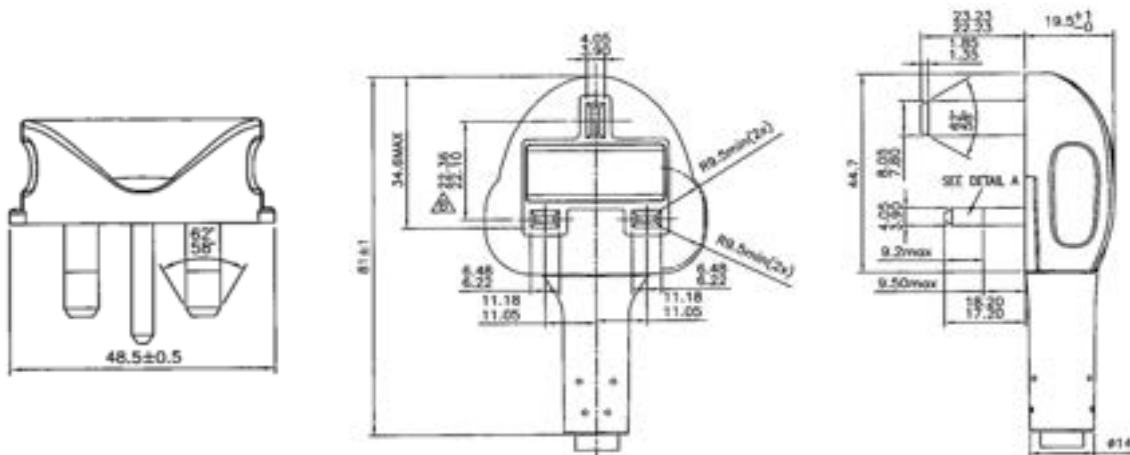


UNITED KINGDOM

Cat. No. VNBUK13A2B
Desc. Angled Plug for Class II Appliance
 (Big Strain Relief for rubber cables)
Std. BS 1363/A
Max. Rating 13A, 250V
Safety Approval ASTA



Cable Type	Size (mm ²)	Rated Current	Max. Fuse Rating	Combo Approvals
H07RN-F	2 x 1.00	10A	13A	CPS/GCC
H05RR-F	2 x 1.50	13A	13A	
H07RN-F	2 x 1.50	13A	13A	





UNITED KINGDOM

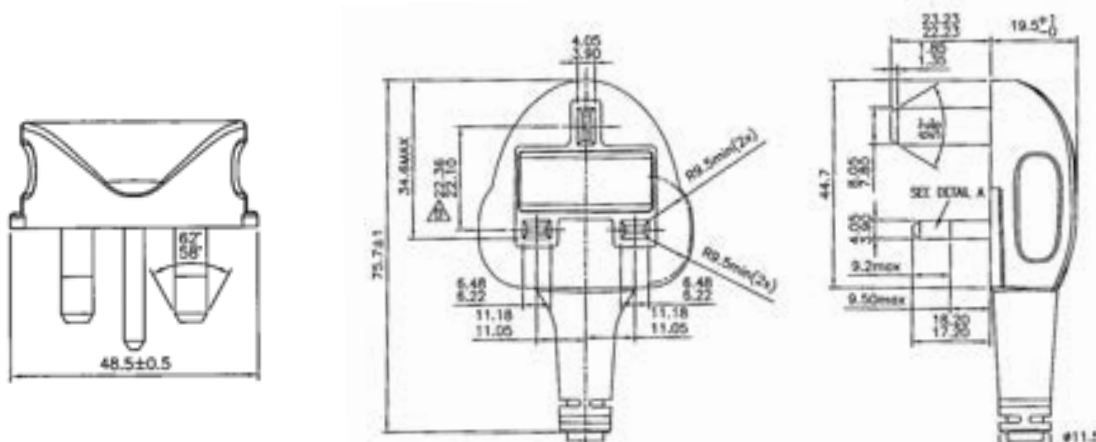
Cat. No. VNBUK13A3
Desc. Angled Plug for Class I Appliance
Std. BS 1363/A
Max. Rating 13A, 250V
Safety Approval ASTA



Cable Type	Size (mm ²)	Matching Connector	Rated Current	Max. Fuse Rating	Combo Approvals
H05V2V2-F	3 x 0.75	-	6A	13A	CPS/GCC
H03VV-F	3 x 0.75	VNBC5S, VAC5AR	6A	13A	
H05VV-F	3 x 0.75	VNBC13S*, V1625A*, VNBC5S	6A	13A	
H05VV-F	3 x 1.00	VNBC13S, V1625A	10A	13A	
H05V2V2-F	3 x 1.00	-	10A	13A	
H05VV-F	3 x 1.50	VNBC13S	13A	13A	

Remarks

* Cable length limit to 2 meters.





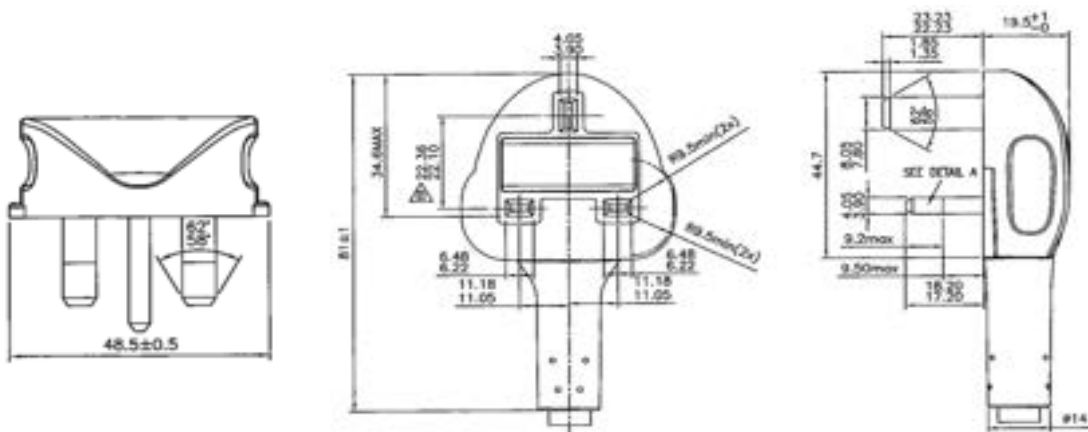
UNITED KINGDOM



Cat. No. VNBUK13A3B
Desc. Angled Plug for Class I Appliance
 (Big Strain Relief for rubber cables)
Std. BS 1363/A
Max. Rating 13A, 250V
Safety Approval ASTA



Cable Type	Size (mm ²)	Rated Current	Max. Fuse Rating	Combo Approvals
H05RN-F	3 x 0.75	6A	13A	CPS/GCC
H05RR-F	3 x 0.75	6A	13A	
H03RT-H	3 x 0.75	6A	13A	
H03RT-H	3 x 1.00	10A	13A	
H05RN-F	3 x 1.00	10A	13A	
H05RR-F	3 x 1.00	10A	13A	
H03RT-H	3 x 1.50	13A	13A	





UNITED KINGDOM

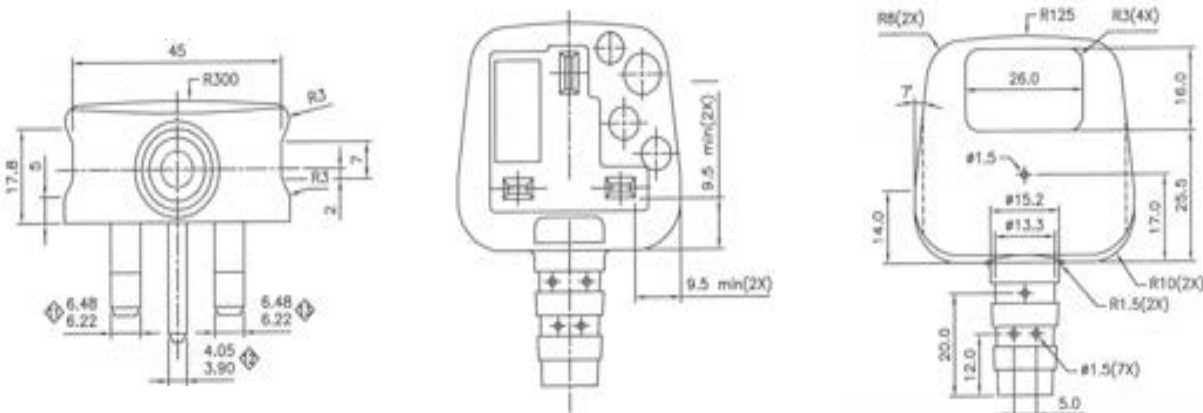
Cat. No.	UK13A3
Desc.	Angled Plug for Class I and Class II Appliance
Std.	BS 1363/A
Max. Rating	10A, 250V
Safety Approval	ASTA



Cable Type	Size (mm ²)	Matching Connector	Rated Current	Max. Fuse Rating
H05VV-F	2 x 0.75	VAC17S*	6A	13A
H05VV-F	2 x 1.00	VAC17S, VAC17A	10A	13A
H05RR-F	3 x 0.75	VSCC15*	6A	13A
H05RR-F	3 x 1.00	VSCC15	10A	13A
H05VV-F	3 x 0.75	VNBC5S, VAC5AR	6A	13A
H05VV-F	3 x 1.00	V1625LA, VAC19*	10A	13A

Remarks

* Cable length limit to 2 meters.



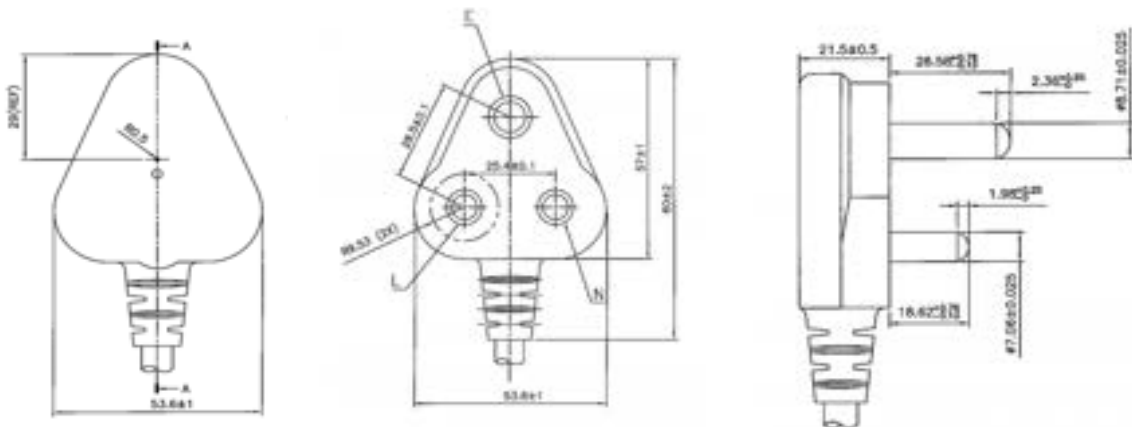


UNITED KINGDOM

Cat. No. MP235
Desc. Angled Plug for Class I Appliance
Std. BS BS546/A
Max. Rating 15A, 250V
Safety Approval ASTA



Cable Type	Size (mm ²)	Matching Connector
H05VV-F	3 x 1.50	V1625BS, V1625LA, VAC19, VAC19A, VAC19LA, VSC19





UNITED KINGDOM

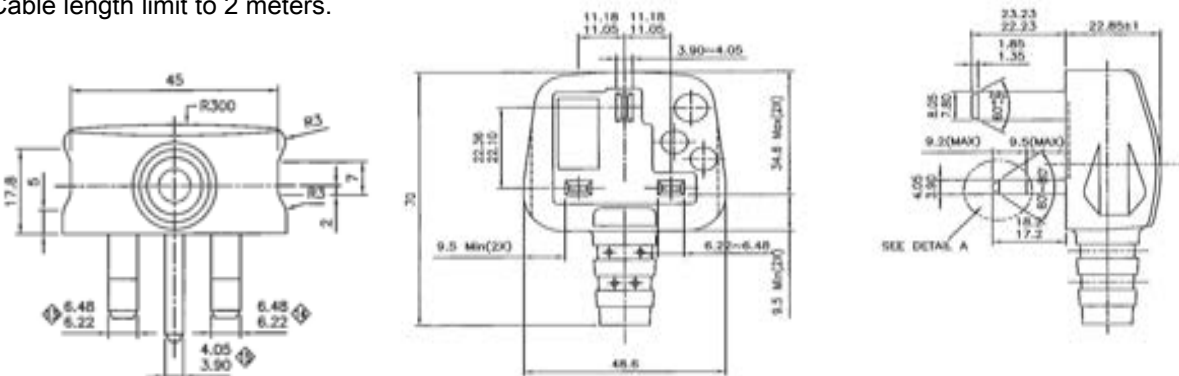
Cat. No.	MP5004
Desc.	Angled Plug for Class I and Class II Appliance
Std.	BS 1363/A
Max. Rating	13A, 250V
Safety Approval	ASTA



Cable Type	Size (mm ²)	Matching Connector	Rated Current	Max. Fuse Rating
H03VVH2-F	2 x 0.75	VAC7A	6A	13A
H05V2V2-F	2 x 0.75	VAC17S*	6A	13A
H05V2V2-F	2 x 1.00	VAC17S	10A	13A
H05VV-F	2 x 0.75	VNBC17S*	6A	13A
H05VV-F	2 x 1.00	VNBC17S, VAC17A	10A	13A
H05VV-F	2 x 1.50	-	13A	13A
H05VV-F(With cotton filler)	2 x 1.00	-	10A	13A
H03RT-F	3 x 0.75	VSCC15*	6A	13A
H03RT-F	3 x 1.00	-	10A	13A
H05RR-F	3 x 0.75	VSCC15*	6A	13A
H05RR-F	3 x 1.00	VSCC15	10A	13A
H05V2V2-F	3 x 1.50	-	13A	13A
H05VV-F	3 x 0.75	VNBC5S, VAC5AR, V1625LA*	6A	13A
H05VV-F	3 x 1.00	V1625LA, VAC19*	10A	13A
H05VV-F	3 x 1.25	-	13A	13A
H05VV-F	3 x 1.50	VNBC13S, V1625LA, VAC19, VAC19A, VAC19LA, VSC19	13A	13A

Remarks

* Cable length limit to 2 meters.





UNITED KINGDOM

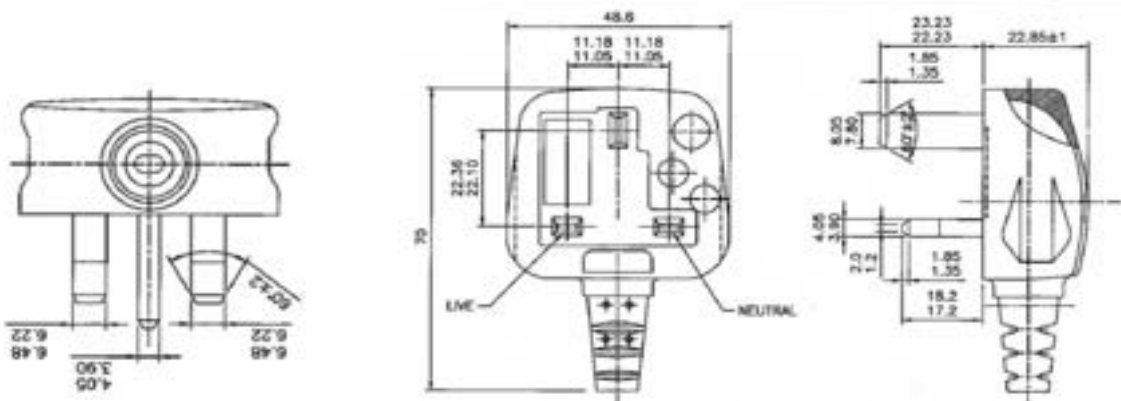
Cat. No.	MP5004A
Desc.	Angled Plug for Class I and Class II Appliance
Std.	BS 1363/A
Max. Rating	13A, 250V
Safety Approval	ASTA



Cable Type	Size (mm ²)	Matching Connector	Rated Current	Max. Fuse Rating
H03VVH2-F	2 x 0.75	VNBC7S, VAC7A	6A	13A
H05VVH2-F	2 x 0.75	-	6A	13A
H05VVH2-F	2 x 1.00	-	10A	13A
H05VV-F	2 x 0.75	VNBC17S*	6A	13A
H03VV-F	3 x 0.75	VNBC5S, VAC5AR	6A	13A

Remarks

* Cable length limit to 2 meters.



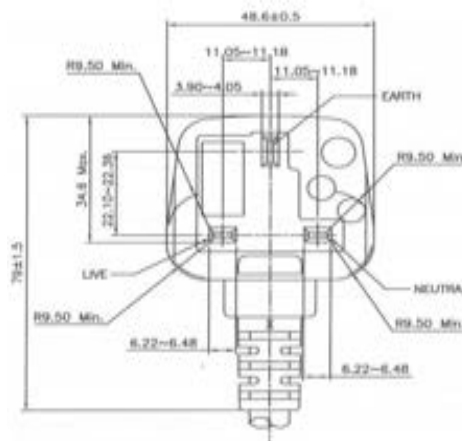
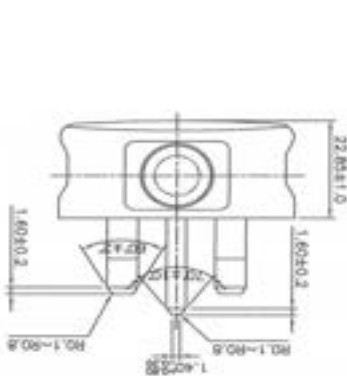


UNITED KINGDOM

Cat. No. MP5004H
Desc. Angled Plug for Class II Appliance
Std. BS 1363/A
Max. Rating 13A, 250V
Safety Approval ASTA



Cable Type	Size (mm ²)	Matching Connector	Rated Current	Max. Fuse Rating
H07RN-F	2 x 1.00	-	10A	13A
H07RN-F	2 x 1.50	-	13A	13A





CONNECTORS
02

New!

CONNECTORS IEC STD.C5

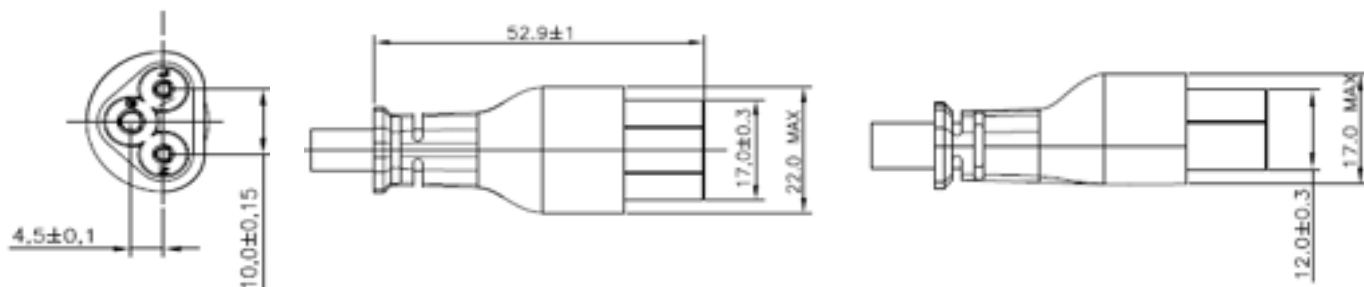
Cat. No. VNBC5S
Desc. 3-pole Straight Connector
Std. GB17465.1
 K60320-1
 JIS C8358 & JIS C8306, under Ordinance 1
 EN 60320-1, IEC 60320-1 - STD SHT C5
 AS/NZS 60320.1 (STANDARD SHEET C5)
 UL 60320-1 , CSA STD C22.2 No. 60320-1-11



Cable Type	Size (mm ²)	Rated Current	Safety Approval
60227 IEC 52 (RVV) 300/300 (Round)	3 x 0.75	2.5A, 250V	CCC
60227 IEC 53 (RVV) 300/500 (Round)	3 x 0.75	2.5A, 250V	
60227 KS IEC 52 (H03VV-F)	3 x 0.75	2.5A, 250V	KC
60227 KS IEC 53 (H05VV-F)	3 x 0.75	2.5A, 250V	
VCTF	3 x 0.75	7A, 125V	PSE
HVCTF	3 x 0.75	7A, 125V	
PSE IEC 52	3 x 0.75	7A, 125V	
PSE IEC 53	3 x 0.75	7A, 125V	
H03VV-F	3 x 0.75	2.5A, 250V	ENEC - NEMKO
H05VV-F	3 x 0.75	2.5A, 250V	
V-75, 250/250 V, Light Duty (Circular) (H03VV-F)	3 x 0.75	2.5A, 250V	SAA
V-75, 250/440 V, Ordinary Duty (Circular) (H05VV-F)	3 x 0.75	2.5A, 250V	
SVT	3 x AWG 18	7A,125V/2.5A250V	UL/C-UL
SPT-2	3 x AWG 18	7A,125V/2.5A250V	
SVT(Shielded)	3 x AWG 18	7A,125V/2.5A250V	
IS694	3 x 0.75	2.5A, 250V	Non-Approval

CONNECTORS IEC STD.C5 (CONT...)

Cable Type	Cable Type	Cable Type	Cable Type
227 KETI IEC 52 +H03VV-F	3 x 0.75	2.5A, 250V	ENEC+KC
227 KETI IEC 53 +H05VV-F	3 x 0.75	2.5A, 250V	
H05VV-F+SVT	3 x 0.75+	2.5A, 250V	ENEC+UL/C-UL
	3 x AWG 18		
H05VV-F+SVT+RVV300/500	3 x 0.75+	2.5A, 250V	ENEC+UL/C-UL+CCC
	3 x AWG 18+		
	3 x 0.75		
SVT+IEC-J	3 x AWG 18+	7A, 125V	UL/C-UL+PSE
	3 x 0.75		



CONNECTORS IEC STD.C5

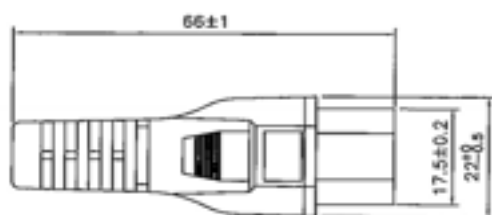
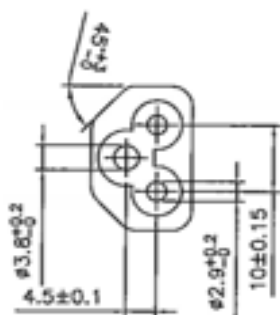
Cat. No.	VAC5S
Desc.	3-pole Straight Connector
Std.	AS/NZS 60320.1 (STANDARD SHEET C5) IEC 60320-1 Standard Sheet C5 GB17465.1 JIS C 8358 & JIS C8306, under Ordinance 1 K60320-1 BS 4491-1 & EN 60320-1:1994 Standard Sheet C5 by A.S.T.A. UL 60320-1 , CSA STD C22.2 No. 60320-1-11 IEC 60799 GB15934 K60799 SANS 60799 CNS10917, CNS109717-3, IEC60320-1



Cable Type	Size (mm ²)	Rated Current	Safety Approval
60227 IEC 52 (RVV) 300/300 (Round)	3 x 0.75	2.5A, 250V	CCC
60227 IEC 53 (RVV) 300/500 (Round)	3 x 0.75	2.5A, 250V	
60227 KS IEC 52 (H03VV-F)	3 x 0.75	2.5A, 250V	KC
60227 KS IEC 53 (H05VV-F)	3 x 0.75	2.5A, 250V	
VCTF	3 x 0.75	3A, 125V	PSE, BSMI
HVCTF	3 x 0.75	3A, 125V	PSE
227 IEC 52 (Flat)	3 x 0.75	3A, 125V	
227 IEC 53 (VCTFK)	3 x 0.75	3A, 125V	
HVCTF Shielded	3 x 0.75	3A, 125V	
HVCTF	2 x 0.75	3A, 125V	
IEC-J 52	3 x 0.75	2.5A, 250V	
V-75, 250/250 V, Light Duty (Circular) (H03VV-F)	3 x 0.75	2.5A, 250V	SAA
H03VV-F	3 x 0.75	2.5A, 250V	SEMKO, VDE, SNI, ASTA, IRAM, SABS, EAC
H05VV-F	3 x 0.75	2.5A, 250V	SEMKO, VDE, SNI, ASTA, IRAM, SABS, EAC

CONNECTORS IEC STD.C5 (CONT...)

Cable Type	Size (mm ²)	Rated Current	Safety Approval
SPT-2	3 x AWG 18	2.5A, 125V/250V	UL/C-UL, CSA
SVT	3 x AWG 18	2.5A, 125V/250V	
H05VV-F + SVT	3 x 0.75 +	2.5A, 250V	UL/CSA + EU
	3 x AWG 18		
SVT + IEC-J 53 (H05VV-F)	3 x AWG 18 +	2.5A, 250V	UL/CSA + PSE
	3 x 0.75		
H05VV-F + SVT + RVV	3 x 0.75 +	2.5A, 250V	EU + UL/CSA + CCC
	3 x AWG 18 +		
	3 x 0.75		
H05VV-F + SVT + Circular Ordinary V-75	3 x 0.75 +	2.5A, 250V	EU + UL/CSA + SAA
	3 x AWG 18 +		
	3 x 0.75		
227 KETI IEC 52 + H03VV-F	3 x 0.75	2.5A, 250V	EU + KC
H05VV-F	3 x 0.75	2.5A, 250V	EU / ASTA / BRAZIL
H03VV-F	3 x 0.75	2.5A, 250V	



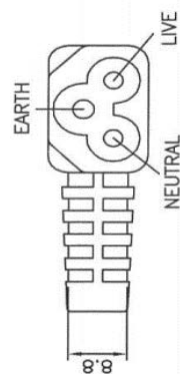
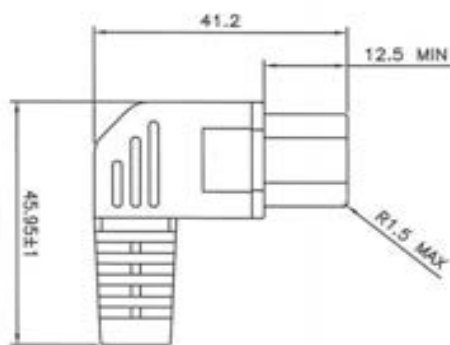
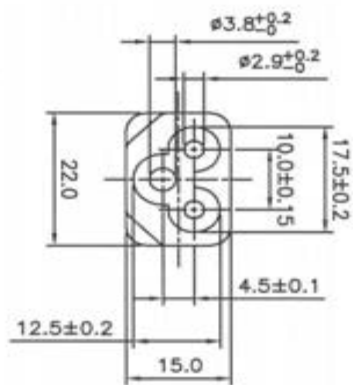
CONNECTORS IEC STD.C5

Cat. No.	VAC5AR
Desc.	3-pole Right-Angled Connector
Std.	AS/NZS 60320.1 (STANDARD SHEET C5) GB17465.1 JIS C 8358 & JIS C8306, under Ordinance 1 K60320-1 IEC 60320-1, Standard Sheet C5 BS 4491-1 EN 60320-1:1994 Std Sheet C5 by A.S.T.A. UL 60320-1 , CSA STD C22.2 No. 60320-1-11 GB15934 SANS 60799 CNS10917, CNS109717-3, IEC60320-1



Cable Type	Size (mm ²)	Rated Current	Safety Approval
V-75, 250/250 V, Light Duty (Circular) (H03VV-F)	3 x 0.75	2.5A, 250V	SAA
V-75, 250/440 V, Ordinary Duty (Circular) (H05VV-F)	3 x 0.75	2.5A, 250V	
60227 IEC 52 (RVV) 300/300 (Round)	3 x 0.75	2.5A, 250V	CCC
60227 IEC 53 (RVV) 300/500 (Round)	3 x 0.75	2.5A, 250V	
H03VV-F	3 x 0.75	2.5A, 250V	SEMKO(CB), VDE, ASTA, SABS
H05VV-F	3 x 0.75	2.5A, 250V	SEMKO(CB), VDE, ASTA
PSE IEC 53	3 x 0.75	3A, 125V	PSE
PSE IEC 52	3 x 0.75	3A, 125V	
VCTF	3 x 0.75	3A, 125V	
60227 KS IEC 52 (H03VV-F)	3 x 0.75	2.5A, 250V	KC
60227 KS IEC 53 (H05VV-F)	3 x 0.75	2.5A, 250V	
SPT-2	3 x AWG 18	2.5A, 125V	UL/C-UL, CSA
NISPT-2	3 x AWG 18	2.5A, 125V	
SVT	3 x AWG 18	2.5A, 125V	
SVT Shielded	3 x AWG 18	2.5A, 125V	
H05VV-F + SVT	3 x 0.75 +	2.5A, 125V	UL/CSA + EU
	3 x AWG 18		
VCTF	3 x 0.75	2.5A, 125V	BSMI

CONNECTORS IEC STD.C5 (CONT...)



CONNECTORS IEC STD.C7

Cat. No. VNBC7S
Desc. 2-pole Straight Connector
Std. GB17465.1 / GB15934
 IEC/EN 60320-1, Standard Sheet C7
 K60320-1 / K60799
 AS/NZS 60320.1, Standard Sheet C7
 JIS C 8358 & JIS C8306, under Ordinance 1
 J60320-1 (IEC-J), under Ordinance 2
 UL 60320-1 , CSA STD C22.2 , No. 60320-1-11

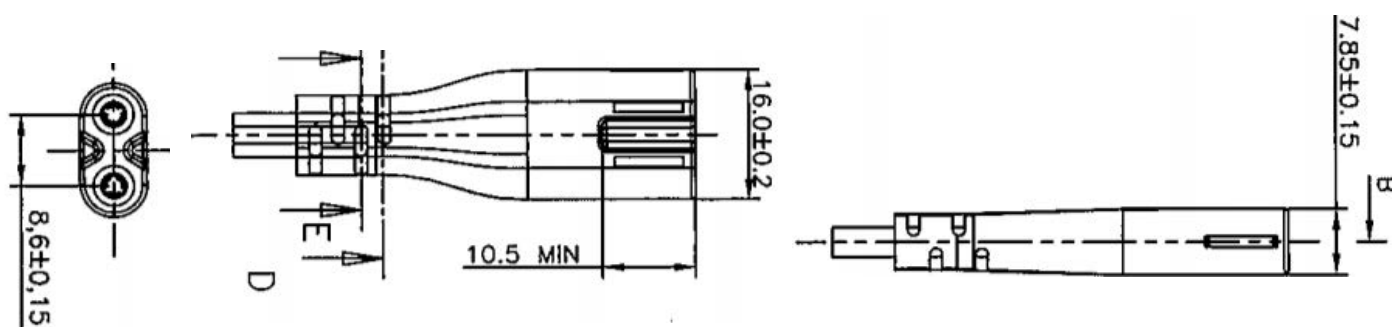


Cable Type	Size (mm ²)	Rated Current	Safety Approval
60227 IEC 52 (RVV) 300/300 (Flat)	2 x 0.50*	2.5A, 250V	CCC
60227 IEC 52 (RVV) 300/300 (Flat)	2 x 0.75	2.5A, 250V	
60227 IEC 53 (RVV) 300/500 (Flat)	2 x 0.75	2.5A, 250V	
H03VVH2-F	2 x 0.50*	2.5A, 250V	ENEC
H03VVH2-F	2 x 0.75	2.5A, 250V	
H05VVH2-F	2 x 0.75	2.5A, 250V	
60227 KS IEC 52 (H03VVH2-F)	2 x 0.75	2.5A, 250V	KC
60227 KS IEC 52	2 x 0.50*	2.5A, 250V	
V-75, 250/250 V, Light Duty (Flat)	2 x 0.50*	2.5A, 250V	SAA
H03VVH2-F	2 x 0.50*	2.5A, 250V	
V-75, 250/250 V, Light Duty (Flat) H03VVH2-F	2 x 0.75	2.5A, 250V	
V-75, 250/440 V, Ordinary Duty (Flat) H05VVH2-F	2 x 0.75	2.5A, 250V	
VFF	2 x 0.75	7A, 125V	PSE
HVFF	2 x 0.75	7A, 125V	
VCTFK	2 x 0.75	7A, 125V	
227 IEC 52 (Flat)	2 x 0.75	7A, 125V	PSE, BMSI
		2.5A, 250V	
SPT-2 + VFF	2 x AWG 18 +	7A, 125V	UL+PSE
	2 x 0.75		
NISPT-2 + VCTFK	2 x AWG 18 +	7A, 125V	
	2 x 0.75		
SPT-1	2 x AWG 18	7A, 125V / 250V	UL, c-UL
SPT-2	2 x AWG 18	7A, 125V / 250V	
NISPT-1	2 x AWG 18	7A, 125V / 250V	
NISPT-2	2 x AWG 18	7A, 125V / 250V	

CONNECTORS IEC STD.C7 (CONT...)

Remarks

- 1). * Cable length limit to 2 meters.
- 2). VNBC7S with yellow full-insertion indicators are also available.



CONNECTORS IEC STD.C7

Cat. No.	VAC7S
Desc.	2-pole Straight Connector
Std.	AS/NZS 3109.1 GB17465.1 JIS C 8358 & JIS C8306, under Ordinance 1 J60320-1 (IEC-J), under Ordinance 2 K60320-1 IEC 60320-1, Standard Sheet C7 EN 60320-1, Std Sheet C7 by A.S.T.A. UL 60320-1 , CSA STD C22.2 No. 60320-1-11 IEC 60799 GB15934 K60799 SANS 60799, CNS10917, CNS109717-3, IEC60320-1

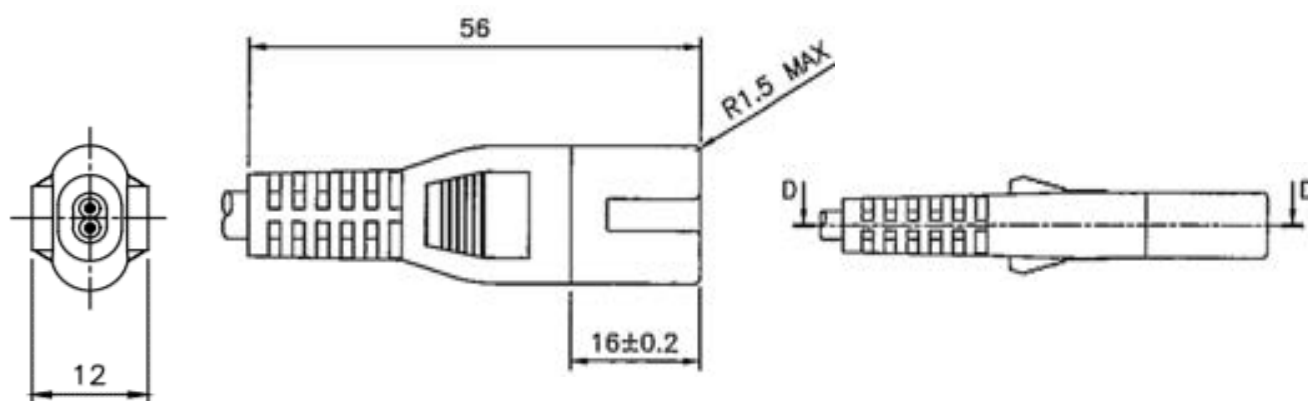


Cable Type	Size (mm ²)	Rated Current	Safety Approval
60227 IEC 52 (H03VVH2-F)	2 x 0.75	2.5A, 250V	INMETRO
60227 IEC 52 (RVV) 300/300 (Round)	2 x 0.75	2.5A, 250V	CCC
HVCTFK	2 x 0.75	7A, 125V	BSMI
VCTFK	2 x 0.75	7A, 125V	
60227 KS IEC 52 (H03VVH2-F)	2 x 0.50*	2.5A, 250V	KC
60227 KS IEC 52 (H03VVH2-F)	2 x 0.75	2.5A, 250V	
H03VVH2-F	2 x 0.50*	2.5A, 250V	ENEC - KEMA, ASTA
H03VVH2-F	2 x 0.75	2.5A, 250V	ENEC- KEMA, CEBEC, DEMKO, FIMKO, NEMKO, SEMKO, SEV, OVE, VDE, IMQ, LCIE, ASTA, IRAM, SABS
H05VVH2-F	2 x 0.75	2.5A, 250V	ENEC- KEMA, CEBEC, DEMKO, FIMKO, NEMKO, SEMKO, SEV, OVE, VDE, IMQ
NISPT-2 + VCTFK	2 x AWG 18 +	7A, 125V	UL/CSA + PSE + BSMI
	2 x 0.75		
SPT-2 + VFF	2 x AWG 18 +	7A, 125V	
	2 x 0.75		
H03VVH2-F	2 x 0.75	2.5A, 250V	ASTA, CCC, ENEC, INMETRO

Remarks:

* Cable length limit to 2 meters.

CONNECTORS IEC STD.C7 (CONT...)



CONNECTORS IEC STD.C7

Cat. No.	VAC7A
Desc.	2-pole Right-Angled Connector
Std.	AS/NZS 3109.1 GB17465.1 JIS C 8358 & JIS C8306, under Ordinance 1 J60320-1 (IEC-J), under Ordinance 2 K60320-1 IEC 60320-1, Standard Sheet C7 EN 60320-1, Std Sheet C7 by A.S.T.A. UL 60320-1 , CSA STD C22.2 No. 60320-1-11 IEC 60799 GB15934 K60799 CNS10917, CNS109717-3, IEC60320-1



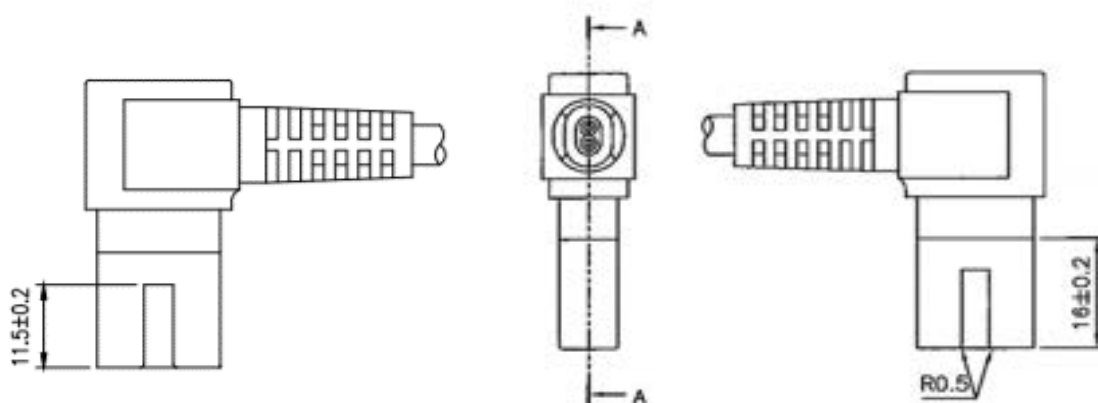
Cable Type	Size (mm ²)	Rated Current	Safety Approval
V-75, 250/250 V, Light Duty (Flat) (H03VVH2-F)	2 x 0.75	2.5A, 250V	SAA
60227 IEC 52 (H03VVH2-F)	2 x 0.75	2.5A, 250V	INMETRO
60227 IEC 52 (RVV) 300/300 (Flat)	2 x 0.50*	2.5A, 250V	CCC
60227 IEC 52 (RVV) 300/300 (Flat)	2 x 0.75	2.5A, 250V	
60227 IEC 53 (RVV) 300/500 (Flat)	2 x 0.75	2.5A, 250V	PSE
IEC-J 52 (H03VVH2-F)	2 x 0.75	7A, 125V	
IEC-J 53 (H05VVH2-F)	2 x 0.75	7A, 125V	
PSE IEC 52	2 x 0.75	7A, 125V	
IEC-J 53	2 x 0.75	7A, 125V	
HVFF	2 x 0.75	7A, 125V	
HVCTFK	2 x 0.75	7A, 125V	
VFF	2 x 0.75	7A, 125V	PSE, BSMI
VCTFK	2 x 0.75	7A, 125V	
60227 KS IEC 52 (H03VVH2-F)	2 x 0.50*	2.5A, 250V	KC
60227 KS IEC 52 (H03VVH2-F)	2 x 0.75	2.5A, 250V	
H03VVH2-F	2 x 0.50*	2.5A, 250V	ENEC - KEMA, ASTA
H03VVH2-F	2 x 0.75	2.5A, 250V	ENEC- KEMA, CEPEC, DEMKO, FIMKO, NEMKO, SEMKO, SEV, OVE, VDE, IMQ, LCIE, ASTA, IRAM, SABS

CONNECTORS IEC STD.C7 (CONT...)

Cable Type	Size (mm ²)	Rated Current	Safety Approval
SPT-1	2 x AWG 18	7A, 125V	UL/C-UL, CSA
SPT-2	2 x AWG 18	7A, 125V	
NISPT-2	2 x AWG 18	7A, 125V	

Remarks:

* Cable length limit to 2 meters.



CONNECTORS IEC STD.C7

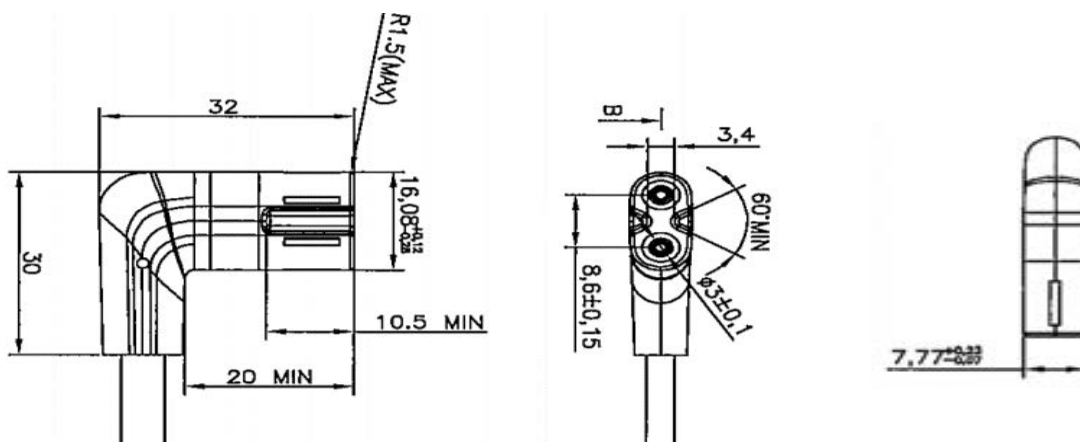
Cat. No. VNC7A
Desc. 2-Pole Right-Angled Connector
Std. EN/IEC 60320-1 Standard Sheet C7
 GB17465.1
 JIS C8358, JIS C8306 (Under Ordinance I)
 UL 60320-1 , CSA STD C22.2 No. 60320-1-11



Cable Type	Size (mm ²)	Rated Current	Safety Approval
H03VVH2-F	2 x 0.50*	2.5A, 250V	ENEC-KEMA
H03VVH2-F	2 x 0.75	2.5A, 250V	
NISPT-2	2 x AWG 18	7A, 125V/ 250V	UL/C-UL, CSA
RVV 300/300	2 x 0.50*	2.5A, 250V	CCC
RVV 300/300	2 x 0.75	2.5A, 250V	
VFF	2 x 0.75	7A, 125V/ 250V	PSE
VCTFK	2 x 0.75	7A, 125V/ 250V	

Remarks

* Cable length limit to 2 meters.

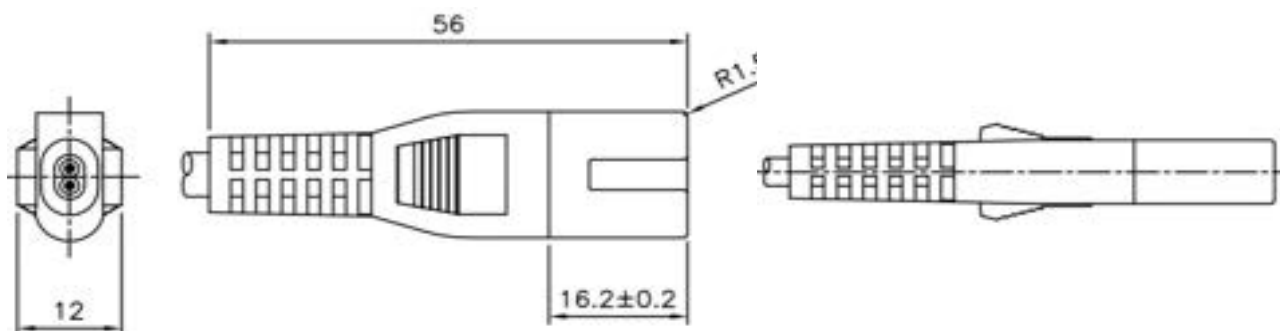


CONNECTORS IEC STD.C7

Cat. No. VAC7PS
Desc. 2-pole Double-insulated Straight and Polarised Connector
Std. JIS C 8358 & JIS C8306, under Ordinance 1
 UL 60320-1 , CSA STD C22.2 No. 60320-1-11



Cable Type	Size (mm ²)	Rated Current	Safety Approval
HVFF	2 x 0.75	7A, 125V	PSE
HVCTFK	2 x 0.75	7A, 125V	
VFF	2 x 0.75	7A, 125V	
VCTFK	2 x 0.75	7A, 125V	
SPT-1	2 x AWG 18	7A, 125V	UL/C-UL, CSA
SPT-2	2 x AWG 18	7A, 125V	
NISPT-2	2 x AWG 18	7A, 125V	



WORLD WIDE CONNECTORS IEC STD.C13

Cat. No. VNBC13S
Desc. 3-pole Straight Connector
Std. GB17465.1 / GB15934
 IEC/EN 60320-1 - Standard Sheet C13
 (Ordinance
 AS/NZS 60320.1 Standard Sheet C13
 K60320-1 / K60799
 UL 60320-1 , CSA STD C22.2 No. 60320-1-11



Cable Type	Size (mm ²)	Rated Current	Safety Approval
60227 IEC 53 (RVV) 300/500 (Round)	3 x 0.75*	10A, 250V	CCC
60227 IEC 53 (RVV) 300/500 (Round)	3 x 1.00	10A, 250V	
H05VV-F	3 x 0.75*	10A, 250V	ENEC
H05VV-F	3 x 1.00	10A, 250V	
H05VV-F	3 x 1.50	10A, 250V	PSE
VCTF	2 x 0.75*	7A, 125V	
HVCTF	2 x 0.75*	7A, 125V	
VFF	2 x 0.75*	7A, 125V	
VCTFK	2 x 0.75*	7A, 125V	
HVCTFK	2 x 0.75*	7A, 125V	
PSE IEC 52 (Flat)	2 x 0.75*	7A, 125V	
HVFF	2 x 0.75*	7A, 125V	
VFF	2 x 1.25	12A, 125V	
VCTFK	2 x 1.25	12A, 125V	
VCTF	2 x 1.25	12A, 125V	
HVCTF	2 x 1.25	12A, 125V	
VCTF	2 x 2.00	15A, 125V	
227 IEC 53	3 x 0.75*	7A, 125V	
	3 x 0.75*	10A, 250V	
VCTF	3 x 0.75*	7A, 125V	
HVCTF	3 x 0.75*	7A, 125V	
227 IEC 53	3 x 1.00	10A, 250V	
HVCTF	3 x 1.25	12A, 125V/250V	
VCTF	3 x 1.25	12A, 125V/250V	

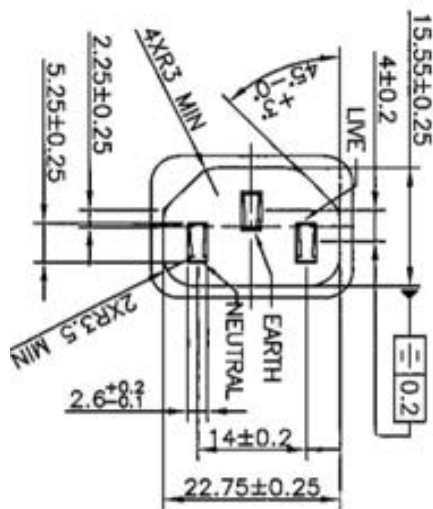
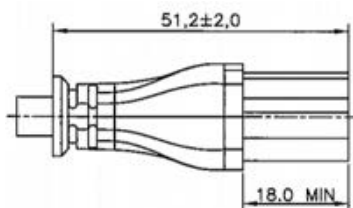
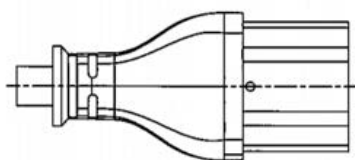
CONNECTORS IEC STD.C13 (CONT...)

Cable Type	Size (mm ²)	Rated Current	Safety Approval
VCTF	3 x 2.00	10A, 250V	PSE
		15A, 125V/250V	
HVCTF	3 x 2.00	10A, 250V	
		15A, 125V/250V	
V-75, 250/440 V, Ordinary Duty (Circular) (H05VV-F)	3 x 0.75*	10A, 250V	SAA
V-75, 250/440 V, Ordinary Duty (Circular) (H05VV-F)	3 x 1.00	10A, 250V	
V-75, 250/440 V, Ordinary Duty (Circular) (H05VV-F)	3 x 1.50	10A, 250V	
60227 KS IEC 53 (H05VV-F)	3 x 0.75*	10A, 250V	KC
60227 KS IEC 53 (H05VV-F)	3 x 1.00	10A, 250V	
SJT	3 x AWG 16	13A, 125V/250V	UL/C-UL
SJT Shielded	3 x AWG 16	13A, 125V/250V	
SVT	3 x AWG 16	13A, 125V/250V	
SJTW	3 x AWG 16	13A, 125V/250V	
SJTOW	3 x AWG 16	13A, 125V/250V	
SJTOOW	3 x AWG 16	13A, 125V/250V	
SJTO	3 x AWG 16	13A, 125V/250V	
SJTOO	3 x AWG 16	13A, 125V/250V	
SJT	3 x AWG 17	12A, 125V/250V	
SJT	3 x AWG 18	10A, 125V/250V	
SJT Shielded	3 x AWG 18	10A, 125V/250V	
SJTO	3 x AWG 18	10A, 125V/250V	
SJTOO	3 x AWG 18	10A, 125V/250V	
SJTW	3 x AWG 18	10A, 125V/250V	
SJTOW	3 x AWG 18	10A, 125V/250V	
SJTOOW	3 x AWG 18	10A, 125V/250V	
SVT	3 x AWG 18	10A, 125V/250V	
SVT Shielded	3 x AWG 18	10A, 125V/250V	
SPT-2	3 x AWG 18	10A, 125V/250V	

Remarks

* Cable length limit to 2 meters.

CONNECTORS IEC STD.C13 (CONT...)



CONNECTORS IEC STD.C13



Cat. No.	V1625
Desc.	3-pole Straight Connector
Std.	AS/NZS 60320-1 IEC 60320-1, Standard Sheet C13 GB17465.1 J60320-1 (IEC-J), under Ordinance 2 JIS C 8358 & JIS C8306, under Ordinance 1 K60320-1 BS 4491-1 EN 60320-1:1994 Std Sheet C13 by A.S.T.A. UL 60320-1 , CSA STD C22.2 No. 60320-1-11 IEC 60799 GB15934 K60799 SANS 60799 CNS10917, CNS109717-3, IEC60320-1

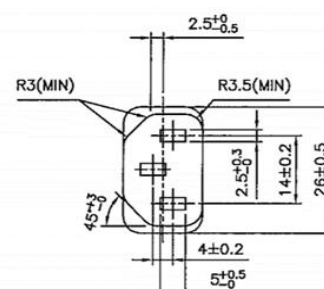
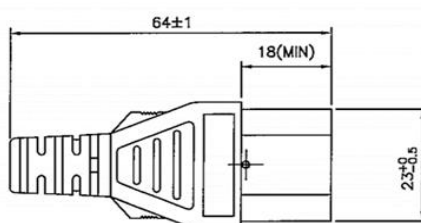
Cable Type	Size (mm ²)	Rated Current	Safety Approval
RD 7056 (Raydex)	3 x 1.00	10A, 250V	SAA, ASTA
NBR 13249 / 00 Cabo Flexivel PP, 750V(Round)	3 x 0.75*	10A, 250V	INMETRO
60227 IEC 53 H05VV-F	3 x 0.75*	10A, 250V	
60227 IEC 53 H05VV-F	3 x 1.00	10A, 250V	
60227 IEC 53 (RVV) 300/500 (Round)	3 x 0.75*	10A, 250V	CCC
60227 IEC 53 (RVV) 300/500 (Round)	3 x 1.00	10A, 250V	
H05VV-F	3 x 0.75*	10A, 250V	ENEC- KEMA, CEBEC, DEMKO, FIMKO, NEMKO, SEMKO, SEV, OVE, VDE, IMQ, SNI, ASTA, IRAM, SABS, EAC
H05VV-F	3 x 1.00	10A, 250V	
(H)05VV-F(Screened)	3 x 1.00	10A, 250V	ENEC- KEMA, CEBEC, DEMKO, FIMKO,
05VV-F Screened (Al-Mylar)	3 x 1.00	10A, 250V	NEMKO, SEMKO, SEV, OVE, VDE, SAA, ASTA

CONNECTORS IEC STD.C13 (CONT...)

Cable Type	Size (mm ²)	Rated Current	Safety Approval
H05VV-F	3 x 1.00	10A, 250V	ASTA
H05VV-F	3 x 0.75*	10A, 250V	
HVCTF	3 x 1.25	10A/13A, 125V	BSMI
VCTF	3 x 1.25	10A, 125V/250V	
60227 KS IEC 53 (H05VV-F)	3 x 0.75*	10A, 250V	KC
60227 KS IEC 53 (H05VV-F)	3 x 1.00	10A, 250V	
PNCTF	3 x 0.75*	7A, 125V	PSE
HVCTF (AL/MY)	3 x 0.75*	7A, 125V	
IEC-J 53	3 x 1.0	10A, 250V	
HHFF	2 x 0.75*	7A, 125V	
PSE IEC 53	2 x 0.75*	7A, 125V	
VCTF	2 x 0.75*	7A, 125V	
HVCTF Shielded	3 x 0.75*	7A, 125V	
PNCTF	3 x 1.25	15A, 125V/250V	
HVCTF	2 x 2.00	15A, 125V/250V	
VCTF	3 x 0.75*	7A, 125V	
HVCTF	3 x 0.75*	7A, 125V	
HVCTF	3 x 1.25	12A, 125V	
VCTF	3 x 1.25	12A, 125V/250V	
VCTK	3 x 2.00	15A, 125V/250V	
SVT Shielded	3 x AWG 16	13A, 125V	
SVTO	3 x AWG 18	10A, 125V	UL/C-UL, CSA
SVTOO	3 x AWG 18	10A, 125V	
SJT + VCTF	3 x AWG 18 +	7A, 125V	UL/CSA + PSE
	3 x 0.75 *		

Remarks:

* Cable length limit to 2 meters.



CONNECTORS IEC STD.C13

Cat. No.	V1625A
Desc.	3-pole Right-Angled Connector
Std.	AS/NZS 60320-1 IEC 60320-1, Standard Sheet C13 GB17465.1 J60320-1 (IEC-J), under Ordinance 2 JIS C 8358 & JIS C8306, under Ordinance 1 K60320-1 BS 4491-1 EN 60320-1:1994 Std Sheet C13 by A.S.T.A. UL 60320-1 , CSA STD C22.2 No. 60320-1-11 IEC 60799 GB15934 K60799 CNS10917, CNS109717-3, IEC60320-1



Cable Type	Size (mm ²)	Rated Current	Safety Approval
V-75, 250/440 V, Ordinary Duty (Circular) (H05VV-F)	3 x 0.75*	10A, 250V	SAA
V-75, 250/440 V, Ordinary Duty (Circular) (H05VV-F)	3 x 1.00	10A, 250V	
RD 7056 (Raydex)	3 x 1.00	10A, 250V	SAA, ASTA
60227 IEC 53 H05VV-F	3 x 0.75*	10A, 250V	INMETRO
NBR 13249 / 00 Cabo Flexivel	3 x 0.75*	10A, 250V	
60227 IEC 53 H05VV-F	3 x 1.00	10A, 250V	
60227 IEC 53 (RVV) 300/500 (Round)	3 x 0.75*	10A, 250V	CCC
60227 IEC 53 (RVV) 300/500 (Round)	3 x 1.00	10A, 250V	
H05VV-F	3 x 0.75*	10A, 250V	ENEC- KEMA, CEBEC, DEMKO, FIMKO, NEMKO, SEMKO, SEV, OVE, VDE, IMQ, SNI, ASTA, IRAM
H05VV-F	3 x 1.00	10A, 250V	

CONNECTORS IEC STD.C13 (CONT...)

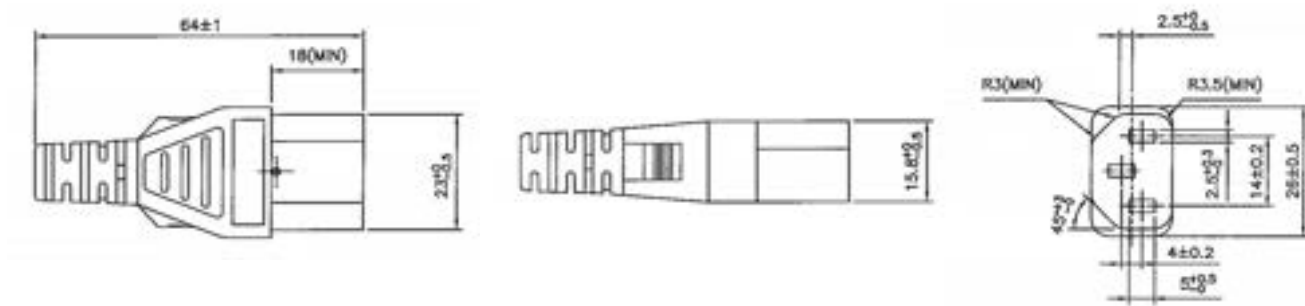
Cable Type	Size (mm ²)	Rated Current	Safety Approval
(H)05VV-F(Screened)	3 x 1.00	10A, 250V	ENEC- KEMA, CEPEC, DEMKO, FIMKO, NEMKO, SEMKO, SEV, OVE, VDE, SAA, ASTA
05VV-F Screened (Al-Mylar)	3 x 1.00	10A, 250V	
VCTF	2 x 0.75*	7A, 125V	PSE
VCTFK	2 x 0.75*	7A, 125V	
VCTK	2 x 2.00	15A, 125V/250V	
PSE IEC 53	3 x 0.75*	7A, 250V	
PSE IEC 53	3 x 1.00	10A, 250V	
IEC-J 227 IEC 53	3 x 1.00	10A, 125V	
VCTF	3 x 1.25	12A, 250V	
HVCTF	3 x 1.25	12A, 125V/250V	
VCTF	3 x 2.00	15A, 125V/250V	
VCTF	3 x 0.75*	7A, 125V	
HVCTF	3 x 0.75	7A, 125V	
VCTF	3 x 1.25	10A, 125V/250V	BSMI
HVCTF	3 x 1.25	10A/13A, 125V	
60227 KS IEC 53 (H05VV-F)	3 x 0.75*	10A, 250V	KC
60227 KS IEC 53 (H05VV-F)	3 x 1.00	10A, 250V	
SJT Shielded	3 x AWG 16	13A, 125V	UL/C-UL, CSA
SJT	3 x AWG 16	13A, 125V	
SVT	3 x AWG 16	13A, 125V	
SVT Shielded	3 x AWG 16	13A, 125V	
SJT	3 x AWG 18	10A, 125V	
SJT Shielded	3 x AWG 18	10A, 125V	
SJTO	3 x AWG 18	10A, 125V	
SJTOO	3 x AWG 18	10A, 125V	
SJTW	3 x AWG 18	10A, 125V	
SJTOW	3 x AWG 18	10A, 125V	
SJTOOW	3 x AWG 18	10A, 125V	
SVT	3 x AWG 18	10A, 125V	
SVT Shielded	3 x AWG 18	10A, 125V	
SVTO	3 x AWG 18	10A, 125V	

CONNECTORS IEC STD.C13 (CONT...)

Cable Type	Size (mm ²)	Rated Current	Safety Approval
SVT00	3 x AWG 18	10A, 125V	UL/C-UL, CSA

Remarks:

* Cable length limit to 2 meters.



CONNECTORS IEC STD.C13

Cat. No.	VNC13A
Desc.	3-Pole Angled Connector
Std.	IEC 60320-1, EN 60320-1 - C13 GB17465.1-2009 UL 60320-1 , CSA STD C22.2 No. 60320-1-11 JIS C8358, JIS C8306 (Under Ordinance I) AS/NZS 60320.1 (STANDARD SHEET C13)

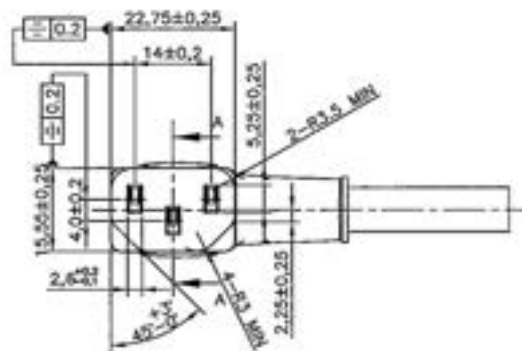
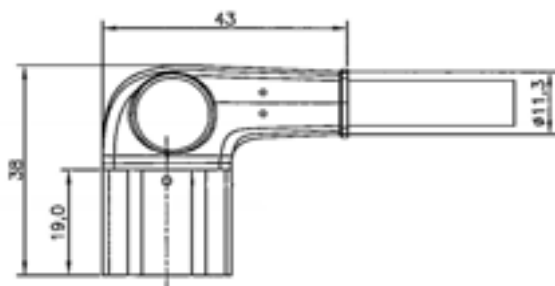


Cable Type	Size (mm ²)	Rated Current	Safety Approval
H05VV-F	3 x 0.75*	10A, 250V	ENEC-KEMA
H05VV-F	3 x 1.00	10A, 250V	
H05VV-F	3 x 1.50	10A, 250V	
RVV 300/500 IEC 53	3 x 0.75*	10A, 250V	CCC
RVV 300/500 IEC 53	3 x 1.00	10A, 250V	
RVV 300/300 IEC 53	3 x 0.75*	10A, 250V	
VCTF	3 x 0.75*	7A, 125V	PSE
VCTF	3 x 1.25	12A, 125V	
VCTF	3 x 2.00	15A, 125V	
SVT	3 x AWG 18	10A, 125V/250V	UL/CUL, CSA
SJT	3 x AWG 18	10A, 125V/250V	
SJT	3 x AWG 16	13A, 125V/250V	
SJT	3 x AWG 17	12A, 125V/250V	
V-75, 250/440 V, Ordinary Duty (Circular) (H05VV-F)	3 x 0.75*	10A, 250V	SAA
V-75, 250/440 V, Ordinary Duty (Circular) (H05VV-F)	3 x 1.00	10A, 250V	
V-75, 250/440 V, Ordinary Duty (Circular) (H05VV-F)	3 x 1.50	10A, 250V	

Remarks

* Cable length limit to 2 meters.

CONNECTORS IEC STD.C13 (CONT...)



CONNECTORS IEC STD.C13

Cat. No.	V1625LA
Desc.	3-pole Left-Angled Connector
Std.	AS/NZS 3109.1 (STANDARD SHEET C13) IEC 60320-1, Standard Sheet C13 GB17465.1 JIS C 8358 & JIS C8306, under Ordinance 1 K60320-1 BS 4491-1 EN 60320-1:1994 Std Sheet C13 by A.S.T.A. UL 60320-1 , CSA STD C22.2 No. 60320-1-11 IEC 60799 GB15934 K60799 CNS10917, CNS109717-3, IEC60320-1



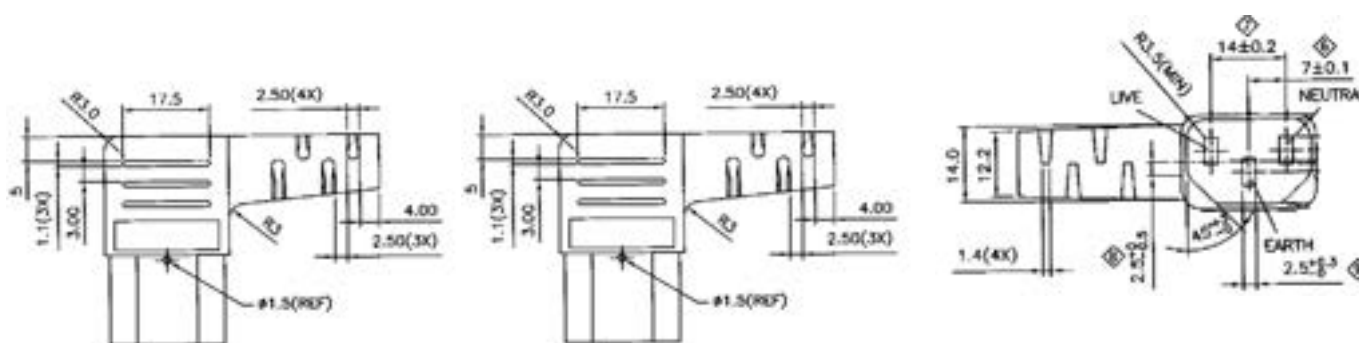
Cable Type	Size (mm ²)	Rated Current	Safety Approval
V-75, 250/440 V, Ordinary Duty (Circular) (H05VV-F)	3 x 1.00	10A, 250V	SAA
60227 IEC 53 (RVV) 300/500 (Round)	3 x 0.75*	10A, 250V	CCC
60227 IEC 53 (RVV) 300/500 (Round)	3 x 1.00	10A, 250V	
60227 IEC 53 (RVV) 300/500 (Round)	3 x 1.50	10A, 250V	
H05VV-F	3 x 0.75*	10A, 250V	DEMKO, IRAM
H05VV-F	3 x 1.00	10A, 250V	DEMKO, ASTA, IRAM
H05VV-F	3 x 1.50	10A, 250V	DEMKO
VCTF	3 x 0.75*	7A, 125V	PSE
HVCTF	3 x 0.75*	7A, 125V	
IEC-J 227 IEC 53	3 x 0.75*	7A, 125V	
VCTF	3 x 1.25	12A, 125V	
HVCTF	3 x 1.25	12A, 125V	
VCTF	3 x 2.00	15A, 125V	
HVCTF	3 x 1.25	13A, 125V	BSMI
60227 KS IEC 53 (H05VV-F)	3 x 1.00	10A, 250V	KC
SJT	3 x AWG 14	15A, 125V	UL/C-UL, CSA
SJT	3 x AWG 16	15A, 125V	

CONNECTORS IEC STD.C13 (CONT...)

Cable Type	Size (mm ²)	Rated Current	Safety Approval
SJT	3 x AWG 17	12A, 125V	UL/C-UL, CSA
SJT	3 x AWG 18	10A, 125V	
SJT Shielded	3 x AWG 16	13A, 125V	
SJT Shielded	3 x AWG 18	10A, 125V	
SJTO	3 x AWG 18	10A, 125V	
SJTOO	3 x AWG 18	10A, 125V	
SJTW	3 x AWG 18	10A, 125V	
SJTOW	3 x AWG 18	10A, 125V	
SJTOOW	3 x AWG 18	10A, 125V	
SVT	3 x AWG 16	13A, 125V	
SVT Shielded	3 x AWG 16	13A, 125V	
SVT	3 x AWG 18	10A, 125V	
SVT Shielded	3 x AWG 18	10A, 125V	
SVTO	3 x AWG 18	10A, 125V	
SVTOO	3 x AWG 18	10A, 125V	
SPT-2	3 x AWG 18	10A, 125V	

Remarks:

* Cable length limit to 2 meters.

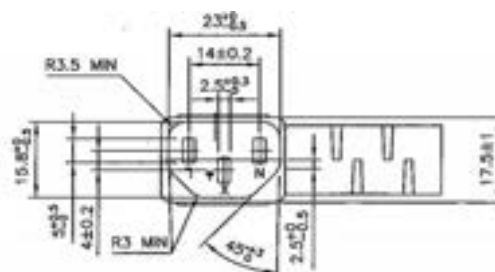
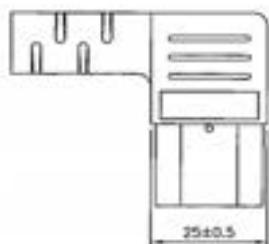
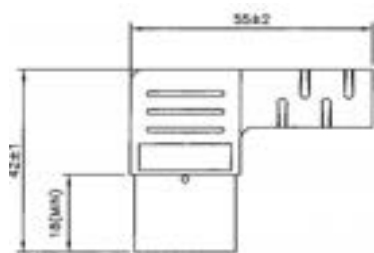


CONNECTORS IEC STD.C13

Cat. No. V1625BA
Desc. 3-pole Right-Angled Connector For Larger Cable Size
Std. UL 60320-1 , CSA STD C22.2 No. 60320-1-11
 IEC 60320-1, EN 60320-1 - C13



Cable Type	Size (mm ²)	Rated Current	Safety Approval
ST	3 x AWG 16	13A, 125V	UL/C-UL, CSA
STW	3 x AWG 16	13A, 125V	
SJT	3 x AWG 16	13A, 125V	
SJTO	3 x AWG 16	13A, 125V	CSA
SJTOO	3 x AWG 16	13A, 125V	
SJTW	3 x AWG 16	13A, 125V	
SJTOW	3 x AWG 16	13A, 125V	
SJTOOW	3 x AWG 16	13A, 125V	
SJT	3 x AWG 14	15A, 125V	
SJT Shielded	3 x AWG 14	15A, 125V	
SJTO	3 x AWG 14	15A, 125V	UL/C-UL, CSA
SJTOO	3 x AWG 14	15A, 125V	
SJTW	3 x AWG 14	15A, 125V	
SJTOW	3 x AWG 14	15A, 125V	
SJTOOW	3 x AWG 14	15A, 125V	
ST	3 x AWG 14	15A, 125V	
STW	3 x AWG 14	15A, 125V	
H05VV-F	3 x 1.50	10A, 250V	ENEC

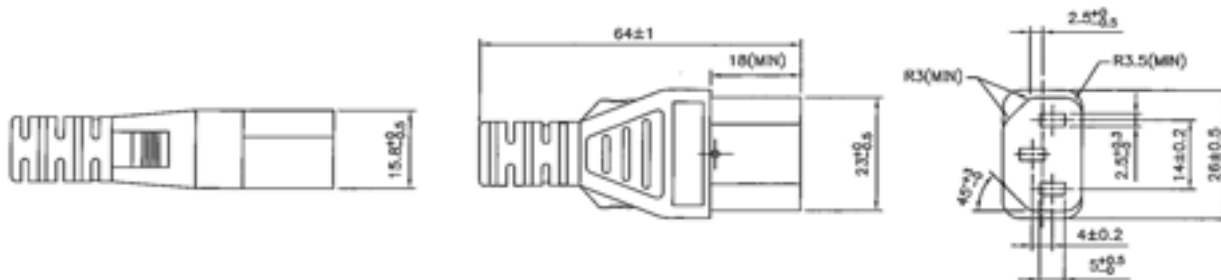


CONNECTORS IEC STD.C13

Cat. No.	V1625BS
Desc.	3-pole Straight Connector For Larger Cable Size
Std.	AS/NZS 3109.1 (STANDARD SHEET C13) IEC 60320-1, Standard Sheet C13 GB17465.1 JIS C 8358 & JIS C8306, under Ordinance 1 EN 60320-1 UL 60320-1 , CSA STD C22.2 No. 60320-1-11 IEC 60799 CNS10917, CNS109717-3, IEC60320-1



Cable Type	Size (mm ²)	Rated Current	Safety Approval
60227 IEC 53 (RVV) 300/500 (Round)	3 x 1.50	10A, 250V	CCC
H05VV-F	3 x 1.50	10A, 250V	KEMA, SNI
VCTF	3 x 2.00	15A, 125V	BSMI
SJTW Shielded	3 x AWG 16	13A, 125V	UL/C-UL, CSA
SJT	3 x AWG 14	15A, 125V	
SJT Shielded	3 x AWG 14	15A, 125V	
SJTW	3 x AWG 14	15A, 125V	
SJTO	3 x AWG 14	15A, 125V	
SJTOO	3 x AWG 14	15A, 125V	
SJTOW	3 x AWG 14	15A, 125V	
SJTOOW	3 x AWG 14	15A, 125V	



CONNECTORS IEC STD.C13

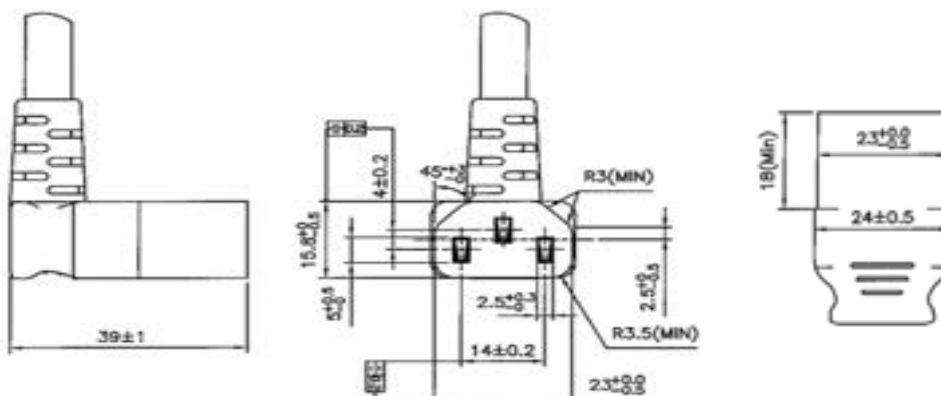
Cat. No. VAC13AU
Desc. 3-pole Up-Angled Connector
Std. GB17465.1
 JIS C 8358 & JIS C8306, under Ordinance 1
 UL 60320-1 , CSA STD C22.2 No. 60320-1-11



Cable Type	Size (mm ²)	Rated Current	Safety Approval
60227 IEC 53 (RVV) 300/500 (Round)	3 x 0.75*	10A, 250V	CCC
60227 IEC 53 (RVV) 300/500 (Round)	3 x 1.00	10A, 250V	
VCTF	3 x 1.25	12A, 125V	PSE
SJT	3 x AWG 18	10A, 250V	UL/C-UL, CSA
SJT Shielded	3 x AWG 18	10A, 250V	

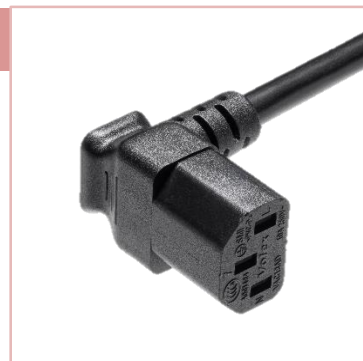
Remarks:

* Cable length limit to 2 meters.

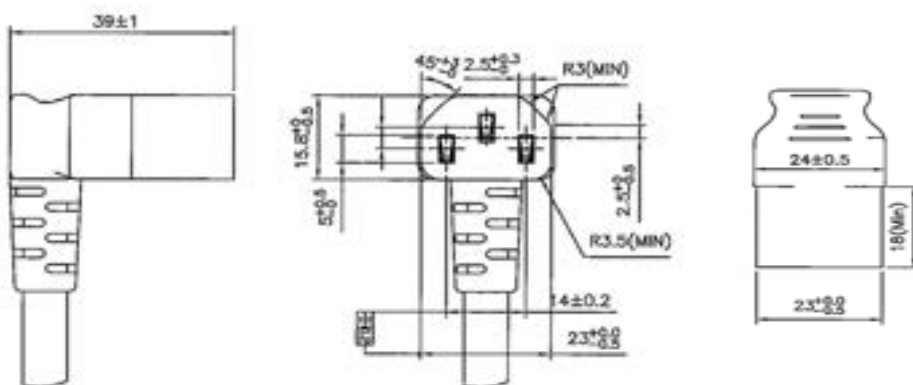


CONNECTORS IEC STD.C13

Cat. No. VAC13AD
Desc. 3-pole Down-Angled Connector
Std. GB17465.1
 IEC 60320-1, EN 60320-1 - C13
 JIS C 8358 & JIS C8306, under Ordinance 1
 UL 60320-1 , CSA STD C22.2 No. 60320-1-11
 IEC 60799



Cable Type	Size (mm ²)	Rated Current	Safety Approval
60227 IEC 53 (RVV) 300/500 (Round)	3 x 1.00	10A, 125V/250V	CCC
60227 IEC 53 H05VV-F	3 x 1.00	10A, 125V/250V	INMETRO
H05VV-F	3 x 1.00	10A, 125V/250V	ENEC - KEMA, IRAM
VCTF	3 x 1.25	12A, 125V/250V	PSE
SJT	3 x AWG 18	10A, 125V/250V	UL/C-UL, CSA
SJT Shielded	3 x AWG 18	10A, 125V/250V	
SJT	3 x AWG 16	13A, 125V/250V	



CONNECTORS IEC STD.C15

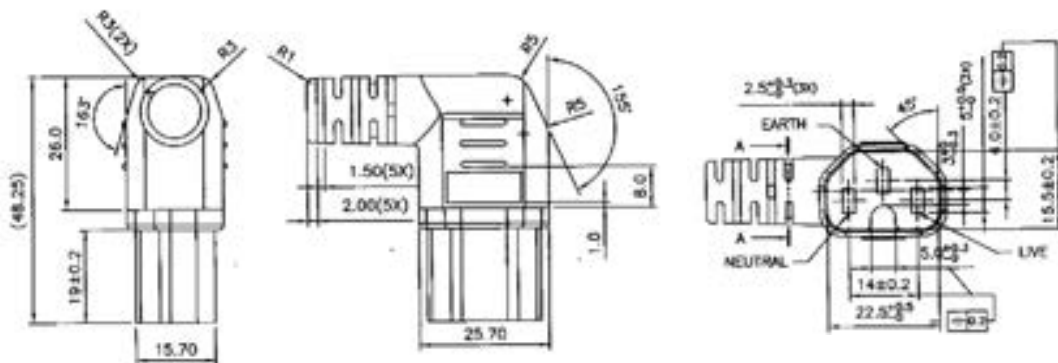
Cat. No. VAC15A
Desc. 3-pole Right-Angled Hot Connector
Std. GB17465.1
 UL 60320-1 , CSA STD C22.2 No. 60320-1-11
 CNS10917, CNS109717-3, IEC60320-1
 GB15934



Cable Type	Size (mm ²)	Rated Current	Safety Approval
60245 IEC 53 (YZ)	3 x 1.00	10A, 250V	CCC
60245 IEC 57 (YZW)	3 x 1.00	10A, 250V	
H05RR-F	3 x 1.00	10A, 250V	
SJT	3 x AWG 16	13A, 125V	UL/C-UL, CSA
SJT	3 x AWG 14	16A, 125V	
SJTW	3 x AWG 16	13A, 125V	CSA
SJTW	3 x AWG 14	16A, 125V	
PNCTF	3 x 0.75*	7A, 125V	BSMI
PNCTF	3 x 1.25	10A, 125V	

Remarks

* Cable length limit to 2 meters.



CONNECTORS IEC STD.C15

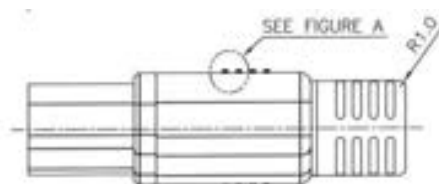
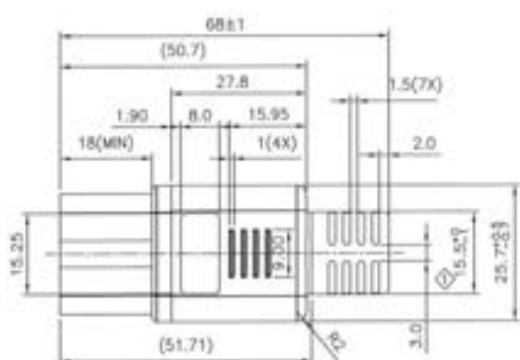
Cat. No. VAC15BS
Desc. 3-pole Straight Hot-Conditions Connector
Std. JIS C 8358 & JIS C8306, under Ordinance 1
 UL 60320-1 , CSA STD C22.2 No. 60320-1-11
 CNS10917, CNS109717-3, IEC60320-1



Cable Type	Size (mm ²)	Rated Current	Safety Approval
VCTF	3 x 1.25	12A, 125V	PSE
VCTF	3 x 2.00	15A, 125V	
PNCTF	3 x 0.75*	7A / 125V	BSMI
PNCTF	3 x 1.25	10A, 125V	
PNCTF	3 x 2.00	15A, 125V	
SJ	3 x AWG 18	10A, 125V	UL/C-UL,CSA
SJT + VCTF	3 x AWG 16 +	12A, 250V	UL/CSA + PSE
	3 x 1.25		
SJ	3 x AWG 16	13A, 125V	CSA
SJ	3 x AWG 14	15A, 125V	
SJT	3 x AWG 18	10A, 125V	UL/C-UL,CSA
SJT	3 x AWG 16	13A, 125V	
SJT	3 x AWG 14	15A, 125V	
SJTO	3 x AWG 18	10A, 125V	
SJTO	3 x AWG 16	13A, 125V	
SJTO	3 x AWG 14	15A, 125V	
SJTOO	3 x AWG 18	10A, 125V	
SJTOO	3 x AWG 16	13A, 125V	
SJTOO	3 x AWG 14	15A, 125V	
SJTW	3 x AWG 18	10A, 125V	
SJTW	3 x AWG 16	13A, 125V	
SJTW	3 x AWG 14	15A, 125V	
SJTOW	3 x AWG 18	10A, 125V	
SJTOW	3 x AWG 16	13A, 125V	
SJTOW	3 x AWG 14	15A, 125V	
SJTOOW	3 x AWG 18	10A, 125V	
SJTOOW	3 x AWG 16	13A, 125V	
SJTOOW	3 x AWG 14	15A, 125V	

CONNECTORS IEC STD.C15 (CONT...)

Cable Type	Size	Rated Current	Safety Approval
STO	3 x AWG 16	13A, 125V	UL/C-UL
STO	3 x AWG 14	15A, 125V	
STOO	3 x AWG 18	10A, 125V	
STOO	3 x AWG 16	13A, 125V	
STOO	3 x AWG 14	15A, 125V	
STW	3 x AWG 18	10A, 125V	
STW	3 x AWG 16	13A, 125V	
STW	3 x AWG 14	15A, 125V	
STOW	3 x AWG 18	10A, 125V	
STOW	3 x AWG 16	13A, 125V	
STOW	3 x AWG 14	15A, 125V	
STOOW	3 x AWG 18	10A, 125V	
STOOW	3 x AWG 16	13A, 125V	
STOOW	3 x AWG 14	15A, 125V	
STO	3 x AWG 18	10A, 125V	



CONNECTORS IEC STD.C15

Cat. No.	VSCC15
Desc.	3-pole Straight Hot-Conditions Double-insulated Connector
Std.	AS/NZS 3109.1 IEC 60320-1 GB17465.1 JIS C 8358 & JIS C8306, under Ordinance 1 K60320-1 BS 4491-1 EN 60320-1:1994 Std Sheet C15 by A.S.T.A. GB15934 K60799 IEC 60799

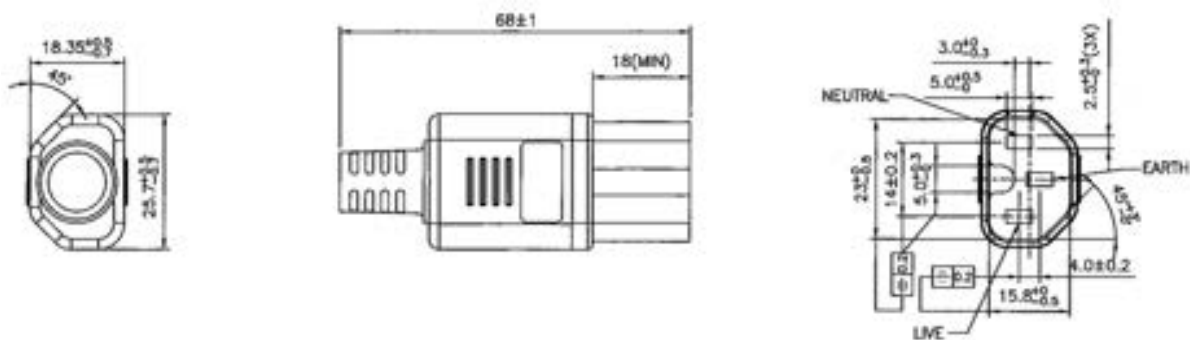


Cable Type	Size (mm ²)	Rated Current	Safety Approval
R-EP-90, 250/440 V, Ordinary Duty (Circular) (H05RR-F)	3 x 0.75*	10A, 250V	SAA
R-EP-90, 250/440 V, Ordinary Duty (Circular) (H05RR-F)	3 x 1.00	10A, 250V	
60245 IEC 53 (YZ) 300/500	3 x 0.75*	10A, 250V	CCC
60245 IEC 53 (YZ) 300/500	3 x 1.00	10A, 250V	
60245 IEC 89 (RQB) 300/300	3 x 0.75*	10A, 250V	
60245 IEC 89 (RQB) 300/300	3 x 1.00	10A, 250V	
VCTF	3 x 1.25	12A, 125V	PSE
60245 IEC 53 (H05RR-F)	3 x 1.00	10A, 250V	KC
H03RT-H	3 x 0.75*	10A, 250V	KEMA, ASTA
H05RR-F	3 x 0.75*	10A, 250V	KEMA, CEBEC, SEMKO, DEMKO, NEMKO, FIMKO, OVE, SEV, VDE(CB), IMQ, ASTA
H05RR-F	3 x 1.00	10A, 250V	KEMA, CEBEC, SEMKO, DEMKO, NEMKO, FIMKO, OVE, SEV, VDE(CB), IMQ, ASTA, IRAM

Remarks:

* Cable length limit to 2 meters.

CONNECTORS IEC STD.C15 (CONT...)



New!



CONNECTORS IEC STD.C17

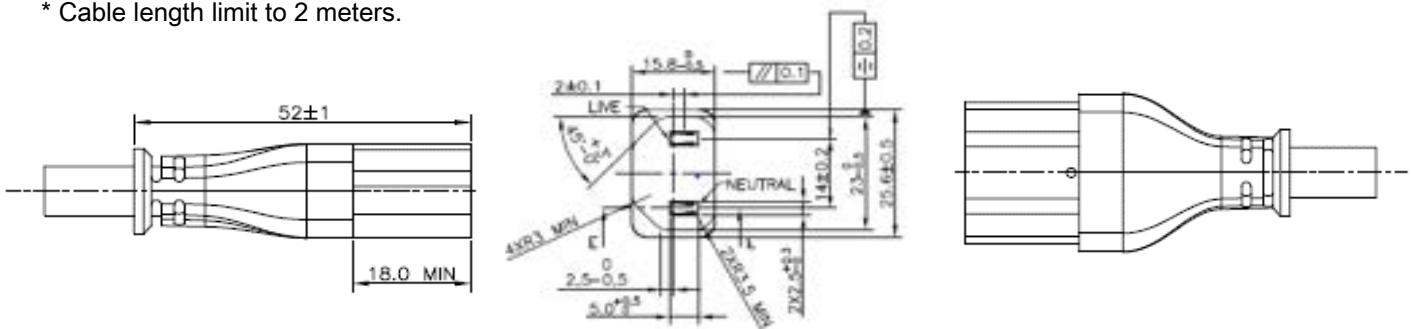
Cat. No. VNBC17S
Desc. 2-pole Straight Connector
Std. AS/NZS 60320.1
 GB17465.1
 JIS C 8358 & JIS C8306, under Ordinance 1
 UL 60320-1 , CSA STD C22.2 No. 60320-1-11
 CNS10917, CNS109717-3, IEC60320-1
 IEC 60320-1
 EN 60320-1



Cable Type	Size (mm ²)	Rated Current	Safety Approval
V-75, 250/440 V, Ordinary Duty (Circular) (H05VV-F)	2 x 0.75*	10A, 250V	SAA
V-75, 250/440 V, Ordinary Duty (Circular) (H05VV-F)	2 x 1.00	10A, 250V	SAA
60227 IEC 53 (RVV) 300/500 (Round)	2 x 0.75*	10A, 250V	CCC
60227 IEC 53 (RVV) 300/500 (Round)	2 x 1.00	10A, 250V	CCC
VCTF	2 x 1.25	12A, 125V	PSE
SJT	2 x AWG 18	10A, 125V	UL/C-UL
SJT	2 x AWG 16	13A, 125V	UL/C-UL
SVT	2 x AWG 18	10A, 125V	UL/C-UL
H05VV-F	2 x 0.75*	10A, 250V	ENEC - NEMKO
H05VV-F	2 x 1.00	10A, 250V	ENEC - NEMKO
IS 694	2 x 0.75	10A, 250V	Non-Approval

Remarks:

* Cable length limit to 2 meters.

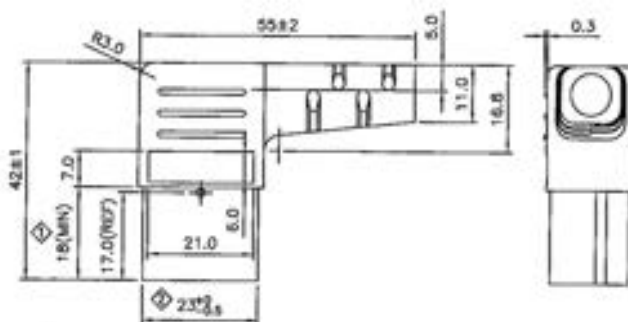
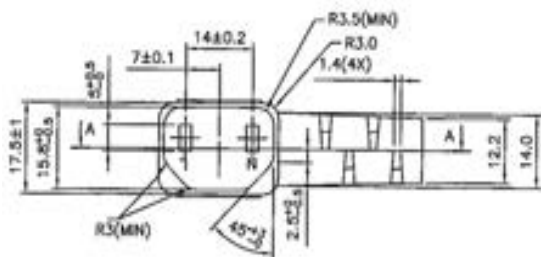


CONNECTORS IEC STD.C17

Cat. No.	VAC17A
Desc.	2-pole Right-Angled Connector
Std.	AS/NZS 3109.1 IEC 60320-1 EN 60320-1 GB17465.1 JIS C 8358 & JIS C8306, under Ordinance 1 K60320-1 UL 60320-1 , CSA STD C22.2 No. 60320-1-11 GB15934 K60799 CNS10917, CNS109717-3, IEC60320-1



Cable Type	Size (mm ²)	Rated Current	Safety Approval
V-75, 250/440 V, Ordinary Duty (Circular) (H05VV-F)	2 x 1.00	10A, 250V	SAA
60227 IEC 53 (RVV) 300/500 (Round)	2 x 1.00	10A, 250V	CCC
VCTF	2 x 1.25	12A, 125V	PSE
60227 KS IEC 53 (H05VV-F)	2 x 1.00	10A, 250V	KC
SJT	2 x AWG 16	13A, 125V	UL/C-UL, CSA
H05VV-F	2 x 1.00	10A, 250V	ENEC - KEMA
VCTF	2 x 1.25	10A, 125V	BSMI



CONNECTORS IEC STD.C17

Cat. No.	VAC17S
Desc.	2-pole Straight Connector
Std.	AS/NZS 3109.1 IEC 60320-1 GB17465.1 JIS C 8358 & JIS C8306, under Ordinance 1 J60320-1 (IEC-J), under Ordinance 2 K60320-1 BS 4491-1 EN 60320-1:1994 Std Sheet C17 by A.S.T.A. UL 60320-1 , CSA STD C22.2 No. 60320-1-11 GB15934 K60799 SANS 60799 CNS10917, CNS109717-3, IEC60320-1



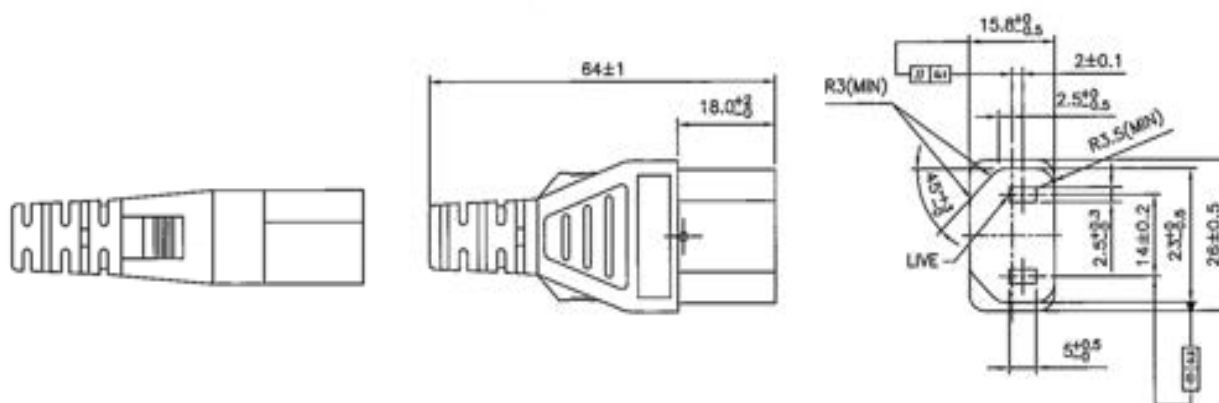
Cable Type	Size (mm ²)	Rated Current	Safety Approval
V-75, 250/440 V, Ordinary Duty (Circular) (H05VV-F)	2 x 0.75*	10A, 250V	SAA
V-75, 250/440 V, Ordinary Duty (Circular) (H05VV-F)	2 x 1.00	10A, 250V	
60227 IEC 53 (RVV) 300/500 (Round)	2 x 0.75*	10A, 250V	CCC
60227 IEC 53 (RVV) 300/500 (Round)	2 x 1.00	10A, 250V	
VCTF	2 x 0.75*	7A, 125V	PSE, BSMI
VCTFK	2 x 0.75*	7A, 125V	PSE
HVCTF	2 x 1.25	12A, 125V/250V	
VCTF	2 x 1.25	10A, 125V	BSMI
60227 KS IEC 53 (H05VV-F)	2 x 0.75*	10A, 250V	KC
H05VV-F	2 x 0.75*	10A, 250V	KEMA, CEBEC, SEMKO(CB), DEMKO, NEMKO, FIMKO, OVE, SEV, IMQ, VDE/ENEC+VDE, ASTA, SABS
H05VV-F	2 x 1.00	10A, 250V	KEMA, CEBEC, SEMKO(CB), DEMKO, NEMKO, FIMKO, OVE, SEV, IMQ, VDE/ENEC+VDE, ASTA

CONNECTORS IEC STD.C17 (CONT...)

Cable Type	Size (mm ²)	Rated Current	Safety Approval
H05V2V2-F	2 x 0.75*	10A, 250V	KEMA, CEBEC, SEMKO(CB), DEMKO, NEMKO, FIMKO, OVE, SEV, IMQ, VDE/ENEC+VDE
H05V2V2-F	2 x 1.00	10A, 250V	
SVT	2 x AWG 18	10A, 125V	UL/C-UL,CSA
SVT	2 x AWG 16	13A, 125V	
SJT	2 x AWG 18	10A, 125V	
SJT	2 x AWG 16	13A, 125V	

Remarks:

* Cable length limit to 2 meters.

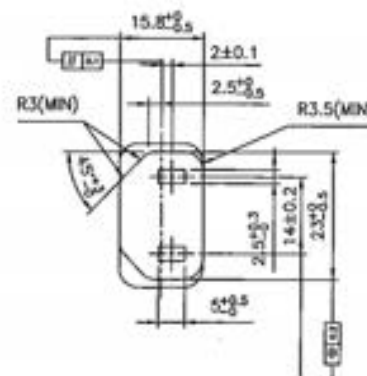
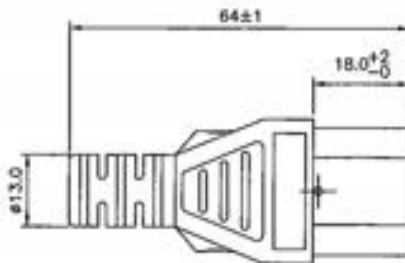


CONNECTORS IEC STD.C17

Cat. No. VAC17BS
Desc. 2-pole Straight Connector For Larger Cable Size
Std. JIS C 8358 & JIS C8306, under Ordinance 1
 J60320-1 (IEC-J), under Ordinance 2
 UL 60320-1 , CSA STD C22.2 No. 60320-1-11



Cable Type	Size (mm ²)	Rated Current	Safety Approval
VCTF	2 x 2.00	15A, 125V/250V	PSE
SJT	2 x AWG 14	15A / 125V	UL/C-UL,CSA



CONNECTORS IEC STD.C19

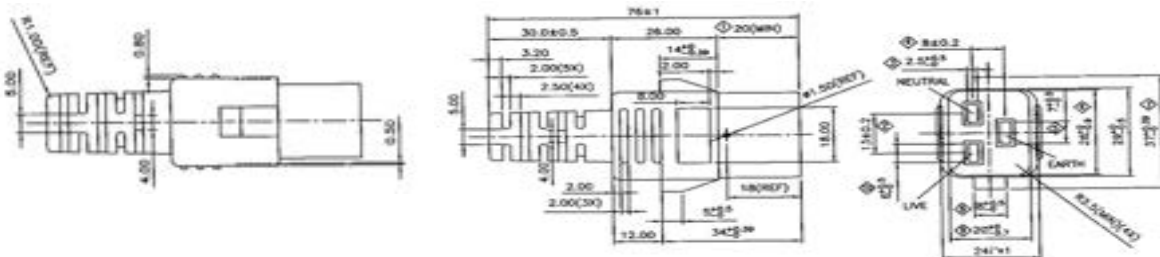
Cat. No.	VAC19
Desc.	3-pole Straight Connector
Std.	AS/NZS 3109.1 (STANDARD SHEET C19) GB17465.1 IEC 60320-1, EN 60320-1 - C19 UL 60320-1 , CSA STD C22.2 No. 60320-1-11 K60320-1 JIS C 8358 & JIS C8306, under Ordinance 1



Cable Type	Size (mm ²)	Rated Current	Safety Approval
V-75, 250/440 V, Ordinary Duty (Circular) (H05VV-F)	3 x 1.00*	10A, 250V	SAA
V-75, 250/440 V, Ordinary Duty (Circular) (H05VV-F)	3 x 1.50	16A, 250V	
60227 IEC 53 (RVV) 300/500 (Round)	3 x 1.00*	16A, 250V	CCC
60227 IEC 53 (RVV) 300/500 (Round)	3 x 1.50	16A, 250V	
H05VV-F	3 x 1.00*	10A, 250V	KEMA, CEBEC, DEMKO, FIMKO
H05VV-F	3 x 1.50	16A, 250V	NEMKO, SENKO, SEV, OVE, VDE, IMQ and/or LCIE
SJT	3 x AWG 16	13A, 125V/250V	UL/c-UL , CSA
SJT	3 x AWG 14	15A, 125V/250V	
60227 KS IEC 53 (H05VV-F)	3 x 1.00*	16A, 250V	KC
60227 KS IEC 53 (H05VV-F)	3 x 1.50	16A, 250V	
VCTF	3 x 2.00	15A, 125V	PSE
IS	3 x 1.50	16A, 250V	Non-Approval

Remarks:

* Cable length limit to 2 meters.



CONNECTORS IEC STD.C19

Cat. No.	VSC19
Desc.	3-pole Straight Connector
Std.	AS/NZS 3109.1 IEC 60320-1 EN 60320-1:1994 Std Sheet C19 by A.S.T.A. GB17465.1 JIS C 8358 & JIS C8306, under Ordinance 1 K60320-1 UL 60320-1 , CSA STD C22.2 No. 60320-1-11 IEC 60799 GB15934 , CNS10917, CNS109717-3, IEC60320-1



Cable Type	Size (mm ²)	Rated Current	Safety Approval
V-75, 250/440 V, Ordinary Duty (Circular) (H05VV-F)	3 x 1.00*	16A, 250V	SAA
V-75, 250/440 V, Ordinary Duty (Circular) (H05VV-F)	3 x 1.50	16A, 250V	
60227 IEC 53 (RVV) 300/500 (Round)	3 x 1.00*	16A, 250V	CCC
60227 IEC 53 (RVV) 300/500 (Round)	3 x 1.50	16A, 250V	
H05VV-F	3 x 1.00*	16A, 250V	KEMA, SEMKO, VDE, ASTA
H05VV-F	3 x 1.50	16A, 250V	KEMA, SEMKO, VDE, ASTA, IRAM
H05VV-F	3 x 2.50	16A, 250V	EURO
60227 KS IEC 53 (H05VV-F)	3 x 1.00*	16A, 250V	KC
60227 KS IEC 53 (H05VV-F)	3 x 1.50	16A, 250V	
VCTF	3 x 1.25	12A, 125V	PSE
VCTF	3 x 2.00	15A, 250V	
VCTF	3 x 2.00	16A, 250V	
VCTF	3 x 2.00	15A, 125V	
HVCTF	3 x 1.25	13A, 125V	
VCT	3 x 3.50	15A, 125V	
HVCTF	3 x 2.00	20A, 125V	
HVCTF	3 x 2.00	20A, 250V	
VCT	3 x 3.50	15A, 250V	

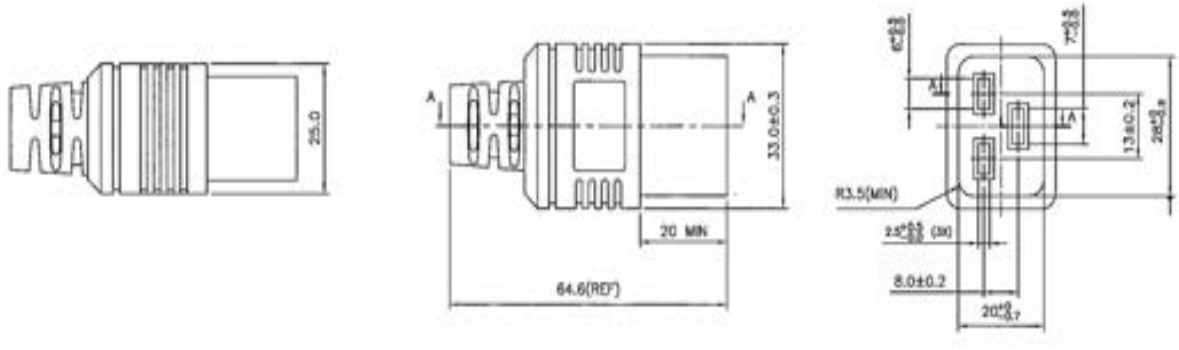
CONNECTORS IEC STD.C19 (CONT...)

Cable Type	Size (mm ²)	Rated Current	Safety Approval
60227 IEC 53 IEC-J	3 x 1.50	15A, 250V	PSE
VCTF	3 x 2.00	15A, 125V	BSMI
HVCFT	3 x 2.00	16A, 250V	
SJT	3 x AWG 18	13A, 125V/250V	UL/C-UL,CSA
SJT	3 x AWG 16	13A, 125V/250V	
SJT	3 x AWG 14	15A, 125V/250V	
SJT	3 x AWG 12	15A, 125V/250V	
SVT	3 x AWG 16	15A, 125V/250V	
SVT	3 x AWG 14	15A, 125V/250V	
SVT	3 x AWG 12	15A, 125V/250V	
SJTW	3 x AWG 18	13A, 125V/250V	
SJTW	3 x AWG 16	13A, 125V/250V	
SJTW	3 x AWG 14	15A, 125V/250V	
SJTW	3 x AWG 12	15A, 125V/250V	
SVT	3 x AWG 18	13A, 125V/250V	
SJT + H05VV-F + RVV + KETI	3 x AWG 14 +	16A, 250V	EURO + UL/CSA + CCC + KC
	3 x 1.50 +		
	3 x 1.50 +		
	3 x 1.50		
H05VV-F + SJT	3 x 1.50 +	13A. 250V	EURO + UL/CSA
	3 x AWG 16		
H05VV-F + SJT	3 x 1.50 +	16A. 250V	EURO + UL/CSA
	3 x AWG 14		
H05VV-F + SJT + RVV 300/500 + IEC-J	3 x 1.50 +	16A, 250V	EURO + UL/CSA + CCC + PSE
	3 x AWG 14 +		
	3 x 1.50 +		
	3 x 1.50		
H05VV-F + SJT + RVV 300/500	3 x 1.50 +	16A. 250V	EURO + UL/CSA + CCC
	3 x AWG 14		
	3 x 1.50		

Remarks:

* Cable length limit to 2 meters.

CONNECTORS IEC STD.C19 (CONT...)

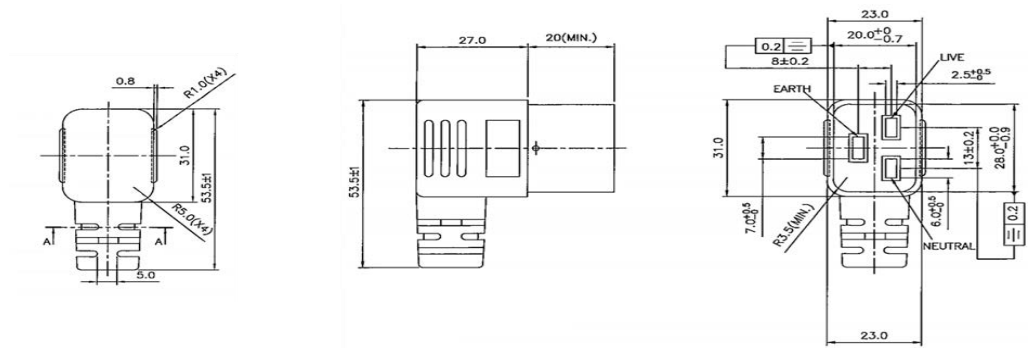


CONNECTORS IEC STD.C19

Cat. No.	VAC19A
Desc.	3-pole Right-Angled Connector
Std.	AS/NZS 3109.1 IEC 60320-1 EN 60320-1:1994 Std Sheet C19 by A.S.T.A. GB17465.1 JIS C 8358 & JIS C8306, under Ordinance 1 K60320-1 UL 60320-1 , CSA STD C22.2 No. 60320-1-11 GB15934 K60799 CNS10917, CNS109717-3, IEC60320-1



Cable Type	Size (mm ²)	Rated Current	Safety Approval
V-75, 250/440 V, Ordinary Duty (Circular) (H05VV-F)	3 x 1.50	16A, 250V	SAA
60227 IEC 53 (RVV) 300/500 (Round)	3 x 1.50	16A, 250V	CCC
H05VV-F	3 x 1.50	16A, 250V	DEMKO, VDE, IMQ, ASTA
VCTF	3 x 2.00	15A, 125V/250V	PSE
HVCTF	3 x 2.00	15A, 125V	
60227 KS IEC 53 (H05VV-F)	3 x 1.50	16A, 250V	KC
SJT	3 x AWG 16	13A, 125V/250V	UL/C-UL,CSA
SJT	3 x AWG 14	15A, 125V/250V	
SJT	3 x AWG 12	15A/16A/20A, 125V/250V	
SJT Shielded	3 x AWG 12	15A/16A/20A, 125V/250V	
VCTF	3 x 2.00	15A, 250V	BSMI

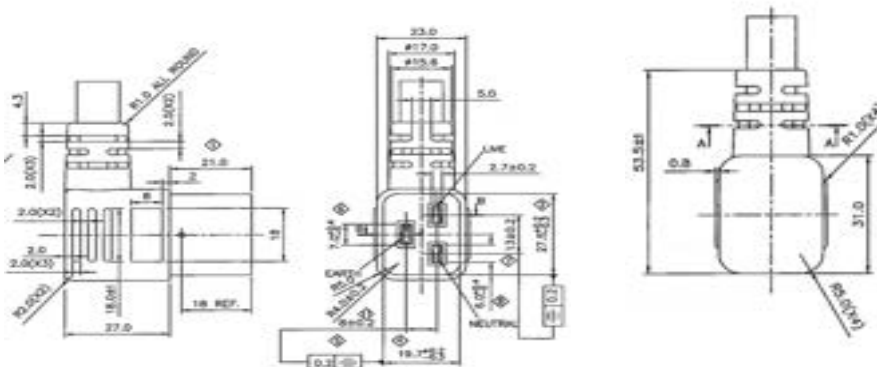


CONNECTORS IEC STD.C19

Cat. No.	VAC19LA
Desc.	3-pole Left-Angled Connector
Std.	AS/NZS 3109.1
	IEC 60320-1
	EN 60320-1
	GB17465.1
	JIS C 8358 & JIS C8306, under Ordinance 1
	K60320-1
	UL 60320-1 , CSA STD C22.2 No. 60320-1-11
	IEC 60799
	GB15934
	K60799



Cable Type	Size (mm ²)	Rated Current	Safety Approval
V-75, 250/440 V, Ordinary Duty (Circular) (H05VV-F)	3 x 1.50	16A, 250V	SAA
60227 IEC 53 (RVV) 300/500 (Round)	3 x 1.50	16A, 250V	CCC
H05VV-F	3 x 1.50	16A, 250V	ENEC-KEMA, IRAM, ASTA, CPS
VCTF	3 x 2.00	15A, 125V	PSE
HVCTF	3 x 2.00	15A, 125V	
60227 KS IEC 53 (H05VV-F)	3 x 1.50	16A, 250V	KC
SJT ¹⁾	3 x AWG 12	20A, 125V/250V	UL/C-UL,CSA



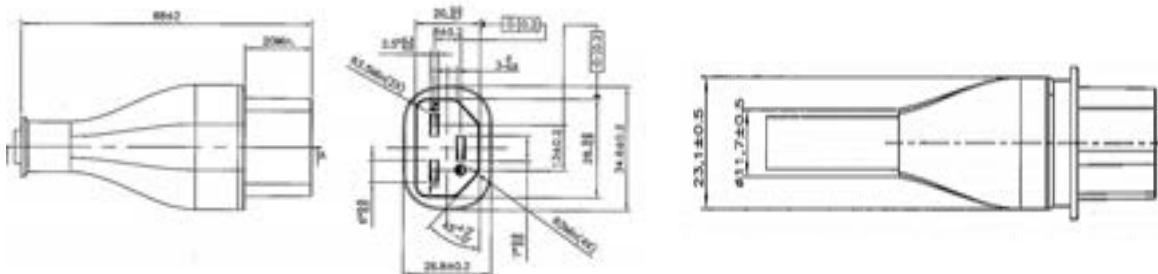
New!



CONNECTORS IEC STD.C21

Cat. No. VNC21S
Desc. 3-Pole Straight Connector
Std. UL 60320-1 , CSA STD C22.2 No. 60320-1-11
 JIS C 8358 & JIS C8306, under Ordinance 1
 IEC 60799
 K60320-1
 AS/NZS 3109.1
 GB/T17465.1-2009

Cable Type	Size (mm ²)	Rated Current	Safety Approval
R-EP-90, 250/440 V, Ordinary Duty (Circular) (H05RR-F)	3 x 1.50	16A, 250V	SAA
60245 IEC 53 (YZ) 300/500 (Round)	3 x 1.50	16A, 250V	CCC
H05RR-F	3 x 1.50	16A, 250V	ENEC,KC,SAA,CCC, EAC
HVCTF	3 x 2.00	15A, 250V	PSE
60245 IEC 53 (H05RR-F)	3 x 1.50	16A, 250V	KC
SJT	3 x AWG 14	16A, 125V/250V	UL/c-UL,CSA





**PLUG
CONNECTORS
03**

New!



PLUG CONNECTORS IEC STD.C14

Cat. No. VNBC14S
Desc. 3-pole Straight Plug Receptacle
Std. EN60320-2-2, IEC320-2-2 (Standard sheet E)
 AS/NZS 3109.1
 GB17465.2
 JIS C 8358 & JIS C8306, under Ordinance 1
 EN 60320-2-2 by A.S.T.A.
 UL 60320-1 , CSA STD C22.2 No. 60320-1
 K60320-2-2
 GB15934
 K60799

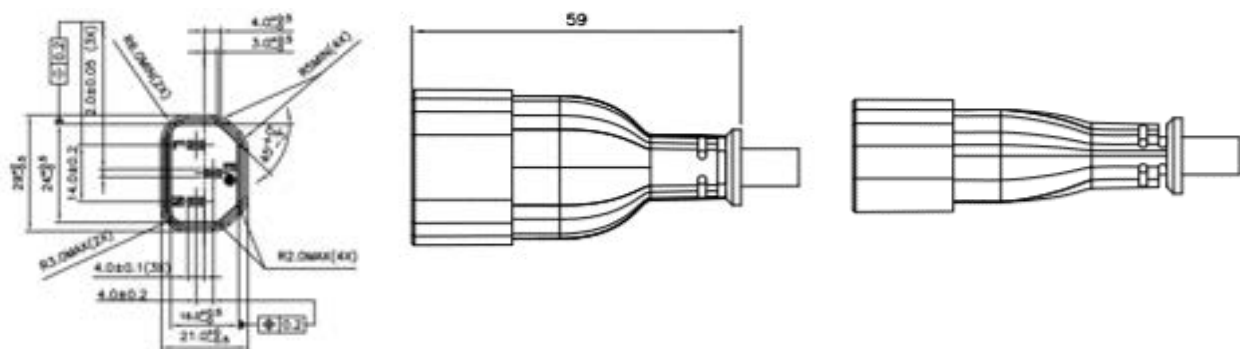
Cable Type	Size (mm ²)	Rated Current	Safety Approval
V-75, 250/440 V, Ordinary Duty (Circular) (H05VV-F)	3 x 0.75*	10A, 250V	SAA
V-75, 250/440 V, Ordinary Duty (Circular) (H05VV-F)	3 x 1.00	10A, 250V	
227 IEC 53 (RVV) 300/500 (Round)	3 x 0.75*	10A, 250V	CCC
227 IEC 53 (RVV) 300/500 (Round)	3 x 1.00	10A, 250V	
VCTF	3 x 1.25	12A, 125V/250V	PSE
VCTF	3 x 2.00	15A, 125V/250V	
HVCTF	3 x 1.25	12A, 125V/250V	
60227 KS IEC 53 (H05VV-F)	3 x 0.75	10A, 250V	KC
60227 KS IEC 53 (H05VV-F)	3 x 1.00	10A, 250V	
SVT	3 x AWG 18	10A, 125V/250V	UL/C-UL
SJT	3 x AWG 18	10A, 125V/250V	
SJTW	3 x AWG 18	10A, 125V/250V	
SJTO	3 x AWG 18	10A, 125V/250V	
SJTOW	3 x AWG 18	10A, 125V/250V	
SJT	3 x AWG 17	10A,/12A 125V/250V	
SJTW	3 x AWG 17	10A,/12A 125V/250V	
SJTO	3 x AWG 17	10A,/12A 125V/250V	
SJTOW	3 x AWG 17	10A,/12A 125V/250V	
SJT	3 x AWG 16	10A/12A/13A, 125V/250V	

PLUG CONNECTORS IEC STD.C14 (CONT..)

Cable Type	Size (mm ²)	Rated Current	Safety Approval
H05VV-F	3 x 0.75*	10A, 250V	NEMKO,IRAM
H05VV-F	3 x 1.00	10A, 250V	NEMKO,IRAM
IS694	3 x 1.00	10A, 250V	Non-Approval

Remarks:

* Cable length limit to 2 meters.



PLUG CONNECTORS IEC STD.C14

Cat. No.	VAC14S
Desc.	3-pole Straight Plug Receptacle
Std.	EN60320-2-2, IEC320-2-2 (Standard sheet E) AS/NZS 3109.1 GB17465.2 JIS C 8358 & JIS C8306, under Ordinance 1 EN 60320-2-2 by A.S.T.A. UL 60320-1 , CSA STD C22.2 No. 60320- K60320-2-2 GB15934 K60799



Cable Type	Size (mm ²)	Rated Current	Safety Approval
V-75, 250/440 V, Ordinary Duty (Circular) (H05VV-F)	3 x 0.75*	10A, 250V	SAA
V-75, 250/440 V, Ordinary Duty (Circular) (H05VV-F)	3 x 1.00	10A, 250V	
227 IEC 53 (RVV) 300/500 (Round)	3 x 0.75*	10A, 250V	CCC
227 IEC 53 (RVV) 300/500 (Round)	3 x 1.00	10A, 250V	
H05VV-F	3 x 0.75*	10A, 250V	KEMA, CEBEC, DEMKO, FIMKO, SEMKO, NEMKO, VDE, OVE, SEV, IMQ, LCIE, ASTA
H05VV-F	3 x 1.00	10A, 250V	
H05RR-F	3 x 0.75*	10A, 250V	KEMA, CEBEC, DEMKO, FIMKO, SEMKO, NEMKO, VDE, OVE, SEV, IMQ
H05RR-F	3 x 1.00	3 x 1.00	ENEC
VCTF	3 x 0.75*	7A, 125V	PSE
VCTF	3 x 1.25	12A, 250V	
HVCTF	3 x 1.25	12A, 250V	
60227 KS IEC 53 (H05VV-F)	3 x 1.00	3 x 1.00	KC
60227 KS IEC 57 (H05V2V2-F)	3 x 1.00	10A, 250V	
SJT	3 x AWG 17	10A/12A, 125V/250V	UL/C-UL, CSA
SJT	3 x AWG 18	10A, 125V/250V	
SJT (Shielded)	3 x AWG 18	10A, 125V/250V	

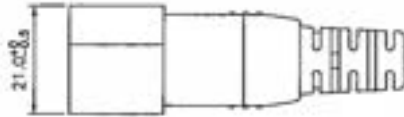
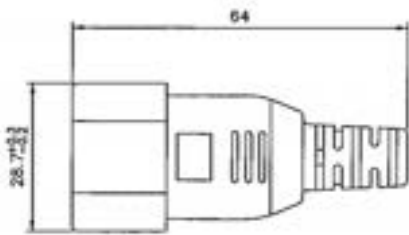
PLUG CONNECTORS IEC STD.C14 (CONT..)

Cable Type	Size (mm ²)	Rated Current	Safety Approval
SJTO	3 x AWG 18	10A, 125V/250V	UL/C-UL, CSA
SJTOO	3 x AWG 18	10A, 125V/250V	
SJTW	3 x AWG 18	10A, 125V/250V	
SJTOW	3 x AWG 18	10A, 125V/250V	
SJTOOW	3 x AWG 18	10A, 125V/250V	
SVT	3 x AWG 18	10A, 125V/250V	
SVT (Shielded)	3 x AWG 18	10A, 125V/250V	
SVTO	3 x AWG 18	10A, 125V/250V	
SVTOO	3 x AWG 18	10A, 125V/250V	
H05VV-F + SVT + Circular Ordinary V-75	3 x 0.75* +	10A, 250V	EURO + UL/CSA + SAA + EAC
	3 x AWG 18 +		
	3 x 0.75*		
RVV 300/500 + IEC-J + SJT + H05VV-F	3 x 1.00 +	10A, 250V	CCC + IEC-J + UL/CSA + EURO + SAA
	3 x 1.00 +		
	3 x AWG 17 +		
	3 x 1.00		
K60227 RVV 300/500 IEC 53 + SJT	3 x 1.00 +	10A, 250V	KOREA + UL/CSA + EIRO + CCC
	3 x AWG 17		
RVV 300/500 + K60227 IEC 53	3 x 1.00	10A, 250V	CCC + KC
H05VV-F + SJT	3 x 1.00 +	10A, 250V	UL/CSA + EURO + CCC + KC
	3 x AWG 18		
H05VV-F + SVT	3 x 0.75 +	10A, 250V	UL/CSA + EURO + CCC
	3 x AWG 18		
SJT + RVV 300/500	3 x AWG 18 +	10A, 250V	UL/CSA + CCC
	3 x 1.00		
H05VV-F + RVV 300/500	3 x 1.00 +	10A, 250V	EURO + CCC + IEC-J
	3 x 1.00		
H05VV-F	3 x 1.00	10A, 250V	EURO + EAC

Remarks:

* Cable length limit to 2 meters.

PLUG CONNECTORS IEC STD.C14 (CONT..)



CONNECTORS IEC STD.C14

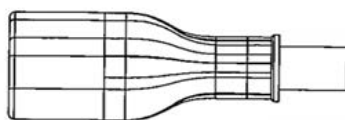
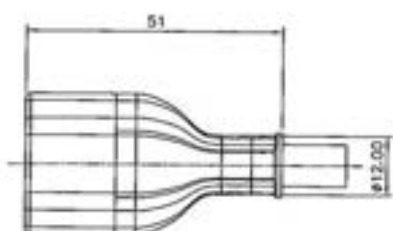
Cat. No.	VNC14S
Desc.	3-Pole Straight Plug Receptacle
Std.	EN/IEC 60320-1 Standard Sheet C14 GB17465.1 JIS C8358, JIS C8306 (Under Ordinance I) UL 60320-1 , CSA STD C22.2 No. 60320-1-11



Cable Type	Size (mm ²)	Rated Current	Safety Approval
H05VV-F	3 x 0.75*	10A, 250V	ENEC
H05VV-F	3 x 1.00	10A, 250V	
H05VV-F	3 x 1.50	10A, 250V	
RVV 300/500	3 x 0.75*	10A, 250V	CCC
RVV 300/500	3 x 1.00	10A, 250V	
SVT	3 x AWG 18	10A, 125V	UL/CSA
SJT	3 x AWG 18	10A, 125V	
SJT	3 x AWG 17	12A, 125V	
SJT	3 x AWG 16	13A, 125V	
VCTF	3 x 0.75*	7A, 125V	JIS
VCTF	3 x 1.25	12A, 125V	
SVT + H05VV-F	3 x AWG 18 +	10A, 250V	UL/CSA + EURO
	3 x 0.75*		
SJT + H05VV-F	3 x AWG 17 +	10A, 250V	
	3 x 1.00		

Remarks

* Cable length limit to 2 meters.

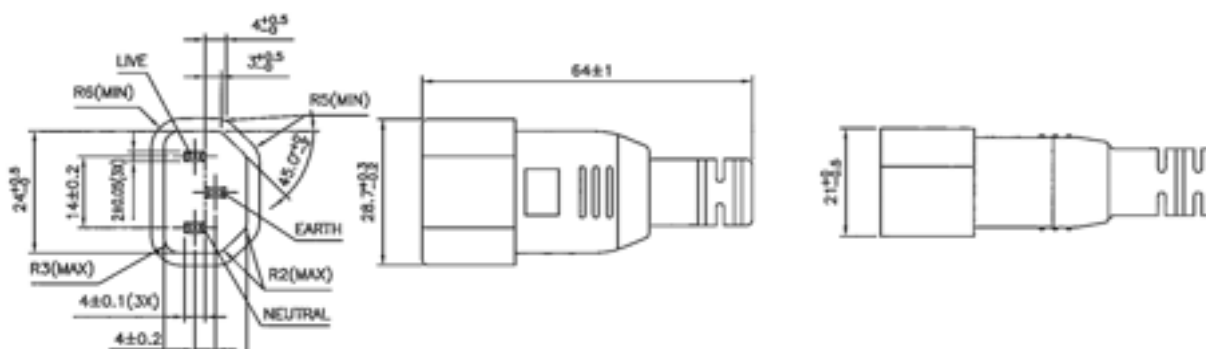


PLUG CONNECTORS IEC STD.C14

Cat. No.	VAC14LS
Desc.	3-pole Straight Plug Receptacle
Std.	EN60320-2-2, IEC320-2-2 (Standard sheet E) GB17465.2 UL 60320-1 , CSA STD C22.2 No. 60320-1-11 GB15934



Cable Type	Size (mm ²)	Rated Current	Safety Approval
60227 IEC 53 (RVV) 300/500 Round	3 x 1.50	10A, 250V	CCC
H05VV-F	3 x 1.50	10A, 250V	KEMA
SJT	3 x AWG 14	16A, 125V/250V	UL/C-UL, CSA
SJTW	3 x AWG 14	16A, 125V/250V	
SJT	3 x AWG 16	13A, 125V/250V	
SJTO	3 x AWG 16	13A, 125V/250V	
SJTW	3 x AWG 16	13A, 125V/250V	
SJTOW	3 x AWG 16	13A, 125V/250V	
SJT + H05VV-F	3 x AWG 16 + 3 x 1.50	10A, 250V	
SJT + H05VV-F	3 x AWG 14 + 3 x 1.50	10A, 250V	UL/CSA + CCC + EURO + IEC-J



PLUG CONNECTORS IEC STD.C14

Cat. No. VAC14A
Desc. 3-pole Right-Angled Plug Receptacle
Std. EN60320-2-2, IEC320-2-2 (Standard sheet E)
 AS/NZS 3109.1
 GB17465.2
 EN 60320-2-2 by A.S.T.A.
 UL817 , CSA STD C22.2
 GB15934



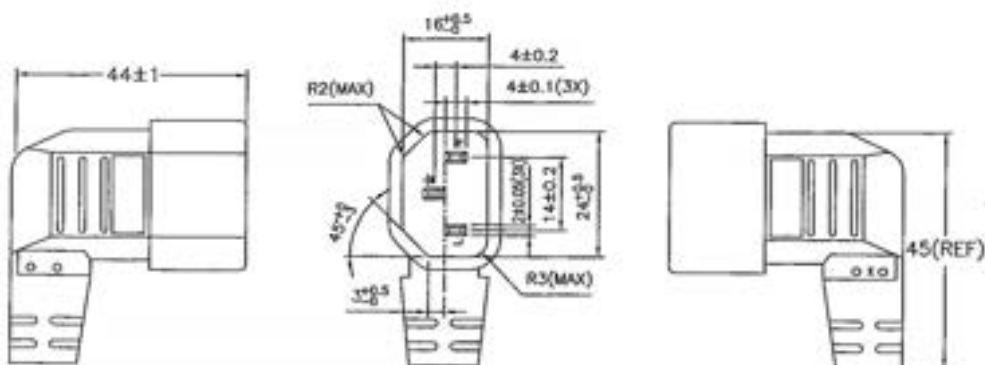
Cable Type	Size (mm ²)	Rated Current	Safety Approval
V-75, 250/440 V, Ordinary Duty (Circular) (H05VV-F)	3 x 0.75*	10A, 250V	SAA
V-75, 250/440 V, Ordinary Duty (Circular) (H05VV-F)	3 x 1.00	10A, 250V	
227 IEC 53 (RVV) 300/500 (Round)	3 x 0.75*	10A, 250V	CCC
227 IEC 53 (RVV) 300/500 (Round)	3 x 1.00	10A, 250V	
H05VV-F	3 x 0.75*	10A, 250V	KEMA, CEPEC, DEMKO, FIMKO, SEMKO, NEMKO, VDE, OVE, SEV, IMQ, LCIE, ASTA
H05VV-F	3 x 1.00	10A, 250V	
H05RR-F	3 x 0.75*	10A, 250V	KEMA, CEPEC, DEMKO, FIMKO, SEMKO, NEMKO, VDE, OVE, SEV, IMQ
SJT	3 x AWG 18	10A, 125V/250V	UL/C-UL, CSA
SJT (Shielded)	3 x AWG 18	10A, 125V/250V	
SJTO	3 x AWG 18	10A, 125V/250V	
SJTOO	3 x AWG 18	10A, 125V/250V	
SJTW	3 x AWG 18	10A, 125V/250V	
SJTOW	3 x AWG 18	10A, 125V/250V	
SJTOOW	3 x AWG 18	10A, 125V/250V	
SVT	3 x AWG 18	10A, 125V/250V	
SVT (Shielded)	3 x AWG 18	10A, 125V/250V	

PLUG CONNECTORS IEC STD.C14 (CONT..)

Cable Type	Size (mm ²)	Rated Current	Safety Approval
SVTO	3 x AWG 18	10A, 125V/250V	UL/C-UL, CSA
SVTOO	3 x AWG 18	10A, 125V/250V	
SJT	3 x AWG 17	12A, 125V/250V	
H05VV-F + SJT + RVV 300/500 + K60227 IEC 53	3 x 1.00 +	10A, 250V	EURO + UL/CSA + CCC + KC + SAA
	3 x AWG 17 +		
	3 x 1.00 +		
	3 x 1.00		
H05VV-F + SJT + RVV 300/500 + IEC-J	3 x 1.00 +	10A, 250V	EURO + CCC + UL/CSA + IEC-J
	3 x AWG 17 +		
	3 x 1.00		
H05VV-F + SJT	3 x 1.00 +	10A, 250V	EURO + UL/CSA
	3 x AWG 18		
H05VV-F + SJT	3 x 0.75 +	10A, 250V	
	3 x AWG 18		

Remarks:

* Cable length limit to 2 meters.



PLUG CONNECTORS IEC STD.C14

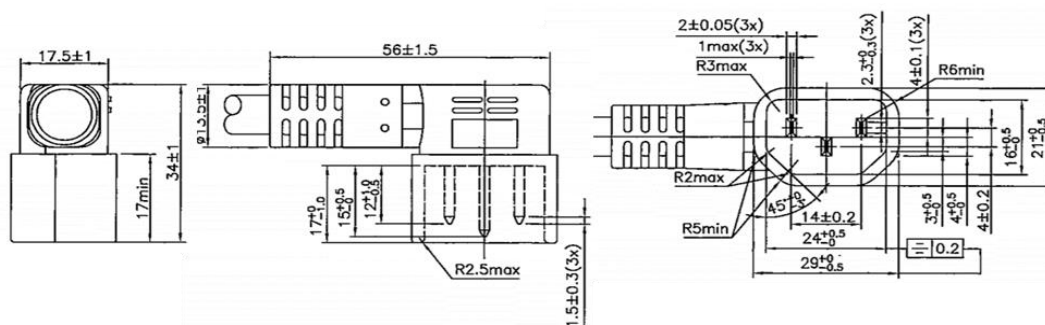
Cat. No. VAC14LA
Desc. 3-pole Left-Angled Plug Receptacle
Std. EN60320-2-2, IEC320-2-2 (Standard sheet E)
 GB17465.2
 UL 60320-1 , CSA STD C22.2 No. 60320-1-11



Cable Type	Size (mm ²)	Rated Current	Safety Approval
60227 IEC 53 (RVV) 300/500 Round	3 x 0.75*	10A, 250V	CCC
60227 IEC 53 (RVV) 300/500 Round	3 x 1.50	10A, 250V	
H05VV-F	3 x 0.75*	10A, 250V	ENEC - KEMA
H05VV-F	3 x 1.50	10A, 250V	
SVT	3 x AWG 18	10A, 250V	UL/C-UL, CSA
SJT	3 x AWG 16	13A, 125V/250V	
SJTO	3 x AWG 16	13A, 125V/250V	
SJTW	3 x AWG 16	13A, 125V/250V	
SJTOW	3 x AWG 16	13A, 125V/250V	
SJT	3 x AWG 14	15A, 125V/250V	
K60227 IEC 53	3 x 0.75*	10A, 250V	KC
K60227 IEC 53	3 x 1.50	10A, 250V	
H05VV-F + SJT	3 x 1.50 +	10A, 250V	EURO + UL/CSA + CCC
	3 x AWG 14		
H05VV-F + SVT	3 x 0.75* +	10A, 250V	
	3 x AWG 18		

Remarks:

* Cable length limit to 2 meters.

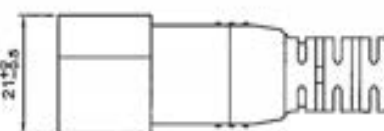
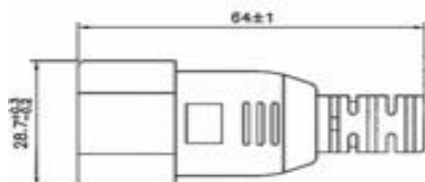
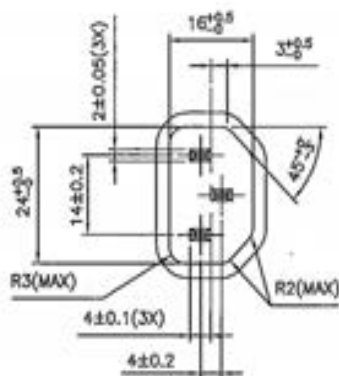


PLUG CONNECTORS IEC STD.C14

Cat. No. VAC14BS
Desc. 3-pole Straight Plug Receptacle
Std. JIS C8303 & JIS C8306 (Under Ordinance
 UL 60320-1 , CSA STD C22.2 No. 60320-1-11



Cable Type	Size (mm ²)	Rated Current	Safety Approval
VCTF	3 X 2.00	15A, 125V/250V	PSE
SJT	3 x AWG 16	13A, 125V/250V	UL/C-UL, CSA
SJT (Shielded)	3 x AWG 16	13A, 125V/250V	
SJT + HVCTF	3 x AWG 16 +	13A, 125V	UL/CSA + PSE
	3 x 1.25		

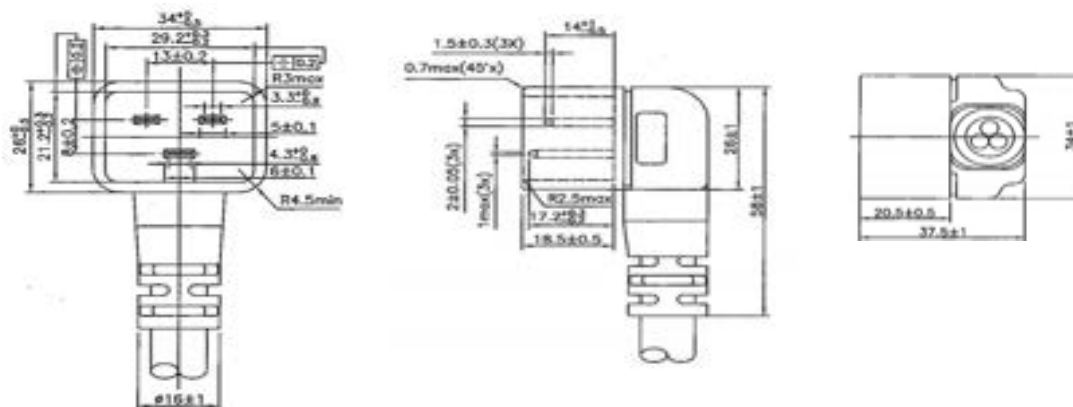


PLUG CONNECTORS IEC STD.C20

Cat. No. VAC20AD
Desc. 3-pole Down-Angled Plug Receptacle
Std. EN 60320-2-2, IEC 60320-2-2, Standard Sheet I
 GB17465.2
 UL 60320-1 , CSA STD C22.2 No. 60320-1-11
 GB15934



Cable Type	Size (mm ²)	Rated Current	Safety Approval
60227 IEC 53 (RVV) 300/500 Round	3 x 1.50	16A, 250V	CCC
H05VV-F	3 x 1.50	16A, 250V	ENEC, KEMA
SJT	3 x AWG 12	20A, 125/250V	UL/C-UL, CSA
SJTO	3 x AWG 12	20A, 125/250V	
SJTOO	3 x AWG 12	20A, 125/250V	
SJTW	3 x AWG 12	20A, 125/250V	
SJTOW	3 x AWG 12	20A, 125/250V	
SJTOOW	3 x AWG 12	20A, 125/250V	
SJT	3 x AWG 14	16A, 125/250V	
K60227 IEC 53	3 x 1.50	16A, 250V	
H05VV-F + SJT	3 x 1.50 +	16A, 250V	EURO + UL/CSA + CCC
	3 x AWG 14		



PLUG CONNECTORS IEC STD.C20

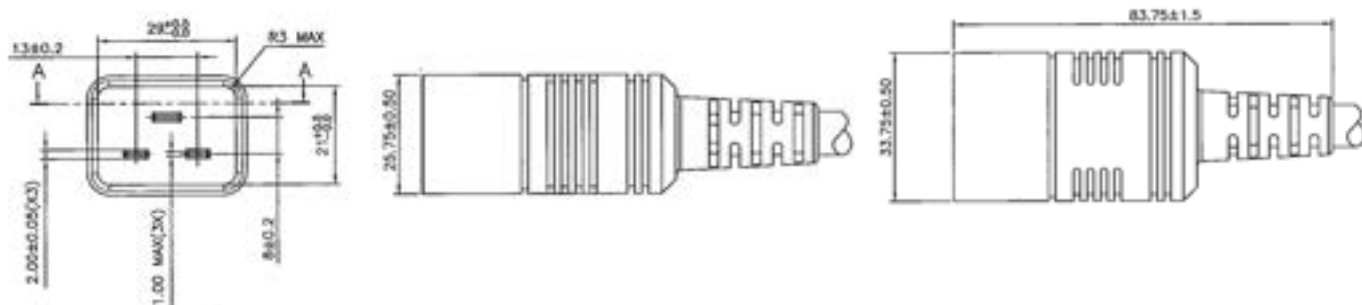
Cat. No.	VAC20S
Desc.	3-pole Straight Plug Receptacle
Std.	EN 60320-2-2, IEC 60320-2-2, Standard Sheet I IEC 60799 GB17465.2 JIS C 8358 & JIS C8306, under Ordinance 1 UL 60320-1 , CSA STD C22.2 No. 60320-1-11 K60320-2-2 GB15934 K60799



Cable Type	Size (mm ²)	Rated Current	Safety Approval
V-75, 250/440 V, Ordinary Duty (Circular) (H05VV-F)	3 x 1.50	16A, 250V	SAA
60227 IEC 53 (RVV) 300/500 Round	3 x 1.50	16A, 250V	CCC
H05VV-F	3 x 1.50	16A, 250V	KEMA, VDE, EAC, IRAM
VCTF	3 x 2.00	16A, 250V	PSE
HVCTF	3 x 2.00	16A, 250V	
60227 KS IEC 53 (H05VV-F)	3 x 1.50	16A, 250V	KC
SJT	3 x AWG 16	13A, 125V/250V	UL/C-UL, CSA
SJT	3 x AWG 14	16A, 125V/250V	
H05RR-F	3 x 1.50	16A, 250V	ENEC, KC,SAA,CCC,EAC,IRAM
SJT + H05VV-F + K60227 IEC 53 + RVV 300/500 + IEC-J	3 x AWG 14 +	16A, 250V	UL/CSA + EURO + KC + CCC + IEC-J + SAA
	3 x 1.50 +		
	3 x 1.50 +		
	3 x 1.50 +		
SJT + H05VV-F + RVV	3 x AWG 14 +	16A, 250V	UL/CSA + EURO + CCC
	3 x 1.50 +		
	3 x 1.50		

PLUG CONNECTORS IEC STD.C20 (CONT..)

Cable Type	Size (mm ²)	Rated Current	Safety Approval
SJT + H05VV-F + RVV + KETI	3 x AWG 14 +	16A, 250V	UL/CSA + EURO + CCC + KC
	3 x 1.50 +		
	3 x 1.50 +		
	3 x 1.50		
SJT + H05VV-F	3 x AWG 16 +	13A, 250V	UL/CSA + SAA + EU
	3 x 1.50		
SJT + H05VV-F	3 x AWG 14 +	16A, 250V	UL/CSA + EU
	3 x 1.50		

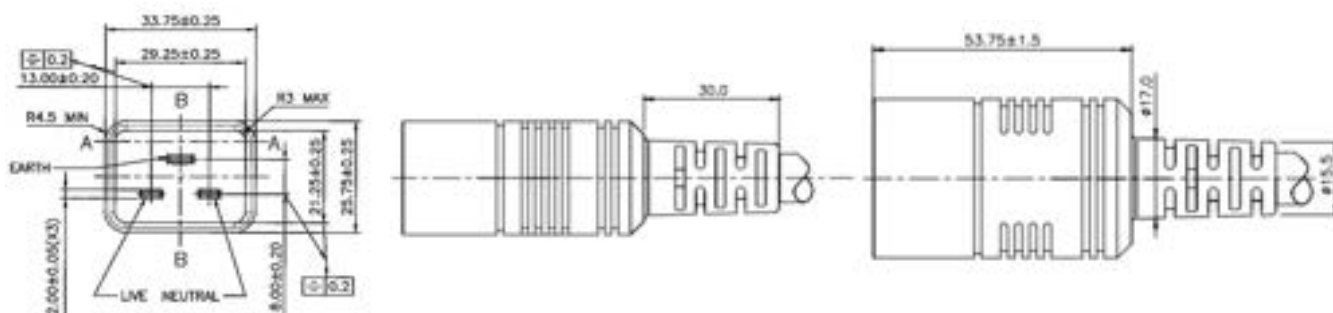


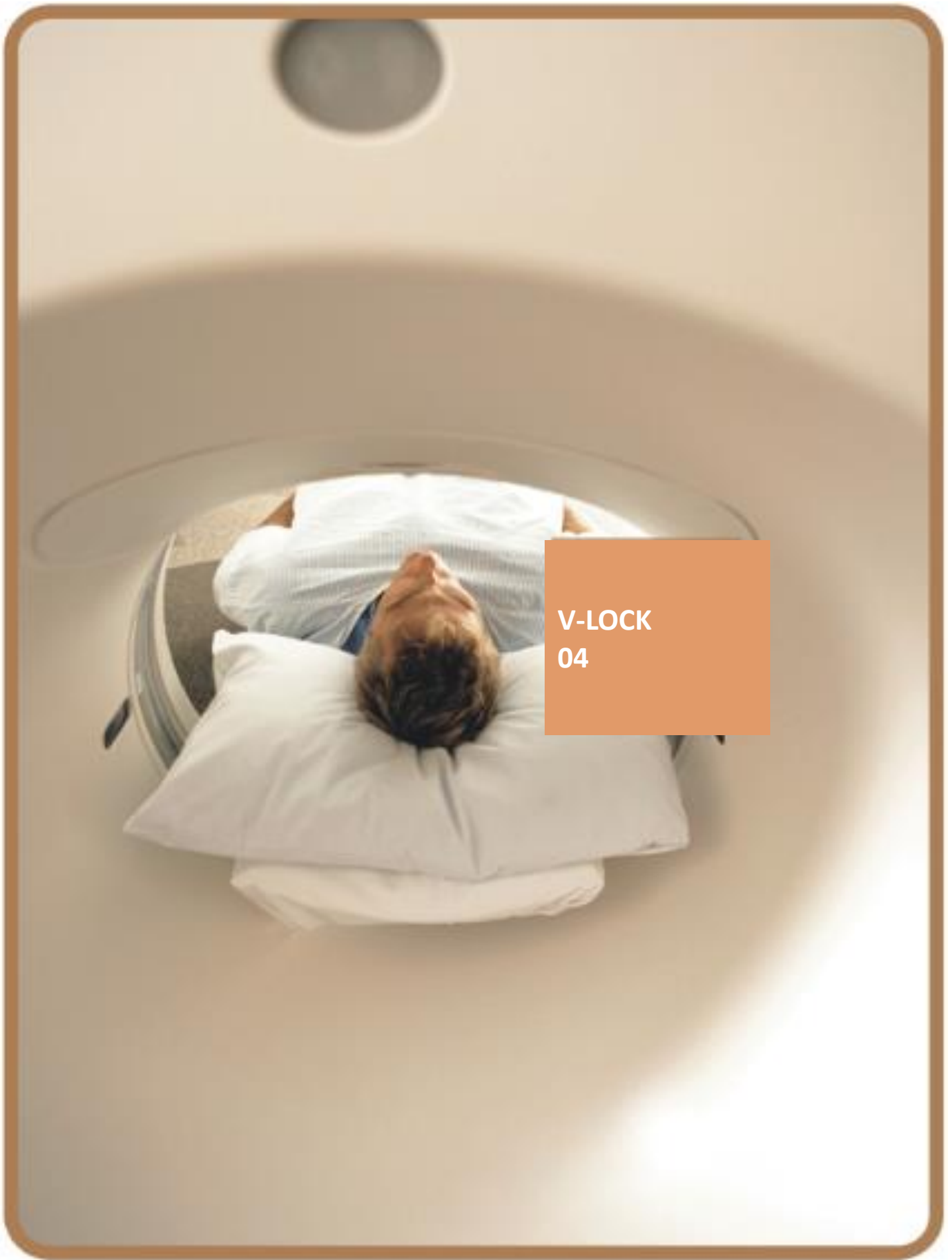
PLUG CONNECTORS IEC STD.C20

Cat. No.	VAC20BS
Desc.	3-pole Straight Plug Receptacle
Std.	UL 60320-1 , CSA STD C22.2 No. 60320-1-11 GB 17465.2 JIS C8303 & JIS C8306 Under Ordinance 1



Cable Type	Size (mm ²)	Rated Current	Safety Approval
SJT	3 x AWG 12	20A, 125V/250V	UL/CSA
SJT + H05VV-F + RVV 300/500	3 x AWG 12 +	16A, 250V	UL/C-UL + CCC
	3 x 2.50 +		
	3 x 2.50		
PSE 60227 IEC 53 IEC-J	3 x 2.50	20A, 125V/250V	PSE





V-LOCK
04

V-LOCK PLUG CONNECTORS



Cat. No. VAC14KC
Desc. 3-pole Straight Plug Connector with locking feature
Std. AS/NZS 60320-2-2 (STANDARD SHEET E)
 GB17465.2
 EN / IEC 60320-2-2 (STANDARD SHEET E)
 JIS C8303 & JIS C8306 (Under Ordinance 1)
 UL 60320-1 , CSA STD C22.2 No. 60320-1-11

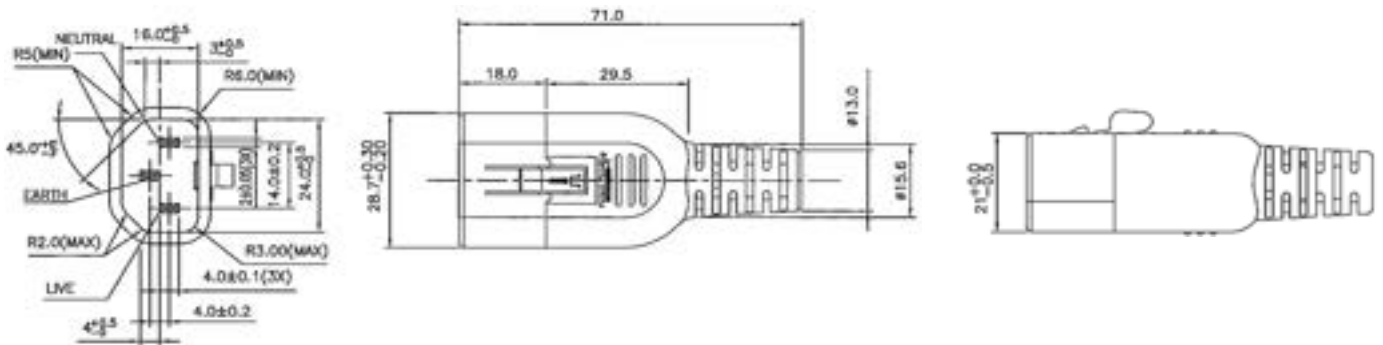
Cable Type	Size (mm ²)	Max. Rating	Safety Approval
V-75, 250/440 V, Ordinary Duty (Circular) (H05VV-F)	3 x 0.75*	10A, 250V	SAA
V-75, 250/440 V, Ordinary Duty (Circular) (H05VV-F)	3 x 1.00	10A, 250V	
60227 IEC 53 (RVV) 300/500 (Round)	3 x 0.75*	10A, 250V	CCC
60228 IEC 53 (RVV) 300/500 (Round)	3 x 1.00	10A, 250V	
H05VV-F	3 x 0.75*	10A, 250V	VDE/KEMA+EAC+ASTA
H05VV-F	3 x 1.00	10A, 250V	
VCTF	3 x 0.75	7A, 125V	PSE
VCTF	3 x 2.00	15A, 125V	
PSE 227 IEC 53 IEC-J	3 x 1.00	10A, 250V	
VCTF	3 x 1.25	12A, 250V	
SJT	3 x AWG 18	10A, 125 / 250V	UL/C-UL, CSA
SJT	3 x AWG 16	13A, 125 / 250V	
SVT	3 x AWG 18	10A, 125 / 250V	
H05VV-F + 227 IEC 53(RVV) + IEC-J	3 x 1.00 + 3 x 1.00 + 3 x 1.00	10A, 250V	EURO + CCC + PSE
SJT + H05VV-F + 227 IEC 53(RVV) + IEC-J	3 x AWG 18 + 3 x 1.00 + 3 x 1.00 + 3 x 1.00	10A, 250V	UL/CSA + EURO + CCC + PSE
H05VV-F + SJT	3 x 1.00 + 3 x AWG 18	10A, 250V	UL/CSA + EURO
H05VV-F + SVT	3 x 0.75 + 3 x AWG 18	10A, 250V	

V-LOCK PLUG CONNECTORS IEC STD.C14 (CONT..)

Cable Type	Size (mm ²)	Max. Rating	Safety Approval
H05VV-F + SVT + 227 IEC 52(RVV)	3 x 0.75 + 3 x AWG 18 + 3 x 0.75	10A, 250V	UL/CSA + EURO + CCC

Remarks:

* Cable length limit to 2 meters.

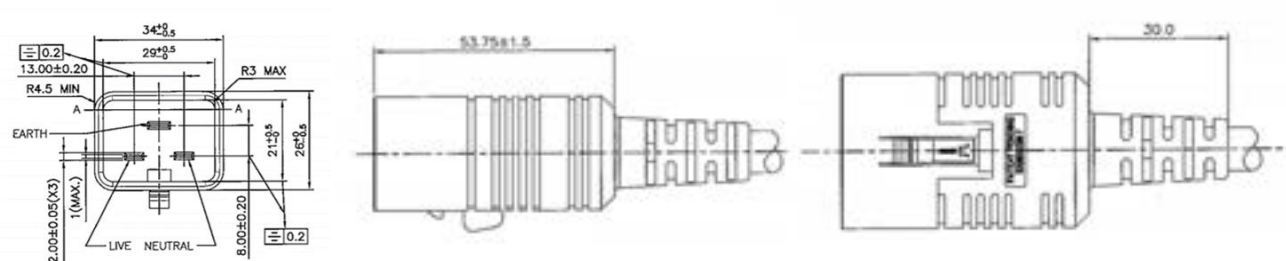


V-LOCK PLUG CONNECTORS

Cat. No. VAC20KC
Desc. 3-pole Straight Plug Connector with locking device
Std. AS/NZS 60320-2-2 (STANDARD SHEET I)
 GB17465.2
 EN / IEC 60320-2-2 (STANDARD SHEET I)
 JIS C8303 & JIS C8306 (Under Ordinance 1)
 UL 60320-1 , CSA STD C22.2 No. 60320-1-11

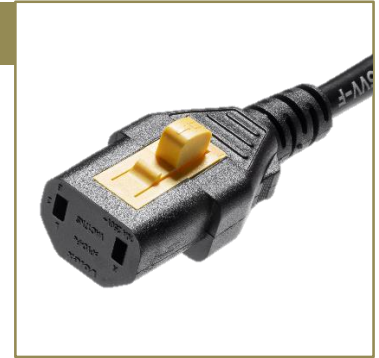


Cable Type	Size (mm ²)	Max. Rating	Safety Approval
V-75, 250/440 V, Ordinary Duty (Circular) (H05VV-F)	3 x 1.50	16A, 250V	SAA, EURO
60227 IEC 53 (RVV) 300/500 (Round)	3 x 1.50	16A, 250V	CCC
H05VV-F	3 x 1.50	16A, 250V	KEMA, VDE, ASTA
PSE 227 IEC 53 IEC-J	3 x 1.50	14A, 125V / 250V	PSE
VCTF	3 x 2.00	15A, 125V / 250V	
SJT	3 x AWG 14	16A, 125V / 250V	UL/C-UL, CSA
H05VV-F + SJT	3 x 1.50 + 3 x AWG 14	16A, 250V	UL/CSA + EURO
SJT + H05VV-F + RVV 300/500 + VCTF	3 x AWG 14 + 3 x 1.50 + 3 x 1.50 + 3 x 1.50	16A, 250V	UL/CSA + EURO + CCC + PSE
SJT + H05VV-F + RVV300/500 + IEC-J	3 x AWG 14 + 3 x 1.50 + 3 x 1.50 + 3 x 1.50	16A, 250V	

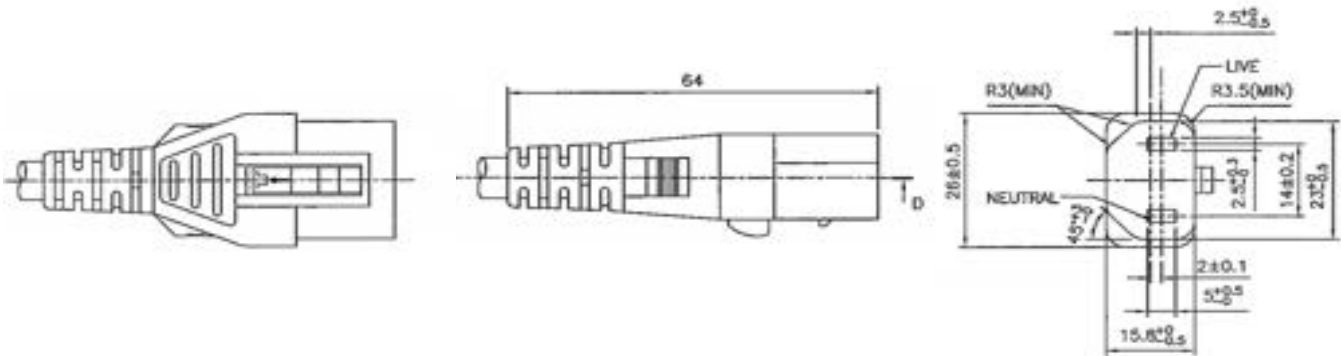


V-LOCK CONNECTORS

Cat. No. VAC17KS
Desc. 2-pole Straight Connector with Locking device
Std. EN 60320-1, IEC 60320-1
 UL 60320-1 , CSA STD C22.2 No. 60320-1-11
 AS/NZS 60320.1 (Standard Sheet C17)



Cable Type	Size (mm ²)	Max. Rating	Safety Approval
H05VV-F	2 x 1.00	10A, 250V	VDE
SJT	2 x AWG 18	10A, 125V/250V	UL/CSA
V-75, 250/440 V, Ordinary Duty (Circular)	2 x 1.00	10A, 250V	SAA



V-LOCK CONNECTORS

Cat. No. VAC13KS

Desc. 3-pole Straight Connector with Locking feature

Std. J60320-1 (IEC-J), under Ordinance 2
 JIS C 8358 & JIS C8306, under Ordinance 1
 GB17465.1 (CONNECTOR)
 EN 60320-1:1994 Std Sheet C13 by A.S.T.A.
 IEC 60320-1, EN 60320-1 - C13
 UL 60320-1 , CSA STD C22.2 No. 60320-1-11
 AS/NZS 60320.1 (STANDARD SHEET C13)



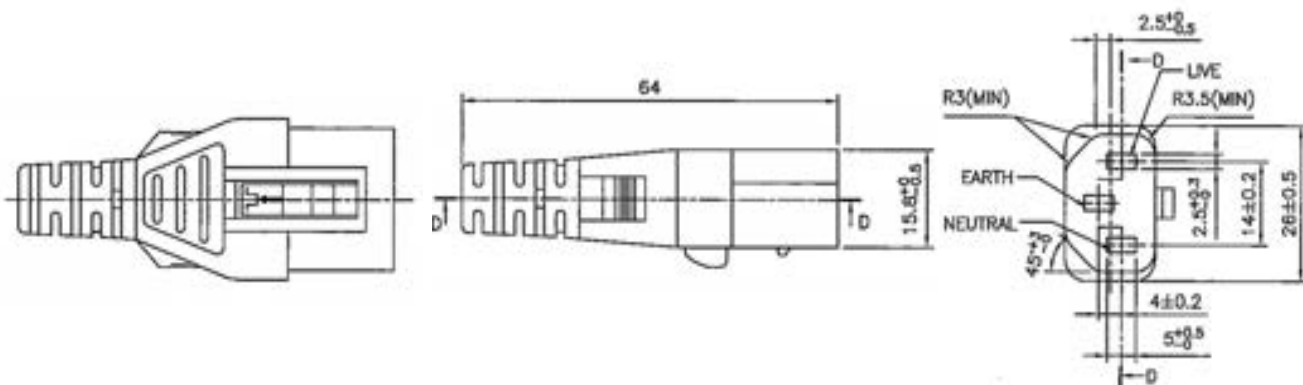
Cable Type	Size (mm ²)	Max. Rating	Safety Approval
227 IEC 53 (IEC-J) Round	3 x 1.00	10A, 250V	PSE
HVCTF	3 x 1.25	12A, 125V	
VCTF	3 x 1.25	12A, 125V/250V	
VCTF	3 x 0.75*	7A, 125V	
VCTF	3 x 2.00	15A, 125V	
VCTF	3 x 1.25	10A, 250V	
60227 IEC 53 (RVV) 300/500	3 x 0.75*	10A, 250V	CCC
60227 IEC 53 (RVV) 300/500	3 x 1.00	10A, 250V	
60227 IEC 53 (RVV) 300/500	3 x 1.50	10A, 250V	
H05VV-F	3 x 1.50	10A, 250V	EURO
H05VV-F	3 x 0.75*	10A, 250V	ASTA, KEMA, VDE
H05VV-F	3 x 1.00	10A, 250V	
SJT	3 x AWG 18	10A, 125V/250V	
SJT	3 x AWG 16	13A, 125V/250V	UL/c-UL, CSA
SJT	3 x AWG 14	15A, 125V/250V	
ST	3 x AWG 18	10A, 125V/250V	
SVT	3 x AWG 18	10A, 125V/250V	
SJT (Shielded)	3 x AWG 16	13A, 125V	
V-75, 250/440 V, Ordinary Duty (Circular) (H05VV-F)	3 x 0.75*	10A, 250V	
V-75, 250/440 V, Ordinary Duty (Circular) (H05VV-F)	3 x 1.00	10A, 250V	
V-75, 250/440 V, Ordinary Duty (Circular) (H05VV-F)	3 x 1.50	10A, 250V	

V-LOCK PLUG CONNECTORS IEC STD.C13 (CONT..)

Cable Type	Size (mm ²)	Max. Rating	Safety Approval
H05VV-F + 227 IEC 53 (RVV) + IEC-J	3 x 1.00 + 3 x 1.00 + 3 x 1.00	10A, 250V	EURO + CCC + IEC J
SJT + H05VV-F + 227 IEC 53(RVV)	3 x AWG 18 + 3 x 1.00 + 3 x 1.00 + 3 x 1.00	10A, 250V	UL/CSA + EURO + CCC + PSE
SJT + H05VV-F	3 x AWG 18 + 3 x 1.00	10A, 250V	UL/CSA + VDE + KEMA
H05VV-F + SVT + 227 IEC 53(RVV)	3 x 0.75 * + 3 x AWG 18 + 3 x 0.75*	10A, 250V	UL/CSA + EURO + CCC
SVT + H05VV-F	3 x AWG 18 + 3 x 0.75*	10A, 250V	UL/CSA + EURO

Remarks:

* Cable length limit to 2 meters.

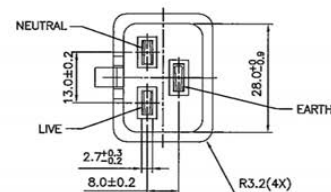
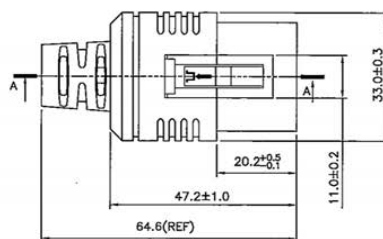
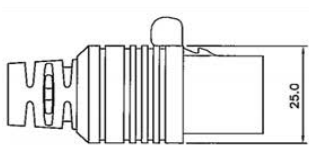


V-LOCK CONNECTORS



Cat. No. VAC19KS
Desc. 3-pole Straight Connector with Locking feature
Std. JIS C 8358 & JIS C8306, under Ordinance 1
 GB17465.1 (CONNECTOR)
 EN / IEC 60320-1 Standard Sheet C
 IEC 60320-1, EN 60320-1 - C19
 UL 60320-1 , CSA STD C22.2 No. 60320-1-11
 AS/NZS 60320-1 (STANDARD SHEET C19)

Cable Type	Size (mm ²)	Max. Rating	Safety Approval
227 IEC 53 (RVV) 300/500 (Round)	3 x 1.50	16A, 250V	CCC
H05VV-F	3 x 1.50	16A, 250V	ASTA, KEMA, VDE
SJT	3 x AWG 14	15A/16A, 125V/250V	UL/c-UL, CSA
SJT	3 x AWG 12	20A, 125V/250V	
V-75, 250/440 V, Ordinary Duty (Circular) (H05VV-F)	3 x 1.50	16A, 250V	SAA
VCTF	3 x 2.00	15A, 125V/250V	PSE
VCT	3 x 3.50	20A, 125V/250V	
SJT + H05VV-F + RVV 300/500 + VCTF	3 x AWG 14 + 3 x 1.50 + 3 x 1.50 + 3 x 2.00	16A, 250V	UL/CSA + EURO + CCC + PSE
SJT + VCTF	3 x AWG 14 + 3 x 2.00	15A, 125V/250V	UL/CSA + PSE
H05VV-F + SJT	3 x 1.50 + 3 x AWG 14	16A, 250V	EURO + UL.CSA + CCC + IEC-J



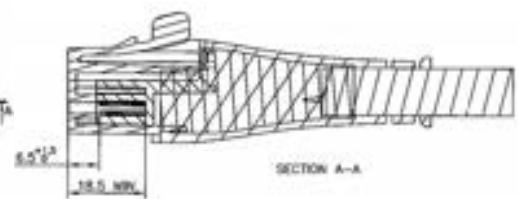
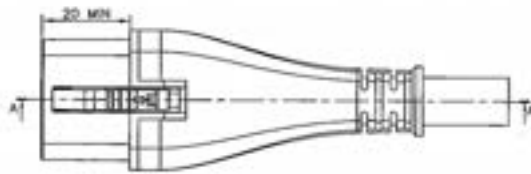
New!

V-LOCK CONNECTORS

Cat. No. VNC21KS
Desc. 3-pole Straight Connector with Locking feature
Std. UL 60320-1, CSA STD C22.2 No. 60320-1-11



Cable Type	Size	Max. Rating	Safety Approval
SJT	3 x AWG 12	20A, 250V	UL/C-UL



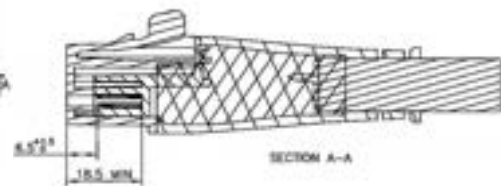
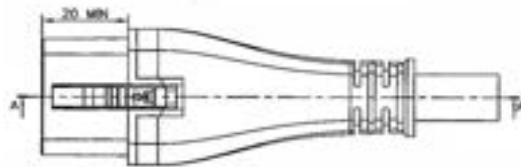
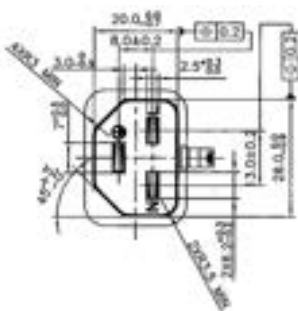
New!



V-LOCK CONNECTORS

Cat. No. VNC21KBS
Desc. 3-pole Straight Connector with Locking feature with big strain relief.
Std. JIS C 8358 & JIS C8306, under Ordinance 1

Cable Type	Size (mm ²)	Max. Rating	Safety Approval
VCT	3 x 3.50	20A, 250V	PSE



V-LOCK INLET

Cat. No.	VAC14KS
Desc.	3-wire Inlet with notch to match IEC Std. C13 Locking Connector (Screw-on Cable Type)
Std.	UL817, CSA Std C22.2 GB17465.1 IEC 60320-1 Standard Sheet C14
Max. Rating	10, 15A / 250V
Safety Mark	UL/c-UL, CSA, CCC, KEMA, VDE



V-LOCK INLET

Cat. No.	VAC18S
Desc.	3-wire Inlet with notch to match IEC Std. C17 Locking Connector
Std.	UL817, CSA Std C22.2 IEC / EN 60320-1 Standard Sheet C18
Max. Rating	10A, 15A / 250V
Safety Mark	UL/c-UL, CSA, SEMKO



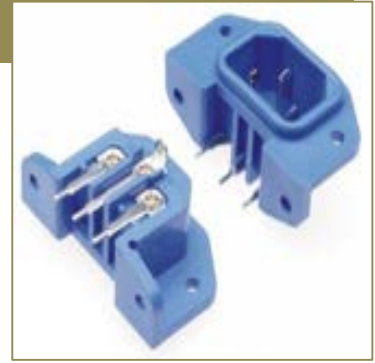
V-LOCK INLET

Cat. No.	RF-2004-VA-K
Desc.	3-wire Inlet with notch and built-in fuse carrier to match IEC Std. C13 Locking Connector (Clip-on Type)
Std.	UL 498, UL 817, CSA Std C22.2 GB17465.1 IEC/EN 60320-1 Standard Sheet C14
Max. Rating	10A / 250V
Safety Mark	UL/c-UL, CSA, CCC, KEMA



V-LOCK INLET

Cat. No.	SS-7B-1-T7-VA-K
Desc.	3-wire Angular Inlet with notch to match IEC Std. C13 Locking Connector(Screw-on Type)
Std.	UL 498, CSA Std C22.2 GB17465.1 IEC/EN 60320-1 Standard Sheet C14
Max. Rating	10A, 15A / 250V
Safety Mark	UL/c-UL, CSA, CCC, KEMA



V-LOCK INLET

Cat. No.	VAC20KS
Desc.	3-wire Inlet with notch to match IEC Std. C19 Locking Connector (Screw-on Type)
Std.	UL 498, UL 817, CSA STD C22.2 GB17465.1 IEC/EN 60320-1 Standard Sheet C20
Max. Rating	16A, 20A / 250V
Safety Mark	UL/c-UL, CSA, CCC, KEMA, VDE



V-LOCK OUTLET

Cat. No.	VAC19KI
Desc.	3-pole Outlet with notch to match IEC Std. C20 Locking Plug Connector (Screw-on Type)
Std.	UL817, CSA Std C22.2 IEC/EN 60320-2-2 Standard Sheet J
Max. Rating	16A, 250V
Safety Mark	UL/c-UL, CSA, KEMA





**HALOGEN-FREE
PLUGS AND
CONNECTORS
05**

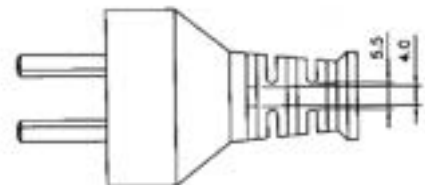
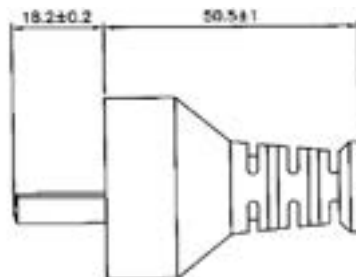
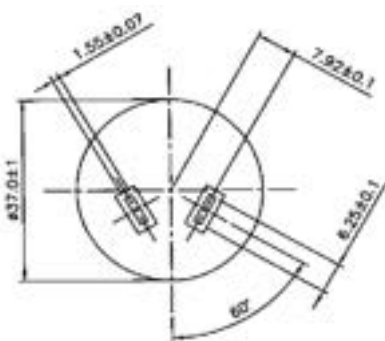


ARGENTINA

Cat. No.	VPAR10S2
Desc.	Small Profile Straight Plug for Class II Appliance, Halogen Free (RoHS 2)
Std.	IRAM 2063 & IRAM-NM 60884-1
Max. Rating	10A, 250V
Safety Mark	IRAM



Cable Type	Size (mm ²)	Matching Connector
H03Z1Z1H2-F	2 x 0.75	-



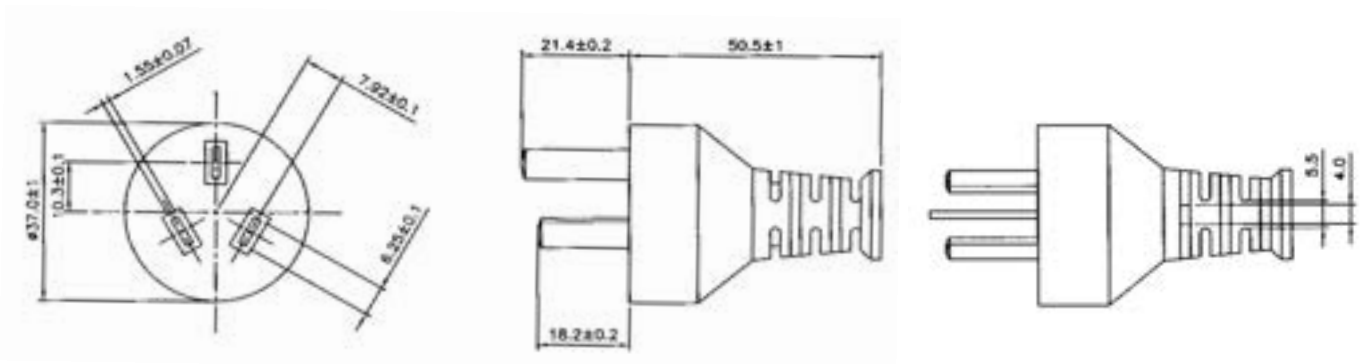


ARGENTINA

Cat. No.	VPAR10S3
Desc.	Straight Plug for Class I Appliance, Halogen Free (RoHS 2)
Std.	IRAM 2073 & IRAM-NM 60884-1
Max. Rating	10A, 250V
Safety Mark	IRAM



Cable Type	Size (mm ²)	Matching Connector
H03Z1Z1-F	3 x 0.75	-
H05Z1Z1-F	3 x 0.75	-
H05Z1Z1-F	3 x 1.00	VCC13



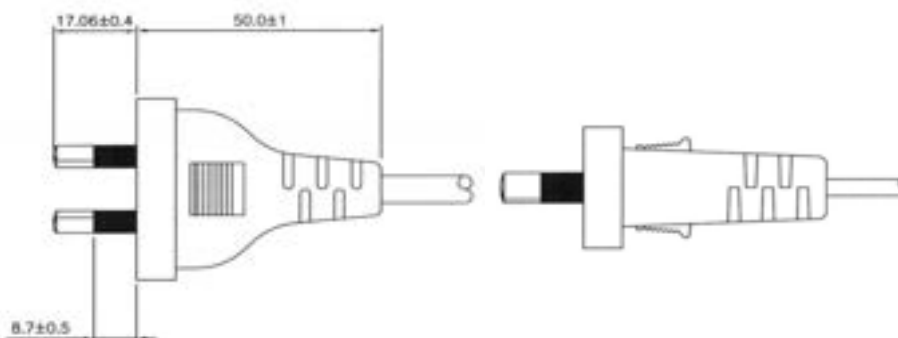


AUSTRALIA

Cat. No.	VPAU10LS2
Desc.	Straight Plug with Insulated Pins for Class II Appliance, Halogen Free (RoHS 2)
Std.	AS/NZS 3112:2000
Max. Rating	10A, 250V
Safety Mark	SAA



Cable Type	Size (mm ²)	Matching Connector
H03Z1Z1H2-F	2 x 0.75	VCC7





AUSTRALIA

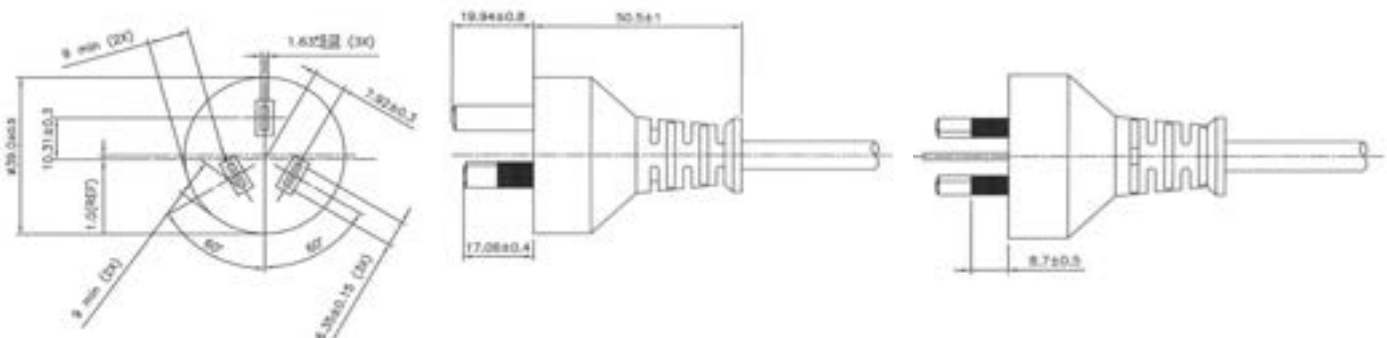
Cat. No.	VPAU10LS3
Desc.	Straight Plug with Insulated Pins for Class I and Class II Appliance, Halogen Free (RoHS 2)
Std.	AS/NZS 3112:2000
Max. Rating	10A, 250V
Safety Mark	SAA



Cable Type	Size (mm ²)	Matching Connector
H05Z1Z1-F	3 x 0.75	VCC5S VCC13*
H05Z1Z1-F	3 x 1.00	VCC13
H03Z1Z1-F	3 x 0.75	VCC5S

Remarks

* Cable length limit to 2 meters.



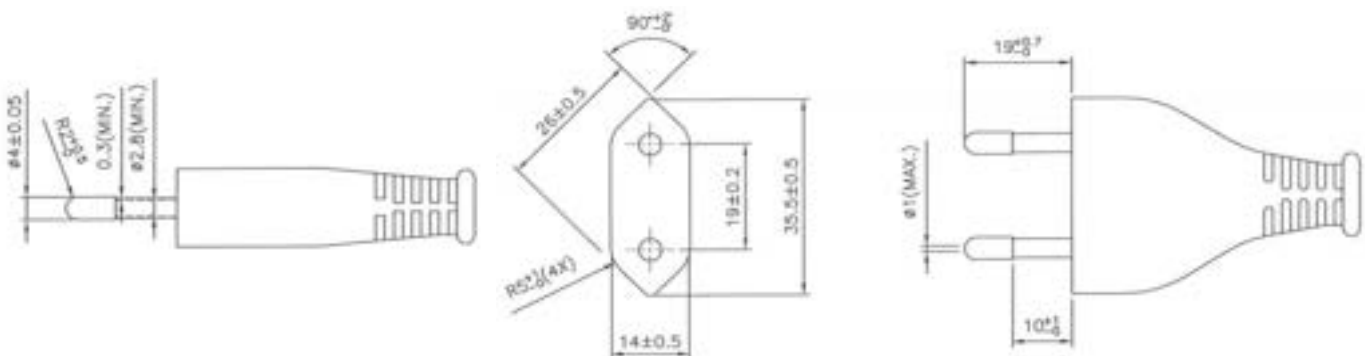


BRAZIL

Cat. No.	VPBR10S2
Desc.	Straight Plug with Insulated Pins for Class II Appliance, Halogen Free
Std.	NBR 6147
Max. Rating	10A, 250V
Safety Mark	INMETRO



Cable Type	Size (mm ²)	Matching Connector
H03Z1Z1H2-F	2 x 0.75	-





DENMARK

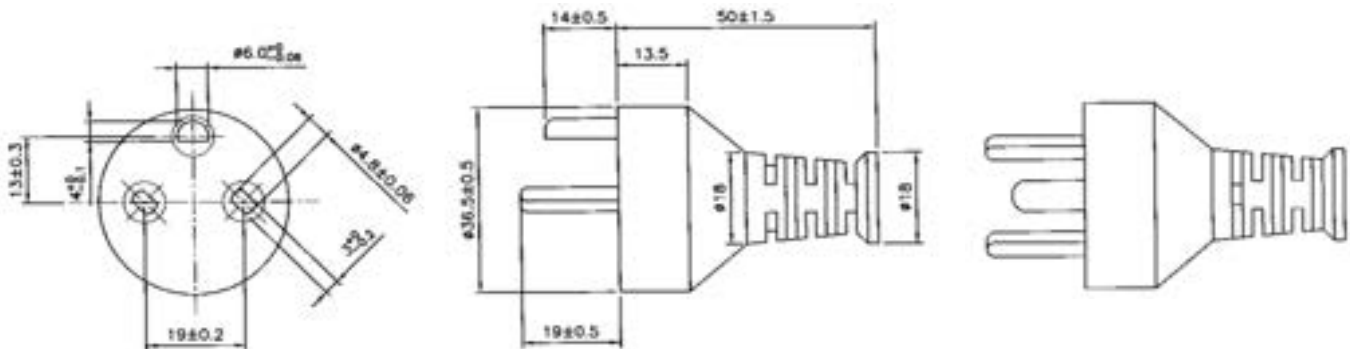
Cat. No.	VPDM10S3
Desc.	Straight Plug with Earth Pin for Class I Appliance, Halogen Free
Std.	IEC 60884-1 & SB 107-2-DI (STANDARD SHEET DK 2-5A)
Max. Rating	10A, 250V
Safety Mark	DEMKO



Cable Type	Size (mm ²)	Matching Connector
H03Z1Z1-F	3 x 0.75	-
H05Z1Z1-F	3 x 0.75	VCC13*
H05Z1Z1-F	3 x 1.00	VCC13

Remarks

* Cable length limit to 2 meters.



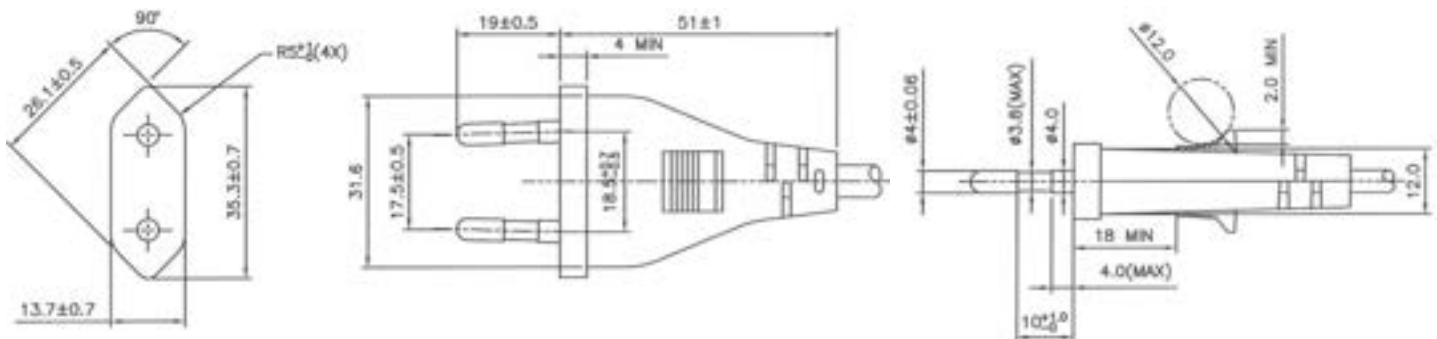


EUROPE

Cat. No.	GPEU2.5S2
Desc.	Straight Plug for Class II Appliance, Halogen Free
Std.	EN 50075
Max. Rating	2.5A, 250V
Safety Mark	ENEC - KEMA



Cable Type	Size (mm ²)	Matching Connector
H03Z1Z1H2-F	2 x 0.75	-





EUROPE

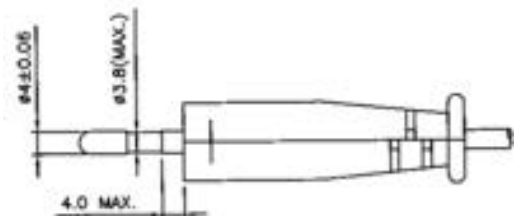
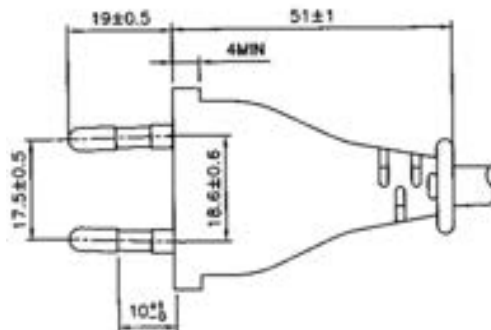
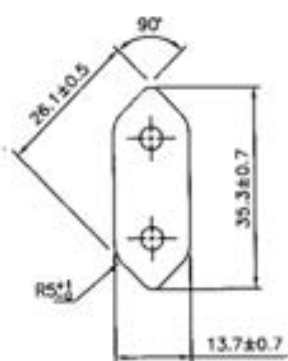
Cat. No.	VPEU2.5CS2
Desc.	Filtered Straight Plug with Radio Interference Halogen Free
Std.	EN 50075
Max. Rating	2.5A, 250V
Safety Mark	ENEC - VDE



Cable Type	Size (mm ²)	Matching Connector
H03Z1Z1H2-F	2 x 0.75	-

NOTE:

Please check tooling availability.



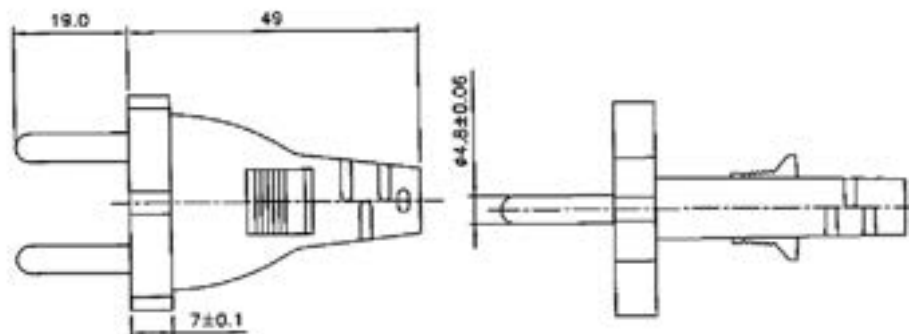
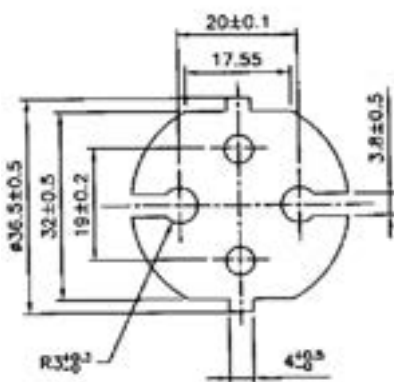


EUROPE

Cat. No.	VPEU16S2
Desc.	Straight Plug with Dual-earth contacts for Class II Appliance, Halogen Free
Std.	IEC 60884-1
Max. Rating	16A, 250V
Safety Mark	ENEC - VDE



Cable Type	Size (mm ²)	Matching Connector
H05Z1Z1-F	2 x 0.75	-





EUROPE

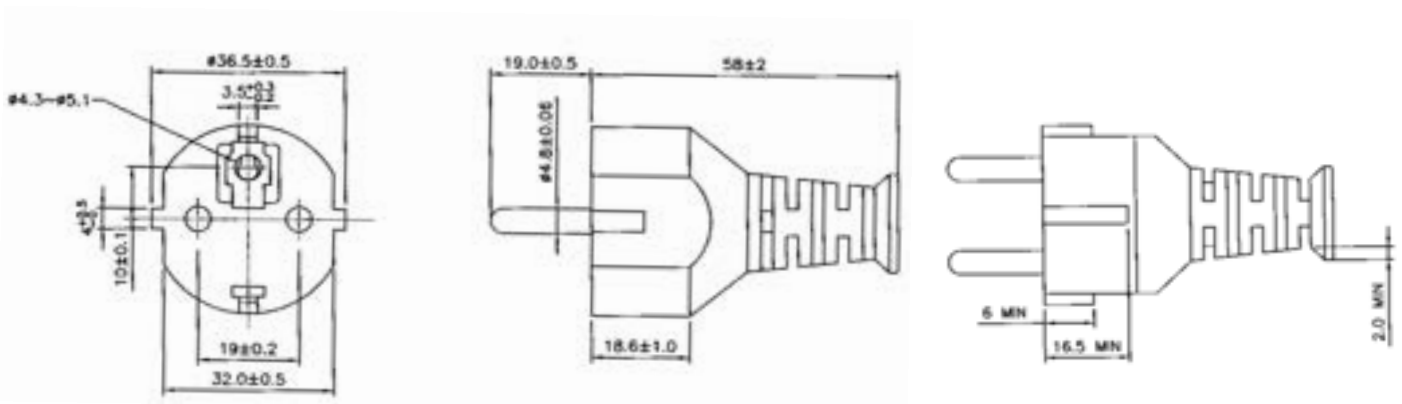


Cat. No.	GPEU16S3
Desc.	Straight Plug with Dual Earth Contacts for Class I Appliance, Halogen Free
Std.	IEC 60884-1
Max. Rating	16A, 250V
Safety Mark	KEMA, CEBC, DEMKO, NEMKO, FIMKO, SEMKO, OVE, VDE

Cable Type	Size (mm ²)	Matching Connector
H03Z1Z1-F	3 x 0.75	-
H05Z1Z1-F	3 x 0.75	VCC13*

Remarks

* Cable length limit to 2 meters.





EUROPE

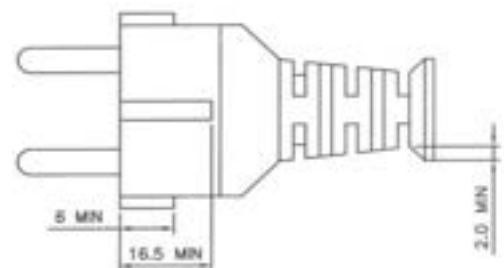
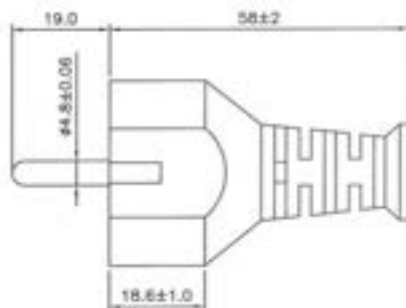
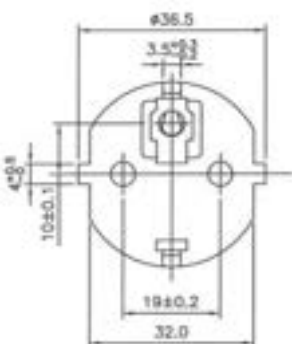
Cat. No.	VPEU16S3
Desc.	Straight Plug with Dual Earth Contacts for Class I Appliance, Halogen Free
Std.	IEC 60884-1
Max. Rating	16A, 250V
Safety Mark	KEMA , CEBEC, DEMKO, NEMKO, FIMKO, SEMKO, OVE, VDE



Cable Type	Size (mm ²)	Matching Connector
H03Z1Z1-F	3 x 0.75	-
H05Z1Z1-F	3 x 0.75	VCC13*
H05Z1Z1-F	3 x 1.00	VCC13

Remarks

* Cable length limit to 2 meters.





GULF COUNTRIES

Cat. No.	VPUK13A3
Desc.	Non-rewirable 13A Fused Plug Molded in Thermoplastic HF Material
Std.	IEC 60884
Max. Rating	13A, 250V
Safety Mark	GCC



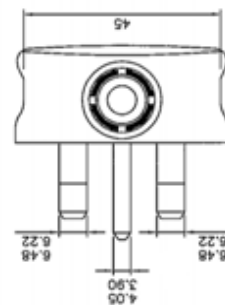
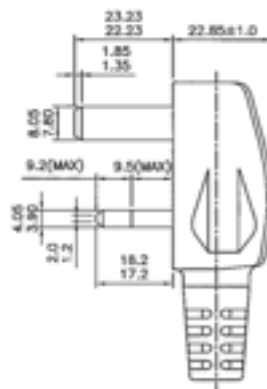
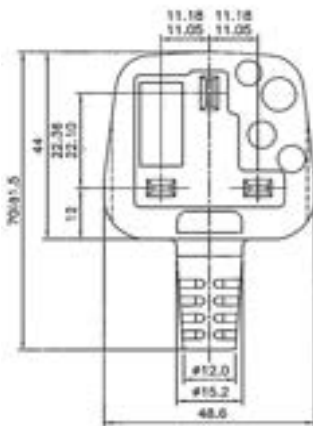
Cable Type	Size (mm ²)	Matching Connector
H05Z1Z1-F	3 x 0.75	VCC13*

Remarks

* Cable length limit to 2 meters.

NOTE:

Gulf countries include Bahrain, Kuwait, Iraq, Oman, Qatar, Saudi Arabia and the United Arab Emirates (UAE)
Subject to safety approval availability.



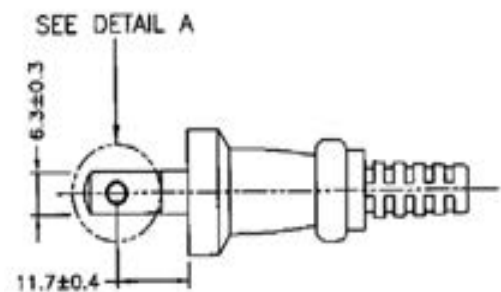
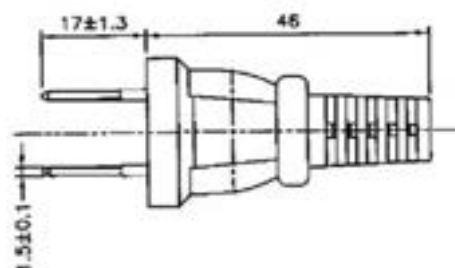
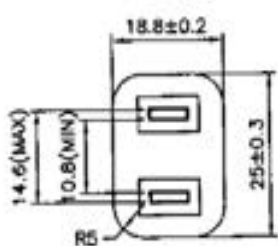


JAPAN

Cat. No.	VPJS15THS2
Desc.	Anti Tracking Straight Plug with Sleeve for Class II Appliance, Halogen Free (RoHS 2)
Std.	JIS C8303 & JIS C8306
Max. Rating	15A, 125V
Safety Mark	PSE



Cable Type	Size (mm ²)	Matching Connector
OCTFK/F	2 x 0.75	VCC7S, VCC7
QFF/F	2 x 0.75	-
QQCTFK/F	2 x 0.75	-
EM-CFF	2 x 0.75	VCC7S



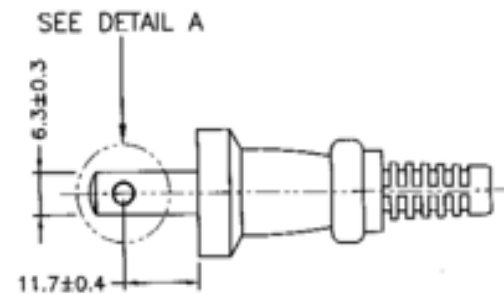
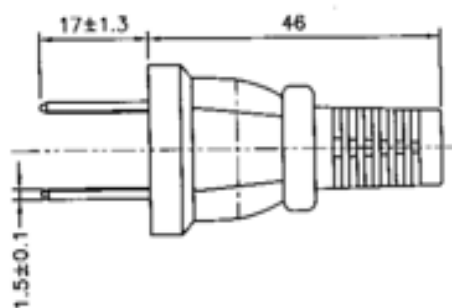
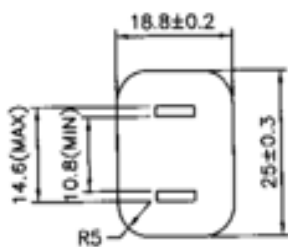


JAPAN

Cat. No.	VPJS15S2
Desc.	Straight Plug for Class II Appliance, Halogen Free (RoHS 2)
Std.	JIS C8303 & JIS C8306
Max. Rating	15A, 125V
Safety Mark	PSE



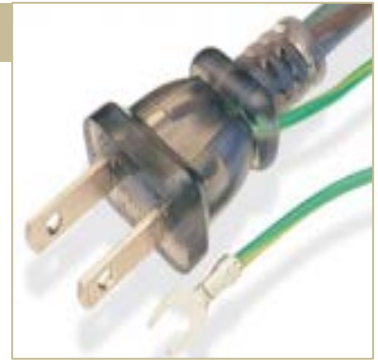
Cable Type	Size (mm ²)	Matching Connector
EM-CFF	2 x 0.75	VCC7S
ECTFK	2 x 0.75	VCC7S, VCC7





JAPAN

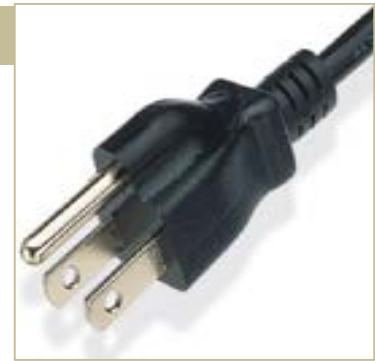
Cat. No. VPJS15MS3
Desc. Straight Plug with External Earth Wire
 for Class I Appliance, Halogen Free (RoHS 2)
Std. JIS C8303 & JIS C8306
Max. Rating 15A, 125V
Safety Mark PSE



Cable Type	Size (mm ²)	Matching Connector
OOCTF/F	3 x 0.75	-
ECTF	3 x 0.75	-



JAPAN

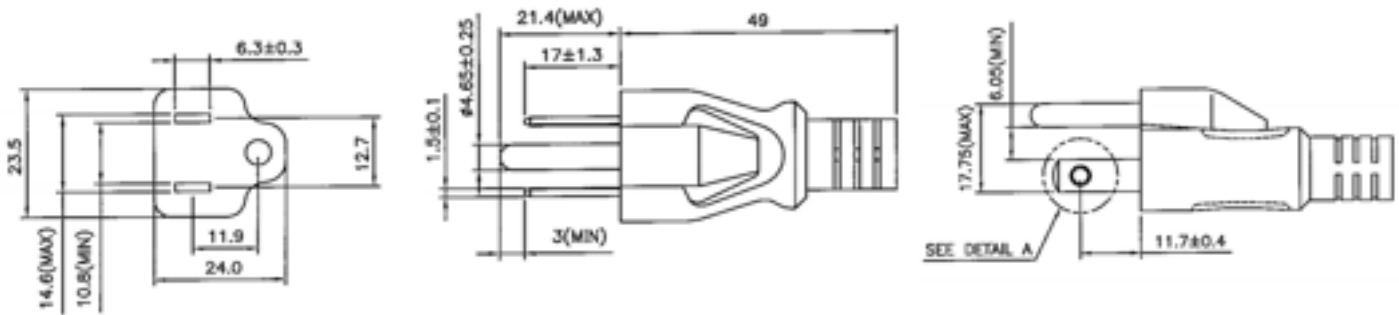


Cat. No. GPJS15S3
Desc. Straight Plug for Class I Appliance, Halogen Free (RoHS 2)
Std. JIS C8303 & JIS C8306
Max. Rating 7A, 125V
Safety Mark PSE

Cable Type	Size (mm ²)	Matching Connector
QQCTF/F	3 x 0.75	VCC5S, VCC13*
ECTF/F	3 x 0.75	VCC13*

Remarks

* Cable length limit to 2 meters.





JAPAN

Cat. No.	GPJS15HS3
Desc.	Straight Plug with Housing Cable Type for Class I Appliance, Halogen Free (RoHS 2)
Std.	JIS C8303 & JIS C8306
Max. Rating	7A, 125V
Safety Mark	PSE



Cable Type	Size (mm ²)	Matching Connector
QQCTF/F	3 x 0.75	VCC5S, VCC13*
ECTF	3 x 0.75	VCC5S

Remarks

* Cable length limit to 2 meters.

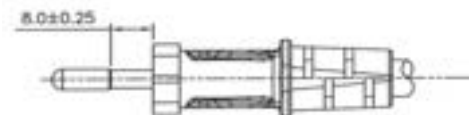
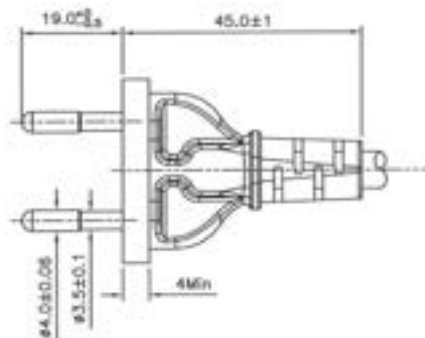
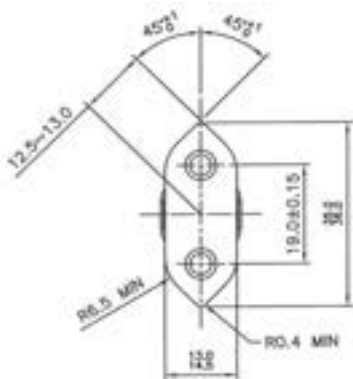


SWITZERLAND

Cat. No.	VPSW10ZS2
Desc.	Staight Plug for Class II Appliance, Halogen Free
Std.	IEC 60884-1 and SEV 1011
Max. Rating	10A, 250V
Safety Mark	SEV



Cable Type	Size (mm ²)	Matching Connector
H03Z1Z1H2-F	2 x 0.75	-
H05Z1Z1-F	2 x 0.75	-





SWITZERLAND

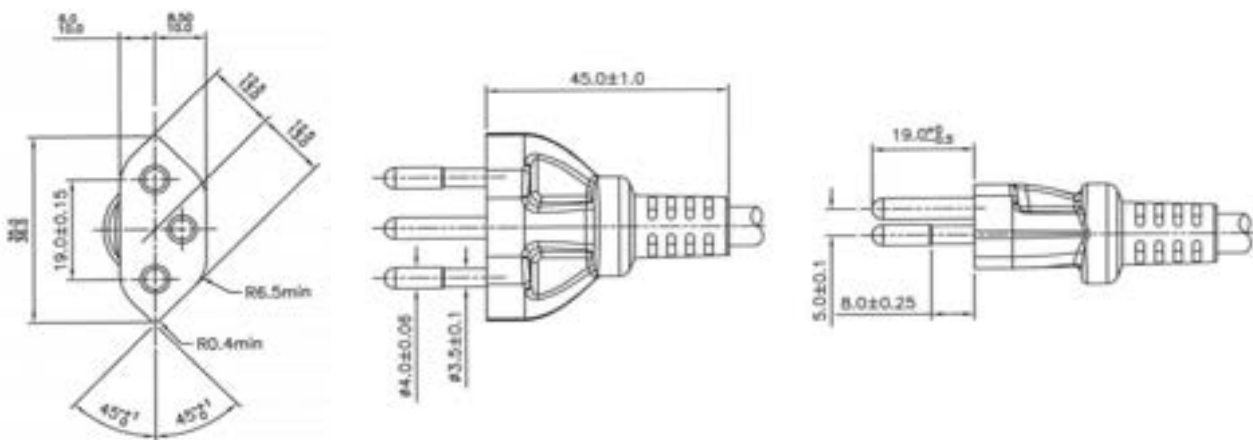
Cat. No.	VPSW10ZS3
Desc.	Staight Plug for Class I Appliance, Halogen Free
Std.	IEC 60884-1 and SEV 1011
Max. Rating	10A, 250V
Safety Mark	SEV



Cable Type	Size (mm ²)	Matching Connector
H03Z1Z1-F	3 x 0.75	-
H05Z1Z1-F	3 x 0.75	VCC13*
H05Z1Z1-F	3 x 1.00	VCC13

Remarks

* Cable length limit to 2 meters.



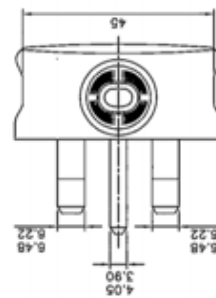
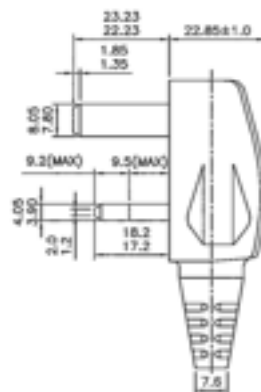
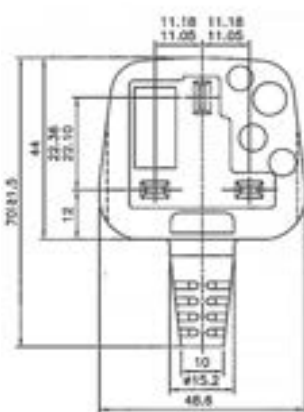


UNITED KINGDOM

Cat. No.	VPUK13A2
Desc.	Cable Type 4 Angled Plug for Class II appliance, Halogen Free
Std.	BS 1363/A
Max. Rating	13A, 250V
Safety Mark	ASTA



Cable Type	Size (mm ²)	Matching Connector
H03Z1Z1H2-F	2 x 0.75	-





UNITED KINGDOM

Cat. No.	VPUK13A3
Desc.	Cable Type 4 Angled Plug for Class I and II appliance, Halogen Free
Std.	BS 1363/A
Max. Rating	13A, 250V
Safety Mark	ASTA

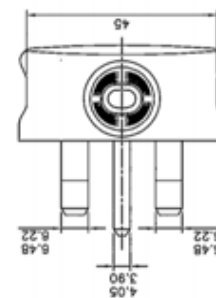
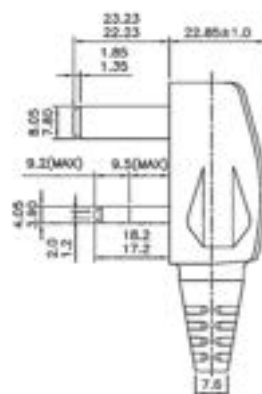
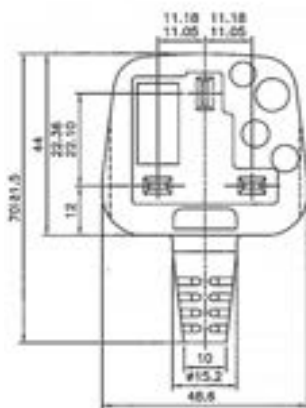


Cable Type	Size (mm ²)	Matching Connector
H03Z1Z1-F	3 x 0.75	-
H05Z1Z1-F	3 x 0.75	VCC13*
H05Z1Z1-F	3 x 1.00	VCC13
H05Z1Z1-F	2 x 0.75	-

Remarks

* Cable length limit to 2 meters.

Subject to safety approval availability.





SOUTH AFRICA

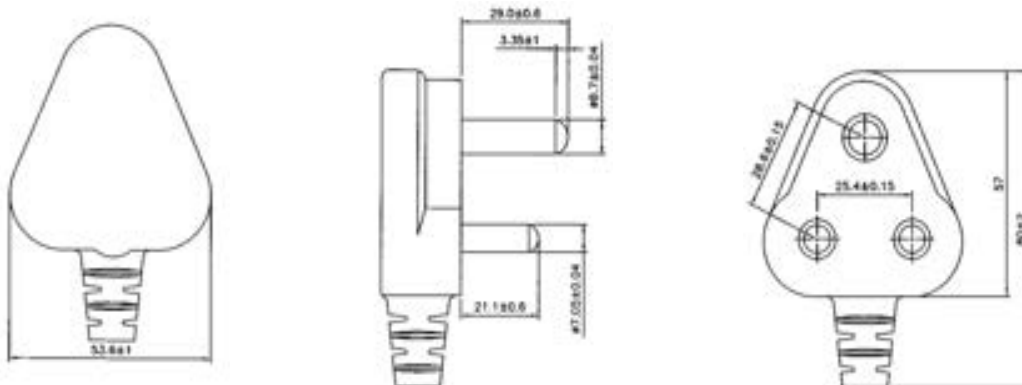
Cat. No.	VPSA16A3
Desc.	Angled Plug for Class I and II Appliance, Halogen Free
Std.	SANS164-1
Max. Rating	16A, 250V
Safety Mark	Not Mandatory



Cable Type	Size (mm ²)	Matching Connector
H05Z1Z1-F	3 x 0.75	VCC5S, VCC13*

Remarks

* Cable length limit to 2 meters.





THAILAND

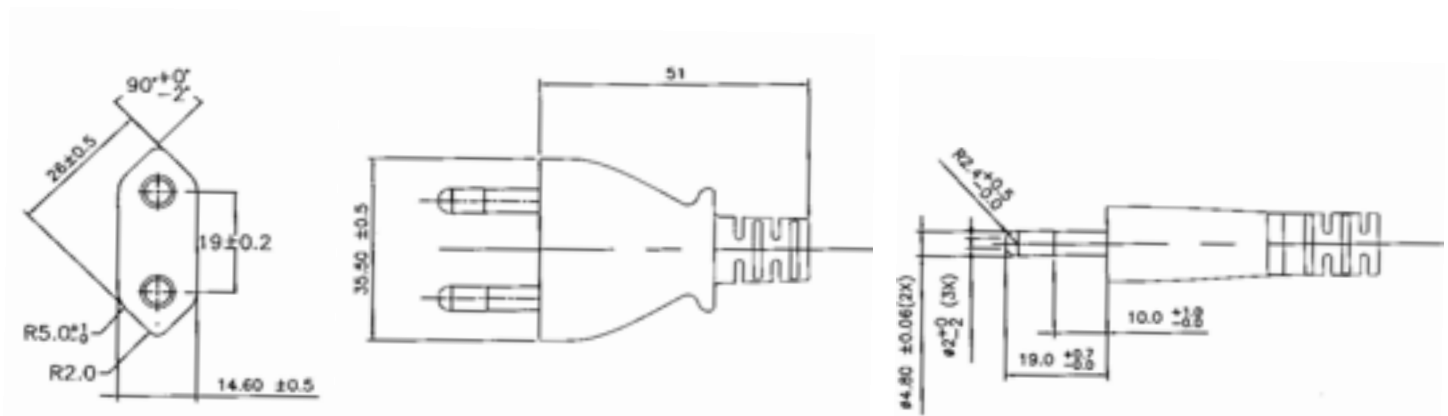
Cat. No.	VPT116S2
Desc.	Straight Plug for Class II Appliance, Halogen Free
Std.	TIS 166-2549
Max. Rating	16A, 250V
Safety Mark	Non Mandatory (TIS 166 Compliant)



Cable Type	Size (mm ²)	Matching Connector
H03Z1Z1H2-F	2 x 0.75	VCC7

NOTE:

Subject to TIS Safety Mark Application.





THAILAND

Cat. No.	VPT116S3
Desc.	Straight Plug for Class I Appliance, Halogen Free
Std.	TIS 166-2549
Max. Rating	16A, 250V
Safety Mark	Non Mandatory (TIS 166 Compliant)



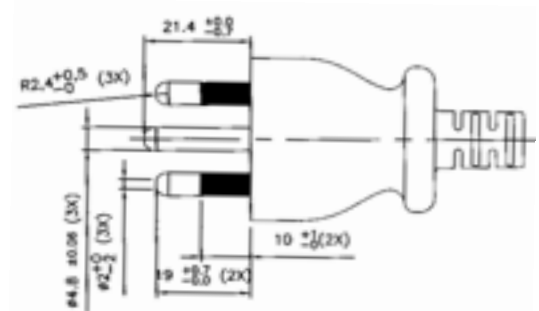
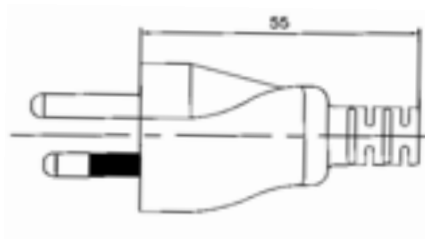
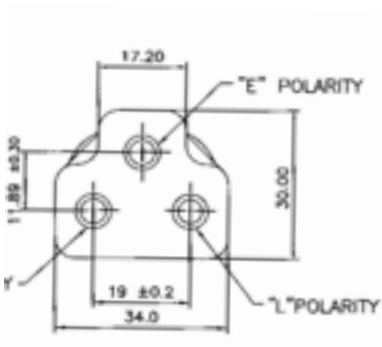
Cable Type	Size (mm ²)	Matching Connector
H05Z1Z1-F	3 x 0.75	VCC5S, VCC13*
H05Z1Z1-F	3 x 1.00	VCC13
H03Z1Z1-F	3 x 0.75	VCC5S

Remarks

* Cable length limit to 2 meters.

NOTE:

Subject to TIS Safety Mark Application.



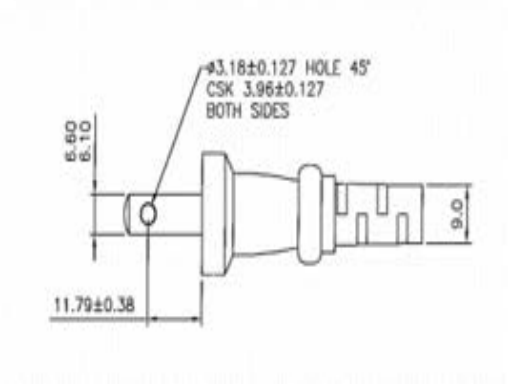
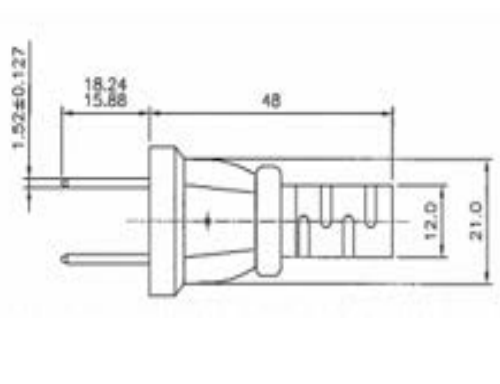


U.S.A



Cat. No. VPUS15S2
Desc. NEMA 1-15P Straight Plug for Class II Appliance, Halogen Free (RoHS 2)
Std. UL498, UL817, CSA STD C 22.2
Max. Rating 15A, 125V
Safety Mark UL, CSA

Cable Type	Size	Matching Connector
NISPE-2 / NISPT-2 (TPE)	2 x AWG 18	VCC7S



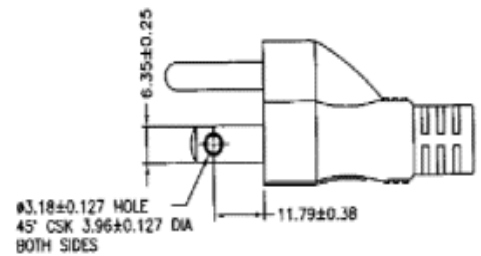
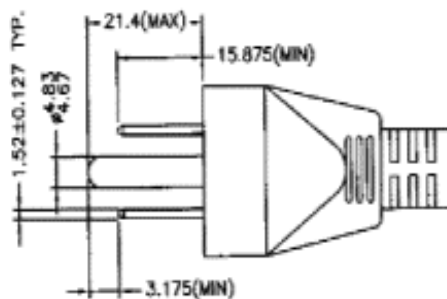
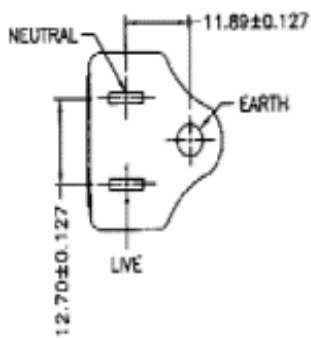


U.S.A



Cat. No. VPUS15S3
Desc. NEMA 5-15P Straight Plug for Class I Appliance,
 Halogen Free
Std. UL498, UL817, CSA STD C 22.2
Max. Rating 15A, 125V
Safety Mark UL, CSA

Cable Type	Size	Matching Connector
SJE/SJT (TPE)	3 x AWG 18	VCC13
SVE/SVT (TPE)	3 x AWG 18	VCC5S, VCC13



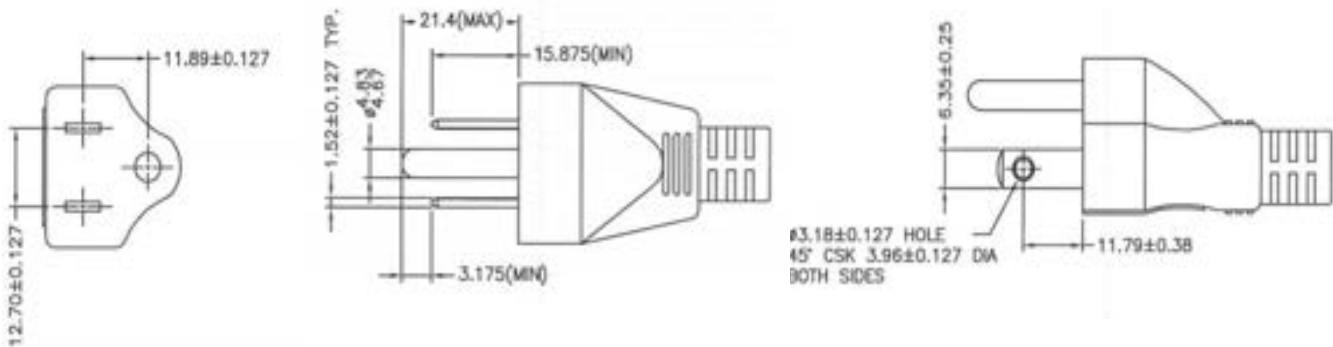


U.S.A

Cat. No. VPUS15DS3
Desc. NEMA 5-15P Straight Plug with inner housing for Class I Appliance, Halogen Free
Std. UL498, UL817, CSA STD C 22.2
Max. Rating 15A, 125V
Safety Mark UL, CSA



Cable Type	Size	Matching Connector
SJE/SJT (TPE)	3 x AWG 18	VCC13
SVE/SVT (TPE)	3 x AWG 18	VCC5S, VCC13
SVE	3 x AWG 16	-
SPE-2/SPT-2 (TPE)	3 x AWG 18	VCC5S

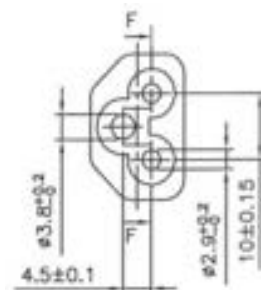
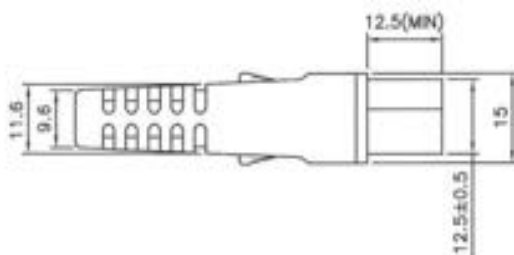
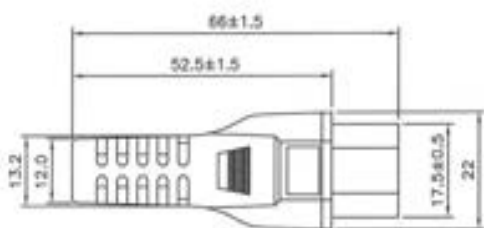


CONNECTORS IEC STD.C5

Cat. No. VCC5S
Desc. 3-Pole Straight Connector, Halogen Free
Std. UL 60320-1 , CSA STD C22.2 No. 60320-1-11
 JIS C8358 & JIS C8306
 AS/NZS 60320.1 (STANDARD SHEET C5)



Cable Type	Size (mm ²)	Rated Current	Safety Approval
SVE/SVT(TPE)	3 x AWG 18	2.5A, 125V/250V	UL, CSA
H03Z1Z1-F	3 x 0.75	2.5A, 250V	SAA
H05Z1Z1-F	3 x 0.75	2.5A, 250V	
QQCTF/F	3 x 0.75	7A, 125V	JIS
ECTF	3 x 0.75	7A, 125V	

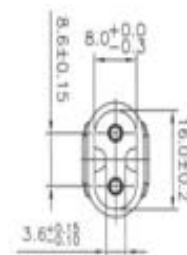
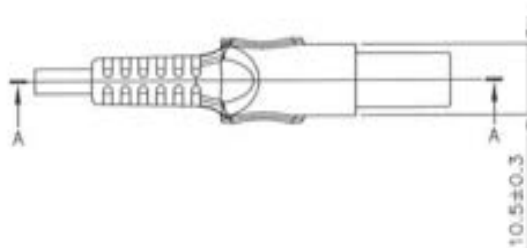
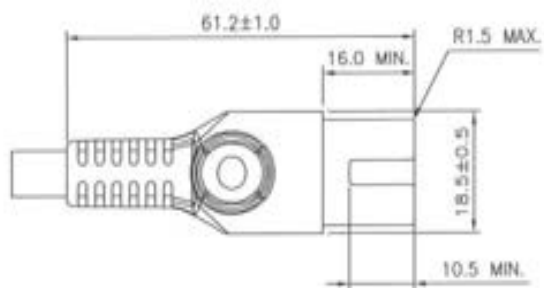


CONNECTORS IEC STD.C7

Cat. No. VCC7
Desc. 2-Pole Straight Connector, Halogen Free
Std. IEC60302-1, EN60320-1
 JIS C8358 & JIS C8306
 AS/NZS 60320.1

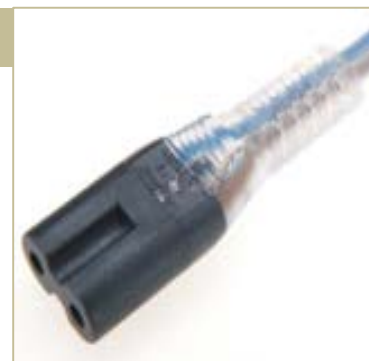


Cable Type	Size (mm ²)	Rated Current	Safety Approval
H03Z1Z1H2-F	2 x 0.75	2.5A, 250V	ENEC,SAA
ECTFK	2 x 0.75	7A,125V	PSE
OCTFK/F	2 x 0.75	7A,125V	
ECTFK	2 x 0.75	2.5A, 250V	

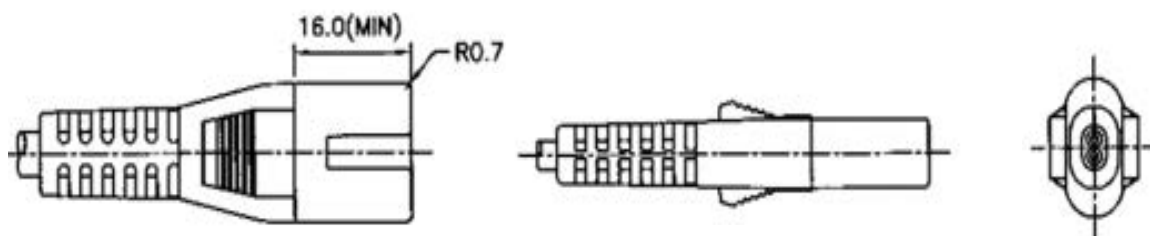


CONNECTORS IEC STD.C7

Cat. No. VCC7S
Desc. 2-Pole Straight Connector, Halogen Free
Std. UL 60320-1 , CSA STD C22.2 No. 60320-1-11
 JIS C8358 & JIS C8306



Cable Type	Size (mm ²)	Rated Current	Safety Approval
NISPE-2/NIPST-2(TPE)	2 x AWG 18	7A, 125V/250V	UL, CSA



CONNECTORS IEC STD.C13

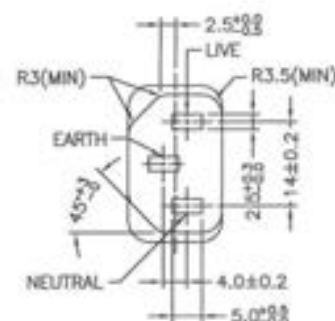
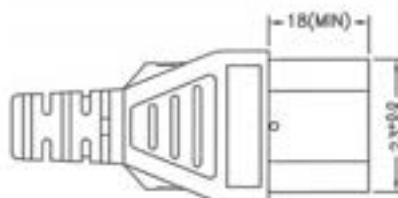
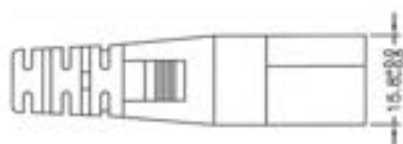
Cat. No. VCC13
Desc. 3-Pole Straight Connector, Halogen Free
Std. UL 60320-1 , CSA STD C22.2 No. 60320-1-11
 JIS C8358 & JIS C8306
 IEC60302-1, EN60320-1
 AS/NZS 60320.1 (STANDARD SHEET C13)
 CNS15663, CNS690, CNS15767-1



Cable Type	Size (mm ²)	Rated Current	Safety Approval
ECTF/F	3 x 0.75*	7A, 125V	JIS
OCTF/F	3 x 0.75*	7A, 125V	
QQCTF/F	3 x 0.75*	7A, 125V	
QQCTF/F	3 x 1.25	12A, 125V	
H05Z1Z1-F	3 x 0.75*	10A, 250V	EU, SAA
H05Z1Z1-F	3 x 1.00	10A, 250V	
SJE/SJT(TPE)	3 x AWG 18	10A, 125V	UL, CSA
SVE/SVT(TPE)	3 x AWG 18	10A, 125V	
H05Z1Z1-F	3 x 1.00	10A, 125V	BSMI
H05Z1Z1-F	3 x 0.75*	6A, 125V	

Remarks

* Cable length limit to 2 meters.

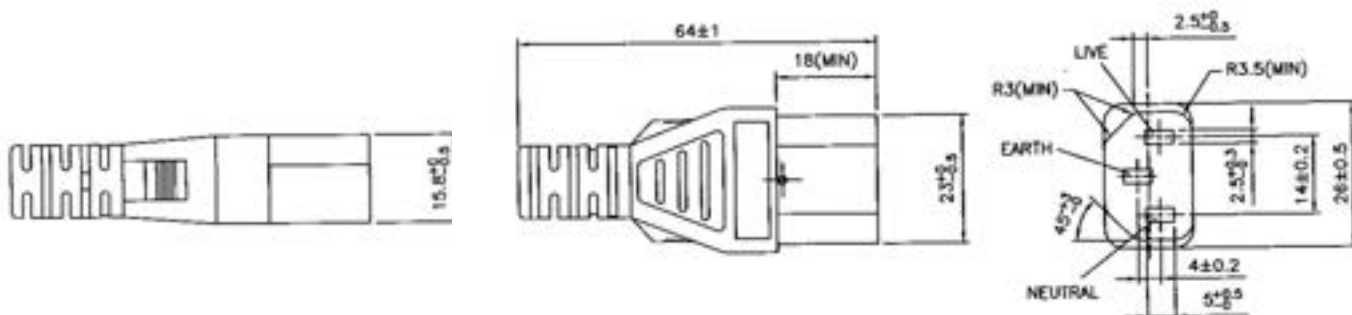


CONNECTORS IEC STD.C13

Cat. No. VCC13BS
Desc. 3-Pole Straight Connector, Halogen Free
Std. JIS C8358 & JIS C8306



Cable Type	Size (mm ²)	Rated Current	Safety Approval
ECTF	3 x 2.00	15A,125V	PSE





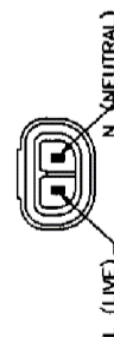
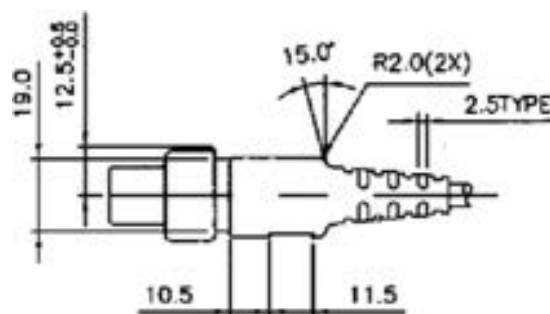
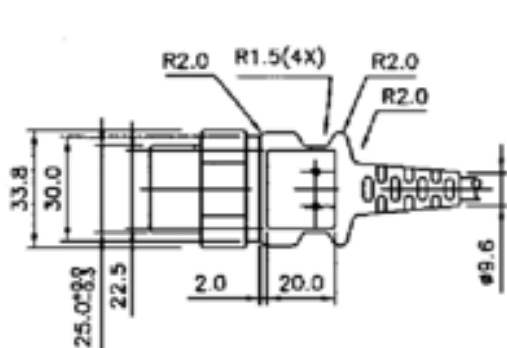
**SPLASH-PROOF
SPLITTERS
PDU
06**

SPLASH-PROOF (IP44) PLUG CONNECTOR

Cat. No. VAW10S
Desc. 2-pole Splash-Proof Straight Plug Receptacle
 for Class II Appliance
Std. EN 60320-2-3 Standard Sheet B



Cable Type	Size (mm ²)	Max. Rating	Safety Approval
H05VV-F	2 x 1.00	10A, 250V	ENEC-KEMA



Socket-Outlet (IP44)

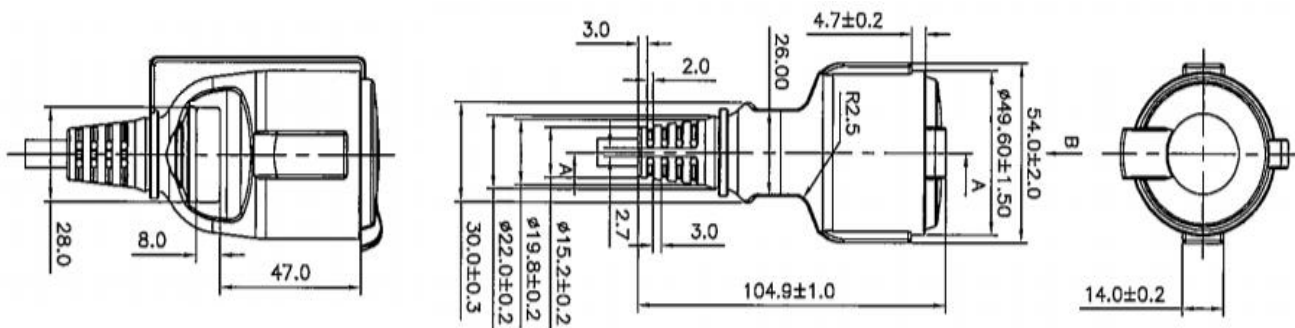
Cat. No.	EU16CS3SPR
Desc.	Non-rewirable and portable Socket-outlet
Degree of Protection	IP44
Std.	DIN VDE 0620-2-1 (DIN 49440-2-D)



Cable Type	Size (mm ²)	Max. Rating	Safety Approval
H05VV-F	3 x 1.50	16A, 250V	VDE

NOTE:

Subject to tooling availability.



SPLITTER

Cat. No.	Duo Cord
Desc.	Splitter with 2 outputs
Std.	UL817, CSA Std C22.2
Max. Rating	16A / 125V, 250V
Configuration	Input 18 AWG - Two Outputs 18 AWG Input 16 AWG - Two Outputs 16 AWG Input 14 AWG - Two Outputs 14 AWG



Cable Type	Size	Matching Plug	Matching Connector	Rated Current	Safety Approval
SJT	3 x AWG 18	PS204, US15S3, PS204A	VNBC13S, V1625A, V1625LA	10A	UL/c-UL
SJT	3 x AWG 16	PS204, PS204A	VNBC13S, V1625A, V1625LA, V1625BA	13A	
SJT	3 x AWG 14	PS204	V1625BS, V1625BA	15A	
SVT	3 x AWG 18	PS204, US15S3, PS204A	VNBC13S, V1625A, V1625LA, VAC5S, VAC5AR, VAC5AL	10A	
SVT	3 x AWG 16	PS204, PS204A	VNBC13S, V1625A, V1625LA, V1625BA	13A	
SJT	3 x AWG 18	VAC14S, VAC14A	VNBC13S, V1625A, V1625LA	10A	
SJT	3 x AWG 18	VAC14S, VAC14A	VNBC13S + VAC5S V1625A + VAC5S V1625LA + VAC5S	10A	
SVT	3 x AWG 18	VAC14S, VAC14A	VNBC13S + VAC5S V1625A + VAC5S V1625LA + VAC5S	10A	
SJT	3 x AWG 16	VAC14BS	VNBC13S, V1625A, V1625LA, V1625BA	13A	
SVT	3 x AWG 16	VAC14BS	VNBC13S, V1625A, V1625LA, V1625BA	13A	
SJT	3 x AWG 16	VAC14LS	VNBC13S, V1625LA, V1625BS, V1625BA	13A	
SVT	3 x AWG 16	VAC14LS	VNBC13S, V1625LA, V1625BS, V1625BA	13A	

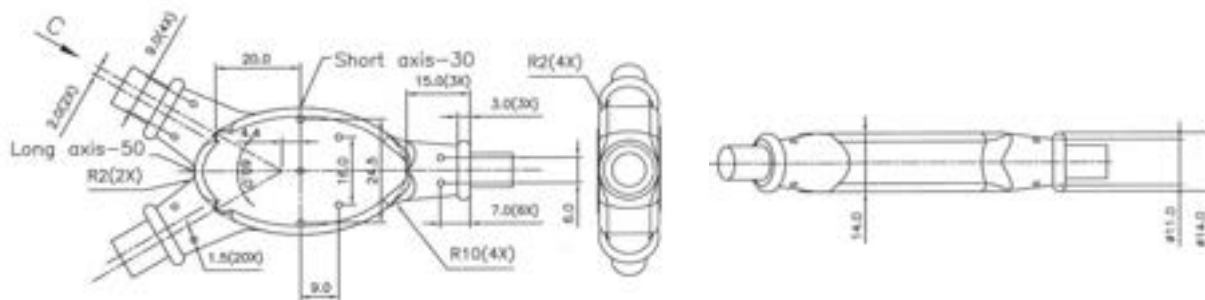
SPLITTER (CONT...)



Cable Type	Size	Matching Plug	Matching Connector	Rated Current	Safety Approval
SJT	3 x AWG 14	VAC14LS	V1625BS, V1625BA	15A	UL/c-UL
SJT	3 x AWG 18	VAC14KC	VAC13KS	10A	
SVT	3 x AWG 18	VAC14KC	VAC13KS	10A	
SJT	3 x AWG 16	VAC14KC	VAC13KS	13A	
SJT	3 x AWG 18	VAC14KC	VAC13SS, VAC13AU	10A	
SJT	3 x AWG 18	VAC14SS	VAC13AD	10A	
SJT	3 x AWG 16	VAC20S	VSC19, VSC19A, VAC19 VNBC13S, V1625A, V1625LA, V1625BA	13A	
SVT	3 x AWG 16	VAC20S	VNBC13S, V1625A, V1625LA, V1625BA	13A	
SJT	3 x AWG 14	VAC20S	VSC19, VSC19A, VAC19 V1625BS, V1625BA	15A	
SJT	3 x AWG 14	VAC20KC	VAC19KS	15A	

NOTE:

Subject to tooling availability.



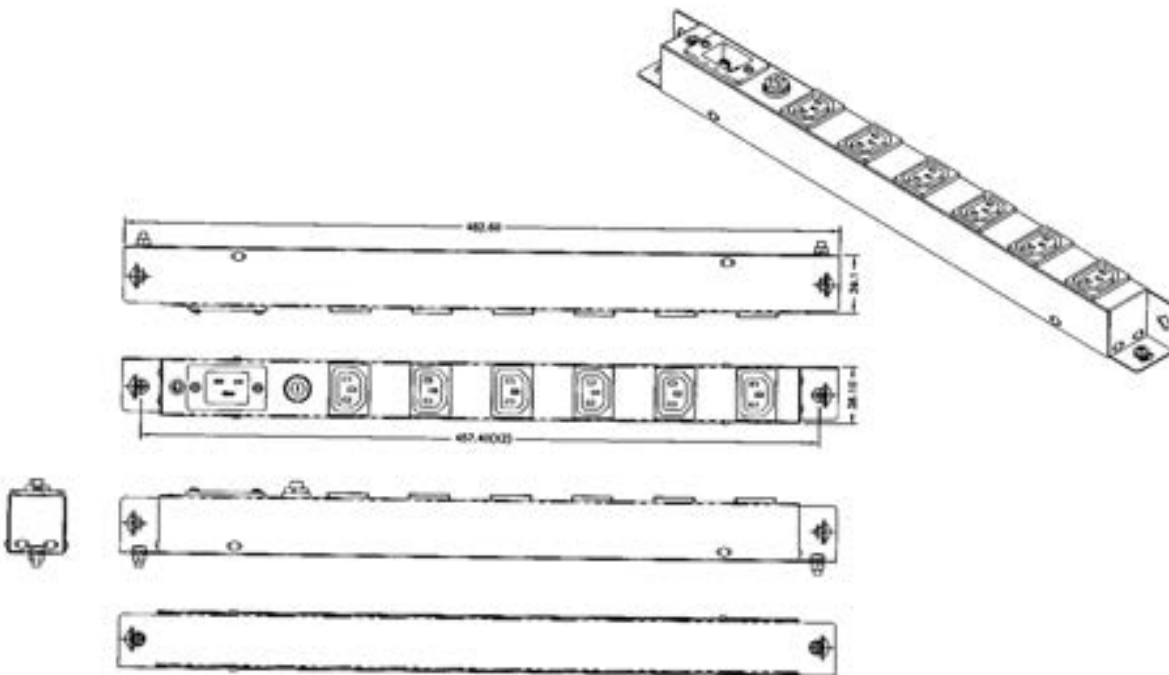
V-LOCK DISTRIBUTION STRIP

Cat. No. PDU-C20-C13I
Desc. Power Distribution Unit with V-Lock Compatible Inlet and Outlets
Std. UL 60950-1, CSA C22.2
Safety Mark UL/c-UL, CB



Unit	Rated Current	Input Voltage
1 inlet (C20)	16A	100-120 V, 50/60 Hz
6 outlet (C13)	8A	200-240 V, 50/60 Hz

Note:
 Jumper cords and power cords are sold separately.



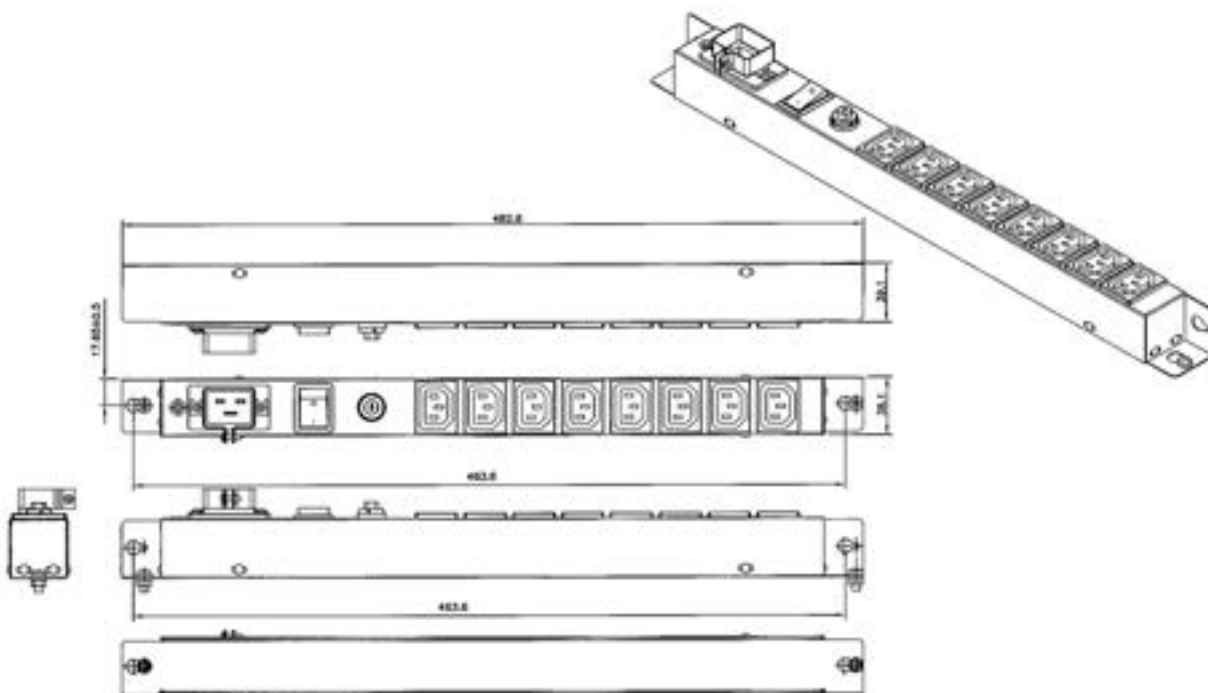
V-LOCK DISTRIBUTION STRIP

Cat. No. PDU2013-8-1
Desc. Power Distribution Unit with V-Lock Compatible Inlet and Outlets
Std. UL 60950-1, CSA C22.2
Safety Mark UL/c-UL



Unit	Rated Current	Input Voltage
1 inlet (C20)	16A	100-120 V, 50/60 Hz
6 outlet (C13)	8A	200-240 V, 50/60 Hz
	10A	100-120 V, 50/60 Hz

Note:
 Jumper cords and power cords are sold separately.





**GENERIC EV
PRODUCTS
07**



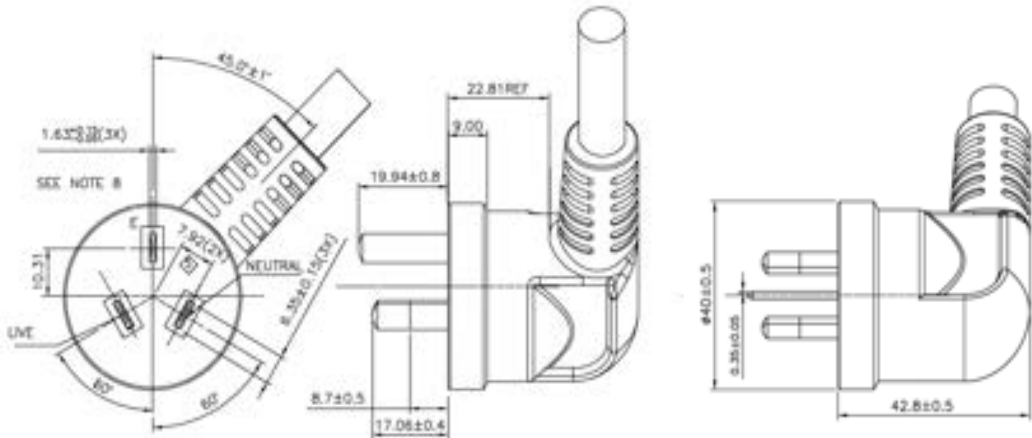
AUSTRALIA

New!



Cat. No. VEAU10TH2A3
Desc. Australia 3-Pins EV Plug with 2 NTC
 for Class I Equipment
Std. AS/NZS 3112: 2000
Max. Rating 10A, 250V
Safety Approval SAA

Cable Type	Size (mm ²)	Rated Current	Matching Connector
H07BZ5-F	3 x 2.50 + 3 x 0.50	10A, 250V	-





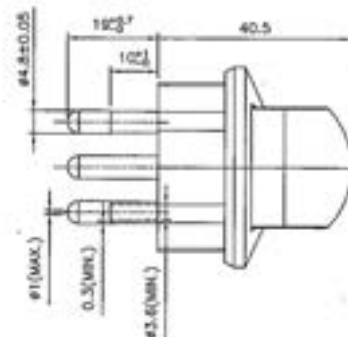
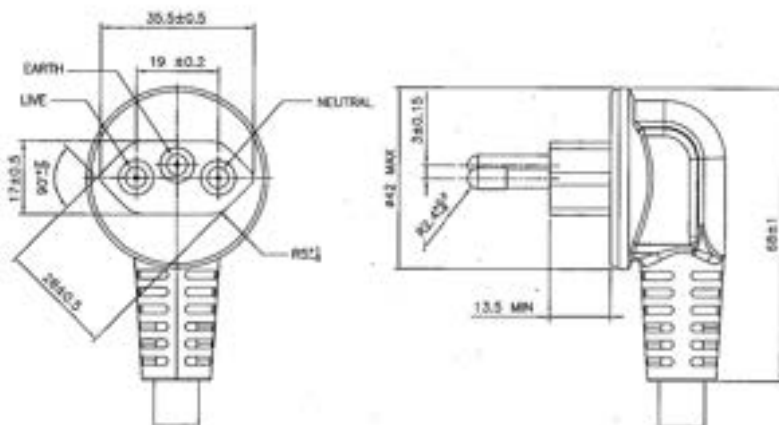
BRAZIL

New!



Cat. No. VEBR20TH2A3
Desc. Brazilian 3-Pins EV Plug with 2 NTC for Class I Equipment
Std. IEC 60884-1 & NBR 14136
Max. Rating 20A, 250V
Safety Approval INMETRO

Cable Type	Size (mm ²)	Rated Current	Matching Connector
H07BZ5-F	3 x 2.50 + 3 x 0.50	20A, 250V	-





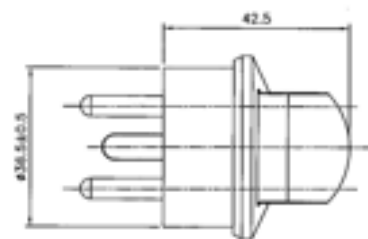
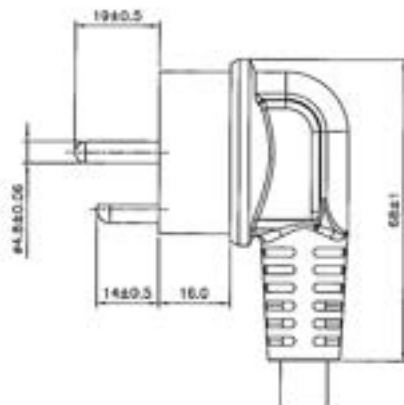
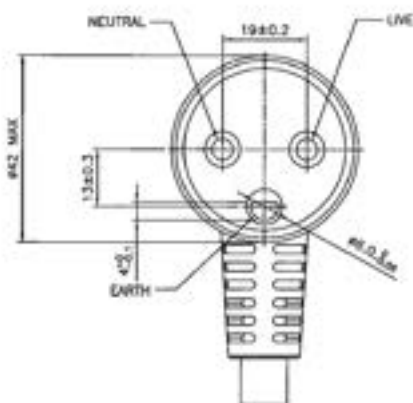
DENMARK

New!



Cat. No. VEDK13TH2A3
Desc. Denmark 3-Pins EV Plug with 2 NTC for Class I Equipment
Std. IEC 60884-1, DS 60884-2 D1 (STANDARD SHEET DK 2-1a)
Max. Rating 16A, 250V
Safety Approval KEMA-Denmark

Cable Type	Size (mm ²)	Rated Current	Matching Connector
H07BZ5-F	3 x 2.50 + 3 x 0.50	16A, 250V	-





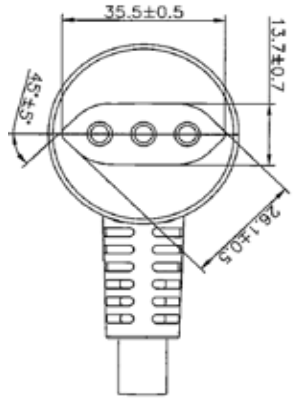
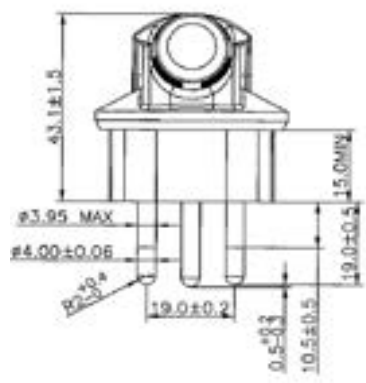
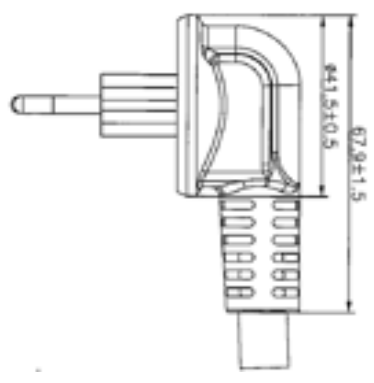
ITALY

New!



Cat. No. VEIT10TH2A3
Desc. Italian 3-Pins EV Plug with 2 NTC for Class I Equipment
Std. CEI 23-50, IEC 60884-1
Max. Rating 10A, 250V
Safety Approval KEMA-Italy

Cable Type	Size (mm ²)	Rated Current	Matching Connector
H07BZ5-F	3 x 2.50 + 3 x 0.50	10A, 250V	-





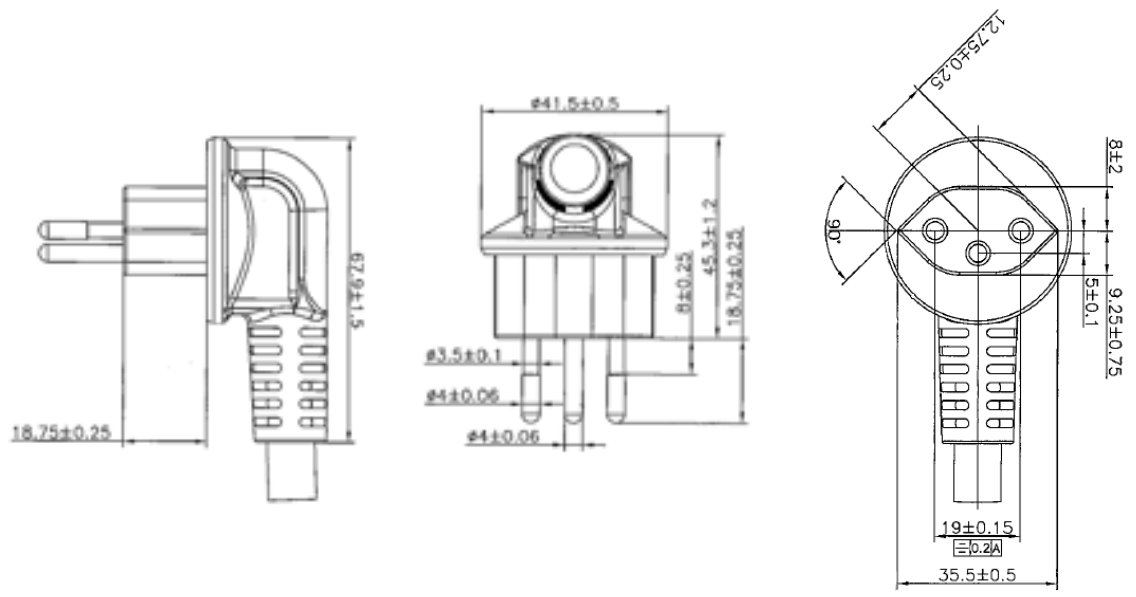
SWITZERLAND

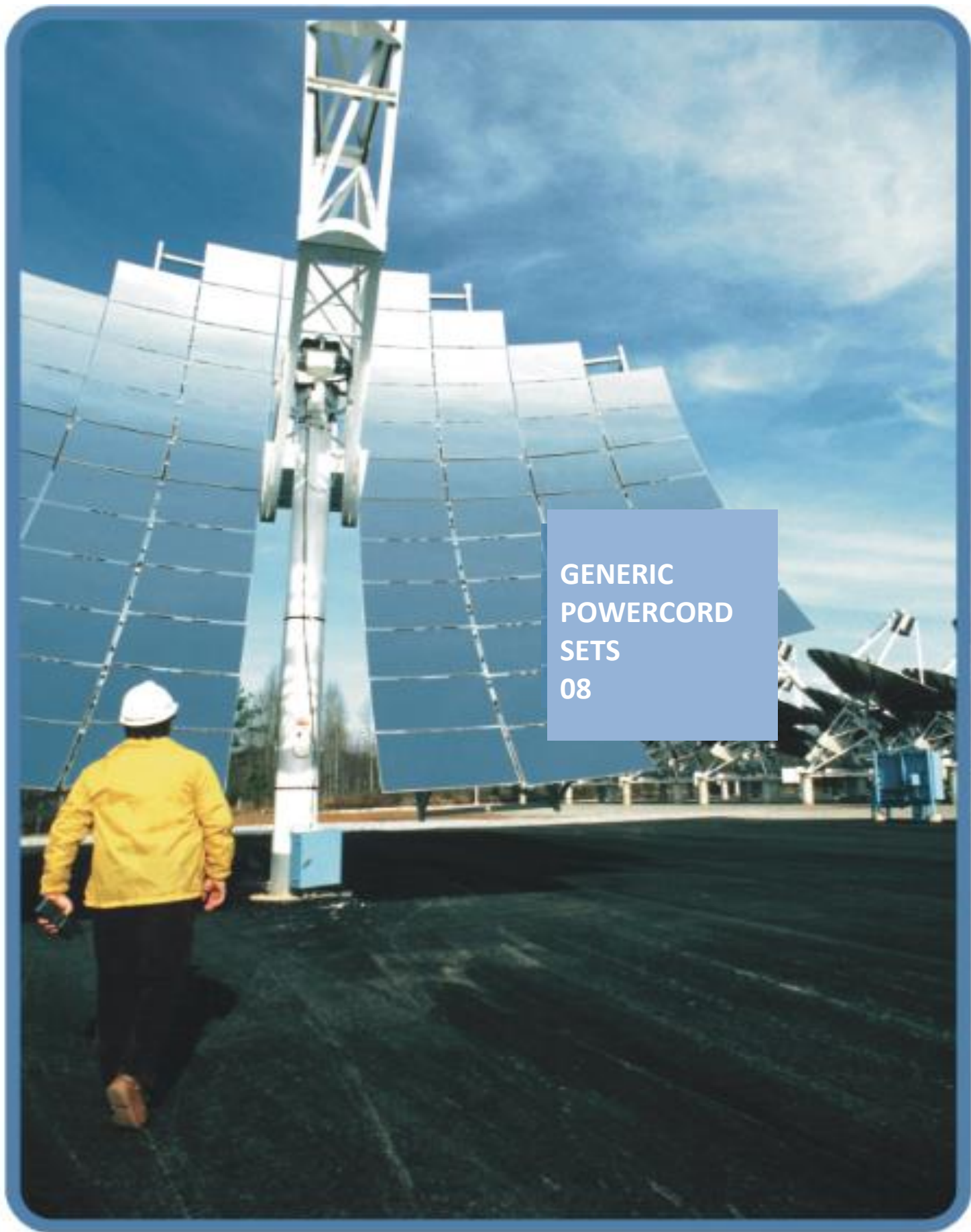
New!



Cat. No. VESW10TH2A3
Desc. Swiss 3-Pins EV Plug with 2 NTC for Class I Equipment
Std. IEC 60884-1
Max. Rating 10A, 250V
Safety Approval KEMA-Swiss

Cable Type	Size (mm ²)	Rated Current	Matching Connector
H07BZ5-F	3 x 2.50 + 3 x 0.50	10A, 250V	-





**GENERIC
POWERCORD
SETS
08**



Generic Australia Powercord Set (Class I) 1.8M BLACK

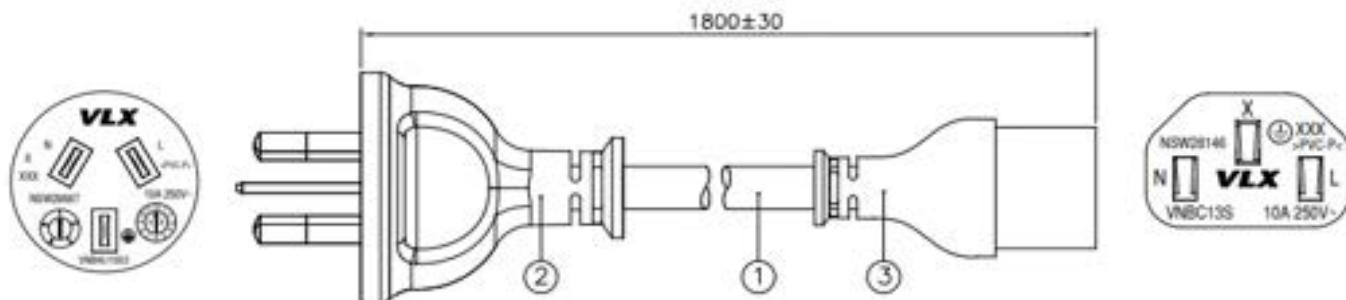
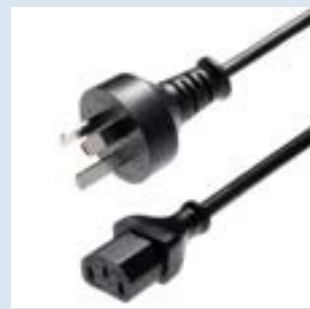
Cat. No: BAUSD3SX18B

Description: Australian/New Zealand Power Supply
Cordset (PB FR)

Standards: AS/NZS 3112: 2011 + A1

Max. Rating: 10A, 250V

Safety Approval: SAA



Cable Type ①	Size (mm ²)	Plug ②	Connector ③
Circular Ordinary (H05VV-F)	3 x 1.00	VNBAU10S 3	VNBC13S

Binding: 210 +/- 30 mm (w/ pin cap)

Standard Packaging: 70 pcs per box

Master Box Dimensions: 560 x 330 x 250 mm

SKU Spec Ref No: 196831/2



Generic Australia Powercord Set (Class I) 1.8M BLACK

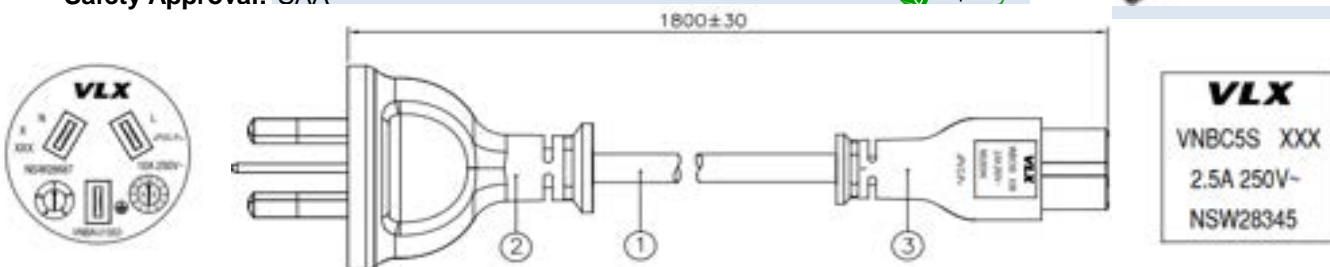
Cat. No: BAUSC5SW18B

Description: Australian/New Zealand Power Supply
Cordset (PB FR)

Standards: AS/NZS 3112: 2011 + A1

Max. Rating: 2.5A, 250V

Safety Approval: SAA



Cable Type ①	Size (mm ²)	Plug ②	Connector ③
Circular Light (H03VV-F)	3 x 0.75	VNBAU10S 3	VNBC5S

Binding: 190 +/- 30 mm(w / pin cap)

Standard Packaging: 80 pcs per box

Master Box Dimensions: 560 x 330 x 250 mm

SKU Spec Ref No: 209238/2



Generic Australia Powercord Set (Class II) 1.8M BLACK

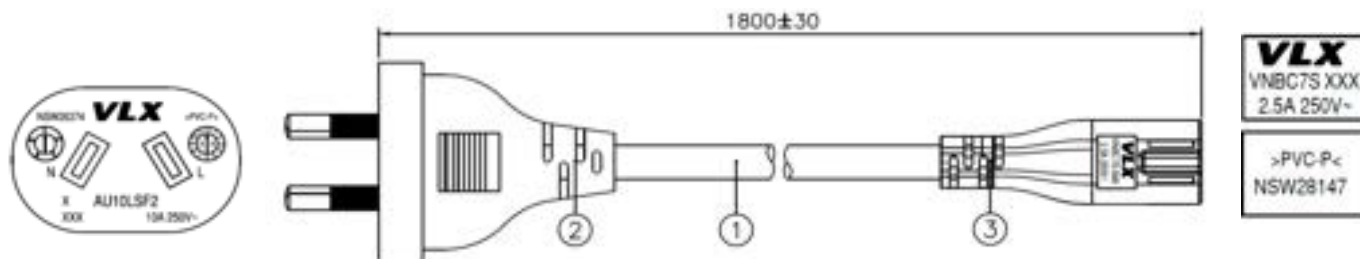
Cat. No: BAUSA7SW18B

Description: Australian/New Zealand Power Supply
Cordset (PB FR)

Standards: AS/NZS 3112: 2011 + A1

Max. Rating: 2.5A, 250V

Safety Approval: SAA



Cable Type ①	Size (mm ²)	Plug ②	Connector ③
Light Duty (H03VVH2-F)	2 x 0.75	AU10LSF2	VNBC7S

Binding: 220 +/- 30 mm(w / pin cap)

Standard Packaging: 150 pcs per box

Master Box Dimensions: 560 x 330 x 250 mm

SKU Spec Ref No: 196833/2



Generic Chinese Powercord Set (Class I) 1.8M Black

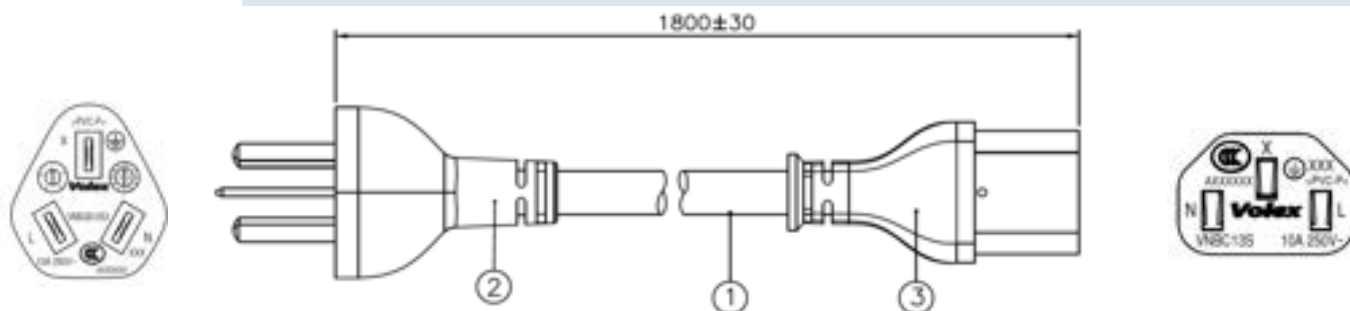
Cat. No: BGBSD3SX18B

Description: Chinese Power Supply Cordset (PB FR)

Standards: GB15934

Max. Rating: 10A, 250V

Safety Approval: CCC



Cable Type ①	Size (mm ²)	Plug ②	Connector ③
RVV 300/500	3 x 1.00	VNBGB10S3	VNBC13S

Binding: 210 +/- 30 mm (w / pin cap)

Standard Packaging: 80 pcs per box

Master Box Dimensions: 560 x 330 x 250 mm

SKU Spec Ref No: 192931/2



Generic Chinese Powercord Set (Class I) 1.8M Black

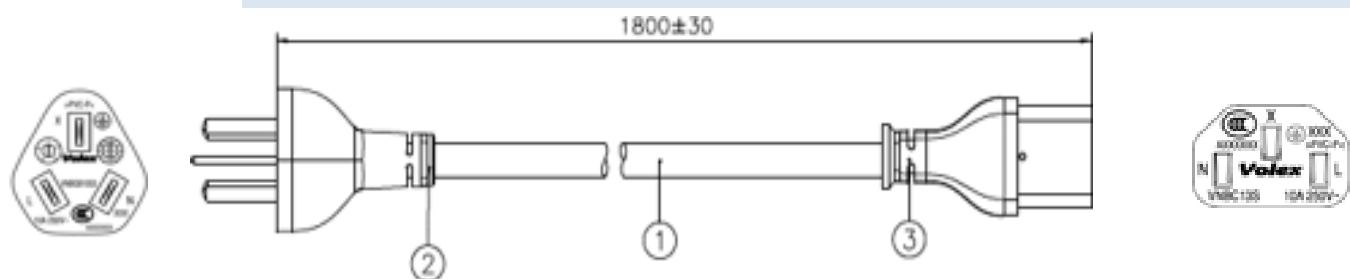
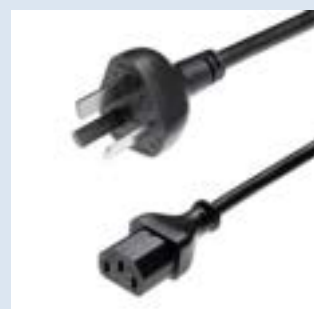
Cat. No: BGBSD3SW18B

Description: Chinese Power Supply Cordset (PB FR)

Standards: GB15934

Max. Rating: 10A, 250V

Safety Approval: CCC



Cable Type ①	Size (mm ²)	Plug ②	Connector ③
RVV 300/500	3 x 0.75	VNBGB10S3	VNBC13S

Binding: 210 +/- 30 mm (w / pin cap)

Standard Packaging: 80 pcs per box

Master Box Dimensions: 560 x 330 x 250 mm

SKU Spec Ref No: 196633/2



Generic Chinese Powercord Set (Class II) 1.8M Black

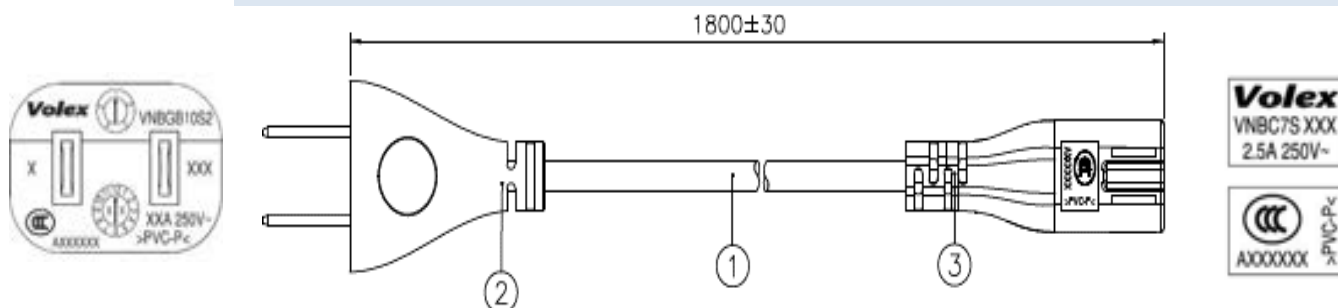
Cat. No: BGBSA7SV18B

Description: Chinese Power Supply Cordset (PB FR)

Standards: GB15934

Max. Rating: 2.5A, 250V

Safety Approval: CCC



Cable Type ①	Size (mm ²)	Plug ②	Connector ③
RVV 300/300	2 x 0.50	VNBGB10S2	VNBC7S

Binding: 220 +/- 30 mm (w / pin cap)

Standard Packaging: 200 pcs per box

Master Box Dimensions: 560 x 330 x 250 mm

SKU Spec Ref No: 196634/2



Generic Chinese Powercord Set (Class II) 1.8M Black

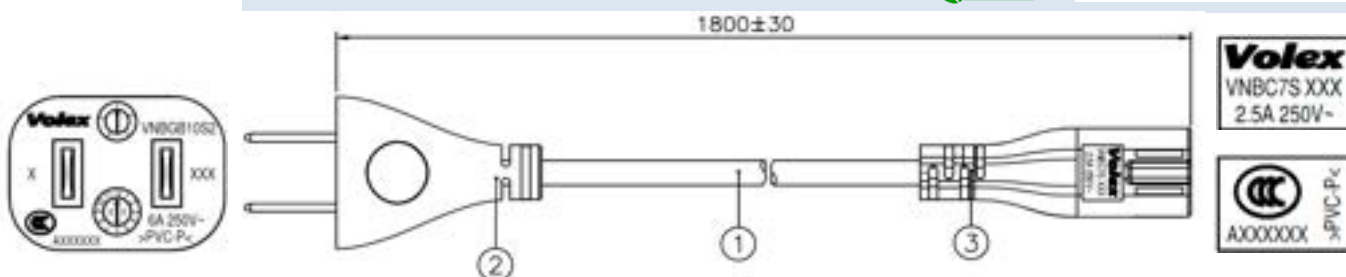
Cat. No: BGBSA7SW18B

Description: Chinese Power Supply Cordset (PB FR)

Standards: GB15934

Max. Rating: 2.5A, 250V

Safety Approval: CCC



Cable Type ①	Size (mm ²)	Plug ②	Connector ③
RVV 300/300	2 x 0.75	VNBGB10S2	VNBC7S

Binding: 220 +/- 30 mm (w / pin cap)

Standard Packaging: 170 pcs per box

Master Box Dimensions: 560 x 330 x 250 mm

SKU Spec Ref No: 192933/2



Generic Chinese Powercord Set (Class I) 1.8M Black

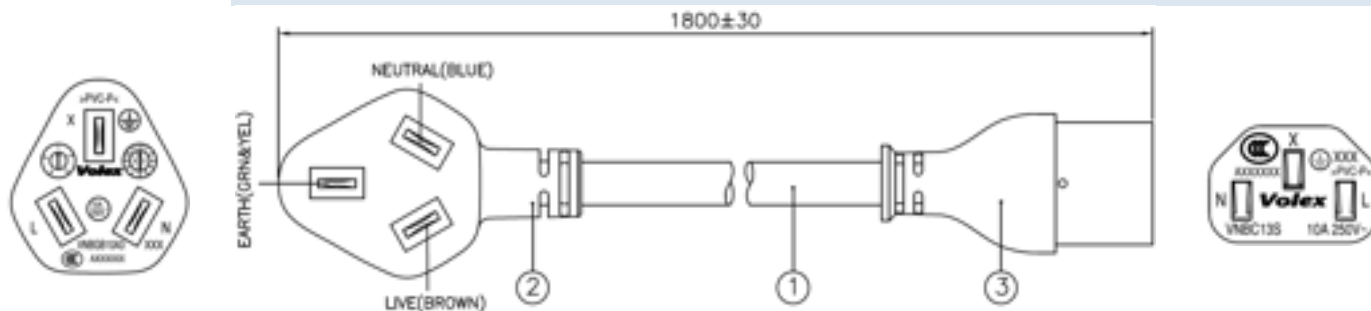
Cat. No: BGBAD3SX18B

Description: Chinese Power Supply Cordset (PB FR)

Standards: GB15934

Max. Rating: 10A, 250V

Safety Approval: CCC



Cable Type ①	Size (mm ²)	Plug ②	Connector ③
RVV 300/500	3 x 1.00	VNBGB10A3	VNBC13S

Binding: 210 +/- 30 mm (w / pin cap)

Standard Packaging: 70 pcs per box

Master Box Dimensions: 560 x 330 x 250 mm

SKU Spec Ref No: 203023/2



Generic Chinese Powercord Set (Class I) 1.8M Black

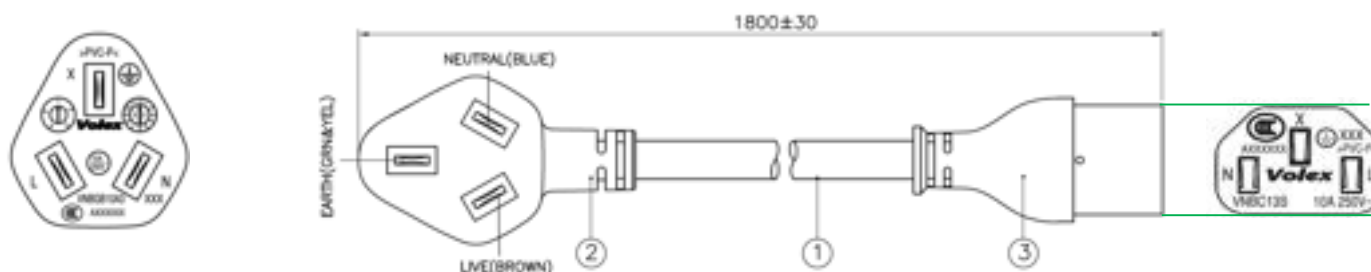
Cat. No: BGBAD3SW18B

Description: Chinese Power Supply Cordset (PB FR)

Standards: GB15934

Max. Rating: 10A, 250V

Safety Approval: CCC



Cable Type ①	Size (mm ²)	Plug ②	Connector ③
RVV 300/500	3 x 0.75	VNBGB10A3	VNBC13S

Binding: 210 +/- 30 mm (w / pin cap)

Standard Packaging: 80 pcs per box

Master Box Dimensions: 560 x 330 x 250 mm

SKU Spec Ref No: 203024/2



Generic Chinese Powercord Set (Class I) 1.8M Black

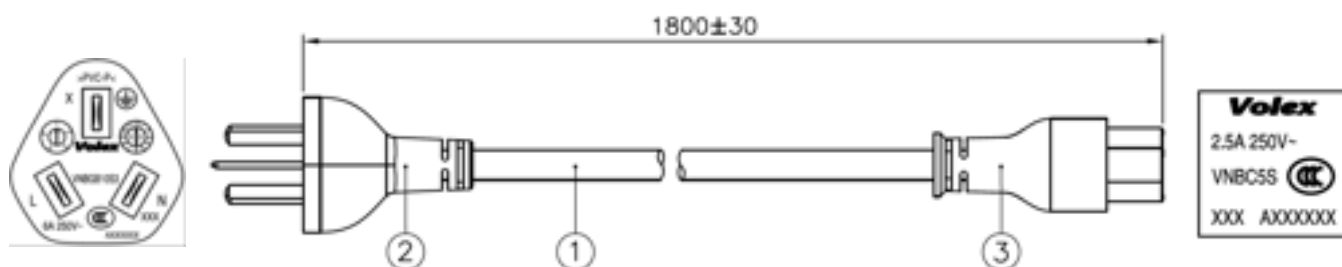
Cat. No: BGBSC5SW18B

Description: Chinese Power Supply Cordset (PB FR)

Standards: GB15934

Max. Rating: 2.5A, 250V

Safety Approval: CCC



Cable Type ①	Size (mm ²)	Plug ②	Connector ③
RVV 300/300	3 x 0.75	VNBGB10S3	VNBC5S

Binding: 190 +/- 30 mm (w / pin cap)

Standard Packaging: 90 pcs per box

Master Box Dimensions: 560 x 330 x 250 mm

SKU Spec Ref No: 209234/2



Generic Chinese Powercord Set (Class I) 1.8M Black

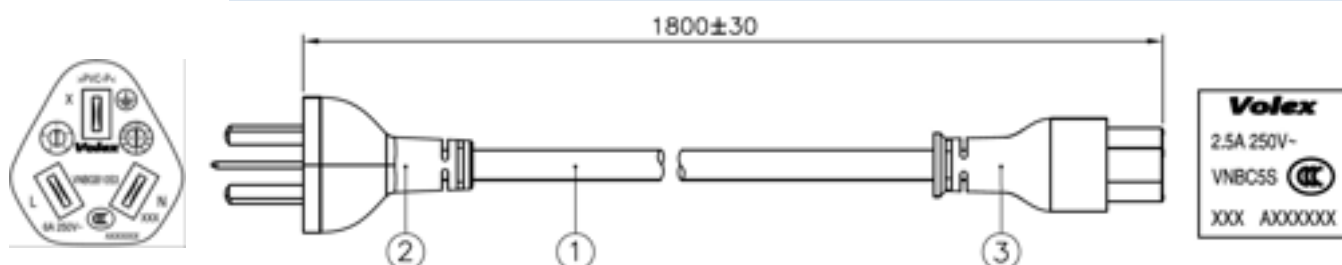
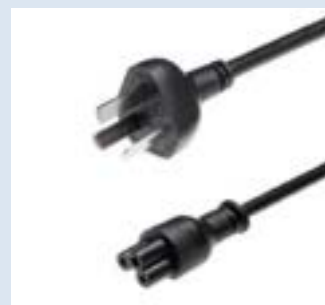
Cat. No: BGBSD5SW18B

Description: Chinese Power Supply Cordset (PB FR)

Standards: GB15934

Max. Rating: 2.5A, 250V

Safety Approval: CCC



Cable Type ①	Size (mm ²)	Plug ②	Connector ③
RVV 300/500	3 x 0.75	VNBGB10S3	VNBC5S

Binding: 190 +/- 30 mm (w / pin cap)

Standard Packaging: 80 pcs per box

Master Box Dimensions: 560 x 330 x 250 mm

SKU Spec Ref No: 209236/2



Generic Chinese Powercord Set (Class I) 1.8M Black

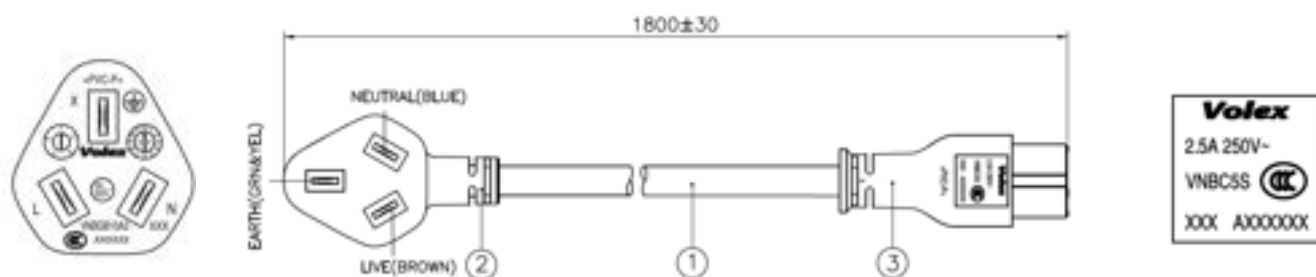
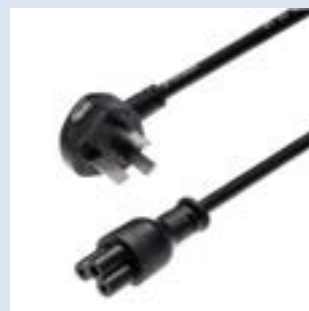
Cat. No: BGBAC5SW18B

Description: Chinese Power Supply Cordset (PB FR)

Standards: GB15934

Max. Rating: 2.5A, 250V

Safety Approval: CCC



Cable Type ①	Size (mm ²)	Plug ②	Connector ③
RVV 300/300	3 x 0.75	VNBGB10A3	VNBC5S

Binding: 190 +/- 30 mm (w / pin cap)

Standard Packaging: 90 pcs per box

Master Box Dimensions: 560 x 330 x 250 mm

SKU Spec Ref No: 209235/2



Generic Chinese Powercord Set (Class I) 1.8M Black

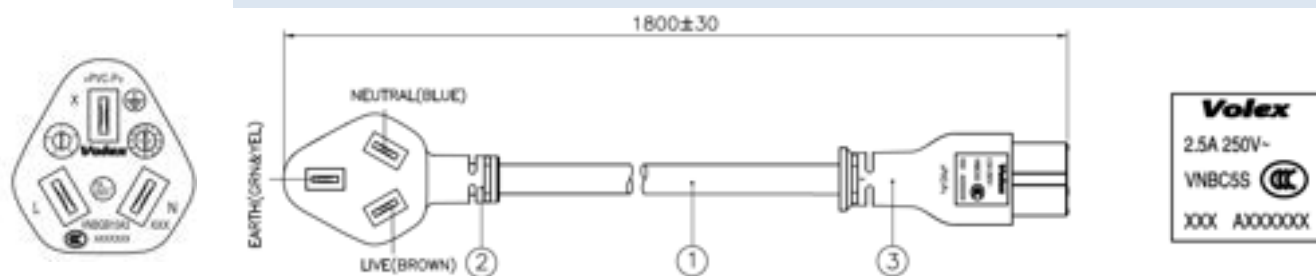
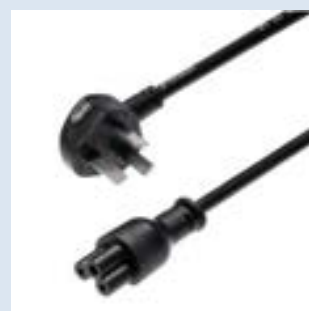
Cat. No: BGBAD5SW18B

Description: Chinese Power Supply Cordset (PB FR)

Standards: GB15934

Max. Rating: 2.5A, 250V

Safety Approval: CCC



Cable Type ①	Size (mm ²)	Plug ②	Connector ③
RVV 300/500	3 x 0.75	VNBGB10A3	VNBC5S

Binding: 190 +/- 30 mm (w / pin cap)

Standard Packaging: 80 pcs per box

Master Box Dimensions: 560 x 330 x 250 mm

SKU Spec Ref No: 209237/2

Generic European Powercord Set (Class I) 1.8M Black

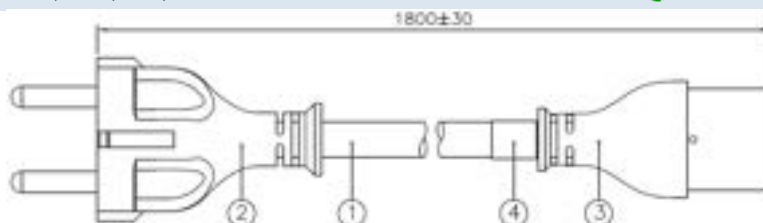
Cat. No: BEUSD3SX18B

Description: European+Russian+Korean+Cambodian Power Supply Cordset (PB FR)

Standards: IEC 60884-1 (CEE 7 Standard Sheet VII)
GOST R 51322.1 , CS0017 , K60884-1

Max. Rating: 10A, 250V

Safety Approval: EAC, ISC, KC, VDE



Cable Type ①	Size (mm ²)	Plug ②	Connector ③
H05VV-F + K60227 IEC 53	3 x 1.00	VNBEU16S3	VNBC13S

Binding: 210 +/- 30 mm (No pin cap)

Label CE & ROHS: 50 x 25 mm

Standard Packaging: 70 pcs per box

Master Box Dimensions: 560 x 330 x 250 mm

SKU Spec Ref No: 192934/2

Generic European Powercord Set (Class I) 1.8M Black

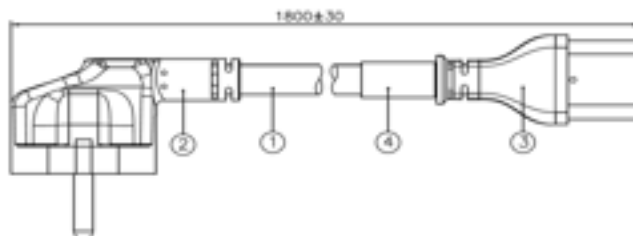
Cat. No: BEUAD3SX18B

Description: European+Russian+Korean+Cambodian Power Supply Cordset (PB FR)

Standards: IEC 60884-1 (CEE 7 Standard Sheet VII)
GOST R 51322.1 , CS0017 , K60884-1

Max. Rating: 10A, 250V

Safety Approval: EAC, ISC, KC, VDE



Cable Type ①	Size (mm ²)	Plug ②	Connector ③
H05VV-F + K60227 IEC 53	3 x 1.00	VNBEU16A3	VNBC13S

Binding: 210 +/- 30 mm (No pin cap)

Label CE & ROHS: 50 x 25 mm

Standard Packaging: 70 pcs per box

Master Box Dimensions: 560 x 330 x 250 mm

SKU Spec Ref No: 196636/2



Generic European Powercord Set (Class I) 1.8M Black



Cat. No: BEUSD3SW18B



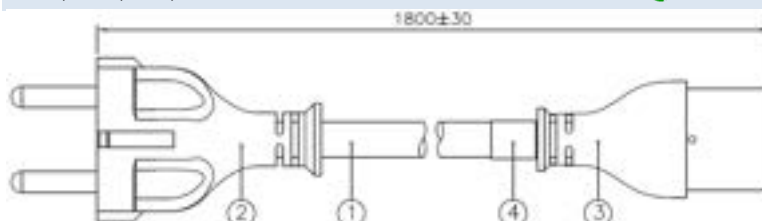
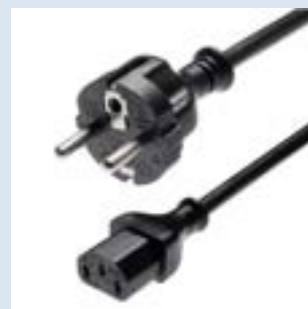
Description: European+Russian+Korean+Cambodian Power Supply Cordset (PB FR)



Standards: IEC 60884-1 (CEE 7 Standard Sheet VII)
GOST R 51322.1 , CS0017 , K60884-1

Max. Rating: 10A, 250V

Safety Approval: EAC, ISC, KC, VDE



Cable Type ①	Size (mm ²)	Plug ②	Connector ③
H05VV-F + K60227 IEC 53	3 x 0.75	VNBEU16S3	VNBC13S

Binding: 210 +/- 30 mm (No pin cap)

Label CE & ROHS: 50 x 25 mm

Standard Packaging: 70 pcs per box

Master Box Dimensions: 560 x 330 x 250 mm

SKU Spec Ref No: 196635/2



Generic European Powercord Set (Class I) 1.8M Black



Cat. No: BEUAD3SW18B



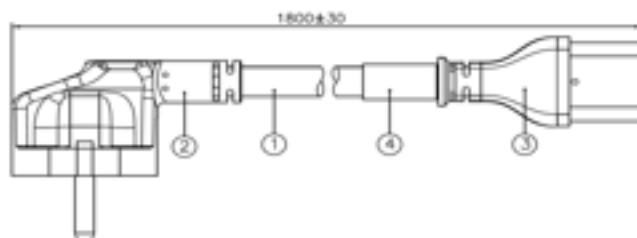
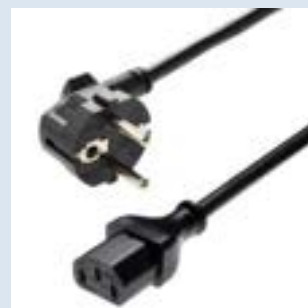
Description: European+Russian+Korean+Cambodian Power Supply Cordset (PB FR)



Standards: IEC 60884-1 (CEE 7 Standard Sheet VII)
GOST R 51322.1 , CS0017 , K60884-1

Max. Rating: 10A, 250V

Safety Approval: EAC, ISC, KC, VDE



Cable Type ①	Size (mm ²)	Plug ②	Connector ③
H05VV-F + K60227 IEC 53	3 x 0.75	VNBEU16A3	VNBC13S

Binding: 210 +/- 30 mm (No pin cap)

Label CE & ROHS: 50 x 25 mm

Standard Packaging: 70 pcs per box

Master Box Dimensions: 560 x 330 x 250 mm

SKU Spec Ref No: 192935/2



Generic European Powercord Set (Class II) 1.8M Black

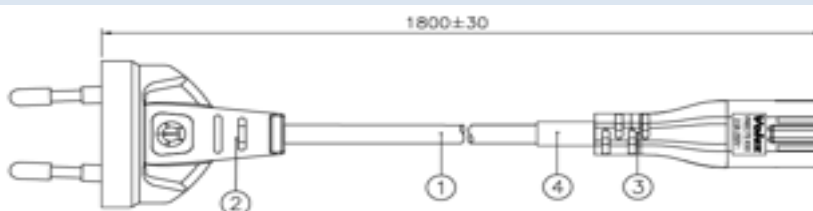
Cat. No: BEUSA7SW18B

Description: European Power Supply Cordset (PB FR)

Standards: IEC 60884-1 (CEE 7 Standard Sheet VII)

Max. Rating: 2.5A, 250V

Safety Approval: ENEC-VDE



Cable Type ①	Size (mm ²)	Plug ②	Connector ③
H03VVH2-F	2 x 0.75	EU2.5S2	VNBC7S

Binding: 220 +/- 30 mm (No pin cap)

Label CE & ROHS: 50x25 mm

Standard Packaging: 180 pcs per box

Master Box Dimensions: 560 x 330 x 250 mm

SKU Spec Ref No: 192938/2



Generic European Powercord Set (Class II) 1.8M Black

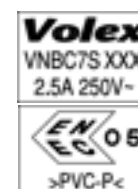
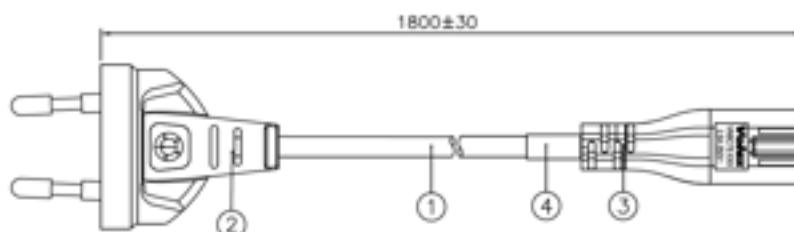
Cat. No: BEUSA7SV18B

Description: European Power Supply Cordset (PB FR)

Standards: IEC 60884-1 (CEE 7 Standard Sheet VII)

Max. Rating: 2.5A, 250V

Safety Approval: ENEC-VDE



Cable Type ①	Size (mm ²)	Plug ②	Connector ③
H03VVH2-F	2 x 0.50	EU2.5S2	VNBC7S

Binding: 220 +/- 30 mm (No pin cap)

Label CE & ROHS: 50 x 25 mm

Standard Packaging: 210 pcs per box

Master Box Dimensions: 560 x 330 x 250 mm

SKU Spec Ref No: 196638/2



Generic European Powercord Set (Class I) 1.8M Black



Cat. No: BEUSC5SW18B



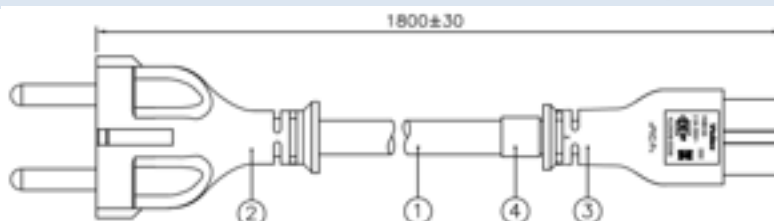
Description: European+Russian+Korean+Cambodian Power (PB FR)



Standards: IEC 60884-1 (CEE 7 Standard Sheet VII)
GOST R 51322.1 ,CS0017 , K60884-1

Max. Rating: 2.5A, 250V

Safety Approval: EAC, ISC, KC,VDE



Cable Type ①	Size (mm ²)	Plug ②	Connector ③
H03VV-F + 60227 KS IEC 52	3 x 0.75	VNBEU16S3	VNBC5S

Binding: 190 +/- 30 mm (No pin cap)

Label CE & ROHS: 50x25mm

Standard Packaging: 90 pcs per box

Master Box Dimensions: 560 x 330 x 250 mm

SKU Spec Ref No: 209231/2



Generic European Powercord Set (Class I) 1.8M Black



Cat. No: BEUAC5SW18B



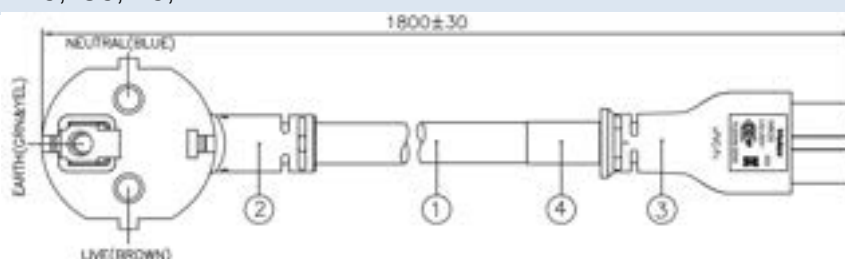
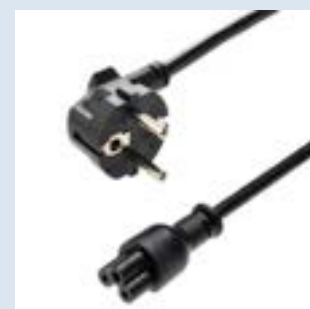
Description: European+Russian+Korean+Cambodian Power (PB FR)



Standards: IEC 60884-1 (CEE 7 Standard Sheet VII)
GOST R 51322.1 ,CS0017 , K60884-1

Max. Rating: 2.5A, 250V

Safety Approval: EAC, ISC, KC,VDE



Cable Type ①	Size (mm ²)	Plug ②	Connector ③
H03VV-F + 60227 KS IEC 52	3 x 0.75	VNBEU16A3	VNBC5S

Binding: 190 +/- 30 mm (No pin cap)

Label CE & ROHS: 50x25mm

Standard Packaging: 90 pcs per box

Master Box Dimensions: 560 x 330 x 250 mm

SKU Spec Ref No: 209230/2



Generic European Powercord Set (Class I) 1.8M Black

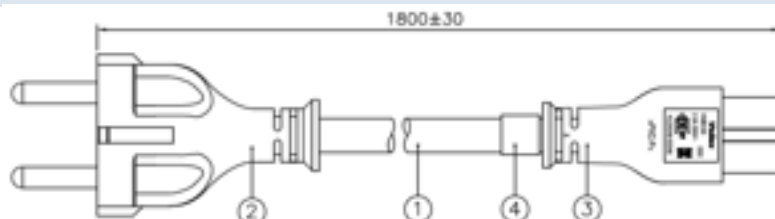
Cat. No: BEUSD5SW18B

Description: European+Russian+Korean+Cambodian Power Supply Cordset (PB FR)

Standards: IEC 60884-1 (CEE 7 Standard Sheet VII)
GOST R 51322.1 ,CS0017, K60884-1

Max. Rating: 2.5A, 250V

Safety Approval: EAC,ISC, KC,VDE



Cable Type ①	Size (mm ²)	Plug ②	Connector ③
H05VV-F+60227 KS IEC 53 (H05VV-F)	3 x 0.75	VNBEU16S3	VNBC5S

Binding: 190 +/- 30 mm (No pin cap)

Label CE & ROHS: 50x25mm

Standard Packaging: 80 pcs per box

Master Box Dimensions: 560 x 330 x 250 mm

SKU Spec Ref No: 209232/2



Generic European Powercord Set (Class I) 1.8M Black

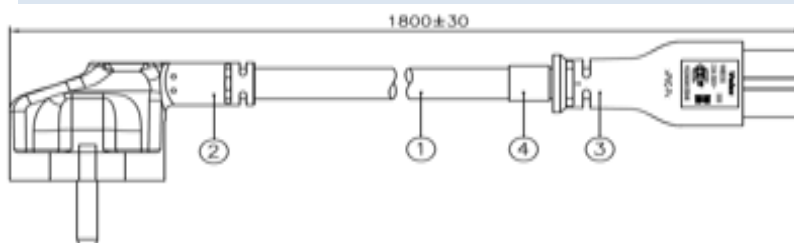
Cat. No: BEUAD5SW18B

Description: European+Russian+Korean+Cambodian Power Supply Cordset (PB FR)

Standards: IEC 60884-1 (CEE 7 Standard Sheet VII)
GOST R 51322.1 ,CS0017, K60884-1

Max. Rating: 2.5A, 250V

Safety Approval: EAC,ISC, KC,VDE



Cable Type ①	Size (mm ²)	Plug ②	Connector ③
H05VV-F+60227 KS IEC 53 (H05VV-F)	3 x 0.75	VNBEU16A3	VNBC5S

Binding: 190 +/- 30 mm (No pin cap)

Label CE & ROHS: 50x25mm

Standard Packaging: 80 pcs per box

Master Box Dimensions: 560 x 330 x 250 mm

SKU Spec Ref No: 209233/2



Generic European Powercord Set (Class II) 1.8M Black

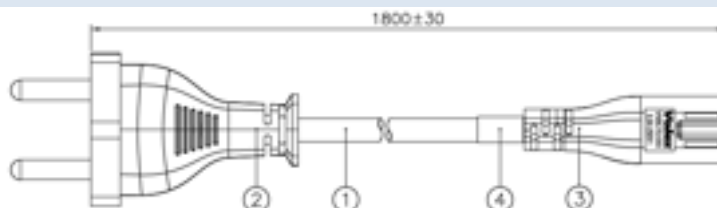
Cat. No: BEUSF7SW18B

Description: European+Russian Power Supply Cordset (PB FR)

Standards: IEC 60884-1 (CEE 7 Standard Sheet VII)

Max. Rating: 2.5A, 250V

Safety Approval: VDE



Cable Type ①	Size (mm ²)	Plug ②	Connector ③
H03VVH2-F	2 x 0.75	VNBEU16S2	VNBC7S

Binding: 200 +/- 30 mm (No pin cap)

Label CE & ROHS: 50x25mm

Standard Packaging: 140 pcs per box

Master Box Dimensions: 560 x 330 x 250 mm

SKU Spec Ref No: 209244/2



Generic Indian Powercord Set (Class I) 1.8M Black

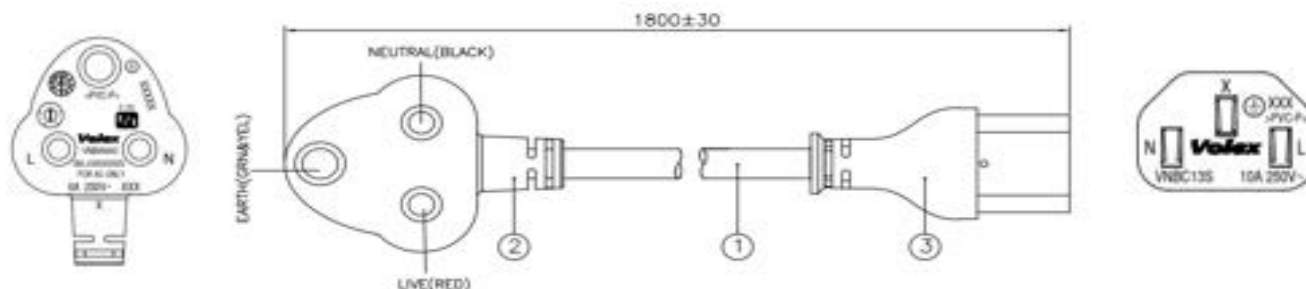
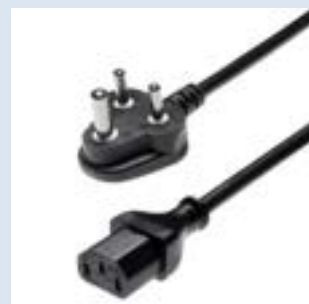
Cat. No: BIAAD3SX18B

Description: Indian Power Supply Cordset (RoHs Compliant)

Standards: IS 1293: 2005

Max. Rating: 6A, 250V

Safety Approval: BIS



Cable Type ①	Size (mm ²)	Plug ②	Connector ③
IS 694	3 x 1.00	VNBIA6A3	VNBC13S

Binding: 210 +/- 30 mm (No pin cap)

Standard Packaging: 70 pcs per box

Master Box Dimensions: 560 x 330 x 250 mm

SKU Spec Ref No: 192939/2



Generic Indian Powercord Set (Class II) 1.8M BLACK

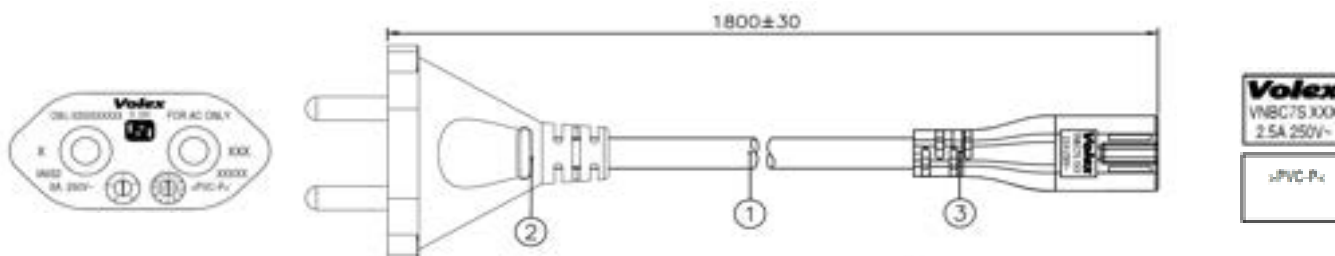
Cat. No: BIASB7SW18B

Description: Indian Power Supply Cordset (RoHs Compliant)

Standards: IS 1293: 2005

Max. Rating: 2.5A, 250V

Safety Approval: BIS



Cable Type ①	Size (mm ²)	Plug ②	Connector ③
IS 694	2 x 0.75	IA6S2	VNBC7S

Binding: 210 +/- 30 mm (No pin cap)

Standard Packaging: 130 pcs per box

Master Box Dimensions: 560 x 330 x 250 mm

SKU Spec Ref No: 196835/2



Generic Indian Powercord Set (Class I) 1.8M Black

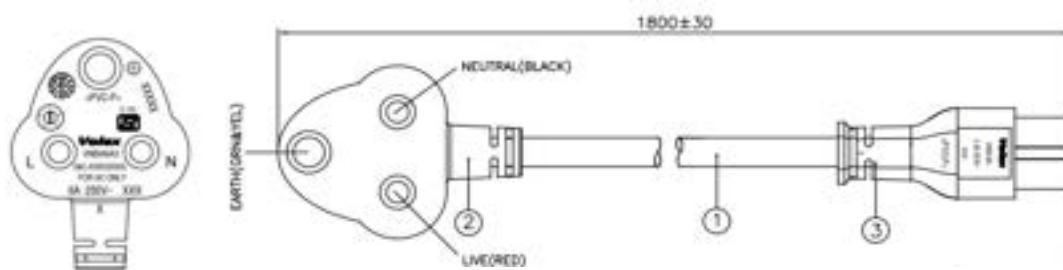
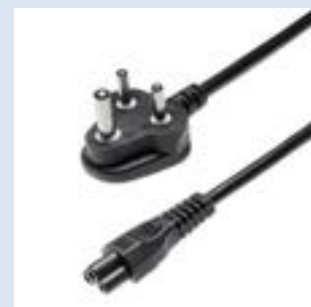
Cat. No: BIAAD5SW18B

Description: Indian Power Supply Cordset (RoHS Compliant)

Standards: IS 1293: 2005

Max. Rating: 2.5A, 250V

Safety Approval: BIS



Cable Type ①	Size (mm ²)	Plug ②	Connector ③
IS 694	3 x 0.75	VNBIA6A3	VNBC5S

Binding: 210 +/- 30 mm (No pin cap)

Standard Packaging: 70 pcs per box

Master Box Dimensions: 560 x 330 x 250 mm

SKU Spec Ref No: 196834/2



Generic Japanese Powercord Set (Class I) 1.8M Black

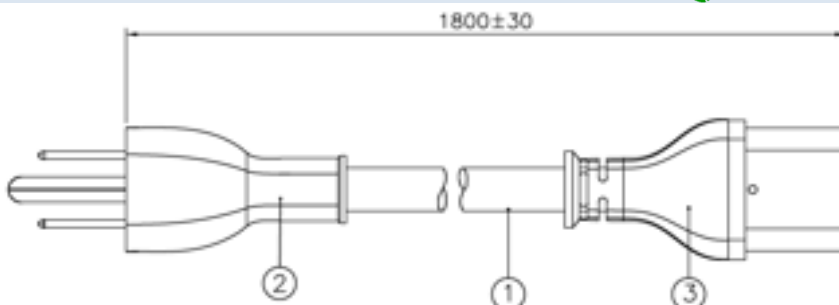
Cat. No: BJPSC3SW18B

Description: Japanese Power Supply Cordset (PB FR)

Standards: JIS C8303 & JIS C8306 (Under Ordinance 1)

Max. Rating: 7A, 125V

Safety Approval: PSE



Cable Type ①	Size (mm ²)	Plug ②	Connector ③
VCTF	3 x 1.00	VNUS15S3	VNBC13S

Binding: 210 +/- 30 mm (w / pin cap)

Standard Packaging: 90 pcs per box

Master Box Dimensions: 560 x 330 x 250 mm

SKU Spec Ref No: 196836/2



Generic Japanese Powercord Set (Class I) 1.8M Black

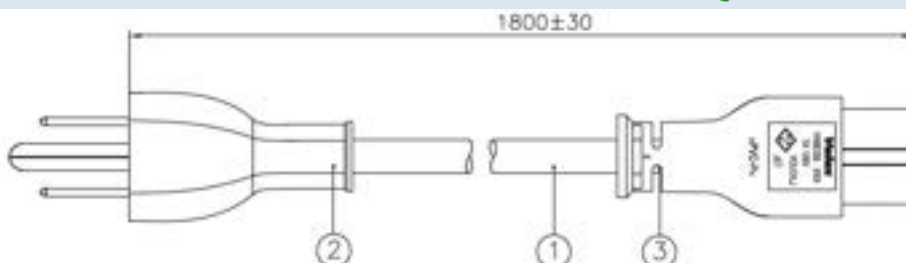
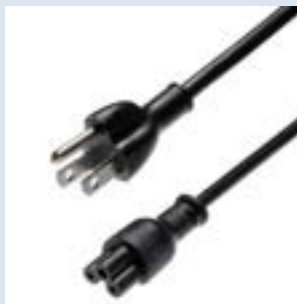
Cat. No: BJPSC5SW18B

Description: Japanese Power Supply Cordset (PB FR)

Standards: JIS C8303 & JIS C8306 (Under Ordinance 1)

Max. Rating: 7A, 125V

Safety Approval: PSE



Cable Type ①	Size (mm ²)	Plug ②	Connector ③
VCTF	3 x 0.75	VNUS15S3-V	VNBC5S

Binding: 190 +/- 30 mm (w / pin cap)

Standard Packaging: 90 pcs per box

Master Box Dimensions: 560 x 330 x 250 mm

SKU Spec Ref No: 209242/2



Generic Japanese Powercord Set (Class I) 1.8M Black

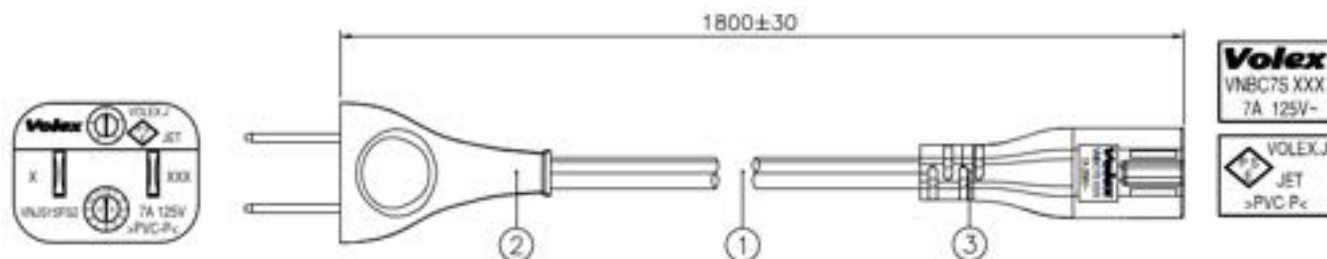
Cat. No: BJPS7SW18B

Description: Japanese Power Supply Cordset (PB FR)

Standards: JIS C8303 & JIS C8306 (Under Ordinance 1)

Max. Rating: 7A, 125V

Safety Approval: PSE



Cable Type ①	Size (mm ²)	Plug ②	Connector ③
VFF	2 x 0.75	VNJS15FS2	VNBC7S

Binding: 220 +/-30 mm (w / pin cap)

Standard Packaging: 210 pcs per box

Master Box Dimensions: 560 x 330 x 250 mm

SKU Spec Ref No: 196838/2



Generic Jumper Cordset Set (Class I) 1.8M Black

Cat. No: BJ1SO3SX18B

Description: Universal Jumper Cord (PB FR)

Standards: IEC 60884-1 (CEE 7 Standard Sheet VII)/GOST R 51322.1

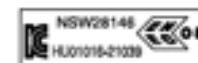
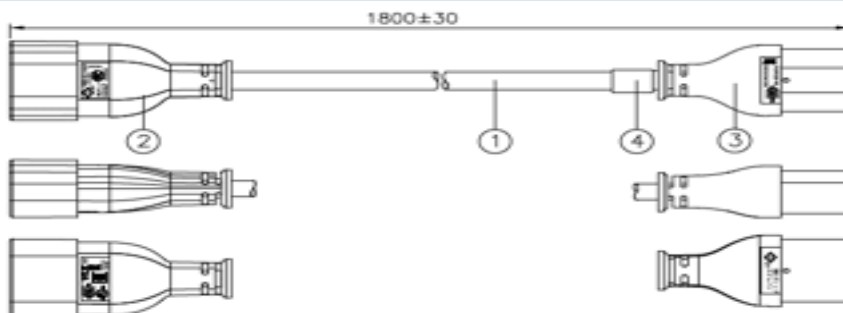
UL 60320-1 , CSA STD C22.2 No. 60320-1-11

JIS C8303 & JIS C8306 (Under Ordinance 1)

GB15934/K60799/AS/NZS 3112: 2011 + A1

Max. Rating: 10A, 250V

Safety Approval: EU+EAC+UL+PSE+CCC+KC+SA



Cable Type ①	Size (mm ²)	Plug ②	Connector ③
H05VVH2+SJT+RVV 300/500+K60227 IEC53+GTSA-3	3 x 17AWG 3 x 1.00	VNBC14S	VNBC13S

Binding: 190 +/- 20 mm (No pin cap)

Label CE&UKCA&ROHS: 50x25 mm

Standard Packaging: 70 pcs per box

Master Box Dimensions: 560 x 330 x 250 mm

SKU Spec Ref No: 224314/2



Generic North-American Powercord Set (Class I) 1.8M Black

Cat. No: BUSSD3SX18B

Description: North-American Power Supply Cordset (PB FR)

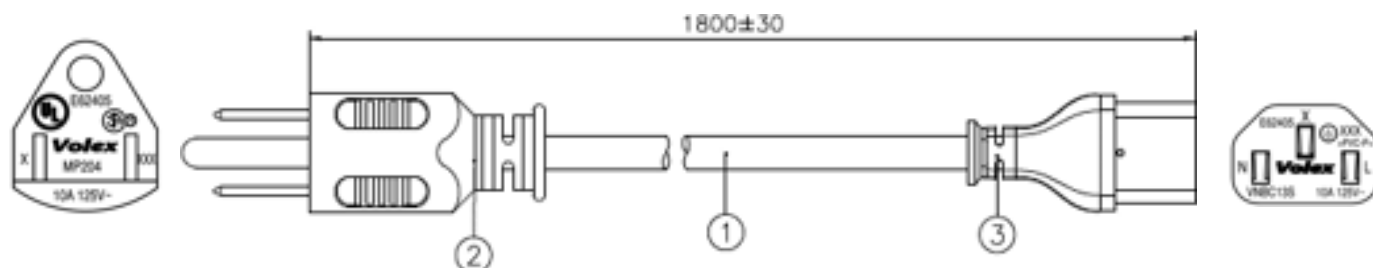
Standards: UL498

UL817

CSA Std C22.2

Max. Rating: 10A, 125V

Safety Approval: UL/cUL



Cable Type ①	Size ①	Plug ②	Connector ③
SJT	3 x 1.00	MP204	VNBC13S

Binding: 210 +/- 30 mm (w / pin cap)

Standard Packaging: 70 pcs per box

Master Box Dimensions: 560 x 330 x 250 mm

SKU Spec Ref No: 196637/2



Generic North-America Powercord Set (Class II) 1.8M BLACK

Cat. No: BUSSH7SX18B

Description: North-American Power Supply Cordset (PB FR)

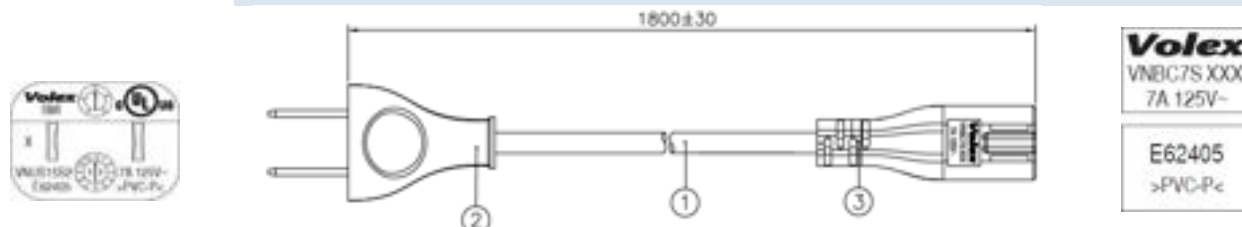
Standards: UL498

UL817

CSA Std C22.2

Max. Rating: 2.5A, 125V

Safety Approval: UL/cUL



Cable Type ①	Size ①	Plug ②	Connector ③
SPT-2	AWG 18X2	VNUS15S2	VNBC7S

Binding: 220 +/- 30 mm (w / pin cap)

Standard Packaging: 160 pcs per box

Master Box Dimensions: 560 x 330 x 250 mm

SKU Spec Ref No: 196840/2



Generic N.American Hospital-Grade Powercord Set (Class I) 1.8M GREY

Cat. No: BUSSD3SY18G

Description: North-American Power Supply Cordset (PB FR)

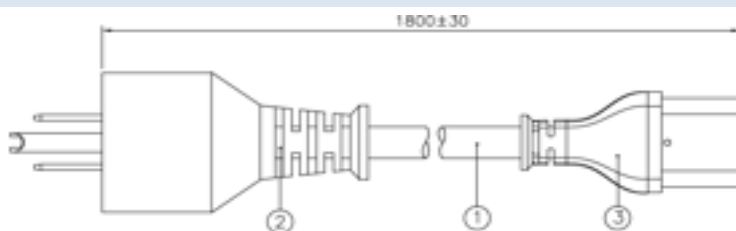
Standards: UL498

UL817

CSA Std C22.2

Max. Rating: 13A, 125V

Safety Approval: UL/cUL



Cable Type ①	Size ①	Plug ②	Connector ③
SJT	AWG 16X3	PS206	VNBC13S

Binding: 210 +/- 30 mm (w / pin cap)

Standard Packaging: 50 pcs per box

Master Box Dimensions: 560 x 330 x 250 mm

SKU Spec Ref No: 192940/2



Generic North-American Powercord Set (Class I) 1.8M Black

Cat. No: BUSSC5SX18B

Description: North-American Power Supply Cordset (PB FR)

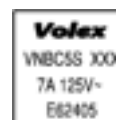
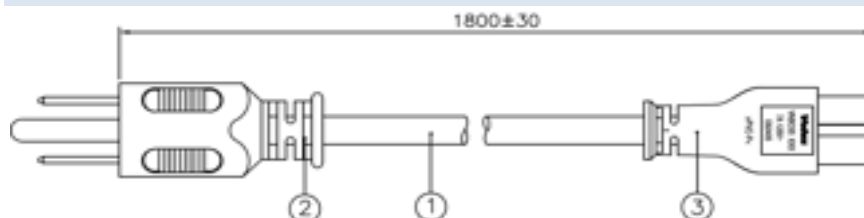
Standards: UL498

UL817

CSA Std C22.2

Max. Rating: 7A, 125V

Safety Approval: UL/cUL



Cable Type ①	Size ①	Plug ②	Connector ③
SVT	3 x AWG 18	MP204	VNBC5S

Binding: 190 +/- 30 mm (w / pin cap)

Standard Packaging: 90 pcs per box

Master Box Dimensions: 560 x 330 x 250 mm

SKU Spec Ref No: 209241/2



Generic North-American Powercord Set (Class I) 1.8M Black

Cat. No: BUSSC3SX18B

Description: North-American Power Supply Cordset (PB FR)

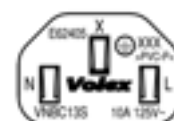
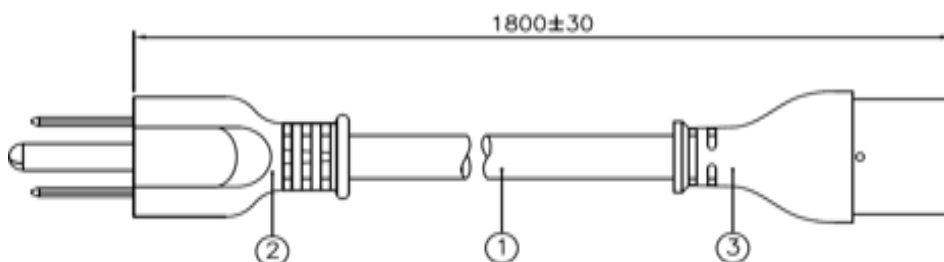
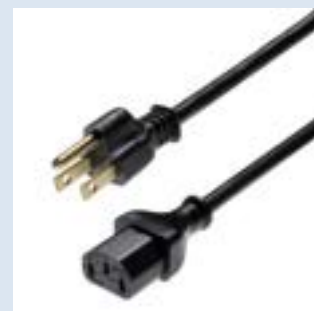
Standards: UL498

UL817

CSA Std C22.2

Max. Rating: 10A, 125V

Safety Approval: UL/cUL



Cable Type ①	Size ①	Plug ②	Connector ③
SVT	3 x AWG 18	US15S3	VNBC13S

Binding: 220 +/- 30 mm (w / pin cap)

Standard Packaging: 90 pcs per box

Master Box Dimensions: 560 x 330 x 250 mm

SKU Spec Ref No: 205020/1



Generic North-American Powercord Set (Class I) 1.8M Black

Cat. No: BUSSH5SX18B

Description: North-American Power Supply Cordset (PB FR)

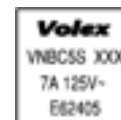
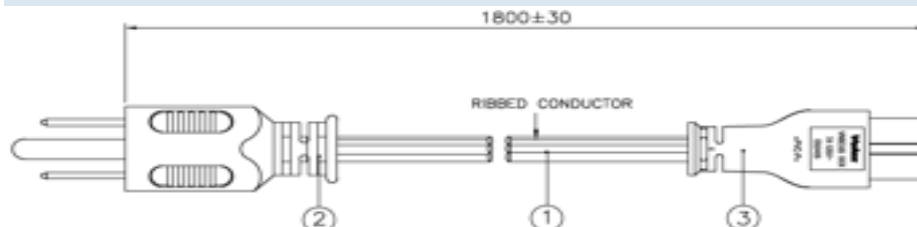
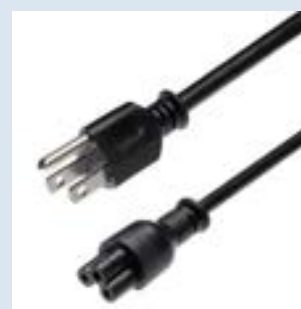
Standards: UL498

UL817

CSA Std C22.2

Max. Rating: 7A, 125V

Safety Approval: UL/cUL



Cable Type ①	Size ①	Plug ②	Connector ③
SPT-2	3 x AWG 18	MP204	VNBC5S

Binding: 200 +/- 30 mm (w / pin cap)

Standard Packaging: 90 pcs per box

Master Box Dimensions: 560 x 330 x 250 mm

SKU Spec Ref No: 209243/2



Generic South-Africa Powercord Set (Class I) 1.8M Black

Cat. No: SSAAD3SX18B

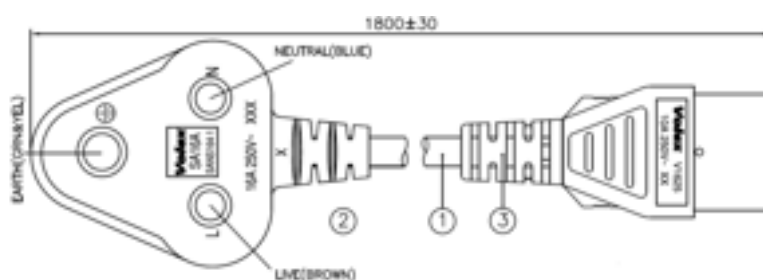
Description: European+US+Australia+Japan Power Supply Cordset (PB FR)

Standards: SABS 164-1

(Re-designated as SANS 164-1)

Max. Rating: 10A, 250V

Safety Approval: SABS Compliant



Cable Type ①	Size (mm ²)	Plug ②	Connector ③
H05VV-F	3 x 1.00	SA16A	V1625

Binding: 210 +/- 30 mm(No pin cap)

Standard Packaging: 50 pcs per box

Master Box Dimensions: 560 x 330 x 250 mm

SKU Spec Ref No: 192941/2



Generic Switzerland Powercord Set (Class I) 1.8M Black

Cat. No: BSWSD3SX18B

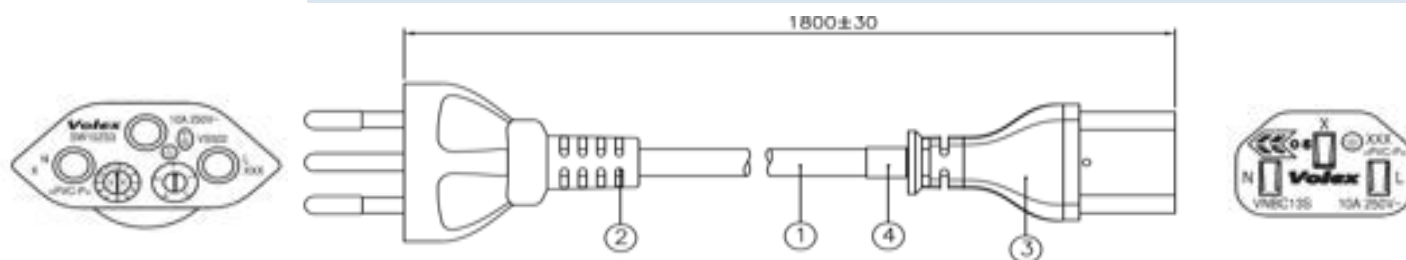
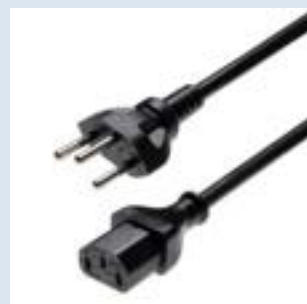
Description: Swiss Power Supply Cordset (PB FR)

Standards: IEC 60884-1 & SEV 1011

(CH type 11, Standard Sheet SEV 6533-2)

Max. Rating: 10A, 250V

Safety Approval: SEV



Cable Type ①	Size (mm ²)	Plug ②	Connector ③
H05VV-F	3 x 1.00	SW10ZS3	VNBC13S

Binding: 210 +/- 30 mm (No pin cap)

Label CE & ROHS: 50 x 25 mm

Standard Packaging: 80 pcs per box

Master Box Dimensions: 560 x 330 x 250 mm

SKU Spec Ref No: 192942/2



Generic Switzerland Powercord Set (Class I) 1.8M Black

Cat. No: BSWSD5SW18B

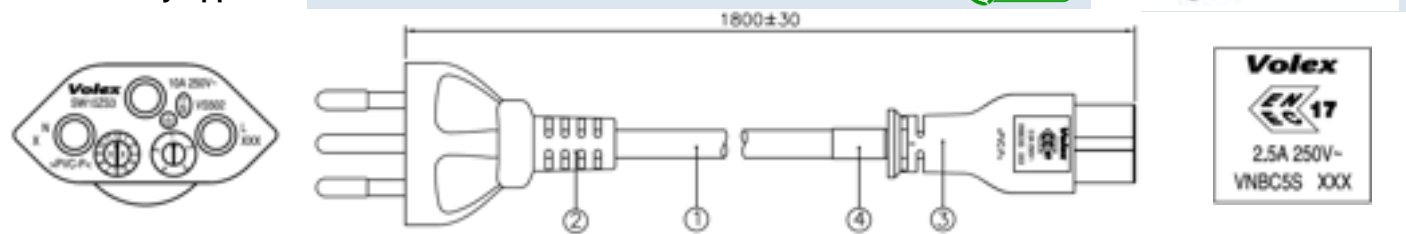
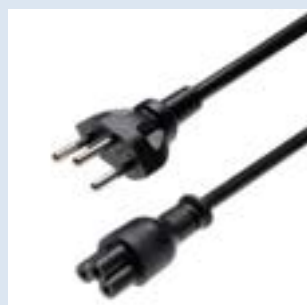
Description: Swiss Power Supply Cordset (PB FR)

Standards: IEC 60884-1 & SEV 1011

(CH type 11, Standard Sheet SEV 6533-2)

Max. Rating: 2.5A, 250V

Safety Approval: SEV



Cable Type ①	Size (mm ²)	Plug ②	Connector ③
H05VV-F	3 x 0.75	SW10ZS3	VNBC5S

Binding: 190 +/- 30 mm (No pin cap)

Label CE & ROHS: 50 x 25 mm

Standard Packaging: 80 pcs per box

Master Box Dimensions: 560 x 330 x 250 mm

SKU Spec Ref No: 209239/2



Generic Switzerland Powercord Set (Class II) 1.8M Black

Cat. No: BSWSA7SW18B

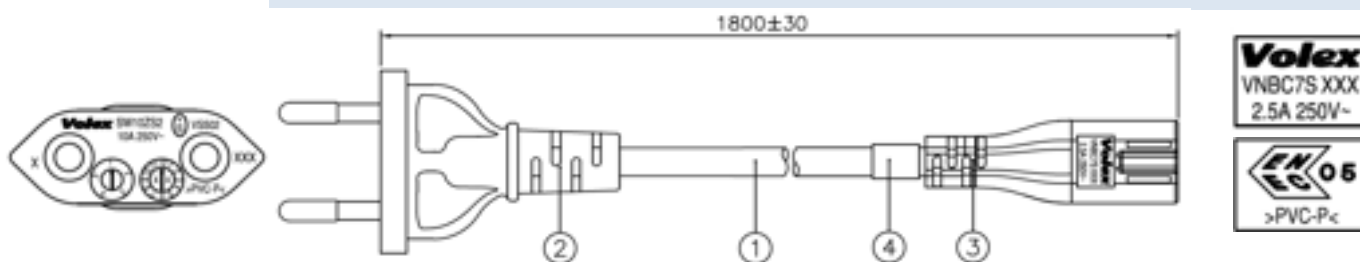
Description: Swiss Power Supply Cordset (PB FR)

Standards: IEC 60884-1 & SEV 1011

(CH type 11, Standard Sheet SEV 6533-2)

Max. Rating: 2.5A, 250V

Safety Approval: SEV



Cable Type ①	Size (mm ²)	Plug ②	Connector ③
H03VVH2-F	2 x 0.75	SW10ZS2	VNBC7S

Binding: 220 +/- 30 mm (No pin cap)

Label CE & ROHS: 50 x 25 mm

Standard Packaging: 170 pcs per box

Master Box Dimensions: 560 x 330 x 250 mm

SKU Spec Ref No: 192943/2



Generic British Powercord Set (Class I) 1.8M Black



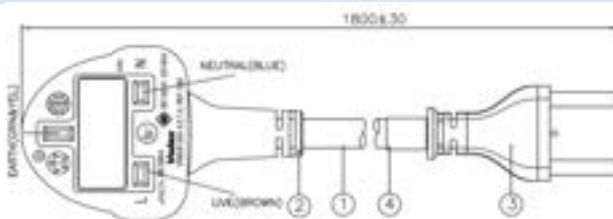
Cat. No: BUKAD3SX18B

Description: British+Singapore+GCC Power Supply CordSet
(PB FR)

Standards: BS 1363/A
SS145/A, IEC 60884

Max. Rating: 10A, 250V

Safety Approval: ASTA,CPS,GCC



Cable Type ①	Size (mm ²)	Plug ②	Connector ③
H05VV-F	3 x 1.00	VNBUK13A3	VNBC13S

Binding: 210 +/- 30 mm (w / pin cap)

Label CE&UKCA&ROHS: 50 x 25 mm

Standard Packaging: 70 pcs per box

Master Box Dimensions: 560 x 330 x 250 mm

SKU Spec Ref No: 206521/10



Generic British Powercord Set (Class I) 1.8M Black



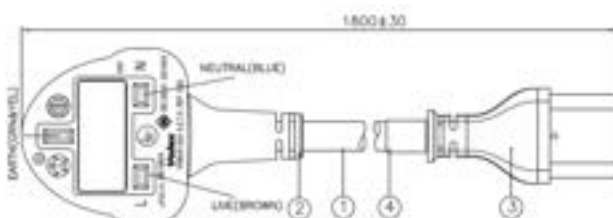
Cat. No: BUKAD3SW18B

Description: British+Singapore+GCC Power Supply CordSet
(PB FR)

Standards: BS 1363/A
SS145/A, IEC 60884

Max. Rating: 10A, 250V

Safety Approval: ASTA,CPS,GCC



Cable Type ①	Size (mm ²)	Plug ②	Connector ③
H05VV-F	3 x 0.75	VNBUK13A3	VNBC13S

Binding: 210 +/- 30 mm (w / pin cap)

Label CE&UKCA&ROHS: 50 x 25 mm

Standard Packaging: 80 pcs per box

Master Box Dimensions: 560 x 330 x 250 mm

SKU Spec Ref No: 192944/2



Generic British Powercord Set (Class II) 1.8M Black



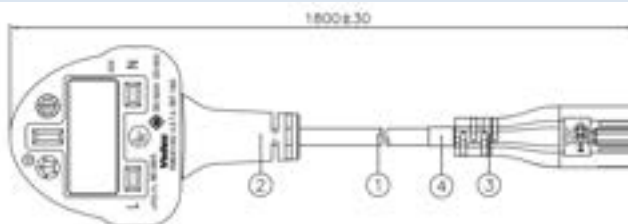
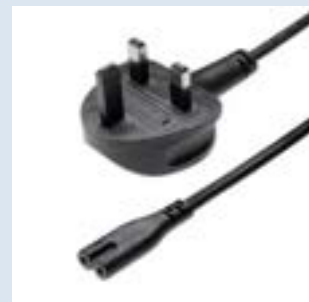
Cat. No: BUKAA7SV18B

Description: British+Singapore+GCC Power Supply CordSet
(PB FR)

Standards: BS 1363/A
SS145/A, IEC 60884

Max. Rating: 2.5A, 250V

Safety Approval: ASTA, CPS, GCC



Cable Type ①	Size (mm ²)	Plug ②	Connector ③
H03VVH2-F	2 x 0.50	VNBUK13A2	VNBC7S

Binding: 220 +/- 20 mm (w / pin cap)

Label CE&UKCA&ROHS: 50 x 25 mm

Standard Packaging: 150 pcs per box

Master Box Dimensions: 560 x 330 x 250 mm

SKU Spec Ref No: 196632/2



Generic British Powercord Set (Class II) 1.8M Black



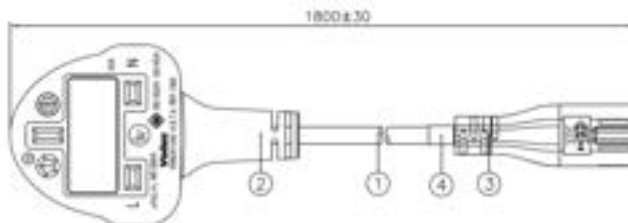
Cat. No: BUKAA7SW18B

Description: British+Singapore+GCC Power Supply CordSet
(PB FR)

Standards: BS 1363/A
SS145/A, IEC 60884

Max. Rating: 2.5A, 250V

Safety Approval: ASTA, CPS, GCC



Cable Type ①	Size (mm ²)	Plug ②	Connector ③
H03VVH2-F	2 x 0.75	VNBUK13A2	VNBC7S

Binding: 220 +/- 30 mm (w / pin cap)

Label CE&UKCA&ROHS: 50x 25 mm

Standard Packaging: 130 pcs per box

Master Box Dimensions: 560 x 330 x 250 mm

SKU Spec Ref No: 206521/12



Generic British Powercord Set (Class I) 1.8M Black

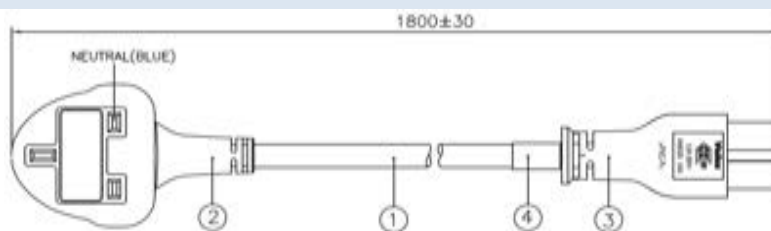
Cat. No: BUKAD5SW18B

Description: British+Singapore+GCC Power Supply CordSet
(PB FR)

Standards: BS 1363/A
SS145/A, IEC 60884

Max. Rating: 2.5A, 250V

Safety Approval: ASTA,CPS,GCC



Cable Type ①	Size (mm ²)	Plug ②	Connector ③
H05VV-F	3 x 0.75	VNBUK13A3	VNBC5S

Binding: 190 +/- 30 mm (w / pin cap)

Label CE&UKCA&ROHS: 50 x 25 mm

Standard Packaging: 70 pcs per box

Master Box Dimensions: 560 x 330 x 250 mm

SKU Spec Ref No: 209240/2

CUSTOMISED DESIGN

Volex strategy is to be both flexible and responsive to changing customer needs, effectively becoming an integral part of our customer's operations. To do this, we anticipate industry technology trends and market demand drivers.

Volex offers cost effective solutions by working closely with customers,

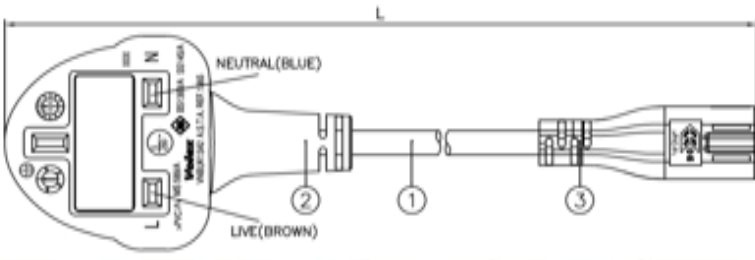
From product design through new product introduction and the delivery of a first class product on time every time.

And to do this,

Volex sets out to embed itself on a global basis into customer's supply chain and invest in laboratory testing equipment to enhance its design engineering and manufacturing strengths.



Generic Powercord Set Configurator











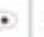

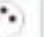










S/N	Description
3	Connector
2	Plug
1	Cable
L	Over-all Length

Material	HAR/EN [EU]	UL	PSE	CCC	KS	BIS
A	H03VH2-F	NI SPT-1	VCTFK	60227 IEC 52 (RVV) 300/300 Flat	60227 KS IEC 52	
B	H05VVH2-F	NI SPT-2		60227 IEC 53 (RVV) 300/500 Flat	60227 KS IEC 53	IS 694 (Flat)
C (c)	H03VV-F	SVT (SVT AL/MT)	VCTF	60227 IEC 52 (RVV) 300/300 Round	60227 KS IEC 52	
D (d)	H05VV-F	S/T (S/T AL/MT)		60227 IEC 53 (RVV) 300/500 Round	60227 KS IEC 53	IS 694 (Round)
E	H03VH-Y	-	-	-	-	
F	H03V2V2-F	-	HVCTF	-	-	
G	H05V2V2-F	-	-	-	60227 KS IEC 57	
H	-	SPT-2	VFF	-	-	
I	H05RR-F	SI	-	60245 IEC 53 (YZ) 300/500	60245 KS IEC 53	
J	-	-	-	60245 IEC 66 (YC) 450/750	-	
K	H05RN-F	S/O	-	60245 IEC 57 (YZW) 300/500	60245 KS IEC 57	
L	H07RN-F	-	-	60245 IEC 66 (YCW) 450/750	-	
M	-	HPN	HVFF	-	-	
N	H03RT-H	-	-	60245 IEC 51 (RX) 300/300	-	
O	H05VV-F	S/T/SVT	IEC-J	60227 IEC 53 (RVV) 300/500	60227 KS IEC 53	

















N	E	U	S	A	S	S	W	O	S	G
Product	Country	Plug Version	Connector	Connector Version	Conductor Sizes	Cable Length	Cord Set Color			
<ul style="list-style-type: none"> B: V-Novus Hybrids H: Hospital Grade L: V-Lock N: V-Novus F: Halogen Free S: Standard 	<ul style="list-style-type: none"> AR: Argentina AU: Australia BR: Brazil GB: China DM: Denmark GC: Gulf Countries EU: Europe HK: Hong Kong IA: India IT: Italy JS: Japan KR: Korea RU: Russia SA: South Africa SD: Saudi Arabia SG: Singapore SI: Israel SW: Switzerland TW: Taiwan UK: United Kingdom US: North America J1: Jumper Cord C14 J2: Jumper Cord C20 J3: Jumper Cord C14 (BIS) J4: Jumper Cord C20 (BIS) 	<ul style="list-style-type: none"> S: Straight A: Angled 	<ul style="list-style-type: none"> 1: C1 5: C5 7: C7 3: C13 6: C15 8: C17 9: C19 C: Blunt Cut S: Sheath and Stripped B: Sheath and Blunt Cut T: Terminals G: Grommet 	<ul style="list-style-type: none"> S: Straight R: Right Angled L: Left Angled D: Down Angled 		<ul style="list-style-type: none"> 05: 0.5 m 10: 1.0 m 12: 1.2 m 15: 1.5 m SB: 1.8 m 20: 2.0 m 25: 2.5 m 30: 3.0 m 	<ul style="list-style-type: none"> B: Black U: Blue N: Green G: Grey O: Orange R: Red W: White Y: Yellow 			

Letter	Max. Current Rating	HAR/EN [EU] mm ²	UL AWG [mm ²]	JIS mm ²	CCC mm ²	BS mm ²
V	3A	0.5 (2.5A)	20 (0.62)	-	0.5	0.5
W	6A	0.75	-	0.75 (7A)	0.75	0.75
X	10A	1.0	18 (0.82)	1.25	1.0	1.0
Y	12A	-	16 (1.23)	1.25	-	1.25 (13A)
Z	16A	1.5	14 (1.95)	2.0	1.5	1.5 (13/15A)
A	20A	2.5 (25A)	12 (3.31)	3.5	-	-
B	30A	-	10 (5.26)	-	-	-
C	40A	-	8 (8.37)	-	-	-







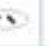
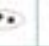
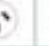











REFERENCE CHART OF WORLDWIDE PLUG TYPE

Countries	Approval											
Alghanistan				X								
Algeria				X							X	
Angola				X								
Anguilla					X							
Antigua & Barbuda		X	X									
Argentina								X		X		
Armenia				X								
Australia								X		X		
Austria				X		X						X
Bahamas		X		X			X					
Bahrain				X	X		X					
Bangladesh				X	X							
Belarus				X		X						X
Belgium				X		X						X
Belize		X	X	X			X					
Benin		X		X								X
Bermuda		X	X									
Bhutan							X					
Bolivia		X										
Bosnia& Herzegovina												X
Botswana		X										
Brazil				X		X			X	X		
Brunei Darussalam				X	X		X					
Bulgaria				X								X
Burkina Faso				X			X					
Burundi				X								X
Cambodia		X		X								
Cameroon				X							X	
Canada		X	X									
Cape Verde				X		X						
Central African Rep.				X								
Chad				X								X
Chile				X								X
China		X								X		
Colombia		X										
Congo, Democratic Rep.				X								X
Cook Islands								X		X		
Costa Rica					X							
Croatia				X								X
Cuba		X										
Cyprus				X	X							
Czech Rep.				X								
Denmark											X	
Djibouti				X								X
Dominica		X		X	X		X					
Ecuador		X		X								
Egypt				X		X					X	X
El Salvador		X	X									
Equatorial Guinea				X								
Eritrea				X		X						
Estonia				X								X
Ethiopia				X		X						
Finland				X		X						X
France				X								

REFERENCE CHART OF WORLDWIDE PLUG TYPE

Countries	Approval											
Fuji								X		X		
Gabon				X								X
Germany				X		X						X
Ghana					X							
Greece				X		X						X
Greenland				X								
Grenada					X		X					
Guatemala		X	X									
Guyana		X		X			X					
Haiti		X										
Honduras		X										
Hong Kong					X							
Hungary				X								X
Iceland				X		X						X
India							X					
Indonesia				A								X
Iran				X								X
Iraq				X	X		X					X
Ireland, Republic				X	X							
Israel				X			X					
Italy				X		X						X
Jamaica				X	X		X					
Japan		X	X									
Jordan					X				X			X
Kazakhstan				X								X
Kenya				X	X		X					
Kuwait				X	X		X					
Lao PDR		X									X	
Latvia				X		X						X
Lebanon				X	X	X	X					X
Lesotho				X	X		X					
Liberia		X		X			X					X
Libya		X		X			X					X
Lithuania				X								X
Luxembourg				X								X
Macedonia				X								X
Madagascar				X							X	
Malawi				X	X		X					
Malaysia	SIRIM				X		X					
Maldives				X	X		X					
Malta					X							
Mauritania				X								X
Mauritius				X	X		X					
Mexico		X	X									
Moldova				X	X	X	X					X
Morocco				X								X
Mozambique				X			X					X
Myanmar				X	X		X					
Namibia				X	X		X					
Netherland				X		X						X
New Zealand								X		X		
Nicaragua		X										
Niger				X								X
Nigeria				X	X		X					

REFERENCE CHART OF WORLDWIDE PLUG TYPE

Countries	Approval											
Norway				X		X						X
Oman				X	X							X
Pakistan							X					
Panama		X	X									
Papua New Guinea								X		X		
Paraguay				X								X
Peru												X
Philippines		X	X									
Poland				X		X						X
Portugal				X		X						X
Qatar					X		X					
Romania				X								X
Russia				X		X						
Rwanda				X					X			
Saudi Arabia	SASO						X					
Senegal				X								X
Seychelles				X	X		X					
Sierra Leone				X	X		X					
Singapore					X							
Slovakia				X		X						X
Slovenia				X								X
Somalia				X								
South Africa	SANS			X	X		X					
South Korea				X		X						
Spain				X		X						X
Sri Lanka				X	X		X					
St Lucia				X	X		X					
St Vincent					X							
Sudan				X	X							
Suriname		X		X								X
Swaziland				X	X		X					
Sweden				X		X						X
Switzerland				X					X			
Taiwan		X	X									
Tajikistan				X								X
Tanzania				X	X							
Thailand				X								
Togo				X							X	
Tonga								X		X		
Trinidad& Tobago			X									
Tunisia				X								X
Turkey				X	X	X	X					X
Turkmenistan				X								X
Uganda				X	X							
Ukraine				X		X						X
United Arab Emirates				X	X		X					
United Kingdom				X	X							
United States		X	X									
Uruguay				X								X
Uzbekistan				X								X
Venezuela		X			X							X
Vietnam		X	X									
Yemen				X	X		X					
Zambia				X	X		X					
Zimbabwe				X	X		X					

STANDARD COLOUR CORD



Volex: 21015A WH
Pantone: -



Volex: 87107 NMP
Pantone: 427C



Volex: 8146 OG
Pantone: 420C



Volex: Black
Pantone: -














































































Volex: 8117 PG
Pantone: 414C



Volex: 81233 FG
Pantone: 422C

NEMA PLUG AND RECEPTACLE STANDARD

	2 Pole 2 Wire		2 Pole 3 Wire Grounding			3 Pole 3 Wire		3 Pole 4 Wire Grounding		4 Wire	
	125V	250V	125V	250V	277V	125/250V	30 250V	125/250V	30 250V	30 120/200V	
15 AMP receptacle											
plug											
20 AMP receptacle											
plug											
30 AMP receptacle											
plug											
50 AMP receptacle											
plug											
60 AMP receptacle											
plug											





CONDUCTOR SIZES

Max. Current Rating	HAR/EN (EU) mm ²	UL AWG (mm ²)	JIS mm ²	CCC mm ²	BIS mm ²
3A	0.5 (2.5A)	20 (0.62)	-	0.5	0.5
6A	0.75	-	0.75 (7A)	0.75	0.75
10A	1.0	18 (0.82)	1.25	1.0	1.0
12A	-	16 (1.23)	1.25	-	1.25 (13A)
16A	1.5	14 (1.95)	2.0	1.5	1.5 (13/15A)
20A	2.5 (25A)	12 (3.31)	3.5	-	-
30A	-	10 (5.26)	-	-	-
40A	-	8 (8.37)	-	-	-

CONDUCTOR COLOUR REFERENCE CHART

Conductor	HAR	UL	JIS	CCC
Live	Brown	Black	Black	Brown
Neutral	Blue	White	White	Blue
Earth	Green / Yellow	Green	Green	Green / Yellow

WORLDWIDE COMPARISON OF CABLE

Material	Example	HAR/EN (EU)	UL	PSE	CCC	KS
Flat PVC		H03VVH2-F	NI SPT-1	VCTFK	60227 IEC 52 (RVV) 300/300	60227 KS IEC 52
		H05VVH2-F	NI SPT-2	VCTFK	60227 IEC 53 (RVV) 300/500	60227 KS IEC 53
Round PVC		H03VV-F	SVT	VCTF	60227 IEC 52 (RVV) 300/300	60227 KS IEC 52
		H05VV-F	SJT	VCTF	60227 IEC 53 (RVV) 300/500	60227 KS IEC 53
		H03VH-Y	-	-	-	-
		H03V2V2-F	SVT	HVCTF	-	-
		H05V2V2-F	SJT	HVCTF	-	60227 KS IEC 57
Figure 8 PVC		-	SPT-1	VFF	-	-
Round Rubber		H05RR-F	SJ	-	60245 IEC 53 (YZ) 300/500	60245 KS IEC 53
		-	-	-	60245 IEC 66 (YC) 450/750	-
		H05RN-F	SJO	-	60245 IEC 57 (YZW) 300/500	60245 KS IEC 57
		H07RN-F	-	-	60245 IEC 66 (YCW) 450/750	-
Figure 8 Rubber		-	HPN	HVFF	-	-
Round Textile		H03RT-H	-	-	60245 IEC 51 (RX) 300/300	-
Combo Cable		H05VV-F	SJT	IEC-J	60227 IEC 53 (RVV) 300/500	60227 KS IEC 53

IEC CONNECTOR STANDARD

Most connectors used throughout the world are contained in the standard EN60335-1 (IEC 335-1), which shows the configuration, current and temperature rating as well as the cable allowed. The table below shows the Volex approved connectors:

Rated current of appliance coupler	Class of equipment	Maximum pin temperature of appliance inlet	Appliance Coupler	Approved			AWG
			Number of standard sheet	European Cable Type	Cross-sectional area mm ²	UL Cable Type	
2.5	I	70°C	C5 (female) 	H03VV-F	0.75	SPT-2 or SVT	18
2.5	II	70°C	C7 (female) 	H03VV-F or H03VVH2-F	0.5, 0.75 ^{a)}	SPT-1 or SPT-2	18
10	I	70°C	C13 (female) 	H05VV-F, Screened	0.75, 1.0 ^{b)}	SVT or SJT	18,16,14
10	I	70°C	C14 (male) 	H05VV-F,	0.75, 1.0 ^{b)}	SVT or SJT	18,16,14
10	I	120°C	C15 (female) 	H05RR-F or H03RT-H	0.75, 1.0 ^{b)}	SVT or SJT or HPN	18,16,14
10	I	155°C	C15A (female) 	H05RR-F or H03RT-H	0.75, 1.0 ^{b)}	—	—
10	II	70°C	C17 (female) 	H05VV-F	0.75, 1.0 ^{b)}	SVT or SJT	18
16	I	70°C	C19 (female) 	H05VV-F	1.0, 1.5 ^{b)}	SJT	16,14,12
16	I	70°C	C20 (male) 	H05VV-F	1.0, 1.5 ^{b)}	SJT	16,14,12

a) 0.5mm² is allowed for lengths not exceeding 2m.

b) If the cord has a length exceeding 2m, nominal cross-sectional areas shall be:
1mm² for 10A connectors
1.5mm² for 16A connectors

STRANDED TINNED COPPER-AMERICAN WIRE GAG(AWG)

Gage AWG or B&S	Stranding (Nominal AWG)	Minimum Average O.D. of Strand	Approximate O.D. Inches	Approximate O.D. mm	ASTM minimum Circular MIL Area	Minimum Weight Pounds per 1000'	Minimum Resistance at 60°F+++ Ohms per 1000'
36	7/44	.0019	.006	.153	25	.078	414.8
34	7/42	.0024	.0075	.191	39.7	.121	283.9
32	7/40	.0030	.0093	.235	64	.155	184.1
32	19/44	.0018	.010	.229	64	.155	184.1
30	7/38	.0038	.012	.305	100	.204	112
30	19/42	.0023	.012	.305	100	.204	112
28	7/36	.0048	.015	.381	159	.264	70.7
28	19/40	.0029	.016	.406	159	.264	70.7
27	7/35	.0054	.017	.437	202	.314	55.6
26	7/34	.0060	.019	.483	253	.379	44.4
26	19/36	.0050	.021	.533	253	.379	44.4
26	19/38	.0056	.020	.508	253	.379	44.4
24	7/32	.0076	.024	.610	404	1.229	27.7
24	19/34	.0064	.024	.610	404	1.229	27.7
24	19/36	.0068	.024	.610	404	1.229	27.7
24	42/40	.0031	.023	.584	404	1.229	27.7
22	7/30	.0096	.030	.762	640	1.947	17.5
22	19/34	.0058	.031	.787	640	1.947	17.5
22	26/36	.0050	.030	.762	640	1.947	17.5
20	7/28	.0126	.037	.890	1020	3.103	10.9
20	19/30	.0101	.037	.890	1020	3.103	10.9
20	19/32	.0073	.037	.940	1020	3.103	10.9
20	26/34	.0063	.036	.914	1020	3.103	10.9
20	42/36	.0049	.036	.914	1020	3.103	10.9
18	7/26	.0152	.048	1.22	1620	4.93	6.92
18	16/30	.0101	.047	1.20	1620	4.93	6.92
18	19/30	.0092	.049	1.24	1620	4.93	6.92
18	42/34	.0062	.047	1.20	1620	4.93	6.92
18	65/36	.0050	.047	1.20	1620	4.93	6.92
16	7/24	.0192	.060	1.52	2580	7.85	4.35
16	19/29	.0117	.058	1.47	2580	7.85	4.35
16	26/30	.0100	.059	1.50	2580	7.85	4.35
16	65/34	.0063	.059	1.50	2580	7.85	4.35
16	105/36	.0050	.059	1.50	2580	7.85	4.35
14	7/22	.0242	.076	1.85	4110	12.50	2.73
14	19/26	.0147	.071	1.85	4110	12.50	2.73
14	42/30	.0099	.075	1.85	4110	12.50	2.73
14	105/34	.0063	.075	1.85	4110	12.50	2.73
12	7/20	.0305	.096	2.44	6530	19.86	1.71
12	19/25	.0185	.092	2.36	6530	19.86	1.71
12	65/30	.0100	.095	2.41	6530	19.86	1.71
12	105/34	.0063	.095	2.41	6530	31.58	1.71
10	37/26	.0167	.115	2.92	10380	31.58	1.08
10	65/28	.0128	.120	2.95	10380	31.58	1.08
10	105/30	.0099	.118	2.95	10380	31.58	1.08

+++ AWG 10 thru 30 per UL subject 13.

SOLID BARE COPPER WIRE-AMERICAN WIRE GAGE(AWG)

Gage AWG or B&S	Nominal Diameter Inches	Circular Mil Area	Weight Pounds per 1000ft	Resistance at 68°F Ohms per 1000ft
10	.1019 2.60	10380.0	31.43	.9989
11	.0807 2.30	8234.0	24.92	1.260
12	.0808 2.05	6530.0	19.77	1.588
13	.0720 1.83	5178.0	15.68	2.003
14	.0641 1.63	4107.0	12.43	2.525
15	.0571 1.45	3260.0	9.858	3.184
16	.0506 1.29	2583.0	7.818	4.016
17	.0453 1.15	2050.0	6.200	5.064
18	.0403 1.02	1620.0	4.917	6.385
19	.0359 .912	1290.0	3.899	8.051
20	.0320 .813	1020.0	3.092	10.15
21	.0285 .724	812.1	2.452	12.80
22	.0253 .643	640.4	1.945	16.14
23	.0226 .574	511.5	1.542	20.36
24	.0201 .511	404.0	1.223	25.67
25	.0179 .455	320.4	.9699	32.37
26	.0159 .404	253.0	.7692	40.81
27	.0142 .361	201.5	.6100	51.47
28	.0126 .320	159.8	.4837	64.90
29	.0113 .287	126.7	.3836	81.83
30	.0100 .254	100.5	.3042	103.2
31	.0089 .226	79.7	.2413	130.1
32	.0080 .203	63.21	.1913	164.1
33	.0071 .180	50.13	.1517	206.9
34	.0063 .160	39.75	.1203	260.9
35	.0056 .142	31.52	.09542	331.0
36	.0050 .127	25.00	.07568	414.8
37	.0045 .114	19.83	.0613	512.1
38	.0040 .102	15.72	.04759	648.6
39	.0035 .089	12.20	.03774	847.8
40	.0031 .079	9.61	.02993	1080.0

Information from National Bureau of Standards Copper Wire Tables-Handbook 100.

UL CABLE CLASSIFICATION AND CONSTRUCTION

Cord Type #1	AWG Size Range	Number of Conductors	Conductor Insulation	Jacket #2	Temperature Rating #3		Voltage Rating
					Standard	Other	
TPT	27 (Tinsel)	2	.030 Plastic		60		250
SP-1	18	2 or 3 ¹	.030 Rubber		60		300
SPT-1	18	2 or 3 ¹	.030 Plastic		60	75, 90, 105	300
SP-2	18-16	2 or 3 ¹	.045 Rubber		60		300
SPT-2	18-16	2 or 3 ¹	.045 Plastic		60	75, 90, 105	300
SP-3	18-12	2 or 3 ¹	.060 Rubber ²		60		300
SPT-3	18-10	2 or 3 ¹	.060 Plastic ²		60	75, 90, 105	300
TST	18	2 or 3 ¹	.015 Rubber	.030 Rubber	60		125
TST	18	2 or 3 ¹	.015 Plastic	.030 Plastic	60		125
SV	18	2 or 3 ¹	.015 Rubber	.030 Rubber	60	75, 90	300
SVE	18-17	2 or 3 ¹	.015 Elastomer	.030 Elastomer	105		300
SVEO	18-17	2 or 3 ¹	.015 Elastomer	.030 Elastomer	105		300
SVO	18	2 or 3 ¹	.015 Rubber	.030 Neoprene*	60	75, 90	300
SVT	18-17	2 or 3 ¹	.015 Plastic	.030 Plastic	60	75, 90, 105	300
SVTO	18-17	2 or 3 ¹	.015 Plastic	.030 Plastic	60	75, 90, 105	300
SJ	18-10	2, 3, 4	.030 Rubber ³	.030 Rubber ³	60	75, 90	300
SJE	18-10	2, 3, 4, 5	.030 Elastomer ²	.030 Elastomer ²	105		300
SJEO	18-10	2, 3, 4, 5	.030 Elastomer ²	.030 Elastomer ²	105		300
SJO	18-10	2, 3, 4	.030 Rubber ³	.030 Neoprene ³	60	75, 90, 105	300
SJT	18-10	2, 3, 4	.030 Plastic ³	.030 Plastic ³	60	75, 90, 105	300
SJTO	18-10	2, 3, 4	.030 Plastic ³	.030 Plastic ³	60	75, 90, 105	300
S	18-2	2 or more	.030 Rubber ²	.060 Rubber ²	60	75, 90	600
SE	18-2	2 or more	.030 Elastomer ²	.060 Elastomer ²	105		600
SEO	18-2	2 or more	.030 Elastomer ²	.060 Elastomer ²	105		600
SO	18-2	2 or more	.030 Rubber ²	.060 Neoprene ²	60	75, 90	600
ST	18-2	2 or more	.030 Plastic ²	.060 Plastic ²	60	75, 90, 105	600
STO	18-2	2 or more	.030 Plastic ²	.060 Plastic ²	60	75, 90, 105	600
HPN	18-12	2 or 3 ¹	.045 Neoprene		90	105	300
HSJ	18-12	2, 3, 4	.030 Neoprene ²	.030 Rubber ²	90		300
HSJO	18-12	2, 3, 4	.030 Neoprene ²	.030 Neoprene ²	90		300
HS	14-12	2, 3, 4	.045 Neoprene ²	.060 Rubber ²	90		300
HSO	14-12	2, 3, 4	.045 Neoprene ²	.060 Neoprene ²	90		300

#1 Types SVO, SVTO, SJO, SJTO, SO, STO, HSJO and HSO have jackets which are also recognized for oil resistance at maximum temperature of 60°C. Types SJ, SJO, SJT, SJTO, S, SO, ST, and STO may also be made for outdoor use, with "W" on the jacket. 3-wire SJT may be made in special low-leakage constructions for medical equipment cords.

#2 Where no jacket is shown, the construction is integral or flat style with insulation also serving as jacket.

#3 For cordage ratings higher than 60°C, the temperature limit is printed on the outside of the jacket. This does not apply to heater cordage type HPN, rated 90°C, or 105°C, also, for heater cordage types HSJ, HSJO, HS, and HSO, the core is rated 90°C, while temperature printed on outside applies only to jacket.

1 Recognized in three conductors when third or center conductor (with Green or Green/Yellow stripe) is used for equipment grounding.

2 Insulation and jacket thickness depend on cordage size. Thickness shown is for 18 and 16 AWG.

3 Insulation and jacket thickness depend on cordage size. No. 12 AWG requires .030" conductor insulation thickness and .045" jacket thickness. No. 10 AWG requires .045" conductor insulation thickness and .060" jacket thickness.

* Chlorosulfonated polyethylene and other UL Listed materials may be used as jacketing material for such cordage as SVO, SJO, SO, and HPN to provide oil resistance and/or colors with excellent stability in all shades.

NOTES: Types TPT, SPT-1, SPT-2, SPT-3, HPN (two conductors only), and SVO, SVT, SJO, SJT, SO, and ST may be made in retractile form. The term Elastomer refers to thermoplastic elastomer.

UL CABLE CLASSIFICATION

DESCRIPTION	CODE
Christmas Tree Thermoplastic	XT
Tinsel Parallel Thermoplastic	TPT
Tinsel Service	TS
Tinsel Service Thermoplastic	TST
Service Parallel Thermoplastic - 1/64" insulation	SPT-1
Service Parallel Thermoplastic - 2/64" insulation	SPT-2
Service Parallel Thermoplastic - 3/64" insulation	SPT-3
Service Parallel Elastomer - 1/64" insulation	SPE-1
Service Parallel Elastomer - 2/64" insulation	SPE-2
Service Parallel Elastomer - 3/64" insulation	SPE-3
Service Vacuum	SV
Service Vacuum Oil-Resistant Jacket	SVO
SVO with Oil-Resistant Insulation & Jacket	SVOO
Service Vacuum Thermoplastic	SVT
SVT with Oil-Resistant Jacket	SVTO
SVTO with Oil-Resistant Insulation & Jacket	SVTOO
Service Vacuum Elastomer	SVE
SVE with Oil-Resistant Jacket	SVEO
SVEO with Oil-Resistant Insulation & Jacket	SVEOO
Service Junior	SJ
SJ with Oil-Resistant Jacket	SJO

DESCRIPTION	CODE
SJO with Oil-Resistant Insulation & Jacket	SJOO
Service Junior Thermoplastic	SJT
SJT with Oil-Resistant Jacket	SJTO
SJTO with Oil-Resistant Insulation & Jacket	SJT00
Service Junior Elastomer	SJE
SJE with Oil-Resistant Jacket	SJEO
SJEO with Oil-Resistant Insulation & Jacket	SJEOO
Service	S
Service with Oil-Resistant Jacket	SO
SO with Oil-Resistant Insulation & Jacket	SOO
Service Thermoplastic	ST
ST with Oil-Resistant Jacket	STO
STO with Oil-Resistant Insulation & Jacket	STOO
Service Elastomer	SE
SE with Oil-Resistant Jacket	SEO
SEO with Oil-Resistant Insulation & Jacket	SEOO
Heater Parallel Neoprene	HPN
HSJ with Oil-Resistant Jacket	HSJO
Heater Service	HS
HS with Oil-Resistant Jacket	HSO

NOTE

Service parallel types-wall thickness for integral construction includes insulation and jacket combined. Elastomer is a thermoplastic material with elastomeric properties similar to rubber.

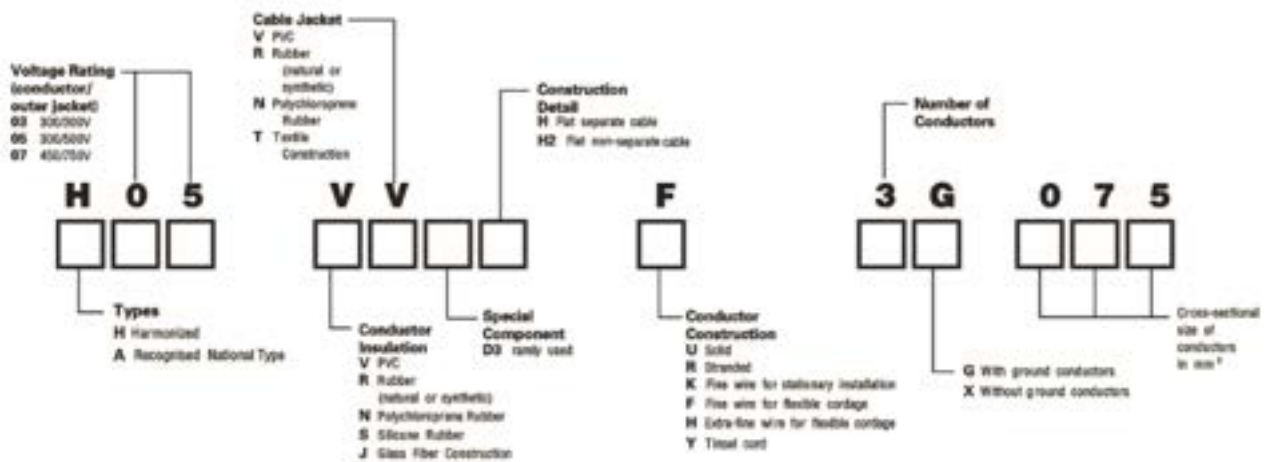
JIS CABLE CLASSIFICATION

DESCRIPTION	CODE
PVC insulated single-core cord	VSF
Heat-resistant PVC insulated single-core cord	HVSF
PVC insulated twin-twisted cord	VTF
Heat-resistant PVC insulated twin-core cord	HVTF
PVC insulated flat cord	VFF
Heat-resistant PVC insulated flat cord	HVFF
PVC insulated cabtyre round cord	VCTF
Heat-resistant PVC insulated cabtyre round cord	HVCTF
PVC insulated cabtyre oval cord	VCTFK
Heat-resistant PVC insulated cabtyre oval cord	HVCTFK
Chlorosulfonate polyethylene rubber-insulated flat cord	HHFF

Symbols designate the following:

V	: polyvinyl chloride
SF	: single core flexible cord
TF	: twin-twisted flexible cord
FF	: flat flexible cord
CTF	: cabtyre cord
K	: oval
H	: heat-resistant insulation

HARMONISED (HAR) CABLE CLASSIFICATION



CNS CABLE CLASSIFICATION

DESCRIPTION	CODE
Rubber-insulated twisted cord	TF
Rubber-insulated braided cord	FF
Rubber-insulated round cord	RF
Styrene-butadiene-rubber-insulated single-core cord	SSF
Styrene-butadiene-rubber-insulated twisted cord	STF
Styrene-butadiene-rubber-insulated braided cord	SFF
Styrene-butadiene-rubber-insulated round cord	SRF
Styrene-butadiene-rubber-insulated flat cord	SSFF
Chloroprene-insulated braided cord	NFF
Chloroprene-insulated round cord	NRF
Chloroprene-insulated flat cord	NNFF
Ethylene-propylene-rubber-insulated braided cord	EPFF
Ethylene-propylene-rubber-insulated round cord	EPRF
Ethylene-propylene-rubber-insulated flat cord	EPPFF
Rubber-insulated cabtyre round cord	CTF
Rubber-insulated cabtyre oval cord	CTFK
Rubber-insulated chloroprene cabtyre round cord	RNCTF
Rubber-insulated chloroprene cabtyre oval cord	RNCTFK
Ethylene-propylene-rubber-insulated chloroprene cabtyre oval cord	PNCTF
Ethylene-propylene-rubber-insulated chloroprene cabtyre oval cord	PNCTFK

CCC CABLE CLASSIFICATION










DESCRIPTION		CODE
R	: Flexible Type	RVB
V	: PVC Conductor Insulation	RvV
V	: PVC Cable Jacket	RvB
B	: Flat Construction	
R	: Flexible Type	RX
X	: Textile Braiding Construction	
Y	: Rubber Type	YQ
D	: Light Duty	
Z	: Ordinary Duty	YZ, YZW
C	: Heavy Duty	YC, YCW
W	: Polychloroprene Rubber Cable Jacket	

NBR CABLE CLASSIFICATION

DESCRIPTION – Sheathing (Jacket)	CODE
Polyvinyl Chloride	ST1 and ST5
Polychloropropylene, polyethylene chlorosulfonate, polyethylene chloride or similar polymers	SE1/A or SE1/B

DESCRIPTION – Insulation	CODE
Polyvinyl chloride	PVC/F
Ethylenepropylene rubber	EPR/A or EPR/B

END PREPARATION

STRIP LENGTH	OPTION 1 	OPTION 2 	
FASTON TERMINALS	Soft cover 	Hard cover 	To suit blade 2.8 x 0.50mm 2.8 x 0.81mm 4.8 x 0.51mm 4.8 x 0.81mm 6.35 x 0.81mm
SPLICES	Boottace 	Plain 	Insulation Support 
RING TERMINAL		To suit stud dia. 3.5 / 4.0 / 5.0 / 6.0 / 8.0mm	
FORK TERMINAL		To suit stud dia. 4.0mm	