



**Liebert®**

GXT4™ UPS

700VA - 3kVA

Intelligent, Reliable UPS Protection



Liebert® GTX4™ is a true on-line UPS that delivers continuous, high-quality AC power to connected equipment with no interruption when transferring to battery. It protects equipment from virtually all power disturbances due to blackouts, brownouts, sags, surges or noise interference.

For robust UPS protection up to 3kVA, the Liebert GTX4 UPS provides industry leading features in a compact design:

- On-line design means zero transfer time. When utility power fails, your critical load remains supported by a seamless flow of power
- Active Eco Mode deliver best in class efficiency up to 97% without compromising availability.
- Controllable power to multiple devices via two independently programmable pairs of outlets.
- ENERGY® STAR Certified rating.
- Intuitive color LCD interface
- User replaceable, hot-swappable batteries.
- Arrays of value added accessories bundled with standard unit



## Bringing our Enterprise Level IT Expertise to your SMB

Vertiv offers a full range of power protections solutions suitable for every requirement or scenario. From desktop computing, network equipment, computer rooms to large scale data centers. we make sure you get the same level of protection the Fortune 500 companies enjoy with Vertiv. It is our way of Bringing Enterprise Level IT expertise to your SMB.



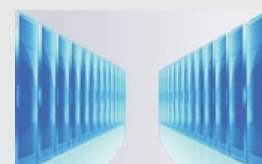
### Desktop

- Liebert PSP
- Liebert PSA



### Network/ Computer Room

- Liebert PSI
- Liebert GTX4
- Liebert ITA



### Data Center

- Liebert ITA
- Liebert NX
- Liebert APM

## Liebert® GXT4™ UPS includes

- Power factor correction
- Internal batteries
- Frequency conversion
- Internal automatic bypass to protect against adverse conditions
- Manual bypass capability
- Support for up to six external battery cabinets

## Liebert GXT4™ UPS Flexible

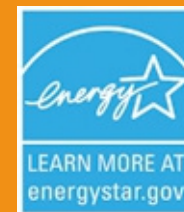
### Reliable and Low Total Cost Features

#### Flexibility:

- **Two Programmable Outlets**
  - Can be programmed for load shedding and sequential restart if the UPS is in overload or when selected backup time remains
- **Intuitive LCD Display Panel**
  - The colored LCD display and control panel rotates 90° to re-adjust position matching the UPS mount either on tower or rack.
- **Automatic Frequency Sensing**
  - The UPS automatically adjusts to the input frequency, 50Hz or 60Hz.
- **Mounting Flexibility**
  - Rack rails and tower supports included
- **Intelligent Communications**
  - DCIM and BMS ready

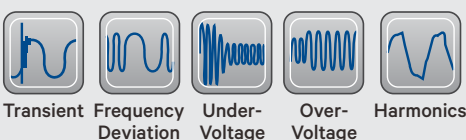
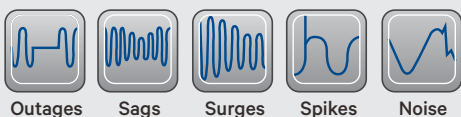
The Liebert® GXT4™ UPS may require just a slim 2U of rack space, still it provides the capabilities often found only in larger systems. Get up to 3kVA of capacity and battery backup. External battery cabinets may be added for extended run time

Liebert GXT4™ UPS is a true on-line power source, which means power is always conditioned and supplied to the connected devices, whatever the quality of power coming in, a pure sinewave output results to ensure equipment is protected

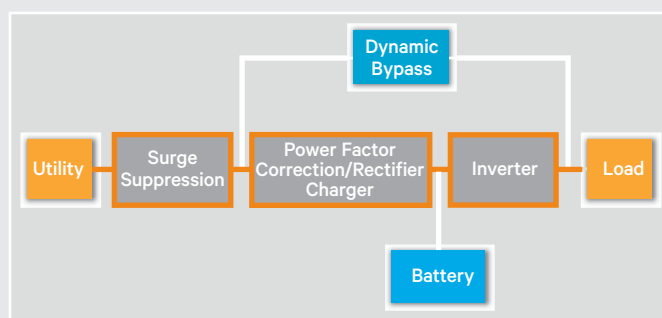


ENERGY® STAR  
Certified UPS models

### The Protection you need from Damaging power problems



### On line, Double Conversion UPS for Ultimate Protection



### Always Protected !



Pure Sine-Wave

The Liebert GTX4 UPS contains internal batteries and supports up to six optional external battery cabinets that is only 2U thick to achieve longer backup times without taking up so much rack space.



## High Availability

- **Advance Early Warning of UPS System Status**

Multiple audible and visual alarms immediately alert you to critical issues.

- **3-11 minutes of Battery Backup Time at Full load**

Provides ample time for an orderly shutdown. Optional matching external battery cabinets offer additional backup time.

- **Periodic Battery Testing**

Provides automatic and manual self-diagnostic battery testing for peace of mind to indicate if the battery is healthy

- **Replaceable Hot Swappable Batteries**

Easy to replace batteries to protect your investment by extending the product life.

- **Power-Factor Correction**

Prevents noise, harmonics and distortion from being passed on to connected loads or from being fed back to the utility.

- **Intelligent Battery Charging**

Includes efficient three-stage charging technique and comprehensive discharging protection that extend battery life

- **Input Circuit Breaker**  
Provides increased protection to ease recovery from overloads
- **Lightning and Surge Protection**  
The transient voltage surge suppression (TVSS) circuitry inside Liebert GTX4 UPS provides additional protection for the connected equipment

## Low total Cost Of Ownership

### High Output Power

Liebert GTX4 UPS rated output power factor up to 0.9 better matches switch-mode power supplies used in today's IT equipment, providing more efficient utilization of the UPS

### Active ECO Mode

Connected equipment can be powered through the bypass while the inverter remains idle, reducing electricity consumption while raising efficiency up to 97% without compromise

### Wide Input Voltage Window

Prolongs battery life by allowing the UPS to maximize the use of utility power before transferring to battery when input voltage exceeds specified limits.

### Intelligent Fan Operation

Automatically changes rotation speed depending on system requirements to decrease power consumption and Noise

### Arrays of accessories with standard model

Extended amount of accessories bundled with standard model saves capital expenses. such as Rail kit, IS-webcard etc.

## Multiple Choices For Communication, Shutdown And Reporting

### SNMP And Web-Based Communication Options

Liebert IntelliSlot Web Card provides SNMP (including SNMPv3) and IPv6 and web-based management to your Liebert GTX4 UPS. Provides ability to monitor and control your UPS from your network management system or any PC running Microsoft Internet Explorer.



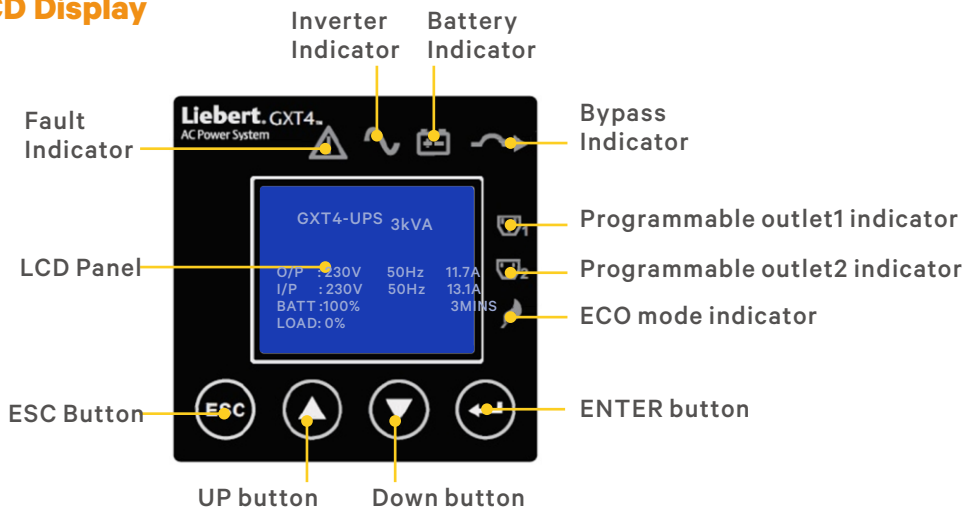
## Operation can be monitored using

- Liebert IntelliSlot® Web card with supports SNMP (including SNMPv3) and IPv6, and web-based management of your UPS
- Liebert Nform™ monitoring Software
- Liebert Universal Monitor and Remote Power Monitor Panels
- Liebert SiteScan®
- Trellis™ Platform
- Third-Party Monitoring Systems
- Built-in contact closure signals. Provides dry contact communications to remotely monitor the UPS operating modes.

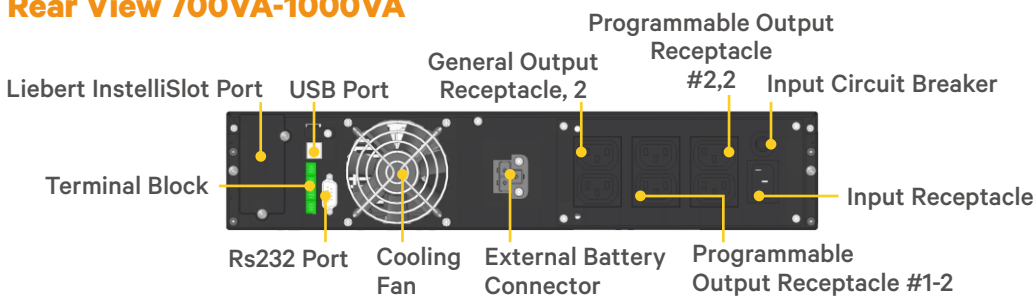
## Micro POD for enhanced availability

When your computer system can't be without power, even for scheduled UPS maintenance, the Liebert MicroPOD Maintenance Bypass and Output Distribution Unit ensures continuous uptime. It allows you to manually transfer connected equipment to utility power via a maintenance bypass switch, permitting scheduled service or UPS replacement without the need to shut down connected equipment.

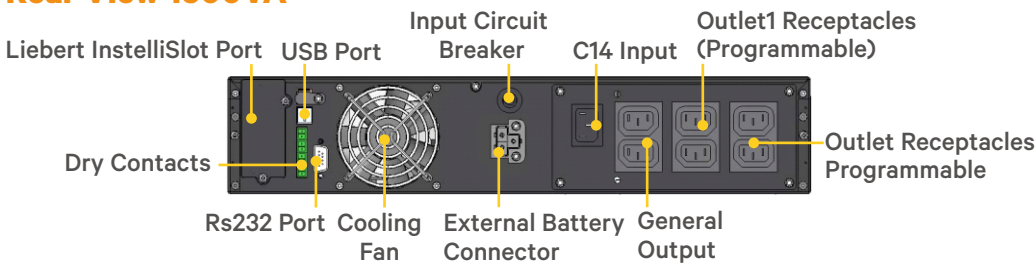
### LCD Display



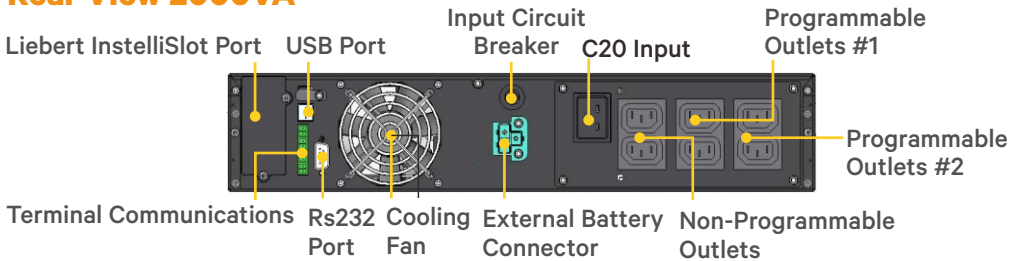
### Rear View 700VA-1000VA



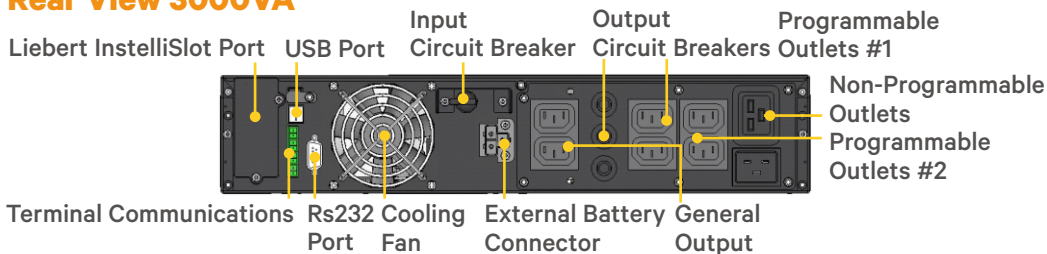
### Rear View 1500VA



### Rear View 2000VA



### Rear View 3000VA



### Our Extended Service packages offer you complete peace of mind

While today's smaller, rack-based UPS system offer relatively trouble-free operation, the growing criticality of the systems they support has increased the cost of downtime. As a result, the need to maintain these smaller UPS systems has become increasingly important.

#### Extended Warranty

Choose additional of 1-yr or 2-yr warranty on top of the 2-yr standard warranty for worry-free maintenance and total peace of mind.

#### Start-up

On-site system startup by a certified Vertiv customer engineer ensures that the equipment is up and running at an optimum performance

#### Preventive maintenance

One or Two visits per year by an Vertiv customer engineer for higher reliability and availability

#### On-site service

Should you experience a problem, a certified Vertiv customer engineer will be dispatched to repair or replace your equipment. Response is guaranteed.



External Battery Specification

Model Number	GXT4-48VBATT GXT4-48VBATTE	GXT4-72VBATT GXT4-72VBATTE
Used with UPS Model	GXT4-700RT230/230E,GXT1000RT230/230E GEXT-1500RT230/230E, GXT4-2000RT230/230E	
Dimensions, W x D x H, mm(in)		
Unit (with bezel)	497.7 x 430 x 85 (19.7 x 16.9 x 3.3)	602 x 430 x 85 (23.6 x 16.9 x 3.3)
Weight, kg (lb)		
Unit	32 (70.5)	42 (92.6)
Battery Parameters		
Type	Valve-regulated, non-spillable, lead acid	
Quantity x V	2 x 4 x 12V x 9.0Ah	2 x 6 x 12V x 9.0Ah
Environmental		
Operating Temp, °C (°F)	0 to 40 (32 to 104)	
Storage Temp, °C (°F)	-15 to 40 (19 to 104)	
Relative Humidity	0-95% non-condensing	
Operating Elevation	Up to 3000m (10,000 ft.) at 40°C (104°F)	
Operating Elevation	15000m (50,000 ft.) maximum	
Agency		
Safety	IEC/EN/AS 62040-1:2008, GS mark	
Transportation	FCC PART 15, Class A=CISPR22 Class A	
Safety	IEC62040-2 2nd Ed.:2006	
Transportation	ISTA Procedure 1E	

Load (%)	Internal Battery				
	700VA	1kVA	1.5kVA	2kVA	3kVA
10	105	91	112	81	91
20	62	38	51	37	39
30	37	31	34	23	23
40	32	23	23	16	16
50	27	17	18	12	12
60	22	14	14	9	9
70	18	11	11	7	7
80	15	9	9	5	5
90	13	8	7	4	4
100	11	6	6	3	3

Internal Battery +1 External Battery Cabinet					
Load (%)	700VA	1kVA	1.5kVA	2kVA	3kVA
10	427	334	330	222	302
20	303	166	160	137	139
30	164	138	128	94	95
40	145	108	97	66	66
50	126	92	72	49	48
60	106	72	54	39	41
70	94	56	46	34	34
80	78	48	38	28	27
90	69	40	34	23	23
100	61	37	31	20	21

Internal Battery +2 External Battery Cabinet					
Load (%)	700VA	1kVA	1.5kVA	2kVA	3kVA
10	408	457	447	426	431
20	434	333	315	201	205
30	329	224	186	149	150
40	273	166	151	124	124
50	203	151	131	97	97
60	164	135	107	75	76
70	153	113	92	61	63
80	142	103	74	50	50
90	131	92	64	41	45
100	121	78	53	38	41

Internal Battery +3 External Battery Cabinet					
Load (%)	700VA	1kVA	1.5kVA	2kVA	3kVA
10	480	480	467	451	455
20	461	442	424	322	325
30	439	337	311	195	196
40	345	305	199	154	155
50	323	208	160	136	136
60	300	166	146	111	112
70	213	155	131	96	98
80	189	144	111	78	79
90	163	132	99	68	70
100	156	122	83	56	60

Internal Battery +4 External Battery Cabinet					
Load (%)	700VA	1kVA	1.5kVA	2kVA	3kVA
10	480	480	480	466	480
20	480	460	444	421	423
30	458	436	340	306	307
40	442	340	309	192	192
50	425	315	205	157	157
60	336	218	165	142	143
70	319	195	153	127	128
80	301	165	141	107	109
90	213	156	130	95	97
100	197	147	112	80	81

Internal Battery +5 External Battery Cabinet					
Load (%)	700VA	1kVA	1.5kVA	2kVA	3kVA
10	480	480	480	480	480
20	480	467	457	438	440
30	465	447	431	331	332
40	452	428	333	224	225
50	438	341	307	189	189
60	425	320	208	158	159
70	344	227	167	146	147
80	329	208	158	133	135
90	315	189	148	120	122
100	301	164	139	104	106

Internal Battery +6 External Battery Cabinet					
Load (%)	700VA	1kVA	1.5kVA	2kVA	3kVA
10	480	480	480	480	480
20	480	480	466	450	452
30	480	458	444	420	421
40	462	442	422	319	319
50	451	426	328	217	217
60	440	341	305	486	187
70	428	323	209	159	160
80	368	306	184	148	150
90	336	217	161	137	139
100	325	201	153	126	128

\*230VAC RT Models Runtime  
\*Specifications are subject to change without any prior notification

## Specifications

Rating	GXT4-700RT230 GXT4-700RT230E	GXT4-1000RT230 GXT4-1000RT230E	GXT4-1500RT230 GXT4-1500RT230E	GXT4-2000RT230 GXT4-2000RT230E	GXT4-3000RT230 GXT4-3000RT230E
	700VA/630W	1000VA/900W	1500VA/1350W	2000VA/1800W	3000VA/2700W
<b>Input AC</b>					
Voltage Range (typical)	230VAC nominal; variable based on output load				
Frequency Range	40Hz ~ 70Hz; Auto Sensing				
Input Power Receptacle	C14			C20	
<b>Mechanical Parameters</b>					
Dimensions: H x W x D mm (in)	408 x 430 x 85 (16.2 x 16.9 x 3.4)		497 x 430 x 85 (19.6 x 16.9 x 3.3)		602 x 430 x 85 (23.7 x 16.9 x 3.3)
Weight:kg (lb)	18.2 (40)		23.2 (51.1)	25.5 (56.1)	32.4 (71.4)
<b>Output AC</b>					
Voltage	200/208/220/230/240VAC (user configurable); ±3%				
Frequency	50Hz or 60Hz				
Waveform	Pure Sinewave				
Mains (AC) Mode Overload	The inverter shall be capable of supplying current and voltage for overloads exceeding 100%, and 105-130% for 1 minute, 131-150% 10 seconds, 151-200% for 1 seconds, and up to >200% for 5 cycles of full load current.				
Charger Current, Amperes	1.3		1.88	2.71	2.5
Output Receptacles	C13 x 6				C13 x 6; C19 x 1
<b>Environment Parameters</b>					
Operating Temp	0°C to +40°C (+32°F to 104°F)				
Storage Temp	-15°C to +50°C (5°F to 122°F)				
Operating Elevation	Up to 3000m (10,000 ft.) at 25°C (77°F) without derating				
Audible Noise	< 46 dBA at 1 meter(3.2ft) from the rear; < 43dBA, at 1 meter (3.2 ft) from the front or side		< 45 dBA at 1 meter (3.2ft) from the rear; < 46dBA, at 1 meter (3.2 ft) rear		< 48 dBA at 1 meter(3.2ft) from the rear; < 48dBA, at 1 meter (3.2 ft) rear
<b>Battery</b>					
Type	Valve-regulated, nonspillable, lead acid				
Qty x V x Rating	4 x 12V x 5.0Ah		4 x 12V x 9.0Ah		6 x 12 x 9.0Ah
Recharge Time	3 hours to 90% capacity after full discharge with 100% load till UPS auto-shutdown(Internal Batteries Only)		4 hours		3 hours
<b>Agency</b>					
Safety	IEC/EN/AS 62040-1:2008, GS MARK; UL 1778 Listed				
RFI/EMI	IEC/EN/AS 62040-2 2nd Ed. ( Category C2) = CISPR22 Class A				
Surge Immunity	IEC/EN 62040-2 2nd Ed ( IEC/EN 61000-4-5)				

Note : Specifications are subject to change without any prior notification.

