

SPECIFICATIONS

OUTDOOR

HOUSING

- Cast aluminum housing
- Dark bronze powdercoat finish standard
- Also offered in white, black, or gray
- Corrosion resistant housing and hardware
- OxyShield 9-stage anti-oxidation process
- Silicone rubber gasket

ELECTRICAL

- Quad Tap (QT) - 120-277V
- 0-10V Dimmable driver standard
- Operating Temperature: -40°C (-40°F) - 50°C (122°F)
- 70,000 hours @ L₇₀
- 6kV Surge Protection standard

OPTICAL SYSTEM

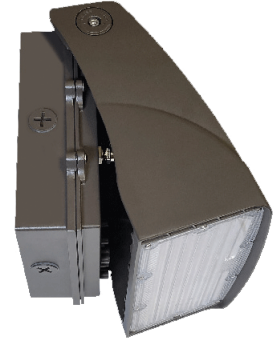
- Clear acrylic lens
- MCT (Selectable between 30K/40K/50K)
- High quality heat sinks for temperature control
- IC current controlled LED circuits
- CRI>80

CODE COMPLIANCE

- cULus Listed for Wet Locations
- DLC Listed
- FCC
- RoHS
- Title24 Approved

WARRANTY

- 5 Year



WP53.5-EN-MCT Wattage and Color Tunable LED Wall Pack

ORDERING INFORMATION

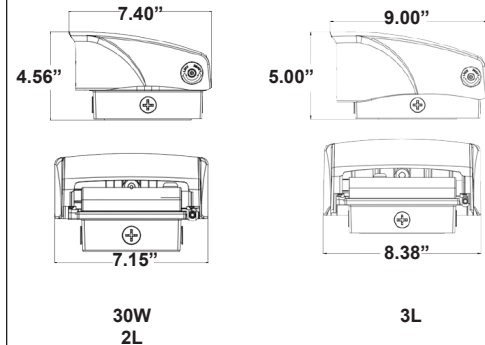
CATALOG #	Wattage	Lumens	CCT	Color
WP53.5-EN	30L (30W)	QT (120-277V)	MCT (30K/40K/50K)	Blank (Bronze)
	1L (30W/40W/50W)	480V (277-480V)		BK (Black)
	2L (60W/70W/80W)			WH (White) GY (Gray)

Options (Factory Installed)

EM	- 20W Integral Emergency Battery Backup
PC	- Integral Button Photocell
OCS	- Bi-Level Occupancy Sensor with Daylight Harvesting, Internal (40-45' mounting)
OCS2	- Bi-Level Occupancy Sensor with Daylight Harvesting, External (requires remote) - 40-45' mounting
OCSBT	- Bi-Level Occupancy Sensor with Daylight Harvesting, Bluetooth (requires remote), external
SGP	- 20kV Surge Protection (6kV standard)
CC	- Custom Color

Accessories (order separately, ships on side)

REM1-EN	- Remote for OCS
REM2-EN	- Remote for OCS2, OCSBT



LUMEN INFORMATION

WP53.5-EN-1L			WP53.5-EN-2L			WP53.5-EN-30L
30W	40W	50W	60W	70W	80W	30W
4350 Lm	5800 Lm	7250 Lm	8700 Lm	10,150 Lm	11,600 Lm	4350 Lm