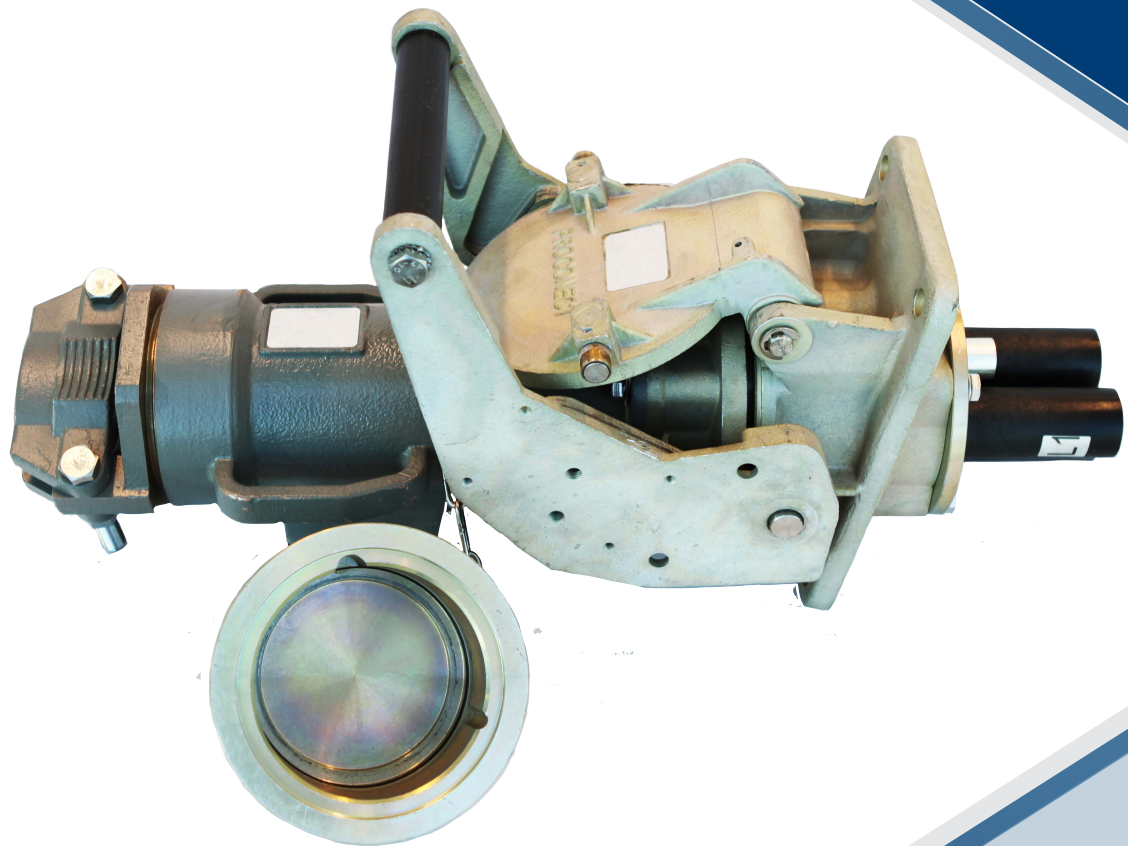




# INDUSTRIAL CONNECTORS VAHLE PROCONNECT



YOUR VISION – OUR SOLUTION

## INDUSTRIAL CONNECTORS VAHLE PROCONNECT

<b>TABLE OF CONTENTS:</b>	<b>page</b>
Industrial Connectors VAHLE PROCONNECT. Introduction	3
<b>Connectors VP-3PX. PUSH / PULL SYSTEM</b>	<b>4</b>
Connectors VP-3PV, VP-3PX. Reference Structure	4
Connectors VP-3PX4 - max. 250A - 3.3 kV	5
Connectors VP-3PX5 - max. 570A - 3.3 kV	6
Connectors VP-3PX6 - max. 800A - 3.3 kV	7
Multipole Connectors VP-3PX4 - 37 poles	8
Multipole Connectors VP-3PX5 - 61 poles	8
Mid. Voltage Connectors VP-3PX5MV - max. 350A - 7.2 kV	9
Mid. Voltage Connectors VP-3PX6MV - max. 320A - 11 kV	10
Single Pole Connectors VP-3PXU	11
Single Pole Connectors VP-3PXU Reference Structure	11
Single Pole Connectors VP-3PXU - max. 800A - 1.5 kV	12
<b>Connectors VP-3PV. SCREW RING SYSTEM</b>	<b>13</b>
Connectors VP-3PV, VP-3PX. Reference Structure	13
Connectors VP-3PV4 - max. 250A - 3.3 kV	14
Connectors VP-3PV5 - max. 570A - 3.3 kV	15
Connectors VP-3PV6 - max. 800A - 3.3 kV	16
Multipole Connectors VP-3PV4 - 37 poles	17
Multipole Connectors VP-3PV5 - 61 poles	17
Multipole Connectors. Reference Structure	17
Mid. Voltage Connectors VP-3PV5MV - max. 350A - 7.2 kV	18
Mid. Voltage Connectors VP-3PV6MV - max. 320A - 11 kV	19
<b>Installation Photos</b>	<b>20</b>

## INTRODUCTION

Robustly designed, our VP-3PV, VP-3PX and VP-3PXU connectors are widely used for heavy duty applications such as:

### Harbors:

- travelling cranes
- spreader beams
- refrigerated containers



### Mining (open cast):

- tunneling machines
- road headers
- excavators



### Railways:

- coach to coach couplings (for heating, air conditioning)
- train maintenance in depots
- cleaning



### Airports:

- plane maintenance

### Oil and Gas:

- drilling rigs

### Other industries



## VP-3PX GENERAL INFORMATION

STANDARDS (when applicable) IEC 60309-1, NFC 63300, Décret n° 88-1056, IEC 60529



VP-3PX

## Electrical characteristics:

See table below. Contact resistance &lt;math&gt;&lt; 1\text{m}\Omega&lt;/math&gt;

## Mechanical characteristics:

## Degree of protection IP67.

Casings: Corrosion proof tempered cast aluminum. Fastenings: stainless steel.

T:  $-30^{\circ}\text{C} \dots +60^{\circ}\text{C}$  /  $-22^{\circ}\text{F} \dots +140^{\circ}\text{F}$ 

Mechanical shocks withstand: IK10

Connectors VP-3PX with push/pull system are recommended for regular use and in case of vibrations.

Connectors VP-3PV have the screw ring connection system. See from page 13.

TYPE	REFERENCE	contacts	pilotes	Amperage	Voltage	Section		Ø Cable	
		max.	max.	max.	max.	mm <sup>2</sup>	kcmil	mm	inch
VP-3PV4	VP-3PV4	5	2/4	250A	3,3 kV	95	187	62	2.44
	VP-3PV4-37	37		30A	0,5 kV	6	12	62	2.44
VP-3PV5	VP-3PV5	5	2/10	570A	3,3 kV	240	473	80	3.15
	VP-3PV5-61	61		30A	0,5 kV	6	12	80	3.15
	VP-3PV5-MV	4	3	350A	7,2 kV	150	296	80	3.15
VP-3PV6	VP-3PV6	5	2	660A	3,3 kV	300	592	100	3.94
	VP-3PV6-MV	4	2	320A	12 kV	95	187	80	3.15
VP-3PX4	VP-3PX4	5	2/4	250A	3,3 kV	95	187	60	2.36
	VP-3PX4-37	37		30A	0,5 kV	6	12	60	2.36
VP-3PX5	VP-3PX5	5	2/10	570A	3,3 kV	240	473	80	3.15
	VP-3PX5-61	61		30A	0,5 kV	6	12	80	3.15
	VP-3PX5-MV	4	3	350A	7,2 kV	150	296	80	3.15
VP-3PX6	VP-3PX6	5	2	660A	3,3 kV	300	592	100	3.94
	VP-3PX6-MV	4	2	320A	12 kV	95	187	80	3.15

Table 1. VP-3PV and VP-3PX general characteristics

VP-YY X X X XXX

YY: available options: V4, V5, V6, X4, X5, X6

D = Socket  
P = Plug  
C = Cable coupler  
A = Appliance Inlet

E = Supplying insert  
(IP2 male contacts)  
R = Receiving insert  
(female contacts)  
F = Supplying insert  
(female contacts)  
M = Receiving insert  
(male contacts)

3 = 3 contacts+earth  
+2 pilot pins  
4 = 3 contacts+neutral  
+earth+2 pilot pins

35V = 16-35 mm<sup>2</sup> (to screw)  
35 = 35 mm<sup>2</sup>  
50V = 50-70 mm<sup>2</sup> (to screw)  
50 = 50 mm<sup>2</sup>  
70 = 70 mm<sup>2</sup>  
95 = 95 mm<sup>2</sup>  
12 = 120 mm<sup>2</sup>  
15 = 150 mm<sup>2</sup>  
18 = 185 mm<sup>2</sup>  
24 = 240 mm<sup>2</sup>  
30 = 300 mm<sup>2</sup>

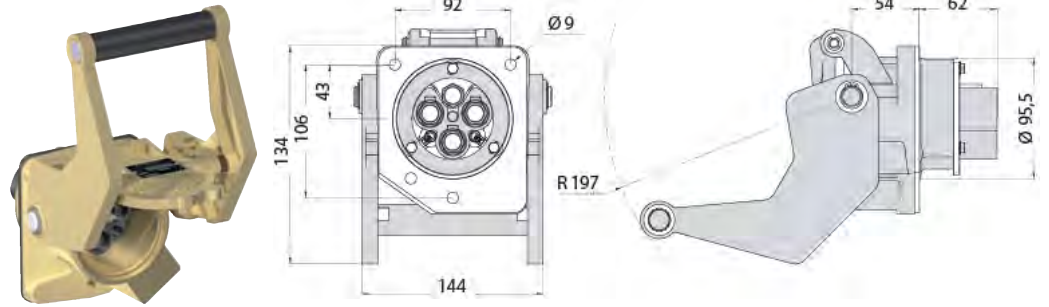
other sections,  
options and  
customization  
on request

## References structure



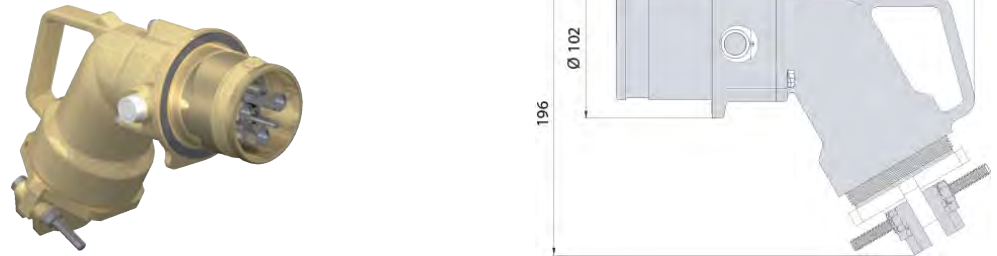
### SOCKET

Weight 2.2 kg (4.85 lbs)



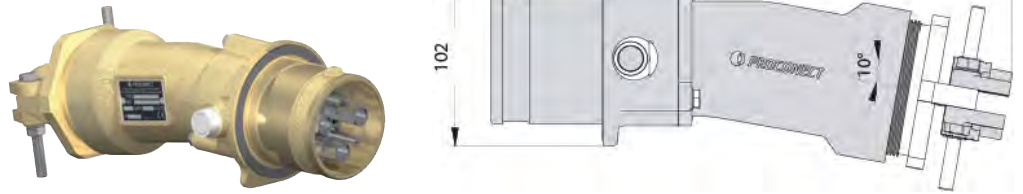
### ANGLED PLUG 60°

Weight 2.1 kg (4.63lbs)  
Max cable diameter 60 mm (2.36 in)



### STRAIGHT PLUG 10°

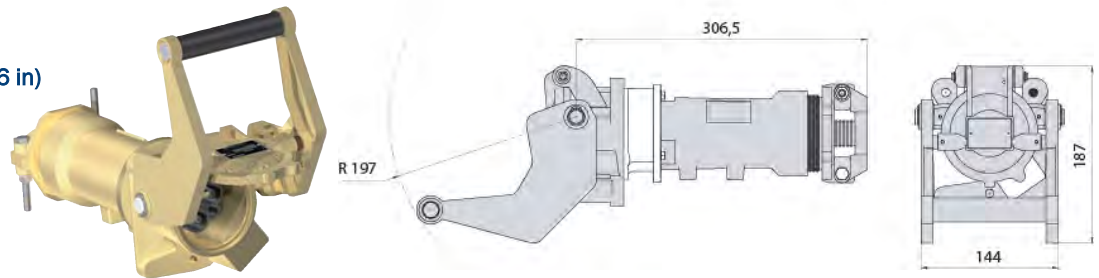
Weight 2 kg (4.41 lbs)  
Max cable diameter 60 mm (2.36 in)



\* letter **S** at the end of the type name means a straight handle

### CABLE COUPLER

Weight 3.5 kg (7.72 lbs)  
Max cable diameter 60 mm (2.36 in)



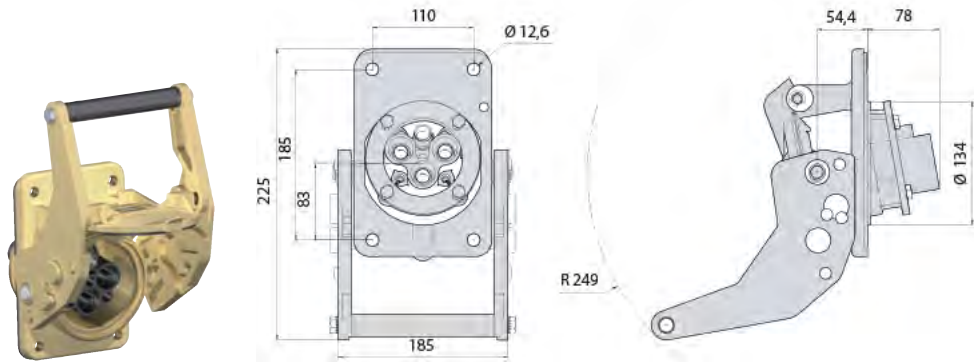
\* letter **S** at the end of the type name means a straight handle

TECHNICAL DATA				SOCKET		ANGLED PLUG 60 °		STRAIGHT PLUG 10 °		CABLE COUPLER	
Nb poles	Amp. Max.	Section mm <sup>2</sup>	Section kcmil	Suppl. Insert IP2	Inver. insert	Receiving insert	Inver. insert	Suppl. Insert IP2	Inver. insert	Receiving insert	Inver. insert
4 +2p	160	16-35	31-69	VP-X4DE335V	VP-X4DR335V	VP-X4PR335V	VP-X4PE335V	VP-X4PR335VS	VP-X4PE335VS	VP-X4CE335VS	VP-X4CR335VS
	160	35	69	VP-X4DE335	VP-X4DR335	VP-X4PR335	VP-X4PE335	VP-X4PR335S	VP-X4PE335S	VP-X4CE335S	VP-X4CR335S
	250	50-70	98-138	VP-X4DE350V	VP-X4DR350V	VP-X4PR350V	VP-X4PE350V	VP-X4PR350VS	VP-X4PE350VS	VP-X4CE350VS	VP-X4CR350VS
	200	50	98	VP-X4DE350	VP-X4DR350	VP-X4PR350	VP-X4PE350	VP-X4PR350S	VP-X4PE350S	VP-X4CE350S	VP-X4CR350S
	250	70	138	VP-X4DE370	VP-X4DR370	VP-X4PR370	VP-X4PE370	VP-X4PR370S	VP-X4PE370S	VP-X4CE370S	VP-X4CR370S
	250	95	187	VP-X4DE395	VP-X4DR395	VP-X4PR395	VP-X4PE395	VP-X4PR395S	VP-X4PE395S	VP-X4CE395S	VP-X4CR395S
5 +2p	160	16-35	31-69	VP-X4DE435V	VP-X4DR435V	VP-X4PR435V	VP-X4PE435V	VP-X4PR435VS	VP-X4PE435VS	VP-X4CE435VS	VP-X4CR435VS
	160	35	69	VP-X4DE435	VP-X4DR435	VP-X4PR435	VP-X4PE435	VP-X4PR435S	VP-X4PE435S	VP-X4CE435S	VP-X4CR435S
	250	50-70	98-138	VP-X4DE450V	VP-X4DR450V	VP-X4PR450V	VP-X4PE450V	VP-X4PR450VS	VP-X4PE450VS	VP-X4CE450VS	VP-X4CR450VS
	200	50	98	VP-X4DE450	VP-X4DR450	VP-X4PR450	VP-X4PE450	VP-X4PR450S	VP-X4PE450S	VP-X4CE450S	VP-X4CR450S
	250	70	138	VP-X4DE470	VP-X4DR470	VP-X4PR470	VP-X4PE470	VP-X4PR470S	VP-X4PE470S	VP-X4CE470S	VP-X4CR470S

Table 5. VP-3PX4 general characteristics and types. See Reference structure on page 4.

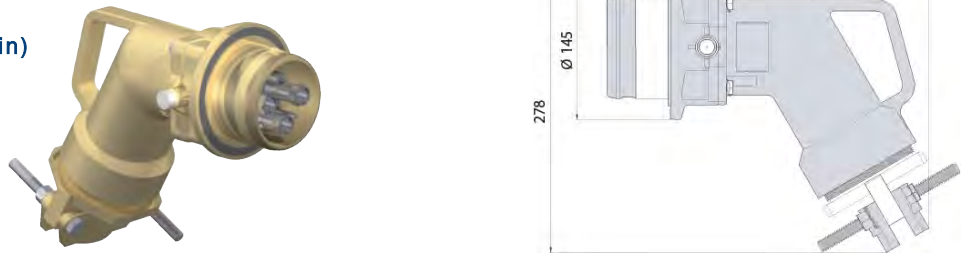
## SOCKET

Weight 5.3 kg (11.68 lbs)



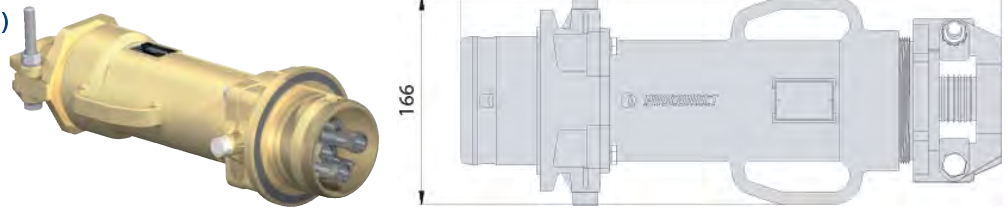
## ANGLED PLUG 60°

Weight 4.6 kg (10.14 lbs)  
Max cable diameter 80 mm (3.15 in)



## STRAIGHT PLUG

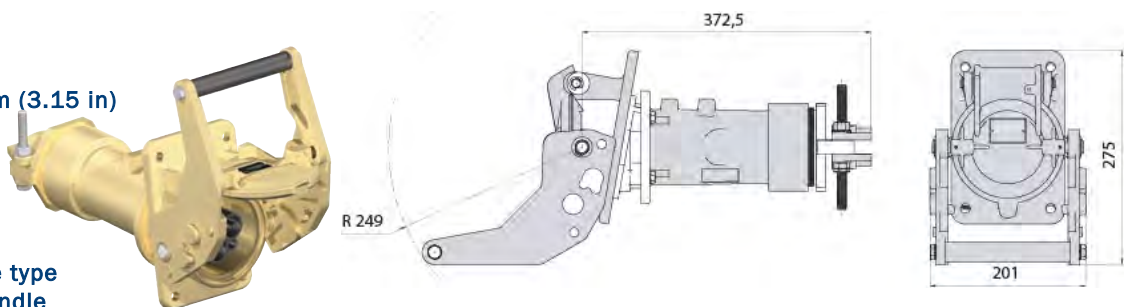
Weight 4.9 kg (10.8 lbs)  
Max cable diameter 80 mm (3.15 in)



\* letter **S** at the end of the type name means a straight handle

## CABLE COUPLER

Weight 7.5 kg (16.5 lbs)  
Max cable diameter 80 mm (3.15 in)



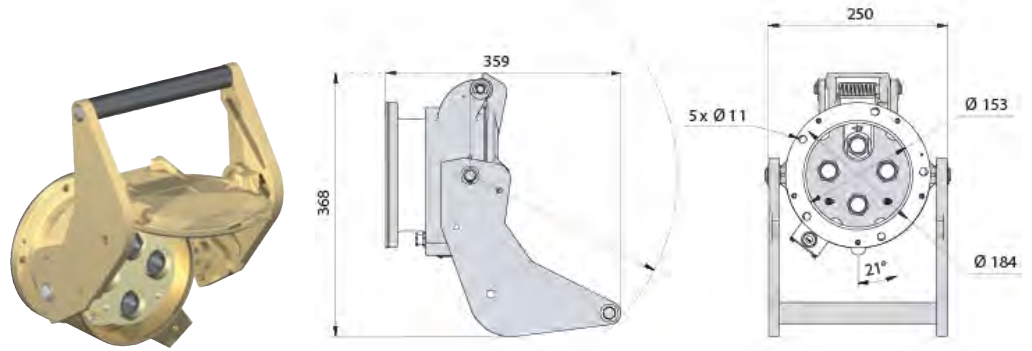
\* letter **S** at the end of the type name means a straight handle

TECHNICAL DATA				SOCKET		ANGLED PLUG 60°		STRAIGHT PLUG		CABLE COUPLER	
Nb poles	Amp. Max.	Section mm <sup>2</sup>	Section kcmil	Suppl. Insert IP2	Inver. insert	Receiving insert	Inver. insert	Receiving insert	Inver. insert	Suppl. Insert IP2	Inver. insert
4 +2p	250	70	138	VP-X5DE370	VP-X5DR370	VP-X5PR370	VP-X5PE370	VP-X5PR370S	VP-X5PE370S	VP-X5CE370S	VP-X5CR370S
	320	95	187	VP-X5DE395	VP-X5DR395	VP-X5PR395	VP-X5PE395	VP-X5PR395S	VP-X5PE395S	VP-X5CE395S	VP-X5CR395S
	370	120	236	VP-X5DE312	VP-X5DR312	VP-X5PR312	VP-X5PE312	VP-X5PR312S	VP-X5PE312S	VP-X5CE312S	VP-X5CR312S
	420	150	296	VP-X5DE315	VP-X5DR315	VP-X5PR315	VP-X5PE315	VP-X5PR315S	VP-X5PE315S	VP-X5CE315S	VP-X5CR315S
	420	185	365	VP-X5DE318	VP-X5DR318	VP-X5PR318	VP-X5PE318	VP-X5PR318S	VP-X5PE318S	VP-X5CE318S	VP-X5CR318S
	500	185	365	VP-X5DE318-16	VP-X5DR318-16	VP-X5PR318-16	VP-X5PE318-16	VP-X5PR318S-16	VP-X5PE318S-16	VP-X5CE318S-16	VP-X5CR318S-16
	570	240	473	VP-X5DE324-18	VP-X5DR324-18	VP-X5PR324-18	VP-X5PE324-18	VP-X5PR324S-18	VP-X5PE324S-18	VP-X5CE324S-18	VP-X5CR324S-18
5 +2p	250	70	138	VP-X5DE470	VP-X5DR470	VP-X5PR470	VP-X5PE470	VP-X5PR470S	VP-X5PE470S	VP-X5CE470S	VP-X5CR470S
	320	95	187	VP-X5DE495	VP-X5DR495	VP-X5PR495	VP-X5PE495	VP-X5PR495S	VP-X5PE495S	VP-X5CE495S	VP-X5CR495S
	320	120	236	VP-X5DE412	VP-X5DR412	VP-X5PR412	VP-X5PE412	VP-X5PR412S	VP-X5PE412S	VP-X5CE412S	VP-X5CR412S
	320	150	296	VP-X5DE415	VP-X5DR415	VP-X5PR415	VP-X5PE415	VP-X5PR415S	VP-X5PE415S	VP-X5CE415S	VP-X5CR415S
	420	150	296	VP-X5DE415-16	VP-X5DR415-16	VP-X5PR415-16	VP-X5PE415-16	VP-X5PR415S-16	VP-X5PE415S-16	VP-X5CE415S-16	VP-X5CR415S-16
	500	185	365	VP-X5DE418-16	VP-X5DR418-16	VP-X5PR418-16	VP-X5PE418-16	VP-X5PR418S-16	VP-X5PE418S-16	VP-X5CE418S-16	VP-X5CR418S-16

Table 6. VP-3PX5 general characteristics and types. See Reference structure on page 4.

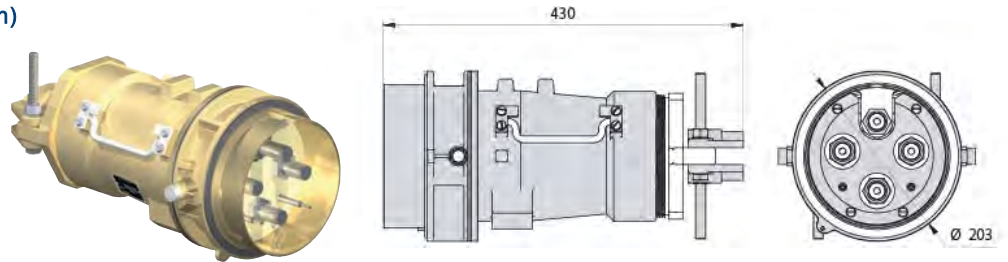
### SOCKET

Weight 7.5 kg (16.53 lbs)



### STRAIGHT PLUG

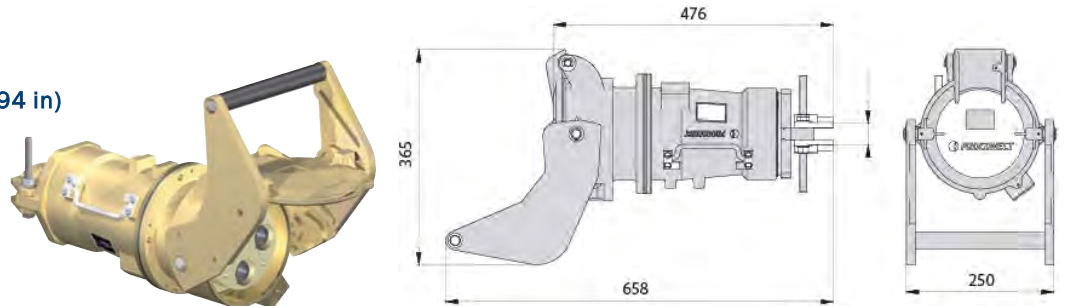
Weight 8.8 kg (19.4 lbs)  
Max cable diameter 100 mm (3.94 in)



\* letter **S** at the end of the type name means a straight handle

### CABLE COUPLER

Weight 11.7 kg (25.79 lbs)  
Max cable diameter 100 mm (3.94 in)

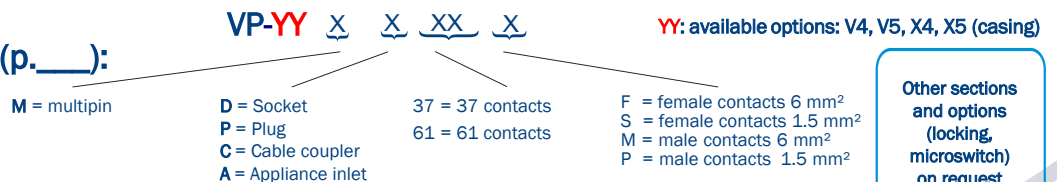


\* letter **S** at the end of the type name means a straight handle

TECHNICAL DATA				SOCKET		STRAIGHT PLUG		CABLE COUPLER	
Nb poles	Amp. Max.	Section mm <sup>2</sup>	Section kcmil	Female (suppl.)	Inver. insert	Male (receiver)	Inver. insert	Female (suppl.)	Inver. insert
4 +2p	500	185	365	VP-X6DF318	VP-X6DM318	VP-X6PM318S	VP-X6PF318S	VP-X6CF318S	VP-X6CM318S
	570	240	473	VP-X6DF324	VP-X6DM324	VP-X6PM324S	VP-X6PF324S	VP-X6CF324S	VP-X6CM324S
	800	300	592	VP-X6DF330	VP-X6DM330	VP-X6PM330S	VP-X6PF330S	VP-X6CF330S	VP-X6CM330S
5 +2p	500	185	365	VP-X6DF418	VP-X6DM418	VP-X6PM418S	VP-X6PF418S	VP-X6CF418S	VP-X6CM418S
	570	240	473	VP-X6DF424	VP-X6DM424	VP-X6PM424S	VP-X6PF424S	VP-X6CF424S	VP-X6CM424S
	800	300	592	VP-X6DF430	VP-X6DM430	VP-X6PM430S	VP-X6PF430S	VP-X6CF430S	VP-X6CM430S

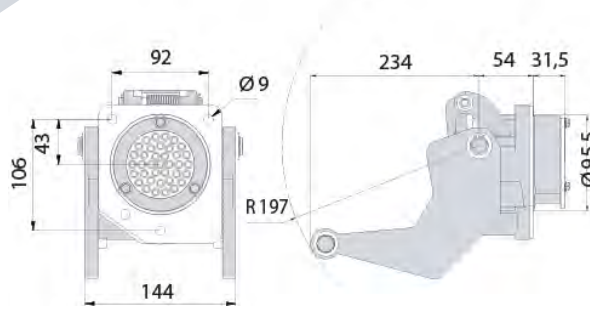
Table 7. VP-3PX6 general characteristics and types. See Reference structure on page 4.

### References structure for multi-pole / multipin (p. \_\_\_):

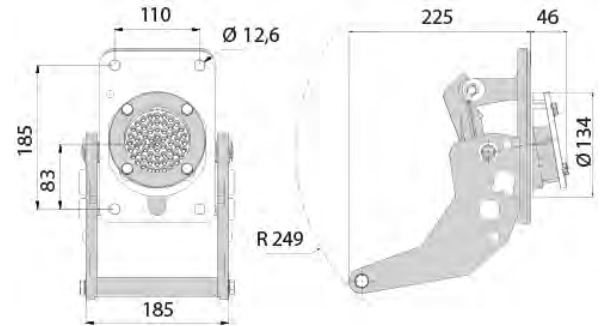




## SOCKET

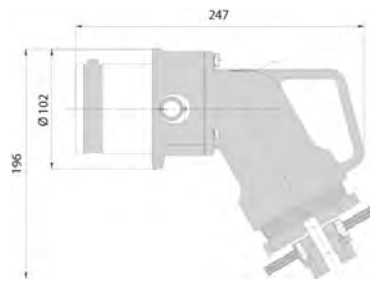


VP-3PX4 Weight 2.5 kg (5.51 lbs)

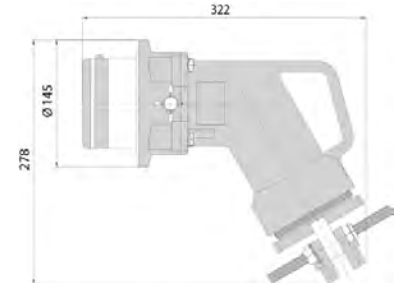


VP-3PX5 Weight 5.3 kg (11.68 lbs)

## PLUG



VP-3PX4 Weight 2.1 kg (4.63 lbs), Ø 62mm (2.36 in)

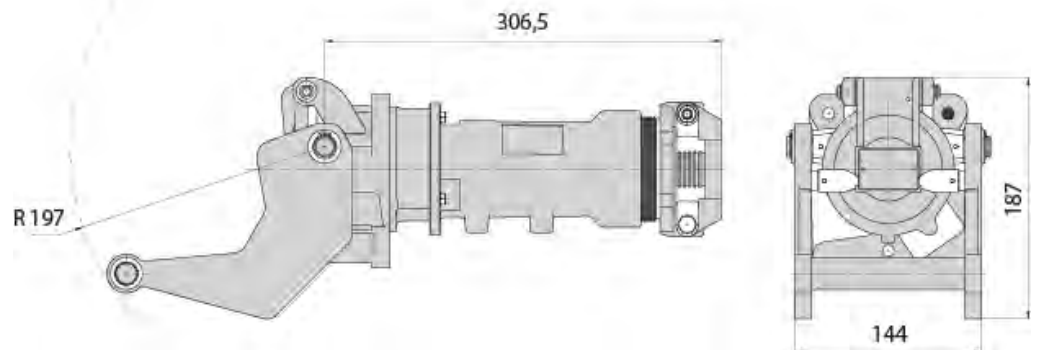
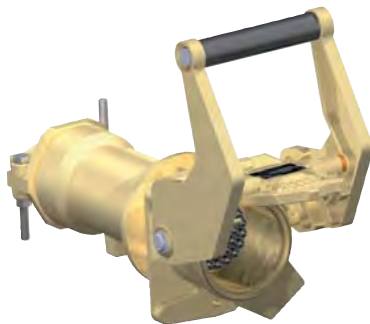


VP-3PX5 Weight 4.7 kg (9.04 lbs), Ø 80mm (3.15 in)

## CABLE COUPLER

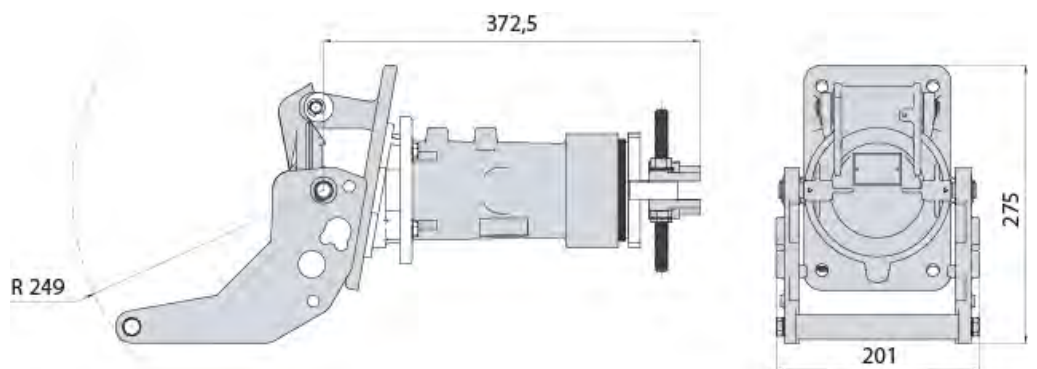
## VP-3PX4

Weight 3.5 kg (7.72 lbs),  
cable Ø 62mm (2.36 in)



## VP-3PX5

Weight 8.0 kg (17.64 lbs),  
cable Ø 80mm (3.15 in)



TECHNICAL DATA				SOCKET			PLUG		CABLE COUPLER	
Nb poles	Amp. Max.	Section n mm <sup>2</sup>	Section kcmil	Female (suppl.)	Inver. insert	Male (receiver)	Inver. insert	Female (suppl.)	Inver. insert	
37	10	1.5	3	VP-X4MD37S	VP-X4MD37P	VP-X4MP37P	VP-X4MP37S	VP-X4MC37S	VP-X4MC37P	
	30	6.0	12	VP-X4MD37F	VP-X4MD37M	VP-X4MP37M	VP-X4MP37F	VP-X4MC37F	VP-X4MC37M	
61	10	1.5	3	VP-X5MD61S	VP-X5MD61P	VP-X5MP61P	VP-X5MP61S	VP-X5MC61S	VP-X5MC61P	
	30	6.0	12	VP-X5MD61F	VP-X5MD61M	VP-X5MP61M	VP-X5MP61F	VP-X5MC61F	VP-X5MC61M	

Table 10. VP-3PX4, VP-3PX5 multipole general characteristics and types. See Reference structure on page 17.



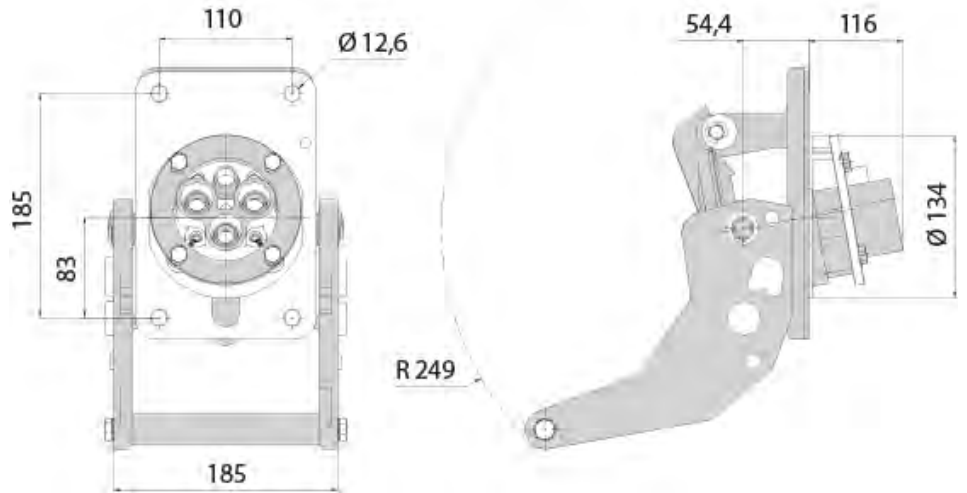
Nominal voltage: 6.6 kV  
 Max. voltage: 7.2 kV  
 Impulse voltage (1.2x50 µs): 50 kV

AC withstand: 20 kV / 60Hz / 1 min rms  
 Fault rating: 16 kA  
 Max. amperage: 350A

Standards: IEC/ISO/IEE 80005-1, HD 629.1 S2  
 \* when applicable

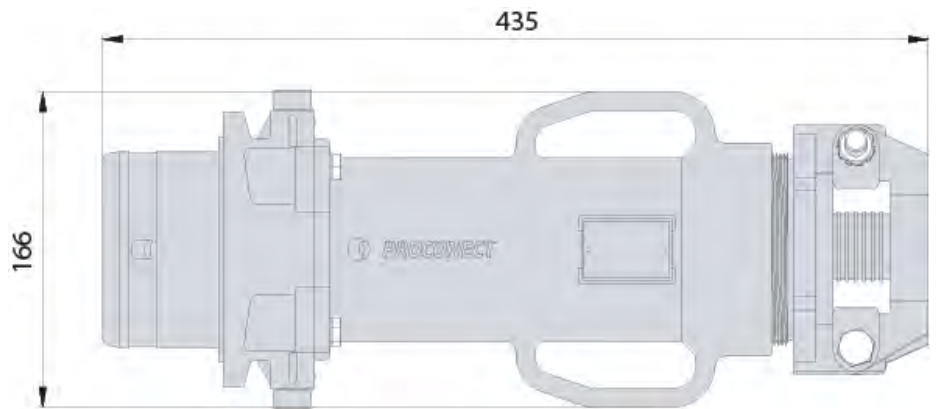
## SOCKET

Weight 5.3 kg  
 (11.68 lbs)



## STRAIGHT PLUG

Weight 4.9 kg (10.8 lbs),  
 cable Ø 80 mm (3.15 in)



TECHNICAL DATA				SOCKET		STRAIGHT PLUG	
Nb poles	Amp. Max.	Section n mm <sup>2</sup>	Section kcmil	Female (Suppl.)	Inver. insert	Male (receiv.)	Inver. insert
4 +3p	125	25	49	VP-X5DF325MV	VP-X5DM325MV	VP-X5PM325MV	VP-X5PF325MV
	160	35	69	VP-X5DF335MV	VP-X5DM335MV	VP-X5PM335MV	VP-X5PF335MV
	200	50	98	VP-X5DF350MV	VP-X5DM350MV	VP-X5PM350MV	VP-X5PF350MV
	250	70	138	VP-X5DF370MV	VP-X5DM370MV	VP-X5PM370MV	VP-X5PF370MV
	320	95	187	VP-X5DF395MV	VP-X5DM395MV	VP-X5PM395MV	VP-X5PF395MV
	350	120	236	VP-X5DF312MV	VP-X5DM312MV	VP-X5PM312MV	VP-X5PF312MV
	350	150	296	VP-X5DF315MV	VP-X5DM315MV	VP-X5PM315MV	VP-X5PF315MV

Table 12. VP-3PX5MV mid voltage general characteristics and types.

References structure: VP-YY X X 3 XX MV YY: available options: V5, V6, X5, X6 (casing)

D = Socket  
 P = Plug  
 C = Cable coupler  
 A = Appliance inlet

F = Supplying insert  
 Female contacts  
 M = Receiving insert  
 Male contacts

3 = 3 contacts  
 + earth  
 + 2 pilot contacts

25 = 25 mm<sup>2</sup>  
 35 = 35 mm<sup>2</sup>  
 50 = 50 mm<sup>2</sup>  
 70 = 70 mm<sup>2</sup>  
 95 = 95 mm<sup>2</sup>  
 12 = 120 mm<sup>2</sup>  
 15 = 150 mm<sup>2</sup>

other sections,  
 options and  
 customization  
 (i.e. locking)  
 on request

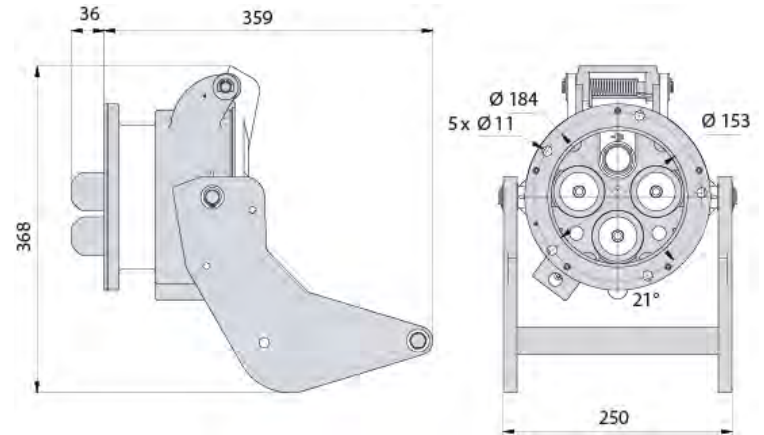
Nominal voltage: 11 kV  
 Max. voltage: 12 kV  
 Impulse voltage (1.2x50  $\mu$ s): 75 kV

AC withstand: 27 kV / 60Hz / 1 min rms  
 Fault rating: 16 kA  
 Max. amperage: 320A

Standards: IEC/ISO/IEE 80005-1, HD 629.1 S2  
 \* when applicable

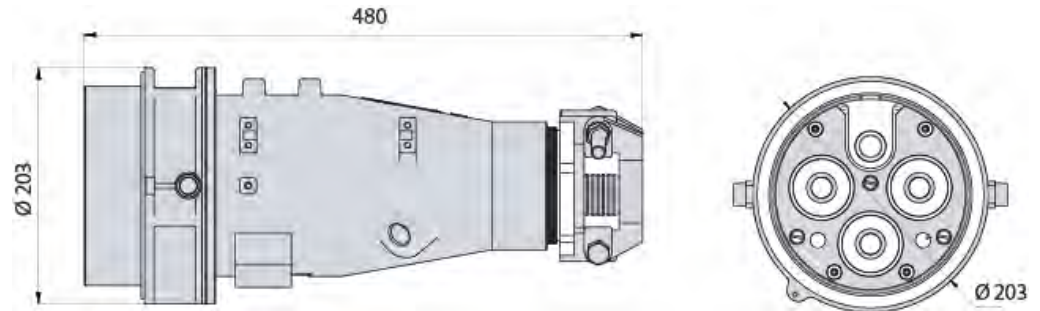
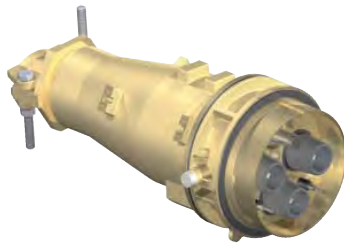
## SOCKET

Weight 7.5 kg  
 (16.53 lbs)



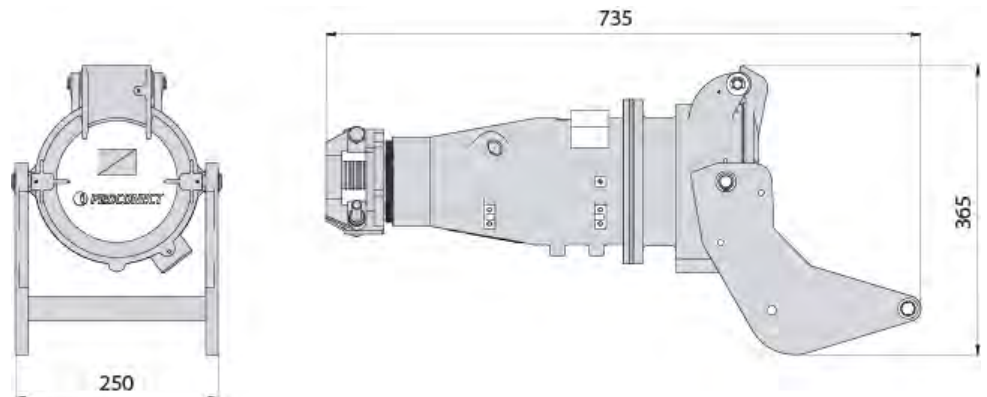
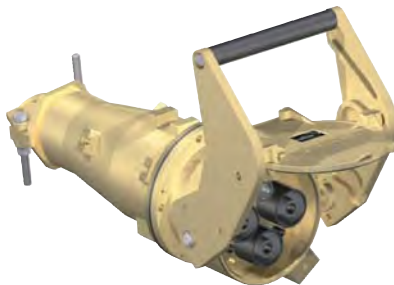
## PLUG

Weight 8.3 kg (18.3 lbs),  
 cable  $\varnothing$  80 mm (3.15 in)



## CABLE COUPLER

Weight 11.7 kg (25.79 lbs),  
 cable  $\varnothing$  80 mm (3.15 in)



TECHNICAL DATA				SOCKET		PLUG		CABLE COUPLER	
Nb poles	Amp. Max.	Section mm <sup>2</sup>	Section kcmil	Female (Suppl.)	Inver. insert	Male (receiv.)	Inver. insert	Female (suppl.)	Inver. insert
4 +2p	80	16	31	VP-X6DF316MV	VP-X6DM316MV	VP-X6PM316MV	VP-X6PF316MV	VP-X6CF316MV	VP-X6CM316MV
	120	25	49	VP-X6DF325MV	VP-X6DM325MV	VP-X6PM325MV	VP-X6PF325MV	VP-X6CF325MV	VP-X6CM325MV
	160	35	69	VP-X6DF335MV	VP-X6DM335MV	VP-X6PM335MV	VP-X6PF335MV	VP-X6CF335MV	VP-X6CM335MV
	200	50	98	VP-X6DF350MV	VP-X6DM350MV	VP-X6PM350MV	VP-X6PF350MV	VP-X6CF350MV	VP-X6CM350MV
	250	70	138	VP-X6DF370MV	VP-X6DM370MV	VP-X6PM370MV	VP-X6PF370MV	VP-X6CF370MV	VP-X6CM370MV
	320	95	187	VP-X6DF395MV	VP-X6DM395MV	VP-X6PM395MV	VP-X6PF395MV	VP-X6CF395MV	VP-X6CM395MV

Table 14. VP-3PX6MV **midvoltage** general characteristics and types. See Reference structure on page 9.

# UNIPOLE CONNECTORS VP-3PXU

Standards: IEC 60309-1, NFC 63300, Décret n° 88-1056  
\* when applicable

VP-3PXU connectors are used for the connection of big **SINGLE POLE** cable (max. 300mm<sup>2</sup>) and find their applications in all industries needing high power:

### Harbors:

- ✓ ship-to-ship connection
- ✓ ship-to-shore connection

### Railways:

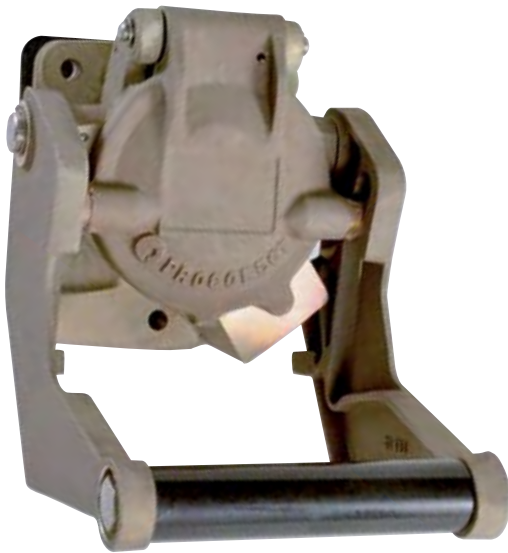
- ✓ train maintenance in depots
- ✓ cleaning

### Electrical characteristics:

Max. voltage: 1500V / 110V (phase / pilots)  
 Max. amperage: 660A / 30A (phase / pilots)  
 Number of contacts: 1 phase + 2 pilot pins  
 Max. cable cross section: Phase - 300 mm<sup>2</sup>, Pilots - 6 mm<sup>2</sup>

### Mechanical characteristics:

Degree of protection IP66-IP67.  
 Casings: Corrosion proof tempered cast aluminum.  
 Fastenings: stainless steel.  
 T: -30°C ... +60°C / -22°F ... +140°F  
 Mechanical shocks withstand: IK10 (metal housing)



## VP-XU X X XXX X X XX X X

## References structure

D = Socket  
 A = Appliance Inlet  
 P = Plug

E = Supplying Insert  
 IP2 Male Contact  
 R = Receiving Insert  
 Female Contact

25S = terminal 25mm<sup>2</sup>  
 70S = terminal 50-70mm<sup>2</sup>  
 12S = terminal 95-120mm<sup>2</sup>  
 18S = terminal 150-185mm<sup>2</sup>  
 30S = terminal 240-300mm<sup>2</sup>  
 30U = side screw terminal

A -> Z = insert coding  
 (24 possible positions)

F = 2 female pilot pins  
 2,5/6mm<sup>2</sup>

S = 2 female pilot pins  
 1,5 mm<sup>2</sup>

M = 2 male pilot pins  
 2,5/6mm<sup>2</sup>

P = 2 male pilot pins 1,5 mm<sup>2</sup>

BF = dark blue label

RO = red label

NO = black label

BL = blue label

JA = yellow label

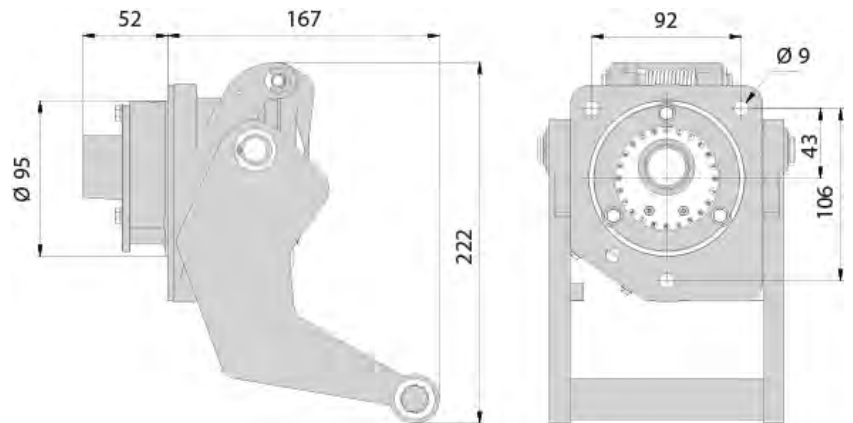
OR = orange label

3 = PG36 (23,5-32 mm)  
 4 = PG42 (30-38 mm)

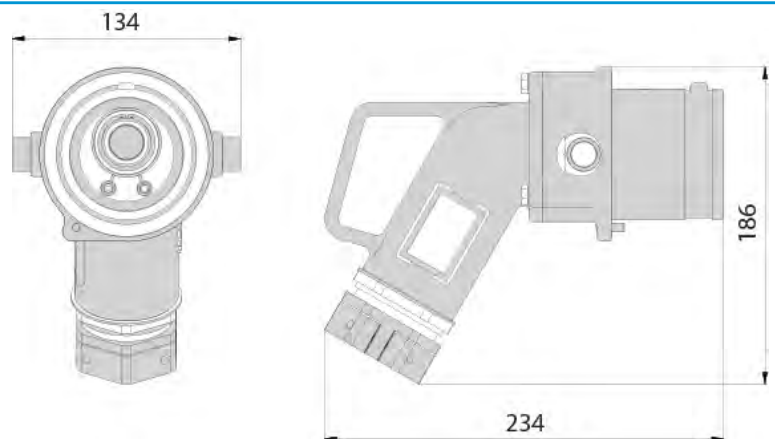
S = accessoire  
 microswitch

*other sections, options  
 (locking...) on request*



**SOCKET**Weight 2.1kg  
(4.63 lbs)**PLUG**

Weight 1.9kg (4.19 lbs)

**PLUG CAP**

VP-3PS6-PC



TECHNICAL			SOCKET		PLUG	
Nb poles	Amp. Max.	Section mm <sup>2</sup>	Female (suppl.)	Inver. insert	Male (receiver)	Inver. insert
1 +2p	125	25	VP-XUDE25S**	VP-XUDR25S**	VP-XUPR25S**	VP-XUPE25S**
	250	50/70	VP-XUDE70S**	VP-XUDR70S**	VP-XUPR70S**	VP-XUPE70S**
	370	95/120	VP-XUDE12S**	VP-XUDR12S**	VP-XUPR12S**	VP-XUPE12S**
	500	150/185	VP-XUDE18S**	VP-XUDR18S**	VP-XUPR18S**	VP-XUPE18S**
	800	240/300	VP-XUDE30S**	VP-XUDR30S**	VP-XUPR30S**	VP-XUPE30S**
	800	300	VP-XUDE30U**	VP-XUDR30U**	VP-XUPR30U**	VP-XUPE30U**

Table 15. VP-3PXU single pole connectors general characteristics and types. See Reference structure on page 11.

## VP-3PV GENERAL INFORMATION

Degree of protection **IP67**

STANDARDS (when applicable) IEC 60309-1, NFC 63300, Décret n° 88-1056, IEC 60529



**Electrical characteristics:**  
See table below.  
Contact resistance < 1mΩ

**Mechanical characteristics:**  
**Degree of protection IP67.**  
Casings: Corrosion proof tempered cast aluminum. Fastenings: stainless steel.

Connectors **VP-3PV** have the screw ring connection system.

T: -30°C ... +60°C  
T: -22°F ... +140°F

Connectors **VP-3PX** with push/pull system are recommended for regular use and in case of vibrations. See from **page 4**.

Mechanical shocks withstand: **IK10**

group	type	contacts	pilotes	Amperage	Voltage	Section		Ø Cable	
		max.	max.	max.	max.	mm2	kcmil	mm	inch
VP-3PV4	VP-3PV4	5	2/4	250A	3,3 kV	95	187	62	2.44
	VP-3PV4-37	37		30A	0,5 kV	6	12	62	2.44
VP-3PV5	VP-3PV5	5	2/10	570A	3,3 kV	240	473	80	3.15
	VP-3PV5-61	61		30A	0,5 kV	6	12	80	3.15
	VP-3PV5-MV	4	3	350A	7,2 kV	150	296	80	3.15
VP-3PV6	VP-3PV6	5	2	660A	3,3 kV	300	592	100	3.94
	VP-3PV6-MV	4	2	320A	12 kV	95	187	80	3.15
VP-3PX4	VP-3PX4	5	2/4	250A	3,3 kV	95	187	60	2.36
	VP-3PX4-37	37		30A	0,5 kV	6	12	60	2.36
VP-3PX5	VP-3PX5	5	2/10	570A	3,3 kV	240	473	80	3.15
	VP-3PX5-61	61		30A	0,5 kV	6	12	80	3.15
	VP-3PX5-MV	4	3	350A	7,2 kV	150	296	80	3.15
VP-3PX6	VP-3PX6	5	2	660A	3,3 kV	300	592	100	3.94
		4	2	320A	12 kV	95	187	80	3.15

Table 1. VP-3PV and VP-3PX general characteristics

**VP-YY** X X X XXX

**YY:** available options: V4, V5, V6, X4, X5, X6

**D** = Socket  
**P** = Plug  
**C** = Cable coupler  
**A** = Appliance Inlet

**E** = Supplying insert (IP2 male contacts)  
**R** = Receiving insert (female contacts)  
**F** = Supplying insert (female contacts)  
**M** = Receiving insert (male contacts)

3 = 3 contacts+earth +2 pilot pins  
4 = 3 contacts+neutral +earth+2 pilot pins

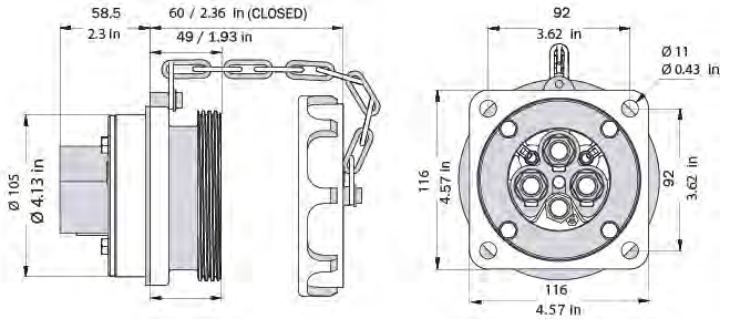
35V = 16-35 mm<sup>2</sup> (to screw)  
35 = 35 mm<sup>2</sup>  
50V = 50-70 mm<sup>2</sup> (to screw)  
50 = 50 mm<sup>2</sup>  
70 = 70 mm<sup>2</sup>  
95 = 95 mm<sup>2</sup>  
12 = 120 mm<sup>2</sup>  
15 = 150 mm<sup>2</sup>  
18 = 185 mm<sup>2</sup>  
24 = 240 mm<sup>2</sup>  
30 = 300 mm<sup>2</sup>

**other sections, options and customization on request**

## References structure

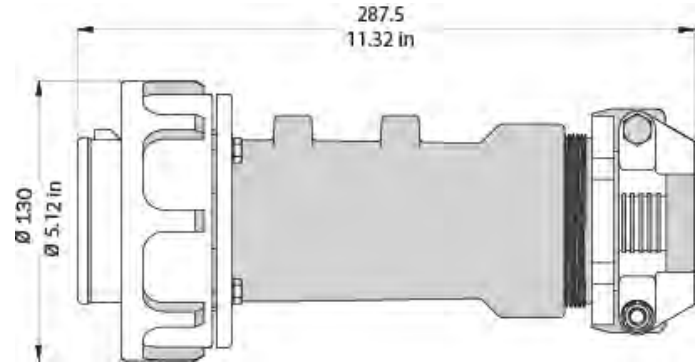
### SOCKET

Weight 1.7 kg (3.75 lbs)



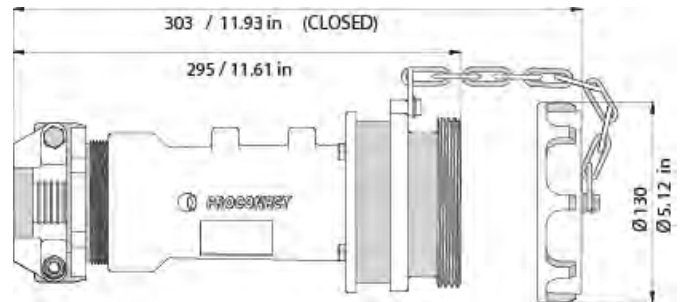
### PLUG

Weight 2.3 kg (5.07 lbs)  
Max cable diameter 62 mm (2.44 in)



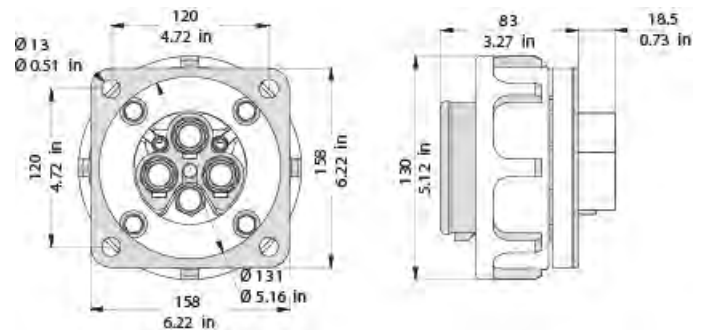
### CABLE COUPLER

Weight 2.7 kg (5.95 lbs)  
Max cable diameter 62 mm (2.44 in)



### APPLIANCE INLET

Weight 1.8 kg (3.97 lbs)



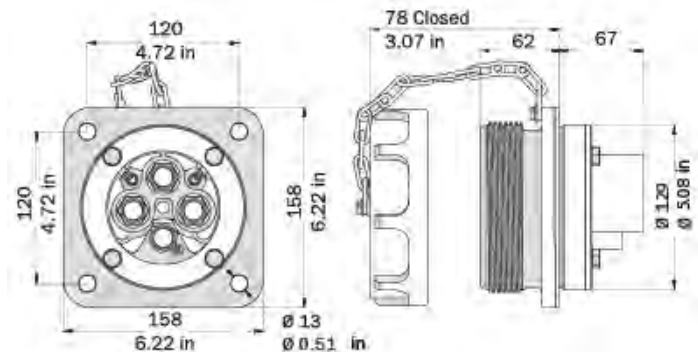
TECHNICAL DATA				SOCKET		PLUG		CABLE COUPLER		APPLIANCE INLET	
Nb poles	Amp. Max.	Section mm <sup>2</sup>	Section komil	Suppl. Insert IP2	Inver. Insert	Receiving Insert	Inver. Insert	Suppl. Insert IP2	Inver. Insert	Receiving Insert	Inver. Insert
4 +2p	160	16-35	31-69	VP-V4DE335V	VP-V4DR335V	VP-V4PR335V	VP-V4PE335V	VP-V4CE335V	VP-V4CR335V	VP-V4AR335V	VP-V4AE335V
	160	35	69	VP-V4DE335	VP-V4DR335	VP-V4PR335	VP-V4PE335	VP-V4CE335	VP-V4CR335	VP-V4AR335	VP-V4AE335
	250	50-70	98-138	VP-V4DE350V	VP-V4DR350V	VP-V4PR350V	VP-V4PE350V	VP-V4CE350V	VP-V4CR350V	VP-V4AR350V	VP-V4AE350V
	200	50	98	VP-V4DE350	VP-V4DR350	VP-V4PR350	VP-V4PE350	VP-V4CE350	VP-V4CR350	VP-V4AR350	VP-V4AE350
	250	70	138	VP-V4DE370	VP-V4DR370	VP-V4PR370	VP-V4PE370	VP-V4CE370	VP-V4CR370	VP-V4AR370	VP-V4AE370
5 +2p	250	95	187	VP-V4DE395	VP-V4DR395	VP-V4PR395	VP-V4PE395	VP-V4CE395	VP-V4CR395	VP-V4AR395	VP-V4AE395
	160	16-35	31-69	VP-V4DE435V	VP-V4DR435V	VP-V4PR435V	VP-V4PE435V	VP-V4CE435V	VP-V4CR435V	VP-V4AR435V	VP-V4AE435V
	160	35	69	VP-V4DE435	VP-V4DR435	VP-V4PR435	VP-V4PE435	VP-V4CE435	VP-V4CR435	VP-V4AR435	VP-V4AE435
	250	50-70	98-138	VP-V4DE450V	VP-V4DR450V	VP-V4PR450V	VP-V4PE450V	VP-V4CE450V	VP-V4CR450V	VP-V4AR450V	VP-V4AE450V
	200	50	98	VP-V4DE450	VP-V4DR450	VP-V4PR450	VP-V4PE450	VP-V4CE450	VP-V4CR450	VP-V4AR450	VP-V4AE450
	250	70	138	VP-V4DE470	VP-V4DR470	VP-V4PR470	VP-V4PE470	VP-V4CE470	VP-V4CR470	VP-V4AR470	VP-V4AE470

Table 2. VP-3PV4 general characteristics and types. See Reference structure on page 13.



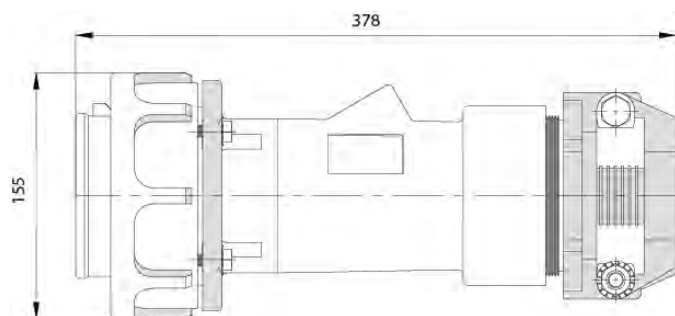
### SOCKET

Weight 3.1 kg (6.83 lbs)



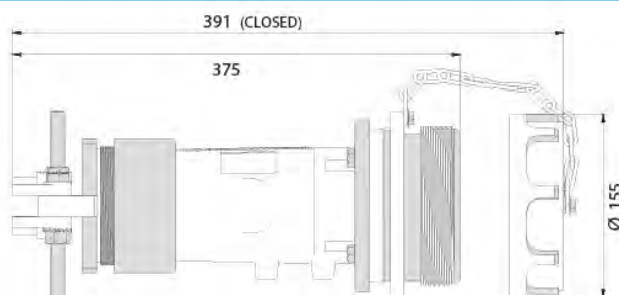
### PLUG

Weight 4.7 kg (10.36 lbs)  
Max cable diameter 80 mm (3.15 in)



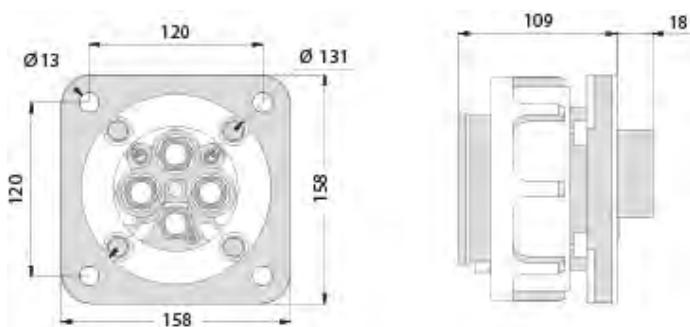
### CABLE COUPLER

Weight 5 kg (11.02 lbs)  
Max cable dia. 80 mm (3.15 in)



### APPLIANCE INLET

Weight 3 kg (6.61 lbs)

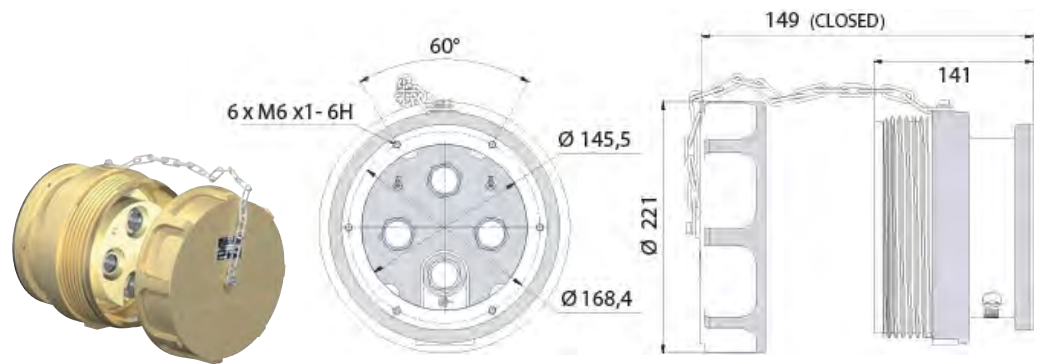


TECHNICAL DATA				SOCKET		PLUG		CABLE COUPLER		APPLIANCE INLET	
Nb poles	Amp. Max.	Section mm <sup>2</sup>	Section kcmil	Suppl. insert IP2	Inver. insert	Receiving insert	Inver. insert	Suppl. insert IP2	Inver. insert	Receiving Insert	Inver. insert
4 +2p	250	70	138	VP-V5DE370	VP-V5DR370	VP-V5PR370	VP-V5PE370	VP-V5CE370	VP-V5CR370	VP-V5AR370	VP-V5AE370
	320	95	187	VP-V5DE395	VP-V5DR395	VP-V5PR395	VP-V5PE395	VP-V5CE395	V5CR396	VP-V5AR395	VP-V5AE395
	370	120	236	VP-V5DE312	VP-V5DR312	VP-V5PR312	VP-V5PE312	VP-V5CE312	V5CR313	VP-V5AR312	VP-V5AE312
	420	150	296	VP-V5DE315	VP-V5DR315	VP-V5PR315	VP-V5PE315	VP-V5CE315	V5CR316	VP-V5AR315	VP-V5AE315
	420	185	365	VP-V5DE318	VP-V5DR318	VP-V5PR318	VP-V5PE318	VP-V5CE318	V5CR319	VP-V5AR318	VP-V5AE318
	500	185	365	VP-V5DE318-16	VP-V5DR318-16	VP-V5PR318-16	VP-V5PE318-16	VP-V5CE318-16	V5CR318-16	VP-V5AR318-16	VP-V5AE318-16
	570	240	473	VP-V5DE324-18	VP-V5DR324-18	VP-V5PR324-18	VP-V5PE324-18	VP-V5CE324-18	V5CR324-18	VP-V5AR324-18	VP-V5AE324-18
5 +2p	250	70	138	VP-V5DE470	VP-V5DR470	VP-V5PR470	VP-V5PE470	VP-V5CE470	V5CR471	VP-V5AR470	VP-V5AE470
	320	95	187	VP-V5DE495	VP-V5DR495	VP-V5PR495	VP-V5PE495	VP-V5CE495	V5CR496	VP-V5AR495	VP-V5AE495
	320	120	236	VP-V5DE412	VP-V5DR412	VP-V5PR412	VP-V5PE412	VP-V5CE412	V5CR413	VP-V5AR412	VP-V5AE412
	320	150	296	VP-V5DE415	VP-V5DR415	VP-V5PR415	VP-V5PE415	VP-V5CE415	V5CR416	VP-V5AR415	VP-V5AE415
	420	150	296	VP-V5DE415-16	VP-V5DR415-16	VP-V5PR415-16	VP-V5PE415-16	VP-V5CE415-16	V5CR415-16	VP-V5AR415-16	VP-V5AE415-16
	500	185	365	VP-V5DE418-16	VP-V5DR418-16	VP-V5PR418-16	VP-V5PE418-16	VP-V5CE418-16	V5CR418-16	VP-V5AR418-16	VP-V5AE418-16

Table 3. VP-3PV5 general characteristics and types. See Reference structure on page 13.

## SOCKET

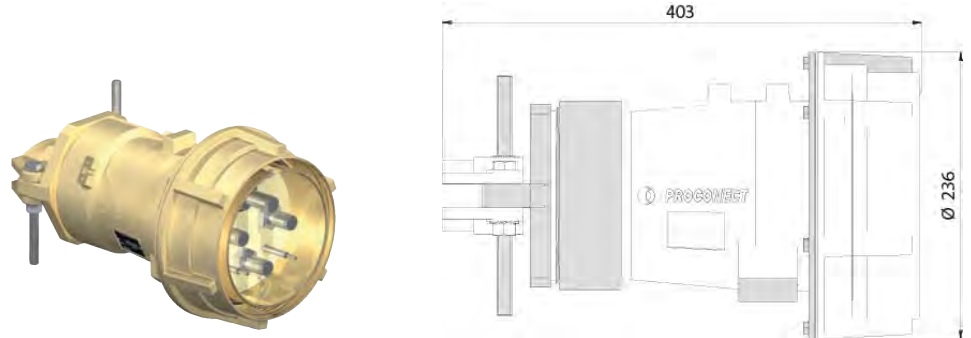
Weight 6 kg (13.23 lbs)



## PLUG

Weight 8 kg (17.64 lbs)

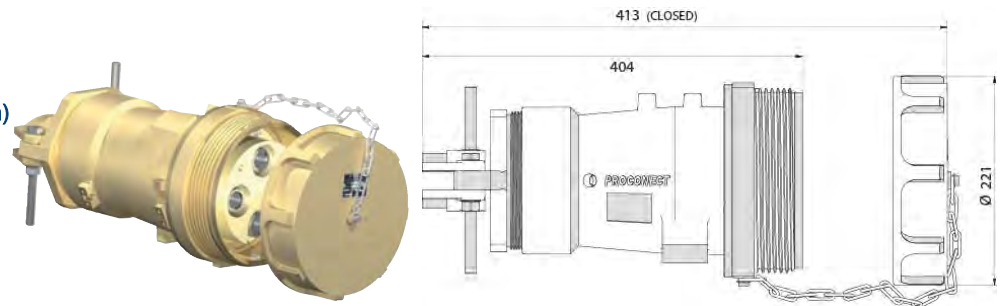
Max cable diameter 100 mm (3.94 in)



## CABLE COUPLER

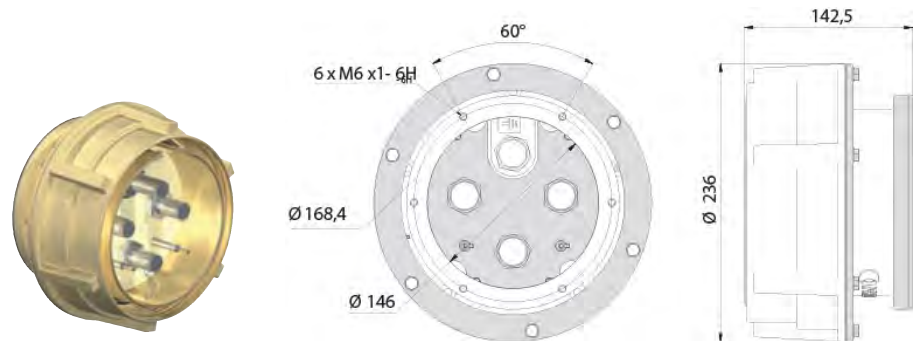
Weight 9.5 kg (20.94 lbs)

Max cable diameter 100 mm (3.94 in)



## APPLIANCE INLET

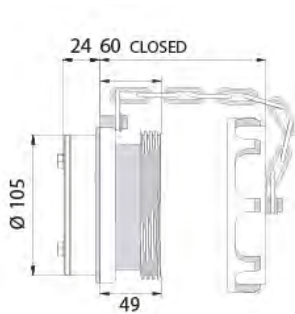
Weight 5.4 kg (11.9 lbs)



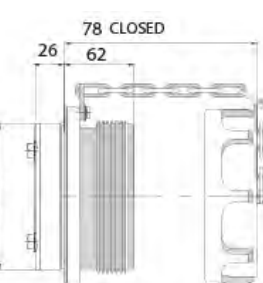
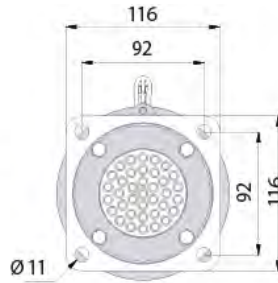
TECHNICAL DATA				SOCKET			PLUG		CABLE COUPLER		APPLIANCE INLET	
Nb poles	Amp. Max.	Section mm <sup>2</sup>	Section kcmil	Female (suppl.)	Inver. insert	Male (receiver)	Inver. insert	Female (suppl.)	Inver. insert	Male Receiver	Inver. insert	
4 +2p	500	185	365	VP-V6DF318	VP-V6DM318	VP-V6PM318	VP-V6PF318	VP-V6CF318	VP-V6CM318	VP-V6AM318	VP-V6AF318	
	570	240	473	VP-V6DF324	VP-V6DM324	VP-V6PM324	VP-V6PF324	VP-V6CF324	VP-V6CM324	VP-V6AM324	VP-V6AF324	
	800	300	592	VP-V6DF330	VP-V6DM330	VP-V6PM330	VP-V6PF330	VP-V6CF330	VP-V6CM330	VP-V6AM330	VP-V6AF330	
5 +2p	500	185	365	VP-V6DF418	VP-V6DM418	VP-V6PM418	VP-V6PF418	VP-V6CF418	VP-V6CM418	VP-V6AM418	VP-V6AF418	
	570	240	473	VP-V6DF424	VP-V6DM424	VP-V6PM424	VP-V6PF424	VP-V6CF424	VP-V6CM424	VP-V6AM424	VP-V6AF424	
	800	300	592	VP-V6DF430	VP-V6DM430	VP-V6PM430	VP-V6PF430	VP-V6CF430	VP-V6CM430	VP-V6AM430	VP-V6AF430	

Table 4. VP-3PV6 general characteristics and types. See Reference structure on page 13.

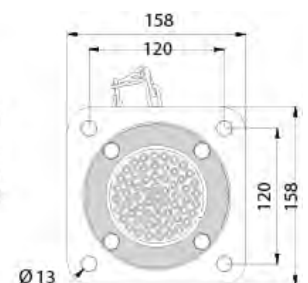
**SOCKET**



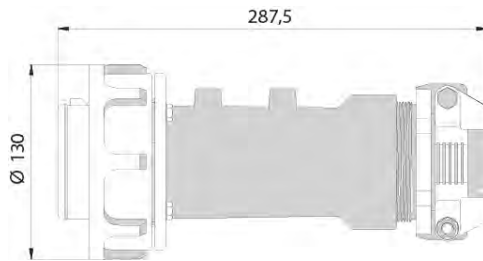
VP-3PV4 Weight 1.7 kg (3.75 lbs)



VP-3PV5 Weight 3.5 kg (7.72 lbs)



**PLUG**

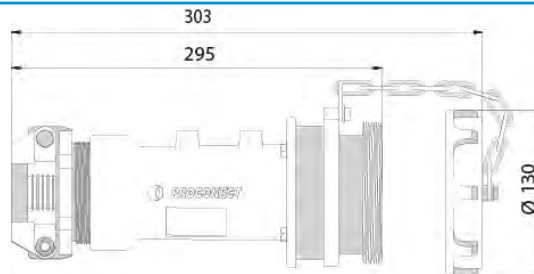


VP-3PV4 Weight 2.3 kg (5.07 lbs), Ø 62mm (2.44 in)

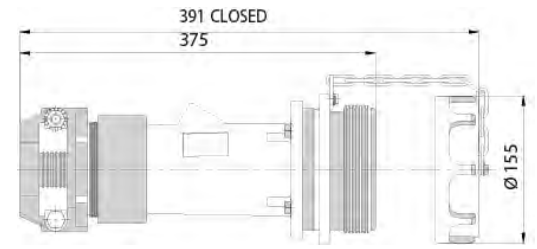


VP-3PV5 Weight 4.7 kg (10.36 lbs), Ø 80mm (3.15 in)

**CABLE COUPLER**

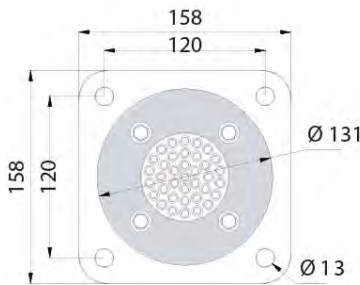


VP-3PV4 Weight 2.3 kg (5.07 lbs), Ø 62mm (2.44 in)

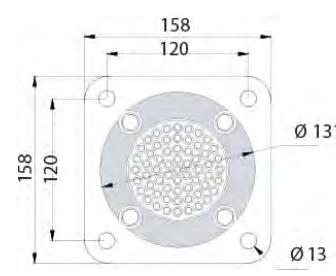
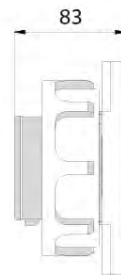


VP-3PV5 Weight 4.7 kg (10.36 lbs), Ø 80mm (3.15 in)

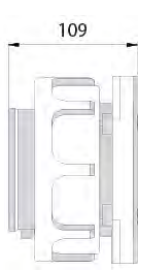
**APPLIANCE INLET**



VP-3PV4 Weight 1.7 kg (3.75 lbs)



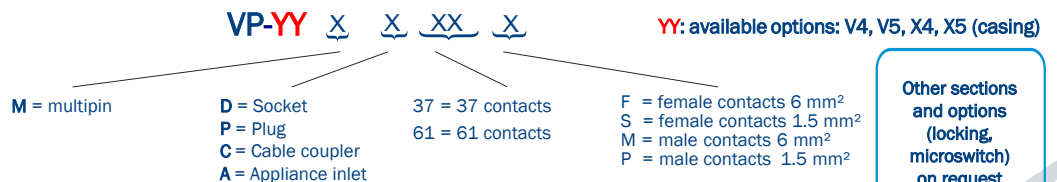
VP-3PV5 Weight 3.7 kg (8.16 lbs)



TECHNICAL DATA				SOCKET			PLUG		CABLE COUPLER		APPLIANCE INLET	
Nb poles	Amp. Max.	Section n mm <sup>2</sup>	Section kcmil	Female (suppl.)	Inver. insert	Male (receiver)	Inver. insert	Female (suppl.)	Inver. insert	Female (suppl.)	Inver. insert	
37	10	1.5	3	VP-V4MD37S	VP-V4MD37P	VP-V4MP37P	VP-V4MP37S	VP-V4MC37S	VP-V4MC37P	VP-V4MA37P	VP-V4MA37S	
	30	6.0	12	VP-V4MD37F	VP-V4MD37M	VP-V4MP37M	VP-V4MP37F	VP-V4MC37F	VP-V4MC37M	VP-V4MA37M	VP-V4MA37F	
61	10	1.5	3	VP-V5MD61S	VP-V5MD61P	VP-V5MP61P	VP-V5MP61S	VP-V5MC61S	VP-V5MC61P	VP-V5MA61P	VP-V5MA61S	
	30	6.0	12	VP-V5MD61F	VP-V5MD61M	VP-V5MP61M	VP-V5MP61F	VP-V5MC61F	VP-V5MC61M	VP-V5MA61M	VP-V5MA61F	

Table 8. VP-3PV4, VP-3PV5 multipole general characteristics and types.

**References structure**





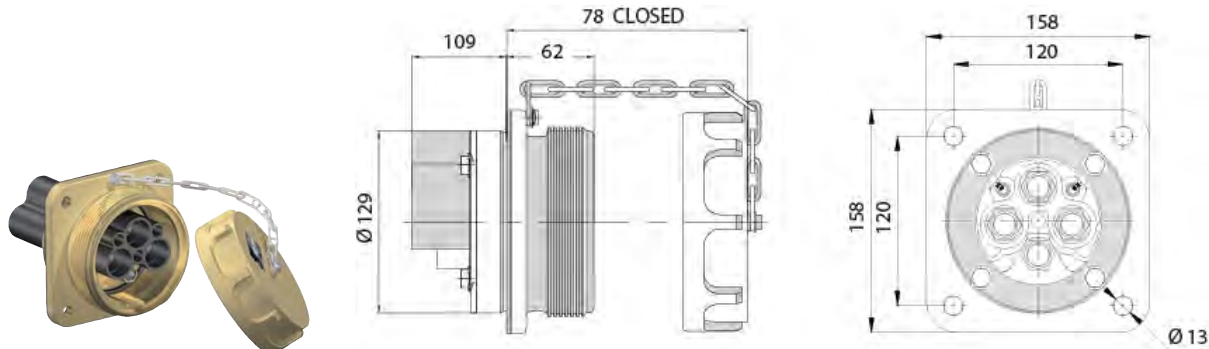
Nominal voltage: 6.6 kV  
 Max. voltage: 7.2 kV  
 Impulse voltage (1.2x50 µs): 50 kV

AC withstand: 20 kV / 60Hz / 1 min rms  
 Fault rating: 16 kA  
 Max. amperage: 350A

Standards: IEC/ISO/IEE 80005-1, HD 629.1 S2  
 \* when applicable

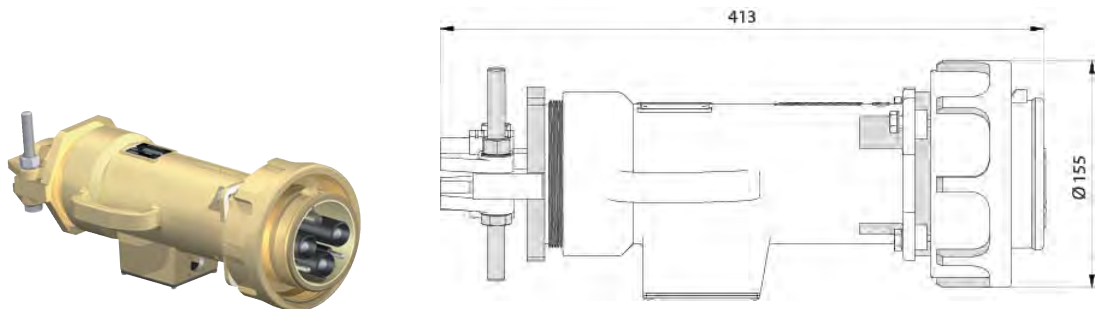
### SOCKET

Weight 3.5 kg (7.72 lbs)



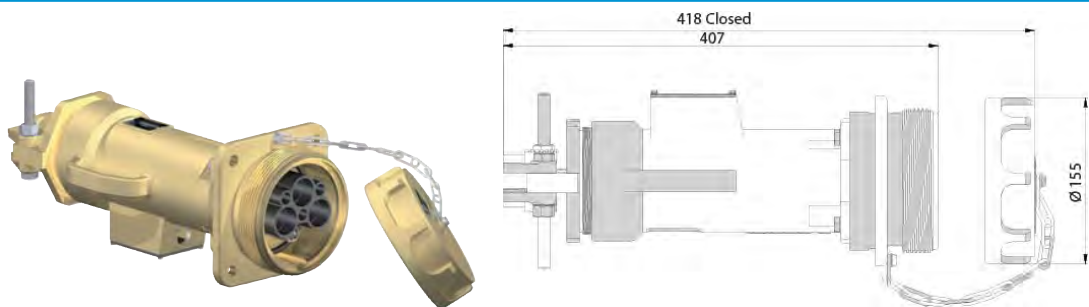
### PLUG

Weight 4.7 kg (10.36 lbs),  
 cable Ø 80 mm (3.15 in)



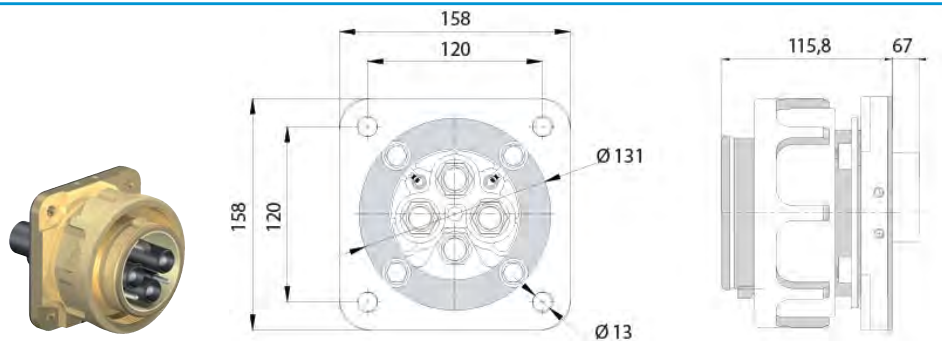
### CABLE COUPLER

Weight 5 kg (11.02 lbs),  
 cable Ø 80 mm (3.15 in)



### APPLIANCE INLET

Weight 3.7 kg (8.16 lbs)



TECHNICAL DATA				SOCKET			PLUG		CABLE COUPLER		APPLIANCE INLET	
Nb poles	Amp. Max.	Section mm <sup>2</sup>	Section kcmil	Female (Suppl.)	Inver. insert	Male (receiv.)	Inver. insert	Female (suppl.)	Inver. insert	Male (receiv.)	Inver. insert	
4 +3p	125	25	49	VP-V5DF325MV	VP-V5DM325MV	VP-V5PM325MV	VP-V5PF325MV	VP-V5CF325MV	VP-V5CM325MV	VP-V5AM325MV	VP-V5AF325MV	
	160	35	69	VP-V5DF335MV	VP-V5DM335MV	VP-V5PM335MV	VP-V5PF335MV	VP-V5CF335MV	VP-V5CM335MV	VP-V5AM335MV	VP-V5AF335MV	
	200	50	98	VP-V5DF350MV	VP-V5DM350MV	VP-V5PM350MV	VP-V5PF350MV	VP-V5CF350MV	VP-V5CM350MV	VP-V5AM350MV	VP-V5AF350MV	
	250	70	138	VP-V5DF370MV	VP-V5DM370MV	VP-V5PM370MV	VP-V5PF370MV	VP-V5CF370MV	VP-V5CM370MV	VP-V5AM370MV	VP-V5AF370MV	
	320	95	187	VP-V5DF395MV	VP-V5DM395MV	VP-V5PM395MV	VP-V5PF395MV	VP-V5CF395MV	VP-V5CM395MV	VP-V5AM395MV	VP-V5AF395MV	
	350	120	236	VP-V5DF312MV	VP-V5DM312MV	VP-V5PM312MV	VP-V5PF312MV	VP-V5CF312MV	VP-V5CM312MV	VP-V5AM312MV	VP-V5AF312MV	
	350	150	296	VP-V5DF315MV	VP-V5DM315MV	VP-V5PM315MV	VP-V5PF315MV	VP-V5CF315MV	VP-V5CM315MV	VP-V5AM315MV	VP-V5AF315MV	

Table 11. VP-3PV5MV mid voltage general characteristics and types. See Reference structure on page 9.

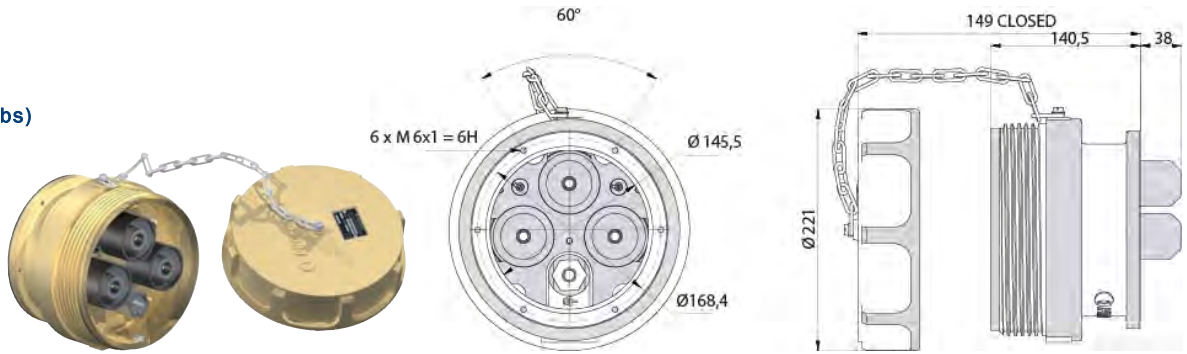
Nominal voltage: 11 kV  
 Max. voltage: 12 kV  
 Impulse voltage (1.2x50 µs): 75 kV

AC withstand: 27 kV / 60Hz / 1 min rms  
 Fault rating: 16 kA  
 Max. amperage: 320A

Standards: IEC/ISO/IEE 80005-1, HD 629.1 S2  
 \* when applicable

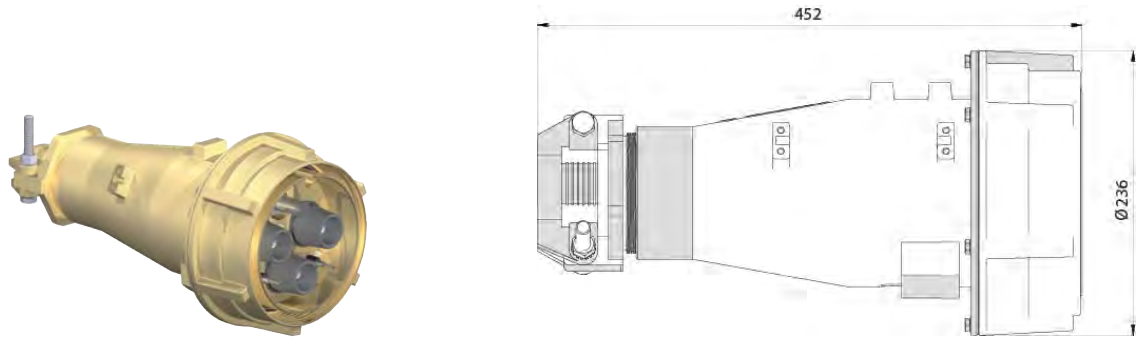
### SOCKET

Weight 6.1 kg (13.45 lbs)



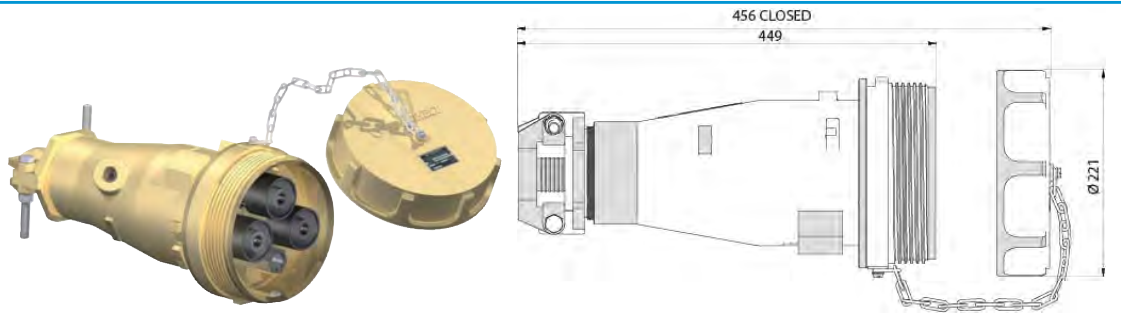
### PLUG

Weight 8 kg (17.64 lbs),  
 cable Ø 80 mm (3.15 in)



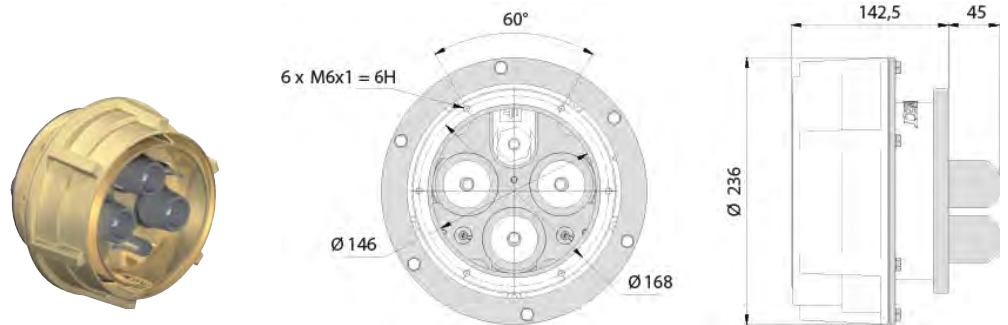
### CABLE COUPLER

Weight 8.5 kg (18.74 lbs),  
 cable Ø 80 mm (3.15 in)



### APPLIANCE INLET

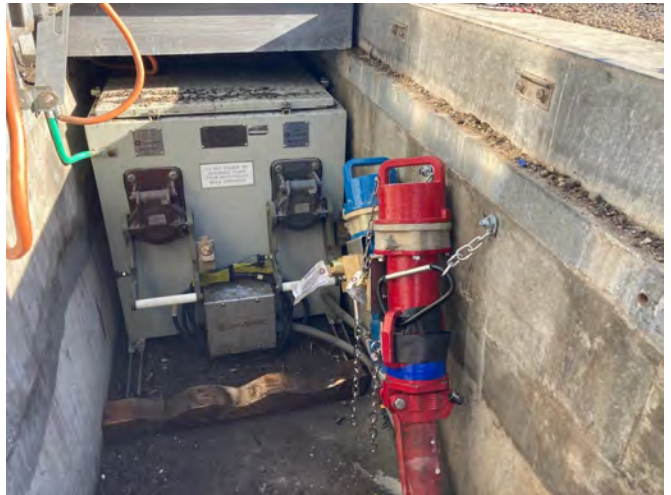
Weight 5.4 kg (11.9 lbs)



TECHNICAL DATA				SOCKET		PLUG		CABLE COUPLER		APPLIANCE INLET	
Nb poles	Amp. Max.	Section mm <sup>2</sup>	Section kcmil	Female (Suppl.)	Inver. insert	Male (receiv.)	Inver. insert	Female (suppl.)	Inver. insert	Male (receiv.)	Inver. insert
4 +3p	125	25	49	VP-V5DF325MV	VP-V5DM325MV	VP-V5PM325MV	VP-V5PF325MV	VP-V5CF325MV	VP-V5CM325MV	VP-V5AM325MV	VP-V5AF325MV
	160	35	69	VP-V5DF335MV	VP-V5DM335MV	VP-V5PM335MV	VP-V5PF335MV	VP-V5CF335MV	VP-V5CM335MV	VP-V5AM335MV	VP-V5AF335MV
	200	50	98	VP-V5DF350MV	VP-V5DM350MV	VP-V5PM350MV	VP-V5PF350MV	VP-V5CF350MV	VP-V5CM350MV	VP-V5AM350MV	VP-V5AF350MV
	250	70	138	VP-V5DF370MV	VP-V5DM370MV	VP-V5PM370MV	VP-V5PF370MV	VP-V5CF370MV	VP-V5CM370MV	VP-V5AM370MV	VP-V5AF370MV
	320	95	187	VP-V5DF395MV	VP-V5DM395MV	VP-V5PM395MV	VP-V5PF395MV	VP-V5CF395MV	VP-V5CM395MV	VP-V5AM395MV	VP-V5AF395MV
	350	120	236	VP-V5DF312MV	VP-V5DM312MV	VP-V5PM312MV	VP-V5PF312MV	VP-V5CF312MV	VP-V5CM312MV	VP-V5AM312MV	VP-V5AF312MV
	350	150	296	VP-V5DF315MV	VP-V5DM315MV	VP-V5PM315MV	VP-V5PF315MV	VP-V5CF315MV	VP-V5CM315MV	VP-V5AM315MV	VP-V5AF315MV

Table 13. VP-3PV6MV mid voltage general characteristics and types. See Reference structure on page 9.









**VAHLE Incorporated**

407 Cane Island Pkwy  
Katy, TX, 77494, USA

Phone: +1 713-465-9796  
sales@vahleinc.com

[www.vahleinc.com](http://www.vahleinc.com)

connect with us!  
**@vahleinc**

