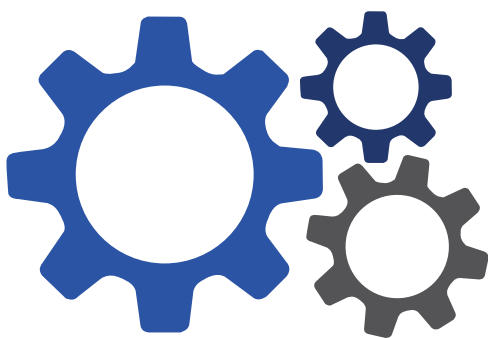


TECHNO PRICELIST 2021



indoor air
quality
and energy
saving

TECHNO PRICELIST ACCESSORIES



Dear customer,

In this document you will find technical informations and price lists about water coils, electrical heater and air quality sensors.

More INFO on our products in the download section of our web site www.utek-air.it

Thank you for the attention



UTEK S.r.l.

INDEX

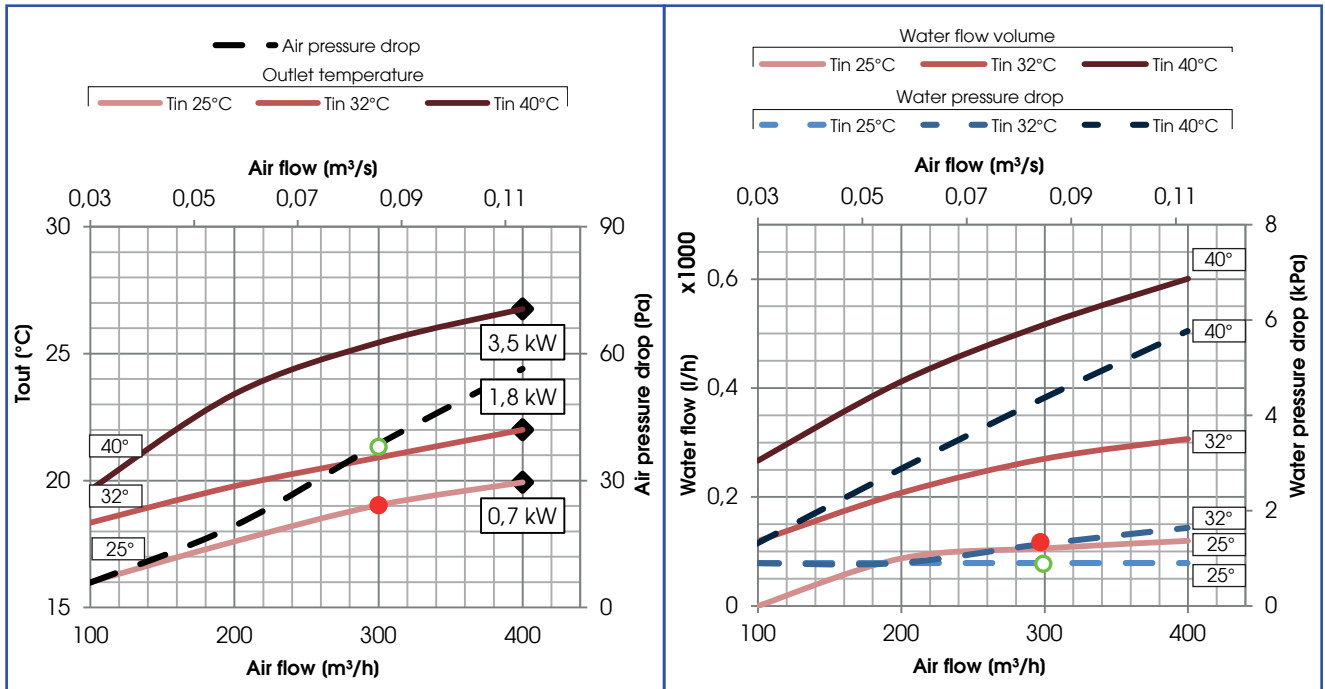
RULES 'OF READING OF GRAPHICS and DIAMETERS TABLE - MODELS UNIT	pag.4
RESIDENTIAL COOLING (HEATING)WATER COILS (7°C/12°C)	pag. 5
NON RESIDENTIAL COOLING (HEATING)WATER COILS (BA-AF/AC) (7°C/12°C)	pag. 8
NON RESIDENTIAL TEMPERATE WATER COILS (BA-AT) (45°C/35°C)	pag. 15
RESIDENTIAL AND NON RESIDENTIAL HOT WATER COILS (BA-AC) (70°C/60°C)	pag. 19
3 WAY SOLENOID VALVES	pag. 24
HEATERS (*)	pag. 25
. standard	
. electronic	
. thermostatic	
. EVO resistances	
ROOF	pag. 37
PROTECTION COWL	pag. 42
SEALED CIRCULAR DAMPERS	pag. 43
SERVOMOTORS	pag. 44
ALVEOLAR SILENCER	pag. 45
CIRCULAR SILENCER	pag. 47
KIT FOR CONSTANT PRESSURE (COP) AND FLOW (CAV) OPERATION	pag. 49
AIR QUALITY SENSOR	pag. 50
. CO ₂	
. CO ₂ duct	
. CO ₂ /VOC	
. U.R. duct	
INSTALLATION EXAMPLES	pag. 52
TERMS OF SALE	pag. 53

(*) – the electric resistances (standard, electronic and thermostatic) on this techno-list are NOT appropriate for the matching with EVO series controls (EVO-PH, EVOD-PH-IP, EVOD-PH-IP/RS485)

N.B.: for cold water coils BA-AF/AC provide dedicated siphon in addition to that of the recuperator



GRAPHS INTERPRETATION



Example:
Inlet air temperature 25 ° C
Air flow 300 m³/h

With these data can be obtained:
- Outlet temperature = 19°C (to the left of the graph ●)
- Air pressure drop = 31,5 Pa (to the right of the graph as a reference the black dotted line ○)

Example:
Inlet air temperature 25°C
Air flow 300 m³/h

With these data can be obtained:
- Water flow = 0,1x1000 l/h = 100 l/h. (to the left of the graph ●)
- Water pressure drop = 0,8 kPa (to the right of the graph as a reference the light-blue dotted line ○)

All water coils (BA-AC, BA-AT and BA-AF/AC) can be managed by our EVO series controls (EVO-PH, EVOD-PH-IP and EVOD-PH-IP/RS485) through 2 probes (supplied mounted):

- Temperature probe: to downstream of the coil, regulates the opening of the valve (3 points or 0-10Volt) on the basis of supply temperature
- Probe for antifreeze Strategy (on the return water pipe)
 - . with $T < + 3 \text{ °C}$ full opening of the water valve
 - . with $T < + 1 \text{ °C}$ stop fans and alarm signal on the control panel

In case of different management or not matching with our controls, the probes can not be used

TABLE - diameters attacks / size units

Ø mm	UVD	UVR	HRE-TOP EC	CRHE-H	CRHE-V	FAI-ED/EC	DUO-ED/EC	HRU	UTA (*)
200	1			700	700	1	1	1	
250		1		1100	1100	2	2		
315		2	1			3	2+ e 3	2	
355			2	2300	2500			3	
400			3			4 e 5	4 e 5	4	
450				3400	3200				
500			4		4500			5	
560			5		5600	6 (**)			
630									
710									1, 1.5 e 2

(*) after rectangular junction mouth >> circular attack

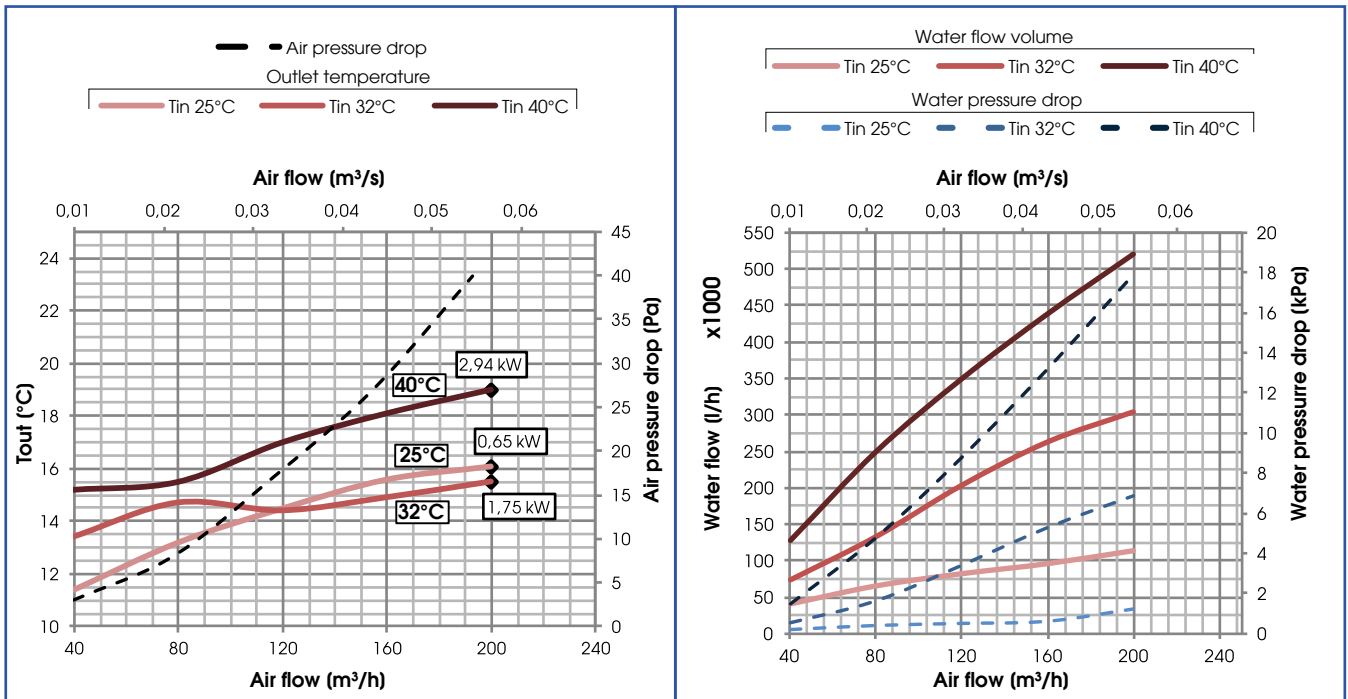
(**) only DUO-EC version



RESIDENTIAL COOLING (HEATING) WATER COILS (7°C/12°C)



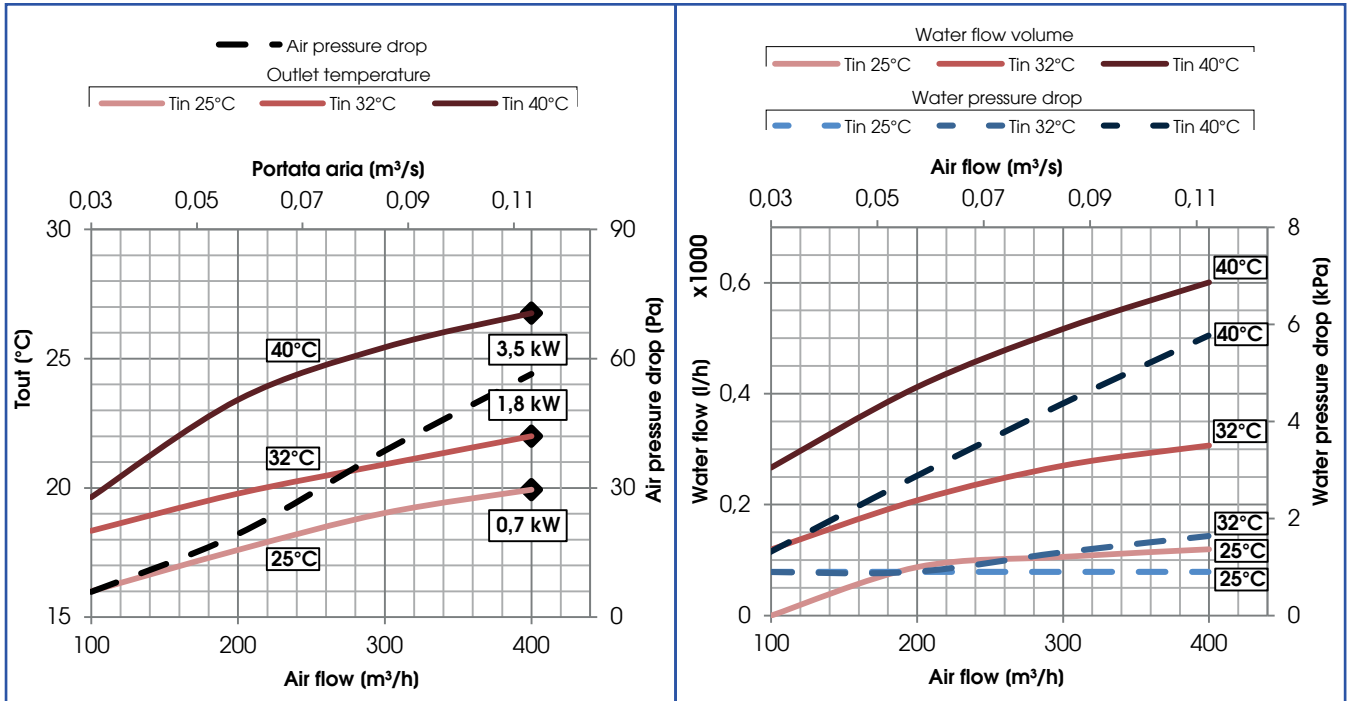
CODE	Ø AIR (mm)	Ø H ₂ O ("gas)	N.Rows	Fin pitch (mm)	Int.Vol. (dm ³)	Pipe	Fins	Frame	Price (€)
CADB ATH2 O008	125	1/2"	1	3,0	0,54	Cu	Al	FeZn	688,00



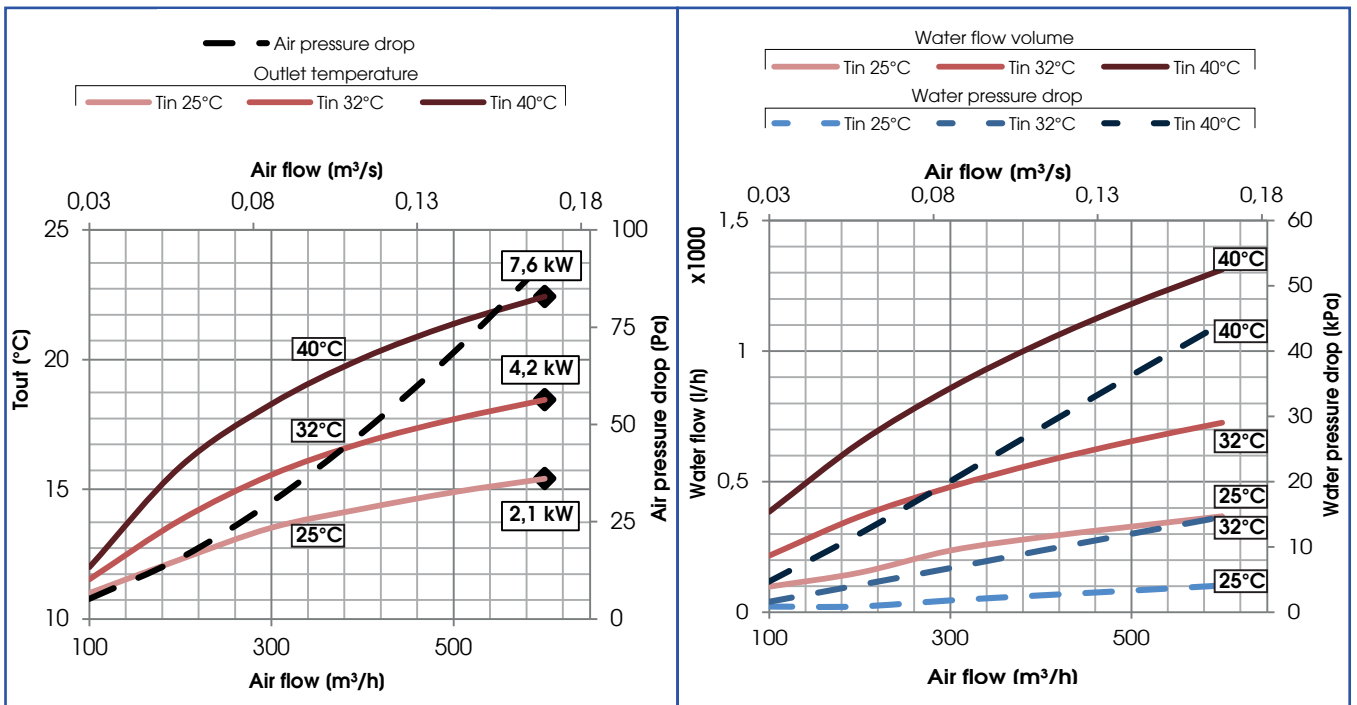
N.B. : Technical characteristics and dimensions page 7



CODE	Ø AIR (mm)	ØH ₂ O("gas)	N.Rows	Fin pitch (mm)	Int.Vol. (dm ³)	Pipe	Fins	Frame	Price (€)
CADB ATH2 O001	150	1/2"	4	3,0	1	Cu	Al	FeZn	710,00
CADB ATH2 O005	160								710,00



CODE	Ø AIR (mm)	ØH ₂ O("gas)	N.Rows	Fin pitch (mm)	Int.Vol. (dm ³)	Pipe	Fins	Frame	Price (€)
CADB ATH2 O002	150	1/2"	5	2,5	2	Cu	Al	FeZn	1.121,00
CADB ATH2 O006	160								1.121,00

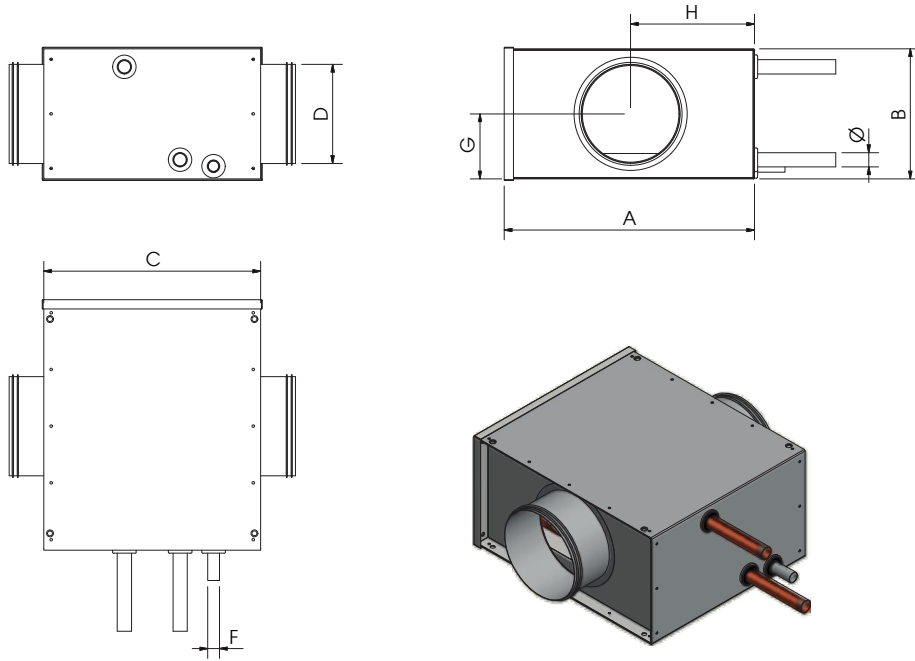


N.B.: Technical characteristics and dimensions page 7



CODE	A	B	C	D	G	H	Ø	F	Weight (Kg)
CADB ATH2 O008	404	215	355	125	107,5	200	1/2"	3/8"	9,00
CADB ATH2 O001	404	215	355	150	107,5	202	1/2"	3/8"	12,0
CADB ATH2 O005	404	215	355	160	107,5	202	1/2"	3/8"	12,0
CADB ATH2 O002	461	275	355	150	137,5	231	1/2"	3/8"	16,0
CADB ATH2 O006	461	275	355	160	137,5	231	1/2"	3/8"	16,0

Ø = water connections
F = condensate drain

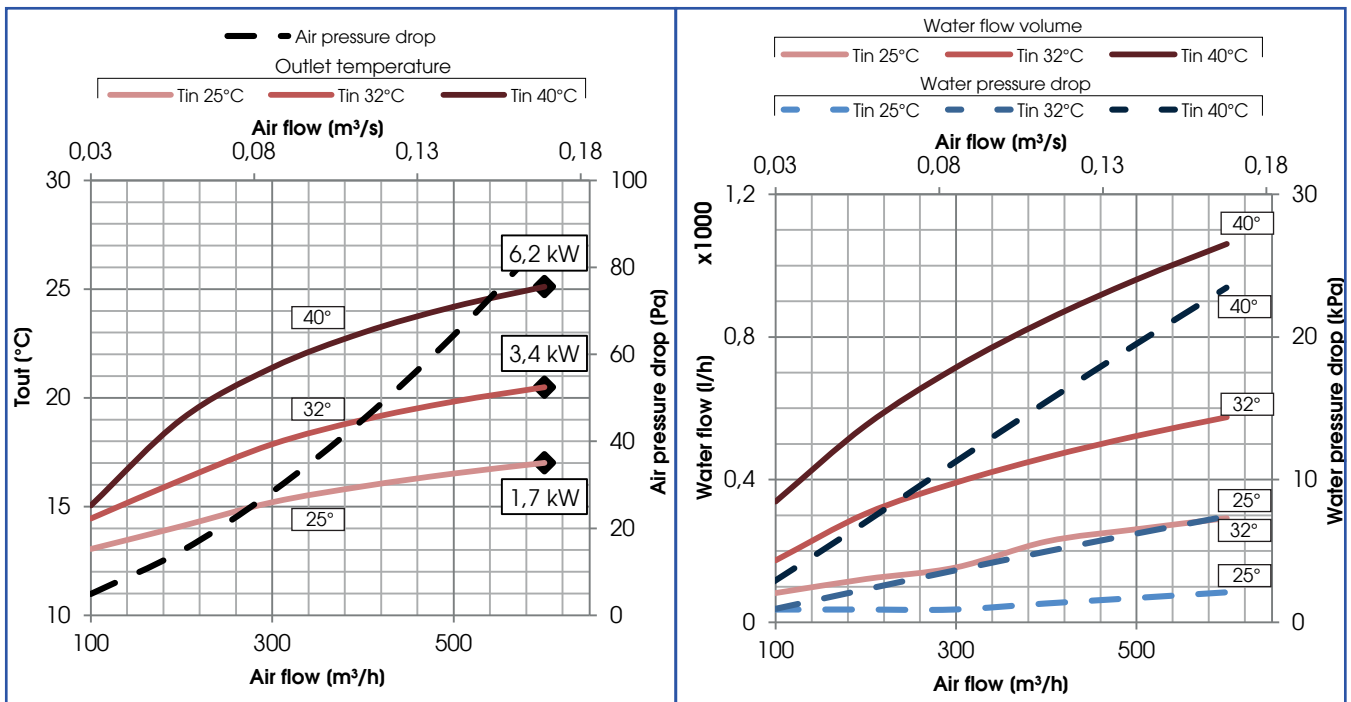




NON RESIDENTIAL COOLING (HEATING) WATER COILS (BA-AF/AC) (7°C/12°C)



CODE	Ø AIR (mm)	ØH ₂ O("gas)	N.Rows	Fin pitch (mm)	Int.Vol. (dm ³)	Pipe	Fins	Frame	Price (€)
ODEO 0000 0010	200	1/2"	4	2,5	2	Cu	Al	FeZn	1.107,00

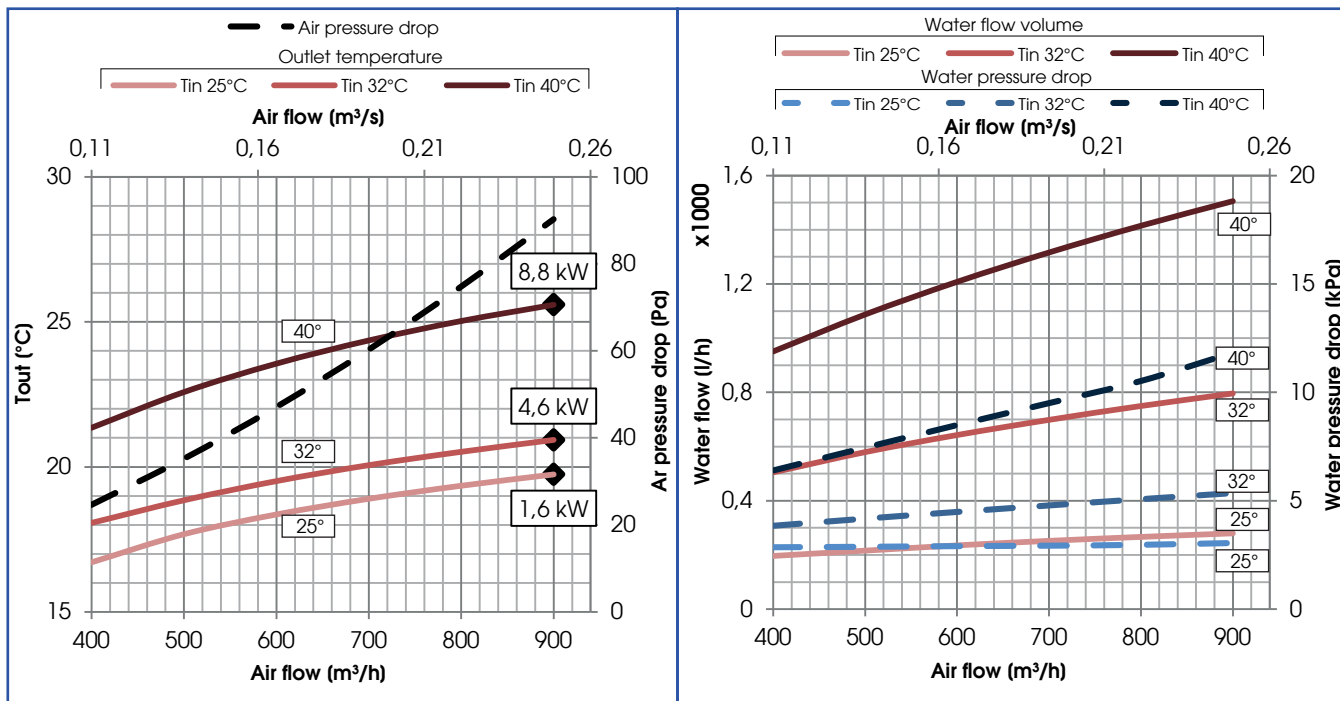


N.B. : Technical characteristics and dimensions page 14

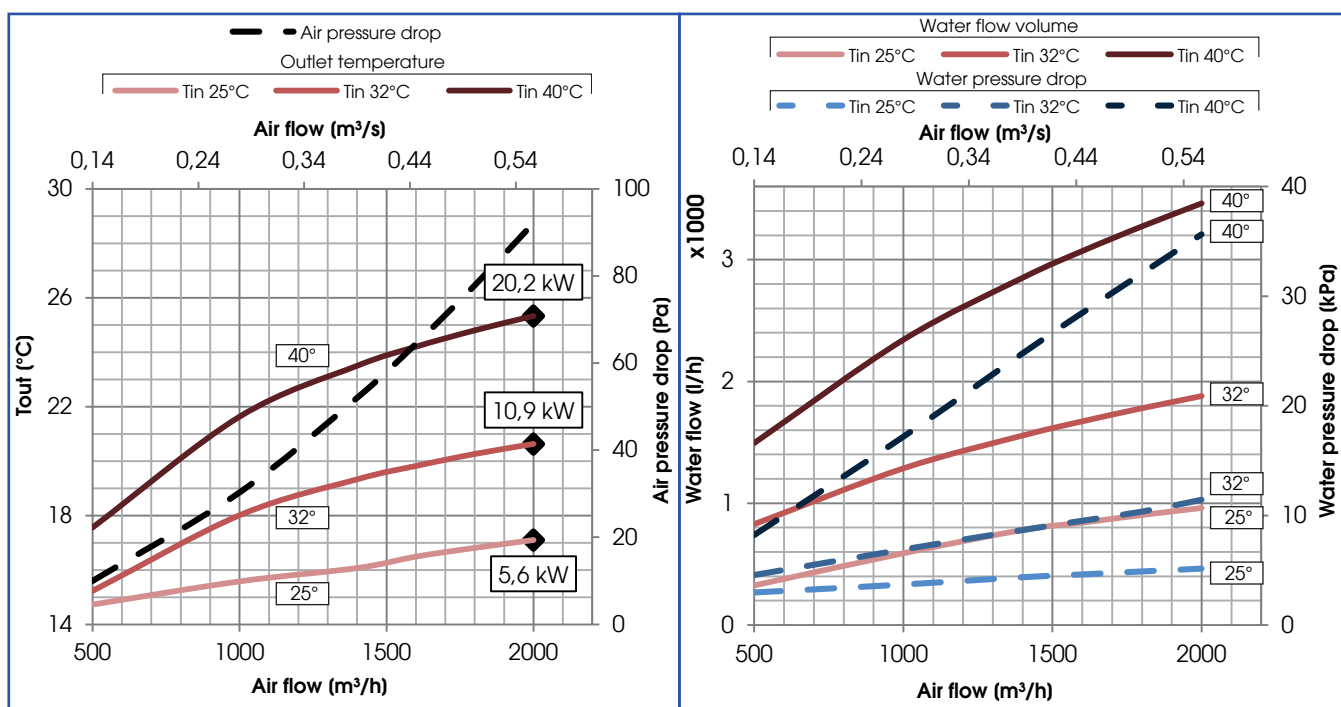
Batteries for the standard version of the machines; for the mirrored version use the mirrored batteries, available with a 5% surcharge and the code is built ODEO 0000 0010 => for mirrored machine it becomes ODEY 0000 0010



CODE	Ø AIR (mm)	ØH ₂ O("gas)	N.Rows	Fin pitch (mm)	Int.Vol. (dm ³)	Pipe	Fins	Frame	Price (€)
ODEO 0000 0011	250	1"	4	2,5	3	Cu	Al	FeZn	1.202,00
ODEO 0000 0051	200								1.202,00
ODEO 0000 0046	250								1.202,00



CODE	Ø AIR (mm)	ØH ₂ O("gas)	N.Rows	Fin pitch (mm)	Int.Vol. (dm ³)	Pipe	Fins	Frame	Price (€)
ODEO 0000 0012	315	1"	4	2,5	5	Cu	Al	FeZn	1.426,00
ODEO 0000 0038	355								1.451,00

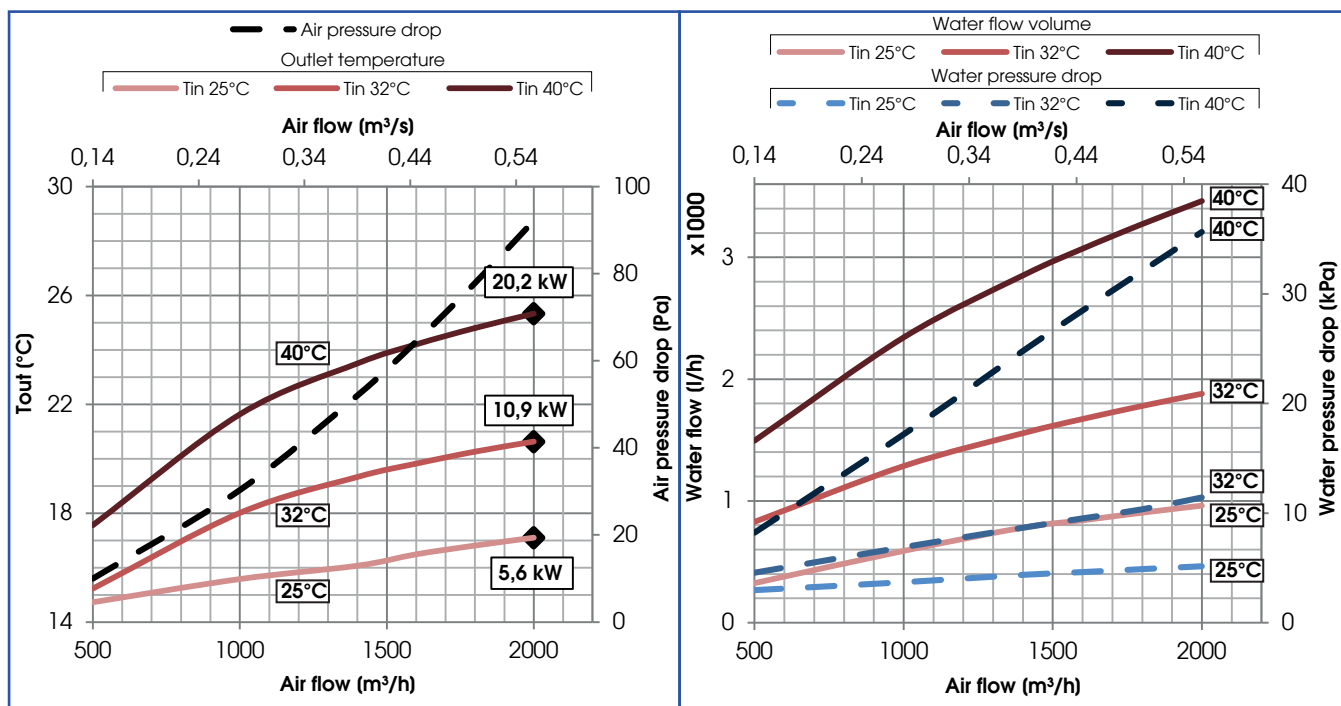


N.B. : Technical characteristics and dimensions page 14

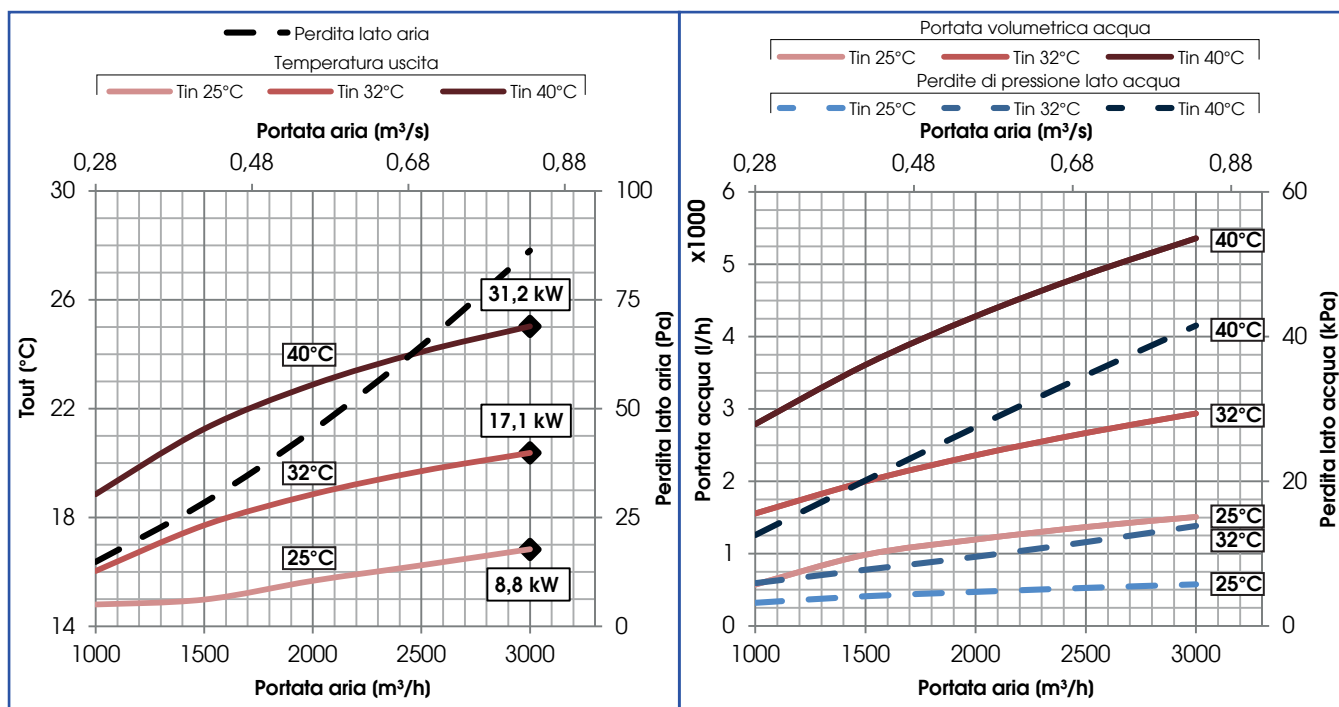
Batteries for the standard version of the machines; for the mirrored version use the mirrored batteries, available with a 5% surcharge and the code is built ODEO 0000 0010 => for mirrored machine it becomes ODEY 0000 0010



CODE	Ø AIR (mm)	ØH ₂ O("gas)	N.Rows	Fin pitch (mm)	Int.Vol. (dm ³)	Pipe	Fins	Frame	Price (€)
ODE0 0000 0047	315	1"	4	2,5	5	Cu	Al	FeZn	1.426,00



CODE	Ø AIR (mm)	ØH ₂ O("gas)	N.Rows	Fin pitch (mm)	Int.Vol. (dm ³)	Pipe	Fins	Frame	Price (€)
ODE0 0000 0013	355								1.665,00
ODE0 0000 0044	400	1"	4	2,5	7	Cu	Al	FeZn	1.763,00
ODE0 0000 0043	450								1.742,00

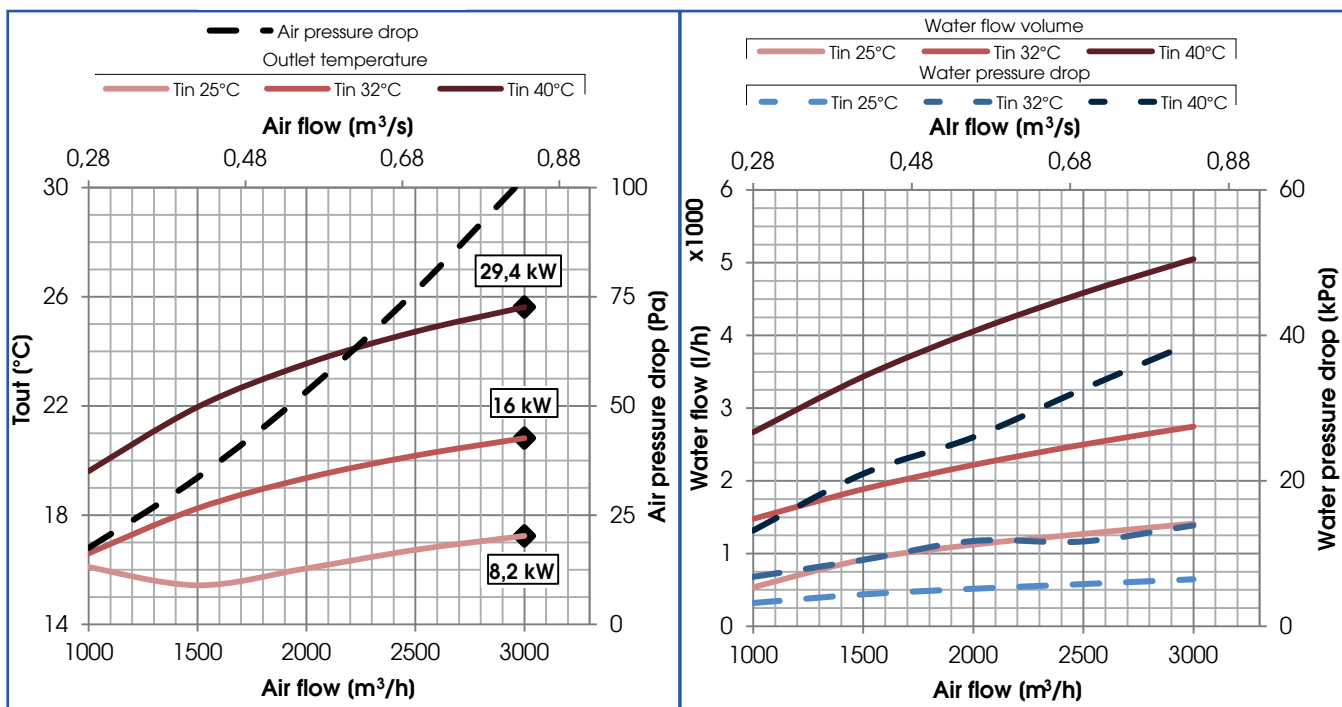


N.B. : Technical characteristics and dimensions page 14

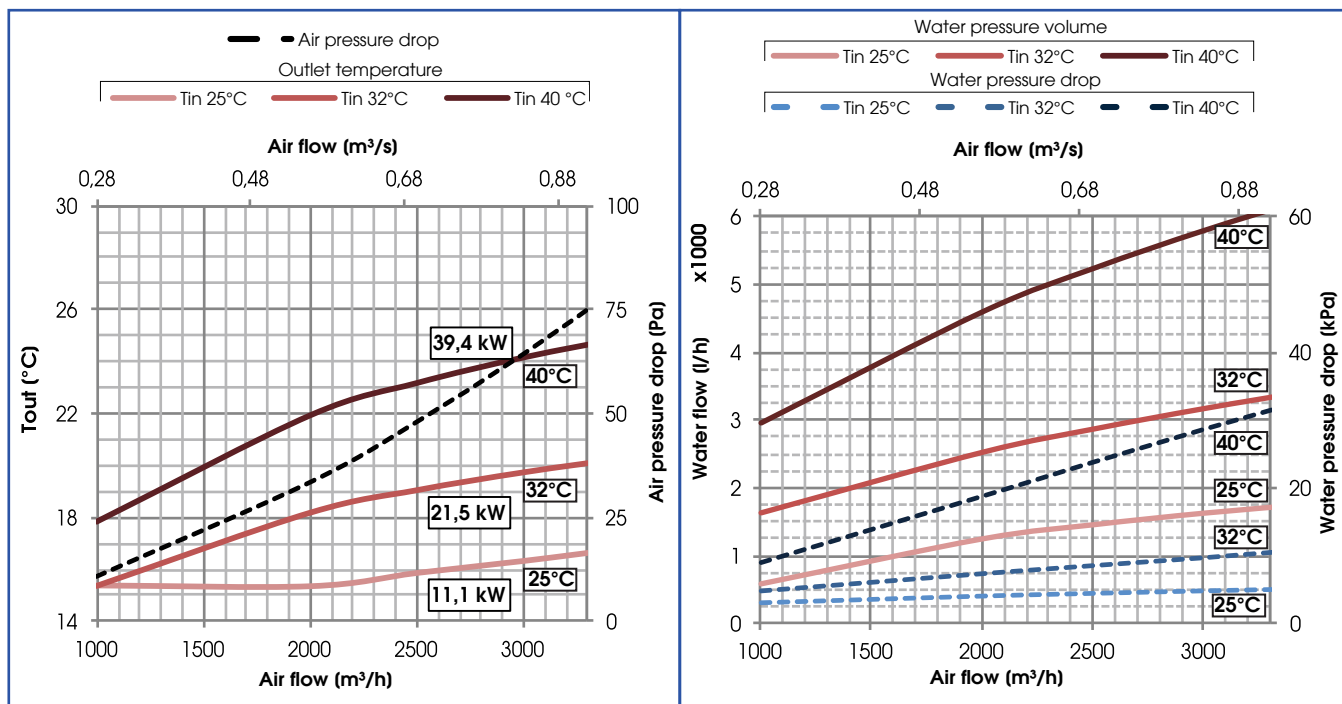
Batteries for the standard version of the machines; for the mirrored version use the mirrored batteries, available with a 5% surcharge and the code is built ODE0 0000 0010 => for mirrored machine it becomes ODEY 0000 0010



CODE	Ø AIR (mm)	ØH ₂ O("gas)	N.Rows	Fin pitch (mm)	Int.Vol. (dm ³)	Pipe	Fins	Frame	Price (€)
ODEO 0000 0048	400	1"	4	2,5	7	Cu	Al	FeZn	1.670,00



CODE	Ø AIR (mm)	ØH ₂ O("gas)	N.Rows	Fin pitch (mm)	Int.Vol. (dm ³)	Pipe	Fins	Frame	Price (€)
ODEO 0000 0049	400	1 - 1/4"	4	2,5	9	Cu	Al	FeZn	1.998,00

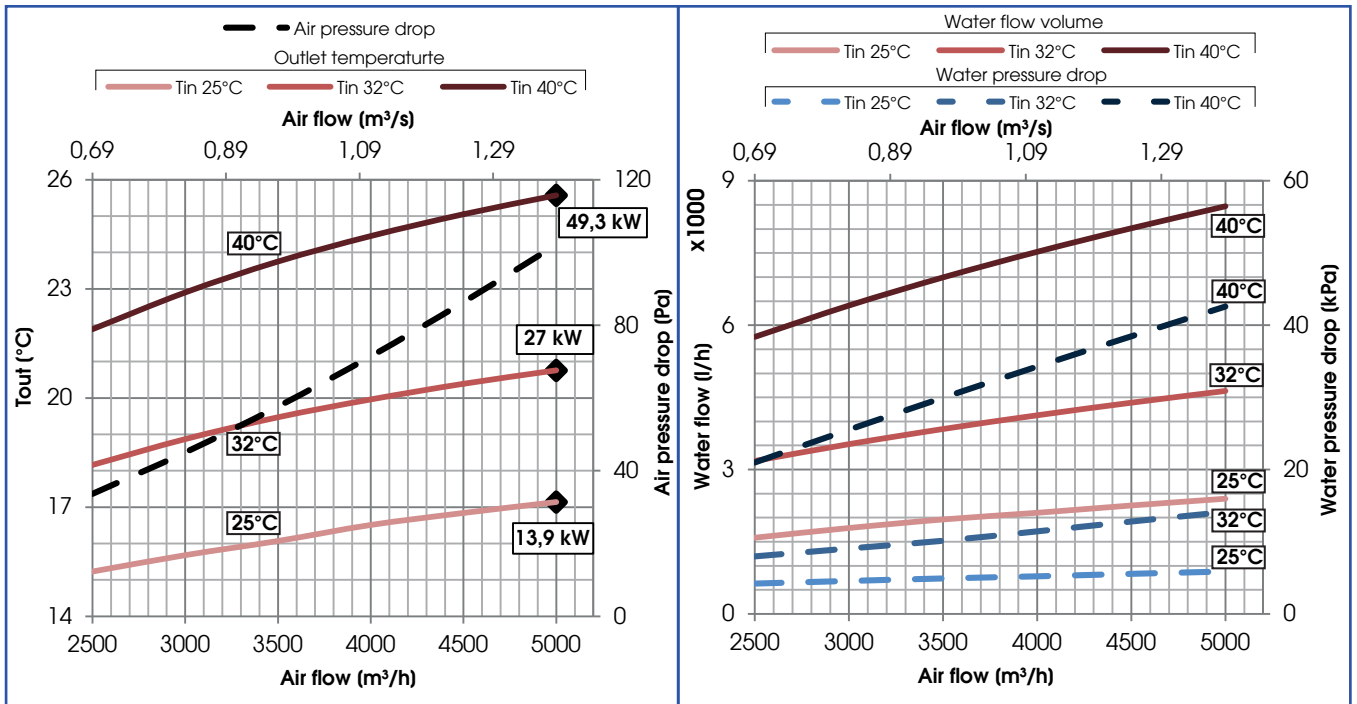


N.B. : Technical characteristics and dimensions page 14

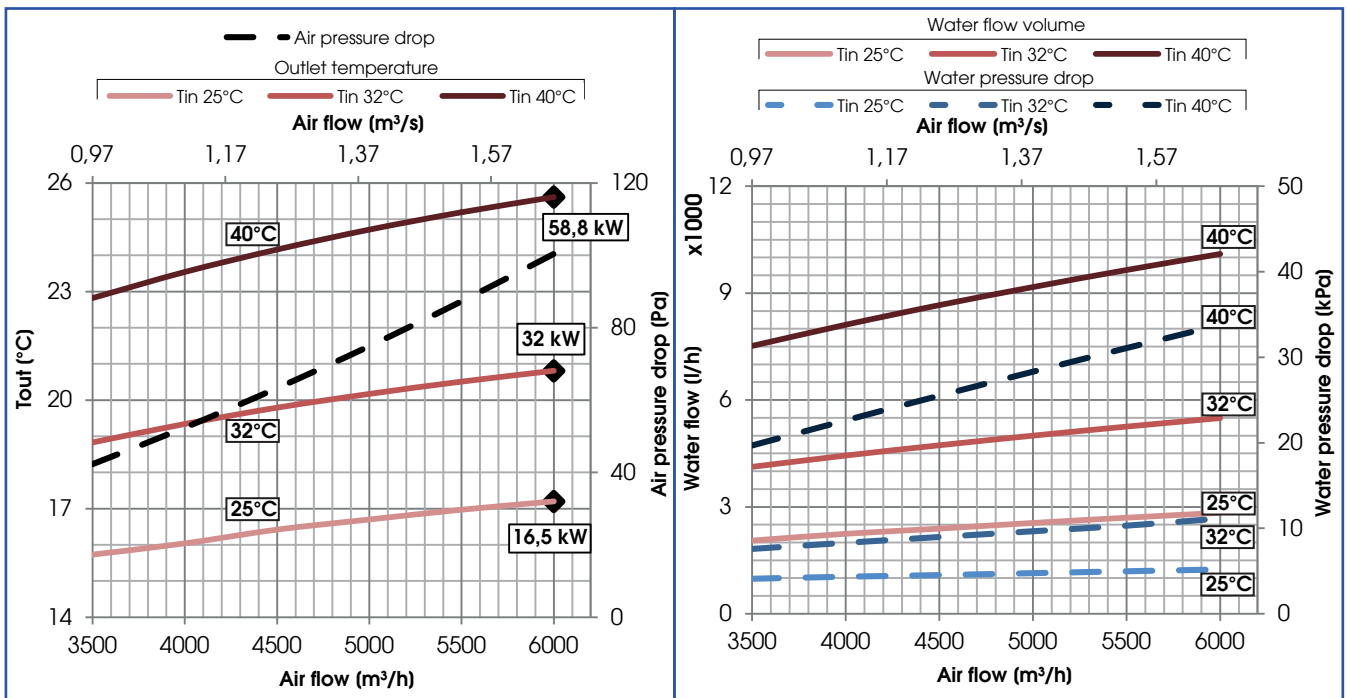
Batteries for the standard version of the machines; for the mirrored version use the mirrored batteries, available with a 5% surcharge and the code is built ODEO 0000 0010 => for mirrored machine it becomes ODEY 0000 0010



CODE	Ø AIR (mm)	ØH ₂ O("gas)	N.Rows	Fin pitch (mm)	Int.Vol. (dm ³)	Pipe	Fins	Frame	Price (€)
ODE0 0000 0037	400								2.131,00
ODE0 0000 0007	450	1"	4	2,5	10	Cu	Al	FeZn	2.134,00
ODE0 0000 0039	500								2.140,00



CODE	Ø AIR (mm)	ØH ₂ O("gas)	N.Rows	Fin pitch (mm)	Int.Vol. (dm ³)	Pipe	Fins	Frame	Price (€)
ODE0 0000 0041	450	1 - 1/2"	4	2,5	14	Cu	Al	FeZn	2.506,00
ODE0 0000 0052	500								2.506,00

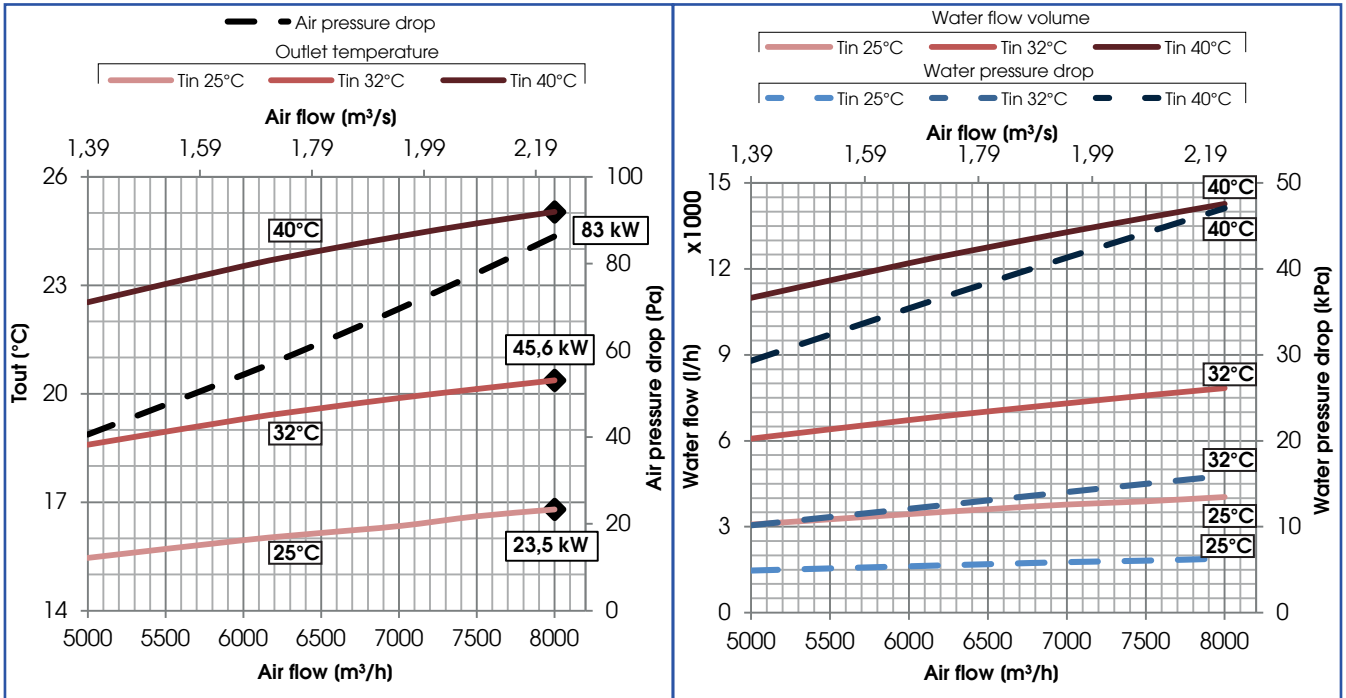


N.B. : Technical characteristics and dimensions page 14

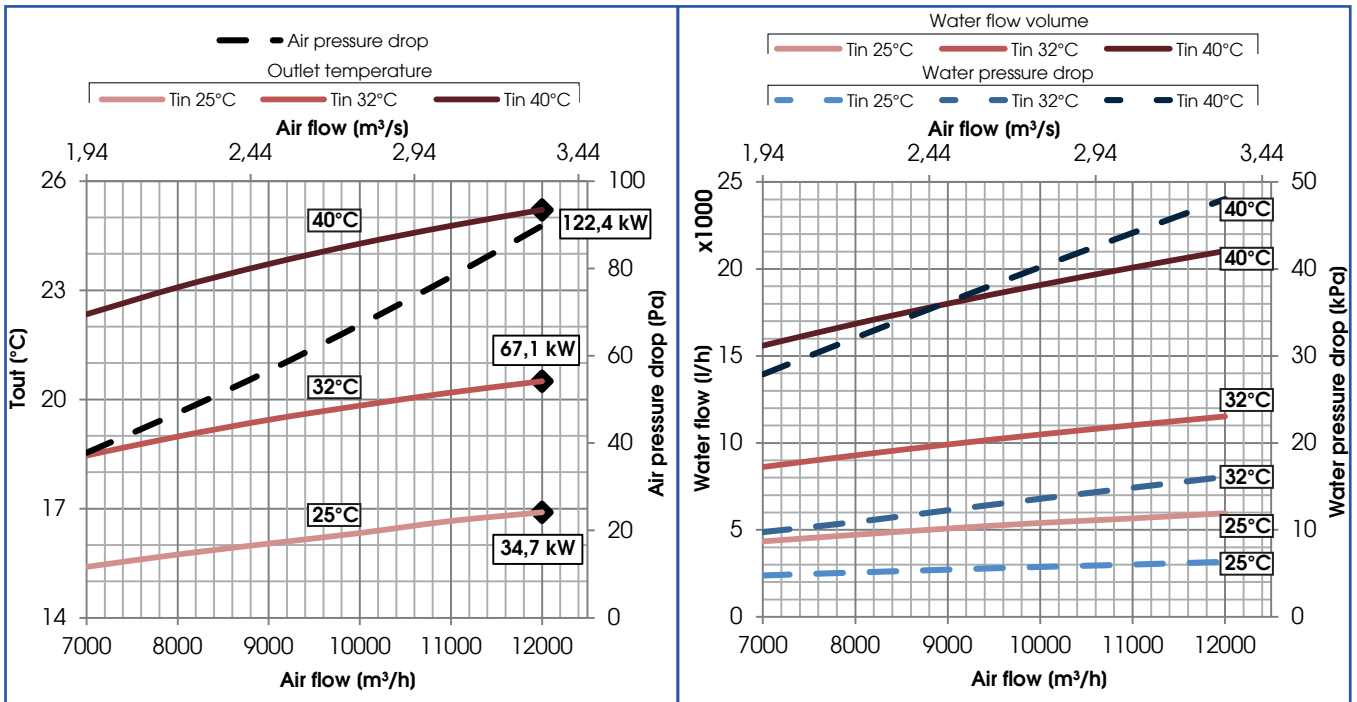
Batteries for the standard version of the machines; for the mirrored version use the mirrored batteries, available with a 5% surcharge and the code is built ODE0 0000 0010 => for mirrored machine it becomes ODEY 0000 0010



CODE	Ø AIR (mm)	ØH ₂ O("gas)	N.Rows	Fin pitch (mm)	Int.Vol. (dm ³)	Pipe	Fins	Frame	Price (€)
ODE0 0000 0025	560	2"	4	2,5	20	Cu	Al	FeZn	3.016,00
ODE0 0000 0008	630								3.052,00



CODE	Ø AIR (mm)	ØH ₂ O("gas)	N.Rows	Fin pitch (mm)	Int.Vol. (dm ³)	Pipe	Fins	Frame	Price (€)
ODE0 0000 0009	710	2"	4	2,5	27	Cu	Al	FeZn	3.777,00



N.B. : Technical characteristics and dimensions page 14

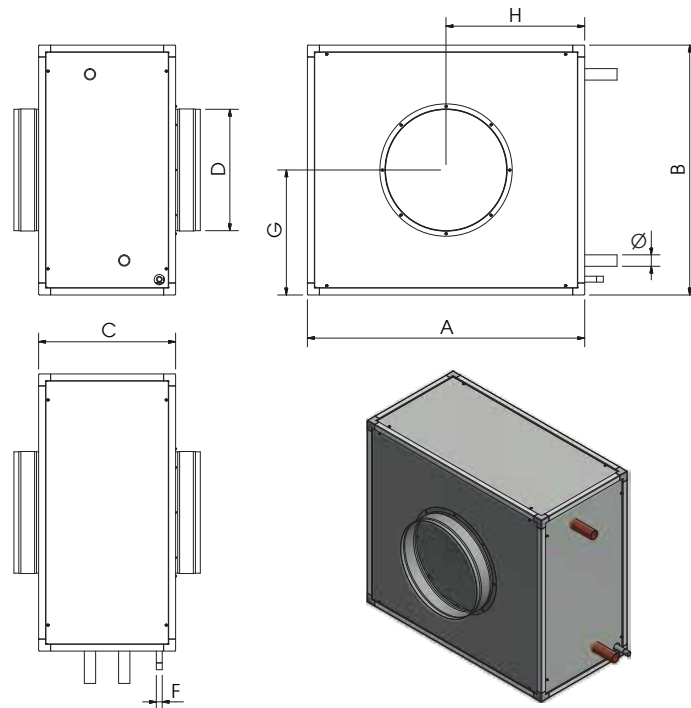
Batteries for the standard version of the machines; for the mirrored version use the mirrored batteries, available with a 5% surcharge and the code is built ODE0 0000 0010 => for mirrored machine it becomes ODEY 0000 0010



Dimensions (mm)

CODE	A	B	C	D	G	H	Ø	F	Weight (Kg)
ODEO 0000 0010	480	370	400	200	185	240	1/2"	3/8"	23,0
ODEO 0000 0011	560	430	400	250	249	280	1"	3/8"	24,0
ODEO 0000 0051	560	430	400	200	249	280	1"	3/8"	24,0
ODEO 0000 0046	560	430	400	250	215	280	1"	3/8"	28,0
ODEO 0000 0047	690	550	400	315	275	345	1"	3/8"	41,0
ODEO 0000 0012	690	600	400	315	300	345	1"	3/8"	40,0
ODEO 0000 0038	690	600	400	355	300	345	1"	3/8"	40,0
ODEO 0000 0048	810	640	400	400	350	405	1"	3/8"	54,0
ODEO 0000 0013	810	730	400	355	365	405	1"	3/8"	47,0
ODEO 0000 0043	810	730	400	450	365	405	1"	3/8"	47,0
ODEO 0000 0044	810	730	400	400	365	405	1"	3/8"	47,0
ODEO 0000 0037	1000	900	500	400	450	500	1"	3/8"	60,2
ODEO 0000 0007	1000	900	500	450	450	500	1"	3/8"	60,2
ODEO 0000 0039	1000	900	500	500	450	500	1"	3/8"	60,2
ODEO 0000 0049	1010	640	400	400	350	505	1 - 1/4"	3/8"	65,0
ODEO 0000 0041	1050	1000	500	450	500	525	1 - 1/2"	3/8"	60,2
ODEO 0000 0052	1050	1000	500	500	500	525	1 - 1/2"	3/8"	60,2
ODEO 0000 0008	1260	1150	500	630	575	630	2"	3/8"	115,0
ODEO 0000 0025	1260	1150	500	560	575	630	2"	3/8"	115,0
ODEO 0000 0009	1610	1320	600	710	660	805	2"	3/8"	152,0

Ø = water connection
F = condensate drain

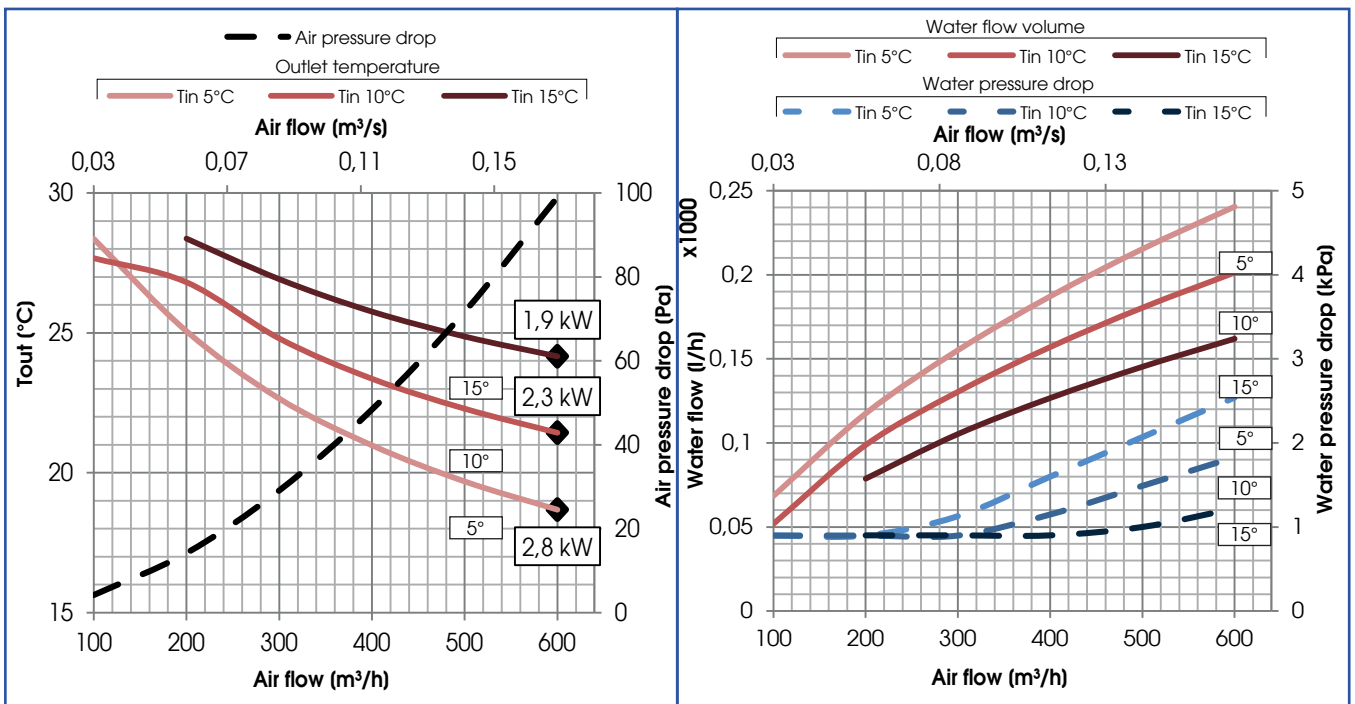




NON RESIDENTIAL TEMPERATE WATER COILS (BA-AT) (45°C/35°C)



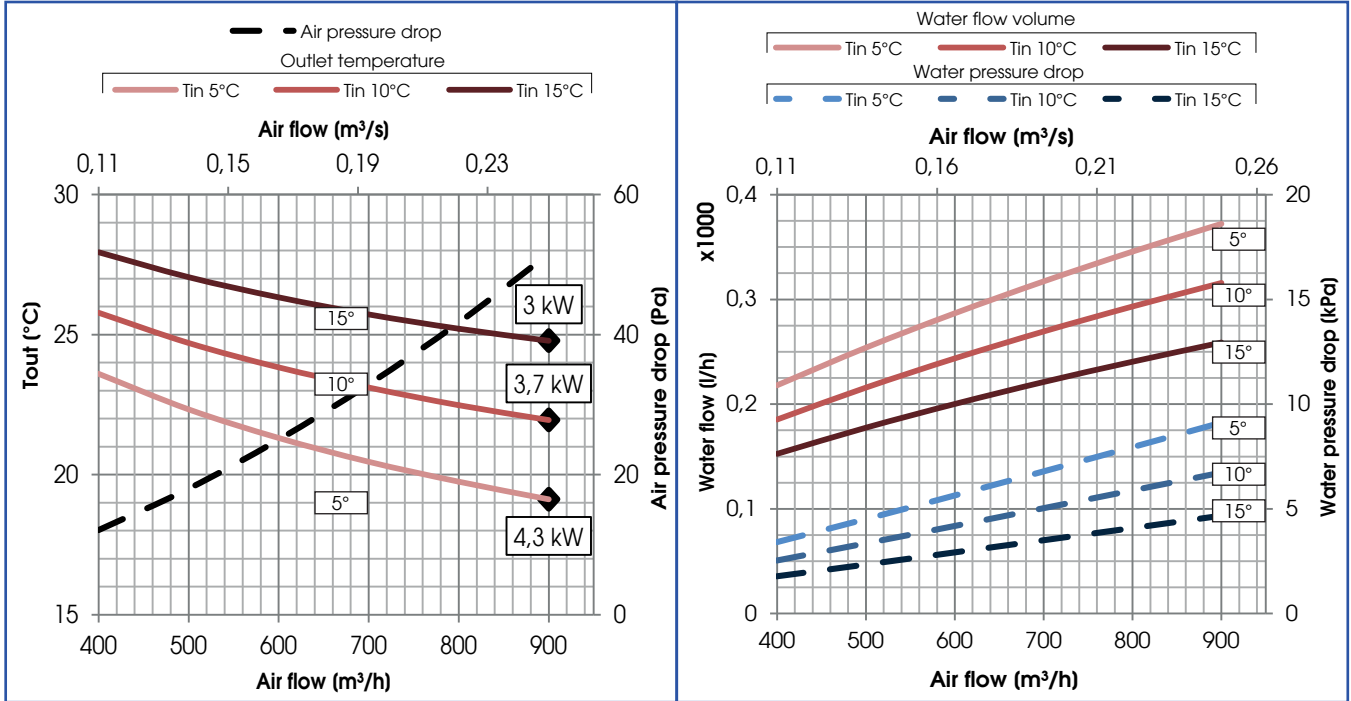
CODE	Ø AIR (mm)	ØH ₂ O("gas)	N.Rows	Fin pitch (mm)	Int.Vol. (dm ³)	Pipe	Fins	Frame	Price (€)
ODE0 0000 0015	200	1/2"	2	2,0	1	Cu	Al	FeZn	696,00



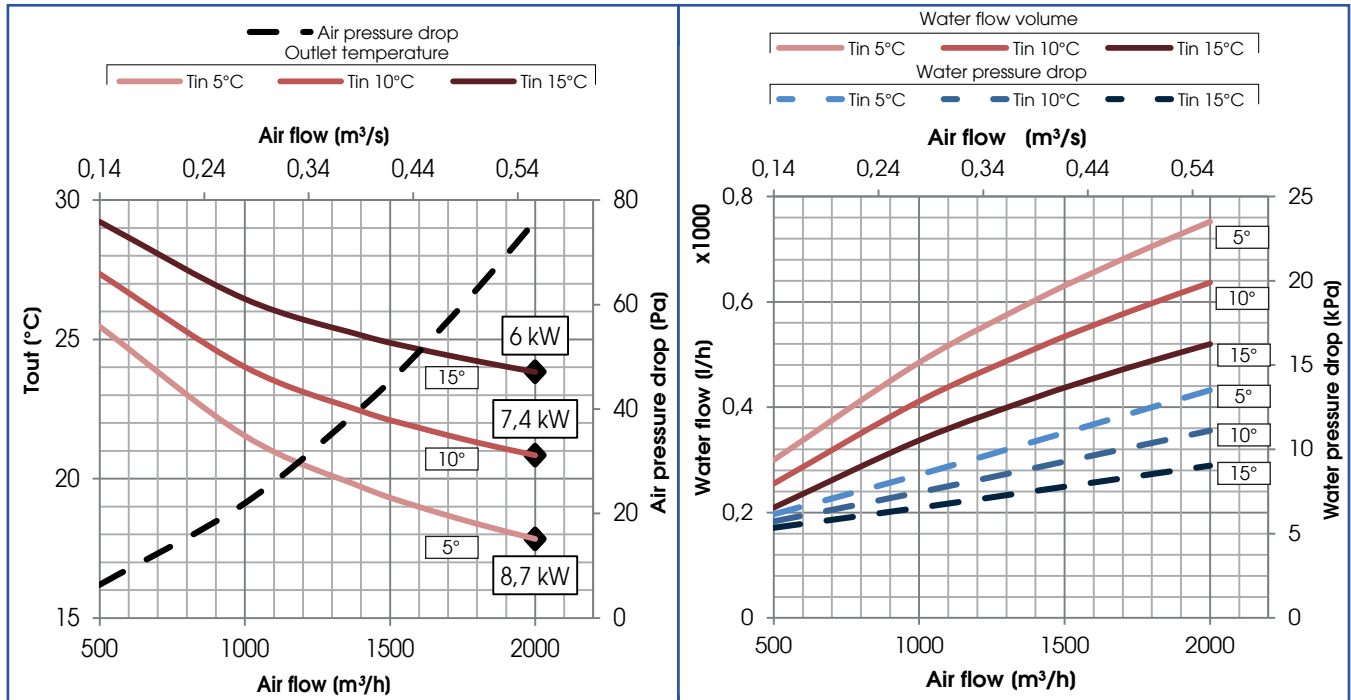
N.B. : Technical characteristics and dimensions page 18



CODE	Ø AIR (mm)	ØH ₂ O("gas)	N.Rows	Fin pitch (mm)	Int.Vol. (dm ³)	Pipe	Fins	Frame	Price (€)
ODE0 0000 0016	250								762,00
ODE0 0000 0050	200	1/2"	2	2,5	1	Cu	Al	FeZn	762,00



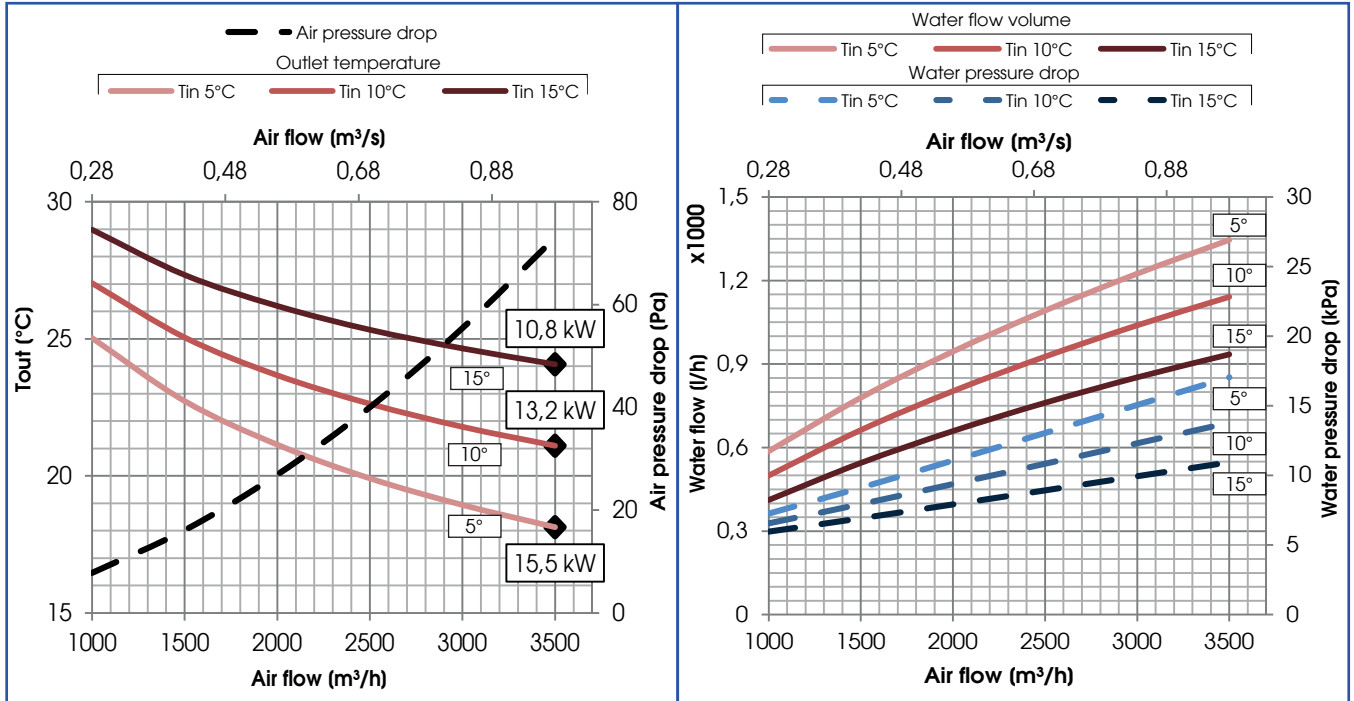
CODE	Ø AIR (mm)	ØH ₂ O("gas)	N.Rows	Fin pitch (mm)	Int.Vol. (dm ³)	Pipe	Fins	Frame	Price (€)
ODE0 0000 0017	315	3/4"	2	2,5	3	Cu	Al	FeZn	946,00



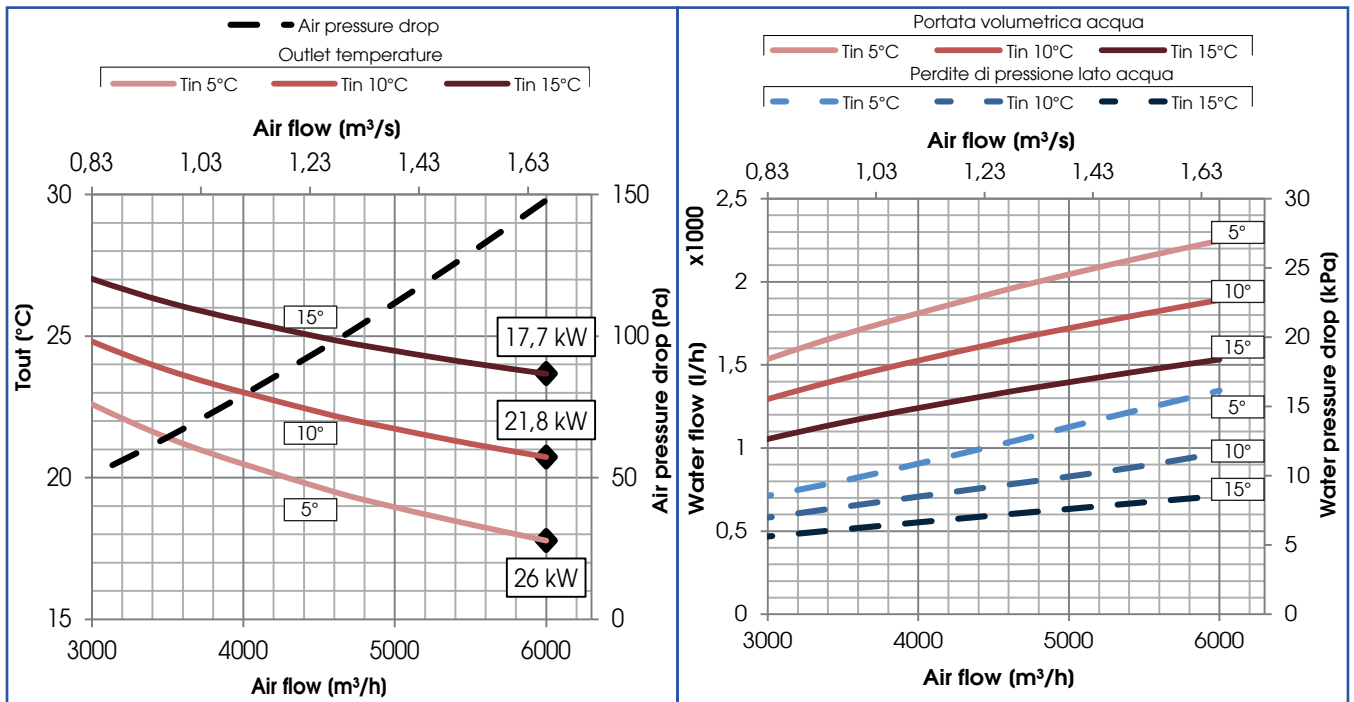
N.B. : Technical characteristics and dimensions page 18



CODE	Ø AIR (mm)	ØH ₂ O("gas)	N.Rows	Fin pitch (mm)	Int.Vol. (dm ³)	Pipe	Fins	Frame	Price (€)
ODEO 0000 0018	355	3/4"	2	2,5	4	Cu	Al	FeZn	1.122,00
ODEO 0000 0040	400								1.148,00



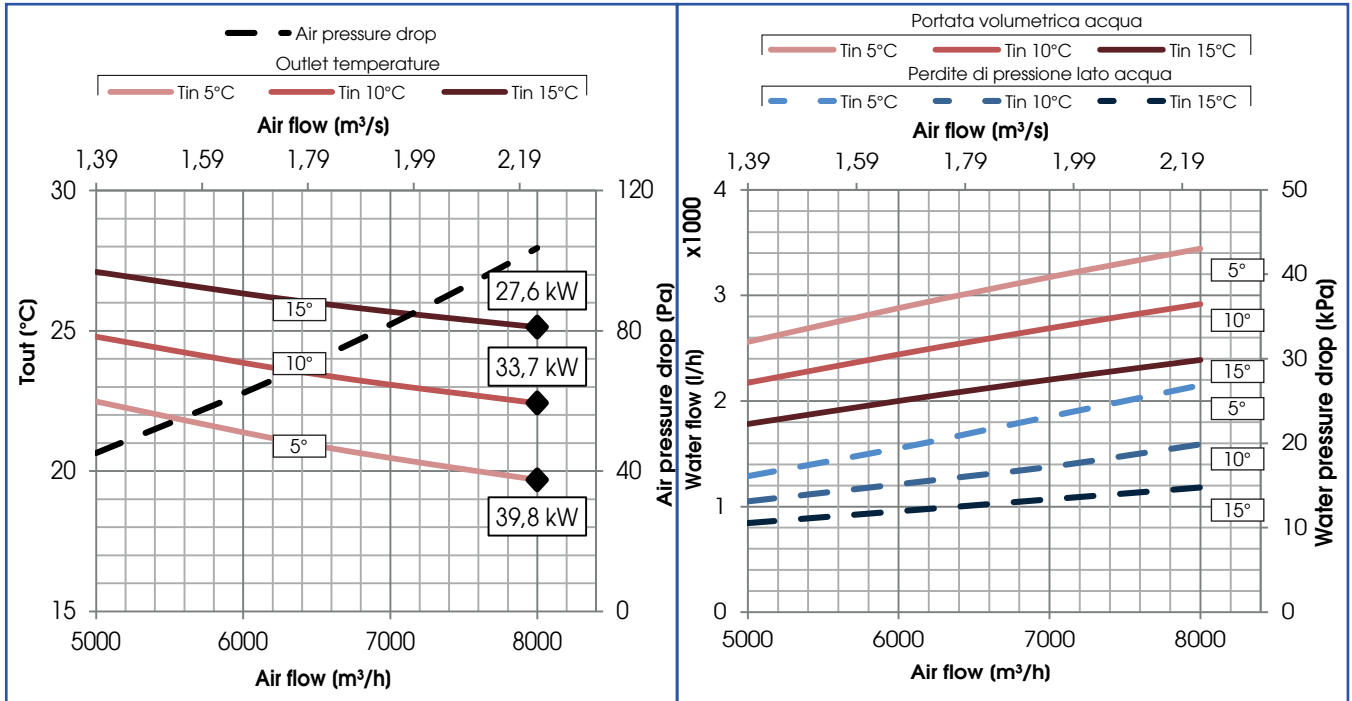
CODE	Ø AIR (mm)	ØH ₂ O("gas)	N.Rows	Fin pitch (mm)	Int.Vol. (dm ³)	Pipe	Fins	Frame	Price (€)
ODEO 0000 0042	400	3/4"	3	2,0	5	Cu	Al	FeZn	1.283,00
ODEO 0000 0020	450								1.284,00
ODEO 0000 0022	500								1.301,00



N.B. : Technical characteristics and dimensions page 18



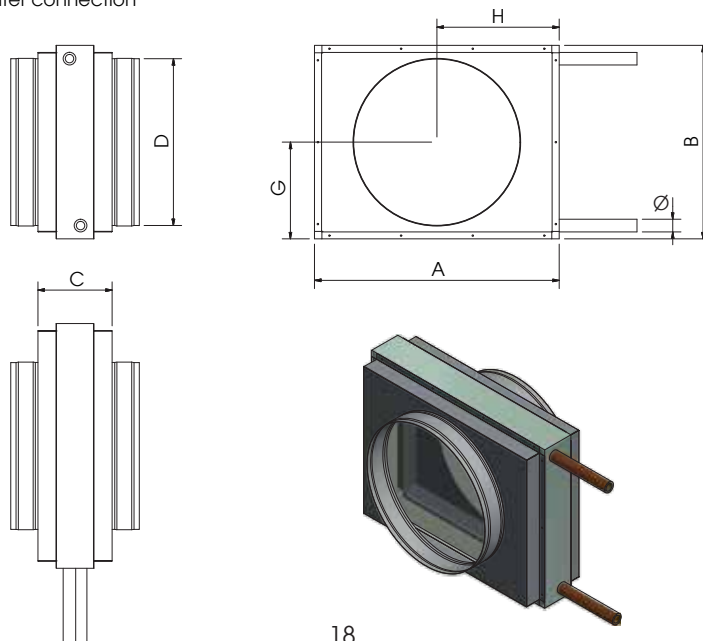
CODE	Ø AIR (mm)	ØH ₂ O("gas)	N.Rows	Fin pitch (mm)	Int.Vol. (dm ³)	Pipe	Fins	Frame	Price (€)
ODE0 0000 0024	560	1"	2	2,0	6	Cu	Al	FeZn	1.610,00
ODE0 0000 0021	630								1.636,00



Dimensions (mm)

CODICE	A	B	C	D	G	H	Ø	Peso (Kg)
ODE0 0000 0015	330	260	200	200	130	165	1/2"	8,0
ODE0 0000 0016	430	320	210	250	160	215	1/2"	11,0
ODE0 0000 0050	430	320	210	200	160	215	1/2"	11,0
ODE0 0000 0017	490	470	200	315	235	245	3/4"	15,0
ODE0 0000 0018	585	560	200	355	280	292,5	3/4"	20,0
ODE0 0000 0040	585	560	200	400	280	292,5	3/4"	20,0
ODE0 0000 0042	555	740	230	400	370	277,5	3/4"	30,0
ODE0 0000 0020	555	740	230	450	370	277,5	3/4"	30,0
ODE0 0000 0022	555	740	230	500	370	277,5	3/4"	30,0
ODE0 0000 0024	885	680	200	560	340	442,5	1"	36,0
ODE0 0000 0021	885	680	200	630	340	442,5	1"	36,0

Ø = water connection

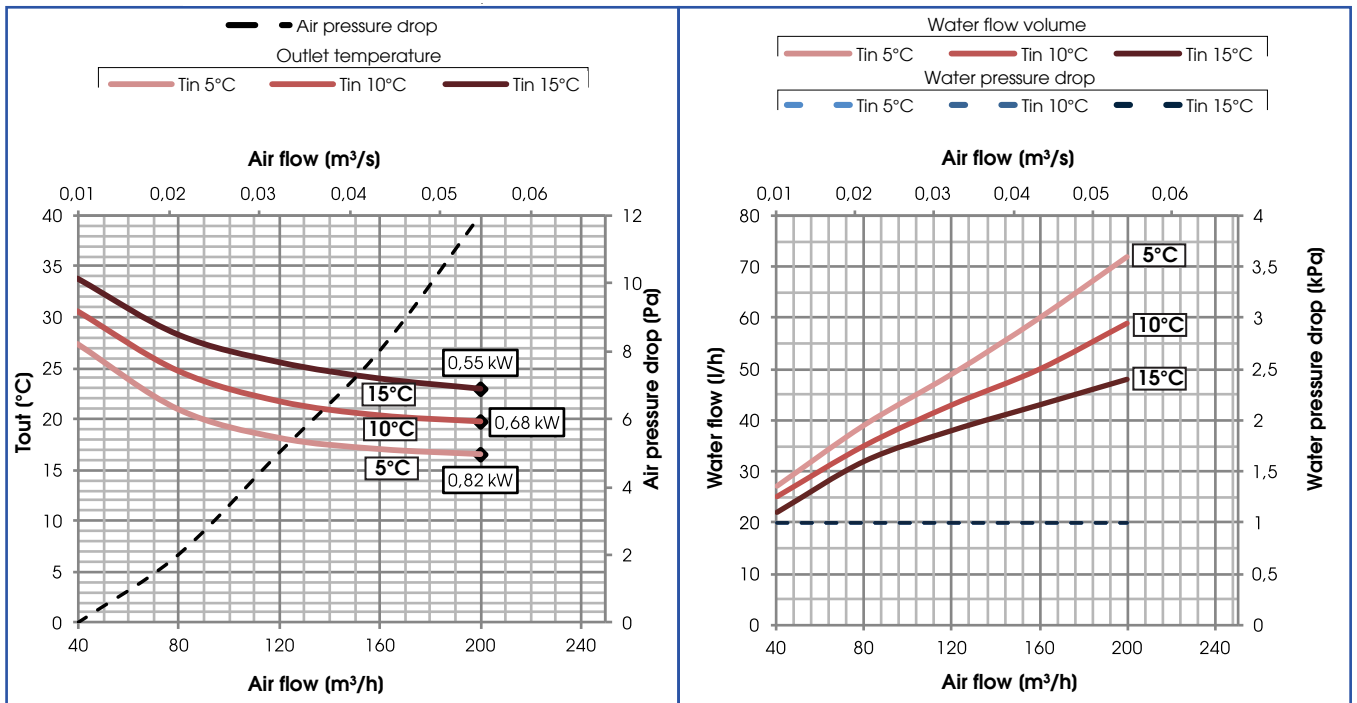




RESIDENTIAL AND NON RESIDENTIAL HOT WATER COILS (BA-AC) (70°C/60°C)



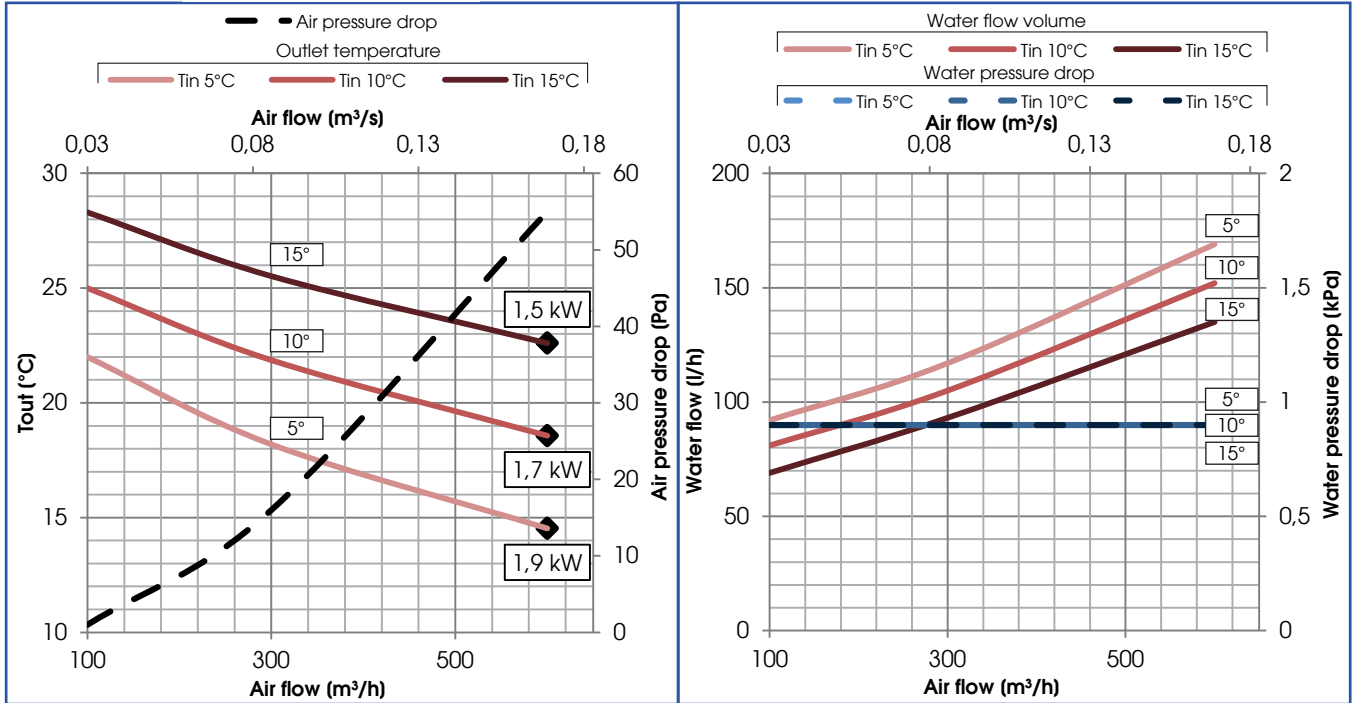
CODE	Ø AIR (mm)	ØH ₂ O("gas)	N.Rows	Fin pitch (mm)	Int.Vol. (dm ³)	Pipe	Fins	Frame	Price (€)
ODE0 0000 0070	125	1/2"	1	3,5	0,54	Cu	Al	FeZn	349,00



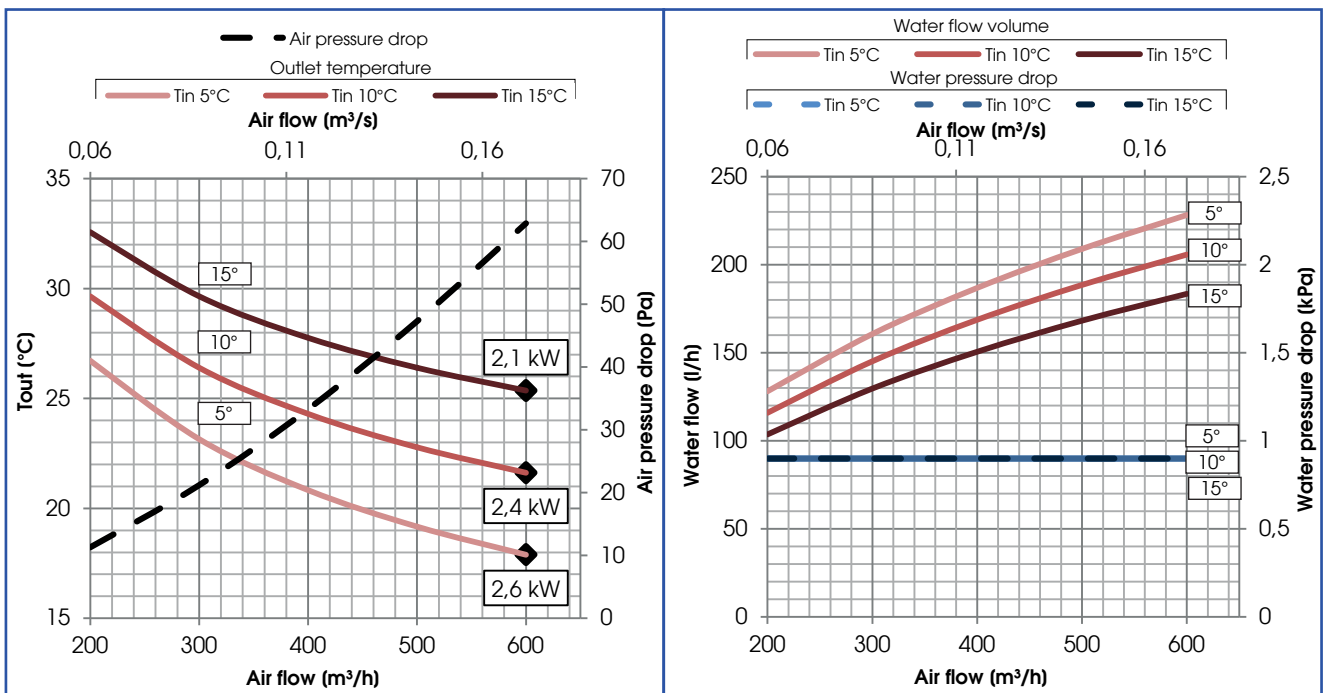
N.B. : Technical characteristics and dimensions page 23



CODE	Ø AIR (mm)	ØH ₂ O("gas)	N.Rows	Fin pitch (mm)	Int.Vol. (dm ³)	Pipe	Fins	Frame	Price (€)
ODE0 0000 0006	150		1	2,5	1	Cu	Al	FeZn	376,00
ODE0 0000 0029	160	1/2"							376,00



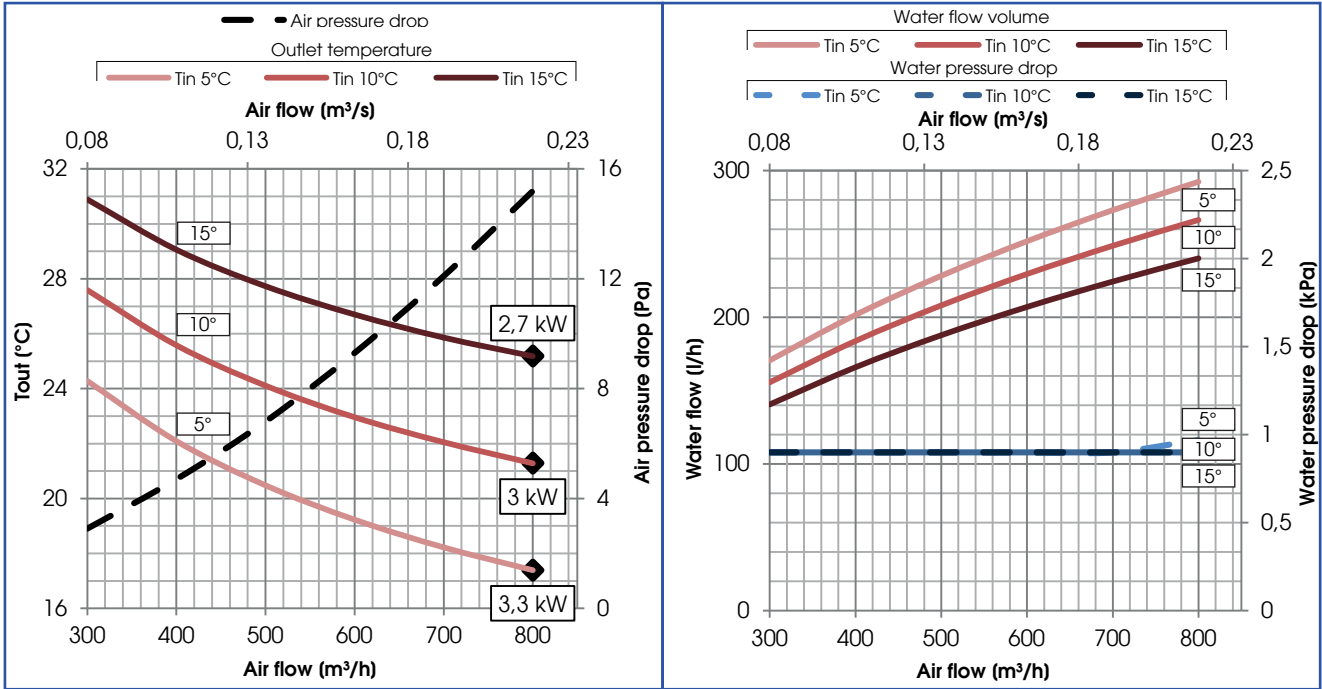
CODE	Ø AIR (mm)	ØH ₂ O("gas)	N.Rows	Fin pitch (mm)	Int.Vol. (dm ³)	Pipe	Fins	Frame	Price (€)
ODE0 0000 0001	200	1/2"	2	2,5	1	Cu	Al	FeZn	473,00



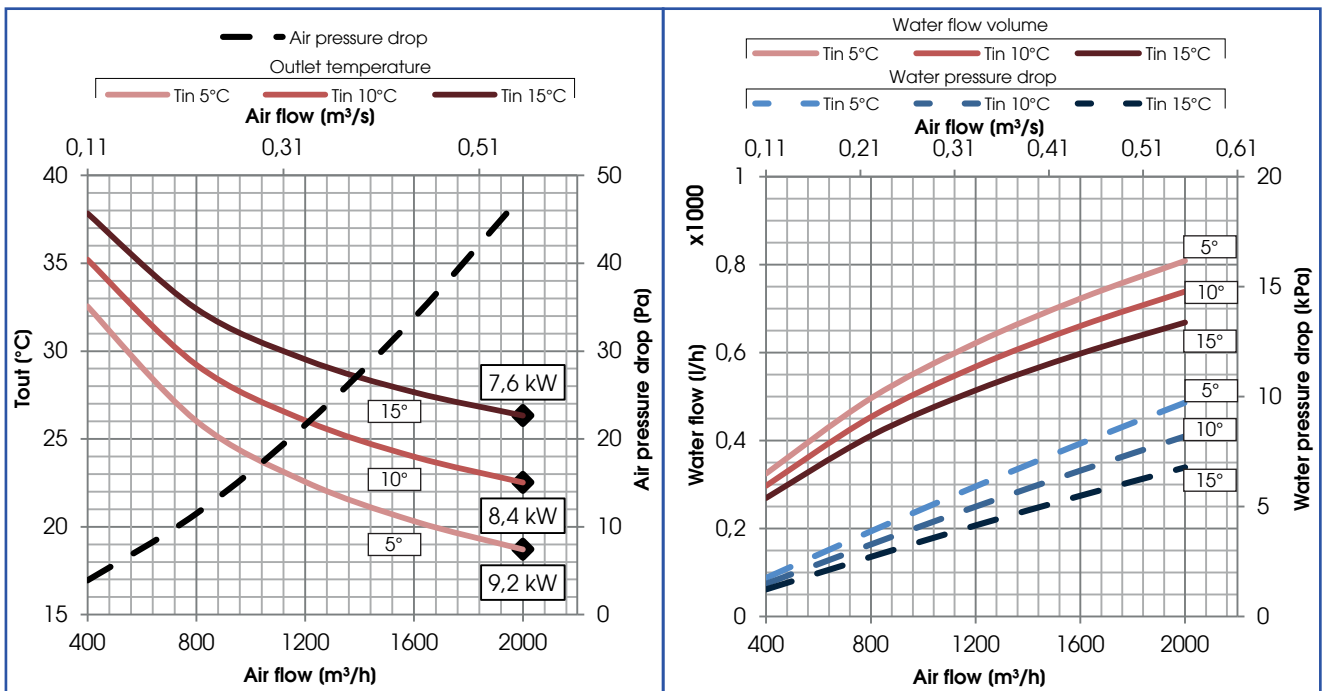
N.B.: Technical characteristics and dimensions page 23



CODE	Ø AIR (mm)	ØH ₂ O("gas)	N.Rows	Fin pitch (mm)	Int.Vol. (dm ³)	Pipe	Flns	Frame	Price (€)
ODE000000053	200	1/2"	2	4,2	1	Cu	Al	FeZn	524,00
ODE000000002	250								531,00



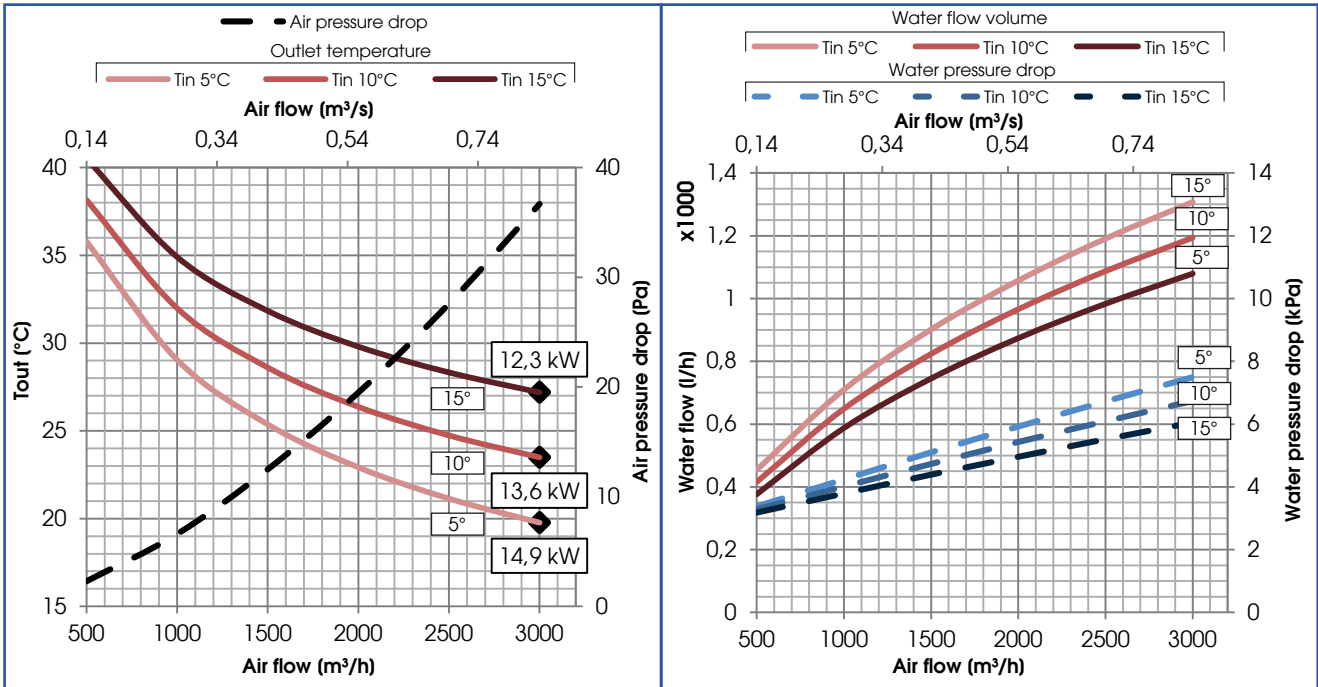
CODE	Ø AIR (mm)	ØH ₂ O("gas)	N.Rows	Fin pitch (mm)	Int.Vol. (dm ³)	Pipe	Flns	Frame	Price (€)
ODE0 0000 0003	315	3/4"	2	3,2	2	Cu	Al	FeZn	666,00



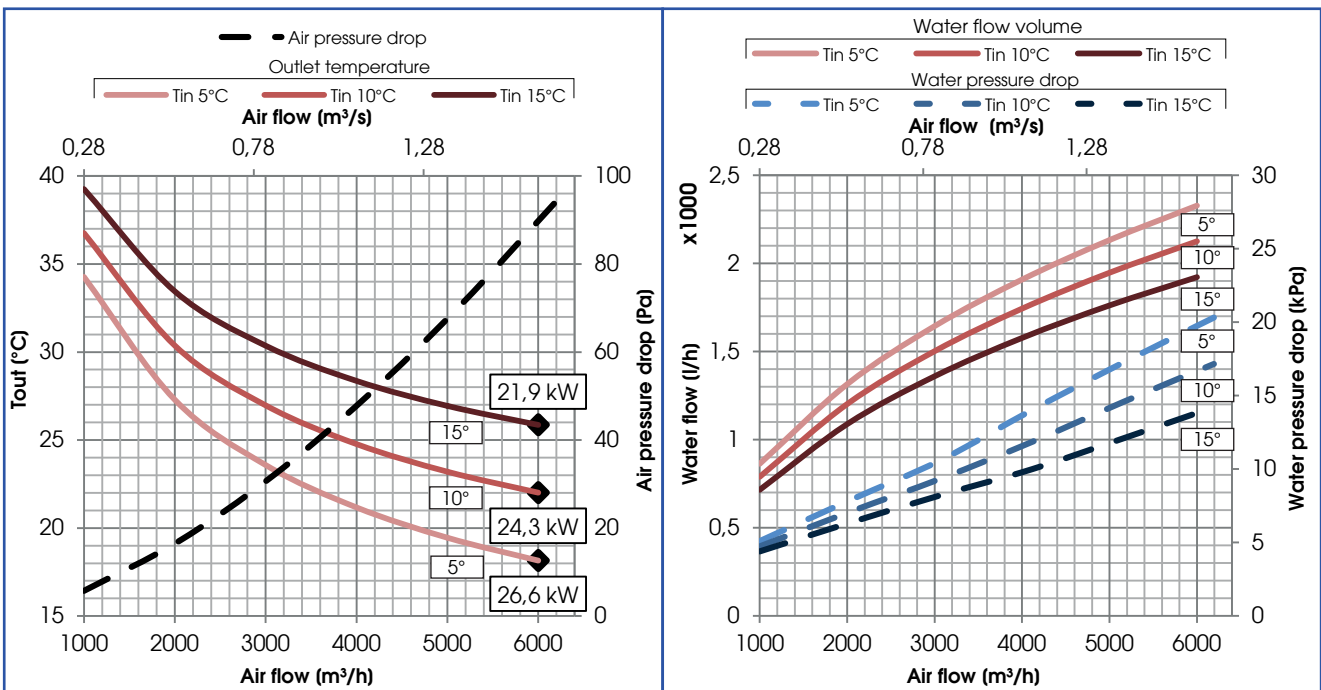
N.B. : Technical characteristics and dimensions page 23



CODE	Ø AIR (mm)	ØH ₂ O("gas)	N.Rows	Fin pitch (mm)	Int.Vol. (dm ³)	Pipe	Fins	Frame	Price (€)
ODEO 0000 0004	355	3/4"	2	3,2	3	Cu	Al	FeZn	838,00
ODEO 0000 0031	400								851,00



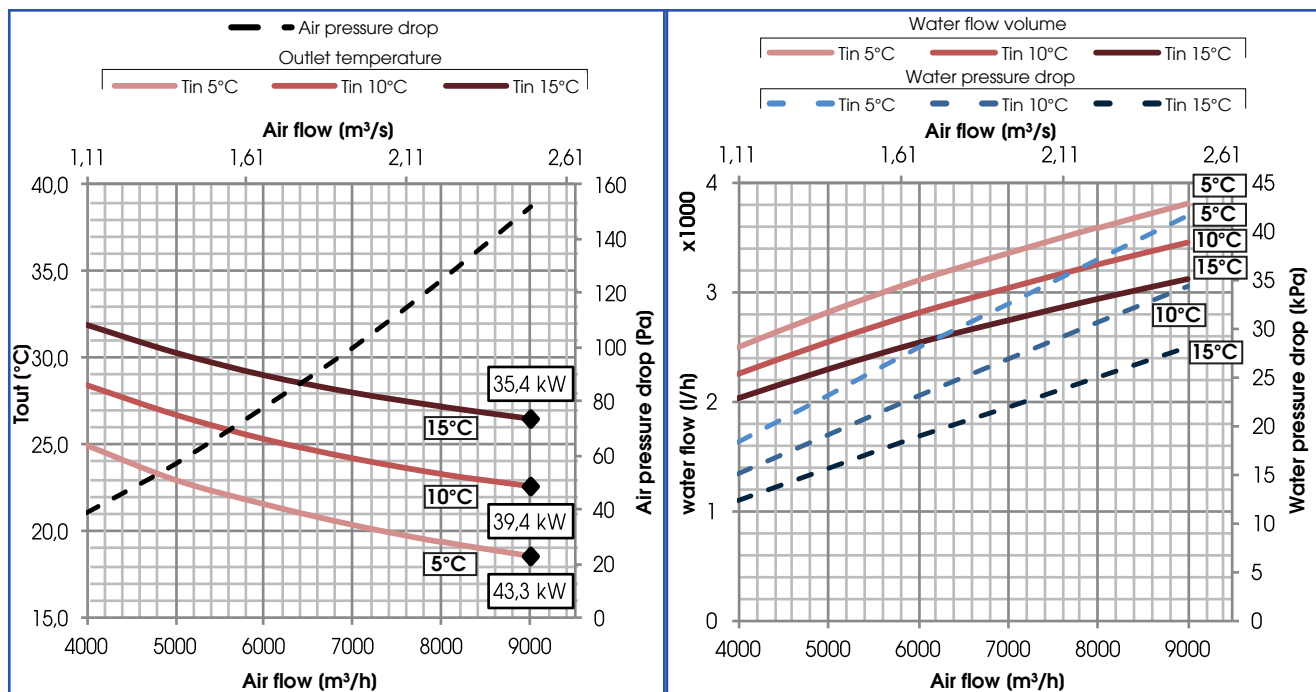
CODE	Ø AIR (mm)	ØH ₂ O("gas)	N.Rows	Fin pitch (mm)	Int.Vol. (dm ³)	Pipe	Fins	Frame	Price (€)
ODEO 0000 0005	450	1"	2	2,5	3	Cu	Al	FeZn	1.021,00
ODEO 0000 0030	500								1.038,00



N.B.: Technical characteristics and dimensions page 23



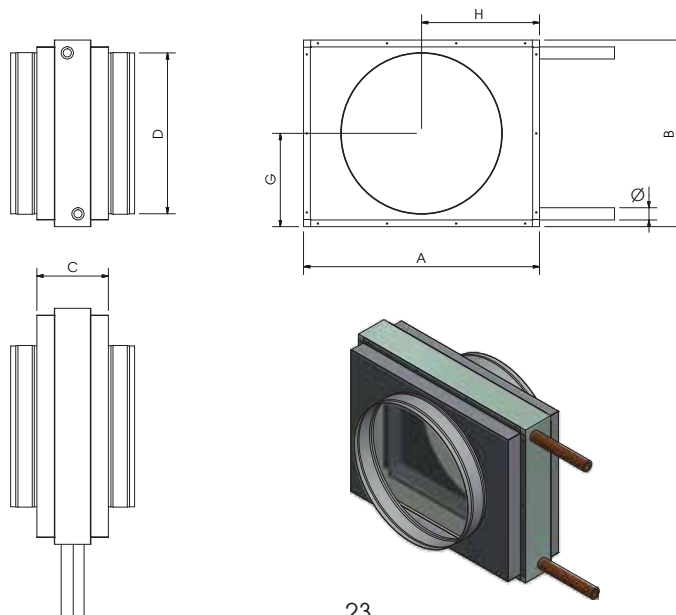
CODE	Ø AIR (mm)	ØH ₂ O("gas)	N.Rows	Fin pitch (mm)	Int.Vol. (dm ³)	Pipe	Fins	Frame	Price (€)
ODEO 0000 0019	560	1"	2	3	6	Cu	Al	FeZn	1.375,00
ODEO 0000 0023	630								1.392,00



Dimensions (mm)

CODE	A	B	C	D	G	H	Ø	Weight (Kg)
ODEO 0000 0006	330	260	200	150	130	165	1/2"	6,0
ODEO 0000 0029	330	260	200	160	130	165	1/2"	6,0
ODEO 0000 0001	280	260	200	200	130	140	1/2"	5,0
ODEO 0000 0002	440	320	200	250	160	220	1/2"	6,0
ODEO 0000 0053	440	320	200	200	160	220	1/2"	6,0
ODEO 0000 0003	440	440	200	315	220	220	3/4"	9,0
ODEO 0000 0004	560	560	200	355	280	280	3/4"	13,0
ODEO 0000 0031	560	560	200	400	280	280	3/4"	13,0
ODEO 0000 0005	660	522	200	450	261	300	1"	19,0
ODEO 0000 0030	660	522	200	500	261	300	1"	19,0
ODEO 0000 0019	860	642	230	560	321	430	1"	28,0
ODEO 0000 0023	860	642	230	630	321	430	1"	28,0

Ø = water connection





3 WAY SOLENOID VALVES (3 points and 0-10 Volt)

CODE	3 points - description	Price (€)
0DA0 0000 0001	3-way solenoid valve 3 points 230V IP40 200N F1/2"	265,00
0DA0 0000 0002	3-way solenoid valve 3 points 230V IP40 200N F3/4"	286,00
0DA0 0000 0003	3-way solenoid valve 3 points 230V IP40 200N F1"	287,00
0DA0 0000 0004	3-way solenoid valve 3 points 230V IP40 200N F1-1/4"	346,00
0DA0 0000 0006	3-way solenoid valve 3 points 230V IP40 300N F1-1/2"	438,00
0DA0 0000 0007	3-way solenoid valve 3 points 230V IP40 300N F2"	502,00

CODE	0-10 Volt - description	Price (€)
0DA0 0000 0008	3-way solenoid valve 0-10V 24V IP40 200N F1/2"	305,00
0DA0 0000 0005	3-way solenoid valve 0-10V 24V IP40 200N F3/4"	326,00
0DA0 0000 0009	3-way solenoid valve 0-10V 24V IP40 200N F1"	327,00
0DA0 0000 0010	3-way solenoid valve 0-10V 24V IP40 200N F1-1/4"	386,00
0DA0 0000 0011	3-way solenoid valve 0-10V 24V IP40 300N F1-1/2"	510,00
0DA0 0000 0012	3-way solenoid valve 0-10V 24V IP40 300N F2"	574,00

NOTE . diameter of battery connections on machine technical data sheet
. including actuator



STANDARD ELECTRICAL HEATERS



basic resistor without control to be implemented by the customer.

. NOT managed by Control EVO-PH

Complete of:

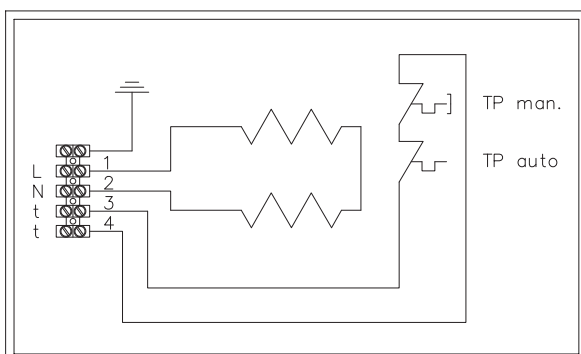
- thermal protection with automatic reset 55 ° C
- thermal protector with manual reset 70 ° C
- terminal box
- cable glands

CODE	Ø AIR (mm)	n. phases	Voltage (V)	Power (kW)	n. stages	Price (€)
0E00 0311 25CM*	125	1	230	0,3	1	359,00
0E00 0511 50CM*	150	1	230	0,5	1	284,00
0E00 0511 60CM*	160	1	230	0,5	1	284,00
0E00 2012 000M	200	1	230	2	1	249,00
0E00 3022 500M	250	1	230	3	2	328,00
0E00 4022 500M	250	1	230	4	2	313,00
0E00 3023 150M	315	1	230	3	2	313,00
0E00 5023 150M	315	1	230	5	2	325,00
0E00 6023 150M	315	1	230	6	2	341,00
0E00 6023 150T	315	3	400	6	2	442,00
0E00 6023 550M	355	1	230	6	2	495,00
0E00 8023 550M	355	1	230	8	2	752,00
0E00 8023 550T	355	3	400	8	2	752,00
0E00 8024 000M	400	1	230	8	2	752,00
0E00 8024 000T	400	3	400	8	2	752,00
0E01 2024 000T	400	3	400	12	2	842,00
0E00 8024 500M	450	1	230	8	2	709,00
0E00 8024 500T	450	3	400	8	2	729,00
0E01 6024 500T	450	3	400	16	2	1.280,00
0E01 2024 500T	450	3	400	12	2	813,00
0E01 2025 000T	500	3	400	12	2	916,00
0E01 6025 000T	500	3	400	16	2	916,00
0E01 6025 600T	560	3	400	16	2	907,00
0E02 4026 300T	630	3	400	24	2	1.136,00
0E03 6027 100T	710	3	400	36	2	1.721,00

*Armored resistance

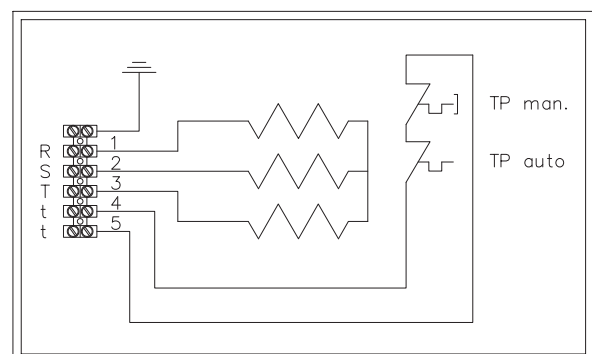
STANDARD RESISTORS SINGLE PHASE

230V-1-50Hz



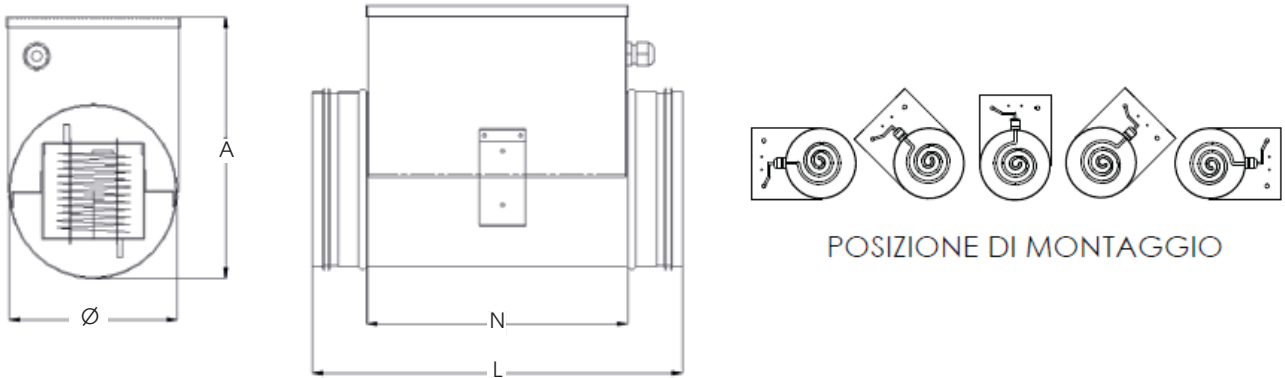
STANDARD RESISTORS THREE PHASE

400V-3-50Hz

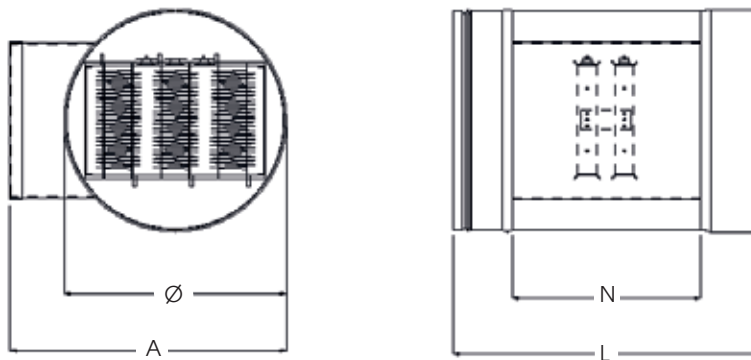




Drawing A



Drawing B



CODE	Ø (mm)	L (mm)	A (mm)	N (mm)	Weight (kg)	Drawing
OE00 0311 25CM	125	400	217	300	2,1	A
OE00 0511 50CM	150	400	240	300	2,4	A
OE00 0511 60CM	160	400	245	300	2,6	A
OE00 2012 000M	200	330	290	200	3,3	B
OE00 3022 500M	250	340	335	250	4,0	B
OE00 4022 500M	250	340	335	250	4,0	B
OE00 3023 150M	315	473	447	300	6,7	B
OE00 5023 150M	315	473	447	300	6,7	B
OE00 6023 150M	315	473	447	300	6,7	B
OE00 6023 150T	315	473	447	300	6,7	B
OE00 6023 550M	355	473	490	300	7,2	B
OE00 8023 550M	355	473	490	300	7,2	B
OE00 8023 550T	355	473	490	300	7,2	B
OE00 8024 000M	400	480	540	300	8,0	B
OE00 8024 000T	400	480	540	300	8,0	B
OE01 2024 000T	400	480	540	300	9,0	B
OE00 8024 500M	450	490	580	300	9,1	B
OE00 8024 500T	450	490	580	300	9,1	B
OE01 6024 500T	450	490	580	300	10,2	B
OE01 2024 500T	450	490	580	300	9,1	B
OE01 2025 000T	500	490	640	300	10,5	B
OE01 6025 000T	500	490	640	300	10,5	B
OE01 6025 600T	560	490	700	300	11,2	B
OE02 4026 300T	630	490	775	300	13,5	B
OE03 6027 100T	710	490	910	300	16,0	B



ELECTRONIC HEATERS PRE/POST



Electronic

- . keeps the air out of the battery equal to the set point (es. T = 20°C)
- . modulation PWM
- . **NOT managed by the EVO series controls**

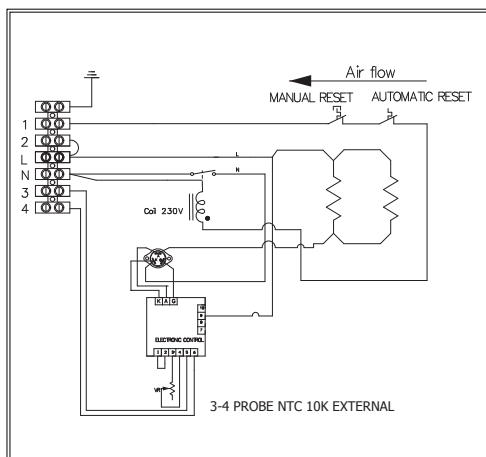
Complete of:

- thermal protection with automatic reset 55 ° C
- thermal protector with manual reset 70 ° C
- electronic temperature control
- contactor, terminal box and cable gland
- pressure switch (optional)

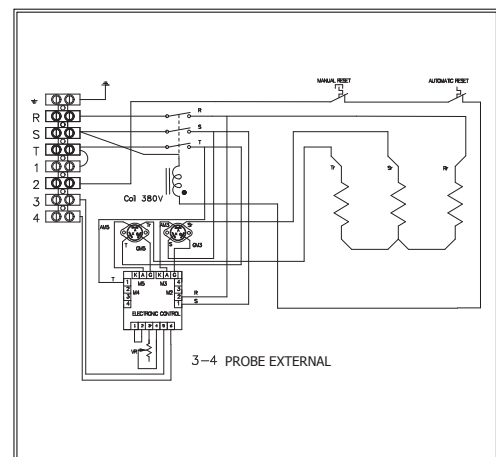
CODE	Ø AIR (mm)	n. phases	Voltage (V)	Power (kW)	n. stages	Price (€)
OE20 0311 25CM*	125	1	230	0,3	1	675,00
OE20 0511 50CM*	150	1	230	0,5	1	603,00
OE20 0511 60CM*	160	1	230	0,5	1	603,00
OE20 2012 000M	200	1	230	2	1	706,00
OE20 2012 500M	250	1	230	2	1	686,00
OE20 4022 500M	250	1	230	4	1	798,00
OE20 4023 150M	315	1	230	4	2	740,00
OE20 6023 150M	315	1	230	6	2	886,00
OE20 6023 150T	315	3	400	6	2	886,00
OE20 6023 550M	355	1	230	6	2	852,00
OE20 8023 550M	355	1	230	8	2	914,00
OE20 8023 550T	355	3	400	8	2	914,00
OE20 8024 000M	400	1	230	8	2	914,00
OE20 8024 000T	400	3	400	8	2	1.107,00
OE21 2024 500T	450	3	400	12	2	1.121,00
OE21 2025 000T	500	3	400	12	2	1.536,00
OE21 6025 000T	500	3	400	16	2	1.536,00
OE21 6025 600T	560	3	400	16	2	1.744,00
OE22 4026 300T	630	3	400	24	2	3.404,00
OE23 6027 100T	710	3	400	36	2	3.653,00

*Armored resistance

ELECTRONIC RESISTORS SINGLE PHASE

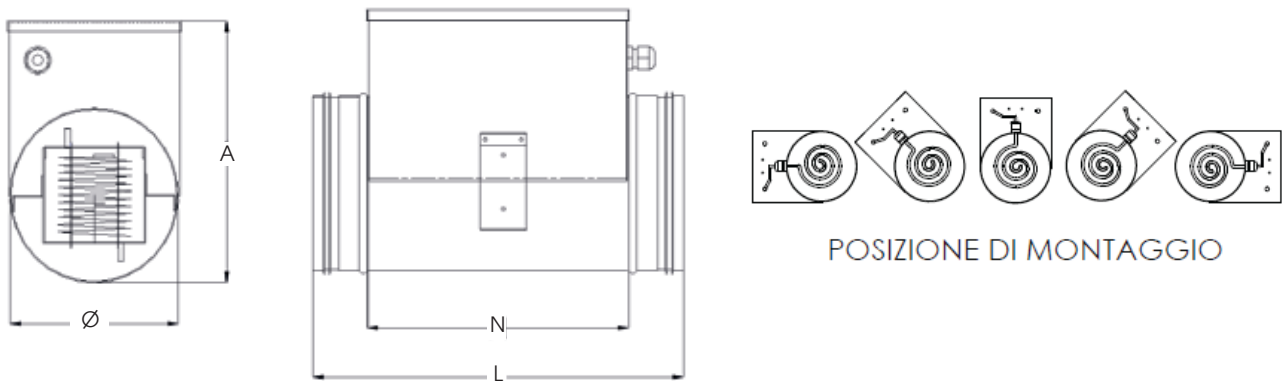


ELECTRONIC RESISTORS THREE PHASE

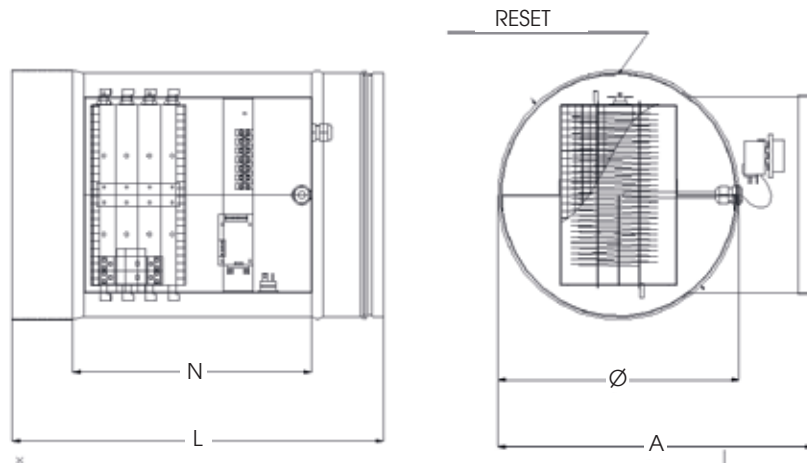




Drawing A



Drawing C



CODE	Ø (mm)	L (mm)	A (mm)	N (mm)	Weight (kg)	Drawing
OE20 0311 25CM	125	400	217	300	2,7	A
OE20 0511 50CM	150	400	240	300	3,0	A
OE20 0511 60CM	160	400	245	300	3,1	A
OE20 2012 000M	200	330	290	200	3,8	C
OE20 2012 500M	250	340	335	250	4,3	C
OE20 4022 500M	250	340	335	250	4,3	C
OE20 4023 150M	315	473	447	300	7,5	C
OE20 6023 150M	315	473	447	300	7,5	C
OE20 6023 150T	315	473	447	300	7,5	C
OE20 6023 550M	355	473	490	300	8,5	C
OE20 8023 550M	355	473	490	300	8,5	C
OE20 8023 550T	355	473	490	300	8,5	C
OE20 8024 000M	400	480	540	300	9,4	C
OE20 8024 000T	400	480	540	300	9,4	C
OE21 2024 500T	450	490	580	300	10,0	C
OE21 2025 000T	500	490	640	300	12,0	C
OE21 6025 000T	500	490	640	300	12,0	C
OE21 6025 600T	560	490	700	300	13,5	C
OE22 4026 300T	630	490	775	300	15,5	C
OE23 6027 100T	710	490	910	300	18,0	C



THERMOSTATIC HEATERS PRE/POST



Thermostatic

- . intervenes with inlet air to the battery lower than the setpoint (es. $T < -6\text{ }^{\circ}\text{C}$)
- . adjustable mechanical thermostat with one or two knobs (adjustment in box on duct)
- . Operating on-off, broad hysteresis
- . **NOT managed by the controls of the EVO-PH series**
- . recuperator air flow $> 60\%$ maximum

Complete of:

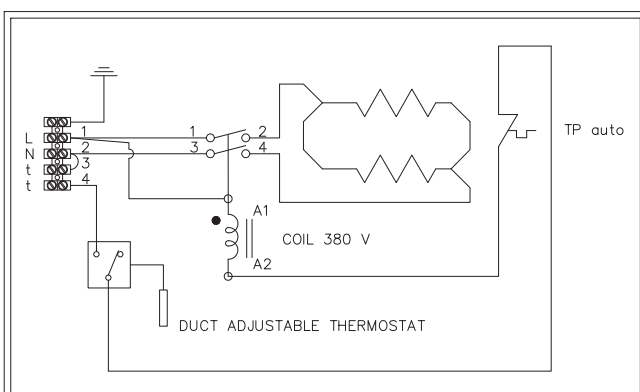
- thermal protection with automatic reset $55\text{ }^{\circ}\text{C}$
- thermal protector with manual reset $70\text{ }^{\circ}\text{C}$
- duct thermostat - $30 + 30\text{ }^{\circ}\text{C}$
- contactor, terminal box and cable gland
- pressure switch (optional)

CODE	NIPPLE (mm)	n. phases	Voltage (V)	Power (kW)	n. stages	Price (€)
OE10 0311 25CM*	125	1	230	0.3	1	444,00
OE10 0511 50CM*	150	1	230	0.5	1	350,00
OE10 0511 60CM*	160	1	230	0.5	1	350,00
OE10 1011 60CM*	160	1	230	1	1	468,00
OE10 2012 000M	200	1	230	2	1	306,00
OE10 4022 500M	250	1	230	4	2	583,00
OE10 1513 150M	315	1	230	1.5	1	564,00
OE10 3023 150M	315	1	230	3	2	680,00
OE10 6023 150M	315	1	230	6	1	721,00
OE10 6023 150T	315	3	400	6	2	896,00
OE10 8023 550M	355	1	230	8	2	1.103,00
OE10 8023 550T	355	3	400	8	2	1.103,00
OE10 8024 000M	400	1	230	8	2	1.103,00
OE10 8024 000T	400	3	400	8	2	1.103,00
OE11 2024 000T	400	3	400	12	2	1.041,00
OE11 2024 500T	450	3	400	12	2	1.186,00
OE11 6025 000T	500	3	400	16	2	1.290,00
OE11 6025 600T	560	3	400	16	2	1.441,00
OE12 4026 300T	630	3	400	24	2	1.415,00
OE13 6027 100T	710	3	400	36	2	2.561,00

*Armored resistance

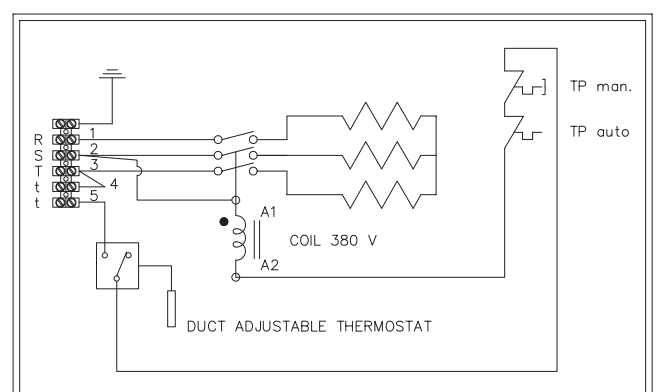
THERMOSTATIC RESISTORS SINGLE PHASE

230V-1-50Hz



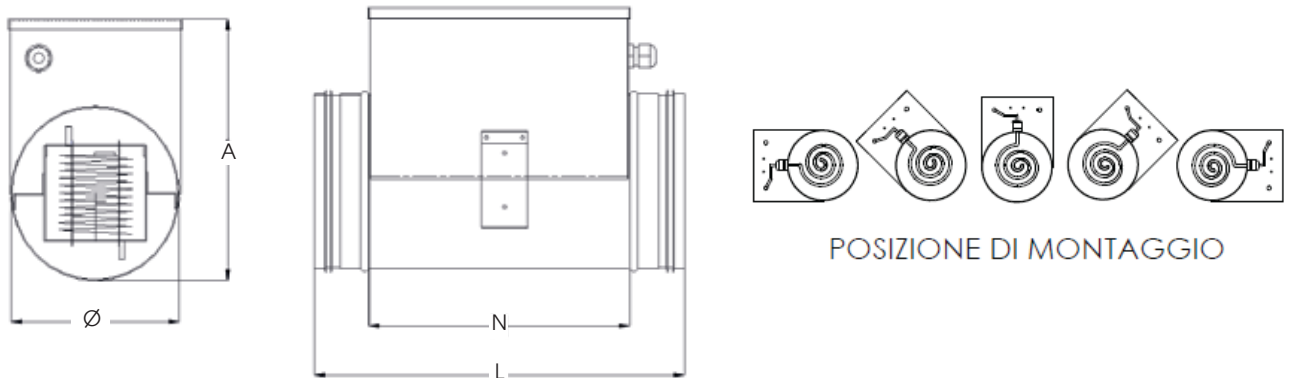
THERMOSTATIC RESISTORS THREE PHASE

400V-3-50Hz

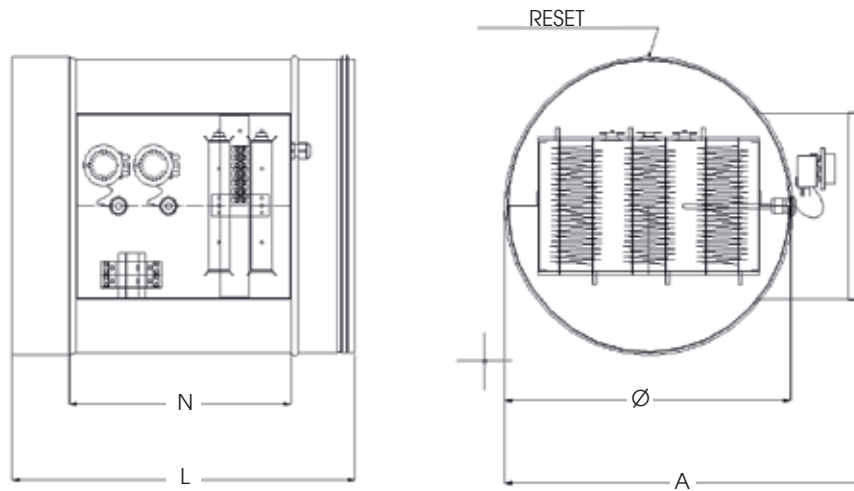




Drawing A



Drawing C



CODE	Ø (mm)	L (mm)	A (mm)	N (mm)	Weight (kg)	Drawing
OE10 0311 25CM	125	400	217	300	2,4	A
OE10 0511 50CM	150	400	240	300	2,7	A
OE10 0511 60CM	160	400	245	300	2,9	A
OE10 1011 60CM	160	400	245	300	3,0	A
OE10 2012 000M	200	330	290	200	3,8	C
OE10 4022 500M	250	340	335	250	4,3	C
OE10 1513 150M	315	473	447	300	6,8	C
OE10 3023 150M	315	473	447	300	7,5	C
OE10 6023 150M	315	473	447	300	7,5	C
OE10 6023 150T	315	473	447	300	7,5	C
OE10 8023 550M	355	473	490	300	8,5	C
OE10 8023 550T	355	473	490	300	8,5	C
OE10 8024 000M	400	480	540	300	9,4	C
OE11 2024 000T	400	480	540	300	9,4	C
OE10 8024 000T	400	480	540	300	9,4	C
OE11 2024 500T	450	490	580	300	10,0	C
OE11 6025 000T	500	490	640	300	12,0	C
OE11 6025 600T	560	490	700	300	13,5	C
OE12 4026 300T	630	490	775	300	15,5	C
OE13 6027 100T	710	490	910	300	18,0	C



EVO HEATERS of POST HEATING WITH PRESSURE SWITCH



Resistors predisposed for the management of the temperature
for the matching with EVO series controls

Complete of:

- thermal protection with automatic reset 55 ° C
- thermal protector with manual reset 70 ° C
- terminal box
- cable gland
- safety pressure switch
- solid state relay
- temperature probe

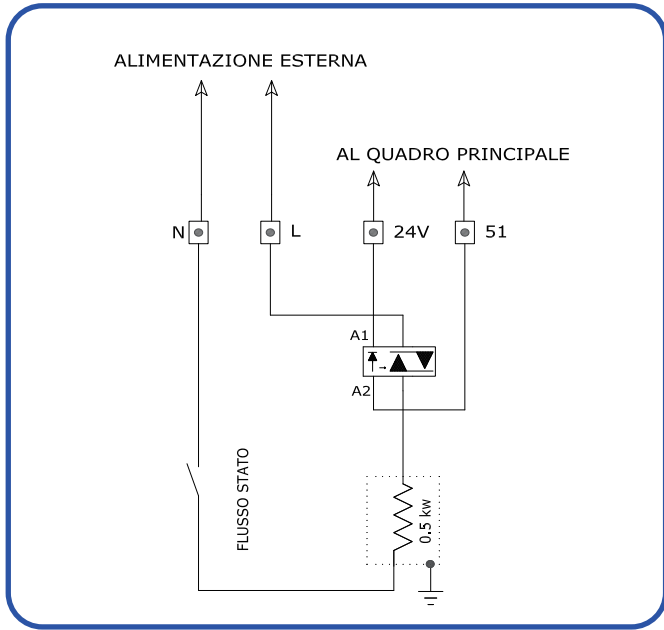
CODE	Ø AIR (mm)	n. phases	Voltage (V)	Power (kW)	n. stages	Price (€)
OE40 0311 25CM*	125	1	230	0.3	1	690,00
OE40 0511 50CM*	150	1	230	0.5	1	607,00
OE40 0511 60CM*	160	1	230	0.5	1	607,00
OE40 1011 60CM*	160	1	230	1	1	722,00
OE40 2012 000M	200	1	230	2	1	741,00
OE40 3013 150M	315	1	230	3	1	1.000,00
OE40 3022 500M	250	1	230	3	1	983,00
OE40 4022 500M	250	1	230	4	1	987,00
OE40 4012 500T	250	3	400	4	1	1.750,00
OE40 5023 150M	315	1	230	5	1	1.071,00
OE40 6023 150M	315	1	230	6	1	1.072,00
OE40 6023 150T	315	3	400	6	1	1.403,00
OE40 6023 550M	355	1	230	6	1	1.310,00
OE40 8023 550M	355	1	230	8	1	1.598,00
OE40 8023 550T	355	3	400	8	1	1.794,00
OE41 2023 550T	355	3	400	12	1	1.967,00
OE40 8024 000M	400	1	230	8	1	1.598,00
OE40 8024 000T	400	3	400	8	1	1.794,00
OE41 2024 000T	400	3	400	12	1	1.884,00
OE40 8024 500M	450	1	230	8	1	1.598,00
OE40 8024 500T	450	3	400	8	1	1.810,00
OE41 2024 500T	450	3	400	12	1	1.884,00
OE41 6024 500T	450	3	400	16	1	2.537,00
OE41 2025 000T	500	3	400	12	1	2.071,00
OE41 6025 000T	500	3	400	16	1	2.071,00
OE41 6025 600T	560	3	400	16	1	2.071,00
OE42 4026 300T	630	3	400	24	1	2.826,00
OE43 6027 100T	710	3	400	36	1	3.961,00

*Armored resistance

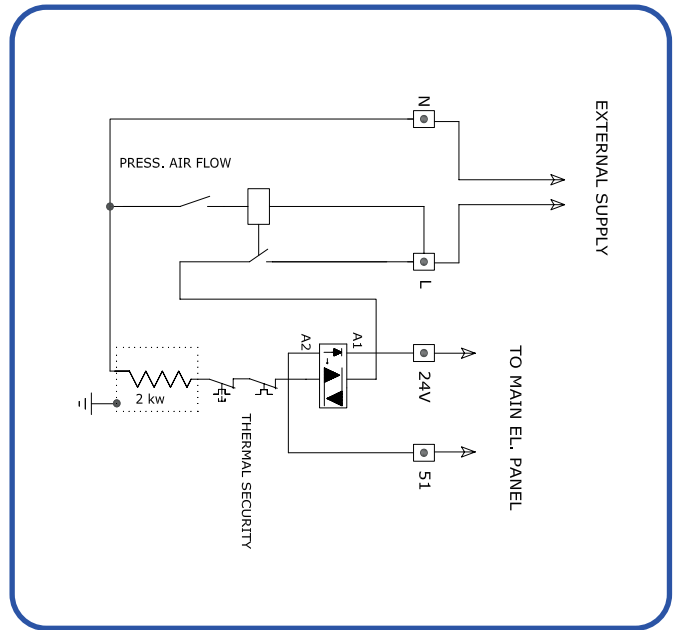
EVO PH ELECTRIC POST HEATING RESISTANCE with power greater than 36 kWatt available on request



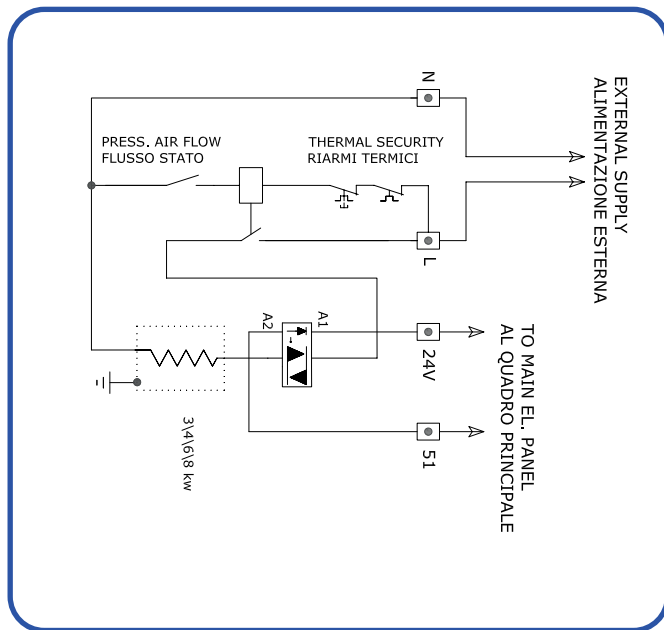
POST HEATERS 0.5 kW 230V



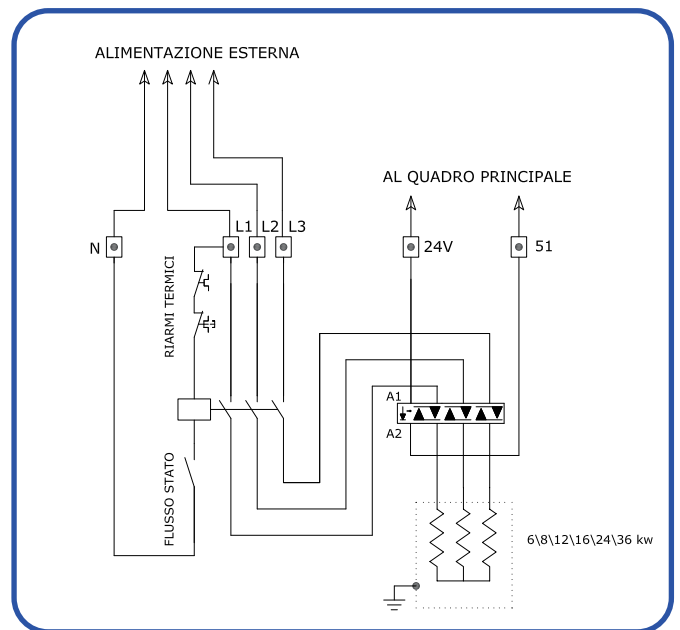
POST HEATERS 2 kW 230V



POST HEATERS 3-4-6-8 kW 230V

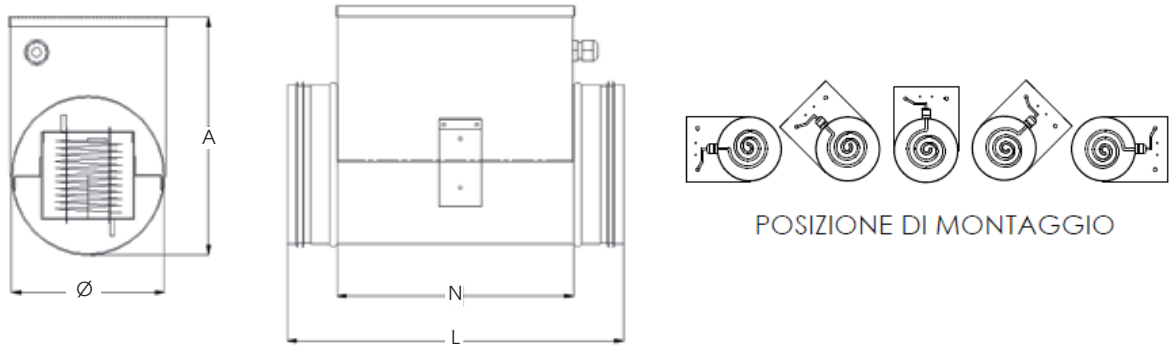


POST HEATERS 6-8-12-16-24-36 kW 400V

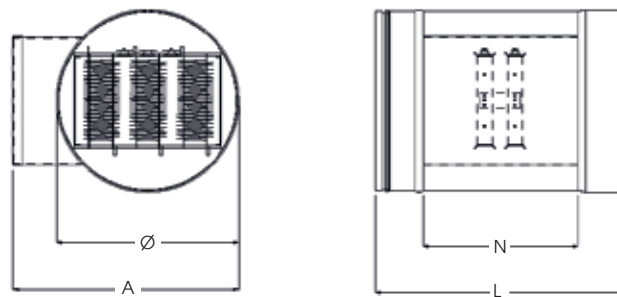




Drawing A



Drawing B



CODE	Ø (mm)	L (mm)	A (mm)	N (mm)	Weight (kg)	Drawing
OE40 0311 25CM	125	400	217	300	2,5	A
OE40 0511 50CM	150	400	240	300	2,8	A
OE40 0511 60CM	160	400	245	300	3,0	A
OE40 1011 60CM	160	400	245	300	2,5	A
OE40 2012 000M	200	330	290	200	3,3	B
OE40 3022 500M	250	340	335	250	4,6	B
OE40 4022 500M	250	340	335	250	4,6	B
OE40 4012 500T	250	388	335	250	5,5	B
OE40 3013 150M	315	473	447	300	7,3	B
OE40 5023 150M	315	473	447	300	7,3	B
OE40 6023 150M	315	473	447	300	7,3	B
OE40 6023 150T	315	473	447	300	7,7	B
OE40 6023 550M	355	473	490	300	7,8	B
OE40 8023 550M	355	473	490	300	7,8	B
OE40 8023 550T	355	473	490	300	8,2	B
OE41 2023 550T	355	473	490	300	8,3	B
OE40 8024 000M	400	480	540	300	8,6	B
OE40 8024 000T	400	480	540	300	9,0	B
OE41 2024 000T	400	480	540	300	9,7	B
OE40 8024 500M	450	490	580	300	9,7	B
OE40 8024 500T	450	490	580	300	10,1	B
OE41 6024 500T	450	490	580	300	10,8	B
OE41 2024 500T	450	490	580	300	10,1	B
OE41 2025 000T	500	490	640	300	11,5	B
OE41 6025 000T	500	490	640	300	11,5	B
OE01 6025 600T	560	490	700	300	12,2	B
OE42 4026 300T	630	490	775	300	14,5	B
OE43 6027 100T	710	490	910	300	17,0	B



EVO HEATERS of PREHEAT - with PRESSURE SWITCH



predisposed resistor for the temperature management-
for the matching EVO series controls

Complete of:

- thermal protection with automatic reset 55° C
- thermal protector with manual reset 70° C
- terminal box
- cable gland
- safety pressure switch
- solid state relay

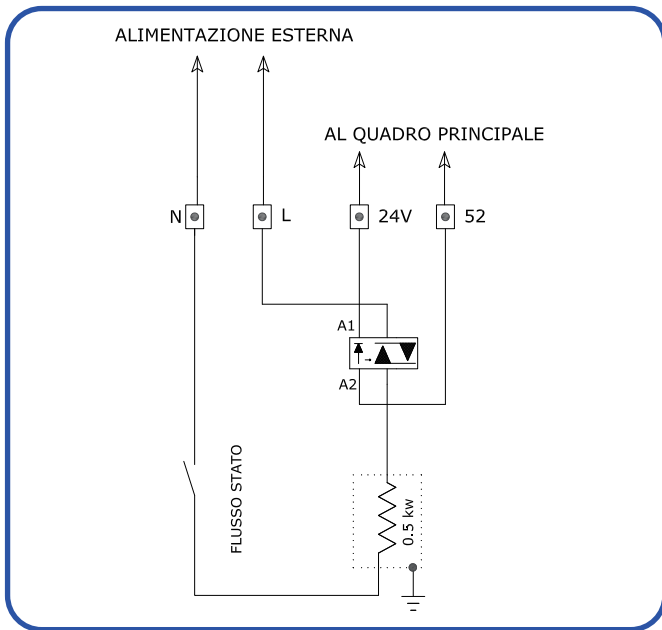
CODE	Ø AIR (mm)	n. phases	Voltage (V)	Power (kW)	n. stages	Price (€)
OE30 0311 25CM*	125	1	230	0.3	1	690,00
OE30 0511 50CM*	150	1	230	0.5	1	607,00
OE30 0511 60CM*	160	1	230	0.5	1	607,00
OE30 2012 000M	200	1	230	2	1	713,00
OE30 3013 150M	315	1	230	3	1	972,00
OE30 3022 500M	250	1	230	3	1	955,00
OE30 4022 500M	250	1	230	4	1	959,00
OE30 4022 500T	250	3	400	4	1	1.668,00
OE30 5023 150M	315	1	230	5	1	1.043,00
OE30 6023 150M	315	1	230	6	1	1.043,00
OE30 6023 150T	315	3	400	6	1	1.375,00
OE30 6023 550M	355	1	230	6	1	1.282,00
OE30 8023 550M	355	1	230	8	1	1.570,00
OE30 8023 550T	355	3	400	8	1	1.766,00
OE30 8024 000M	400	1	230	8	1	1.570,00
OE30 8024 000T	400	3	400	8	1	1.766,00
OE31 2024 000T	400	3	400	12	1	1.856,00
OE30 8024 500M	450	1	230	8	1	1.570,00
OE30 8024 500T	450	3	400	8	1	1.782,00
OE31 2024 500T	450	3	400	12	1	1.856,00
OE31 2025 000T	500	3	400	12	1	2.043,00
OE31 6025 000T	500	3	400	16	1	2.043,00
OE31 6025 600T	560	3	400	16	1	2.043,00
OE32 4026 300T	630	3	400	24	1	2.798,00
OE33 6027 100T	710	3	400	36	1	3.933,00

*Armored resistance

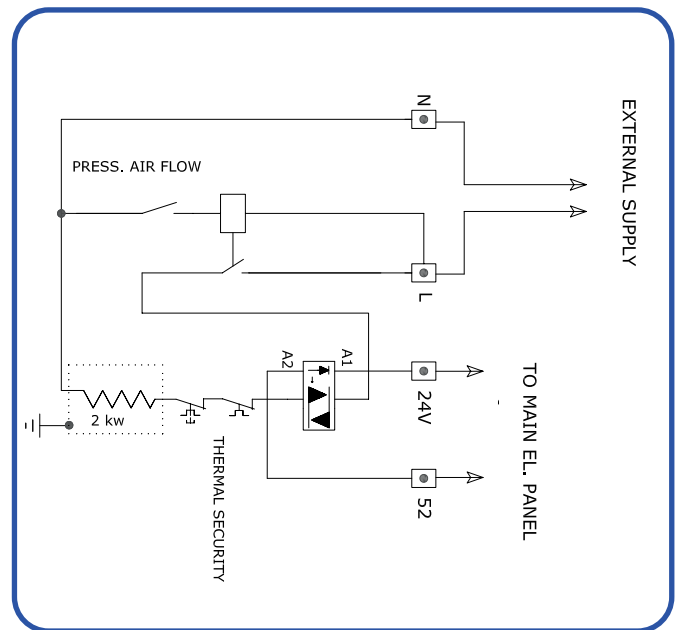
EVO PH ELECTRIC PREHEATING RESISTANCE with power greater than 36 kWatt available on request



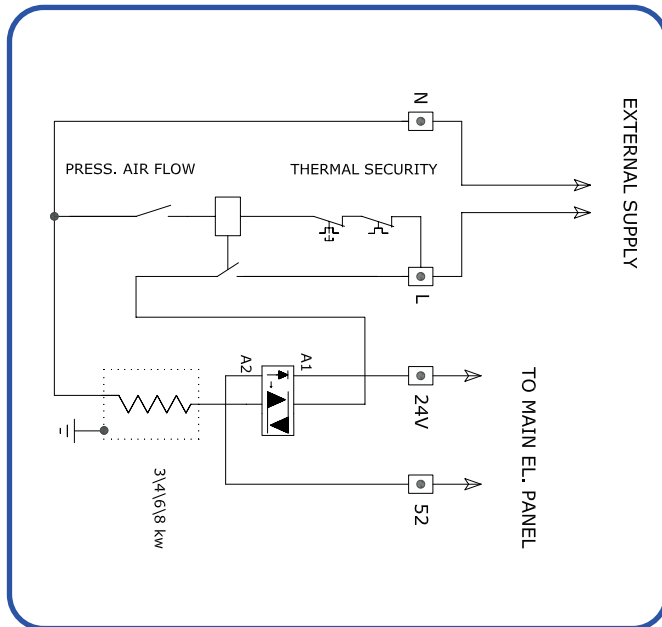
PREHEATING HEATERS 0.5 kW 230V



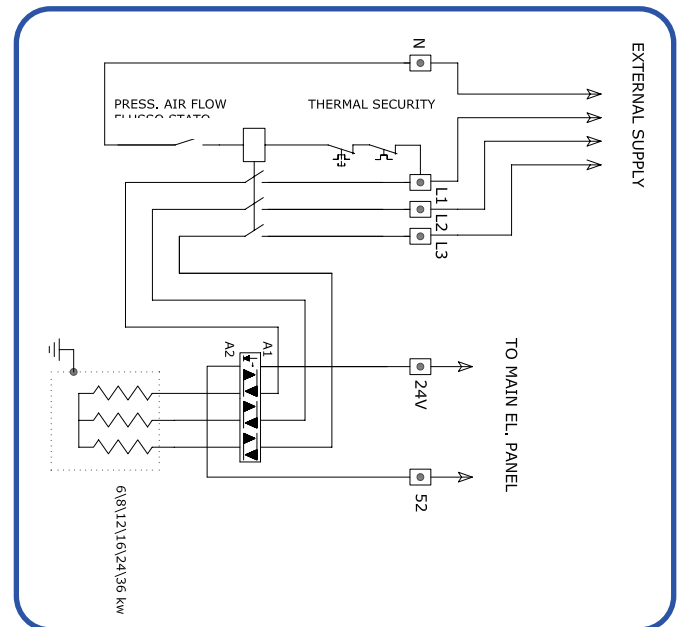
PREHEATING HEATERS 2 kW 230V



PREHEATING HEATERS 3-4-6-8 kW 230V

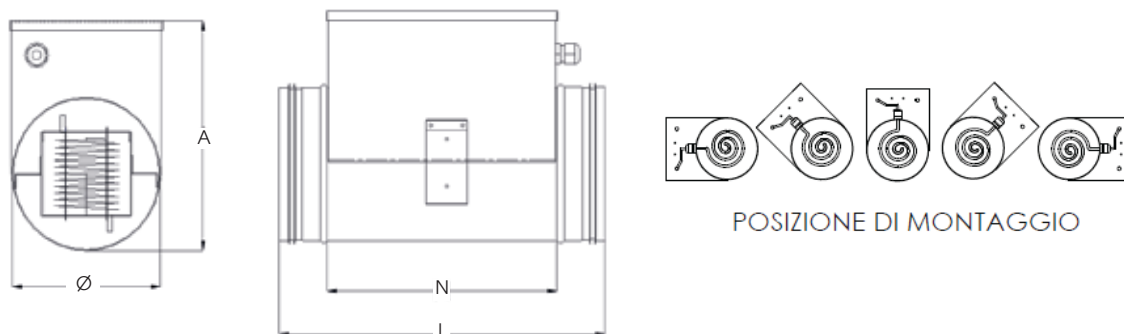


PREHEATING HEATERS 6-8-12-16-24-36 kW 400V

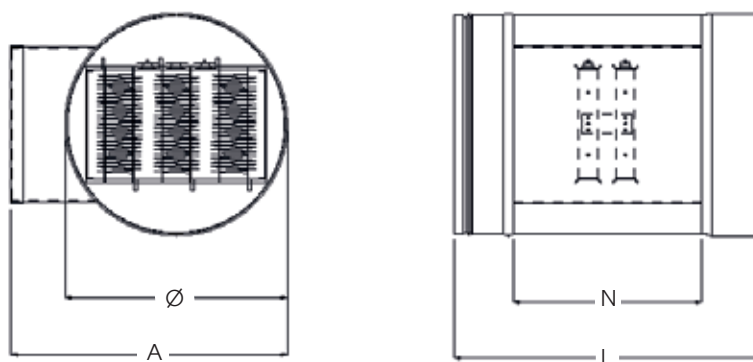




Drawing A



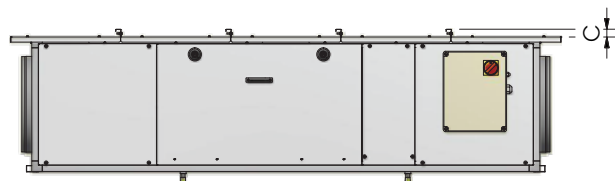
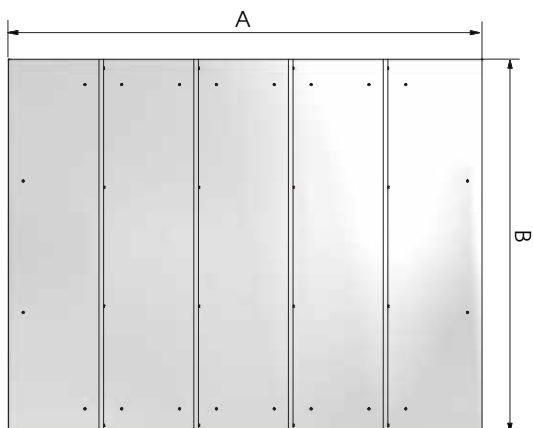
Drawing B



CODE	Ø (mm)	L (mm)	A (mm)	N (mm)	Weight (kg)	Drawing
OE30 0311 25CM	125	400	217	300	2,5	A
OE30 0511 50CM	150	400	240	300	2,8	A
OE30 0511 60CM	160	400	245	300	3,0	A
OE30 2012 000M	200	330	290	200	3,3	B
OE30 3022 500M	250	340	335	250	4,6	B
OE30 4022 500M	250	340	335	250	4,6	B
OE30 4022 500T	250	388	335	250	5,5	B
OE303013150M	315	473	447	300	7,3	B
OE30 5023 150M	315	473	447	300	7,3	B
OE30 6023 150M	315	473	447	300	7,3	B
OE30 6023 150T	315	473	447	300	7,7	B
OE30 6023 550M	355	473	490	300	7,8	B
OE30 8023 550M	355	473	490	300	7,8	B
OE30 8023 550T	355	473	490	300	8,2	B
OE30 8024 000M	400	480	540	300	8,6	B
OE30 8024 000T	400	480	540	300	9,0	B
OE31 2024 000T	400	480	540	300	9,7	B
OE30 8024 500M	450	490	580	300	9,7	B
OE30 8024 500T	450	490	580	300	10,1	B
OE31 2024 500T	450	490	580	300	10,1	B
OE31 2025 000T	500	490	640	300	11,5	B
OE31 6025 000T	500	490	640	300	11,5	B
OE31 6025 600T	560	490	700	300	12,2	B
OE32 4026 300T	630	490	775	300	14,5	B
OE33 6027 100T	710	490	910	300	17,0	B

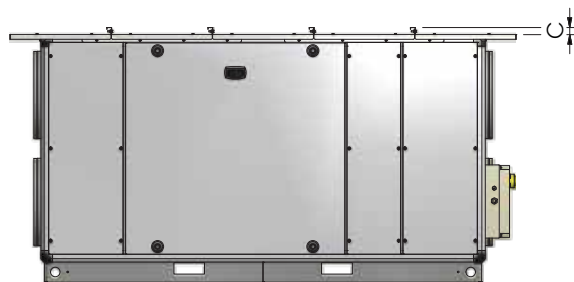
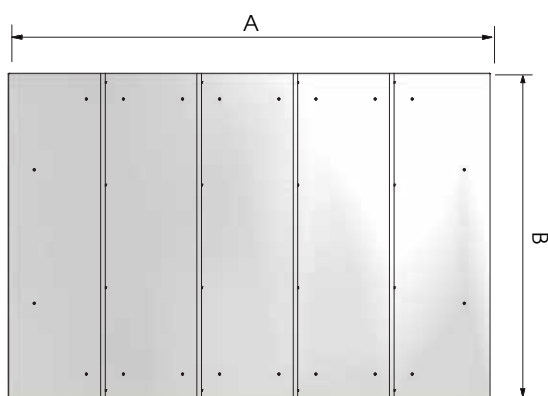


ROOF



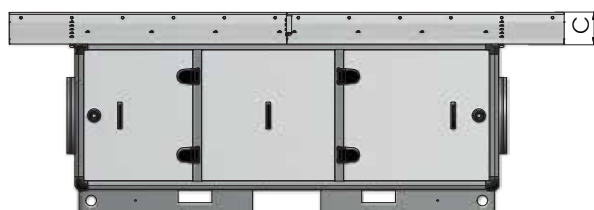
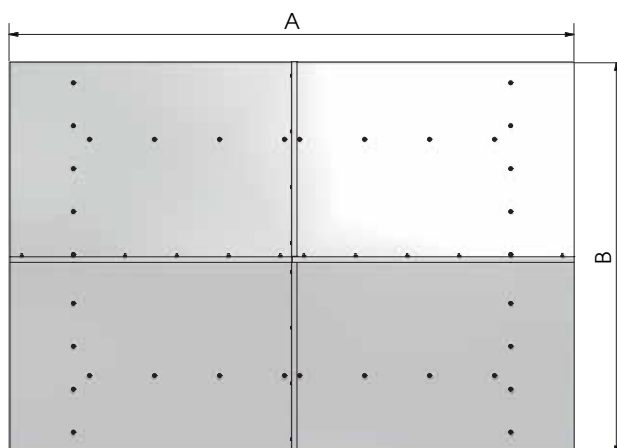
CRHE-H (dimensions in mm)

UNIT	CODE	A	B	C
CRHE-H 700	OCZ1 7900 9401	1790	1060	37
CRHE-H 1100	OCZ2 0451 4701	2015	1560	37
CRHE-H 1600	OCZ0 0000 0038	2380	1660	37
CRHE-H 2300	OCZ2 4501 9101	2380	1960	37
CRHE-H 3400	OCZ2 7402 0801	2600	2060	37



CRHE-V (dimensions in mm)

UNIT	CODE	A	B	C
CRHE-V 700	OCZ1 8601 1301	1795	1080	37
CRHE-V 1100	OCZ2 2151 3801	1965	1280	37
CRHE-V 1600	OCZ0 0000 0037	2320	1290	37
CRHE-V 2500	OCZ2 9401 7001	2470	1380	37
CRHE-V 3200	OCZ3 0952 1001	2625	1780	37
CRHE-V 4500	OCZ3 3352 0801	2785	1680	37
CRHE-V 5600	OCZ3 4152 6301	2865	2230	37



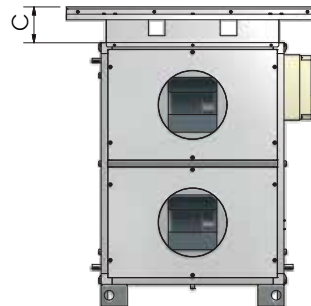
HRE-TOP EC dimensions (mm)

UNIT	CODE	A	B	C
1	OCZ0 0000 0000	2302	1496	131
2/3	OCZ0 0000 0001	2619	1815	137
5	OCZ0 0000 0002	3005	2193	153

NOTE: Prices available in the unit price lists

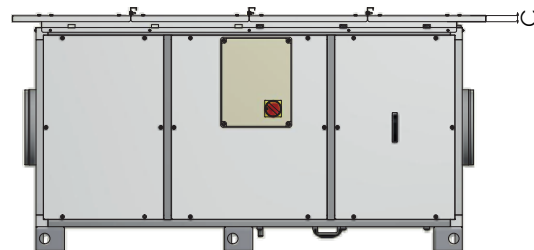
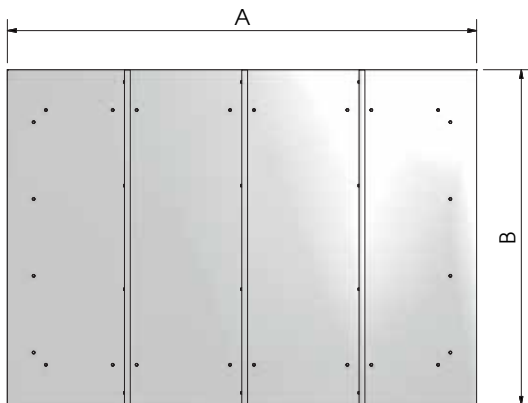


ROOF



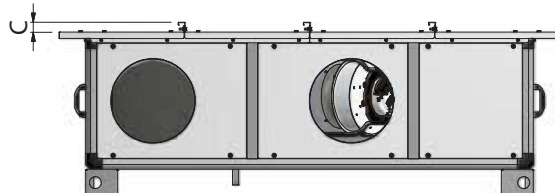
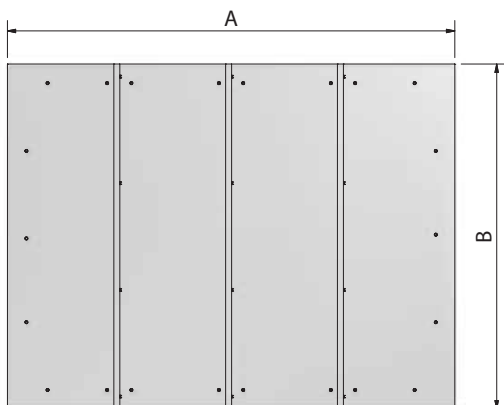
FAI-ED V
dimensions (mm)

UNIT	CODE	A	B	C
FAI-ED 1 V	OCZO 0000 0011	1620	770	165
FAI-ED 2 V	OCZO 0000 0012	1620	870	165
FAI-ED 3 V	OCZO 0000 0013	2000	1160	165
FAI-ED 4/5 V	OCZO 0000 0014	2380	1370	175



FAI-ED H
dimensions (mm)

UNIT	CODE	A	B	C
FAI-ED 1/2 H	OCZO 0000 0008	1620	1220	85
FAI-ED 3 H	OCZO 0000 0009	2000	1430	85
FAI-ED 4/5 H	OCZO 0000 0010	2380	1660	85



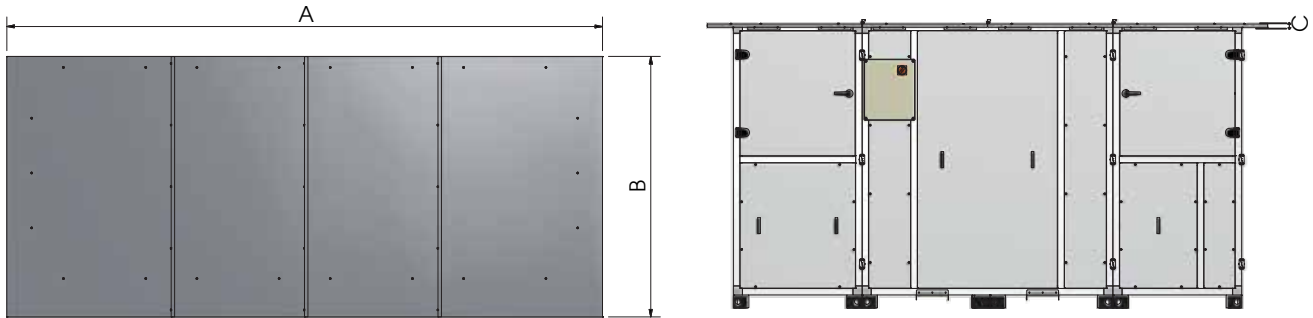
HRU-EC
dimensions (mm)

UNIT	CODE	A	B	C
HRU-EC 1	OCZO 0000 0033	1600	1125	37
HRU-EC 2	OCZO 0000 0034	1880	1450	37
HRU-EC 3	OCZO 0000 0035	2160	1630	37
HRU-EC 4	OCZO 0000 0035	2160	1630	37
HRU-EC 5	OCZO 0000 0036	2438	1812	37

NOTE: Prices available in the unit price lists



ROOF



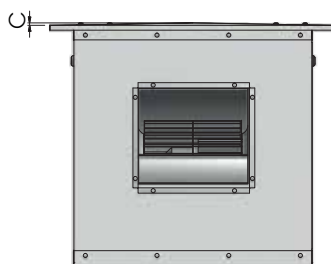
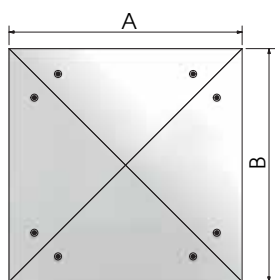
UTA dimensions (mm)

UNIT	CODE	Description	A	B	C
1	0CZ0 0000 0006	Roof UTA 1	4346	1900	35
2	0CZ0 0000 0005	Roof UTA 2	4346	2500	35
1	0CZ0 0000 0020	Double Additional module roof UTA 1	998	1900	35
2	0CZ0 0000 0019	Double Additional module roof UTA 2	998	2500	35
1	0CZ0 0000 0026	Single Additional module roof UTA 1	1048	1504	1
2	0CZ0 0000 0025	Single Additional module roof UTA 2	1048	2140	1

NOTE: Prices available in the unit price lists

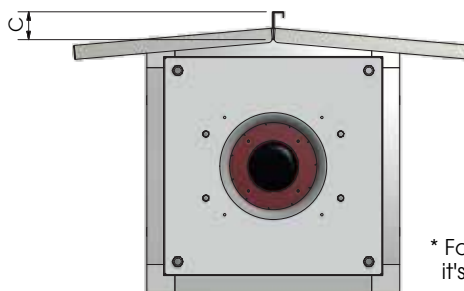
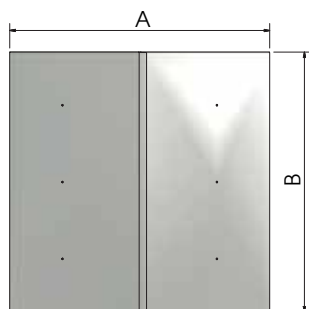


ROOF



BOX dimensions (mm)

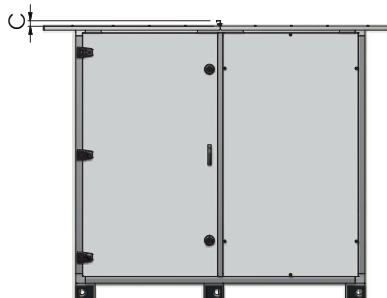
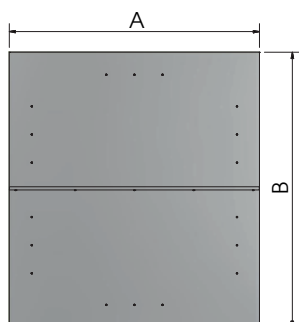
UNIT	CODE	A	B	C
BOX 7/7 - 9/7	OCZO 0000 0015	600	600	5
BOX 9/9 - 10/8 - 10/10	OCZO 0000 0016	750	750	10
BOX 12/9 - 12/12	OCZO 0000 0017	950	950	12



* For sizes 10000 and 16000 the roof it's composed from a single flap

FAR-EC dimensions (mm)

UNIT	CODE	A	B	C
FAR-EC 400	OCZO 5000 5000	500	500	45
FAR-EC 700 - 1100	OCZO 7100 7100	710	710	50
FAR-EC 2600 - 3400	OCZO 9000 9000	900	900	55
FAR-EC 4800 - 6100 - 7600	OCZ1 3201 3200	1320	1320	70
FAR-EC 10000 - 16000*	OCZO 0000 0026	1048	1504	1



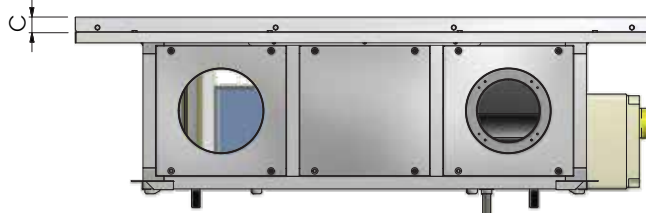
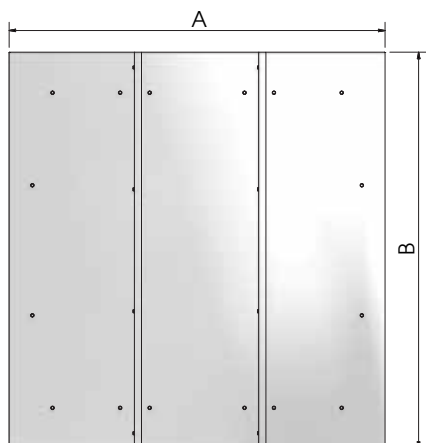
FAN-T dimensions (mm)

UNIT	CODE	A	B	C
FAN-T 9/9 - 10/10	OCZO 6400 8400	640	840	10
FAN-T 12/12	OCZO 7400 9400	740	940	12
FAN-T 15/15 - 18/18	OCZO 9901 2400	990	1240	15
FAN-T 500	OCZO 0000 0021	1600	1900	35
FAN-T 560	OCZO 0000 0022	1700	2000	35
FAN-T 630	OCZO 0000 0018	1900	2100	35
FAN-T 710	OCZO 0000 0023	2000	2200	35

NOTE: Prices available in the unit price lists

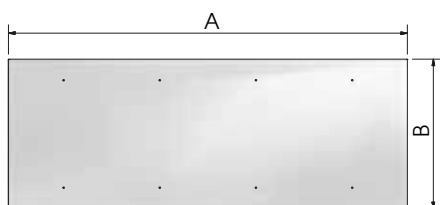
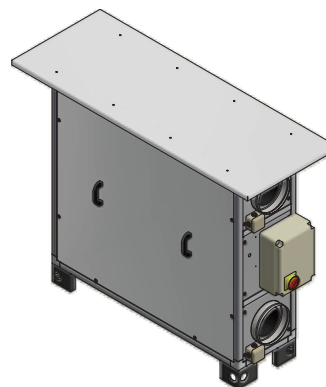
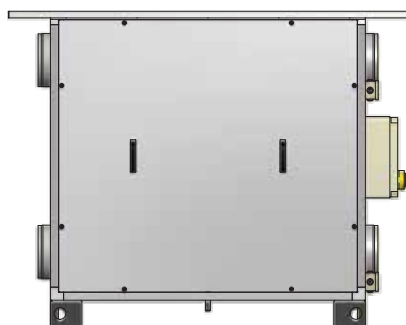


ROOF



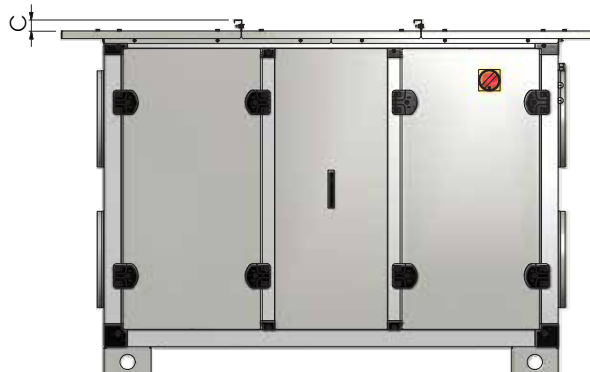
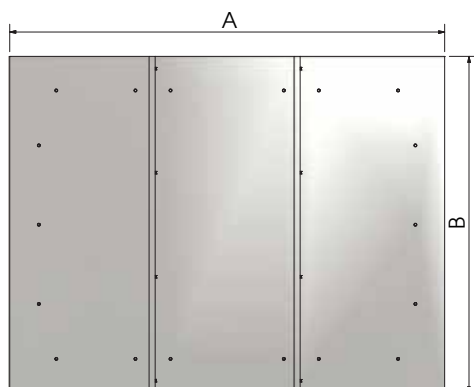
DUO-ED and DUO-EC dimensions (mm)

MODELL	CODE	A	B	C
DUO-ED/EC 1	0CZ0 0000 0027	1300	1370	37
DUO-ED/EC 2	0CZ0 0000 0028	1400	1470	37
DUO-ED/EC 2+/3	0CZ0 0000 0029	1660	1620	37
DUO-ED/EC 4	0CZ0 0000 0030	2500	1820	37
DUO-ED/EC 5	0CZ0 0000 0031	2500	2300	37
DUO-EC 6	0CZ0 0000 0066	3200	1920	37



DUO-ED/EC V (dimensions mm)

MODELL	CODE	A	B
DUO-ED/EC 1 V	0CZ0 0000 0039	1520	570
DUO-ED/EC 2 V	0CZ0 0000 0040	1670	630
DUO-ED 2+ V	0CZ0 0000 0041	1940	700
DUO-ED/EC 3 V	0CZ0 0000 0042	1940	750



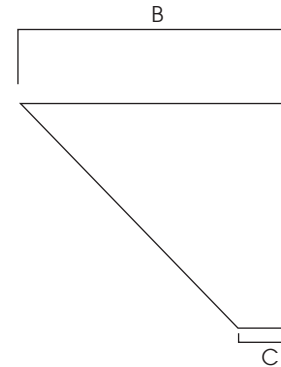
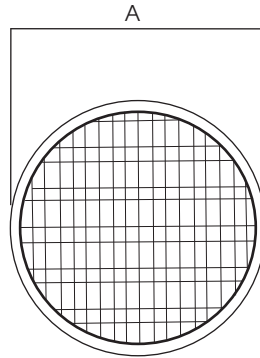
UVR dimensions (mm)

MODELL	CODE	A	B	C
UVR 1	0CZ0 0000 0043	1600	1050	37
UVR 2	0CZ0 0000 0044	1770	1370	37
UVR 3	0CZ0 0000 0045	1950	1450	37
UVR 4	0CZ0 0000 0046	2080	1780	37
UVR 5	0CZ0 0000 0047	2400	1900	37
UVR 6	0CZ0 0000 0048	2880	2180	37

NOTE: Prices available in the unit price lists



PROTECTION COWL



MODEL	Description (mm)	Price (€)	A (mm)	B (mm)	C (mm)
0IZ00000125	Circular protection cowl SKMF-R Ø 125 mm	47,00	125	220	90
0IZ00000150	Circular protection cowl SKMF-R Ø 150 mm	53,00	150	240	90
0IZ00000160	Circular protection cowl SKMF-R Ø 160 mm	55,00	160	250	90
0IZ00000200	Circular protection cowl SKMF-R Ø 200 mm	58,00	200	290	90
0IZ00000250	Circular protection cowl SKMF-R Ø 250 mm	65,00	250	340	90
0IZ00000315	Circular protection cowl SKMF-R Ø 315 mm	82,00	315	405	90
0IZ00000355	Circular protection cowl SKMF-R Ø 355 mm	90,00	355	445	90
0IZ00000400	Circular protection cowl SKMF-R Ø 400 mm	117,00	400	490	90
0IZ00000450	Circular protection cowl SKMF-R Ø 450 mm	125,00	450	540	90
0IZ00000500	Circular protection cowl SKMF-R Ø 500 mm	137,00	500	590	90
0IZ00000560	Circular protection cowl SKMF-R Ø 560 mm	152,00	560	650	90
0IZ00000630	Circular protection cowl SKMF-R Ø 630 mm	152,00	630	720	90
0IZ00000710	Circular protection cowl SKMF-R Ø 710 mm	178,00	710	800	90



SEALED CIRCULAR and CALIBRATION DAMPERS



Description:

- Case of galvanized sheet steel
- Bronze bushings if Ø 8mm or Ø 12 mm (nylon) depending on the size
- Silicone seal on the blade (calibration) or on blade and case (sealed)
- Leak test according to EN 1751, performed at the Institute CETIAT
- Self-generated noise tests performed in accordance with EN ISO 3741

CODE	SEALED circular dampers description	Comand	Price (€)
DLCZTE125	SEALED CIRCULAR DAMPER - DLCZTE D.125	R9	31,01
DLCZTE150	SEALED CIRCULAR DAMPER - DLCZTE D.150	R9	33,86
DLCZTE160	SEALED CIRCULAR DAMPER - DLCZTE D.160	R9	35,23
DLCZTE200	SEALED CIRCULAR DAMPER - DLCZTE D.200	R9	40,93
DLCZTE250	SEALED CIRCULAR DAMPER - DLCZTE D.250	R9	44,47
DLCZTE315	SEALED CIRCULAR DAMPER - DLCZTE D.315	R9	55,15
DLCZTE355	SEALED CIRCULAR DAMPER - DLCZTE D.355	R11	71,50
DLCZTE400	SEALED CIRCULAR DAMPER - DLCZTE D.400	R11	89,38

CODE	CALIBRATION circular dampers description	Comand	Price (€)
DLCZ125	CALIBRATION CIRCULAR DAMPER - DLCZ D.125	R9	23,06
DLCZ150	CALIBRATION CIRCULAR DAMPER - DLCZ D.150	R9	25,11
DLCZ160	CALIBRATION CIRCULAR DAMPER - DLCZ D.160	R9	26,71
DLCZ200	CALIBRATION CIRCULAR DAMPER - DLCZ D.200	R9	31,49
DLCZ250	CALIBRATION CIRCULAR DAMPER - DLCZ D.250	R9	34,18
DLCZ315	CALIBRATION CIRCULAR DAMPER - DLCZ D.315	R9	43,50
DLCZ355	CALIBRATION CIRCULAR DAMPER - DLCZ D.355	R11	58,77
DLCZ400	CALIBRATION CIRCULAR DAMPER - DLCZ D.400	R11	75,60

MANUAL CONTROLS

CODE	Description	Note	Price (€)
R9Z	manual control for dumper R9 galvanized	MANUAL control	5,00
R11Z	manual control for dumper R11 galvanized	MANUAL control	14,00
R11ZGAO	manual control for dumper R11 for GAO	knob, the air passage	12,00

R 11



USE:
 - For DLT 101 until 1,2 m²;
 - For DLT 151 until 1,2 m²;
 - For DLT 201 until 1,2 m²;
 - For DLCZ

R 9



USE:
 - for DLCZ only with pivot Ø 8 mm.



SERVOMOTORS

CODE	Description	Note	Price (€)
LM230A	servomotors 230V 50 Hz 5 Nm 3 points by-pass (< 0,1 m ²)	ON/ OFF comand	169,00
NM230A	servomotors 230V 50 Hz 10 Nm 3 points (< 1,5 m ²)	ON/ OFF comand	214,00
LM230ASR	servomotors 230V 50 Hz 5 Nm modulating 0-10V < 0,1 m ²)	MODULAT	228,00
NM230ASR	servomotors 230V 50 Hz 10 Nm modulating 0-10V (< 1,5 m ²)	MODULAT	341,00
LF230	servomotors 230V 50 Hz 4 Nm with spring return (< 0,08 m ²)	with SPRING RETURN	287,00
NFA	servomotors 24-230V 50 Hz 10 Nm with spring return (< 0,8 m ²)	with SPRING RETURN	398,00
SFA	servomotors 24-230V 50 Hz 20 Nm with spring return (< 1,5 m ²)	with SPRING RETURN	473,00

LM230A

Damper actuator 5 nm 3 points ip 54. Push-button manual operation - single/double wire command-pvc connection cable 1 m - adjustable rotation sense (r/l) - mechanically adjustable rotation angle - universal pivot clamp



NM230A

Damper actuator 10 nm 3 points ip 54. Push-button manual operation - single/double wire command-pvc connection cable 1 m - adjustable rotation sense (r/l) - mechanically adjustable rotation angle - universal pivot clamp



LM230ASR

Return spring actuator 4 nm Ip 54 - spring intervention time < 20s - single wire on-off command-pvc connection cable 1 m - universal pivot clamp - adjustable rotation sense (r/l) - mechanically adjustable rotation angle



NM230ASR

Damper actuator 5 nm proportional ip 54. push-button manual operation - 0...10v dc command- 2... 10v dc operation range- 2 ... 10 v dc position feedback -pvc connection cable 1 m - adjustable rotation sense (r/l) - mechanically adjustable rotation angle - universal pivot clamp



LF230

Damper actuator 10 nm Proportional ip 54. Push-button manual operation - 0...10v dc command- 2... 10v dc operation range- 2 ... 10 v dc position feedback -pvc connection cable 1 m - adjustable rotation sense (r/l) - mechanically adjustable rotation angle - universal pivot clamp



NFA

Return spring actuator 10 nm Ip 54. Manual operation with integrated stop. Spring intervention time < 20s - single wire on-off command-pvc connection cable 1 m - universal pivot clamp - adjustable rotation sense (r/l) - mechanically adjustable rotation angle



SFA

Return spring actuator 20 nm Ip 54. Manual operation with integrated stop. Spring intervention time < 20s - pvc connection cable 1 m - universal pivot clamp - adjustable rotation sense (r/l) - mechanically adjustable rotation angle





ALVEOLAR SILENCER

ALVEOLAR SILENCER 300x300x800 mm - Ø 200 mm MALE - FEMALE **patent CLA**

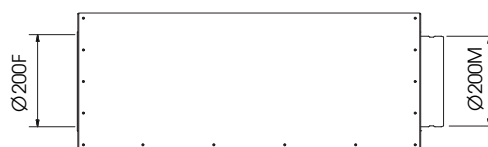
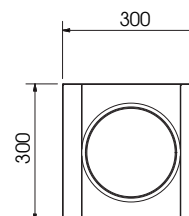
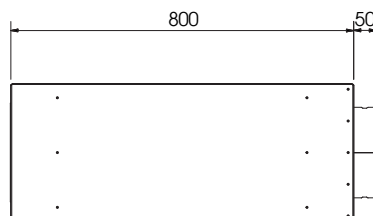
PROVA ACUSTICA: ascolta la differenza CON e SENZA silenziatore alveolare <https://www.youtube.com/watch?v=4GQLzdhoBII>

NOISE ATTENUATION

f (Hz)	125	250	500	1000	2000	4000	8000
DI (dB)	5,3	10,7	20,7	30,3	40,4	42,4	31,6



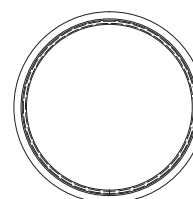
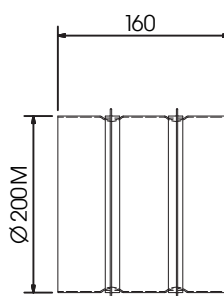
CADSILENZ008



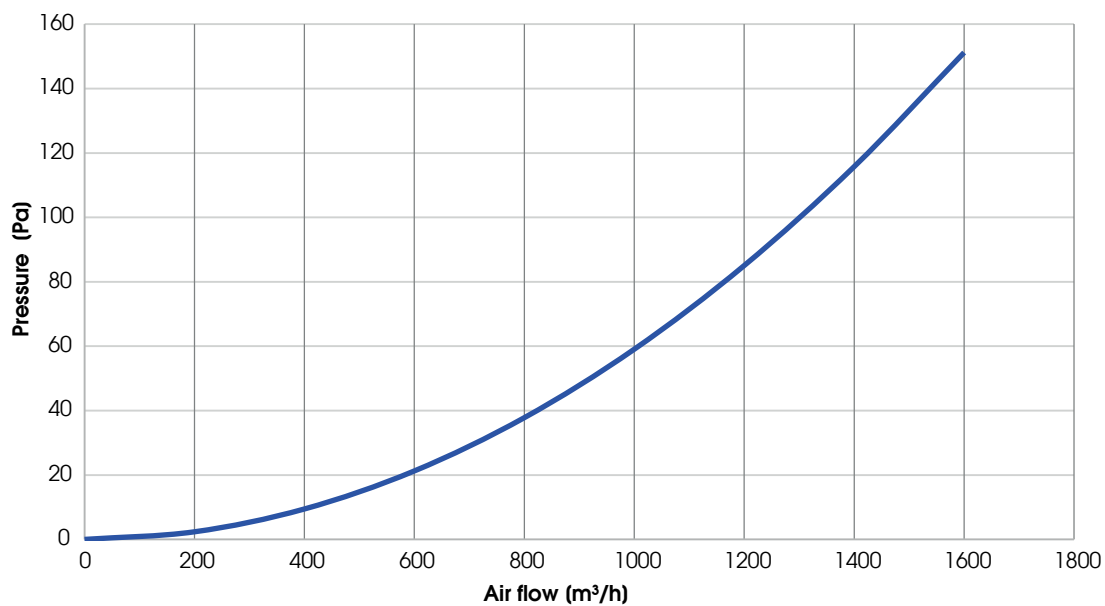
Junction 200 (M)/200 (M)



CADRACC00006



Code	Quantità	Peso (kg)	Prezzo (€)	Dim. Imballo (mm)
CADSILENZ008	● 1Pz	● 10,09	● 322,00	● 300x300x850 h
CADRACC00006	● 1Pz	● 0,50	● 10,00	● -





PATENT N° MI 2013A001540

The main function of this product is to reduce the noise of the air in the duct. Alveolar silencer is composed of glass wool covered by a black fiber glass, thanks to these materials it has gained the fire resistance class A2 certification in according UNI EN 13501-1. Alveolar silencer is packed in flat way, then with very low stock and delivery cost, it can be easily assembled by fastener snap on site. The silencer is modular in order to fit to different dimensions of duct. The union between each Alveolar silencer can be made by fastener snap and using adhesive clips it can be fixed on the internal side of the duct.



DETTAGLIO CLIP
DI FISSAGGIO



SILENZIATORI ALVEOLARI
ALL'INTERNO DEL CANALE

- Versatility ;
- Flow equalization;
- Ability to add inside an air duct at the end of the work , without making changes to the system ;
- Ease of installation;
- Reduced transport volumes;
- Alternative to normally used septa within the rectangular silencers , lower pressure drop , and then further advantages to the system
- Adaptability to the different dimensions of the channel .



CIRCULAR SILENCERS

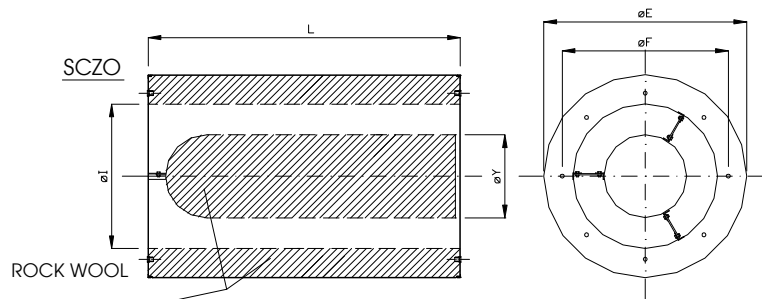


Description:

- Frame made of galvanized sheet steel, thickness 0.8 mm
- Mounting flange with threaded inserts
- Acoustic material in mineral wool density 70 kg/m³ covered against erosion by glass fiber black
- Class of resistance to fire M0 and microstretched-net
- Damping tests performed according to ISO 7235

Execution SCZO : with internal ogive to increase the damping

CODE	Description	Price (€)
OBZ000000001	Circular silencer with ogive l=1,5 Ø 250 mm	233,00
OBZ000000002	Circular silencer with ogive l=1,5 Ø 315 mm	403,00
OBZ000000003	Circular silencer with ogive l=1,5 Ø 355 mm	469,00
OBZ000000004	Circular silencer with ogive l=1,5 Ø 400 mm	583,00
OBZ000000005	Circular silencer with ogive l=1,5 Ø 450 mm	699,00
OBZ000000006	Circular silencer with ogive l=1,5 Ø 500 mm	822,00
OBZ000000007	Circular silencer with ogive l=1,5 Ø 560 mm	990,00



Ø Nominal	Ø I (mm)	Ø E (mm)	Ø F (mm)	N° holes	Ø holes (mm)	Ø Insert	Ø Y (mm)	L(mm) = Ø I x 1,5
250	250	390	280	4	11	M8	120	375
315	315	455	355	8	11	M8	140	472.2
355	355	495	395	8	11	M8	200	532.5
400	400	540	450	8	12	M10	200	600
450	450	610	500	8	12	M10	245	675
500	500	660	560	12	12	M10	245	750
560	560	720	620	12	12	M10	295	840

Damping table

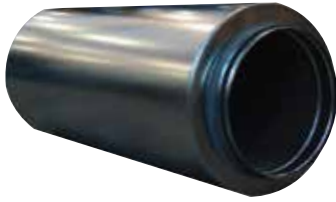
Model	125 Hz	250 Hz	500 Hz	1000 Hz	2000 Hz	4000 Hz	8000 Hz
SCZO 250	0	6	9	23	16	11	10
SCZO 315	4	5	13	23	26	18	12
SCZO 355	1	7	15	33	32	22	17
SCZO 400	2	6	15	31	27	19	14
SCZO 450	2	7	19	31	28	18	12
SCZO 500	3	7	19	29	24	14	10
SCZO 560	3	9	22	32	27	15	11
SCZO 630	2	9	22	29	23	14	10
SCZO 710	3	11	22	31	25	13	11

NOTE: Normally the pressure loss for circular silencers is not declared and defined "negligible" (some Pascal)



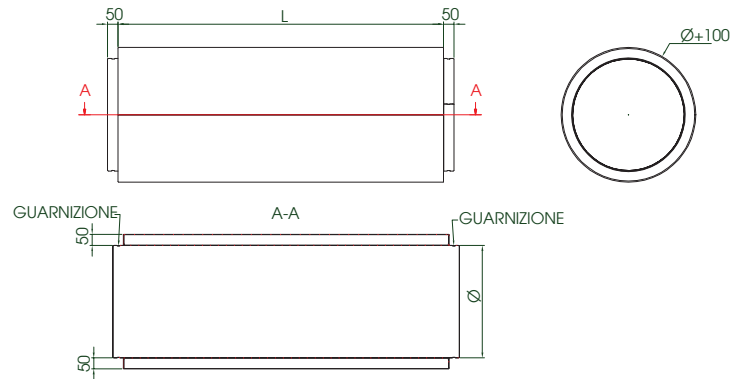
CIRCULAR SILENCERS

Description:



- Frame in 0.6 mm galvanized steel sheet
- Plug-in assembly with male connection; v
- Sound-absorbing material in density rock wool 40 kg / m³ coated against flaking with black glass fiber, fire resistance class M0 and micro-stretched mesh
- Maximum working temperature: 150 ° C

CODE	Description	Price (€)
OBZ000000010	Circular bayonet silencer Ø 200 L= 900 mm	140,00
OBZ000000011	Circular bayonet silencer Ø 250 L= 900 mm	159,00
OBZ000000012	Circular bayonet silencer Ø 315 L= 900 mm	183,00
OBZ000000022	Circular bayonet silencer Ø 355 L= 900 mm	208,00
OBZ000000013	Circular bayonet silencer Ø 400 L= 900 mm	216,00



Damping table

Code	125 Hz	250 Hz	500 Hz	1000 Hz	2000 Hz	4000 Hz	8000 Hz
OBZ000000010	3	3	20	41	34	19	17
OBZ000000011	3	3	19	37	20	10	10
OBZ000000012	2	2	16	25	17	9	7
OBZ000000022	2	2	13	23	12	7	6
OBZ000000013	2	2	10	22	9	7	5

NOTA: la perdita di carico per i silenziatori circolari non viene dichiarata e definita "trascurabile" (qualche Pascal)
 NOTE: Normally the pressure loss for circular silencers is not declared and defined "negligible" (some Pascal)



KIT for pressure operation (COP) or flow (CAV) Constant



Kit COP



Kit CAV

. use with heat recovery units with EC motors and EVO-PH/EVOD-PH control

Possible installations:

. 2 KIT, 1 on the IMMISSION duct and 1 on the RECOVERY duct (I keep the set-point of both flows)

. 1 KIT on the IMMISSION duct and fan setting of recovery in % on the speed of the supply fan
(for questions or clarification please refer to our Technical office)

NOTE: for ventilation units with EC motors (EC-FAR) there are specific kits; see the relative price list

KIT COP

CODE	Description	Price (€)
OTKP 0000 0001	Kit COP (constant PRESSURE) EVO Ø 150 mm	445,00
OTKP 0000 0016	Kit COP (constant PRESSURE) EVO Ø 150 mm - REVERSUS	451,00
OTKP 0000 0015	Kit COP (constant PRESSURE) EVO Ø 160 mm	447,00
OTKP 0000 0002	Kit COP (constant PRESSURE) EVO Ø 200 mm	448,00
OTKP 0000 0003	Kit COP (constant PRESSURE) EVO Ø 250 mm	451,00
OTKP 0000 0004	Kit COP (constant PRESSURE) EVO Ø 315 mm	477,00
OTKP 0000 0005	Kit COP (constant PRESSURE) EVO Ø 355 mm	480,00
OTKP 0000 0006	Kit COP (constant PRESSURE) EVO Ø 400 mm	482,00
OTKP 0000 0007	Kit COP (constant PRESSURE) EVO Ø 450 mm	509,00
OTKP 0000 0008	Kit COP (constant PRESSURE) EVO Ø 500 mm	511,00
OTKP 0000 0009	Kit COP (constant PRESSURE) EVO Ø 560 mm	514,00
OTKP 000 00018	Kit COP (constant PRESSURE) EVO Ø 600 mm	516,00
OTKP 0000 0010	Kit COP (constant PRESSURE) EVO Ø 630 mm	517,00
OTKP 0000 0011	Kit COP (constant PRESSURE) EVO Ø 710 mm	522,00

KIT CAV

CODE	Description	Price (€)
OTKP V000 0001	Kit CAV (constant FLOW) EVO Ø 150 mm	481,00
OTKP V000 0016	Kit CAV (constant FLOW) EVO Ø 150 mm - REVERSUS	487,00
OTKP V000 0015	Kit CAV (constant FLOW) EVO Ø 160 mm	482,00
OTKP V000 0002	Kit CAV (constant FLOW) EVO Ø 200 mm	484,00
OTKP V000 0003	Kit CAV (constant FLOW) EVO Ø 250 mm	487,00
OTKP V000 0004	Kit CAV (constant FLOW) EVO Ø 315 mm	514,00
OTKP V000 0005	Kit CAV (constant FLOW) EVO Ø 355 mm	517,00
OTKP V000 0006	Kit CAV (constant FLOW) EVO Ø 400 mm	520,00
OTKP V000 0007	Kit CAV (constant FLOW) EVO Ø 450 mm	556,00
OTKP V000 0008	Kit CAV (constant FLOW) EVO Ø 500 mm	560,00
OTKP V000 0009	Kit CAV (constant FLOW) EVO Ø 560 mm	567,00
OTKP V000 0010	Kit CAV (constant FLOW) EVO Ø 630 mm	569,00
OTKP V000 0011	Kit CAV (constant FLOW) EVO Ø 710 mm	580,00



AIR QUALITY SENSORS



Concentration sensor of CO₂

Used inside of mechanical ventilation, the sensor based the measurement of CO₂ on the infrared principle. A patented procedure of self-calibration compensates for the wear of the infrared source and ensures a long-term stability.

Characteristics:

- analog output
- modern design
- easy installation
- long-term stability

Dimensions: 85 x 136 x 26 mm

Code: 0G00 0000 0012

Price €: 305,00

Sensor mounted and wired in production

Code: 0G00 0000 0034

Price €: 458,00



Concentration sensor of CO₂ in to the duct

Used for managing environments in buildings. The multi-point calibrations of CO₂ and the temperature allow a high accuracy of the measurement in the whole temperature range. You can integrate an optional passive temperature sensor, it is also available a configuration accessory kit

Characteristics:

- Measuring range up to 10.000 ppm
- Self-calibration for excellent long-term stability
- Temperature compensation
- High resistance to pollution
- Outputs in voltage or current
- Optional passive temperature sensor
- Quick and easy installation
- Easy setup and calibration

Dimensions: instrument 101 x 81 x 46 mm + sensor ca. 50 mm

Typical applications: building management, controlled ventilation in critical applications, process control

Codice: 0G00 0000 0017

Price €: 649,00



AIR QUALITY SENSORS



N.B.: not for safety systems (gas or smoke alarm)

Air quality sensor CO₂/VOC

Used in ventilation installations and air conditioning for increased comfort and optimize energy consumption with the control of the request of ventilation. The sensor measures:

- the CO₂ concentration as a indicator of the presence of people
- The VOC concentration as an indicator of environmental smells (smoke tobacco, body odor or irritating materials)

Characteristics:

- With sensitive CO₂ element maintenance-free on the basis of absorption optical measurement of infrared NDIR (no infrared dispersion) and sensitive VOC element (organic substances volatiles composed) heated tin dioxide semiconductor
- No calibration required
- Analog output

Dimensions: 100 x 90 x 36 mm

Code: **0G00 0000 0013**

Price €: 869,00

Sensor mounted and wired in production

Code: **0G00 0000 0033**

Price €: 1.022,00



U.R. sensor – DUCT version

U.R. sensor

Use the new humidity sensor element with excellent stability long-term and resistance against pollutants.

Characteristics:

- Extremely precise and reliable $\pm 2,5\%$ UR and $\pm 0,3\text{ }^{\circ}\text{C}$ (at $20\text{ }^{\circ}\text{C}$)
- Range of use: $10 \div 95\%$ RH and $-40 \div 60\text{ }^{\circ}\text{C}$ (storage $-20 \div 60\text{ }^{\circ}\text{C}$)
- Protection: IP65 / NEMA 4
- Analogue output: 0 - 10 Volt
- Digital output: RS485 (BACnet MS / TP or Modbus RTU) max. 32
- U.R. regulation and T in the construction site
- Installation costs reduced to a minimum
- Free configuration software

U.R. sensor – version IN TO THE DUCT

Code: **0G00 0000 0011**

Price €: 305,00

Dimensions: strument 101 x 81 x 46 mm, extension ca. 210 mm + sensor

Mounting flange included

U.R. sensor – version WALL or INSIDE THE UNIT (if possible)

Code: **0G00 0000 0022**

Price €: 305,00

Dimensions: strument 101 x 81 x 46 mm, extension ca. 55 mm + sensor

Sensor mounted and wired in production

Code: **0G00 0000 0032**

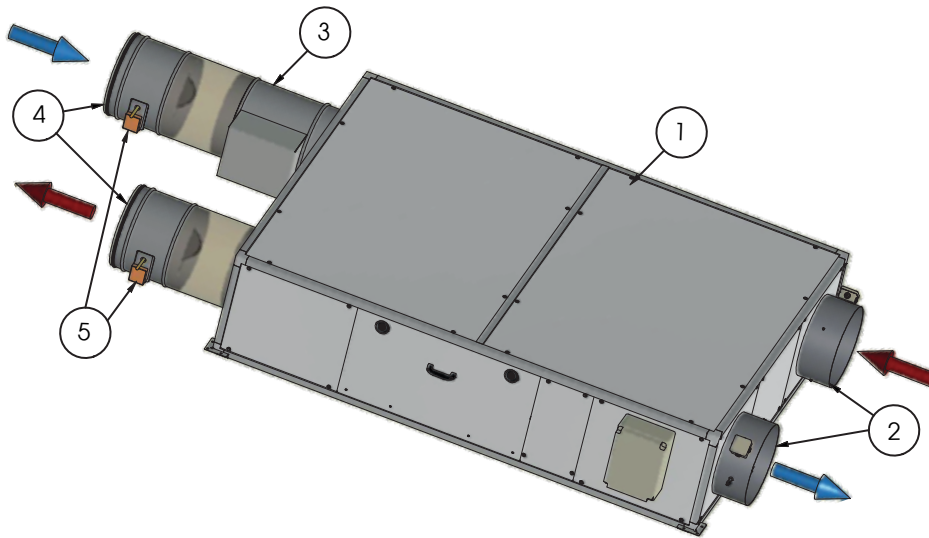
Price €: 458,00



U.R. sensor – WALL version

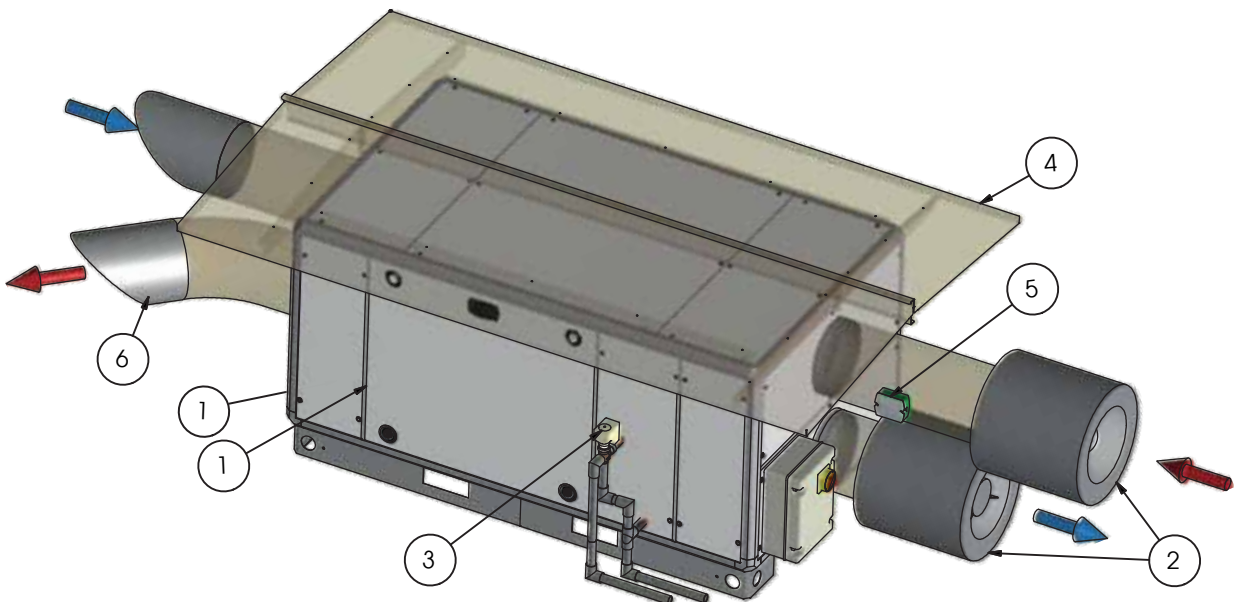


CRHE-H 1100, AIR Ø 250 mm



Reference	Code	Description
1	2PB0 C002 0BSH	CRHE 1100EC BP EVO-PH SH
2	0TKP 0000 0003	Kit COP (constant PRESSURE) EVO Ø 250 mm
3	0E30 3022 500M	Electrical pre-heating 3 kW (230V-1-50Hz) Ø 250 mm
4	0AZ0 0000 0129	Circular damper DLCZTE Ø250 mm
5	0ZD0 0000 0007	Servomotor 230V 50 Hz 5 Nm 3 points - LM230A (< 0,1 m²)

CRHE-V 2500, AIR Ø 355 mm - with water coils BA-AF/AC (attacks Ø 3/4")



Reference	Code	Description
1	2PCA CLO2 OBSV	CRHE 2500EC BP EVO-PH BA-AF\C SV
2	0BZ0 0000 0003	Circular silencer SCZO with ogive L=1,5D Ø 355 mm
3	0DA0 0000 0002	Electric valve 3 way 3 points 230V IP40 200N F3/4"
4	0CZ2 9401 7001	Roof for CRHE-V 2500
5	0G00 0000 0017	Sensor CO ₂ in to the duct
6	0IZ0 0000 0355	Protection cowl wit net Ø 355 mm



GENERAL SALES CONDITIONS CLA-UTEK (*)

(*) In the event of a dispute concerning the interpretation of this general sales conditions, the Italian text will prevail

1. GENERAL INFORMATION

All sales of materials, products and machines made by CLA-UTEK are governed by these General Sales Conditions. These General Terms and Conditions of Sale are valid from June 2019. Any exceptions to these General Terms and Conditions of Sale must be defined and approved in writing.

2. OFFERS - ORDERS - ORDER CONFIRMATIONS

Offers made by C.L.A. shall be valid for 30 days from the date of the transmission to the Customer, unless otherwise specified by writing. Any Order placed by the Customer must be sent in writing (fax or e-mail) and shall not be regarded as accepted before these have been confirmed by CLA in writing.

Any order placed by the Customer must contain all the information necessary for a correct description of:

- the characteristics of the Products ordered,
- the time of shipment and delivery;
- the price and terms of payment,
- the type of packaging
- the Incoterms.

3. DELIVERY TIMES

The delivery times indicated in the order confirmation can be re-determined in case of special conditions that do not allow the fulfillment of the order within the confirmed times.

No penalty for the delayed delivery of the materials can be applied to CLA-UTEK, unless the provision of the penalty has been expressly accepted in writing by CLA-UTEK in the agreement with the customer.

4. ORDER CHANGES AND CANCELLATIONS

The customer must request any partial or total modification the order within 48 hours from the time of the receipt of the order confirmation by CLA-UTEK. CLA-UTEK reserves the right to check the status of the production and to inform the customer if the partial or total modification is accepted. In any case, all products that, at the time of cancellation, have already been manufactured or are in progress, with the exception of standard products that were already in stock at the time of the order confirmation, will be charged to the customer.

5. PRICES AND PAYMENT METHODS

Prices do not include any additional sales costs due to: VAT, transportation and testing at the customer's site, installation and assembly, and (only for the machines) instruction and training. Payments must be made in accordance with the conditions agreed with the customer and written on the order confirmation. In the event of delayed payment, interest will be charged on the rate in effect on the natural expiry date of the invoice. In case of delayed payment CLA-UTEK is entitled to take actions to protect its interests, at its sole discretion, such as the suspension of ongoing supplies, technical assistance and warranty, until the resolution of the dispute.

6. PACKAGING AND SHIPPING

With standard packaging, the Products are positioned on wooden pallets and wrapped in a protective polyethylene film or alternatively inserted into a cardboard box. Any requests for different or more protective packaging must be previously agreed in writing in the contract, and will be charged to the client in the invoice. The applied Incoterms standard is "Ex Works", unless otherwise agreed, in writing, in the order. CLA-UTEK will make available to the shipper (or carrier) of the Customer the products, ready for transport, at its own factory, giving notice of ready goods. The Customer must withdraw the products from the date of notification of ready goods within 2 days, after that time the payment and guarantee terms will begin.

7. RECOMMENDATIONS FOR STORAGE AND HANDLING OF CLA-UTEK PRODUCTS CLA-UTEK

To prevent oxidation, deterioration and other damages to materials, CLA-UTEK underline the importance of correct product storage and handling before installation.

In particular, the Customer must follow the following rules:

- Any products that feature painted materials, must be stored indoors and in a dry place, in order to prevent weathering (weather distress) such as rain, snow, sun, humidity, sudden changes in temperature.
- Pallets with products should be stored in a dry place and should be inclined in order to permit the runoff of condensation and to prevent water stagnation.
- Pallets with products must be sheltered from rain and night humidity; if it is necessary to store the Pallets with products outdoors, these must be sheltered with a waterproof tarpaulin which also ensures adequate ventilation.
- The products must be lifted with ropes fastened to eyebolts, when these are provided.
- Large pallets or boxes will feature specific indications in order to be lifted with forklift trucks.
- The handling of a single product shall be made by lifting the product itself without scraping it on the product below.



8. WARRANTY

8.1 General rule

CLA-UTEK guarantees that the products supplied are free from defects in materials and workmanship and are compliant with the description agreed, in the contract, with the Customer. The warranty for defects shall have a maximum validity for a period of 12 months starting from the date of delivery of the products to the Customer. Only for air treatment machines the warranty for defects shall have a maximum validity for a period of 24 months starting from the date of delivery of the products to the Customer. CLA-UTEK does not guarantee the compliance of the supplied products with particular specifications or technical characteristics, or their suitability for particular or heavy use and / or conditions of use, except to the extent that these specifications, characteristics, uses and conditions of use have been expressly agreed in writing in the contract or in the documents that are part of it (offers, order, material specifications, other documentation etc.).

8.2 Warranty - Customer Verification

Upon delivery, the Customer is required to verify the conformity of the products supplied with respect to what was agreed in the contract. CLA-UTEK undertakes to remedy any defect, lack of quality, lack of conformity of the products supplied, under the following conditions:

- with regard to obvious defects and defects immediately recognizable by the customer (CLA products: for example dimensional errors, lack of some CLA-UTEK components / products: incorrect features, painting or assembly, etc.) the customer must notify CLA-UTEK in writing within 8 days of delivery; in the event that the products are delivered to the customer in closed boxes or packages, the term within which the Customer is required to give a written report to CLA-UTEK is 30 days starting from delivery; once the aforementioned terms have expired, the products will always be understood as fully accepted by the customer
- with regard to hidden defects or defects in the functioning of the product, the customer is obliged to notify CLA-UTEK in writing within 8 days of discovery; in any case the guarantee for any hidden defects of the product and the guarantee of good functioning are valid and operative for a maximum period of 12 months starting from the date of delivery of the products to the Customer; only for air treatment machines the duration of the warranty for any hidden defects of the product and the guarantee of good functioning last for 24 months starting from the date of delivery of the products to the Customer.

In any case, the Customer is required to verify the conformity of the products, in the place of receipt of the goods indicated in the order, before selling the products to third parties or in any case to ship the same products to other destinations.

8.3 Warranty - Effects

CLA-UTEK's only obligation in case of defects, lack of quality or non-conformity of the Products will be that of repairing or replacing the defective Products. It is agreed that the above mentioned guarantee (i.e.: the obligation to repair or replace the Products) is in lieu of any other legal guarantee or liability with the exclusion of any other kind of liability (whether contractual or non-contractual) which may in any case arise out of or in relation to the Products supplied (e.g. compensation of damages, loss of profit, transport costs). Each repaired or replaced part is guaranteed for 12 months from the subsequent redelivery to the Customer and takes place under the same conditions (materials, packaging, delivery) established in the original order; only for air treatment machines the warranty on repaired or replaced parts is 24 months.

8.4 Warranty - Exclusion

The guarantee for hidden defects or functional defects does not include:

- normal wear and tear of the products supplied;
- damage caused by handling or storage of the product made by the Customer without observing the precautions and recommendations provided by CLA-UTEK;
- damage resulting from the imperfect assembly or installation of the product;
- damage resulting from incorrect, or not compliant with the instructions, installation and, for electrical components and machines, damages deriving from electrical connections not complying with or deriving from power surges,
- damages deriving from the use of the product in particular environmental, climatic, chemical or physical conditions (e.g. environments with high salinity or very humid, presence of corrosives atmospheres) not recalled by the Customer in the order or in the contract, or in any case not compatible with the characteristics of the materials and treatments indicated in the product description and in the contractual documentation.

8.5 Forfeiture of the guarantee

The warranty lapses when:

- a) the damage is due to inexperience or poor maintenance or improper use or not in compliance with the use sheet and / or the use and maintenance book of the product;
- b) the product is disassembled or otherwise tampered with or subjected to modifications and / or treatments by an unauthorized person.



Made in Italy

**COMPANY WITH
QUALITY SYSTEM
CERTIFIED BY DNV GL**
ISO 9001

C.L.A. & UTEK reserves the right to at any time the necessary changes to improve products without prior notice.



ACCESSORIES_08_2020_EN
Valid from 01/04/2021