

# INSTALLATION GUIDE

## AXIS T91B/T91D Mounts

**AXIS T91B61 Wall Mount**

**AXIS T91B62 Parapet Mount**

**AXIS T91B63 Ceiling Mount**

**AXIS T91D61 Wall Mount 1.5" NPS**



[www.use-ip.co.uk](http://www.use-ip.co.uk)  
01304 827609



## About this Document

This document includes instructions for installing AXIS T91B/T91D Mounts.

## Legal Considerations

Video and audio surveillance can be prohibited by laws that vary from country to country. Check the laws in your local region before using this product for surveillance purposes.

## Equipment Modifications

This equipment must be installed and used in strict accordance with the instructions given in the user documentation. This equipment contains no user-serviceable components. Unauthorized equipment changes or modifications will invalidate all applicable regulatory certifications and approvals.

## Liability

Every care has been taken in the preparation of this document. Please inform your local Axis office of any inaccuracies or omissions. Axis Communications AB cannot be held responsible for any technical or typographical errors and reserves the right to make changes to the product and documentation without prior notice. Axis Communications AB makes no warranty of any kind with regard to the material contained within this document, including, but not limited to, the implied warranties of merchantability and fitness for a particular purpose. Axis Communications AB shall not be liable nor responsible for incidental or consequential damages in connection with the furnishing, performance or use of this material. This product is only to be used for its intended purpose.

## Safety

This product complies with IEC/EN/UL 60950-1 and IEC/EN/UL 60950-22, Safety of Information Technology Equipment.

## Disposal and Recycling

When this product has reached the end of its useful life, dispose of it according to local laws and regulations. For information about your nearest designated collection point, contact your local authority responsible for waste disposal. In accordance with local legislation, penalties may be applicable for incorrect disposal of this waste.

## Support

Should you require any technical assistance, please contact your Axis reseller. If your questions cannot be answered immediately, your reseller will forward your queries through the appropriate channels to ensure a rapid response. If you are connected to the Internet, you can:

- download user documentation and firmware updates
- find answers to resolved problems in the FAQ database. Search by product, category, or phrases
- report problems to Axis support by logging in to your private support area.
- chat with Axis support staff (selected countries only)
- visit Axis Support at [www.axis.com/techsup/](http://www.axis.com/techsup/)

Should you require any technical assistance, please contact appropriate channels according to your AVHS license agreement to ensure a rapid response.

## Learn More!

Visit Axis learning center  
[www.axis.com/academy](http://www.axis.com/academy) for useful  
trainings, webinars, tutorials and  
guides.

## Warranty

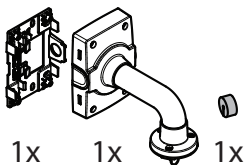


## Contact Information

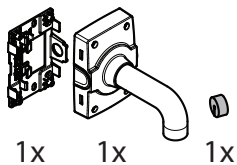
Axis Communications AB  
Emdalavägen 14  
223 69 Lund  
Sweden  
Tel: +46 46 272 18 00  
Fax: +46 46 13 61 30  
[www.axis.com](http://www.axis.com)



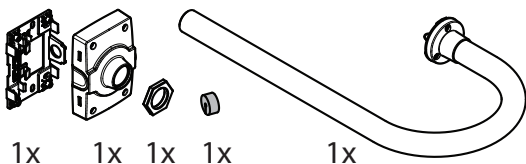
AXIS T91B61



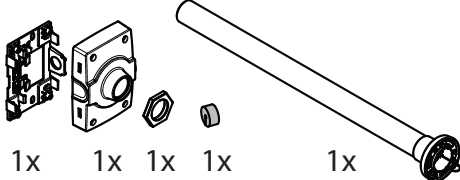
AXIS T91D61



AXIS T91B62

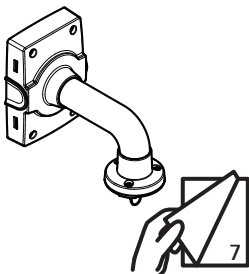


AXIS T91B63

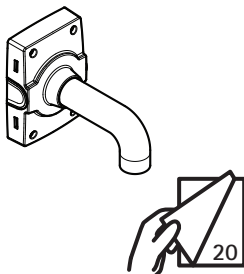




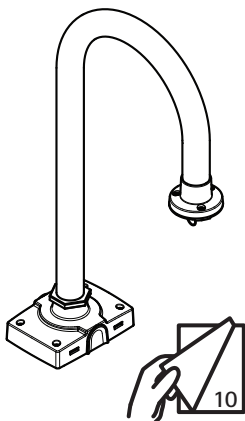
AXIS T91B61



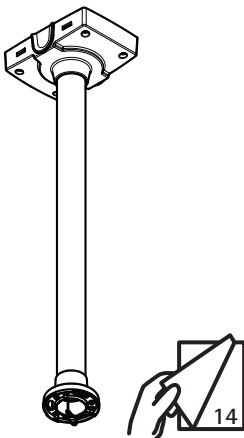
AXIS T91D61



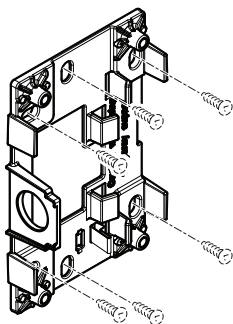
AXIS T91B62



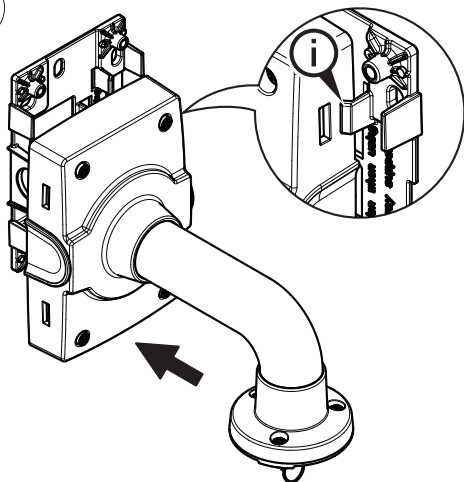
AXIS T91B63



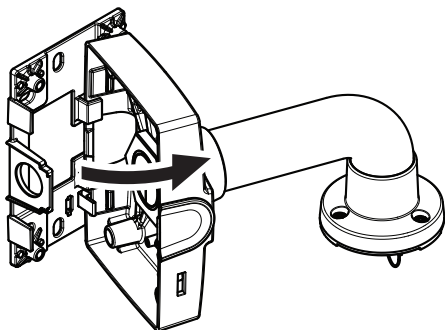
1



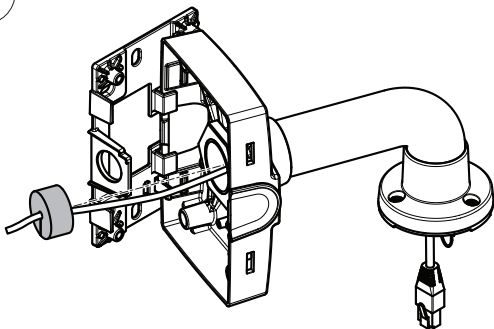
2



3

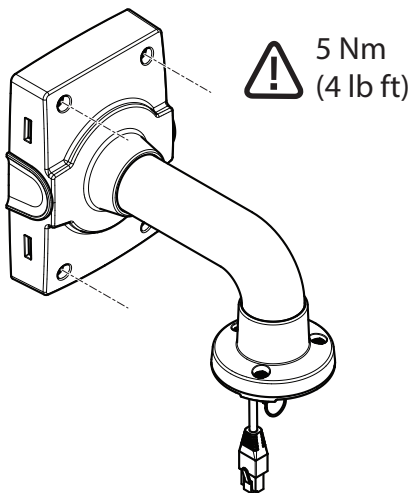


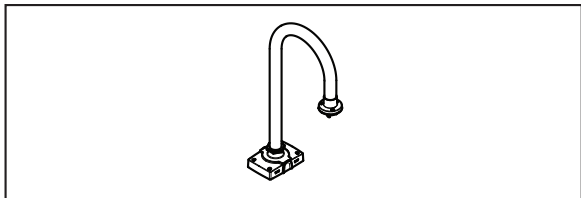
4



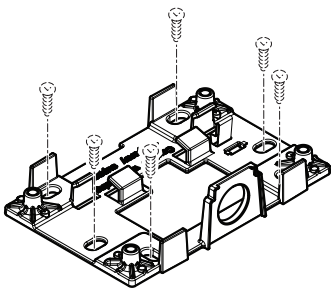


5

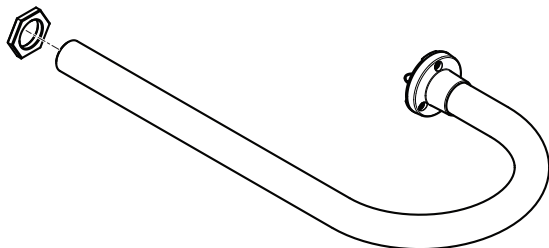




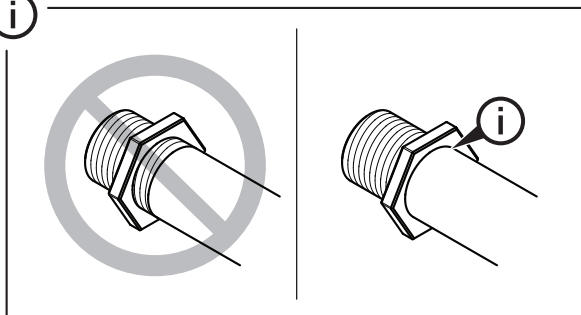
6

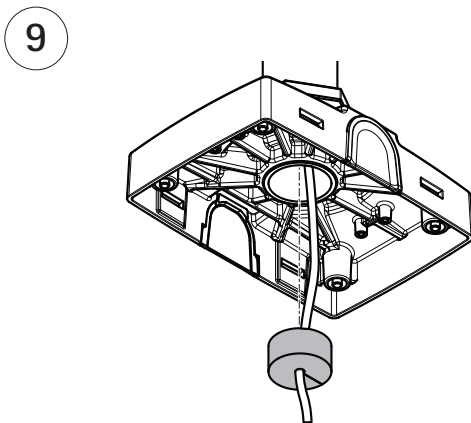
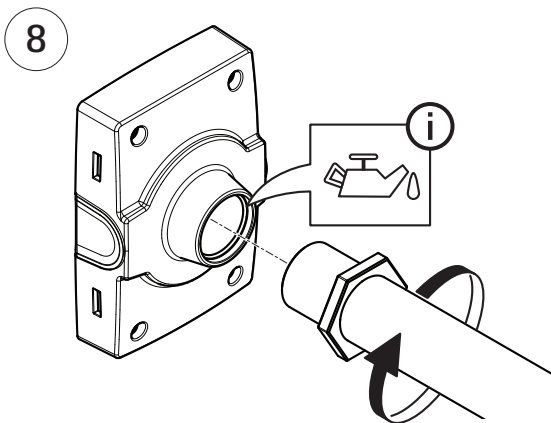


7

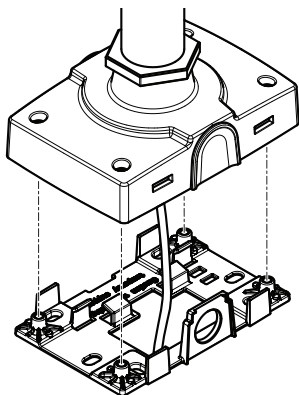


i



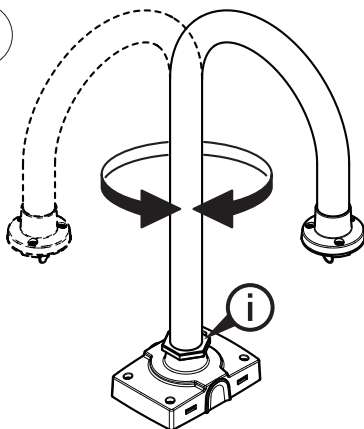


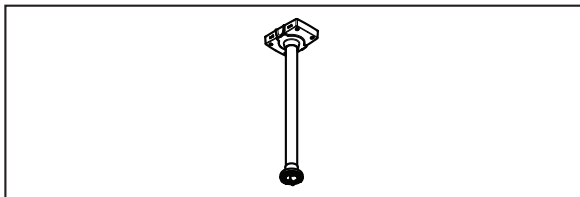
10



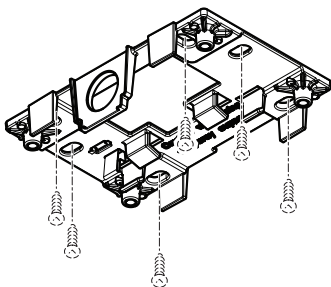
5 Nm  
(4 lb ft)

11

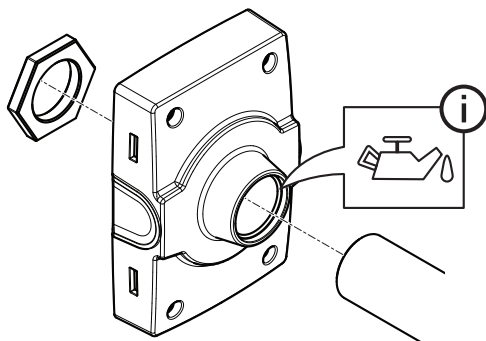




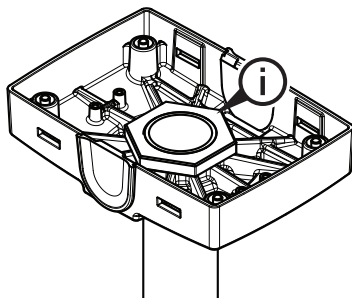
12



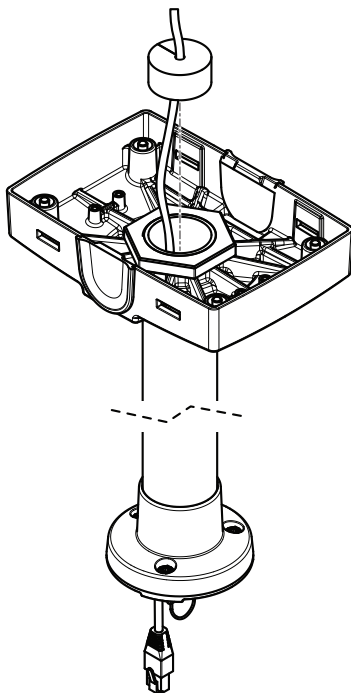
13



14

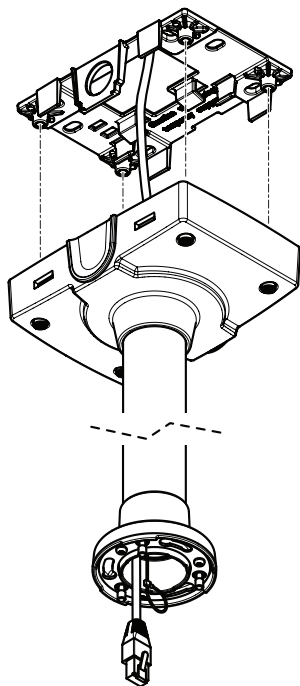


15





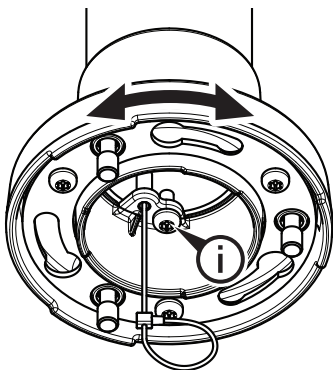
16



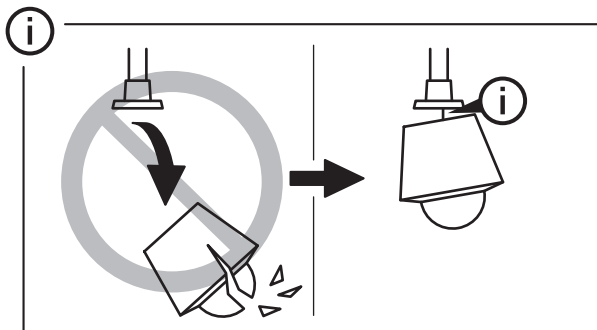
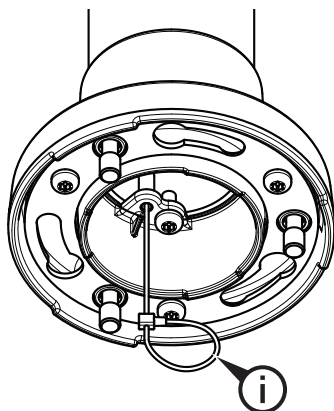
5 Nm  
(4 lb ft)



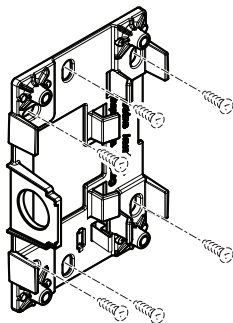
17



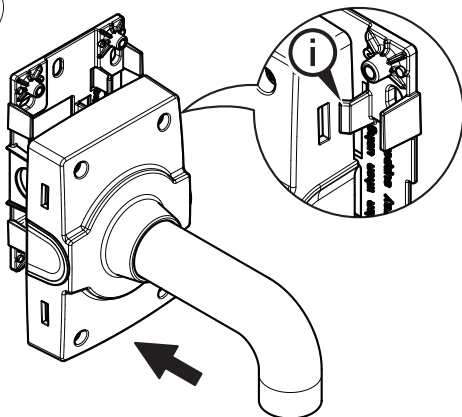
18



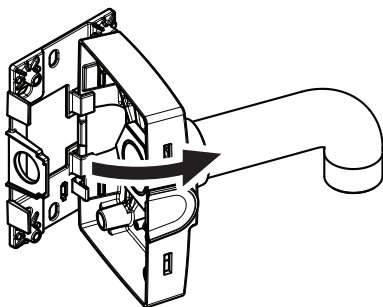
19



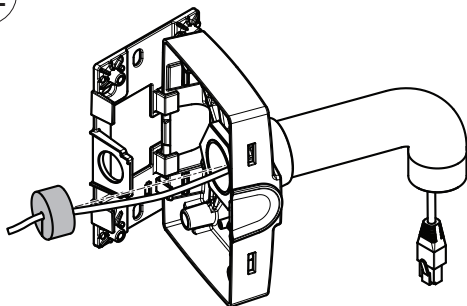
20



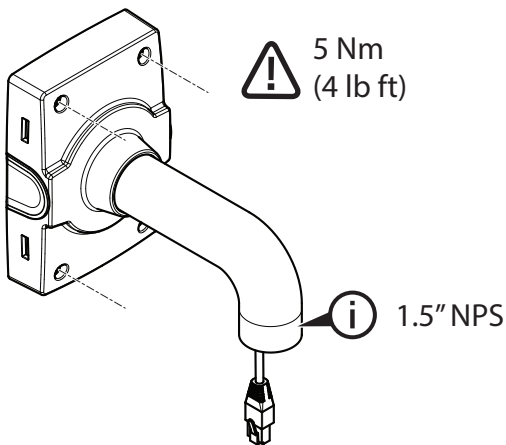
21

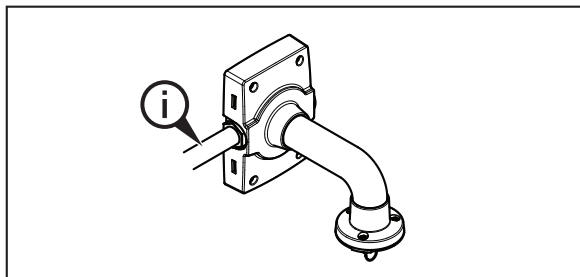


22

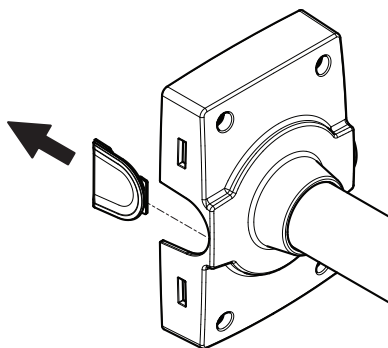


23

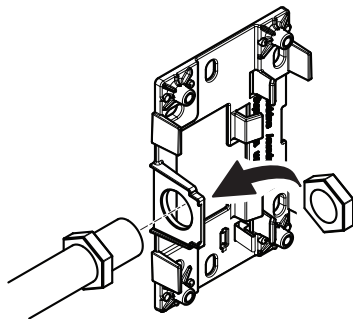




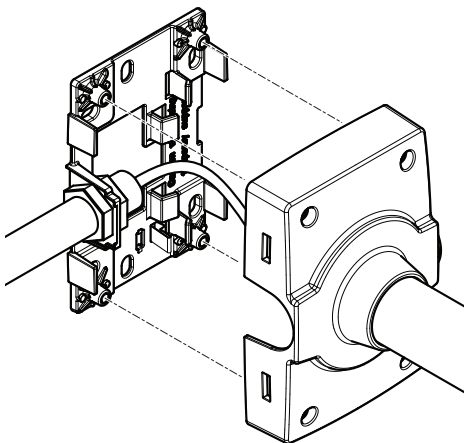
24



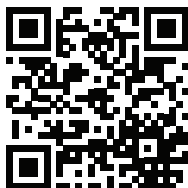
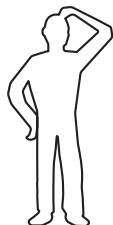
25



26







[www.axis.com/techsup](http://www.axis.com/techsup)





Installation Guide

AXIS T91B/T91D Mounts

© Axis Communications AB, 2013

Ver. 2.00

Printed: November 2013

Part No. 54203