

PRODUCT LINE 2020

Signature




MADE IN FRANCE

Guy Bonneville

BLAM
DRIVEN BY PASSION



Guy Bonneville

BLAM

DRIVEN BY PASSION

Drawing on over twenty-five years of experience in the conception and creation of high-end loudspeakers, we have designed our speakers to fully express the unique sound-concept referred to as "French Sound".

"French Sound" is a subtle and very specific balance designed to accurately reproduce any music's midrange details whilst preserving all the emotions in the voice.

It faithfully reproduces the dynamics of the original recording but diligently retains all the natural nuances and vocal clarity that makes music truly come alive.

Blam's new **Signature** line expresses Guy's entire twenty-five year experience working with car audio and product design and quite simply reaches all the ideals and targets he has set for "French Sound".

Signature is made exclusively in France. Each component is designed in BLAM's French laboratory before being hand-assembled, rigorously tested, paired and finished in our new purpose-built workshop in France.

Multix, the flagship product of the line, has been developed with an audiophile approach by correlating technical tests and their listening results. Multix tenfolds sensations by revealing the smallest details of the music.

BLAM wishes you hours of pure enjoyment !

Guy BONNEVILLE

fondateur de BLAM

BLAM founder

Bonneville



Speakers

Signature

Multix

S165 M3



WS6

MS3

TSM 25 Mg 45 HR



MULTIX WOMID



BFT01

TSM 25 S45



 **MADE IN FRANCE**

3 (2+1) WAY COMPONENT SPEAKER SYSTEM

This kit is composed of two 165 mm (6.5") woofers, two 80 mm (3") mediums, two 25 mm (1") magnesium dome tweeters and four external 6/12 dB/octave high pass crossovers.

WOOFER WS6 HIGH POWER WOOFER

- 6-1/2" (165 mm) woofer
- Maximal power 250 W / Nom. power 125 W
- Frequency response 80 Hz - 6 kHz
- Sensitivity 94 dB - Impedance 2 Ω

Die cast aluminium basket - Ultra rigid 3K carbon fiber cone - NBR surround - Double damper with integrated wires - 38 mm voice coil on fiber glass former - Oversized 10 sticks neodymium magnet - Machined aluminium phase plug - Golden terminal - Paired products at +/- 1 dB.

MEDIUM MS3 EXTENDED FREQUENCY SPEAKER

- 80 mm (3") extended frequency medium
- Maximal power 100 W / Nom. power 25 W
- Frequency response 120 Hz - 32 kHz
- Impedance 3 Ω

Die cast aluminium basket - Ultra rigid carbon fiber cone - NBR surround - Long life damper - 20 mm voice coil on fiber glass former - Ultra powerful 8 sticks neodymium magnet - Machined aluminium phase plug - Golden terminal - Paired products at +/- 1dB.

TWEETER TSM 25 Mg 45 HR HIGH RESOLUTION TWEETER

- 25 mm (1") pure magnesium dome tweeter
- Frequency respons: 1.2 kHz - 23 kHz
- Sensitivity 89 dB - Impedance 5 Ω

High efficiency neodymium magnet (N38) - High precision machined aluminium faceplate - Sound transparent protection grill.

CROSSOVERS MULTIX WOMID AUDIOPHILE GRADE CROSSOVER

- Audiophile components
- High pass 6/12 dB/octave crossovers
- Adjustable frequency between 150 and 500 Hz

CROSSOVERS BFT01 HIGH QUALITY CROSSOVER

- High pass 12 dB/octave crossover
- Adjustable tweeter level at +3 dB, 0 dB or -3 dB

HIGH DEFINITION SOFT DOME TWEETER

- 25 mm (1") soft dome tweeter
- Frequency response 1.6 kHz - 30 kHz
- Sensitivity 90.7 dB - Impedance 5 Ω

High efficiency neodymium magnet (N38) - High precision machined aluminium faceplate - Sound transparent protection grill.

Signature

Multix

S165 M2 FR



2 WAY COMPONENT SPEAKER SYSTEM

This kit is composed of two 165 mm (6.5") woofers, two 80 mm (3") mediums and two external 6/12 dB/octave high pass crossovers.

WOOFER WS6 HIGH POWER WOOFER

- 6-1/2" (165 mm) woofer
- Maximal power 250 W / Nom. power 125 W
- Frequency response 80 Hz - 6 kHz
- Sensitivity 94 dB - Impedance 2 Ω

Die cast aluminium basket - Ultra rigid 3K carbon fiber cone - NBR surround - Double damper with integrated wires - 38 mm voice coil on fiber glass former - Oversized 10 sticks neodymium magnet - Machined aluminium phase plug - Golden terminal - Paired products at +/- 1 dB.

MEDIUM MS3 EXTENDED FREQUENCY SPEAKER

- 80 mm (3") extended frequency medium
- Maximal power 100 W / Nominal power 25 W
- Frequency response 120 Hz - 32 kHz
- Impedance 3 Ω

Die cast aluminium basket - Ultra rigid carbon fiber cone - NBR surround - Long life damper - 20 mm voice coil on fiber glass former - Ultra powerful 8 sticks neodymium magnet - Machined aluminium phase plug - Golden terminal - Paired products at +/- 1dB.

CROSSOVERS MULTIX WOMID AUDIOPHILE GRADE CROSSOVER

- Audiophile components
- High pass 6/12 dB/octave crossovers
- Adjustable frequency between 150 and 500 Hz

Speakers

Signature

Multix

S165 M2 Mg



2 WAY COMPONENT SPEAKER SYSTEM

This kit is composed of two 165 mm (6.5") woofers, two 25 mm (1") high resolution magnesium dome tweeters and two audiophile 12 dB/octave high pass crossovers with the tweeter level adjustable: +3 dB, 0 dB or -3 dB.

WOOFER WS6 HIGH POWER WOOFER

- 6-1/2" (165 mm) woofer
- Maximal power 250 W / Nom. power 125 W
- Frequency response 80 Hz - 6 kHz
- Sensitivity 94 dB - Impedance 2 Ω

Die cast aluminium basket - Ultra rigid 3K carbon fiber cone - NBR surround - Double damper with integrated wires - 38 mm voice coil on fiber glass former - Oversized 10 sticks neodymium magnet - Machined aluminium phase plug - Golden terminal - Paired products at +/- 1 dB.

TWEETER TSM 25 Mg 70 HR HIGH RESOLUTION TWEETER

- 25 mm (1") pure magnesium dome tweeter
- Frequency response ultra-extended
- Sensitivity 89.8 dB - Impedance 5 Ω

Very powerful ring neodymium magnet - High precision machined aluminium face - Sound transparent protection grill - Low resonance rear chamber. Available in two colors: black and gold.

CROSSOVERS MULTIX WT 2 WAYS AUDIOPHILE GRADE CROSSOVER

- 12 dB/octave high pass crossover
- Adjustable tweeter level +3 dB, 0 dB or -3 dB
- Audiophile components
- Cutoff frequency

Signature

HIGH POWER

S 165.300



3 (2+1) WAY COMPONENT SPEAKER SYSTEM

System includes two 165 mm (6.5") woofers, two 80 mm (3") midranges, two 20 mm (3/4") textile dome tweeters and two external crossovers 6/12 dB/octave external crossovers with adjustable tweeter level: +3 dB, 0 dB or -3 dB.

WS 6.300 HIGH POWER WOOFER

- Woofer 6.5" (165 mm)
- Max power 250 W / Nom. power 125 W
- Frequency response 50 Hz - 5 kHz
- Sensitivity 93.2 dB - Impedance 2 Ω

Die cast aluminum: basket - Ultra rigid carbon fiber cone - NBR surround - Long life "conex" damper - 38 mm voice coil, fiber glass former - 100 x 20 mm oversized magnetic motor - Gold-plated terminal.

MS 3.55 HIGH EFFICIENCY MIDRANGE DRIVER

- Extended frequency 80 mm (3") midrange
- Frequency response 200 Hz - 27 kHz

Die cast aluminium basket - Ultra rigid carbon fiber cone - NBR surround - Long life "conex" damper - 20 mm voice coil, fiber glass former - 55 x 10 mm magnetic motor - Aluminum dust cap - Gold-plated terminal.

TS 20 HR HIGH RESOLUTION TWEETER

- 20 mm (3/4") textile dome diaphragm
- Frequency response 2.5 kHz - 43 kHz
- Sensitivity (2.83 V / 1m) 88.3 dB - Impedance 5 Ω

Compact mounting dimensions - High efficiency magnet (N38H neodymium) - Ferrofluid for high power handling.

BFX 03 AUDIOPHILE GRADE CROSSOVER

- 6/12/12 dB / octave 2+1 ways audiophile grade crossover
- Crossover point: woofer / midrange: 300 Hz
- Super tweeter hi-pass: 10 kHz

Speakers

Signature

HIGH POWER

S 165.100



2 WAY COMPONENT SPEAKER SYSTEM

System includes two 165 mm (6.5") woofers, two 28 mm (1.1") textile dome tweeters and two external crossovers 6/12 dB/octave crossovers with adjustable tweeter level : +3 dB, 0 dB or -3 dB.

WS 6.100 HIGH POWER WOOFER

- Woofer 6.5" (165 mm)
- Max power 250 W / Nom. power 125 W
- Frequency response 50 Hz - 5 kHz
- Sensitivity 93.2 dB - Impedance 2 Ω

Die cast aluminum basket - Ultra rigid carbon fiber cone - NBR surround - Long life "conex" damper - 38 mm voice coil, fiber glass former - 100 mm x 20 mm oversized magnetic motor - Machined aluminum phase plug - Gold-plated terminal.

TS 28 HIGH SENSITIVITY TWEETER

- 28 mm (1.1") textile dome diaphragm
- Frequency response 2.5 kHz - 25 kHz
- Sensitivity 93 dB - Impedance 4 Ω

High efficiency magnet (N38H neodymium) - Ferrofluid for high power handling - Precision machined aluminum horn-loading front plate - Sound transparent protective grill.

BFX 02 AUDIOPHILE GRADE CROSSOVER

- 12/12 dB/octave 2 way crossover
- Adjustable tweeter level +3 dB, 0 dB or -3 dB
- Crossover point: 3 kHz

High quality metallized polyester caps - Low DCR air coils.

S 165N45 +



2 WAY SLIM COMPONENT SPEAKER SYSTEM

System includes two 165 mm (6.5") woofers, two 20 mm (3/4") high resolution dome tweeters and four external crossovers.

WS 6N45 HIGH FIDELITY WOOFER

- Woofer 6.5" (165 mm)
- Max power 120 W / Nom. power 60 W
- Frequency response 60 Hz - 7 kHz
- Sensitivity 94.3 dB - Impedance 2 Ω

Die cast aluminum basket - Ultra rigid carbon fiber cone with circular grooves to strengthen the cone - Butyl surround - Long life "conex" damper - 34 mm voice coil, fiber glass former - High grade neodymium magnet - Precision machined pole piece and T yoke.

TS 20 HR HIGH RESOLUTION TWEETER

- 20 mm (3/4") textile dome diaphragm
- Frequency response 2.5 kHz - 43 kHz
- Sensitivity (2.83 V / 1m) 88.3 dB - Impedance 5 Ω

Compact mounting dimensions - High efficiency magnet (N38H neodymium) - Ferrofluid for high power handling.

BFT01 HIGH QUALITY CROSSOVER

- High pass 12 dB/octave crossover
- Adjustable tweeter level at +3 dB, 0 dB or -3 dB

BFW01 HIGH QUALITY CROSSOVER

- Low pass 6 dB/octave crossover

S 165.85



2 WAY COMPONENT SPEAKER SYSTEM

System includes two 165 mm (6.5") woofers, two 25 mm (1") high resolution dome tweeters and two external crossovers.

WS 6.85 HIGH FIDELITY WOOFER

- Woofer 6.5" (165 mm)
- Max power 200 W / Nom. power 100 W
- Frequency response 45 Hz - 5 kHz
- Sensitivity 91.7 dB - Impedance 3 Ω

Die cast aluminum basket - Ultra rigid carbon fiber cone - NBR surround - Long life "conex" damper - 34 mm voice coil, fiber glass former - 85 x 20 mm oversized magnetic motor - Gold-plated terminal.

TS 25 HR HIGH RESOLUTION TWEETER

- 25 mm (1") textile dome diaphragm
- Frequency response 1.5 kHz - 40 kHz
- Sensitivity 90.1 dB - Impedance 4 Ω

High efficiency magnet (N38H neodymium) - Precision machined aluminum front plate - Low resonance rear chamber - Large roll surround for wide dispersion.

BFX 02 AUDIOPHILE GRADE CROSSOVER

- 12/12 dB / octave 2 ways crossover
- Adjustable tweeter level +3 dB, 0 dB or -3 dB
- Crossover point: 3 kHz

High quality metallized polyester caps - Low DCR air coils.

Signature

HIGH SENSITIVITY

S 165.80 C +



COAXIAL SPEAKER SYSTEM

Integrated 6 dB/octave crossover.

WS 6.80 C HIGH SENSITIVITY WOOFER

- Woofer 6.5" (165 mm) - Tweeter 25 mm
- Max power 120 W / Nom. power 60 W
- Frequency response 60 Hz - 30 kHz
- Sensitivity 94.3 dB - Impedance 2 Ω

Die cast aluminum basket - Ultra rigid carbon fiber cone - Butyl surround - Long life "conex" damper - 28 mm voice coil, fiber glass former - 80 x 17 mm magnetic motor - Gold-plated terminal.

S 165.80 +



WS 6.80



TS 20 HR



BFW01



BFT01

2 WAY COMPONENT SPEAKER SYSTEM

System includes two 165 mm (6.5") woofers, two 20 mm (3/4") high resolution dome tweeters and four external crossovers.

WS 6.80 HIGH SENSITIVITY WOOFER

- Woofer 6.5" (165 mm)
- Max power 120 W / Nom. power 60 W
- Frequency response 60 Hz - 7 kHz
- Sensitivity 94.3 dB - Impedance 2 Ω

Die cast aluminum basket - Ultra rigid carbon fiber cone - Butyl surround - Long life "conex" damper - 28 mm voice coil, fiber glass former - 80 x 17 mm magnetic motor - Gold-plated terminal.

TS 20 HR HIGH RESOLUTION TWEETER

- 20 mm (3/4") textile dome diaphragm
- Frequency response 2.5 kHz - 43 kHz
- Sensitivity (2.83 V / 1m) 88.3 dB - Impedance 5 Ω

Compact mounting dimensions - High efficiency magnet (N38H neodymium) - Ferrofluid for high power handling.

BFT01 HIGH QUALITY CROSSOVER

- High pass 12 dB/octave crossover
- Adjustable tweeter level at +3 dB, 0 dB or -3 dB

BFW01 HIGH QUALITY CROSSOVER

- Low pass 6 dB/octave crossover

Speakers

Signature

HIGH FIDELITY

FRS 3N50 +



EXTENDED FREQUENCY RESPONSE DRIVER

- Full-range driver 3" (80 mm)
- Max. power 100 W / Nom. power 25 W
- Frequency response 200 Hz - 28 kHz
- Sensitivity (2.83 V / 1m) 91 dB - Impedance 3 Ω

Die cast aluminum basket - Ultra rigid carbon fiber cone - Butyl surround - Long life "conex" damper - 20 mm voice coil, fiber glass former - Oversized neodymium ring magnetic motor with copper ring - Aluminum magnesium phase plug - Products matched to +/-1 dB.

S 100N24 +



2 WAY COMPONENT SPEAKER SYSTEM

Component system dedicated for Mercedes & BMW (with optional hardness) which includes two 100 mm (4") midranges, two 20 mm (3/4") soft dome tweeters and four external crossovers.

MS 4N 24 HIGH FIDELITY MIDRANGE

- 100 mm (4") slim midrange
- Max Power 120 W / RMS Power 60 W
- Frequency response 95 Hz - 9 kHz
- Sensitivity (2.83 V / 1m) 88 dB - Impedance 3 Ω

Die cast aluminum basket - Ultra rigid carbon fiber - Butyl surround - Long life "conex" damper - 25 mm voice coil, fiber glass former - High grade neodymium magnet - Precision machined pole piece and T yoke.

TS 20 HR HIGH RESOLUTION TWEETER

- 20 mm (3/4") textile dome diaphragm
- Frequency response 2.5 kHz - 43 kHz
- Sensitivity (2.83 V / 1m) 88.3 dB - Impedance 5 Ω

Compact mounting dimensions - High efficiency magnet (N38H neodymium) - Ferrofluid for high power handling.

BFT01 HIGH QUALITY CROSSOVER

- High pass 12 dB/octave crossover
- Adjustable tweeter level at +3 dB, 0 dB or -3 dB

BFW01 HIGH QUALITY CROSSOVER

- Low pass 6 dB/octave crossover

Speakers

LIVE

HIGH POWER

L200P **POWER**



LW200P

LT25

BFT02

2 WAY COMPONENT SPEAKER SYSTEM

System includes two 200 mm (8") woofers, two 25 mm (1") soft dome tweeters, two high-quality high pass 12dB/octave BFT02 crossovers

It is also available in Black edition (woofers and tweeters full black)

LW200P HIGH POWER WOOFER

- 200 mm (8") woofer
- Max power 200 W - Nominal power 100 W
- Frequency response 40 Hz - 8 kHz
- Sensitivity 94.4 dB - Impedance 2 Ω

Machined cast aluminium basket - Epoxy resin and glass fiber cone - Butyl rubber surround - Long life "conex" damper - 38 mm (1.5") voice coil with Kapton former - 110 mm x 20 mm (4.3" x 0.8") motor assembly - Thick magnetic circuit.

LT25 HIGH QUALITY TWEETER

- 25 mm (1") high quality soft dome tweeter
- Max power 100 W - Nominal power 15 W
- Frequency response 2.5 kHz - 25 kHz
- Sensitivity 91.6 dB - Impedance 3 Ω

High efficiency magnet (N38 neodymium motor).

BFT02 HIGH QUALITY CROSSOVER

- High pass 12 dB/octave crossover
- Adjustable tweeter level at +3 dB, 0 dB or -3 dB

LIVE

HIGH POWER

L165P POWER



2 WAY COMPONENT SPEAKER SYSTEM

For the strong sensations seekers who are looking for a powerful and loyal audio system, the new BLAM L165P is made for you.

In fact, just as its name says, the L165P POWER has been created purposely for those who want to fully enjoy their favorite rock or techno tracks.

Combined with a strong amplifier, you will obtain a high sound level but still very balanced who will allow you to live the emotions of your favorite concerts once again.

Like all BLAM products, this range will let you take advantage of our "French Sound", which emphasizes not only the melodies and the basses, but the vocal melodies as well.

System includes two 165 mm (6.5") woofers, two 25 mm (1") soft dome tweeters, two high-quality low pass 12dB/octave BFW02 crossovers and two high-quality high pass 12dB/octave BFT02 crossovers, suitable for bi-amplification

It is also available in Black edition (woofers and tweeters full black)

LW165P HIGH POWER WOOFER

- 165 mm (6.5") woofer
- Max power 180 W - Nominal power 90 W
- Frequency response 50 Hz - 8 kHz
- Sensitivity 91.7 dB - Impedance 3 Ω

Machined cast aluminium basket - Epoxy resin and glass fiber cone - Butyl rubber surround - Long life "conex" damper - 32 mm (1.26") voice coil with Kapton former - 85 mm x 20 mm (3.3" x 0.8") motor assembly - Thick magnetic circuit 5 mm.

LT25 HIGH QUALITY TWEETER

- 25 mm (1") high quality soft dome tweeter
- Max power 100 W - Nominal power 15 W
- Frequency response 2.5 kHz - 25 kHz
- Sensitivity 91.6 dB - Impedance 3 Ω

High efficiency magnet (N38 neodymium motor).

BFT02 HIGH QUALITY CROSSOVER

- High pass 12 dB/octave crossover
- Adjustable tweeter level at +3 dB, 0 dB or -3 dB

BFW02 HIGH QUALITY CROSSOVER

- Low pass 12 dB/octave crossover.

LIVE

SUPER SHALLOW

L165S SOLO



2 WAY COMPONENT SPEAKER SYSTEM

If you want to fully enjoy our "French Sound" but you have a limited depth space in your car, the new L165S SOLO speaker is made for you.

Thanks to its ultra-powerful and very compact neodymium motor, its installed depth doesn't exceed 62 mm.

In fact, we have adapted it to the limited spaces in order to give you the possibility to fully enjoy your favorite playlist during your rides.

Despite its weak depth, the L165S SOLO emanates a very strong and precise sound that emphasizes both the basses and the vocal melodies.

System includes two 165 mm (6.5") woofers, two 25 mm (1") soft dome tweeters and two high-quality high pass 12dB/octave BFT02 crossovers

It is also available in Black edition (woofers and tweeters full black)

LW165S SLIM WOOFER

- 165 mm (6.5") woofer
- Max power 140 W - Nominal power 70 W
- Frequency response 55 Hz - 8 kHz
- Sensitivity 90.6 dB - Impedance 3 Ω

Machined cast aluminium basket - Epoxy resin and glass fiber cone - Butyl rubber surround - Long life "conex" damper - 32 mm (1.26") voice coil with Kapton former - 31 mm x 8 mm (1.2" x 0.3") motor assembly - Thick magnetic circuit 5 mm.

LT25 HIGH QUALITY TWEETER

- 25 mm (1") high quality soft dome tweeter
- Max power 100 W - Nominal power 15 W
- Frequency response 2.5 kHz - 25 kHz
- Sensitivity 91.6 dB - Impedance 3 Ω

High efficiency magnet (N38 neodymium motor).

BFT02 HIGH QUALITY CROSSOVER

- High pass 12 dB/octave crossover
- Adjustable tweeter level at +3 dB, 0 dB or -3 dB

LIVE

HIGH FIDELITY

L165A ACOUSTIC



2 WAY COMPONENT SPEAKER SYSTEM

With its "French Sound" conception, the BLAM L165A trustfully recreates the acoustic instruments and the voices emotions for a more natural and mesmerizing result.

Its rigid and light composite membrane, with a 28 mm diameter coil, grants it dynamism and details that give life to the tracks. As a result, you forget the system to leave space to the music.

System includes two 165 mm (6.5") woofers, two 25 mm (1") soft dome tweeters, two high-quality low pass 12 dB/octave BFW02 crossovers and two high-quality high pass 12 dB/octave BFT02 crossovers suitable for bi-amplification

It is also available in Black edition (woofers and tweeters full black)

LW165A HIGH FIDELITY WOOFER

- 165 mm (6.5") woofer
- Max power 140 W - Nominal power 70 W
- Frequency response 55 Hz - 9 kHz
- Sensitivity 92.8 dB - Impedance 2 Ω

Machined cast aluminium basket - Epoxy resin and glass fiber cone - Butyl rubber surround - Long life "conex" damper - 28 mm (1.1") voice coil with Kapton former - 80 mm x 15 mm (3.1" x 0.6") motor assembly - Thick magnetic circuit 5 mm.

LT25 HIGH QUALITY TWEETER

- 25 mm (1") high quality soft dome tweeter
- Max power 100 W - Nominal power 15 W
- Frequency response 2.5 kHz - 25 kHz
- Sensitivity 91.6 dB - Impedance 3 Ω

High efficiency magnet (N38 neodymium motor).

BFT02 HIGH QUALITY CROSSOVER

- High pass 12 dB/octave crossover
- Adjustable tweeter level at +3 dB, 0 dB or -3 dB

BFW02 HIGH QUALITY CROSSOVER

- Low pass 12 dB/octave crossover.

Speakers

LIVE

HIGH EFFICIENCY

165 LSQ ORIGINAL



165LSQ

LT25

BFT01

BFW01

2 WAY COMPONENT SPEAKER SYSTEM

If you have decided to install new speakers in your car in order to fully enjoy your playlist during your rides and you are looking for a warm, aerated and strong system, the new BLAM 165LSQ of our LIVE line is made for you.

Elaborated with the "French Sound" concept and by keeping in mind the "vinyl" sound idea, which is known for its delicacy, we have designed this product using very high-quality materials such as cellulose pulp membranes strengthened with bamboo fibers.

The 165 LSQ will emphasize the authentic side of your favorite tracks and, no matter the music styles, it will make you want to listen and listen again to them thanks to its mesmerizing warmth, dynamism and smoothness.

System includes two 165 mm (6.5") woofers, two 25 mm (1") soft dome tweeters, two high-quality low pass 6dB/octave BFW01 crossovers and two high-quality high pass 12dB/octave BFT01 crossovers, suitable for bi-amplification

It is also available in Black edition (woofers and tweeters full black)

165LSQ HIGH EFFICIENCY WOOFER

- 165 mm (6.5") woofer
- Max power 120 W - Nominal power 60 W
- Frequency response 60 Hz - 9 kHz
- Sensitivity 94 dB - Impedance 2 Ω

Machined cast aluminium basket - Cellulose pulp cone reinforced with bamboo fiber - Butyl rubber surround - Long life "conex" damper - 28 mm (1.1") voice coil with Kapton former - 80 mm x 15 mm (3.1" x 0.6") motor assembly - Thick magnetic circuit 5 mm.

LT25 HIGH QUALITY TWEETER

- 25 mm (1") high quality soft dome tweeter
- Max power 100 W - Nominal power 15 W
- Frequency response 2.5 kHz - 25 kHz
- Sensitivity 91.6 dB - Impedance 3 Ω

High efficiency magnet (N38 neodymium motor).

BFT01 HIGH QUALITY CROSSOVER

- High pass 12 dB/octave crossover
- Adjustable tweeter level at +3 dB, 0 dB or -3 dB

BFW01 HIGH QUALITY CROSSOVER

- Low pass 6 dB/octave crossover

Subwoofers

LIVE

LSP20



200 MM (8") SUBWOOFER

- 200 mm (8") subwoofer
- Max power 500 W - Nominal power 250 W
- Frequency response 35 Hz - 500 Hz
- Sensitivity 89.4 dB - Impedance 2 x 2 Ω

Steel basket - Injected polypropylene cone - Foam surround - Long life "conex" damper - 50 mm (2") dual voice coil on aluminium former - Dual 120 mm x 20 mm (4.7" x 0.8") motor assembly - Extended T-yoke.

LIVE

LSP25



250 MM (10") SUBWOOFER

- 250 mm (10") subwoofer
- Max power 600 W - Nominal power 300 W
- Frequency response 30 Hz - 500 Hz
- Sensitivity 92.6 dB - Impedance 2 x 2 Ω

Steel basket - Injected polypropylene cone - Foam surround - Long life "conex" damper - 60 mm (2.4") dual voice coil on aluminium former - Dual 140 mm x 20 mm (5.5" x 0.8") motor assembly - Extended T-yoke.

RELAX

165 RC



165 RS



165 RX



COMMON CHARACTERISTICS 165RC - 165RS - 165RX

- 165 mm (6.5") woofer
- Max power 150 W / Nominal power 75 W
- Frequency response 60 Hz - 25 kHz
- Sensitivity 95 dB - Impedance 2 Ω
- Woofer:
 - Composite basket reinforced in glass fiber
 - High quality treated cellulose pulp membrane
 - Butyl rubber surround
 - Long life "Conex" damper
 - 25 mm (1") voice coil with Kapton former
 - 85 mm x 17 mm (3.3" x 0.7") motor assembly (Y30)
 - Thick magnetic circuit (5 mm)
- RT20 Tweeter:
 - 20 mm (3/4") high quality soft dome tweeter
 - N38 neodymium motor

165 RC

2 WAY COAXIAL SYSTEM

System includes two 165 mm (6.5") woofers, two 20 mm (3/4") soft dome coaxial tweeters, two integrated 6dB/octave crossovers.

165 RS

2 WAY COMPONENT SYSTEM

System includes two 165 mm (6.5") woofers, two 20 mm (3/4") soft dome tweeters, two separated 6 dB/octave high-pass crossovers with adjustable tweeter level: 0 dB or -3 dB.

165 RX

2 WAY COMPONENT SYSTEM

System includes two 165 mm (6.5") woofers, two 20 mm (3/4") soft dome tweeters, two separated 2-way 6/12 dB/octave BFR01 crossovers with adjustable tweeter level: -3 dB, 0 dB or +3 dB.

RELAX

RS10



RS12



COMMON CHARACTERISTICS

RS10 - RS12

- Steel basket
- Injected polypropylene cone
- Butyl rubber surround
- Long life "conex" damper
- 50 mm (2") voice coil on aluminium former
- 126 mm x 15 mm (5" x 0.6") motor assembly
- Extended T yoke

RS10

10" EXTRA SLIM SUBWOOFER

- 250 mm (10") extra-slim subwoofer
- Mounting depth 66 mm (2.6")
- Maximum power 300 W / Nominal power 150 W
- Frequency response: 35 Hz - 500 Hz
- Sensitivity 86.2 dB - Impedance 4 Ω
- Optimized for use in a 10 L to 40 L sealed enclosure

Recommended sealed enclosure :

Internal volume Vb	Qtc	F -3 dB	Boost
10 L	1.691	49 Hz	5.0 dB at 75 Hz
20 L	1.376	41 Hz	3.4 dB at 65 Hz
30 L	1.254	38 Hz	2.7 dB at 61 Hz

RS12

12" EXTRA SLIM SUBWOOFER

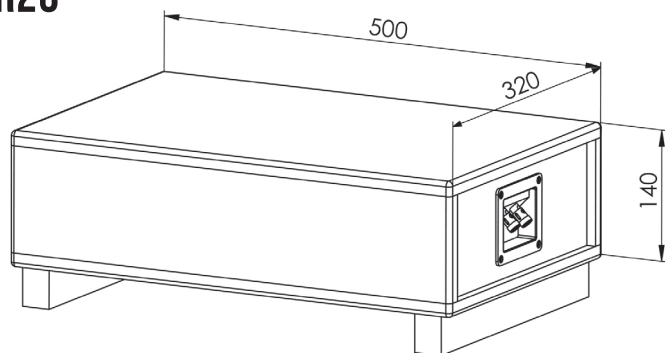
- 300 mm (12") extra-slim subwoofer
- Mounting depth 67 mm (2.6")
- Maximum power 400 W / Nominal power 200 W
- Frequency response: 30 Hz - 500 Hz
- Sensitivity 87.5 dB - Impedance 4 Ω
- Optimized for use in a 15 L to 45 L sealed enclosure

Recommended sealed enclosure :

Internal volume Vb	Qtc	F -3 dB	Boost
15 L	2.476	50 Hz	8.1 dB at 77 Hz
25 L	2.060	42 Hz	6.5 dB at 65 Hz
40 L	1.784	37 Hz	5.4 dB at 57 Hz

RELAX

CR25



**SEALED SUBWOOFER ENCLOSURE COMPATIBLE
WITH SUBWOOFER RELAX RS10**

**Sealed subwoofer enclosure for 250 mm (10") subwoofer,
dark grey carpet**

- MDF 16 mm - Internal volume 14.4 L
- Size: H 320 mm x D 140 mm x L 500 mm
- Supplied foam stand to use it down firing

RELAX

R12



12" SUBWOOFER

- 300 mm (12") subwoofer
- Maximum power 500 W / Nominal power 250 W
- Frequency response: 30 Hz - 500 Hz
- Sensitivity 94 dB - Impedance 2 Ω
- Steel basket
- Reinforced cellulose fiber cone
- Foam surround
- Cotton damper
- 50 mm voice coil on aluminium former
- 134 mm x 23 mm motor assembly
- Machined extended T yoke
- Optimized for use in a 20 L to 40 L closed enclosure

Recommended sealed enclosure :

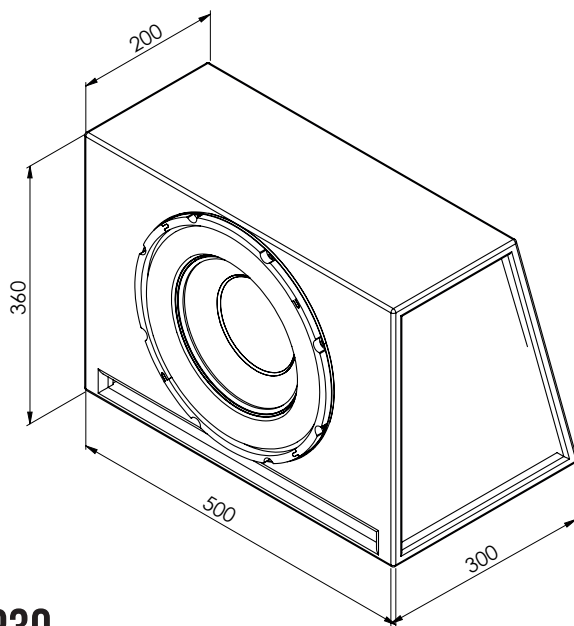
Internal volume Vb	F -3 dB	Boost
20 L	54 Hz	1.3 dB at 92 Hz
30 L	51 Hz	0.7 dB at 93 Hz
50 L	49 Hz	0.2 dB at 114 Hz

Recommended bass reflex enclosure:

Internal volume Vb	Port internal \emptyset	Port Internal length	F -3 dB	Boost
30 L	10 cm	30 cm	41 Hz	4.4 dB at 70 Hz
50 L	10 cm	26 cm	32 Hz	2.7 dB at 60 Hz

RELAX

CR30



BP30

REFLEX SUBWOOFER ENCLOSURE

Reflex subwoofer enclosure with laminated event, black carpet with 300 mm (12") subwoofer Relax R12

- MDF 16 mm - Internal volume 31 L
- 300 mm (12") subwoofer
- Maximum power: 500 W / Nominal power 250 W
- Frequency response: 30 Hz - 500 Hz
- Boost 5.2 dB at 70 Hz
- Sensitivity 94 dB
- Impedance 2 Ω
- Size: H 360 mm x D 305 mm x L 500 mm

BASS PACK WITH RELAX CR30 AND AMPLIFIER RELAX RA 251D INCLUDED

All-in-one solution to add bass to a factory system.

System with 30 cm (12") subwoofer driver, with 250 W amplifier included, black carpet

- RA 251 D: mono amplifier (250 W RMS / 2 Ω)
- Compatible with OEM head units
- High-level inputs with auto-turn on
- RCA low-level inputs (5 V compatible)
- Bass boost (70 Hz) adjustable to 12 dB
- Phase setting 0/180°
- External remote level control (5 m cables)

RELAX

RA 251 D



ULTRA COMPACT D CLASS MONO AMPLIFIER

Compatible with OEM head units

- High-level inputs with auto-turn on
- RCA low-level inputs: 0.3 V/15 V
- Power (4 Ω): 150 Watts RMS
- Power (2 Ω): 250 Watts RMS
- Low-pass crossover: 35 Hz - 500Hz
- Bass boost adjustable +12 dB (45 Hz)
- Signal/noise ratio: 90 dB
- Protections: short circuit / low impedance / reversal of polarity / heat protection
- External wired remote control
- Dimensions (L x W x H):
158 mm x 91.4 mm x 36 mm - 6.2" x 3.6" x 1.4"

RA 754 D



ULTRA COMPACT 4 CHANNELS AMPLIFIER

Compatible with OEM head units

- Auto-turn on
- RCA low level and high-level inputs: 0.3V /15V
- RMS Power (4 Ω): 4 x 50 Watts RMS
- RMS Power (2 Ω): 4 x 75 Watts RMS
- Bridged Power (4 Ω): 2 x 150 Watts RMS
- Low pass crossover: 120 Hz
- High pass crossover: 100 Hz
- Signal/noise ratio: > 90 dB
- Protections: short circuit / low impedance / reversal polarity / heat protection
- Dimensions (L x W x H):
188 x 91.4 x 36 mm - 7.4" x 3.6" x 1.4"



Express yourself, express upgrade.

We are all aware of the fact that the speakers' quality is crucial for the quality of an audio system.

If your home system doesn't satisfy you, it is enough to replace your speakers with our new Express to perceive immediately an enormous improvement with a higher sound level and more definition.

Express has been worked to the smallest detail in order to access to the "French Sound" without any other modification.

"French Sound" is a subtle and very specific balance designed to accurately reproduce the music's midrange details whilst preserving all the emotions of the voice. It faithfully reproduces the original dynamics of the original recording but diligently retains all the nuances and vocal clarity that makes the music come alive.

Express is the compromise for those whose priorities are both the quality and the price.

Guy BONNEVILLE,
fondateur de BLAM
BLAM founder



EXPRESS S

165 ES

165 ES



This kit is composed of two woofers, two tweeters and two separated high pass 6dB/octave crossovers

165 mm (6.5") « French Sound » high-sensitivity 2-way component speaker

Max power 120 W - Nominal power 60 W

Frequency response 65 Hz - 25 kHz

Sensitivity 93.5 dB - Impedance 2 Ω

- **Woofers:**
 - Specific basket in stamped steel
 - Treated and tropicalized cellulose pulp cone
 - Butyl rubber surround
 - Long life «Conex» damper
 - 25 mm (1") voice coil with kapton former
 - 80 mm x 15 mm (3.1" x 0.6") motor assembly (Y30)
 - Thick magnetic circuit (5 mm)
- 20 mm (3/4") high quality soft dome tweeter
 - N38 neodymium motor
- 6 dB/octave high-pass separated crossover

165 EC



This kit is composed of two woofers with two coaxial tweeters and two integrated high pass 6dB/octave crossovers

165 mm (6.5") «French Sound» high-sensitivity coaxial speaker system

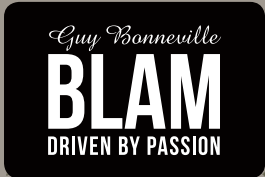
Max power 120 W - Nominal power 60 W

Frequency response 65 Hz - 25 kHz

Sensitivity 93.5 dB - Impedance 2 Ω

- **Woofers:**
 - Specific basket in stamped steel
 - Treated and tropicalized cellulose pulp cone
 - Butyl rubber surround
 - Long life «Conex» damper
 - 25 mm (1") voice coil with kapton former
 - 80 mm x 15 mm (3.1" x 0.6") motor assembly (Y30)
 - Thick magnetic circuit (5 mm)
- 20 mm (3/4") high quality soft dome coaxial tweeter
 - N38 neodymium motor
- 6 dB/octave high-pass integrated crossover

Guy Bonneville
BLAM
DRIVEN BY PASSION



BLAM

Tél. +33 609 968 093
contact@blam-audio.fr

blam-audio.com

www.facebook.com/blamaudio
#blamaudio
@blam.audio

