



CBS AIR FILTERS



DESCRIPTION

Air breather with spin-on element

MATERIALS

Connector: Steel (zinc plated for the flanged version)
Spin-on can: Steel
Spare filter element:
CC = Impregnated Cellulose
FD = Fibreglass
Filtration degree in air 3 µm

FLOW RATE

Qmax 2800 l/min

COMPATIBILITY

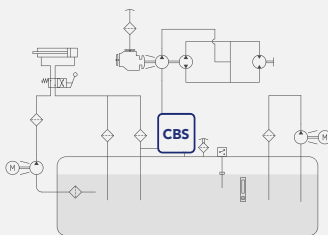
Full with fluids HH - HL - HM - HR - HV - HG (according to ISO 6743/4). For fluids different than the above mentioned, please contact our Customer Service.

WORKING TEMPERATURE

From -25°C to 110°C



HYDRAULIC DIAGRAM

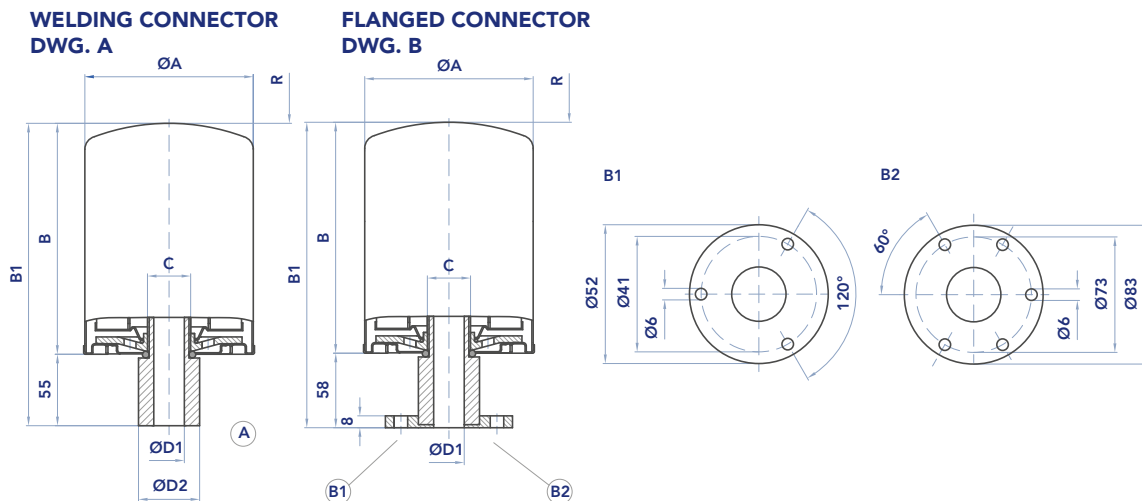


Is this datasheet the latest release? Please check on our website

ORDERING AND OPTION CHART

C	B	S	COMPLETE FILTER FAMILY				FILTER ELEMENT FAMILY			A	S	E
			SIZE & LENGHT	11	12	21	22	SIZE & LENGTH				
			CONNECTION TYPE									
			S = standard flange	S	S	S	S					
			W = welding connector	W	W	W	W					
		W	PRESSURIZATION VALVE									
			W = without	W	W	W	W					
			SEALS					SEALS			X	
			X = no seals (welding type)	X	X	X	X					
			C = sugheroil (flange type)	C	C	C	C					
			FILTER MEDIA					FILTER MEDIA				
			FD = fibreglass	FD	FD	FD	FD					
			CC = impregnated cellulose	CC	CC	CC	CC					

INSTALLATION DRAWING



DIMENSIONS

	Dwg	flow rate (l/min)	A	B	B1	C	D1	D2	R
CBS11WWX	A	1.800	96	146	201	3/4" BSP	18	32	40
CBS12WWX	A	1.800	96	191	246	3/4" BSP	18	32	40
CBS21WWX	A	2.800	129	181	236	1 1/4" BSP	32	48	40
CBS22WWX	A	2.800	129	226	281	1 1/4" BSP	32	48	40
CBS11SWC	B1	1.800	96	146	204	3/4" BSP	18	-	40
CBS12SWC	B1	1.800	96	191	249	3/4" BSP	18	-	40
CBS21SWC	B2	2.800	129	181	239	1 1/4" BSP	32	-	40
CBS22SWC	B2	2.800	129	226	284	1 1/4" BSP	32	-	40