

Hanger Kits . . . . . B-2 thru B-4



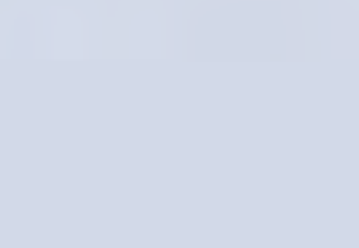
U-Bolt Kits . . . . . B-5



Springs . . . . . B-6 thru B-9



Hardware . . . . . B-10 thru B-11



Equalizer Bars . . . . . B-12



Spring Hangers . . . . . B-13 thru B-14



Heavy Duty Suspensions . . . . . B-15



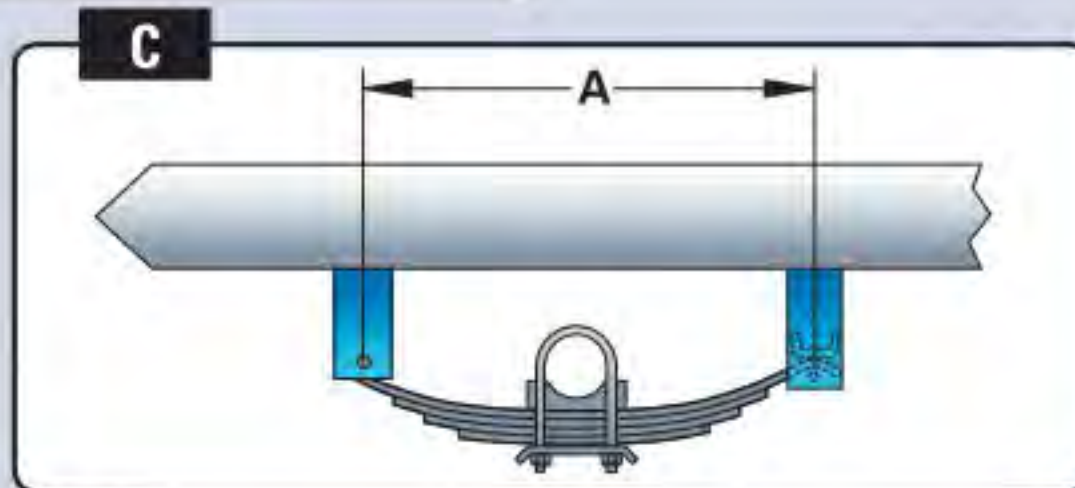
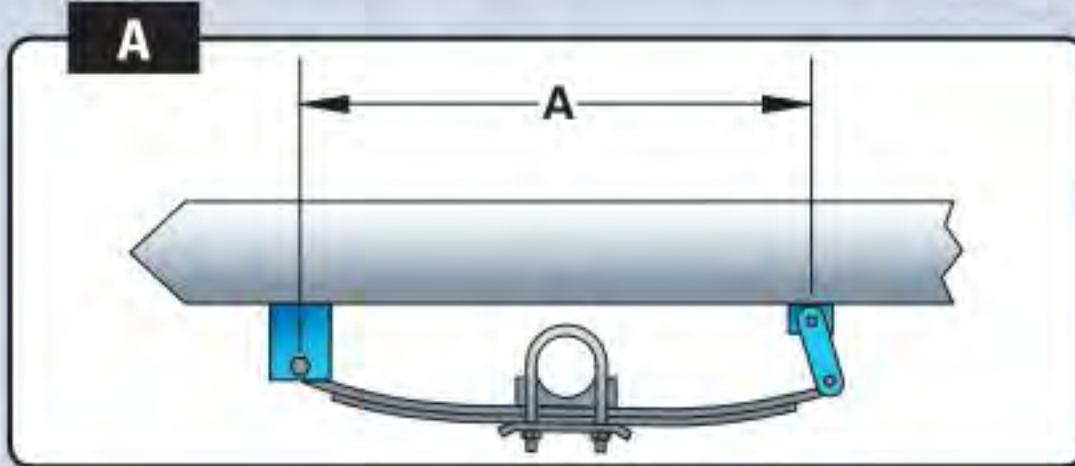
## HANGER KITS

Our Hanger Kits ensure you have all the parts needed to hang sprung axles on your frame. They are boxed and marked for your convenience. Most are available in bulk pack by inserting a "B" to the beginning of the part #. (Contact your local branch for availability) Suggested hanger spacing information is provided for your convenience.

### SINGLE AXLE HANGER KITS

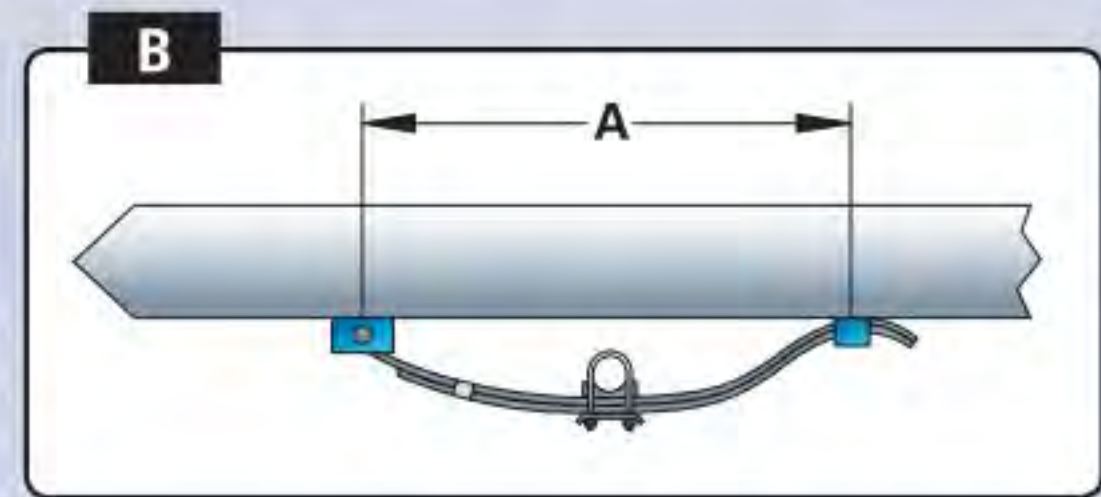
#### Double Eye Springs

PART #	HANGER TOP TO BOLT C/L		STRAP C/L	APPLICATION
	FRONT	REAR		
4103-30-20	1.75"	0.91"	3.125"	2-3.5K
4103	1.75"	1.75"	3.125"	2-3.5K
4103-30-20-L	3.25"	0.91"	3.125"	2-7K
4103-L	3.25"	1.75"	3.125"	2-7K



#### Slipper Springs

PART #	HANGER TOP TO BOLT C/L		SPRING WIDTH	APPLICATION
	FRONT	REAR		
4105	1.50"	n/a	1.75" - .5" Eye	2-3.5K
4104	1.75"	n/a	1.75"	2-3.5K
4104-L	3.25"	n/a	1.75"	2-3.5K
4115-H	3.50"	5.00"	2.00"	3.5-7K HD
4118-H	5.00"	6.38"	2.00"	8K
APS1025GD	5.00"	5.00"	2.50"	10K GD
APS1025HD	8.33"	8.33"	2.50"	10-12K HD
APS1025HH	5.25"	7.00"	2.5"	10K
APS1030HH	6.25"	7.80"	3"	10-16K



#### Hanger Locations

USING THESE HANGER KIT PART #S	USING THESE SPRING PART #S	DIAGRAM	DIMENSION A
4103-30-20, 4103-30-20-L, 4103, 4103-L	4332-13	A	19.50"
4103-30-20, 4103-30-20-L, 4103, 4103-L	4312-6, 4322-12, 4332-12, 4332-18, 4342-17, 4342-24, 4352-29, 4362-33, 72-040	A	24.75"
4103-30-20, 4103-30-20-L, 4103, 4103-L	4332-11, 4322-8, 4342-16, 4342-30, 4352-18, 4362-22, 4372-26, 4382-30	A	25.50"
4103-30-20, 4103-30-20-L, 4103, 4103-L	4332-14, 4342-15, 4342-17-27, 4362-30	A	26.50"
4104, 4104-L	4321-3, 4321-5, 4331-7, 4341-10, 4351-12, 4351-23	B	23.00"
4104, 4104-L	4331-7-27	B	25.50"
4104, 4104-L	4321-10, 4341-17, 4352-23	B	28.00"
4115-H	4351-30, 803T3, 1003T3, 1203T3, 1403T3	C	25.50"
4115-H	4361-40, 4361-45	C	28.00"
4118-H	1403T3, 4361-40	C	24"
4118-H	4361-40	C	27.5"
APS1025GD, APS1025HD	43101-56, 4361-60	C	30.00"
APS1025HH	4351-50	C	27.44"
APS1030HH	4351-50-3, 4361-60-3, 4371-75-3, 4311-50-3, 4321-80-3	C	27.44"

FRACTION TO DECIMAL CONVERSION CHART	
FRACTION	DECIMAL
1/16	.0625
1/8	.1250
3/16	.1875
1/4	.2500
5/16	.3125
3/8	.3750
7/16	.4375
1/2	.5000
9/16	.5625
5/8	.6250
11/16	.6875
3/4	.7500
13/16	.8125
7/8	.8750
15/16	.9375

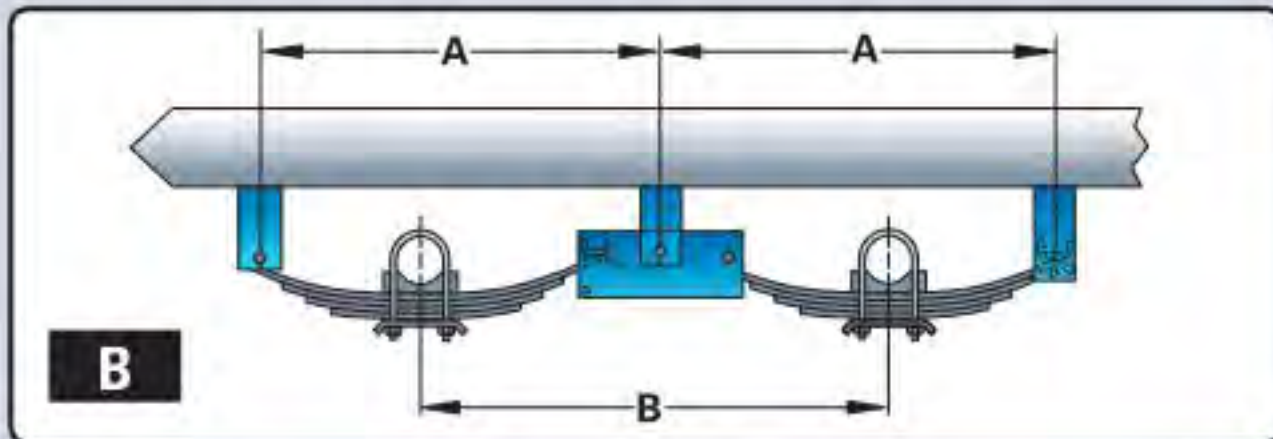
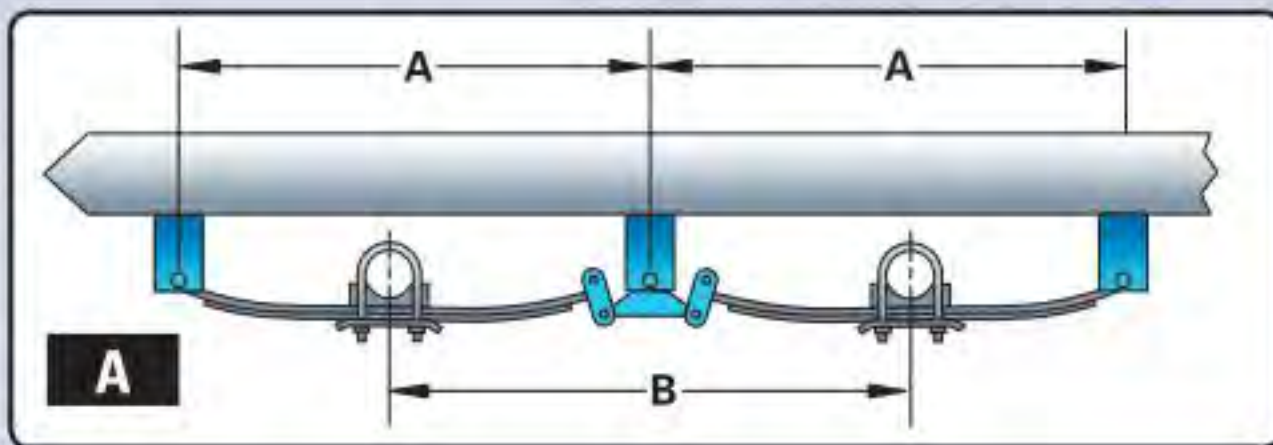
Note: All dimensions subject to change without notice. Some spring and hanger kit combinations along with various axle tube dimensions may result in insufficient bump clearance.

## HANGER KITS (Continued)

### TANDEM AXLE HANGER KITS

#### Double Eye Springs

PART #	HANGER TOP TO BOLT C/L			STRAP C/L	APPLICATION
	FRONT	CENTER	REAR		
4102	1.750"	3.250"	1.750"	3.125"	2-7K
4102-SP-1	2.375"	2.375"	2.375"	2.625"	2-7K
4102-SP	2.375"	3.250"	2.375"	2.625"	2-7K
4102-A	3.250"	3.250"	3.250"	3.125"	3.5-7K
4102-AS	3.250"	3.250"	3.250"	2.625"	3.5-7K
4102-AL	4.250"	4.250"	4.250"	3.125"	3.5-7K



#### Slipper Springs

PART #	HANGER TOP TO BOLT C/L			SPRING WIDTH	APPLICATION
	FRONT	CENTER	REAR		
4114-H-3	3.50"	3.50"	5.00"	2.0"	3.5K-7K
4114-H	3.50"	3.50"	5.00"	2.0"	3.5K-7K
4114-HW	3.50"	3.50"	5.00"	2.0"	3.5K-7K Wet Center
4118-H-33.5	5.00"	4.50"	6.38"	2"	8K
4118-H-36	5.00"	4.50"	6.38"	2"	8K
APT1025GD4275	5.00"	1.75"	5.00"	2.5"	10K GD 42.75" Spacing
APT1025GD4850	5.00"	1.75"	5.00"	2.5"	10K GD 48.50" Spacing
APT1025HD4275	8.33"	6.50"	8.33"	2.5"	10-12K HD 42.75" Spacing
APT1025HD4850	8.33"	6.50"	8.33"	2.5"	10-12K HD 48.50" Spacing
APT1025HH4225	6.437"	5.562"	7.00"	2.5"	10K 42.25 Spacing
APT1025HH4850	6.437"	5.562"	7.00"	2.5"	10K 48.50 Spacing
APT1030HH4225	7.50"	6.562"	8.562"	3.0"	10-16K 42.25 Spacing
APT1030HH4850	7.50"	6.562"	8.562"	3.0"	10-16K 48.50 Spacing

#### Hanger Locations

USING THESE HANGER KIT PART #'S	USING THESE SPRING PART #'S	DIAGRAM	DIMENSION	
			A	B
4102, 4102-SP, 4102-SP-1, 4102-A, 4102-AS, 4102-AL	4332-13	A	24.75"	28.50"
4102, 4102-SP, 4102-SP-1, 4102-A, 4102-AS, 4102-AL	4312-6, 4322-12, 4332-12, 4332-18, 4342-17, 4342-24, 4352-29, 4362-33, 72-040	A	29.50"	33.50"
4102, 4102-SP, 4102-SP-1, 4102-A, 4102-AS, 4102-AL	4332-11, 4332-8, 4342-16, 4342-30, 4352-18, 4362-22, 4372-26, 4382-30	A	30.50"	35.50"
4102, 4102-SP, 4102-SP-1, 4102-A, 4102-AS, 4102-AL	4332-14, 4342-15, 4342-17-27, 4362-30	A	31.50"	36.50"
4114-H, 4114-H-3, 4114-HW	803T3, 1003T3, 1203T3, 1403T3	B	28.50"	33.00"
4114-H, 4114-H-3, 4114-HW	4351-30	B	29.75"	34.50"
4114-H, 4114-H-3, 4114-HW	4361-40, 4361-45	B	32.00"	36.75"
4118-H-33.5	1403T3	B	28.75"	33.50"
4118-H-33.5	4361-40	B	32.00"	36.75"
4118-H-36	1403T3	B	30.375"	36.00"
APT1025GD4275, APT1025HD4275	43101-56, 4361-60	B	36.00"	42.75"
APT1025GD4850, APT1025HD4850	43101-56, 4361-60	B	38.75"	48.50"
APT1025HH4225	4351-50	B	35.120"	42.250"
APT1025HH4850	4351-50	B	38.250"	48.500"
APT1030HH4225	4351-50-3, 4361-60-3, 4371-75-3, 4311-50-3, 4321-80-3	B	35.120"	42.250"
APT1030HH4850	4351-50-3, 4361-60-3, 4371-75-3, 4311-50-3, 4321-80-3	B	38.250"	48.500"

AXLES & COMPONENTS

SUSPENSIONS & COMPONENTS

BRAKES & COMPONENTS

TIRES & WHEELS

FENDERS & BODY

JACKS & COUPLERS

BRAKE CONTROL SYSTEMS

TOWING & ACCESSORIES

MARINE COMPONENTS

HARDWARE & ACCESSORIES

AGRICULTURAL COMPONENTS

PAINT & LUBRICANTS

LIGHTS & ELECTRICAL

PACKAGED PRODUCTS

## HANGER KITS (Continued)

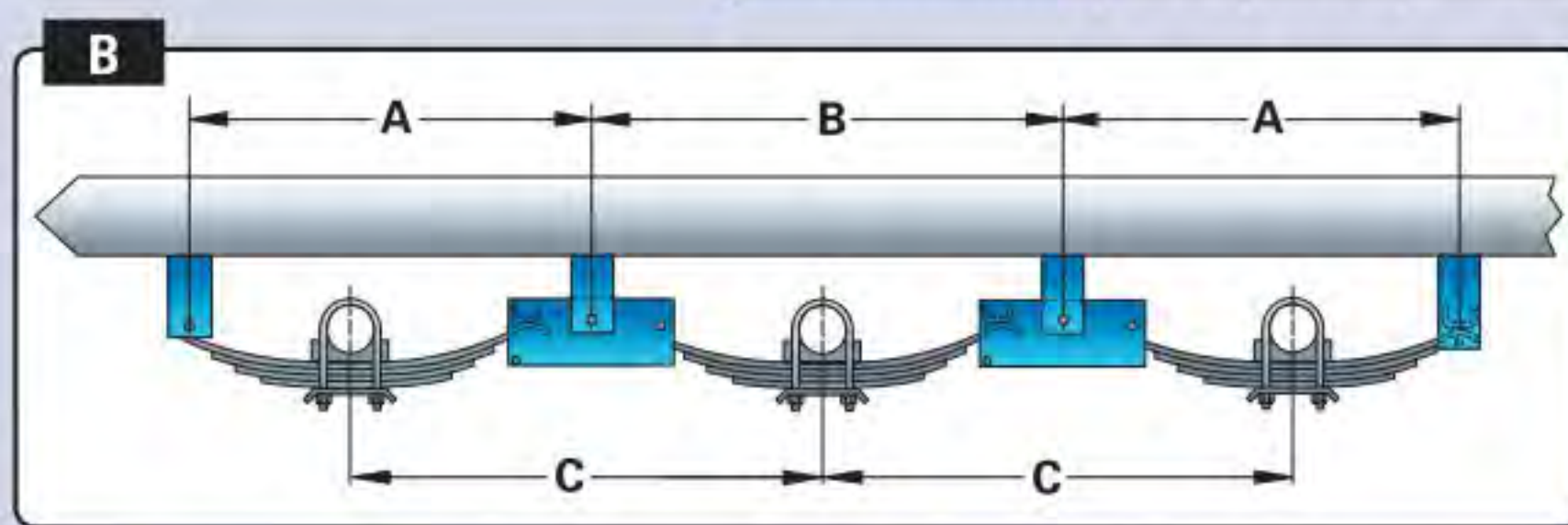
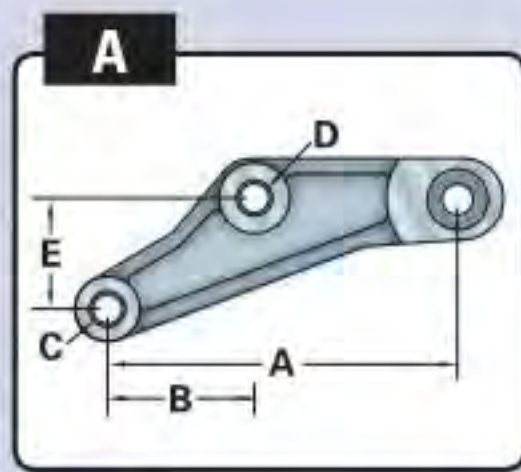
### TRIPLE AXLE HANGER KITS

#### Double Eye Springs

PART #	HANGER TOP TO BOLT C/L			STRAP C/L	APPLICATION
	FRONT	CENTER	REAR		
4101	1.75"	3.25"	1.75"	3.125"	2-7K
4101-A	3.25"	3.25"	3.25"	3.125"	2-7K

#### Slipper Springs

PART #	HANGER TOP TO BOLT C/L			SPRING WIDTH	APPLICATION
	FRONT	CENTER	REAR		
4113-H	3.50"	3.50"	5.00"	2.0"	3.5K-7K
4118-H3-33.5	5.00"	4.5"	6.38"	2	8K
4118-H3-36	5.00"	4.5"	6.38"	2	8K
APTT1025GD4275	5.00"	1.75"	5.00"	2.5"	10K GD 42.75" Spacing
APTT1025HD4275	5.00"	1.75"	5.00"	2.5"	10-16K 42.75" Spacing
APTT1025GD4850	8.33"	6.50"	8.33"	2.5"	10K GD 48.5" Spacing
APTT1025HD4850	8.33"	6.50"	8.33"	2.5"	10-16K 48.5" Spacing
APTT1025HH4225	7.00"	5.250"	7.00"	2.5"	10K
APTT1025HH4850	7.00"	5.250"	7.00"	2.5"	10K
APTT1030HH4225	7.80"	6.250"	7.80"	3.0"	10K-16K
APTT1030HH4850	7.80"	6.250"	7.80"	3.0"	10K-16K



#### Hanger Locations

USING THESE HANGER KIT PART #'S	USING THESE SPRING PART #'S	DIAGRAM	DIMENSION		
			A	B	C
4101	4332-13	A	24.75"	29.00"	28.50"
4101	4312-6, 4322-12, 4332-12, 4332-18, 4342-17, 4342-24, 4352-29, 4362-33, 72-040	A	29.50"	34.00"	33.50"
4101	4332-11, 4332-8, 4342-16, 4342-30, 4352-18, 4362-22, 4372-26, 4382-30	A	30.50"	36.00"	35.50"
4101	4332-14, 4342-15, 4342-17-27, 4362-30	A	31.50"	37.00"	36.50"
4113-H	803T3, 1003T3, 1203T3, 1403T3	B	28.50"	33.00"	33.00"
4113-H	4351-30	B	29.75"	34.00"	34.00"
4113-H	4361-40, 4361-45	B	32.00"	36.50"	36.50"
4118-H3-33.5	1403T3	B	28.8"	33.00"	33.50"
4118-H3-33.5	4361-40	B	32.00"	36.50"	36.50"
4118-H3-36	1403T3	B	30.4"	35.00"	36.00"
APTT1025GD4275, APTT1025HD4275	43101-56, 4361-60	B	36.00"	42.75"	42.75"
APTT1025GD4850, APTT1025HD4850	43101-56, 4361-60	B	38.75"	48.50"	48.50"
APTT1025HH4225	4351-50	B	35.120"	42.250"	42.250"
APTT1025HH4850	4351-50	B	38.250"	48.500"	48.500"
APTT1030HH4225	4351-50-3, 4361-60-3, 4371-75-3, 4311-50-3, 4321-80-3	B	35.120"	42.250"	42.250"
APTT1030HH4850	4351-50-3, 4361-60-3, 4371-75-3, 4311-50-3, 4321-80-3	B	38.250"	48.500"	48.500"

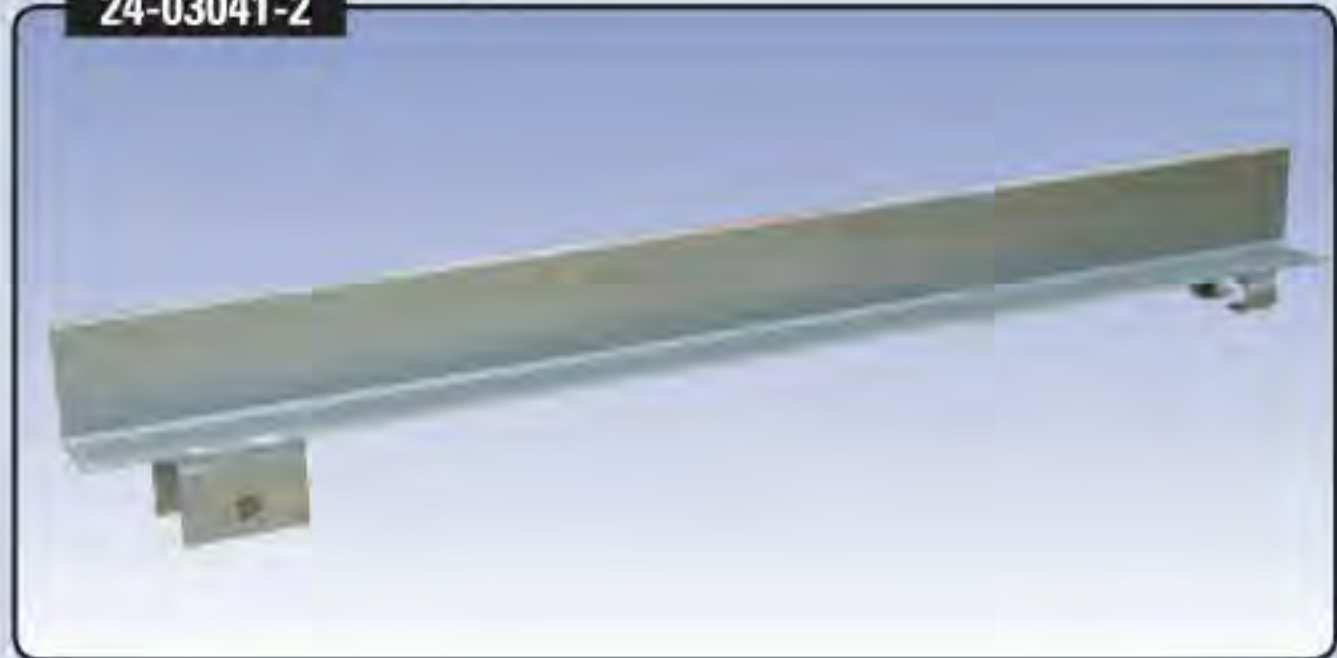
Note: All dimensions subject to change without notice. Some spring and hanger kit combinations along with various axle tube dimensions may result in insufficient bump clearance.

## SLIDER ASSEMBLIES

Galvanized hanger assemblies built on 3"x 2"x .1875" angle. Designed for use in the marine industry. Attached to the frame with U-bolts, these units resist rust and corrosion, as well as saving assembly time.

PART #	AXLE TYPE	SPRING TYPE	SIDE
24-03043-6	Single	24.25" Slipper	Left
24-03041-2	Single	24.25" Slipper	Right
24-03046-1	Single	30.00" Slipper	Left
24-03045-0	Single	30.00" Slipper	Right
24-03053-9	Single	25.25" Double Eye	Left
24-03051-5	Single	25.25" Double Eye	Right
24-03061-8	Tandem	25.25" Double Eye	Universal

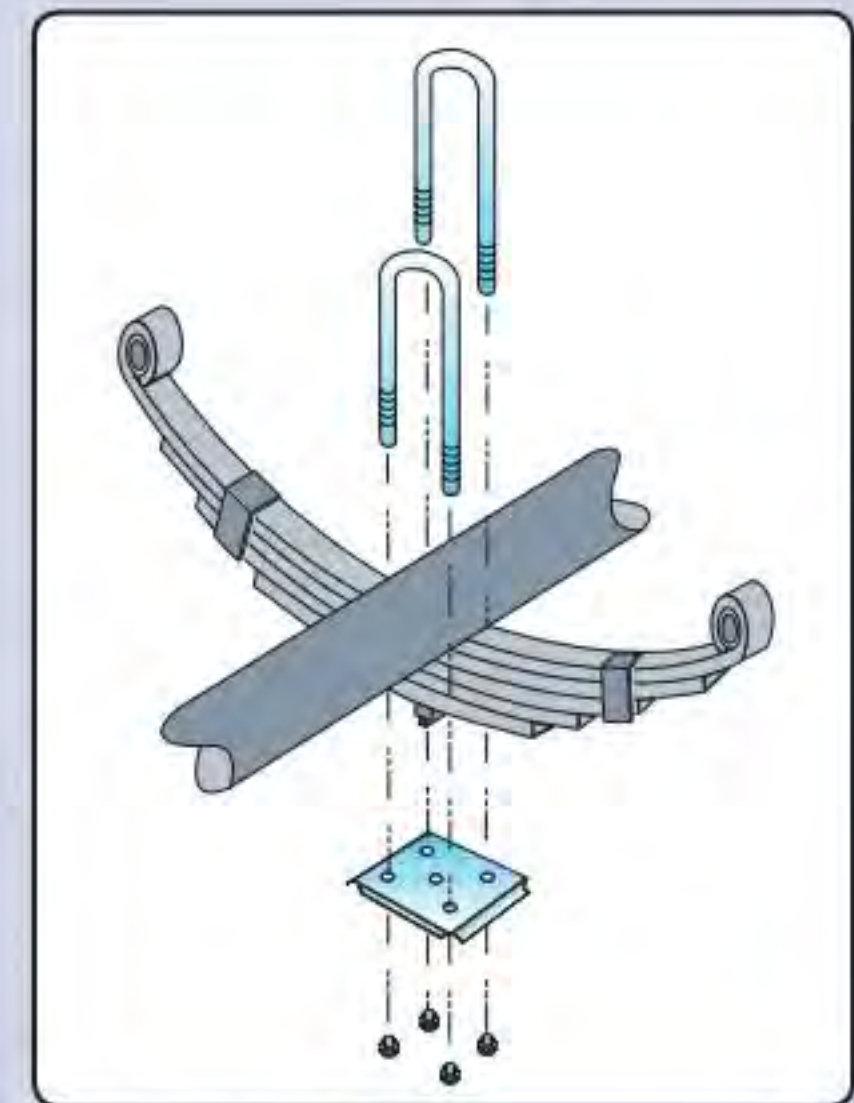
24-03041-2



## U-BOLT KITS

Our U-Bolt kits include everything you need to attach two springs to one axle. They are boxed and marked for you and your customers convenience. Most are available in bulk pack by inserting a "B" to the beginning of the part #. (Contact your local branch for availability)

PART #	TUBE SIZE	SPRING WIDTH	INSIDE LENGTH	THREAD DIA.	FINISH	APPLICATION
4205	1.750" Rd	1.75"	4.375"	.3750"-16	Raw	2K
4205-ZP	1.750" Rd	1.75"	4.375"	.3750"-16	Zinc	2K
4202-GD	2.375" Rd	1.75"	5.500"	.4375"-14	Raw	3.5K
4202-HD	2.375" Rd	1.75"	5.500"	.5000"-20	Raw	3.5K
4202-HDZP	2.375" Rd	1.75"	5.500"	.5000"-20	Zinc	3.5K
4202-SL	2.375" Rd	2.00"	5.500"	.5000"-20	Raw	3.5K
22-31520-6	2.000" Sq	1.75"	5.3125"	.5000"-13	Galv.	3.5K
22-31521-8	2.000" Sq	1.75"	6.3125"	.5000"-13	Galv.	3.5K
4201-GD	3.000" Rd	1.75-2.00"	7.000"	.5000"-20	Raw	5.2K-7K
4201-GDZP	3.000" Rd	1.75-2.00"	7.000"	.5000"-20	Zinc	5.2K-7K
4201-HD	3.000" Rd	1.75-2.00"	7.000"	.5625"-18	Raw	5.2K-7K
4201-HDZP	3.000" Rd	1.75-2.00"	7.000"	.5625"-18	Zinc	5.2K-7K
4200	3.500" Rd	2.00"	7.750"	.5625"-18	Raw	8K
APUBR50	5.000" Rd	2.50"	10.000"	.6250"-11	Raw	10K-12K
APUBR50-12K-16K	5.000" Rd	2.50"	10.000"	.75"-10	Raw	12K-16K
4206	1.750" Sq	1.75"	4.500"	.3750"-16	Raw	2K
4206-ZP	1.750" Sq	1.75"	4.500"	.3750"-16	Zinc	2K
4203	2.000" Sq	1.75"	5.250"	.5625"-18	Raw	2K-3.5K
4203-ZP	2.000" Sq	1.75"	5.500"	.5000"-13	Zinc	2K-3.5K
4203-G	2.000" Sq	1.75"	5.250"	.5000"-13	Galv.	2K-3.5K
4203-L	2.000" Sq	1.75"	6.750"	.5625"-18	Raw	3.5K-6K
4203-LZP	2.000" Sq	1.75"	6.500"	.5000"-13	Zinc	2-3K.5K



FRACTION TO DECIMAL CONVERSION CHART															
FRACTION	1/16	1/8	3/16	1/4	5/16	3/8	7/16	1/2	9/16	5/8	11/16	3/4	13/16	7/8	15/16
DECIMAL	.0625	.1250	.1875	.2500	.3125	.3750	.4375	.5000	.5625	.6250	.6875	.7500	.8125	.8750	.9375

AXLES & COMPONENTS

SUSPENSIONS & COMPONENTS

BRAKES & COMPONENTS

TIRES & WHEELS

FENDERS & BODY

JACKS & COUPLERS

BRAKE CONTROL SYSTEMS

TOWING & ACCESSORIES

MARINE COMPONENTS

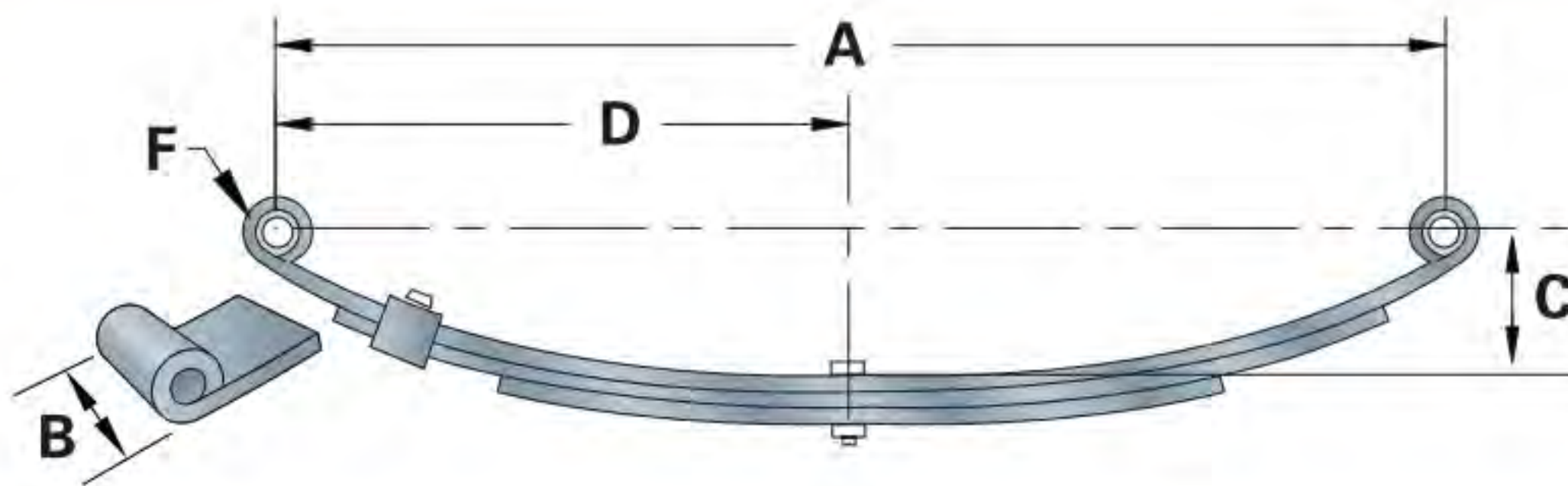
HARDWARE & ACCESSORIES

AGRICULTURAL COMPONENTS

PAINT & LUBRICANTS

LIGHTS & ELECTRICAL

PACKAGED PRODUCTS

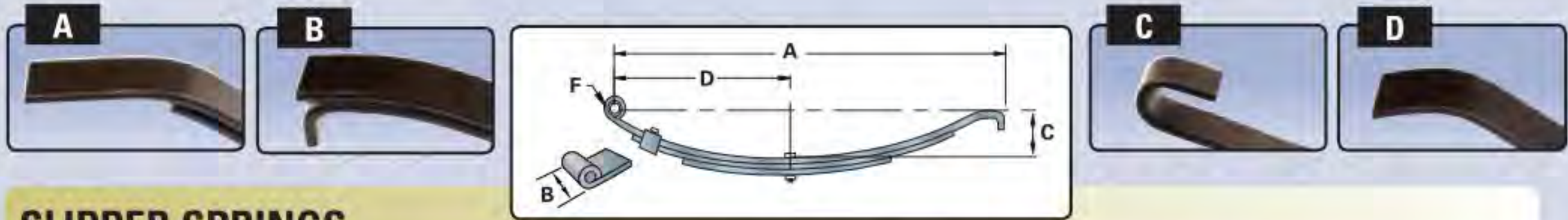


## DOUBLE EYE SPRINGS

PART #	LENGTH DIM. A	WIDTH DIM. B	ARCH HEIGHT DIM. C	TIE BOLT LOCK DIM. D	STACK HEIGHT DIM. E	EYE DIA. DIM. F	# OF LEAVES	CAPACITY LBS.	REF. #
4332-13	20.000"	1.75"	3.38"	10.000"	1.00"	.5625"	3	1,500	DE-041, UNA-041
4332-10	20.375"	1.75"	3.187"	10.19"	0.79"	.5625"	3	1,000	UNA-169, 72-17
4332-13L	23.13"	1.75"	3.50"	11.56"	1.08"	.5625"	3	1,750	UNA-216, 93180, 72-9
4312-6 (Main Leaf)	25.250"	1.75"	3.000"	12.63"	0.36"	.5625"	1	-	SWML
4322-12	25.250"	1.75"	3.000"	12.63"	0.72"	.5625"	2	1,250	SW2
4332-12	25.250"	1.75"	3.000"	12.63"	0.94"	.5625"	3	1,250	SW3B, 72-22, UNA-219
4332-18	25.250"	1.75"	3.000"	12.63"	1.08"	.5625"	3	1,750	SW3, 125212
4342-17	25.250"	1.75"	3.000"	12.63"	1.29"	.5625"	4	1,750	SW4B, UNA-212, 72-42, 93184
4342-24	25.250"	1.75"	3.000"	12.63"	1.44"	.5625"	4	2,500	125213, 148160, SW4
4352-29	25.250"	1.75"	3.000"	12.63"	1.80"	.5625"	5	2,950	SW5
4362-33	25.250"	1.75"	3.000"	12.63"	2.16"	.5625"	6	3,500	SW6
4332-8	26.000"	1.75"	4.50"	13.000"	0.72"	.5625"	2	1,050	AWS2, UNA-049
4332-11	26.000"	1.75"	4.50"	13.000"	1.08"	.5625"	3	1,500	AWS3, UNA-050
4342-16	26.000"	1.75"	4.50"	13.000"	1.44"	.5625"	4	2,250	AWS4, UNA-051
4352-18	26.000"	1.75"	4.50"	13.000"	1.80"	.5625"	5	2,250	AWS5, UNA-052
4342-30	25.13"	1.75"	3.130"	12.56"	2.00"	.5625"	4	3,000	72-26, UNA-221
4362-22	26.000"	1.75"	4.50"	13.000"	2.16"	.5625"	6	3,400	AWS6, UNA-053
4372-26	26.000"	1.75"	4.50"	13.000"	2.52"	.5625"	7	4,250	AWS7, UNA-054
4382-30	26.000"	1.75"	4.50"	13.000"	2.88"	.5625"	8	4,550	AWS8, UNA-055
AS2	26.00"	1.75"	4.25"	13.000"	0.50"	.5625"	2	350	UNA-121, DE 26350
AS3	26.00"	1.75"	4.25"	13.000"	0.75"	.5625"	3	700	UNA-122, DE26500
AS4	26.00"	1.75"	4.25"	13.000"	1.00"	.5625"	4	1,000	UNA-124, DE261000
4332-10-27	27.00"	1.75"	2.75"	13.50"	.93"	.5625"	3	800	SW327
4332-14	27.000"	1.75"	2.750"	13.500"	1.00"	.5625"	3	1,500	SW327-36
4342-15	27.000"	1.75"	2.750"	13.500"	1.29"	.5625"	4	1,200	SW427
4342-17-27	27.000"	1.75"	2.750"	13.500"	1.40"	.5625"	4	2,000	93185, SW427-36
4362-30	27.000"	1.75"	3.250"	13.500"	2.32"	.5625"	6	3,000	60627, 125209, UNA-142, 33617
4342-5	29.13"	1.75"	4.25"	14.56"	1.00"	.5625"	4	500	-
4332-75	27.00"	1.75"	3.50"	13.50"	.82"	.5625"	3	750	UNA-144, 15327, 33611
72-23	25.25"	1.75"	3.00"	12.63"	1.04"	.5625"	3	1,500	UNA-217
TRL134824	25.25"	2.00"	2.50"	13.63"	1.60"	.5625"	4	3,500	-

Note: Dimensions may vary and are shown for ID purposes only. Dimension variances are due to manufacturing tolerances. When used for replacement purposes it is recommended that they be replaced in pairs to retain proper axle alignment and load carrying characteristics.

FRACTION	1/16	1/8	3/16	1/4	5/16	3/8	7/16	1/2	9/16	5/8	11/16	3/4	13/16	7/8	15/16
DECIMAL	.0625	.1250	.1875	.2500	.3125	.3750	.4375	.5000	.5625	.6250	.6875	.7500	.8125	.8750	.9375



## SLIPPER SPRINGS

PART #	TYPE DIAGRAM	LENGTH DIM. A	WIDTH DIM. B	ARCH HEIGHT DIM. C	TIE BOLT LOCK DIM. D	STACK HEIGHT DIM. E	EYE DIA. DIM. F	# OF LEAVES	CAPACITY LBS.	REF. #
4361-45	A	30.000"	2.00"	3.84"	13.16"	2.54"	.6250"	6	4,500	72-10
4321-10	A	30.00"	1.75"	4.88"	13.500"	0.72"	.5625"	2	1,000	WD2
4341-17	A	30.00"	1.75"	4.88"	13.5"	1.83"	.5625"	4	2,000	WG4
43101-56	A	32.500"	2.50"	4.000"	14.000"	2.24"	.7500"	5	5,000	8131
4361-60	A	32.500"	2.50"	4.000"	14.000"	2.73"	.7500"	6	6,000	93182
1003T3	B	24.88"	2.00"	3.06"	11.19"	1.44"	.5625"	4	2,500	72-31
1203T3	B	24.88"	2.00"	3.19"	11.13"	1.80"	.5625"	5	3,500	72-32
1403T3	B	26.125"	2.00"	3.000"	11.187"	2.52"	.5625"	7	4,000	72-33
803T3	B	24.88"	2.00"	3.000"	11.19"	1.33"	.5625"	4	2,000	72-30
4351-30	B	26.63"	2.00"	3.500"	12.13"	1.80"	.5625"	5	3,600	W5226
4361-40	B	29.500"	2.00"	3.500"	13.500"	2.41"	.5625"	6	4,000	UNA-161, 93170, E5115, 72-96
C3WB	C	26.250"	1.75"	3.500"	12.750"	1.08"	.5625"	3	1,500	C3WB
C4WB	C	26.250"	1.75"	3.500"	12.750"	1.44"	.5625"	4	1,850	C4WB
C5WB	C	26.250"	1.75"	3.500"	12.750"	1.80"	.5625"	5	2,350	C5WB
4331-15	D	30.00"	1.75"	4.88"	13.500"	1.08"	.5625"	3	1,500	WF3
4321-3	D	24.250"	1.75"	4.000"	11.000"	0.52"	.5625"	2	350	WA2
4321-5	D	24.250"	1.75"	4.000"	11.000"	0.52"	.5625"	2	550	WC2, UNA-177
4331-7	D	24.250"	1.75"	4.000"	11.000"	0.79"	.5625"	3	750	WE3, UNA-178
4341-10	D	24.250"	1.75"	4.000"	11.000"	1.05"	.5625"	4	1,000	WH4, UNA-179
4351-12	D	24.250"	1.75"	4.000"	11.000"	1.31"	.5625"	5	1,400	WI5, UNA-180
4351-23	D	24.250"	1.75"	4.000"	11.000"	1.62"	.5625"	5	2,300	WJ5
093182-14	A	32.50"	2.50"	4.00"	14.00"	2.90"	0.75"	6	8,000	-
4351-50	A	30.69"	2.50"	4.00"	13.50"	2.14"	.750"	5	5,000	72-80
4351-50-3	A	30.5"	3.00"	3.94"	13.38"	2.00"	1.00"	5	5,000	72-43, UNA-268
4361-60-3	A	30.5"	3.00"	3.94"	13.38"	2.40"	1.00"	6	6,000	72-44
4371-75-3	A	30.5"	3.00"	4.00"	13.38"	2.80"	1.00"	7	7,500	72-45

Note: Flat End (A), Hook Eye (B), Open Eye (C), Radius End (D).

Note: Dimensions may vary and are shown for ID purposes only.

Dimension variances are due to manufacturing tolerances. When used for replacement purposes it is recommended they be replaced in pairs to retain proper axle alignment and load carrying characteristics.

## Rockwell American PARABOLIC SPRINGS

- Longer fatigue life than any conventional multi-leaf slipper spring.
- Weight reduction of nearly 24 lbs. per axle.
- Higher arch, making the spring suitable for deckover applications.
- Nonlinear load/deflection curve for improved ride quality.

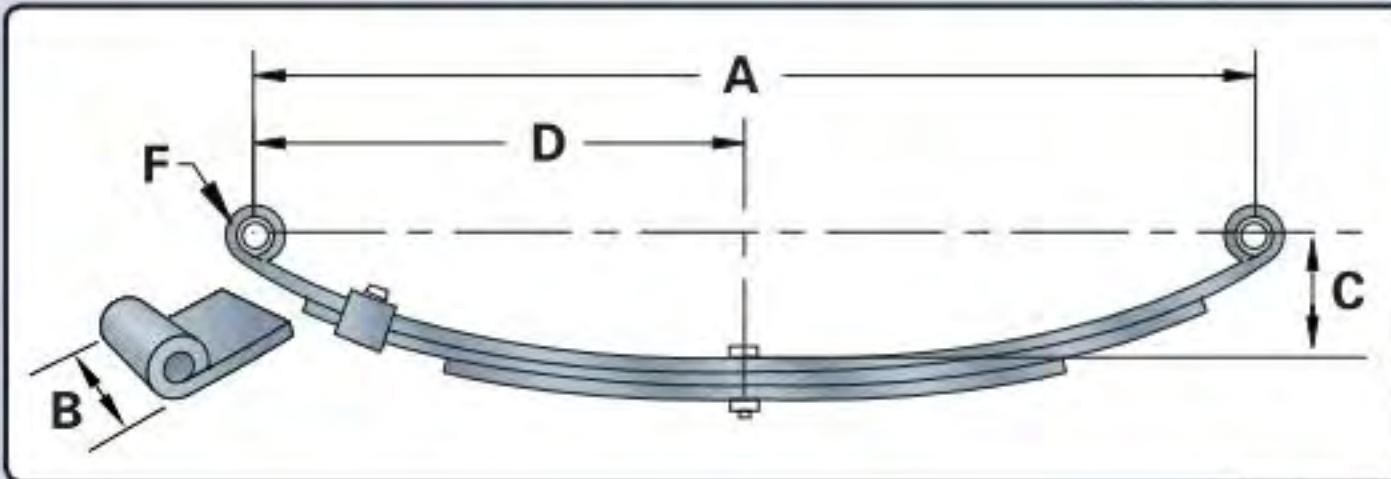


Weight Reduction vs. Multi Leaf Spring

10k - 22lb per set  
12K - 26lb per set  
16K - 38lb per set

PART #	TYPE DIA.	LENGTH DIM. A	WIDTH DIM. B	ARCH HEIGHT DIM. C	TIE BOLT LOCK DIM. D	STACK HEIGHT DIM. E	EYE DIA. DIM. F	# OF LEAVES	CAPACITY LBS.	REF. #
4311-50-3	A	30.69"	3.00"	4.00"	13.50"	0.833"	1.00"	1	5,000	RAM-80LG
4321-80-3	A	30.69"	3.00"	4.00"	13.50"	1.667"	1.00"	2	8,000	RAM-45LG

## MARINE COATED SPRINGS

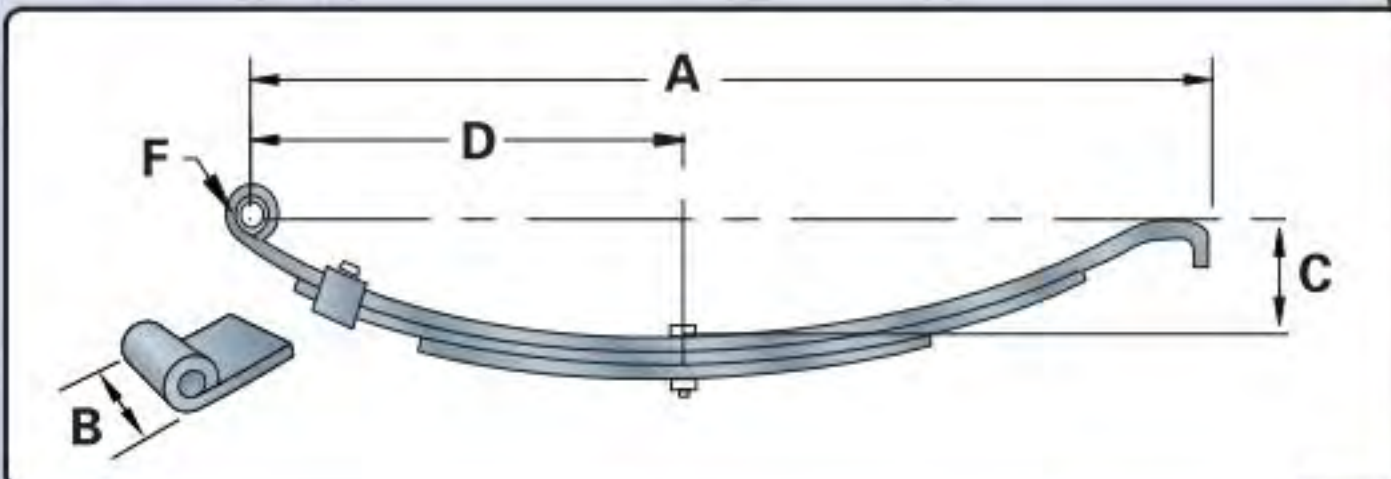


### Marine Coated Double Eye Springs

Designed for applications requiring high corrosive protection. Marine trailers and trailers located in high road salt content areas can benefit from this coating.

PART #	LENGTH DIM. A	WIDTH DIM. B	ARCH HEIGHT DIM. C	TIE BOLT LOCK DIM. D	EYE DIA. DIM. F	# OF LEAVES	CAPACITY LBS.
4332-15MC	25.25"	1.75"	3.00"	12.63"	.50"	3	1,500
4332-20MC	25.25"	1.75"	3.00"	23.63"	.50"	3	2,000
4332-15-20MC	20.00"	1.75"	3.25"	10.00"	.50"	3	1,500
4342-24MC	25.00"	1.75"	3.00"	21.63"	.5625"	4	2,400
4342-25MC	25.25"	1.75"	3.00"	12.63"	.50"	4	2,500
4352-29MC	25.25"	1.75"	3.00"	12.63"	.50"	5	2,900
4362-33MC	25.25"	1.75"	3.00"	12.63"	.50"	6	3,500

Note: Springs with an eye diameter of .50 may require a different bushing to be used with standard .5625" bolt suspensions.



### Marine Coated Slipper Springs

PART #	LENGTH DIM. A	WIDTH DIM. B	ARCH HEIGHT DIM. C	TIE BOLT LOCK DIM. D	EYE DIA. DIM. F	# OF LEAVES	CAPACITY LBS.
4321-10MC	30.25"	1.75"	4.50"	13.500"	.50"	2	1,000
4321-25MC	24.25"	1.75"	4.00"	11.000"	.50"	2	250
4331-7MC	24.25"	1.75"	4.00"	11.000"	.50"	3	750
4331-15MC	30.00"	1.75"	4.88"	13.500"	.50"	3	1,500
4341-10MC	24.25"	1.75"	4.00"	11.000"	.50"	4	1,000
4341-17MC	30.00"	1.75"	4.88"	13.500"	.50"	4	2,000
4351-24TC	30.00"	1.75"	4.88"	13.500"	.50"	5	2,400



FRACTION	DECIMAL	FRACTION	DECIMAL	FRACTION	DECIMAL
1/16	.0625	3/8	.3750	11/16	.6875
1/8	.1250	7/16	.4375	3/4	.7500
3/16	.1875	1/2	.5000	13/16	.8125
1/4	.2500	9/16	.5625	7/8	.8750
5/16	.3125	5/8	.6250	15/16	.9375



## HEAVY DUTY SPRINGS

**ISO 9001:2010  
CERTIFIED**

We manufacture a wide variety of Heavy Duty springs. The most common are listed below, contact your local branch for additional springs offered.

SRI PART #	# OF LEAVES	FREE LENGTH INCHES	FREE ARCH INCHES	CAPACITY LBS./SPRING	SPRING WIDTH INCHES	WEIGHT EACH LBS.	PALLET QTY.	PALLET WEIGHT LBS.	OEM VEHICLE	REF. PT.#'S
TRA-2160	8	43.13	2.75	10500	3	100.6	25	2516	Fruehauf	UCA0105
TRA-3603	3	28.00	3.50	10000	3	54.0	50	2700	Fruehauf	UCE0100
TRA-3609	3	42.88	3.50	10000	3	55	50	2800	Fruehauf	UCD006118-001
TRA-3614	3	42.50	2.00	10000	3	54.6	50	2733	Fruehauf	UCF4784
TRA-693	3	43.00	4.13	10000	3	52.9	50	2646	Fruehauf	UCD0511-1
TRA-696	9	41.50	2.75	11500	3	108.5	25	2714	Fruehauf	UXA00252
TRA-697	3	42.63	1.50	10000	3	52.9	50	2646	Fruehauf	UAC007981-001
TRA-699	4	43.38	4.25	14000	3	69.0	50	3450	Fruehauf	UCB0201
TRA-021	1	43.88	6.10	11200	3	34.23	75	2567	Hutchens	363-00
TRA-0023	1	46.00	7.13	11200	3	35.0	75	2625	Hutchens	360-00
TRA-026	1	36.13	4.38	11200	3	34.0	75	2550	Hutchens	7051-42
TRA-2260	8	44.50	5.00	12000	3	103.4	25	2585	Hutchens	752-05, H752A
TRA-2705	7	44.50	5.00	11200	3	94.57	25	2364	Hutchens	H751
TRA-2706	7	43.13	2.75	11200	3	91.5	25	2290	Hutchens	751-05, H751LA
TRA-2708	8	43.75	5.00	12000	3	103.4	25	2585	Hutchens	752-07
TRA-2726	3	43.74	6.25	11200	3	54.8	50	2742	Hutchens	354-00, H354
TRA-2726HD	4	43.74	6.25	13000	3	72	50	3600	Hutchens	354-00HD
TRA-2727	3	43.80	4.88	11200	3	53.3	50	2669	Hutchens	355-00, H355
TRA-2727HD	4	43.80	4.88	13000	3	72	50	3600	Hutchens	355-00HD
TRA-2728	3	43.81	3.63	11200	3	52.9	50	2649	Hutchens	356-00, H356
TRA-2728HD	4	43.81	3.63	13000	3	71	50	3550	Hutchens	356-00HD
TRA-2732	8	43.50	2.75	12000	3	100.2	25	2507	Hutchens	752-01, H752LA
TRA-2740	3	43.73	5.75	12500	3	65.5	50	3276	Hutchens	365-00
TRA-2741	3	43.80	3.38	12500	3	64.2	50	3213	Hutchens	365-01
TRA-2752	2	43.48	6.50	11200	3	52.0	50	2603	Hutchens	324-01
TRA-2753	2	43.13	5.13	11200	3	51.9	50	2600	Hutchens	325-01
TRA-2754	2	43.73	4.00	11200	3	51.6	50	2580	Hutchens	326-01
TRA-2757	2	44.25	4.25	11200	3	68.5	50	1713	Hutchens	16710-01
TRA-2256	7	43.75	4.25	9000	3	86.1	25	2153	Reyco	T3086
TRA-2270	8	43.38	3.63	11000	3	103.7	25	2594	Reyco	T3564
TRA-2291	3	43.50	4.25	10000	3	53.8	50	2691	Reyco	08376-01
TRA-2297	9	41.75	2.63	13000	3	113.4	25	2837	Reyco	T7452
TRA-2297X	10	41.75	2.63	13000	3	130	25	3250	Reyco	T7452
TRA-3384	3	N/A	3.75	12500	3	62.0	50	3100	Reyco	21511-01
TRA-3311	4	29.50	2.38	4250	2.5	34.0	75	2550	Transpro	0023
TRA-3319	9	42.88	2.63	11200	3	109.0	25	2725	Transpro	0723-00
TRA-3339	3	N/A	5.88	13500	3	109.0	50	2752	Transpro	00724-00
TRA-3340	3	41.94	6.13	11000	3	54.4	50	2722	Transpro	0079-01
TRA-3341	3	49.88	3.13	11000	3	53.3	50	2665	Transpro	0079-02

(Note: Capacity of Heavy Duty Springs are listed for the Pair)



AXLES & COMPONENTS

SUSPENSIONS & COMPONENTS

BRAKES & COMPONENTS

TIRES & WHEELS

FENDERS & BODY

JACKS & CUPPLERS

BRAKE CONTROL SYSTEMS

TOWING & ACCESSORIES

MARINE COMPONENTS

HARDWARE & ACCESSORIES

AGRICULTURAL COMPONENTS

PAINT & LUBRICANTS

LIGHTS & ELECTRICAL

PACKAGED PRODUCTS

AXLES & COMPONENTS

SUSPENSIONS & COMPONENTS

BRAKES & COMPONENTS

TIRES & WHEELS

FENDERS & BODY

JACKS & COUPLERS

BRAKE CONTROL SYSTEMS

TOWING & ACCESSORIES

MARINE COMPONENTS

HARDWARE & ACCESSORIES

AGRICULTURAL COMPONENTS

PAINT & LUBRICANTS

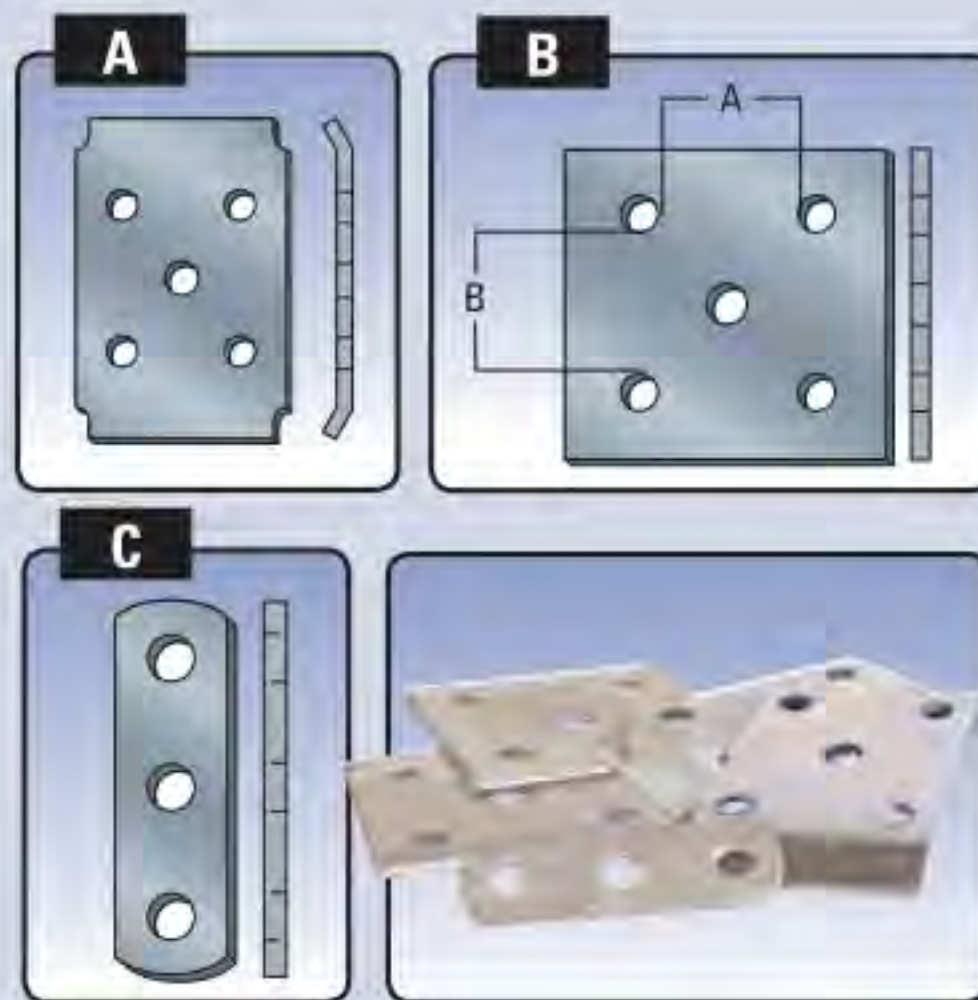
LIGHTS & ELECTRICAL

PACKAGED PRODUCTS

## U-BOLT PLATES

We offer many popular sizes with a variety of finishes. Type C is designed for single U-bolt use on over-slung square axles.

PART#	TYPE DIA.	AXLE SIZE DIM. A	SPRING WIDTH DIM. B	U-BOLT DIA. DIM. C	FINISH
20023G	A	2.000" Sq.	1.75"	.5000"	Galv.
4202-3-2	A	2.375" Rd.	1.75"-2.00"	.5000"	Raw
4202-3	A	2.375" Rd.	1.75"	.5000"	Raw
4202-3ZP	A	2.375" Rd.	1.75"	.5000"	Zinc
4201-3	A	3.000" Rd.	1.75"-2.00"	.5625"	Raw
4201-3ZP	A	3.000" Rd.	1.75"-2.00"	.5625"	Zinc
4200-3	A	3.500" Rd.	2.00"	.5625"	Raw
10625N	A	5.000" Rd.	2.50"	.6250"	Raw
121625P	A	5.000" Rd.	2.50"	.7500"	Raw
4205-3	B	1.750" Rd.	1.75"	.3750"	Raw
4205-3ZP	B	1.750" Rd.	1.75"	.3750"	Zinc
4203-3	B	2.000" Sq.	1.75"-2.00"	.5625"	Raw
4203-3G	B	2.000" Sq.	1.75"-2.00"	.5625"	Galv.
4203-3ZP	B	2.000" Sq.	1.75"-2.00"	.5000"	Zinc
20024G	C	1.5" & 2.0" Sq.	1.75"	.5000"	Galv.
12-01125-6	C	1.75" & 2.0"	1.75"	.50"	Galv.
12-01119-0	C	1.75" & 2.0"	1.75"	.50"	Zinc
012-053-00P	A	5.000" Rd.	3.00"	.625"	Blk
012-053-01P	A	5.000" Rd.	3.00"	.750"	Blk



## AXLE U-BOLTS

For round or square axles, our U-bolts are available with various finishes.

PART#	TYPE SIZE	INSIDE LENGTH	THREAD DIM.	FINISH
4205-1	1.750" Rd.	4.375"	.3750"-16	Raw
4205-1ZP	1.750" Rd.	4.375"	.3750"-16	Zinc
4202-1	2.375" Rd.	5.500"	.5000"-20	Raw
4202-1ZP	2.375" Rd.	5.500"	.5000"-20	Zinc
4202-1L	2.375" Rd.	6.500"	.5000"-20	Raw
4201-1	3.000" Rd.	7.000"	.5625"-18	Raw
4201-1ZP	3.000" Rd.	7.000"	.5625"-18	Zinc
4200-1	3.500" Rd.	7.750"	.5625"-18	Raw
UB-95B	5.000" Rd.	10.000"	.6250"-11	Raw
4206-1	1.750" Sq.	4.500"	.3750"-16	Raw
4206-1ZP	1.750" Sq.	4.500"	.3750"-16	Zinc
4203-1	2.000" Sq.	5.250"	.5625"-18	Raw
4203-1G	2.000" Sq.	5.250"	.5000"-13	Galv.
4203-1ZP	2.000" Sq.	5.500"	.5000"-13	Zinc
4203-1LZP	2.000" Sq.	6.500"	.5000"-13	Zinc
4206-1L	2.000" Sq.	6.500"	.5625"-18	Raw
4290-1L	2.500" Sq.	6.750"	.5625"-18	Raw
4202-1-716	2.375" Rd.	5.500"	.4375"-14	Raw
4202-1GD	2.375" Rd.	5.130"	.4375"-20	Raw
4202-1GDZP	2.375" Rd.	5.130"	.4375"-20	Zinc
4201-1GD	3.000" Rd.	7.000"	.5000"-20	Raw
4201-1GDZP	3.000" Rd.	7.000"	.5000"-20	Zinc
UB-95BP	5.00" Rd.	10.00"	.625"-11	Blk
UB-95BXSP	5.00" Rd.	7.75"	.625"-11	Blk
UB-12165BLP	5.00" Rd.	10.00"	0.75"-10	Blk

## SUSPENSION BUSHINGS

Replacing spring and equalizer bushings can reduce noise, bolt wear, and "suspension walk".



PART #	LENGTH DIM. A	I.D. DIM. B	OD DIM. C	MATERIAL
4371	1.75"	.5000"	0.6875"	Nylon
4373	1.75"	.5000"	0.8750"	Nylon
4370	1.75"	.5625"	0.6875"	Nylon
4372	1.75"	.5625"	0.8750"	Nylon
RC-BUSHING	1.75"	.5625"	1.7500"	Nylon
4375	2.00"	.5625"	0.6875"	Nylon
91413	2.75"	.7500"	1.7500"	Rubber
4113-1B	3.00"	.8750"	1.0625"	Nylon

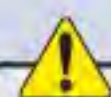
## SPRING TIE BOLTS

Used when repairing or replacing individual spring leaves.

PART #	DESCRIPTION	THREAD DIA.	LENGTH
4399-001	Tie Bolt Without Nut	.3125"-18	1.50"
4399-002	Tie Bolt Without Nut	.3750"-16	2.25"
4399-001-NUT	Nut For Tie Bolt	.3125"-18	n/a
4399-002-NUT	Nut For Tie Bolt	.3750"-16	n/a



Note: Marine Use See Page I-21



### CAUTION!!

U-Bolts are designed to stretch when installing to aid in torque retention. Upon removal they retain the stretch, therefore we recommend you do not reuse old u-bolts.

## SUSPENSION NUTS

We stock a variety of suspension nuts. Generally speaking, lock nuts are used for hangers and attaching bolts. Flanged and hex nuts are commonly used on U-Bolts.

PART #	THREAD	TYPE	FINISH
14LN	0.2500"-20	Lock	Raw
516LN	0.3125"-18	Lock	Raw
4204-2	0.3750"-16	Hex	Raw
4204-2ZP	0.3750"-16	Hex	Zinc
4204-2FL	0.3750"-16	Flanged	Raw
4201-2ZP	0.5000"-13	Hex	Zinc
4201-2G	0.5000"-13	Hex	Galv.
4105-3	0.5000"-13	Lock	Raw
4201-2	0.5000"-20	Hex	Raw
4201-2FZP	0.5000"-20	Hex	Zinc
4201-2FL	0.5000"-20	Flanged	Raw
4203-2	0.5625"-18	Hex	Raw
4203-2ZP	0.5625"-18	Hex	Zinc
4101-6	0.5625"-18	Lock	Raw
4101-6Z	0.5625"-18	Lock	Zinc
58HN	0.6250"-18	Hex	Raw
58LN	0.6250"-18	Lock	Raw
34HN	0.7500"-16	Hex	Raw
34LN	0.7500"-16	Lock	Raw
78LN	0.8750"-9	Lock	Raw
4113-6	0.8750"-9	Slotted	Raw
100LN	1.0000"-8	Lock	Raw
118LN	1.1250"-7	Lock	Raw



**CAUTION!!**  
 Never use lock nuts on u-bolts. This will result in thread damage on the softer U-Bolt material.

## SUSPENSION BOLTS

Bolts with zerks enable you to create "wet", grease lubricated suspension systems.

PART #	TYPE DIAGRAM	DESCRIPTION	THREAD DIA.	LENGTH
4105-2	A	Shackle	0.5000"-13	3.000"
4101-5	A	Shackle	0.5625"-18	3.000"
4101-5Z	A	Shackle, Zinc	0.5625"-18	3.000"
4113-7	A	Shackle	0.5625"-18	3.500"
4101-5W	B	Shackle, w/ Zerk	0.5625"-18	3.000"
4113-7W	B	Shackle, w/ Zerk	0.5625"-18	3.500"
4113-9W	B	Equalizer, w/ Zerk	0.7500"-16	3.500"
4113-5	C	Equalizer	0.8750"-9	4.750"
4113-5W	D	Equalizer, w/ Zerk	0.8750"-9	4.687"
516314	E	Keeper	0.3125"-18	3.250"
58400	E	Shackle	0.6250"-18	4.000"
58412	E	Shackle	0.6250"-18	4.500"
34412	E	Shackle	0.7500"-16	4.500"
100600	E	Equalizer	1.0000"-8	6.000"
1186CB	E	Equalizer	1.1250"-7	6.000"
4113-7Z	A	Shackle, Zinc	0.5625"-18	3.500"

## LOCK WASHERS

Lock washers are sometimes used with hex nuts to retain torque.

PART #	ID	FINISH
4204-4	.3750"	Raw
4204-4ZP	.3750"	Zinc
4201-4	.5000"	Raw
4201-4ZP	.5000"	Zinc
4203-4	.5625"	Raw
4203-4ZP	.5625"	Zinc
58LW	.6250"	Raw
34LW	.7500"	Raw
4201-4G	.5000"	Galv.



## EQUALIZER BARS

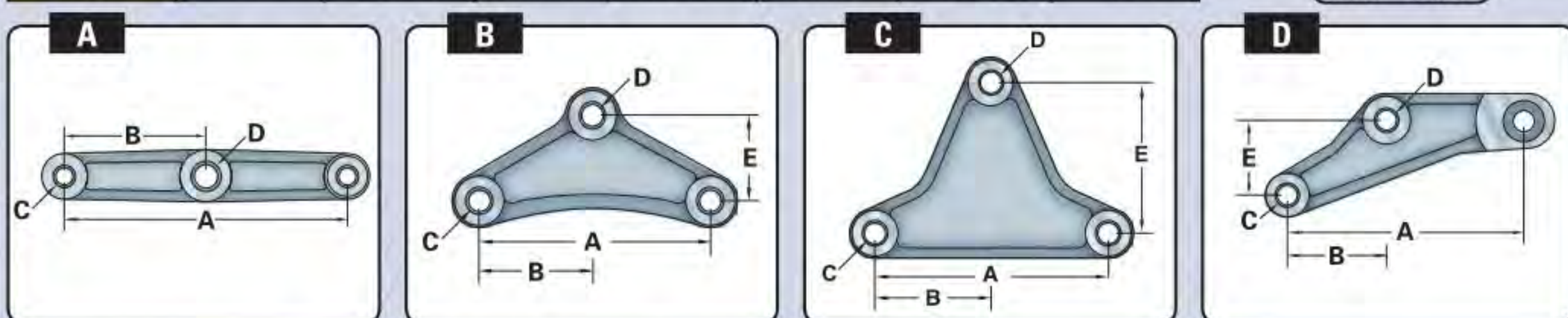
Worn equalizers can cause noise, axle misalignment, and "suspension walk".



### For Double Eye Springs

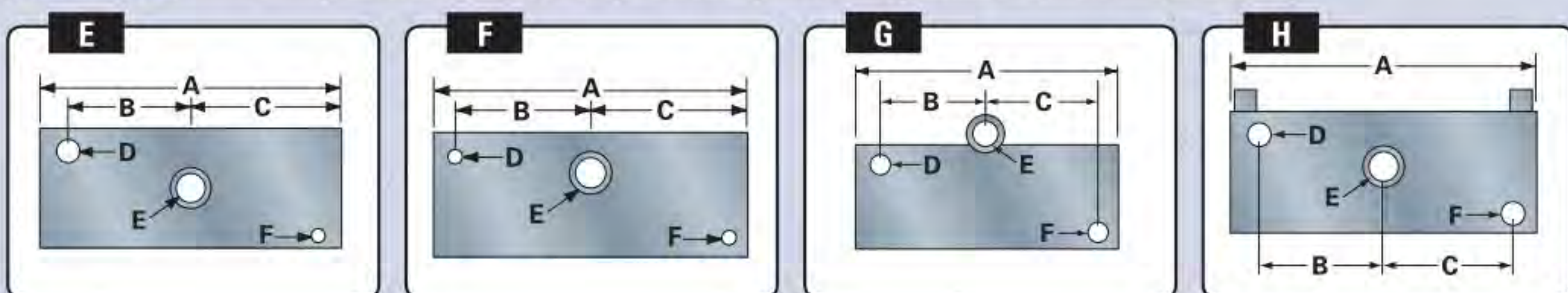
PART #	TYPE DIAGRAM	DIMENSIONS					FINISH
		A	B	C	D	E	
EQ-2A	A	8.0000"	4.000"	.5625"	.5625"	n/a	Raw
EQ-2	A	8.0000"	4.000"	.5625"	.7500"	n/a	Raw
EQ-R2	A	5.5000"	2.750"	.5625"	.5625"	n/a	Raw
EQ-104	B	5.7500"	2.000"	.5625"	.5625"	2.000"	Raw
EQ-104-G	B	5.7500"	2.875"	.5625"	.5625"	3.000"	Galv.
EQ-1A	B	6.2500"	3.125"	.5625"	.5625"	2.500"	Raw
EQ-1A-G	B	6.2500"	3.125"	.5625"	.5625"	2.500"	Galv.
4101-1A	B	6.2500"	3.125"	.5625"	.7500"	2.000"	Raw
4101-1	B	7.7500"	3.875"	.5625"	.5625"	2.875"	Raw
4101-1G	B	7.7500"	3.875"	.5625"	.5625"	2.875"	Galv.
EQ-3	B	7.7500"	3.875"	.5625"	.7500"	2.875"	Raw
EQ-310	C	6.0625"	3.000"	.5625"	.5625"	4.000"	Raw
EQ-310G	C	6.0625"	2.000"	.5625"	.5625"	4.000"	Galv.
EQ-105	D	6.7500"	2.000"	.5625"	.5625"	2.000"	Raw

FRACTION	DECIMAL
1/16	.0625
1/8	.1250
3/16	.1875
1/4	.2500
5/16	.3125
3/8	.3750
7/16	.4375
1/2	.5000
9/16	.5625
5/8	.6250
11/16	.6875
3/4	.7500
13/16	.8125
7/8	.8750
15/16	.9375



### For Slipper Springs

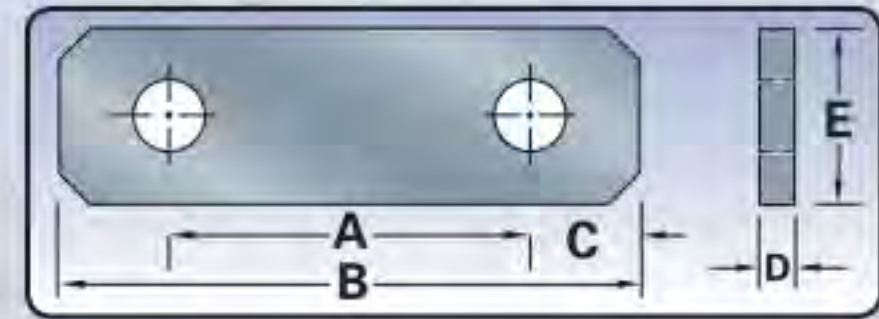
PART #	TYPE DIAGRAM	DIMENSIONS						FINISH
		A	B	C	D	E	F	
4113-1	E	12.0000"	4.7500"	4.6250"	.5625"	0.875"	.5625"	Raw
013-044-01	E	13.1200"	5.9400"	7.0800"	.5625"	0.875"	.3750"	Raw
EB-90	E	13.2500"	5.5625"	6.4375"	.6525"	1.000"	.3750"	Raw
13-4	F	04.6250"	5.5000"	5.0000"	.5625"	0.875"	.3125"	Raw
5000GD	G	15.7500"	6.8750"	7.8750"	.7500"	1.000"	n/a	Raw
6000GD	G	21.7500"	9.8750"	10.8750"	.7500"	1.000"	n/a	Raw
46172	H	16.9375"	7.2500"	6.9375"	.7500"	1.125"	.6250"	Raw
46173	H	22.8750"	10.2500"	9.7500"	.7500"	1.125"	.6250"	Raw
PS-EQ07W	E	18.375"	7.00"	9.187"	.750"	1.00"	n/a	E-Coat
PS-EQ08W	E	24.625"	10.12"	12.312"	.75"	1.00"	n/a	E-Coat
PS-EQ09W	E	18.375"	7.12"	9.187"	1.00"	1.125"	.53"	E-Coat
PS-EQ10W	E	24.750"	10.375"	12.375"	1.00"	1.125"	.53"	E-Coat



## SHACKLE STRAPS

Stocked in various lengths and finishes, shackle straps are usually the first suspension component needing replacement.

PART #	DIMENSIONS					MATERIAL
	A	B	C	D	E	
4101-2C	2.250"	3.000"	.62"	.23"	1.25"	Raw
4101-2CG	2.250"	3.000"	.62"	.23"	1.25"	Galv.
4101-2CZP	2.250"	3.000"	.62"	.23"	1.25"	Zinc
4101-2A	2.625"	3.750"	.62"	.23"	1.25"	Raw
4101-2AG	2.625"	3.750"	.62"	.23"	1.25"	Galv.
4101-2AZP	2.625"	3.750"	.62"	.23"	1.25"	Zinc
4101-2	3.125"	4.375"	.62"	.23"	1.25"	Raw
4101-2ZP	3.125"	4.375"	.62"	.23"	1.25"	Zinc
36-01115-9	3.625"	5"	.62"	.25"	1.25"	Zinc
36-01116-0	3.625"	5"	.62"	.25"	1.25"	Galv.



## SPRING HANGERS

From weld-on to bolt-on hangers, we stock a wide variety of configurations.

PART #	SPRING WIDTH	BCL HEIGHT DIM. A	APPLICATION	OVERALL HEIGHT DIM. B	WIDTH DIM. C	MATERIAL DIM. D	LENGTH DIM. E	BOLT DIA. DIM. F	FINISH	TYPE DIA.
4104-4	1.75"	n/a	Rear C-Clip	1.250"	1.8750"	.1875"	1.00"	n/a	Raw	A
14017G	1.75"	n/a	Rear C-Clip, Bolt On	1.562"	1.8750"	.1875"	1.50"	n/a	Galv.	B
E-1	1.75"	0.750"	Rear Sngle Eye Plate	1.750"	n/a	.3750"	3.75"	0.5625"	Raw	C
30-20	1.75"	0.910"	Rear Sngle w/ sleeve	2.000"	n/a	.2500"	1.50"	0.5625"	Raw	D
RSHG	1.75"	1.437"	Rear Sngle, Bolt On	2.000"	n/a	.2500"	2.75"	0.5625"	Galv.	E
4103-8	1.75"	1.500"	Rear Sngle	2.312"	n/a	.1875"	3.00"	0.5625"	Raw	F
4105-1	1.75"	1.500"	Front	2.000"	1.8750"	.1875"	3.00"	0.5000"	Raw	F
14016G	1.75"	1.187"	Front, Bolt On	2.000"	1.8750"	.1875"	1.50"	0.5625"	Galv.	G
4101-3	1.75"	1.250"	Universal	2.000"	1.8750"	.1875"	3.00"	0.5625"	Raw	F
FSHG	1.75"	1.625"	Universal, Bolt On	2.187"	1.8750"	.2500"	2.75"	0.5625"	Galv.	H
H2	1.75"	1.875"	Universal	2.600"	1.8750"	.2500"	2.00"	0.5625"	Raw	F
11-5918	1.75"	2.375"	Universal	3.250"	1.8750"	.1875"	3.00"	0.5625"	Raw	F
H4	1.75"	3.000"	Universal	3.750"	1.8750"	.3125"	2.50"	0.5625"	Raw	F
4101-4	1.75"	3.250"	Universal	3.875"	1.8750"	.1875"	3.00"	0.5625"	Raw	F
4101-4L	1.75"	4.250"	Universal	4.875"	1.8750"	.1875"	3.00"	0.5625"	Raw	F
RH-1	1.75"	5.000"	Universal	5.562"	1.8750"	.2500"	2.50"	0.5625"	Raw	F
11-5919	1.75"	5.437"	Center	6.187"	1.8750"	.4375"	3.00"	0.7500"	Raw	F
4113-2H-3	2.00"	3.500"	Front	4.375"	2.1875"	.3125"	3.00"	0.5625"	Raw	F
4113-2H	2.00"	3.500"	Front	4.375"	2.1875"	.2500"	4.00"	0.5625"	Raw	F
4113-3H-3	2.00"	5.000"	Rear	6.000"	2.1875"	.3125"	3.00"	0.5625"	Raw	I
4113-3H	2.00"	5.000"	Rear	6.000"	2.1875"	.2500"	4.00"	0.5625"	Raw	I
4113-4H-3	2.00"	3.375"	Center	4.500"	3.1250"	.3750"	3.00"	0.8750"	Raw	J
4113-4H	2.00"	3.375"	Center	4.500"	3.1250"	.3125"	4.00"	0.8750"	Raw	J
3000	2.50"	5.375"	Front 10K GD	8.000"	2.8125"	.1875"	4.00"	0.7500"	Raw	K
2000	2.50"	1.750"	Center 10K GD	3.250"	4.0625"	.1875"	5.00"	1.0000"	Raw	L
4000	2.50"	n/a	Rear 10K GD	8.000"	2.8125"	.1875"	4.00"	n/a	Raw	M
PS-HR37W	2.50"	5.250"	Front	6.437"	2.625"	.20"	4.00"	.75"	RAW	I
PS-HR39W	3.00"	6.250"	Front	7.500"	3.125"	.25"	5.00"	1.00"	RAW	I
PS-HR31W	2.50"	N/A	Rear	7.000"	2.625"	.25"	4.50"	N/A	RAW	N/A
PS-HR38W	3.00"	7.750"	Rear	8.562"	3.125"	.25"	5.00"	.562"	RAW	N/A
PS-HR36W	2.50"	4.125"	Center	5.562"	3.312"	.25"	5.00"	1.00"	RAW	I
PS-HR40W	3.00"	4.125"	Center	5.562"	3.812"	.25"	5.00"	1.125"	RAW	I

See type reference diagrams on next page!

AXLES & COMPONENTS

SUSPENSIONS & COMPONENTS

BRAKES & COMPONENTS

TIRES & WHEELS

FENDERS & BODY

JACKS & CUPPLERS

BRAKE CONTROL SYSTEMS

TOWING & ACCESSORIES

MARINE COMPONENTS

HARDWARE & ACCESSORIES

AGRICULTURAL COMPONENTS

PAINT & LUBRICANTS

LIGHTS & ELECTRICAL

PACKAGED PRODUCTS

# SUSPENSIONS & COMPONENTS



AXLES & COMPONENTS

SUSPENSIONS & COMPONENTS

BRAKES & COMPONENTS

TIRES & WHEELS

FENDERS & BODY

JACKS & COUPLERS

BRAKE CONTROL SYSTEMS

TOWING & ACCESSORIES

MARINE COMPONENTS

HARDWARE & ACCESSORIES

AGRICULTURAL COMPONENTS

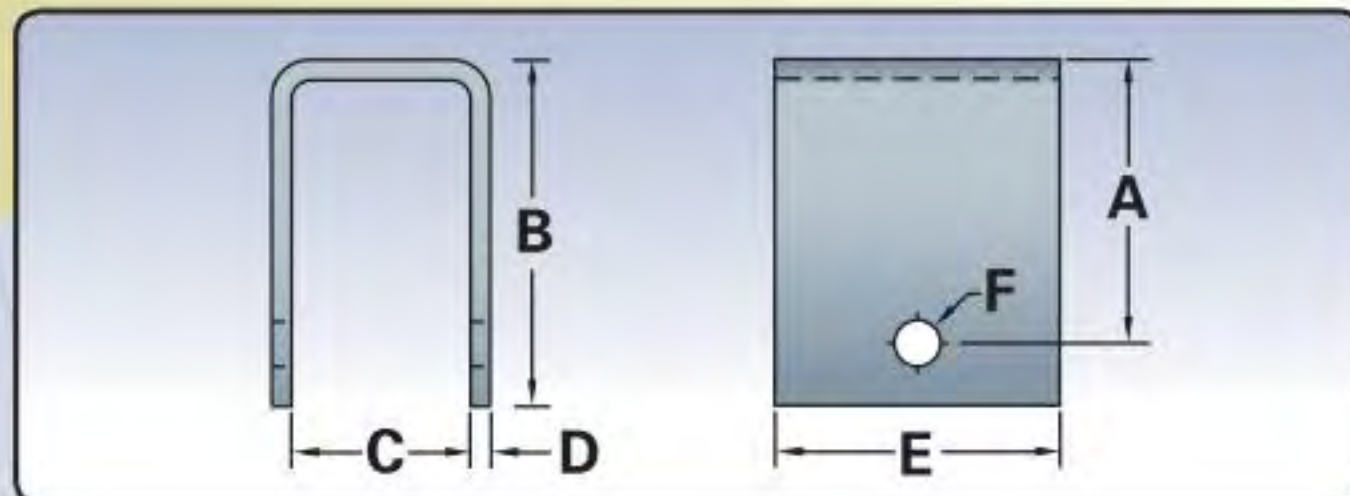
PAINT & LUBRICANTS

LIGHTS & ELECTRICAL

PACKAGED PRODUCTS



Hangers have been painted for display purpose only!



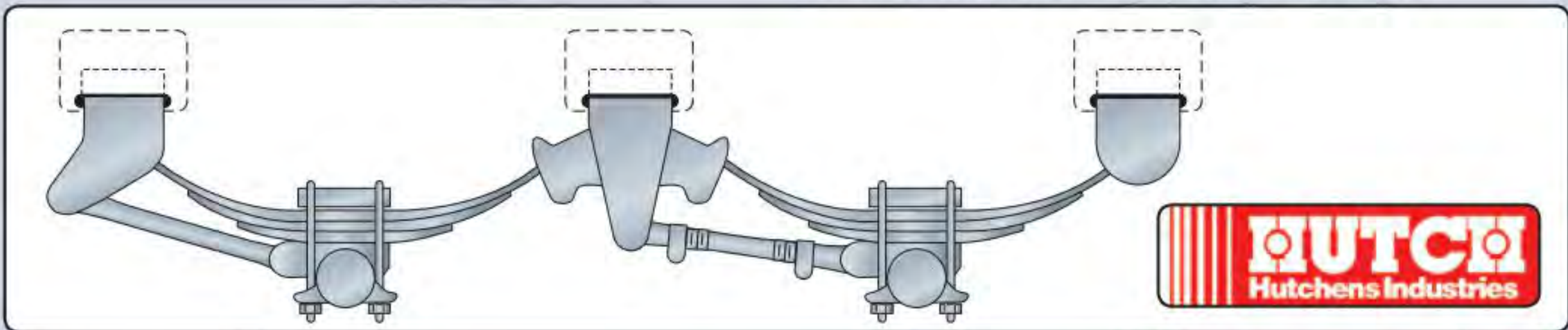
FRACTION TO DECIMAL CONVERSION CHART	
FRACTION	DECIMAL
1/16	.0625
1/8	.1250
3/16	.1875
1/4	.2500
5/16	.3125
3/8	.3750
7/16	.4375
1/2	.5000
9/16	.5625
5/8	.6250
11/16	.6875
3/4	.7500
13/16	.8125
7/8	.8750
15/16	.9375

## HEAVY DUTY SUSPENSIONS - 25K AXLES

A long standing leader of heavy duty suspensions, Hutchens Industries manufactures a complete line of spring type suspensions. We offer the 9700 series in standard configurations with availability to specialized systems. The standard configuration is designed for under slung springs on a 5" round axle with a .75" spring seat height. The spring hangers are fabricated and designed for under frame mounting. We also stock a number of replacement components and springs. Contact your nearest branch for technical specifications, axle requirements and information.

PART #	NUMBER OF AXLES	AXLE CENTER	SPRING TYPE
H9700HUS	Single	n/a	Without
H9700TUS	Tandem	49"	Without
H9700ADD	Add-On*	49"	Without
H9700HUS-354	Single	n/a	354-00
H9700TUS-354	Tandem	49"	354-00
H9700ADD-354	Add-On*	49"	354-00
10521-00	Bump-out block for tri-axle susp. (need 4)		

\* Used to convert single into tandem or tandem into triple.



## AIR RIDE SUSPENSIONS

Air suspensions offer a ride unequaled by spring type suspensions. We offer the Ridewell mono pivot, under slung series along with automatic or manual height control kits. Contact your nearest branch for technical specifications, axle requirements and information.

### 15K & 25K Axles

PART #	MAX CAP	TUBE SIZE	RIDE HEIGHT	AXLE UP	TRAVEL DOWN	MIN. AXLE SPACING
2600080	15k	5"	Min: 5.50" Max: 6.00"	2.40" 2.9"	2.80" 2.3"	40" 40"
2600206	25k	5" x .62"	Min: 5.50" Max: 7.50"	2.50" 4.50"	4.6" 2.6"	44" 44"
2602114	25k	5" x .62"	Min: 14" Max: 16"	2.80" 4.80"	5.30" 3.30"	44" 44"
2400080	15K xxx	5" x .44"	Min: 5.50" Max: 6.00"	2.50" xxx	3.50" 3.00"	40" 40"
2404106	25K xxx	5" x .62"	Min: 6.50" Max: 7.00"	2.75" 3.25"	3.75" 3.25"	44" 44"



### Control Kits

PART #	DESCRIPTION
6301BFAJ31	For 260 Overslung with pressure protection valve
6301BFAB13	With universal linkage and pressure protection valve
6301CFAJ61	For 260 Underslung with pressure protection valve
1207423C100	Automatic, for trailers with air brakes (or air tank and supply)

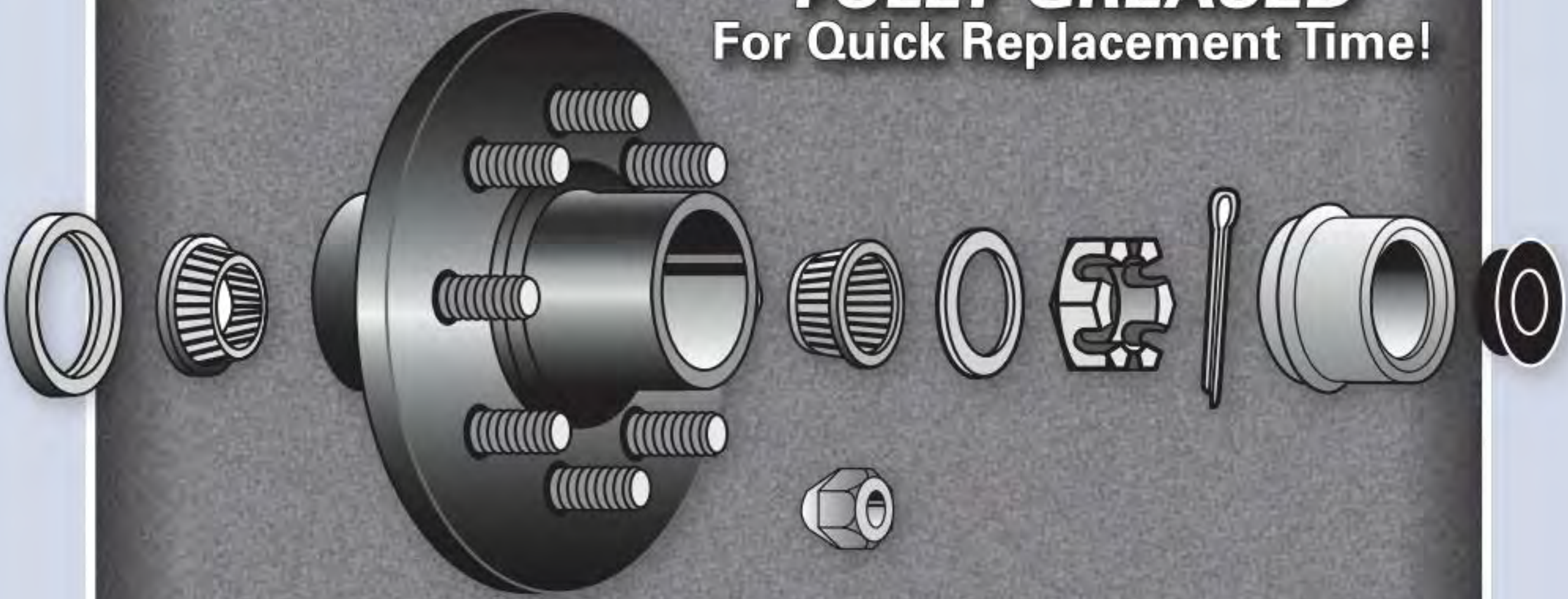
### FRACTION TO DECIMAL CONVERSION CHART

FRACTION	1/16	1/8	3/16	1/4	5/16	3/8	7/16	1/2	9/16	5/8	11/16	3/4	13/16	7/8	15/16
DECIMAL	.0625	.1250	.1875	.2500	.3125	.3750	.4375	.5000	.5625	.6250	.6875	.7500	.8125	.8750	.9375



# PRE-GREASED Hub Kits

**FULLY GREASED**  
For Quick Replacement Time!



**Kits available for  
2,000 lb. to 7,000 lb Axles!**

**Call your local Rockwell American Branch  
for more information.**

AXLES &  
COMPONENTS

SUSPENSIONS &  
COMPONENTS

**BRAKES &  
COMPONENTS**

TIRES &  
WHEELS

FENDERS  
& BODY

JACKS &  
COUPLERS

BRAKE CONTROL  
SYSTEMS

TOWING &  
ACCESSORIES

MARINE  
COMPONENTS

HARDWARE &  
ACCESSORIES

AGRICULTURAL  
COMPONENTS

PAINT &  
LUBRICANTS

LIGHTS &  
ELECTRICAL

PACKAGED  
PRODUCTS