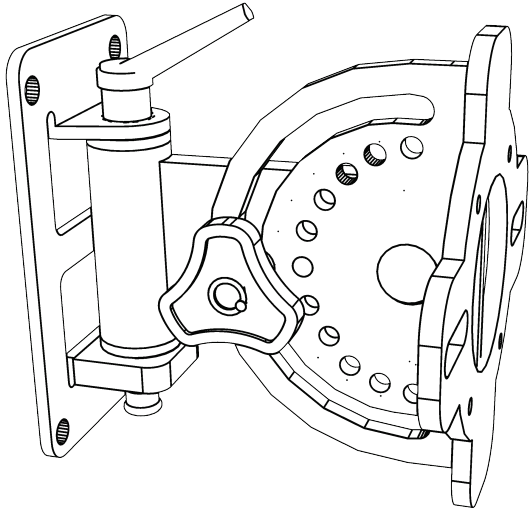
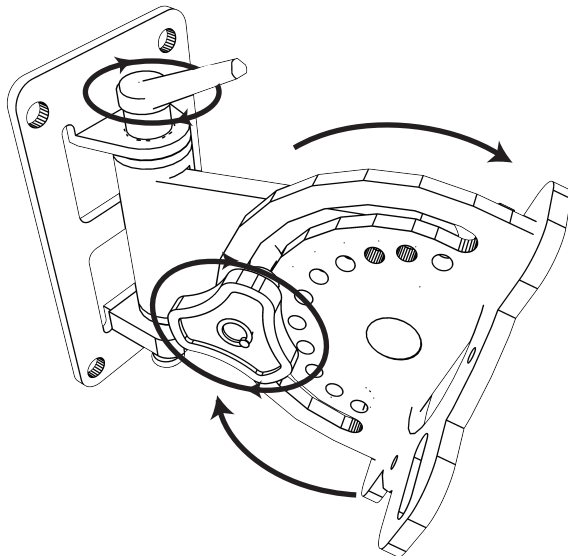


SM-SW1 Speaker Mount Swivel and The SM-WM1 Wall Pate



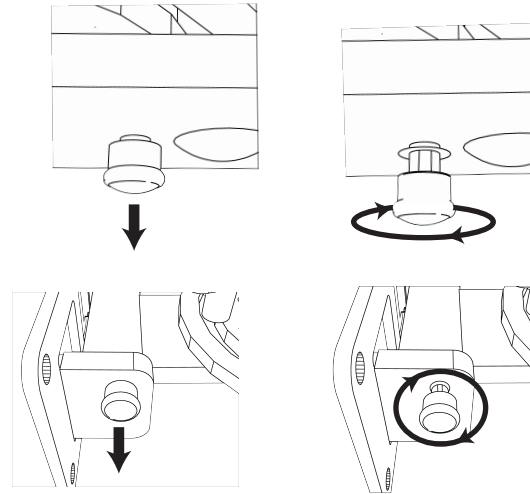
The SM-SW1 is the main pan and tilt swivel for the SM-1 System. The SM-SW1 controls are redundant with both a locking spring pin and tension knobs. The set position holes are set in 15° increments.



To adjust them, first loosen the tension knob and then pull the spring pin out.

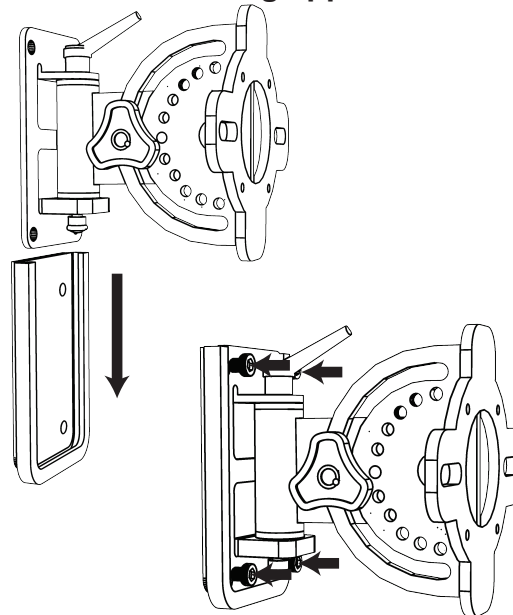
Note: The pan knob is on a spring. Turn as far as the placement allows, then pull up and reset the handle position to turn it again.

Spring Pin Functions



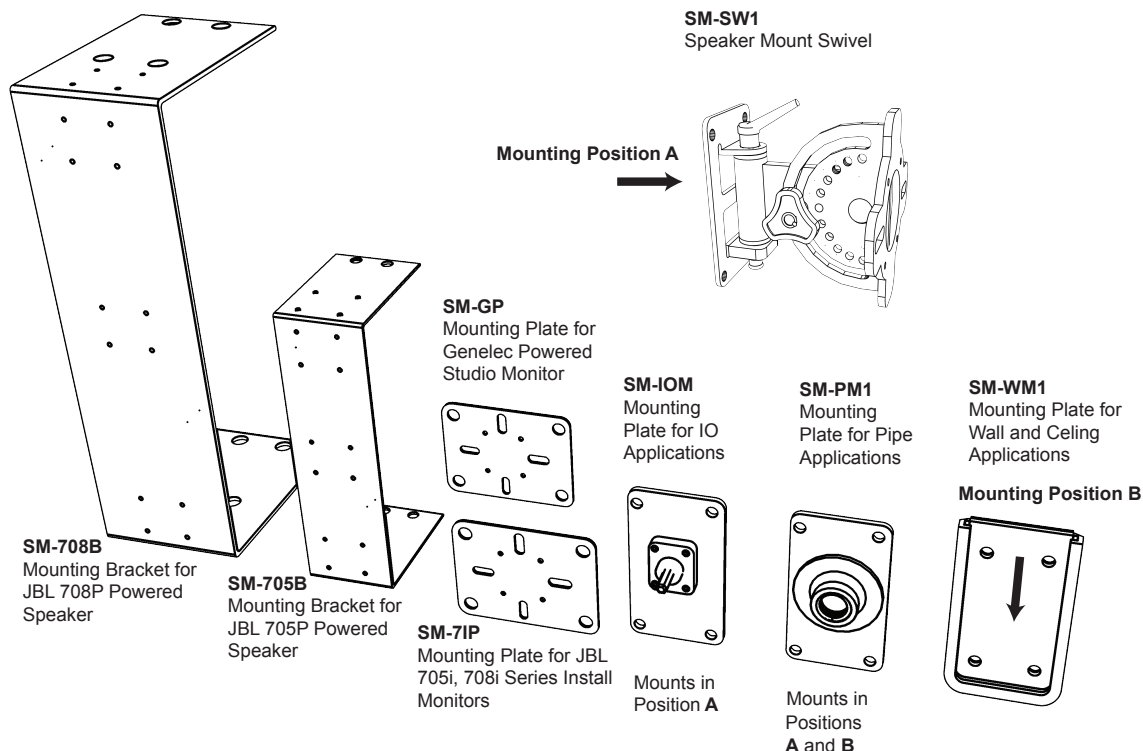
While pulling out turn the knob 90° and release it. It will stay locked out in this position. Move the swivel to the desired position and to lock the pin in, pull and turn 90° again and it will find the nearest hole. You can also pull the pin and not turn it, move the swivel and let it lock in the the next hole with the spring.

SM-WM1 Speaker Mounting Plate for wall or ceiling applications



The SM-WM1 wall pate should be mounted in position prior to loading. This allows for installers to preset all the speaker positions before seeing the speaker up. The SM-SW1 then slides into the SM-WM1. Use the provided hex screws to secure it into the wall plate.

SM-1 Speaker Mount System Speaker Plates and U Brackets

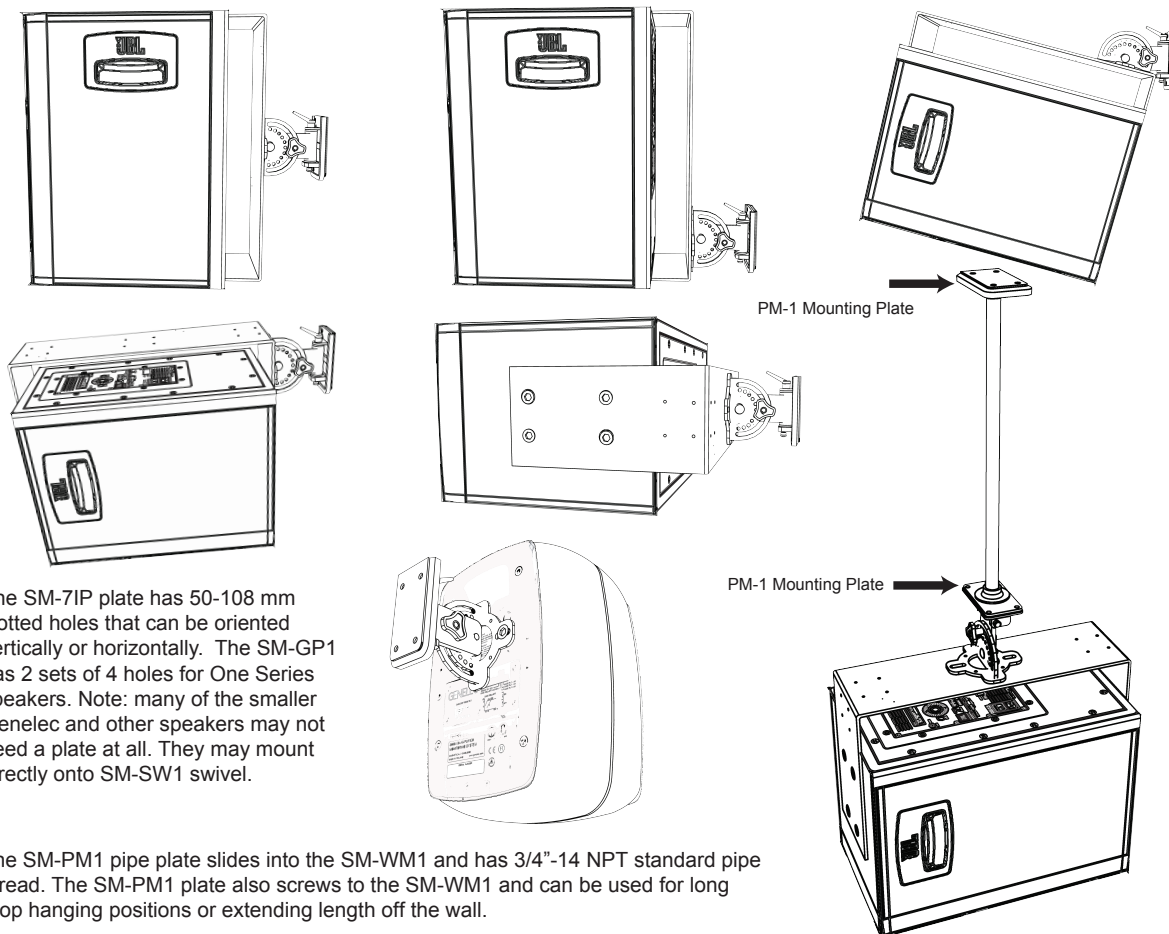


The SM-1 Atmos Mounting System offers the installer many options for mounting on walls, ceilings or Triad-Orbit IO®.

Two SM-PM1 pipe plate mounts are required for installation. One PM1 for the swivel (A), one for SM-WM1 wall plate (B).

There are 4 specific plates and brackets for speakers. The 705B/708B U-brackets have 5 different mounting points allowing for optimum angles including 90° vertically or horizontally.

To offer installers as many mounting options as possible we created multiple mounting positions on the U-brackets and the plates. The U-brackets each have 5 possible positions for the SM1-SW1 to connect to. Depending on how acute the angles need to be for the installation on hand, please weigh your options and you'll find the possibilities are plentiful.



The SM-7IP plate has 50-108 mm slotted holes that can be oriented vertically or horizontally. The SM-GP1 has 2 sets of 4 holes for One Series speakers. Note: many of the smaller Genelec and other speakers may not need a plate at all. They may mount directly onto SM-SW1 swivel.

The SM-PM1 pipe plate slides into the SM-WM1 and has 3/4"-14 NPT standard pipe thread. The SM-PM1 plate also screws to the SM-WM1 and can be used for long drop hanging positions or extending length off the wall.