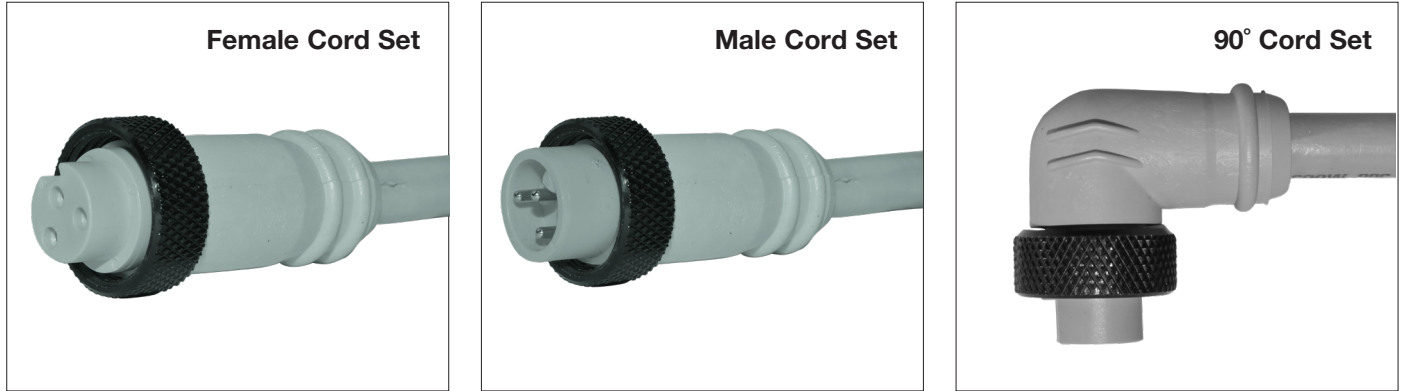


# 16 AWG Quick-Connex™ Cord Sets (9, 10 & 12 Pole)

- UL Recognized
- cUL
- IP69K Rated
- RoHS Compliant
- 600 V

Quick-Connex™ make replacement of electrical and electronic control devices quick and simple. Plug sets are made with Super-Trex® SOOW Ultra-Gard® Portable Cord. A superior first-line of defense against tearing, abrasion, impact, oil, ozone and most chemicals; also flame and heat resistant and offers extreme all-weather flexibility too. The molded and keyed, vulcanized thermoset cordset provides rapid and secure connect and disconnect and ensures a water, oil and dust tight seal.



## FEATURES & BENEFITS

- 1. PLUG SETS MADE WITH SUPER-TREX® TYPE SOOW ULTRA-GARD® PORTABLE CORD, RATED 90°C** – Superior first-line defense against tearing, abrasion, impact, oil, ozone and most chemicals. Flame and heat resistant. Extreme all-weather flexibility.
- 2. EXTRA LONG PLUG BODY IS SPECIALLY COMPOUNDED, THERMOPLASTIC ELASTOMER** – Provides long flex life, resists heat and oil deterioration.
- 3. SOLID BRASS CONTACT PINS ARE NICKEL COATED AND GOLD PLATED, MACHINE CRIMPED TO CONDUCTORS** – Provides long life, resists corrosion, easy positive engagement. Excellent for high/low voltage and low level signal applications.
- 4. EXTRA LONG GROUNDING PIN** – Ensures first-in, last-out contact for safety.
- 5. PLASTIC FRICTION RING BETWEEN COUPLER AND PLUG BODY** – Increases pull-out strength, ensures uniform tightness.
- 6. UNIQUE STAINLESS STEEL SLEEVE OVER THE GOLD PLATED FEMALE PINS** – Prevents pin deformation resulting in loss of signal and electrical continuity. Superior performance in high vibration and continuous motion environments. Probe proof.
- 7. MOLDED AND KEYED ASSEMBLY** – Provides rapid and secure connect and disconnect. Ensures a water, oil, and dust tight seal.
- 8. HARD COATED MIL SPEC. ANODIZED ALUMINUM KNURLED COUPLING RING** – Resists corrosion, provides quick and secure assembly.
- 9. SHELL SIZE** – A (7/8"), B (1"), C (1-1/8") and D (1.5").

## ORDERING INFORMATION (MINIMUM PURCHASE MAY BE REQUIRED IF PRODUCT NOT STOCKED)

FEMALE PLUGS				
PART NO.			FEET	METERS
9 POLE	10 POLE	12 POLE		
CN19C13F006	CN110C14F006	CN112C15F006	6	1.83
CN19C13F012	CN110C14F012	CN112C15F012	12	3.66
CN19C13F020	CN110C14F020	CN112C15F020	20	6.10

MALE PLUGS				
PART NO.			FEET	METERS
9 POLE	10 POLE	12 POLE		
CN19A13F006	CN110A14F006	CN112A15F006	6	1.83
CN19A13F012	CN110A14F012	CN112A15F012	12	3.66
CN19A13F020	CN110A14F020	CN112A15F020	20	6.10

Mini Quick-Connex™  
Micro Quick-Connex®  
Nano Quick-Connex®  
Specialty Quick-Connex®  
Ethernet Cable Assemblies  
7 Pin Molded Valve Plug  
DIN Connectors  
Extension Cords  
M23 Connector Assemblies  
Military Connectors  
Rectangular Connectors

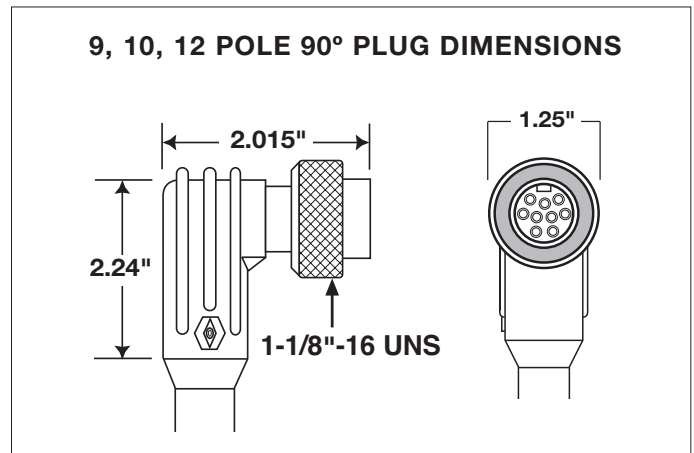
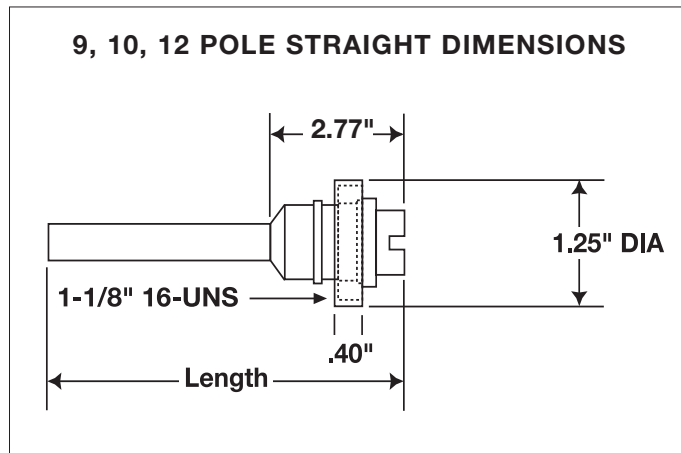
# 16 AWG Quick-Connex™ Cord Sets (9, 10 & 12 Pole) (Continued)

## ORDERING INFORMATION (MINIMUM PURCHASE MAY BE REQUIRED IF PRODUCT NOT STOCKED)


90° FEMALE PLUGS				
PART NO.			FEET	METERS
9 POLE	10 POLE	12 POLE		
CN19D13F006	CN110D14F006	CN112D15F006	6	1.83
CN19D13F012	CN110D14F012	CN112D15F012	12	3.66
CN19D13F020	CN110D14F020	CN112D15F020	20	6.10


MALE / FEMALE EXTENSION SET				
PART NO.			FEET	METERS
9 POLE	10 POLE	12 POLE		
—	—	CN212E15F006	6	1.83
CN29E13F012	CN210E14F012	CN212E15F012	12	3.66
CN29E13F020	CN210E14F020	CN212E15F020	20	6.10
—	—	CN212E15F025	25	6.54


## DIMENSIONAL INFORMATION



## FACE VIEW OF FEMALE CONNECTORS "C" SIZE (1-1/8"-16 COUPLING THREAD)

 <b>9 POLE FEMALE FACE VIEW</b>	
1. Orange	6. Red
2. Blue	7. Green
3. Red/Blk. Tr.	8. White/Blk. Tr.
4. Green/Blk. Tr.	9. Black
5. White	

 <b>10 POLE FEMALE FACE VIEW</b>	
1. Orange	6. Orange/Blk. Tr.
2. Blue	7. Red
3. White/Blk. Tr.	8. Green
4. Red/Blk. Tr.	9. Black
5. Green/Blk. Tr.	10. White

 <b>12 POLE FEMALE FACE VIEW</b>	
1. Orange	7. Blue/Blk. Tr.
2. Blue	8. Blk./White Tr.
3. White/Blk. Tr.	9. Green
4. Red/Blk. Tr.	10. Red
5. Green/Blk. Tr.	11. White
6. Orange/Blk. Tr.	12. Black

CABLE SIZE	NOM. O.D. (IN.)
16/9	0.560
16/10	0.580
16/12	0.590