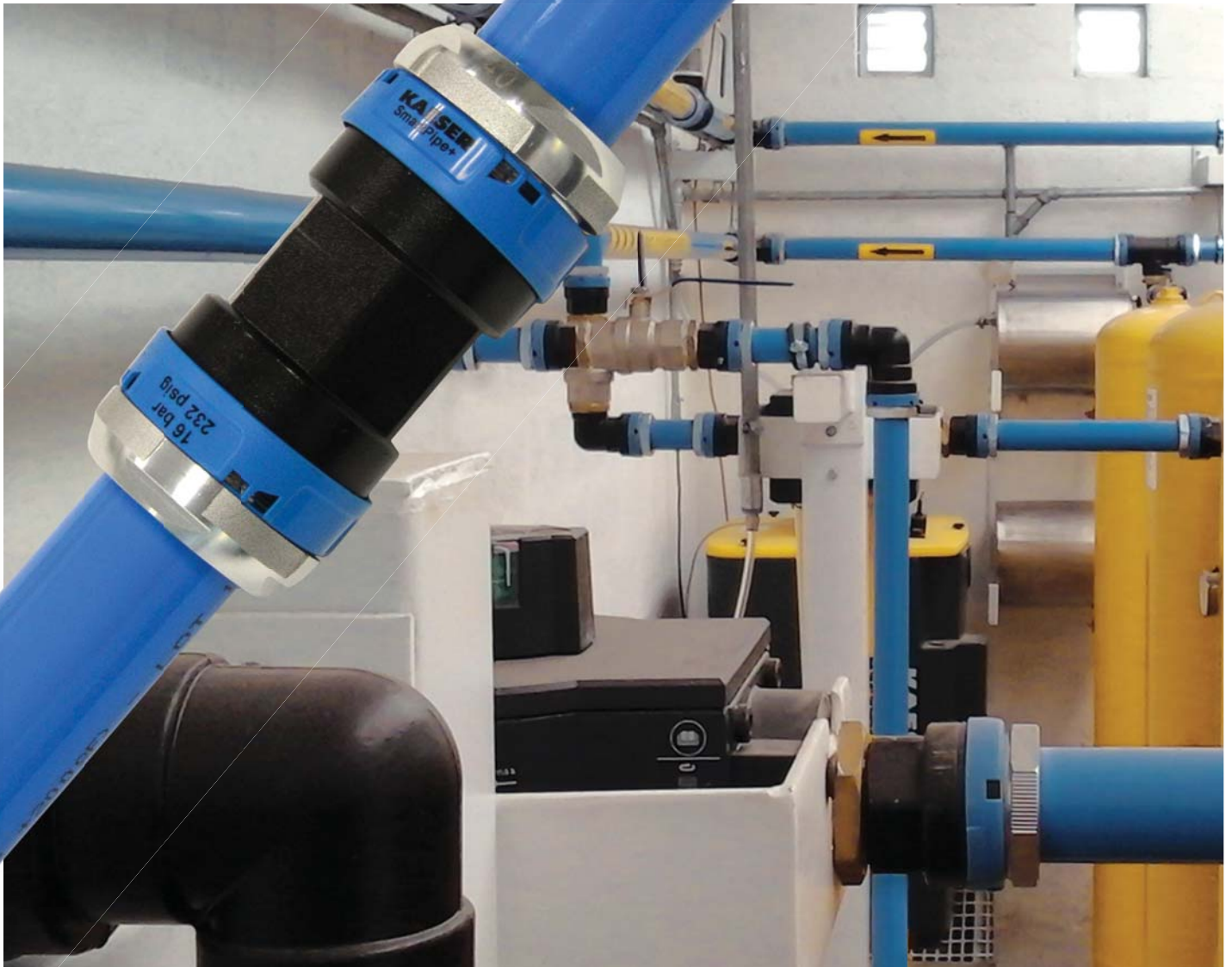


KAESER
COMPRESSORS®

Built for a lifetime.



SmartPipe+™

Product Catalog

¾" to 2½"

kaeser.com

SmartPipe+™

Compressed Air Piping

Kaeser's SmartPipe+ is a modular compressed air distribution system that offers both lower installation costs and lower long term operating costs.

Piping selection directly affects the three key elements of every compressed air system: flow, pressure, and air quality. Poor choices in pipe materials, diameter, and layout cause flow restrictions, often resulting in significant pressure drop. Pressure drop is the main cause of increased energy consumption and underperforming air driven tools and equipment.

Choices in piping also directly impact installation costs. Heavier materials cause fatigue and slow work, especially in overhead installations. The types of fittings used must also be considered. Some connection types cause pressure drop, need special tools, and take more time to install.

SmartPipe+ offers an excellent choice for compressed air and inert gas distribution for pressures up to 232 psig (16 bar) (higher pressures available) in temperatures from -20°F to 200°F (-29°C to 93°C). SmartPipe+ is also ideal for vacuum up to 98.3% (29.5" Hg).





Technical Specifications

SmartPipe+ is designed for use with compressed air, vacuum, and inert gases.

Pressure and Temperature Ranges

- Normal working pressure and temperature: 232 psi, -20°F to ±200°F
- Storage temperature: -40°F to +212°F
- Max vacuum: 98.3% (29.5" Hg)
- Consult factory for higher pressures or temperatures

Aluminum Pipe Specification

- 6063-T5 aluminum grade
- Extruded pipe conforms to standards EN755.2 and EN755.8
- Smooth bore ID for optimal flow rate performance
- Powder coat in BLUE (RAL5012) with QUALICOAT CERTIFIED lacquer finish exterior
- Consult factory for availability of other colors

Flexible Hose Specification

- Resistant to mineral and synthetic oils
- Maximum working pressure for flexible hose: varies depending on size
- Fire resistance testing conducted per the ISO 8030:2014 standard

Aluminum Fittings Specification

- Connector bodies manufactured in aluminum alloy ASTM B26-356.0
- Nuts are aluminum alloy per ASTM B241-6061 and anodized
- Nut threads meet ANSI B1.20.1 standard
- Fitting bodies are black cathaphoresis coated with a minimum thickness of 10 µm

Pipe Sizes

Nominal Ø (in.)	Outside Ø (in.)	Outside Ø (mm)	Inside Ø (in.)	Inside Ø (mm)	Wall Thickness (in.)	Wall Thickness (mm)
3/4	3/4	20	11/16	18	3/64	1.0
1	1	25	7/8	22.8	3/64	1.1
1-1/2	1-9/16	40	1-1/2	37.4	3/64	1.3
2	2	50	1-7/8	47	1/16	1.5
2-1/2	2-1/2	63	2-5/16	59.4	5/64	1.8



Certification



- SmartPipe+ meets the requirement of ASME B31.1 which stipulates the minimum requirements for the design, materials, fabrication, installation, test, and inspection of power and auxiliary piping systems for industrial plants.
- SmartPipe+ also conforms to European standard 2014/68/EU regarding equipment under pressure.
- Kaeser warrants its SmartPipe+ products to be free of defects in material and workmanship for a period of ten (10) years from the date of purchase of the products.
- QUALICOAT certification is a guarantee of the quality of the lacquer finish applied to the SmartPipe+ aluminum pipe.



Sizing

Select the SmartPipe+ diameter for your application based on required flow and pressure drop

Pressure Loss Chart

Pipe size recommended based on 100 psi and less than 5.5 psi pressure drop

Branch or Linear Distribution Network

Equivalent Length (feet)										
Flow (cfm)	50	150	300	400	500	1000	2000	3000	4000	5000
10	20	20	20	20	20	20	20	25	25	25
25			25	40	40	40	40	40	40	40
50			25							
75		25	40	40	40	40	50	50	50	
100	25	40	40	40	40	50	50	63	63	63
150	40	40	40	50	50	63	63	63		
250	40	50	63	63	63					
500	63	63	63							
750	63	63								
900	63	63								
1000										

Note: For flows above the range shown, see 76-168 mm SmartPipe.

Looped Distribution Network

Equivalent Length (feet)						
Flow (cfm)	500	1000	2000	3000	4000	5000
10	20	20	20	20	20	20
25	20	20	25	25	40	40
50			25			
75	40	40	40	40	50	50
100	40	50	50	50	50	63
150	40	50	63	63	63	63
250	50	63				
350	50	63				
500	63					
750	63					

Note: For flows above the range shown, see 76-168 mm SmartPipe.

Example

An application requires a Kaeser BSD 50 @ 110 psi with the appropriate air treatment. The application process cannot tolerate a pressure drop of more than 5.5 psi in the main header when the main distribution header pressure is 100 psi.

Note: the main distribution header is looped.

Kaeser BSD 50 @ 110 psi = 232 cfm (FAD)

Main distribution pipe length (including equivalent length for all fittings) = 1000 ft.

Main header pressure = 100 psi

For a looped distribution network, use 50 mm diameter pipe.

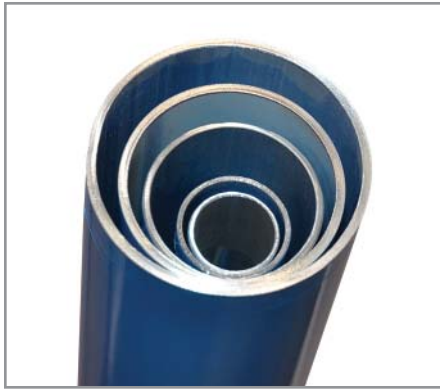
If the distribution network is a branch or linear, use 63 mm diameter pipe.

Note:

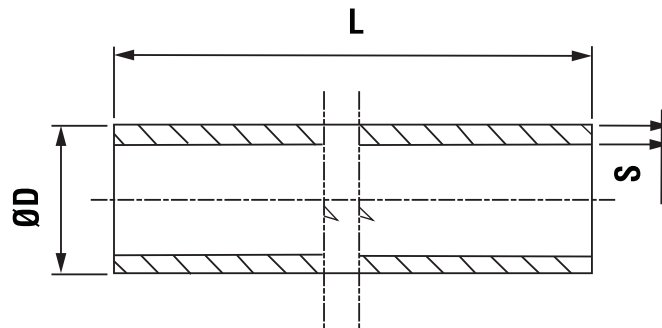
- 1) To calculate the pressure drop at the point of use, add up the equivalent pipe length for all connectors and air treatment equipment.
- 2) It is important to keep in mind the maximum pipe velocity for each section of the compressed air distribution system.
 - a. Not to exceed 15 ft/s (5 m/s) pipe velocity in the compressor room
 - b. Not to exceed 30 ft/s (10 m/s) pipe velocity in main header
 - c. Not to exceed 45 ft/s (15 m/s) pipe velocity in the branch lines



SmartPipe+ Aluminum Pipe



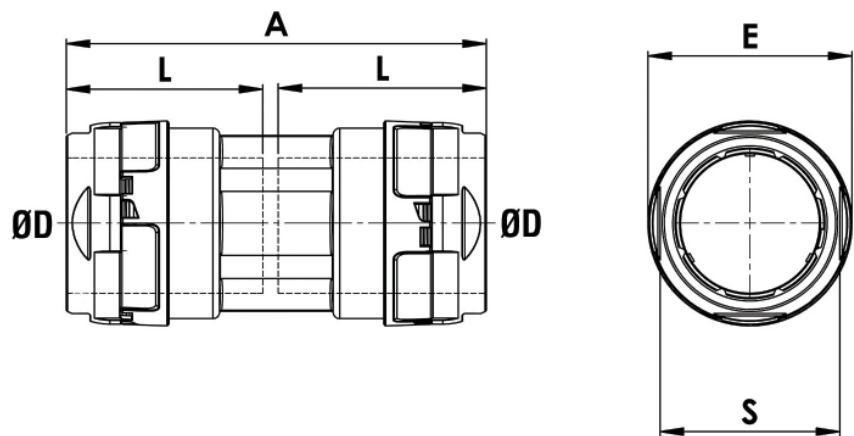
Part No.	ØD (mm)	L	S	Weight
AN8290002010	20	19' 8-7/32"	3/64	2.52
AN8290002510	25		3/64	3.17
AN8290004010	40		3/64	5.68
AN8290005010	50		1/16	7.67
AN8290006310	63		5/64	13.49



Equal Union



Part No.	ØD (mm)	A	E	L	S	Weight
AN82010020	20	2-13/16	1-7/16	1-7/16	1-1/4	0.17
AN82010025	25	3-3/16	1-5/8	1-9/16	1-7/16	0.22
AN82010040	40	5-1/8	2-1/2	2-1/2	2-1/16	0.82
AN82010050	50	6-7/16	3	3-1/8	2-5/8	1.44
AN82010063	63	7-3/4	3-5/8	3-3/4	3-3/16	2.59

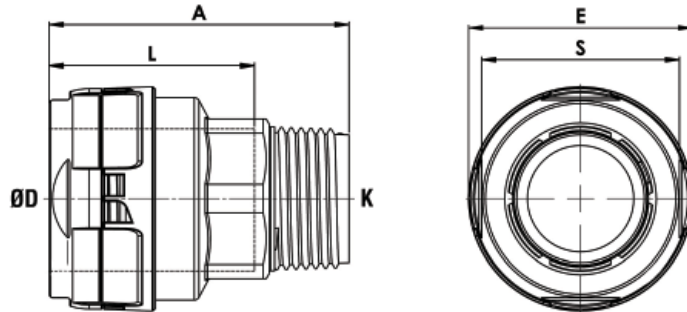


Dimensions in inches (in.) and weight in pounds (lbs.) unless otherwise noted. **Specifications subject to change without notice.**

Male Adapter



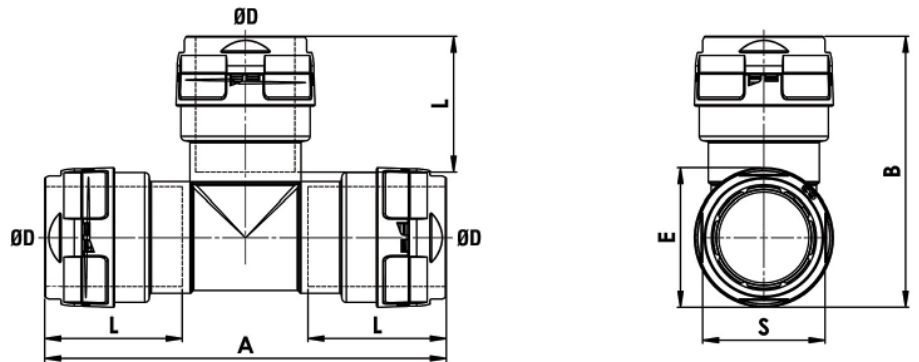
Part No.	ØD x K (mm x in.)	A	E	L	S	Weight
AN8202002004	20 x 1/2	2	1-7/16	1-7/16	1-1/4	0.10
AN8202002006	20 x 3/4	2-1/8	1-7/16	1-7/16	1-1/4	0.11
AN8202002506	25 x 3/4	2-3/8	1-5/8	1-9/16	1-7/16	0.13
AN8202002508	25 x 1	2-5/8	1-5/8	1-9/16	1-7/16	0.19
AN8202004010	40 x 1-1/4	3-11/16	2-1/2	2-1/2	2-1/16	0.41
AN8202004012	40 x 1-1/2	3-11/16	2-1/2	2-1/2	2-1/16	0.44
AN8202005012	50 x 1-1/2	4-7/16	3	3-1/8	2-5/8	0.70
AN8202005016	50 x 2	4-9/16	3	3-1/8	2-5/8	0.73
AN8202006316	63 x 2	5-11/16	3-5/8	3-3/4	3-3/16	1.17
AN8202006320	63x 2-1/2	5-13/16	3-5/8	3-3/4	3-3/16	1.44



Equal Tee



Part No.	ØD (mm)	A	B	E	L	S	Weight
AN82040020	20	4-1/8	2-3/4	1-7/16	1-7/16	1-1/4	0.27
AN82040025	25	4-13/16	3-1/16	1-5/8	1-9/16	1-7/16	0.36
AN82040040	40	7-3/8	4-9/16	2-1/2	2-1/2	2-1/16	1.04
AN82040050	50	9-3/4	6	3	3-1/8	2-5/8	2.04
AN82040063	63	11-1/8	6-3/4	3-5/8	3-3/4	3-3/16	3.06

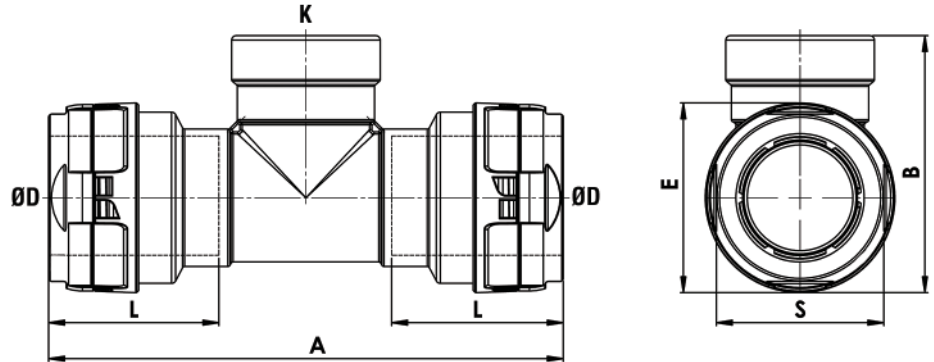


Dimensions in inches (in.) and weight in pounds (lbs.) unless otherwise noted. **Specifications subject to change without notice.**

Female Threaded Equal Tee



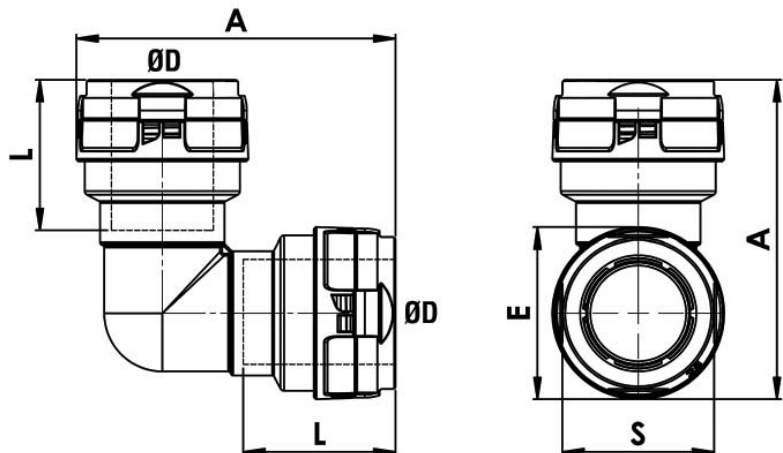
Part No.	ØD x K (mm x in.)	A	B	E	L	S	Weight
AN8204102004	20 x 1/2	4-1/8	1-7/8	1-7/16	1-7/16	1-1/4	0.23
AN8204102506	25 x 3/4	4-13/16	2-1/4	1-5/8	1-9/16	1-7/16	0.30
AN8204104010	40 x 1-1/4	7-3/8	3-1/16	2-1/2	2-1/2	2-1/16	0.88
AN8204105012	50 x 1-1/2	9-3/4	3-3/4	3	3-1/8	2-5/8	1.78
AN8204106316	63 x 2	11-1/8	4-1/2	3-5/8	3-3/4	3-3/16	2.91



Equal 90° Elbow



Part No.	ØD (mm)	A	E	L	S	Weight
AN82050020	20	2-1/2	1-7/16	1-7/16	1-1/4	0.19
AN82050025	25	3-3/8	1-5/8	1-9/16	1-7/16	0.25
AN82050040	40	5-1/8	2-1/2	2-1/2	2-1/16	1.22
AN82050050	50	6-7/8	3	3-1/8	2-5/8	1.47
AN82050063	63	8-3/16	3-5/8	3-3/4	3-3/16	2.41

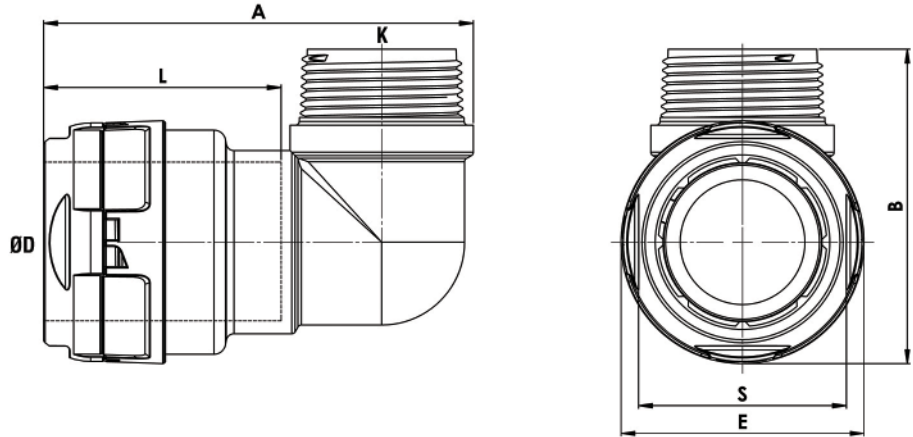


Dimensions in inches (in.) and weight in pounds (lbs.) unless otherwise noted. **Specifications subject to change without notice.**

Male Threaded 90° Elbow



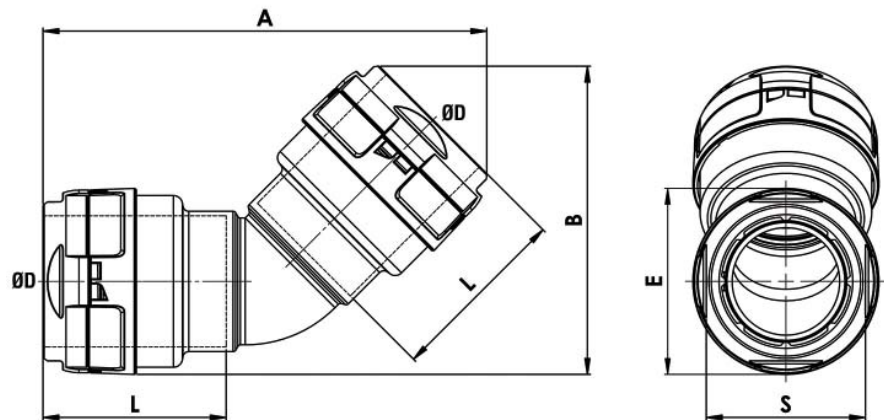
Part No.	ØD x K (mm x in.)	A	B	E	L	S	Weight
AN8205202004	20 x 1/2	2-9/16	1-7/8	1-7/16	1-7/16	1-1/4	0.12
AN8205202506	25 x 3/4	3	2-1/4	1-5/8	1-9/16	1-7/16	0.17
AN8205204010	40 x 1-1/4	4-7/8	3-1/16	2-1/2	2-1/2	2-1/16	0.60
AN8205205012	50 x 1-1/2	6-3/16	3-3/4	3	3-1/8	2-5/8	1.04
AN8205206316	63 x 2	7-13/16	4-1/2	3-5/8	3-3/4	3-3/16	2.04



Equal 45° Elbow



Part No.	ØD (mm)	A	B	E	L	S	Weight
AN82053020	20	3-1/2	2-3/8	1-7/16	1-7/16	1-1/4	0.22
AN82053025	25	4-3/16	2-3/4	1-5/8	1-9/16	1-7/16	0.25
AN82053040	40	6-7/16	4-1/8	2-1/2	2-1/2	2-1/16	0.82
AN82053050	50	8-1/4	5-3/16	3	3-1/8	2-5/8	1.60
AN82053063	63	10-1/16	6-1/4	3-5/8	3-3/4	3-3/16	2.74

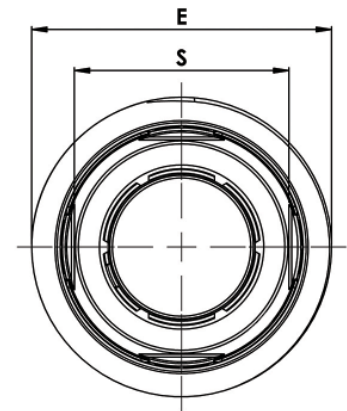
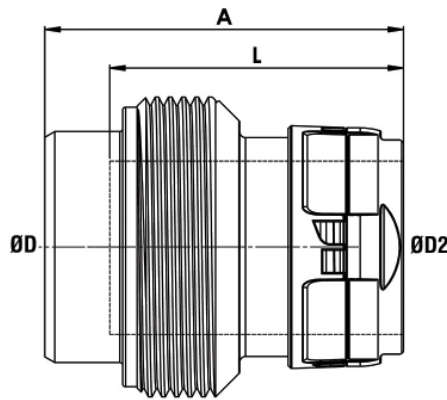


Dimensions in inches (in.) and weight in pounds (lbs.) unless otherwise noted. **Specifications subject to change without notice.**

Plug-in Reducer

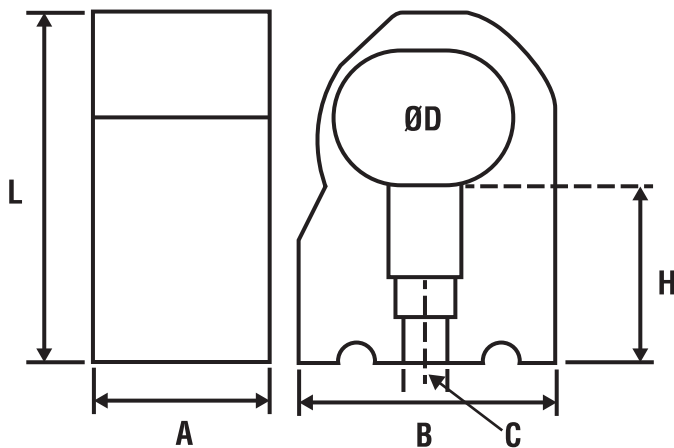


Part No.	ØD x ØD2 (mm)	A	E	L	S	Weight
AN8202502502	25 x 20	1-15/16	1-7/16	1-7/16	1-1/4	0.12
AN8202504020	40 x 20	2-7/16	1-7/16	1-7/16	1-1/4	0.34
AN8202504002	40 x 25	2-5/8	1-5/8	1-9/16	1-7/16	0.39
AN8202505004	50 x 40	3-3/8	2-1/2	2-1/2	2-1/16	0.57
AN8202506304	63 x 40	3-7/8	2-1/2	2-1/2	2-1/16	0.91
AN8202506305	63 x 50	4-1/8	3	3-1/8	2-5/8	1.03



Fixing Clips

Part No.	ØD (mm)	C	H	L	A	B	Weight
ANK1022	20	M8	15/16	1-15/16	1-3/16	1-3/16	0.04
ANK2022	25	M8	15/16	2-1/8	1-3/16	1-1/2	0.06
ANK4022	40	M8	1-7/8	3-7/8	1-9/16	2-1/4	0.16
ANK5022	50	M8	1-3/4	4-1/4	1-1/2	2-13/16	0.22
ANK6622	63	M8	1-5/16	4-9/16	1-1/2	3-9/16	0.26



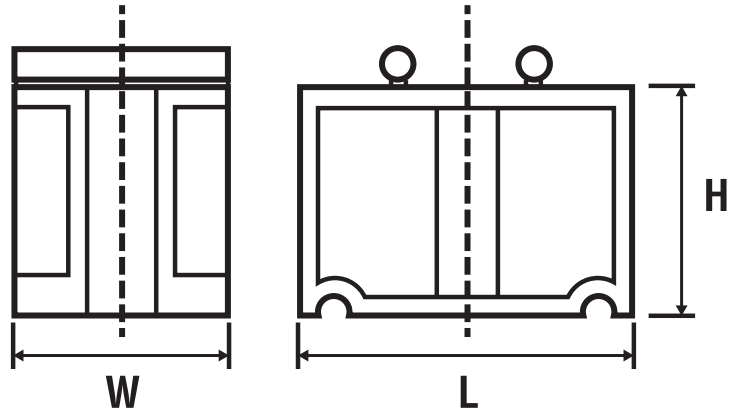
Dimensions in inches (in.) and weight in pounds (lbs.) unless otherwise noted. **Specifications subject to change without notice.**

Spacer for Fixing Clips



Part No.	L	W	H	Weight
ANK0027	1-7/8	1-3/16	1-5/16	0.04

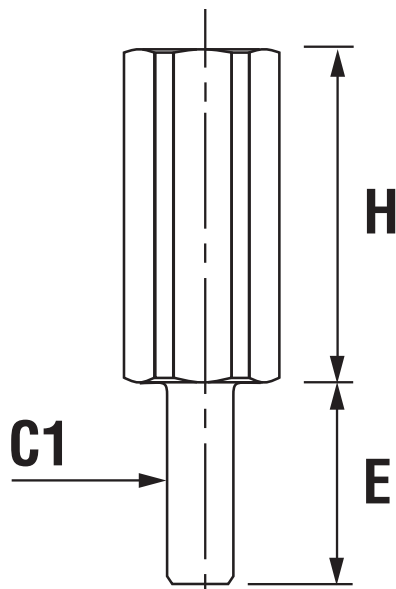
For 20 and 25 mm fixing clips only to put on the same center line as 40, 50, and 63 mm clips.



Threaded Rod Adapter

Part No.	C1	E	H	Weight
ANK0026	M8	3/4	1-13/16	0.05

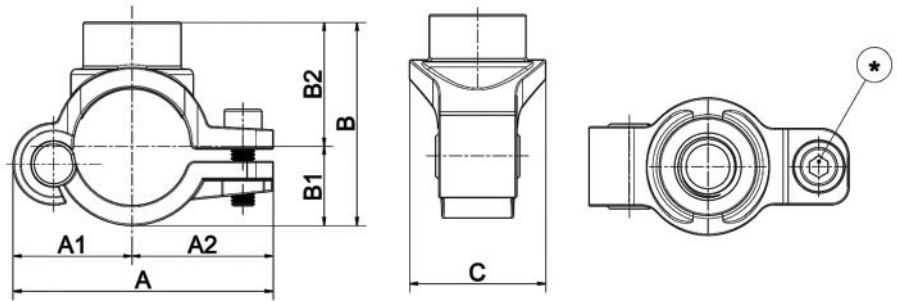
For use with fixing clips.



Dimensions in inches (in.) and weight in pounds (lbs.) unless otherwise noted. **Specifications subject to change without notice.**

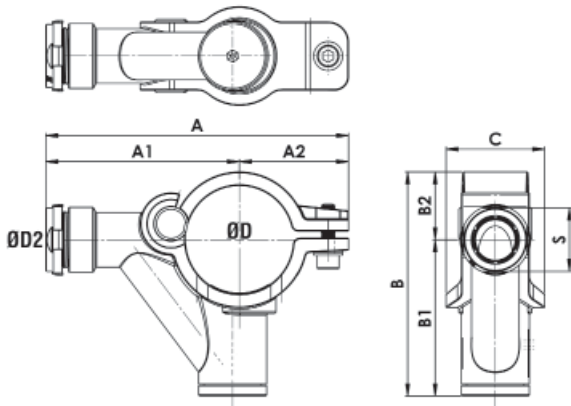
Mini Bracket

Part No.	ØD (mm)	A	A1	A2	B	B1	B2	C	Weight
AN8983502504	25 x 1/2"	2-7/16	1	1-7/16	2	11/16	1-5/16	1-5/16	0.16
AN8983504004	40 x 1/2"	3-9/16	1-5/8	1-15/16	2-3/4	1-1/16	1-11/16	1-7/8	0.36
AN8983505006	50 x 3/4"	4	1-13/16	2-3/16	3-5/16	1-1/4	2-1/16	1-7/8	0.45
AN8983506306	63 x 3/4"	4-13/16	2-5/16	2-1/2	3-7/8	1-9/16	2-5/16	2-1/4	0.78



Quick Reducing Bracket

Part No.	ØD x ØD2 (mm)	A	A1	A2	B	B1	B2	C	Weight
AN8983002502	25 x 20	4-1/2	3-1/16	1-7/16	2-3/4	2-1/16	11/16	1-5/16	0.36
AN8983004002	40 x 20	5-5/8	3-3/4	1-7/8	3-15/16	2-7/8	1-1/2	1-1/2	0.77
AN8983004025	40 x 25	5-3/4	3-7/8	1-7/8	3-15/16	2-7/8	1-1/2	1-1/2	0.71
AN8983005020	50 x 20	5-15/16	3-3/4	2-3/16	4-7/16	3-3/16	1-1/4	1-1/2	0.86
AN8983005002	50 x 25	6-1/16	3-7/8	2-3/16	4-7/16	3-3/16	1-1/4	1-1/2	1.26
AN8983006320	63 x 20	6-13/16	4-5/16	2-1/2	5-3/16	3-5/8	1-9/16	1-1/2	1.26
AN8983006302	63 x 25	7	4-1/2	2-1/2	5-3/16	3-5/8	1-9/16	1-1/2	1.15



Dimensions in inches (in.) and weight in pounds (lbs.) unless otherwise noted. **Specifications subject to change without notice.**

Wall Manifold

Part No.	ØD	Fig.	A	B	C	E	F	G	H	I	Wt.
AN8984406904	3/4 x 1/2	1	2	2-3/16	2-1/2	1	1/2	3/4	1/4	1	0.4
AN8984706904		2	6-1/16								1.4

Fig. 1

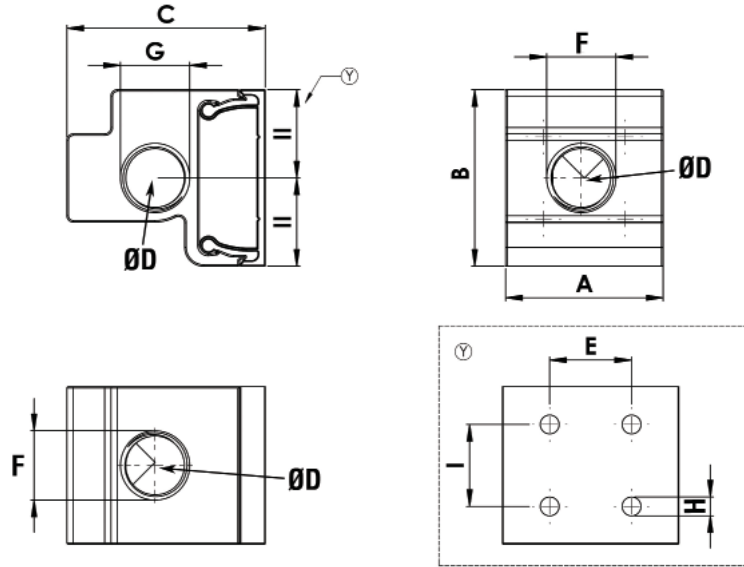
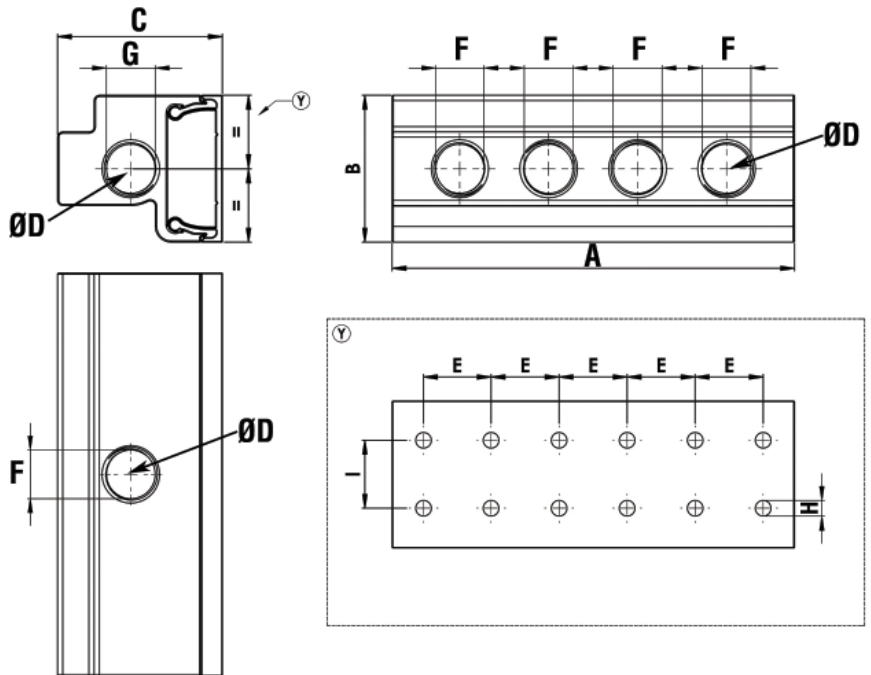


Fig. 2



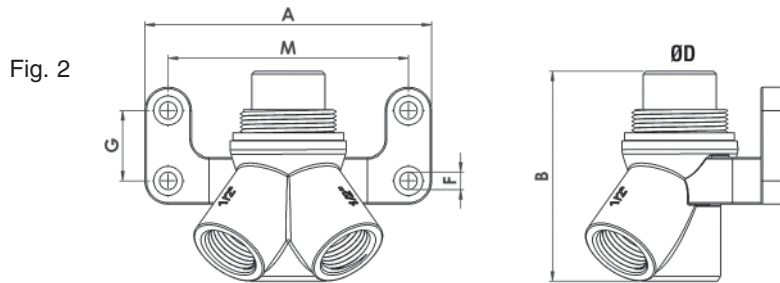
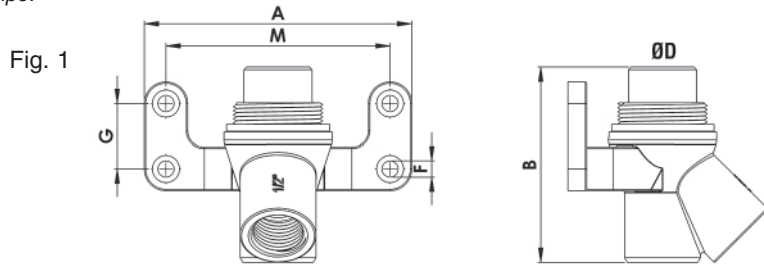
Dimensions in inches (in.) and weight in pounds (lbs.) unless otherwise noted. **Specifications subject to change without notice.**

45° Threaded Wall Brackets



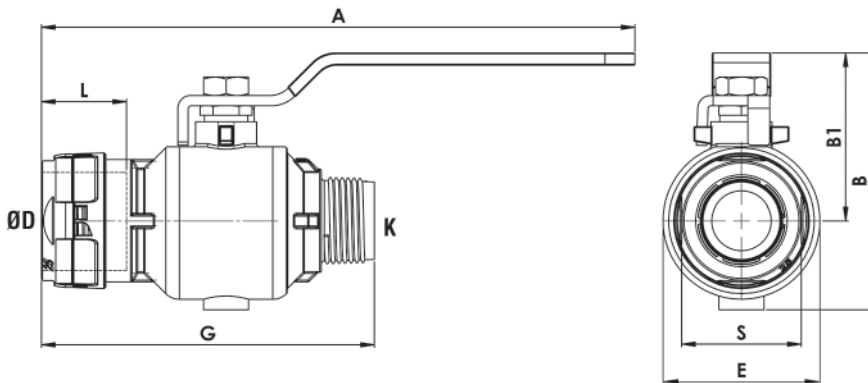
Part No.	ØD (mm)	Fig.	A	B	F	G	M	Wt.
AN8984102504	25 x 1/2"	1	3-7/8	3-1/8	1/4	15/16	3-1/4	0.35
AN8984202504	25 x 1/2" x 1/2"	2						0.39

Note: Wall bracket requires an additional 25 mm fitting or ball valve in order to connect to the pipe.



Ball Valve (Pipe to Thread)

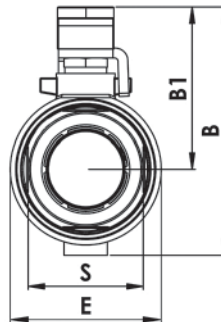
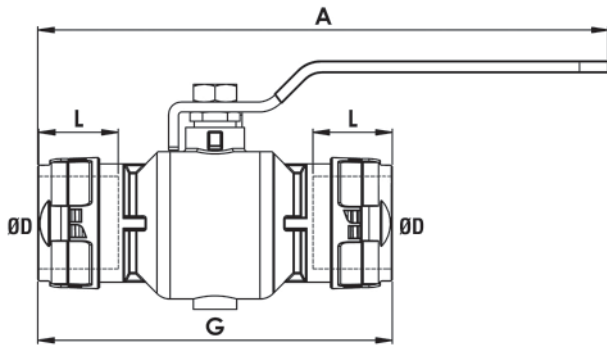
Part No.	ØD x K (mm x in.)	A	B1	B	E	G	L	S	Weight
AN8988202004	20 x 1/2	5-3/8	2-1/4	3-1/8	1-7/16	3-3/4	1-7/16	1-1/4	0.45
AN8988202506	25 x 3/4	6-1/8	2-1/2	3-9/16	1-5/8	4-1/4	1-9/16	1-7/16	0.8
AN8988204010	40 x 1-1/4	8	3-3/8	4-13/16	2-1/2	5-15/16	2-1/2	2-1/16	1.9
AN8988205012	50 x 1-1/2	10-1/2	3-7/8	5-11/16	3	7-13/16	3-1/8	2-5/8	3.26
AN8988206316	63 x 2	12-1/4	4-3/4	6-15/16	3-5/8	9-1/16	3-3/4	3-3/16	5.18



Dimensions in inches (in.) and weight in pounds (lbs.) unless otherwise noted. **Specifications subject to change without notice.**

Ball Valve (Pipe to Pipe)

Part No.	ØD (mm)	A	B1	B	E	G	L	S	Weight
AN8988102002	20	5-1/4	2-7/8	4-1/4	1-7/16	3-7/8	1-7/16	1-1/4	0.5
AN8988102520	20 x 25	5-3/8	2-7/8	4-1/4	1-7/16, 1-5/8	4	1-7/16, 1-9/16	1-1/4, 1-7/16	0.85
AN8988102502	25	6-3/8	3-7/16	4-13/16	1-5/8	4-3/8	1-9/16	1-7/16	0.55
AN8988104004	40	9-3/16	4-3/4	6-7/8	2-1/2	6-5/8	2-1/2	2-1/16	2.1
AN8988105005	50	12-3/16	6-1/8	9-1/4	3	7-7/8	3-1/8	2-5/8	3.66
AN8988106306	63	14-3/16	6-15/16	9-13/16	3-5/8	10	3-3/4	3-3/16	6.28



Accessories

45° Wall Bracket with Ball Valve

Part No.	ØD (mm)	Fig.	Ports	Wt.
AN8988502005	20 x 1/2"	1	1 port	0.8
AN8988602004	20 x 1/2"	2	2 port	0.9
AN8988502505	25 x 1/2"	1	1 port	1.15
AN8988602504	25 x 1/2"	2	2 port	1.2

Fig. 1



Fig. 2



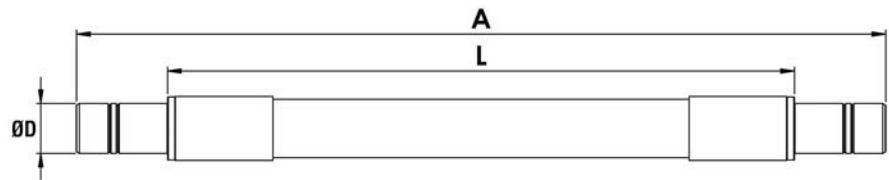
Dimensions in inches (in.) and weight in pounds (lbs.) unless otherwise noted. **Specifications subject to change without notice.**

Hose (Pipe to Pipe)



Use part number AN66989903, anti-whiplash strap. Refer to installation information for proper bend radius and proper installation practices.

Part No.	ØD (mm)	L	MATL 1	MATL 2	A	Weight
AN8992002010	20	11-13/16	AL	Rubber	15-1/4	0.95
AN8992002011	20	39-3/8			42-13/16	1.95
AN8992002510	25	11-13/16			15-1/2	1.4
AN8992002511	25	39-3/8			43-1/16	2.78
AN8992004010	40	19-11/16			25-3/16	3.37
AN8992004011	40	39-3/8			44-7/8	5.0
AN8992005010	50	19-11/16			26	5.3
AN8992005011	50	39-3/8			45-11/16	5.7
AN8992006310	63	19-11/16			27-3/16	8.5
AN8992006311	63	39-3/8			46-7/8	11.2



Anti-whiplash Strap

Part No.	Weight
AN66989903	0.47

Prevents whiplash should SmartPipe+ flexible hose be disconnected while under pressure. Conforms to ISO 4414 safety standard.



Lockable Handle

Part No.	ØD (mm)	Weight
AN89888020	20	0.1
AN89888025	25	0.15
AN89888040	40	0.25
AN89888050	50	0.44
AN89888063	63	0.52

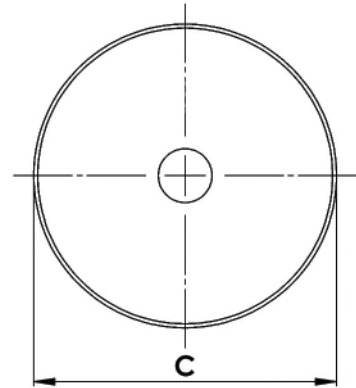
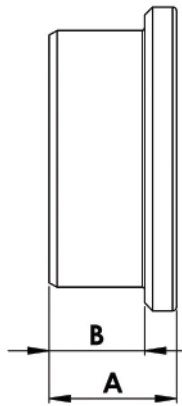


Dimensions in inches (in.) and weight in pounds (lbs.) unless otherwise noted. **Specifications subject to change without notice.**

Internal Plug

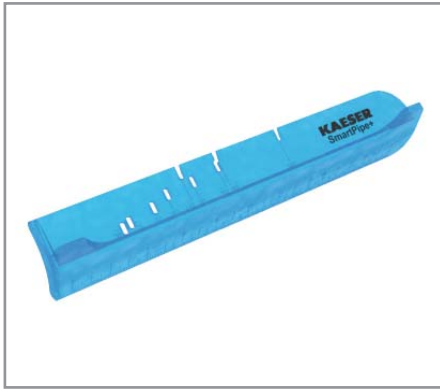


Part No.	ØD (mm)	A	B	C	Weight
AN89866020	20	1/2	3/8	1	0.03
AN89866025	25	9/16	3/8	1-3/16	0.04
AN89866040	40	11/16	1/2	1-15/16	0.14
AN89866050	50	3/4	9/16	2-3/8	0.24
AN89866063	63	1	3/4	2-15/16	0.51

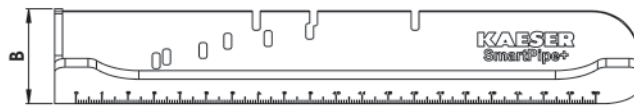
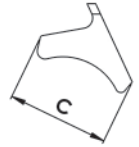
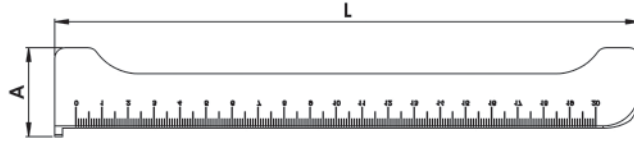


Dimensions in inches (in.) and weight in pounds (lbs.) unless otherwise noted. **Specifications subject to change without notice.**

Marking Tool for Aluminum Pipe

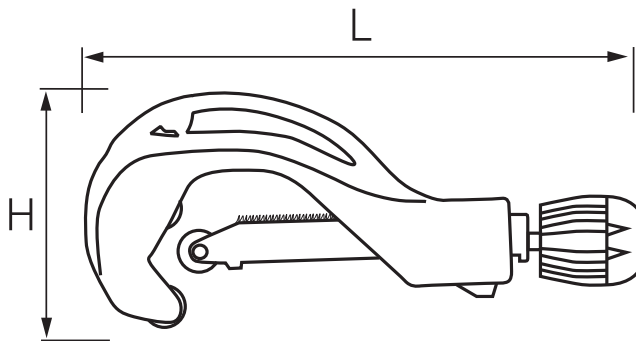


Part No.	L	A	B	C	Weight
AN89531001	8-7/8	1-3/8	1-7/16	1-9/16	0.09



Pipe Cutter

Part No.	L	H	Weight
ANK0040	10-1/16	3-7/8	1.94



ANK0040, 20 mm - 63 mm (3/4" to 2 1/2") Pipe Cutter, uses replacement blades ANK0240.

Dimensions in inches (in.) and weight in pounds (lbs.) unless otherwise noted. **Specifications subject to change without notice.**

Hole Saw Bits

Part No.	Description	Weight
ANK0043	14 mm Hole Saw Bit	0.04
ANK0143	19 mm Hole Saw Bit	0.30
ANK0342	24 mm Hole Saw Bit (includes Arbor and Pilot)	0.34
ANK0243	Drill Arbor and Pilot Bit (14 mm to 25 mm)	0.20



Drill arbor and pilot bit



Hole saw bits

Deburrer / Reamer / Chamfer Tools

Part No.	Fig.	Description	Weight
ANK0141	1	20 mm - 50 mm (3/4" to 2") Pipe Deburrer	1.27
AN113835	2	20 mm - 50 mm Manual/Electric Pipe Deburrer	1.00
ANK0042	3	Hole Deburrer	0.08
AN292110	4	63 mm - 100 mm (2-1/2" to 4") Chamfer Tool	1.38



Fig. 1



Fig. 2



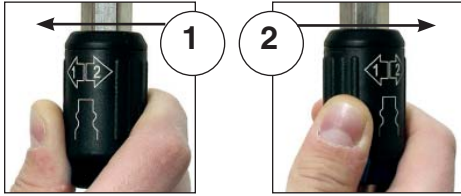
Fig. 3



Fig. 4 Uses replacement blade AN292011

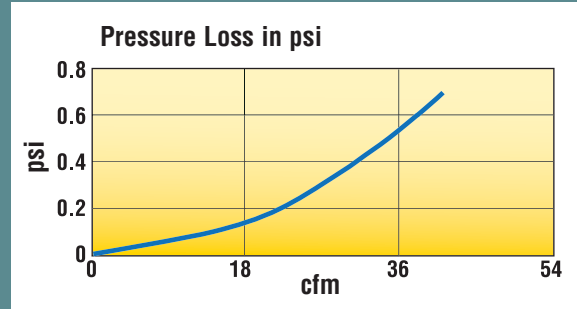
Dimensions in inches (in.) and weight in pounds (lbs.) unless otherwise noted. Specifications subject to change without notice.

Composite Quick-Connect Couplers and Plugs

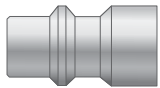


SmartPipe couplers are designed for easy one-handed connection and disconnection. To connect, simply press the plug into the coupler port. To disconnect, twist the coupler sleeve once to the left to vent pressure, then once to the right to release the plug. These couplers comply with ISO 4414 and EN 983 safety standards.

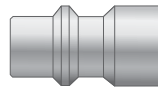
Pressure Loss in Couplers



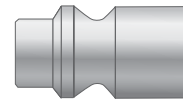
Cv rating = 1.24



ISO B 1/4
ISO 6150 B
AFNOR NF 4-053
US.MIL.C4109
CEJN 310
RECTUS 23-24



ISO B 3/8
ISO 6150 B
AFNOR NF 4-053
US.MIL.C4109
CEJN 430
RECTUS 30



ARO B 1/4
ARO 210
CEJN 300
ORION 44510
PARKER 50
RECTUS 14-22

ISO B 1/4 Body

Male NPT

Product Photo	Part No.	NPT
	ANCP05U1N02	1/4
	ANCP05U1N03	3/8
	ANCP05U1N04	1/2

Male Plug NPT

Product Photo	Part No.	NPT
	ANCA84U1N02	1/4"
	ANCA84U1N03	3/8"

Female Plug NPT

Product Photo	Part No.	NPT
	ANCA83U1N02	1/4"
	ANCA83U1N03	3/8"

Dimensions in inches (in.) and weight in pounds (lbs.) unless otherwise noted. **Specifications subject to change without notice.**

ISO B 3/8 Body

Male NPT

Product Photo	Part No.	NPT
	ANCP05U2N02	1/4
	ANCP05U2N03	3/8
	ANCP05U2N04	1/2

Male Plug NPT

Product Photo	Part No.	NPT
	ANCA84U2N02	1/4"
	ANCA84U2N03	3/8"

Female Plug NPT


Product Photo	Part No.	NPT
	ANCA83U2N02	1/4"
	ANCA83U2N03	3/8"

ARO 1/4 Body

Male NPT

Product Photo	Part No.	NPT
	ANCP05A1N03	3/8
	ANCP05A1N04	1/2

Male Plug NPT

Product Photo	Part No.	NPT
	ANCA84A1N02	1/4"
	ANCA84A1N03	3/8"

Female Plug NPT

Product Photo	Part No.	NPT
	ANCA83A1N02	1/4"
	ANCA83A1N03	3/8"

Warranty



SmartPipe+™ 3/4” to 2-1/2”

Model: _____ **Serial No:** _____ **Start-up Date:** _____

Kaeser Compressors, Inc. herein referred to as “Kaeser,” warrants the Kaeser SmartPipe+™ delivered hereunder will be free of defects in material and workmanship for a period of ten (10) years from the date of purchase of the products.

Kaeser does not warranty the design, assembly or installation of the system, but only the components as stated herein. Kaeser is not responsible for improper design, assembly or installation, or for any modifications of the Kaeser products.

Should any failure to conform with the above warranties occur during the specified period under normal use, and the components have been proven to Kaeser’s satisfaction to have been properly stored, installed and maintained, and purchaser has complied with all procedures outlined in the service manual or installation instructions then Kaeser shall, with prompt notice correct the non-conformities at its option either by replacement or by refund of the purchase price of the non-conforming equipment. Return of such component to such delivery point as Kaeser may direct pursuant to this paragraph shall be at the purchaser’s risk and expense. Kaeser warrants any components replaced pursuant to the above warranty, under normal use, to be free from defects in workmanship and material for a period of ninety (90) days after the shipment of such replaced components or for a period ending on the expiration of the original component warranty, whichever is longer. Unless otherwise expressly agreed, Kaeser shall not be responsible for labor charges, loss or damage resulting from improper operation, maintenance or repairs made by personnel other than those authorized in writing by Kaeser, or damage to equipment caused by the use of non-authorized replacement parts.

Replacement or refund (whichever Kaeser determines, in its sole discretion, to provide) shall be Kaeser’s sole obligation and purchaser’s exclusive remedy for any nonconformity, noncompliance, defect or deficiency in components furnished hereunder, and shall be conditioned upon purchaser’s return of the defective components to Kaeser (DAP Kaeser’s directed delivery point) if Kaeser requires such return. This exclusive remedy will not be deemed to have failed of its essential purpose so long as Kaeser is willing to provide replacement or refund. THE EXPRESS WARRANTY CONTAINED HEREIN IS EXCLUSIVE AND IN LIEU OF ALL OTHER REPRESENTATIONS AND WARRANTIES, EXPRESSED OR IMPLIED, AND KAESER EXPRESSLY DISCLAIMS AND EXCLUDES ANY IMPLIED WARRANTY OF MERCHANTABILITY OR FITNESS FOR ANY PARTICULAR PURPOSE, AND ANY WARRANTIES ARISING FROM COURSE OF DEALING OR USAGE OF TRADE.

AUTHORIZATION FROM THE SERVICE DEPARTMENT IS NECESSARY BEFORE MATERIAL IS RETURNED TO THE FACTORY OR IN-WARRANTY REPAIRS ARE MADE.

Product Warranty Registration

In order for Kaeser Compressors, Inc. to properly handle warranty or other service requests, please register online at us.kaeser.com/warranty.

us.kaeser.com/warranty

LIMITATION OF LIABILITY

THE REMEDIES OF THE PURCHASER SET FORTH HEREIN ARE EXCLUSIVE, AND KAESER COMPRESSORS' LIABILITY WITH RESPECT TO EQUIPMENT SOLD HEREUNDER SHALL BE LIMITED TO THE WARRANTY PROVIDED HEREIN AND, WITH RESPECT TO ANY BREACH OF ITS CONTRACT WITH PURCHASER, SHALL BE LIMITED TO THE CONTRACT PRICE OF EQUIPMENT THAT IS THE SUBJECT OF THE BREACH; PROVIDED, HOWEVER, THAT THE FOREGOING SHALL NOT APPLY IN THE EVENT OF ANY ACT THAT CONSTITUTES GROSS NEGLIGENCE OR WILLFUL MISCONDUCT BY THE PARTY SUBJECT TO THE CLAIM FOR SUCH DAMAGES. PRIOR TO PURCHASER HAVING ANY RIGHT TO RECOVER DAMAGES (SUBJECT TO THE LIMITATIONS SET FORTH BELOW), KAESER COMPRESSORS SHALL HAVE THE RIGHT TO CORRECT ANY DEFECT OR NON-CONFORMITY OF ANY EQUIPMENT SOLD HEREUNDER IN A REASONABLE TIME FRAME, AND IF KAESER COMPRESSORS DETERMINES THAT IT IS UNABLE OR UNWILLING TO CORRECT ANY SUCH DEFECT OR NON-CONFORMITY, THEREAFTER, PURCHASER MAY PURSUE THE ALTERNATIVE REMEDIES SET FORTH HEREIN. NOTWITHSTANDING ANYTHING HEREIN TO THE CONTRARY, IN NO EVENT SHALL EITHER PARTY BE LIABLE FOR SPECIAL, INDIRECT, INCIDENTAL, CONSEQUENTIAL OR PUNITIVE DAMAGES, OR EXPENSES INCURRED BY THE OTHER PARTY, THE OTHER PARTY'S CUSTOMERS OR ANY THIRD PARTY, WHETHER ARISING FROM BREACH OF CONTRACT, WARRANTY, NEGLIGENCE, STRICT LIABILITY IN TORT OR OTHER THEORIES OF LAW OR EQUITY, INCLUDING BUT NOT LIMITED TO LOSS OF PROFITS OR REVENUE, LOSS OF USE OF EQUIPMENT OR ANY ASSOCIATED EQUIPMENT, COST OF CAPITAL, COST OF SUBSTITUTE FACILITIES OR SERVICES, DOWNTIME COSTS OR CLAIMS OF CUSTOMERS OR SUCH OTHER PARTY FOR SERVICE INTERRUPTION, OR ANY OTHER TYPES OF ECONOMIC LOSS WHETHER OR NOT SUCH LOSS OR DAMAGE IS BASED ON CONTRACT, WARRANTY, NEGLIGENCE, INDEMNITY, STRICT LIABILITY OR OTHERWISE.



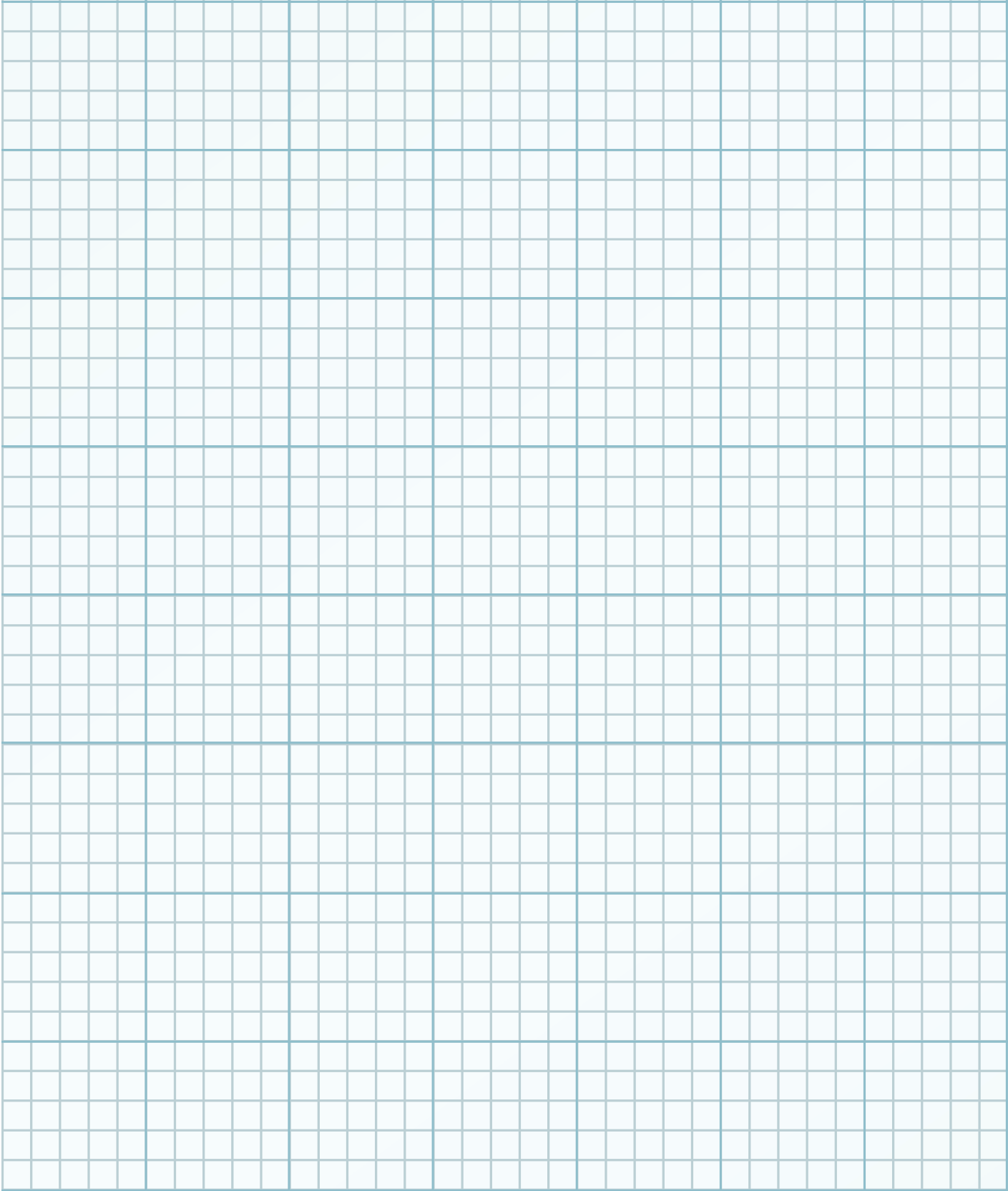
Kaeser Compressors, Inc.
511 Sigma Drive
Fredericksburg, VA 22408 USA
Telephone: 540-898-5500
Toll Free: 800-777-7873
info.usa@kaeser.com

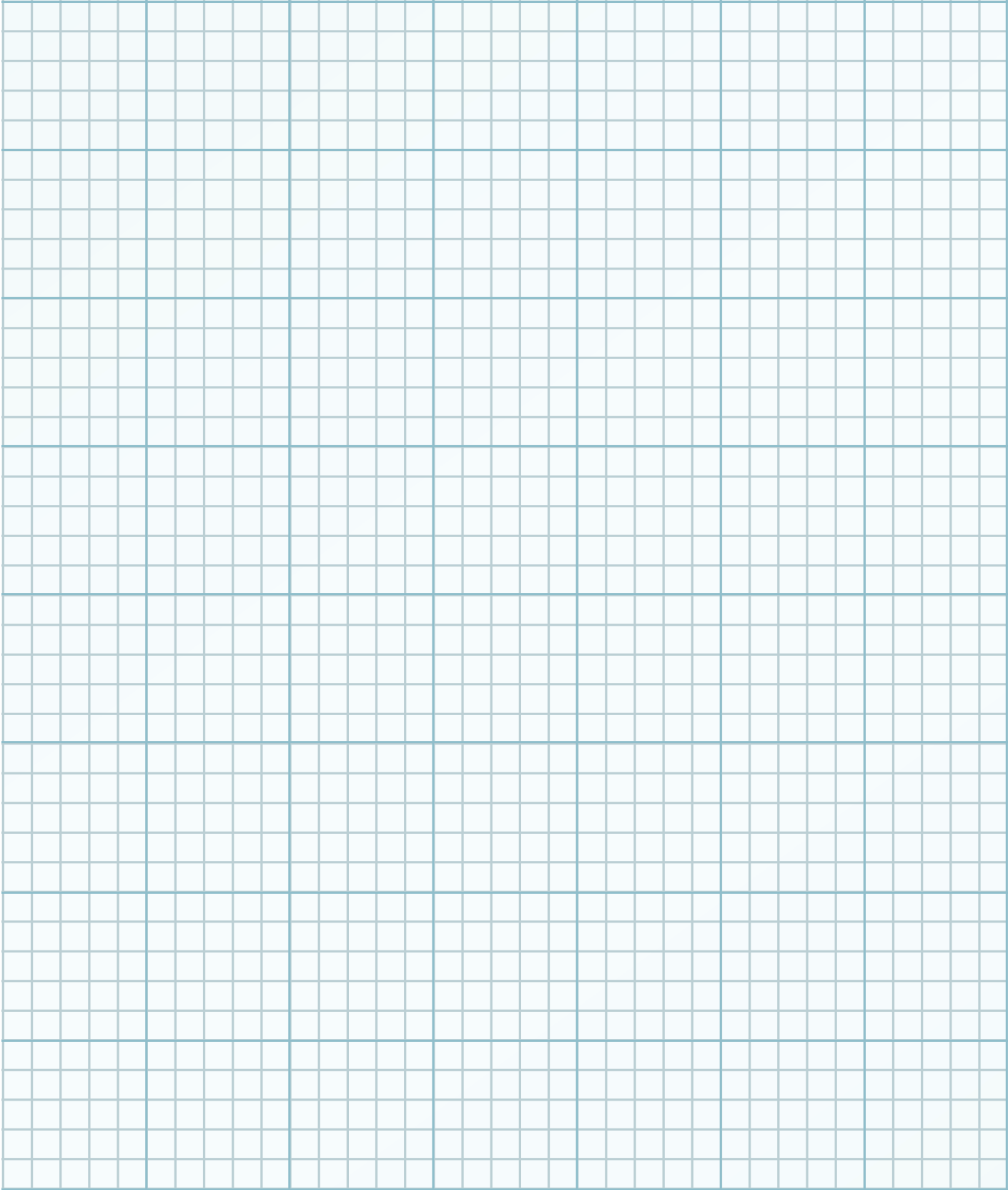
us.kaeser.com



© 2018 Kaeser Compressors, Inc. All rights reserved. 06/18

System Sketch and Notes





The world is our home

As one of the world's largest compressed air systems providers and compressor manufacturers, Kaeser Compressors is represented throughout the world by a comprehensive network of branches, subsidiary companies and factory trained partners.

With innovative products and services, Kaeser Compressors' experienced consultants and engineers help customers to enhance their competitive edge by working in close partnership to develop progressive system concepts that continuously push the boundaries of performance and compressed air efficiency. Every Kaeser customer benefits from the decades of knowledge and experience gained from hundreds of thousands of installations worldwide and over ten thousand formal compressed air system audits.

These advantages, coupled with Kaeser's worldwide service organization, ensure that our compressed air products and systems deliver superior performance with maximum uptime.



**KAESER
COMPRESSORS** ®

Built for a lifetime.



www.kaeser.com

Kaeser Compressors, Inc.
511 Sigma Drive
Fredericksburg, VA 22408 USA
Telephone: 540-898-5500
Toll Free: 800-777-7873
info.usa@kaeser.com

Kaeser Compressors Canada Inc.
3760 La Vérendrye Street
Boisbriand, QC J7H 1R5 CANADA
Telephone: (450) 971-1414
Toll free: (800) 477-1416
info.canada@kaeser.com

**Kaeser Compresores de México
S de RL de CV**
Calle 2 #123
Parque Industrial Jurica
76100 Querétaro, Qro.
Telephone: 01 (442) 218 64 48
sales.mexico@kaeser.com

**Kaeser Compresores de
Guatemala y Cia. Ltda.**
Calz. Atanasio Tzul 21-00, zona 12
El Cortijo II, Bodega 501
01012-Guatemala City
Telephone: +502 2412-6000
info.guatemala@kaeser.com

