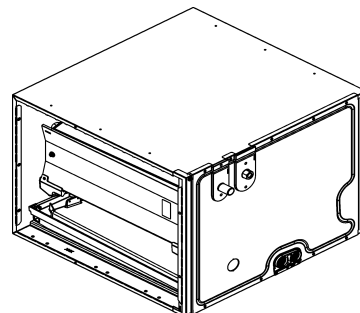


REPAIR PARTS

CHPTA Horizontal Cased Coil

CHPTA1822A4AA
CHPTA1822B4AA
CHPTA2426B4AA
CHPTA2426C4AA
CHPTA3026B4AA
CHPTA3026C4AA
CHPTA3630B4AA
CHPTA3630C4AA



This manual is to be used by qualified technicians only.

This manual replaces RP-4333

© 2021 - 2022 Goodman Manufacturing Company, L.P. ♦ 5151 San Felipe St, Suite 500 ♦ Houston, TX 77056

Important Information

Index

Functional Parts List	3
Illustration and Parts	4 - 7

Views shown are for parts illustrations only, not servicing procedures.

Text Codes:

AR - As Required

NA - Not Available

NS - Not Shown

00000000 - See Note

QTY - Quantity Example (QTY 3) (If Quantity not shown, Quantity = 1)

M - Model Example (M1) (If M Code not shown, then part is used on all Models)

Expanded Model Nomenclature:

Example M1 - Model#1 M2 - Model#2 M3 - Model#3

Goodman Manufacturing Company, L.P. is not responsible for personal injury or property damage resulting from improper service. Review all service information before beginning repairs.

Warranty service must be performed by an authorized technician, using authorized factory parts. If service is required after the warranty expires, Goodman Manufacturing Company, L.P. also recommends contacting an authorized technician and using authorized factory parts.

Goodman Manufacturing Company, L.P. reserves the right to discontinue, or change at any time, specifications or designs without notice or without incurring obligations.

For assistance within the U.S.A. contact:
Homeowner Support
Goodman Manufacturing Company, L.P.
19001 Kermier Road
Waller, Texas 77484
877-254-4729-Telephone
713-863-2382-Facsimile

For assistance outside the U.S.A. contact:
International Division
Goodman Manufacturing Company, L.P.
19001 Kermier Road
Waller, Texas 77484
713-861-2500-Telephone
713-863-2382-Facsimile

Functional Parts

Part

No: Description:

0151R00209 TXV-FX-2T-ADJ VALVE (M1, M2)

0151R00210 TXV-FX-3T-ADJ VALVE (M3, M4, M5, M6, M7, M8)

Expanded Model Nomenclature

M1 - CHPTA1822A4AA

M2 - CHPTA1822B4AA

M3 - CHPTA2426B4AA

M4 - CHPTA2426C4AA

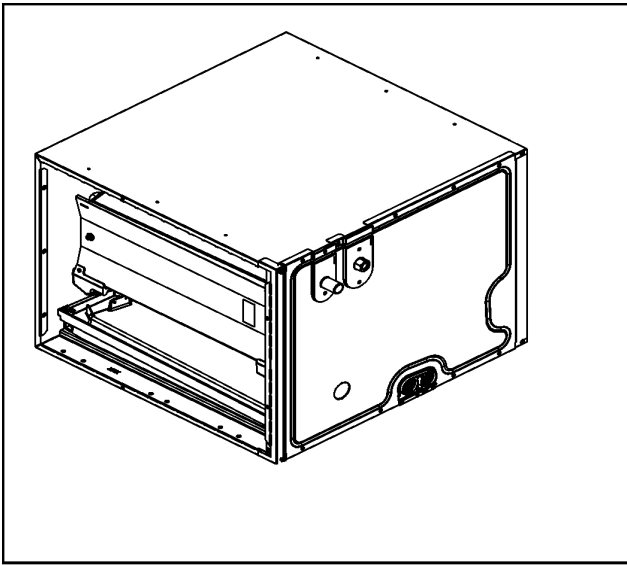
M5 - CHPTA3026B4AA

M6 - CHPTA3026C4AA

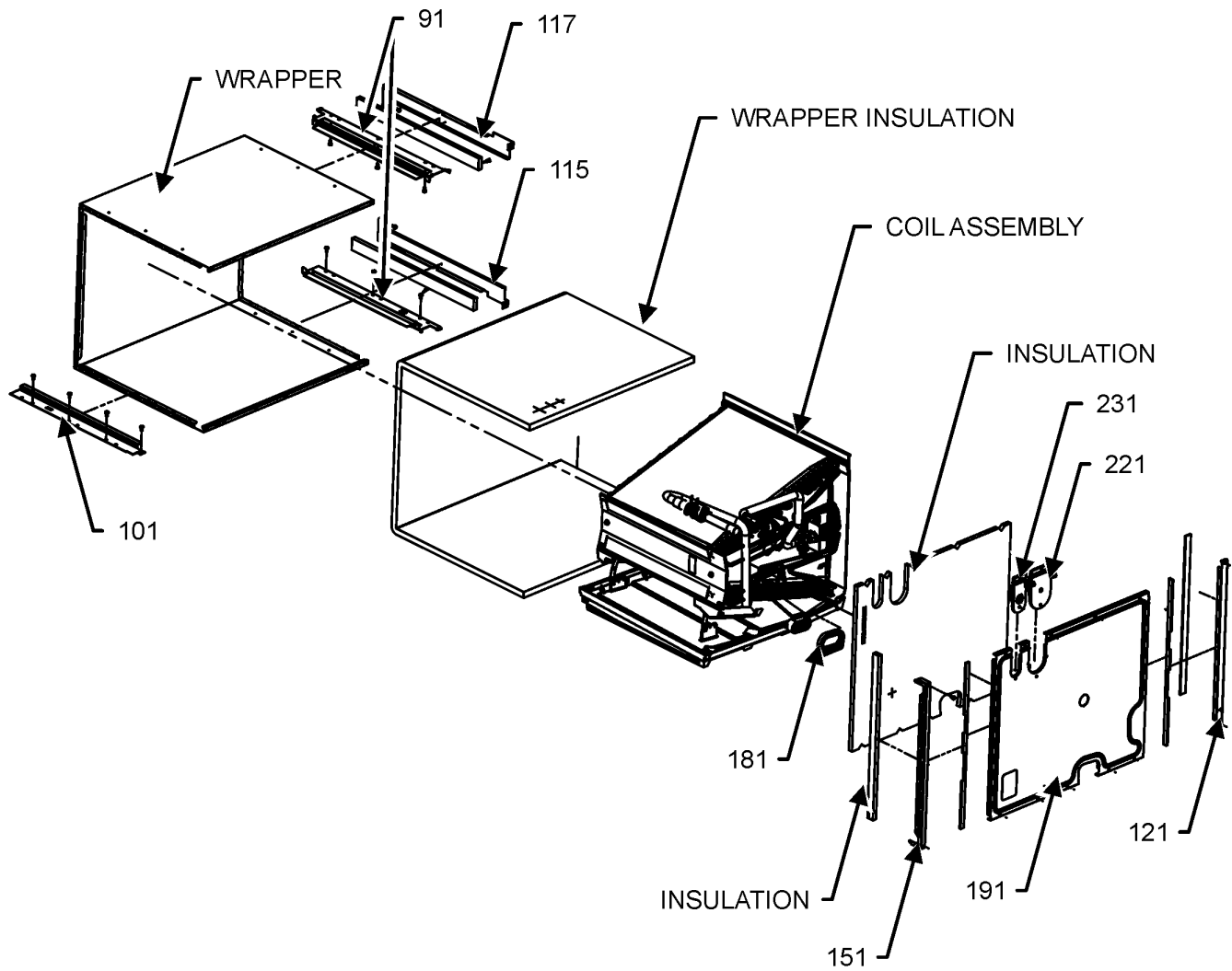
M7 - CHPTA3630B4AA

M8 - CHPTA3630C4AA

CABINET ASSEMBLY



CABINET ASSEMBLY



CABINET ASSEMBLY MAY DIFFER FROM WHAT IS SHOWN

CABINET ASSEMBLY

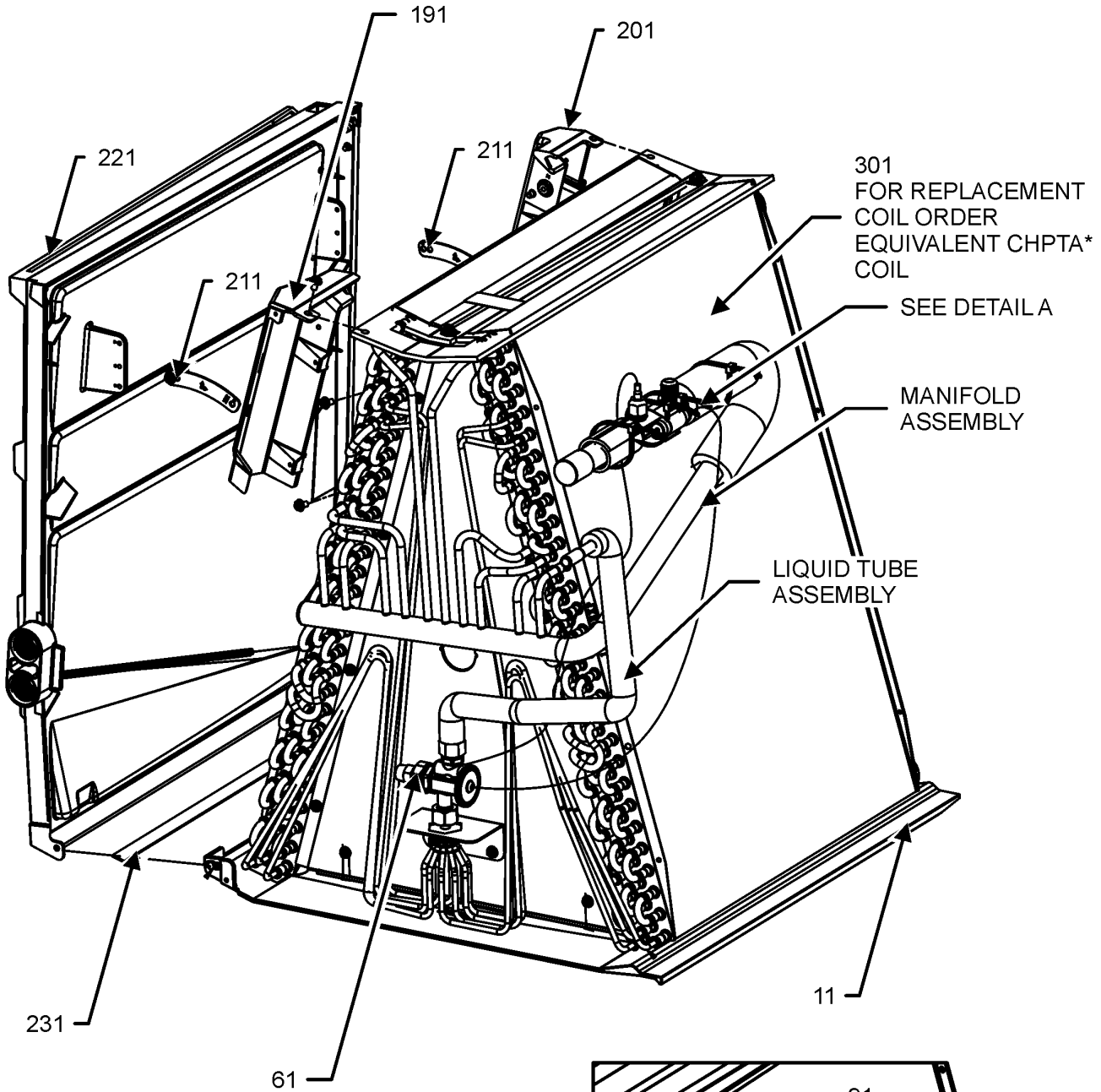
Ref. Part No:	Ref. Part No:	Description:	Description:
Image 1:			
91	0121D00810	RAIL, DRAIN PAN, (QTY 2)	
101	0121D00811	RAIL, DRAIN PAN,	
111	5001010	PLATE, LEFT BLOCK OFF (M2, M3, M4, M5, M6, M7, M8)	
111	5001011	PLATE, RIGHT BLOCK OFF (M2, M3, M4, M5, M6, M7, M8)	
121	0121D00502PDG	RAIL BOTTOM,CASED COIL,PAINTED (M1)	
121	0121D00503PDG	RAIL BOTTOM,CASED COIL,PAINTED (M2, M3, M5, M7)	
121	0121D00504PDG	RAIL BOTTOM,CASED COIL,PAINTED (M4, M6, M8)	
151	0121D00906PDG	RAIL TOP PNT, CASED E COIL (M1)	
151	0121D00907PDG	RAIL TOP PNT, CASED E COIL (M2, M3, M5)	
151	0121D00908PDG	RAIL TOP PNT, CASED E COIL (M4, M6, M8)	
151	0121D00982PDG	RAIL TOP, CASED E COIL, PAINTE (M7)	
181	0154A00048	GASKET, DRAIN PAN	
191	0121D00572PDG	PNL ACCESS PNT, CASED E COIL (M2)	
191	0121D00575PDG	PNL ACCESS PNT, CASED E COIL (M3, M5)	
191	0121D00598PDG	PNL ACCESS PNT, CASED E COIL (M4, M6)	
191	0121D00690PDG	PNL ACCESS PNT, CASED E COIL (M8)	
191	0121D01130PDG	PNL ACCESS, CASED EVAP COIL (M1)	
191	0121D00981PDG	PNL ACCESS, PAINTED (M7)	
221	0154D00015	GROMMET, LIQUID TUBE (M4, M6, M8)	
221	0154D00040	GROMMET, LIQUID TUBE (M1, M2, M3, M5, M7)	
231	0154D00005	GROMMET, SUCTION (M1, M2)	
231	0154D00014	GROMMET, SUCTION (M3, M4, M5, M6, M7, M8)	
NS	0163M00097	SCREW WASHERED (QTY 4)	

Expanded Model Nomenclature

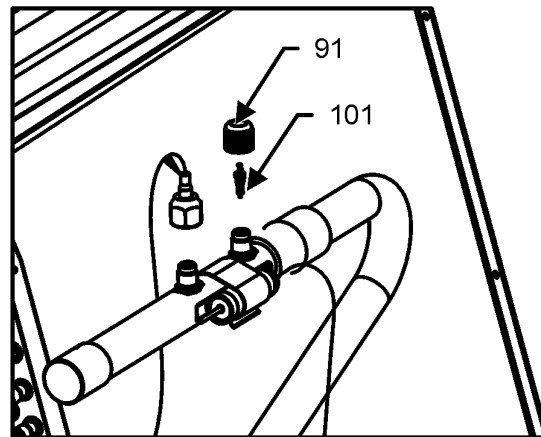
- | |
|---------------------|
| M1 - CHPTA 1822A4AA |
| M2 - CHPTA 1822B4AA |
| M3 - CHPTA 2426B4AA |
| M4 - CHPTA 2426C4AA |
| M5 - CHPTA 3026B4AA |
| M6 - CHPTA 3026C4AA |
| M7 - CHPTA 3630B4AA |
| M8 - CHPTA 3630C4AA |

COIL TUBING ASSEMBLY

TUBING ASSEMBLY



DETAIL A



TUBING ASSEMBLY MAY DIFFER
FROM WHAT IS SHOWN

COIL TUBING ASSEMBLY

Ref. Part No:	Ref. Part No:	Description:	Description:
Image 1:			
11	0161D00091	BLOCK-OFF, E COIL (M2, M3, M5, M7)	
11	0161D00092	BLOCK-OFF, E COIL (M4, M6, M8)	
11	0161D00090	BLOCK-OFF, EVAP COIL (M1)	
61	0151R00209	TXV-FX-2T-ADJ VALVE (M1, M2)	
61	0151R00210	TXV-FX-3T-ADJ VALVE (M3, M4, M5, M6, M7, M8)	
91	B1787000	VALVE CORE C/CL/CU/CP	
101	0163M00175	CAP WITH O-RING	
191	0161D00111	CONDENSATE COLLECTOR, FRONT (M2, M3, M4, M5, M6, M7, M8)	
201	0161D00112	CONDENSATE COLLECTOR, BACK (M2, M3, M4, M5, M6, M7, M8)	
211	0121D01042	BRACKET (M1)	
211	0121D00882	BRKT, 2"-C (M4, M7, M8)	
211	0121D00897	BRKT, 3" (M3, M6)	
211	0121D00929	BRKT, C (M2, M5)	
221	0161D00046	DRAIN PAD SIDE, EVAP COIL, MED-LG (M3, M4, M5, M6)	
221	0161D00110	DRAIN PAN SIDE, EVAP COIL, LG (M7, M8)	
221	0161D00045	DRAIN PAN SIDE, EVAP COIL, MED (M1, M2)	
231	0154A00016	GASKET, PORON	
301	CHPTA1822B4	E COIL 1.5T HORZ CASED TXV (M1)	
301	CHPTA2426B4	E COIL 2.0T HORZ CASED TXV (M2)	
301	CHPTA2426C4	E COIL 2.0T HORZ CASED TXV (M3)	
301	CHPTA3026B4	E COIL 2.5T HORZ CASED TXV (M4)	
301	CHPTA3026C4	E COIL 2.5T HORZ CASED TXV (M5)	
301	CHPTA3630B4	E COIL 3.0T HORZ CASED TXV (M6)	
301	CHPTA3630C4	E COIL 3.0T HORZ CASED TXV (M7)	
NS	0161D00100	DRAIN PAN EXTN, EVAP COIL LG	
NS	0163M00097	SCREW WASHERED (QTY 4)	

Expanded Model Nomenclature

M1 - CHPTA1822A4AA
M2 - CHPTA1822B4AA
M3 - CHPTA2426B4AA
M4 - CHPTA2426C4AA
M5 - CHPTA3026B4AA
M6 - CHPTA3026C4AA
M7 - CHPTA3630B4AA
M8 - CHPTA3630C4AA

FOR REPLACEMENT COIL, ORDER EQUIVALENT CHPT* COIL