



*Communications
for today... and tomorrow*

PK124K Battery Backup Kit

PK124 Battery Charger
SS106 Transformer
2 BA001 Batteries
IH151N Junction Box

Specification Sheets Submittal Package

as of 3/6/2012

www.tektone.com

Phone: (828) 524-9967
Toll-Free: (800) 327-8466
Sales: Option 2
Tech Support: Option 3

277 Industrial Park Road
Franklin, NC 28734
tektone@tektone.net
Fax: (828) 524-9968

Copyright © 2012 TekTone® Sound & Signal Mfg., Inc., All rights reserved.

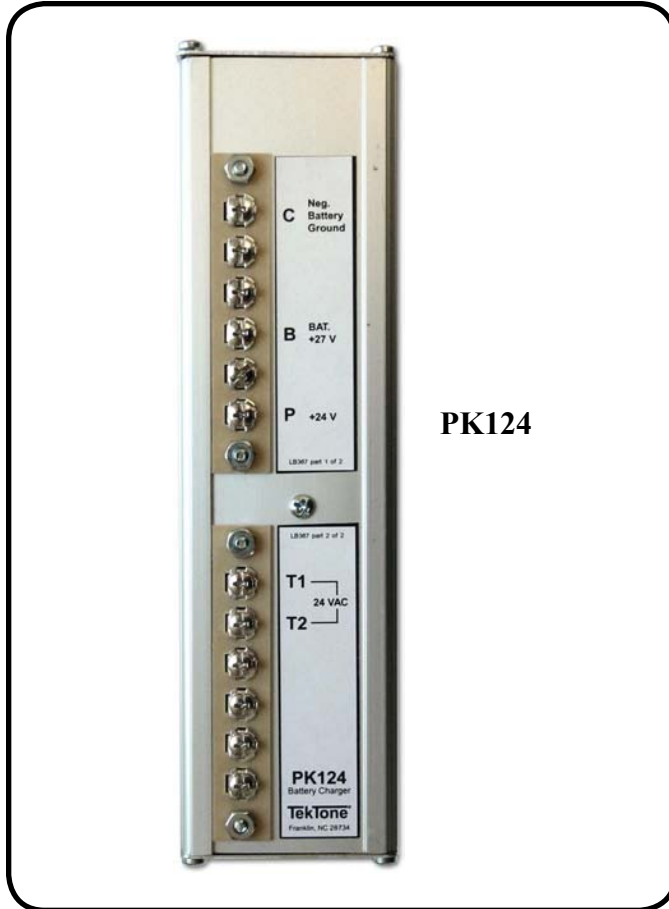
No part of these publications may be copied without the express written permission of TekTone® Sound & Signal Mfg., Inc. The contents of these specification sheets are furnished for informational use only, are subject to change without notice, and should not be construed as a commitment by TekTone® Sound & Signal Mfg., Inc. TekTone® Sound & Signal Mfg., Inc. assumes no responsibility or liability for any errors or inaccuracies that may appear in this documentation.

TekTone, the TekTone logo, Tek-Call, Tek-Care, Tek-Check-In, Tek-Com, Tek-Digicare, Tek-Door, Tek-Entry III, Tek-Guard, Tek-Micro, Tek-Micro II, Tek-MMARS II, Tek-NIOS, Tek-NIOS II, Tek-Paging, Tek-Phone, Tek-Safe, Tek-Select II, Tek-Sentry, Tek-Sound, Tek-Status and Tek-View are either registered trademarks or trademarks of TekTone® Sound & Signal Mfg., Inc. in the United States and/or other countries. All other trademarks are the property of their respective owners.



PK124 Battery Charger Specification Sheet

IL818
Section E
Rev. 4 - 04/2011



PK124

FEATURES

The PK124 Battery Charger, when used in conjunction with two BA001—12 VDC batteries, provides continuous battery charging so that if power to system equipment is interrupted, standby operating power is provided for up to approximately 6 hours. (Time may vary depending on system size and usage.)

TekTone® systems supported by the PK124 include the DS100 Door Sentry & Emergency Alarm System and the CM800 Emergency Call System.

- Low voltage operation
- Reliable alternate power supply
- Integrated circuit design
- Easy installation

SPECIFICATIONS

Dimensions: Height: 9.5" (240 mm)
 Width: 2.375" (60 mm)
 Depth: 2.25" (57 mm)

Construction: Rugged extruded aluminum case housing, quality electronic components mounted on PCB

Power: 24 VAC, 30 VA provided by SS106 transformer

Connection: Screw terminals

Mounting: Surface

ARCHITECTS' AND ENGINEERS' SPECIFICATION

The battery charger shall be TekTone® PK124 or approved equivalent, and shall be used in conjunction with two TekTone® BA001—12 VDC batteries, or approved equivalent. The PK124 shall provide continuous battery charging for approximately 6 hours for uninterrupted equipment operation during power failures.

Screw terminals shall be provided for connections. The PK124 Battery Charger shall be of rugged construction and modular integrated circuit design.

REQUIRED COMPONENTS

CM800	Emergency Call System
<i>or</i>	
DS100	Door Sentry & Emergency Alarm System

www.tektone.com

277 Industrial Park Road • Franklin, NC 28734 • tektone@tektone.net

Phone: (828) 524-9967 • Fax: (828) 524-9968 • Tech Support: Choose option 2 • Sales: Choose option 3

TekTone®'s quality system is registered by UL® to the ISO 9001 standard. (Reference #10001510.)



SS102A and SS106 Transformers PO001 Electric Door Opener Specification Sheet

IL127
Section A
Rev. 13 - 08/2011

PO001 ELECTRIC DOOR OPENER

TekTone®'s PO001 Electric Door Opener is for use in unlocking and locking doors from a variety of TekTone® remote stations. The door opener can be installed in place of the door lock, or on a door jamb with various door lock sets. The PO001 is a normally locked type with heavy duty coils, and operates on 8-16 VAC or 3-6 VDC. The unit features a flat face with satin zinc finish and solid brass locking latch for long wear. Model PO001 is reversible for mortise-type locks and latches up to 1/2" width and throw, and is ideal for most narrow jamb mortise-type installations. Depending on the specific job requirements, the PO001 can be reversed for right or left-hand door installation.

DIMENSIONS

Faceplate: 1.25" × 5.875" (31.8 mm × 149 mm)
Case width: 0.9375" (24 mm)
Case depth: 1.4375" (37mm)
Latch opening: 1.375" (35 mm)



SS102A, SS106 TRANSFORMERS

TekTone®'s SS102A and SS106 Class 2 Transformers offer compact, easy-to-install low voltage AC power sources for use with various TekTone® intercom systems. Both transformers are UL® Listed and will safely take themselves offline when overheated. The transformers are constructed for easy installation in a standard 1/2" knockout or for surface installations, and may be used in plastic or metal boxes. Primary wire connections are made using the pre-stripped pigtails and ground wire; secondary connections are made using screw terminals.

SPECIFICATIONS

SS102A 120 VAC primary, 16 VAC 10 VA secondary
SS106 120 VAC primary, 8 VAC 20 VA
16/24 VAC 30 VA secondary



SS102A



SS106

www.tektone.com

277 Industrial Park Road • Franklin, NC 28734 • tektone@tektone.net

Phone: (828) 524-9967 • Fax: (828) 524-9968 • Tech Support: Choose option 2 • Sales: Choose option 3

TekTone®'s quality system is registered by UL® to the ISO 9001 standard. (Reference #10001510.)



IH151N Housing Specification Sheet

IL646
Section E
Rev. 5 - 08/2010



IH151N Housing

FEATURES

The IH151N Housing is used as a central junction point for wiring in the CM800 and Tek-CARE® NC110, NC150, NC200 systems.

Knockouts are included on all sides except lid to allow the connection of electrical conduit from any direction. In addition, the lid has a knockout which can be used to install an optional key lock—the TekTone® HW231 or equivalent. A single-gang electrical junction box is mounted inside the main enclosure to allow protected electrical connections to be made. The enclosed electrical junction box is galvanized steel with a stainless steel cover plate.

- Maintenance free
- Easy Installation
- 19-gauge steel construction
- Knockouts provided
- UL® 1069 Listed when constructed with PK151A Annunciator Power & Control Unit and SS106 Transformer

ARCHITECTS' AND ENGINEERS' SPECIFICATION

Housing shall be TekTone® IH151N housing or approved equal. The IH151N housing shall be of steel construction for durability. It shall include a single-gang metal junction box to protect electrical connections.

Knockouts shall be provided on all sides except lid to facilitate easy connection of electrical conduit. The lid shall have a knockout for an optional key lock—TekTone® HW231 or equivalent.

All exposed surfaces shall be either stainless steel or painted to protect against oxidation. The outer enclosure shall be composed of 19-gauge cold-rolled steel.

SPECIFICATIONS

Dimensions:	Height:	11.75" (300 mm)
	Width:	11.75" (300 mm)
	Depth:	3.75" (96 mm)
Construction:	19 gauge, cold-rolled steel	

www.tektone.com

277 Industrial Park Road • Franklin, NC 28734 • tektone@tektone.net

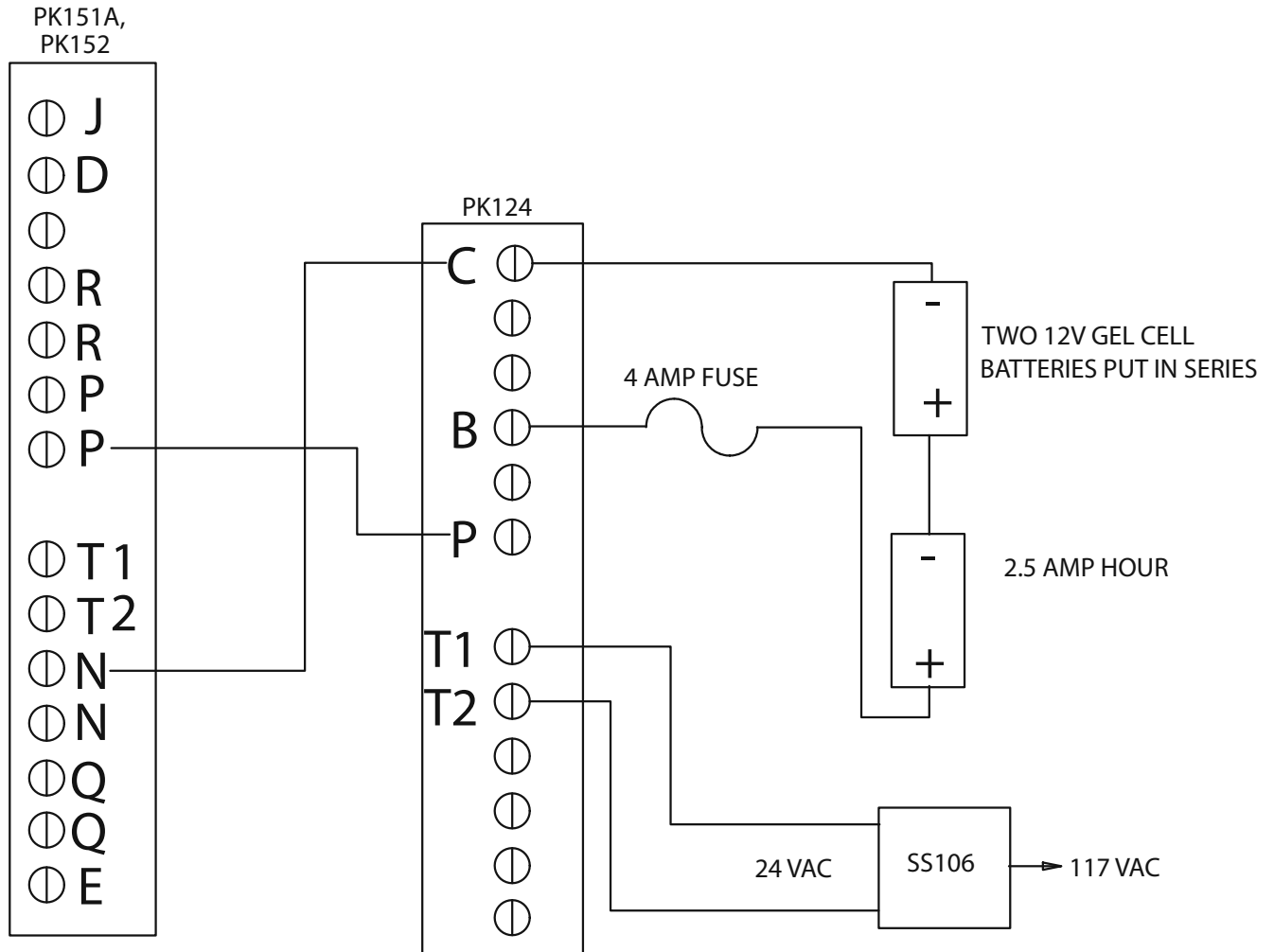
Phone: (828) 524-9967 • Fax: (828) 524-9968 • Tech Support: Choose option 2 • Sales: Choose option 3
TekTone®'s quality system is registered by UL® to the ISO 9001 standard. (Reference #10001510.)



Wiring Diagrams for PK124 Battery Charger

IL426
Section E
Rev. 11 - 03/2012

PK124 to PK151A or PK152 (NC110N, NC150N, NC200N) Interconnect Wiring Diagram



Notes:

1. Do not connect transformer to PK151A or PK152.
2. Use 24 VAC connections on SS106 transformer.
3. All wiring #18 unless shown.
4. See installation manual for additional PK151A or PK152 connections.

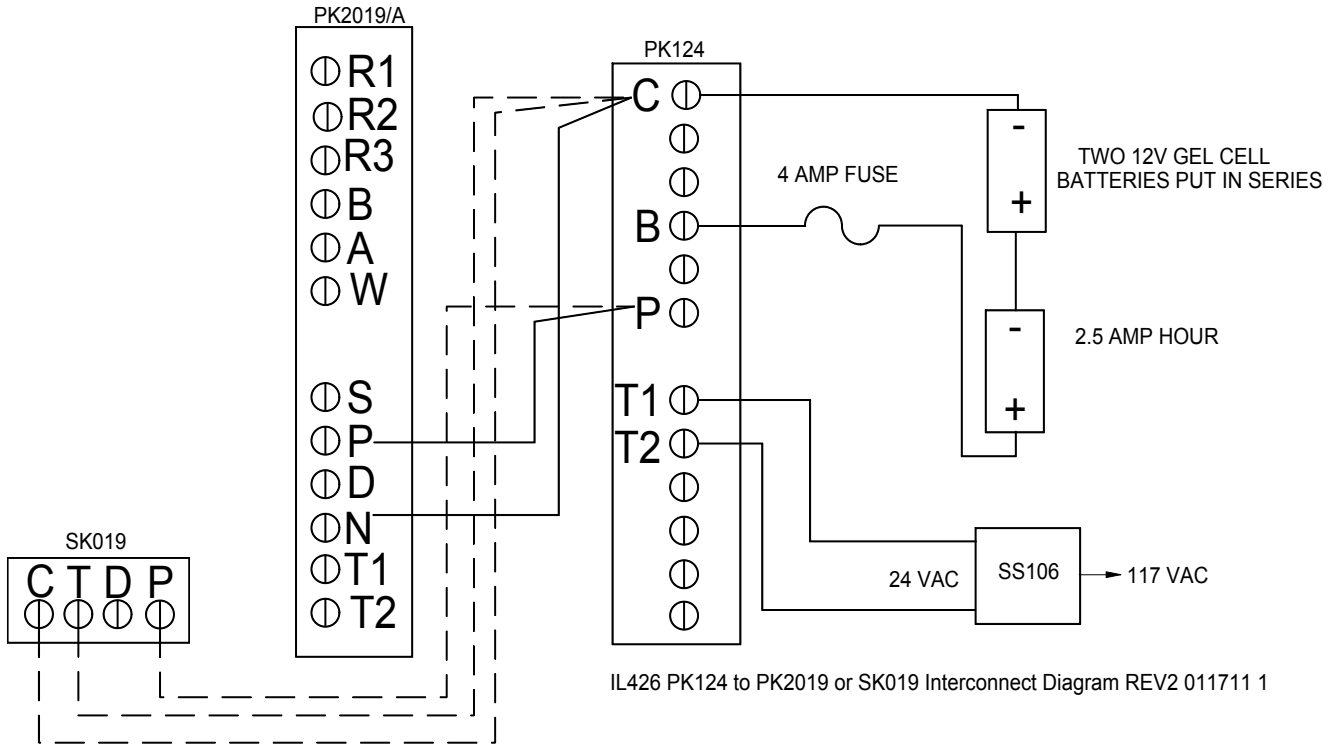
www.tektone.com

277 Industrial Park Road • Franklin, NC 28734 • tektone@tektone.net

Phone: (828) 524-9967 • Fax: (828) 524-9968 • Sales: Choose option 2 • Tech Support: Choose option 3

TekTone®'s quality system is registered by UL® to the ISO 9001 standard. (Reference #10001510.)

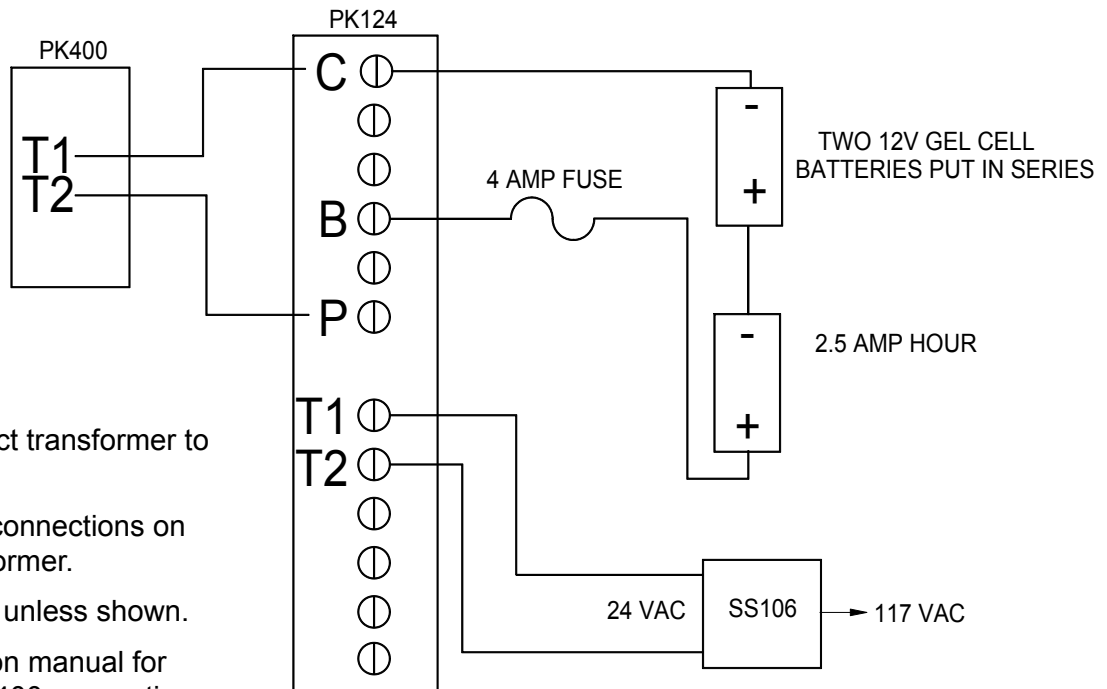
PK124 to PK2019/A (CM800, CM900) or SK109 (DS100) Interconnect Wiring Diagram



Notes:

1. Do not connect transformer to PK2019/A or SK019.
2. Use 24 VAC connections on SS106 transformer.
3. All wiring #18 unless shown.
4. See installation manual for additional PK2019/A or SK019 connections.

PK124 to PK400 Interconnect Wiring Diagram



Notes:

1. Do not connect transformer to PK400.
2. Use 24 VAC connections on SS106 transformer.
3. All wiring #18 unless shown.
4. See installation manual for additional PK400 connections.

IL426 PK124 to PK400 Interconnect Diagram REV1 011711 1