

**MONTIGO**<sup>®</sup>

# DIVINE SINGLE SIDED

H34DF

HLB34DF

HLB34DF-2

H38DF

HL38DF

HW38DF-2

H42DF

HL42DF

HW42DF-2

H36PV

DIVINE / PROUDLY HANDCRAFTED IN NORTH AMERICA



DIVINE / LEGACY H SERIES

DIVINE / PROUDLY HANDCRAFTED IN NORTH AMERICA



# THE MOST VERSA IN THE INDUS

**DIVINE**  
SINGLE SIDED

## H34, HLB34, HLB34 Deluxe

Single sided  
Direct vent

### QUICK DIMENSIONS

H*34	UNIT FRAM.	
F.WIDTH	35 <sup>3</sup> / <sub>8</sub>	33 <sup>3</sup> / <sub>8</sub>
B.WIDTH	35 <sup>3</sup> / <sub>8</sub>	33 <sup>3</sup> / <sub>8</sub>
HEIGHT	35 <sup>1</sup> / <sub>2</sub>	39
DEPTH	19 <sup>1</sup> / <sub>4</sub>	20
VIEWING	31 <sup>3</sup> / <sub>8</sub> × 22 <sup>3</sup> / <sub>4</sub>	

#### H34 TRADITIONAL

##### Standard

Traditional burner and logset

##### Options

Various traditional liners

River rock kit [NG only]

Fans with speed control

Surrounds in satin black or stainless steel

Full function remote control for flame modulation

#### HLB34 CONTEMPORARY

##### Standard

Concealed burner with Sage firebeads

##### Options

Speckled stones, driftwood

Full function remote control for flame modulation

Fans with speed control

Reflective glass panels

Surrounds in satin black or stainless steel

#### HLB34-2 DELUXE CONTEMPORARY

##### Standard

Concealed burner

Speckled stones, driftwood

Full function remote control for flame modulation

Fans with speed control

Black glass liner

##### Options

Surrounds in satin black or stainless steel

### BTU LISTING

H34DF\*\* / 18,000  
HLB34DF\*\* / 18,000  
HLB34DF\*\*-2 / 18,000

### EFFICIENCY

H34DFN / FE 56.5  
H34DFL / FE 58

H34DFNI / FE 58  
H34DFLI / FE 58

HLB34DFNI / FE 50  
HLB34DFLI / FE 50

HLB34DFNI-2 / FE 50  
HLB34DFLI-2 / FE 50

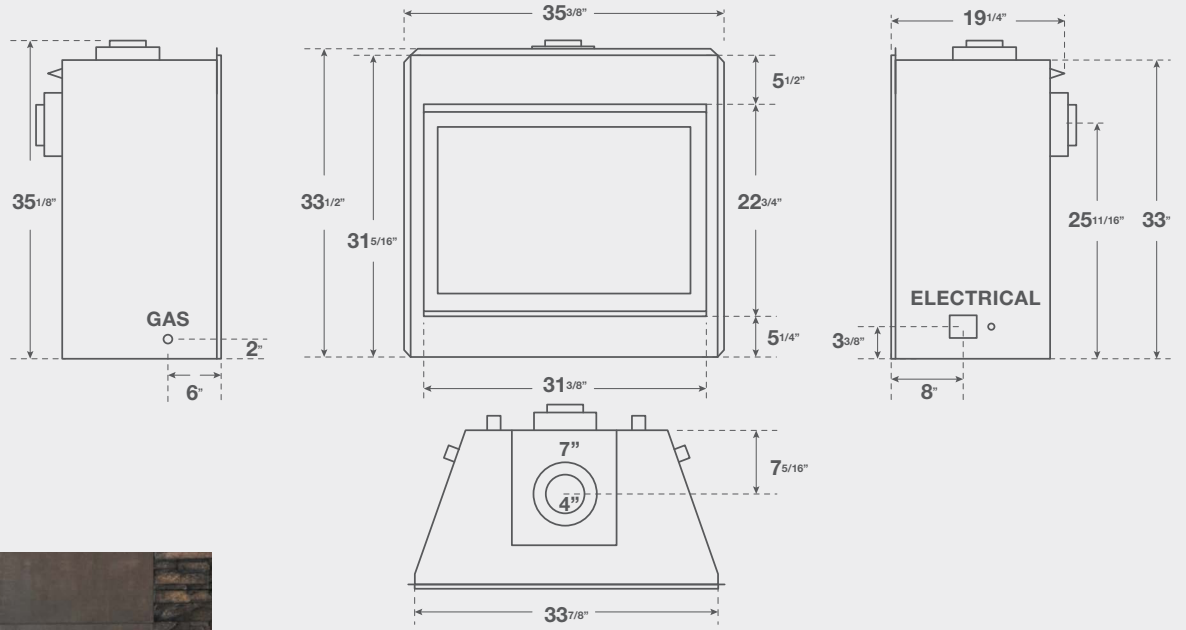


H34 / STAINLESS SURROUND



HLB34 / SATIN BLACK SURROUND

### H34 DIMENSIONS



# TILE STRY



MONTIGO / DIVINE / HLB34DFNI-2 / DRIFTWOOD SPECKLED STONES



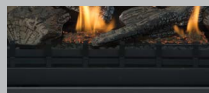
MONTIGO / DIVINE / H34DFN / TRADITIONAL LOGSET



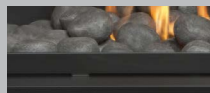
REMOTE<sup>†</sup>  
RX200\*\*



WALL REMOTE  
REC1493



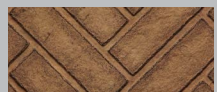
IRON GRATE<sup>†</sup>  
HWIG34



RIVER ROCK<sup>†</sup>  
RBHR34R

<sup>†</sup> Optional for H34 only  
<sup>‡</sup> Optional for HLB34 only  
<sup>▲</sup> Standard on HLB34DF1-2

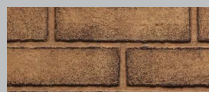
LINERS



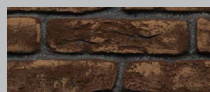
HERRING BONE<sup>†</sup>  
HBK34H



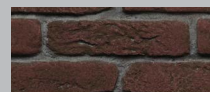
COLONIAL<sup>†</sup>  
HBK34C



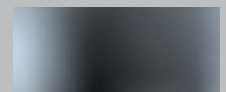
HERITAGE<sup>†</sup>  
HBK34R



RUSTIC BROWN<sup>†</sup>  
HBK34R



RUSTIC RED<sup>†</sup>  
HBK34R



BLACK GLASS<sup>†▲</sup>  
RGPH34



### Features

Convertible to top or rear flue vent

Hi-Lo control to adjust flame level

# THE MOST VERSA IN THE INDUS

## DIVINE

SINGLE SIDED

DIVINE / PROUDLY HANDCRAFTED IN NORTH AMERICA

## H38, HL38, HW38 Wildfire

Single sided  
Direct vent

### QUICK DIMENSIONS

H*38	UNIT FRAM.	
F.WIDTH	39 <sup>5</sup> / <sub>16</sub>	37 <sup>3</sup> / <sub>4</sub>
B.WIDTH	24 <sup>7</sup> / <sub>16</sub>	37 <sup>3</sup> / <sub>4</sub>
HEIGHT	38 <sup>5</sup> / <sub>16</sub>	42
DEPTH	18 <sup>1</sup> / <sub>4</sub>	21 <sup>1</sup> / <sub>8</sub>
VIEWING	35 <sup>1</sup> / <sub>4</sub> x 26 <sup>5</sup> / <sub>16</sub>	

### H38 TRADITIONAL

#### Standard

Traditional burner and logset

#### Options

Various traditional liners

River rock kit [NG only]

Fans with speed control

Surrounds in satin black or stainless steel

Full function remote control for flame modulation

### HL38 CONTEMPORARY

#### Standard

Contemporary burner with Sage firebeads

#### Options

Speckled stones, firestones, firebeads or fireglass

Fans with speed control

Surrounds in satin black or stainless steel

Full function remote control for flame modulation

### HW38-2 DELUXE WILDFIRE

#### Standard

Wrought iron grate

Herringbone brick with designer logset

Full function remote control for flame modulation

#### Options

Fans with speed control

Black porcelain liner

Surrounds in satin black or stainless steel

### BTU LISTING

H38DF\*\* / 26,000  
HL38DF\*\* / 25,000  
HW38DFN\*-2 / 34,000  
HW38DFL\*-2 / 30,000

### EFFICIENCY

H38DFN / FE 55  
H38DFL / FE 55  
H38DFNI / FE 56

H38DFLI / FE 56  
HL38DFN / FE 55  
HL38DFL / FE 54

HL38DFNI / FE 56  
HL38DFLI / FE 55

HW38DFNI-2 / FE 64  
HW38DFLI-2 / FE 65



TILE  
STRY

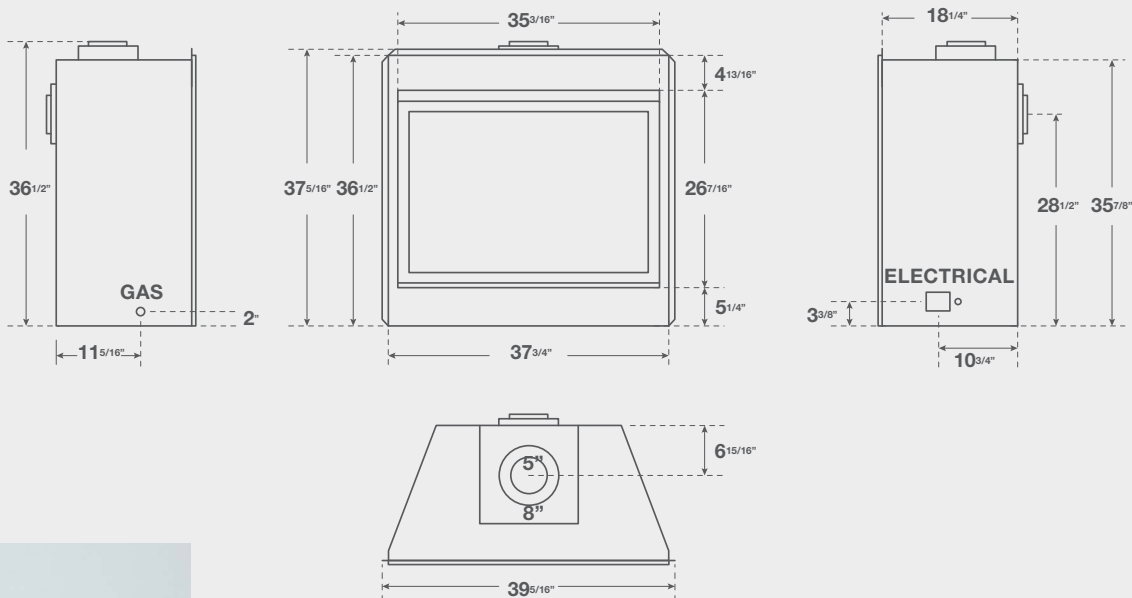


H34 / STAINLESS SURROUND



HLB34 / SATIN BLACK SURROUND

**H38 DIMENSIONS**



MONTIGO / DIVINE / HL38DFNI / SAGE FIREBEADS



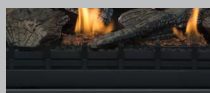
MONTIGO / DIVINE / H38 / TRADITIONAL LOGSET



REMOTE<sup>A</sup>  
RX200\*\*



WALL REMOTE  
REC1493

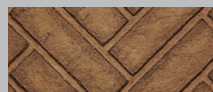


IRON GRATE<sup>†</sup>  
HWIG38



RIVER ROCK<sup>†</sup>  
RBHR38R

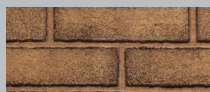
†Optional for H38 only  
‡Not available for HW38  
§Optional for HW38 only  
^Standard on HW38DF\*1-2



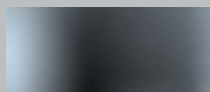
HERRING BONE<sup>†‡</sup>  
HBK38H



COLONIAL<sup>†</sup>  
HBK38C



HERITAGE<sup>†</sup>  
HBK38R



BLACK GLASS<sup>†</sup>  
RGPH38



BLACK PORCELAIN<sup>§</sup>  
PPHW38

OPTIONS & FEATURES

LINERS

DIVINE / PROUDLY HANDCRAFTED IN NORTH AMERICA

### Features

Convertible to top or rear flue vent

Hi-Lo control to adjust flame level



# THE MOST VERSA IN THE INDUS

DIVINE  
SINGLE SIDED

#### H42 TRADITIONAL

#### HL42 CONTEMPORARY

#### HW42-2 DELUXE WILDFIRE

#### Standard

Traditional burner and logset

#### Options

Various traditional liners

River rock kit [NG only]

Fans with speed control

Surrounds in satin black or stainless steel

Full function remote control for flame modulation

#### Standard

Contemporary burner with Sage firebeads

#### Options

Speckled stones, firestones, firebeads or fireglass

Fans with speed control

Surrounds in satin black or stainless steel

Full function remote control for flame modulation

#### Standard

Wrought iron grate

Herringbone brick with designer logset

Full function remote control for flame modulation

#### Options

Fans with speed control

Black glass liner

Surrounds in satin black or stainless steel

## H42, HL42, HW42 Wildfire

Single sided  
Direct vent

#### QUICK DIMENSIONS

H*42	UNIT FRAM.	
F.WIDTH	43 <sup>3</sup> / <sub>16</sub>	42
B.WIDTH	28 <sup>3</sup> / <sub>16</sub>	42
HEIGHT	41 <sup>1</sup> / <sub>16</sub>	46 <sup>1</sup> / <sub>2</sub>
DEPTH	20 <sup>3</sup> / <sub>16</sub>	21 <sup>1</sup> / <sub>16</sub>
VIEWING	39 <sup>1</sup> / <sub>2</sub> x 28 <sup>3</sup> / <sub>16</sub>	

#### BTU LISTING

H42DFN\* / 34,000  
H42DFL\* / 32,000  
HL42DFNI / 34,000

HL42DFLI / 32,000  
HW42DFNI-2 / 34,000

#### EFFICIENCY

H42DFN / FE 59  
H42DFL / FE 59

H42DFLI / FE 60.6  
H42DFNI / FE 60.6



H42 / STAINLESS SURROUND

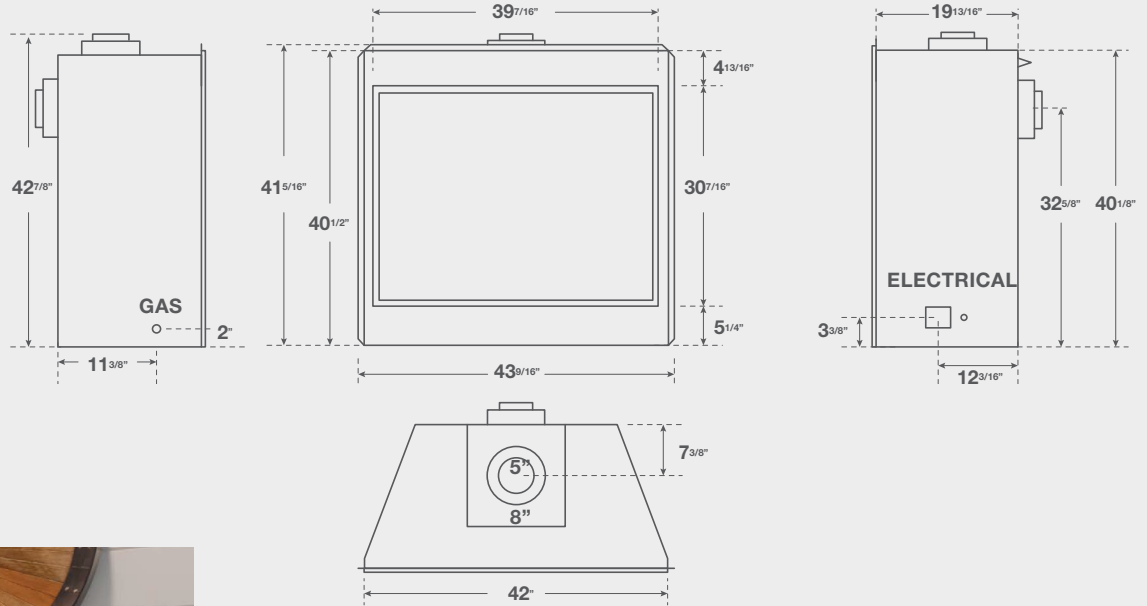


HL42 / SATIN BLACK SURROUND



TILE  
STRY

### H42 DIMENSIONS



MONTIGO / DIVINE / HL38 / RIVER ROCK KIT



MONTIGO / DIVINE / HW38 / TRADITIONAL LOGSET

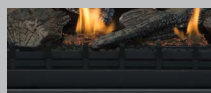
OPTIONS & FEATURES



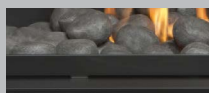
REMOTE<sup>†</sup>  
RX200\*\*



WALL REMOTE  
REC1493



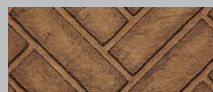
IRON GRATE<sup>†‡</sup>  
HWIG42



RIVER ROCK<sup>†</sup>  
RBHR42R

<sup>†</sup>Optional for H42 only  
<sup>‡</sup>Standard on HW42DF<sup>†</sup>-1-2

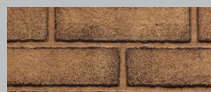
LINERS



HERRING BONE<sup>†‡</sup>  
HBK42H



COLONIAL<sup>†</sup>  
HBK42C



HERITAGE<sup>†</sup>  
HBK42R



BLACK GLASS  
RGPH42



# THE CROWD PLEASER

DIVINE  
SINGLE SIDED

DIVINE / PROUDLY HANDCRAFTED IN NORTH AMERICA

**H36PV**

Single sided  
Power vented

**H36PV  
TRADITIONAL**

**Standard**

Flush floor burner  
and logset

Herringbone liner

Wrought iron grate

**Options**

On/Off remote

**H36PV  
POWER VENTS**

**Wall Mount**

EDVWSPV58

**Flush Wall Mount**

PVHIN58-300

**Roof Mount**

PVEX58-200

**QUICK DIMENSIONS**

H36	UNIT	FRAM.
F.WIDTH	50	46
B.WIDTH	32¼	46
HEIGHT	41⅞	50
DEPTH	25⅞	24
VIEWING	38½ x 31½	

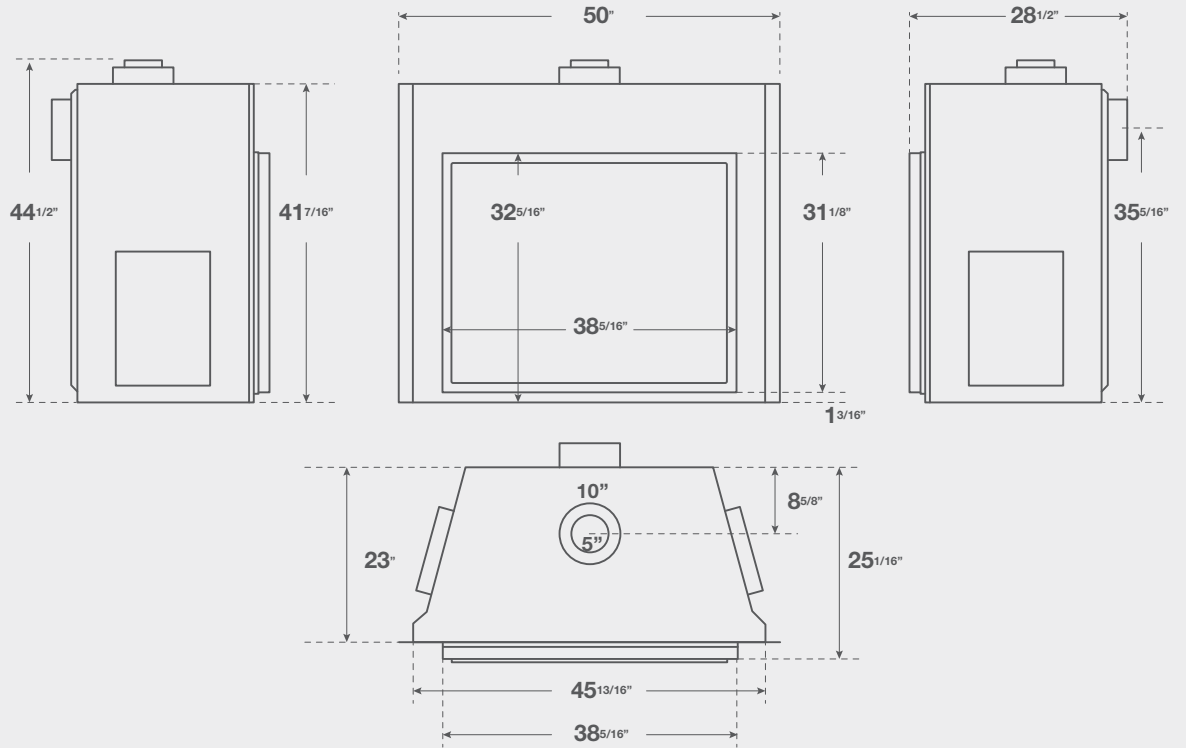
**BTU LISTING**  
H36PVNI / 55,000



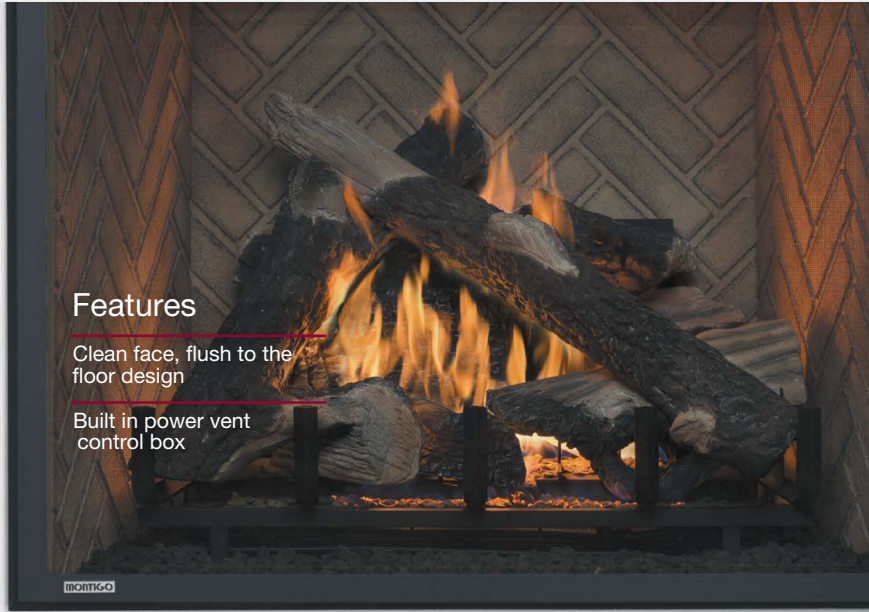




### H36 DIMENSIONS



MONTIGO / DIVINE / H36 / TRADITIONAL LOGSET



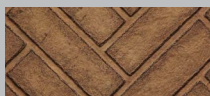
### Features

Clean face, flush to the floor design

Built in power vent control box



REMOTE ON/OFF  
RXM5010



HERRING BONE<sup>Δ</sup>



IRON GRATE<sup>Δ</sup>

<sup>Δ</sup>Standard on H36PVNI

RIVER ROCKS  
RBHR

COPPER  
HW1143

AMBER  
HW1261

ICE  
HW1157

GLACIER  
HW1219B

PLATINUM  
HW1144

ALABASTER  
HW1260

OBSIDIAN  
HW1113

ONYX  
HW1259

# MEDIA

SAGE  
HW1082

QUARTZ  
HW1106

FROST  
HW1112

EBONY  
HW1091

DRIFTWOOD  
LGS\*\*\*

SPECKLED STONES  
SS\*\*\*

# Unit Specifications

## Icon Legend

AVAILABLE +

NOT AVAILABLE -

DEDICATED ◊

STANDARD ○

	BTU Natural Gas	BTU Liquid Propane	Venting	Clearance Top - Rear vent	Clearance Top - Top vent	Clearance Sides	Clearance Back	Clearance Floor	Front viewing area	Front glass type	Standard media	Invisimesh screen	Powervent	Remote control	Fans	Uplighting	Downlighting
H34DF*	18,000	18,000	4"/7"	9	17½	1	2	0	31⅜x22¾	Tempered	Traditional	○	+	○	○	-	-
HLB34DF*	18,000	18,000	4"/7"	11	17½	1	2	0	31⅜x22¾	Tempered	HW1082	○	+	+	+	-	-
HLB34DF*-2	18,000	18,000	4"/7"	11	17½	1	2	0	31⅜x22¾	Tempered	Speckled	○	+	○	○	-	-
H38DF*	26,000	26,000	5"/8"	9	17½	1	2	0	35¼x26¾	Tempered	Traditional	○	+	+	+	-	-
HL38DF	26,000	26,000	5"/8"	9	17½	1	2	0	35¼x26¾	Tempered	HW1082	○	+	+	+	-	-
HW38DF	34,000	30,000	5"/8"	9	17½	1	3	0	35¼x26¾	Neoceramic	Wildfire	○	+	○	+	-	-
H42DF*	34,000	32,000	5"/8"	9	17½	1	1	0	39⅞x30⅞	Tempered	Traditional	○	+	+	+	-	-
HL42DF	34,000	32,000	5"/8"	9	17½	1	1	0	39⅞x30⅞	Tempered	HW1082	○	+	+	+	-	-
HW42DF	34,000	32,000	5"/8"	9	17½	1	1	0	39⅞x30⅞	Tempered	Wildfire	○	+	○	+	-	-
H36PV	55,000	N/A	5"/8"	9	17½	1	1	0	38½x31½	Tempered	Traditional	○	◊	+	-	-	-

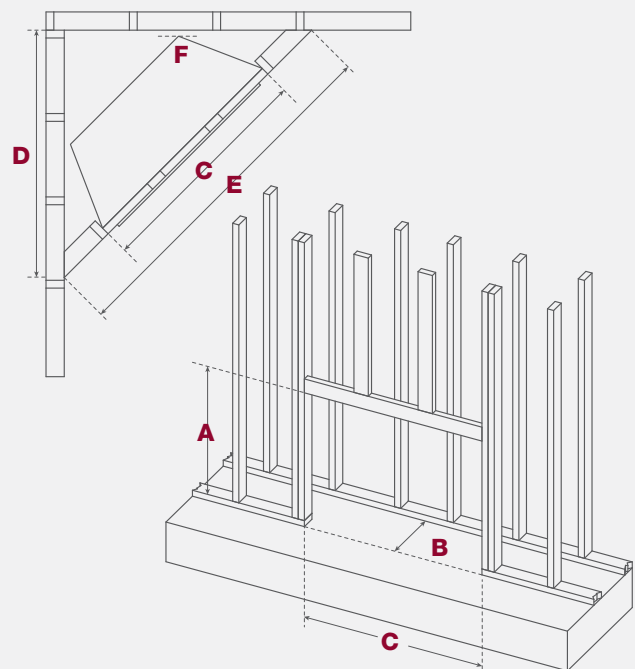
## DIVINE FRAMING

	A	B	C	D	E	F
H34	39	20	33⅞	40	56¼	0
H36	50	24	46	61¼	81	1
H38	42	21⅞	33⅞	43⅞	62	0
H42	46½	21⅞	42	48⅞	68	0

See instruction manual for detailed instructions

Header on edge not required if framing meets clearance to venting

## FRAMING DIMENSIONS



## 1976: The Days Before Gas Fireplaces

In 1976, Montigo president and founder, Dan Binzer, started installing zero-clearance wood burning fireplaces for local builders in Vancouver, BC. Over the years, demand grew for a gas alternative, and Dan engineered and manufactured the first ever sandpan logset. The logset was installed in a zero-clearance wood burning fireplace hell, resulting in one of the first zero-clearance gas fireplaces on the market.

## 1985: Gas Fireplace Manufacturing Begins

Demand for gas grew rapidly, especially among multi-unit developments so Dan Binzer started a company called Canadian Heating that would offer full service design, engineering and manufacturing for gas fireplaces. Under the Montigo brand, Canadian Heating began manufacturing and selling a wide selection of zero-clearance gas fireplaces throughout Canada and in 1985 development began for the latest and greatest in gas fireplace technology – direct venting.

## 1994: Manufacturing Excellence is Achieved

Development and advancement of the gas fireplace continued over the years with continual developments to improve the efficiency of the fireplaces and perfected manufacturing processes to deliver an optimum fireplace each and every time – even for completely custom units.

## Present: Leading the Way with Modern Fireplace Design

As one of the first to bring a linear designed fireplace to market, Montigo now offers the largest selection of linear fireplaces demanded by designers, architects and homeowners wanting to create a modern and contemporary space and homeowners wanting to create a modern and contemporary space.

for more inspiration go to  
[www.montigo.com](http://www.montigo.com)

**MONTIGO**<sup>®</sup>  
the art of **fireplaces**



## Our Guarantee

Montigo<sup>®</sup> stands by the craftsmanship and durability of our products by providing a 15 year warranty on the burner and firebox in all our residential fireplaces. All made using steel milled in the United States.

**ARCAT**  
Printed in Canada

XB2212