



Spare Parts Catalogue

Pfaff 145

PFAFF INDUSTRIEMASCHINEN GMBH KAISERSLAUTERN

Foreword

All component parts are grouped together as they are arranged in the sewing machine.

All underlined part numbers signify assemblies which are made up of several component parts.

An asterisk (*) preceding the part number indicates that the part in question is not interchangeable with a similar part used on previous machines which is listed on p. X. If the part to be replaced on a previous machine is listed on p. X under its old part number, order a replacement part under this number. If not, order the latest version of this part under its current number.

It is absolutely necessary that the ten-digit part number be stated on all orders for spare parts. The central portion of this number, as a rule, is identical with the old part number. In exceptional cases, the old part number is listed in parenthesis below the new ten-digit part number.

Part number changes will be published on correction sheets and disseminated with our circulars.

Subject to alterations in design.

March 1968

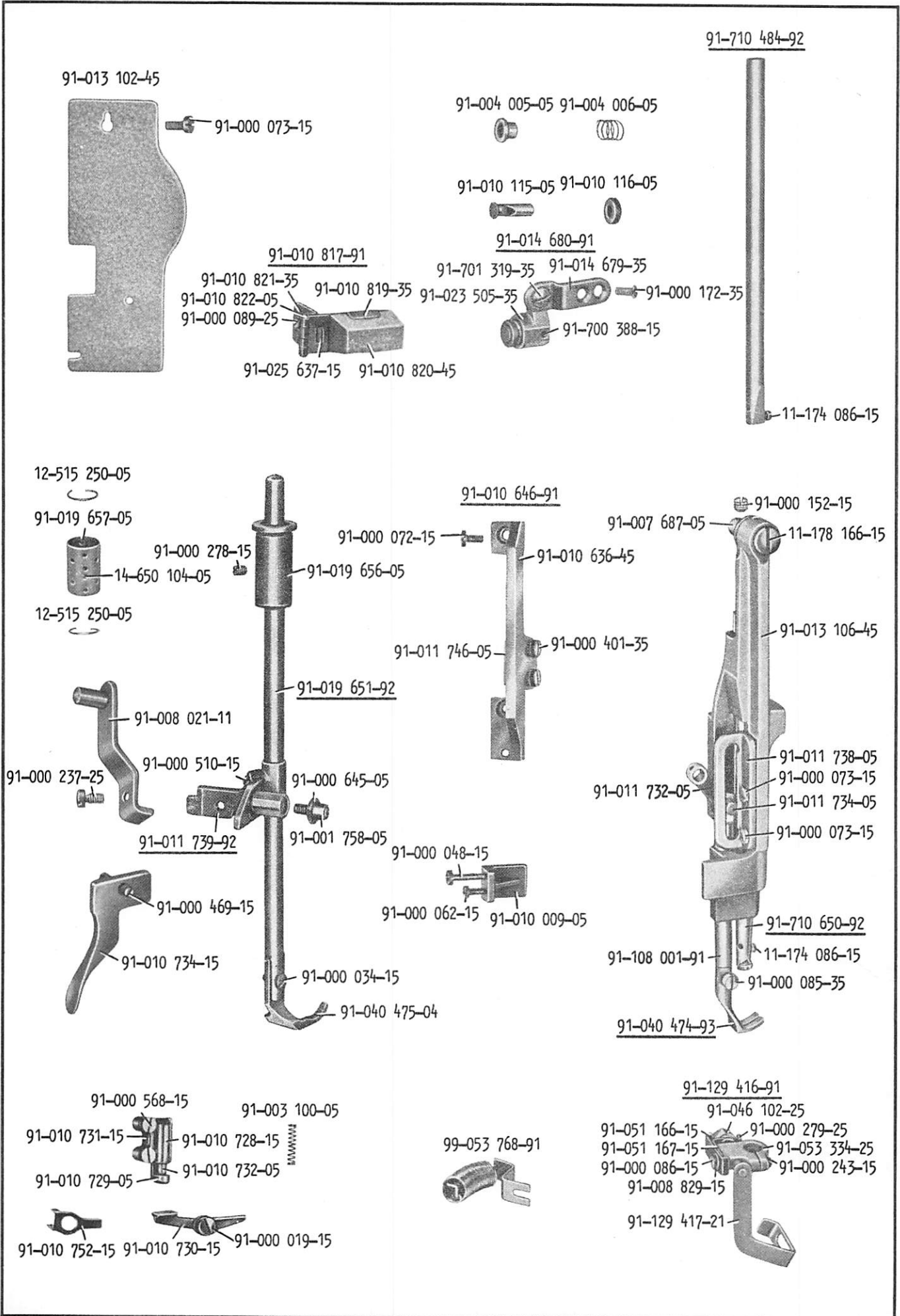
**PFAFF INDUSTRIEMASCHINEN GMBH
KAISERSLAUTERN**

Contents

<u>Pfaff 145-6</u>	Single-needle, flat-bed sewing machine fitted with unison feed, vertical hook and sleeve take-up.	Page
	I/1 & I/2	
	Front Parts	
	Pfaff 145 H2-6	5
	II/1 & II/2	
	Arm Parts	
	Pfaff 145 H2-6	13
	III	
	Bedplate Parts	
	Pfaff 145 H2-6	21
	IV/1 & IV/2	
	Accessory Parts	
	Pfaff 145 H2-6	25
	V	
	Complementary Parts	
	Pfaff 145 H1-6, Pfaff 145 H3-6 and Pfaff 145 H4-6	31
	VI	
	Complementary Parts	
	Pfaff 145-6 N8 and Pfaff 145-6 N10	35
	VII	
	Complementary Parts	
	Pfaff 145 P-6	39
	Safety Clutch	39
<u>Pfaff 145-906</u>	Single-needle, flat-bed sewing machine with automatic needle thread tension.	
	VII	
	Complementary Parts	
	Pfaff 145-906 (previous model Pfaff 145-279)	39
<u>Pfaff 145-225</u>	Single-needle, flat-bed sewing machine with horizontal trimmer driven by eccentric from below.	
	VIII	
	Complementary Parts	
	Pfaff 145-225	43
<u>Pfaff 145-333</u>	Single-needle, flat-bed sewing machine with ruffler.	
	IX	
	Complementary Parts	
	Pfaff 145-333	47
	X	
	Parts of Previous Machines	51

	Page
Feed Regulator Components of the Pfaff 145 for Stitch Lengths from 10 to 2 1/2 s.p.i.	55
Component Parts for the Pfaff 145 in Models A, B, C, D and H1, H2, H3, H4	56
Hook Components for the Pfaff 145 in Models A, B, C and D	57
Numerical Index	58

Front Parts



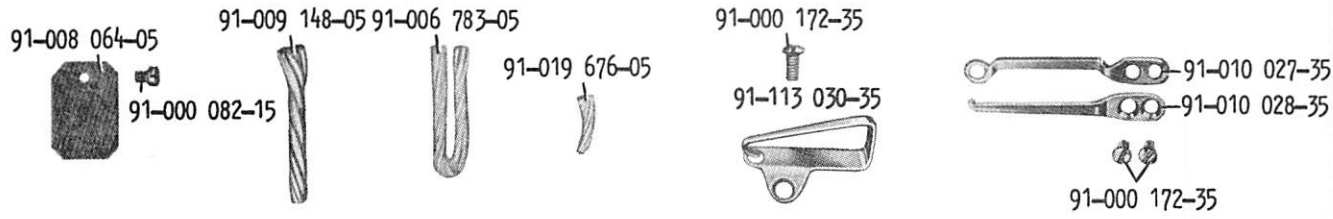
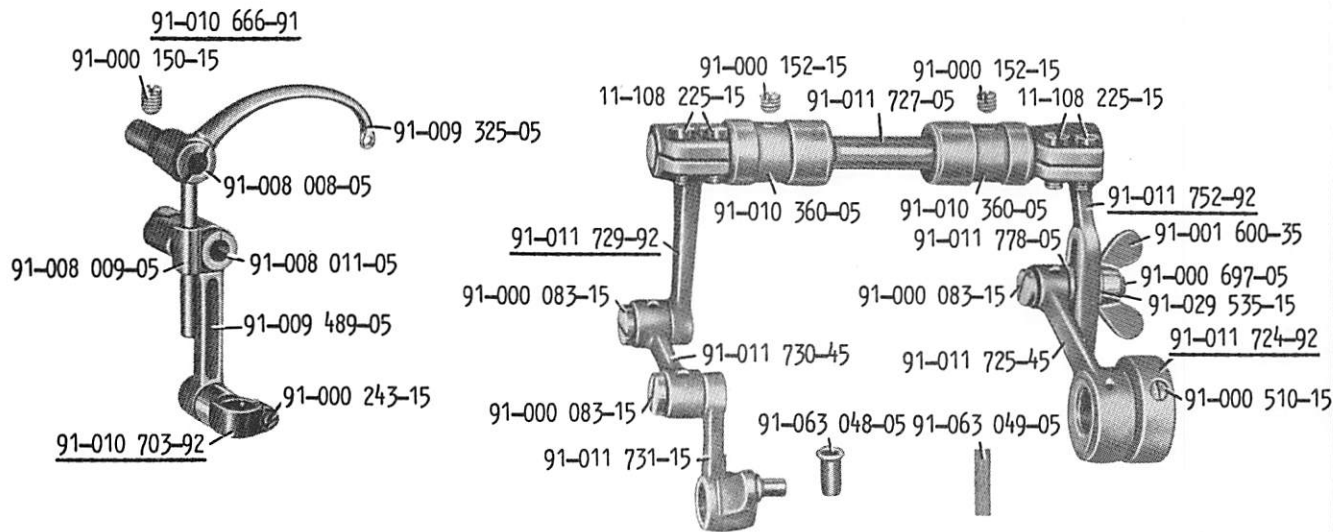
*11-174 086-15	Needle set screw (M 3x4 DIN 920)	91-008 829-15	Washer for No.91-000 086-15
11-178 166-15 (100 060)	End screw (M 4x5 DIN 921) for No.91-007 687-05	91-010 009-05	Position bracket for No.91-013 106-45
12-515 250-05 (19 659)	Circlip (12 DIN 9045) for No.91-019 656-05	91-010 115-05	Thread retainer stud for No.91-014 680-91
14-650 104-05 (19 658)	Balls (1/16 " IV DIN 5401), 24 ea, for No.91-019 657-05	91-010 116-05	Thread retainer stud collar for No.91-014 680-91
91-000 019-15	Hinge screw for No.91-010 730-15	91-010 636-45	Presser bar guide block bracket
91-000 034-15	Fastening screw for No.91-040 475-04	<u>91-010 646-91</u>	Presser bar guide block bracket, compl., consisting of Nos.91-000 401-35; 91-010 636-45; 91-011 746-05
91-000 048-15	Fastening screw for No.91-010 009-05	91-010 728-15	Pressure spring receptacle for No.91-010 731-15
91-000 062-15	Fastening screw for No.91-010 009-05	91-010 729-05	Tension release plunger
91-000 072-15	Fastening screw for No.91-010 646-91	91-010 730-15	Tension release lever
91-000 073-15	Fastening screw for Nos.91-011 738-05; 91-013 102-45	*91-010 731-15	Lifting bracket guide for No.91-010 729-05
91-000 085-35	Fastening screw for vibrating presser	91-010 732-05	Plunger for No.91-003 100-05
91-000 086-15	Fastening screw for Nos.91-051 166-15; 91-051 167-15	91-010 734-15	Presser bar lifter (Models A & B)
91-000 089-25	Fastening screw for No.91-010 817-91	91-010 752-15	Stop for No.91-010 730-15
91-000 152-15	Fastening screw for Nos.91-007 687-05; 91-010 360-05	<u>91-010 817-91</u>	Thread lubricator (for leather), compl., consisting of Nos.91-010 819-35; 91-010 820-45; 91-010 821-35; 91-010 822-05
91-000 172-35	Fastening screw for No.91-014 679-35	91-010 819-35	Oil pad holder
91-000 237-25	Fastening screw for No.91-008 021-11	91-010 820-45	Oil pad
91-000 243-15	Binding screw for No.91-053 334-25	91-010 821-35	Hinge for No.91-010 817-91
91-000 278-15	Fastening screw for No.91-019 656-05	91-010 822-05	Hinge pin for No.91-010 821-35
91-000 279-25	Fastening screw for No.91-046 102-25	91-011 732-05	Connecting link for No.91-011 731-15
91-000 401-35	Fastening screw for No.91-011 746-05	91-011 734-05	Hinge stud for No.91-010 685-05
91-000 469-15	Hinge screw for No.91-010 734-15	91-011 738-05	Position bracket for No.91-013 106-45
91-000 510-15	Fastening screw for No.91-011 739-92	<u>91-011 739-92</u>	Presser bar lifting bracket, w/ set screw No.91-000 510-15
*91-000 568-15	Fastening screw for Nos.91-010 728-15; 91-010 731-15	91-011 746-05	Guide block for No.91-010 636-45
91-000 645-05	Guide screw for No.91-011 739-92	91-013 102-45	Face plate
91-001 758-05	Roller for No.91-000 645-05	91-013 106-45	Needle bar frame
91-003 100-05	Pressure spring for No.91-010 728-15	91-014 679-35	Thread retainer bracket
91-004 005-05	Thread retainer sleeve for No.91-014 680-91	<u>91-014 680-91</u>	Thread retainer (special version), compl., consisting of Nos.91-004 005-05; 91-004 006-05; 91-010 115-05; 91-010 116-05; 91-014 679-35; 91-023 505-35; 91-700 388-15; 91-701 319-35 (only in conjunction with needle bar No.91-710 484-92)
91-004 006-05	Thread retainer spring for No.91-014 680-91	<u>91-019 651-92</u>	Presser bar, w/ set screw No.91-000 034-15
*91-007 687-05	Hinge stud for No.91-013 106-45	91-019 656-05	Presser bar bushing
91-008 021-11	Lifting bracket link for No.91-011 739-92	91-019 657-05	Ball retainer ring for No.91-019 656-05
		91-023 505-35	Thread retainer sleeve bracket
		91-025 637-15	Leaf spring for No.91-010 817-91

*See parts of previous versions, page X

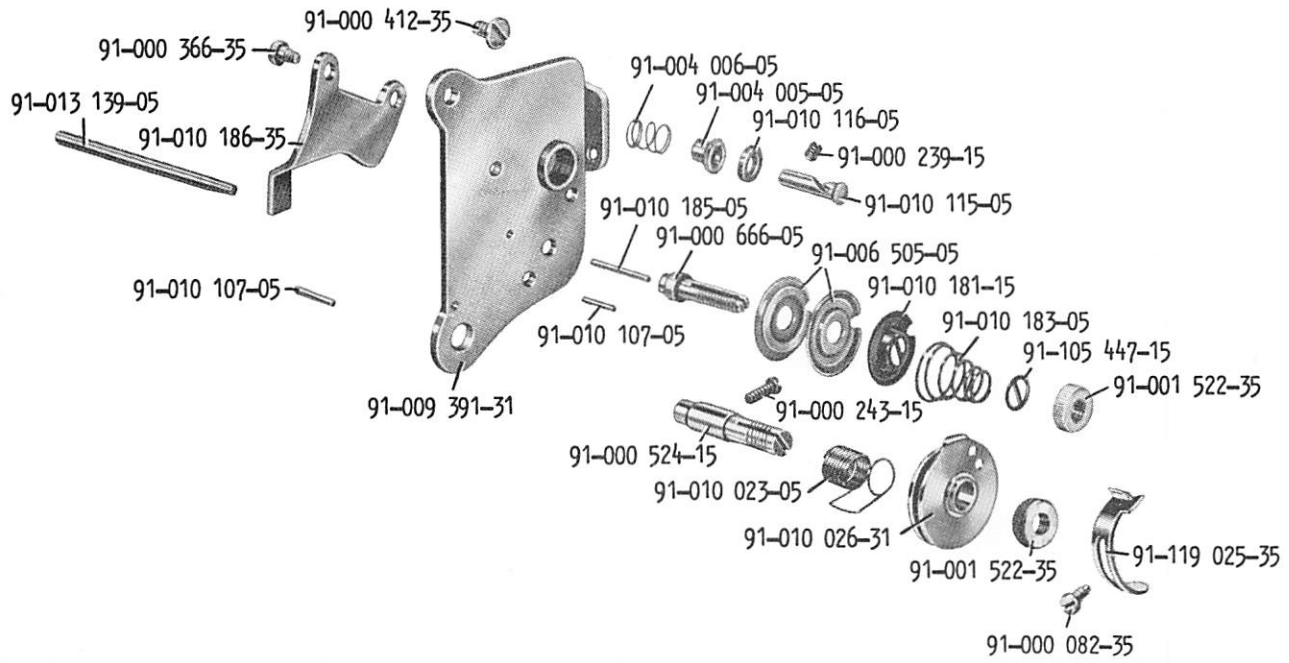
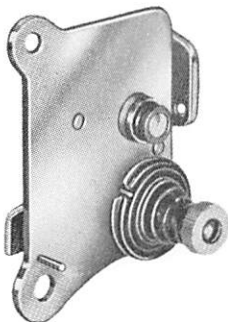
<u>91-040 474-93</u>	Vibrating presser foot, w/ set screw No.91-000 085-35, (subcl. -6/1)	91-046 102-25	Finger guard bracket guide
No. <u>91-049 059-93</u>	Vibrating presser foot, w/ set screw No.91-000 085-35, (subcl. -6/2), not ill.	91-051 166-15	Leaf spring for No.91-046 102-25
No. <u>91-046 732-93</u>	Vibrating presser foot, w/ set screw No.91-000 085-35, (subcl. -6/3), not ill.	91-051 167-15	Position bracket for No.91-046 102-25
No. <u>91-043 526-93</u>	Vibrating presser foot, w/ set screw No.91-000 085-35, (subcl. -6/4), not ill.	91-053 334-25	Finger guard bracket
No. <u>91-046 623-93</u>	Vibrating presser foot, w/ set screw No.91-000 085-35, (subcl. -6/5), not ill.	91-108 001-91	Vibrating presser bar
No. <u>91-046 546-93</u>	Vibrating presser foot, w/ set screw No.91-000 085-35, (subcl. -6/6), not ill.	<u>91-129 416-91</u>	Finger guard (special version), compl., consisting of Nos.91-000 086-15; 91-000 243-15; 91-000 279-25; 91-008 829-15; 91-046 102-25; 91-051 166-15; 91-051 167-15; 91-053 334-25; 91-129 417-21
No. <u>91-046 984-93</u>	Vibrating presser foot, w/ set screw No.91-000 085-35, (subcl. -6/7), not ill.	91-129 417-21	Finger guard
No. <u>91-046 985-93</u>	Vibrating presser foot, w/ set screw No.91-000 085-35, (subcl. -6/8), not ill.	91-700 388-15	Fastening screw for No.91-023 505-35
(Orders should specify type desired)		91-701 319-35	Fastening screw for No.91-023 505-35
91-040 475-04	Lifting presser foot (subcl. -6/1 & -6/2)	<u>91-710 484-92</u>	Needle bar (special version), w/ needle set screw No.11-174 086-15, for No.91-014 680-91 (only in conjunction with thread retainer No.91-014 680-91)
No.91-046 731-04	Lifting presser foot (subcl. -6/3), not ill.	<u>91-710 650-92</u>	Needle bar, w/ needle set screw No.11-174 086-15
No.91-043 527-04	Lifting presser foot (subcl. -6/4), not ill.	99-053 768-91	Thread cutter (special version)
No.91-046 630-04	Lifting presser foot (subcl. -6/5), not ill.		
No.91-046 631-04	Lifting presser foot (subcl. -6/6), not ill.		
No.91-046 986-04	Lifting presser foot (subcl. -6/7), not ill.		
No.91-046 987-04	Lifting presser foot (subcl. -6/8), not ill.		
(Orders should specify type desired)			

I/2

Front Parts

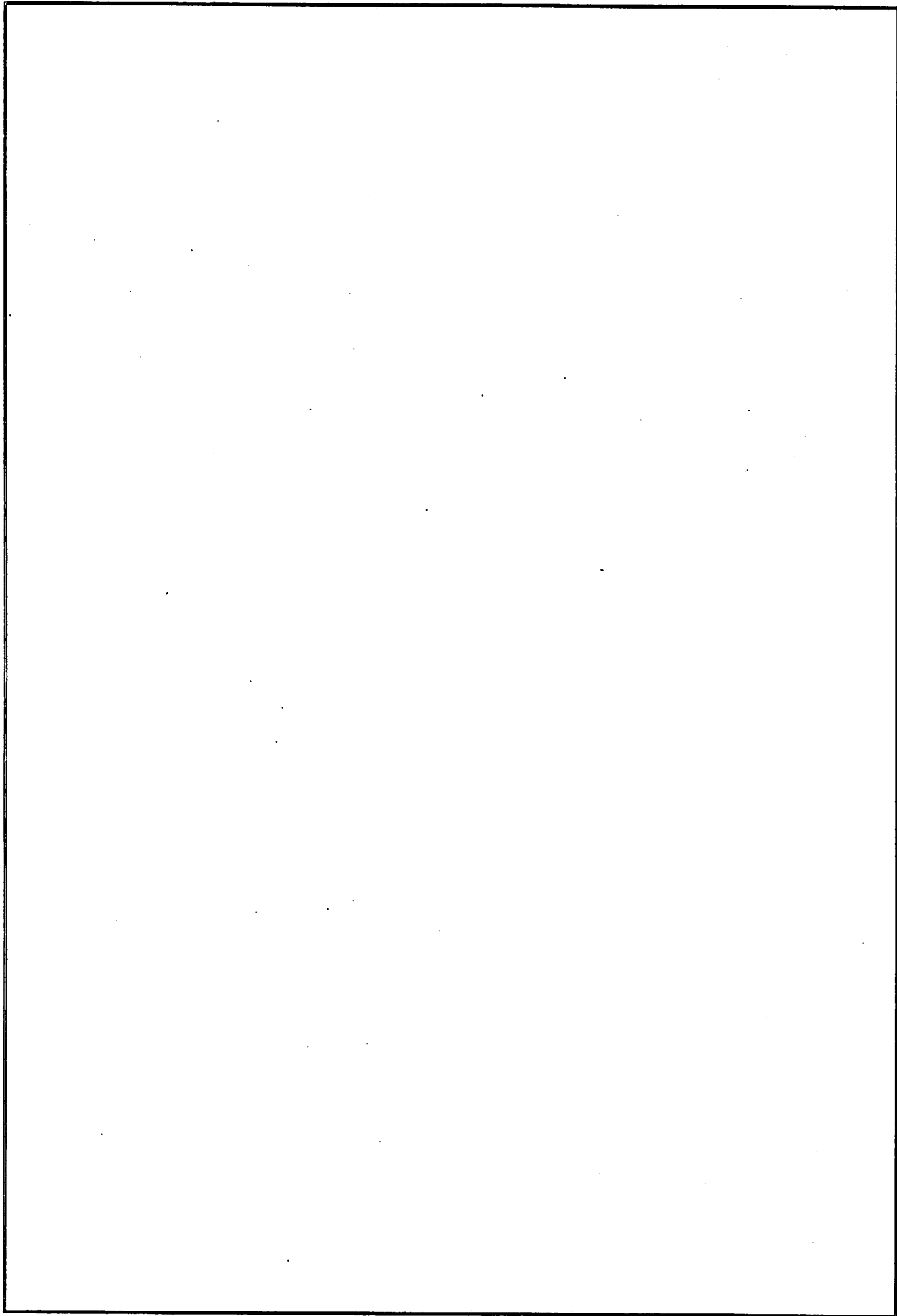


91-009 328-91



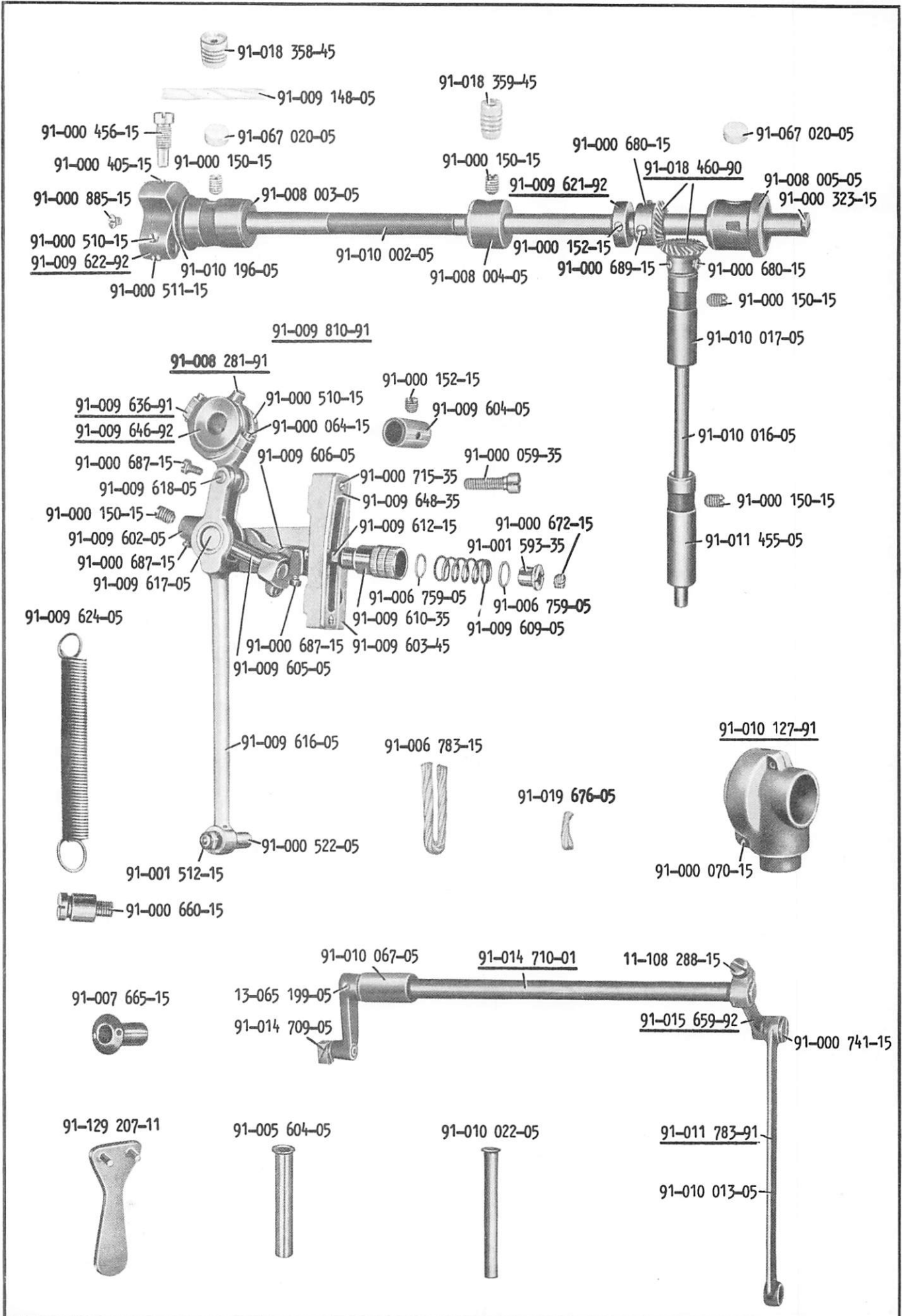
*11-108 225-15	Binding screw (A M 5x10 DIN 84-86) for Nos.91-011 729-92; 91-011 752-92	91-009 391-31	Tension bracket
91-000 082-15	Fastening screw for No.91-008 064-05	91-009 489-05	Needle bar connecting link
91-000 082-35	Fastening screw for No.91-119 025-35	91-010 023-05	Thread check spring (Models A & B)
91-000 083-15	End screw for Nos.91-011 725-45; 91-011 730-45	91-010 026-31	Thread controller disc
91-000 150-15	Fastening screw for No.91-008 008-05	91-010 027-35	Thread guide, rear section
91-000 152-15	Fastening screw for No.91-010 360-05	91-010 028-35	Thread guide, front section
91-000 172-35	Fastening screw for Nos.91-010 027-35; 91-010 028-35; 91-113 030-35	91-010 107-05	Position pin for Nos.91-006 505-05; 91-010 026-31
91-000 239-15	Fastening screw for No.91-010 115-05	91-010 115-05	Thread retainer stud
91-000 243-15	Fastening screw for No.91-000 524-15 and binding screw for No.91-010 703-92	91-010 116-05	Thread retainer stud collar
91-000 366-35	Fastening screw for No.91-010 186-35	91-010 181-15	Tension release washer
91-000 412-35	Fastening screw for No.91-009 328-91	91-010 183-05	Tension spring (Models A & B)
91-000 510-15	Fastening screw for No.91-011 724-92	91-010 185-05	Tension release pin
91-000 524-15	Tension stud for No.91-010 026-31	91-010 186-35	Tension release plate
91-000 666-05	Tension stud	91-010 360-05	Bearing bushing for No.91-011 727-05
91-000 697-05	Hinge bolt for No.91-011 725-45	<u>91-010 666-91</u>	Take-up lever (Models A & B; fabric), complete, consisting of Nos.91-008 008-05; 91-008 009-05; 91-008 011-05; 91-009 325-05; 91-009 489-05; 91-010 703-92
91-001 522-35	Nut for Nos.91-000 524-15; 91-000 666-05	<u>91-010 703-92</u>	Needle bar connecting stud, w/ binding screw No.91-000 243-15
91-001 600-35	Nut for No.91-000 697-05	<u>91-011 724-92</u>	Lifting eccentric, w/ set screw No.91-000 510-15
91-004 005-05	Thread retainer sleeve	91-011 725-45	Lifting eccentric connection
91-004 006-05	Pressure spring for No.91-004 005-05	91-011 727-05	Lifting rock shaft
91-006 505-05	Tension disc	<u>91-011 729-92</u>	Lifting rock shaft crank, front, w/ binding screws No.11-108 225-15
91-006 783-05	Oil wick (100 mm long) for No.91-008 008-05	91-011 730-45	Lifting bell crank link
91-008 008-05	Hinge stud for No.91-009 325-05	91-011 731-15	Lifting bell crank for No.91-011 739-92
91-008 009-05	Driving stud for No.91-010 666-91	<u>91-011 752-92</u>	Lifting rock shaft crank, rear, adjustable, w/ binding screws No.11-108 225-15
91-008 011-05	Hinge stud for No.91-009 489-05	91-011 778-05	Washer for No.91-000 697-05
91-008 064-05	Take-up lever oil pad	*91-013 139-05	Tension release plunger
91-009 148-05	Oil wick (60 mm long) for No.91-008 011-05	91-019 676-05	Oil wick (20 mm long) for No.91-008 009-05
91-009 325-05	Take-up lever (Models A and B; fabric)	91-029 535-15	Washer for No.91-001 600-35
<u>91-009 328-91</u>	Thread tension (Models A and B), complete, consisting of Nos.91-000 239-15; 91-000 366-35; 91-000 666-05; 91-001 522-35; 91-004 005-05; 91-004 006-05; 91-006 505-05; 91-009 391-31; 91-010 107-05; 91-010 115-05	91-063 048-05	Oil tube (10 mm long) for No.91-011 724-92
		91-063 049-05	Oil wick (16 mm long) for No.91-063 048-05
		91-105 447-15	Washer for No.91-010 183-05
		91-113 030-35	Thread guide, upper
		91-119 025-35	Stop for No.91-010 023-05

*See parts of previous versions, page X



II/1

Arm Parts



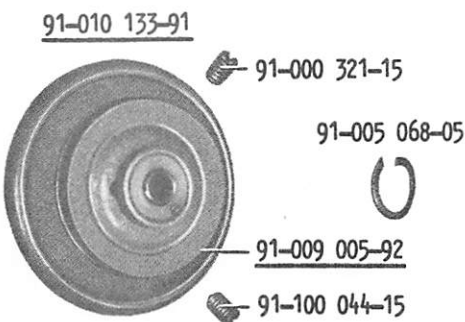
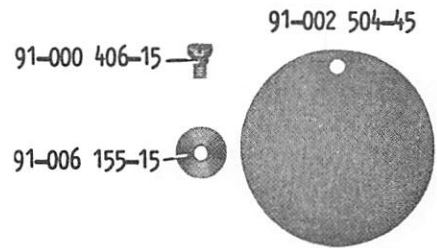
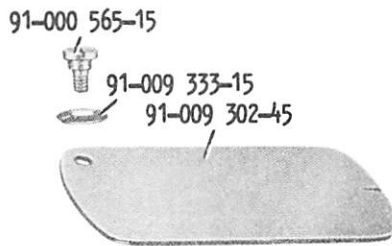
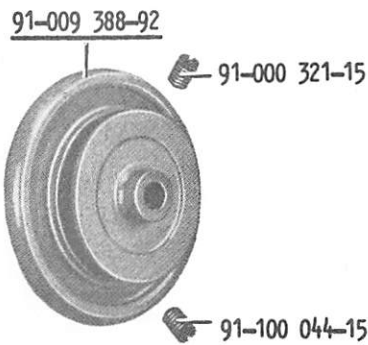
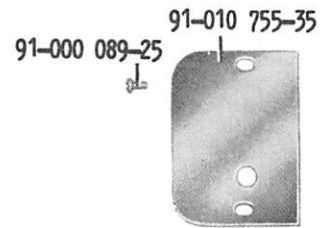
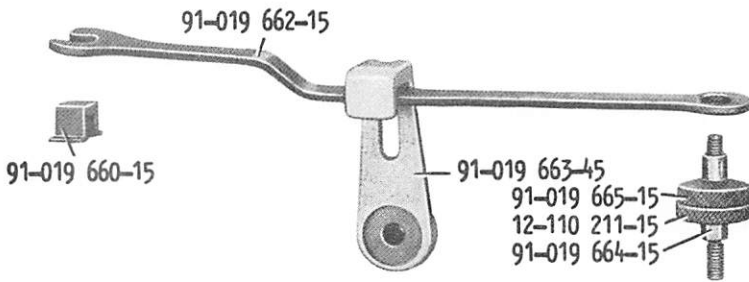
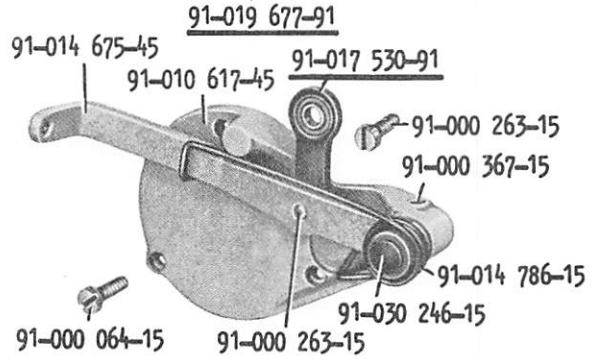
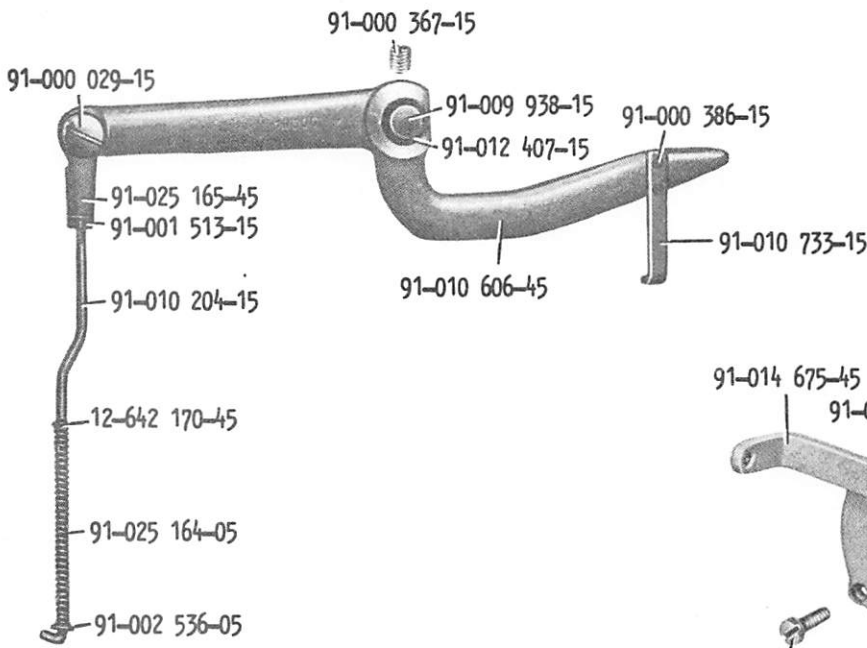
*11-108 288-15 (700 691)	Binding screw (A M 6x12 DIN 84) for No.91-015 659-92	91-009 148-05	Oil wick, 60 mm long, for No.91-067 020-05
*13-065 199-05 (1 974)	Position pin (3x16 DIN 1473) for No.91-014 710-01	91-009 602-05	Feed regulator
91-000 059-35	Fastening screw for No.91-009 603-45	91-009 603-45	Feed regulator bearing bracket
91-000 064-15	Fastening screw for No.91-009 636-91	91-009 604-05	Feed regulator bearing bracket bushing
91-000 070-15	Fastening screw for No.91-010 127-91	91-009 605-05	Feed regulator stud
91-000 150-15	Fastening screw for Nos.91-008 003-05; 91-008 004-05; 91-010 017-05; 91-011 455-05 and end screw for No.91-009 605-05	91-009 606-05	Feed regulator lever stud
91-000 152-15	Fastening screw for Nos.91-009 604-05; 91-009 621-92	91-009 609-05	Retaining spring for No.91-009 610-35
91-000 323-15	End screw, rear, for No.91-010 002-05	91-009 610-35	Feed regulator knob
91-000 405-15	Fastening screw for No.91-009 622-92	91-009 612-15	Feed regulator lever stud guide
91-000 456-15	Fastening screw for No.91-009 622-92	91-009 616-05	Feed driving connection
91-000 510-15	Fastening screw for Nos.91-008 011-05 (see Section I); 91-009 646-92	91-009 617-05	Feed regulator hinge stud
91-000 511-15	Fastening screw for No.91-008 011-05 (see Section I)	91-009 618-05	Hinge stud for No.91-009 636-91
91-000 522-05	Hinge screw for No.91-009 616-05	<u>91-009 621-92</u>	Collar, w/ set screw No.91-000 152-15, for No.91-010 127-91
91-000 660-15	Spring suspension screw for No.91-009 624-05	<u>91-009 622-92</u>	Needle bar crank, w/ set screws Nos.91-000 405-15; 91-000 510-15; 91-000 511-15
91-000 672-15	End screw for No.91-001 593-35	91-009 624-05	Tension spring for No.91-009 810-91
91-000 680-15	Fastening screw, pointed, for No.91-018 460-90	<u>91-009 636-91</u>	Feed driving eccentric sleeve, w/ set screws No.91-000 064-15
*91-000 687-15	Fastening screw for Nos.91-009 605-05; 91-009 606-05; 91-009 618-05	<u>91-009 646-92</u>	Feed driving eccentric, w/ set screws No.91-000 510-15
91-000 689-15	Fastening screw, blunt, for No.91-018 460-90	91-009 648-35	Feed regulator index plate
91-000 715-35	Fastening screw for No.91-009 648-35	<u>91-009 810-91</u>	Feed regulator (4.5 mm stitch length), complete, consisting of Nos.91-000 152-15; 91-000 522-05; 91-000 672-15; 91-000 687-15; 91-000 715-35; 91-001 512-15; 91-001 593-35; 91-006 759-05; 91-008 281-91; 91-009 602-05; 91-009 603-45; 91-009 604-05; 91-009 605-05; 91-009 606-05; 91-009 609-05; 91-009 610-35; 91-009 612-15; 91-009 616-05; 91-009 617-05; 91-009 618-05; 91-009 648-35
91-000 741-15	Hinge screw for Nos.91-010 013-05; 91-015 659-92	91-010 002-05	Arm shaft
*91-000 885-15	End screw, front, for No.91-010 002-05	91-010 013-05	Needle bar frame shaft connection
91-001 512-15	Nut for No.91-000 522-05	91-010 016-05	Vertical shaft
91-001 593-35	Nut for No.91-009 606-05	91-010 017-05	Vertical shaft bushing, upper
91-005 604-05	Oil tube, 48 mm long, for No.91-010 016-05	91-010 022-05	Oil tube, 56 mm long, for No.91-010 044-05 (see Section III)
91-006 759-05	Washer for No.91-009 609-05	91-010 067-05	Needle bar frame shaft bushing
91-006 783-05	Oil wick, 100 mm long, for No.91-009 605-05	<u>91-010 127-91</u>	Bevel gear case, w/ set screws No.91-000 070-15
91-007 665-15	Jam nut (special version) for Nos.91-009 606-05; 91-009 610-35 (in lieu of Nos.91-000 672-15; 91-001 593-35; 91-006 759-05; 91-009 609-05)	91-010 196-05	Friction washer for No.91-008 003-05
91-008 003-05	Arm shaft bushing, front	91-011 455-05	Vertical shaft bushing, lower
91-008 004-05	Arm shaft bushing, center	<u>91-011 783-91</u>	Needle bar frame shaft connection, complete, consisting of Nos. 91-000 741-15; 91-010 013-05; 91-015 659-92
91-008 005-05	Arm shaft bushing, rear	91-014 709-05	Slide block for No.91-014 710-01
<u>91-008 281-91</u>	Feed driving eccentric sleeve, complete, consisting of Nos.91-009 636-91; 91-009 646-92		

*See parts of previous versions, page X

- 91-014 710-01 Needle bar frame shaft, w/
No.13-065 199-05 Position pin
No.91-014 709-05 Slide block
- 91-015 659-92 Needle bar frame shaft crank, rear,
w/ binding screw No.11-108 288-15
- *91-018 358-45 Oil cup for No.91-008 003-05
- *91-018 359-45 Oil cup for No.91-008 004-05
- 91-018 460-90 Bevel gear assembly, w/
No.91-000 680-15 Set screw, pointed
No.91-000 689-15 Set screw, blunt
- 91-019 676-05 Oil wick, 20 mm long, for No.91-009 636-91
- 91-067 020-05 Oil pad for Nos.91-008 003-05;
91-008 005-05
- 91-129 207-11 Pin spanner (special version)
for No.91-007 665-15

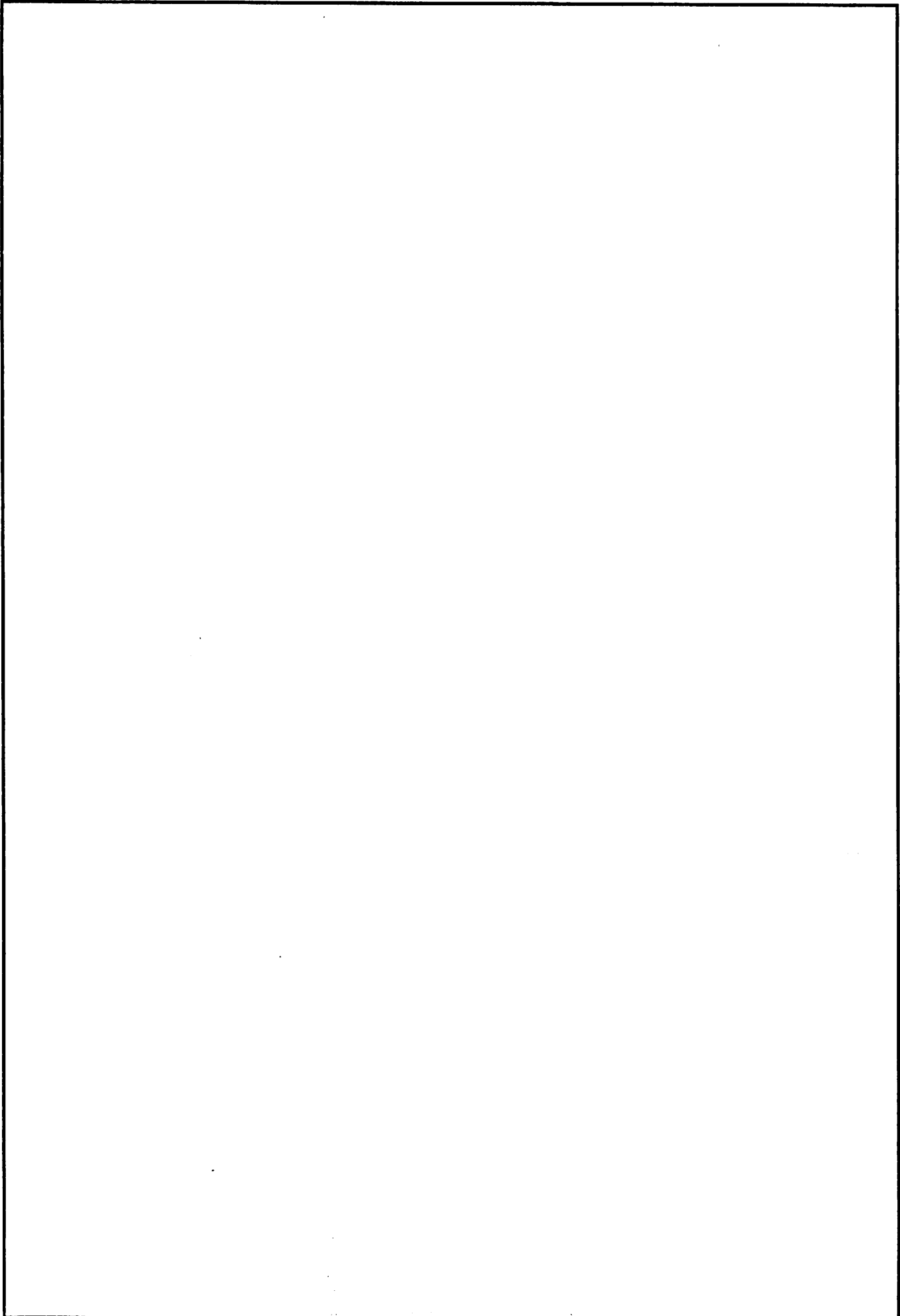
II/2

Arm Parts



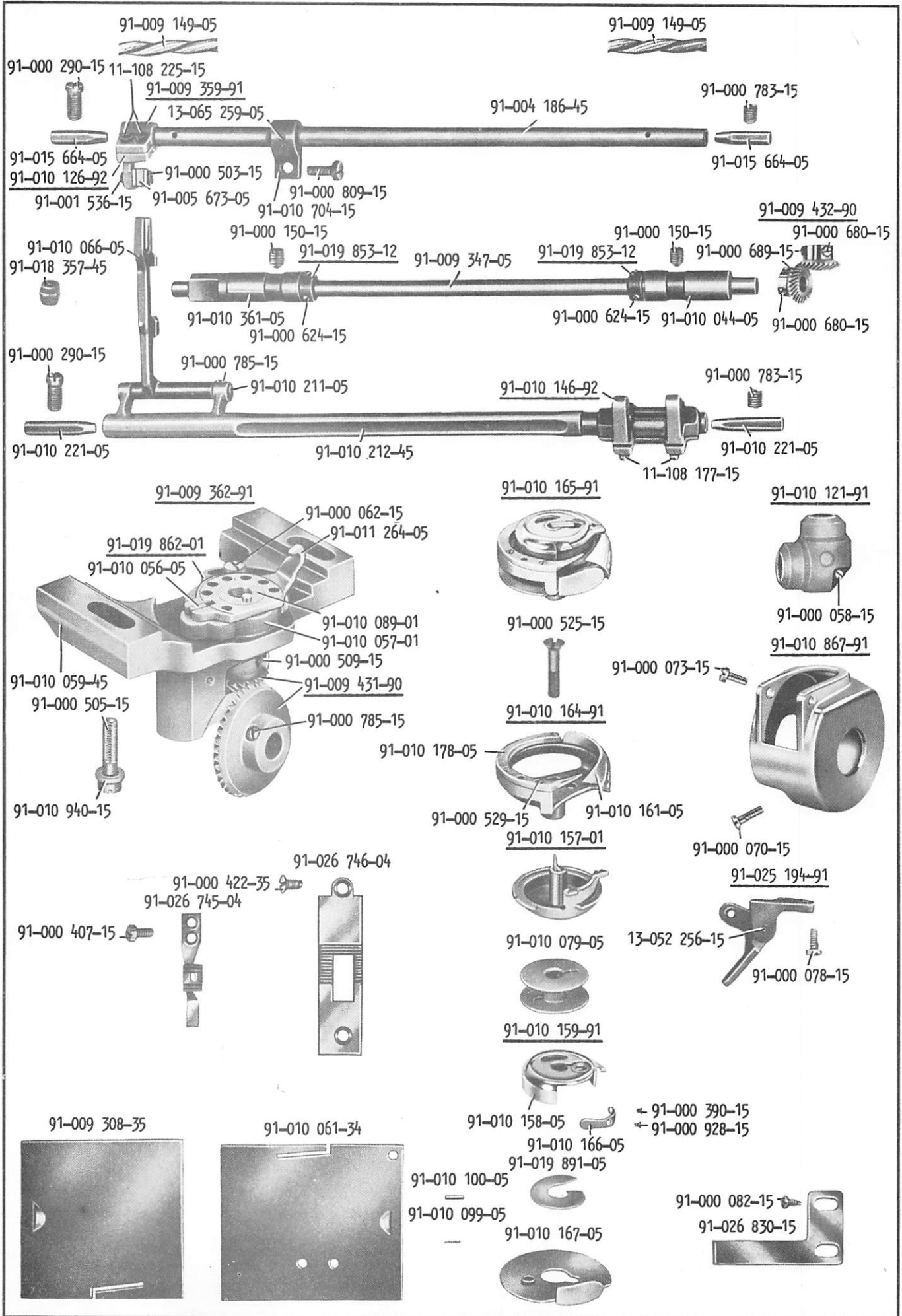
12-110 211-15 (701 701)	Jam nut (M 8 DIN 467) for No.91-019 664-15	<u>91-010 133-91</u>	Balance wheel (Models A & B, special version), complete, consisting of Nos.91-000 340-15; 91-001 538-15; 91-005 068-05; 91-005 070-05; 91-006 623-45; 91-009 005-92
*12-642 170-45 (28 599)	Circlip (5x0.6) for No.91-010 204-15	91-010 204-15	Lifting lever connecting rod for No.91-010 606-45
91-000 029-15	Hinge screw for No.91-025 165-45	91-010 606-45	Lifting lever (Models H1, H2 & H3)
91-000 064-15	Fastening screw for No.91-010 617-45	91-010 617-45	Arm cover, rear, (Models C & D)
*91-000 089-25	Fastening screw for No.91-010 755-35	91-010 733-15	Lifting lever lifting bracket (Models H1 & H2)
91-000 263-15	Hinge screw for No.91-017 530-91	*91-010 755-35	Arm cover, front
91-000 321-15	Fastening screw, pointed, for Nos.91-009 005-91; 91-009 388-92	91-012 407-15	Washer for No.91-009 938-15
91-000 340-15	Stop screw for No.91-001 538-15	91-014 675-45	Connecting lever for No.91-017 530-91
91-000 367-15	Fastening screw for Nos.91-009 938-15; 91-030 246-15	91-014 786-15	Torsion spring for No.91-014 675-45
91-000 386-15	Fastening screw for No.91-010 733-45	<u>91-017 530-91</u>	Ball joint connection, complete, consisting of No.91-017 531-45 Connection No.91-020 346-01 Ball joint
*91-000 406-15	Fastening screw for No.91-002 504-45	91-019 660-15	Leaf spring bracket
91-000 565-15	Fastening screw for No.91-009 302-45	*91-019 662-15	Presser bar leaf spring, lower (Models A & B)
91-001 513-15	Nut for No.91-010 204-15	*91-019 663-45	Leaf spring guide bracket
91-001 538-15	Stop motion nut for No.91-006 623-45	91-019 664-15	Stud, threaded, for No.91-019 665-15
91-002 504-45	Arm cover, rear	91-019 665-15	Pressure regulating thumb nut
91-002 536-05	Washer for No.91-025 164-05	<u>91-019 677-91</u>	Lifting lever link assembly (Models C & D), complete, consisting of Nos.91-000 263-15; 91-000 367-15; 91-010 617-45; 91-014 675-45; 91-014 786-15; 91-017 530-91; 91-030 246-15
91-005 068-05	Spring washer for No.91-009 005-92	91-025 164-05	Pressure spring for No.91-010 204-15
91-005 070-05	Balance wheel friction washer for No.91-006 623-45	91-025 165-45	Lifting lever connecting rod joint for No.91-010 204-15
*91-006 155-15	Spring washer for No.91-000 406-15	91-030 246-15	Hing stud for No.91-014 675-45
91-006 623-45	Pulley for No.91-009 005-92	91-100 044-15	Fastening screw, blunt, for Nos.91-009 005-92; 91-009 388-92
<u>91-009 005-92</u>	Balance wheel, w/ No.91-000 321-15 Set screw, pointed No.91-100 044-15 Set screw, blunt	91-013 109-45	Arm (not ill.)
91-009 302-45	Top cover		
91-009 333-15	Spring washer for No.91-000 565-15		
<u>91-009 388-92</u>	Balance wheel (Models A & B, standard version), w/ No.91-000 321-15 Set screw, pointed No.91-100 044-15 Set screw, blunt		
91-009 938-15	Hinge stud for No.91-010 606-45		

*See parts of previous versions, page X





Bedplate Parts



*11-108 177-15	Binding screw (A M 4x10 DIN 84-86) for No.91-010 146-92	<u>91-009 362-91</u>	Hook saddle, complete, consisting of Nos.91-000 062-15; 91-009 431-90; 91-010 059-45; 91-010 089-01; 91-011 264-05; 91-019 862-01
11-108 225-15	Binding screw (A M 5x10 DIN 84-86) for No.91-010 126-92	<u>91-009 431-90</u>	Bevel gear assembly, w/ No.91-000 509-15 Set screw for small bevel gear No.91-000 785-15 Set screw for large bevel gear
13-052 256-15 (101 784)	Hinge pin (N 4x18) for No.91-025 194-91	<u>91-009 432-90</u>	Bevel gear assembly, w/ No.91-000 680-15 Set screw, pointed No.91-000 689-15 Set screw, blunt
*13-065 259-05 (101 763)	Position pin (4x20 DIN 1473) for No.91-010 704-15	91-010 044-05	Hook drive shaft bushing, rear
91-000 058-15	Fastening screw for No.91-010 121-91	91-010 056-05	Bobbin case lever slide for No.91-010 057-01
91-000 062-15	Fastening screw for No.91-010 057-01	91-010 057-01	Bobbin case lever fulcrum
91-000 070-15	Fastening screw for No.91-010 867-91	91-010 059-45	Hook saddle
91-000 073-15	Fastening screw for No.91-010 867-91	91-010 061-34 x 0.8	Bed slide, rear
91-000 078-15	Fastening screw for No.91-025 194-91	91-010 066-05	Feed bar
91-000 082-15	Fastening screw for No.91-026 830-15	91-010 079-05	Bobbin
91-000 150-15	Fastening screw for Nos.91-010 044-05; 91-010 361-05	91-010 089-01	Hook shaft, w/ driving pin
91-000 290-15	Fastening screw for Nos.91-010 221-05; 91-015 664-05	91-010 099-05	Pressure spring for No.91-010 100-05
91-000 390-15	Fastening screw for No.91-010 166-05	91-010 100-05	Guide pin for No.91-010 099-05
91-000 407-15	Fastening screw for No.91-026 745-04	<u>91-010 121-91</u>	Bevel gear case, w/ set screw No.91-000 058-15, for No.91-009 432-90
91-000 422-35	Fastening screw for No.91-026 746-04	* <u>91-010 126-92</u>	Feed lifting shaft crank, w/ binding screws No.11-108 225-15
91-000 503-15	Hinge screw for No.91-005 673-05	<u>91-010 146-92</u>	Feed rock shaft crank, rear, w/ binding screw No.11-108 177-15
91-000 505-15	Fastening screw for No.91-010 059-45	91-010 157-01	Bobbin case base, complete, consisting of No.91-010 070-05 Latch No.91-010 071-05 Hinge pin No.91-010 072-05 Pressure spring No.91-010 073-05 Plunger No.91-010 156-05 Bobbin case base
91-000 509-15	Fastening screw for small bevel gear of No.91-009 431-90	91-010 158-05	Bobbin case cap
91-000 525-15	Fastening screw for No.91-010 161-05	<u>91-010 159-91</u>	Bobbin case cap, complete, consisting of Nos.91-000 390-15; 91-000 928-15; 91-010 158-05; 91-010 166-05
91-000 529-15	Fastening screw for No.91-010 178-05	91-010 161-05	Hook (Models A & B; fabric)
91-000 624-15	Fastening screw for No.91-019 853-12	<u>91-010 164-91</u>	Hook (Models A & B; fabric), complete, consisting of Nos.91-000 529-15; 91-010 161-05; 91-010 167-05; 91-010 178-05 No.91-010 895-91 Hook (Models A & B; leather), complete. For components see table on page 6
91-000 680-15	Fastening screw, pointed, for No.91-009 432-90		
91-000 689-15	Fastening screw, blunt, for No.91-009 432-90		
91-000 783-15	Fastening screw for Nos.91-010 221-05; 91-015 664-05		
91-000 785-15	Fastening screw for large bevel gear of No.91-009 431-90 and No.91-010 211-05		
91-000 809-15	Fastening screw for No.91-010 704-15		
91-000 928-15	Regulating screw for No.91-010 166-05		
91-001 536-15	Nut for No.91-000 503-15		
*91-004 186-45	Feed lifting shaft		
91-005 673-05	Slide block for No.91-010 126-92		
91-009 149-05	Oil wick for Nos.91-004 186-15; 91-010 212-45		
91-009 308-35	Bed slide, front		
91-009 347-05	Hook drive shaft		
<u>91-009 359-91</u>	Feed lifting shaft crank, complete, consisting of Nos.91-000 503-15; 91-001 536-15; 91-005 673-05; 91-010 126-92		

*See parts of previous versions, page X

91-010 165-91 Hook, with bobbin case (Models A & B; fabric), complete, consisting of Nos. 91-010 157-01; 91-010 159-91; 91-010 164-91
 No. 91-010 896-91 Hook, with bobbin case (Models A & B; leather), complete. For components see table page 6

91-010 166-05 Tension spring
 91-010 167-05 Hook washer for No. 91-010 164-91
 91-010 178-05 Hook gib (Models A & B; fabric)
 No. 91-010 893-05 Hook gib (Models A & B; leather), not ill.

91-010 211-05 Feed bar hinge stud
 91-010 212-45 Feed rock shaft
 91-010 221-05 Center stud for No. 91-010 212-45
 91-010 361-05 Hook drive shaft bushing, front
 91-010 704-15 Clamping bracket for No. 91-004 186-15
91-010 867-91 Bevel gear case, w/ set screw
 No. 91-000 070-15, for No. 91-009 431-90

91-010 940-15 Washer for No. 91-000 505-15
 91-011 264-05 Bobbin case lever
 *91-015 664-05 Center stud for No. 91-004 186-45
 *91-018 357-45 Oil cap for No. 91-010 361-05
91-019 853-12 Set collar, w/ set screw
 No. 91-000 624-15, for No. 91-009 347-05

91-019 862-01 Bobbin case lever fulcrum, complete, consisting of Nos. 91-010 056-05; 91-010 057-01

91-019 891-05 Friction washer (special version) for No. 91-010 079-05

91-025 194-91 Bell crank bracket (Models A & B), w/ hinge pin No. 13-052 256-15

91-026 745-04 Feed dog for No. 91-026 746-04 (subcl.-6/1)
 No. 91-047 181-04 Feed dog for No. 91-048 537-05 (subcl.-6/2), not ill.
 No. 91-042 944-04 Feed dog for No. 91-042 945-04 (subcl.-6/3), not ill.
 No. 91-043 524-04 Feed dog for No. 91-043 525-04 (subcl.-6/4), not ill.
 No. 91-046 966-04 Feed dog for No. 91-046 968-04 (subcl.-6/5), not ill.
 No. 91-046 967-04 Feed dog for No. 91-046 969-04 (subcl.-6/6), not ill.
 No. 91-046 980-04 Feed dog for No. 91-046 982-04 (subcl.-6/7), not ill.
 No. 91-046 981-04 Feed dog for No. 91-046 983-04 (subcl.-6/8), not ill.

(Orders should specify type desired)

91-026 746-04 Needle plate (subcl. -6/1)
 No. 91-048 537-05 Needle plate (subcl.-6/2), not ill.
 No. 91-042 945-04 Needle plate (subcl.-6/3), not ill.
 No. 91-043 525-04 Needle plate (subcl.-6/4), not ill.
 No. 91-046 968-04 Needle plate (subcl.-6/5), not ill.
 No. 91-046 969-04 Needle plate (subcl.-6/6), not ill.
 No. 91-046 982-04 Needle plate (subcl.-6/7), not ill.
 No. 91-046 983-04 Needle plate (subcl.-6/8), not ill.

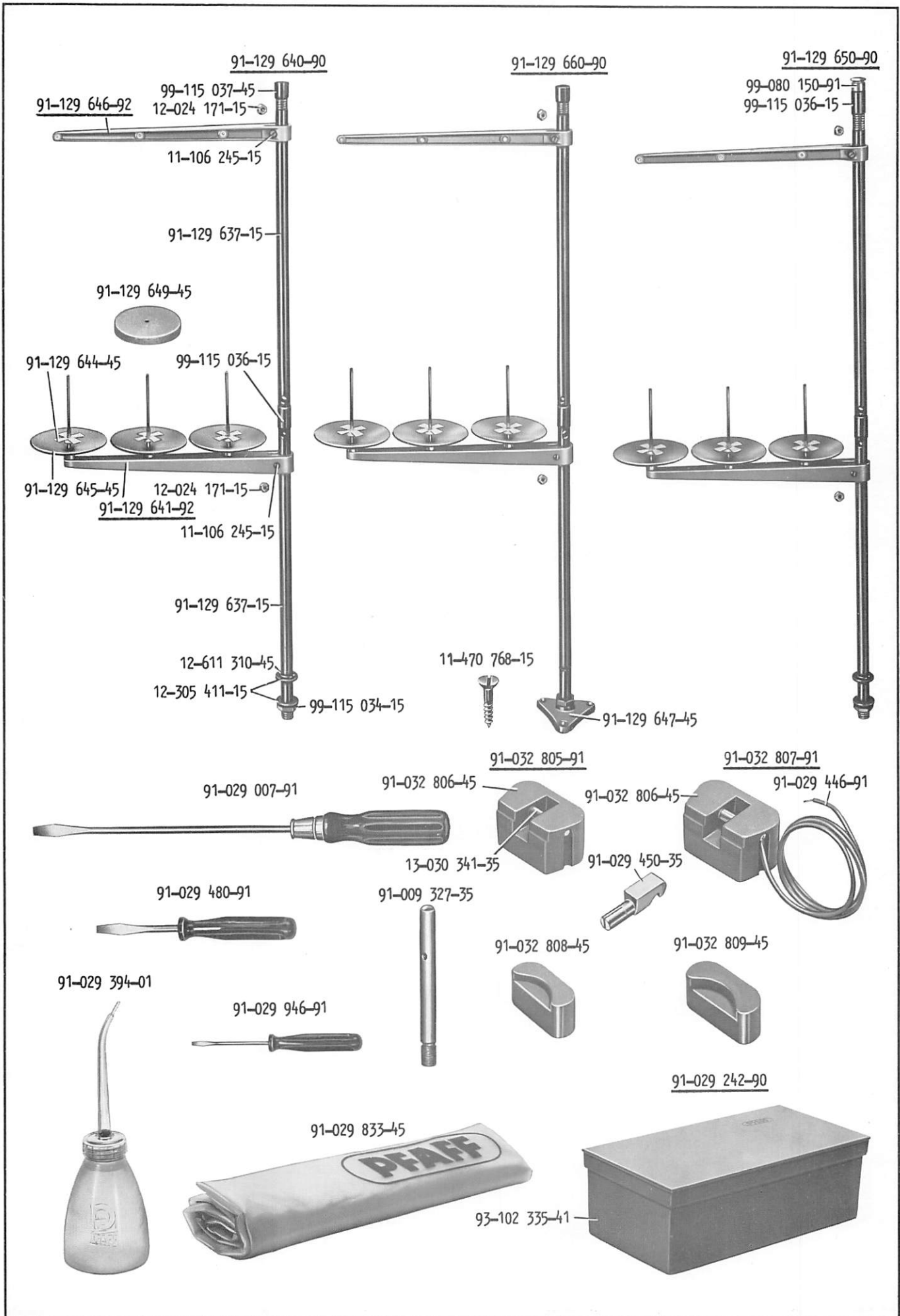
(Orders should specify type desired)

91-026 830-15 Flat retaining spring for No. 91-010 061-34

91-009 335-45 Bed plate (not ill.)
 11-130 452-15 Fastening screw (M 10x25 DIN 912) (100 202) for No. 91-009 335-45, not ill.
 11-133 451-15 Fastening screw (M 10x25, w/ head 6.5 mm high, for No. 91-009 335-05, not ill.
 13-060 400-05 Position pin (6x32 DIN 1471) (101 824) for No. 91-009 335-05, not ill.

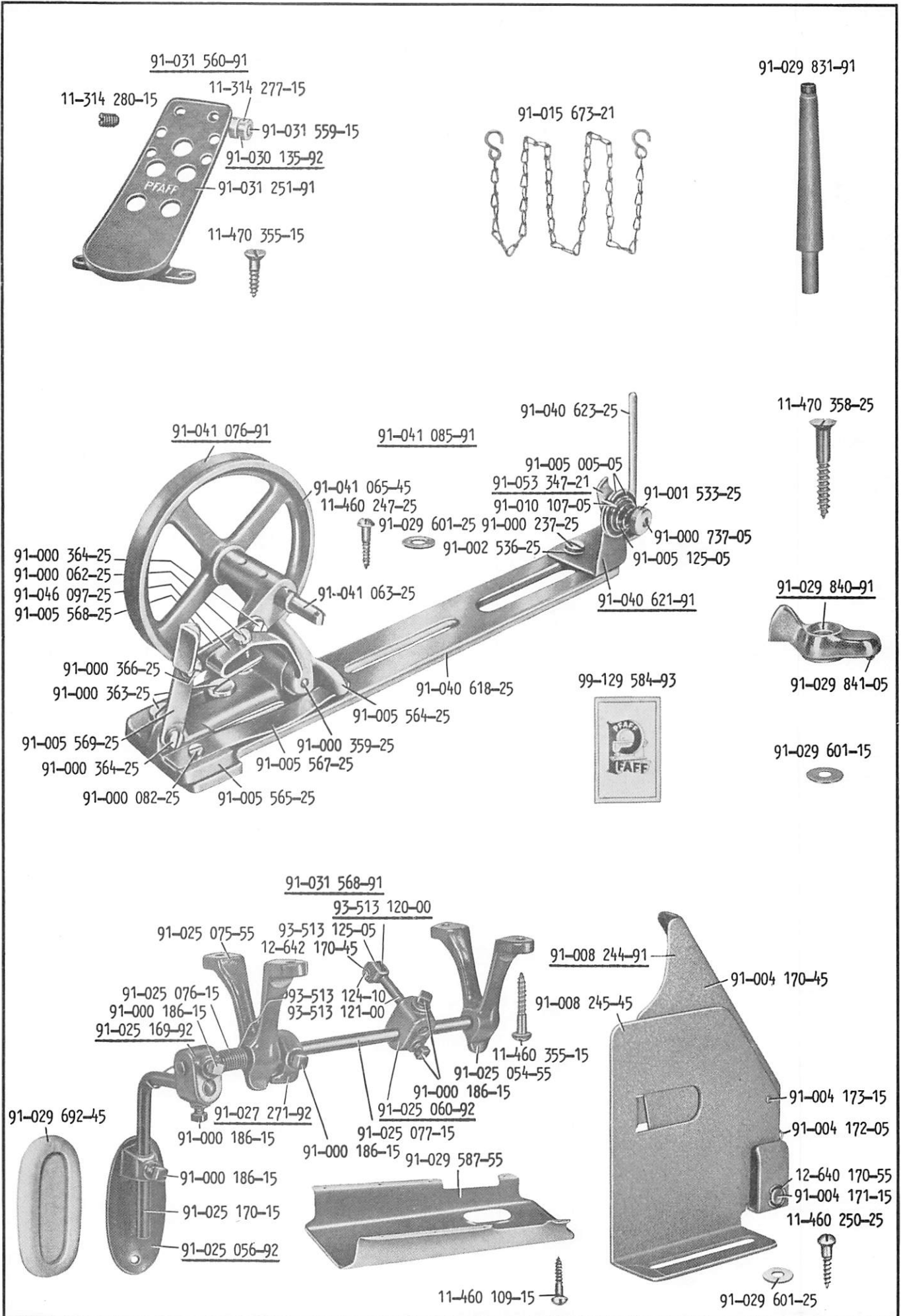
IV/1; IV/2

Accessory Parts



11-106 245-15	Binding screw (A M 5x25 DIN 84-4S) for Nos.91-129 641-92; 91-129 646-92	91-129 637-15	Spool rest rod
11-470 768-15 (1 446)	Wood screw (5.5x22 DIN 97) for No.91-129 647-45	<u>*91-129 640-90</u>	Thread unwinder (standard-version), complete, consisting of Nos.12-305 411-15; 12-611 310-45; 91-129 637-15; 91-129 641-92; 91-129 644-45; 91-129 645-45; 91-129 646-92; 91-129 649-45; 99-115 034-15; 99-115 036-15; 99-115 037-45
12-024 171-15 (101 501)	Nut (M5 DIN 934/1) for No.11-106 245-15	<u>91-129 641-92</u>	Spool rest, w/ No.11-106 245-15 Binding screw No.12-024 171-15 Nut
12-305 411-15	Washer (19 DIN 125) for Nos.91-129 640-90; 91-129 650-90	91-129 644-45	Spool retaining washer
<u>*12-611 310-45</u>	Circlip (18x1.5 DIN 471) for No.12-305 411-15	91-129 645-45	Spool disc
13-030 341-35 (101 783)	Fulcrum stud (5h8x40 DIN 7) for No.91-032 805-91	<u>91-129 646-92</u>	Thread guide, w/ No.11-106 245-15 Binding screw No.12-024 171-15 Nut
91-009 327-35	Thread guide	91-129 647-45	Thread unwinder base for No.91-129 660-90
91-029 007-91	Screwdriver (6.0 mm wide)	91-129 649-45	Spool pin washer (foam rubber) for No.91-129 641-92
<u>91-029 242-90</u>	Box, w/ No.91-009 327-35 Thread guide No.91-010 079-05 Bobbin (see Section III) No.91-029 480-91 Screwdriver (4.8 mm wide) No.91-029 946-91 Screwdriver (2.8 mm wide)	<u>*91-129 650-90</u>	Thread unwinder (special version), complete Same components as No.91-129 640-90, but incorporating No.99-080 150-91 Gland (for power connection from above)
91-029 394-01	Oiler, empty	<u>*91-129 660-90</u>	Thread unwinder (special version), complete Same components as No.91-129 640-90, but incorporating No.11-470 768-15 Wood screw No.91-129 647-45 Thread unwinder base
91-029 446-91	Fulcrum stud, w/ earth wire	93-102 335-41	Box
91-029 450-35	Hinge stud for Nos.91-032 805-91; 91-032 807-91	99-080 150-91	Gland for No.91-129 650-90
91-029 480-91	Screwdriver (4.8 mm wide)	99-115 034-15	Nut for No.91-129 637-15
91-029 833-45	Machine cover	99-115 036-15	Sleeve for No.91-129 637-15
91-029 946-91	Screwdriver (2.8 mm wide)	99-115 037-45	Cap for No.91-129 637-15
<u>91-032 805-91</u>	Hinge block, left, complete, consisting of Nos.13-030 341-35; 91-032 806-45		
91-032 806-45	Hinge block for Nos.91-032 805-91; 91-032 807-91		
<u>91-032 807-91</u>	Hinge block, right, complete, consisting of Nos.91-029 446-91; 91-032 806-45		
91-032 808-45	Rubber cushion, 4-mm recess (standard version)		
91-032 809-45	Rubber cushion, 7-mm recess (special version)		

*See parts of previous versions, page X



11-314 277-15 (700 152)	Fastening screw (M 6x6f DIN 438) for No.91-030 135-92	<u>91-008 244-91</u>	Belt guard (Models A;B & C), complete, consisting of Nos.12-640 170-55; 91-004 170-45; 91-004 171-15; 91-004 172-05; 91-004 173-15; 91-008 245-45
11-314 280-15 (700 150)	Fastening screw (M 6x8 DIN 438) for No.91-031 559-15	91-008 245-45	Belt guard bracket
11-460 109-15 (1 435)	Wood screw (3x13 DIN 96) for No.91-029 587-55	91-010 107-05	Position pin for No.91-005 005-05
11-460 247-25 (1 416)	Wood screw (4.5x20 DIN 96) for No.91-041 085-91	91-015 673-21	Chain for No.91-031 560-91
11-460 250-25 (1 459)	Wood screw (4.5x25 DIN 96) for No.91-008 244-91	91-025 054-55	Rock shaft hanger, rear, for No.91-025 077-15
11-460 355-15 (1 473)	Wood screw (5.5x25 DIN 96) for No.91-031 568-91	<u>91-025 056-92</u>	Knee plate, w/ set screw No.91-000 186-15
11-470 355-15 (1 417)	Wood screw (5.5x25 DIN 97) for No.91-031 560-91	<u>91-025 060-92</u>	Rock shaft lifting bracket, w/ set screw No.91-000 186-15
11-470 358-25 (1 418)	Wood screw (5.5x30 DIN 97) for No.91-029 840-91	91-025 075-55	Rock shaft hanger, front, for No.91-025 077-15
12-640 170-55 (50 077)	Circlip (5 DIN 6799) for No.91-004 171-15	91-025 076-15	Torsion spring for No.91-025 170-15
12-642 170-45 (28 599)	Circlip (5x0.6) for No.93-513 120-00	91-025 077-15	Knee lifter rock shaft for No.91-031 568-91
91-000 062-25	Set screw for No.91-046 097-25	<u>91-025 169-92</u>	Knee plate arm bracket, w/ set screw No.91-000 186-15
91-000 082-25	Fastening screw for No.91-005 567-25	91-025 170-15	Knee plate arm for No.91-025 169-92
91-000 186-15	Fastening screw for Nos.91-025 056-92; 91-025 060-92; 91-025 169-92; 91-027 271-92	<u>91-027 271-92</u>	Stop dog, w/ set screw No.91-000 186-15, for No.91-025 077-15
91-000 237-25	Fastening screw for No.91-040 621-91	91-029 587-55	Oil drip pan
91-000 359-25	Hinge screw for Nos.91-005 564-25; 91-005 565-25	91-029 601-15	Washer for No.91-029 840-91
91-000 363-25	Fastening screw for No.91-041 076-91	91-029 601-25	Washer for Nos.11-460 247-25; 11-460 250-25
91-000 364-25	Fastening screw for Nos.91-005 568-25; 91-005 569-25	91-029 692-45	Rubber pad cover for No.91-025 056-92
91-000 366-25	Connecting screw for Nos.91-005 568-25; 91-005 569-25	91-029 831-91	Machine rest
91-000 737-05	Tension stud	<u>91-029 840-91</u>	Catch, w/ leather No.91-029 841-05
91-001 533-25	Nut for No.91-000 737-05	91-029 841-05	Leather for No.91-029 840-91
91-002 536-25	Washer for No.91-000 237-25	<u>91-030 135-92</u>	Set collar, w/ set screw No.11-314 277-15, for No.91-031 559-15
91-004 170-45	Belt guard	91-031 251-91	Treadle for No.91-031 560-91
91-004 171-15	Hinge stud for Nos.91-004 170-45; 91-008 245-45	91-031 559-15	Chain suspension stud for No.91-031 560-91
91-004 172-05	Torsion spring for No.91-004 170-45	<u>91-031 560-91</u>	Treadle (Models C & D), complete, consisting of Nos.11-314 280-15; 91-030 135-92; 91-031 251-91; 91-031 559-15
91-004 173-15	Guide stud for No.91-004 170-45	<u>91-031 568-91</u>	Knee lifter, complete, consisting of Nos.91-025 054-55; 91-025 056-92; 91-025 060-92; 91-025 075-55; 91-025 076-15; 91-025 077-15; 91-025 169-92; 91-025 170-15; 91-027 271-92; 93-513 120-00
91-005 005-05	Tension disc	91-040 618-25	Bobbin winder base for No.91-041 085-91
91-005 125-05	Tension spring	<u>91-040 621-91</u>	Bobbin winder thread tension bracket, complete, consisting of Nos.91-000 737-05; 91-001 533-25; 91-005 005-05; 91-005 125-05; 91-040 623-25; 91-053 347-21
91-005 564-25	Bobbin winder frame		
91-005 565-25	Bobbin winder frame base		
91-005 567-25	Bobbin winder frame spring		
91-005 568-25	Bobbin winder stop latch trip lever for No.91-005 564-25		
91-005 569-25	Bobbin winder thumb lever for No.91-005 568-25		

91-040 623-25 Spool pin

91-041 063-25 Bobbin winder spindle

91-041 065-45 Bobbin winder pulley

91-041 076-91 Bobbin winder, complete,
consisting of Nos.91-000 062-15;
91-000 082-25; 91-000 359-25;
91-000 364-25; 91-000 366-25;
91-005 564-25; 91-005 565-25;
91-005 567-25; 91-005 568-25;
91-005 569-25; 91-041 063-25;
91-041 065-45; 91-046 097-25

91-041 085-91 Bobbin winder, table model, complete,
consisting of Nos.91-000 237-25;
91-000 363-25; 91-002 536-25;
91-040 618-25; 91-040 621-91;
91-041 076-91

91-046 097-25 Bobbin winder stop latch

91-053 347-21 Bobbin winder tension bracket,
w/ position pin No.91-010 107-05

93-513 120-00 Lifting bracket extension, complete,
consisting of Nos.12-642 170-45;
93-513 121-00; 93-513 124-10;
93-513 125-05

93-513 121-00 Lifting bracket extension

93-513 124-10 Roller stud for No.93-513 125-05

93-513 125-05 Roller for No.93-513 120-00

99-129 584-93 Wrapper, w/ 10 needles, System 134
(Models H1 & H2)

V

Complementary Parts

Pfaff 145 H1-6

Pfaff 145 H3-6

Pfaff 145 H4-6

91-010 618-15



91-011 497-91



91-000 243-15



91-001 512-15

Pfaff 145 H3-6

91-010 738-45



99-129 593-93



91-010 735-15



Pfaff 145 H4-6

91-000 636-15

91-011 929-15



91-000 034-15

91-061 005-05



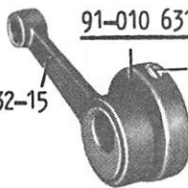
91-010 676-15

91-006 526-05

91-010 633-05

91-011 718-01

91-010 631-92



91-000 510-15

91-010 632-15

91-010 736-15



91-009 009-05



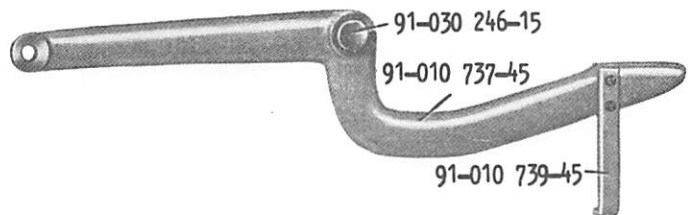
99-129 586-93



91-030 246-15

91-010 737-45

91-010 739-45



Complementary Parts for the Pfaff 145 H1-6
(For standard parts, please refer to the Pfaff 145 H2-6)

V

91-000 243-15 Fastening screw for No.91-011 497-91
91-001 512-15 Nut for No.91-011 497-91
91-010 618-15 Lifting bell crank
91-011 497-91 Ball joint connection, w/ ball screw
stud and set screws No.91-000 243-15

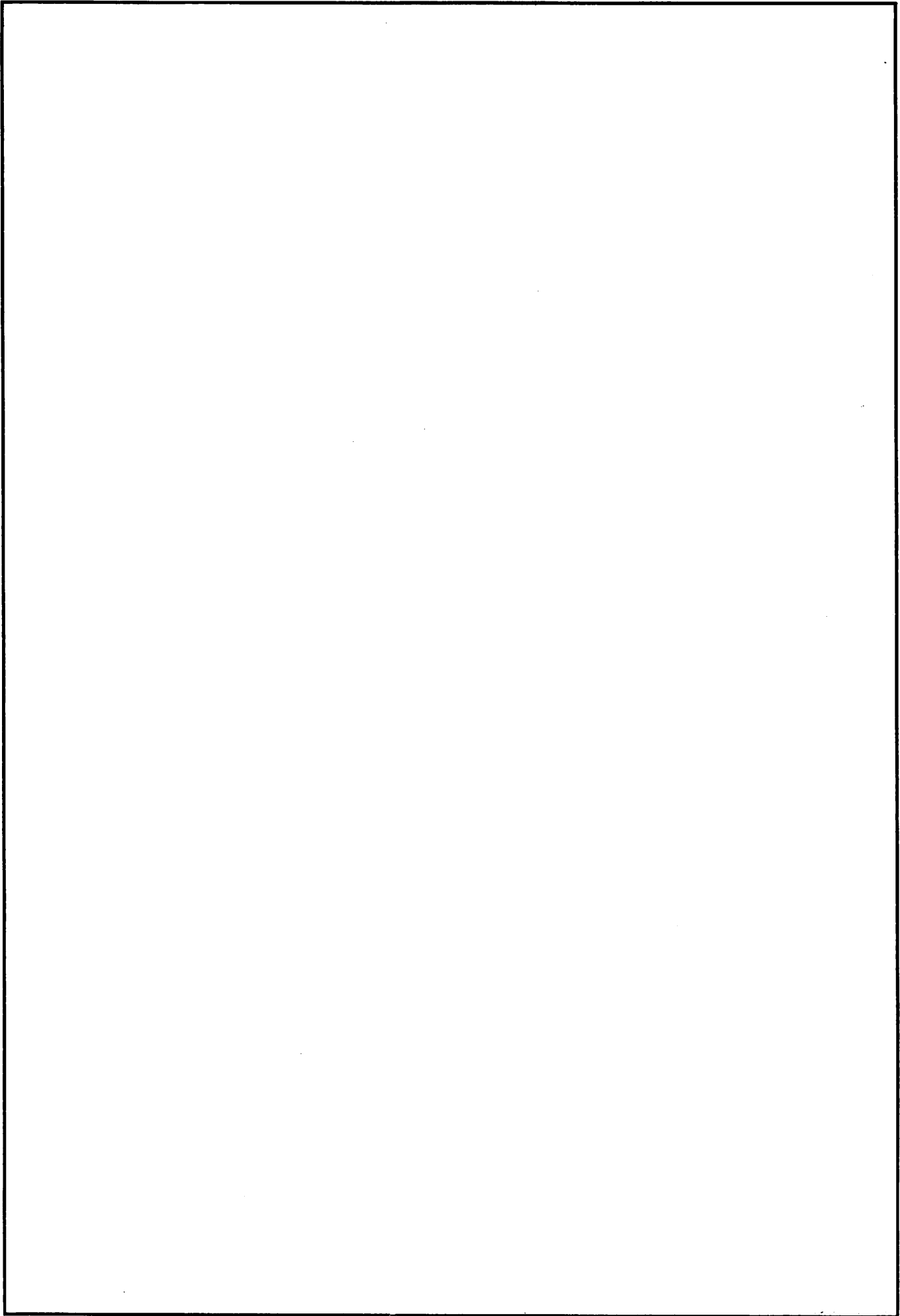
Complementary Parts for the Pfaff 145 H3-6
(For standard parts, please refer to the Pfaff 145 H2-6)

91-010 735-15 Presser bar lifter
91-010 738-45 Lifting lever lifting bracket
99-129 593-93 Wrapper, w/ 10 needles, System 134-35

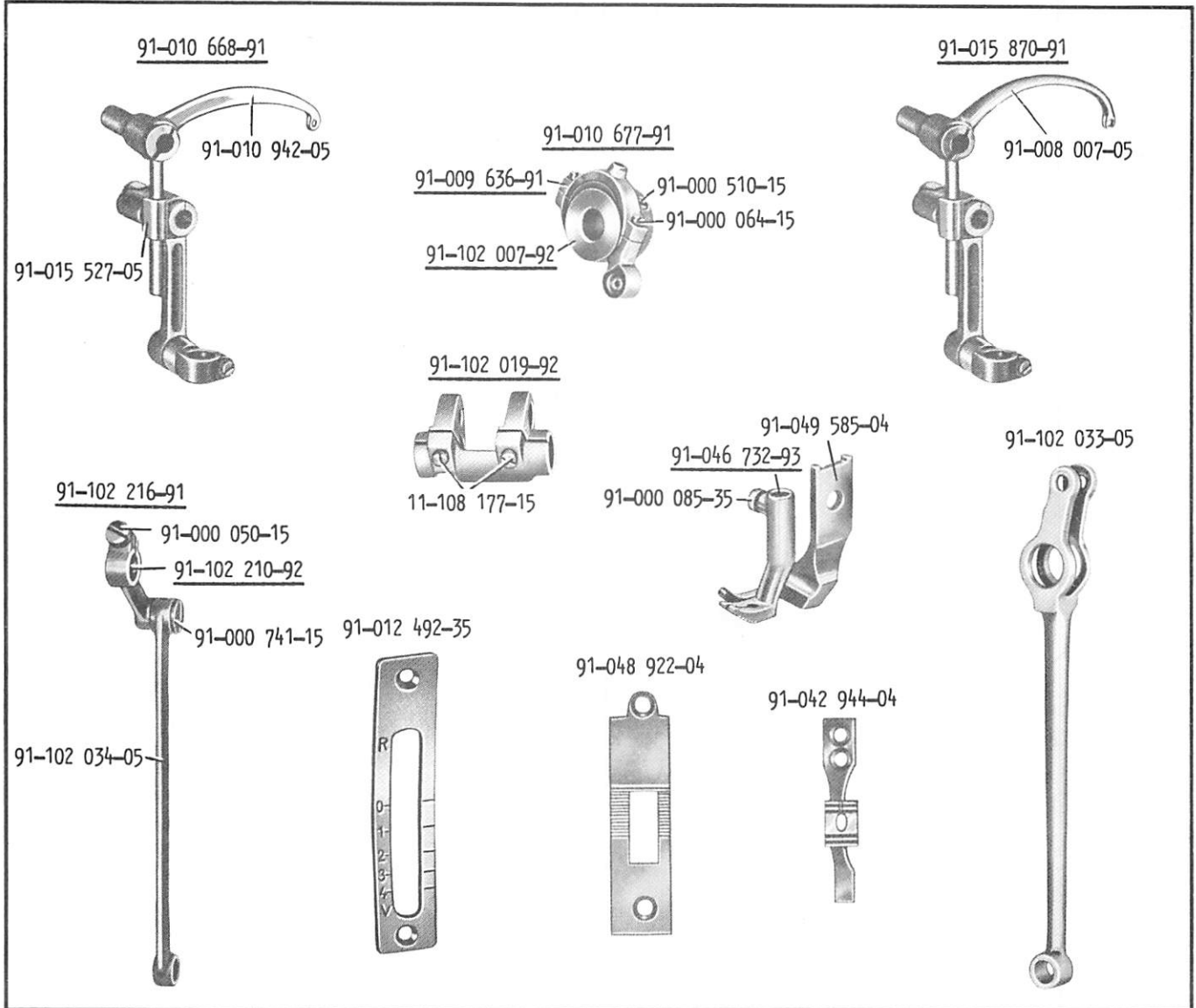
Complementary Parts for the Pfaff 145 H4-6
(For standard parts, please refer to the Pfaff 145 H2-6)

91-000 034-15 Fastening screw for No.91-011 718-92
91-000 510-15 Fastening screw for No.91-010 631-92
91-000 636-15 Pressure regulating screw
91-006 526-05 Washer for No.91-010 633-05
91-009 009-05 Presser bar spring stop pin
for No.91-061 005-05
91-010 631-92 Lifting eccentric,
w/ set screws No.91-000 510-15
91-010 632-15 Lifting eccentric connection for No.91-010 631-92
91-010 633-05 Presser bar spring, outer
91-010 676-15 Presser bar bushing
91-010 736-15 Presser bar lifter
91-010 737-45 Lifting lever
91-010 739-45 Lifting lever lifting bracket for No.91-010 737-45
*91-011 718-92 Presser bar, w/ set screw No.91-000 034-15
91-011 929-15 End screw for No.91-010 676-15
91-030 246-15 Hinge stud for No.91-010 737-45
91-061 005-05 Presser bar spring, inner
99-129 586-93 Wrapper, w/ 10 needles, System 190

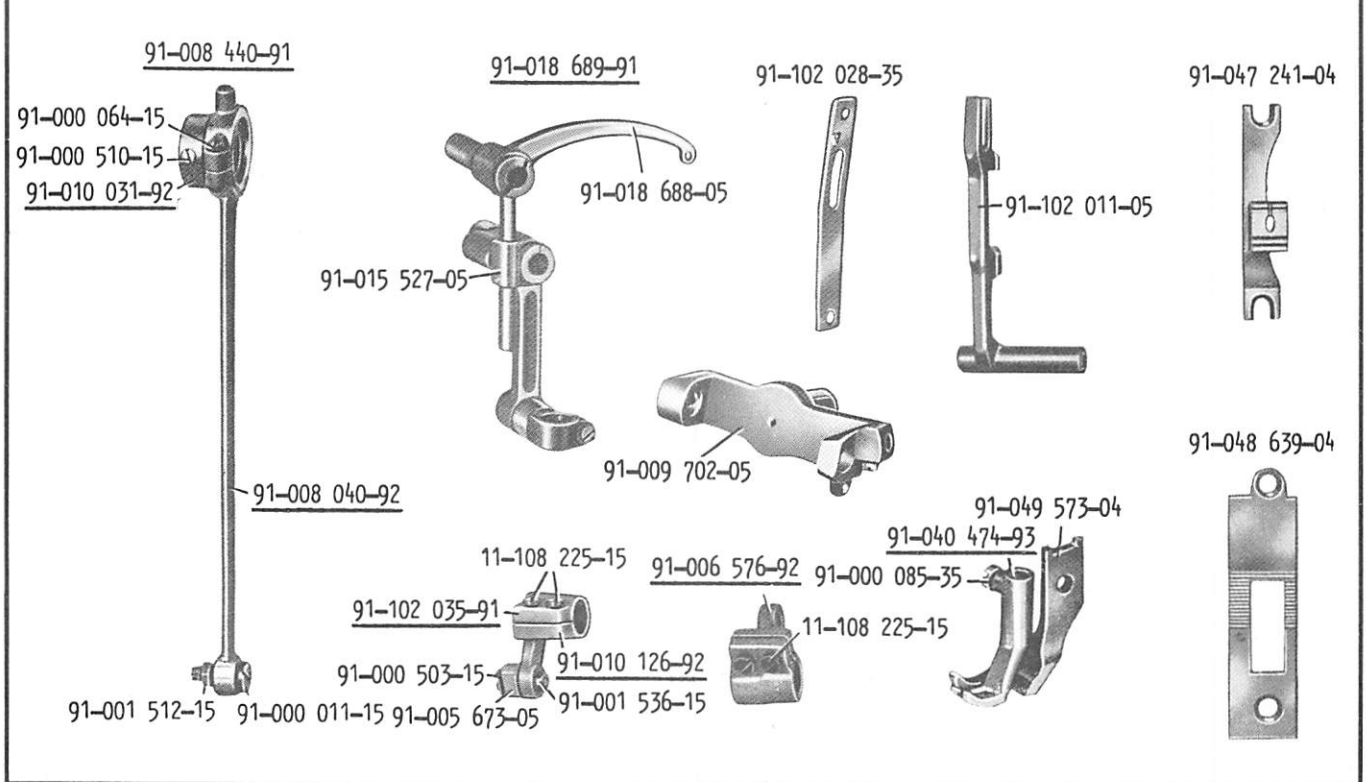
*See parts of previous versions, page X



Complementary Parts
Pfaff 145-6 N 8
Pfaff 145-6 N 10



Pfaff 145-6 N10



Complementary Parts for the Pfaff 145-6 N8
(For standard parts, please refer to the Pfaff 145 H1; H2; H3 & H4-6)

- 11-108 177-15 Binding screw (A M 4x10 DIN 84-86) for No.91-102 019-92
- 91-000 050-15 Binding screw for No.91-102 210-92
- 91-000 064-15 Fastening screw for No.91-009 636-91
- 91-000 085-35 Fastening screw for vibrating presser foot
- 91-000 510-15 Fastening screw for No.91-102 007-92
- 91-000 741-15 Hinge screw for Nos.91-102 034-05; 91-102 210-92
- 91-008 007-05 Take-up lever (Models A & B) for No.91-015 870-91
- 91-009 636-91 Feed driving eccentric sleeve, w/ set screw No.91-000 064-15
- 91-010 668-91 Take-up lever (Models C & D), complete Same components as No.91-010 666-91 (see Section I), but incorporating No.91-010 942-05 Take-up lever No.91-015 527-05 Driving stud
- 91-010 677-91 Feed driving eccentric sleeve, complete, consisting of Nos.91-009 636-91; 91-102 007-92
- 91-010 942-05 Take-up lever (Models C & D) for No.91-010 668-91
- 91-012 492-35 Feed regulator index plate
- 91-015 527-05 Driving stud for No.91-010 668-91
- 91-015 870-91 Take-up lever (Models A & B), complete Same components as No.91-010 666-91 (see Section I), but incorporating Take-up lever No.91-008 007-05

- 91-018 467-91 Feed regulator, complete, (not ill.) Same components as No.91-009 810-91 (see Section II), but incorporating No.91-010 677-91 Feed driving eccentric sleeve
- No.91-012 492-35 Feed regulator index plate
- No.91-102 033-05 Feed forked connection
- 91-042 944-04 Feed dog (Models H4 & C), subcl. -6/2
- 91-046 732-93 Vibrating presser foot, w/ set screw No.91-000 085-35 (Models H4 & C), subcl. -6/2
- 91-048 922-04 Needle plate (Models H1, A & B), subcl. -6/1
- No.91-048 923-04 Needle plate (Models H4 & C), subcl. -6/2, not ill.
- 91-049 585-04 Lifting presser foot (Models H1, A & B), subcl. -6/1
- No.91-049 586-05 Lifting presser foot (Models H4 & C), subcl. -6/2, not ill.
- 91-102 007-92 Feed driving eccentric, w/ set screw No.91-000 510-15
- 91-102 019-92 Feed rock shaft crank, rear, w/ binding screws No.11-108 177-15
- 91-102 033-05 Feed forked connection
- 91-102 034-05 Needle bar frame shaft connection
- 91-102 210-92 Needle bar frame shaft crank, rear, w/ binding screw No.91-000 050-15
- 91-102 216-91 Needle bar frame shaft connection, compl., consisting of Nos.91-000 741-15; 91-102 034-05; 91-102 210-92

91-018 662-45 Bed plate (not ill.)

Complementary Parts for the Pfaff 145-6 N10
(For standard parts, please refer to the Pfaff 145-6 N8)

- 11-108 225-15 Binding screw (A M 5x10 DIN 84-86) for Nos.91-006 576-92; 91-010 126-92
- 91-000 011-15 Hinge screw for No.91-008 440-91
- 91-000 064-15 Fastening screw for No.91-008 040-92
- 91-000 085-35 Fastening screw for vibrating presser foot
- 91-000 503-15 Hinge screw for No.91-005 673-05
- 91-000 510-15 Fastening screw for No.91-010 031-92
- 91-001 512-15 Nut for No.91-000 011-15
- 91-001 536-15 Nut for No.91-000 503-15
- 91-005 673-05 Slide block for No.91-010 126-92
- 91-006 576-92 Feed lifting shaft crank, rear, w/ binding screw No.91-108 225-15
- 91-008 040-92 Feed lifting connection, w/ set screw No.91-000 064-15
- 91-008 440-91 Feed lifting connection, complete, consisting of Nos.91-000 011-15; 91-001 512-15; 91-008 040-92; 91-010 031-92

- 91-009 702-05 Feed regulator
- 91-010 031-92 Feed lifting eccentric, w/ set screws No.91-000 510-15
- 91-010 126-92 Feed lifting shaft crank, front, w/ set screws No.11-108 225-15
- 91-015 527-05 Driving stud for No.91-018 689-91
- 91-018 688-05 Take-up lever for No.91-018 689-91
- 91-018 689-91 Take-up lever (Models H1, A & B), compl. Same components as No.91-010 666-91 (see Section I), but incorporating No.91-015 527-05 Driving stud No.91-018 688-05 Take-up lever
- 91-040 474-93 Vibrating presser foot, w/ set screw No.91-000 085-35 (subcl. -6/1)
- No.91-043 526-93 Vibrating presser foot, w/ set screw No.91-000 085-35 (subcl. -6/2), not ill.
- No.91-046 732-93 Vibrating presser foot, w/ set screw No.91-000 085-35 (subcl. -6/3), not ill.

Continued overleaf

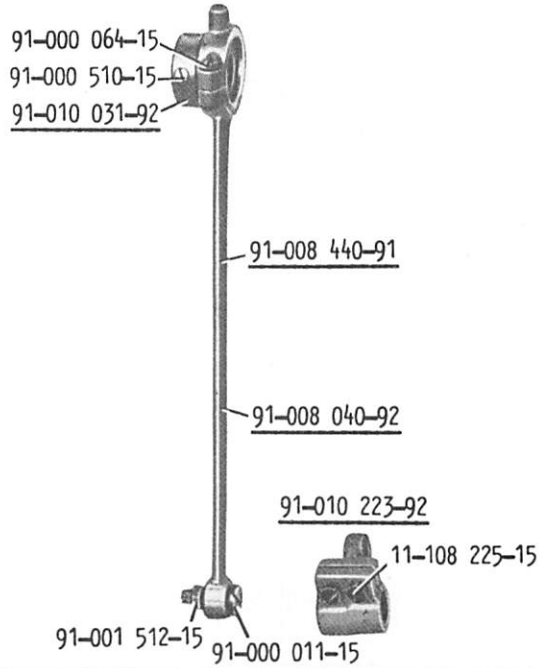
Complementary Parts for the Pfaff 145-6 N10
(For standard parts, please refer to the Pfaff 145-6 N8)

<p>91-047 241-04 Feed dog for No.91-048 639-04 (subcl. -6/1) No.91-047 242-04 Feed dog for No.91-048 639-04 (subcl. -6/2), not ill. No.91-047 243-04 Feed dog for No.91-048 640-04 (subcl. -6/3), not ill.</p>	<p>91-102 011-05 Feed bar</p>
<p>91-048 639-04 Needle plate (subcl. -6/1 & -6/2) No.91-048 640-04 Needle plate (subcl. -6/3), not ill.</p>	<p><u>91-102 022-91</u> Feed regulator, complete (not ill.) Same components as No.91-018 467-91, but incorporating No.91-009 702-05 Feed regulator No.91-102 028-35 Feed regulator index plate</p>
<p>91-049 573-04 Lifting presser foot (subcl. -6/1) No.91-049 574-04 Lifting presser foot (subcl. -6/2), not ill. No.91-049 575-04 Lifting presser foot (subcl. -6/3), not ill.</p>	<p>91-102 028-35 Feed regulator index plate for No.91-102 022-91</p> <p><u>91-102 035-91</u> Feed lifting shaft crank, front, compl., consisting of Nos.91-000 503-15; 91-001 536-15; 91-005 673-05; 91-010 126-92</p>

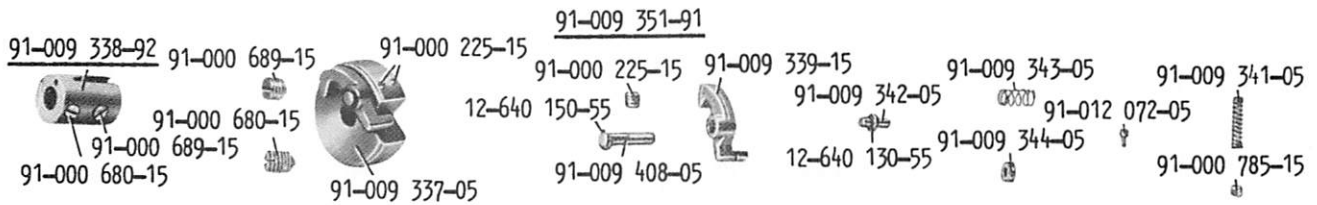
**Complementary Parts
Pfaff 145 P-6**

Safety Clutch

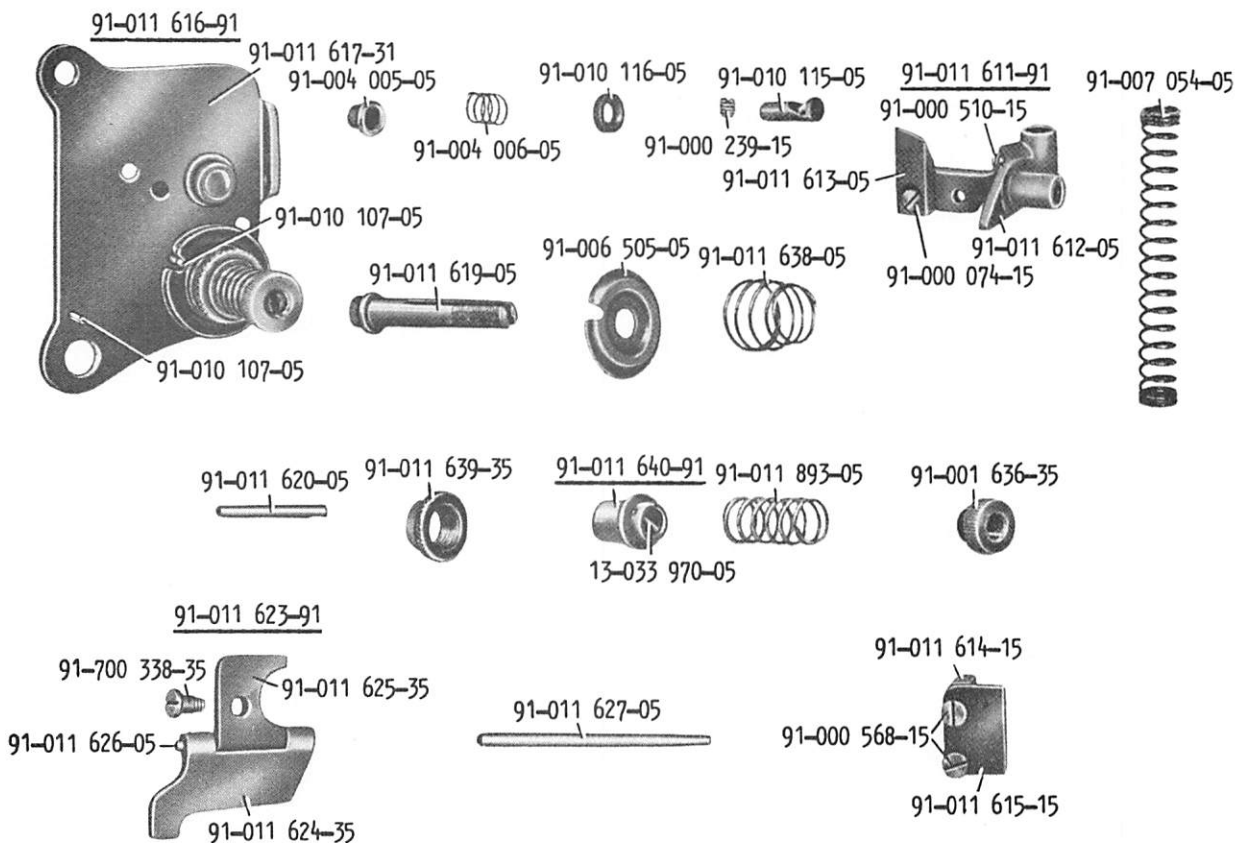
**Complementary Parts
Pfaff 145-906**



Pfaff 145



Pfaff 145-906



Complementary Parts for the Pfaff 145 P-6
 (For standard parts, please refer to the Pfaff 145 H2-6)

- 11-108 225-15 Binding screw (A M 5x10 DIN 84)
for No.91-010 223-92
- 91-000 011-15 Hinge screw for No.91-008 440-91
- 91-000 064-15 Fastening screw for No.91-008 040-92
- 91-000 510-15 Fastening screw for No.91-010 031-92
- 91-001 512-15 Nut for No.91-000 011-15
- 91-008 040-92 Feed lifting connection,
w/ set screw No.91-000 064-15
- 91-008 440-91 Feed lifting connection, complete,
consisting of Nos.91-000 011-15;
91-001 512-15; 91-008 040-91;
91-010 031-92
- 91-010 031-92 Feed lifting eccentric,
w/ set screw No.91-000 510-15
- 91-010 223-92 Feed lifting shaft crank, rear,
w/ binding screw No.11-108 225-15

Safety Clutch

- | | |
|--|--|
| <ul style="list-style-type: none"> 12-640 130-55 Slip washer (3.2 DIN 6799)
(23 033) for No.91-009 342-05 12-640 150-55 Slip washer (4 DIN 6799)
(20 565) for No.91-009 408-05 91-000 225-15 Fastening screw for No.91-009 408-05 91-000 680-15 Fastening screw, pointed,
for Nos.91-009 337-05; 91-009 338-92 91-000 689-15 Fastening screw, blunt,
for Nos.91-009 337-05; 91-009 338-92 | <ul style="list-style-type: none"> 91-000 785-15 End screw for No.91-009 341-05 91-009 337-05 Clutch collar <u>91-009 338-92</u> Clutch sleeve, w/
No.91-000 680-15 Set screw, pointed
No.91-000 689-15 Set screw, blunt 91-009 339-15 Clutch latch 91-009 341-05 Pressure spring |
|--|--|

Continued overleaf

Complementary Parts for the Pfaff 145-906
 (For standard parts, please refer to the Pfaff 145-6)

- | | |
|---|--|
| <ul style="list-style-type: none"> 13-033 970-05 Position pin (1.5m6x9 DIN 6325)
(1 957) for No.91-011 640-91 91-000 074-15 Fastening screw for No.91-011 613-05 91-000 239-15 Fastening screw for No.91-010 115-05 91-000 510-15 Fastening screw for No.91-011 612-05 91-000 568-15 Fastening screw for No.91-011 615-15 91-001 636-35 Nut for No.91-011 619-05 91-004 005-05 Thread retainer sleeve 91-004 006-05 Pressure spring for No.91-004 005-05 91-006 505-05 Tension disc 91-007 054-05 Presser bar spring, outer 91-010 107-05 Position pin for Nos.91-006 505-05;
91-010 026-31 (see Section I) 91-010 115-05 Thread retainer stud 91-010 116-05 Thread retainer stud collar <u>91-011 611-91</u> Presser bar lifting bracket, complete,
consisting of Nos.91-000 074-15;
91-000 510-15;91-011 612-05;91-011 613-05 91-011 612-05 Presser bar lifting bracket 91-011 613-05 Tension release bracket 91-011 614-15 Spacer for No.91-011 615-15 91-011 615-15 Lifting bracket guide | <ul style="list-style-type: none"> <u>91-011 616-91</u> Thread tension, complete, consisting
of Nos. 91-000 239-15;91-001 636-35;
91-004 005-05;91-004 006-05;91-006 505-05;
91-010 107-05;91-010 115-05;91-010 116-05;
91-011 617-31;91-011 619-05;91-011 620-05;
91-011 623-91;91-011 638-05;91-011 639-35;
91-011 640-91;91-011 893-05;91-700 338-35 91-011 617-31 Tension bracket 91-011 619-05 Tension stud 91-011 620-05 Tension release plunger <u>91-011 623-91</u> Tension release plate, complete,
consisting of Nos.91-011 624-35;
91-011 625-35; 91-011 626-05 91-011 624-35 Tension release plate 91-011 625-35 Tension release plate bracket 91-011 626-05 Hinge stud for Nos.91-011 624-35;
91-011 625-35 91-011 627-05 Tension release plunger 91-011 638-05 Tension spring 91-011 639-35 Regulating nut for No.91-011 640-91 <u>91-011 640-91</u> Bushing, threaded, w/ position pin
No.13-033 970-05, for No.91-011 619-05 91-011 893-05 Tension spring 91-700 338-35 Fastening screw for No.91-011 623-91 |
|---|--|

Safety Clutch

91-009 342-05 Clutch disengaging spring for No.91-009 337-05
91-009 343-05 Pressure spring for No.91-009 342-05
91-009 344-05 Screw cap bushing for No.91-009 343-05
91-009 351-91 Safety clutch, complete,
consisting of Nos.12-640 130-55;12-640 150-55;91-000 225-15;91-000 680-15;
91-000 689-15;91-000 785-15;91-009 337-05;91-009 339-15;91-009 341-05;
91-009 342-05;91-009 343-05;91-009 344-05;91-009 408-05;91-012 072-05
91-009 408-05 Hinge stud for No.91-009 339-15
91-012 072-05 Plunger for No.91-009 339-15

**Complementary Parts
Pfaff 145-225**

91-011 233-05



91-011 255-05



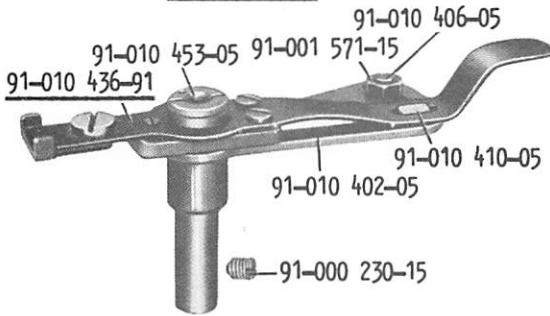
91-011 256-05



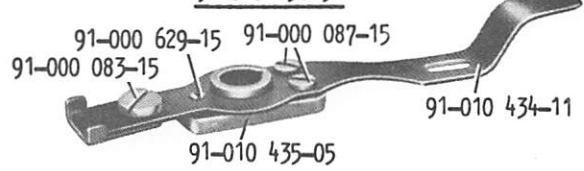
91-040 188-05



91-018 320-91

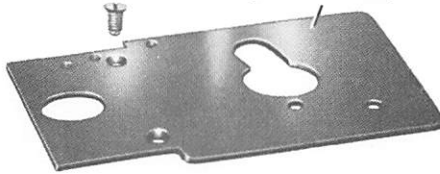


91-010 436-91



91-000 173-15

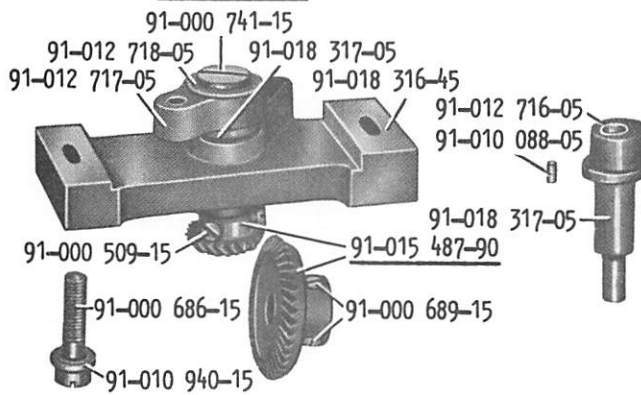
91-010 408-45



91-010 409-35



91-018 315-91



91-012 705-91



91-010 452-92



99-029 729-05

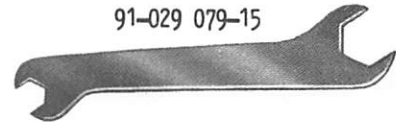


91-010 654-45

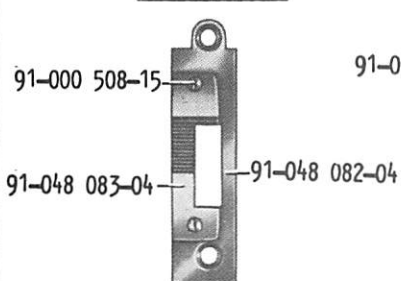


91-000 781-15

91-029 079-15



91-048 081-03



91-047 030-04

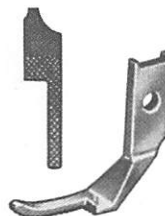


91-049 018-93



91-000 085-35

91-049 510-04

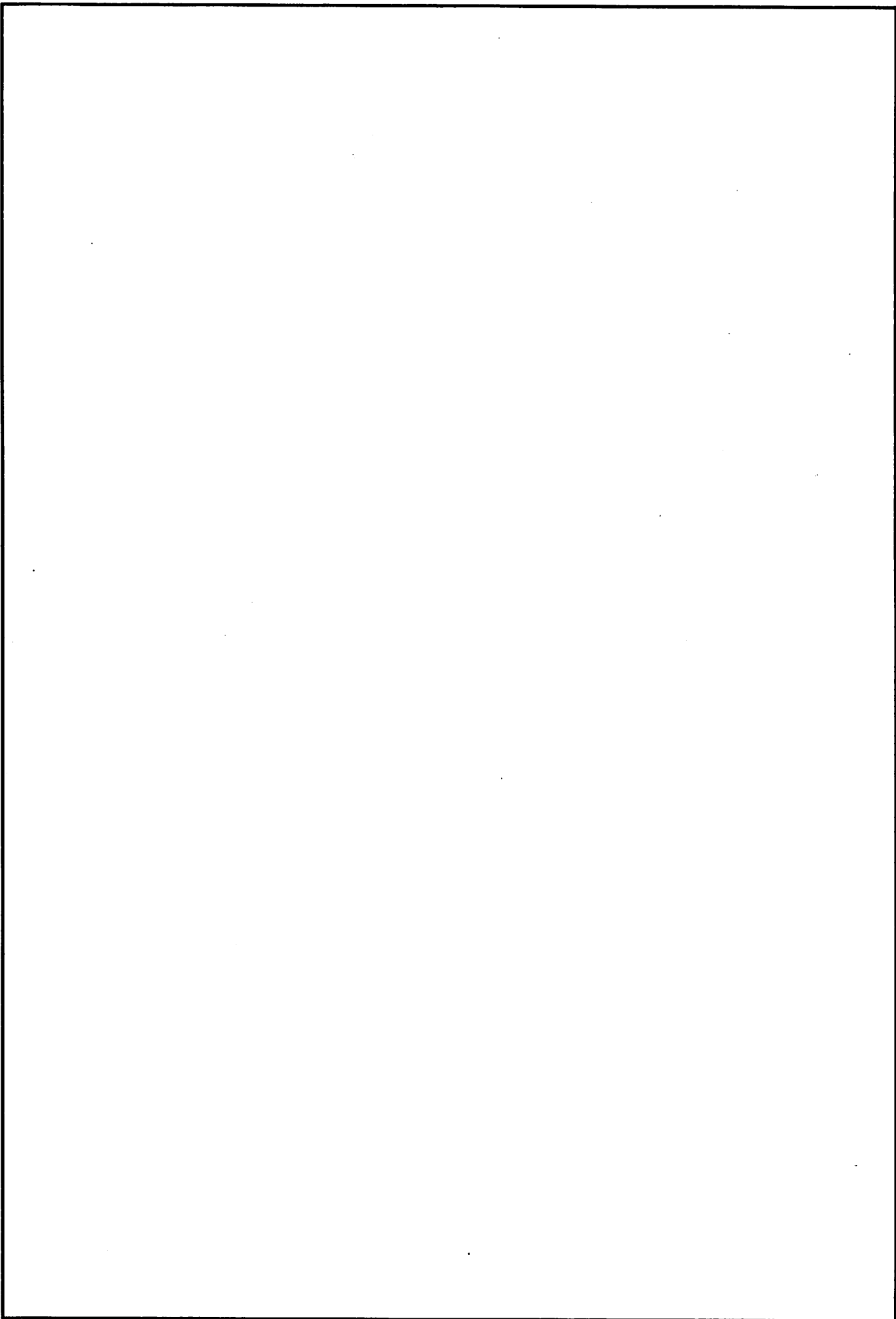


91-049 512-04



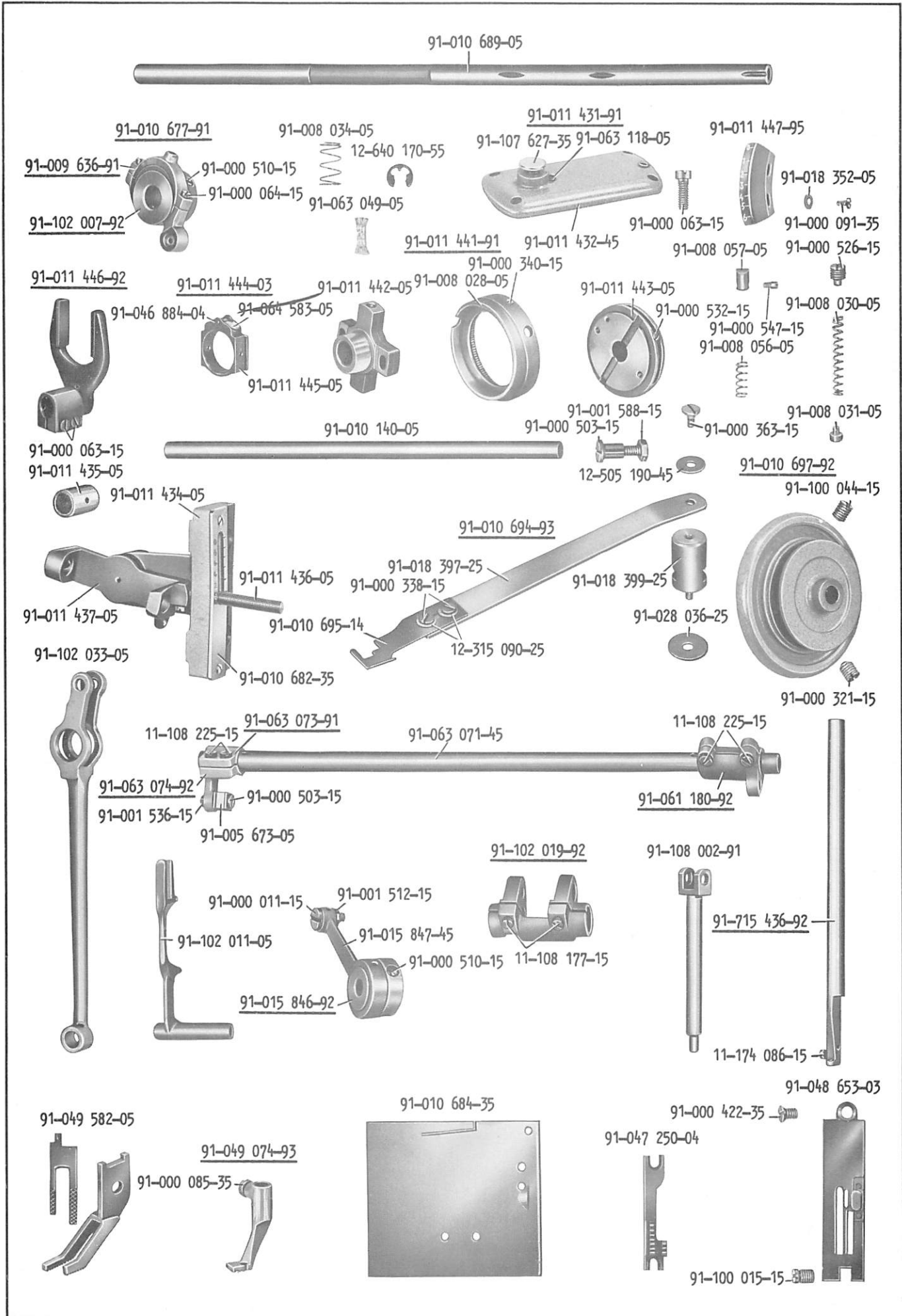
S = Trimming Margin

91-000 064-15	Fastening screw for No.91-012 705-91	91-011 255-05	Knife, with 3.0 mm-high cutting edge (special version)
91-000 083-15	Knife set screw	91-011 256-05	Knife, with 3.7 mm-high cutting edge (special version)
91-000 085-35	Fastening screw for No.91-049 018-93	<u>91-012 705-91</u>	Bevel gear case, w/ set screws No.91-000 064-15, for No.91-015 487-90
91-000 087-15	Fastening screw for No.91-010 434-11	91-012 716-05	Knife driving eccentric
91-000 173-15	Fastening screw for No.91-010 408-45	91-012 717-05	Knife driving connection for No.91-012 716-05
91-000 230-15	Fastening screw for No.91-018 320-91	91-012 718-05	Washer for No.91-012 716-05
91-000 508-15	Fastening screw for No.91-048 083-04	<u>91-015 487-90</u>	Bevel gear assembly, w/ No.91-000 509-15 Set screw for small bevel gear No.91-000 689-15 Set screw for large bevel gear
91-000 509-15	Fastening screw for small bevel gear of No.91-015 487-90	<u>91-018 315-91</u>	Knife driving shaft bracket, complete, consisting of Nos.91-000 741-15; 91-010 088-05; 91-012 716-05; 91-012 717-05; 91-012 718-05; 91-015 487-90; 91-018 316-45; 91-018 317-05
91-000 510-15	Fastening screw for No.91-010 452-92	91-018 316-45	Knife driving shaft bracket
91-000 629-15	Set screw for No.91-010 434-11	91-018 317-05	Knife driving shaft for No.91-018 316-45
91-000 686-15	Fastening screw for No.91-018 315-91	<u>91-018 320-91</u>	Knife lever engaging assembly, complete, consisting of Nos.91-001 571-15; 91-010 402-05; 91-010 406-05; 91-010 410-05; 91-010 436-91; 91-010 453-05
91-000 689-15	Fastening screw for large bevel gear of No.91-015 487-90	91-029 079-15	Wrench for No.91-001 571-15
91-000 741-15	End screw for No.91-012 716-05	91-040 188-05	Knife, with 8.7 mm-high cutting edge (special version)
91-000 781-15	Fastening screw for No.91-010 654-45	91-047 030-04 x S	Feed dog for No.91-048 081-93
91-001 571-15	Nut for No.91-010 406-05	<u>91-048 081-03</u> x S	Needle plate, complete, consisting of Nos.91-000 508-15; 91-048 082-04; 91-048 083-04
91-010 088-05	Driving pin for No.91-012 716-05	91-048 082-04 x S	Needle plate
91-010 402-05	Knife driving lever for No.91-018 320-91	91-048 083-04 x S	Needle plate insert
91-010 406-05	Driving stud for No.91-012 717-05	<u>91-049 018-93</u> x S	Vibrating presser foot, w/ set screw No. 91-000 085-35
91-010 408-45	Bed plate cover, rear	91-049 510-04 x S	Lifting presser foot, toothed, for No.91-049 018-93
91-010 409-35	Bed slide, center	91-049 512-04 x S	Lifting presser foot, smooth, for No.91-049 018-93
91-010 410-05	Driving stud for No.91-010 436-91	99-029 729-05	Knife grinder
91-010 434-11	Knife engaging lever for No.91-010 436-91	91-010 440-45	Bed plate (not ill.)
91-010 435-05	Bearing bushing for No.91-010 434-11		
<u>91-010 436-91</u>	Knife engaging lever, complete, consisting of Nos.91-000 083-15; 91-000 087-15; 91-000 629-15; 91-010 434-11; 91-010 435-05		
<u>91-010 452-92</u>	Sealing collar, w/ set screws No.91-000 510-15, for No.91-012 705-91		
91-010 453-05	Fulcrum stud for Nos.91-010 402-05; 91-010 435-05		
91-010 654-45	Knife guard		
91-010 940-15	Washer for No.91-000 686-15		
91-011 233-05	Knife, with 2.7 mm-high cutting edge (standard version)		



IX

**Complementary Parts
Pfaff 145-333**



Complementary Parts for the Pfaff 145-333
(For standard parts, please refer to the Pfaff 145-6)

IX

11-108 177-15	Binding screw (A M 4x10 DIN 84) for No.91-102 019-92	<u>91-010 694-93</u>	Attachment bracket, swing-away, complete, consisting of Nos.12-315 090-25; 91-000 338-15; 91-000 363-15; 91-010 695-14; 91-018 397-25; 91-018 399-25; 91-018 423-15; 91-028 036-25
11-108 225-15	Binding screw (A M 5x10 DIN 84) for Nos.91-061 180-92; 91-063 074-92	91-010 695-14	Attachment bracket end for No.91-018 397-25 (available in thicknesses of 0.8, 1.0 and 1.5 mm)
11-174 086-15	Needle set screw (M 3x4 DIN 920)	<u>91-010 697-92</u>	Balance wheel, w/ Nr.91-000 321-15 Set screw, pointed Nr.91-100 044-15 Set screw, blunt
12-315 090-25 (12 191)	Washer (3.7 DIN 433) for No.91-000 338-15	<u>91-011 431-91</u>	Arm cover, rear, complete, consisting of Nos.12-640 170-55; 91-008 034-05; 91-011 432-45; 91-063 049-05; 91-063 118-05; 91-107 627-35
12-505 190-45 (51 553)	Spring washer (A 6 DIN 137) for No.91-000 363-15	91-011 432-45	Arm cover for No.91-011 431-91
12-640 170-55 (50 077)	Circlip (5 DIN 6799) for No.91-107 627-35	91-011 434-05	Feed regulator bearing bracket
91-000 011-15	Hinge screw for No.91-015 847-45	91-011 435-05	Feed regulator bearing bracket bushing
91-000 063-15	Fastening screw for No.91-011 431-91 and binding screw for No.91-011 446-92	91-011 436-05	Feed regulator lever stud
91-000 064-15	Fastening screw for No.91-009 636-91	91-011 437-05	Feed regulator
91-000 085-35	Fastening screw for No.91-049 074-93	<u>91-011 441-91</u>	Needle feed driving mechanism, complete, consisting of Nos.91-000 340-15; 91-000 503-15; 91-000 532-15; 91-000 547-15; 91-001 588-15; 91-008 028-05; 91-008 056-05; 91-008 057-05; 91-011 442-05; 91-011 443-05; 91-011 444-03; 91-011 446-92
91-000 091-35	Fastening screw for No.91-011 447-95	91-011 442-05	Needle vibrator eccentric
91-000 321-15	Fastening screw, pointed, for No.91-010 697-92	91-011 443-05	Needle vibrator eccentric driving flange
91-000 338-15	Fastening screw for No.91-010 695-14	<u>91-011 444-03</u>	Needle vibrator eccentric sleeve, compl., consisting of Nos.91-011 445-05; 91-046 884-04
91-000 340-15	Stop screw for No.91-008 028-05	91-011 445-05	Needle vibrator eccentric sleeve
91-000 363-15	Hinge screw for No.91-018 397-25	<u>91-011 446-92</u>	Needle bar frame shaft driving fork, w/ binding screws No.91-000 063-15, for No.91-011 442-05
91-000 422-35	Fastening screw for No.91-048 653-03	91-011 447-95	Stitch group scale
91-000 503-15	Hinge screw for No.91-005 673-05 and guide screw for No.91-011 442-05	<u>91-015 846-92</u>	Feed lifting eccentric, w/ set screws No.91-000 510-15
91-000 510-15	Fastening screw for Nos.91-015 846-92; 91-102 007-92	91-015 847-45	Feed lifting connection
91-000 526-15	End screw for No.91-008 030-05	91-018 352-05	Washer for No.91-000 091-35
91-000 532-15	Fastening screw for No.91-011 443-05	91-018 397-25	Attachment bracket end
91-000 547-15	Guide screw for No.91-008 057-05	91-018 399-25	Fulcrum stud for No.91-018 397-25
91-001 512-15	Nut for No.91-000 011-15	91-028 036-25	Washer for No.91-018 399-25
91-001 536-15	Nut for No.91-000 503-15	91-046 884-04	Position pin for No.91-011 445-05
91-001 588-15	Nut for No.91-000 503-15	91-047 250-04	Feed dog for No.91-048 653-03
91-005 673-05	Slide block for No.91-063 074-92	91-048 653-03	Needle plate
91-008 028-05	Needle vibrator eccentric regulating collar	<u>91-049 074-93</u>	Vibrating presser foot, w/ set screw No.91-000 085-35
91-008 030-05	Pressure spring for No.91-008 031-05	91-049 582-05	Lifting presser foot
91-008 031-05	Plunger for No.91-011 442-05		
91-008 034-05	Pressure spring for No.91-107 627-35		
91-008 056-05	Pressure spring for No.91-008 057-05		
91-008 057-05	Pin, spring-loaded, for No.91-011 443-05		
<u>91-009 636-91</u>	Feed driving eccentric sleeve, w/ set screws No.91-000 064-15		
91-010 140-05	Needle bar frame shaft		
<u>91-010 677-91</u>	Feed driving eccentric sleeve, complete, consisting of Nos.91-009 636-91; 91-102 007-92		
91-010 682-35	Feed regulator index plate		
91-010 684-35	Bed slide, rear		
91-010 689-05	Arm shaft		

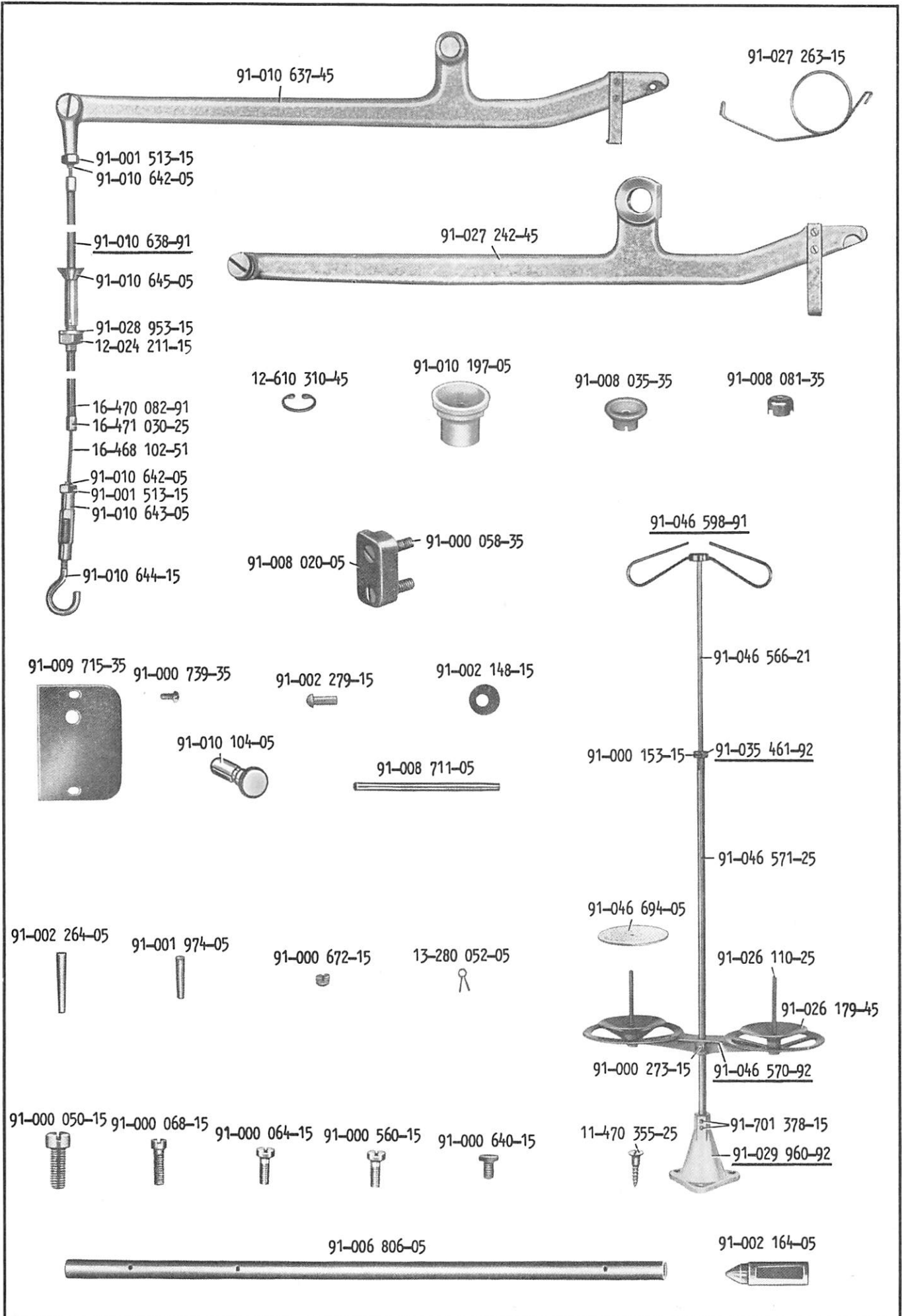
Complementary Parts for the Pfaff 145-333
(For standard parts, please refer to the Pfaff 145-6)

IX

- 91-061 180-92 Feed lifting shaft crank, rear, w/
binding screws No.11-108 225-15
- 91-063 049-05 Oil wick for No.91-063 118-05
- 91-063 071-45 Feed lifting shaft
- 91-063 073-91 Feed lifting shaft crank, front, complete,
consisting of Nos.91-000 503-15;
91-001 536-15; 91-005 673-05;
91-063 074-92
- 91-063 074-92 Feed lifting shaft crank, w/
binding screw No.11-108 225-15,
for No.91-063 073-91
- 91-063 118-05 Oil tube, 8 mm long, for No.91-011 431-91
- 91-064 583-05 Oil pad for No.91-011 445-05
- 91-100 015-15 Fastening screw for No.91-048 653-03
- 91-100 044-15 Fastening screw, blunt, for No.91-010 697-92
- 91-102 007-92 Feed driving eccentric, w/ set screws
No.91-000 510-15
- 91-102 011-05 Feed bar
- 91-102 019-92 Feed rock shaft crank, rear, w/
binding screw No.11-108 177-15
- 91-102 033-05 Feed forked connection
- 91-107 627-35 Needle feed regulator stud for No.91-011 431-91
- 91-108 002-91 Vibrating presser bar
- 91-715 436-92 Needle bar, w/ needle set screw
No.11-174 086-15
-
- 91-010 680-45 Bedplate (not ill.)
- 91-011 454-45 Arm (not ill.)

X

Parts of Previous Machines



The number marked with an asterisk and put in parenthesis, e.g. (*12-611 310-45), is no additional order number, but is merely intended to facilitate looking up parts of previous machines. This number must not be listed on orders; the valid part number is the old number listed next to it.

	11-470 355-25 (1 417)	Wood screw (5.5x25 DIN 97) for No.91-046 598-91
	12-024 211-15 (701 563)	Nut (M 8 DIN 934/1) for No.91-010 645-05
(*12-611 310-45)	12-610 310-45 (64 646)	Circlip (18x1.2 DIN 471) for Nos.91-129 640-90; 91-129 650-90 (see section IV/1)
(*12-642 170-45)	13-280 052-05 (60 201)	Cotter pin (1,5x8 DIN 94) for No.91-010 204-15
	16-468 102-51	Bowden cable (A 2x720 DIN 71 987) for No.91-010 638-91
	16-470 082-91	Cable sheath (B 3x640 DIN 71 987) for No.91-010 638-91
	16-471 030-25	Cap (C 3 DIN 71 987) for No.16-470 082-91
(*11-108 288-15)	91-000 050-15	Binding screw (23 mm overall length) for No.91-015 659-92
(*91-000 568-15)	91-000 058-35	Fastening screw for No.91-008 020-05
(*91-000 687-15)	91-000 064-15	Fastening screw (4.76 mm outside thread dia.) for No.91-009 606-05
(*11-108 177-15)	91-000 068-15	Binding screw (18 mm overall length) for Nos.91-010 146-92; 91-102 019-92
	91-000 153-15	Fastening screw for No.91-035 461-92
	91-000 273-15	Fastening screw for No.91-046 570-92
(*11-108 225-15)	91-000 560-15	Binding screw (15 mm overall length) for Nos.91-006 576-92; 91-010 126-92; 91-011 729-92; 91-011 752-92; 91-061 180-92; 91-063 074-92
(*11-174 086-15)	91-000 640-15	Needle set screw (8 mm overall length) for No.91-710 650-92
(*91-000 885-15)	91-000 672-15	End screw (7.64 mm outside thread dia.) for No.91-010 002-05
(*91-000 089-25)	91-000 739-35	Fastening screw (2.6 mm outside thread dia.) for No.91-010 755-35
	91-001 513-15	Nut for No.91-010 642-05
(*13-065 199-05)	91-001 974-05	Positioning pin for No.91-014 710-01
(*91-006 155-15)	91-002 148-15	Washer for No.91-002 279-15
(*91-015 664-05)	91-002 164-05	Center stud (60° point) for No.91-006 806-05
(*13-065 259-05)	91-002 264-05	Positioning pin for No.91-010 704-15
(*91-000 406-15)	91-002 279-15	Positioning pin for No.91-002 504-45
(*91-004 186-45)	91-006 806-05	Feed lifting shaft for No.91-002 164-05 (Can be replaced by No.91-004 186-45 in conjunction with No.91-015 664-05)
(*91-010 731-15)	91-008 020-05	Lifting bracket guide
(*91-018 359-45)	91-008 035-35	Oil cup for No.91-008 004-05
(*91-018 357-45)	91-008 081-35	Oil cup for No.91-010 361-05
(*91-013 139-05)	91-008 711-05	Tension release plunger (60.5 mm long) for No.91-009 328-91
(*91-010 755-35)	91-009 715-35	Arm cover, front

Parts of Previous Machines

- (*91-007 687-05) 91-010 104-05 Hinge stud for needle bar frame
- (*91-018 358-45) 91-010 197-05 Oil cup for arm shaft front bushing
- 91-010 637-45 Lifting lever (Models H1; H2; H3; A; B; C)
- 91-010 638-91 Lifting lever cable, complete;
for No.91-010 637-45,
consisting of Nos.12-024 211-15; 16-468 102-51;
16-470 082-91; 16-471 030-25; 91-001 513-15;
91-010 642-05; 91-010 643-05; 91-010 644-15;
91-010 645-05; 91-028 953-15
- 91-010 642-05 Thread nipple for No.16-468 102-51
- 91-010 643-05 Turnbuckle sleeve for No.16-468 102-51
- 91-010 644-15 Suspension hook for No.91-010 643-05
- 91-010 645-05 Cable sleeve for No.91-010 638-91
- 91-026 110-25 Spool pin
- 91-026 179-45 Spool disc
- 91-027 242-45 Lifting lever (Models H2; H3; H4 & D)
- 91-027 263-15 Torsion spring for No.91-027 242-45
- 91-028 953-15 Washer for No.12-024 211-15
- 91-029 960-92 Thread unwinder base, w/ set screws
No.91-701 378-15
- 91-035 461-92 Set collar, w/ set screw No.91-000 153-15
- 91-046 566-21 Thread guide
- 91-046 570-92 Spool holder, w/ set screw No.91-000 273-15
- 91-046 571-25 Spool rest rod
- (*91-129 640-90) }
 (*91-129 650-90) } 91-046 598-91 Thread unwinder, complete
 (*91-129 660-90) }
- 91-046 694-05 Spool pin washer (foam rubber)
- 91-701 378-15 Fastening screw for No.91-029 960-92

Feed Regulator Components of the Pfaff 145 for Stitch Lengths from 10 to 2 1/2 s.p.i.					
Part Name	Part Number for Stitch Length Indicated in s.p.i.				
	10	5 1/2	4 (N)	3 (N8)	2 1/2 (N10)
Feed regulator, complete	91-019 668-91	91-009 810-91	91-009 361-91	91-018 467-91	91-102 022-91
Feed regulator	91-009 602-05	91-009 602-05	91-009 602-05	91-009 602-05	91-009 702-05
Feed driving eccentric sleeve, complete	91-008 281-91	91-008 281-91	91-008 280-91	91-010 677-91	91-010 677-91
Feed driving eccentric	91-009 646-92	91-009 646-92	91-009 633-92	91-102 007-92	91-102 007-92
Feed regulator index plate	91-010 629-35	91-009 648-35	91-009 648-35	91-012 492-35	91-102 028-35
Feed driving connection	91-009 616-05	91-009 616-05	91-009 616-05	91-102 033-05	91-102 033-05
Needle bar frame shaft connection, complete	91-011 783-91	91-011 783-91	91-011 783-91	91-102 216-91	91-102 216-91
Needle bar frame shaft connection	91-010 013-05	91-010 013-05	91-010 013-05	91-102 034-05	91-102 034-05
Needle bar frame shaft crank, rear	91-015 659-92	91-015 659-92	91-015 659-92	91-102 210-92	91-102 210-92
Feed rock shaft crank	91-010 146-92	91-010 146-92	91-010 146-92	91-102 019-92	91-102 019-92
Feed lifting connection, complete	For Model P only	For Model P only	For Model P only	For Model P only	91-008 440-91
Feed lifting shaft crank, front, complete	91-009 359-91	91-009 359-91	91-009 359-91	91-009 359-91	91-102 035-91
Feed lifting shaft crank, rear	For Model P only	For Model P only	For Model P only	For Model P only	91-006 576-92
Clamping bracket for feed lifting shaft	91-010 704-15 Not for Model P	91-010 704-15 Not for Model P	91-010 704-15 Not for Model P	91-010 704-15 Not for Model P	
Take-up lever, complete	See table on p.56	See table on p.56	See table on p.56	See table on p.56	91-018 689-91
Feed bar	91-010 066-05	91-010 066-05	91-010 066-05	91-010 066-05	91-102 011-05
Bedplate	91-009 335-45	91-009 335-45	91-009 335-45	91-018 662-45	91-018 662-45

Component Parts for the Pfaff 145
in Models A, B, C, D and H1, H2, H3, H4

Part Name	Model						
	H1 A;B	H2 A;B	H2 C	H3 B	H3 C;D	H4 C;D	
Take-up lever, complete	Fabric	91-010 666-91	91-010 666-91	91-010 668-91	91-010 666-91	91-010 668-91	91-010 668-91
	Leather	91-019 532-91	91-019 532-91	91-010 668-91	91-019 532-91	91-010 668-91	91-010 668-91
Take-up lever	Fabric	91-009 325-05	91-009 325-05	91-010 942-05	91-009 325-05	91-010 942-05	91-010 942-05
	Leather	91-011 755-05	91-011 755-05	91-010 942-05	91-011 755-05	91-010 942-05	91-010 942-05
Take-up lever driving stud		91-008 009-05	91-008 009-05	91-015 527-05	91-008 009-05	91-015 527-05	91-015 527-05
Thread tension, complete		91-009 328-91	91-009 328-91	91-009 652-91	91-009 328-91	91-009 652-91	91-009 652-91
Tension spring		91-010 183-05	91-010 183-05	91-010 184-05	91-010 183-05	91-010 184-05	91-010 184-05
Thread check spring		91-010 023-05	91-010 023-05	91-010 937-05	91-010 023-05	91-010 937-05	91-010 937-05
Presser bar		91-019 651-92	91-019 651-92	91-019 651-92	91-019 651-92	91-019 651-92	91-011 718-92
Presser bar bushing		91-019 656-05	91-019 656-05	91-019 656-05	91-019 656-05	91-019 656-05	91-010 676-15
Presser bar spring, outer							91-010 633-05
Presser bar spring, inner							91-061 005-05
Presser bar leaf spring		91-019 662-15	91-019 662-15	91-019 661-15 91-019 662-15	91-019 662-15	91-019 661-15 91-019 662-15	
Presser bar lifter		91-010 734-15	91-010 734-15	91-010 888-15	91-010 735-15	91-010 735-15	91-010 736-15
Lifting eccentric		91-011 724-92	91-011 724-92	91-011 724-92	91-011 724-92	91-011 724-92	91-010 631-92
Lifting eccentric connection		91-011 725-45	91-011 725-45	91-011 725-45	91-011 725-45	91-011 725-45	91-010 632-15
Ball joint connection		91-011 497-91	91-011 730-45	91-011 730-45	91-011 730-45	91-011 730-45	91-011 730-45
Nut for ball joint connection		91-001 512-15					
Lifting ball crank		91-010 618-15	91-011 731-15	91-011 731-15	91-011 731-15	91-011 731-15	91-011 731-15
Lifting lever		91-010 606-45	91-010 606-45	91-010 606-45	91-010 606-45	91-010 606-45	91-010 737-45
Lifting lever connecting rod		91-010 204-15	91-010 204-15		91-010 204-15		
Lifting lever link assembly, complete				91-019 677-91		91-019 677-91	91-019 677-91
Lifting lever lifting bracket		91-010 733-45	91-010 733-45	91-010 733-45	91-010 738-45	91-010 738-45	91-010 739-45
Knee lifter, complete		91-031 568-91	91-031 568-91		91-031 411-91		
Knee lifter stop dog		91-027 271-45	91-027 271-45		91-025 068-45		
Treadle				91-031 560-91		91-031 560-91	91-031 560-91
Chain				91-015 673-21		91-015 673-21	91-015 673-21

**Component Parts for the Pfaff 145
in Models A, B, C, D and H1, H2, H3, H4**

Part Name	Model						
	H1 A;B	H2 A;B	H2 C	H3 B	H3 C;D	H4 C;D	
Balance wheel	Standard version	91-009 388-92	91-009 388-92	91-009 389-92	91-009 388-92	C = 91-009 389-92 D = 91-015 652-92	C = 91-009 389-92 D = 91-015 652-92
	Special version	91-010 133-91	91-010 133-91	91-010 172-91	91-010 133-91	C = 91-010 172-91	C = 91-010 172-91
Belt guard, complete	91-008 244-91	91-008 244-91	91-008 244-91	91-008 244-91	C = 91-008 244-91 D = 91-009 424-91	C = 91-008 244-91 D = 91-009 424-91	
Arm cover, rear	91-002 504-45	91-002 504-45	91-010 617-45	91-002 504-45	91-010 617-45	91-010 617-45	

**Hook Components for the Pfaff 145
in Models A, B, C and D**

Part Name	Model				
	A	B	C	D	
Hook, with bobbin case, complete	Fabric	91-010 165-91	91-010 165-91	91-010 896-91	91-010 850-91
	Leather	91-010 896-91	91-010 896-91	91-010 850-91	91-010 850-91
Hook, complete	Fabric	91-010 164-91	91-010 164-91	91-010 895-91	91-010 849-91
	Leather	91-010 895-91	91-010 895-91	91-010 849-91	91-010 849-91
Hook	Fabric	91-010 161-05	91-010 161-05	91-010 894-05	91-010 847-05
	Leather	91-010 894-05	91-010 894-05	91-010 847-05	91-010 847-05
Hook gib	Fabric	91-010 178-05	91-010 178-05	91-010 893-05	91-010 848-05
	Leather	91-010 893-05	91-010 893-05	91-010 848-05	91-010 848-05
Hook washer	Fabric	91-010 167-05	91-010 167-05	91-010 167-05	91-010 853-05
	Leather	91-010 167-05	91-010 167-05	91-010 853-05	91-010 853-05
Bobbin case cap, complete	Fabric	91-010 159-91	91-010 159-91	91-010 159-91	91-011 498-91
	Leather	91-010 159-91	91-010 159-91	91-011 498-91	91-011 498-91
Bobbin case base, complete		91-010 157-01	91-010 157-01	91-010 157-01	91-010 157-01

Nummern-Verzeichnis / Tableau des numéros / Numerical Index / Lista de números														
Nr./n ^o /No.	Fig.	Nr./n ^o /No.	Fig.	Nr./n ^o /No.	Fig.	Nr./n ^o /No.	Fig.	Nr./n ^o /No.	Fig.					
11-106	245-15	IV/1	13-060	400-05	III	91-000	082-25	IV/2	91-000	340-15	II/2	91-000	547-15	IX
11-108	177-15	III	13-065	199-05	II/1	91-000	082-35	I/2	91-000	340-15	IX	+ 91-000	560-15	X
11-108	177-15	VI	13-065	259-05	III	91-000	083-15	I/2	91-000	359-25	IV/2	91-000	565-15	II/2
11-108	177-15	IX	+ 13-280	052-05	X	91-000	083-15	VIII	91-000	363-15	IX	91-000	568-15	I/1
11-108	225-15	I/2	14-650	104-05	I/1	91-000	085-35	I/1	91-000	363-25	IV/2	91-000	568-15	VII
11-108	225-15	III	+ 16-468	102-51	X	91-000	085-35	VI	91-000	364-25	IV/2	91-000	624-15	III
11-108	225-15	VI	+ 16-470	082-91	X	91-000	085-35	VIII	91-000	366-25	IV/2	91-000	629-15	VIII
11-108	225-15	VII	+ 16-471	030-25	X	91-000	085-35	IX	91-000	366-35	I/2	91-000	636-15	V
11-108	225-15	IX	91-000	011-15	VI	91-000	086-15	I/1	91-000	367-15	II/2	+ 91-000	640-15	X
11-108	288-15	II/1	91-000	011-15	VII	91-000	087-15	VIII	91-000	386-15	II/2	91-000	645-05	I/1
11-130	452-15	III	91-000	011-15	IX	91-000	089-25	I/1	91-000	390-15	III	91-000	660-15	II/1
11-133	451-15	III	91-000	019-15	I/1	91-000	089-25	II/2	91-000	401-35	I/1	91-000	666-05	I/2
11-174	086-15	I/1	91-000	029-15	II/2	91-000	091-35	IX	91-000	405-15	II/1	91-000	672-15	II/1
11-174	086-15	IX	91-000	034-15	I/1	91-000	150-15	I/2	91-000	406-15	II/2	+ 91-000	672-15	X
11-178	166-15	I/1	91-000	034-15	V	91-000	150-15	II/1	91-000	407-15	III	91-000	680-15	II/1
11-314	277-15	IV/2	91-000	048-15	I/1	91-000	150-15	III	91-000	412-35	I/2	91-000	680-15	III
11-314	280-15	IV/2	91-000	050-15	VI	91-000	152-15	I/1	91-000	422-35	III	91-000	680-15	VII
11-460	109-15	IV/2	+ 91-000	050-15	X	91-000	152-15	I/2	91-000	422-35	IX	91-000	686-15	VIII
11-460	247-25	IV/2	91-000	058-15	III	91-000	152-15	II/1	91-000	456-15	II/1	91-000	687-15	II/1
11-460	250-25	IV/2	+ 91-000	058-35	X	+ 91-000	153-15	X	91-000	469-15	I/1	91-000	689-15	II/1
11-460	355-15	IV/2	91-000	059-35	II/1	91-000	172-35	I/1	91-000	503-15	III	91-000	689-15	III
11-470	355-15	IV/2	91-000	062-15	I/1	91-000	172-35	I/2	91-000	503-15	VI	91-000	689-15	VII
+ 11-470	355-25	X	91-000	062-15	III	91-000	173-15	VIII	91-000	503-15	IX	91-000	689-15	VIII
11-470	358-25	IV/2	91-000	062-25	IV/2	91-000	186-15	IV/2	91-000	505-15	III	91-000	697-05	I/2
11-470	768-15	IV/1	91-000	063-15	IX	91-000	225-15	VII	91-000	508-15	VIII	91-000	715-35	II/1
12-024	171-15	IV/1	91-000	064-15	II/1	91-000	230-15	VIII	91-000	509-15	III	91-000	737-05	IV/2
+ 12-024	211-15	X	91-000	064-15	II/2	91-000	237-25	I/1	91-000	509-15	VIII	+ 91-000	739-35	X
12-110	211-15	II/2	91-000	064-15	VI	91-000	237-25	IV/2	91-000	510-15	I/1	91-000	741-15	II/1
12-305	411-15	IV/1	91-000	064-15	VII	91-000	239-15	I/2	91-000	510-15	I/2	91-000	741-15	VI
12-315	090-25	IX	91-000	064-15	VIII	91-000	239-15	VII	91-000	510-15	II/1	91-000	741-15	VIII
12-505	190-45	IX	91-000	064-15	IX	91-000	243-15	I/1	91-000	510-15	V	91-000	781-15	VIII
12-515	250-05	I/1	+ 91-000	064-15	X	91-000	243-15	I/2	91-000	510-15	VI	91-000	783-15	III
+ 12-610	310-45	X	+ 91-000	068-15	X	91-000	243-15	V	91-000	510-15	VII	91-000	785-15	III
12-611	310-45	IV/1	91-000	070-15	II/1	91-000	263-15	II/2	91-000	510-15	VIII	91-000	785-15	VII
12-640	130-55	VII	91-000	070-15	III	+ 91-000	273-15	X	91-000	510-15	IX	91-000	809-15	III
12-640	150-55	VII	91-000	072-15	I/1	91-000	278-15	I/1	91-000	511-15	II/1	91-000	885-15	II/1
12-640	170-55	IV/2	91-000	073-15	I/1	91-000	279-25	I/1	91-000	522-05	II/1	91-000	928-15	III
12-640	170-55	IX	91-000	073-15	III	91-000	290-15	III	91-000	524-15	I/2	91-001	512-15	II/1
12-642	170-45	II/2	91-000	074-15	VII	91-000	321-15	II/2	91-000	525-15	III	91-001	512-15	V
13-030	341-35	IV/1	91-000	078-15	III	91-000	321-15	IX	91-000	526-15	IX	91-001	512-15	VI
13-033	970-05	VII	91-000	082-15	I/2	91-000	323-15	II/1	91-000	529-15	III	91-001	512-15	VII
13-052	256-15	III	91-000	082-15	III	91-000	338-15	IX	91-000	532-15	IX	91-001	512-15	IX

Nummern-Verzeichnis / Tableau des numéros / Numerical Index / Lista de números									
Nr./n ^o /No.	Fig.	Nr./n ^o /No.	Fig.	Nr./n ^o /No.	Fig.	Nr./n ^o /No.	Fig.	Nr./n ^o /No.	Fig.
91-001 512-15	56	91-005 567-25	IV/2	91-008 244-91	57	91-009 408-05	VII	91-010 022-05	II/1
91-001 513-15	II/2	91-005 568-25	IV/2	91-008 245-45	IV/2	91-009 424-91	57	91-010 023-05	I/2
+ 91-001 513-15	X	91-005 569-25	IV/2	91-008 280-91	55	91-009 431-90	III	91-010 023-05	56
91-001 522-35	I/2	91-005 604-05	II/1	91-008 281-91	II/1	91-009 432-90	III	91-010 026-31	I/2
91-001 533-25	IV/2	91-005 673-05	III	91-008 281-91	55	91-009 489-05	I/2	91-010 027-35	I/2
91-001 536-15	III	91-005 673-05	VI	91-008 440-91	VI	91-009 602-05	II/1	91-010 028-35	I/2
91-001 536-15	VI	91-005 673-05	IX	91 008 440-91	VII	91-009 602-05	55	91-010 031-92	VI
91-001 536-15	IX	91-006 155-15	II/2	91-008 440-91	55	91-009 603-45	II/1	91-010 031-92	VII
91-001 538-15	II/2	91-006 505-05	I/2	+ 91-008 711-05	X	91-009 604-05	II/1	91-010 044-05	III
91-001 571-15	VIII	91-006 505-05	VII	91-008 829-15	I/1	91-009 605-05	II/1	91-010 056-05	III
91-001 588-15	IX	91-006 526-05	V	91-009 005-92	II/2	91-009 606-05	II/1	91-010 057-01	III
91-001 593-35	II/1	91-006 576-92	VI	91-009 009-05	V	91-009 609-05	II/1	91-010 059-45	III
91-001 600-35	I/2	91-006 623-45	II/2	91-009 148-05	I/2	91-009 610-35	II/1	91-010 061-34	III
91-001 636-35	VII	91-006 759-05	II/1	91-009 148-05	II/1	91-009 612-15	II/1	91-010 066-05	III
91-001 758-05	I/1	91-006 783-05	I/2	91-009 149-05	III	91-009 616-05	II/1	91-010 066-05	55
+ 91-001 974-05	X	91-006 783-05	II/1	91-009 302-45	II/2	91-009 616-05	55	91-010 067-05	II/1
+ 91-002 148-15	X	+ 91-006 806-05	X	91-009 308-35	III	91-009 617-05	II/1	91-010 079-05	III
+ 91-002 164-05	X	91-007 054-05	VII	91-009 325-05	I/2	91-009 618-05	II/1	91-010 088-05	VIII
+ 91-002 264-05	X	91-007 665-15	II/1	91-009 325-05	56	91-009 621-92	II/1	91-010 089-01	III
+ 91-002 279-15	X	91-007 687-05	I/1	91-009 327-35	IV/1	91-009 622-92	II/1	91-010 099-05	III
91-002 504-45	II/2	91-008 003-05	II/1	91-009 328-91	I/2	91-009 624-05	II/1	91-010 100-05	III
91-002 504-45	57	91-008 004-05	II/1	91-009 328-91	56	91-009 633-92	55	+ 91-010 104-05	X
91-002 536-05	II/2	91-008 005-05	II/1	91-009 333-15	II/2	91-009 636-91	II/1	91-010 107-05	I/2
91-002 536-25	IV/2	91-008 007-05	VI	91-009 335-45	III	91-009 636-91	VI	91-010 107-05	IV/2
91-003 100-05	I/1	91-008 008-05	I/2	91-009 335-45	55	91-009 636-91	IX	91-010 107-05	VII
91-004 005-05	I/1	91-008 009-05	I/2	91-009 337-05	VII	91-009 646-92	II/1	91-010 115-05	I/1
91-004 005-05	I/2	91-008 009-05	56	91-009 338-92	VII	91-009 646-92	55	91-010 115-05	I/2
91-004 005-05	VII	91-008 011-05	I/2	91-009 339-15	VII	91-009 648-35	II/1	91-010 115-05	VII
91-004 006-05	I/1	+ 91-008 020-05	X	91-009 341-05	VII	91-009 648-35	55	91-010 116-05	I/1
91-004 006-05	I/2	91-008 021-14	I/1	91-009 342-05	VII	91-009 652-91	56	91-010 116-05	I/2
91-004 006-05	VII	91-008 028-05	IX	91-009 343-05	VII	91-009 702-05	VI	91-010 116-05	VII
91-004 170-45	IV/2	91-008 030-05	IX	91-009 344-05	VII	91-009 702-05	55	91-010 121-91	III
91-004 171-15	IV/2	91-008 031-05	IX	91-009 347-05	III	+ 91-009 715-35	X	91-010 126-92	III
91-004 172-05	IV/2	91-008 034-05	IX	91-009 351-91	VII	91-009 810-91	II/1	91-010 126-92	VI
91-004 173-15	IV/2	+ 91-008 035-35	X	91-009 359-91	III	91-009 810-91	55	91-010 127-91	II/1
91-004 186-45	III	91-008 040-92	VI	91-009 359-91	55	91-009 938-15	II/2	91-010 133-91	II/2
91-005 005-05	IV/2	91-008 040-92	VII	91-009 361-91	55	91-010 002-05	II/1	91-010 133-91	57
91-005 068-05	II/2	91-008 056-05	IX	91-009 362-91	III	91-010 009-05	I/1	91-010 140-05	IX
91-005 070-05	II/2	91-008 057-05	IX	91-009 388-92	II/2	91-010 013-05	II/1	91-010 146-92	III
91-005 125-05	IV/2	91-008 064-05	I/2	91-009 388-92	57	91-010 013-05	55	91-010 146-92	55
91-005 564-25	IV/2	+ 91-008 081-35	X	91-009 389-92	57	91-010 016-05	II/1	91-010 157-01	III
91-005 565-25	IV/2	91-008 244-91	IV/2	91-009 391-31	I/2	91-010 017-05	II/1	91-010 157-01	57

+ = Teile früherer Ausführungen / Pièces des anciens modèles
 Parts of Previous Machines / Tipos de piezas anteriores

Nummern-Verzeichnis / Tableau des numéros / Numerical Index / Lista de números									
Nr./n ^o /No.	Fig.	Nr./n ^o /No.	Fig.	Nr./n ^o /No.	Fig.	Nr./n ^o /No.	Fig.	Nr./n ^o /No.	Fig.
91-010 158-05	III	91-010 606-45	II/2	91-010 729-05	I/1	91-011 255-05	VIII	91-011 725-45	I/2
91-010 159-91	III	91-010 606-45	56	91-010 730-15	I/1	91-011 256-05	VIII	91-011 725-45	56
91-010 159-91	57	91-010 617-45	II/2	91-010 731-15	I/1	91-011 264-05	III	91-011 727-05	I/2
91-010 161-05	III	91-010 617-45	57	91-010 732-05	I/1	91-011 431-91	IX	91-011 729-92	I/2
91-010 161-05	57	91-010 618-15	V	91-010 733-15	II/2	91-011 432-45	IX	91-011 730-45	I/2
91-010 164-91	III	91-010 618-15	56	91-010 733-45	56	91-011 434-05	IX	91-011 730-45	56
91-010 164-91	57	91-010 629-35	55	91-010 734-15	I/1	91-011 435-05	IX	91-011 731-15	I/2
91-010 165-91	III	91-010 631-92	V	91-010 734-15	56	91-011 436-05	IX	91-011 731-15	56
91-010 165-91	57	91-010 631-92	56	91-010 735-15	V	91-011 437-05	IX	91-011 732-05	I/1
91-010 166-05	III	91-010 632-15	V	91-010 735-15	56	91-011 441-91	IX	91-011 734-05	I/1
91-010 167-05	III	91-010 632-15	56	91-010 736-15	V	91-011 442-05	IX	91-011 738-05	I/1
91-010 167-05	57	91-010 633-05	V	91-010 736-15	56	91-011 443-05	IX	91-011 739-92	I/1
91-010 172-91	57	91-010 633-05	56	91-010 737-45	V	91-011 444-03	IX	91-011 746-05	I/1
91-010 178-05	III	91-010 636-45	I/1	91-010 737-45	56	91-011 445-05	IX	91-011 752-92	I/2
91-010 178-05	57	+ 91-010 637-45	X	91-010 738-45	V	91-011 446-92	IX	91-011 755-05	56
91-010 181-15	I/2	+ 91-010 638-91	X	91-010 738-45	56	91-011 447-95	IX	91-011 778-05	I/2
91-010 183-05	I/2	+ 91-010 642-05	X	91-010 739-45	V	91-011 454-45	IX	91-011 783-91	II/1
91-010 183-05	56	+ 91-010 643-05	X	91-010 739-45	56	91-011 455-05	II/1	91-011 783-91	55
91-010 184-05	56	+ 91-010 644-15	X	91-010 752-15	I/1	91-011 497-91	V	91-011 893-05	VII
91-010 185-05	I/2	+ 91-010 645-05	X	91-010 755-35	II/2	91-011 497-91	56	91-011 929-15	V
91-010 186-35	I/2	91-010 646-91	I/1	91-010 817-91	I/1	91-011 498-91	57	91-012 072-05	VII
91-010 196-05	II/1	91-010 654-45	VIII	91-010 819-35	I/1	91-011 611-91	VII	91-012 407-15	II/2
+ 91-010 197-05	X	91-010 666-91	I/2	91-010 820-45	I/1	91-011 612-05	VII	91-012 492-35	VI
91-010 204-15	II/2	91-010 666-91	56	91-010 821-35	I/1	91-011 613-05	VII	91-012 492-35	55
91-010 204-15	56	91-010 668-91	VI	91-010 822-05	I/1	91-011 614-15	VII	91-012 705-91	VIII
91-010 211-05	III	91-010 668-91	56	91-010 847-05	57	91-011 615-15	VII	91-012 716-05	VIII
91-010 212-45	III	91-010 676-15	V	91-010 848-05	57	91-011 616-91	VII	91-012 717-05	VIII
91-010 221-05	III	91-010 676-15	56	91-010 849-91	57	91-011 617-31	VII	91-012 718-05	VIII
91-010 223-92	VII	91-010 677-91	VI	91-010 850-91	57	91-011 619-05	VII	91-013 102-45	I/1
91-010 360-05	I/2	91-010 677-91	IX	91-010 853-05	57	91-011 620-05	VII	91-013 106-45	I/1
91-010 361-05	III	91-010 677-91	55	91-010 867-91	III	91-011 623-91	VII	91-013 109-45	II/2
91-010 402-05	VIII	91-010 680-45	IX	91-010 888-15	56	91-011 624-35	VII	91-013 139-05	I/2
91-010 406-05	VIII	91-010 682-35	IX	91-010 893-05	57	91-011 625-35	VII	91-014 675-45	II/2
91-010 408-45	VIII	91-010 684-35	IX	91-010 894-05	57	91-011 626-05	VII	91-014 679-35	I/1
91-010 409-35	VIII	91-010 689-05	IX	91-010 895-91	57	91-011 627-05	VII	91-014 680-91	I/1
91-010 410-05	VIII	91-010 694-93	IX	91-010 896-91	57	91-011 638-05	VII	91-014 709-05	II/1
91-010 434-11	VIII	91-010 695-14	IX	91-010 937-05	56	91-011 639-35	VII	91-014 710-01	II/1
91-010 435-05	VIII	91-010 697-92	IX	91-010 940-15	III	91-011 640-91	VII	91-014 786-15	II/2
91-010 436-91	VIII	91-010 703-92	I/2	91-010 940-15	VIII	91-011 718-92	V	91-015 487-90	VIII
91-010 440-45	VIII	91-010 704-15	III	91-010 942-05	VI	91-011 718-92	56	91-015 527-05	VI
91-010 452-92	VIII	91-010 704-15	55	91-010 942-05	56	91-011 724-92	I/2	91-015 527-05	56
91-010 453-05	VIII	91-010 728-15	I/1	91-011 233-05	VIII	91-011 724-92	56	91-015 652-92	57

Nummern-Verzeichnis / Tableau des numéros / Numerical Index / Lista de números

Nr./n ^o /No.	Fig.	Nr./n ^o /No.	Fig.	Nr./n ^o /No.	Fig.	Nr./n ^o /No.	Fig.	Nr./n ^o /No.	Fig.
91-015 659-92	II/1	91-019 676-05	II/1	91-029 692-45	IV/2	91-046 097-25	IV/2	91-049 059-93	I/1
91-015 659-92	55	91-019 677-91	II/2	91-029 831-91	IV/2	91-046 102-25	I/1	91-049 074-93	IX
91-015 664-05	III	91-019 677-91	56	91-029 833-45	IV/1	91-046 546-93	I/1	91-049 510-04	VIII
91-015 673-21	IV/2	91-019 853-12	III	91-029 840-91	IV/2	+ 91-046 566-21	X	91-049 512-04	VIII
91-015 673-21	56	91-019 862-01	III	91-029 841-05	IV/2	+ 91-046 570-92	X	91-049 573-04	VI
91-015 846-92	IX	91-019 891-05	III	91-029 946-91	IV/1	+ 91-046 571-25	X	91-049 574-04	VI
91-015 847-45	IX	91-023 505-35	I/1	+ 91-029 960-92	X	+ 91-046 598-91	X	91-049 575-04	VI
91-015 870-91	VI	91-025 054-55	IV/2	91-030 135-92	IV/2	91-046 623-93	I/1	91-049 582-05	IX
91-017 530-91	II/2	91-025 056-92	IV/2	91-030 246-15	II/2	91-046 630-04	I/1	91-049 585-04	VI
91-018 315-91	VIII	91-025 060-92	IV/2	91-030 246-15	V	91-046 631-04	I/1	91-051 166-15	I/1
91-018 316-45	VIII	91-025 068-45	56	91-031 251-91	IV/2	+ 91-046 694-05	X	91-051 167-15	I/1
91-018 317-05	VIII	91-025 075-55	IV/2	91-031 411-91	56	91-046 731-04	I/1	91-053 334-25	I/1
91-018 320-91	VIII	91-025 076-15	IV/2	91-031 559-15	IV/2	91-046 732-93	I/1	91-053 347-21	IV/2
91-018 352-05	IX	91-025 077-15	IV/2	91-031 560-91	IV/2	91-046 732-93	VI	91-061 005-05	V
91-018 357-45	III	91-025 164-05	II/2	91-031 560-91	56	91-046 884-04	IX	91-061 005-05	56
91-018 358-45	II/1	91-025 165-45	II/2	91-031 568-91	IV/2	91-046 966-04	III	91-061 180-92	IX
91-018 359-45	II/1	91-025 169-92	IV/2	91-031 568-91	56	91-046 967-04	III	91-063 048-05	I/2
91-018 397-25	IX	91-025 170-15	IV/2	91-032 805-91	IV/1	91-046 968-04	III	91-063 049-05	I/2
91-018 399-25	IX	91-025 194-91	III	91-032 806-45	IV/1	91-046 969-04	III	91-063 049-05	IX
91-018 460-90	II/1	91-025 637-15	I/1	91-032 807-91	IV/1	91-046 980-04	III	91-063 071-45	IX
91-018 467-91	VI	+ 91-026 110-25	X	91-032 808-45	IV/1	91-046 981-04	III	91-063 073-91	IX
91-018 467-91	55	+ 91-026 179-45	X	91-032 809-45	IV/1	91-046 982-04	III	91-063 074-92	IX
91-018 662-45	VI	91-026 745-04	III	+ 91-035 461-92	X	91-046 983-04	III	91-063 118-05	IX
91-018 662-45	55	91-026 746-04	III	91-040 188-05	VIII	91-046 984-93	I/1	91-064 583-05	IX
91-018 688-05	VI	91-026 830-15	III	91-040 474-93	I/1	91-046 985-93	I/1	91-067 020-05	II/1
91-018 689-91	VI	+ 91-027 242-45	X	91-040 474-93	VI	91-046 986-04	I/1	91-100 015-15	IX
91-018 689-91	55	+ 91-027 263-15	X	91-040 475-04	I/1	91-046 987-04	I/1	91-100 044-15	II/2
91-019 532-91	56	91-027 271-45	56	91-040 618-25	IV/2	91-047 030-04	VIII	91-100 044-15	IX
91-019 651-92	I/1	91-027 271-92	IV/2	91-040 621-91	IV/2	91-047 181-04	III	91-102 007-92	VI
91-019 651-92	56	91-028 036-25	IX	91-040 623-25	IV/2	91-047 241-04	VI	91-102 007-92	IX
91-019 656-05	I/1	+ 91-028 953-15	X	91-041 063-25	IV/2	91-047 242-04	VI	91-102 007-92	55
91-019 656-05	56	91-029 007-91	IV/1	91-041 065-45	IV/2	91-047 243-04	VI	91-102 011-05	VI
91-019 657-05	I/1	91-029 079-15	VIII	91-041 076-91	IV/2	91-047 250-04	IX	91-102 011-05	IX
91-019 660-15	II/2	91-029 242-90	IV/1	91-041 085-91	IV/2	91-048 081-03	VIII	91-102 011-05	55
91-019 661-15	56	91-029 394-01	IV/1	91-042 944-04	III	91-048 082-04	VIII	91-102 019-92	VI
91-019 662-15	II/2	91-029 446-91	IV/1	91-042 944-04	VI	91-048 083-04	VIII	91-102 019-92	IX
91-019 662-15	56	91-029 450-35	IV/1	91-042 945-04	III	91-048 537-05	III	91-102 019-92	55
91-019 663-45	II/2	91-029 480-91	IV/1	91-043 524-04	III	91-048 639-04	VI	91-102 022-91	VI
91-019 664-15	II/2	91-029 535-15	I/2	91-043 525-04	III	91-048 640-04	VI	91-102 022-91	55
91-019 665-15	II/2	91-029 587-55	IV/2	91-043 526-93	I/1	91-048 653-03	IX	91-102 028-35	VI
91-019 668-91	55	91-029 601-15	IV/2	91-043 526-93	VI	91-048 922-04	VI	91-102 028-35	55
91-019 676-05	I/2	91-029 601-25	IV/2	91-043 527-04	I/1	91-049 018-93	VIII	91-102 033-05	VI

+ = Teile früherer Ausführungen / Pièces des anciens modèles
 Parts of Previous Machines / Tijpos de piezas anteriores

Nummern-Verzeichnis / Tableau des numéros / Numerical Index / Lista de números			
Nr./n ^o /No.	Fig.	Nr./n ^o /No.	Fig.
91-102 033-05	IX	99-053 768-91	I/1
91-102 033-05	55	99-080 150-91	IV/1
91-102 034-05	VI	99-115 034-15	IV/1
91-102 034-05	55	99-115 036-15	IV/1
91-102 035-91	VI	99-115 037-45	IV/1
91-102 035-91	55	99-129 584-93	IV/2
91-102 210-92	VI	99-129 586-93	V
91-102 210-92	55	99-129 593-93	V
91-102 216-91	VI		
91-102 216-91	55		
91-105 447-15	I/2		
91-107 627-35	IX		
91-108 001-91	I/1		
91-108 002-91	IX		
91-113 030-35	I/2		
91-119 025-35	I/2		
91-129 207-11	II/1		
91-129 416-91	I/1		
91-129 417-21	I/1		
91-129 637-15	IV/1		
91-129 640-90	IV/1		
91-129 641-92	IV/1		
91-129 644-45	IV/1		
91-129 645-45	IV/1		
91-129 646-92	IV/1		
91-129 647-45	IV/1		
91-129 649-45	IV/1		
91-129 650-90	IV/1		
91-129 660-90	IV/1		
91-700 338-35	VII		
91-700 388-15	I/1		
91-701 319-35	I/1		
+ 91-701 378-15	X		
91-710 484-92	I/1		
91-710 650-92	I/1		
91-715 436-92	IX		
93-102 335-41	IV/1		
93-513 120-00	IV/2		
93-513 121-00	IV/2		
93-513 124-10	IV/2		
93-513 125-05	IV/2		
99-029 729-05	VIII		

PFAFF[®]



Spare Parts Catalogue

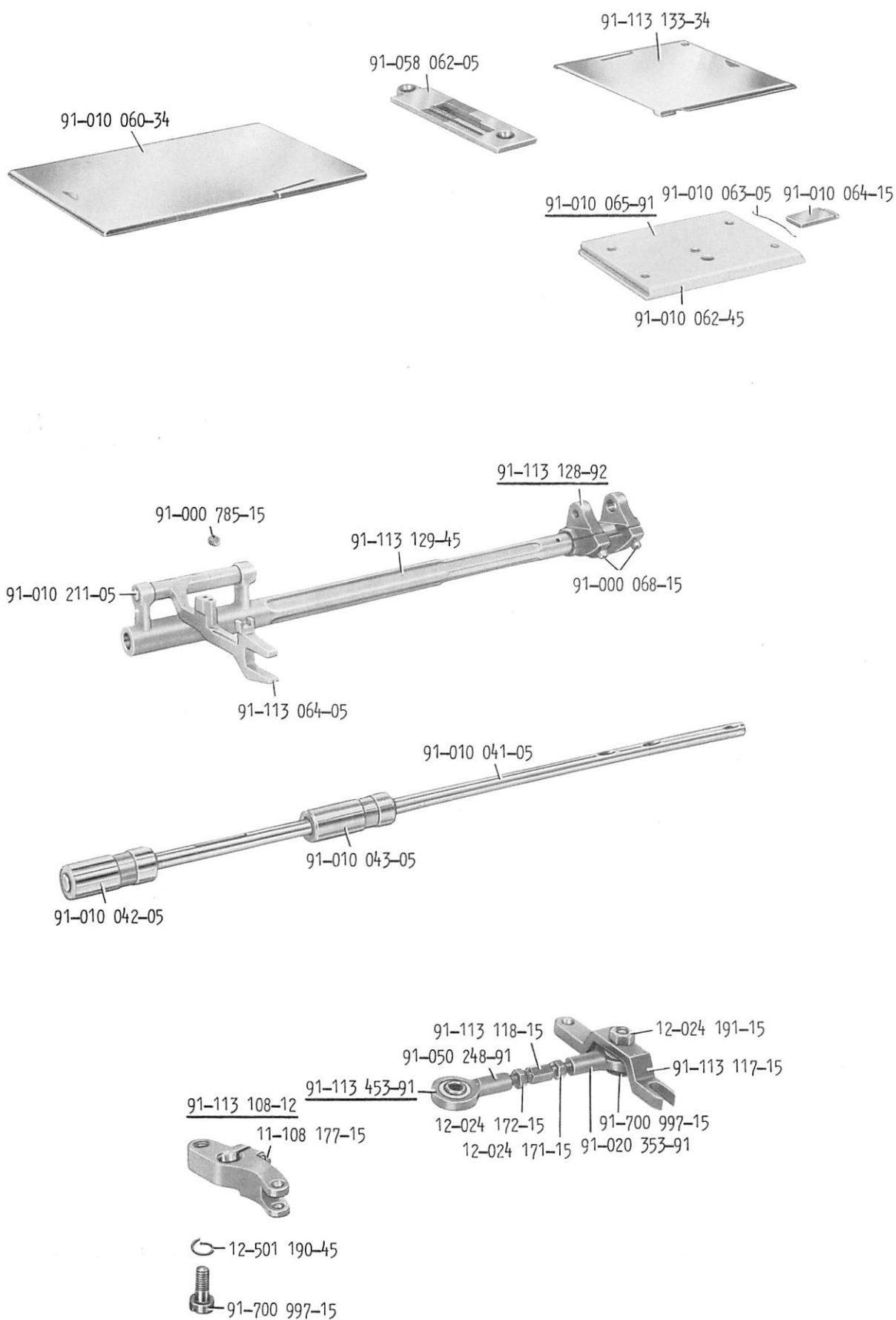
**Thread Puller/Trimmers
-900/06**

for the Pfaff 141; 145

-900/05; -900/01

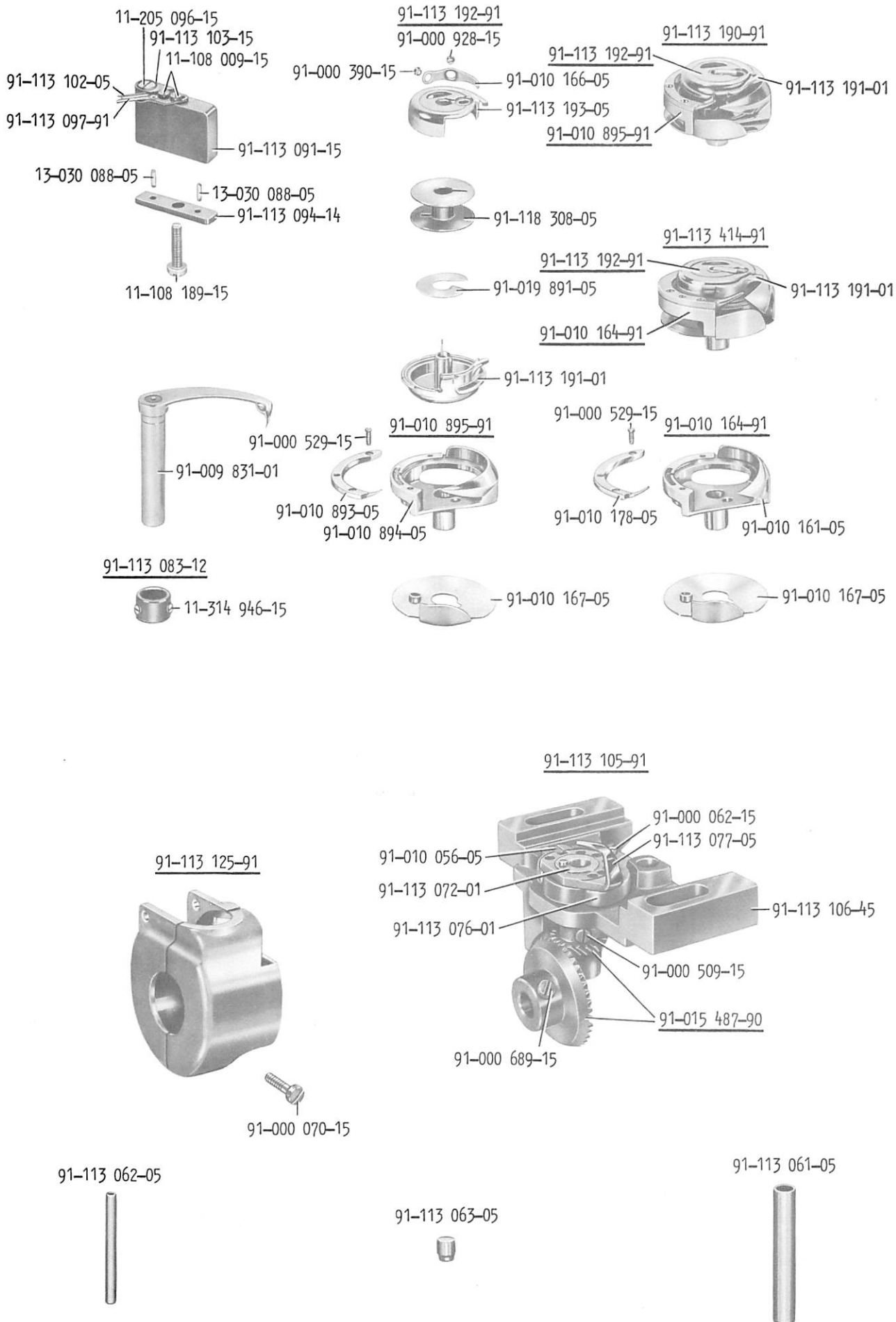
for the Pfaff 141-5

PFAFF INDUSTRIEMASCHINEN GMBH KAISERSLAUTERN



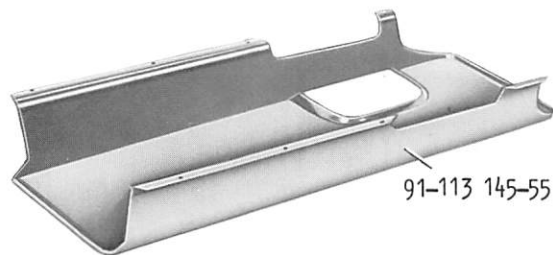
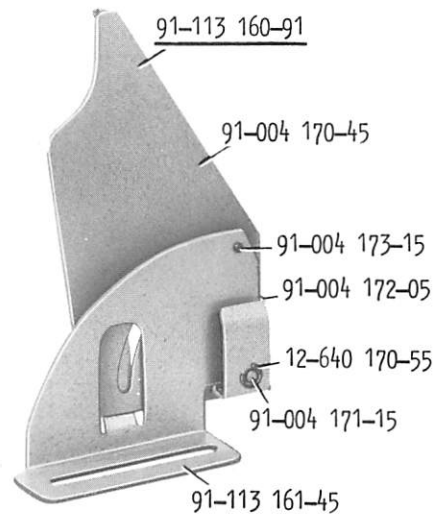
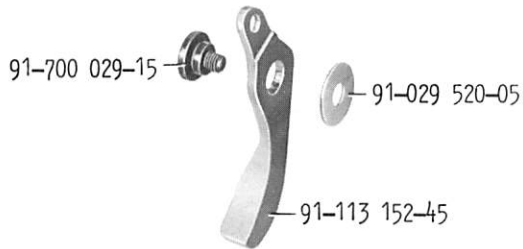
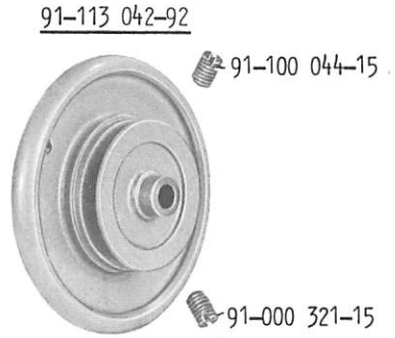
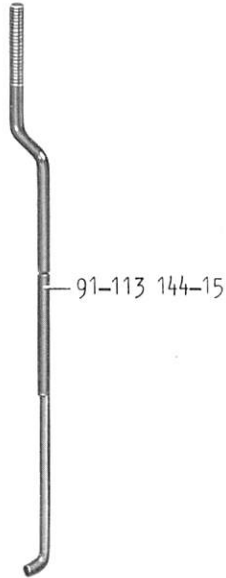
Subcl. -900/06 thread puller/trimmer for the Pfaff 141

- 11-108 177-15 Binding screw (A M 4x10 DIN 84-8G)
for No.91-113 108-12
- 12-024 171-15 Nut (M 5 DIN 934-8) for No.91-113 118-15
- 12-024 172-15 Nut (M 5 left DIN 934-8)
for No.91-113 118-15
- 12-024 191-15 Nut (M 6 DIN 934-8)
for No.91-700 997-15
- 12-501 190-45 Spring washer (6 DIN 7980)
for No.91-700 997-15
- 91-000 068-15 Binding screw for No.91-113 128-92
- 91-000 785-15 Fastening screw for No.91-010 211-05
- 91-010 041-05 Hook drive shaft
- 91-010 042-05 Hook drive shaft bushing, front
- 91-010 043-05 Hook drive shaft bushing, center
- 91-010 060-34 x 0.6 Bed slide, front
- 91-010 062-45 Bed slide, center
- 91-010 063-05 Retaining spring for No.91-010 065-91
- 91-010 064-15 Friction slide for No.91-010 065-91
- 91-010 065-91 Bed slide center, compl.,
consisting of Nos.91-010 062-45; 91-010 063-05;
91-010 064-15
- 91-010 211-05 Feed bar hinge stud
- 91-020 353-91 Ball joint for No.91-113 117-15
- 91-050 248-91 Ball joint for No.91-113 108-12
- 91-058 062-05 Needle plate, subcl.-6/01
- 91-113 064-05 Feed bar
- 91-113 108-12 Thread puller swing-forward crank, w/
binding screw No.11-108 177-15
- 91-113 117-15 Connecting lever for No.91-113 453-91
- 91-113 118-15 Connecting rod for Nos.91-020 353-91; 91-050 248-91
- 91-113 128-92 Feed rock shaft crank, w/
binding screw No.91-000 068-15
- 91-113 129-45 Feed rock shaft
- 91-113 133-34 x 0.8 Bed slide, rear
- 91-113 453-91 Connecting rod, compl.,
for Nos.91-113 108-12; 91-113 117-15,
consisting of Nos.12-024 171-15; 12-024 172-15;
91-020 353-91; 91-050 248-91; 91-113 118-15
- 91-700 997-15 Hinge screw for Nos.91-020 353-91;
91-050 248-91



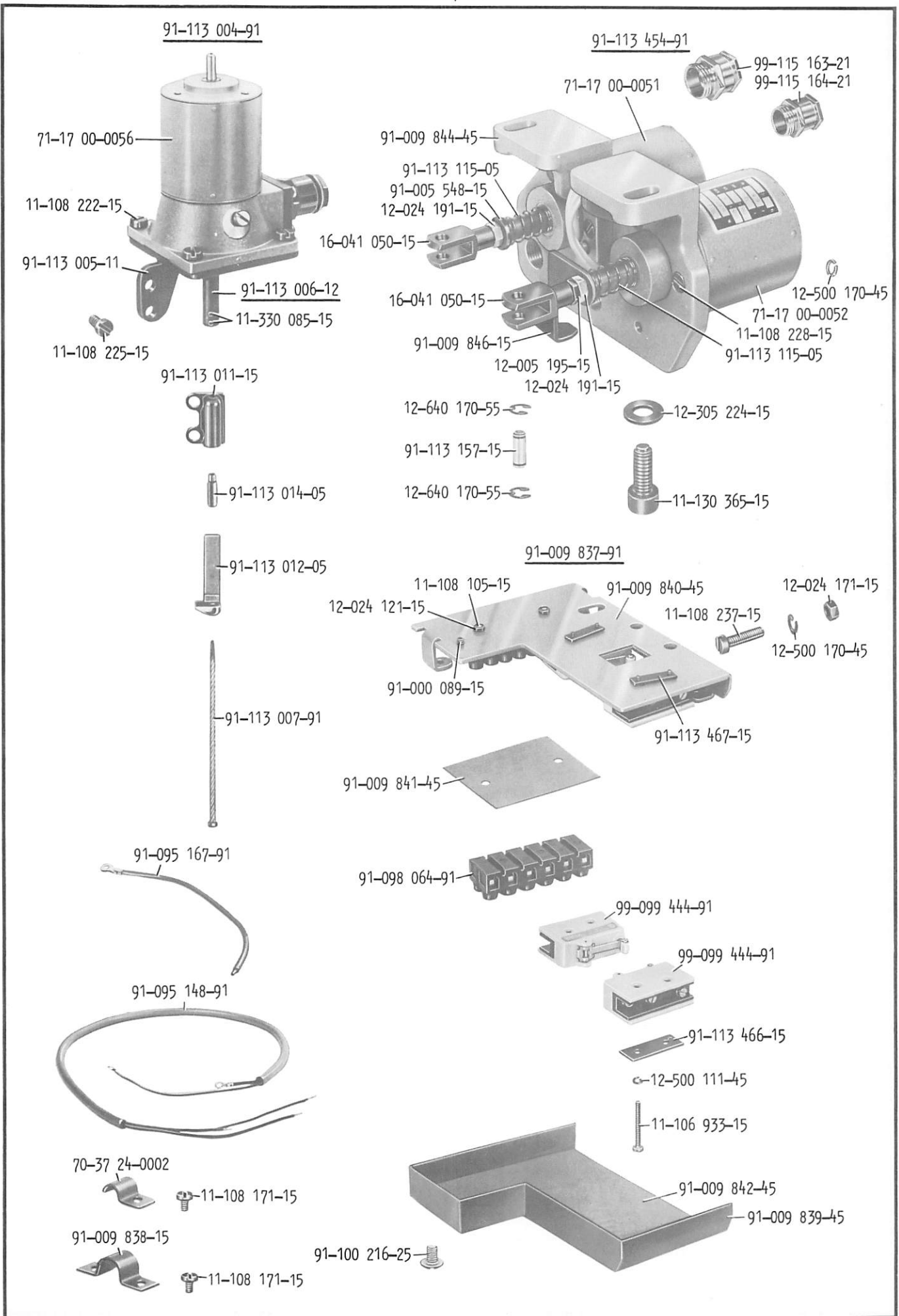
Subcl. -900/06 thread puller/trimmer for the Pfaff 141

11-108 009-15	Fastening screw (A M 2x4 DIN 84-8G) for No.91-113 097-91	91-019 891-05	Friction washer for No.91-118 308-05
11-108 189-15	Fastening screw (A M 4x18 DIN 84-8G) for No.91-113 091-15	91-113 061-05	Oil tube, 50 mm long, for hook drive shaft bushing, front
11-205 096-15	Binding screw (A M 3x8 DIN 63-8G) for No.91-113 103-15	91-113 062-05	Oil tube, 40 mm long, for hook drive shaft bushing, center
11-314 946-15	Fastening screw (M 4x4 DIN 438-5S) for No.91-113 083-12	91-113 063-05	Plug for bedplate
13-030 088-05	Position pin (2m6x6 DIN 7) for Nos.91-113 091-15; 91-113 094-14	91-113 072-01	Hook shaft, w/ driving pin
91-000 062-15	Fastening screw for No.91-113 076-01	91-113 076-01	Bobbin case lever fulcrum
91-000 070-15	Fastening screw for No.91-113 125-91	91-113 077-05	Bobbin case lever
91-000 390-15	Fastening screw for bobbin case tension spring	<u>91-113 083-12</u>	Set collar, w/ set screw No.11-314 946-15, for No.91-009 831-01
91-000 509-15	Fastening screw for small bevel gear of No.91-015 487-90	91-113 091-15	Knife holder
91-000 529-15	Fastening screw for hook gib	91-113 094-14	Spacer for No.91-113 091-15 (available in thicknesses of 1.7; 1.9; 2.1 and 2.3 mm)
91-000 689-15	Fastening screw for large bevel gear of No.91-015 487-90	91-113 097-91	Thread nipper
91-000 928-15	Regulating screw for bobbin case tension spring	91-113 102-05	Knife
91-009 831-01	Thread puller	91-113 103-15	Knife clamp for No.91-113 102-05
91-010 056-05	Bobbin case lever slide for No.91-113 077-05	<u>91-113 105-91</u>	Hook saddle, compl., consisting of Nos.91-000 062-15; 91-010 056-05; 91-015 487-90; 91-113 072-01; 91-113 076-01; 91-113 077-05; 91-113 106-45
91-010 161-05	Hook (Models A & B, fabric)	91-113 106-45	Hook saddle
<u>91-010 164-91</u>	Hook (Models A & B, fabric) compl., for No.91-113 414-91, consisting of Nos.91-000 529-15; 91-010 161-05; 91-010 167-05; 91-010 178-05	<u>91-113 125-91</u>	Bevel gear case, w/ set screw No.91-000 070-15
91-010 166-05	Tension spring for No.91-113 192-91	<u>91-113 190-91</u>	Hook, w/ bobbin case, (Models A & B, leather), compl., consisting of Nos.91-010 895-91; 91-019 891-05; 91-113 191-01; 91-113 192-91
91-010 167-05	Hook washer for Nos.91-010 164-91; 91-010 895-91	91-113 191-01	Bobbin case base
91-010 178-05	Hook gib (Models A & B, fabric)	<u>91-113 192-91</u>	Bobbin case cap, compl., consisting of Nos.91-000 390-15; 91-000 928-15; 91-010 166-05; 91-113 193-05
91-010 893-05	Hook gib (Models A & B, leather)	91-113 193-05	Bobbin case cap
91-010 894-05	Hook (Models A & B, leather)	<u>91-113 414-91</u>	Hook, w/ bobbin case, (Models A & B, fabric), compl., Same components as No.91-113 190-91, but incorporating hook No.91-010 164-91
<u>91-010 895-91</u>	Hook, (Models A & B, leather) for No.91-113 190-91, consisting of Nos.91-000 529-15; 91-010 167-05; 91-010 893-05; 91-010 894-05	91-118 308-05	Bobbin
<u>91-015 487-90</u>	Bevel gear assembly, w/ No.91-000 509-15 Set screw for small bevel gear No.91-000 689-15 Set screw for large bevel gear		



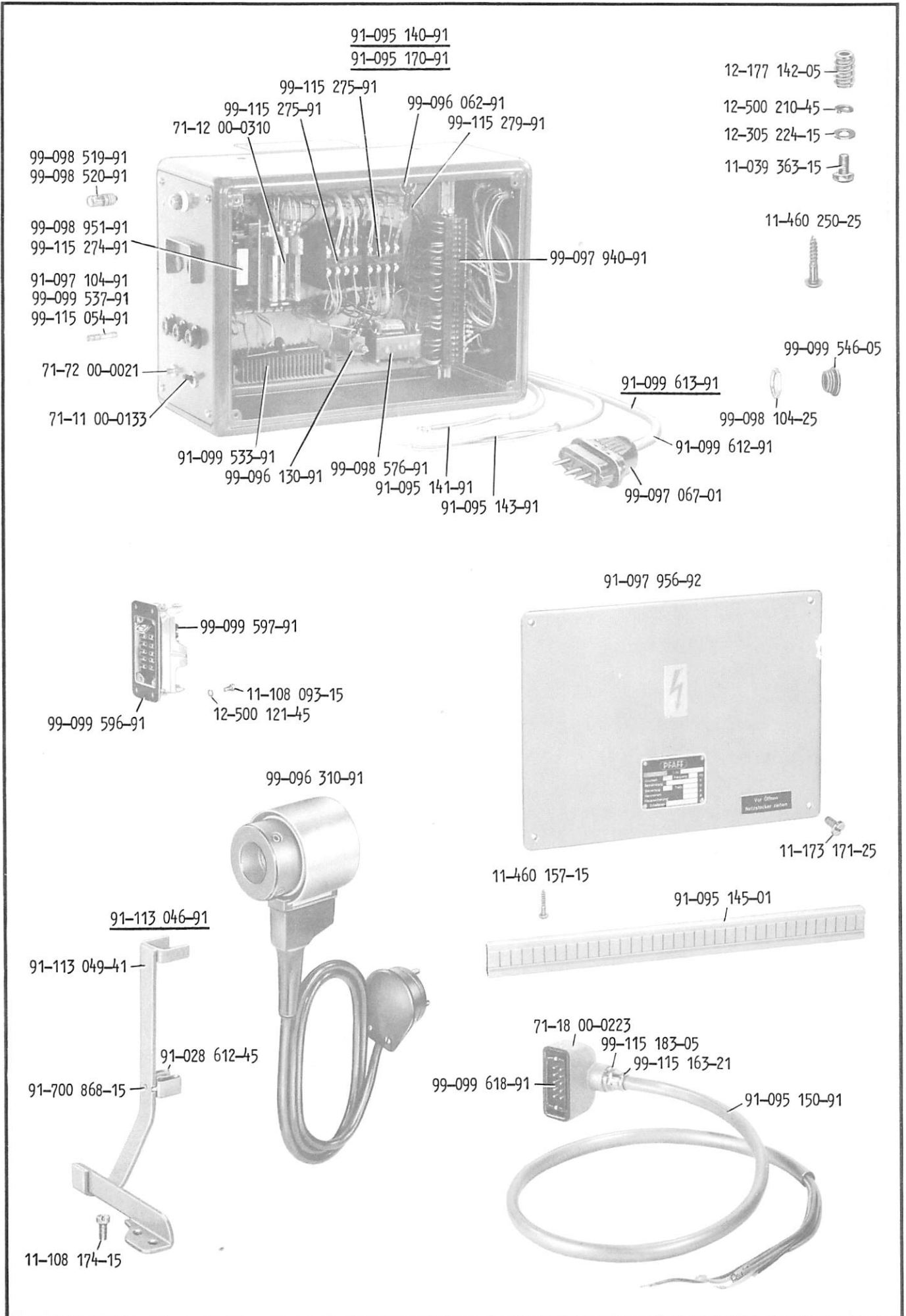
Subcl. -900/06 thread puller/trimmer for the Pfaff 141

- 12-640 170-55 Slip washer (5 DIN 6799)
for No.91-004 171-15
- 91-000 321-15 Fastening screw, pointed,
for balance wheel
- 91-004 170-45 Belt guard
- 91-004 171-15 Hinge stud for Nos.91-004 170-45;
91-113 161-45
- 91-004 172-05 Torsion spring for No.91-004 170-45
- 91-004 173-15 Guide stud for No.91-004 170-45
- 91-029 520-05 Washer for No.91-113 152-45
- 91-100 044-15 Fastening screw, blunt,
for balance wheel
- 91-113 042-92 Balance wheel, w/
set screw Nos.91-000 321-15;
91-100 044-15
- 91-113 144-15 Lifting lever connecting rod
- 91-113 145-55 Oil drip pan
- 91-113 152-45 Knee lifter rock shaft lever for No.91-113 144-15
- 91-113 160-91 Belt guard, compl.,
consisting of Nos.12-640 170-55; 91-004 170-45;
91-004 171-15; 91-004 172-05; 91-004 173-15;
91-113 161-45
- 91-113 161-45 Belt guard bracket
- 91-700 029-15 Hinge screw for No.91-113 152-45
-
- 91-113 001-45 Arm (not ill.)
- 91-113 060-45 Bedplate (not ill.)



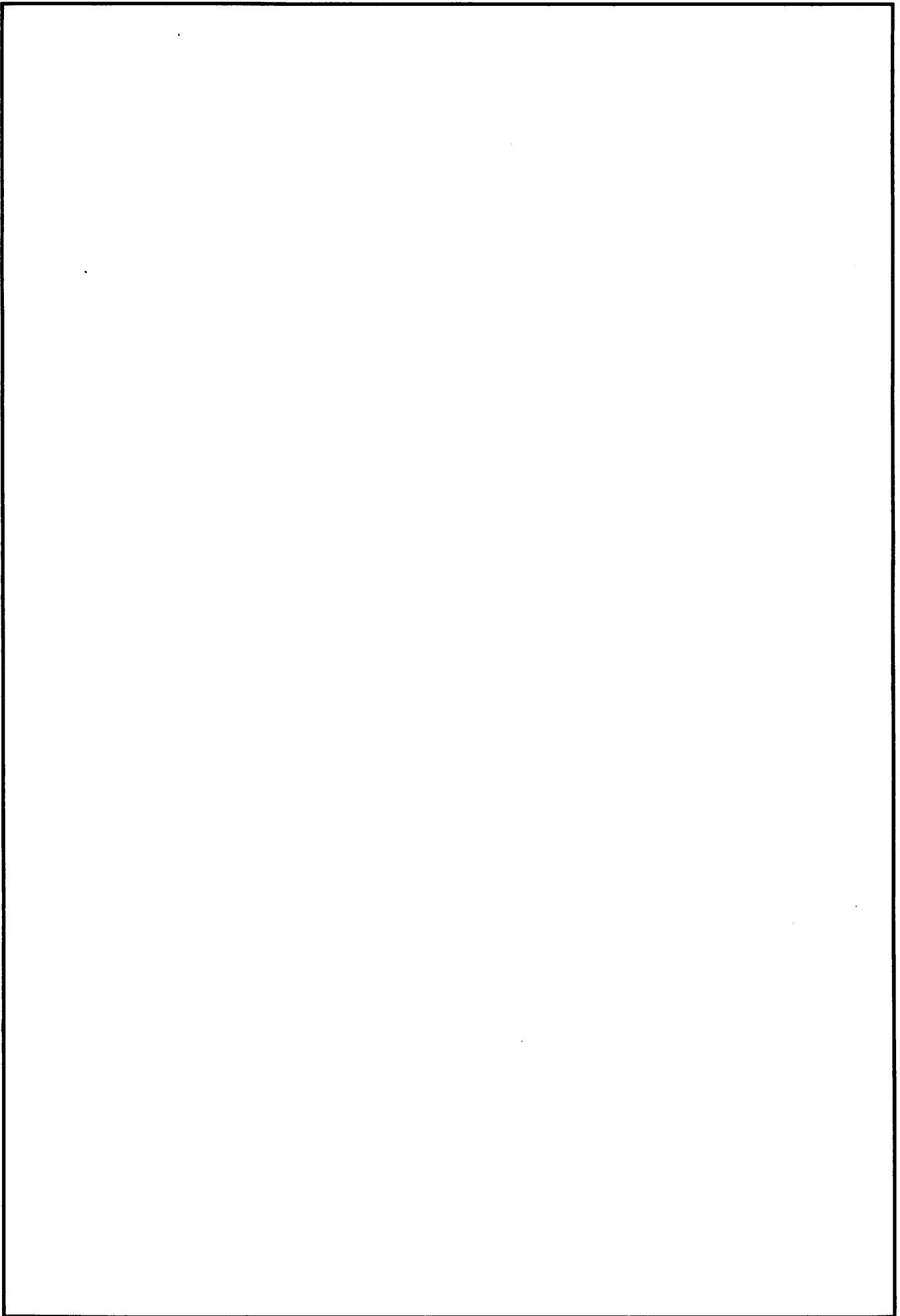
Subcl. -900/06 thread puller/trimmer for the Pfaff 141

11-106 933-15	Fastening screw (A M 2.6x22 DIN 84-4.8) for No.99-099 444-91	<u>91-009 837-91</u>	Switch housing, compl., consisting of Nos.11-106 933-15; 11-108 105-15; 12-024 121-15; 12-500 111-45; 91-000 089-15; 91-009 839-45; 91-009 840-45; 91-009 841-45; 91-009 842-45; 91-098 064-91; 91-100 216-25; 91-113 466-15; 91-113 467-15; 99-099 444-91
11-108 105-15	Fastening screw (A M 3x15 DIN 84-8G) for No.91-098 064-91	91-009 838-15	Cord clip
11-108 171-15	Fastening screw (A M 4x6 DIN 84-8G) for Nos.70-37 24-0002; 91-009 838-15	91-009 839-45	Switch housing cover
11-108 222-15	Fastening screw (A M 5x8 DIN 84-8G) for No.91-113 004-91	91-009 840-45	Switch housing
11-108 225-15	Fastening screw (A M 5x10 DIN 84-8G) for No.91-113 004-91	91-009 841-45	Insulation for No.91-098 064-91
11-108 228-15	Fastening screw (A M 5x12 DIN 84-8G) for Nos.71-17 00-0051; 71-17 00-0052	91-009 842-45	Insulation for No.91-009 839-45
11-108 237-15	Fastening screw (A M 5x18 DIN 84-8G) for No.91-009 837-91	91-009 844-45	Solenoid bracket for Nos.71-17 00-0051; 71-17 00-0052
11-130 365-15	Fastening screw (M 8x20 DIN 912-8G) for No.91-113 454-91	91-009 846-15	Switch lever for No.71-17 00-0052
11-330 085-15	Fastening screw (A M 3x4 DIN 913-10K) for No.91-113 006-12	91-095 148-91	Cord for No.91-009 837-91
12-005 195-15	Nut (B M 6 DIN 439-5S) for No.71-17 00-0052	91-095 167-91	Cord for No.91-009 837-91
12-024 121-15	Nut (M 3 DIN 934-8) for No.11-108 105-15	91-098 064-91	Terminal strip (six-point)
12-024 171-15	Nut (M 5 DIN 934-8) for No.11-108 237-15	91-100 216-25	Fastening screw for No.91-009 839-45
12-024 191-15	Nut (M 6 DIN 934-8) for Nos.71-17 00-0051; 71-17 00-0052	<u>91-113 004-91</u>	Tension release solenoid, compl., consisting of Nos.11-108 222-15; 71-17 00-0056; 91-113 005-11; 91-113 006-12
12-305 224-15	Washer (8.4 DIN 125-St) for No.11-130 365-15	91-113 005-11	Solenoid bracket for No.91-113 004-91
12-500 111-45	Spring washer (B 2.6 DIN 127) for No.11-106 933-15	<u>91-113 006-12</u>	Solenoid head, w/ set screw No.11-330 085-15, for No.91-113 004-91
12-500 170-45	Spring washer (A 5 DIN 127) for Nos.11-108 228-15; 11-108 237-15	91-113 007-91	Wire for No.91-113 012-05
12-640 170-55	Slip washer (5 DIN 6799) for No.91-113 157-15	91-113 011-15	Pressure spring receptacle
16-041 050-15	Fork (G 6x12 DIN 71 752) for Nos.71-17 00-0051; 71-17 00-0052	91-113 012-05	Tension release bracket
70-37 24-0002	Cord clip	91-113 014-05	Plunger
71-17 00-0051	Thread puller solenoid (turn-on time 25 %)	91-113 115-05	Pressure spring for Nos.71-17 00-0051; 71-17 00-0052
71-17 00-0052	Thread puller solenoid (turn-on time 5 %)	91-113 157-15	Hinge stud for No.16-041 050-15
71-17 00-0056	Tension release solenoid	<u>91-113 454-91</u>	Thread puller mechanism, compl., consisting of Nos.11-108 228-15; 12-005 195-15; 12-024 191-15; 12-500 170-45; 16-041 050-15; 71-17 00-0051; 71-17 00-0052; 91-005 548-15; 91-009 844-45; 91-009 846-15; 91-113 115-05; 99-115 163-21; 99-115 164-21
91-000 089-15	Fastening screw for earthing wire	91-113 466-15	Spacing strip for No.99-099 444-91
91-005 548-15	Washer for No.71-17 00-0051	91-113 467-15	Screw washer for No.11-106 933-15
		99-099 444-91	Micro switch
		99-115 163-21	Gland for No.91-009 844-45
		99-115 164-21	Gland for No.91-009 844-45

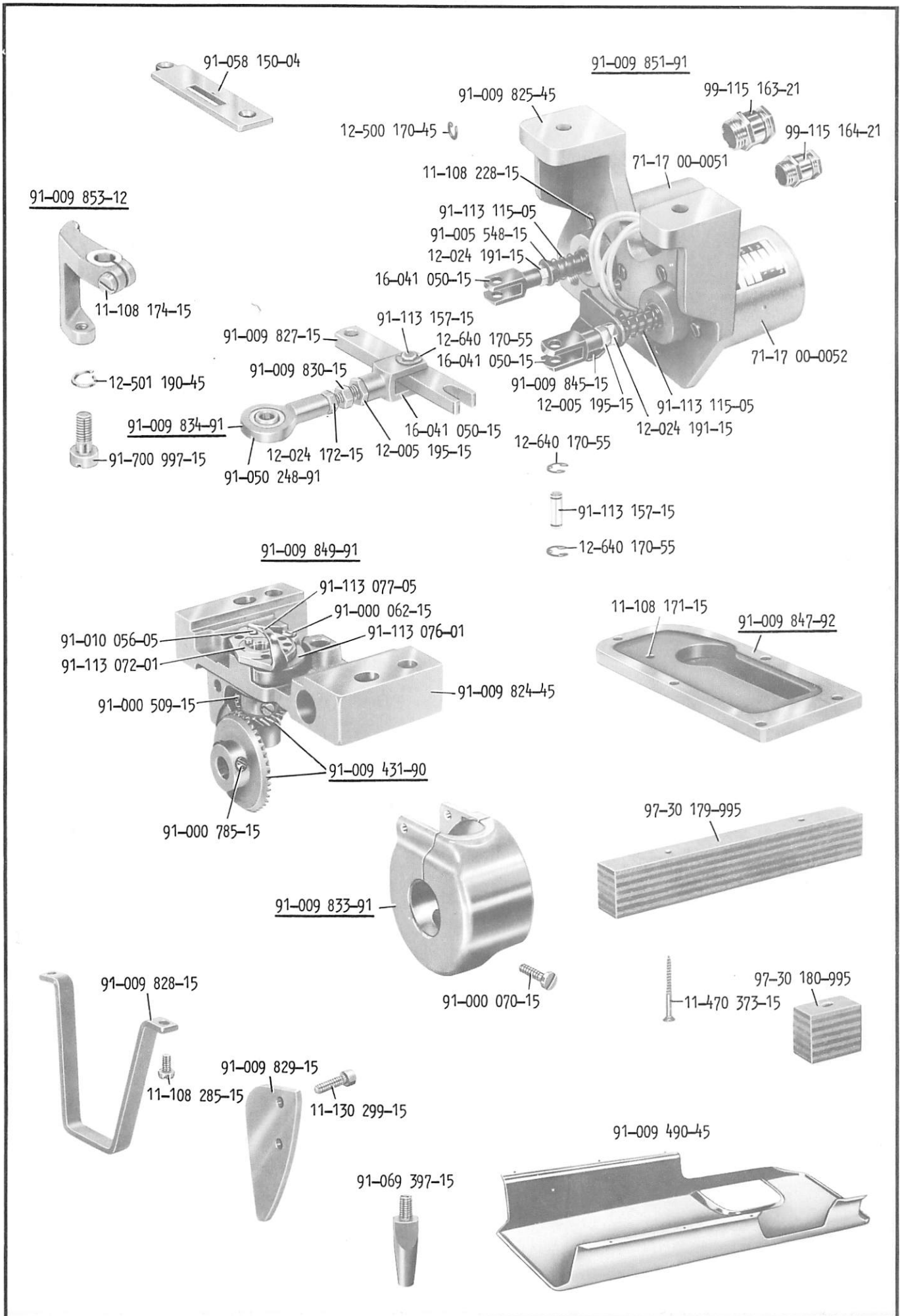


Subcl. -900/06 thread puller/trimmer for the Pfaff 141

11-039 363-15	Fastening screw (M 8x18 DIN 933-8G) for Nos.91-095 140-91; 91-095 170-91	91-099 533-91	Full-wave rectifier
11-108 093-15	Fastening screw (A M 3x6 DIN 84-8G) for No.99-099 596-91	91-099 612-91	Cord for No.91-099 613-91
11-108 174-15	Fastening screw (A M 4x8 DIN 84-8G) for No.91-113 046-91	<u>91-099 613-91</u>	Power cord, compl., consisting of Nos.91-099 612-91; 99-097 067-01
11-173 171-25	Fastening screw (A M 4x6 DIN 85-8G) for No.91-097 956-92	<u>91-113 046-91</u>	Synchronizer holder, compl., consisting of Nos.91-028 612-45; 91-113 049-41; 91-700 868-15
11-460 157-15	Wood screw (3.5x17 DIN 96-St) for No.91-095 145-01	91-113 049-41	Synchronizer holder
11-460 250-25	Wood screw (4.5x25 DIN 96-St) for Nos.91-095 140-91; 91-095 170-91	91-700 868-15	Fastening screw for No.91-028 612-45
12-177 142-05	Bushing, threaded, (M 8x30 DIN 7965-St) for No.11-039 363-15	99-096 062-91	Capacitor
12-305 224-15	Washer (A 8.4 DIN 125-St) for No.11-039 363-15	99-096 130-91	Rectifier
12-500 121-45	Spring washer (B 3 DIN 127) for No.11-108 093-15	99-096 310-91	Synchronizer
12-500 210-45	Spring washer (A 8 DIN 127) for No.11-039 363-15	99-097 067-01	Safety plug (3-pin) for No.91-099 613-91
71-11 00-0133	Tumbler switch	99-097 940-91	Terminal strip
71-12 00-0310	Round relay	99-098 104-25	Nut for No.99-099 546-05
71-18 00-0223	Plug casing for No.91-095 150-91	99-098 519-91	Socket for No.99-098 520-91
71-72 00-0021	Potentiometer	99-098 520-91	Glow discharge lamp
91-028 612-45	Cord clip for No.91-113 049-41	99-098 576-91	Transformer
<u>91-095 140-91</u>	Switch box (380 V) w/ Nos.11-108 093-15; 11-173 171-25; 12-500 121-45; 71-11 00-0133; 71-12 00-0310; 71-72 00-0021; 91-095 141-91; 91-095 143-91; 91-097 104-91; 91-097 956-92; 91-099 533-91; 91-099 613-91; 99-096 062-91; 99-096 130-91; 99-097 940-91; 99-098 519-91; 99-098 520-91; 99-098 576-91; 99-098 951-91; 99-099 537-91; 99-099 596-91; 99-099 597-91; 99-115 054-91; 99-115 275-91; 99-115 279-91	99-098 951-91	Protective motor switch for No.91-095 140-91
91-095 141-91	Motor cord	99-099 537-91	Fuse (1.6 A)
91-095 143-91	Control cord	99-099 546-05	Plug screw for Nos.91-095 140-91; 91-095 170-91
91-095 145-01	Cord channel	99-099 596-91	Female plug casing for No.99-099 597-91
91-095 150-91	Cord for No.71-18 00-0223	99-099 597-91	Female plug core (10-pin)
<u>91-095 170-91</u>	Switch box (220 V) Same components as No.91-095 140-91, but incorporating protective motor switch No.99-115 274-91	99-099 618-91	Plug core for No.71-18 00-0223
91-097 104-91	Fuse (0.5 A)	99-115 054-91	Fuse (2.5 A)
91-097 956-92	Switch box cover for Nos.91-095 140-91; 91-095 170-91	99-115 163-21	Gland for No.71-18 00-0223
		99-115 183-05	Adapter for No.71-18 00-0223
		99-115 274-91	Protective motor switch for No.91-095 170-91
		99-115 275-91	Contactactor
		99-115 279-91	Wire resistor

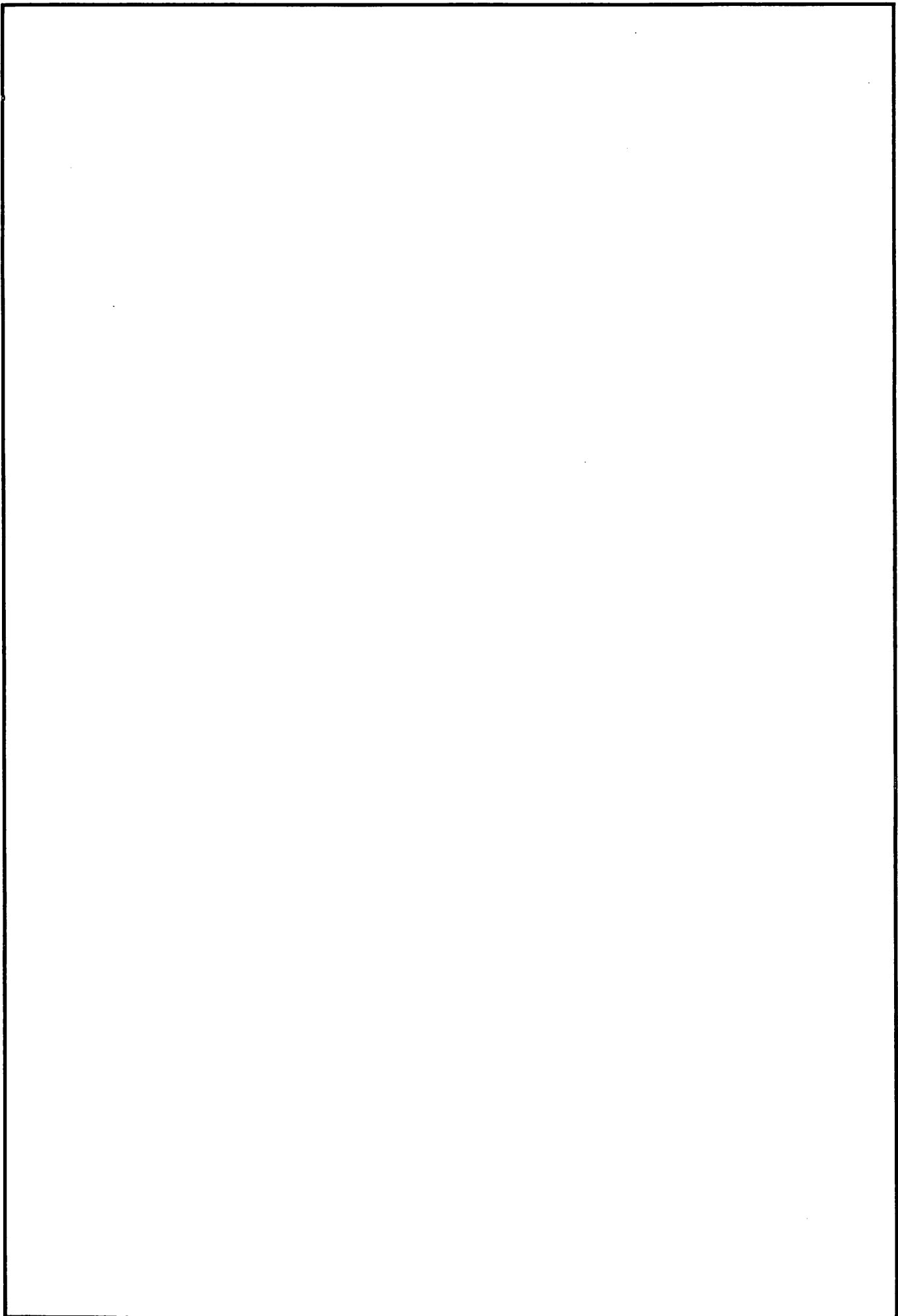


**Complementary Parts
-900/05 for the Pfaff 141-5**



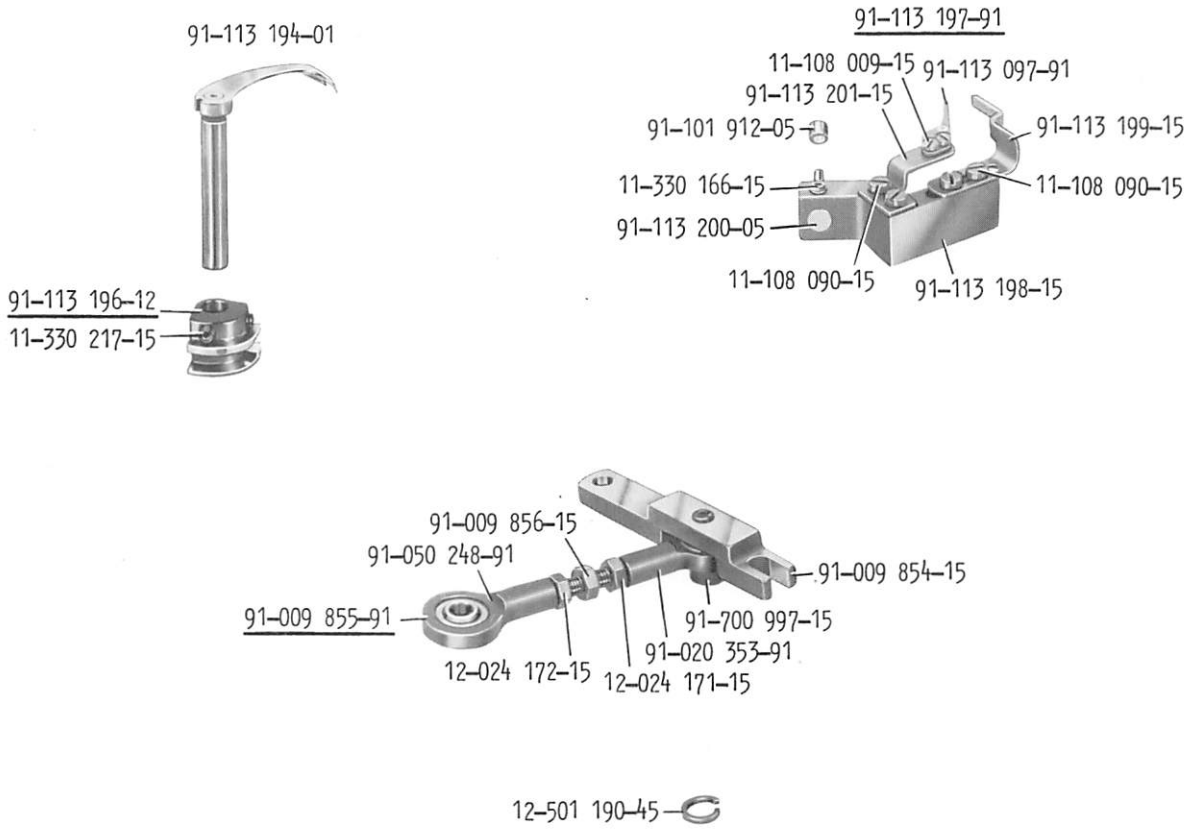
Complementary parts of subcl. -900/05 thread puller/trimmer for the Pfaff 141-5
(for standard parts, please refer to subcl. -900/06 for the Pfaff 141)

11-108 171-15	Fastening screw (A M 4x6 DIN 84-8.8) for No.91-009 847-92	91-009 827-15	Connecting lever for No.91-009 834-91
11-108 174-15	Binding screw (A M 4x8 DIN 84-8.8) for No.91-009 853-12	91-009 828-15	Bedplate support
11-108 228-15	Fastening screw (A M 5x12 DIN 84-8.8) for Nos.71-17 00-0051; 71-17 00-0052	91-009 829-15	Bedplate leg
11-108 285-15	Fastening screw (A M 6x10 DIN 84-8.8) for No.91-009 828-15	91-009 830-15	Connecting rod for Nos.16-041 050-15; 91-050 248-91
11-130 299-15	Fastening screw (M 6x20 DIN 912-8.8) for No.91-009 829-15	<u>91-009 833-91</u>	Bevel gear case, w/ set screw No.91-000 070-15
11-470 373-15	Wood screw (5.5x55 DIN 97-St) for Nos.97-30 179-995; 97-30 180-995	<u>91-009 834-91</u>	Connecting rod, compl., consisting of Nos.12-005 195-15; 12-024 172-15; 16-041 050-15; 91-009 830-15; 91-050 248-91
12-005 195-15	Nut (B M 6 DIN 439-5S) for Nos.71-17 00-0052; 91-009 830-15	91-009 845-15	Thread puller operating lever
12-024 172-15	Nut (M 5 left DIN 934-8) for No.91-009 830-15	<u>91-009 847-92</u>	Grease chamber cover, w/ set screw No.11-108 171-15
12-024 191-15	Nut (M 6 DIN 934-8) for Nos.71-17 00-0051; 71-17 00-0052	<u>91-009 849-91</u>	Hook saddle, compl., consisting of Nos.91-000 062-15; 91-009 431-90; 91-009 824-45; 91-010 056-05; 91-113 072-01; 91-113 076-01; 91-113 077-05
12-500 170-45	Spring washer (A 5 DIN 127) for No.11-108 228-15	<u>91-009 851-91</u>	Thread puller assembly, compl., consisting of Nos.11-108 228-15; 12-005 195-15; 12-024 191-15; 12-500 170-45; 16-041 050-15; 71-17 00-0051; 71-17 00-0052; 91-005 548-15; 91-009 825-45; 91-009 845-15; 91-113 115-05; 99-115 163-21; 99-115 164-21
12-501 190-45	Spring washer (6 DIN 7980) for No.91-700 997-15	<u>91-009 853-12</u>	Thread puller crank, w/ binding screw No.11-108 174-15
12-640 170-55	Slip washer (5 DIN 6799) for No.91-113 157-15	91-010 056-05	Bobbin case lever slide for No.91-113 077-05
16-041 050-15	Fork (G 6x12 DIN 71 752) for Nos.71-17 00-0051; 71-17 00-0052; 91-009 827-15	91-050 248-91	Ball joint for No.91-009 853-12
71-17 00-0051	Thread puller solenoid (turn-on time 25 %)	91-058 150-04 x Model	Needle plate
71-17 00-0052	Thread puller solenoid (turn-on time 5 %)	91-069 397-15	Bedplate leg
91-000 062-15	Fastening screw for No.91-113 076-01	91-113 072-01	Hook shaft, w/ driving pin
91-000 070-15	Fastening screw for No.91-009 833-91	91-113 076-01	Bobbin case lever fulcrum
91-000 509-15	Fastening screw for small bevel gear of No.91-009 431-90	91-113 077-05	Bobbin case lever
91-000 785-15	Fastening screw for large bevel gear of No.91-009 431-90	91-113 115-05	Pressure spring for Nos.71-17 00-0051; 71-17 00-0052
91-005 548-15	Washer for No.71-17 00-0051	91-113 157-15	Hinge stud for Nos.16-041 050-15; 91-009 827-15
<u>91-009 431-90</u>	Bevel gear assembly, w/ No.91-000 509-15 Set screw for small bevel gear No.91-000 785-15 Set screw for large bevel gear	91-700 997-15	Hinge screw for No.91-050 248-91
91-009 490-45	Oil drip pan	97-30 179-995	Spacing strip for No.91-009 490-45
91-009 824-45	Hook saddle	97-30 180-995	Spacing strip for No.91-009 490-45
91-009 825-45	Solenoid bracket for Nos.71-17 00-0051; 71-17 00-0052	99-115 163-21	Gland for No.91-009 825-45
		99-115 164-21	Gland for No.91-009 825-45
		91-009 835-45	Bedplate (not ill.)
		91-009 836-45	Arm (not ill.)

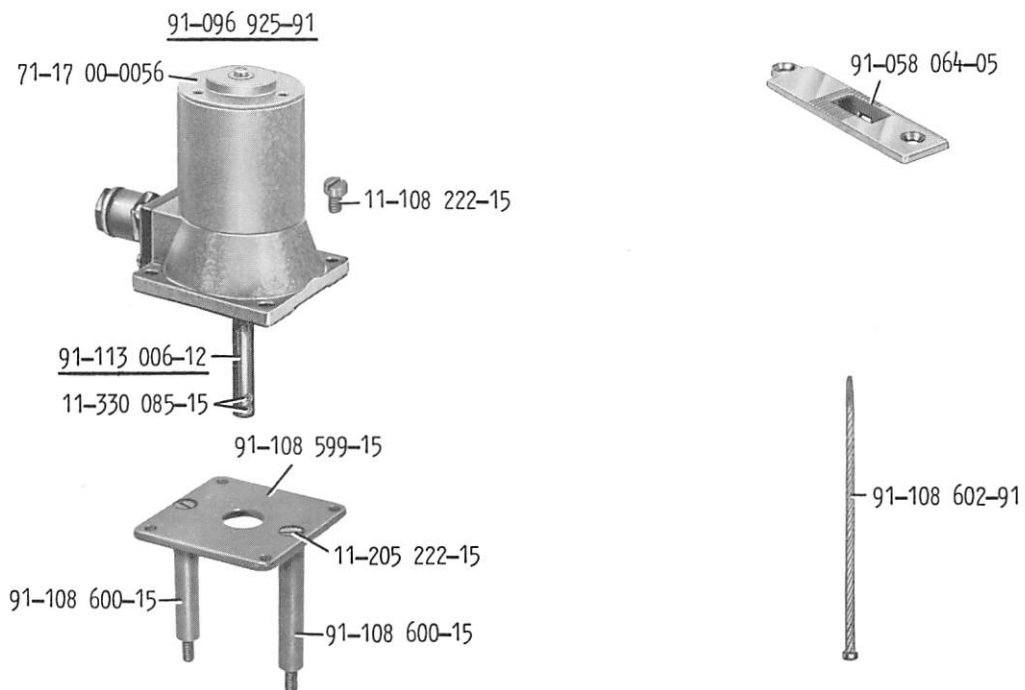


Complementary Parts
-900/01 for the Pfaff 141-5
-900/06 for the Pfaff 145

-900/01



-900/06



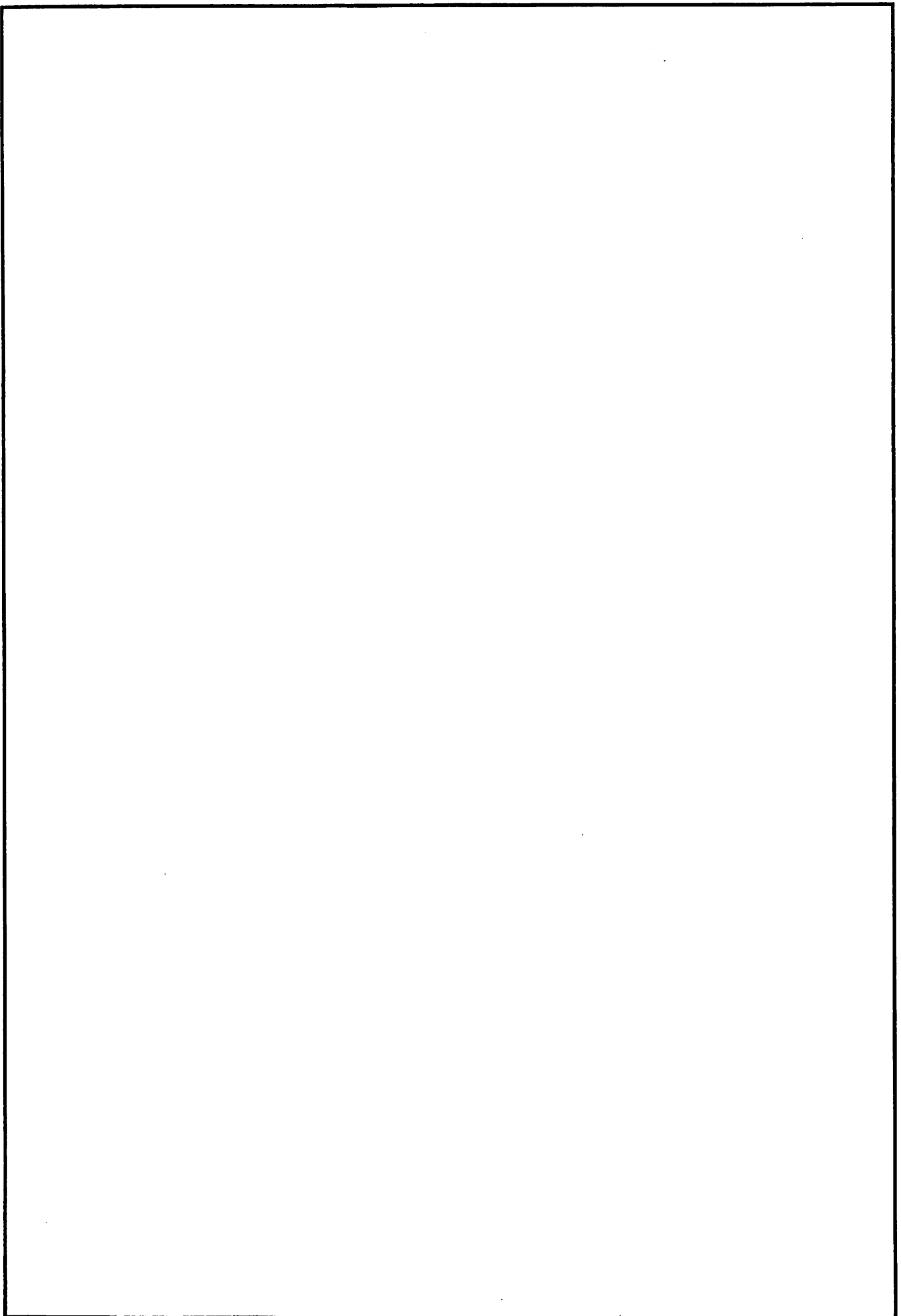
Complementary parts of subcl. -900/01 thread puller/trimmer for the Pfaff 141-5
(for standard parts, please refer to subcl. -900/05 for the Pfaff 141-5)

11-108 009-15	Fastening screw (A M 2x4 DIN 84-8G) for No.91-113 097-91	91-050 248-91	Ball joint
11-108 090-15	Fastening screw (A M 3x5 DIN 84-8G) for Nos.91-113 199-15; 91-113 201-15	91-101 912-05	Roller for No.91-113 200-05
11-330 166-15	Fastening screw (A M 4x5 DIN 913-10K) for No.91-113 200-05	91-113 097-91	Thread nipper
11-330 217-15	Fastening screw (M 5x6 DIN 913-10K) for No.91-113 196-12	91-113 194-01	Thread puller
12-024 171-15	Nut (M 5 DIN 934-8) for No.91-009 856-15	<u>91-113 196-12</u>	Thread puller cam, w/ set screw No.11-330 217-15
12-024 172-15	Nut (M 5 left DIN 934-8) for No.91-009 856-15	<u>91-113 197-91</u>	Knife holder, compl., consisting of Nos.11-108 009-15; 11-108 090-15; 11-330 166-15; 91-113 097-91; 91-113 198-15; 91-113 199-15; 91-113 200-05; 91-113 201-15
12-501 190-45	Spring washer (6 DIN 7980) for No.91-700 997-15	91-113 198-15	Knife holder
91-009 854-15	Connecting lever for No.91-009 855-91	91-113 199-15	Knife
<u>91-009 855-91</u>	Connecting rod, compl., consisting of Nos.12-024 171-15; 12-024 172-15; 91-009 856-15; 91-020 353-91; 91-050 248-91	91-113 200-05	Roller stud
91-009 856-15	Connecting rod for Nos.91-020 353-91; 91-050 248-91	91-113 201-15	Thread nipper bracket
91-020 353-91	Ball joint	91-700 997-15	Hinge screw for Nos.91-009 854-15; 91-009 855-91

Complementary parts of subcl. -900/06 thread puller/trimmer for the Pfaff 145
(for standard parts, please refer to subcl. -900/06 for the Pfaff 141)

11-108 222-15	Fastening screw (A M 5x8 DIN 84-8.8) for No.91-096 925-91
11-205 222-15	Fastening screw (A M 5x8 DIN 63-8.8) for No.91-108 599-15
11-330 085-15	Fastening screw (A M 3x4 DIN 913-10 K) for No.91-113 006-12
71-17 00-0056	Tension release solenoid
91-058 064-05	Needle plate, subcl.-6/01
<u>91-096 925-91</u>	Tension release solenoid, compl., consisting of Nos.71-17 00-0056; 91-113 006-12
91-108 599-15	Solenoid bracket for No.91-096 925-91
91-108 600-15	Stud for No.91-108 599-15
91-108 602-91	Wire
<u>91-113 006-12</u>	Solenoid head, w/ set screw No.11-330 085-15, for No.91-096 925-91

91-108 598-45 Arm (not ill.)



**Numerical Index
-900**

Nummern-Verzeichnis / Tableau des numéros / Numerical Index / Lista de números

Nr./nº/No.	Fig.	Nr./nº/No.	Fig.	Nr./nº/No.	Fig.	Nr./nº/No.	Fig.	Nr./nº/No.	Fig.					
11-039	363-15	11	11-470	373-15	15	71-12	00-0310	11	91-009	824-45	15	91-010	060-34	3
11-106	933-15	9	12-005	195-15	9	71-17	00-0051	9	91-009	825-45	15	91-010	062-45	3
11-108	009-15	5	12-005	195-15	15	71-17	00-0051	15	91-009	827-15	15	91-010	063-05	3
11-108	009-15	19	12-024	121-15	9	71-17	00-0052	9	91-009	828-15	15	91-010	064-15	3
11-108	090-15	19	12-024	171-15	3	71-17	00-0052	15	91-009	829-15	15	91-010	065-91	3
11-108	093-15	11	12-024	171-15	9	71-17	00-0056	9	91-009	830-15	15	91-010	161-05	5
11-108	105-15	9	12-024	171-15	19	71-17	00-0056	19	91-009	831-01	5	91-010	164-91	5
11-108	171-15	9	12-024	172-15	3	71-18	00-0223	11	91-009	833-91	15	91-010	166-05	5
11-108	171-15	15	12-024	172-15	15	71-72	00-0021	11	91-009	834-91	15	91-010	167-05	5
11-108	174-15	11	12-024	172-15	19	91-000	062-15	5	91-009	835-45	15	91-010	178-05	5
11-108	174-15	15	12-024	191-15	3	91-000	062-15	15	91-009	836-45	15	91-010	211-05	3
11-108	177-15	3	12-024	191-15	9	91-000	068-15	3	91-009	837-91	9	91-010	893-05	5
11-108	189-15	5	12-024	191-15	15	91-000	070-15	5	91-009	838-15	9	91-010	894-05	5
11-108	222-15	9	12-177	142-05	11	91-000	070-15	15	91-009	839-45	9	91-010	895-91	5
11-108	222-15	19	12-305	224-15	9	91-000	089-15	9	91-009	840-45	9	91-015	487-90	5
11-108	225-15	9	12-305	224-15	11	91-000	321-15	7	91-009	841-45	9	91-019	891-05	5
11-108	228-15	9	12-500	111-45	9	91-000	390-15	5	91-009	842-45	9	91-020	353-91	3
11-108	228-15	15	12-500	121-45	11	91-000	509-15	5	91-009	844-45	9	91-020	353-91	19
11-108	237-15	9	12-500	170-45	9	91-000	509-15	15	91-009	845-15	15	91-028	612-45	11
11-108	285-15	15	12-500	170-45	15	91-000	529-15	5	91-009	846-15	9	91-029	520-05	7
11-130	299-15	15	12-500	210-45	11	91-000	689-15	5	91-009	847-92	15	91-050	248-91	3
11-130	365-15	9	12-501	190-45	3	91-000	785-15	3	91-009	849-91	15	91-050	248-91	15
11-173	171-25	11	12-501	190-45	15	91-000	785-15	15	91-009	851-91	15	91-050	248-91	19
11-205	096-15	5	12-501	190-45	19	91-000	928-15	5	91-009	853-12	15	91-058	062-05	3
11-205	222-15	19	12-640	170-55	7	91-004	170-45	7	91-009	854-15	19	91-058	064-05	19
11-314	946-15	5	12-640	170-55	9	91-004	171-15	7	91-009	855-91	19	91-058	150-04	15
11-330	085-15	9	12-640	170-55	15	91-004	172-05	7	91-009	856-15	19	91-069	397-15	15
11-330	085-15	19	13-030	088-05	5	91-004	173-15	7	91-010	041-05	3	91-095	140-91	11
11-330	166-15	19	16-041	050-15	9	91-005	548-15	9	91-010	042-05	3	91-095	141-91	11
11-330	217-15	19	16-041	050-15	15	91-005	548-15	15	91-010	043-05	3	91-095	143-91	11
11-460	157-15	11	70-37	24-0002	9	91-009	431-90	15	91-010	056-05	5	91-095	145-01	11
11-460	250-25	11	71-11	00-0133	11	91-009	490-45	15	91-010	056-05	15	91-095	148-91	9

Nummern-Verzeichnis / Tableau des numéros / Numerical Index / Lista de números									
Nr./nº/No.	Fig.	Nr./nº/No.	Fig.	Nr./nº/No.	Fig.	Nr./nº/No.	Fig.	Nr./nº/No.	Fig.
91-095 150-91	11	91-113 063-05	5	91-113 161-45	7	99-098 520-91	11		
91-095 167-91	9	91-113 064-05	3	91-113 190-91	5	99-098 576-91	11		
91-095 170-91	11	91-113 072-01	5	91-113 191-01	5	99-098 951-91	11		
91-096 925-91	19	91-113 072-01	15	91-113 192-91	5	99-099 444-91	9		
91-097 104-91	11	91-113 076-01	5	91-113 193-05	5	99-099 537-91	11		
91-097 956-92	11	91-113 076-01	15	91-113 194-01	19	99-099 546-05	11		
91-098 064-91	9	91-113 077-05	5	91-113 196-12	19	99-099 596-91	11		
91-099 533-91	11	91-113 077-05	15	91-113 197-91	19	99-099 597-91	11		
91-099 612-91	11	91-113 083-12	5	91-113 198-15	19	99-099 618-91	11		
91-099 613-91	11	91-113 091-15	5	91-113 199-15	19	99-115 054-91	11		
91-100 044-15	7	91-113 094-14	5	91-113 200-05	19	99-115 163-21	9		
91-100 216-25	9	91-113 097-91	5	91-113 201-15	19	99-115 163-21	11		
91-101 912-05	19	91-113 097-91	19	91-113 414-91	5	99-115 163-21	15		
91-108 598-45	19	91-113 102-05	5	91-113 453-91	3	99-115 164-21	9		
91-108 599-15	19	91-113 103-15	5	91-113 454-91	9	99-115 164-21	15		
91-108 600-15	19	91-113 105-91	5	91-113 466-15	9	99-115 183-05	11		
91-108 602-91	19	91-113 106-45	5	91-113 467-15	9	99-115 274-91	11		
91-113 001-45	7	91-113 108-12	3	91-118 308-05	5	99-115 275-91	11		
91-113 004-91	9	91-113 115-05	9	91-700 029-15	7	99-115 279-91	11		
91-113 005-11	9	91-113 115-05	15	91-700 868-15	11				
91-113 006-12	9	91-113 117-15	3	91-700 997-15	3				
91-113 006-12	19	91-113 118-15	3	91-700 997-15	15				
91-113 007-91	9	91-113 125-91	5	91-700 997-15	19				
91-113 011-15	9	91-113 128-92	3	97-30 179-995	15				
91-113 012-05	9	91-113 129-45	3	97-30 180-995	15				
91-113 014-05	9	91-113 133-34	3	99-096 062-91	11				
91-113 042-92	7	91-113 144-15	7	99-096 130-91	11				
91-113 046-91	11	91-113 145-55	7	99-096 310-91	11				
91-113 049-41	11	91-113 152-45	7	99-097 067-01	11				
91-113 060-45	7	91-113 157-15	9	99-097 940-91	11				
91-113 061-05	5	91-113 157-15	15	99-098 104-25	11				
91-113 062-05	5	91-113 160-91	7	99-098 519-91	11				

PFAFF[®]