



MUD DOG[®] 700 **VACUUM EXCAVATOR**



PARTS, CONSUMABLES & ACCESSORIES

Mud Dog 7 yard
Table of Contents (Feb 2022)

Description	Drawing #	Rev.
Accessories, Standard	0040660	C
Air-X Option	0035878	E
Blower Assembly - 624	0038412	G
Blower Assembly - 721	0038907	C
Body And Tailgate Assembly	0041476	A
Body Assembly	0034041	H
Boom Assembly	0038349	F
Cannon Cover	0034846	E
Control Panel, MD Can Bus	0037819	C
Controls Cabinet	0041092	A
Debris Radar Washdown	0040422	D
Decal Kit, 7yd	0040907	B
DOT Lighting	0040684	E
Electric Vibrator	0042497	A
Float Ball and Cage	0002407	B
Harness, Body	0039840	A
Harness, Boom/Body Valve	0040452	C
Harness, Cab	0041087	C
Harness, Cab Switch	0033144	A
Harness, Cabinet	0039843	C
Harness, Clearance Light	0030836	A
Harness, Control Enclosure	5500-0304	H
Harness, DOT Lighting Interface	0032889	B
Harness, Front Strobe	0041096	B
Harness, Hydraulic Cooler & Vacuum Relief	0041105	B
Harness, ID & Backup Alarm	0030866	B
Harness, Marker Light Splitter	0041106	B
Harness, Power	0039842	B
Harness, Split Shaft Tach & Body Up Prox Sensor	0040535	B
Harness, Tail Light Left	0008347	B
Harness, Tail Light Right	0008348	B
Harness, Water Pump Cabinet	0041109	A
Harness, Wired Pendant Ext.	0041108	B
Harness, Wireless Reciever	0041282	C
Hydraulic Assembly	0040549	G
Hydraulics, Boom/Body, Manifold	0042404-P	A
Hydraulics, Tank Assembly	0038900	C
Insulation / Heated Glycol Lines	0040635	C
Omsi Remote Site Gage	0040662	E
Omsi Transfer Case	0040444-P	C
Pneumatic Assembly	0040467	C
Power Distribution	0007499	A
Power Frame Assembly	0038433	H

PTO - HYD Pump	0040294	A
Remote Grease	0040674	C
Sensor, Acculevel	0033557	B
Sign Board Driver Side - Black	0042081	A
Sign Board Mounting	0040448	C
Sign Board Passanger Side - Black	0043334	A
Storage Cabinet	0040254	B
Tailgate Roller Assembly	0002609	C
Toolbox 18 X 18 X 48	3000-0306	-
Toolbox 24 X 24 X 36	0041005	A
Toolbox Mounting	0040453	C
Transfer Case Assembly	0040002	D
Water Fill Assembly	0034207	A
Water Heater Assembly	0038423	F
Water Heater Subassembly	0042366-P	A
Water Pump	0041014-P	B
Water Pump Assembly	0040840	H
Water Tank Assembly	0040581	H
Water Tank Support Deck	0038722	H
Wiring, Back Up Camera, Freightliner	0028937	B
Wiring, Back Up Camera, Mack	0031040	A
Wiring, Back Up Camera, Peterbilt	0028949	B
Wiring, Boom Lights	0041319	A

ITEM NO.	PART NUMBER	DESCRIPTION	QTY.
1	0023397	ASSY, WASH DOWN HANDGUN W/LANCE	1
2	0030687	LANCE, RIP SAW NOZZLE	1
3	0042120	LANCE, SWITCHBLADE QUAD #6	1
4	0034854	DIG TUBE 6" X 80"	1
5	3000-00824	Lockring 6" (ALUMUNUM CPLRS)	1
6	3000-00825	Lockring 8" (ALUMUNUM CPLRS)	4
7	3000-00929	REDUCER 8" (M) X 6" (F) ALUM.	1
8	3500-00205	8" O-RING	4
9	3500-00206	6" O RING FOR ALUM. TUBES	1
10	0025085	ASSY, HOSE, FILL W/CAMLOCK	1
11	8510-01374	SUPERTUBE, 8 X 60, ALUMINUM	3
12	9010-01146	HANDGUN, S.S. COUPLINGS 1/2"	1
13	9010-01194	EXTENSION, HANDGUN, 0.5 X 30	1
14	9010-01195	60" X 1/2" PIPE EXTENSION	2

REVISIONS				
REV #	ECO #	DESCRIPTION	DATE	APPR
C	99999	REMOVED ITEM 3500-00219. ADDED ITEM 0025085	07/30/2021	D. King

D

D

C

C

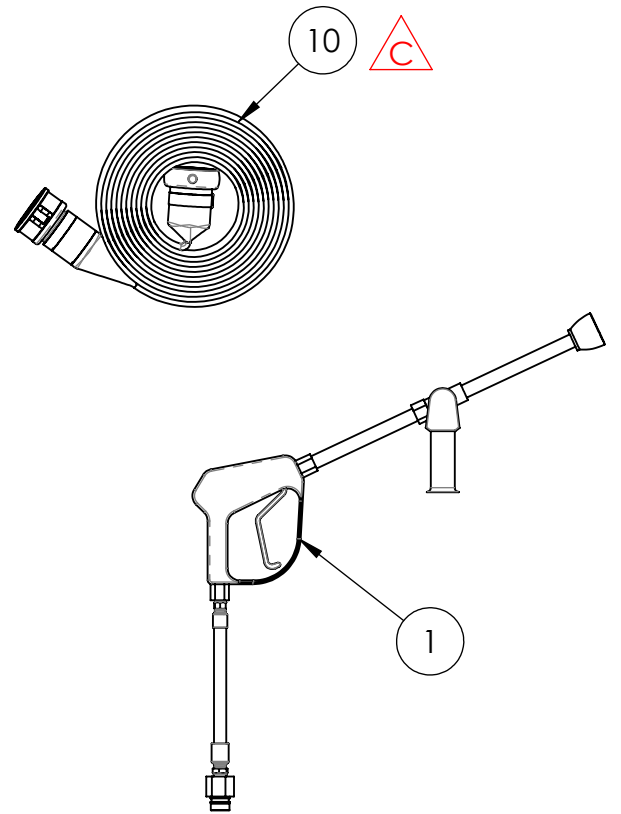
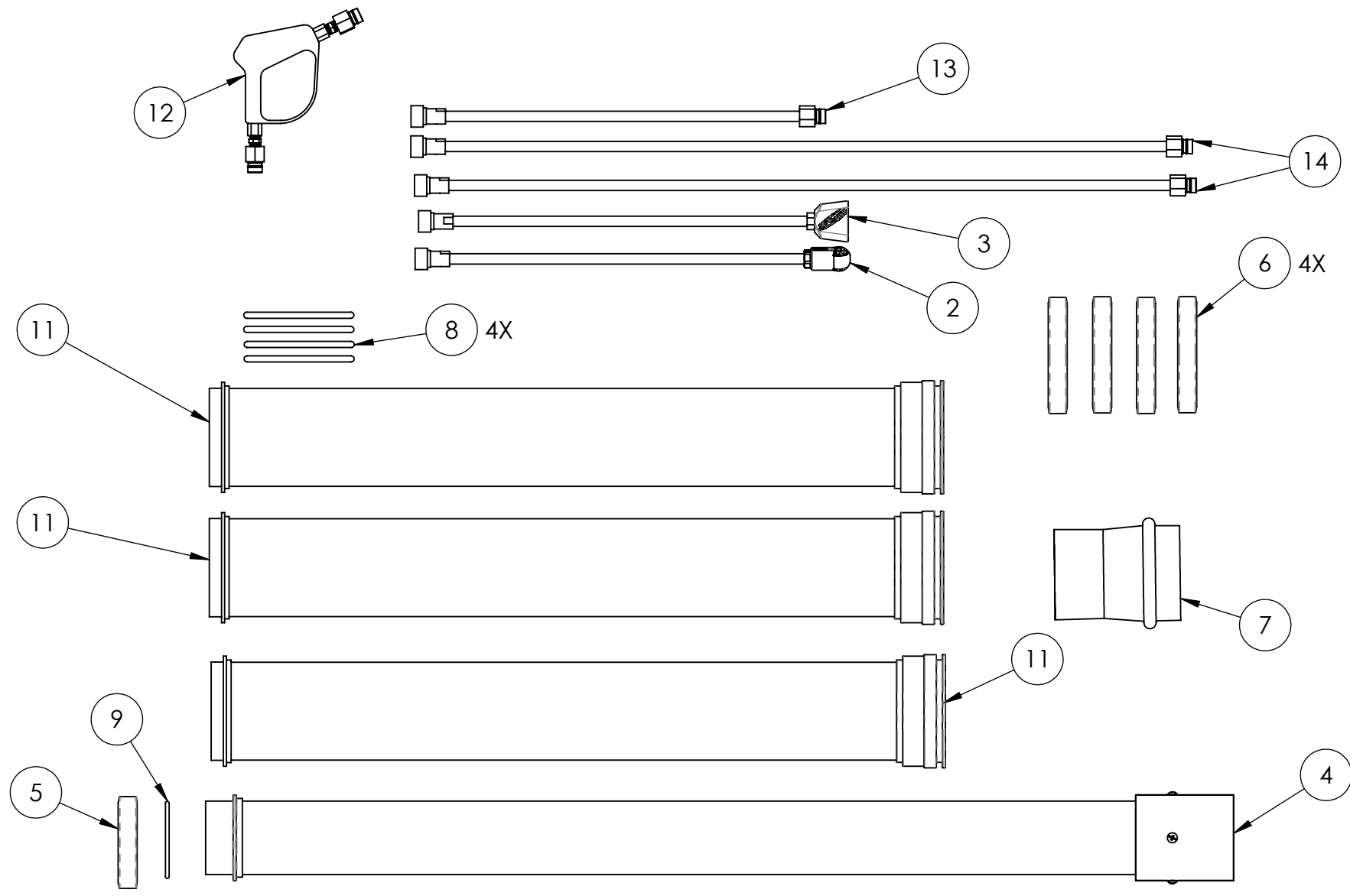
C

B

B

A

A



	NAME	DATE
DRAWN BY	D. King	10/21/2020
ENG APPR.	D. King	10/21/2020
MFG APPR.		

SUPER PRODUCTS LLC.
TRUCK MOUNTED VACUUM EQUIPMENT

TITLE:
STANDARD ACCESSORIES (7YD)

MATERIAL:
()
PROPRIETARY AND CONFIDENTIAL
THE INFORMATION CONTAINED IN THIS DRAWING IS THE SOLE PROPERTY OF SUPER PRODUCTS LLC.. ANY REPRODUCTION IN PART OR AS A WHOLE WITHOUT THE WRITTEN PERMISSION OF SUPER PRODUCTS IS PROHIBITED.

UNLESS OTHERWISE SPECIFIED:
DIMENSIONS ARE IN INCHES
TOLERANCES ARE:
X.X ± 0.100
X.XX ± 0.060
X.XXX ± 0.030
ANGULAR: MACH ± 1° BEND ± 2°
INTERPRET GEOMETRIC TOLERANCING PER: ASME Y14.5


DWG. NO. 0040660	REV C		
SIZE B	SCALE: 1:12	WEIGHT: 133.65	SHEET 1 OF 1

8 7 6 5 4 3 2 1

ITEM NO.	PART NUMBER	DESCRIPTION	QTY.
1	0050-00075	SCREW,HEX HEAD CAP,1/4-20 X 3/4,GR5	1
2	0051-00075	SCREW HEX HD 5/16-18 X .75 GR5	2
3	0051-00125	SCREW HEX HD 5/16-18 X 1.25 GR5	2
4	0052-00100	SCREW,HEX HEAD CAP,3/8-16 X 1,HX GR 5	8
5	0052-00125	SCREW,HEX HEAD CAP,3/8-16 X 1-1/4,HX GR5	2
6	0052-00300	SCREW,HEX HEAD CAP,3/8-16 X 3.00,GR5	2
7	0054-00150	SCREW,HEX HEAD CAP,1/2-13 X 1-1/2,HX,GR5	4
8	0054-00175	SCREW,HEX HEAD CAP,1/2-13 X 1-3/4,HX,GR5	4
9	0082-00002	WASHER,FLAT,USS,5/16",STEEL,PLT'D	4
10	0082-00003	WASHER,FLAT,USS,3/8",STEEL,PLT'D	3
11	0082-00005	WASHER,FLAT,USS,1/2",STEEL,PLT'D	7
12	0160-32006	NUT,LOCK,CLINCHED,1/4"-20,GR5,PLT'D-STL	1
13	0160-32007	NUT,LOCK,CLINCHED,5/16"-18,GR5,PLT'D-STL	2
14	0160-32008	NUT,LOCK,CLINCHED,3/8"-16,GR5,PLT'D-STL	12
15	0160-32010	NUT,LOCK,CLINCHED,1/2"-13,GR5,PLT'D-STL	8
16	0293-00030	BOLT, HEX, M10-1.5 X 30MM	8
17	0003155-01616	ADAPTER, STRAIGHT 16MJ-16MJ	1
18	3471-03000	HOSE,HYD.1.00 (M3K) W/JIC ENDS	1
19	3471-03600	HOSE, HYD. 1" (#16 GMV)	1
20	3472-06200	HOSE, HYD. 1.25 (#20GMV)	1
21	3474-04600	HOSE,HYD.2.00 (#32GMV) SUCTION	1
22	3477-08000	HOSE,HYD.0.50 (M3K) W/JIC ENDS	1
23	3480-02900	HOSE,HYD.1.00 (M3K) W/JIC ENDS	1
24	3480-03700	HOSE, HYD 1.00 (M3K) W/JIC ENDS	1
25	6000-01030-0005	VALVE, BALL-BRONZE 1.00 LOW PR.	1
26	6000-02330	INSERT,COUPLING,QF25-BLUE	1
27	6098-00001	SPLIT FLANGE KIT .75 CODE 62	2
28	6126-01216	REDUCER, STRAIGHT (JIC) F-M	2
29	6126-01620	REDUCER, STRAIGHT (JIC) F-M	1
30	6130-01624	ADAPTER, STR. (M) JIC / (M) O-RING	1
31	6130-03220	ADAPTER, STR.(M)JIC/(M)O-RING	1
32	6132-01616	ADAPTER, 90, MJIC X F SWIVEL	1
33	6132-03232	ADAPTER, 90, MJIC X F SWIVEL	1
34	6133-01212	ADAPTER, ELBOW, 45, 12 MJ X 12 FJS	1
35	6133-01616	ADAPTER, 45 DEGREE (JIC) MALE X FEMALE	1
36	6135-00808	TEE, MALE X FEMALE X MALE	1
37	6135-01616	ADAPTER, TEE, JIC M-M-FS	1
38	6137-00808	ADAPTER, 90, M O-RING X M JIC	1
39	6137-01616	ADAPTER,90DEG,(M)O-RING,(M)JIC	3
40	6137-02020	ADAPTER, 90, M O-RING X M JIC	1
41	6137-03232	ADAPTER, 90DEG(M)O-RING/(M)JIC	1
42	6143-01616	ADAPTER, 90 DEG X LONG M ORING-M JIC	1

REVISIONS				
REV #	ECO #	DESCRIPTION	DATE	APPR
E	99999	REMOVED: 6165-01612, 0040830-09300. ADDED: 0293-00030, 6132-01616, 6133-01212, 6133-01616, 6203-01612, 0028626-00006, AND 0043003-11000.	09/24/2021	C.Colorito

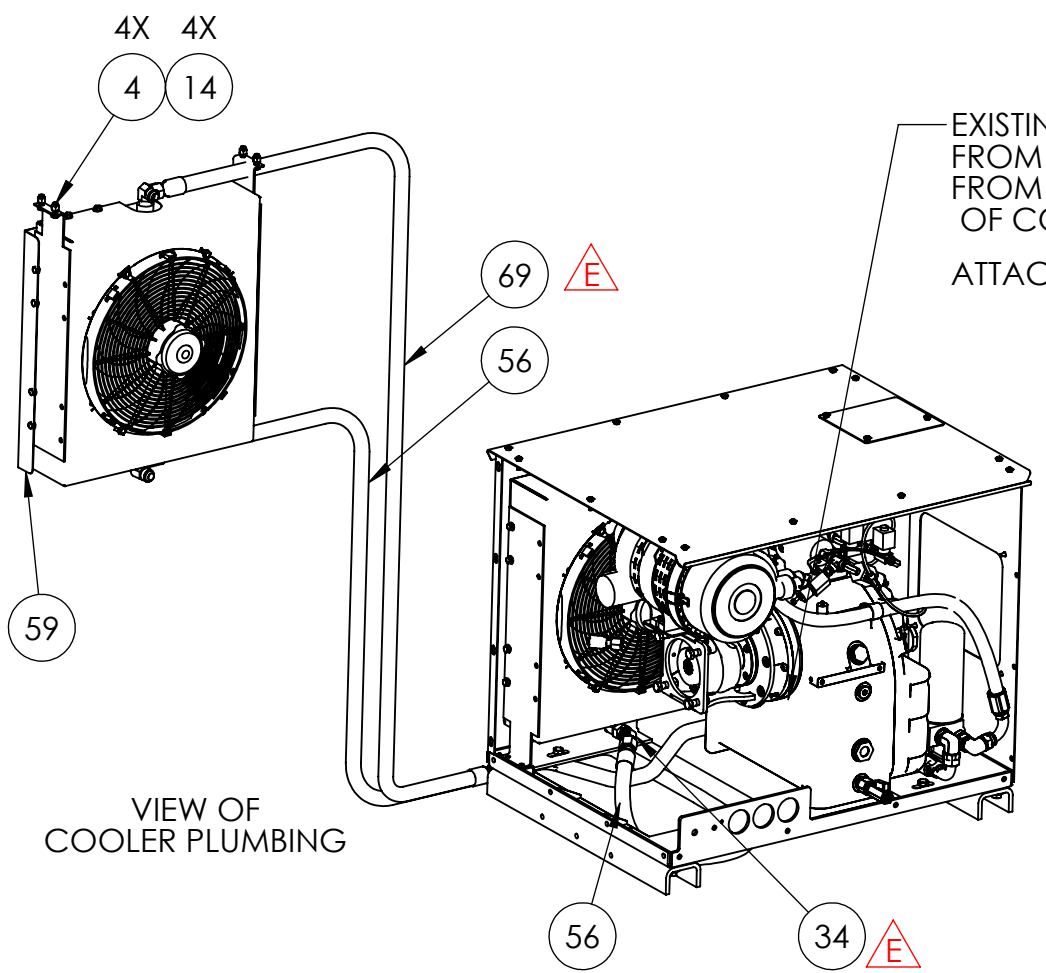
ITEM NO.	PART NUMBER	DESCRIPTION	QTY.
43	6203-01612	ADAPTOR, STR, MJ X FP	1
44	6203-01616	2022-16-16S DESC, FEMALE NPT X MALE JIC	1
45	0028699	PIN W/LOCKING RING	1
46	0032425	KIT,SOIL PICK,SP125,42" EXT	1
47	0037725	BRKT, AOM SYS, 8060UBI B-CAN, HOSE, REAR	1
48	0037730	2-LUG,MNPT,END	1
49	0028626-00006	WASHER,LOCK,WEDGE,3/8",PLT'D STL	8
50	0037731	VELOCITY FUSE, BALL-BRONZE 1.00 LOW PR.	1
51	0040665	KIT,SAE-B PUMP MTG,FWD MID,OMSI	1
52	0040748	COUPLING,HALF,QF25,40MM	1
53	0040749	COVER,QF25HP	1
54	0040818	HOSE,3/4",300 PSI,50FT,CHICAGO COUPLING	1
55	0040828-17000	ASSY,HOSE 1" AIR C5C,800PSI	1
56	0040830-11000	HOSE, 0.75 AIR (C5C)	1
57	0040839	VALVE,HYD,DUMP	1
58	0041263	HARNESS, AIR-X, MD700	1
59	0042109	GUARD, COOLER	1
60	0042265	WLDMT,HYD MOTOR MOUNT,MA65	1
61	0042283	WLDMT, SOIL PIK	1
62	0042297	LATCH, SOIL PIK	1
63	0042321	MOTOR,HYD,MA63 (3.84 CIR)	1
64	0042324	PLATE,AIR INTAKE MTG	1
65	0042330	PUMP,GEAR,2.96 CIR,CW	1
66	0042332	COUPLING,HALF,QF25,40MM	1
67	0042361	AIR-X COMPRESSOR	1
68	0042381-01212	ELBOW 45°, SPLIT FLANGE X MJ CODE 62	2
69	0043003-11000	ASSY HOSE, 0.75,AIR (C5C), 800	1

DRAWN BY		NAME	DATE	
ENG APPR.		D. King	9/15/2020	
MFG APPR.		A.Brewster	09/16/2020	
TITLE:				ASSY,AIR-X OPTION
MATERIAL: []				
PROPRIETARY AND CONFIDENTIAL <small>THE INFORMATION CONTAINED IN THIS DRAWING IS THE SOLE PROPERTY OF SUPER PRODUCTS. ANY REPRODUCTION IN PART OR AS A WHOLE WITHOUT THE WRITTEN PERMISSION OF SUPER PRODUCTS IS PROHIBITED.</small>		UNLESS OTHERWISE SPECIFIED: DIMENSIONS ARE IN INCHES TOLERANCES ARE: X.X ± 0.100 X.XX ± 0.060 X.XXX ± 0.030 ANGULAR: MACH± 1° BEND ± 2° INTERPRET GEOMETRIC TOLERANCING PER: ASME Y14.5		DWG. NO. 0035878
SIZE B	SCALE: 1:24	WEIGHT: 0.00	SHEET 1 OF 4	REV E

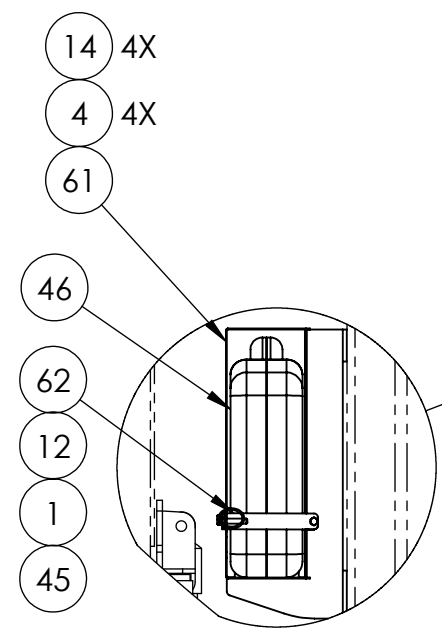
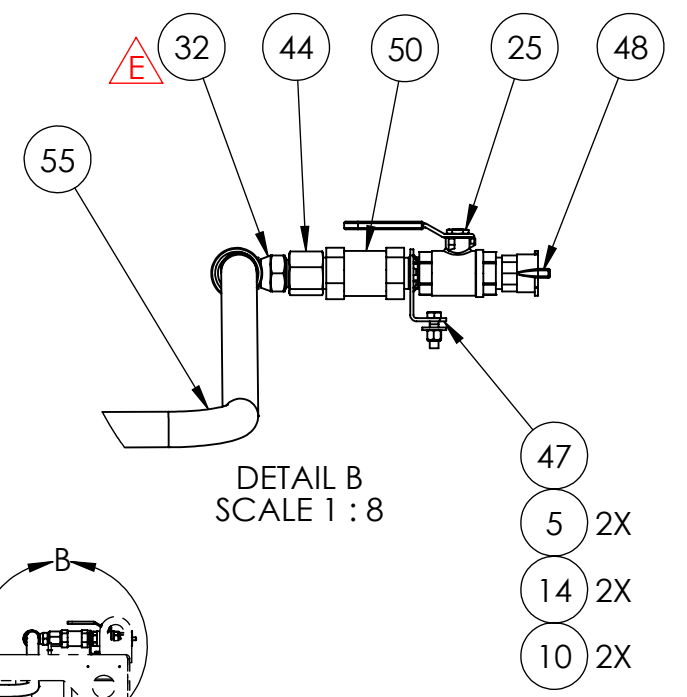
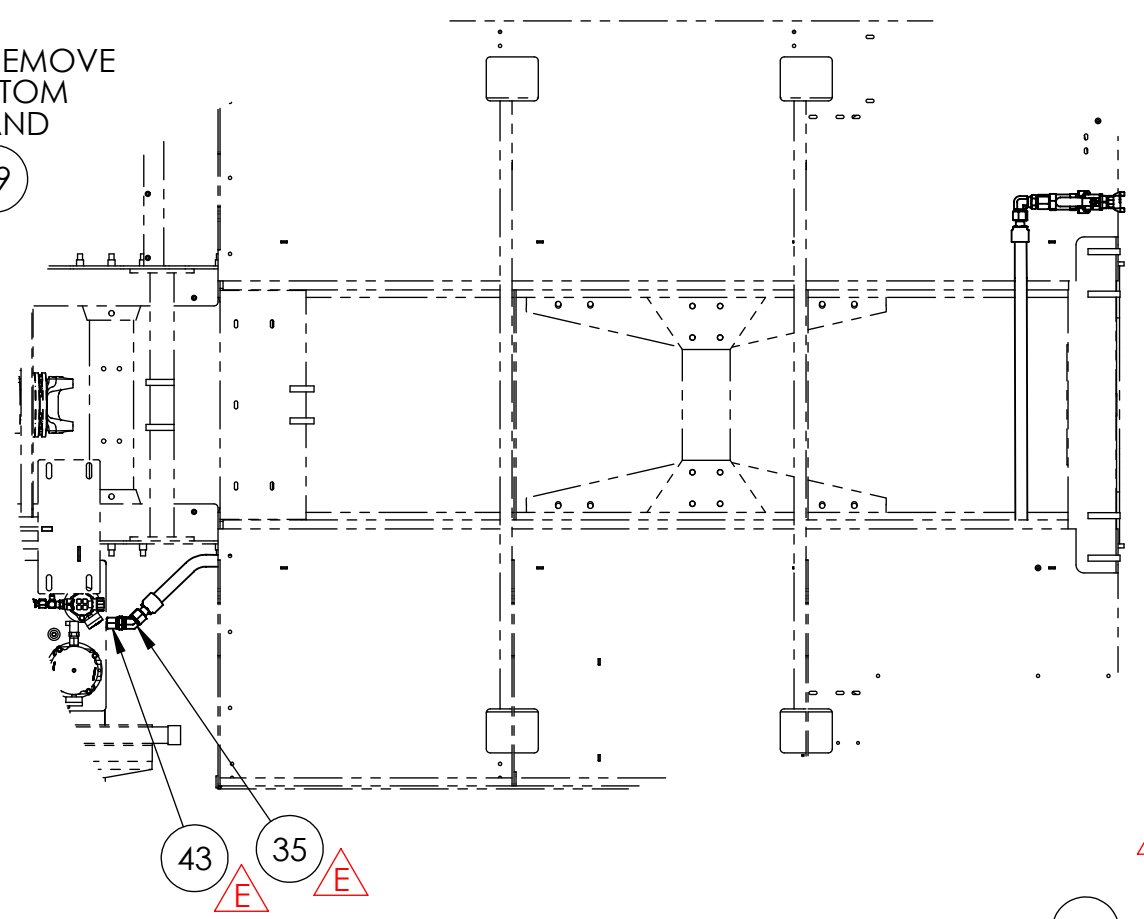
8 7 6 5 4 3 2 1

D
C
B
A

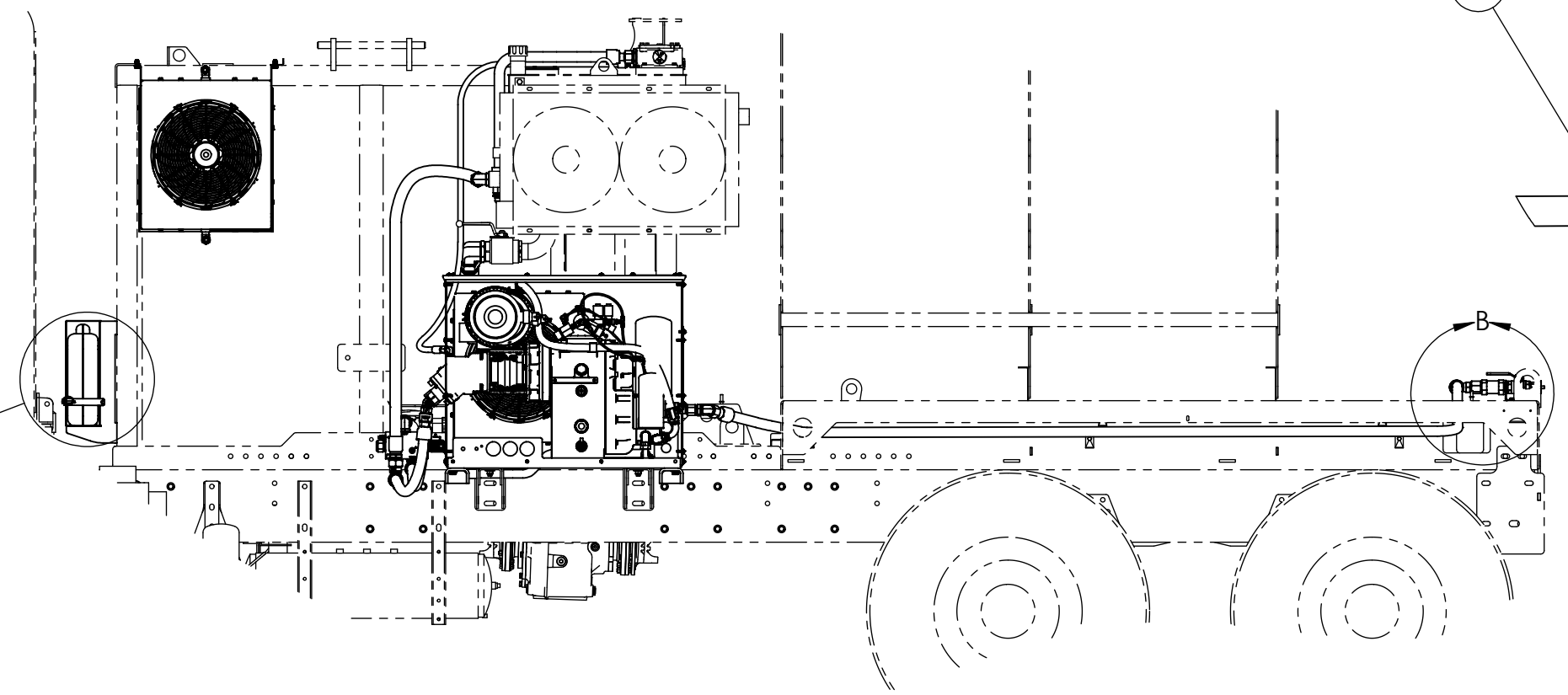
D
C
B
A



EXISTING HOSE FROM FILTER, REMOVE FROM THE BOTTOM OF COOLER AND ATTACH TO 69



DETAIL C
SCALE 1 : 12



SUPER PRODUCTS
TRUCK MOUNTED VACUUM EQUIPMENT

DWG. NO. **0035878**

REV **E**

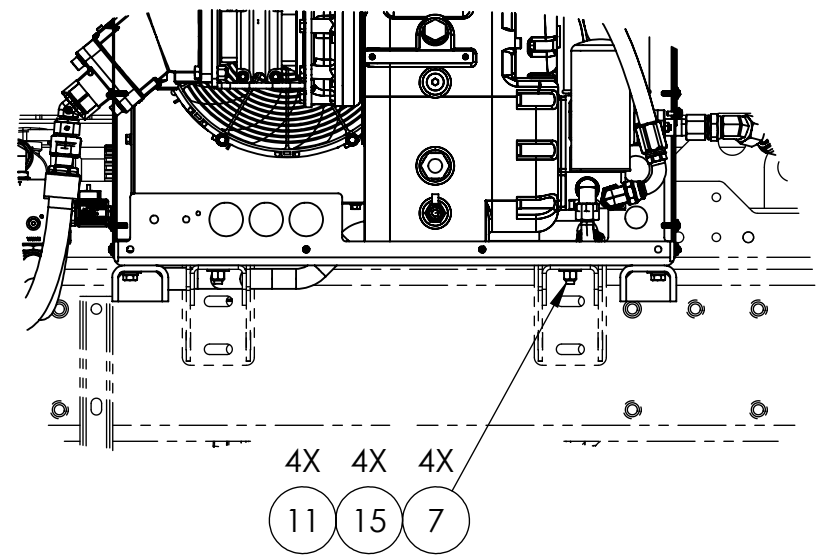
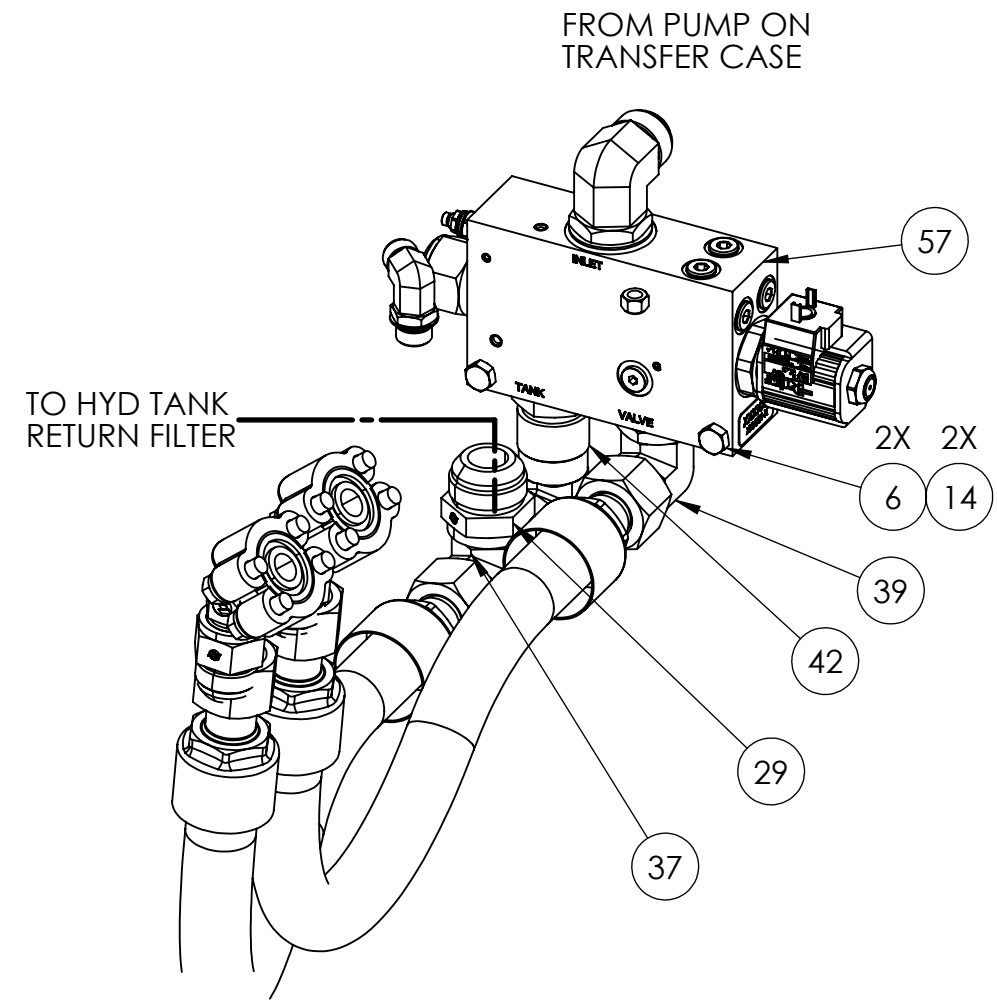
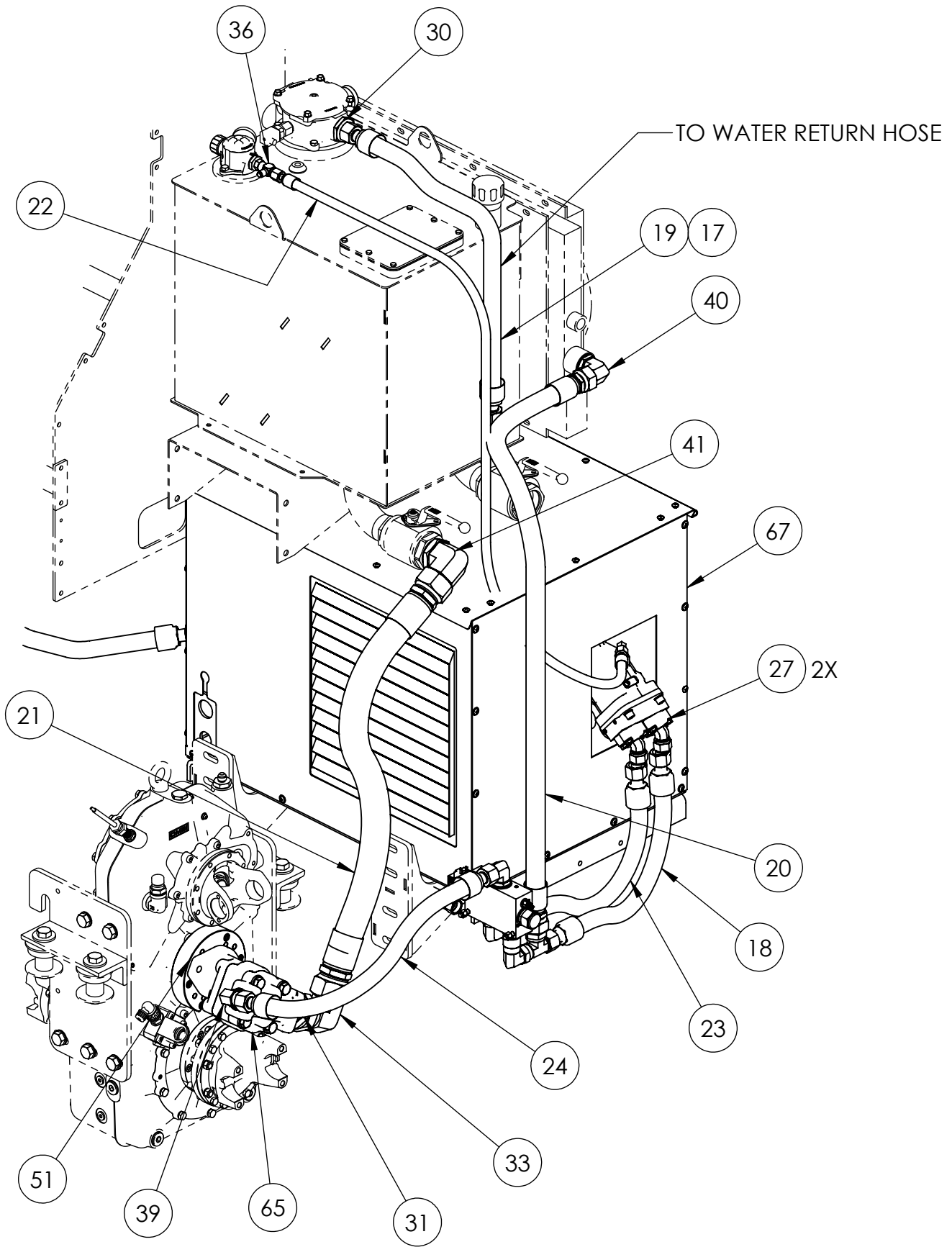
SIZE B SCALE: 1:24 WEIGHT: 0.00 SHEET 2 OF 4

8 7 6 5 4 3 2 1

8 7 6 5 4 3 2 1

D
C
B
A

D
C
B
A



8 7 6 5 4 3 2 1

SUPER PRODUCTS
TRUCK MOUNTED VACUUM EQUIPMENT

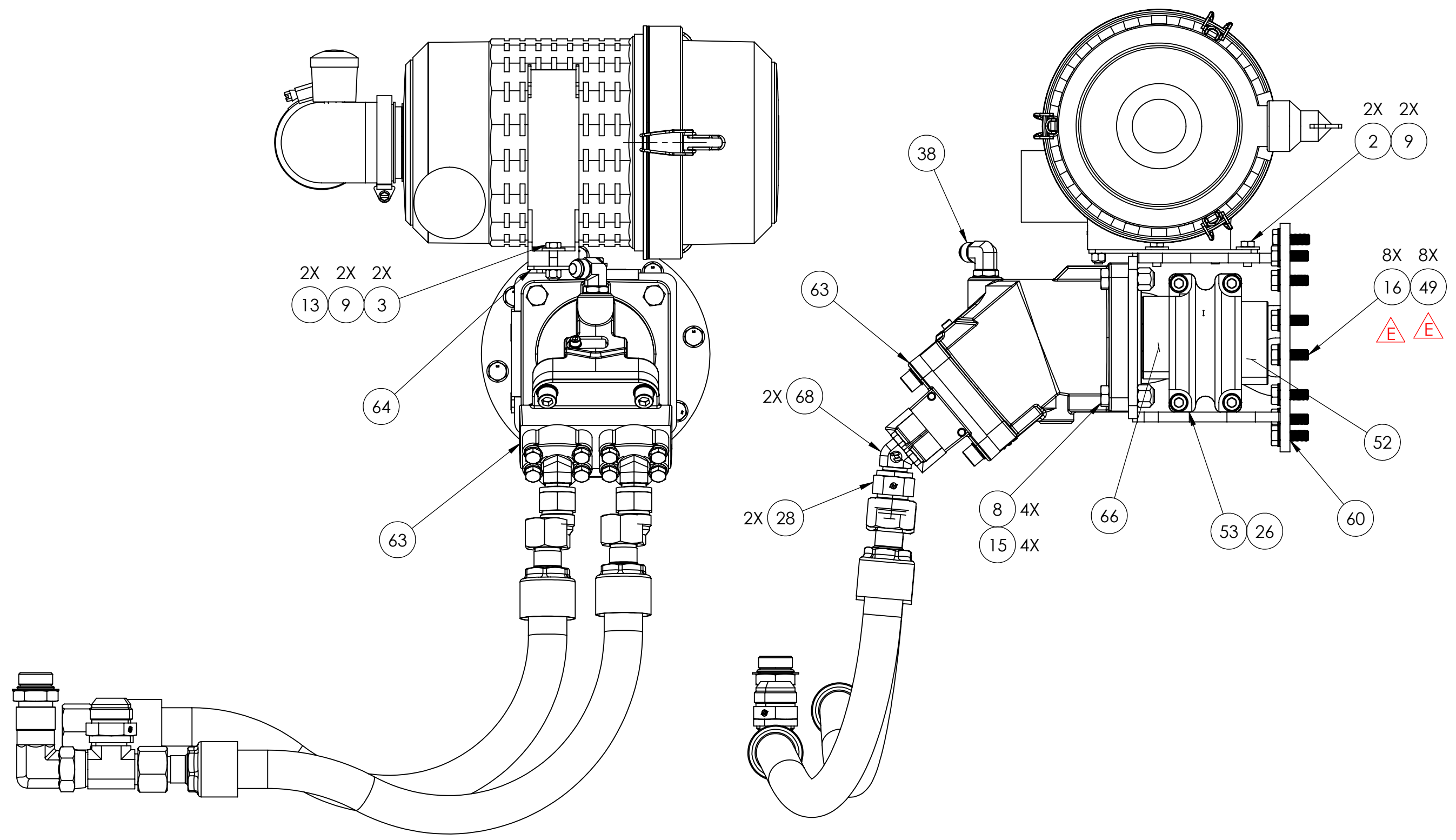
DWG. NO. **0035878** REV **E**

SIZE B SCALE: 1:12 WEIGHT: 0.00 SHEET 3 OF 4

8 7 6 5 4 3 2 1

D
C
B
A

D
C
B
A



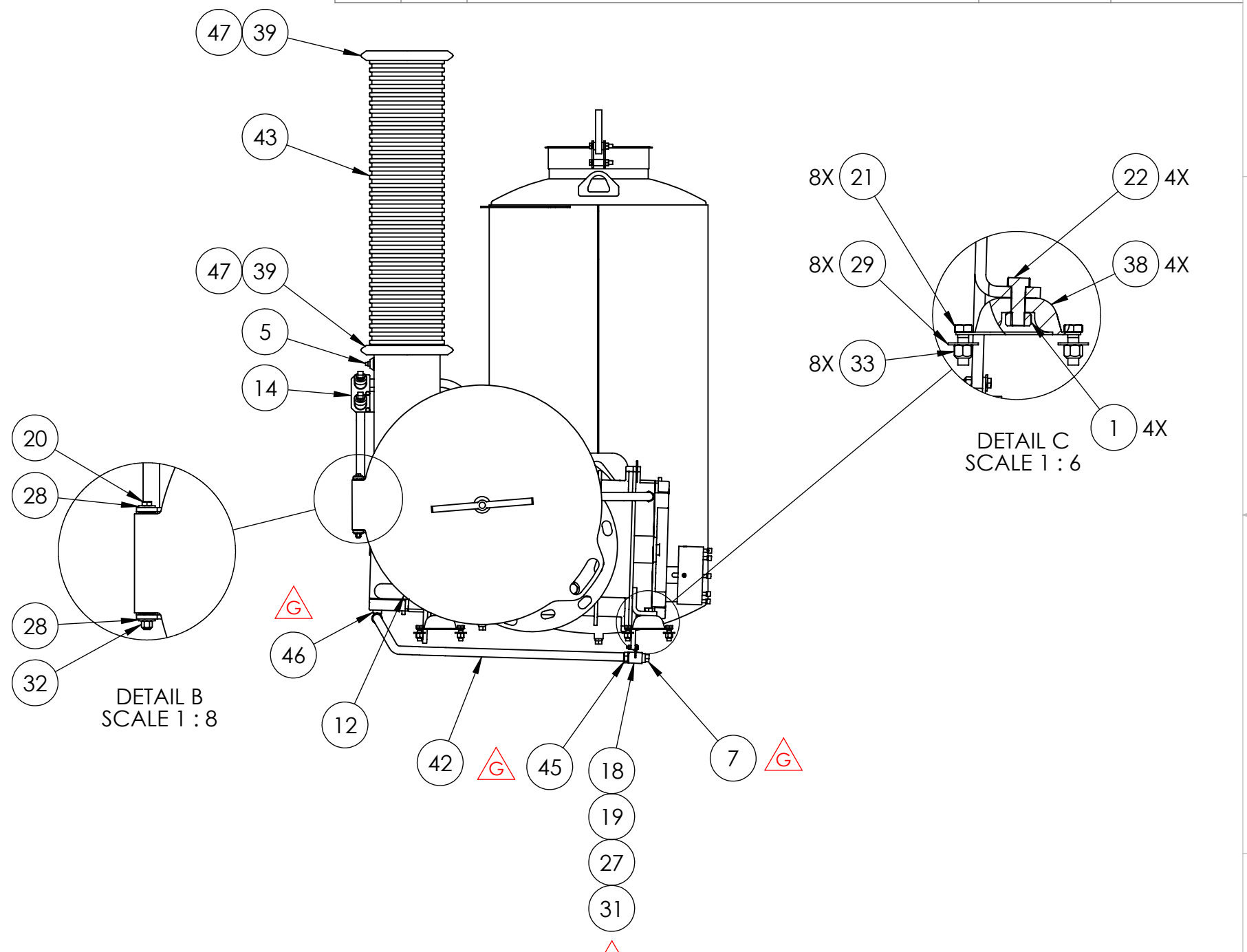
VIEW OF HYDRAULIC MOTOR MOUNTING

DWG. NO. 0035878	
REV E	
SIZE B	SCALE: 1:48
WEIGHT: 0.00	SHEET 4 OF 4

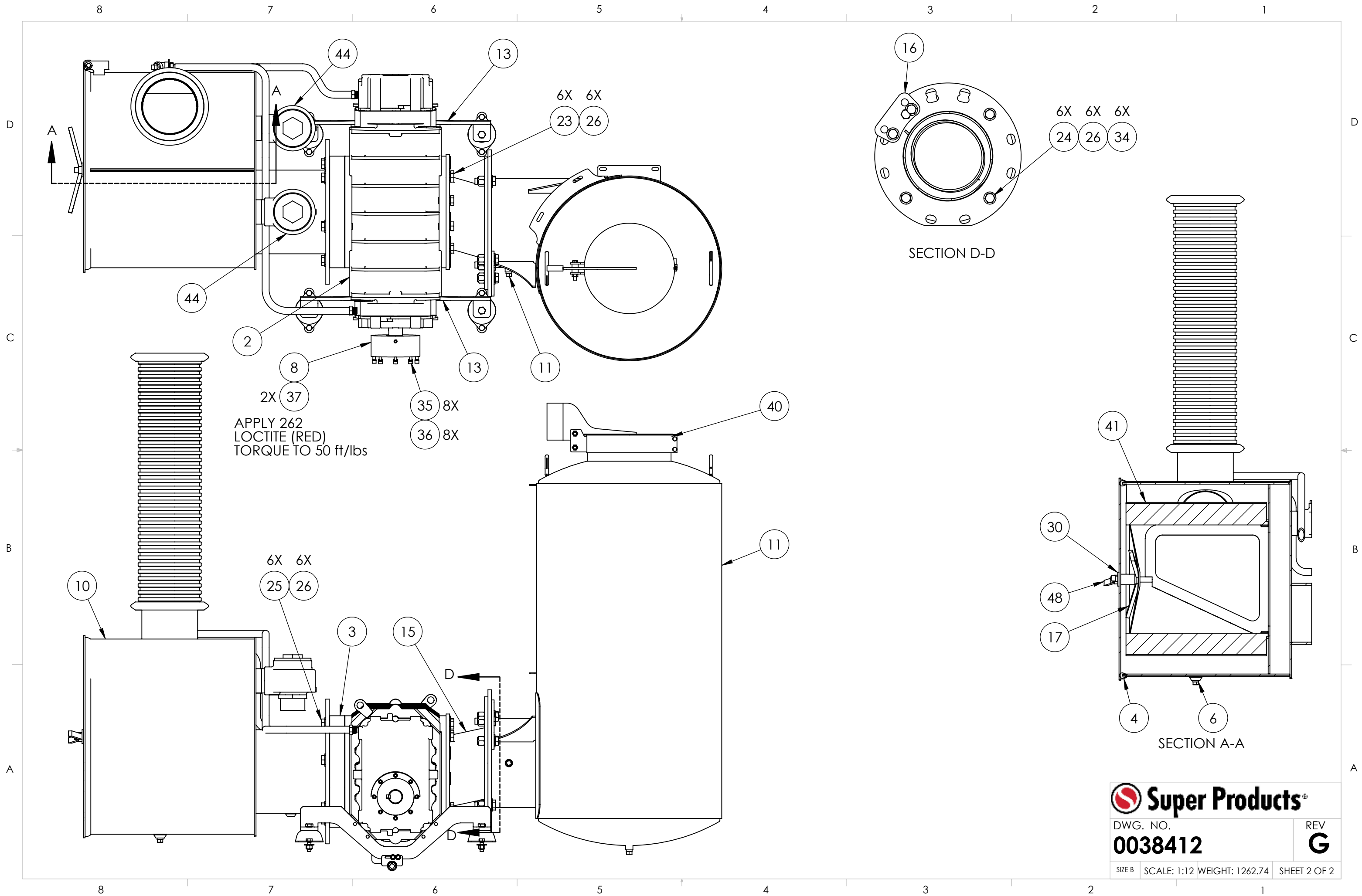
8 7 6 5 4 3 2 1

ITEM NO.	PART NUMBER	DESCRIPTION	QTY.
1	0000-00220	NUT HEX .63-11 HVY WALL	4
2	0001857	BLOWER, VACUUM, 624	1
3	0001862	SPACER, BLOWER	1
4	0005155	GASKET	1
5	0016-00002	PLUG,SCR.SQ.HD.,.0.25"NPT	1
6	0016-00004	PLUG,SCR.SQ.HD.,.0.50"NPT	1
7	0016-00005	PLUG,SCR.SQ.HD.,.0.75"NPT	1
8	0031800	FLANGE,COMPANION ROOTS 624	1
9	0032765	WASHER, FLAT, 5/8", 3/8" THICK	4
10	0034079	WLDMT, FILTER HOUSING	1
11	0035005	SILENCER, BLOWER EXHAUST OFFSET	1
12	0036194	WLDMT, FILTER DOOR	1
13	0038395	MOUNT, BLOWER, 624	2
14	0040471	ASSY, REMOTE BLOWER FILL	1
15	0041155	WLDMT,SILENCER SPACER	1
16	0041160	PLATE,SILENCER MTG	1
17	0041437	WLDMT, WING, NUT	1
18	0042856	WLDMT, OIL DRAIN	1
19	0050-00125	SCREW, CAP 0.25-20 X 1.25 HX GR5	2
20	0052-20750	SCREW,HEX HEAD CAP,3/8-16 X 7-1/2,GR8	1
21	0054-20150	SCREW,HEX HEAD CAP,1/2-13 X 1-1/2,GR8	8
22	0056-20175	SCREW,HEX HEAD CAP,5/8-11 X 1-3/4,GR8	4
23	0058-20175	SCREW,HEX HEAD CAP,7/8-9 X 1.75,GR8	6
24	0058-20250	SCREW, HEX HEAD CAP, 7/8-9 X 2.50, GR8	6
25	0058-20400	SCREW, HEX HEAD CAP, 7/8-9 X 4.00, GR8	6
26	0078-30009	WASHER,FLAT,SAE,7/8",GR8	18
27	0082-00001	WASHER,FLAT,USS,1/4",STEEL,PLT'D	2
28	0082-00003	WASHER,FLAT,USS,3/8",STEEL,PLT'D	2
29	0082-30005	WASHER,FLAT,USS,1/2",STEEL,PLT'D,GR8	8
30	0082-30008	WASHER,FLAT,USS,3/4",STEEL,PLT'D,GR8	1
31	0160-32006	NUT,LOCK,CLINCHED,1/4"-20,GR5,PLT'D-STL	2
32	0160-32008	NUT,LOCK,CLINCHED,3/8"-16,GR5,PLT'D-STL	1
33	0160-42010	NUT,LOCK,CLINCHED,1/2"-13,GR8,PLT'D-STL	8
34	0160-42014	NUT,LOCK,CLINCHED,7/8"-9,GR8,PLT'D-STL	6
35	0170-00125	SCREW, CAP 0.38-16 SOC	8
36	0454-00003	WASHER,LOCK,HI-COLLAR,3/8",GR8	8
37	0499-04075	SCREW, SET, 0.50-20 X 0.75 SOC.HD.	2
38	3000-00555	VIBRATION MOUNT - BLOWER	4
39	3000-02276	CLAMP. 8" VACTOR STYLE	2
40	3000-02637	RAIN CAP 12"	1
41	3000-02991	FILTER,AIR	1
42	3804-00000	HOSE, LOW PRESSURE .75	36"
43	3906-06035	HOSE, MAT 8"	1
44	6000-01689	VALVE,VACUUM RELIEF	2
45	6010-00008	NIPPLE, HOSE MALE .75 NPT X .75	1
46	6240-01212	ELBOW, 90, M BARBED X MNPT, 3/4"	1
47	8510-01473	ADAPTOR, HOSE END 8"	2
48	8510-02157	NUT,WING, FILTER	1

REVISIONS				
REV #	ECO #	DESCRIPTION	DATE	APPR
G	99999	ADDED, 0016-00005,0050-00125,0082-00001, 0160-32006,3804-00000,6010-00008,6240-01212, 0042856.	09/01/2021	S. Iding



NAME		DATE			
DRAWN BY		M. Riley			TITLE: ASSY,BLOWER,624
ENG APPR.		A.Brewster			
MFG APPR.					
UNLESS OTHERWISE SPECIFIED: DIMENSIONS ARE IN INCHES TOLERANCES ARE: X.X ± 0.100 X.XX ± 0.060 X.XXX ± 0.030 ANGULAR: MACH ± 1° BEND ± 2° INTERPRET GEOMETRIC TOLERANCING PER: ASME Y14.5				DWG. NO. 0038412	
PROPRIETARY AND CONFIDENTIAL THE INFORMATION CONTAINED IN THIS DRAWING IS THE SOLE PROPERTY OF SUPER PRODUCTS. ANY REPRODUCTION IN PART OR AS A WHOLE WITHOUT THE WRITTEN PERMISSION OF SUPER PRODUCTS IS PROHIBITED.				REV G	
SIZE B		SCALE: 1:16	WEIGHT: 1262.74	SHEET 1 OF 2	



Super Products[®]

DWG. NO. **0038412**

REV **G**

SIZE B SCALE: 1:12 WEIGHT: 1262.74 SHEET 2 OF 2

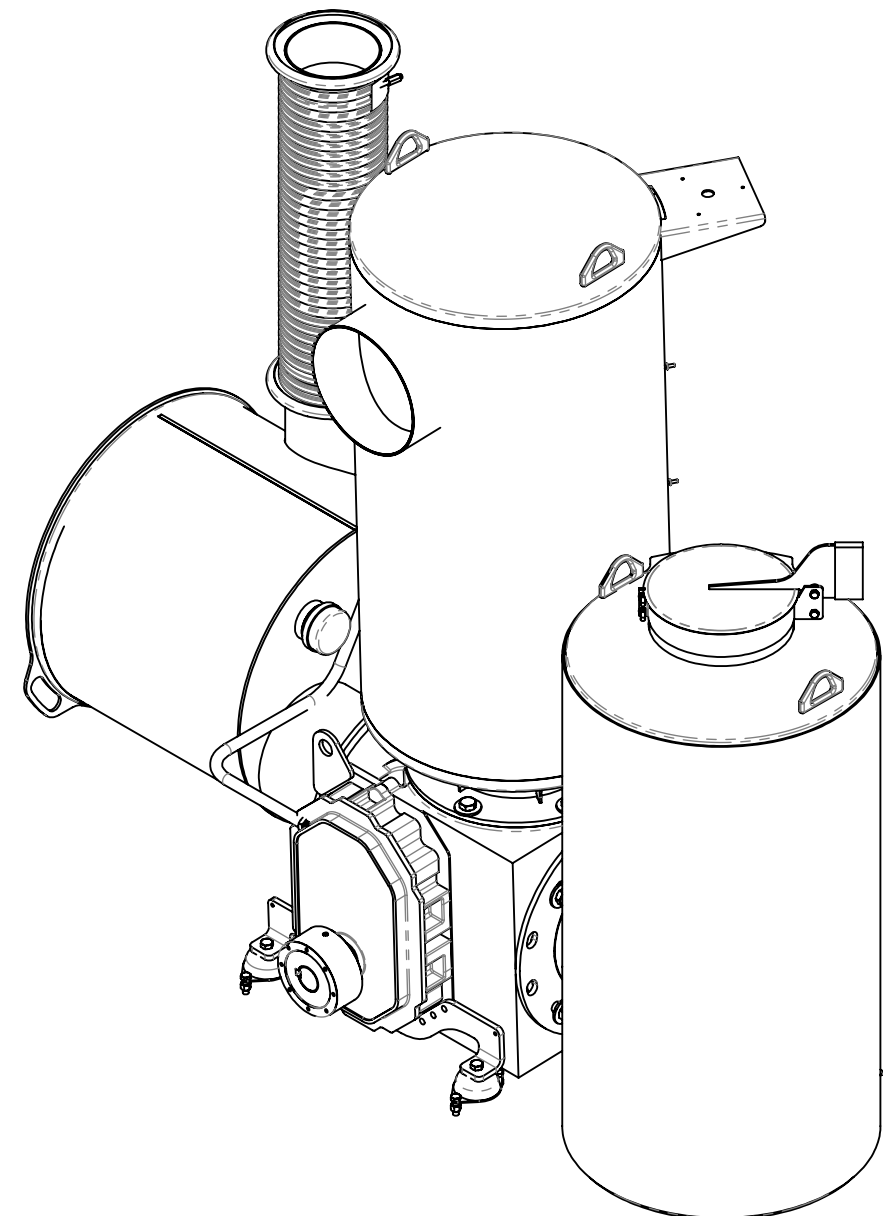
ITEM NO.	PART NUMBER	DESCRIPTION	QTY.
1	0000-00220	NUT HEX .63-11 HVY WALL	4
2	0005155	GASKET	1
3	0015-00011	CAP,PIPE,150#,3"NPT	2
4	0016-00002	PLUG,SCR.SQ.HD.,.0.25"NPT	1
5	0016-00004	PLUG,SCR.SQ.HD.,.0.50"NPT	1
6	0028409	SILENCER, BLOWER INTAKE	1
7	0031801	FLANGE,COMPANION 721DVJ	1
8	0032765	WASHER, FLAT, 5/8", 3/8" THICK	4
9	0034079	WLDMT, FILTER HOUSING	1
10	0035005	SILENCER, BLOWER EXHAUST OFFSET	1
11	0036194	WLDMT, FILTER DOOR	1
12	0038402	MOUNT, BLOWER, 721	2
13	0040471	ASSY, REMOTE BLOWER FILL	1
14	0041160	PLATE,SILENCER MTG	1
15	0041437	WLDMT, WING, NUT	1
16	0052-00750	SCREW,HEX HEAD CAP,3/8-16 X 7.50,GR5	1
17	0054-20150	SCREW,HEX HEAD CAP,1/2-13 X 1-1/2,GR8	8
18	0056-20175	SCREW,HEX HEAD CAP,5/8-11 X 1-3/4,GR8	2
19	0056-20275	SCREW,HEX HEAD CAP,5/8-11 X 2-3/4,GR8	2
20	0058-20175	SCREW,HEX HEAD CAP,7/8-9 X 1.75,GR8	6
21	0058-20200	SCREW,HEX HEAD CAP,7/8-9 X 2.00,GR8	12
22	0082-00003	WASHER,FLAT,USS,3/8",STEEL,PLT'D	2
23	0082-30009	WASHER,FLAT,USS,7/8",STEEL,PLT'D,GR8	18
24	0083-30008	WASHER,SPLIT LOCK,3/4",STEEL,PLT'D,GR8	1
25	0160-32008	NUT,LOCK,CLINCHED,3/8"-16,GR5,PLT'D-STL	1
26	0160-42010	NUT,LOCK,CLINCHED,1/2"-13,GR8,PLT'D-STL	8
27	0258-00007	8" HEAVY DUTY SPIRAL CLAMPS	2
28	0499-05100	SCREW,SET,CUP POINT SOCKET	2
29	3000-00555	VIBRATION MOUNT - BLOWER	4
30	3000-02276	CLAMP. 8" VACTOR STYLE	2
31	3000-02637	RAIN CAP 12"	1
32	3000-02991	FILTER,AIR	1
33	3906-06036	HOSE, MAT 8"	1
34	6000-01770	BLOWER,ROOTS 721DVJ-VERTICAL	1
35	8510-01473	ADAPTOR, HOSE END 8"	2
36	8510-02157	NUT,WING,FILTER	1

△
△

△
△
△
△

△

REVISIONS				
REV #	ECO #	DESCRIPTION	DATE	APPR
C	19999	0031801 WAS 4510-00222. QTY CHANGED: 0054-20150 8 WAS 4, 0056-20175 2 WAS 4, 8510-02157 1 WAS 2. ADDED 0032765 (4), 0041437, 0056-20275 (2).	03/02/2021	D. King



NAME	C.Colorito	DATE	9/8/2020
DRAWN BY	A.Brewster	DATE	09/17/2020
ENG APPR.			
MFG APPR.			



TITLE: ASSY,BLOWER,721		REV C
DWG. NO. 0038907	SIZE B	SCALE: 1:16
WEIGHT:	SHEET 1 OF 2	

MATERIAL: []

PROPRIETARY AND CONFIDENTIAL
THE INFORMATION CONTAINED IN THIS DRAWING IS THE SOLE PROPERTY OF SUPER PRODUCTS. ANY REPRODUCTION IN PART OR AS A WHOLE WITHOUT THE WRITTEN PERMISSION OF SUPER PRODUCTS IS PROHIBITED.

UNLESS OTHERWISE SPECIFIED:
DIMENSIONS ARE IN INCHES
TOLERANCES ARE:
X.X ± 0.100
X.XX ± 0.060
X.XXX ± 0.030
ANGULAR: MACH ± 1° BEND ± 2°
INTERPRET GEOMETRIC TOLERANCING PER: ASME Y14.5

D

C

B

A

D

C

B

A

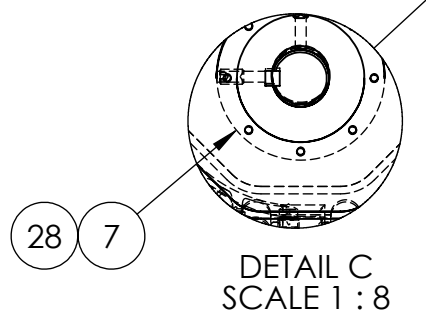
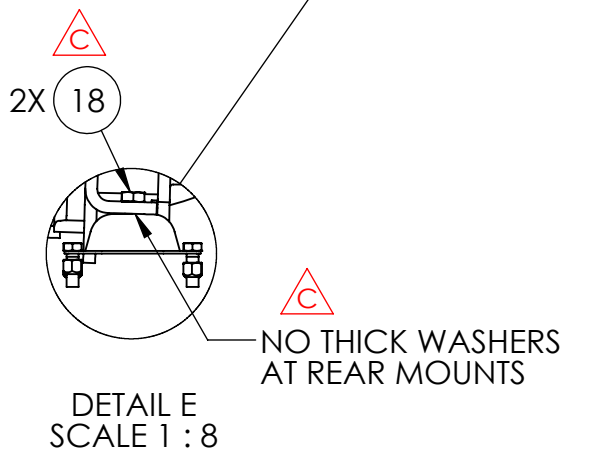
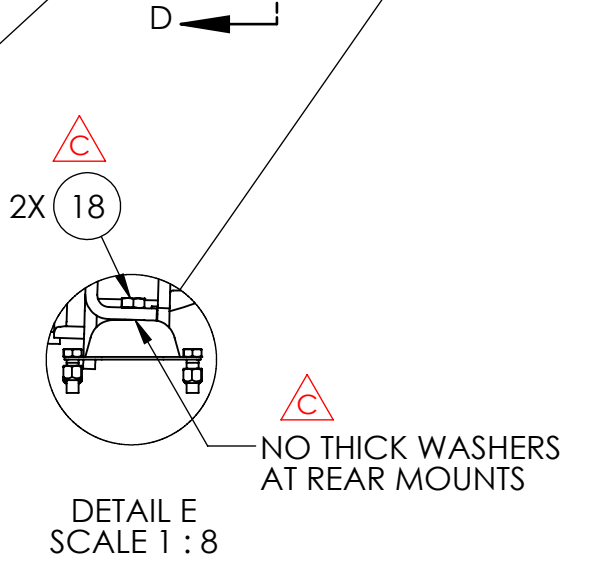
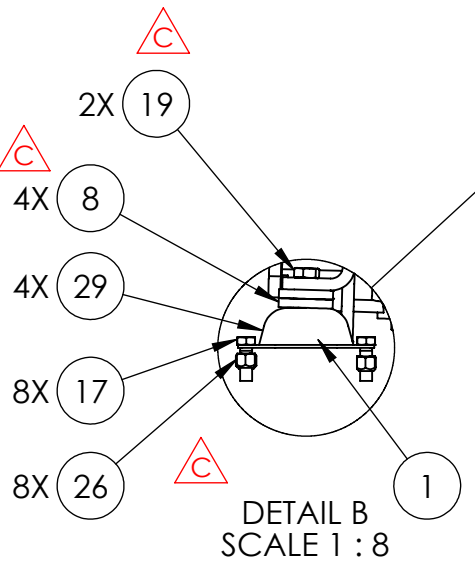
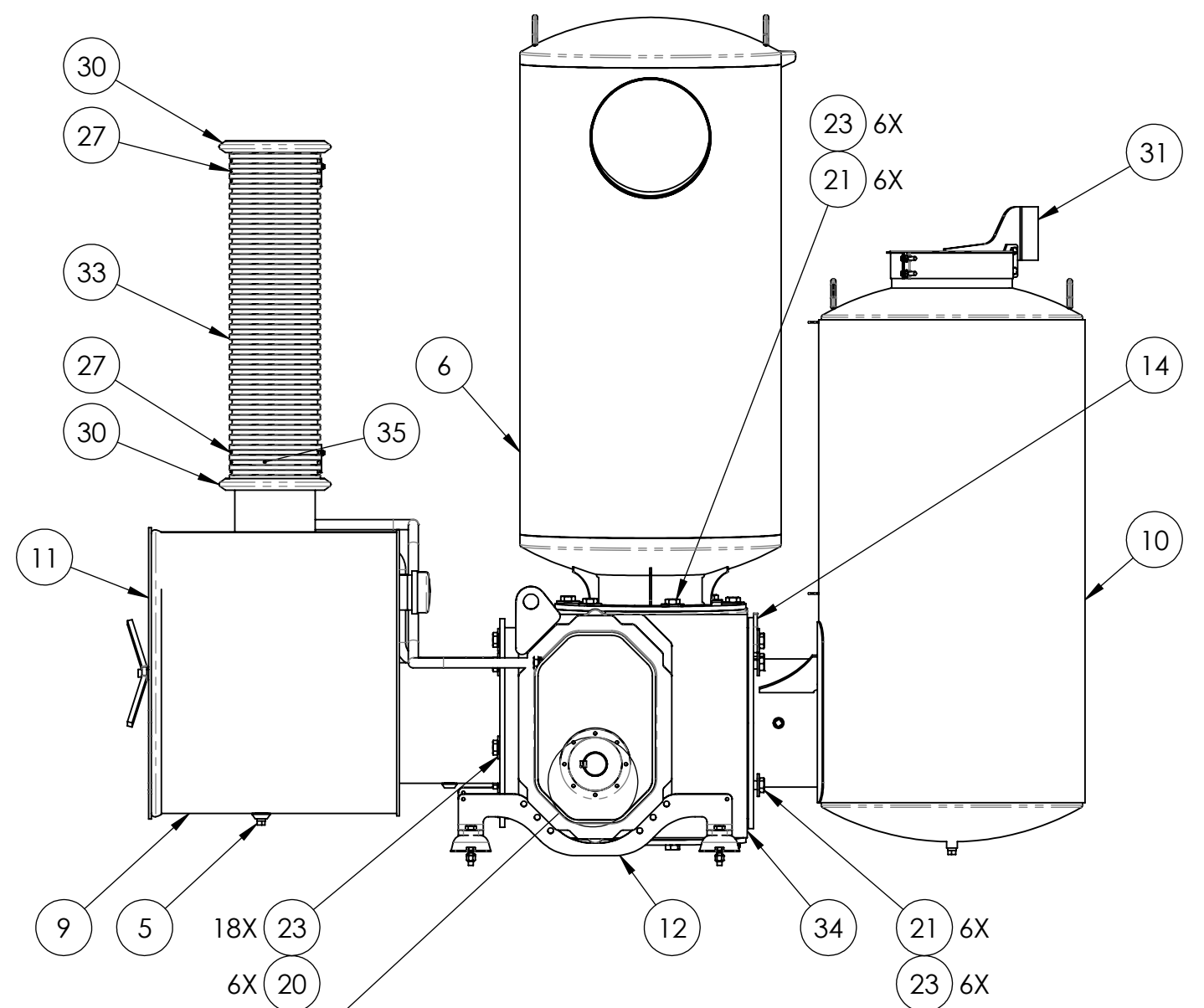
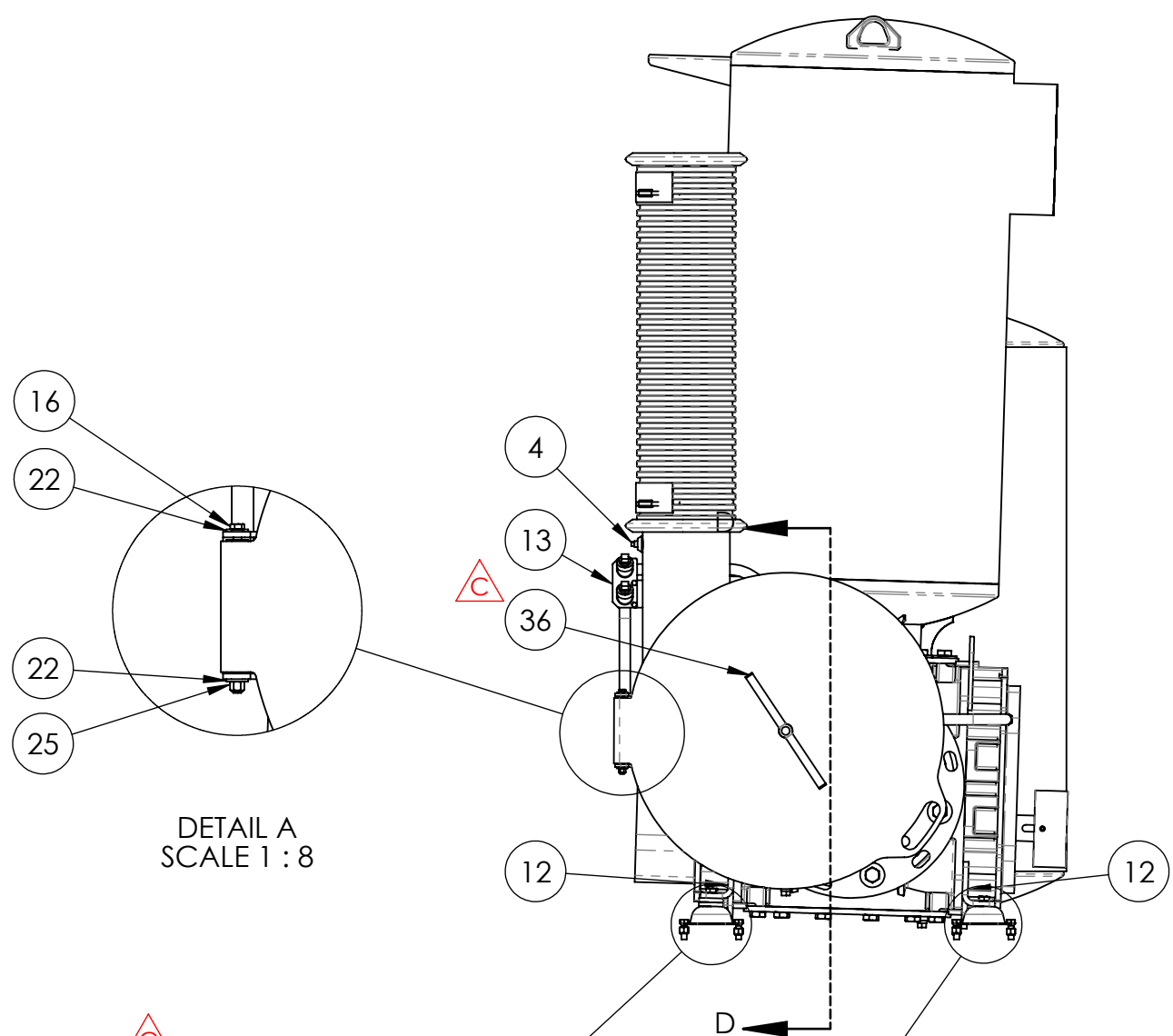
8 7 6 5 4 3 2 1

8 7 6 5 4 3 2 1

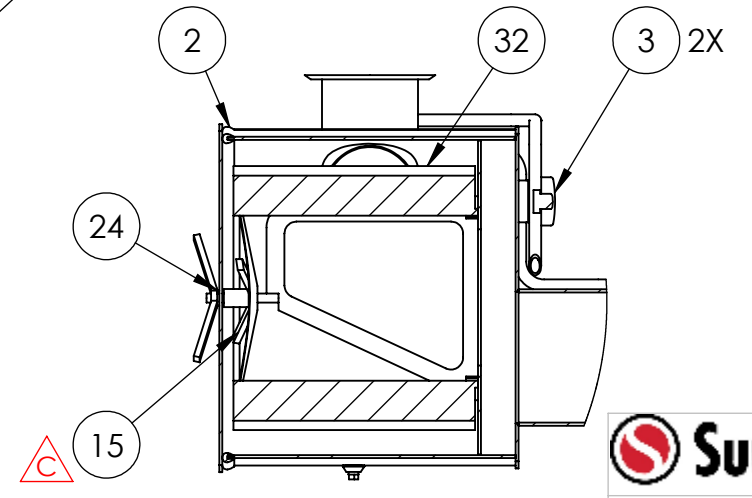
8 7 6 5 4 3 2 1

D
C
B
A

D
C
B
A



RED LOCTITE 202
TORQ. TO 180 FT/LBS



Super Products[®]

DWG. NO. **0038907**

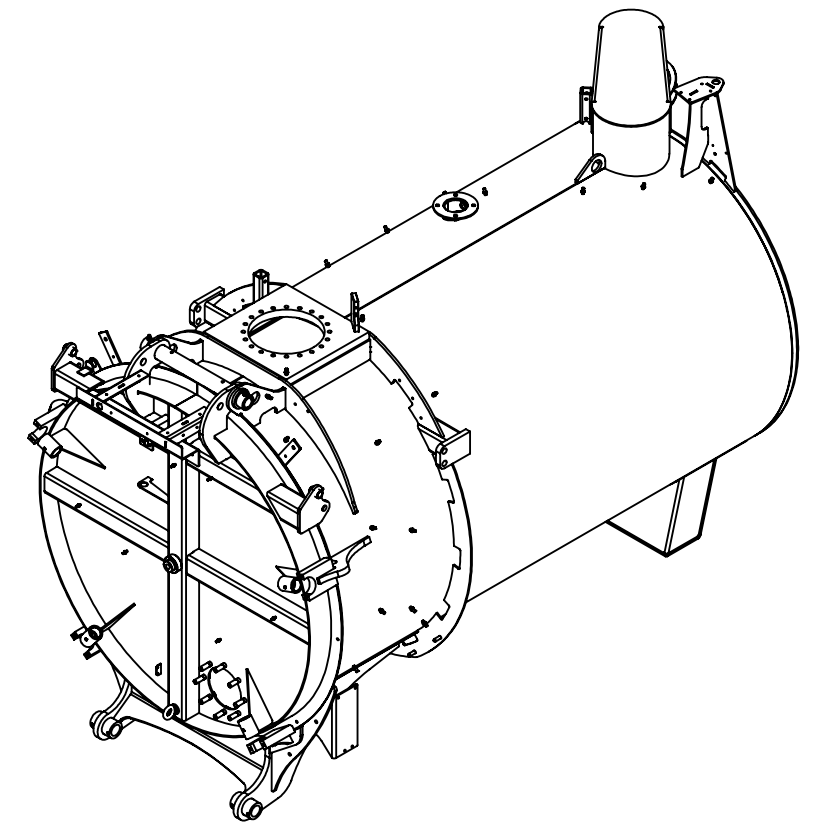
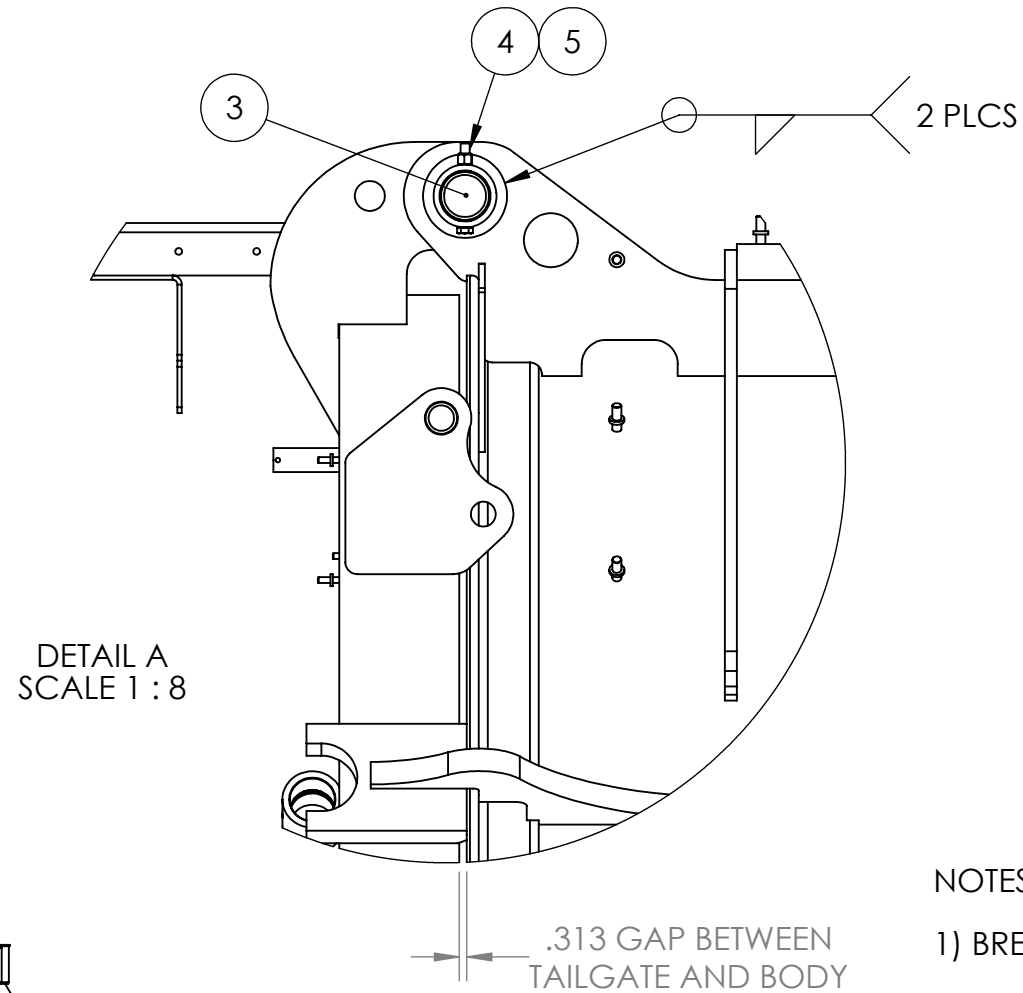
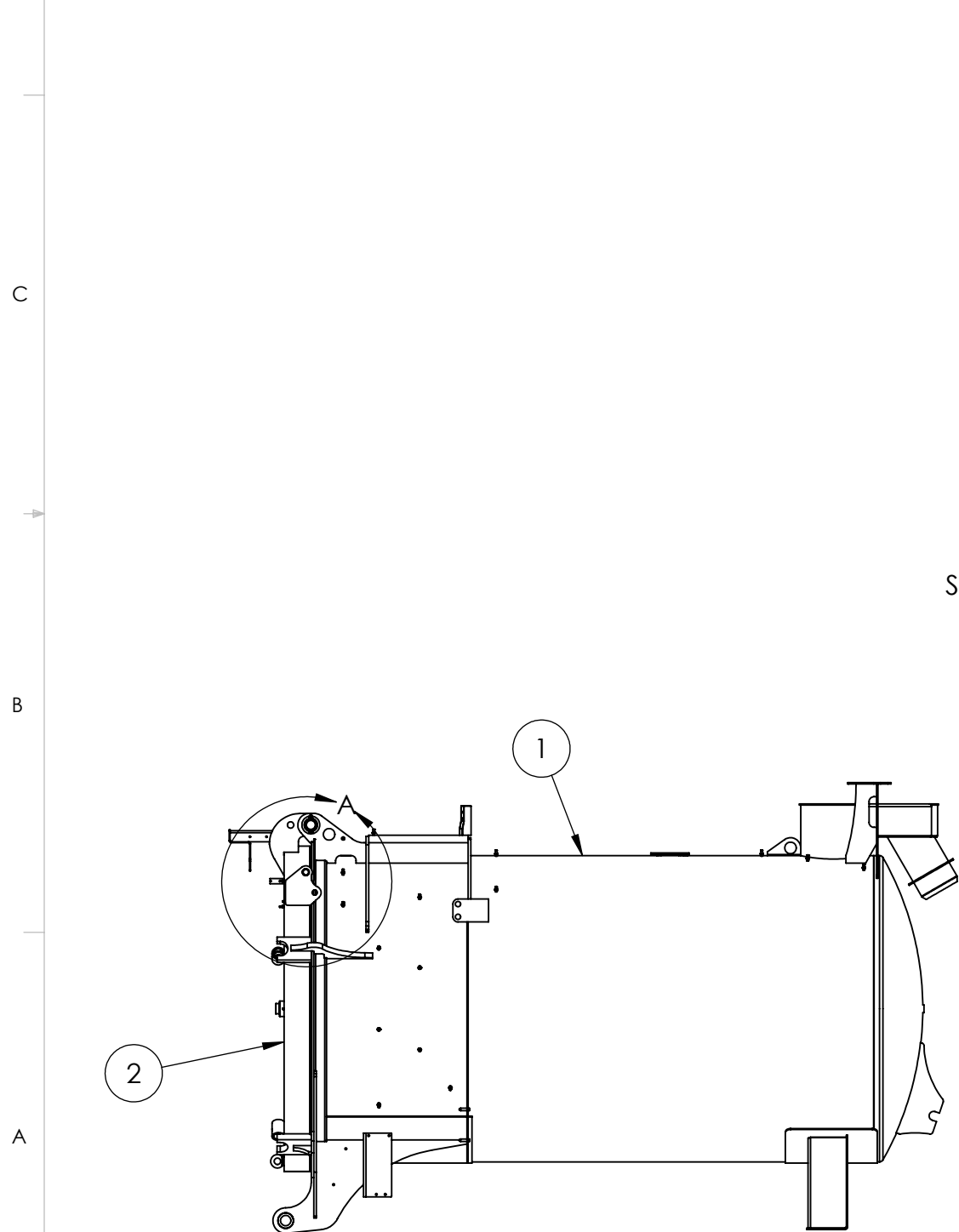
REV **C**

SIZE B	SCALE: 1:16	WEIGHT:	SHEET 2 OF 2
--------	-------------	---------	--------------

8 7 6 5 4 3 2 1

ITEM NO.	PART NUMBER	DESCRIPTION	QTY.
1	0038386	WLDMT,BODY,7YD	1
2	0034042	WLDMT,TAILGATE,7YD	1
3	0034073	PIN, HINGE, TAILGATE	1
4	0052-00350	SCREW CAP 0.38-16X 3.50 HX GR5	2
5	0160-32008	NUT,LOCK,CLINCHED,3/8"-16,GR5,PLT'D-STL	2

REVISIONS				
REV #	ECO #	DESCRIPTION	DATE	APPR
A				



NOTES:

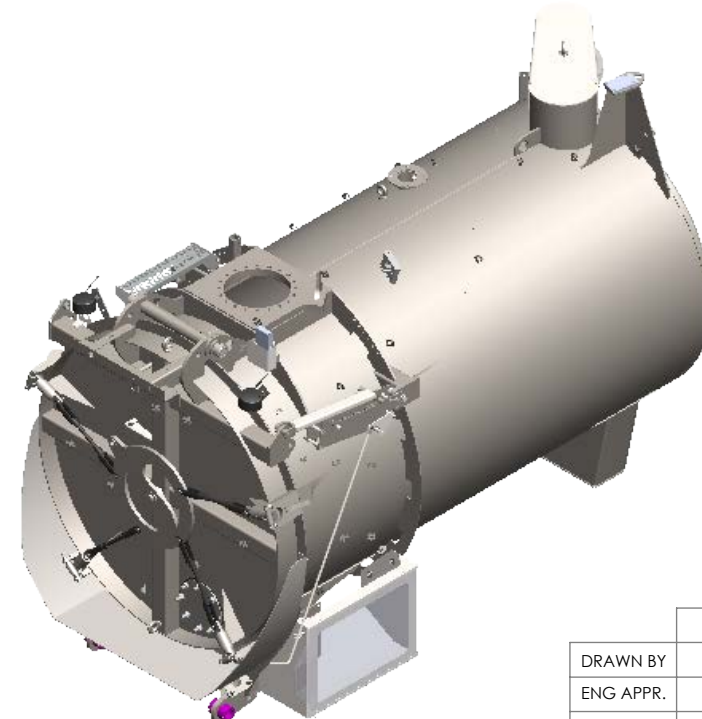
- 1) BREAK ALL SHARP EDGES. MAX=0.03
- 2) MECHANICALLY REMOVE OXIDE LAYER FROM LASER CUT EDGES.
- 3) ITEM MUST BE SCALE FREE (SANDBLASTED).
- 4) REMOVE WELD SPATTER AND DEBRIS.
- 5) PROTECT THREADS FROM WELD SPATTER AND PAINT.

	NAME	DATE	
DRAWN BY	D. King	1/28/2021	
ENG APPR.	C.Colorito	01/28/2021	
MFG APPR.			TITLE: ASSY,BODY AND TAILGATE,7YD
MATERIAL: []			DWG. NO. 0041476
UNLESS OTHERWISE SPECIFIED: DIMENSIONS ARE IN INCHES TOLERANCES ARE: X.X ± 0.100 X.XX ± 0.060 X.XXX ± 0.030 ANGULAR: MACH ± 1° BEND ± 2° INTERPRET GEOMETRIC TOLERANCING PER: ASME Y14.5			REV A
PROPRIETARY AND CONFIDENTIAL THE INFORMATION CONTAINED IN THIS DRAWING IS THE SOLE PROPERTY OF SUPER PRODUCTS. ANY REPRODUCTION IN PART OR AS A WHOLE WITHOUT THE WRITTEN PERMISSION OF SUPER PRODUCTS IS PROHIBITED.			SIZE B SCALE: 1:32 WEIGHT: 3376.28 SHEET 1 OF 1

ITEM NO.	PART NUMBER	DESCRIPTION	QTY.
1	0001420	ASSY, CRADLE LIGHT	1
2	0002407	ASSY, FLOAT BALL AND CAGE	1
3	0002609	ASSY, TAILGATE ROLLER	4
4	0006287	RETAINER, BODY LIFT	2
5	0028626-00010	WASHER, LOCK, WEDGE, 5/8", PLT'D STL	4
6	0032554-00003	MOUNT, CABLE TIE 3/8 STUD	36
7	0034065	ASM CLEVIS TAILGATE PAINTED	4
8	0034172	GASKET, TAILGATE, 60"	1
9	0034910	WLDMT, SPLASH GUARD	1
10	0035978	WLDMT, ARM SAFETY PROP	1
11	0035999	WLDNT, PIN	1
12	0038771	HANDLE, TG PROP RELEASE	1
13	0039823	PAD, BOOM CRADLE	1
14	0042163	WLDMT, COVER MANIFOLD	1
15	0039954	WLDMT, STEP	1
16	0039965	PLATE, DRIVE, 7YD MD	1
17	0040998	BRKT, RECEIVER	1
18	0041476	ASSY, BODY AND TAILGATE, 7YD	1
19	0041745-61125	SCREW, FLAT HEAD, SOCKET, .38-16 X 1.25	1
20	0041821	SUPPORT, SAFETY PROP	1
21	0041823	WLDMT, TG PROP RELEASE ARM	1
22	0041835	TUBE, RD., .63 X .120	4
23	0041836	WLDMT, TG PROP BASE	2
24	0041839	SPACER	2
25	0050-00100	SCREW, CAP 0.25-20 X 1.00 HX GR5	3
26	0051-00125	SCREW HEX HD 5/16-18 X 1.25 GR5	4
27	0051-00150	SCREW HEX HD 5/16-18 X 1.50 GR5	4
28	0052-00125	SCREW, HEX HEAD CAP, 3/8-16 X 1-1/4, HX GR5	1
29	0052-00150	SCREW, HEX HEAD CAP, 3/8-16 X 1-1/2, HX GR5	2
30	0052-00200	SCREW, HEX HEAD CAP, 3/8-16 X 2.00, GR5	8
31	0052-00450	SCREW CAP 0.38-16 X 4.50 HX GR5	4
32	0056-20250	SCREW, HEX HEAD CAP, 5/8-11 X 2-1/2, GR8	4
33	0059-20200	SCREW, HEX HEAD CAP, 1-8 X 2.00, GR8	1
34	0078-00005	WASHER, FLAT, SAE, 1/2", STEEL, PLT'D	2
35	0080-20008	NUT, HEX, 3/4"-10, GR5	8
36	0082-00002	WASHER, FLAT, USS, 5/16", STEEL, PLT'D	5
37	0082-00003	WASHER, FLAT, USS, 3/8", STEEL, PLT'D	23
38	0082-00005	WASHER, FLAT, USS, 1/2", STEEL, PLT'D	4
39	0082-30008	WASHER, FLAT, USS, 3/4", STEEL, PLT'D, GR8	2
40	0082-30010	WASHER, FLAT, USS, 1", STEEL, PLT'D, GR8	1
41	0083-00008	WASHER, SPLIT LOCK, 3/4", STEEL, PLT'D, GR5	8
42	0095-20001	PIN, CLEVIS, ZINC PL, 0.75 X 2.00	8
43	0097-00008	PIN, CLEVIS 1.00 X 3.50	1
44	0152-00020	PIN, COTTER .13 X 1.50	8
45	0152-00028	PIN, COTTER .16 X 1.50	1
46	0160-32006	NUT, LOCK, CLINCHED, 1/4"-20, GR5, PLT'D-STL	5
47	0160-32007	NUT, LOCK, CLINCHED, 5/16"-18, GR5, PLT'D-STL	9
48	0160-32008	NUT, LOCK, CLINCHED, 3/8"-16, GR5, PLT'D-STL	16
49	0160-32010	NUT, LOCK, CLINCHED, 1/2"-13, GR5, PLT'D-STL	4
50	0416-12075	BOLT, SHOULDER, 1/2" DIA. X 3/4" LG X 3/8"-16 UNC, SS	1
51	0416-12200	BOLT, SHOULDER, 1/2" DIA. X 2" LG X 3/8"-16 UNC, SS	1
52	2000-02689	PLATE, COVER (CNTR. DRAIN #150)	1

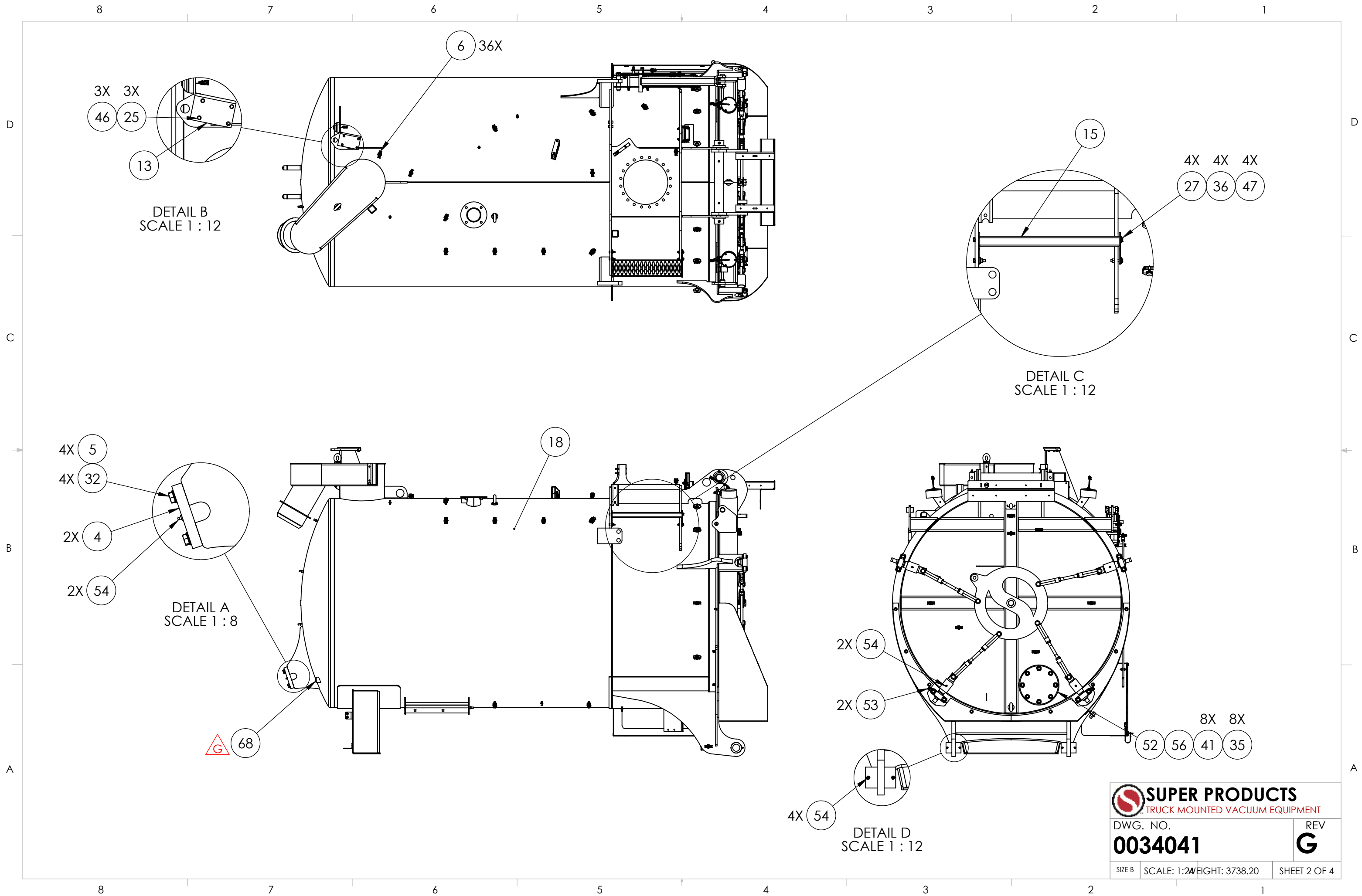
REVISIONS				
REV #	ECO #	DESCRIPTION	DATE	APPR
G	99999	ADDED 1010-02369 AND 6044-00008. QTY CHANGED: 0052-00200 8 WAS 6, 0082-00003 23 WAS 19, AND 0160-32008 16 WAS 14.	10/07/2021	C.Colorito

ITEM NO.	PART NUMBER	DESCRIPTION	QTY.
53	3000-00210	FITTING, GREASE .13PT X 90 DEG.	2
54	3000-00468	FITTING - GREASE	8
55	3100-01461	WORK LIGHT	2
56	3500-00650	GASKET, FLAT TAILGATE DRAIN	1
57	4510-00215	BOLT, LATCH-LONG	4
58	6000-00306	CLEVIS, PISTON ROD	1
59	0035208	COVER, I/O, FRONT REEL & TOP OF BODY	1
60	0042170	DOOR, MANIFOLD VALVE	1
61	0025130	PIN W/LANYARD Ø.25 X 1.3"	1
62	0156-00049	SCREW, ROUND HEAD, #10-24 X .75	1
63	0160-32005	NUT, LOCK, CLINCHED, #10-24, GR5, PLT'D-STL	1
64	0035108	SHIM, BOOM STOP	3
65	0050-00350	SCREW, HEX HEAD CAP, 1/4-20 X 3.50, GR5	2
66	0031127-00003	EYEBOLT, W/SHOULDER	1
67	1010-02369	BRKT, MOUNTING	1
68	6044-00008	PLUG, STR. THD. O-RING	1



DRAWN BY		NAME	DATE	
ENG APPR.		M. Riley	9/11/2020	
MFG APPR.		A. Brewster	09/17/2020	
TITLE:				ASSY, BODY, URBAN-X, 7YD
DWG. NO.				
0034041				REV
				SIZE B SCALE: 1:36 WEIGHT: 3738.20 SHEET 1 OF 4

MATERIAL: []
 UNLESS OTHERWISE SPECIFIED:
 DIMENSIONS ARE IN INCHES
 TOLERANCES ARE:
 X.X ± 0.100
 X.XX ± 0.060
 X.XXX ± 0.030
 ANGULAR: MACH ± 1° BEND ± 2°
 INTERPRET GEOMETRIC TOLERANCING PER: ASME Y14.5
PROPRIETARY AND CONFIDENTIAL
 THE INFORMATION CONTAINED IN THIS DRAWING IS THE SOLE PROPERTY OF SUPER PRODUCTS. ANY REPRODUCTION IN PART OR AS A WHOLE WITHOUT THE WRITTEN PERMISSION OF SUPER PRODUCTS IS PROHIBITED.

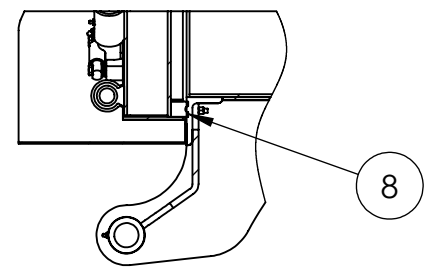


SUPER PRODUCTS
TRUCK MOUNTED VACUUM EQUIPMENT

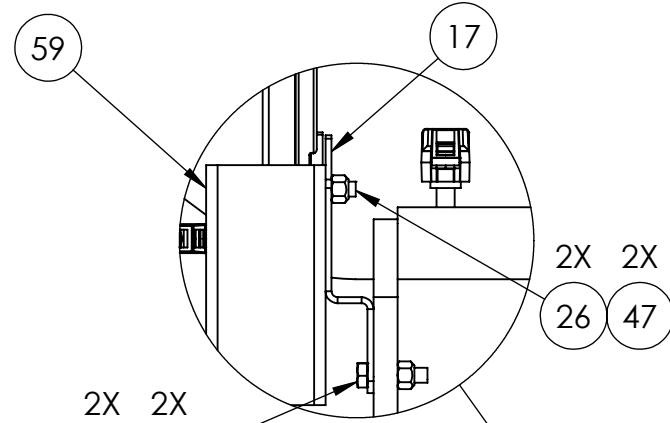
DWG. NO. **0034041** REV **G**

SIZE B SCALE: 1:24 WEIGHT: 3738.20 SHEET 2 OF 4

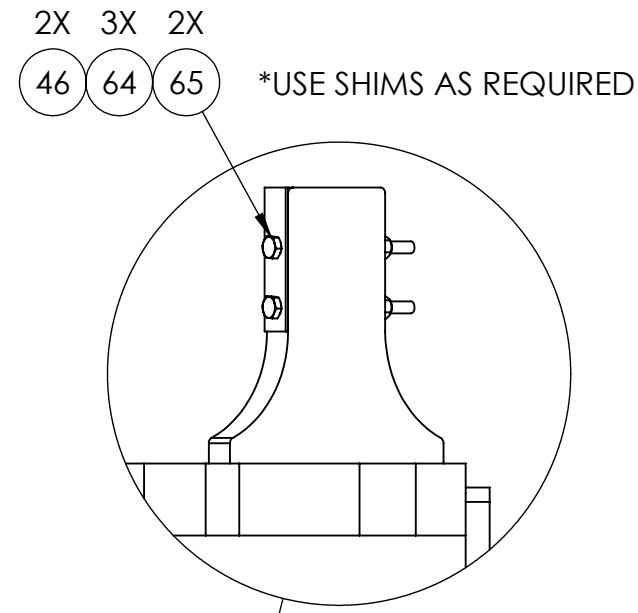
8 7 6 5 4 3 2 1



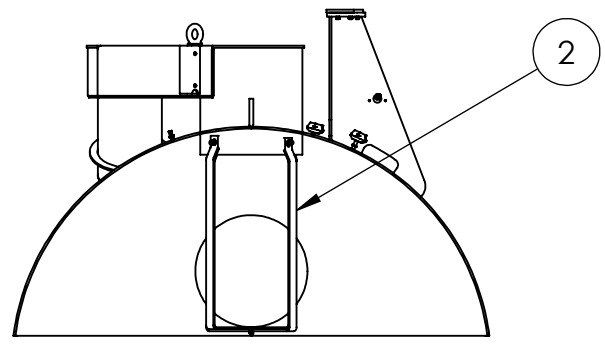
SECTION M-M
SCALE 1 : 16



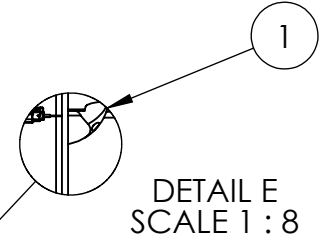
DETAIL H
SCALE 1 : 4



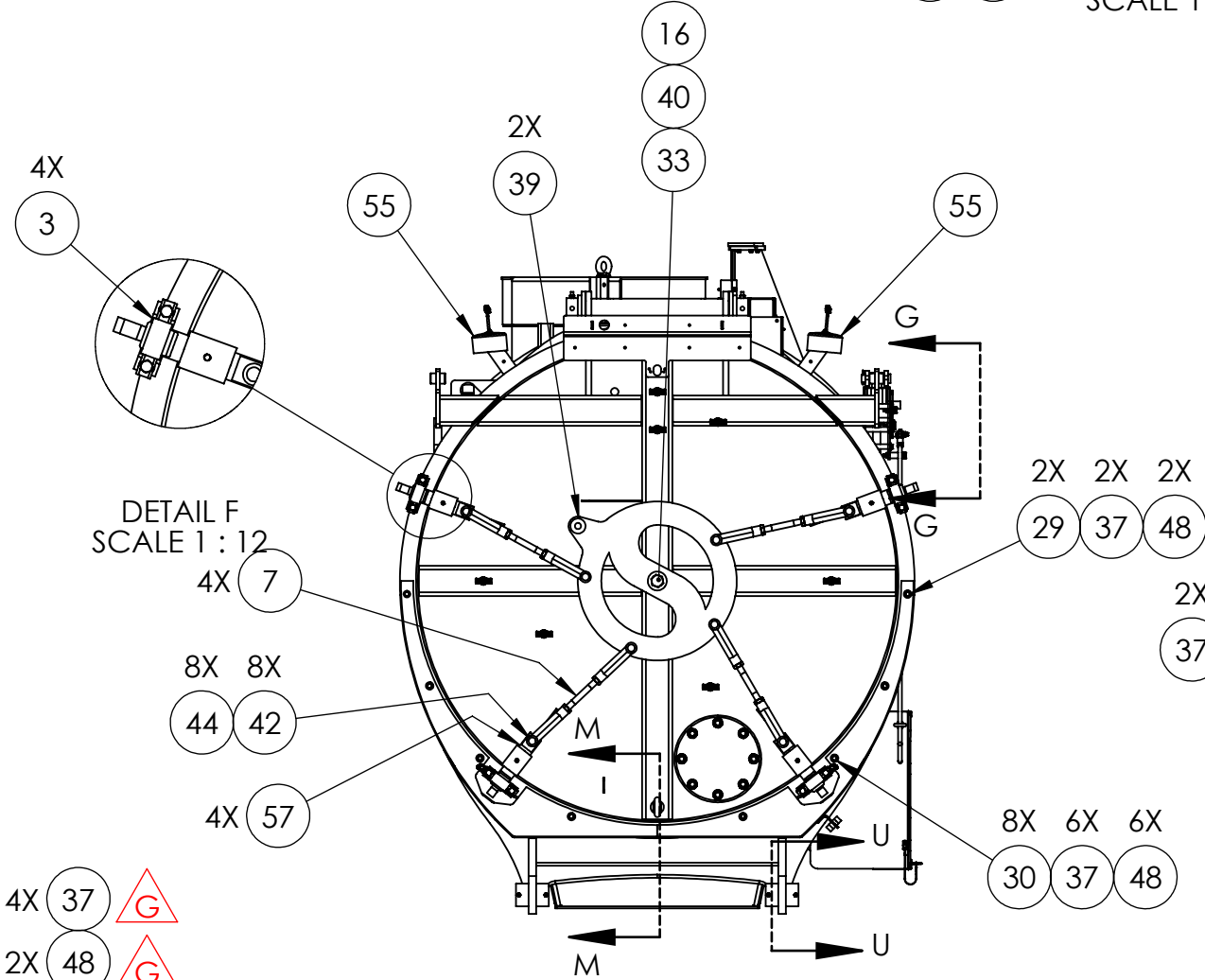
DETAIL T
SCALE 1 : 4



SECTION K-K

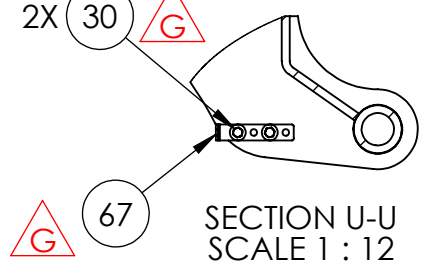


DETAIL E
SCALE 1 : 8



DETAIL F
SCALE 1 : 12

- 4X (37) △ G
- 2X (48) △ G
- 2X (30) △ G



SECTION U-U
SCALE 1 : 12

SUPER PRODUCTS
TRUCK MOUNTED VACUUM EQUIPMENT

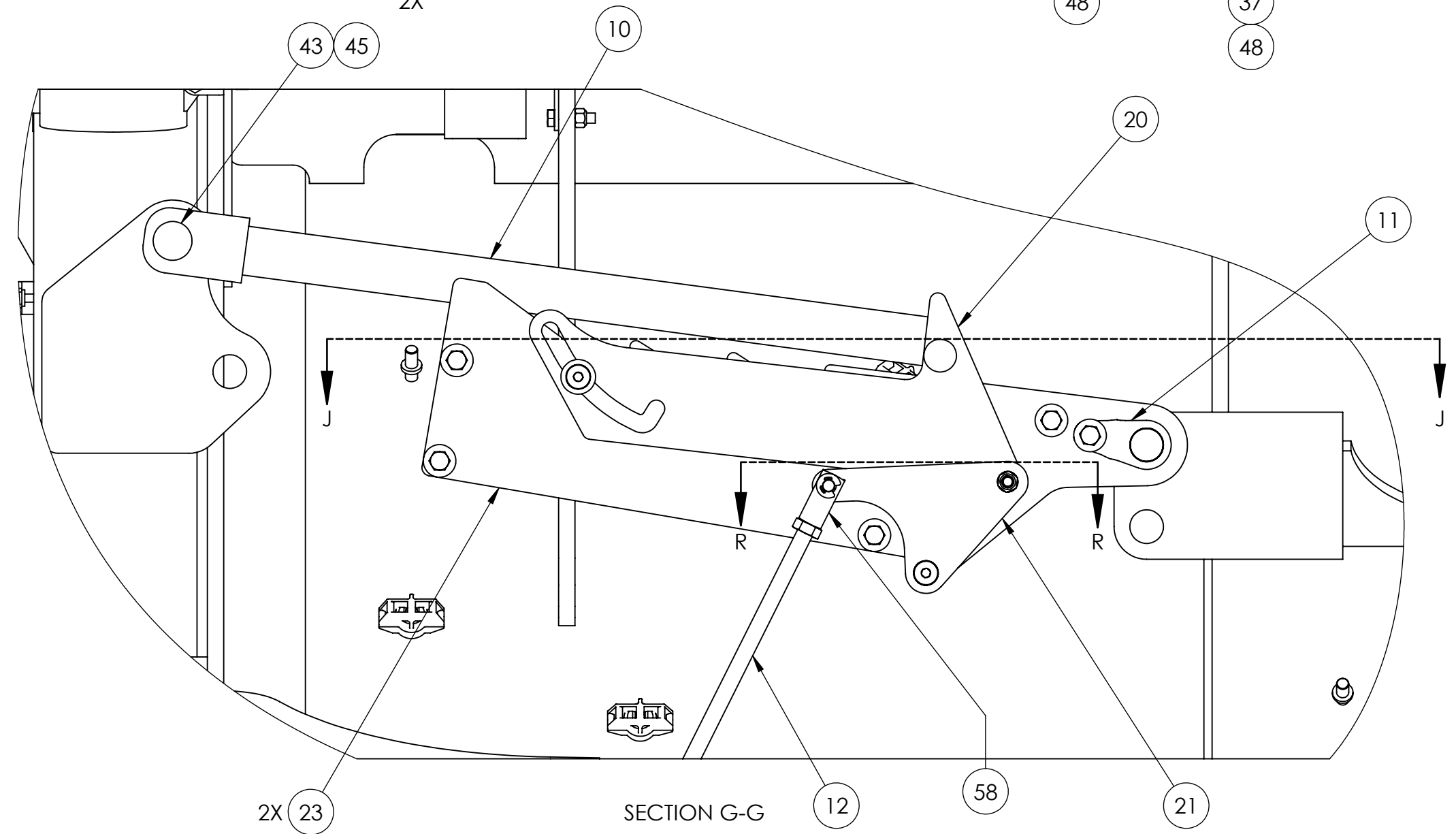
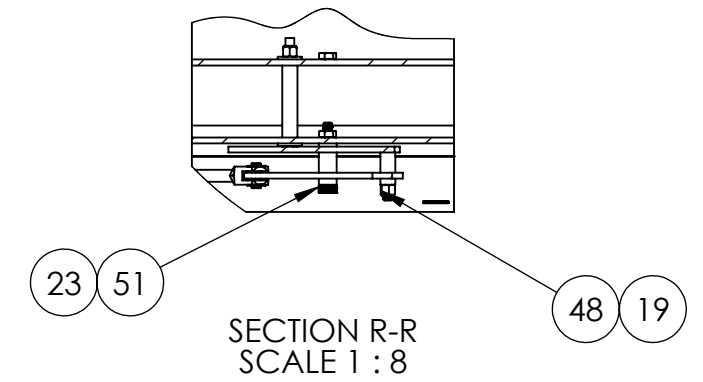
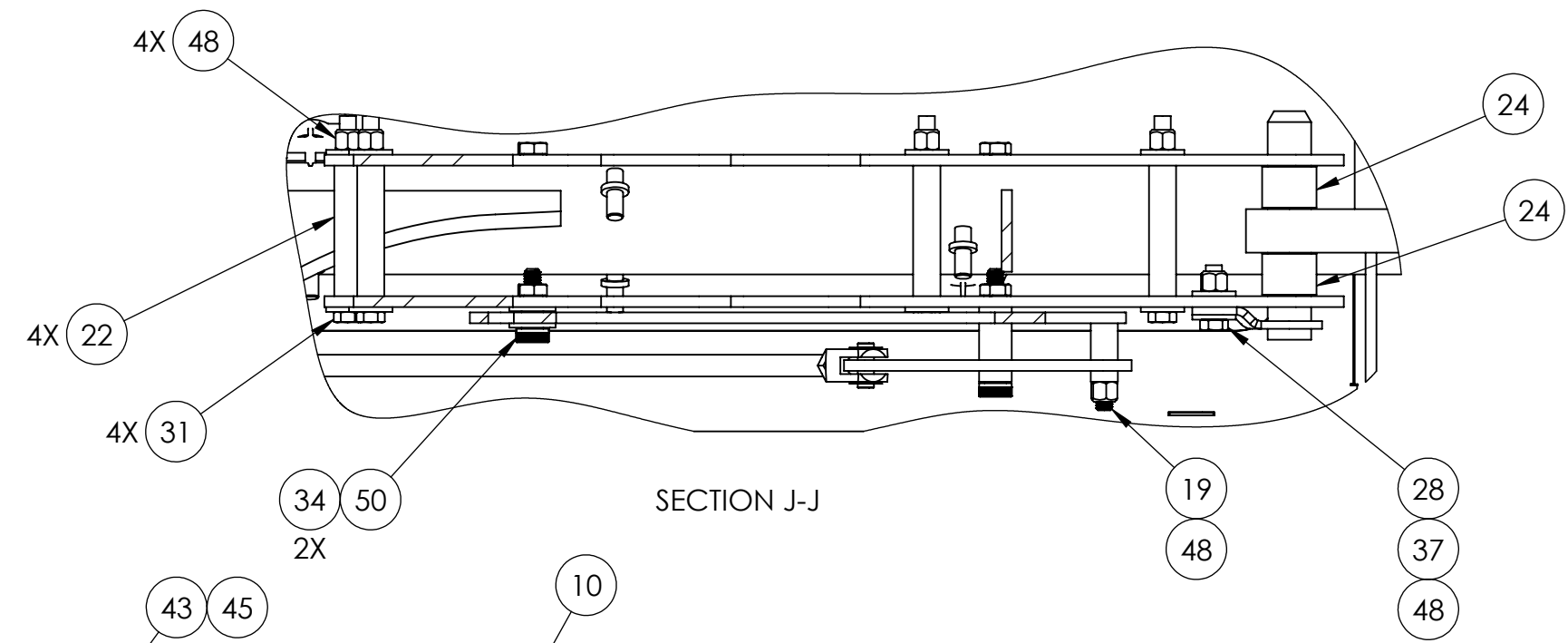
DWG. NO.	REV
0034041	G
SIZE B	WEIGHT: 3738.20
SCALE: 1:2	SHEET 3 OF 4

8 7 6 5 4 3 2 1

8 7 6 5 4 3 2 1

D
C
B
A

D
C
B
A



8 7 6 5 4 3 2 1

DWG. NO. 0034041		REV G
SIZE B	SCALE: 1:4	WEIGHT: 3738.20
		SHEET 4 OF 4

ITEM NO.	PART NUMBER	DESCRIPTION	QTY.
1	0000722-00009	WASHER, LOCK, WEDGE, 5/8", PLT'D STL	38
2	0001605	WASHER, 0.50 OVERSIZED RUBBER	1
3	0020040	FLANGE, 8" HOSE	2
4	0032554-00003	MOUNT, CABLE TIE 3/8 STUD	18
5	0033986	WLDMT, CANNON, BOOM	1
6	0033995	SLIDER, BOOM	4
7	0033997	PIN, BOOM PIVOT	1
8	0034002	WLDMT, BOOM PIVOT	1
9	0034593	PLATE, LID HOLD DOWN	1
10	0034615	WLDMT, HARNESS SUPPORT	1
11	0034659	BUMPER, ROUND W/ 1/2-13 THRD. HOLE	1
12	0034695	CLAMP, HOSE	1
13	0034705	PLATE, BOOM STOP - CANNON	1
14	0034813	CLAMP, LOCKING DRAW ARM	1
15	0034846	ASSY, LID - CANNON COVER	1
16	0034847-05110	HOSE, VACUUM, HEAVY DUTY - 8" X 76"	1
17	0034847-05128	HOSE, PORT, HEAVY DUTY - 8" X 131"	1
18	0034851	FLANGE, CANNON CARBURIZED - 8"	1
19	0034883	WLDMT, BOOM EXTENSION	1
20	0034925	BRKT, BOOM HOSE CONTAINMENT - OUTER	1
21	0034947	SPACER, HOSE CONTAINMENT	4
22	0035128	WLDMT, BOOM HOSE BRKT.	1
23	0035943	WLDMT, ELECTRICAL REEL MOUNT	1
24	0036966	ASSY, CABLE REEL	1
25	0037110	ROLLER, BOOM HOSE	4
26	0038383	WLDMT, BOOM ARM	1
27	0042458	BRKT, BOOM HOSE SUPPORT	1
28	0050-20088	SCREW, HEX HEAD CAP, 1/4-20 X 7/8, GR8	8
29	0052-20125	SCREW, HEX HEAD CAP, 3/8-16 X 1-1/4, GR8	2
30	0052-20150	SCREW, HEX HEAD CAP, 3/8-16 X 1-1/2, GR8	3
31	0054-20100	SCREW, HEX HEAD CAP, 1/2-13 X 1, GR8	1
32	0054-20125	SCREW, HEX HEAD CAP, 1/2-13 X 1-1/4, GR8	2
33	0054-20150	SCREW, HEX HEAD CAP, 1/2-13 X 1-1/2, GR8	4
34	0054-20350	SCREW, HEX HEAD CAP, 1/2-13 X 3-1/2, GR8	2
35	0056-20250	SCREW, HEX HEAD CAP, 5/8-11 X 2-1/2, GR8	13
36	0056-20350	SCREW, HEX HEAD CAP, 5/8-11 X 3-1/2, GR8	5
37	0056-20450	SCREW, HEX HEAD CAP, 5/8-11 X 4-1/2, GR8	20
38	0061-21500	SCREW, HEX HEAD CAP, 1-1/4"-7 X 15", GR8	4
39	0078-30005	WASHER, FLAT, SAE, 1/2", GR8	4
40	0082-00003	WASHER, FLAT, USS, 3/8", STEEL, PLT'D	2
41	0082-30001	WASHER, FLAT, USS, 1/4", STEEL, PLT'D, GR8	1
42	0082-30003	WASHER, FLAT, USS, 3/8", STEEL, PLT'D, GR8	9
43	0082-30005	WASHER, FLAT, USS, 1/2", STEEL, PLT'D, GR8	10
44	0082-30010	WASHER, FLAT, USS, 1", STEEL, PLT'D, GR8	4
45	0082-30012	WASHER, FLAT, USS, 1-1/4", STEEL, PLT'D, GR8	8
46	0082-30018	WASHER, FLAT, USS, 2", STEEL, PLT'D, GR8	1
47	0083-00007	WASHER, SPLIT LOCK, 5/8", STEEL, PLT'D, GR5	8
48	0097-00006	PIN, CLEVIS 1.00 X 3.00	2
49	0152-00029	PIN, COTTER .16 X 1.75	4
50	0152-00039	PIN, COTTER .19 X 2.00	2


ITEM NO.	PART NUMBER	DESCRIPTION	QTY.
51	0152-00052	PIN, COTTER .25 X 3.00	1
52	0160-11007	NUT, LOCK, 5/16"-18, NYLON, SS	4
53	0160-42006	NUT, LOCK, CLINCHED, 1/4"-20, GR8, PLT'D-STL	1
54	0160-42008	NUT, LOCK, CLINCHED, 3/8"-16, GR8, PLT'D-STL	5
55	0160-42010	NUT, LOCK, CLINCHED, 1/2"-13, GR8, PLT'D-STL	8
56	0160-42017	NUT, LOCK, CLINCHED, 1-1/4"-7, GR8, PLT'D-STL	4
57	0415-00024	U-BOLT .38-16 X 3.00	1
58	3000-00126	U CLAMP, 3.5"	2
59	3000-00136	CLAMP, 8" PORT HOSE	4
60	3000-02276	CLAMP, 8" VACTOR STYLE	1
61	3000-03064	GASKET, 8" VACTOR STYLE	1
62	3100-01461	WORK LIGHT	2
63	3819-02800	HOSE, SECTION 3"	1
64	8500-03149	HOSE END 8"	1

REVISIONS				
REV #	ECO #	DESCRIPTION	DATE	APPR
F	99999	Replaced 3000-00020 with 8500-03149; 0056-20400 with 0056-20450. Added (8) 0083-00007. 0152-0029 (4) was (2).	09/02/2021	S. Iding

DESCRIPTION	SEE SHEET #
CANNON ASSEMBLY	2
BOOM ASSEMBLY	2-4
BEARING MOTOR ORIENTATION	4
BOOM LIGHTS, PROX., CORD REEL & CABLE TIE LOCATION	5

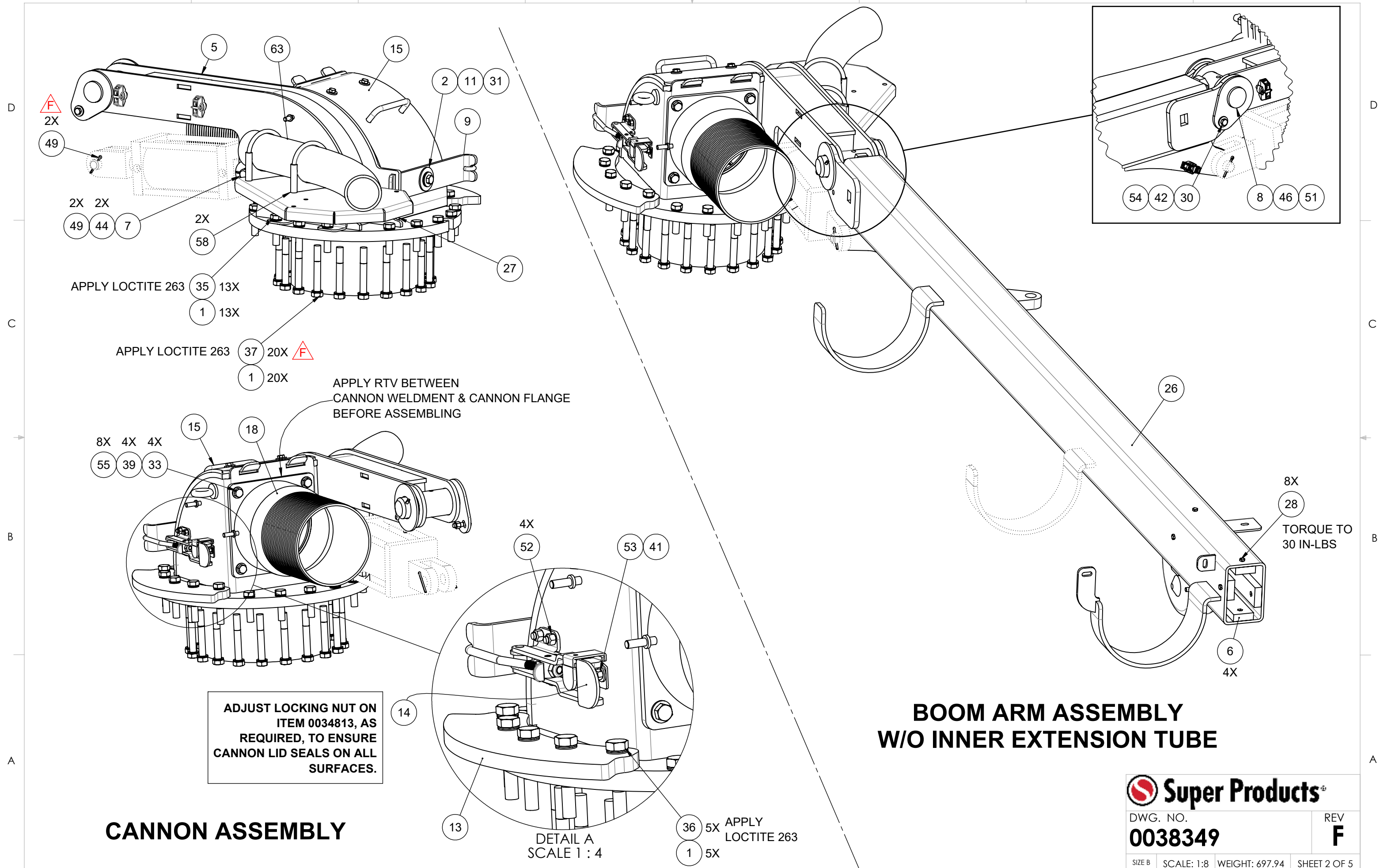
NOTES

1. ALL BOOM / BEARING MOUNTING BOLTS TO BE TORQUED TO 160-180 LB-FT.
2. ALL BOOM ELBOW 1-1/4" BOLTS TO BE TORQUED TO 200 LB-FT.
3. REFER TO PROPER TORQUE SPEC. CHARTS FOR STANDARD BOLTS.
4. REFERENCE SHEET 2 FOR ITEM 29 TORQUE SPECS TO BOOM ARM ASSY.

DRAWN BY		C.Colorito	DATE	9/10/2020	
ENG APPR.		D. King	10/08/2020		
MFG APPR.					
MATERIAL: []					UNLESS OTHERWISE SPECIFIED: DIMENSIONS ARE IN INCHES TOLERANCES ARE: X.X ± 0.100 X.XX ± 0.060 X.XXX ± 0.030 ANGULAR: MACH ± 1° BEND ± 2° INTERPRET GEOMETRIC TOLERANCING PER: ASME Y14.5
PROPRIETARY AND CONFIDENTIAL THE INFORMATION CONTAINED IN THIS DRAWING IS THE SOLE PROPERTY OF SUPER PRODUCTS. ANY REPRODUCTION IN PART OR AS A WHOLE WITHOUT THE WRITTEN PERMISSION OF SUPER PRODUCTS IS PROHIBITED.				DWG. NO. 0038349	
TITLE:		ASSY, BOOM, 7YD			REV
SIZE B		SCALE: 1:8	WEIGHT: 697.94	SHEET 1 OF 5	



8 7 6 5 4 3 2 1



CANNON ASSEMBLY

BOOM ARM ASSEMBLY W/O INNER EXTENSION TUBE

ADJUST LOCKING NUT ON
ITEM 0034813, AS
REQUIRED, TO ENSURE
CANNON LID SEALS ON ALL
SURFACES.

DETAIL A
SCALE 1 : 4

36 5X APPLY
LOCTITE 263

1 5X

8X
28
TORQUE TO
30 IN-LBS

Super Products[®]

DWG. NO. **0038349** REV **F**

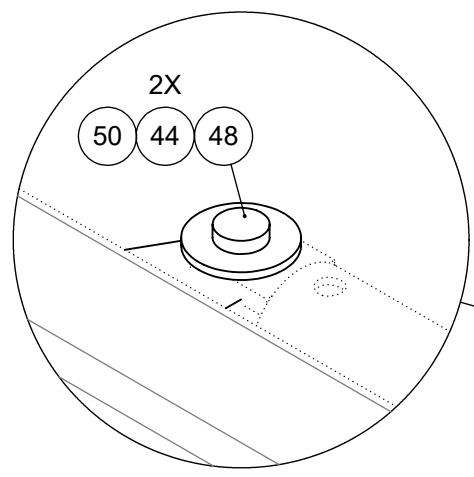
SIZE B	SCALE: 1:8	WEIGHT: 697.94	SHEET 2 OF 5
--------	------------	----------------	--------------

8 7 6 5 4 3 2 1

8 7 6 5 4 3 2 1

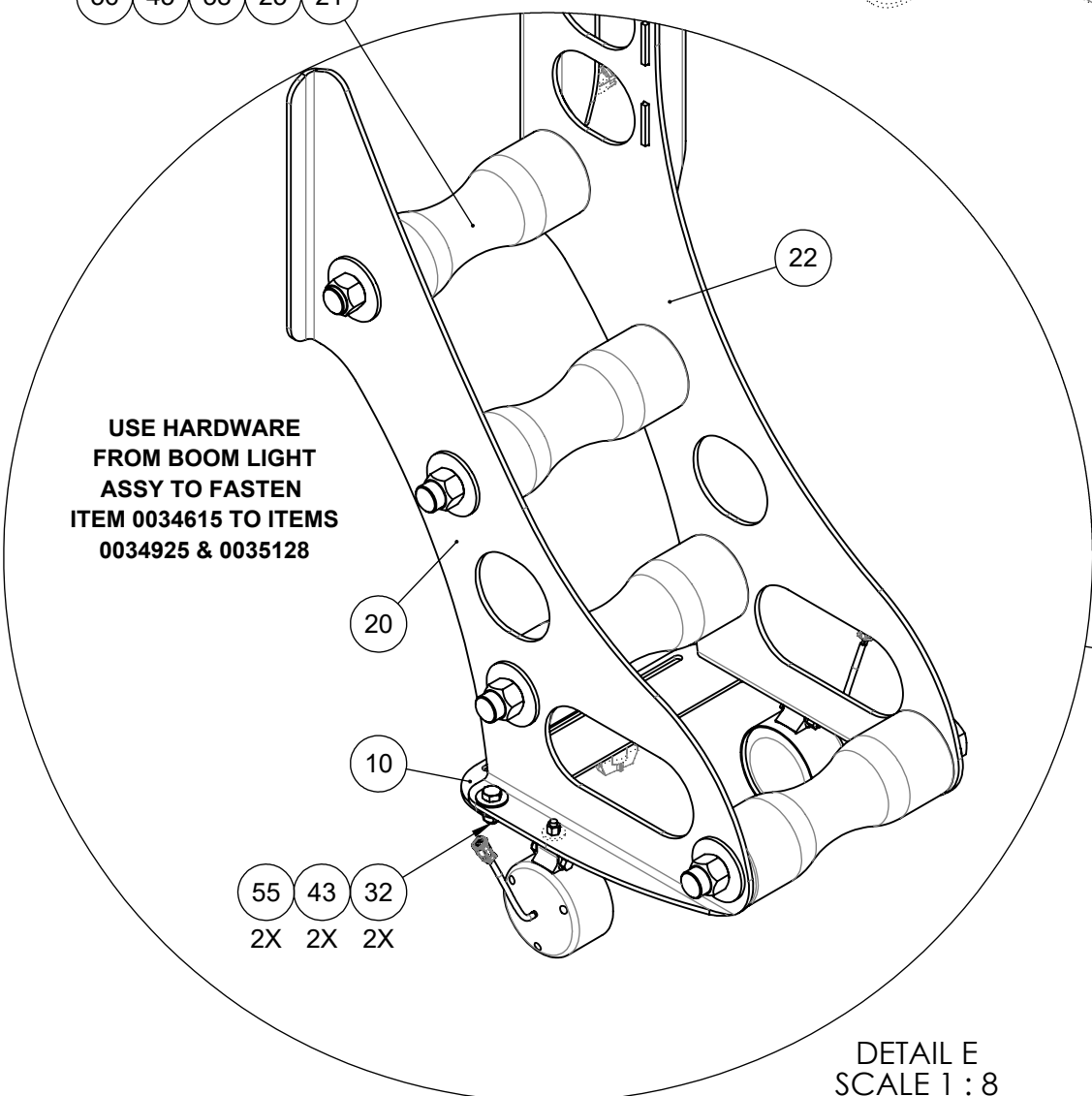
D
C
B
A

D
C
B
A



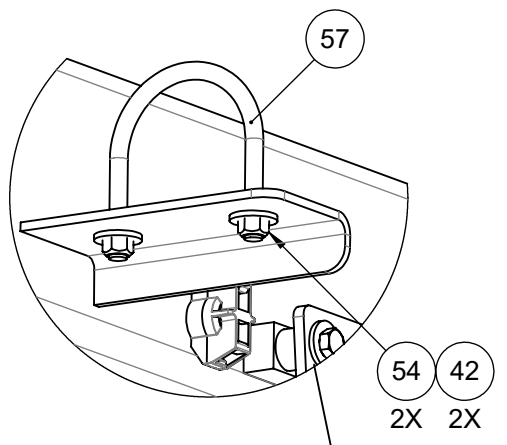
DETAIL C
SCALE 1 : 4

- 4X 8X 4X 4X 4X
- 56 45 38 25 21

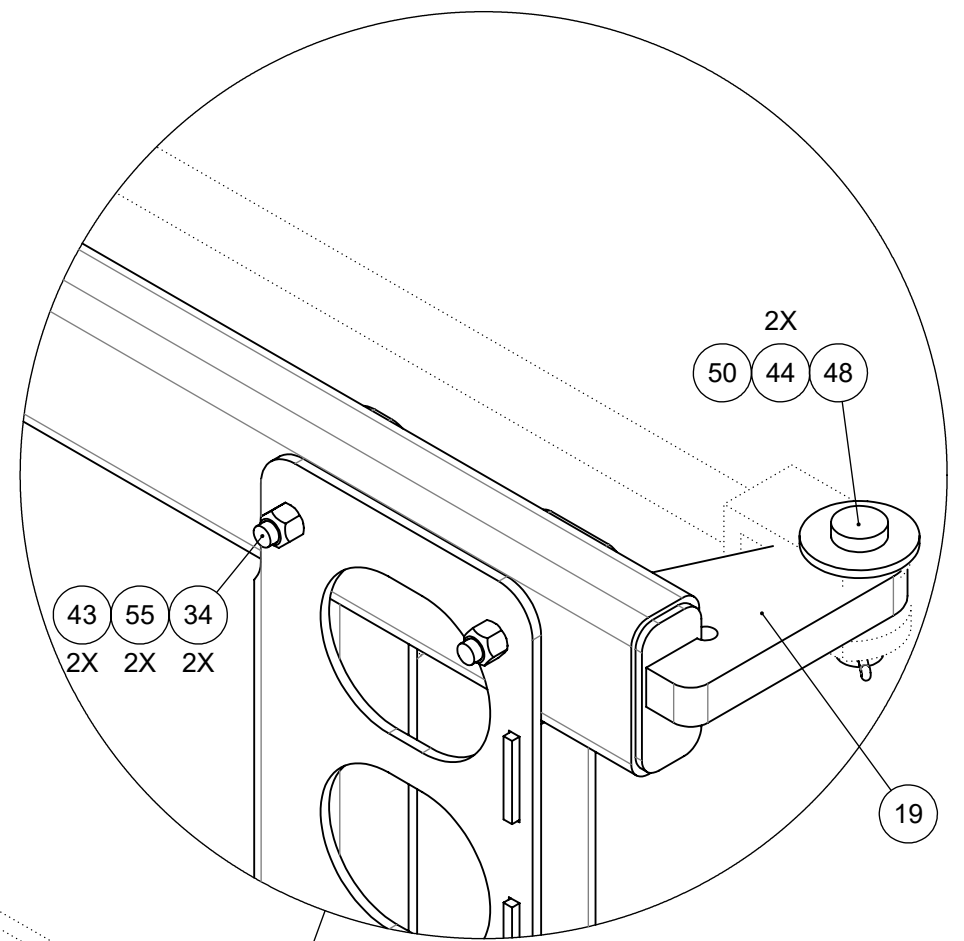


USE HARDWARE
FROM BOOM LIGHT
ASSY TO FASTEN
ITEM 0034615 TO ITEMS
0034925 & 0035128

DETAIL E
SCALE 1 : 8



DETAIL D
SCALE 1 : 4



BOOM EXTENSION CYLINDER & ELBOW ASSEMBLY

Super Products[®]

DWG. NO. **0038349** REV **F**

SIZE B SCALE: 1:16 WEIGHT: 697.94 SHEET 3 OF 5

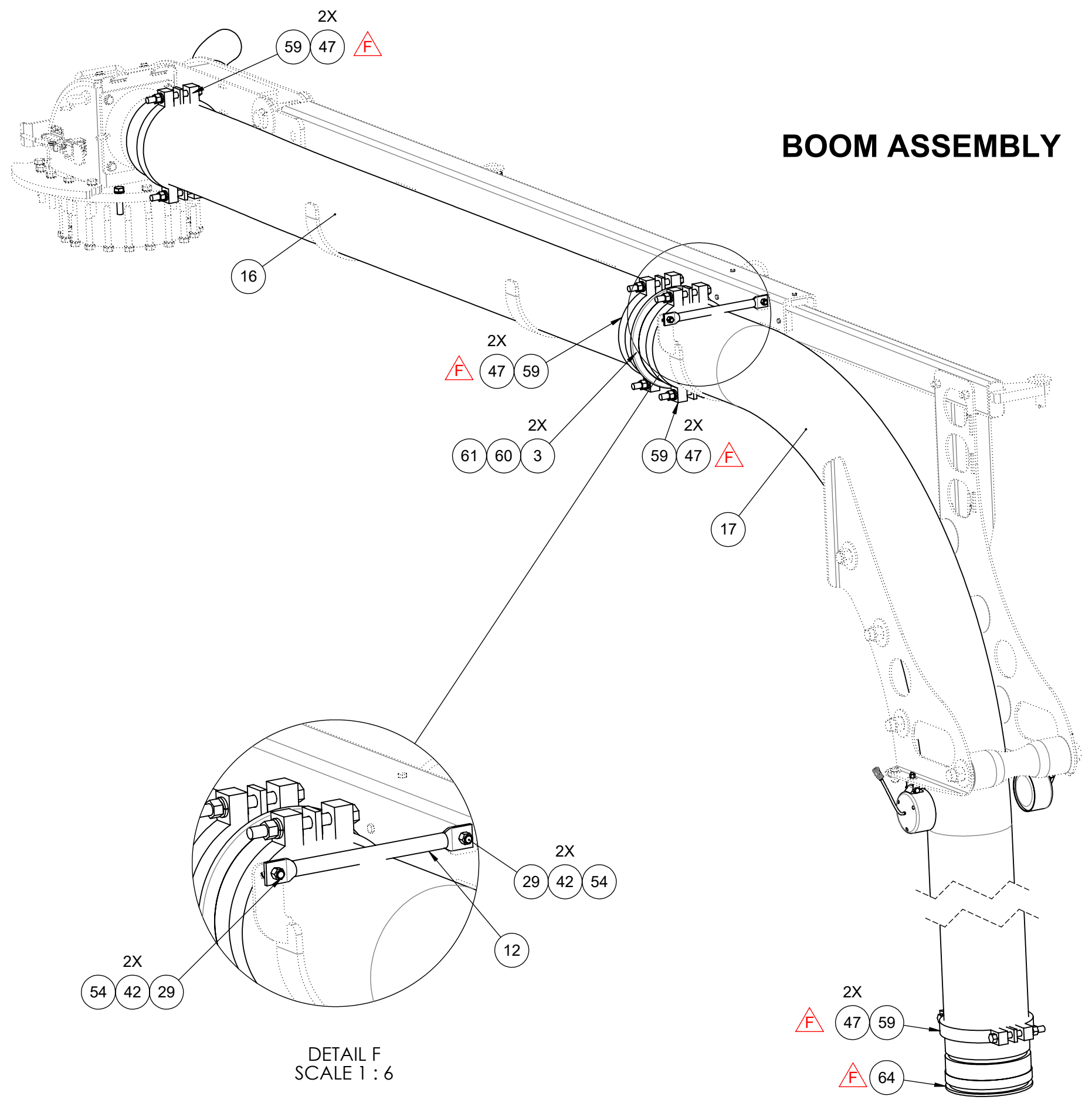
8 7 6 5 4 3 2 1

8 7 6 5 4 3 2 1

D
C
B
A

D
C
B
A

BOOM ASSEMBLY



DETAIL F
SCALE 1 : 6

8 7 6 5 4 3 2 1

Super Products[®]

DWG. NO. **0038349** REV **F**

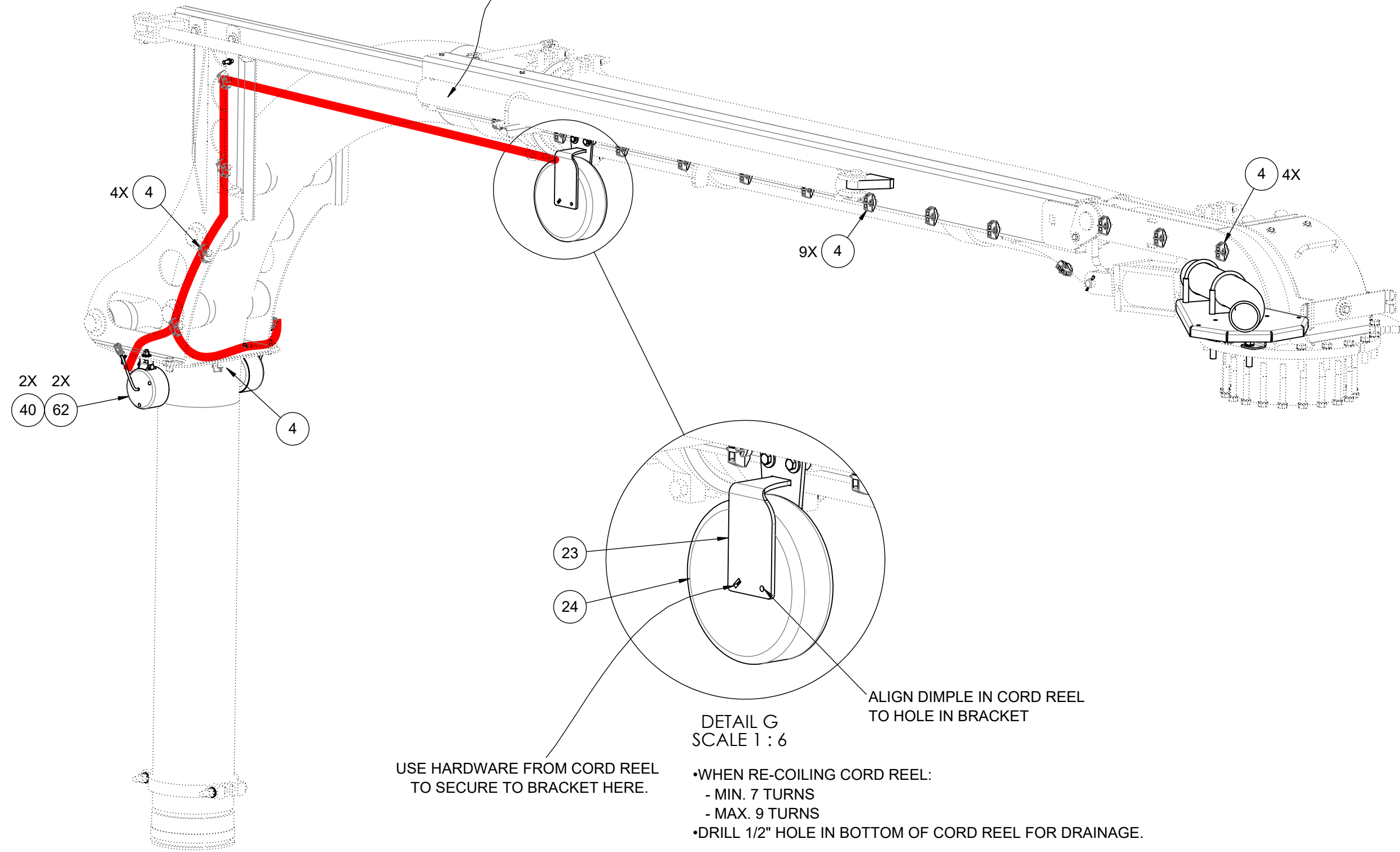
SIZE B	SCALE: 1:12	WEIGHT: 697.94	SHEET 4 OF 5
--------	-------------	----------------	--------------

8 7 6 5 4 3 2 1

D
C
B
A

D
C
B
A

REF: ROUTING FOR BODY HARNESS



USE HARDWARE FROM CORD REEL TO SECURE TO BRACKET HERE.

DETAIL G
SCALE 1 : 6

ALIGN DIMPLE IN CORD REEL TO HOLE IN BRACKET

- WHEN RE-COILING CORD REEL:
 - MIN. 7 TURNS
 - MAX. 9 TURNS
- DRILL 1/2" HOLE IN BOTTOM OF CORD REEL FOR DRAINAGE.

BOOM LIGHTS, PROX., CORD REEL & CABLE TIE LOCATION

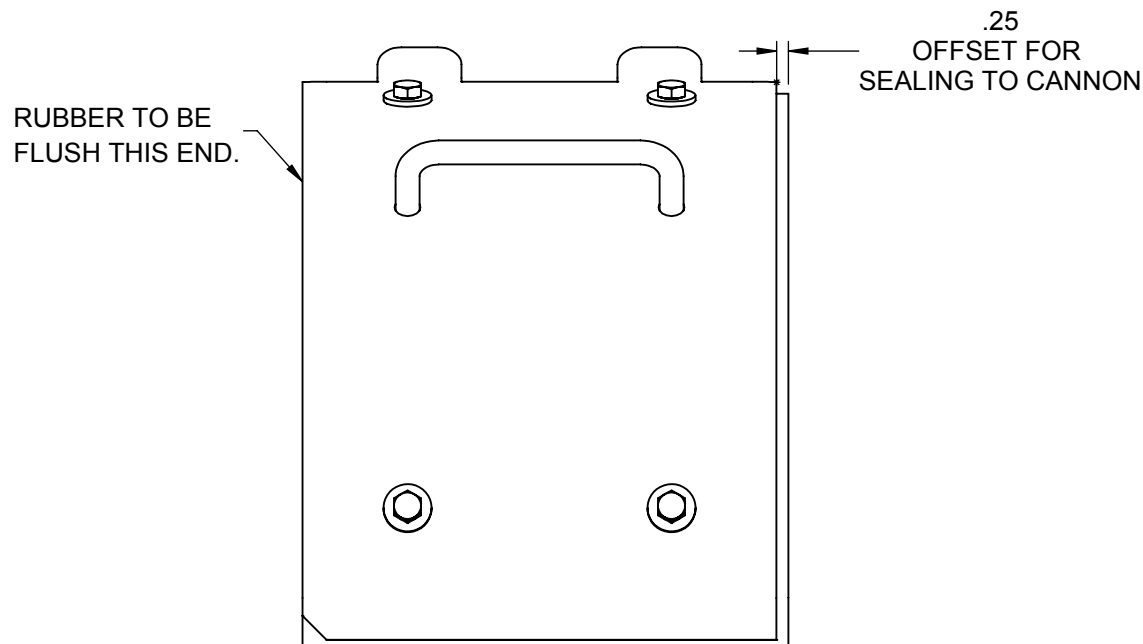
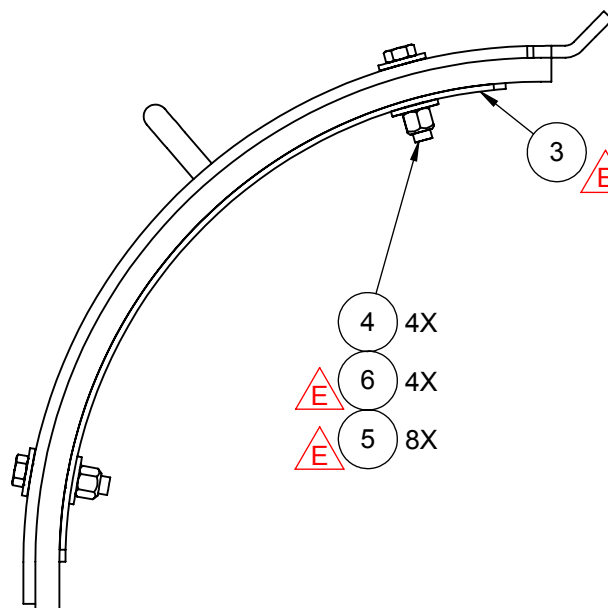
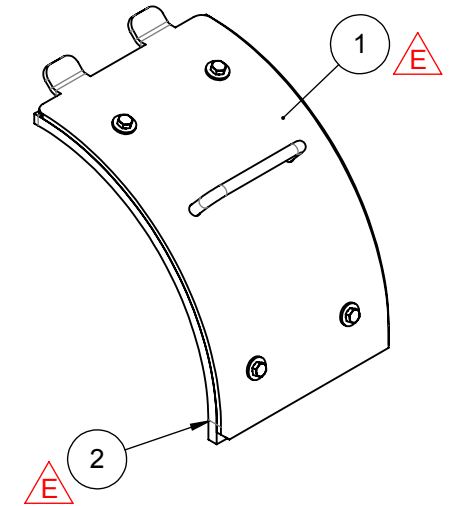
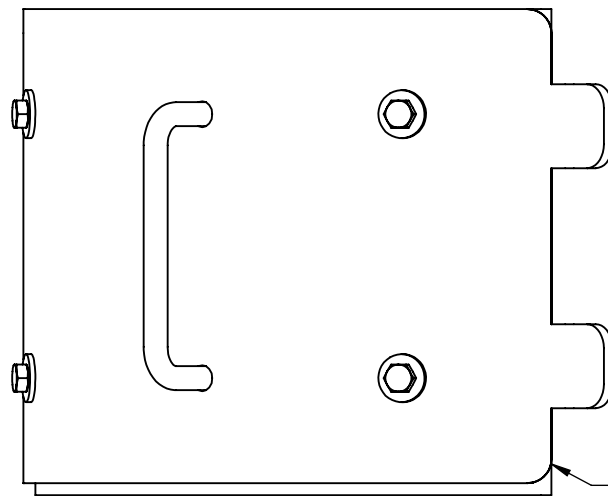
Super Products[®]

DWG. NO.		REV
0038349		F
SIZE B	SCALE: 1:12	WEIGHT: 697.94
		SHEET 5 OF 5

8 7 6 5 4 3 2 1

ITEM NO.	PART NUMBER	DESCRIPTION	QTY.
1	0034018	WLDMT, CANNON LID	1
2	0034022	GASKET, CANNON	1
3	0036849	PLATE, INTERIOR, CANNON COVER	1
4	0052-20175	SCREW, HEX HEAD CAP, 3/8-16 X 1-3/4, GR8	4
5	0082-30003	WASHER, FLAT, USS, 3/8", STEEL, PLT'D, GR8	8
6	0160-42008	NUT, LOCK, CLINCHED, 3/8"-16, GR8, PLT'D-STL	4

REVISIONS				
REV #	ECO #	DESCRIPTION	DATE	APPR
E	18345	ADDED ITEM 0052-20150 QTY. 4; 0082-30003 QTY. 8 WAS 4 & REVISED PARTS 0034018, 0034022 & 0036849.	07/19/2019	A.Messing



RUBBER TO BE FLUSH THIS END

NOTES:

1. THOROUGHLY SCUFF RUBBER WITH A MINIMUM OF 80 GRIT SANDPAPER.
2. ENTIRE SURFACE OF RUBBER MUST BE FULLY COATED WITH HENKEL TEROSON MS 9399 BEFORE ADHERING, INSTALLING OR MATING TO THE UNDERSIDE OF LID.
3. AFTER ADHERING THE RUBBER TO THE UNDERSIDE OF THE LID ENSURE ALL FOUR EDGES ARE ALSO COATED WITH HENKEL TEROSON MS 9399 TO ENSURE FULL SEAL AROUND ALL EDGES.

NAME	DATE		TITLE: ASSY, LID - CANNON COVER		
DRAWN BY	09/04/2018				
ENG APPR.	09/04/2018				
MFG APPR.		DWG. NO. 0034846			
REV E		SIZE B	SCALE: 1:4	WEIGHT: 21.17	SHEET 1 OF 1

PROPRIETARY AND CONFIDENTIAL
 THE INFORMATION CONTAINED IN THIS DRAWING IS THE SOLE PROPERTY OF SUPER PRODUCTS. ANY REPRODUCTION IN PART OR AS A WHOLE WITHOUT THE WRITTEN PERMISSION OF SUPER PRODUCTS IS PROHIBITED.

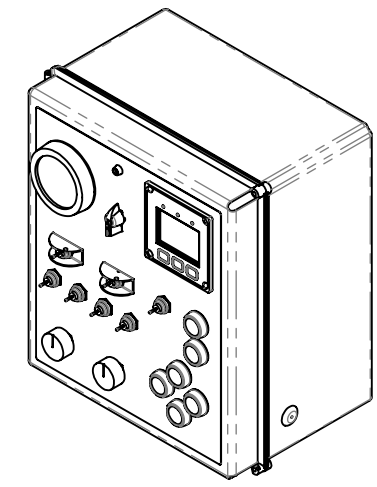
UNLESS OTHERWISE SPECIFIED:
 DIMENSIONS ARE IN INCHES
 TOLERANCES ARE:
 X.X ± 0.100
 X.XX ± 0.060
 X.XXX ± 0.030
 ANGULAR: MACH ± 1° BEND ± 2°
 INTERPRET GEOMETRIC TOLERANCING PER: ASME Y14.5


ITEM NO.	PART NUMBER	DESCRIPTION	QTY.
1	0080-00013	NUT,HEX,#4-40,STEEL,PLT'D	4
2	0080-00015	NUT,HEX,#8-32,STEEL,PLT'D	4
3	0080-00016	NUT,HEX,#10-24,STEEL,PLT'D	2
4	0080-20001	NUT,HEX,1/4"-20,NC,GR5	2
5	0082-00001	WASHER,FLAT,USS,1/4",STEEL,PLT'D	2
6	0082-00003	WASHER,FLAT,USS,3/8",STEEL,PLT'D	2
7	0082-00019	WASHER,FLAT,USS,#4,STEEL,PLT'D	4
8	0082-00021	WASHER,FLAT,USS,#8,STEEL,PLT'D	18
9	0082-00022	WASHER,FLAT,USS,#10,STEEL,PLT'D	2
10	0083-00001	WASHER,SPLIT LOCK,1/4",STEEL,PLT'D,GR5	2
11	0083-00013	WASHER,SPLIT LOCK,#4,STEEL,PLT'D	4
12	0083-00015	WASHER,SPLIT LOCK,#8,STL PLT'D,GR5	22
13	0083-00016	WASHER,SPLIT LOCK,#10,STEEL,PLT'D,GR5	2
14	0156-00007	SCREW, MCH #4-40 X 1/2 PLTD	4
15	0156-00034	SCREW MCH #08-32X 0.50 PLTD	16
16	0156-00035	SCREW MCH #8-32 X 0.63 PLTD	2
17	0156-00049	SCREW,ROUND HEAD,#10-24 X .75	2
18	0156-00061	SCREW, MCH 1/4-20 x 3/4, PLT'D	2
19	0156-10038	SCREW MCH #8-32 X 1.00 SS	4
20	0328-00007	CLAMP,CABLE CUSHIONED 1.00	2
21	3050-01178	DECAL, CONTROL PANEL MUD DOG	1
22	3050-01182	FUSE BLOCK ID, MD 2010	1
23	3050-01183	LABEL, CONTROL CAN BUS -MD2010	1
24	3100-01375	SUB-PANEL, MUD DOG CONTROL PANEL	1
25	3100-01432	ENCLOSURE,MD CONTROL PNL.-CAN	1
26	3841-00000	TUBE,NYLON AIR BRAKE .25	1
27	5371-00020	CIRCUIT BREAKER, TYPE 2, 20A	3
28	5500-00479	SEAL,TOGGLE SWITCH	7
29	5500-01270	SWITCH, SEALED TOGGLE	6
30	5500-01271	SWITCH, SEALED TOGGLE, SPDT	1
31	5500-01417	FUSE BLOCK (14 FUSES)	1
32	5500-01430	RELAY, 12VDC COIL, SPDT	2
33	5500-01457	SWITCH, 4 POSITION ROTARY	1
34	5500-01472	KNOB, ROTARY SWITCH	1
35	5500-01496	GUARD,TOGGLE SWITCH	2
36	5500-01498	RELAY, SPST 75A 12V COIL	1
37	5500-01611	BLOCK, TERMINAL 2 POLE-4X2	1
38	5500-02022	BRIDGE, PENDANT, CAN BUS	1
39	5500-02032	SOCKET, CONNECTOR (4-POLE O.B.)	1
40	5500-02058	SWITCH, PUSH ARROW	6
41	5500-02070	POTENTIOMETER, 5K, 240 DEG	2
42	5500-02071	SEAL, ROTARY SWITCH	2
43	5500-02072	KNOB, POTENTIOMETER	2
44	5500-03050	MODULE, CAN BUS I/O CONTROL	1
45	5500-03052	DISPLAY, DIGITAL CAN BUS	1

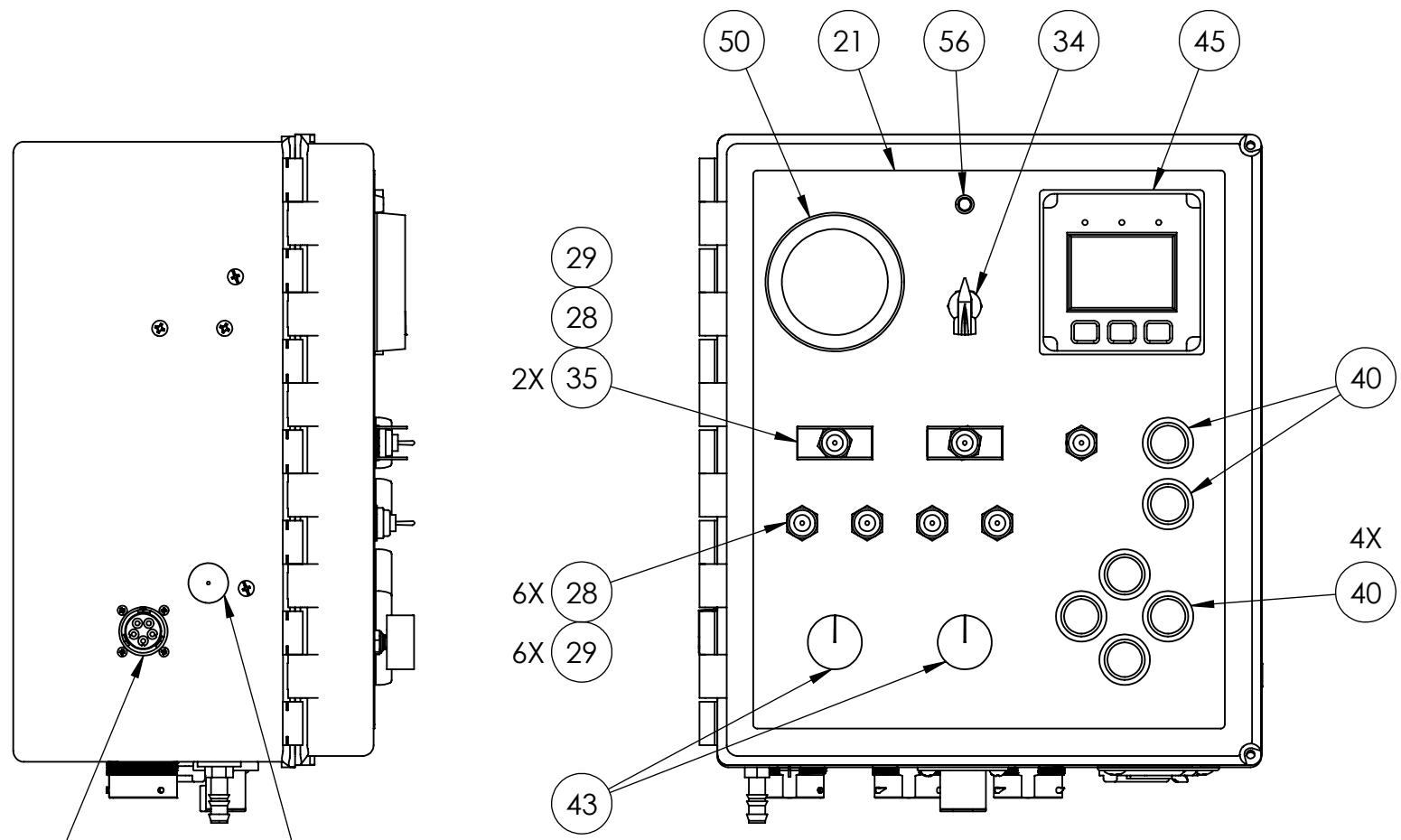
REVISIONS				
REV #	ECO #	DESCRIPTION	DATE	APPR
C	19017	0029799 (QTY 2 WAS 1).	08/16/2021	S. Iding

ITEM NO.	PART NUMBER	DESCRIPTION	QTY.
46	5500-03218	NUT,HEX,7/16"-14,STEEL,PLT'D	1
47	5731-00010	CIRCUIT BREAKER, TYPE 2, 10A	5
48	5731-00015	CIRCUIT BREAKER, TYPE 2, 15A	1
49	5731-00025	CIRCUIT BREAKER, TYPE 2, 25A	1
50	6000-00524	GAUGE, VACUUM	1
51	6010-00001	NIPPLE, HOSE MALE 1/8 NPT X 1/4	1
52	6018-00001	CONNECTOR, .25 TUBE X .13 FPT	1
53	6018-00003	CONNECTOR, .25 TUBE X .25 FPT	1
54	6026-00001	ELBOW, 90 DEG. STREET ADAPT. .25	1
55	8510-02883	Bracket, STAND OFF	1
56	9000-00907	LIGHT, INDICATOR LED ASS'Y (RED)	1
57	0025529	HARNESS, HEATER PWR, MD, ENCLOSURE	1
58	0029799	HOLE PLUG, LIQUID TIGHT, .50", IP67/68	2
59	0033277	HARNESS, ENCLOSURE, CONTROL, MD2018	1

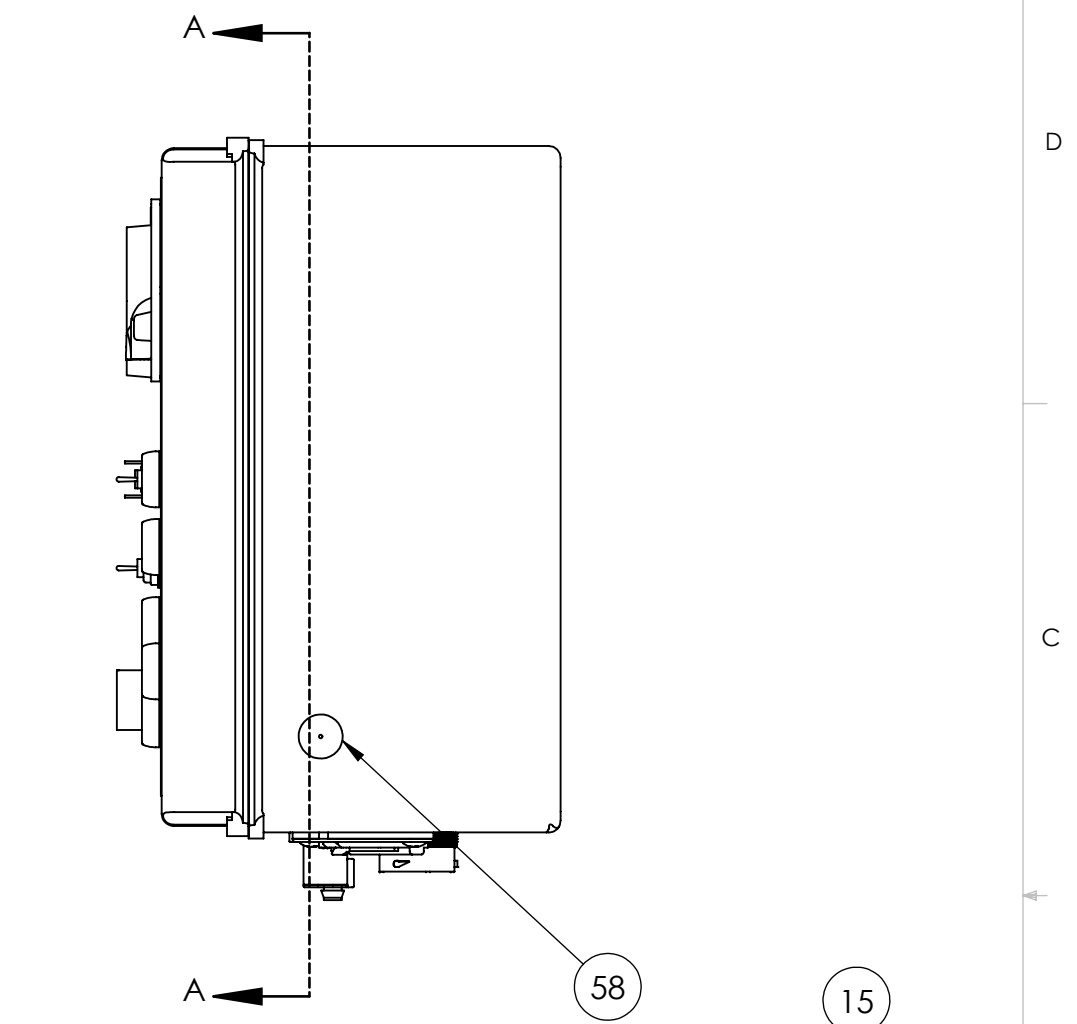
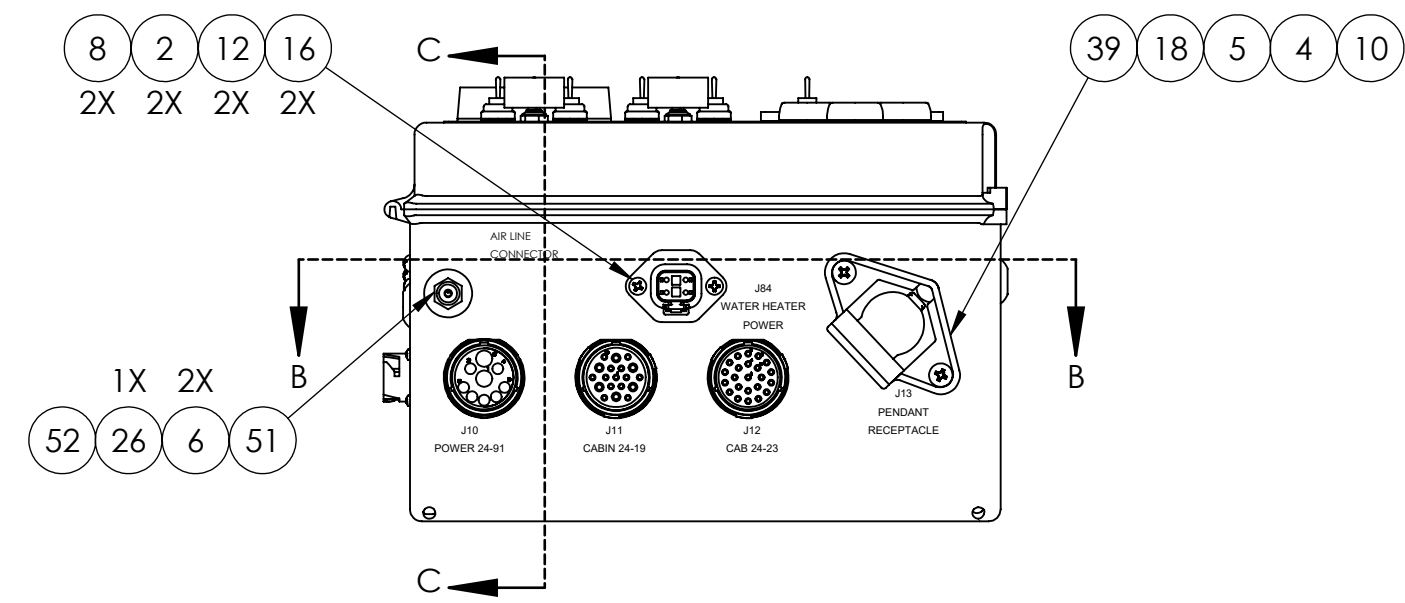
NOT SHOWN 



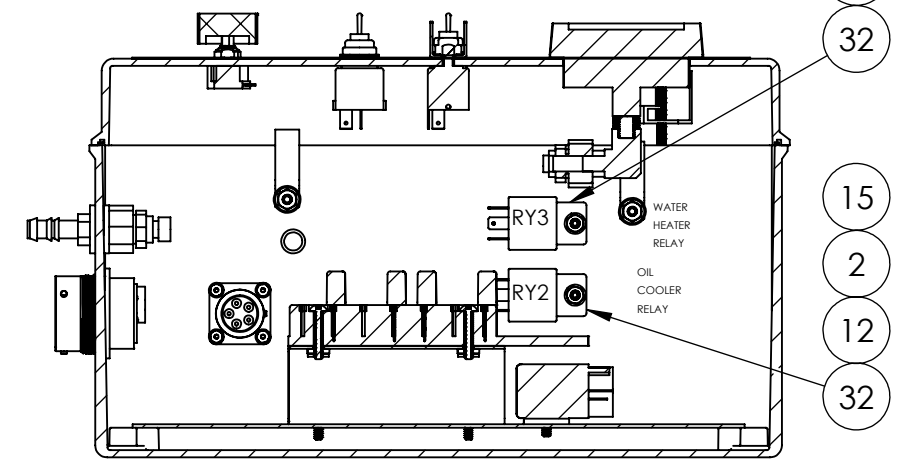
DRAWN BY		D. King	DATE	7/22/2021
ENG APPR.		REDRAW	DATE	07/22/2021
MFG APPR.				
MATERIAL:		UNLESS OTHERWISE SPECIFIED: DIMENSIONS ARE IN INCHES TOLERANCES ARE: X.X ± 0.100 X.XX ± 0.060 X.XXX ± 0.030 ANGULAR: MACH ± 1° BEND ± 2° INTERPRET GEOMETRIC TOLERANCING PER: ASME Y14.5		
PROPRIETARY AND CONFIDENTIAL <small>THE INFORMATION CONTAINED IN THIS DRAWING IS THE SOLE PROPERTY OF SUPER PRODUCTS. ANY REPRODUCTION IN PART OR AS A WHOLE WITHOUT THE WRITTEN PERMISSION OF SUPER PRODUCTS IS PROHIBITED.</small>				REV C
TITLE:		CONTROL PANEL, MD CAN		
DWG. NO.		0037819		SIZE B
SCALE: 1:8		WEIGHT: 12.15		SHEET 1 OF 3



- 25
- 14 4X
- 1 4X
- 11 4X
- 7 4X



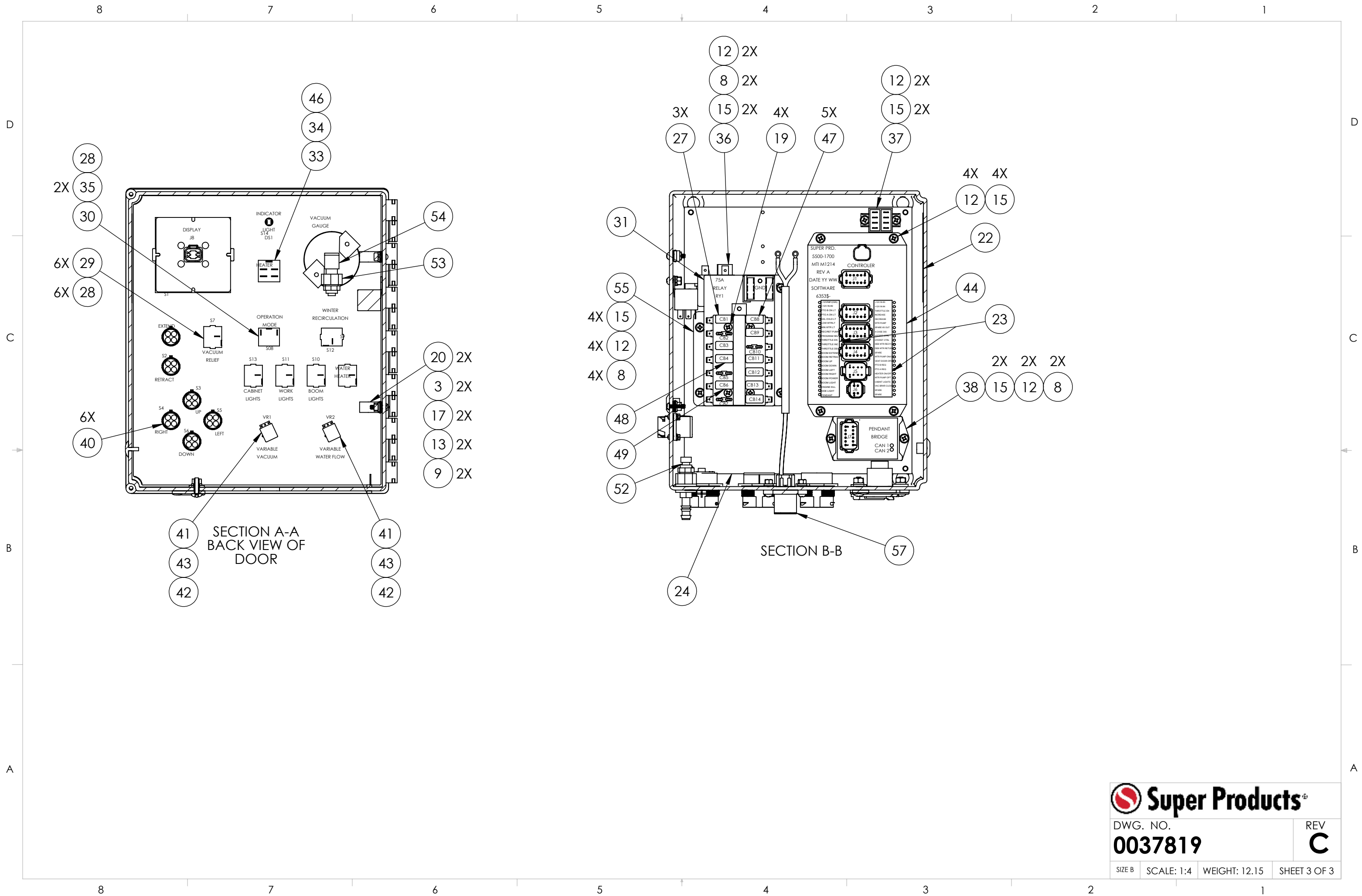
- 15
- 12
- 2
- 32
- 15
- 2
- 12
- 32



Super Products[®]

DWG. NO. **0037819** REV **C**

SIZE B	SCALE: 1:4	WEIGHT: 12.15	SHEET 2 OF 3
--------	------------	---------------	--------------



ITEM NO.	PART NUMBER	DESCRIPTION	QTY.
1	0003934	SENSOR, PROX, NO M12	5
2	0024710	TIE CABLE EDGE CLIP	1
3	0030928	PENDANT,WIRED,MD,2-BUT EJECT	1
4	0033144	HARNESS, CAB, MD	1
5	0038513	ASSY,CONTROL CABINET,7YD	1
6	0038679	SWITCH, E-STOP	1
7	0039840	HARNESS, BODY, MUD DOG	1
8	0039842	HARNESS, POWER	1
9	0039843	HARNESS, CABINET	1
10	0040011	LABEL, EMERGENCY STOP SWITCH	1
11	0040429	ASSY,TD3100 RADIO,MD	1
12	0040452	HARNESS, WIRING BOOM/BODY VALVE	1
13	0040535	HARNESS, SPLIT SHAFT TACH & PROX, BODY UP SENSOR	1
14	0041087	HARNESS, CAB, MD700	1
15	0041091	ENCLOSURE,E-STOP,22.5 MM,PLASTIC	1
16	0041093	BRKT,E-STOP MOUNT	1
17	0041096	HARNESS, FRONT STROBE, MD700	1
18	0041105	HARNESS, HYD COOLER & VAC RELIEF	1
19	0041108	HARNESS, WIRED PENDANT EXT.	1
20	0041109	HARNESS, WATER PUMP CABINET	1
21	0041119	BRKT, POWER DISTRIBUTION	1
22	0041280	CABLE,M12,5-POLE,0° FEMALE - 0° MALE,7M DEVICENET,SHIELDED	1
23	0041282	HARNESS,WIRELESS RECIEVER,7YD	1
24	0051-00100	SCREW HEX HD 5/16-18 X 1.00 GR5	4
25	0082-00002	WASHER,FLAT,USS,5/16",STEEL,PLT'D	4
26	0082-00021	WASHER,FLAT,USS,#8,STEEL,PLT'D	4
27	0156-00036	SCREW MCH #8-32 X 0.75 PLTD	4
28	0160-01004	NUT,LOCK,CLINCHED,#8-32,GR2,PLT'D-STL	4
29	0160-32007	NUT,LOCK,CLINCHED,5/16"-18,GR5,PLT'D-STL	4
30	5500-00008	CORD GRIP .50 X .25 -.38	1
31	5500-00087	NUT,CONDUIT .50	1
32	5500-03030	MODULE, CAN BUS I/U, HYDRAULIC CTRL	1
33	5500-03078	POWER DISTRIBUTION MODULE	1
34	5500-03079	JUNCTION BLOCK GND (BLK)	1
35	5535-00001	RING,SEALING .50	1

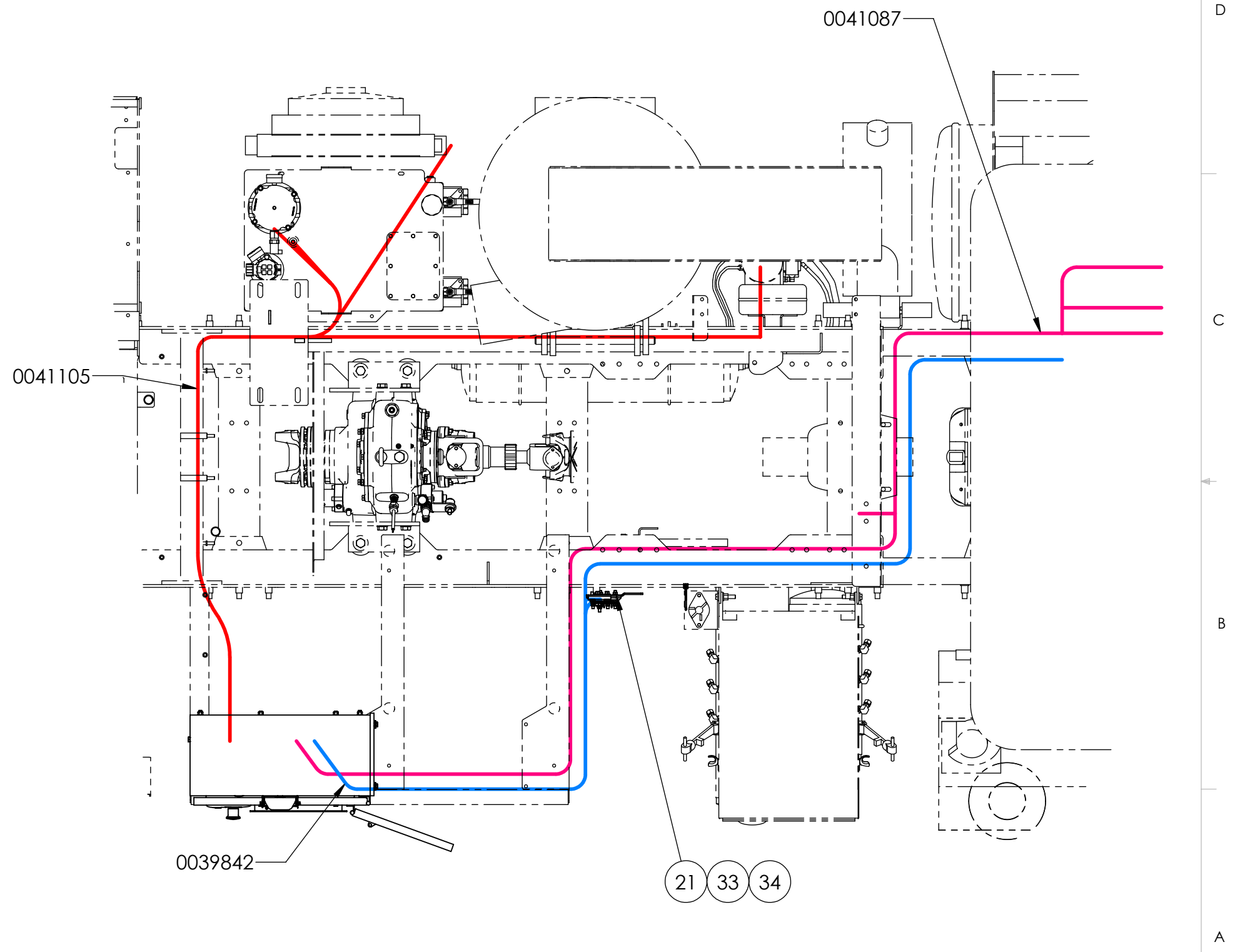
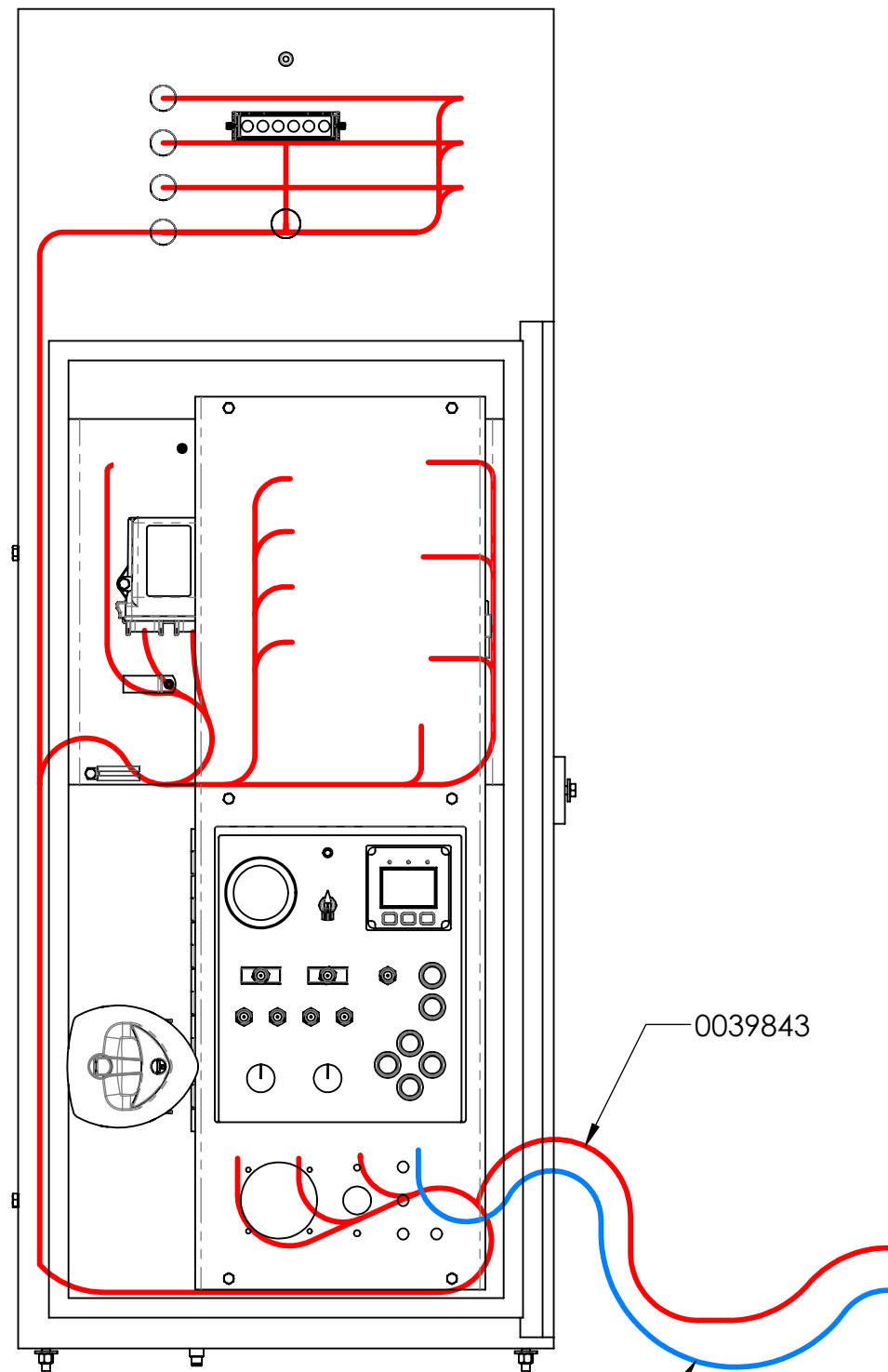
NOT SHOWN
NOT SHOWN

REVISIONS				
REV #	ECO #	DESCRIPTION	DATE	APPR
A		INITIAL RELEASE		

	NAME	DATE	
DRAWN BY	D. King	11/16/2020	
ENG APPR.	S. Iding	01/28/2022	
MFG APPR.			TITLE: ASSY,CONTROLS
MATERIAL: []			DWG. NO. 0041092
UNLESS OTHERWISE SPECIFIED: DIMENSIONS ARE IN INCHES TOLERANCES ARE: X.X ± 0.100 X.XX ± 0.060 X.XXX ± 0.030 ANGULAR: MACH± 1° BEND ± 2° INTERPRET GEOMETRIC TOLERANCING PER: ASME Y14.5			REV A
PROPRIETARY AND CONFIDENTIAL THE INFORMATION CONTAINED IN THIS DRAWING IS THE SOLE PROPERTY OF SUPER PRODUCTS. ANY REPRODUCTION IN PART OR AS A WHOLE WITHOUT THE WRITTEN PERMISSION OF SUPER PRODUCTS IS PROHIBITED.			SIZE B SCALE: 1:36 WEIGHT: 140.14 SHEET 1 OF 5

8 7 6 5 4 3 2 1

D
C
B
A

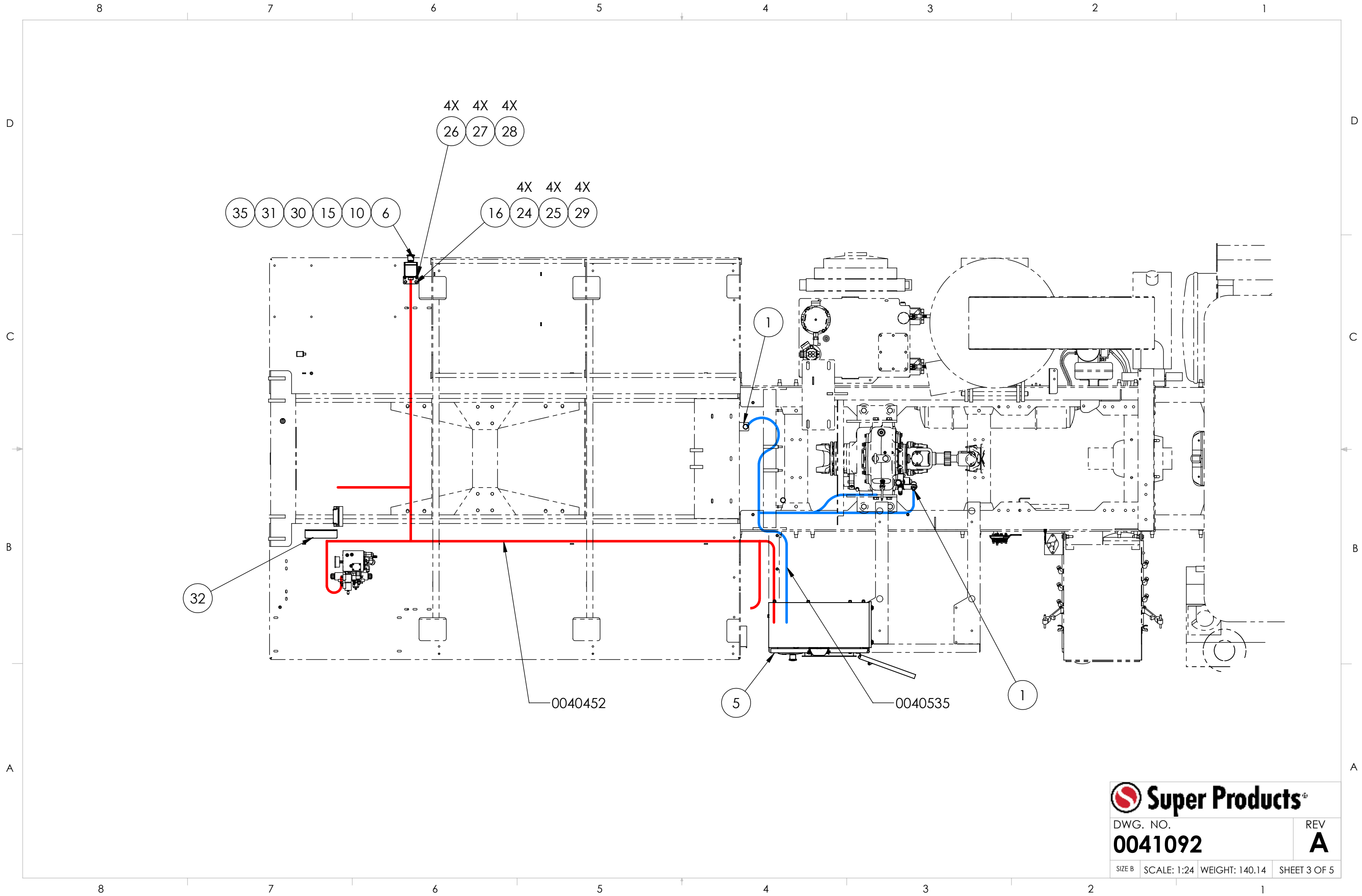


8 7 6 5 4 3 2 1

Super Products[®]

DWG. NO. **0041092** REV **A**

SIZE B	SCALE: 1:8	WEIGHT: 140.14	SHEET 2 OF 5
--------	------------	----------------	--------------



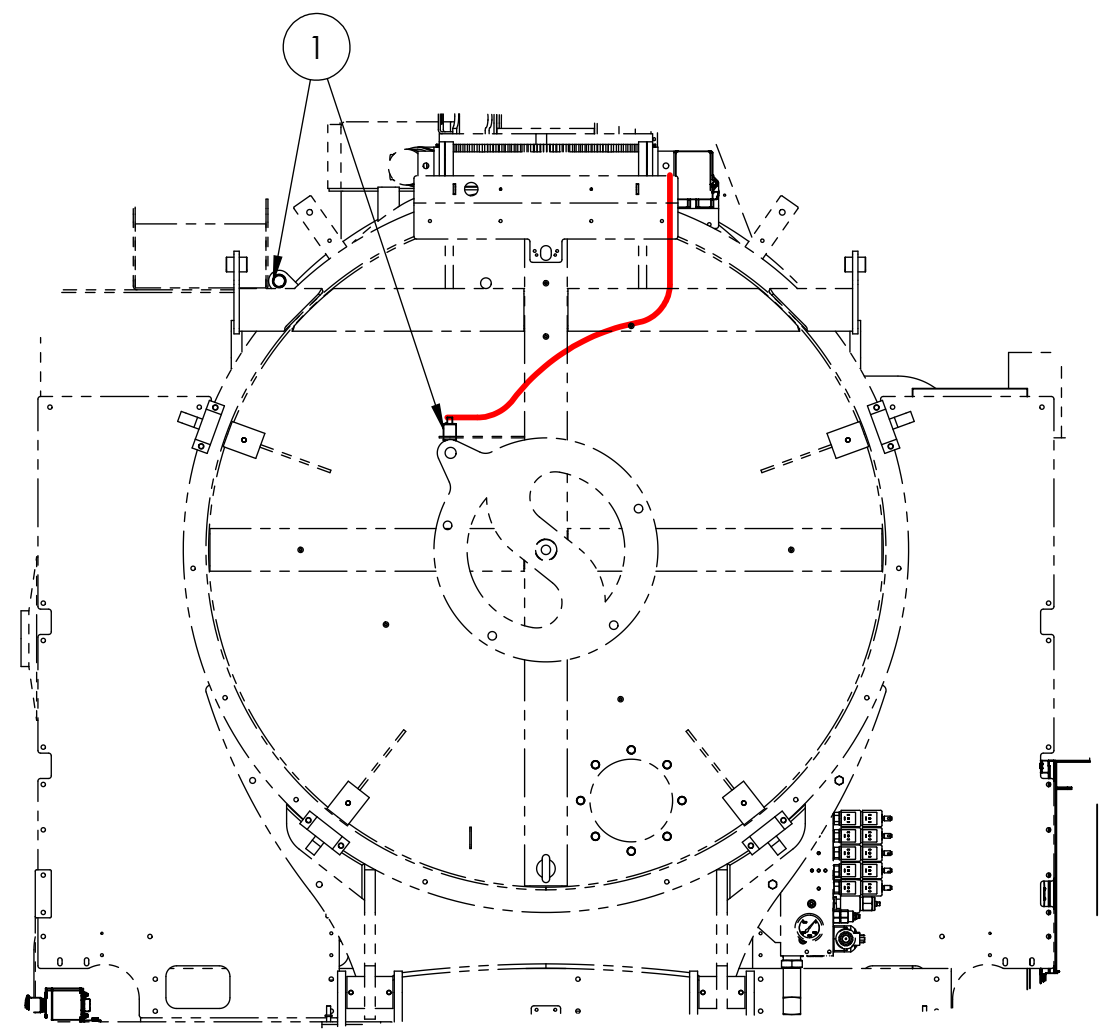
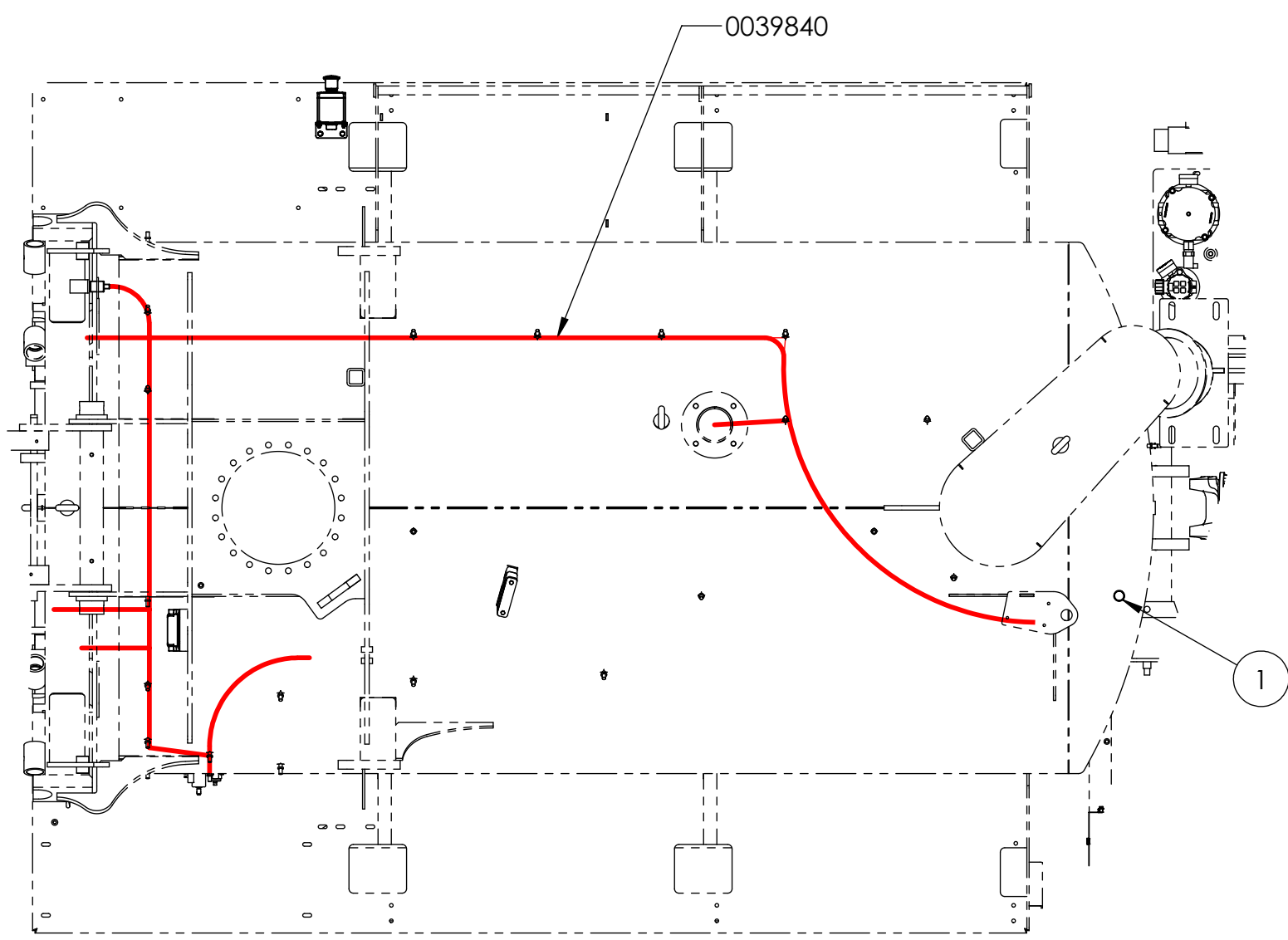
Super Products[®]

DWG. NO.		REV
0041092		A
SIZE B	SCALE: 1:24	WEIGHT: 140.14
		SHEET 3 OF 5

8 7 6 5 4 3 2 1

D
C
B
A

D
C
B
A

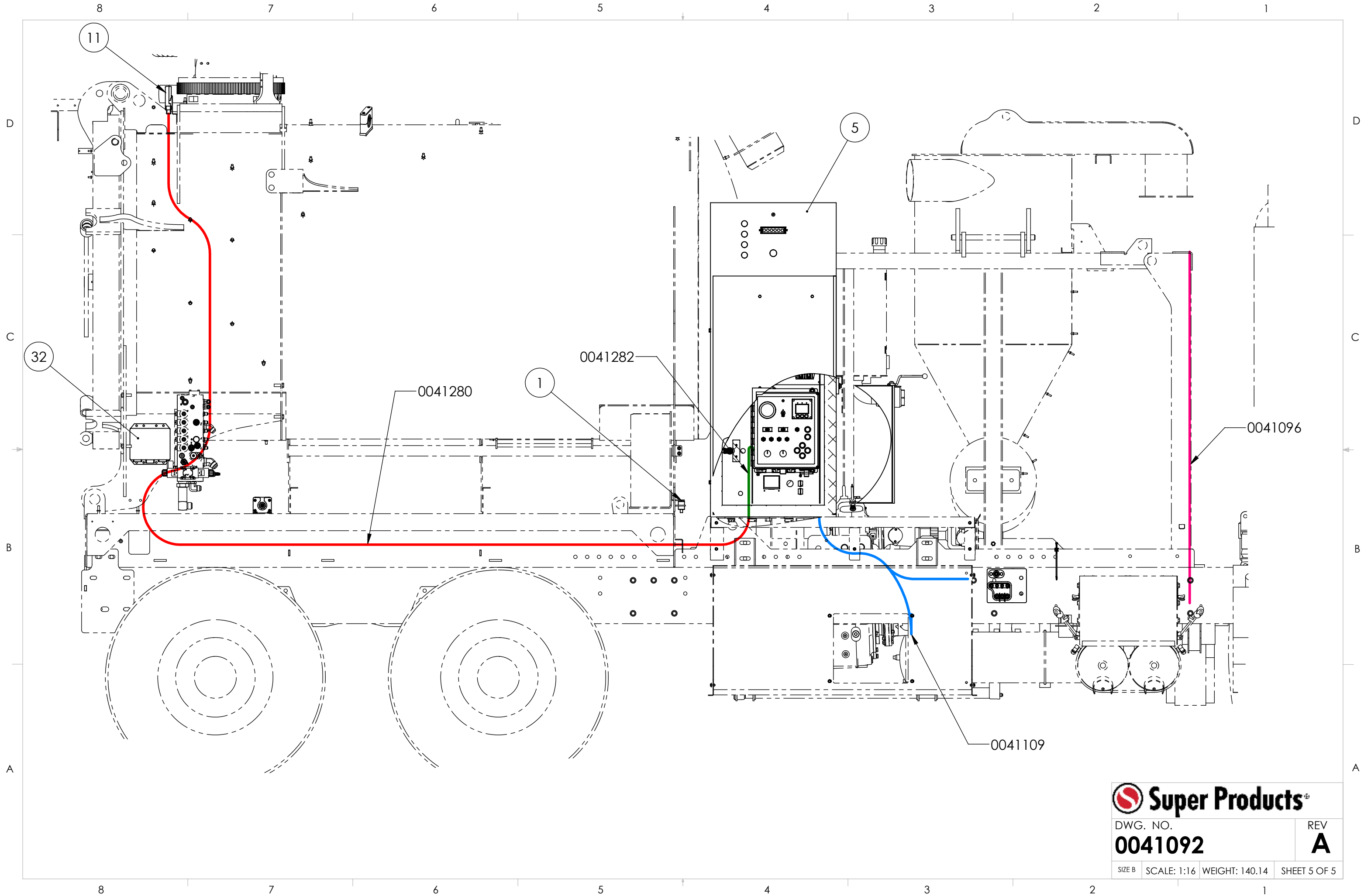


Super Products[®]

DWG. NO. **0041092** REV **A**

SIZE B SCALE: 1:18 WEIGHT: 140.14 SHEET 4 OF 5

8 7 6 5 4 3 2 1



Super Products[®]

DWG. NO.

0041092

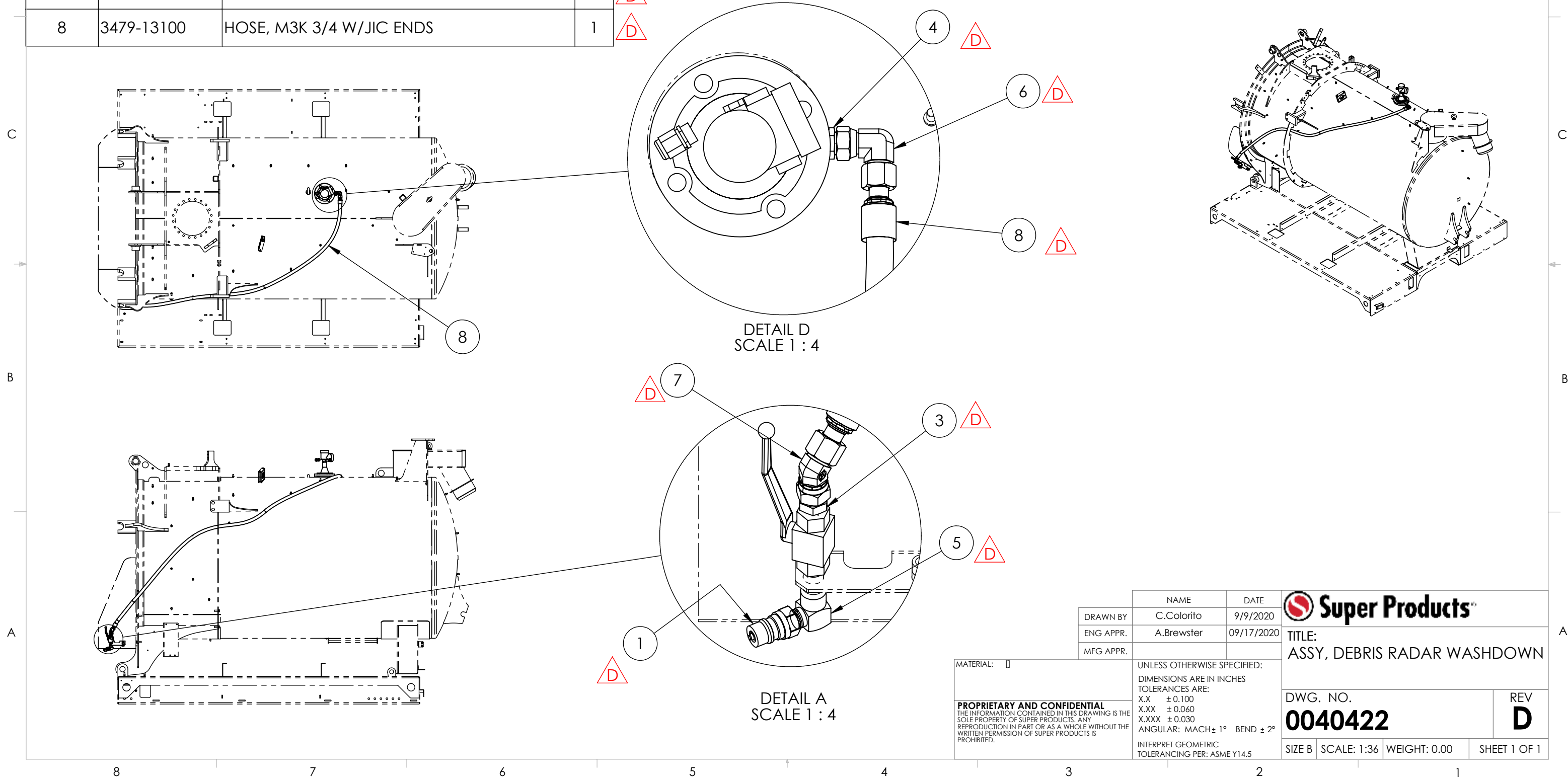
REV

A

SIZE B SCALE: 1:16 WEIGHT: 140.14 SHEET 5 OF 5

ITEM NO.	PART NUMBER	DESCRIPTION	QTY.
1	6000-00685	COUPLER, MALE 0.50 NPT QD	1
2	6000-01150	VALVE, BALL 0.50" 3000 PSI	1
3	6009-00017	ADAP. 12JIC(M) X 8NPT(M)	1
4	6009-00021	ADAPTER,STR. .75 NPT(M) X JIC(M)	1
5	6025-00003	ELBOW, 90°STREET ADAPTER 1/2	1
6	6132-01212	ADAPTER, 90, MJIC X F SWIVEL	1
7	6133-01212	ADAPTER, ELBOW, 45, 12 MJ X 12 FJS	1
8	3479-13100	HOSE, M3K 3/4 W/JIC ENDS	1

REVISIONS				
REV #	ECO #	DESCRIPTION	DATE	APPR
D	99999	ITEMS REMOVED : 0040418, 0052-00125, 0082-00003, 0160-32007, 3624-1750, 6001-00011, 6001-00013, 6003-00014, ADDED ITEMS : 6009-00017, 6009-00021, 6025-00003, 6132-01212, 6133-01212, 3479-13100	07/27/2021	C.Colorito



DETAIL D
SCALE 1 : 4

DETAIL A
SCALE 1 : 4

	NAME	DATE
DRAWN BY	C.Colorito	9/9/2020
ENG APPR.	A.Brewster	09/17/2020
MFG APPR.		

MATERIAL: []

PROPRIETARY AND CONFIDENTIAL
THE INFORMATION CONTAINED IN THIS DRAWING IS THE SOLE PROPERTY OF SUPER PRODUCTS. ANY REPRODUCTION IN PART OR AS A WHOLE WITHOUT THE WRITTEN PERMISSION OF SUPER PRODUCTS IS PROHIBITED.

UNLESS OTHERWISE SPECIFIED:
DIMENSIONS ARE IN INCHES
TOLERANCES ARE:
X.X ± 0.100
X.XX ± 0.060
X.XXX ± 0.030
ANGULAR: MACH ± 1° BEND ± 2°
INTERPRET GEOMETRIC TOLERANCING PER: ASME Y14.5

Super Products
TITLE:
ASSY, DEBRIS RADAR WASHDOWN


DWG. NO. **0040422** REV **D**

SIZE B SCALE: 1:36 WEIGHT: 0.00 SHEET 1 OF 1

ITEM NO.	PART NUMBER	DESCRIPTION	QTY.	LENGHT
1	0041944	DECAL, KIT, DRIVER SIDE	1	
2	0041949	DECAL, KIT, REAR	1	
3	0041951	DECAL, KIT, PASSENGER SIDE	1	
4	0041956	DECAL, KIT, HEATER CABINET	1	
5	0041960	DECAL, KIT, CONTROL CABINET	1	
6	0041963	DECAL, KIT, WATER CABINET	1	
7	0041965	DECAL, INTERIOR, KIT	1	
8	3050-00196	LABEL-YELLOW (FINAL VEH.CERT.)	1	
9	3544-00000	CONSPICUITY DIAMOND GRADE SHEETING	1	58"

△ B
△ B
△ B
△ B
△ B
△ B

REVISIONS				
REV #	ECO #	DESCRIPTION	DATE	APPR
B	999999	UPDATED ITEMS 0041944, 0041949, 0041951, 0041956, 0041960, AND 0041963. ADDED SHEETS 2-7 WITH DECAL PLACEMENT PICTURES.	10/21/2021	C.Colorito

DRAWN BY		NAME	DATE	
ENG APPR.		M. Riley	6/24/2021	
MFG APPR.		C.Colorito	06/29/2021	
TITLE:				REV B
ASSY, DECAL KIT, 7YD				
DWG. NO.			SHEET 1 OF 7	
0040907			SCALE: 1:1	WEIGHT: 9.05

PROPRIETARY AND CONFIDENTIAL
 THE INFORMATION CONTAINED IN THIS DRAWING IS THE SOLE PROPERTY OF SUPER PRODUCTS. ANY REPRODUCTION IN PART OR AS A WHOLE WITHOUT THE WRITTEN PERMISSION OF SUPER PRODUCTS IS PROHIBITED.

UNLESS OTHERWISE SPECIFIED:
 DIMENSIONS ARE IN INCHES
 TOLERANCES ARE:
 X.X ± 0.100
 X.XX ± 0.060
 X.XXX ± 0.030
 ANGULAR: MACH ± 1° BEND ± 2°
 INTERPRET GEOMETRIC TOLERANCING PER: ASME Y14.5

D

C

B

A

D

C

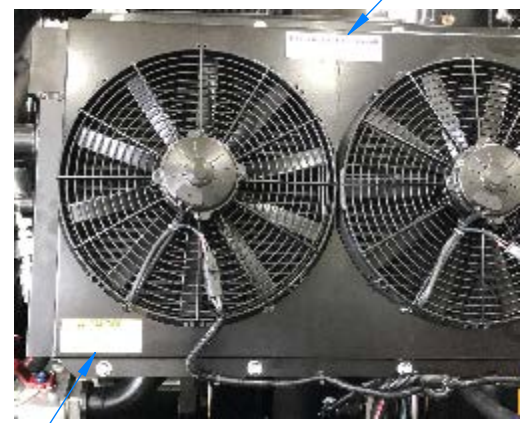
B

A

8 7 6 5 4 3 2 1

D

D



HYD, RESERVOIR
3050-00051

CLEAN FILTER
0040636

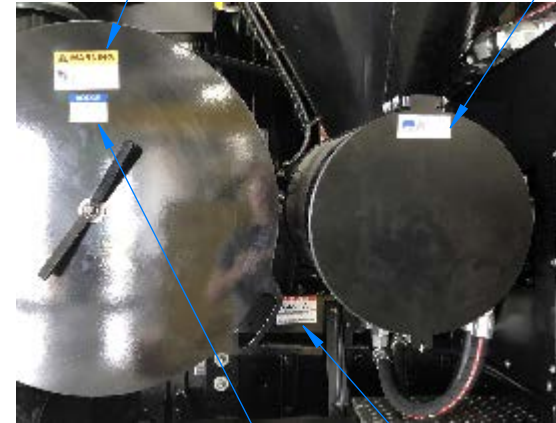
MADE IN U.S.A.
3050-00433

ROTATING SHAFTS
3050-01179

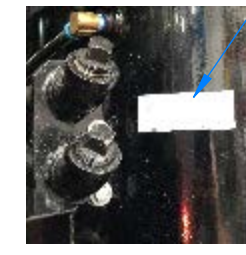
BLOWER FILL
0041968



BODY SUPPORT
0007448



ROTATING SHAFTS
3050-01179



SUCTION LINES
3050-01286

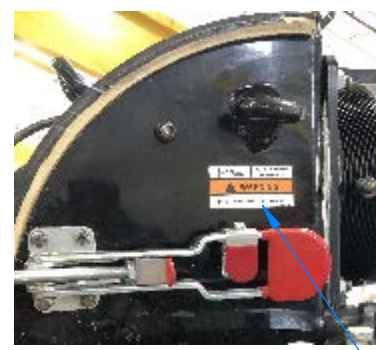
SERIOUS INJURY
3050-00479

C

C



SAFETY LANYARD
3050-01222



SAFETY LANYARD
3050-01222



SAFETY LANYARD
3050-01222
BOTH SIDES

B

B



TAILGATE SUPPORT
0003403

A

A

VIEW OF DRIVER SIDE
KIT P/N 0041944

8 7 6 5 4 3 2 1

Super Products[®]

DWG. NO. 0040907		REV B	
SIZE B	SCALE: 1:1	WEIGHT: 9.05	SHEET 2 OF 7

8 7 6 5 4 3 2 1

D

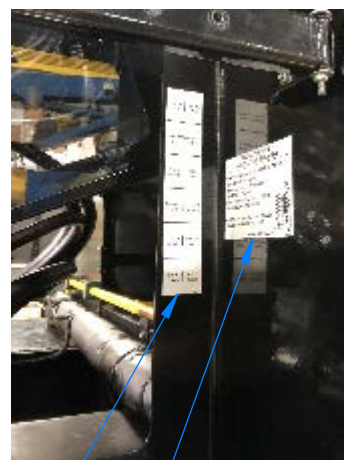
D



ROTATING SHAFT
3050-01179



ROTATING SHAFT
3050-01179



BOOM/BODY
0040971

BOOM/BODY
MANUAL OVERRIDE
3050-01218



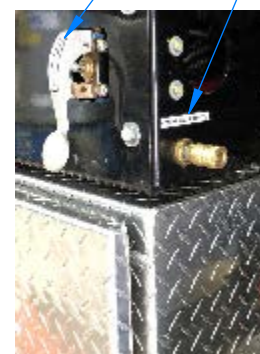
TAILGATE SUPPORT
0003403

BODY FLUSH
3050-00581

RADAR FLUSH
OPTION
0029212

C

C

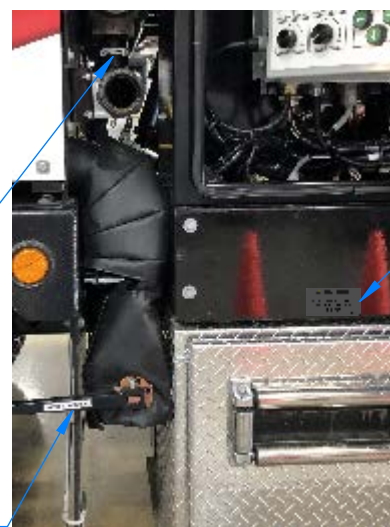


REEL RETRACT
3050-00780

COMPRESSED AIR
3050-00772

B

B



TANK FILL
3050-00579

TANK DRAIN
3050-00580

STORE HOSE
0042003

A

A

VIEW OF PASSENGER SIDE
KIT P/N 0041951



DWG. NO. 0040907		REV B	
SIZE B	SCALE: 1:1	WEIGHT: 9.05	SHEET 3 OF 7

8 7 6 5 4 3 2 1

WATER GLYCOL
0041908

WINTER RECIRCULATION
0041906

WARNING 3000PSI
0041911

WATER AIR PURGE
0041914

WARNING, HIGH PREEURE
0007437



DRAIN HERE
0041959



CAUTION FREEZING
3050-00576

WARNING
DO NOT SUBSTITUTE
3050-00575

FREEZE PREVENTION
0040913

VIEW OF WATER CABINET
KIT P/N 0041963

Super Products[®]

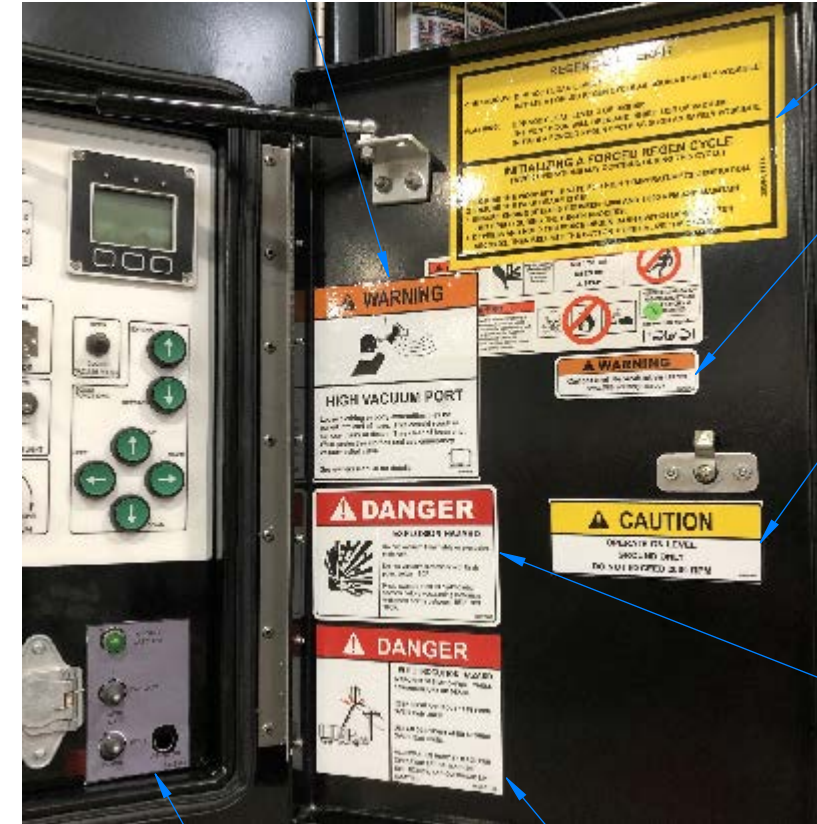
DWG. NO. 0040907		REV B	
SIZE B	SCALE: 1:1	WEIGHT: 9.05	SHEET 4 OF 7



SERVICE CHART
0040961

**VIEW OF INSIDE DOOR,
WATER HEATER
KIT P/N 0041956**

WARNING STAY CLEAR
3050-00116



CONTROL PANEL
0042496

DANGER
ELECTROCUTION HAZARD
3050-01190

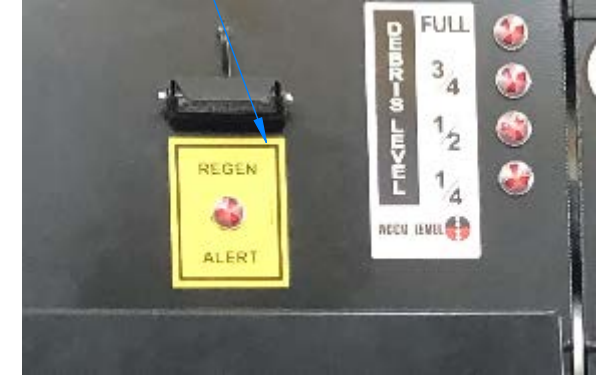
REGEN ALERT
0041924

REGEN ALERT
0041926

WARNING, CANCER
D960

CAUTION
OPERATE ON LEVEL
GROUND
0042586

DANGER
HYDROCARBON WASTE
0026568



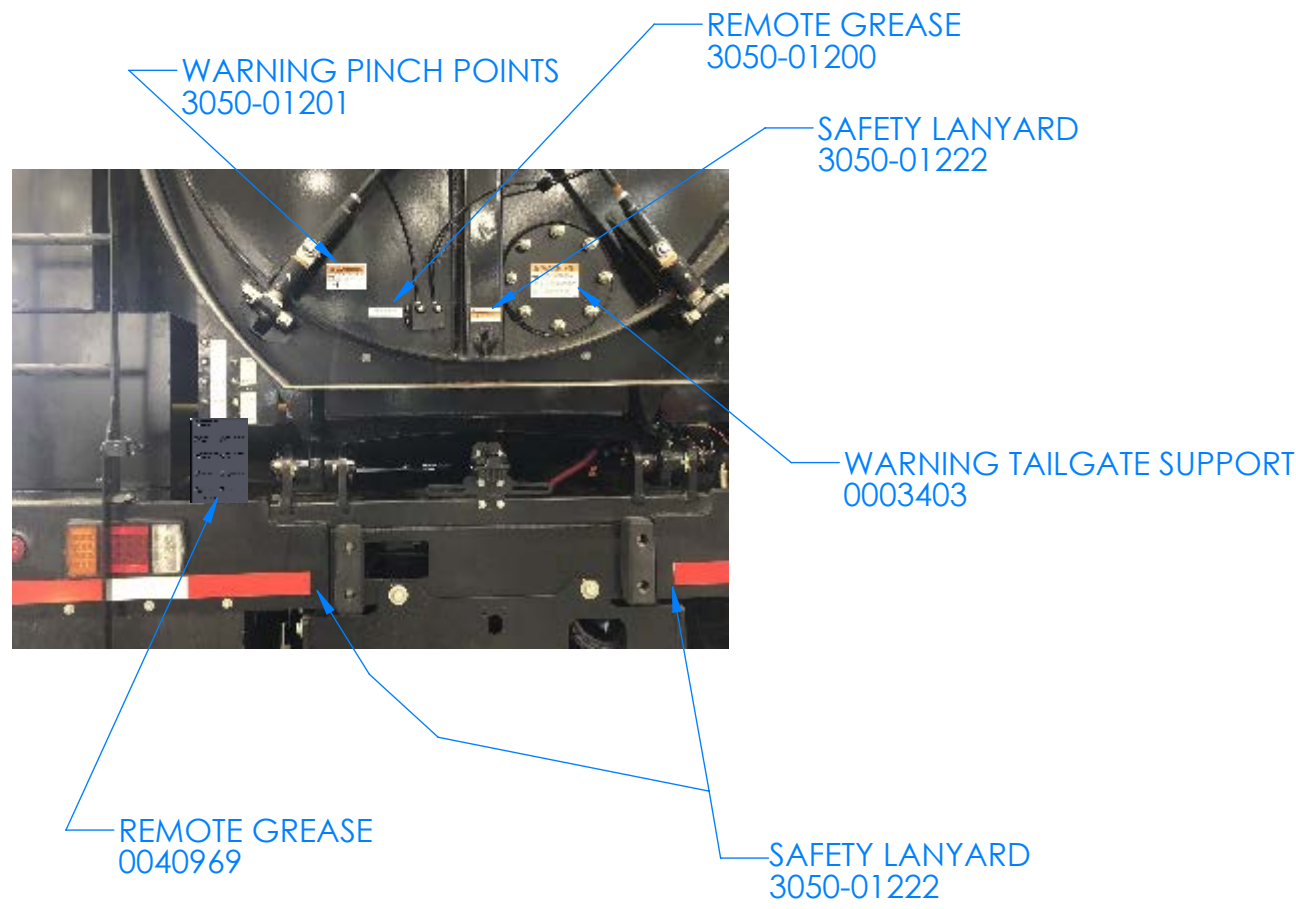
**VIEWS OF CONTROL CABINET
KIT P/N 0041960**

D
C
B
A

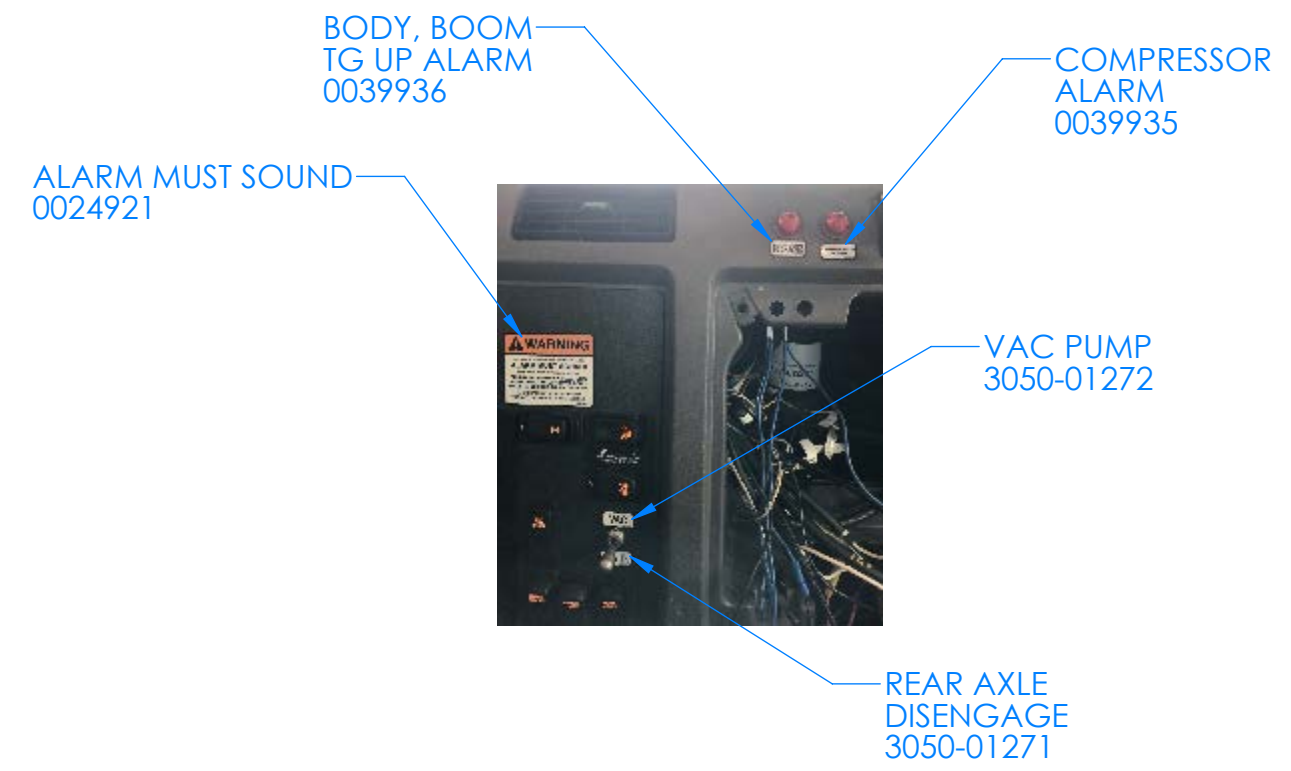
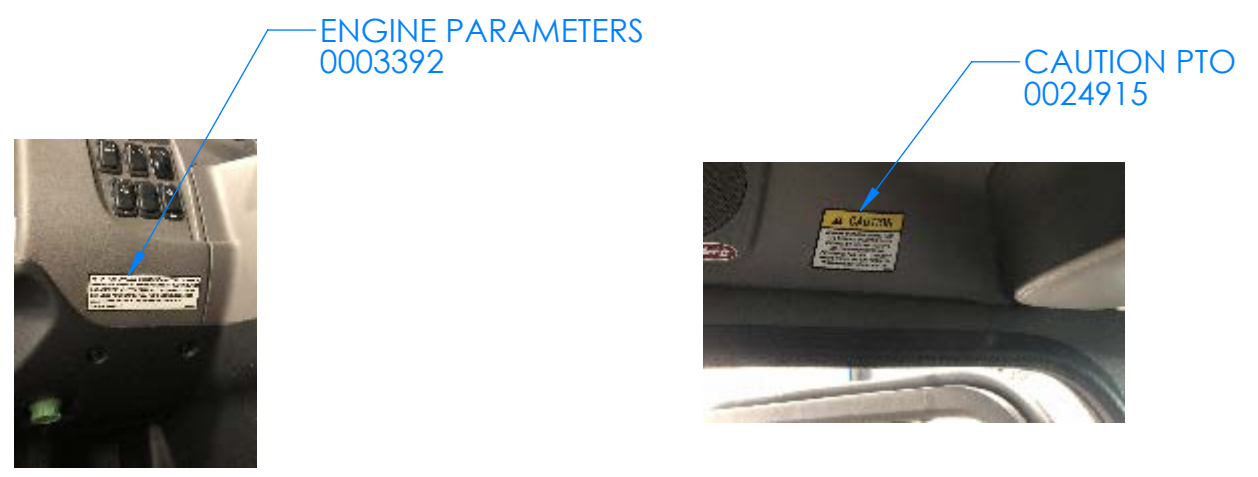
D
C
B
A

Super Products[®]

DWG. NO. 0040907		REV B	
SIZE B	SCALE: 1:1	WEIGHT: 9.05	SHEET 5 OF 7



VIEWS OF REAR
KIT P/N 0041949



VIEWS OF INTERIOR
KIT P/N 0041965

Super Products[®]

DWG. NO. 0040907		REV B	
SIZE B	SCALE: 1:1	WEIGHT: 9.05	SHEET 6 OF 7

8 7 6 5 4 3 2 1

D

LOGO SUPER PRODUCTS
WHITE LETTERING 0037230
BLACK LETTERING 0037231



LOGO SUPER PRODUCTS
WHITE LETTERING 0037445
BLACK LETTERING 0037446



D

C

CONSPICUITY TAPE
3544-00000

LOGO SUPER PRODUCTS
WHITE LETTERING 0037445
BLACK LETTERING 0037446



C

B

FINAL (VEH. CERT.)
3050-00196



ANNUAL VEHICLE INSPECTION
0035464



B

A

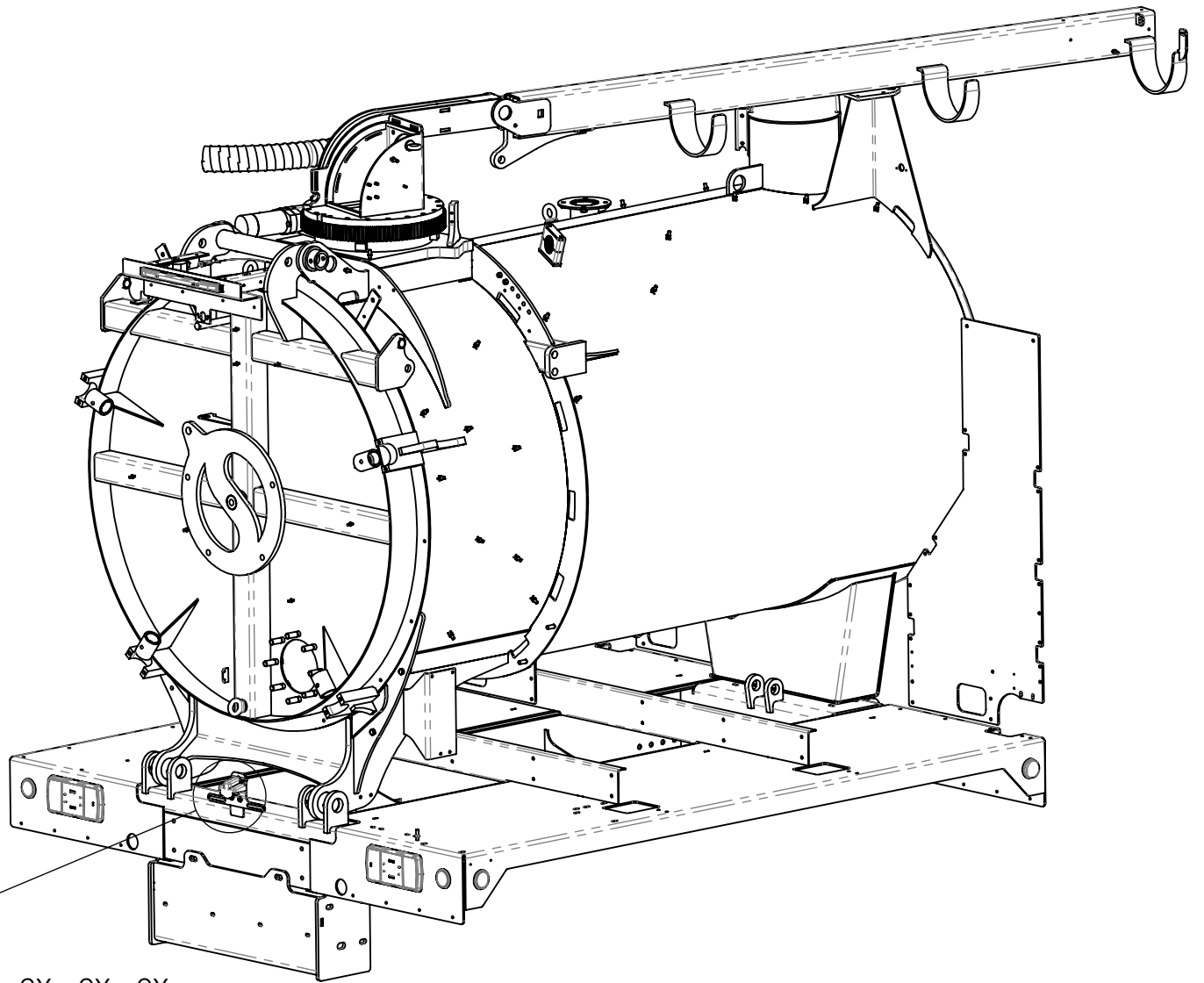
Super Products[®]

DWG. NO. 0040907		REV B	
SIZE B	SCALE: 1:1	WEIGHT: 9.05	SHEET 7 OF 7

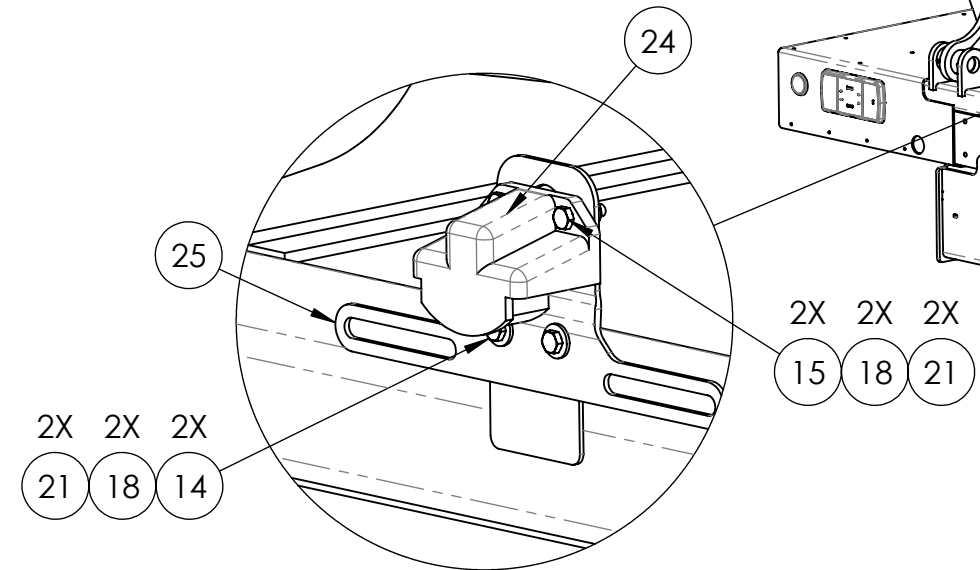
8 7 6 5 4 3 2 1

ITEM NO.	PART NUMBER	DESCRIPTION	QTY.
1	0005352	LIGHT, CLEARANCE/MARKER, PC RATED, LED, RED	4
2	0006413	MODULE, TAIL LIGHT W/ AMBER TURN	2
3	0007499	DISTRIBUTION BLOCK, 8 POSITION	1
4	0008344	STRAP, DOT LIGHT	2
5	0008347	HARNESS, TAIL LIGHT, LEFT	1
6	0008348	HARNESS, TAIL LIGHT, RIGHT	1
7	0008570	HARNESS, LICENS PLATE, DOT LIGHTING	1
8	0008725	NUT,LOCK,NYLON INSERT,M6-1.0	4
9	0020020	PLATE, MTG, UTILITY	1
10	0030836	HARNESS, CLEARANCE LIGHT, MID SHIP, MD	2
11	0030866	HARNESS, ID BAR & BACK UP ALARM, MD	1
12	0030867	ASSY, ALARM BACK-UP,107dB, MD	1
13	0041106	HARNESS, MARKER LIGHT SPLITTER	2
14	0050-00075	SCREW,HEX HEAD CAP,1/4-20 X 3/4,GR5	2
15	0050-00100	SCREW, CAP 0.25-20 X 1.00 HX GR5	6
16	0052-00100	SCREW,HEX HEAD CAP,3/8-16 X 1,HX GR 5	2
17	0078-00001	WASHER,FLAT,SAE,1/4",STEEL,PLT'D	2
18	0082-00001	WASHER,FLAT,USS,1/4",STEEL,PLT'D	6
19	0156-00054	SCREW MCH #10-24 X 1.50 PLTD	2
20	0160-32005	NUT,LOCK,CLINCHED,#10-24,GR5,PLT'D-STL	2
21	0160-32006	NUT,LOCK,CLINCHED,1/4"-20,GR5,PLT'D-STL	8
22	0160-32008	NUT,LOCK,CLINCHED,3/8"-16,GR5,PLT'D-STL	2
23	5500-01265	CLOSED BACK GROMMET #10702	6
24	5500-01881	LICENSE LIGHT KIT - LED	1
25	5500-01882	BRKT, LICENSE PLATE	1
26	5500-03139	SIDE LIGHT- AMBER	2
27	9000-00958	ASSY, ID LED LIGHT - DS	1

REVISIONS				
REV #	ECO #	DESCRIPTION	DATE	APPR
E	19208	REMOVED ITEM 0032889 -(HARNESS, DOT LIGHTING INTERFACE,PETE, MD). ADDED NOTE.	02/02/2022	S. Iding



(ELECTRICAL HARNESSES NOT SHOW)



DETAIL A
SCALE 1 : 4

NOTE:
-CHASSIS INTERFACE HARNESS ON TOP LEVEL TRUCK BOM.

	NAME	DATE
DRAWN BY	D. King	12/7/2020
ENG APPR.	D. King	01/04/2021
MFG APPR.		

MATERIAL: []
PROPRIETARY AND CONFIDENTIAL
THE INFORMATION CONTAINED IN THIS DRAWING IS THE SOLE PROPERTY OF SUPER PRODUCTS. ANY REPRODUCTION IN PART OR AS A WHOLE WITHOUT THE WRITTEN PERMISSION OF SUPER PRODUCTS IS PROHIBITED.

UNLESS OTHERWISE SPECIFIED:
DIMENSIONS ARE IN INCHES
TOLERANCES ARE:
X.X ± 0.100
X.XX ± 0.060
X.XXX ± 0.030
ANGULAR: MACH ± 1° BEND ± 2°
INTERPRET GEOMETRIC TOLERANCING PER: ASME Y14.5

Super Products™

TITLE:
ASSY, DOT LIGHTING

DWG. NO. **0040684** REV **E**

SIZE B SCALE: 1:24 WEIGHT: 1.5563.07 SHEET 1 OF 2

8 7 6 5 4 3 2 1

2X 2X 2X
21 17 15 12

2X 2X
20 19 27

DETAIL B
SCALE 1 : 4

2X 2X
16 22

2X 8
4
2

2X
2 4 8

23 1

23 1

9 SCALE 1 : 16
15 18 3 21
6X 6X 1X 8X

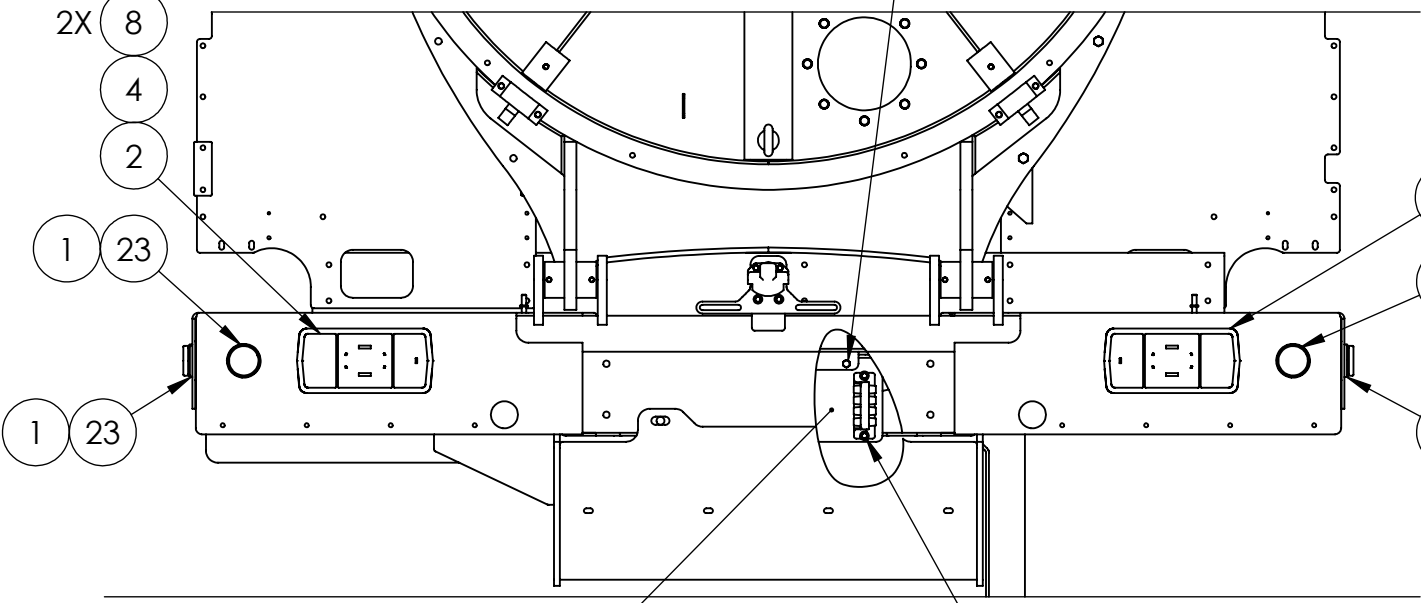
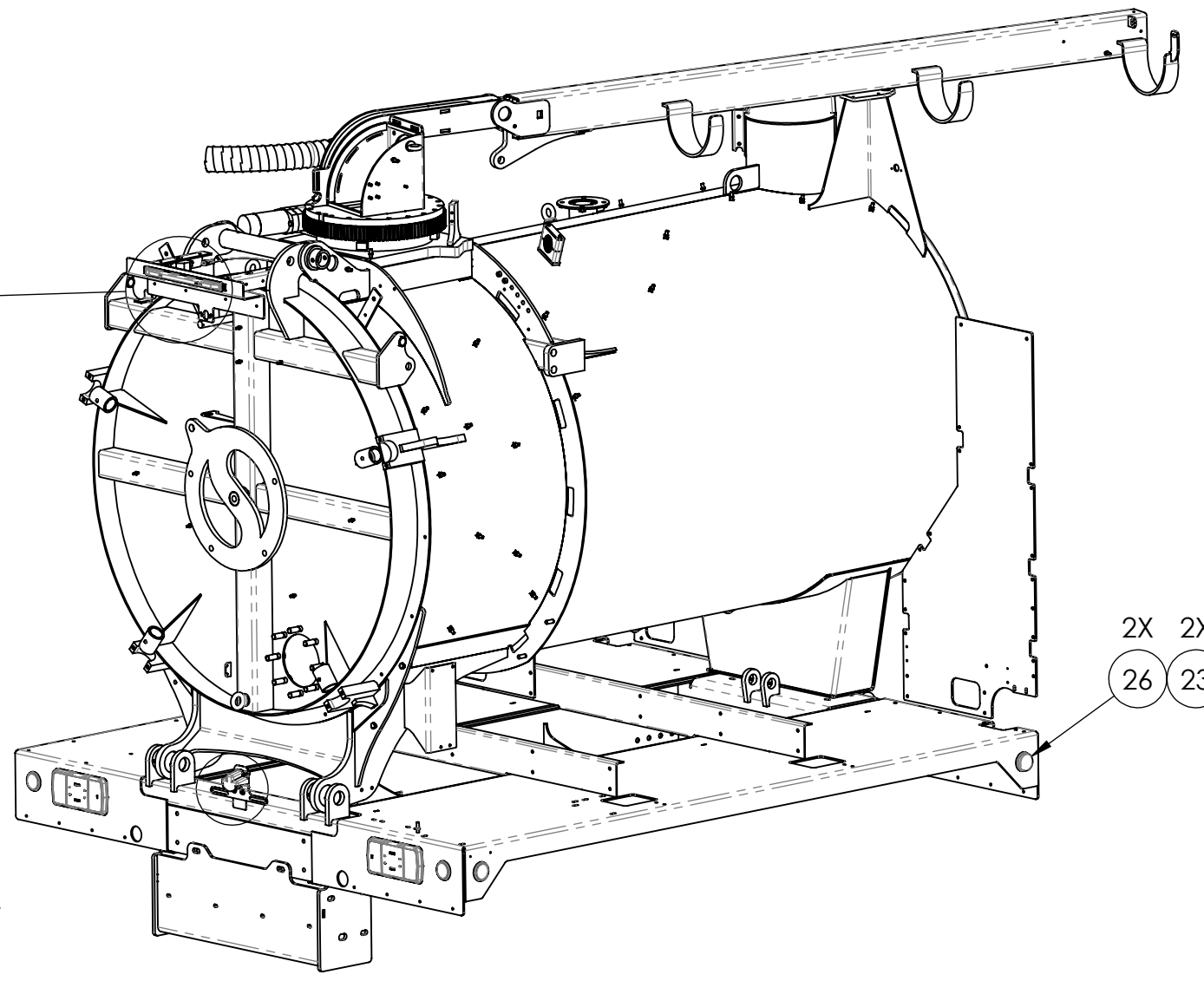
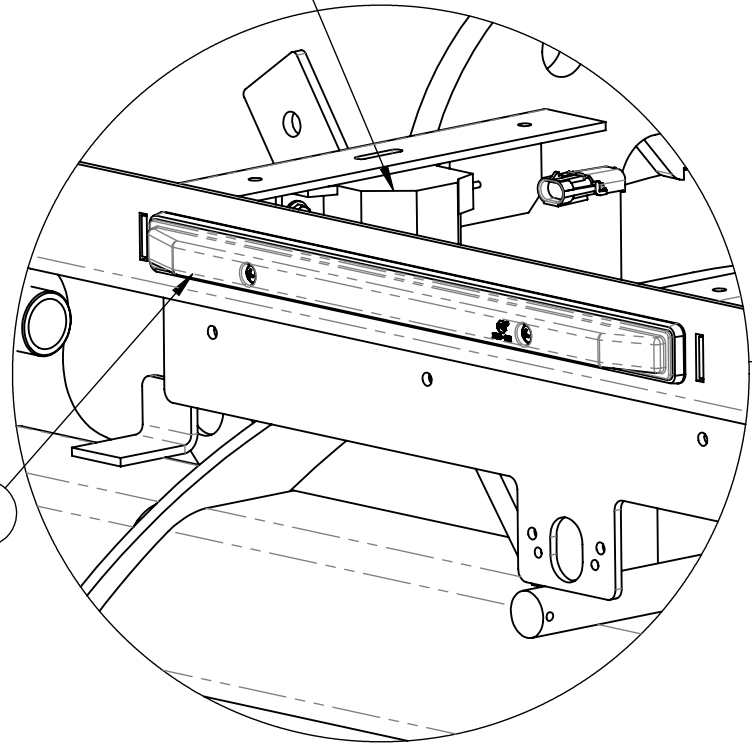
2X 2X
26 23

Super Products[®]
 DWG. NO. **0040684** REV **E**
 SIZE B SCALE: 1:24 WEIGHT: 15563.07 SHEET 2 OF 2

8 7 6 5 4 3 2 1

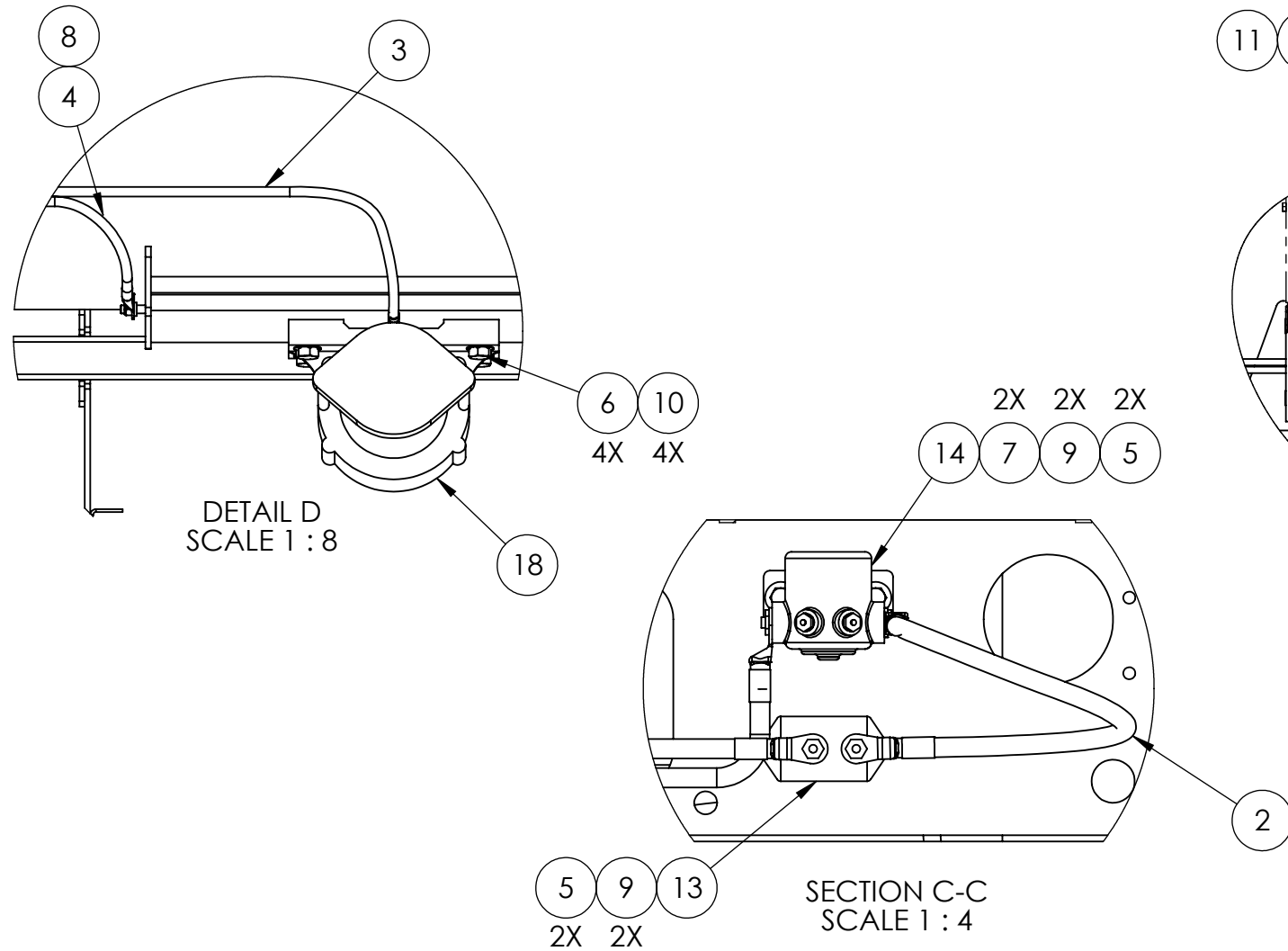
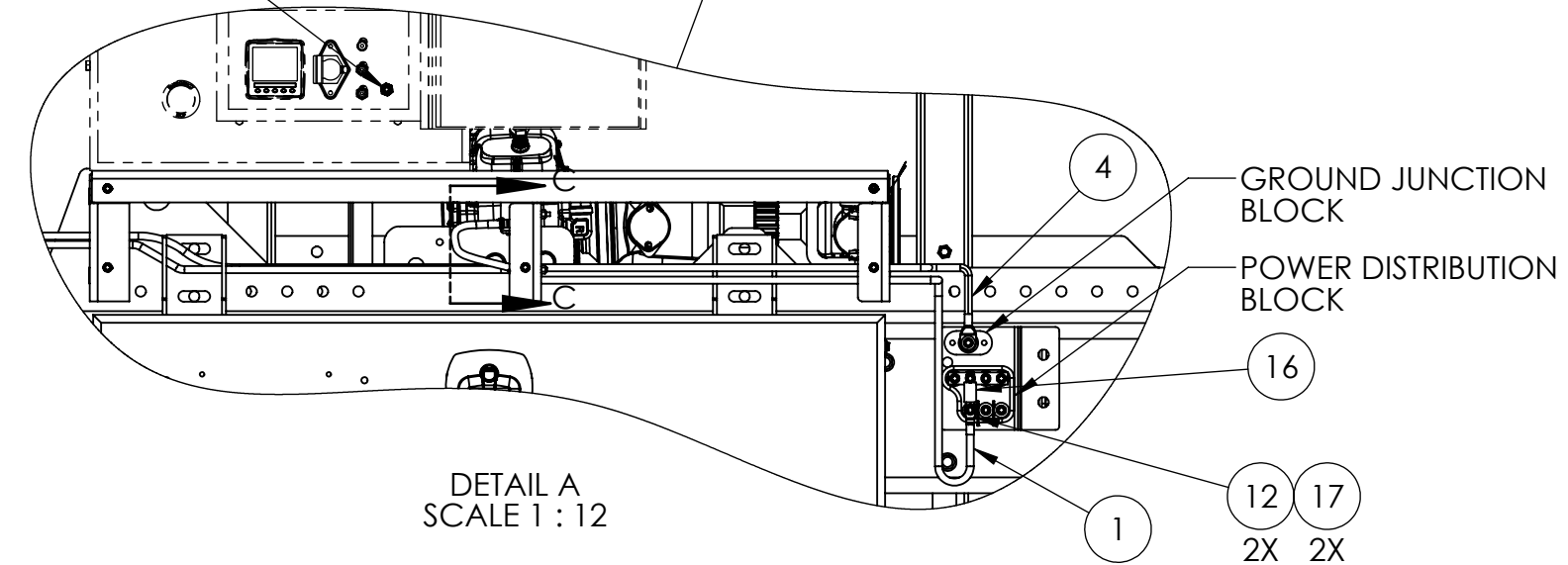
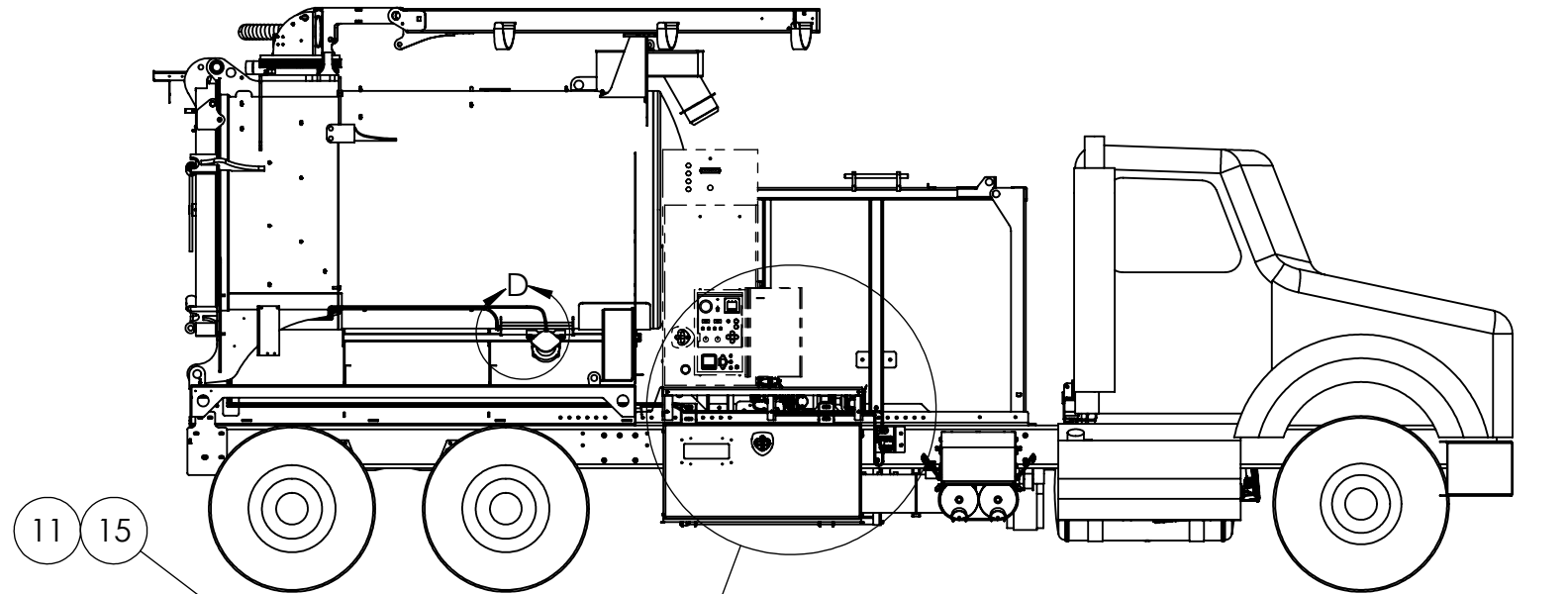
D
C
B
A

D
C
B
A



ITEM NO.	PART NUMBER	DESCRIPTION	QTY.	QTY
1	0037879	CABLE, BATTERY, 2AWG RED	1	60"
2	0042499-00016	CABLE, BATTERY 4AWG, 5/16 STUD RED	1	
3	0042499-00268	CABLE, BATTERY 4AWG, 5/16 STUD	1	
4	0042509-00270	CABLE, BATT, 4 AWG, 3/8 STUD BLACK	1	
5	0050-00100	SCREW, CAP 0.25-20 X 1.00 HX GR5	4	
6	0056-20200	SCREW, HEX HEAD CAP, 5/8-11 X 2, GR8	4	
7	0082-00001	WASHER, FLAT, USS, 1/4", STEEL, PLT'D	2	
8	0160-11008	NUT, LOCK 3/8-16 (NYLON)	1	
9	0160-32006	NUT, LOCK, CLINCHED, 1/4"-20, GR5, PLT'D-STL	4	
10	0414-06312-0001	WASHER, SPRING 0.63	4	
11	5500-00479	SEAL, TOGGLE SWITCH	1	
12	5500-00503	TERMINAL, RING, 4 AWG, 5/16" STUD	2	
13	5500-01244	THERMAL OVERLOAD FOR DECA VIB.	1	
14	5500-01279	SOLENOID, CD, SPST, 12VDC	1	
15	5500-01290	SWITCH, SEALED TOGGLE	1	
16	5500-03076	FUSE, AMG 100 AMP	1	
17	5684-00004	TUBING, HEAT SHRINK (0.38) BLK	2	3"
18	6000-01067	VIBRATOR, ELECTRIC - 12 VOLT	1	

REVISIONS				
REV #	ECO #	DESCRIPTION	DATE	APPR
A				



NAME	M. Riley	DATE	6/28/2021
DRAWN BY	C. Colorito	ENG APPR.	07/07/2021
MFG APPR.			

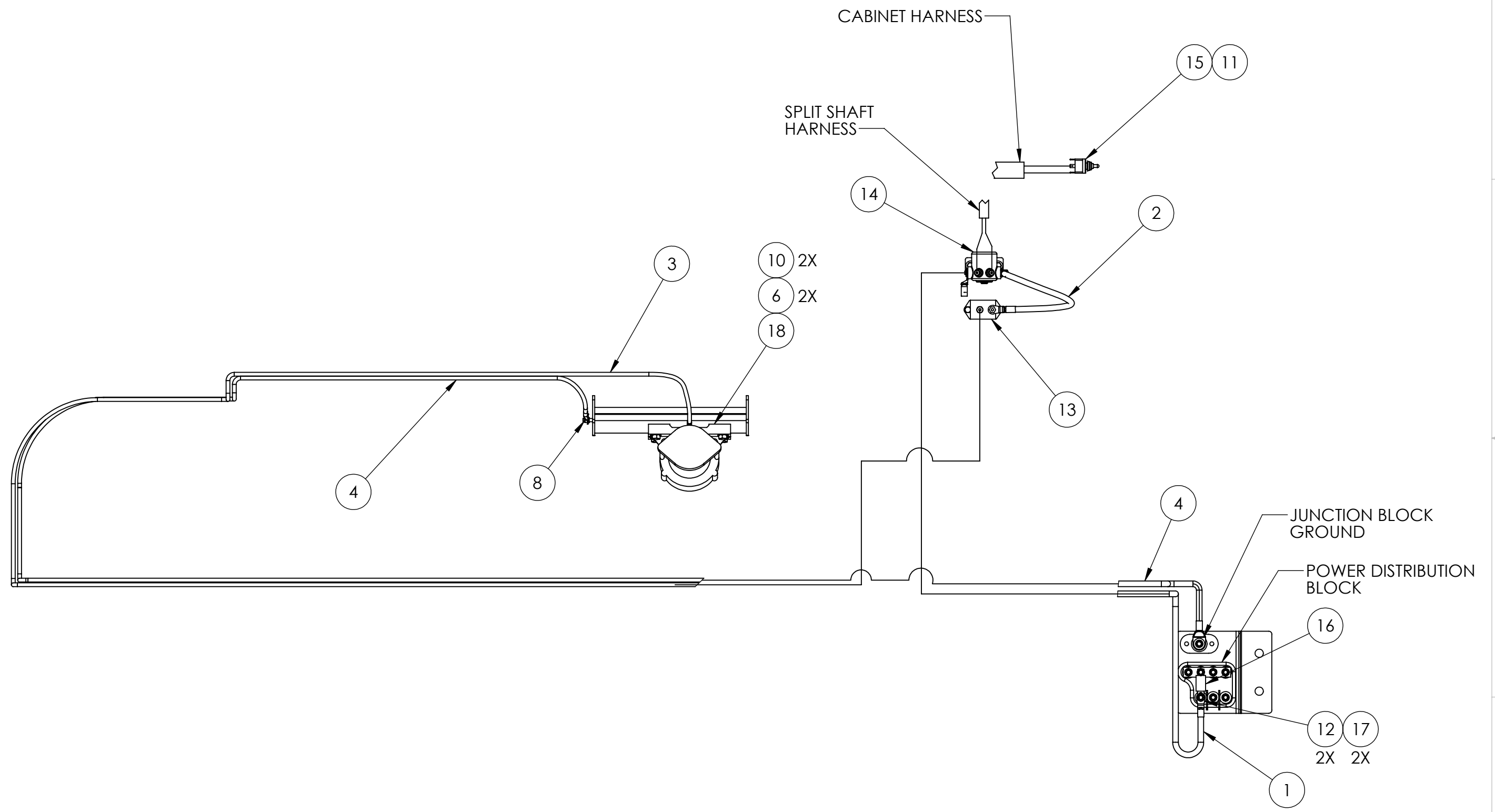
Super Products
 TITLE: ASSY, VIBRATOR, ELECTRIC
 DWG. NO. **0042497** REV **A**
 SIZE B SCALE: 1:48 WEIGHT: 1.5692.88 SHEET 1 OF 2

MATERIAL: []
 UNLESS OTHERWISE SPECIFIED:
 DIMENSIONS ARE IN INCHES
 TOLERANCES ARE:
 X.X ± 0.100
 X.XX ± 0.060
 X.XXX ± 0.030
 ANGULAR: MACH ± 1° BEND ± 2°
 INTERPRET GEOMETRIC TOLERANCING PER: ASME Y14.5

PROPRIETARY AND CONFIDENTIAL
 THE INFORMATION CONTAINED IN THIS DRAWING IS THE SOLE PROPERTY OF SUPER PRODUCTS. ANY REPRODUCTION IN PART OR AS A WHOLE WITHOUT THE WRITTEN PERMISSION OF SUPER PRODUCTS IS PROHIBITED.

8 7 6 5 4 3 2 1

D
C
B
A



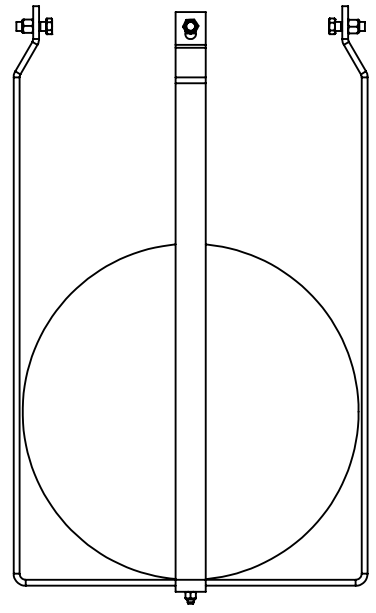
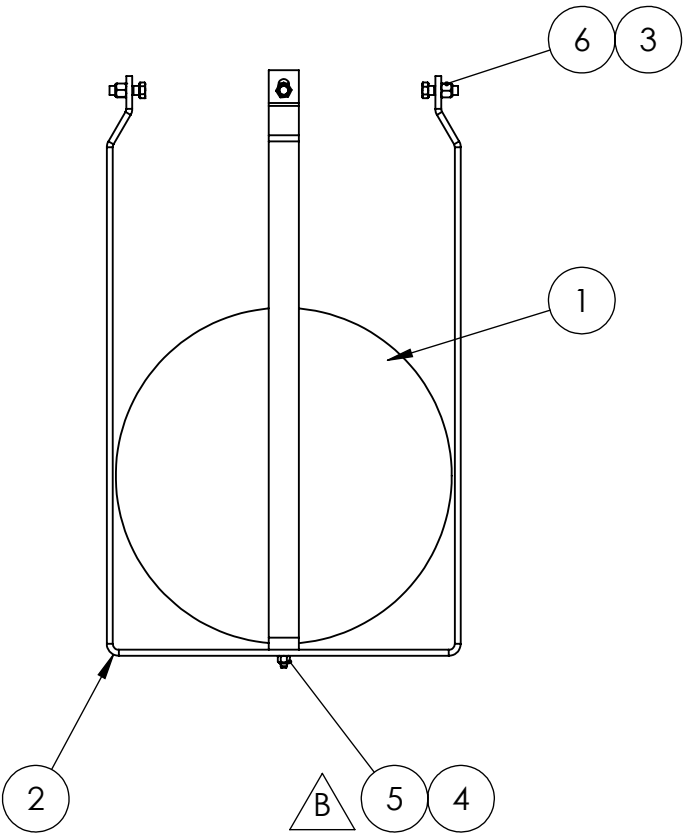
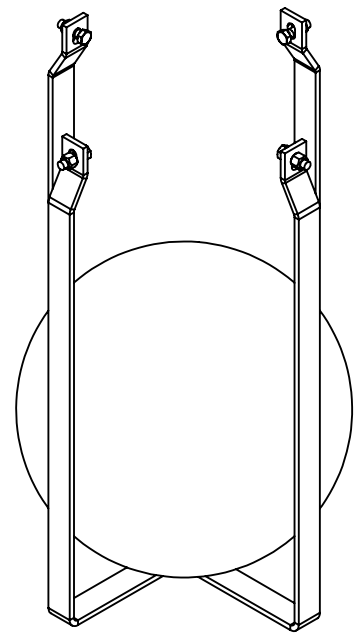
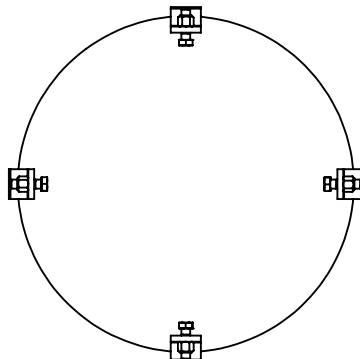
8 7 6 5 4 3 2 1

Super Products[®]

DWG. NO.	REV
0042497	A
SIZE B	SCALE: 1:24 WEIGHT: 15692.88 SHEET 2 OF 2

ITEM NO.	PART NUMBER	DESCRIPTION	QTY.
1	3000-02208	FLOAT BALL 14"	1
2	0002321	BRKT, FLOAT SUPPORT	2
3	0052-20125	SCREW, HEX HEAD CAP, 3/8-16 X 1-1/4, GR8	4
4	0264-00100	SCREW FLT 0.25-20X 1.00 GR5	1
5	0160-42006	NUT, LOCK, CLINCHED, 1/4"-20, GR8, PLT'D-STL	1
6	0160-42008	NUT, LOCK, CLINCHED, 3/8"-16, GR8, PLT'D-STL	4

REVISIONS				
REV #	ECO #	DESCRIPTION	DATE	APPR
B	16947	Item 0160-42006 was 0160-32006.	10/14/2015	D. King



	NAME	DATE
DRAWN BY	J. Poquette	06/10/2014
ENG APPR.	M. Jacobson	06/20/2014
MFG APPR.	M. Jacobson	06/24/2014

SUPER PRODUCTS LLC.
TRUCK MOUNTED VACUUM EQUIPMENT

TITLE:
ASSY, FLOAT BALL AND CAGE

MATERIAL:
FINISH:
PROPRIETARY AND CONFIDENTIAL
THE INFORMATION CONTAINED IN THIS DRAWING IS THE SOLE PROPERTY OF SUPER PRODUCTS LLC.. ANY REPRODUCTION IN PART OR AS A WHOLE WITHOUT THE WRITTEN PERMISSION OF SUPER PRODUCTS IS PROHIBITED.

UNLESS OTHERWISE SPECIFIED:
DIMENSIONS ARE IN INCHES
TOLERANCES ARE:
X.X ± 0.100
X.XX ± 0.060
X.XXX ± 0.030
ANGULAR: MACH ± 1° BEND ± 2°
INTERPRET GEOMETRIC TOLERANCING PER: ASME Y14.5

DWG. NO. **0002407** REV **B**

SIZE B SCALE: 1:8 WEIGHT: SHEET 1 OF 1

ITEM	PART NUMBER	DESCRIPTION	MFG	MFG #	QTY	LOCATION
1	0004900	Boot, HD30-24, Straight, Black	Deutsch	HD30-24BT-BK	1	P23
2	5500-01619	Male Pin, Size 16, 14AWG	Deutsch	0460-215-16141	6	P78, P70, P71
3	5500-01622	Sealing Plug, 12-16AWG	Deutsch	114017	13	P23, P76
4	5500-01870	Wedgelock for DT06-3S, J1939	Deutsch	W3S-1939	1	P73
5	5500-01935	2 Way Receptacle	Deutsch	DT04-2P	3	P71, P70, P78
6	5500-01936	Wedgelock for DT04-2P	Deutsch	W2P	3	P78, P70, P71
7	0007049	3 Way Plug	Deutsch	DT06-3S	1	P73
8	0009568	M12 Plug Connector, Female 2 pole, 90 deg, 4m, Single ended, Yellow	Turck	WKC-4.2T-4	3	P74, P75, P77
9	0026547	Male Pin, Size 16, 16-20AWG	Deutsch	0460-202-16141	3	P76
10	0026656	Female Socket, Size 16, 16-20AWG	Deutsch	0462-201-16141	14	P23, P73
11	0030635	Wedgelock for DT04-6P	Deutsch	W6P	1	P76
12	0036717	6 Way Receptacle	Deutsch	DT04-6P	1	P76
13	0036778	21 Way Plug, Plastic, Inline mount, normal sized seal	Deutsch	HDP26-24-21SN	1	P23

REVISIONS				
REV #	ECO #	DESCRIPTION	DATE	APPR
A				

ITEM	DESCRIPTION	TYPE	QTY (in.)
1	16 AWG BLK	SAE J1128 GXL	AR
2	16 AWG BLU	SAE J1128 GXL	AR
3	16 AWG PNK	SAE J1128 GXL	AR
4	16 AWG RED	SAE J1128 GXL	AR
5	16 AWG TAN	SAE J1128 GXL	AR
6	16 AWG WHT	SAE J1128 GXL	AR
7	16 AWG YEL/BRN	SAE J1128 GXL	AR
8	16 AWG YEL/GRY	SAE J1128 GXL	AR


NOTES:

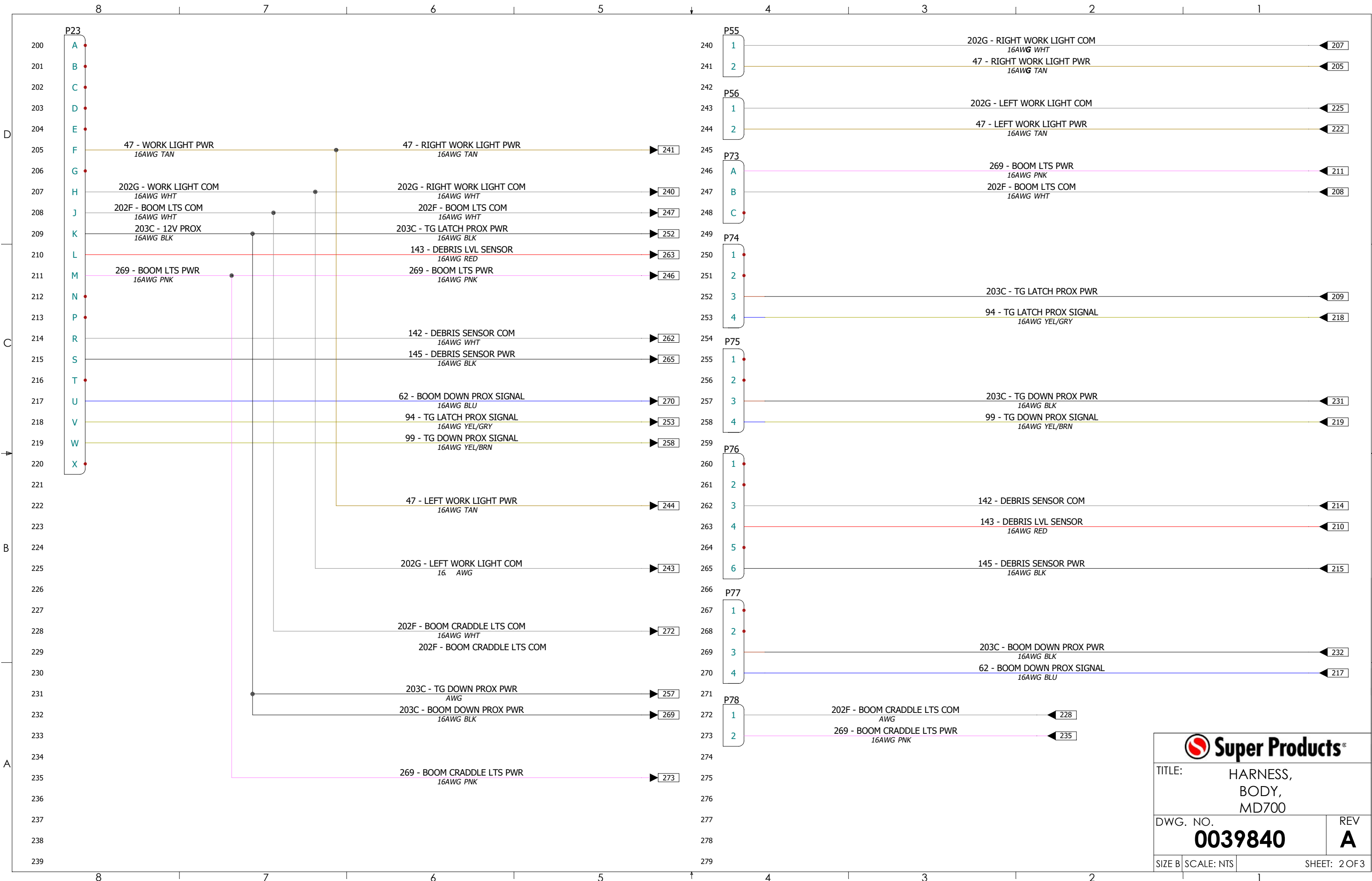
- HARNESS LABELS AT ENDS SHALL HAVE WHITE LABEL WITH BLACK TEXT AND LABELED ACCORDING TO CABLE CONNECTION TABLE
- WIRE SHALL BE LABELED ACCORDING TO CABLE CONNECTION TABLE
- PLUG ANY UNUSED CONNECTOR PORTS WITH CORRESPONDING SEALING PLUG
- WIRE TYPE TO BE GXL AUTOMOTIVE, 105°C MINIMUM
- WIRE LOOM TO BE SPLIT NYLON, 120°C MINIMUM, SIZED TO FIT
- WIRE LOOM TO BE TAPED AT ENDS AND AT MAXIMUM EVERY 6 INCHES
- MOLDOVER CORDSETS WITH EXCESSIVE LENGTH SHOULD BE CUT TO FIT AS NEEDED
- MOLDOVER CORDSETS TO BE SPLICED IN HARNESS WITH NO MORE THAN FOUR WIRES PER SPLICE
- KEEP LOOM AND TAPE 3" BACK FROM BACK OF CONNECTORS

	NAME	DATE
DRAWN BY	A. MESSING	12/28/2020
ENG APPR.	J. MATEL	12/28/2020

PROPRIETARY AND CONFIDENTIAL
THE INFORMATION CONTAINED IN THIS DRAWING IS THE SOLE PROPERTY OF SUPER PRODUCTS. ANY REPRODUCTION IN PART OR AS A WHOLE WITHOUT THE WRITTEN PERMISSION OF SUPER PRODUCTS IS PROHIBITED.

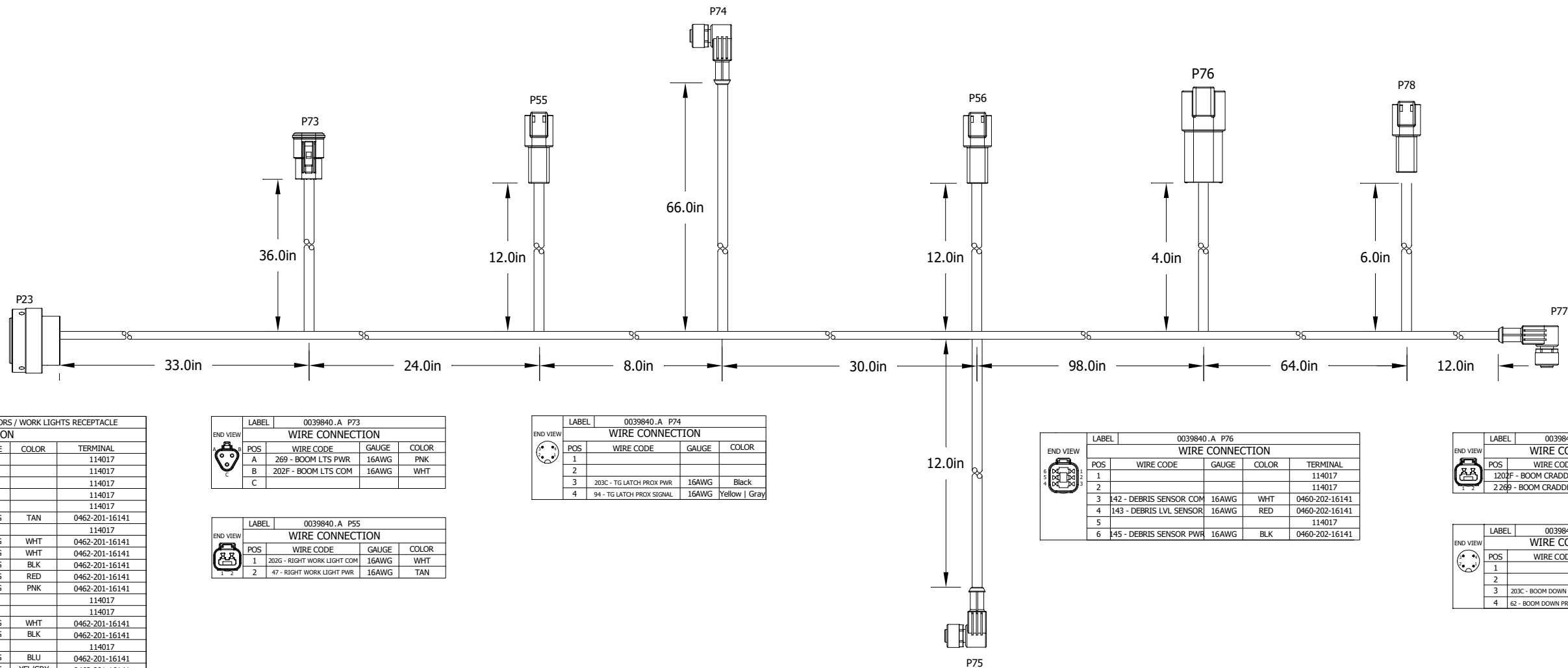
UNLESS OTHERWISE SPECIFIED:
DIMENSIONS ARE IN INCHES
TOLERANCES ARE:
X.X ± 0.100
X.XX ± 0.060
X.XXX ± 0.030

	
TITLE: HARNESS, BODY, MD700	
DWG. NO. 0039840	REV A
SIZE B SCALE: NTS	SHEET: 1 OF 3



TITLE: HARNESS, BODY, MD700		
DWG. NO. 0039840	REV A	
SIZE B	SCALE: NTS	SHEET: 2 OF 3

8 7 6 5 4 3 2 1



END VIEW

POS	WIRE CODE	GAUGE	COLOR	TERMINAL
A				114017
B				114017
C				114017
D				114017
E				114017
F	47 - WORK LIGHT PWR	16AWG	TAN	0462-201-16141
G				114017
H	202G - WORK LIGHT COM	16AWG	WHT	0462-201-16141
J	202F - BOOM LTS COM	16AWG	WHT	0462-201-16141
K	203C - 12V PROX	16AWG	BLK	0462-201-16141
L	143 - DEBRIS LVL SENSOR	16AWG	RED	0462-201-16141
M	269 - BOOM LTS PWR	16AWG	PNK	0462-201-16141
N				114017
P				114017
R	142 - DEBRIS SENSOR COM	16AWG	WHT	0462-201-16141
S	145 - DEBRIS SENSOR PWR	16AWG	BLK	0462-201-16141
T				114017
U	62 - BOOM DOWN PROX SIGNAL	16AWG	BLU	0462-201-16141
V	94 - TG LATCH PROX SIGNAL	16AWG	YEL/GRY	0462-201-16141
W	99 - TG DOWN PROX SIGNAL	16AWG	YEL/BRN	0462-201-16141
X				114017

END VIEW

POS	WIRE CODE	GAUGE	COLOR
A	269 - BOOM LTS PWR	16AWG	PNK
B	202F - BOOM LTS COM	16AWG	WHT
C			

END VIEW

POS	WIRE CODE	GAUGE	COLOR
1	202G - RIGHT WORK LIGHT COM	16AWG	WHT
2	47 - RIGHT WORK LIGHT PWR	16AWG	TAN

END VIEW

POS	WIRE CODE	GAUGE	COLOR
1			
2			
3	203C - TG LATCH PROX PWR	16AWG	Black
4	94 - TG LATCH PROX SIGNAL	16AWG	Yellow Gray

END VIEW

POS	WIRE CODE	GAUGE	COLOR	TERMINAL
1				114017
2				114017
3	142 - DEBRIS SENSOR COM	16AWG	WHT	0460-202-16141
4	143 - DEBRIS LVL SENSOR	16AWG	RED	0460-202-16141
5				114017
6	145 - DEBRIS SENSOR PWR	16AWG	BLK	0460-202-16141

END VIEW

POS	WIRE CODE	GAUGE	COLOR
1	1202F - BOOM CRADLE LTS CDM	16AWG	WHT
2	2269 - BOOM CRADLE LTS PWR	16AWG	PNK

END VIEW

POS	WIRE CODE	GAUGE	COLOR
1			
2			
3	203C - BOOM DOWN PROX PWR	16AWG	Black
4	62 - BOOM DOWN PROX SIGNAL	16AWG	Blue

END VIEW

POS	WIRE CODE	GAUGE	COLOR
1	203G - LEFT WORK LIGHT COM	16AWG	WHT
2	47 - LEFT WORK LIGHT PWR	16AWG	TAN

END VIEW

POS	WIRE CODE	GAUGE	COLOR
1			
2			
3	203C - TG DOWN PROX PWR	16AWG	Black
4	99 - TG DOWN PROX SIGNAL	16AWG	Yellow Brown

Super Products
 TITLE: HARNESS, BODY, MD700
 DWG. NO. **0039840** REV **A**
 SIZE B SCALE: NTS SHEET: 3 OF 3

8 7 6 5 4 3 2 1

ITEM	PART NUMBER	DESCRIPTION	MFG	MFG #	QTY	LOCATION
1		Backshell for DT06-12	Deutsch	1011-247-1205	3	P1, P2, P3
2	0004900	Boot, HD30-24, Straight, Black	Deutsch	HD30-24BT-BK	2	P21, J23
3	5500-01286-0002	1 Position Shroud, BLK	Delphi	12010996	1	J25
4	5500-01286-0013	Male Terminal, Weatherpack, 14-16AWG	Delphi	12124582	1	J25
5	5500-01286-0018	Cable Seal, Green, 16-20AWG	Delphi	15324982	1	J25
6	5500-01622	Sealing Plug, 12-16AWG	Deutsch	114017	22	P3, P2, J23, P21
7	5500-01704	Female Socket, Size 12, 12-14AWG	Deutsch	0462-203-12141	4	J23, P21
8	5500-01712	12 Way Plug (Polarization A)	Deutsch	DT06-12SA	1	P1
9	5500-01713	12 Way Plug, (Polarization B)	Deutsch	DT06-12SB	1	P3
10	5500-01714	12 Way Plug (Polarization C)	Deutsch	DT06-12SC	1	P2
11	5500-01795	Wedgelock for DT06-12S	Deutsch	W12S	3	P1, P2, P3
12	0026656	Female Socket, Size 16, 16-20AWG	Deutsch	0462-201-16141	53	J23, P21, P3, P2, P1
13	0036778	21 Way Plug, Plastic, Inline mount, normal sized seal	Deutsch	HDP26-24-21SN	1	P21
14	0036785	21 Way Receptacle, Plastic, Flange/inline mount, normal sized seal	Deutsch	HDP24-24-21PN	1	J23
15	0037004	Panel Nut, Metal, Size 24 Shell	Deutsch	112263-90	1	P21
16	0037005	Lock Washer, For Metal Panel Nut, Size 24 Shell	Deutsch	112264	1	P21
17	0040456	Valve Plug, 150mm Double, Form A, 1.5m, Black PUR	Murr Elektronik	7000-58021-6370150	6	CBL7, CBL1, CBL2, CBL3, CBL4, CBL5
18	0040457	Valve Plug, Form A, 1.5m, Black PUR	Murr Elektronik	7000-18021-6360150	1	CBL6
19	0040472	M12 Plug Connector, Female 4 pole, 90 deg, 2m, Single ended, Yellow	Murr Elektronik	7700-12341-1500200	1	P24

REVISIONS				
REV #	ECO #	DESCRIPTION	DATE	APPR
C	19999	0026656 (0462-201-16141) WAS 5500-01621 (0462-209-16141) IN PLUGS P1. P2 & P3. BOM QTY. CHANGE - 0026656 QTY. 53 WAS 27. REVISED NOTE 9 TO INCLUDE, "OR BOOT IF APPLICABLE".	05/07/2022	J. Matel

ITEM	PART NUMBER	DESCRIPTION	QTY	Mark
6	5580-00000	SEOOW 16/2	AR	CBL3

ITEM	PART NUMBER	DESCRIPTION	QTY	Mark
9		7000-XXXXX-6370150	AR	CBL6
10		7000-XXXXX-6370150	AR	CBL7
11		7000-XXXXX-6370150	AR	CBL8
12		7000-XXXXX-6370150	AR	CBL9
2		7000-XXXXX-6370150	AR	CBL10
3		7000-XXXXX-6370150	AR	CBL11
4		7000-XXXXX-6370150	AR	CBL12

ITEM	PART NUMBER	DESCRIPTION	QTY	Mark
5		7700-XXXXX-1500200	AR	CBL2


ITEM	DESCRIPTION	TYPE	QTY (in.)
1	14 AWG BLK	SAE J1128 GXL	AR
2	14 AWG WHT	SAE J1128 GXL	AR
3	16 AWG 2 CONDUCTOR	SEOOW	AR
4	16 AWG BLK	SAE J1128 GXL	AR
5	16 AWG BLU	SAE J1128 GXL	AR
6	16 AWG PNK	SAE J1128 GXL	AR
7	16 AWG RED	SAE J1128 GXL	AR
8	16 AWG TAN	SAE J1128 GXL	AR
9	16 AWG WHT	SAE J1128 GXL	AR
10	16 AWG YEL/BRN	SAE J1128 GXL	AR
11	16 AWG YEL/GRY	SAE J1128 GXL	AR
12	CANBUS 19 AWG		AR
13	Murr 7700		AR

- NOTES:
- HARNESS LABELS AT ENDS SHALL HAVE WHITE LABEL WITH BLACK TEXT AND LABELED ACCORDING TO CABLE CONNECTION TABLE
 - WIRE SHALL BE LABELED ACCORDING TO CABLE CONNECTION TABLE
 - PLUG ANY UNUSED CONNECTOR PORTS WITH CORRESPONDING SEALING PLUG
 - WIRE TYPE TO BE GXL AUTOMOTIVE, 105°C MINIMUM
 - WIRE LOOM TO BE SPLIT NYLON, 120°C MINIMUM, SIZED TO FIT
 - WIRE LOOM TO BE TAPED AT ENDS AND AT MAXIMUM EVERY 6 INCHES
 - MOLDOVER CORDSETS WITH EXCESSIVE LENGTH SHOULD BE CUT TO FIT AS NEEDED
 - MOLDOVER CORDSETS TO BE SPLICED IN HARNESS WITH NO MORE THAN FOUR WIRES PER SPLICE
 - KEEP LOOM AND TAPE 3" BACK FROM BACK OF CONNECTORS OR BOOT IF APPLICABLE

	NAME	DATE
DRAWN BY	A. Messing	10/15/2020
ENG APPR.	J. Matel	12/10/2020

PROPRIETARY AND CONFIDENTIAL
THE INFORMATION CONTAINED IN THIS DRAWING IS THE SOLE PROPERTY OF SUPER PRODUCTS. ANY REPRODUCTION IN PART OR AS A WHOLE WITHOUT THE WRITTEN PERMISSION OF SUPER PRODUCTS IS PROHIBITED.

UNLESS OTHERWISE SPECIFIED:
DIMENSIONS ARE IN INCHES
TOLERANCES ARE:
X.X ± 0.100
X.XX ± 0.060
X.XXX ± 0.030

 **Super Products®**

TITLE: HARNESS, WIRING BOOM/ BODY VALVE

DWG. NO. **0040452** REV **C**

SIZE B SCALE: NTS SHEET: 1 OF 7

REVISIONS				
REV #	ECO #	DESCRIPTION	DATE	APPR
C	19999		05/07/2022	J. Matel

0040452. P21 CABIN PLUG				
WIRE CONNECTION				
POS	WIRE CODE	GAUGE	COLOR	TERMINAL
A	55 - CAN HI	19AWG	YEL	0462-201-16141
B	903 - 12VDC	14AWG	BLK	0462-203-12141
C	54 - CAN LO	19AWG	GRN	0462-201-16141
D	902 - MODULE COM	14AWG	WHT	0462-203-12141
E				114017
F	47 - REAR WORK LIGHTS	16AWG	TAN	0462-201-16141
G				114017
H	202G - WORK LTS COM	16AWG	WHT	0462-201-16141
J	202F - BOOM LTS COM	16AWG	WHT	0462-201-16141
K	203C - 12V PROX	16AWG	BLK	0462-201-16141
L	143 - DEBRIS LEVEL	16AWG	RED	0462-201-16141
M				114017
N	230 - E-STOP SW1	16AWG	BLK	0462-201-16141
P	131 - E-STOP SW	16AWG	WHT	0462-201-16141
R	142 - SENSOR COM	16AWG	WHT	0462-201-16141
S	145 - SENSOR PWR	16AWG	BLK	0462-201-16141
T	147 - TAILGATE ALARM	16AWG	BLU	0462-201-16141
U	203F - 12V WATER LEVEL	18AWG	BRN	0462-201-16141
V	259 - WATER LEVEL	18AWG	BLU	0462-201-16141
W				114017
X				114017

0040452. A P24 WATER LEVEL				
WIRE CONNECTION				
POS	WIRE CODE	GAUGE	COLOR	TERMINAL
1	203F - 12V WATER LEVEL	18AWG	Brown	
2		18AWG	WHT	
3	259 - WATER LEVEL	18AWG	Blue	
4		18AWG	BLK	

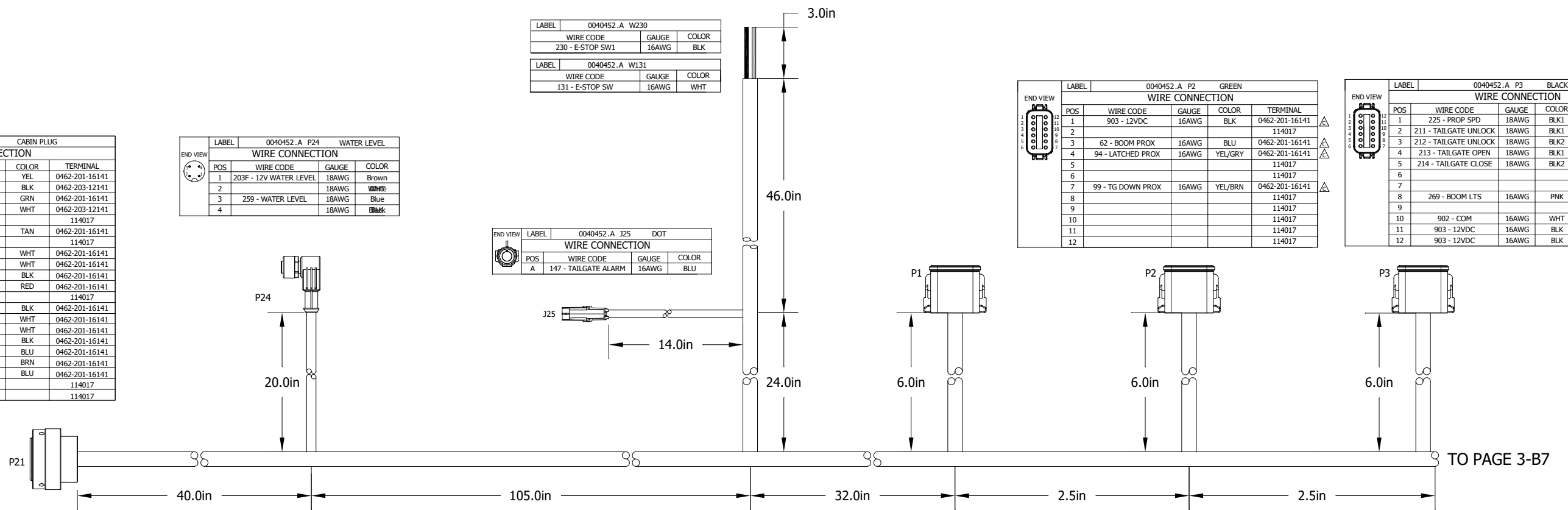
0040452. A J25 DOT				
WIRE CONNECTION				
POS	WIRE CODE	GAUGE	COLOR	TERMINAL
A	147 - TAILGATE ALARM	16AWG	BLU	

0040452.A W230			
WIRE CODE	GAUGE	COLOR	TERMINAL
230 - E-STOP SW1	16AWG	BLK	

0040452.A W131			
WIRE CODE	GAUGE	COLOR	TERMINAL
131 - E-STOP SW	16AWG	WHT	

0040452. A P2 GREEN				
WIRE CONNECTION				
POS	WIRE CODE	GAUGE	COLOR	TERMINAL
1	903 - 12VDC	16AWG	BLK	0462-201-16141
2				114017
3	62 - BOOM PROX	16AWG	BLU	0462-201-16141
4	94 - LATCHED PROX	16AWG	YEL/GRY	0462-201-16141
5				114017
6				114017
7	99 - TG DOWN PROX	16AWG	YEL/BRN	0462-201-16141
8				114017
9				114017
10				114017
11				114017
12				114017

0040452. A P3 BLACK				
WIRE CONNECTION				
POS	WIRE CODE	GAUGE	COLOR	TERMINAL
1	225 - PROP SPD	18AWG	BLK1	0462-201-16141
2	211 - TAILGATE UNLOCK	18AWG	BLK1	0462-201-16141
3	212 - TAILGATE UNLOCK	18AWG	BLK2	0462-201-16141
4	213 - TAILGATE OPEN	18AWG	BLK1	0462-201-16141
5	214 - TAILGATE CLOSE	18AWG	BLK2	0462-201-16141
6				114017
7				114017
8	269 - BOOM LTS	16AWG	PNK	0462-201-16141
9				114017
10	902 - COM	16AWG	WHT	0462-201-16141
11	903 - 12VDC	16AWG	BLK	0462-201-16141
12	903 - 12VDC	16AWG	BLK	0462-201-16141



0040452. A P1 GRAY				
WIRE CONNECTION				
POS	WIRE CODE	GAUGE	COLOR	TERMINAL
1	227 - BOOM EXTEND	18AWG	BLK1	0462-201-16141
2	228 - BOOM RETRACT	18AWG	BLK2	0462-201-16141
3	209 - BOOM UP	18AWG	BLK1	0462-201-16141
4	210 - BOOM DOWN	18AWG	BLK2	0462-201-16141
5	222 - BOOM LEFT	18AWG	BLK2	0462-201-16141
6	221 - BOOM RIGHT	18AWG	BLK1	0462-201-16141
7	217 - BODY UP	18AWG	BLK1	0462-201-16141
8	903 - 12VDC	16AWG	BLK	0462-201-16141
9	903 - 12VDC	16AWG	BLK	0462-201-16141
10	55 - CAN HI	19AWG	YEL	0462-201-16141
11	54 - CAN LO	19AWG	GRN	0462-201-16141
12	218 - BODY DOWN	18AWG	BLK2	0462-201-16141

NAME	DATE
DRAWN BY: A. Messing	10/15/2020
ENG APPR: J. Matel	12/10/2020

PROPRIETARY AND CONFIDENTIAL
THE INFORMATION CONTAINED IN THIS DRAWING IS THE SOLE PROPERTY OF SUPER PRODUCTS. ANY REPRODUCTION IN PART OR AS A WHOLE WITHOUT THE WRITTEN PERMISSION OF SUPER PRODUCTS IS PROHIBITED.

UNLESS OTHERWISE SPECIFIED:
DIMENSIONS ARE IN INCHES
TOLERANCES ARE:
X.X ± 0.100
X.XX ± 0.060
X.XXX ± 0.030

Super Products®

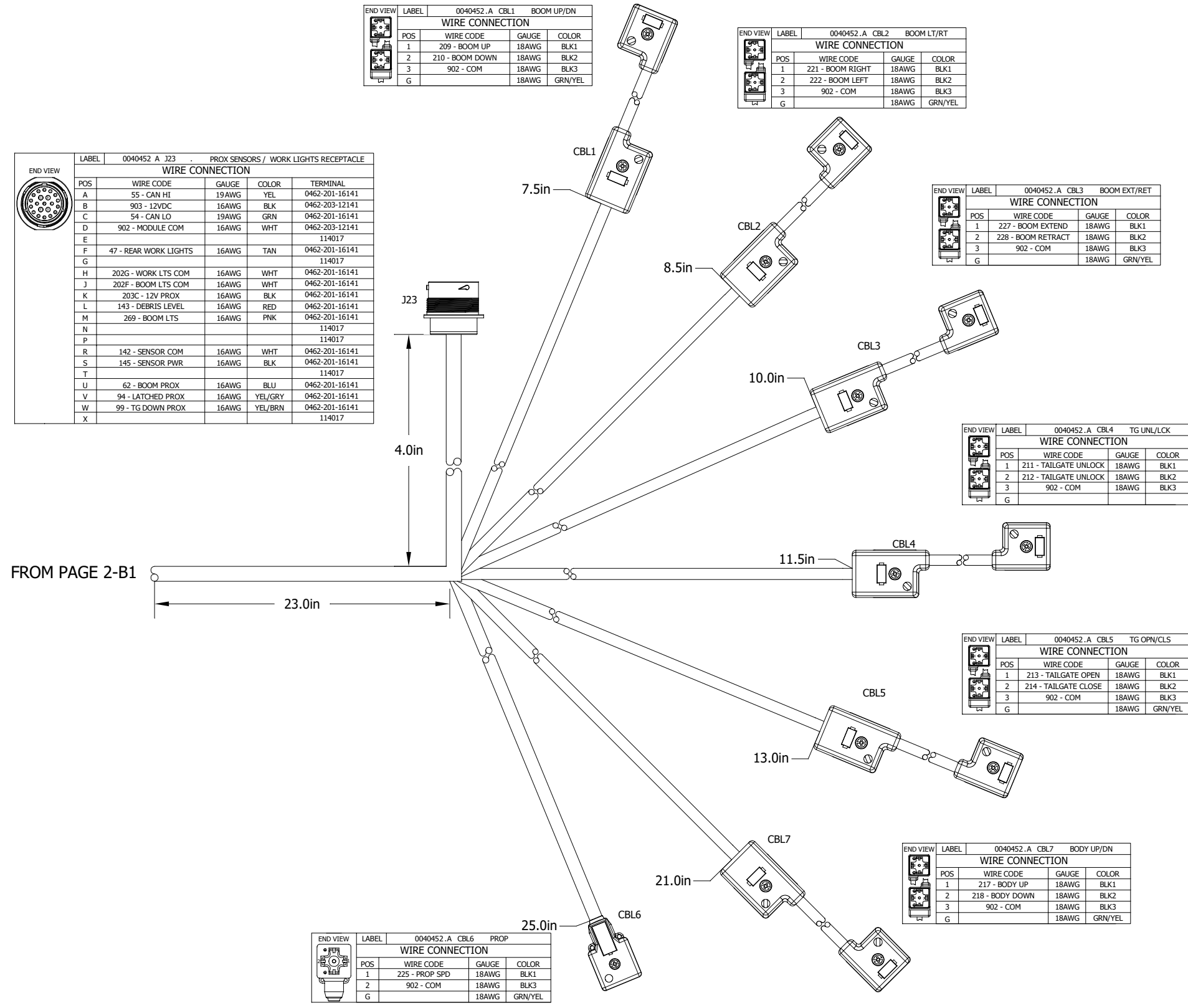
TITLE: HARNESS, WIRING BOOM/ BODY VALVE

DWG. NO. **0040452** REV **C**

SIZE B SCALE: NTS SHEET: 2 OF 7

TO PAGE 3-B7

REVISIONS				
REV #	ECO #	DESCRIPTION	DATE	APPR
C	19999		05/07/2022	J. Matel



END VIEW	LABEL	0040452.A CBL1 BOOM UP/DN		
WIRE CONNECTION				
POS	WIRE CODE	GAUGE	COLOR	
1	209 - BOOM UP	18AWG	BLK1	
2	210 - BOOM DOWN	18AWG	BLK2	
3	902 - COM	18AWG	BLK3	
G		18AWG	GRN/YEL	

END VIEW	LABEL	0040452.A CBL2 BOOM LT/RT		
WIRE CONNECTION				
POS	WIRE CODE	GAUGE	COLOR	
1	221 - BOOM RIGHT	18AWG	BLK1	
2	222 - BOOM LEFT	18AWG	BLK2	
3	902 - COM	18AWG	BLK3	
G		18AWG	GRN/YEL	

END VIEW	LABEL	0040452.A J23 PROX SENSORS / WORK LIGHTS RECEPTACLE			
WIRE CONNECTION					
POS	WIRE CODE	GAUGE	COLOR	TERMINAL	
A	55 - CAN HI	19AWG	YEL	0462-201-16141	
B	903 - 12VDC	16AWG	BLK	0462-203-12141	
C	54 - CAN LD	19AWG	GRN	0462-201-16141	
D	902 - MODULE COM	16AWG	WHT	0462-203-12141	
E				114017	
F	47 - REAR WORK LIGHTS	16AWG	TAN	0462-201-16141	
G				114017	
H	202G - WORK LTS COM	16AWG	WHT	0462-201-16141	
J	202F - BOOM LTS COM	16AWG	WHT	0462-201-16141	
K	203C - 12V PROX	16AWG	BLK	0462-201-16141	
L	143 - DEBRIS LEVEL	16AWG	RED	0462-201-16141	
M	269 - BOOM LTS	16AWG	PNK	0462-201-16141	
N				114017	
P				114017	
R	142 - SENSOR COM	16AWG	WHT	0462-201-16141	
S	145 - SENSOR PWR	16AWG	BLK	0462-201-16141	
T				114017	
U	62 - BOOM PROX	16AWG	BLU	0462-201-16141	
V	94 - LATCHED PROX	16AWG	YEL/GRY	0462-201-16141	
W	99 - TG DOWN PROX	16AWG	YEL/BRN	0462-201-16141	
X				114017	

END VIEW	LABEL	0040452.A CBL3 BOOM EXT/RET		
WIRE CONNECTION				
POS	WIRE CODE	GAUGE	COLOR	
1	227 - BOOM EXTEND	18AWG	BLK1	
2	228 - BOOM RETRACT	18AWG	BLK2	
3	902 - COM	18AWG	BLK3	
G		18AWG	GRN/YEL	

END VIEW	LABEL	0040452.A CBL4 TG UNL/LCK		
WIRE CONNECTION				
POS	WIRE CODE	GAUGE	COLOR	
1	211 - TAILGATE UNLOCK	18AWG	BLK1	
2	212 - TAILGATE UNLOCK	18AWG	BLK2	
3	902 - COM	18AWG	BLK3	
G				

END VIEW	LABEL	0040452.A CBL5 TG OPN/CLS		
WIRE CONNECTION				
POS	WIRE CODE	GAUGE	COLOR	
1	213 - TAILGATE OPEN	18AWG	BLK1	
2	214 - TAILGATE CLOSE	18AWG	BLK2	
3	902 - COM	18AWG	BLK3	
G		18AWG	GRN/YEL	

END VIEW	LABEL	0040452.A CBL7 BODY UP/DN		
WIRE CONNECTION				
POS	WIRE CODE	GAUGE	COLOR	
1	217 - BODY UP	18AWG	BLK1	
2	218 - BODY DOWN	18AWG	BLK2	
3	902 - COM	18AWG	BLK3	
G		18AWG	GRN/YEL	

END VIEW	LABEL	0040452.A CBL6 PROP		
WIRE CONNECTION				
POS	WIRE CODE	GAUGE	COLOR	
1	225 - PROP SPD	18AWG	BLK1	
2	902 - COM	18AWG	BLK3	
G		18AWG	GRN/YEL	

	NAME	DATE
DRAWN BY	A. Messing	10/15/2020
ENG APPR.	J. Matel	12/10/2020

PROPRIETARY AND CONFIDENTIAL
 THE INFORMATION CONTAINED IN THIS DRAWING IS THE SOLE PROPERTY OF SUPER PRODUCTS. ANY REPRODUCTION IN PART OR AS A WHOLE WITHOUT THE WRITTEN PERMISSION OF SUPER PRODUCTS IS PROHIBITED.

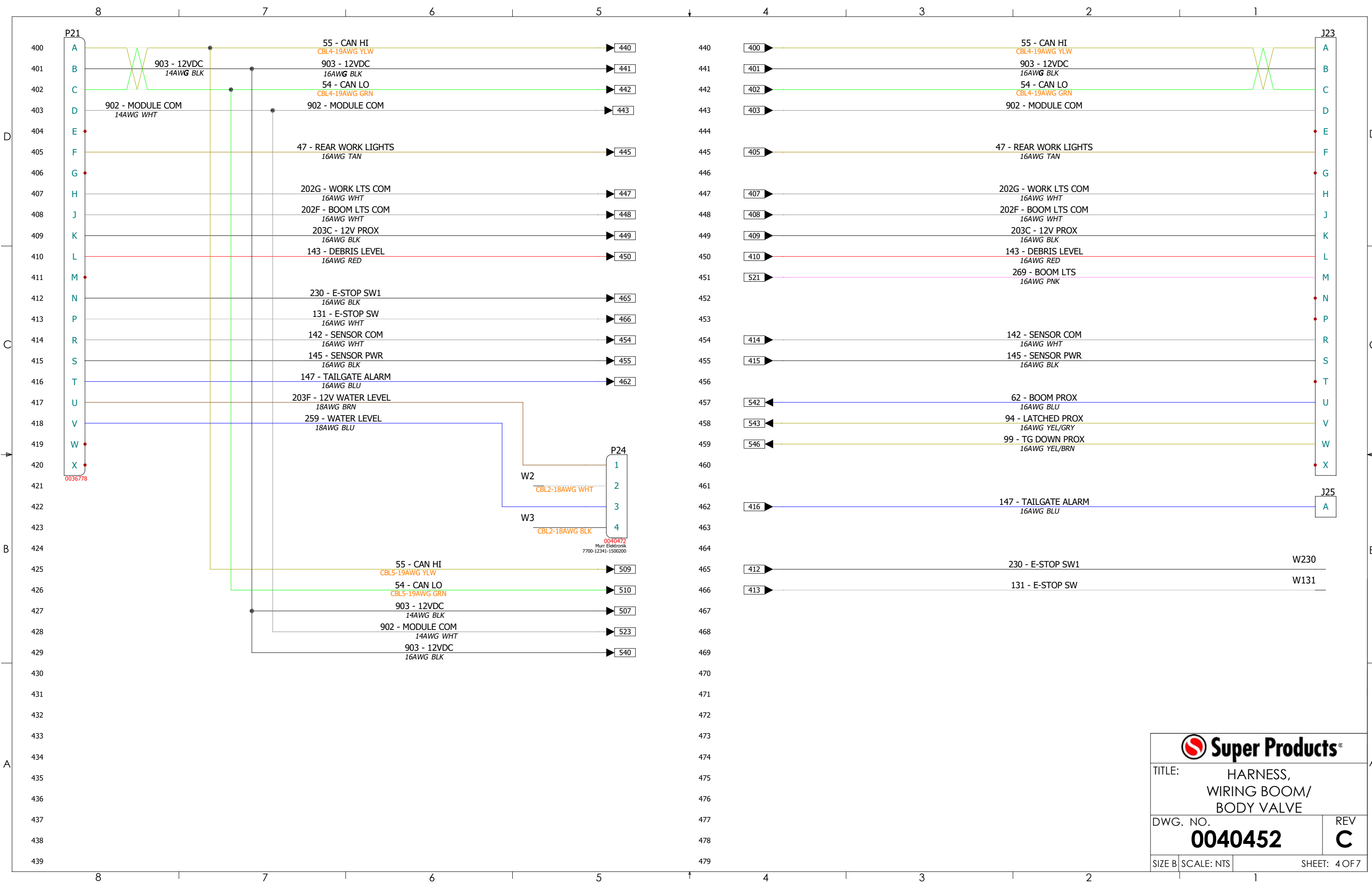
UNLESS OTHERWISE SPECIFIED:
 DIMENSIONS ARE IN INCHES
 TOLERANCES ARE:
 X.X ± 0.100
 X.XX ± 0.060
 X.XXX ± 0.030

Super Products®

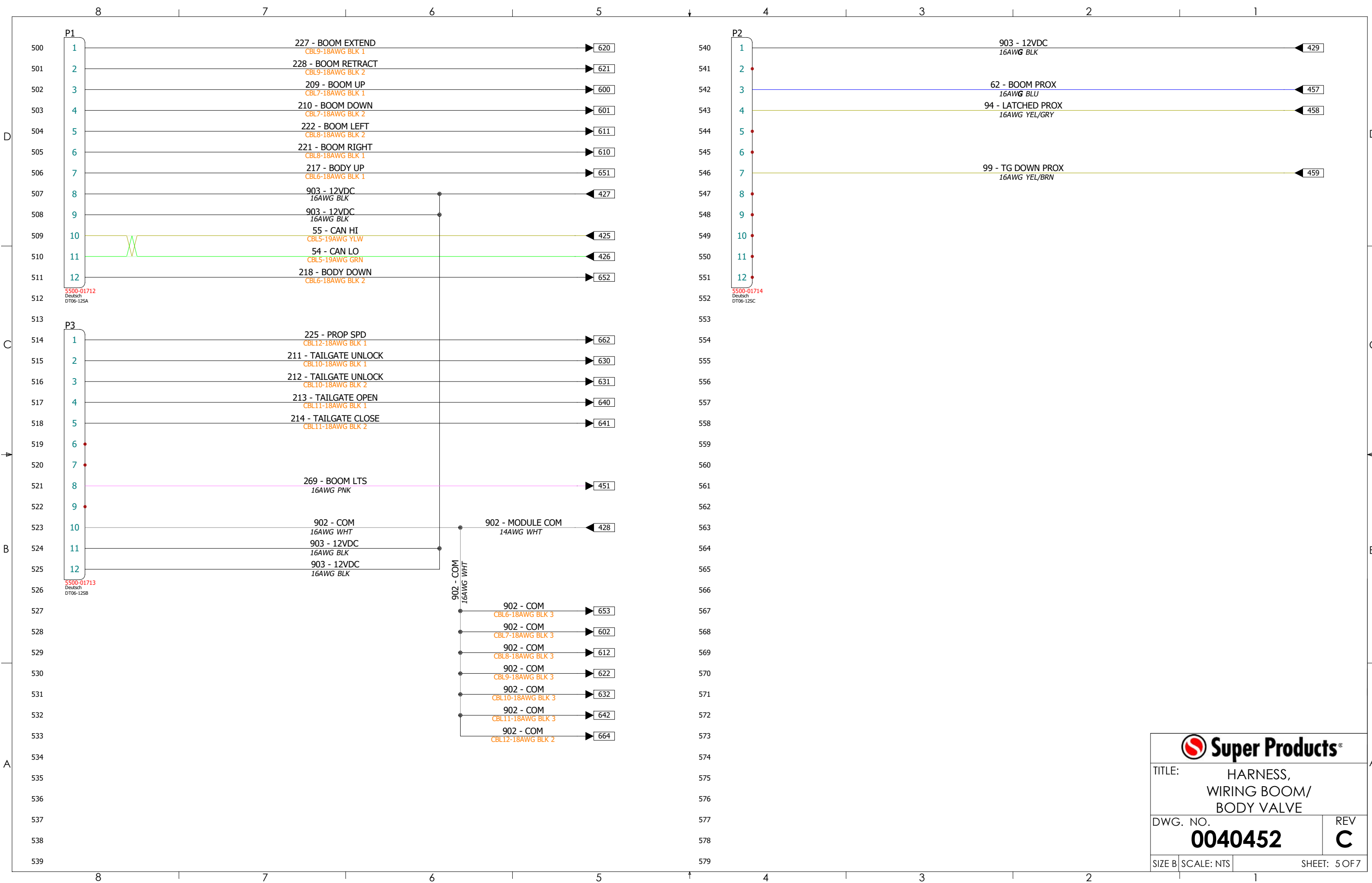
TITLE: HARNESS, WIRING BOOM/ BODY VALVE

DWG. NO. **0040452** REV **C**

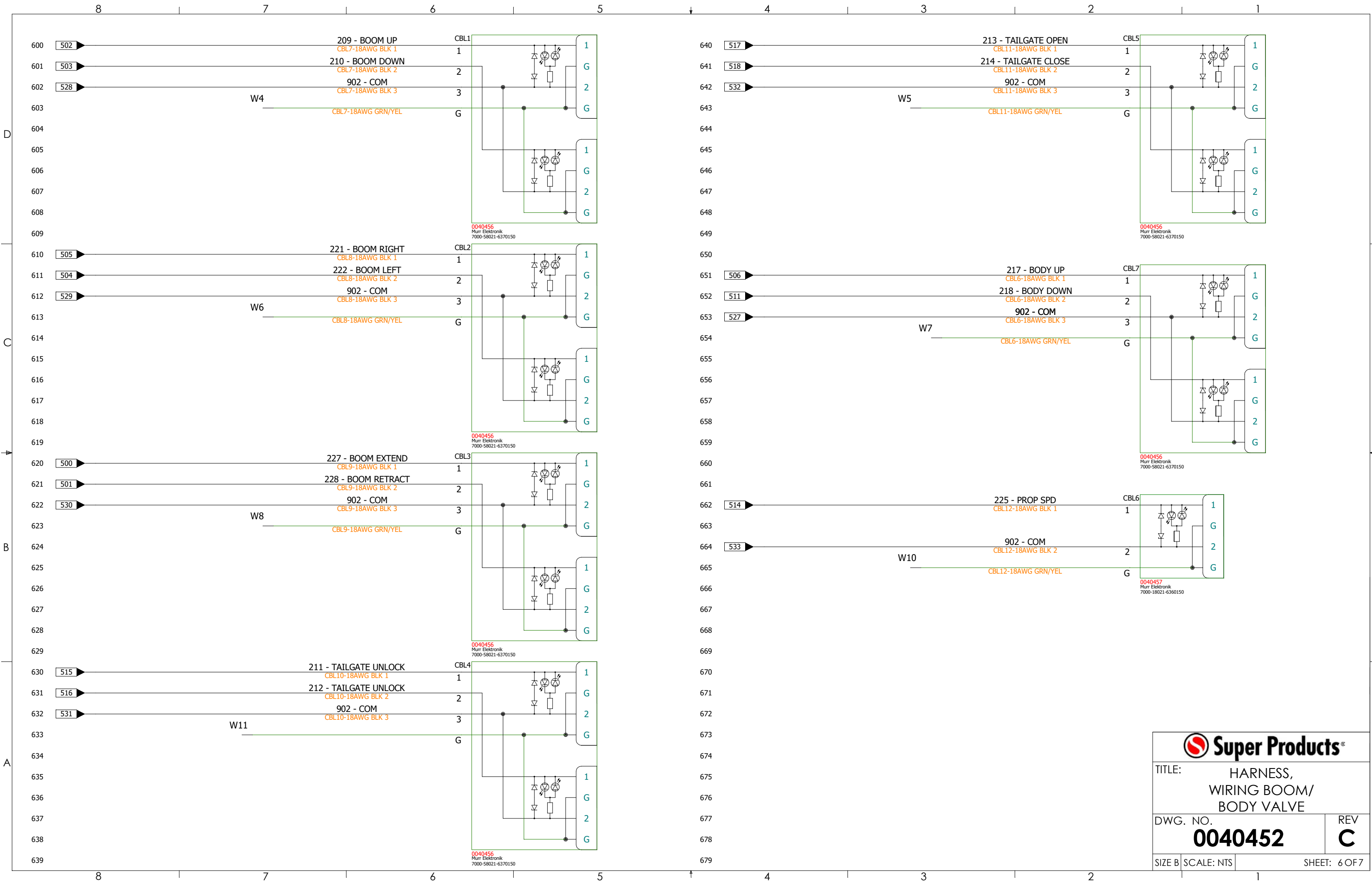
SIZE B SCALE: NTS SHEET: 3 OF 7



TITLE: HARNESS, WIRING BOOM/ BODY VALVE		
DWG. NO. 0040452	REV C	
SIZE B	SCALE: NTS	SHEET: 4 OF 7



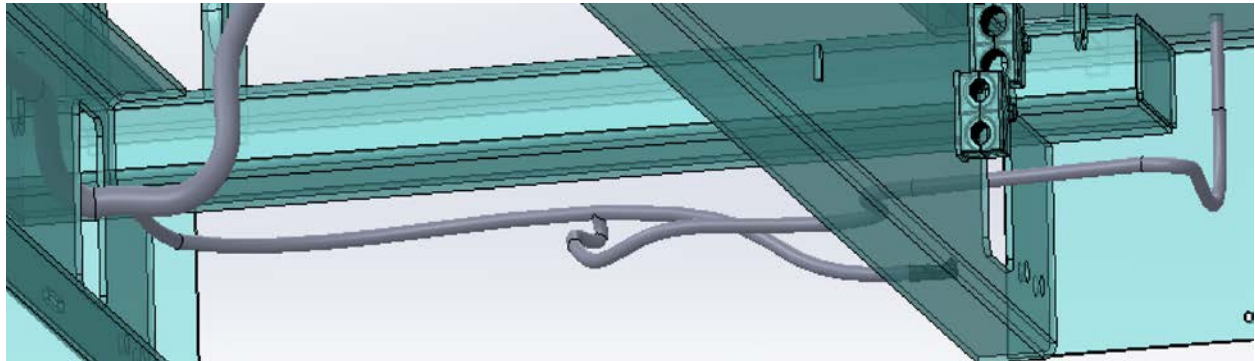
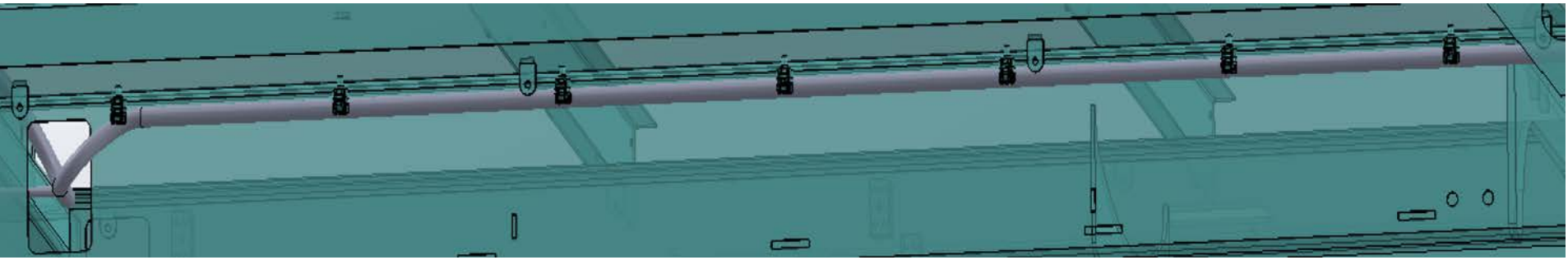
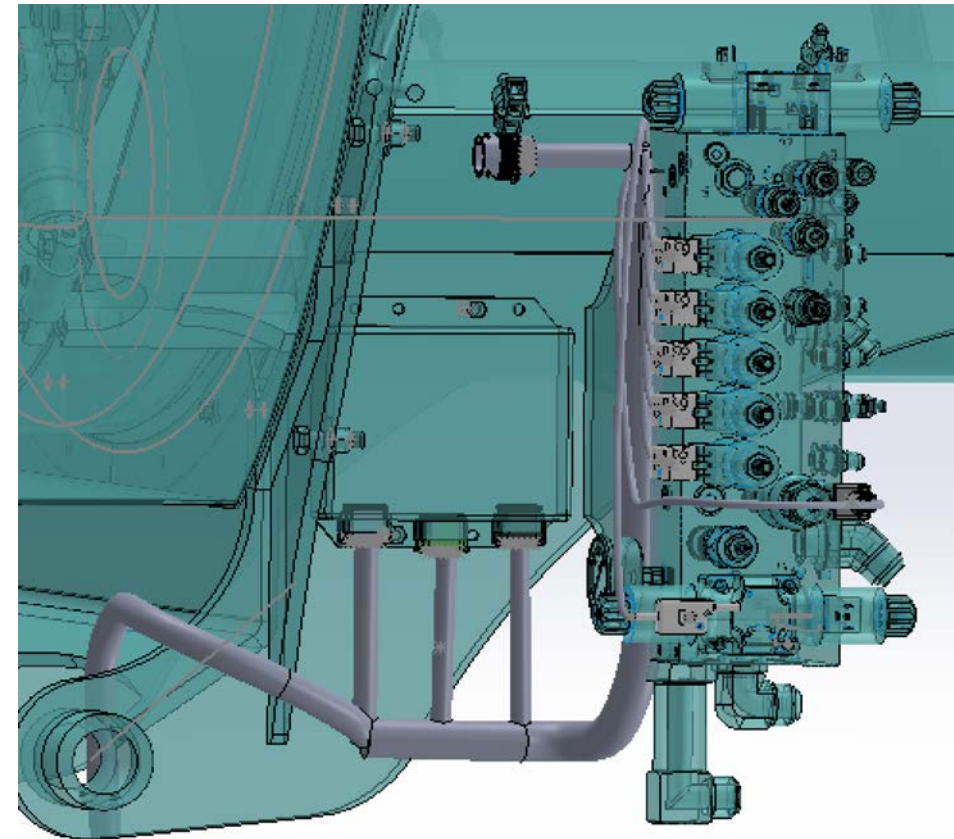
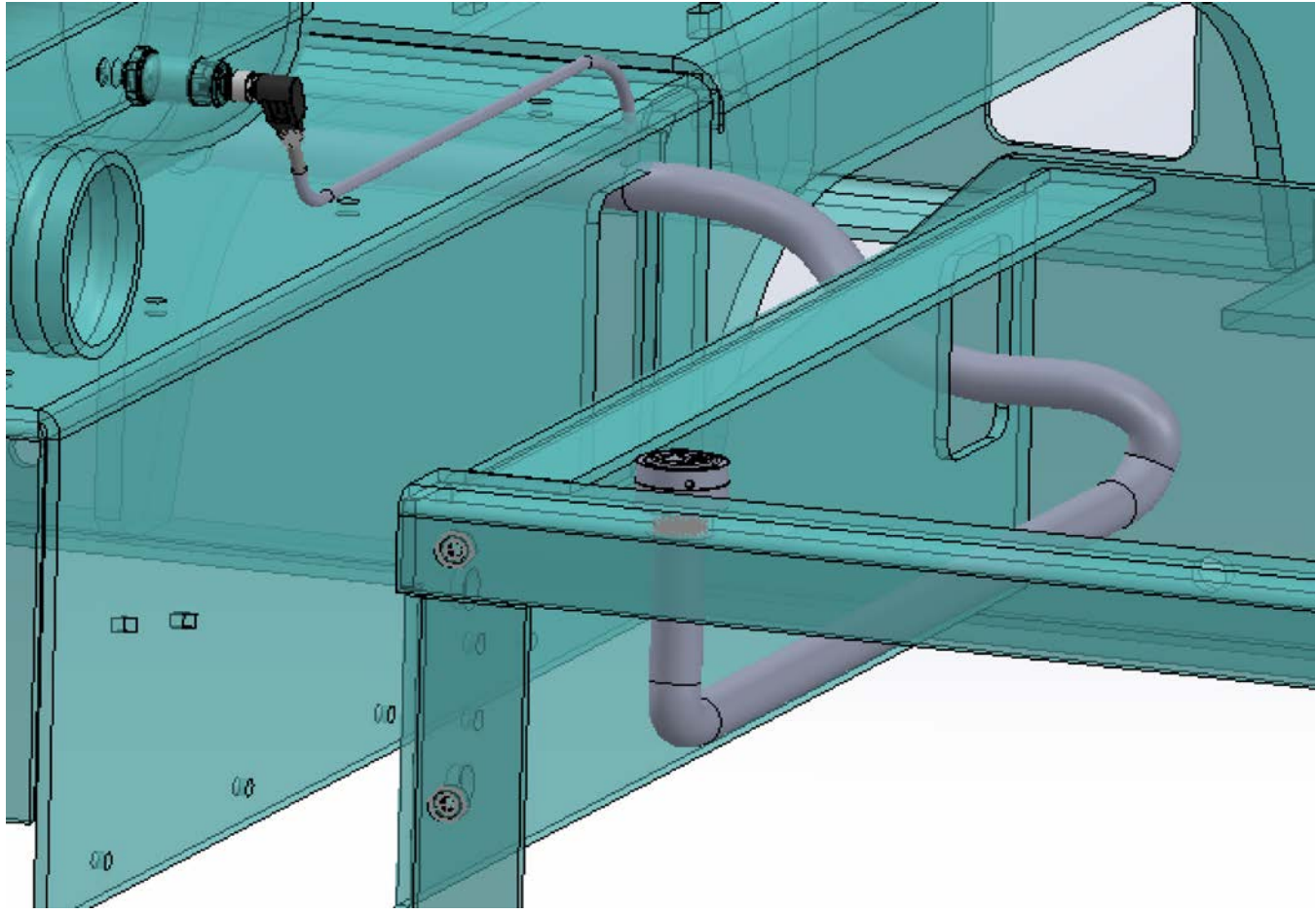
TITLE: HARNESS, WIRING BOOM/ BODY VALVE		
DWG. NO. 0040452		REV C
SIZE B	SCALE: NTS	SHEET: 5 OF 7



TITLE: HARNESS, WIRING BOOM/ BODY VALVE		
DWG. NO. 0040452	REV C	
SIZE B	SCALE: NTS	SHEET: 6 OF 7

8 7 6 5 4 3 2 1

REVISIONS				
REV #	ECO #	DESCRIPTION	DATE	APPR
C	19999		05/07/2022	J. Matel



	NAME	DATE
DRAWN BY	A. Messing	10/15/2020
ENG APPR.	J. Matel	12/10/2020

PROPRIETARY AND CONFIDENTIAL
 THE INFORMATION CONTAINED IN THIS DRAWING IS THE
 SOLE PROPERTY OF SUPER PRODUCTS. ANY REPRODUCTION
 IN PART OR AS A WHOLE WITHOUT THE WRITTEN PERMISSION
 OF SUPER PRODUCTS IS PROHIBITED.

UNLESS OTHERWISE SPECIFIED:
 DIMENSIONS ARE IN INCHES
 TOLERANCES ARE:
 X.X ±0.100
 X.XX ±0.060
 X.XXX ±0.030

Super Products®

TITLE: HARNESS,
 WIRING BOOM/
 BODY VALVE

DWG. NO. **0040452** REV **C**

SIZE B SCALE: NTS SHEET: 7 OF 7

8 7 6 5 4 3 2 1

ITEM	PART NUMBER	DESCRIPTION	MFG	MFG #	QTY	LOCATION
1	5500-01813	2 Way Plug, End Cap	Deutsch	DTM06-2S-E003	1	J1
2	5500-01815	Wedglock for DTM06-2S, B Key	Deutsch	WM-2SB	2	J1, P22
3	5500-01863	Female Socket, Stamped and Formed, Size 20, 16-22AWG	Deutsch	1062-20-0122	2	J1
4	0009639	Backshell for HDP20	Deutsch	M902-2244	1	P22
5	0009640	23 Way Socket	Deutsch	HDP26-24-23SN-L015	1	P22
6	0026656	Female Socket, Size 16, 16-20AWG	Deutsch	0462-201-16141	23	P22

REVISIONS				
REV #	ECO #	DESCRIPTION	DATE	APPR
C	19999	LENGTH CHANGES, 159.0 WAS 147.0. REVISED NOTE 9 TO INCLUDE, "OR BOOT IF APPLICABLE".	05/11/2021	J Matel

Wire List

ITEM	DESCRIPTION	TYPE	QTY (in.)
1	16 AWG BLK	SAE J1128 GXL	AR
2	16 AWG BLK/GRN	SAE J1128 GXL	AR
3	16 AWG BLK/ORG	SAE J1128 GXL	AR
4	16 AWG BLK/RED	SAE J1128 GXL	AR
5	16 AWG BLK/YEL	SAE J1128 GXL	AR
6	16 AWG BLU	SAE J1128 GXL	AR
7	16 AWG GRN	SAE J1128 GXL	AR
8	16 AWG GRN/BLK	SAE J1128 GXL	AR
9	16 AWG ORG	SAE J1128 GXL	AR
10	16 AWG ORG/RED	SAE J1128 GXL	AR
11	16 AWG RED	SAE J1128 GXL	AR
12	16 AWG RED/WHT	SAE J1128 GXL	AR
13	16 AWG WHT	SAE J1128 GXL	AR
14	16 AWG WHT/BLK	SAE J1128 GXL	AR
15	16 AWG WHT/BRN	SAE J1128 GXL	AR
16	16 AWG YEL	SAE J1128 GXL	AR

Cable List

ITEM	PART NUMBER	DESCRIPTION	QTY	Mark
1	5709-00000	CABLE, CAN BUS, J1939	AR	CBL1

NOTES:

- HARNESS LABELS AT ENDS SHALL HAVE WHITE LABEL WITH BLACK TEXT AND LABELED ACCORDING TO CABLE CONNECTION TABLE
- WIRE SHALL BE LABELED ACCORDING TO CABLE CONNECTION TABLE
- PLUG ANY UNUSED CONNECTOR PORTS WITH CORRESPONDING SEALING PLUG
- WIRE TYPE TO BE GXL AUTOMOTIVE, 105°C MINIMUM
- WIRE LOOM TO BE SPLIT NYLON, 120°C MINIMUM, SIZED TO FIT
- WIRE LOOM TO BE TAPED AT ENDS AND AT MAXIMUM EVERY 6 INCHES
- MOLDOVER CORDSETS WITH EXCESSIVE LENGTH SHOULD BE CUT TO FIT AS NEEDED
- MOLDOVER CORDSETS TO BE SPLICED IN HARNESS WITH NO MORE THAN FOUR WIRES PER SPLICE
- KEEP LOOM AND TAPE 3" BACK FROM BACK OF CONNECTORS OR BOOT IF APPLICABLE



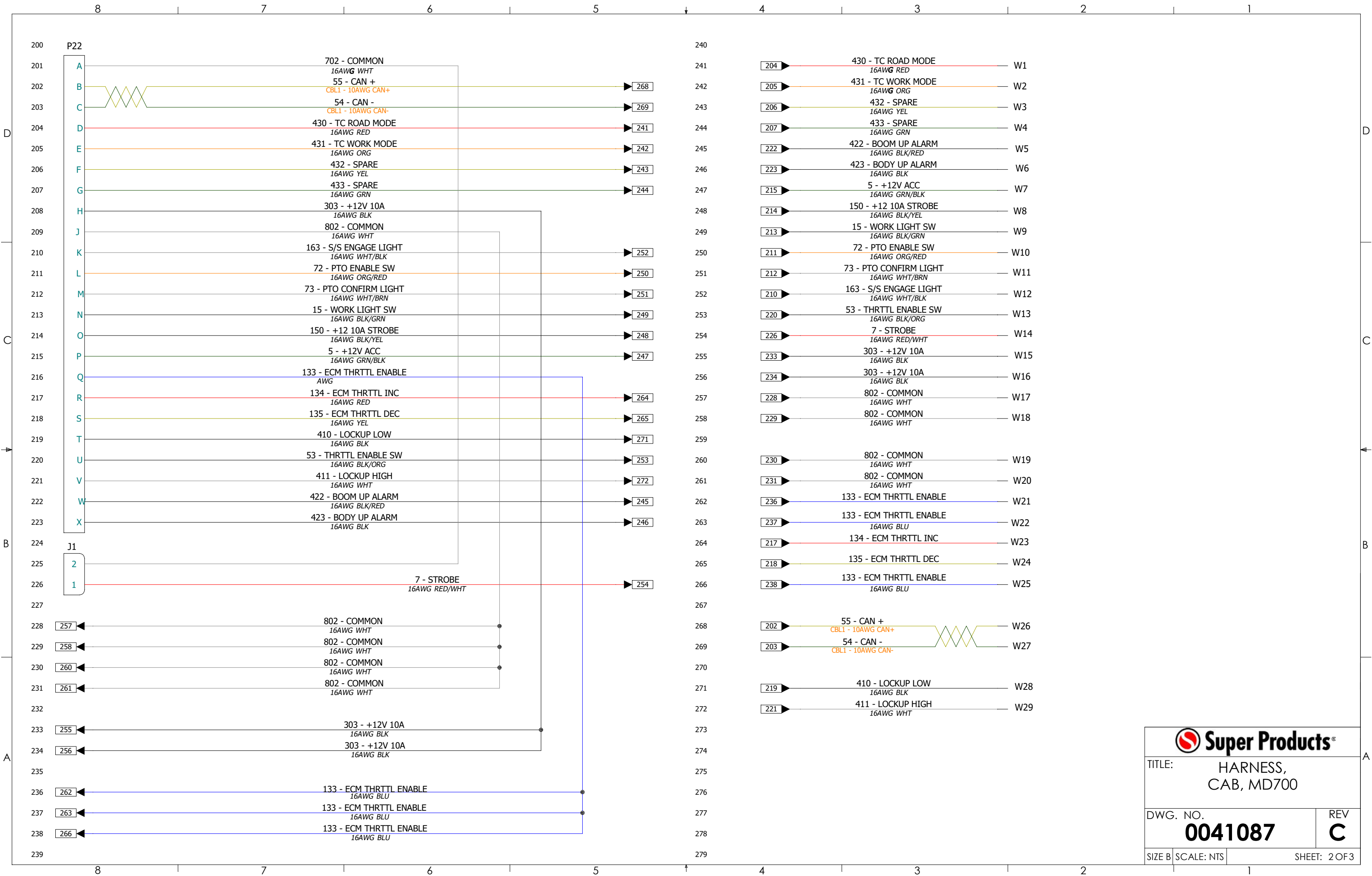
	NAME	DATE
DRAWN BY	A. MESSING	11/13/2020
ENG APPR.	J. Matel	12/08/2020

PROPRIETARY AND CONFIDENTIAL
THE INFORMATION CONTAINED IN THIS DRAWING IS THE SOLE PROPERTY OF SUPER PRODUCTS. ANY REPRODUCTION IN PART OR AS A WHOLE WITHOUT THE WRITTEN PERMISSION OF SUPER PRODUCTS IS PROHIBITED.

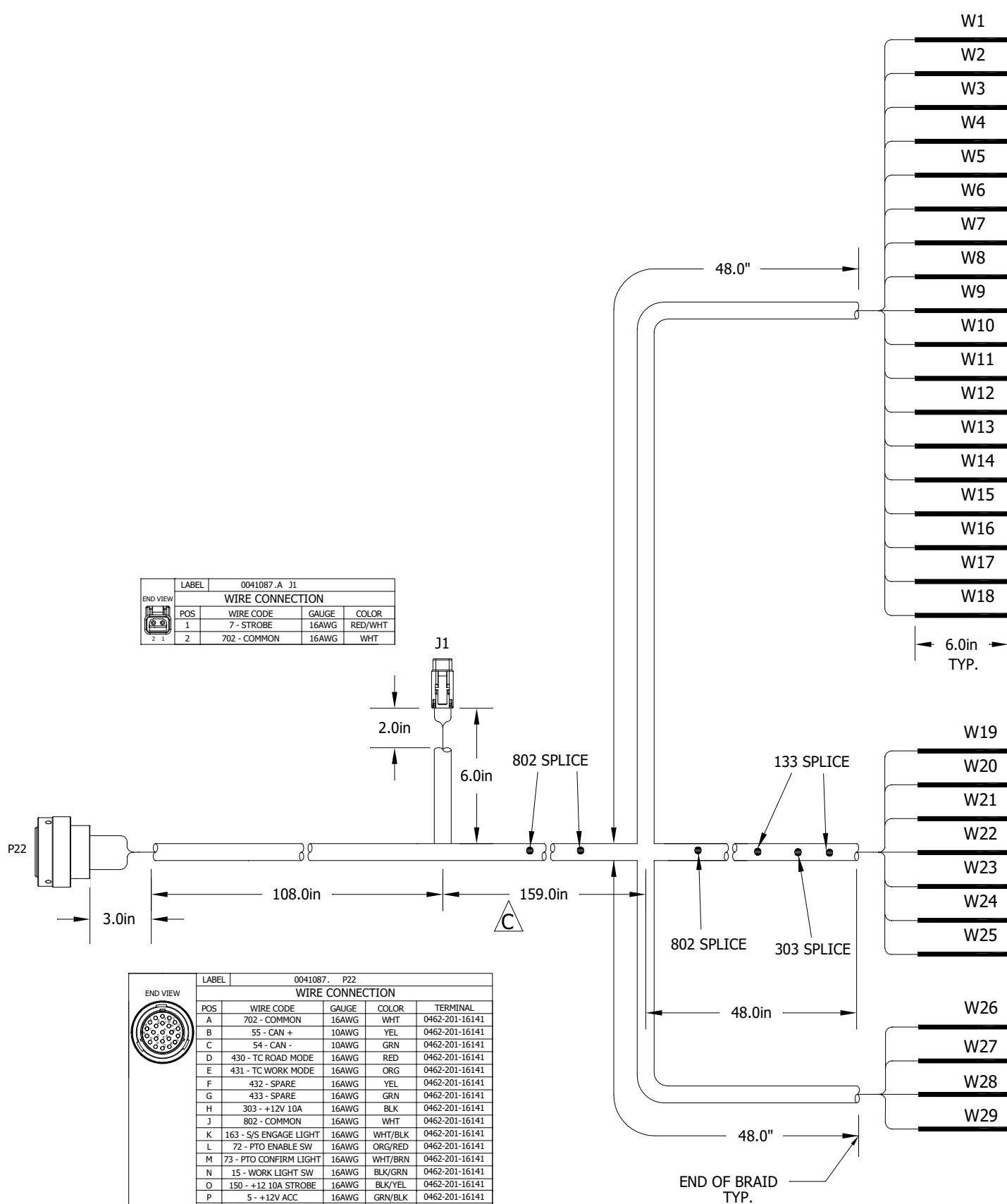
UNLESS OTHERWISE SPECIFIED:
DIMENSIONS ARE IN INCHES
TOLERANCES ARE:
X.X ± 0.100
X.XX ± 0.060
X.XXX ± 0.030



TITLE: HARNESS, CAB, MD700	
DWG. NO. 0041087	REV C
SIZE B	SCALE: NTS
SHEET: 1 OF 3	



TITLE: HARNESS, CAB, MD700		
DWG. NO. 0041087	REV C	
SIZE B	SCALE: NTS	SHEET: 2 OF 3



0041087.A J1				
WIRE CONNECTION				
POS	WIRE CODE	GAUGE	COLOR	
1	7 - STROBE	16AWG	RED/WHT	
2	702 - COMMON	16AWG	WHT	

0041087.P22				
WIRE CONNECTION				
POS	WIRE CODE	GAUGE	COLOR	TERMINAL
A	702 - COMMON	16AWG	WHT	0462-201-16141
B	55 - CAN +	10AWG	YEL	0462-201-16141
C	54 - CAN -	10AWG	GRN	0462-201-16141
D	430 - TC ROAD MODE	16AWG	RED	0462-201-16141
E	431 - TC WORK MODE	16AWG	ORG	0462-201-16141
F	432 - SPARE	16AWG	YEL	0462-201-16141
G	433 - SPARE	16AWG	GRN	0462-201-16141
H	303 - +12V 10A	16AWG	BLK	0462-201-16141
J	802 - COMMON	16AWG	WHT	0462-201-16141
K	163 - S/S ENGAGE LIGHT	16AWG	WHT/BLK	0462-201-16141
L	72 - PTO ENABLE SW	16AWG	ORG/RED	0462-201-16141
M	73 - PTO CONFIRM LIGHT	16AWG	WHT/BRN	0462-201-16141
N	15 - WORK LIGHT SW	16AWG	BLK/GRN	0462-201-16141
O	150 - +12 10A STROBE	16AWG	BLK/YEL	0462-201-16141
P	5 - +12V ACC	16AWG	GRN/BLK	0462-201-16141
Q	133 - ECM THRRTL ENABLE	16AWG	BLU	0462-201-16141
R	134 - ECM THRRTL INC	16AWG	RED	0462-201-16141
S	135 - ECM THRRTL DEC	16AWG	YEL	0462-201-16141
T	410 - LOCKUP LOW	16AWG	BLK	0462-201-16141
U	53 - THRRTL ENABLE SW	16AWG	BLK/ORG	0462-201-16141
V	411 - LOCKUP HIGH	16AWG	WHT	0462-201-16141
W	422 - BOOM UP ALARM	16AWG	BLK/RED	0462-201-16141
X	423 - BODY UP ALARM	16AWG	BLK	0462-201-16141

0041087.A W1			
WIRE CODE	GAUGE	COLOR	
430 - TC ROAD MODE	16AWG	RED	

0041087.A W2			
WIRE CODE	GAUGE	COLOR	
431 - TC WORK MODE	16AWG	ORG	

0041087.A W3			
WIRE CODE	GAUGE	COLOR	
432 - SPARE	16AWG	YEL	

0041087.A W4			
WIRE CODE	GAUGE	COLOR	
433 - SPARE	16AWG	GRN	

0041087.A W5			
WIRE CODE	GAUGE	COLOR	
422 - BOOM UP ALARM	16AWG	BLK/RED	

0041087.A W6			
WIRE CODE	GAUGE	COLOR	
423 - BODY UP ALARM	16AWG	BLK	

0041087.A W7			
WIRE CODE	GAUGE	COLOR	
5 - +12V ACC	16AWG	GRN/BLK	

0041087.A W8			
WIRE CODE	GAUGE	COLOR	
150 - +12 10A STROBE	16AWG	BLK/YEL	

0041087.A W9			
WIRE CODE	GAUGE	COLOR	
15 - WORK LIGHT SW	16AWG	BLK/GRN	

0041087.A W10			
WIRE CODE	GAUGE	COLOR	
72 - PTO ENABLE SW	16AWG	ORG/RED	

0041087.A W11			
WIRE CODE	GAUGE	COLOR	
73 - PTO CONFIRM LIGHT	16AWG	WHT/BRN	

0041087.A W12			
WIRE CODE	GAUGE	COLOR	
163 - S/S ENGAGE LIGHT	16AWG	WHT/BLK	

0041087.A W13			
WIRE CODE	GAUGE	COLOR	
53 - THRRTL ENABLE SW	16AWG	BLK/ORG	

0041087.A W14			
WIRE CODE	GAUGE	COLOR	
7 - STROBE	16AWG	RED/WHT	

0041087.A W15			
WIRE CODE	GAUGE	COLOR	
303 - +12V 10A	16AWG	BLK	

0041087.A W16			
WIRE CODE	GAUGE	COLOR	
303 - +12V 10A	16AWG	BLK	

0041087.A W17			
WIRE CODE	GAUGE	COLOR	
802 - COMMON	16AWG	WHT	

0041087.A W18			
WIRE CODE	GAUGE	COLOR	
802 - COMMON	16AWG	WHT	

0041087.A W19			
WIRE CODE	GAUGE	COLOR	
802 - COMMON	16AWG	WHT	

0041087.A W20			
WIRE CODE	GAUGE	COLOR	
802 - COMMON	16AWG	WHT	

0041087.A W21			
WIRE CODE	GAUGE	COLOR	
133 - ECM THRRTL ENABLE	16AWG	BLU	

0041087.A W22			
WIRE CODE	GAUGE	COLOR	
133 - ECM THRRTL ENABLE	16AWG	BLU	

0041087.A W23			
WIRE CODE	GAUGE	COLOR	
134 - ECM THRRTL INC	16AWG	RED	

0041087.A W24			
WIRE CODE	GAUGE	COLOR	
135 - ECM THRRTL DEC	16AWG	YEL	

0041087.A W25			
WIRE CODE	GAUGE	COLOR	
133 - ECM THRRTL ENABLE	16AWG	BLU	

0041087.A W26			
WIRE CODE	GAUGE	COLOR	
55 - CAN +	10AWG	YEL	

0041087.A W27			
WIRE CODE	GAUGE	COLOR	
54 - CAN -	10AWG	GRN	

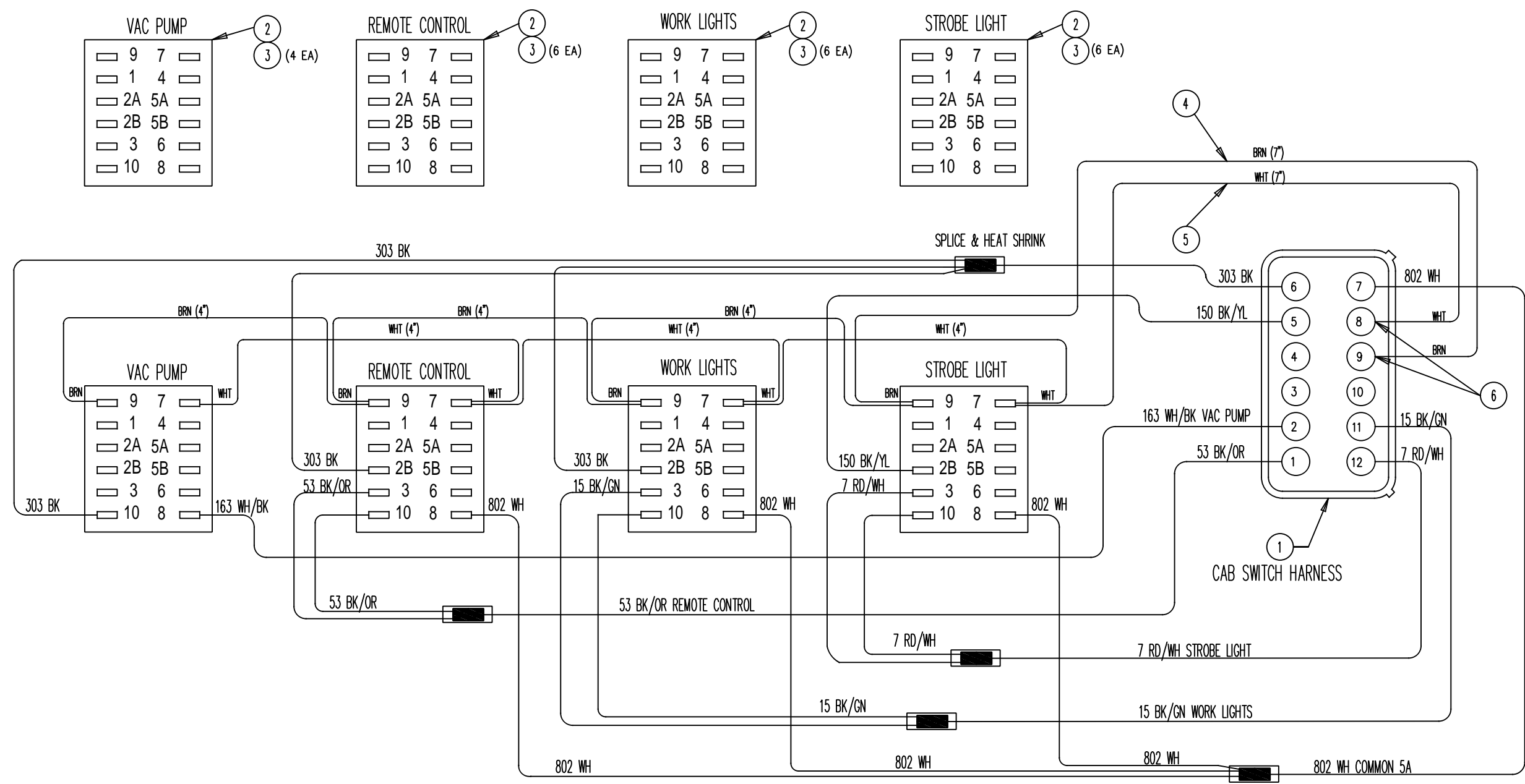
0041087.A W28			
WIRE CODE	GAUGE	COLOR	
410 - LOCKUP LOW	16AWG	BLK	

0041087.A W29			
WIRE CODE	GAUGE	COLOR	
411 - LOCKUP HIGH	16AWG	WHT	

Super Products
 TITLE: HARNESS, CAB, MD700
 DWG. NO. **0041087** REV **C**
 SIZE B SCALE: NTS SHEET: 3 OF 3

ITEM NO.	PART NUMBER	DESCRIPTION	Qty
1	0031527	HARNESS, CAB, MUD DOG	1
2	5500-03224	CONNECTOR, ROCKER EATON: #28-5940	4
3	5500-01332	TERMINAL, FEMALE DISC TE Connectivity 42238-2	22
4	5662-00000	WIRE, MTW, 18 AWG, BRN	19"
5	5670-00000	WIRE, MTW, 18 AWG, WHT	19"
6	5500-01621	CONTACT, SOCKET, SOLID #16 DEUTSCH #0462-209-16141	2

REVISIONS				
REV #	ECD #	DESCRIPTION	DATE	APPR
		INITIAL RELEASE		



NOTES:
1. LABEL ITEM 2 TO ITS FUNCTION.

NAME		DATE		SUPER PRODUCTS TRUCK MOUNTED VACUUM EQUIPMENT	
DRAWN BY: S.DUANGPHACHANH		12/27/2017			
ENG APPR: S.IDING		12/27/2017			
MFG APPR:				TITLE: HARNESS, CAB SWITCH, MD	
MATERIAL: UNLESS OTHERWISE SPECIFIED: DIMENSIONS ARE IN INCHES TOLERANCES ARE: XX ± 0.100 XXX ± 0.060 X.XXX ± 0.030 ANGULAR: MACH ± 1° BEND ± 2° INTERPRET GEOMETRIC TOLERANCING PER: ASME Y14.5				DWG. NO. 0033144	
				REV A	
SIZE B	SCALE:	WEIGHT:	SHEET 1 OF 1		

PROPRIETARY AND CONFIDENTIAL
THE INFORMATION CONTAINED IN THIS DRAWING IS THE
SOLE PROPERTY OF SUPER PRODUCTS. ANY
REPRODUCTION IN PART OR AS A WHOLE WITHOUT THE
WRITTEN PERMISSION OF SUPER PRODUCTS IS
PROHIBITED.

ITEM	PART NUMBER	DESCRIPTION	MFG	MFG #	QTY	LOCATION
1	0002523	Lock Washer, For Plastic Panel Nut, Size 24 Shell	Deutsch	2414-001-2486	1	J21
2	0002563	Panel Nut, Plastic, Size 24 Shell	Deutsch	2411-001-2405	1	J21
3	5500-00468	Female Quick Connect Terminal, 14-16AWG, 0.250 tab	Panduit	DNF14-250FIB	22	X158, X76, X202A-7, X152, X156, X203A-2, X157, X59, X202A-2, X203A-3, X47, X202G, X139, X202A-3, X138, X202A-4, X137, X202A-5, X136, X202A-6, X151, X203A-1
4	5500-01306	Male Pin, Size 8, 8-10AWG	Deutsch	0460-204-08141	2	J20
5	5500-01331	Relay Connector, Harness Mount	Bosch	3334485007	1	R5
6	5500-01332	Female Relay Terminal, 14-18AWG, 0.250 tab	TE Connectivity	42238-2	4	R5
7	5500-01430	Plug-In Relay, Mini, V23234-A1001-X036	TE Connectivity	3-1904022-2	1	R5
8	5500-01619	Male Pin, Size 16, 14AWG	Deutsch	0460-215-16141	21	J9, J18, J20, J17
9	5500-01621	Female Socket, Size 16, 14AWG	Deutsch	0462-209-16141	5	P11
10	5500-01622	Sealing Plug, 12-16AWG	Deutsch	114017	63	P11, J20, J21, J18, J71, P15, P16, J17, P12, P1, P2, P4, P3, P5, P6, P7, J9
11	5500-01703	Male Pin, Size 12, 12-14AWG	Deutsch	0460-204-12141	3	J14, J21
12	5500-01704	Female Socket, Size 12, 12-14AWG	Deutsch	0462-203-12141	7	P13, P11, P10
13	5500-01710	6 Way Plug	Deutsch	DT06-6S	1	P6
14	5500-01712	12 Way Plug (Polarization A)	Deutsch	DT06-12SA	2	P5, P16
15	5500-01713	12 Way Plug, (Polarization B)	Deutsch	DT06-12SB	2	P15, P1
16	5500-01714	12 Way Plug (Polarization C)	Deutsch	DT06-12SC	1	P2
17	5500-01715	12 Way Plug (Polarization D)	Deutsch	DT06-12SD	1	P3
18	5500-01792	Wedgelock for DT06-4S	Deutsch	W4S	1	P7
19	5500-01793	Wedgelock for DT06-6S	Deutsch	W6S	1	P6
20	5500-01794	Wedgelock for DT06-08SA	Deutsch	W8S	1	P4
21	5500-01795	Wedgelock for DT06-12S	Deutsch	W12S	6	P1, P5, P3, P2, P15, P16
22	5500-01858	12 way plug (Polarization A)	Deutsch	DTM06-12SA	1	P58
23	5500-01935	2 Way Receptacle	Deutsch	DT04-2P	1	J70
24	5500-01936	Wedgelock for DT04-2P	Deutsch	W2P	1	J70
25	5500-03040	Female Socket, Size 20, 16-18AWG	Deutsch	0462-005-20141	8	P58, P59
26	0006070	23 Way Plug	Deutsch	HDP26-24-23SN	1	P12
27	0009653	9 way plug, Breakaway, Cavities 4 and 5 internally connected	Deutsch	HDB36-24-91SN	1	P10
28	0026547	Male Pin, Size 16, 16-20AWG	Deutsch	0460-202-16141	42	J21, J22, J70, J71
29	0026656	Female Socket, Size 16, 16-20AWG	Deutsch	0462-201-16141	75	P11, P15, P16, P4, P12, P5, P6, P3, P10, P1, P2
30	0026658	Sealing Plug, Size 20	Deutsch	0413-204-2005	14	P58, P59
31	0030593	Male Pin, Size 16, 16-20AWG, Gold	Deutsch	0460-202-1631	2	J22
32	0030635	Wedgelock for DT04-6P	Deutsch	W6P	1	J71
33	0031847	12 way plug (Polarization B)	Deutsch	DTM06-12SB	1	P59
34	0031849	Wedgelock for DTM06-12SA	Deutsch	WM-12S	2	P59, P58
35	0031868	Female Socket, Size 8, 8-10 AWG	Deutsch	0462-203-08141	2	P10
36	0032403	Female Socket, Size 16, 16-20AWG, Gold	Deutsch	0462-201-1631	6	P11, P12, P7
37	0033552	Female Socket, Size 20, 16-18AWG, Gold	Deutsch	0462-005-2031	2	P59
38	0036708	4 Way Plug	Deutsch	DT06-4S	1	P7
39	0036717	6 Way Receptacle	Deutsch	DT04-6P	1	J71
40	0036720	8 Way Plug	Deutsch	DT06-08SA	1	P4
41	0036744	1 Way Receptacle, circular	Deutsch	DTHD04-1-12P	1	J14

REVISIONS				
REV #	ECO #	DESCRIPTION	DATE	APPR
C	19999	SHEET 6, 13, 14 CHANGES: ADDED WIRING FOR VIBRATOR AND CABINET HEATER	7/23/2021	J Matel

ITEM	PART NUMBER	DESCRIPTION	MFG	MFG #	QTY	LOCATION
42	0036745	1 Way Plug, circular	Deutsch	DTHD06-1-12S	1	P13
43	0036752	9 Way receptacle	Deutsch	HD34-24-91PN	1	J20
44	0036753	19 Way Receptacle, Plastic, Inline mount, N seal	Deutsch	HDP26-24-19SN	1	P11
45	0036755	23 Way Plug, N Seal	Deutsch	HDP24-24-23PN	1	J22
46	0036758	9 Way Receptacle, Panel nut mount	Deutsch	HD10-9-96P-B025	2	J18, J17
47	0036785	21 Way Receptacle, Plastic, Flange/inline mount, normal sized seal	Deutsch	HDP24-24-21PN	1	J21
48	0037004	Panel Nut, Metal, Size 24 Shell	Deutsch	112263-90	2	J22, J20
49	0037005	Lock Washer, For Metal Panel Nut, Size 24 Shell	Deutsch	112264	2	J20, J22
50	0037290	Wire Ferrule, 16AWG	Panduit	FSD78-8-D	3	X430, X431, X202E
51	0038183	Panel Nut, Plastic, Size 18 Shell	Deutsch	2411-002-1805	2	J17, J18
52	0038184	Lock Washer, For Plastic Panel Nut, Size 18 Shell	Deutsch	2414-002-1886	2	J18, J17
53	0041077	8 Way Receptacle, Flange Mnt	Deutsch	DT04-08PA-L012	1	J9
54	0041254	Wedgelock for DT04-08PA	Deutsch	W8P	1	J9
55	0041256	Male Pin, Size 16, 16-20AWG	Deutsch	0460-247-16141	2	J9

NOTES:

- HARNESS LABELS AT ENDS SHALL HAVE WHITE LABEL WITH BLACK TEXT AND LABELED ACCORDING TO CABLE CONNECTION TABLE
- WIRE SHALL BE LABELED ACCORDING TO CABLE CONNECTION TABLE
- PLUG ANY UNUSED CONNECTOR PORTS WITH CORRESPONDING SEALING PLUG
- WIRE TYPE TO BE GXL AUTOMOTIVE, 105°C MINIMUM
- WIRE LOOM TO BE SPLIT NYLON, 120°C MINIMUM, SIZED TO FIT
- WIRE LOOM TO BE TAPED AT ENDS AND AT MAXIMUM EVERY 6 INCHES
- MOLDOVER CORDSETS WITH EXCESSIVE LENGTH SHOULD BE CUT TO FIT AS NEEDED
- MOLDOVER CORDSETS TO BE SPLICED IN HARNESS WITH NO MORE THAN FOUR WIRES PER SPLICE
- KEEP LOOM AND TAPE 3" BACK FROM BACK OF CONNECTORS OR BOOT IF APPLICABLE

	NAME	DATE
DRAWN BY	A Messing	11/30/2020
ENG APPR.	J Matel	12/17/2020

PROPRIETARY AND CONFIDENTIAL
THE INFORMATION CONTAINED IN THIS DRAWING IS THE SOLE PROPERTY OF SUPER PRODUCTS. ANY REPRODUCTION IN PART OR AS A WHOLE WITHOUT THE WRITTEN PERMISSION OF SUPER PRODUCTS IS PROHIBITED.

UNLESS OTHERWISE SPECIFIED:
DIMENSIONS ARE IN INCHES
TOLERANCES ARE:
X.X ± 0.100
X.XX ± 0.060
X.XXX ± 0.030



TITLE: HARNESS, CABINET, MD700

DWG. NO. **0039843** REV **C**

SIZE B SCALE: NTS SHEET: 1 OF 14

Wire List

ITEM	DESCRIPTION	TYPE	QTY (in.)
1	14 AWG ORG	SAE J1128 GXL	0
2	14 AWG WHT	SAE J1128 GXL	0
3	16 AWG BLK	SAE J1128 GXL	0
4	16 AWG BLK/BRN	SAE J1128 GXL	0
5	16 AWG BLK/RED	SAE J1128 GXL	0
6	16 AWG GRN	SAE J1128 GXL	0
7	16 AWG RED	SAE J1128 GXL	0
8	16 AWG WHT	SAE J1128 GXL	0
9	CANBUS 19 AWG		0

-> Wire List

ITEM	DESCRIPTION	TYPE	QTY (in.)
33	16 AWG VIO	SAE J1128 GXL	0
34	16 AWG WHT	SAE J1128 GXL	0
35	16 AWG WHT/BLK	SAE J1128 GXL	0
36	16 AWG WHT/BLU	SAE J1128 GXL	0
37	16 AWG WHT/BRN	SAE J1128 GXL	0
38	16 AWG WHT/RED	SAE J1128 GXL	0
39	16 AWG YEL	SAE J1128 GXL	0
40	16 AWG YEL/BLK	SAE J1128 GXL	0
41	16 AWG YEL/BLU	SAE J1128 GXL	0
42	16 AWG YEL/RED	SAE J1128 GXL	0
43	CANBUS 19 AWG		0

Wire List

ITEM	DESCRIPTION	TYPE	QTY (in.)
1	8 AWG BLK	SAE J1128 GXL	0
2	8 AWG WHT	SAE J1128 GXL	0
3	12 AWG RED	SAE J1128 GXL	0
4	12 AWG RED/BLK	SAE J1128 GXL	0
5	12 AWG WHT	SAE J1128 GXL	0
6	14 AWG BLK	SAE J1128 GXL	0
7	14 AWG PNK	SAE J1128 GXL	0
8	14 AWG WHT	SAE J1128 GXL	0
9	16 AWG BLK	SAE J1128 GXL	0
10	16 AWG BLK/GRN	SAE J1128 GXL	0
11	16 AWG BLK/ORG	SAE J1128 GXL	0
12	16 AWG BLK/RED	SAE J1128 GXL	0
13	16 AWG BLK/YEL	SAE J1128 GXL	0
14	16 AWG BLU	SAE J1128 GXL	0
15	16 AWG BLU/RED	SAE J1128 GXL	0
16	16 AWG BLU/WHT	SAE J1128 GXL	0
17	16 AWG BLU/YEL	SAE J1128 GXL	0
18	16 AWG BRN/WHT	SAE J1128 GXL	0
19	16 AWG GRN	SAE J1128 GXL	0
20	16 AWG GRN/BLK	SAE J1128 GXL	0
21	16 AWG GRY	SAE J1128 GXL	0
22	16 AWG GRY/BLK	SAE J1128 GXL	0
23	16 AWG ORG	SAE J1128 GXL	0
24	16 AWG ORG/RED	SAE J1128 GXL	0
25	16 AWG ORG/WHT	SAE J1128 GXL	0
26	16 AWG ORG/YEL	SAE J1128 GXL	0
27	16 AWG RED	SAE J1128 GXL	0
28	16 AWG RED/GRN	SAE J1128 GXL	0
29	16 AWG RED/WHT	SAE J1128 GXL	0
30	16 AWG RED/YEL	SAE J1128 GXL	0
31	16 AWG TAN	SAE J1128 GXL	0
32	16 AWG TAN/BLK	SAE J1128 GXL	0


ITEM	DESCRIPTION	QTY	Mark
1	2019D0309	AR	CBL1
2	2019D0309	AR	CBL2
3	2019D0309	AR	CBL3
4	2019D0309	AR	CBL4
5	2019D0309	AR	CBL5
6	2019D0309	AR	CBL6
7	2019D0309	AR	CBL7

REVISIONS				
REV #	ECO #	DESCRIPTION	DATE	APPR
C	19999		7/23/2021	J Matel

	NAME	DATE
DRAWN BY	A Messing	11/30/2020
ENG APPR.	J Matel	12/17/2020

PROPRIETARY AND CONFIDENTIAL
 THE INFORMATION CONTAINED IN THIS DRAWING IS THE
 SOLE PROPERTY OF SUPER PRODUCTS. ANY REPRODUCTION
 IN PART OR AS A WHOLE WITHOUT THE WRITTEN PERMISSION
 OF SUPER PRODUCTS IS PROHIBITED.

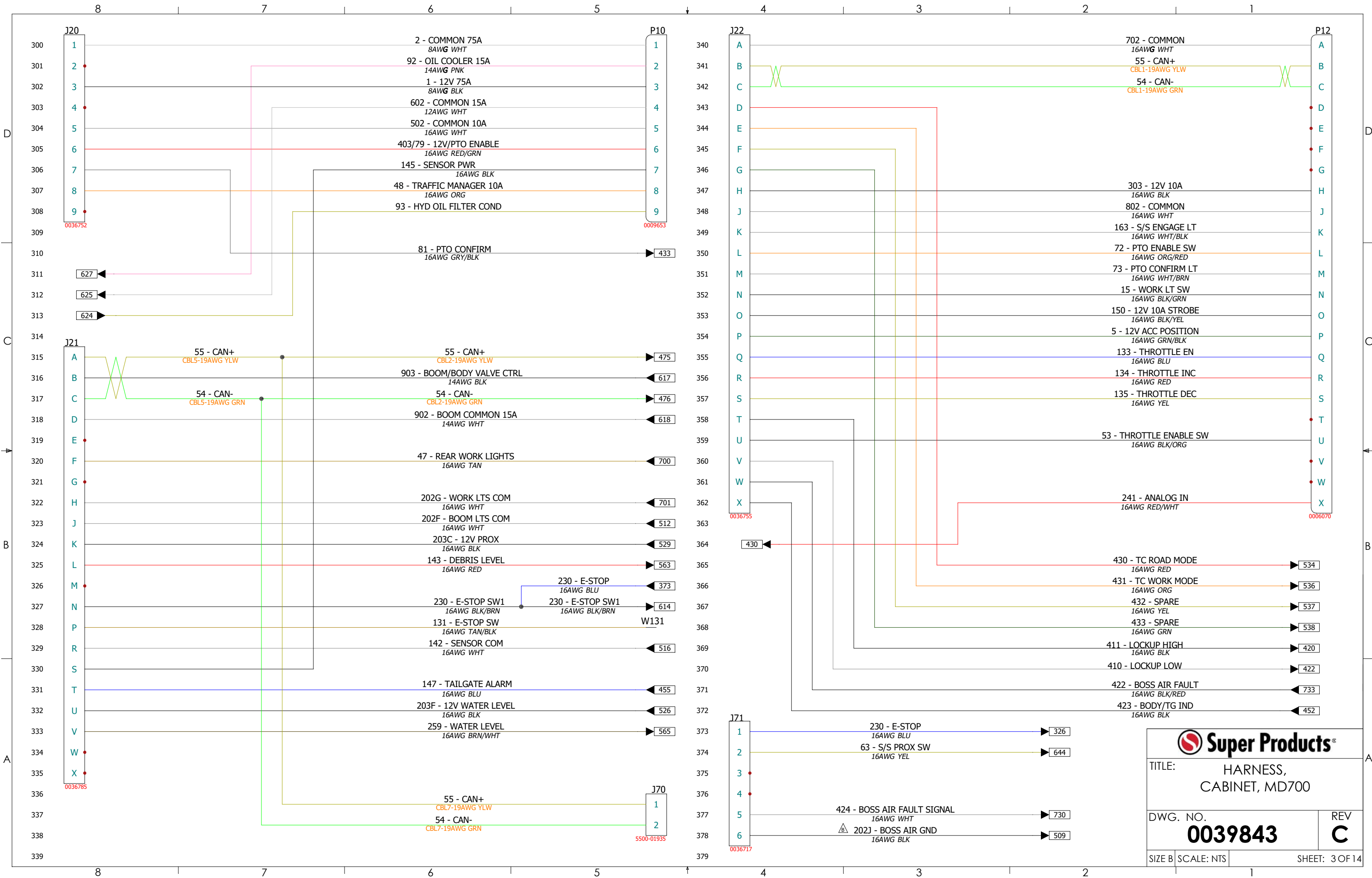
UNLESS OTHERWISE SPECIFIED:
 DIMENSIONS ARE IN INCHES
 TOLERANCES ARE:
 X.X ± 0.100
 X.XX ± 0.060
 X.XXX ± 0.030

 **Super Products®**

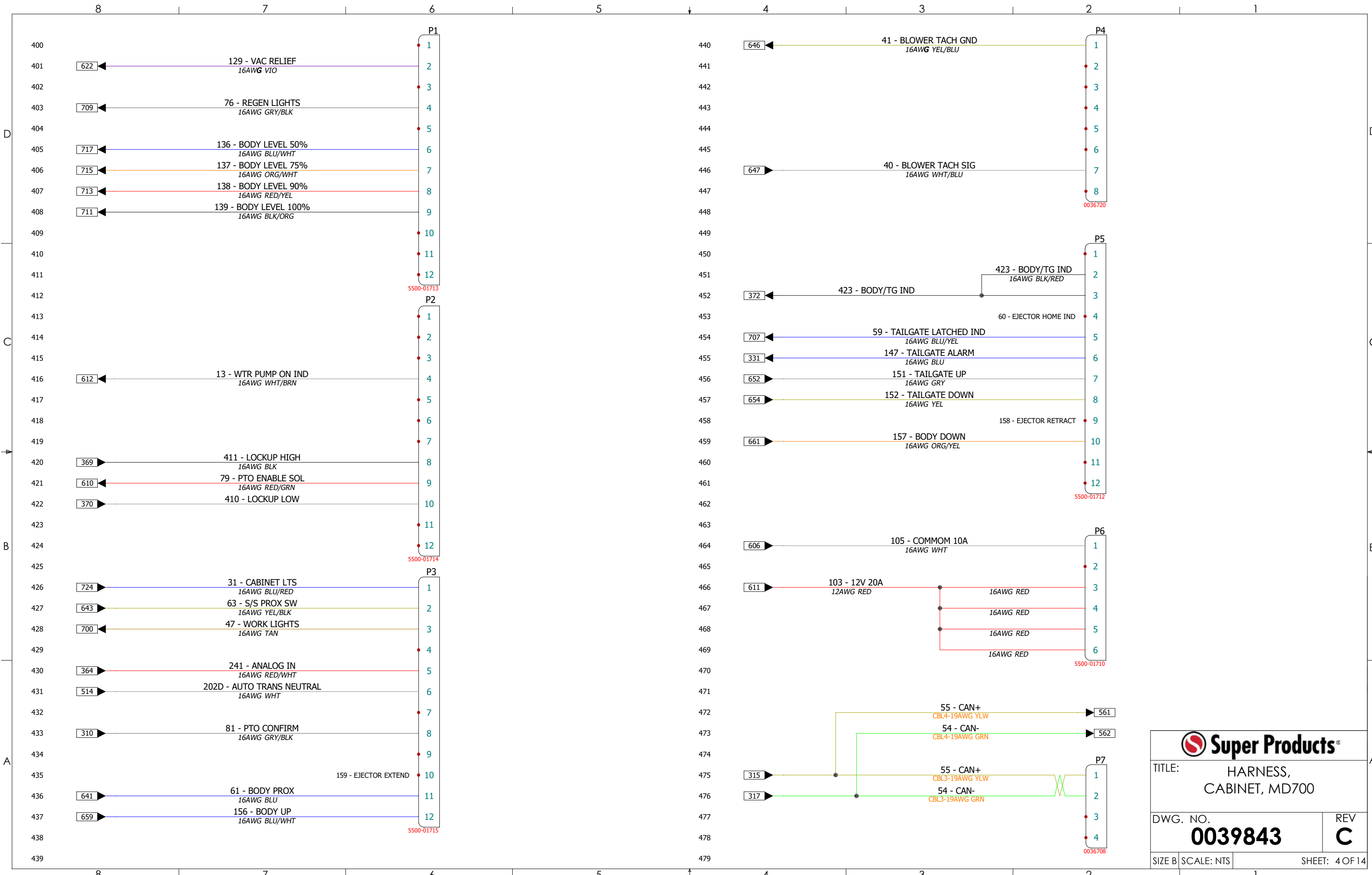
TITLE: HARNESS,
CABINET, MD700

DWG. NO. **0039843** REV **C**

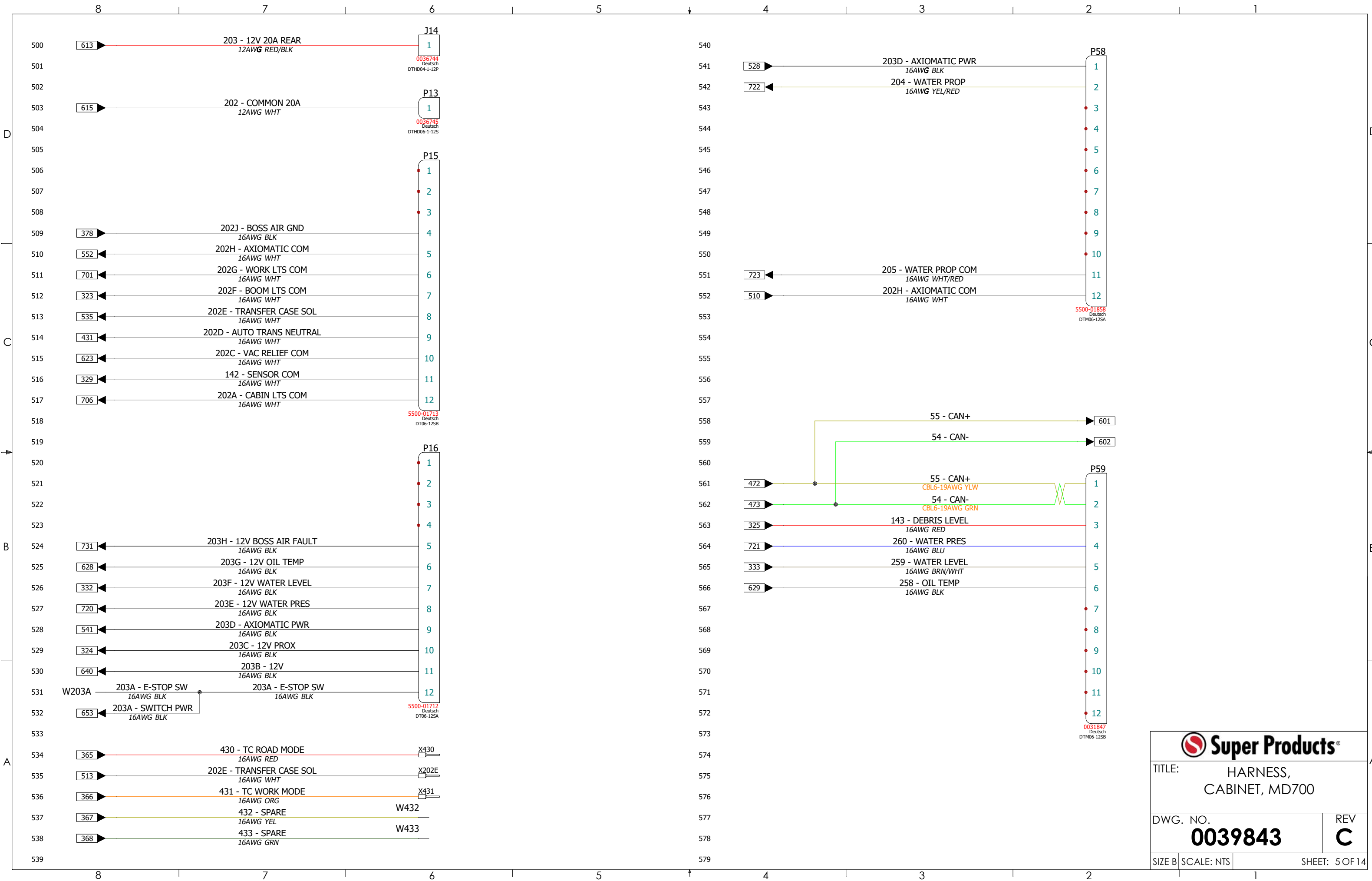
SIZE B SCALE: NTS SHEET: 2 OF 14



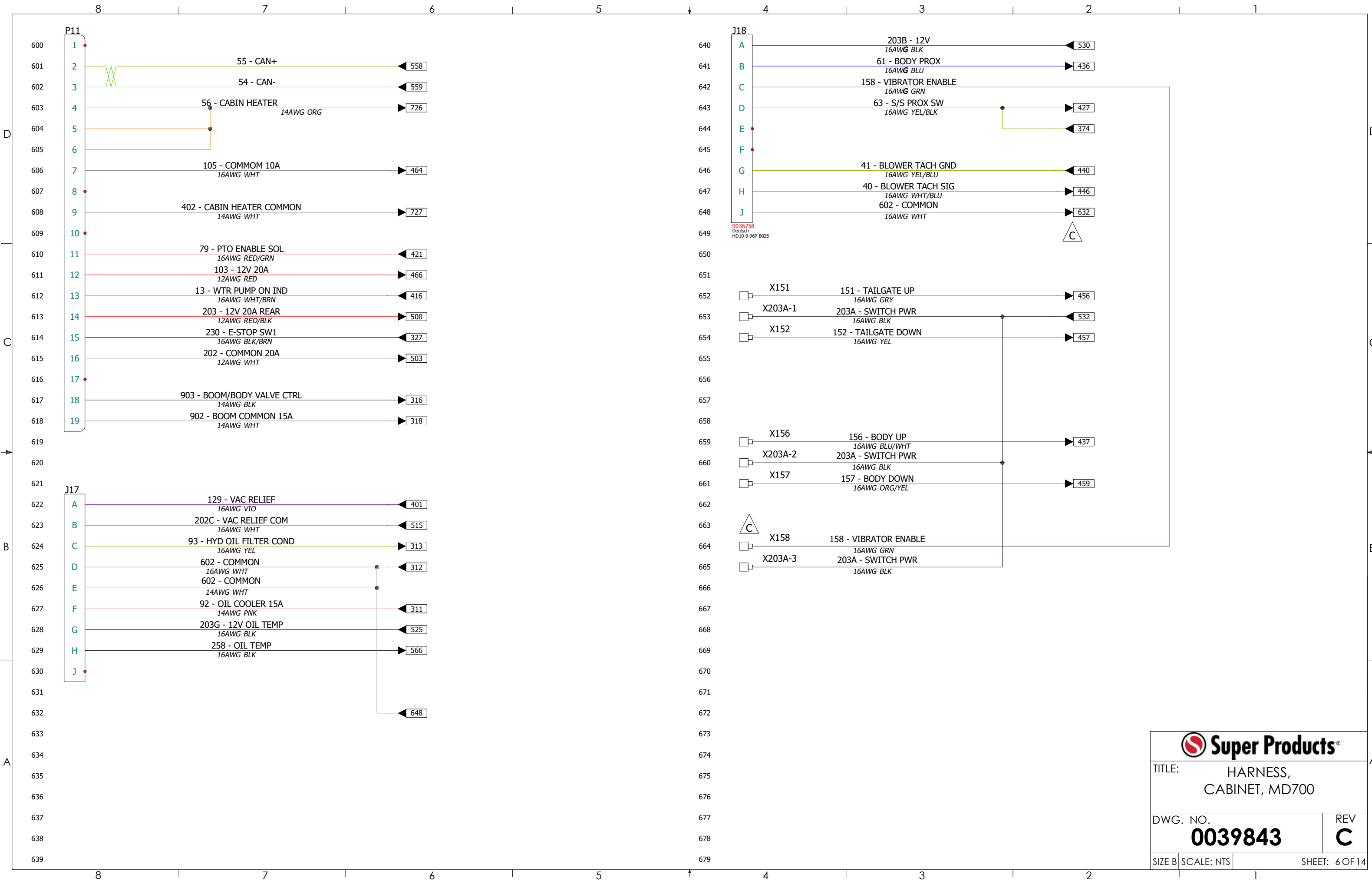
Super Products
 TITLE: HARNESS, CABINET, MD700
 DWG. NO. **0039843** REV **C**
 SIZE B SCALE: NTS SHEET: 3 OF 14



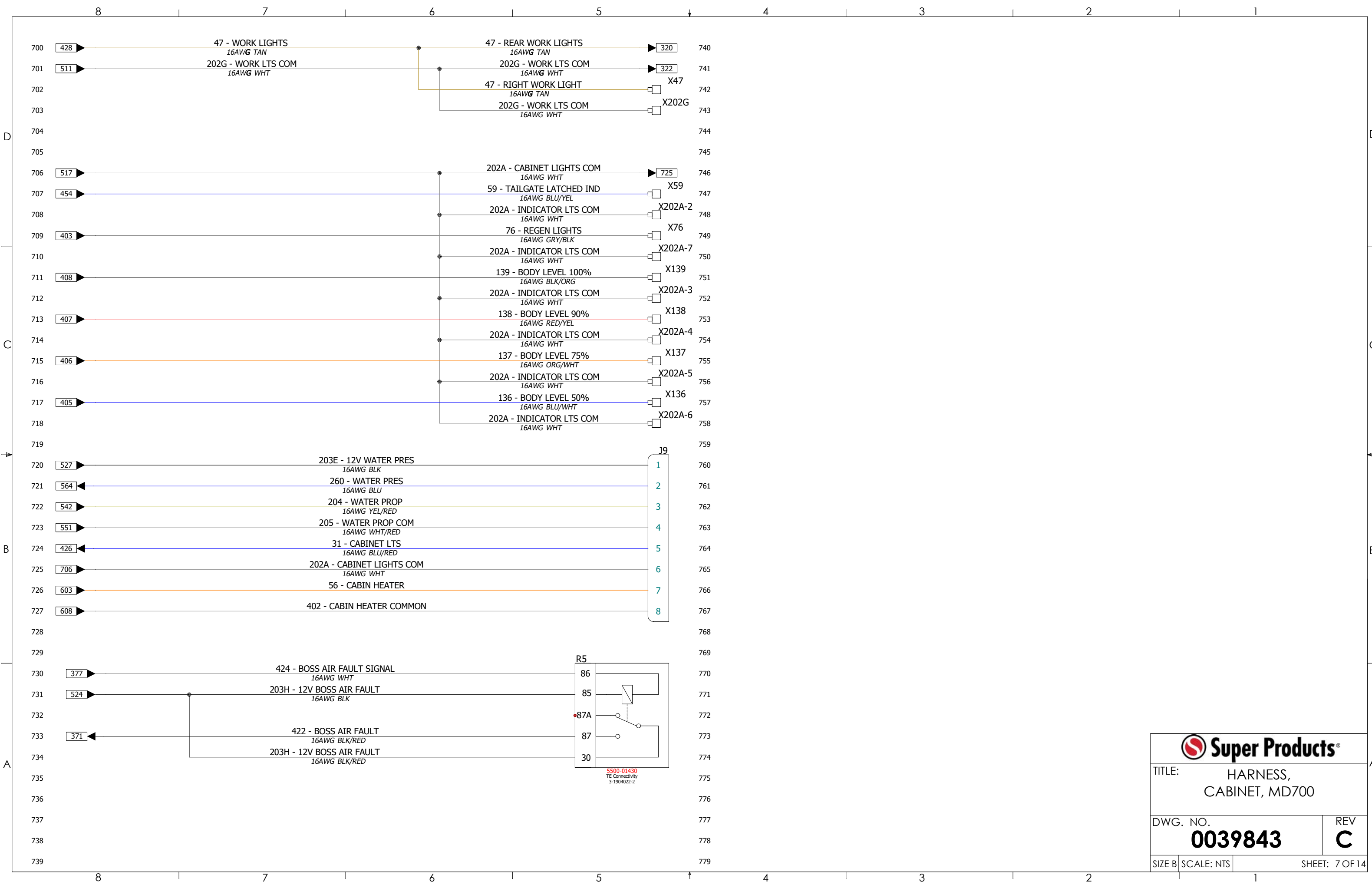
Super Products
 TITLE: HARNESS, CABINET, MD700
 DWG. NO. **0039843** REV **C**
 SIZE B SCALE: NTS SHEET: 4 OF 14



TITLE: HARNESS, CABINET, MD700		
DWG. NO. 0039843	REV C	
SIZE B	SCALE: NTS	SHEET: 5 OF 14



TITLE: HARNESS, CABINET, MD700		
DWG. NO. 0039843	REV C	
SIZE B	SCALE: NTS	SHEET: 6 OF 14



Super Products[®]

TITLE: HARNESS,
CABINET, MD700

DWG. NO. **0039843** REV **C**

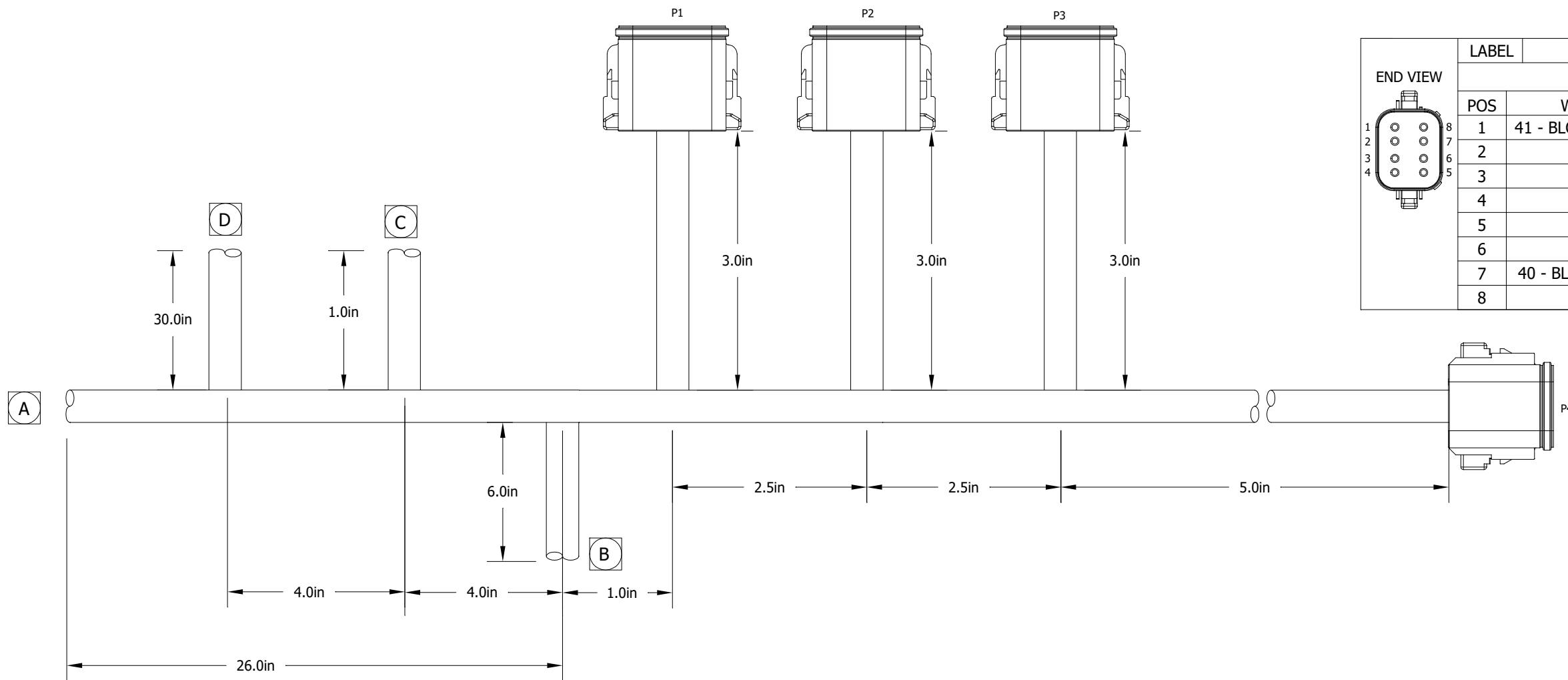
SIZE B SCALE: NTS SHEET: 7 OF 14

DETAIL A

END VIEW		0039843.A P1			
		WIRE CONNECTION			
POS	WIRE CODE	GAUGE	COLOR		
1					
2	129 - VAC RELIEF	16AWG	VIO		
3					
4	76 - REGEN LIGHTS	16AWG	GRY/BLK		
5					
6	136 - BODY LEVEL 50%	16AWG	BLU/WHT		
7	137 - BODY LEVEL 75%	16AWG	ORG/WHT		
8	138 - BODY LEVEL 90%	16AWG	RED/YEL		
9	139 - BODY LEVEL 100%	16AWG	BLK/ORG		
10					
11					
12					

END VIEW		0039843.A P2			
		WIRE CONNECTION			
POS	WIRE CODE	GAUGE	COLOR		
1					
2					
3					
4	13 - WTR PUMP ON IND	16AWG	WHT/BRN		
5					
6					
7					
8	411 - LOCKUP HIGH	16AWG	BLK		
9	79 - PTO ENABLE SOL	16AWG	RED/GRN		
10	410 - LOCKUP LOW	16AWG	WHT		
11					
12					

END VIEW		0039843.A P3			
		WIRE CONNECTION			
POS	WIRE CODE	GAUGE	COLOR		
1	31 - CABINET LTS	16AWG	BLU/RED		
2	63 - S/S PROX SW	16AWG	YEL/BLK		
3	47 - WORK LIGHTS	16AWG	TAN		
4					
5	241 - ANALOG IN	16AWG	RED/WHT		
6	202D - AUTO TRANS NEUTRAL	16AWG	WHT		
7					
8	81 - PTO CONFIRM	16AWG	GRY/BLK		
9					
10					
11	61 - BODY PROX	16AWG	BLU		
12	156 - BODY UP	16AWG	BLU/WHT		



END VIEW		0039843.A P4			
		WIRE CONNECTION			
POS	WIRE CODE	GAUGE	COLOR		
1	41 - BLOWER TACH GND	16AWG	YEL/BLU		
2					
3					
4					
5					
6					
7	40 - BLOWER TACH SIG	16AWG	WHT/BLU		
8					

Super Products®

TITLE: HARNESS, CABINET, MD700

DWG. NO. **0039843** REV **B**

SIZE B SCALE: NTS SHEET: 8 OF 14

DETAIL B

0039843.A P16				
WIRE CONNECTION				
POS	WIRE CODE	GAUGE	COLOR	TERMINAL
1				114017
2				114017
3				114017
4				114017
5	203H - 12V BOSS AIR FAULT	16AWG	BLK	114017
6	203G - 12V OIL TEMP	16AWG	BLK	0462-201-16141
7	203F - 12V WATER LEVEL	16AWG	BLK	0462-201-16141
8	203E - 12V WATER PRES	16AWG	BLK	0462-201-16141
9	203D - AXIOMATIC PWR	16AWG	BLK	0462-201-16141
10	203C - 12V PROX	16AWG	BLK	0462-201-16141
11	203B - 12V	16AWG	BLK	0462-201-16141
12	203A - E-STOP SW	16AWG	BLK	0462-201-16141

0039843.A P15				
WIRE CONNECTION				
POS	WIRE CODE	GAUGE	COLOR	TERMINAL
1				114017
2				114017
3				114017
4	202J - BOSS AIR GND	16AWG	BLK	114017
5	202H - AXIOMATIC COM	16AWG	WHT	0462-201-16141
6	202G - WORK LTS COM	16AWG	WHT	0462-201-16141
7	202F - BOOM LTS COM	16AWG	WHT	0462-201-16141
8	202E - TRANSFER CASE SOL	16AWG	WHT	0462-201-16141
9	202D - AUTO TRANS NEUTRAL	16AWG	WHT	0462-201-16141
10	202C - VAC RELIEF COM	16AWG	WHT	0462-201-16141
11	142 - SENSOR COM	16AWG	WHT	0462-201-16141
12	202A - CABIN LTS COM	16AWG	WHT	0462-201-16141

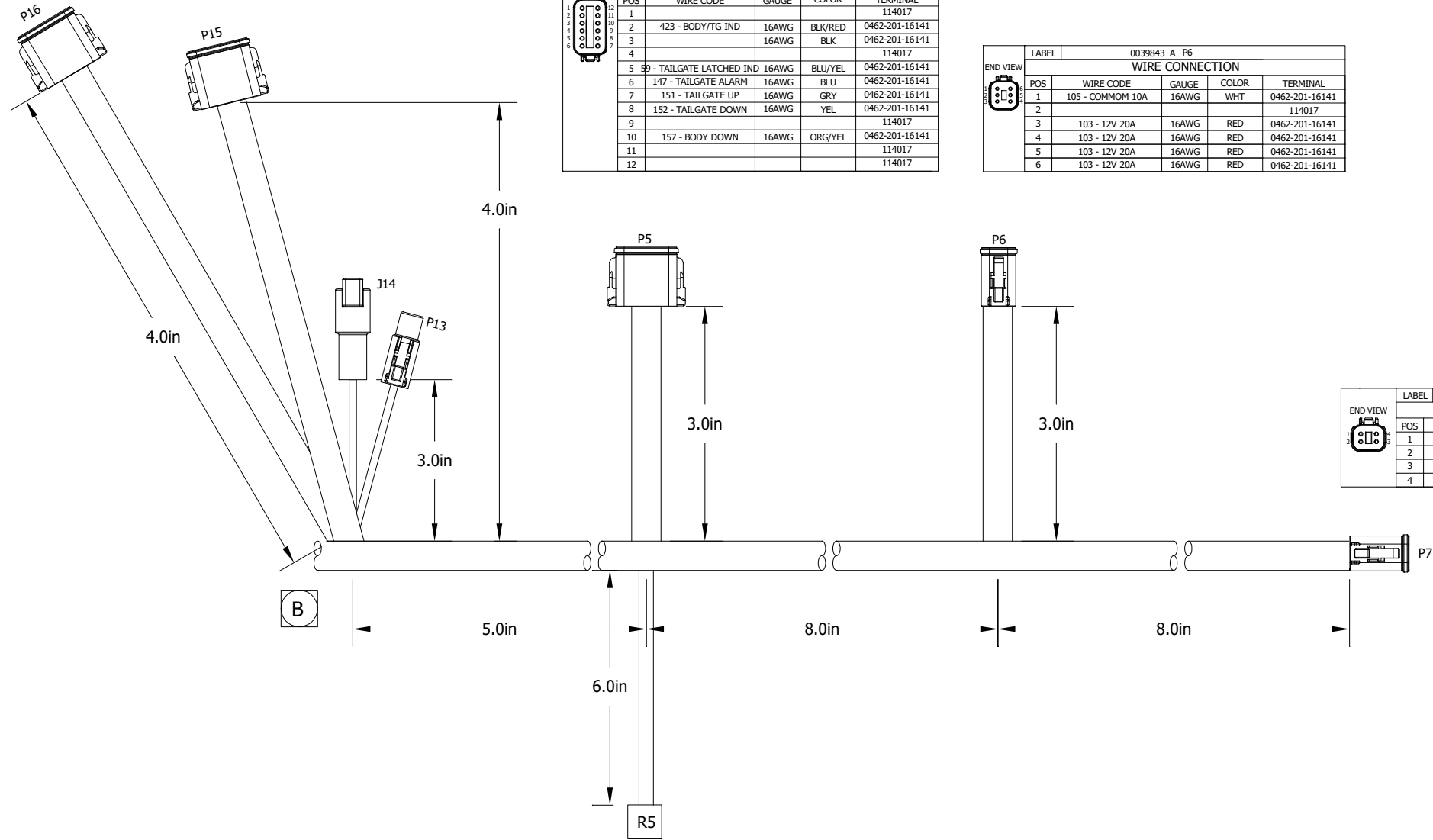
0039843.A P13				
WIRE CONNECTION				
POS	WIRE CODE	GAUGE	COLOR	TERMINAL
1	202 - COMMON 20A	12AWG	WHT	

0039843.A J14				
WIRE CONNECTION				
POS	WIRE CODE	GAUGE	COLOR	TERMINAL
1	203 - 12V 20A REAR	12AWG	RED/BLK	

0039843.A P5				
WIRE CONNECTION				
POS	WIRE CODE	GAUGE	COLOR	TERMINAL
1				114017
2	423 - BODY/TG IND	16AWG	BLK/RED	0462-201-16141
3		16AWG	BLK	0462-201-16141
4				114017
5	99 - TAILGATE LATCHED IND	16AWG	BLU/YEL	0462-201-16141
6	147 - TAILGATE ALARM	16AWG	BLU	0462-201-16141
7	151 - TAILGATE UP	16AWG	GRY	0462-201-16141
8	152 - TAILGATE DOWN	16AWG	YEL	0462-201-16141
9				114017
10	157 - BODY DOWN	16AWG	ORG/YEL	0462-201-16141
11				114017
12				114017

0039843.A P6				
WIRE CONNECTION				
POS	WIRE CODE	GAUGE	COLOR	TERMINAL
1	105 - COMMOM 10A	16AWG	WHT	0462-201-16141
2				114017
3	103 - 12V 20A	16AWG	RED	0462-201-16141
4	103 - 12V 20A	16AWG	RED	0462-201-16141
5	103 - 12V 20A	16AWG	RED	0462-201-16141
6	103 - 12V 20A	16AWG	RED	0462-201-16141

0039843.A P7				
WIRE CONNECTION				
POS	WIRE CODE	GAUGE	COLOR	TERMINAL
1	55 - CAN+	19AWG	YEL	
2	54 - CAN-	19AWG	GRN	
3				
4				



Super Products®

TITLE: HARNESS, CABINET, MD700

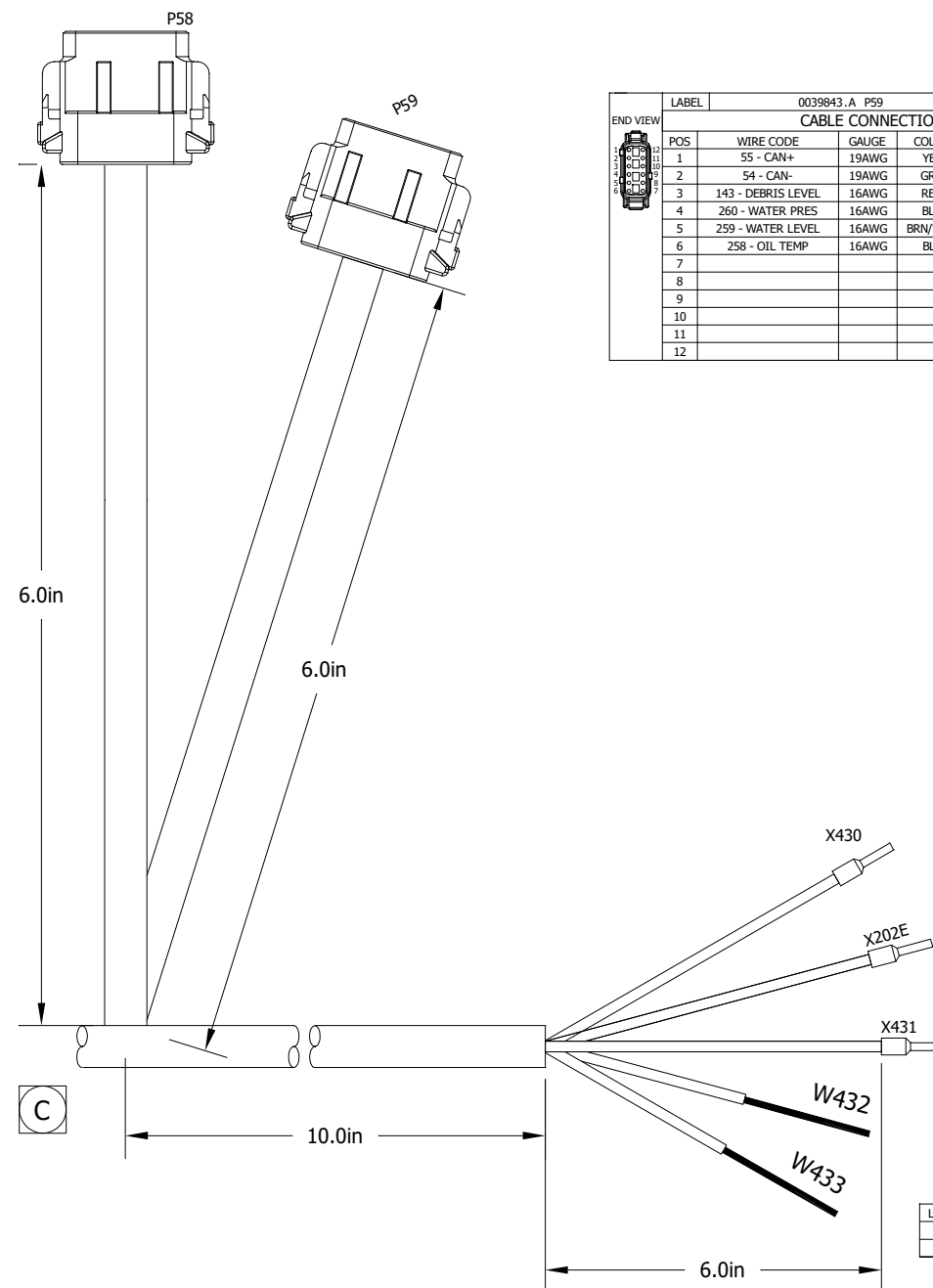
DWG. NO. **0039843** REV **C**

SIZE B SCALE: NTS SHEET: 9 OF 14

DETAIL C

0039843.A P58				
CABLE CONNECTION				
POS	WIRE CODE	GAUGE	COLOR	TERMINAL
1	203D - AXIOMATIC PWR	16AWG	BLK	0462-005-20141
2	204 - WATER PROP	16AWG	YEL/RED	0462-005-20141
3				0413-204-2005
4				0413-204-2005
5				0413-204-2005
6				0413-204-2005
7				0413-204-2005
8				0413-204-2005
9				0413-204-2005
10				0413-204-2005
11	205 - WATER PROP COM	16AWG	WHT/RED	0462-005-20141
12	202H - AXIOMATIC COM	16AWG	WHT	0462-005-20141

0039843.A P59				
CABLE CONNECTION				
POS	WIRE CODE	GAUGE	COLOR	TERMINAL
1	55 - CAN+	19AWG	YEL	0462-005-2031
2	54 - CAN-	19AWG	GRN	0462-005-2031
3	143 - DEBRIS LEVEL	16AWG	RED	0462-005-20141
4	260 - WATER PRES	16AWG	BLU	0462-005-20141
5	259 - WATER LEVEL	16AWG	BRN/WHT	0462-005-20141
6	258 - OIL TEMP	16AWG	BLK	0462-005-20141
7				0413-204-2005
8				0413-204-2005
9				0413-204-2005
10				0413-204-2005
11				0413-204-2005
12				0413-204-2005



0039843.A X430 A			
WIRE CODE	GAUGE	COLOR	
430 - TC ROAD MODE	16AWG	RED	

0039843.A X202E COM			
WIRE CODE	GAUGE	COLOR	
202E - TRANSFER CASE SOL	16AWG	WHT	

0039843.A X431 B			
WIRE CODE	GAUGE	COLOR	
431 - TC WORK MODE	16AWG	ORG	

0039843.A W432			
WIRE CODE	GAUGE	COLOR	
432 - SPARE	16AWG	YEL	

0039843.A W433			
WIRE CODE	GAUGE	COLOR	
433 - SPARE	16AWG	GRN	

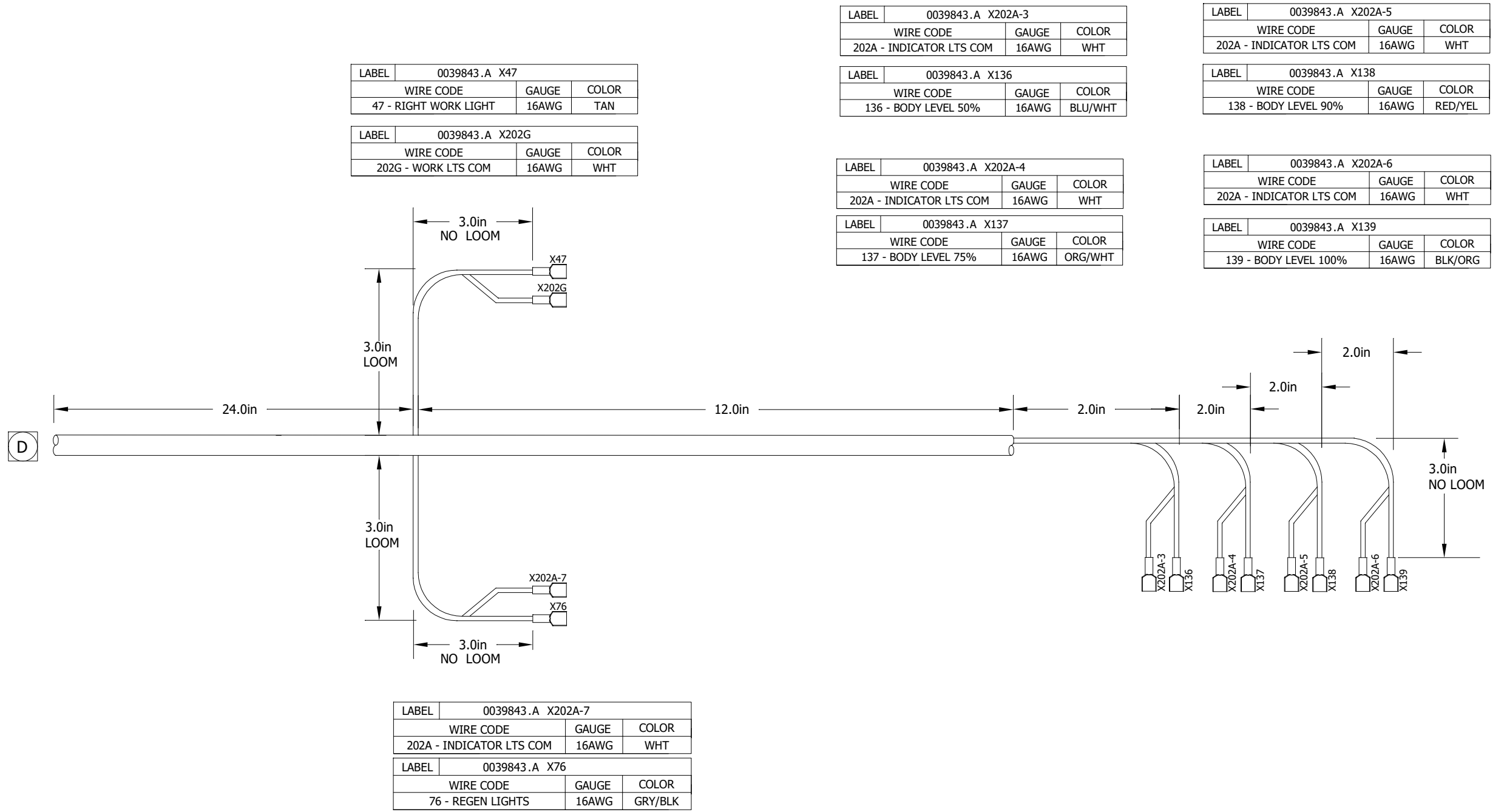


TITLE: HARNESS,
CABINET, MD700

DWG. NO. **0039843** REV **B**

SIZE B SCALE: NTS SHEET: 10 OF 14

DETAIL D



LABEL	0039843.A X47	
WIRE CODE	GAUGE	COLOR
47 - RIGHT WORK LIGHT	16AWG	TAN

LABEL	0039843.A X202G	
WIRE CODE	GAUGE	COLOR
202G - WORK LTS COM	16AWG	WHT

LABEL	0039843.A X202A-3	
WIRE CODE	GAUGE	COLOR
202A - INDICATOR LTS COM	16AWG	WHT

LABEL	0039843.A X136	
WIRE CODE	GAUGE	COLOR
136 - BODY LEVEL 50%	16AWG	BLU/WHT

LABEL	0039843.A X202A-5	
WIRE CODE	GAUGE	COLOR
202A - INDICATOR LTS COM	16AWG	WHT

LABEL	0039843.A X138	
WIRE CODE	GAUGE	COLOR
138 - BODY LEVEL 90%	16AWG	RED/YEL

LABEL	0039843.A X202A-4	
WIRE CODE	GAUGE	COLOR
202A - INDICATOR LTS COM	16AWG	WHT

LABEL	0039843.A X137	
WIRE CODE	GAUGE	COLOR
137 - BODY LEVEL 75%	16AWG	ORG/WHT

LABEL	0039843.A X202A-6	
WIRE CODE	GAUGE	COLOR
202A - INDICATOR LTS COM	16AWG	WHT

LABEL	0039843.A X139	
WIRE CODE	GAUGE	COLOR
139 - BODY LEVEL 100%	16AWG	BLK/ORG

LABEL	0039843.A X202A-7	
WIRE CODE	GAUGE	COLOR
202A - INDICATOR LTS COM	16AWG	WHT

LABEL	0039843.A X76	
WIRE CODE	GAUGE	COLOR
76 - REGEN LIGHTS	16AWG	GRY/BLK

TITLE: HARNESS, CABINET, MD700	
DWG. NO. 0039843	REV B
SIZE B SCALE: NTS	SHEET: 11 OF 14

DETAIL E

0039843.A J21 BOOM/BODY CONTROLLER					
WIRE CONNECTION					
POS	WIRE CODE	GAUGE	COLOR	TERMINAL	
A	55 - CAN+	19AWG	YEL	0460-202-16141	
B	903 - BOOM/BODY VALVE CTRL	14AWG	BLK	0460-204-12141	
C	54 - CAN-	19AWG	GRN	0460-202-16141	
D	902 - BOOM COMMON 15A	14AWG	WHT	0460-204-12141	
E				114017	
F	47 - REAR WORK LIGHTS	16AWG	TAN	0460-202-16141	
G				114017	
H	202G - WORK LTS COM	16AWG	WHT	0460-202-16141	
J	202F - BOOM LTS COM	16AWG	WHT	0460-202-16141	
K	203C - 12V PROX	16AWG	BLK	0460-202-16141	
L	143 - DEBRIS LEVEL	16AWG	RED	0460-202-16141	
M				114017	
N	230 - E-STOP SW1	16AWG	BLK/BRN	0460-202-16141	
P	131 - E-STOP SW	16AWG	TAN/BLK	0460-202-16141	
R	142 - SENSOR COM	16AWG	WHT	0460-202-16141	
S	145 - SENSOR PWR	16AWG	BLK	0460-202-16141	
T	147 - TAILGATE ALARM	16AWG	BLU	0460-202-16141	
U	203F - 12V WATER LEVEL	16AWG	BLK	0460-202-16141	
V	259 - WATER LEVEL	16AWG	BRN/WHT	0460-202-16141	
W				114017	
X				114017	

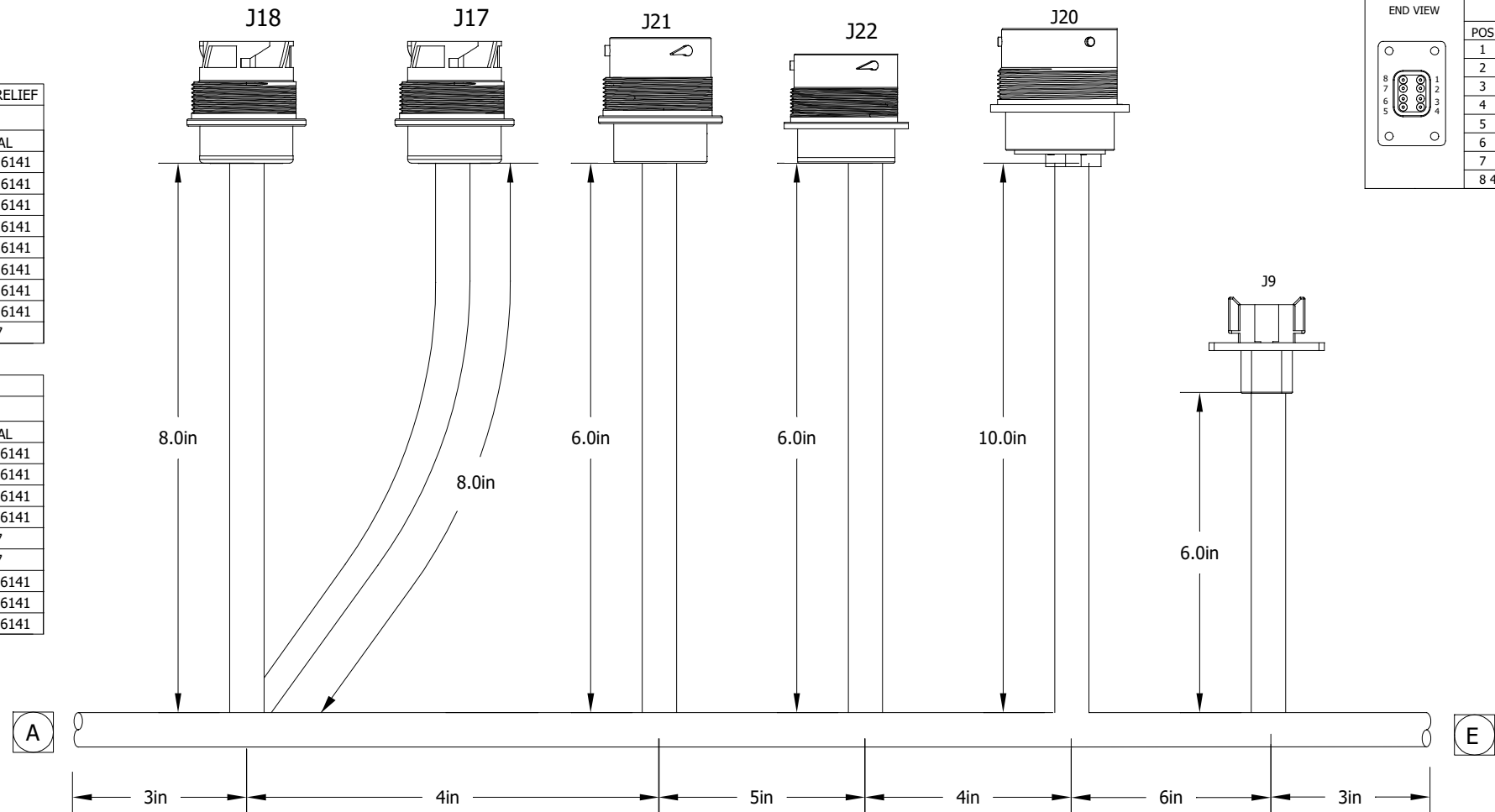
0039843.A J22 CAB					
WIRE CONNECTION					
POS	WIRE CODE	GAUGE	COLOR	TERMINAL	
A	702 - COMMON	16AWG	WHT	0460-202-16141	
B	55 - CAN+	19AWG	YEL	0460-202-1631	
C	54 - CAN-	19AWG	GRN	0460-202-1631	
D	430 - TC ROAD MODE	16AWG	RED	0460-202-16141	
E	431 - TC WORK MODE	16AWG	ORG	0460-202-16141	
F	432 - SPARE	16AWG	YEL	0460-202-16141	
G	433 - SPARE	16AWG	GRN	0460-202-16141	
H	303 - 12V 10A	16AWG	BLK	0460-202-16141	
J	802 - COMMON	16AWG	WHT	0460-202-16141	
K	163 - S/S ENGAGE LT	16AWG	WHT/BLK	0460-202-16141	
L	72 - PTO ENABLE SW	16AWG	ORG/RED	0460-202-16141	
M	73 - PTO CONFIRM LT	16AWG	WHT/BRN	0460-202-16141	
N	15 - WORK LT SW	16AWG	BLK/GRN	0460-202-16141	
O	150 - 12V 10A STROBE	16AWG	BLK/YEL	0460-202-16141	
P	5 - 12V ACC POSITION	16AWG	GRN/BLK	0460-202-16141	
Q	133 - THROTTLE EN	16AWG	BLU	0460-202-16141	
R	134 - THROTTLE INC	16AWG	RED	0460-202-16141	
S	135 - THROTTLE DEC	16AWG	YEL	0460-202-16141	
T	411 - LOCKUP HIGH	16AWG	BLK	0460-202-16141	
U	53 - THROTTLE ENABLE SW	16AWG	BLK/ORG	0460-202-16141	
V	410 - LOCKUP LOW	16AWG	WHT	0460-202-16141	
W	422 - BOSS AIR FAULT	16AWG	BLK/RED	0460-202-16141	
X	423 - BODY/TG IND	16AWG	BLK	0460-202-16141	

0039843.A J20 POWER					
WIRE CONNECTION					
POS	WIRE CODE	GAUGE	COLOR	TERMINAL	
1	2 - COMMON 75A	8AWG	WHT	0460-204-08141	
2				114017	
3	1 - 12V 75A	8AWG	BLK	0460-204-08141	
4				114017	
5	502 - COMMON 10A	16AWG	WHT	0460-215-16141	
6	403/79 - 12V/PTO ENABLE	16AWG	RED/GRN	0460-215-16141	
7	81 - PTO CONFIRM	16AWG	GRY/BLK	0460-215-16141	
8	48 - TRAFFIC MANAGER 10A	16AWG	ORG	0460-215-16141	
9				114017	

0039843.A J9 WATER PUMP					
WIRE CONNECTION					
POS	WIRE CODE	GAUGE	COLOR	TERMINAL	
1	203E - 12V WATER PRES	16AWG	BLK	0460-247-16141	
2	260 - WATER PRES	16AWG	BLU	0460-247-16141	
3	204 - WATER PROP	16AWG	YEL/RED	0460-247-16141	
4	205 - WATER PROP COM	16AWG	WHT/RED	0460-247-16141	
5	31 - CABINET LTS	16AWG	BLU/RED	0460-247-16141	
6	202A - CABINET LIGHTS COM	16AWG	WHT	0460-247-16141	
7	56 - CABIN HEATER	14AWG	ORG	114017	
8	402 - CABIN HEATER COMMON	14AWG	WHT	114017	

0039843.A J17 HYD COOLER, FILTER & VAC RELIEF					
WIRE CONNECTION					
POS	WIRE CODE	GAUGE	COLOR	TERMINAL	
A	129 - VAC RELIEF	16AWG	VIO	0460-215-16141	
B	202C - VAC RELIEF COM	16AWG	WHT	0460-215-16141	
C	93 - HYD OIL FILTER COND	16AWG	YEL	0460-215-16141	
D	602 - COMMON	16AWG	WHT	0460-215-16141	
E	602 - COMMON	14AWG	WHT	0460-215-16141	
F	92 - OIL COOLER 15A	14AWG	PNK	0460-215-16141	
G	203G - 12V OIL TEMP	16AWG	BLK	0460-215-16141	
H	258 - OIL TEMP	16AWG	BLK	0460-215-16141	
J				114017	

0039843 A J18 S/S & TACH					
WIRE CONNECTION					
POS	WIRE CODE	GAUGE	COLOR	TERMINAL	
A	203B - 12V	16AWG	BLK	0460-215-16141	
B	61 - BODY PROX	16AWG	BLU	0460-215-16141	
C	158 - VIBRATOR ENABLE	16AWG	GRN	0460-215-16141	
D	63 - S/S PROX SW	16AWG	YEL/BLK	0460-215-16141	
E				114017	
F				114017	
G	41 - BLOWER TACH GND	16AWG	YEL/BLU	0460-215-16141	
H	40 - BLOWER TACH SIG	16AWG	WHT/BLU	0460-215-16141	
J	602 - COMMON	16AWG	WHT	0460-215-16141	



Super Products®

TITLE: HARNESS, CABINET, MD700

DWG. NO. **0039843** REV **C**

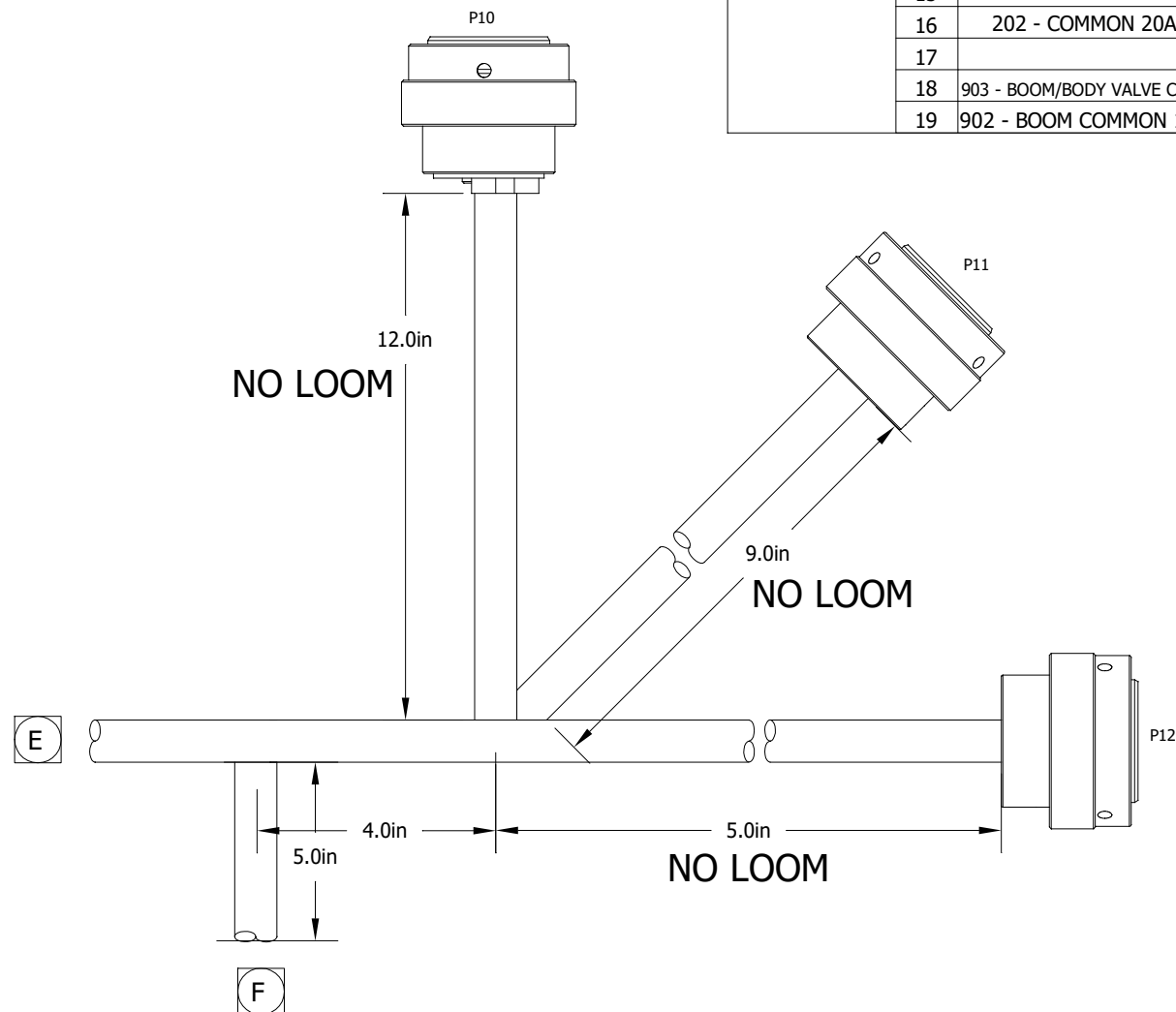
SIZE B SCALE: NTS SHEET: 12 OF 14

DETAIL F

0039843.A P10					
WIRE CONNECTION					
POS	WIRE CODE	GAUGE	COLOR	TERMINAL	
1	2 - COMMON 75A	8AWG	WHT	0462-203-08141	
2	92 - OIL COOLER 15A	14AWG	PNK	0462-203-12141	
3	1 - 12V 75A	8AWG	BLK	0462-203-08141	
4	602 - COMMON 15A	12AWG	WHT	0462-203-12141	
5	502 - COMMON 10A	16AWG	WHT	0462-201-16141	
6	403/79 - 12V/PTO ENABLE	16AWG	RED/GRN	0462-201-16141	
7	145 - SENSOR PWR	16AWG	BLK	0462-201-16141	
8	48 - TRAFFIC MANAGER 10A	16AWG	ORG	0462-201-16141	
9	93 - HYD OIL FILTER COND	16AWG	YEL	0462-201-16141	

0039843.A P11					
WIRE CONNECTION					
POS	WIRE CODE	GAUGE	COLOR	TERMINAL	
1				114017	
2	55 - CAN+	19AWG	YEL	0462-201-1631	
3	54 - CAN-	19AWG	GRN	0462-201-1631	
4	56 - CABIN HEATER	14AWG	ORG	0462-209-16141	
5	56 - CABIN HEATER	14AWG	ORG	0462-209-16141	
6	56 - CABIN HEATER	14AWG	ORG	0462-209-16141	
7	105 - COMMOM 10A	16AWG	WHT	0462-201-16141	
8				114017	
9	402 - CABIN HEATER COMMON	14AWG	WHT	0462-209-16141	
10				114017	
11	79 - PTO ENABLE SOL	16AWG	RED/GRN	0462-201-16141	
12	103 - 12V 20A	12AWG	RED	0462-203-12141	
13	13 - WTR PUMP ON IND	16AWG	WHT/BRN	0462-201-16141	
14	203 - 12V 20A REAR	12AWG	RED/BLK	0462-203-12141	
15	230 - E-STOP SW1	16AWG	BLK/BRN	0462-201-16141	
16	202 - COMMON 20A	12AWG	WHT	0462-203-12141	
17				114017	
18	903 - BOOM/BODY VALVE CTRL	14AWG	BLK	0462-203-12141	
19	902 - BOOM COMMON 15A	14AWG	WHT	0462-209-16141	

0039843.A P12					
WIRE CONNECTION					
POS	WIRE CODE	GAUGE	COLOR	TERMINAL	
A	702 - COMMON	16AWG	WHT	0462-201-16141	
B	55 - CAN+	19AWG	YEL	0462-201-1631	
C	54 - CAN-	19AWG	GRN	0462-201-1631	
D				114017	
E				114017	
F				114017	
G				114017	
H	303 - 12V 10A	16AWG	BLK	0462-201-16141	
J	802 - COMMON	16AWG	WHT	0462-201-16141	
K	163 - S/S ENGAGE LT	16AWG	WHT/BLK	0462-201-16141	
L	72 - PTO ENABLE SW	16AWG	ORG/RED	0462-201-16141	
M	73 - PTO CONFIRM LT	16AWG	WHT/BRN	0462-201-16141	
N	15 - WORK LT SW	16AWG	BLK/GRN	0462-201-16141	
O	150 - 12V 10A STROBE	16AWG	BLK/YEL	0462-201-16141	
P	5 - 12V ACC POSITION	16AWG	GRN/BLK	0462-201-16141	
Q	133 - THROTTLE EN	16AWG	BLU	0462-201-16141	
R	134 - THROTTLE INC	16AWG	RED	0462-201-16141	
S	135 - THROTTLE DEC	16AWG	YEL	0462-201-16141	
T				114017	
U	53 - THROTTLE ENABLE SW	16AWG	BLK/ORG	0462-201-16141	
V				114017	
W				114017	
X	241 - ANALOG IN	16AWG	RED/WHT	0462-201-16141	



Super Products®

TITLE: HARNESS, CABINET, MD700

DWG. NO. **0039843** REV **C**

SIZE B SCALE: NTS SHEET: 13 OF 14

DETAIL G

LABEL	0039843.A X203A-3		
WIRE CODE	GAUGE	COLOR	
203A - SWITCH PWR	16AWG	BLK	

LABEL	0039843.A X203A-2		
WIRE CODE	GAUGE	COLOR	
203A - SWITCH PWR	16AWG	BLK	

LABEL	0039843.A X152		
WIRE CODE	GAUGE	COLOR	
152 - TAILGATE DOWN	16AWG	YEL	

LABEL	0039843.A X202A-2		
WIRE CODE	GAUGE	COLOR	
202A - INDICATOR LTS COM	16AWG	WHT	

LABEL	0039843.A X158		
WIRE CODE	GAUGE	COLOR	
158 - VIBRATOR ENABLE	16AWG	GRN	

LABEL	0039843.A X157		
WIRE CODE	GAUGE	COLOR	
157 - BODY DOWN	16AWG	ORG/YEL	

LABEL	0039843.A X203A-1		
WIRE CODE	GAUGE	COLOR	
203A - SWITCH PWR	16AWG	BLK	

LABEL	0039843.A X59		
WIRE CODE	GAUGE	COLOR	
59 - TAILGATE LATCHED IND	16AWG	BLU/YEL	

LABEL	0039843.A X156		
WIRE CODE	GAUGE	COLOR	
156 - BODY UP	16AWG	BLU/WHT	

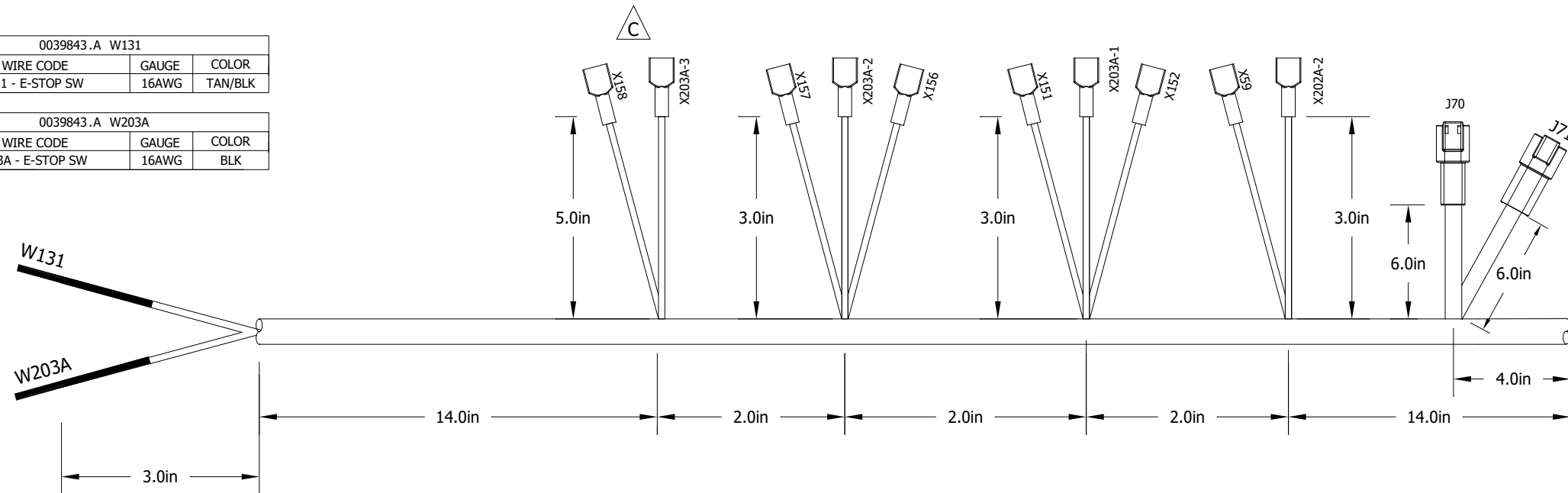
LABEL	0039843.A X151		
WIRE CODE	GAUGE	COLOR	
151 - TAILGATE UP	16AWG	GRY	

LABEL	0039843.A W131		
WIRE CODE	GAUGE	COLOR	
131 - E-STOP SW	16AWG	TAN/BLK	

LABEL	0039843.A W203A		
WIRE CODE	GAUGE	COLOR	
203A - E-STOP SW	16AWG	BLK	

LABEL	0039843.A J70			
END VIEW	WIRE CONNECTION			
POS	WIRE CODE	GAUGE	COLOR	
1	55 - CAN+	19AWG	YEL	
2	54 - CAN-	19AWG	GRN	

LABEL	0039843.A J71				
END VIEW	WIRE CONNECTION				
POS	WIRE CODE	GAUGE	COLOR	TERMINAL	
1	230 - E-STOP	16AWG	BLU	0460-202-16141	
2	63 - S/S PROX SW	16AWG	YEL	0460-202-16141	
3				114017	
4				114017	
5	54 - BOSS AIR FAULT SIGNAL	16AWG	WHT	0460-202-16141	
6	2021 - BOSS AIR GND	16AWG	BLK	0460-202-16141	



F



TITLE: HARNESS,
CABINET, MD700

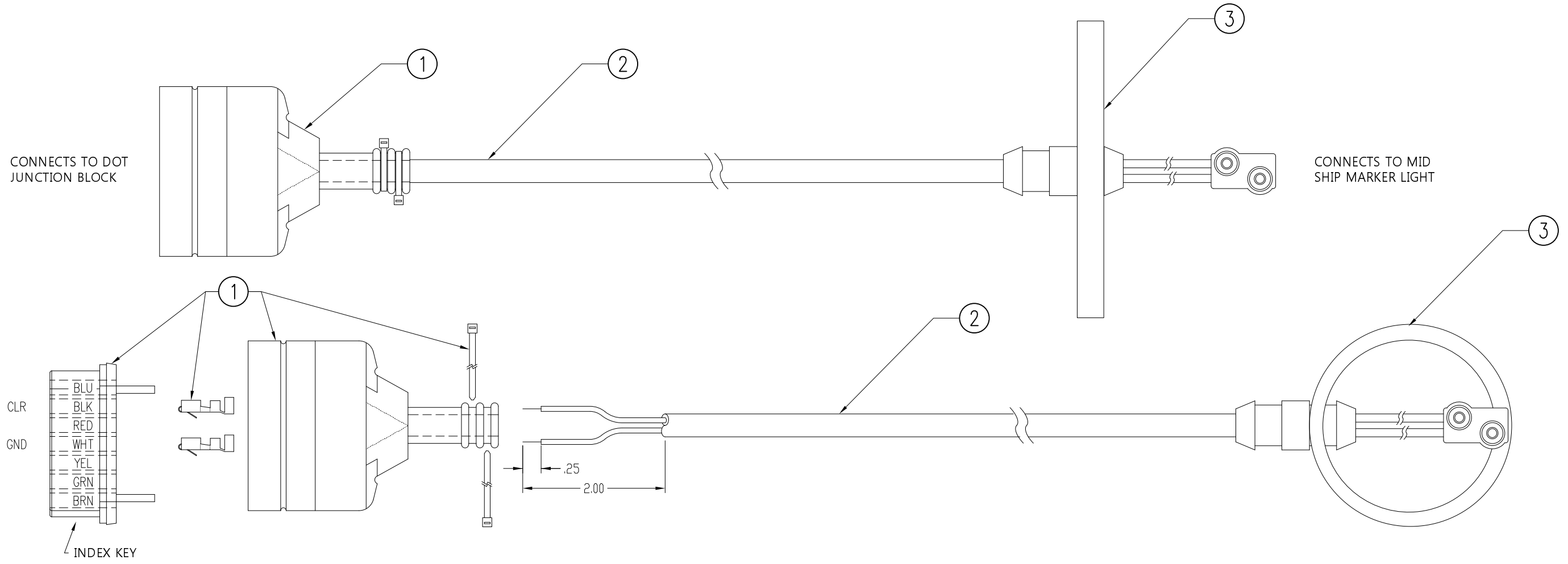
DWG. NO. **0039843**

REV **C**

SIZE B SCALE: NTS SHEET: 14 OF 14

ITEM NO.	PART NUMBER	DESCRIPTION	REF DESG	QTY.
1	0007492	CONNECTION KIT, DOT, 3/8"		1
2	5500-03169	HARNESS, CLEARANCE MARKER		240"
3	5500-01265	CLOSED BACK GROMMET		1

REVISIONS				
REV #	ECD #	DESCRIPTION	DATE	APPR
-		INITIAL RELEASE		



NAME	S.DOUANGPHACHANH	DATE	11/9/2016
DRAWN BY	S.IDING	ENG APPR.	11/9/2016
MFG APPR.			

MATERIAL:

FINISH:

PROPRIETARY AND CONFIDENTIAL
THE INFORMATION CONTAINED IN THIS DRAWING IS THE SOLE PROPERTY OF SUPER PRODUCTS LLC.. ANY REPRODUCTION IN PART OR AS A WHOLE WITHOUT THE WRITTEN PERMISSION OF SUPER PRODUCTS IS PROHIBITED.

UNLESS OTHERWISE SPECIFIED:
DIMENSIONS ARE IN INCHES
TOLERANCES ARE:
XX ± 0.100
X.XX ± 0.060
X.XXX ± 0.030
ANGULAR: MACH ± 1° BEND ± 2°
INTERPRET GEOMETRIC TOLERANCING PER: ASME Y14.5

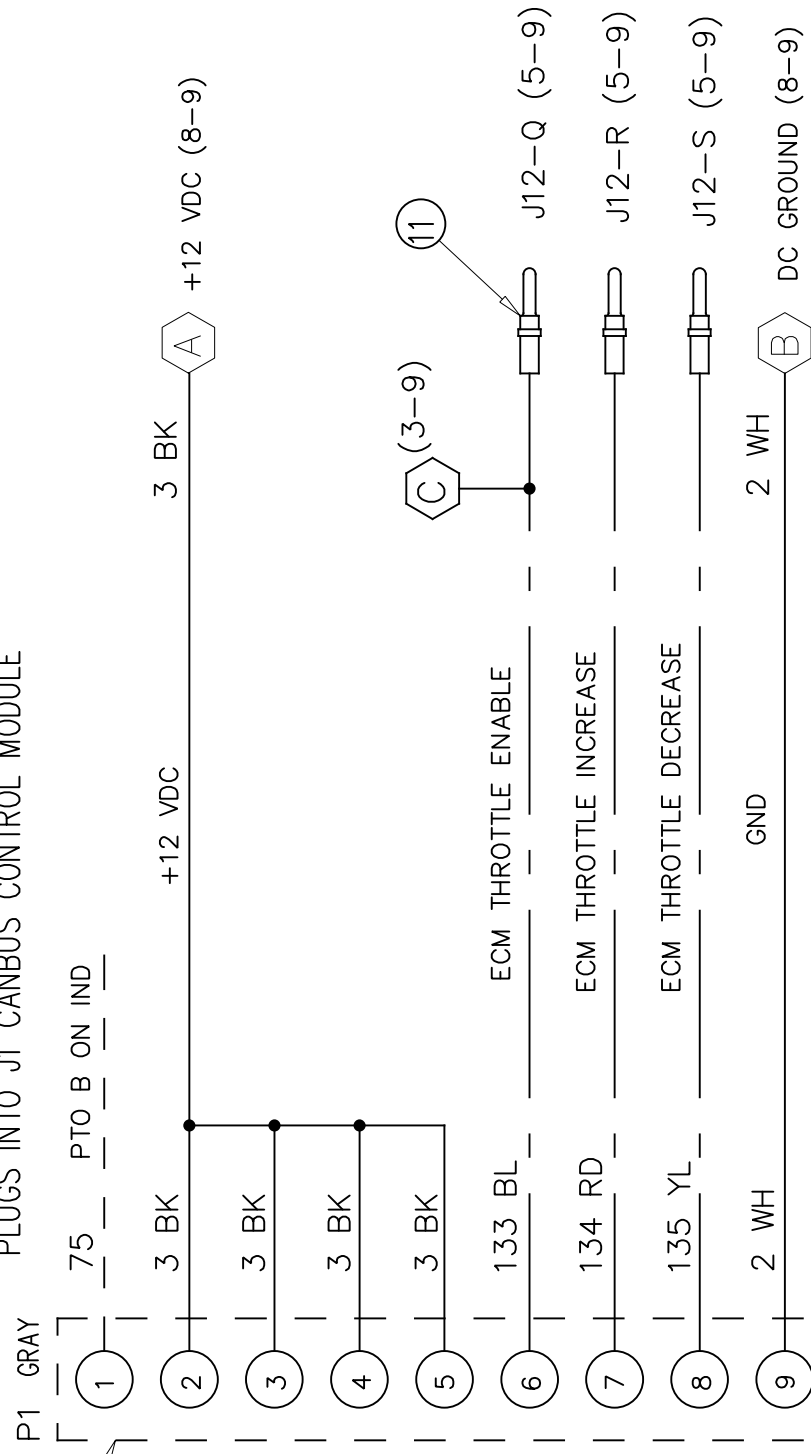
SUPER PRODUCTS LLC.
TRUCK MOUNTED VACUUM EQUIPMENT

TITLE:
HARNESS, CLEARANCE LIGHT,
MID SHIP, MD

DWG. NO. 0030836 REV A

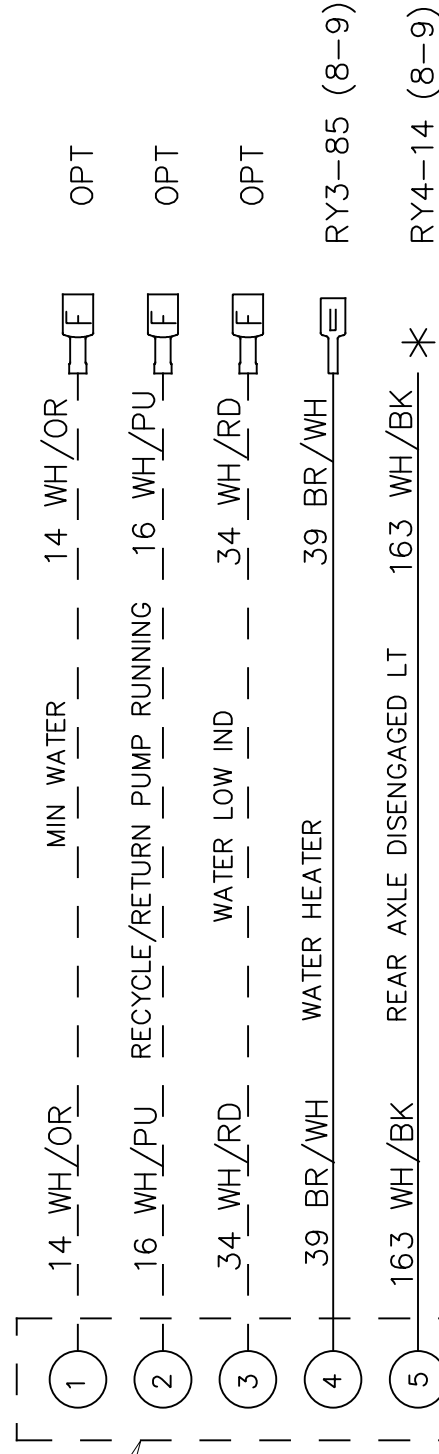
SIZE B SCALE:NTS WEIGHT: SHEET 1 OF 1

PLUGS INTO J1 CANBUS CONTROL MODULE



P1 AND P2
AS VIEWED FROM WIRE
LOADING END

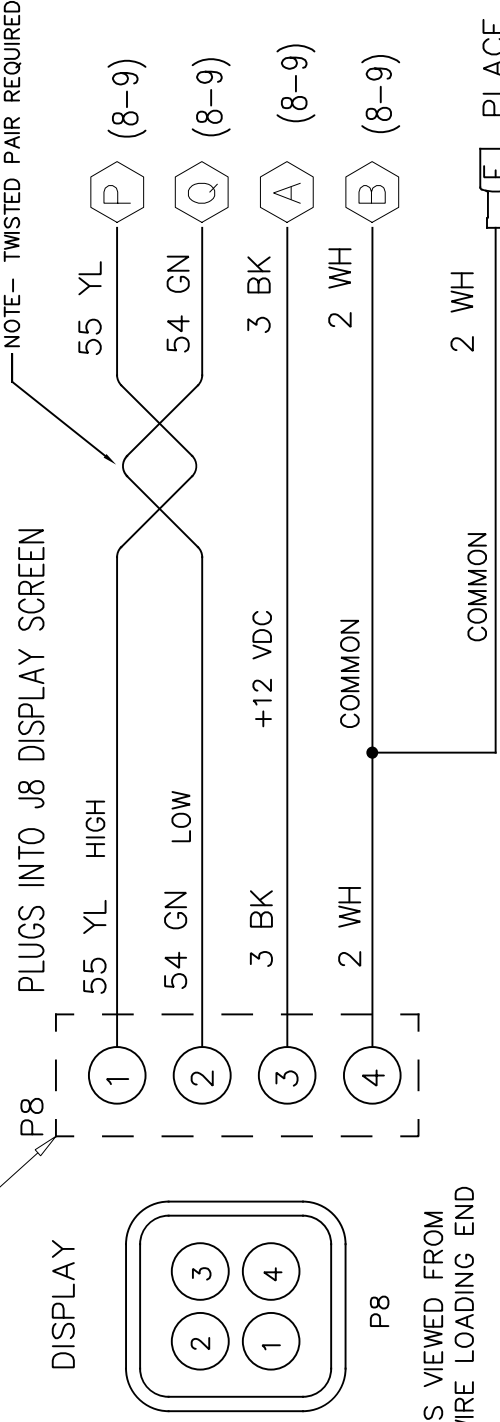
PLUGS INTO J2 CANBUS CONTROL MODULE



Backside view
of previous
potentiometers

* Note:
Strip 0.38
and solder

PLUGS INTO J8 DISPLAY SCREEN



AS VIEWED FROM
WIRE LOADING END

* NOTE: STRIP 0.38 & SOLDER

REFERENCE NO WIRE

JUMPER SHOWN ON 2 SHEETS (SHEET OF SHEETS)

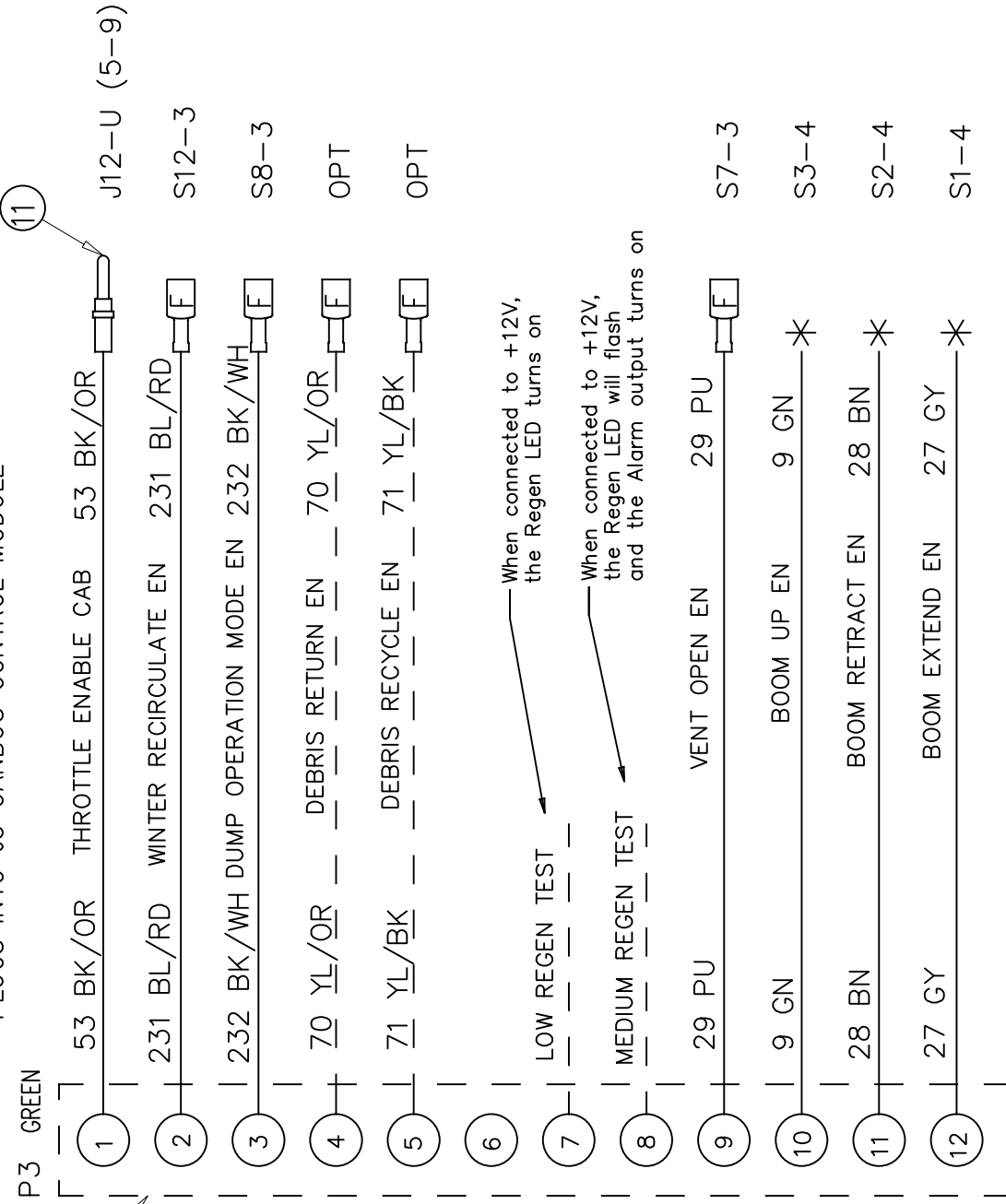
11

<p>Super Products MILWAUKEE, WI. -U.S.A.</p>		TITLE: HARNES, ENCLOSURE, CONTROL, MD			
UNLESS OTHERWISE SPECIFIED: .XX ± 0.06 ANGLES ± 1° HOLES AND SLOTS .XX ± 0.03 FABRICATION: INSIDE RADIUS OF BENDS EQUAL TO MATERIAL THICKNESS. REMOVE ALL BURRS. MACHINING: DE-BURR ALL HOLES. WELDING: FULL WELD UNLESS OTHERWISE NOTED. WT- DESIGNATES WATERTIGHT WELD. (METRIC EQUIVALENTS IN PARENTHESES)		NEXT ASSEMBLY: X		MATERIAL: SEE BOM	
THIS DOCUMENT AND INFORMATION CONTAINED HEREIN IS THE PROPERTY OF SUPER PRODUCTS CORPORATION. ANY DUPLICATION OF THIS DOCUMENT OR USE OF INFORMATION WITHOUT EXPRESS WRITTEN CONSENT OF SUPER PRODUCTS CORPORATION IS PROHIBITED.		SCALE NTS	DRAWN BY JDK	DATE 12-18-09	APPROVED BY & DATE THL 12-09
DWG NO. 5500-03046		SHEET 1 OF 9		PLACE NEAR S10	

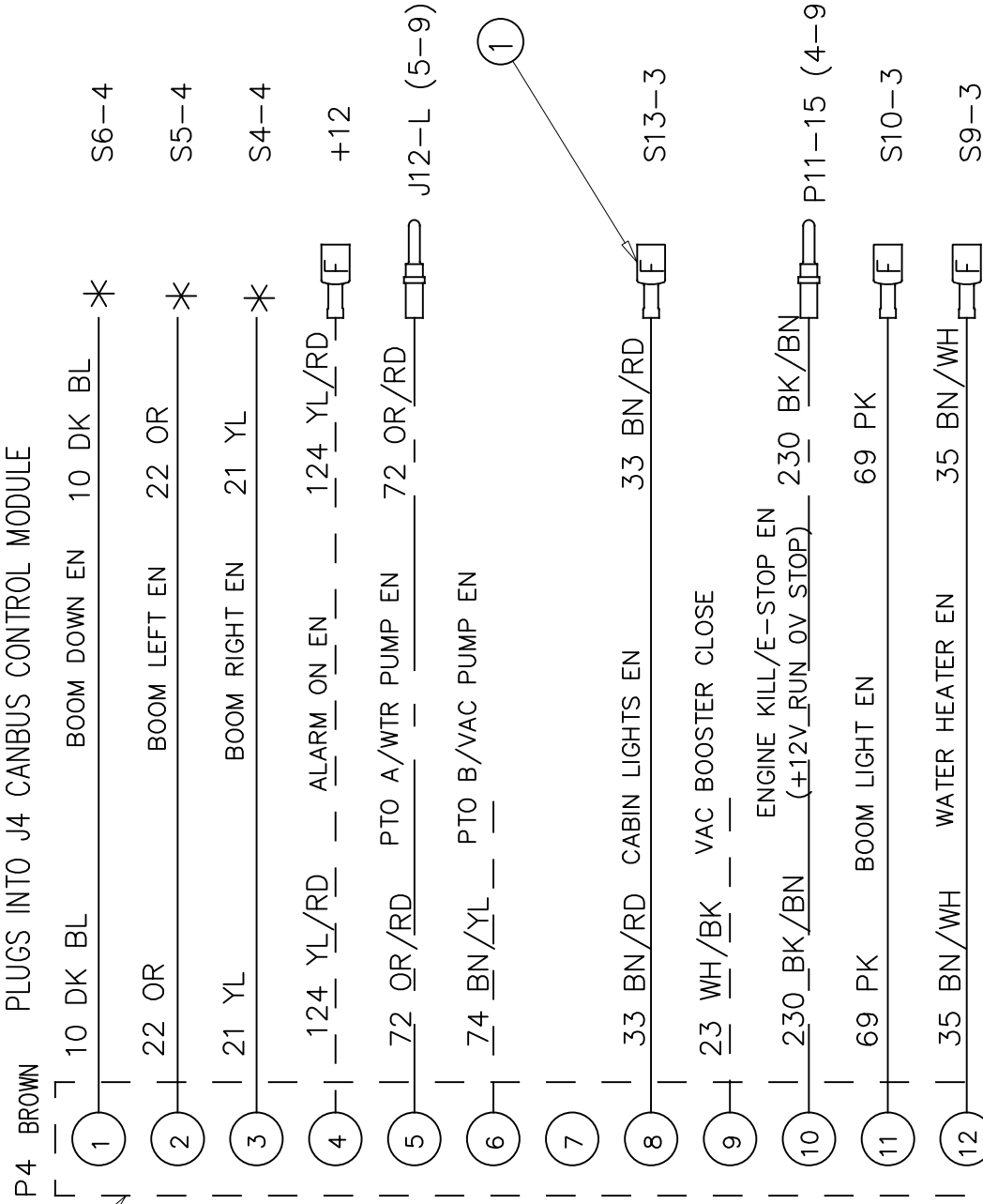
H	17478	PART NUMBER 5500-03109 REPLACE WITH 5500-03105	SKD	BM	9/14/2016
SYM.	ECO NO.	DESCRIPTION	BY	APP	DATE

MANUAL DRAWING # 9710-02816

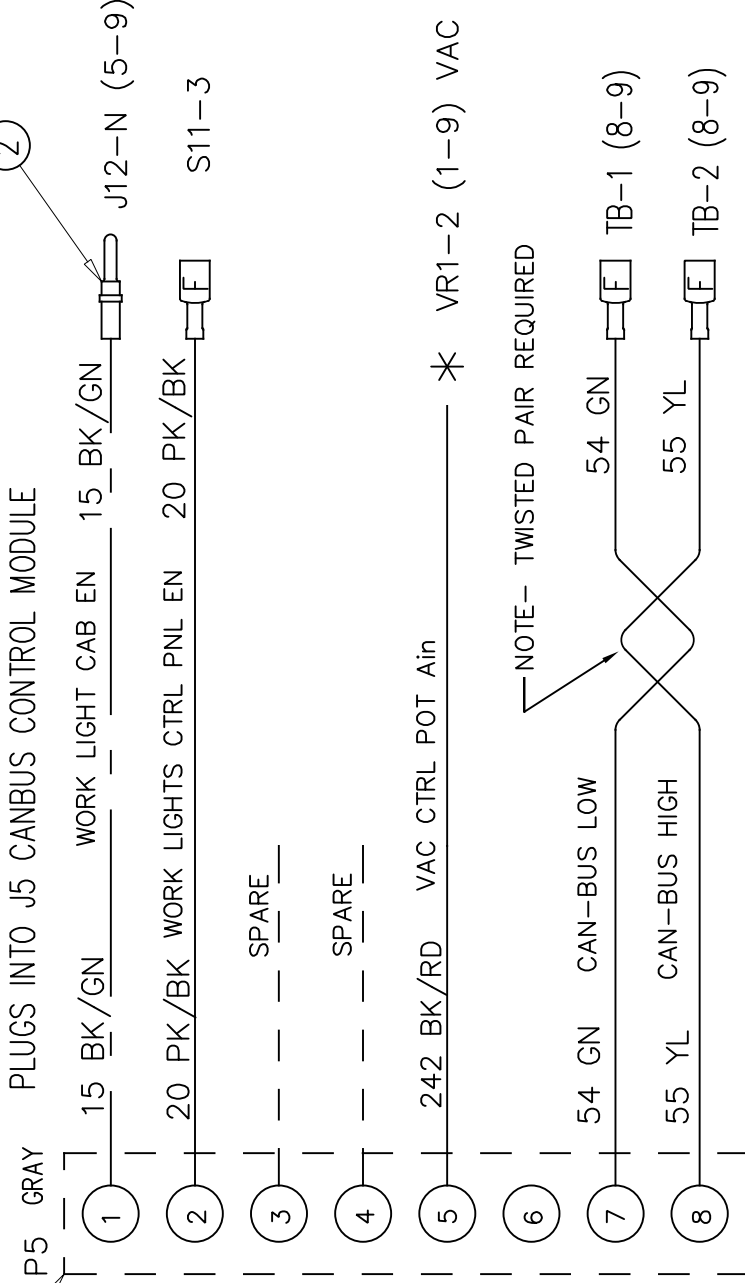
PLUGS INTO J3 CANBUS CONTROL MODULE



PLUGS INTO J4 CANBUS CONTROL MODULE

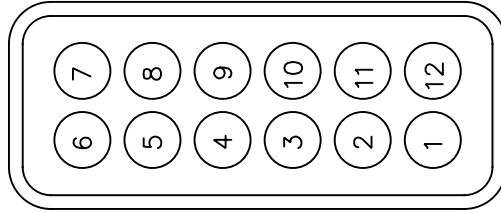


PLUGS INTO J5 CANBUS CONTROL MODULE



6 9 10 16

CONTROLLER

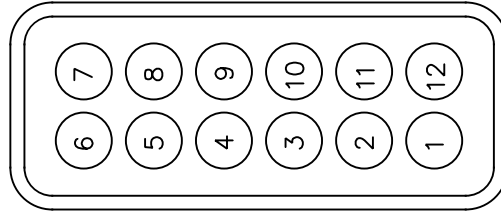


P3

AS VIEWED FROM WIRE LOADING END

7 9 10 16

CONTROLLER

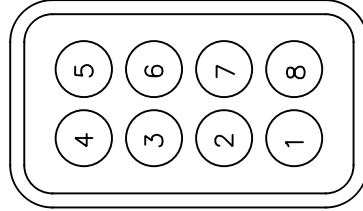


P4

AS VIEWED FROM WIRE LOADING END

5 9 10 17

CONTROLLER



P5

AS VIEWED FROM WIRE LOADING END

NOTE-- TWISTED PAIR REQUIRED

* NOTE: STRIP 0.38 & SOLDER

H	17478	PART NUMBER 5500-03109 REPLACE WITH 5500-03105	SKD	BM	9/14/2016
SYM.	ECO NO.	DESCRIPTION	BY	APP	DATE

MANUAL DRAWING # 9710-02816



UNLESS OTHERWISE SPECIFIED:
 .XX ± 0.06 ANGLES ± 1°
 HOLES AND SLOTS .XX ± 0.03
 FABRICATION: INSIDE RADIUS OF BENDS EQUAL TO MATERIAL THICKNESS. REMOVE ALL BURRS.
 MACHINING: DE-BURR ALL HOLES.
 WELDING: FULL WELD UNLESS OTHERWISE NOTED.
 WT- DESIGNATES WATERTIGHT WELD.
 (METRIC EQUIVALENTS IN PARENTHESES)

TITLE: HARNESS, ENCLOSURE, CONTROL, MD

NEXT ASSEMBLY: X

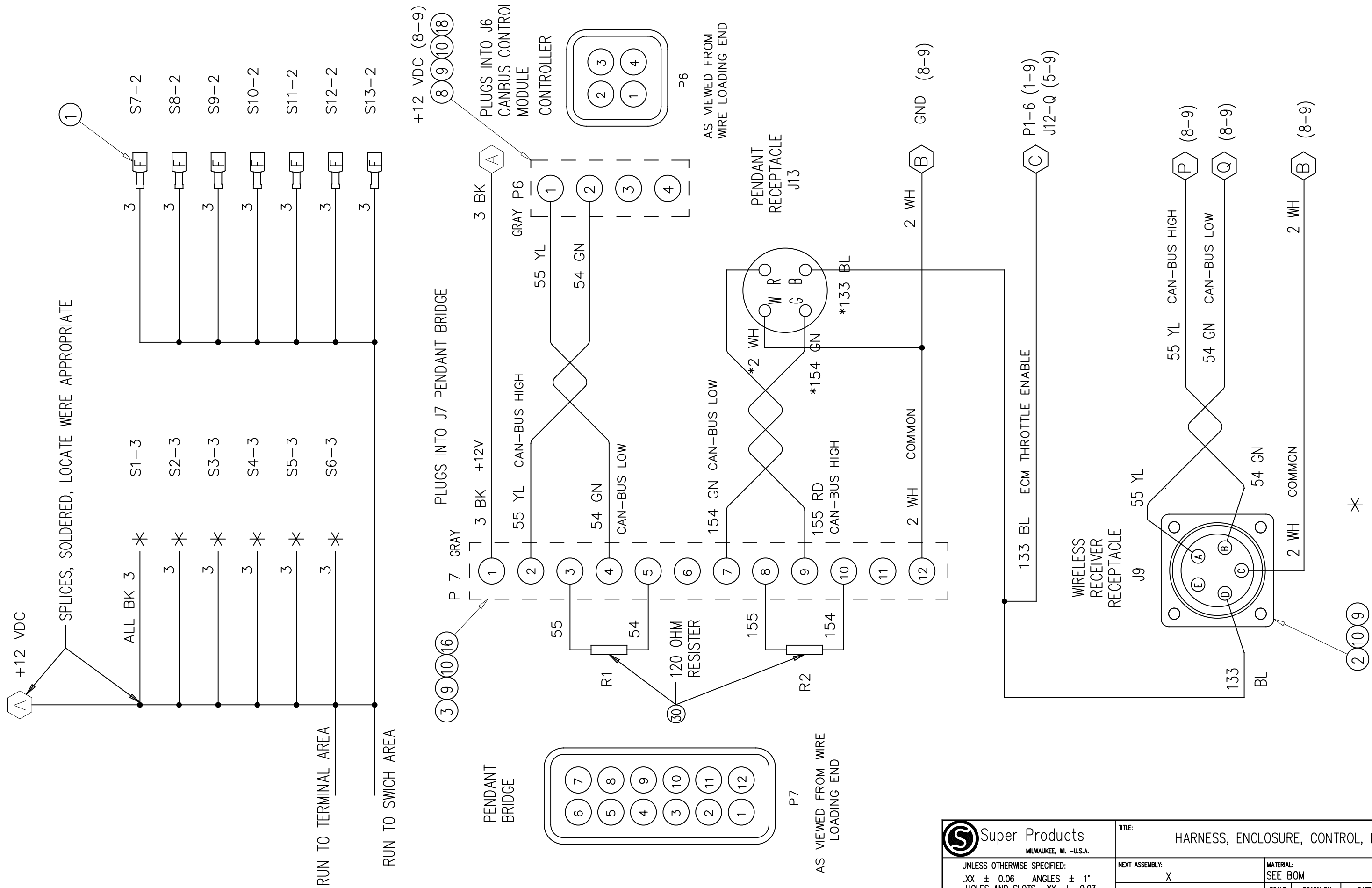
MATERIAL: SEE BOM

THIS DOCUMENT AND INFORMATION CONTAINED HEREIN IS THE PROPERTY OF SUPER PRODUCTS CORPORATION. ANY DUPLICATION OF THIS DOCUMENT OR USE OF INFORMATION WITHOUT EXPRESS WRITTEN CONSENT OF SUPER PRODUCTS CORPORATION IS PROHIBITED.

SCALE: NTS DRAWN BY: JDK DATE: 12-18-09 APPROVED BY & DATE: THL 12-09

DWG NO. 5500-03046 SHEET 2 OF 9

5500-03046



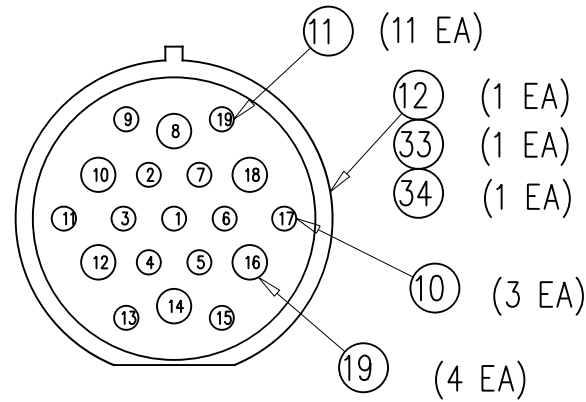
NOTE: STRIP 0.38 & SOLDER

⊠ SPLICES - SOLDERED, LOCATE WHERE CONVENIENT

H	17478	PART NUMBER 5500-03109 REPLACE WITH 5500-03105	SKD	BM	9/14/2016
SYM.	ECO NO.	DESCRIPTION	BY	APP	DATE

MANUAL DRAWING # 9710-02816

<p>Super Products MILWAUKEE, WI. -U.S.A.</p>	TITLE: HARNESS, ENCLOSURE, CONTROL, MD				
	UNLESS OTHERWISE SPECIFIED: .XX ± 0.06 ANGLES ± 1° HOLES AND SLOTS .XX ± 0.03 FABRICATION: INSIDE RADIUS OF BENDS EQUAL TO MATERIAL THICKNESS. REMOVE ALL BURRS. MACHINING: DE-BURR ALL HOLES. WELDING: FULL WELD UNLESS OTHERWISE NOTED. WT- DESIGNATES WATERTIGHT WELD. (METRIC EQUIVALENTS IN PARENTHESES)	NEXT ASSEMBLY: X	MATERIAL: SEE BOM		
THIS DOCUMENT AND INFORMATION CONTAINED HEREIN IS THE PROPERTY OF SUPER PRODUCTS CORPORATION. ANY DUPLICATION OF THIS DOCUMENT OR USE OF INFORMATION WITHOUT EXPRESS WRITTEN CONSENT OF SUPER PRODUCTS CORPORATION IS PROHIBITED.		SCALE NTS	DRAWN BY JDK	DATE 12-18-09	APPROVED BY & DATE THL 12-09
DWG NO. 5500-03046		SHEET 3 OF 9			



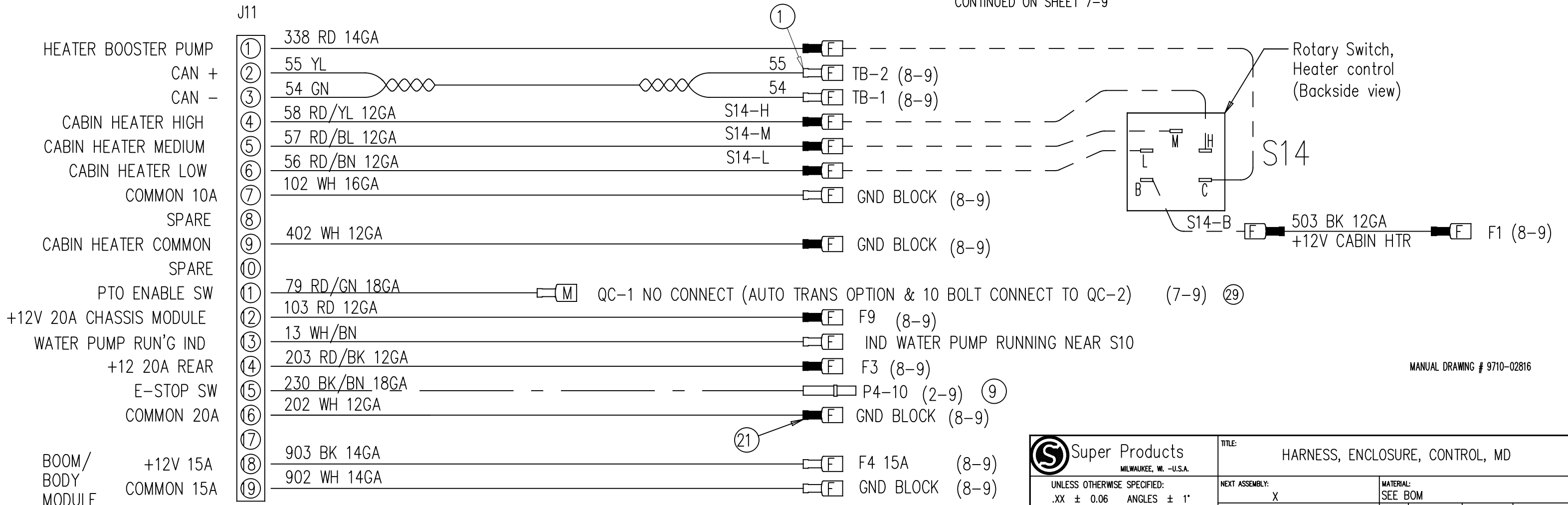
J11

CABINET HARNESS

ITEM	PART NUMBER	QTY.	DESCRIPTION	VENDOR	S/P P/N
1	DNF14-250M-F1B-M/RB2573	30	CONNECTOR FEMALE QC	PANDUIT/T&B	5500-00468
2	HD10-5-16P	1	RECEPTACLE, 5 PINS	DEUTSCH	5500-01716
3	DT06-12SA	2	PLUG 12A SOCKET GRAY	DEUTSCH	5500-01712
4	DT06-12SB	1	PLUG 12B SOCKET BLACK	DEUTSCH	5500-01713
5	DT06-8SA	1	PLUG 8A SOCKET GRAY	DEUTSCH	5500-01711
6	DT06-12SC	1	PLUG 12C SOCKET GREEN	DEUTSCH	5500-01714
7	DT06-12SD	1	PLUG 12D SOCKET BROWN	DEUTSCH	5500-01715
8	DT06-04S	2	PLUG 4 SOCKET GRAY	DEUTSCH	5500-01709
9	0462-209-16141	63	CONTACT, SOCKET 16-14	DEUTSCH	5500-01621
10	114017	33	SEAL, PLUG	DEUTSCH	5500-01622
11	0460-202-16181	47	CONTACT, PIN 16-18	DEUTSCH	5500-01619
12	HDP24-24-19PN	1	RECEPTACLE, 19 PINS	DEUTSCH	5500-03107
13	HDP24-24-23PN	1	RECEPTACLE, 23 PINS	DEUTSCH	5500-03108
14	HD34-24-91PN	1	RECEPTACLE, 9 PINS, ALUM	DEUTSCH	5500-03105
15	PV8-10R/RDV367	2	TERMINAL RING 8GA. 10 STUD	PANDUIT/T&B	5500-03110
16	W12S	5	SECONDARY LOCK, 12 PIN	DEUTSCH	5500-01795
17	W8S	1	SECONDARY LOCK, 8 PIN	DEUTSCH	5500-01794
18	W4S	2	SECONDARY LOCK, 4 PIN	DEUTSCH	5500-01792



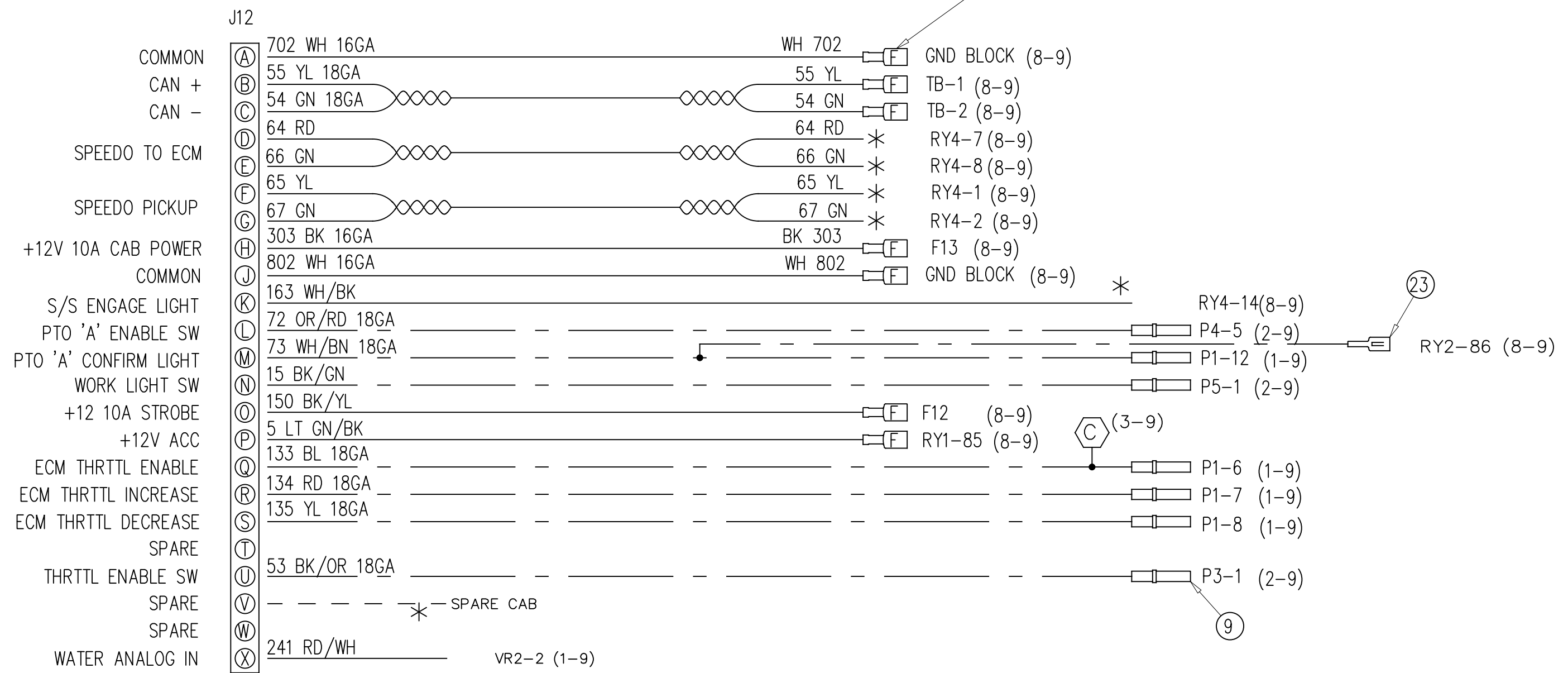
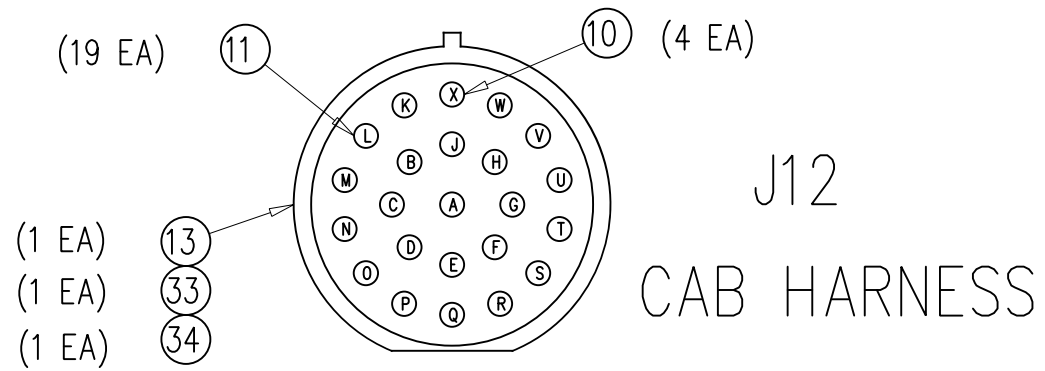
CONTINUED ON SHEET 7-9



MANUAL DRAWING # 9710-02816

<p>Super Products MILWAUKEE, WI. -U.S.A.</p>	TITLE: HARNESS, ENCLOSURE, CONTROL, MD			
	UNLESS OTHERWISE SPECIFIED: .XX ± 0.06 ANGLES ± 1° HOLES AND SLOTS .XX ± 0.03 FABRICATION: INSIDE RADIUS OF BENDS EQUAL TO MATERIAL THICKNESS. REMOVE ALL BURRS. MACHINING: DE-BURR ALL HOLES. WELDING: FULL WELD UNLESS OTHERWISE NOTED. WT- DESIGNATES WATERTIGHT WELD. (METRIC EQUIVALENTS IN PARENTHESES)	NEXT ASSEMBLY: X	MATERIAL: SEE BOM	SCALE: NTS DRAWN BY: JDK DATE: 12-18-09 APPROVED BY & DATE: THL 12-09
THIS DOCUMENT AND INFORMATION CONTAINED HEREIN IS THE PROPERTY OF SUPER PRODUCTS CORPORATION. ANY DUPLICATION OF THIS DOCUMENT OR USE OF INFORMATION WITHOUT EXPRESS WRITTEN CONSENT OF SUPER PRODUCTS CORPORATION IS PROHIBITED.		DWG NO. 5500-03046	SHEET 4 OF 9	

H	17478	PART NUMBER 5500-03109 REPLACE WITH 5500-03105	SKD	BM	9/14/2016
SYM.	ECO NO.	DESCRIPTION	BY	APP	DATE



* NOTE: STRIP 0.38 & SOLDER

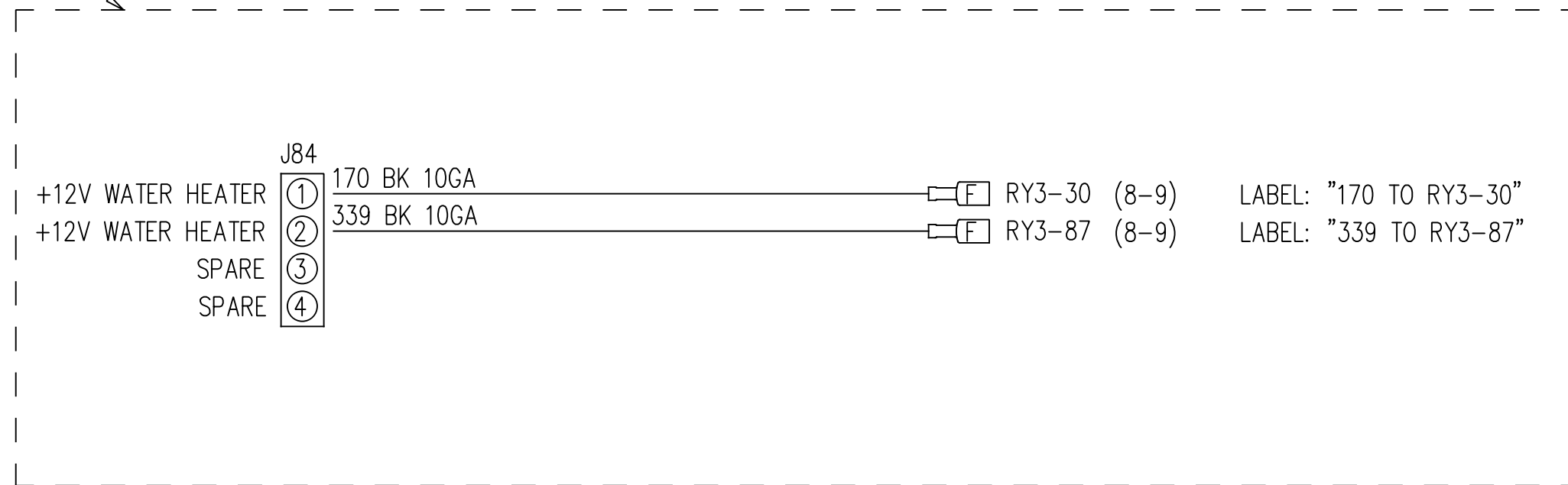
MANUAL DRAWING # 9710-02816

<p>Super Products MILWAUKEE, WI. -U.S.A.</p>	TITLE: HARNESS, ENCLOSURE, CONTROL, MD			
	UNLESS OTHERWISE SPECIFIED: .XX ± 0.06 ANGLES ± 1° HOLES AND SLOTS .XX ± 0.03 FABRICATION: INSIDE RADIUS OF BENDS EQUAL TO MATERIAL THICKNESS. REMOVE ALL BURRS. MACHINING: DE-BURR ALL HOLES. WELDING: FULL WELD UNLESS OTHERWISE NOTED. WT- DESIGNATES WATERTIGHT WELD. (METRIC EQUIVALENTS IN PARENTHESES)	NEXT ASSEMBLY: X	MATERIAL: SEE BOM	
THIS DOCUMENT AND INFORMATION CONTAINED HEREIN IS THE PROPERTY OF SUPER PRODUCTS CORPORATION. ANY DUPLICATION OF THIS DOCUMENT OR USE OF INFORMATION WITHOUT EXPRESS WRITTEN CONSENT OF SUPER PRODUCTS CORPORATION IS PROHIBITED.	SCALE NTS	DRAWN BY JDK	DATE 12-18-09	APPROVED BY & DATE THL 12-09
	DWG NO. 5500-03046			SHEET 5 OF 9

H	17478	PART NUMBER 5500-03109 REPLACE WITH 5500-03105	SKD	BM	9/14/2016
SYM.	ECO NO.	DESCRIPTION	BY	APP	DATE

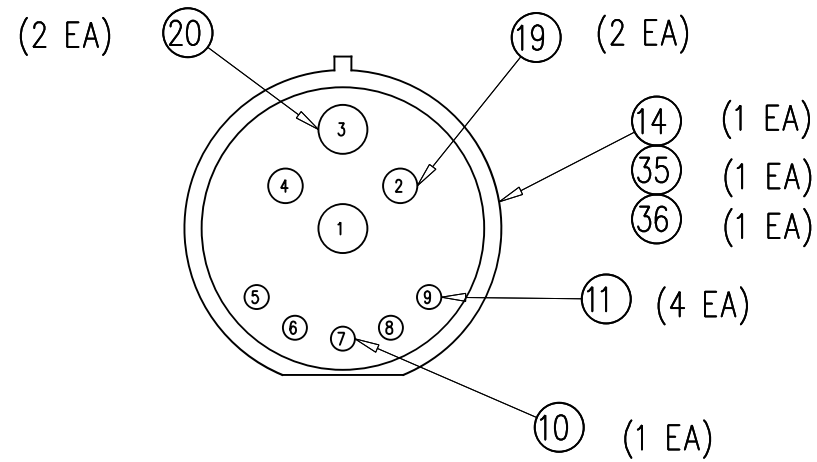
J84 HEATER HARNESS

38
(1 EA)



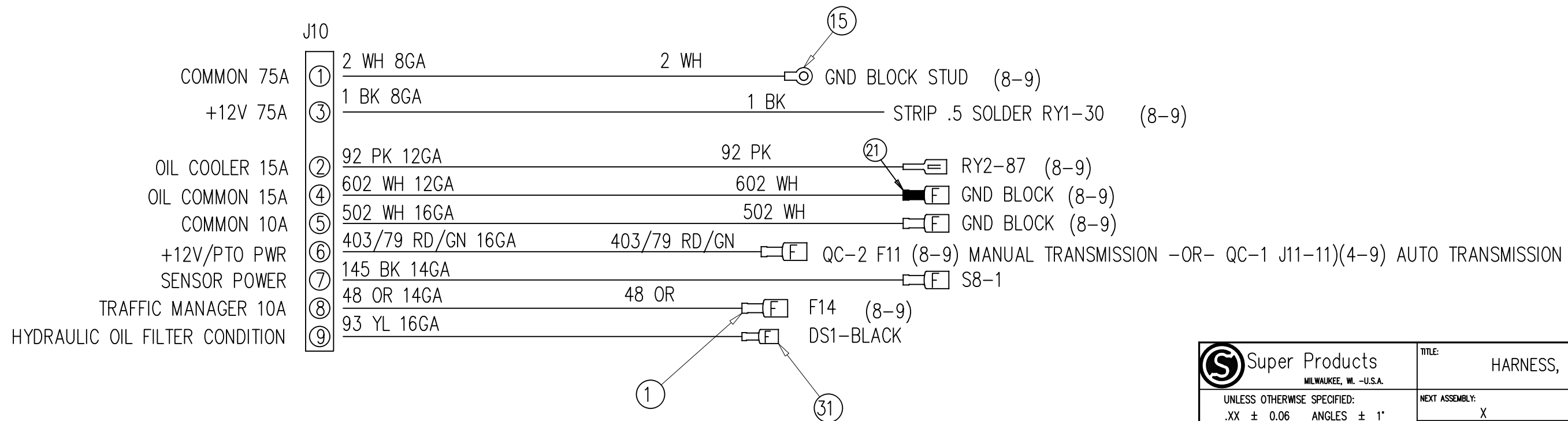
Super Products <small>MILWAUKEE, WI. -U.S.A.</small>	TITLE: HARNESS, ENCLOSURE, CONTROL, MD			
	UNLESS OTHERWISE SPECIFIED: .XX ± 0.06 ANGLES ± 1° HOLES AND SLOTS .XX ± 0.03 <small>FABRICATION: INSIDE RADIUS OF BENDS EQUAL TO MATERIAL THICKNESS. REMOVE ALL BURRS.</small> <small>MACHINING: DE-BURR ALL HOLES.</small> <small>WELDING: FULL WELD UNLESS OTHERWISE NOTED. WT- DESIGNATES WATERTIGHT WELD.</small> <small>(METRIC EQUIVALENTS IN PARENTHESES)</small>		NEXT ASSEMBLY: X	
<small>THIS DOCUMENT AND INFORMATION CONTAINED HEREIN IS THE PROPERTY OF SUPER PRODUCTS CORPORATION. ANY DUPLICATION OF THIS DOCUMENT OR USE OF INFORMATION WITHOUT EXPRESS WRITTEN CONSENT OF SUPER PRODUCTS CORPORATION IS PROHIBITED.</small>		MATERIAL: SEE BOM		
		<small>SCALE</small> NTS	<small>DRAWN BY</small> JDK	<small>DATE</small> 12-18-09
<small>MANUAL DRAWING # 9710-02816</small>		<small>DWG NO.</small> 5500-03046		
		<small>SHEET</small> 6 <small>OF</small> 9 <small>SIZE</small> C		

H	17478	PART NUMBER 5500-03109 REPLACE WITH 5500-03105	SKD	BM	9/14/2016
SYM.	ECO NO.	DESCRIPTION	BY	APP	DATE



J10
POWER HARNESS

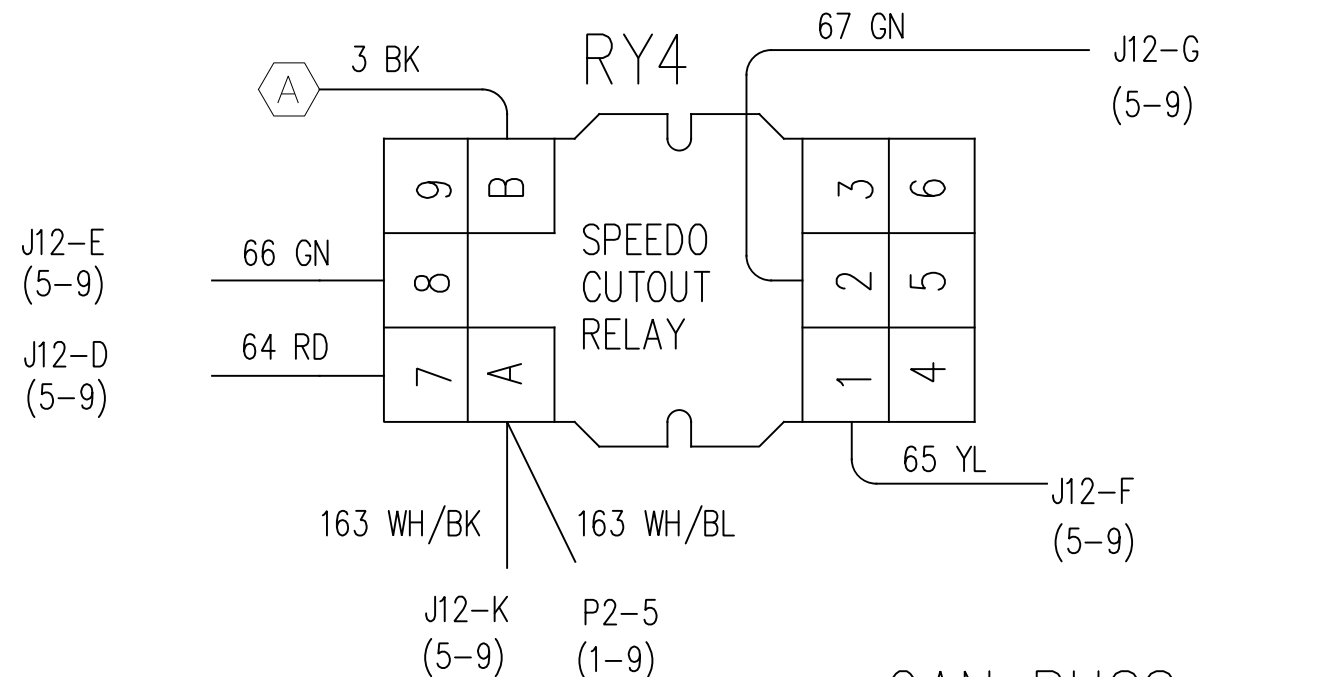
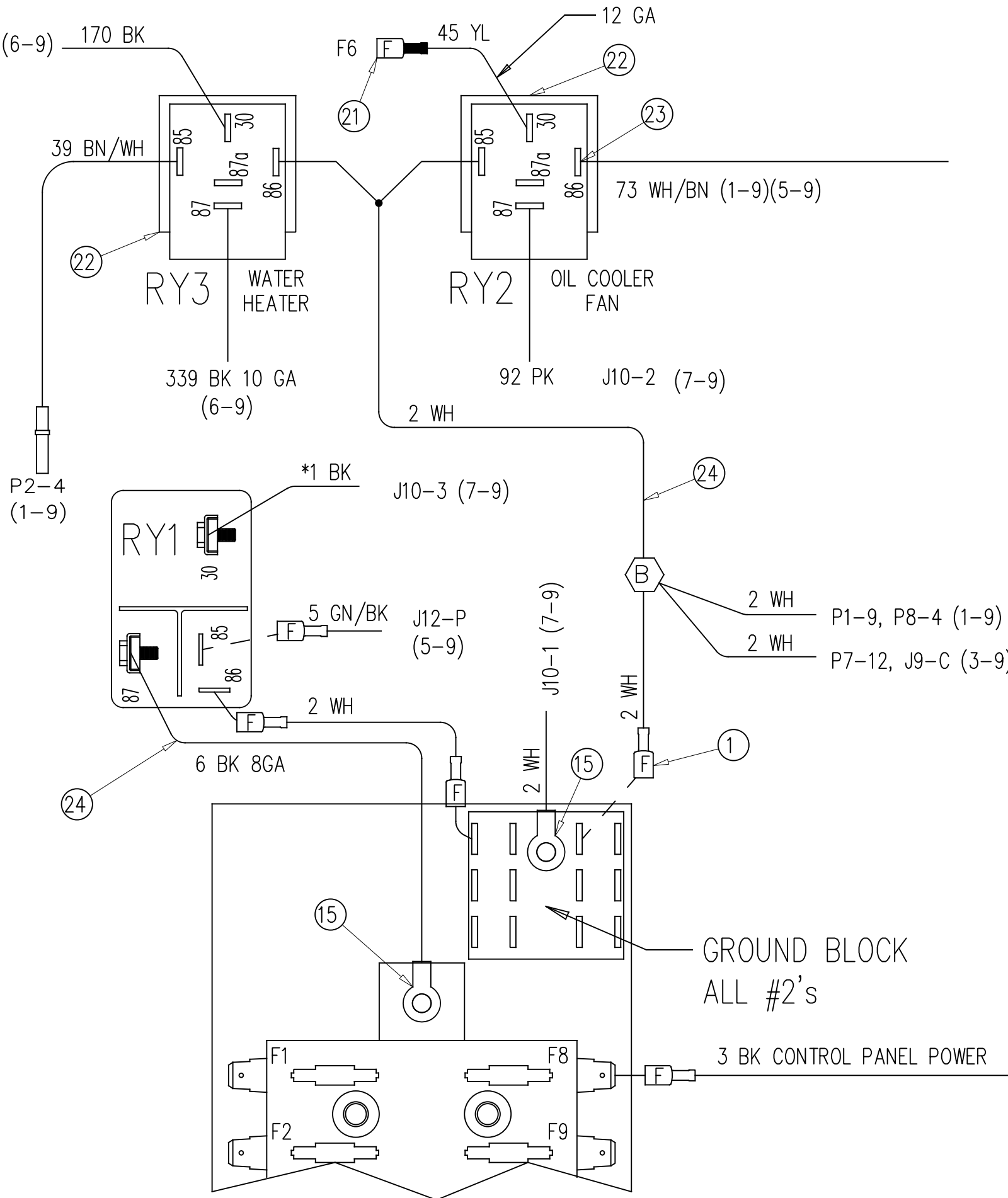
ITEM	PART NUMBER	QTY.	DESCRIPTION	VENDOR	S/P P/N
19	0460-202-12141	6	CONTACT, PIN 14-12	DEUTSCH	5500-01703
20	0460-204-08141	2	CONTACT, PIN 10-8	DEUTSCH	5500-03106
21	DNF10-250-FIB-D	17	TERMINAL, FEMALE, QC, 12-10	PANDUIT	5500-00826
22	75280	2	CONNECTOR, RELAY, PANEL	WAYTEK	5500-03115
23	31073	6	TERMINAL, RELAY	WAYTEK	5500-01332
24	#8 GA. GPT	A/R	WIRE	-	-
25	#12 GA. GPT	A/R	WIRE	-	-
26	#14 GA. GPT	A/R	WIRE	-	-
27	#16 GA. GPT	A/R	WIRE	-	-
28	#18 GA. GPT	A/R	WIRE	-	-
29	DNF14-250-F1-M-M	1	CONNECTOR, MALE, QC	PANDUIT	5500-00469
30	120 OHM .25 W	2	RESISTOR	-	5500-01602
31	14RBD-18277	2	TERMINAL, FEMALE, QC, 187	T&B	5500-01497
32	#10 GA. GPT	A/R	WIRE, GPT, 10 AWG, BLACK	-	5500-03257
33	2414-001-2486	2	WASHER, LOCK, CURVED	DEUTSCH	5500-03111
34	2411-001-2405	2	NUT, PLASTIC	DEUTSCH	5500-03112
35	112264	1	WASHER, LOCK, SS	DEUTSCH	5500-01373
36	112263-90	1	NUT, PANEL, ALUM	DEUTSCH	5500-01372
37	-	-	-	-	-
38	-	1	HARNESS, HEATER PWR, MD, ENCLOSURE	-	0025529



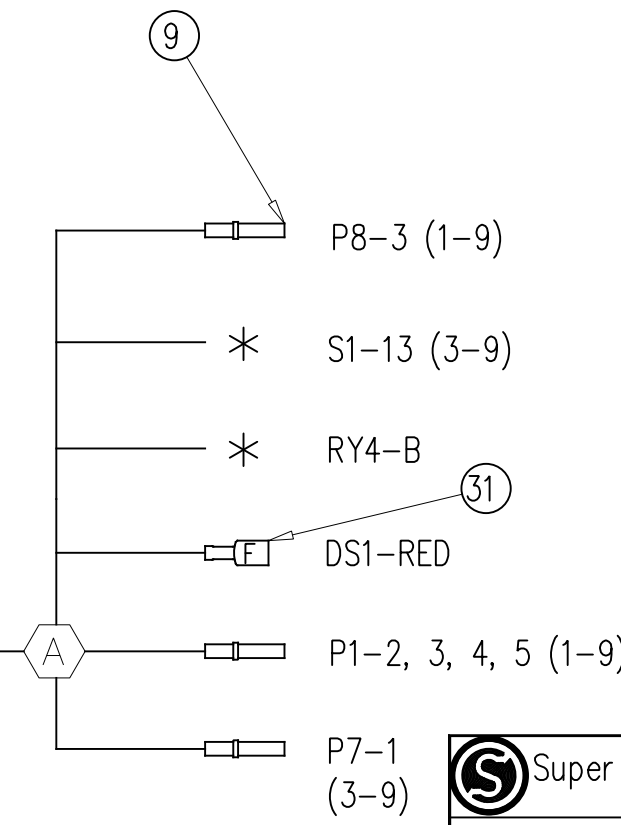
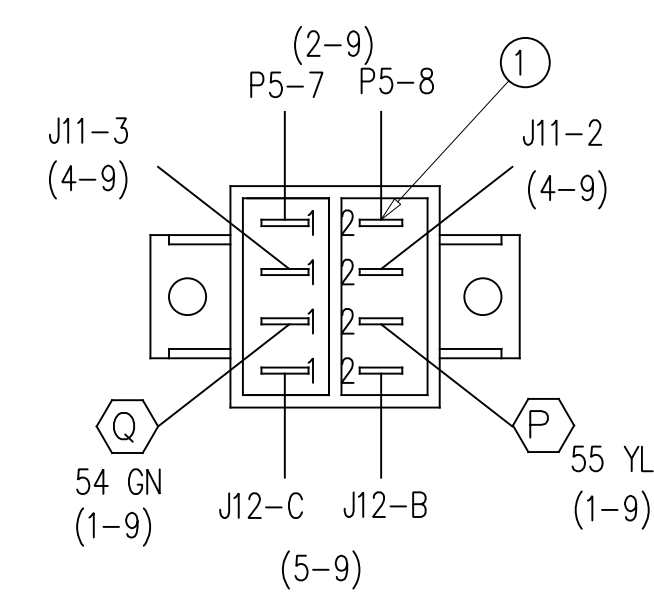
<p>Super Products MILWAUKEE, WI. -U.S.A.</p>	TITLE: HARNESS, ENCLOSURE, CONTROL, MD				
	UNLESS OTHERWISE SPECIFIED: .XX ± 0.06 ANGLES ± 1° HOLES AND SLOTS .XX ± 0.03 FABRICATION: INSIDE RADIUS OF BENDS EQUAL TO MATERIAL THICKNESS. REMOVE ALL BURRS. MACHINING: DE-BURR ALL HOLES. WELDING: FULL WELD UNLESS OTHERWISE NOTED. WT- DESIGNATES WATERTIGHT WELD. (METRIC EQUIVALENTS IN PARENTHESES)	NEXT ASSEMBLY: X	MATERIAL: SEE BOM		
THIS DOCUMENT AND INFORMATION CONTAINED HEREIN IS THE PROPERTY OF SUPER PRODUCTS CORPORATION. ANY DUPLICATION OF THIS DOCUMENT OR USE OF INFORMATION WITHOUT EXPRESS WRITTEN CONSENT OF SUPER PRODUCTS CORPORATION IS PROHIBITED.		SCALE NTS	DRAWN BY JDK	DATE 12-18-09	APPROVED BY & DATE THL 12-09
5500-03046		SHEET 7 OF 9		C	

MANUAL DRAWING # 9710-02816

H	17478	PART NUMBER 5500-03109 REPLACE WITH 5500-03105	SKD	BM	9/14/2016
SYM.	ECO NO.	DESCRIPTION	BY	APP	DATE



CAN BUSS TB



* NOTE: STRIP 0.38 & SOLDER
 (X) SPLICES - SOLDERED, LOCATE WHERE CONVENIENT

MANUAL DRAWING # 9710-02816

H	17478	PART NUMBER 5500-03109 REPLACE WITH 5500-03105	SKD	BM	9/14/2016
SYM.	ECO NO.	DESCRIPTION	BY	APP	DATE

Super Products MILWAUKEE, WI. -U.S.A.		TITLE: HARNESS, ENCLOSURE, CONTROL, MD			
UNLESS OTHERWISE SPECIFIED: .XX ± 0.06 ANGLES ± 1° HOLES AND SLOTS .XX ± 0.03 FABRICATION: INSIDE RADIUS OF BENDS EQUAL TO MATERIAL THICKNESS. REMOVE ALL BURRS. MACHINING: DE-BURR ALL HOLES. WELDING: FULL WELD UNLESS OTHERWISE NOTED. WT- DESIGNATES WATERTIGHT WELD. (METRIC EQUIVALENTS IN PARENTHESES)		NEXT ASSEMBLY: X		MATERIAL: SEE BOM	
THIS DOCUMENT AND INFORMATION CONTAINED HEREIN IS THE PROPERTY OF SUPER PRODUCTS CORPORATION. ANY DUPLICATION WITHOUT EXPRESS WRITTEN CONSENT OF SUPER PRODUCTS CORPORATION IS PROHIBITED.		SCALE NTS	DRAWN BY JDK	DATE 12-18-09	APPROVED BY & DATE THL 12-09
DWG NO. 5500-03046		SHEET 8 OF 9			

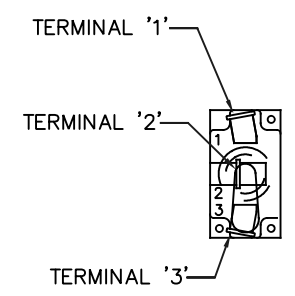
WIRE NO	COLOR	SIGNAL
1	BK	BATTERY +12VDC
4	RD/WH	+5VDC
5	GN/BK	IGNITION +12 VDC
6	BK	POWER RELAY TO FUSE BLOCK
8	WH/OR	+5V COMMON
9	GN	BOOM UP
10	DK BL	BOOM DOWN
11	BL/BN	WATER PUMP ON/OFF SW
13	WH/BN	WATER PUMP INDICATOR
14	WH/OR	MINIMUM WATER INDICATOR
15	BK/GN	WORK LIGHT ON/OFF CAB SW
16	WH/PU	RECYCLE/RETURN PUMP INDICATOR
20	PK/BK	WORK LIGHTS CP SW
21	YL	BOOM RIGHT
22	OR	BOOM LEFT
23	WH/BK	VACUUM BOOSTER CLOSED
27	GY	BOOM EXTEND
28	BN	BOOM RETRACT
29	PU	VENT DOOR OPEN
30	BK/BN	ENGINE KILL
31	--	CABIN LIGHTS
32	PU/TN	AXLE OVERLOAD INDICATOR
33	BN/RD	CABIN LIGHTS ON/OFF SW
34	WH/RD	WATER LOW INDICATOR
35	BN/WH	HEATER ON/OFF SW
39	BN/WH	WATER HEATER ON/OFF
40	---	TACH HIGH
41	---	TACH LOW
43	---	BOOM LIGHT ON
45	YL	+12 V FUSED OIL COOLER
46	---	BEACON FUSED
47	----	WORK LIGHT ON/OFF
48	OR	TRAFFIC MGR FUSED
51	LT BL	THROTTLE INCREASE
52	BK/WH	THROTTLE DECREASE
53	BK/OR	THROTTLE ENABLE
54	GN	CAN LOW
55	YL	CAN HIGH

WIRE NO	COLOR	SIGNAL
56	RD/BN	CABIN HEATER LOW
57	RD/BL	CABIN HEATER MED
58	RD/YL	CABIN HEATER HIGH
64	RD	SPEEDO TO ECM
65	YL	SPEEDO PICKUP
66	GN	SPEEDO TO ECM
67	GN	SPEEDO PICKUP
69	PNK	BOOM LIGHT ON/OFF SW
70	YL/OR	DEBRIS WATER RETURN
71	YL/BK	DEBRIS WATER RECYCLE
72	OR/RD	PTO 'A' ON/OFF SW
73	WH/BN	PTO 'A' ON IND
74	BN/YL	PTO 'B' ON/OFF SW
75	BK/GN	PTO 'B' ON IND
76	--	REGEN LIGHT
79/403	RD/GN	PTO 'A' ON
81	GY/BK	PTO 'A' CONFIRM SW
92	PK	OIL COOLER
93	YL	HYD OIL FILTER CONDITION
121	RD/BK	WATER PROP SOL
123		
124	YL/RD	ALARM 'ON'
125	BL/YL	AUDIO ALARM
129	PU	VAC RELIEF
130	OR/BK	E-STOP/ENGINE KILL RELAY
131	---	E-STOP/ENGINE KILL SW
133	BL	THROTTLE ENABLE/RCAN/PENDANT
134	RD	THROTTLE RAISE
135	YL	THROTTLE LOWER
145	BK	SENSOR POWER
150	BK/YL	+12 V FUSED STROBE
154	GN	PENDANT LOW
155	RD	PENDANT HIGH
163	WH/BK	REAR AXLE DISINGAGED IND

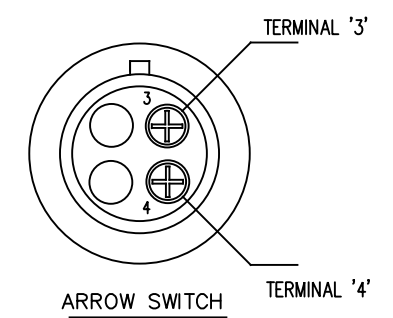
WIRE NO	COLOR	SIGNAL
170	BK	+12V WATER HEATER
209	GN	BOOM RAISE
210	BL	BOOM LOWER
221	YL	BOOM RIGHT
222	OR	BOOM LEFT
223	WH/BK	VAC BOOSTER
225	RD	BOOM/BODY PROP CONTROL
227	GY	BOOM EXTEND
228	BN	BOOM RETRACT
230	BK/BN	E-STOP SW
231	BL/RD	WINTER RECIRC EN
232	BK/WH	DIG/DUMP OPERATION MODE
241	RD/WH	VR1 VAC ANALOG IN
242	BK/RD	VR2 WATER ANALOG IN

WIRE NO	COLOR	POWER & GROUND DISTRIBUTION
2	WH	GROUND
102	WH	GND CHASSIS CONTROL MODULE P6
202	WH	GND DISTRIBUTION BLOCK P15
302	WH	GND WATER HEATER
402	WH	GND CABIN HEATER
502	WH	GND P/J10-5,P/J20-5
602	WH	GND OIL COOLER
702	WH	GND P/J12-A, P/J22-A CAB
802	WH	GND P/J12-J, P/J22-J ENGINE
902	WH	BOOM/BODY VALVE GND
3	BK	+12 VDC FUSED CONTROL PANEL
103	BK	+12 V FUSED CHASSIS CONT. P6
203	RD/BK	+12 V FUSED DISTRIBUTION P16
203C	BK	PROX SENSOR +12
303	BK	+12 V FUSED CAB SW POWER
403	RD/GN	SEE WIRE #79
503	BK	
603	BK	
703	BK	
903	BK	BOOM/BODY VALVE +12
338	RD	HEATER BOOSTER PUMP
339	BK	WATER HEATER 20A (RY3)

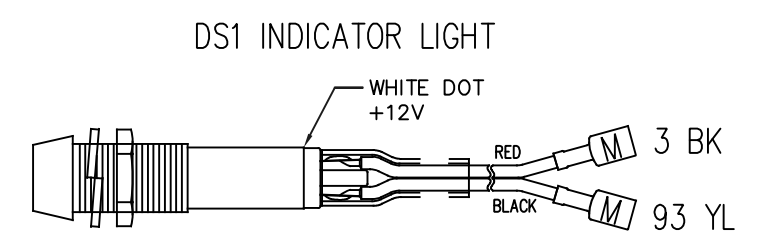
NOTE- UNLESS OTHERWISE STATED
 1- WIRES NOT DENOTED WILL BE 16 AWG.
 2- REFER TO FOLLOWING COMPONENT VIEWS FOR TERMINAL LOCATIONS.



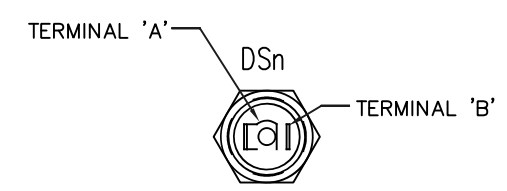
TOGGLE SWITCH



ARROW SWITCH



DS1 INDICATOR LIGHT



PILOT LAMP

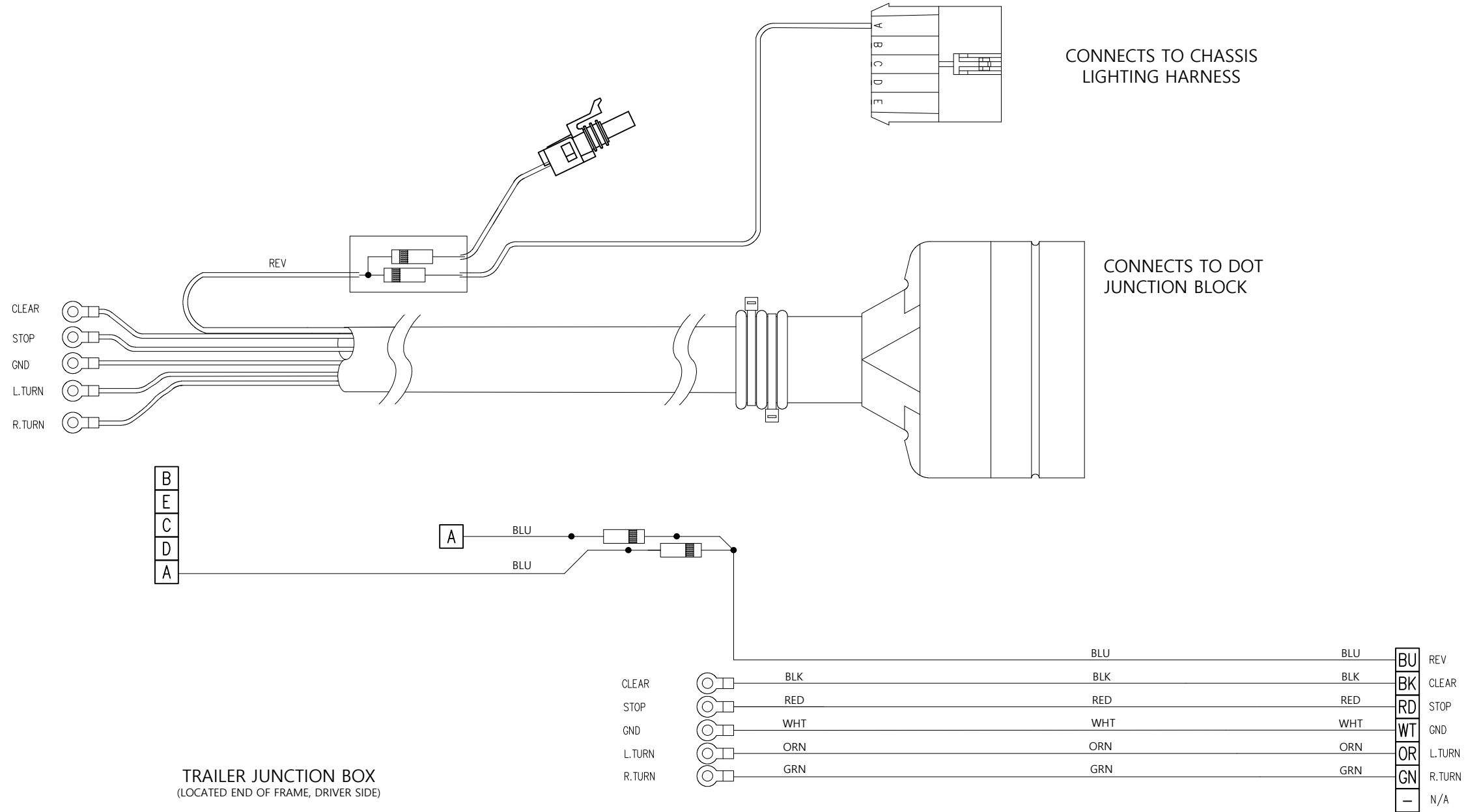
MANUAL DRAWING # 9710-02816

<p>Super Products MILWAUKEE, WI. -U.S.A.</p>	TITLE: HARNESS, ENCLOSURE, CONTROL, MD	
	<p>UNLESS OTHERWISE SPECIFIED: .XX ± 0.06 ANGLES ± 1° HOLES AND SLOTS .XX ± 0.03 FABRICATION: INSIDE RADIUS OF BENDS EQUAL TO MATERIAL THICKNESS. REMOVE ALL BURRS. MACHINING: DE-BURR ALL HOLES. WELDING: FULL WELD UNLESS OTHERWISE NOTED. WT- DESIGNATES WATERTIGHT WELD. (METRIC EQUIVALENTS IN PARENTHESES)</p>	<p>NEXT ASSEMBLY: X</p>
<p>THIS DOCUMENT AND INFORMATION CONTAINED HEREIN IS THE PROPERTY OF SUPER PRODUCTS CORPORATION. ANY DUPLICATION OF THIS DOCUMENT OR USE OF INFORMATION WITHOUT EXPRESS WRITTEN CONSENT OF SUPER PRODUCTS CORPORATION IS PROHIBITED.</p>	<p>SCALE: NTS DRAWN BY: JDK DATE: 12-18-09 APPROVED BY & DATE: THL 12-09</p>	<p>DWG NO. 5500-03046 SHEET 9 OF 9</p>

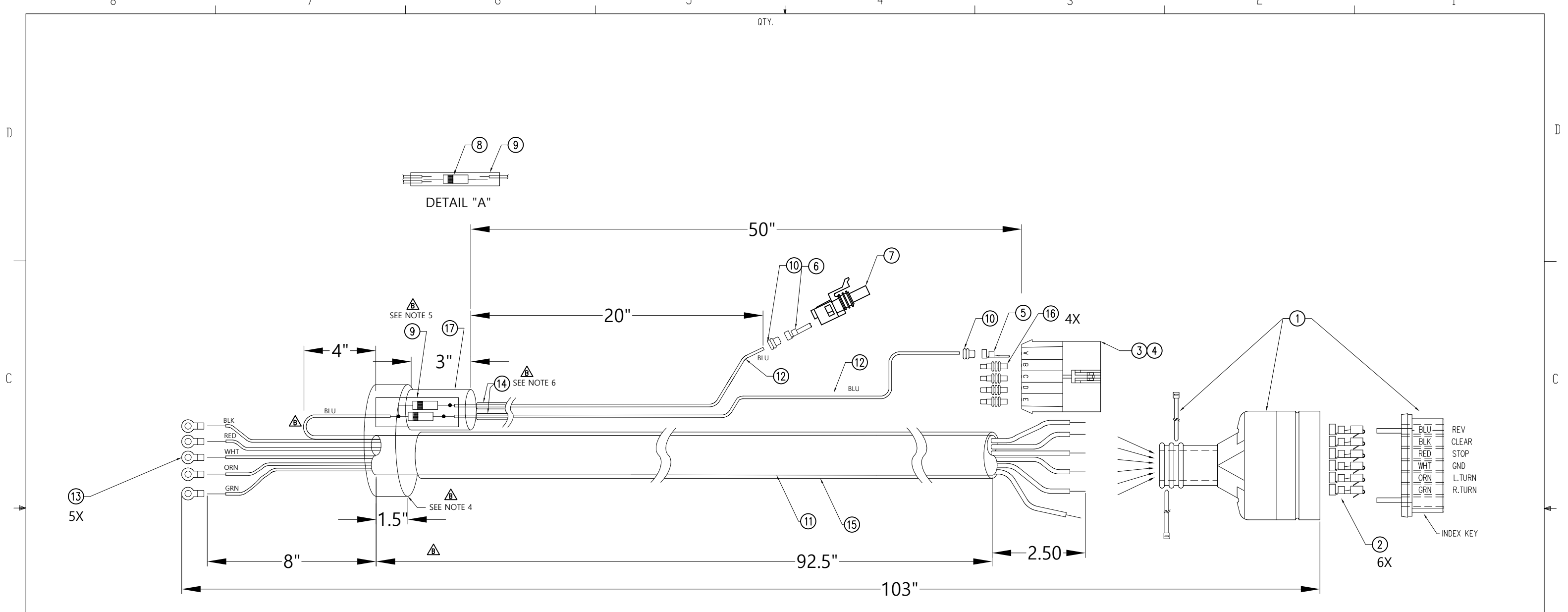
H	17478	PART NUMBER 5500-03109 REPLACE WITH 5500-03105	SKD	BM	9/14/2016
SYM.	ECO NO.	DESCRIPTION	BY	APP	DATE

ITEM NO.	PART NUMBER	DESCRIPTION	QTY.	ITEM NO.	PART NUMBER	DESCRIPTION	QTY.
1	0007493	CONNECTOR, DOT LIGHTING, .50, TRUCK LITE #77851	1	11	5680-00000	CABLE, SE00W, 16-6 600V, -40 TO 105C	103"
2	0007496	TERMINAL, DOT LIGHTING, 16-14 AWG, TRUCK LITE 97983	6	12	5541-00000	WIRE, GXL, BLU, 16 AWG	70"
3	5500-03231	CONNECTOR, 5M, METRI-280 DELPHI 12186400	1	13	5500-00526	RING, TERMINAL #14-10 PANDUIT PV14-10R-C	5
4	5500-03232	LOCK, M, METRI-280 DELPHI 12084673	1	14	5701-00000	LOOM, SPLIT NYLON .25 ID WAYTEK LCP-250	70"
5	5500-03233	TERMINAL, MALE, METRI-280 DELPHI 12048159	1	15	0004346	LOOM, SPLIT, NYLON, .625" ID WAYTEK LCN-625	91"
6	5500-01286-0014	TERMINAL, FEMALE DELPHI 12124580	1	16	5500-01286-0021	CAVITY PLUG, GREEN DELPHI 12010300	4
7	5500-01286-0001	CONNECTOR, BODY, TOWER DELPHI 12015791	1	17	5714-00000	LOOM, SPLIT, NYLON, .35" ID WAYTEK LCP-350	3"
8	5500-00103	DIODE, 3 AMP, 1000VOLT 1N5408	2				
9	5684-00004	HEAT SHRINK, SEALING, .375" WAYTEK 22206	4"				
10	5500-01286-0018	SEAL, GREEN DELPHI 15324982	2				

REVISIONS				
REV #	ECO #	DESCRIPTION	DATE	APPR
B	18456	CHANGE 0004346 FROM 92.5" TO 91" CHANGE ITEM #12 FROM GPT TO GXL ADD 5714-00000	11/1/19	M. SCHLIEDER



NAME	DATE	
DRAWN BY: S.DOANGPHACHANH	12/7/17	
ENG APPR: S.IDING	12/7/17	
MFG APPR:		TITLE: HARNESS, DOT LIGHTING INTERFACE, PETE, MD
MATERIAL:		DWG. NO. 0032889
FINISH:		REV B
PROPRIETARY AND CONFIDENTIAL THE INFORMATION CONTAINED IN THIS DRAWING IS THE SOLE PROPERTY OF SUPER PRODUCTS LLC. ANY REPRODUCTION IN PART OR AS A WHOLE WITHOUT THE WRITTEN PERMISSION OF SUPER PRODUCTS IS PROHIBITED.		UNLESS OTHERWISE SPECIFIED: DIMENSIONS ARE IN INCHES TOLERANCES ARE: XX ± 0.100 X.XX ± 0.060 X.XXX ± 0.030 ANGULAR: MACH ± 1° BEND ± 2° INTERPRET GEOMETRIC TOLERANCING PER: ASME Y14.5
SIZE B	SCALE: NTS	WEIGHT:
		SHEET 1 OF 2



- NOTES:
1. SOLDER DIODE TO CONDUCTORS ACCORDING TO SCHEMATIC SHOWN THIS PAGE. COVER & SEAL WITH SEALING HEAT SHRINK AS SHOWN IN DETAIL A.
 2. DENOTES SOLDER SPLICE LOCATION. ●
 3. INSTALL ZIP TIES TO HAVE CLAPS INSTALLED ON OPPOSITE SIDES OF CONNECTOR BOOT.
 4. TAPE 1.5" FROM END OF CABLE JACKET, OVER SHRINK WRAP FROM DIODE SPLICES
 5. WRAP DIODES WITH 3/8" SPLIT LOOM STARTING 1.5" FROM END TO EDGE OF 1/4" SPLIT LOOM
 6. WRAP WIRE WITH SPLIT LOOM UP TO TERMINATION POINT AND TAPE TO 3/8" SPLIT LOOM
 7. STRIP 1/4" OF WIRE AT ALL TERMINATION POINTS

TITLE: HARNESS, DOT LIGHTING INTERFACE, PETE, MD	
DWG. NO. 0032889	REV B
SIZE B SCALE: NTS WEIGHT:	SHEET 2 OF 2

ITEM	PART NUMBER	DESCRIPTION	MFG	MFG #	QTY	LOCATION
1	5500-01813	2 Way Plug, End Cap	Deutsch	DTM06-2S-E003	1	J1
2	5500-01815	Wedgelock for DTM06-2S, B Key	Deutsch	WM-2SB	1	J1
3	5500-01863	Female Socket, Stamped and Formed, Size 20, 16-22AWG	Deutsch	1062-20-0122	2	J1
4	5500-03041	Male Pin, Size 20, 16-18AWG	Deutsch	0460-010-20141	2	P1
5	0031039	Wedgelock for DTM04-2P, B Key	Deutsch	WM-2PB	1	P1
6	0036810	2 Way Receptacle, Black	Deutsch	DTM04-2P-E004	1	P1

REVISIONS				
REV #	ECO #	DESCRIPTION	DATE	APPR
B	19999	LENGTH CHANGES: 3.0 WAS 2.0 (2X) & 92.0 WAS 80.0. REVISED NOTE 9 TO INCLUDE, "OR BOOT IF APPLICABLE".	05/11/2021	J. Matel

Wire List


ITEM	DESCRIPTION	TYPE	LABEL	QTY (in.)
1	16 AWG RED/WHT	SAE J1128 GXL	7 - STROBE	AR
2	16 AWG WHT	SAE J1128 GXL	702 - COMMON	AR

- NOTES:
- HARNESS LABELS AT ENDS SHALL HAVE WHITE LABEL WITH BLACK TEXT AND LABELED ACCORDING TO CABLE CONNECTION TABLE
 - WIRE SHALL BE LABELED ACCORDING TO CABLE CONNECTION TABLE
 - PLUG ANY UNUSED CONNECTOR PORTS WITH CORRESPONDING SEALING PLUG
 - WIRE TYPE TO BE GXL AUTOMOTIVE, 105°C MINIMUM
 - WIRE LOOM TO BE SPLIT NYLON, 120°C MINIMUM, SIZED TO FIT
 - WIRE LOOM TO BE TAPED AT ENDS AND AT MAXIMUM EVERY 6 INCHES
 - MOLDOVER CORDSETS WITH EXCESSIVE LENGTH SHOULD BE CUT TO FIT AS NEEDED
 - MOLDOVER CORDSETS TO BE SPLICED IN HARNESS WITH NO MORE THAN FOUR WIRES PER SPLICE
 - KEEP LOOM AND TAPE 3" BACK FROM BACK OF CONNECTORS OR BOOT IF APPLICABLE

	NAME	DATE
DRAWN BY	A. MESSING	11/13/2020
ENG APPR.	J. Matel	12/09/2020

PROPRIETARY AND CONFIDENTIAL
 THE INFORMATION CONTAINED IN THIS DRAWING IS THE SOLE PROPERTY OF SUPER PRODUCTS. ANY REPRODUCTION IN PART OR AS A WHOLE WITHOUT THE WRITTEN PERMISSION OF SUPER PRODUCTS IS PROHIBITED.

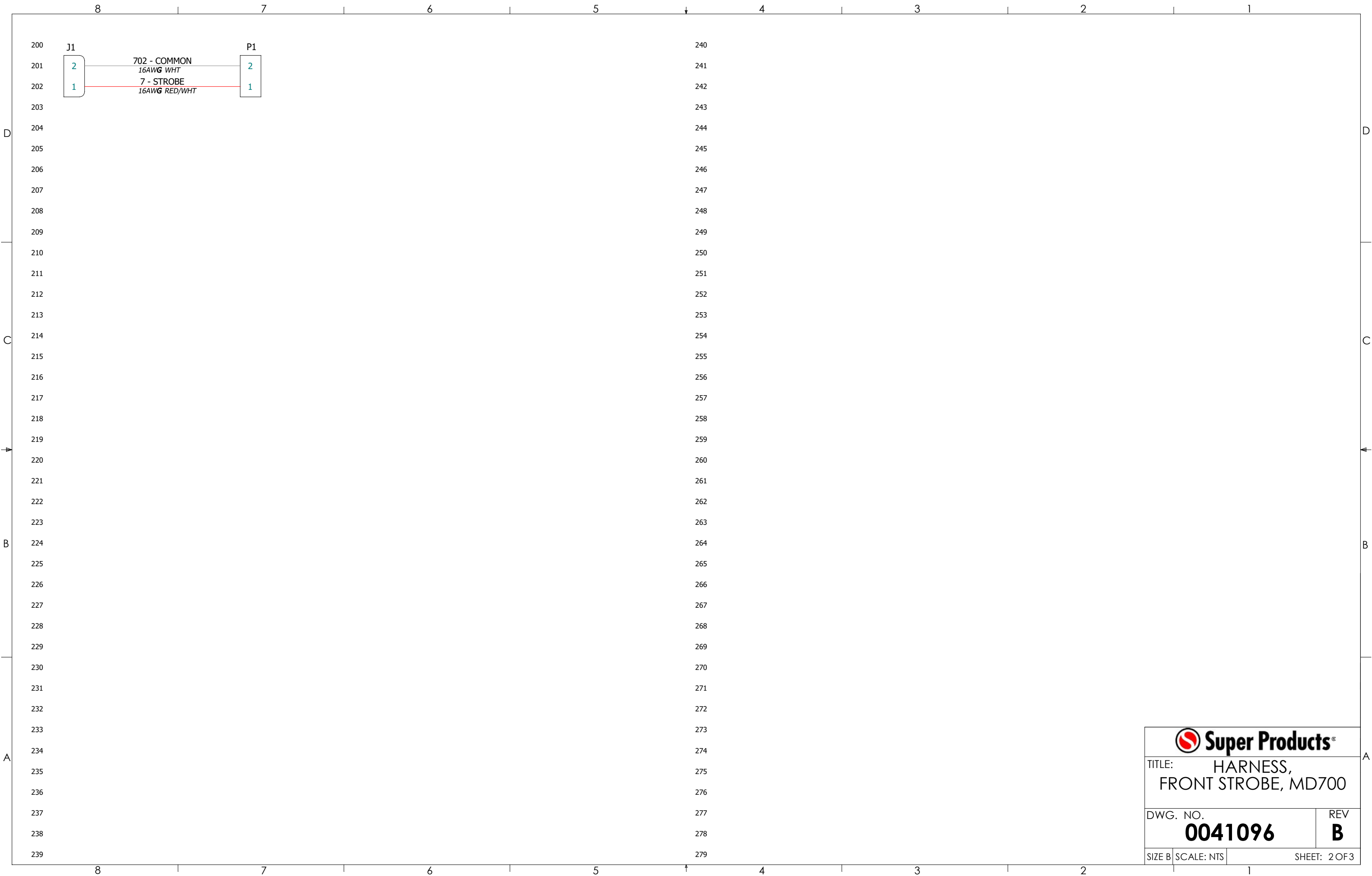
UNLESS OTHERWISE SPECIFIED:
 DIMENSIONS ARE IN INCHES
 TOLERANCES ARE:
 X.X ± 0.100
 X.XX ± 0.060
 X.XXX ± 0.030


 **Super Products®**

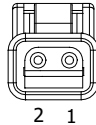
TITLE: HARNESS, FRONT STROBE, MD700

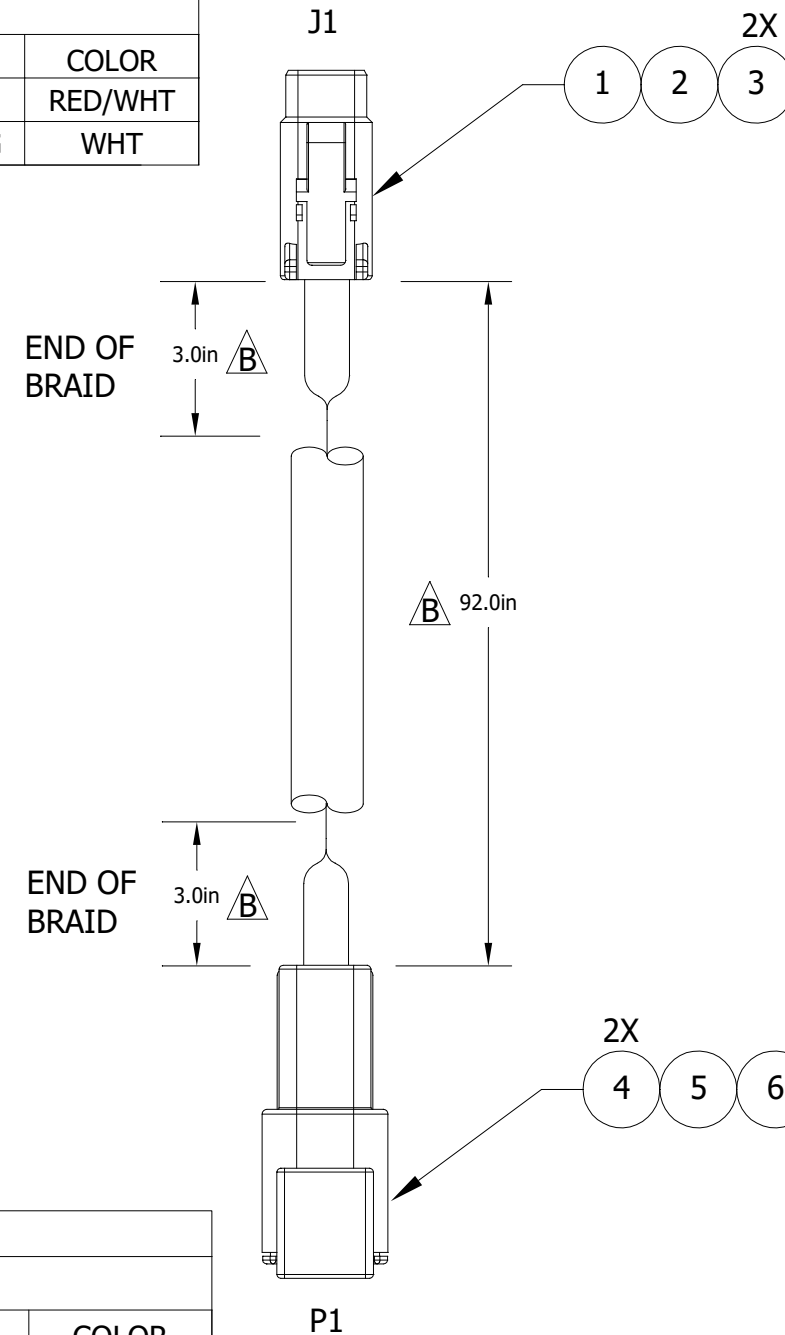
DWG. NO. **0041096** REV **B**

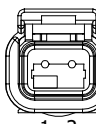
SIZE B SCALE: NTS SHEET: 1 OF 3




 Super Products [®]		
TITLE: HARNESS, FRONT STROBE, MD700		
DWG. NO.	REV	
0041096	B	
SIZE B	SCALE: NTS	SHEET: 2 OF 3

END VIEW 	LABEL	0041096.A J1		
	WIRE CONNECTION			
	POS	WIRE CODE	GAUGE	COLOR
1	7 - STROBE	16AWG	RED/WHT	
2	702 - COMMON	16AWG	WHT	



END VIEW 	LABEL	0041096.A P1		
	WIRE CONNECTION			
	POS	WIRE CODE	GAUGE	COLOR
1	7 - STROBE	16AWG	RED/WHT	
2	702 - COMMON	16AWG	WHT	

	
TITLE: HARNESS, FRONT STROBE, MD700	
DWG. NO. 0041096	REV B
SIZE B SCALE: NTS	SHEET: 3 OF 3

ITEM	PART NUMBER	DESCRIPTION	MFG	MFG #	QTY	LOCATION
1	5500-01286-0003	2 Position Tower, BLK	Delphi	12015792	1	P35
2	5500-01286-0004	2 Position Shroud, BLK	Delphi	12010973	2	J35, J36
3	5500-01286-0013	Male Terminal, Weatherpack, 14-16AWG	Delphi	12124582	2	J36, J35
4	5500-01286-0014	Female Terminal, Weatherpack, 14-16AWG	Delphi	12124580	2	P35
5	5500-01286-0018	Cable Seal, Green, 16-20AWG	Delphi	15324982	2	P35
6	5500-01286-0019	Cable Seal, Gray, 14-16AWG	Delphi	15324980	2	J35, J36
7	5500-01621	Female Socket, Size 16, 14AWG	Deutsch	0462-209-16141	2	P17
8	5500-01622	Sealing Plug, 12-16AWG	Deutsch	114017	1	P17
9	5500-03032	Backshell for HD10	Deutsch	M902-2194	1	P17
10	5500-03033	Backshell nut for HD10, HD30, HDP20	Deutsch	M902-2054	1	P17
11	0026656	Female Socket, Size 16, 16-20AWG	Deutsch	0462-201-16141	6	P17
12	0036760	9 Way Plug, Threaded Rear	Deutsch	HD16-9-96S	1	P17
13	0042132	M12 Plug Connector, Female 4 pole, Straight, 5m, Single ended, Yellow	Murr Elektronik	7700-12221-1500500	1	P1

⚠

REVISIONS				
REV #	ECO #	DESCRIPTION	DATE	APPR
B	19999	ITEM 0042132 WAS 0034024. 18AWG BRN WAS 16AWG BRN & 18AWG BLU WAS 16 AWG BLU. UPDATED P1 & P17 WIRE LABELS REVISED NOTE 9 TO INCLUDE, "OR BOOT IF APPLICABLE".	05/06/2021	J Matel

WIRE LIST

ITEM	DESCRIPTION	TYPE	QTY (in.)
1	14 AWG PNK	SAE J1128 GXL	AR
2	14 AWG WHT	SAE J1128 GXL	AR
3	16 AWG VIO	SAE J1128 GXL	AR
4	16 AWG WHT	SAE J1128 GXL	AR
5	18 AWG BLU	SAE J1128 GXL	AR
6	18 AWG BRN	SAE J1128 GXL	AR

⚠
⚠

CABLE LIST

ITEM	PART NUMBER	DESCRIPTION	QTY	Mark
1	5580-00000	SEOOW 16/2	AR	CBL1, CBL2

NOTES:


- HARNES LABELS AT ENDS SHALL HAVE WHITE LABEL WITH BLACK TEXT AND LABELED ACCORDING TO CABLE CONNECTION TABLE
- WIRE SHALL BE LABELED ACCORDING TO CABLE CONNECTION TABLE
- PLUG ANY UNUSED CONNECTOR PORTS WITH CORRESPONDING SEALING PLUG
- WIRE TYPE TO BE GXL AUTOMOTIVE, 105°C MINIMUM
- WIRE LOOM TO BE SPLIT NYLON, 120°C MINIMUM, SIZED TO FIT
- WIRE LOOM TO BE TAPED AT ENDS AND AT MAXIMUM EVERY 6 INCHES
- MOLDOVER CORDSETS WITH EXCESSIVE LENGTH SHOULD BE CUT TO FIT AS NEEDED
- MOLDOVER CORDSETS TO BE SPLICED IN HARNES WITH NO MORE THAN FOUR WIRES PER SPLICE
- KEEP LOOM AND TAPE 3" BACK FROM BACK OF CONNECTORS OR BOOT IF APPLICABLE

⚠

	NAME	DATE
DRAWN BY	A Messing	11/30/2020
ENG APPR.	J Matel	12/21/2020

PROPRIETARY AND CONFIDENTIAL
THE INFORMATION CONTAINED IN THIS DRAWING IS THE
SOLE PROPERTY OF SUPER PRODUCTS. ANY REPRODUCTION
IN PART OR AS A WHOLE WITHOUT THE WRITTEN PERMISSION
OF SUPER PRODUCTS IS PROHIBITED

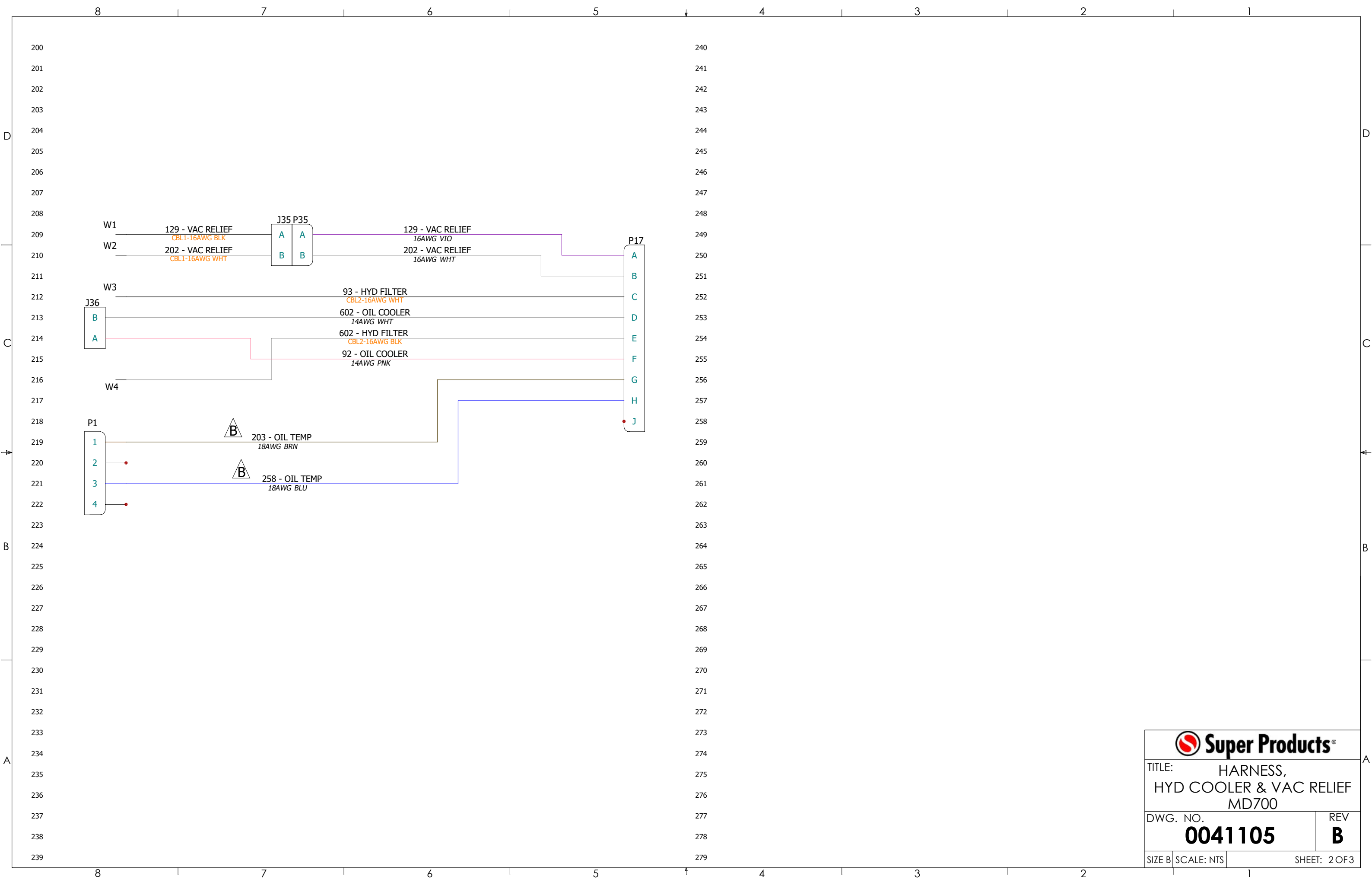
UNLESS OTHERWISE SPECIFIED:
DIMENSIONS ARE IN INCHES
TOLERANCES ARE:
X.X ± 0.100
X.XX ± 0.060
X.XXX ± 0.030


 **Super Products®**

TITLE: HARNES,
HYD COOLER & VAC RELIEF
MD700

DWG. NO. **0041105** REV **B**

SIZE B SCALE: NTS SHEET: 1 OF 3



		
TITLE: HARNESS, HYD COOLER & VAC RELIEF MD700		
DWG. NO.	REV	
0041105	B	
SIZE B	SCALE: NTS	SHEET: 2 OF 3

8 7 6 5 4 3 2 1

VAC RELIEF
W2* W1*

LABEL 0041105.A W1		
WIRE CODE	GAUGE	COLOR
129 - VAC RELIEF	16AWG	BLK

LABEL 0041105.A W2		
WIRE CODE	GAUGE	COLOR
202 - VAC RELIEF	16AWG	WHT

* 1.13 LEADS
STRIP & TIN .38

98.00 LOOM

LABEL 0041105.A J35			
WIRE CONNECTION			
POS	WIRE CODE	GAUGE	COLOR
A	129 - VAC RELIEF	16AWG	BLK
B	202 - VAC RELIEF	16AWG	WHT

LABEL 0041105.A P35			
WIRE CONNECTION			
POS	WIRE CODE	GAUGE	COLOR
A	129 - VAC RELIEF	16AWG	VIO
B	202 - VAC RELIEF	16AWG	WHT

B

LABEL 0041105.A P1 OIL TEMP SENSOR				
WIRE CONNECTION				
POS	WIRE CODE	GAUGE	COLOR	
1	203 - OIL TEMP	18AWG	Brown	
2				
3	258 - OIL TEMP	18AWG	Blue	
4				

P1 OIL TEMP

18.00 LOOM

LABEL 0041105.A W3		
WIRE CODE	GAUGE	COLOR
93 - HYD FILTER	16AWG	BLK

LABEL 0041105.A W4		
WIRE CODE	GAUGE	COLOR
602 - HYD FILTER	16AWG	WHT

W4*
W3*

HYD FILTER CONDITION

18.00 LOOM

56.00 LOOM

86.00 LOOM

48.00 LOOM

54.00 LOOM

OIL COOLER

J36

LABEL 0041105.A J36			
WIRE CONNECTION			
POS	WIRE CODE	GAUGE	COLOR
B	602 - OIL COOLER	14AWG	WHT
A	92 - OIL COOLER	14AWG	PNK

B

LABEL 0041105.A P17					
WIRE CONNECTION					
POS	WIRE CODE	GAUGE	COLOR	TERMINAL	
A	129 - VAC RELIEF	16AWG	VIO	0462-201-16141	
B	202 - VAC RELIEF	16AWG	WHT	0462-201-16141	
C	93 - HYD FILTER	16AWG	BLK	0462-201-16141	
D	602 - OIL COOLER	14AWG	WHT	0462-209-16141	
E	602 - HYD FILTER	16AWG	WHT	0462-209-16141	
F	92 - OIL COOLER	14AWG	PNK	0462-201-16141	
G	203 - OIL TEMP	18AWG	BRN	0462-201-16141	
H	258 - OIL TEMP	18AWG	BLU	0462-201-16141	
J				114017	

P17



TITLE: HARNESS,
HYD COOLER & VAC RELIEF
MD700

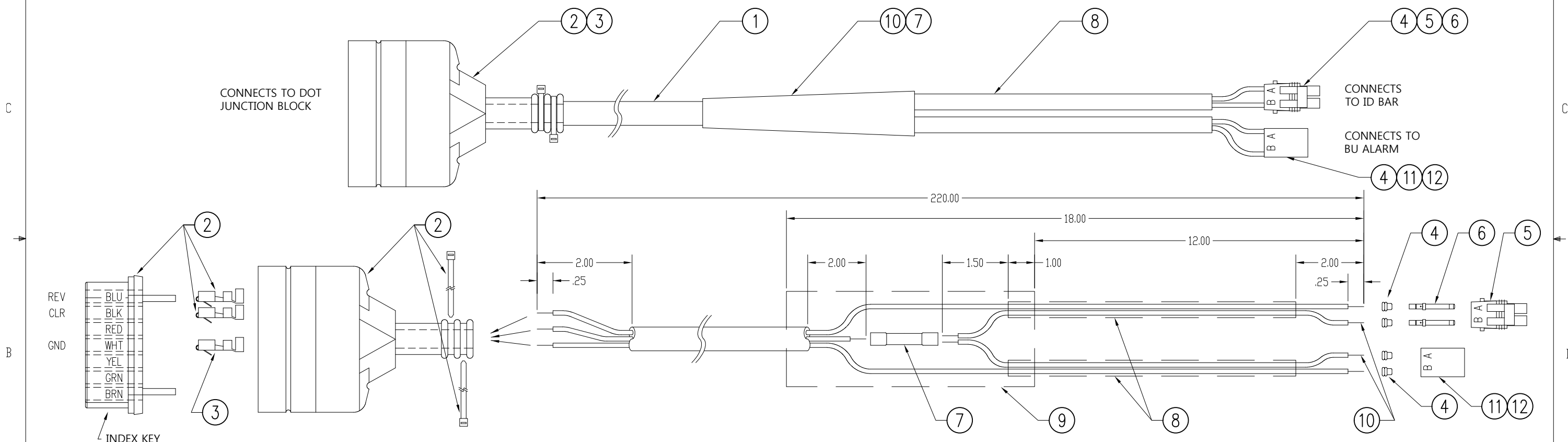
DWG. NO. **0041105** REV **B**

SIZE B SCALE: NTS SHEET: 3 OF 3

8 7 6 5 4 3 2 1

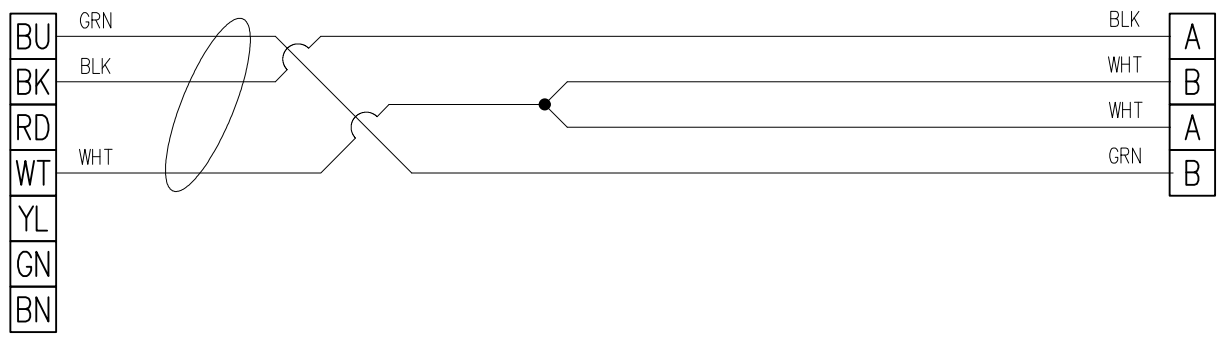
ITEM NO.	PART NUMBER	DESCRIPTION	REF DESG	QTY.
1	5581-00000	CABLE, SEOWW, 16-3		220"
2	0007493	CONNECTOR KIT, DOT, 1/2"		1
3	0007496	TERMINAL, DOT LIGHTING, 16-14		1
4	5500-01286-0018	SEAL, GREEN		4
5	5500-01286-0003	CONNECTOR BODY, TOWER, 2 POS		1
6	5500-01286-0014	TERMINAL, FEMALE, 16-14		2
7	5683-00002	BUTT SPLICE, 16-14, BU, W/ SL HT SHRK		1
8	5684-00004	HEAT SHRINK, 3/8"		11"
9	5684-00005	HEAT SHRINK, .50"		5"
10	5547-00000	WIRE, GPT, 16AWG, WHT		14.5"
11	5500-01286-0004	CONNECTOR BODY,SHROUD 2-PIN		1
12	5500-01286-0013	TERMINAL, MALE 16-14		2

REVISIONS				
REV #	ECD #	DESCRIPTION	DATE	APPR
B	17902	CHANGE 0007492 TO 0007493	4/3/2018	J.MATEL



NOTES:

1. SEAL BUTT SPLICE HEAT SHRINK PRIOR TO INSTALLING .50" DIAMETER HEAT SHRINK.
2. SEAL 3/8" HEAT SHRINK, ITEM 8, PRIOR TO SHRINKING .50" HEAT SHRINK, ITEM 9.
3. INSTALL ZIP TIES WITH CLASPS ON OPPOSITE SIDES OF CONNECTOR BOOT AS SHOWN THIS PAGE.



NAME	DATE	
DRAWN BY: S.DDUANGPHACHANH	11/16/2016	
ENG APPR: S.IDING	11/16/2016	
MFG APPR:		TITLE: HARNESS, ID BAR & BACK UP ALARM, MD

MATERIAL:

FINISH:

UNLESS OTHERWISE SPECIFIED:
DIMENSIONS ARE IN INCHES
TOLERANCES ARE:
XX ± 0.100
XXX ± 0.060
XXX ± 0.030
ANGULAR: MACH ± 1° BEND ± 2°
INTERPRET GEOMETRIC TOLERANCING PER: ASME Y14.5

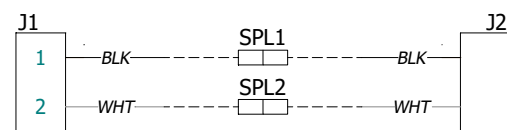
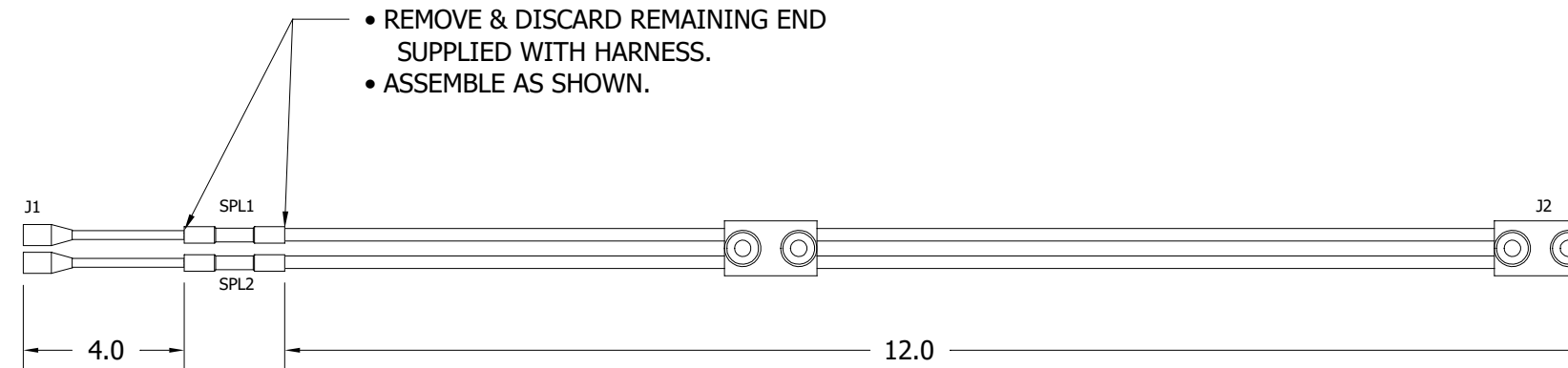
PROPRIETARY AND CONFIDENTIAL
THE INFORMATION CONTAINED IN THIS DRAWING IS THE SOLE PROPERTY OF SUPER PRODUCTS LLC. ANY REPRODUCTION IN PART OR AS A WHOLE WITHOUT THE WRITTEN PERMISSION OF SUPER PRODUCTS IS PROHIBITED.

DWG. NO.	REV		
0030866	B		
SIZE	SCALE:	WEIGHT:	SHEET 1 OF 1

ITEM	PART NUMBER	DESCRIPTION	MFG	MFG #	QTY	LOCATION
1	5683-00002	Heat Shrink Butt Splice , 14-16AWG	Panduit	BSH14-Q	2	SPL1, SPL2
2	5714-00000	LOOM, SPLIT NYLON, 3/8" I.D.	Velvac	LOOM, SPLIT NYLON, 3/8" I.D.	AR	SL1
3	0041314	4.0 IN. MARKER CLEARANCE ADAPTER PLUG, 16 AWG, FEMALE PL-10	Truck-Lite	93745	1	J1
4	0041315	29.63 IN. 3 PLUG MARKER CLEARANCE HARNESS, 16 AWG, PL-10, STRIPPED ENDS	Truck-Lite	93945	1	J2



REVISIONS				
REV #	ECO #	DESCRIPTION	DATE	APPR
B	19999	ADDED 5714-00000 (3/8" DIA. SPLIT LOOM) TO BOM.	01/28/2021	A MESSING



NOTES:

- HARNESS LABELS AT ENDS SHALL HAVE WHITE LABEL WITH BLACK TEXT AND LABELED ACCORDING TO CABLE CONNECTION TABLE
- WIRE SHALL BE LABELED ACCORDING TO CABLE CONNECTION TABLE
- PLUG ANY UNUSED CONNECTOR PORTS WITH CORRESPONDING SEALING PLUG
- WIRE TYPE TO BE GXL AUTOMOTIVE, 105°C MINIMUM
- WIRE LOOM TO BE SPLIT NYLON, 120°C MINIMUM, SIZED TO FIT
- WIRE LOOM TO BE TAPED AT ENDS AND AT MAXIMUM EVERY 6 INCHES
- MOLDOVER CORDSETS WITH EXCESSIVE LENGTH SHOULD BE CUT TO FIT AS NEEDED
- MOLDOVER CORDSETS TO BE SPLICED IN HARNESS WITH NO MORE THAN FOUR WIRES PER SPLICE
- KEEP LOOM AND TAPE 3" BACK FROM BACK OF CONNECTORS

	NAME	DATE
DRAWN BY	A. Messing	01/04/2020
ENG APPR.	J. Matel	01/05/2020

PROPRIETARY AND CONFIDENTIAL
THE INFORMATION CONTAINED IN THIS DRAWING IS THE SOLE PROPERTY OF SUPER PRODUCTS. ANY REPRODUCTION IN PART OR AS A WHOLE WITHOUT THE WRITTEN PERMISSION OF SUPER PRODUCTS IS PROHIBITED.

UNLESS OTHERWISE SPECIFIED:
DIMENSIONS ARE IN INCHES
TOLERANCES ARE:
X.X ± 0.100
X.XX ± 0.060
X.XXX ± 0.030

Super Products®

TITLE: HARNESS, MARKER LIGHT SPLITTER, MD700

DWG. NO. **0041106** REV **B**

SIZE B SCALE: NTS SHEET: 1 OF 1

ITEM	PART NUMBER	DESCRIPTION	MFG	MFG #	QTY	LOCATION
1	5500-01621	Female Socket, Size 16, 14AWG	Deutsch	0462-209-16141	4	P20
2	5500-01622	Sealing Plug, 12-16AWG	Deutsch	114017	3	P20
3	0009653	9 way plug, Breakaway, Cavities 4 and 5 internally connected	Deutsch	HDB36-24-91SN	1	P20
4	0031868	Female Socket, Size 8, 8-10 AWG	Deutsch	0462-203-08141	2	P20

REVISIONS				
REV #	ECO #	DESCRIPTION	DATE	APPR
B	19999	36" LOOM WAS 36" BRAID. 78" LOOM WAS 78" BRAID. 6" LOOM WAS 6" BRAID. 55" LOOM WAS 55" BRAID. REVISED NOTE 9 TO INCLUDE, "OR BOOT IF APPLICABLE".	05/05/2021	J. Matel

Wire List

ITEM	DESCRIPTION	TYPE	QTY (in.)
1	8 AWG BLK	SAE J1128 GXL	0
2	8 AWG WHT	SAE J1128 GXL	0
3	16 AWG GRY/BLK	SAE J1128 GXL	0
4	16 AWG ORG	SAE J1128 GXL	0
5	16 AWG WHT	SAE J1128 GXL	0

NOTES:

- HARNESS LABELS AT ENDS SHALL HAVE WHITE LABEL WITH BLACK TEXT AND LABELED ACCORDING TO CABLE CONNECTION TABLE
- WIRE SHALL BE LABELED ACCORDING TO CABLE CONNECTION TABLE
- PLUG ANY UNUSED CONNECTOR PORTS WITH CORRESPONDING SEALING PLUG
- WIRE TYPE TO BE GXL AUTOMOTIVE, 105°C MINIMUM
- WIRE LOOM TO BE SPLIT NYLON, 120°C MINIMUM, SIZED TO FIT
- WIRE LOOM TO BE TAPED AT ENDS AND AT MAXIMUM EVERY 6 INCHES
- MOLDOVER CORDSETS WITH EXCESSIVE LENGTH SHOULD BE CUT TO FIT AS NEEDED
- MOLDOVER CORDSETS TO BE SPLICED IN HARNESS WITH NO MORE THAN FOUR WIRES PER SPLICE
- KEEP LOOM AND TAPE 3" BACK FROM BACK OF CONNECTORS OR BOOT IF APPLICABLE



	NAME	DATE
DRAWN BY	A. MESSING	11/10/2020
ENG APPR.	J. Matel	11/20/2020

PROPRIETARY AND CONFIDENTIAL
THE INFORMATION CONTAINED IN THIS DRAWING IS THE SOLE PROPERTY OF SUPER PRODUCTS. ANY REPRODUCTION IN PART OR AS A WHOLE WITHOUT THE WRITTEN PERMISSION OF SUPER PRODUCTS IS PROHIBITED.

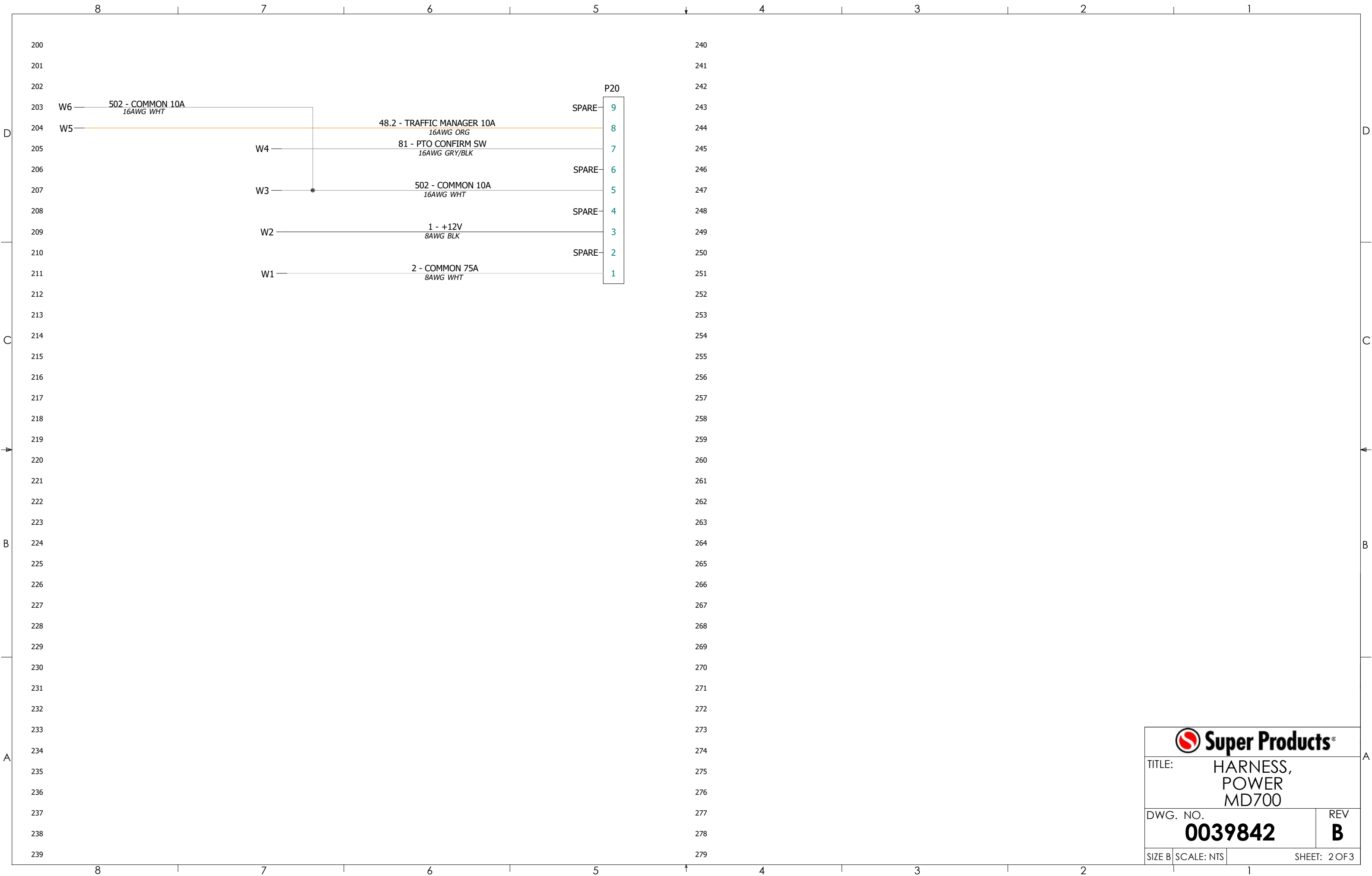
UNLESS OTHERWISE SPECIFIED:
DIMENSIONS ARE IN INCHES
TOLERANCES ARE:
X.X ± 0.100
X.XX ± 0.060
X.XXX ± 0.030


Super Products®

TITLE: **HARNESS, POWER MD700**

DWG. NO. **0039842** REV **B**

SIZE B SCALE: NTS SHEET: 1 OF 3



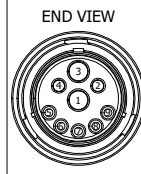
 Super Products [®]		
TITLE: HARNESS, POWER MD700		
DWG. NO. 0039842	REV B	
SIZE B	SCALE: NTS	SHEET: 2 OF 3

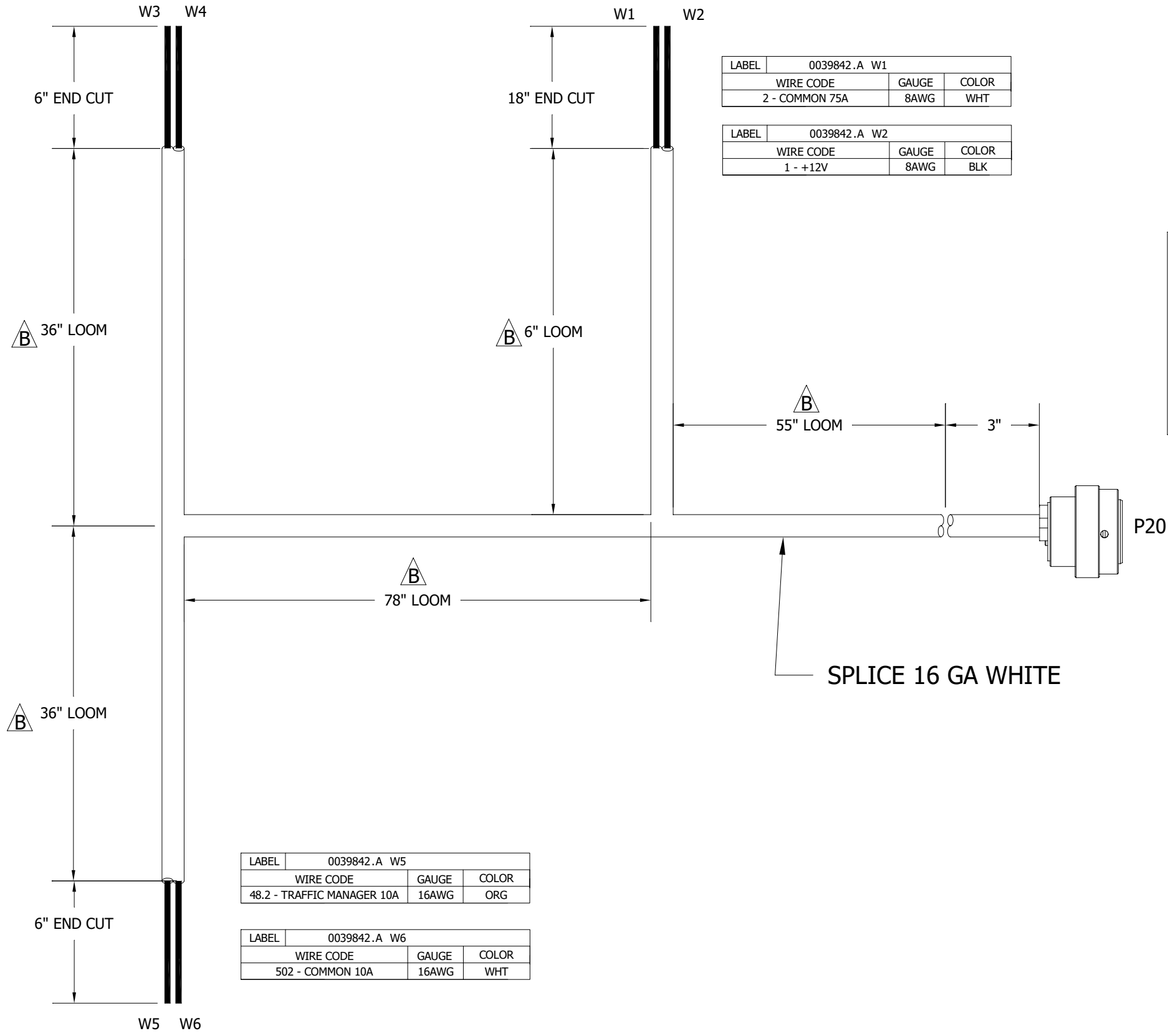
LABEL	0039842.A W3		
WIRE CODE	GAUGE	COLOR	
502 - COMMON 10A	16AWG	WHT	

LABEL	0039842.A W4		
WIRE CODE	GAUGE	COLOR	
81 - PTO CONFIRM SW	16AWG	GRY/BLK	

LABEL	0039842.A W1		
WIRE CODE	GAUGE	COLOR	
2 - COMMON 75A	8AWG	WHT	


LABEL	0039842.A W2		
WIRE CODE	GAUGE	COLOR	
1 - +12V	8AWG	BLK	

LABEL	0039842.A P20			
END VIEW				
				
WIRE CONNECTION				
POS	WIRE CODE	GAUGE	COLOR	TERMINAL
1	2 - COMMON 75A	8AWG	WHT	0462-203-08141
2	SPARE			114017
3	1 - +12V	8AWG	BLK	0462-203-08141
4	SPARE			114017
5		16AWG	WHT	0462-209-16141
6	SPARE			0462-209-16141
7	81 - PTO CONFIRM SW	16AWG	GRY/BLK	0462-209-16141
8	48.2 - TRAFFIC MANAGER 10A	16AWG	ORG	0462-209-16141
9	SPARE			114017



LABEL	0039842.A W5		
WIRE CODE	GAUGE	COLOR	
48.2 - TRAFFIC MANAGER 10A	16AWG	ORG	

LABEL	0039842.A W6		
WIRE CODE	GAUGE	COLOR	
502 - COMMON 10A	16AWG	WHT	

	
TITLE: HARNESS, POWER MD700	
DWG. NO. 0039842	REV B
SIZE B	SCALE: NTS
SHEET: 3 OF 3	

ITEM	PART NUMBER	DESCRIPTION	MFG	MFG #	QTY	LOCATION
1	5500-01286-0004	2 Position Shroud, BLK	Delphi	12010973	1	J1
2	5500-01286-0013	Male Terminal, Weatherpack, 14-16AWG	Delphi	12124582	2	J1
3	5500-01286-0019	Cable Seal, Gray, 14-16AWG	Delphi	15324980	2	J1
4	5500-01621	Female Socket, Size 16, 14AWG	Deutsch	0462-209-16141	5	P18
5	5500-01622	Sealing Plug, 12-16AWG	Deutsch	114017	4	P18
6	5500-03032	Backshell for HD10	Deutsch	M902-2194	1	P18
7	5500-03033	Backshell nut for HD10, HD30, HDP20	Deutsch	M902-2054	1	P18
8	5500-03260	OMSI Connector	OMSI	40710026	1	P2
9	0009568	M12 Plug Connector, Female 2 pole, 90 deg, 4m, Single ended, Yellow	Turck	WKC-4.2T-4	1	P1
10	0036760	9 Way Plug, Threaded Rear	Deutsch	HD16-9-96S	1	P18

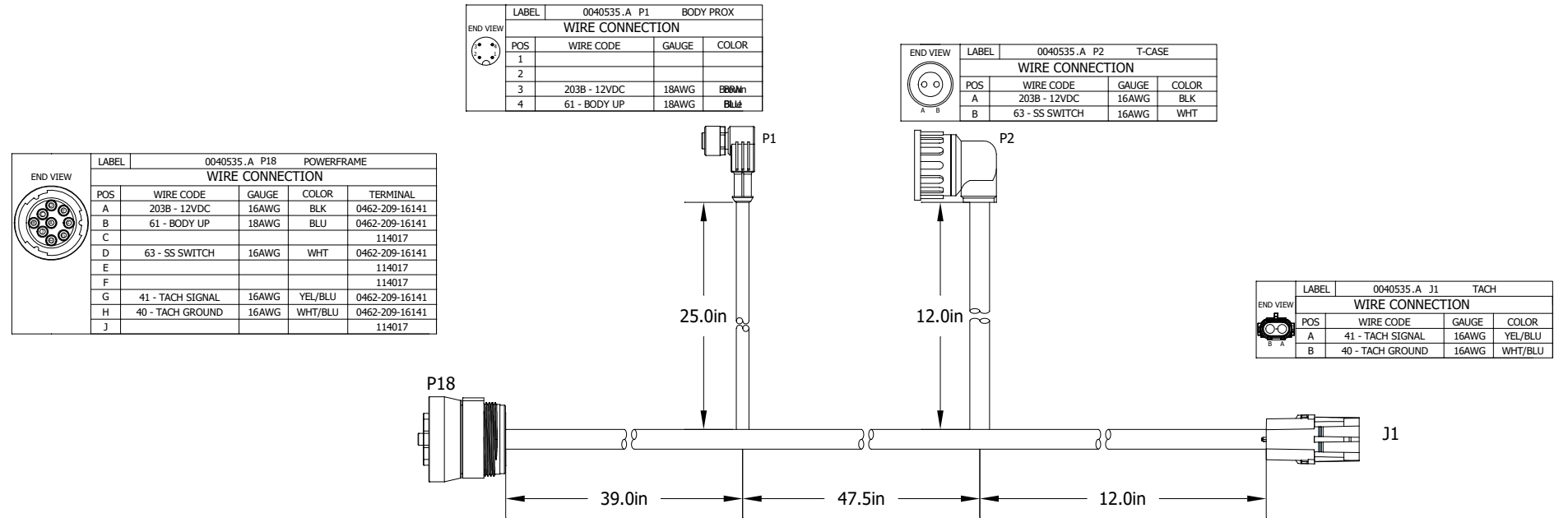
REVISIONS				
REV #	ECO #	DESCRIPTION	DATE	APPR
A				

Wire List

ITEM	DESCRIPTION	TYPE	QTY (in.)
1	16 AWG BLK	SAE J1128 GXL	AR
2	16 AWG WHT	SAE J1128 GXL	AR
3	16 AWG WHT/BLU	SAE J1128 GXL	AR
4	16 AWG YEL/BLU	SAE J1128 GXL	AR

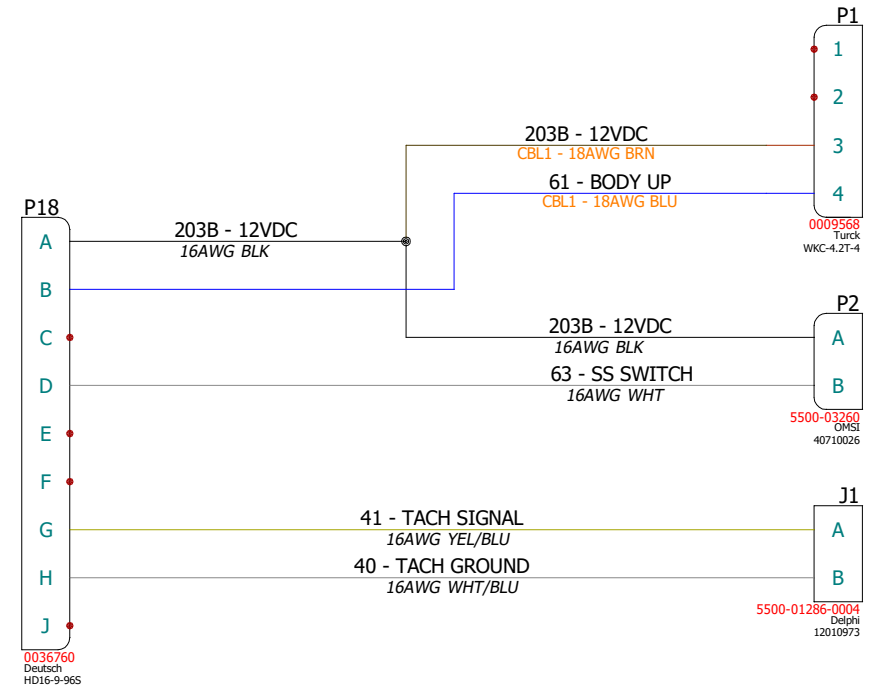
Cable List

ITEM	PART NUMBER	DESCRIPTION	QTY	Mark
1		WKC 4.2T-4	AR	CBL1



0040535.A P18 POWERFRAME WIRE CONNECTION

POS	WIRE CODE	GAUGE	COLOR	TERMINAL
A	203B - 12VDC	16AWG	BLK	0462-209-16141
B	61 - BODY UP	18AWG	BLU	0462-209-16141
C				114017
D	63 - SS SWITCH	16AWG	WHT	0462-209-16141
E				114017
F				114017
G	41 - TACH SIGNAL	16AWG	YEL/BLU	0462-209-16141
H	40 - TACH GROUND	16AWG	WHT/BLU	0462-209-16141
J				114017



- NOTES:
- 1) HARNESS LABELS AT ENDS SHALL HAVE WHITE LABEL WITH BLACK TEXT AND LABELED ACCORDING TO CABLE CONNECTION TABLE
 - 2) WIRE SHALL BE LABELED ACCORDING TO CABLE CONNECTION TABLE
 - 3) PLUG ANY UNUSED CONNECTOR PORTS WITH CORRESPONDING SEALING PLUG
 - 4) WIRE TYPE TO BE GXL AUTOMOTIVE, 105°C MINIMUM
 - 5) WIRE LOOM TO BE SPLIT NYLON, 120°C MINIMUM, SIZED TO FIT
 - 6) WIRE LOOM TO BE TAPED AT ENDS AND AT MAXIMUM EVERY 6 INCHES
 - 7) MOLDOVER CORDSETS WITH EXCESSIVE LENGTH SHOULD BE CUT TO FIT AS NEEDED
 - 8) MOLDOVER CORDSETS TO BE SPLICED IN HARNESS WITH NO MORE THAN FOUR WIRES PER SPLICE
 - 9) KEEP LOOM AND TAPE 3" BACK FROM BACK OF CONNECTORS

	NAME	DATE
DRAWN BY	A Messing	12/20/20
ENG APPR.	J Matel	12/21/20

PROPRIETARY AND CONFIDENTIAL
THE INFORMATION CONTAINED IN THIS DRAWING IS THE SOLE PROPERTY OF SUPER PRODUCTS. ANY REPRODUCTION IN PART OR AS A WHOLE WITHOUT THE WRITTEN PERMISSION OF SUPER PRODUCTS IS PROHIBITED.

UNLESS OTHERWISE SPECIFIED:
DIMENSIONS ARE IN INCHES
TOLERANCES ARE:
X.X ± 0.100
X.XX ± 0.060
X.XXX ± 0.030

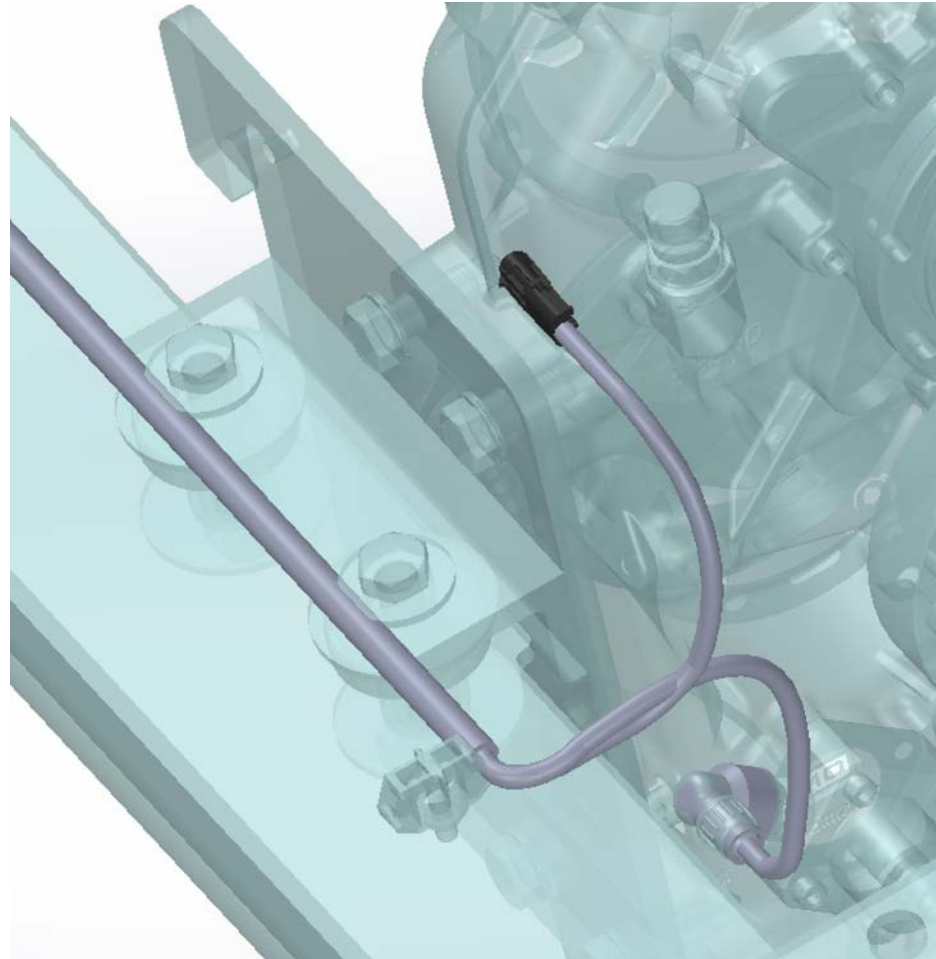
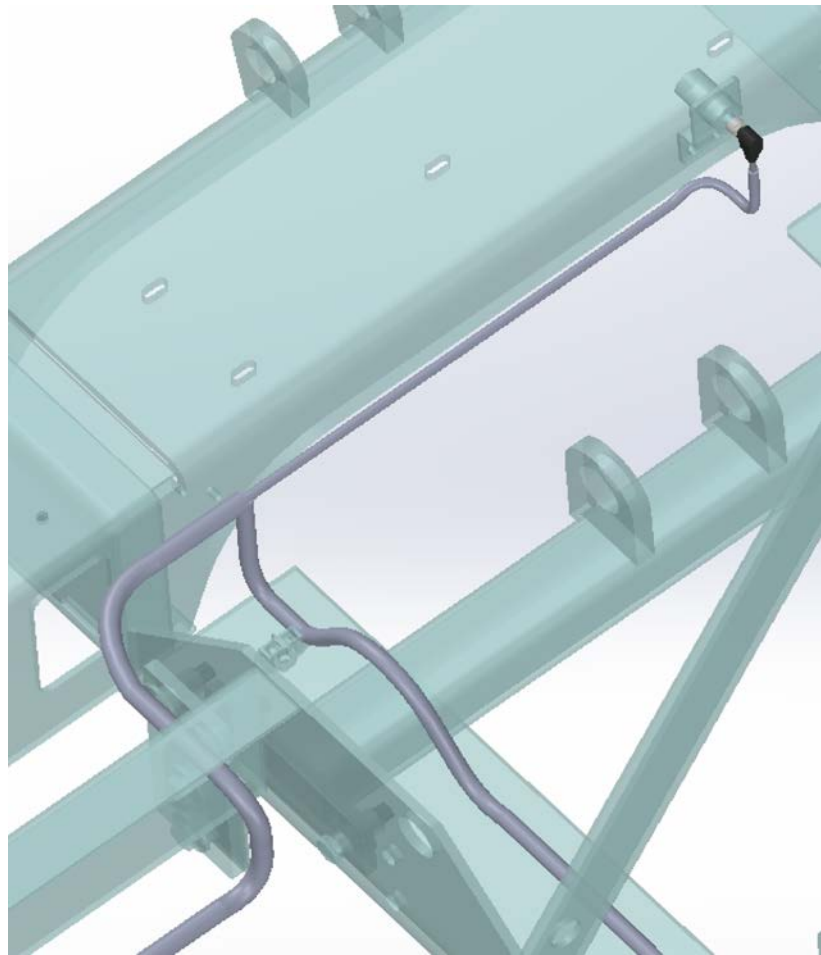
Super Products

TITLE: HARNESS, SS TACH & PROX, BODY UP SENSOR

DWG. NO. **0040535** REV **A**

SIZE B SCALE: NTS SHEET: 1 OF 2

8 7 6 5 4 3 2 1



D
C
B
A

D
C
B
A

8 7 6 5 4 3 2 1



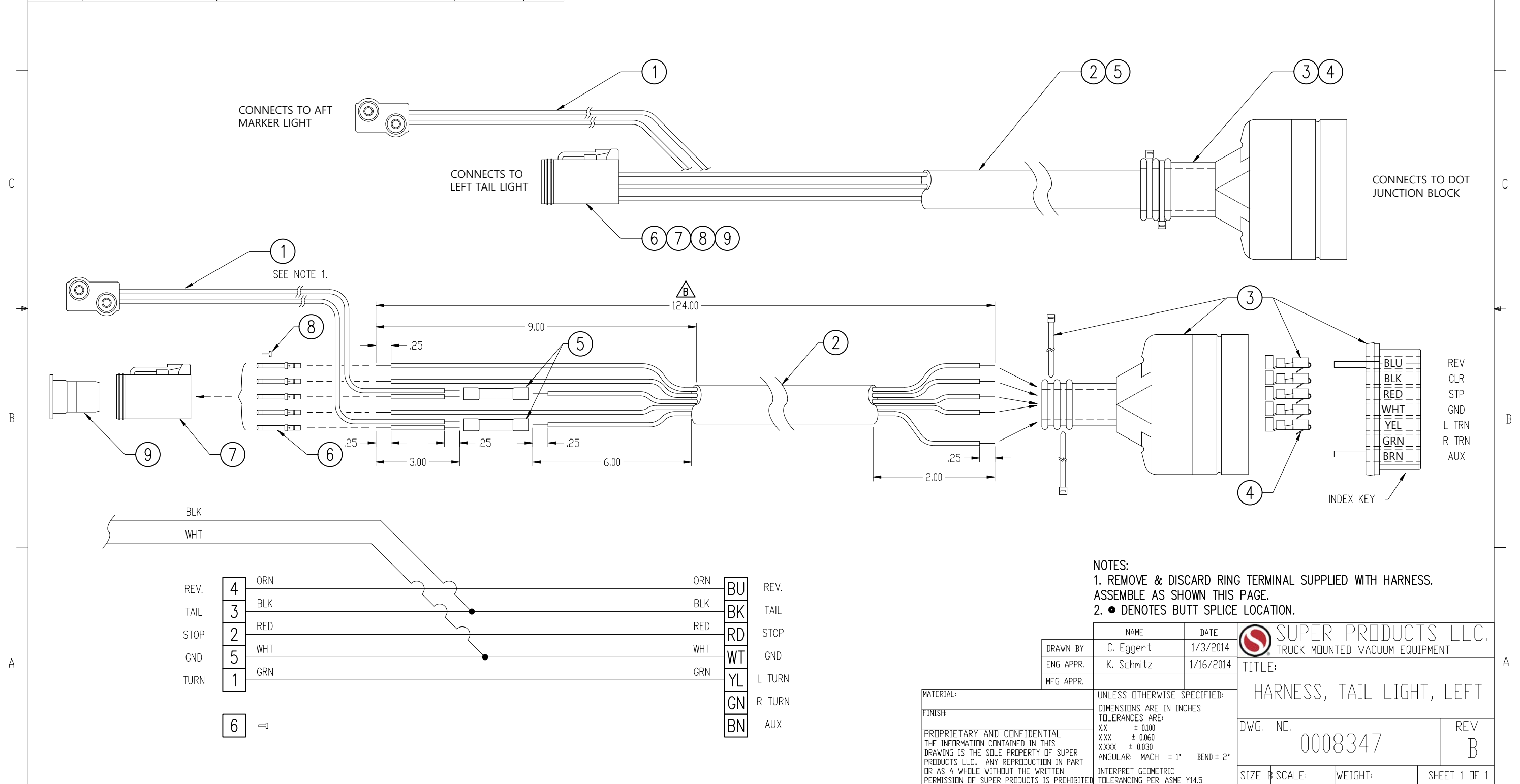
TITLE: HARNESS,
SS TACH & PROX,
BODY UP SENSOR

DWG. NO. **0040535** REV **A**

SIZE B SCALE: NTS SHEET: 2 OF 2

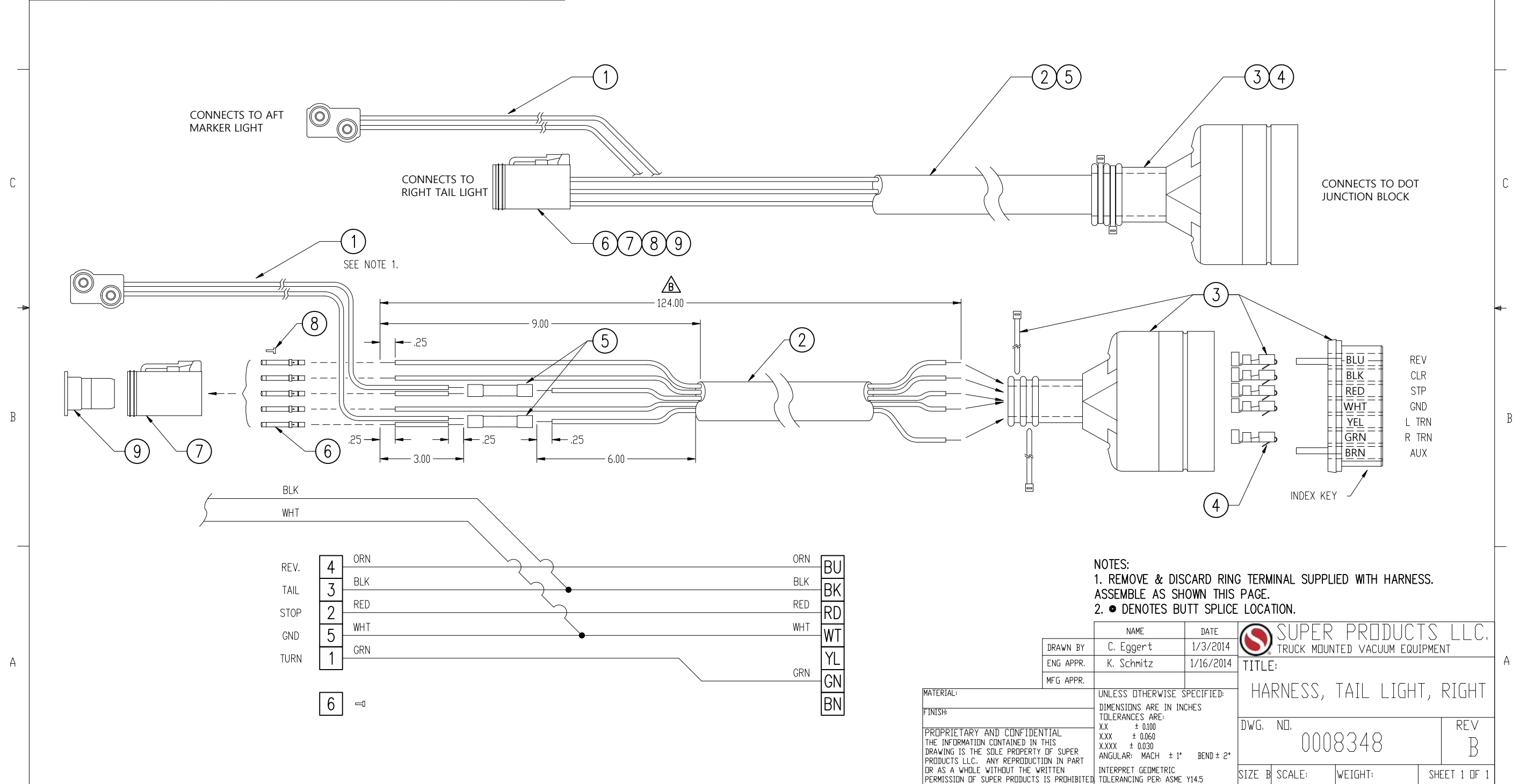
ITEM NO.	PART NUMBER	DESCRIPTION	REF DESG	QTY.
1	0008255	HARNESS, MARKER LIGHT		1
2	5503-00000	CABLE, SEOWW, 16-5, 124"		124" ^B
3	0007493	CONNECTOR KIT, DOT LIGHTING, .50"		1
4	0007496	TERMINAL, DOT		2
5	5683-00002	BUTT SPLICE		2
6	5500-01621	CONTACT, SOCKET, SIZE 16		5
7	5500-01710	PLUG, 6 SOCKET		1
8	5500-01622	SEAL, PLUG		1
9	5500-01793	WEDGE LOCK		1

REVISIONS				
REV #	ECD #	DESCRIPTION	DATE	APPR
B	18900	Item No. 2: 5503-00000 was 0008257 Dimension update 124.00" was 96.00"		



ITEM NO.	PART NUMBER	DESCRIPTION	REF DESG	QTY.
1	0008255	HARNESS, MARKER LIGHT		1
2	5503-00000	CABLE, SEOWW, 16-5, 124"		124"
3	0007493	CONNECTOR KIT, DOT LIGHTING, .50"		1
4	0007496	TERMINAL, DOT		2
5	5683-00002	BUTT SPLICE		2
6	5500-01621	CONTACT, SOCKET, SIZE 16		5
7	5500-01710	PLUG, 6 SOCKET		1
8	5500-01622	SEAL, PLUG		1
9	5500-01793	WEDGE LOCK		1

REVISIONS				
REV #	ECD #	DESCRIPTION	DATE	APPR
B	18900	Item No. 2: 5503-00000 was 0008257 Dimension updated 124.00" was 96.00"		



- NOTES:
 1. REMOVE & DISCARD RING TERMINAL SUPPLIED WITH HARNESS. ASSEMBLE AS SHOWN THIS PAGE.
 2. ● DENOTES BUTT SPLICE LOCATION.

NAME	C. Eggert	DATE	1/3/2014
DRAWN BY	K. Schmitz	DATE	1/16/2014
ENG APPR.			
MFG APPR.			
TITLE:		SUPER PRODUCTS LLC. TRUCK MOUNTED VACUUM EQUIPMENT	
HARNESS, TAIL LIGHT, RIGHT		DWG. NO.	0008348
		REV	B
SIZE	SCALE:	WEIGHT:	SHEET 1 OF 1

MATERIAL:
 FINISH:
 PROPRIETARY AND CONFIDENTIAL
 THE INFORMATION CONTAINED IN THIS
 DRAWING IS THE SOLE PROPERTY OF SUPER
 PRODUCTS LLC. ANY REPRODUCTION IN PART
 OR AS A WHOLE WITHOUT THE WRITTEN
 PERMISSION OF SUPER PRODUCTS IS PROHIBITED

UNLESS OTHERWISE SPECIFIED:
 DIMENSIONS ARE IN INCHES
 TOLERANCES ARE:
 .XX ± 0.100
 .XXX ± 0.060
 X.XXX ± 0.030
 ANGULAR: MACH ± 1° BEND ± 2°
 INTERPRET GEOMETRIC
 TOLERANCING PER: ASME Y14.5

ITEM	PART NUMBER	DESCRIPTION	MFG	MFG #	QTY	LOCATION
1	5500-00468	Female Quick Connect Terminal, 14-16AWG, 0.250 tab	Panduit	DNF14-250FIB	2	X31, X202A
2	5500-01545	PLUG, SOLENOID, DIN 43650-A	TSII	2291.1001	1	P19
3	5500-01622	Sealing Plug, 12-16AWG	Deutsch	114017	2	P9
4	5500-01794	Wedgelock for DT06-08SA	Deutsch	W8S	1	P9
5	0026656	Female Socket, Size 16, 16-20AWG	Deutsch	0462-201-16141	6	P9
6	0036720	8 Way Plug	Deutsch	DT06-08SA	1	P9
7	0040472	M12 Plug Connector, Female 4 pole, 90 deg, 2m, Single ended, Yellow	Murr Elektronik	7700-12341-1500200	1	P8

REVISIONS				
REV #	ECO #	DESCRIPTION	DATE	APPR
A				

Wire List

ITEM	DESCRIPTION	TYPE	QTY (in.)
1	16 AWG BLU/RED	SAE J1128 GXL	AR
2	16 AWG WHT	SAE J1128 GXL	AR
3	16 AWG WHT/RED	SAE J1128 GXL	AR
4	16 AWG YEL/RED	SAE J1128 GXL	AR
5	18 AWG BLK	SAE J1128 GXL	AR
6	18 AWG BLU	SAE J1128 GXL	AR
7	18 AWG BRN	SAE J1128 GXL	AR
8	18 AWG WHT	SAE J1128 GXL	AR


NOTES:

- HARNES LABELS AT ENDS SHALL HAVE WHITE LABEL WITH BLACK TEXT AND LABELED ACCORDING TO CABLE CONNECTION TABLE
- WIRE SHALL BE LABELED ACCORDING TO CABLE CONNECTION TABLE
- PLUG ANY UNUSED CONNECTOR PORTS WITH CORRESPONDING SEALING PLUG
- WIRE TYPE TO BE GXL AUTOMOTIVE, 105°C MINIMUM
- WIRE LOOM TO BE SPLIT NYLON, 120°C MINIMUM, SIZED TO FIT
- WIRE LOOM TO BE TAPED AT ENDS AND AT MAXIMUM EVERY 6 INCHES
- MOLDOVER CORDSETS WITH EXCESSIVE LENGTH SHOULD BE CUT TO FIT AS NEEDED
- MOLDOVER CORDSETS TO BE SPLICED IN HARNES WITH NO MORE THAN FOUR WIRES PER SPLICE
- KEEP LOOM AND TAPE 3" BACK FROM BACK OF CONNECTORS

	NAME	DATE
DRAWN BY	A Messing	12/07/2020
ENG APPR.	J. Motel	12/14/2020

PROPRIETARY AND CONFIDENTIAL
 THE INFORMATION CONTAINED IN THIS DRAWING IS THE
 SOLE PROPERTY OF SUPER PRODUCTS. ANY REPRODUCTION
 IN PART OR AS A WHOLE WITHOUT THE WRITTEN PERMISSION
 OF SUPER PRODUCTS IS PROHIBITED

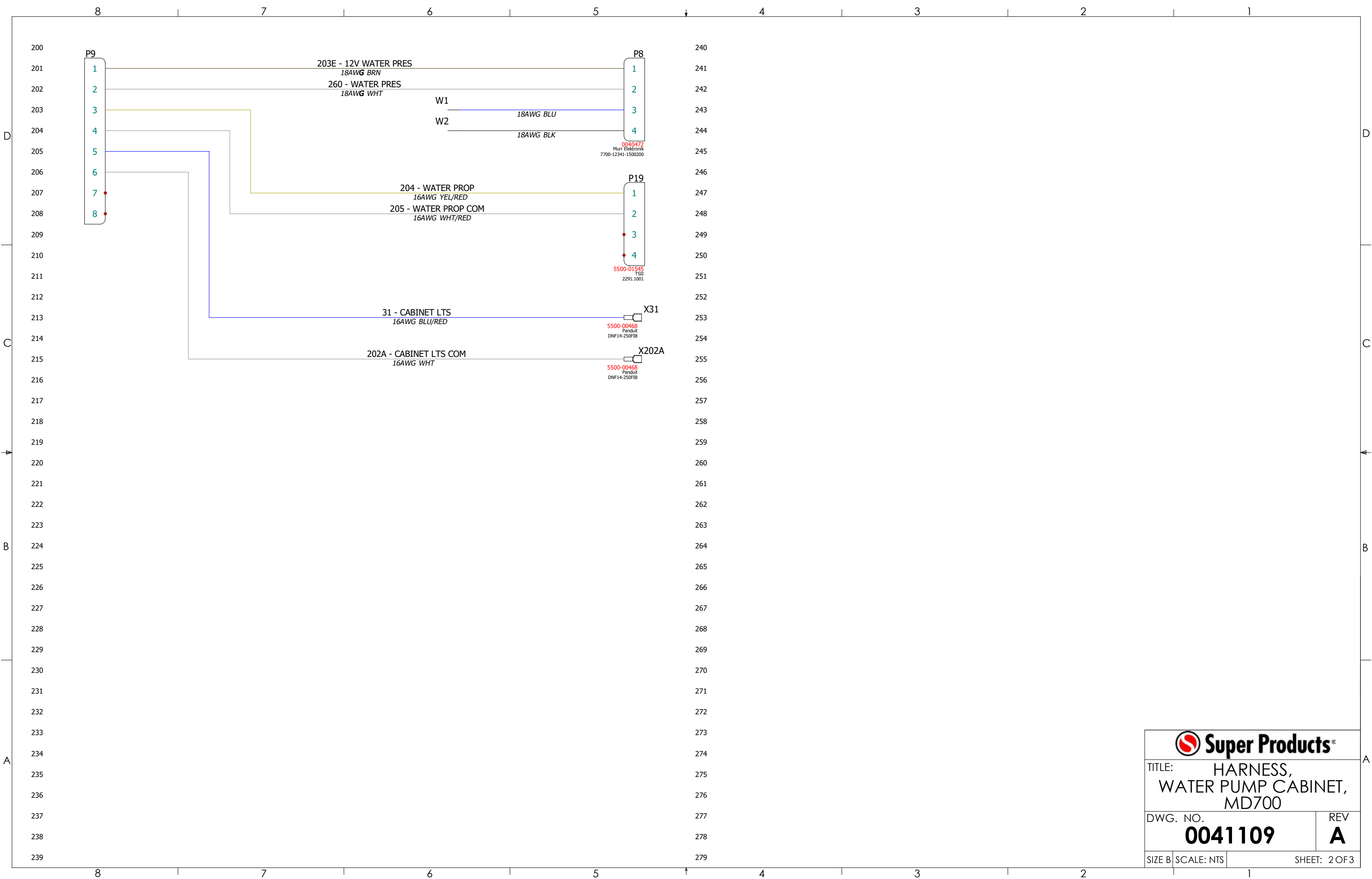
UNLESS OTHERWISE SPECIFIED:
 DIMENSIONS ARE IN INCHES
 TOLERANCES ARE:
 X.X ± 0.100
 X.XX ± 0.060
 X.XXX ± 0.030

 **Super Products®**

TITLE: **HARNES, WATER PUMP CABINET, MD700**

DWG. NO. **0041109** REV **A**

SIZE B SCALE: NTS SHEET: 1 OF 3



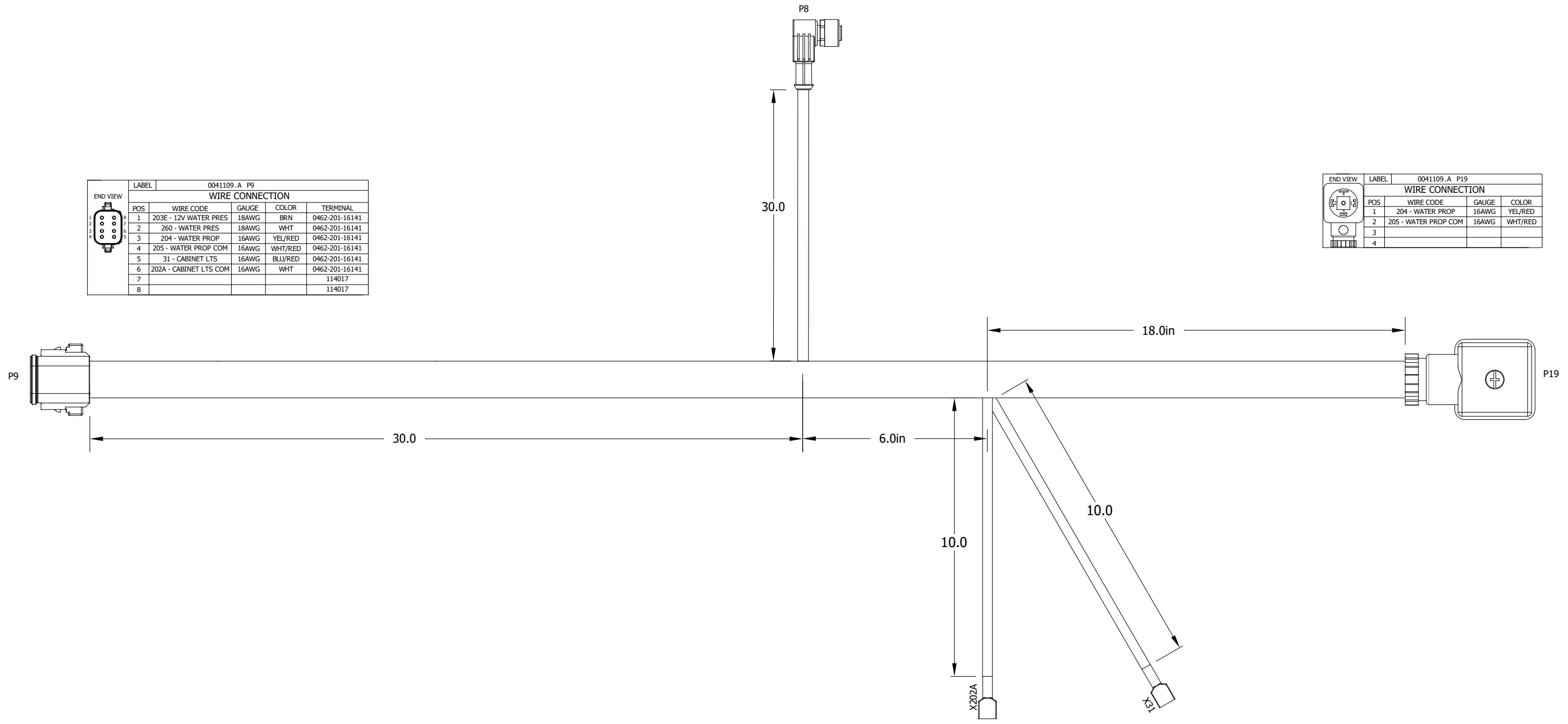
TITLE: HARNESS, WATER PUMP CABINET, MD700		
DWG. NO. 0041109	REV A	
SIZE B	SCALE: NTS	SHEET: 2 OF 3

8 7 6 5 4 3 2 1

LABEL		0041109 . P8		
WIRE CONNECTION				
POS	WIRE CODE	GAUGE	COLOR	
1	203E - 12V WATER PRES	18AWG	Brown	
2	260 - WATER PRES	18AWG	White	
3		18AWG	Blue	
4		18AWG	Black	

LABEL		0041109.A P9				
WIRE CONNECTION						
POS	WIRE CODE	GAUGE	COLOR	TERMINAL		
1	203E - 12V WATER PRES	18AWG	BRN	0462-201-16141		
2	260 - WATER PRES	18AWG	WHT	0462-201-16141		
3	204 - WATER PROP	16AWG	YEL/RED	0462-201-16141		
4	205 - WATER PROP COM	16AWG	WHT/RED	0462-201-16141		
5	31 - CABINET LTS	16AWG	BLU/RED	0462-201-16141		
6	202A - CABINET LTS COM	16AWG	WHT	0462-201-16141		
7				114017		
8				114017		

LABEL		0041109.A P19		
WIRE CONNECTION				
POS	WIRE CODE	GAUGE	COLOR	
1	204 - WATER PROP	16AWG	YEL/RED	
2	205 - WATER PROP COM	16AWG	WHT/RED	
3				
4				



LABEL		0041109.A X202A		
WIRE CODE	GAUGE	COLOR		
202A - CABINET LTS COM	16AWG	WHT		

LABEL		0041109.A X31		
WIRE CODE	GAUGE	COLOR		
31 - CABINET LTS	16AWG	BLU/RED		

Super Products
 TITLE: HARNESS, WATER PUMP CABINET, MD700
 DWG. NO. **0041109** REV **A**
 SIZE B SCALE: NTS SHEET: 3 OF 3

8 7 6 5 4 3 2 1

ITEM	PART NUMBER	DESCRIPTION	MFG	MFG #	QTY	LOCATION
1	5500-02032	4 Pole Pendant Socket	Cole Hersee	1257	1	J44
2	5714-00000	LOOM, SPLIT NYLON, 3/8" I.D.	Velvac	LOOM, SPLIT NYLON, 3/8" I.D.	AR	SL1
3	0038834	CONNECTOR, 4 POLE (PLUG W/O SPRING)	Littelfuse	1233	1	P13



REVISIONS				
REV #	ECO #	DESCRIPTION	DATE	APPR
B	19999	ADDED 5714-00000 (3/8" DIA. SPLIT LOOM) TO BOM.	A MESSING	01/29/2021

[Cable List](#)

ITEM	PART NUMBER	DESCRIPTION	QTY	Mark
1	5709-00000	SAE J1939-15 CANBus	AR	CBL1

[Wire List](#)

ITEM	DESCRIPTION	TYPE	QTY (in.)
1	16 AWG BLK	SAE J1128 GXL	AR
2	16 AWG RED	SAE J1128 GXL	AR


NOTES:

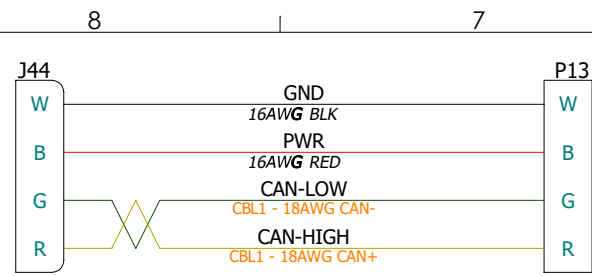
- HARNESS LABELS AT ENDS SHALL HAVE WHITE LABEL WITH BLACK TEXT AND LABELED ACCORDING TO CABLE CONNECTION TABLE
- WIRE SHALL BE LABELED ACCORDING TO CABLE CONNECTION TABLE
- PLUG ANY UNUSED CONNECTOR PORTS WITH CORRESPONDING SEALING PLUG
- WIRE TYPE TO BE GXL AUTOMOTIVE, 105°C MINIMUM
- WIRE LOOM TO BE SPLIT NYLON, 120°C MINIMUM, SIZED TO FIT
- WIRE LOOM TO BE TAPED AT ENDS AND AT MAXIMUM EVERY 6 INCHES
- MOLDOVER CORDSETS WITH EXCESSIVE LENGTH SHOULD BE CUT TO FIT AS NEEDED
- MOLDOVER CORDSETS TO BE SPLICED IN HARNESS WITH NO MORE THAN FOUR WIRES PER SPLICE
- KEEP LOOM AND TAPE 3" BACK FROM BACK OF CONNECTORS

	NAME	DATE
DRAWN BY	A. Messing	01/04/2020
ENG APPR.	J. Matel	01/05/2020

PROPRIETARY AND CONFIDENTIAL
THE INFORMATION CONTAINED IN THIS DRAWING IS THE SOLE PROPERTY OF SUPER PRODUCTS. ANY REPRODUCTION IN PART OR AS A WHOLE WITHOUT THE WRITTEN PERMISSION OF SUPER PRODUCTS IS PROHIBITED.


UNLESS OTHERWISE SPECIFIED:
DIMENSIONS ARE IN INCHES
TOLERANCES ARE:
X.X ± 0.100
X.XX ± 0.060
X.XXX ± 0.030

	
TITLE: HARNESS, WIRED PENDANT EXT., MD700	
DWG. NO. 0041108	REV B
SIZE B SCALE: NTS	SHEET: 1 OF 3

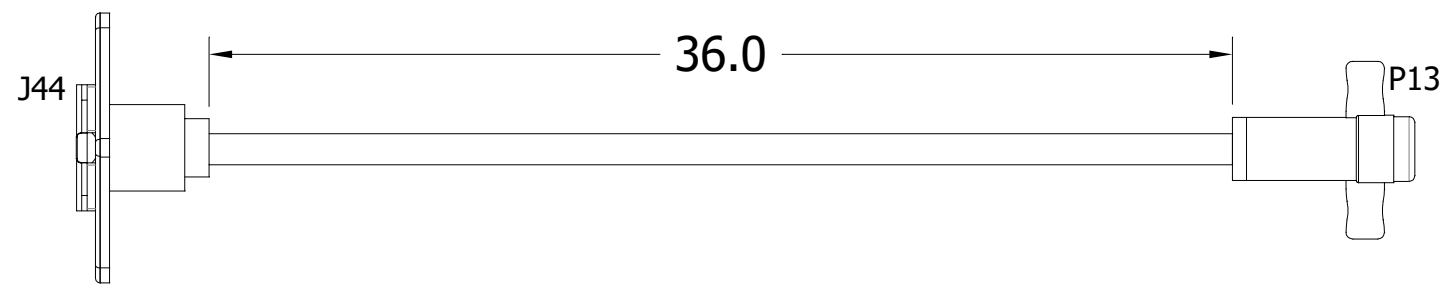


200
201
202
203
204
205
206
207
208
209
210
211
212
213
214
215
216
217
218
219
220
221
222
223
224
225
226
227
228
229
230
231
232
233
234
235
236
237
238
239

240
241
242
243
244
245
246
247
248
249
250
251
252
253
254
255
256
257
258
259
260
261
262
263
264
265
266
267
268
269
270
271
272
273
274
275
276
277
278
279

		
TITLE: HARNESS, WIRED PENDANT EXT., MD700		
DWG. NO. 0041108	REV B	
SIZE B	SCALE: NTS	SHEET: 2 OF 3

8 7 6 5 4 3 2 1



END VIEW		LABEL	0041108.A J44		
		WIRE CONNECTION			
POS		WIRE CODE	GAUGE	COLOR	
W	⊖	GND	16AWG	BLK	
B	⊖	PWR	16AWG	RED	
G	⊖	CAN-LOW	18AWG	GRN	
R	⊖	CAN-HIGH	18AWG	YEL	

END VIEW		LABEL	0041108.A P13		
		WIRE CONNECTION			
POS		WIRE CODE	GAUGE	COLOR	
W	⊖	GND	16AWG	BLK	
B	⊖	PWR	16AWG	RED	
G	⊖	CAN-LOW	18AWG	GRN	
R	⊖	CAN-HIGH	18AWG	YEL	



TITLE: HARNESS,
WIRED PENDANT EXT.,
MD700

DWG. NO. **0041108** REV **B**

SIZE B SCALE: NTS SHEET: 3 OF 3

8 7 6 5 4 3 2 1

ITEM	PART NUMBER	DESCRIPTION	MFG	MFG #	QTY	LOCATION
1	0003935	Male Connector M12x1, Field Attachable, Angled, Screw Connection	Conec	43-00106	1	J3
2	5500-01622	Sealing Plug, 12-16AWG	Deutsch	114017	1	P9
3	5714-00000	LOOM, SPLIT NYLON, 3/8" I.D.	Velvac	LOOM, SPLIT NYLON, 3/8" I.D.	1	SL
4	0026656	Female Socket, Size 16, 16-20AWG	Deutsch	0462-201-16141	2	P9
5	0030379	5 Way Plug	Deutsch	HD16-5-16S	1	P9
6	0032403	Female Socket, Size 16, 16-20AWG, Gold	Deutsch	0462-201-1631	2	P9

REVISIONS				
REV #	ECO #	DESCRIPTION	DATE	APPR
C	19999	OVERALL LENGTH CHANGE, 14.0" WAS 11.0". REVISED NOTE 9 TO INCLUDE, "OR BOOT IF APPLICABLE".	05/10/2021	J. Matel

Cable List

ITEM	PART NUMBER	DESCRIPTION	QTY	Mark
1	5709-00000	SAE J1939-15 CANBus	AR	CBL1

Wire List

ITEM	DESCRIPTION	TYPE	QTY (in.)
1	16 AWG BLK	SAE J1128 GXL	AR
2	16 AWG RED	SAE J1128 GXL	AR

NOTES:

- 1) HARNESS LABELS AT ENDS SHALL HAVE WHITE LABEL WITH BLACK TEXT AND LABELED ACCORDING TO CABLE CONNECTION TABLE
- 2) WIRE SHALL BE LABELED ACCORDING TO CABLE CONNECTION TABLE
- 3) PLUG ANY UNUSED CONNECTOR PORTS WITH CORRESPONDING SEALING PLUG
- 4) WIRE TYPE TO BE GXL AUTOMOTIVE, 105°C MINIMUM
- 5) WIRE LOOM TO BE SPLIT NYLON, 120°C MINIMUM, SIZED TO FIT
- 6) WIRE LOOM TO BE TAPED AT ENDS AND AT MAXIMUM EVERY 6 INCHES
- 7) MOLDOVER CORDSETS WITH EXCESSIVE LENGTH SHOULD BE CUT TO FIT AS NEEDED
- 8) MOLDOVER CORDSETS TO BE SPLICED IN HARNESS WITH NO MORE THAN FOUR WIRES PER SPLICE
- 9) KEEP LOOM AND TAPE 3" BACK FROM BACK OF CONNECTORS OR BOOT IF APPLICABLE



	NAME	DATE
DRAWN BY	A. Messing	01/04/2020
ENG APPR.	J. Matel	01/04/2020

PROPRIETARY AND CONFIDENTIAL
THE INFORMATION CONTAINED IN THIS DRAWING IS THE SOLE PROPERTY OF SUPER PRODUCTS. ANY REPRODUCTION IN PART OR AS A WHOLE WITHOUT THE WRITTEN PERMISSION OF SUPER PRODUCTS IS PROHIBITED.

UNLESS OTHERWISE SPECIFIED:
DIMENSIONS ARE IN INCHES
TOLERANCES ARE:
X.X ± 0.100
X.XX ± 0.060
X.XXX ± 0.030


Super Products®

TITLE: HARNESS,
WIRELESS RECIEVER,
MD700

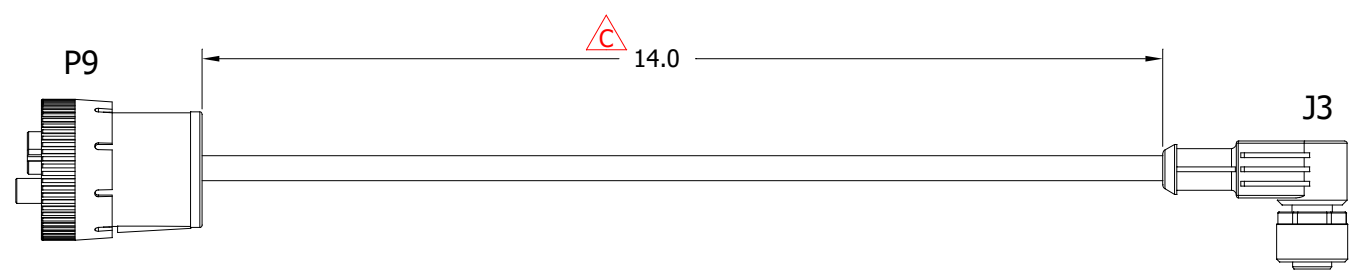
DWG. NO. **0041282** REV **C**

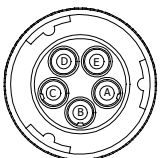
SIZE B SCALE: NTS SHEET: 1 OF 3

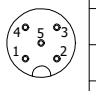


 Super Products [®]		
TITLE: HARNESS, WIRELESS RECIEVER, MD700		
DWG. NO. 0041282	REV C	
SIZE B	SCALE: NTS	SHEET: 2 OF 3

8 7 6 5 4 3 2 1



END VIEW 	LABEL	0041282.A P9			
	WIRE CONNECTION				
	POS	WIRE CODE	GAUGE	COLOR	TERMINAL
	A	CAN-HIGH	18AWG	YEL	0462-201-1631
	B	CAN-LOW	18AWG	GRN	0462-201-1631
	C	GND	16AWG	BLK	0462-201-16141
	D	PWR	16AWG	RED	0462-201-16141
	E				114017

END VIEW 	LABEL	0041282.A J3		
	WIRE CONNECTION			
	POS	WIRE CODE	GAUGE	COLOR
	5	CAN-LOW	18AWG	GRN
	3	GND	16AWG	BLK
	2	PWR	16AWG	RED
	4	CAN-HIGH	18AWG	YEL
	1			



TITLE: HARNESS,
WIRELESS RECIEVER,
MD700

DWG. NO. **0041282** REV **C**

SIZE B SCALE: NTS SHEET: 3 OF 3

8 7 6 5 4 3 2 1

ITEM NO.	PART NUMBER	DESCRIPTION	QTY.
1	0051-00075	SCREW HEX HD 5/16-18 X .75 GR5	4
2	0052-00100	SCREW,HEX HEAD CAP,3/8-16 X 1,HX GR 5	9
3	0052-00125	SCREW,HEX HEAD CAP,3/8-16 X 1-1/4,HX GR5	2
4	0082-00003	WASHER,FLAT,USS,3/8",STEEL,PLT'D	9
5	0160-32008	NUT,LOCK,CLINCHED,3/8"-16,GR5,PLT'D-STL	11
6	3100-01152	CYLINDER, EXT. BOOM	1
7	3471-06500	HOSE,HYD.1.00 (#16GMV) SUCTION	1
8	3471-10200	HOSE,HYD.1.00 (#16GMV) SUCTION	1
9	3472-04300	HOSE, GMV, #20SAE W/FJIC ENDS	1
10	3474-11500	HOSE,HYD.2.00 (#32GMV) SUCTION	1
11	3476-02200	HOSE,HYD.0.38 (M3K) W/JIC ENDS	1
12	3477-02200	HOSE, HYD,.50 (M3K)W/JIC ENDS	1
13	3476-05600	HOSE,HYD.0.38 (M3K) W/JIC ENDS	1
14	3476-05600	HOSE,HYD.0.38 (M3K) W/JIC ENDS	1
15	3476-08000	HOSE,HYD .38 (M3K) W/JIC ENDS	1
16	3476-08000	HOSE,HYD,.38 (M3K) W/JIC ENDS	1
17	3476-08000	HOSE, HYD, .38 (M3K)	1
18	3476-08000	HOSE,HYD,.38 (M3K)W/JIC ENDS	1
19	3476-08000	HOSE,HYD.0.38 (M3K) W/JIC ENDS	1
20	3476-08600	HOSE,HYD.0.38 (M3K) W/JIC ENDS	1
21	3476-10400	HOSE,HYD, .38 (M3K) W/JIC ENDS	1
22	3476-10800	HOSE,HYD, .38 (M3K) W/JIC ENDS	1
23	3476-12000	HOSE,HYD.0.38 (M3K) W/JIC ENDS	1
24	3476-12000	HOSE,HYD.0.38 (M3K) W/JIC ENDS	1
25	3476-14000	HOSE,HYD.0.38 (M3K) W/JIC ENDS	1
26	3476-14200	HOSE,HYD.0.38 (M3K) W/JIC ENDS	1
27	3476-15900	HOSE, HYD, .38 M3K) W/JIC ENDS	1
28	3476-22400	HOSE, HYD, .38 (M3K) W/JIC ENDS	1
29	3476-02200	HOSE,HYD.0.38 (M3K) W/JIC ENDS	1
30	3476-07500	HOSE,HYD.0.38 (M3K) W/JIC ENDS	1
31	3477-09600	HOSE,HYD.0.50 (M3K) W/JIC ENDS	1
32	3479-02800	HOSE,HYD.0.75 (M3K) W/JIC ENDS	1
33	3479-13300	HOSE,HYD.0.75 (M3K) W/JIC ENDS	1
34	3480-02500	HOSE,HYD.1.00 (M3K) W/JIC ENDS	1
35	3480-03400	HOSE,HYD.1.00 (M3K) W/JIC ENDS	1
36	3480-04700	HOSE,HYD.1.00 (M3K) W/JIC ENDS	1
37	3480-12500	HOSE,HYD.1.00 (M3K) W/JIC ENDS	1
38	4000-00068	BEARING, BOOM W/DRIVE & MOTOR	1
39	0008679-06600	ASSY, HOSE 0.75 (M3K) 90 JIC	1
40	0005749	CYLINDER HYD 12YD DUMP	1
41	6000-02461	CYLINDER, HYD. 2.5 X 6 (JIC)	1
42	6044-00012	PLUG, HEX SAE - 24	1
43	6044-00013	PLUG, HEX O-RING SAE-32	1
44	6126-01206	REDUCER, STRAIGHT (JIC) F-M	1
45	6126-02016	RED, STR, FJ X MJ	1
46	6130-00604	ADAPTER, STR. (M) JIC/(M) O-RING	1
47	6130-00606	ADAPTER, STR.(M)JIC/(M)O-RING	1
48	6130-00610	ADAPTER, STR.(M)JIC/(M)O-RING	2
49	6130-00812	ADAPTER, STR. M O-RING X M JIC	1
50	6130-01210	ADAPTER, STR. M JIC M O-RING	2
51	6130-01216	ADAPTER, STR. M JIC X M O-RING	1
52	6130-01612	ADAPTER, STR. (M) JIC X (M) O-RING	1
53	6130-01616	ADAPTER, MJIC X M O-RING	1
54	6130-01620	ADAPTER, STR.(M)JIC/(M)O-RING	1
55	6130-03224	ADAPTER, MJIC X M O-RING	1
56	6132-00606	ADAPTER, 90, MJIC X F SWIVEL	2
57	6132-01212	ADAPTER, 90, MJIC X F SWIVEL	2
58	6132-01616	ADAPTER, 90, MJIC X F SWIVEL	2
59	6132-02020	ADAPTER, 90, MJIC X F SWIVEL	1
60	6132-03232	ADAPTER, 90, MJIC X F SWIVEL	1
61	6133-03232	ADAPTER, 45 DEG, JIC, M-F	1
62	6135-01212	TEE, MALE X MALE X FEMALE	1
63	6135-02020	ADAPTER, TEE, 20MJ-20FJS-20MJ	1
64	6137-00606	ADAPTER, 90° (M) O-RING / (M) JIC	4
65	6137-00608	ADAPTER, 90° M O-RING X M JIC	5

REVISIONS				
REV #	ECO #	DESCRIPTION	DATE	APPR
G	99999	PN CHANGED: 3476-08600 WAS 3476-09500, 3476-08000 WAS 3476-08600, 3476-02200 WAS 3477-02200 AND 3476-07500 WAS 3477-06000.	01/05/2022	C.Colorito

ITEM NO.	PART NUMBER	DESCRIPTION	QTY.
66	6137-00806	ADAPTER, 90DEG(M)JIC/(M)O-RING	1
67	6137-01212	ADAPTER,90°(M) O-RING (M) JIC	1
68	6137-01616	ADAPTER,90DEG,(M)O-RING,(M)JIC	3
69	6137-02020	ADAPTER, 90, M O-RING X M JIC	1
70	6137-02024	ADAPTOR, 90°, M-O-RING/M-JIC	1
71	6138-03232	ADAPTER, 45DEG(M)O-RING/(M)JIC	1
72	6139-00608	ADAPT,TEE(M)JIC,(M)JIC,(M)ORB	1
73	6140-60806	ADAPTER,TEE M JIC, M JIC, M O-RING	2
74	6141-00808	ADAPTER,90D(M)O-RING/(M)O-RING	1
75	6148-01612	ADAPTER,STR,16(M)ORB X 12(F)JIC	1
76	6149-00808	ADAPTER, 90 DEG BULKHEAD (JIC) M-M	1
77	6150-00006	NUT, BULKHEAD (JIC)	4
78	6150-00008	NUT, BULKHEAD (JIC) 3/4"-16	1
79	6152-00606	ADAPTER,STR., (M)JIC-06 BULKHEAD	4
80	6173-00606	ADAPTER, STR. (F)JICSW X (M)NPT	1
81	6174-01212	ADAPTER,90 (M)ORB,(F)JIC(SW)	1
82	6174-01616	ADAPTER, 90 16MAORB X 16FJS	1
83	0006771	FITTING, O-RING X O-RING, ADJUSTABLE, 1/2"	2
84	0008679-07100	ASSY,HOSE .75" W/FJIC 90DEG	1
85	0004531-06500	HOSE, (GMV) 1.00 FS X 90° FS	1
86	0024851-06500	HOSE,HYD.1.00 (M3K) W/JIC ENDS	1
87	0027364	VALVE ASSY, OVER CENTER	1
88	0029209	ASSY,VALVE,OVER CENTER	2
89	0030809	ASSY,FILTER,50 MICRON	2
90	0032643	CYL,HYD,2.0" BORE X 18.0 STROKE	2
91	0033071-03700	HOSE,HYD.0.25 (M3K) W/JIC ENDS	1
92	0033813	VALVE,FLOW CONTROL,ADJ,SAE-06	1
93	0035565	CYLINDER, HYDRAULIC, TIE ROD, 4" BORE X 6" STROKE	1
94	0038048	SENSOR, TEMPERATURE, -40-250F, 18"	1
95	0038900	ASSY, HYD TANK	1
96	0040029	PIN,TG LATCH CYL	1
97	0040176	WLDMT,HYD TUBE,0.75"	2
98	0040180	WLDMT,HYD TUBE,1.00"	2
99	0040442	BRKT,COOLER MTG	1
100	0040531	ASSY,CBALANCE VALVE,3:1	1
101	0041778	MANIFOLD, HYD, WATER PUMP	1
102	0041787-00006	CROSS, MJ-MJ-MB-MJ	1
103	0042404	MANIFOLD,BOOM-BODY,MD7YD	1

NAME	D. King	DATE	9/9/2020
DRAWN BY	D. King	ENG APPR.	C.Colorito
ENG APPR.	C.Colorito	MFG APPR.	

SUPER PRODUCTS
TRUCK MOUNTED VACUUM EQUIPMENT

TITLE:
ASSY,HYDRAULICS,7YD

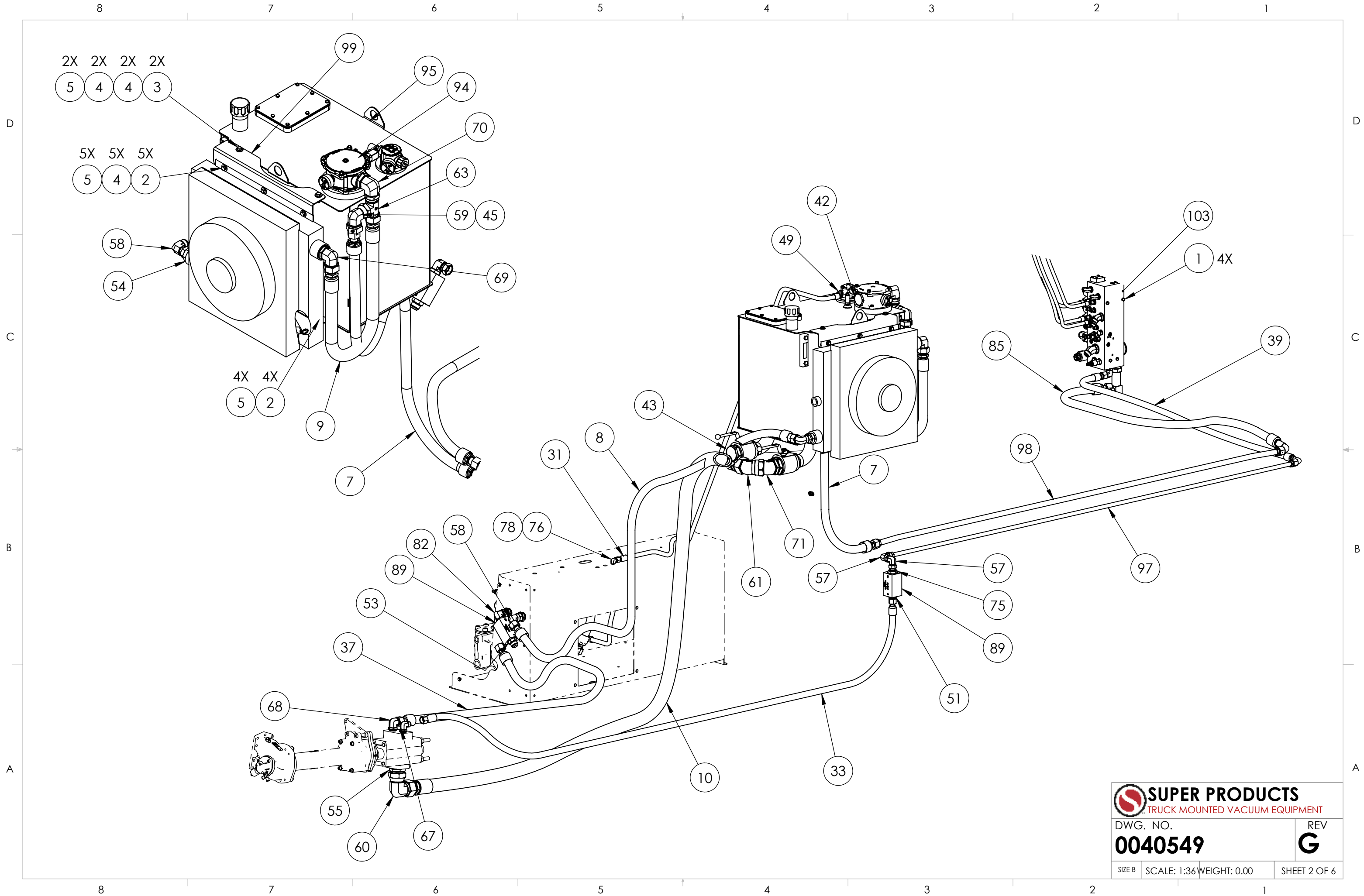
DWG. NO. **0040549** REV **G**

SIZE B SCALE: 1:48 WEIGHT: 0.00 SHEET 1 OF 6

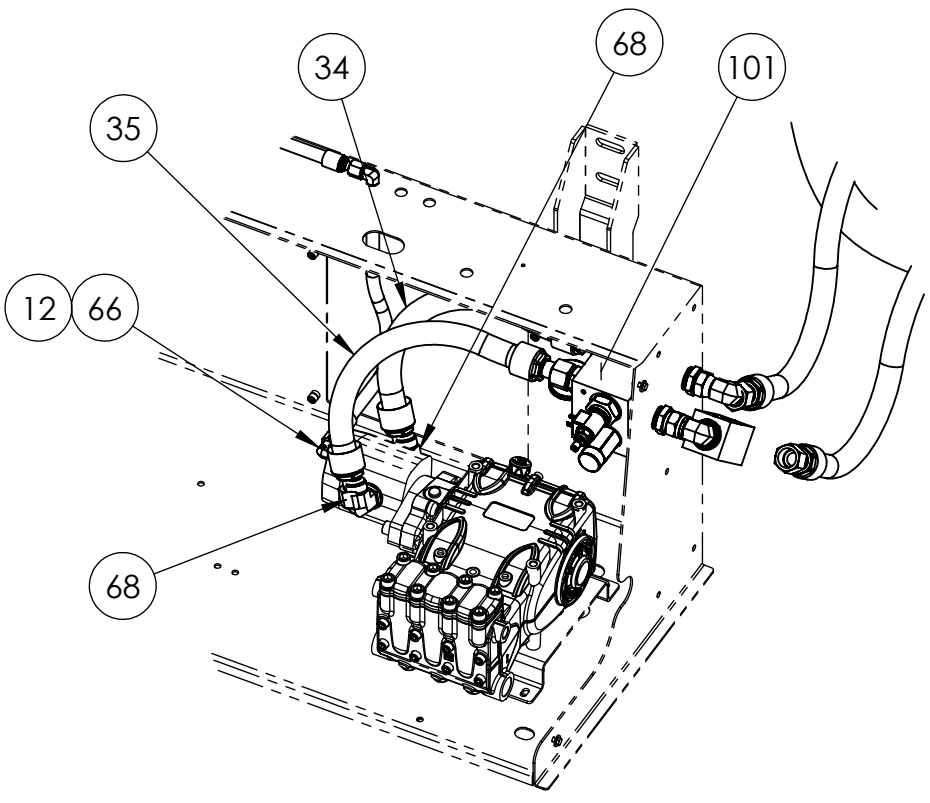
MATERIAL: []

PROPRIETARY AND CONFIDENTIAL
THE INFORMATION CONTAINED IN THIS DRAWING IS THE SOLE PROPERTY OF SUPER PRODUCTS. ANY REPRODUCTION IN PART OR AS A WHOLE WITHOUT THE WRITTEN PERMISSION OF SUPER PRODUCTS IS PROHIBITED.

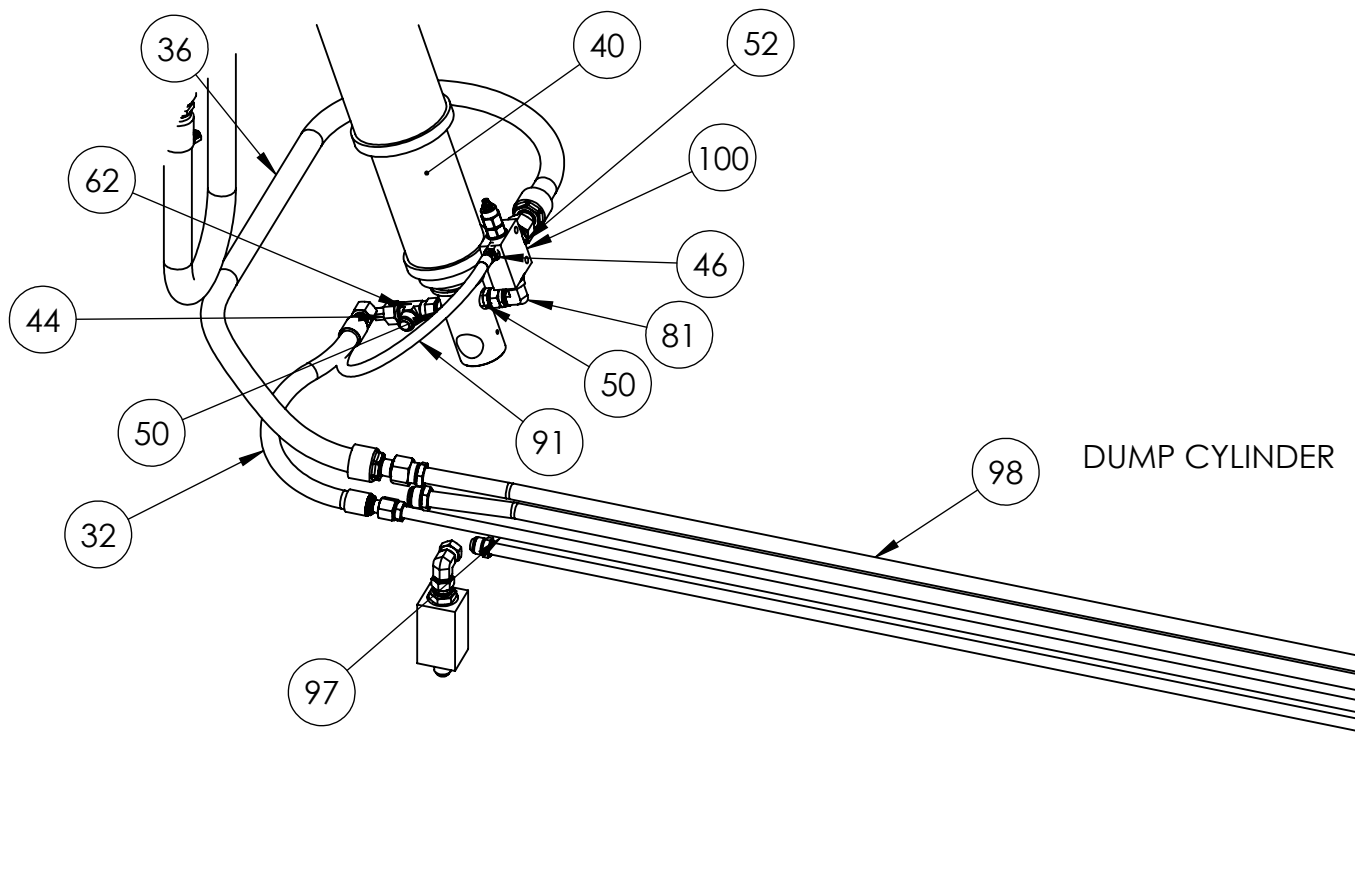
UNLESS OTHERWISE SPECIFIED:
DIMENSIONS ARE IN INCHES
TOLERANCES ARE:
X.X ± 0.100
X.XX ± 0.060
X.XXX ± 0.030
ANGULAR: MACH ± 1° BEND ± 2°
INTERPRET GEOMETRIC TOLERANCING PER: ASME Y14.5



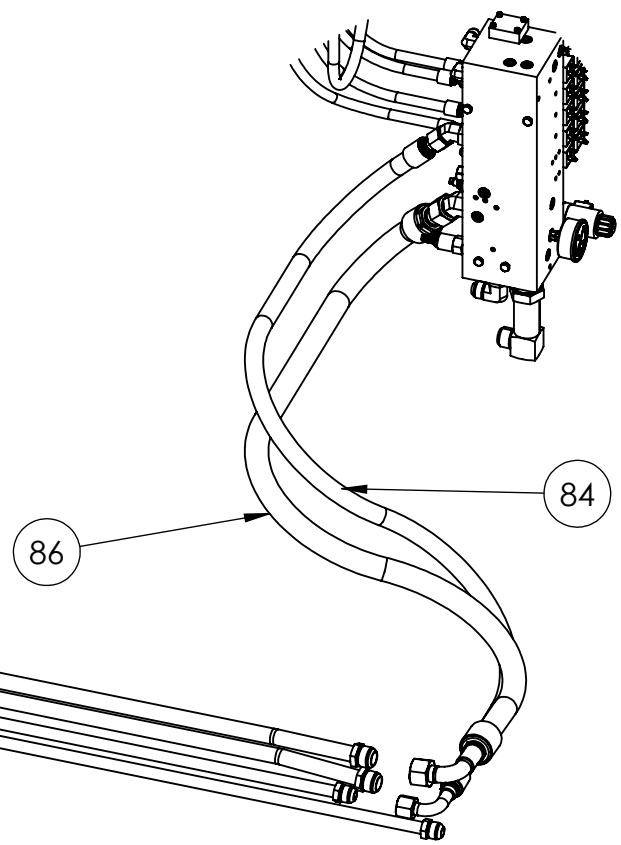
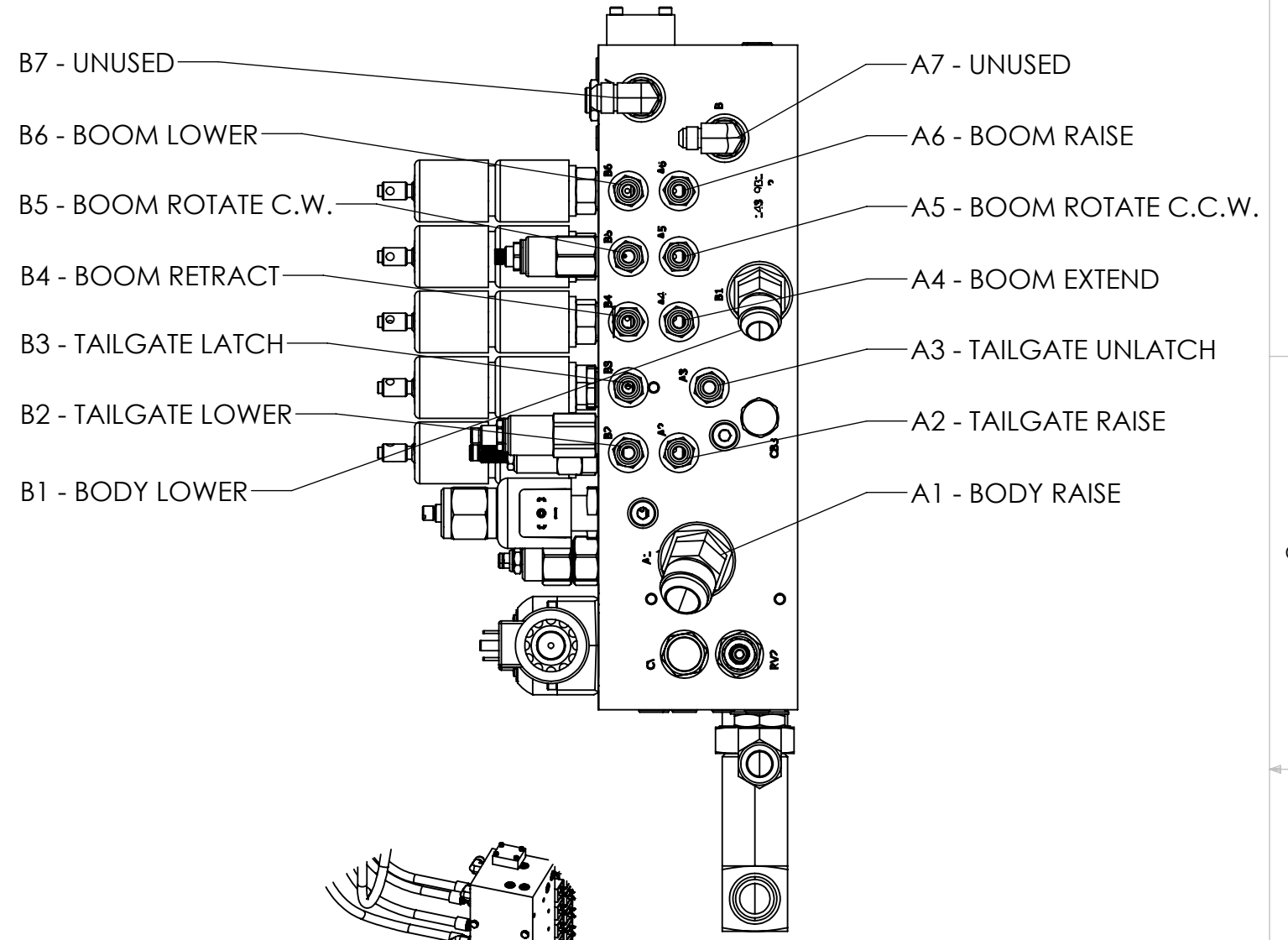
 SUPER PRODUCTS <small>TRUCK MOUNTED VACUUM EQUIPMENT</small>		
DWG. NO. 0040549		REV G
<small>SIZE B</small>	<small>SCALE: 1:36</small>	<small>WEIGHT: 0.00</small>
<small>SHEET 2 OF 6</small>		



WATER PUMP



DUMP CYLINDER

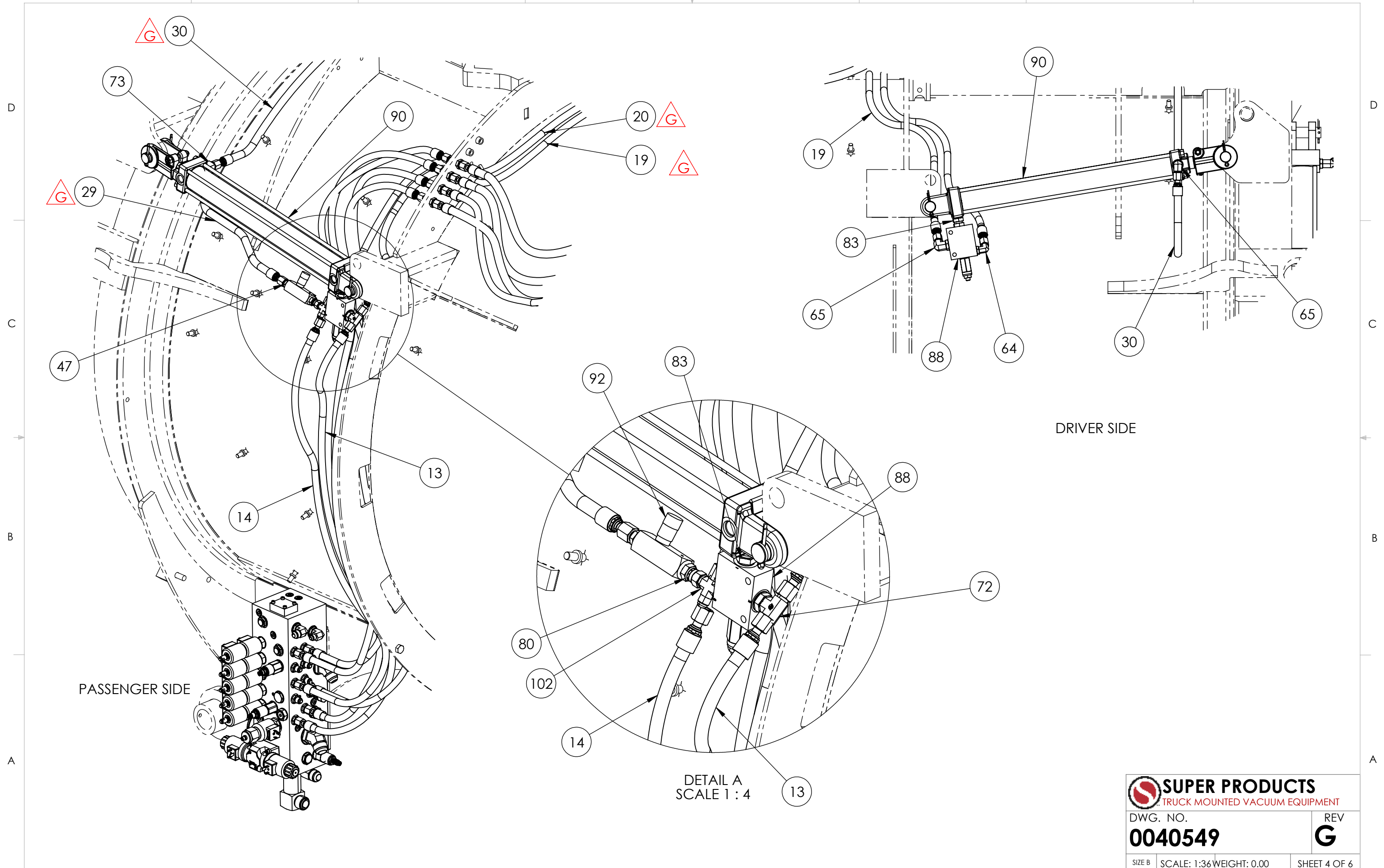


SUPER PRODUCTS
TRUCK MOUNTED VACUUM EQUIPMENT

DWG. NO. **0040549** REV **G**

SIZE B SCALE: 1:36 WEIGHT: 0.00 SHEET 3 OF 6

8 7 6 5 4 3 2 1



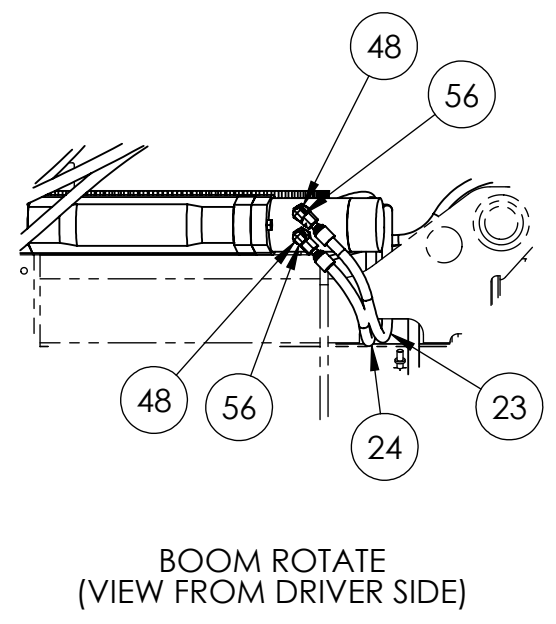
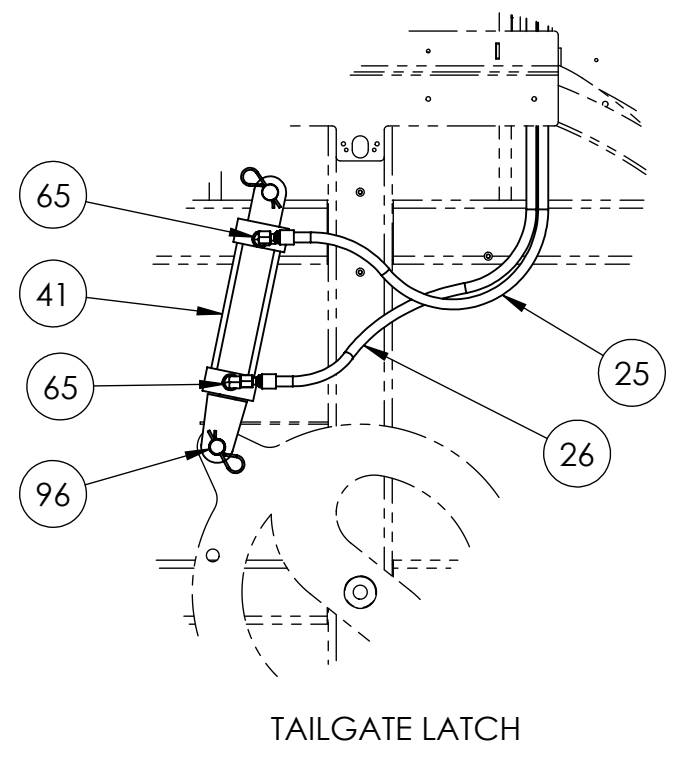
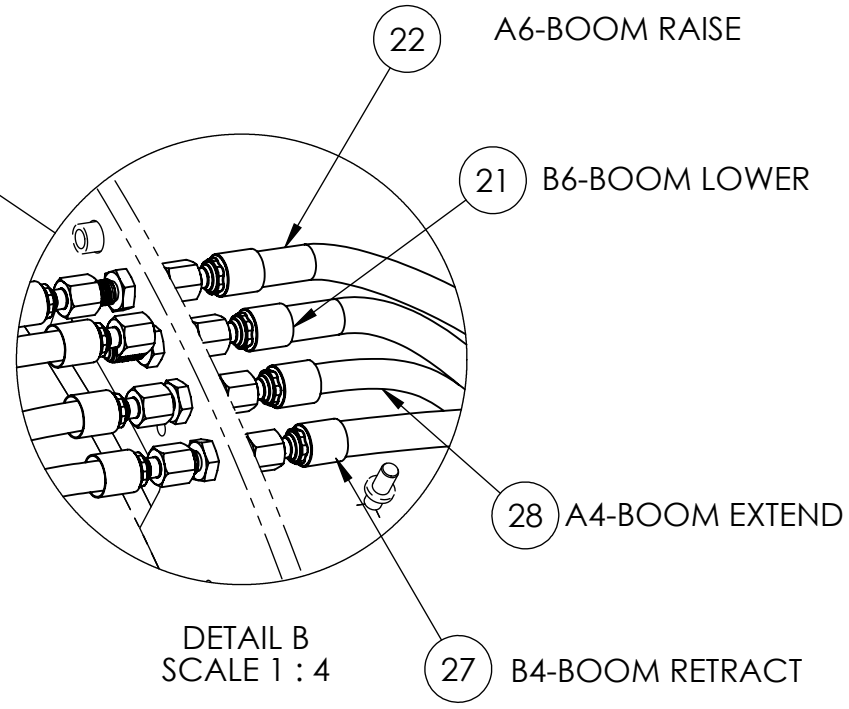
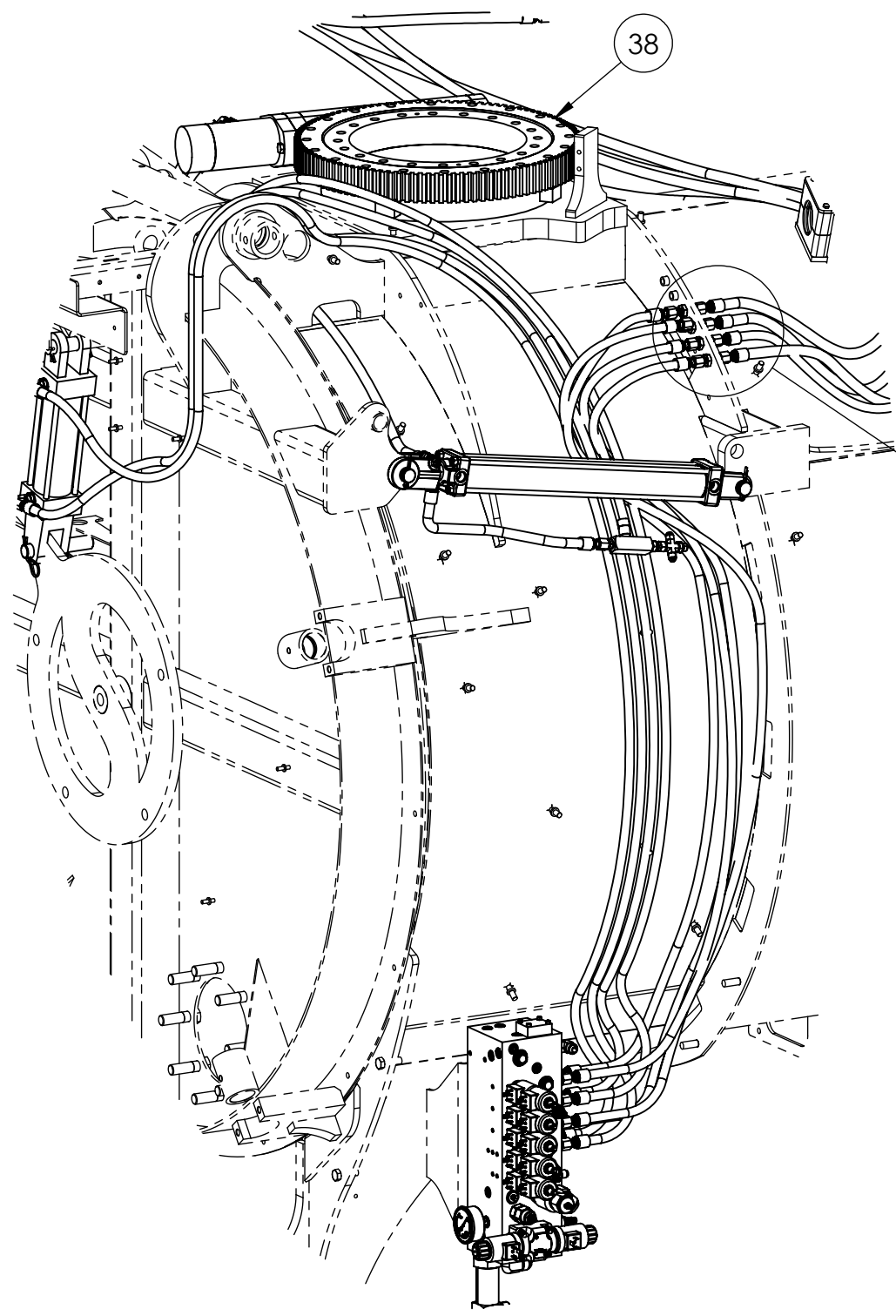
PASSENGER SIDE

DRIVER SIDE

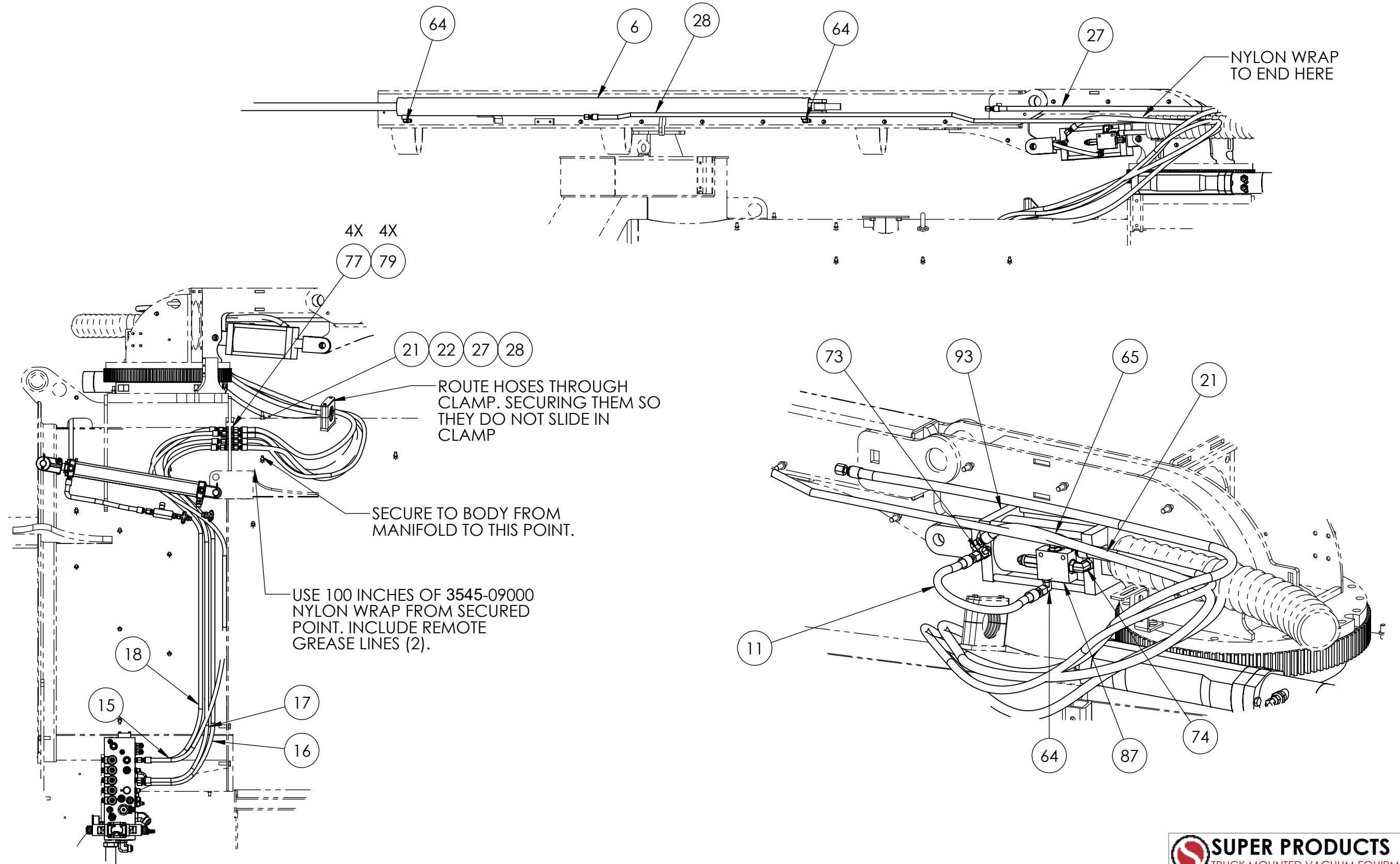
DETAIL A
SCALE 1 : 4

 SUPER PRODUCTS <small>TRUCK MOUNTED VACUUM EQUIPMENT</small>	
DWG. NO.	REV
0040549	G
SIZE B	SCALE: 1:36 WEIGHT: 0.00
SHEET 4 OF 6	

8 7 6 5 4 3 2 1



SUPER PRODUCTS <small>TRUCK MOUNTED VACUUM EQUIPMENT</small>	
DWG. NO.	REV
0040549	G
SIZE B	SCALE: 1:36 WEIGHT: 0.00
SHEET 5 OF 6	

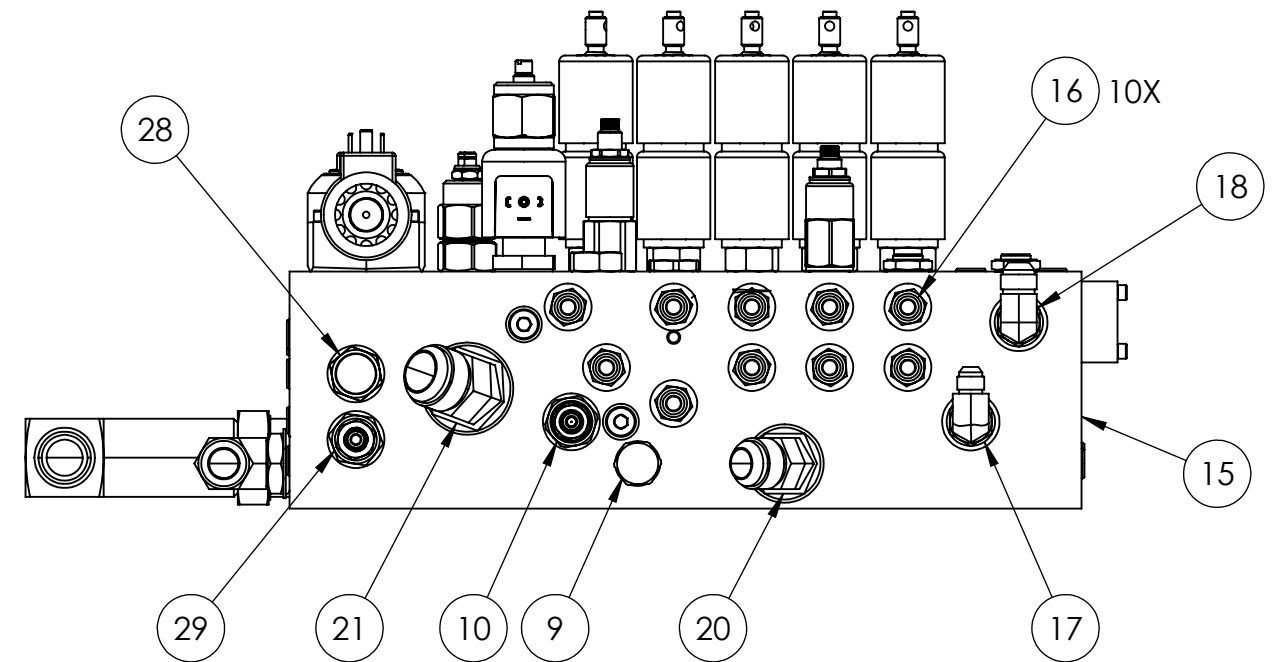
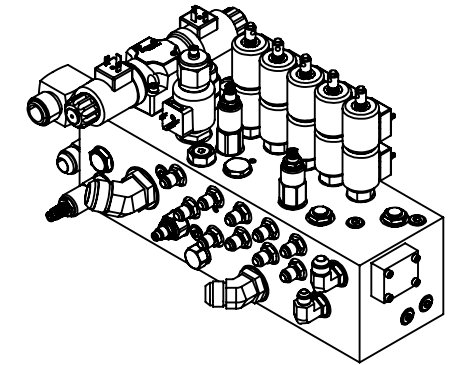


SUPER PRODUCTS
TRUCK MOUNTED VACUUM EQUIPMENT

DWG. NO.	REV
0040549	G
SIZE B	SCALE: 1:36 WEIGHT: 0.00
SHEET 6 OF 6	

ITEM NO.	PART NUMBER	DESCRIPTION	QTY.
1	0033527	VALVE D05, CLOSED CENTER	1
2	0033555	REGULATOR, FLOW, CART 0.10 GPM	1
3	0033566	BOLT KIT 10-24X1.25	1
4	0033567	BOLT KIT, SHCS 1/4"-20 X 1.38	1
5	0033761	GAUGE, 3000 PSI, SAE-04 ORB	1
6	0040613	COVER PLATE,PARALLEL CIRCUIT	1
7	0040614	VALVE,COUNTERBALANCE,5:1	1
8	0040617	VALVE,DOUBLE PO CHECK	1
9	0040618	PLUG,CAVITY	1
10	0042489	CARTRIDGE,PRES REDUCING VALVE	1
11	0042490	CARTRIDGE,RELIEF VALVE,1200PSI	1
12	0042491	CARTRIDGE,PROP VALVE,W/BYPASS,0-10 GPM	1
13	0042492	CARTRIDGE,CHECK VALVE	1
14	0042494	REGULATOR, FLOW, CART 0.50 GPM	1
15	0042495	BLOCK,MANIFOLD	1
16	6130-00606	ADAPTER, STR.(M)JIC/(M)O-RING	10
17	6137-00608	ADAPTER, 90° M O-RING X M JIC	1
18	6137-00808	ADAPTER, 90, M O-RING X M JIC	1
19	6137-01212	ADAPTER,90°(M) O-RING (M) JIC	1
20	6138-01212	ADAPTER, 45DEG M O-RING - M JIC	1
21	6138-01616	Adapter, 45°, M O-ring x M JIC	1
22	6144-01616	ADAPTER, 90° XX-LONG M-O-RING/M-JIC	1
23	7310-03028	CARTRIDGE, SOLENOID FLOAT CENTER	3
24	7310-03029	CARTRIDGESOLENOID CLOSED CENTER	2
25	7310-03030	COIL, J SERIES,12VDC DIN 43650	10
26	7310-03033	COIL, EFV SERIES, 12 VDC, DIN	1
27	7310-03037	CARTRIDGE, CROSS-OVER RELIEF	1
28	7310-03039	VALVE CHECK, CARTRIDGE	1
29	7310-03040	CARTRIDGE-RELIEF PILOT OPERATED	1

REVISIONS				
REV #	ECO #	DESCRIPTION	DATE	APPR
A				



NAME	M. Riley	DATE	8/6/2021	
DRAWN BY	M. Riley	DATE	8/6/2021	
ENG APPR.	C.Colorito	DATE	08/09/2021	
MFG APPR.				
TITLE:				MANIFOLD,BOOM-BODY,MD7YD
DWG. NO.				0042404-PARTS
REV				A
SIZE B	SCALE: 1:4	WEIGHT:	SHEET 1 OF 2	

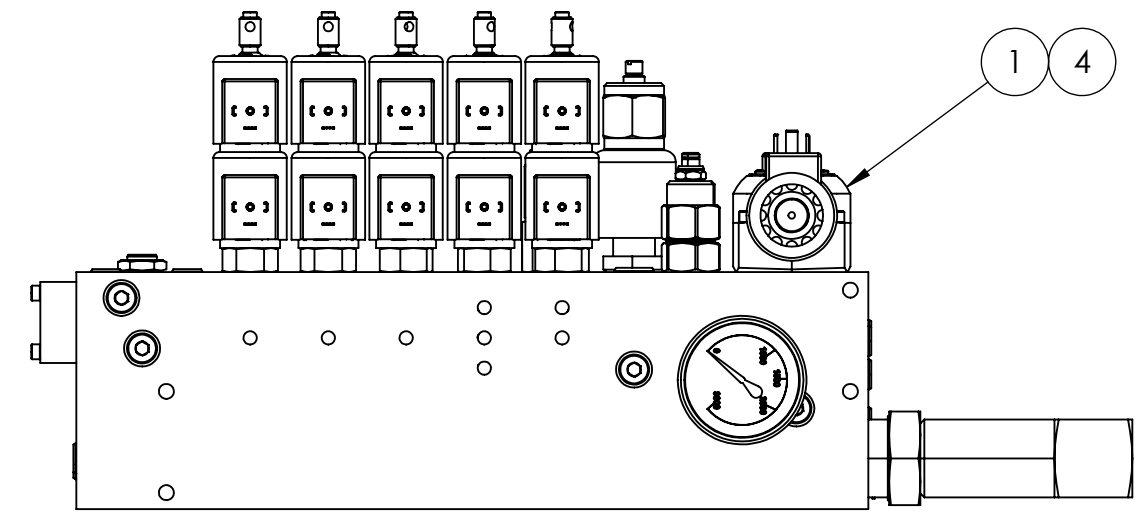
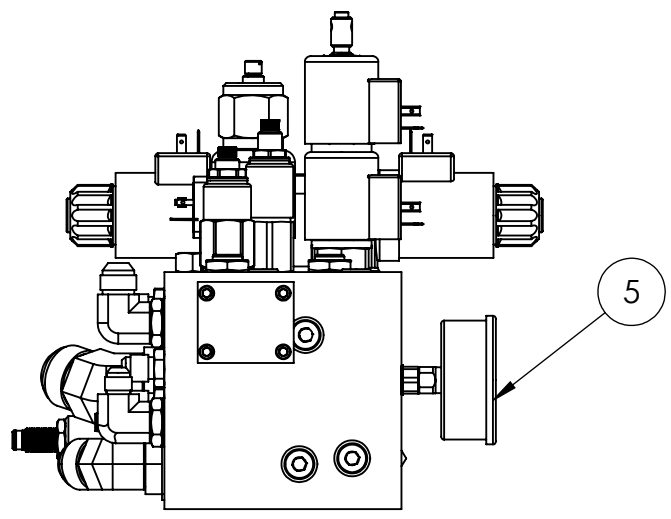
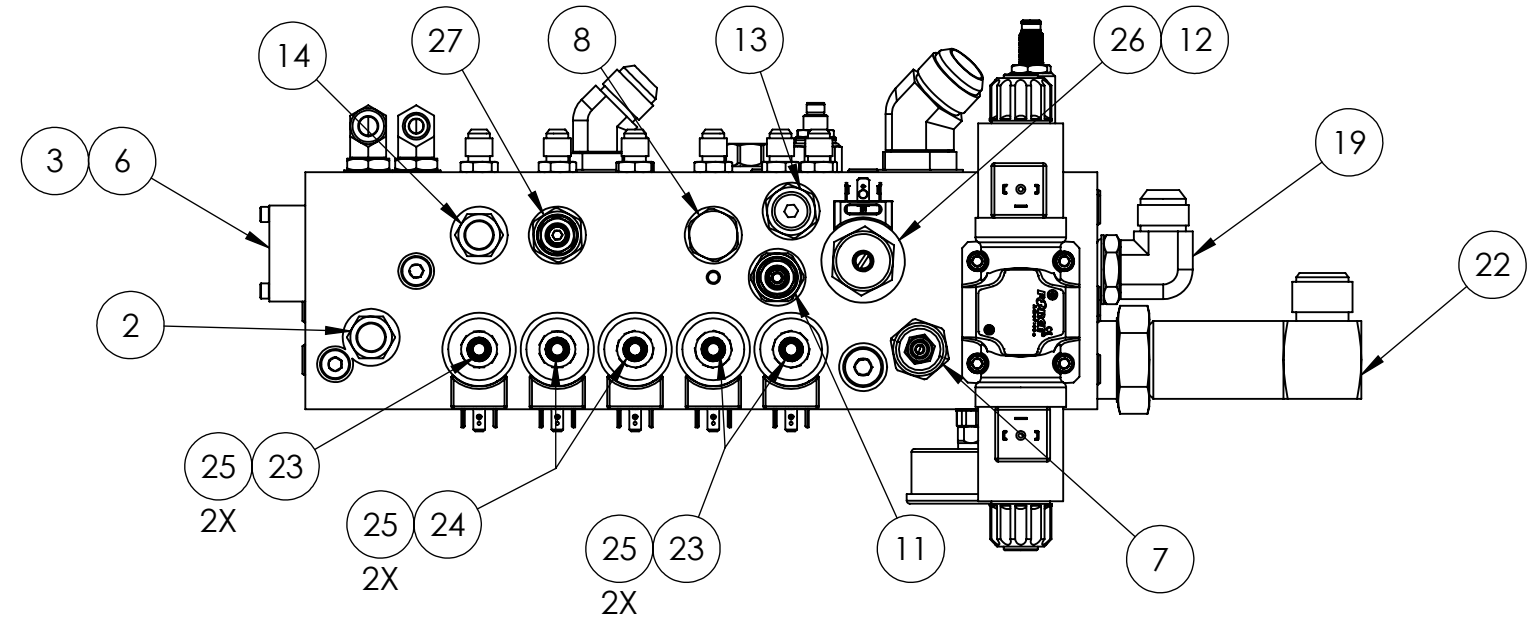
MATERIAL: []

PROPRIETARY AND CONFIDENTIAL
 THE INFORMATION CONTAINED IN THIS DRAWING IS THE SOLE PROPERTY OF SUPER PRODUCTS. ANY REPRODUCTION IN PART OR AS A WHOLE WITHOUT THE WRITTEN PERMISSION OF SUPER PRODUCTS IS PROHIBITED.

UNLESS OTHERWISE SPECIFIED:
 DIMENSIONS ARE IN INCHES
 TOLERANCES ARE:
 X.X ± 0.100
 X.XX ± 0.060
 X.XXX ± 0.030
 ANGULAR: MACH ± 1° BEND ± 2°
 INTERPRET GEOMETRIC TOLERANCING PER: ASME Y14.5

8 7 6 5 4 3 2 1

D
C
B
A

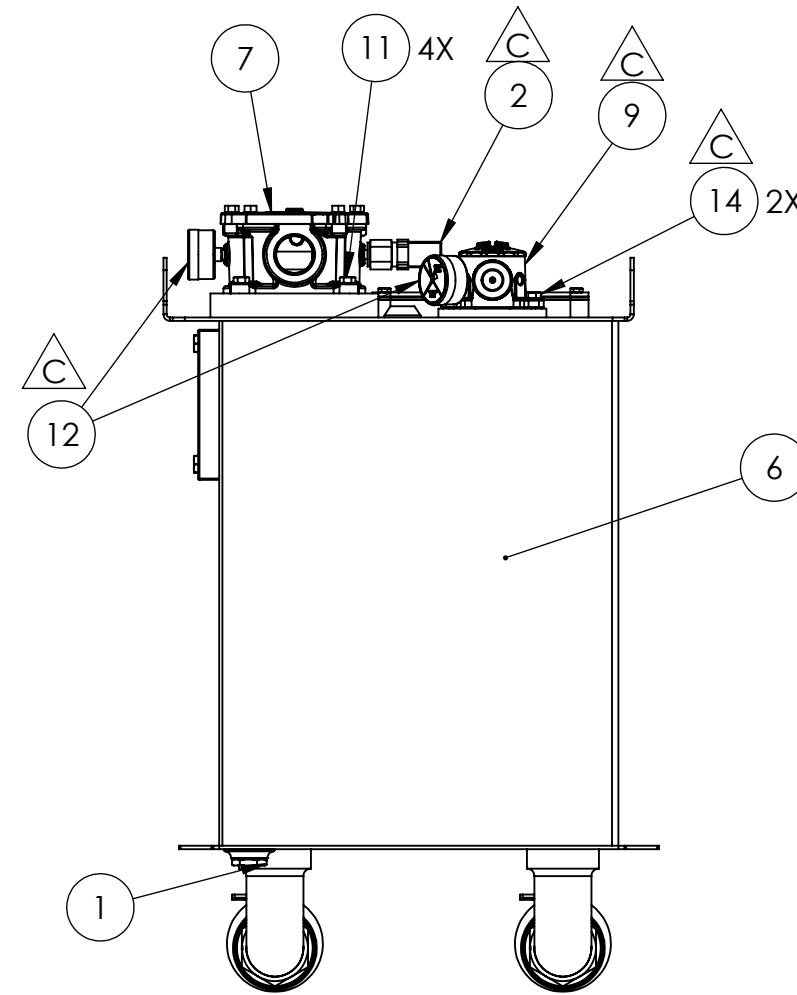
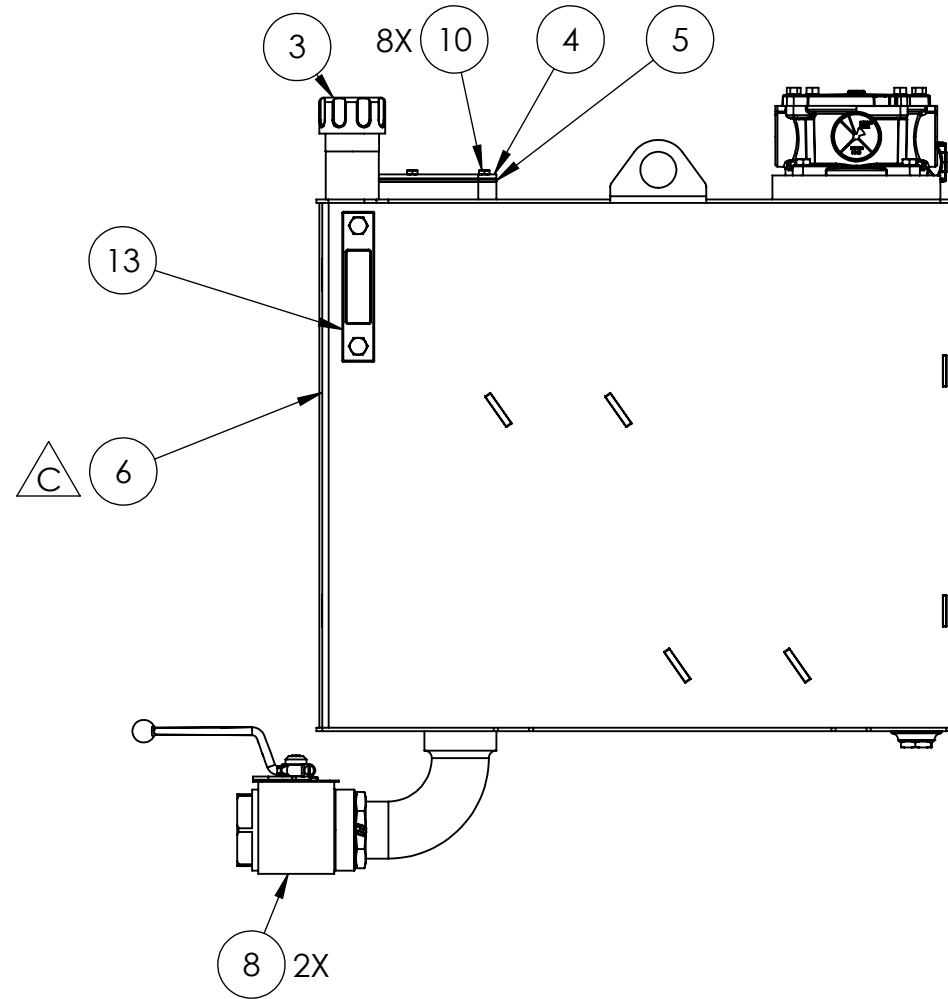


8 7 6 5 4 3 2 1

Super Products[®]
 DWG. NO. **0042404-PARTS** REV **A**
 SIZE B SCALE: 1:4 WEIGHT: SHEET 2 OF 2

ITEM NO.	PART NUMBER	DESCRIPTION	QTY.
1	0009380	PLUG, DRAIN MAGNETIC SAE #12	1
2	0025252	SWITCH, FILTER INDICATOR	1
3	0034784	CAP, FILLER HYD. TANK	1
4	0038752	COVER, HYD - TANK	1
5	0038759	GASKET, HYD - TANK	1
6	0038877	WLDMT, HYD TANK	1
7	0038893	FILTER, TANK MOUNTED	1
8	0040386	VALVE,BALL,2",SAE,600 PSI	2
9	0042138	FILTER,CASE DRAIN	1
10	0050-00050	SCREW CAP 0.25-20 X 0.50 HX GR5	8
11	0052-00100	SCREW,HEX HEAD CAP,3/8-16 X 1,HX GR 5	4
12	6000-00795	GAUGE, FILTER INDICATOR	2
13	6000-02498	GAUGE,SIGHT (9000-00933)	1
14	0052-00075	SCREW,HEX HEAD CAP,3/8-16 X .75,HX,GR 5	2

REVISIONS				
REV #	ECO #	DESCRIPTION	DATE	APPR
C	99999	ADDED ITEMS 0025252, 0042138, 0052-00075. ITEM 6000-00795 QTY 2 WAS 1. REVISED 0038877	05/12/2021	C.Colorito



	NAME	DATE
DRAWN BY	M. Riley	6/24/2020
ENG APPR.	C.Colorito	08/28/2020
MFG APPR.		



TITLE:
ASSY, HYD TANK

MATERIAL: []

PROPRIETARY AND CONFIDENTIAL
THE INFORMATION CONTAINED IN THIS DRAWING IS THE SOLE PROPERTY OF SUPER PRODUCTS. ANY REPRODUCTION IN PART OR AS A WHOLE WITHOUT THE WRITTEN PERMISSION OF SUPER PRODUCTS IS PROHIBITED.

UNLESS OTHERWISE SPECIFIED:
DIMENSIONS ARE IN INCHES
TOLERANCES ARE:
X.X ± 0.100
X.XX ± 0.060
X.XXX ± 0.030
ANGULAR: MACH ± 1° BEND ± 2°
INTERPRET GEOMETRIC TOLERANCING PER: ASME Y14.5

DWG. NO. 0038900		REV C
SIZE B	SCALE: 1:8	WEIGHT: 216.17
		SHEET 1 OF 1

ITEM NO.	PART NUMBER	DESCRIPTION	QTY.	LENGTH
1	0004637-00010	HOSE MENDER Ø.63	1	
2	0040483	BRKT, ANGLE	2	
3	0040672	ASSY, INSULATION GLYCOL	1	
4	0042382	HEATER,CABIN,32K BTU	1	
5	0052-00100	SCREW,HEX HEAD CAP,3/8-16 X 1,HX GR 5	4	
6	0052-00125	SCREW,HEX HEAD CAP,3/8-16 X 1-1/4,HX GR5	2	
7	0082-00003	WASHER,FLAT,USS,3/8",STEEL,PLT'D	8	
8	0160-32008	NUT,LOCK,CLINCHED,3/8"-16,GR5,PLT'D-STL	6	
9	3000-03230	UNICOIL, HOSE BENDING 5/8	5	
10	3000-03344	CLAMP, TENSION SPRING Ø7/8	6	
11	3916-00000	HOSE, HEATER 5/8	1	940

REVISIONS				
REV #	ECO #	DESCRIPTION	DATE	APPR
C	99999	0042382 WAS 0038508, ADDED 0052-00100, QTY CHANGED 0082-00003 8 WAS 4 AND 0160-32008 6 WAS 4	09/03/2021	S. Iding

D

D

C

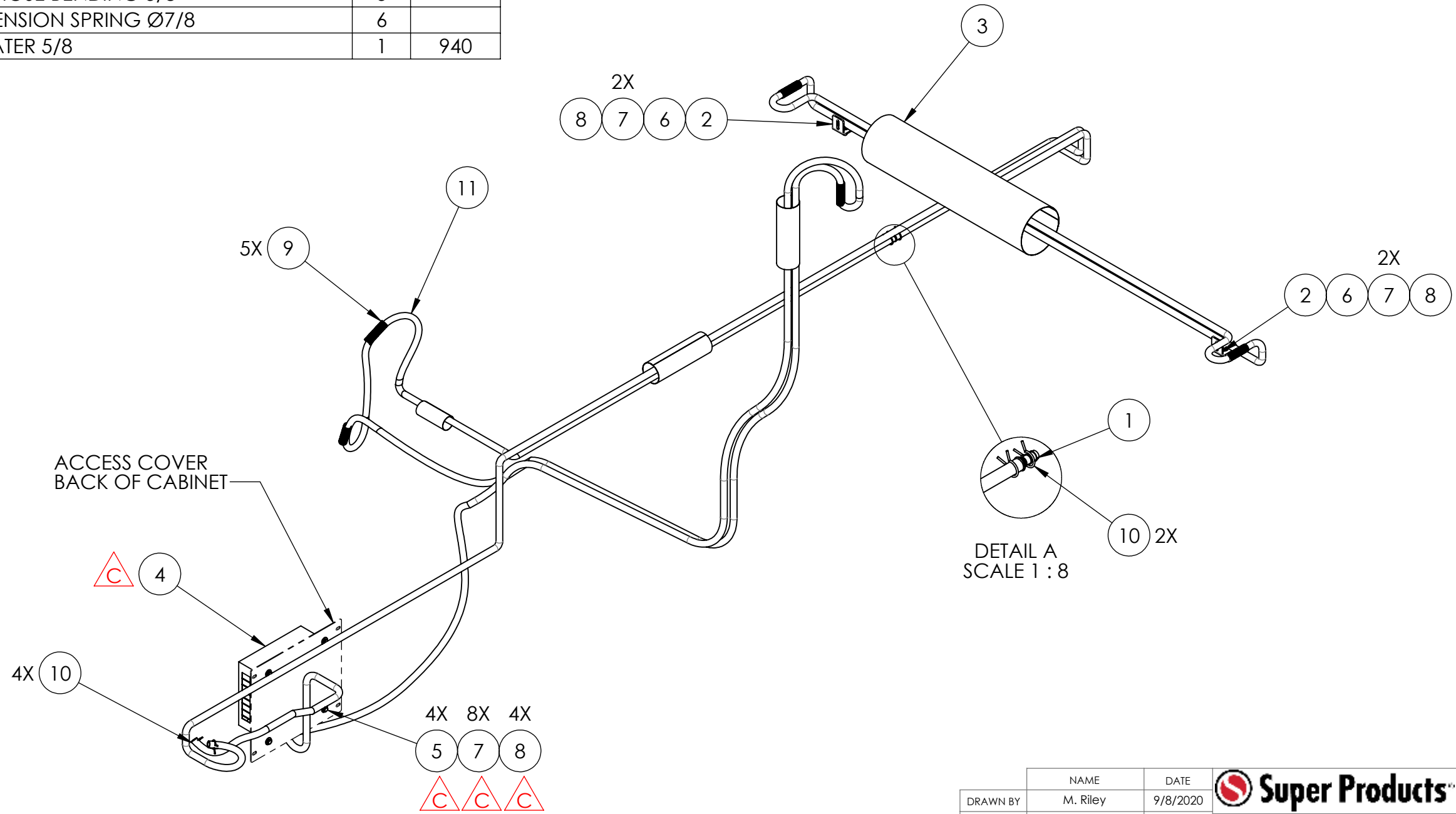
C

B

B

A

A



DRAWN BY		NAME	DATE	
ENG APPR.		M. Riley	9/8/2020	
MFG APPR.		C.Colorito	10/08/2020	
TITLE:				ASSY, GLYCOL AND INSULATED LINES
DWG. NO.				
0040635				REV
C				SIZE B SCALE: 1:16 WEIGHT: SHEET 1 OF 2

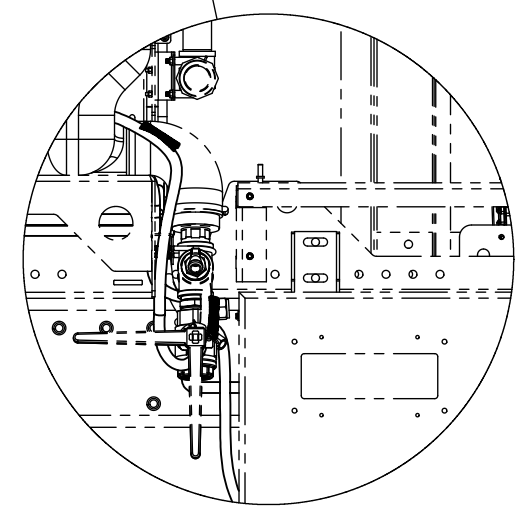
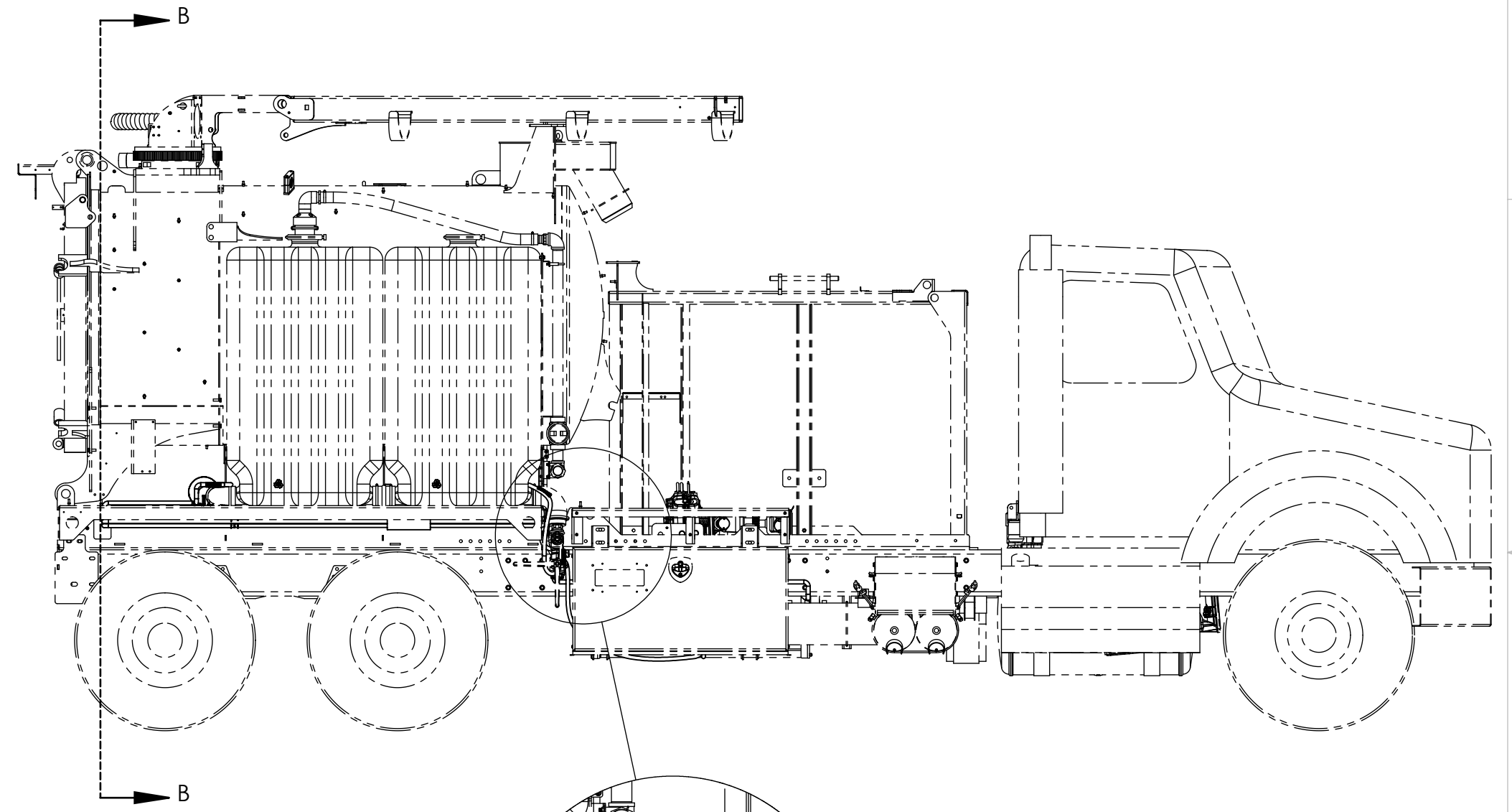
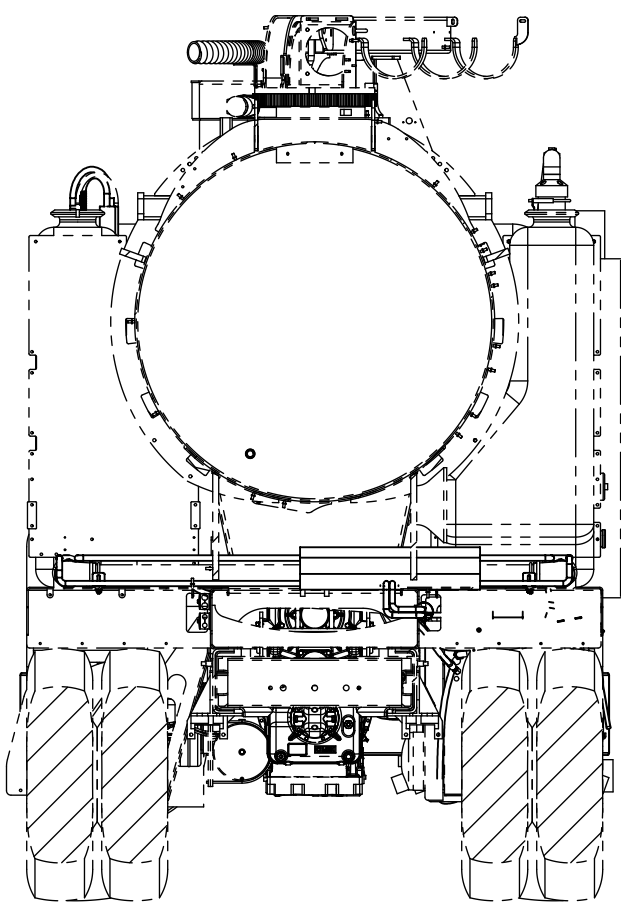
MATERIAL: []

PROPRIETARY AND CONFIDENTIAL
 THE INFORMATION CONTAINED IN THIS DRAWING IS THE SOLE PROPERTY OF SUPER PRODUCTS. ANY REPRODUCTION IN PART OR AS A WHOLE WITHOUT THE WRITTEN PERMISSION OF SUPER PRODUCTS IS PROHIBITED.


UNLESS OTHERWISE SPECIFIED:
 DIMENSIONS ARE IN INCHES
 TOLERANCES ARE:
 X.X ± 0.100
 X.XX ± 0.060
 X.XXX ± 0.030
 ANGULAR: MACH ± 1° BEND ± 2°
 INTERPRET GEOMETRIC TOLERANCING PER: ASME Y14.5

8 7 6 5 4 3 2 1

D
C
B
A



DETAIL C
SCALE 1:16

 SUPER PRODUCTS <small>TRUCK MOUNTED VACUUM EQUIPMENT</small>		REV
DWG. NO. 0040635		C
SIZE B	SCALE: 1:32	WEIGHT:
		SHEET 2 OF 2

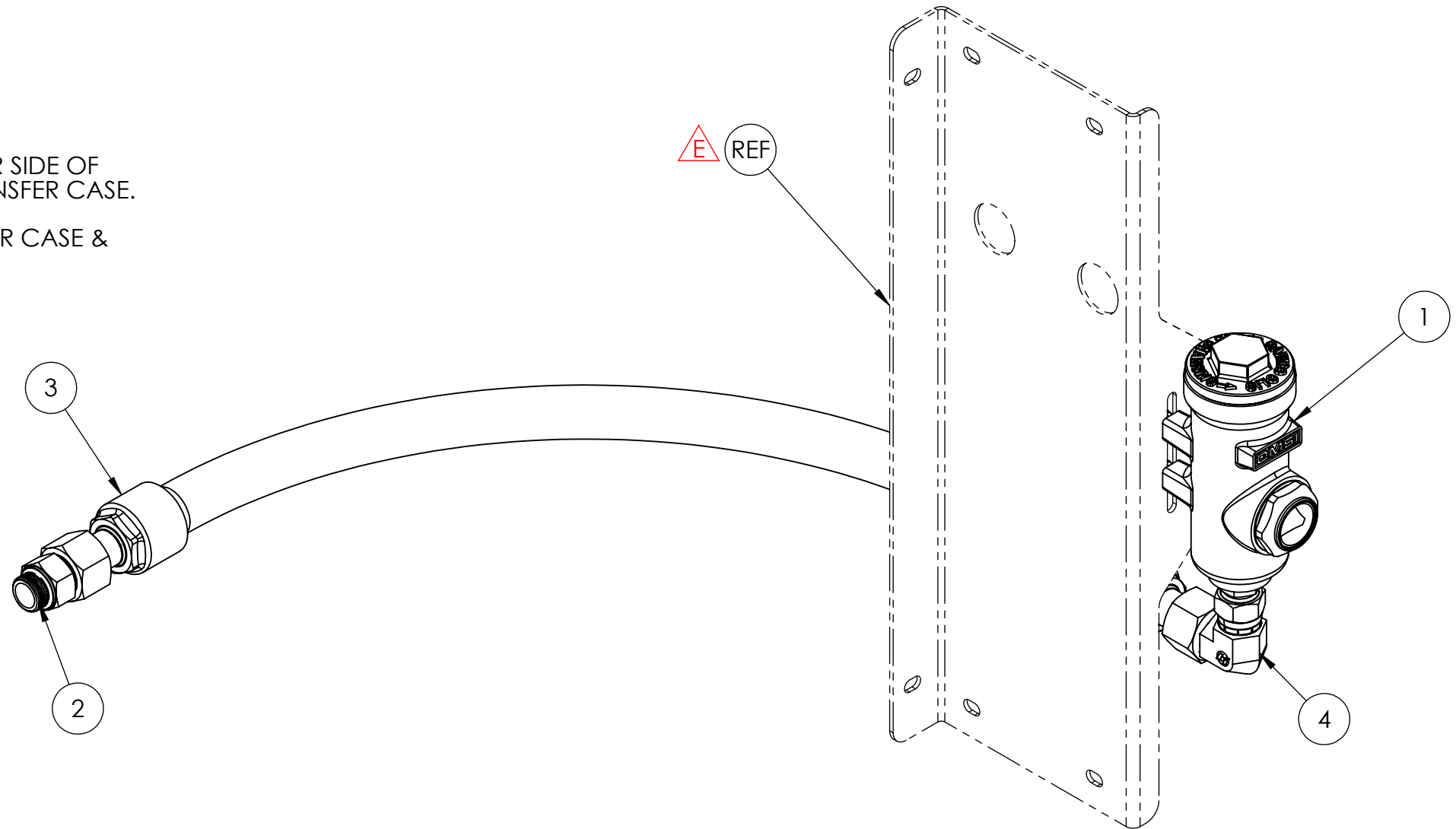
8 7 6 5 4 3 2 1

ITEM NO.	PART NUMBER	DESCRIPTION	QTY.
1	0000099	GAGE, OMSI OIL SIGHT LEVEL	1
2	0040880-01612	ADAP,STR,(M)JIC X (M)BSPP	1
3	3471-03700	HOSE,HYD.1.00 (#16GMV) SUCTION	1
4	6132-01612	ADAPTER, 90DEG.(JIC) M-F	1

REVISIONS				
REV #	ECO #	DESCRIPTION	DATE	APPR
E	99999	REMOVED ITEMS 0008662, 0052-10100, 0082-10003, AND 0160-11008. ADDED REF MANIFOLD SUPPORT BRKT	08/06/2021	D. King

NOTES:

- 1) MOUNT SITE GAGE TO FRONT LOWER CORNER PASSENGER SIDE OF CABINET. SITE GAGE MUST BE LEVEL WITH SITE EYE ON TRANSFER CASE.
- 2) REMOVE DRAIN PLUG ON THE FRONT SIDE OF THE TRANSFER CASE & REPLACE WITH ITEM 2.



	NAME	DATE
DRAWN BY	D. King	9/3/2020
ENG APPR.	A. Brewster	09/09/2020
MFG APPR.		



TITLE:
ASSY, OMSI REMOTE SITE GAGE

MATERIAL: []

PROPRIETARY AND CONFIDENTIAL
THE INFORMATION CONTAINED IN THIS DRAWING IS THE SOLE PROPERTY OF SUPER PRODUCTS. ANY REPRODUCTION IN PART OR AS A WHOLE WITHOUT THE WRITTEN PERMISSION OF SUPER PRODUCTS IS PROHIBITED.

UNLESS OTHERWISE SPECIFIED:
DIMENSIONS ARE IN INCHES
TOLERANCES ARE:
X.X ± 0.100
X.XX ± 0.060
X.XXX ± 0.030
ANGULAR: MACH ± 1° BEND ± 2°
INTERPRET GEOMETRIC TOLERANCING PER: ASME Y14.5

DWG. NO. 0040662	REV E		
SIZE B	SCALE: 1:4	WEIGHT: 5.53	SHEET 1 OF 1



PARTS MANUAL

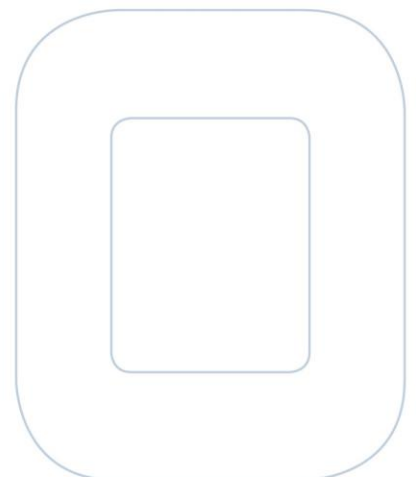
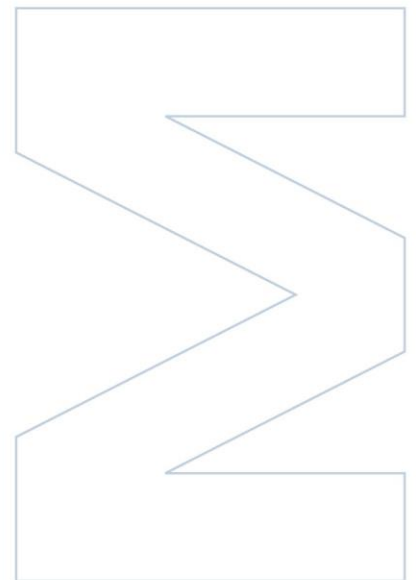
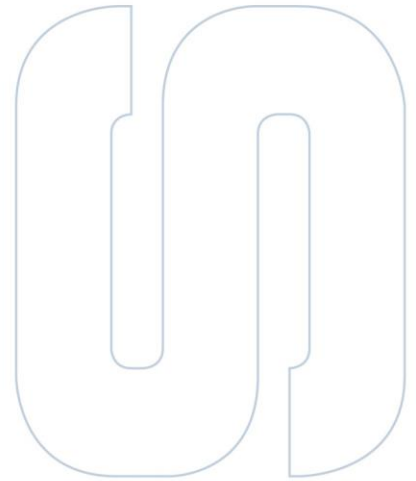
TRANSFER CASE

Model: PFT-PCV/3000

OMSI Part Number:

Super Products Part Number: 0040444

-  **SPLIT SHAFT AND ENGINE POWER TAKE-OFFS**
-  **HYDRO-MECHANICAL DRIVES**
-  **AXLES, TRANSMISSIONS AND GEARBOXES**
-  **RAILWAY TRANSMISSIONS**



General Ordering Information

PFT-PCV/3000

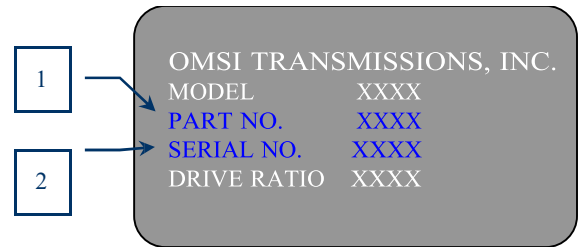
Rev. N/A

Tav. N/A



ALWAYS PROVIDE THE FOLLOWING INFORMATION FOUND ON THE SERIAL NUMBER PLATE OF EVERY UNIT:

1. UNIT PART NUMBER
2. UNIT SERIAL NUMBER

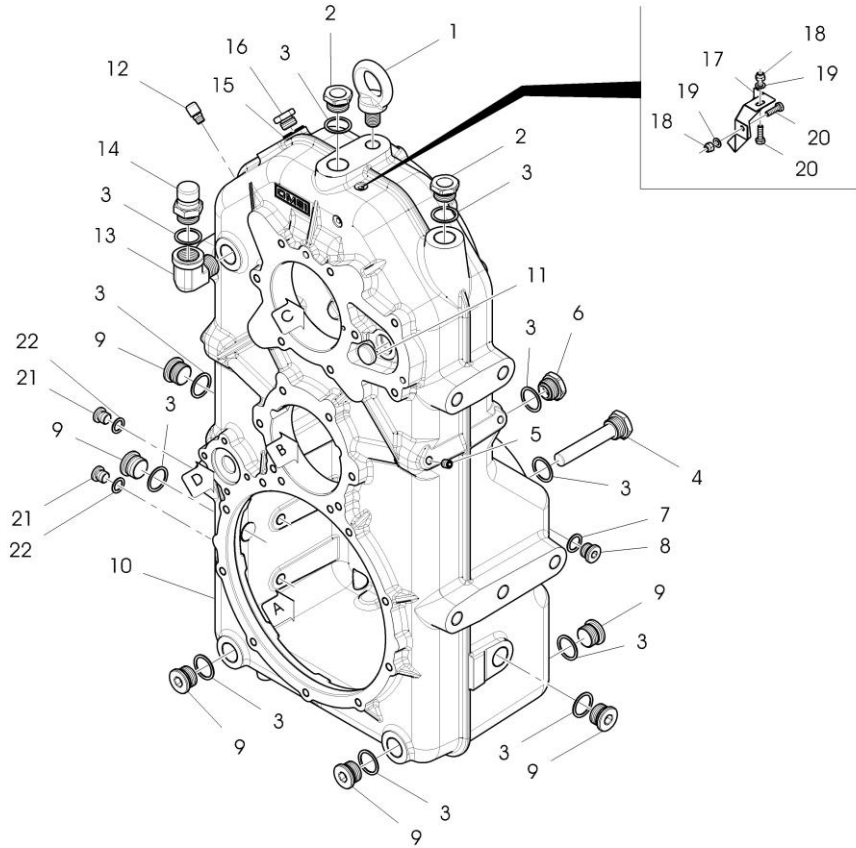


ALL OMSI PRODUCTS INCORPORATE A NAME PLATE FOR PROPER IDENTIFICATION.
1:1.27 ratio

Rev. 02

Tav.01-6

HOUSING – 1: 1.27 ratio

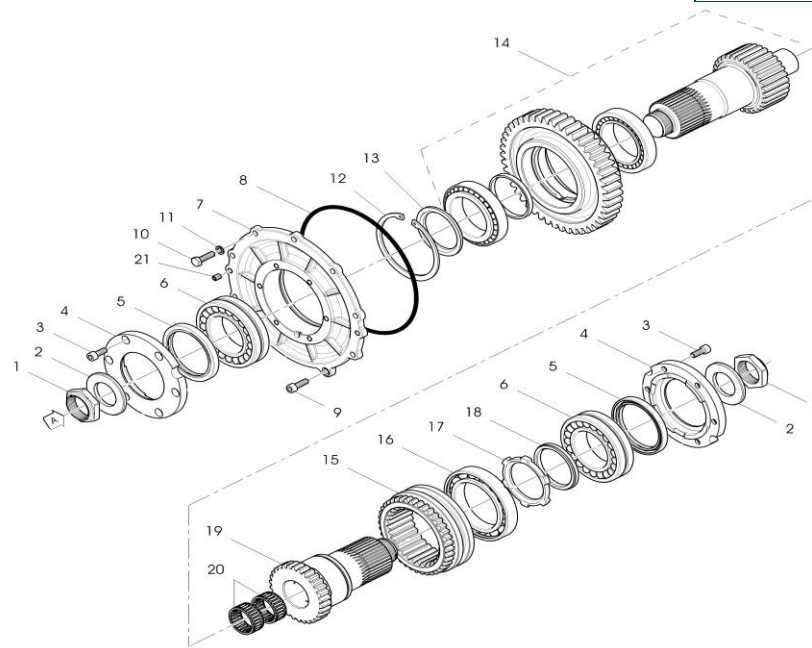


Pos.	Part No.	Description	Qty	Pos.	Part No.	Description	Qty
1	7310-03084	Eye, lifting	1	21	0042550	Plug	2
2	7310-03085	Plug, charge	2	22	0042551	Washer, copper	2
3	7310-03081	Washer, copper	11	23			
4	7310-03086	Plug, magnetic	1	24			
5	7310-03087	Screw, set M10x10	4	25			
6	7310-03082	Sight glass	1	26			
7	7310-03088	Washer, copper	1	27			
8	7310-03089	Plug	1	28			
9	7310-03090	Plug	6	29			
10	0042548	Housing	1	30			
11	7310-03092	Plug, freeze	1	31			
12	0042549	Breather	1	32			
13	7310-03094	Adapter	1	33			
14	7310-03095	Breather	1	34			
15	7310-03096	Washer, copper	1	35			
16	7310-03097	Plug	1	36			
17	7310-03098	Conveyor, oil	1	37			
18	7310-03099	Nut, lock M6	2	38			
19	7310-03100	Washer, conical	2	39			
20	7310-03101	VScrew, hex, M6x20 (8.8)	2	40			

Main drive - 1:1.27 ratio

Rev. 02

Tav.02-5

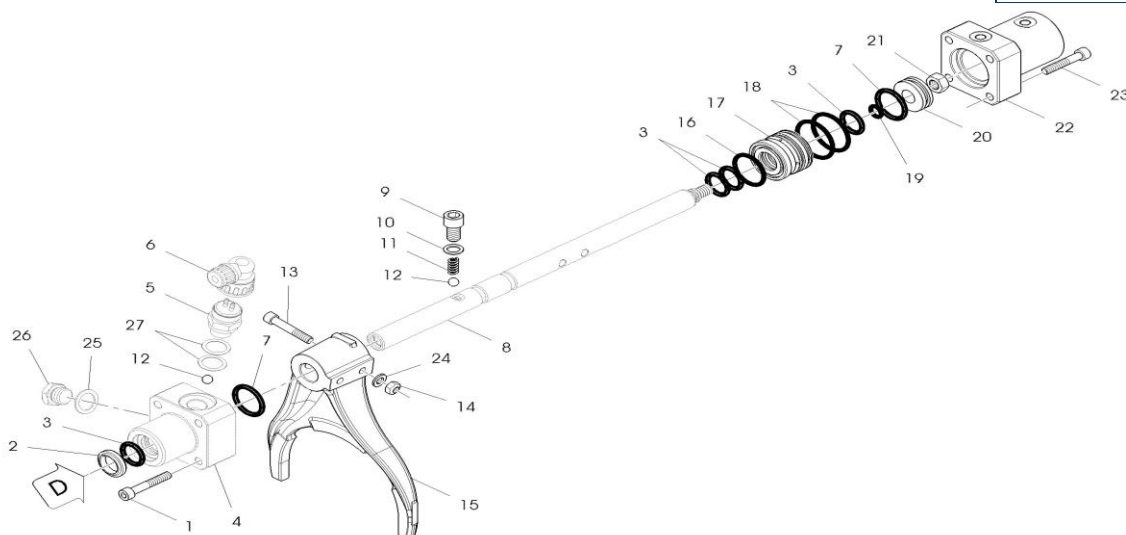


Pos.	Part No.	Description	Qty	Pos.	Part No.	Description	Qty
1	7310-03104	Ring, nut	2	21		Screw, set M10x12	2
2	7310-03105	Ring, centering	2	22			
3	7310-03106	Screw, Allen, M10x25 (8.8)	12	23			
4	7310-03107	Flange, seal support	2	24			
5	7310-03108	Seal, oil	2	25			
6	7310-03109	Bearing, spherical roller	2	26			
7	7310-03110	Flange, bearing support	1	27			
8	7310-03111	O-Ring	1	28			
9	7310-03113	Screw, Allen, M10x30 (8.8)	2	29			
10	7310-03112	Screw, hex, M10x35 (8.8)	7	30			
11	7310-03114	Washer, lock	7	31			
12	7310-03115	Ring, elastic	1	32			
13	7310-03116	Ring, spacer	1	33			
14	0042552	Gear-shaft kit	1	34			
15	7310-03120	Ring, engagement	1	35			
16	7310-03121	Bearing, radial ball	1	36			
17	7310-03122	Ring, sensor - 6 teeth	1	37			
18	7310-03123	Ring, spacer	1	38			
19	7310-03124	Shaft	1	39			
20	7310-03125	Bearing, needle roller	2	40			

Shifter control - Main drive

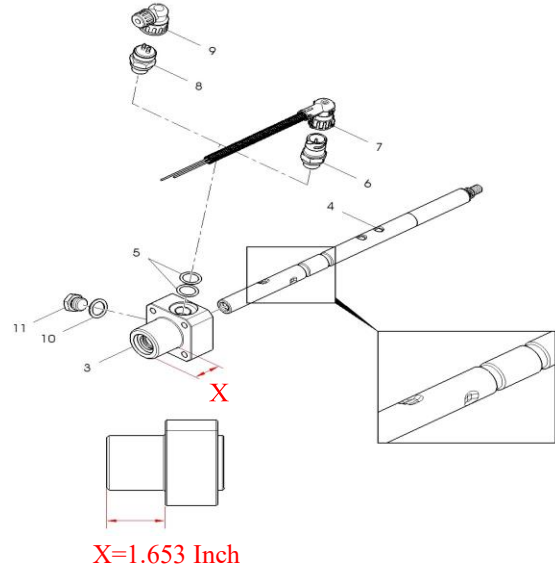
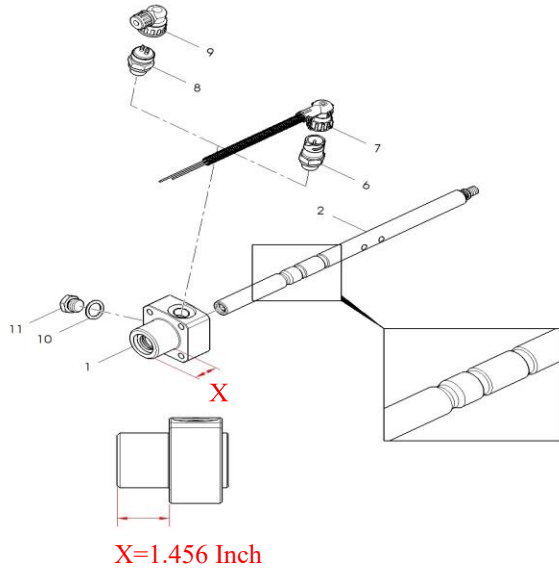
Rev. 00

Tav.03-12



Pos.	Part No.	Description	Qty	Pos.	Part No.	Description	Qty
1	7310-03127	Screw, Allen, M8x50 (8.8)	4	21	7310-03147	Nut, lock M12	1
2	7310-03128	Seal, wiper	1	22	7310-03148	Cylinder, housing	1
3	7310-03129	O-Ring	4	23	7310-03149	Screw, Allen, M8x45 (8.8)	4
4	-	Refer to Tav.03-13		24	7310-03150	Washer, conical	2
5	-	Refer to Tav.03-13		25	-	Refer to Tav.03-13	
6	-	Refer to Tav.03-13		26	-	Refer to Tav.03-13	
7	7310-03133	O-Ring	2	27	-	Refer to Tav.03-13	
8	-	Refer to Tav.03-13		28			
9	7310-03135	Screw, Allen, M12x21.5 (8.8)	1	29			
10	7310-03136	Washer, copper	1	30			
11	7310-03137	Spring	1	31			
12	7310-03138	Ball, 3/8"	2	32			
13	7310-03139	Screw, Allen, M8x47 (12.9)	2	33			
14	7310-03140	Nut, lock M8	2	34			
15	7310-03141	Fork, shifter control	1	35			
16	7310-03142	O-Ring	1	36			
17	7310-03143	Ring, guide	1	37			
18	7310-03144	O-Ring	2	38			
19	7310-03145	O-Ring	1	39			
20	7310-03146	Piston, shifter control	1	40			

Positioning sensors / Wiring protections



Pos.	Part No.	Description	Qty
1	0042553	Piston guide	1
2	0042554	Kit new version of stem and piston guide	1
3	-----		
4	-----		
5	-----		
6	0042555	Sensor, switch	1
7		Wiring harness	1
8		Sensor, switch	1
9		Kit, sensor protection	1
10	0042556	Washer, copper	1
11	0042557	Plug	1

Pos.	Part No.	Description	Qty
1	-----		
2	-----		
3	0042558	Piston guide	1
4	0042559	Stem, shifter	1
5		Washer	2
6	0042555	Sensor, switch	1
7		Wiring harness	1
8		Sensor, switch	1
9		Kit, sensor protection	1
10	0042556	Washer, copper	1
11	0042557	Plug	1

KITS		
Part No.	Description	Reference
0042554	Kit new version of stem and piston guide.	Shifter control - Main drive

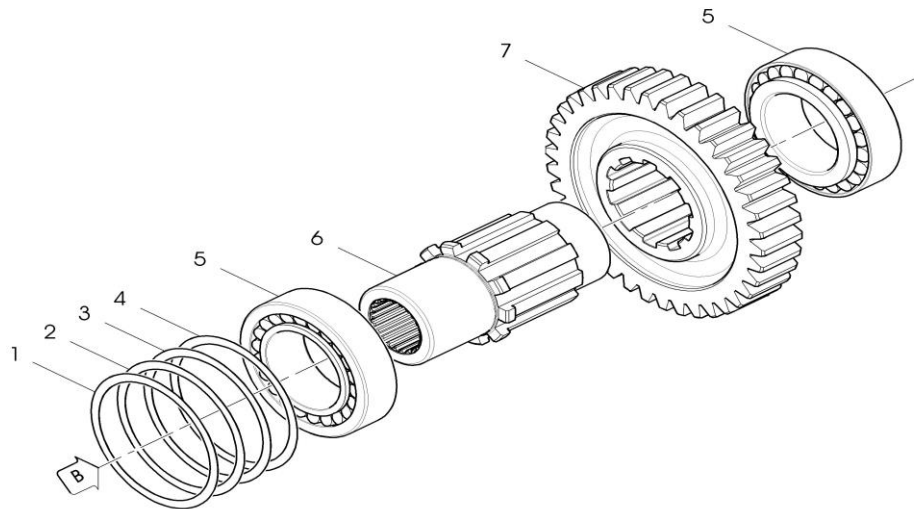
Rev. 01

Tav.03-13

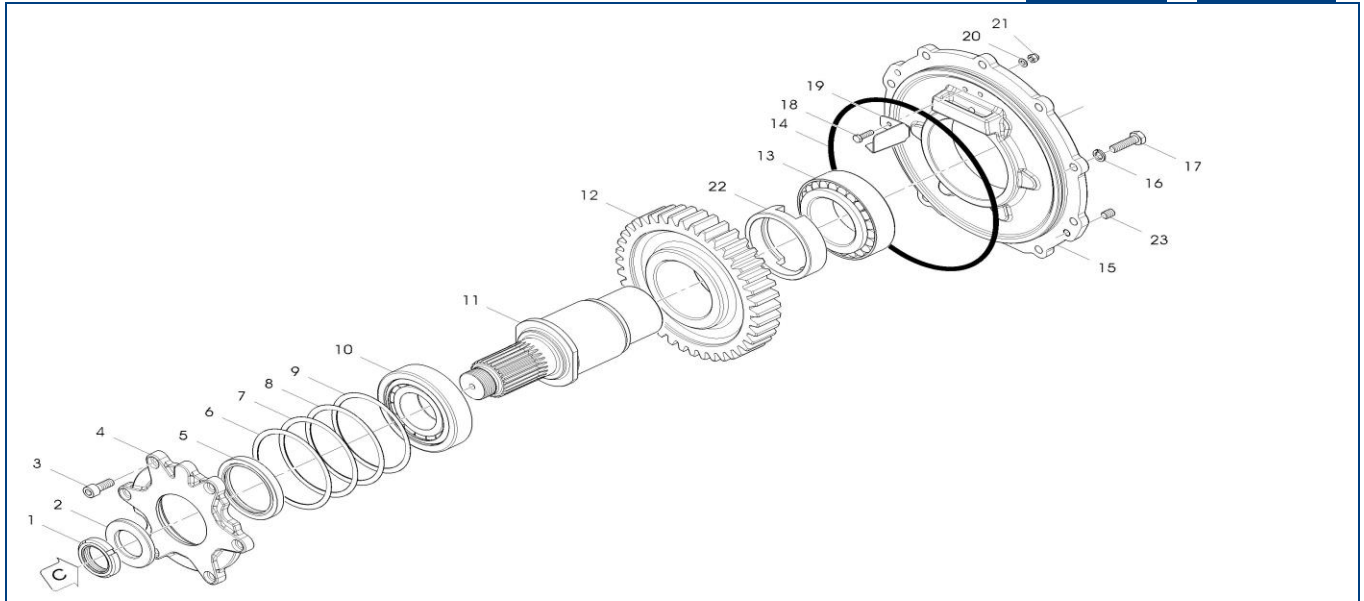
Intermediate drive - 1:1.27 ratio

Rev. 00

Tav.04-3

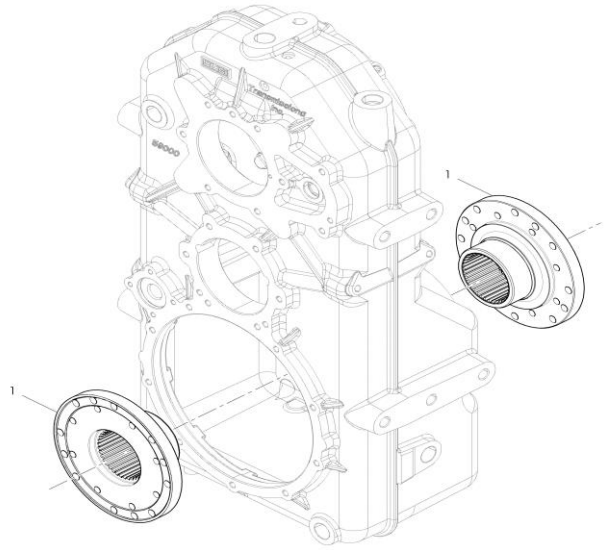


Pos.	Part No.	Description	Qty	Pos.	Part No.	Description	Qty
1	7310-03152	Shim, 0.1 mm	1	21			
2	7310-03153	Shim, 0.2 mm	1	22			
3	7310-03154	Shim, 0.3 mm	1	23			
4	7310-03155	Shim, 0.5 mm	1	24			
5	7310-03156	Bearing, tapered roller	2	25			
6	7310-03157	Shaft	1	26			
7	0042561	Gear	1	27			
8				28			
9				29			
10				30			
11				31			
12				32			
13				33			
14				34			
15				35			
16				36			
17				37			
18				38			
19				39			
20				40			



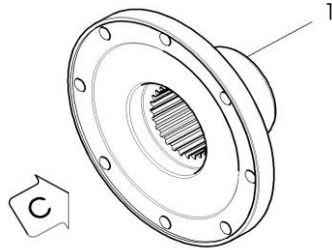
Pos.	Part No.	Desc00ription	Qty	Pos.	Part No.	Description	Qty
1	7310-03159	Ring, nut	1	21	7310-03099	Nut, lock M6	2
2	7310-03160	Ring, centering	1	22	7310-03174	Ring, spacer	1
3	7310-03106	Screw, Allen, M10x25 (8.8)	6	23		Screw, set M10x12	2
4	7310-03161	Flange, seal support	1	24			
5	7310-03162	Seal, oil	1	25			
6	7310-03152	Shim, 0.1 mm	1	26			
7	7310-03153	Shim, 0.2 mm	1	27			
8	7310-03154	Shim, 0.3 mm	1	28			
9	7310-03155	Shim, 0.5 mm	1	29			
10	7310-03167	Bearing, tapered roller	1	30			
11	7310-03168	Shaft	1	31			
12	0042562	Gear	1	32			
13	7310-03156	Bearing, tapered roller	1	33			
14	0042563	O-Ring	1	34			
15	7310-03172	Flange, bearing support	1	35			
16	7310-03114	Washer, lock	9	36			
17	7310-03113	Screw, hex, M10x35 (8.8)	9	37			
18	7310-03101	Screw, hex, M6x20 (8.8)	2	38			
19	7310-03173	Conveyor, oil	1	39			
20	7310-03100	Washer, conical	2	40			

Flange - Input / Output drive



Pos.	Part No.	Description	Qty	Pos.	Part No.	Description	Qty
1	7310-03180	SAE-1600/1800 drive flange	2	21			
2				22			
3				23			
4				24			
5				25			
6				26			
7				27			
8				28			
9				29			
10				30			
11				31			
12				32			
13				33			
14				34			
15				35			
16				36			
17				37			
19				39			
20				40			

Flange – Output drive

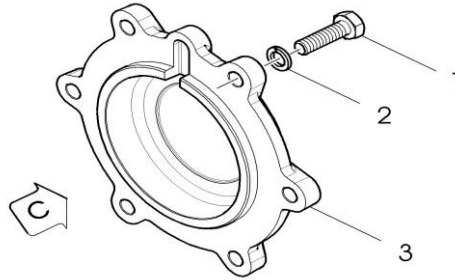


(Upper / Front)

Pos.	Part No.	Description	Qty	Pos.	Part No.	Description	Qty
1	7310-03185	Screw, hex, M10x35 (8.8)	6	21			
2				22			
3				23			
4				24			
5				25			
6				26			
7				27			
8				28			
9				29			
10				30			
11				31			
12				32			
13				33			
14				34			
15				35			
16				36			

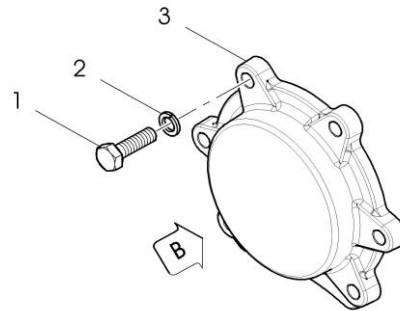
Cover plate Kit P/N10520388

PFT-PCV/3000



(Upper / Rear)

Pos.	Part No.	Description	Qty	Pos.	Part No.	Description	Qty
1	7310-03113	Screw, hex, M10x35 (8.8)	6	21			
2	7310-03114	Washer, lock	6	22			
3	7310-03175	Cover	1	23			
4				24			
5				25			
6				26			
7				27			
8				28			
9				29			
10				30			
11				31			
12				32			
13				33			
14				34			
15				35			
16				36			
17				37			
18				38			
19				39			
20				40			

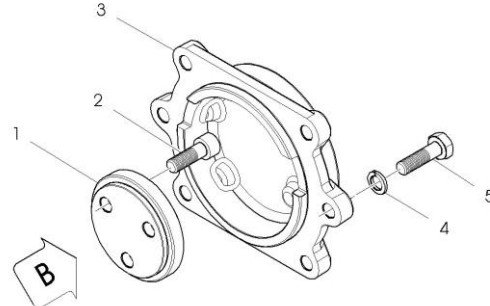


(Intermediate / Front)

Pos.	Part No.	Description	Qty	Pos.	Part No.	Description	Qty
1	7310-03113	Screw, hex, M10x35 (8.8)	6	21			
2	7310-03114	Washer, lock	6	22			
3	7310-03175	Cover	1	23			
4				24			
5				25			
6				26			
7				27			
8				28			
9				29			
10				30			
11				31			
12				32			
13				33			
14				34			
15				35			
16				36			
17				37			
18				38			
19				39			
20				40			

Cover plate with Bearing retainer
Kit part number: 10520440

PFT-PCV/3000

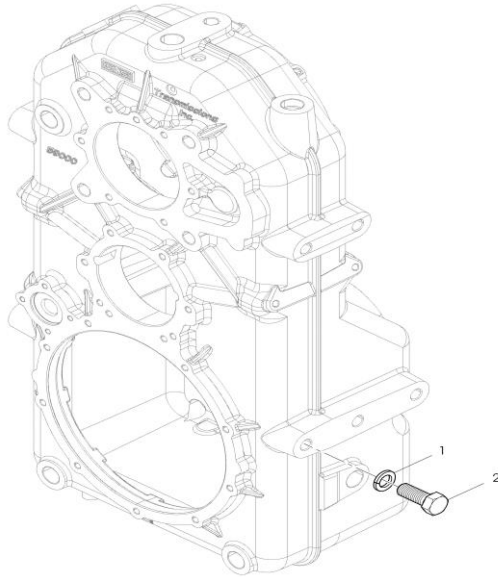


(Intermediate / Rear)

Pos.	Part No.	Description	Qty	Pos.	Part No.	Description	Qty
1		Washer, lock	1	21			
2		Screw, Allen, M10x30 (12.9)	3	22			
3	7310-03178	Cover	1	23			
4	7310-03114	Washer, lock	6	24			
5	7310-03113	Screw, hex, M10x35 (8.8)	6	25			
6				26			
7				27			
8				28			
9				29			
10				30			
11				31			
12				32			
13				33			
14				34			
15				35			
16				36			
17				37			
18				38			
19				39			
20				40			

Mounting hardware

Kit part number: 10520441



Pos.	Part No.	Description	Qty	Pos.	Part No.	Description	Qty
1		Washer, lock	10	21			
2		Screw, hex, M18x45 (10.9)	10	22			
3				23			
4				24			
5				25			
6				26			
7				27			
8				28			
9				29			
10				30			
11				31			
12				32			
13				33			
14				34			
15				35			
16				36			
17				37			
18				38			
19				39			
20				40			

Special Tools - Kits - Design Revisions

KITS		
Part number	Description	Reference
0042711	Kit, O-rings Viton, wiper and lock nut - PCV main shifter Kit includes: (1) 7310-03128, (4) 7310-03129, (2) 7310-03133, (1) 7310-03142, (2) 7310-03144, (1) 7310-03145, (1) 7310-03147	Shifter control - Main drive (table 03-1)

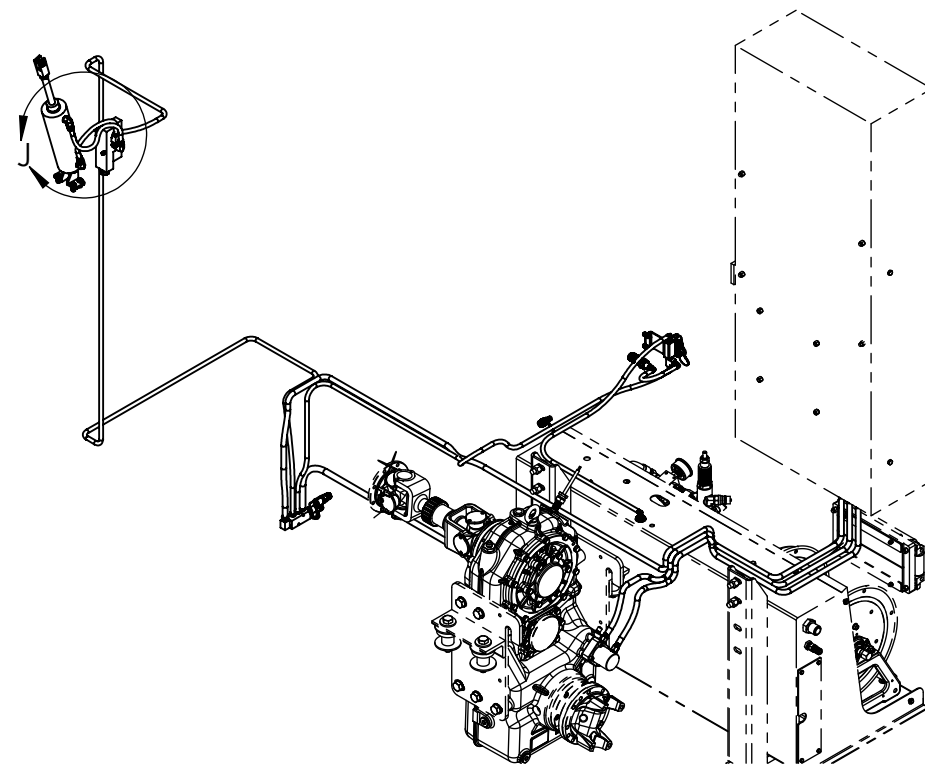
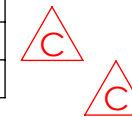
DESIGN REVISIONS			
Rev. Number	Date	Description	Table

THE INSTRUCTIONS, DESIGNS, TABLES, SPECIFICATIONS, AND GENERAL CONTENTS OF THIS MANUAL ARE OF TECHNICAL NATURE AND RESERVED. ALL THE INFORMATION WITHIN SHALL NOT BE REPRODUCED COMPLETELY, PARTIALLY, NOR IT SHALL BE COMMUNICATED TO THIRD PARTIES WITHOUT THE WRITTEN AUTHORIZATION OF OMSI TRANSMISSIONS, INC., SOLE PROPRIETARY OF ALL RIGHTS, INCLUSIVE THE RESERVATION OF PERFORMING CHANGES AS IT CONSIDERS NECESSARY WITHOUT PREVIOUS NOTIFICATION.

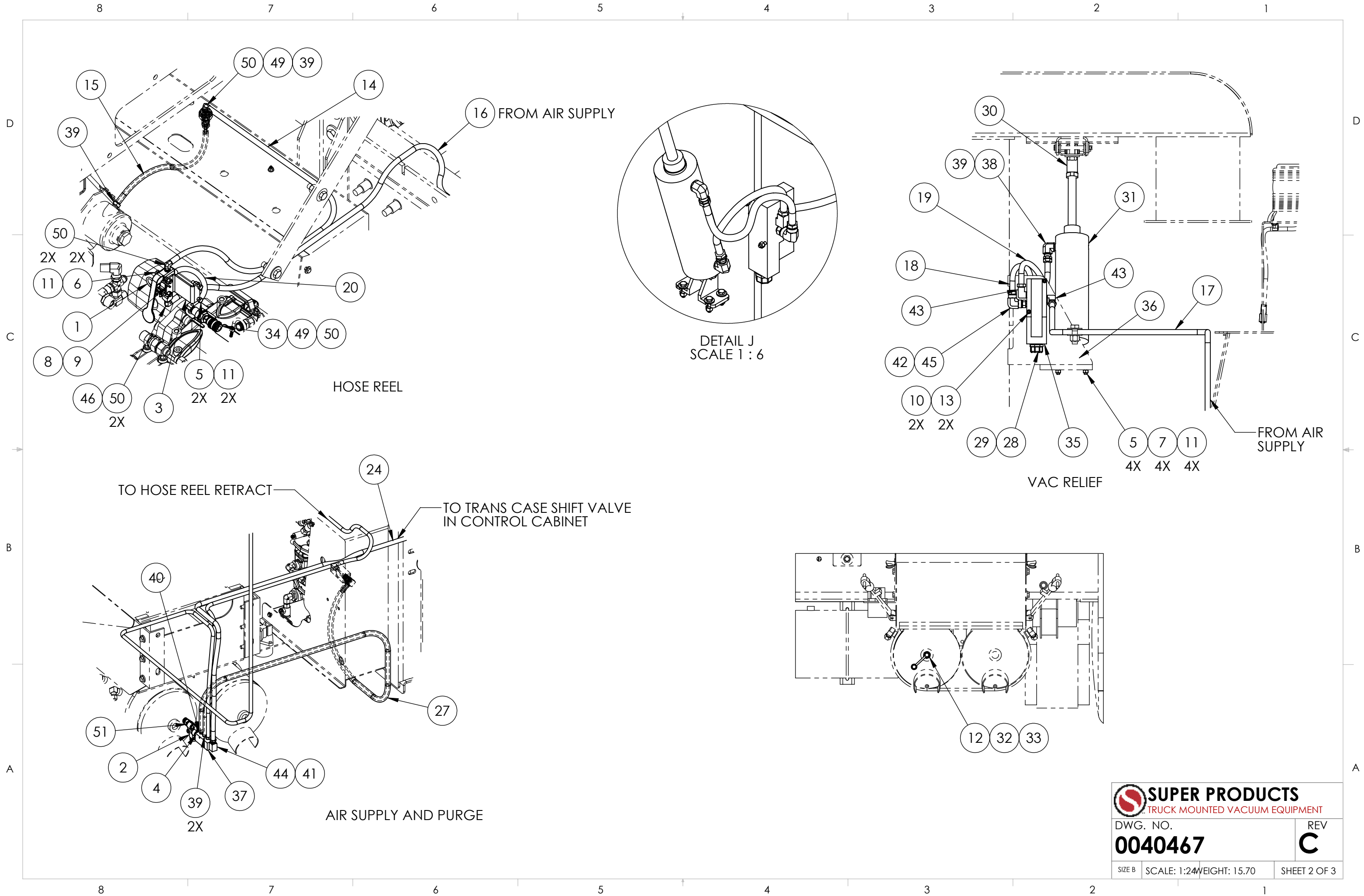
ITEM NO.	PART NUMBER	DESCRIPTION	QTY.	LENGTH
1	0000-00300	PIN, HAIR/ COTTER .62-.75 SHAFT	1	
2	0024453	VALVE, PRESSURE PROTECTION	1	
3	0038534	BRKT, VALVE HOSE REEL	1	
4	0049-00003	NIPPLE, BRASS, CLOSE 3/8	1	
5	0050-00100	SCREW, CAP 0.25-20 X 1.00 HX GR5	6	
6	0050-20175	SCREW,HEX HEAD CAP,1/4-20 X 1-3/4,GR8	2	
7	0082-30001	WASHER,FLAT,USS,1/4",STEEL,PLT'D,GR8	4	
8	0099-01200	CHAIN, SASH #35 12.00	1	
9	0152-00022	PIN,COTTER .13 X 2.00	1	
10	0160-32005	NUT,LOCK,CLINCHED,#10-24,GR5,PLT'D-STL	2	
11	0160-32006	NUT,LOCK,CLINCHED,1/4"-20,GR5,PLT'D-STL	8	
12	0163-00005	BRASS BUSHING	1	
13	0167-00200	SCREW, CAP #10-24 X 2.00 SOC.	2	
14	3800-00000	HOSE, LOW PRESSURE .25	1	46
15	3800-00000	HOSE, LOW PRESSURE .25	1	16
16	3800-00000	HOSE, LOW PRESSURE .25	1	84
17	3800-00000	HOSE, LOW PRESSURE .25	1	156
18	3800-00000	HOSE, LOW PRESSURE .25	1	12
19	3800-00000	HOSE, LOW PRESSURE .25	1	11
20	3800-00000	HOSE, LOW PRESSURE .25	1	9
21	3801-00000	HOSE,LOW PRESSURE .375	1	49
22	3801-00000	HOSE,LOW PRESSURE .375	1	49
23	3801-00000	HOSE,LOW PRESSURE .375	1	40
24	3801-00000	HOSE,LOW PRESSURE .375	1	108
25	3801-00000	HOSE,LOW PRESSURE .375	1	55
26	3801-00000	HOSE,LOW PRESSURE .375	1	55
27	3801-00000	HOSE,LOW PRESSURE .375	1	74
28	5500-00008	CORD GRIP .50 X .25 -.38	1	
29	5535-00001	RING,SEALING .50	1	
30	6000-00511	ROD, CLEVIS	1	
31	6000-01314	AIR CYLINDER (3"BOREX 6" STROKE)	1	
32	6000-01673	DISCONNECT, TEST PORT 0.25 NPT	1	
33	6000-01675	DUST CAP, TEST PORT	1	
34	6000-01966	CONNECTOR 1/4 NPT MALE	1	
35	6000-02286	VALVE, AIR SOLENOID	1	
36	6000-02441	BRACKET, CYL. MTG.(6000-01314)	1	
37	6000-02465	MANIFOLD, PNEUMATIC 3 PORT	1	
38	6003-00005	UNION,90,3/8"MNPT,1/4"FNPT SW	2	
39	6010-00002	NIPPLE, HOSE MALE .25 NPT X .25	15	
40	6010-00003	FITTING,BRASS,.25"NPT X .38" TUBE	6	
41	6010-00004	NIPPLE, HOSE MALE 0.38 NPT X 0.38	1	
42	6023-00003	NIPPLE, HEX, 0.25 MNPT	1	
43	6026-00001	ELBOW, 90 DEG. STREET ADAPT. .25	3	
44	6026-00002	ELBOW, 90 DEG. STREET ADAPT. .38	1	
45	6047-00002	ELBOW, 90° BRASS (F) .25	1	
46	6048-00002	STREET TEE BRASS 0.25	1	
47	6093-00020	ADAPTER,.13(M)BSPP X .25(F)NPT	2	
48	6095-00001	SEAL, BONDED-BRIT. THREAD .13	2	
49	6234-00004	ADAPTER, BULKHEAD BRASS (F) NPT	5	
50	6240-00404	ELBOW,90° (M) BARBED X (MNPT)	5	

REVISIONS				
REV #	ECO #	DESCRIPTION	DATE	APPR
C	19999	ADDED ITEMS 0005456 AND 0167-10056	05/03/2021	C.Colorito

ITEM NO.	PART NUMBER	DESCRIPTION	QTY.	LENGTH
51	6023-00008	NIPPLE, HEX .50 MPT X .38 MPT	1	
52	0005456	VALVE, AIR SOLENOID, 2 POS	1	
53	0167-10200	SCREW, CAP #10-24 X 2.00 SOC. 316 SS	2	



DRAWN BY		C.Colorito	NAME	C.Colorito	DATE	8/18/2020
ENG APPR.		C.Colorito				
MFG APPR.			TITLE: ASSY, PNEUMATIC			
MATERIAL: []		UNLESS OTHERWISE SPECIFIED:		DIMENSIONS ARE IN INCHES		
PROPRIETARY AND CONFIDENTIAL THE INFORMATION CONTAINED IN THIS DRAWING IS THE SOLE PROPERTY OF SUPER PRODUCTS. ANY REPRODUCTION IN PART OR AS A WHOLE WITHOUT THE WRITTEN PERMISSION OF SUPER PRODUCTS IS PROHIBITED.		TOLERANCES ARE: X.X ± 0.100 X.XX ± 0.060 X.XXX ± 0.030 ANGULAR: MACH ± 1° BEND ± 2° INTERPRET GEOMETRIC TOLERANCING PER: ASME Y14.5		DWG. NO. 0040467		REV C
SIZE B	SCALE: 1:24	WEIGHT: 15.70	SHEET 1 OF 3			



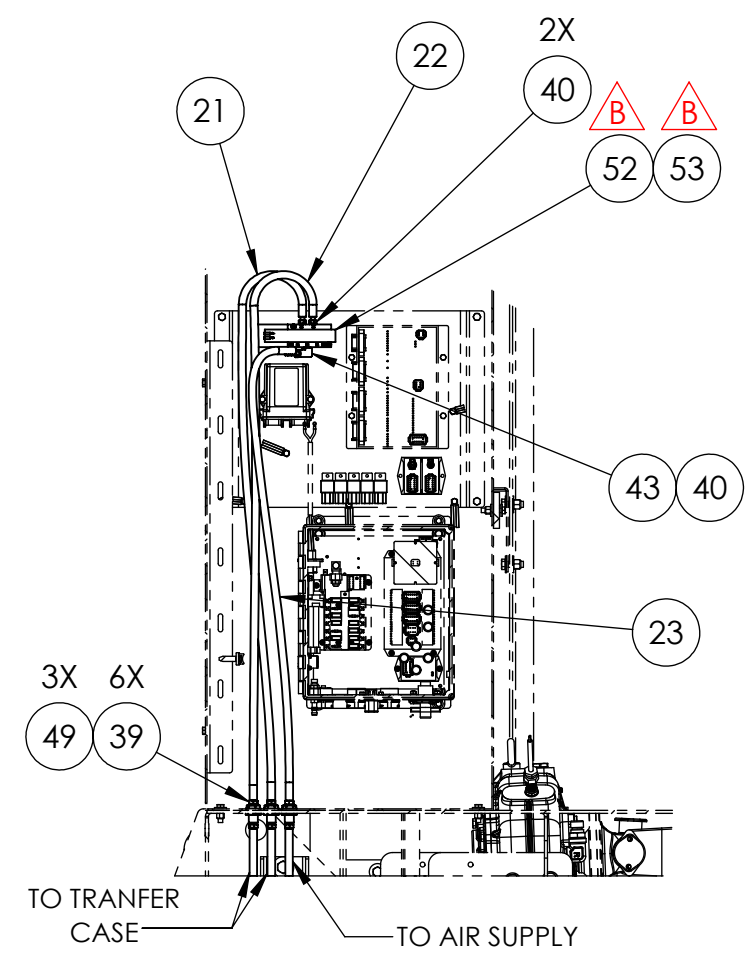
SUPER PRODUCTS
TRUCK MOUNTED VACUUM EQUIPMENT

DWG. NO. **0040467** REV **C**

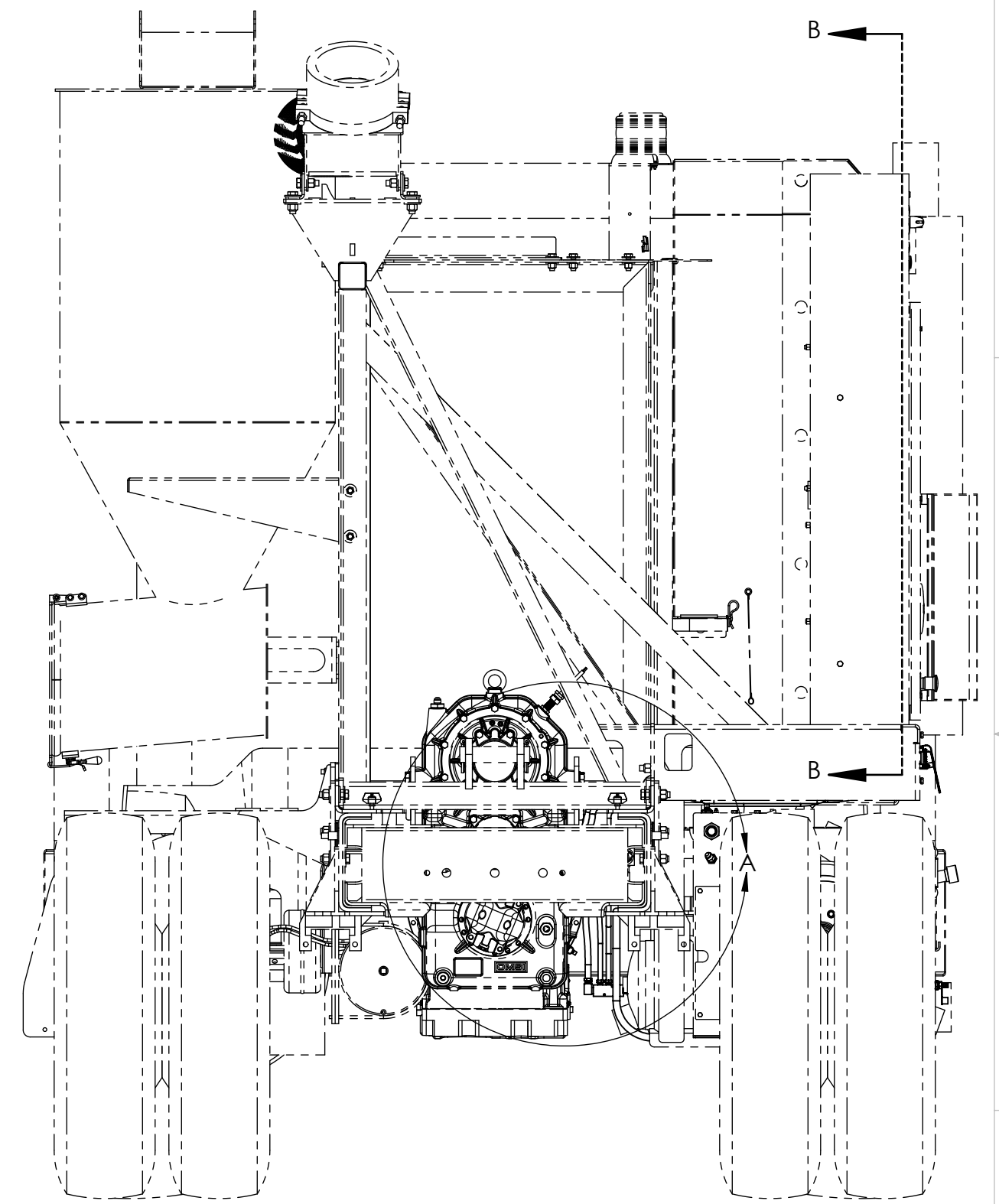
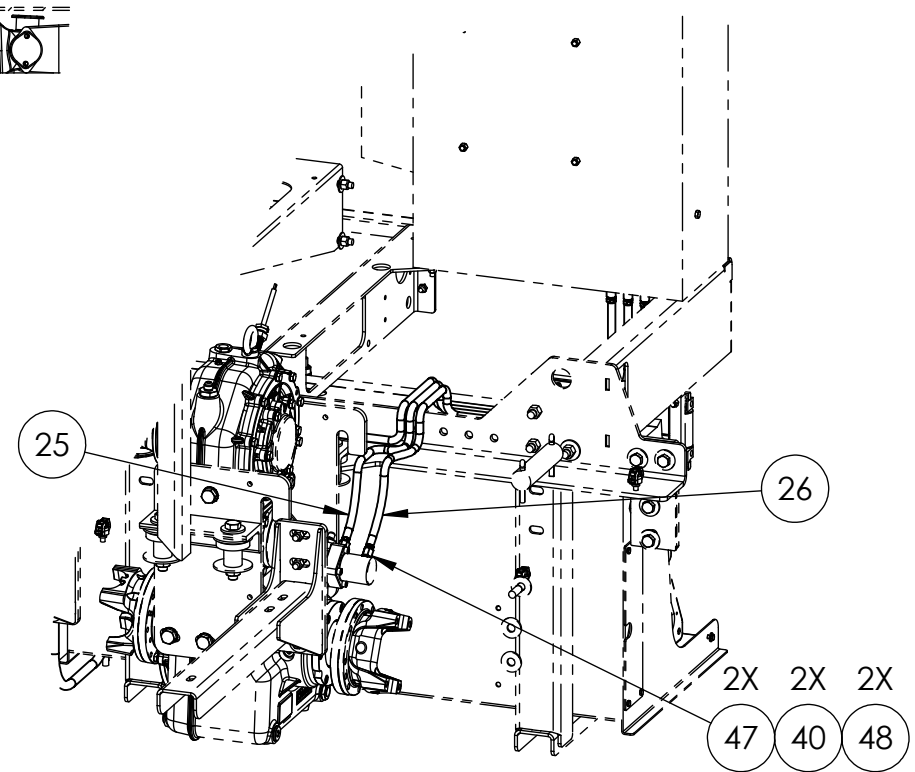
SIZE B SCALE: 1:24 WEIGHT: 15.70 SHEET 2 OF 3

8 7 6 5 4 3 2 1

D
C
B
A



SECTION B-B
SCALE 1 : 16



8 7 6 5 4 3 2 1

TRUCK MOUNTED VACUUM EQUIPMENT	
DWG. NO.	REV
0040467	C
SIZE B	SCALE: 1:24 WEIGHT: 15.70 SHEET 3 OF 3

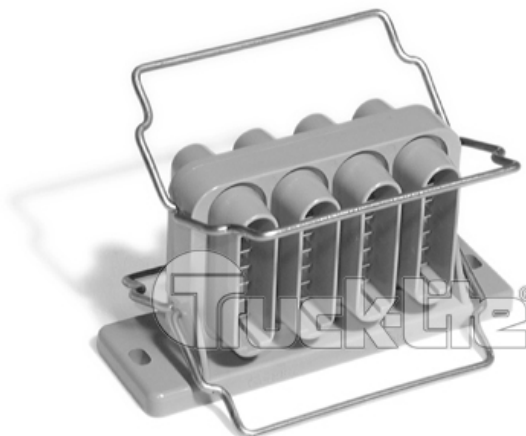


TRUCK-LITE HIGH QUALITY LIGHTING AND VISIBILITY PRODUCTS

8-Outlet Distribution Module

Material:

- Tin-plated brass terminals
- PVD jacketed cable
- 14 gauge (GPT) wire



- For most trailer applications
- Pre-filled with NYK-77 corrosion preventative compound at the factory
- Individual outlets keyed for connector orientation affording easy installation
- PVC jacketed cables that meet SAE recommendations
- Cables feature custom molded plugs, color coded wires & will accept up to 8 gauge ground
- Stainless steel retainer clips relieve strain between module & harness

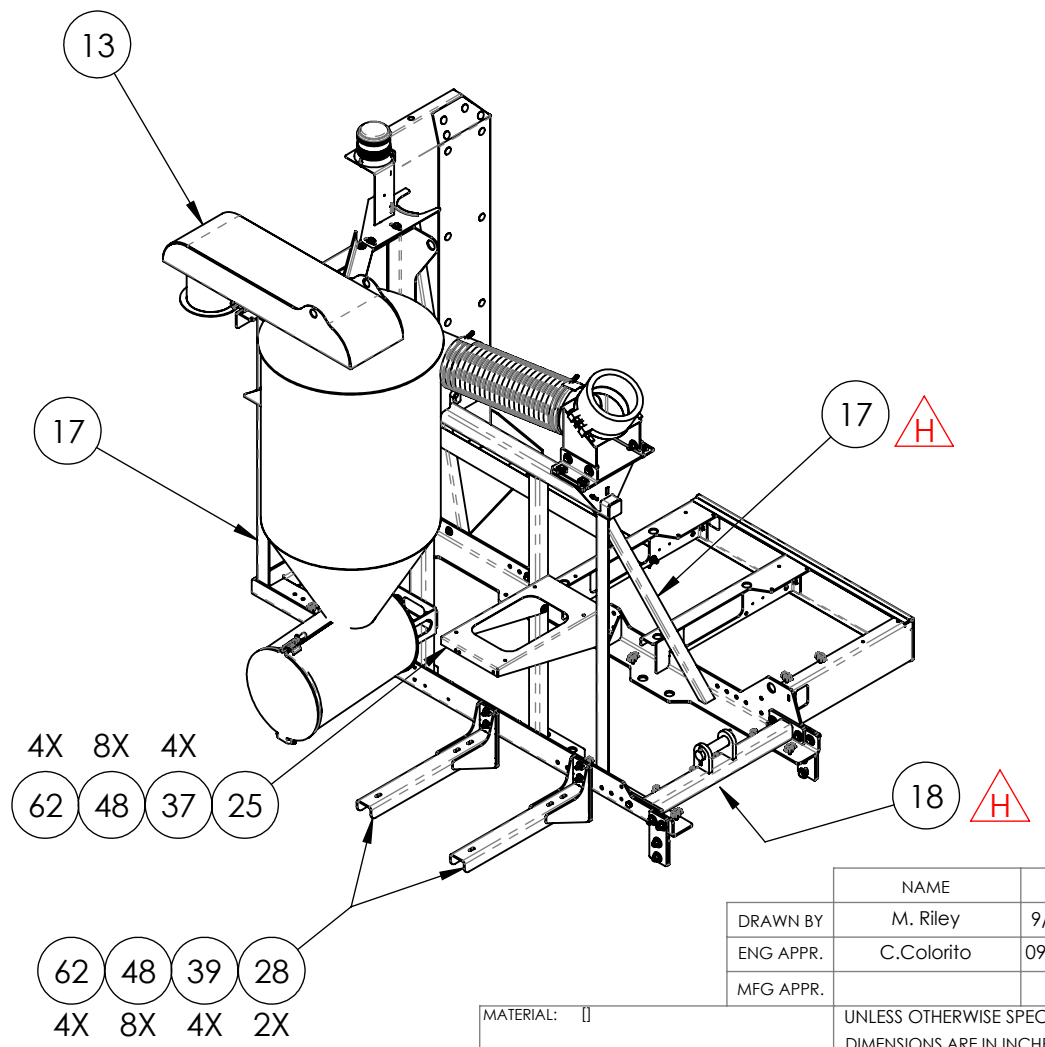
- Used to accommodate harnesses for stop/turn/tail lamps, license plate lamps, marker/clearance lamps and double trailer hook-ups
- 4- or 8-outlet versions
- Choose factory assembled harnesses or custom design and field assemble your own "plug together" system
- Filler plugs available to seal unused outlets
- Tin plated brass contact plates and mating terminals
- Hard shell nylon connector is protected with vinyl boot, color coded and keyed for proper positioning

Part #	Description	Std Ctn Qty
77808	Eight outlet distribution module	1

ITEM NO.	PART NUMBER	DESCRIPTION	QTY.
1	0000-00300	PIN, HAIR/ COTTER .62-.75 SHAFT	1
2	0004432	HOLD DOWN **Black Paint	4
3	0005153	SHIM, SUBFRAME, REAR *Black Paint	8
4	0005478	CHANNEL, AIR HOLE COVER	1
5	0005482	COVER, INNER VACUUM RELIEF	1
6	0005483	COVER, OUTER VACUUM RELIEF	1
7	0006300	PIN, CYLINDER BODY HOIST	1
8	0025005	GASKET, RUBBER, VACUUM RELIEF, .50	1
9	0027365-00050	HEX HD, SCREW #10-24 X .50	4
10	0028318-00000	TRIM,RUBBER,EDGE,4 INCHES	2
11	0028318-00000	TRIM,RUBBER,EDGE,4 INCHES	1
12	0032554-00003	MOUNT, CABLE TIE 3/8 STUD	14
13	0034590	WLDMT, SEPARATOR	1
14	0034681	CLAMP, TOGGLE, LATCH-STYLE	1
15	0038356	DOOR, CLEAN-OUT	1
16	0038414	ANGLE, MAKE BREAK	2
17	0038459	WLDMT, POWER UNIT	1
18	0038926	WLDMT, TUBE DUMP	1
19	0038970	ANGLE, SUPPORT	1
20	0038978	COVER,CURBSIDE	1
21	0039528	WLDMT, MAKE/BREAK	1
22	0039967	ANGLE, STRAP	1
23	0039972	WLDMT, STRAP	1
24	0040371	PLATE, HINGE	1
25	0040427	SUPPORT, HYD TANK	1
26	0040487	GASKET, SEPARATOR	1
27	0041084	GASKET, MAKE/BREAK, 8IN	1
28	0041694	WLDMT, AIR-X MTG	2
29	0041780	BAR, PF REINFORCE	1
30	0042048	WLDMT, BOOM HOSE GUIDE	1
31	0042059	PAD, WEAR	1
32	0042135	PAD, WEAR, TOP	1
33	0050-00075	SCREW, HEX HEAD CAP, 1/4-20 X 3/4, GR5	5
34	0050-00225	SCREW, HEX HEAD CAP, 1/4-20 X 2.25, GR5	1
35	0050-00400	SCREW, HEX HEAD CAP, 1/4-20 X 4.00, GR5	1
36	0052-00100	SCREW, HEX HEAD CAP, 3/8-16 X 1, HX GR 5	7
37	0054-00150	SCREW, HEX HEAD CAP, 1/2-13 X 1-1/2, HX, GR5	9
38	0054-00175	SCREW, HEX HEAD CAP, 1/2-13 X 1-3/4, HX, GR5	5
39	0054-00200	SCREW, HEX HEAD CAP, 1/2-13 X 2, GR5	8
40	0054-00300	SCREW, HEX HEAD CAP, 1/2-13 X 3.00, GR5	1
41	0056-00200	SCREW CAP 0.63-11 X 2.00" HX GR5	8
42	0056-20150	SCREW, HEX HEAD CAP, 5/8-11 X 1-1/2, GR8	2
43	0056-20225	SCREW, HEX HEAD CAP, 5/8-11 X 2-1/4, GR8	8
44	0056-20275	SCREW, HEX HEAD CAP, 5/8-11 X 2-3/4, GR8	10
45	0078-00005	WASHER, FLAT, SAE, 1/2", STEEL, PLT'D	1
46	0082-00001	WASHER, FLAT, USS, 1/4", STEEL, PLT'D	11
47	0082-00003	WASHER, FLAT, USS, 3/8", STEEL, PLT'D	21
48	0082-00005	WASHER, FLAT, USS, 1/2", STEEL, PLT'D	44
49	0082-00022	WASHER, FLAT, USS, #10, STEEL, PLT'D	3
50	0082-10003	WASHER, FLAT, USS, 3/8", SS	2
51	0082-10005	WASHER, FLAT, USS, 1/2", SS	2
52	0082-30007	WASHER, FLAT, USS, 5/8", STEEL, PLT'D, GR8	58
53	0091-00019	PIN, CLEVIS, Ø.38 X 3.50	1
54	0093-00010	PIN, CLEVIS .50 X 3.00	1
55	0152-00028	PIN, COTTER .16 X 1.50	2
56	0152-00069	PIN, COTTER .38 X 3.00	2
57	0156-00049	SCREW MCH #10-24 X 0.75 PLTD	3
58	0160-11008	NUT, LOCK, 3/8"-16, NYLON, SS	12
59	0160-32005	NUT, LOCK, CLINCHED, #10-24, GR5, PLT'D-STL	3
60	0160-32006	NUT, LOCK, CLINCHED, 1/4"-20, GR5, PLT'D-STL	7
61	0160-32008	NUT, LOCK, CLINCHED, 3/8"-16, GR5, PLT'D-STL	2
62	0160-32010	NUT, LOCK, CLINCHED, 1/2"-13, GR5, PLT'D-STL	23
63	0160-42012	NUT, LOCK, CLINCHED, 5/8"-11, GR8, PLT'D-STL	28
64	0258-00007	8" HEAVY DUTY SPIRAL CLAMPS	2

REVISIONS				
REV #	ECO #	DESCRIPTION	DATE	APPR
H	19173	ITEM 0032554-00003 QTY 14 WAS 8; AND 0082-00003 QTY 21 WAS 16. REVISED ITEMS 0038978, 0038926, 0038459. ADDED SECTION VIEW J-J.	01/05/2022	S. Iding

ITEM NO.	PART NUMBER	DESCRIPTION	QTY.
65	0328-00004	CLAMP, CABLE CUSHIONED .63	1
66	0509-00021	BOLT, ELEVATOR 3/8-16 X 1.25	12
67	3000-00136	CLAMP, 8" PORT HOSE	1
68	3000-03241	LANYARD, WIRE ROPE S.S. 12"	1
69	3906-06024	HOSE, MAT 8"	1
70	5500-01847	BEACON, AMBER, LED, 12V	1
71	5500-01852	RECPT., 2 PIN INLINE (DEUTSCH)	1
72	5500-01853	SECONDARY LOCK,, 2 PIN (DEUTSCH)	1
73	5500-03041	CONTACT, SOCKET, 16-20 AWG	2



NAME	M. Riley	DATE	9/10/2020
DRAWN BY	C. Colorito	ENG APPR.	09/25/2020
MFG APPR.			

Super Products

TITLE:
ASSY, POWER FRAME

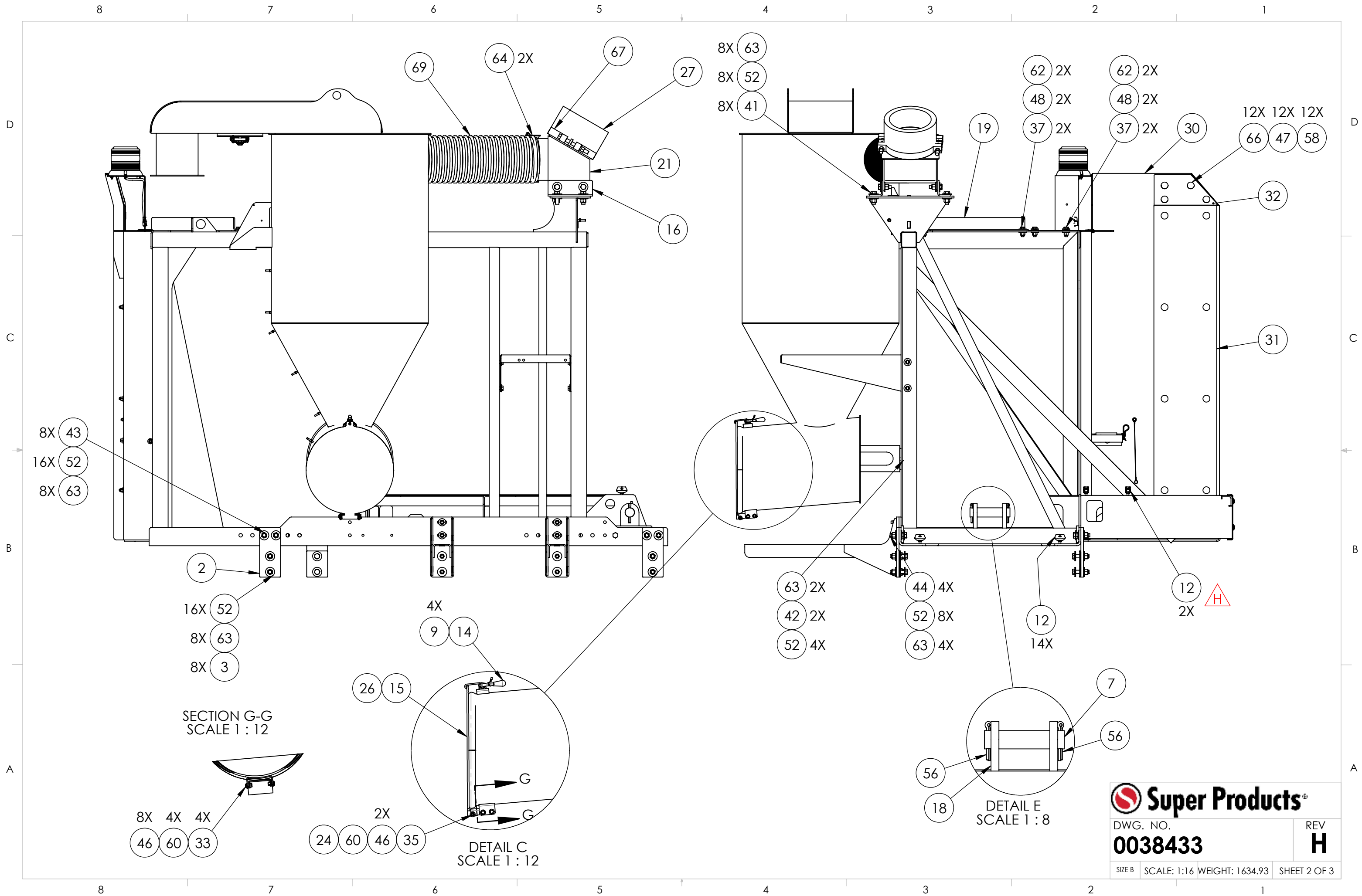
DWG. NO.
0038433


REV
H

UNLESS OTHERWISE SPECIFIED:
DIMENSIONS ARE IN INCHES
TOLERANCES ARE:
X.X ± 0.100
X.XX ± 0.060
X.XXX ± 0.030
ANGULAR: MACH ± 1° BEND ± 2°
INTERPRET GEOMETRIC TOLERANCING PER: ASME Y14.5

SIZE B SCALE: 1:24 WEIGHT: 1634.93 SHEET 1 OF 3

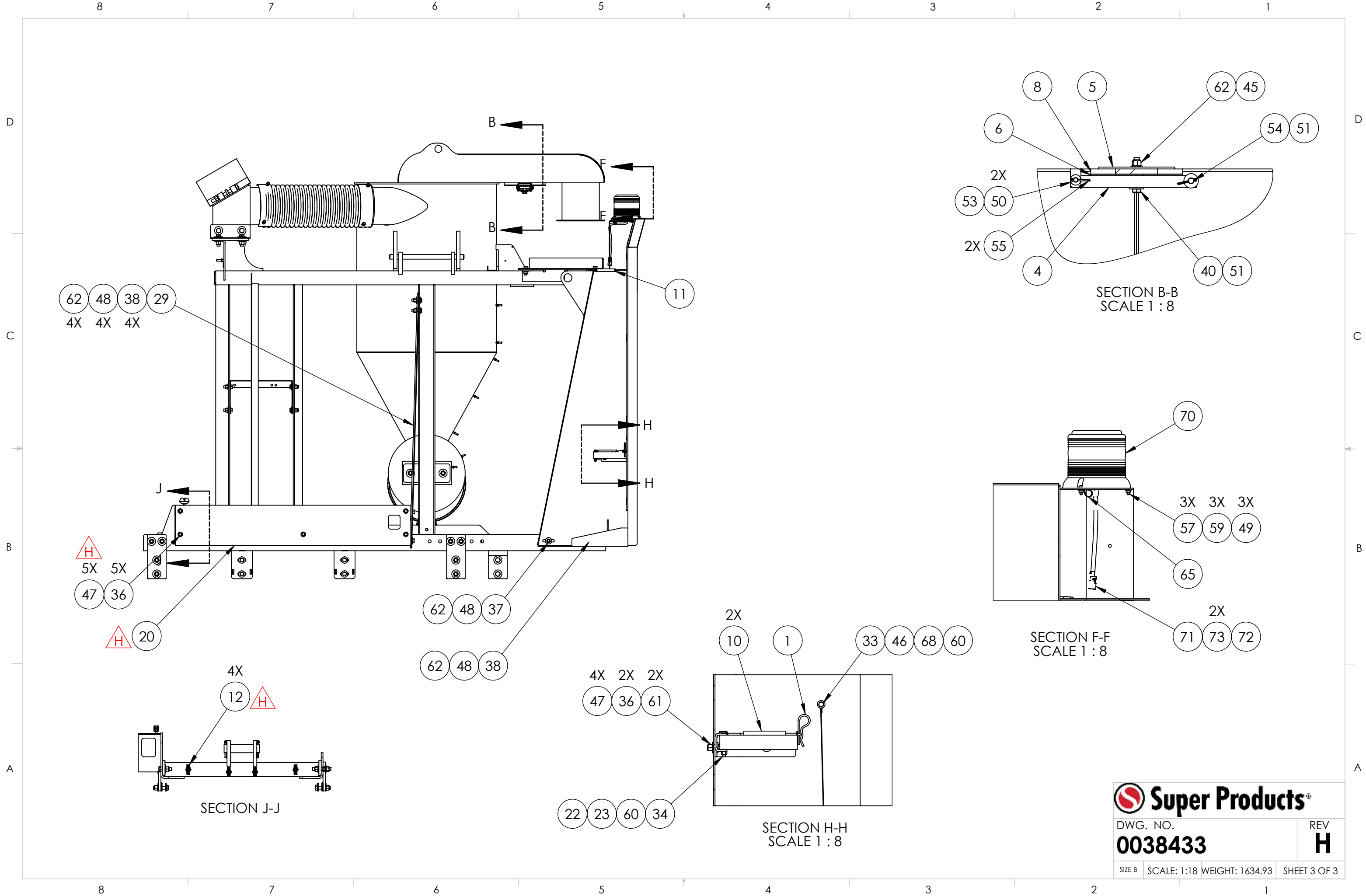
PROPRIETARY AND CONFIDENTIAL
THE INFORMATION CONTAINED IN THIS DRAWING IS THE SOLE PROPERTY OF SUPER PRODUCTS. ANY REPRODUCTION IN PART OR AS A WHOLE WITHOUT THE WRITTEN PERMISSION OF SUPER PRODUCTS IS PROHIBITED.





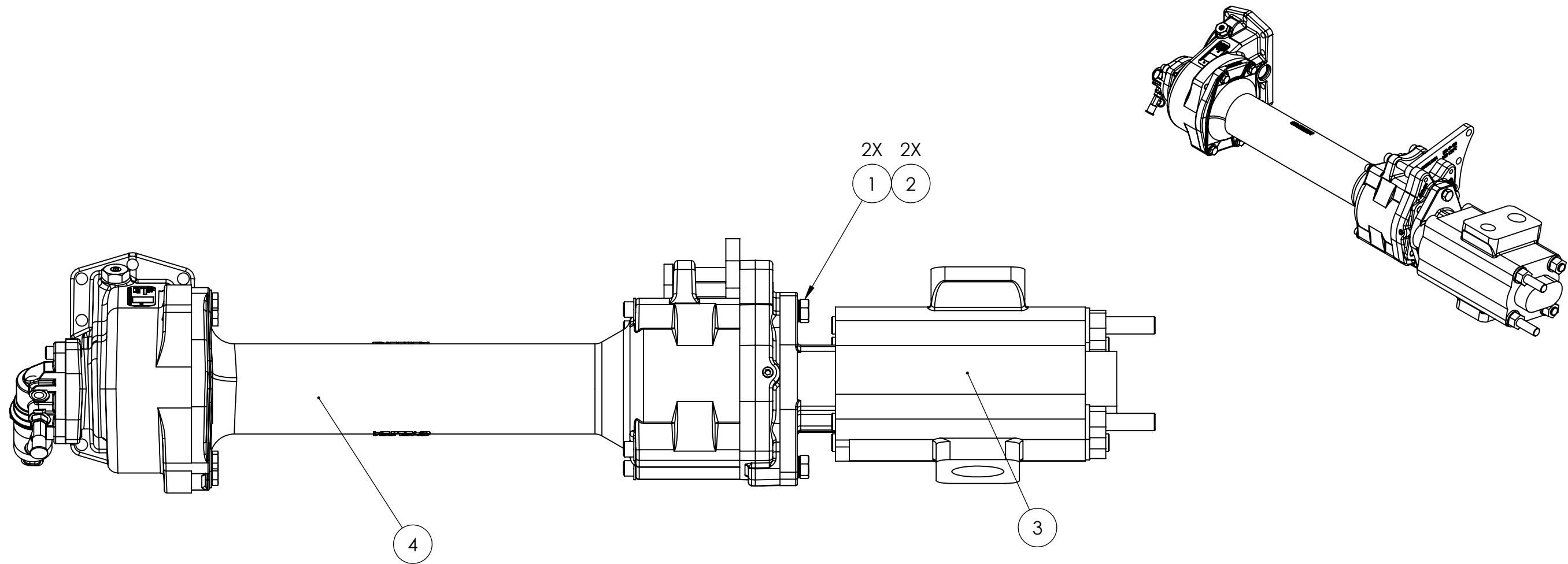
 DWG. NO. **0038433**
REV **H**

SIZE B	SCALE: 1:16	WEIGHT: 1634.93	SHEET 2 OF 3
--------	-------------	-----------------	--------------



ITEM NO.	PART NUMBER	DESCRIPTION	QTY.
1	0054-20175	SCREW,HEX HEAD CAP,1/2-13 X 1-3/4,GR8	2
2	0000722-00008	WASHER,LOCK,WEDGE,1/2",PLT'D STL	2
3	6000-02546	PUMP, DUAL GEAR 3.45-0.99 CIR	1
4	0040398	PTO,CHELSEA,890LEFJW-B5XK	1

REVISIONS				
REV #	ECO #	DESCRIPTION	DATE	APPR
A				



NOTES:

1) FOLLOW SUPER PRODUCTS WORK INSTRUCTION WI-SP-13 FOR INSTALLATION OF 10 BOLT PTO'S.

	NAME	DATE		
DRAWN BY	D. King	9/8/2020		
ENG APPR.	A. Brewster	09/09/2020		
MFG APPR.				
MATERIAL: <input type="checkbox"/>			TITLE: ASSY,PTO-HYD PUMP,AUTO TRANS,7YD	
UNLESS OTHERWISE SPECIFIED: DIMENSIONS ARE IN INCHES TOLERANCES ARE: X.X ± 0.100 X.XX ± 0.060 X.XXX ± 0.030 ANGULAR: MACH ± 1° BEND ± 2° INTERPRET GEOMETRIC TOLERANCING PER: ASME Y14.5				
PROPRIETARY AND CONFIDENTIAL THE INFORMATION CONTAINED IN THIS DRAWING IS THE SOLE PROPERTY OF SUPER PRODUCTS. ANY REPRODUCTION IN PART OR AS A WHOLE WITHOUT THE WRITTEN PERMISSION OF SUPER PRODUCTS IS PROHIBITED.			DWG. NO. 0040294	REV A
SIZE B	SCALE: 1:4	WEIGHT: 81.05	SHEET 1 OF 1	

ITEM NO.	PART NUMBER	DESCRIPTION	QTY.	LENGTH
1	0040492	WLDMT, REMOTE GREASE	1	
2	0040510	WLDMT, GREASE FITTINGS	1	
3	0050-00075	SCREW, HEX HEAD CAP, 1/4-20 X 3/4, GR5	2	
4	0052-00125	SCREW, HEX HEAD CAP, 3/8-16 X 1-1/4, HX GR5	2	
5	0160-32006	NUT, LOCK, CLINCHED, 1/4"-20, GR5, PLT'D-STL	2	
6	0160-32008	NUT, LOCK, CLINCHED, 3/8"-16, GR5, PLT'D-STL	2	
7	3000-00468	FITTING - GREASE	13	
8	3762-13500	HOSE, HYD. .19 (M3K)	1	
9	3762-13800	HOSE, HYD. .19 (M3K)	1	
10	6000-02454	FTG, SWVL, .25" TUBE X .13" NPT (M)	22	
11	6000-02455	FTG, STR, .25" TUBE X .13" NPT (M)	4	
12	6000-02456	GREASE FILLED LINE	1	60"
13	6000-02456	GREASE FILLED LINE	1	88"
14	6000-02456	GREASE FILLED LINE	1	98"
15	6000-02456	GREASE FILLED LINE	1	137"
16	6000-02456	GREASE FILLED LINE	1	100"
17	6000-02456	GREASE FILLED LINE	1	110"
18	6000-02456	GREASED FILLED LINE	1	64"
19	6000-02456	GREASED FILLED LINE	1	72"
20	6000-02456	GREASE FILLED LINE	1	87"
21	6000-02456	GREASE FILLED LINE	1	147"
22	6000-02456	GREASE FILLED LINE	1	147"
23	6000-02470	.13 NPT MALE X .13 NPT FEMALE ADAPTER, .94 LONG	1	
24	6001-00001	UNION, STAIGHT ADAPTER - SWIVEL	2	
25	6003-00001	UNION, 90DEG. ADAPT. .13M .13FS	2	
26	6000-02456	TUBING, GREASE FILLED	1	28"
27	6000-02456	TUBING, GREASE FILLED	1	24"

REVISIONS				
REV #	ECO #	DESCRIPTION	DATE	APPR
C	99999	QTY CHANGED ITEM 3000-00468, 11 TO 13, 6000-02454, 20 TO 22, 6000-02455, 2 TO 4 AND ADDED P/N, 6000-02456 QTY 24", 6000-02456 QTY 28".	04/23/2021	C.Colorito

D

D

C

C

B

B

A

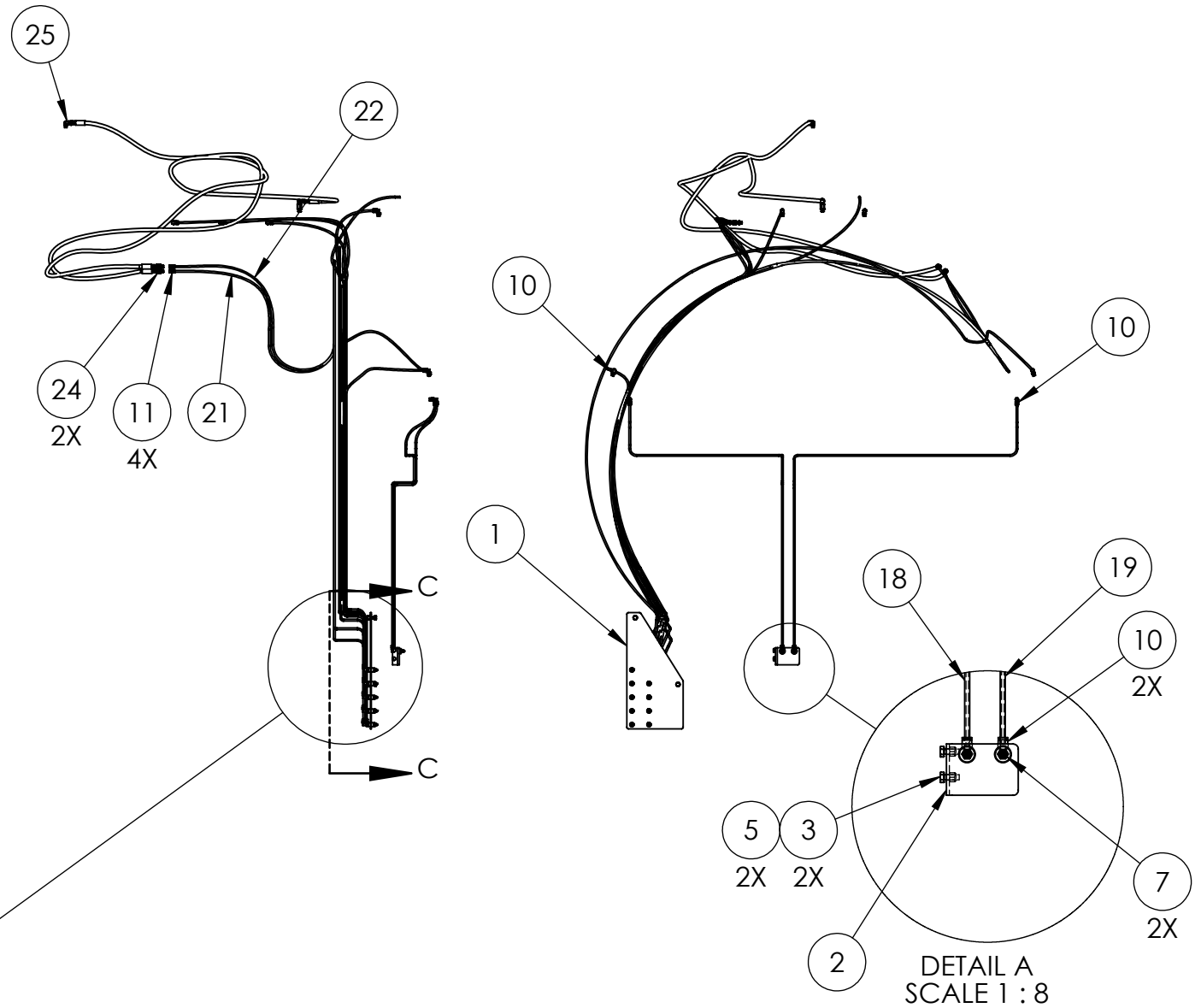
A

C

C C

C

C

SECTION C-C
SCALE 1 : 12DETAIL B
SCALE 1 : 12DETAIL A
SCALE 1 : 8

	NAME	DATE	
DRAWN BY	M. Riley	8/25/2020	
ENG APPR.	C.Colorito	10/19/2020	
MFG APPR.			TITLE: ASSY, REMOTE GREASE
DWG. NO. 0040674			REV C
SIZE B	SCALE: 1:24	WEIGHT: 9.86	SHEET 1 OF 2

MATERIAL: []

PROPRIETARY AND CONFIDENTIAL
 THE INFORMATION CONTAINED IN THIS DRAWING IS THE SOLE PROPERTY OF SUPER PRODUCTS. ANY REPRODUCTION IN PART OR AS A WHOLE WITHOUT THE WRITTEN PERMISSION OF SUPER PRODUCTS IS PROHIBITED.

UNLESS OTHERWISE SPECIFIED:
 DIMENSIONS ARE IN INCHES
 TOLERANCES ARE:
 X.X ± 0.100
 X.XX ± 0.060
 X.XXX ± 0.030
 ANGULAR: MACH ± 1° BEND ± 2°
 INTERPRET GEOMETRIC TOLERANCING PER: ASME Y14.5

8

7

6

5

4

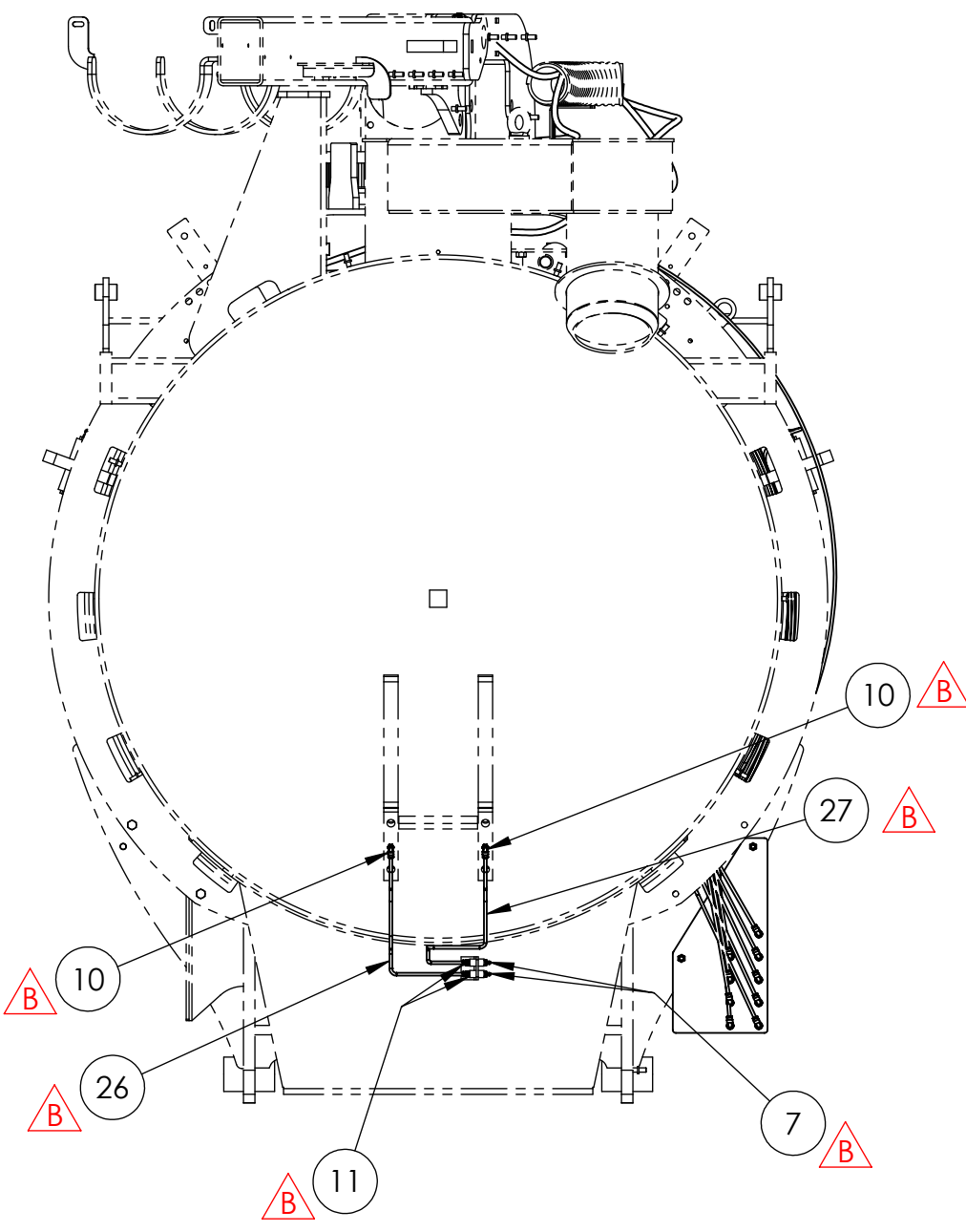
3

2

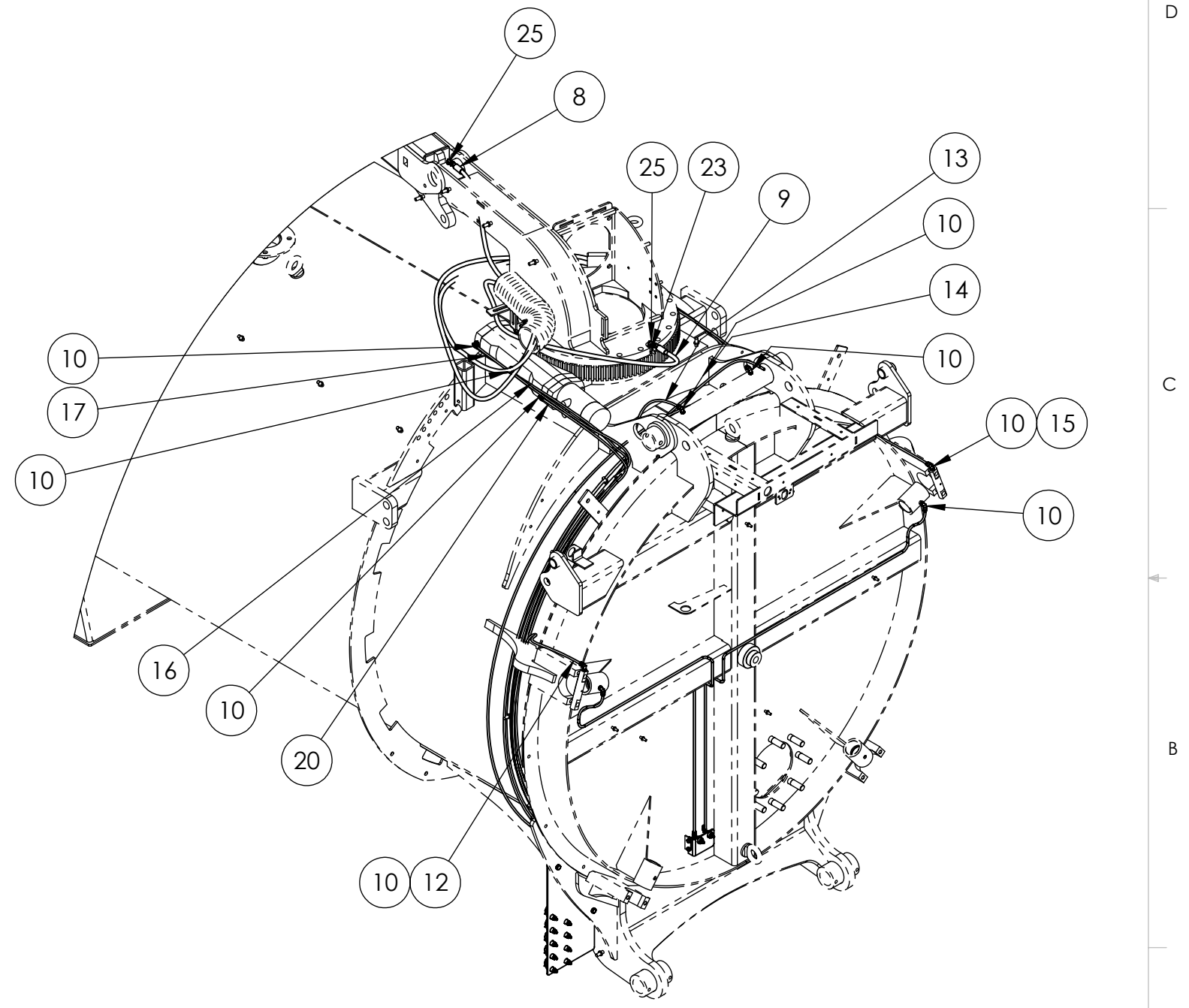
1

8 7 6 5 4 3 2 1

D
C
B
A



VIEW : FRONT OF BODY
 REMOTE GREASE FOR
 TRUNNION MOUNT CYLINDER



8 7 6 5 4 3 2 1

DWG. NO.	REV
0040674	C
SIZE B	SCALE: 1:18 WEIGHT: 9.86 SHEET 2 OF 2

ITEM NO.	PART NUMBER	DESCRIPTION	Qty
1	0028987-MD	ASSY, RADAR SENSOR, PROGRAMMED	1
2	5500-03026	LIGHT, PANEL BRIGHT LED - RED	4
3	0003050	DECAL, ACCULEVEL MUD DOG	1
4	3050-01265	DECAL, PATENT PENDING	1
5	0054-00225	SCREW CAP 0.50-13X 2.25 HX GR5	4
6	0083-00005	WASHER LOCK 0.50 PLTD	4
7	0078-00005	WASHER SAE 0.50 PLATED	4
8	5500-01270	SWITCH, SEALED TOGGLE	1
9	5500-01496	GUARD, TOGGLE SWITCH	1
10	5500-00479	SEAL, TOGGLE SWITCH	1
11	0028439	DECAL, ACCULEVEL POWER	1

REVISIONS				
REV #	ECO #	DESCRIPTION	DATE	APPR
B	18299	CHANGE TERMINALS FOR RADAR SWITCH TO FEMALE	5/15/19	M.SCHLIEDER

F

E

D

C

B

A

F


E

D

C

B

A

DRAWN BY: JMATEL		NAME: JMATEL	DATE: 10/9/2018	 SUPER PRODUCTS LLC. TRUCK MOUNTED VACUUM EQUIPMENT
ENG APPR: M.SCHLIEDER		NAME: M.SCHLIEDER	DATE: 10/9/2018	
MFG APPR:				
MATERIAL: FINISH: PROPRIETARY AND CONFIDENTIAL THE INFORMATION CONTAINED IN THIS DRAWING IS THE SOLE PROPERTY OF SUPER PRODUCTS LLC. ANY REPRODUCTION IN PART OR AS A WHOLE WITHOUT THE WRITTEN PERMISSION OF SUPER PRODUCTS IS PROHIBITED.		UNLESS OTHERWISE SPECIFIED: DIMENSIONS ARE IN INCHES TOLERANCES ARE: XX ± 0.100 XXX ± 0.060 XXXX ± 0.030 ANGULAR: MACH ± 1° BEND ± 2° INTERPRET GEOMETRIC TOLERANCING PER: ASME Y14.5		TITLE: ASSEMBLY, RADAR SENSOR MUD DOG
		DWG. NO.	B	
		0033557		
SIZE: C	SCALE: NTS	WEIGHT:	SHEET 1 OF 4	

8

7

6

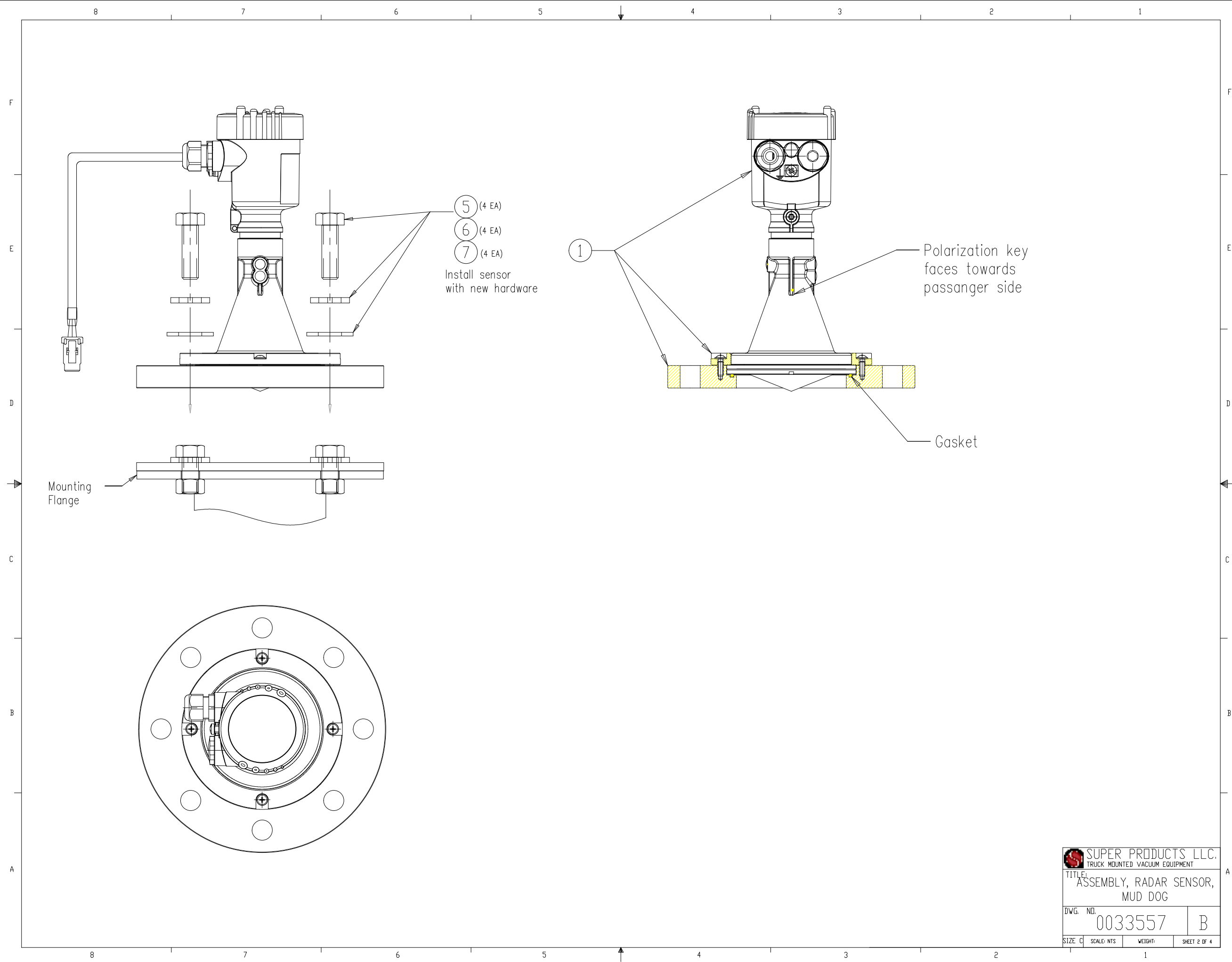
5

4

3

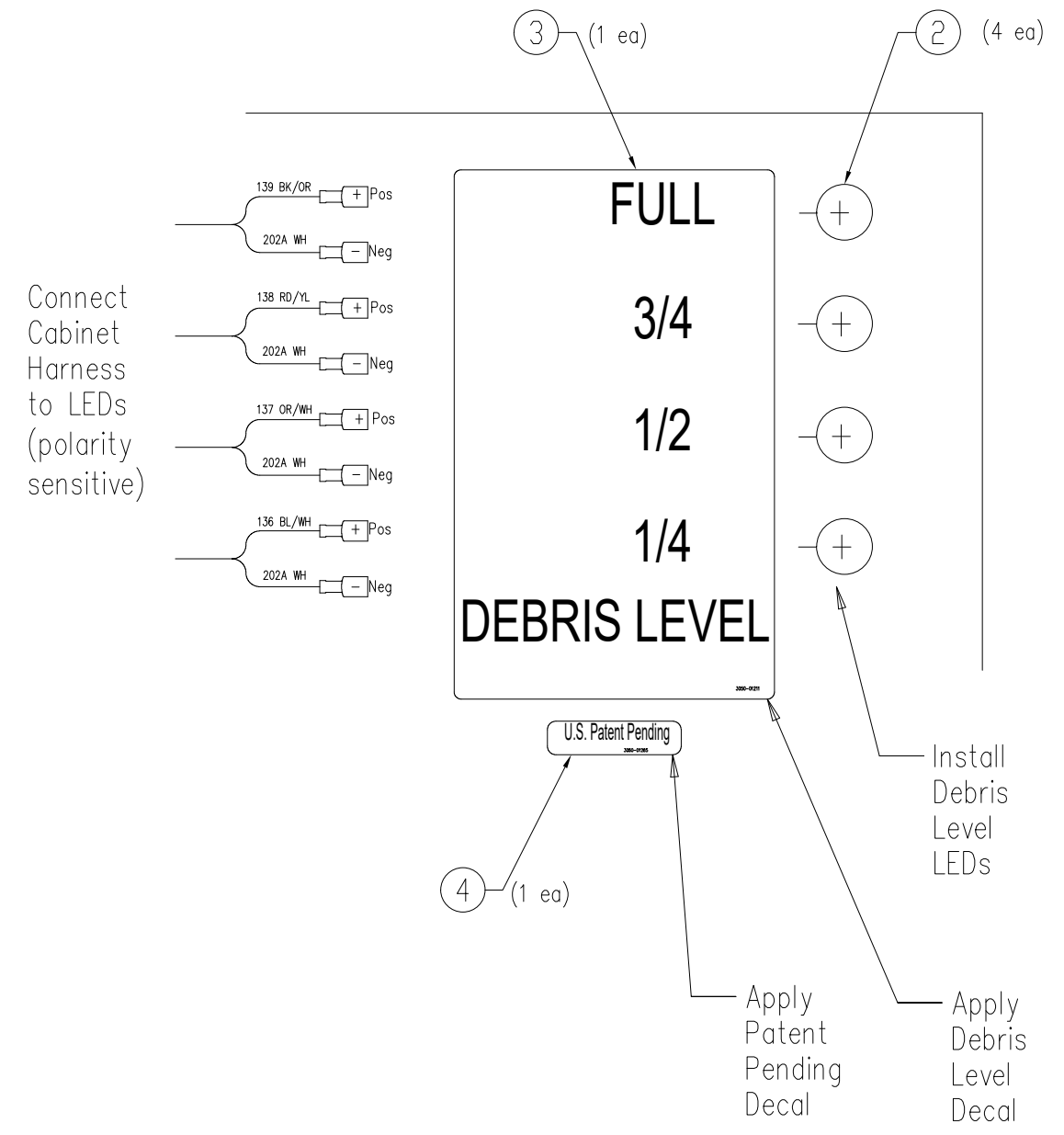
2

1




TITLE: ASSEMBLY, RADAR SENSOR, MUD DOG			
DWG. NO. 0033557		B	
SIZE C	SCALE: NTS	WEIGHT:	SHEET 2 OF 4

MUD DOG CABINET



Connect Cabinet Harness to LEDs (polarity sensitive)

 SUPER PRODUCTS LLC. TRUCK MOUNTED VACUUM EQUIPMENT	
TITLE: ASSEMBLY, RADAR SENSOR, MUD DOG	
DWG. NO. 0033557	B
SIZE: C	SCALE: NTS
WEIGHT:	SHEET 3 OF 4

RIGHT SIDE OF BOX, NEXT TO
CABINET ENCLOSURE

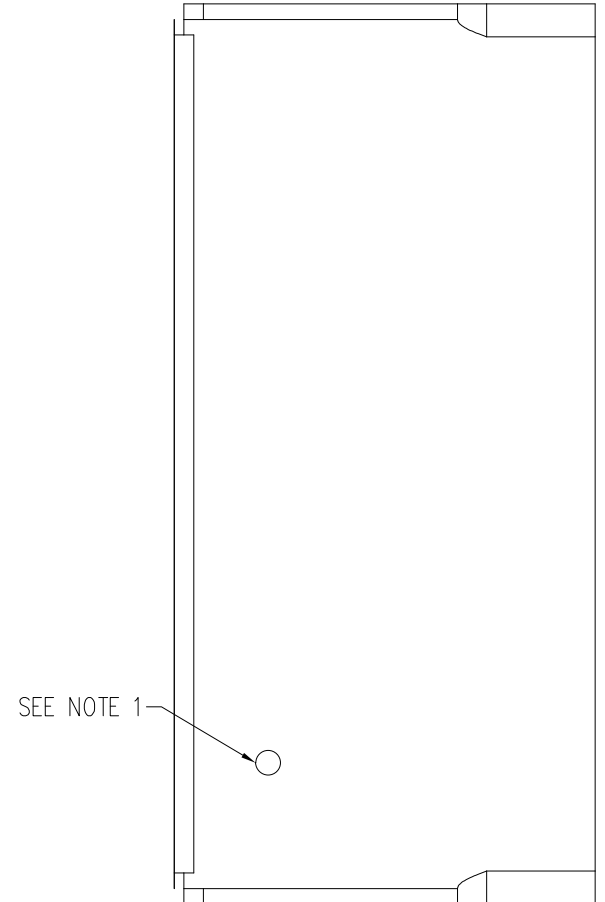


Fig 1

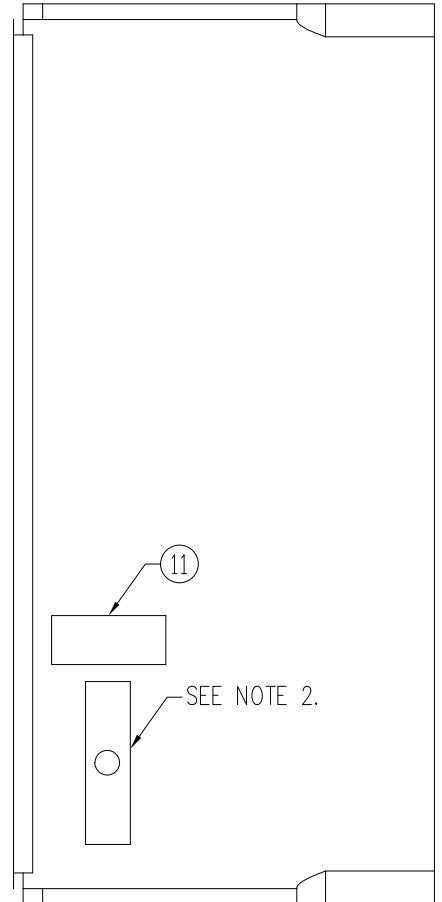
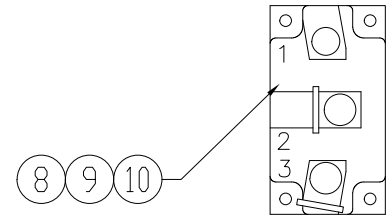
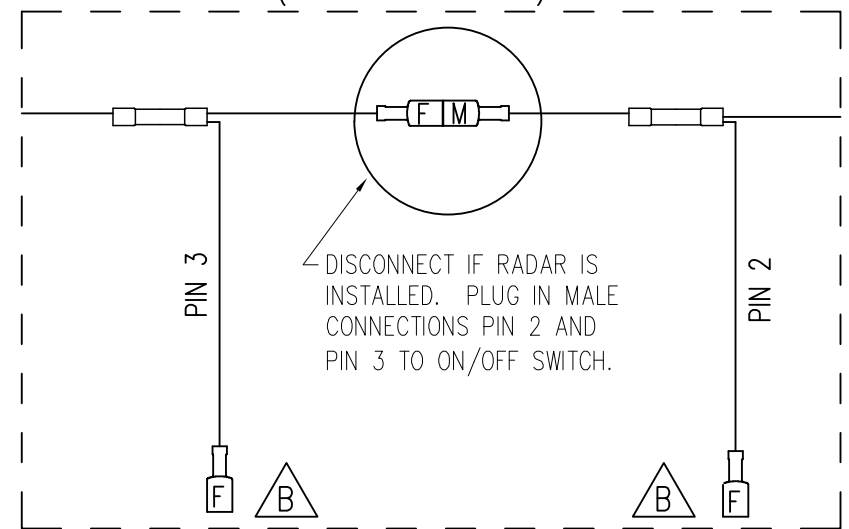


Fig 2



(ON/OFF SWITCH)

RADAR OPTION
(INSIDE CONTROL BOX)



SEE NOTES 3, 4 & 5

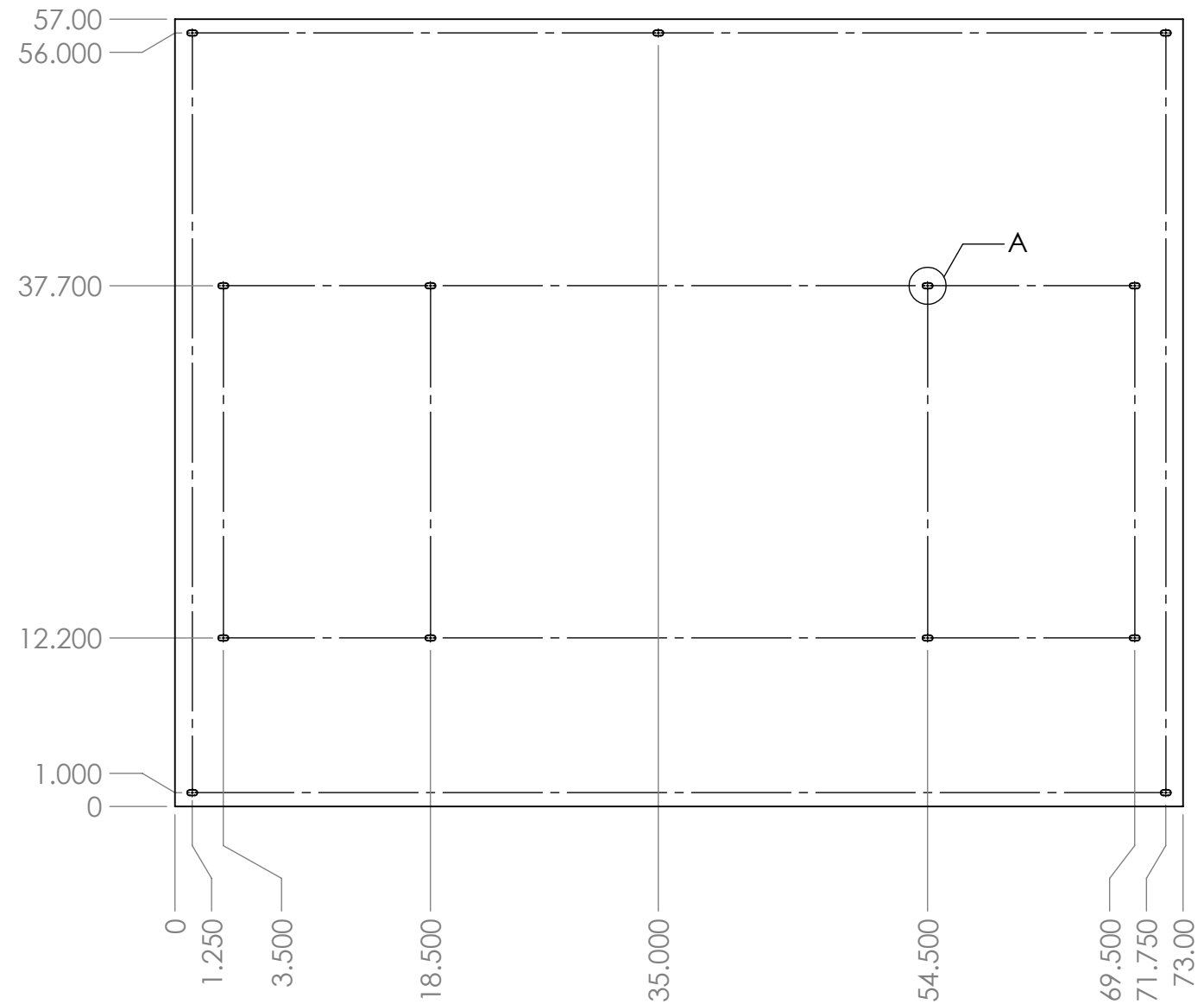
NOTES:

1. REMOVE PLUG BEFORE INSTALLING THE ON/OFF SWITCH.(FIG 1)
2. INSTALL THE SWITCH AND ITS GUARD VERTICALLY AS SHOWN. (FIG 2)
3. LOCATE THE RADAR OPTION TAG INSIDE THE CONTROL BOX.
4. UNPLUG FEMALE AND MALE CONNECTION AND TAPE OFF.
5. MATCH UP WIRE NUMBER TO THE NUMBER ON TOGGLE SWITCH.

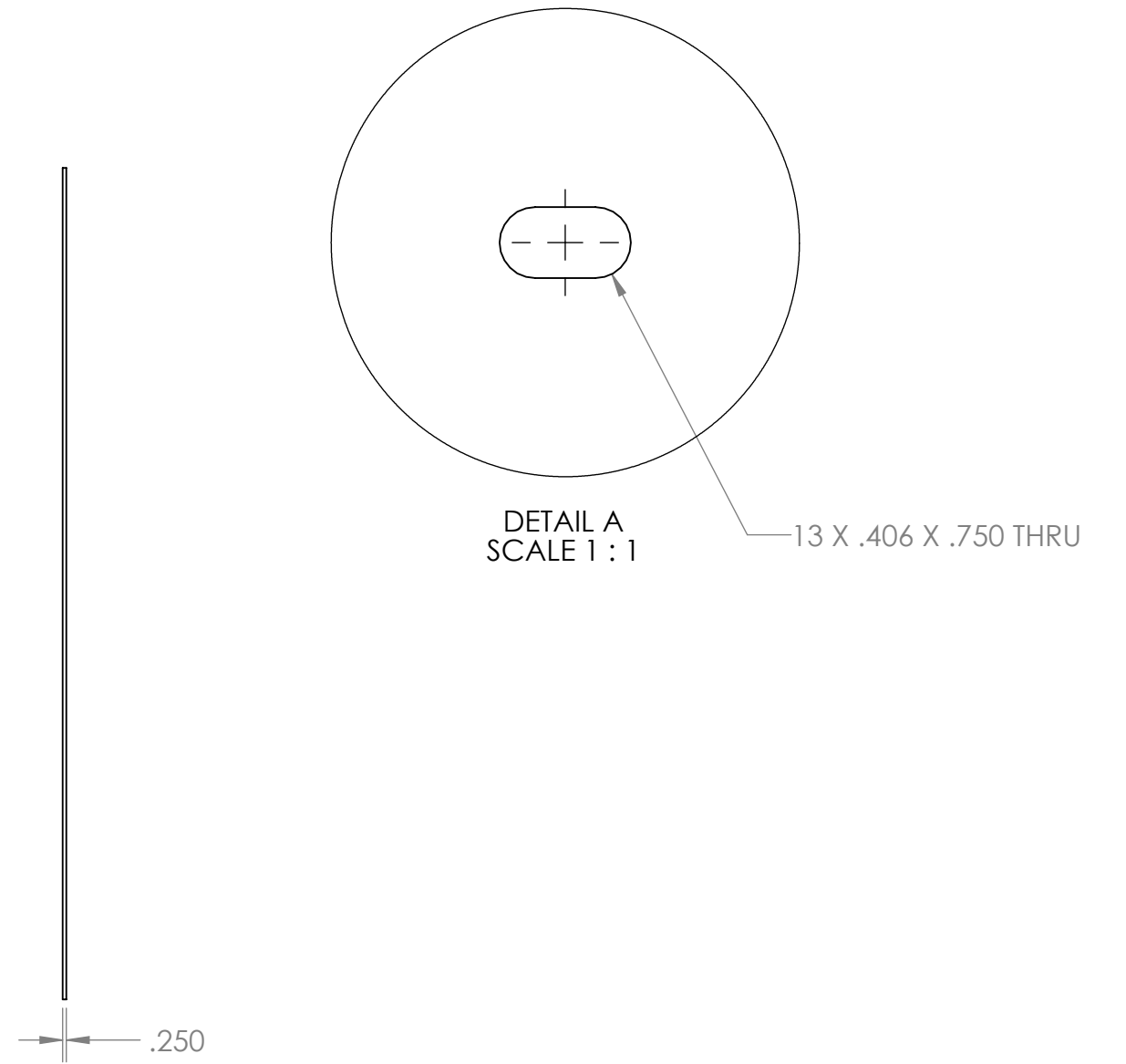
TITLE: ASSEMBLY, RADAR SENSOR, MUD DOG			
DWG. NO. 0033557		B	
SIZE: C	SCALE: NTS	WEIGHT:	SHEET 4 OF 4

NOTES:

- 1) DIMENSIONS ARE TO THEORETICAL SHARP CORNERS.
- 2) SIGN BOARD MATERIAL: DIBOND
- 3) COLOR: BLACK



REVISIONS				
REV #	ECO #	DESCRIPTION	DATE	APPR
A	0			



	NAME	DATE	
DRAWN BY	D. King	4/28/2021	
ENG APPR.	C. Colorito	05/13/2021	
MFG APPR.			TITLE: PANEL, 7YD SIGN BOARD, BLACK
DWG. NO. 0042081			REV A
SIZE B	SCALE: 1:12	WEIGHT: 36.42	SHEET 1 OF 1

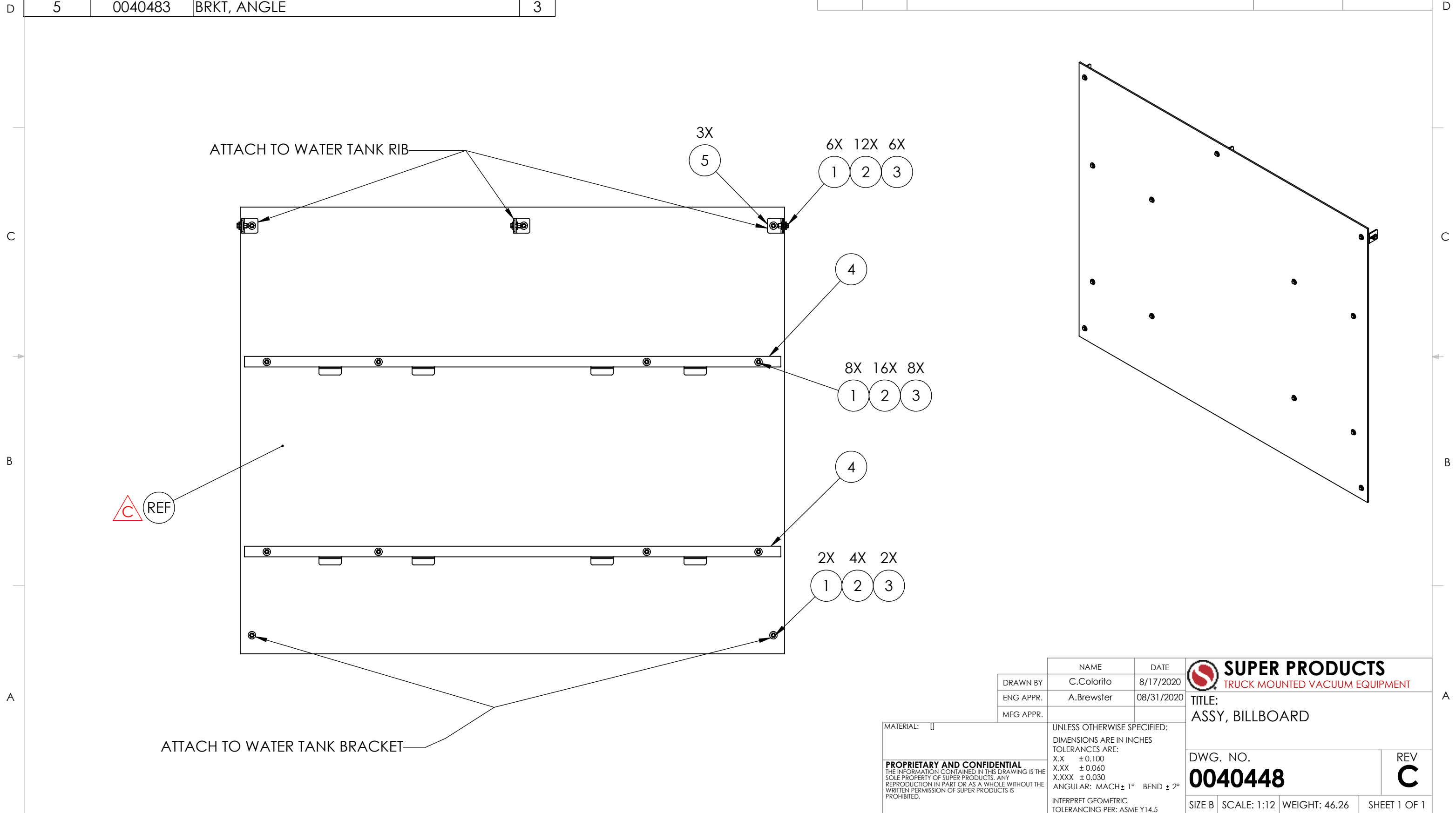
MATERIAL: Polybutadiene (PB)

PROPRIETARY AND CONFIDENTIAL
 THE INFORMATION CONTAINED IN THIS DRAWING IS THE SOLE PROPERTY OF SUPER PRODUCTS. ANY REPRODUCTION IN PART OR AS A WHOLE WITHOUT THE WRITTEN PERMISSION OF SUPER PRODUCTS IS PROHIBITED.

UNLESS OTHERWISE SPECIFIED:
 DIMENSIONS ARE IN INCHES
 TOLERANCES ARE:
 X.X ± 0.100
 X.XX ± 0.060
 X.XXX ± 0.030
 ANGULAR: MACH ± 1° BEND ± 2°
 INTERPRET GEOMETRIC TOLERANCING PER: ASME Y14.5

ITEM NO.	PART NUMBER	DESCRIPTION	QTY.
1	0052-00125	SCREW,HEX HEAD CAP,3/8-16 X 1-1/4,HX GR5	16
2	0082-00003	WASHER,FLAT,USS,3/8",STEEL,PLT'D	32
3	0160-32008	NUT,LOCK,CLINCHED,3/8"-16,GR5,PLT'D-STL	16
4	0040445	BRKT, SIGN BOARD	2
5	0040483	BRKT, ANGLE	3

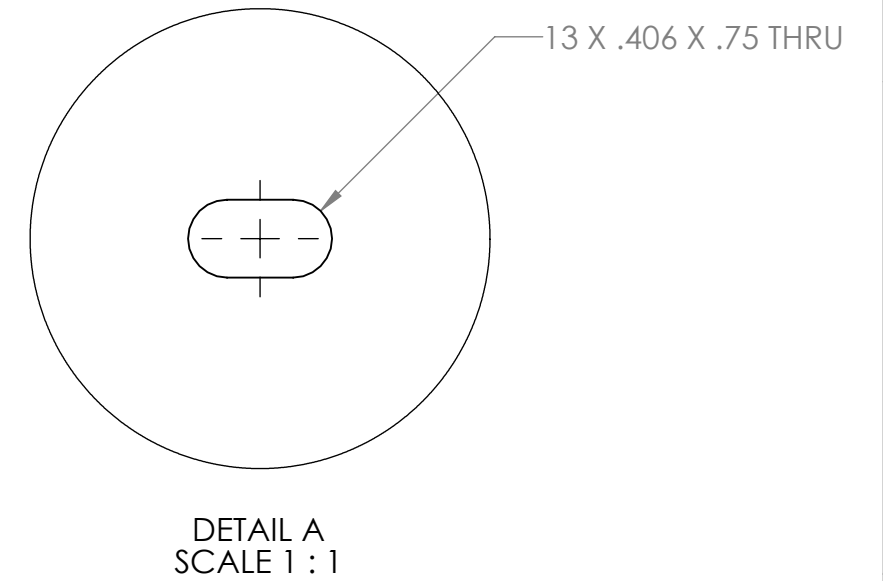
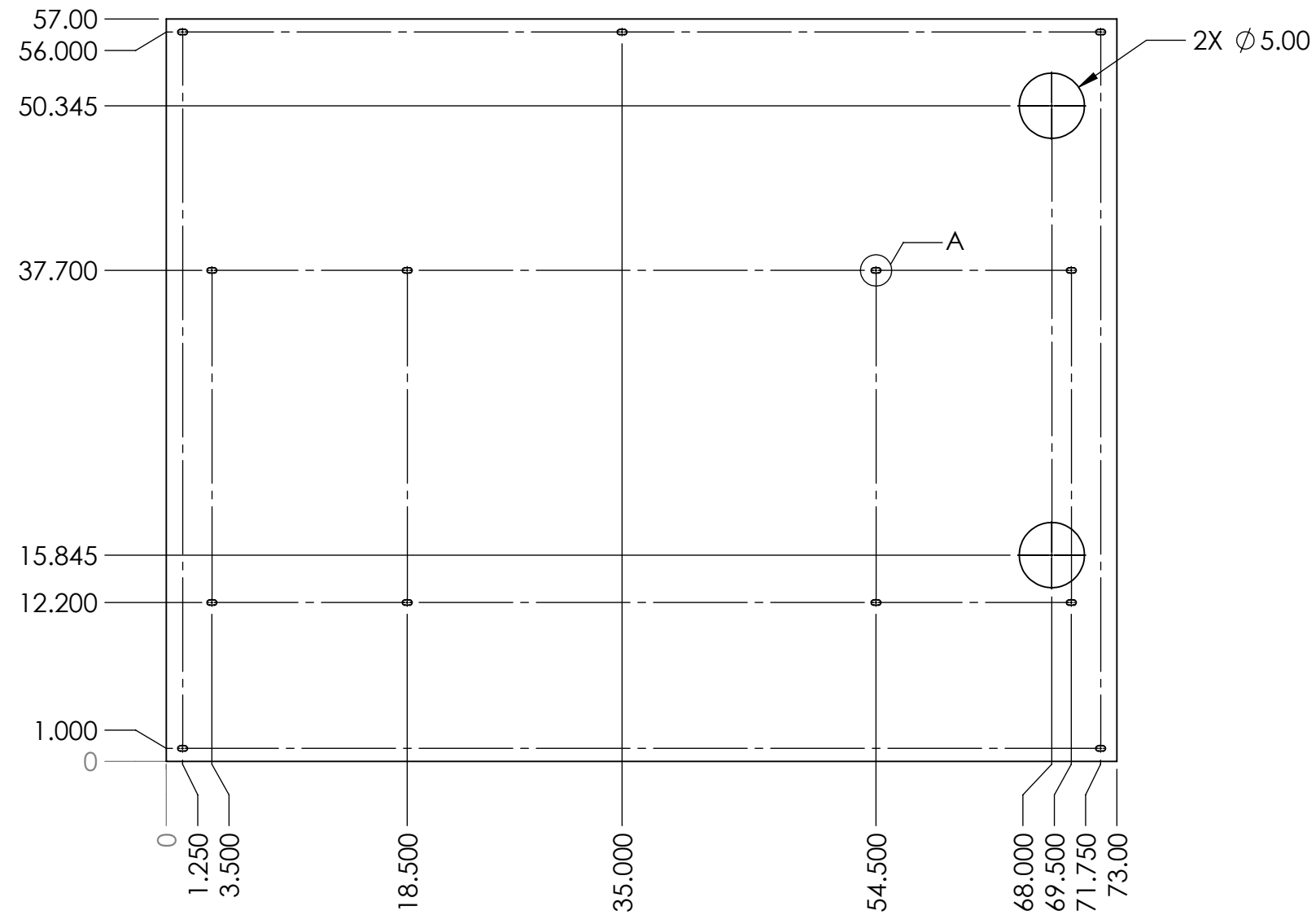
REVISIONS				
REV #	ECO #	DESCRIPTION	DATE	APPR
C	19999	Replace 0038729 with 0041786 (Shown as Ref.)	03/23/2021	C.Colorito



NOTES:

- 1) DIMENSIONS ARE TO THEORETICAL SHARP CORNERS.
- 2) SIGN BOARD MATERIAL: DIBOND
- 3) COLOR: BLACK

REVISIONS				
REV #	ECO #	DESCRIPTION	DATE	APPR
A				

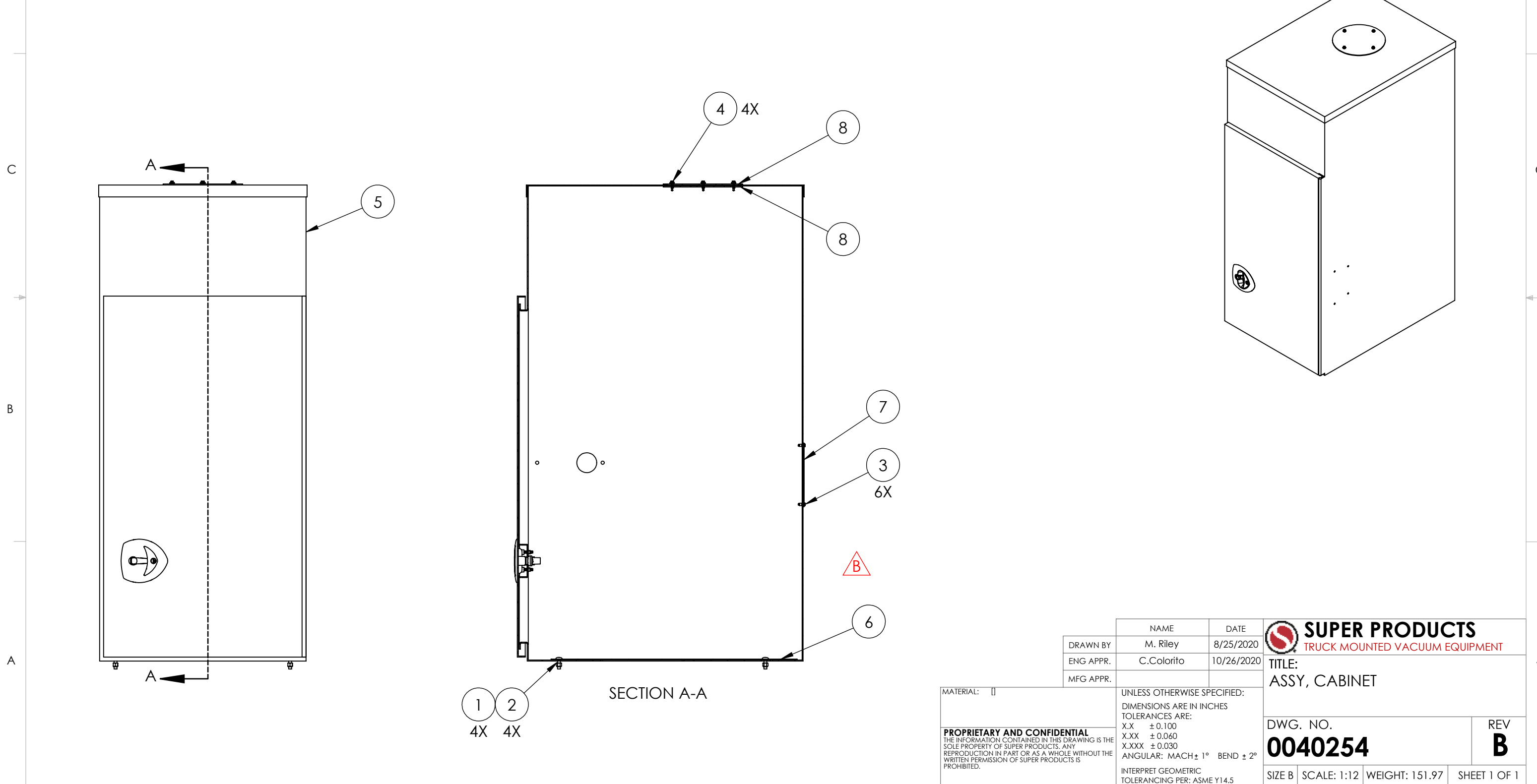


.250

	NAME	DATE		
DRAWN BY	C.Colorito	10/21/2021		
ENG APPR.	S. Iding	10/22/2021		
MFG APPR.			TITLE: PANEL,7YD SIGN BOARD,BLACK, PS	
MATERIAL: <input type="checkbox"/> Polybutadiene (PB)			UNLESS OTHERWISE SPECIFIED: DIMENSIONS ARE IN INCHES TOLERANCES ARE: X.X ± 0.100 X.XX ± 0.060 X.XXX ± 0.030 ANGULAR: MACH ± 1° BEND ± 2° INTERPRET GEOMETRIC TOLERANCING PER: ASME Y14.5	
PROPRIETARY AND CONFIDENTIAL <small>THE INFORMATION CONTAINED IN THIS DRAWING IS THE SOLE PROPERTY OF SUPER PRODUCTS. ANY REPRODUCTION IN PART OR AS A WHOLE WITHOUT THE WRITTEN PERMISSION OF SUPER PRODUCTS IS PROHIBITED.</small>			DWG. NO. 0043334	
			REV A	
SIZE B	SCALE: 1:12	WEIGHT: 36.08	SHEET 1 OF 1	

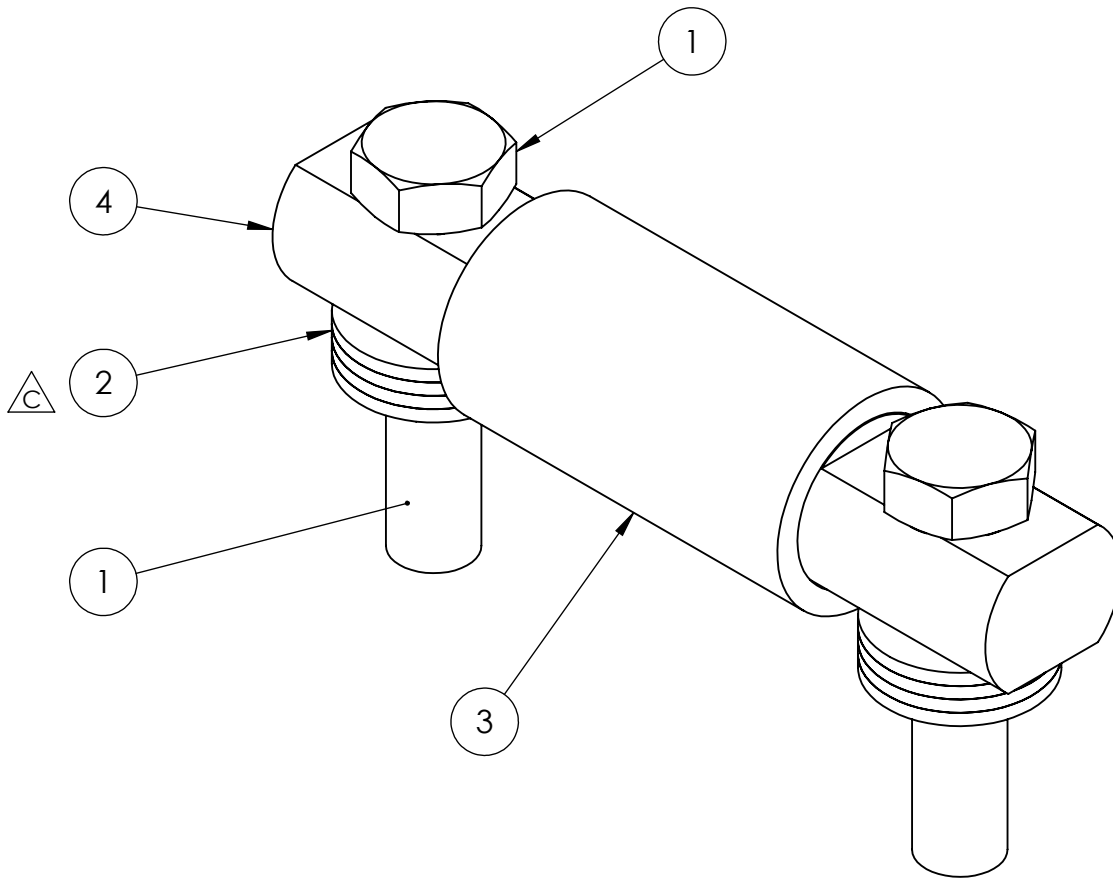
ITEM NO.	PART NUMBER	DESCRIPTION	QTY.
1	0160-32008	NUT, LOCK, CLINCHED, 3/8"-16, GR5, PLT'D-STL	4
2	0522-00125	BOLT CARRIAGE 3/8-16 X 1.25	4
3	0027365-00075	HEX HD. MACHINE SCREW 10-24 X .75	6
4	0031075-20088	SCREW, HX. HD. SEALING/DRILLING 1/4 X .88	4
5	0038844	CABINET, WATER HEATER	1
6	0040255	FLOOR, CABINET	1
7	0040256	COVER, CABINET	1
8	0040257	COVER, ROOF	2

REVISIONS				
REV #	ECO #	DESCRIPTION	DATE	APPR
B	99999	REMOVED ITEMS 0040942 AND 0050-00075 QTY 4.	10/01/2021	C.Colorito



REVISIONS				
REV #	ECO #	DESCRIPTION	DATE	APPR
C	17029	REMOVED: 3000-00468 QTY. 1 & 0083-30005 QTY. 2; 0078-10005 QTY. 8 WAS 10.	11/18/2015	D. King

ITEM NO.	PART NUMBER	DESCRIPTION	QTY.
1	0054-20225	SCREW, HEX HEAD CAP, 1/2-13 X 2-1/4, GR8	2
2	0078-10005	WASHER, FLAT, SAE, 1/2", SS	8
3	2398-00250	TUBE RD, 1.31 X 0.148W DOM X 2.50	1
4	4510-00266	SHAFT LATCH ROLLER	1



	NAME	DATE
DRAWN BY	J. Poquette	06/10/2014
ENG APPR.	M. Jacobson	06/20/2014
MFG APPR.	D. King	11/18/2015

SUPER PRODUCTS
TRUCK MOUNTED VACUUM EQUIPMENT

TITLE:
ASSY, TAILGATE ROLLER

MATERIAL:
[]
()
PROPRIETARY AND CONFIDENTIAL
THE INFORMATION CONTAINED IN THIS DRAWING IS THE SOLE PROPERTY OF SUPER PRODUCTS LLC.. ANY REPRODUCTION IN PART OR AS A WHOLE WITHOUT THE WRITTEN PERMISSION OF SUPER PRODUCTS IS PROHIBITED.

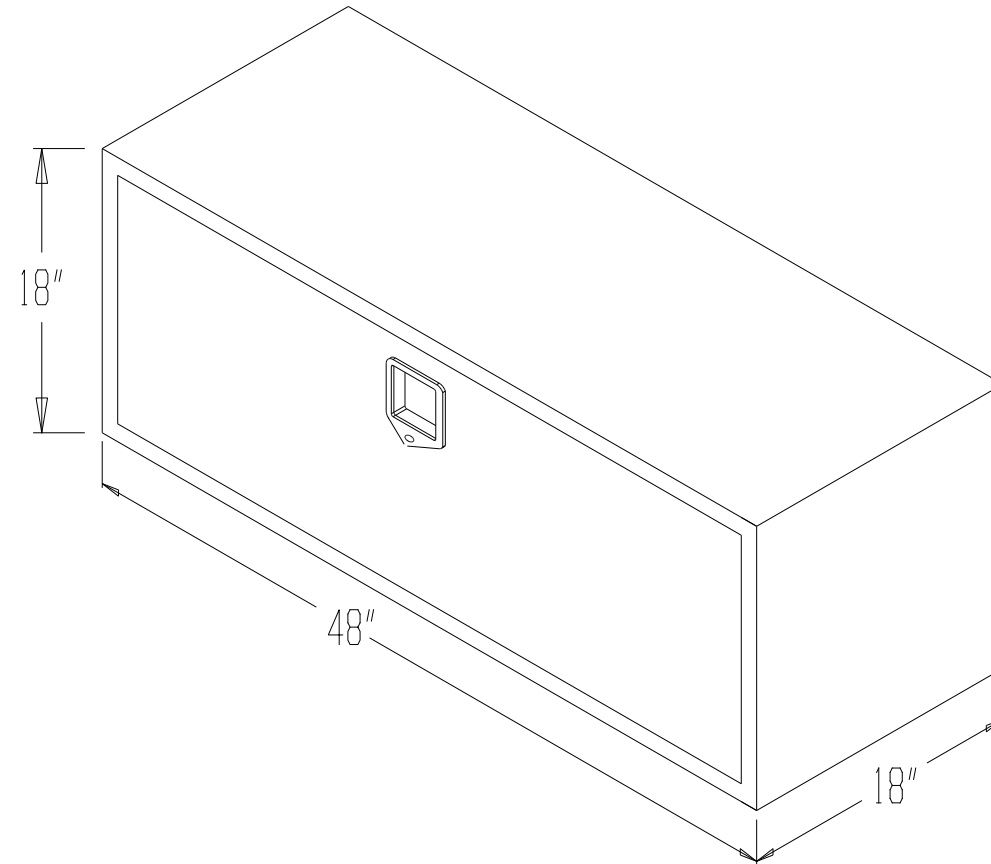
UNLESS OTHERWISE SPECIFIED:
DIMENSIONS ARE IN INCHES
TOLERANCES ARE:
X.X ± 0.100
X.XX ± 0.060
X.XXX ± 0.030
ANGULAR: MACH ± 1° BEND ± 2°
INTERPRET GEOMETRIC TOLERANCING PER: ASME Y14.5

DWG. NO.
0002609

REV
C

SIZE A	SCALE: 1:2	WEIGHT:	SHEET 1 OF 1
--------	------------	---------	--------------

MANUFACTURER: RC INDUSTRIES
MFR. PART NUMBER: MU481818.U
CONSTRUCTION: .125 DIAMOND BRIGHT ALUMINUM
W/LOCKING T-HANDLE & DOOR GASKET



SYM.	ECO NO.	DESCRIPTION	BY	APP	DATE



TITLE:
TOOLBOX, 18" X 18" X 48" (ALUM)

UNLESS OTHERWISE SPECIFIED:
.XX ± 0.06 ANGLES ± 1°
HOLES AND SLOTS .XX ± 0.03

FABRICATION: INSIDE RADIUS OF BENDS EQUAL TO MATERIAL THICKNESS. REMOVE ALL BURRS.
MACHINING: DE-BURR ALL HOLES.
WELDING: FULL WELD UNLESS OTHERWISE NOTED.
WT- DESIGNATES WATERTIGHT WELD.
(METRIC EQUIVALENTS IN PARENTHESES)

NEXT ASSEMBLY:
X

THIS DOCUMENT AND INFORMATION CONTAINED HEREIN IS THE PROPERTY OF SUPER PRODUCTS CORPORATION. ANY DUPLICATION OF THIS DOCUMENT OR USE OF INFORMATION WITHOUT EXPRESS WRITTEN CONSENT OF SUPER PRODUCTS CORPORATION IS PROHIBITED.

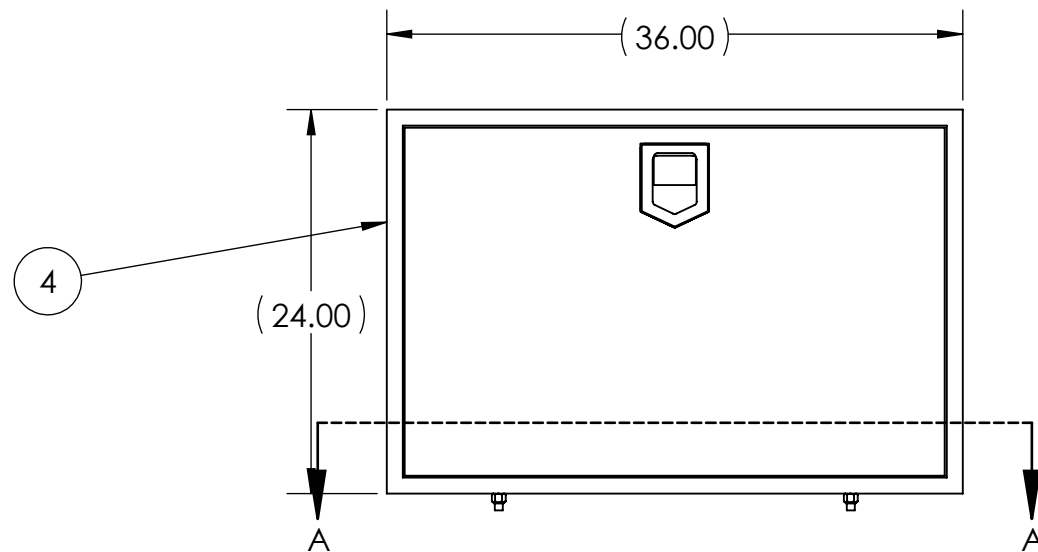
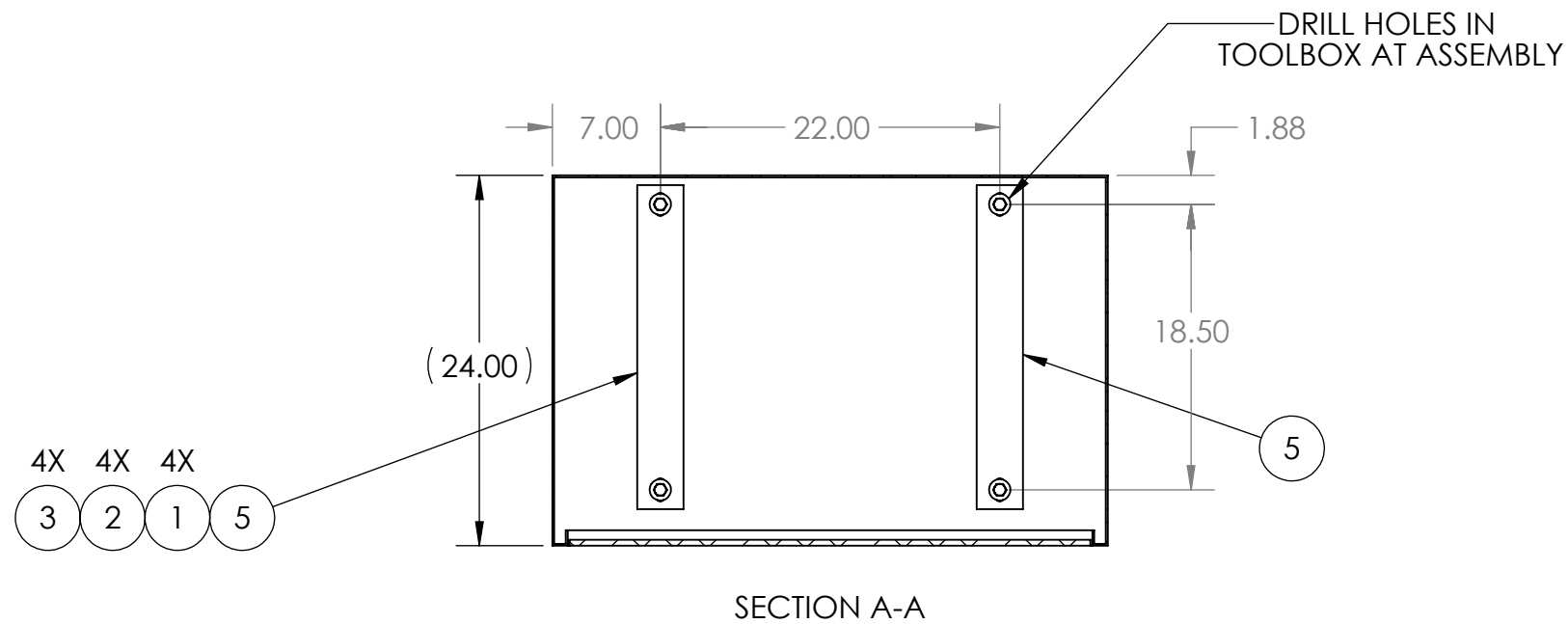
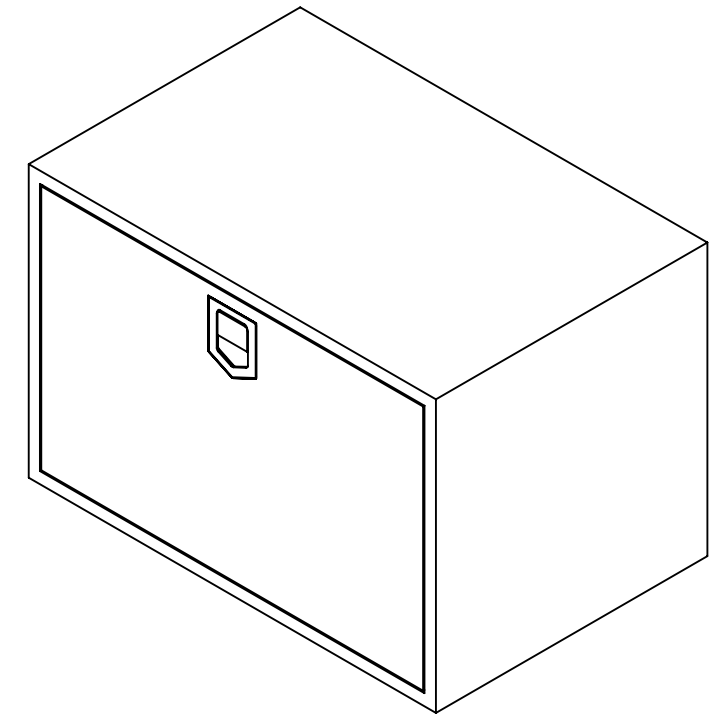
MATERIAL:
PURCHASED PART (SEE ABOVE)

SCALE 1:12	DRAWN BY AJK	DATE 2-10-06	APPROVED BY & DATE <input type="checkbox"/>
---------------	-----------------	-----------------	--

DWG NO. 3000-03062 SHEET 1 OF 1
SIZE A

ITEM NO.	PART NUMBER	DESCRIPTION	QTY.
1	0054-00150	SCREW,HEX HEAD CAP,1/2-13 X 1-1/2,HX,GR5	4
2	0082-00005	WASHER,FLAT,USS,1/2",STEEL,PLT'D	4
3	0160-32010	NUT,LOCK,CLINCHED,1/2"-13,GR5,PLT'D-STL	4
4	0041000	TOOLBOX, 24"x24"x36" AL BLACK	1
5	0041004	STRAP, HOLD DOWN - TOOLBOX	2

REVISIONS				
REV #	ECO #	DESCRIPTION	DATE	APPR
A				



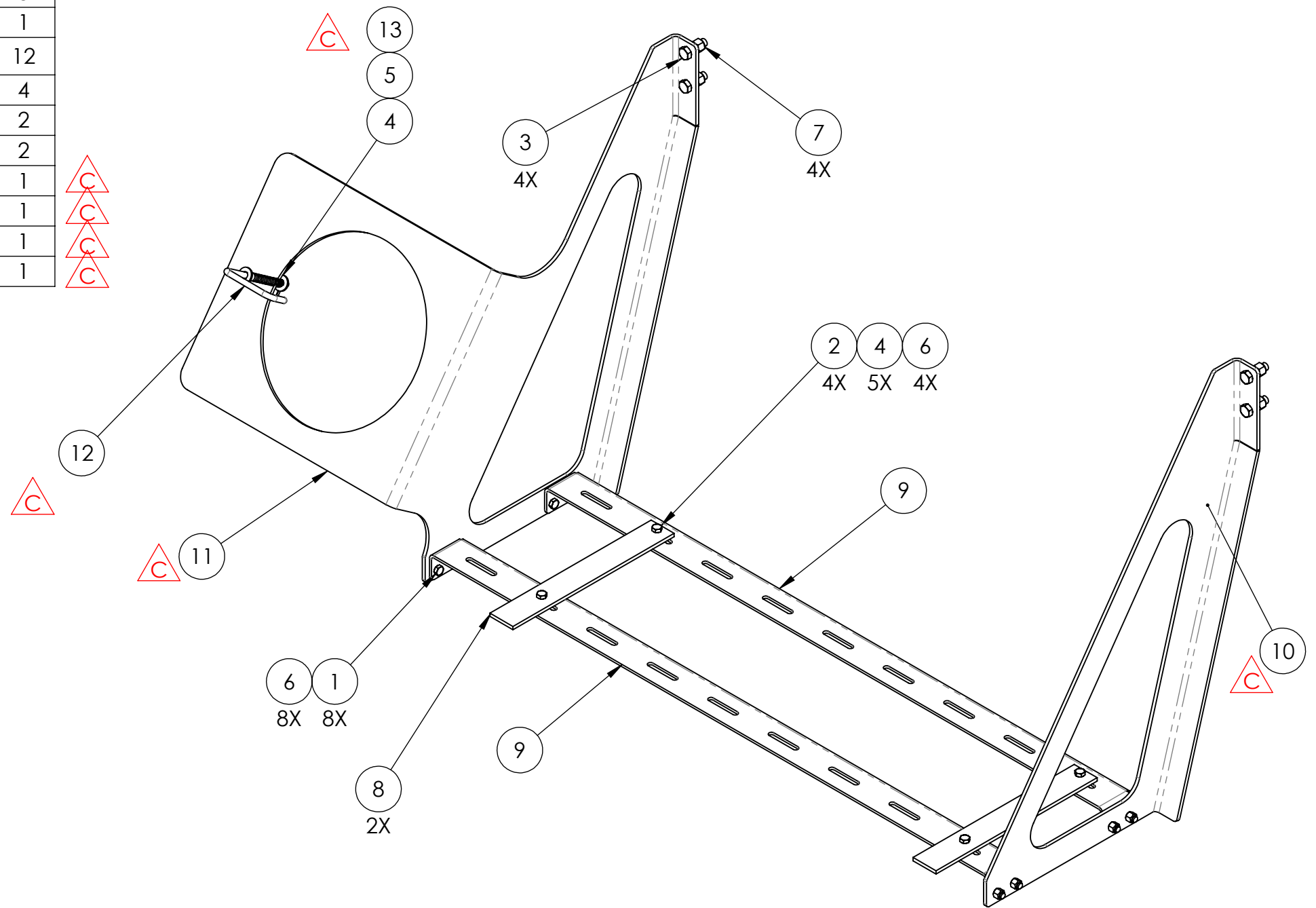
	NAME	DATE	
DRAWN BY	M. Riley	10/26/2020	
ENG APPR.	C.Colorito	10/26/2020	
MFG APPR.			
TITLE:			ASSY, TOOLBOX 24" X 24" X 36"
DWG. NO.			
0041005			REV
			A
SIZE B	SCALE: 1:12	WEIGHT: 85.08	SHEET 1 OF 1

UNLESS OTHERWISE SPECIFIED:
 DIMENSIONS ARE IN INCHES
 TOLERANCES ARE:
 X.X ± 0.100
 X.XX ± 0.060
 X.XXX ± 0.030
 ANGULAR: MACH ± 1° BEND ± 2°
 INTERPRET GEOMETRIC TOLERANCING PER: ASME Y14.5

PROPRIETARY AND CONFIDENTIAL
 THE INFORMATION CONTAINED IN THIS DRAWING IS THE
 SOLE PROPERTY OF SUPER PRODUCTS. ANY
 REPRODUCTION IN PART OR AS A WHOLE WITHOUT THE
 WRITTEN PERMISSION OF SUPER PRODUCTS IS
 PROHIBITED.

ITEM NO.	PART NUMBER	DESCRIPTION	QTY.
1	0052-00100	SCREW,HEX HEAD CAP,3/8-16 X 1,HX GR 5	8
2	0052-00125	SCREW,HEX HEAD CAP,3/8-16 X 1-1/4,HX GR5	4
3	0054-00150	SCREW,HEX HEAD CAP,1/2-13 X 1-1/2,HX,GR5	4
4	0082-00003	WASHER,FLAT,USS,3/8",STEEL,PLT'D	5
5	0152-00019	PIN,COTTER .13 X 1.25	1
6	0160-32008	NUT,LOCK,CLINCHED,3/8"-16,GR5,PLT'D-STL	12
7	0160-32010	NUT,LOCK,CLINCHED,1/2"-13,GR5,PLT'D-STL	4
8	2000-02950	STRAP, HOLD DOWN - TOOLBOX	2
9	0040459	SUPPORT, TOOL BOX	2
10	0040777	PLATE,TOOLBOX MTG	1
11	0041008	PLATE,TOOLBOX MTG	1
12	0041870	WLDMT, HOOK, LATCH	1
13	0041874	SPRING, COM. - OD .50" X 4"	1

REVISIONS				
REV #	ECO #	DESCRIPTION	DATE	APPR
C	19999	REPLACED P/N 0035710 WITH 0041870 AND 0031745 WITH 0041874. UPDATED 0040777 AND 0041008 WITH ADDITIONAL FLANGE	04/01/2021	C.Colorito



	NAME	DATE	
DRAWN BY	M. Riley	8/25/2020	
ENG APPR.	C.Colorito	09/15/2020	
MFG APPR.			
TITLE: ASSY, TOOL BOX MOUNTING BRACKET			REV C
DWG. NO. 0040453			
SIZE B	SCALE: 1:8	WEIGHT:	SHEET 1 OF 1

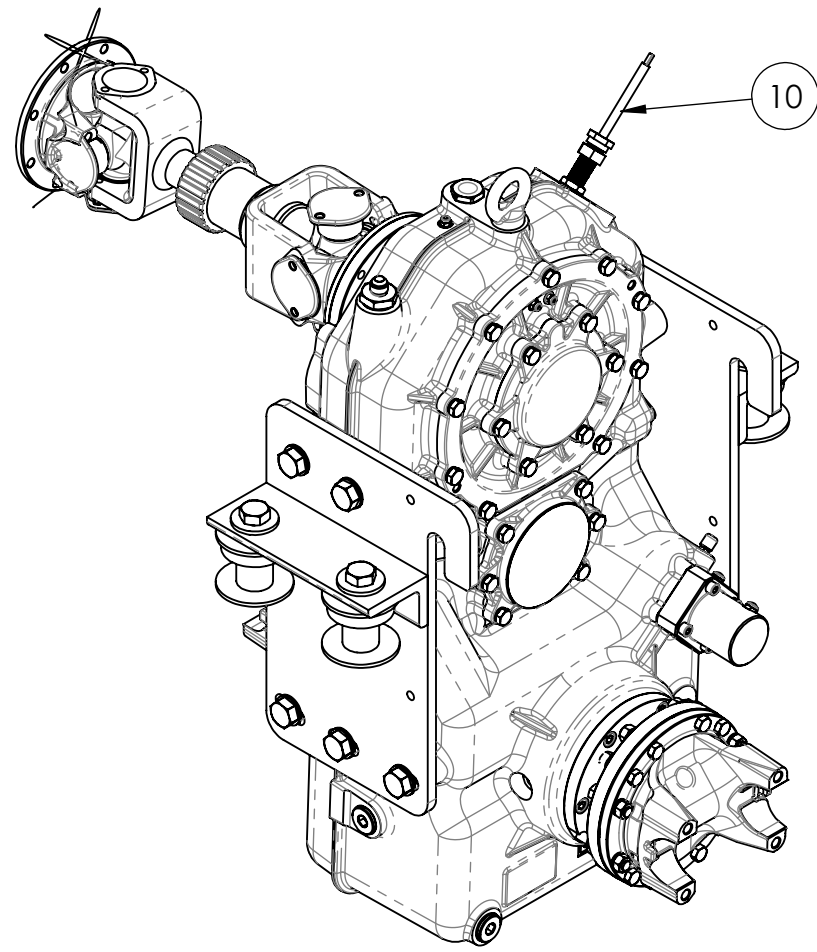
MATERIAL: []
 UNLESS OTHERWISE SPECIFIED:
 DIMENSIONS ARE IN INCHES
 TOLERANCES ARE:
 X.X ± 0.100
 X.XX ± 0.060
 X.XXX ± 0.030
 ANGULAR: MACH ± 1° BEND ± 2°
 INTERPRET GEOMETRIC TOLERANCING PER: ASME Y14.5
PROPRIETARY AND CONFIDENTIAL
 THE INFORMATION CONTAINED IN THIS DRAWING IS THE SOLE PROPERTY OF SUPER PRODUCTS. ANY REPRODUCTION IN PART OR AS A WHOLE WITHOUT THE WRITTEN PERMISSION OF SUPER PRODUCTS IS PROHIBITED.

ITEM NO.	PART NUMBER	DESCRIPTION	QTY.
1	0057-20400	SCREW, HEX HEAD CAP, 3/4-10 X 4, GR8	4
2	0068-30175	SCREW CAP 0.44-20X1.75 HX L9	24
3	0080-30008	NUT,HEX,3/4"-10,STEEL,PLT'D,GR8	4
4	0081-30004	NUT, HEX .44-20 NF L9	24
5	0082-30008	WASHER,FLAT,USS,3/4",STEEL,PLT'D,GR8	4
6	0001769	YOKE, FLANGE 1610 HALF ROUND	1
7	3000-00988	VIBRATION MOUNT	4
8	3000-00989	WASHER VIBRATION MOUNT	8
9	0005229-01300	DRIVESHAFT, 1610 HALF ROUND	1
10	9016-00098	ASS'Y, SENSOR, MAGNETIC, 4.75in	1
11	0031760	BRKT,MTG,TRANSFER CASE,LH	1
12	0031786	BRKT,MTG,TRANSFER CASE,RH	1
13	0032713	WASHER, NORD-LOCK, M18	10
14	0034683	BRACKET, OMSI PROX	1
15	0040444	TRANS CASE,OMSI,1:1.27	1
16	0000722-00007	WASHER,LOCK,WEDGE,7/16",PLT'D STL	24

△C
△C
△C

△C

REVISIONS				
REV #	ECO #	DESCRIPTION	DATE	APPR
D	99999	ADDED 0057-20400, 0068-30175, 0081-30004, 0000722-00007, AND ADDED TORQ. NOTE. REMOVED 0057-20450	08/10/2021	C.Colorito



	NAME	DATE
DRAWN BY	M. Riley	8/25/2020
ENG APPR.	A. Brewster	09/02/2020
MFG APPR.		

SUPER PRODUCTS
TRUCK MOUNTED VACUUM EQUIPMENT

TITLE:
ASSY,TRANSFER CASE

DWG. NO. **0040002** REV **D**

SIZE B SCALE: 1:8 WEIGHT: 112.83 SHEET 1 OF 2

MATERIAL: []

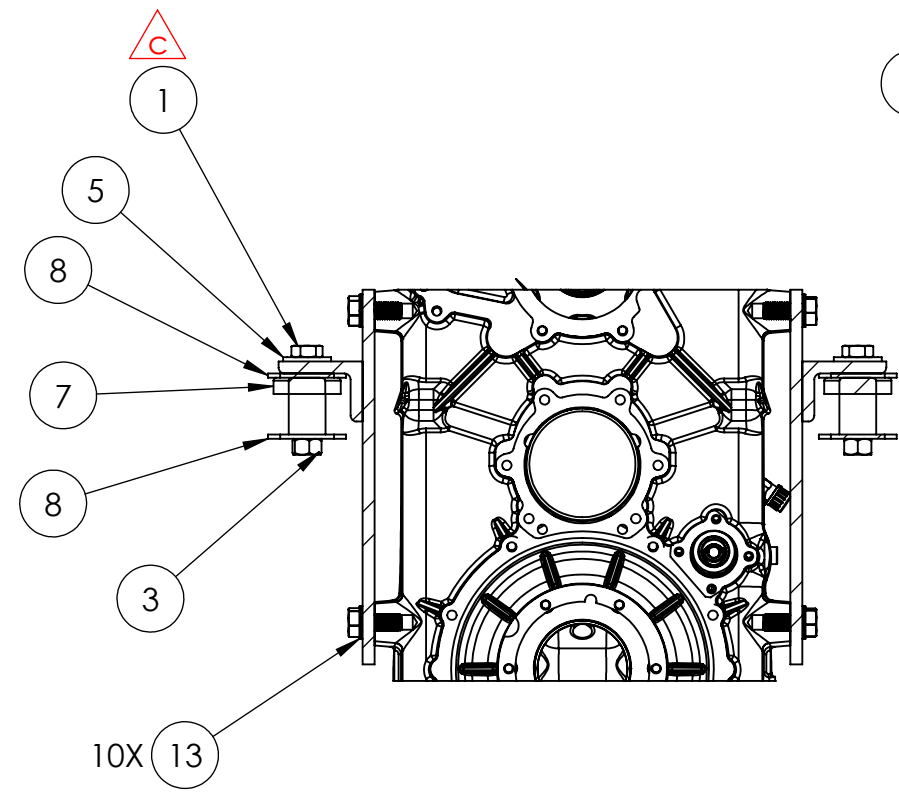
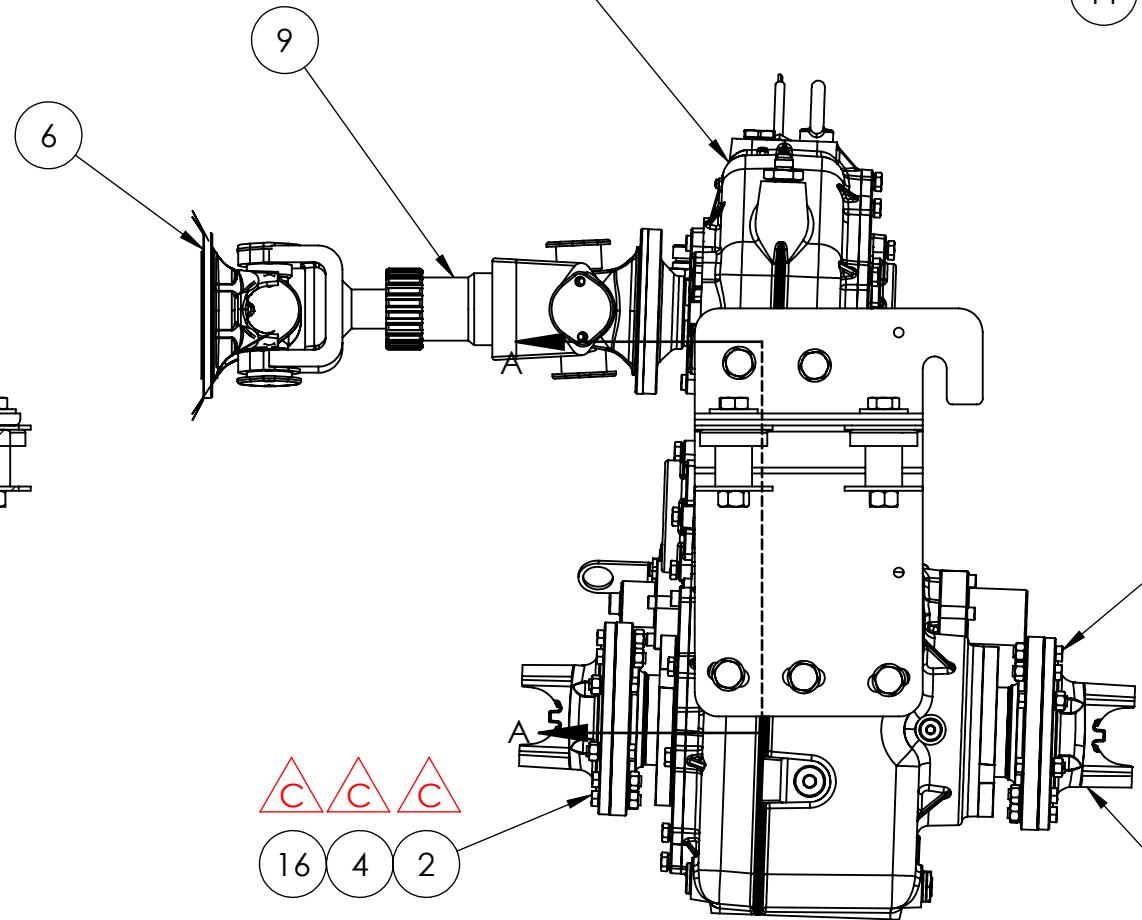
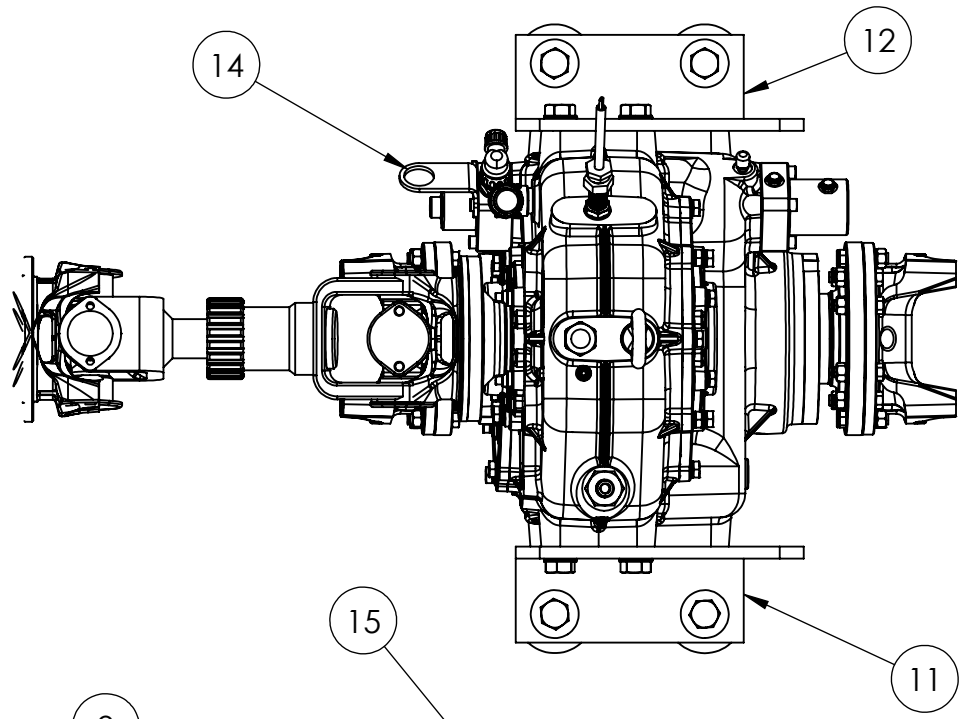
PROPRIETARY AND CONFIDENTIAL
THE INFORMATION CONTAINED IN THIS DRAWING IS THE SOLE PROPERTY OF SUPER PRODUCTS. ANY REPRODUCTION IN PART OR AS A WHOLE WITHOUT THE WRITTEN PERMISSION OF SUPER PRODUCTS IS PROHIBITED.

UNLESS OTHERWISE SPECIFIED:
DIMENSIONS ARE IN INCHES
TOLERANCES ARE:
X.X ± 0.100
X.XX ± 0.060
X.XXX ± 0.030
ANGULAR: MACH ± 1° BEND ± 2°
INTERPRET GEOMETRIC TOLERANCING PER: ASME Y14.5

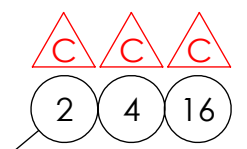
8 7 6 5 4 3 2 1

D
C
B
A

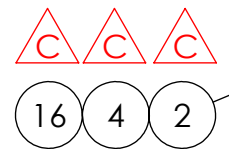
D
C
B
A



SECTION A-A




APPLY 243 LOCTITE (BLUE)
TORQUE TO 45 45 ft.lbs.



APPLY 243 LOCTITE (BLUE)
TORQUE TO 45 45 ft.lbs.

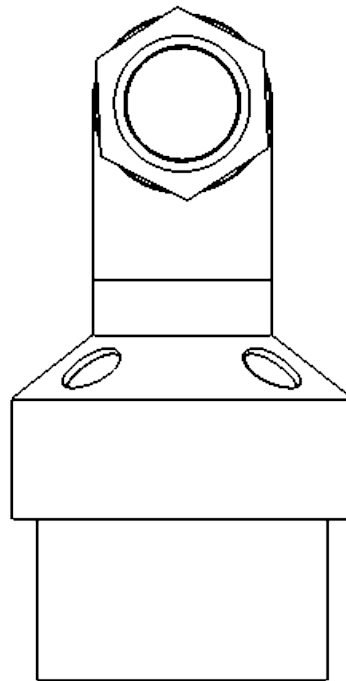
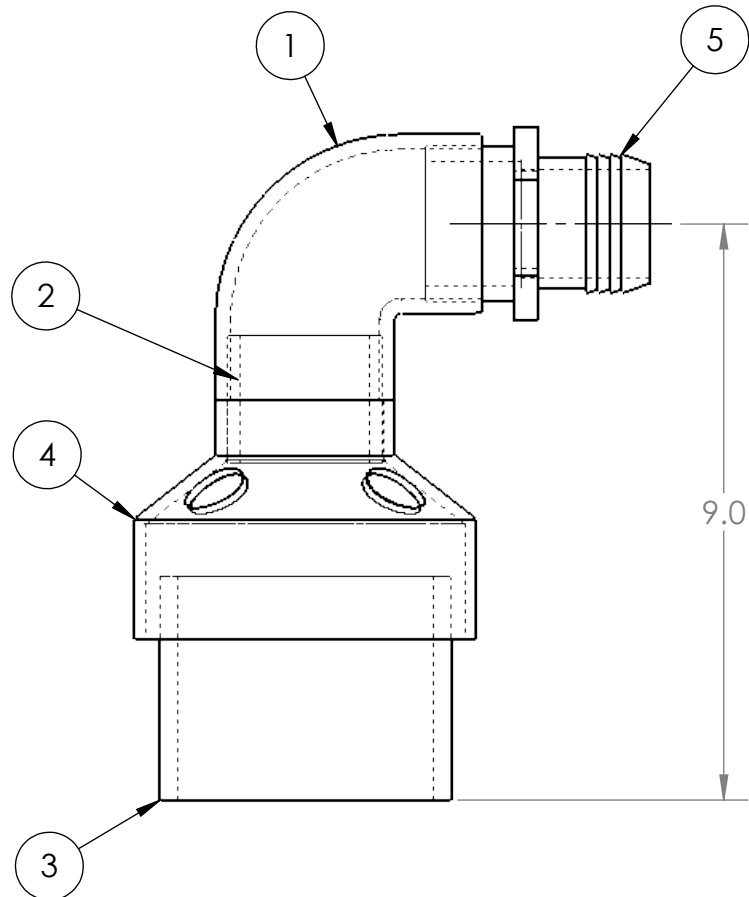
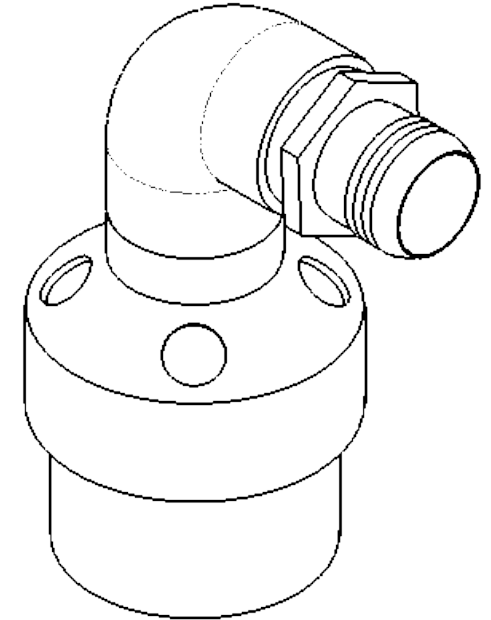
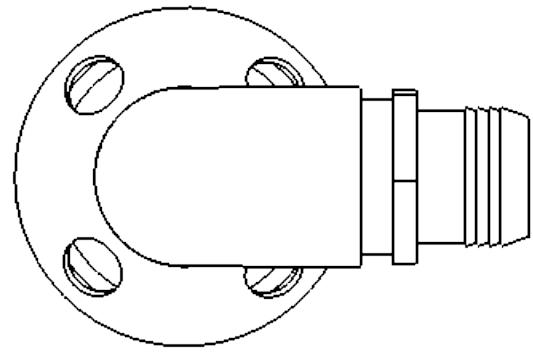
YOKE FLANGE,
DO NOT COME WITH TRANSFER CASE
PAINT BLACK.

 SUPER PRODUCTS TRUCK MOUNTED VACUUM EQUIPMENT		
DWG. NO. 0040002		REV D
SIZE B	SCALE: 1:8	WEIGHT: 112.83
		SHEET 2 OF 2

8 7 6 5 4 3 2 1

ITEM NO.	PART NUMBER	DESCRIPTION	QTY.
1	0370-00006	ELBOW, 90° PVC, SOCKET 2.00	1
2	1741-00200	PIPE,PVC,SCH40 - 2.00 X 2.00	1
3	1791-00350	PIPE,PVC,SCH40 - 4.00 X 3.50	1
4	3100-00648	REDUCER,COUPLING,4X2,PVC,MODIFIED	1
5	3500-00660	NIPPLE,PVC HOSE,2.00 SLIP	1

REVISIONS				
REV #	ECO #	DESCRIPTION	DATE	APPR
A		INITIAL RELEASE		



NOTES:

- 1) BREAK ALL SHARP EDGES. MAX=0.03
- 2) FINISH SURFACE IAW 9998-00253, TYPE 1, COLOR: A (GLOSS BLACK).
- 3) ASSEMBLE WITH PVC CEMENT.

	NAME	DATE
DRAWN BY	S. Iding	07/02/2018
ENG APPR.	J. Berndt	07/02/2018
MFG APPR.		



TITLE:
ASSY, TANK FILL SPOUT, MD

MATERIAL: []
PROPRIETARY AND CONFIDENTIAL
THE INFORMATION CONTAINED IN THIS DRAWING IS THE SOLE PROPERTY OF SUPER PRODUCTS. ANY REPRODUCTION IN PART OR AS A WHOLE WITHOUT THE WRITTEN PERMISSION OF SUPER PRODUCTS IS PROHIBITED.

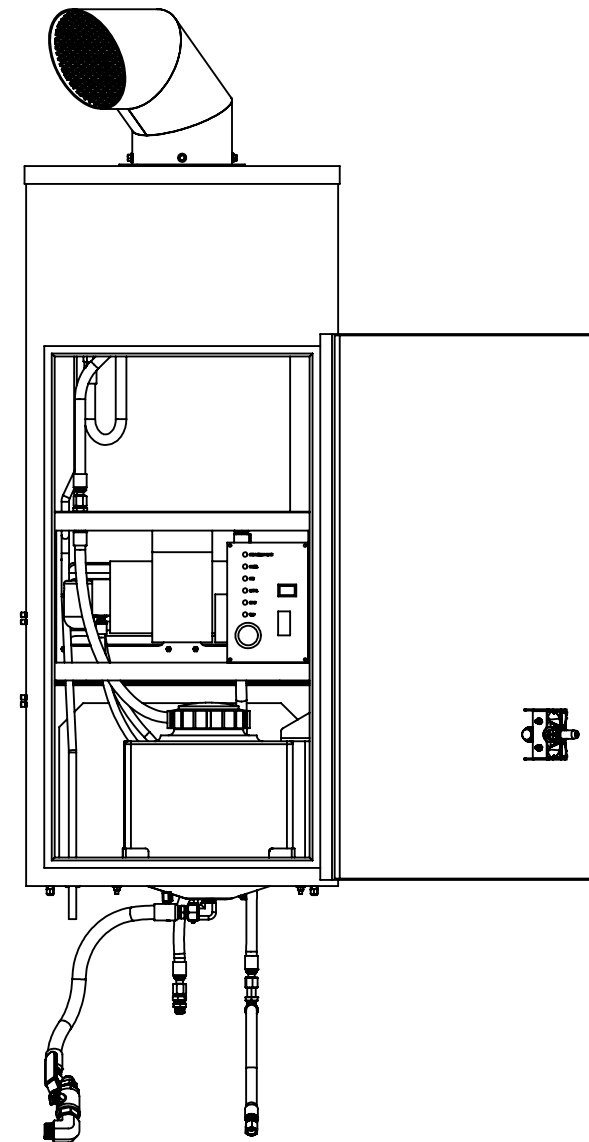
UNLESS OTHERWISE SPECIFIED:
DIMENSIONS ARE IN INCHES
TOLERANCES ARE:
X.X ± 0.100
X.XX ± 0.060
X.XXX ± 0.030
ANGULAR: MACH ± 1° BEND ± 2°
INTERPRET GEOMETRIC TOLERANCING PER: ASME Y14.5

DWG. NO. 0034207	REV A		
SIZE B	SCALE: 1:3	WEIGHT:	SHEET 1 OF 1

ITEM NO.	PART NUMBER	DESCRIPTION	QTY.	LENGTH
1	0008477	SCREW,ROUND HEAD,#10-24 X .75	8	
2	0027473-00002	NUT, U-STYLE CLIP-ON 5/16-18	4	
3	0038840	WLDMT, EXHAUST	1	
4	0038844	CABINET,WATER HEATER	1	
5	0040132-00007	CLAMP, TENSION SPRING .63 HOSE	1	
6	0040219	WLDMT, FRAME , HEATER	1	
7	0040224	ANGLE, TANK	1	
8	0040253	PANEL, LOUVER	2	
9	0040731-13075	SERRATED-FLANGE, SCREW 5/16-18 X .75	4	
10	0041100	HARNESS, HEATER PWR, MD700, PETE	1	
11	0041107	HARNESS, HEATER PWR, MD CABINET	1	
12	0041604	ASSY, DIESEL FUEL LINE	1	
13	0041854	BRKT,GLYCOL TANK SUPPORT	2	
14	0042366	ASSY, WATER, HEATER AALADIN 635	1	
15	0050-00075	SCREW,HEX HEAD CAP,1/4-20 X 3/4,GR5	2	
16	0050-00100	SCREW, CAP 0.25-20 X 1.00 HX GR5	4	
17	0052-00100	SCREW,HEX HEAD CAP,3/8-16 X 1,HX GR 5	8	
18	0052-00250	SCREW,HEX HEAD CAP,3/8-16 X 2.50 ,GR5	4	
19	0082-00001	WASHER,FLAT,USS,1/4",STEEL,PLT'D	10	
20	0082-00003	WASHER,FLAT,USS,3/8",STEEL,PLT'D	8	
21	0160-32005	NUT,LOCK,CLINCHED,#10-24,GR5,PLT'D-STL	8	
22	0160-32006	NUT,LOCK,CLINCHED,1/4"-20,GR5,PLT'D-STL	6	
23	0160-32008	NUT,LOCK,CLINCHED,3/8"-16,GR5,PLT'D-STL	12	
24	3470-02400	HOSE, SUCTION (GMV) W/JIC ENDS	1	
25	3476-02300	ASSY, HOSE HYD, (M3K) 3/8	1	
26	3476-02500	ASSY, HOSE HYD,W/JIC ENDS 3/8	1	
27	3477-01700	ASSY, HYD, HOSE W/JIC ENDS	1	
28	3477-02000	ASSY, HOSE HYD, (M3K) .50	1	
29	3477-02000	ASSY, HOSE HYD, (M3K) .50	1	
30	3477-03300	ASSY, HOSE HYD, (M3K) .50	1	
31	3477-04400	ASSY, HOSE HYD, W/JIC ENDS 1/2	1	
32	3500-00590-0012	GROMMET,RUBBER	1	
33	3500-00679	TANK, 20 GALLON ANTIFREEZE	1	
34	3801-00000	LOW, PRESSURE HOSE .38 ID	1	63
35	6000-01030-0005	VALVE, BALL-BRONZE 1.00 LOW PR.	1	
36	6009-00006	ADAP.STR. .25NPT(M)X .38JIC(M)	1	
37	6009-00023	ADAP, STR, 12MJ X 16MP	1	
38	6132-00606	ADAPTER, 90, MJIC X F SWIVEL	1	
39	6149-00808	ADAPTER, 90 DEG BULKHEAD (JIC) M-M	3	
40	6150-00006	NUT, BULKHEAD (JIC)	2	
41	6150-00008	NUT, BULKHEAD (JIC) 3/4"-16	4	
42	6152-00606	ADAPTER,STR., (M)JIC-06 BULKHEAD	2	
43	6152-00808	ADAPTER,STR. (M)JIC BULKHEAD, .50 OD TUBE, .75"-16 THRD	1	
44	6165-00604	ADAPTER, 90 DEG (M) JIC X (M) NPT	1	
45	6165-01212	ADAPTER, 90DEG(M)JIC X (M)NPT	1	
46	6203-00808	ADAPTER, STR. JIC (M) X NPT (F)	1	
47	6245-00009	MALE, ELBOW 90 DEG, 1" NPT	1	

REVISIONS				
REV #	ECO #	DESCRIPTION	DATE	APPR
F	99999	0042366 WAS 3100-01439	06/11/2021	C.Colorito

(NOT SHOWN)
(NOT SHOWN)

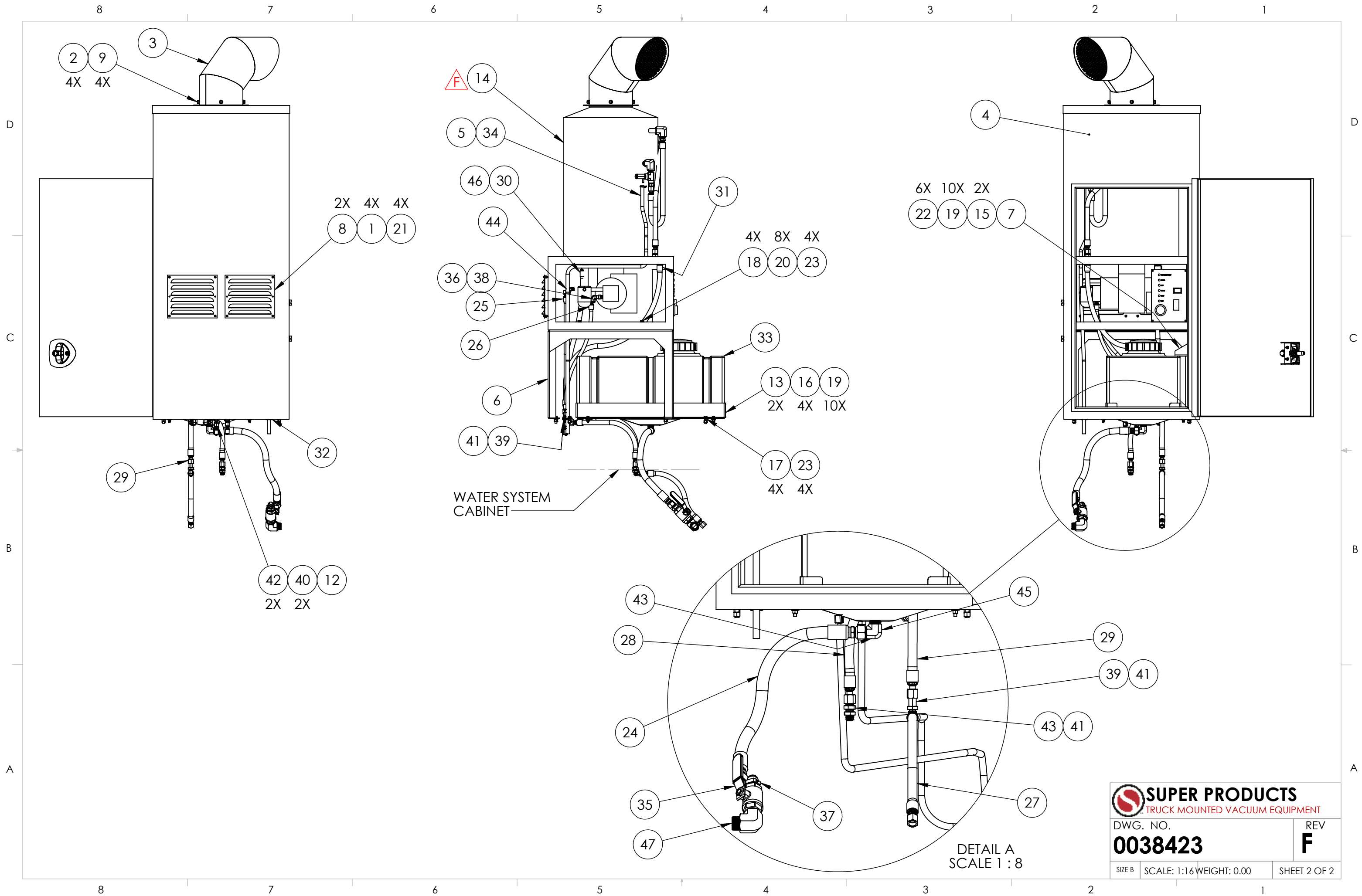


DRAWN BY		NAME	DATE	
ENG APPR.		M. Riley	8/21/2020	
MFG APPR.		C.Colorito	09/28/2020	
TITLE:				ASSY, WATER HEATER, 480K BTU, ENCLOSED
DWG. NO.				
0038423				REV
				F
SIZE B	SCALE: 1:16	WEIGHT: 0.00	SHEET 1 OF 2	

MATERIAL: []

PROPRIETARY AND CONFIDENTIAL
THE INFORMATION CONTAINED IN THIS DRAWING IS THE SOLE PROPERTY OF SUPER PRODUCTS. ANY REPRODUCTION IN PART OR AS A WHOLE WITHOUT THE WRITTEN PERMISSION OF SUPER PRODUCTS IS PROHIBITED.

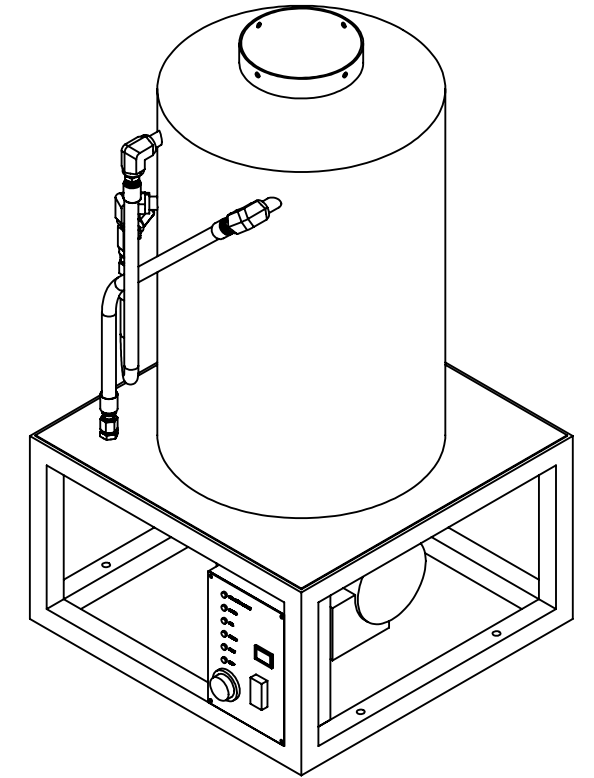
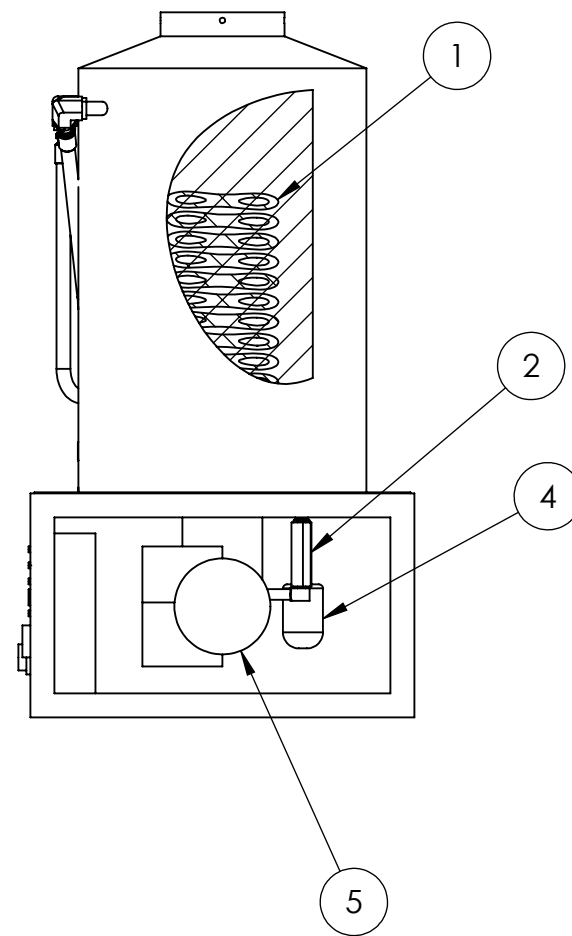
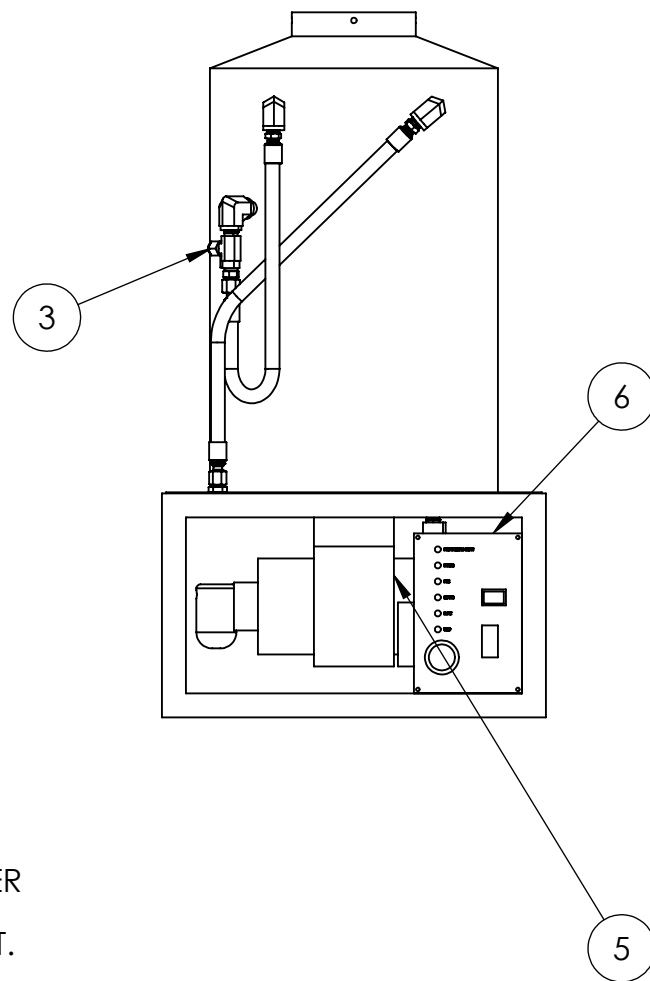
UNLESS OTHERWISE SPECIFIED:
DIMENSIONS ARE IN INCHES
TOLERANCES ARE:
X.X ± 0.100
X.XX ± 0.060
X.XXX ± 0.030
ANGULAR: MACH ± 1° BEND ± 2°
INTERPRET GEOMETRIC TOLERANCING PER: ASME Y14.5



SUPER PRODUCTS
 TRUCK MOUNTED VACUUM EQUIPMENT
 DWG. NO. **0038423** REV **F**
 SIZE B SCALE: 1:16 WEIGHT: 0.00 SHEET 2 OF 2

ITEM NO.	PART NUMBER	DESCRIPTION	QTY.
1	7310-02047	WLDMT, HEATER UPPER COIL 635	1
2	7310-02159	Flow Switch	1
3	7310-02984	Relief Valve	1
4	7310-03073	FUEL/WATER FILTER	1
5	7310-03381	ASSEMBLY, BURNER 635 HEATER	1
6	0042375	DIAGNOSTIC, CONTROL HEATER	1

REVISIONS				
REV #	ECO #	DESCRIPTION	DATE	APPR
A				



BTU INPUT : 480-000 OIL FIRED.

OPTIONS :

- 12 VDC -15 AMP.
- HEAVY DUTY BURNER - BECKETT SDC (AN1201).
- CAD CELL FLAME SENSOR.
- HIGH PRESSURE FLOW SWITCH LOCATED IN LOWER CHAMBER AT WATER INLET.
- DIAGNOSTIC LIGHTS, W/ADJUSTABLE THERMOSTAT. MOUNTED IN LOWER CHAMBER.
- SCHEDULE 80 WATER HEATER COIL.
- NO LEGS INCLUDED.
- NO ACCESS DOOR.
- ADD (4) HOLES IN EXHAUST TUBE FOR DUCT.
- ADD (4) HOLES IN FRAME FOR MOUNTING.

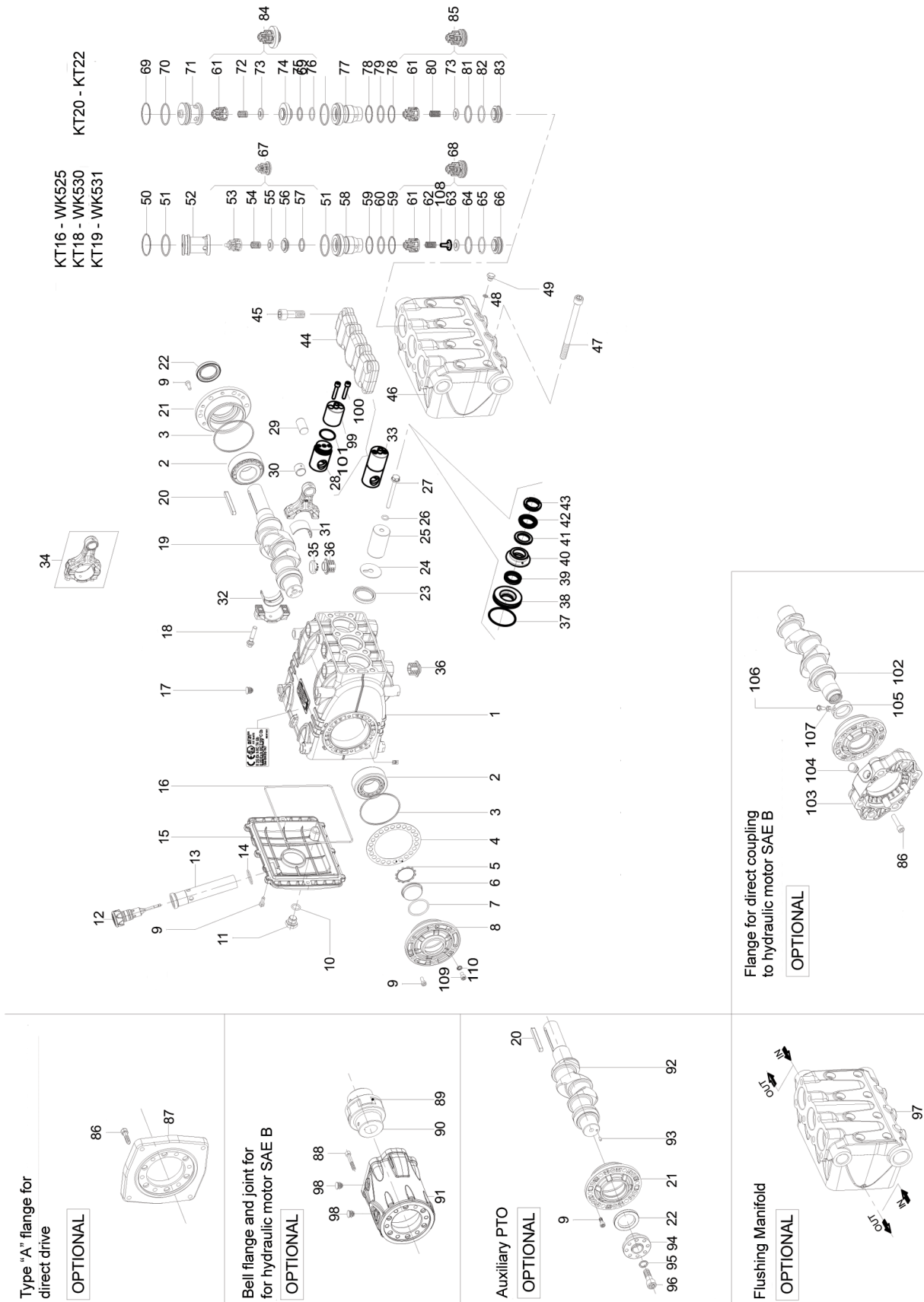
	NAME	DATE	
DRAWN BY	M. Riley	8/9/2021	
ENG APPR.	C.Colorito	08/09/2021	
MFG APPR.			TITLE: ASSY, WATER, HEATER AALADIN 635
DWG. NO. 0042366-parts		REV A	
SIZE B	SCALE: 1:12	WEIGHT: 376.14	SHEET 1 OF 1

MATERIAL: []

PROPRIETARY AND CONFIDENTIAL
 THE INFORMATION CONTAINED IN THIS DRAWING IS THE SOLE PROPERTY OF SUPER PRODUCTS. ANY REPRODUCTION IN PART OR AS A WHOLE WITHOUT THE WRITTEN PERMISSION OF SUPER PRODUCTS IS PROHIBITED.

UNLESS OTHERWISE SPECIFIED:
 DIMENSIONS ARE IN INCHES
 TOLERANCES ARE:
 X.X ± 0.100
 X.XX ± 0.060
 X.XXX ± 0.030
 ANGULAR: MACH ± 1° BEND ± 2°
 INTERPRET GEOMETRIC TOLERANCING PER: ASME Y14.5

16. EXPLODED VIEW AND PARTS LIST



Item	Part #	Description	QTY.
1		Crankcas	1
2		Tapered Roller Bearin	2
3		O-ring, Ø 80.60x2.6	2
4		Shim, 0.1 mm	1
		Shim, 0.25 mm	
5		Retainer Clip	1
6		Oil Site Glas	1
7	7310-03183	O-ring, Ø 39.34x2.62	1
8		Bearing Cover (Oil Glass Side)	1
9		Screw, M6x16	20
10		O-ring, Ø 13.95x2.62	1
11		Plug, G3/8x13 TE2	1
12	0042429	OIL DIPSTICK D.21,5X70	1
13		DIP STICK TUBE	1
14		O-ring, Ø25.12x1.78	
15		CRANKCASE COVER	1
16		OR Ø 190.17X2.62 NBR 70SH	1
17		PLUG Ø	5
18		CONN.ROD BOLT M8X1X	6
19		CRANKSHAF	1
20		KE	1
21		BEARING COVER (PTO SIDE)	1
22	0042424	OIL SEAL Ø35X52X7	1
23	0042425	OIL SEAL Ø 36X47X7	3
24	0042430	WASHER Ø 10X45	3
		PLUNGER Ø 20X62	
	0042419	PLUNGER Ø 22X62	
		PLUNGER Ø 16X63	
		PLUNGER Ø 18X63	
		PLUNGER Ø 19X63	
26	0042426	O-RING Ø 10.82X1,78(2043)90SH	3
27	0042421	PLUNGER BOLT	3
28		PLUNGER GUIDE	3
29		GUDGEON PIN Ø 18X36	3
30		CONNECTING ROD BUSHING	3
		UPPER HALF-BUSH (BIG END)	
		UPPER HALF-BUSH (BIG END), +0.25	
		UPPER HALF-BUSH (BIG END), +0.50	
		LOWER HALF-BUSH (BIG END)	
		LOWER HALF-BUSH (BIG END), +0.25	
		LOWER HALF-BUSH (BIG END), +0.50	
34		CONNECTING ROD COMPLETE	3
35		PLUG CAP	3
36		CRANKCASE PLUG	6
37	0042427	O-RING Ø 50,52X1,78	3
		PACKING RETAINER Ø 16	
		PACKING RETAINER Ø 18	
		PACKING RETAINER Ø 19	
		PACKING RETAINER Ø 20	
	0042420	PACKING RETAINER Ø 22	
		L.P. SEAL Ø 16X24X6.5	
		L.P. SEAL Ø 20X28X5.5	
	0042431	L.P. SEAL Ø 22X30X5.5	
		L.P. SEAL Ø 18X26X5.5	
		L.P. SEAL Ø 19X27X5.4	
		INTERMEDIATE RING Ø 16	
		INTERMEDIATE RING Ø 18	
		INTERMEDIATE RING Ø 19	
		INTERMEDIATE RING Ø 20	
		INTERMEDIATE RING Ø 22	
		RESTOP RING, 26X32X6.2/3	
		RESTOP RING, 16X30X6.2/3	
		RESTOP RING, 20X35X5.5/2	
		RESTOP RING, 22X35X5.5/2	
		RESTOP RING, 19X32X6.0/3	
		PACKING 20x35x7,5,hP	
		PACKING 22x35x7/4.5, HP	
		PACKING 18X32X7/4.5 HP	
		PACKING 16X30X7/4.5, HP	
		PACKING 19X32X7.1/4.5, HP	
		HEAD RING Ø 20	
	7310-03330	HEAD RING Ø 22	
		HEAD RING Ø 19	
		HEAD RING Ø 18	
		HEAD RING Ø 16	

Item	Part #	Description	QTY.
44		VALVE COVER	1
45		SCREW M14X40 UNI5931	8
		MANIFOLD FOR PIST. Ø 16, NPT	
		MANIFOLD FOR PIST. Ø 18, NPT	
		MANIFOLD FOR PIST. Ø 18, BSP	
		MANIFOLD FOR PIST. Ø 19, NPT	
		MANIFOLD FOR PIST. Ø 19, BSP	
		MANIFOLD FOR PIST. Ø 20-22, NPT	
47		SCREW M10X140 5931	8
48	7300-03375	O-RING 6.75X1.78	3
49	7300-03374	PLUG G1/8X8 S.S.	3
50		ANTI-EXTRUSION RING, Ø 30.9X35X1.5, KT16,18,1	3
51		O-RING Ø 29,82X2,62 90 SH., KT16,18,19	6
52		VALVE PLUG Ø 35, KT16,18,19	3
53		VALVE CAGE, KT16,18,1	3
54		SPRING Ø 9.4X14.8, KT16,18,1	3
55		SPHERICAL VALVE, KT16,18,1	3
56		VALVE SEAT, KT16,18,1	3
57		O-RING Ø 17.13X2.62, KT16,18,	3
58		VALVE SPACER, KT16,18,1	3
59		ANTI-EXTR.RING Ø 24.7x29x1.5, KT16,18,19	6
60		O-RING Ø 23.81X2.62 NBR 90SH, KT16,18	3
61		VALVE CAGE S.S.	3
62		SPRING Ø 11.4X20, KT16,18,1	3
63		SPHERICAL INLET VALVE, KT16,18,1	3
64		O-RING Ø .23,47X2.62(3093) 90SH., KT16,18,1	3
65		ANTI-EXTR.RING Ø 23.9X28X2, KT16,18,19	3
66		INLET VALVE SEAT, KT16,18,1	3
67		GR. DELIVERY VALVE, KT16,18,1	3
68		GR. INTAKE VALVE, KT16,18,19	3
69	7300-03352	O-RING Ø 39.34X2.62 NBR, KT20,22	6
70		ANTI-EXTR.RING Ø 40.9X454X1.5, KT20,2	3
71		PLUG Ø 45, KT20,2	6
72		SPRING Ø 12X17, KT20,2	3
73		SPHERICAL VALVE PLATE, KT20,2	6
74		OUTLET VALVE SEAT, KT20,2	3
75		O-RING Ø 21.89X2.62 90 SH., KT20,	3
76	0042428	ANTI-EXTR.RING Ø 22.9X27X1.5, KT20,22	3
77	0042422	VALVE SPACER, KT20,22	3
78	7300-03287	ANTI-EXTR.RING Ø 31,4X35,5X1.5, KT20,22	6
79	7300-03288	O-RING Ø 29,82X2,62 90 SH., KT20,22	3
80		SPRING Ø 11.4X20, KT20,	3
81	7300-03288	O-RING Ø 29,82X2,62 90 SH., KT20,22	3
82		ANTI-EXTR.RING Ø 30X34.5X1.5, KT20,2	3
83		INLET VALVE SEAT, KT20,	3
84		OUTLET VALVE, KT20,22	3
85		INTAKE VALVE, KT20,	3
86		SCREW, M8X	6
87		FLANGE *	1
88		SCREW, M8X4	6
89		ELASTIC GASKET SEA	1
90		GASKET Ø 30X25.4	1
91		FLANGE	1
92		CRANKSHAFT	1
93		PIN Ø 5x1	1
94		DOUBLE PTO	1
95		WASHER Ø 12X18X1 DIN 988	1
96		SCREW M12X35 UNI5931	1
97		FLUSHING MANIFOLD	1
98		PLUG Ø 15	2
99		PLUNGER GUIDE RO	3
100		SCREW, M6X3	6
101		O-RING, Ø 29X1.5	3
102		CRANKSHAFT, Ø 26 HYP SAE-B	1
103		MOTOR FLANGE, SAE-	1
104		PLUG Ø 17	1
105		RING Ø 30 HYP	1
106		SCREW, M6X1	1
107		NUT, M6X	1
108		INTERNAL VALVE GUIDE	3
109		SCREW, M6X	1
110		WASHER, Ø 6.4X11X0.7 - ATE	1

REPAIR KITS

0042418

KIT NUMBER	F2227 Plunger Packing Kit KT16A & WK525	F2228 Plunger Packing Kit KT18A & WK530	F2408 Plunger Packing Kit KT19A & WK531	F2229 Plunger Packing Kit KT20A	F2230 Plunger Packing Kit KT22A
Positions Included	37, 39, 41, 42,	37, 39, 41, 42,	37, 39, 41, 42	37, 39, 41, 42,	37, 39, 41, 42,

7310-02991

KIT NUMBER	F2031 Inlet Valve Kit KT16A/KT18A/KT19A WK525/WK530/WK531	F2022 Inlet Valve Kit KT20A/KT22A
Positions Included	64, 65, 68, 81, 82, 85	64, 65, 68, 81, 82, 85

7310-02990

KIT NUMBER	F2256 Outlet Valve Kit KT16A/KT18A/KT19A WK525/WK530/WK531	F2023 Outlet Valve Kit KT20A/KT22A
Positions Included	57, 67, 75, 76, 84	57, 67, 75, 76, 84

KIT NUMBER	F2231 Complete Seals Kit KT16A & WK525	F2232 Complete Seals Kit KT18A & WK530	F2409 Complete Seals Kit KT19A & WK531	F2233 Complete Seals Kit KT20A	F2234 Complete Seals Kit KT22A
Positions Included	3, 5, 7, 10, 14, 16, 22, 23, 26, 37, 39, 41, 42, 48, 50, 51, 57, 59, 60, 64, 65, 69, 70, 75, 76 78, 79, 81, 82	3, 5, 7, 10, 14, 16, 22, 23, 26, 37, 39, 41, 42, 48, 50, 51, 57, 59, 60, 64, 65, 69, 70, 75, 76 78, 79, 81, 82	3, 5, 7, 10, 14, 16, 22, 23, 26, 37, 39, 41, 42, 48, 50, 51, 57, 59, 60, 64, 65, 69, 70, 75, 76 78, 79, 81, 82	3, 5, 7, 10, 14, 16, 22, 23, 26, 37, 39, 41, 42, 48, 50, 51, 57, 59, 60, 64, 65, 69, 70, 75, 76 78, 79, 81, 82	3, 5, 7, 10, 14, 16, 22, 23, 26, 37, 39, 41, 42, 48, 50, 51, 57, 59, 60, 64, 65, 69, 70, 75, 76 78, 79, 81, 82

KIT NUMBER	F2156 Connecting Rod Bushing Kit (Standard)	F2157 Connecting Rod Bushing Kit (+0.25)	F2158 Connecting Rod Bushing Kit (+0.50)
Positions Included	31, 32	31, 32	31, 32

ITEM NO.	PART NUMBER	DESCRIPTION	QTY.	LENGTH
1	0014-20011	BUSHING, 1/2 X 1, GALV	1	
2	0014-20020	BUSHING,HX-RED,1.5 X .1"NPT	2	
3	0015-20003	CAP,SCR.PIPE .38 GALV	1	
4	0016-00006	PLUG,SCR.SQ.HD.,1.00"NPT	1	
5	0024-20009	BUSHING,3000PSI,0.75 X 0.50 GALV	1	
6	0029-00300-0002	PIPE SCH 40 .38 X 3.00 GALV	1	
7	0032-00500-0002	PIPE,TBE,SCH40, 1" X 5" GALV	1	
8	0050-00075	SCREW,HEX HEAD CAP,1/4-20 X 3/4,GR5	2	
9	0050-00200	SCREW,HEX HEAD CAP,1/4-20 X 2,GR5	4	
10	0050-10075	SCREW,HEX HEAD CAP,1/4-20 X 3/4, SS	4	
11	0052-00075	SCREW,HEX HEAD CAP,3/8-16 X .75,HX,GR 5	2	
12	0052-00100	SCREW,HEX HEAD CAP,3/8-16 X 1,HX GR 5	8	
13	0052-00125	SCREW,HEX HEAD CAP,3/8-16 X 1-1/4,HX GR5	14	
14	0052-00225	SCREW,HEX HEAD CAP,3/8-16 X 2.25,GR5	4	
15	0056-20200	SCREW,HEX HEAD CAP,5/8-11 X 2,GR8	4	
16	0082-00001	WASHER,FLAT,USS,1/4",STEEL,PLT'D	12	
17	0082-00003	WASHER,FLAT,USS,3/8",STEEL,PLT'D	30	
18	0082-00005	WASHER,FLAT,USS,1/2",STEEL,PLT'D	8	
19	0082-00022	WASHER,FLAT,USS,#10,STEEL,PLT'D	4	
20	0082-30007	WASHER,FLAT,USS,5/8",STEEL,PLT'D,GR8	4	
21	0156-00049	SCREW,ROUND HEAD,#10-24 X .75	2	
22	0160-32005	NUT,LOCK,CLINCHED,#10-24,GR5,PLT'D-STL	2	
23	0160-32006	NUT,LOCK,CLINCHED,1/4"-20,GR5,PLT'D-STL	8	
24	0160-32008	NUT,LOCK,CLINCHED,3/8"-16,GR5,PLT'D-STL	24	
25	0160-42012	NUT,LOCK,CLINCHED,5/8"-11,GR8,PLT'D-STL	4	
26	0294-00030	SCREW,HEX M12-1.75 X 30mm	6	
27	0415-00006	U-BOLT, 1/4-20 X 1.25"	2	
28	0415-00008	U-BOLT .25-20 X 1.75	1	
29	3471-03200	ASSY, SUCTION (GMV), 1"	1	
30	3477-01700	ASSY, 1/2 HOSE HYD W/JIC ENDS	1	
31	3477-02200	ASSY HOSE .50	1	
32	3477-02900	ASSY, HYD HOSE 1/2 W/JIC ENDS	1	
33	3477-04400	ASSY, 1/2 HOSE HYD W/JIC ENDS	1	
34	3800-00000	HOSE LOW PRESSURE .25	1	14"
35	3800-00000	HOSE LOW PRESSURE .25	1	15"
36	6000-00684	COUPLER, FEMALE, Q.D., 1/2"	1	
37	6000-00686	COUPLER, MALE 0.50 NPT QD	1	
38	6000-01030-0005	VALVE, BALL-BRONZE 1.00 LOW PR.	1	
39	6000-01131	VALVE, BALL 0.25" 5000 PSI	1	
40	6000-01316	GAUGE, 5000 PSI	1	
41	6000-01793	STRAINER, IN-LINE 1.5NPT (F)	1	
42	6001-00016	UNION,STR.ADAPTER 1.00M 1.00FS	1	
43	6003-00019	UNION,90DEG.ADAPT. 1.00M 1.00FS	1	
44	6009-00015	ADAP. STR. .50NPT(M) X .50JIC(M)	1	
45	6009-00024	ADAP.STR.1.00NPT(M)X1.00JIC(M)	1	
46	6010-00002	NIPPLE, HOSE MALE .25 NPT X .25	2	
47	6015-00016	ADAPTER, STR, FP.25 X M. O-RING .75	2	
48	6023-00007	NIPPLE, HEX 0.50 MPT X 0.25 MPT	1	
49	6023-00009	NIPPLE, HEX 0.50 MNPT	1	
50	6023-00012	NIPPLE,HEX 1.00MPT X 1.00MPT	1	
51	6025-00005	STREET ELBOW 90° 1"	2	
52	6025-00007	ELBOW, 90°.STREET ADAPT. .38	1	
53	6078-00010	TEE, STREET 0.50 NPT	1	
54	6078-00018	TEE,STREET,1"NPT	1	
55	6093-00007	STR, (M)BSPP X (F)NPT	1	
56	6095-00003	SEAL, BONDED-BRIT.THREAD .38	1	
57	6130-00808	ADAPTER, MJIC X M O-RING	1	
58	6130-01208	ADAPTER, MJIC X M O-RING	1	
59	6132-00808	ADAPTER, 90°, JIC M-F	1	
60	6133-00808	ADAPTER, 45DEG.(JIC) M-F	1	
61	6137-00808	ADAPTER, 90, M O-RING X M JIC	2	
62	6150-00008	NUT, BULKHEAD (JIC) 3/4"-16	1	
63	6150-00016	NUT, BULKHEAD (JIC)	1	
64	6152-00808	ADAPTER,STR. (M)JIC BULKHEAD, .50 OD TUBE, .75"-16 THRD	1	
65	6152-01616	ADAPTER,STR.(M)JIC,BULKHEAD	1	
66	6164-00808	ADAPTER, 90° NPT (M) X JIC (F) SWIVEL	2	
67	6165-00808	ADAPTER, 90° (M)JIC X (M) NPT	1	
68	6165-01208	ADAPTER, 90° NPT (M) X JIC (M)	1	
69	6169-80808	ADAPTER, TEE, (M) JIC X MNPT X (M) JIC	1	
70	6173-00808	ADAPTER,STR. 3/4"-16(F)JIC SWIVEL/ 1/2"(M)NPT	1	
71	6173-01212	ADAPTER,STR.(F)JIC SWIVEL/MNPT	2	

REVISIONS				
REV #	ECO #	DESCRIPTION	DATE	APPR
H	99999	REMOVED, 6245-00804, 6000-01030-0001,QTY, 6010-00002 2 WAS 1,6245-00013 2 WAS 1, ADDED 6245-00013, 0042882-00004.	09/22/2021	C.Colorito

ITEM NO.	PART NUMBER	DESCRIPTION	QTY.	LENGTH
72	6214-00008	CROSS, .50" JIC(M)	1	
73	6240-00404	ELBOW,90° (M) BARBED X (MNPT)	1	
74	6240-00608	ELBOW, MALE BARBED HOSE 3/8 X 1/2-14 NPT	1	
75	6245-00013	ELBOW 90°, MP1/2 X MP 1/4	2	
76	0027071-00040	SHCS, M14-2 X 40MM	2	
77	0030622	ASSY, CARGO LT, LED	1	
78	0031435	NUT,FLANGE,1/4"-20 SS,NY-LOCK	4	
79	0031456	ACCUMULATOR, HYDROPNEUMATIC W/ BLADDER	1	
80	0031547-00808	ADAPTOR, STRAIGHT, (O-RING) M X (NPT) M	1	
81	0032658	VALVE,CHECK,1/2"NPT,SS	1	
82	0032684	SENSOR, PRESSURE, WATER 250 BAR, M12, 4-20mA	1	
83	0036117-00008	VALVE,BALL,HIGH PRESSURE,1/2"NPT	2	
84	0038426	PLATE, WATER PUMP	1	
85	0038471	BRKT, ACCUMULATOR	1	
86	0038475	MANIFOLD, UNLOADER	1	
87	0038934	REEL,HOSE,PNEU REWIND,NO ROLLERS	1	
88	0040506	ROLLERS,4-WAY,CABINET OPENING	1	
89	0040511	PAD, RUBBER, PASS THRU	2	
90	0040517	STANDOFF,HOSE WIPER	1	
91	0040543	VALVE, UNLOAD 26GPM @ 3300PSI	1	
92	0040827	PLATE, BACKING,	2	
93	0040877	CABINET,WATER PUMP,FRONT	1	
94	0040878	CABINET,WATER PUMP,BASE	1	
95	0040884	BRKT, WATER PUMP	1	
96	0040885	BRKT, MANIFOLD	1	
97	0041014	PUMP,KT22A, WATER	1	
98	0041015	GEARMOTOR,3.85 CID,WATER PUMP	1	
99	0041628	NUT,BEARING, RETAINING	1	
100	0041638	WLDMT,SUPPORT,WATER PUMP BOX	2	
101	0041817	ASSY,HOSE,HYD (M4K) .50 X 100'	1	
102	0042213	SUPPORT, CABINET MANIFOLD	1	
103	0042671	COVER, ACCESS	1	
104	0042882-00004	VALVE, BALL MINI	2	
105	0040506	ROLLERS,4-WAY, CABINET OPENING	1	

H

H

H

DRAWN BY	M. Riley	DATE	10/7/2020
ENG APPR.	C.Colorito	DATE	10/13/2020
MFG APPR.			

Super Products™

TITLE:
ASSY,WATER PUMP

DWG. NO. **0040840** REV **H**

SIZE B SCALE: 1:18 WEIGHT: 0.00 SHEET 1 OF 4

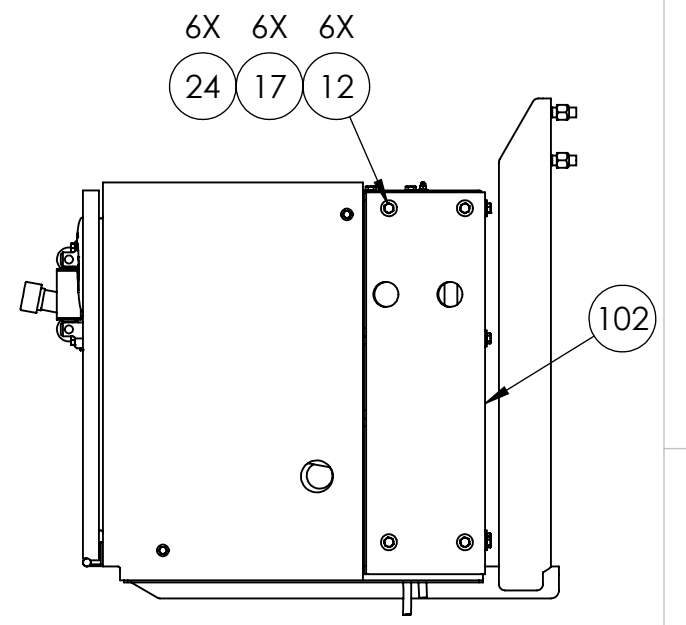
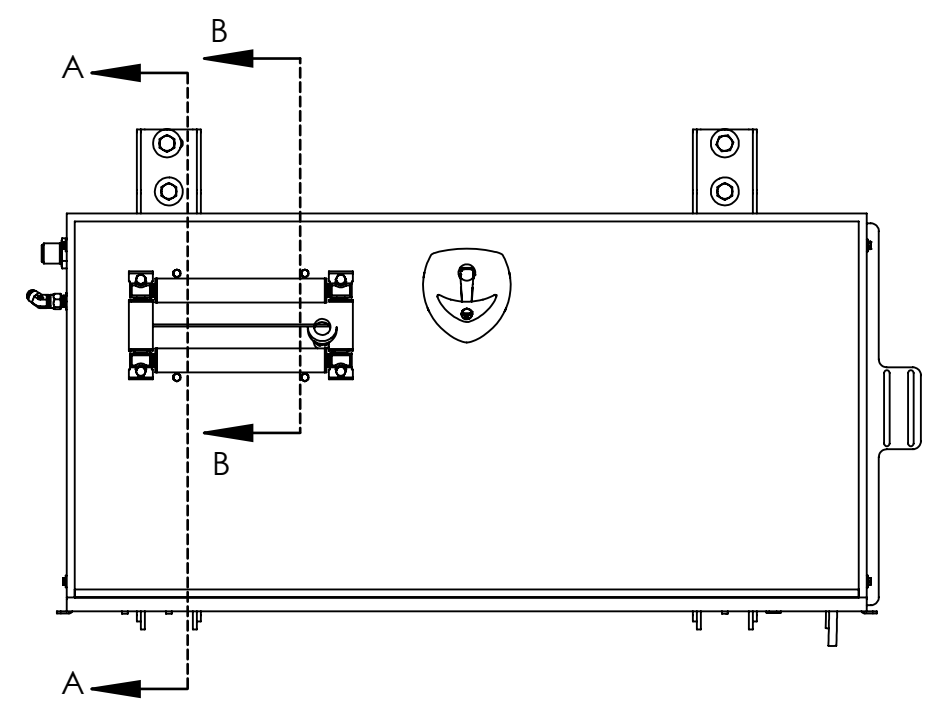
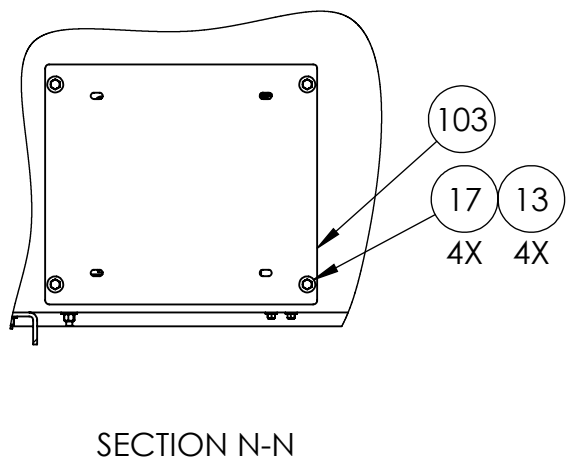
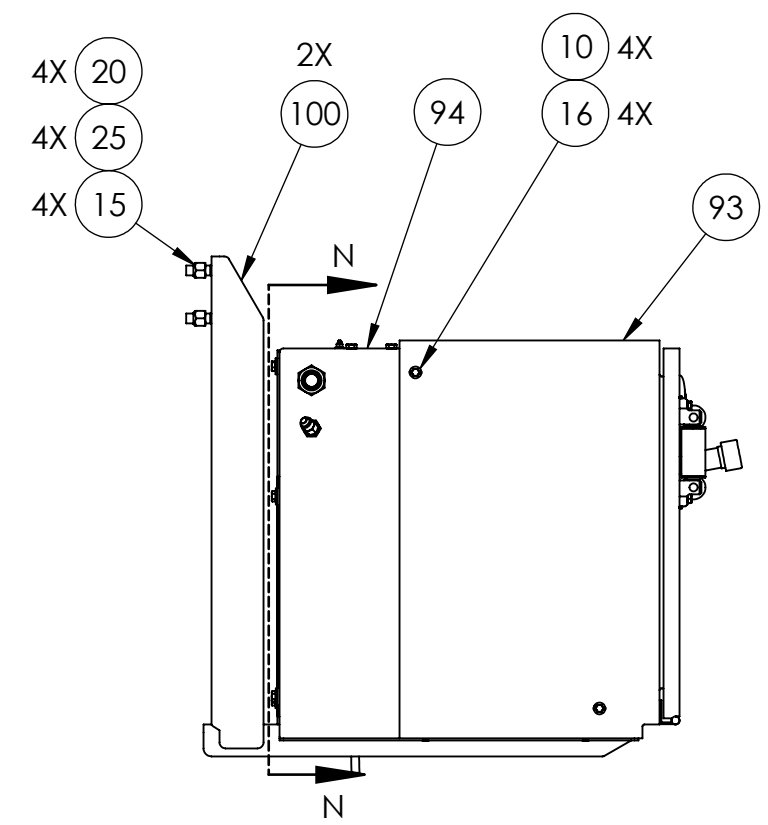
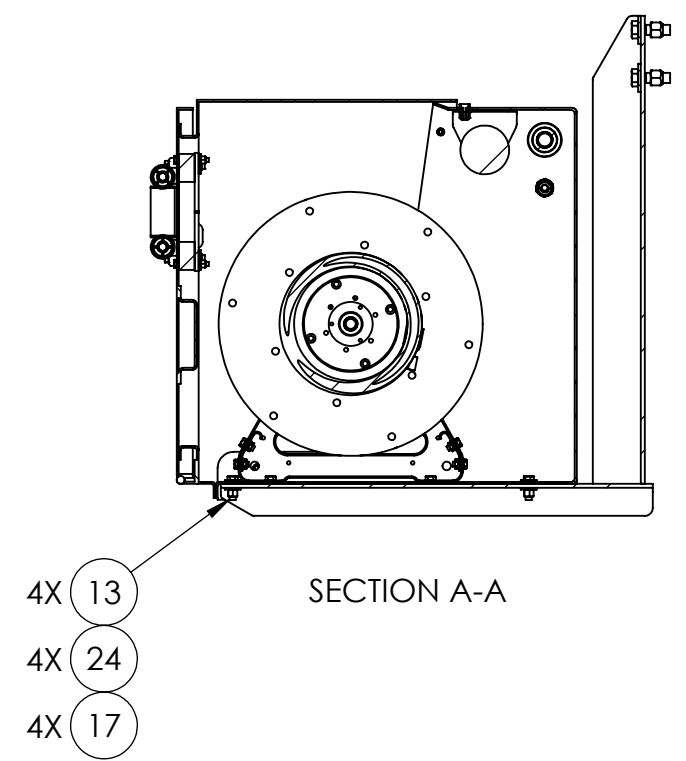
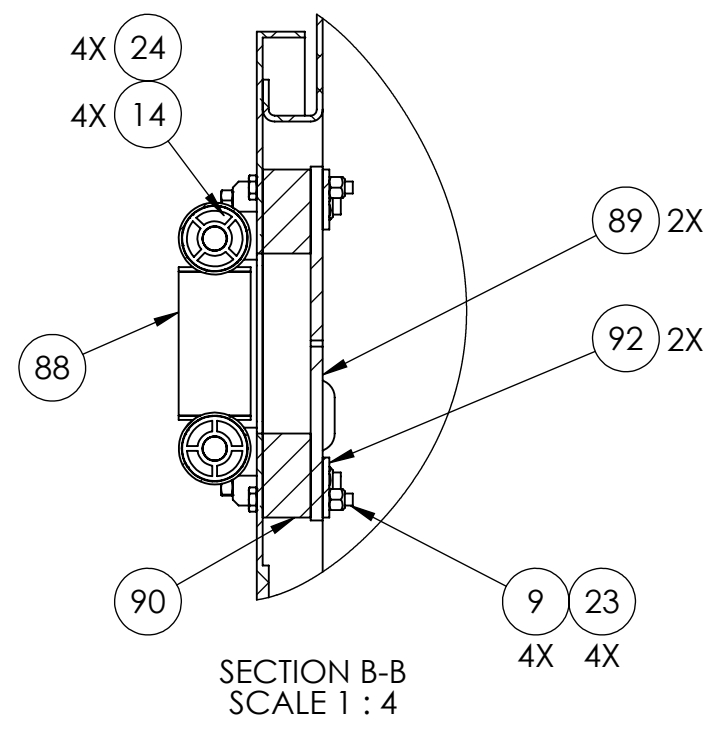
UNLESS OTHERWISE SPECIFIED:
DIMENSIONS ARE IN INCHES
TOLERANCES ARE:
X.X ± 0.100
X.XX ± 0.060
X.XXX ± 0.030
ANGULAR: MACH± 1° BEND ± 2°
INTERPRET GEOMETRIC TOLERANCING PER: ASME Y14.5

PROPRIETARY AND CONFIDENTIAL
THE INFORMATION CONTAINED IN THIS DRAWING IS THE SOLE PROPERTY OF SUPER PRODUCTS. ANY REPRODUCTION IN PART OR AS A WHOLE WITHOUT THE WRITTEN PERMISSION OF SUPER PRODUCTS IS PROHIBITED.

8 7 6 5 4 3 2 1

D
C
B
A

D
C
B
A

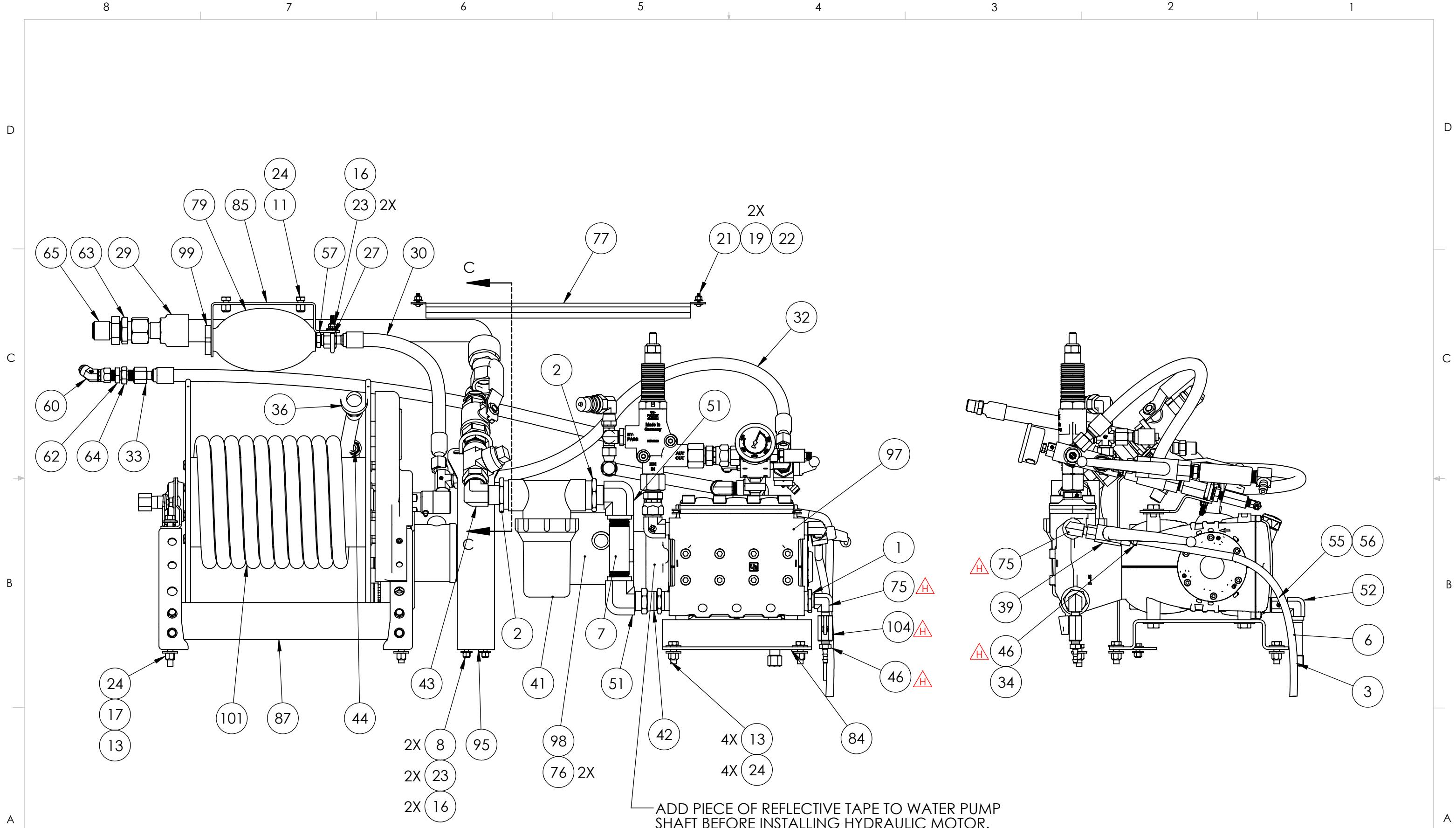


Super Products[®]

DWG. NO. **0040840** REV **H**

SIZE B	SCALE: 1:12	WEIGHT: 0.00	SHEET 2 OF 4
--------	-------------	--------------	--------------

8 7 6 5 4 3 2 1



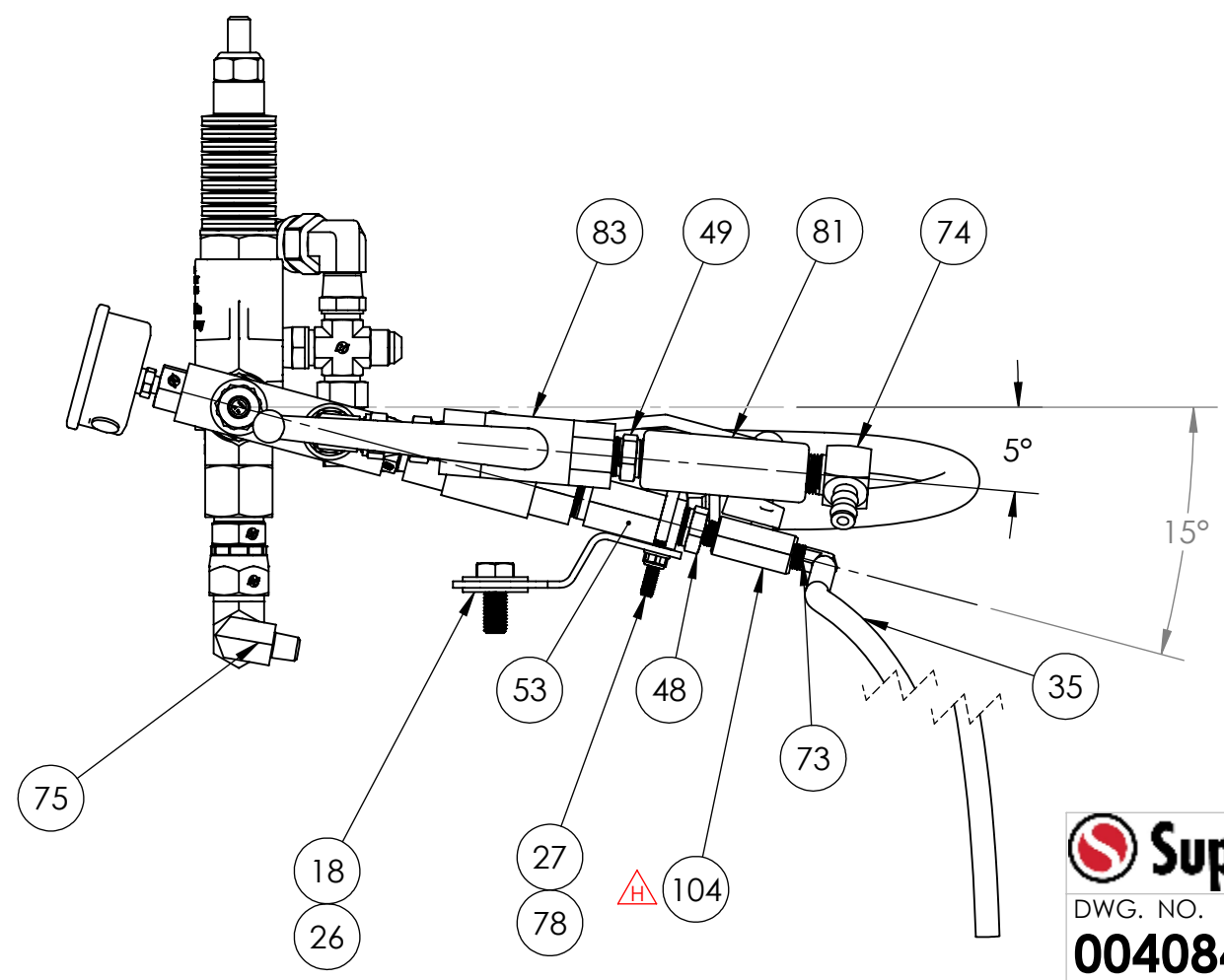
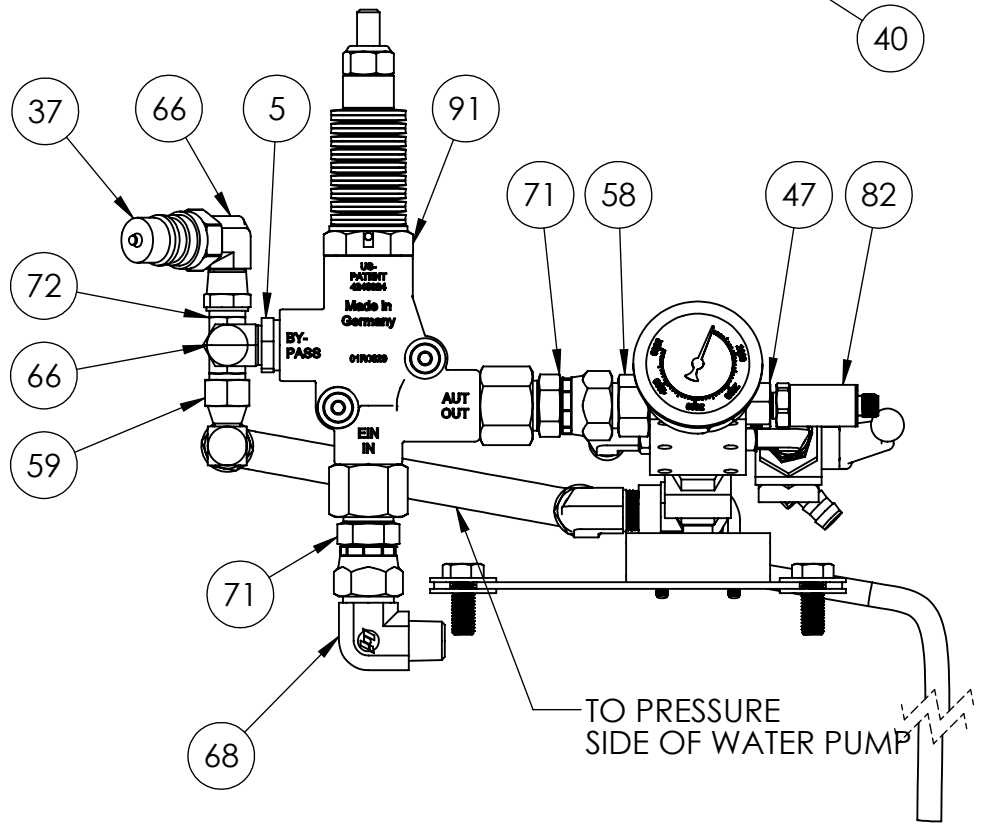
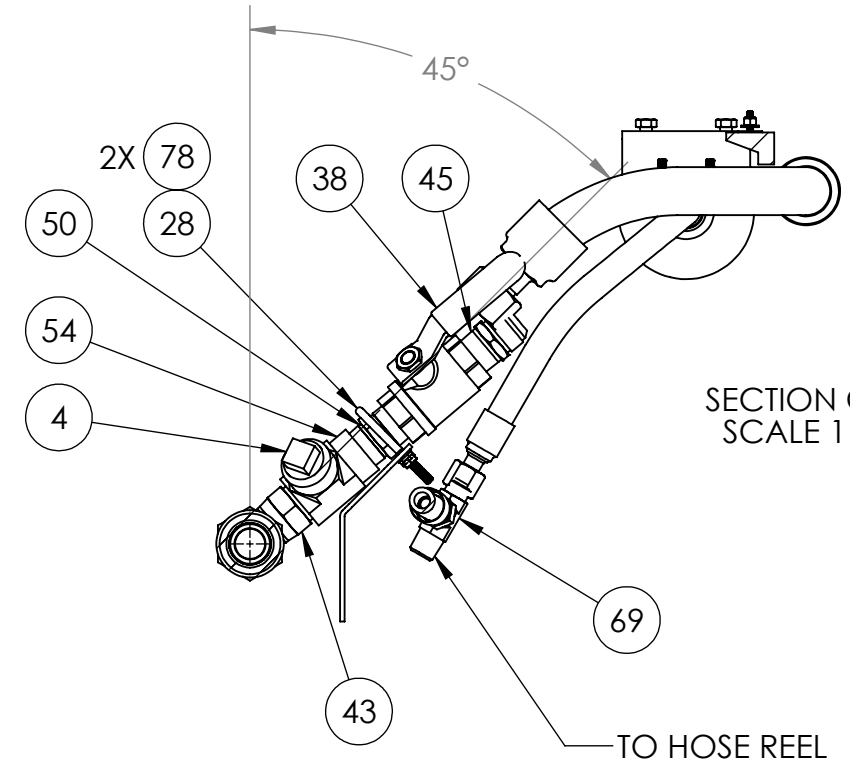
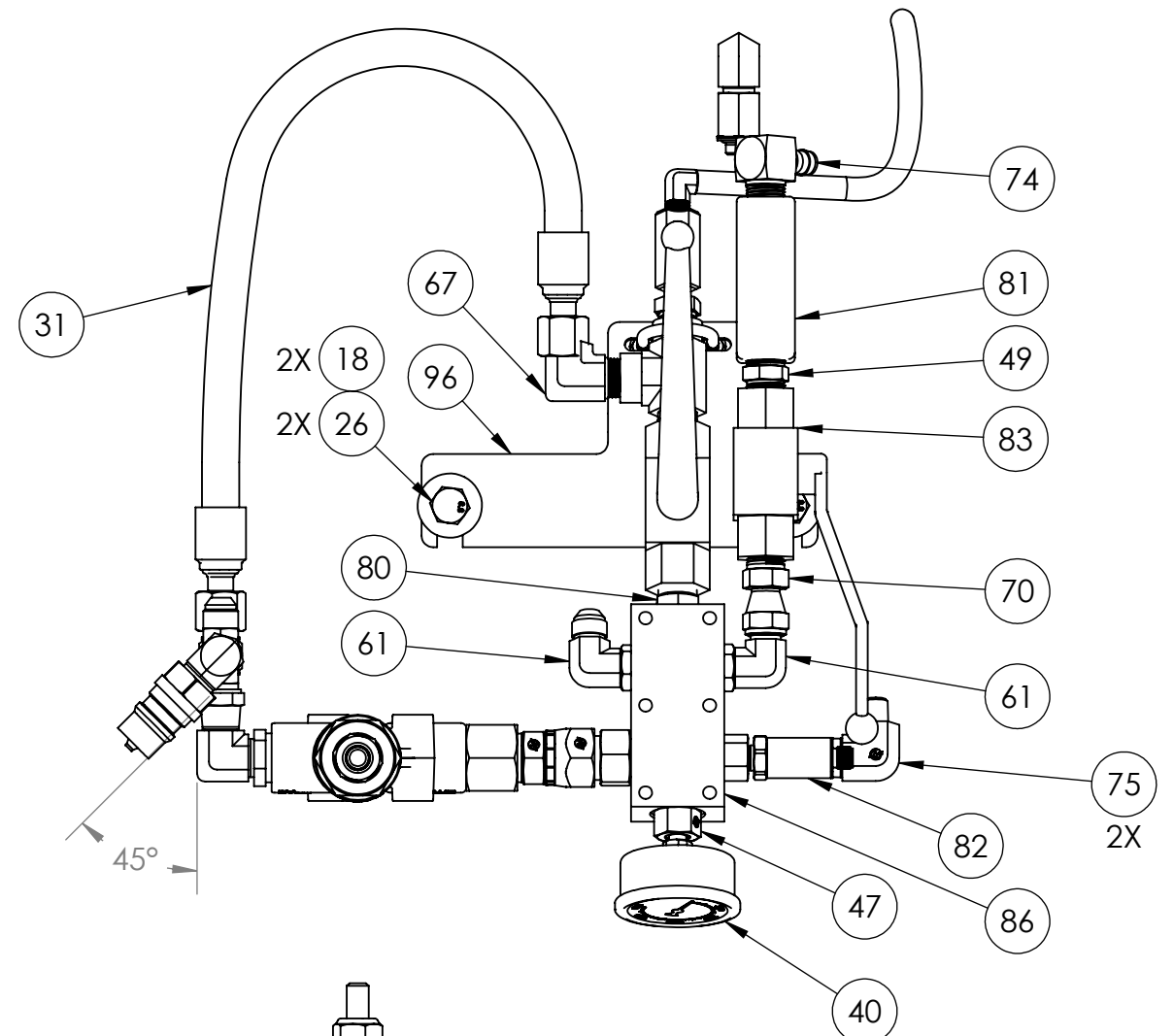
8 7 6 5 4 3 2 1

D

C

B

A



Super Products[®]

DWG. NO. **0040840**

REV **H**

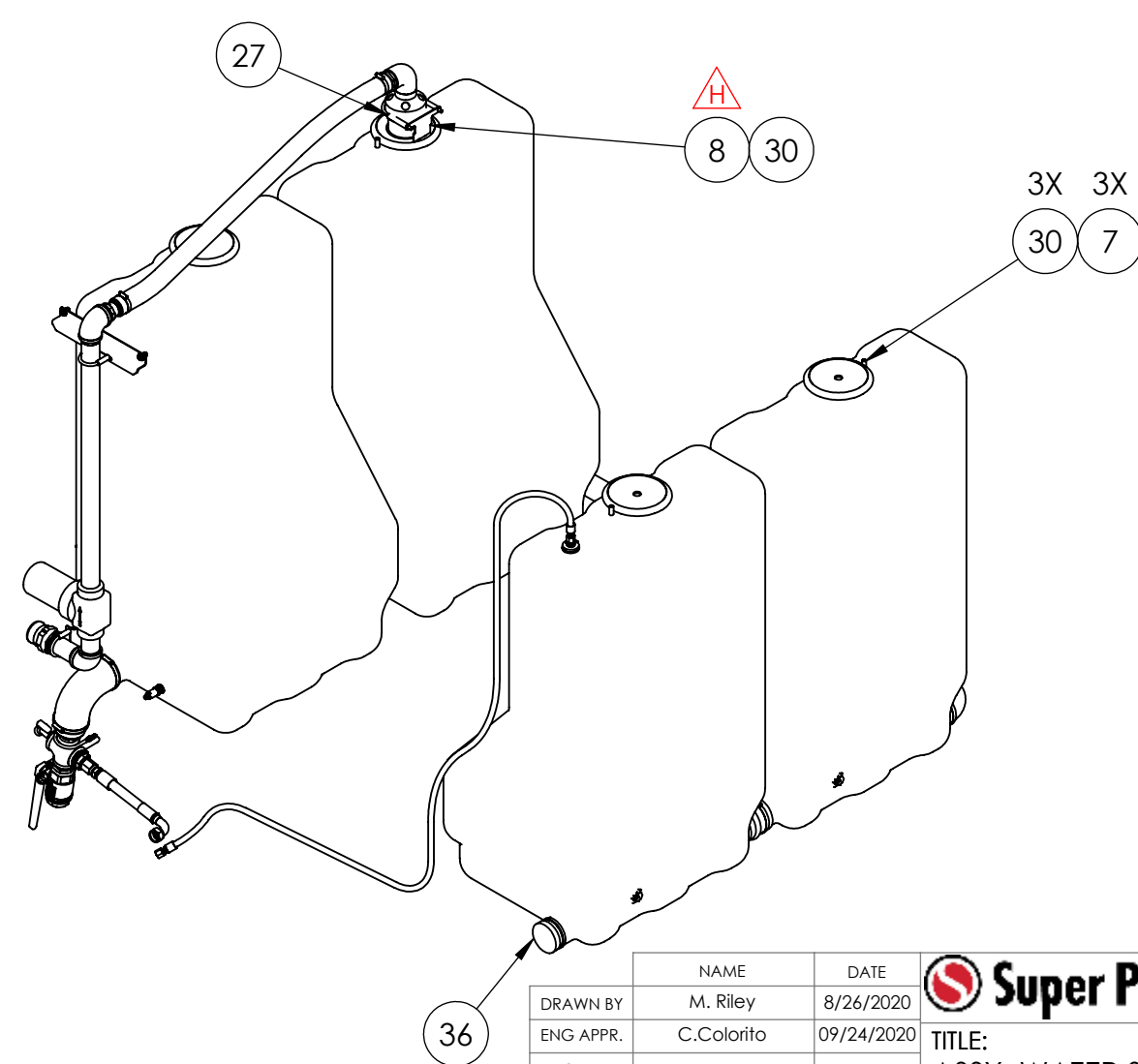
SIZE B	SCALE: 1:12	WEIGHT: 0.00	SHEET 4 OF 4
--------	-------------	--------------	--------------

8 7 6 5 4 3 2 1

ITEM NO.	PART NUMBER	DESCRIPTION	QTY.
1	0004531-01550	ASSY, HOSE, 1" GMV FS X 90° FS	1
2	0005667-05500	HOSE, HYD 2" (32GMV) SUCTION - 55"	1
3	0026109	BULKHEAD, FITTING 1/4" NPT	1
4	0026111	WASHER, NEOPRENE	1
5	0032132	SENSOR, PRESSURE, WATER, 0-5 PSI	1
6	0034207	ASSY, TANK FILL SPOUT, MD	1
7	0035843	COVER, WATER TANK	3
8	0035861	WLDMT, WATER FILL	1
9	0038401	TANK, POLY, 150 GAL	4
10	0039975	BRKT, TANK FILL	1
11	0039976	BRKT, TANK FILL	1
12	0040742	TUBE, CROSSOVER 3"	1
13	0043989	ASSY, TANK FILL	1
14	0043996	ASSY, TANK DRAIN	1
15	0050-00100	SCREW, CAP 0.25-20 X 1.00 HX GR5	2
16	0052-00100	SCREW, HEX HEAD CAP, 3/8-16 X 1, HX GR 5	2
17	0082-00001	WASHER, FLAT, USS, 1/4", STEEL, PLT'D	2
18	0082-00003	WASHER, FLAT, USS, 3/8", STEEL, PLT'D	6
19	0160-11006	NUT, LOCK, 1/4"-20, NYLON, SS	2
20	0160-32008	NUT, LOCK, CLINCHED, 3/8"-16, GR5, PLT'D-STL	6
21	0417-10008	ADAPTER, CAMLOCK A-SERIES 2.50	1
22	3000-00044	CLAMP, HOSE, 3.25" - 4.13"	2
23	3000-00046	CLAMP, HOSE, 3.75" - 4.63"	8
24	3000-00125	U CLAMP, 3.0"	3
25	3000-00296	U CLAMP, 2-1/4"	2
26	3000-00378	CLAMP, HOSE 1.56" TO 2.50"	2
27	3000-00609	CLAMP, U-BOLT, 5"	1
28	3000-01914	GLASS, SIGHT 2"NPT	2
29	3000-01953-0003	HOSE, HUMP, RUBBER, 4"	2
30	3000-03144	CLAMP, QUICK-CHANGE-6"	4
31	3477-13500	HOSE, HYD. 0.50 (M3K) W/JIC ENDS	1
32	3500-00314	FITTING, BULKHEAD, PLASTIC, 3/4"	1
33	3500-00352	BULKHEAD FITTING 2" PLASTIC	2
34	3500-00468	ELBOW, 90, RUBBER, 4"	1
35	3500-00696	ELBOW, 90° RUBBER RED. 3" X 4"	2
36	3562-00400	END CAP, BAND-SEAL 4"	1
37	6009-00019	ADAPTER, STR. .75 NPT (M) X .50 JIC (M)	1

H
H
H
H

REVISIONS				
REV #	ECO #	DESCRIPTION	DATE	APPR
H	19198	ADDED 0043989 (ASSY, TANK FILL) AND 0043996 (ASSY, TANK DRAIN); REVISED 0035861 (PLATE, WATER FILL MOUNT) AND 0039975 (BRKT, TANK FILL); REMOVED 0010-00009, 0014-00026, 0035-00400, 0035-00500, 0035-0400, 20152-003, 3500-00371, 0005776, 0014-00022, 0014-00025, 0028699, 0029305, 0029880, 0035824, 0042044, 0046-00009, 0473-00007, 6009-00034. REVISED PARTS 0035861 & 0039975.	02/14/2022	S. Iding



NAME	M. Riley	DATE	8/26/2020
DRAWN BY		ENG APPR.	C. Colorito
ENG APPR.		MFG APPR.	

Super Products™

TITLE:
ASSY, WATER SYSTEM

DWG. NO.
0040581

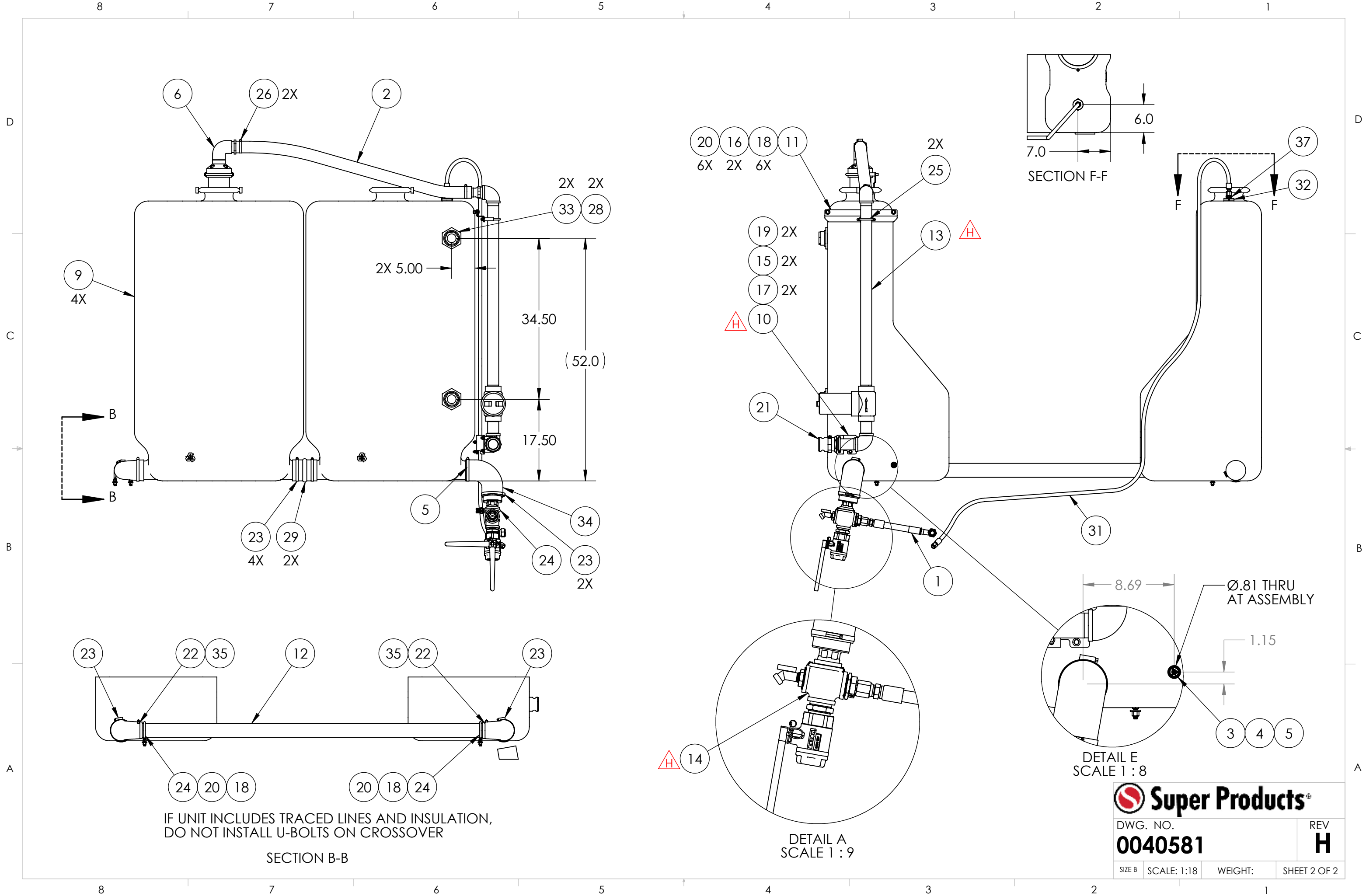
REV
H

SIZE B SCALE: 1:24 WEIGHT: SHEET 1 OF 2

MATERIAL: []

PROPRIETARY AND CONFIDENTIAL
THE INFORMATION CONTAINED IN THIS DRAWING IS THE SOLE PROPERTY OF SUPER PRODUCTS. ANY REPRODUCTION IN PART OR AS A WHOLE WITHOUT THE WRITTEN PERMISSION OF SUPER PRODUCTS IS PROHIBITED.

UNLESS OTHERWISE SPECIFIED:
DIMENSIONS ARE IN INCHES
TOLERANCES ARE:
X.X ± 0.100
X.XX ± 0.060
X.XXX ± 0.030
ANGULAR: MACH ± 1° BEND ± 2°
INTERPRET GEOMETRIC TOLERANCING PER: ASME Y14.5



ITEM NO.	PART NUMBER	DESCRIPTION	QTY.	LGTH.
1	0000-00300	PIN, HAIR/ COTTER .62-.75 SHAFT	1	
2	0044-00008	NUT, JAM, HEX, 3/4"-16 UNF, STEEL, PLT'D	1	
3	0050-00075	SCREW, HEX HEAD CAP, 1/4-20 X 3/4, GR5	4	
4	0050-00100	SCREW, CAP 0.25-20 X 1.00 HX GR5	6	
5	0050-00200	SCREW, HEX HEAD CAP, 1/4-20 X 2, GR5	1	
6	0050-00250	SCREW, CAP 0.25-20 X 2.50 HX GR5	2	
7	0050-00300	SCREW, HEX HEAD CAP 1/4-20 X 3.00 GR5	1	
8	0050-00350	SCREW, HEX HEAD CAP, 1/4-20 X 3.50, GR5	5	
9	0051-00100	SCREW HEX HD 5/16-18 X 1.00 GR5	12	
10	0051-00125	SCREW HEX HD 5/16-18 X 1.25 GR5	14	
11	0051-00150	SCREW HEX HD 5/16-18 X 1.50 GR5	8	
12	0051-00175	SCREW HEX HD 5/16-18 1.75 GR5	1	
13	0052-00125	SCREW, HEX HEAD CAP, 3/8-16 X 1-1/4, HX GR5	133	
14	0052-00150	SCREW, HEX HEAD CAP, 3/8-16 X 1-1/2, HX GR5	20	
15	0054-00175	SCREW, HEX HEAD CAP, 1/2-13 X 1-3/4, HX, GR5	4	
16	0054-00450	SCREW, HEX HEAD CAP, 1/2-13 X 4.5, GR5	1	
17	0056-20225	SCREW, HEX HEAD CAP, 5/8-11 X 2-1/4, GR8	10	
18	0056-20275	SCREW, HEX HEAD CAP, 5/8-11 X 2-3/4, GR8	8	
19	0056-20400	SCREW, HEX HEAD CAP, 5/8-11 X 4, GR8	2	
20	0057-20450	SCREW CAP 3/4-10 X 4.50 GR8	2	
21	0082-00001	WASHER, FLAT, USS, 1/4", STEEL, PLT'D	10	
22	0082-00002	WASHER, FLAT, USS, 5/16", STEEL, PLT'D	27	
23	0082-00003	WASHER, FLAT, USS, 3/8", STEEL, PLT'D	78	
24	0082-00022	WASHER, FLAT, USS, #10, STEEL, PLT'D	1	
25	0082-30007	WASHER, FLAT, USS, 5/8", STEEL, PLT'D, GR8	18	
26	0095-20001	PIN, CLEVIS, ZINC PL, 0.75 X 2.00	1	
27	0152-00028	PIN, COTTER .16 X 1.50	1	
28	0152-00069	PIN, COTTER .38 X 3.00	6	
29	0156-00049	SCREW MCH #10-24 X 0.75 PLTD	1	
30	0156-00051	SCREW MCH #10-24 X 1.00 PLTD	4	
31	0160-32005	NUT, LOCK, CLINCHED, #10-24, GR5, PLT'D-STL	5	
32	0160-32006	NUT, LOCK, CLINCHED, 1/4"-20, GR5, PLT'D-STL	18	
33	0160-32007	NUT, LOCK, CLINCHED, 5/16"-18, GR5, PLT'D-STL	29	
35	0160-32008	NUT, LOCK, CLINCHED, 3/8"-16, GR5, PLT'D-STL	151	
35	0160-32010	NUT, LOCK, CLINCHED, 1/2"-13, GR5, PLT'D-STL	7	
36	0160-42012	NUT, LOCK, CLINCHED, 5/8"-11, GR8, PLT'D-STL	20	
37	0160-42013	NUT, LOCK, CLINCHED, 3/4"-10, GR8, PLT'D-STL	2	
38	0416-12031	SCRW, SHOULDER .50 X .31 X 5/16-18	2	
39	0509-00025	BOLT, ELEVATOR 3/8-16 X 2.50	4	
40	0001642	PIN, BODY PIVOT	2	
41	3000-01475	YOKE, END, 0.75-16UNF	1	
42	3000-02911	BRACKET, ANTI-SAIL (SET OF 2)	1	
43	3000-03052	HOOK, TOW-L.H.	1	
44	3000-03053	HOOK, TOW-R.H.	1	
45	3000-03241	LANYARD, WIRE ROPE S.S. 12"	1	
46	3503-00000	CHANNEL TRIM, 1/4"	3	6"
47	3503-00000	CHANNEL TRIM, 1/4"	3	2.5"
48	3506-00000	TAPE, SAFETY WALK	1	78"
49	3554-00300	GASKET	1	3"
50	0004432	HOLD DOWN **Black Paint	2	
51	0005153	SHIM, SUBFRAME, REAR *Black Paint	4	
52	0006314	REFLECTOR, REFLEX, 4.38 X 1.30 RED	2	
53	0007390	MUD FLAP, MID	1	
54	0027846	NUT, FLANGE 3/8"-16 S.S. NYLOCK	4	
55	0028318-00000	TRIM, RUBBER, EDGE, 5 INCHES	3	
56	0029568	SHIM, BODY SUPPORT	1	
57	0031610	MUDFLAP, HD, 3/8 X 24 X 30	4	
58	0032554-00003	MOUNT, CABLE TIE 3/8 STUD	7	
59	0038422	TOOLBOX, REAR UPRIGHT	1	
60	0038432	RIB, SUBFRAME	6	
61	0038737	WLDMT, LADDER	1	
62	0039503	WLDMT, WATER SUPPORT DECK	1	
63	0039516	BODY GUIDE	1	
64	0039569	WLDMT, LADDER	1	
65	0039866	WLDMT, EXTENSION LANCE	1	
66	0039870	WLDMT, EXTENSION LANCE	1	
67	0039878	BRKT, EXTENSION LANCE	1	
68	0039903	WLDMT, PLATFORM	1	
69	0039960	BUMPER, RUBBER	2	
70	0040147	WLDMT, PROP HANDLE	1	
71	0040152	WLDMT, PROP LINK	1	
72	0040170-00013	CLAMP, TUBE, SPLIT	3	

REVISIONS				
REV #	ECO #	DESCRIPTION	DATE	APPR
G	99999	QTY CHANGED: 0052-00150 20 WAS 12, 0082-00003 78 WAS 66, 0160-32008 151 WAS 143, AND 0160-42012 20 WAS 21. ADDED ITEM 0041004.	10/07/2021	C.Colorito

ITEM NO.	PART NUMBER	DESCRIPTION	QTY.	LGTH.
73	0040172	BRKT, ROTATION STOP, PROP	1	
74	0040182	COVER, HARNESS ROUTING	1	
75	0040206	WLDMT, EOF CROSSMEMBER	1	
76	0040212	BRKT, FRT RIB MTG	2	
77	0040403	BRACKET, PROX.	1	
78	0040413	PIN, 1.5 X 6.75	1	
79	0040448	ASSY, BILLBOARD	2	
80	0040527	COVER, HYD, ROUTING, LH	1	
81	0040537	WLDMT, WHEEL CHOCK HOLDER	1	
82	0040937	BRKT, WATER TANK EAR - LH	3	
83	0040939	BRACKET, WATER TANK EAR - RH	3	
84	0040958	PAD, PLASTIC, BODY SUPPORT	2	
85	0040996	TOOLBOX, 18"x18"x24" AL BLACK	1	
86	0041004	STRAP, HOLD DOWN - TOOLBOX	4	
87	0041367	WLDMT, BODY PROP	1	
88	0041585	SHIM, REAR PIVOT	6	
89	0041687-00008	GRIP, ROUND	1	
90	0041887	WLDMT, LATCH, TUBE RACK	1	
91	0041888	BRKT, HINGE	1	
92	0041993	WLDMT, TUBE RACK	1	
93	0042002	WLDMT, LATCH	1	
94	0042004	ANGLE 6" DIG TUBE	3	
95	0042078	WLDMT, SUPPORT WATER TANK	12	
96	0042273-00002	S-HOOK SS	2	
97	0042274-30000	CHAIN Ø1/4" X 21"	1	21"
98	0042337-00001	S-HOOK. OPEN X CLOSED	1	

DRAWN BY	C.Colorito	DATE	9/14/2020
ENG APPR.	A.Brewster	DATE	09/16/2020
MFG APPR.			

SUPER PRODUCTS
TRUCK MOUNTED VACUUM EQUIPMENT

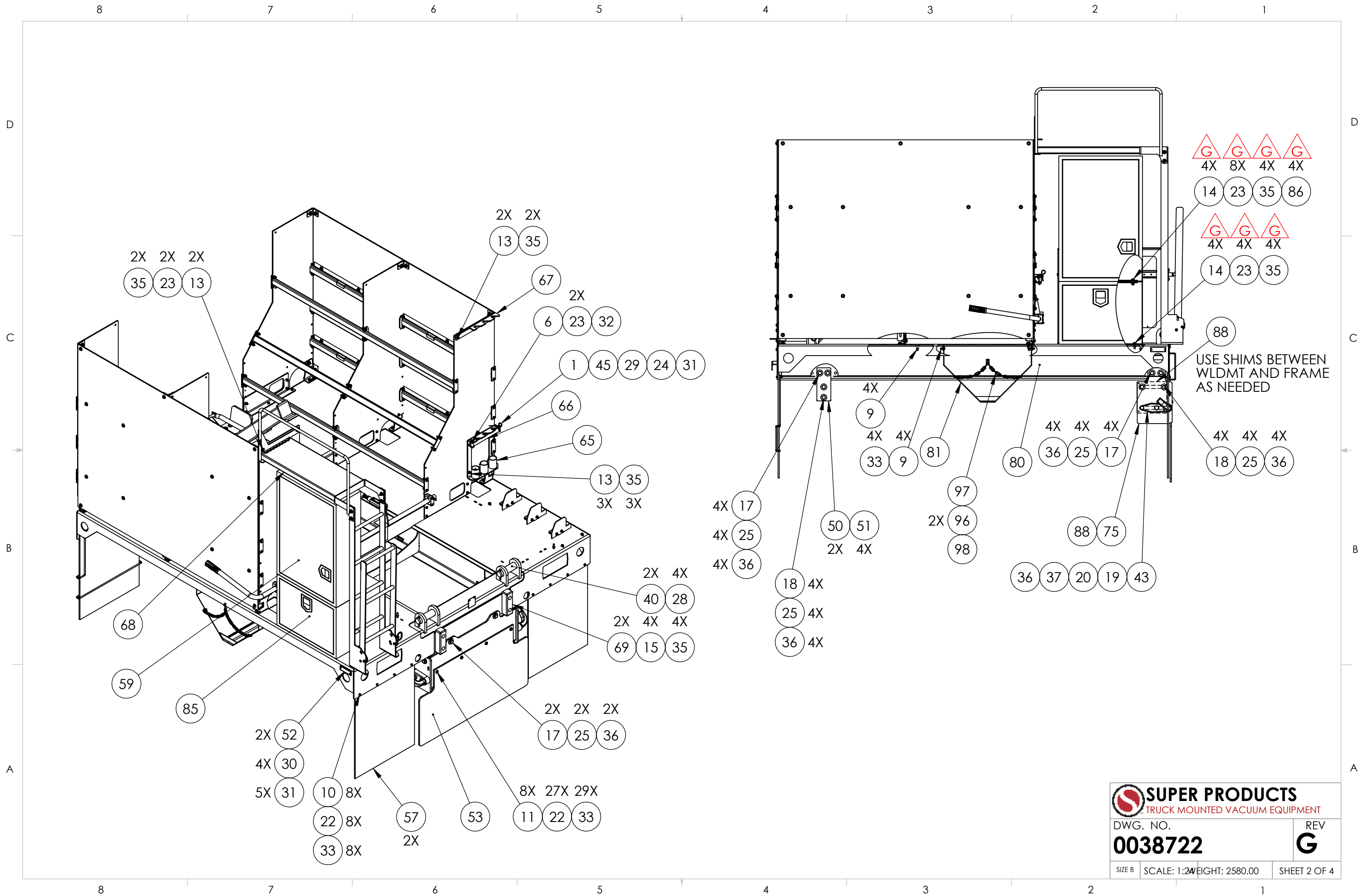
TITLE:
ASSY, DECK, WATER TANK SUPPORT

DWG. NO. **0038722** REV **G**

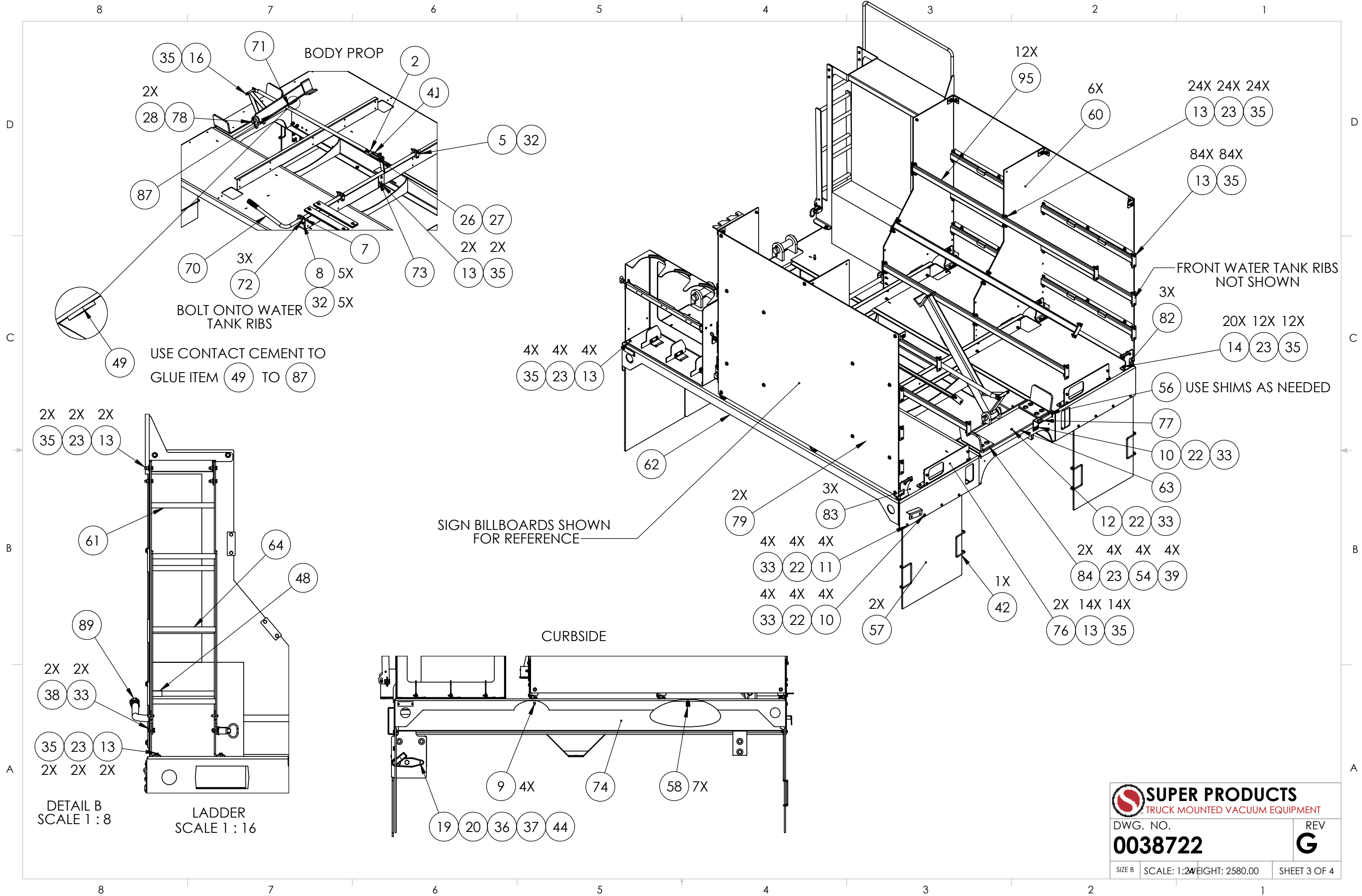
SIZE B SCALE: 1:48 WEIGHT: 2580.00 SHEET 1 OF 4

UNLESS OTHERWISE SPECIFIED:
DIMENSIONS ARE IN INCHES
TOLERANCES ARE:
X.X ± 0.100
X.XX ± 0.060
X.XXX ± 0.030
ANGULAR: MACH ± 1° BEND ± 2°
INTERPRET GEOMETRIC TOLERANCING PER: ASME Y14.5

PROPRIETARY AND CONFIDENTIAL
THE INFORMATION CONTAINED IN THIS DRAWING IS THE SOLE PROPERTY OF SUPER PRODUCTS. ANY REPRODUCTION IN PART OR AS A WHOLE WITHOUT THE WRITTEN PERMISSION OF SUPER PRODUCTS IS PROHIBITED.



DWG. NO. 0038722	
REV G	
SIZE B	SCALE: 1:24
WEIGHT: 2580.00	SHEET 2 OF 4



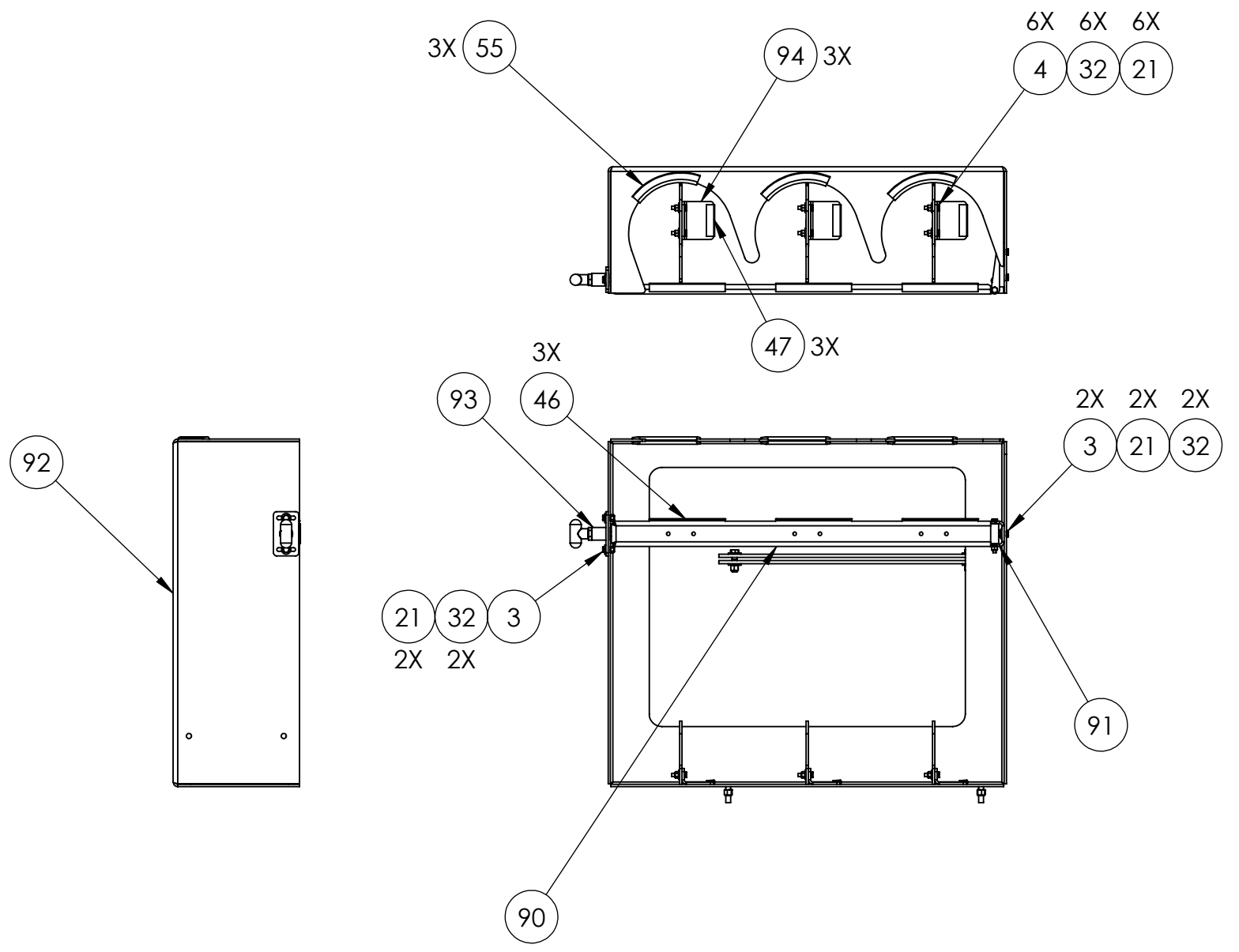
DETAIL B
SCALE 1 : 8

LADDER
SCALE 1 : 16

		REV	
		G	
DWG. NO.		SCALE: 1:24	
0038722		EIGHT: 2580.00	
SIZE B	SCALE: 1:24	EIGHT: 2580.00	SHEET 3 OF 4

8 7 6 5 4 3 2 1

D
C
B
A



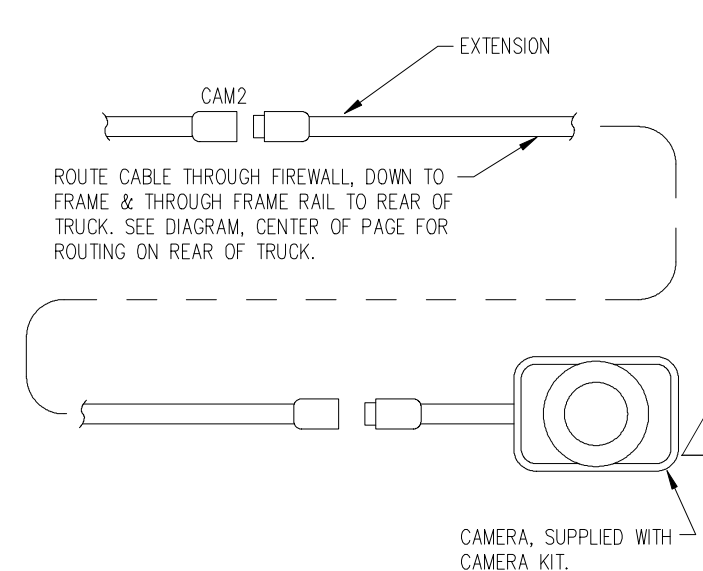
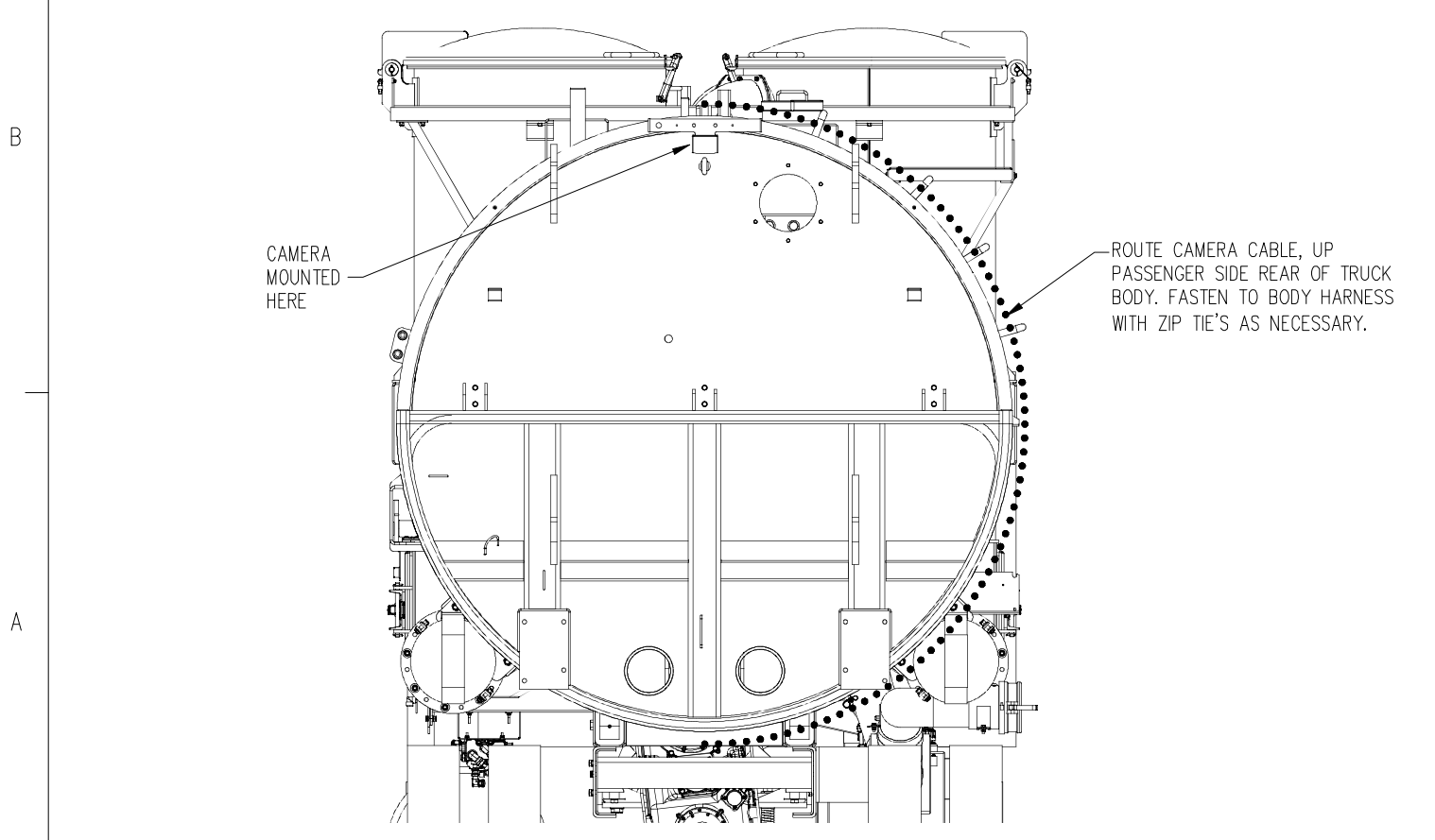
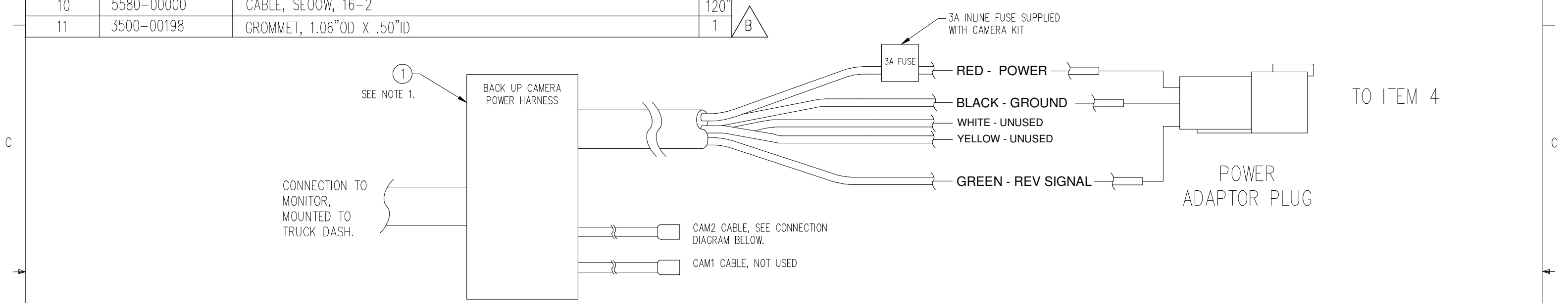
Super Products[®]

DWG. NO.		REV
0038722		G
SIZE B	SCALE: 1:12	WEIGHT: 2580.00
		SHEET 4 OF 4

8 7 6 5 4 3 2 1

ITEM NO.	PART NUMBER	DESCRIPTION	Qty
1	0028435	ASSY, CAMERA SYSTEM, BACKUP	1
2	5500-01793	SECONDARY LOCK, DEUTSCH 6 PLUG	1
3	5500-01710	PLUG 6 SOCKET (DEUTSCH)	1
4	0026656	CONTACT, SOCKET, 20-16 AWG	3
5	0026031	TERMINAL, FEMALE, 280 SERIES	2
6	5500-01819	TERMINAL, FEMALE, DELPHI	1
7	0028418	SEAL, BLUE, 18-16 GA, METRI-280	1
8	5546-00000	WIRE, GPT, 16 AWG, RED	12"
9	5540-00000	WIRE, GPT, 16 AWG, BLK	12"
10	5580-00000	CABLE, SEOOW, 16-2	120"
11	3500-00198	GROMMET, 1.06"OD X .50"ID	1

REVISIONS				
REV #	ECO #	DESCRIPTION	DATE	APPR
B	17417	ADD 3500-00198, QTY 1 ADD NOTES 3 & 4	6/17/2016	SKD



- NOTES:
1. CAMERA POWER HARNESS, CORD, CAMERA & MONITOR, SUPPLIED AS KIT.
 2. CUT OFF ENDS OF WHT WIRE USE ONLY BLK WIRE.
 3. MAKE 7/8" HOLE WITH KNOCKOUT ON DASH FOR MONITOR CABLE.
 4. ADD GROMMET, ITEM 11.

	NAME	DATE
DRAWN BY	S.DOANGPHACHANH	1/13/2016
ENG APPR.	M.RILEY	1/13/2016
MFG APPR.		

MATERIAL:
FINISH:
UNLESS OTHERWISE SPECIFIED:
DIMENSIONS ARE IN INCHES
TOLERANCES ARE:
X.X ± 0.100
X.XX ± 0.060
X.XXX ± 0.030
ANGULAR: MACH ± 1' BEND ± 2'
INTERPRET GEOMETRIC TOLERANCING PER: ASME Y14.5

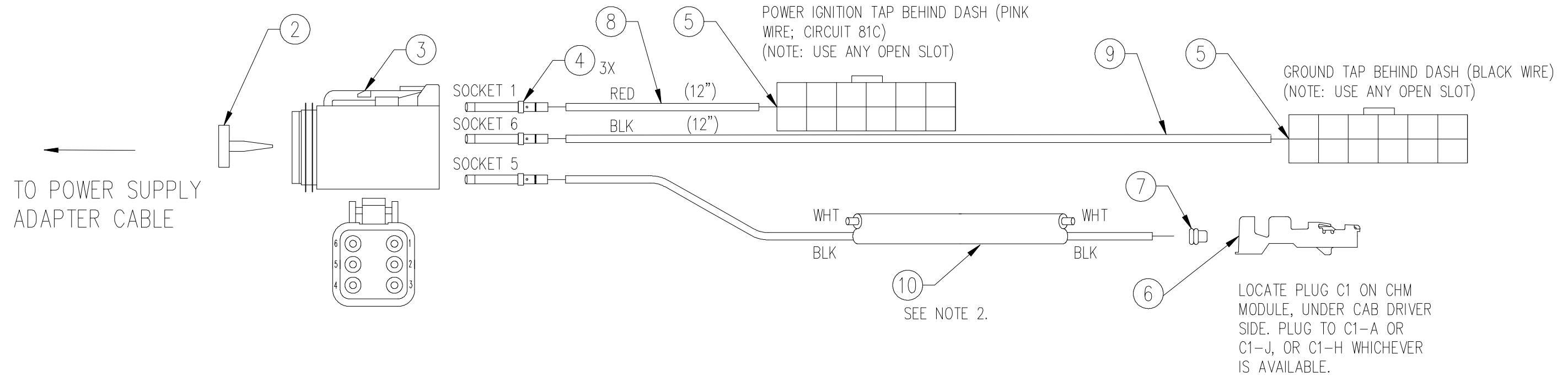
SP SUPER PRODUCTS LLC.
TRUCK MOUNTED VACUUM EQUIPMENT

TITLE: ASSY, BACK UP CAMERA WIRING, FREIGHTLINER

DWG. NO. 0028937 REV B

SIZE B SCALE: NTS WEIGHT: SHEET 1 OF 2

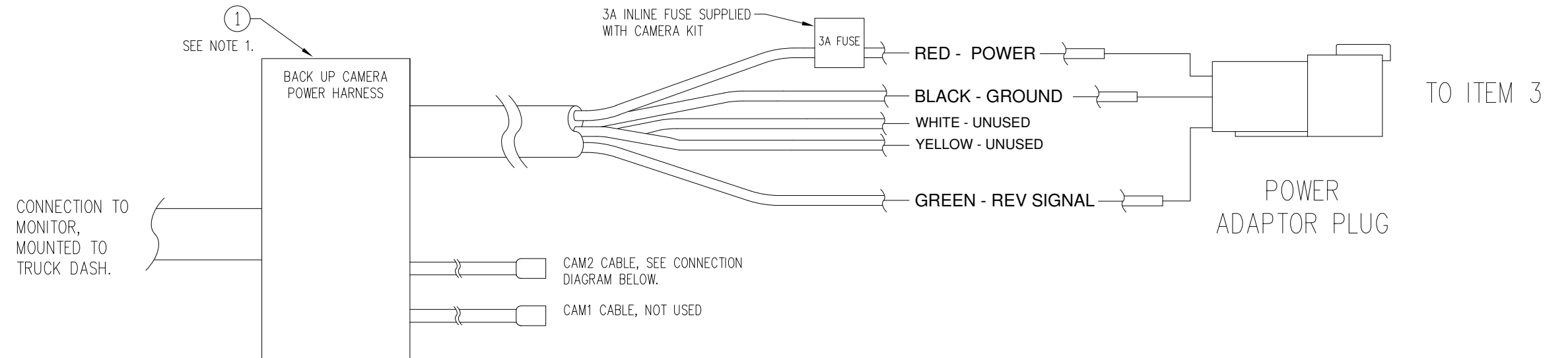
WIRING CONNECTION



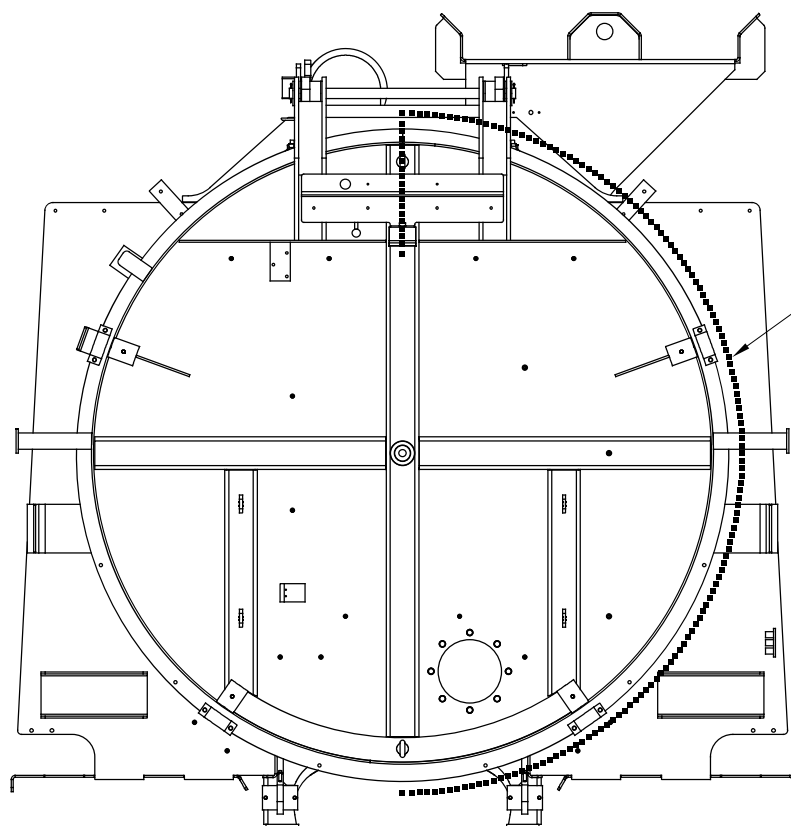
SUPER PRODUCTS LLC.			
TRUCK MOUNTED VACUUM EQUIPMENT			
DWG. NO.	0028937	REV	B
SIZE B	SCALE: NTS	WEIGHT:	SHEET 2 OF 2

ITEM NO.	PART NUMBER	DESCRIPTION	Qty
1	0028435	ASSY, CAMERA SYSTEM, BACKUP	1
2	5500-01793	SECONDARY LOCK, DEUTSCH 6 PLUG	1
3	5500-01710	PLUG 6 SOCKET (DEUSTCH)	1
4	0026656	CONTACT, SOCKET, 20-16 AWG	3
5	5500-00526	RING, TERMINAL #14-10	2
6	5540-00000	WIRE, GPT, 16 AWG, BLK	12"
7	5546-00000	WIRE, GPT, 16 AWG, RED	12"

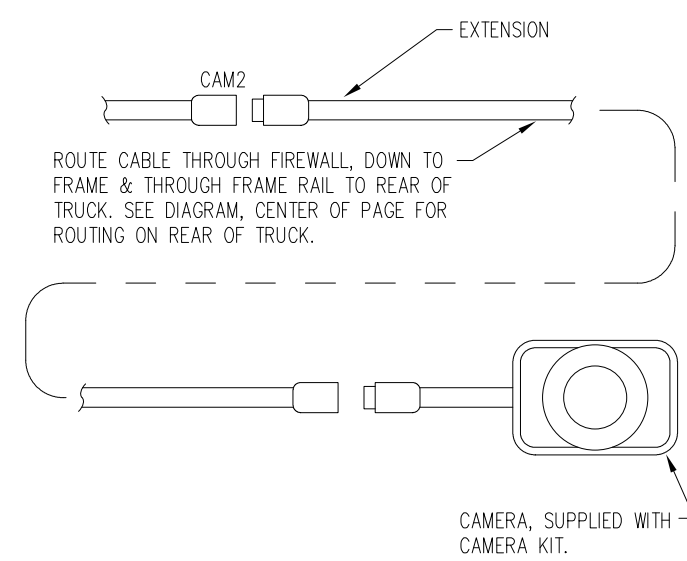
REVISIONS				
REV #	ECD #	DESCRIPTION	DATE	APPR
		INITIAL RELEASE		



CONNECTION TO MONITOR, MOUNTED TO TRUCK DASH.



ROUTE CAMERA CABLE, UP PASSENGER SIDE REAR OF TRUCK BODY. FASTEN TO BODY HARNESS WITH ZIP TIE'S AS NECESSARY.



- NOTES:
 1. CAMERA POWER HARNESS, CORD, CAMERA & MONITOR, SUPPLIED AS KIT.
 2. CUT OFF ENDS OF WHT WIRE USE ONLY BLK WIRE.

	NAME	DATE
DRAWN BY	S.DOANGPHACHANH	12/29/2016
ENG APPR.	B.MAYER	12/29/2016
MFG APPR.		

SP SUPER PRODUCTS LLC.
TRUCK MOUNTED VACUUM EQUIPMENT

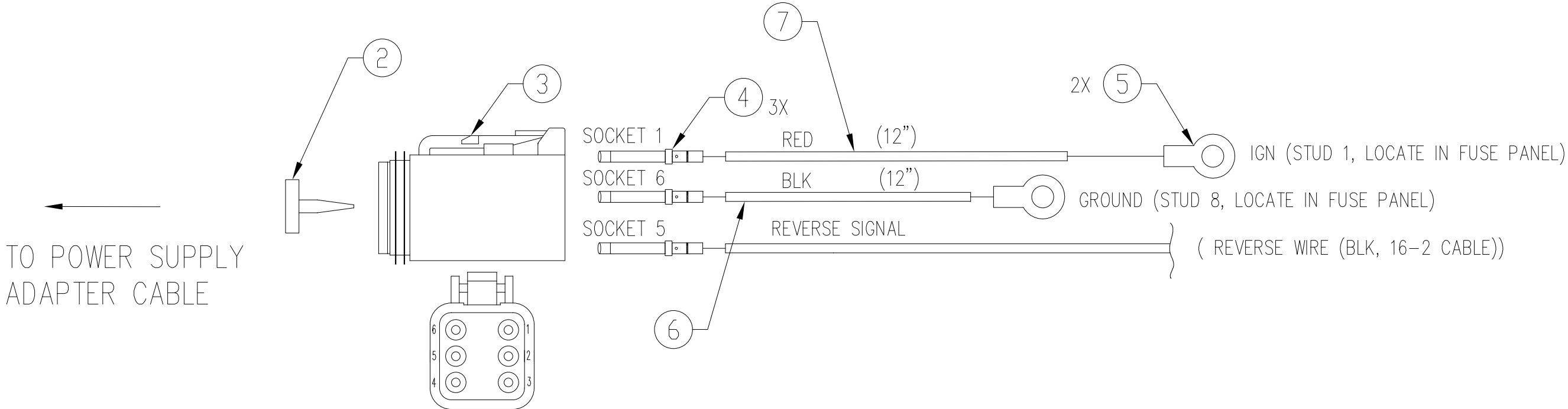
TITLE: ASSY, BACK UP CAMERA WIRING, MD, MACK

MATERIAL:
 FINISH:
 PROPRIETARY AND CONFIDENTIAL
 THE INFORMATION CONTAINED IN THIS DRAWING IS THE SOLE PROPERTY OF SUPER PRODUCTS LLC. ANY REPRODUCTION IN PART OR AS A WHOLE WITHOUT THE WRITTEN PERMISSION OF SUPER PRODUCTS IS PROHIBITED.

UNLESS OTHERWISE SPECIFIED:
 DIMENSIONS ARE IN INCHES
 TOLERANCES ARE:
 XX ± 0.100
 XXX ± 0.060
 XXXX ± 0.030
 ANGULAR: MACH ± 1° BEND ± 2°
 INTERPRET GEOMETRIC TOLERANCING PER: ASME Y14.5

DWG. NO.	0031040	REV	A
SIZE	B	SCALE	NTS
WEIGHT		SHEET 1 OF 2	

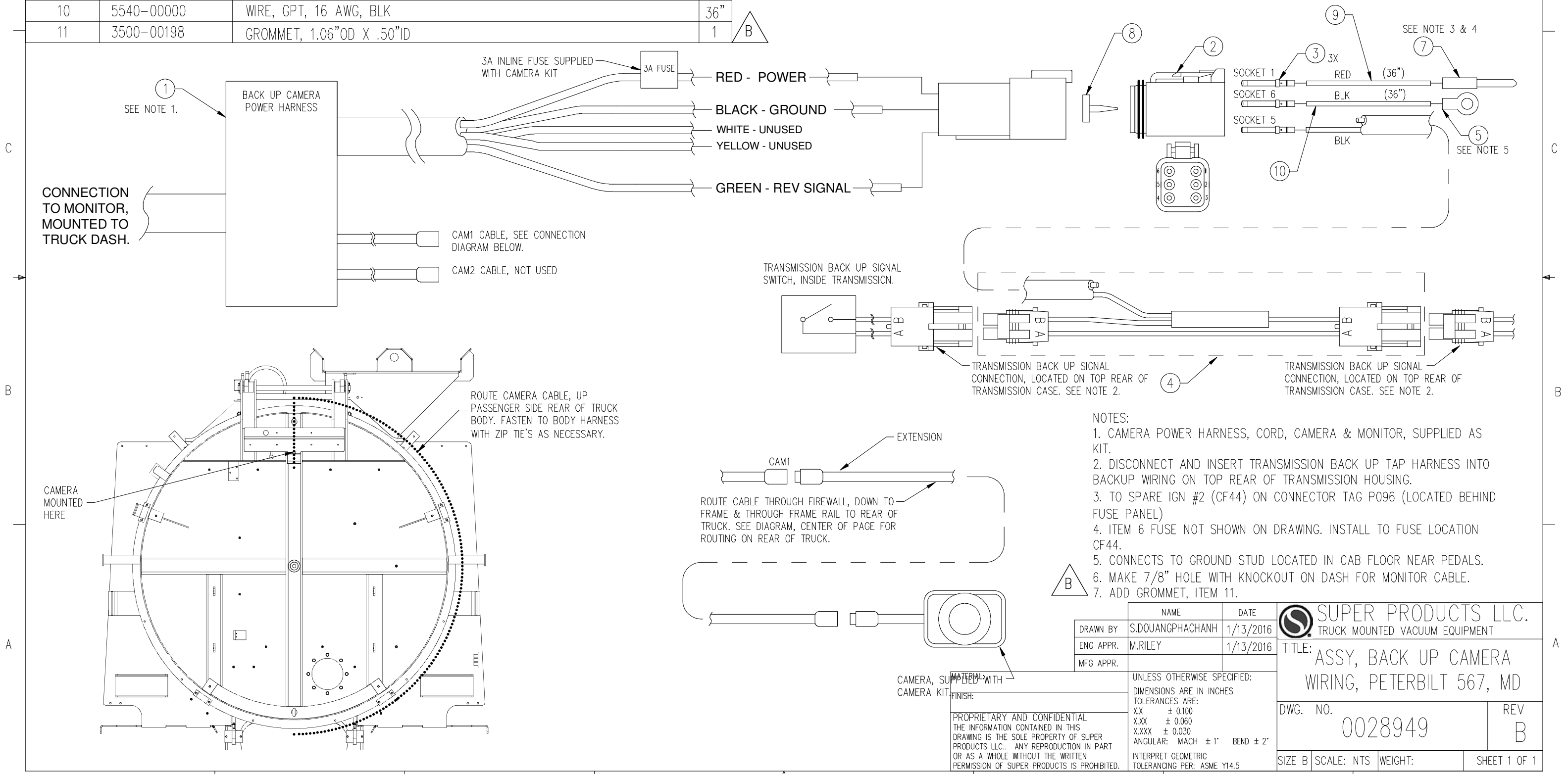
WIRING CONNECTION



SUPER PRODUCTS LLC.			
TRUCK MOUNTED VACUUM EQUIPMENT			
DWG. NO.	0031040	REV	A
SIZE B	SCALE: NTS	WEIGHT:	SHEET 2 OF 2

ITEM NO.	PART NUMBER	DESCRIPTION	Qty
1	0028435	ASSY, CAMERA SYSTEM, BACKUP	1
2	5500-01710	PLUG 6 SOCKET (DEUTSCH)	1
3	0026656	CONTACT, SOCKET, 20-16 AWG	3
4	0028433	HARNESS, BACK UP SIGNAL, PETERBILT	1
5	5500-00075	RING, TERMINAL, 16-14 1/4 STUD	1
6	5707-00000-0005	FUSE, ATM/MINI - 5 AMP	1
7	5500-01474	TERMINAL, MALE	1
8	5500-01793	SECONDARY LOCK, DEUTSCH 6 PLUG	1
9	5546-00000	WIRE, GPT, 16 AWG, RED	36"
10	5540-00000	WIRE, GPT, 16 AWG, BLK	36"
11	3500-00198	GROMMET, 1.06"OD X .50"ID	1

REVISIONS				
REV #	ECO #	DESCRIPTION	DATE	APPR
B	17417	ADD 3500-00198, QTY 1 ADD NOTES 6 & 7	6/17/2016	SKD



- NOTES:
1. CAMERA POWER HARNESS, CORD, CAMERA & MONITOR, SUPPLIED AS KIT.
 2. DISCONNECT AND INSERT TRANSMISSION BACK UP TAP HARNESS INTO BACKUP WIRING ON TOP REAR OF TRANSMISSION HOUSING.
 3. TO SPARE IGN #2 (CF44) ON CONNECTOR TAG P096 (LOCATED BEHIND FUSE PANEL)
 4. ITEM 6 FUSE NOT SHOWN ON DRAWING. INSTALL TO FUSE LOCATION CF44.
 5. CONNECTS TO GROUND STUD LOCATED IN CAB FLOOR NEAR PEDALS.
 6. MAKE 7/8" HOLE WITH KNOCKOUT ON DASH FOR MONITOR CABLE.
 7. ADD GROMMET, ITEM 11.

	NAME	DATE
DRAWN BY	S.DOUANGPHACHANH	1/13/2016
ENG APPR.	M.RILEY	1/13/2016
MFG APPR.		

SUPER PRODUCTS LLC.
TRUCK MOUNTED VACUUM EQUIPMENT

TITLE: ASSY, BACK UP CAMERA WIRING, PETERBILT 567, MD

DWG. NO. 0028949 REV B

SIZE B SCALE: NTS WEIGHT: SHEET 1 OF 1

UNLESS OTHERWISE SPECIFIED:
DIMENSIONS ARE IN INCHES
TOLERANCES ARE:
XX ± 0.100
X.XX ± 0.060
X.XXX ± 0.030
ANGULAR: MACH ± 1' BEND ± 2'
INTERPRET GEOMETRIC TOLERANCING PER: ASME Y14.5


PROPRIETARY AND CONFIDENTIAL
THE INFORMATION CONTAINED IN THIS DRAWING IS THE SOLE PROPERTY OF SUPER PRODUCTS LLC.. ANY REPRODUCTION IN PART OR AS A WHOLE WITHOUT THE WRITTEN PERMISSION OF SUPER PRODUCTS IS PROHIBITED.

ITEM #	PART	DESC	QTY
1	5500-01619	PIN, SOLID #16	12
2	5500-01621	CONTACT, SOCKET, SOLID #16	10
3	5500-01622	PLUG, SEAL, #16-12	3
4	5500-01864	PLUG, 3 PIN, SIZE 16	3
5	5500-01866	LOCK, 3 PIN, DRG	2
6	5500-01869	RECTICAL, 3 WAY T	1
7	5500-01870	LOCK, 3 PIN, BLU	1
8	5500-01933	PLUG, 2 SOCKET DEUTSCH	5
9	5500-01934	SECONDARY LOCK, WM-2A - DEUTSCH	5
10	5500-01935	RECEPT, DEUTSCH - DT 2-WAY	3
11	5500-01936	WEDGELOCK, RECEPT, DUETSCH DT 2-WAY	3
12	5580-00000	CABLE, 16-2 600V -40 TO 105C	500'
13	5701-00000	LOOM, SPLIT, NYLON, .25' ID	500'

REVISIONS				
REV #	ECO #	DESCRIPTION	DATE	APPR
A	-	INITIAL RELEASE	-	-

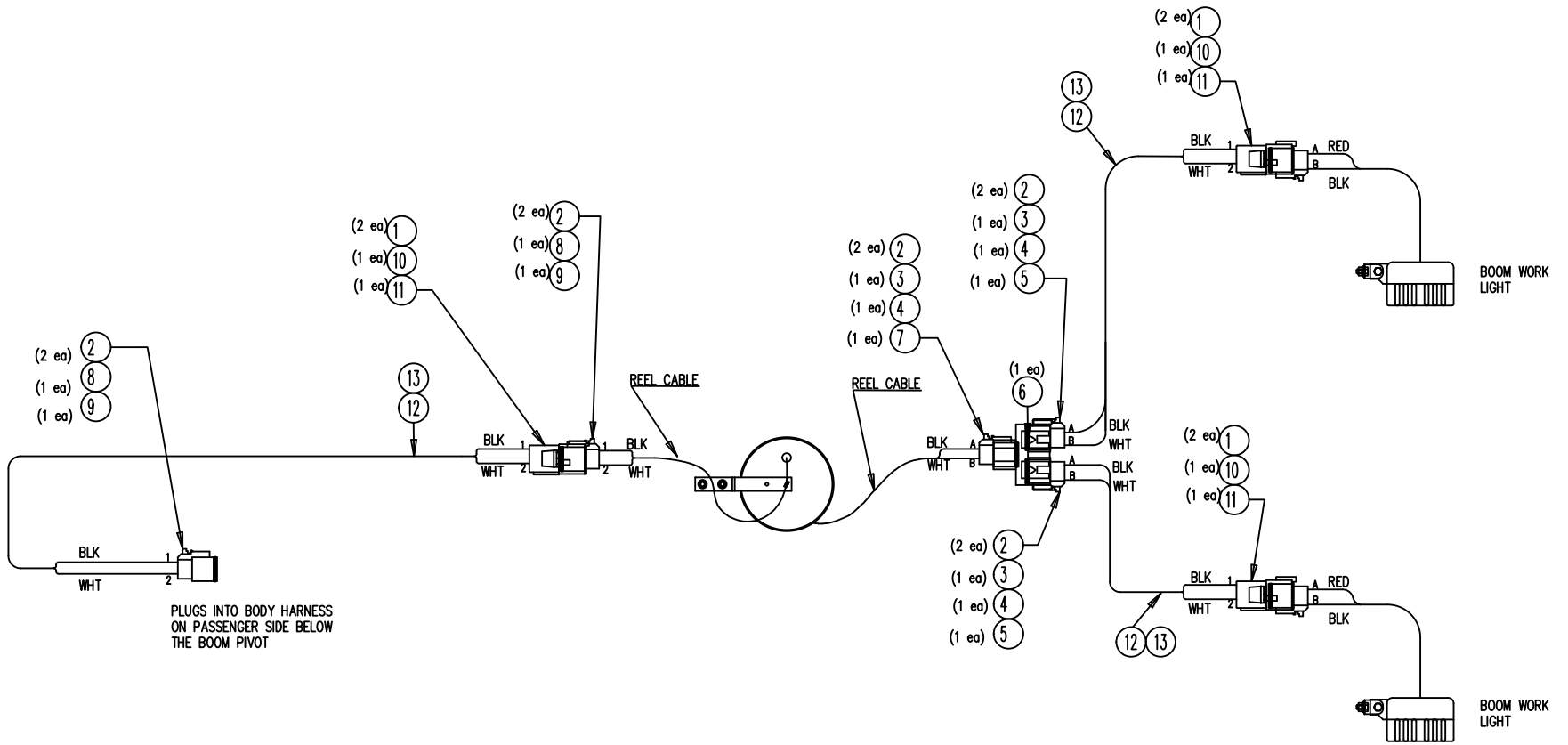
NOTES:

- CUT OFF THE 3 PRONG PLUG AND THE HANDLE WITH SIDE OUTLET.
- ASSEMBLE WITH CONNECTORS SHOWN. MATCH THE COLORS TO THE 16-2 CABLE. THE GREEN WIRE IS NOT USED.
- ALL WIRE LENGTH AND LOOM USE AS REQUIRED.

NAME	DATE	 SUPER PRODUCTS LLC. TRUCK MOUNTED VACUUM EQUIPMENT	
DRAWN BY: D. KING	1/7/21		
ENG APPR: J. MATEL	1/6/21		
MFG APPR:		TITLE:	
		ASSY, BOOM LIGHTS, 7YD	
		DWG. NO. 0041319	REV A
		SIZE: SCALE: NONE WEIGHT:	SHEET 1 OF 2

MATERIAL:
 FINISH:
 PROPRIETARY AND CONFIDENTIAL
 THE INFORMATION CONTAINED IN THIS
 DRAWING IS THE SOLE PROPERTY OF SUPER
 PRODUCTS LLC. ANY REPRODUCTION IN PART
 OR AS A WHOLE WITHOUT THE WRITTEN
 PERMISSION OF SUPER PRODUCTS IS PROHIBITED

UNLESS OTHERWISE SPECIFIED:
 DIMENSIONS ARE IN INCHES
 TOLERANCES ARE:
 XX ± 0.00
 XXX ± 0.050
 XXXX ± 0.030
 ANGULAR: MACH ± 1° BEND ± 2°
 INTERPRET GEOMETRIC
 TOLERANCING PER ASME Y14.5



PLUGS INTO BODY HARNESS
ON PASSENGER SIDE BELOW
THE BOOM PIVOT

BOOM WORK
LIGHT

BOOM WORK
LIGHT

TITLE: ASSY, BOOM LIGHTS, 7YD	
DWG. NO. 0041319	REV A
SIZE: # SCALE: None WEIGHT:	SHEET 2 OF 2