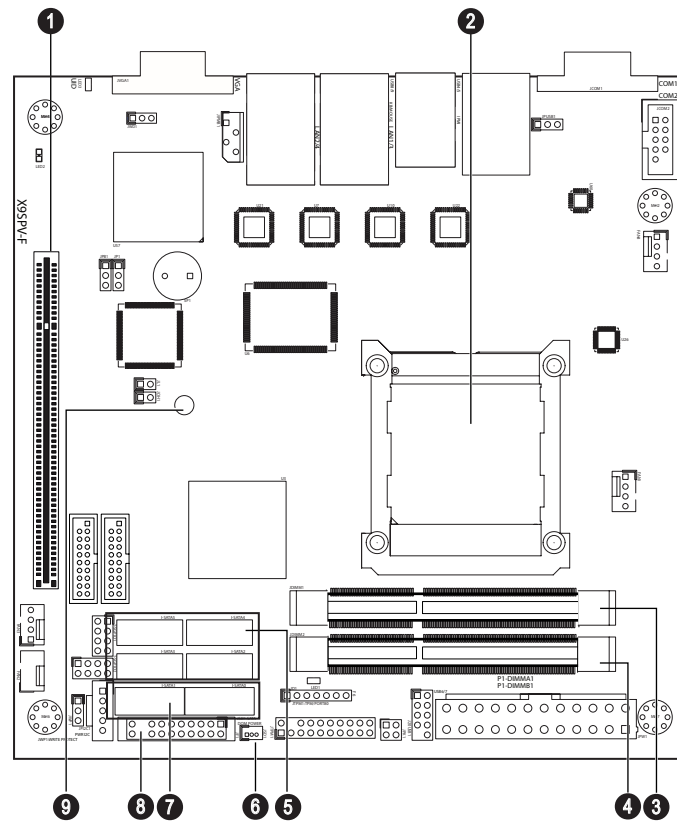


SUPERMICR[®] SuperServer 5017P-TLN4F/TF Quick Reference Guide

Board Layout

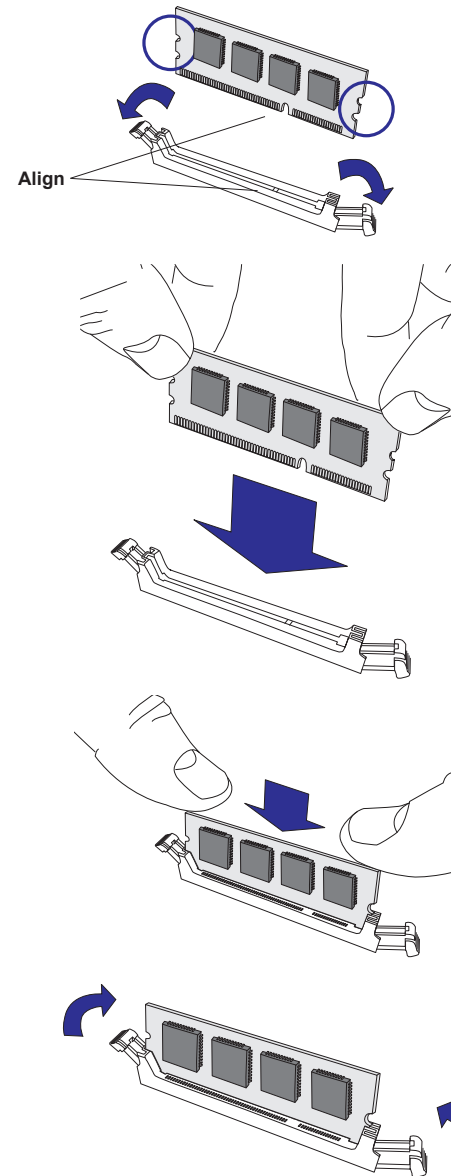


No.	Description
1	PCI-E x16 Gen 3 Slot
2	CPU
3	DIMMA1
4	DIMMB1
5	I-SATA5, I-SATA4, I-SATA3, I-SATA2 (Black connector: SATA2)
6	JSD1 = DOM (Disk on Module) Power Connector
7	I-SATA0, I-SATA1 (White connector: SATA3)
8	JF1 = Front panel control header
9	JBT1 = CMOS Clear

MEMORY

The SO DIMM Socket

Position the SO DIMM module's bottom key so it aligns with the receptive point on the slot. Take note of the module's side notches and the locking clips on the socket.

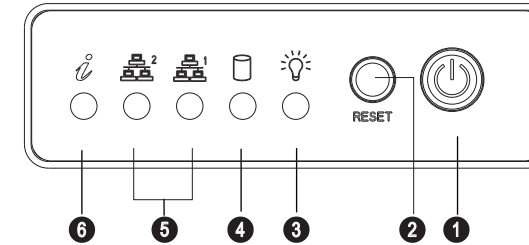
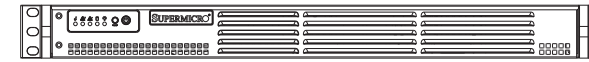


Insert the SO DIMM module straight down.

Press down until the module locks into place. The side clips will automatically secure the SO DIMM module, locking it into place.

To Remove: Use your thumbs to gently push the side clips near both ends away from the module. This should release it from the slot. Pull the SO DIMM module upwards.

Front view & Interface



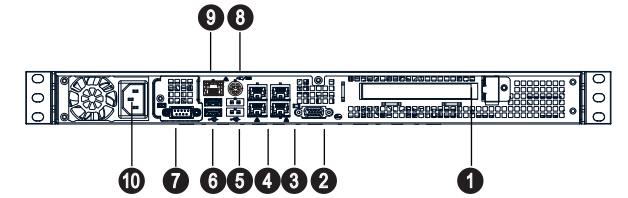
No. Description

1	Power Button
2	Reset Button
3	Power LED
4	Device Activity LED
5	LAN1 LED & LAN2 LED
6	Information LED

Informational LED

Status	Description
Continuously on and red	An overhear condition has occurred. (This may be caused by cable congestion.)
Blinking red (1Hz)	Fan failure, check for an inoperative fan.
Blinking red (0.25Hz)	Power failure, check for a non-operational power supply.
Solid blue	Local UID has been activated. Use this function to locate
Blinking blue (300 m/s)	Remote UID is on. Use this function to identify the server from a remote location.

Rear View



No.	Description
1	Expansion Slot
2	VGA Port
3	Gb LAN 3/4 (5017P-TLN4F only)
4	Gb LAN 1/2
5	USB Port 8/9
6	USB Port 4/5
7	COM Port 1
8	PS/2 Keyboard/Mouse
9	Dedicated IPMI LAN Port
10	Power Supply

Beep Codes

BIOS Beep Codes		
Beep Code/LED	Error Message	Description
1 long + two short beeps	Video	Video configuration error
1 repetitive long beep	Memory	No memory detected
1 continuous beep w/Overheat LED	Overheat	System overheat detected
1 continuous beep w/Fan Fail LED blinking	Fan	Fan failure detected
8 short beeps	Display	Display memory read/write error

Caution

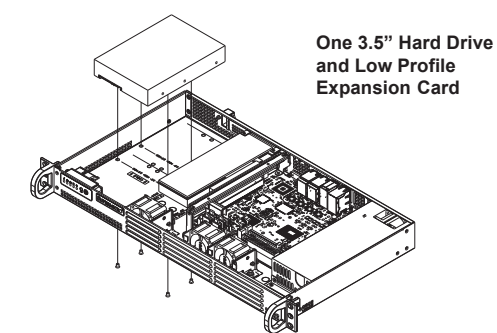
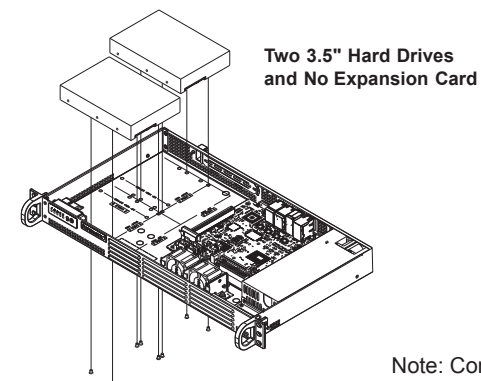
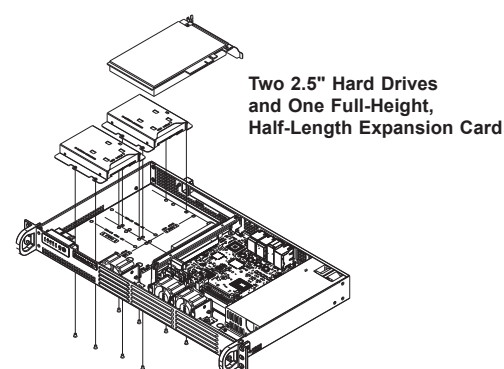
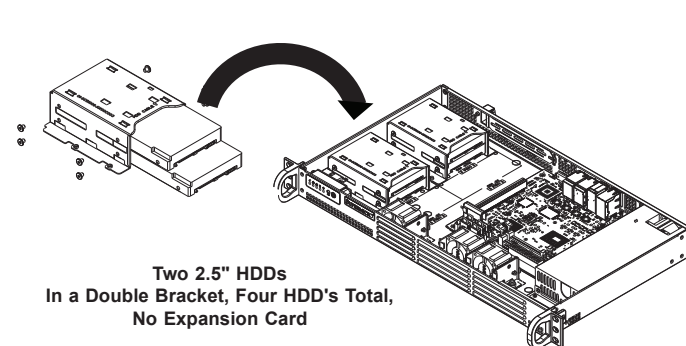
SAFETY INFORMATION
 IMPORTANT: See installation instructions and safety warning before connecting system to power supply.
http://www.supermicro.com/about/policies/safety_information.cfm

WARNING:
 To reduce risk of electric shock/damage to equipment, disconnect power from server by disconnecting all power cords from electrical outlets.
 If any CPU socket empty, install protective plastic CPU cap

CAUTION:
 Always be sure all power supplies for this system have the same power output. If mixed power supplies are installed, the system will not operate.

For more information go to :
<http://www.supermicro.com/support>

Hard Drive Configuration Options



Note: Compatibility of add-on cards dependent on component height, etc.

