

TN8/TL8 SEALED TOGGLE SWITCHES

Features

- Completely sealed (double sealed) against dust, moisture and other contaminants
- 1, 2, 4 pole circuitry
- One hole mounting for easy installation
- Multi-circuits offered
- 2 & 3 position with maintained and momentary action
- Molded-in terminal inserts and numbers
- Captive cover screws
- Grounding screw
- Designed to comply with MIL-DTL-3950

Specifications

IP & NEMA Ratings:	IP67 or IP69K
Service Life	Mechanically: 1,000,000 operations Electrically: 20,000 ops at rated loads (Momentary) 50,000 ops at rated loads (Maintained)
Operating Temperature	-40 ~ +85°C (-40 ~ +185°F)
Electrical Rating	15A 277VAC 1/2HP 125VAC 1HP 250VAC 20A 28VDC

Selection Guide:

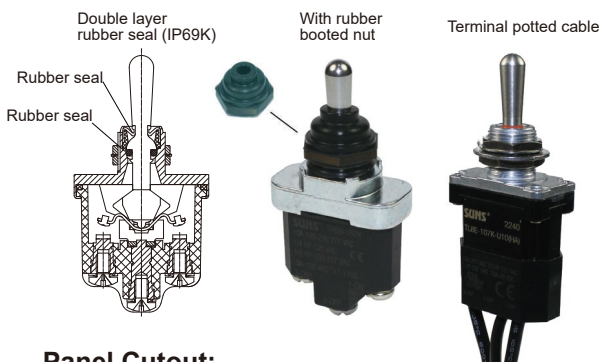
TN 8	A	-	1	01	K	-	-	K	-	U12
TN8: Plastic TL8: Phenolic	Body Style A: See Drawing B: See Drawing C: See Drawing D: See Drawing E: See Drawing F: See Drawing G: See Drawing H: See Drawing		# of Poles 1: 1 Pole 2: 2 Pole 4: 4 Pole	ON/OFF arrangement 01-70	Toggle style K: Stainless E/E1/E2/E3: Plastic L: Locked type followed by 2-digit number	Toggle color (R,G,Y,B) Blank: Stainless Y: Yellow E: Grey O: Orange B: Black	Terminal Gold Contacts (Optional) Blank: Screw Q: Quick Connector S: Solder Terminal QS: Tab Screw	Cable Length Unit/Number (Optional) U: Inch M: Meter F: Foot		

ON/OFF Arrangement:

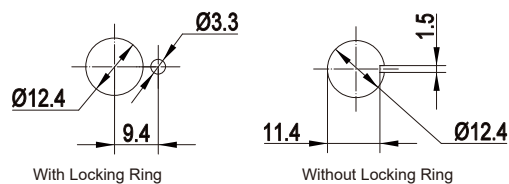
UP			CENTER			DOWN			UP			CENTER			DOWN											
Part Numbers			Part Numbers			Part Numbers			Part Numbers			Part Numbers			Part Numbers											
1-Pole (2-Position)									2-Pole (2-Position)									4-Pole (2-Position)								
OFF		ON(2-3)	TN8_102	OFF		ON(2-3,5-6)	TN8_202	OFF		ON(2-3,5-6)	TN8_402	OFF		ON(2-3,5-6)	TN8_402	OFF		ON(2-3,5-6)	TN8_402							
ON(1-2)		ON(2-3)	TN8_103	ON(1-2,4-5)		ON(2-3,5-6)	TN8_203	ON(1-2,4-5)		ON(2-3,5-6)	TN8_203	ON(1-2,4-5)		ON(2-3,5-6)	TN8_403	ON(1-2,4-5)		ON(2-3,5-6)	TN8_403							
OFF*		ON(2-3)	TN8_104	OFF*		ON(2-3,5-6)	TN8_204	OFF*		ON(2-3,5-6)	TN8_204	OFF*		ON(2-3,5-6)	TN8_404	OFF*		ON(2-3,5-6)	TN8_404							
ON(1-2)*		OFF	TN8_106	ON(1-2,4-5)*		OFF	TN8_206	ON(1-2,4-5)*		OFF	TN8_206	ON(1-2,4-5)*		OFF	TN8_406	ON(1-2,4-5)*		OFF	TN8_406							
ON(1-2)*		ON(2-3)	TN8_108	ON(1-2,4-5)*		ON(2-3,5-6)	TN8_208	ON(1-2,4-5)*		ON(2-3,5-6)	TN8_208	ON(1-2,4-5)*		ON(2-3,5-6)	TN8_408	ON(1-2,4-5)*		ON(2-3,5-6)	TN8_408							
	OFF	ON(2-3)	TN8_121		OFF	ON(2-3,5-6)	TN8_221		OFF	ON(2-3,5-6)	TN8_221		OFF	ON(2-3,5-6)	TN8_408		OFF	ON(2-3,5-6)	TN8_408							
	ON(1-2)	ON(2-3)	TN8_131	ON(1-2,4-5)		ON(2-3,5-6)	TN8_231	ON(1-2,4-5)		ON(2-3,5-6)	TN8_231	ON(1-2,4-5)		ON(2-3,5-6)	TN8_408	ON(1-2,4-5)		ON(2-3,5-6)	TN8_408							
	ON(1-2)	ON(2-3)*	TN8_151	ON(1-2,4-5)		ON(2-3,5-6)*	TN8_251	ON(1-2,4-5)		ON(2-3,5-6)*	TN8_251	ON(1-2,4-5)		ON(2-3,5-6)*	TN8_408	ON(1-2,4-5)		ON(2-3,5-6)*	TN8_408							
ON(1-2)*	OFF	ON(2-3)*	TN8_161	ON(1-2,4-5)*	OFF	ON(2-3,5-6)*	TN8_261	ON(1-2,4-5)*	OFF	ON(2-3,5-6)*	TN8_261	ON(1-2,4-5)*	OFF	ON(2-3,5-6)*	TN8_408	ON(1-2,4-5)*	OFF	ON(2-3,5-6)*	TN8_408							
1-Pole (3-Position)									2-Pole (3-Position)									4-Pole (3-Position)								
ON(1-2)	OFF	ON(2-3)	TN8_101	ON(1-2,4-5)	OFF	ON(2-3,5-6)	TN8_201	ON(1-2,4-5)	OFF	ON(2-3,5-6)	TN8_201	ON(1-2,4-5)	OFF	ON(2-3,5-6)	TN8_401	ON(1-2,4-5)	OFF	ON(2-3,5-6)	TN8_401							
ON(1-2)*	OFF	ON(2-3)	TN8_105	ON(1-2,4-5)*	OFF	ON(2-3,5-6)	TN8_205	ON(1-2,4-5)*	OFF	ON(2-3,5-6)	TN8_205	ON(1-2,4-5)*	OFF	ON(2-3,5-6)	TN8_401	ON(1-2,4-5)*	OFF	ON(2-3,5-6)	TN8_401							
ON(1-2)*	OFF	ON(2-3)*	TN8_107	ON(1-2,4-5)*	OFF	ON(2-3,5-6)*	TN8_207	ON(1-2,4-5)*	OFF	ON(2-3,5-6)*	TN8_207	ON(1-2,4-5)*	OFF	ON(2-3,5-6)*	TN8_405	ON(1-2,4-5)*	OFF	ON(2-3,5-6)*	TN8_405							
				ON(1-2,4-5)	ON(1-2,5-6)	ON(2-3,5-6)	TN8_210	ON(1-2,4-5)	ON(1-2,5-6)	ON(2-3,5-6)	TN8_210	ON(1-2,4-5)	OFF	ON(2-3,5-6)	TN8_405	ON(1-2,4-5)	OFF	ON(2-3,5-6)	TN8_405							
				ON(1-2,4-5)	ON(2-3,4-5)	ON(2-3,5-6)	TN8_212	ON(1-2,4-5)	ON(2-3,4-5)	ON(2-3,5-6)	TN8_212	ON(1-2,4-5)	OFF	ON(2-3,5-6)	TN8_407	ON(1-2,4-5)	OFF	ON(2-3,5-6)	TN8_407							
				ON(1-2,4-5)*	ON(1-2,5-6)	ON(2-3,5-6)	TN8_250	ON(1-2,4-5)*	ON(1-2,5-6)	ON(2-3,5-6)	TN8_250	ON(1-2,4-5)*	OFF	ON(2-3,5-6)*	TN8_407	ON(1-2,4-5)*	OFF	ON(2-3,5-6)*	TN8_407							
				ON(1-2,4-5)*	ON(1-2,5-6)	ON(2-3,5-6)*	TN8_270	ON(1-2,4-5)*	ON(1-2,5-6)	ON(2-3,5-6)*	TN8_270	ON(1-2,4-5)*	OFF	ON(2-3,5-6)*	TN8_407	ON(1-2,4-5)*	OFF	ON(2-3,5-6)*	TN8_407							
				ON(1-2,4-5)	ON(2-3,4-5)	ON(2-3,5-6)	TN8_212	ON(1-2,4-5)	ON(2-3,4-5)	ON(2-3,5-6)	TN8_212	ON(1-2,4-5)	OFF	ON(2-3,5-6)	TN8_410	ON(1-2,4-5)	OFF	ON(2-3,5-6)	TN8_410							
				ON(1-2,4-5)*	ON(1-2,5-6)	ON(2-3,5-6)*	TN8_250	ON(1-2,4-5)*	ON(1-2,5-6)	ON(2-3,5-6)*	TN8_250	ON(1-2,4-5)*	OFF	ON(2-3,5-6)*	TN8_407	ON(1-2,4-5)*	OFF	ON(2-3,5-6)*	TN8_407							
				ON(1-2,4-5)*	ON(1-2,5-6)	ON(2-3,5-6)*	TN8_270	ON(1-2,4-5)*	ON(1-2,5-6)	ON(2-3,5-6)*	TN8_270	ON(1-2,4-5)*	OFF	ON(2-3,5-6)*	TN8_407	ON(1-2,4-5)*	OFF	ON(2-3,5-6)*	TN8_407							

* These positions are momentary. All others are maintained.

Switch Construction:



Panel Cutout:



Note: 1.5mm min. deep to accommodate locking ring.

Locking Configurations:

01		Locked In Three Positions	07		Locked Out Of Center and Extreme Position (Keyway Side)
02		Locked In Center and Extreme Position (Keyway Side)	08		Locked Out Of Center and Extreme Position (Opposite Keyway)
03		Locked Out Of Center Position	09		Locked In Center and Extreme Position (Opposite Keyway)
04		Locked In Center Positions	10		Locked Out Of Extreme Position (Keyway Side)
05		Locked In Extreme Position (Opposite Keyway)	11		Locked Out Of And Into Extreme Position (Opposite Keyway)
06		Locked In Extreme Position (Keyway Side)	12		Locked Out Of Extreme Position (Opposite Keyway)
13		Locked Out Of And Into Extreme Position (Keyway Side)			

TN8/TL8 SEALED TOGGLE SWITCHES

Toggle Styles: E



E1



E2



E3



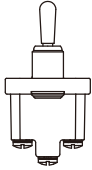
K



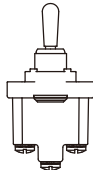
L



Body Styles: A



B



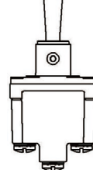
C



D



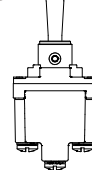
E



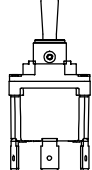
F



G



H



Booted Nuts: (Order Separately as Accessories)



TN-PJ-08



TN-S1-B



TN-S2-B



TN-S5-B

Terminal Styles:



Screw



Q: Quick Connector

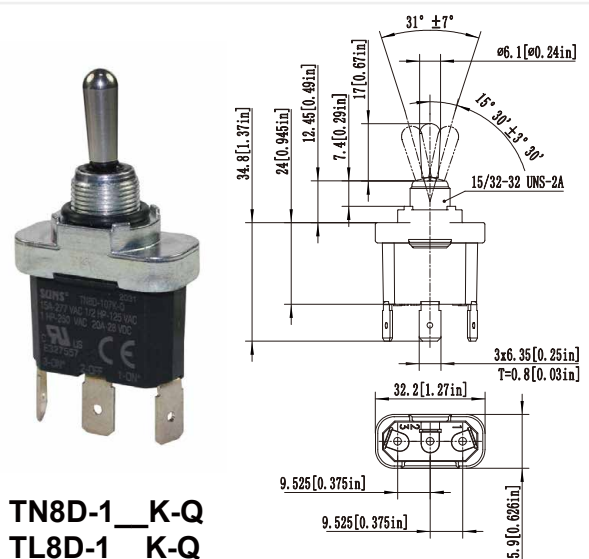
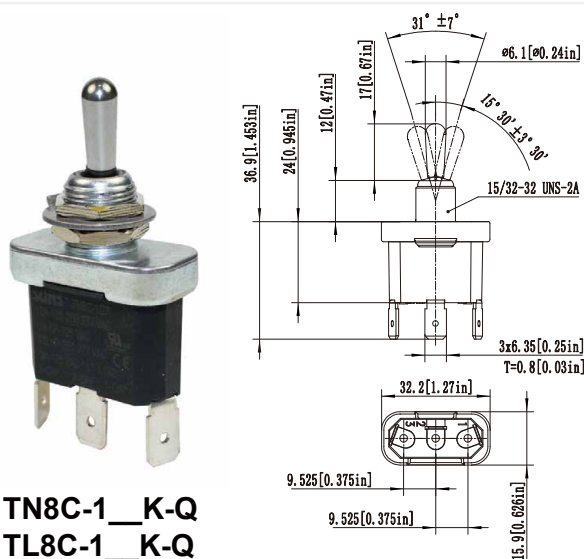
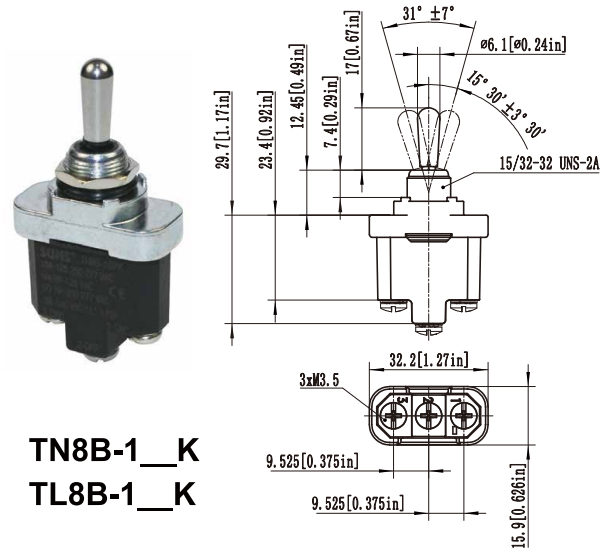
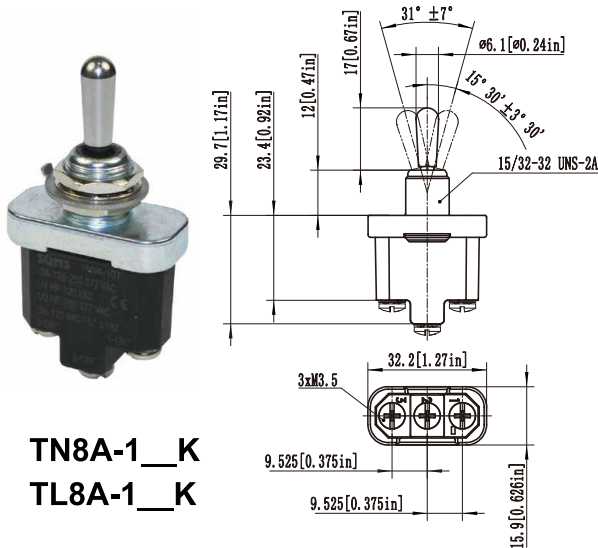


S: Solder Terminal



QS: Tab Screw

Dimensional Drawings:

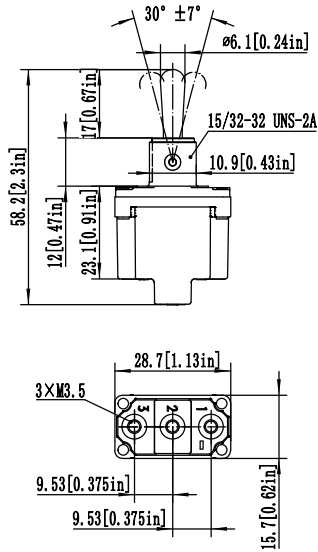


TN8/TL8 SEALED TOGGLE SWITCHES

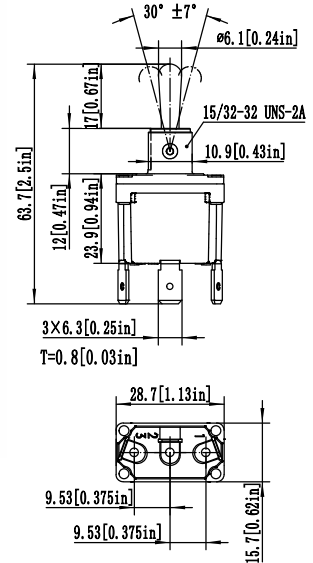
Dimensional Drawings:



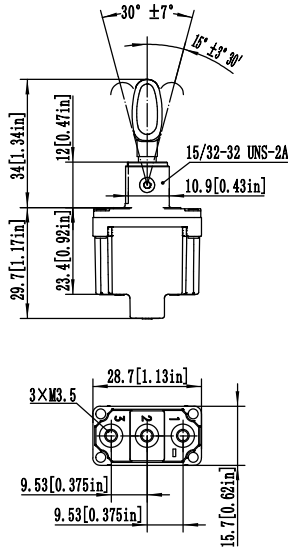
TL8E-1_K



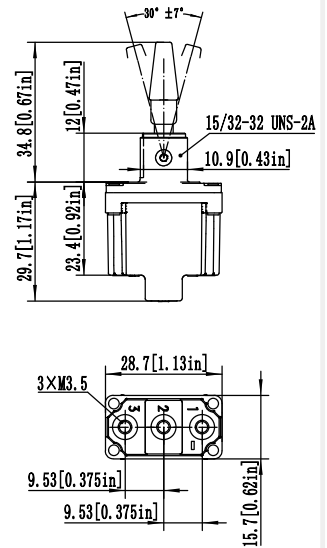
TN8F-1_K-Q



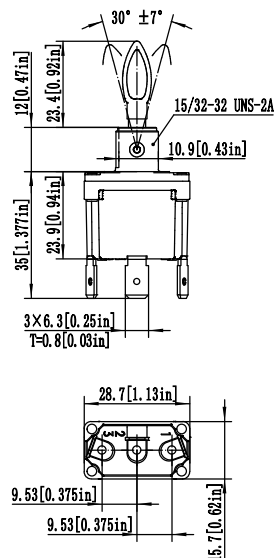
TL8E-1_EY



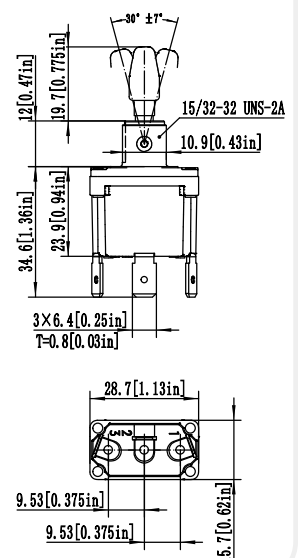
TL8E-1_E1Y



TL8F-1_E2Y-Q



TL8F-1_E3Y-Q

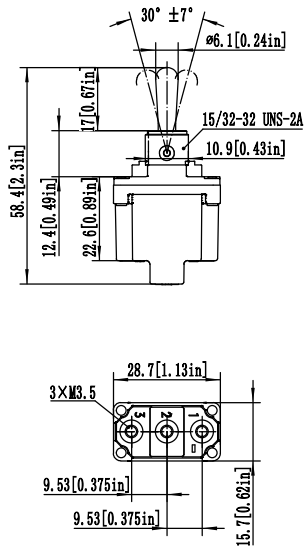


TN8/TL8 SEALED TOGGLE SWITCHES

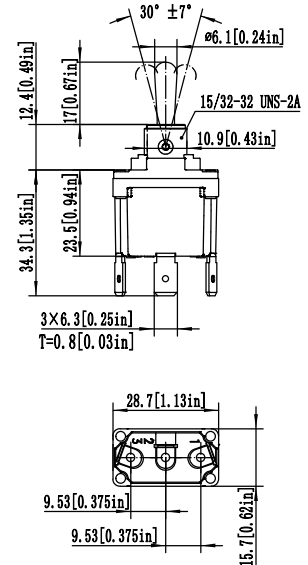
Dimensional Drawings:



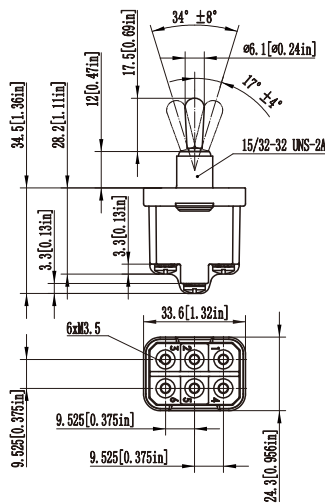
TL8G-1_K



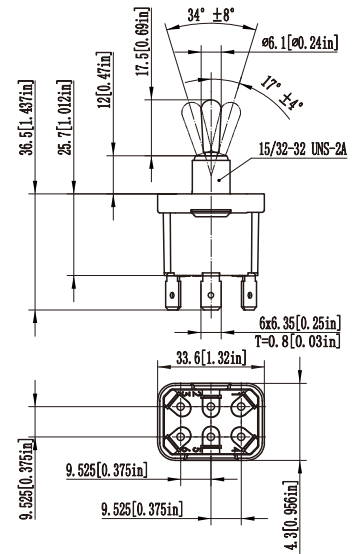
TL8H-1_K-Q



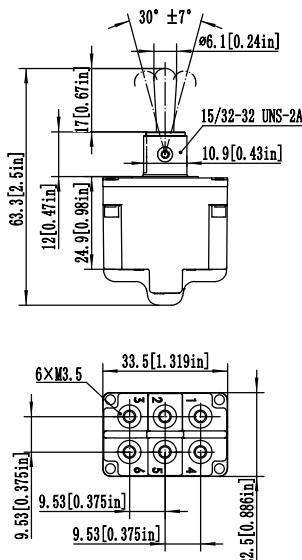
TL8A-2_K



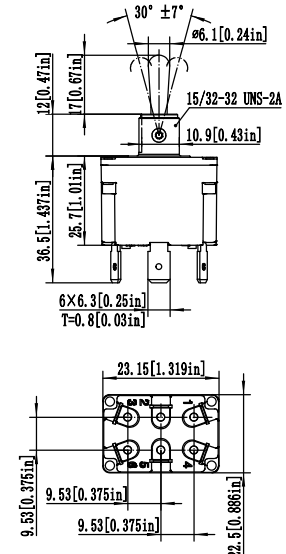
TL8C-2_K-Q



TL8E-2_K



TL8F-2_K

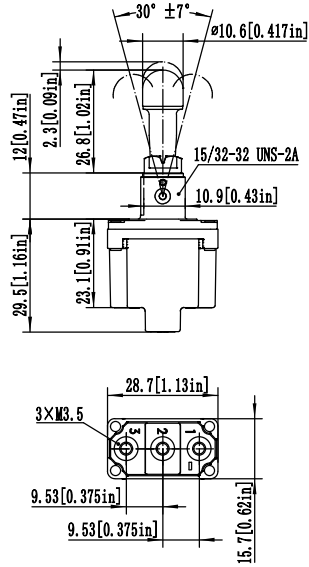


TN8/TL8 SEALED TOGGLE SWITCHES

Dimensional Drawings:



TL8E-1_L04



TL8E-4_K

