

Model: TEQ**Model life 1985>>2012**

Model Overview EC

| EC | Sales term | LTR | KW | Hp | Cyl | Mounting time | Remark |
|------|------------|------|-----|-----|-----|---------------|--------|
| 6405 | | 3,60 | 200 | 272 | 6 | 08/93-07/95 | |
| 6406 | | 3,60 | 200 | 272 | 6 | 08/93-07/95 | |
| 6407 | | 3,60 | 200 | 272 | 6 | 08/93-07/95 | |
| 6408 | | 3,30 | 200 | 272 | 6 | 08/93-07/94 | |
| 6408 | | 3,60 | 200 | 272 | 6 | 08/94-07/95 | |
| 6420 | | 3,70 | 220 | 299 | 6 | 08/94-07/96 | |
| 6421 | | 3,60 | 210 | 285 | 6 | 08/95-07/97 | |
| 6422 | | 3,60 | 210 | 285 | 6 | 08/95-07/97 | |
| 6423 | | 3,60 | 210 | 285 | 6 | 08/95-07/97 | |
| 6424 | | 3,60 | 210 | 285 | 6 | 08/95-07/97 | |
| 6460 | | 3,60 | 300 | 408 | 6 | 08/94-07/97 | |

Model: TEQ

Model life 1985>>2012

Engine Numbers

| Engine number | Model year | Vehicle type | Engine type |
|-----------------|------------|----------------------------------|-------------|
| 63R 00501>20000 | 1994 | 911 CARRERA | 6405 |
| 63R 50501>60000 | 1994 | 911 CARRERA TIPTRONIC | 6406 |
| 64R 00501>20000 | 1994 | 911 CARRERA (USA)(CDN) | 6407 |
| 64R 50501>60000 | 1994 | 911 CARRERA TIPTRONIC (USA)(CDN) | 6408 |
| 63S 00501>20000 | 1995 | 911 CARRERA | 6405 |
| 63S 00501>20000 | 1995 | 911 CARRERA 4 | 6405 |
| 63S 50501>60000 | 1995 | 911 CARRERA TIPTRONIC | 6406 |
| 64S 00501>20000 | 1995 | 911 CARRERA (USA)(CDN) | 6407 |
| 64S 00501>20000 | 1995 | 911 CARRERA 4 (USA)(CDN) | 6407 |
| 64S 50501>60000 | 1995 | 911 CARRERA TIPTRONIC (USA)(CDN) | 6408 |
| 63S 85501>90000 | 1995 | 911 CARRERA RS | 6420 |
| 61T 00501>20000 | 1995 | 911 TURBO | 6460 |
| 63T 85501>90000 | 1996 | 911 CARRERA RS | 6420 |
| 63T 00501>20000 | 1996 | 911 CARRERA | 6421 |
| 63T 00501>20000 | 1996 | 911 CARRERA 4 | 6421 |
| 63T 50501>60000 | 1996 | 911 CARRERA TIPTRONIC | 6422 |
| 64T 00501>20000 | 1996 | 911 CARRERA (USA)(CDN) | 6423 |
| 64T 00501>20000 | 1996 | 911 CARRERA 4 (USA)(CDN) | 6423 |
| 64T 50501>60000 | 1996 | 911 CARRERA TIPTRONIC | 6424 |
| 61T 00501>20000 | 1996 | 911 TURBO | 6460 |
| 63V 00501>20000 | 1997 | 911 CARRERA | 6421 |
| 63V 00501>20000 | 1997 | 911 CARRERA 4 | 6421 |
| 63V 50501>60000 | 1997 | 911 CARRERA TIPTRONIC | 6422 |
| 64V 00501>20000 | 1997 | 911 CARRERA (USA)(CDN) | 6423 |
| 64V 00501>20000 | 1997 | 911 CARRERA 4 (USA)(CDN) | 6423 |
| 64V 50501>60000 | 1997 | 911 CARRERA TIPTRONIC (USA)(CDN) | 6424 |
| 61V 00501>20000 | 1997 | 911 TURBO | 6460 |

Model: TEQ

Model life 1985>>2012

| NR | Description |
|-----|---|
| 008 | 986 S 3,2 litres displacement |
| 009 | 986 2.5 litres displacement -- MY 1999 |
| | 986 2.7 litres displacement MY 2000 -- |
| 011 | Special model GTS (981/991) |
| 020 | Speedometer with two scales mph-km/h |
| 030 | Sports suspension |
| 033 | Lowered vehicle |
| 058 | Impact absorbers, front and rear |
| 061 | Version for Great Britain |
| 089 | Exterior package, Black |
| 092 | Special model Turbo S |
| 098 | Left-hand drive version |
| 099 | Right-hand drive version |
| 113 | Version for Canada |
| 139 | Seat heating system, left seat |
| 150 | Operation with leaded gas |
| 176 | Sports exhaust system |
| 183 | Super hot country |
| 185 | 2-point seat belts, rear automatic |
| 186 | 2-point seat belts, rear manual |
| 211 | Licence plate holder version 3 |
| 215 | Version for Saudi Arabia |
| 218 | Licence plate holder version 4 |
| 249 | Tiptronic transmission |
| 250 | PDK transmission (dual clutch) |
| 272 | Door mirrors, manually adjustable |
| 273 | Door mirrors, electrically adjustable and heatable |
| 288 | Headlamp washer |
| 320 | Radio "Porsche CR-11" ROW |
| 321 | Radio "Porsche CR 22" |
| 322 | Radio "Porsche CR 220" |
| 324 | Radio "Porsche CR-10" |
| 326 | Radio "Porsche CR-21" ROW |
| 327 | Radio "Porsche CR 2200" |
| 330 | Radio "Porsche CR-31" ROW |
| 334 | Radio/cassette player Bremen RCM 42 |
| 335 | Automatic seat belt, 3-point, rear |
| 336 | Radio "Duesseldorf RCR 84" |
| 338 | Rear-wheel drive |
| 339 | All-wheel drive |
| 340 | Seat heating system, right seat |
| 369 | Standard seat, left |

Model: TEQ

Model life 1985>>2012

| NR | Description |
|-----|--|
| 370 | Standard seat, right |
| 373 | Sports seat, left, electrically height adjustable |
| 374 | Sports seat, right, electrically height adjustable |
| 375 | Sports seat, backrest shell, left |
| 376 | Sports seat, backrest shell, right |
| 379 | Standard seat, left, electrical vertical adjustment |
| 380 | Standard seat, right, electrcal vertical adjustment |
| 393 | 17-inch Targa wheel |
| 395 | Cast wheel, 16-inch |
| 396 | Cast wheel, 17-inch |
| 397 | Cup wheel, 16-inch |
| 398 | Cup wheel, 17-inch |
| 400 | Boxster-S wheel 17-inch |
| 408 | 18-inch Techno wheel |
| 410 | 18-inch Turbo 2 wheel |
| 413 | 18-inch Turbo-Look wheel |
| 419 | Rear luggage dump |
| 421 | Front cassette compartment |
| 423 | Holder for cassettes and coins |
| 424 | CD storage unit |
| 425 | Rear window wiper |
| 426 | Without rear window wiper |
| 431 | Multi-function steering wheel, touch + feel |
| 432 | Steering wheel with Tiptronic control |
| 436 | 3-spoke airbag steering wheel |
| 437 | Comfort seat, left, electrically adjustable |
| 438 | Comfort seat, right, electrically adjustable |
| 439 | Electrical hood operation |
| 441 | prepared for radio |
| 450 | Ceramic brake (PCCB) |
| 454 | Automatic speed control |
| 475 | "PASM" electronic damper control |
| 480 | 6-speed manual transmission |
| 481 | 5th-speed manual transmission |
| 482 | Tire Pressure Monitoring TPM, 433 MHz |
| 483 | 315-MHz TPM, Tire Pressure Monitoring |
| 484 | Version for USA |
| 490 | Sound system "ASK" |
| 491 | Turbo Look |
| 493 | Narrow bodywork |

Model: TEQ

Model life 1985>>2012

| NR | Description |
|-----|--|
| 495 | Carrera S |
| 503 | Speedster |
| 513 | Lumbar support, right seat |
| 530 | Anti-drive-off feature |
| 531 | Anti-drive-off feature, central locking system |
| 534 | Theft security system |
| 535 | Anti-theft lock 315 MHz |
| 536 | Alarm siren and tilt sensor |
| 537 | Seating position control for comfort seat, left |
| 538 | Seating position control for comfort seat, right |
| 539 | Mechanical seat-height adjustment, left |
| 540 | Mechanical seat-height adjustment, right |
| 544 | Tank of 75 litres |
| 545 | Tank of 92 litres |
| 549 | Roof Transport System |
| 550 | Hardtop |
| 551 | Wind deflector |
| 553 | Version for USA, Canada |
| 560 | Advanced airbag |
| 562 | Airbag, driver's side and front passenger's side |
| 573 | Air conditioner |
| 580 | Non-smoker's package |
| 581 | Center console, front |
| 586 | Lumbar support, left seat |
| 601 | Litronic headlights |
| 605 | Headlight range control |
| 608 | Garage door opener "Homelink" 433 MHz |
| 614 | Preparation for telephone installation Motorola (D-network) |
| 618 | Phone preparation |
| 620 | Electronic accelerator |
| 631 | Child's seat detection |
| 635 | Park distance control |
| 639 | Sport Chrono package |
| 640 | Sport Chrono Plus package |
| 641 | electronic log book |
| 650 | Electrical sliding roof |
| 659 | on-board computer |
| 662 | Info/navigation system |
| 665 | -2008 PCM 2, 2009- PCM 3 basic module incl. radio |
| 666 | -2008 PCM 2, 2009- PCM 3 telephone (GSM) |
| 672 | -2008 PCM 2, 2009- PCM 3 Offroad navigation |
| 674 | "Vehicle Tracking System" preparation |
| 680 | -MY 01 digital sound package |

Model: TEQ

Model life 1985>>2012

| NR | Description |
|-----|---|
| | MY 02- sound system Bose analog |
| 686 | Radio "Porsche CDR-21" ROW |
| 692 | CD autochanger "Porsche " |
| 695 | CD radio "Porsche CDR 22" |
| 696 | CD radio "Porsche CDR 220" |
| 698 | CD radio "Porsche CDR 32" |
| 699 | MD radio "Porsche MDR32" |
| 756 | Special model "911 Sport Classic" |
| 810 | foot mats |
| 843 | Sports steering wheel in Alcantara |
| 844 | Multi-function steering wheel Smooth leather |
| 845 | Multi-function steering wheel Carbon |
| 847 | Multi-function steering wheel Makassar |
| 981 | Leather equipment without seat covers |
| XAA | Aerokit Cup |
| XAF | Turbo aerokit |
| XAM | Aerokit Cayman |
| XAS | Sport Design front apron |
| XCZ | Short shifter |
| XLF | Sports exhaust system |
| XLS | Sports tailpipe 98X |
| XPU | Multi-function steering wheel Galvano Silver, new generation |
| XX1 | Floor mats, logo, leather border |
| X51 | Powerkit 250 kW |
| X76 | Inner door sill guard, left/right |
| 008 | Basic 981/991 |
| 009 | "s" 981/991 |
| 010 | "Classic" package |
| 011 | Special model GTS (981/991) |
| 012 | Special model China Style Edition |
| 013 | Special model Black Edition |
| 014 | Special model "50 years 911" |
| 016 | "Standard" package |
| 019 | Special model 911 Carrera 4 GTS |
| 020 | Speedometer with two scales mph-km/h |
| 022 | Black-coloured instrument dials, instrument cluster |
| 023 | Silver -coloured instrument dials, instrument cluster |
| 024 | Version for Greece |
| 025 | Black-coloured instrument dials, stopwatch |
| 026 | Silver-coloured instrument dials, stopwatch |
| 027 | Instrument cluster dials, Carmine Red |
| 029 | Standard chassis |
| 030 | Sports suspension |
| 031 | Sports chassis with PASM and PDCC |
| 032 | Touring suspension |

Model: TEQ Model life 1985>>2012

| NR | Description |
|-----|--|
| 034 | Version for Italy |
| 037 | 911 T |
| 058 | Impact absorbers, front and rear |
| 061 | Version for Great Britain |
| 062 | sweden version |
| 063 | Version Luxemburg |
| 064 | Version for Netherlands |
| 065 | Version for Denmark |
| 066 | Version for Norway |
| 067 | Version for Finland |
| 068 | PAP right-hand drive version |
| 069 | Other country version |
| 070 | Pedestrian protection |
| 071 | EU country version |
| 072 | Version for Mexico |
| 073 | Version for Russia |
| 074 | PAP left-hand drive version |
| 075 | Chinese version |
| 082 | Fuel tank, 90-litre |
| 086 | Korea version |
| 090 | Communications package for the interior |
| 092 | Special model Turbo S |
| 098 | Left-hand drive version |
| 099 | Right-hand drive version |
| 111 | Version for Austria |
| 113 | Version for Canada |
| 114 | Version for Taiwan |
| 119 | Version for Spain |
| 124 | Version for France |
| 126 | Control and indications in French lettering |
| 127 | Control and indications in Swedish lettering |
| 130 | Control and indications in English lettering |
| 139 | Seat heating system, left seat |
| 140 | Dynamic engine mounts (PADM) |
| 145 | Compression variant |
| 147 | Carrera power kit |
| 150 | Operation with leaded gas |
| 153 | Middle radiator |
| 170 | Acoustic package RoW |
| 171 | Acoustic package USA |
| 172 | Acoustic package PAP, China, Korea |
| 176 | Sports exhaust system |
| 178 | Twin tailpipes, Black |
| 181 | Standard climatic zones |
| 182 | Hot country |
| 183 | Super hot country |
| 185 | 2-point seat belts, |

Model: TEQ

Model life 1985>>2012

| NR | Description |
|-----|---|
| | rear automatic |
| 186 | 2-point seat belts, rear manual |
| 193 | japan version |
| 194 | Battery, 60 Ah |
| 195 | Battery, 70 Ah |
| 196 | Battery, 80 Ah |
| 197 | Stronger battery |
| 198 | Enhanced starter motor (1.7 kW) |
| 199 | Battery disconnection switch |
| 200 | 95 Ah battery |
| 209 | Licence plate holder version 1 |
| 210 | Licence plate holder version 2 |
| 211 | Licence plate holder version 3 |
| 215 | Version for Saudi Arabia |
| 218 | Licence plate holder version 4 |
| 219 | Differential |
| 220 | Locking differential 40 % |
| 221 | PTV Plus, el. controlled rear-diff. lock |
| 225 | Version for Belgium |
| 249 | Tiptronic transmission |
| 250 | PDK transmission (dual clutch) |
| 254 | Manually retractable exterior mirrors |
| 255 | Manually retractable exterior mirrors with memory |
| 256 | Manually retractable exterior mirrors, with automatic dimming |
| 257 | Manually retractable exterior mirrors, with automatic dimming and memory |
| 258 | Electrically retractable exterior mirrors |
| 259 | Electrically retractable ext. mirrors with memory |
| 260 | Electrically retractable exterior mirrors with automatic dimming |
| 261 | Electrically retractable exterior mirrors with automatic dimming and memory |
| 263 | Left exterior mirror glass, flat |
| 264 | Left exterior mirror glass, convex |
| 265 | Automatic anti-dazzle interior mirror with rain sensor |
| 266 | Automatic anti-dazzle door mirror |
| 267 | Automatically dimmable interior and door mirrors |
| 268 | Rain sensor |
| 270 | Door mirrors -flat - driver's side, electrically adjustable and heatable |
| 271 | Door mirrors -aspherical- driver's side, |

Model: TEQ

Model life 1985>>2012

| NR | Description |
|-----|---|
| | electrically adjustable and heatable |
| 272 | Door mirrors, manually adjustable |
| 273 | Door mirrors, electrically adjustable and heatable |
| 274 | Vanity mirror, illuminated |
| 275 | Manual anti-dazzle interior mirror |
| 276 | Automatic anti-dazzle interior mirror |
| 277 | Swiss version |
| 284 | Right exterior mirror glass, convex |
| 285 | Right exterior mirror glass, aspherical |
| 288 | Headlamp washer |
| 301 | Transmission ratio long |
| 305 | Gear lever in Alcantara, Black |
| 310 | PDK gear selector EXC |
| 313 | Sports seat, left, manual, 2-way |
| 314 | Sports seat, right, manual, 2-way |
| 315 | Sports seat, left, partially electrical, 4-way |
| 316 | Sports seat, right, partially electrical, 4-way |
| 317 | Sports seat Plus, left, manual, 2-way |
| 318 | Sports seat Plus, right, manual, 2-way |
| 319 | Sports seat Plus, left, partially electrical, 4-way |
| 320 | Sports seat Plus, right, partially electrical, 4-way |
| 321 | Sports seat, left, electrical, 14-way |
| 322 | Sports seat, right, electrical, 14-way |
| 323 | Sports seat Plus, left, electrical, 18-way |
| 324 | Sports seat Plus, right, electrical, 18-way |
| 325 | Version for South Africa/New Zealand |
| 326 | Radio "Porsche CR-21" ROW |
| 327 | Radio "Porsche CR 2200" |
| 330 | Radio "Porsche CR-31" ROW |
| 334 | Radio/cassette player Bremen RCM 42 |
| 335 | Automatic seat belt, 3-point, rear |
| 336 | Radio "Duesseldorf RCR 84" |
| 338 | Rear-wheel drive |
| 339 | All-wheel drive |
| 340 | Wheel rims painted in basic colour |
| 342 | Seat heating, left/right seat |

Model: TEQ

Model life 1985>>2012

| NR | Description |
|-----|--|
| 344 | Rim painted in silky-gloss Black |
| 345 | Heated steering wheel |
| 346 | Rims, painted Silver |
| 352 | Electronic damper control for PASM and PDCC |
| 369 | Standard seat, left |
| 370 | Standard seat, right |
| 373 | Sports seat, left, electrically height adjustable |
| 374 | Sports seat, right, electrically height adjustable |
| 375 | Sports seat, backrest shell, left |
| 376 | Sports seat, backrest shell, right |
| 377 | Sports seat, backrest shell, left, electrically adjustable |
| 378 | Sports seat, backrest shell, right, electrically adjustable |
| 379 | Standard seat, left, electrical vertical adjustment |
| 380 | Standard seat, right, electrcal vertical adjustment |
| 388 | Sports bucket seat, left |
| 389 | Sports bucket seat, right |
| 392 | 17-inch Carrera wheel |
| 393 | 17-inch Boxster II wheel (987) |
| 397 | 18-inch Boxster S wheel (987) |
| 398 | 19" Cayman S wheel |
| 401 | 18-in. Cayman S wheel |
| 402 | Carrera 3 wheel 18-inch |
| 403 | Carrera S wheel 19-inch |
| 404 | 19" Turbo-1 wheel |
| 405 | Carrera Classic wheel 19-inch |
| 406 | Carrera GT wheel 19-inch/20-inch |
| 407 | SportDesign wheel 19-inch |
| 408 | 18-inch Techno wheel |
| 410 | 18" Turbo-2/Panamera wheel |
| 411 | 18-inch Carrera wheel -->2005 19-inch Carrera wheel 2012--> |
| 414 | Carrera S Facelift 18" wheel |
| 415 | 18-inch Turbo-Look II wheel |
| 416 | 18-inch GT3 wheel |
| 418 | 18-inch Turbo II wheel in GT Silver |
| 419 | Carrera S Facelift 19" wheel |
| 421 | Turbo 2 wheel, 19" |
| 422 | Turbo wheel, 19", central lock |
| 423 | 20-inch Carrera S wheel (III) |
| 424 | CD storage unit |

Model: TEQ

Model life 1985>>2012

| NR | Description |
|-----|--|
| 425 | Rear window wiper |
| 426 | Without rear window wiper |
| 427 | 20-inch Carrera Classic wheel (II) |
| 428 | 20-inch Sport Design wheel (II) |
| 429 | 20" 911 Turbo III wheel |
| 430 | GT3 wheel, 19", central lock |
| 431 | Multi-function steering wheel, touch + feel |
| 432 | 19" Carrera wheel (6) |
| 433 | 20" Carrera S wheel (4) |
| 435 | 911 Turbo S wheel, 20" central lock |
| 436 | 3-spoke airbag steering wheel |
| 437 | Comfort seat, left, electrically adjustable |
| 438 | Comfort seat, right, electrically adjustable |
| 439 | 20" 911 Turbo 4 wheel |
| 440 | Antenna diversity |
| 441 | Basic sound package |
| 444 | Anti-theft lock, wheel bolts "THATCHAM" |
| 446 | Concave wheel centers with full-colour Porsche Crest |
| 447 | Emergency wheel |
| 448 | Brake pad; sport version |
| 449 | 911 Turbo Sport 3 20" wheel |
| 450 | Ceramic brake (PCCB) |
| 451 | Multi-function steering wheel, Makassar Ebony, touch + feel |
| 452 | Multi-function steering wheel, Sycamore, touch + feel |
| 453 | Multi-function steering wheel, Carbon, touch + feel |
| 454 | Automatic speed control |
| 456 | Automatic distance control (ACC) |
| 457 | Lane change assist |
| 459 | 3-spoke airbag steering wheel, touch + feel |
| 460 | 20" RS Spyder Design wheel |
| 461 | External antenna |
| 465 | Rear fog light, left |
| 466 | Rear fog light, right |
| 470 | Rear-axle steering |
| 474 | Front-axle lift function |
| 475 | "PASM" electronic damper control |
| 476 | Porsche Stability Management (PSM) |
| 477 | PASM w/o lowering |
| 478 | Central wheel lock |
| 479 | Version for Australia |
| 480 | 6-speed manual transmission |
| 481 | 5th-speed manual transmission |

Model: TEQ

Model life 1985>>2012

| NR | Description |
|-----|---|
| 482 | Tire Pressure Monitoring TPM, 433 MHz |
| 483 | 315-MHz TPM, Tire Pressure Monitoring |
| 484 | Version for USA |
| 487 | 7-speed manual transmission |
| 488 | Inscriptions in German language |
| 489 | Multi-function operation + steering wheel heating |
| 490 | Sound system "ASK" |
| 491 | Turbo Look Carrera 4S |
| 492 | Headlights for left-hand traffic |
| 493 | Balance weights, Black |
| 495 | Carrera S |
| 497 | Deletion of model designation and Porsche logo |
| 498 | Deletion of model designation on rear end |
| 499 | Version for Germany |
| 501 | Car cover |
| 503 | Speedster |
| 509 | Fire extinguishers |
| 513 | Lumbar support, right seat |
| 514 | GTS logo with model designation in Silver |
| 515 | GTS logo with model designation in Black |
| 521 | Tilt sensor |
| 523 | Immobiliser, 434 MHz |
| 524 | Immobilizer, central locking, 433 MHz |
| 525 | Immobilizer, central locking, 315 MHz |
| 528 | Door mirror, standard |
| 529 | SportDesign exterior mirror |
| 530 | Immobilizer, central locking, 433 MHz |
| 532 | Alarm system remote control omitted |
| 533 | Radio convertible-top operation omitted |
| 534 | Theft security system, 433 MHz |
| 535 | Theft security system, 315 MHz |
| 536 | -07 Alarm siren and tilt sensor 08- Alarm siren |
| 537 | Seat position control for comfort seat, left |
| 538 | Seat position control for comfort seat, right |
| 539 | Mechanical seat height adjustment, left |
| 540 | Mechanical seat height adjustment, right |
| 541 | Active seat ventilation (incl. heated seats) |
| 542 | Active seat ventilation, front and rear (incl. heated seats) |
| 544 | Anti-theft protection without infrared monitoring, 433 MHz |

Model: TEQ

Model life 1985>>2012

| NR | Description |
|-----|--|
| 545 | Anti-theft protection without infrared monitoring, 315 MHz |
| 549 | Roof Transport System |
| 550 | Hardtop |
| 551 | Wind deflector |
| 552 | Electric wind deflector |
| 553 | Version for USA, Canada |
| 554 | Front spoiler lip included |
| 555 | Black seat belts |
| 557 | Seat belts in contrasting colours |
| 559 | High-gloss mouldings |
| 560 | Advanced airbag |
| 562 | Airbag, driver's side and front passenger's side |
| 563 | Side airbag |
| 566 | Front fog lights, white |
| 567 | Windscreen tinted, upper part darker coloured |
| 568 | Windscreen without shade band |
| 571 | Activated charcoal filter |
| 572 | Manual air-conditioning system |
| 573 | Air conditioner |
| 574 | No air conditioning |
| 575 | Luggage compartment cooling system |
| 580 | Non-smoker's package |
| 581 | Centre console, front |
| 583 | Smoker package |
| 584 | Storage box on engine cover |
| 586 | Lumbar support, left seat |
| 590 | Steel doors |
| 594 | Alcantara rooflining |
| 599 | Aluminium doors |
| 601 | Xenon lighting system |
| 602 | LED headlights with dynamic cornering light Plus (PDLS Plus) |
| 603 | Xenon plus dynamic cornering light |
| 605 | LED daytime driving lights |
| 606 | Daytime driving lights |
| 607 | Garage door opener "Homelink", 315 MHz |
| 608 | Garage door opener "Homelink" 433 MHz |
| 610 | DVD navigation, "Europe package" |
| 611 | DVD navigation South Africa |
| 612 | DVD navigation middle east |
| 613 | DVD navigation australia |
| 614 | DVD navigation asia-pacific |
| 615 | DVD navigation system, North America |
| 616 | DVD, Navigation Russia |

Model: TEQ

Model life 1985>>2012

| NR | Description |
|-----|--|
| 617 | DVD Navigation China |
| 618 | Phone preparation |
| 619 | Mobile phone preparation (BLUETOOTH) without console |
| 621 | 12-V socket, passenger's side, footwell |
| 625 | "KESSY" Porsche Entry and Drive |
| 630 | Interior light package |
| 631 | Traffic sign recognition |
| 632 | PDLs+ dynamic high beam |
| 634 | ParkAssist (front and rear) with camera (LOW) |
| 635 | Park distance control |
| 636 | Park distance control in front and rear |
| 638 | ParkAssist, front, rear and reversing camera |
| 639 | Sport Chrono package |
| 640 | Sport Chrono Plus package |
| 641 | electronic log book |
| 642 | Start/Stop function |
| 647 | Steering column, mechanically reach/height-adjustable, without ELV |
| 648 | Steering column, electrically reach/height-adjustable, without ELV |
| 650 | Electrical sliding roof |
| 651 | External sliding roof |
| 652 | Without sliding/tilting roof |
| 653 | External-sliding glass sunroof |
| 655 | Steering column with mech. reach/height adjustment |
| 656 | Steering column with electric reach/ height adjustment and memory |
| 657 | Power steering |
| 658 | Servotronic |
| 659 | on-board computer |
| 660 | Obd 2 |
| 661 | Stricter emission-control concept |
| 662 | Info/navigation system |
| 663 | Fuel pump activation |
| 664 | Orvr |
| 665 | -2008 PCM 2, 2009- PCM 3 basic module incl. radio |
| 666 | -2008 PCM 2, 2009- PCM 3 telephone (GSM) |
| 668 | PCM2 telephone handset |
| 669 | PCM 3 - Telephone handset (BLUETOOTH) |
| 670 | PCM2 navigation |
| 671 | Voice control system |
| 672 | -2008 PCM 2, 2009- PCM 3 Offroad navigation |
| 673 | Navigation system preparation, China |
| 674 | "Vehicle Tracking System" preparation |

Model: TEQ

Model life 1985>>2012

| NR | Description |
|-----|---|
| 675 | Without radio preparation (Japan navigation system) |
| 676 | TV tuner |
| 677 | "Driver card" antenna |
| 678 | Alarm system connection |
| 679 | Restart inhibitor |
| 680 | BOSE sound package |
| 682 | Top Premium sound system |
| 685 | Rear seat assembly |
| 686 | SAT radio reception XM (SDARS) |
| 688 | HD radio reception |
| 689 | Preperation for CD autochanger |
| 690 | SDARS + HD radio reception |
| 691 | Digital radio reception DAB |
| 692 | CD autochanger "Porsche" |
| 693 | Integrated CD/DVD autochanger |
| 694 | CD radio "PORSCHE CDR 24" |
| 695 | CD radio "Porsche CDR 22" |
| 696 | CD radio, Porsche CDR 31 |
| 697 | CD radio "Porsche CDR-23" |
| 698 | CD radio "Porsche CDR 32" |
| 699 | MD radio "Porsche MDR32" |
| 711 | Omission underbody protection |
| 712 | Deletion of GTS logo |
| 713 | Omission of rear seat assembly |
| 751 | PCCB, front axle and rear axle 3K |
| 752 | PCCB, front axle MFF / rear axle 3K |
| 756 | Special model "911 Sport Classic" |
| 788 | Painted plastic components, door panel |
| 789 | Colour to sample |
| 796 | Full leather trim natural leather |
| 798 | Full leather trim special leather |
| 799 | Full leather trim by choice |
| 801 | Makassar Ebony wood package, dark (matt satin finish) |
| 802 | Sycamore package, light (matt satin finish) |
| 803 | Carbon package |
| 804 | GT2 Carbon exterior package |
| 805 | Lifestyle package |
| 809 | Centre console trim, brushed aluminium, Black |
| 810 | foot mats |
| 811 | without door panel trim |
| 812 | Door panel trim, galvanised |
| 815 | Door panel trim, brushed aluminium, Black |
| 829 | Transmission speed sensor |
| 840 | Sports steering wheel (for PDK with paddle) |
| 841 | Basic steering wheel Smooth leather |
| 843 | Sports steering wheel in Alcantara |

Model: TEQ

Model life 1985>>2012

| NR | Description |
|-----|--|
| 844 | Multi-function steering wheel Smooth leather |
| 845 | Multi-function steering wheel Carbon |
| 847 | Multi-function steering wheel Makassar |
| 852 | PDLs+ High beam assist |
| 855 | Sports steering wheel in leather, basic |
| 858 | Sports steering wheel GT, leather |
| 859 | Additional engine cooling measure |
| 870 | Universal multimedia interface |
| 893 | Decorative dashboard trim, brushed aluminium, Black |
| 899 | Isifix child-seat restraint on front passenger side |
| 911 | Model designation 911 |
| 912 | without identification plate |
| 931 | Rear seat covers in Alcantara/leatherette |
| 932 | Rear seat covers in Alcantara/leather |
| 933 | Rear seat covers in fabric/leather |
| 936 | Seat covers, rear, leather |
| 937 | Seat covers, rear, leatherette |
| 939 | Seat covers, rear, draped leather |
| 940 | Seat covers rear, ruff.leather/leather/leatherette Soft ruffled leather, embossed |
| 946 | Seat covers, front, leather/leather/leatherette |
| 948 | Front seat covers in fabric/leather/leather |
| 950 | Alcantara seat covers, front |
| 951 | Seat covers front, Alcantara/leather/leather |
| 970 | Two-tone interior |
| 971 | "TORO" embossed leather |
| 980 | Leather package |
| 981 | Leather equipment, without seat covers |
| 982 | Seat covers, front, draped leather/leather/leather |
| 983 | Seat covers, front, leather |
| 985 | Seat covers, leather/leather/leatherette, 2 |
| 990 | Seat covers, front, cloth/cloth/leatherette |
| 991 | Steering wheel airbag module in leather |
| 998 | Leather, natural |
| 999 | Passenger compartment monitoring sensor for leather colour of choice |
| ALC | Alcantara interior |
| ER1 | Regional code "ECE" for radio |
| ER2 | Regional code "RdW" for radio |
| ER3 | Region code "USA" for radio |
| ER4 | Region code "Mexico/NAR2" for radio |
| ER5 | Region code Japan for radio |
| ER6 | Regional code "China" for radio |

Model: TEQ

Model life 1985>>2012

| NR | Description |
|-----|--|
| ER7 | Regional code "Korea" for radio |
| ER8 | Regional code "Taiwan" for radio |
| ER9 | Regional code "Rest of Asia" for radio |
| GB1 | Compensator, EU/ROW |
| GB2 | Compensator, NAR |
| GB3 | Compensator, China |
| IY0 | Model year period from week 01 to week 22 |
| IY1 | Model year period from week 22 to week 45 |
| IY2 | Model year period from week 45 to week 22 |
| I8L | Premium radio (2nd gen.) |
| KK1 | Refrigerant R134a |
| KK3 | Refrigerant R1234yf |
| NZ3 | ERA/GLONASS (emergency call) |
| QR0 | Without compass |
| QR4 | Sport Chrono package |
| QR5 | Sport Chrono Package Plus |
| QU1 | TV reception + digital radio reception (DAB) MIB |
| QU8 | SAT radio reception, USA |
| QV0 | Without TV and digital radio reception |
| QV1 | With TV reception |
| QV3 | HD radio reception (high-definition) |
| UI2 | 2 X USB/IPOD interface |
| UI4 | Electrical interface for external use, USB and iPod |
| UX6 | TPM valve, Silver |
| UX7 | TPM valve, Black |
| XAA | Aerokit Cup |
| XAF | Turbo aerokit |
| XAG | Carrera - rear spoiler |
| XAH | Carrera 4S aerokit |
| XAJ | Painted sill covers |
| XAM | Aerokit Cayman |
| XAS | Sport Design front apron |
| XAT | SportDesign package |
| XAX | Rear lid slats painted |
| XCA | Dashboard trim strip (3-part) sports seats |
| XCB | Instrument surround sports seats |
| XCC | Side air vents sports seats |
| XCD | Center air vent bracket sports seats |
| XCE | Rear center console sports seats |
| XCG | Sports seat backrest in Aluminium Look finish |
| XCH | Side/centre air vent slats, sports seats |
| XCK | Rear center console in Galvano Silver |
| XCL | Instrument surround in Galvano Silver |
| XCN | Side air vents in Aluminium Look finish (997) |
| XCW | Aluminium Look trim on belt opening in B-pillar |
| XCY | Center air vent in Aluminium Look finish |

Model: TEQ

Model life 1985>>2012

| NR | Description |
|-----|---|
| XCZ | Short shifter |
| XDA | Wheel spokes painted Black |
| XDG | Rims painted in high-gloss Black |
| XDH | Wheel centre painted in Platinum |
| XDJ | Decorative trim on gear lever/selector, painted |
| XDK | Silky gloss rims, Black Matt |
| XDL | Rims painted Jet Black Metallic |
| XDM | Decorative dashboard trim, painted |
| XDP | Instrument cluster frame, painted |
| XDR | Painted trim on belt opening in B-pillar |
| XDS | Ignition lock surround in leather |
| XDU | Leather trim on belt opening in B-pillar |
| XDV | Dashboard end-trim in leather |
| XDX | Mirror attachment point finisher, leather |
| XDZ | Selector lever cover in leather |
| XD9 | Wheel painted in body colour |
| XEA | Passive handset in leather |
| XES | Preparation, illuminated door entry guard |
| XEX | Headlights, Black |
| XEY | LED headlights, dynamic Cornering light |
| XE8 | Gear lever knob aluminium/dark burr maple/leather |
| XE9 | Handbrake lever aluminium/dark burr maple/leather |
| XFB | Instrument dials painted Bordeaux Red |
| XFD | Instrument dials in Sand Beige |
| XFE | Instrument dials in Terracotta |
| XFF | Instrument dials in Brown/Natural |
| XFG | Instrument dials in Guards Red |
| XFH | Instrument dials in Speed Yellow |
| XFJ | Instrument dials in Carrara White |
| XFL | Instrument dials painted in Luxor Beige |
| XFP | Handbrake lever Aluminium II |
| XFR | Instrument dial painted Racing Yellow |
| XGB | Decorative dashboard trim, carbon |
| XGC | Dashboard carbon/Alcantara |
| XGD | Parking brake handle carbon/Alcantara |
| XGE | Handle recess insert, carbon |
| XGK | Stopwatch dials, Luxor Beige |
| XGL | Stopwatch dials, Racing Yellow |
| XGM | Stopwatch dials, White |
| XGN | Stopwatch dials, Guards Red |
| XGP | Stopwatch dials, Bordeaux Red |
| XHB | Centre console trim in leather |
| XHC | Shift lever in mahogany |
| XHD | PDK selector lever in mahogany |
| XHE | Dashboard trim panel in mahogany |

Model: TEQ

Model life 1985>>2012

| NR | Description |
|-----|---|
| XHF | Multi-function steering wheel in mahogany |
| XHG | Centre console trim in mahogany |
| XHH | Shift lever, carbon |
| XHJ | PDK selector lever, carbon |
| XHL | Multi-function steering wheel, carbon |
| XHM | Centre console trim, carbon |
| XHN | Seat belts in Racing Yellow |
| XHP | Seat belts in Luxor Beige |
| XHS | Rear centre tunnel in leather |
| XHU | Seat belts in Bordeaux Red |
| XHV | Multi-function sports steering wheel, Mahogany |
| XHW | Multi-function sports steering wheel, Carbon |
| XHX | Seat belts in Chalk |
| XJJ | Carbon trim on belt opening in B-pillar |
| XJL | Makassar Ebony side air vent |
| XJM | Sycamore side air vent |
| XJN | Makassar Ebony center air vent |
| XJP | Sycamore center air vent |
| XJR | Makassar Ebony windscreen defroster panel |
| XJS | Sycamore windscreen defroster panel |
| XJT | Makassar Ebony rear center console |
| XJU | Sycamore rear center console |
| XJW | Exterior mirror top half, Carbon |
| XJ4 | Leather cover for ignition lock surround |
| XKB | Side air vent in light burr maple |
| XKC | Side air vent in dark burr maple |
| XKD | Side air vent in Carbon |
| XKG | "Defroster trim in light burr maple; leather" |
| XKH | "Defroster trim in dark burr maple; leather" |
| XKJ | Defroster trim in Carbon/leather |
| XKL | Leather speaker covers |
| XKM | Speaker covers in light burr maple |
| XKN | Speaker covers in dark burr maple |
| XKP | Carbon speaker covers |
| XKR | Center air vent bracket in light burr maple |
| XKS | Center air vent bracket in dark burr maple |
| XKW | Center nozzle bracket arctic silver |
| XLF | Sports exhaust system |
| XLG | Centre console storage bin cover in Alcantara, with logo |
| XLJ | Centre console lid in Alcantara with crest |
| XLK | SportDesign steering wheel, Alcantara |
| XLL | GT sports steering wheel, Alcantara |
| XLM | Shift lever, Alcantra |
| XLN | PDK selector lever, Alcantra |
| XLP | Sports tailpipes, Black |
| XLS | Sports tailpipe 98X |

Model: TEQ

Model life 1985>>2012

| NR | Description |
|-----|--|
| XLT | Sports tailpipes, 997 |
| XLU | Sun visors, Alcantara |
| XMA | Rooflining in leather |
| XME | Rear section of centre console painted |
| XMF | Front center console including 2 storage bins, leather |
| XMJ | Rear section of centre console in Carbon |
| XMK | Roll-over bar in exterior color |
| XML | Rear center console in light burr maple |
| XMP | Leather sun visor, 2 illuminated vanity mirrors * |
| XMR | Sun visor in leather, 2 illuminated vanity mirrors, |
| XMZ | Rear section of centre console in leather |
| XNB | Rear center console in dark burr maple |
| XNG | Instrument surround in leather |
| XNN | Center air vent bracket in leather |
| XNR | Carbon center air vent bracket |
| XNS | Leather steering column trim, 4-part |
| XNU | Leather trim strip (dashboard) |
| XNV | Trim strip (dashboard) in light burr maple |
| XNW | Trim strip (dashboard) in dark burr maple |
| XNX | Carbon trim strip (dashboard) |
| XN3 | Dashboard side air vent in leather |
| XPA | 3-spoke sports steering wheel in leather interior co |
| XPB | 3-spoke sports steering wheel, light burr maple, leather |
| XPC | 3-spoke sports steering wheel, dark burr maple, leather |
| XPD | 3-spoke sports steering wheel, Carbon/leather |
| XPG | 3-spoke sports steering wheel, sports seats |
| XPL | Privacy glazing |
| XPR | Rear window with privacy-glazing |
| XPT | Centre console storage bin lid with crest |
| XPU | Multi-function steering wheel Galvano Silver, new generation |
| XPV | Multi-function steering wheel, Galvano Silver |
| XPW | Instrument surround in light burr maple |
| XPX | Instrument surround in dark burr maple * |
| XPY | Carbon instrument surround |
| XRB | 18-inch Sport Classic II wheel |
| XRC | 18-inch SportTechno wheel |
| XRD | 20" Carrera Sport wheel |
| XRL | 18-inch SportDesign wheel |
| XRN | 17-mm spacers, rear |
| XRP | 5-mm spacers, front/rear |
| XRR | 19-in. Carrera Sport wheel |

Model: TEQ

Model life 1985>>2012

| NR | Description |
|-----|---|
| XRS | 19" Sport Classic WHEEL |
| XRT | 20-inch Sport Techno wheel |
| XRU | 20" Sport Classic wheel |
| XSA | Painted sports seat backrest |
| XSB | Leather sports seat backrest |
| XSC | Porsche Crest embossed in headrest |
| XSD | Front seat controls in leather |
| XSE | Bucket seat, left |
| XSF | Bucket seat, right |
| XSG | Racing bucket seat, left |
| XSH | Silver seat belts |
| XSJ | 6-point harness |
| XSL | 6-point safety catch |
| XSM | Racing safety cage |
| XSN | Omission of rear seats |
| XSR | Carbon back for bucket seat, right |
| XSS | Carbon back for bucket seat, left |
| XST | Seat belts in Sand Beige |
| XSU | Upholstered seat |
| XSW | Seat belts in Maritime Blue |
| XSX | Seat belts in Guards Red |
| XSY | Seat belts in Speed Yellow |
| XTG | Inner door sills in leather |
| XTJ | Door panel parts in light burr maple |
| XTK | Door panel parts in dark burr maple |
| XTL | Door panel parts in Carbon |
| XTR | Door panel parts in Aluminium Look finish |
| XTT | Makassar Ebony door panel parts |
| XTU | Sycamore door panel parts |
| XTV | Leather door panel parts |
| XTW | Door panel parts in Galvano Silver |
| XUA | Spoiler lip painted |
| XUB | Cover on headlight cleaning system, painted |
| XUC | Model designation painted |
| XUV | Centre console storage bin lid with logo |
| XUX | Rear backrest release loop in leather |
| XVA | Steering column trim in leather. Contrasting decorative stitching. |
| XVM | Leather center air vent |
| XVP | Trim strip including cupholder cover in leather |
| XVR | Side/centre air vent in leather |
| XVT | Cover for loudspeakers, doors and rear in leather |
| XV1 | Defroster trim in leather |
| XWA | Door panel trim in leather |

Model: TEQ

Model life 1985>>2012

| NR | Description |
|-----|--|
| XWB | Door panel trim in mahogany |
| XWC | Door panel trim in carbon |
| XWD | Door panel trim in brushed aluminium |
| XWE | Door panel trim, painted |
| XWJ | Sports seat Plus, painted backrest |
| XWK | Sports seat Plus, leather backrest |
| XWL | Sports seat Plus package, leather backrest |
| XWP | Front seat covers, Alcantara (seat centre strip) |
| XWR | PDK gate frame in Aluminium Look |
| XWS | PDK gate frame painted |
| XWT | PDK gate frame painted Black |
| XWU | PDK gate frame in leather |
| XXB | Door entry guards, stainless steel, illuminated |
| XXD | Door entry guards, carbon, illuminated |
| XXF | Red tail lights |
| XXG | Tail lights in clear glass look |
| XXH | Alcantara sun visor |
| XXJ | Alcantara interior light cover |
| XXK | Front seat covers in woven leather |
| XXL | Rear seat covers in woven leather |
| XXM | Without chequered flag design (seat) |
| XXP | Tail lights, darkened |
| XXT | Exclusive Design Edition |
| XXV | Sports-look pedals |
| XXZ | Footrest |
| XX1 | Floor mats, logo, leather border |
| XX2 | footwell light |
| XYA | PDK selector lever (EXC) |
| XYC | Shift lever, aluminium |
| XYD | Dashboard trim panel, aluminium |
| XYE | Centre console cover, brushed aluminium |
| XYG | Centre console trim, painted |
| XYH | PDK selector lever, aluminium |
| XY5 | Tiptronic gear selector gate in leather |
| XZB | Carbon centre air vent |
| XZD | Interior light surround in leather |
| X45 | Instrument dial in interior color |
| X46 | Tiptronic selector lever in aluminium/leather |
| X47 | Gear lever knob in Carbon/leather |
| X50 | Powerkit 331/340 kW |
| X51 | Powerkit 250 kW |
| X54 | Stainless steel tailpipes |
| X58 | Handbrake lever in Carbon/leather |
| X69 | Door entry guards in Carbon with logo |
| X70 | Door entry guards in stainless steel with logo |
| X71 | Instrument dial painted/Aluminium Look finish |

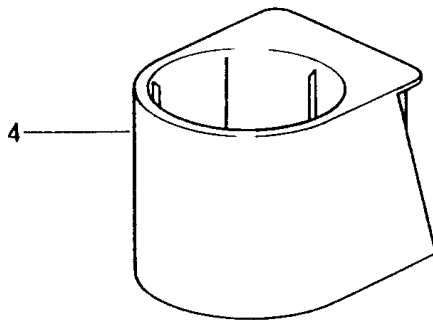
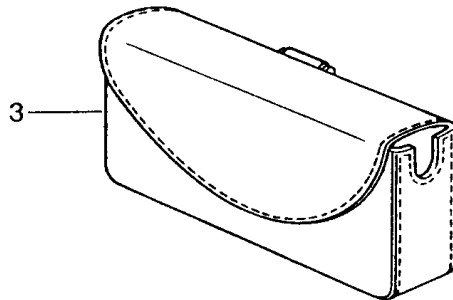
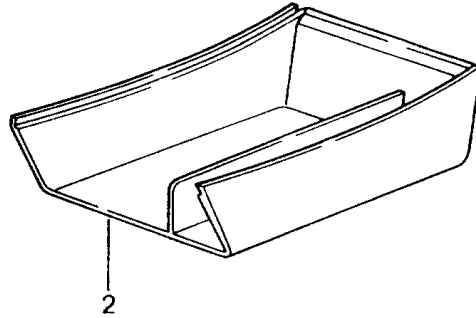
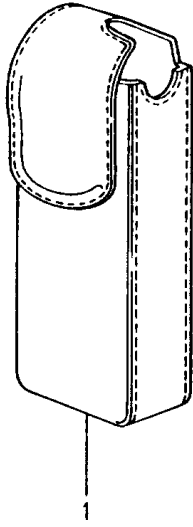
Model: TEQ

Model life 1985>>2012

| NR | Description |
|-----|--|
| X72 | Gear lever knob aluminium/light burr maple/leather |
| X73 | Sports chassis -20 mm, without PASM |
| X74 | Sports suspension (exclusive) |
| X75 | Differential lock (exclusive) |
| X76 | Inner door sill guard, left/right |
| X91 | Handbrake lever aluminium/light burr maple/leather |
| X97 | Gear lever knob in aluminium/leather |
| X98 | Handbrake lever in aluminium/leather |
| X99 | Natural leather |
| 1T3 | First aid kit, warning triangle |
| 7G9 | VTS preparation and Porsche Car Connect (pcc) |
| 7I0 | VTS security package (incl. PCC) and keypad |
| 7I2 | VTS security package (with PCC) |
| 7UG | Navigation device, High |
| 77J | Navigation software Argentina |
| 77K | Navigation software Chile |
| 9NY | electronic log book |
| 9VJ | Top Premium sound systemTop Premium sound system |
| 9VK | Sound package 1/sound package |
| 9VL | Sound package 2/High-end sound system |
| 9ZC | Telephone module with connection box |
| 9ZE | Mobile-phone preparation with connection box |
| 9ZK | Telephone module |
| 9ZX | Mobile phone preparation |

Model: TEQ

Model life 1985>>2012



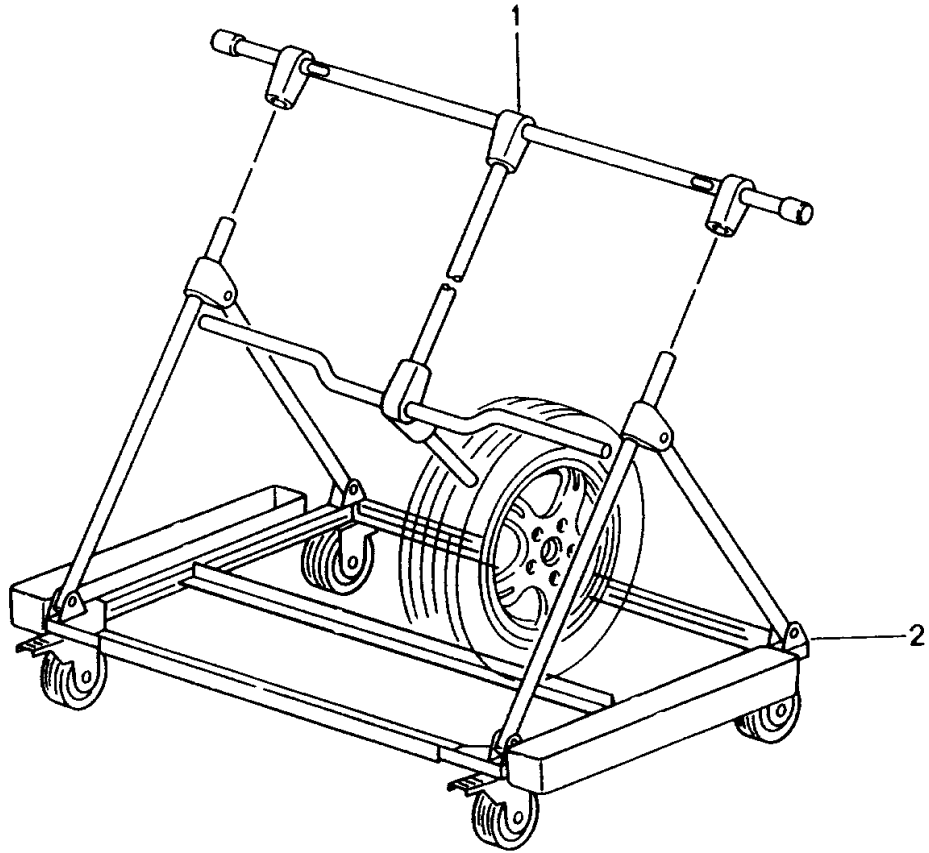
Model: TEQ

Model life 1985>>2012

| Pos | Part Number | Description | Remark | Qty | Model |
|-----|----------------|--|--------|-----|------------------------|
| 1 | 000 044 000 06 | Stowage box Pocket Bracket D - MJ 1989>> - MJ 1998 Mobile Leather Box Black | | 1 | 911 (964/993) Handy |
| - | | Technical information 911 (964/993) Group 6 6816 (1/97) Attention | | | |
| 3 | 000 044 000 08 | Pocket Mobile Leather Black | | 1 | |
| 3 | 000 044 000 23 | Pocket Mobile Leather natural colours | | 1 | |

Model: TEQ

Model life 1985>>2012



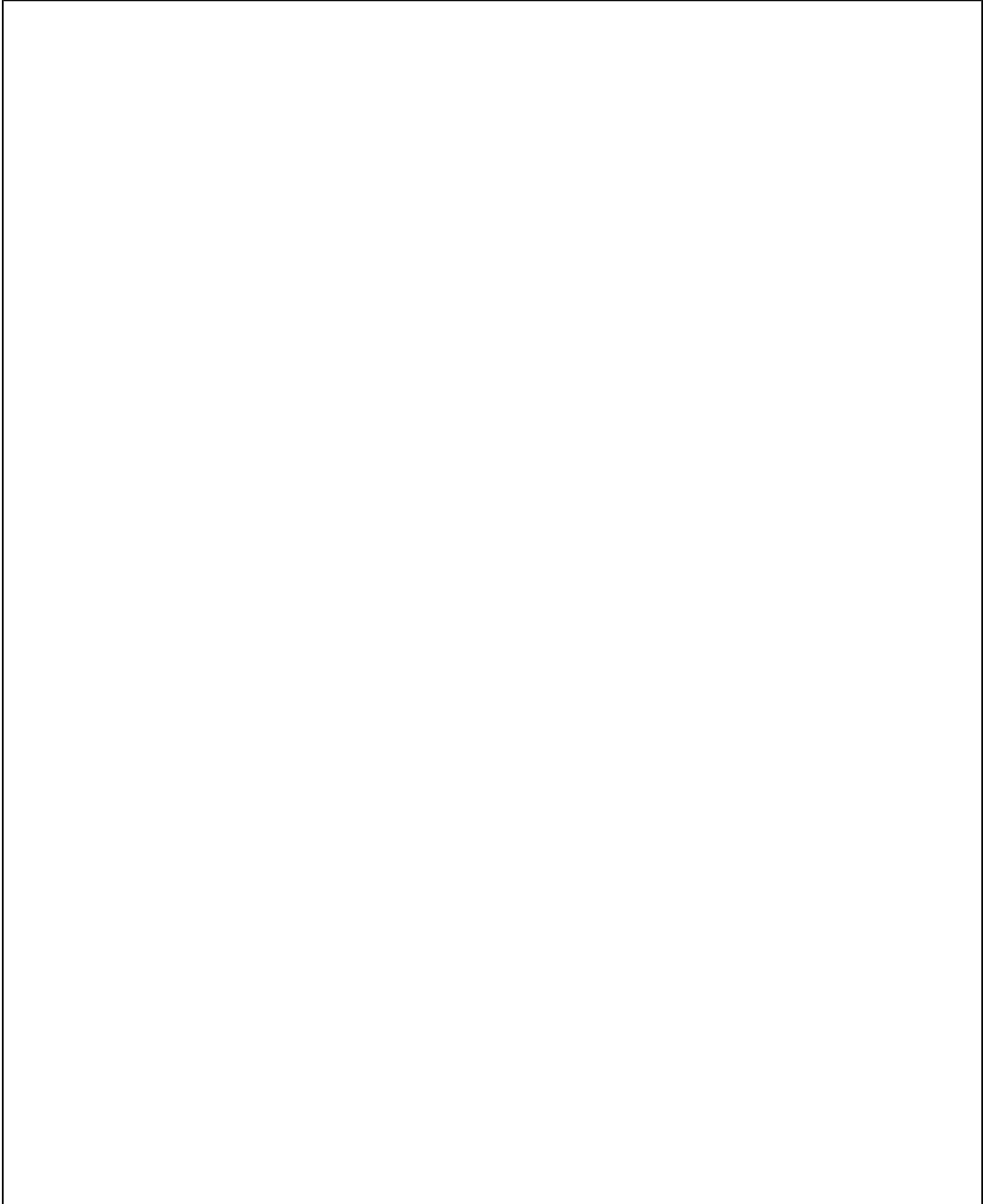
Model: TEQ

Model life 1985>>2012

| Pos | Part Number | Description | Remark | Qty | Model |
|-----|----------------|---|----------------|-----|--|
| - | | Transport trolley Bracket Cover hardtop Technical information Boxster Group 0 0913 (3/97) Attention | 97-04 98-05 | | Boxster (986) 911 (996) Cabrio alle |
| 1 | 000 044 000 21 | Bracket for hardtop | | 1 | Boxster |
| 2 | 000 044 000 22 | Discontinued part Transport trolley for Wheels | | 1 | Boxster |
| - | | Technical information Boxster Group 0 0913 (10/97) Attention | | | alle |
| - | 000 044 000 24 | Bracket for Roof transport system | | 1 | Boxster |
| - | 000 044 000 12 | Cover for hardtop | | 1 | Boxster |
| - | | Technical information 911 carrera Group 0 0913 (10/98) Attention | | | alle |
| (1) | 000 044 000 39 | Bracket for hardtop | Cabrio | 1 | 911 |
| (2) | 000 044 000 38 | Transport trolley for Wheels | | 1 | 911 |
| - | 000 044 000 40 | Bracket for Roof transport system | Cabrio | 1 | 911 |
| - | 000 044 000 45 | Cover for hardtop | Cabrio | 1 | 911 |

Model: TEQ

Model life 1985>>2012



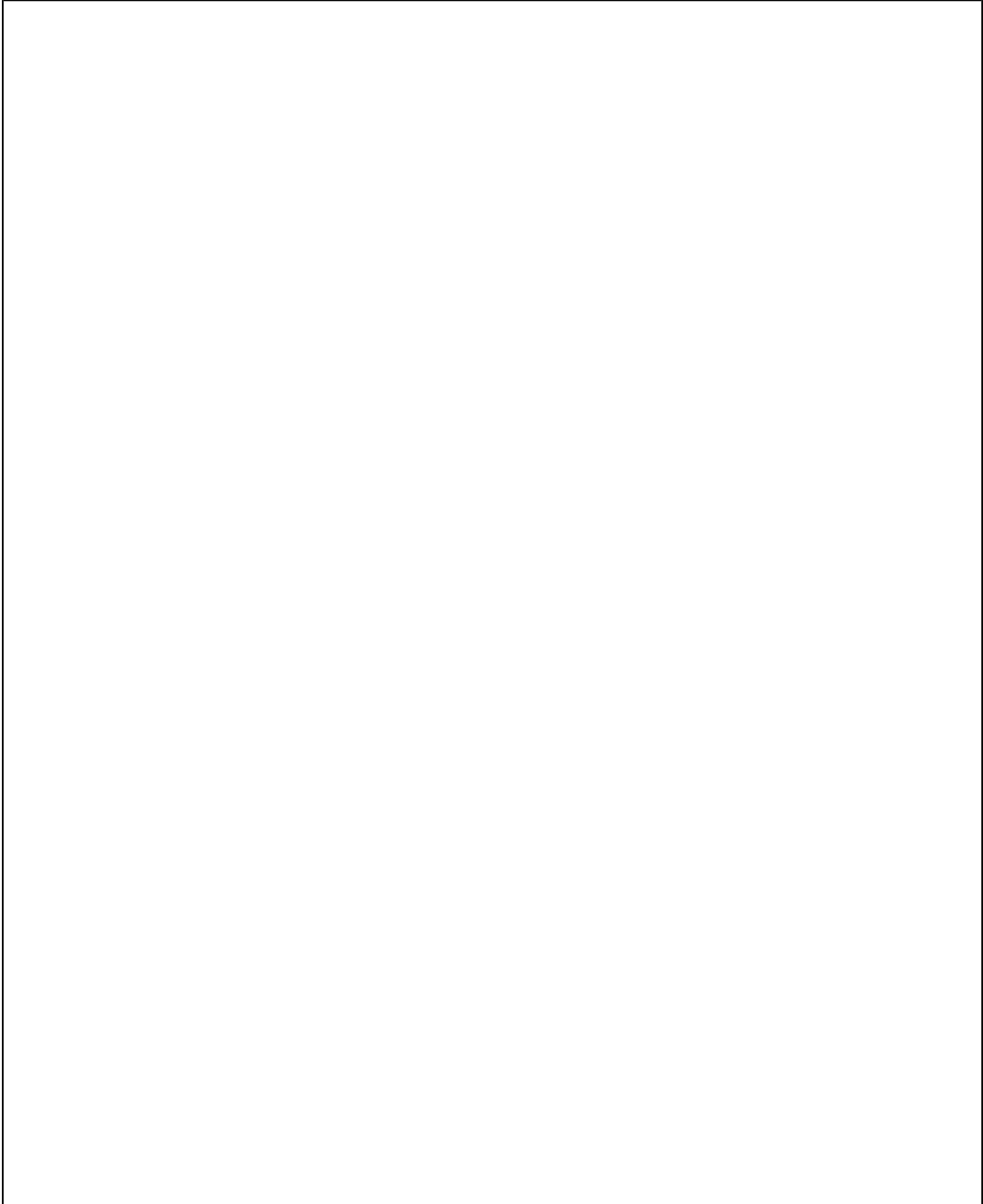
Model: TEQ

Model life 1985>>2012

| Pos | Part Number | Description | Remark | Qty | Model |
|-----|----------------|---|--|-----|--|
| | | Cover Indoor Porsche crest Coloured inscriptions/lettering Black | 76-95 82-95 89-97 front front and rear | | 924/928 944/968/959 911(964/993) |
| (1) | 000 043 202 00 | Cover | 76-95 | 1 | 924,944,968 |
| 1 | 000 043 202 01 | Cover for cars without Spoiler | 90-94 | 1 | 911(964) |
| (1) | 000 043 202 02 | Cover for vehicles with Spoiler | 90-94 | 1 | 911(964) C2/C4 Turbo |
| (1) | 000 043 202 03 | Cover | 86-95 | 1 | 928 / 928GTS |
| 1 | 000 043 202 93 | Cover for cars without Spoiler | 94-98 | 1 | 911(993) C2S / C4S |
| (1) | 000 043 303 12 | Cover | 95-96 | 1 | 911(993) GT 2 RS Clubsport |
| - | 000 043 303 14 | Cover | 95-98 | 1 | 911(993) RS Basis |
| (1) | 000 043 303 13 | Cover for vehicles with Spoiler | 95-98 | 1 | 911(993) C2/C4 & S Turbo |
| (1) | 000 044 000 15 | Cover | | 1 | 959 |

Model: TEQ

Model life 1985>>2012



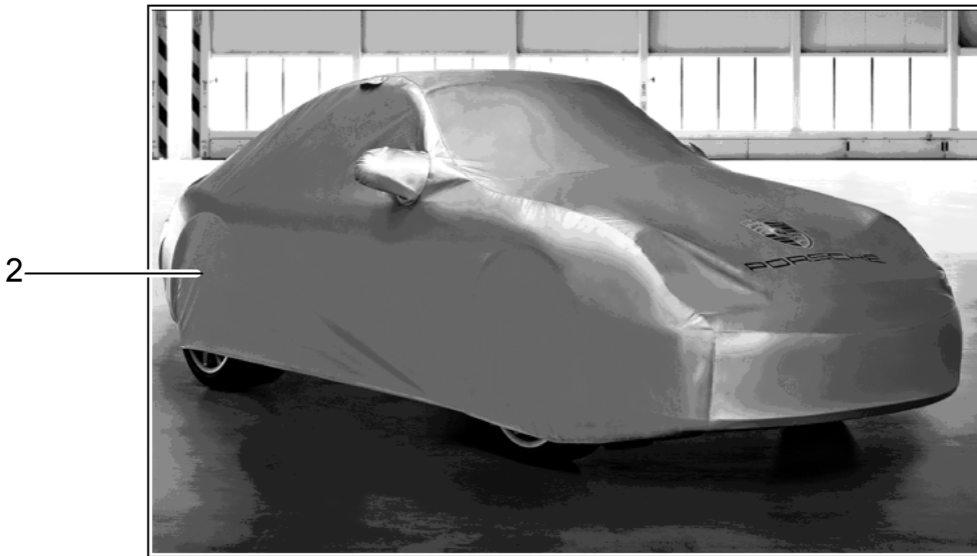
Model: TEQ

Model life 1985>>2012

| Pos | Part Number | Description | Remark | Qty | Model |
|-----|----------------|--|-------------------------|-----|-------------------------------------|
| | | Cover | 96-04 98-05 96-97 | | Boxster(986) 911(996) 911 GT1 |
| (1) | 000 044 000 13 | Cover for cars without Aerokit | | 1 | Boxster(986) alle |
| (1) | 000 044 000 14 | Cover for vehicles with Aerokit | | 1 | Boxster(986) alle |
| (1) | 000 044 000 77 | Cover for cars without Aerokit | | 1 | 911(996) alle |
| (1) | 000 044 000 34 | Cover for vehicles with Aerokit | | 1 | 911(996) alle |
| (1) | 000 044 000 50 | Cup Cover 911 carrera | 01-05 | 1 | Turbo 911(996) |
| | | | with: | | |
| (1) | 000 044 000 57 | Aerokit Carrera Cover 911 carrera | 01-05 03 | 1 | GT2 GT3 911(996) |
| | | | with: | | |
| (1) | 000 044 000 25 | Aerokit CUP2 Cover | 96-97 | 1 | 911 GT1 |

Model: TEQ

Model life 1985>>2012

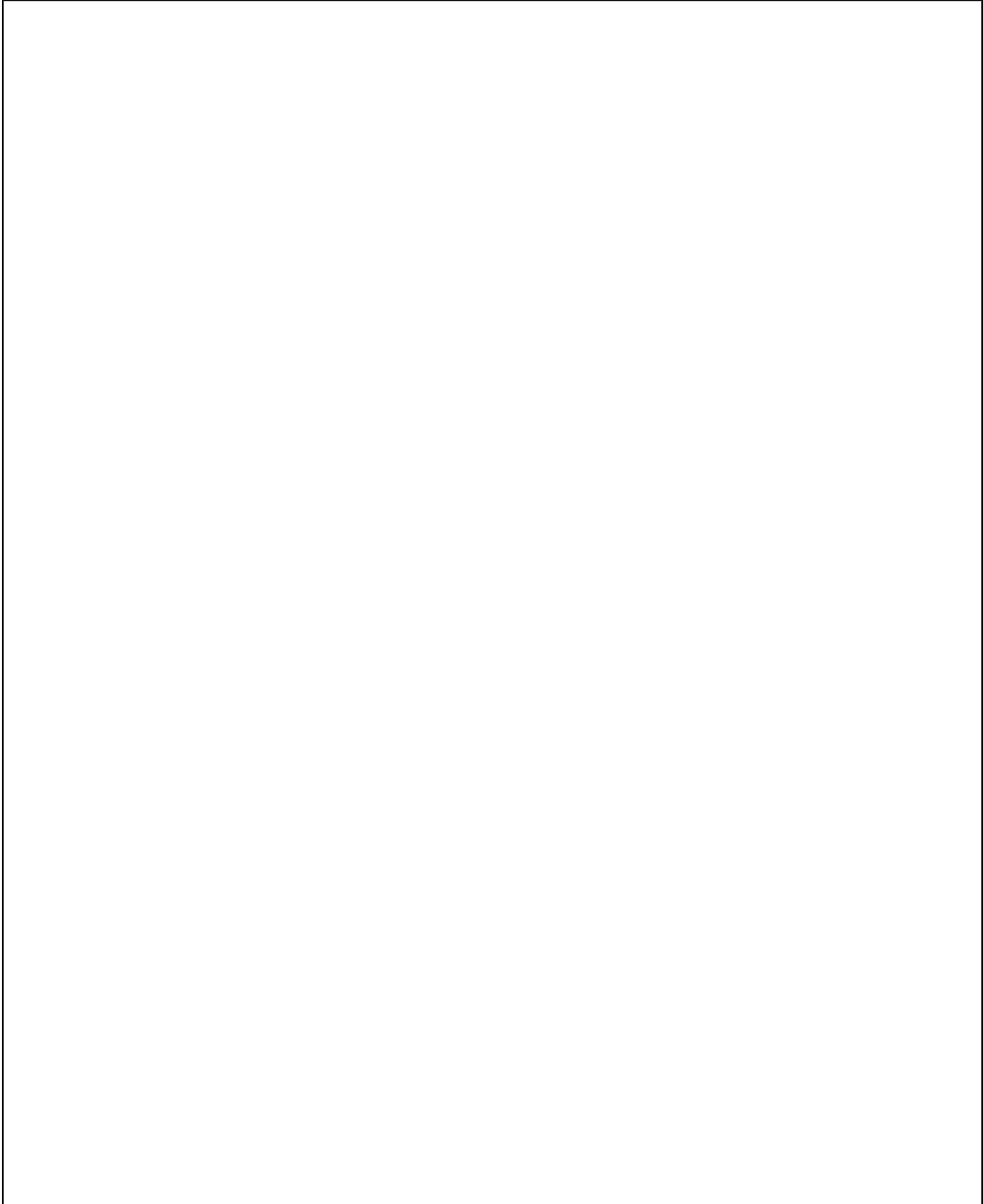


Model: TEQ Model life 1985>>2012

| Pos | Part Number | Description | Remark | Qty | Model |
|-----|----------------|-------------|--------|-----|--------------|
| | | Cover | 05- | | Boxster(987) |
| | | | 06- | | Cayman(987) |
| | | | 05- | | 911(997) |
| (1) | 987 044 000 00 | Cover | 05-08 | 1 | Boxster/S |
| | | Indoor | | | |
| (1) | 987 044 000 14 | Cover | 09- | 1 | Boxster/S |
| | | Indoor | | | |
| (1) | 987 044 000 08 | Cover | 06-08 | 1 | Cayman/S |
| | | Indoor | | | |
| (1) | 987 044 000 12 | Cover | 09- | 1 | Cayman/S |
| | | Indoor | | | |
| (1) | 987 044 000 16 | Cover | 09- | 1 | Cayman/S |
| | | Indoor | 12- | | Cayman R |
| | | | | | PR:XAM |
| (1) | 000 044 000 77 | Cover | 05-08 | 1 | 911 |
| | | Indoor | | | |
| (1) | 997 044 000 05 | Cover | 05-08 | 1 | 911 |
| | | Indoor | | | 997 I GT3 |
| | | | | | PR:XAA |
| 1 | 997 044 000 10 | Cover | 09- | 1 | 911 |
| | | INDOOR | 11- | | GTS |
| (1) | 997 044 000 17 | Cover | 10-10 | 1 | 911 |
| | | INDOOR | | | SportClassic |
| | | | | | PR:756 |
| (1) | 997 044 000 18 | Cover | 11-11 | 1 | 911 |
| | | Indoor | | | Speedster |
| | | | | | PR:503 |
| (1) | 997 044 000 06 | Cover | 07-09 | 1 | Turbo |
| | | Indoor | | | |
| (1) | 997 044 000 14 | Cover | 10- | 1 | Turbo |
| | | Indoor | | | |
| (1) | 997 044 000 08 | Cover | 08- | 1 | GT2 |
| | | Indoor | | | |
| (1) | 997 044 000 13 | Cover | 11- | 1 | GT2 RS |
| | | Indoor | | | |
| (1) | 997 044 000 09 | Cover | 07-09 | 1 | GT3 RS |
| | | Indoor | | | |
| (1) | 997 044 000 16 | Cover | 10- | 1 | GT3 RS |
| | | Indoor | | | |
| (1) | 997 044 000 12 | Cover | 09- | 1 | 911 |
| | | Indoor | 09- | | GT3 |
| | | | | | PR:XAA |
| (2) | 987 044 000 02 | Cover | 05-08 | 1 | Boxster/S |
| | | Outdoor | | | |
| (2) | 987 044 000 13 | Cover | 09- | 1 | Boxster/S |
| | | Outdoor | | | |
| (2) | 987 044 000 04 | Cover | 06-08 | 1 | Cayman/S |
| | | Outdoor | | | |
| (2) | 987 044 000 11 | Cover | 09- | 1 | Cayman/S |
| | | Outdoor | | | |
| (2) | 997 044 000 03 | Cover | 05-08 | 1 | 911 |
| | | Outdoor | | | |
| 2 | 997 044 000 11 | Cover | 09- | 1 | 911 |
| | | Outdoor | | | |
| (2) | 997 044 000 07 | Cover | 07-09 | 1 | Turbo |
| | | Outdoor | | | |
| (2) | 997 044 000 15 | Cover | 10- | 1 | Turbo |
| | | Outdoor | | | |

Model: TEQ

Model life 1985>>2012



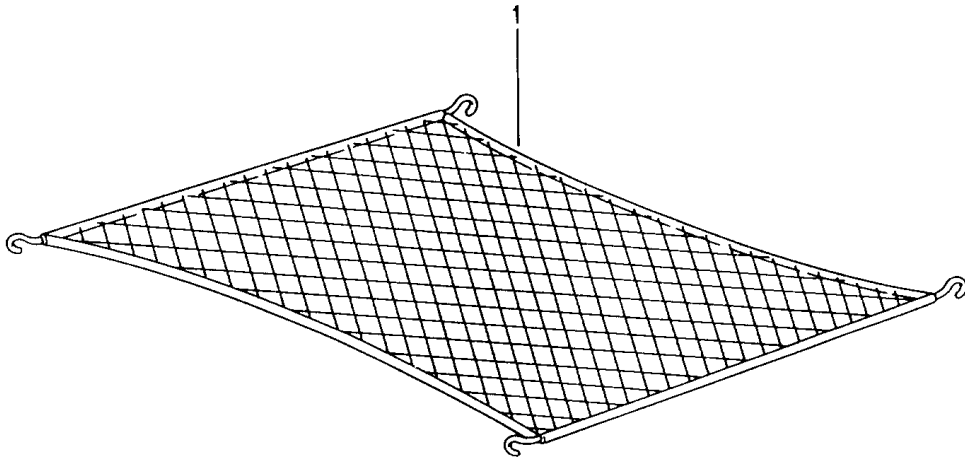
Model: TEQ

Model life 1985>>2012

| Pos | Part Number | Description | Remark | Qty | Model |
|-----|----------------|------------------------------------|--------|-----|---------|
| | | Rear end case | | | BOXSTER |
| | | See technical information | | | |
| | | GR.6 BOXSTER NR.8/99 | | | |
| - | 986 802 101 00 | Retrofit kit | | 1 | |
| | | Rear end case (complete) | | | |
| - | 986 802 201 00 | case | | 1 | |
| - | 986 802 511 00 | Gasket set 4-part for Mounting | | 1 | |
| | | Rear lid | | | |
| - | 986 612 981 12 | Wire set | | 1 | |
| | | Rear lid case | | | |
| - | 986 802 701 00 | Lock cylinders | | 1 | |
| - | 986 802 711 00 | lock | | 1 | |
| - | 986 802 621 00 | Set of fastening parts comprising: | | 1 | |
| - | 986 802 501 00 | Mounting | left | 1 | |
| - | 986 802 502 00 | Mounting | right | 1 | |
| - | 986 802 503 00 | Mounting | | 1 | |

Model: TEQ

Model life 1985>>2012



Model: TEQ

Model life 1985>>2012

| Pos | Part Number | Description | Remark | Qty | Model |
|-----|----------------|-------------|--------|-----|-------------|
| (1) | 477 863 539 | Luggage net | | 1 | 924,944,968 |
| 1 | 928 555 631 02 | Luggage net | | 1 | 928 |

Model: TEQ

Model life 1985>>2012



Model: TEQ

Model life 1985>>2012

| Pos | Part Number | Description | Remark | Qty | Model |
|-----|----------------|--------------------------|---------|-----|--------------|
| | | Polish | 76-91 | | 924 / 944 |
| | | Coupe | 78-95 | | 928 / 968 |
| | | | 91-98 | | 911(964/993) |
| | | | 97-11 | | 911(996/997) |
| | | | 06-09 | | Cayman(987) |
| 1 | 999 901 065 40 | Insect remover | 500 ml | 1 | |
| 2 | 000 044 000 87 | Window cleaning solution | 250 ml | 1 | |
| | | Windscreen washer system | | | |
| - | 000 044 002 07 | Winter window cleaner | 1000 ml | 1 | |
| | | Windscreen washer system | | | |
| | | | -48°C | | |
| - | 000 044 002 27 | Winter window cleaner | 1000 ML | 1 | |
| | | Windscreen washer system | | | |
| (3) | 000 044 000 74 | Window cleaning solution | 100 ml | 1 | |
| | | | inner | | |
| 4 | 000 044 000 92 | Paint polish | | 1 | |
| 5 | 000 044 000 90 | Polish | 250 ml | 1 | |
| | | Paint | | | |
| | | Wax | | | |
| | | Discontinued part | | | |
| (5) | 999 901 069 40 | Polish | 250 ml | 1 | |
| | | Paint | | | |
| | | Wax | | | |
| 6 | 999 901 062 40 | Car shampoo | 250 ml | 1 | |
| 7 | 000 044 000 03 | Leather care product | 100 ml | 1 | |
| 8 | 999 901 068 40 | Leather care product | 100 ml | 1 | |
| | | Cleaning solution | | | |
| 9 | 999 901 066 41 | Rim cleaner | 500 ml | 1 | |
| | | Spray bottle | | | |
| | | Discontinued part | | | |
| 10 | 999 901 066 40 | Rim cleaner | 1000 ml | 1 | |
| | | Refilling bottle | | | |
| | | Discontinued part | | | |
| 11 | 000 044 000 89 | Care kit | | 1 | Kofferfarbe |
| | | case | | | "schwarz" |
| | | Discontinued part | | | |
| 12 | 000 044 000 86 | Care kit | | 1 | |
| | | Rim cleaner | | | |
| | | Discontinued part | | | |
| 13 | 000 044 000 95 | Cleaning solution | | 1 | |
| | | Cloth | | | |
| | | Set | | | |
| 14 | 955 044 000 02 | ice scraper | | 1 | |
| - | 999 901 021 40 | Polishing wadding | | 1 | |
| - | 999 901 022 40 | Polishing cloth | | 1 | |
| - | 000 044 000 93 | Silicone remover | 78-94 | 1 | 928/911(964) |
| | | container | | | |
| | | Windscreen washer system | | | |

Model: TEQ

Model life 1985>>2012



Model: TEQ Model life 1985>>2012

| Pos | Part Number | Description | Remark | Qty | Model |
|-----|----------------|--|--|-----|--|
| | | Polish Cabriolet | 76-91 78-95 91-98 97-11 97-04 05-09 | | 924 / 944 928 / 968 911(964/993) 911(996/997) Boxster(986) Boxster(987) |
| 1 | 999 901 065 40 | Insect remover | 500 ml | 1 | |
| 2 | 000 044 000 87 | Window cleaning solution | 250 ml | 1 | |
| - | 000 044 002 07 | Windscreen washer system Winter window cleaner Windscreen washer system | 1000 ml | 1 | |
| - | 000 044 002 27 | Winter window cleaner Windscreen washer system | -48°C | 1 | |
| (3) | 000 044 000 74 | Window cleaning solution | 100 ml inner | 1 | |
| 4 | 000 044 000 92 | Paint polish | | 1 | |
| 5 | 000 044 000 90 | Polish Paint Wax | 250 ml | 1 | |
| (5) | 999 901 069 40 | Discontinued part Polish Paint Wax | 250 ml | 1 | |
| 6 | 999 901 062 40 | Car shampoo | 250 ml | 1 | |
| 7 | 000 044 000 03 | Leather care product | 100 ml | 1 | |
| 8 | 999 901 068 40 | Leather care product Cleaning solution | 100 ml | 1 | |
| 9 | 999 901 066 41 | Rim cleaner Spray bottle Discontinued part | 500 ml | 1 | |
| 10 | 999 901 066 40 | Rim cleaner Refilling bottle Discontinued part | 1000 ml | 1 | |
| 11 | 000 044 000 91 | Polish Convertible top | 400 ml | 1 | |
| 12 | 000 044 000 98 | Window cleaning solution Plastic washer Convertible top Discontinued part | 100 mm | 1 | |
| 13 | 000 044 000 94 | Care kit case Discontinued part | | 1 | Kofferfarbe "silber" |
| 14 | 000 044 000 86 | Care kit Rim cleaner Discontinued part | | 1 | |
| 15 | 000 044 000 95 | Cleaning solution Cloth Set | | 1 | |
| 16 | 955 044 000 02 | ice scraper | | 1 | |
| - | 999 901 021 40 | Polishing wadding | | 1 | |
| - | 999 901 022 40 | Polishing cloth | | 1 | |
| - | 000 044 000 93 | Silicone remover container Windscreen washer system | 1978-94 | 1 | 928/911(964) |

Model: TEQ

Model life 1985>>2012

Bildtafel nicht vorhanden
No illustration
Fig. inexistente
La figura non esiste
Ilust. inexistente

Model: TEQ Model life 1985>>2012

| Pos | Part Number | Description | Remark | Qty | Model |
|-----|----------------|--|----------------|-----|--------------|
| - | 000 044 801 61 | Exclusive programme X 09 - X 48 D - MJ 1989>> - MJ 1998 Only for replacement cover for airbag | upper lower | 1 | 911 |
| - | 000 044 801 62 | and Rootwood Light Only for replacement cover for airbag | upper lower | 1 | |
| - | 993 731 980 00 | and Rootwood Dark for vehicles with ** X 40 ** D - MJ 1994>> - MJ 1997 Sun visor Leather Light (passenger side) | left | 1 | COUPE |
| - | 993 731 981 06 | Sun visor Leather Light (passenger side) | right | 1 | COUPE |
| - | 993 731 980 01 | Sun visor Leather Light (passenger side) | left | 1 | CABRIO/TARGA |
| - | 993 731 981 07 | Sun visor Leather Light (passenger side) | right | 1 | CABRIO/TARGA |

Model: TEQ

Model life 1985>>2012



Model: TEQ

Model life 1985>>2012

| Pos | Part Number | Description | Remark | Qty | Model |
|-----|----------------|---|--------|-----|------------------------|
| - | | Exclusive programme X 50 - X 98 for vehicles with ** X 63 ** | 89-98 | | 911 (USA/CDN) |
| - | 993 424 981 05 | D - MJ 1994>> - MJ 1998 gearstick knob (leather) 6-GANG Manual gearbox Carbon | | 1 | CARRERA CARRERA S |
| - | | gearstick knob 6-GANG Manual gearbox Carbon | | 1 | CARRERA 4 4S, TURBO |
| - | 993 424 981 05 | Leather 993 424 982 05 gearstick knob (leather) 6-GANG Manual gearbox Shift pattern chrome | | 1 | CARRERA CARRERA S |
| - | | gearstick knob 6-GANG Manual gearbox Shift pattern chrome | | 1 | CARRERA 4 4S, TURBO |
| - | | 993 424 982 05 for vehicles with ** X 65 ** | | | (USA/CDN) |
| - | 993 426 981 05 | D - MJ 1989>> - MJ 1997 Tiptronic selector lever Rootwood Light Triggering button aluminium | | 1 | |
| - | | for vehicles with ** X 66 ** | | | (USA/CDN) |
| - | 993 426 981 06 | D - MJ 1989>> - MJ 1997 selector lever Tiptronic Rootwood Dark Triggering button aluminium | | 1 | |
| - | | for vehicles with ** X 71 ** | | | |

Model: TEQ

Model life 1985>>2012

Bildtafel nicht vorhanden
No illustration
Fig. inexistante
La figura non esiste
Ilust. inexistente

Model: TEQ Model life 1985>>2012

| Pos | Part Number | Description | Remark | Qty | Model |
|-----|--------------------|---|--------|-----|---------|
| - | | Exclusive programme X 21 - X 98 D - MJ 1997>> for vehicles with ** X 46 ** D - MJ 1997>> | | | BOXSTER |
| - | 996 426 981 00 | selector lever Tiptronic aluminium Leather | | 1 | |
| | 996 426 981 00 8YR | Black | 1997- | | |
| | 996 426 981 00 C50 | Graphite grey | 1997- | | |
| | 996 426 981 00 S30 | savannah beige | 1997- | | |
| | 996 426 981 00 J30 | Nephrite green | 1997- | | |
| | 996 426 981 00 M30 | Boxster red | 1997- | | |
| | 996 426 981 00 G10 | Metropole blue | 1998- | | |
| - | | for vehicles with ** X 48 ** D - MJ 1997>> | | | |
| - | 996 426 981 02 | selector lever Tiptronic Carbon-aluminium look Leather | | 1 | |
| | 996 426 981 02 8YR | Black | | | |
| - | | for vehicles with ** X 63 = X 47 ** D - MJ 1997>> | | | |
| - | 986 424 981 02 | gearstick knob (leather) 5-speed Manual gearbox Carbon | | 1 | |
| | 986 424 981 02 8YR | Black | 1997- | | |
| | 986 424 981 02 C50 | Graphite grey | 1997- | | |
| | 986 424 981 02 S30 | savannah beige | 1997- | | |
| | 986 424 981 02 J30 | Nephrite green | 1997- | | |
| | 986 424 981 02 M30 | Boxster red | 1997- | | |
| | 986 424 981 02 G10 | Metropole blue | 1998- | | |
| - | 996 424 981 03 | gearstick knob 6th gear Manual gearbox Carbon Leather | | 1 | |
| | 996 424 981 03 8YR | Black | 1997- | | |
| | 996 424 981 03 C50 | Graphite grey | 1997- | | |
| | 996 424 981 03 S30 | savannah beige | 1997- | | |
| | 996 424 981 03 J30 | Nephrite green | 1997- | | |
| | 996 424 981 03 M30 | Boxster red | 1997- | | |
| | 996 424 981 03 G10 | Metropole blue | 1998- | | |
| - | | for vehicles with ** X 64 ** D - MJ 1997>> | | | |
| - | 996 424 980 02 | handbrake lever grip (leather) Carbon D >> - MJ 1998 | | 1 | |
| | 996 424 980 02 8YR | Black | 1997- | | |
| | 996 424 980 02 C50 | Graphite grey | 1997- | | |
| | 996 424 980 02 S30 | savannah beige | 1997- | | |
| | 996 424 980 02 J30 | Nephrite green | 1997- | | |
| | 996 424 980 02 M30 | Boxster red | 1997- | | |
| | 996 424 980 02 G10 | Metropole blue | 1998- | | |
| - | 996 424 980 16 | handbrake lever grip (leather) | lhd | 1 | PR:098 |
| | 996 424 980 16 8YR | Black | | | |
| | 996 424 980 16 C50 | Graphite grey | | | |

Model: TEQ Model life 1985>>2012

| Pos | Part Number | Description | Remark | Qty | Model |
|-----|--------------------|--|---------|-----|-----------|
| | 996 424 980 16 S30 | savannah beige | | | |
| | 996 424 980 16 J30 | Nephrite green | | | |
| | 996 424 980 16 M30 | Boxster red | | | |
| | 996 424 980 16 G10 | Metropole blue | | | |
| - | 996 424 980 17 | handbrake lever grip (leather) Carbon-aluminium look | rhd | 1 | PR:099 |
| | 996 424 980 17 8YR | Black | | | |
| | 996 424 980 17 C50 | Graphite grey | | | |
| | 996 424 980 17 S30 | savannah beige | | | |
| | 996 424 980 17 J30 | Nephrite green | | | |
| | 996 424 980 17 M30 | Boxster red | | | |
| | 996 424 980 17 G10 | Metropole blue | | | |
| - | | for vehicles with ** X 69 ** D - MJ 1997>> | | | |
| - | 986 551 981 00 | Sill trim strip Carbon inscription " BOXSTER " | | 1 | |
| - | | for vehicles with ** X 70 ** D - MJ 1997>> | | | |
| - | 986 551 981 01 | Sill trim strip stainless steel inscription " BOXSTER " | | 1 | |
| - | | for vehicles with ** X 71 ** Instruments Dial Lacquered Aluminium look see illustration: | 906-001 | | |
| - | | D - MJ 1997>> for vehicles with ** X 76 ** Set Side member trim see illustration: | 850-015 | | |
| - | 986 424 981 00 | gearstick knob (leather) 5th gear Manual gearbox Aluminium look | | 1 | PR:481 |
| | 986 424 981 00 8YR | Black | | | |
| | 986 424 981 00 C50 | Graphite grey | | | |
| | 986 424 981 00 S30 | savannah beige | | | |
| | 986 424 981 00 J30 | Nephrite green | | | |
| | 986 424 981 00 M30 | Boxster red | | | |
| | 986 424 981 00 G10 | Metropole blue | | | |
| - | 996 424 981 00 | gearstick knob 6th gear Manual gearbox Aluminium look Leather | | 1 | BOXSTER S |
| | 996 424 981 00 8YR | Black | | | |
| | 996 424 981 00 C50 | Graphite grey | | | |
| | 996 424 981 00 S30 | savannah beige | | | |
| | 996 424 981 00 J30 | Nephrite green | | | |
| | 996 424 981 00 M30 | Boxster red | | | |
| | 996 424 981 00 G10 | Metropole blue | | | |

Model: TEQ

Model life 1985>>2012

| Pos | Part Number | Description | Remark | Qty | Model |
|-----|--------------------|--|--------|-----|--------|
| - | | for vehicles with ** X 98 ** D - MJ 1997>> | | | |
| - | 996 424 980 12 | Brake lever Aluminium look Leather | lhd | 1 | PR:098 |
| | 996 424 980 12 8YR | Black | | | |
| | 996 424 980 12 C50 | Graphite grey | | | |
| | 996 424 980 12 S30 | savannah beige | | | |
| | 996 424 980 12 J30 | Nephrite green | | | |
| | 996 424 980 12 M30 | Boxster red | | | |
| | 996 424 980 12 G10 | Metropole blue | | | |
| - | 996 424 980 13 | Brake lever Aluminium look Leather | rhd | 1 | PR:099 |
| | 996 424 980 13 8YR | Black | | | |
| | 996 424 980 13 C50 | Graphite grey | | | |
| | 996 424 980 13 S30 | savannah beige | | | |
| | 996 424 980 13 J30 | Nephrite green | | | |
| | 996 424 980 13 M30 | Boxster red | | | |
| | 996 424 980 13 G10 | Metropole blue | | | |

Model: TEQ

Model life 1985>>2012

Bildtafel nicht vorhanden
No illustration
Fig. inexistante
La figura non esiste
Ilust. inexistente

Model: TEQ

Model life 1985>>2012

| Pos | Part Number | Description | Remark | Qty | Model |
|-----|--------------------|---|--------|-----|---------|
| - | | Exclusive programme XC 8 - XY 5 D - MJ 1997>> for vehicles with ** XC 8 ** D - MJ 1997>> | | | BOXSTER |
| - | 986 424 981 01 | gearstick knob (leather) mahagoni Shift pattern silver | | 1 | |
| | 986 424 981 01 8YR | Black D - MJ 1997>> | | | |
| | 986 424 981 01 C50 | Mahogany/graffiti grey D - MJ 1997>> | | | |
| | 986 424 981 01 S30 | Mahogany/savanna beige D - MJ 1997>> | | | |
| | 986 424 981 01 J30 | Mahogany/nephrite green D - MJ 1997>> | | | |
| | 986 424 981 01 M30 | Mahogany/Boxster red D - MJ 1997>> | | | |
| | 986 424 981 01 G10 | Mahogany/metropolis blue D - MJ 1998>> | | | |

Model: TEQ

Model life 1985>>2012

Bildtafel nicht vorhanden
No illustration
Fig. inexistante
La figura non esiste
Ilust. inexistente

Model: TEQ Model life 1985>>2012

| Pos | Part Number | Description | Remark | Qty | Model |
|-----|----------------|---|---------|-----|---------|
| - | | Exclusive programme XAA - XNZ D - MJ 1997>> for vehicles with ** XAA ** | | | BOXSTER |
| - | | D - MJ 1997>> for vehicles with ** XAB ** | | | |
| - | | D - MJ 1997>> Speedster Rear end Exterior colour Lacquered * XAB * | | 1 | |
| - | | Lacquered Not available see illustration: | 813-000 | | |
| - | | for vehicles with ** XJA ** | | | PR:249 |
| - | 996 552 977 02 | Cover panel Shift gate Carbon aluminium Discontinued part | lhd | 1 | PR:098 |
| - | 996 552 977 12 | Cover panel Shift gate Carbon aluminium Discontinued part | lhd | 1 | PR:098 |
| - | 996 552 977 03 | Cover Shift gate Carbon aluminium Discontinued part | rhd | 1 | PR:099 |
| - | 996 552 977 13 | Cover panel Shift gate Carbon aluminium for vehicles with * XJB * | rhd | 1 | PR:099 |
| - | | Lacquered Not available for vehicles with ** XJE ** | | | PR:249 |
| - | 996 552 977 08 | Cover Shift gate Dark maple rootwood aluminium Discontinued part | lhd | 1 | PR:098 |
| - | 996 552 977 18 | Cover panel Shift gate Dark maple rootwood aluminium Discontinued part | lhd | 1 | PR:098 |
| - | 996 552 977 09 | Cover Shift gate Dark maple rootwood aluminium Discontinued part | rhd | 1 | PR:099 |
| - | 996 552 977 19 | Cover panel Shift gate Dark maple rootwood aluminium for vehicles with ** XKS ** | rhd | 1 | PR:099 |

Model: TEQ Model life 1985>>2012

| Pos | Part Number | Description | Remark | Qty | Model |
|-----|--------------------|--|---------|-----|--------|
| - | | D - MJ 2000>> Dark maple rootwood Individual parts see illustration: | 809-006 | 1 | |
| - | | for vehicles with ** XLA ** | | | |
| - | 986 111 980 00 | D - MJ 1997>> Trim for exhaust tail pipe Boxster | | 1 | PR:009 |
| - | 996 552 993 00 | Cover handbrake Leather | | 1 | |
| | 996 552 993 00 A11 | Black | | | |
| | 996 552 993 00 M31 | Boxster red | | | |
| | 996 552 993 00 S31 | savannah beige | | | |
| - | 996 552 977 00 | Shift gate Tiptronic Leather | lhd | 1 | PR:098 |
| | 996 552 977 00 A11 | Black | 1997- | | |
| | 996 552 977 00 C51 | Graphite grey | 1997- | | |
| | 996 552 977 00 S31 | savannah beige | 1997- | | |
| | 996 552 977 00 J31 | Nephrite green | 1997- | | |
| | 996 552 977 00 M31 | Boxster red | 1997- | | |
| | 996 552 977 00 G11 | Metropole blue | 1998- | | |
| - | 996 552 977 01 | Shift gate Tiptronic Leather | rhd | 1 | PR:099 |
| | 996 552 977 01 A11 | Black | 1997- | | |
| | 996 552 977 01 C51 | Graphite grey | 1997- | | |
| | 996 552 977 01 S31 | savannah beige | 1997- | | |
| | 996 552 977 01 J31 | Nephrite green | 1997- | | |
| | 996 552 977 01 M31 | Boxster red | 1997- | | |
| | 996 552 977 01 G11 | Metropole blue | 1998- | | |
| - | | for vehicles with ** XMJ ** Centre console Carbon see illustration: | 809-020 | | |
| - | | D - MJ 1997>> for vehicles with ** XMT ** | | | |
| - | 986 424 981 01 | D - MJ 1997>> gearstick knob (leather) 5-speed Manual gearbox mahagoni | | 1 | |
| | 986 424 981 01 8YR | Black | 1997- | | |
| | 986 424 981 01 C50 | Mahogany/graffiti grey | 1997- | | |
| | 986 424 981 01 S30 | Mahogany/savanna beige | 1997- | | |
| | 986 424 981 01 J30 | Mahogany/nephrite green | 1997- | | |
| | 986 424 981 01 M30 | Mahogany/Boxster red | 1997- | | |
| | 986 424 981 01 G10 | Mahogany/metropolis blue | 1998- | | |
| - | | for vehicles with ** XMU ** | | | |
| - | 986 424 981 03 | D - MJ 1997>> gearstick knob 5-speed Manual gearbox Leather | | 1 | |
| | 986 424 981 03 8YR | Black | 1997- | | |
| | 986 424 981 03 C50 | Mahogany/graffiti grey | 1997- | | |
| | 986 424 981 03 S30 | Mahogany/savanna beige | 1997- | | |
| | 986 424 981 03 J30 | Mahogany/nephrite green | 1997- | | |

Model: TEQ Model life 1985>>2012

| Pos | Part Number | Description | Remark | Qty | Model |
|-----|--|--|-----------------------|-----|--------|
| - | 986 424 981 03 M30 986 424 981 03 G10 996 424 980 14 | Mahogany/Boxster red Mahogany/metropolis blue Brake lever mahagoni aluminium Leather | 1997- 1998- lhd | 1 | PR:098 |
| | 996 424 980 14 8YR 996 424 980 14 C50 996 424 980 14 S30 996 424 980 14 J30 996 424 980 14 M30 996 424 980 14 G10 | Black Mahogany/graffiti grey Mahogany/savanna beige Mahogany/nephrite green Mahogany/Boxster red Mahogany/metropolis blue | | | |
| - | 996 424 980 04 | handbrake lever grip (leather) D - MJ 1997>> Discontinued part | rhd | 1 | PR:099 |
| | 996 424 980 04 8YR 996 424 980 04 C50 996 424 980 04 S30 996 424 980 04 J30 996 424 980 04 M30 996 424 980 04 G10 | Black Mahogany/graffiti grey Mahogany/savanna beige Mahogany/nephrite green Mahogany/Boxster red Mahogany/metropolis blue | | | |
| - | 996 424 980 15 | Brake lever mahagoni aluminium Leather D - MJ 1997>> | rhd | 1 | PR:099 |
| | 996 424 980 15 8YR 996 424 980 15 C50 996 424 980 15 S30 996 424 980 15 J30 996 424 980 15 M30 996 424 980 15 G10 | Black Mahogany/graffiti grey Mahogany/savanna beige Mahogany/nephrite green Mahogany/Boxster red Mahogany/metropolis blue | | | |
| - | | for vehicles with ** XMV ** D - MJ 1997>> | | | |
| - | 996 426 981 01 | selector lever Tiptronic mahagoni | | 1 | |
| - | | for vehicles with ** XMW ** D - MJ 1997>> | | | |
| - | 996 426 981 03 | selector lever Tiptronic mahagoni aluminium Leather | | 1 | |
| - | 996 426 981 03 8YR 996 424 980 14 | Black Brake lever mahagoni aluminium Leather | lhd | 1 | PR:098 |
| | 996 424 980 14 8YR 996 424 980 14 C50 996 424 980 14 S30 996 424 980 14 J30 996 424 980 14 M30 996 424 980 14 G10 | Black Mahogany/graffiti grey Mahogany/savanna beige Mahogany/nephrite green Mahogany/Boxster red Mahogany/metropolis blue | | | |
| - | 996 424 980 15 | Brake lever mahagoni aluminium Leather | rhd | 1 | PR:099 |
| | 996 424 980 15 8YR 996 424 980 15 C50 | Black Mahogany/graffiti grey | | | |

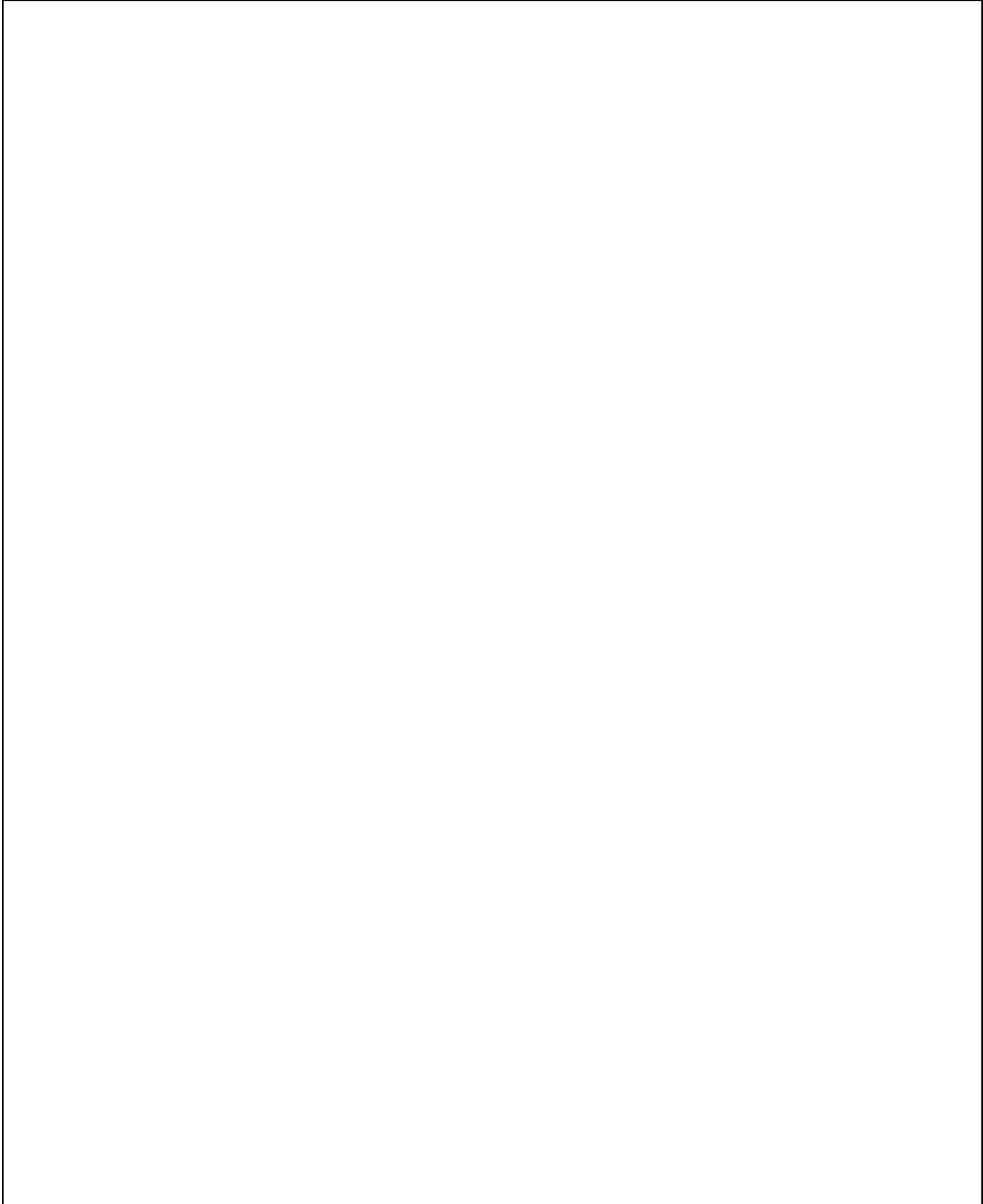
Model: TEQ

Model life 1985>>2012

| Pos | Part Number | Description | Remark | Qty | Model |
|-----|--------------------|--------------------------|--------|-----|-------|
| | 996 424 980 15 S30 | Mahogany/savanna beige | | | |
| | 996 424 980 15 J30 | Mahogany/nephrite green | | | |
| | 996 424 980 15 M30 | Mahogany/Boxster red | | | |
| | 996 424 980 15 G10 | Mahogany/metropolis blue | | | |

Model: TEQ

Model life 1985>>2012



Model: TEQ Model life 1985>>2012

| Pos | Part Number | Description | Remark | Qty | Model |
|-----|--------------------|---|--------|-----|-------------|
| - | | Exclusive programme X 21 - X 98 D - MJ 1998>> for vehicles with ** X 47 ** D - MJ 1998>> gearstick knob | | 1 | 911 CARRERA |
| - | 996 424 981 03 | D - MJ 1998>> - MJ 2000 | | | |
| | 996 424 981 03 8YR | Black | | | |
| | 996 424 981 03 B50 | D - MJ 1998>> Space grey | | | |
| | 996 424 981 03 C50 | D - MJ 1998>> Graphite grey | | | |
| | 996 424 981 03 G10 | D - MJ 1998>> Metropole blue | | | |
| | 996 424 981 03 S30 | D - MJ 1998>> savannah beige | | | |
| | 996 424 981 03 J30 | D - MJ 1998>> Nephrite green | | | |
| | 996 424 981 03 M30 | D - MJ 1998>> Boxster red | | | |
| - | 996 424 981 07 | gearstick knob aluminium Leather | | 1 | |
| | 996 424 981 07 8YR | Black | | | |
| | 996 424 981 07 B50 | Space grey | | | |
| | 996 424 981 07 C50 | Graphite grey | | | |
| | 996 424 981 07 G10 | Metropole blue | | | |
| | 996 424 981 07 S30 | savannah beige | | | |
| | 996 424 981 07 J30 | Nephrite green | | | |
| | 996 424 981 07 M30 | Boxster red | | | |
| - | | for vehicles with ** X 48 ** D - MJ 1998>> | | | |
| - | 996 426 981 02 | selector lever Tiptronic Carbon-aluminium look Leather Discontinued part | | 1 | |
| | 996 426 981 02 8YR | Black | | | |
| - | 996 426 981 09 | selector lever selector lever Carbon-aluminium look | | 1 | |
| - | | for vehicles with ** X 54 ** | | | 911 GT 3 |
| - | 996 111 981 00 | D - MJ 1998>> Tailpipe stainless steel | left | 1 | |
| - | 996 111 982 00 | D - MJ 1998>> Tailpipe stainless steel | right | 1 | |
| - | | D - MJ 1998>> for vehicles with ** X 58 ** | | | |
| - | 996 424 980 16 | D - MJ 1998>> handbrake lever grip (leather) Carbon-aluminium look | lhd | 1 | PR:098 |
| | 996 424 980 16 8YR | D - MJ 1998>> Discontinued part Black | | | |
| | | D - MJ 1998>> | | | |

Model: TEQ Model life 1985>>2012

| Pos | Part Number | Description | Remark | Qty | Model |
|-----|--------------------|---|--------|-----|--------|
| | 996 424 980 16 B50 | Space grey D - MJ 1998>> | | | |
| | 996 424 980 16 C50 | Graphite grey D - MJ 1998>> | | | |
| | 996 424 980 16 G10 | Metropole blue D - MJ 1998>> | | | |
| | 996 424 980 16 S30 | savannah beige D - MJ 1998>> | | | |
| | 996 424 980 16 J30 | Nephrite green D - MJ 1998>> | | | |
| | 996 424 980 16 M30 | Boxster red D - MJ 1998>> | | | |
| - | 996 424 980 24 | Brake lever Carbon-aluminium look Leather | lhd | 1 | PR:098 |
| | 996 424 980 24 8YR | Black D - MJ 1998>> | | | |
| | 996 424 980 24 B50 | Space grey D - MJ 1998>> | | | |
| | 996 424 980 24 C50 | Graphite grey D - MJ 1998>> | | | |
| | 996 424 980 24 G10 | Metropole blue D - MJ 1998>> | | | |
| | 996 424 980 24 S30 | savannah beige D - MJ 1998>> | | | |
| | 996 424 980 24 J30 | Nephrite green D - MJ 1998>> | | | |
| | 996 424 980 24 M30 | Boxster red D - MJ 1998>> | | | |
| - | | for vehicles with ** X 65 ** | | | |
| - | 996 426 981 04 | selector lever Tiptronic Light maple rootwood aluminium D - MJ 1998>> | | 1 | |
| - | 996 426 981 07 | Discontinued part selector lever selector lever Light maple rootwood aluminium | | 1 | |
| - | | for vehicles with ** X 66 ** | | | |
| - | 996 426 981 05 | D - MJ 1998>> selector lever Tiptronic Dark maple rootwood aluminium D - MJ 1998>> | | 1 | |
| - | 996 426 981 08 | Discontinued part gearstick knob selector lever Dark maple rootwood aluminium | | 1 | |
| - | | for vehicles with ** X 69 ** | | | |
| - | 996 551 984 00 | D - MJ 1998>> Tread trim Carbon inscription " CARRERA " D - MJ 1998>> | | 1 | |

Model: TEQ Model life 1985>>2012

| Pos | Part Number | Description | Remark | Qty | Model |
|-----|--------------------|--|---------|-----|--------|
| - | | for vehicles with ** X 70 ** D - MJ 1998>> | | | |
| - | 996 551 984 01 | Entry strip with lettering stainless steel D - MJ 1998>> | | 1 | |
| - | | for vehicles with ** X 71 ** Combi-instrument Dial aluminium | | | |
| - | | see illustration: for vehicles with ** X 72 ** D - MJ 1998>> | 906-002 | | |
| - | 996 424 981 01 | gearstick knob Light maple rootwood aluminium Leather D - MJ 1998>> | | 1 | |
| | 996 424 981 01 8YR | Black D - MJ 1998>> | | | |
| | 996 424 981 01 B50 | Space grey D - MJ 1998>> | | | |
| | 996 424 981 01 C50 | Graphite grey D - MJ 1998>> | | | |
| | 996 424 981 01 G10 | Metropole blue D - MJ 1998>> | | | |
| | 996 424 981 01 S30 | savannah beige D - MJ 1998>> | | | |
| | 996 424 981 01 J30 | Nephrite green D - MJ 1998>> | | | |
| | 996 424 981 01 M30 | Boxster red D - MJ 1998>> | | | |
| - | 996 424 981 16 | gearstick knob Light maple rootwood aluminium Leather D - MJ 1998>> | | 1 | |
| | 996 424 981 16 8YR | Black D - MJ 1998>> | | | |
| | 996 424 981 16 B50 | Space grey D - MJ 1998>> | | | |
| | 996 424 981 16 C50 | Graphite grey D - MJ 1998>> | | | |
| | 996 424 981 16 G10 | Metropole blue D - MJ 1998>> | | | |
| | 996 424 981 16 S30 | savannah beige D - MJ 1998>> | | | |
| | 996 424 981 16 J30 | Nephrite green D - MJ 1998>> | | | |
| | 996 424 981 16 M30 | Boxster red D - MJ 1998>> | | | |
| - | 996 424 980 18 | Brake lever Light maple rootwood aluminium Leather Discontinued part Black D - MJ 1998>> | lhd | 1 | PR:098 |
| | 996 424 980 18 8YR | Space grey D - MJ 1998>> | | | |
| | 996 424 980 18 B50 | Graphite grey D - MJ 1998>> | | | |
| | 996 424 980 18 C50 | Graphite grey | | | |

Model: TEQ Model life 1985>>2012

| Pos | Part Number | Description | Remark | Qty | Model |
|-----|--------------------|--|--------|-----|--------|
| | 996 424 980 18 G10 | D - MJ 1998>> Metropole blue | | | |
| | 996 424 980 18 S30 | D - MJ 1998>> savannah beige | | | |
| | 996 424 980 18 J30 | D - MJ 1998>> Nephrite green | | | |
| | 996 424 980 18 M30 | D - MJ 1998>> Boxster red | | | |
| - | 996 424 980 26 | D - MJ 1998>> Brake lever Light maple rootwood aluminium Leather | lhd | 1 | PR:098 |
| | 996 424 980 26 8YR | D - MJ 1998>> Black | | | |
| | 996 424 980 26 B50 | D - MJ 1998>> Space grey | | | |
| | 996 424 980 26 C50 | D - MJ 1998>> Graphite grey | | | |
| | 996 424 980 26 G10 | D - MJ 1998>> Metropole blue | | | |
| | 996 424 980 26 S30 | D - MJ 1998>> savannah beige | | | |
| | 996 424 980 26 J30 | D - MJ 1998>> Nephrite green | | | |
| | 996 424 980 26 M30 | D - MJ 1998>> Boxster red | | | |
| - | | D - MJ 1998>> for vehicles with ** X 97 ** | | | |
| - | 996 424 981 00 | D - MJ 1998>> gearstick knob 6th gear Manual gearbox Aluminium look Leather | | 1 | |
| | 996 424 981 00 8YR | D - MJ 1998>> Black | | | |
| | 996 424 981 00 B50 | D - MJ 1998>> Space grey | | | |
| | 996 424 981 00 C50 | D - MJ 1998>> Graphite grey | | | |
| | 996 424 981 00 G10 | D - MJ 1998>> Metropole blue | | | |
| | 996 424 981 00 S30 | D - MJ 1998>> savannah beige | | | |
| | 996 424 981 00 J30 | D - MJ 1998>> Nephrite green | | | |
| | 996 424 981 00 M30 | D - MJ 1998>> Boxster red | | | |
| - | 996 424 981 15 | D - MJ 1998>> gearstick knob 6th gear Manual gearbox Aluminium look Leather | | 1 | |
| | 996 424 981 15 8YR | D - MJ 1998>> Black | | | |
| | 996 424 981 15 B50 | D - MJ 1998>> Space grey | | | |
| | 996 424 981 15 C50 | D - MJ 1998>> Graphite grey | | | |
| | 996 424 981 15 G10 | D - MJ 1998>> Metropole blue | | | |
| | 996 424 981 15 S30 | D - MJ 1998>> savannah beige | | | |
| | 996 424 981 15 J30 | D - MJ 1998>> Nephrite green | | | |
| - | 996 424 981 15 M30 | D - MJ 1998>> Boxster red for vehicles with | | | |

Model: TEQ Model life 1985>>2012

| Pos | Part Number | Description | Remark | Qty | Model |
|-----|--------------------|--|--------|-----|--------|
| - | 996 424 980 12 | ** X 98 ** D - MJ 1998>> Brake lever Aluminium look Leather Discontinued part | lhd | 1 | PR:098 |
| | 996 424 980 12 8YR | Black D - MJ 1998>> | | | |
| | 996 424 980 12 B50 | Space grey D - MJ 1998>> | | | |
| | 996 424 980 12 C50 | Graphite grey D - MJ 1998>> | | | |
| | 996 424 980 12 G10 | Metropole blue D - MJ 1998>> | | | |
| | 996 424 980 12 S30 | savannah beige D - MJ 1998>> | | | |
| | 996 424 980 12 J30 | Nephrite green D - MJ 1998>> | | | |
| | 996 424 980 12 M30 | Boxster red D - MJ 1998>> | | | |
| - | 996 424 980 22 | Brake lever Aluminium look Leather Black D - MJ 1998>> | lhd | 1 | PR:098 |
| | 996 424 980 22 8YR | Space grey D - MJ 1998>> | | | |
| | 996 424 980 22 B50 | Graphite grey D - MJ 1998>> | | | |
| | 996 424 980 22 C50 | Metropole blue D - MJ 1998>> | | | |
| | 996 424 980 22 G10 | savannah beige D - MJ 1998>> | | | |
| | 996 424 980 22 S30 | Nephrite green D - MJ 1998>> | | | |
| | 996 424 980 22 J30 | Boxster red D - MJ 1998>> | | | |
| | 996 424 980 22 M30 | | | | |

Model: TEQ

Model life 1985>>2012



Model: TEQ Model life 1985>>2012

| Pos | Part Number | Description | Remark | Qty | Model |
|-----|--------------------|--|--------|-----|-------------|
| - | | Exclusive programme XD 9 - XY 5 D - MJ 1998>> for vehicles with ** XD 9 ** Alloy wheel wheel cover Lacquered Not available | | | 911 CARRERA |
| - | | for vehicles with ** XE 8 ** D - MJ 1998>> gearstick knob 6th gear Manual gearbox Dark maple rootwood aluminium Leather D - MJ 1998>> | | 1 | |
| | 996 424 981 02 8YR | Black D - MJ 1998>> | | | |
| | 996 424 981 02 B50 | Space grey D - MJ 1998>> | | | |
| | 996 424 981 02 C50 | Graphite grey D - MJ 1998>> | | | |
| | 996 424 981 02 G10 | Metropole blue D - MJ 1998>> | | | |
| | 996 424 981 02 S30 | savannah beige D - MJ 1998>> | | | |
| | 996 424 981 02 J30 | Nephrite green D - MJ 1998>> | | | |
| | 996 424 981 02 M30 | Boxster red D - MJ 1998>> | | | |
| | 996 424 981 02 T11 | Brown/natural D - MJ 1998>> | | | |
| - | | for vehicles with ** XE 9 ** D - MJ 1998>> | | | |
| - | 996 424 980 20 | Brake lever Dark maple rootwood aluminium Leather | lhd | 1 | PR:098 |
| | 996 424 980 20 8YR | Black D - MJ 1998>> | | | |
| | 996 424 980 20 B50 | Space grey D - MJ 1998>> | | | |
| | 996 424 980 20 C50 | Graphite grey D - MJ 1998>> | | | |
| | 996 424 980 20 G10 | Metropole blue D - MJ 1998>> | | | |
| | 996 424 980 20 S30 | savannah beige D - MJ 1998>> | | | |
| | 996 424 980 20 J30 | Nephrite green D - MJ 1998>> | | | |
| | 996 424 980 20 M30 | Boxster red D - MJ 1998>> | | | |
| - | 996 424 980 21 | Brake lever Dark maple rootwood aluminium Leather | rhd | 1 | PR:099 |
| | 996 424 980 21 8YR | Black D - MJ 1998>> | | | |
| | 996 424 980 21 B50 | Space grey | | | |

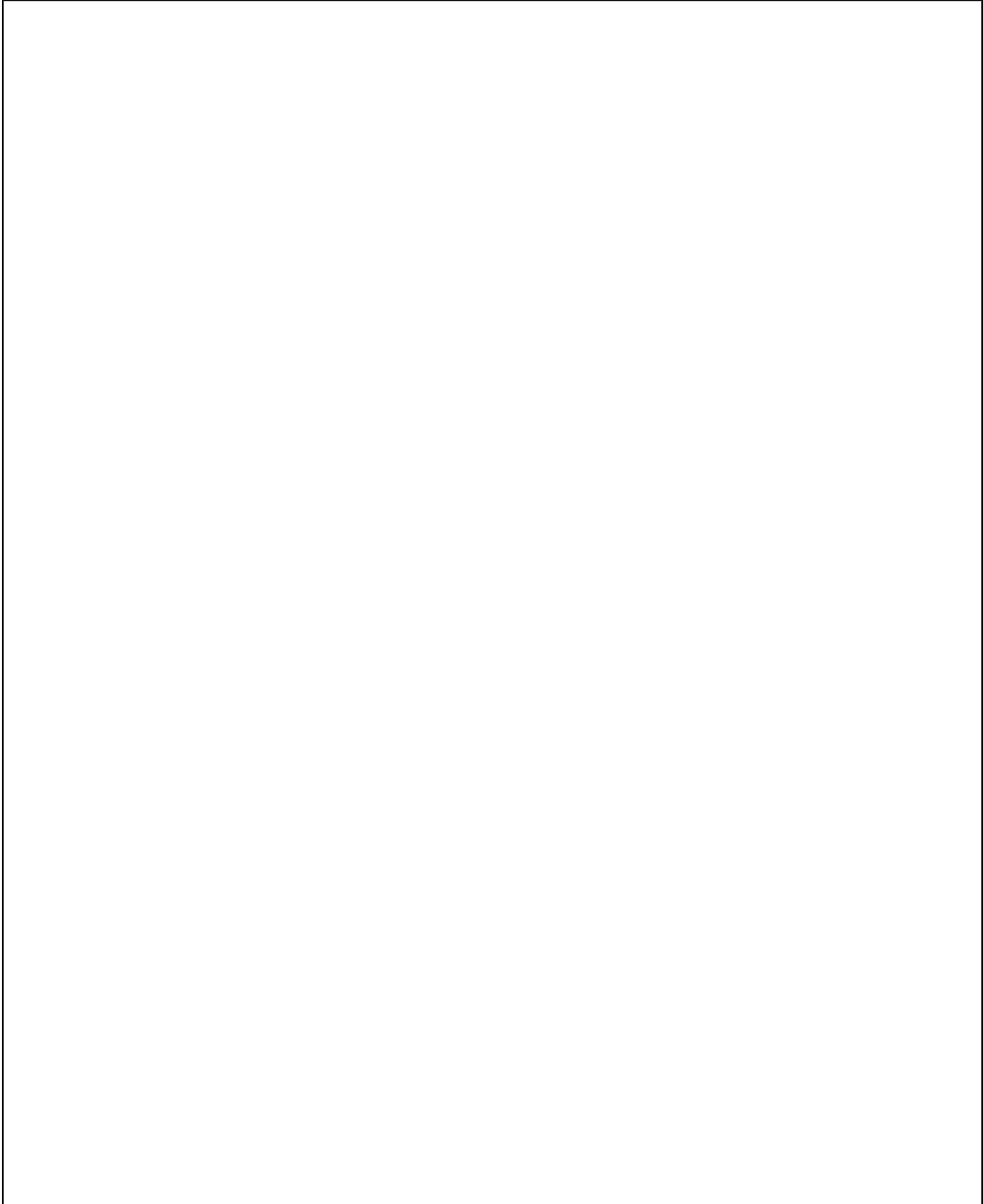
Model: TEQ

Model life 1985>>2012

| Pos | Part Number | Description | Remark | Qty | Model |
|-----|--------------------|--|--------|-----|-------|
| | | D - MJ 1998>> Graphite grey | | | |
| | 996 424 980 21 C50 | D - MJ 1998>> Metropole blue | | | |
| | 996 424 980 21 G10 | D - MJ 1998>> savannah beige | | | |
| | 996 424 980 21 S30 | D - MJ 1998>> Nephrite green | | | |
| | 996 424 980 21 J30 | D - MJ 1998>> Boxster red | | | |
| | 996 424 980 21 M30 | D - MJ 1998>> for vehicles with ** XX 2 ** Footwell light | | | |
| - | | D - MJ 1998>> Bracket | | 2 | |
| - | 996 632 980 00 | D - MJ 1998>> Wire set | | 1 | |
| - | 996 612 980 00 | Footwell light D - MJ 1998>> Tip switch | | 1 | |
| - | 996 613 980 00 | interior light D - MJ 1998>> Luggage compartment lamp | | 2 | |
| - | 959 632 201 00 | D - MJ 1998>> Relay | | 1 | |
| - | 996 615 117 00 | D - MJ 1998>> Relay | | 1 | |
| - | 141 951 253 B | D - MJ 1998>> Pop rivet | | 4 | |
| - | 999 190 104 30 | D - MJ 1998>> | | | |

Model: TEQ

Model life 1985>>2012



Model: TEQ Model life 1985>>2012

| Pos | Part Number | Description | Remark | Qty | Model |
|-----|----------------|---|--------|-----|-------------|
| - | | Exclusive programme XAA - XNZ D - MJ 1998>> for vehicles with ** XJA ** D - MJ 1998>> | | | 911 CARRERA |
| - | 996 552 977 02 | Cover panel Carbon D - MJ 1998>> | lhd | 1 | PR:098 |
| - | 996 552 977 12 | Cover panel Tiptronic Carbon D - MJ 2000>> | lhd | 1 | PR:098 |
| - | 996 552 977 03 | Cover Carbon D - MJ 1998>> | rhd | 1 | PR:099 |
| - | 996 552 977 13 | Cover panel Tiptronic Carbon D - MJ 2000>> | rhd | 1 | PR:099 |
| - | | for vehicles with ** XJD ** D - MJ 1998>> | | | PR:249 |
| - | 996 552 977 06 | Cover Tiptronic Light maple rootwood | lhd | 1 | PR:098 |
| - | 996 552 977 16 | Cover panel Tiptronic Light maple rootwood D - MJ 2000>> | lhd | 1 | PR:098 |
| - | 996 552 977 07 | Cover Tiptronic Light maple rootwood | rhd | 1 | PR:099 |
| - | 996 552 977 17 | Cover panel Tiptronic Light maple rootwood D - MJ 2000>> | rhd | 1 | PR:099 |
| - | | for vehicles with ** XJE ** D - MJ 1998>> | | | PR:249 |
| - | 996 552 977 08 | Cover Tiptronic Dark maple rootwood | lhd | 1 | PR:098 |
| - | 996 552 977 18 | Cover panel Tiptronic Dark maple rootwood D - MJ 2000>> | lhd | 1 | PR:098 |
| - | 996 552 977 09 | Cover Tiptronic Dark maple rootwood | rhd | 1 | PR:099 |
| - | 996 552 977 19 | Cover panel Tiptronic Dark maple rootwood D - MJ 2000>> | rhd | 1 | PR:099 |
| - | | for vehicles with ** XME ** Centre console Lacquered * XME * Lacquered Not available D - MJ 1998>> | rear | | |
| - | | for vehicles with | | | |

Model: TEQ

Model life 1985>>2012

| Pos | Part Number | Description | Remark | Qty | Model |
|-----|----------------|---|---------|-----|--------|
| - | 996 552 995 14 | ** XNX ** D - MJ 1998>> Instrument panel trim Leather Trim Carbon Please state the colour | lhd | 1 | PR:098 |
| - | 996 552 995 15 | D - MJ 1998>> Instrument panel trim Leather Trim Carbon Please state the colour | rhd | 1 | PR:099 |
| - | | D - MJ 1998>> Individual parts see illustration: | 809-007 | | |

Model: TEQ

Model life 1985>>2012



Model: TEQ

Model life 1985>>2012

| Pos | Part Number | Description | Remark | Qty | Model |
|-----|----------------|---|--------|-----|--|
| - | | Engine Drive power 316 KW (430 PS) | 94-98 | | 911 (993) |
| - | | See memo Ti: 911 TURBO (993) Group 1 1001 (42/95) | 96-98 | | Turbo |
| - | 000 044 100 01 | Retrofit kit Engine Drive power 316 KW (430 PS) Individual parts Use Set comprising: D - MJ 1996>> - MJ 1998 | 300 kW | 1 | Turbo 6460+ PR:529,530 -"J.." |
| - | 993 207 235 80 | Oil cooler | | 1 | |
| - | 993 207 425 80 | Retainer for oil cooler | | 1 | |
| - | 993 207 341 81 | Oil pipe | | 1 | |
| - | 993 207 343 81 | Oil pipe | | 1 | |
| - | 964 575 522 02 | Air guide | | 1 | |
| - | 999 511 162 02 | Clamp | | 3 | |
| - | 999 591 839 40 | Plastic nut | | 3 | |
| - | 900 075 413 09 | Bolt with washer | | 4 | |
| - | 900 910 010 01 | Hexagon nut | | 4 | |
| - | 999 513 003 40 | Cable ties | | 2 | |
| - | 993 618 682 85 | Control unit | | 1 | |
| - | 993 618 682 FX | Control unit | | 1 | |
| - | 993 111 982 01 | Tailpipe | | 1 | |
| - | 993 111 981 01 | Tailpipe | | 1 | |
| - | N 011 524 27 | Washer | | 8 | |
| - | 000 044 100 02 | A 6,4 Retrofit kit Engine Drive power 316 KW (430 PS) Individual parts Use Set comprising: D - MJ 1996>> - MJ 1998 | 300 kW | 1 | Turbo 6460+ PR:-529,-530 -"J.." |
| - | 993 207 235 80 | Oil cooler | | 1 | |
| - | 993 207 425 80 | Retainer for oil cooler | | 1 | |
| - | 993 207 341 81 | Oil pipe | | 1 | |
| - | 993 207 343 81 | Oil pipe | | 1 | |
| - | 964 575 522 02 | Air guide | | 1 | |
| - | 999 511 162 02 | Clamp | | 3 | |
| - | 999 591 839 40 | Plastic nut | | 3 | |
| - | 900 075 413 09 | Bolt with washer | | 4 | |
| - | 900 910 010 01 | Hexagon nut | | 4 | |
| - | N 011 524 27 | Washer | | 8 | |
| - | 999 513 003 40 | Cable ties | | 2 | |
| - | 999 513 003 40 | Cable ties | | 2 | |
| - | 993 618 681 85 | Control unit | | 1 | |
| - | 993 618 681 FX | Control unit | | 1 | |
| - | 993 111 982 01 | Tailpipe | | 1 | |
| - | 993 111 982 04 | Tailpipe High-Gloss Black | | 1 | |
| - | 993 111 981 01 | Tailpipe | | 1 | |
| - | 993 111 981 04 | Tailpipe High-Gloss Black | | 1 | |
| - | 993 123 013 85 | Exhaust gas turbocharger | | 1 | |
| - | 993 207 425 80 | Retainer for oil cooler | | 1 | |

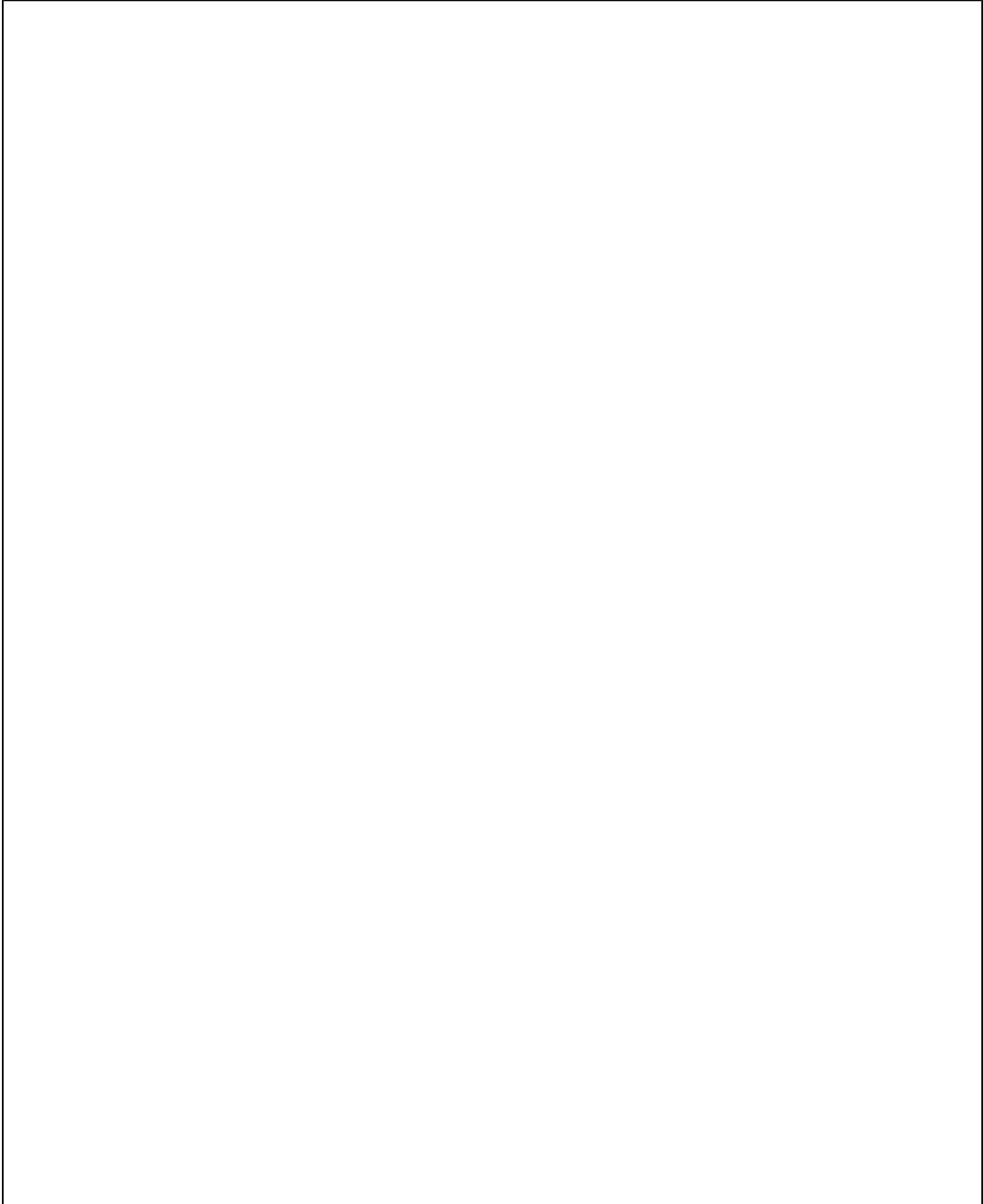
Model: TEQ

Model life 1985>>2012

| Pos | Part Number | Description | Remark | Qty | Model |
|-----|----------------|--------------------------|--------|-----|-------|
| - | 993 207 341 81 | Oil pipe | | 1 | |
| - | 993 123 013 85 | Exhaust gas turbocharger | | 1 | |
| - | 993 123 014 85 | Exhaust gas turbocharger | | 1 | |
| - | 993 111 982 03 | Tailpipe | | 1 | |

Model: TEQ

Model life 1985>>2012



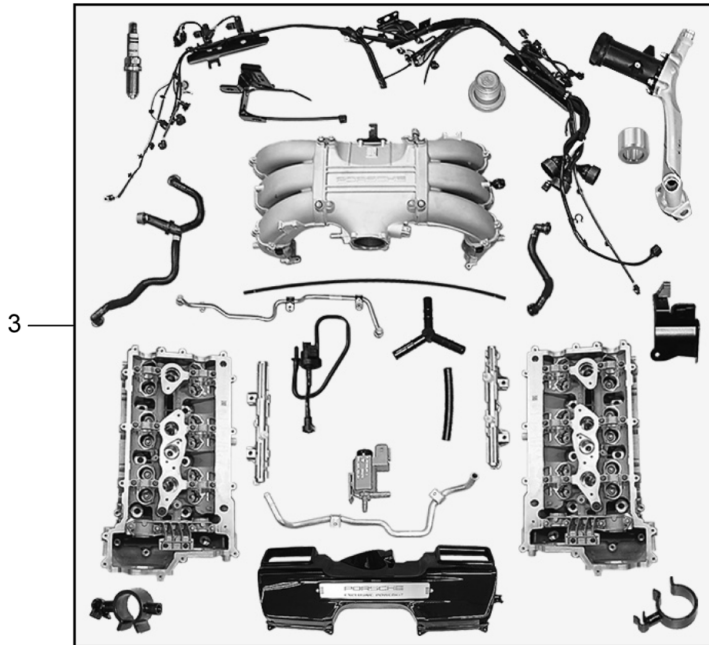
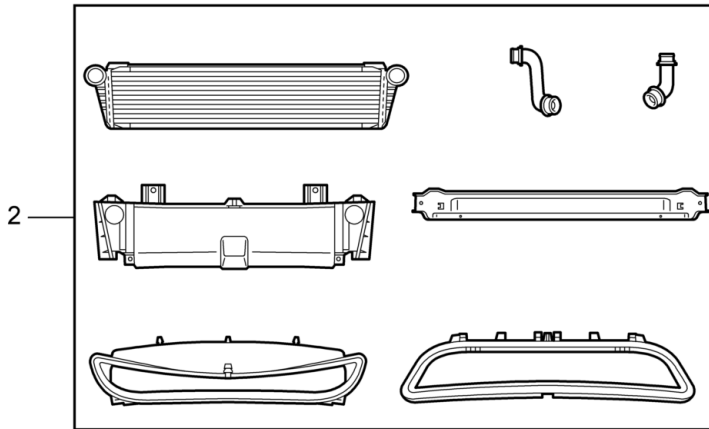
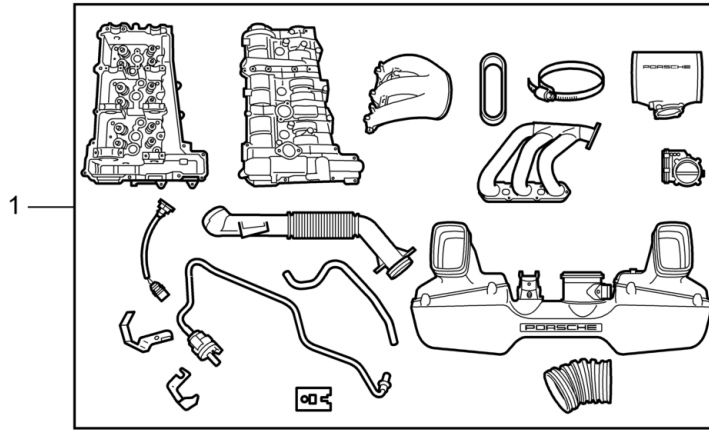
Model: TEQ

Model life 1985>>2012

| Pos | Part Number | Description | Remark | Qty | Model |
|-----|----------------|--|--------|-----|----------------------------------|
| - | | Engine Drive power 254 KW (345 PS) | 02-05 | | 911 (996) C2/C4/C4S/ Targa |
| - | | Technical information 911 CARRERA 2/4/4S/TARGA Group 1 1001 (7/02) Attention | | | |
| - | 000 044 100 15 | Retrofit kit Engine Drive power 254 KW (345 PS) D - MJ 2002>> - MJ 2005 also use: | 235 kW | 1 | 9603 -"AUS" |
| - | 000 044 100 13 | Gasket set | | 1 | |
| - | 000 044 100 14 | Radiator Retrofit kit for M >> 68.30 0734 also use: | | 1 | C2/C4/Targa |
| - | 996 107 147 59 | Breather line | | 1 | |
| - | 996 347 443 06 | Pressure line Discontinued part | | 1 | |
| - | 996 347 443 09 | Pressure line | | 1 | |
| - | 996 607 143 00 | Bracket | | 1 | |
| - | 996 607 019 02 | Wire set | | 1 | |

Model: TEQ

Model life 1985>>2012



Model: TEQ Model life 1985>>2012

| Pos | Part Number | Description | Remark | Qty | Model |
|-----|----------------|--|----------------|-----|---|
| - | | Engine Drive power 280 KW (381 PS) 300 KW (408 PS) Inst. & Conv. Instructions 911 carrera Group 1 1001 (7/05) | 06-08 09-12 | | 911 (997) C2S/C4S/Targ C2S/C4S/Targ |
| 1 | 997 044 100 00 | Retrofit kit Engine Drive power 280 KW (381 PS) Included exhaust system D - MJ 2006>> - MJ 2008 | 261 kW | 1 | 9701+ PR:-XLF,-480 -"PAP", "ROK" |
| (1) | 997 044 100 02 | Retrofit kit Engine Drive power 280 KW (381 PS) D - MJ 2006>> - MJ 2008 also use: | 261 kW | 1 | 9701+ PR:XLF,-480 "ROK" |
| - | 997 044 100 04 | Gasket set D - MJ 2006>> - MJ 2008 | | 1 | |
| 2 | 997 044 100 05 | Radiator Set D - MJ 2006>> - MJ 2008 | | 1 | PR:-249,480 |
| - | | Inst. & Conv. Instructions 911 carrera Group 1 1001 (39/09) | | | C2S/C4S Targa S |
| (3) | 997 044 100 09 | Retrofit kit Engine Drive power 300 KW (408 PS) with: exhaust system D - MJ 2009>> - MJ 2012 | 283 kW | 1 | A101+ PR:-176 |
| 3 | 997 044 100 11 | Retrofit kit Engine Drive power 300 KW (408 PS) D - MJ 2009>> - MJ 2012 also use: | 293 kW | 1 | A101+ PR:176,-480 -"CN.", "PAP", "ROK" |
| - | 997 044 100 13 | Gasket set D - MJ 2009>> - MJ 2012 | | 1 | |

Model: TEQ

Model life 1985>>2012



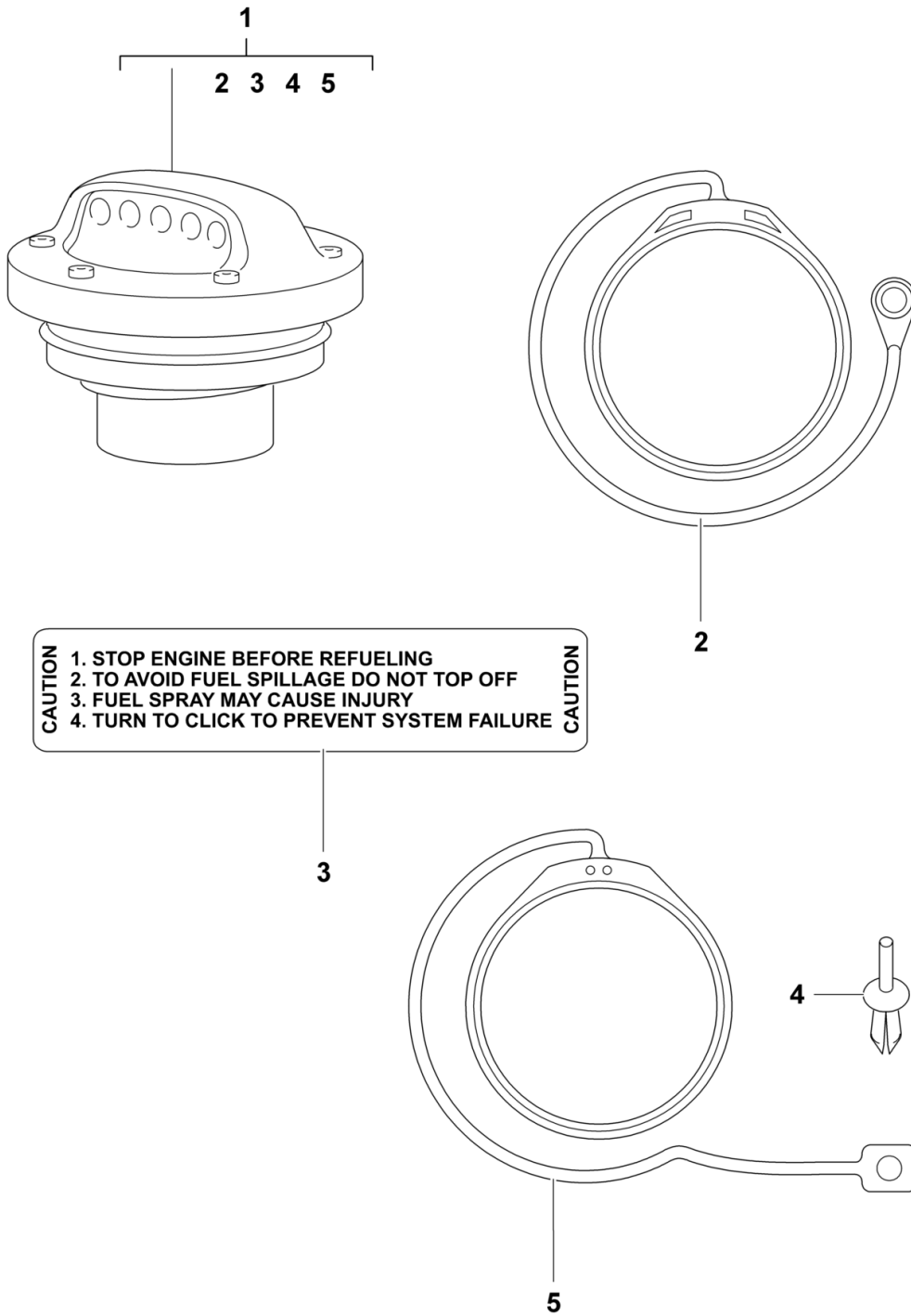
Model: TEQ

Model life 1985>>2012

| Pos | Part Number | Description | Remark | Qty | Model |
|-----|----------------|---|--------|-----|-----------------------------|
| - | | Radiator D - MJ 2009>> - MJ 2012 Inst. & Conv. Instructions 911 carrera Group 1 1980 (6/10) Attention | center | | 911 (997) Carrera |
| 1 | 997 044 100 15 | Radiator Set Not for: Vehicle | center | 1 | PR:-183 PR:250 MA1.01 |
| - | | with: - PDK - D - MJ 2011>> | | | |

Model: TEQ

Model life 1985>>2012

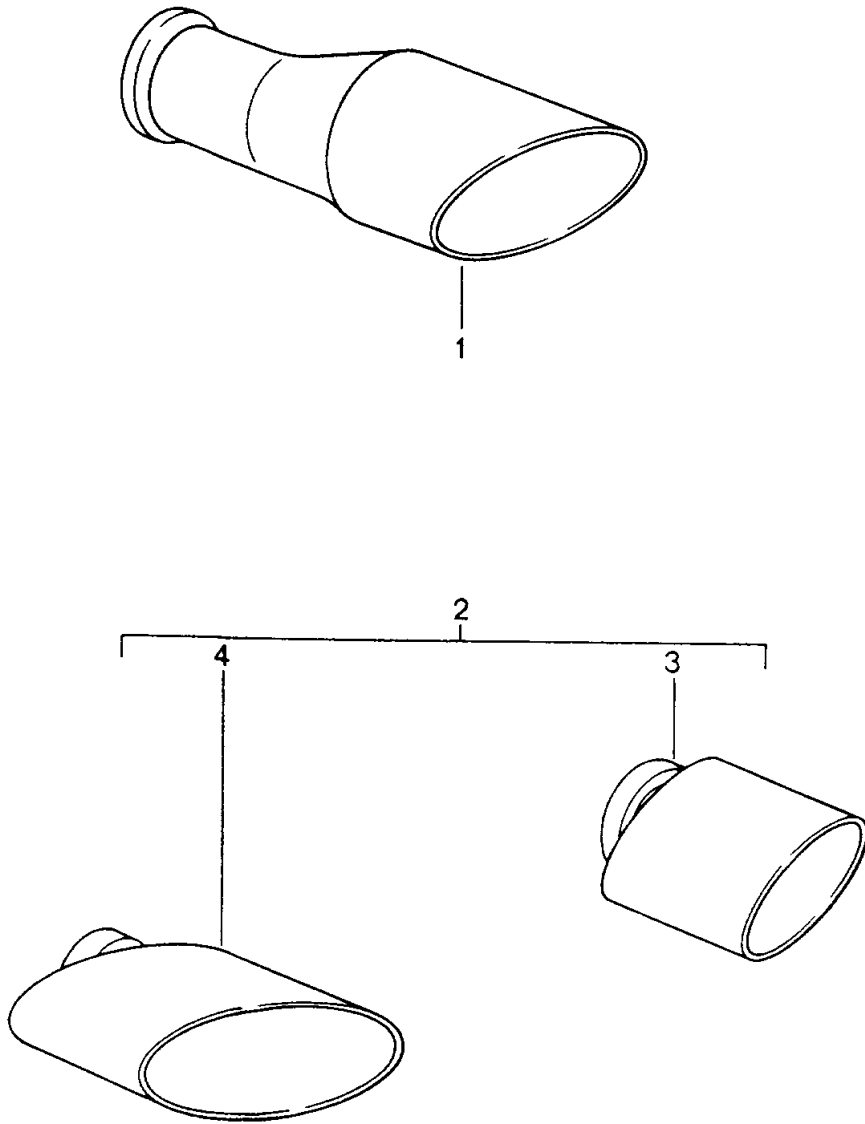


Model: TEQ Model life 1985>>2012

| Pos | Part Number | Description | Remark | Qty | Model |
|-----|----------------|----------------------------|--------|-----|---------------|
| - | | Fuel tank cap | 97-12 | | Boxster |
| | | Aluminium look | 98-12 | | 911 (996/997) |
| | | | 06-12 | | Cayman |
| - | | Technical information | | | |
| | | BOXSTER; 911 | 97-04 | | |
| | | Group 2 | | | |
| | | 2005 (6/04) | | | Boxster |
| | | 2005 (6/04) | | | 911 |
| | | Attention | | | |
| - | | Inst. & Conv. Instructions | | | |
| | | BOXSTER; CAYMAN; 911 | 05-12 | | |
| | | Group 2 | | | |
| | | 2005 (2/05) | | | Boxster |
| | | 2005 (1/05) | | | Cayman |
| | | 2005 (3/04) | | | 911 |
| | | Attention | | | |
| 1 | 997 201 980 00 | Fuel tank cap | | 1 | |
| | | Aluminium look | | | |
| 2 | 955 044 200 05 | fuse | | 1 | Cayenne |
| | | | with: | | |
| 3 | 996 006 118 01 | Spreader rivet | | 1 | Cayenne |
| | | Sticker | | | |
| 4 | 999 507 499 40 | Spreader rivet | | 1 | |
| | | | | | |
| 5 | 997 044 200 05 | fuse | | 1 | |

Model: TEQ

Model life 1985>>2012

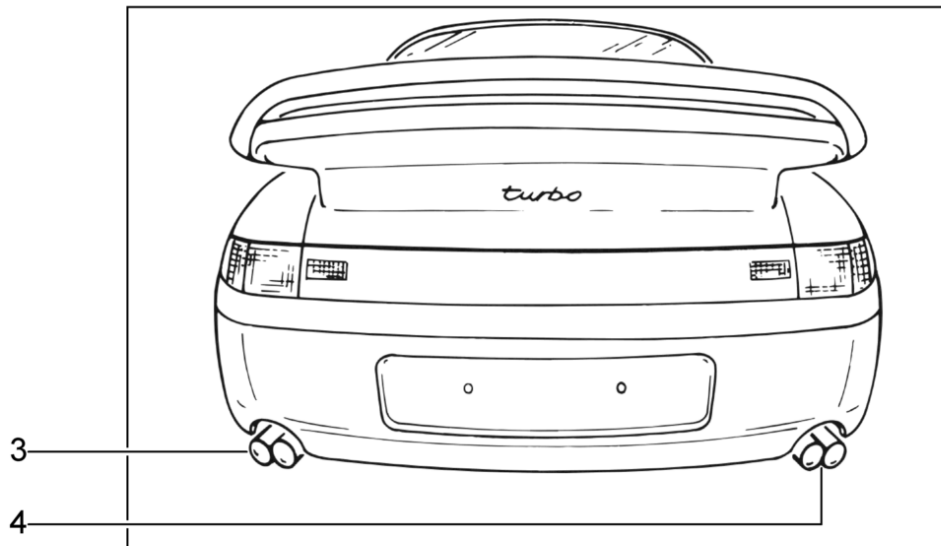
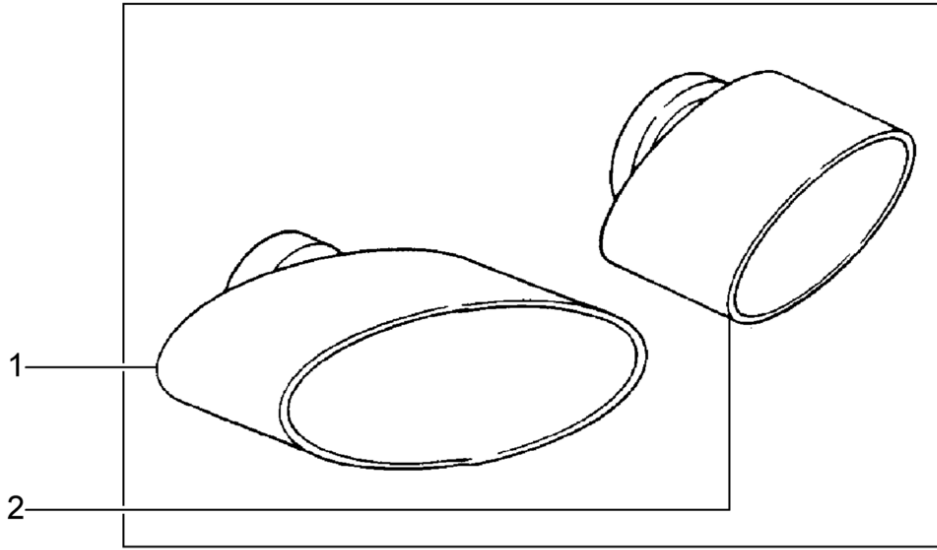


Model: TEQ Model life 1985>>2012

| Pos | Part Number | Description | Remark | Qty | Model |
|-----|----------------|---|----------------|-----|---|
| 1 | 000 043 301 10 | Tailpipe Sports tailpipe Tailpipe Sports tailpipe Turbo-look Not for: 911 turbo | 89-94 94-98 | 1 | 911 (964) 911 (993) 964 C2 964 C4 964 Speedst 964 RS |
| 2 | 000 044 200 01 | Tailpipe Sports tailpipe Set comprising: | | 1 | 993 C2 993 C4 |
| 3 | 993 111 981 00 | Tailpipe | left | 1 | 993 C2 |
| 4 | 993 111 982 00 | Sports tailpipe Tailpipe | right | 1 | 993 C4 993 C2 |
| (3) | 993 111 981 02 | Sports tailpipe Tailpipe | left | 1 | 993 C4 993 S |
| (4) | 993 111 982 02 | Sports tailpipe Tailpipe Sports tailpipe | right | 1 | 993 4S 993 S 993 4S |

Model: TEQ

Model life 1985>>2012



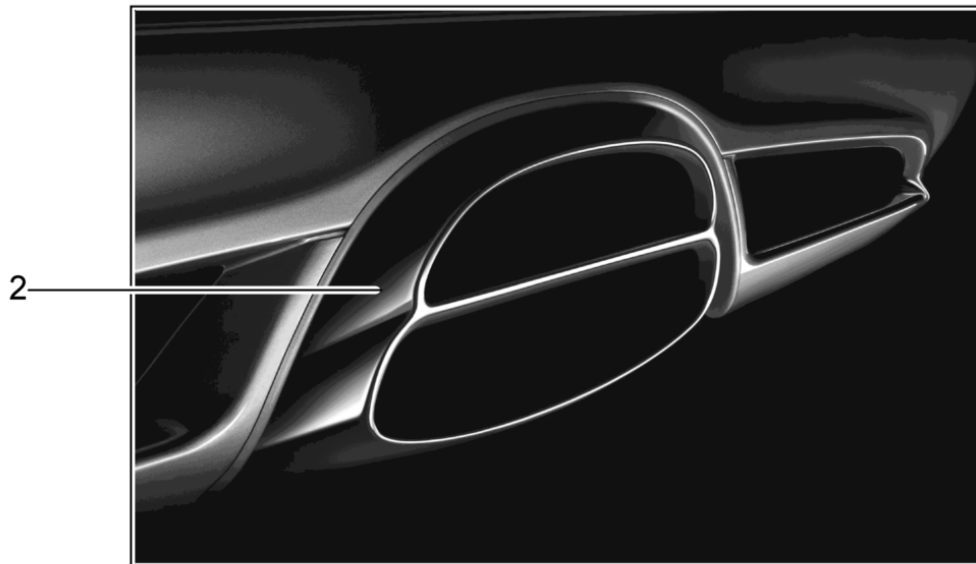
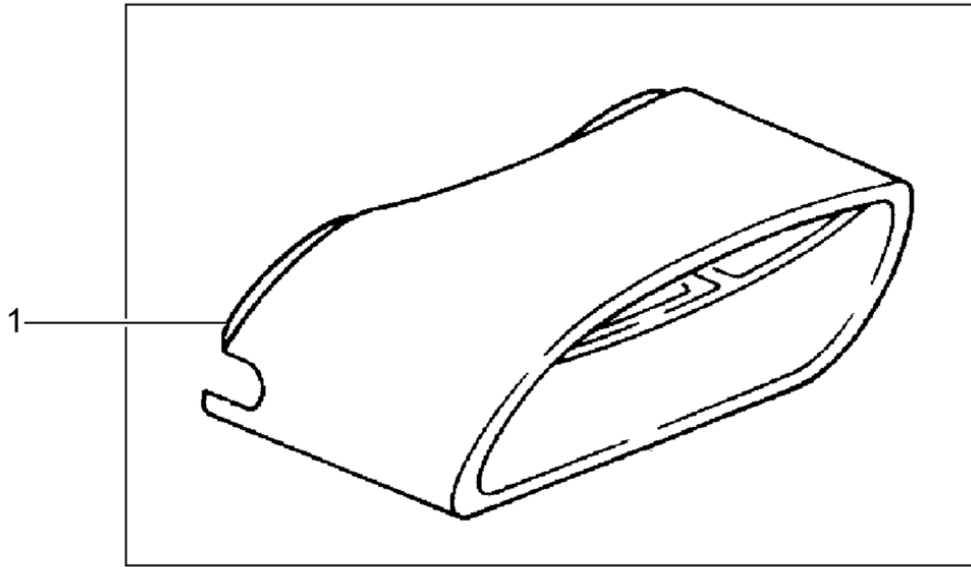
Model: TEQ

Model life 1985>>2012

| Pos | Part Number | Description | Remark | Qty | Model |
|-----|----------------|---|--------|-----|-----------------------|
| - | | Sports tailpipe D - MJ 1995>> - MJ 1998 Technical information 911 turbo Group 2 2635 (1/98) Attention | | | 911 (993) alle |
| 1 | 993 111 981 01 | Tailpipe | left | 1 | |
| 1 | 993 111 981 04 | Tailpipe High-Gloss Black | left | 1 | |
| 2 | 993 111 982 01 | Tailpipe | right | 1 | |
| 2 | 993 111 982 04 | Tailpipe High-Gloss Black | right | 1 | |
| 3 | 993 111 981 03 | Tailpipe Twin-pipe system | left | 1 | |
| 4 | 993 111 982 03 | Tailpipe Twin-pipe system | right | 1 | |
| - | 000 044 200 13 | Clamp | | 2 | |

Model: TEQ

Model life 1985>>2012



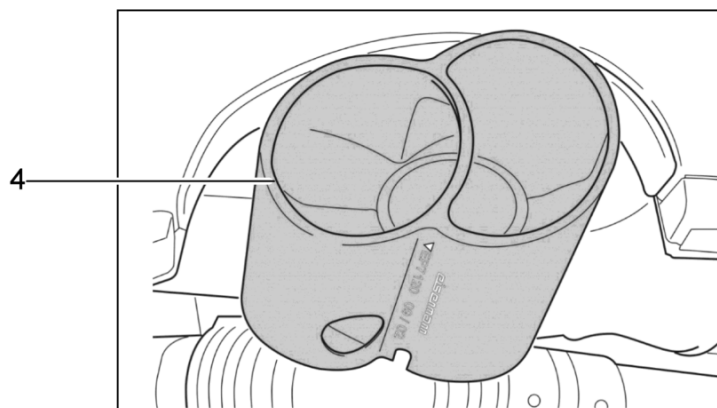
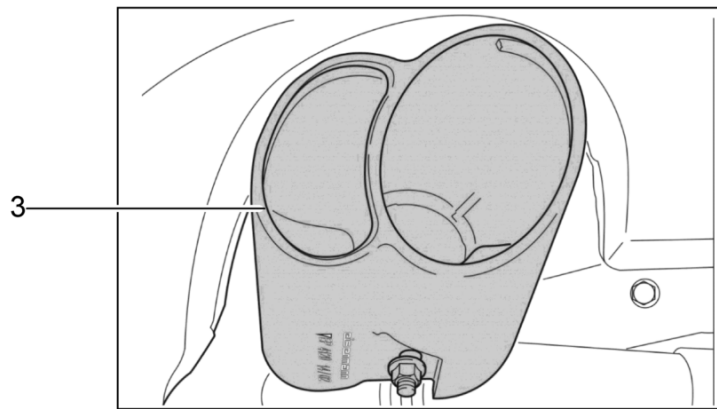
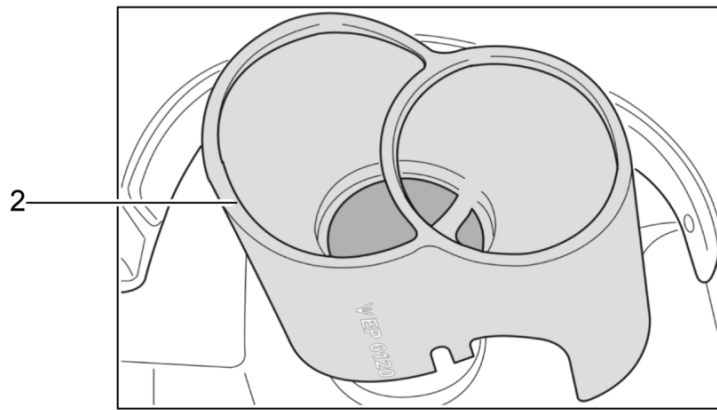
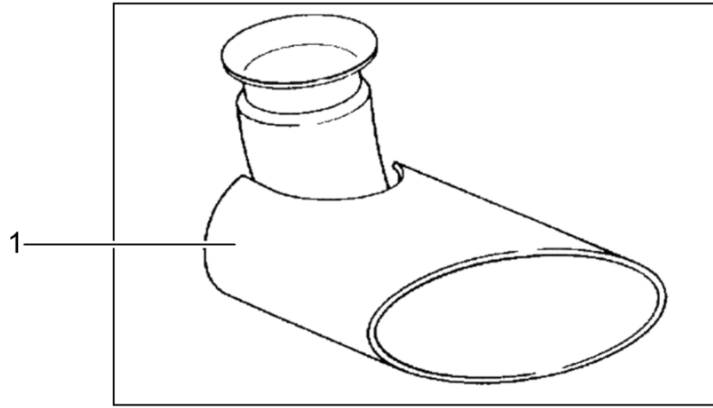
Model: TEQ

Model life 1985>>2012

| Pos | Part Number | Description | Remark | Qty | Model |
|-----|----------------|--|--------|-----|--------------------------|
| - | | Tailpipe Trim D - MJ 1997>> - MJ 2004 Technical information Boxster Group 2 2635 (3/97) Attention | | | Boxster(986) alle |
| 1 | 986 111 980 00 | Trim for exhaust tail pipe D - MJ 1997>> - MJ 2002 | | 1 | Boxster |
| 2 | 986 111 980 01 | Trim for exhaust tail pipe Trim D - MJ 2003>> - MJ 2004 | | 1 | Boxster/S |

Model: TEQ

Model life 1985>>2012



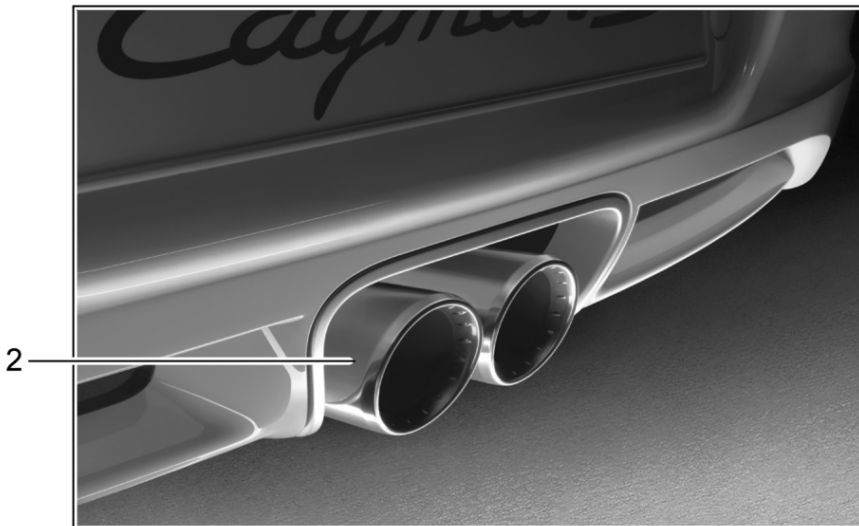
Model: TEQ

Model life 1985>>2012

| Pos | Part Number | Description | Remark | Qty | Model |
|-----|----------------|---|--------|-----|--------------------------|
| - | | Tailpipe Technical information 911 (996) Group 2 2634 (2/98) Attention | 98-04 | | 911 (996) C2/C4/Turbo |
| 1 | 996 111 981 00 | Tailpipe D - MJ 1998>> - MJ 2001 | left | 1 | C2/GT3 |
| (1) | 996 111 982 00 | Tailpipe D - MJ 1998>> - MJ 2001 | right | 1 | C2/GT3 |
| - | | Technical information 911 (996) Group 2 2634 (8/01) Attention | | | Turbo/GT2 |
| (2) | 996 111 981 01 | Tailpipe | left | 1 | Turbo/GT2 |
| 2 | 996 111 982 01 | Tailpipe | right | 1 | Turbo/GT2 |
| - | | Technical information 911 (996) Group 2 2634 (3/02) Attention | | | C2/C4/C4S Targa |
| 3 | 996 111 981 02 | Tailpipe D - MJ 2002>> - MJ 2004 | left | 1 | C2/C4/GT3 |
| (3) | 996 111 982 02 | Tailpipe D - MJ 2002>> - MJ 2004 | right | 1 | C2/C4/GT3 |
| 4 | 996 111 981 03 | Tailpipe D - MJ 2002>> - MJ 2004 | left | 1 | C4S |
| (4) | 996 111 982 03 | Tailpipe D - MJ 2002>> - MJ 2004 | right | 1 | C4S |

Model: TEQ

Model life 1985>>2012



Model: TEQ

Model life 1985>>2012

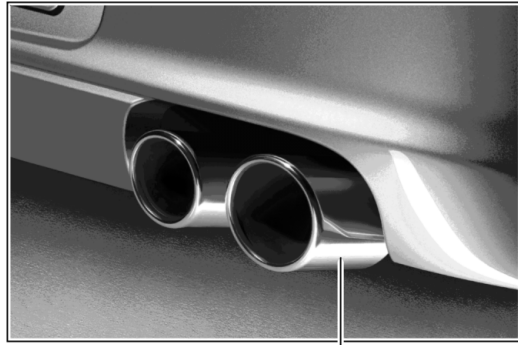
| Pos | Part Number | Description | Remark | Qty | Model |
|-----|----------------|---|-------------------------|-----|---|
| 1 | 987 111 254 01 | Sports tailpipe stainless steel Tailpipe Sport | 2005- 2006- 05-08 | 1 | Boxster(987) Cayman (987) Boxster / S |
| 2 | 987 111 981 00 | Tailpipe Sport | 05-08 06-08 | 1 | Boxster / S Cayman / S |
| 3 | 987 111 981 30 | Tailpipe Sport | 2009- | 1 | Boxster / S Cayman / S |

Model: TEQ

Model life 1985>>2012



1



2



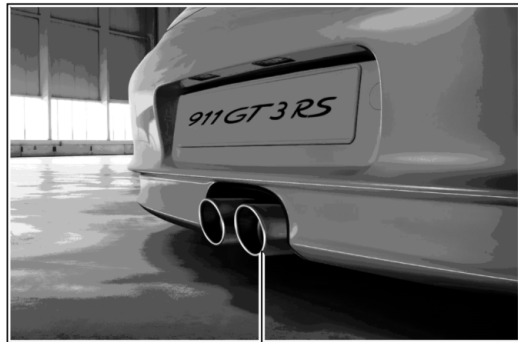
3



4



5



6

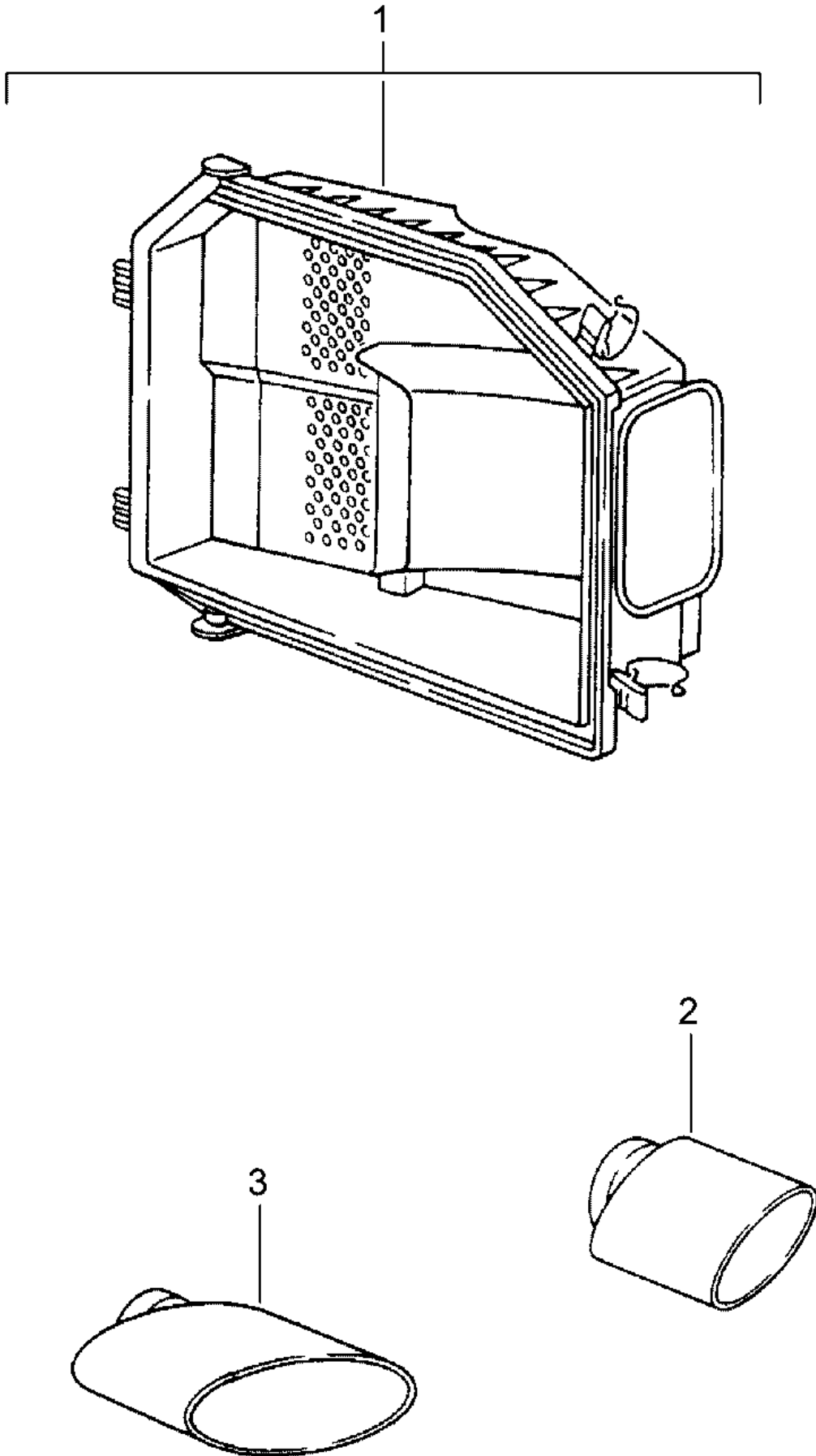
Model: TEQ

Model life 1985>>2012

| Pos | Part Number | Description | Remark | Qty | Model |
|-----|----------------|--|---------------------|-----|--------------------------------------|
| 1 | 997 111 981 11 | Sports tailpipe stainless steel Tailpipe Sport D - MJ 2005>> - MJ 2008 | 05- 06- right | 1 | 911 (997) C2 / C4 PR:-XLF |
| (1) | 997 111 982 11 | Tailpipe Sport D - MJ 2005>> - MJ 2008 | left | 1 | C2 / C4 PR:-XLF |
| 2 | 997 111 981 03 | Tailpipe Sport D - MJ 2005>> - MJ 2008 | right | 1 | C2S / C4S PR:-XLF,-X51 |
| (2) | 997 111 982 03 | Tailpipe Sport D - MJ 2005>> - MJ 2008 | left | 1 | C2S / C4S PR:-XLF,-X51 |
| 3 | 997 111 981 21 | Tailpipe Sport D - MJ 2005>> - MJ 2008 | right | 1 | C2S / C4S PR:XLF |
| (3) | 997 111 982 21 | Tailpipe Sport D - MJ 2005>> - MJ 2008 | left | 1 | C2S / C4S PR:XLF |
| 4 | 997 044 200 08 | Tailpipe GTS Set D - MJ 2009>> | | 1 | C2 / C4 C2S / C4S PR:XLF,X51 |
| 5 | 997 044 200 10 | Tailpipe Sport Set D - MJ 2009>> | | 1 | C2 / C4 C2S / C4S PR:-XLF,-X51 |
| 6 | 997 044 250 00 | Discontinued part Exhaust tail pipe Titanium | 07-08 10- | 1 | GT3 / GT3 RS GT3 |

Model: TEQ

Model life 1985>>2012



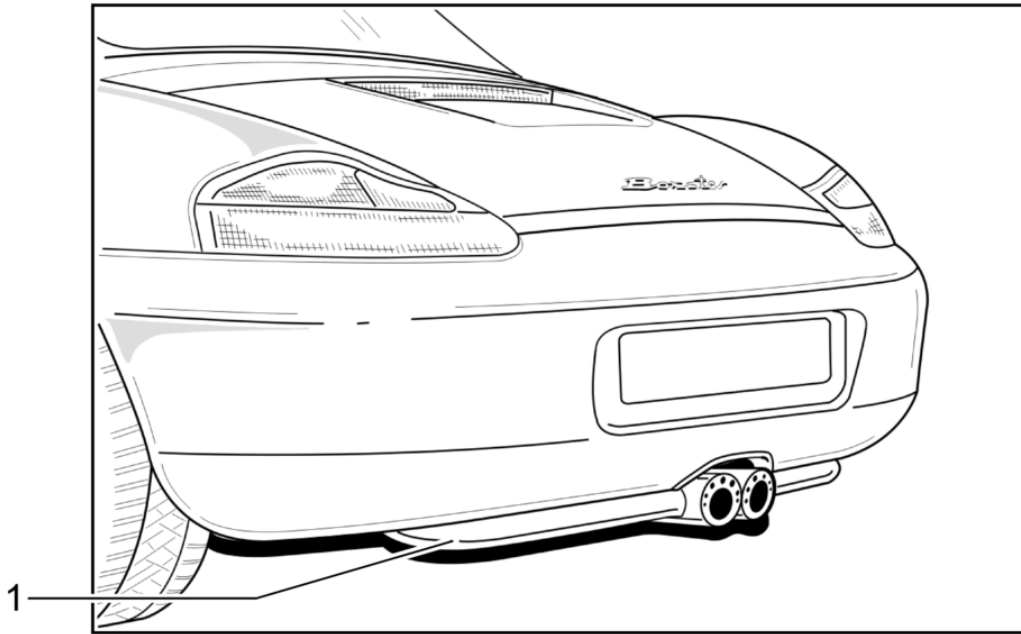
Model: TEQ

Model life 1985>>2012

| Pos | Part Number | Description | Remark | Qty | Model |
|-----|----------------|--|--------|-----|--------------------|
| | | Exh.optic sound package | | | 911 (993) C2/C4 |
| 1 | 000 044 200 00 | D - MJ 1994>> - MJ 1996 Exh.optic sound package | | 1 | |
| - | | comprising: | | | |
| 2 | 993 111 982 00 | Tailpipe | right | 1 | |
| 3 | 993 111 981 00 | Tailpipe | left | 1 | |
| - | 993 110 030 56 | Cover | | 1 | |

Model: TEQ

Model life 1985>>2012

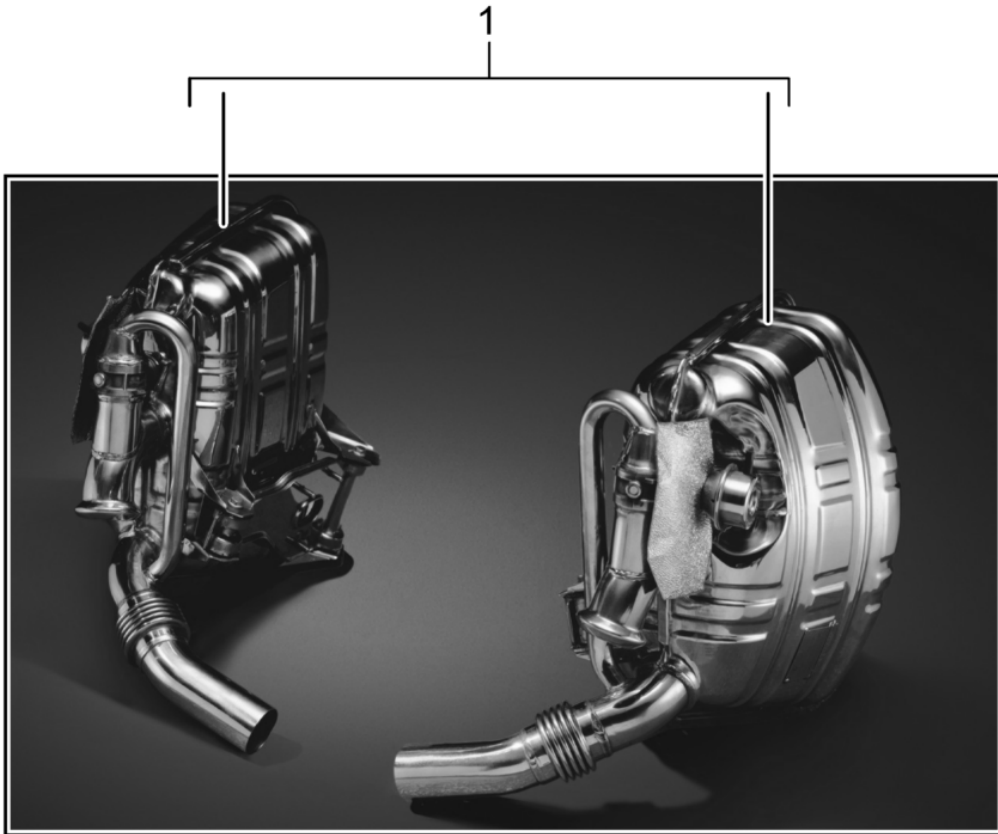


Model: TEQ Model life 1985>>2012

| Pos | Part Number | Description | Remark | Qty | Model |
|-----|----------------|--|----------|-----|---|
| - | | exhaust system Sport version D - MJ 1997>> - MJ 2005 See technical information Boxster Group 2 2601 (2/00) | | | Boxster(986) |
| 1 | 000 044 200 09 | exhaust system Sport version Set D - MJ 1997>> - MJ 1998 | 2,5 L | 1 | 9620 -"PAP", -"J..", -"AUS" |
| (1) | 000 044 200 10 | comprising: exhaust system Sport version Set D - MJ 1997>> - MJ 1998 | 2,5/2,7L | 1 | ..200.10/.11 9620,9622 -"PAP", -"J..", -"AUS" |
| - | 000 044 200 11 | Installation kit D - MJ 1997>> - MJ 1998 | | 1 | 9620 |
| (1) | 000 044 200 12 | exhaust system Sport version Set D - MJ 1999>> - MJ 2002 | 2,7/3,2L | 1 | 9622,9621 -"PAP", -"J..", -"AUS" |
| - | | Only for replacement Order | | | |
| - | 996 111 987 01 | Silencer | | 1 | |
| - | 996 111 987 00 | Silencer D >> - MJ 2002 | | 1 | |
| - | 986 612 980 04 | Wire set | | 1 | |
| - | 996 618 980 02 | Control unit Relay | | 1 | |
| - | 000 044 200 14 | Protective hose 180 mm | | 2 | |
| - | 999 512 361 02 | Hose clamp | | 4 | |
| - | 000 044 200 16 | Vacuum unit See technical information | | 1 | |
| (1) | 000 044 200 20 | Boxster Group 2 2601 (5/04) exhaust system Sport version D - MJ 2003>> - MJ 2005 | | 1 | alle |

Model: TEQ

Model life 1985>>2012



Model: TEQ Model life 1985>>2012

| Pos | Part Number | Description | Remark | Qty | Model |
|-----|--------------------|---|-----------------|-----|--|
| - | | exhaust system Sport version D - MJ 1998>> - MJ 2005 See technical information Carrera 2601 (6/02) | | | 911 (996) |
| 1 | 000 044 200 19 | exhaust system Sport version Set | 3,4 L 3,6 L | 1 | 9601,9602, 9604,9603 -"J..", -"AUS" |
| (1) | 000 044 200 21 | Discontinued part exhaust system Sport version Set | 3,4 L 3,6 L | 1 | 9601,9602, 9604,9603 -"J..", -"AUS" |
| - | | without: Bracket | | | |
| - | | also use: | | | |
| - | 996 613 987 10 | Tip switch | lhd | 1 | Coupe/Targa PR:098 |
| - | 996 613 987 10 A05 | Matt black | rhd | | Cabrio PR:099 |
| - | 996 613 988 10 | Tip switch | rhd | 1 | Coupe/Targa PR:099 |
| - | 996 613 988 10 A05 | Matt black | lhd | | Cabrio PR:098 |
| - | | use if required: see illustration: | | | |
| - | 996 111 227 02 | Bracket | 202-000 left | 1 | 9601,9602, 9604 |
| - | 996 111 228 02 | Bracket | right | 1 | 9601,9602, 9604 |
| - | 996 111 237 02 | Bracket | left | 1 | 9603 |
| - | 996 111 238 02 | Bracket | right | 1 | 9603 |
| - | | Only for replacement Order | | | |
| - | 996 612 980 03 | Wire set | | 1 | |
| - | 996 612 980 01 | Wire set | | 1 | |
| - | 996 618 980 03 | Relay | | 1 | |
| - | 996 605 123 01 | Change-over valve | | 1 | |
| - | 7PP 906 270 | Change-over valve | | 1 | |
| - | 993 110 140 03 | vacuum reservoir | | 1 | |
| - | 964 110 950 01 | Non-return valve Discontinued part | | 1 | |
| - | 964 110 950 02 | Non-return valve | | 1 | |
| - | 928 573 727 03 | Distributor Discontinued part | | 2 | |
| - | 928 573 727 05 | Distributor | | 2 | |
| - | 996 110 685 52 | Rubber sleeve D 96,5 mm | | 1 | |
| - | 928 574 717 03 | Molded hose | | 4 | |
| - | 999 512 361 02 | Hose clamp | | 4 | |
| - | 111 971 911 A | Grommet D 25 x 22 mm | | 2 | |
| - | 917 355 021 00 | Hose 380 MM | | 2 | |
| - | 996 111 984 04 | Silencer D - MJ 2002>> - MJ 2004 | left | 1 | C2/C4 |
| - | 996 111 985 04 | Silencer D - MJ 2002>> - MJ 2004 | right | 1 | C2/C4 |
| - | 996 111 984 05 | Silencer | left | 1 | C4S |
| - | | with: Distance piece D - MJ 2002>> | | | |
| - | 996 111 985 05 | Silencer | right | 1 | C4S |

Model: TEQ

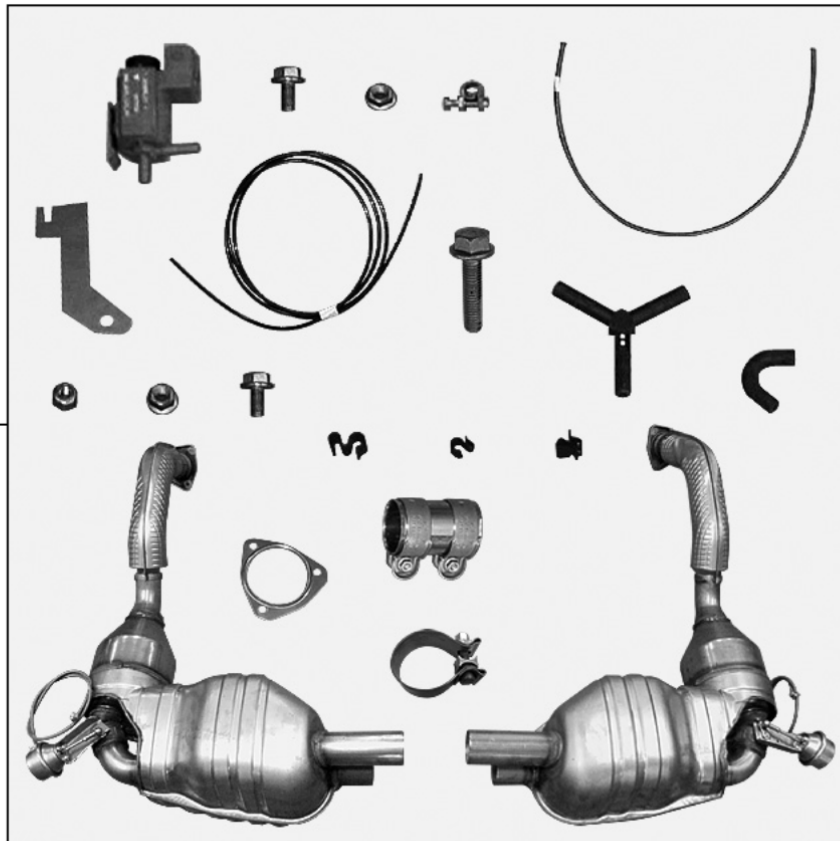
Model life 1985>>2012

| Pos | Part Number | Description | Remark | Qty | Model |
|-----|----------------|---|--------|-----|-------|
| - | 000 044 200 18 | Distance piece D - MJ 2002>> Vacuum unit for 996.111.984.00/.985.00 | with: | 1 | |
| - | 000 044 200 16 | Vacuum unit for 996.111.984.01/.985.01 | | 1 | |

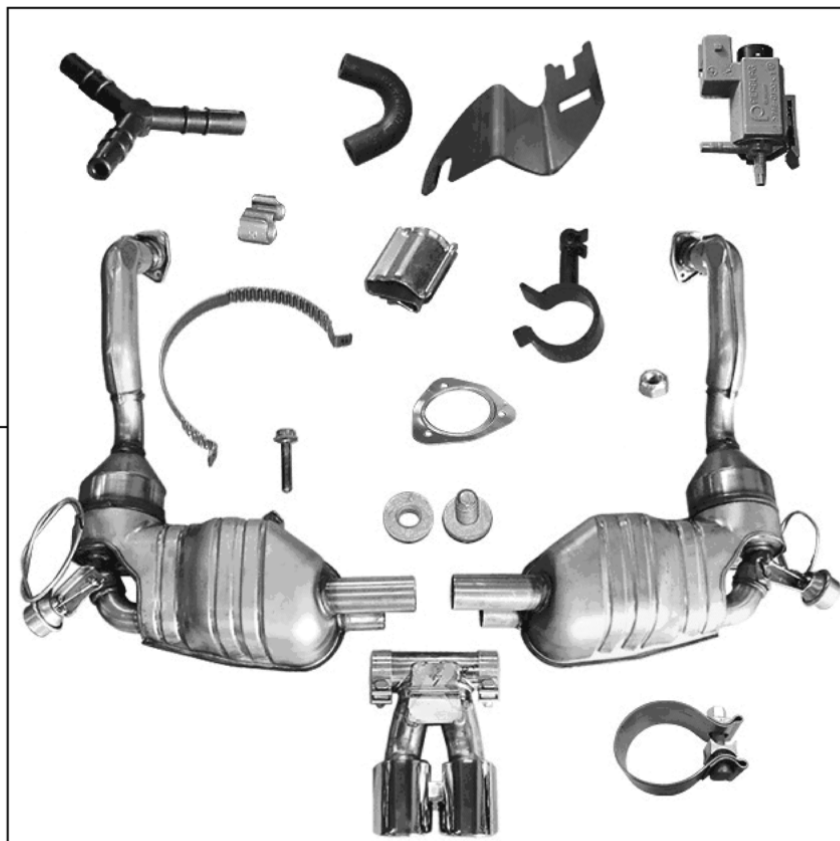
Model: TEQ

Model life 1985>>2012

1



2

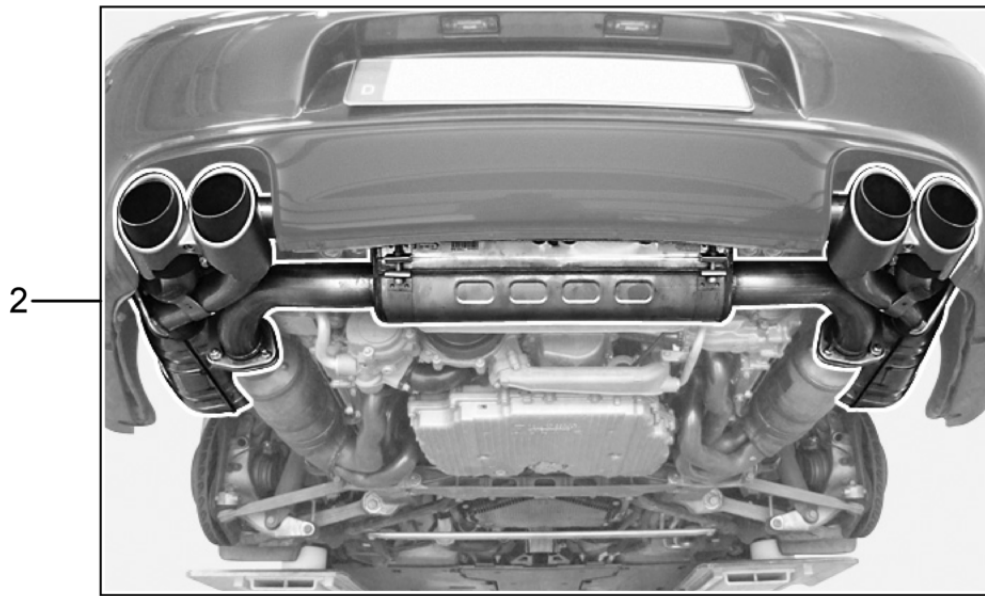
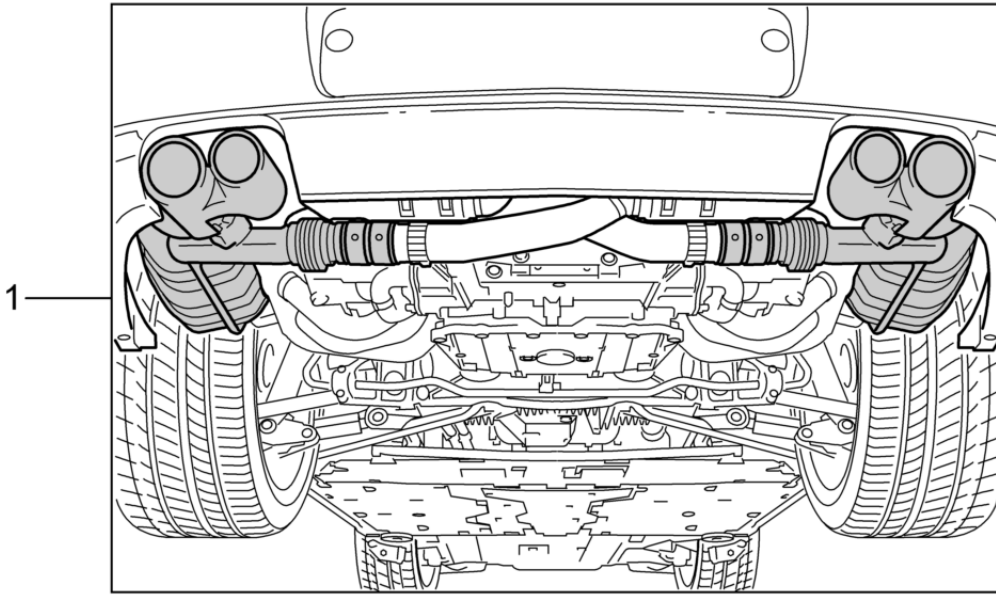


Model: TEQ Model life 1985>>2012

| Pos | Part Number | Description | Remark | Qty | Model |
|-----|----------------|---|----------------|-----|---|
| - | | exhaust system Sport version D - MJ 2007>> Inst. & Conv. Instructions BOXSTER; CAYMAN Group 2 2601 (4/07; 5/06) | | | Boxster (987) Cayman (987) |
| 1 | 987 044 200 00 | exhaust system Sport version Set | 2,7/3,4L | 1 | 9720,9721 -"PAP", -"ROK", -"CN." |
| - | | D - MJ 2007>> - MJ 2008 Inst. & Conv. Instructions BOXSTER; CAYMAN Group 2 2601 (12/09; 28/09) | | | alle |
| 2 | 987 044 200 02 | exhaust system Sport version Set | 2,9 L 3,4 L | 1 | A120,A121+ PR:XLS -"BR." |
| (2) | 987 044 200 03 | with: Tailpipe D - MJ 2009>> exhaust system Sport version Set | | 1 | A120,A121 -"BR." |
| - | | without: Tailpipe D - MJ 2009>> | | | |
| - | 987 612 905 02 | also use: Wire set D - MJ 2009>> | | 1 | A120 |
| - | 987 612 905 25 | Wire set D - MJ 2009>> | | 1 | S A121 |
| - | | Combined switch exhaust system Sport version see illustration: D - MJ 2009>> | 903-005 | 1 | |

Model: TEQ

Model life 1985>>2012

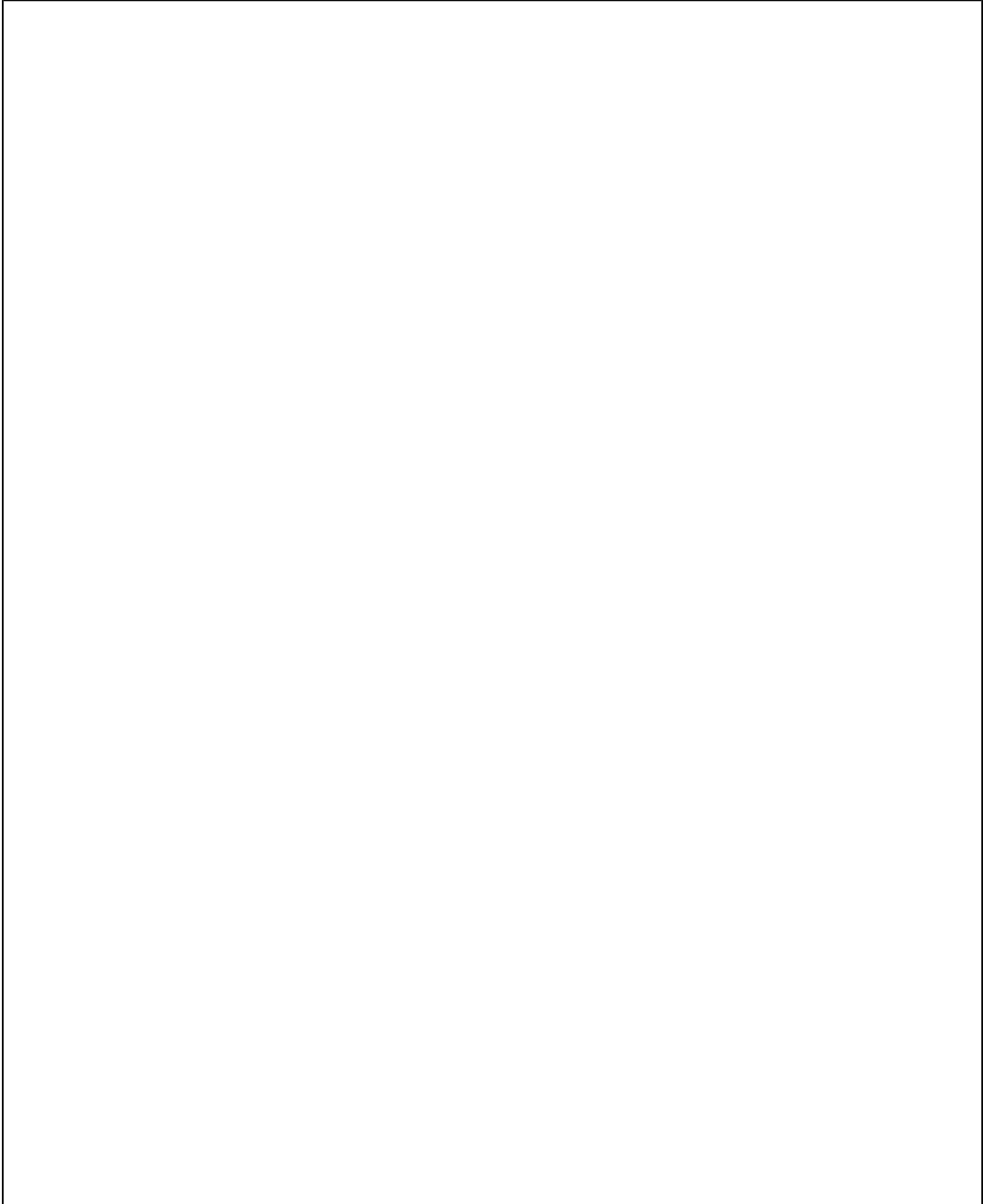


Model: TEQ Model life 1985>>2012

| Pos | Part Number | Description | Remark | Qty | Model |
|-----|--------------------|---|----------------|-----|--|
| - | | exhaust system Sport version D - MJ 2005>> Inst. & Conv. Instructions 911 carrera Group 2 2601 (5/05) | | | 911 (997) |
| 1 | 997 044 201 03 | exhaust system Sport version Set D - MJ 2005>> - MJ 2008 use if required: | 3,6 L 3,8 L | 1 | 9605,9701+ PR:-X51 |
| - | 997 613 129 00 | Combined switch D - MJ 2005>> - MJ 2008 | | 1 | PR:-475 |
| - | 997 613 129 00 FMH | Volcano Grey/Black Mat | | | |
| - | 997 613 131 00 | Combined switch D - MJ 2005>> - MJ 2008 | | 1 | PR:475 |
| - | 997 613 131 00 FMH | Volcano Grey/Black Mat Inst. & Conv. Instructions 911 carrera Group 2 2601 (2/09) | | | |
| (2) | 997 044 200 06 | exhaust system Sport version Set D - MJ 2009>> also use: | | 1 | PR:-X51 "USA", "J..", "PAP", "CN.", "ROK" |
| - | | Combined switch | | | PR:176 |
| - | | exhaust system Sport version see illustration: 997-2 903-05 D - MJ 2009>> | | | |

Model: TEQ

Model life 1985>>2012



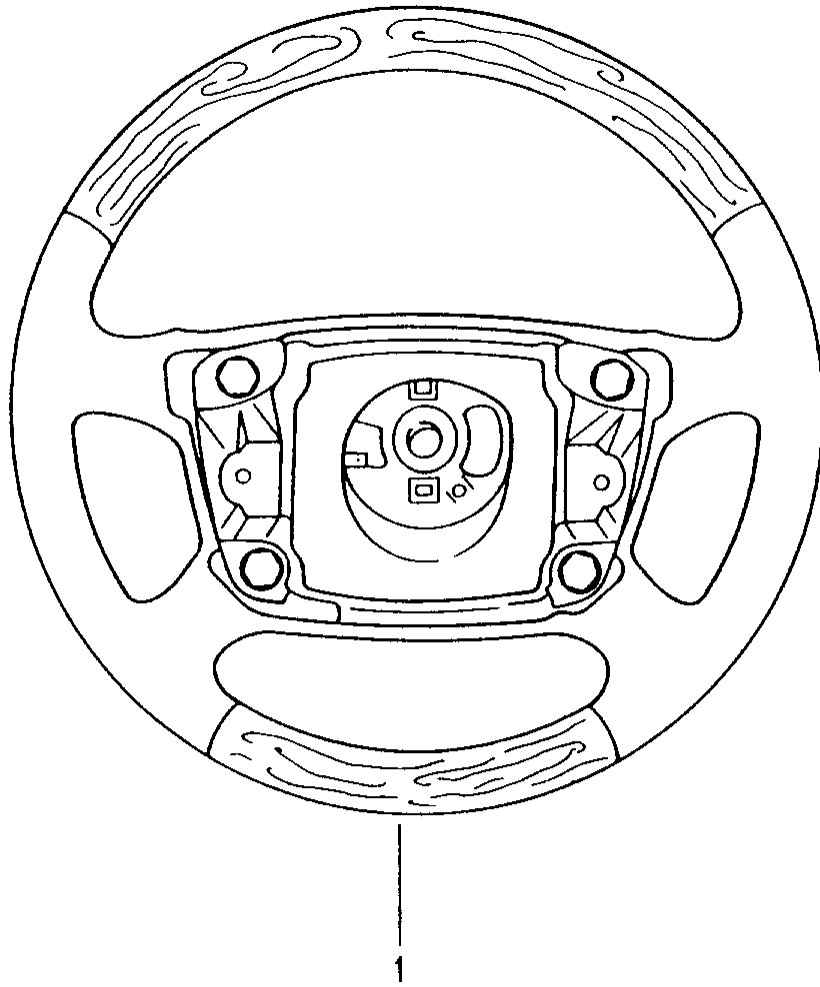
Model: TEQ

Model life 1985>>2012

| Pos | Part Number | Description | Remark | Qty | Model |
|-----|--------------------|---|--------|-----|----------------|
| - | 993 347 981 01 | Airbag steering wheel Leather Four-spoke steering wheel | 94-04 | 1 | 911 BOXSTER |
| | 993 347 981 01 M30 | Boxster red | | | |
| | 993 347 981 01 J30 | Nephrite green | | | |
| | 993 347 981 01 4YU | Cashmere beige | | | |
| - | 993 347 981 02 | Four-spoke steering wheel Airbag steering wheel Leather | | 1 | TIPTRONIC |
| | 993 347 981 02 M30 | Boxster red | | | |
| | 993 347 981 02 J30 | Nephrite green | | | |
| | 993 347 981 02 4YU | Cashmere beige | | | |
| - | 996 347 983 00 | steering wheel (leather) with airbag 3-spoke steering wheel | 94-98 | 1 | |
| | 996 347 983 00 6XL | Classic grey | | | 911 |
| | 996 347 983 00 8YR | Black | | | |
| | 996 347 983 00 M30 | Boxster red | | | |
| - | 996 347 983 01 | steering wheel (leather) with airbag 3-spoke steering wheel | 94-98 | 1 | TIPTRONIC |
| | 996 347 983 01 6XL | Classic grey | | | 911 |
| | 996 347 983 01 8YR | Black | | | |
| | 996 347 983 01 M30 | Boxster red | | | |

Model: TEQ

Model life 1985>>2012



Model: TEQ Model life 1985>>2012

| Pos | Part Number | Description | Remark | Qty | Model |
|-----|--------------------|-------------------------------|--------|-----|--------------|
| | | Airbag steering wheel | 89-98 | | 911, CARRERA |
| | | Rootwood | 90-95 | | 928 |
| | | Carbon | | | |
| (1) | 000 044 400 06 | Airbag steering wheel | | 1 | 911 |
| | | Rootwood | | | |
| | | Light | | | |
| | | D - MJ 1989>> - MJ 1994 | | | |
| | 000 044 400 06 9WW | cobalt blue | | | |
| | 000 044 400 06 6XL | Classic grey | | | |
| | 000 044 400 06 4XW | Magenta | | | |
| | 000 044 400 06 3LZ | mahagoni | | | |
| | 000 044 400 06 2JZ | marine blue | | | |
| | 000 044 400 06 E38 | Rubicon grey | | | |
| | 000 044 400 06 8YR | Black | | | |
| | 000 044 400 06 7LD | wine red | | | |
| (1) | 000 044 400 07 | Airbag steering wheel | | 1 | 911 |
| | | Rootwood | | | |
| | | Dark | | | |
| | | D - MJ 1989>> - MJ 1994 | | | |
| | 000 044 400 07 9WW | cobalt blue | | | |
| | 000 044 400 07 6XL | Classic grey | | | |
| | 000 044 400 07 4XW | Magenta | | | |
| | 000 044 400 07 3LZ | mahagoni | | | |
| | 000 044 400 07 2JZ | marine blue | | | |
| | 000 044 400 07 E38 | Rubicon grey | | | |
| | 000 044 400 07 8YR | Black | | | |
| | 000 044 400 07 7LD | wine red | | | |
| 1 | 993 347 980 04 | steering wheel (leather) | | 1 | CARRERA |
| | | with: | | | |
| | | Airbag unit | | | |
| | | Rootwood | | | |
| | | Light | | | |
| | | D - MJ 1994>> - MJ 1998 | | | |
| | 993 347 980 04 T15 | chestnut brown | | | |
| | 993 347 980 04 6XL | Classic grey | | | |
| | 993 347 980 04 H24 | Midnight blue | | | |
| | 993 347 980 04 8YR | Black | | | |
| 1 | 993 347 981 03 | steering wheel (leather) with | | 1 | CARRERA |
| | | airbag | | | |
| | | Rootwood | | | |
| | | Light | | | |
| | 993 347 981 03 T15 | chestnut brown | | | |
| | 993 347 981 03 6XL | Classic grey | | | |
| | 993 347 981 03 H24 | Midnight blue | | | |
| | 993 347 981 03 8YR | Black | | | |
| (1) | 000 044 400 01 | steering wheel | | 1 | CARRERA |
| | | D - MJ 1994>> - MJ 1996 | | | |
| | 000 044 400 01 T15 | chestnut brown | | | |
| | 000 044 400 01 6XL | Classic grey | | | |
| | 000 044 400 01 H24 | Midnight blue | | | |
| | 000 044 400 01 8YR | Black | | | |
| (1) | 000 044 400 13 | steering wheel | | 1 | CARRERA |
| | | D - MJ 1996>> - MJ 1998 | | | |
| | | Discontinued part | | | |
| | 000 044 400 13 T15 | chestnut brown | | | |
| | 000 044 400 13 6XL | Classic grey | | | |
| | 000 044 400 13 H24 | Midnight blue | | | |
| | 000 044 400 13 8YR | Black | | | |
| (1) | 993 347 981 05 | steering wheel (leather) with | | 1 | CARRERA |
| | | airbag | | | |
| | | Rootwood | | | |
| | | Dark | | | |
| | 993 347 981 05 T15 | chestnut brown | | | |

Model: TEQ Model life 1985>>2012

| Pos | Part Number | Description | Remark | Qty | Model |
|-----|--------------------|-------------------------------|--------|-----|---------|
| (1) | 993 347 981 05 6XL | Classic grey | | 1 | CARRERA |
| | 993 347 981 05 H24 | Midnight blue | | | |
| | 993 347 981 05 8YR | Black | | | |
| | 000 044 400 02 | steering wheel | | | |
| | | D - MJ 1994>> - MJ 1996 | | | |
| (1) | 000 044 400 02 T15 | chestnut brown | | 1 | CARRERA |
| | 000 044 400 02 6XL | Classic grey | | | |
| | 000 044 400 02 H24 | Midnight blue | | | |
| | 000 044 400 02 8YR | Black | | | |
| | 000 044 400 14 | steering wheel (leather) | | | |
| (1) | | D - MJ 1996>> - MJ 1998 | | 1 | CARRERA |
| | | Discontinued part | | | |
| | 000 044 400 14 T15 | chestnut brown | | | |
| | 000 044 400 14 6XL | Classic grey | | | |
| | 000 044 400 14 H24 | Midnight blue | | | |
| (1) | 000 044 400 14 8YR | Black | | 1 | CARRERA |
| | 993 347 981 04 | steering wheel (leather) with | | | |
| | | airbag | | | |
| | | Rootwood | | | |
| | | Light | | | |
| (1) | | | | 1 | CARRERA |
| | | | | | |
| | | | | | |
| | | | | | |
| | | | | | |
| (1) | 993 347 981 04 T15 | chestnut brown | | 1 | CARRERA |
| | 993 347 981 04 6XL | Classic grey | | | |
| | 993 347 981 04 H24 | Midnight blue | | | |
| | 993 347 981 04 8YR | Black | | | |
| | 000 044 400 03 | steering wheel | | | |
| (1) | | D - MJ 1994>> - MJ 1996 | | 1 | CARRERA |
| | 000 044 400 03 T15 | chestnut brown | | | |
| | 000 044 400 03 6XL | Classic grey | | | |
| | 000 044 400 03 H24 | Midnight blue | | | |
| | 000 044 400 03 8YR | Black | | | |
| (1) | 000 044 400 15 | steering wheel | | 1 | CARRERA |
| | | D - MJ 1996>> - MJ 1998 | | | |
| | | Discontinued part | | | |
| | 000 044 400 15 T15 | chestnut brown | | | |
| | 000 044 400 15 6XL | Classic grey | | | |
| (1) | 000 044 400 15 H24 | Midnight blue | | 1 | CARRERA |
| | 000 044 400 15 8YR | Black | | | |
| | 993 347 981 06 | steering wheel (leather) with | | | |
| | | airbag | | | |
| | | Rootwood | | | |
| (1) | | Dark | | 1 | CARRERA |
| | | | | | |
| | | | | | |
| | | | | | |
| | | | | | |
| (1) | 993 347 981 06 T15 | chestnut brown | | 1 | CARRERA |
| | 993 347 981 06 6XL | Classic grey | | | |
| | 993 347 981 06 H24 | Midnight blue | | | |
| | 993 347 981 06 8YR | Black | | | |
| | 000 044 400 04 | steering wheel | | | |
| (1) | | D - MJ 1994>> - MJ 1996 | | 1 | CARRERA |
| | 000 044 400 04 T15 | chestnut brown | | | |
| | 000 044 400 04 6XL | Classic grey | | | |
| | 000 044 400 04 H24 | Midnight blue | | | |
| | 000 044 400 04 8YR | Black | | | |
| (1) | 000 044 400 16 | steering wheel | | 1 | CARRERA |
| | | Carbon | | | |
| | | D - MJ 1996>> - MJ 1998 | | | |
| | | Discontinued part | | | |
| | 000 044 400 16 T15 | chestnut brown | | | |
| (1) | 000 044 400 16 6XL | Classic grey | | 1 | CARRERA |
| | 000 044 400 16 H24 | Midnight blue | | | |
| | 000 044 400 16 8YR | Black | | | |
| | 993 347 981 07 | Four-spoke steering wheel | | | |
| | | Four-spoke steering wheel | | | |

Model: TEQ Model life 1985>>2012

| Pos | Part Number | Description | Remark | Qty | Model |
|-----|--------------------|---------------------------|--------|-----|---------|
| | | Carbon | | | |
| | | D - MJ 1996>> - MJ 1998 | | | |
| | 993 347 981 07 T15 | chestnut brown | | | |
| | 993 347 981 07 6XL | Classic grey | | | |
| | 993 347 981 07 H24 | Midnight blue | | | |
| | 993 347 981 07 8YR | Black | | | |
| (1) | 000 044 400 05 | steering wheel | | 1 | CARRERA |
| | | Carbon | | | |
| | | D - MJ 1994>> - MJ 1996 | | | |
| | 000 044 400 05 T15 | chestnut brown | | | PR:432 |
| | 000 044 400 05 6XL | Classic grey | | | |
| | 000 044 400 05 H24 | Midnight blue | | | |
| | 000 044 400 05 8YR | Black | | | |
| (1) | 000 044 400 17 | steering wheel | | 1 | CARRERA |
| | | Carbon | | | |
| | | D - MJ 1996>> - MJ 1998 | | | |
| | | Discontinued part | | | PR:432 |
| | 000 044 400 17 T15 | chestnut brown | | | |
| | 000 044 400 17 6XL | Classic grey | | | |
| | 000 044 400 17 H24 | Midnight blue | | | |
| | 000 044 400 17 8YR | Black | | | |
| (1) | 993 347 981 08 | Four-spoke steering wheel | | 1 | CARRERA |
| | | Four-spoke steering wheel | | | |
| | | Carbon | | | |
| | | D - MJ 1996>> - MJ 1998 | | | |
| | 993 347 981 08 T15 | chestnut brown | | | PR:432 |
| | 993 347 981 08 6XL | Classic grey | | | |
| | 993 347 981 08 H24 | Midnight blue | | | |
| | 993 347 981 08 8YR | Black | | | |
| (1) | 000 044 400 08 | Airbag steering wheel | | 1 | 928 |
| | | Rootwood | | | |
| | | Light | | | |
| | | D - MJ 1990>> - MJ 1995 | | | |
| | 000 044 400 08 9WW | cobalt blue | | | |
| | 000 044 400 08 T15 | chestnut brown | | | |
| | 000 044 400 08 6XL | Classic grey | | | |
| | 000 044 400 08 4XW | Magenta | | | |
| | 000 044 400 08 3LZ | mahagoni | | | |
| | 000 044 400 08 2JZ | marine blue | | | |
| | 000 044 400 08 H24 | Midnight blue | | | |
| | 000 044 400 08 8YR | Black | | | |
| | 000 044 400 08 7LD | wine red | | | |
| (1) | 000 044 400 09 | Airbag steering wheel | | 1 | 928 |
| | | Rootwood | | | |
| | | Dark | | | |
| | | D - MJ 1990>> - MJ 1995 | | | |
| | 000 044 400 09 9WW | cobalt blue | | | |
| | 000 044 400 09 T15 | chestnut brown | | | |
| | 000 044 400 09 6XL | Classic grey | | | |
| | 000 044 400 09 4XW | Magenta | | | |
| | 000 044 400 09 3LZ | mahagoni | | | |
| | 000 044 400 09 2JZ | marine blue | | | |
| | 000 044 400 09 H24 | Midnight blue | | | |
| | 000 044 400 09 8YR | Black | | | |
| | 000 044 400 09 7LD | wine red | | | |
| - | | use if required: | | | |
| - | 996 803 980 02 | Airbag unit | | 1 | 911 |
| | | without: | | | |
| | | inscription | | | |
| | | Leather | | | |

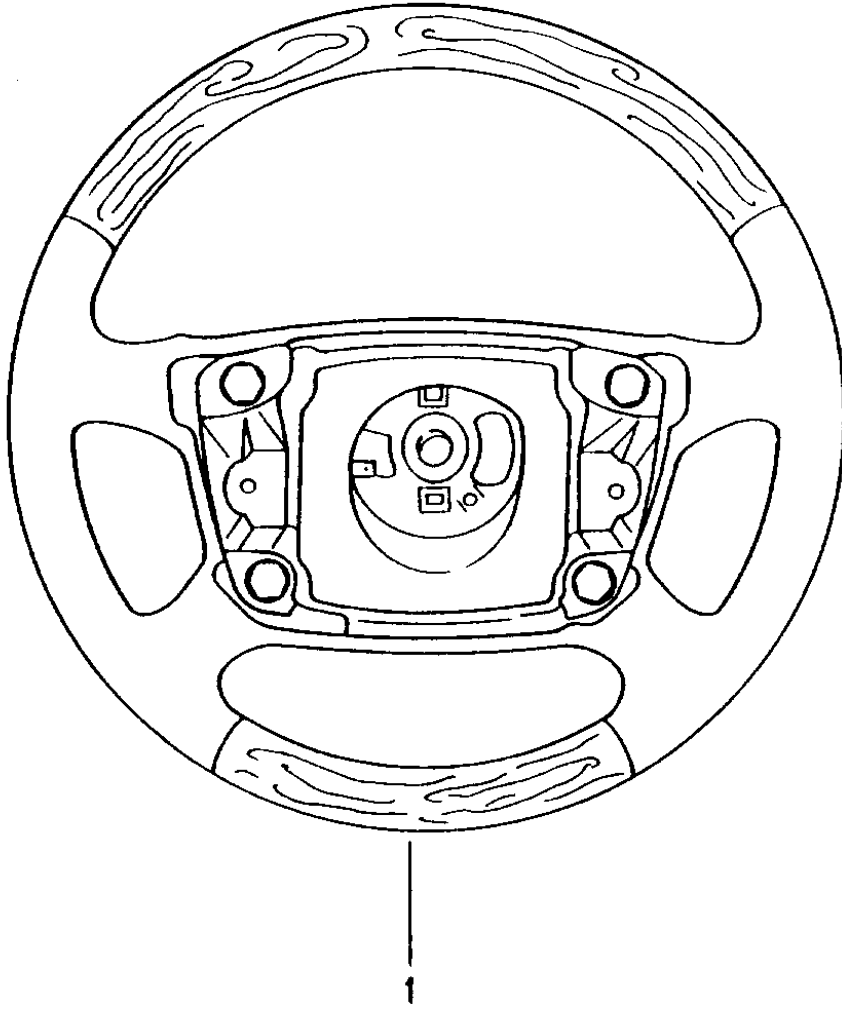
Model: TEQ

Model life 1985>>2012

| Pos | Part Number | Description | Remark | Qty | Model |
|-----|--------------------|---|--------|-----|-------|
| | 996 803 980 02 8YR | D - MJ 1996>> - MJ 1998 Black | | | |
| | 996 803 980 02 E38 | Rubicon grey Other colours available | | | |

Model: TEQ

Model life 1985>>2012



Model: TEQ Model life 1985>>2012

| Pos | Part Number | Description | Remark | Qty | Model |
|-----|--------------------|--|--------|-----|---------|
| - | 993 347 981 07 | Airbag steering wheel Carbon mahagoni D - MJ 1997>> - MJ 2004 Four-spoke steering wheel Carbon Leather | | 1 | BOXSTER |
| | 993 347 981 07 8YR | Black | | | |
| | 993 347 981 07 M30 | Boxster red | | | |
| | 993 347 981 07 S30 | savannah beige | | | |
| | 993 347 981 07 J30 | Nephrite green | | | |
| | 993 347 981 07 C50 | Graphite grey | | | |
| | 993 347 981 07 G10 | Metropole blue | 98-04 | | |
| - | 993 347 981 08 | Four-spoke steering wheel Carbon Leather | | 1 | PR:432 |
| | 993 347 981 08 8YR | Black | | | |
| | 993 347 981 08 M30 | Boxster red | | | |
| | 993 347 981 08 S30 | savannah beige | | | |
| | 993 347 981 08 J30 | Nephrite green | | | |
| | 993 347 981 08 C50 | Graphite grey | | | |
| | 993 347 981 08 G10 | Metropole blue | 98-04 | | |
| - | 986 347 981 00 | steering wheel (leather) with airbag mahagoni | | 1 | |
| | 986 347 981 00 8YR | Black | | | |
| | 986 347 981 00 M30 | Mahogany/Boxster red | | | |
| | 986 347 981 00 S30 | Mahogany/savanna beige | | | |
| | 986 347 981 00 J30 | Mahogany/nephrite green | | | |
| | 986 347 981 00 C50 | Mahogany/graffiti grey | | | |
| | 986 347 981 00 G10 | Mahogany/metropolis blue | | | |
| - | 986 347 981 01 | steering wheel (leather) with airbag mahagoni | | 1 | PR:432 |
| | 986 347 981 01 8YR | Black | | | |
| | 986 347 981 01 M30 | Mahogany/Boxster red | | | |
| | 986 347 981 01 S30 | Mahogany/savanna beige | | | |
| | 986 347 981 01 J30 | Mahogany/nephrite green | | | |
| | 986 347 981 01 C50 | Mahogany/graffiti grey | | | |
| | 986 347 981 01 G10 | Mahogany/metropolis blue | | | |
| - | 986 347 981 02 | Airbag steering wheel mahagoni aluminium Rivet Leather | | 1 | |
| | 986 347 981 02 8YR | Black | | | |
| | 986 347 981 02 M30 | Mahogany/Boxster red | | | |
| | 986 347 981 02 S30 | Mahogany/savanna beige | | | |
| | 986 347 981 02 J30 | Mahogany/nephrite green | | | |
| | 986 347 981 02 C50 | Mahogany/graffiti grey | | | |
| | 986 347 981 02 G10 | Mahogany/metropolis blue | 98-04 | | |
| - | 986 347 981 03 | Airbag steering wheel mahagoni aluminium Rivet Leather | | 1 | PR:432 |
| | 986 347 981 03 8YR | Black | | | |
| | 986 347 981 03 M30 | Mahogany/Boxster red | | | |
| | 986 347 981 03 S30 | Mahogany/savanna beige | | | |
| | 986 347 981 03 J30 | Mahogany/nephrite green | | | |
| | 986 347 981 03 C50 | Mahogany/graffiti grey | | | |
| | 986 347 981 03 G10 | Mahogany/metropolis blue | 98-04 | | |
| - | 996 803 980 02 | Airbag unit | | 1 | |

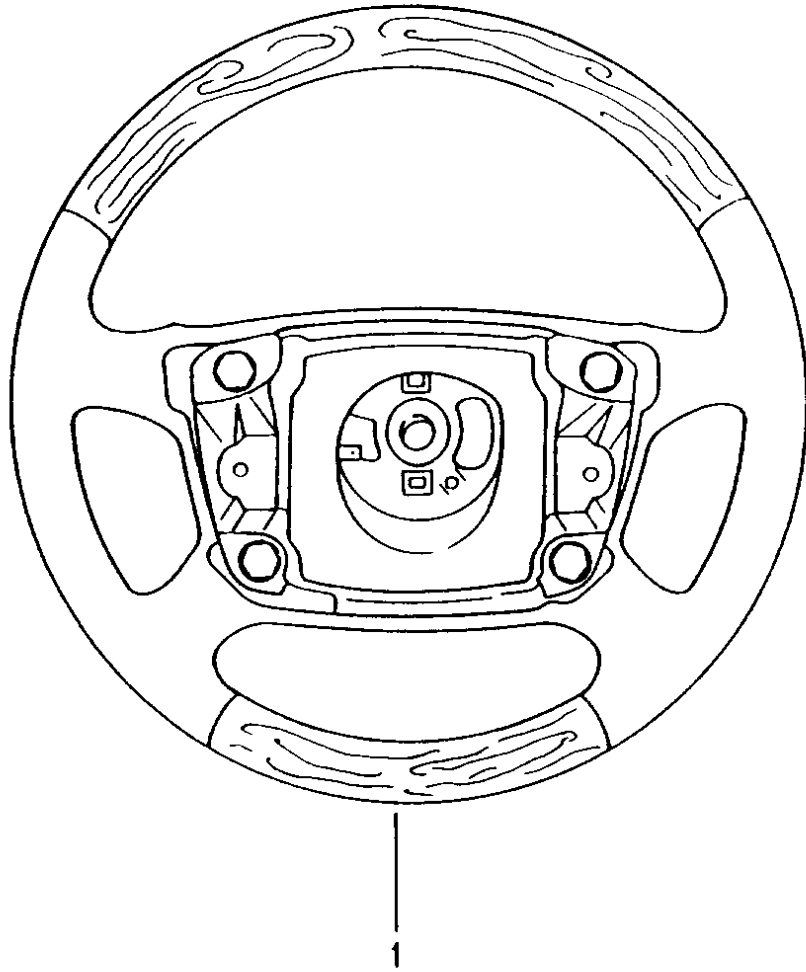
Model: TEQ

Model life 1985>>2012

| Pos | Part Number | Description | Remark | Qty | Model |
|-----|--------------------|--|--------|-----|-------|
| | 996 803 980 02 8YR | without: inscription Leather Black Other colours available | | | |

Model: TEQ

Model life 1985>>2012



Model: TEQ Model life 1985>>2012

| Pos | Part Number | Description | Remark | Qty | Model |
|-----|--------------------|---|-------------------------|-----|--------------------------------|
| - | 993 347 981 07 | Airbag steering wheel Carbon Maple rootwood Four-spoke steering wheel Carbon Leather | 98-04 98-05 98-05 | 1 | 911 C4, TARGA C4S, TURBO |
| | 993 347 981 07 8YR | Black | | | |
| | 993 347 981 07 M30 | Boxster red | | | |
| | 993 347 981 07 S30 | savannah beige | | | |
| | 993 347 981 07 J30 | Nephrite green | | | |
| | 993 347 981 07 C50 | Graphite grey | | | |
| | 993 347 981 07 G10 | Metropole blue | | | |
| | 993 347 981 07 B50 | Space grey | | | |
| - | 993 347 981 08 | Four-spoke steering wheel Carbon Leather | | 1 | PR:432 |
| | 993 347 981 08 8YR | Black | | | |
| | 993 347 981 08 M30 | Boxster red | | | |
| | 993 347 981 08 S30 | savannah beige | | | |
| | 993 347 981 08 J30 | Nephrite green | | | |
| | 993 347 981 08 C50 | Graphite grey | | | |
| | 993 347 981 08 G10 | Metropole blue | | | |
| | 993 347 981 08 B50 | Space grey | | | |
| - | 996 347 981 01 | Four-spoke steering wheel Light maple rootwood Leather | | 1 | |
| | 996 347 981 01 8YR | Black | | | |
| | 996 347 981 01 M30 | Boxster red | | | |
| | 996 347 981 01 S30 | savannah beige | | | |
| | 996 347 981 01 J30 | Nephrite green | | | |
| | 996 347 981 01 C50 | Graphite grey | | | |
| | 996 347 981 01 G10 | Metropole blue | | | |
| | 996 347 981 01 B50 | Space grey | | | |
| - | 996 347 981 02 | Four-spoke steering wheel Light maple rootwood Leather | | 1 | PR:432 |
| | 996 347 981 02 8YR | Black | | | |
| | 996 347 981 02 M30 | Boxster red | | | |
| | 996 347 981 02 S30 | savannah beige | | | |
| | 996 347 981 02 J30 | Nephrite green | | | |
| | 996 347 981 02 C50 | Graphite grey | | | |
| | 996 347 981 02 G10 | Metropole blue | | | |
| | 996 347 981 02 B50 | Space grey | | | |
| - | 996 347 981 03 | Four-spoke steering wheel Dark maple rootwood Leather | | 1 | |
| | 996 347 981 03 8YR | Black | | | |
| | 996 347 981 03 M30 | Boxster red | | | |
| | 996 347 981 03 S30 | savannah beige | | | |
| | 996 347 981 03 J30 | Nephrite green | | | |
| | 996 347 981 03 C50 | Graphite grey | | | |
| | 996 347 981 03 G10 | Metropole blue | | | |
| | 996 347 981 03 B50 | Space grey | | | |
| - | 996 347 981 04 | Four-spoke steering wheel Dark maple rootwood Leather | | 1 | PR:432 |
| | 996 347 981 04 8YR | Black | | | |
| | 996 347 981 04 M30 | Boxster red | | | |
| | 996 347 981 04 S30 | savannah beige | | | |
| | 996 347 981 04 J30 | Nephrite green | | | |
| | 996 347 981 04 C50 | Graphite grey | | | |
| | 996 347 981 04 G10 | Metropole blue | | | |
| | 996 347 981 04 B50 | Space grey | | | |

Model: TEQ

Model life 1985>>2012

| Pos | Part Number | Description | Remark | Qty | Model |
|-----|--------------------|-------------------------|--------|-----|-------|
| - | | use if required: | | | |
| - | 996 803 980 02 | Airbag unit | | 1 | |
| | | without: | | | |
| | | inscription | | | |
| | | Leather | | | |
| | 996 803 980 02 8YR | Black | | | |
| | | Other colours available | | | |

Model: TEQ

Model life 1985>>2012



Model: TEQ Model life 1985>>2012

| Pos | Part Number | Description | Remark | Qty | Model |
|-----|----------------|--|--------|-----|---|
| - | 997 347 994 00 | Airbag steering wheel Alcantara Black D - MJ 2005>> steering wheel 3-spoke steering wheel Alcantara Manual gearbox D - MJ 2005>> - MJ 2008 | | 1 | Boxster(987) Cayman(987) 911(997) PR:480,481 |
| - | 997 347 994 01 | steering wheel 3-spoke steering wheel Alcantara Tiptronic D - MJ 2005>> - MJ 2008 | | 1 | PR:249 |
| - | 997 347 995 00 | steering wheel sports steering wheel Alcantara Manual gearbox D - MJ 2005>> - MJ 2008 | | 1 | PR:480,481 |
| - | 997 347 995 01 | steering wheel sports steering wheel Alcantara Tiptronic D - MJ 2005>> - MJ 2008 | | 1 | PR:249 |
| - | 997 347 996 00 | steering wheel Multi-function Alcantara Manual gearbox D - MJ 2005>> - MJ 2008 | | 1 | PR:480,481, 431 |
| - | 997 044 402 12 | steering wheel sports steering wheel Alcantara Manual gearbox D - MJ 2009>> | | 1 | PR:480 |
| - | 997 044 402 13 | steering wheel sports steering wheel Alcantara - PDK - D - MJ 2009>> | | 1 | PR:250 |
| - | 997 044 402 14 | multifunction steering wheel Alcantara Manual gearbox D - MJ 2009>> | | 1 | PR:480 |
| - | 997 044 402 15 | multifunction steering wheel Alcantara - PDK - D - MJ 2009>> | | 1 | PR:250 |
| - | 997 044 402 18 | steering wheel sports steering wheel Alcantara - PDK - with: | | 1 | PR:250,639, 640 |
| - | 997 044 402 19 | Display unit Launch Control D - MJ 2010>> multifunction steering wheel Alcantara - PDK - with: | | 1 | PR:250,639, 640 |
| | | Display unit Launch Control D - MJ 2010>> | | | |

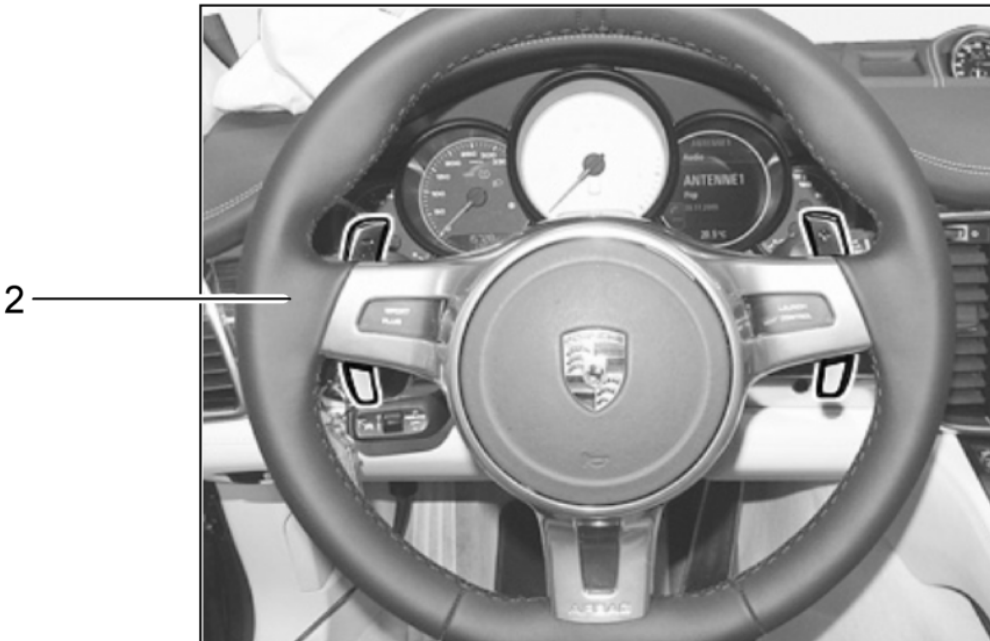
Model: TEQ

Model life 1985>>2012

| Pos | Part Number | Description | Remark | Qty | Model |
|-----|----------------|---|--------|-----|------------------------|
| - | 997 044 402 20 | steering wheel sports steering wheel Alcantara - PDK - D - MJ 2011>> | | 1 | PR:843,250 |
| - | 997 044 402 21 | steering wheel sports steering wheel Alcantara - PDK - with: Display unit Launch Control D - MJ 2011>> | | 1 | PR:843,250, 639,640 |
| - | 997 044 402 22 | steering wheel sports steering wheel Alcantara Manual gearbox D - MJ 2011>> | | 1 | PR:843,480 |

Model: TEQ

Model life 1985>>2012

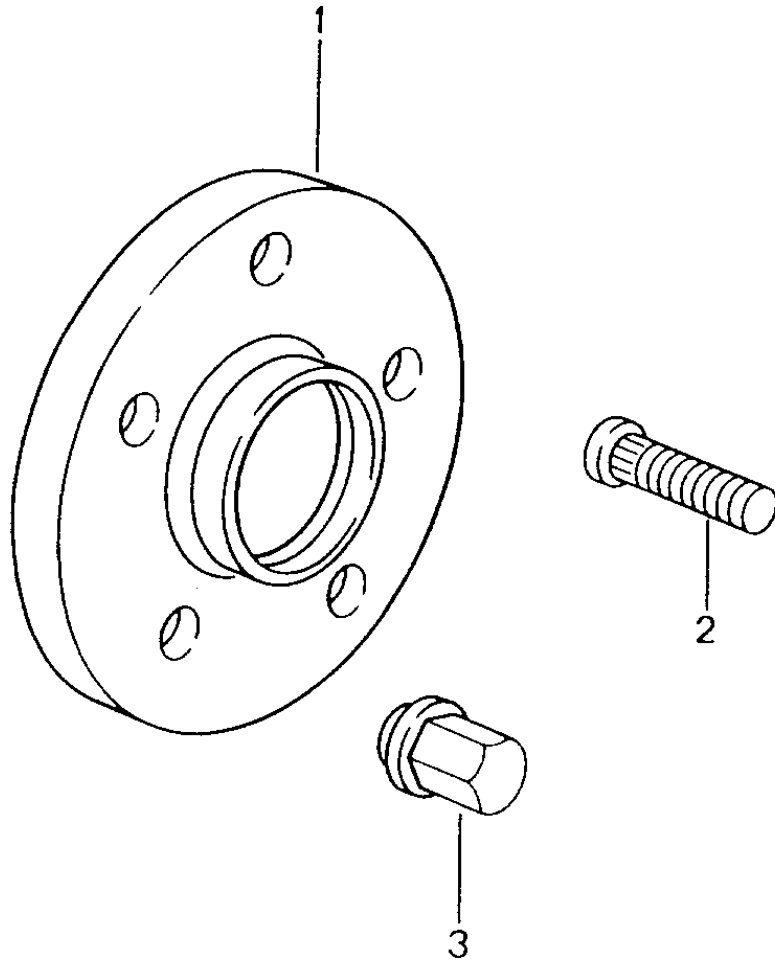


Model: TEQ Model life 1985>>2012

| Pos | Part Number | Description | Remark | Qty | Model |
|-----|----------------|---|-------------------------|-----|---|
| - | | steering wheel Shifting paddle SPORT DESIGN Inst. & Conv. Instructions BOXSTER/CAYMAN/911 Group 4 4810 (42/09) 4810 (41/09) 4810 (40/09) Attention | 09-12 09-12 09-13 | | Boxster(987) Cayman(987) 911(997) |
| 1 | 997 044 402 16 | steering wheel Shifting paddle Display unit D - MJ 2009>> 997 044 402 16 A10 Black 997 044 402 16 B10 Stone grey 997 044 402 16 E10 sea blue 997 044 402 16 R10 Cocoa 997 044 402 16 T10 Sand beige 997 044 402 16 6H6 Espresso | without: | 1 | PR:250 Boxster Cayman 911 |
| 2 | 997 044 402 17 | steering wheel Shifting paddle Display unit D - MJ 2010>> 997 044 402 17 A10 Black 997 044 402 17 B10 Stone grey 997 044 402 17 E10 sea blue 997 044 402 17 R10 Cocoa Discontinued part 997 044 402 17 T10 Sand beige 997 044 402 17 6H6 Espresso | with: | 1 | PR:250,639, 640,844,845, 847,XPU |
| - | 997 044 402 23 | steering wheel SPORT DESIGN D - MJ 2010>> 997 044 402 23 A10 Black 997 044 402 23 B10 Stone grey 997 044 402 23 E10 sea blue 997 044 402 23 R10 Cocoa 997 044 402 23 T10 Sand beige 997 044 402 23 6H6 Espresso Discontinued part | | 1 | PR:480 |

Model: TEQ

Model life 1985>>2012



Model: TEQ

Model life 1985>>2012

| Pos | Part Number | Description | Remark | Qty | Model |
|-----|----------------|--|--------|-----|--------------------------|
| (1) | 996 361 617 00 | Widening of track Spacer ring 17MM with: Wheel bolt D - MJ 1998>> | | 2 | 993 996 986 9PA |

Model: TEQ

Model life 1985>>2012



Model: TEQ

Model life 1985>>2012

| Pos | Part Number | Description | Remark | Qty | Model |
|-----|----------------|---|--------|-----|----------------------------|
| - | 000 044 500 27 | Sports suspension Retrofit kit Lowering 10MM Retrofit kit for sports running gear D - MJ 2002>> - MJ 2004 | 02-05 | 1 | 911 COUPE PR:338,480 |
| - | 000 044 500 33 | Retrofit kit for sports running gear D - MJ 2002>> - MJ 2004 | | 1 | COUPE PR:338,249 |
| - | 000 044 500 28 | Retrofit kit for sports running gear D - MJ 2002>> - MJ 2004 | | 1 | COUPE PR:339,480 |
| - | 000 044 500 34 | Retrofit kit for sports running gear D - MJ 2002>> - MJ 2004 | | 1 | COUPE PR:339,249 |
| - | 000 044 500 29 | Retrofit kit for sports running gear D - MJ 2002>> - MJ 2005 | | 1 | CABRIO PR:338,480 |
| - | 000 044 500 31 | Retrofit kit for sports running gear D - MJ 2002>> - MJ 2005 | | 1 | CABRIO PR:338,249 |
| - | 000 044 500 30 | Retrofit kit for sports running gear D - MJ 2002>> - MJ 2004 | | 1 | CABRIO PR:339,480 |
| - | 000 044 500 32 | Retrofit kit for sports running gear D - MJ 2002>> - MJ 2004 | | 1 | CABRIO PR:339,249 |

Model: TEQ

Model life 1985>>2012



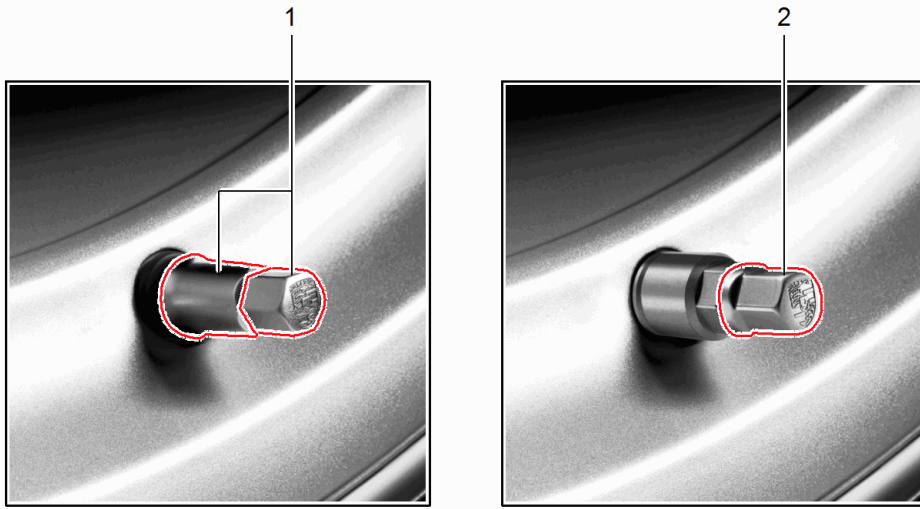
Model: TEQ

Model life 1985>>2012

| Pos | Part Number | Description | Remark | Qty | Model |
|-----|----------------|---|--------|-----|-------------|
| - | | suspension 10 mm D - MJ 2004>> - MJ 2006 Inst. & Conv. Instructions Carrera GT Group 4 4495 | | | Carreara GT |
| - | 000 044 500 40 | Attention Retrofit kit suspension 10 mm | | 1 | |

Model: TEQ

Model life 1985>>2012



Model: TEQ

Model life 1985>>2012

| Pos | Part Number | Description | Remark | Qty | Model |
|-----|----------------|---|--|-----|---|
| 1 | 000 044 601 00 | Valve cap Porsche crest silver Black Cap Valve cap Porsche crest Set Included Rubber valve | 76- with: | 1 | 924 / 944 928 / 968 911(964/993) 911(996/997) Boxster Cayman |
| 2 | 000 044 602 15 | Cap Valve cap Porsche crest Set Included Rubber valve | 05- with: | 1 | PR:482,483 911 (997) Boxster Cayman |
| 3 | 991 044 602 66 | Cap Valve cap Black Porsche crest Coloured Set | | 1 | PR:-482,-483 |
| (3) | 991 044 602 67 | Cap Valve cap Black Porsche crest Coloured Set | | 1 | PR:482,483 |
| 4 | 991 044 602 69 | Cap Valve cap silver Porsche crest Coloured Set | | 1 | PR:482,483 |
| 5 | 991 044 602 65 | Cap Valve cap Black Porsche crest Black-white Set | | 1 | PR:-482,-483 |
| 6 | 991 044 602 68 | Cap Valve cap silver Porsche crest Black-white Set | | 1 | PR:482,483 |

Model: TEQ

Model life 1985>>2012



Model: TEQ Model life 1985>>2012

| Pos | Part Number | Description | Remark | Qty | Model |
|-----|----------------|--|----------------|-----|--------------------------------------|
| - | | Central locking Wheel bolt | 2007- 2010- | | 911(997) Turbo GT2 / GT3 |
| - | | Inst. & Conv. Instructions 911 Turbo (997) Group 4 4407 (31/09) Attention | | | |
| (1) | 997 044 602 98 | Wheel nut Set D - MJ 2007>> | | 1 | Turbo(997) PR:-450 |
| 1 | 997 044 602 99 | Wheel nut Set D - MJ 2007>> | | 1 | Turbo(997) PR:450 |
| - | | | also use: | | |
| - | 997 044 600 90 | Set of wheels, compl. Winter D - MJ 2007>> - MJ 2009 | | 1 | Turbo(997) PR:482,483 |
| - | 997 044 600 88 | Set of wheels, compl. Winter D - MJ 2010>> | | 1 | Turbo(997) PR:482,483 |
| - | 997 044 602 94 | gear set Summer D - MJ 2007>> - MJ 2009 | | 1 | Turbo(997) PR:482,483 |
| - | 997 044 602 96 | gear set Summer D - MJ 2010>> | | 1 | Turbo(997) PR:482,483 |
| - | 997 551 415 00 | Adapter Compressed air bottle | | 1 | Turbo(997) |
| - | 999 073 092 02 | Socket head bolt M10 x 1 x 50 D - MJ 2007>> - MJ 2007 | | 12 | Turbo(997) PR:480 |
| - | 999 073 449 01 | Socket head bolt M10 x 1 x 49 D - MJ 2008>> | | 12 | Turbo(997) PR:480 |
| - | 999 510 041 09 | Socket head bolt M10 x 65 D - MJ 2007>> - MJ 2007 | | 12 | Turbo(997) PR:249 |
| - | 999 510 041 01 | Socket head bolt M10 x 65 D - MJ 2008>> | | 12 | Turbo(997) PR:249 |
| (2) | 997 044 650 01 | Wheel nut red Anodised Set comprising: Forged wheel D - MJ 2010>> | | 1 | GT3 / GT3 RS GT3 RS 4.0 GT2 RS |
| 2 | 997 044 650 03 | Wheel nut red Anodised (complete) Set comprising: Central locking D - MJ 2010>> | | 1 | GT3 / GT3 RS GT3 RS 4.0 GT2 RS |
| | | | | 4 | |
| | | | | 4 | |

Model: TEQ

Model life 1985>>2012



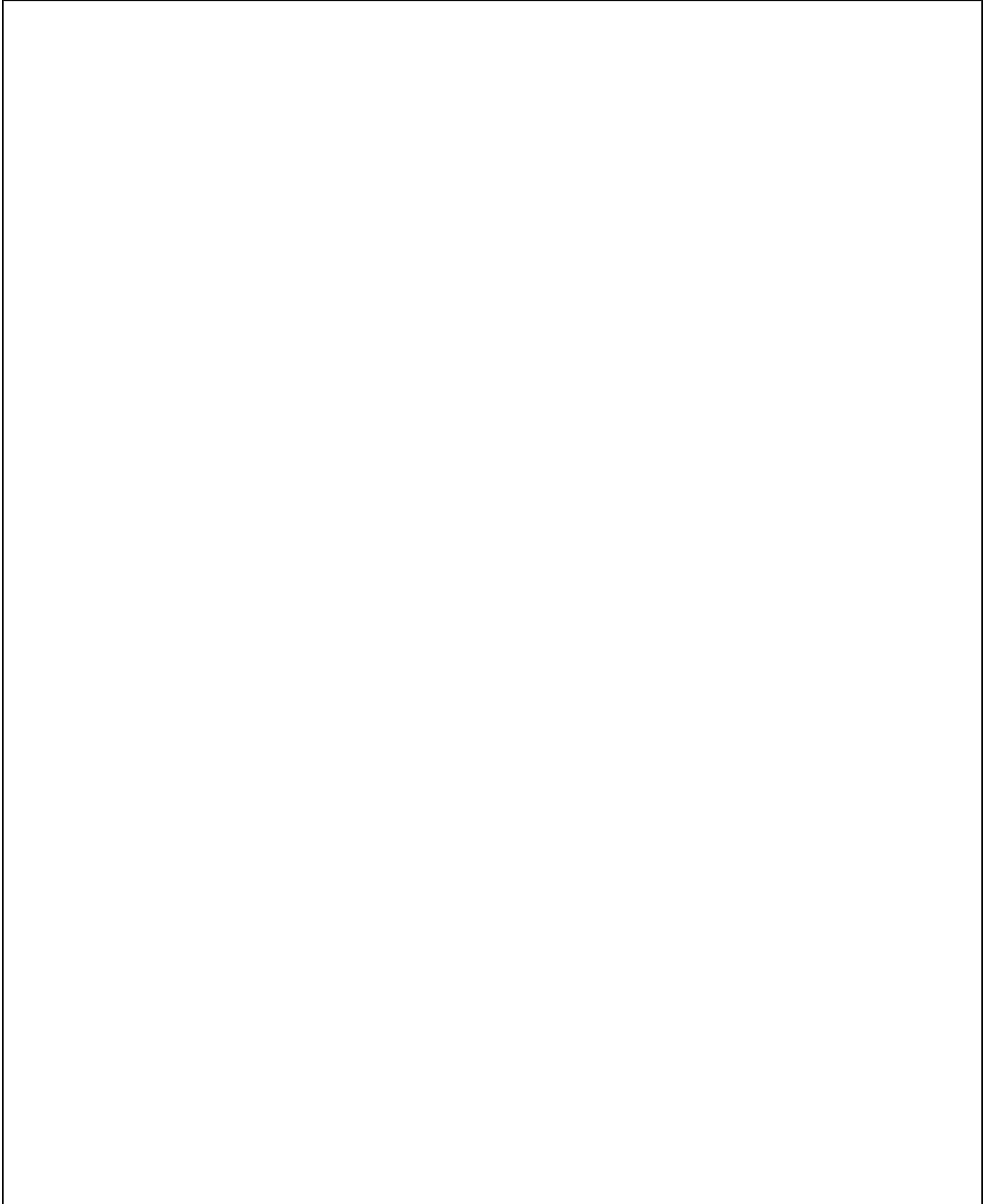
Model: TEQ

Model life 1985>>2012

| Pos | Part Number | Description | Remark | Qty | Model |
|-----|--------------------|--|--------|-----|--------------------------|
| - | | Decorative film inscription Bead of rim D - MJ 2007>> - MJ 2008 only in conj. with: | | | 911(997) GT3 / GT3 RS |
| - | | Rim | | | 19 Zoll |
| - | | Inst. & Conv. Instructions 911 Group 4 4420 (22/09) Attention | | | GT3 / GT3 RS |
| - | 997 044 650 00 | Decorative film Set | | 1 | |
| | 997 044 650 00 B9A | Carrara white | | | |
| | 997 044 650 00 V04 | silver | | | |
| | 997 044 650 00 041 | Black | | | |
| | 997 044 650 00 2D8 | green | | | |
| | 997 044 650 00 8C6 | orange | | | |
| | 997 044 650 00 84A | guards red (Porsche) | | | |
| - | | Set comprising: inscriptions/lettering | | 4 | |

Model: TEQ

Model life 1985>>2012



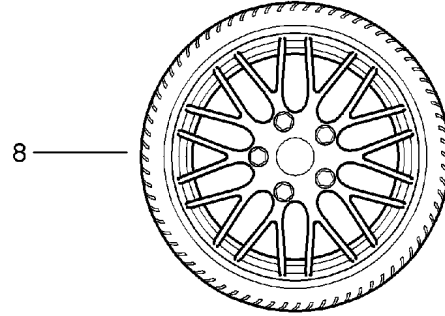
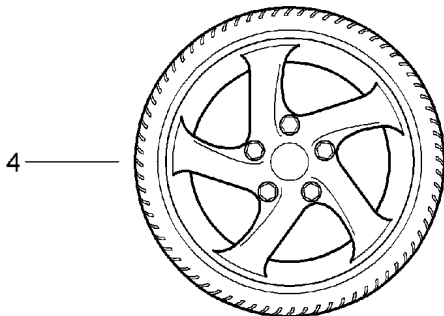
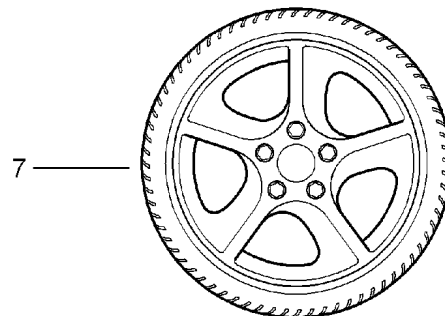
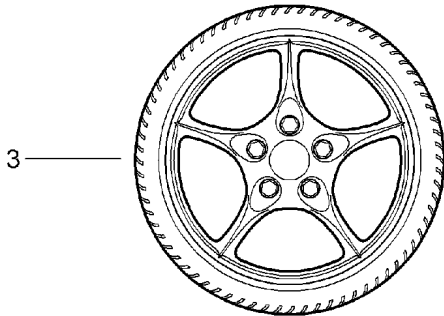
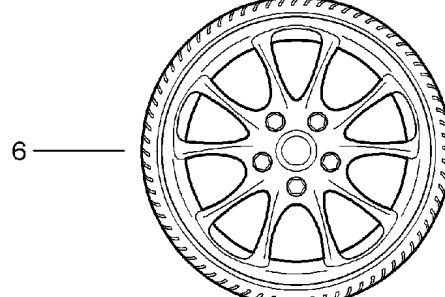
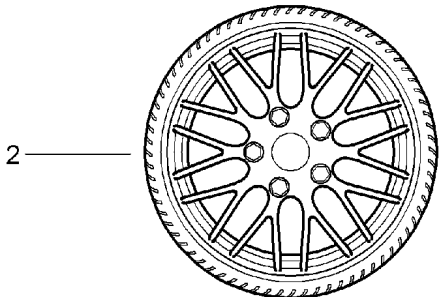
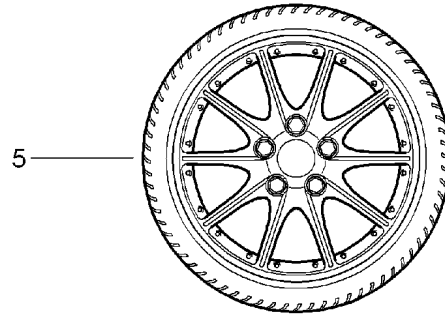
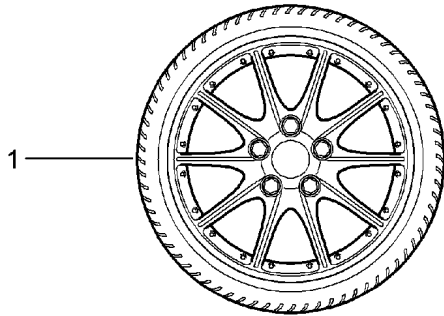
Model: TEQ

Model life 1985>>2012

| Pos | Part Number | Description | Remark | Qty | Model |
|-----|----------------|--|---|------------------|---|
| | | Wheels Accessories | 1997-04 1994-05 2005- 2006- 2006- 2005- 2005- | | Boxster(986) 911(993/996) Boxster(987) Cayman(987) 911(997) 911(997) Boxster(987) |
| - | 955 044 600 10 | Hub cap Set | 2005- 2005- | 1 | 911(997) Boxster(987) |
| - | 000 044 600 00 | Cover cap Set comprising: Rubber valve Cover cap | | 1 1 1 1 | |
| | | with: | | | |
| - | 993 361 073 00 | Porsche crest Valve Steel for hollow gear wheel | | 4 | |
| - | 997 044 600 16 | Anti-theft protection silver for Shim | | 1 | |
| - | 996 361 980 02 | Wheel bolt Anti-theft protection Shim | | 1 | 17 mm 5MM |
| - | 996 361 057 02 | Set Anti-theft protection Shim | | 1 | |
| | | without: | | | |

Model: TEQ

Model life 1985>>2012



Model: TEQ

Model life 1985>>2012

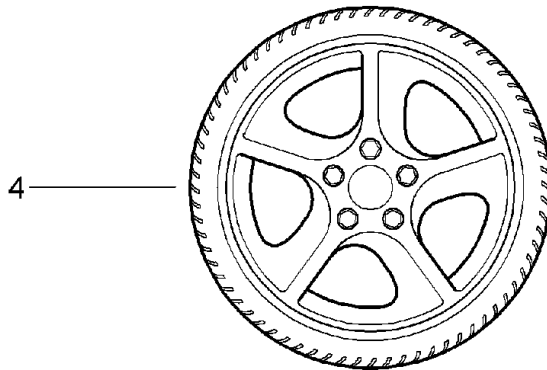
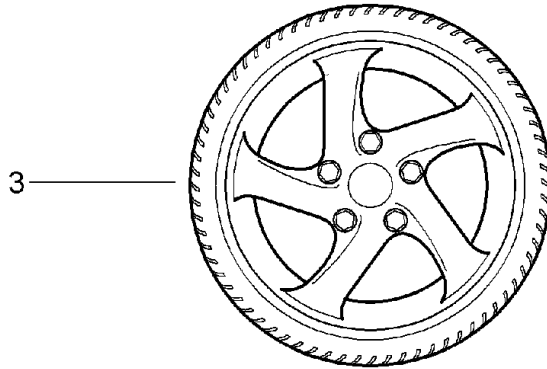
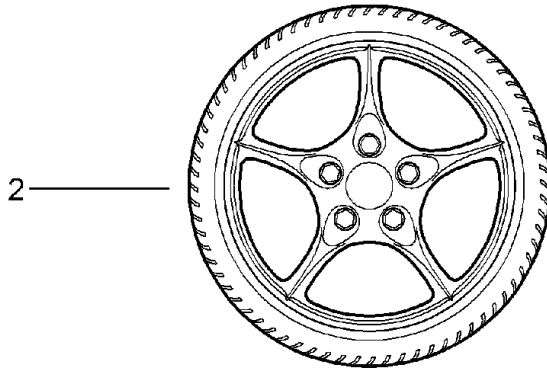
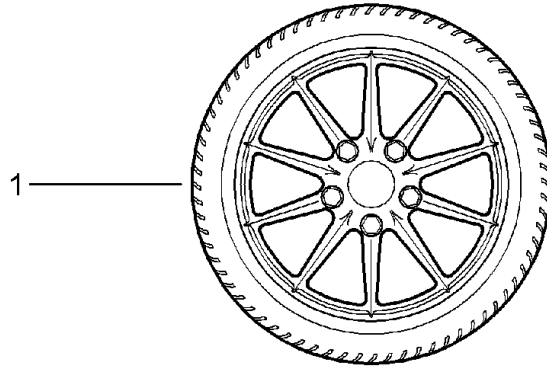
| Pos | Part Number | Description | Remark | Qty | Model |
|-----|----------------|--|--------|-----|----------|
| | | Gear wheel sets Summer | | | 911(996) |
| 1 | 000 044 600 01 | D - MJ 1998>> - MJ 2004 Set of wheels, compl. SPORT-DESIGN | | 1 | C2,C4 |
| - | | D - MJ 1998>> - MJ 2001 comprising: | | | |
| - | 996 362 134 55 | Alloy wheel 7,5JX18 ET50 | | 2 | |
| - | 996 362 140 50 | Disc wheel 10JX18 ET65 | | 2 | |
| - | | Tyre 225/40 ZR18 | | 2 | |
| - | | Tyre 265/35 ZR18 | | 2 | |
| 2 | 000 044 600 38 | Set of wheels, compl. SPORT-CLASSIC 2 | | 1 | C2,C4 |
| - | | D - MJ 1998>> - MJ 2001 comprising: | | | |
| - | 993 362 134 55 | Disc wheel 7,5JX18 ET50 | | 2 | |
| - | 993 362 140 50 | Disc wheel 10JX18 ET65 | | 2 | |
| - | | Tyre 225/40 ZR18 | | 2 | |
| - | | Tyre 265/35 ZR18 | | 2 | |
| 3 | 000 044 600 34 | Set of wheels, compl. Carrera | | 1 | C2,C4 |
| - | | D - MJ 2002>> - MJ 2004 comprising: | | | |
| - | 996 362 136 03 | Disc wheel 8JX18 ET50 | | 2 | |
| - | 996 362 140 03 | Disc wheel 10JX18 ET65 | | 2 | |
| - | | Tyre 225/40 ZR18 | | 2 | |
| - | | Tyre 285/30 ZR18 | | 2 | |
| 4 | 000 044 600 56 | Set of wheels, compl. TURBO-LOOK 2 | | 1 | C2,C4 |
| - | | D - MJ 2002>> - MJ 2004 comprising: | | | |
| - | 996 362 136 01 | Disc wheel 8JX18 ET50 | | 2 | |
| - | 996 362 140 04 | Disc wheel 10JX18 ET65 | | 2 | |
| - | | Tyre 225/40 ZR18 | | 2 | |
| - | | Tyre 285/30 ZR18 | | 2 | |
| 5 | 000 044 600 10 | Set of wheels, compl. SPORTDESIGN | | 1 | C2,C4 |
| - | | D - MJ 2002>> - MJ 2004 comprising: | | | |
| - | 996 362 136 50 | Disc wheel 8JX18 ET52 | | 2 | |
| - | 996 362 140 50 | Disc wheel 10JX18 ET65 | | 2 | |
| - | | Tyre 225/40ZR18 | | 2 | |
| - | | Tyre 285/30 ZR18 | | 2 | |

Model: TEQ Model life 1985>>2012

| Pos | Part Number | Description | Remark | Qty | Model |
|-----|----------------|--|--------|-----|------------|
| 6 | 000 044 602 01 | Set of wheels, compl. GT3 D - MJ 2002>> - MJ 2004 Discontinued part | | 1 | C4S, TURBO |
| 6 | 000 044 602 06 | Set of wheels, compl. GT3 D - MJ 2002>> - MJ 2004 | | 1 | |
| - | | comprising: | | | |
| - | 996 362 136 02 | Disc wheel 8JX18 ET50 | | 2 | |
| - | 996 362 142 04 | Disc wheel 11JX18 ET63 | | 2 | |
| - | | Tyre 225/40 ZR18 | | 2 | |
| - | | Tyre 295/30 ZR18 | | 2 | |
| - | | also use: | | | |
| - | 000 044 500 10 | Retrofit kit | | 1 | |
| 7 | 000 044 602 02 | Set of wheels, compl. SPORT-TECHNO D - MJ 2002>> - MJ 2004 | | 1 | C4S, TURBO |
| 7 | 000 044 602 04 | Set of wheels, compl. SPORT-TECHNO comprising: | | 1 | C4S, TURBO |
| - | | Disc wheel | | | |
| - | 996 362 136 51 | 8JX18 ET50 | | 2 | |
| - | 996 362 142 52 | Disc wheel 11JX18 ET63 | | 2 | |
| - | | Tyre 225/40 ZR18 | | 2 | |
| - | | Tyre 295/30 ZR18 | | 2 | |
| - | | also use: | | | |
| - | 000 044 500 10 | Retrofit kit | | 1 | |
| 8 | 000 044 600 39 | Set of wheels, compl. SPORT-CLASSIC 2 D - MJ 2002>> - MJ 2004 | | 1 | C2, C4 |
| - | | comprising: | | | |
| - | 993 362 136 50 | Disc wheel 8JX18 ET52 | | 2 | |
| - | 993 362 140 50 | Disc wheel 10JX18 ET65 | | 2 | |
| - | | Tyre 225/40 ZR18 | | 2 | |
| - | | Tyre 285/30 ZR18 | | 2 | |

Model: TEQ

Model life 1985>>2012

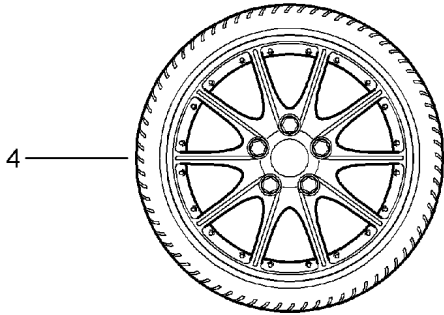
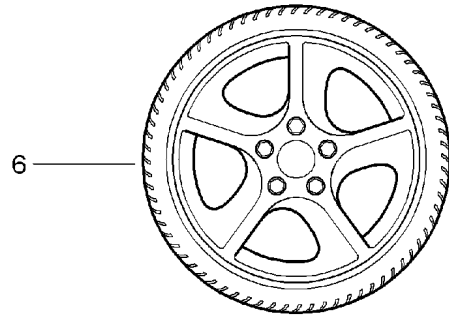
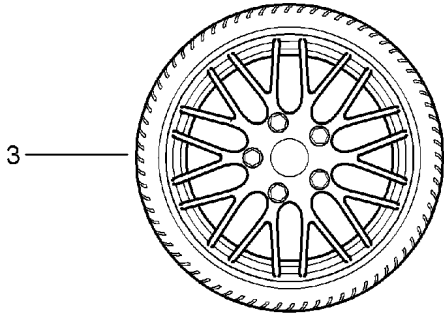
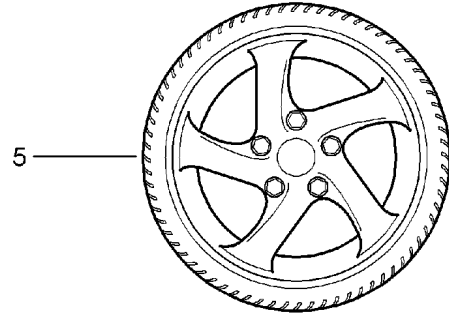
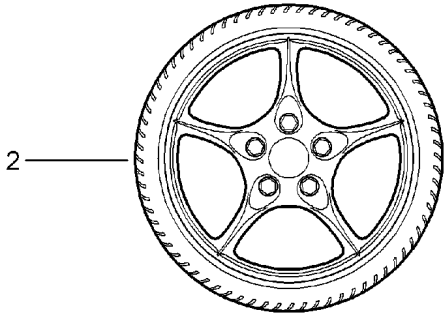
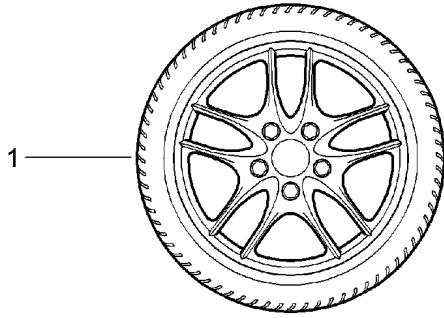


Model: TEQ Model life 1985>>2012

| Pos | Part Number | Description | Remark | Qty | Model |
|-----|----------------|--|--------|-----|-----------|
| | | Gear wheel sets Winter | | | 911(996) |
| 1 | 000 044 600 86 | D - MJ 2002>> - MJ 2004 Set of wheels, compl. | | 1 | C2,C4 |
| - | | D - MJ 2002>> - MJ 2004 comprising: | | | |
| - | 996 362 124 02 | Disc wheel Wheel 7JX17 ET50 | | 2 | |
| - | 996 362 128 02 | Disc wheel Wheel 9JX17 ET55 | | 2 | |
| - | | Tyre 205/50 R17 | | 2 | |
| - | | Tyre 255/40 R17 | | 2 | |
| 2 | 000 044 600 87 | Set of wheels, compl. D - MJ 2002>> - MJ 2004 | | 1 | C2,C4 |
| - | | comprising: | | | |
| - | 996 362 136 03 | Disc wheel Wheel 8JX18 ET50 | | 2 | |
| - | 996 362 140 03 | Disc wheel Wheel 10JX18 ET65 | | 2 | |
| - | | Tyre 225/40 VR18 | | 2 | |
| - | | Tyre 265/35 VR18 | | 2 | |
| 3 | 000 044 600 88 | Set of wheels, compl. D - MJ 2002>> - MJ 2004 | | 1 | C4S,TURBO |
| - | | comprising: | | | |
| - | 996 362 136 01 | Disc wheel TURBO-LOOK 2 Wheel 8JX18 ET50 | | 2 | |
| - | 996 362 140 02 | Disc wheel TURBO-LOOK 2 Wheel 10JX18 ET47 | | 2 | |
| - | | Tyre 225/40 VR18 | | 2 | |
| - | | Tyre 265/35 VR18 | | 2 | |
| 4 | 000 044 600 89 | Set of wheels, compl. D - MJ 2002>> - MJ 2003 | | 1 | C4S,TURBO |
| - | | comprising: | | | |
| - | 996 362 136 51 | Disc wheel SPORT-TECHNO Wheel 8JX18 ET50 | | 2 | |
| - | 996 362 140 51 | Disc wheel SPORT-TECHNO Wheel 10JX18 ET47 | | 2 | |
| - | | Tyre 225/40 VR18 | | 2 | |
| - | | Tyre 265/35 VR18 | | 2 | |

Model: TEQ

Model life 1985>>2012



Model: TEQ Model life 1985>>2012

| Pos | Part Number | Description | Remark | Qty | Model |
|-----|----------------|---|--------|-----|--------------------|
| | | Gear wheel sets Summer | | | BOXSTER/S (986) |
| 1 | 000 044 600 54 | D - MJ 1997>> - MJ 2004 Set of wheels, compl. BOXSTER S 2 | | 1 | |
| - | | D - MJ 1997>> - MJ 2004 comprising: | | | |
| - | 986 362 124 02 | Disc wheel 7JX17 ET55 | | 2 | |
| - | 986 362 126 07 | Disc wheel 8,5JX17 ET48 | | 2 | |
| - | | Tyre 205/50 ZR17 | | 2 | |
| - | | Tyre 255/40 ZR17 | | 2 | |
| 2 | 000 044 600 55 | Set of wheels, compl. Carrera | | 1 | |
| - | | D - MJ 1998>> - MJ 2004 comprising: | | | |
| - | 996 362 134 05 | Disc wheel 7,5JX18 ET50 | | 2 | |
| - | 996 362 138 00 | Disc wheel 9JX18 ET52 | | 2 | |
| - | | Tyre 225/40 ZR18 | | 2 | |
| - | | Tyre 265/35 ZR18 | | 2 | |
| 3 | 000 043 204 15 | Set of wheels, compl. SPORT-CLASSIC 2 | | 1 | |
| - | | D - MJ 1998>> - MJ 2004 comprising: | | | |
| - | 993 362 134 55 | Disc wheel 7,5JX18 ET50 | | 2 | |
| - | 993 362 138 50 | Disc wheel 9JX18 ET52 | | 2 | |
| - | | Tyre 225/40 ZR18 | | 2 | |
| - | | Tyre 265/35 ZR18 | | 2 | |
| 4 | 000 044 600 07 | Set of wheels, compl. SPORT-DESIGN | | 1 | |
| - | | D - MJ 1998>> - MJ 2004 comprising: | | | |
| - | 996 362 134 55 | Alloy wheel 7,5JX18 ET50 | | 2 | |
| - | 996 362 138 50 | Alloy wheel 9JX18 ET52 | | 2 | |
| - | | Tyre 225/40 ZR18 | | 2 | |
| - | | Wheel 265/35 ZR18 | | 2 | |
| 5 | 000 044 600 57 | Set of wheels, compl. TURBO-LOOK 2 | | 1 | |
| - | | D - MJ 1998>> - MJ 2004 comprising: | | | |
| - | 996 362 136 01 | Disc wheel 8JX18 ET50 | | 2 | |
| - | 996 362 140 02 | Disc wheel 10JX18 ET47 | | 2 | |
| - | | Tyre 225/40 ZR18 | | 2 | |
| - | | Tyre 265/35 ZR18 | | 2 | |

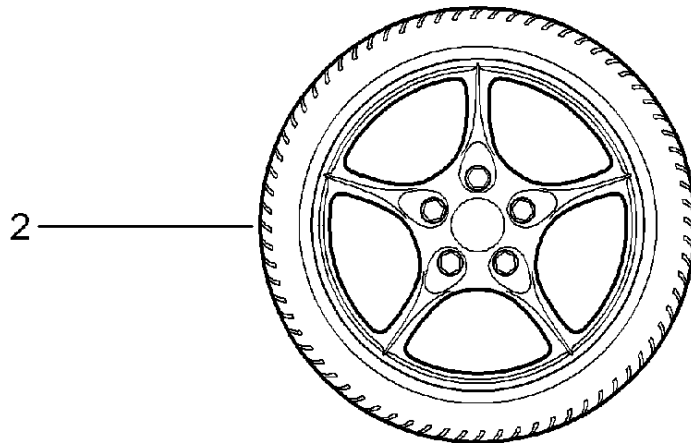
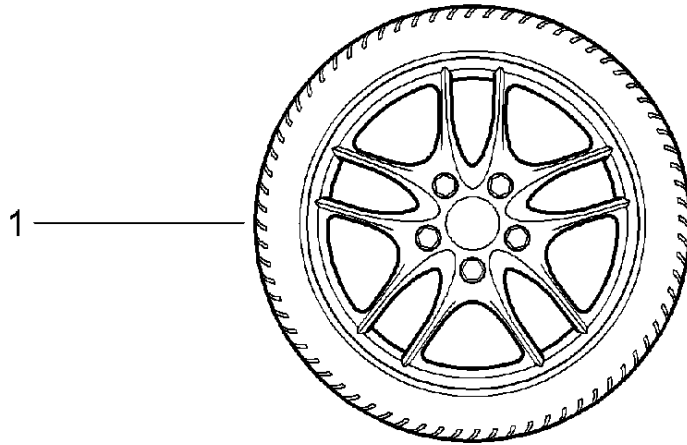
Model: TEQ

Model life 1985>>2012

| Pos | Part Number | Description | Remark | Qty | Model |
|-----|----------------|--|--------|-----|-------|
| 6 | 000 044 600 31 | Set of wheels, compl. SPORT-TECHNO D - MJ 1998>> - MJ 2004 | | 1 | |
| - | | comprising: | | | |
| - | 996 362 136 51 | Disc wheel 8JX18 ET50 | | 2 | |
| - | 996 362 140 51 | Disc wheel 10JX18 ET47 | | 2 | |
| - | | Tyre 225/40 ZR18 | | 2 | |
| | | Tyre 265/35 ZR18 | | 2 | |

Model: TEQ

Model life 1985>>2012



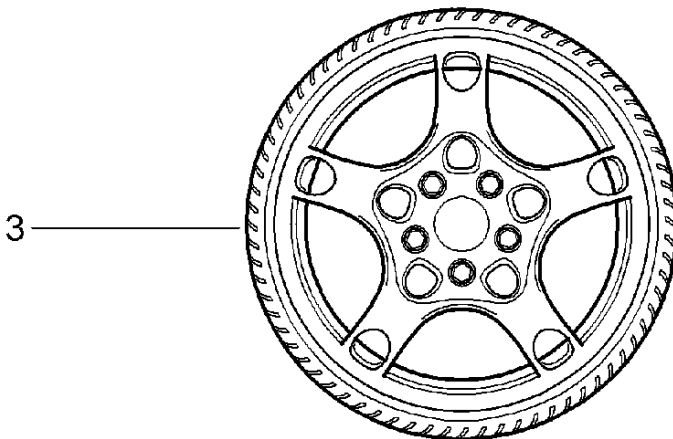
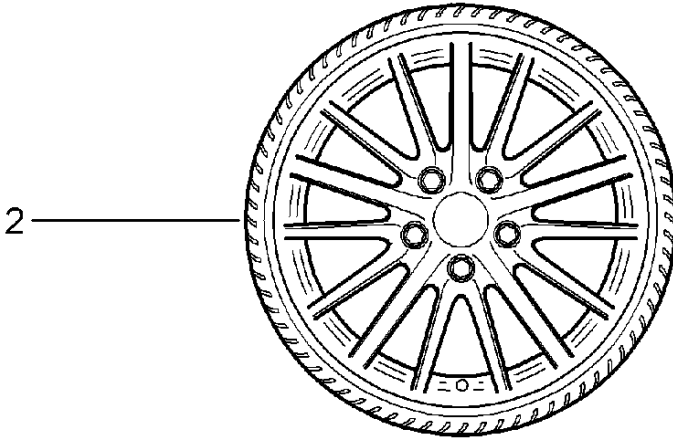
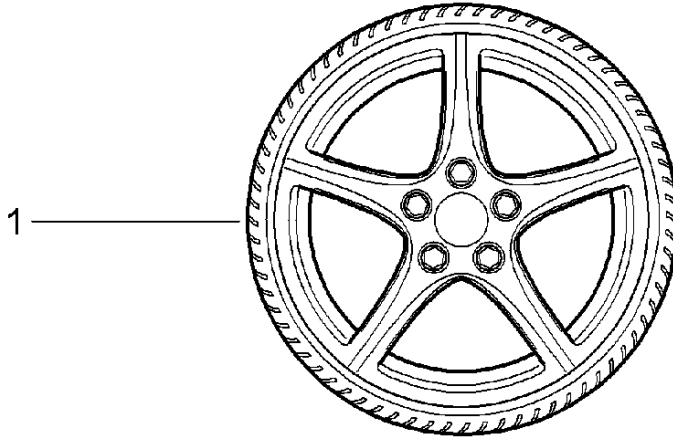
Model: TEQ

Model life 1985>>2012

| Pos | Part Number | Description | Remark | Qty | Model |
|-----|----------------|--|--------|-----|--------------------|
| | | Gear wheel sets Winter | | | BOXSTER/S (986) |
| 1 | 000 044 600 84 | D - MJ 1997>> - MJ 2004 Set of wheels, compl. BOXSTER S2 | | 1 | |
| - | | D - MJ 1997>> - MJ 2004 comprising: | | | |
| - | 986 362 124 02 | Disc wheel 7JX17 ET55 | | 2 | |
| - | 986 362 126 07 | Disc wheel 8,5JX17 ET48 | | 2 | |
| - | | Tyre 205/50 VR17 | | 2 | |
| - | | Tyre 225/45 VR17 | | 2 | |
| 2 | 000 044 600 85 | Set of wheels, compl. Carrera | | 1 | |
| - | | D - MJ 1998>> - MJ 2004 comprising: | | | |
| - | 996 362 134 05 | Disc wheel 7,5JX18 ET50 | | 2 | |
| - | 996 362 138 00 | Disc wheel 9JX18 ET52 | | 2 | |
| - | | Tyre 225/40 VR18 | | 2 | |
| - | | Tyre 265/35 VR18 | | | |

Model: TEQ

Model life 1985>>2012



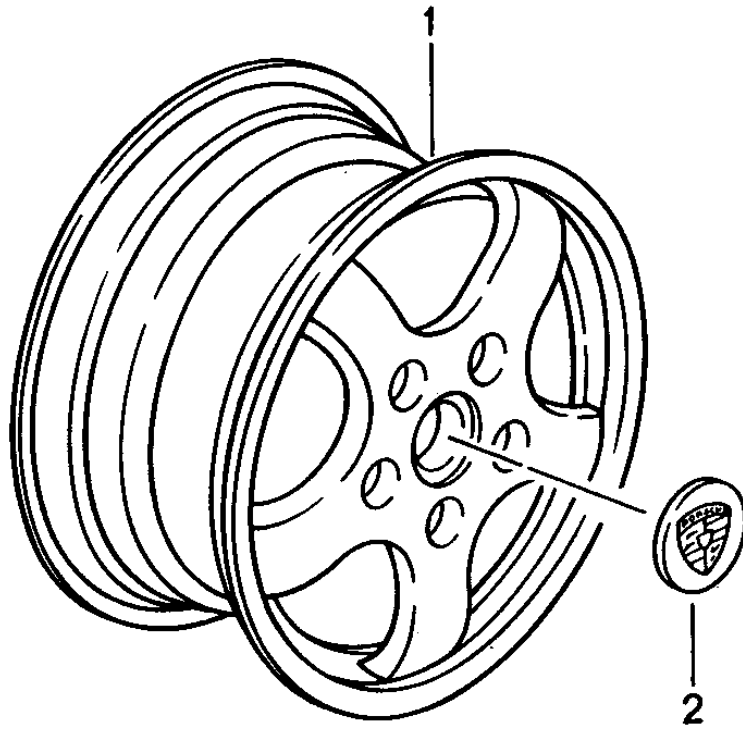
Model: TEQ

Model life 1985>>2012

| Pos | Part Number | Description | Remark | Qty | Model |
|-----|----------------|---|--------|-----|---------------------|
| | | Gear wheel sets Summer | | | 911/S (997 I) |
| 1 | 997 044 602 01 | D - MJ 2005>> Set of wheels, compl. CARRERA CLASSIC | | 1 | 911/S PR:338 |
| 1 | 997 044 602 11 | D - MJ 2005>> Set of wheels, compl. CARRERA CLASSIC | | 1 | 911/S PR:339 |
| 1 | 997 044 602 02 | D - MJ 2006>> Set of wheels, compl. CARRERA CLASSIC | | 1 | 911/S PR:338,482 |
| 1 | 997 044 602 12 | tyre pressure control system D - MJ 2005>> - MJ 2008 Set of wheels, compl. CARRERA CLASSIC | | 1 | 911/S PR:339,482 |
| 2 | 997 044 602 03 | tyre pressure control system D - MJ 2006>> - MJ 2008 Set of wheels, compl. SPORT-DESIGN | | 1 | 911/S PR:338 |
| 2 | 997 044 602 13 | D - MJ 2005>> Set of wheels, compl. SPORT-DESIGN | | 1 | 911/S PR:339 |
| 2 | 997 044 602 04 | D - MJ 2006>> Set of wheels, compl. SPORT-DESIGN | | 1 | 911/S PR:338,482 |
| 2 | 997 044 602 14 | tyre pressure control system D - MJ 2005>> - MJ 2008 Set of wheels, compl. SPORT-DESIGN | | 1 | 911/S PR:339,482 |
| 3 | 997 044 602 05 | tyre pressure control system D - MJ 2006>> - MJ 2008 Set of wheels, compl. CARRERA S | | 1 | 911/S PR:338 |
| 3 | 997 044 602 15 | D - MJ 2005>> - MJ 2008 Set of wheels, compl. Carrera S | | 1 | 911/S PR:339 |
| 3 | 997 044 602 06 | D - MJ 2006>> - MJ 2008 Set of wheels, compl. CARRERA S | | 1 | 911/S PR:338,482 |
| 3 | 997 044 602 16 | tyre pressure control system D - MJ 2005>> - MJ 2008 Set of wheels, compl. CARRERA S | | 1 | 911/S PR:339,482 |
| | | tyre pressure control system D - MJ 2006>> - MJ 2008 | | | |

Model: TEQ

Model life 1985>>2012



Model: TEQ

Model life 1985>>2012

| Pos | Part Number | Description | Remark | Qty | Model |
|-----|----------------|--|----------------|-----|---------------------------|
| | | Gear wheel sets Winter | 2005- 2007- | | 911/S TURBO (997 I) |
| - | 997 044 600 01 | Set of wheels, compl. CARRERA S D - MJ 2005>> - MJ 2008 | | 1 | 911/S PR:338 |
| - | 997 044 600 02 | Set of wheels, compl. CARRERA S tyre pressure control system D - MJ 2005>> - MJ 2008 | | 1 | 911/S PR:338,482 |
| - | 997 044 600 03 | Set of wheels, compl. CARRERA III D - MJ 2005>> - MJ 2008 | | 1 | 911/S PR:338 |
| - | 997 044 600 04 | Set of wheels, compl. CARRERA III with: tyre pressure control system D - MJ 2005>> - MJ 2008 | | 1 | 911/S PR:338,482 |
| - | 997 044 600 11 | Set of wheels, compl. CARRERA III D - MJ 2006>> - MJ 2008 | | 1 | 911/S PR:339 |
| - | 997 044 600 12 | Set of wheels, compl. CARRERA III tyre pressure control system D - MJ 2006>> - MJ 2008 | | 1 | 911/S PR:339,482 |
| - | 997 044 600 13 | Set of wheels, compl. CARRERA S D - MJ 2006>> - MJ 2008 | | 1 | 911/S PR:339 |
| - | 997 044 600 14 | Set of wheels, compl. CARRERA S tyre pressure control system D - MJ 2006>> - MJ 2008 | | 1 | 911/S PR:339,482 |
| - | 997 044 600 78 | Set of wheels, compl. Carrera IV 235/40 VR18 295/35 VR18 D - MJ 2007>> | | 1 | TURBO |
| - | 997 044 600 24 | Set of wheels, compl. Turbo 235/35 VR19 295/30 VR19 D - MJ 2007>> | | 1 | TURBO |
| - | 997 044 600 24 | Set of wheels, compl. Turbo 235/35 VR19 295/30 VR19 D - MJ 2007>> | | 1 | TURBO PR:450 |

Model: TEQ

Model life 1985>>2012



Model: TEQ

Model life 1985>>2012

| Pos | Part Number | Description | Remark | Qty | Model |
|-----|----------------|---|--------|-----|--------------------------------|
| | | Gear wheel sets Summer | | | BOXSTER/S CAYMAN/S (987) |
| - | 987 044 602 01 | D - MJ 2005>> Set of wheels, compl. CARRERA CLASSIC comprising: | | 1 | |
| - | 997 362 156 03 | D - MJ 2005>> Alloy wheel 8JX19 ET57 | | 2 | |
| - | 997 362 158 06 | Alloy wheel 9,5JX19 ET46 | | 2 | |
| | | Tyre 235/35 ZR19 | | 2 | |
| | | Tyre 265/35 ZR19 | | 2 | |
| - | 987 044 602 02 | Set of wheels, compl. CARRERA CLASSIC tyre pressure control system comprising: | | 1 | |
| - | 997 362 156 03 | D - MJ 2006>> Alloy wheel 8JX19 ET57 | | 2 | |
| - | 997 362 156 06 | Alloy wheel 9,5JX19 ET46 | | 2 | |
| | | Tyre 235/35 ZR19 | | 2 | |
| | | Tyre 265/35 ZR19 | | 2 | |
| - | 987 044 602 03 | Set of wheels, compl. SPORT-DESIGN comprising: | | 1 | |
| - | 997 362 156 04 | D - MJ 2005>> Alloy wheel 8JX19 ET57 | | 2 | |
| - | 997 362 158 07 | Alloy wheel 9,5JX19 ET46 | | 2 | |
| | | Tyre 235/35 ZR19 | | 2 | |
| | | Tyre 265/35 ZR19 | | 2 | |
| - | 987 044 602 04 | Set of wheels, compl. SPORT DESIGN tyre pressure control system comprising: | | 1 | |
| - | 997 362 156 04 | D - MJ 2006>> Alloy wheel 8JX19 ET57 | | 2 | |
| - | 997 362 158 07 | Alloy wheel 9,5JX19 ET46 | | 2 | |
| | | Tyre 235/35 ZR19 | | 2 | |
| | | Tyre 265/35 ZR19 | | 2 | |
| - | 987 044 602 05 | Set of wheels, compl. CARRERA S comprising: | | 1 | |
| - | 997 362 156 01 | D - MJ 2005>> Alloy wheel 8JX19 ET57 | | 2 | |
| - | 997 362 158 05 | Alloy wheel 9,5JX19 ET46 | | 2 | |
| | | Tyre | | 2 | |

Model: TEQ

Model life 1985>>2012

| Pos | Part Number | Description | Remark | Qty | Model |
|-----|----------------|---|--------|-----|-------|
| | | 235/35 ZR19 Tyre | | 2 | |
| - | 987 044 602 06 | 265/35 ZR19 Set of wheels, compl. CARRERA S tyre pressure control system comprising: D - MJ 2006>> | | 1 | |
| - | 997 362 156 01 | Alloy wheel 8JX19 ET57 | | 2 | |
| - | 997 362 158 05 | Alloy wheel 9,5JX19 ET46 Tyre | | 2 | |
| | | 235/35 ZR19 Tyre | | 2 | |
| - | 987 044 602 07 | 265/35 ZR19 Set of wheels, compl. Boxster S comprising: D - MJ 2005>> | | 1 | |
| - | 987 362 136 00 | Alloy wheel 8JX18 ET57 | | 2 | |
| - | 987 362 138 00 | Alloy wheel 9JX18 ET43 Tyre | | 2 | |
| | | 235/40 ZR18 Tyre | | 2 | |
| | | 265/40 ZR18 | | 2 | |
| - | 987 044 602 08 | Set of wheels, compl. Boxster S tyre pressure control system comprising: D - MJ 2006>> | | 1 | |
| - | 987 362 136 00 | Alloy wheel 8JX18 ET57 | | 2 | |
| - | 987 362 138 00 | Alloy wheel 9JX18 ET43 Tyre | | 2 | |
| | | 235/40 ZR18 Tyre | | 2 | |
| | | 265/40 ZR18 | | 2 | |
| - | 987 044 602 09 | Set of wheels, compl. CARRERA SPORT comprising: D - MJ 2005>> | | 1 | |
| - | 997 362 156 55 | Alloy wheel 8,5JX19 ET55 | | 2 | |
| - | 997 362 160 50 | Alloy wheel 10JX19 ET42 Tyre | | 2 | |
| | | 235/35 ZR19 Tyre | | 2 | |
| | | 265/35 ZR19 | | 2 | |
| - | 987 044 602 10 | Set of wheels, compl. CARRERA SPORT tyre pressure control system comprising: D - MJ 2006>> | | 1 | |
| - | 997 362 156 55 | Alloy wheel 8,5JX19 ET55 | | 2 | |
| - | 997 362 160 50 | Alloy wheel 10JX19 ET42 Tyre | | 2 | |
| | | 235/35 ZR19 Tyre | | 2 | |
| | | 265/35 ZR19 | | 2 | |

Model: TEQ

Model life 1985>>2012

| Pos | Part Number | Description | Remark | Qty | Model |
|-----|----------------|---|--------|------------------|-------|
| - | 987 044 602 11 | 235/35 ZR19 Tyre 265/35 ZR19 Set of wheels, compl. Cayman S comprising: D - MJ 2005>> | | 2 1 | |
| - | 987 362 136 01 | Alloy wheel 8JX18 ET57 | | 2 | |
| - | 987 362 138 01 | Alloy wheel 9JX18 ET43 Tyre 235/40 ZR18 Tyre 265/40 ZR18 | | 2 2 2 2 | |
| - | 987 044 602 12 | Set of wheels, compl. Cayman S tyre pressure control system comprising: D - MJ 2006>> | | 1 | |
| - | 987 362 136 01 | Alloy wheel 8JX18 ET57 | | 2 | |
| - | 987 362 138 01 | Alloy wheel 9JX18 ET43 Tyre 235/40 ZR18 Tyre 265/40 ZR18 | | 2 2 2 2 | |

Model: TEQ

Model life 1985>>2012



Model: TEQ Model life 1985>>2012

| Pos | Part Number | Description | Remark | Qty | Model |
|-----|----------------|---|--------|-----|---------------------------------|
| | | Gear wheel sets Winter | | | BOXSTER/S CAYMAN/S (1987) |
| - | 987 044 600 05 | D - MJ 2005>> Set of wheels, compl. Boxster S | | 1 | |
| - | 987 362 136 00 | comprising: Alloy wheel 8JX18 ET57 | | 2 | |
| - | 987 362 138 00 | Alloy wheel 9JX18 ET43 | | 2 | |
| | | Tyre 235/40 VR18 | | 2 | |
| | | Tyre 255/40 VR18 | | 2 | |
| - | 987 044 600 06 | Set of wheels, compl. Boxster S | | 1 | |
| | | tyre pressure control system comprising: | | | |
| - | 987 362 136 00 | D - MJ 2006>> Alloy wheel 8JX18 ET57 | | 2 | |
| - | 987 362 138 00 | Alloy wheel 9JX18 ET43 | | 2 | |
| | | Tyre 235/40 VR18 | | 2 | |
| | | Tyre 255/40 VR18 | | 2 | |
| - | 987 044 600 03 | Set of wheels, compl. BOXSTER 2 | | 1 | BOXSTER |
| | | comprising: | | | |
| - | 987 362 122 05 | D - MJ 2005>> Alloy wheel 6,5JX17 ET55 | | 2 | |
| - | 987 362 126 00 | Alloy wheel 8JX17 ET40 | | 2 | |
| | | Tyre 205/55 VR17 | | 2 | |
| | | Tyre 235/50 VR17 | | 2 | |
| - | 987 044 600 04 | Set of wheels, compl. BOXSTER 2 | | 1 | BOXSTER |
| | | tyre pressure control system comprising: | | | |
| - | 987 362 122 05 | D - MJ 2006>> Alloy wheel 6,5X17 ET55 | | 2 | |
| - | 987 362 126 00 | Alloy wheel 8JX17 ET40 | | 2 | |
| | | Tyre 205/55 VR17 | | 2 | |
| | | Tyre 235/50 VR17 | | 2 | |
| - | 987 044 600 09 | Set of wheels, compl. Cayman S | | 1 | |
| | | comprising: | | | |
| - | 987 362 136 01 | D - MJ 2006>> Alloy wheel 8JX18 ET57 | | 2 | |
| - | 987 362 138 01 | Alloy wheel 9JX18 ET43 | | 2 | |
| | | Tyre 235/40 VR18 | | 2 | |

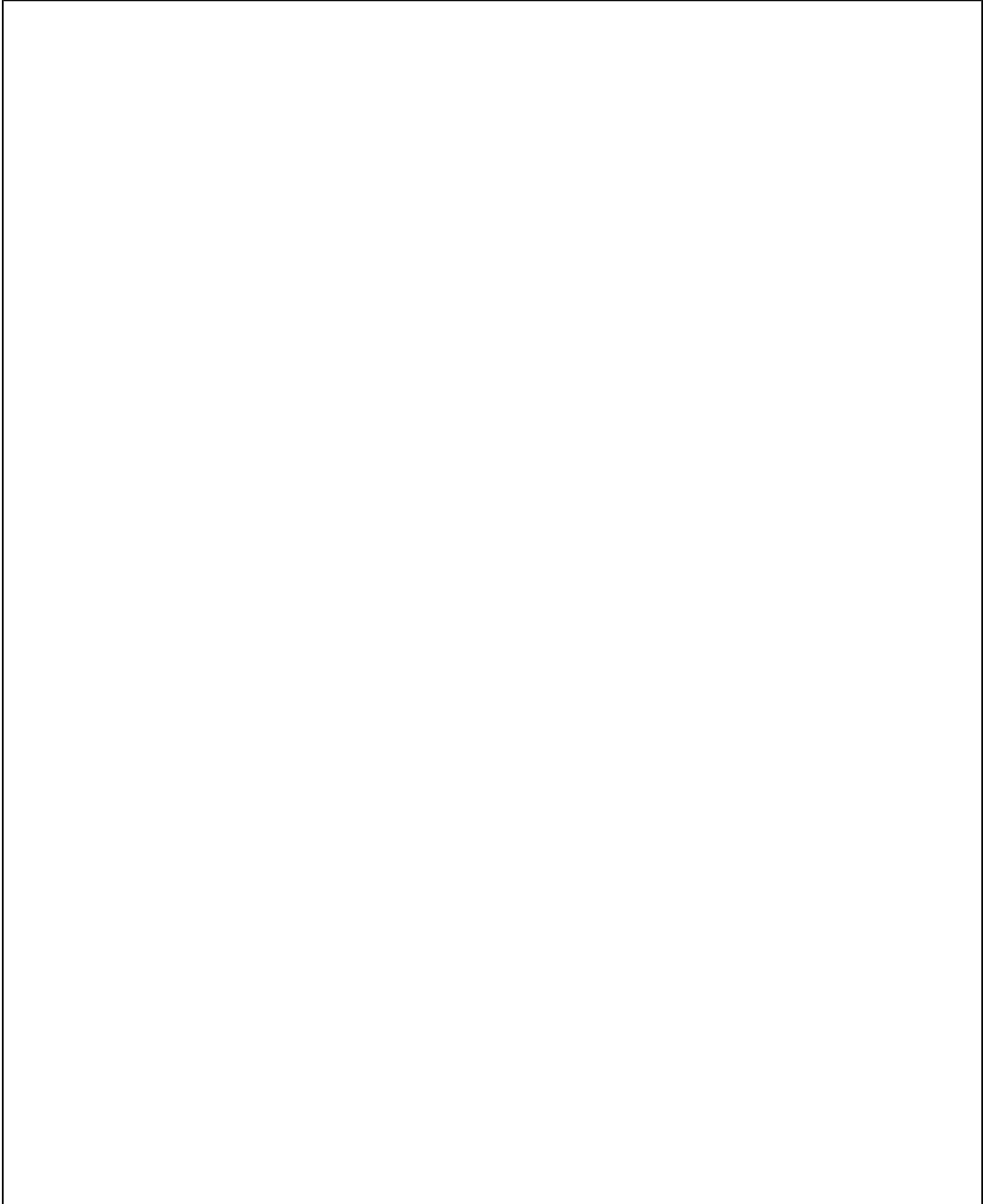
Model: TEQ

Model life 1985>>2012

| Pos | Part Number | Description | Remark | Qty | Model |
|-----|----------------|--|--------|-----|-------|
| | | Tyre 255/40 VR18 | | 2 | |
| - | 987 044 600 10 | Set of wheels, compl. Cayman S tyre pressure control system D - MJ 2006>> | | 1 | |
| - | 987 362 136 01 | Alloy wheel 8JX18 ET57 | | 2 | |
| - | 987 362 138 01 | Alloy wheel 9JX18 ET43 | | 2 | |
| | | Tyre 235/40 VR18 | | 2 | |
| | | Tyre 255/40 VR18 | | 2 | |

Model: TEQ

Model life 1985>>2012



Model: TEQ

Model life 1985>>2012

| Pos | Part Number | Description | Remark | Qty | Model |
|-----|----------------|---|----------------|-----|---------------------------------------|
| - | 997 044 602 17 | Gear wheel sets Sport Set of wheels, compl. CARRERA SPORT Michelin Sport Cup D - MJ 2005>> | 2005- 2007- | 1 | 911/S TURBO 911,911 S PR:338 |
| - | 997 044 602 18 | Set of wheels, compl. CARRERA SPORT tyre pressure control system Michelin Sport Cup D - MJ 2005>> - MJ 2008 | | 1 | 911,911 S PR:338,482 |
| - | 997 044 602 80 | Set of wheels, compl. CARRERA SPORT tyre pressure control system Michelin Sport Cup D - MJ 2009>> | | 1 | 911,911 S PR:338,482 |
| - | 997 044 602 35 | Set of wheels, compl. CARRERA SPORT Michelin Sport Cup D - MJ 2005>> | | 1 | 911,911 S PR:339 |
| - | 997 044 602 36 | Set of wheels, compl. CARRERA SPORT tyre pressure control system Michelin Sport Cup D - MJ 2005>> - MJ 2008 | | 1 | 911,911 S PR:339,482 |
| - | 997 044 602 38 | Set of wheels, compl. CARRERA SPORT tyre pressure control system Michelin Sport Cup D - MJ 2009>> | | 1 | 911,911 S PR:339,482 |
| - | 997 044 602 36 | Set of wheels, compl. CARRERA SPORT Michelin Sport Cup D - MJ 2007>> | | 1 | TURBO |

Model: TEQ

Model life 1985>>2012



Model: TEQ

Model life 1985>>2012

| Pos | Part Number | Description | Remark | Qty | Model |
|-----|----------------|---|--------|-----|--------------------------------------|
| - | 997 044 602 33 | Gear wheel sets Summer D - MJ 2009>> Set of wheels, compl. Sport Design 235/35 ZR19 295/30 ZR19 | | 1 | 911/S (997 II) 911/S PR:338 |
| - | 997 044 602 72 | D - MJ 2009>> Set of wheels, compl. Sport Design tyre pressure control system 235/35 ZR19 295/30 ZR19 | | 1 | 911/S PR:338,482 |
| - | 997 044 602 31 | D - MJ 2009>> Set of wheels, compl. Carrera Classic 235/35 ZR19 295/30 ZR19 | | 1 | 911/S PR:338 |
| - | 997 044 602 76 | D - MJ 2009>> Set of wheels, compl. Carrera Classic tyre pressure control system 235/35 ZR19 295/30 ZR19 | | 1 | 911/S PR:338,482 |
| - | 997 044 602 63 | D - MJ 2009>> Set of wheels, compl. Carrera SII 235/35 ZR19 295/30 ZR19 | | 1 | 911/S PR:338 |
| - | 997 044 602 66 | D - MJ 2009>> Set of wheels, compl. Carrera SII tyre pressure control system 235/35 ZR19 295/30 ZR19 | | 1 | 911/S PR:338,482 |
| - | 997 044 602 37 | D - MJ 2009>> Set of wheels, compl. Turbo tyre pressure control system 235/35 ZR19 295/30 ZR19 | | 1 | 911/S PR:338,482 |
| - | 997 044 602 39 | D - MJ 2009>> Set of wheels, compl. Carrera Sport 235/35 ZR19 305/30 ZR19 | | 1 | 911/S PR:338 |
| - | 997 044 602 48 | D - MJ 2009>> Set of wheels, compl. Carrera Sport tyre pressure control system 235/35 ZR19 305/30 ZR19 | | 1 | 911/S PR:338,482 |
| - | 997 044 602 43 | D - MJ 2009>> Set of wheels, compl. Sport Design 235/35 ZR19 305/30 ZR19 | | 1 | 911/S PR:339 |
| - | 997 044 602 74 | D - MJ 2009>> Set of wheels, compl. Sport Design tyre pressure control system 235/35 ZR19 305/30 ZR19 | | 1 | 911/S PR:339,482 |

Model: TEQ

Model life 1985>>2012

| Pos | Part Number | Description | Remark | Qty | Model |
|-----|----------------|---|--------|-----|---------------------|
| - | 997 044 602 41 | D - MJ 2009>> Set of wheels, compl. Carrera Classic 235/35 ZR19 305/30 ZR19 | | 1 | 911/S PR:339 |
| - | 997 044 602 78 | D - MJ 2009>> Set of wheels, compl. Carrera Classic tyre pressure control system 235/35 ZR19 305/30 ZR19 | | 1 | 911/S PR:339,482 |
| - | 997 044 602 67 | D - MJ 2009>> Set of wheels, compl. Carrera SII 235/35 ZR19 305/30 ZR19 | | 1 | 911/S PR:339 |
| - | 997 044 602 70 | D - MJ 2009>> Set of wheels, compl. Carrera SII tyre pressure control system 235/35 ZR19 305/30 ZR19 | | 1 | 911/S PR:339,482 |
| - | 997 044 602 26 | D - MJ 2009>> Set of wheels, compl. Turbo 235/35 ZR19 305/30 ZR19 | | 1 | 911/S PR:339 |
| - | 997 044 602 47 | D - MJ 2009>> Set of wheels, compl. Turbo tyre pressure control system 235/35 ZR19 305/30 ZR19 | | 1 | 911/S PR:339,482 |
| - | 997 044 602 59 | D - MJ 2009>> Set of wheels, compl. Carrera Sport 235/35 ZR19 305/30 ZR19 | | 1 | 911/S PR:339 |
| - | 997 044 602 62 | D - MJ 2009>> Set of wheels, compl. Carrera Sport tyre pressure control system 235/35 ZR19 305/30 ZR19 | | 1 | 911/S PR:339,482 |
| | | D - MJ 2009>> | | | |

Model: TEQ

Model life 1985>>2012



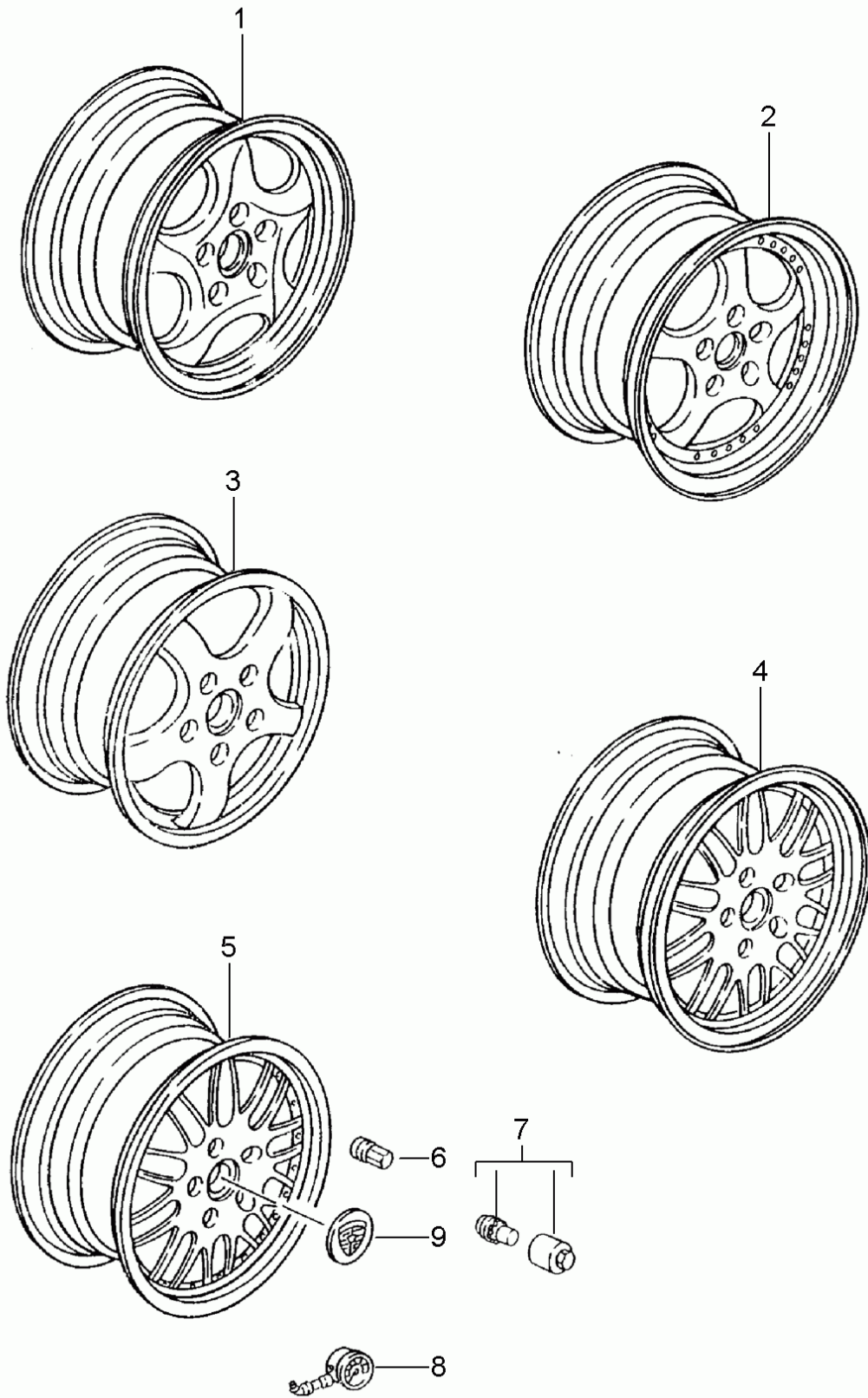
Model: TEQ

Model life 1985>>2012

| Pos | Part Number | Description | Remark | Qty | Model |
|-----|----------------|--|--------|-----|--------------------------------------|
| - | 997 044 600 53 | Gear wheel sets Winter D - MJ 2009>> Set of wheels, compl. CARRERA IV 235/40 VR18 265/40 VR18 | | 1 | 911/S (997 II) 911/S PR:338 |
| - | 997 044 600 56 | D - MJ 2009>> Set of wheels, compl. CARRERA IV tyre pressure control system 235/40 VR18 265/40 VR18 | | 1 | 911/S PR:338,482 |
| - | 997 044 600 73 | D - MJ 2009>> Set of wheels, compl. CARRERA IV 235/40 VR18 295/35 VR18 | | 1 | 911/S PR:338 |
| - | 997 044 600 76 | D - MJ 2009>> Set of wheels, compl. CARRERA IV tyre pressure control system 235/40 VR18 295/35 VR18 | | 1 | 911/S PR:338,482 |
| - | 997 044 600 48 | D - MJ 2009>> Set of wheels, compl. CARRERA S II tyre pressure control system 235/35 VR19 295/30 VR19 | | 1 | 911/S PR:338,482 |
| - | 997 044 600 77 | D - MJ 2009>> Set of wheels, compl. CARRERA IV 235/40 VR18 295/35 VR18 | | 1 | 911/S PR:339 |
| - | 997 044 600 72 | D - MJ 2009>> Set of wheels, compl. CARRERA IV tyre pressure control system 235/40 VR18 295/35 VR18 | | 1 | 911/S PR:339,482 |
| - | 997 044 600 52 | D - MJ 2009>> Set of wheels, compl. CARRERA S II tyre pressure control system 235/35 VR19 295/30 VR19 | | 1 | 911/S PR:339,482 |
| - | | D - MJ 2009>> | | | |

Model: TEQ

Model life 1985>>2012



Model: TEQ Model life 1985>>2012

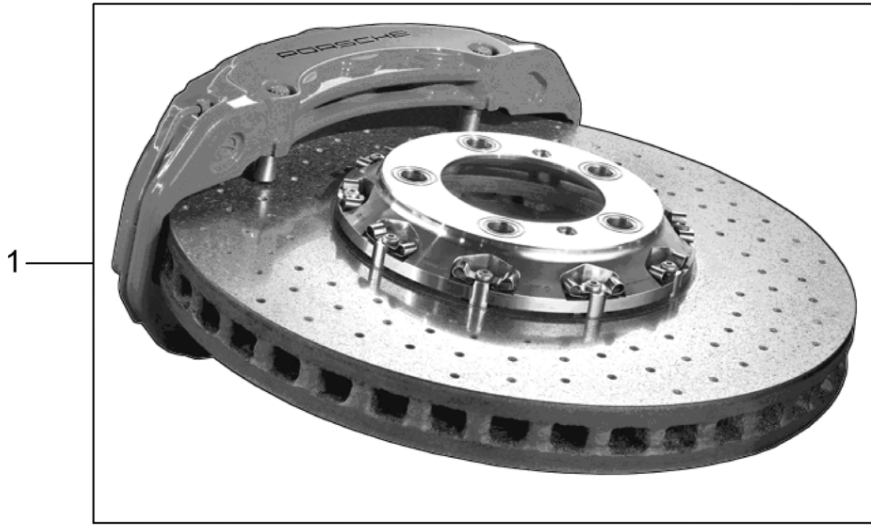
| Pos | Part Number | Description | Remark | Qty | Model |
|-----|--------------------------------------|---|----------------|-----|--------------------------------|
| | | Alloy wheels Accessories see illustration: 996/601-00 | | | CARRERA TURBO BOXSTER |
| 1 | 993 362 134 05 | Disc wheel TECHNOLOGIE DESIGN 7,5 J X 18, ET 50 | front front | 1 | BOXSTER 911 |
| 1 | 993 362 136 00 | Alloy wheel TECHNOLOGIE DESIGN 8 J X 18, ET 52 | front | 1 | CARRERA CARRERA 4 TURBO |
| 1 | 993 362 138 00 | Alloy wheel TECHNOLOGIE DESIGN 9 J X 18, ET 50 | rear | 1 | BOXSTER |
| 1 | 993 362 140 00 | Alloy wheel TECHNOLOGIE DESIGN 10 J X 18, ET 40 | rear | 1 | TURBO |
| 1 | 993 362 140 01 | Disc wheel TECHNOLOGIE DESIGN 10 J X 18, ET 65 | rear | 1 | CARRERA CARRERA 4 911 |
| 2 | 993 362 124 50 | Alloy wheel TARGA DESIGN 7 J X 17, ET 55 | front | 1 | CARRERA CARRERA 4 |
| 2 | 993 362 128 50 | Alloy wheel TARGA DESIGN 9 J X 17, ET 55 | rear | 1 | CARRERA CARRERA 4 |
| 3 | 993 362 124 00 | Alloy wheel CUP DESIGN '94 7 J X 17, ET 55 | front | 1 | CARRERA CARRERA 4 |
| 3 | 993 362 128 00 993 362 128 00 61M | Alloy wheel Silver metallic CUP DESIGN '94 9 J X 17, ET 55 | rear | 1 | CARRERA CARRERA 4 |
| 4 | 993 362 124 51 | Disc wheel SPORTCLASSIC 7 J X 17, ET 55 | front | 1 | CARRERA, 4 TARGA BOXSTER |
| (4) | 993 362 126 55 | Disc wheel SPORTCLASSIC 8,5 X 17, ET 50 | rear | 1 | BOXSTER |
| 4 | 993 362 128 51 | Alloy wheel SPORTCLASSIC 9 J X 17, ET 55 | rear | 1 | CARRERA CARRERA 4 TARGA |
| 5 | 993 362 134 55 | Disc wheel SPORTCLASSIC II 7,5 J X 18, ET 50 | front front | 1 | 911 BOXSTER |
| 5 | 993 362 136 50 | Disc wheel SPORTCLASSIC II 8 J X 18, ET 52 | front | 1 | CARRERA CARRERA 4 |
| 5 | 993 362 138 50 | Disc wheel SPORTCLASSIC II 9 J X 18, ET 52 | rear | 1 | BOXSTER |
| 5 | 993 362 140 50 | Disc wheel SPORTCLASSIC II 10 J X 18, ET 65 | rear rear | 1 | CARRERA 911 |
| - | 996 362 134 55 | Alloy wheel SPORT-DESIGN 7,5 X 18, ET 50 | front front | 1 | 911 BOXSTER |
| - | 996 362 136 50 | Disc wheel SPORT-DESIGN 8 X 18, ET 52 | front | 1 | 911 |
| - | 996 362 138 50 | Alloy wheel SPORT-DESIGN 9 X 18, ET52 | rear | 1 | BOXSTER |
| - | 996 362 140 50 | Disc wheel | rear | 1 | 911 |

Model: TEQ Model life 1985>>2012

| Pos | Part Number | Description | Remark | Qty | Model |
|-----|--------------------|--|--------|-----|---------------------------|
| | | SPORT-DESIGN 10 X 18, ET 65 | rear | | 911 |
| 6 | 999 182 003 36 | Wheel nut | | 16 | |
| - | 000 044 500 14 | Anti-theft protection (complete) Set | | 1 | BOXSTER 911 GT3 |
| - | | comprising: | | | |
| 7 | 993 361 057 00 | Wheel nut | | 1 | 911 |
| | | Anti-theft protection | | | |
| (7) | 996 361 057 01 | Wheel bolt | | 1 | |
| | | Anti-theft protection | | | |
| (7) | 996 361 057 90 | Wheel bolt | | 1 | BOXSTER 911 911 GT3 |
| | | Anti-theft protection | | | |
| - | 997 044 600 16 | Anti-theft protection Anti-theft protection silver | | 1 | 17MM |
| 8 | 911 722 201 02 | Tyre pressure gauge | | 1 | |
| 9 | 928 361 032 11 | Hub cap | | 4 | |
| | | Discontinued part | | | |
| | 928 361 032 11 TPP | Hub cap | | | |
| | | Coloured | | | |
| 9 | 928 361 032 06 | Hub cap | | 4 | |
| | 928 361 032 06 TPP | Hub cap | | | |
| | | Coloured | | | |
| 9 | 993 361 303 07 | Hub cap | | 4 | |
| | 993 361 303 07 61M | silver | | | |
| | | Porsche crest | | | |
| | | Coloured | | | |
| 9 | 993 361 303 07 | Hub cap | | 4 | |
| | 993 361 303 07 61W | steel grey | | | |
| | | Porsche crest | | | |
| | | Coloured | | | |
| - | 000 044 600 12 | Hub cap | | 1 | |
| | | Set | | | |
| - | | comprising: | | | |
| (9) | 993 361 303 10 | Hub cap | | 4 | |
| | 993 361 303 10 9A1 | silver | | | |
| | | Coloured | | | |
| | | Concave | | | |
| - | 000 044 600 00 | Cover cap | | 1 | |
| | | Valve cap | | | |
| | | with: | | | |
| | | Rubber valve | | | |
| - | 993 362 980 04 | Alloy wheel | front | 2 | TURBO S |
| - | 993 362 980 05 | Alloy wheel Lacquered | rear | 2 | TURBO S |

Model: TEQ

Model life 1985>>2012



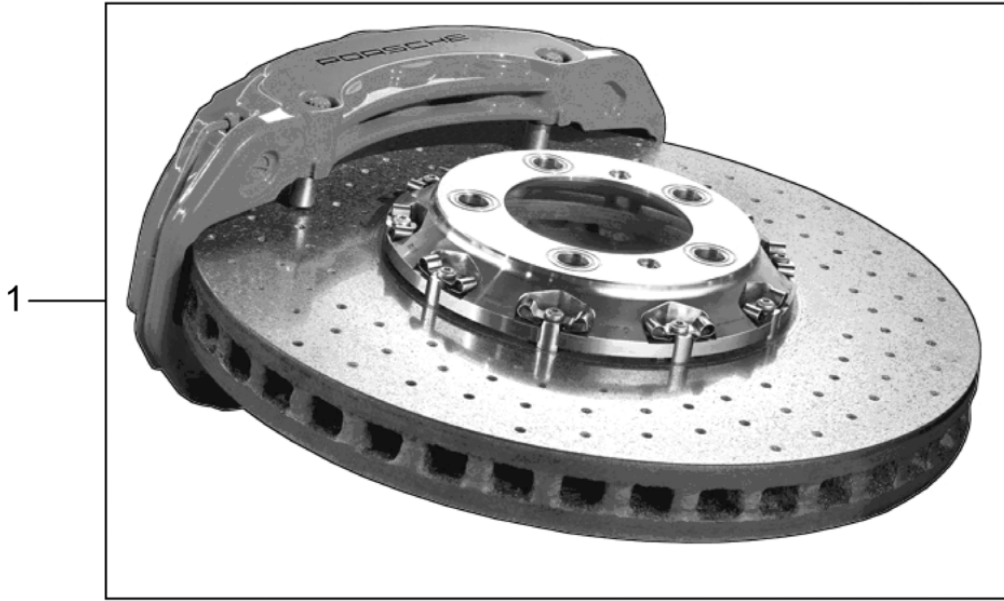
Model: TEQ

Model life 1985>>2012

| Pos | Part Number | Description | Remark | Qty | Model |
|-----|----------------|---|----------------|-----|--|
| 1 | 000 044 600 60 | Brake PCCB D - MJ 2001>> - MJ 2005 Brakes PCCB Set | 01-05 04-05 | 1 | 911(996) C4S/GT3 Turbo/GT2 Turbo Coupé C4S Coupé |
| (1) | 000 044 600 61 | Brakes PCCB Set | | 1 | GT2 |
| (1) | 000 044 600 62 | D - MJ 2001>> - MJ 2005 Brakes PCCB Set D - MJ 2004>> - MJ 2005 | | 1 | GT3 |

Model: TEQ

Model life 1985>>2012



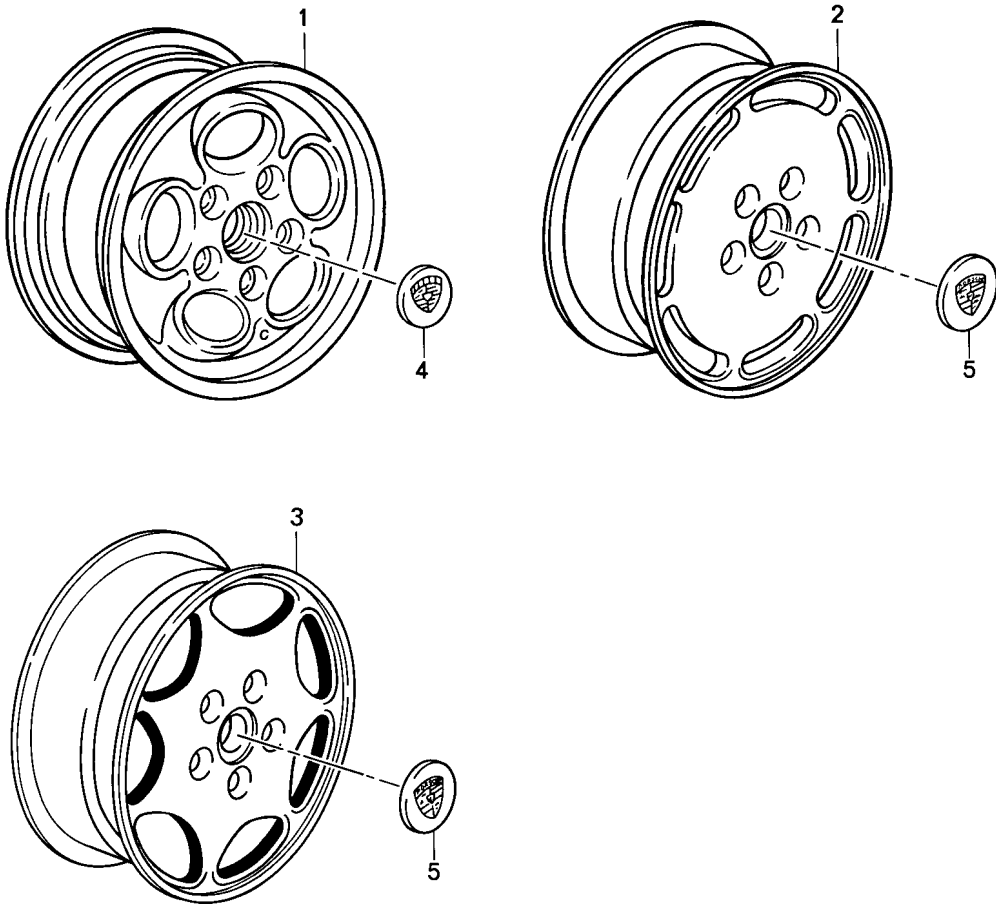
Model: TEQ

Model life 1985>>2012

| Pos | Part Number | Description | Remark | Qty | Model |
|-----|----------------|--|----------------|-----|-------------------------------|
| - | | Brake PCCB D - MJ 2005>> Tequipment Supply Use up for Subsequent installation See catalogue Standard 997 | | | 911(997) S Turbo |
| - | | Inst. & Conv. Instructions 911 carrera Group 4 4701 (5/06) Attention | | | C2S / C4S Targa |
| 1 | 997 044 600 63 | Brakes PCCB Set Discontinued part | 2005- 2007- | 1 | PR:-450 C2S/C4S Targa S |
| - | | Inst. & Conv. Instructions 911 turbo Group 4 4701 (13/06) Attention | | | |
| (1) | 997 044 600 60 | Brakes PCCB Set Discontinued part | 2007- | 1 | PR:-450 Turbo |

Model: TEQ

Model life 1985>>2012



Model: TEQ

Model life 1985>>2012

| Pos | Part Number | Description | Remark | Qty | Model |
|-----|----------------|--|--------|-----|--|
| (1) | 996 361 617 00 | Shim 5 MM Anti-theft protection Spacer ring 17MM Wheel bolt | with: | 1 | 911 (993) 911 (996) Boxster(986) BOXSTER CARRERA |

Model: TEQ

Model life 1985>>2012



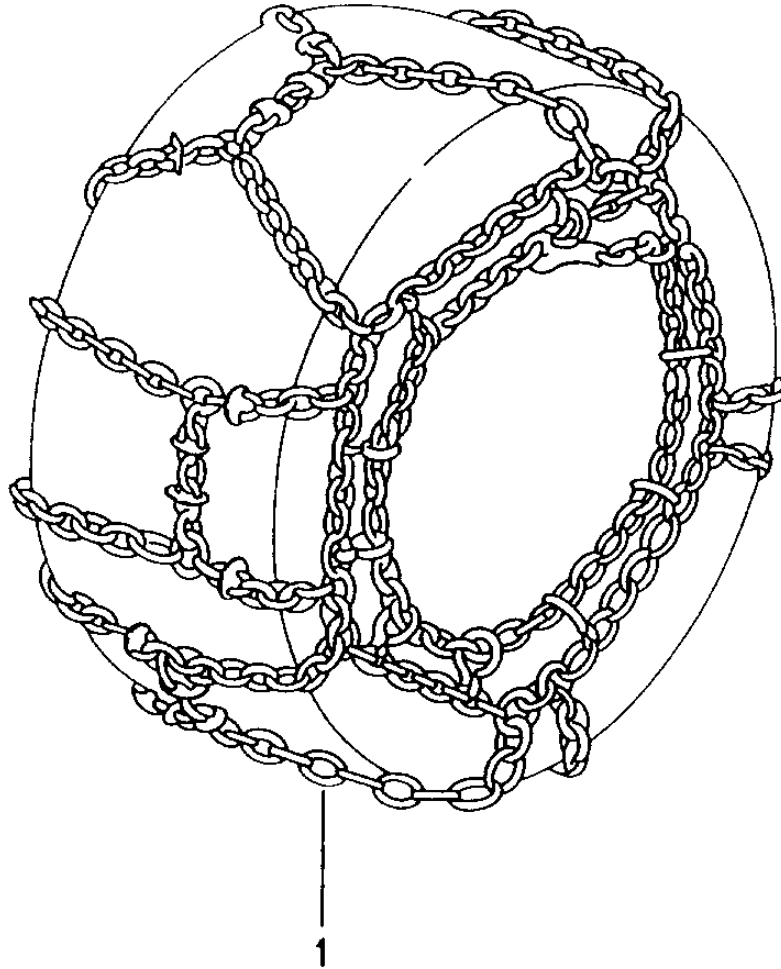
Model: TEQ

Model life 1985>>2012



Model: TEQ

Model life 1985>>2012



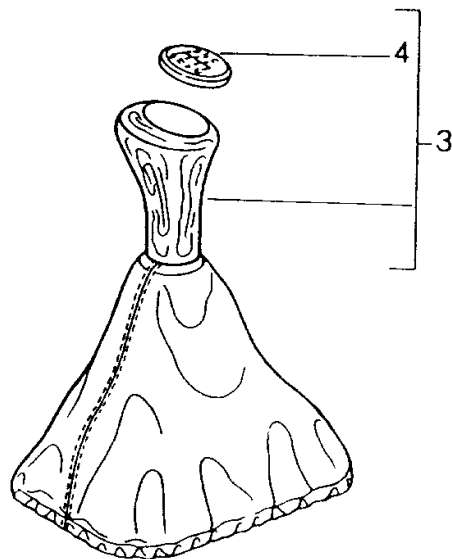
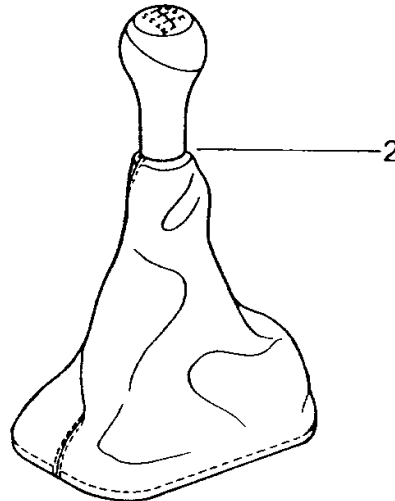
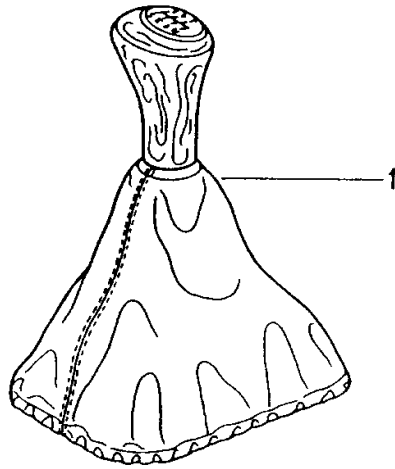
Model: TEQ

Model life 1985>>2012

| Pos | Part Number | Description | Remark | Qty | Model |
|-----|----------------|---|--------|-----|-------|
| (1) | 911 361 920 00 | Snow chains Snow chains Set for 205/55 R 16 | | 1 | |
| (1) | 993 361 931 00 | Snow chains Set for 225/50 R 16 225/45 R 17 | | 1 | |
| (1) | 996 361 920 00 | Snow chains Set for 225/50 R 16 225/45 R 17 | | 1 | |
| (1) | 996 361 921 00 | Snow chains Set for 255/40 R 17 or 235/50 R 17 | | 1 | |
| (1) | 996 361 922 00 | Snow chains Set for 265/35 R 18 or 255/40 R 18 | | 1 | |
| (1) | 997 044 600 07 | Snow chains Set for 265/40 R18 | | 1 | |
| (1) | 997 044 600 08 | Snow chains Set for 295/35 R18 | | 1 | |

Model: TEQ

Model life 1985>>2012



Model: TEQ Model life 1985>>2012

| Pos | Part Number | Description | Remark | Qty | Model |
|-----|--------------------|--|--------|-----|-------------------------------|
| 1 | 993 424 981 00 | gearstick knob D - MJ 1994>> - MJ 1998 gearstick knob (leather) Rootwood Light | | 1 | 911 (993) Carrera Targa |
| | 993 424 981 00 4YU | Cashmere beige | | | |
| | 993 424 981 00 T15 | chestnut brown | | | |
| | 993 424 981 00 6XL | Classic grey | | | |
| | 993 424 981 00 3QN | Marble grey | | | |
| | 993 424 981 00 H24 | Midnight blue | | | |
| | 993 424 981 00 8YR | Black | | | |
| 1 | 993 424 981 01 | gearstick knob (leather) Rootwood Dark | | 1 | Carrera Targa |
| | 993 424 981 01 4YU | Cashmere beige | | | |
| | 993 424 981 01 T15 | chestnut brown | | | |
| | 993 424 981 01 6XL | Classic grey | | | |
| | 993 424 981 01 3QN | Marble grey | | | |
| | 993 424 981 01 H24 | Midnight blue | | | |
| | 993 424 981 01 8YR | Black | | | |
| 2 | 993 424 981 06 | gearstick knob (leather) Carbon-aluminium look | | 1 | Carrera Targa |
| | 993 424 981 06 4YU | Cashmere beige | | | |
| | 993 424 981 06 T15 | chestnut brown | | | |
| | 993 424 981 06 6XL | Classic grey | | | |
| | 993 424 981 06 3QN | Marble grey | | | |
| | 993 424 981 06 H24 | Midnight blue | | | |
| | 993 424 981 06 8YR | Black | | | |
| (2) | 000 044 700 14 | gearstick knob | | 1 | Carrera |
| | 000 044 700 14 4YU | Cashmere beige | | | |
| | 000 044 700 14 T15 | chestnut brown | | | |
| | 000 044 700 14 6XL | Classic grey | | | |
| | 000 044 700 14 3QN | Marble grey | | | |
| | 000 044 700 14 H24 | Midnight blue | | | |
| | 000 044 700 14 8YR | Black | | | |
| 3 | 993 424 981 02 | gearstick knob (leather) Shift pattern | | 1 | Carrera Targa |
| | 993 424 981 02 4YU | Cashmere beige | | | |
| | 993 424 981 02 T15 | chestnut brown | | | |
| | 993 424 981 02 6XL | Classic grey | | | |
| | 993 424 981 02 3QN | Marble grey | | | |
| | 993 424 981 02 H24 | Midnight blue | | | |
| | 993 424 981 02 8YR | Black | | | |
| 4 | 000 044 700 05 | Insert Shift pattern Leather | | 1 | C2/C4/C4S Turbo Targa |
| | 000 044 700 05 4YU | Cashmere beige | | | |
| | 000 044 700 05 T15 | chestnut brown | | | |
| | 000 044 700 05 6XL | Classic grey | | | |
| | 000 044 700 05 3QN | Marble grey | | | |
| | 000 044 700 05 H24 | Midnight blue | | | |
| | 000 044 700 05 8YR | Black | | | |
| 4 | EXC 964 018 08 | Insert Porsche crest Leather | | 1 | C2/C4/C4S Turbo Targa |
| | EXC 964 018 08 4YU | Cashmere beige | | | |
| | EXC 964 018 08 T15 | chestnut brown | | | |
| | EXC 964 018 08 6XL | Classic grey | | | |
| | EXC 964 018 08 3QN | Marble grey | | | |
| | EXC 964 018 08 H24 | Midnight blue | | | |
| | EXC 964 018 08 8YR | Black | | | |
| 4 | EXC 964 018 21 | Insert | | 1 | C2/C4/C4S |

Model: TEQ Model life 1985>>2012

| Pos | Part Number | Description | Remark | Qty | Model |
|-----|--------------------|--------------------------|--------|-----|--------------|
| | | Porsche crest | | | Turbo |
| | EXC 964 018 21 4YU | Cashmere beige | | | |
| | EXC 964 018 21 T15 | chestnut brown | | | |
| | EXC 964 018 21 6XL | Classic grey | | | |
| | EXC 964 018 21 3QN | Marble grey | | | |
| | EXC 964 018 21 H24 | Midnight blue | | | |
| | EXC 964 018 21 8YR | Black | | | |
| 4 | EXC 964 018 14 | Insert | | 1 | C2/C4/C4S |
| | | Porsche crest | | | Turbo |
| | | gold | | | Targa |
| | | Discontinued part | | | |
| 4 | EXC 964 018 11 | Insert | | 1 | C2/C4/C4S |
| | | Porsche crest | | | Turbo |
| | | silver | | | Targa |
| | | Discontinued part | | | |
| 3 | 993 424 075 30 | gearstick knob | | 1 | Carrera RS |
| | | Leather | | | |
| | 993 424 075 30 8YR | Black | | | |
| 1 | 993 424 982 00 | gearstick knob (leather) | | 1 | Carrera 4/4S |
| | | Rootwood | | | Turbo |
| | | Light | | | |
| | 993 424 982 00 8YR | Black | | | |
| | 993 424 982 00 H24 | Midnight blue | | | |
| | 993 424 982 00 6XL | Classic grey | | | |
| | 993 424 982 00 M30 | Boxster red | | | |
| | 993 424 982 00 J30 | Nephrite green | | | |
| | 993 424 982 00 3QN | Marble grey | | | |
| | 993 424 982 00 T15 | chestnut brown | | | |
| 1 | 993 424 982 01 | gearstick knob (leather) | | 1 | Carrera 4/4S |
| | | Rootwood | | | Turbo |
| | | Dark | | | |
| | 993 424 982 01 8YR | Black | | | |
| | 993 424 982 01 H24 | Midnight blue | | | |
| | 993 424 982 01 6XL | Classic grey | | | |
| | 993 424 982 01 M30 | Boxster red | | | |
| | 993 424 982 01 J30 | Nephrite green | | | |
| | 993 424 982 01 3QN | Marble grey | | | |
| | 993 424 982 01 T15 | chestnut brown | | | |
| 2 | 993 424 982 06 | gearstick knob (leather) | | 1 | Carrera 4/4S |
| | | Carbon-aluminium look | | | Turbo |
| | 993 424 982 06 8YR | Black | | | |
| | 993 424 982 06 H24 | Midnight blue | | | |
| | 993 424 982 06 6XL | Classic grey | | | |
| | 993 424 982 06 M30 | Boxster red | | | |
| | 993 424 982 06 J30 | Nephrite green | | | |
| | 993 424 982 06 3QN | Marble grey | | | |
| | 993 424 982 06 T15 | chestnut brown | | | |
| (2) | 000 044 700 21 | gearstick knob | | 1 | Carrera 4/4S |
| | 000 044 700 21 8YR | Black | | | Turbo |
| | 000 044 700 21 H24 | Midnight blue | | | |
| | 000 044 700 21 6XL | Classic grey | | | |
| | 000 044 700 21 M30 | Boxster red | | | |
| | 000 044 700 21 J30 | Nephrite green | | | |
| | 000 044 700 21 3QN | Marble grey | | | |
| | 000 044 700 21 T15 | chestnut brown | | | |
| 3 | 993 424 982 02 | gearstick knob (leather) | | 1 | Carrera 4/4S |
| | | Shift pattern | | | Turbo |
| | 993 424 982 02 8YR | Black | | | |
| | 993 424 982 02 H24 | Midnight blue | | | |
| | 993 424 982 02 6XL | Classic grey | | | |
| | 993 424 982 02 M30 | Boxster red | | | |
| | 993 424 982 02 J30 | Nephrite green | | | |

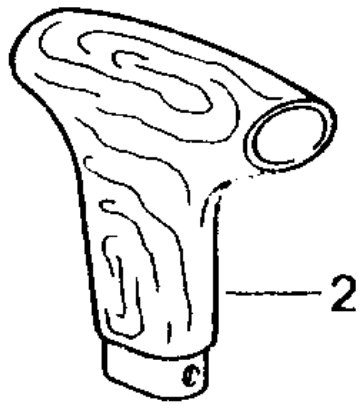
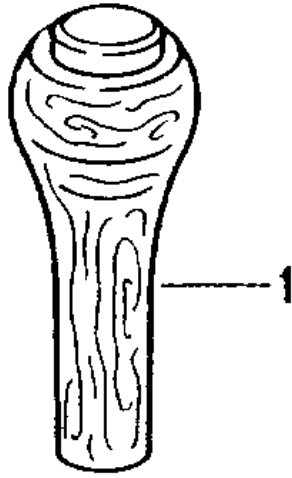
Model: TEQ

Model life 1985>>2012

| Pos | Part Number | Description | Remark | Qty | Model |
|-----|--------------------|----------------|--------|-----|-------|
| | 993 424 982 02 3QN | Marble grey | | | |
| | 993 424 982 02 T15 | chestnut brown | | | |

Model: TEQ

Model life 1985>>2012

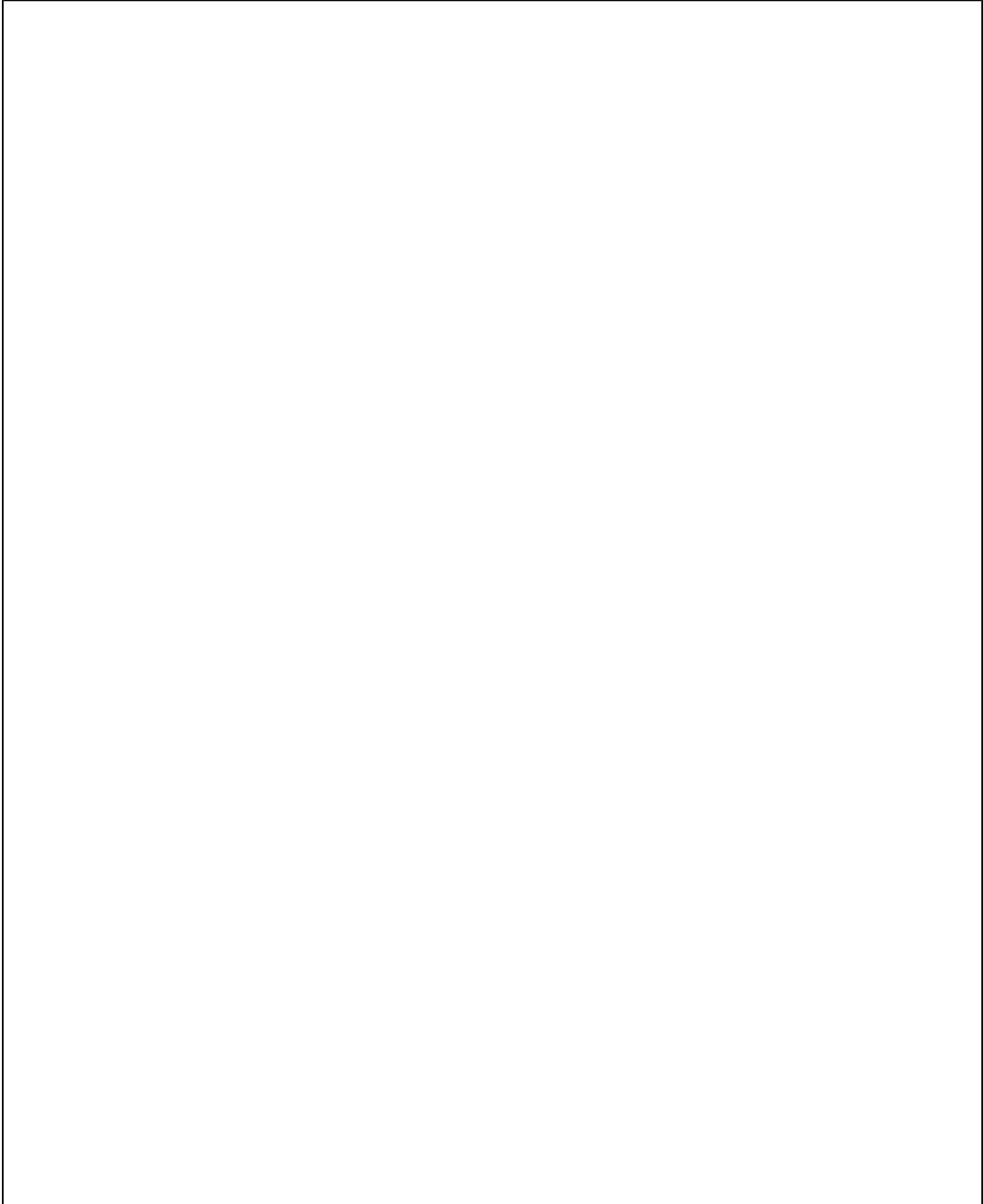


Model: TEQ Model life 1985>>2012

| Pos | Part Number | Description | Remark | Qty | Model |
|-----|--------------------|---|----------------|-----|---|
| 1 | 993 426 981 02 | selector lever TIPTRONIC/ Automatic selector lever Tiptronic Rootwood Light | 89-98 | 1 | 968 911, CARRERA 928 968 CARRERA 2 CARRERA |
| 1 | 993 426 981 01 | selector lever Tiptronic Rootwood Dark | 89-94 94-98 | 1 | 968 CARRERA 2 CARRERA |
| (1) | 000 044 700 25 | selector lever Tiptronic Carbon Triggering button aluminium | 89-94 94-98 | 1 | 968 CARRERA 2 CARRERA |
| (1) | 993 426 981 04 | selector lever Tiptronic aluminium Triggering button aluminium | 94-98 | 1 | 968 CARRERA 2 CARREA |
| - | 964 552 985 00 | Cover panel Shift gate Leather D - MJ 1989>> - MJ 1998 | lhd | 1 | 911 PR:098 |
| | 964 552 985 00 4YU | Cashmere beige | | | |
| | 964 552 985 00 8YR | Black | | | |
| | 964 552 985 00 H24 | Midnight blue | | | |
| 2 | EXC 928 031 00 | selector lever Rootwood Light | | 1 | 928 |
| | EXC 928 031 00 8YR | Black | | | |
| 2 | EXC 928 031 01 | selector lever Rootwood Dark | | 1 | 928 |
| | EXC 928 031 01 8YR | Black | | | |

Model: TEQ

Model life 1985>>2012



Model: TEQ Model life 1985>>2012

| Pos | Part Number | Description | Remark | Qty | Model |
|-----|--------------------|---|--------|-----|---------|
| - | 000 044 700 26 | gearstick knob gearshift lever Sport D - MJ 1997>> - MJ 2004 gearshift lever Sport aluminium Leather | | 1 | BOXSTER |
| | 000 044 700 26 M30 | Boxster red D - MJ 1997>> | | | |
| | 000 044 700 26 J30 | Nephrite green D - MJ 1997>> | | | |
| | 000 044 700 26 S30 | savannah beige D - MJ 1997>> | | | |
| | 000 044 700 26 8YR | Black D - MJ 1997>> | | | |
| | 000 044 700 26 C50 | Graphite grey D - MJ 1997>> | | | |
| | 000 044 700 26 G10 | Metropole blue D - MJ 1998>> | | | |
| | 000 044 700 26 VRJ | Black Grey green | | | |
| - | 986 424 981 00 | gearstick knob (leather) aluminium D >> - MJ 2000 | | 1 | PR:009 |
| | 986 424 981 00 M30 | Boxster red D - MJ 1997>> | | | |
| | 986 424 981 00 J30 | Nephrite green D - MJ 1997>> | | | |
| | 986 424 981 00 S30 | savannah beige D - MJ 1997>> | | | |
| | 986 424 981 00 8YR | Black D - MJ 1997>> | | | |
| | 986 424 981 00 C50 | Graphite grey D - MJ 1997>> | | | |
| | 986 424 981 00 G10 | Metropole blue D - MJ 1998>> | | | |
| | 986 424 981 00 VRJ | Black Grey green | | | |
| - | 986 424 981 05 | gearstick knob aluminium Leather D >> - MJ 2001 | | 1 | PR:009 |
| | 986 424 981 05 M30 | Boxster red D - MJ 1997>> | | | |
| | 986 424 981 05 J30 | Nephrite green D - MJ 1997>> | | | |
| | 986 424 981 05 S30 | savannah beige D - MJ 1997>> | | | |
| | 986 424 981 05 8YR | Black D - MJ 1997>> | | | |
| | 986 424 981 05 C50 | Graphite grey D - MJ 1997>> | | | |
| | 986 424 981 05 G10 | Metropole blue D - MJ 1998>> | | | |
| | 986 424 981 05 VRJ | Black Grey green | | | |
| - | 996 424 981 00 | gearstick knob aluminium Leather Discontinued part | | 1 | PR:008 |
| | 996 424 981 00 M30 | Boxster red | | | |
| | 996 424 981 00 J30 | Nephrite green | | | |

Model: TEQ Model life 1985>>2012

| Pos | Part Number | Description | Remark | Qty | Model |
|-----|--------------------|---|--------|-----|--------|
| - | 996 424 981 00 S30 | savannah beige | | | |
| | 996 424 981 00 8YR | Black | | | |
| | 996 424 981 00 C50 | Graphite grey | | | |
| | 996 424 981 00 G10 | Metropole blue | | | |
| - | 996 424 981 15 | gearstick knob aluminium Leather | | 1 | PR:008 |
| | 996 424 981 15 M30 | Boxster red | | | |
| | 996 424 981 15 J30 | Nephrite green | | | |
| | 996 424 981 15 S30 | savannah beige | | | |
| | 996 424 981 15 8YR | Black | | | |
| | 996 424 981 15 C50 | Graphite grey | | | |
| | 996 424 981 15 G10 | Metropole blue | | | |
| - | 986 424 981 01 | gearstick knob (leather) mahagoni | | 1 | PR:009 |
| | 986 424 981 01 M30 | Mahogany/Boxster red D - MJ 1997>> | | | |
| | 986 424 981 01 J30 | Mahogany/nephrite green D - MJ 1997>> | | | |
| | 986 424 981 01 S30 | Mahogany/savanna beige D - MJ 1997>> | | | |
| | 986 424 981 01 8YR | Black D - MJ 1997>> | | | |
| | 986 424 981 01 C50 | Mahogany/graffiti grey D - MJ 1997>> | | | |
| | 986 424 981 01 G10 | Mahogany/metropolis blue D - MJ 1998>> | | | |
| - | 986 424 981 04 | gearstick knob Dark maple rootwood aluminium Leather D >> - MJ 2000 | | 1 | PR:009 |
| | 986 424 981 04 M30 | Boxster red | | | |
| | 986 424 981 04 J30 | Nephrite green | | | |
| | 986 424 981 04 S30 | savannah beige | | | |
| | 986 424 981 04 8YR | Black | | | |
| | 986 424 981 04 C50 | Graphite grey | | | |
| | 986 424 981 04 G10 | Metropole blue | | | |
| - | 986 424 981 06 | gearstick knob Dark maple rootwood aluminium Leather D - MJ 2001>> | | 1 | PR:009 |
| | 986 424 981 06 M30 | Boxster red | | | |
| | 986 424 981 06 J30 | Nephrite green | | | |
| | 986 424 981 06 S30 | savannah beige | | | |
| | 986 424 981 06 8YR | Black | | | |
| | 986 424 981 06 C50 | Graphite grey | | | |
| | 986 424 981 06 G10 | Metropole blue | | | |
| - | 986 424 981 03 | gearstick knob mahagoni aluminium Leather D - MJ 1997>> | | 1 | PR:009 |
| | 986 424 981 03 8YR | Black D - MJ 1997>> | | | |
| | 986 424 981 03 M30 | Mahogany/Boxster red D - MJ 1997>> | | | |
| | 986 424 981 03 J30 | Mahogany/nephrite green D - MJ 1997>> | | | |
| | 986 424 981 03 S30 | Mahogany/savanna beige D - MJ 1997>> | | | |
| | 986 424 981 03 C50 | Mahogany/graffiti grey D - MJ 1997>> | | | |

Model: TEQ Model life 1985>>2012

| Pos | Part Number | Description | Remark | Qty | Model |
|-----|--------------------|---|--------|-----|--------|
| - | 986 424 981 03 G10 | Mahogany/metropolis blue D - MJ 1998>> | | | |
| | 996 424 981 02 | gearstick knob Dark maple rootwood aluminium Leather D >> - MJ 2000 | | 1 | PR:008 |
| | 996 424 981 02 8YR | Black | | | |
| | 996 424 981 02 M30 | Boxster red | | | |
| | 996 424 981 02 J30 | Nephrite green | | | |
| | 996 424 981 02 S30 | savannah beige | | | |
| | 996 424 981 02 C50 | Graphite grey | | | |
| | 996 424 981 02 G10 | Metropole blue | | | |
| | 996 424 981 02 T11 | Brown/natural | | | |
| - | 996 424 981 17 | gearstick knob Dark maple rootwood aluminium Leather D - MJ 2001>> | | 1 | PR:008 |
| | 996 424 981 17 8YR | Black | | | |
| | 996 424 981 17 M30 | Boxster red | | | |
| | 996 424 981 17 J30 | Nephrite green | | | |
| | 996 424 981 17 S30 | savannah beige | | | |
| | 996 424 981 17 C50 | Graphite grey | | | |
| | 996 424 981 17 G10 | Metropole blue | | | |
| - | 986 424 981 02 | gearstick knob (leather) Carbon aluminium D >> - MJ 2000 | | 1 | PR:009 |
| | 986 424 981 02 M30 | Boxster red D - MJ 1997>> | | | |
| | 986 424 981 02 J30 | Nephrite green D - MJ 1997>> | | | |
| | 986 424 981 02 S30 | savannah beige D - MJ 1997>> | | | |
| | 986 424 981 02 8YR | Black D - MJ 1997>> | | | |
| | 986 424 981 02 C50 | Graphite grey D - MJ 1997>> | | | |
| | 986 424 981 02 G10 | Metropole blue D - MJ 1998>> | | | |
| - | 986 424 981 07 | gearstick knob Carbon aluminium Leather | | 1 | PR:009 |
| | 986 424 981 07 M30 | Boxster red | | | |
| | 986 424 981 07 J30 | Nephrite green | | | |
| | 986 424 981 07 S30 | savannah beige | | | |
| | 986 424 981 07 8YR | Black | | | |
| | 986 424 981 07 C50 | Graphite grey | | | |
| | 986 424 981 07 G10 | Metropole blue | | | |
| - | 996 424 981 03 | gearstick knob Carbon aluminium Leather D >> - MJ 2000 | | 1 | PR:008 |
| | 996 424 981 03 M30 | Boxster red | | | |
| | 996 424 981 03 J30 | Nephrite green | | | |
| | 996 424 981 03 S30 | savannah beige | | | |
| | 996 424 981 03 8YR | Black | | | |
| | 996 424 981 03 C50 | Graphite grey | | | |
| | 996 424 981 03 G10 | Metropole blue | | | |
| - | 996 424 981 18 | gearstick knob | | 1 | PR:008 |

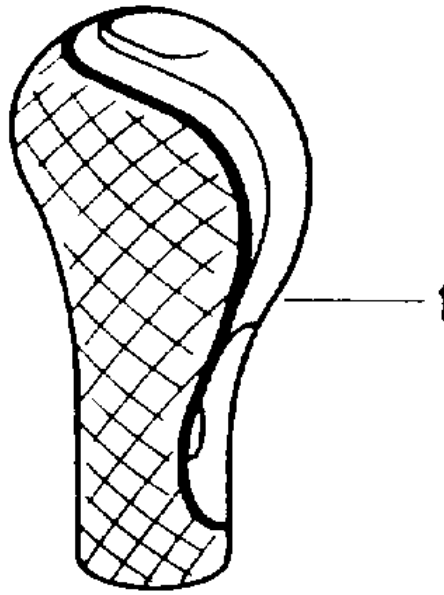
Model: TEQ

Model life 1985>>2012

| Pos | Part Number | Description | Remark | Qty | Model |
|-----|--------------------|---|--------|-----|-------|
| | | Carbon aluminium Leather D - MJ 2001>> | | | |
| | 996 424 981 18 M30 | Boxster red | | | |
| | 996 424 981 18 J30 | Nephrite green | | | |
| | 996 424 981 18 S30 | savannah beige | | | |
| | 996 424 981 18 8YR | Black | | | |
| | 996 424 981 18 C50 | Graphite grey | | | |
| | 996 424 981 18 G10 | Metropole blue | | | |

Model: TEQ

Model life 1985>>2012



Model: TEQ Model life 1985>>2012

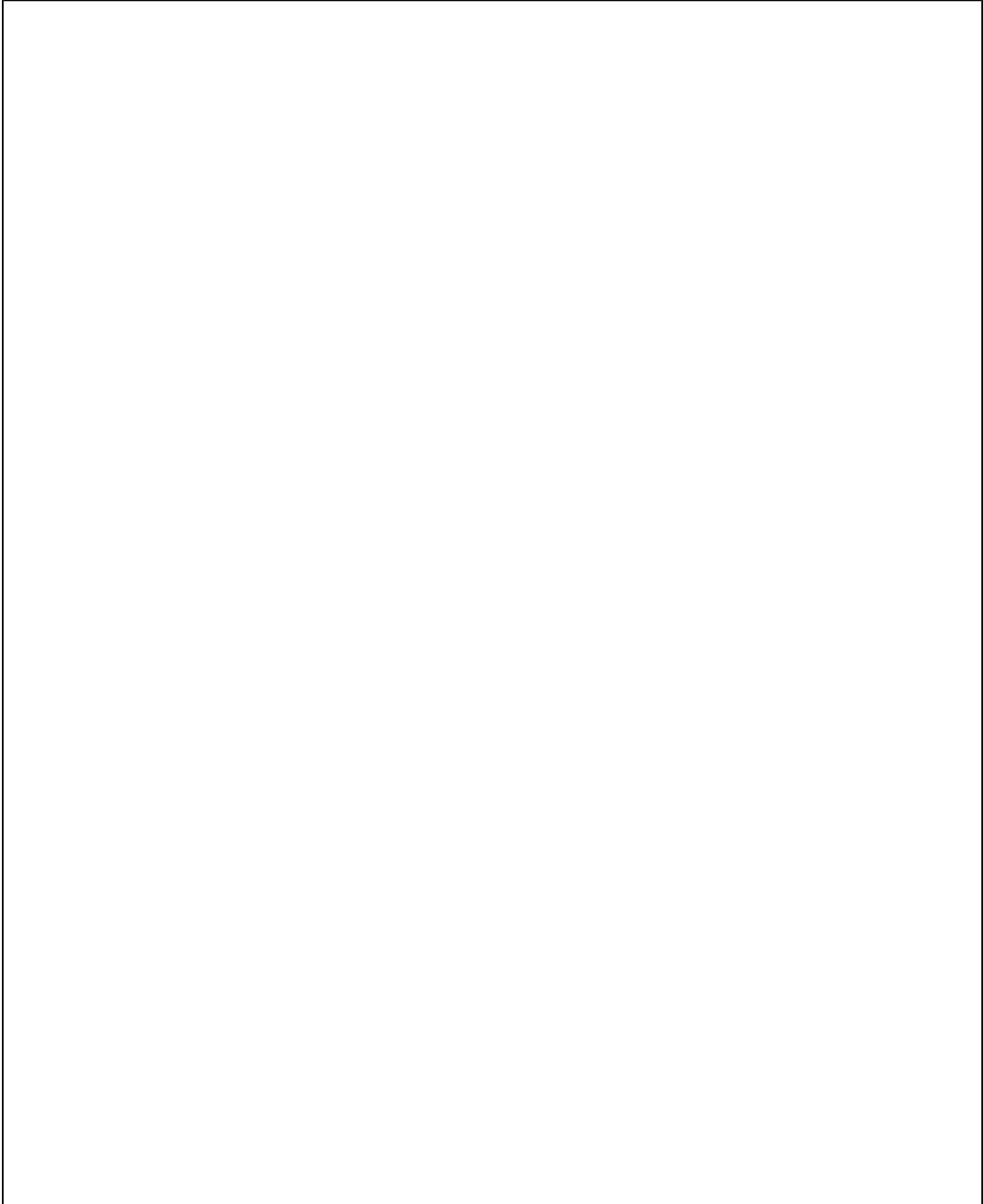
| Pos | Part Number | Description | Remark | Qty | Model |
|-----|--------------------|---|--------|-----|---------|
| - | 996 426 981 00 | selector lever Tiptronic Cover panel Selector mechanism D - MJ 1997>> - MJ 2004 | | 1 | BOXSTER |
| | 996 426 981 00 8YR | selector lever aluminium Triggering button aluminium Leather D >> - MJ 2000 Black | | | |
| | 996 426 981 00 VRJ | D - MJ 1997>> Discontinued part Black | | | |
| | 996 426 981 00 C50 | Graphite grey D - MJ 1997>> | | | |
| | 996 426 981 00 S30 | savannah beige D - MJ 1997>> | | | |
| | 996 426 981 00 J30 | Nephrite green D - MJ 1997>> | | | |
| | 996 426 981 00 M30 | Boxster red D - MJ 1997>> | | | |
| | 996 426 981 00 G10 | Metropole blue D - MJ 1998>> | | | |
| - | 996 426 981 06 | gearstick knob aluminium Triggering button aluminium Leather | | 1 | |
| | 996 426 981 06 8YR | Black Discontinued part | | | |
| | 996 426 981 06 VRJ | Black | | | |
| | 996 426 981 06 C50 | Graphite grey | | | |
| | 996 426 981 06 S30 | savannah beige | | | |
| | 996 426 981 06 J30 | Nephrite green | | | |
| | 996 426 981 06 M30 | Boxster red | | | |
| | 996 426 981 06 G10 | Metropole blue | | | |
| - | 996 426 981 02 | selector lever Carbon Triggering button aluminium Leather D >> - MJ 2000 | | 1 | |
| | 996 426 981 02 8YR | Black | | | |
| - | 996 426 981 09 | selector lever Carbon Triggering button aluminium | | 1 | |
| | 996 426 981 09 8YR | D - MJ 2000>> | | | |
| - | 996 426 981 03 | selector lever mahagoni Triggering button aluminium | | 1 | |
| | 996 426 981 03 8YR | Black | | | |
| - | 996 426 981 01 | selector lever mahagoni Triggering button aluminium | | 1 | |
| - | 996 426 981 05 | selector lever Dark maple rootwood Triggering button aluminium | | 1 | |

Model: TEQ Model life 1985>>2012

| Pos | Part Number | Description | Remark | Qty | Model |
|-----|--------------------|---|--------|-----|--------|
| - | 996 426 981 08 | D >> - MJ 2000 gearstick knob Dark maple rootwood Triggering button aluminium | | 1 | |
| - | 996 552 977 10 | D - MJ 2001>> Shift gate Selector mechanism Tiptronic Insert aluminium Leather Discontinued part | lhd | 1 | PR:098 |
| | 996 552 977 10 M31 | Boxster red | | | |
| | 996 552 977 10 J31 | D - MJ 1997>> Nephrite green | | | |
| | 996 552 977 10 S31 | D - MJ 1997>> savannah beige | | | |
| | 996 552 977 10 C51 | D - MJ 1997>> Graphite grey | | | |
| | 996 552 977 10 A11 | D - MJ 1997>> Black | | | |
| | 996 552 977 10 G11 | D - MJ 1997>> Metropole blue | | | |
| - | 996 552 977 20 | D - MJ 1998>> Shift gate Cover panel Tiptronic Insert aluminium Leather Discontinued part | lhd | 1 | PR:098 |
| | 996 552 977 20 M31 | Boxster red | | | |
| | 996 552 977 20 J31 | D - MJ 1997>> Nephrite green | | | |
| | 996 552 977 20 S31 | D - MJ 1997>> savannah beige | | | |
| | 996 552 977 20 C51 | D - MJ 1997>> Graphite grey | | | |
| | 996 552 977 20 A11 | D - MJ 1997>> Black | | | |
| | 996 552 977 20 G11 | D - MJ 1997>> Metropole blue | | | |
| - | 996 552 977 12 | D - MJ 1998>> Cover panel Selector mechanism Tiptronic Carbon Insert aluminium | lhd | 1 | PR:098 |
| - | 996 552 977 14 | Cover panel Selector mechanism Tiptronic mahagoni Insert aluminium | lhd | 1 | PR:098 |

Model: TEQ

Model life 1985>>2012



Model: TEQ Model life 1985>>2012

| Pos | Part Number | Description | Remark | Qty | Model |
|-----|--------------------|--|--------|-----|-------|
| | | gearstick knob gearshift lever Sport D - MJ 1998>> - MJ 2004 | | | 911 |
| - | 000 044 700 26 | gearshift lever Sport | | 1 | 911 |
| - | 996 424 981 00 | gearstick knob aluminium Leather D >> - MJ 2000 | | 1 | |
| | 996 424 981 00 8YR | Black | | | |
| | 996 424 981 00 C50 | D - MJ 1998>> Graphite grey | | | |
| | 996 424 981 00 S30 | D - MJ 1998>> savannah beige | | | |
| | 996 424 981 00 J30 | D - MJ 1998>> Nephrite green | | | |
| | 996 424 981 00 M30 | D - MJ 1998>> Boxster red | | | |
| | 996 424 981 00 G10 | D - MJ 1998>> Metropole blue | | | |
| | 996 424 981 00 B50 | D - MJ 1998>> Space grey | | | |
| - | 996 424 981 15 | gearstick knob aluminium Leather D >> - MJ 2000 | | 1 | |
| | 996 424 981 15 8YR | Black | | | |
| | 996 424 981 15 C50 | D - MJ 1998>> Graphite grey | | | |
| | 996 424 981 15 S30 | D - MJ 1998>> savannah beige | | | |
| | 996 424 981 15 J30 | D - MJ 1998>> Nephrite green | | | |
| | 996 424 981 15 M30 | D - MJ 1998>> Boxster red | | | |
| | 996 424 981 15 G10 | D - MJ 1998>> Metropole blue | | | |
| | 996 424 981 15 B50 | D - MJ 1998>> Space grey | | | |
| - | 996 424 981 01 | gearstick knob Light maple rootwood aluminium Leather D >> - MJ 2000 | | 1 | |
| | 996 424 981 01 8YR | Black | | | |
| | 996 424 981 01 C50 | D - MJ 1998>> Graphite grey | | | |
| | 996 424 981 01 S30 | D - MJ 1998>> savannah beige | | | |
| | 996 424 981 01 J30 | D - MJ 1998>> Nephrite green | | | |
| | 996 424 981 01 M30 | D - MJ 1998>> Boxster red | | | |
| | 996 424 981 01 G10 | D - MJ 1998>> Metropole blue | | | |
| | 996 424 981 01 B50 | D - MJ 1998>> Space grey | | | |
| - | 996 424 981 16 | gearstick knob Light maple rootwood aluminium Leather D >> - MJ 2000 | | 1 | |
| | 996 424 981 16 8YR | Black | | | |
| | 996 424 981 16 C50 | D - MJ 1998>> Graphite grey | | | |
| | 996 424 981 16 S30 | D - MJ 1998>> savannah beige | | | |
| | 996 424 981 16 J30 | D - MJ 1998>> Nephrite green | | | |
| | 996 424 981 16 M30 | D - MJ 1998>> Boxster red | | | |
| | 996 424 981 16 G10 | D - MJ 1998>> Metropole blue | | | |

Model: TEQ Model life 1985>>2012

| Pos | Part Number | Description | Remark | Qty | Model |
|-----|--------------------------------------|---|--------|-----|-------|
| - | 996 424 981 16 B50 996 424 981 02 | Space grey gearstick knob Dark maple rootwood aluminium Leather D >> - MJ 2000 | | 1 | |
| | 996 424 981 02 8YR | Black D - MJ 1998>> | | | |
| | 996 424 981 02 C50 | Graphite grey D - MJ 1998>> | | | |
| | 996 424 981 02 S30 | savannah beige D - MJ 1998>> | | | |
| | 996 424 981 02 J30 | Nephrite green D - MJ 1998>> | | | |
| | 996 424 981 02 M30 | Boxster red D - MJ 1998>> | | | |
| | 996 424 981 02 G10 | Metropole blue D - MJ 1998>> | | | |
| | 996 424 981 02 B50 | Space grey D - MJ 1998>> | | | |
| | 996 424 981 02 T11 | Brown/natural D - MJ 1998>> | | | |
| - | 996 424 981 17 | gearstick knob Dark maple rootwood aluminium Leather Black | | 1 | |
| | 996 424 981 17 8YR | Black | | | |
| | 996 424 981 17 C50 | Graphite grey | | | |
| | 996 424 981 17 S30 | savannah beige | | | |
| | 996 424 981 17 J30 | Nephrite green | | | |
| | 996 424 981 17 M30 | Boxster red | | | |
| | 996 424 981 17 G10 | Metropole blue | | | |
| | 996 424 981 17 B50 | Space grey | | | |
| - | 996 424 981 03 | gearstick knob Carbon aluminium Leather D >> - MJ 2000 | | 1 | |
| | 996 424 981 03 8YR | Black D - MJ 1998>> | | | |
| | 996 424 981 03 C50 | Graphite grey D - MJ 1998>> | | | |
| | 996 424 981 03 S30 | savannah beige D - MJ 1998>> | | | |
| | 996 424 981 03 J30 | Nephrite green D - MJ 1998>> | | | |
| | 996 424 981 03 M30 | Boxster red D - MJ 1998>> | | | |
| | 996 424 981 03 G10 | Metropole blue D - MJ 1998>> | | | |
| | 996 424 981 03 B50 | Space grey D - MJ 1998>> | | | |
| - | 996 424 981 18 | gearstick knob Carbon aluminium Leather Black | | 1 | |
| | 996 424 981 18 8YR | Black D - MJ 1998>> | | | |
| | 996 424 981 18 C50 | Graphite grey D - MJ 1998>> | | | |
| | 996 424 981 18 S30 | savannah beige D - MJ 1998>> | | | |
| | 996 424 981 18 J30 | Nephrite green | | | |

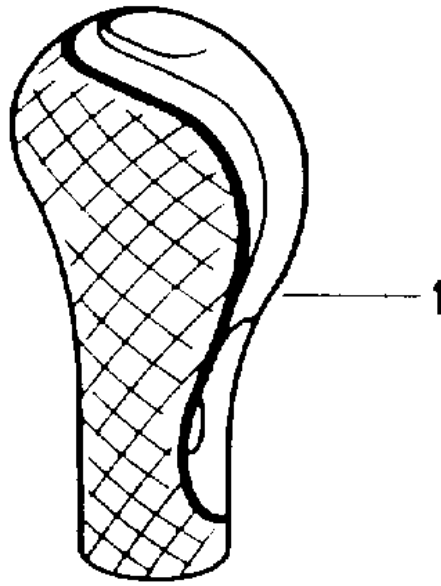
Model: TEQ

Model life 1985>>2012

| Pos | Part Number | Description | Remark | Qty | Model |
|-----|--------------------|---------------------------------|--------|-----|-------|
| | 996 424 981 18 M30 | D - MJ 1998>> Boxster red | | | |
| | 996 424 981 18 G10 | D - MJ 1998>> Metropole blue | | | |
| | 996 424 981 18 B50 | D - MJ 1998>> Space grey | | | |
| | | D - MJ 1998>> | | | |

Model: TEQ

Model life 1985>>2012



Model: TEQ Model life 1985>>2012

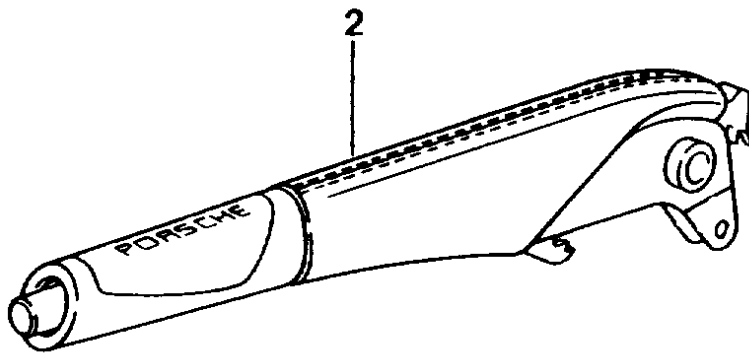
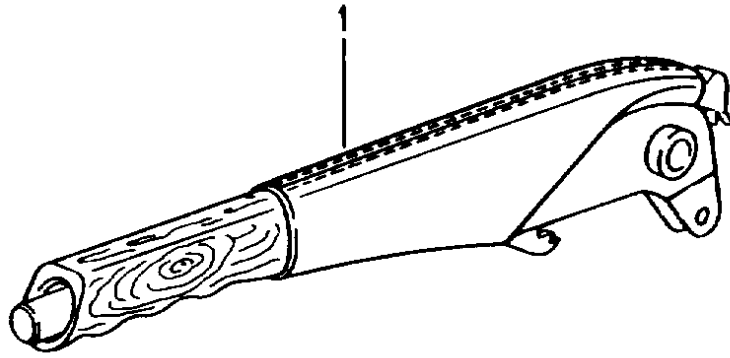
| Pos | Part Number | Description | Remark | Qty | Model |
|-----|--------------------|---|--------|-----|-------|
| - | 996 426 981 00 | selector lever Tiptronic Cover panel Selector mechanism D - MJ 1998>> - MJ 2004 | | 1 | 911 |
| | 996 426 981 00 8YR | selector lever aluminium Triggering button aluminium Leather D >> - MJ 2000 Black | | | |
| | 996 426 981 00 VRJ | Discontinued part Black | | | |
| | 996 426 981 00 C50 | Graphite grey D - MJ 1998>> | | | |
| | 996 426 981 00 S30 | savannah beige D - MJ 1998>> | | | |
| | 996 426 981 00 J30 | Nephrite green D - MJ 1998>> | | | |
| | 996 426 981 00 M30 | Boxster red D - MJ 1998>> | | | |
| | 996 426 981 00 G10 | Metropole blue D - MJ 1998>> | | | |
| | 996 426 981 00 B50 | Space grey D - MJ 1998>> | | | |
| - | 996 426 981 06 | gearstick knob aluminium Triggering button aluminium Leather | | 1 | |
| | 996 426 981 06 8YR | Black Discontinued part | | | |
| | 996 426 981 06 VRJ | Black | | | |
| | 996 426 981 06 C50 | Graphite grey | | | |
| | 996 426 981 06 S30 | savannah beige | | | |
| | 996 426 981 06 J30 | Nephrite green | | | |
| | 996 426 981 06 M30 | Boxster red | | | |
| | 996 426 981 06 G10 | Metropole blue | | | |
| | 996 426 981 06 B50 | Space grey | | | |
| - | 996 426 981 02 | selector lever Carbon Triggering button aluminium Leather D >> - MJ 2000 | | 1 | |
| | 996 426 981 02 8YR | Black | | | |
| - | 996 426 981 09 | selector lever Carbon Triggering button aluminium D - MJ 2001>> | | 1 | |
| - | 996 426 981 04 | selector lever Maple rootwood Light Triggering button aluminium D >> - MJ 2000 | | 1 | |
| - | 996 426 981 07 | selector lever Maple rootwood Light Triggering button | | 1 | |

Model: TEQ Model life 1985>>2012

| Pos | Part Number | Description | Remark | Qty | Model |
|-----|--------------------|--|--------|-----|--------|
| - | 996 426 981 05 | aluminium D - MJ 2001>> selector lever Maple rootwood Dark Triggering button aluminium | | 1 | |
| - | 996 426 981 08 | D >> - MJ 2000 gearstick knob Maple rootwood Dark Triggering button aluminium | | 1 | |
| - | 996 552 977 20 | D - MJ 2001>> Shift gate Cover panel Tiptronic Insert aluminium Leather | lhd | 1 | PR:098 |
| | 996 552 977 20 M31 | Boxster red D - MJ 1998>> | | | |
| | 996 552 977 20 J31 | Nephrite green D - MJ 1998>> | | | |
| | 996 552 977 20 S31 | savannah beige D - MJ 1998>> | | | |
| | 996 552 977 20 C51 | Graphite grey D - MJ 1998>> | | | |
| | 996 552 977 20 A11 | Black D - MJ 1998>> | | | |
| | 996 552 977 20 G11 | Metropole blue D - MJ 1998>> | | | |
| - | 996 552 977 02 | Cover panel Selector mechanism Tiptronic Carbon Insert aluminium | lhd | 1 | PR:098 |
| - | 996 552 977 12 | Cover panel Selector mechanism Tiptronic Carbon Insert aluminium | lhd | 1 | PR:098 |
| - | 996 552 977 16 | Cover panel Selector mechanism Tiptronic Light maple rootwood Insert aluminium | lhd | 1 | PR:098 |
| - | 996 552 977 18 | Cover panel Selector mechanism Tiptronic Dark maple rootwood Insert aluminium | lhd | 1 | PR:098 |

Model: TEQ

Model life 1985>>2012

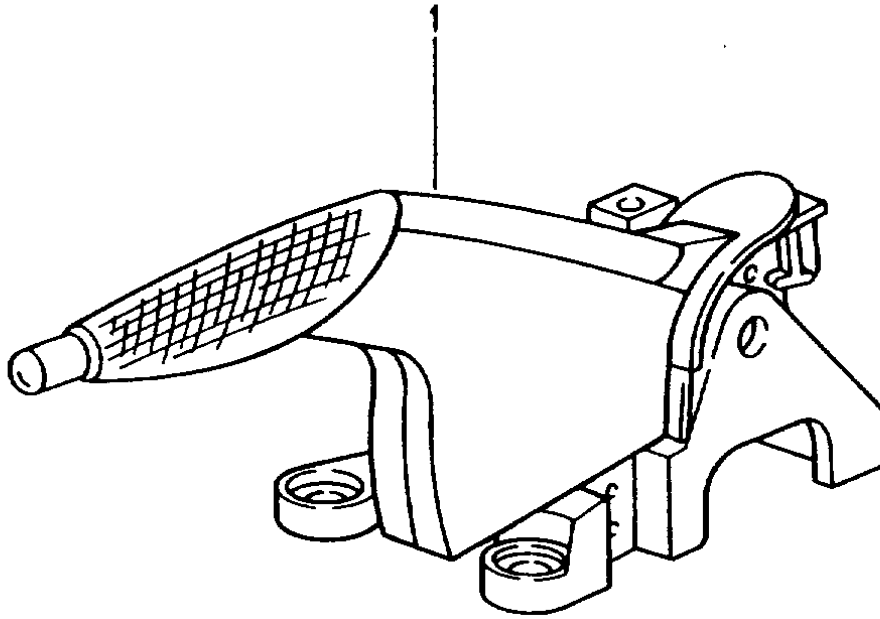


Model: TEQ Model life 1985>>2012

| Pos | Part Number | Description | Remark | Qty | Model |
|-----|--------------------|---|--------|-----|----------|
| | | Brake lever D - MJ 1989>> - MJ 1998 | | | 911(993) |
| 1 | 993 424 980 02 | handbrake lever grip (leather) Rootwood Light | | 1 | |
| 1 | 993 424 980 02 | handbrake lever grip (leather) Rootwood Light | | 1 | |
| | 993 424 980 02 4YU | Cashmere beige | | | |
| | 993 424 980 02 6XL | Classic grey | | | |
| | 993 424 980 02 H05 | marine blue | | | |
| 1 | 993 424 980 02 | handbrake lever grip (leather) Rootwood Light | | 1 | |
| | 993 424 980 02 8YR | Black | | | |
| 1 | 993 424 980 03 | handbrake lever grip (leather) Rootwood Dark | | 1 | |
| 1 | 993 424 980 03 | handbrake lever grip (leather) Rootwood Dark | | 1 | |
| | 993 424 980 03 4YU | Cashmere beige | | | |
| | 993 424 980 03 6XL | Classic grey | | | |
| | 993 424 980 03 H05 | marine blue | | | |
| 1 | 993 424 980 03 | handbrake lever grip (leather) Rootwood Dark | | 1 | |
| | 993 424 980 03 8YR | Black | | | |
| 2 | 993 424 980 04 | handbrake lever grip (leather) Carbon-aluminium look | | 1 | |
| | 993 424 980 04 4YU | Cashmere beige | | | |
| | 993 424 980 04 6XL | Classic grey | | | |
| | 993 424 980 04 H05 | marine blue | | | |
| | 993 424 980 04 8YR | Black | | | |
| 2 | 993 424 980 04 | handbrake lever grip (leather) Carbon-aluminium look | | 1 | |
| (2) | 993 424 980 07 | handbrake lever grip (leather) Aluminium look | | 1 | |
| (2) | 993 424 980 07 | handbrake lever grip (leather) Aluminium look | | 1 | |
| | 993 424 980 07 4YU | Cashmere beige | | | |
| | 993 424 980 07 6XL | Classic grey | | | |
| | 993 424 980 07 H05 | marine blue | | | |
| | 993 424 980 07 8YR | Black | | | |
| (2) | 993 424 980 07 | handbrake lever grip (leather) Aluminium look | | 1 | |

Model: TEQ

Model life 1985>>2012



Model: TEQ Model life 1985>>2012

| Pos | Part Number | Description | Remark | Qty | Model |
|-----|--------------------|--|--------|-----|-------------------------|
| - | 996 424 980 22 | Brake lever D - MJ 1997>> - MJ 2004 Brake lever aluminium Leather D - MJ 1997>> | lhd | 1 | Boxster (986) PR:098 |
| | 996 424 980 22 M30 | Boxster red | | | |
| | 996 424 980 22 J30 | Nephrite green | | | |
| | 996 424 980 22 S30 | savannah beige | | | |
| | 996 424 980 22 8YR | Black | | | |
| | 996 424 980 22 C50 | Graphite grey | | | |
| | 996 424 980 22 G10 | Metropole blue | | | |
| | 996 424 980 22 P11 | Cinnamon brown | | | |
| - | 996 424 980 01 | handbrake lever grip (leather) mahagoni D - MJ 1997>> Discontinued part | | 1 | |
| | 996 424 980 01 M30 | Mahogany/Boxster red | | | |
| | 996 424 980 01 J30 | Mahogany/nephrite green | | | |
| | 996 424 980 01 S30 | Mahogany/savanna beige | | | |
| | 996 424 980 01 8YR | Black | | | |
| | 996 424 980 01 C50 | Mahogany/graffiti grey | | | |
| | 996 424 980 01 G10 | Mahogany/metropolis blue | | | |
| - | 996 424 980 02 | handbrake lever grip (leather) Carbon D - MJ 1997>> | | 1 | |
| | 996 424 980 02 M30 | Boxster red | | | |
| | 996 424 980 02 J30 | Nephrite green | | | |
| | 996 424 980 02 S30 | savannah beige | | | |
| | 996 424 980 02 8YR | Black | | | |
| | 996 424 980 02 C50 | Graphite grey | | | |
| | 996 424 980 02 G10 | Metropole blue | | | |
| (1) | 996 424 980 07 | handbrake lever grip (leather) Carbon-aluminium look Discontinued part | lhd | 1 | PR:098 |
| | 996 424 980 07 M30 | Boxster red | | | |
| | 996 424 980 07 J30 | Nephrite green | | | |
| | 996 424 980 07 S30 | savannah beige | | | |
| | 996 424 980 07 8YR | Black | | | |
| | 996 424 980 07 C50 | Graphite grey | | | |
| | 996 424 980 07 G10 | Metropole blue | | | |
| (1) | 996 424 980 16 | handbrake lever grip (leather) Carbon-aluminium look Discontinued part | lhd | 1 | PR:098 |
| | 996 424 980 16 M30 | Boxster red | | | |
| | 996 424 980 16 J30 | Nephrite green | | | |
| | 996 424 980 16 S30 | savannah beige | | | |
| | 996 424 980 16 8YR | Black | | | |
| | 996 424 980 16 C50 | Graphite grey | | | |
| | 996 424 980 16 G10 | Metropole blue | | | |
| (1) | 996 424 980 24 | Brake lever Carbon-aluminium look Leather | lhd | 1 | PR:098 |
| | 996 424 980 24 M30 | Boxster red | | | |
| | 996 424 980 24 J30 | Nephrite green | | | |
| | 996 424 980 24 S30 | savannah beige | | | |
| | 996 424 980 24 8YR | Black | | | |
| | 996 424 980 24 C50 | Graphite grey | | | |
| | 996 424 980 24 G10 | Metropole blue | | | |
| (1) | 996 424 980 25 | Brake lever Carbon-aluminium look | rhd | 1 | PR:099 |

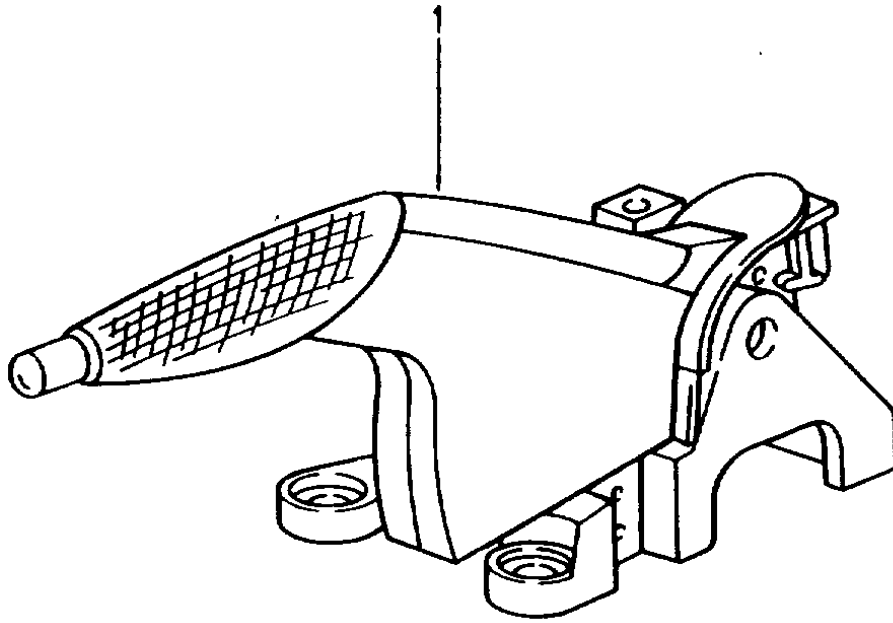
Model: TEQ

Model life 1985>>2012

| Pos | Part Number | Description | Remark | Qty | Model |
|-----|--------------------|--|--------|-----|--------|
| | 996 424 980 25 M30 | Leather Boxster red | | | |
| | 996 424 980 25 J30 | Nephrite green | | | |
| | 996 424 980 25 S30 | savannah beige | | | |
| | 996 424 980 25 8YR | Black | | | |
| | 996 424 980 25 C50 | Graphite grey | | | |
| | 996 424 980 25 G10 | Metropole blue | | | |
| - | 996 424 980 14 | Brake lever D - MJ 1997>> | lhd | 1 | PR:098 |
| | 996 424 980 14 M30 | Mahogany/Boxster red | | | |
| | 996 424 980 14 J30 | Mahogany/nephrite green | | | |
| | 996 424 980 14 S30 | Mahogany/savanna beige | | | |
| | 996 424 980 14 8YR | Black | | | |
| | 996 424 980 14 C50 | Mahogany/graffiti grey | | | |
| | 996 424 980 14 G10 | Mahogany/metropolis blue D - MJ 1998>> | | | |
| (1) | 996 424 980 28 | Brake lever Dark maple rootwood aluminium Leather | lhd | 1 | PR:098 |
| | 996 424 980 28 M30 | Boxster red | | | |

Model: TEQ

Model life 1985>>2012



Model: TEQ Model life 1985>>2012

| Pos | Part Number | Description | Remark | Qty | Model |
|-----|--------------------|--|--------|-----|--------------------|
| - | 996 424 980 12 | Brake lever D - MJ 1998>> - MJ 2004 Brake lever aluminium Leather D - MJ 1998>> | lhd | 1 | 911(996) PR:098 |
| | 996 424 980 12 M30 | Boxster red | | | |
| | 996 424 980 12 J30 | Nephrite green | | | |
| | 996 424 980 12 S30 | savannah beige | | | |
| | 996 424 980 12 8YR | Black | | | |
| | 996 424 980 12 C50 | Graphite grey | | | |
| | 996 424 980 12 G10 | Metropole blue | | | |
| | 996 424 980 12 B50 | Space grey | | | |
| - | 996 424 980 22 | Brake lever aluminium Leather D - MJ 1998>> | lhd | 1 | PR:098 |
| | 996 424 980 22 M30 | Boxster red | | | |
| | 996 424 980 22 J30 | Nephrite green | | | |
| | 996 424 980 22 S30 | savannah beige | | | |
| | 996 424 980 22 8YR | Black | | | |
| | 996 424 980 22 C50 | Graphite grey | | | |
| | 996 424 980 22 G10 | Metropole blue | | | |
| | 996 424 980 22 B50 | Space grey | | | |
| - | 996 424 980 16 | handbrake lever grip (leather) Carbon-aluminium look D - MJ 1998>> Discontinued part | lhd | 1 | PR:098 |
| | 996 424 980 16 M30 | Boxster red | | | |
| | 996 424 980 16 J30 | Nephrite green | | | |
| | 996 424 980 16 S30 | savannah beige | | | |
| | 996 424 980 16 8YR | Black | | | |
| | 996 424 980 16 C50 | Graphite grey | | | |
| | 996 424 980 16 G10 | Metropole blue | | | |
| | 996 424 980 16 B50 | Space grey | | | |
| - | 996 424 980 24 | Brake lever Carbon-aluminium look Leather D - MJ 1998>> | lhd | 1 | PR:098 |
| | 996 424 980 24 M30 | Boxster red | | | |
| | 996 424 980 24 J30 | Nephrite green | | | |
| | 996 424 980 24 S30 | savannah beige | | | |
| | 996 424 980 24 8YR | Black | | | |
| | 996 424 980 24 C50 | Graphite grey | | | |
| | 996 424 980 24 G10 | Metropole blue | | | |
| | 996 424 980 24 B50 | Space grey | | | |
| (1) | 996 424 980 02 | handbrake lever grip (leather) Carbon | | 1 | |
| | 996 424 980 02 M30 | Boxster red | | | |
| | 996 424 980 02 J30 | Nephrite green | | | |
| | 996 424 980 02 S30 | savannah beige | | | |
| | 996 424 980 02 8YR | Black | | | |
| | 996 424 980 02 C50 | Graphite grey | | | |
| | 996 424 980 02 G10 | Metropole blue | | | |
| | 996 424 980 02 B50 | Space grey | | | |
| - | 996 424 980 20 | Brake lever Dark maple rootwood aluminium Leather D - MJ 1998>> Discontinued part | lhd | 1 | PR:098 |
| | 996 424 980 20 M30 | Boxster red | | | |
| | 996 424 980 20 J30 | Nephrite green | | | |

Model: TEQ Model life 1985>>2012

| Pos | Part Number | Description | Remark | Qty | Model |
|-----|--------------------|--------------------------------|--------|-----|-----------------|
| | 996 424 980 20 S30 | savannah beige | | | |
| | 996 424 980 20 8YR | Black | | | |
| | 996 424 980 20 C50 | Graphite grey | | | |
| | 996 424 980 20 G10 | Metropole blue | | | |
| | 996 424 980 20 B50 | Space grey | | | |
| - | 996 424 980 28 | Brake lever | lhd | 1 | PR:098 |
| | | Dark maple rootwood | | | |
| | | aluminium | | | |
| | | Leather | | | |
| | | D - MJ 1998>> | | | |
| | 996 424 980 28 M30 | Boxster red | | | |
| | 996 424 980 28 J30 | Nephrite green | | | |
| | 996 424 980 28 S30 | savannah beige | | | |
| | 996 424 980 28 8YR | Black | | | |
| | 996 424 980 28 C50 | Graphite grey | | | |
| | 996 424 980 28 G10 | Metropole blue | | | |
| | 996 424 980 28 B50 | Space grey | | | |
| - | 996 424 980 18 | Brake lever | lhd | 1 | PR:098 |
| | | Light maple rootwood | | | |
| | | aluminium | | | |
| | | Leather | | | |
| | | D - MJ 1998>> | | | |
| | | Discontinued part | | | |
| | 996 424 980 18 M30 | Boxster red | | | |
| | 996 424 980 18 J30 | Nephrite green | | | |
| | 996 424 980 18 S30 | savannah beige | | | |
| | 996 424 980 18 8YR | Black | | | |
| | 996 424 980 18 C50 | Graphite grey | | | |
| | 996 424 980 18 G10 | Metropole blue | | | |
| | 996 424 980 18 B50 | Space grey | | | |
| - | 996 424 980 26 | Brake lever | lhd | 1 | PR:098 |
| | | Light maple rootwood | | | |
| | | aluminium | | | |
| | | Leather | | | |
| | | D - MJ 1998>> | | | |
| | 996 424 980 26 M30 | Boxster red | | | |
| | 996 424 980 26 J30 | Nephrite green | | | |
| | 996 424 980 26 S30 | savannah beige | | | |
| | 996 424 980 26 8YR | Black | | | |
| | 996 424 980 26 C50 | Graphite grey | | | |
| | 996 424 980 26 G10 | Metropole blue | | | |
| | 996 424 980 26 B50 | Space grey | | | |
| (1) | 996 424 980 30 | Brake lever | lhd | 1 | TURBO PR:098 |
| | | aluminium | | | |
| | | Leather | | | |
| | | inscription | | | |
| | | "PORSCHE" | | | |
| | 996 424 980 30 M30 | Boxster red | | | |
| | 996 424 980 30 J30 | Nephrite green | | | |
| | 996 424 980 30 S30 | savannah beige | | | |
| | 996 424 980 30 VRJ | Black | | | |
| | 996 424 980 30 C50 | Graphite grey | | | |
| | 996 424 980 30 G10 | Metropole blue | | | |
| | 996 424 980 30 P11 | Cinnamon brown | | | |
| | 996 424 980 30 D11 | Dark grey/natural | | | |
| | 996 424 980 30 T11 | Brown/natural | | | |
| (1) | 996 424 980 34 | handbrake lever grip (leather) | lhd | 1 | TURBO PR:098 |
| | | Light maple rootwood | | | |
| | | aluminium | | | |
| | | inscription | | | |
| | | "PORSCHE" | | | |
| | 996 424 980 34 M30 | Boxster red | | | |
| | 996 424 980 34 J30 | Nephrite green | | | |

Model: TEQ

Model life 1985>>2012

| Pos | Part Number | Description | Remark | Qty | Model |
|-----|--------------------|--|--------|-----|--------------------------|
| | 996 424 980 34 S30 | savannah beige | | | |
| | 996 424 980 34 VRJ | Black | | | |
| | 996 424 980 34 C50 | Graphite grey | | | |
| | 996 424 980 34 G10 | Metropole blue | | | |
| | 996 424 980 34 P11 | Cinnamon brown | | | |
| | 996 424 980 34 D11 | Dark grey/natural | | | |
| | 996 424 980 34 T11 | Brown/natural | | | |
| (1) | 996 424 980 36 | handbrake lever grip (leather) Dark maple rootwood aluminium inscription "PORSCHE" | lhd | 1 | TURBO TURBO PR:098 |
| | 996 424 980 36 M30 | Boxster red | | | |
| | 996 424 980 36 J30 | Nephrite green | | | |
| | 996 424 980 36 S30 | savannah beige | | | |
| | 996 424 980 36 VRJ | Black | | | |
| | 996 424 980 36 C50 | Graphite grey | | | |
| | 996 424 980 36 G10 | Metropole blue | | | |
| | 996 424 980 36 P11 | Cinnamon brown | | | |
| | 996 424 980 36 D11 | Dark grey/natural | | | |
| | 996 424 980 36 T11 | Brown/natural | | | |
| (1) | 996 424 980 32 | handbrake lever grip (leather) Carbon-aluminium look inscription "PORSCHE" | lhd | 1 | TURBO PR:098 |
| | 996 424 980 32 M30 | Boxster red | | | |
| | 996 424 980 32 J30 | Nephrite green | | | |
| | 996 424 980 32 S30 | savannah beige | | | |
| | 996 424 980 32 VRJ | Black | | | |
| | 996 424 980 32 C50 | Graphite grey | | | |
| | 996 424 980 32 G10 | Metropole blue | | | |
| | 996 424 980 32 P11 | Cinnamon brown | | | |
| | 996 424 980 32 D11 | Dark grey/natural | | | |
| | 996 424 980 32 T11 | Brown/natural | | | |

Model: TEQ

Model life 1985>>2012



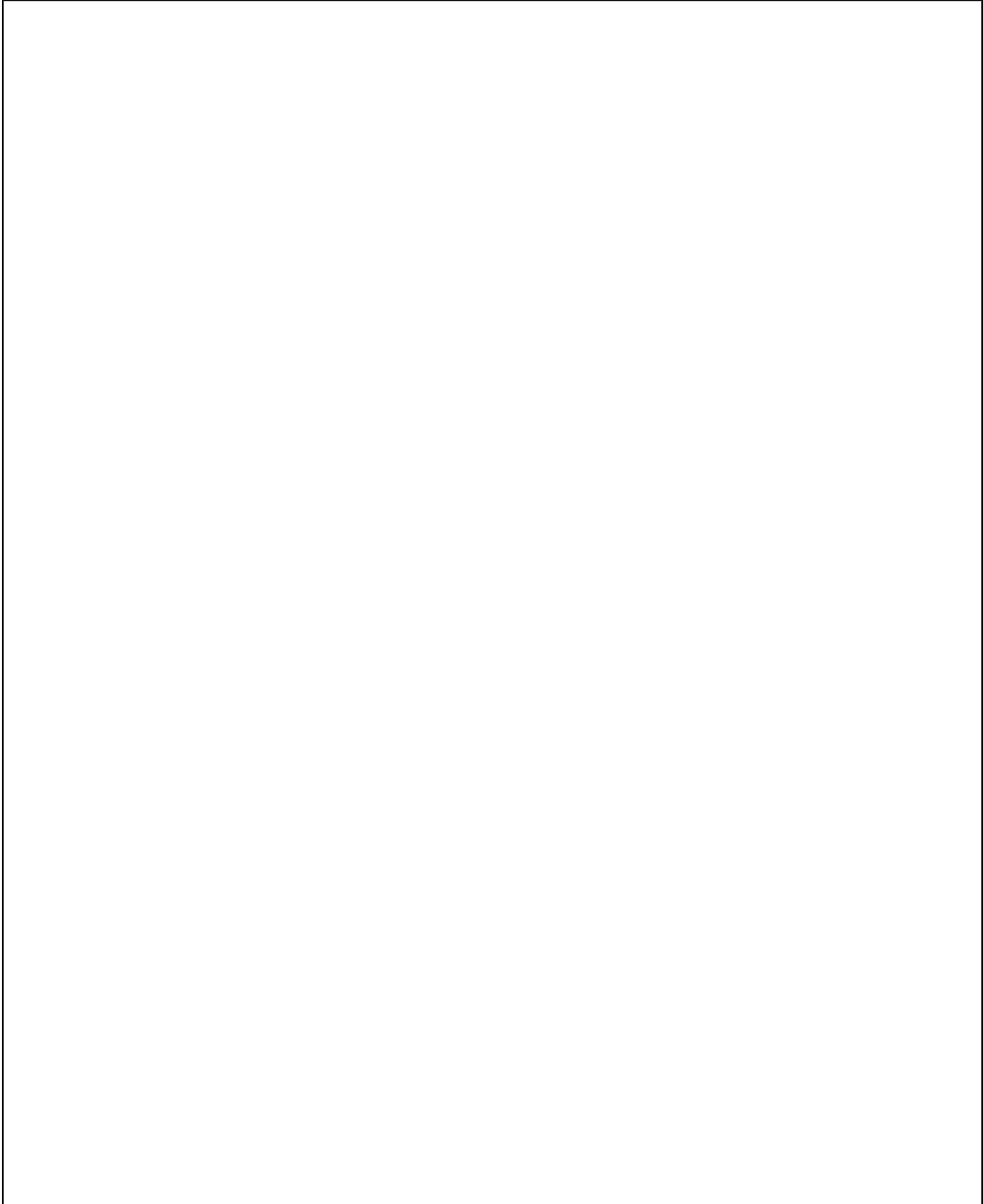
Model: TEQ

Model life 1985>>2012

| Pos | Part Number | Description | Remark | Qty | Model |
|-----|--------------------|---|--------|-----|--|
| - | 997 044 801 70 | Brake lever gearshift lever aluminium D - MJ 2005>> Package | | 1 | Boxster (987) Cayman (987) 911 (997) LL PR:480 |
| | 997 044 801 70 FOT | Black | | | |
| | 997 044 801 70 FOW | sea blue | | | |
| | 997 044 801 70 FOU | Stone grey | | | |
| | 997 044 801 70 FOV | Sand beige | | | |
| | 997 044 801 70 FOX | Palm green | | | |
| | 997 044 801 70 FOY | dark grey | | | |
| | 997 044 801 70 FOZ | Natural brown | | | |
| | 997 044 801 70 FPW | Terracotta | | | |
| | 997 044 801 70 FPX | Cocoa | | | |
| - | 997 044 801 71 | Brake lever gearshift lever aluminium D - MJ 2005>> Package | | 1 | RL PR:480 |
| | 997 044 801 71 FOT | Black | | | |
| | 997 044 801 71 FOW | sea blue | | | |
| | 997 044 801 71 FOU | Stone grey | | | |
| | 997 044 801 71 FOV | Sand beige | | | |
| | 997 044 801 71 FOX | Palm green | | | |
| | 997 044 801 71 FOY | dark grey | | | |
| | 997 044 801 71 FOZ | Natural brown | | | |
| | 997 044 801 71 FPW | Terracotta | | | |
| | 997 044 801 71 FPX | Cocoa | | | |

Model: TEQ

Model life 1985>>2012



Model: TEQ

Model life 1985>>2012

| Pos | Part Number | Description | Remark | Qty | Model |
|-----|----------------|--|--------|-----|---|
| - | 997 044 801 00 | Brake lever gearshift lever selector lever Alcantara D - MJ 2005>> Package gearshift lever Brake lever D - MJ 2005>> | | 1 | Boxster(987) Cayman 911(997) /LL PR:480 |
| - | 997 044 801 01 | Package gearshift lever Brake lever D - MJ 2005>> | | 1 | /RL PR:480 |
| - | 997 044 801 02 | Package selector lever Brake lever D - MJ 2005>> | | 1 | /LL PR:249 |
| - | 997 044 801 03 | D - MJ 2005>> - MJ 2008 Package selector lever Brake lever D - MJ 2005>> - MJ 2008 | | 1 | /RL PR:249 |
| - | 997 044 801 04 | Package - PDK - selector lever Brake lever D - MJ 2009>> | | 1 | /LL PR:250 |
| - | 997 044 801 05 | Package - PDK - selector lever Brake lever D - MJ 2009>> | | 1 | /RL PR:250 |

Model: TEQ

Model life 1985>>2012



Model: TEQ Model life 1985>>2012

| Pos | Part Number | Description | Remark | Qty | Model |
|-----|--------------------|--|--------|-----|---|
| - | 997 044 801 72 | Brake lever selector lever aluminium D - MJ 2009>> Package | | 1 | Boxster (987) Cayman 911 (997) /LL PR:250 |
| | 997 044 801 72 FOT | Black selector lever Brake lever | | | |
| - | 997 044 801 72 | Package D - MJ 2009>> | | 1 | /LL PR:250 |
| | 997 044 801 72 FOW | sea blue selector lever Brake lever | | | |
| - | 997 044 801 72 | Package D - MJ 2009>> | | 1 | /LL PR:250 |
| | 997 044 801 72 FOU | Stone grey selector lever Brake lever | | | |
| - | 997 044 801 72 | Package D - MJ 2009>> | | 1 | /LL PR:250 |
| | 997 044 801 72 FOV | Sand beige selector lever Brake lever | | | |
| - | 997 044 801 73 | Package D - MJ 2009>> | | 1 | /RL PR:250 |
| | 997 044 801 73 FOT | Black selector lever Brake lever | | | |
| - | 997 044 801 73 | Package D - MJ 2009>> | | 1 | /RL PR:250 |
| | 997 044 801 73 FOW | sea blue selector lever Brake lever | | | |
| - | 997 044 801 73 | Package D - MJ 2009>> | | 1 | /RL PR:250 |
| | 997 044 801 73 FOU | Stone grey selector lever Brake lever | | | |
| - | 997 044 801 73 | Package D - MJ 2009>> | | 1 | /RL PR:250 |
| | 997 044 801 73 FOV | Sand beige selector lever Brake lever | | | |

Model: TEQ

Model life 1985>>2012



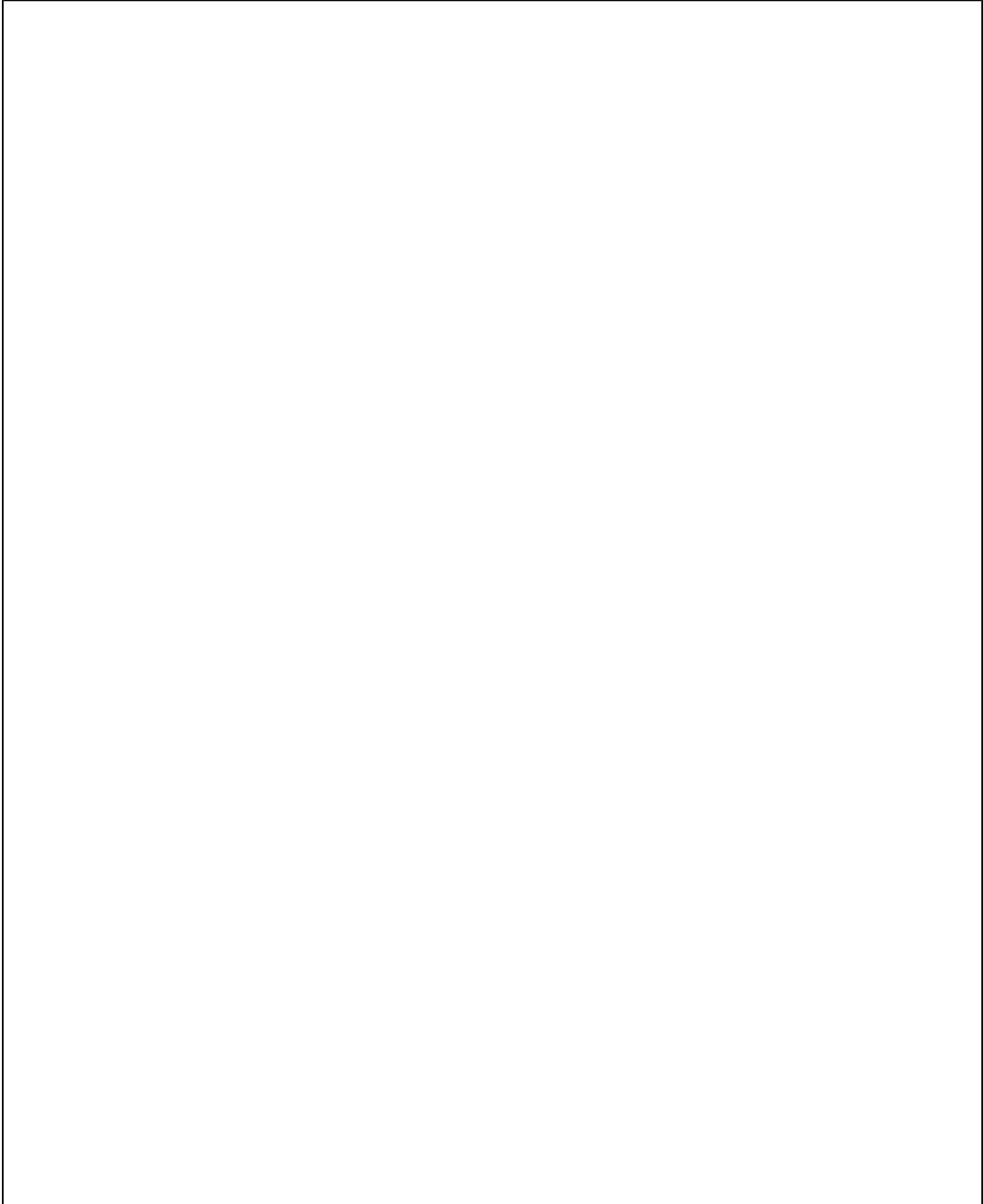
Model: TEQ

Model life 1985>>2012

| Pos | Part Number | Description | Remark | Qty | Model |
|-----|--------------------|---|--------|-----|---|
| - | 997 044 801 39 | Brake lever selector lever macassar D - MJ 2009>> Package | | 1 | Boxster (987) Cayman 911 (997) /LL PR:250 |
| | 997 044 801 39 A10 | Black selector lever Brake lever | | | |
| - | 997 044 801 39 | Package D - MJ 2009>> | | 1 | /LL PR:250 |
| | 997 044 801 39 E10 | sea blue selector lever Brake lever | | | |
| - | 997 044 801 39 | Package D - MJ 2009>> | | 1 | /LL PR:250 |
| | 997 044 801 39 B10 | Stone grey selector lever Brake lever | | | |
| - | 997 044 801 39 | Package D - MJ 2009>> | | 1 | /LL PR:250 |
| | 997 044 801 39 T10 | Sand beige selector lever Brake lever | | | |

Model: TEQ

Model life 1985>>2012



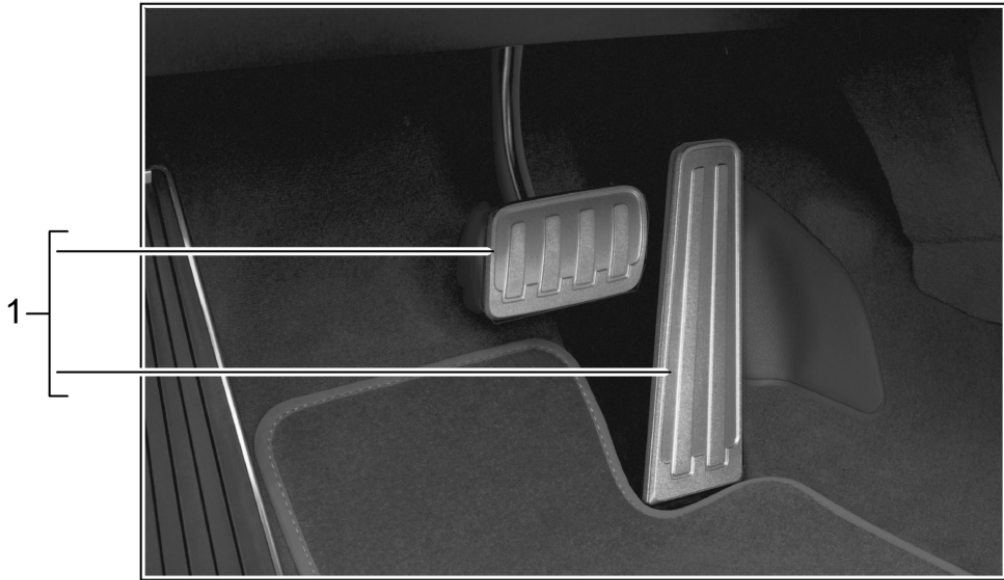
Model: TEQ

Model life 1985>>2012

| Pos | Part Number | Description | Remark | Qty | Model |
|-----|--------------------|---|--------|-----|---|
| - | 997 044 801 41 | Brake lever selector lever Carbon D - MJ 2009>> Package | | 1 | Boxster (987) Cayman 911 (997) /LL PR:250 |
| | 997 044 801 41 A10 | Black selector lever Brake lever | | | |
| - | 997 044 801 41 | Package D - MJ 2009>> | | 1 | /LL PR:250 |
| | 997 044 801 41 E10 | sea blue selector lever Brake lever | | | |
| - | 997 044 801 41 | Package D - MJ 2009>> | | 1 | /LL PR:250 |
| | 997 044 801 41 B10 | Stone grey selector lever Brake lever | | | |
| - | 997 044 801 41 | Package D - MJ 2009>> | | 1 | /LL PR:250 |
| | 997 044 801 41 T10 | Sand beige selector lever Brake lever | | | |

Model: TEQ

Model life 1985>>2012



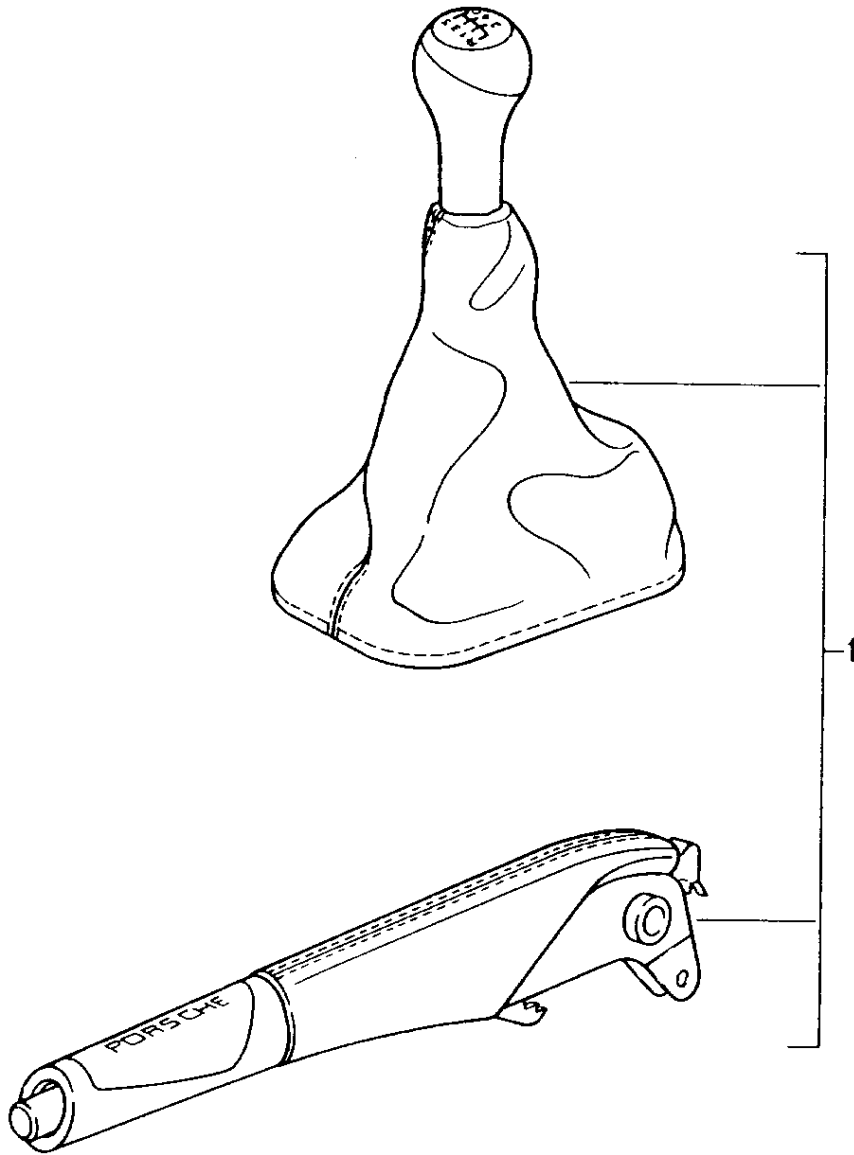
Model: TEQ

Model life 1985>>2012

| Pos | Part Number | Description | Remark | Qty | Model |
|-----|----------------|------------------------|---------|-----|-------------------------------------|
| | | Pedal cap aluminium | 2005-13 | | 911 (997) Boxster(987) Cayman |
| 1 | 997 044 700 00 | Pedal cap Set | | 1 | PR:249,250 |
| (1) | 997 044 700 01 | Pedal cap Set | | 1 | PR:480 |

Model: TEQ

Model life 1985>>2012



Model: TEQ Model life 1985>>2012

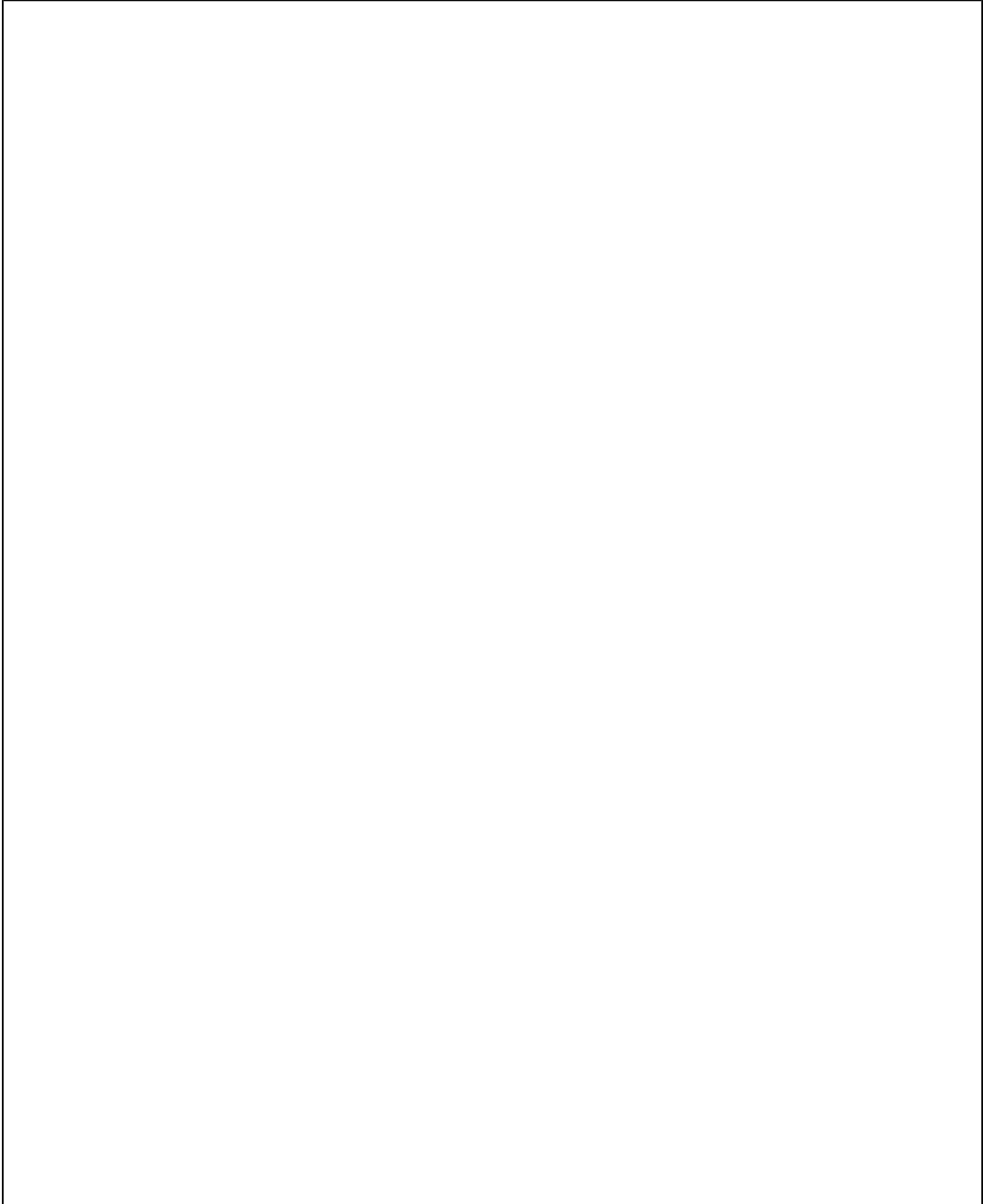
| Pos | Part Number | Description | Remark | Qty | Model |
|-----|--------------------|--|--------|-----|---|
| 1 | 000 044 700 08 | Set Brake lever gearstick knob D - MJ 1989>> - MJ 1998 Installation kit Carbon comprising: gearstick knob Brake lever Individual parts see illustration: D - MJ 1989>> - MJ 1994 Discontinued part | lhd | 1 | 911, CARRERA CARRERA 2/4 RS, TURBO SPEEDSTER PR:098 |
| | 000 044 700 08 4UC | Carbon | | | |
| | 000 044 700 08 2WH | Carbon | | | |
| | 000 044 700 08 7VX | Carbon | | | |
| | 000 044 700 08 2LX | Carbon | | | |
| | 000 044 700 08 7JX | Carbon | | | |
| | 000 044 700 08 4MT | Carbon | | | |
| | 000 044 700 08 2WT | Carbon | | | |
| | 000 044 700 08 1AJ | Carbon | | | |
| | 000 044 700 08 5VT | Carbon | | | |
| | 000 044 700 08 7KC | Carbon | | | |
| | 000 044 700 08 7LD | Carbon | | | |
| | 000 044 700 08 D35 | Carbon | | | |
| | 000 044 700 08 9YL | Carbon | | | |
| | 000 044 700 08 4YU | Carbon | | | |
| | 000 044 700 08 6XL | Carbon | | | |
| | 000 044 700 08 8ZL | Carbon | | | |
| | 000 044 700 08 6YL | Carbon | | | |
| | 000 044 700 08 H05 | Carbon | | | |
| | 000 044 700 08 M05 | Carbon | | | |
| | 000 044 700 08 8YR | Carbon | | | |
| | 000 044 700 08 J25 | Carbon | | | |
| | 000 044 700 08 F45 | Carbon | | | |
| | 000 044 700 08 C43 | Carbon | | | |
| | 000 044 700 08 D33 | Carbon | | | |
| | 000 044 700 08 H35 | Carbon | | | |
| | 000 044 700 08 G55 | Carbon | | | |
| | 000 044 700 08 2XR | Carbon | | | |
| | 000 044 700 08 C35 | Carbon | | | |
| | 000 044 700 08 N09 | Carbon | | | |
| | 000 044 700 08 M19 | Carbon | | | |
| | 000 044 700 08 E38 | Carbon | | | |
| (1) | 000 044 700 06 | Installation kit Aluminium look comprising: gearstick knob Brake lever Individual parts see illustration: D - MJ 1989>> - MJ 1994 Discontinued part | lhd | 1 | CARRERA 2/4 RS, TURBO SPEEDSTER PR:098 |
| | 000 044 700 06 4UC | Caramel | | | |
| | 000 044 700 06 2WH | Cashmere beige | | | |
| | 000 044 700 06 7VX | linen | | | |
| | 000 044 700 06 2LX | mahagoni | | | |
| | 000 044 700 06 7JX | marine blue | | | |
| | 000 044 700 06 4MT | Velvet red | | | |
| | 000 044 700 06 2WT | Slate grey | | | |
| | 000 044 700 06 1AJ | Black | | | |
| | 000 044 700 06 5VT | Silk grey | | | |
| | 000 044 700 06 7KC | Venetian blue | | | |

Model: TEQ Model life 1985>>2012

| Pos | Part Number | Description | Remark | Qty | Model |
|-----|--------------------|--|----------------|-----|------------------------------|
| | 000 044 700 06 7LD | wine red | | | |
| | 000 044 700 06 D35 | Carrara grey | | | |
| | 000 044 700 06 9YL | cobalt blue | | | |
| | 000 044 700 06 4YU | Cashmere beige | | | |
| | 000 044 700 06 6XL | Classic grey | | | |
| | 000 044 700 06 8ZL | light grey | | | |
| | 000 044 700 06 6YL | Magenta | | | |
| | 000 044 700 06 H05 | marine blue | | | |
| | 000 044 700 06 M05 | Matador red | | | |
| | 000 044 700 06 8YR | Black | | | |
| | 000 044 700 06 J25 | Sherwood green | | | |
| | 000 044 700 06 F45 | dark blue | | | |
| | 000 044 700 06 C43 | Grey-violet | | | |
| | 000 044 700 06 D33 | light grey | | | |
| | 000 044 700 06 H35 | Light blue | | | |
| | 000 044 700 06 G55 | Maritime blue | | | |
| | 000 044 700 06 2XR | pearl grey | | | |
| | 000 044 700 06 C35 | Matt black | | | |
| | 000 044 700 06 N09 | black/violet | | | |
| | 000 044 700 06 M19 | Rubystone red | | | |
| | 000 044 700 06 E38 | Rubicon grey | | | |
| 1 | 000 044 700 09 | Installation kit Carbon comprising: gearstick knob Brake lever Individual parts see illustration: D - MJ 1994>> - MJ 1998 | lhd 701-000 | 1 | CARRERA 2 TARGA PR:098 |
| | 000 044 700 09 K03 | Carbon | | | |
| | 000 044 700 09 8SE | Carbon | | | |
| | 000 044 700 09 4YU | Carbon | | | |
| | 000 044 700 09 T15 | Carbon | | | |
| | 000 044 700 09 6XL | Carbon | | | |
| | 000 044 700 09 3QN | Carbon | | | |
| | 000 044 700 09 H24 | Carbon | | | |
| | 000 044 700 09 G43 | Carbon | | | |
| | 000 044 700 09 E38 | Carbon | | | |
| | 000 044 700 09 8YR | Carbon | | | |
| (1) | 000 044 700 07 | Installation kit Aluminium look comprising: gearstick knob Brake lever Individual parts see illustration: D - MJ 1994>> - MJ 1998 | lhd 701-000 | 1 | CARRERA 2 TARGA PR:098 |
| | 000 044 700 07 K03 | Aluminium look | | | |
| | 000 044 700 07 8SE | Aluminium look | | | |
| | 000 044 700 07 4YU | Aluminium look | | | |
| | 000 044 700 07 T15 | Aluminium look | | | |
| | 000 044 700 07 6XL | Aluminium look | | | |
| | 000 044 700 07 3QN | Aluminium look | | | |
| | 000 044 700 07 H24 | Aluminium look | | | |
| | 000 044 700 07 G43 | Aluminium look | | | |
| | 000 044 700 07 E38 | Aluminium look | | | |
| | 000 044 700 07 8YR | Aluminium look | | | |

Model: TEQ

Model life 1985>>2012



Model: TEQ

Model life 1985>>2012

| Pos | Part Number | Description | Remark | Qty | Model |
|-----|----------------|---|----------------|--------|---|
| - | 993 801 055 00 | Roof transport system Accessories and others Roof carrier Set Discontinued part | 98-94 94-98 | 1 | 911 (964) 991 (993) 993 Coupé |
| - | 911 801 273 00 | Edge protection Rain channel Bracket | upper | 4 | 993 Coupé |
| - | 911 801 275 00 | Protective cap Bracket | lower | 4 | 993 Coupé |
| - | 993 801 055 01 | Roof carrier Set Discontinued part | | 1 | 993 964 Targa |
| - | 993 801 055 02 | Roof carrier Set Discontinued part | | 1 | 993 Targa |
| - | 928 801 902 00 | Set of locks for Roof carrier 993.801.055.00 993.801.055.01 | | 1 | |
| - | | comprising: lock | | 4 | |
| - | 000 044 000 11 | Set of locks for Roof carrier 993.801.055.02 | | 1 | 993 Targa |
| - | | comprising: handle lock | | 4 4 | |
| - | 000 044 000 04 | key Ski holder Retainer bracket | | 4 2 | 911 (993) 911 (996) Boxster (986) |
| - | 955 044 002 66 | Carrier for Bike | | 1 | |
| - | 000 044 000 49 | Set of locks for Carrier Bike | | 1 | |
| - | | comprising: key lock | | 2 2 | 00004400048 |
| - | 996 801 019 00 | Surfboard support Technical information Group 6 6688 (2/97) Attention | | 1 | 993 Targa |
| - | 996 801 091 00 | Ski holder | | 1 | 993 Targa |
| - | 000 044 000 32 | Snowboard holder Surfboard support | | 1 | |

Model: TEQ

Model life 1985>>2012



Model: TEQ

Model life 1985>>2012

| Pos | Part Number | Description | Remark | Qty | Model |
|-----|----------------|---|--------|-------------|---------------|
| - | | Roof transport system Accessories and others D - MJ 1997>> - MJ 2004 Technical information Boxster Group 6 6692 (5/97) Attention | | | Boxster (986) |
| - | 986 801 055 01 | Roof rack Main support Discontinued part | | 1 | alle |
| - | | also use: for vehicles with hardtop | 97-97 | | |
| - | | See memo Ti: Boxster Group 6 6692 (5A/97) Attention | | | alle |
| - | 986 801 509 00 | Adapter hardtop Discontinued part | | 2 | |
| - | 999 073 171 00 | countersunk bolt Adapter | | 4 | M6 x 18 |
| - | 999 073 173 00 | D - MJ 1997>> - MJ 1997 Oval-head screw for Adapter | | 4 | M6 x 16 |
| - | 996 801 501 00 | Roof transport system A-pillar Mounting block | | 2 | |
| - | 900 249 051 00 | Roof transport system A-pillar Discontinued part | | 4 | M6 x 16 |
| - | 986 801 503 00 | countersunk bolt for Adapter A-pillar Mounting block | | 2 | |
| - | 996 801 507 00 | Roof transport system B-pillar Discontinued part Cover disc Carrier | | 2 | 986 / 996 |
| - | 900 249 047 00 | Roof transport system B-pillar Discontinued part | | 4 | M6 x 35 |
| - | 900 249 033 00 | countersunk bolt Adapter Roof transport system B-pillar | | 2 | M8 x 12 |
| - | 996 801 209 00 | countersunk bolt for Roof transport system Adapter A-pillar Discontinued part | | 1 | |
| - | | Set of locks Roof carrier comprising: handle lock key | | 4 4 4 | |

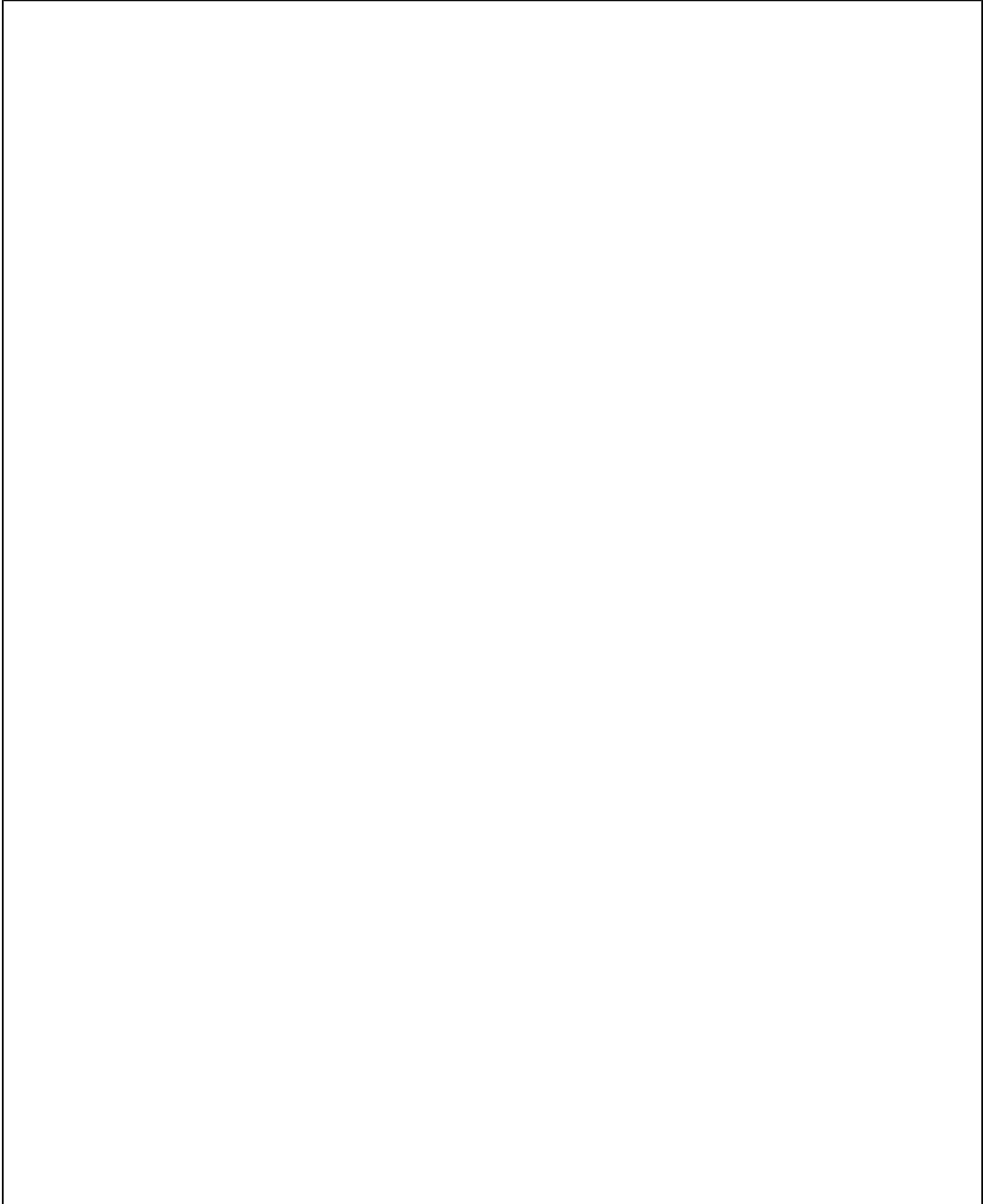
Model: TEQ

Model life 1985>>2012

| Pos | Part Number | Description | Remark | Qty | Model |
|-----|----------------|---|--------|-----|-------------|
| - | 000 044 000 31 | Screw for Roof transport system B-pillar Coding Set Discontinued part | | 1 | |
| - | | comprising: Screw | | 2 | |
| - | 955 044 002 66 | key Carrier for Bike | | 1 | |
| - | 000 044 000 49 | Set of locks for | | 1 | 00004400048 |
| - | | comprising: lock | | 2 | |
| - | 996 801 019 00 | key Surfboard support Included | | 2 | |
| - | | Anti-theft protection Technical information | | 1 | |
| - | | Boxster Group 6 6692 (13/97) Attention | | | alle |
| - | 996 801 091 00 | Ski holder | | 1 | |
| - | 000 044 000 32 | Snowboard holder Surfboard support Technical information | | 1 | |
| - | | Boxster Group 6 6692 (14/97) Attention | | | alle |
| - | 955 044 002 15 | roof box Narrow | | 1 | |
| - | 000 044 000 42 | Set of locks for Discontinued part | | 1 | 00004400035 |

Model: TEQ

Model life 1985>>2012



Model: TEQ Model life 1985>>2012

| Pos | Part Number | Description | Remark | Qty | Model |
|-----|----------------|------------------------|----------------|-----|-------------|
| - | | Roof transport system | 98-05 | | 911 (996) |
| - | | Accessories and others | 05-13 | | 911 (997) |
| - | | Technical information | | | Coupe |
| - | | 911 carrera | | | 911 (996) |
| - | | 6692 (2/97) | | | 911 (997) |
| - | | 6692 (1/04) | | | |
| - | | Attention | | | |
| - | 996 801 105 00 | Roof carrier | | 1 | Coupe |
| - | | Set | | | |
| - | | Technical information | | | Cabrio |
| - | | 911 carrera | | | 996 |
| - | | 6692 (7/98) | | | |
| - | | Attention | | | |
| - | 996 801 055 00 | Roof carrier | | 1 | Cabrio |
| - | | Set | | | 996 |
| - | | Discontinued part | | | |
| - | | Technical information | | | |
| - | | 911 targa | | | |
| - | | 6692 (6/03) | | | |
| - | | Attention | | | |
| - | 996 801 065 00 | Roof carrier | | 1 | Targa |
| - | | Set | | | |
| - | 996 801 509 00 | Mounting block | front and rear | 4 | |
| - | | Roof carrier | | | Coupe |
| - | 996 801 503 00 | Mounting block | rear | 1 | 996 |
| - | | | left | | Cabrio |
| - | | Roof carrier | | | |
| - | 996 801 504 00 | Mounting block | rear | 1 | 996 |
| - | | | right | | Cabrio |
| - | | Roof carrier | | | |
| - | | Discontinued part | | | |
| - | 996 801 511 00 | Pin | M6 x 15 | 2 | 996 |
| - | | B-pillar | | | Cabrio |
| - | | Roof carrier | | | Cabrio |
| - | 996 801 209 00 | Set of locks | | 1 | Coupe |
| - | | Roof carrier | | | |
| - | | comprising: | | | |
| - | | handle | | 4 | |
| - | | lock | | 4 | |
| - | | key | | 4 | |
| - | 000 044 000 58 | Rubber insert | | 1 | |
| - | | Roof carrier | | | Coupe |
| - | | Set | | | |
| - | | comprising: | | | |
| - | | Rubber insert | | 4 | |
| - | 955 044 002 66 | Carrier | | 1 | |
| - | | Bike | | | |
| - | 000 044 000 49 | Set of locks | | 1 | |
| - | | for | | | 00004400048 |
| - | | comprising: | | | |
| - | | lock | | 2 | |
| - | | key | | 2 | |
| - | 996 801 019 00 | Surfboard support | | 1 | |
| - | | Included | | | |
| - | | Anti-theft protection | | | |
| - | | Technical information | | | alle |
| - | | Boxster | | | |
| - | | Group 6 | | | |
| - | | 6692 (13/97) | | | |
| - | | Attention | | | |
| - | 996 801 091 00 | Ski holder | | 1 | |
| - | 000 044 000 32 | Snowboard holder | | 1 | |
| - | | Surfboard support | | | |

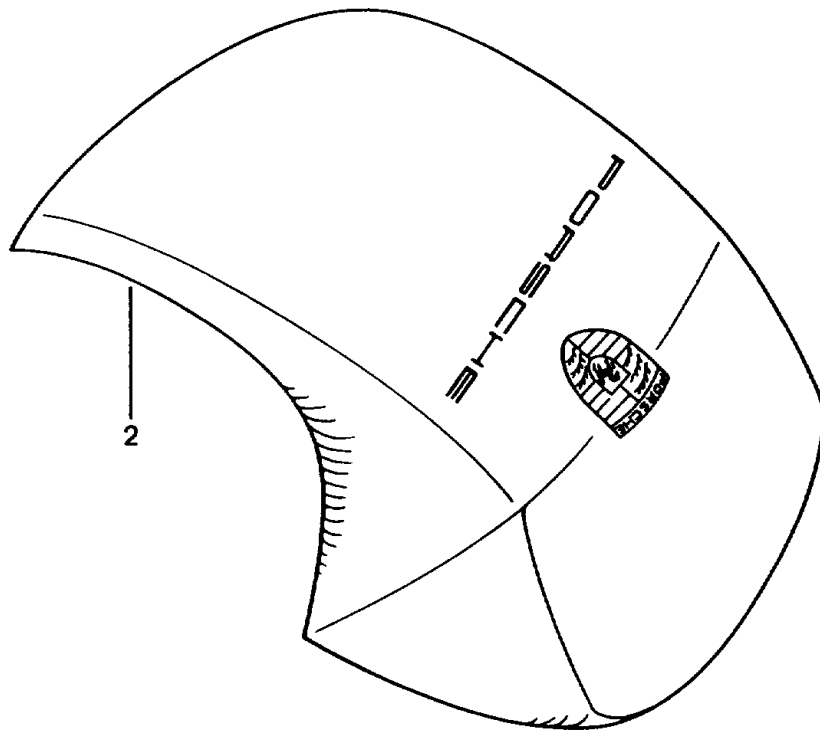
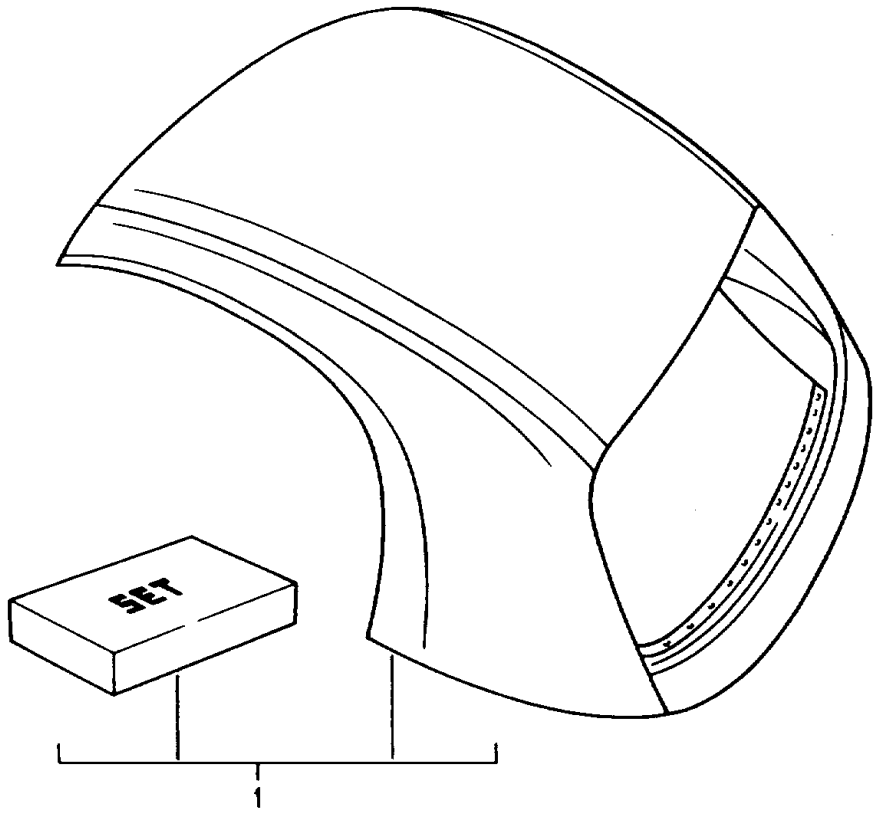
Model: TEQ

Model life 1985>>2012

| Pos | Part Number | Description | Remark | Qty | Model |
|-----|----------------|---|--------|-----|-------------|
| - | | Technical information 911 Group 6 6692 (3/97) Attention | | | alle |
| - | 955 044 002 15 | roof box Narrow | | 1 | |
| - | 000 044 000 42 | Set of locks for Discontinued part | | 1 | 00004400035 |

Model: TEQ

Model life 1985>>2012

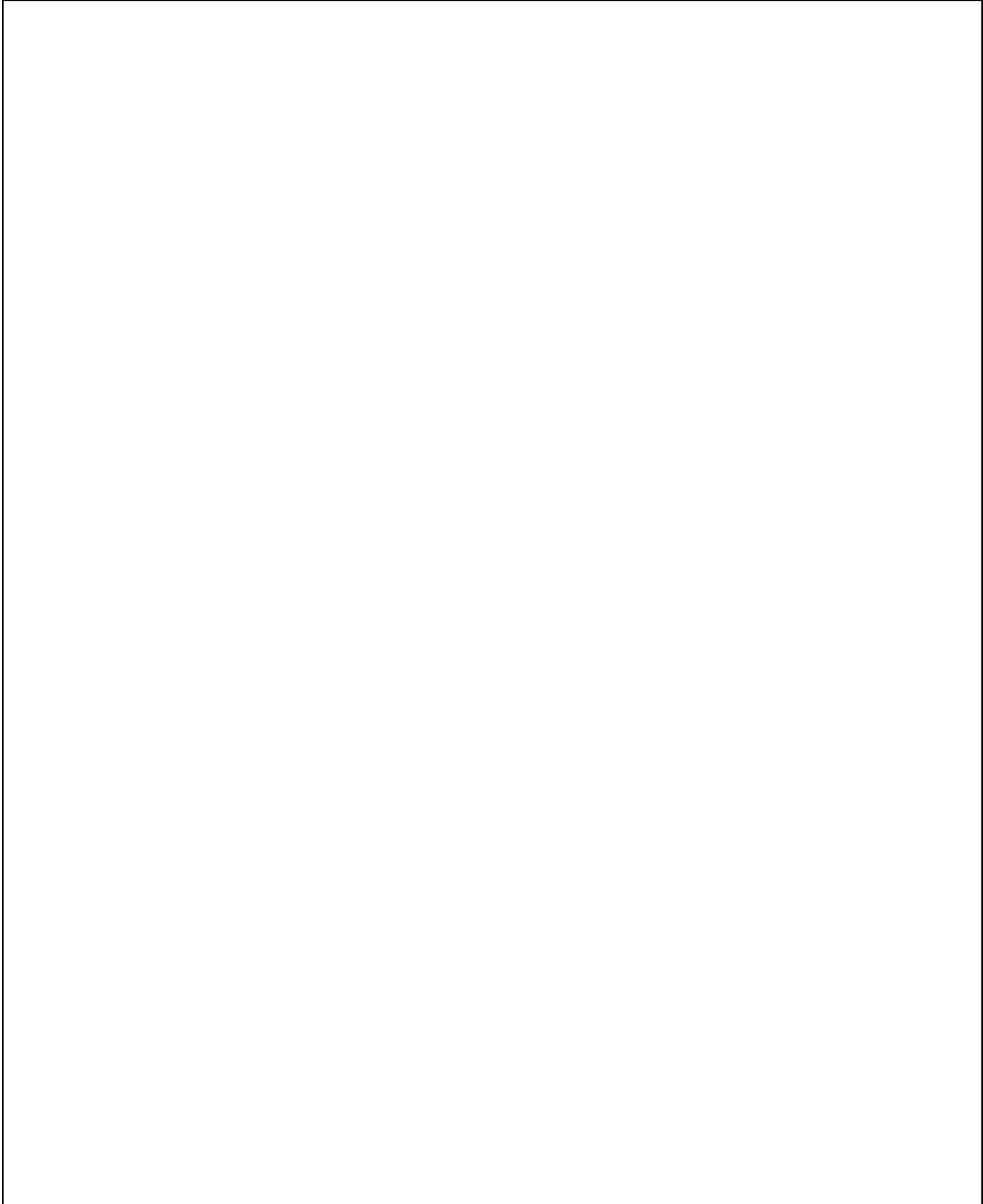


Model: TEQ Model life 1985>>2012

| Pos | Part Number | Description | Remark | Qty | Model |
|-----|--------------------|---|--------|-----|--------------|
| - | | hardtop Insert Cover workshop manual Boxster 610219 Attention | 97-04 | | Boxster(986) |
| 1 | 986 563 005 01 | hardtop (complete) Lacquered | | 1 | |
| | 986 563 005 01 92U | Arctic silver metallic | | | X1 |
| | 986 563 005 01 3AZ | Ocean blue metallic | | | E1 |
| | 986 563 005 01 84A | guards red (Porsche) | | | G1 |
| | 986 563 005 01 041 | Black | | | A1 |
| | 986 563 005 01 744 | Black metallic | | | Z8 |
| | 986 563 005 01 12M | Pastel Yellow | | | Q1 |
| | 986 563 005 01 3AS | Blue turquoise | | | J1 |
| | 986 563 005 01 3AU | Glacier white | | | Z1 |
| | 986 563 005 01 3AX | Zenith blue metallic | | | F1 |
| | 986 563 005 01 84S | Arena red metallic | | | H8 |
| | 986 563 005 01 25K | Ocean jade metallic | 98-04 | | J3 |
| | 986 563 005 01 2B4 | Forest green metallic | | | 53 |
| | 986 563 005 01 23F | Slate grey metallic | | | |
| | 986 563 005 01 M5W | Lapis blue metallic | 01-04 | | E3 |
| | 986 563 005 01 8A3 | Orient red metallic | 01-04 | | L1 |
| | 986 563 005 01 1A8 | Zanzibar red | 01-04 | | N1 |
| | 986 563 005 01 6A6 | Meridian metallic | 01-04 | | X2 |
| | 986 563 005 01 6B4 | Seal grey metallic | 01-04 | | Y1 |
| | 986 563 005 01 C9Z | Basalt black metallic | | | Z4 |
| - | | Technical information Boxster 6117 Attention | | | |
| - | | use if required: | | | |
| - | 986 563 713 02 | Insert | left | 1 | |
| - | 986 563 714 02 | Insert | right | 1 | |
| - | 999 219 041 00 | Locating bolt Support hardtop | | 2 | |
| - | | See memo Ti: | | | |
| - | | Boxster 6492 Attention | | | |
| - | | for cars without M273 / M550 Subsequent installation Rear window Heatable | | | |
| - | | also use: | | | |
| - | 986 613 134 00 | Tip switch | lhd | 1 | PR:098 |
| - | 986 613 134 00 A02 | Gloss black | | | |
| - | 996 615 117 00 | Relay | | 1 | |
| - | | use if required: | | | |
| - | 986 612 083 00 | Wire set | | 1 | |
| 2 | 000 044 000 12 | Cover for hardtop | | 1 | |

Model: TEQ

Model life 1985>>2012



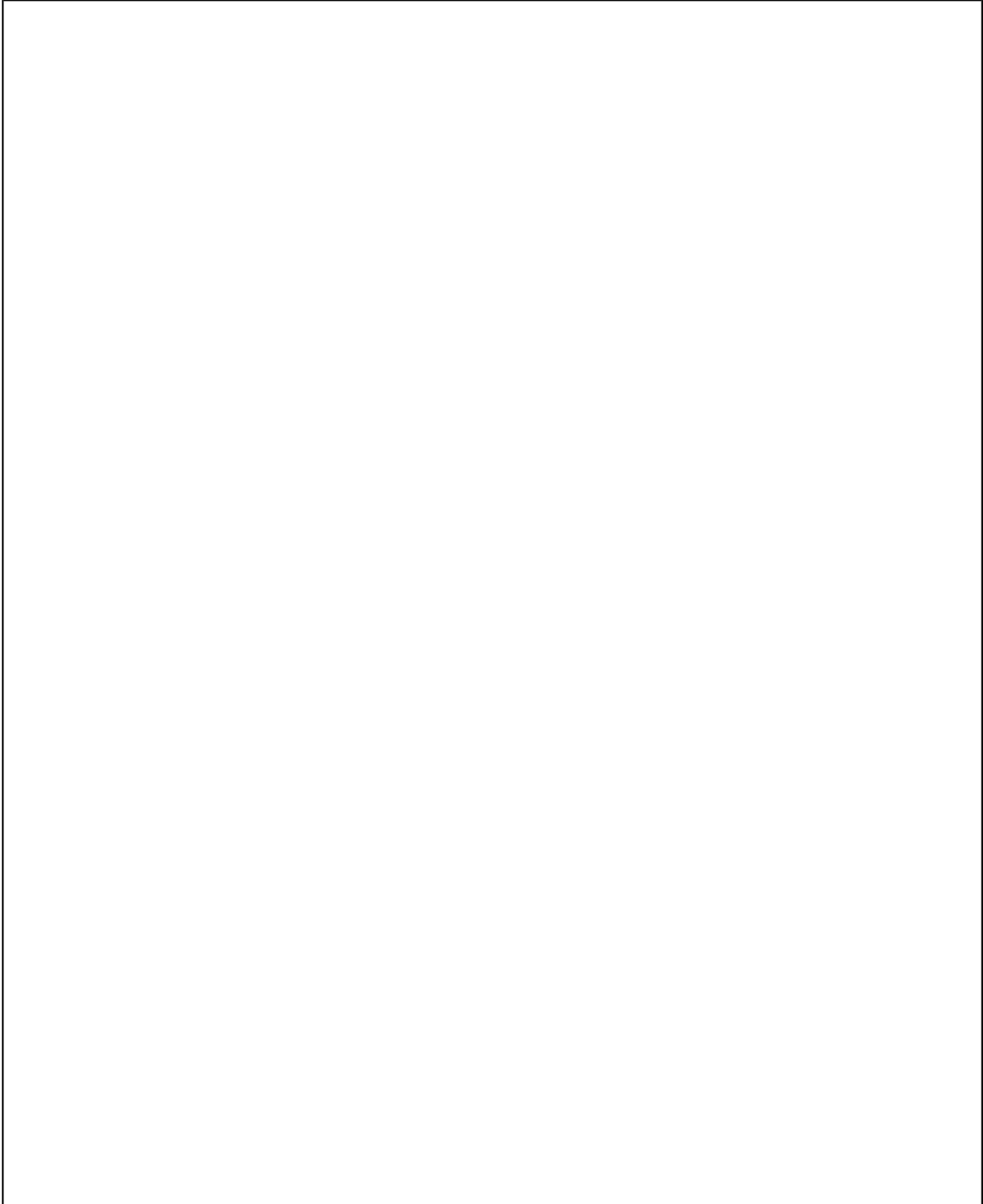
Model: TEQ

Model life 1985>>2012

| Pos | Part Number | Description | Remark | Qty | Model |
|-----|--------------------|---|--------|-----|---------------|
| - | | hardtop D - MJ 2005>> Inst. & Conv. Instructions Boxster Group 6 6117 Attention | | | Boxster (987) |
| (1) | 987 563 005 00 | hardtop (complete) Lacquered | | 1 | |
| | 987 563 005 00 M4Z | Amethyst metallic Discontinued part | | | N6 |
| | 987 563 005 00 M5X | Dark blue metallic Discontinued part | | | N4 |
| | 987 563 005 00 M6W | Lagoon green metallic | | | G4 |
| | 987 563 005 00 M6X | Dark olive-metallic | | | 7G |
| | 987 563 005 00 M7T | Platinum Silver Metallic Discontinued part | | | 1H |
| | 987 563 005 00 M7X | Atlas grey metallic | | | E7 |
| | 987 563 005 00 6B4 | Seal grey metallic | | | Y1 |

Model: TEQ

Model life 1985>>2012



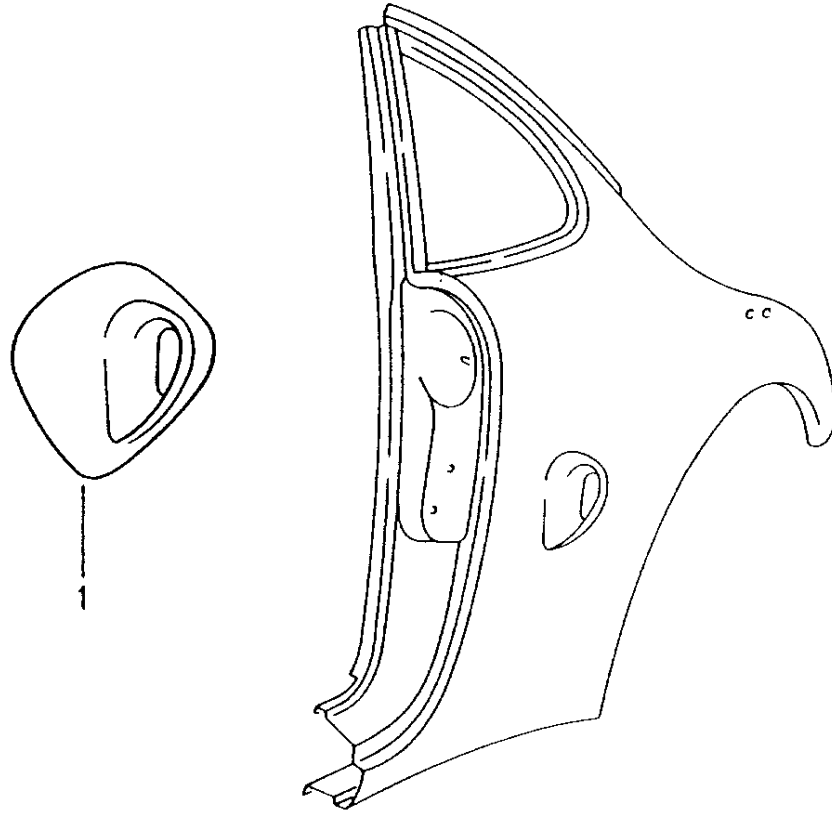
Model: TEQ

Model life 1985>>2012

| Pos | Part Number | Description | Remark | Qty | Model |
|-----|--------------------|---|--------|-----|------------------------|
| - | | hardtop D - MJ 2006>> Inst. & Conv. Instructions 911 cabriolet Group 6 6117 Attention | | | 911 (997) Cabriolet |
| - | 997 044 000 00 | hardtop (complete) Lacquered | | 1 | |
| | 997 044 000 00 B9A | Carrara white | | | B4 |
| | 997 044 000 00 C9Z | Basalt black metallic | | | Z4 |
| | 997 044 000 00 M3W | Carmon red metallic | | | E4 |
| | 997 044 000 00 M5R | Aqua blue metallic | | | D2 |
| | 997 044 000 00 M5X | Dark blue metallic | | | N4 |
| | 997 044 000 00 M6W | Lagoon green metallic | | | G4 |
| | 997 044 000 00 M6X | Dark olive-metallic | | | 7G |
| | 997 044 000 00 M7T | Platinum Silver Metallic | | | 1H |
| | 997 044 000 00 M8W | Macadamia Metallic | | | 9S |
| | 997 044 000 00 041 | Black | | | A1 |
| | 997 044 000 00 12H | Speed yellow | | | X4 |
| | 997 044 000 00 22G | Racing Green Metallic | | | J1 |
| | 997 044 000 00 51A | cream white | | | T2 |
| | 997 044 000 00 8A7 | Ruby red metallic | | | L2 |
| | 997 044 000 00 84A | No longer use the part here guards red (Porsche) | | | G1 |

Model: TEQ

Model life 1985>>2012



Model: TEQ

Model life 1985>>2012

| Pos | Part Number | Description | Remark | Qty | Model |
|-----|----------------|--|--------|-----|---------------------------------------|
| | | Air duct | 94-98 | | 911 (993) Carrera S/4S |
| (1) | 993 503 980 01 | Air inlet | left | 1 | Turbo/Turb S Turbo Carrera S/4S |
| | | also use: | | | |
| - | 993 559 983 00 | Stone guard film Clear | left | 1 | Turbo/Turb S Carrera S/4S |
| - | 993 559 983 01 | Stone guard film Glacier white | left | 1 | Turbo/Turb S Carrera S/4S |
| - | 993 559 983 02 | Stone guard film Arctic silver metallic | left | 1 | Turbo/Turb S Carrera S/4S |
| (1) | 993 503 981 01 | Air inlet | right | 1 | Turbo Carrera S/4S |
| | | also use: | | | |
| - | 993 559 984 00 | Stone guard film Clear | right | 1 | Turbo/Turb S Carrera S/4S |
| - | 993 559 984 01 | Stone guard film Glacier white | right | 1 | Turbo/Turb S Carrera S/4S |
| - | 993 559 984 02 | Stone guard film Arctic silver metallic | right | 1 | Turbo/Turb S Carrera S/4S |

Model: TEQ

Model life 1985>>2012



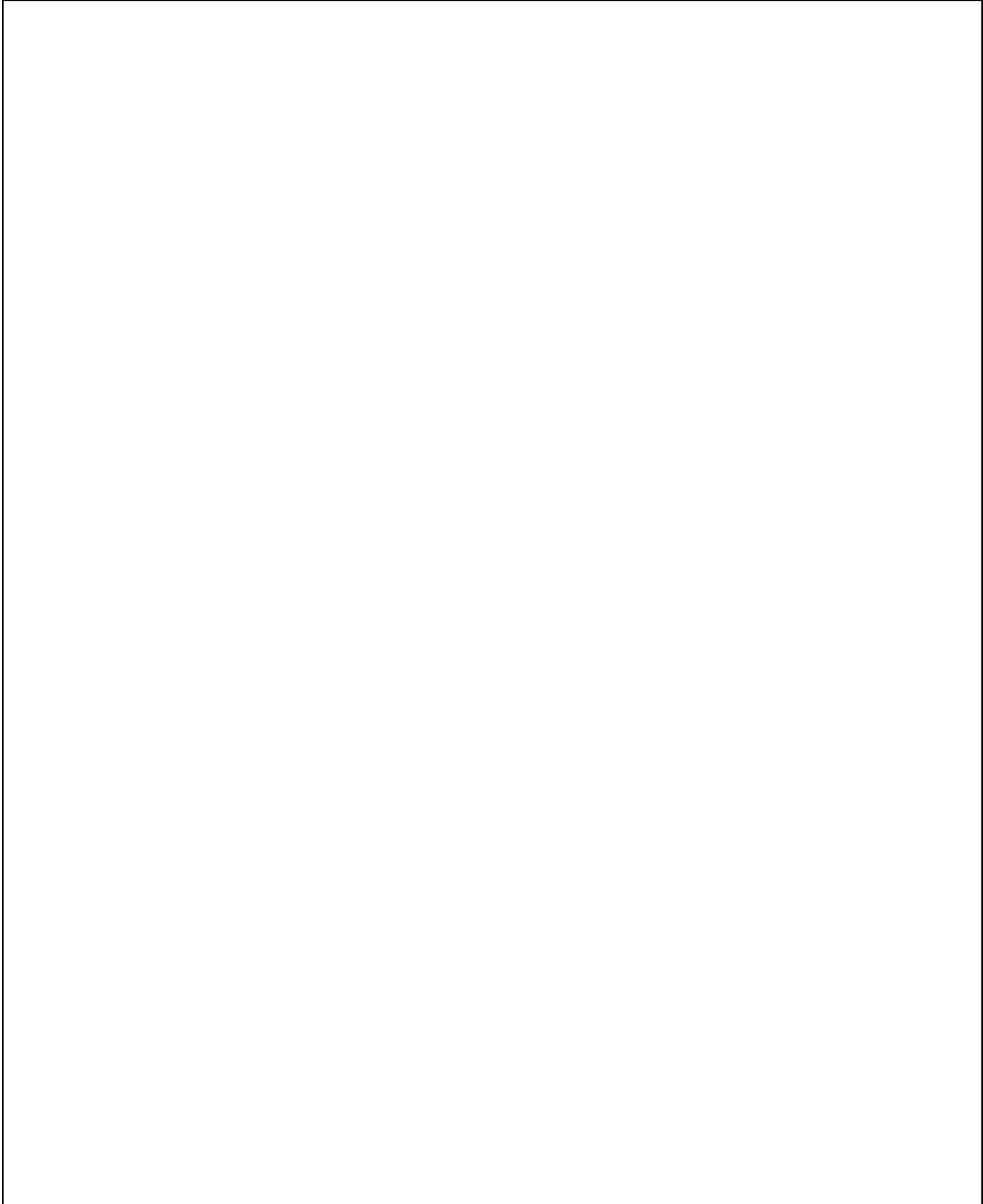
Model: TEQ

Model life 1985>>2012

| Pos | Part Number | Description | Remark | Qty | Model |
|-----|----------------|--|--------|-----|--------------------|
| - | 997 044 802 05 | Ventilation grille Aluminium coloured D - MJ 2007>> Ventilation grille Aluminium coloured Matte Set D - MJ 2007>> - MJ 2009 | | 1 | 911 (997) Turbo |
| - | 997 044 802 14 | Ventilation grille Aluminium coloured Matte Set D - MJ 2010>> | | 1 | Turbo |
| - | 997 044 802 08 | Ventilation grille Aluminium coloured Matte Set D - MJ 2008>> - MJ 2010 | | 1 | GT2 |
| - | 997 044 802 10 | Ventilation grille Aluminium coloured Matte Set D - MJ 2009>> | | 1 | Carrera |
| - | 997 044 802 16 | Ventilation grille Aluminium coloured Matte Set D - MJ 2009>> | | 1 | Carrera PR:XAS |

Model: TEQ

Model life 1985>>2012



Model: TEQ Model life 1985>>2012

| Pos | Part Number | Description | Remark | Qty | Model |
|-----|--------------------|----------------------------------|--------|-----|--|
| - | 987 044 800 01 | Floor mats 1 set foot mats | lhd | 1 | Boxster (987) Cayman (987) 911 (997) PR:098 |
| | 987 044 800 01 A10 | Black | | | |
| | 987 044 800 01 B10 | Stone grey | | | |
| | 987 044 800 01 E10 | sea blue | | | |
| | 987 044 800 01 J10 | Palm green | | | |
| | 987 044 800 01 M10 | Terracotta | | | |
| | 987 044 800 01 R10 | Cocoa | | | |
| | 987 044 800 01 T10 | Sand beige | | | |
| | 987 044 800 01 T11 | Natural brown | | | |
| | 987 044 800 01 N21 | Carrera Red | | | |
| - | 987 044 800 02 | 1 set foot mats | rhd | 1 | PR:099 |
| | 987 044 800 02 A10 | Black | | | |
| | 987 044 800 02 B10 | Stone grey | | | |
| | 987 044 800 02 E10 | sea blue | | | |
| | 987 044 800 02 J10 | Palm green | | | |
| | 987 044 800 02 M10 | Terracotta | | | |
| | 987 044 800 02 R10 | Cocoa | | | |
| | 987 044 800 02 T10 | Sand beige | | | |
| | 987 044 800 02 T11 | Natural brown | | | |
| | 987 044 800 02 N21 | Carrera Red | | | |
| - | 987 044 800 91 | Floor mat Set Bose | lhd | 1 | Cayman/S PR:098 |
| | 987 044 800 91 A10 | Black | | | |
| | 987 044 800 91 B10 | Stone grey | | | |
| | 987 044 800 91 E10 | sea blue | | | |
| | 987 044 800 91 J10 | Palm green | | | |
| | 987 044 800 91 M10 | Terracotta | | | |
| | 987 044 800 91 R10 | Cocoa | | | |
| | 987 044 800 91 T10 | Sand beige | | | |
| | 987 044 800 91 T11 | Natural brown | | | |
| | 987 044 800 91 N21 | Carrera Red | | | |
| - | 987 044 800 92 | Floor mat Set Bose | rhd | 1 | Cayman/S PR:099 |
| | 987 044 800 92 A10 | Black | | | |
| | 987 044 800 92 B10 | Stone grey | | | |
| | 987 044 800 92 E10 | sea blue | | | |
| | 987 044 800 92 J10 | Palm green | | | |
| | 987 044 800 92 M10 | Terracotta | | | |
| | 987 044 800 92 R10 | Cocoa | | | |
| | 987 044 800 92 T10 | Sand beige | | | |
| | 987 044 800 92 T11 | Natural brown | | | |
| | 987 044 800 92 N21 | Carrera Red | | | |
| - | 987 551 984 00 | 1 set foot mats Perlon velour | lhd | 1 | PR:098 |
| | 987 551 984 00 A41 | Black | | | |
| | 987 551 984 00 B21 | Stone grey | | | |
| | 987 551 984 00 T41 | Sand beige | | | |
| | 987 551 984 00 E21 | sea blue | | | |
| | 987 551 984 00 J41 | Palm green | | | |
| | 987 551 984 00 M21 | Terracotta | | | |
| | 987 551 984 00 R41 | Cocoa | | | |
| | 987 551 984 00 T21 | Brown/natural | | | |
| - | 987 551 984 01 | 1 set foot mats Perlon velour | rhd | 1 | PR:099 |
| | 987 551 984 01 A41 | Black | | | |
| | 987 551 984 01 B21 | Stone grey | | | |

Model: TEQ Model life 1985>>2012

| Pos | Part Number | Description | Remark | Qty | Model |
|-----|--------------------|--|-------------------|-----|---------------------------------------|
| | 987 551 984 01 T41 | Sand beige | | | |
| | 987 551 984 01 E21 | sea blue | | | |
| | 987 551 984 01 J41 | Palm green | | | |
| | 987 551 984 01 M21 | Terracotta | | | |
| | 987 551 984 01 R41 | Cocoa | | | |
| | 987 551 984 01 T21 | Brown/natural | | | |
| - | 987 551 984 02 | 1 set foot mats Perlon velour Bose | lhd | 1 | Cayman/S PR:098 |
| | 987 551 984 02 A41 | Black | | | |
| | 987 551 984 02 B21 | Stone grey | | | |
| | 987 551 984 02 T41 | Sand beige | | | |
| | 987 551 984 02 E21 | sea blue | | | |
| | 987 551 984 02 J41 | Palm green | | | |
| | 987 551 984 02 M21 | Terracotta | | | |
| | 987 551 984 02 R41 | Cocoa | | | |
| | 987 551 984 02 T21 | Brown/natural | | | |
| - | 987 551 984 03 | 1 set foot mats Perlon velour Bose | rhd | 1 | Cayman/S PR:099 |
| | 987 551 984 03 A41 | Black | | | |
| | 987 551 984 03 B21 | Stone grey | | | |
| | 987 551 984 03 T41 | Sand beige | | | |
| | 987 551 984 03 E21 | sea blue | | | |
| | 987 551 984 03 J41 | Palm green | | | |
| | 987 551 984 03 M21 | Terracotta | | | |
| | 987 551 984 03 R41 | Cocoa | | | |
| | 987 551 984 03 T21 | Brown/natural | | | |
| - | 987 044 800 93 | 1 set foot mats (rubber) | lhd | 1 | PR:098 -"CN." |
| - | 987 044 800 94 | 1 set foot mats (rubber) Bose | lhd | 1 | Cayman PR:098 -"CN." |
| - | 997 044 800 01 | 1 set foot mats D - MJ 2005>> | lhd lhd | 1 | PR:810,098 |
| | 997 044 800 01 A10 | Black | | | |
| | 997 044 800 01 B10 | Stone grey | | | |
| | 997 044 800 01 E10 | sea blue | | | |
| | 997 044 800 01 J10 | Palm green | | | |
| | 997 044 800 01 M10 | Terracotta | | | |
| | 997 044 800 01 R10 | Cocoa | | | |
| | 997 044 800 01 T10 | Sand beige | | | |
| | 997 044 800 01 T11 | Natural brown | | | |
| | 997 044 800 01 N21 | Carrera Red | | | |
| - | 997 044 800 02 | 1 set foot mats D - MJ 2005>> | rhd | 1 | PR:810,099 |
| | 997 044 800 02 A10 | Black | | | |
| | 997 044 800 02 B10 | Stone grey | | | |
| | 997 044 800 02 E10 | sea blue | | | |
| | 997 044 800 02 J10 | Palm green | | | |
| | 997 044 800 02 M10 | Terracotta | | | |
| | 997 044 800 02 R10 | Cocoa | | | |
| | 997 044 800 02 T10 | Sand beige | | | |
| | 997 044 800 02 T11 | Natural brown | | | |
| | 997 044 800 02 N21 | Carrera Red | | | |
| - | 997 044 800 61 | 1 set foot mats Bose | 05- 07- lhd | 1 | Cabrio Targa PR:810,098, 680 |
| | 997 044 800 61 A10 | Black | | | |
| | 997 044 800 61 B10 | Stone grey | | | |
| | 997 044 800 61 E10 | sea blue | | | |

Model: TEQ Model life 1985>>2012

| Pos | Part Number | Description | Remark | Qty | Model |
|-----|--------------------|--|-----------------------|-----|---------------------------------------|
| | 997 044 800 61 J10 | Palm green | | | |
| | 997 044 800 61 M10 | Terracotta | | | |
| | 997 044 800 61 R10 | Cocoa | | | |
| | 997 044 800 61 T10 | Sand beige | | | |
| | 997 044 800 61 T11 | Natural brown | | | |
| | 997 044 800 61 N21 | Carrera Red | | | |
| - | 997 044 800 62 | 1 set foot mats Bose | 05- 07- rhd | 1 | Cabrio Targa PR:810,099, 680 |
| | 997 044 800 62 A10 | Black | | | |
| | 997 044 800 62 B10 | Stone grey | | | |
| | 997 044 800 62 E10 | sea blue | | | |
| | 997 044 800 62 J10 | Palm green | | | |
| | 997 044 800 62 M10 | Terracotta | | | |
| | 997 044 800 62 R10 | Cocoa | | | |
| | 997 044 800 62 T10 | Sand beige | | | |
| | 997 044 800 62 T11 | Natural brown | | | |
| | 997 044 800 62 N21 | Carrera Red | | | |
| - | 997 551 984 00 | 1 set foot mats Pearl velour D - MJ 2005>> | lhd | 1 | PR:XX1,098 |
| | 997 551 984 00 A41 | Black | | | |
| | 997 551 984 00 B21 | Stone grey | | | |
| | 997 551 984 00 T41 | Sand beige | | | |
| | 997 551 984 00 E21 | sea blue | | | |
| | 997 551 984 00 J41 | Palm green | | | |
| | 997 551 984 00 M21 | Terracotta | | | |
| | 997 551 984 00 R41 | Cocoa | | | |
| | 997 551 984 00 T21 | Brown/natural | | | |
| - | 997 551 984 01 | 1 set foot mats Pearl velour D - MJ 2005>> | rhd | 1 | PR:099,XX1 |
| | 997 551 984 01 A41 | Black | | | |
| | 997 551 984 01 B21 | Stone grey | | | |
| | 997 551 984 01 T41 | Sand beige | | | |
| | 997 551 984 01 E21 | sea blue | | | |
| | 997 551 984 01 J41 | Palm green | | | |
| | 997 551 984 01 M21 | Terracotta | | | |
| | 997 551 984 01 R41 | Cocoa | | | |
| | 997 551 984 01 T21 | Brown/natural | | | |
| - | 997 551 984 02 | 1 set foot mats Pearl velour Bose | 05- 07- lhd | 1 | Cabrio Targa PR:XX1,098, 680 |
| | 997 551 984 02 A41 | Black | | | |
| | 997 551 984 02 B21 | Stone grey | | | |
| | 997 551 984 02 T41 | Sand beige | | | |
| | 997 551 984 02 E21 | sea blue | | | |
| | 997 551 984 02 J41 | Palm green | | | |
| | 997 551 984 02 M21 | Terracotta | | | |
| | 997 551 984 02 R41 | Cocoa | | | |
| | 997 551 984 02 T21 | Brown/natural | | | |
| - | 997 551 984 03 | 1 set foot mats Pearl velour Bose | 05- 07- rhd | 1 | Cabrio Targa PR:XX1,099, 680 |
| | 997 551 984 03 A41 | Black | | | |
| | 997 551 984 03 B21 | Stone grey | | | |
| | 997 551 984 03 T41 | Sand beige | | | |
| | 997 551 984 03 E21 | sea blue | | | |
| | 997 551 984 03 J41 | Palm green | | | |
| | 997 551 984 03 M21 | Terracotta | | | |

Model: TEQ

Model life 1985>>2012

| Pos | Part Number | Description | Remark | Qty | Model |
|-----|--|--|-----------------------------|-----|-------------------------------|
| - | 997 551 984 03 R41 997 551 984 03 T21 987 044 800 93 | Cocoa Brown/natural 1 set foot mats (rubber) | lhd 2-part | 1 | PR:098 |
| - | 987 044 800 94 | D - MJ 2005>> 1 set foot mats (rubber) BOSE | 05- 07- lhd 2-part | 1 | Cabrio Targa PR:098,680 |

Model: TEQ

Model life 1985>>2012



Model: TEQ Model life 1985>>2012

| Pos | Part Number | Description | Remark | Qty | Model |
|-----|--------------------|--|-------------------|-----|---------------------------------------|
| - | 997 044 800 01 | Floor mats Sill trim strip D - MJ 2005>> 1 set foot mats D - MJ 2005>> | lhd | 1 | 911(997) PR:810,098 |
| | 997 044 800 01 A10 | Black | | | |
| | 997 044 800 01 B10 | Stone grey | | | |
| | 997 044 800 01 E10 | sea blue | | | |
| | 997 044 800 01 J10 | Palm green | | | |
| | 997 044 800 01 M10 | Terracotta | | | |
| | 997 044 800 01 R10 | Cocoa | | | |
| | 997 044 800 01 T10 | Sand beige | | | |
| | 997 044 800 01 T11 | Natural brown | | | |
| | 997 044 800 01 N21 | Carrera Red | | | |
| - | 997 044 800 02 | 1 set foot mats D - MJ 2005>> | rhd | 1 | PR:810,099 |
| | 997 044 800 02 A10 | Black | | | |
| | 997 044 800 02 B10 | Stone grey | | | |
| | 997 044 800 02 E10 | sea blue | | | |
| | 997 044 800 02 J10 | Palm green | | | |
| | 997 044 800 02 M10 | Terracotta | | | |
| | 997 044 800 02 R10 | Cocoa | | | |
| | 997 044 800 02 T10 | Sand beige | | | |
| | 997 044 800 02 T11 | Natural brown | | | |
| | 997 044 800 02 N21 | Carrera Red | | | |
| - | 997 044 800 61 | 1 set foot mats Bose Set | 05- 07- lhd | 1 | Cabrio Targa PR:810,098, 680 |
| | 997 044 800 61 A10 | Black | | | |
| | 997 044 800 61 B10 | Stone grey | | | |
| | 997 044 800 61 E10 | sea blue | | | |
| | 997 044 800 61 J10 | Palm green | | | |
| | 997 044 800 61 M10 | Terracotta | | | |
| | 997 044 800 61 R10 | Cocoa | | | |
| | 997 044 800 61 T10 | Sand beige | | | |
| | 997 044 800 61 T11 | Natural brown | | | |
| | 997 044 800 61 N21 | Carrera Red | | | |
| - | 997 044 800 62 | 1 set foot mats Bose Set | 05- 07- rhd | 1 | Cabrio Targa PR:810,099, 680 |
| | 997 044 800 62 A10 | Black | | | |
| | 997 044 800 62 B10 | Stone grey | | | |
| | 997 044 800 62 E10 | sea blue | | | |
| | 997 044 800 62 J10 | Palm green | | | |
| | 997 044 800 62 M10 | Terracotta | | | |
| | 997 044 800 62 R10 | Cocoa | | | |
| | 997 044 800 62 T10 | Sand beige | | | |
| | 997 044 800 62 T11 | Natural brown | | | |
| | 997 044 800 62 N21 | Carrera Red | | | |
| - | 997 551 984 00 | 1 set foot mats Pearl velour Set D - MJ 2005>> | lhd | 1 | PR:XX1,098 |
| | 997 551 984 00 A41 | Black | | | |
| | 997 551 984 00 B21 | Stone grey | | | |
| | 997 551 984 00 T41 | Sand beige | | | |
| | 997 551 984 00 E21 | sea blue | | | |
| | 997 551 984 00 J41 | Palm green | | | |
| | 997 551 984 00 M21 | Terracotta | | | |
| | 997 551 984 00 R41 | Cocoa | | | |
| | 997 551 984 00 T21 | Brown/natural | | | |

Model: TEQ Model life 1985>>2012

| Pos | Part Number | Description | Remark | Qty | Model |
|-----|--------------------|---|-----------------------------|-----|---------------------------------------|
| - | 997 551 984 01 | 1 set foot mats Pearl velour Set D - MJ 2005>> | rhd | 1 | PR:099,XX1 |
| | 997 551 984 01 A41 | Black | | | |
| | 997 551 984 01 B21 | Stone grey | | | |
| | 997 551 984 01 T41 | Sand beige | | | |
| | 997 551 984 01 E21 | sea blue | | | |
| | 997 551 984 01 J41 | Palm green | | | |
| | 997 551 984 01 M21 | Terracotta | | | |
| | 997 551 984 01 R41 | Cocoa | | | |
| | 997 551 984 01 T21 | Brown/natural | | | |
| - | 997 551 984 02 | 1 set foot mats Pearl velour Bose Set | 05- 07- lhd | 1 | Cabrio Targa PR:XX1,098, 680 |
| | 997 551 984 02 A41 | Black | | | |
| | 997 551 984 02 B21 | Stone grey | | | |
| | 997 551 984 02 T41 | Sand beige | | | |
| | 997 551 984 02 E21 | sea blue | | | |
| | 997 551 984 02 J41 | Palm green | | | |
| | 997 551 984 02 M21 | Terracotta | | | |
| | 997 551 984 02 R41 | Cocoa | | | |
| | 997 551 984 02 T21 | Brown/natural | | | |
| - | 997 551 984 03 | 1 set foot mats Pearl velour Bose Set | 05- 07- rhd | 1 | Cabrio Targa PR:XX1,099, 680 |
| | 997 551 984 03 A41 | Black | | | |
| | 997 551 984 03 B21 | Stone grey | | | |
| | 997 551 984 03 T41 | Sand beige | | | |
| | 997 551 984 03 E21 | sea blue | | | |
| | 997 551 984 03 J41 | Palm green | | | |
| | 997 551 984 03 M21 | Terracotta | | | |
| | 997 551 984 03 R41 | Cocoa | | | |
| | 997 551 984 03 T21 | Brown/natural | | | |
| - | 987 044 800 93 | 1 set foot mats (rubber) D - MJ 2005>> | lhd 2-part | 1 | PR:098 |
| - | 987 044 800 94 | 1 set foot mats (rubber) BOSE | 05- 07- lhd 2-part | 1 | Cabrio Targa PR:098,680 |
| - | 997 044 800 41 | Entry strip with lettering Carbon | | 1 | Carrera PR:338 |
| - | 997 044 800 64 | Sill trim strip Carbon | | 1 | Carrera 4 PR:339 |
| - | 997 044 800 42 | Entry strip with lettering Carbon | | 1 | Carrera S PR:338 |
| - | 997 044 800 66 | Sill trim strip Carbon | | 1 | Carrera 4S PR:339 |
| - | 997 551 980 04 | Sill trim strip Carbon | | 1 | Turbo |
| - | 997 044 805 23 | Sill trim strip Carbon | | 1 | Turbo S |
| - | 997 551 980 05 | D - MJ 2011>> Sill trim strip Carbon | | 1 | Targa 4 |
| - | 997 551 980 07 | Sill trim strip | | 1 | GT3 |

Model: TEQ Model life 1985>>2012

| Pos | Part Number | Description | Remark | Qty | Model |
|-----|----------------|---|--------|-----|-------------------------|
| - | 997 551 980 18 | Carbon Sill trim strip | | 1 | GT3 RS |
| - | 997 551 980 19 | Carbon Sill trim strip | | 1 | GT2 |
| - | | Carbon Technical information 911,alle Group 6 6807 Attention | | | |
| - | 997 044 800 55 | Sill trim strip Carbon | | 1 | Carrera PR:338 |
| - | 997 044 800 67 | Lighting Sill trim strip Carbon | | 1 | Carrera 4 PR:339 |
| - | 997 044 800 56 | Lighting Sill trim strip Carbon | | 1 | Carrera S PR:338 |
| - | 997 044 800 69 | Lighting Sill trim strip Carbon | | 1 | Carrera 4S PR:339 |
| - | 997 044 800 58 | Lighting Sill trim strip Carbon | | 1 | Turbo |
| - | 997 044 805 25 | Lighting Sill trim strip Carbon | | 1 | Turbo S |
| - | 997 044 800 57 | D - MJ 2011>> Sill trim strip Carbon | | 1 | Targa 4 |
| - | 997 044 800 76 | Lighting Sill trim strip Carbon | | 1 | Targa 4S |
| - | 997 044 800 91 | Lighting Sill trim strip Carbon | | 1 | GT3 |
| - | 997 044 800 93 | Lighting Sill trim strip Carbon | | 1 | GT3 RS |
| - | 997 044 805 21 | D - MJ 2005>> - MJ 2009 Sill trim strip Carbon | | 1 | GT3 RS |
| - | 997 551 991 06 | Lighting Sill trim strip Carbon | | 1 | GT2 |
| - | 997 044 800 43 | Lighting Entry strip with lettering | | 1 | Carrera PR:338 |
| - | 997 044 800 63 | stainless steel Sill trim strip | | 1 | Carrera 4 PR:339 |
| - | 997 044 800 44 | stainless steel Entry strip with lettering | | 1 | Carrera S PR:338 |
| - | 997 044 800 65 | stainless steel Sill trim strip | | 1 | Carrera 4S PR:339 |
| - | 997 551 981 04 | stainless steel Sill trim strip | | 1 | Turbo |

Model: TEQ

Model life 1985>>2012

| Pos | Part Number | Description | Remark | Qty | Model |
|-----|----------------|---|--------|-----|----------------------|
| - | 997 044 805 22 | Sill trim strip stainless steel | | 1 | Turbo S |
| - | 997 551 981 05 | D - MJ 2011>> Sill trim strip stainless steel | | 1 | Targa 4 |
| - | 997 551 981 06 | Sill trim strip stainless steel | | 1 | Targa 4S |
| - | | Technical information 911,alle Group 6 6807 Attention | | | |
| - | 997 044 800 51 | Sill trim strip stainless steel Lighting | | 1 | Carrera PR:338 |
| - | 997 044 800 59 | Sill trim strip stainless steel Lighting | | 1 | Carrera 4 PR:339 |
| - | 997 044 800 54 | Sill trim strip stainless steel Lighting | | 1 | Carrera S PR:338 |
| - | 997 044 800 68 | Sill trim strip stainless steel Lighting | | 1 | Carrera 4S PR:339 |
| - | 997 044 800 77 | Sill trim strip stainless steel Lighting | | 1 | Turbo |
| - | 997 044 805 24 | Sill trim strip stainless steel Lighting | | 1 | Turbo S |
| - | 997 044 800 52 | D - MJ 2011>> Sill trim strip stainless steel Lighting | | 1 | Targa 4 |
| - | 997 044 800 75 | Sill trim strip stainless steel Lighting | | 1 | Targa 4S |
| - | 997 044 800 90 | Sill trim strip stainless steel Lighting | | 1 | GT3 |
| - | 997 044 800 92 | Sill trim strip stainless steel Lighting | | 1 | GT3 RS |
| - | 997 044 805 20 | D - MJ 2005>> - MJ 2009 Sill trim strip stainless steel Lighting | | 1 | GT3 RS |
| - | 997 551 990 06 | D - MJ 2010>> Sill trim strip stainless steel Lighting | | 1 | GT2 |
| - | 997 551 992 00 | Wire set Sill trim strip Lighting Only for replacement | | 1 | |

Model: TEQ

Model life 1985>>2012



Model: TEQ Model life 1985>>2012

| Pos | Part Number | Description | Remark | Qty | Model |
|-----|--------------------|--|---------------------------|-----|---|
| - | 987 044 800 01 | Floor mats Sill trim strip 1 set foot mats Set D - MJ 2005>> | 2005- 2006- lhd | 1 | Boxster (987) Cayman (987) PR:098,810 |
| | 987 044 800 01 A10 | Black | | | |
| | 987 044 800 01 B10 | Stone grey | | | |
| | 987 044 800 01 E10 | sea blue | | | |
| | 987 044 800 01 J10 | Palm green | | | |
| | 987 044 800 01 M10 | Terracotta | | | |
| | 987 044 800 01 R10 | Cocoa | | | |
| | 987 044 800 01 T10 | Sand beige | | | |
| | 987 044 800 01 T11 | Natural brown | | | |
| | 987 044 800 01 N21 | Carrera Red | | | |
| - | 987 044 800 02 | 1 set foot mats Set D - MJ 2005>> | rhd | 1 | PR:099,810 |
| | 987 044 800 02 A10 | Black | | | |
| | 987 044 800 02 B10 | Stone grey | | | |
| | 987 044 800 02 E10 | sea blue | | | |
| | 987 044 800 02 J10 | Palm green | | | |
| | 987 044 800 02 M10 | Terracotta | | | |
| | 987 044 800 02 R10 | Cocoa | | | |
| | 987 044 800 02 T10 | Sand beige | | | |
| | 987 044 800 02 T11 | Natural brown | | | |
| | 987 044 800 02 N21 | Carrera Red | | | |
| - | 987 044 800 91 | Floor mat Set Bose D - MJ 2007>> | lhd | 1 | Cayman/S PR:098,810, 680 |
| | 987 044 800 91 A10 | Black | | | |
| | 987 044 800 91 B10 | Stone grey | | | |
| | 987 044 800 91 E10 | sea blue | | | |
| | 987 044 800 91 J10 | Palm green | | | |
| | 987 044 800 91 M10 | Terracotta | | | |
| | 987 044 800 91 R10 | Cocoa | | | |
| | 987 044 800 91 T10 | Sand beige | | | |
| | 987 044 800 91 T11 | Natural brown | | | |
| | 987 044 800 91 N21 | Carrera Red | | | |
| - | 987 044 800 92 | Floor mat Set Bose D - MJ 2007>> | rhd | 1 | Cayman/S PR:099,810, 680 |
| | 987 044 800 92 A10 | Black | | | |
| | 987 044 800 92 B10 | Stone grey | | | |
| | 987 044 800 92 E10 | sea blue | | | |
| | 987 044 800 92 J10 | Palm green | | | |
| | 987 044 800 92 M10 | Terracotta | | | |
| | 987 044 800 92 R10 | Cocoa | | | |
| | 987 044 800 92 T10 | Sand beige | | | |
| | 987 044 800 92 T11 | Natural brown | | | |
| | 987 044 800 92 N21 | Carrera Red | | | |
| - | 987 551 984 00 | 1 set foot mats Set Perlon velour D - MJ 2005>> | lhd | 1 | PR:098,XX1 |
| | 987 551 984 00 A41 | Black | | | |
| | 987 551 984 00 B21 | Stone grey | | | |
| | 987 551 984 00 T41 | Sand beige | | | |
| | 987 551 984 00 E21 | sea blue | | | |
| | 987 551 984 00 J41 | Palm green | | | |
| | 987 551 984 00 M21 | Terracotta | | | |
| | 987 551 984 00 R41 | Cocoa | | | |

Model: TEQ Model life 1985>>2012

| Pos | Part Number | Description | Remark | Qty | Model |
|-----|--|---|--------|-----|--------------------------------|
| - | 987 551 984 00 T21 987 551 984 01 | Brown/natural 1 set foot mats Set Perlon velour D - MJ 2005>> | rhd | 1 | PR:099,XX1 |
| | 987 551 984 01 A41 987 551 984 01 B21 987 551 984 01 T41 987 551 984 01 E21 987 551 984 01 J41 987 551 984 01 M21 987 551 984 01 R41 987 551 984 01 T21 | Black Stone grey Sand beige sea blue Palm green Terracotta Cocoa Brown/natural | | | |
| - | 987 551 984 02 | 1 set foot mats Set Perlon velour Bose D - MJ 2006>> | lhd | 1 | Cayman/S PR:098,XX1, 608 |
| | 987 551 984 02 A41 987 551 984 02 B21 987 551 984 02 T41 987 551 984 02 E21 987 551 984 02 J41 987 551 984 02 M21 987 551 984 02 R41 987 551 984 02 T21 | Black Stone grey Sand beige sea blue Palm green Terracotta Cocoa Brown/natural | | | |
| - | 987 551 984 03 | 1 set foot mats Set Perlon velour Bose D - MJ 2006>> | rhd | 1 | Cayman/S PR:099,XX1, 680 |
| | 987 551 984 03 A41 987 551 984 03 B21 987 551 984 03 T41 987 551 984 03 E21 987 551 984 03 J41 987 551 984 03 M21 987 551 984 03 R41 987 551 984 03 T21 | Black Stone grey Sand beige sea blue Palm green Terracotta Cocoa Brown/natural | | | |
| - | 987 044 800 93 | 1 set foot mats (rubber) Set D - MJ 2005>> | lhd | 1 | PR:098 |
| - | 987 044 800 94 | 1 set foot mats (rubber) Set Bose D - MJ 2006>> | lhd | 1 | Cayman PR:098,680 |
| - | 987 044 800 04 | Entry strip with lettering Carbon | | 1 | Boxster |
| - | 987 044 800 05 | Entry strip with lettering Carbon | | 1 | Boxster S |
| - | 987 044 800 06 | Entry strip with lettering stainless steel | | 1 | Boxster |
| - | 987 044 800 07 | Entry strip with lettering stainless steel | | 1 | Boxster S |
| - | 987 044 800 35 | Sill trim strip Carbon Lighting inscription | | 1 | Boxster |

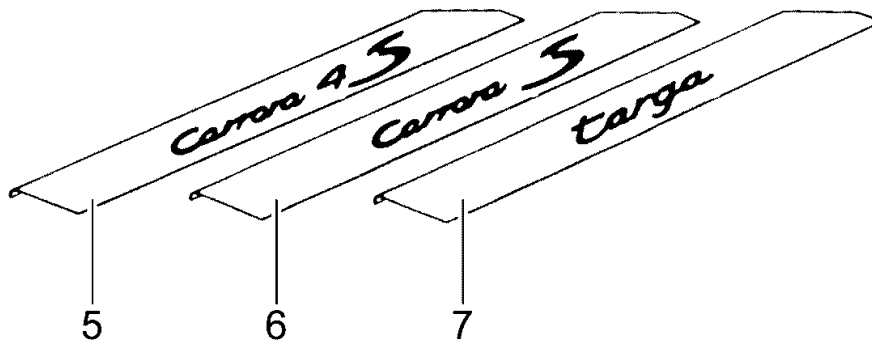
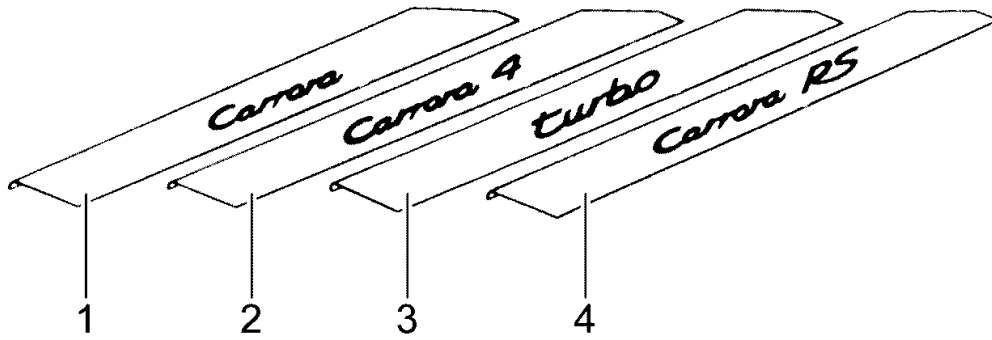
Model: TEQ

Model life 1985>>2012

| Pos | Part Number | Description | Remark | Qty | Model |
|-----|----------------|--|--------|-----|-----------|
| - | 987 044 800 36 | Sill trim strip Carbon Lighting inscription | | 1 | Boxster S |
| - | 987 044 800 27 | Sill trim strip stainless steel Lighting inscription | | 1 | Boxster |
| - | 987 044 800 33 | Sill trim strip stainless steel Lighting inscription | | 1 | Boxster S |
| - | 987 044 800 40 | Sill trim strip Carbon inscription | | 1 | Cayman S |
| - | 987 044 800 39 | Sill trim strip Carbon inscription | | 1 | Cayman |
| - | 987 044 800 42 | Sill trim strip stainless steel inscription | | 1 | Cayman S |
| - | 987 044 800 41 | Sill trim strip stainless steel inscription | | 1 | Cayman |
| - | 987 044 800 38 | Sill trim strip Carbon Lighting inscription | | 1 | Cayman S |
| - | 987 044 800 37 | Sill trim strip Carbon Lighting inscription | | 1 | Cayman |
| - | 987 044 800 34 | Sill trim strip stainless steel Lighting inscription | | 1 | Cayman S |
| - | 987 044 800 28 | Sill trim strip stainless steel Lighting inscription | | 1 | Cayman |
| - | 987 551 990 02 | Discontinued part Sill trim strip stainless steel Lighting inscription | | 1 | Cayman |

Model: TEQ

Model life 1985>>2012



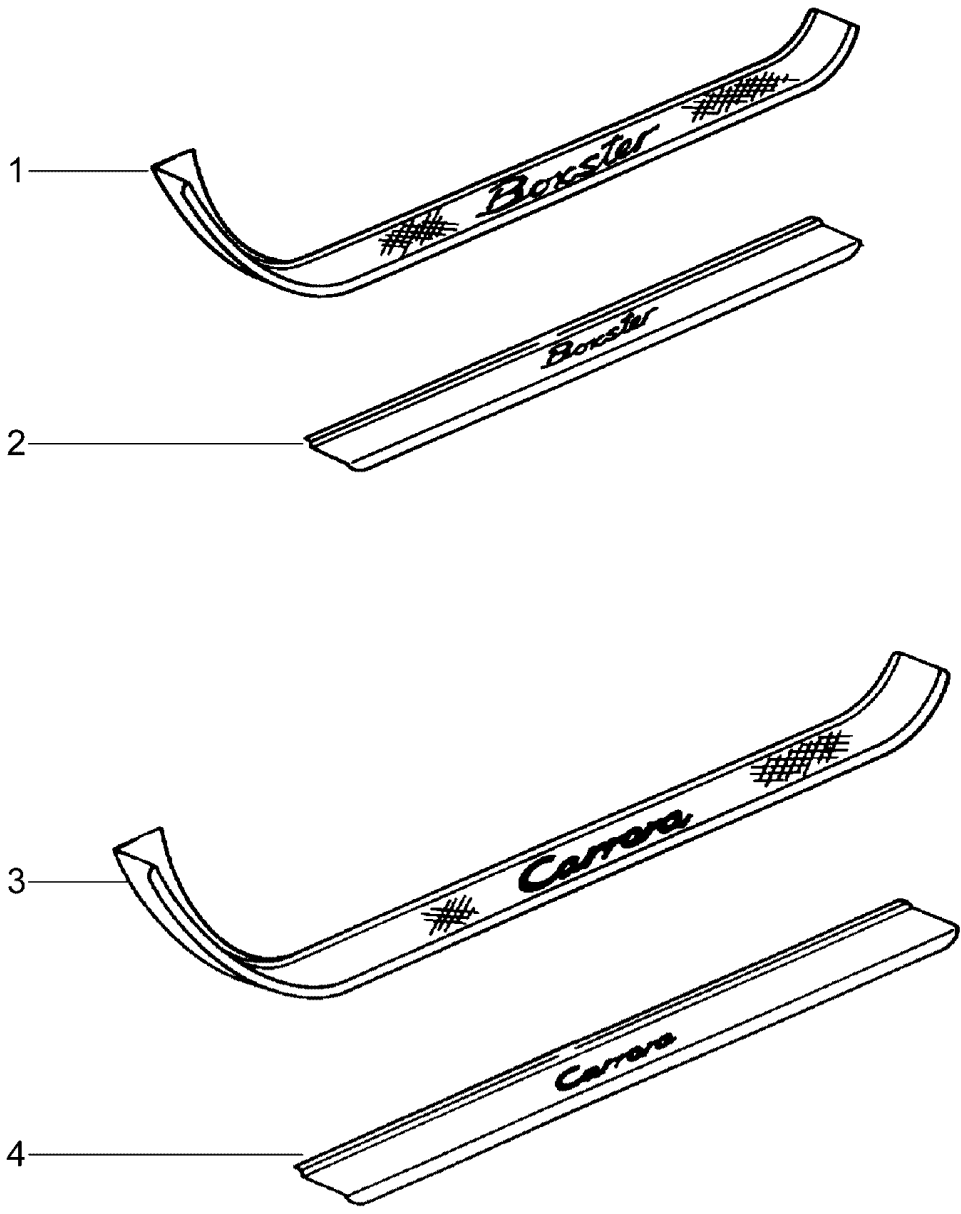
Model: TEQ

Model life 1985>>2012

| Pos | Part Number | Description | Remark | Qty | Model |
|-----|----------------|---|--------|-----|-------------------------|
| - | | Sill trim strip stainless steel D - MJ 1989>> - MJ 1998 See technical information 911 carrera Group 6 6807 (1/95) | | | 911(964/993) 993 |
| 1 | 993 551 980 01 | 1 set of sill strips inscription | | 1 | Carrera |
| 2 | 993 551 980 02 | 1 set of sill strips inscription Discontinued part | | 1 | Carrera 4 |
| 3 | 993 551 980 03 | 1 set of sill strips inscription | | 1 | Turbo |
| 4 | 000 044 800 04 | 1 set of sill strips inscription Discontinued part | | 1 | Carrera RS |
| 5 | 993 551 980 05 | 1 set of sill strips inscription | | 1 | Carrera 4S |
| 6 | 993 551 980 06 | 1 set of sill strips inscription Discontinued part | | 1 | Carrera S |
| 7 | 993 551 980 07 | 1 set of sill strips inscription Discontinued part | | 1 | Targa |

Model: TEQ

Model life 1985>>2012



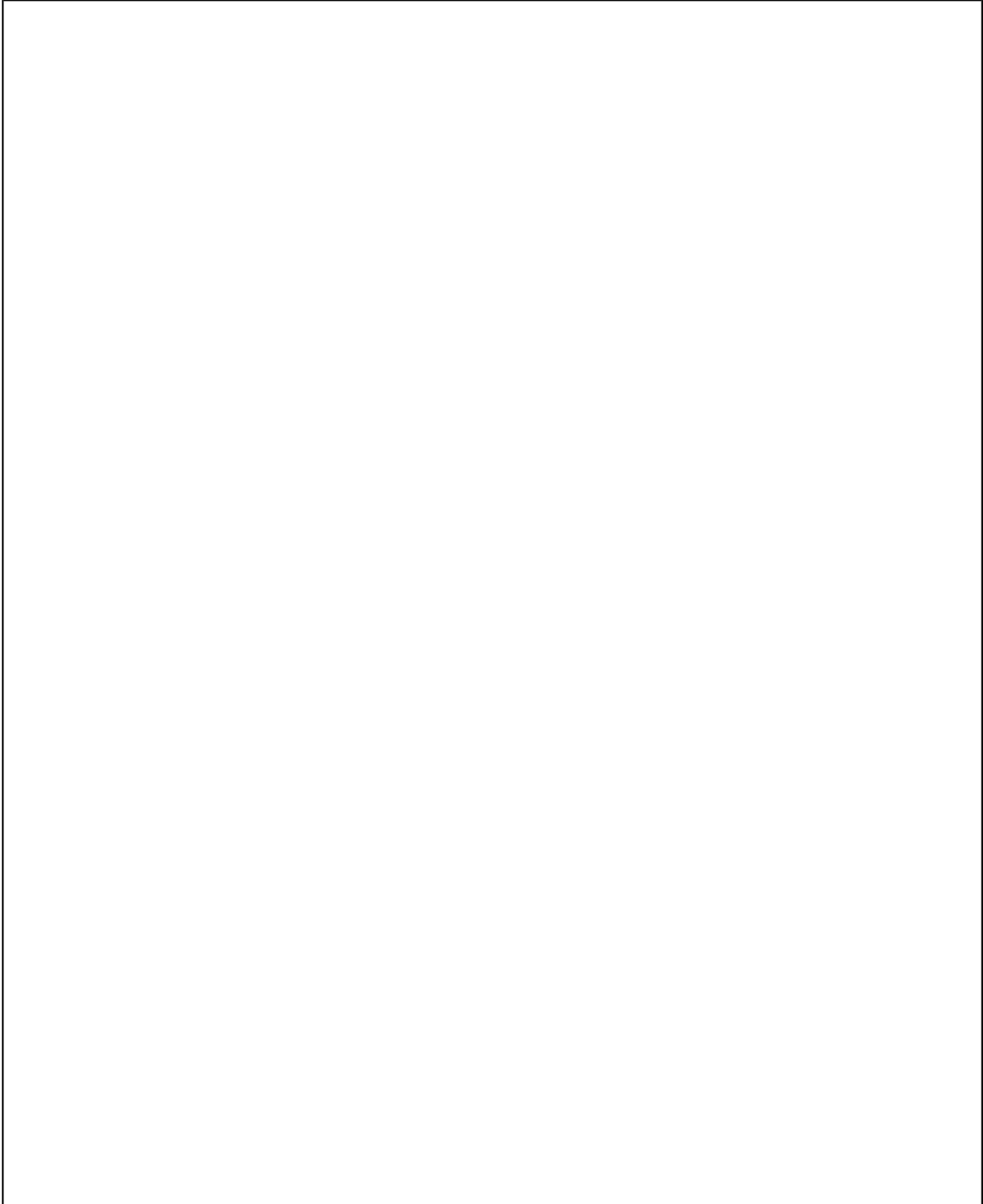
Model: TEQ

Model life 1985>>2012

| Pos | Part Number | Description | Remark | Qty | Model |
|-----|----------------|--|--------|-----|---------------------------|
| | | Sill trim strip | 97-04 | | Boxster(986) |
| 1 | 986 551 981 00 | Sill trim strip Carbon | 98-05 | 1 | 911 (996) |
| 2 | 986 551 981 01 | ininscription | | 1 | Boxster |
| (1) | 000 044 801 97 | Sill trim strip stainless steel ininscription | | 1 | Boxster |
| (2) | 000 044 801 98 | Entry strip with lettering | | 1 | Boxster S |
| 3 | 996 551 984 06 | Entry strip with lettering Carbon | | 1 | Boxster S C2 / C4 |
| 4 | 996 551 984 01 | Entry strip with lettering | | 1 | Carrera C2 / C4 |
| (3) | 996 551 984 02 | stainless steel Entry strip with lettering | | 1 | Carrera Turbo / C4S |
| (4) | 996 551 984 03 | Carbon Entry strip with lettering | | 1 | Turbo Turbo / C4S |
| (3) | 996 551 984 04 | stainless steel Entry strip with lettering | | 1 | Turbo Targa |
| (4) | 996 551 984 05 | Carbon Entry strip with lettering | | 1 | C2 / C4 Targa Targa |
| (3) | 996 551 984 92 | stainless steel Entry strip with lettering | | 1 | C2 / C4 Targa GT2 |
| (4) | 996 551 984 93 | Carbon Entry strip with lettering | | 1 | Turbo / C4S GT2 GT2 |
| (3) | 000 044 802 23 | stainless steel Sill trim strip Carbon | | 1 | Turbo / C4S GT2 C4S |
| (4) | 000 044 802 20 | ininscription Sill trim strip stainless steel ininscription | | 1 | GT2 / Turbo C4S C4S |

Model: TEQ

Model life 1985>>2012



Model: TEQ

Model life 1985>>2012

| Pos | Part Number | Description | Remark | Qty | Model |
|-----|----------------|---|-------------------------|-----|---|
| - | 987 044 800 04 | Sill trim strip without: Lighting Entry strip with lettering Carbon Set | 05-12 06-12 05-13 | 1 | Boxster(987) Cayman(987) 911 (997) Boxster |
| - | 987 044 800 05 | Entry strip with lettering Carbon Set | | 1 | Boxster S |
| - | 987 044 800 39 | Sill trim strip Carbon Set | | 1 | Cayman |
| - | 987 044 800 40 | Sill trim strip Carbon Set | | 1 | Cayman S |
| - | 997 044 800 41 | Entry strip with lettering Carbon Set | | 1 | Carrera |
| - | 997 044 800 42 | Entry strip with lettering Carbon Set | | 1 | Carrera S |
| - | 997 551 980 22 | Sill trim strip Carbon Set | | 1 | Carrera GTS |
| - | 997 044 800 64 | D - MJ 2011>> Sill trim strip Carbon Set | | 1 | Carrera 4 |
| - | 997 044 800 66 | Sill trim strip Carbon Set | | 1 | Carrera 4S |
| - | 997 551 980 23 | Sill trim strip Carbon Set | | 1 | Carrera 4GTS |
| - | 997 551 980 04 | D - MJ 2011>> Sill trim strip Carbon Set | | 1 | Turbo |
| - | 997 044 805 23 | Sill trim strip Carbon Set | | 1 | Turbo S |
| - | 997 551 980 05 | Sill trim strip Carbon Set | | 1 | Targa 4 |
| - | 997 551 980 06 | Sill trim strip Carbon Set | | 1 | Targa 4S |
| - | 997 551 980 07 | Sill trim strip Carbon Set | | 1 | GT3 |
| - | 997 551 980 18 | Sill trim strip Carbon Set | | 1 | GT3 RS |
| - | 997 551 980 19 | Sill trim strip Carbon Set | | 1 | GT2 |
| - | 987 044 800 06 | Entry strip with lettering stainless steel | | 1 | Boxster |

Model: TEQ

Model life 1985>>2012

| Pos | Part Number | Description | Remark | Qty | Model |
|-----|----------------|---|--------|-----|------------|
| - | 987 044 800 07 | Set Entry strip with lettering stainless steel | | 1 | Boxster S |
| - | 987 044 800 41 | Set Sill trim strip stainless steel | | 1 | Cayman |
| - | 987 044 800 42 | Set Sill trim strip stainless steel | | 1 | Cayman S |
| - | 997 044 800 43 | Set Entry strip with lettering stainless steel | | 1 | Carrera |
| - | 997 044 800 63 | Set Sill trim strip stainless steel | | 1 | Carrera 4 |
| - | 997 044 800 44 | Set Entry strip with lettering stainless steel | | 1 | Carrera S |
| - | 997 044 800 65 | Set Sill trim strip stainless steel | | 1 | Carrera 4S |
| - | 997 551 981 04 | Set Sill trim strip stainless steel | | 1 | Turbo |
| - | 997 044 805 22 | Set Sill trim strip stainless steel | | 1 | Turbo S |
| - | 997 551 981 05 | Set Sill trim strip stainless steel | | 1 | Targa 4 |
| - | 997 551 981 06 | Set Sill trim strip stainless steel | | 1 | Targa 4S |

Model: TEQ

Model life 1985>>2012



Model: TEQ

Model life 1985>>2012

| Pos | Part Number | Description | Remark | Qty | Model |
|-----|----------------|---|-------------------------|-----|--|
| - | 997 551 992 00 | Sill trim strip Lighting Wire set Sill trim strip Lighting Only for replacement | 05-12 06-12 05-13 | 1 | Boxster(987) Cayman(987) 911 (997) |
| - | | Inst. & Conv. Instructions BOXSTER / CAYMAN / 911 Group 6 6807 (8/05) 6807 (3/05) 6807 (6/05) Attention | | | alle Boxster Cayman 911 |
| - | 987 044 800 35 | Sill trim strip Carbon Set | | 1 | Boxster |
| - | 987 044 800 36 | Sill trim strip Carbon Set | | 1 | Boxster S |
| - | 987 044 800 37 | Sill trim strip Carbon Set | | 1 | Cayman |
| - | 987 551 991 03 | Sill trim strip Carbon Set | | 1 | Cayman S |
| - | 997 551 991 00 | Sill trim strip Carbon Set | | 1 | Carrera |
| - | 997 551 991 01 | Sill trim strip Carbon Set | | 1 | Carrera S |
| - | 997 044 805 27 | Sill trim strip Carbon Set | | 1 | Carrera GTS |
| - | 997 551 991 09 | D - MJ 2011>> Sill trim strip Carbon Set | | 1 | Carrera 4 |
| - | 997 551 991 10 | Sill trim strip Carbon Set | | 1 | Carrera 4S |
| - | 997 044 805 30 | Sill trim strip Carbon Set | | 1 | Carrera 4GTS |
| - | 997 551 991 02 | D - MJ 2011>> Sill trim strip Carbon Set | | 1 | Targa 4 |
| - | 997 551 991 03 | Sill trim strip Carbon Set | | 1 | Targa 4S |
| - | 997 551 991 04 | Sill trim strip Carbon Set | | 1 | Turbo |
| - | 997 044 805 25 | Sill trim strip Carbon Set | | 1 | Turbo S |
| - | 997 551 991 07 | Sill trim strip Carbon Set | | 1 | GT3 |
| - | 997 551 991 11 | Sill trim strip Carbon | | 1 | GT3 RS |

Model: TEQ

Model life 1985>>2012

| Pos | Part Number | Description | Remark | Qty | Model |
|-----|----------------|---|--------|-----|----------------------------------|
| - | 997 044 805 21 | Set D - MJ 2007>> - MJ 2008 Sill trim strip Carbon | | 1 | RS 3.8 |
| - | 997 551 991 06 | Set D - MJ 2010>> Sill trim strip Carbon | | 1 | GT2 |
| - | | Set D - MJ 2011>> Inst. & Conv. Instructions BOXSTER / CAYMAN / 911 Group 6 6807 (7/05) 6807 (2/05) 6807 (5/05) Attention | | | alle Boxster Cayman 911 |
| - | 987 551 990 00 | Sill trim strip stainless steel | | 1 | Boxster |
| - | 987 551 990 01 | Set Sill trim strip stainless steel | | 1 | Boxster S |
| - | 987 551 990 02 | Set Sill trim strip stainless steel | | 1 | Cayman |
| - | 987 551 990 03 | Set Sill trim strip stainless steel | | 1 | Cayman S |
| - | 997 551 990 00 | Set Sill trim strip stainless steel | | 1 | Carrera |
| - | 997 551 990 01 | Set Sill trim strip stainless steel | | 1 | Carrera S |
| - | 997 044 805 28 | Set Sill trim strip stainless steel | | 1 | Carrera GTS |
| - | 997 551 990 09 | Set D - MJ 2011>> Sill trim strip stainless steel | | 1 | Carrera 4 |
| - | 997 551 990 10 | Set Sill trim strip stainless steel | | 1 | Carrera 4S |
| - | 997 044 805 31 | Set Sill trim strip stainless steel | | 1 | Carrera 4GTS |
| - | 997 551 990 02 | Set D - MJ 2011>> Sill trim strip stainless steel | | 1 | Targa 4 |
| - | 997 551 990 03 | Set Sill trim strip stainless steel | | 1 | Targa 4S |
| - | 997 551 990 04 | Set Sill trim strip stainless steel | | 1 | Turbo |
| - | 997 044 805 24 | Set Sill trim strip stainless steel | | 1 | Turbo S |
| - | 997 551 990 07 | Set Sill trim strip stainless steel | | 1 | GT3 |

Model: TEQ

Model life 1985>>2012

| Pos | Part Number | Description | Remark | Qty | Model |
|-----|----------------|--|--------|-----|--------|
| - | 997 551 990 11 | Set Sill trim strip stainless steel | | 1 | GT3 RS |
| - | 997 044 805 20 | Set D - MJ 2007>> - MJ 2008 Sill trim strip stainless steel | | 1 | RS 3.8 |
| - | 997 551 990 06 | Set D - MJ 2010>> Sill trim strip stainless steel | | 1 | GT2 |
| | | Set D - MJ 2011>> | | | |

Model: TEQ

Model life 1985>>2012

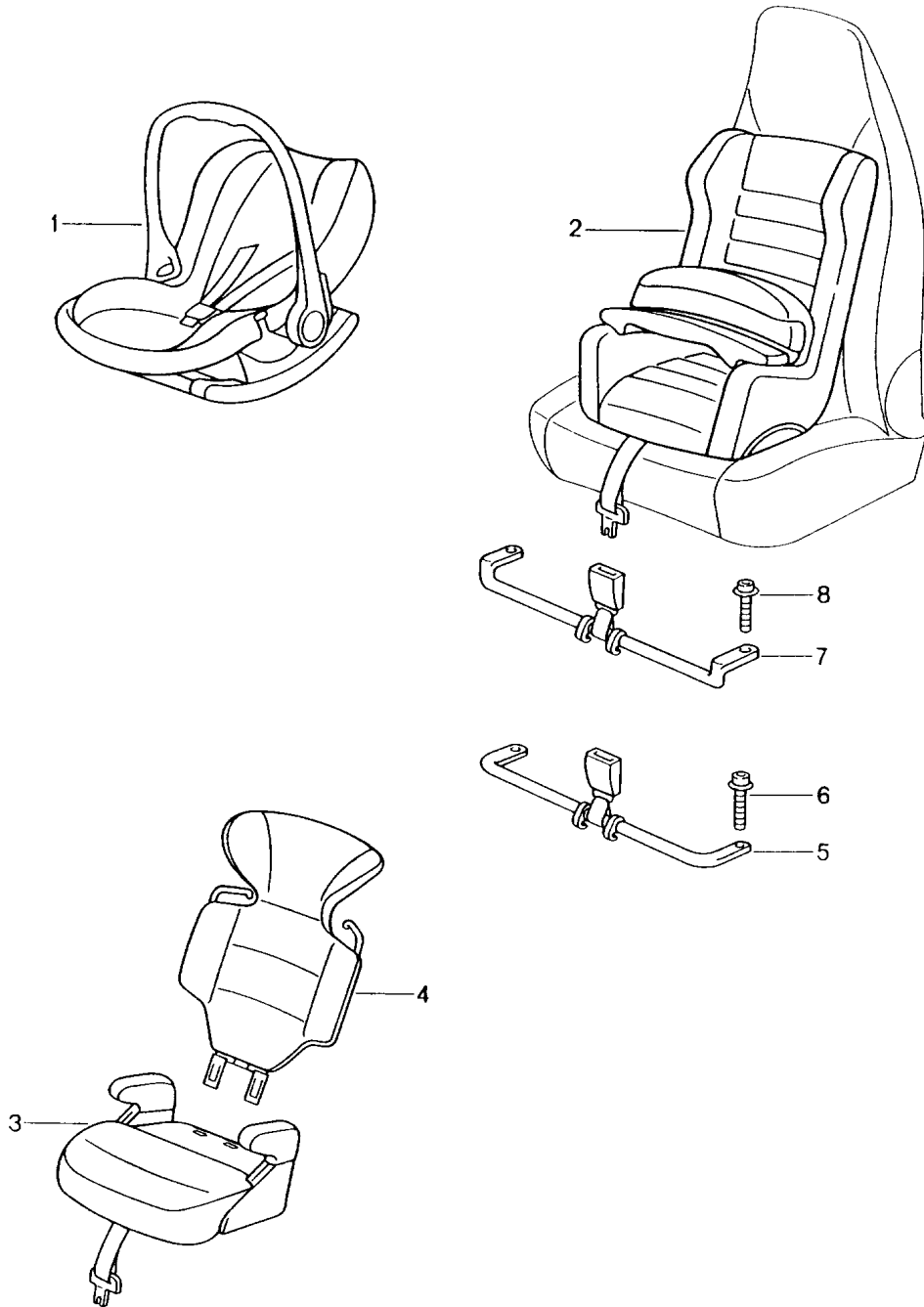


Model: TEQ Model life 1985>>2012

| Pos | Part Number | Description | Remark | Qty | Model |
|-----|----------------|--|----------------------------------|-----|---|
| - | 997 044 000 01 | Luggage compartment liner | 05-12 06-12 05-13 front | 1 | Boxster (987) Cayman (987) 911 (997) Carrera 4 Turbo - "CN." |
| - | 997 044 000 04 | Luggage compartment liner | front | 1 | Carrera 2 Boxster Cayman - "CN." |
| - | 987 044 000 05 | Luggage compartment liner | rear | 1 | Boxster - "CN." |
| - | 987 044 000 15 | D - MJ 2005>> - MJ 2006 Luggage compartment liner | rear | 1 | Boxster - "CN." |
| - | 987 044 000 03 | D - MJ 2007>> Luggage compartment liner | rear | 1 | Cayman - "CN." |

Model: TEQ

Model life 1985>>2012



Model: TEQ

Model life 1985>>2012

| Pos | Part Number | Description | Remark | Qty | Model |
|-----|----------------|---|-------------------------|-----|---|
| - | | child seat | 94-98 97-04 98-05 | | 911(993) Boxster(986) 911(996) |
| - | | Operating instructions Attention /F = Front = Vorn /R = Rear = Hinten Use | | | |
| - | | See memo Ti: Boxster Group 7 7223 | | | |
| - | 000 044 802 87 | Attention child seat Baby Seat ISOFIX G0+ | with: /F /F /F | 1 | - "CDN" Boxster(986) 911(996) GT2/GT3(996) |
| - | | Push-on connector 0-13 KG / 0-9 MONATE Not for: Vehicle | with: | | |
| - | 000 044 802 89 | bucket seat child seat Junior Seat ISOFIX G1 | with: /F /F /R /F | 1 | - "CDN" Boxster(986) 911(996) GT2/GT3(996) |
| - | | Push-on connector 9-18 KG / 9-42 MONATE Not for: Vehicle | with: | | |
| - | 000 044 802 91 | bucket seat child seat Junior Plus Seat G2+G3 | with: /F /F /R /F | 1 | - "CDN" Boxster(986) 911(996) GT2/GT3(996) |
| - | | Push-on connector 15-36 KG / 3,5-12 JAHRE Not for: Vehicle | with: | | |
| (6) | 999 073 023 01 | bucket seat Torx screw M10 x 35 | | 2 | |

Model: TEQ

Model life 1985>>2012



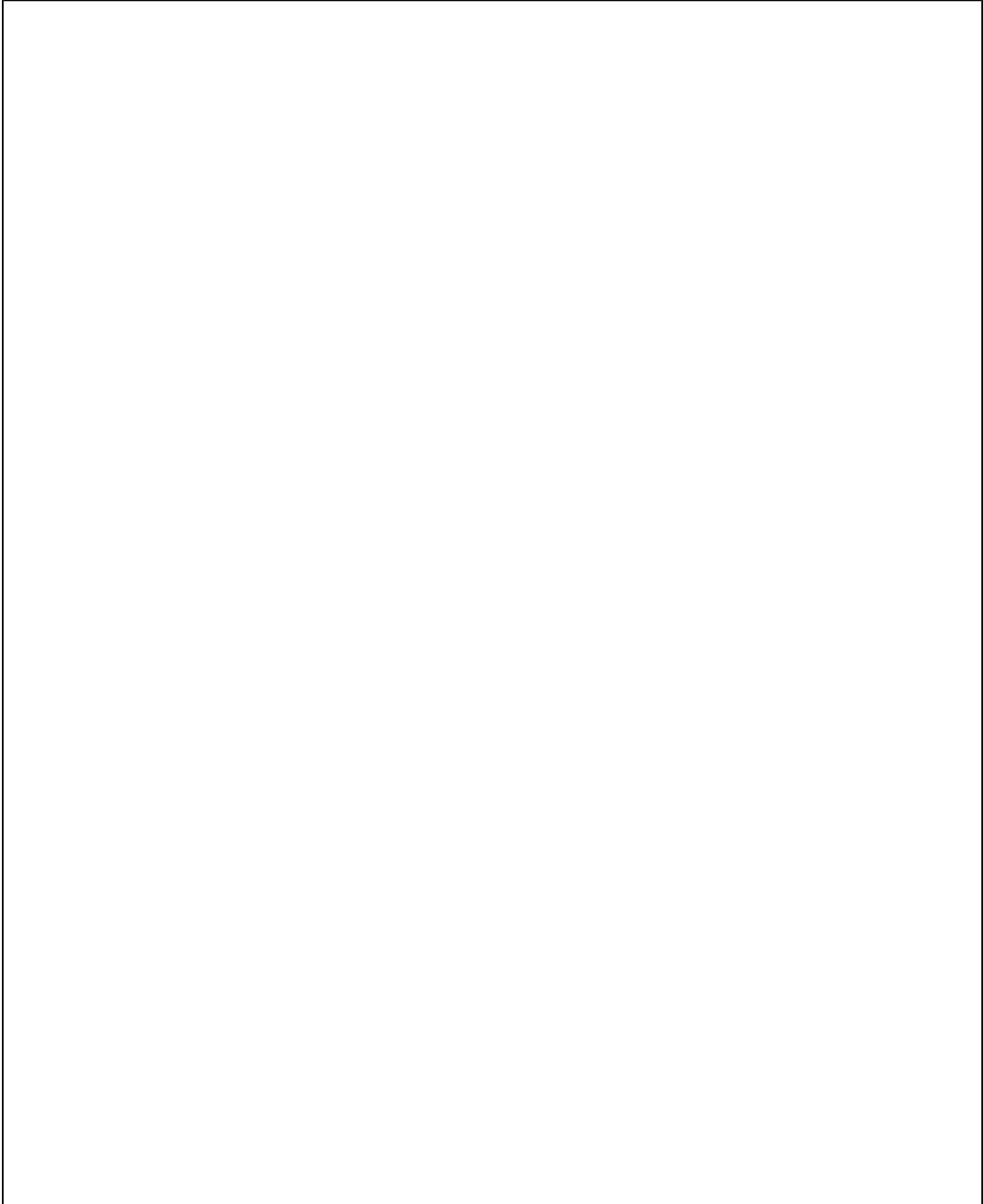
Model: TEQ

Model life 1985>>2012

| Pos | Part Number | Description | Remark | Qty | Model |
|-----|----------------|--|--------------------------------------|-----|--|
| - | | child seat | 2005- 2006- 2005- | | Boxster(987) Cayman 911(997) |
| - | | Operating instructions Attention /F = Front = Vorn /R = Rear = Hinten Use | | | |
| - | 955 044 802 87 | child seat Baby Seat ISOFIX G0+ 0-13 KG / 0-9 MONATE Not for: Vehicle | /F /F /F /F | 1 | - "CDN" Boxster(987) Cayman(987) 911(997) GT2/GT3(997) |
| - | 955 044 802 89 | bucket seat child seat Junior Seat ISOFIX G1 9-18 KG / 9-48 MONATE Not for: Vehicle | with: /F /F /F /R /F | 1 | - "CDN" Boxster(987) Cayman(987) 911(997) GT2/GT3(997) |
| - | 958 044 802 91 | bucket seat child seat JUNIOR PLUS SEAT G2+G3 15-36 KG / 3,5-12 JAHRE | with: | 1 | - "CDN" |

Model: TEQ

Model life 1985>>2012



Model: TEQ Model life 1985>>2012

| Pos | Part Number | Description | Remark | Qty | Model |
|-----|--------------------|---|-------------------------|-----|------------------------------------|
| - | | child seat Preparation | 2005- 2006- 2005- | | Boxster(987) Cayman 911(997) |
| - | | Inst. & Conv. Instructions Boxster/911/Cayman 6929 Attention | | | |
| - | 997 044 800 13 | child seat Preparation | | 1 | /LL |
| - | 997 044 800 15 | child seat Preparation | | 1 | /LL |
| - | | use if required: | | | |
| - | 997 552 901 00 | Trim Airbag Switch-off | | 1 | /RL |
| | 997 552 901 00 5V7 | Stone grey | | | |
| | 997 552 901 00 5Y2 | Palm green | | | |
| | 997 552 901 00 5Z1 | Sand beige | | | |
| | 997 552 901 00 8P9 | Cocoa | | | |
| | 997 552 901 00 8W7 | sea blue | | | |
| | 997 552 901 00 8X8 | Terracotta | | | |
| | 997 552 901 00 T13 | Brown/natural | | | |
| | 997 552 901 00 N23 | Carrera Red | | | |
| - | 997 552 902 00 | Trim Airbag Switch-off | | 1 | /LL |
| | 997 552 902 00 5V7 | Stone grey | | | |
| | 997 552 902 00 5Y2 | Palm green | | | |
| | 997 552 902 00 5Z1 | Sand beige | | | |
| | 997 552 902 00 8P9 | Cocoa | | | |
| | 997 552 902 00 8W7 | sea blue | | | |
| | 997 552 902 00 8X8 | Terracotta | | | |
| | 997 552 902 00 T13 | Brown/natural | | | |
| | 997 552 902 00 N23 | Carrera Red | | | |

Model: TEQ

Model life 1985>>2012

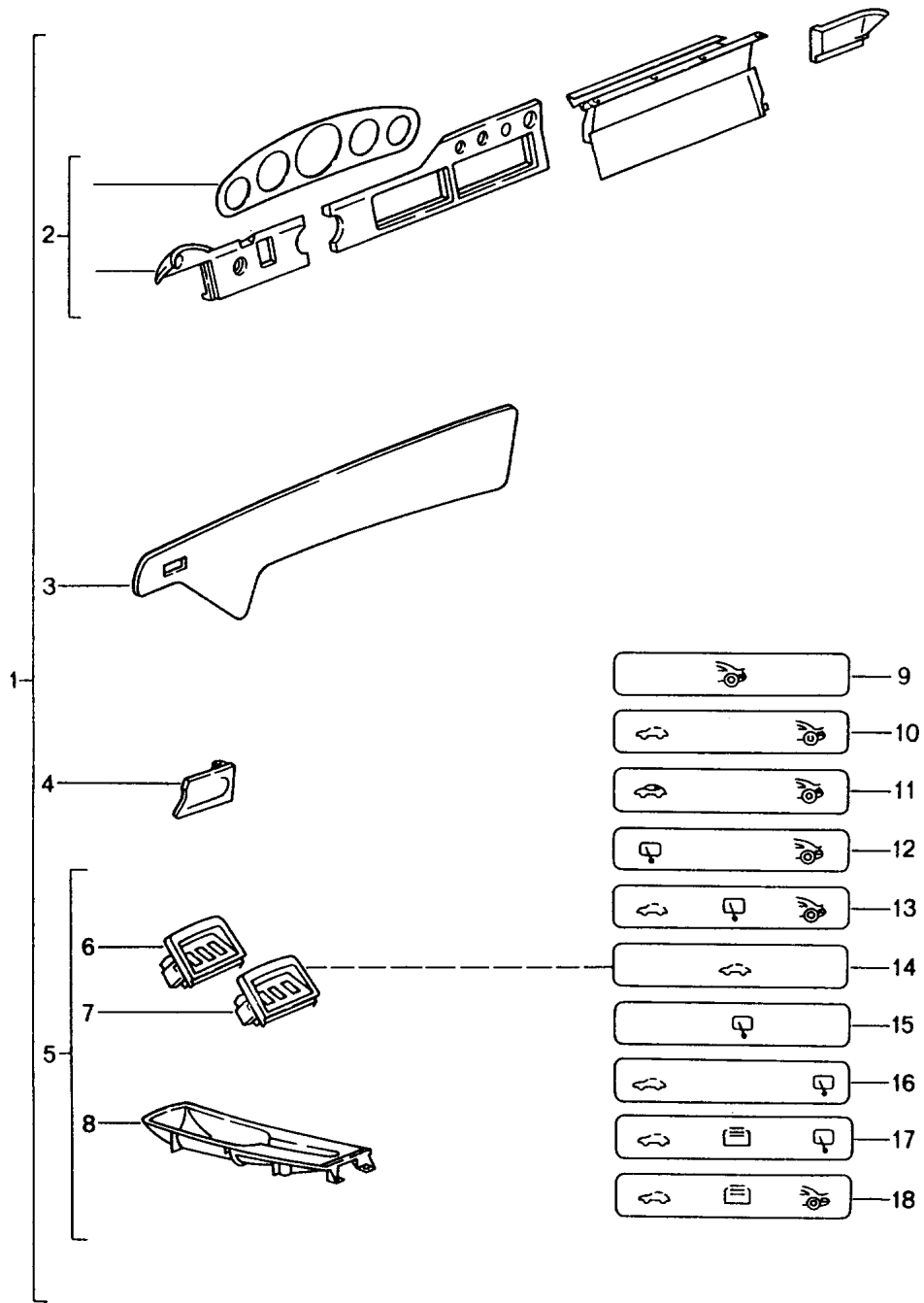


Model: TEQ Model life 1985>>2012

| Pos | Part Number | Description | Remark | Qty | Model |
|-----|--------------------------------------|---|-------------------------|-----|--------------------------------------|
| - | | bucket seat Collapsible | 2005- 2006- 2005- | | Boxster (987) Cayman 911 (997) |
| - | | Inst. & Conv. Instructions 911/Boxster/Cayman Group 7 7201 (5/08;17/08;18/08) Attention | | | alle |
| 1 | 997 044 805 05 | bucket seat Collapsible Leather | left | 1 | |
| (1) | 997 044 805 05 FLC 997 044 805 06 | Black bucket seat Collapsible Leather | right | 1 | |
| (1) | 997 044 805 06 FLC 997 044 805 11 | Black bucket seat Collapsible Cloth Black | left | 1 | USA |
| (1) | 997 044 805 12 | bucket seat Collapsible Cloth Black | right | 1 | USA |
| - | | for Seat | | | |
| | | also use: | | | |
| - | 999 141 047 01 | Torx screw | | 4 | |
| - | 811 857 845 | Cover cap | | 1 | |
| - | 811 857 845 01C | Satin black | | | |
| - | 997 521 359 01 | Rail | | 1 | PR:369,375 |
| - | 997 521 359 01 01C | Satin black | | | |
| - | 997 521 360 01 | Rail | | 1 | PR:369,375 |
| - | 997 521 360 01 01C | Satin black | | | |
| - | 997 803 334 00 | clamping piece | | 1 | |
| | | D - MJ 2005>> - MJ 2008 | | | |
| | 997 803 334 00 01C | Black | | | |

Model: TEQ

Model life 1985>>2012



Model: TEQ Model life 1985>>2012

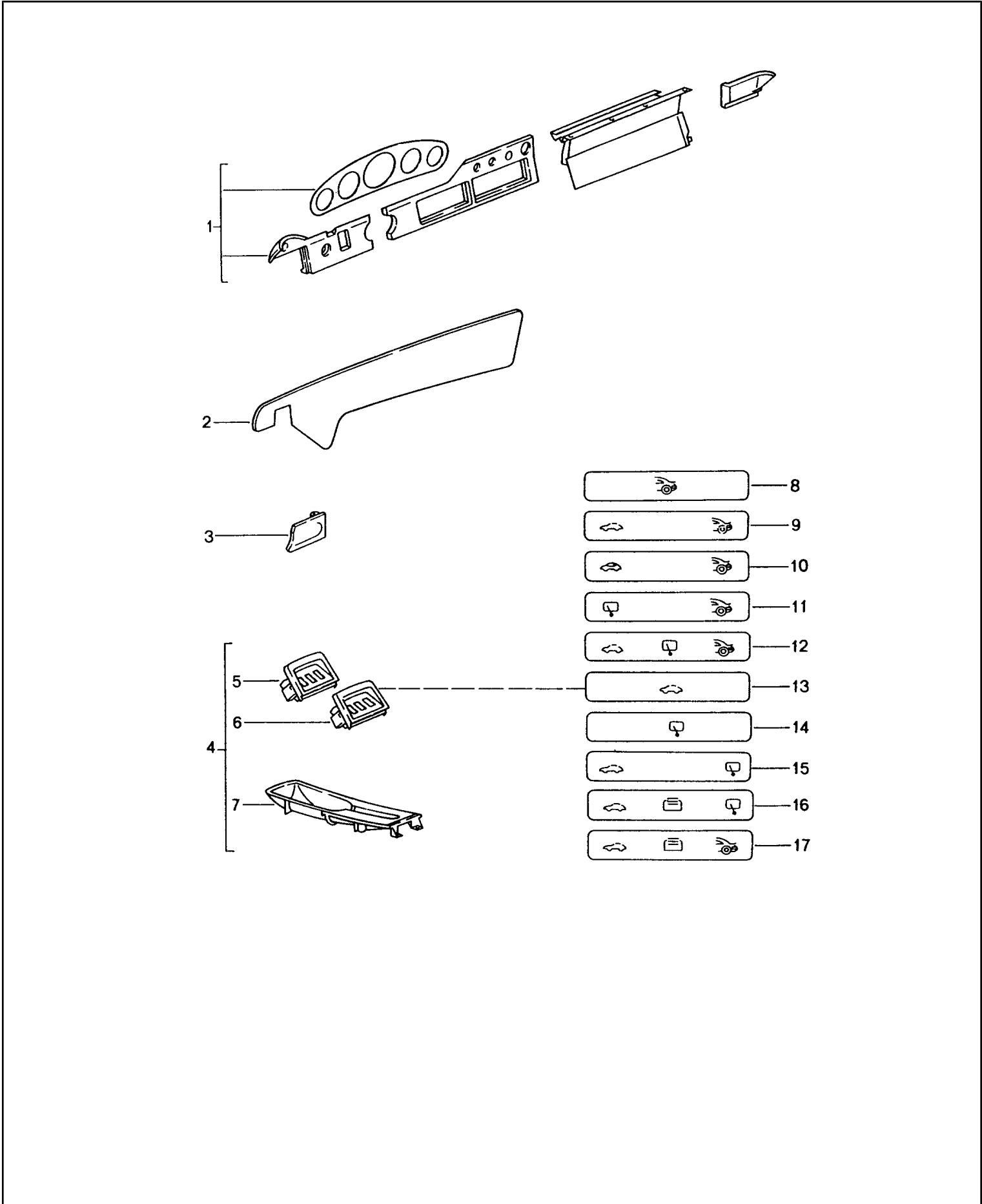
| Pos | Part Number | Description | Remark | Qty | Model |
|-----|----------------|--|-------------------------|-----|--|
| 1 | 000 044 800 23 | Passenger compartment Carbon Installation kit Instrument carrier Instrument panel trim Centre console Door Carbon | 89-94 94-98 94-96 | 1 | 911(964) 911(993) 911(993) PR:098 |
| - | 000 044 800 79 | comprising: Cover Airbag Cover (passenger side) Upper part/lower part Carbon | 94-98 | 1 | 911(993) |
| - | 000 044 800 67 | Cover Airbag Cover (passenger side) Upper part/lower part Carbon inscription TURBO S | 98 | 1 | 911(993) Turbo S PR:092 |
| - | 000 044 801 88 | Trim Radio unit Air-conditioning switch Heating regulator Carbon | 94-98 | 1 | 911(993) |
| - | 000 044 801 94 | Trim Ignition starter lock Headlight range control Carbon | 94-98 | 1 | 911(993) |
| 3 | 000 044 800 32 | Trim Door | 94-98 | 1 | 911(993) |
| (3) | 000 044 800 33 | Trim Door | 94-98 | 1 | 911(993) |
| 4 | 993 555 980 01 | Inner actuator | 94-98 left | 1 | 911(993) |
| (4) | 993 555 981 01 | Inner actuator | 94-98 right | 1 | 911(993) |
| 5 | 000 044 800 60 | Installation kit Centre console comprising: | 94-98 | 1 | 911(993) |
| - | 000 044 800 82 | Trim for switch Centre console | upper | 1 | |
| 7 | 000 044 800 83 | Trim for switch Centre console | center | 1 | |
| 8 | 000 044 800 36 | Cup for Brake lever | | 1 | |
| - | | | also use: | | |
| 9 | 993 632 171 00 | Diffusor lens | 94-98 | 1 | 911(993) |
| 10 | 993 632 171 11 | Rear spoiler Diffusor lens Rear spoiler Sunroof | 94-98 | 1 | 911(993) PR:650 |
| 11 | 993 632 171 12 | Diffusor lens Rear spoiler Convertible top | 94-98 | 1 | 911(993) PR:439 |
| 12 | 993 632 171 13 | Diffusor lens Rear spoiler Rear window wiper | 94-98 | 1 | 911(993) PR:425 |
| 13 | 993 632 171 14 | Diffusor lens | 94-98 | 1 | 911(993) |

Model: TEQ Model life 1985>>2012

| Pos | Part Number | Description | Remark | Qty | Model |
|-----|----------------|--|--------|-----|---------------------------------|
| | | Rear spoiler Rear window wiper Sunroof | | | PR:425,650 |
| 14 | 993 632 171 15 | Diffusor lens Sunroof | 95-98 | 1 | 911(993) Turbo PR:650 |
| 15 | 993 632 171 17 | Diffusor lens Rear window wiper | 95-98 | 1 | 911(993) Turbo PR:425 |
| 16 | 993 632 171 18 | Diffusor lens Rear window wiper Sunroof | 95-98 | 1 | 911(993) Turbo PR:425,650 |
| 17 | 993 632 171 19 | Diffusor lens Glass roof roller blind | 96-98 | 1 | 911(993) Targa PR:425 |
| 18 | 993 632 171 20 | Rear window wiper Diffusor lens Rear spoiler Glass roof roller blind | 96-98 | 1 | 911(993) Targa |

Model: TEQ

Model life 1985>>2012



Model: TEQ

Model life 1985>>2012

| Pos | Part Number | Description | Remark | Qty | Model |
|-----|----------------|--|-------------------------|-----|---|
| 1 | 993 552 985 04 | Passenger compartment Carbon Installation kit Instrument carrier Instrument panel trim Carbon | 89-94 94-98 89-98 | 1 | 911(964) 911(993) 911(964/993) PR:098,-425 |
| (1) | 993 552 985 05 | Installation kit Instrument carrier Instrument panel trim Carbon | 89-98 | 1 | 911(964/993) PR:099,-425 |
| - | 000 044 800 79 | Cover Airbag Cover (passenger side) Upper part/lower part Carbon | | 1 | 911(993) |
| - | 000 044 800 67 | Cover Airbag Cover (passenger side) Upper part/lower part Carbon inscription TURBO S | 98 | 1 | 911(993) Turbo S PR:092 |
| - | 000 044 801 88 | Trim Radio unit Air-conditioning switch Heating regulator Carbon | 94-98 | 1 | 911(993) |
| - | 000 044 801 94 | Trim Ignition starter lock Headlight range control Carbon | 94-98 | 1 | 911(993) |
| 2 | 000 044 800 63 | Installation kit Cover panel Door | 97-98 | 1 | 911(993) |
| 3 | 993 555 980 01 | Inner actuator | 94-98 left | 1 | 911(993) |
| (3) | 993 555 981 01 | Inner actuator | 94-98 right | 1 | 911(993) |
| 4 | 000 044 800 60 | Installation kit Centre console comprising: | 94-98 | 1 | 911(993) |
| - | 000 044 800 82 | Trim for switch | 94-98 upper | 1 | 911(993) |
| 6 | 000 044 800 83 | Trim for switch | 94-98 center | 1 | 911(993) |
| 7 | 000 044 800 36 | Cup for Brake lever | 94-98 | 1 | 911(993) |
| 8 | 993 632 171 00 | Diffusor lens Rear spoiler | 94-98 | 1 | 911(993) |
| 9 | 993 632 171 11 | Diffusor lens Rear spoiler Sunroof | 94-98 | 1 | 911(993) PR:650 |
| 10 | 993 632 171 12 | Diffusor lens Rear spoiler Convertible top | 94-98 | 1 | 911(993) PR:439 |
| 11 | 993 632 171 13 | Diffusor lens Rear spoiler Rear window wiper | 94-98 | 1 | 911(993) PR:425 |
| 12 | 993 632 171 14 | Diffusor lens Rear spoiler | 94-98 | 1 | 911(993) PR:425,650 |

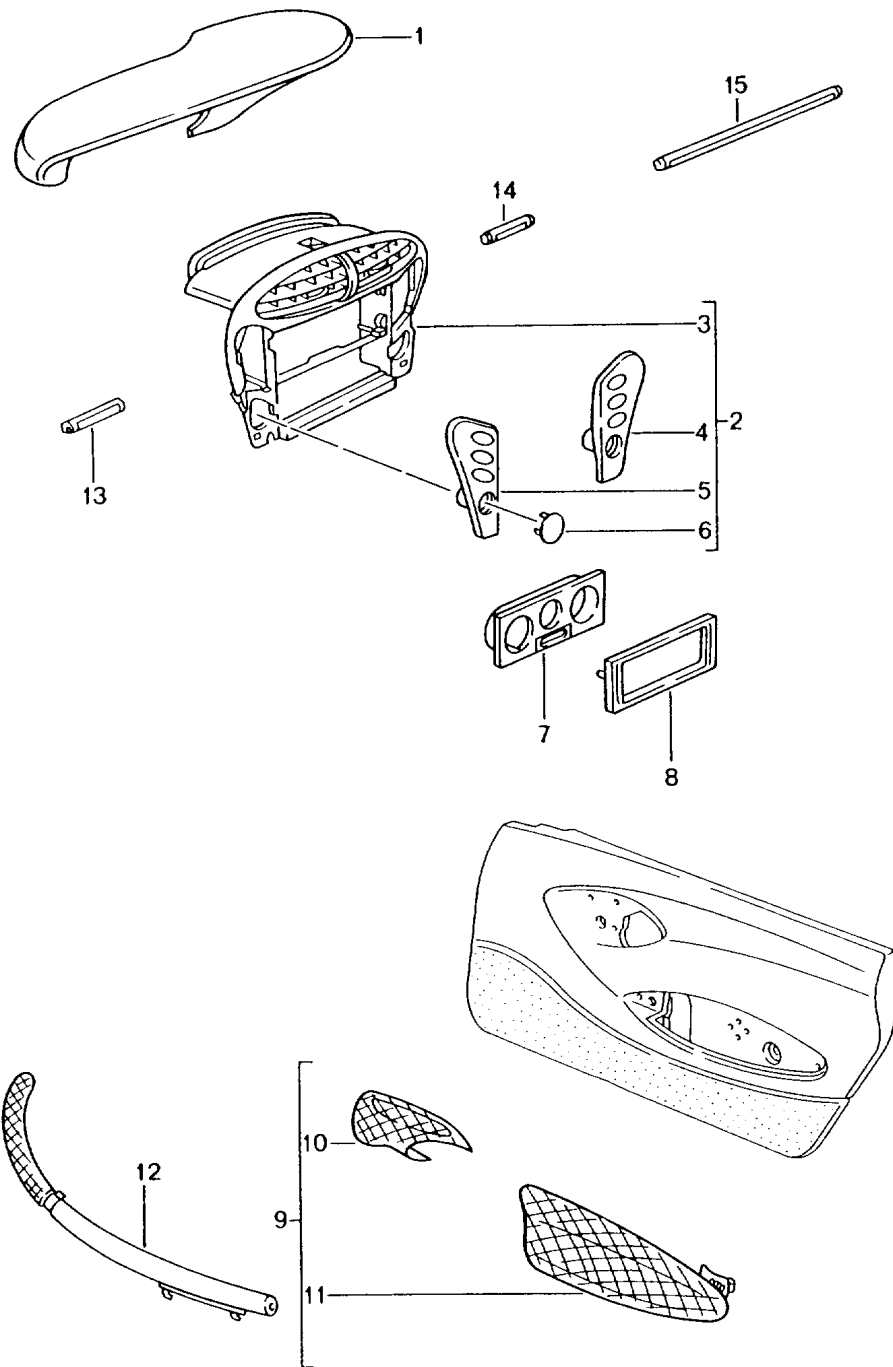
Model: TEQ

Model life 1985>>2012

| Pos | Part Number | Description | Remark | Qty | Model |
|-----|----------------|--|--------|-----|---------------------------------|
| 13 | 993 632 171 15 | Rear window wiper Sunroof Diffusor lens Sunroof | 95-98 | 1 | 911(993) Turbo PR:650 |
| 14 | 993 632 171 17 | Diffusor lens Rear window wiper | 95-98 | 1 | 911(993) Turbo PR:425 |
| 15 | 993 632 171 18 | Diffusor lens Rear window wiper Sunroof | 95-98 | 1 | 911(993) Turbo PR:425,650 |
| 16 | 993 632 171 19 | Diffusor lens Glass roof roller blind Rear window wiper | 96-98 | 1 | 911(993) Targa PR:425 |
| 17 | 993 632 171 20 | Diffusor lens Rear spoiler Glass roof roller blind | 96-98 | 1 | 911(993) Targa |

Model: TEQ

Model life 1985>>2012



Model: TEQ Model life 1985>>2012

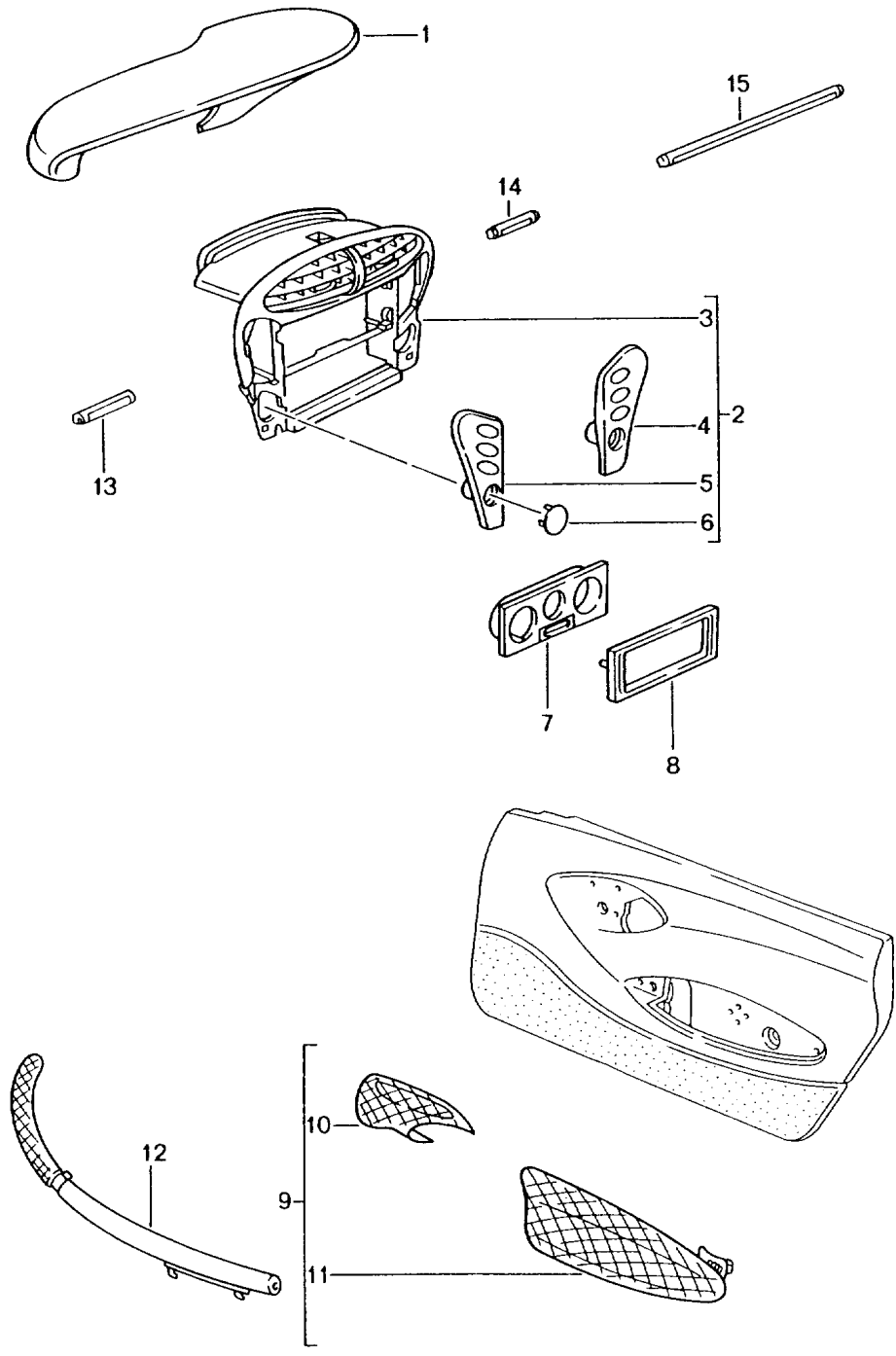
| Pos | Part Number | Description | Remark | Qty | Model |
|-----|--------------------|---|--------|-----|---------|
| | | Instrument box Centre console Door Carbon D - MJ 1997>> - MJ 2004 | | | BOXSTER |
| 1 | 986 552 984 04 | Cover (leather) Carbon | lhd | 1 | PR:098 |
| | 986 552 984 04 M31 | Boxster red D - MJ 1997>> | | | |
| | 986 552 984 04 J31 | Nephrite green D - MJ 1997>> | | | |
| | 986 552 984 04 S31 | savannah beige D - MJ 1997>> | | | |
| | 986 552 984 04 C51 | Graphite grey D - MJ 1997>> | | | |
| | 986 552 984 04 A11 | Black D - MJ 1997>> | | | |
| | 986 552 984 04 G11 | Metropole blue D - MJ 1998>> | | | |
| - | | comprising: | | | |
| 3 | 986 552 980 17 | Mounting frame Discontinued part | | 1 | |
| 3 | 986 552 980 20 | Mounting frame D - MJ 1997>> | | 1 | |
| | 986 552 980 20 01C | Satin black D - MJ 1997>> | | | |
| | 986 552 980 20 M30 | Boxster red D - MJ 1997>> | | | |
| | 986 552 980 20 J30 | Nephrite green D - MJ 1997>> | | | |
| | 986 552 980 20 S30 | savannah beige D - MJ 1997>> | | | |
| | 986 552 980 20 C50 | Graphite grey D - MJ 1997>> | | | |
| | 986 552 980 20 G10 | Metropole blue D - MJ 1998>> | | | |
| - | | or | | | |
| (3) | 986 552 980 27 | Mounting frame Discontinued part | | 1 | PR:662 |
| (3) | 986 552 980 24 | Mounting frame D - MJ 1997>> | | 1 | |
| | 986 552 980 24 01C | Satin black D - MJ 1997>> | | | |
| | 986 552 980 24 M30 | Boxster red D - MJ 1997>> | | | |
| | 986 552 980 24 J30 | Nephrite green D - MJ 1997>> | | | |
| | 986 552 980 24 S30 | savannah beige D - MJ 1997>> | | | |
| | 986 552 980 24 C50 | Graphite grey D - MJ 1997>> | | | |
| | 986 552 980 24 G10 | Metropole blue D - MJ 1998>> | | | |
| 4 | 986 552 982 01 | Trim for switch | right | 1 | |
| 5 | 986 552 981 01 | Trim for switch | left | 1 | |
| 6 | 986 552 983 01 | Cover | | 1 | |
| - | | also use: | | | |
| 7 | 996 552 991 01 | Cover heater Carbon or | | 1 | |
| 8 | 996 552 992 01 | Cover Air-conditioning switch | | 1 | |

Model: TEQ Model life 1985>>2012

| Pos | Part Number | Description | Remark | Qty | Model |
|------|--------------------|--|-----------|-----|--------|
| (8) | 996 552 992 00 | Carbon Frame heater Frame Air-conditioning switch Leather | | 1 | |
| | 996 552 992 00 A11 | Black | | | |
| | 996 552 992 00 S31 | savannah beige | | | |
| | 996 552 992 00 G11 | Metropole blue | | | |
| - | 996 552 963 04 | Trim for switch Air conditioning | | 1 | PR:662 |
| 9 | 000 044 800 88 | Carbon Retrofit kit doors | | 1 | |
| - | | Carbon comprising: | | | |
| 10 | 986 555 982 02 | Cover panel | right | 1 | |
| (10) | 986 555 981 02 | Cover panel | left | 1 | |
| 11 | 986 555 990 01 | Cover for stowage compartment | left | 1 | |
| (11) | 986 555 991 01 | Cover for stowage compartment | right | 1 | |
| - | | use if required: | | | |
| 12 | 986 555 987 03 | Pull handle (leather) | left | 1 | |
| | 986 555 987 03 M31 | Carbon Boxster red D - MJ 1997>> | | | |
| | 986 555 987 03 J31 | Nephrite green D - MJ 1997>> | | | |
| | 986 555 987 03 S31 | savannah beige D - MJ 1997>> | | | |
| | 986 555 987 03 C51 | Graphite grey D - MJ 1997>> | | | |
| | 986 555 987 03 A11 | Black D - MJ 1997>> | | | |
| | 986 555 987 03 G11 | Metropole blue D - MJ 1998>> | | | |
| (12) | 986 555 988 03 | Pull handle (leather) | right | 1 | |
| | 986 555 988 03 M31 | Carbon Boxster red D - MJ 1997>> | | | |
| | 986 555 988 03 J31 | Nephrite green D - MJ 1997>> | | | |
| | 986 555 988 03 S31 | savannah beige D - MJ 1997>> | | | |
| | 986 555 988 03 C51 | Graphite grey D - MJ 1997>> | | | |
| | 986 555 988 03 A11 | Black D - MJ 1997>> | | | |
| | 986 555 988 03 G11 | Metropole blue D - MJ 1998>> | | | |
| - | | use if required: | | | |
| - | 986 555 985 01 | Covering | left | 1 | |
| - | 986 555 986 01 | Covering | right | 1 | |
| | | Clip Pull handle Aluminium coloured | | | |
| - | | use if required: | | | |
| 13 | 996 552 996 01 | Cover trim | left lhd | 1 | PR:098 |
| 14 | 996 552 998 02 | Cover trim | lhd | 1 | PR:098 |
| 15 | 986 552 987 04 | Trim | right lhd | 1 | PR:098 |

Model: TEQ

Model life 1985>>2012



Model: TEQ Model life 1985>>2012

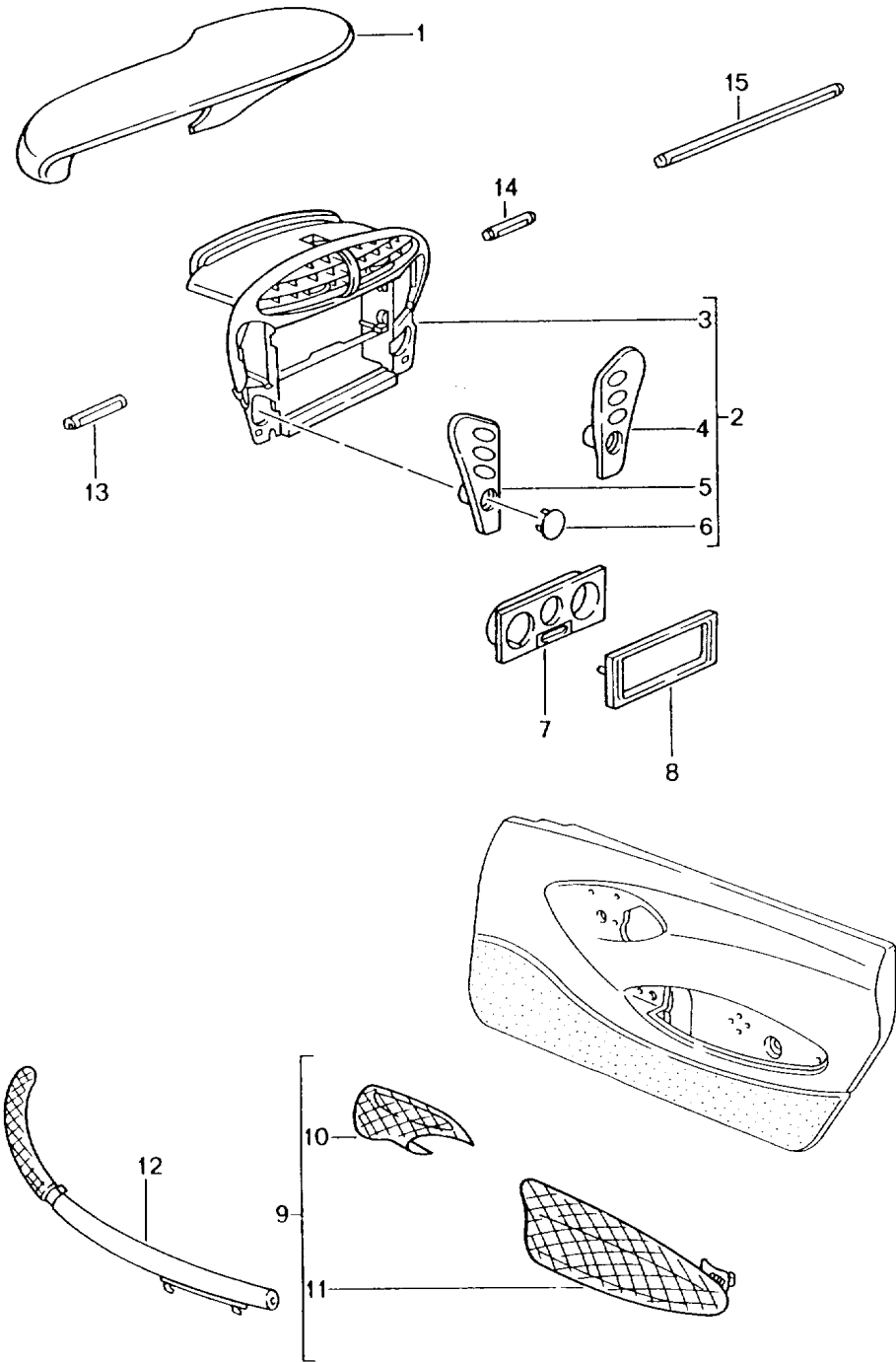
| Pos | Part Number | Description | Remark | Qty | Model |
|------|--------------------|--|--------|-----|---------|
| | | Instrument box Centre console Door mahagoni D >> - MJ 1998 | | | BOXSTER |
| 1 | 986 552 984 02 | Cover (leather) mahagoni D - MJ 1997>> | lhd | 1 | PR:098 |
| | 986 552 984 02 M31 | Mahogany/Boxster red D - MJ 1997>> | | | |
| | 986 552 984 02 J31 | Mahogany/nephrite green D - MJ 1997>> | | | |
| | 986 552 984 02 S31 | Mahogany/savanna beige D - MJ 1997>> | | | |
| | 986 552 984 02 C51 | Mahogany/graffiti grey D - MJ 1997>> | | | |
| | 986 552 984 02 A11 | Black D - MJ 1997>> | | | |
| | 986 552 984 02 G11 | Mahogany/metropolis blue D - MJ 1998>> | | | |
| 3 | 986 552 980 16 | Mounting frame or | | 1 | |
| (3) | 986 552 980 26 | Mounting frame | | 1 | PR:662 |
| 4 | 986 552 982 00 | Trim for switch | right | 1 | |
| 5 | 986 552 981 00 | Trim for switch | left | 1 | |
| 6 | 986 552 983 00 | Cover | | 1 | |
| 7 | 000 044 800 97 | Mounting frame Discontinued part | | 1 | |
| 7 | 996 552 991 02 | Distance piece heater mahagoni | | 1 | |
| 8 | 000 044 800 96 | Cover Discontinued part | | 1 | |
| 8 | 996 552 992 02 | Cover Air-conditioning switch mahagoni | | 1 | |
| (8) | 996 552 991 00 | Mounting frame heater Leather | | 1 | |
| | 996 552 991 00 A11 | Black | | | |
| (8) | 996 552 992 00 | Frame Air-conditioning switch Leather | | 1 | |
| | 996 552 992 00 A11 | Black | | | |
| | 996 552 992 00 S31 | savannah beige | | | |
| | 996 552 992 00 G11 | Metropole blue | | | |
| - | 996 552 963 03 | Trim Air-conditioning switch or | | 1 | PR:662 |
| | | Digital sound processing | | | |
| 10 | 986 555 982 00 | Cover panel | right | 1 | |
| (10) | 986 555 981 00 | Cover panel | left | 1 | |
| 11 | 000 044 800 90 | Cover for stowage compartment | right | 1 | |
| (11) | 000 044 800 91 | Cover for stowage compartment | left | 1 | |
| 12 | 986 555 987 00 | Inner actuator Pull handle mahagoni D - MJ 1997>> | left | 1 | |
| | 986 555 987 00 M31 | Mahogany/Boxster red D - MJ 1997>> | | | |
| | 986 555 987 00 J31 | Mahogany/nephrite green D - MJ 1997>> | | | |
| | 986 555 987 00 S31 | Mahogany/savanna beige | | | |

Model: TEQ Model life 1985>>2012

| Pos | Part Number | Description | Remark | Qty | Model |
|------|--------------------|--|-----------|-----|--------|
| | 986 555 987 00 C51 | D - MJ 1997>> Mahogany/graffiti grey | | | |
| | 986 555 987 00 A11 | D - MJ 1997>> Black | | | |
| | 986 555 987 00 G11 | D - MJ 1997>> Mahogany/metropolis blue | | | |
| (12) | 986 555 988 00 | D - MJ 1998>> Inner actuator Pull handle mahagoni | right | 1 | |
| | 986 555 988 00 M31 | D - MJ 1997>> Mahogany/Boxster red | | | |
| | 986 555 988 00 J31 | D - MJ 1997>> Mahogany/nephrite green | | | |
| | 986 555 988 00 S31 | D - MJ 1997>> Mahogany/savanna beige | | | |
| | 986 555 988 00 C51 | D - MJ 1997>> Mahogany/graffiti grey | | | |
| | 986 555 988 00 A11 | D - MJ 1997>> Black | | | |
| | 986 555 988 00 G11 | D - MJ 1997>> Mahogany/metropolis blue | | | |
| - | | use if required: | | | |
| - | 986 555 985 01 | Covering silver | left | 1 | |
| - | 986 555 986 01 | Covering silver | right | 1 | |
| - | | use if required: | | | |
| 13 | 996 552 996 02 | Cover panel mahagoni | left lhd | 1 | PR:098 |
| (13) | 996 552 997 02 | Cover panel mahagoni | right rhd | 1 | PR:099 |
| 14 | 996 552 998 04 | Cover panel mahagoni | lhd | 1 | PR:098 |
| (14) | 996 552 998 05 | Cover panel mahagoni | rhd | 1 | PR:099 |
| 15 | 986 552 987 02 | Cover panel mahagoni | right lhd | 1 | PR:098 |
| (15) | 986 552 987 03 | Cover panel mahagoni | left rhd | 1 | PR:099 |

Model: TEQ

Model life 1985>>2012



Model: TEQ Model life 1985>>2012

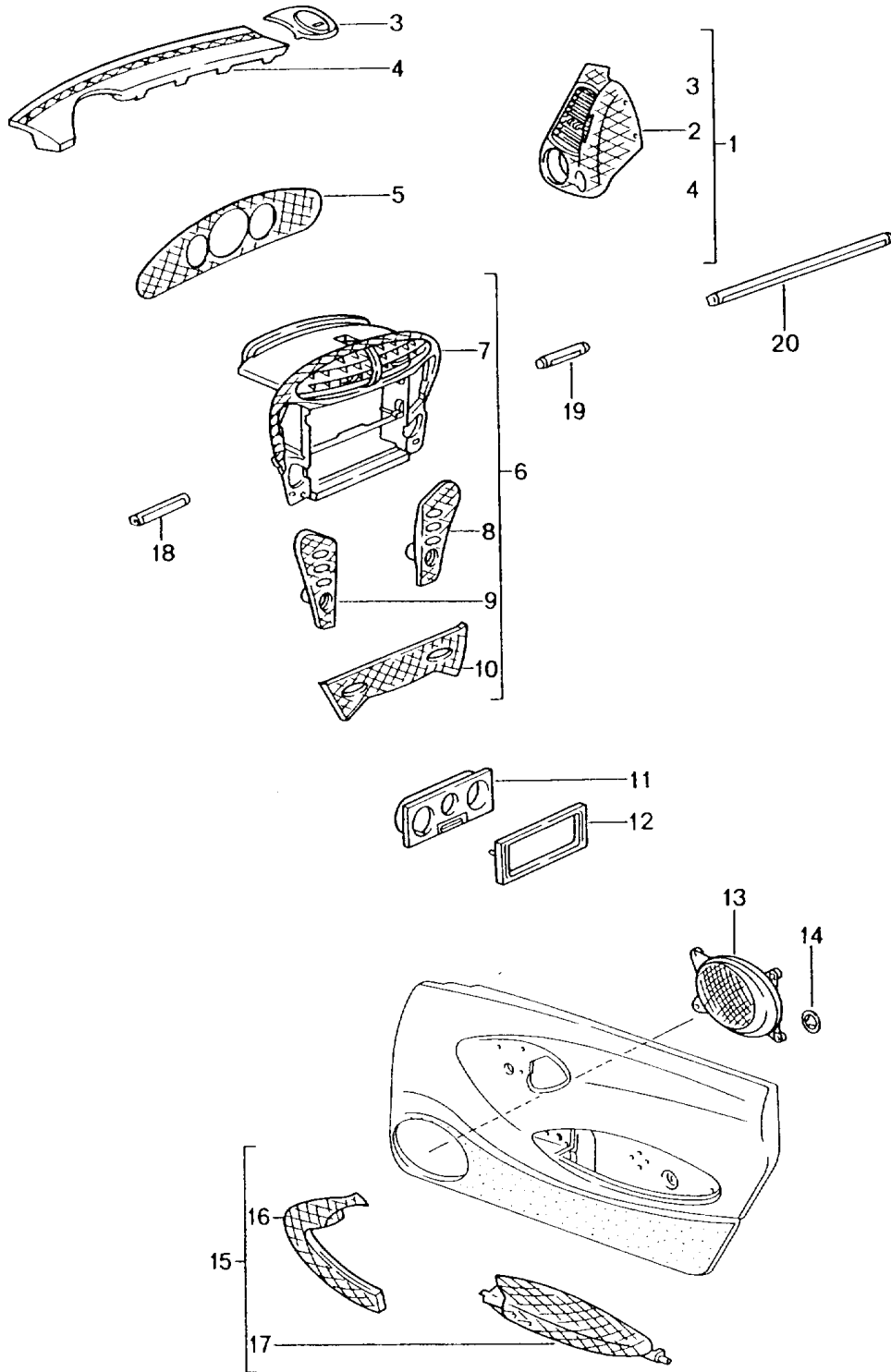
| Pos | Part Number | Description | Remark | Qty | Model |
|-----|--------------------|---------------------|--------|-----|---------|
| | | Instrument box | 99-04 | | BOXSTER |
| | | Centre console | | | |
| | | Door | | | |
| 1 | 986 552 984 12 | Dark maple rootwood | | | |
| | | Cover (leather) | lhd | 1 | PR:098 |
| | | Dark maple rootwood | | | |
| | 986 552 984 12 M31 | Boxster red | | | |
| | 986 552 984 12 J31 | Nephrite green | | | |
| | 986 552 984 12 S31 | savannah beige | | | |
| | 986 552 984 12 C51 | Graphite grey | | | |
| | 986 552 984 12 A11 | Black | | | |
| 2 | 986 552 984 12 G11 | Metropole blue | | | |
| | 000 044 801 67 | Retrofit kit | | 1 | |
| | | Centre console | | | |
| | | Dark maple rootwood | | | |
| | | without: | | | |
| | | Navigation system | | | |
| | | Leather | | | |
| | 000 044 801 67 A10 | Black | | | |
| | 000 044 801 67 M30 | Boxster red | | | |
| | 000 044 801 67 J30 | Nephrite green | | | |
| | 000 044 801 67 S30 | savannah beige | | | |
| | 000 044 801 67 C50 | Graphite grey | | | |
| | 000 044 801 67 G10 | Metropole blue | | | |
| (2) | 000 044 801 68 | Retrofit kit | | 1 | PR:662 |
| | | Centre console | | | |
| | | Dark maple rootwood | | | |
| | | with: | | | |
| | | Navigation system | | | |
| | | Leather | | | |
| | 000 044 801 68 A10 | Black | | | |
| | 000 044 801 68 M30 | Boxster red | | | |
| | 000 044 801 68 J30 | Nephrite green | | | |
| | 000 044 801 68 S30 | savannah beige | | | |
| | 000 044 801 68 C50 | Graphite grey | | | |
| | 000 044 801 68 G10 | Metropole blue | | | |
| - | | comprising: | | | |
| 3 | 986 552 980 30 | Mounting frame | | 1 | |
| | | Dark maple rootwood | | | |
| | | Leather | | | |
| | 986 552 980 30 A10 | Black | | | |
| | 986 552 980 30 M30 | Boxster red | | | |
| | 986 552 980 30 J30 | Nephrite green | | | |
| | 986 552 980 30 S30 | savannah beige | | | |
| | 986 552 980 30 C50 | Graphite grey | | | |
| | 986 552 980 30 G10 | Metropole blue | | | |
| - | | or | | | |
| (3) | 986 552 980 31 | Mounting frame | | 1 | PR:662 |
| | | Dark maple rootwood | | | |
| | | Leather | | | |
| | 986 552 980 31 A10 | Black | | | |
| | 986 552 980 31 M30 | Boxster red | | | |
| | 986 552 980 31 J30 | Nephrite green | | | |
| | 986 552 980 31 S30 | savannah beige | | | |
| | 986 552 980 31 C50 | Graphite grey | | | |
| | 986 552 980 31 G10 | Metropole blue | | | |
| 4 | 986 552 982 03 | Trim for switch | right | 1 | |
| 5 | 986 552 981 03 | Trim for switch | left | 1 | |
| 6 | 986 552 983 03 | Cover | | 1 | |
| 7 | 996 552 991 04 | Mounting frame | | 1 | |
| | | heater | | | |
| | | Dark maple rootwood | | | |
| 8 | 996 552 992 04 | Frame | | 1 | |

Model: TEQ Model life 1985>>2012

| Pos | Part Number | Description | Remark | Qty | Model |
|------|--------------------|--|-----------|-----|--------|
| - | | Air-conditioning switch | | | |
| (8) | 996 552 991 00 | Dark maple rootwood use if required: Mounting frame heater Leather | | 1 | |
| | 996 552 991 00 A11 | Black | | | |
| | 996 552 991 00 M31 | Boxster red Other colours available | | | |
| - | | or | | | |
| (8) | 996 552 992 00 | Frame Air-conditioning switch Leather | | 1 | |
| | 996 552 992 00 A11 | Black | | | |
| | 996 552 992 00 S31 | savannah beige | | | |
| | 996 552 992 00 G11 | Metropole blue | | | |
| - | | also use: | | | |
| - | 996 552 963 02 | Frame Air-conditioning switch or Digital sound processing | | 1 | PR:662 |
| 9 | 000 044 801 69 | Dark maple rootwood Retrofit kit doors | | 1 | |
| - | | Dark maple rootwood comprising: | | | |
| 10 | 986 555 982 03 | Cover panel | right | 1 | |
| (10) | 986 555 981 03 | Cover panel | left | 1 | |
| 11 | 000 044 801 70 | Cover for stowage compartment | right | 1 | |
| (11) | 000 044 801 71 | Cover for stowage compartment | left | 1 | |
| 12 | 986 555 987 04 | Inner actuator Pull handle Dark maple rootwood | left | 1 | |
| | 986 555 987 04 M31 | Boxster red | | | |
| | 986 555 987 04 J31 | Nephrite green | | | |
| | 986 555 987 04 S31 | savannah beige | | | |
| | 986 555 987 04 C51 | Graphite grey | | | |
| | 986 555 987 04 A11 | Black | | | |
| | 986 555 987 04 G11 | Metropole blue | | | |
| (12) | 986 555 988 04 | Inner actuator Pull handle Dark maple rootwood | right | 1 | |
| | 986 555 988 04 M31 | Boxster red | | | |
| | 986 555 988 04 J31 | Nephrite green | | | |
| | 986 555 988 04 S31 | savannah beige | | | |
| | 986 555 988 04 C51 | Graphite grey | | | |
| | 986 555 988 04 A11 | Black | | | |
| | 986 555 988 04 G11 | Metropole blue | | | |
| - | | use if required: | | | |
| - | 986 555 985 01 | Covering silver | left | 1 | |
| - | 986 555 986 01 | Covering silver | right | 1 | |
| - | | use if required: | | | |
| 13 | 996 552 996 05 | Cover trim Dark maple rootwood | left lhd | 1 | PR:098 |
| 14 | 996 552 998 10 | Cover trim Dark maple rootwood | lhd | 1 | PR:098 |
| 15 | 986 552 987 10 | Trim Dark maple rootwood | right lhd | 1 | PR:098 |

Model: TEQ

Model life 1985>>2012



Model: TEQ Model life 1985>>2012

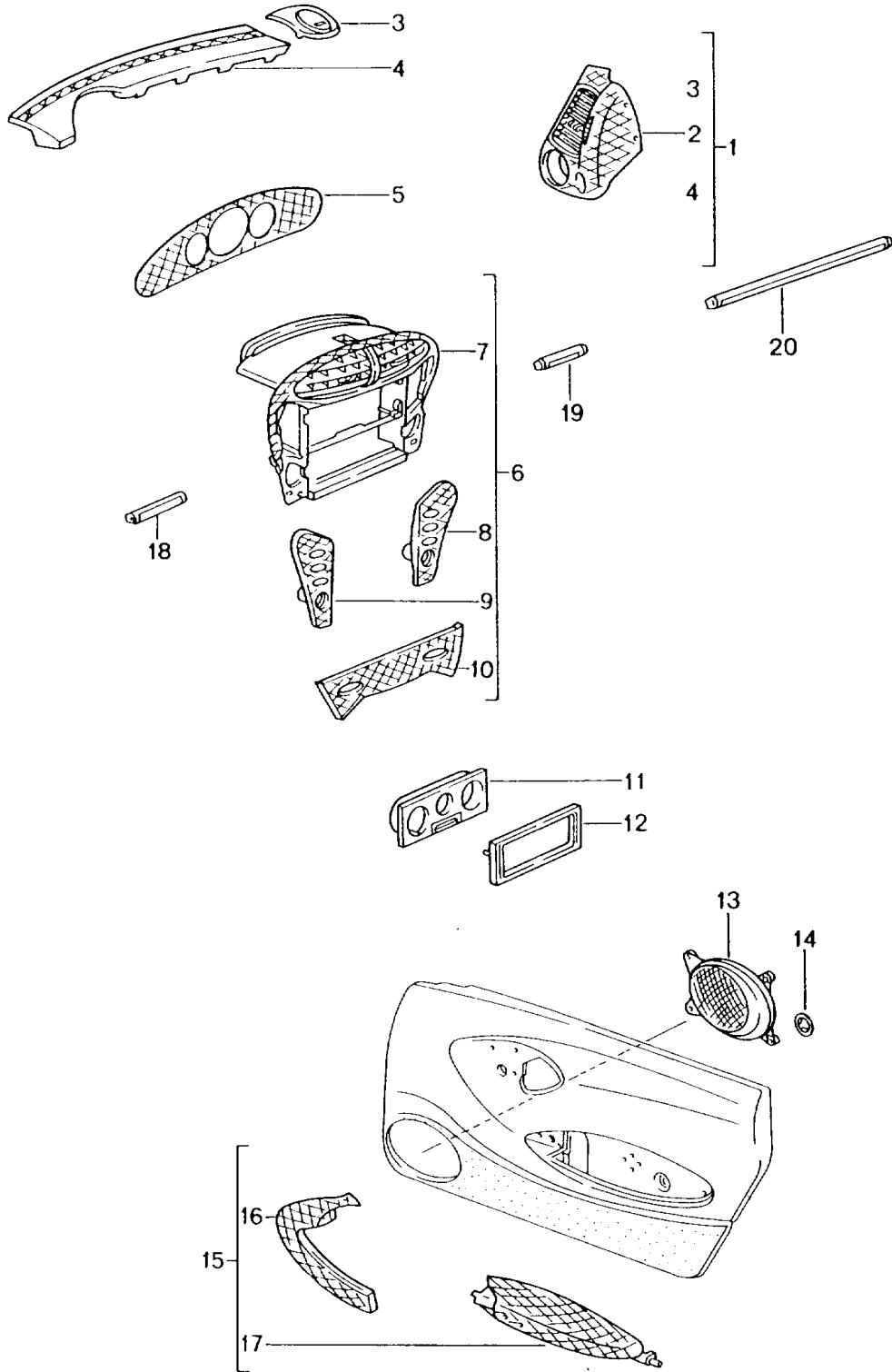
| Pos | Part Number | Description | Remark | Qty | Model |
|-----|--------------------|---|--------|-----|----------|
| 1 | 000 044 801 36 | Passenger compartment Carbon Retrofit kit Instrument panel trim Carbon Leather | 98-04 | 1 | 911(996) |
| | 000 044 801 36 A11 | Black | | | |
| | 000 044 801 36 M31 | Boxster red | | | |
| | 000 044 801 36 C51 | Graphite grey | | | |
| | 000 044 801 36 S31 | savannah beige | | | |
| | 000 044 801 36 G11 | Metropole blue | | | |
| - | | Other colours available comprising: | | | |
| 2 | 000 044 801 12 | Vent Carbon | right | 1 | |
| (2) | 000 044 801 13 | Vent Carbon | left | 1 | |
| - | 996 552 986 03 | Cover Headlight range control Carbon | | 1 | |
| 3 | 996 552 990 02 | Cover (leather) Light alarm system | | 1 | |
| | 996 552 990 02 A11 | Black | | | |
| | 996 552 990 02 M31 | Boxster red | | | |
| | 996 552 990 02 C51 | Graphite grey | | | |
| | 996 552 990 02 S31 | savannah beige Other colours available | | | |
| 4 | 996 552 989 04 | Defroster trim Carbon Leather | right | 1 | |
| | 996 552 989 04 A11 | Black | | | |
| | 996 552 989 04 M31 | Boxster red | | | |
| | 996 552 989 04 C51 | Graphite grey | | | |
| | 996 552 989 04 S31 | savannah beige Other colours available | | | |
| (4) | 996 552 988 04 | Defroster trim Carbon Leather | left | 1 | |
| | 996 552 988 04 A11 | Black | | | |
| | 996 552 988 04 M31 | Boxster red | | | |
| | 996 552 988 04 C51 | Graphite grey | | | |
| | 996 552 988 04 S31 | savannah beige Other colours available | | | |
| 5 | 000 044 801 07 | Instrument box Carbon | lhd | 1 | PR:098 |
| | | Discontinued part | | | |
| 5 | 996 552 971 06 | Trim for instruments Carbon | lhd | 1 | PR:098 |
| 6 | 000 044 801 30 | Retrofit kit Centre console Carbon | 98-01 | 1 | |
| | | without: | | | |
| (6) | 000 044 801 31 | Navigation system Retrofit kit Centre console Carbon | 98-01 | 1 | PR:662 |
| | | with: | | | |
| - | | Navigation system comprising: | | | |
| 7 | 996 552 969 90 | Mounting frame Centre nozzle Carbon | | 1 | |

Model: TEQ Model life 1985>>2012

| Pos | Part Number | Description | Remark | Qty | Model |
|----------|----------------|---|----------------|-----|--------|
| - (7) | 000 044 801 10 | or Carrier Centre nozzle Carbon | | 1 | PR:662 |
| 8 | 996 552 968 07 | Trim for switch Carbon | right | 1 | |
| 9 | 996 552 967 07 | Trim for switch Carbon | left | 1 | |
| 10 | 996 552 972 05 | Trim for switch Carbon | lower | 1 | |
| - | | also use: | | | |
| 11 | 996 552 991 01 | Cover heater Carbon | | 1 | |
| - | | or | | | |
| 12 | 996 552 992 01 | Cover Air-conditioning switch Carbon | | 1 | |
| - | 996 552 963 04 | Trim for switch Air conditioning Carbon | | 1 | PR:662 |
| - | 996 552 967 11 | Trim for switch Centre console Carbon | 02-05 front | 1 | |
| 13 | 000 044 801 14 | Loudspeaker trim Door speaker Carbon | | 1 | |
| 14 | 999 591 946 02 | Clamping washer Discontinued part | | 8 | |
| 14 | 999 591 946 03 | Clamping washer | | 8 | |
| 15 | 000 044 801 04 | Installation kit Door Carbon | | 1 | |
| - | | comprising: | | | |
| 16 | 996 555 989 02 | Cover Carbon | right | 1 | |
| (16) | 996 555 988 02 | Cover Carbon | left | 1 | |
| 17 | 996 555 987 02 | Cover Stowage compartment Carbon | right | 1 | |
| (17) | 996 555 986 02 | Cover Stowage compartment Carbon | left | 1 | |
| - | | use if required: | | | |
| 18 | 996 552 996 01 | Cover trim | left lhd | 1 | PR:098 |
| 19 | 996 552 998 02 | Cover trim | lhd | 1 | PR:098 |
| 20 | 986 552 987 04 | Trim | right lhd | 1 | PR:098 |

Model: TEQ

Model life 1985>>2012



Model: TEQ

Model life 1985>>2012

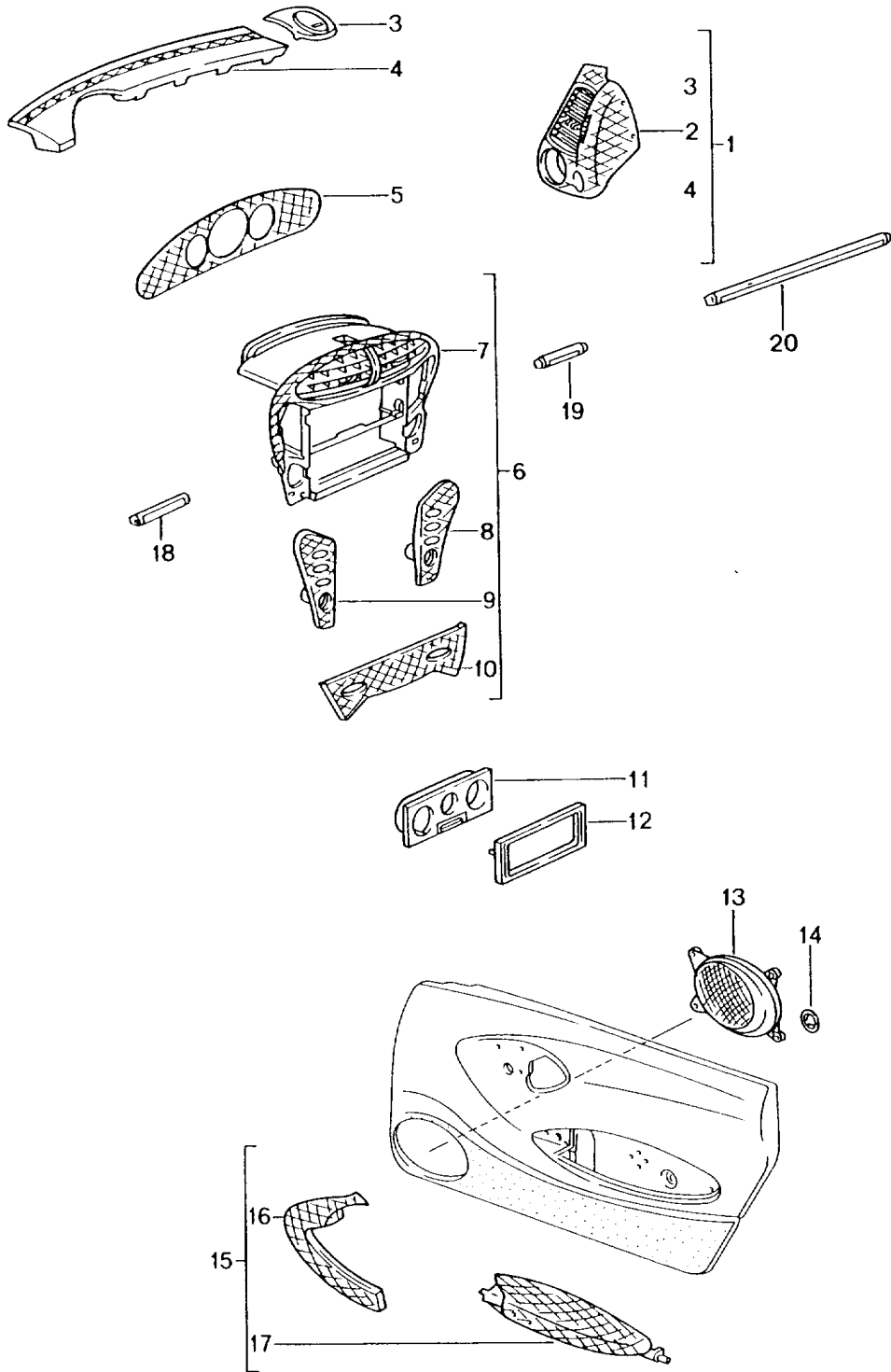
| Pos | Part Number | Description | Remark | Qty | Model |
|-----|--------------------|--|--------|-----|----------|
| | | Passenger compartment Light maple rootwood D - MJ 1998>> - MJ 2004 | | | 911(996) |
| 1 | 000 044 801 37 | Retrofit kit Instrument panel trim Light maple rootwood Leather | | 1 | |
| | 000 044 801 37 A11 | Black | | | |
| | 000 044 801 37 M31 | Boxster red | | | |
| | 000 044 801 37 C51 | Graphite grey | | | |
| | 000 044 801 37 S31 | savannah beige | | | |
| - | | Other colours available comprising: | | | |
| 2 | 000 044 801 24 | Vent | right | 1 | |
| (2) | 000 044 801 25 | Vent | left | 1 | |
| | | Light maple rootwood | | | |
| 2 | 996 552 986 01 | Cover | | 1 | |
| | | Headlight range control | | | |
| | | Light maple rootwood | | | |
| 3 | 996 552 990 02 | Cover (leather) | | 1 | |
| | | Light alarm system | | | |
| | 996 552 990 02 A11 | Black | | | |
| | 996 552 990 02 M31 | Boxster red | | | |
| | 996 552 990 02 C51 | Graphite grey | | | |
| | 996 552 990 02 S31 | savannah beige | | | |
| | | Other colours available | | | |
| 4 | 996 552 989 02 | Defroster trim | right | 1 | |
| | | Light maple rootwood Leather | | | |
| | 996 552 989 02 A11 | Black | | | |
| | 996 552 989 02 M31 | Boxster red | | | |
| | 996 552 989 02 C51 | Graphite grey | | | |
| | 996 552 989 02 S31 | savannah beige | | | |
| | | Other colours available | | | |
| (4) | 996 552 988 02 | Defroster trim | left | 1 | |
| | | Light maple rootwood Leather | | | |
| | 996 552 988 02 A11 | Black | | | |
| | 996 552 988 02 M31 | Boxster red | | | |
| | 996 552 988 02 C51 | Graphite grey | | | |
| | 996 552 988 02 S31 | savannah beige | | | |
| | | Other colours available | | | |
| 5 | 000 044 801 17 | Instrument box | lhd | 1 | PR:098 |
| | | Light maple rootwood Discontinued part | | | |
| 5 | 996 552 971 02 | Trim for instruments | lhd | 1 | PR:098 |
| | | Light maple rootwood | | | |
| 6 | 000 044 801 32 | Retrofit kit Centre console Light maple rootwood | | 1 | |
| | | without: | | | |
| | | Navigation system | | | |
| | | D - MJ 1998>> - MJ 2001 | | | |
| (6) | 000 044 801 33 | Retrofit kit Centre console Light maple rootwood | | 1 | PR:662 |
| | | with: | | | |
| | | Navigation system | | | |
| | | D - MJ 1998>> - MJ 2001 | | | |
| - | | comprising: | | | |
| 7 | 000 044 801 20 | Carrier | | 1 | |

Model: TEQ Model life 1985>>2012

| Pos | Part Number | Description | Remark | Qty | Model |
|------|----------------|--|-----------|-----|--------|
| - | | Centre nozzle | | | |
| (7) | 000 044 801 21 | Light maple rootwood or Carrier | | 1 | PR:662 |
| 8 | 996 552 968 05 | Centre nozzle Light maple rootwood Trim for switch | right | 1 | |
| 9 | 996 552 967 05 | Light maple rootwood Trim for switch | left | 1 | |
| 10 | 996 552 972 01 | Light maple rootwood Trim for switch | lower | 1 | |
| - | | also use: | | | |
| 11 | 996 552 991 03 | Cover heater Light maple rootwood | | 1 | |
| - | | or | | | |
| 12 | 996 552 992 03 | Cover Air-conditioning switch Light maple rootwood | | 1 | |
| - | 996 552 963 01 | Trim Air conditioning Light maple rootwood | | 1 | PR:662 |
| 13 | 000 044 801 28 | Loudspeaker trim Door speaker Light maple rootwood | | 1 | |
| 14 | 999 591 946 02 | Clamping washer Discontinued part | | 8 | |
| 14 | 999 591 946 03 | Clamping washer | | 8 | |
| 15 | 000 044 801 05 | Installation kit Door Light maple rootwood | | 1 | |
| - | | comprising: | | | |
| 16 | 996 555 989 00 | Pull handle Light maple rootwood | right | 1 | |
| (16) | 996 555 988 00 | Pull handle Light maple rootwood | left | 1 | |
| 17 | 996 555 987 00 | Cover Stowage compartment Light maple rootwood | right | 1 | |
| (17) | 996 555 986 00 | Cover Stowage compartment Light maple rootwood | left | 1 | |
| - | | use if required: | | | |
| 18 | 996 552 996 04 | Cover trim Light maple rootwood | left lhd | 1 | PR:098 |
| (18) | 996 552 997 04 | Trim Light maple rootwood | right rhd | 1 | PR:099 |
| 19 | 996 552 998 08 | Cover trim Light maple rootwood | lhd | 1 | PR:098 |
| (19) | 996 552 998 09 | Trim Light maple rootwood | rhd | 1 | PR:099 |
| 20 | 986 552 987 08 | Cover trim Light maple rootwood | right lhd | 1 | PR:098 |
| (20) | 996 552 959 03 | Trim Light maple rootwood | left rhd | 1 | PR:099 |

Model: TEQ

Model life 1985>>2012



Model: TEQ Model life 1985>>2012

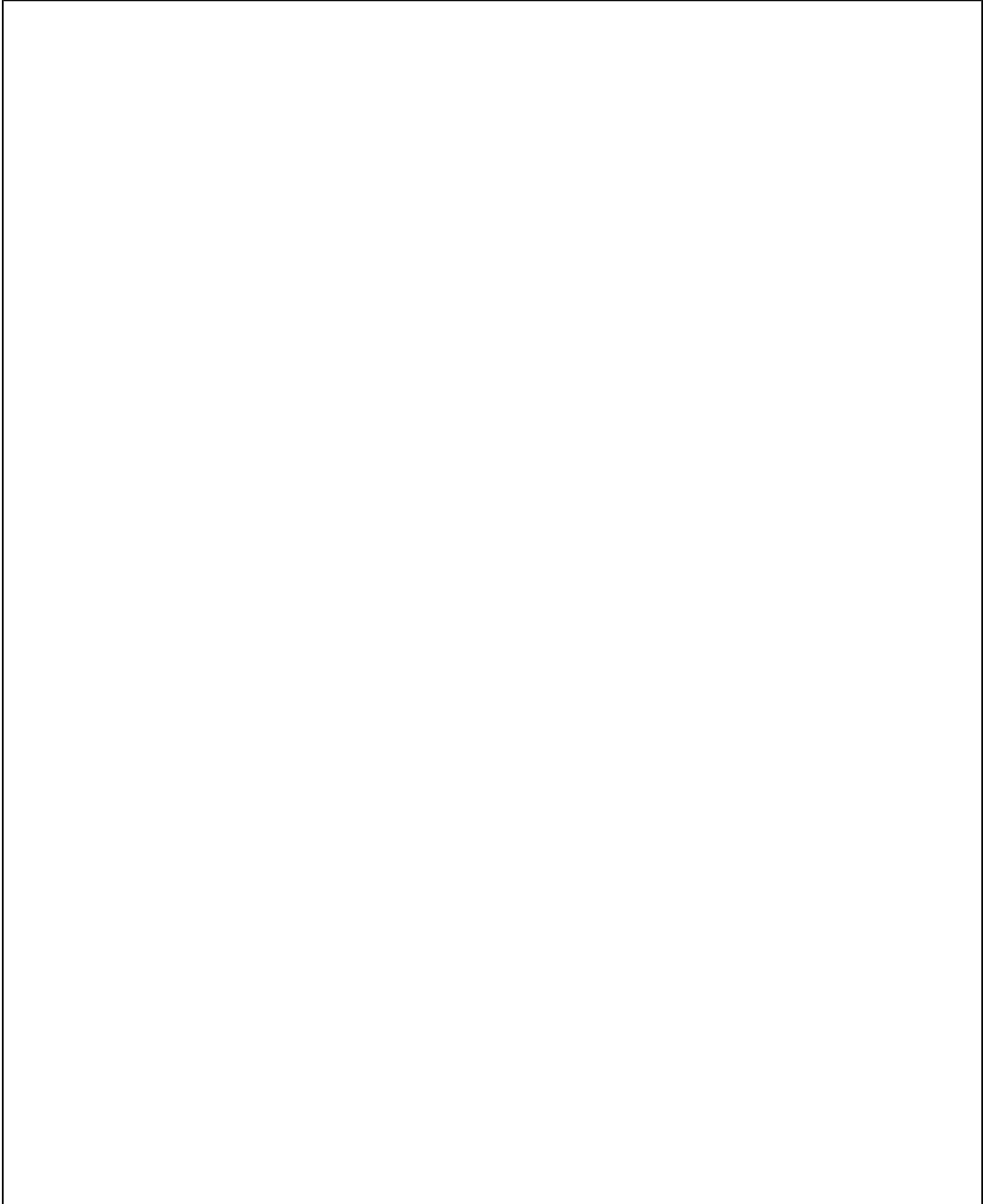
| Pos | Part Number | Description | Remark | Qty | Model |
|-----|--------------------|--|--------|-----|----------|
| | | Passenger compartment Dark maple rootwood D - MJ 1998>> - MJ 2004 | | | 911(996) |
| 1 | 000 044 801 38 | Instrument panel trim Dark maple rootwood Leather | | 1 | |
| | 000 044 801 38 A11 | Black | | | |
| | 000 044 801 38 M31 | Boxster red | | | |
| | 000 044 801 38 C51 | Graphite grey | | | |
| | 000 044 801 38 S31 | savannah beige | | | |
| | 000 044 801 38 G11 | Metropole blue | | | |
| | 000 044 801 38 J31 | Nephrite green | | | |
| | 000 044 801 38 B51 | Space grey | | | |
| - | | Other colours available comprising: | | | |
| 2 | 000 044 801 26 | Vent | right | 1 | |
| (2) | 000 044 801 27 | Vent | left | 1 | |
| - | 996 552 986 02 | Dark maple rootwood Cover | | 1 | |
| 3 | 996 552 990 02 | Headlight range control Dark maple rootwood Cover (leather) Light alarm system | | 1 | |
| | 996 552 990 02 A11 | Black | | | |
| | 996 552 990 02 M31 | Boxster red | | | |
| | 996 552 990 02 C51 | Graphite grey | | | |
| | 996 552 990 02 S31 | savannah beige | | | |
| 4 | 996 552 989 03 | Other colours available Defroster trim | right | 1 | |
| | | Dark maple rootwood Leather | | | |
| | 996 552 989 03 A11 | Black | | | |
| | 996 552 989 03 M31 | Boxster red | | | |
| | 996 552 989 03 C51 | Graphite grey | | | |
| | 996 552 989 03 S31 | savannah beige | | | |
| (4) | 996 552 988 03 | Other colours available Defroster trim | left | 1 | |
| | | Dark maple rootwood Leather | | | |
| | 996 552 988 03 A11 | Black | | | |
| | 996 552 988 03 M31 | Boxster red | | | |
| | 996 552 988 03 C51 | Graphite grey | | | |
| | 996 552 988 03 S31 | savannah beige | | | |
| 5 | 000 044 801 19 | Other colours available Instrument box | lhd | 1 | PR:098 |
| | | Dark maple rootwood Discontinued part | | | |
| 5 | 996 552 971 04 | Trim for instruments | lhd | 1 | PR:098 |
| | | Dark maple rootwood | | | |
| 6 | 000 044 801 34 | Retrofit kit Centre console Dark maple rootwood | | 1 | |
| | | without: | | | |
| (6) | 000 044 801 35 | Navigation system D - MJ 1998>> - MJ 2001 | | 1 | PR:662 |
| | | Retrofit kit Centre console Dark maple rootwood | | | |
| | | with: | | | |
| | | Navigation system D - MJ 1998>> - MJ 2001 | | | |

Model: TEQ Model life 1985>>2012

| Pos | Part Number | Description | Remark | Qty | Model |
|------|----------------|---|-----------|-----|--------|
| - | | comprising: | | | |
| 7 | 000 044 801 22 | Carrier Centre nozzle Dark maple rootwood | | 1 | |
| - | | or | | | |
| (7) | 000 044 801 23 | Carrier Centre nozzle Dark maple rootwood | | 1 | PR:662 |
| 8 | 996 552 968 06 | Trim for switch Dark maple rootwood | right | 1 | |
| 9 | 996 552 967 06 | Trim for switch Dark maple rootwood | left | 1 | |
| 10 | 996 552 972 03 | Trim for switch Dark maple rootwood | lower | 1 | |
| - | | also use: | | | |
| 11 | 996 552 991 04 | Mounting frame heater Dark maple rootwood | | 1 | |
| - | | or | | | |
| 12 | 996 552 992 04 | Frame Air-conditioning switch Dark maple rootwood | | 1 | PR:573 |
| (12) | 996 552 963 02 | Frame Air conditioning Dark maple rootwood | | 1 | PR:662 |
| 13 | 000 044 801 29 | Loudspeaker trim Door speaker Dark maple rootwood | | 1 | |
| 14 | 999 591 946 02 | Clamping washer Discontinued part | | 8 | |
| 14 | 999 591 946 03 | Clamping washer | | 8 | |
| 15 | 000 044 801 06 | Installation kit Door Dark maple rootwood | | 1 | |
| - | | comprising: | | | |
| 16 | 996 555 989 01 | Pull handle Dark maple rootwood | right | 1 | |
| (16) | 996 555 988 01 | Pull handle Dark maple rootwood | left | 1 | |
| 17 | 996 555 987 01 | Cover Stowage compartment Dark maple rootwood | right | 1 | |
| (17) | 996 555 986 01 | Cover Stowage compartment Dark maple rootwood | left | 1 | |
| - | | use if required: | | | |
| 18 | 996 552 996 05 | Cover trim Dark maple rootwood | left lhd | 1 | PR:098 |
| (18) | 996 552 997 05 | Cover trim Dark maple rootwood | right rhd | 1 | PR:099 |
| 19 | 996 552 998 10 | Cover trim Dark maple rootwood | lhd | 1 | PR:098 |
| (19) | 996 552 998 11 | Cover trim Dark maple rootwood | rhd | 1 | PR:099 |
| 20 | 986 552 987 10 | Trim Dark maple rootwood | right lhd | 1 | PR:098 |
| (20) | 986 552 987 11 | Trim Dark maple rootwood | left rhd | 1 | PR:099 |

Model: TEQ

Model life 1985>>2012



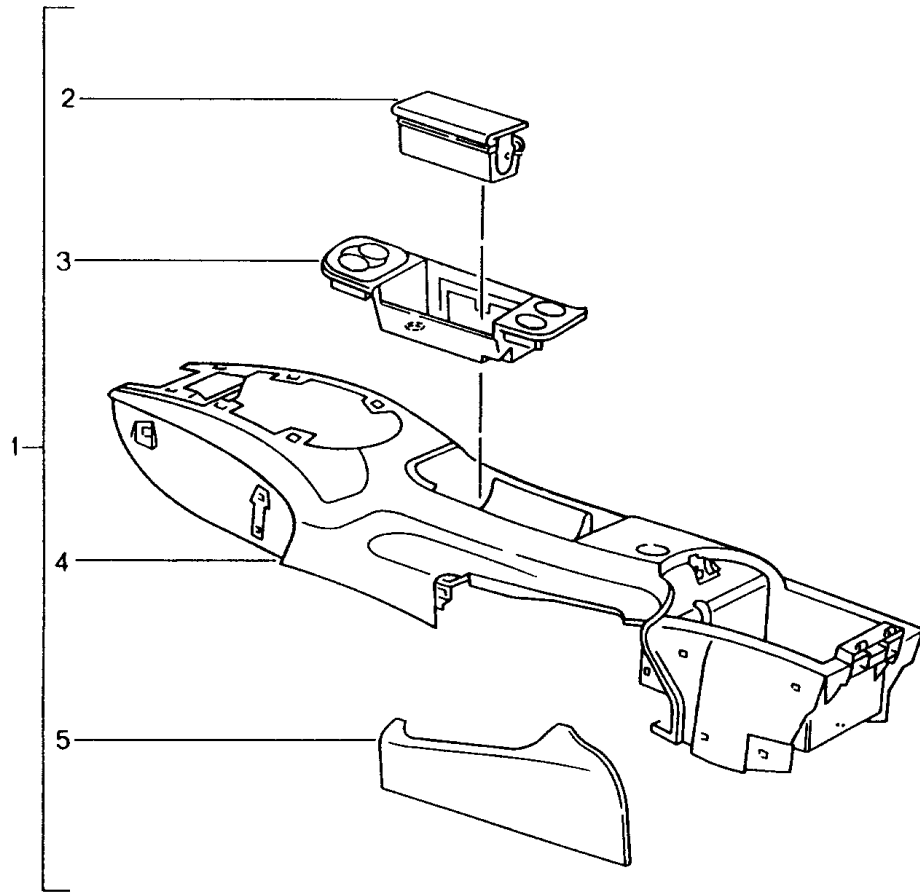
Model: TEQ

Model life 1985>>2012

| Pos | Part Number | Description | Remark | Qty | Model |
|-----|----------------|---|--------|-----|------------------------------------|
| - | 987 044 802 04 | Mirror housing Trim Aluminium look D - MJ 2005>> Mirror housing Trim Aluminium look Matte Set | lower | 1 | 911(997) Boxster(987) Cayman |
| - | 997 044 802 09 | D - MJ 2005>> - MJ 2008 Mirror housing Trim Aluminium look Matte Set D - MJ 2009>> | lower | 1 | |

Model: TEQ

Model life 1985>>2012



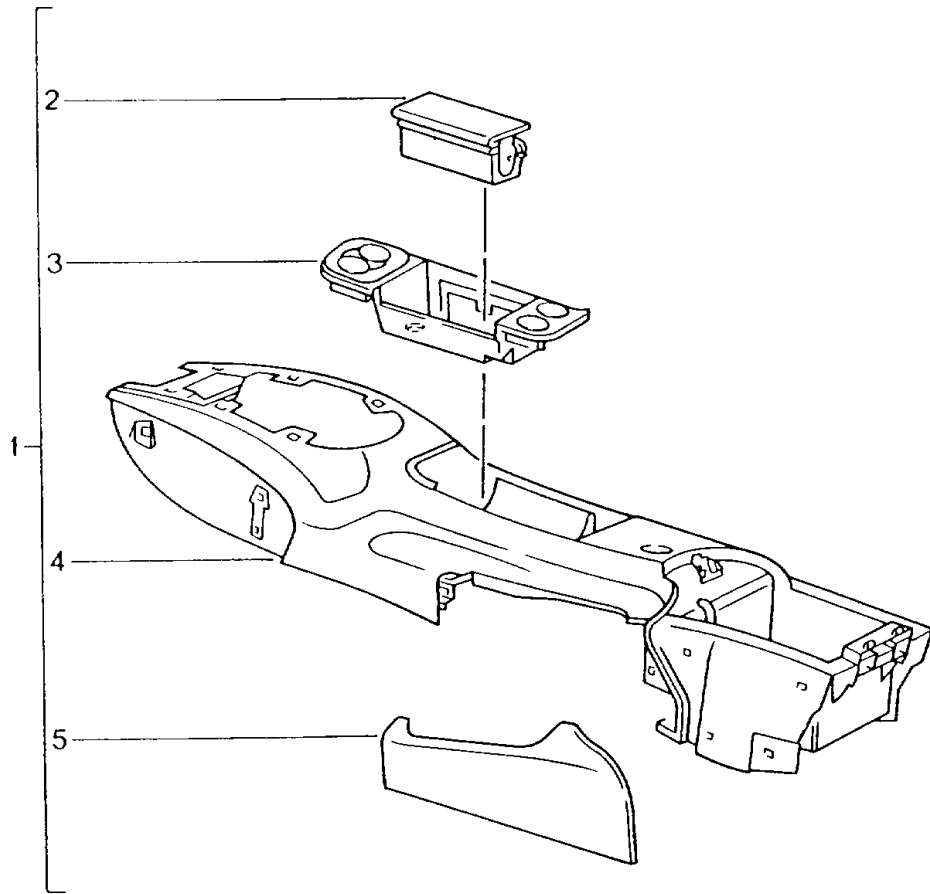
Model: TEQ

Model life 1985>>2012

| Pos | Part Number | Description | Remark | Qty | Model |
|-----|----------------|--|----------------|-----|----------------|
| 1 | 000 044 800 99 | Retrofit kit tunnel Carbon Retrofit kit tunnel Carbon | 97-04 98-04 | 1 | BOXSTER 911 |
| - | | comprising: | | | |
| 2 | 986 552 997 02 | Ashtray insert Carbon | | 1 | |
| 3 | 986 552 996 02 | ashtray Carbon | | 1 | |
| 4 | 986 552 995 02 | Centre console Carbon | | 1 | |
| 5 | 996 552 993 02 | Cover handbrake Carbon | | 1 | |

Model: TEQ

Model life 1985>>2012



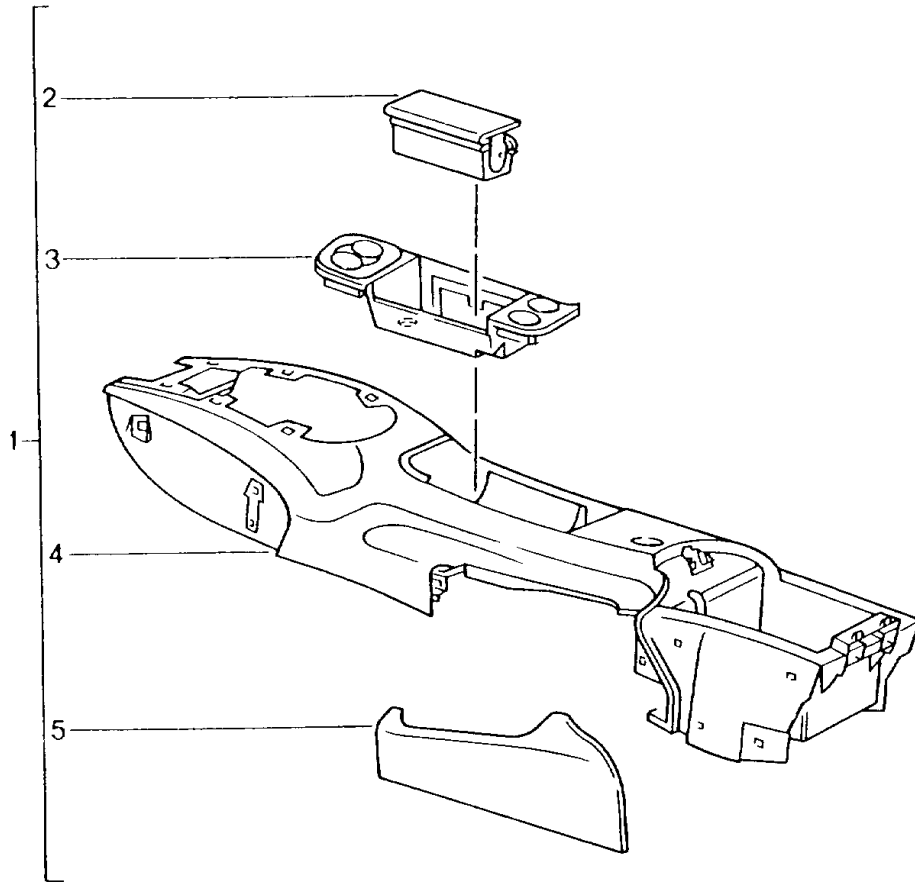
Model: TEQ

Model life 1985>>2012

| Pos | Part Number | Description | Remark | Qty | Model |
|-----|----------------|---|--------|-----|-------|
| | | Retrofit kit tunnel | | | 911 |
| 1 | 000 044 801 78 | Light maple rootwood D - MJ 1998>> - MJ 2004 Retrofit kit tunnel | | 1 | |
| - | | Light maple rootwood comprising: | | | |
| 2 | 986 552 997 03 | Ashtray insert | | 1 | |
| 3 | 986 552 996 03 | Light maple rootwood ashtray | | 1 | |
| 4 | 986 552 995 03 | Light maple rootwood Centre console | | 1 | |
| 5 | 996 552 993 03 | Light maple rootwood Cover handbrake Light maple rootwood | | 1 | |

Model: TEQ

Model life 1985>>2012



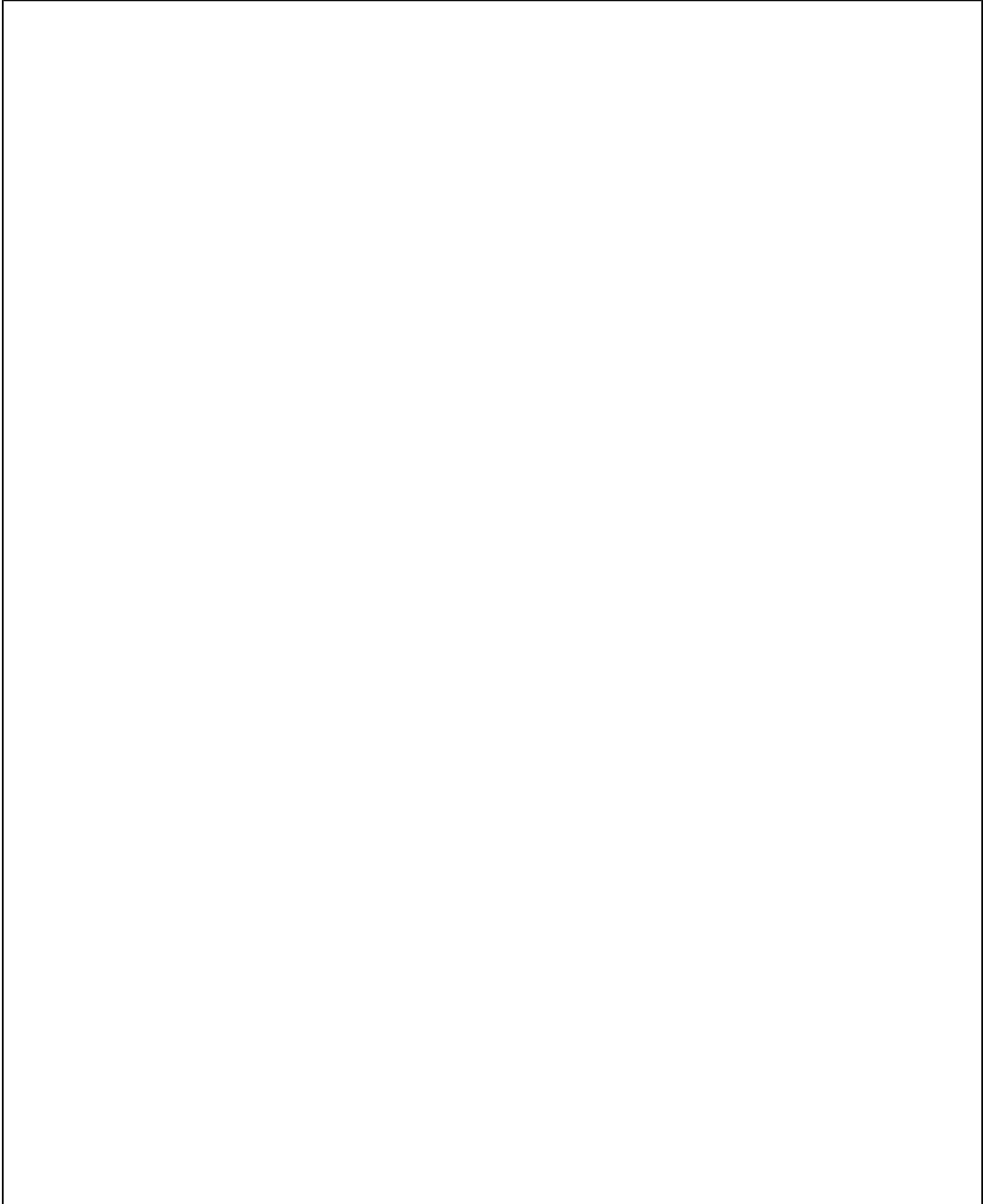
Model: TEQ

Model life 1985>>2012

| Pos | Part Number | Description | Remark | Qty | Model |
|-----|----------------|--|----------------|-----|----------------|
| 1 | 000 044 801 77 | Retrofit kit tunnel Dark maple rootwood Retrofit kit tunnel Dark maple rootwood | 97-04 98-04 | 1 | BOXSTER 911 |
| - | | comprising: | | | |
| 2 | 986 552 997 04 | Ashtray insert Dark maple rootwood | | 1 | |
| 3 | 986 552 996 04 | ashtray Dark maple rootwood | | 1 | |
| 4 | 986 552 995 04 | Centre console Dark maple rootwood | | 1 | |
| 5 | 996 552 993 04 | Cover handbrake Dark maple rootwood | | 1 | |

Model: TEQ

Model life 1985>>2012



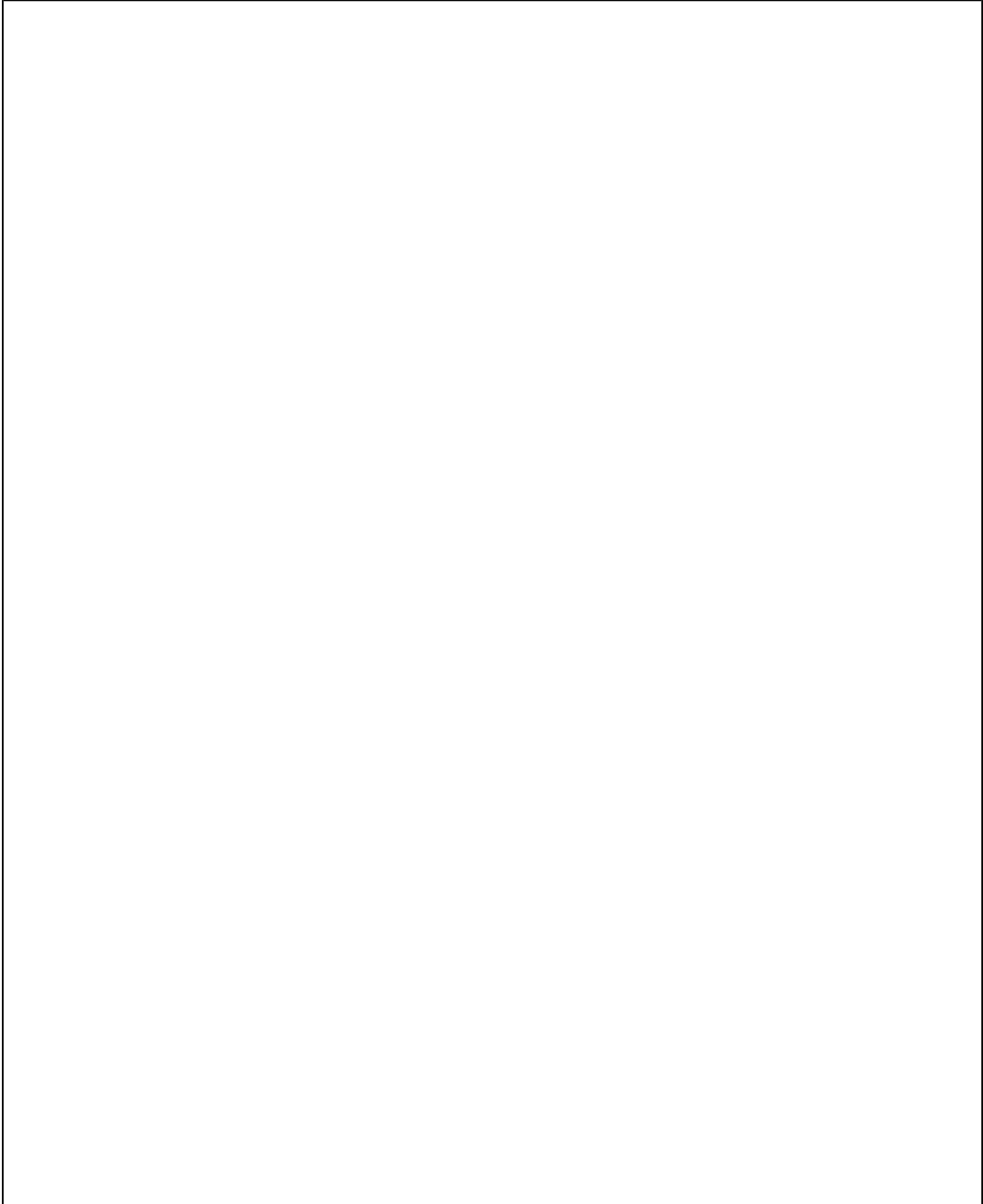
Model: TEQ

Model life 1985>>2012

| Pos | Part Number | Description | Remark | Qty | Model |
|-----|----------------|--|-------------------------|-----|---|
| - | 997 044 804 01 | Centre console Package Alcantara Centre console Alcantara with: | 2005- 2006- 2005- | 1 | Boxster(987) Cayman 911(997) 911(997) Coupé / GTx Cayman PR:560 |
| - | 997 044 804 03 | PAO Centre console Alcantara with: | | 1 | 911(997) Cabrio/Targa Boxster(987) PR:560 |
| - | | PAO Set comprising: | | | |
| - | | Centre console | | 1 | |
| - | | ashtray | | 1 | |
| - | | Extension | | 1 | Coupé |
| - | | Centre console Trim Brake lever | | 1 | |

Model: TEQ

Model life 1985>>2012

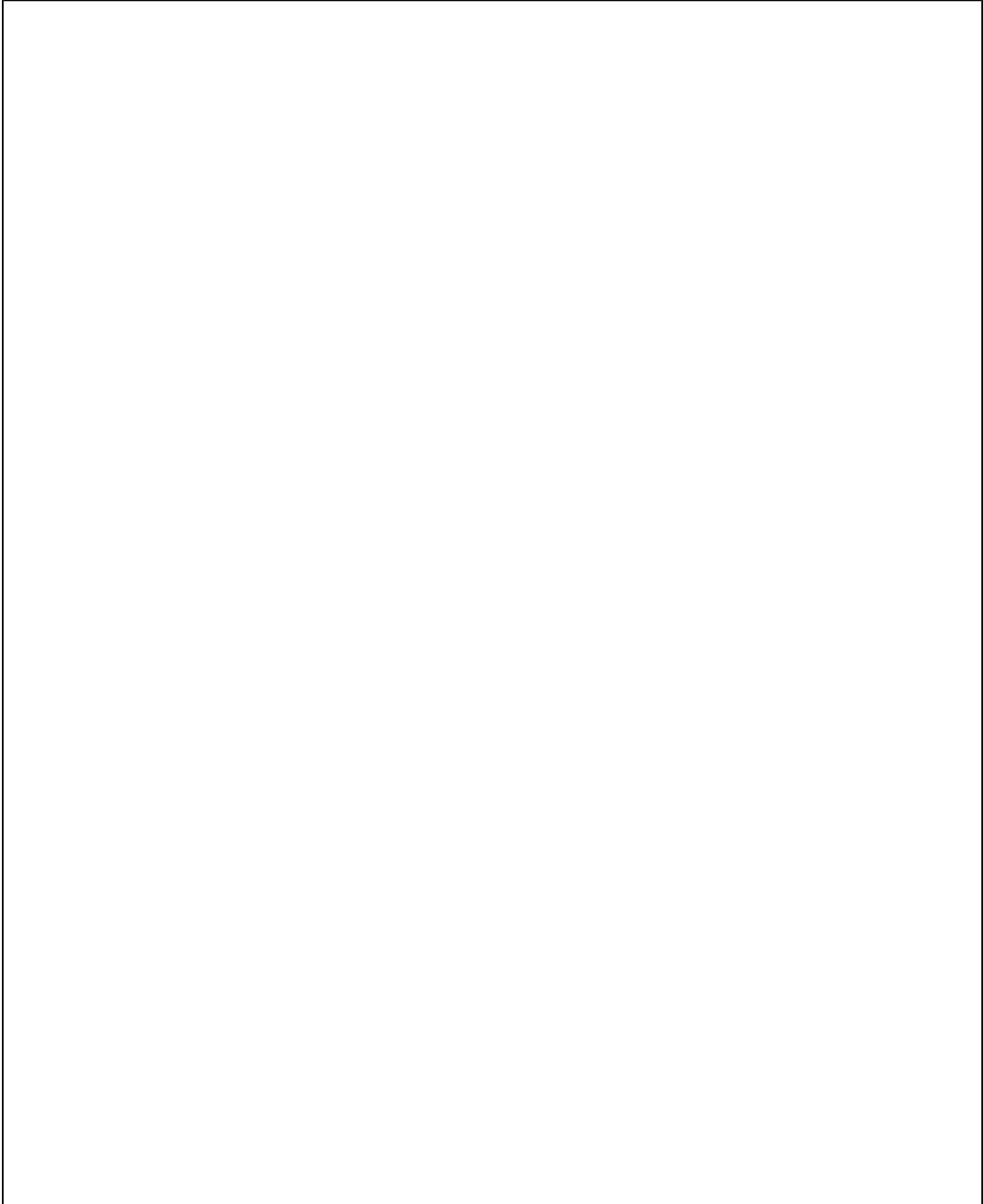


Model: TEQ Model life 1985>>2012

| Pos | Part Number | Description | Remark | Qty | Model |
|-----|----------------|--------------------------|--------------------------|-----|--|
| | | Instrument panel trim | 2005- | | 911 |
| | | door panel | 2005- | | BOXSTER |
| | | Centre console | 2006- | | CAYMAN |
| - | 997 044 800 25 | Carbon Basic package | lhd | 1 | 911,911 S PR:098 |
| | | D - MJ 2005>> | | | |
| - | 997 044 800 26 | Carbon Basic package | rhd | 1 | 911,911 S PR:099 |
| | | D - MJ 2005>> | | | |
| - | 987 044 800 25 | Carbon Basic package | 05- 06- 06- lhd | 1 | BOXSTER BOXSTER S CAYMAN S PR:098 |
| | | D - MJ 2005>> | | | |
| - | 987 044 800 26 | Carbon Basic package | 05- 06- 06- rhd | 1 | BOXSTER BOXSTER S CAYMAN S PR:099 |
| | | D - MJ 2005>> | | | |
| - | 997 044 800 29 | door panel Carbon | | 1 | 911,911 S |
| | | D - MJ 2005>> | | | |
| - | 987 044 800 15 | door panel Carbon | | 1 | BOXSTER BOXSTER S CAYMAN S |
| | | D - MJ 2005>> | | | |
| - | 997 044 800 82 | Centre console Carbon | | 1 | 911 COUPE |
| | | D - MJ 2005>> - MJ 2008 | | | |
| - | 997 044 803 82 | Centre console Carbon | | 1 | 911 COUPE |
| | | D - MJ 2009>> | | | |
| - | 997 044 800 86 | Centre console Carbon | | 1 | 911 CABRIO |
| | | D - MJ 2005>> - MJ 2008 | | | |
| - | 997 044 803 86 | Centre console Carbon | | 1 | 911 CABRIO |
| | | D - MJ 2009>> | | | |
| - | 997 044 800 96 | Centre console Carbon | | 1 | 911 TARGA |
| | | D - MJ 2005>> - MJ 2008 | | | |
| - | 997 044 803 96 | Centre console Carbon | | 1 | 911 TARGA |
| | | D - MJ 2009>> | | | |
| - | 987 044 800 86 | Centre console Carbon | | 1 | BOXSTER |
| | | D - MJ 2005>> - MJ 2008 | | | |
| - | 997 044 803 86 | Centre console Carbon | | 1 | BOXSTER |
| | | D - MJ 2009>> | | | |
| - | 987 044 800 82 | Centre console Carbon | | 1 | CAYMAN |
| | | D - MJ 2005>> - MJ 2008 | | | |
| - | 987 044 803 82 | Centre console Carbon | | 1 | CAYMAN |
| | | D - MJ 2009>> | | | |

Model: TEQ

Model life 1985>>2012



Model: TEQ Model life 1985>>2012

| Pos | Part Number | Description | Remark | Qty | Model |
|-----|----------------|---|-------------------------|-----|--|
| | | Instrument panel trim door panel Centre console Wood macassar | 2005- 2005- 2006- | | 911 BOXSTER CAYMAN |
| - | 997 044 800 21 | Instrument panel trim Wood macassar D - MJ 2005>> | lhd | 1 | 911,911 S PR:098 |
| - | 997 044 800 22 | Instrument panel trim Wood macassar | 05- 06- rhd | 1 | 911,911 S PR:099 |
| - | 987 044 800 22 | Instrument panel trim Wood macassar | 05- 06- rhd | 1 | BOXSTER BOXSTER S CAYMAN S PR:099 |
| - | 997 044 800 27 | door panel Wood macassar D - MJ 2005>> | | 1 | 911,911 S |
| - | 987 044 800 13 | door panel Wood | 05- 06- | 1 | BOXSTER BOXSTER S CAYMAN S |
| - | 997 044 800 80 | door panel Centre console Wood macassar D - MJ 2005>> - MJ 2008 | | 1 | 911 COUPE |
| - | 997 044 803 80 | Centre console Wood macassar D - MJ 2009>> | | 1 | 911 COUPE |
| - | 997 044 800 84 | Centre console Wood macassar D - MJ 2005>> - MJ 2008 | | 1 | 911 CABRIO |
| - | 997 044 803 84 | Centre console Wood macassar D - MJ 2009>> | | 1 | 911 CABRIO |
| - | 997 044 800 94 | Centre console Wood macassar D - MJ 2005>> - MJ 2008 | | 1 | 911 TARGA |
| - | 997 044 803 94 | Centre console Wood macassar D - MJ 2009>> | | 1 | 911 TARGA |
| - | 987 044 800 84 | Centre console Wood macassar D - MJ 2005>> - MJ 2008 | | 1 | BOXSTER |
| - | 997 044 803 84 | Centre console Wood macassar D - MJ 2009>> | | 1 | BOXSTER |
| - | 987 044 800 80 | Centre console Wood macassar D - MJ 2005>> - MJ 2008 | | 1 | CAYMAN |
| - | 987 044 803 80 | Centre console Wood macassar D - MJ 2009>> | | 1 | CAYMAN |

Model: TEQ

Model life 1985>>2012

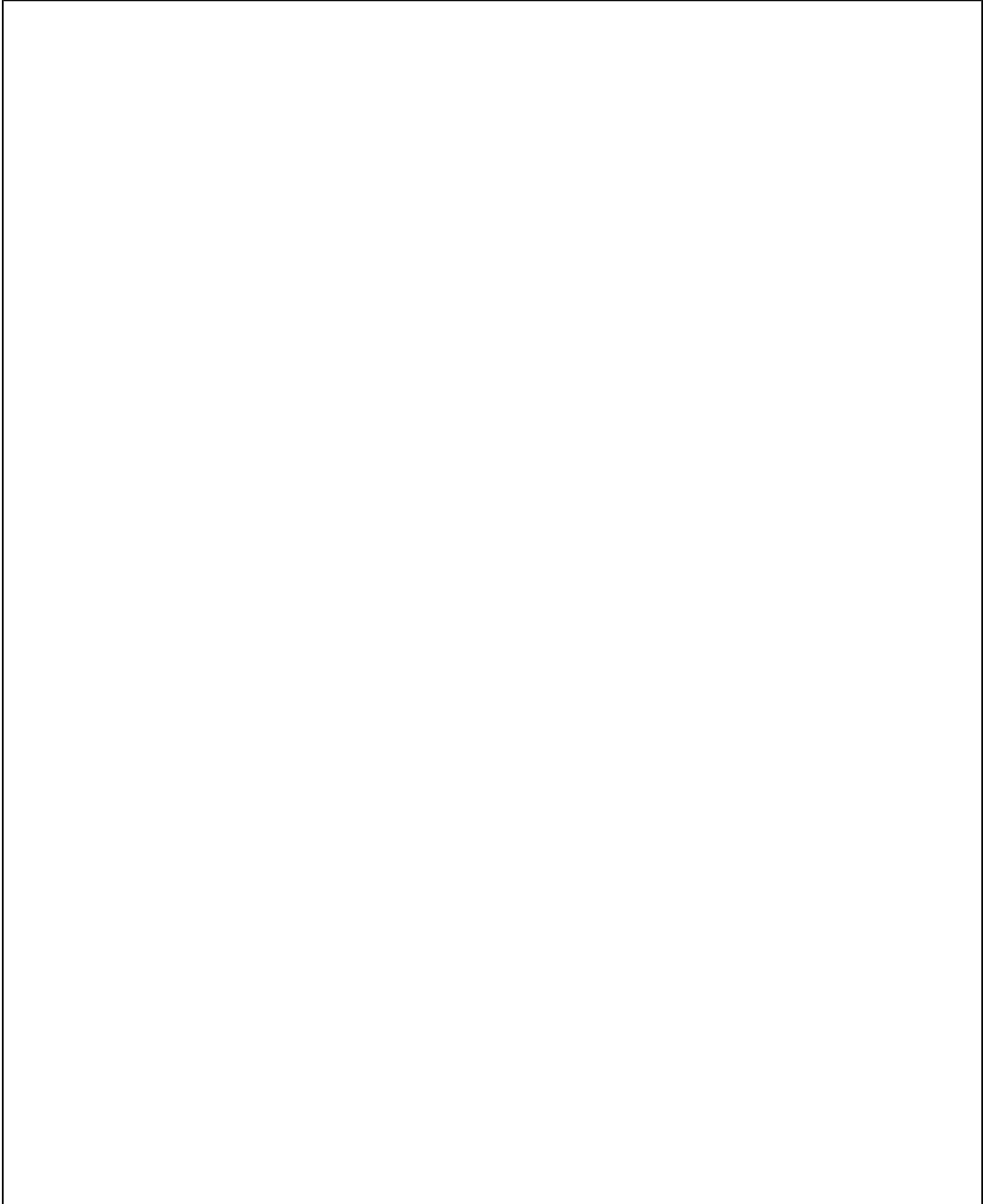


Model: TEQ Model life 1985>>2012

| Pos | Part Number | Description | Remark | Qty | Model |
|-----|----------------|-------------------------|--------|-----|-----------|
| | | Instrument panel trim | 05-08 | | 911 |
| | | door panel | 05-08 | | BOXSTER |
| | | Centre console | 06-08 | | CAYMAN |
| | | Wood | | | |
| | | Sycamore wood | | | |
| - | 997 044 800 23 | Basic package | lhd | 1 | 911,911 S |
| | | Wood | | | PR:098 |
| | | Sycamore wood | | | |
| | | D - MJ 2005>> - MJ 2008 | | | |
| - | 997 044 800 24 | Basic package | rhd | 1 | 911,911 S |
| | | Wood | | | PR:099 |
| | | Sycamore wood | | | |
| | | D - MJ 2005>> - MJ 2008 | | | |
| - | 987 044 800 23 | Basic package | lhd | 1 | BOXSTER |
| | | Wood | | | BOXSTER S |
| | | Sycamore wood | lhd | | CAYMAN S |
| | | D - MJ 2005>> - MJ 2008 | | | PR:098 |
| - | 987 044 800 24 | Basic package | rhd | 1 | BOXSTER |
| | | Wood | | | BOXSTER S |
| | | Sycamore wood | | | CAYMAN S |
| | | D - MJ 2005>> - MJ 2008 | | | PR:099 |
| - | 997 044 800 28 | door panel | | 1 | 911,911 S |
| | | Wood | | | |
| | | Sycamore wood | | | |
| | | D - MJ 2005>> - MJ 2008 | | | |
| - | 987 044 800 14 | door panel | | 1 | BOXSTER |
| | | Wood | | | BOXSTER S |
| | | Sycamore wood | | | CAYMAN S |
| | | D - MJ 2005>> - MJ 2008 | | | |
| - | 997 044 800 31 | Centre console | | 1 | 911,911 S |
| | | Wood | | | |
| | | Sycamore wood | | | |
| | | D - MJ 2005>> - MJ 2008 | | | |
| - | 987 044 800 17 | Centre console | | 1 | BOXSTER |
| | | Wood | | | BOXSTER S |
| | | Sycamore wood | | | CAYMAN S |
| | | D - MJ 2005>> - MJ 2008 | | | |

Model: TEQ

Model life 1985>>2012

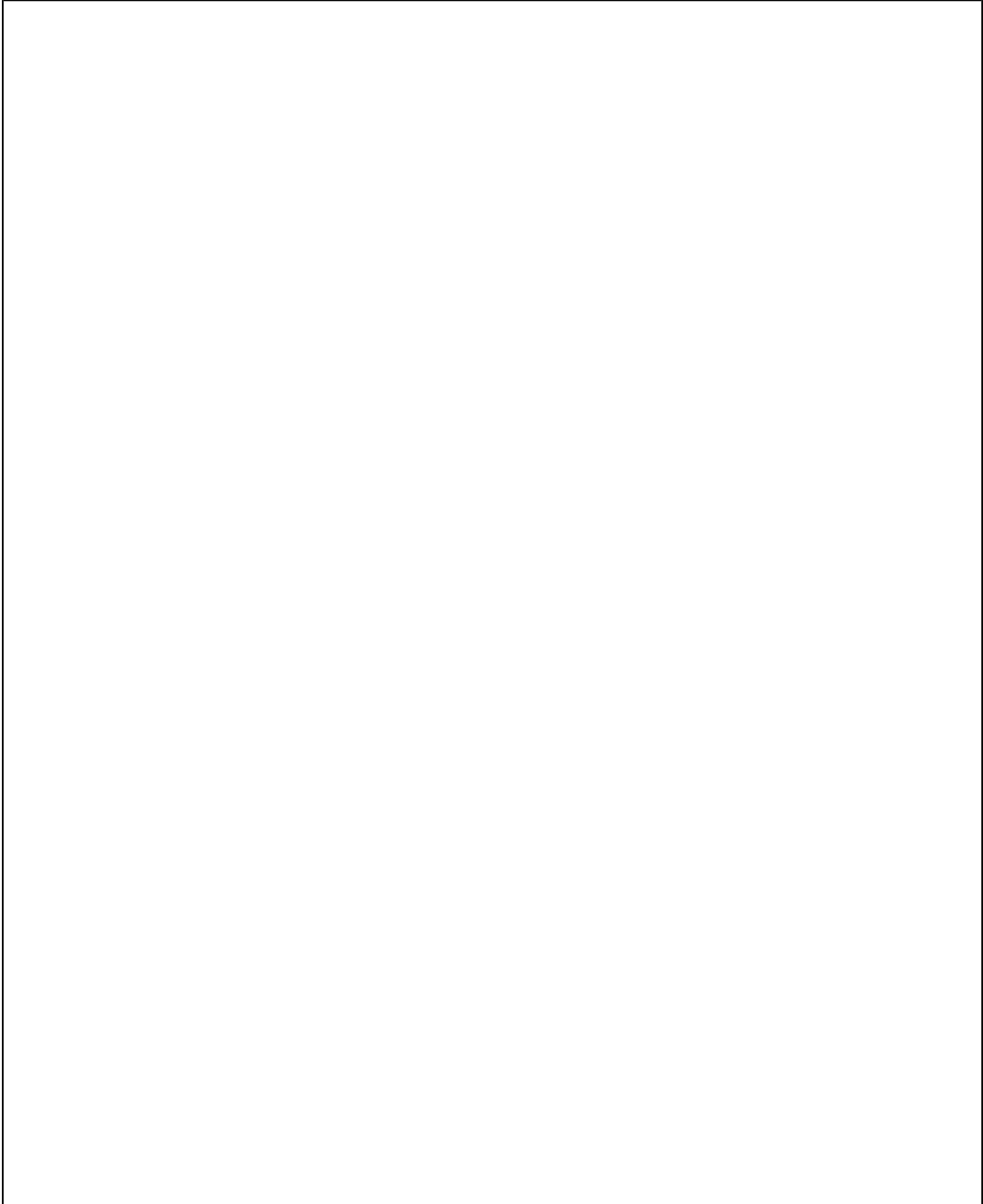


Model: TEQ Model life 1985>>2012

| Pos | Part Number | Description | Remark | Qty | Model |
|-----|----------------|---|-------------------------|-----|---------------------------------------|
| - | 997 044 800 39 | door panel Centre console Aluminium look | 2005- 2005- 2006- | 1 | 911 BOXSTER CAYMAN 911,911 S |
| - | 997 044 800 83 | door panel Aluminium look D - MJ 2005>> | | 1 | 911 COUPE |
| - | 997 044 803 83 | Centre console Aluminium look D - MJ 2005>> - MJ 2008 | | 1 | 911 COUPE |
| - | 997 044 800 87 | Centre console Aluminium look D - MJ 2009>> | | 1 | 911 CABRIO |
| - | 997 044 803 87 | Centre console Aluminium look D - MJ 2005>> - MJ 2008 | | 1 | 911 CABRIO |
| - | 997 044 800 97 | Centre console Aluminium look D - MJ 2009>> | | 1 | 911 TARGA |
| - | 997 044 803 97 | Centre console Aluminium look D - MJ 2005>> - MJ 2008 | | 1 | 911 TARGA |
| - | 987 044 800 87 | Centre console Aluminium look D - MJ 2009>> | | 1 | BOXSTER |
| - | 997 044 803 87 | Centre console Aluminium look D - MJ 2005>> - MJ 2008 | | 1 | BOXSTER |
| - | 987 044 800 83 | Centre console Aluminium look D - MJ 2009>> | | 1 | CAYMAN |
| - | | D - MJ 2006>> - MJ 2008 | | | |

Model: TEQ

Model life 1985>>2012



Model: TEQ Model life 1985>>2012

| Pos | Part Number | Description | Remark | Qty | Model |
|-----|--------------------|--|----------|-----|--|
| - | 997 044 800 38 | Package Brake lever selector lever steering wheel | 05- | | Boxster (987) Cayman 911 (997) |
| | 997 044 800 38 A10 | Black | 05-08 | 1 | Boxster (987) Cayman PR:249,098 911 (997) PR:249,098 LL |
| | 997 044 800 38 B10 | Stone grey | | | |
| | 997 044 800 38 E10 | sea blue | | | |
| | 997 044 800 38 J10 | Palm green | | | |
| | 997 044 800 38 T10 | Sand beige | | | |
| - | 997 044 801 41 | Package Carbon | 09- | 1 | Boxster (987) Cayman 911 (997) LL PR:250,098 |
| | 997 044 801 41 A10 | Display unit in steering wheel Black | without: | | |
| | 997 044 801 41 B10 | Stone grey | | | |
| | 997 044 801 41 E10 | sea blue | | | |
| | 997 044 801 41 T10 | Sand beige | | | |
| - | 997 044 802 41 | Package Carbon | 10- | 1 | Boxster (987) Cayman 911 (997) LL PR:250,639, 640,098 |
| | 997 044 802 41 A10 | Display unit in steering wheel Black | with: | | |
| | 997 044 802 41 B10 | Stone grey | | | |
| | 997 044 802 41 E10 | sea blue | | | |
| | 997 044 802 41 T10 | Sand beige | | | |
| - | 997 044 800 34 | Package Wood macassar | 05-08 | 1 | Boxster (987) Cayman 911 (997) PR:249,098 LL |
| | 997 044 800 34 A10 | Black | | | |
| | 997 044 800 34 B10 | Stone grey | | | |
| | 997 044 800 34 E10 | sea blue | | | |
| | 997 044 800 34 J10 | Palm green | | | |
| | 997 044 800 34 T10 | Sand beige | | | |
| - | 997 044 801 39 | Package Wood macassar | 09- | 1 | Boxster (987) Cayman 911 (997) PR:250,098 |
| | 997 044 801 39 A10 | Display unit in steering wheel Black | without: | | |
| | 997 044 801 39 B10 | Stone grey | | | |
| | 997 044 801 39 E10 | sea blue | | | |
| | 997 044 801 39 T10 | Sand beige | | | |
| - | 997 044 802 39 | Package Wood macassar | 10- | 1 | Boxster (987) Cayman 911 (997) PR:250,639, 640,098 |
| | 997 044 802 39 A10 | Display unit in steering wheel Black | with: | lhd | |
| | 997 044 802 39 B10 | Stone grey | | | |
| | 997 044 802 39 E10 | sea blue | | | |

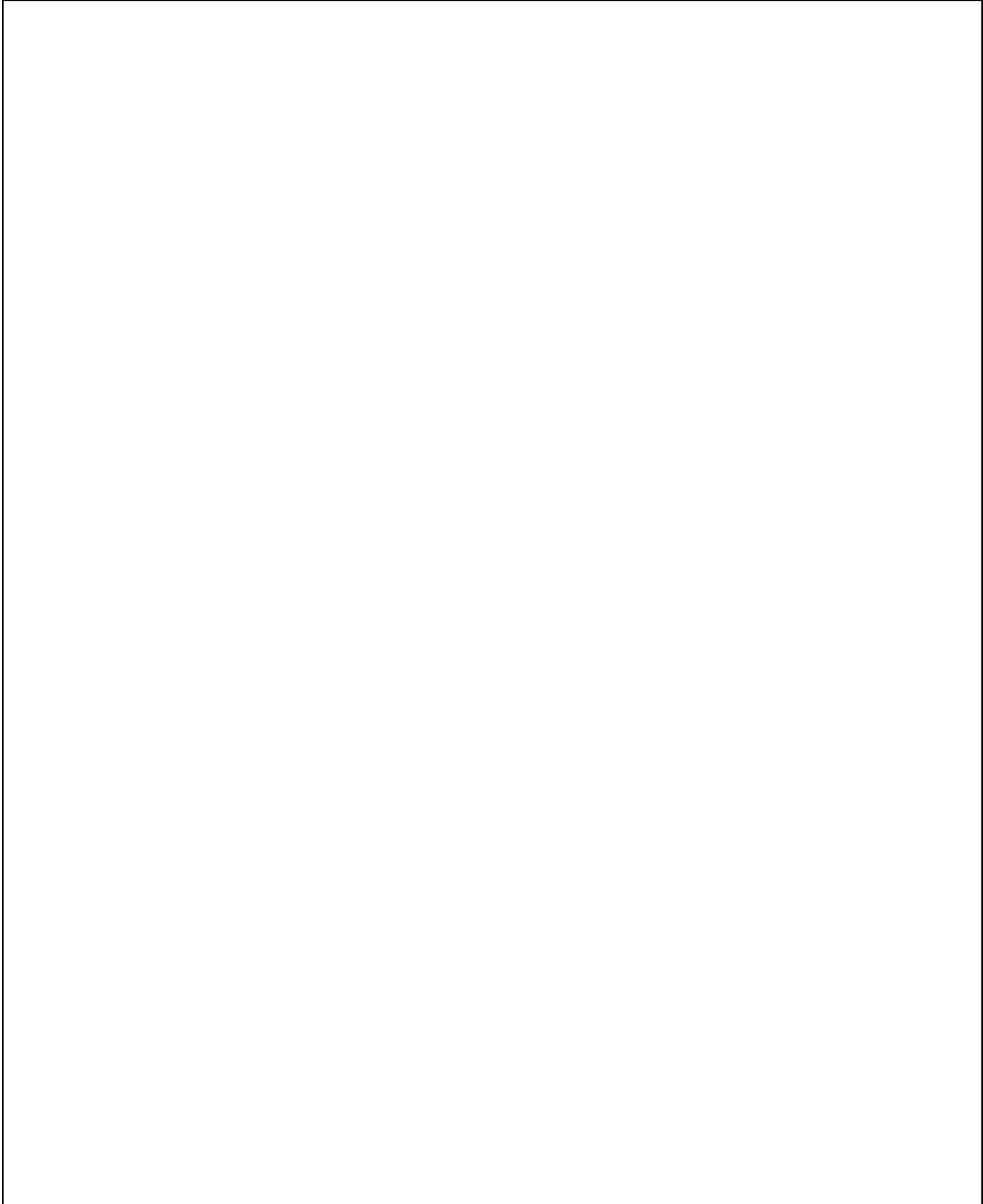
Model: TEQ

Model life 1985>>2012

| Pos | Part Number | Description | Remark | Qty | Model |
|-----|--------------------------------------|--|------------------|-----|--|
| - | 997 044 802 39 T10 997 044 800 36 | Sand beige Package Wood Sycamore wood | 05-08 lhd | 1 | Boxster(987) Cayman 911(997) PR:249,098 |
| | 997 044 800 36 A10 | Black | | | |
| | 997 044 800 36 B10 | Stone grey | | | |
| | 997 044 800 36 E10 | sea blue | | | |
| | 997 044 800 36 J10 | Palm green | | | |
| | 997 044 800 36 T10 | Sand beige | | | |

Model: TEQ

Model life 1985>>2012



Model: TEQ Model life 1985>>2012

| Pos | Part Number | Description | Remark | Qty | Model |
|-----|----------------|--|-------------------------|-----|---|
| - | 997 044 800 37 | Passenger compartment Package comprising: Brake lever gearshift lever steering wheel D - MJ 2005>> - MJ 2008 Package Package Carbon 997 044 800 37 A10 Black 997 044 800 37 B10 Stone grey 997 044 800 37 E10 sea blue 997 044 800 37 J10 Palm green 997 044 800 37 T10 Sand beige | 05-08 06-08 | 1 | 911,911 S BOXSTER BOXSTER S CAYMAN S |
| - | 997 044 800 33 | Package Package Wood macassar 997 044 800 33 A10 Black 997 044 800 33 B10 Stone grey 997 044 800 33 E10 sea blue 997 044 800 33 J10 Palm green 997 044 800 33 T10 Sand beige | 05-08 06-08 06-08 | 1 | 911,911 S BOXSTER S CAYMAN S |
| - | 997 044 800 35 | Package Package Wood Sycamore wood 997 044 800 35 A10 Black 997 044 800 35 B10 Stone grey 997 044 800 35 E10 sea blue 997 044 800 35 J10 Palm green 997 044 800 35 T10 Sand beige | 05-08 06-08 06-08 | 1 | 911,911 S BOXSTER S CAYMAN S |
| - | 987 044 800 12 | Package Package Carbon D - MJ 2005>> - MJ 2008 987 044 800 12 A10 Black 987 044 800 12 B10 Stone grey 987 044 800 12 E10 sea blue 987 044 800 12 J10 Palm green 987 044 800 12 T10 Sand beige | | 1 | BOXSTER CAYMAN |
| - | 987 044 800 10 | Package Package Wood macassar D - MJ 2005>> - MJ 2008 987 044 800 10 A10 Black 987 044 800 10 B10 Stone grey 987 044 800 10 E10 sea blue 987 044 800 10 J10 Palm green 987 044 800 10 T10 Sand beige | | 1 | BOXSTER CAYMAN |
| - | 987 044 800 11 | Package Package Wood Sycamore wood D - MJ 2005>> - MJ 2008 987 044 800 11 A10 Black 987 044 800 11 B10 Stone grey 987 044 800 11 E10 sea blue 987 044 800 11 J10 Palm green 987 044 800 11 T10 Sand beige | | 1 | BOXSTER CAYMAN |

Model: TEQ

Model life 1985>>2012



1



2

Model: TEQ

Model life 1985>>2012

| Pos | Part Number | Description | Remark | Qty | Model |
|-----|--------------------|--|----------------|-----|-------------------------|
| - | | Decorative film inscription Inst. & Conv. Instructions Boxster Group 6 6646 (36/07) Attention | 2005- 2006- | | Boxster (987) Cayman |
| (1) | 987 044 802 50 | Decorative film inscription Set D - MJ 2005>> | | 1 | Boxster |
| | 987 044 802 50 041 | Black | | | |
| | 987 044 802 50 84A | guards red (Porsche) | | | |
| | 987 044 802 50 V04 | silver | | | |
| | 987 044 802 50 12H | Speed yellow | | | |
| 1 | 987 044 802 51 | Decorative film inscription Set D - MJ 2005>> | | 1 | Boxster S |
| | 987 044 802 51 041 | Black | | | |
| | 987 044 802 51 84A | guards red (Porsche) | | | |
| | 987 044 802 51 V04 | silver | | | |
| | 987 044 802 51 12H | Speed yellow | | | |
| - | | Inst. & Conv. Instructions Cayman Group 6 6646 (35/07) Attention | | | alle |
| (2) | 987 044 802 52 | Decorative film inscription Set D - MJ 2007>> | | 1 | Cayman |
| | 987 044 802 52 041 | Black | | | |
| | 987 044 802 52 84A | guards red (Porsche) | | | |
| | 987 044 802 52 V04 | silver | | | |
| | 987 044 802 52 12H | Speed yellow | | | |
| 2 | 987 044 802 53 | Decorative film inscription Set D - MJ 2006>> | | 1 | Cayman S |
| | 987 044 802 53 041 | Black | | | |
| | 987 044 802 53 84A | guards red (Porsche) | | | |
| | 987 044 802 53 V04 | silver | | | |
| | 987 044 802 53 12H | Speed yellow | | | |

Model: TEQ

Model life 1985>>2012



1

Model: TEQ Model life 1985>>2012

| Pos | Part Number | Description | Remark | Qty | Model |
|-----|----------------|--|--------|-----|----------------------|
| - | | Decorative film inscription D - MJ 2005>> Inst. & Conv. Instructions 911 Group 6 6646 (37/07) Attention | | | 911(997) alle |
| (1) | 997 044 802 50 | Decorative film inscription Set D - MJ 2005>> 997 044 802 50 041 Black 997 044 802 50 84A guards red (Porsche) 997 044 802 50 V04 silver 997 044 802 50 12H Speed yellow | | 1 | Carrera |
| (1) | 997 044 802 51 | Decorative film inscription Set D - MJ 2005>> 997 044 802 51 041 Black 997 044 802 51 84A guards red (Porsche) 997 044 802 51 V04 silver 997 044 802 51 12H Speed yellow | | 1 | Carrera S |
| (1) | 997 044 802 52 | Decorative film inscription Set D - MJ 2006>> 997 044 802 52 041 Black 997 044 802 52 84A guards red (Porsche) 997 044 802 52 V04 silver 997 044 802 52 12H Speed yellow | | 1 | Carrera 4 |
| 1 | 997 044 802 53 | Decorative film inscription Set D - MJ 2006>> 997 044 802 53 041 Black 997 044 802 53 84A guards red (Porsche) 997 044 802 53 V04 silver 997 044 802 53 12H Speed yellow | | 1 | Carrera 4S |
| (1) | 997 044 802 54 | Decorative film inscription Set D - MJ 2007>> 997 044 802 54 041 Black 997 044 802 54 84A guards red (Porsche) 997 044 802 54 V04 silver 997 044 802 54 12H Speed yellow | | 1 | Targa 4 |
| (1) | 997 044 802 55 | Decorative film inscription Set D - MJ 2007>> 997 044 802 55 041 Black 997 044 802 55 84A guards red (Porsche) 997 044 802 55 V04 silver 997 044 802 55 12H Speed yellow | | 1 | Targa 4S |
| (1) | 997 044 802 56 | Decorative film inscription Set D - MJ 2007>> 997 044 802 56 041 Black 997 044 802 56 84A guards red (Porsche) 997 044 802 56 V04 silver | | 1 | Turbo |

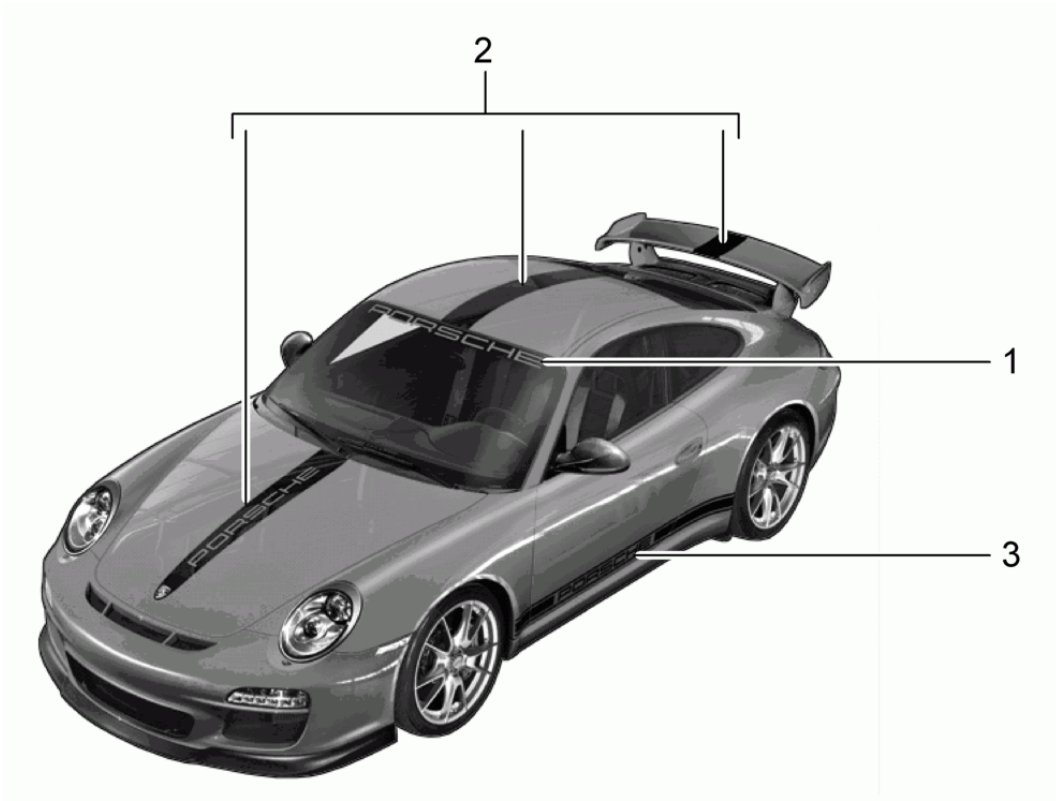
Model: TEQ

Model life 1985>>2012

| Pos | Part Number | Description | Remark | Qty | Model |
|-----|--|---|--------|-----|---------|
| (1) | 997 044 802 56 12H 997 044 802 60 | Speed yellow Decorative film inscription Set D - MJ 2011>> | | 1 | Turbo S |
| (1) | 997 044 802 60 041 997 044 802 60 84A 997 044 802 60 V04 997 044 802 57 | Black guards red (Porsche) silver Decorative film inscription Set D - MJ 2007>> | | 1 | GT3 |
| (1) | 997 044 802 57 041 997 044 802 57 84A 997 044 802 57 V04 997 044 802 57 12H 997 044 802 58 | Black guards red (Porsche) silver Speed yellow Decorative film inscription Set D - MJ 2008>> | | 1 | GT2 |
| (1) | 997 044 802 58 041 997 044 802 58 84A 997 044 802 58 V04 997 044 802 58 12H 997 044 802 59 | Black guards red (Porsche) silver Speed yellow Decorative film inscription Set D - MJ 2007>> | | 1 | GT3 RS |
| | 997 044 802 59 041 997 044 802 59 84A 997 044 802 59 V04 997 044 802 59 12H | Black guards red (Porsche) silver Speed yellow | | | |

Model: TEQ

Model life 1985>>2012



Model: TEQ

Model life 1985>>2012

| Pos | Part Number | Description | Remark | Qty | Model |
|-----|----------------|---|--------|-----|--|
| - | | Decorative film inscription Motor sports D - MJ 2007>> Inst. & Conv. Instructions 911 GTx Group 6 6646 (6/11) Attention | | | 911(997) GT3 / GT3 RS GT2 / GT2 RS alle |
| 1 | 997 044 850 06 | Decorative film inscription Windscreen Indian red | | 1 | |
| (1) | 997 044 850 07 | Decorative film inscription Windscreen Carrara white | | 1 | |
| (1) | 997 044 850 08 | Decorative film inscription Windscreen Aluminium coloured | | 1 | |
| (1) | 997 044 850 09 | Decorative film inscription Windscreen green | | 1 | |
| 2 | 997 044 850 10 | Decorative film inscription Set Black | upper | 1 | |
| (2) | 997 044 850 11 | Decorative film inscription Set Indian red | upper | 1 | |
| (2) | 997 044 850 12 | Decorative film inscription Set Carrara white | upper | 1 | |
| (2) | 997 044 850 13 | Decorative film inscription Set Aluminium coloured | upper | 1 | |
| 3 | 997 044 850 14 | Decorative film inscription Set Black | side | 1 | |
| (3) | 997 044 850 15 | Decorative film inscription Set Indian red | side | 1 | |
| (3) | 997 044 850 16 | Decorative film inscription Set Carrara white | side | 1 | |
| (3) | 997 044 850 17 | Decorative film inscription Set Aluminium coloured | side | 1 | |

GT3 RS

Model: TEQ

Model life 1985>>2012



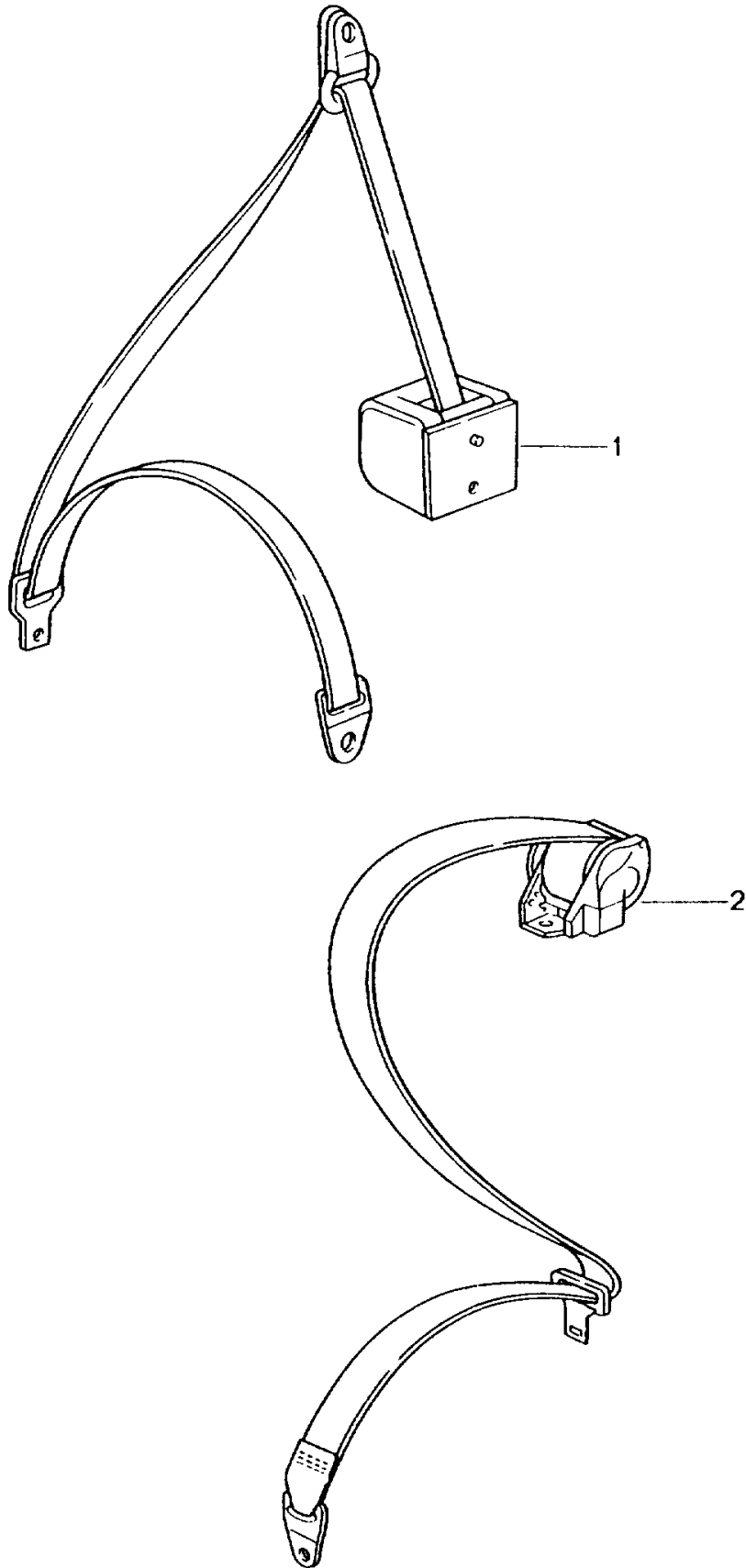
Model: TEQ

Model life 1985>>2012

| Pos | Part Number | Description | Remark | Qty | Model |
|-----|----------------|---|--------|-----|-----------|
| - | | inscription | | | 911 (997) |
| 1 | 997 559 980 02 | Only for replacement inscription 911 SPORT CLASSIC Galvano silver | | 1 | PR:756 |

Model: TEQ

Model life 1985>>2012



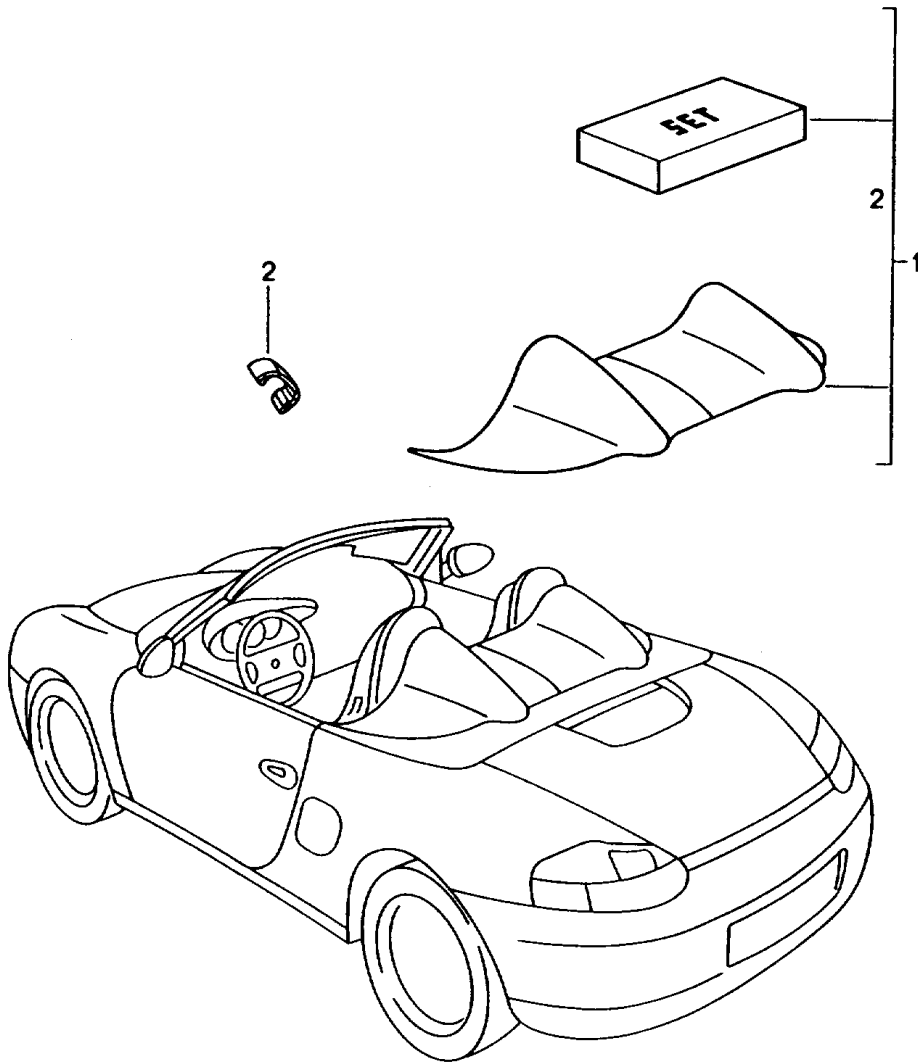
Model: TEQ

Model life 1985>>2012

| Pos | Part Number | Description | Remark | Qty | Model |
|-----|--------------------|--|----------------|-----|---------------------------|
| 1 | 964 803 033 04 | Seat belt D - MJ 1997>> - MJ 1998 three-point seat belt with inertia reel | front left | X | 911 TURBO S RDW USA |
| | 964 803 033 04 V02 | Speed yellow | | | |
| | 964 803 033 04 N13 | guards red (Porsche) | | | |
| | 964 803 033 04 H04 | Riviera blue | | | |
| 1 | 993 803 034 01 | Additional safety belt for child car seat | right front | 1 | USA |
| | 993 803 034 01 70B | Black | | | |
| | 993 803 034 01 V02 | Speed yellow | | | |
| | 993 803 034 01 N13 | guards red (Porsche) | | | |
| | 993 803 034 01 H04 | Riviera blue | | | |
| 2 | 993 803 021 00 | three-point seat belt with inertia reel | rear | 1 | |
| | 993 803 021 00 70B | Black | | | |
| | 993 803 021 00 V02 | Speed yellow | | | |
| | 993 803 021 00 N13 | guards red (Porsche) | | | |
| | 993 803 021 00 H04 | Riviera blue | | | |

Model: TEQ

Model life 1985>>2012



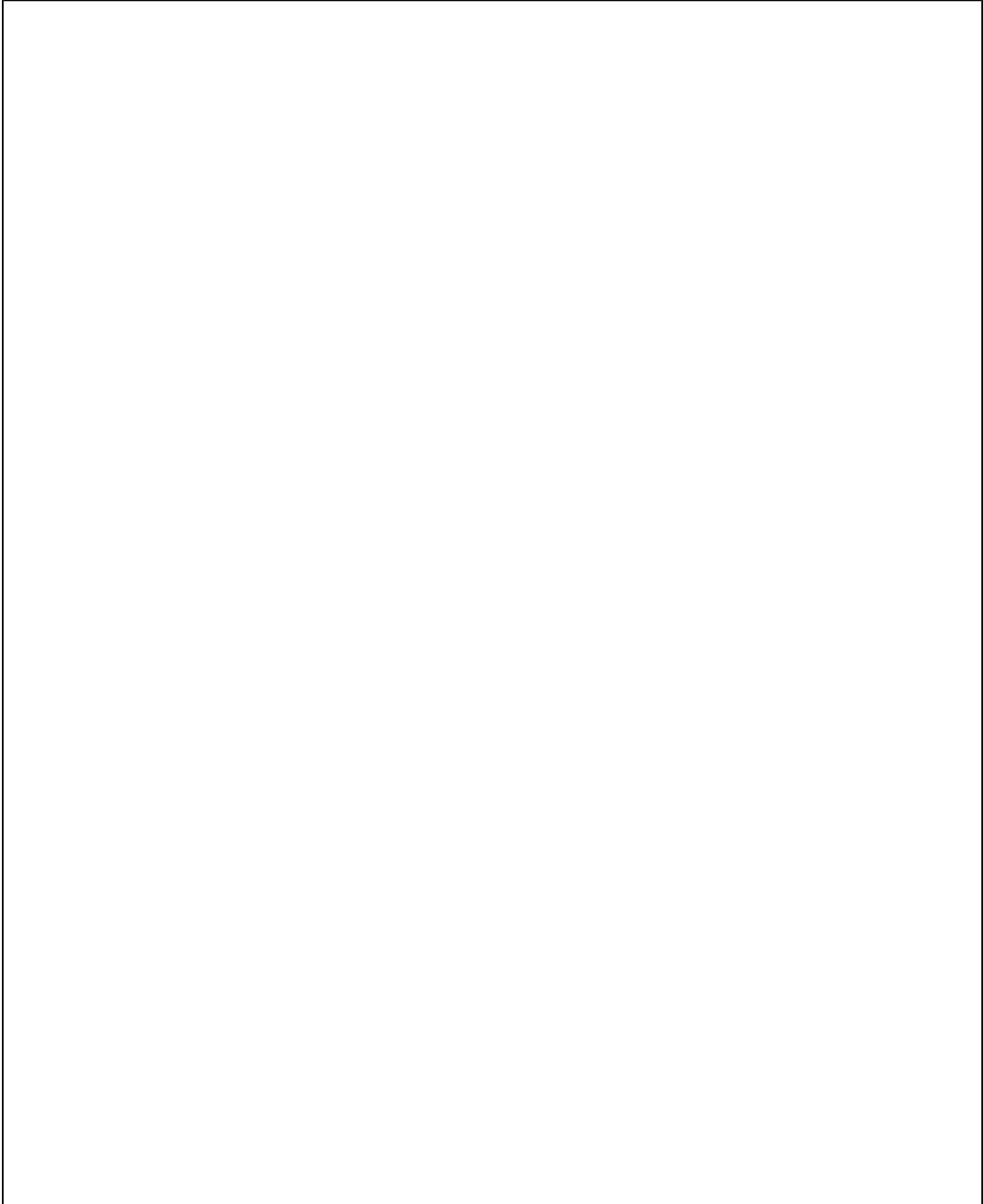
Model: TEQ

Model life 1985>>2012

| Pos | Part Number | Description | Remark | Qty | Model |
|-----|--------------------|---|--------|-----|---------------|
| - | | Cover Speedster Rear end D - MJ 1997>> - MJ 2004 Technical information Boxster, alle Group 6 6154 Attention | | | Boxster (986) |
| 1 | 986 504 994 01 | Cover Speedster Rear end D - MJ 1997>> | | 1 | |
| 2 | 986 504 994 01 G2X | primed | | 1 | |
| - | 986 504 986 00 | Clip | | 1 | |
| - | 986 504 981 01 | Cover Speedster Rear end D - MJ 1997>> | left | 1 | |
| - | 986 504 981 01 G2X | Discontinued part primed | | | |
| - | 986 504 982 01 | Cover Speedster Rear end D - MJ 1997>> | right | 1 | |
| - | 986 504 982 01 G2X | primed | | | |
| - | 986 721 980 00 | Pocket for Cover | | 2 | |
| - | 986 551 725 00 | Velcro | | 2 | |
| - | 986 504 983 00 | shelf for roll bar | | 1 | |
| - | 944 503 255 00 | Shim 6,1 X 1,0 | | 2 | |
| - | 986 563 713 02 | Insert | left | 1 | |
| - | 986 563 714 02 | Insert | right | 1 | |
| - | 999 219 041 00 | Locating bolt M8 X 36 | | 2 | |
| - | 986 504 987 01 | Locking mechanism lever | left | 1 | |
| - | 986 504 988 01 | Locking mechanism lever | right | 1 | |

Model: TEQ

Model life 1985>>2012



Model: TEQ

Model life 1985>>2012

| Pos | Part Number | Description | Remark | Qty | Model |
|-----|----------------|--|--------|-----|--------------|
| - | | Grille frame rear spoiler D - MJ 2002>> - MJ 2004 Technical manual Boxster 550 spyder Group 6 6355 | | | Boxster(986) |
| - | 000 044 802 32 | Attention Grille frame rear spoiler Aluminium look Set | lower | 1 | |

Model: TEQ

Model life 1985>>2012

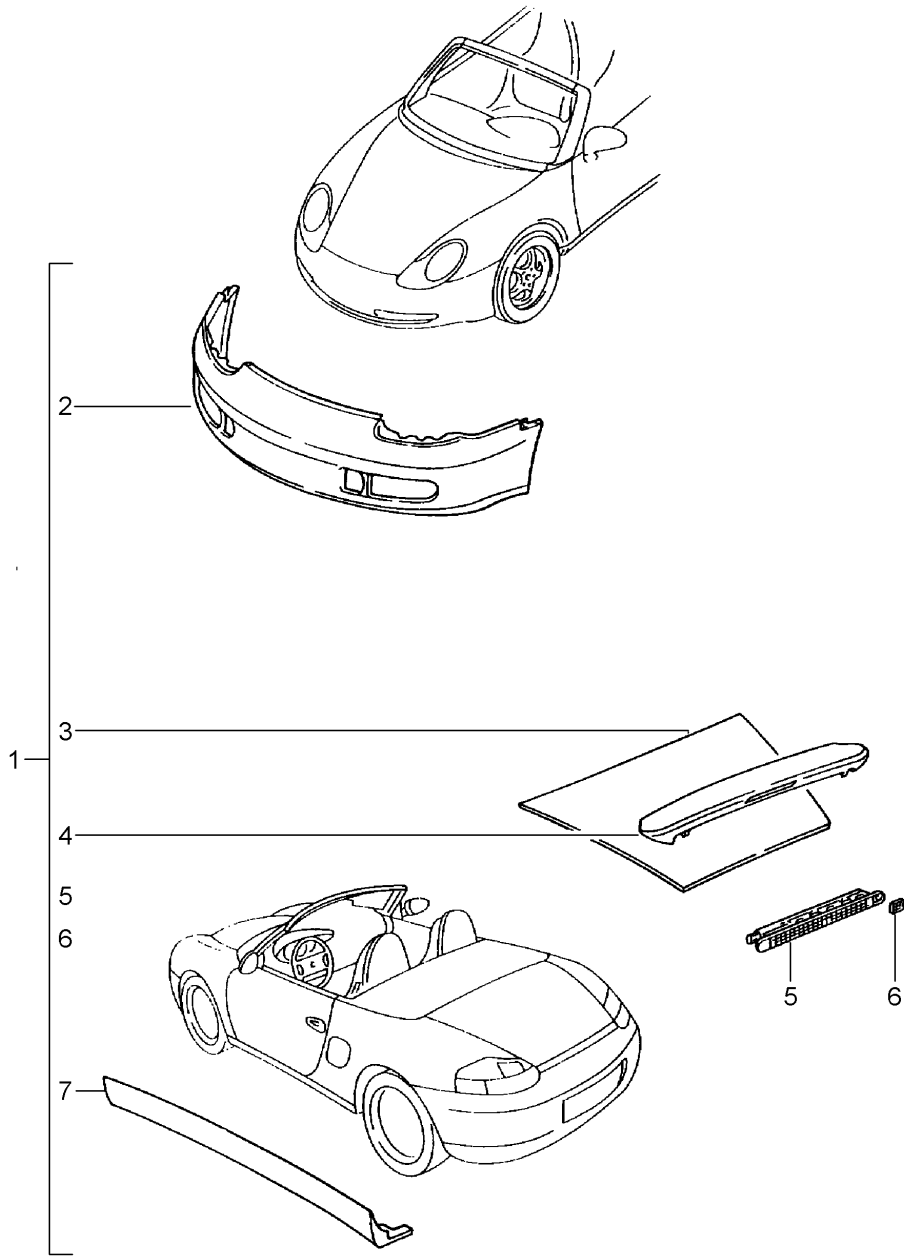


Model: TEQ Model life 1985>>2012

| Pos | Part Number | Description | Remark | Qty | Model |
|-----|--------------------|-----------------------------|--------|-----|--------------|
| | | Aerokit | 96-98 | | CARRERA S/4S |
| | | Aerokit | | | TURBO S |
| | | TURBO II | 95-98 | | TURBO |
| - | 000 044 800 16 | Retrofit kit | | 1 | CARRERA S/4S |
| - | 000 044 800 16 | Retrofit kit | | 1 | TURBO S |
| | | TURBO II | | | TURBO |
| - | | comprising: | | | |
| - | 993 512 980 02 | Rear spoiler | | 1 | |
| - | 993 799 512 02 | Installation kit | | 1 | |
| - | 993 512 521 00 | Stop | left | 1 | |
| - | 993 512 522 00 | Stop | right | 1 | |
| - | 993 512 469 00 | Underlay | | 7 | |
| - | 993 211 270 40 | Seal | | 1 | |
| - | N 020 904 4 | Cable ties | | 1 | |
| - | 999 513 003 40 | Cable ties | | 1 | |
| - | 993 512 875 00 | Protective strip | | 2 | |
| | 993 512 875 00 01C | Satin black | | | |
| - | 999 703 345 40 | Cover cap | | 2 | |
| | 999 703 345 40 01C | Satin black | | | |
| - | 999 703 146 40 | End cap | | 2 | |
| - | 993 504 513 00 | Seal | | 1 | |
| - | 900 067 207 02 | Bolt with washer | | 4 | |
| - | 999 075 039 02 | Bolt with washer | | 2 | |
| | | Discontinued part | | | |
| - | 999 075 039 0C | Bolt with washer | | 2 | |
| - | 900 075 057 02 | Hexagon bolt | | 2 | |
| - | 900 075 057 03 | Hexagon bolt | | 2 | |
| | | No longer use the part here | | | |
| - | N 015 392 2 | Washer | | 4 | |
| - | 900 151 027 02 | Washer | | 4 | |
| | | Discontinued part | | | |
| - | 900 151 027 03 | Washer | | 4 | |
| - | 993 613 523 00 | Trim for switch | | 1 | |
| | 993 613 523 00 01C | Satin black | | | |
| - | 993 505 982 00 | Front spoiler | | 1 | |
| | | Discontinued part | | | |
| - | 993 505 982 01 | Front spoiler | | 1 | |
| - | 900 910 009 02 | Locknut | | 2 | |
| - | 900 084 026 01 | Locknut | | 2 | |
| - | 944 503 255 00 | Shim | | 2 | |
| - | 999 591 699 02 | panel nut | | 4 | |
| | | ST 4,8 | | | |
| | | Discontinued part | | | |
| - | 999 591 699 01 | panel nut | | 4 | |
| | | ST 4,8 | | | |
| - | 900 187 141 09 | Bolt with washer | | 12 | |
| - | 993 631 141 01 | ventilation union | | 2 | |
| - | 993 505 982 00 | Front spoiler | | 1 | CARRERA S/4S |
| | | TURBO II | | | |
| | | Discontinued part | | | |
| - | 993 505 982 01 | Front spoiler | | 1 | CARRERA S/4S |
| | | TURBO II | | | |
| - | 993 505 982 00 | Front spoiler | | 1 | TURBO /S |
| | | TURBO II | | | |
| | | Discontinued part | | | |
| - | 993 505 982 01 | Front spoiler | | 1 | TURBO /S |
| | | TURBO II | | | |
| - | 993 512 980 02 | Rear spoiler | | 1 | CARRERA S/4S |
| | | TURBO II | | | TURBO |
| - | 993 512 980 02 | Rear spoiler | | 1 | TURBO S |
| | | TURBO II | | | TURBO |

Model: TEQ

Model life 1985>>2012

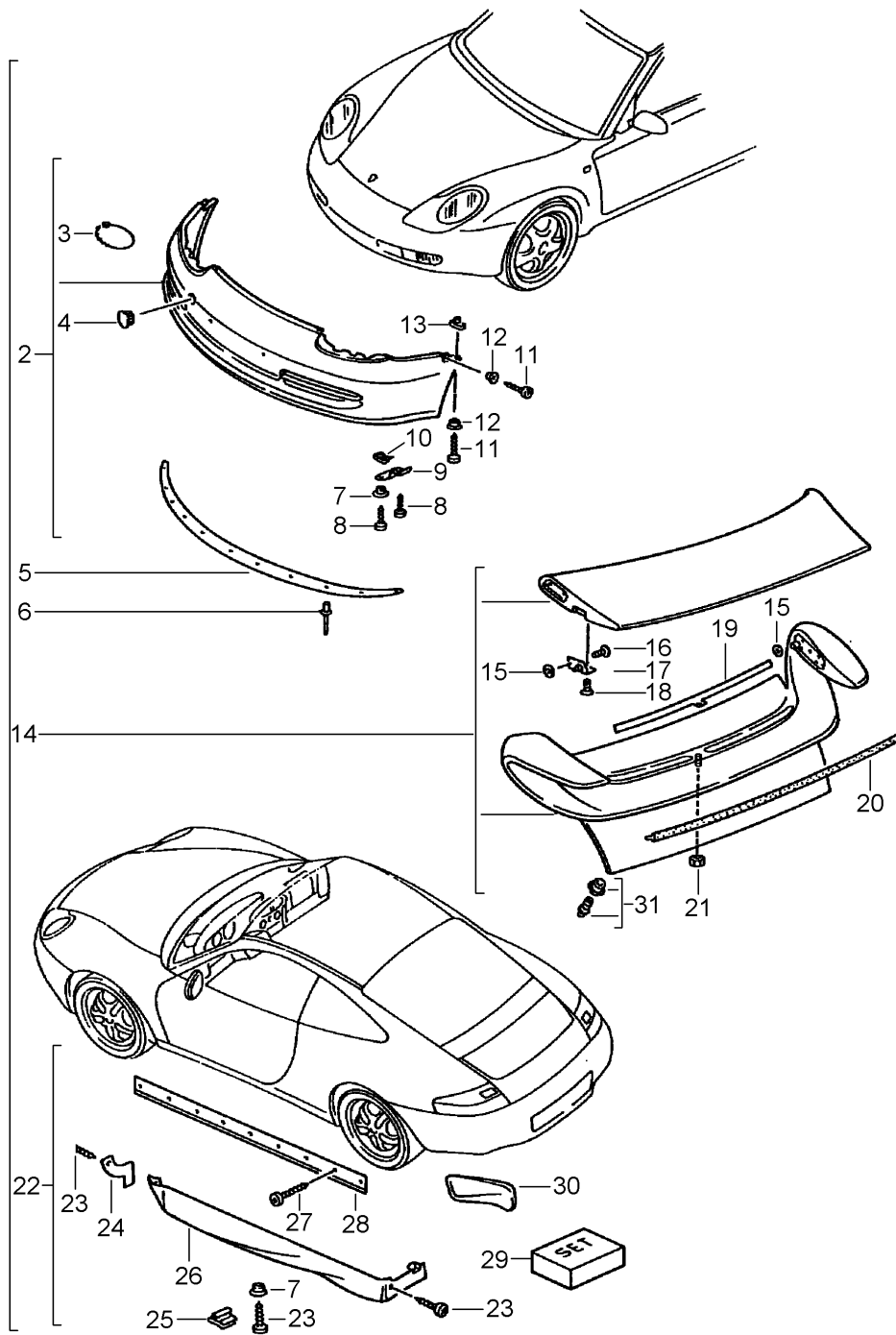


Model: TEQ Model life 1985>>2012

| Pos | Part Number | Description | Remark | Qty | Model |
|-----|--------------------|--|----------------|-----|--------------------------------|
| - | | Aerokit AERO KIT II Technical information Boxster, alle Group 6 6315 Attention | 97-01 02-04 | | Boxster (986) Boxster (986) |
| 1 | 000 044 800 80 | Aerokit | 97-01 | 1 | Boxster |
| (1) | 000 044 801 66 | Aerokit | 97-01 | 1 | Boxster S |
| - | | comprising: | | | |
| 2 | 986 505 980 00 | Trim | | 1 | Boxster |
| | 986 505 980 00 G2X | primed with spoiler | | | |
| (2) | 986 505 980 01 | Trim | | 1 | Boxster S |
| | 986 505 980 01 G2X | primed with spoiler | | | |
| - | 986 505 981 00 | Retaining frame | left | 1 | |
| - | 986 505 982 00 | Retaining frame | right | 1 | |
| - | 000 044 801 57 | Parts kit | | 1 | |
| 3 | 986 512 991 00 | Rear lid | | 1 | |
| | 986 512 991 00 G2X | primed | | | |
| - | 996 512 987 00 | adjusting screw | | 2 | |
| 4 | 986 512 992 00 | Rear spoiler | | 1 | |
| 5 | 996 631 050 00 | Additional brake light Discontinued part | | 1 | |
| 5 | 996 631 050 02 | Additional brake light Discontinued part | | 1 | |
| 5 | 996 631 050 04 | Additional brake light Discontinued part | | 1 | |
| 5 | 996 631 050 06 | Additional brake light | | 1 | |
| 6 | 996 631 165 00 | Cover cap for Mount Brake light | | 1 | |
| - | 986 612 983 00 | Wire set Rear spoiler | | 1 | |
| - | 986 559 991 00 | Trim Rear spoiler XAA Installed | | 1 | |
| 7 | 986 559 983 00 | Side member trim Discontinued part | 97-01 | 1 | |
| | 986 559 983 00 G2X | primed | links | | |
| 7 | 986 559 983 04 | Side member trim | 97-01 | 1 | |
| | 986 559 983 04 G2X | primed | links | | |
| (7) | 986 559 984 00 | Side member trim | 97-01 | 1 | |
| | 986 559 984 00 G2X | primed | rechts | | |
| - | 986 559 982 00 | retaining strip | | 2 | |
| - | 000 044 801 58 | Parts kit | | 1 | |
| - | | also use: | | | |
| - | 000 044 000 37 | Adhesive set Technical information Boxster,alle Group 6 6658 Attention | | 1 | |
| - | 000 044 802 00 | Aerokit II | 02-04 | 1 | Boxster |
| - | 000 044 802 01 | Aerokit II comprising: | 02-04 | 1 | Boxster S |
| - | 986 612 981 22 | Wire set | | 1 | |
| - | 986 512 993 01 | Rubber seal | | 2 | |

Model: TEQ

Model life 1985>>2012



Model: TEQ Model life 1985>>2012

| Pos | Part Number | Description | Remark | Qty | Model |
|------|--------------------|---|--------|-----|-------------------|
| - | | Aerokit "Cup " D - MJ 1998>> - MJ 2001 Technical information 911 Coupe,alle Group 6 6315 Attention | | | 911(996) Coupe |
| 1 | 000 044 801 02 | Aerokit " CUP " | | 1 | |
| - | | comprising: | | | |
| 2 | 996 505 980 02 | Front apron | | 1 | |
| - | 996 505 980 02 G2X | primed for Tiptronic modify in workshop | | | |
| - | | Content | | | |
| 3 | 999 651 225 40 | Safety rope | | 1 | |
| 4 | 964 505 103 00 | Cover cap | | 1 | |
| - | 964 505 103 00 G2X | Cover cap | | | |
| 7 | 944 503 255 00 | Shim | | 4 | |
| 8 | 999 073 062 02 | panel screw ST 4,8 X 19 | | 4 | |
| 9 | 996 505 989 00 | Retaining bracket | | 2 | |
| 10 | 999 591 699 02 | panel nut ST 4,8 Discontinued part | | 4 | |
| 10 | 999 591 699 01 | panel nut ST 4,8 | | 4 | |
| 11 | 900 144 101 02 | panel screw B 4,8 X 19 | | X | |
| 12 | 999 209 045 09 | Shim | | X | |
| 13 | 999 507 072 02 | panel nut B 4,8 | | X | |
| - | 000 044 801 59 | Parts kit | | 1 | |
| - | | use if required: | | | |
| 5 | 996 505 986 00 | Spoiler | | 1 | |
| 6 | 999 507 427 40 | expanding nut | | 11 | |
| 14 | 996 512 901 00 | Rear lid | | 1 | |
| - | | with: | | | |
| - | 996 512 992 00 | Rear spoiler Content Spoiler | | 1 | |
| 15 | 996 512 902 00 | Washer | | 4 | |
| 16 | 996 512 993 00 | angle M 5 X 12 | | 4 | |
| 17 | 996 512 993 00 | angle | | 1 | |
| (17) | 996 512 994 00 | angle | | 1 | |
| 18 | 900 249 041 01 | countersunk bolt M 6 X 16 | | 4 | |
| 19 | 996 512 985 00 | strip | | 1 | |
| 20 | 996 512 988 00 | Spoiler | | 1 | |
| 21 | 900 360 001 02 | Hexagon nut M 4 | | 1 | |
| 31 | 996 512 987 00 | adjusting screw | | 1 | |
| - | 996 612 070 51 | Wire set Brake light | | 1 | |
| 22 | 996 559 983 01 | Side member trim | left | 1 | |
| - | 996 559 983 01 G2X | primed | | | |
| (22) | 996 559 984 01 | Side member trim | right | 1 | |
| - | 996 559 984 01 G2X | primed | | | |
| 23 | 999 073 060 02 | panel screw ST 4,8 X 13 | | 16 | |

Model: TEQ

Model life 1985>>2012

| Pos | Part Number | Description | Remark | Qty | Model |
|------|--------------------|------------------|--------|-----|-------|
| - | 944 503 255 00 | Shim | | 16 | |
| 24 | 996 559 985 00 | Adhesive film | | 1 | |
| (24) | 996 559 986 00 | Adhesive film | | 1 | |
| 25 | 999 507 640 09 | U-clip | | 16 | |
| 26 | 996 559 981 01 | Side member trim | right | 1 | |
| | 996 559 981 01 G2X | primed | | | |
| (26) | 996 559 980 01 | Side member trim | left | 1 | |
| | 996 559 980 01 G2X | primed | | | |
| 27 | 900 145 041 07 | panel screw | | 30 | |
| 28 | 996 559 982 00 | retaining strip | | 2 | |
| - | 000 044 801 60 | Parts kit | | 1 | |
| - | | also use: | | | |
| 29 | 000 044 000 37 | Adhesive set | | 1 | |
| 30 | 996 505 977 00 | Trim for bumper | left | 1 | |
| | | | rear | | |
| (30) | 996 505 978 00 | Trim for bumper | right | 1 | |
| | | | rear | | |

Model: TEQ

Model life 1985>>2012

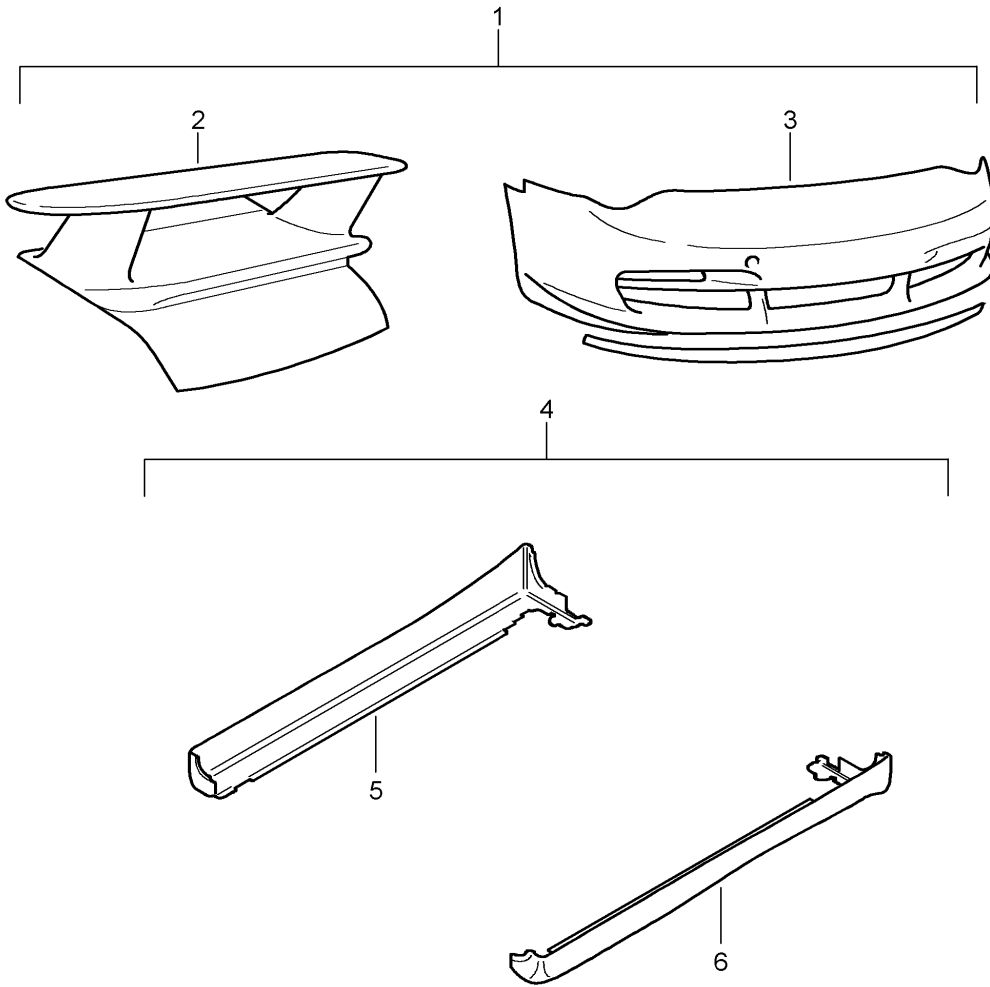


Model: TEQ Model life 1985>>2012

| Pos | Part Number | Description | Remark | Qty | Model |
|-----|--------------------|--|--------|-----|----------|
| | | Aerokit "Carrera" D - MJ 1998>> - MJ 2001 | | | 911(996) |
| - | 000 044 801 89 | Aerokit "Carrera" (complete) | | 1 | |
| - | | comprising: | | | |
| - | 996 505 980 02 | Front apron | | 1 | |
| - | 996 505 980 02 G2X | primed | | | |
| - | 996 559 983 01 | Side member trim | left | 1 | |
| - | 996 559 983 01 G2X | primed | | | |
| - | 996 559 984 01 | Side member trim | right | 1 | |
| - | 996 559 984 01 G2X | primed | | | |
| - | | Technical information 911 carrera Group 6 6658 Attention | | | |
| - | 996 512 903 00 | Rear spoiler | | 1 | |
| - | 996 512 903 00 G2X | primed | | | |
| - | 996 631 980 00 | Brake light | | 1 | |
| - | 900 631 135 90 | bulb | | 7 | |
| - | | 12 V; 2,3 W | | | |
| - | 996 612 070 04 | Wire set | | 1 | |
| - | | Rear spoiler | | | |
| - | 996 512 907 00 | flange | | 2 | |
| - | 996 504 981 00 | Trim | | 1 | |
| - | 996 504 981 00 G2X | Trim | | | |
| - | | Additional brake light | | | |
| - | 996 512 915 00 | Cover panel | lower | 1 | |
| - | | Rear lid | | | |
| - | 996 512 913 00 | Bracket | left | 1 | |
| - | 996 512 914 00 | Bracket | | 1 | |
| - | | Spoiler | | | |
| - | | Rear lid | | | |
| - | | Technical information 911 carrera Group 6 6624 Attention | | | |
| - | 996 505 977 00 | Trim for bumper | left | 1 | |
| - | | GT | rear | | |
| - | 996 505 978 00 | Trim for bumper | right | 1 | |
| - | | GT | rear | | |
| - | 000 044 801 90 | Aerokit Carrera Small | | 1 | |
| - | | comprising: | | | |
| - | 996 505 980 02 | Front apron | | 1 | |
| - | 996 505 980 02 G2X | primed | | | |
| - | 996 512 903 00 | Rear spoiler | | 1 | |
| - | 996 512 903 00 G2X | primed | | | |
| - | 996 631 980 00 | Brake light | | 1 | |
| - | 996 504 981 00 | Trim | | 1 | |
| - | 996 504 981 00 G2X | Trim | | | |
| - | | Additional brake light | | | |
| - | 996 612 070 04 | Wire set | | 1 | |
| - | | Rear spoiler | | | |
| - | 996 512 907 00 | flange | | 2 | |
| - | 999 507 761 01 | Cable fastener | | 3 | |

Model: TEQ

Model life 1985>>2012



Model: TEQ Model life 1985>>2012

| Pos | Part Number | Description | Remark | Qty | Model |
|-----|--------------------|--|--------|-----|---------------------|
| - | | Aerokit "Cup II" D - MJ 2002>> - MJ 2004 Technical information 911 Coupe 2 Group 6 6658 Attention | | | 911(996) Coupe 2 |
| 1 | 000 044 802 02 | Aerokit Set | | 1 | |
| - | | comprising: | | | |
| 2 | 996 512 901 02 | Cover | | 1 | |
| | | with: | | | |
| | 996 512 901 02 G2X | Rear spoiler primed Set | | | |
| 4 | 000 044 802 15 | Side member trim Set | | 1 | |
| 3 | 000 044 802 28 | Front spoiler Set | | 1 | |
| 4 | 000 044 802 15 | Side member trim Set | | 1 | |
| - | | comprising: | | | |
| 6 | 996 559 983 04 | Side member trim | left | 1 | |
| 5 | 996 559 984 04 | Side member trim | right | 1 | |
| 3 | 000 044 802 28 | Front spoiler primed Set | | 1 | |
| - | | comprising: | | | |
| - | 964 505 103 00 | Cover cap | | 1 | |
| - | 964 505 103 00 G2X | Cover cap | | | |
| - | 999 651 225 40 | Safety rope | | 1 | |
| - | 996 505 980 06 | Front apron | | 1 | |
| - | 996 505 980 06 G2X | primed | | | |
| - | 996 505 986 02 | Spoiler | | 1 | |
| - | 996 505 986 02 G2X | primed | | | |
| - | 999 507 497 40 | Spreader rivet | | 21 | |

Model: TEQ

Model life 1985>>2012



Model: TEQ

Model life 1985>>2012

| Pos | Part Number | Description | Remark | Qty | Model |
|-----|--------------------|--|--------|-----|----------|
| - | | Rear spoiler "Carrera" D - MJ 2001>> - MJ 2004 Technical information 911(996),alle Group 6 6658 Attention | | | 911(996) |
| - | 000 044 802 04 | Rear spoiler "Carrera" | | 1 | |
| - | | comprising: | | | |
| - | 996 505 555 01 | Spoiler | | 1 | |
| - | 996 512 903 00 | Rear spoiler | | 1 | |
| - | 996 512 903 00 G2X | primed | | | |
| - | 996 512 907 00 | flange | | 2 | |
| - | 996 631 980 00 | Brake light | | 1 | |

Model: TEQ

Model life 1985>>2012



Model: TEQ Model life 1985>>2012

| Pos | Part Number | Description | Remark | Qty | Model |
|-----|--------------------|---|----------------|-----|--------------------------|
| - | | Aerokit "TURBO" "C4S" Technical information 911 Turbo (996) Group 6 6658 Attention | 01-05 02-05 | | 911(996) Turbo C4S |
| - | 000 044 801 99 | Aerokit "Turbo" D - MJ 2001>> - MJ 2005 Set comprising: | | 1 | |
| - | 996 505 986 01 | Spoiler | front | 1 | |
| - | 996 505 986 01 G2X | primed | | | |
| - | 996 512 923 00 | Rear lid | | 1 | |
| | | with: | | | |
| | | Spoiler Discontinued part | | | |
| - | 996 512 923 00 G2X | Rear lid | | 1 | |
| - | 996 512 923 01 | Rear lid | | 1 | |
| | | with: | | | |
| | | Spoiler | | | |
| - | 996 512 923 01 G2X | Rear lid | | 1 | |
| - | | Installed | | | |
| - | 996 612 070 30 | Wire set for Brake light | | 1 | |
| - | | Technical information 911 C4S (996) Group 6 6658 Attention | | | |
| - | 000 044 802 29 | Aerokit "C4S" D - MJ 2002>> - MJ 2005 Set comprising: | | 1 | |
| - | 996 512 901 04 | Combined rear spoiler lid | | 1 | |
| - | 996 512 901 04 G2X | primed | | | |
| - | | comprising: | | | |
| - | 996 612 070 55 | Wire set | | 1 | |
| - | 999 651 269 40 | Cable holder | | 3 | |
| - | 996 512 988 01 | Wire set Spoiler for Rear spoiler | | 1 | |
| | | with: | | | |
| - | 996 512 988 01 G2X | Spoiler | | 1 | |
| - | 996 512 611 01 | Seal | | 1 | |
| - | 996 631 050 01 | Additional brake light Discontinued part | | 1 | |
| - | 996 631 050 03 | Additional brake light Discontinued part | | 1 | |
| - | 996 631 050 05 | Additional brake light Discontinued part | | 1 | |
| - | 996 631 050 07 | Additional brake light | | 1 | |
| - | 996 631 165 00 | Cover cap Additional brake light primed | | 1 | |
| - | 996 504 981 01 | Cover panel | | 1 | |
| | | with: | | | |
| - | 996 504 981 01 G2X | Additional brake light primed | | 1 | |

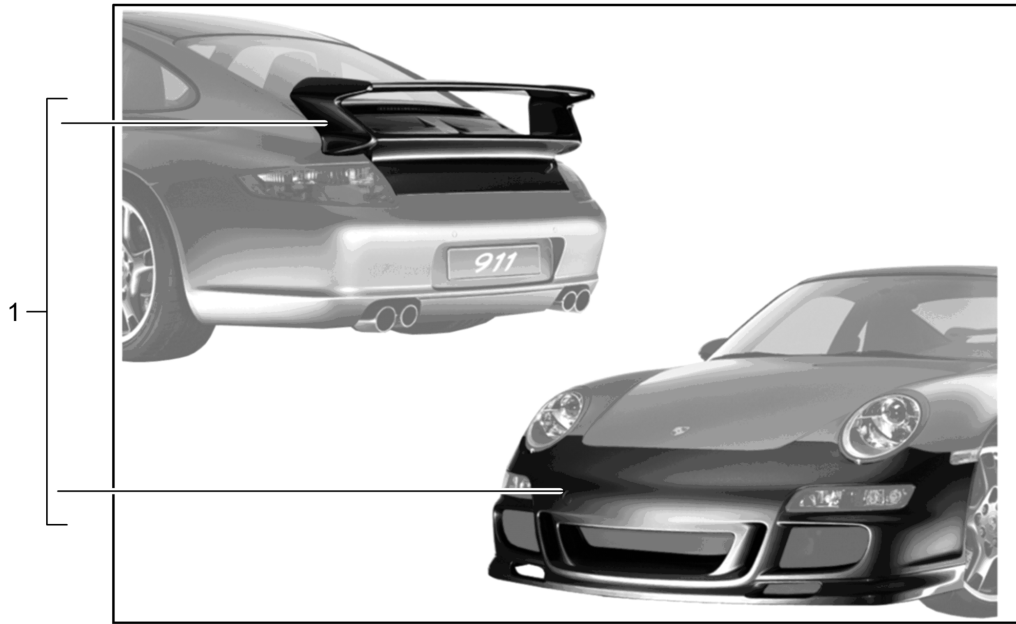
Model: TEQ

Model life 1985>>2012

| Pos | Part Number | Description | Remark | Qty | Model |
|-----|--------------------|-----------------------------|--------|-----|-------|
| - | 900 119 126 02 | Socket head bolt M6 x 16 | | 4 | |
| - | 996 512 987 00 | adjusting screw | | 2 | |
| - | 996 505 986 01 | Spoiler | front | 1 | |
| | 996 505 986 01 G2X | primed | | | |

Model: TEQ

Model life 1985>>2012

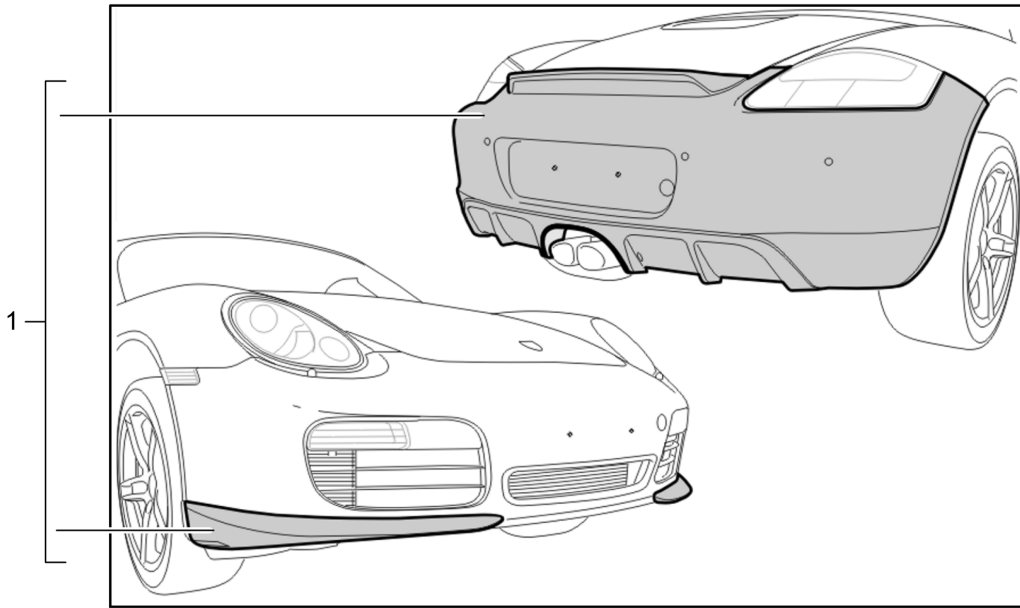


Model: TEQ Model life 1985>>2012

| Pos | Part Number | Description | Remark | Qty | Model |
|-----|----------------|---|--------|-----|--|
| - | | Aerokit "CUP" Front end cover Sport version D - MJ 2005>> Inst. & Conv. Instructions 911 coupe Group 6 6658 (1/05) Attention | | | 911 (997) Coupe, GTS 911 (997) alle alle |
| 1 | 997 044 802 00 | Aerokit Set (complete) D - MJ 2005>> - MJ 2008 Discontinued part | | 1 | 911(997) Coupé, alle PR:288 |
| (1) | 997 044 802 01 | Aerokit Set (complete) D - MJ 2005>> - MJ 2008 Discontinued part | | 1 | 911(997) Coupé, alle PR:-288 |
| (1) | 997 044 802 04 | Aerokit Set (complete) D - MJ 2005>> - MJ 2008 Discontinued part | | 1 | 911(997) Coupé, alle PR:X51 |
| - | | Inst. & Conv. Instructions 911 coupe Group 6 6658 (46/09) Attention | | | alle |
| 2 | 997 044 802 12 | Aerokit Set (complete) D - MJ 2009>> Discontinued part | | 1 | 911(997) Coupé, alle PR:-183 |
| (2) | 997 044 802 19 | Aerokit Set (complete) D - MJ 2009>> Discontinued part | | 1 | 911(997) Coupé, alle PR:183 |
| - | | Inst. & Conv. Instructions 911 GTS Group 6 6699 (3/11) Attention | | | Coupé |
| (2) | 997 044 802 22 | Aerokit Set (complete) D - MJ 2011>> Discontinued part | | 1 | 911(997) GTS Coupé PR:011 |
| - | | Inst. & Conv. Instructions 911 Group 6 6315 (5/10) Attention | | | |
| 3 | 997 044 802 11 | Front end cover Sport version Set D - MJ 2009>> | | 1 | 911(997) alle PR:-011,-183 |
| (3) | 997 044 802 21 | Front end cover Sport version Set D - MJ 2009>> | | 1 | 911(997) alle PR:-011,183 |

Model: TEQ

Model life 1985>>2012



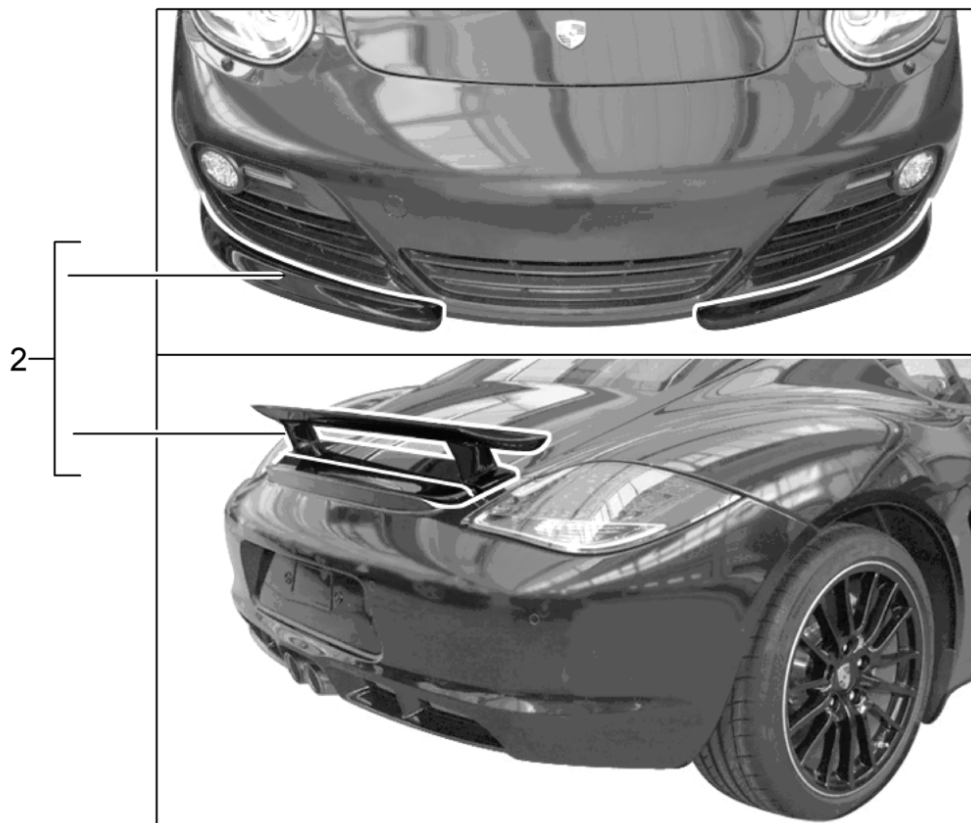
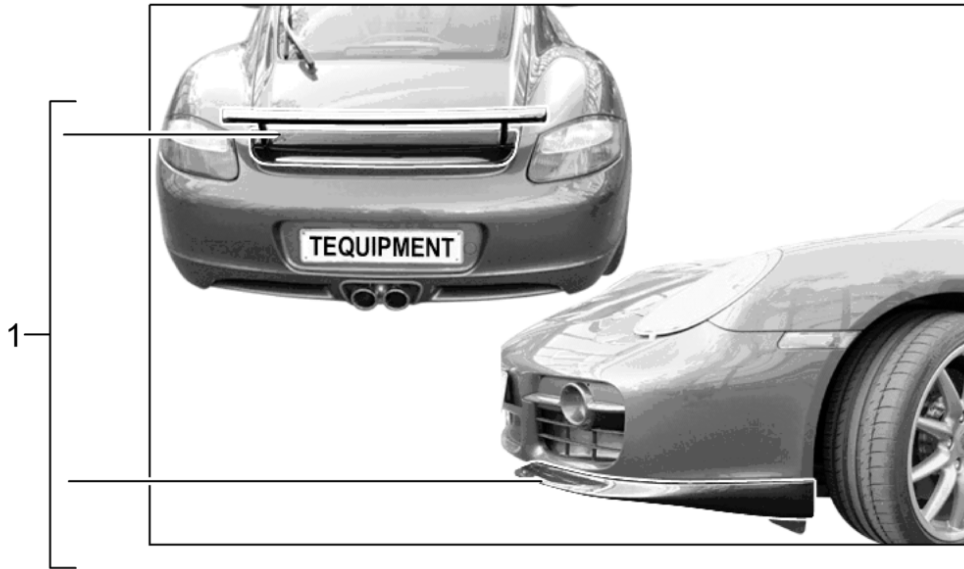
Model: TEQ

Model life 1985>>2012

| Pos | Part Number | Description | Remark | Qty | Model |
|-----|----------------|---|--------|-----|--------------|
| - | | Aerokit D - MJ 2005>> Inst. & Conv. Instructions Boxster 6658 (1/06) Attention | | | Boxster(987) |
| 1 | 987 044 802 05 | Aerokit D - MJ 2005>> - MJ 2008 Discontinued part | | 1 | PR:-635 |
| (1) | 987 044 802 07 | Aerokit D - MJ 2005>> - MJ 2008 Discontinued part | | 1 | PR:635 |
| - | | Inst. & Conv. Instructions Boxster 6658 (45/09) Attention | | | alle |
| (2) | 987 044 802 14 | Aerokit D - MJ 2009>> | | 1 | PR:-288,480 |
| 2 | 987 044 802 15 | Aerokit D - MJ 2009>> | | 1 | PR:288,480 |
| (2) | 987 044 802 16 | Aerokit D - MJ 2009>> | | 1 | PR:250,-288 |
| 2 | 987 044 802 17 | Aerokit D - MJ 2009>> | | 1 | PR:250,288 |
| - | | for Aerokit | 2009- | | |
| - | 987 701 051 11 | also use: Assembly kit Number plate Bracket D - MJ 2009>> | | 1 | |

Model: TEQ

Model life 1985>>2012



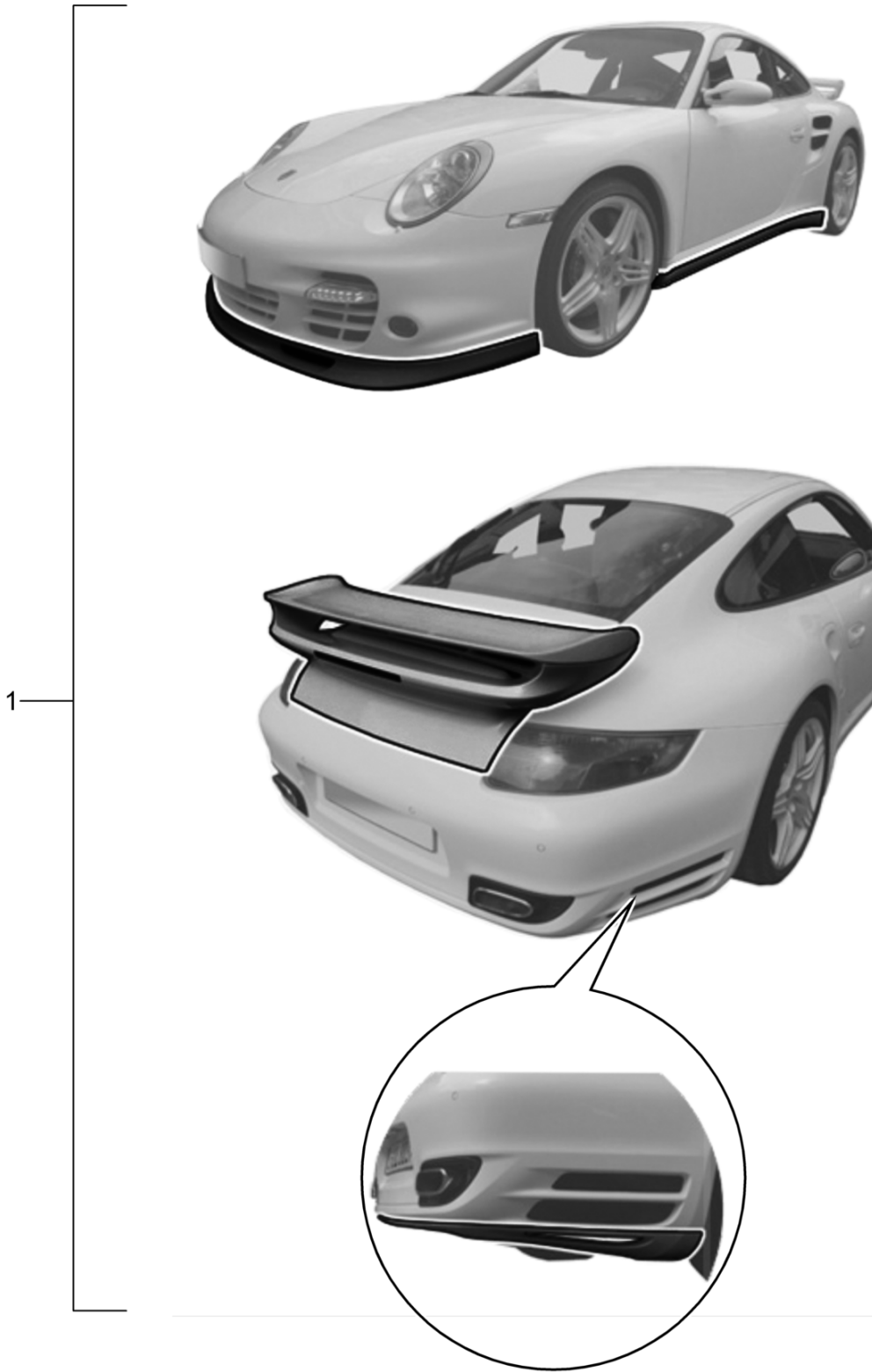
Model: TEQ

Model life 1985>>2012

| Pos | Part Number | Description | Remark | Qty | Model |
|-----|----------------|--|--------|-----|--------|
| - | | Aerokit D - MJ 2006>> Inst. & Conv. Instructions Cayman 6658 (6/07) Attention | | | Cayman |
| 1 | 987 044 802 08 | Aerokit Set D - MJ 2006>> - MJ 2008 Discontinued part | | 1 | alle |
| - | | Inst. & Conv. Instructions Cayman 6658 (32/08) Attention | | | alle |
| 2 | 987 044 802 09 | Aerokit Set D - MJ 2009>> Discontinued part | | 1 | |

Model: TEQ

Model life 1985>>2012



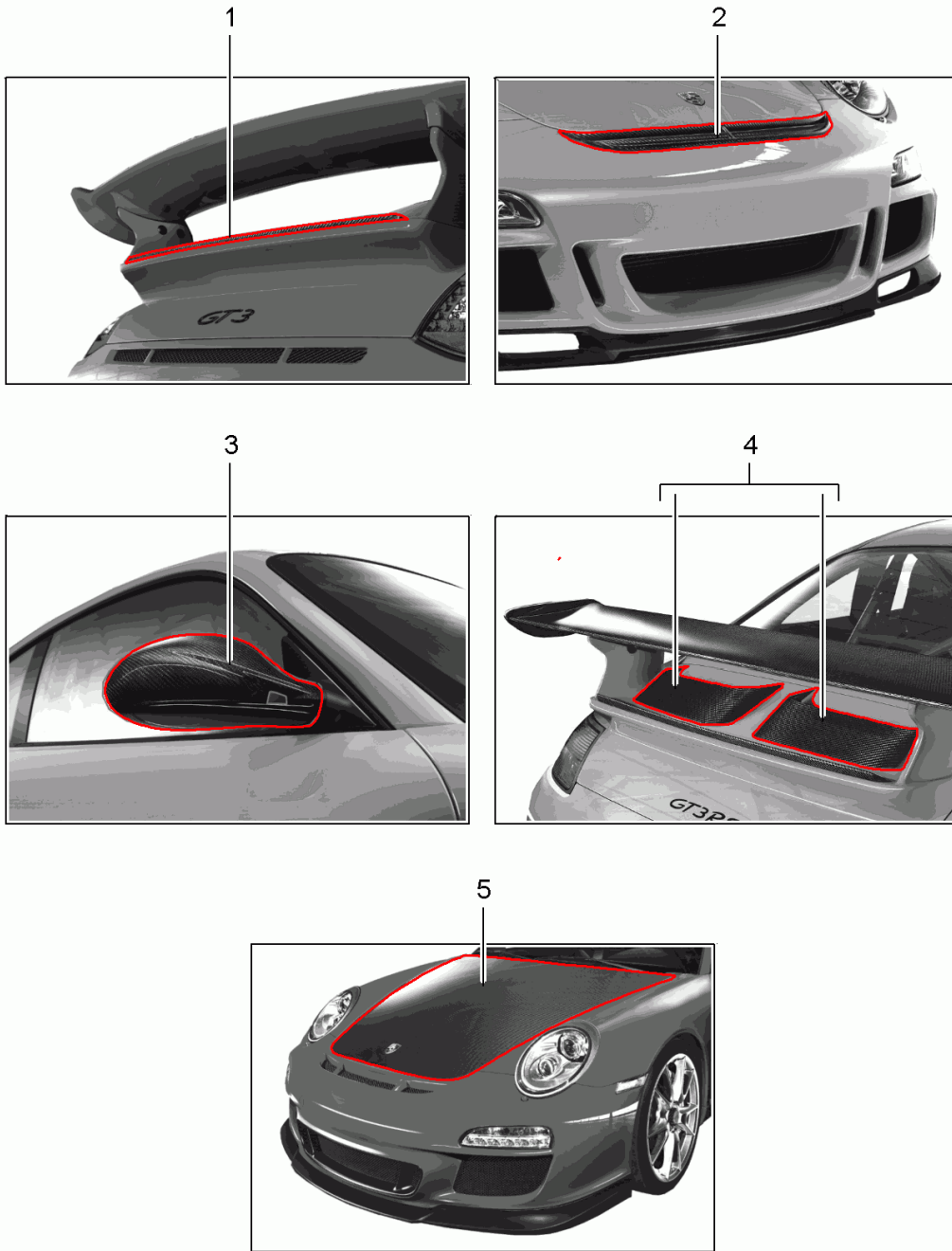
Model: TEQ

Model life 1985>>2012

| Pos | Part Number | Description | Remark | Qty | Model |
|-----|----------------|--|--------|-----|---------------------------------|
| - | | Aerokit | 07-13 | | 911 (997) Turbo / S Coupe |
| (1) | 997 044 802 15 | Inst. & Conv. Instructions 911 turbo 6658 (11/07) Attention Aerokit Retrofit kit Discontinued part | | 1 | Turbo Turbo S |

Model: TEQ

Model life 1985>>2012



Model: TEQ Model life 1985>>2012

| Pos | Part Number | Description | Remark | Qty | Model |
|-----|----------------|--|-------------------------------------|-----|---|
| | | Motor sports Carbon Parts kit | 07-12 07-08 10- 11- 10- | | 911 (997) GT3 / GT3 RS GT3 / GT3 RS GT3 RS 4.0 GT2 RS |
| 1 | 997 044 850 00 | Spoiler lip Rear lid Carbon Set | 07-08 10- | 1 | GT3 / GT3 RS GT3 |
| 2 | 997 044 850 01 | Air exhaust bumper Carbon Set | 07-08 front | 1 | GT3 / GT3 RS |
| 3 | 997 044 850 02 | 1 set of exterior mirrors Carbon | left a. right 10- 11- | 1 | GT3 / GT3 RS GT3 / GT3 RS GT3 RS 4.0 |
| 4 | 997 044 850 03 | D - MJ 2007>> - MJ 2008 Air guide Rear lid Carbon Set | left a. right 10- | 1 | GT3 / GT3 RS GT3 |
| 5 | 997 044 850 05 | D - MJ 2007>> - MJ 2008 Cover Carbon, fine high-gloss Set | front 10- 11- | 1 | GT3 / GT3 RS GT3 / GT3 RS GT3 RS 4.0 |
| - | 997 044 850 04 | D - MJ 2007>> - MJ 2008 Discontinued part Wing Carbon primed Set D - MJ 2010>> | left a. right 10- | 1 | GT2 RS GT3 RS |

Model: TEQ

Model life 1985>>2012



Model: TEQ Model life 1985>>2012

| Pos | Part Number | Description | Remark | Qty | Model |
|-----|----------------|--|---|-----|---|
| | | Charger 6V / 12 V | 76-91 78-95 91-98 97-04 97-12 05-12 06-12 | | 924 / 944 928 / 968 911(964/993) Boxster(986) 911(996/997) Boxster(987) Cayman(987) |
| - | 980 611 982 00 | Charger 12 V Discontinued part | | 1 | /230 V "GB." |
| - | 000 043 203 09 | Charger 6 V | | 1 | /230 V |
| (1) | 955 044 900 55 | Charger 12 V | | 1 | /230 V "GB." |
| - | 958 044 900 71 | Charger USA/KANADA 110-120 V / 4,3 A | | 1 | Charge-o-mat Pro "USA" , "CDN" |
| (2) | 000 043 202 55 | Adapter for Charger Discontinued part | 01- | 1 | |
| 2 | 958 044 900 75 | Adapter for Charger | | 1 | |

Model: TEQ

Model life 1985>>2012

| Gewählte Codes anzeiger | | Seite drucken | Schließen |
|-------------------------------------|--|------------------|-----------|
| Prod Nr | 1234567 | | |
| <input type="checkbox"/> | Funkcode 1 | | |
| <input type="checkbox"/> | Funkcode 2 | | |
| <input type="checkbox"/> | Code Schließ - / Alarmanlage | | |
| <input type="checkbox"/> | SportChrono Bordnetz | | |
| <input type="checkbox"/> | ELV secret key | | |
| <input type="checkbox"/> | Teach enable code (Schlüsselanlerncode) | | |
| <input type="checkbox"/> | Transponder Secret Key | | |
| <input type="checkbox"/> | Transponder Passwort | | |
| <input type="checkbox"/> | PCM Freischaltcode Bluetooth | | |
| <input type="checkbox"/> | PCM Freischaltcode SDARS | | |
| <input type="checkbox"/> | PCM Freischaltcode UAS (Universelle Audio Schnittstelle) | | |
| <input type="checkbox"/> | PCM Individual Memory Freischaltcode | | |
| <input checked="" type="checkbox"/> | PCM SportChrono MMI Freischaltcode | 1fab4x212f5e0814 | |
| <input type="checkbox"/> | Transpondercode 1 | | |
| <input type="checkbox"/> | Transpondercode 2 | | |
| <input type="checkbox"/> | Wegfahrsperrencode | | |

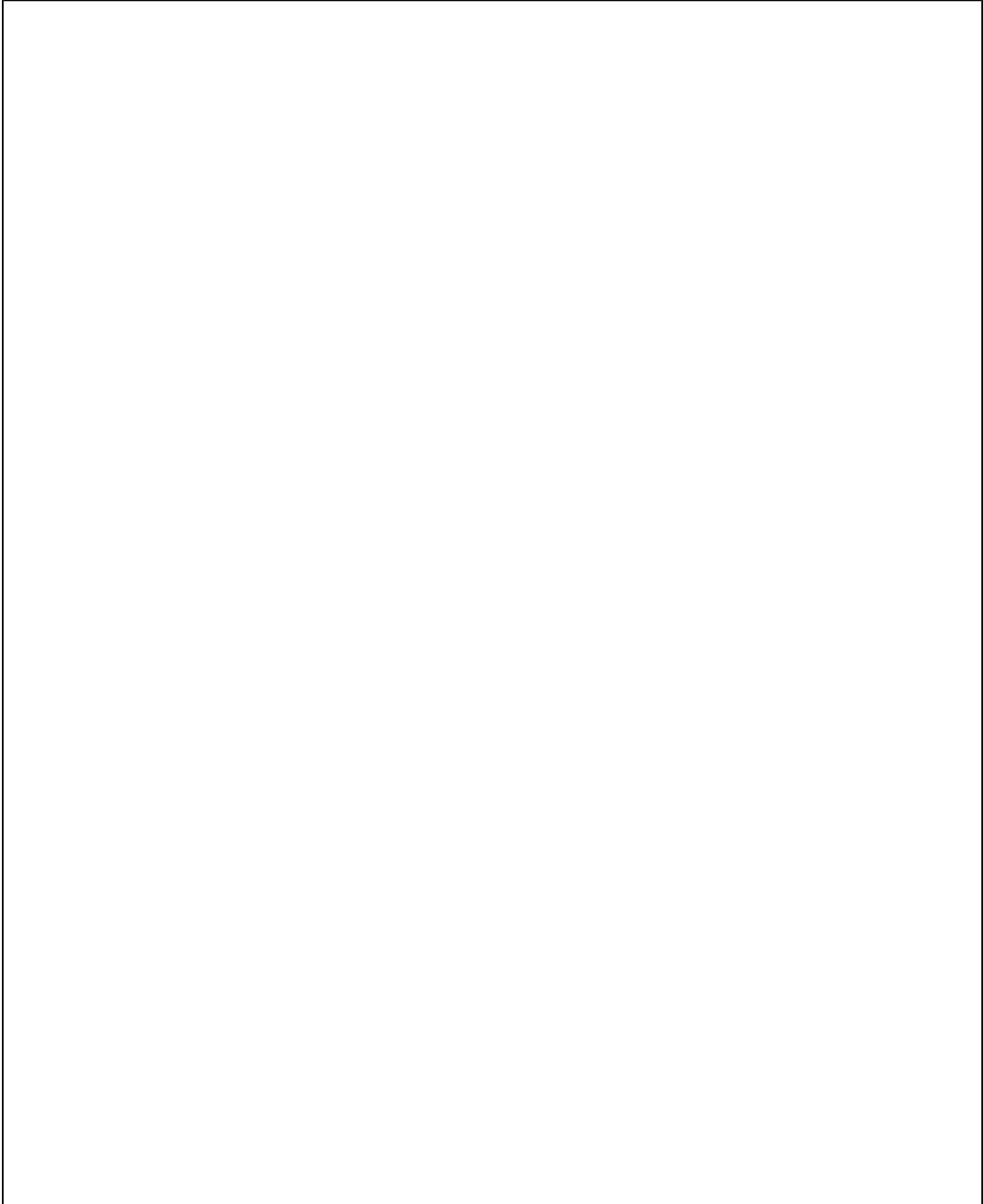
1

Model: TEQ Model life 1985>>2012

| Pos | Part Number | Description | Remark | Qty | Model |
|-----|----------------|---|-------------------------|-----|---|
| - | | Software Control panel with pushbuttons Sport Inst. & Conv. Instructions Boxster/Cayman/911 Group 9 9627 Attention | 2005- 2006- 2005- | | Boxster(987) Cayman(987) 911(997) |
| - | | also use: Strip for switches Sport | | | |
| 1 | 997 044 903 01 | see illustration: Software Control panel with pushbuttons Sport Coding VIA PRMS | 903-005 | 1 | PR:480,-639, -640 |
| (1) | 997 044 903 02 | Software Control panel with pushbuttons Sport Coding VIA PRMS | | 1 | PR:249,-639, -640 |
| (1) | 997 044 903 03 | Software Control panel with pushbuttons Sport Coding VIA PRMS D - MJ 2007>> - MJ 2009 | | 1 | Turbo PR:-639,-640 |

Model: TEQ

Model life 1985>>2012

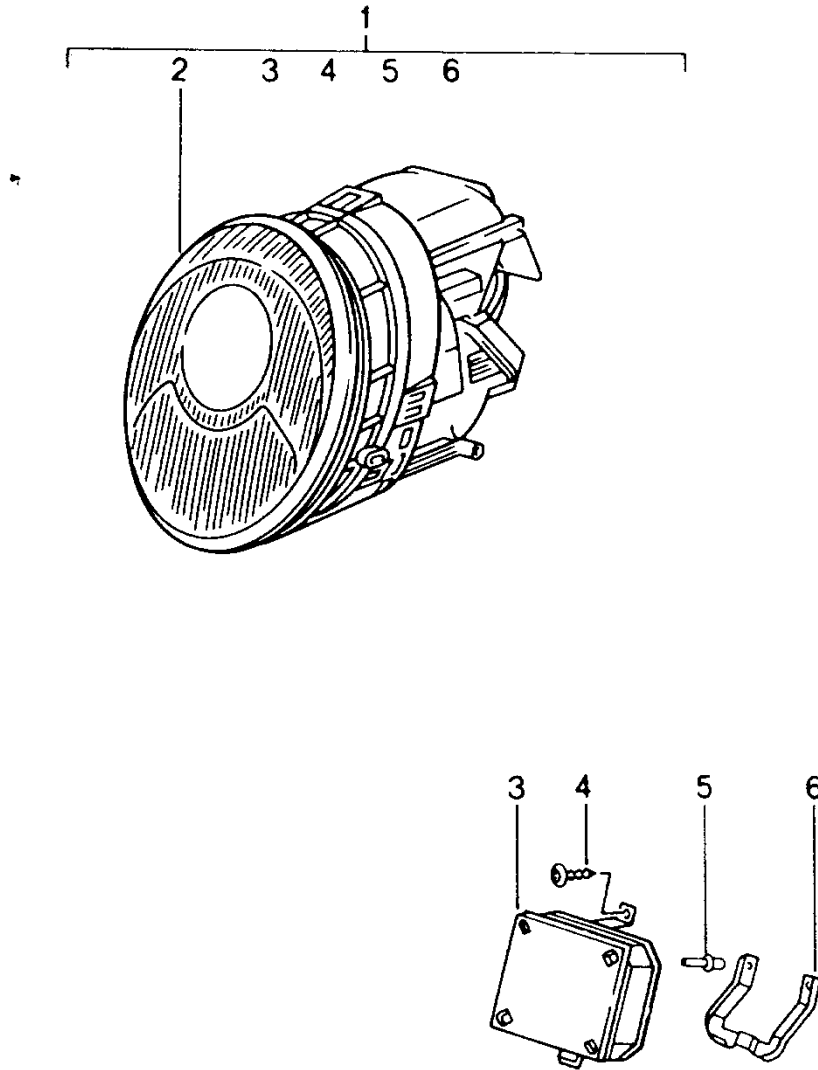


Model: TEQ Model life 1985>>2012

| Pos | Part Number | Description | Remark | Qty | Model |
|-----|--------------------|--|----------------|-----|---------------------------------|
| - | | Headlight washer system | 97-04 98-04 | | Boxster (986) 911 (996), GT3 |
| - | | Technical information Boxster/911 Group 9 9272 Attention | | | |
| - | 000 044 900 64 | Retrofit kit for headlight washer system Set | | 1 | |
| - | 996 624 502 00 | comprising: Pump for headlight-washer system | | 1 | |
| - | 993 628 213 00 | Distance piece | | 1 | |
| - | 999 181 807 40 | Hose 8 X 3 | | * | |
| - | | shorten to: | 1020 MM | 1 | |
| - | | shorten to: | 170 MM | 1 | |
| - | | shorten to: | 930 MM | 1 | |
| - | 999 512 568 02 | Clamp | | 4 | |
| - | 996 628 673 00 | Line | | 1 | |
| - | 996 628 675 00 | Coupling | | 3 | |
| - | 996 628 333 00 | jet | | 1 | |
| - | 996 628 334 00 | jet | | 1 | |
| - | 996 628 335 00 | Threaded stud | | 2 | |
| - | 999 076 064 02 | Hexagon nut M 6-S | | 4 | |
| - | 996 528 701 00 | Water reservoir | | 1 | |
| - | 996 528 611 02 | Bracket | | 1 | |
| - | 900 378 030 09 | Hexagon bolt M 6 X 20 | | 2 | |
| - | 999 591 882 02 | panel nut M 6 | | 1 | |
| - | 999 591 882 01 | Discontinued part panel nut M 6 | | 1 | |
| - | 900 378 154 09 | Hexagon bolt AM 8 X 35 SB | | 1 | |
| - | 999 181 347 40 | Breather line | | * | |
| - | 996 613 507 00 | Symbol cap | | 1 | |
| - | 996 613 507 00 A01 | Gloss black | | | |
| - | 996 631 045 01 | Cover panel | | 1 | |
| - | 996 631 046 01 | Cover panel | | 1 | |
| - | 996 612 228 10 | Wire set | | 1 | |
| - | 996 618 113 00 | relay for headlight washer | | 1 | |
| - | 928 628 193 00 | Seal | | 1 | |

Model: TEQ

Model life 1985>>2012



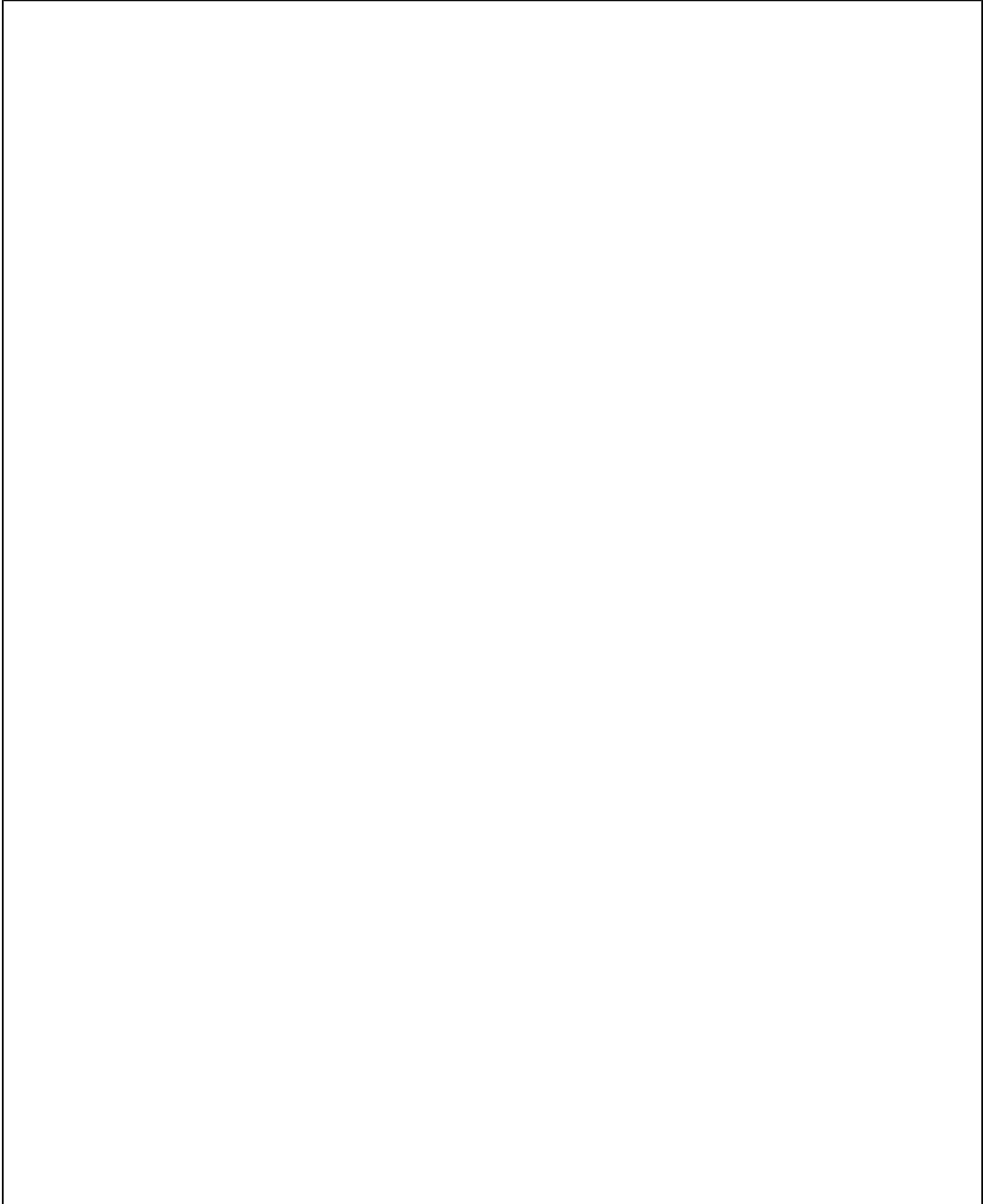
Model: TEQ

Model life 1985>>2012

| Pos | Part Number | Description | Remark | Qty | Model |
|-----|----------------|---|--------|-----|-------------|
| - | | Headlights Litronic D - MJ 1994>> - MJ 1998 Technical information 911(993) 9415 Attention | | | 911(993) |
| 1 | 000 044 900 15 | Headlights LITRONIC D - MJ 1994>> - MJ 1998 | | 1 | "USA" |
| - | | Set comprising: | | | |
| 3 | 993 631 051 02 | Headlights | left | 1 | /L "USA" |
| 3 | 993 631 052 02 | Headlights | right | 1 | /R "USA" |
| 3 | 993 631 193 02 | Control unit | | 2 | |
| 4 | 900 075 355 02 | Bolt with washer M 6 X 16 Discontinued part | | 2 | |
| 4 | 900 075 355 01 | Hexagon bolt M 6 X 16 | | 2 | |
| 5 | 999 190 119 30 | Pop rivet A 4,0 X 6,8 | | 4 | |
| 6 | 993 631 196 00 | Retainer for control unit | | 2 | |
| - | 993 701 631 01 | Sticker | | 2 | |
| - | 993 631 195 00 | Retainer for control unit | | 2 | |
| - | 999 500 042 02 | rivetted cap nut M 6/0,5 - 3 | | 2 | |
| - | 999 919 088 02 | fillister hd. bolt | | 6 | |
| - | 000 044 900 13 | Wire set | | 2 | |

Model: TEQ

Model life 1985>>2012



Model: TEQ

Model life 1985>>2012

| Pos | Part Number | Description | Remark | Qty | Model |
|-----|--------------------|---|----------------|-----|----------------------------|
| - | | Headlights LITRONIC Technical information Boxster/911 Group 9 9415 beachten | 97-01 98-01 | | Boxster (986) 911 (996) |
| - | 000 044 900 64 | use if required: Retrofit kit for headlight washer system | 904-020 | 1 | |
| - | 000 044 900 41 | see illustration: Headlights LITRONIC D - MJ 1998>> - MJ 2001 | | 1 | "USA", "CDN" |
| - | | Set | | | |
| - | 996 631 157 07 | Headlights | left | 1 | "USA", "CDN" |
| - | 996 631 158 07 | Headlights | right | 1 | "USA", "CDN" |
| - | 000 044 900 38 | Control unit | | 1 | |
| - | 996 612 988 00 | Wire set | | 1 | |
| - | 999 652 568 22 | Round insert sleeve | | 2 | |
| - | 996 552 621 01 | Cover | | 1 | |
| - | 996 552 621 01 D05 | Granite grey for Headlight range control | | | |
| - | | use if required: | | | |
| - | 996 631 045 00 | Cover panel | left | 1 | |
| - | 996 631 046 00 | Cover panel | right | 1 | |
| - | 996 631 045 01 | Cover panel | left | 1 | PR:288 |
| - | 996 631 046 01 | Cover panel Grey | right | 1 | PR:288 |

Model: TEQ

Model life 1985>>2012



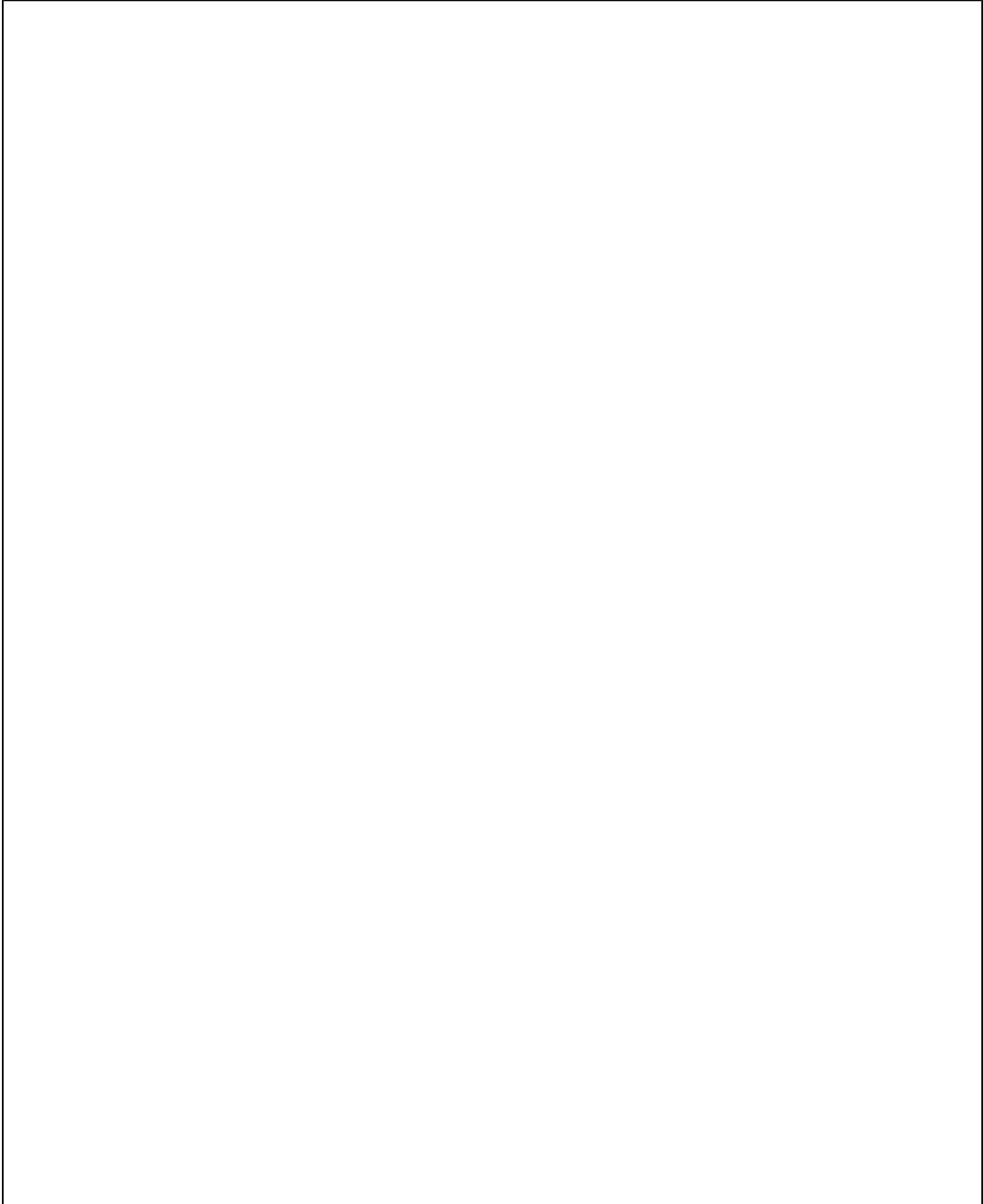
Model: TEQ

Model life 1985>>2012

| Pos | Part Number | Description | Remark | Qty | Model |
|-----|----------------|---|---------|-----|--|
| - | 000 044 900 68 | Rear light Turn signal indicator D - MJ 1997>> - MJ 2004 Rear light Set | | 1 | Boxster(986) 911(996) Boxster(986) |
| - | 986 631 433 03 | comprising: Rear light | left | 1 | |
| - | 986 631 434 03 | Rear light | right | 1 | |
| - | | Individual parts see illustration: 9 / 05 / 05 Catalogue Boxster | 905-000 | | |

Model: TEQ

Model life 1985>>2012



Model: TEQ

Model life 1985>>2012

| Pos | Part Number | Description | Remark | Qty | Model |
|-----|----------------|---|----------------|-----|--|
| - | 987 044 900 00 | Rear light red Rear light red D - MJ 2005>> - MJ 2008 | 05-08 06-08 | 1 | Boxster(987) 911(997) Boxster(987) |
| - | | Set comprising: | | | |
| - | 987 044 900 01 | Rear light | left | 1 | |
| - | 987 044 900 02 | Rear light | right | 1 | |
| - | 997 044 900 00 | Rear light red D - MJ 2006>> - MJ 2008 | | 1 | 911(997) |
| - | | Set comprising: | | | |
| - | 997 044 900 01 | Rear light | left | 1 | |
| - | 997 044 900 02 | Rear light | right | 1 | |

Model: TEQ

Model life 1985>>2012



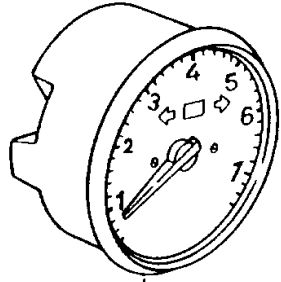
Model: TEQ

Model life 1985>>2012

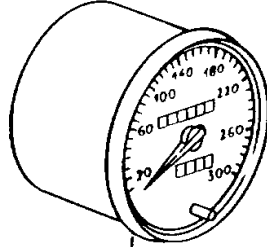
| Pos | Part Number | Description | Remark | Qty | Model |
|-----|----------------|---|--------|-----|--------------|
| 1 | 997 044 900 07 | Rear light Clear Set D - MJ 2009>> Rear light Clear D - MJ 2009>> | | 1 | 911 (997) |

Model: TEQ

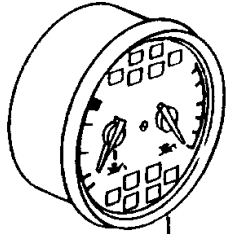
Model life 1985>>2012



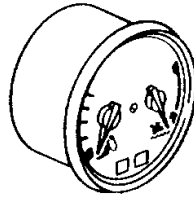
1



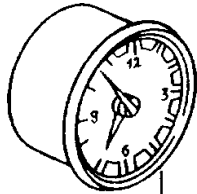
2



3



4



5

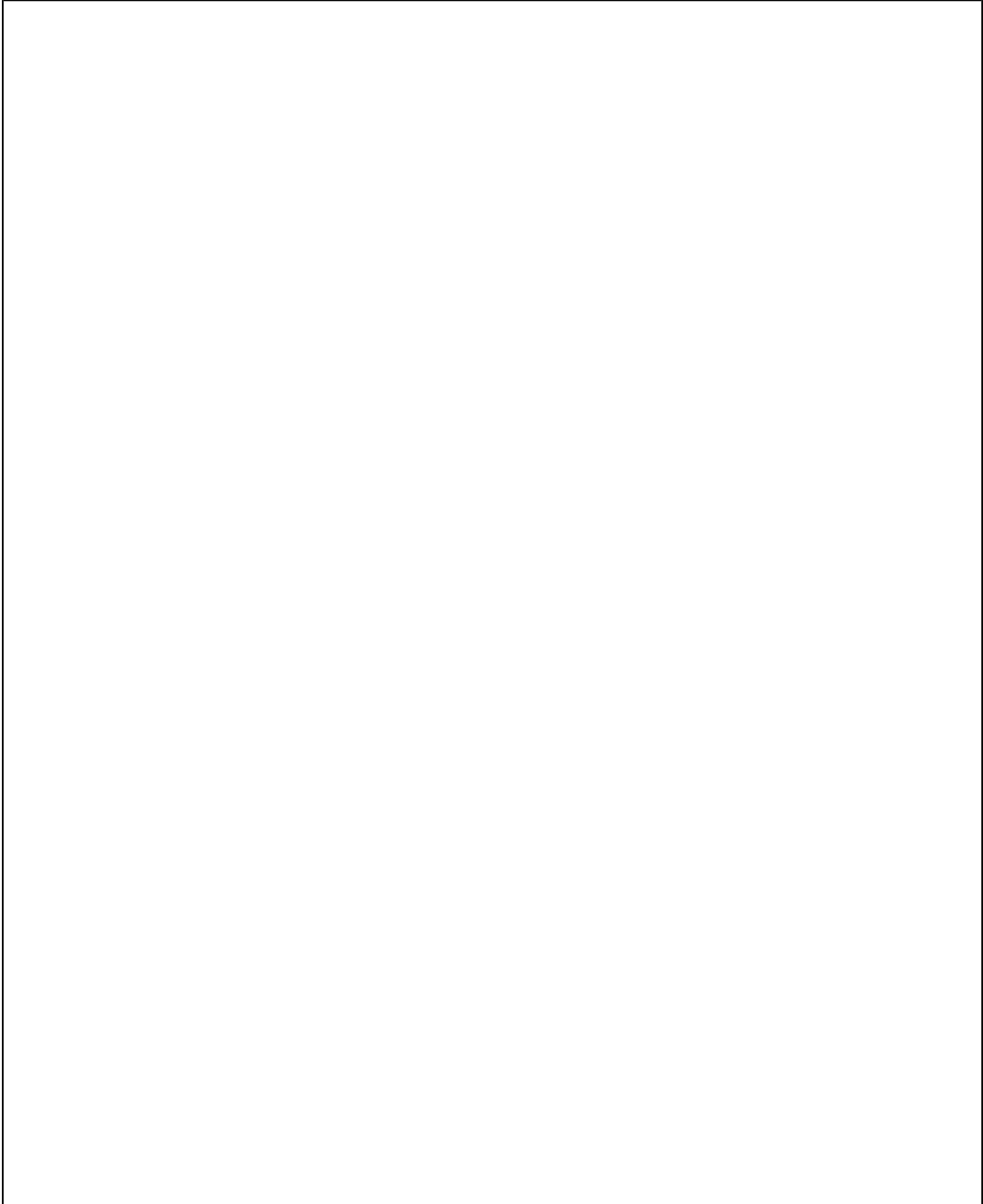
Model: TEQ

Model life 1985>>2012

| Pos | Part Number | Description | Remark | Qty | Model |
|-----|----------------|-------------------------|--------|-----|--------------------------------------|
| | | Instruments | | | 911(993) |
| | | Dial | | | |
| | | aluminium | | | |
| | | D - MJ 1994>> - MJ 1998 | | | |
| - | | Dial | | | "USA" |
| | | aluminium | | | |
| | | inner ring | | | |
| | | chrome | | | |
| | | Matte | | | |
| 1 | 993 641 981 61 | revolution counter | | 1 | PR:544,659 "USA" |
| 1 | 993 641 981 65 | revolution counter | | 1 | Turbo PR:544,659 "USA" |
| 2 | 993 641 984 62 | Speedometer | | 1 | "USA" |
| 2 | 993 641 984 66 | Speedometer | | 1 | "USA" |
| 2 | 993 641 984 70 | Speedometer | | 1 | PR:480 "USA" |
| 2 | 993 641 984 74 | Speedometer | | 1 | Turbo PR:480,484, 659 "USA" |
| 3 | 993 641 980 62 | Combi-instrument | | 1 | "USA" |
| 4 | 964 641 980 64 | Combi-instrument | | 1 | "USA" |
| 5 | 993 641 983 61 | Clock | | 1 | "USA" |

Model: TEQ

Model life 1985>>2012

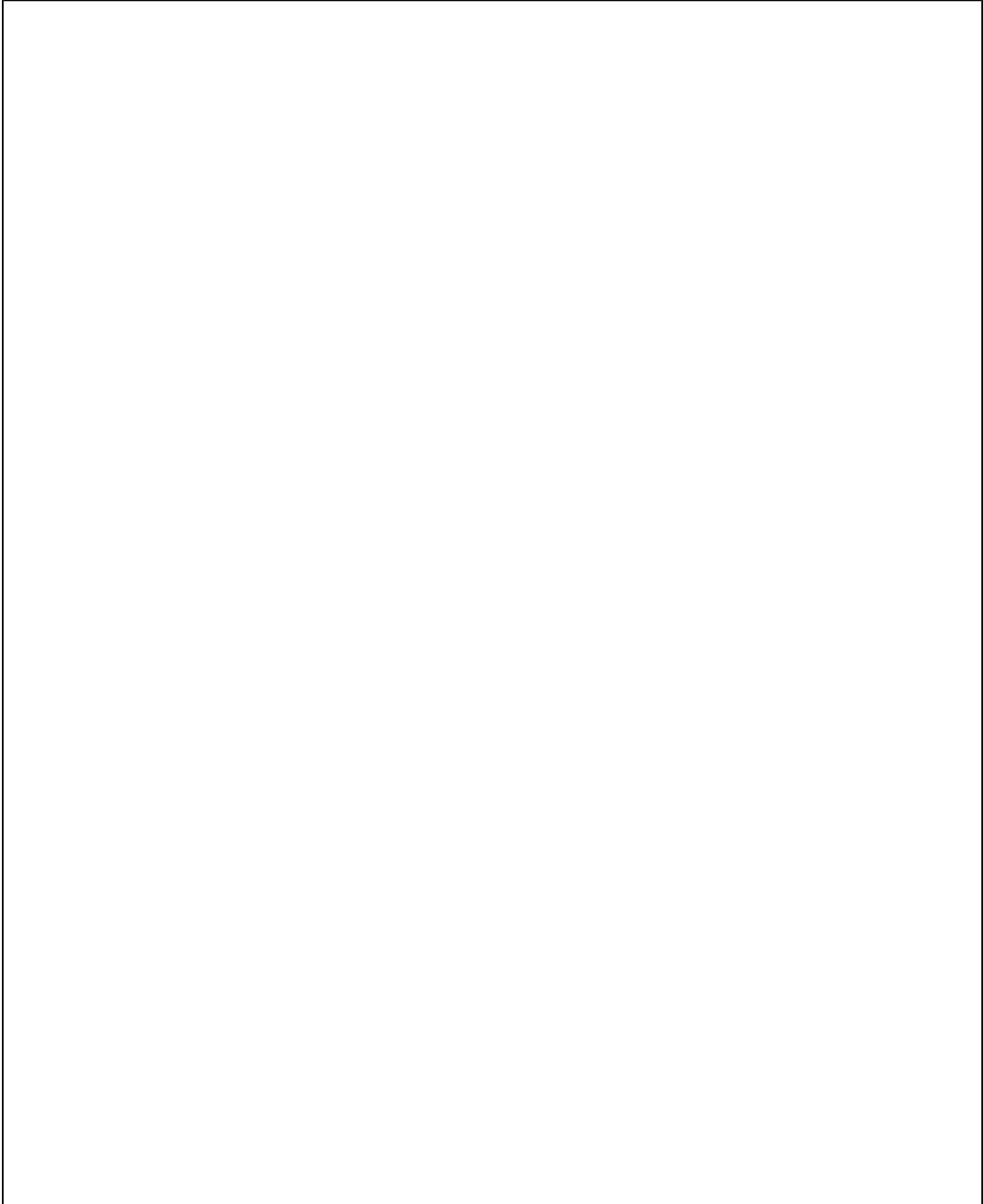


Model: TEQ Model life 1985>>2012

| Pos | Part Number | Description | Remark | Qty | Model |
|-----|--------------------|--|--------|-----|---------------------|
| - | | Combi-instrument Dial aluminium D - MJ 1997>> - MJ 2004 | | | Boxster (986) |
| - | 986 641 980 18 | Dial aluminium outer ring Rally black | | | |
| - | 986 641 980 18 70C | Combi-instrument D >> - MJ 1999 | | 1 | PR:481,484 |
| - | 986 641 980 19 | Rally black | | | "USA" |
| - | 986 641 980 19 70C | Combi-instrument D >> - MJ 1999 | | 1 | PR:249,484 "USA" |
| - | 986 641 980 48 | Rally black | | | |
| - | 986 641 980 48 70C | Combi-instrument D - MJ 2000>> - MJ 2000 | | 1 | PR:481,484 "USA" |
| - | 986 641 980 49 | Rally black | | | |
| - | 986 641 980 49 70C | Combi-instrument D - MJ 2000>> - MJ 2000 | | 1 | PR:249,484 |
| - | 986 641 980 68 | Rally black | | | |
| - | 986 641 980 68 70C | Combi-instrument D - MJ 2001>> - MJ 2004 | | 1 | PR:481,484 |
| - | 986 641 980 69 | Rally black | | | |
| - | 986 641 980 69 70C | Combi-instrument D - MJ 2001>> - MJ 2004 | | 1 | PR:249,484 |
| - | 986 641 980 20 | Rally black | | | |
| - | 986 641 980 20 70C | Combi-instrument D >> - MJ 1999 | | 1 | PR:481 |
| - | 986 641 980 21 | Rally black | | | |
| - | 986 641 980 21 70C | Combi-instrument D >> - MJ 1999 | | 1 | PR:249 |
| - | 986 641 980 50 | Rally black | | | |
| - | 986 641 980 50 70C | Combi-instrument D - MJ 2000>> - MJ 2000 | | 1 | PR:481 |
| - | 986 641 980 51 | Rally black | | | |
| - | 986 641 980 51 70C | Combi-instrument D - MJ 2000>> - MJ 2000 | | 1 | PR:249 |
| - | 986 641 980 70 | Rally black | | | |
| - | 986 641 980 70 70C | Combi-instrument D - MJ 2001>> - MJ 2004 | | 1 | PR:481 |
| - | 986 641 980 71 | Rally black | | | |
| - | 986 641 980 71 70C | Combi-instrument D - MJ 2001>> - MJ 2004 | | 1 | PR:249 |
| | | Rally black | | | |

Model: TEQ

Model life 1985>>2012



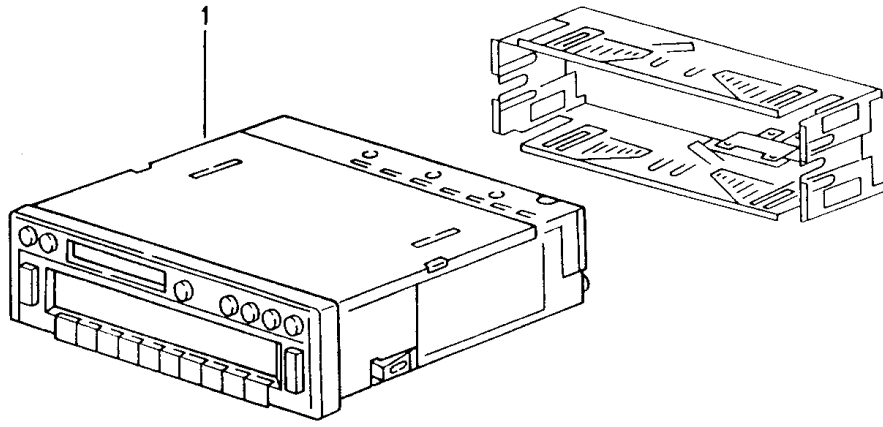
Model: TEQ

Model life 1985>>2012

| Pos | Part Number | Description | Remark | Qty | Model |
|-----|--------------------|---|-------------------------|-----|------------------------------------|
| - | | Combi-instrument Dial aluminium Dial aluminium outer ring Rally black | 98-05 00-05 01-05 | | 911(996) GT3(996) Turbo(996) |
| - | 996 641 980 06 | Combi-instrument D - MJ 1998>> - MJ 1999 | | 1 | PR:480,484 "USA" |
| - | 996 641 980 06 70C | Rally black | | | |
| - | 996 641 980 07 | Combi-instrument D - MJ 1998>> - MJ 1999 | | 1 | PR:249,484 "USA" |
| - | 996 641 980 07 70C | Rally black | | | |
| - | 996 641 980 26 | Combi-instrument D - MJ 2000>> - MJ 2004 | | 1 | PR:480,484 "USA" |
| - | 996 641 980 26 70C | Rally black | | | |
| - | 996 641 980 27 | Combi-instrument D - MJ 2000>> - MJ 2004 | | 1 | PR:249,484 "USA" |
| - | 996 641 980 27 70C | Rally black | | | |
| - | 996 641 982 46 | Combi-instrument D - MJ 1999>> | | 1 | C4 PR:480,484 "USA" |
| - | 996 641 982 46 70C | Rally black | | | |
| - | 996 641 982 47 | Combi-instrument D - MJ 1999>> | | 1 | C4 PR:249,484 "USA" |
| - | 996 641 982 47 70C | Rally black | | | |
| - | 996 641 980 60 | Combi-instrument D - MJ 2001>> - MJ 2005 | | 1 | Turbo PR:480,484 "USA" |
| - | 996 641 980 60 70C | Rally black | | | |
| - | 996 641 980 61 | Combi-instrument D - MJ 2001>> - MJ 2005 | | 1 | Turbo PR:249,484 "USA" |
| - | 996 641 980 61 70C | Rally black | | | |

Model: TEQ

Model life 1985>>2012



Model: TEQ

Model life 1985>>2012

| Pos | Part Number | Description | Remark | Qty | Model |
|-----|----------------|---|--------|-----|----------------------------|
| | | Radio unit CR22/CDR22/CDR32/MDR32 CR2200/CR220/CDR220 | 99-02 | | Boxster (986) 911 (996) |
| (1) | 000 044 901 04 | radio CR - 220 | | 1 | PR:322 |
| (1) | 000 044 901 14 | radio CR - 220 | | 1 | PR:322 |
| (1) | 000 044 901 05 | radio CDR - 220 | | 1 | PR:696 |
| (1) | 000 044 901 15 | radio CDR - 220 | | 1 | PR:696 |
| - | 996 645 190 00 | Case for Control panel | | 1 | |
| - | 996 645 106 00 | Radio unit contact plate Alarm contact for | | 1 | |
| - | 996 645 901 00 | Radio unit Rot. knob | | X | |

Model: TEQ

Model life 1985>>2012



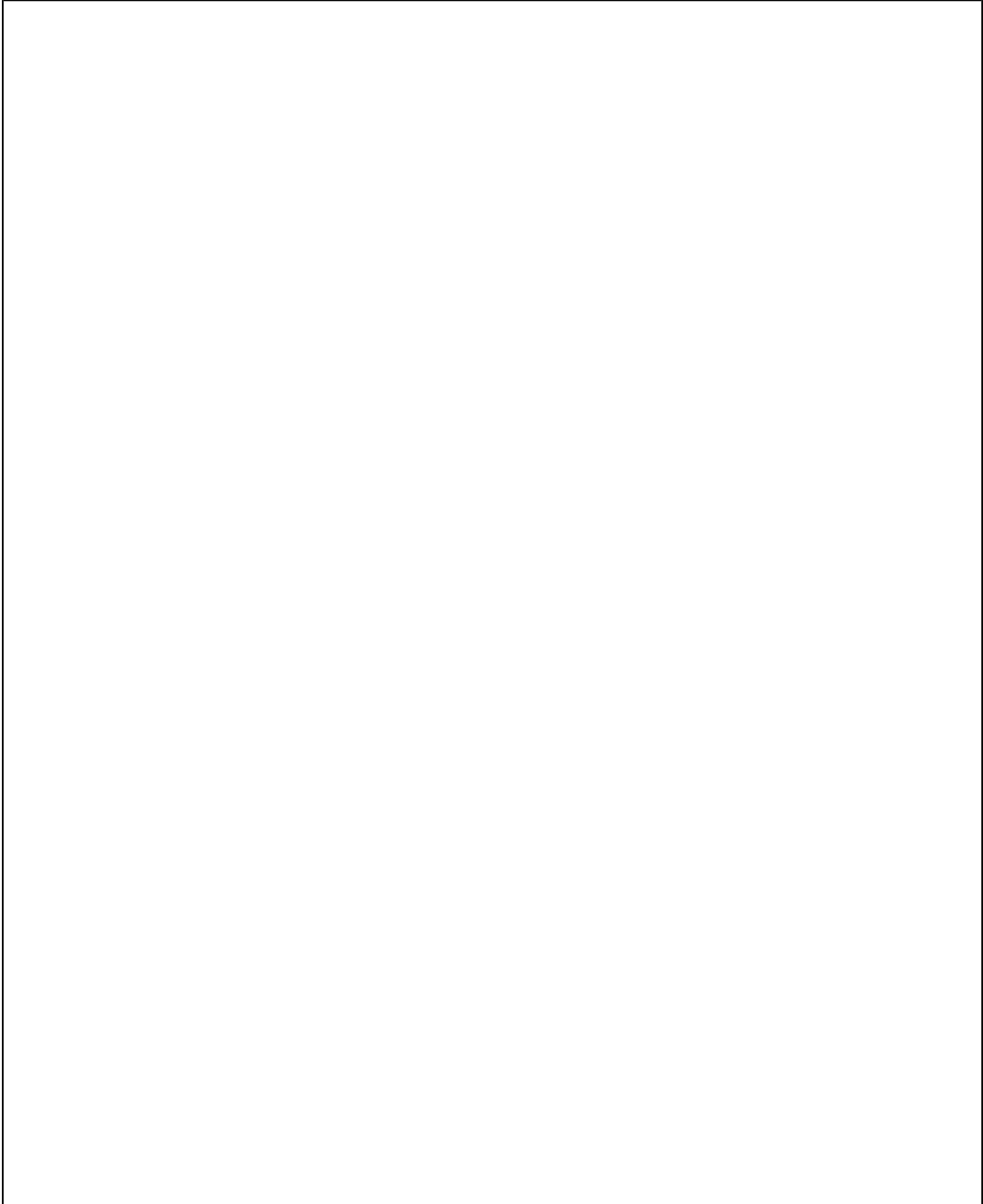
Model: TEQ

Model life 1985>>2012

| Pos | Part Number | Description | Remark | Qty | Model |
|-----|----------------|--|----------------|-----|----------------------------|
| - | 996 645 128 05 | Radio unit CDR23 radio trim CDR-23 with: | 03-04 03-04 | 1 | Boxster (986) 911 (996) |
| - | 996 645 129 07 | Driver radio CDR-23 without: | | 1 | PR:680 |
| - | | Driver CD changers see illustration: | 950-003 | | |

Model: TEQ

Model life 1985>>2012



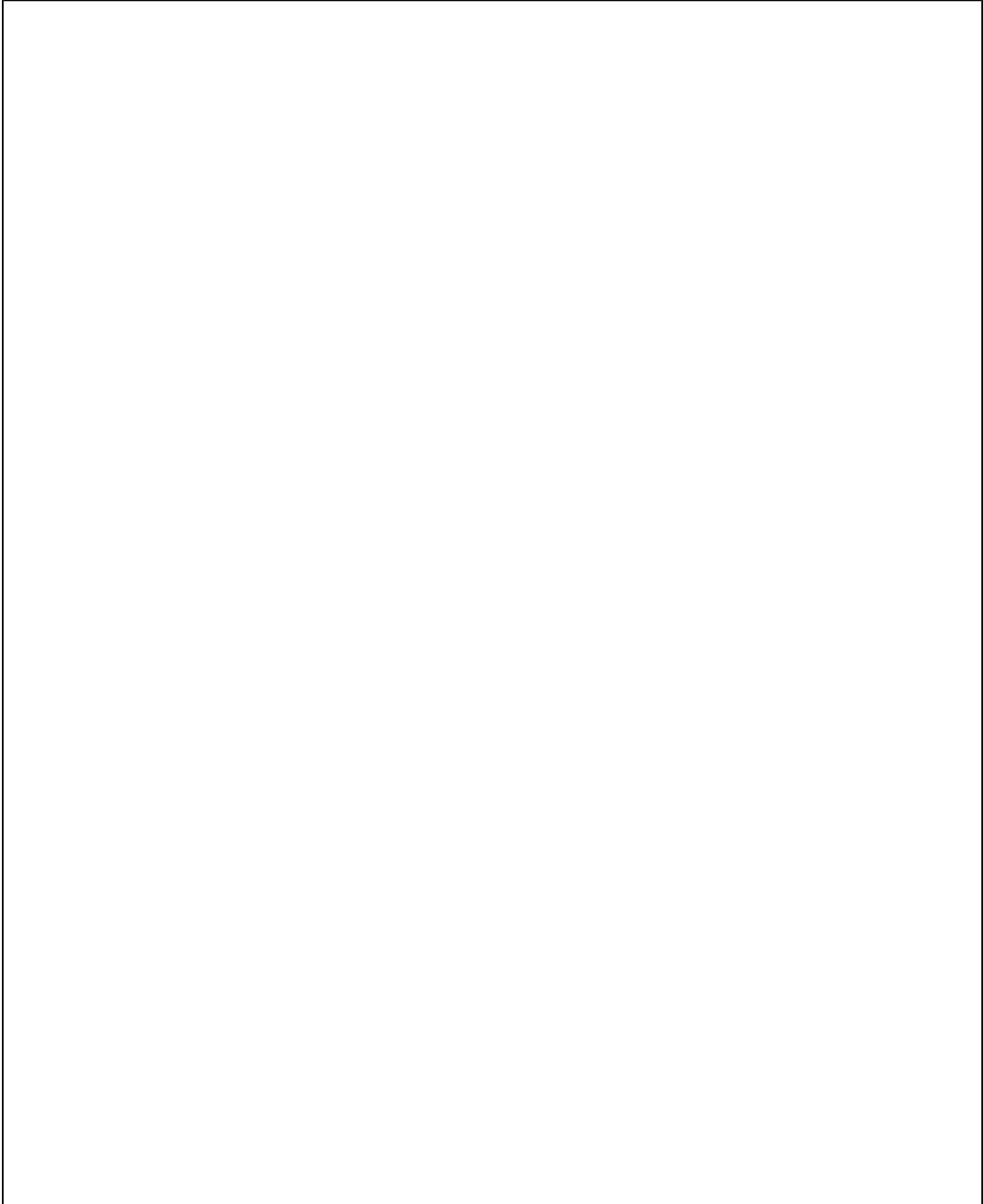
Model: TEQ

Model life 1985>>2012

| Pos | Part Number | Description | Remark | Qty | Model |
|-----|--------------------|--|----------------|-----|-------------------------------|
| - | 997 645 128 03 | Radio unit CDR24 radio CDR-24 | 05-08 06-08 | 1 | Boxster (987) Cayman (987) |
| | 997 645 128 03 FMH | Volcano Grey/Black Mat | | | |
| | | with: | | | |
| - | | Driver | | | |
| - | 997 645 913 00 | Only for replacement Rot. knob for | | 1 | |
| - | | Radio unit CDR-24 CD changers | | | |
| | | see illustration: | 950-003 | | |

Model: TEQ

Model life 1985>>2012

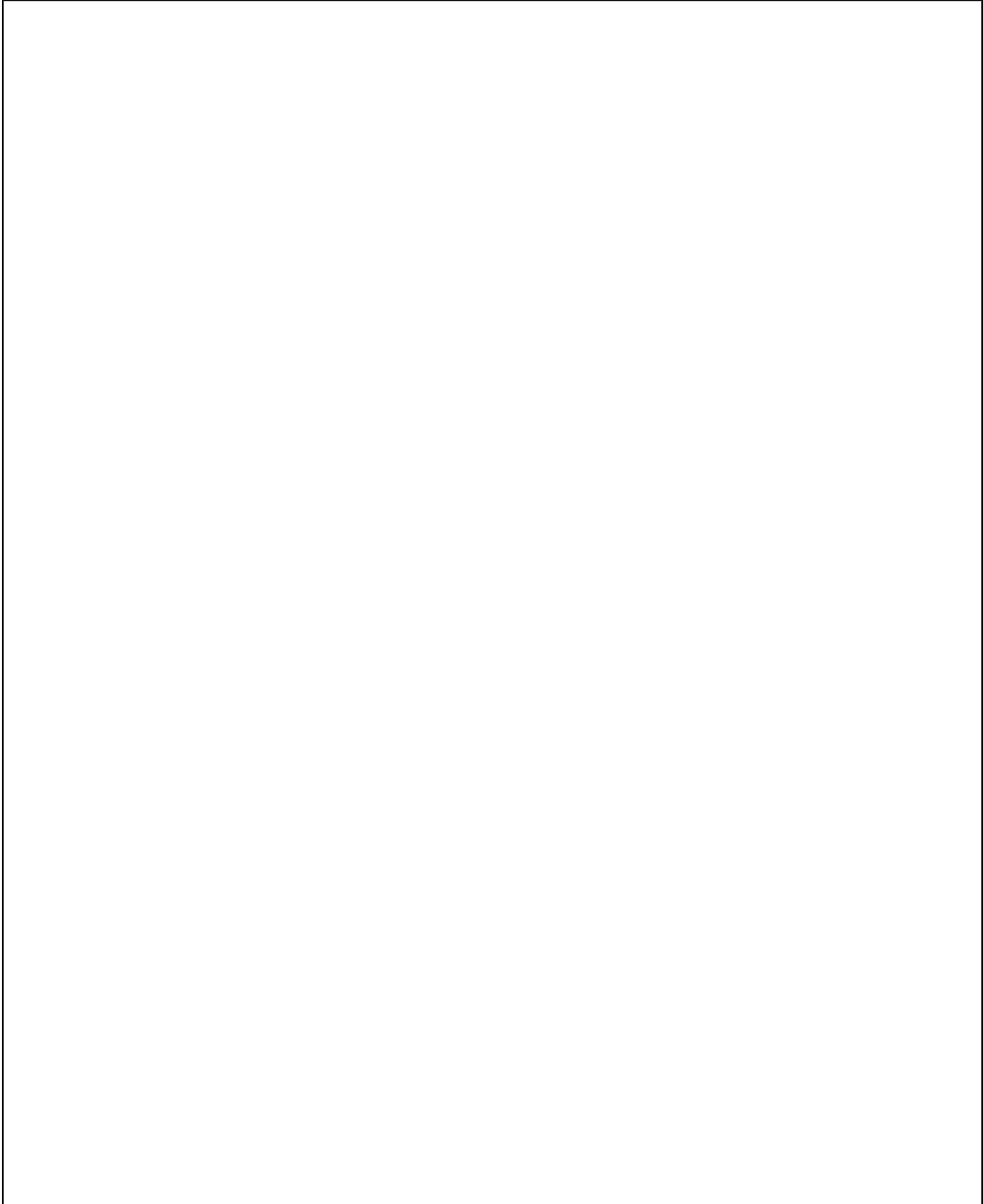


Model: TEQ Model life 1985>>2012

| Pos | Part Number | Description | Remark | Qty | Model |
|-----|----------------|--|-------------------------|-----|---|
| - | | Navigation system "TRAFFIC STAR" "TRAFFIC PRO" Technical information Boxster/993/996 Group 9 9112 Attention | 97-04 94-98 98-04 | | Boxster(986) 911(993) 911(996) |
| - | 000 044 900 78 | Retrofit kit Navigation system Traffic pro | | 1 | Boxster(986) 911(993) 911(996) "USA" |
| - | 996 647 107 01 | Aerial for Traffic pro | | 1 | Boxster(986) 911(996) |
| - | 996 612 970 01 | Extension cable CA. 120 MM for Aerial Traffic pro | | 1 | Boxster(986) 911(996) |

Model: TEQ

Model life 1985>>2012



Model: TEQ

Model life 1985>>2012

| Pos | Part Number | Description | Remark | Qty | Model |
|-----|----------------|--|--------|-----|----------------------------|
| - | 000 044 900 82 | Navigation system PCM1.0 Update D - MJ 1998>> - MJ 2002 Software Update PCM Westeuropa Stand 2003/2004 D >> - MJ 2002 | | 1 | Boxster (986) 911 (996) |
| - | 000 044 900 96 | Discontinued part Software Update PCM Westeuropa Stand 2008/2009 D >> - MJ 2002 | | 1 | |
| - | 000 044 900 83 | Computer Update High gloss with: | | 1 | |
| - | 000 044 900 84 | CD-ROM 8-fold D >> - MJ 2002 Computer Update Matte with: CD-ROM 8-fold D >> - MJ 2002 | | 1 | |

Model: TEQ

Model life 1985>>2012



Model: TEQ

Model life 1985>>2012

| Pos | Part Number | Description | Remark | Qty | Model |
|-----|----------------|---|----------------|-----|-----------------------------------|
| - | | Navigation system PCM2.0 | 03-04 03-04 | | Boxster(986) 911(996) |
| - | 000 044 900 70 | Technical information Boxster/911(996) Group 9 9110 Attention Control panel Navigation system PCM2.0 | | 1 | Boxster(986) 911(996) "USA" |

Model: TEQ

Model life 1985>>2012

1



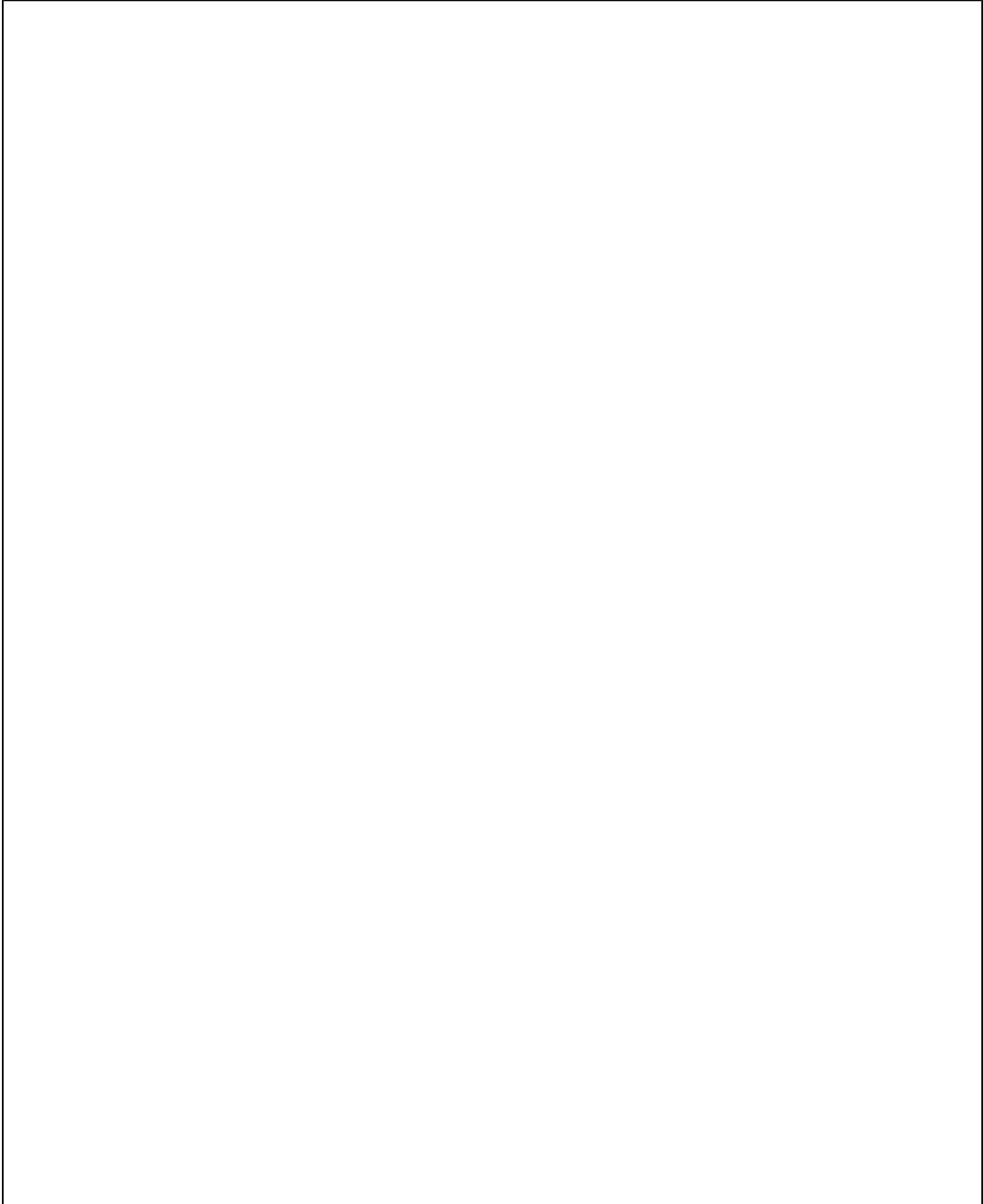
Model: TEQ

Model life 1985>>2012

| Pos | Part Number | Description | Remark | Qty | Model |
|-----|----------------|---|--------|-----|--|
| - | | Navigation PCM2.0-UPDATE D - MJ 2003>> - MJ 2004 Inst. & Conv. Instructions BOXSTER/911 9110 (6/08 & 22/10) 9110 (7/08 & 23/10) BEACHTEN Software PCM2.0-UPDATE America 2015 | | 1 | Boxster(986) 911(996) Boxster(986) 911 (996) "USA", "MEX", "CDN", "BR." |
| (1) | 000 044 902 31 | | | | |

Model: TEQ

Model life 1985>>2012



Model: TEQ Model life 1985>>2012

| Pos | Part Number | Description | Remark | Qty | Model |
|-----|----------------|---|-------------------------|-----|--|
| - | | Navigation system PCM2.1 | 05-08 06-08 05-08 | | Boxster (987) Cayman (987) 911 (997) |
| - | | Technical information Boxster, Cayman, 911 Group 9 9110 Attention | | | |
| - | | also use: fibre optic wave conductor see illustration: Katalog 987/997 902-50 | | | |
| - | 997 044 900 70 | Retrofit kit PCM2.1 D - MJ 2005>> - MJ 2006 | | 1 | 911 (997) PR:098,338 "USA" |
| - | 997 044 901 34 | Module PCM2.1 D - MJ 2007>> - MJ 2008 | | 1 | 911 (997) PR:098,338 "USA" |
| - | 997 044 901 05 | Retrofit kit PCM2.1 D - MJ 2005>> - MJ 2006 | | 1 | 911 (997) PR:098,339 "USA" |
| - | 997 044 901 35 | Module PCM2.1 D - MJ 2007>> - MJ 2008 | | 1 | 911 (997) PR:098,339 "USA" |
| - | 987 044 900 72 | Retrofit kit PCM2.1 D - MJ 2005>> - MJ 2006 | | 1 | Boxster (987) Cayman PR:098 "USA" |
| - | 987 044 900 62 | Discontinued part Retrofit kit PCM2.1 D - MJ 2007>> - MJ 2008 | | 1 | Boxster (987) Cayman PR:098 "USA" |

Model: TEQ

Model life 1985>>2012



Model: TEQ Model life 1985>>2012

| Pos | Part Number | Description | Remark | Qty | Model |
|-----|----------------|--|-------------------------|-----|---|
| - | | Navigation PCM2.1-UPDATE | 05-08 06-08 05-08 | | Boxster(987) Cayman(987) 911(997) |
| | | Inst. & Conv. Instructions BOXSTER/CAYMAN/911 9110 (49/12) 9110 (50/12) 9110 (46/12) | | | Boxster Cayman 911 |
| (1) | 997 044 904 51 | Attention Software PCM2.1-UPDATE America 2015 | | 1 | "USA", "MEX", "CDN", "BR." |

Model: TEQ

Model life 1985>>2012



Model: TEQ

Model life 1985>>2012

| Pos | Part Number | Description | Remark | Qty | Model |
|-----|----------------|---|-------------------------|-----|---|
| - | | Navigation system PCM3.0 Included DVD device Inst. & Conv. Instructions Boxster, Cayman, 911 Group 9 9110 Attention | 2009- 2009- 2009- | | Boxster (987) Cayman (987) 911 (997) |
| (1) | 997 044 902 71 | PCM 3 with: Navigation Set America | | 1 | PR:490,680 "USA", "MEX", "PLA", "CDN", "BR." |
| (1) | 997 044 903 71 | D - MJ 2009>> - MJ 2010 PCM 3 with: Navigation Set America D - MJ 2011>> | | 1 | PR:490,680 "USA", "MEX", "PLA", "CDN", "BR." |

Model: TEQ

Model life 1985>>2012

1



Model: TEQ

Model life 1985>>2012

| Pos | Part Number | Description | Remark | Qty | Model |
|-----|----------------|--|--------|-----|--|
| - | | Release document for navigation update PCM3.0-UPDATE Inst. & Conv. Instructions BOXSTER, CAYMAN, 911 9110 (52/15) 9110 (53/15) 9110 (51/15) note: | | | Boxster(987) Cayman(987) 911 (997) Boxster(987) Cayman(987) 911 (997) |
| 1 | 997 044 908 61 | Software PCM3.0-UPDATE AMERIKA 04/2015 Together with LAENDERAUSSTATTUNG Note coding | | 1 | "USA", "MEX", "CDN", "BR." |

Model: TEQ

Model life 1985>>2012



1



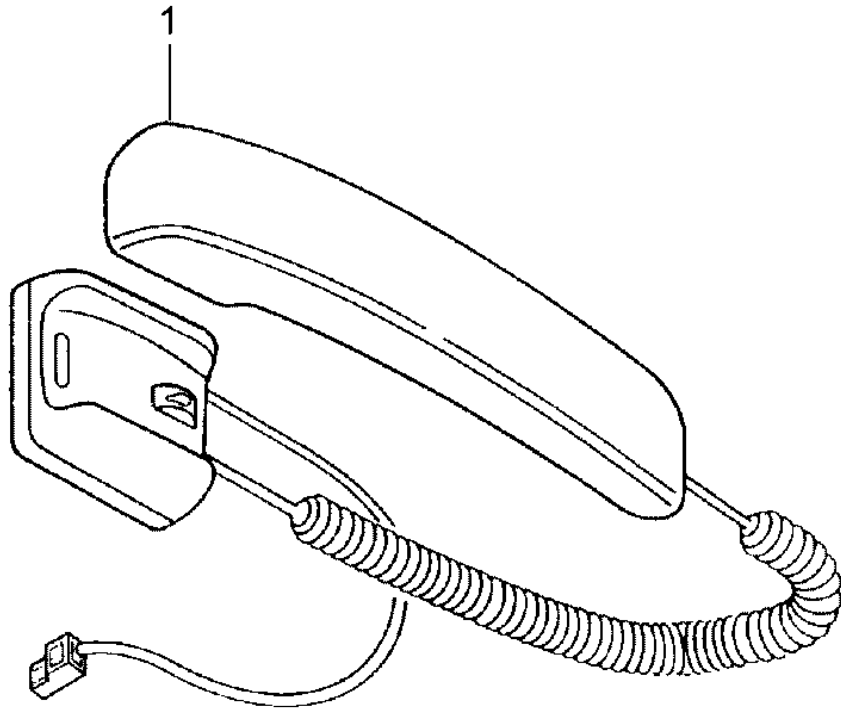
Model: TEQ

Model life 1985>>2012

| Pos | Part Number | Description | Remark | Qty | Model |
|-----|----------------|--|-------------------------|-----|--|
| - | | Voice control system PCM3.0 Inst. & Conv. Instructions See main group 9 (Electrics) 9110 (22/08) 9110 (31/08) 9110 (11/08) | 2009- 2009- 2009- | | Boxster (987) Cayman (987) 911 (997) |
| 1 | 997 044 902 36 | Module Voice control system PCM3.0 Set Coding VIA PRMS | | 1 | Boxster Cayman 911 PR:672 |

Model: TEQ

Model life 1985>>2012

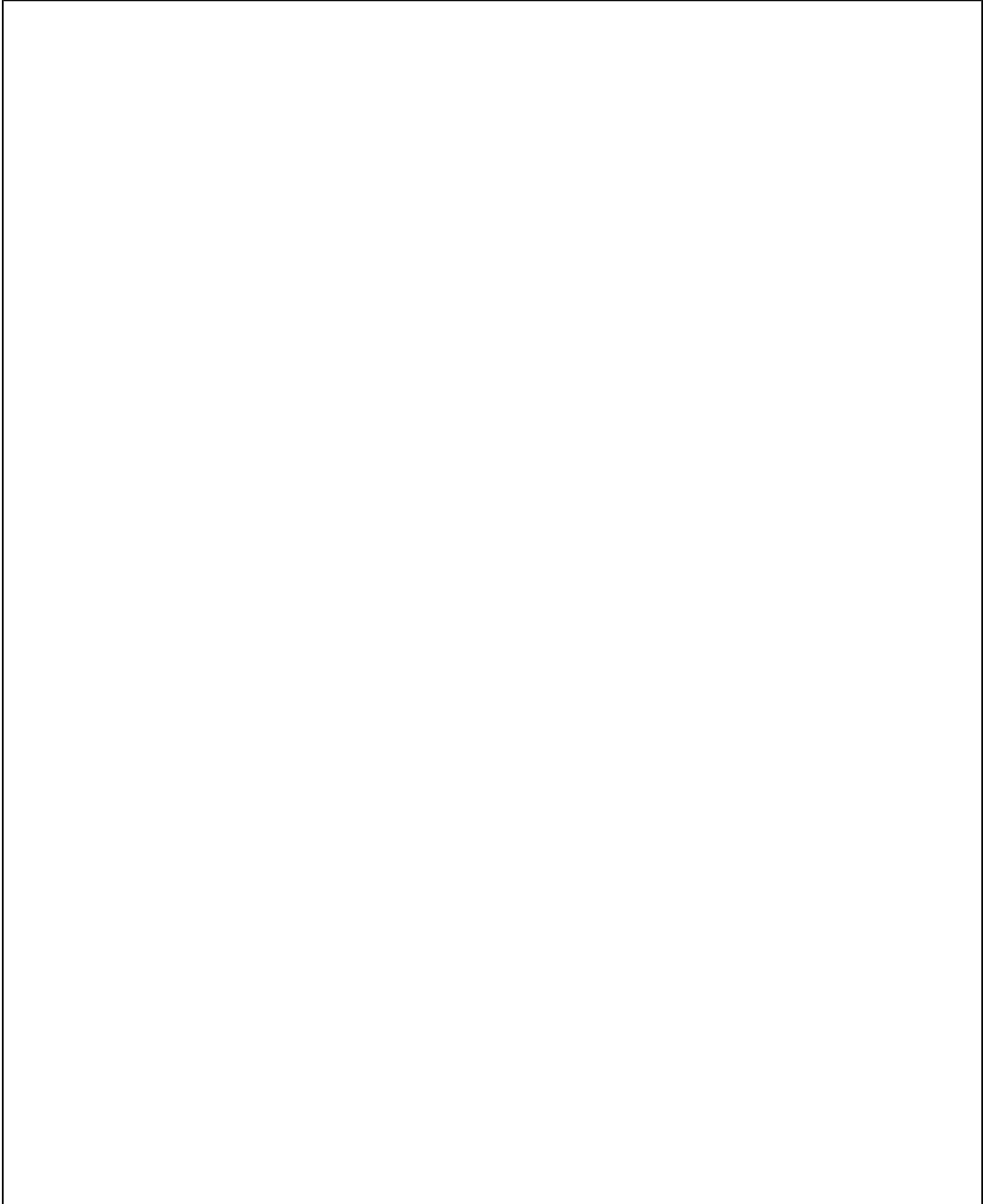


Model: TEQ Model life 1985>>2012

| Pos | Part Number | Description | Remark | Qty | Model |
|-----|----------------|--|----------------|-----|----------------------------|
| - | | Module Telephone Receiver Technical information Boxster/911 Group 9 9155 Attention | 03-04 03-04 | | Boxster (986) 911 (996) |
| - | 000 044 900 74 | Module Telephone for Pcm2 also use: fibre optic wave conductor see illustration: Katalog 986/996 902-50 Discontinued part | rhd | 1 | PR:099 |
| - | 000 044 900 74 | Module Telephone for Pcm2 also use: fibre optic wave conductor see illustration: Katalog 986/996 902-50 Discontinued part | rhd | 1 | PR:099 |
| - | | Technical information Boxster/911 Group 9 9191 Attention | | | |
| 1 | 000 044 900 73 | Receiver only in conj. with: Pcm2 and Telephone Module | lhd | 1 | PR:098 |
| 1 | 000 044 900 75 | Receiver only in conj. with: Pcm2 and Telephone Module | rhd | 1 | PR:099 |

Model: TEQ

Model life 1985>>2012



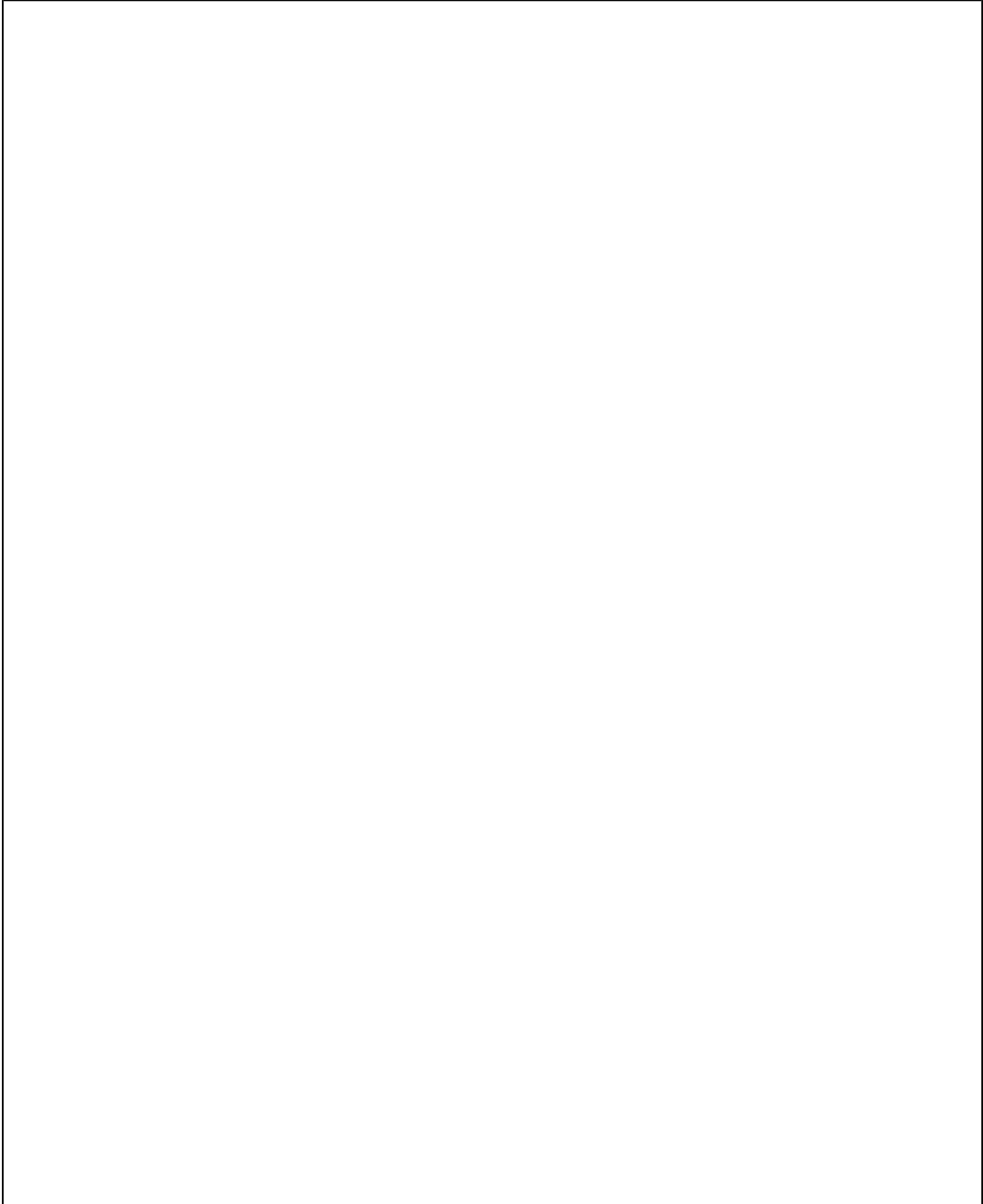
Model: TEQ

Model life 1985>>2012

| Pos | Part Number | Description | Remark | Qty | Model |
|-----|----------------|--|-------------------------|-----|---|
| - | | Telephone Module Receiver Technical information BOXSTER/CAYMAN/911 Group 9 9155 Attention | 05-08 06-08 05-08 | | Boxster(987) Cayman (987) 911 (997) |
| - | 997 044 900 73 | Receiver | lhd | 1 | PR:098 |
| - | 997 044 900 75 | Receiver | rhd | 1 | PR:099 |

Model: TEQ

Model life 1985>>2012



Model: TEQ Model life 1985>>2012

| Pos | Part Number | Description | Remark | Qty | Model |
|-----|----------------|--|-------------------------|-----|---|
| - | | Module Telephone Receiver Inst. & Conv. Instructions Boxster/Cayman/911 Group 9 9155 | 2009- 2009- 2009- | | Boxster(987) Cayman(987) 911(997) |
| - | 997 044 902 31 | Attention Module Telephone only in conj. with: PCM 3 Coding VIA PRMS | lhd | 1 | PR:665,098 |
| - | 997 044 902 41 | Module Telephone only in conj. with: PCM 3 Coding VIA PRMS | rhd | 1 | PR:665,099 |
| - | | Inst. & Conv. Instructions Boxster/Cayman/911 Group 9 9191 | | | |
| - | 997 044 902 32 | Attention Receiver only in conj. with: Telephone Module PCM 3 | lhd | 1 | PR:666,098 |
| - | | also use: | | | |
| - | | Trim Centre console 997.553.118.07.FFF see illustration: 997-2 / 911-10 | lhd | 1 | PR:098 |
| - | 997 044 902 42 | Receiver only in conj. with: Telephone Module PCM 3 | rhd | 1 | PR:666,099 |
| - | | also use: | | | |
| - | | Trim Centre console 997.553.117.07.FFF see illustration: 997-2 / 911-10 | rhd | 1 | PR:099 |

Model: TEQ

Model life 1985>>2012



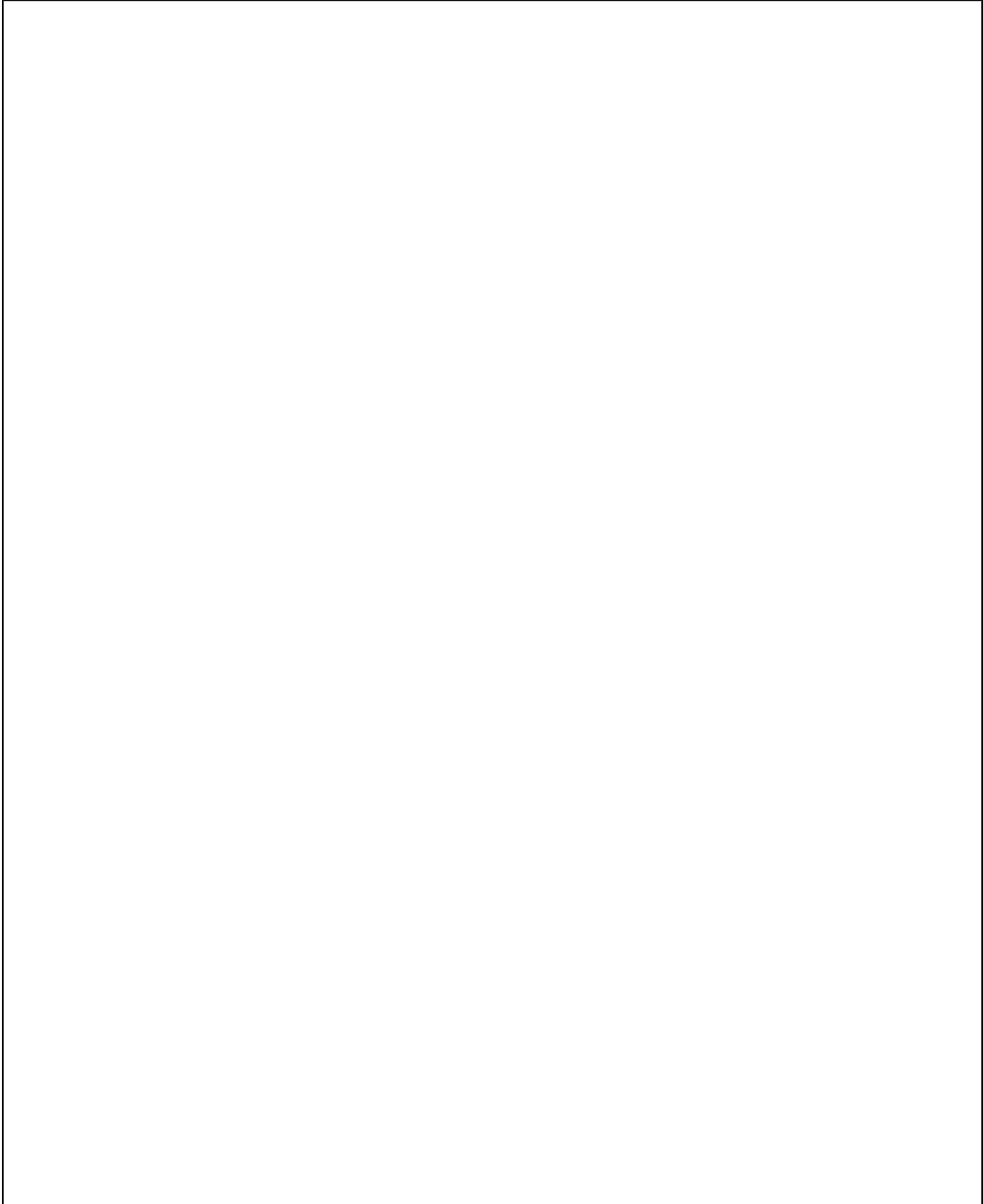
Model: TEQ

Model life 1985>>2012

| Pos | Part Number | Description | Remark | Qty | Model |
|-----|----------------|--|--------|-----|---|
| - | | Mobile Hands-free equipment D - MJ 2009>> Inst. & Conv. Instructions Boxster/Cayman/911 Group 9 9187 | | | Boxster(987) Cayman(987) 911(997) |
| - | 997 044 902 33 | Attention Mobile Hands-free equipment only in conj. with: PCM 3 Coding VIA PRMS | | 1 | PR:665 |

Model: TEQ

Model life 1985>>2012



Model: TEQ

Model life 1985>>2012

| Pos | Part Number | Description | Remark | Qty | Model |
|-----|----------------|--|--------|-----|--|
| - | | Multimedia interface Console | 84-04 | | 924,928,944 959,964,968 911(993/996) Boxster(986) |
| - | | Inst. & Conv. Instructions alle Group 9 9122 Attention | | | |
| - | 000 044 901 70 | Multimedia interface | | 1 | |
| - | 000 044 901 84 | Adapter plug | | 1 | /DIN |
| - | 000 044 901 85 | Adapter plug | | 1 | /ISO |

Model: TEQ

Model life 1985>>2012



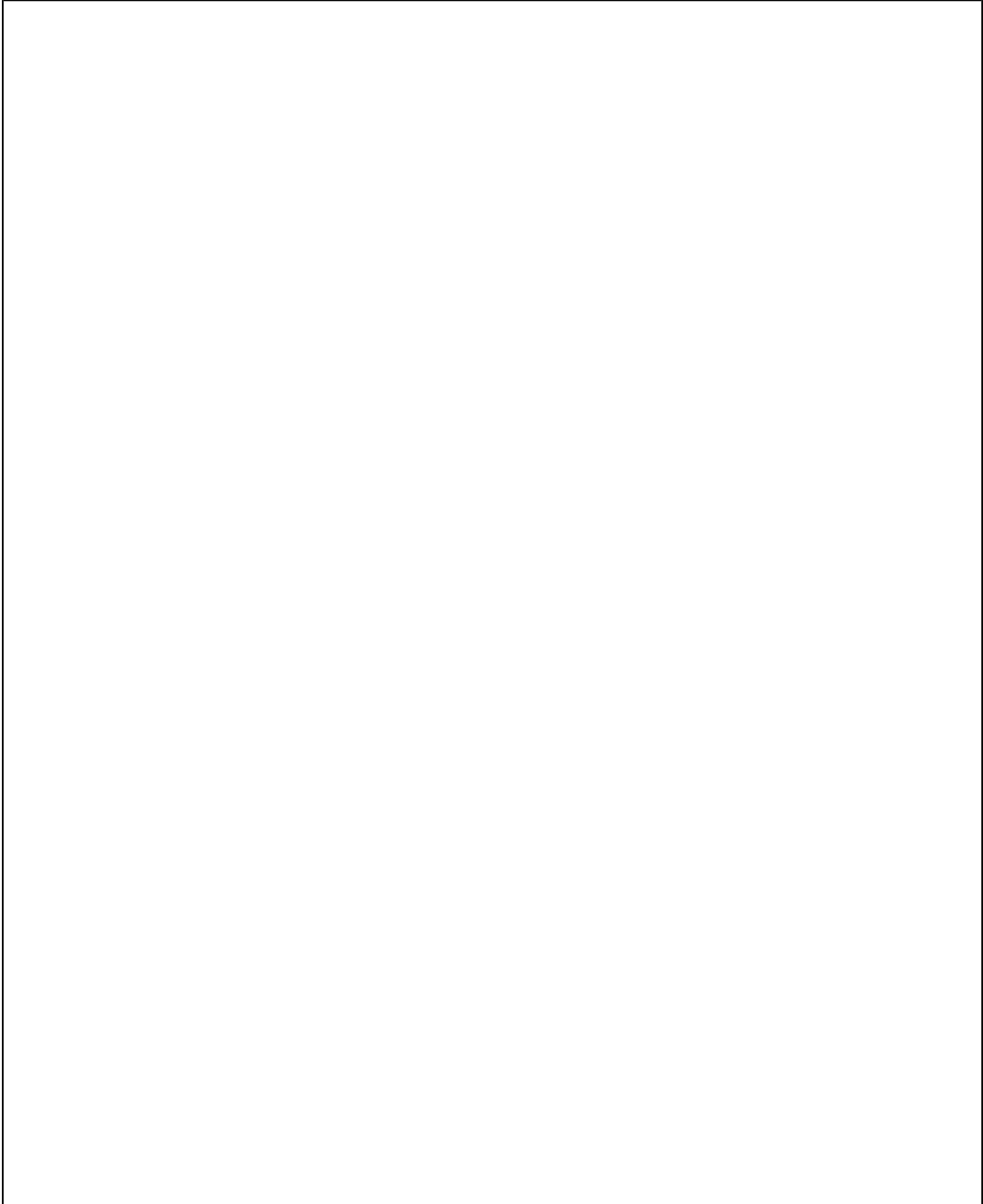
Model: TEQ

Model life 1985>>2012

| Pos | Part Number | Description | Remark | Qty | Model |
|-----|----------------|---|-------------------------|-----|---|
| - | | Multimedia interface Console | 2005- 2006- 2005- | | Boxster(987) Cayman(987) 911(997) |
| - | | Inst. & Conv. Instructions Boxster/Cayman/911 Group 9 9122 Attention | | | |
| (1) | 997 044 901 77 | D - MJ 2005>> - MJ 2008 Multimedia interface | | 1 | |
| - | 997 044 901 74 | D - MJ 2005>> - MJ 2008 Operating instructions | | 1 | |
| (2) | 000 044 901 78 | Multimedia interface D - MJ 2005>> - MJ 2008 Connection cable | | 1 | |
| - | | Multimedia interface D - MJ 2005>> | | | |
| (1) | 997 044 902 34 | Inst. & Conv. Instructions Boxster/Cayman/911 Group 9 9122 Attention D - MJ 2009>> Multimedia interface Universal Set | | 1 | |
| | | only in conj. with: | | | |
| (1) | 987 044 902 35 | PCM 3 Coding VIA PRMS D - MJ 2009>> Multimedia interface Universal Set | | 1 | Boxster(987) Cayman(987) |
| | | only in conj. with: | | | |
| | | CDR30 D - MJ 2009>> | | | |

Model: TEQ

Model life 1985>>2012



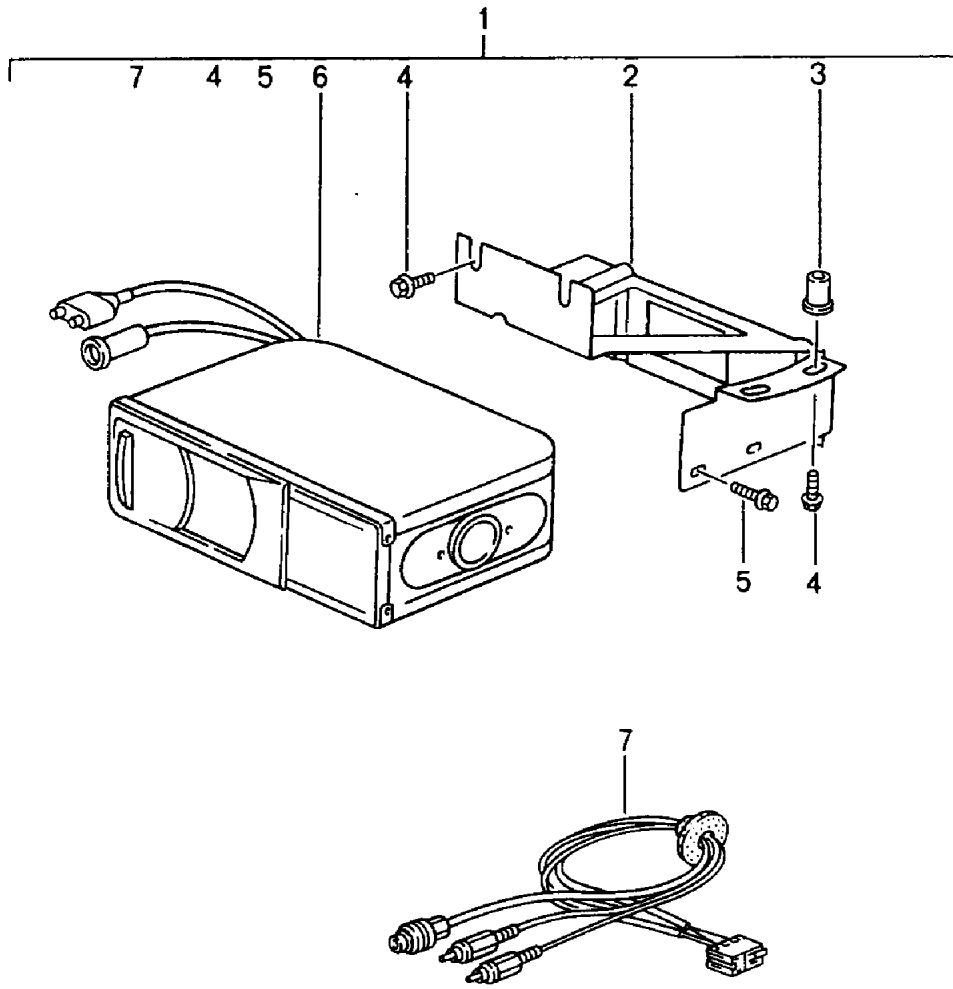
Model: TEQ

Model life 1985>>2012

| Pos | Part Number | Description | Remark | Qty | Model |
|-----|----------------|--|----------------|-----|----------------------------|
| - | | Digital sound processing SOUNDSYSTEM | 97-02 98-02 | | Boxster (986) 911 (996) |
| - | | Technical information Boxster/911 Group 9 9144 Attention | | | |
| - | 000 044 900 42 | Retrofit kit Digital sound processing (complete) | | 1 | |
| - | | Set | | | |
| - | 000 044 900 45 | comprising: Mid tone/treble loudspeaker | left | 1 | |
| - | 000 044 900 46 | Mid tone/treble loudspeaker | front right | 1 | |
| - | 000 044 900 49 | Bracket Door speaker | front left | 1 | |
| - | 000 044 900 48 | Bracket Door speaker | right | 1 | |
| - | 000 044 900 53 | Loudspeaker grille Door | left | 1 | |
| - | 000 044 900 52 | Loudspeaker grille Door | right | 1 | |
| - | 000 044 900 51 | Bass loudspeaker Door | | 4 | |
| - | 000 044 900 58 | Frequency junction Door | right | 1 | |
| - | 000 044 900 61 | Frequency junction Door | left | 1 | |
| - | 000 044 900 60 | Sound absorber Door | | 1 | |
| - | 000 044 900 50 | Amplifiers | | 1 | |
| - | 000 044 900 59 | fuse | | 1 | |
| - | 000 044 900 57 | Parts kit | | 1 | |
| - | | use if required: | | | |
| - | 000 044 900 47 | Loudspeaker D - MJ 1998>> - MJ 2002 | rear | 1 | 911 (996) |
| - | | comprising: | | 1 | |
| - | 000 044 900 43 | Mid tone/treble loudspeaker | left rear | 1 | |
| - | 000 044 900 44 | Mid tone/treble loudspeaker | right rear | 1 | |
| - | | also use: | | | |
| - | | for cars without Sound system M 490 | | | |
| - | 000 044 900 56 | Wire set Amplifiers | | 1 | |
| - | | also use: | | 1 | |
| - | | For cars from Model year 01 | | | |
| - | 996 555 831 02 | Seal | left | 1 | |
| - | 996 555 832 02 | Seal | right | 1 | |

Model: TEQ

Model life 1985>>2012



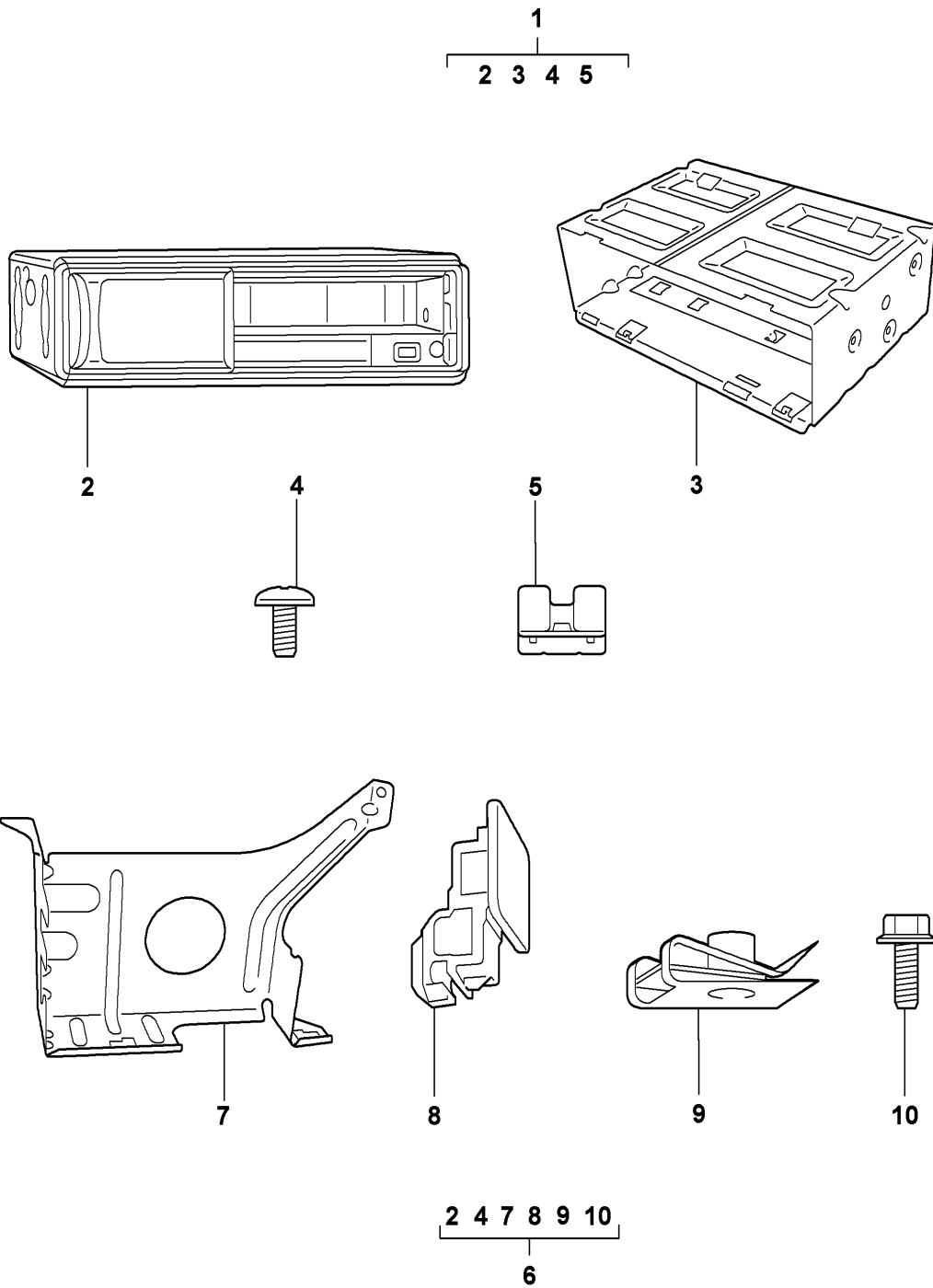
Model: TEQ

Model life 1985>>2012

| Pos | Part Number | Description | Remark | Qty | Model |
|-----|----------------|--|--------|-----|----------|
| | | CD changers CDC3 | | | 911(993) |
| 1 | 000 044 900 10 | D - MJ 1994>> - MJ 1998 CD changer pack.,retrofit set CDC3 for vehicles with Radio unit BECKER CR-11/-21/-31 Set comprising: 2 993 645 221 00 bracket for cd-changer (3) 999 500 044 02 Nut 4 900 075 440 07 Bolt with washer 5 999 075 067 09 Bolt with washer 6 993 645 130 00 CD changers 7 993 645 453 00 Connection cable - 993 645 113 00 Magazine - also use: - 993 555 675 02 Trim 993 555 675 02 5FV Black 993 555 675 02 A16 anthracite - use if required: - 993 551 067 08 Front-compartment carpet D - MJ 1996>> - MJ 1998 993 551 067 08 5FV Black 7 993 645 453 00 Connection cable - 000 044 900 28 bracket for cd-changer for Spare wheel well | | 1 | /LL |
| | | | | 1 | |
| | | | | 4 | |
| | | | | 4 | |
| | | | | 6 | |
| | | | | 1 | |
| | | | | 1 | /LL |
| | | | | 1 | |
| | | | | 1 | |
| | | | | 1 | |
| | | | | 1 | |
| | | | | 1 | |

Model: TEQ

Model life 1985>>2012



Model: TEQ Model life 1985>>2012

| Pos | Part Number | Description | Remark | Qty | Model |
|-----|----------------|---|----------------------------------|-----|--|
| - | 000 044 900 35 | CD changers CDC3,CDC4 CD changer pack.,retrofit set CDC3 for vehicles with Radio unit CR-220, CDR-220 | 97-04 98-04 97-02 98-02 | 1 | Boxster(986) 911(996) Boxster(986) 911(996) |
| - | | Set comprising: | | | "J.." |
| - | 993 645 113 00 | Magazine D - MJ 1997>> - MJ 2002 | | 1 | |
| - | 993 645 130 00 | CD changers D - MJ 1997>> - MJ 2002 | | 1 | |
| - | 999 507 532 02 | U-clip | | 4 | |
| - | 996 645 221 00 | bracket for cd-changer D - MJ 1997>> - MJ 2002 | lhd | 1 | 9X6 PR:098 |
| - | 996 645 231 00 | bracket for cd-changer D - MJ 1998>> - MJ 2002 | lhd | 1 | C4 PR:098 |
| - | 996 610 207 00 | Cable cover D - MJ 1998>> - MJ 2002 | lhd | 1 | C4 PR:098 |
| - | 900 075 440 07 | Bolt with washer | | 6 | |
| - | 999 500 078 00 | press insert nut Discontinued part | | 4 | |
| - | 999 500 206 00 | press insert nut | | 4 | |
| - | 900 378 179 09 | Hexagon bolt | | 4 | |
| - | 993 645 453 00 | Connection cable D - MJ 1997>> - MJ 2002 | | 1 | |
| - | | Technical information Boxster/911/911 Turbo Group 9 9160 Attention | | | |
| - | 000 044 900 72 | CD changer pack.,retrofit set CDC4 for vehicles with fibre optic wave conductor Technology | 03-04 03-04 | 1 | Boxster(986) 911(996) |
| - | | Set comprising: | | | |
| - | 996 645 140 02 | CD changers | | 1 | |
| - | 000 044 900 81 | Cable | | 1 | |
| - | 996 645 225 00 | bracket for cd-changer Large | | 1 | C2/Boxster |
| - | 996 645 227 00 | bracket for cd-changer Small | | 1 | C2/Boxster |
| - | 996 645 229 00 | bracket for cd-changer | lhd | 1 | C4/Turbo PR:098 |
| - | 996 645 230 00 | bracket for cd-changer | rhd | 1 | C4/Turbo PR:099 |
| - | 999 650 138 22 | Pin | | 1 | |
| - | N 103 357 01 | flat contact | | 1 | |
| - | N 903 352 04 | flat contact | | 1 | |
| - | 900 378 188 09 | Hexagon bolt | | 4 | |
| - | 900 378 179 09 | Hexagon bolt | | 5 | |
| - | N 014 128 13 | fillister hd. bolt | | 6 | |
| - | 999 500 078 00 | press insert nut Discontinued part | | 2 | |
| - | 999 500 206 00 | press insert nut | | 2 | |
| - | 999 507 532 02 | U-clip | | 2 | |
| - | | also use: fibre optic wave conductor Catalogue | | | |

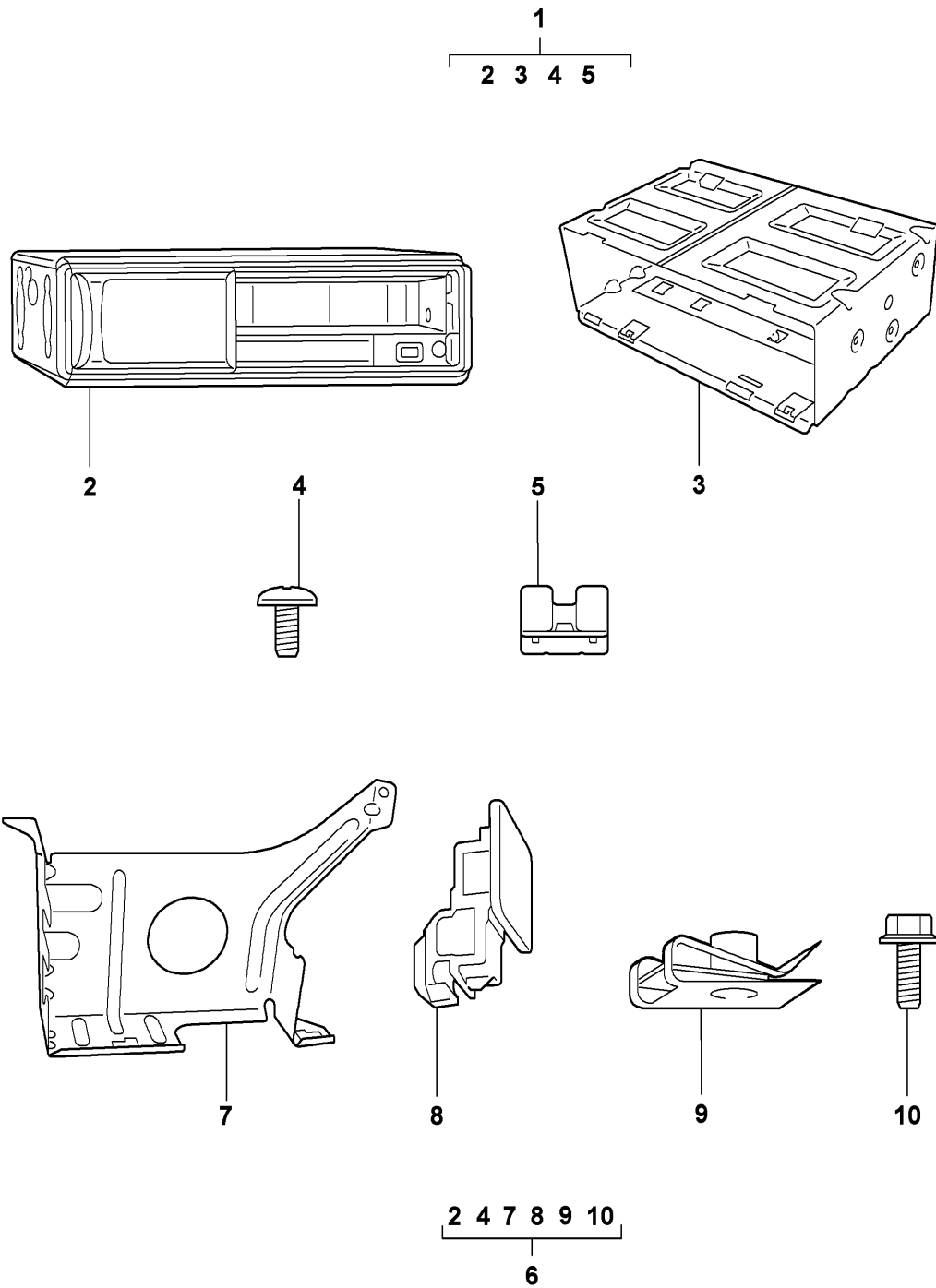
Model: TEQ

Model life 1985>>2012

| Pos | Part Number | Description | Remark | Qty | Model |
|-----|-------------|-----------------------------------|--------|-----|-------|
| | | see illustration: 996 / 902-50 | | | |

Model: TEQ

Model life 1985>>2012



Model: TEQ Model life 1985>>2012

| Pos | Part Number | Description | Remark | Qty | Model |
|-----|----------------|--|-------------------------|-----|--|
| - | | CD changers CDC4 | 2005- 2006- 05-08 | | Boxster (987) Cayman (987) 911 (997) |
| - | | Inst. & Conv. Instructions Boxster/Cayman/911 Group 9 9160 Attention | | | |
| 6 | 997 044 900 78 | CD changer pack.,retrofit set CDC4 D - MJ 2005>> - MJ 2008 | 05- lhd | 1 | 911 (C2) 987/Cayman PR:098 "USA" |
| - | | Set comprising: | | | |
| 2 | 997 645 140 02 | CD changers | | 1 | |
| 7 | 997 645 221 00 | bracket for cd-changer | | 1 | |
| 8 | 999 703 501 40 | Securing element | | 2 | |
| 9 | 999 507 766 02 | panel nut | | 2 | |
| 10 | 900 378 179 09 | Hexagon bolt | | 2 | |
| 4 | N 014 128 13 | fillister hd. bolt | | 6 | |
| - | 997 610 122 00 | Bracket | | 1 | |
| - | | Connection point fibre optic wave conductor | | | |
| - | 997 044 901 09 | CD changer pack.,retrofit set CDC4 D - MJ 2006>> - MJ 2008 | lhd lhd | 1 | 911 (C4) Turbo PR:098 |

Model: TEQ

Model life 1985>>2012



Model: TEQ

Model life 1985>>2012

| Pos | Part Number | Description | Remark | Qty | Model |
|-----|----------------|--|-------------------------|-----|--|
| - | | Logbook PCM2.1 / PCM3.0 | 2005- 2006- 2005- | | Boxster (987) Cayman (987) 911 (997) |
| - | | Inst. & Conv. Instructions Group 9 7/05,9/05,14/05 1/08,20/08,26/08 9110 | 05-08 09- | | |
| - | 955 044 900 29 | Attention Logbook Coding VIA PRMS D - MJ 2006>> Discontinued part | | 1 | PR:641 |
| - | 958 044 900 29 | Logbook Coding VIA PRMS D - MJ 2006>> Discontinued part | | 1 | PR:641 |
| - | | also use: | 997 044 901 51 | 1 | USA |