

Series Spec Sheet

VTL4-L GEN 2

3 CCT AND 3 POWER SELECTABLE, NEMA 4X, NSF VAPOR TIGHT

Optional Emergency Remote

This 4' luminaire ideal for a variety of industrial and commercial applications. Installed either indoors or outdoors, the VTL4-L provides superior light distribution and is intended for environments where moisture and/or dust may be present. Perfect for applications requiring the complete containment of LEDs for easy washability and hose down. The VTL4-L series can withstand reduced temperatures and moderate impact.

FEATURES AND SPECIFICATIONS

• Construction

Housing

- Lightweight, slim and durable impact-resistant polycarbonate construction
- Easy installation and maintenance. Gear tray is attached to the lens exposing the internal components when the fixture is in open position. Change the color temperature and desired lumen output with the simple touch of a button
- Uniform gasketed seal and reinforced stainless steel clips block the ingress of moisture and dust
- Pre-drilled end-holes and two watertight glands are offered with each fixture to preserve integrity of internal components

Mounting options

Surface, suspended or 90° surface mounting. Set of 2 V-hooks and 2 stainless steel mounting clips included with each fixture for surface or suspended mounting with chain or aviation cable

Lens

The frosted LED diffusing pigment lens provides uniform light distribution and has been UV stabilized to ensure that there is no yellowing over time. This impact-resistant polycarbonate lens is impervious to rust or rot and is unaffected by extreme temperatures.

• Performance Data

- Available in 3 500/4 000/5 000 K selectable color temperature
- 80+ CRI
- Electrical ratings: 120-347 V
- Estimated life of over 54 000 to L70
- 0-10 V dimming driver. Dimming cables sold separately, see ordering guide

- 2 kV surge protection (standard). See options table for additional surge protection.
- Operating temperature:
-40°C to +40°C (-40°F to +104°F)
DL: 0°C to +25°C (32° to 77°F)
LINK: -40°C to +40°C (-40°F to 104°F)
(when 65 W in ceiling mount, operating temperature with LINK is -40°C to +35°C / -40°F to +95°F)

• Optional Emergency Lighting LINK Normally ON LED Vapor Tight Luminaire

- Consuming 11 W, 12-24 VDC
 - 200 mA constant current
 - Delivers 1216-1346 lumens in emergency mode
 - Ease of maintenance when used with Stanpro emergency lighting battery units complete with auto test function
 - Complements Stanpro's Normally ON LED Vapor Tight family
 - Patent pending
- Please view the LINK specification section for more details on this technology**

• Emergency Lighting Compliances

- CSA certified as a C22.2 C141-15 emergency lighting luminaire
- Meets ICES-005 requirements

• General Lighting Compliances

- Suitable for damp & wet locations
- IP66
- Meets requirements of ICES-005 (Class B)
- UL1598, UL8750
- cETLus certified
- cCSAus
- NSF certified (Splash Zone and Non Food Zone)
- NEMA 4X
- IK10
- DLC Premium & DLC Standard
- BC Hydro



OVERVIEW

Light source	LED
Watts (W)	30/35/42 30/45/65
Lumen output (lm)	4 278 - 9 001
Efficacy (lm/W)	133 - 147
Color temperature (K)	3 CCT (3 500/4 000/5 000 K)
CRI	80+
Weight (lbs)	5.2

Not all products are qualified on the DLC QPL. To view our DLC qualified products, please consult the DLC Qualified Products List at www.designlights.org/search.

QUICK SHIP AND TECHNICAL SPECIFICATION TABLE

Order code	Model number	Watts (W)	Volts (V AC)	Color temp. (K) ¹	Lumen output (lm) ^{2,3}	Efficacy (lm/W)	CRI	Life L70 (hrs) ⁴	Tested hours LM-80 (hrs) ⁴	Dimming	PF	THD (%)
4'												
69566	VTL4-PS42B-Q-3C	30/35/42	120-347	3 500/4 000/5 000	4 523/5 052/5 870	139	80+	> 54 000	190 000	0-10 V	>0.9	<20
69567	VTL4-PS65B-Q-3C	30/45/65	120-347	3 500/4 000/5 000	4 439/6 385/9 001	145	80+	> 54 000	190 000	0-10 V	>0.9	<20

¹ Typical color temperature range: +/- 5 %.
² Lumen values are derived from photometric testing. Initial lumens range: +/- 10 %.
³ Lumen values are based on 4 000 K default programming. Please refer to the LUMEN SPECIFICATION TABLE for more details on other color temperatures
⁴ Life hours are derived from IESNA LM-80-08 testing report and projected per IESNA TM-21-11 extrapolations

DLC UNIQUE ID TABLE

Order code	Model Number	DLC Premium Unique ID ¹	DLC Standard Unique ID ²	DLC Standard Unique ID ³
69566	VTL4-PS42B-Q-3C	S-48IUZM	S-QKODFL	S-CRLNQ4
69567	VTL4-PS65B-Q-3C	S-8E752G	S-B69105	S-I3WZ0T

¹ Primary Use Designation: Stairwell and Passageway Luminaires
² Primary Use Designation: Direct Linear Ambient Luminaires
³ Primary Use Designation: Low-Bay Luminaires for Commercial and Industrial Buildings

ORDERING GUIDE

VTL4 — — — **3C** /

Series	Lumen package (W)	Volts (V)	Color temp. (K)	Options
VTL4	PS42B - 30/35/42 PS65B - 30/45/65	Q - 120-347	3C - 3 500 4 000 5 000	BLANK - No sensor OS ^{1,3} - Occupancy sensor DIM1 ² - 5 wire cable for AC and 0-10 V dimming EL1 ⁶ - LINK Normal ON emergency remote DL ^{3,5} - Emergency back up (0°C - 25°C) 120 V, 120-277 V KV - 10 kV surge protector L6 - 6' white power cord L10 - 10' white power cord L6-BK - 6' black power cord L10-BK - 10' black power cord CH ³ - Center hole 7/8" AC ^{2,4} - Aviation cable kit PVM - Pivot mount brackets (surface mount ceiling and wall) BM - Smart module BMS - Smart module & sensor

¹ To see available options, please consult the occupancy sensors section
² When selecting AC or DIM1 option, please also select cable option whether L6, L10, L6-BK or L10-BK. DL option not compatible with DIM1
³ When selecting CH, OS (external) and DL options, the fixture maintains wet location status, however NEMA 4X and IP rating are not applicable
⁴ Aviation cable length based on selected power cable length
⁵ Fixture functional in AC mode, when power goes off emergency driver (DL) powers LED boards. One emergency driver per fixture is standard
⁶ The LINK Emergency Power conversion module is compatible with all the following configurations: PS42B and PS65B. Not compatible with the following options: DL, OS (external)
 When in Emergency Mode, unit only consumes 11 watts
For Emergency Lighting spacing, please see p.5

LUMEN SPECIFICATION TABLE

Order Code	Model Number	Watts (W)	Volts (V)	3 500 K		4 000 K		5 000 K	
				Lumen output (lm)	Efficacy (lm/W)	Lumen output (lm)	Efficacy (lm/W)	Lumen output (lm)	Efficacy (lm/W)
69566	VTL4-PS42B-Q-3C	30	120 - 347	4 351	135	4 523	140	4 443	137
		35		4 860	133	5 052	139	4 963	136
		42		5 647	132	5 870	137	5 766	135
30	4 278	142		4 439	147	4 288	142		
69567	VTL4-PS65B-Q-3C	45		6 154	136	6 385	142	6 169	137
		65		8 675	133	9 001	138	8 696	133

DEFAULT PROGRAMMING

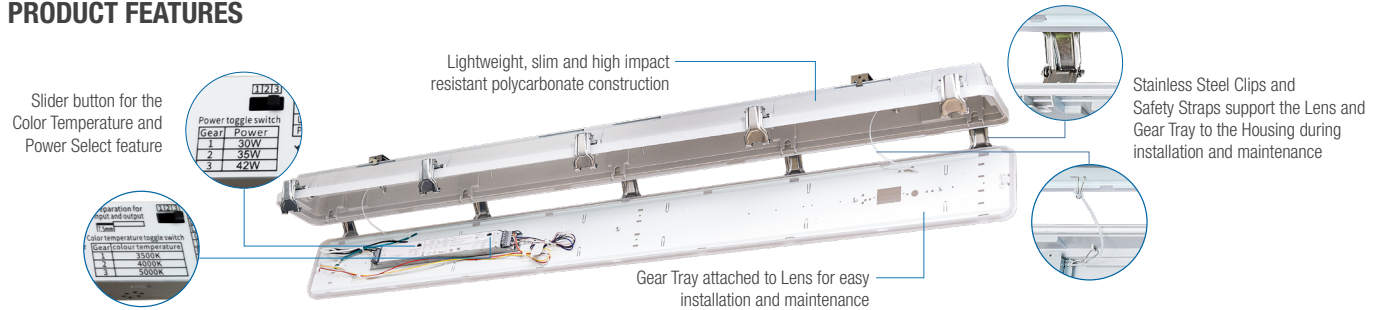
69566	42 W / 4 000 K
69567	65 W / 4 000 K

Data is based upon tests performed in a controlled environment. Actual performance can vary depending on operating conditions. All products are subject to change or may be discontinued any time without notice.

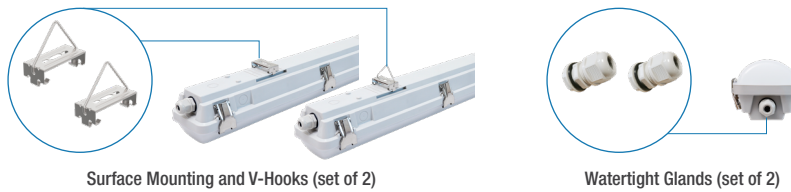
LINK TECHNICAL SPECIFICATION TABLE

Lumen Package	Watts (W)	LINK Watts (W)	3 CCT (3 500/4 000/5 000 K)
			Lumen Output (Lm)
PS42B	30	11	1 346
	35		
	42		
PS65B	30	11	1 216
	45		
	65		

PRODUCT FEATURES



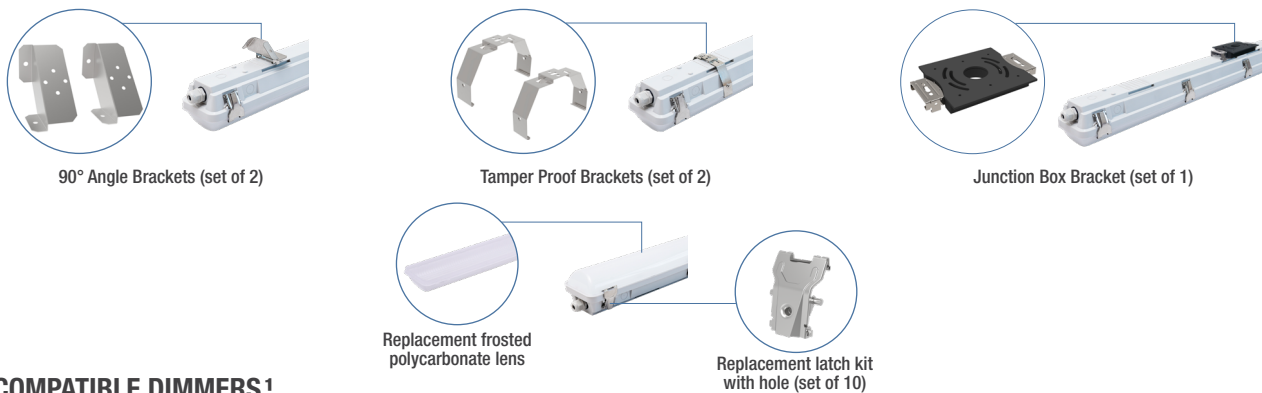
ACCESSORIES (INCLUDED IN THE BOX)



ACCESSORIES (ORDER SEPARATELY)

Order code	Type	Compatible with
69588	Replacement Surface Mounting Brackets and V-Hooks (set of 2pcs)	All configurations
69589	90° Angle Brackets (set of 2pcs)	All configurations
69590	Tamper Proof Brackets (set of 2pcs)	All configurations
69668 ¹	Junction Box Bracket (set of 1pc)	All configurations
69993	4ft replacement frosted polycarbonate lens	All configurations
70013	Stainless steel replacement latch kit with hole (set of 10pcs)	All configurations

¹ Accessory requires additional center hole (CH) on top of housing. Fixture maintains wet location status, however NEMA 4X and IP ratings are not applicable with CH. Please see installation instructions for more details



COMPATIBLE DIMMERS¹

Brand	Model
Leviton	DS710-10Z, DD710-BDZ, IP710-LFZ
Lutron	DVSTV-453P, MAESTRO MS-Z101

Dimming range: 10 %-100 %

¹ This table shows dimmers that have been tested and have demonstrated proper operation under normal conditions. Each installation being unique, various factors such as load, common neutrals or other electrical products on the circuit can, in certain instances, cause variance in system performance. Read and comply to the dimmer installation instructions. Consult dimming system manufacturer for additional support in operation. Some dimmers may require more than one product for stable operation. Stanpro recommends to use dimmers designed to work with LED products. Older dimmers designed for incandescent products may cause erratic operation.

Data is based upon tests performed in a controlled environment. Actual performance can vary depending on operating conditions. All products are subject to change or may be discontinued any time without notice.

OCCUPANCY SENSORS

ON-OFF SENSORS

Detection - On at (Detection Area) % during (Hold Time) min. Off

Part number	Position	Volts (V)	Technology	Height (ft)	Detection Area (%)	Hold time (min)	Daylight min level (lux)	Remote ¹	Location ² (°C)
OSE-PO-0301	External	120-347	PIR	20-40	100	20	N/A		Dry, -10° to +40°C
OSE-PO-0302	External	120-347	PIR	20-40	100	20	N/A		Dry, -40° to +40°C
OSE-PO-0501	External	120-347	PIR	15-40	100	15	3 000	OSI-FSIR-100	Dry, -10° to +40°C
OSE-PO-0502	External	120-347	PIR	15-40	100	15	3 000		Dry, -10° to +40°C
OSE-PO-0701	External	120-277	PIR	20	100	15	N/A		Wet, -40° to +40°C
OSI-FO-1601	Internal	120-277	High Frequency	20	100	10	Disable	OSI-RC100	Dry and Wet, -40° to +40°C
OSI-FO-1701	Internal	120-347 (12V)	High Frequency	13	100	10	Disable		Dry and Wet, -20° to +40°C

BI-LEVEL SENSORS

Detection - On at (Detection Area) % during (Hold Time) min., then (Stand-by Dim level) %

Part number	Position	Volts (V)	Technology	Height (ft)	Detection Area (%)	Hold time (min)	Stand-by Dim level (%)	Daylight min level (lux)	Remote ¹	Location ² (°C)
OSE-FB-0402	External	120-347	High Frequency	50 max.	100	20	30	50	OSI-RC-MH10	Wet, -35° to +40°C
OSI-FB-1601	Internal	120-277	High Frequency	20	100	10	50	Disable	OSI-RC100	Dry and Wet, -40° to +40°C
OSI-FB-1602	Internal	120-277	High Frequency	20	100	10	30	Disable	OSI-RC100	Dry and Wet, -40° to +40°C
OSI-FB-1701	Internal	120-347	High Frequency	13	100	10	50	Disable		Dry and Wet, -20° to +40°C
OSI-FB-1702	Internal	120-347	High Frequency	13	100	10	30	Disable		Dry and Wet, -20° to +40°C

TRI-LEVEL SENSORS

Detection - On at (Detection Area) % during (Hold Time) min., then (Stand-by Dim level) % during (Stand-by period) min. Off

Part number	Position	Volts (V)	Technology	Height (ft)	Detection Area (%)	Hold time (min)	Stand-by Dim level (%)	Stand-by period (min)	Daylight min level (lux)	Remote ¹	Location ² (°C)
OSE-FT-0402	External	120-347	High Frequency	50 max.	100	30	30	10	50	OSI-RC-MH10	Wet, -35° to +40°C
OSI-FT-1601	Internal	120-277	High Frequency	20	100	10	30	30	Disable	OSI-RC100	Dry and Wet, -40° to +40°C
OSI-FT-1602	Internal	120-277	High Frequency	20	100	10	30	30	50	OSI-RC100	Dry and Wet, -40° to +40°C
OSI-FT-1701	Internal	120-347	High Frequency	13	100	10	30	30	Disable		Dry and Wet, -20° to +40°C
OSI-FT-1702	Internal	120-347	High Frequency	13	100	10	30	30	50		Dry and Wet, -20° to +40°C

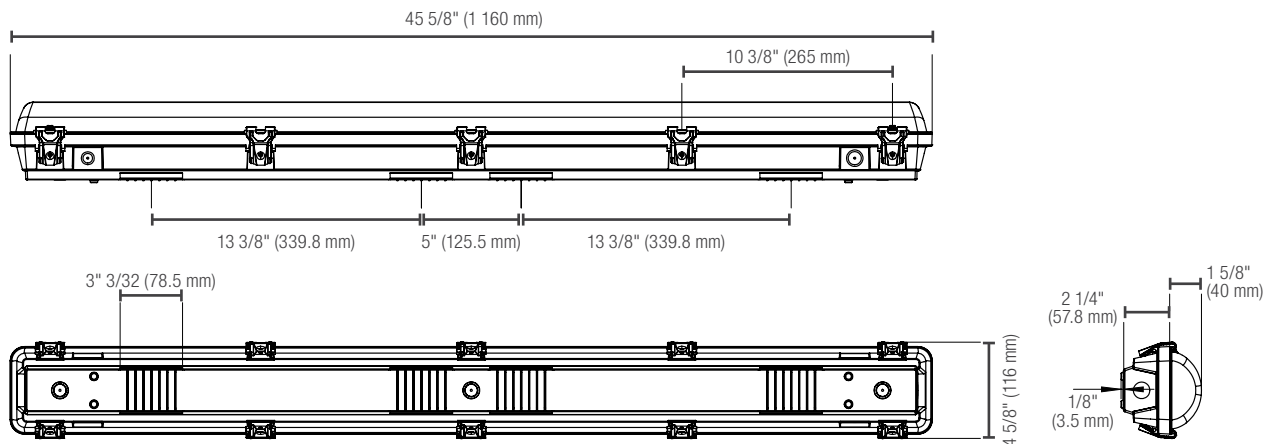
¹ To be ordered separately.

² Min and max ambient temperature of the fixture with the specific sensor. Please verify fixture temperature on the first page for compatibility with sensor.

For more settings visit

www.standardpro.com/documentation/technical-information/

DIMENSIONS



Data is based upon tests performed in a controlled environment. Actual performance can vary depending on operating conditions. All products are subject to change or may be discontinued any time without notice.

LINK

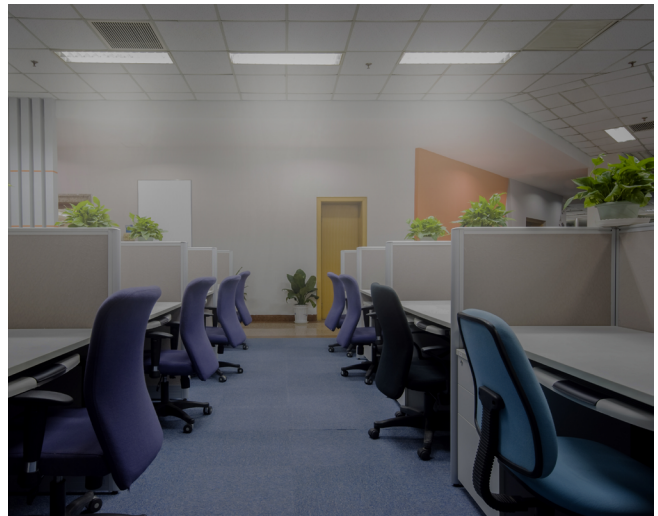
NORMALLY ON EMERGENCY REMOTE LUMINAIRE

This unit can be used with an emergency backup powered by either a 12 V or 24 V DC Stanpro battery unit, complete with or without auto test.

NORMAL MODE



EMERGENCY MODE



TYPICAL SPECIFICATION

Supply and install Stanpro “ Link” ___FT, LED vapor tight, Model number: _____ remote normally on emergency luminaire, CSA C22.2 141-15 certified and meet the requirements prescribed by ICES-005 . Normally on when AC is present and when connected to a Stanpro battery unit complete with or without auto test , the fixture shall act as an Emergency Lighting remote and consume 11W of DC power in _ V producing 1316 to 1408 Lumens in Emergency mode.

The remote normally on emergency luminaire shall be powered by a Stanpro emergency lighting battery unit as described herein and shown on the drawings. The Stanpro Auto Diagnostic micro-controller board shall supply the rated load for a minimum of a 1/2 hour to 87.5% of the rated battery voltage. The unit shall be rated 120V, 277V or 347V, 60 Hz and be CSA listed. The unit shall have an output of: __V and __W. The charge voltage factory set to ± 1% tolerance. High efficiency, rapid recovery, precision control charging system shall be employed to promote long battery life and reduce the potential for grid corrosion. The charger shall provide a continuous high charge to recharge the battery, when the battery is at full capacity, the charger will shut-off. Periodically the charger shall provide a pulse of energy to keep the battery topped off. The pulse charger shall be precisely regulated and shall charge the battery in relation to its temperature, state or charge and input voltage fluctuations. The charger shall be current limited, temperature compensated, short-circuit proof and reverse polarity protected. The unit shall be furnished with an electronic lockout circuit, which will connect the battery when the AC circuit is activated, and an electronic brownout circuit, which will activate the emergency lights when utility power dips below 75% of nominal voltage. A low voltage battery protection circuit shall be provided and will disconnect the load when the battery reaches the end of discharge.

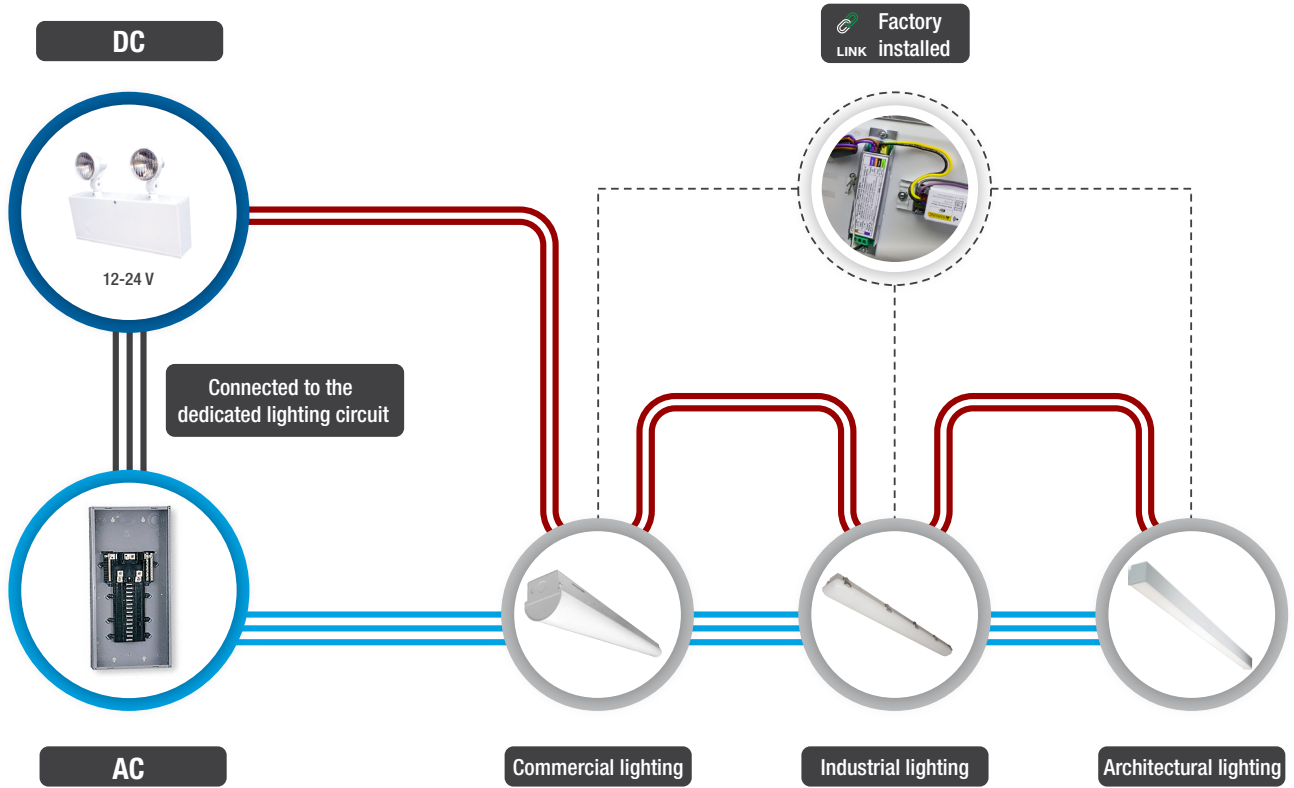
The automated testing performed by the Stanpro Auto-Test system has been designed to comply with all of the requirements of the National Fire Code. Every month a 5 minute discharge and diagnostic test checks the operational status of the unit. Every 12 months this test is extended to the full 30 minute, Code required duration. This insures that the battery charger is recharging the battery in accordance with Code requirements. The unit shall be Stanpro model: SL_ _____

Data is based upon tests performed in a controlled environment. Actual performance can vary depending on operating conditions. All products are subject to change or may be discontinued any time without notice.

LINK

NORMALLY ON EMERGENCY REMOTE LUMINAIRE

LINK Wiring Diagram



LEGEND

- AC wires
- Connected to the dedicated lighting circuit
- DC wires
- LINK factory installed

Commercial lighting	Foot spacing
VTL4-L Gen. 2	42 foot spacing ¹

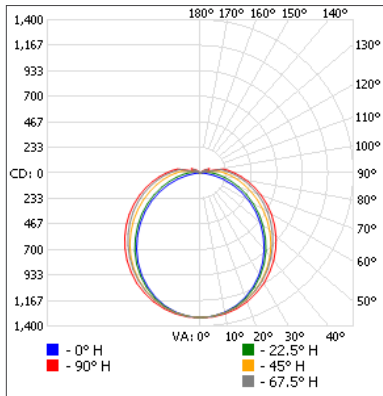
¹ Applicable for 8', 10' or 12' ceilings

Data is based upon tests performed in a controlled environment. Actual performance can vary depending on operating conditions. All products are subject to change or may be discontinued any time without notice.

PHOTOMETRIC DATA¹

69566 • VTL4-PS42B-Q-3C • 30 W • 4 000 K • 4 545 lm

Polar candela distribution



Zonal lumen summary

Zone	Lumens	% Fixture
0-30	1 025.3	22.6
0-40	1 682.6	37
0-60	3 024.8	66.6
60-90	1 236.2	27.2
70-100	856.9	18.9
90-120	256.5	5.6
0-90	4 261.0	93.7
90-180	284.2	6.3
0-180	4 545.2	100

Illuminance at a distance

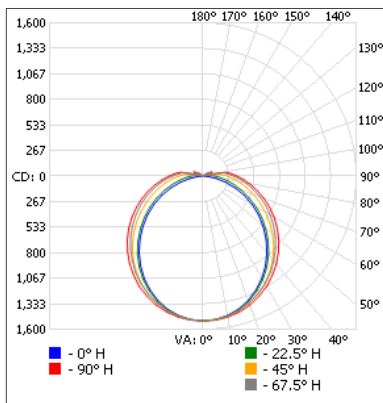
Center beam fc	Beam width
1.7'	457
3.3'	121
5.0'	52.9
6.7'	29.5
8.3'	19.2
10.0'	13.2

Beam width	4.5'	7.5'
1.7'	8.7'	14.6'
3.3'	13.2'	22.1'
5.0'	17.7'	29.6'
6.7'	22.0'	36.6'
8.3'	26.5'	44.1'

Vert. spread: 105.9°
Horiz. spread: 131.2°

69566 • VTL4-PS42B-Q-3C • 35 W • 4 000 K • 5 193 lm

Polar candela distribution



Zonal lumen summary

Zone	Lumens	% Fixture
0-30	1 171.4	22.6
0-40	1 922.4	37
0-60	3 456.0	66.5
60-90	1 412.4	27.2
70-100	979.1	18.9
90-120	293.1	5.6
0-90	4 868.3	93.7
90-180	324.7	6.3
0-180	5 193.0	100

Illuminance at a distance

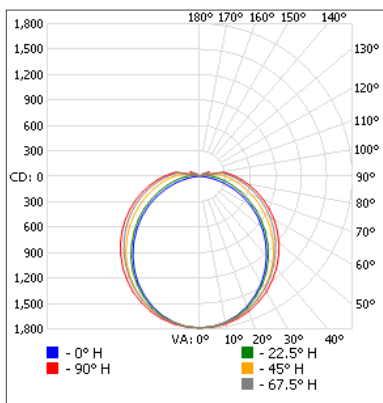
Center beam fc	Beam width
1.7'	523
3.3'	139
5.0'	60.4
6.7'	33.7
8.3'	21.9
10.0'	15.1

Beam width	4.5'	7.5'
1.7'	8.7'	14.6'
3.3'	13.2'	22.1'
5.0'	17.7'	29.6'
6.7'	22.0'	36.6'
8.3'	26.5'	44.1'

Vert. spread: 105.9°
Horiz. spread: 131.2°

69566 • VTL4-PS42B-Q-3C • 42 W • 4 000 K • 6 144 lm

Polar candela distribution



Zonal lumen summary

Zone	Lumens	% Fixture
0-30	1 385.9	22.6
0-40	2 274.4	37
0-60	4 088.8	66.5
60-90	1 671.0	27.2
70-100	1 158.3	18.9
90-120	346.7	5.6
0-90	5 759.7	93.7
90-180	384.1	6.3
0-180	6 143.9	100

Illuminance at a distance

Center beam fc	Beam width
1.7'	618
3.3'	164
5.0'	71.5
6.7'	39.8
8.3'	25.9
10.0'	17.9

Beam width	4.5'	7.5'
1.7'	8.7'	14.6'
3.3'	13.2'	22.1'
5.0'	17.7'	29.6'
6.7'	22.0'	36.6'
8.3'	26.5'	44.1'

Vert. spread: 105.9°
Horiz. spread: 131.2°

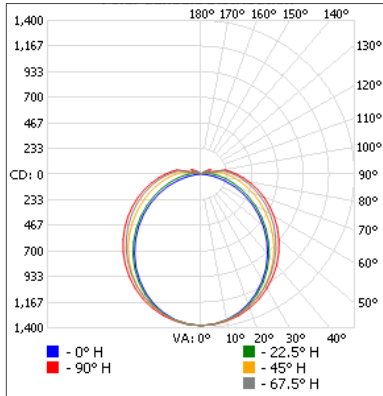
¹ Complete IES files available on our website.

Data is based upon tests performed in a controlled environment. Actual performance can vary depending on operating conditions. All products are subject to change or may be discontinued any time without notice.

PHOTOMETRIC DATA¹

69567 • VTL4-PS65B-Q-3C • 30 W • 4 000 K • 4 702 lm

Polar candela distribution



Zonal lumen summary

Zone	Lumens	% Fixture
0-30	1 065.4	22.7
0-40	1 745.7	37.1
0-60	3 127.9	66.5
60-90	1 273.7	27.1
70-100	888.3	18.9
90-120	269.8	5.7
0-90	4 401.6	93.6
90-180	300.4	6.4
0-180	4 702.0	100

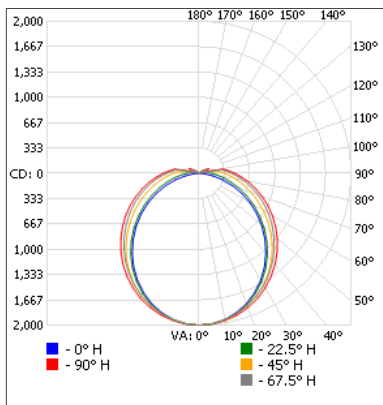
Illuminance at a distance

Center beam fc	Beam width
1.7'	4.5' 7.3'
3.3'	8.7' 14.2'
5.0'	13.1' 21.4'
6.7'	17.6' 28.7'
8.3'	21.8' 35.6'
10.0'	26.2' 42.9'

Vert. spread: 105.3°
Horiz. spread: 130.0°

69567 • VTL4-PS65B-Q-3C • 45 W • 4 000 K • 6 818 lm

Polar candela distribution



Zonal lumen summary

Zone	Lumens	% Fixture
0-30	1 544.8	22.7
0-40	2 531.2	37.1
0-60	4 535.5	66.5
60-90	1 846.9	27.1
70-100	1 288.1	18.9
90-120	391.2	5.7
0-90	6 382.3	93.6
90-180	435.5	6.4
0-180	6 817.9	100

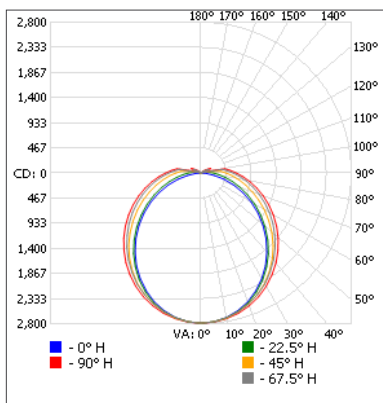
Illuminance at a distance

Center beam fc	Beam width
1.7'	4.5' 7.3'
3.3'	8.7' 14.2'
5.0'	13.1' 21.4'
6.7'	17.6' 28.7'
8.3'	21.8' 35.6'
10.0'	26.2' 42.9'

Vert. spread: 105.3°
Horiz. spread: 130.0°

69567 • VTL4-PS65B-Q-3C • 65 W • 4 000 K • 9 509 lm

Polar candela distribution



Zonal lumen summary

Zone	Lumens	% Fixture
0-30	2 154.4	22.7
0-40	3 530.2	37.1
0-60	6 325.3	66.5
60-90	2 575.7	27.1
70-100	1 796.4	18.9
90-120	545.5	5.7
0-90	8 901.0	93.6
90-180	607.4	6.4
0-180	9 508.5	100

Illuminance at a distance

Center beam fc	Beam width
1.7'	4.5' 7.3'
3.3'	8.7' 14.2'
5.0'	13.1' 21.4'
6.7'	17.6' 28.7'
8.3'	21.8' 35.6'
10.0'	26.2' 42.9'

Vert. spread: 105.3°
Horiz. spread: 130.0°

¹ Complete IES files available on our website.

Data is based upon tests performed in a controlled environment. Actual performance can vary depending on operating conditions. All products are subject to change or may be discontinued any time without notice.