



STEELE  
PLASTICS INC.  
2007 PRICE LIST

Effective August 1st 2007





## Table of Contents

	Page
Tapered Basins .....	3
Straight Wall Basins with Fiberglass Anti-Float .....	4-11
Straight Wall Basins with Steel Anti-Float .....	12-19
Basin Risers .....	20
Fiberglass Covers .....	21
Aluminum Covers .....	22
Steel Covers .....	23
Cover Options .....	24
Basin Accessories .....	25-31
SPI Rail Packages .....	32-36
Other Rail Packages .....	37-38
Limited Warranty .....	39
Terms and Conditions .....	39

Visit [www.steeleplastics.com](http://www.steeleplastics.com)

\$50.00 Minimum Order

Prices Effective August 1, 2007

All Prices F.O.B. Conway, AR 72034

Prices Subject to Change Without Notice

Phone: 501-327-5122

Toll Free: 800-523-2167

Fax: 501-327-0807

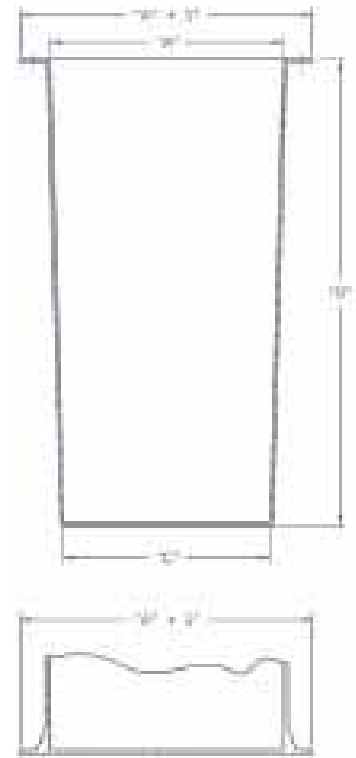
[sales@steeleplastics.com](mailto:sales@steeleplastics.com)

# Tapered Basins



af= Anti-float

Part Number	Part Description	Approx. Gallons	Approx. Weight
<b>18" Basins</b>			
BA18X030T	Basin 18 X 30 tapered n/af	31	23
BA18X030TA	Basin 18 X 30 tapered w/af	31	32
BA18X036T	Basin 18 X 36 tapered n/af	36	27
BA18X036TA	Basin 18 X 36 tapered w/af	36	36
BA18X048T	Basin 18 X 48 tapered n/af	47	33
BA18X048TA	Basin 18 X 48 tapered w/af	47	42
<b>24" Basins</b>			
BA24X036T	Basin 24 X 36 tapered n/af	65	36
BA24X036TA	Basin 24 X 36 tapered w/af	65	49
BA24X048T	Basin 24 X 48 tapered n/af	84	45
BA24X048TA	Basin 24 X 48 tapered w/af	84	58
BA24X054T	Basin 24 X 54 tapered n/af	93	49
BA24X054TA	Basin 24 X 54 tapered w/af	93	62
BA24X060T	Basin 24 X 60 tapered n/af	102	53
BA24X060TA	Basin 24 X 60 tapered w/af	102	66
BA24X072T	Basin 24 X 72 tapered n/af	118	60
BA24X072TA	Basin 24 X 72 tapered w/af	118	74
<b>30" Basins</b>			
BA30X036T	Basin 30 X 36 tapered n/af	105	48
BA30X036TA	Basin 30 X 36 tapered w/af	105	65
BA30X048T	Basin 30 X 48 tapered n/af	137	58
BA30X048TA	Basin 30 X 48 tapered w/af	137	75
BA30X060T	Basin 30 X 60 tapered n/af	169	69
BA30X060TA	Basin 30 X 60 tapered w/af	169	86
BA30X072T	Basin 30 X 72 tapered n/af	199	80
BA30X072TA	Basin 30 X 72 tapered w/af	199	97
<b>36" Basins</b>			
BA36X036T	Basin 36 X 36 tapered n/af	152	62
BA36X036TA	Basin 36 X 36 tapered w/af	152	87
BA36X048T	Basin 36 X 48 tapered n/af	200	94
BA36X048TA	Basin 36 X 48 tapered w/af	200	120
BA36X060T	Basin 36 X 60 tapered n/af	246	111
BA36X060TA	Basin 36 X 60 tapered w/af	246	137
BA36X072T	Basin 36 X 72 tapered n/af	291	128
BA36X072TA	Basin 36 X 72 tapered w/af	291	154
<b>48" Basins</b>			
BA48X048T	Basin 48 X 48 tapered n/af	361	137
BA48X048TA	Basin 48 X 48 tapered w/af	361	174
BA48X060T	Basin 48 X 60 tapered n/af	446	161
BA48X060TA	Basin 48 X 60 tapered w/af	446	198
BA48X072T	Basin 48 X 72 tapered n/af	529	184
BA48X072TA	Basin 48 X 72 tapered w/af	529	222



Dimensional Data		
"A"	"B"	"C"
18"	30"	16.75"
18"	36"	16.5"
18"	48"	16"
24"	36"	22"
24"	48"	21.3"
24"	54"	20.87"
24"	60"	20.7"
24"	72"	20"
30"	36"	28.5"
30"	48"	28"
30"	60"	27.5"
30"	72"	27"
36"	36"	34.5"
36"	48"	34"
36"	60"	33.5"
36"	72"	33"
48"	48"	46"
48"	60"	45.5"
48"	72"	45"



## Straight Wall Basins with Fiberglass Anti-Float

Basin Dia. X Depth	Part Description	Approx. Gallons	Approx. Weight
BA24X024SA	Basin 24 X 24 sw w/af	47	45
BA24X030SA	Basin 24 X 30 sw w/af	59	50
BA24X036SA	Basin 24 X 36 sw w/af	71	55
BA24X042SA	Basin 24 X 42 sw w/af	82	60
BA24X048SA	Basin 24 X 48 sw w/af	94	65
BA24X054SA	Basin 24 X 54 sw w/af	106	71
BA24X060SA	Basin 24 X 60 sw w/af	118	76
BA24X066SA	Basin 24 X 66 sw w/af	129	81
BA24X072SA	Basin 24 X 72 sw w/af	141	86
BA24X078SA	Basin 24 X 78 sw w/af	153	91
BA24X084SA	Basin 24 X 84 sw w/af	165	96
BA24X090SA	Basin 24 X 90 sw w/af	176	101
BA24X096SA	Basin 24 X 96 sw w/af	188	106
BA24X102SA	Basin 24 X 102 sw w/af	200	132
BA24X108SA	Basin 24 X 108 sw w/af	212	137
BA24X114SA	Basin 24 X 114 sw w/af	223	142
BA24X120SA	Basin 24 X 120 sw w/af	235	148
BA24X126SA	Basin 24 X 126 sw w/af	247	153
BA24X132SA	Basin 24 X 132 sw w/af	259	158
BA24X138SA	Basin 24 X 138 sw w/af	270	164
BA24X144SA	Basin 24 X 144 sw w/af	282	169
BA24X150SA	Basin 24 X 150 sw w/af	294	174
BA24X156SA	Basin 24 X 156 sw w/af	306	179
BA24X162SA	Basin 24 X 162 sw w/af	317	185
BA24X168SA	Basin 24 X 168 sw w/af	329	190
BA24X174SA	Basin 24 X 174 sw w/af	341	195
BA24X180SA	Basin 24 X 180 sw w/af	353	200
BA24X186SA	Basin 24 X 186 sw w/af	364	206
BA24X192SA	Basin 24 X 192 sw w/af	376	211
BA24X198SA	Basin 24 X 198 sw w/af	388	216
BA24X204SA	Basin 24 X 204 sw w/af	400	221
BA24X210SA	Basin 24 X 210 sw w/af	411	227
BA24X216SA	Basin 24 X 216 sw w/af	423	232
BA24X222SA	Basin 24 X 222 sw w/af	435	238
BA24X228SA	Basin 24 X 228 sw w/af	447	243
BA24X234SA	Basin 24 X 234 sw w/af	458	248
BA24X240SA	Basin 24 X 240 sw w/af	470	253
BA24X246SA	Basin 24 X 246 sw w/af	482	403
BA24X252SA	Basin 24 X 252 sw w/af	494	411
BA24X258SA	Basin 24 X 258 sw w/af	505	418
BA24X264SA	Basin 24 X 264 sw w/af	517	425
BA24X270SA	Basin 24 X 270 sw w/af	529	433
BA24X276SA	Basin 24 X 276 sw w/af	541	440
BA24X282SA	Basin 24 X 282 sw w/af	552	448
BA24X288SA	Basin 24 X 288 sw w/af	564	455
BA24X294SA	Basin 24 X 294 sw w/af	576	463
BA24X300SA	Basin 24 X 300 sw w/af	588	470
BA24X306SA	Basin 24 X 306 sw w/af	599	477
BA24X312SA	Basin 24 X 312 sw w/af	611	485
BA24X318SA	Basin 24 X 318 sw w/af	623	492
BA24X324SA	Basin 24 X 324 sw w/af	635	499
BA24X330SA	Basin 24 X 330 sw w/af	646	507
BA24X336SA	Basin 24 X 336 sw w/af	658	514
BA24X342SA	Basin 24 X 342 sw w/af	670	521
BA24X348SA	Basin 24 X 348 sw w/af	682	529
BA24X354SA	Basin 24 X 354 sw w/af	693	536
BA24X360SA	Basin 24 X 360 sw w/af	705	544

## Straight Wall Basins with Fiberglass Anti-Float



Basin Dia. X Depth	Part Description	Approx. Gallons	Approx. Weight
BA30X024SA	Basin 30 X 24 sw w/af	73	65
BA30X030SA	Basin 30 X 30 sw w/af	92	71
BA30X036SA	Basin 30 X 36 sw w/af	110	78
BA30X042SA	Basin 30 X 42 sw w/af	129	84
BA30X048SA	Basin 30 X 48 sw w/af	147	90
BA30X054SA	Basin 30 X 54 sw w/af	165	97
BA30X060SA	Basin 30 X 60 sw w/af	184	103
BA30X066SA	Basin 30 X 66 sw w/af	202	109
BA30X072SA	Basin 30 X 72 sw w/af	220	116
BA30X078SA	Basin 30 X 78 sw w/af	239	122
BA30X084SA	Basin 30 X 84 sw w/af	257	128
BA30X090SA	Basin 30 X 90 sw w/af	275	135
BA30X096SA	Basin 30 X 96 sw w/af	294	141
BA30X102SA	Basin 30 X 102 sw w/af	312	173
BA30X108SA	Basin 30 X 108 sw w/af	330	180
BA30X114SA	Basin 30 X 114 sw w/af	349	187
BA30X120SA	Basin 30 X 120 sw w/af	367	194
BA30X126SA	Basin 30 X 126 sw w/af	386	200
BA30X132SA	Basin 30 X 132 sw w/af	404	207
BA30X138SA	Basin 30 X 138 sw w/af	422	214
BA30X144SA	Basin 30 X 144 sw w/af	441	220
BA30X150SA	Basin 30 X 150 sw w/af	459	227
BA30X156SA	Basin 30 X 156 sw w/af	477	234
BA30X162SA	Basin 30 X 162 sw w/af	496	240
BA30X168SA	Basin 30 X 168 sw w/af	514	247
BA30X174SA	Basin 30 X 174 sw w/af	532	254
BA30X180SA	Basin 30 X 180 sw w/af	551	261
BA30X186SA	Basin 30 X 186 sw w/af	569	267
BA30X192SA	Basin 30 X 192 sw w/af	588	274
BA30X198SA	Basin 30 X 198 sw w/af	606	283
BA30X204SA	Basin 30 X 204 sw w/af	624	292
BA30X210SA	Basin 30 X 210 sw w/af	643	302
BA30X216SA	Basin 30 X 216 sw w/af	661	311
BA30X222SA	Basin 30 X 222 sw w/af	679	320
BA30X228SA	Basin 30 X 228 sw w/af	698	329
BA30X234SA	Basin 30 X 234 sw w/af	716	339
BA30X240SA	Basin 30 X 240 sw w/af	734	348
BA30X246SA	Basin 30 X 246 sw w/af	753	357
BA30X252SA	Basin 30 X 252 sw w/af	771	366
BA30X258SA	Basin 30 X 258 sw w/af	789	375
BA30X264SA	Basin 30 X 264 sw w/af	808	384
BA30X270SA	Basin 30 X 270 sw w/af	826	393
BA30X276SA	Basin 30 X 276 sw w/af	845	402
BA30X282SA	Basin 30 X 282 sw w/af	863	411
BA30X288SA	Basin 30 X 288 sw w/af	881	420
BA30X294SA	Basin 30 X 294 sw w/af	900	429
BA30X300SA	Basin 30 X 300 sw w/af	918	438
BA30X306SA	Basin 30 X 306 sw w/af	936	447
BA30X312SA	Basin 30 X 312 sw w/af	955	456
BA30X318SA	Basin 30 X 318 sw w/af	973	465
BA30X324SA	Basin 30 X 324 sw w/af	991	474
BA30X330SA	Basin 30 X 330 sw w/af	1010	483
BA30X336SA	Basin 30 X 336 sw w/af	1028	492
BA30X342SA	Basin 30 X 342 sw w/af	1047	501
BA30X348SA	Basin 30 X 348 sw w/af	1065	510
BA30X354SA	Basin 30 X 354 sw w/af	1083	519
BA30X360SA	Basin 30 X 360 sw w/af	1102	528



## Straight Wall Basins with Fiberglass Anti-Float

Basin Dia. X Depth	Part Description	Approx. Gallons	Approx. Weight
BA36X024SA	Basin 36 X 24 sw w/af	106	93
BA36X030SA	Basin 36 X 30 sw w/af	132	101
BA36X036SA	Basin 36 X 36 sw w/af	159	108
BA36X042SA	Basin 36 X 42 sw w/af	185	116
BA36X048SA	Basin 36 X 48 sw w/af	212	124
BA36X054SA	Basin 36 X 54 sw w/af	238	131
BA36X060SA	Basin 36 X 60 sw w/af	264	139
BA36X066SA	Basin 36 X 66 sw w/af	291	147
BA36X072SA	Basin 36 X 72 sw w/af	317	154
BA36X078SA	Basin 36 X 78 sw w/af	344	193
BA36X084SA	Basin 36 X 84 sw w/af	370	201
BA36X090SA	Basin 36 X 90 sw w/af	397	211
BA36X096SA	Basin 36 X 96 sw w/af	423	219
BA36X102SA	Basin 36 X 102 sw w/af	449	227
BA36X108SA	Basin 36 X 108 sw w/af	476	236
BA36X114SA	Basin 36 X 114 sw w/af	502	244
BA36X120SA	Basin 36 X 120 sw w/af	529	253
BA36X126SA	Basin 36 X 126 sw w/af	555	261
BA36X132SA	Basin 36 X 132 sw w/af	582	269
BA36X138SA	Basin 36 X 138 sw w/af	608	277
BA36X144SA	Basin 36 X 144 sw w/af	635	289
BA36X150SA	Basin 36 X 150 sw w/af	661	300
BA36X156SA	Basin 36 X 156 sw w/af	687	312
BA36X162SA	Basin 36 X 162 sw w/af	714	323
BA36X168SA	Basin 36 X 168 sw w/af	740	334
BA36X174SA	Basin 36 X 174 sw w/af	767	346
BA36X180SA	Basin 36 X 180 sw w/af	793	357
BA36X186SA	Basin 36 X 186 sw w/af	820	368
BA36X192SA	Basin 36 X 192 sw w/af	846	379
BA36X198SA	Basin 36 X 198 sw w/af	872	391
BA36X204SA	Basin 36 X 204 sw w/af	899	402
BA36X210SA	Basin 36 X 210 sw w/af	925	413
BA36X216SA	Basin 36 X 216 sw w/af	952	425
BA36X222SA	Basin 36 X 222 sw w/af	978	436
BA36X228SA	Basin 36 X 228 sw w/af	1005	447
BA36X234SA	Basin 36 X 234 sw w/af	1031	462
BA36X240SA	Basin 36 X 240 sw w/af	1058	475
BA36X246SA	Basin 36 X 246 sw w/af	1084	649
BA36X252SA	Basin 36 X 252 sw w/af	1110	660
BA36X258SA	Basin 36 X 258 sw w/af	1137	671
BA36X264SA	Basin 36 X 264 sw w/af	1163	682
BA36X270SA	Basin 36 X 270 sw w/af	1190	693
BA36X276SA	Basin 36 X 276 sw w/af	1216	704
BA36X282SA	Basin 36 X 282 sw w/af	1243	716
BA36X288SA	Basin 36 X 288 sw w/af	1269	727
BA36X294SA	Basin 36 X 294 sw w/af	1295	738
BA36X300SA	Basin 36 X 300 sw w/af	1322	753
BA36X306SA	Basin 36 X 306 sw w/af	1348	766
BA36X312SA	Basin 36 X 312 sw w/af	1375	781
BA36X318SA	Basin 36 X 318 sw w/af	1401	794
BA36X324SA	Basin 36 X 324 sw w/af	1428	808
BA36X330SA	Basin 36 X 330 sw w/af	1454	822
BA36X336SA	Basin 36 X 336 sw w/af	1481	836
BA36X342SA	Basin 36 X 342 sw w/af	1507	850
BA36X348SA	Basin 36 X 348 sw w/af	1533	864
BA36X354SA	Basin 36 X 354 sw w/af	1560	878
BA36X360SA	Basin 36 X 360 sw w/af	1586	892

# Straight Wall Basins with Fiberglass Anti-Float



Basin Dia. X Depth	Part Description	Approx. Gallons	Approx. Weight
BA42X024SA	Basin 42 X 24 sw w/af	144	115
BA42X030SA	Basin 42 X 30 sw w/af	180	124
BA42X036SA	Basin 42 X 36 sw w/af	216	133
BA42X042SA	Basin 42 X 42 sw w/af	252	141
BA42X048SA	Basin 42 X 48 sw w/af	288	152
BA42X054SA	Basin 42 X 54 sw w/af	324	163
BA42X060SA	Basin 42 X 60 sw w/af	360	174
BA42X066SA	Basin 42 X 66 sw w/af	396	185
BA42X072SA	Basin 42 X 72 sw w/af	432	196
BA42X078SA	Basin 42 X 78 sw w/af	468	241
BA42X084SA	Basin 42 X 84 sw w/af	504	252
BA42X090SA	Basin 42 X 90 sw w/af	540	262
BA42X096SA	Basin 42 X 96 sw w/af	576	272
BA42X102SA	Basin 42 X 102 sw w/af	612	287
BA42X108SA	Basin 42 X 108 sw w/af	648	300
BA42X114SA	Basin 42 X 114 sw w/af	684	314
BA42X120SA	Basin 42 X 120 sw w/af	720	328
BA42X126SA	Basin 42 X 126 sw w/af	756	341
BA42X132SA	Basin 42 X 132 sw w/af	792	356
BA42X138SA	Basin 42 X 138 sw w/af	828	369
BA42X144SA	Basin 42 X 144 sw w/af	864	383
BA42X150SA	Basin 42 X 150 sw w/af	900	396
BA42X156SA	Basin 42 X 156 sw w/af	936	410
BA42X162SA	Basin 42 X 162 sw w/af	972	424
BA42X168SA	Basin 42 X 168 sw w/af	1008	436
BA42X174SA	Basin 42 X 174 sw w/af	1044	453
BA42X180SA	Basin 42 X 180 sw w/af	1080	470
BA42X186SA	Basin 42 X 186 sw w/af	1116	487
BA42X192SA	Basin 42 X 192 sw w/af	1152	504
BA42X198SA	Basin 42 X 198 sw w/af	1188	521
BA42X204SA	Basin 42 X 204 sw w/af	1224	537
BA42X210SA	Basin 42 X 210 sw w/af	1259	553
BA42X216SA	Basin 42 X 216 sw w/af	1295	570
BA42X222SA	Basin 42 X 222 sw w/af	1331	587
BA42X228SA	Basin 42 X 228 sw w/af	1367	604
BA42X234SA	Basin 42 X 234 sw w/af	1403	620
BA42X240SA	Basin 42 X 240 sw w/af	1439	637
BA42X246SA	Basin 42 X 246 sw w/af	1475	797
BA42X252SA	Basin 42 X 252 sw w/af	1511	813
BA42X258SA	Basin 42 X 258 sw w/af	1547	829
BA42X264SA	Basin 42 X 264 sw w/af	1583	849
BA42X270SA	Basin 42 X 270 sw w/af	1619	869
BA42X276SA	Basin 42 X 276 sw w/af	1655	888
BA42X282SA	Basin 42 X 282 sw w/af	1691	908
BA42X288SA	Basin 42 X 288 sw w/af	1727	927
BA42X294SA	Basin 42 X 294 sw w/af	1763	946
BA42X300SA	Basin 42 X 300 sw w/af	1799	966
BA42X306SA	Basin 42 X 306 sw w/af	1835	985
BA42X312SA	Basin 42 X 312 sw w/af	1871	1005
BA42X318SA	Basin 42 X 318 sw w/af	1907	1024
BA42X324SA	Basin 42 X 324 sw w/af	1943	1043
BA42X330SA	Basin 42 X 330 sw w/af	1979	1063
BA42X336SA	Basin 42 X 336 sw w/af	2015	1082
BA42X342SA	Basin 42 X 342 sw w/af	2051	1102
BA42X348SA	Basin 42 X 348 sw w/af	2087	1121
BA42X354SA	Basin 42 X 354 sw w/af	2123	1140
BA42X360SA	Basin 42 X 360 sw w/af	2159	1160



## Straight Wall Basins with Fiberglass Anti-Float

Basin Dia. X Depth	Part Description	Approx. Gallons	Approx. Weight
BA48X024SA	Basin 48 X 24 sw w/af	188	137
BA48X030SA	Basin 48 X 30 sw w/af	235	151
BA48X036SA	Basin 48 X 36 sw w/af	282	166
BA48X042SA	Basin 48 X 42 sw w/af	329	180
BA48X048SA	Basin 48 X 48 sw w/af	376	193
BA48X054SA	Basin 48 X 54 sw w/af	423	207
BA48X060SA	Basin 48 X 60 sw w/af	470	220
BA48X066SA	Basin 48 X 66 sw w/af	517	232
BA48X072SA	Basin 48 X 72 sw w/af	564	245
BA48X078SA	Basin 48 X 78 sw w/af	611	302
BA48X084SA	Basin 48 X 84 sw w/af	658	315
BA48X090SA	Basin 48 X 90 sw w/af	705	330
BA48X096SA	Basin 48 X 96 sw w/af	752	347
BA48X102SA	Basin 48 X 102 sw w/af	799	363
BA48X108SA	Basin 48 X 108 sw w/af	846	380
BA48X114SA	Basin 48 X 114 sw w/af	893	396
BA48X120SA	Basin 48 X 120 sw w/af	940	412
BA48X126SA	Basin 48 X 126 sw w/af	987	432
BA48X132SA	Basin 48 X 132 sw w/af	1034	451
BA48X138SA	Basin 48 X 138 sw w/af	1081	472
BA48X144SA	Basin 48 X 144 sw w/af	1128	491
BA48X150SA	Basin 48 X 150 sw w/af	1175	511
BA48X156SA	Basin 48 X 156 sw w/af	1222	530
BA48X162SA	Basin 48 X 162 sw w/af	1269	550
BA48X168SA	Basin 48 X 168 sw w/af	1316	569
BA48X174SA	Basin 48 X 174 sw w/af	1363	588
BA48X180SA	Basin 48 X 180 sw w/af	1410	609
BA48X186SA	Basin 48 X 186 sw w/af	1457	628
BA48X192SA	Basin 48 X 192 sw w/af	1504	648
BA48X198SA	Basin 48 X 198 sw w/af	1551	667
BA48X204SA	Basin 48 X 204 sw w/af	1598	685
BA48X210SA	Basin 48 X 210 sw w/af	1645	705
BA48X216SA	Basin 48 X 216 sw w/af	1692	728
BA48X222SA	Basin 48 X 222 sw w/af	1739	750
BA48X228SA	Basin 48 X 228 sw w/af	1786	773
BA48X234SA	Basin 48 X 234 sw w/af	1833	796
BA48X240SA	Basin 48 X 240 sw w/af	1880	819
BA48X246SA	Basin 48 X 246 sw w/af	1927	1011
BA48X252SA	Basin 48 X 252 sw w/af	1974	1034
BA48X258SA	Basin 48 X 258 sw w/af	2021	1055
BA48X264SA	Basin 48 X 264 sw w/af	2068	1078
BA48X270SA	Basin 48 X 270 sw w/af	2115	1101
BA48X276SA	Basin 48 X 276 sw w/af	2162	1124
BA48X282SA	Basin 48 X 282 sw w/af	2209	1146
BA48X288SA	Basin 48 X 288 sw w/af	2256	1168
BA48X294SA	Basin 48 X 294 sw w/af	2303	1191
BA48X300SA	Basin 48 X 300 sw w/af	2350	1213
BA48X306SA	Basin 48 X 306 sw w/af	2397	1236
BA48X312SA	Basin 48 X 312 sw w/af	2444	1263
BA48X318SA	Basin 48 X 318 sw w/af	2491	1290
BA48X324SA	Basin 48 X 324 sw w/af	2538	1318
BA48X330SA	Basin 48 X 330 sw w/af	2585	1345
BA48X336SA	Basin 48 X 336 sw w/af	2632	1372
BA48X342SA	Basin 48 X 342 sw w/af	2679	1400
BA48X348SA	Basin 48 X 348 sw w/af	2726	1427
BA48X354SA	Basin 48 X 354 sw w/af	2773	1454
BA48X360SA	Basin 48 X 360 sw w/af	2820	1482



## Straight Wall Basins with Fiberglass Anti-Float



Basin Dia. X Depth	Part Description	Approx. Gallons	Approx. Weight
BA54X024SA	Basin 54 X 24 sw w/af	238	184
BA54X030SA	Basin 54 X 30 sw w/af	297	202
BA54X036SA	Basin 54 X 36 sw w/af	357	219
BA54X042SA	Basin 54 X 42 sw w/af	416	236
BA54X048SA	Basin 54 X 48 sw w/af	476	252
BA54X054SA	Basin 54 X 54 sw w/af	535	268
BA54X060SA	Basin 54 X 60 sw w/af	595	284
BA54X066SA	Basin 54 X 66 sw w/af	654	299
BA54X072SA	Basin 54 X 72 sw w/af	714	369
BA54X078SA	Basin 54 X 78 sw w/af	773	389
BA54X084SA	Basin 54 X 84 sw w/af	833	408
BA54X090SA	Basin 54 X 90 sw w/af	892	427
BA54X096SA	Basin 54 X 96 sw w/af	952	446
BA54X102SA	Basin 54 X 102 sw w/af	1011	470
BA54X108SA	Basin 54 X 108 sw w/af	1071	492
BA54X114SA	Basin 54 X 114 sw w/af	1130	516
BA54X120SA	Basin 54 X 120 sw w/af	1190	539
BA54X126SA	Basin 54 X 126 sw w/af	1249	561
BA54X132SA	Basin 54 X 132 sw w/af	1309	585
BA54X138SA	Basin 54 X 138 sw w/af	1368	607
BA54X144SA	Basin 54 X 144 sw w/af	1428	630
BA54X150SA	Basin 54 X 150 sw w/af	1487	652
BA54X156SA	Basin 54 X 156 sw w/af	1547	674
BA54X162SA	Basin 54 X 162 sw w/af	1606	698
BA54X168SA	Basin 54 X 168 sw w/af	1666	723
BA54X174SA	Basin 54 X 174 sw w/af	1725	749
BA54X180SA	Basin 54 X 180 sw w/af	1785	775
BA54X186SA	Basin 54 X 186 sw w/af	1844	802
BA54X192SA	Basin 54 X 192 sw w/af	1904	828
BA54X198SA	Basin 54 X 198 sw w/af	1963	854
BA54X204SA	Basin 54 X 204 sw w/af	2023	879
BA54X210SA	Basin 54 X 210 sw w/af	2082	905
BA54X216SA	Basin 54 X 216 sw w/af	2142	931
BA54X222SA	Basin 54 X 222 sw w/af	2201	957
BA54X228SA	Basin 54 X 228 sw w/af	2260	982
BA54X234SA	Basin 54 X 234 sw w/af	2320	1014
BA54X240SA	Basin 54 X 240 sw w/af	2379	1045
BA54X246SA	Basin 54 X 246 sw w/af	2439	1256
BA54X252SA	Basin 54 X 252 sw w/af	2498	1287
BA54X258SA	Basin 54 X 258 sw w/af	2558	1318
BA54X264SA	Basin 54 X 264 sw w/af	2617	1350
BA54X270SA	Basin 54 X 270 sw w/af	2677	1381
BA54X276SA	Basin 54 X 276 sw w/af	2736	1412
BA54X282SA	Basin 54 X 282 sw w/af	2796	1444
BA54X288SA	Basin 54 X 288 sw w/af	2855	1475
BA54X294SA	Basin 54 X 294 sw w/af	2915	1507
BA54X300SA	Basin 54 X 300 sw w/af	2974	1538
BA54X306SA	Basin 54 X 306 sw w/af	3034	1569
BA54X312SA	Basin 54 X 312 sw w/af	3093	1599
BA54X318SA	Basin 54 X 318 sw w/af	3153	1631
BA54X324SA	Basin 54 X 324 sw w/af	3212	1662
BA54X330SA	Basin 54 X 330 sw w/af	3272	1693
BA54X336SA	Basin 54 X 336 sw w/af	3331	1725
BA54X342SA	Basin 54 X 342 sw w/af	3391	1756
BA54X348SA	Basin 54 X 348 sw w/af	3450	1786
BA54X354SA	Basin 54 X 354 sw w/af	3510	1817
BA54X360SA	Basin 54 X 360 sw w/af	3569	1849



## Straight Wall Basins with Fiberglass Anti-Float

Basin Dia. X Depth	Part Description	Approx. Gallons	Approx. Weight
BA60X024SA	Basin 60 X 24 sw w/af	294	228
BA60X030SA	Basin 60 X 30 sw w/af	367	251
BA60X036SA	Basin 60 X 36 sw w/af	441	273
BA60X042SA	Basin 60 X 42 sw w/af	514	293
BA60X048SA	Basin 60 X 48 sw w/af	588	312
BA60X054SA	Basin 60 X 54 sw w/af	661	330
BA60X060SA	Basin 60 X 60 sw w/af	734	403
BA60X066SA	Basin 60 X 66 sw w/af	808	432
BA60X072SA	Basin 60 X 72 sw w/af	881	456
BA60X078SA	Basin 60 X 78 sw w/af	955	478
BA60X084SA	Basin 60 X 84 sw w/af	1028	502
BA60X090SA	Basin 60 X 90 sw w/af	1102	528
BA60X096SA	Basin 60 X 96 sw w/af	1175	554
BA60X102SA	Basin 60 X 102 sw w/af	1248	581
BA60X108SA	Basin 60 X 108 sw w/af	1322	607
BA60X114SA	Basin 60 X 114 sw w/af	1395	634
BA60X120SA	Basin 60 X 120 sw w/af	1469	660
BA60X126SA	Basin 60 X 126 sw w/af	1542	687
BA60X132SA	Basin 60 X 132 sw w/af	1616	713
BA60X138SA	Basin 60 X 138 sw w/af	1689	742
BA60X144SA	Basin 60 X 144 sw w/af	1763	773
BA60X150SA	Basin 60 X 150 sw w/af	1836	801
BA60X156SA	Basin 60 X 156 sw w/af	1909	832
BA60X162SA	Basin 60 X 162 sw w/af	1983	863
BA60X168SA	Basin 60 X 168 sw w/af	2056	892
BA60X174SA	Basin 60 X 174 sw w/af	2130	920
BA60X180SA	Basin 60 X 180 sw w/af	2203	951
BA60X186SA	Basin 60 X 186 sw w/af	2277	986
BA60X192SA	Basin 60 X 192 sw w/af	2350	1023
BA60X198SA	Basin 60 X 198 sw w/af	2424	1058
BA60X204SA	Basin 60 X 204 sw w/af	2497	1093
BA60X210SA	Basin 60 X 210 sw w/af	2570	1130
BA60X216SA	Basin 60 X 216 sw w/af	2644	1165
BA60X222SA	Basin 60 X 222 sw w/af	2717	1200
BA60X228SA	Basin 60 X 228 sw w/af	2791	1235
BA60X234SA	Basin 60 X 234 sw w/af	2864	1270
BA60X240SA	Basin 60 X 240 sw w/af	2938	1307
BA60X246SA	Basin 60 X 246 sw w/af	3011	1543
BA60X252SA	Basin 60 X 252 sw w/af	3084	1578
BA60X258SA	Basin 60 X 258 sw w/af	3158	1613
BA60X264SA	Basin 60 X 264 sw w/af	3231	1648
BA60X270SA	Basin 60 X 270 sw w/af	3305	1683
BA60X276SA	Basin 60 X 276 sw w/af	3378	1718
BA60X282SA	Basin 60 X 282 sw w/af	3452	1753
BA60X288SA	Basin 60 X 288 sw w/af	3525	1788
BA60X294SA	Basin 60 X 294 sw w/af	3599	1823
BA60X300SA	Basin 60 X 300 sw w/af	3672	1858
BA60X306SA	Basin 60 X 306 sw w/af	3745	1893
BA60X312SA	Basin 60 X 312 sw w/af	3819	1937
BA60X318SA	Basin 60 X 318 sw w/af	3892	1982
BA60X324SA	Basin 60 X 324 sw w/af	3966	2026
BA60X330SA	Basin 60 X 330 sw w/af	4039	2071
BA60X336SA	Basin 60 X 336 sw w/af	4113	2115
BA60X342SA	Basin 60 X 342 sw w/af	4186	2159
BA60X348SA	Basin 60 X 348 sw w/af	4260	2204
BA60X354SA	Basin 60 X 354 sw w/af	4333	2248
BA60X360SA	Basin 60 X 360 sw w/af	4406	2293

## Straight Wall Basins with Fiberglass Anti-Float



Basin Dia. X Depth	Part Description	Approx. Gallons	Approx. Weight
BA72X024SA	Basin 72 X 24 sw w/af	423	346
BA72X030SA	Basin 72 X 30 sw w/af	529	377
BA72X036SA	Basin 72 X 36 sw w/af	635	408
BA72X042SA	Basin 72 X 42 sw w/af	740	437
BA72X048SA	Basin 72 X 48 sw w/af	846	535
BA72X054SA	Basin 72 X 54 sw w/af	952	567
BA72X060SA	Basin 72 X 60 sw w/af	1058	599
BA72X066SA	Basin 72 X 66 sw w/af	1163	637
BA72X072SA	Basin 72 X 72 sw w/af	1269	672
BA72X078SA	Basin 72 X 78 sw w/af	1375	707
BA72X084SA	Basin 72 X 84 sw w/af	1481	745
BA72X090SA	Basin 72 X 90 sw w/af	1586	778
BA72X096SA	Basin 72 X 96 sw w/af	1692	818
BA72X102SA	Basin 72 X 102 sw w/af	1798	858
BA72X108SA	Basin 72 X 108 sw w/af	1904	896
BA72X114SA	Basin 72 X 114 sw w/af	2009	936
BA72X120SA	Basin 72 X 120 sw w/af	2115	973
BA72X126SA	Basin 72 X 126 sw w/af	2221	1014
BA72X132SA	Basin 72 X 132 sw w/af	2327	1059
BA72X138SA	Basin 72 X 138 sw w/af	2432	1104
BA72X144SA	Basin 72 X 144 sw w/af	2538	1149
BA72X150SA	Basin 72 X 150 sw w/af	2644	1194
BA72X156SA	Basin 72 X 156 sw w/af	2750	1239
BA72X162SA	Basin 72 X 162 sw w/af	2855	1284
BA72X168SA	Basin 72 X 168 sw w/af	2961	1329
BA72X174SA	Basin 72 X 174 sw w/af	3067	1374
BA72X180SA	Basin 72 X 180 sw w/af	3173	1419
BA72X186SA	Basin 72 X 186 sw w/af	3278	1461
BA72X192SA	Basin 72 X 192 sw w/af	3384	1507
BA72X198SA	Basin 72 X 198 sw w/af	3490	1552
BA72X204SA	Basin 72 X 204 sw w/af	3596	1638
BA72X210SA	Basin 72 X 210 sw w/af	3701	1694
BA72X216SA	Basin 72 X 216 sw w/af	3807	1750
BA72X222SA	Basin 72 X 222 sw w/af	3913	1804
BA72X228SA	Basin 72 X 228 sw w/af	4019	1860
BA72X234SA	Basin 72 X 234 sw w/af	4124	1914
BA72X240SA	Basin 72 X 240 sw w/af	4230	1970
BA72X246SA	Basin 72 X 246 sw w/af	4336	2027
BA72X252SA	Basin 72 X 252 sw w/af	4442	2084
BA72X258SA	Basin 72 X 258 sw w/af	4547	2137
BA72X264SA	Basin 72 X 264 sw w/af	4653	2191
BA72X270SA	Basin 72 X 270 sw w/af	4759	2247
BA72X276SA	Basin 72 X 276 sw w/af	4865	2301
BA72X282SA	Basin 72 X 282 sw w/af	4970	2355
BA72X288SA	Basin 72 X 288 sw w/af	5076	2411
BA72X294SA	Basin 72 X 294 sw w/af	5182	2465
BA72X300SA	Basin 72 X 300 sw w/af	5288	2518
BA72X306SA	Basin 72 X 306 sw w/af	5393	2575
BA72X312SA	Basin 72 X 312 sw w/af	5499	2628
BA72X318SA	Basin 72 X 318 sw w/af	5605	2682
BA72X324SA	Basin 72 X 324 sw w/af	5711	2736
BA72X330SA	Basin 72 X 330 sw w/af	5816	2789
BA72X336SA	Basin 72 X 336 sw w/af	5922	2846
BA72X342SA	Basin 72 X 342 sw w/af	6028	2909
BA72X348SA	Basin 72 X 348 sw w/af	6134	3153
BA72X354SA	Basin 72 X 354 sw w/af	6239	3207
BA72X360SA	Basin 72 X 360 sw w/af	6345	3260



## Straight Wall Basins with Steel Anti-Float

Basin Dia. X Depth	Part Description	Approx. Gallons	Approx. Weight
BA24X024SSA	Basin 24 X 24 sw w/stl af	47	112
BA24X030SSA	Basin 24 X 30 sw w/stl af	59	117
BA24X036SSA	Basin 24 X 36 sw w/stl af	71	122
BA24X042SSA	Basin 24 X 42 sw w/stl af	82	127
BA24X048SSA	Basin 24 X 48 sw w/stl af	94	133
BA24X054SSA	Basin 24 X 54 sw w/stl af	106	138
BA24X060SSA	Basin 24 X 60 sw w/stl af	118	143
BA24X066SSA	Basin 24 X 66 sw w/stl af	129	148
BA24X072SSA	Basin 24 X 72 sw w/stl af	141	153
BA24X078SSA	Basin 24 X 78 sw w/stl af	153	158
BA24X084SSA	Basin 24 X 84 sw w/stl af	165	163
BA24X090SSA	Basin 24 X 90 sw w/stl af	176	168
BA24X096SSA	Basin 24 X 96 sw w/stl af	188	173
BA24X102SSA	Basin 24 X 102 sw w/stl af	200	199
BA24X108SSA	Basin 24 X 108 sw w/stl af	212	204
BA24X114SSA	Basin 24 X 114 sw w/stl af	223	210
BA24X120SSA	Basin 24 X 120 sw w/stl af	235	215
BA24X126SSA	Basin 24 X 126 sw w/stl af	247	220
BA24X132SSA	Basin 24 X 132 sw w/stl af	259	226
BA24X138SSA	Basin 24 X 138 sw w/stl af	270	231
BA24X144SSA	Basin 24 X 144 sw w/stl af	282	236
BA24X150SSA	Basin 24 X 150 sw w/stl af	294	242
BA24X156SSA	Basin 24 X 156 sw w/stl af	306	247
BA24X162SSA	Basin 24 X 162 sw w/stl af	317	252
BA24X168SSA	Basin 24 X 168 sw w/stl af	329	258
BA24X174SSA	Basin 24 X 174 sw w/stl af	341	263
BA24X180SSA	Basin 24 X 180 sw w/stl af	353	268
BA24X186SSA	Basin 24 X 186 sw w/stl af	364	274
BA24X192SSA	Basin 24 X 192 sw w/stl af	376	279
BA24X198SSA	Basin 24 X 198 sw w/stl af	388	284
BA24X204SSA	Basin 24 X 204 sw w/stl af	400	290
BA24X210SSA	Basin 24 X 210 sw w/stl af	411	295
BA24X216SSA	Basin 24 X 216 sw w/stl af	423	300
BA24X222SSA	Basin 24 X 222 sw w/stl af	435	306
BA24X228SSA	Basin 24 X 228 sw w/stl af	447	311
BA24X234SSA	Basin 24 X 234 sw w/stl af	458	316
BA24X240SSA	Basin 24 X 240 sw w/stl af	470	322
BA24X246SSA	Basin 24 X 246 sw w/stl af	482	327
BA24X252SSA	Basin 24 X 252 sw w/stl af	494	332
BA24X258SSA	Basin 24 X 258 sw w/stl af	505	337
BA24X264SSA	Basin 24 X 264 sw w/stl af	517	342
BA24X270SSA	Basin 24 X 270 sw w/stl af	529	347
BA24X276SSA	Basin 24 X 276 sw w/stl af	541	352
BA24X282SSA	Basin 24 X 282 sw w/stl af	552	357
BA24X288SSA	Basin 24 X 288 sw w/stl af	564	362
BA24X294SSA	Basin 24 X 294 sw w/stl af	576	367
BA24X300SSA	Basin 24 X 300 sw w/stl af	588	372
BA24X306SSA	Basin 24 X 306 sw w/stl af	599	377
BA24X312SSA	Basin 24 X 312 sw w/stl af	611	382
BA24X318SSA	Basin 24 X 318 sw w/stl af	623	387
BA24X324SSA	Basin 24 X 324 sw w/stl af	635	392
BA24X330SSA	Basin 24 X 330 sw w/stl af	646	397
BA24X336SSA	Basin 24 X 336 sw w/stl af	658	402
BA24X342SSA	Basin 24 X 342 sw w/stl af	670	407
BA24X348SSA	Basin 24 X 348 sw w/stl af	682	412
BA24X354SSA	Basin 24 X 354 sw w/stl af	693	417
BA24X360SSA	Basin 24 X 360 sw w/stl af	705	422

## Straight Wall Basins with Steel Anti-Float



Basin Dia. X Depth	Part Description	Approx. Gallons	Approx. Weight
BA30X024SSA	Basin 30 X 24 sw w/stl af	73	161
BA30X030SSA	Basin 30 X 30 sw w/stl af	92	168
BA30X036SSA	Basin 30 X 36 sw w/stl af	110	174
BA30X042SSA	Basin 30 X 42 sw w/stl af	129	180
BA30X048SSA	Basin 30 X 48 sw w/stl af	147	187
BA30X054SSA	Basin 30 X 54 sw w/stl af	165	193
BA30X060SSA	Basin 30 X 60 sw w/stl af	184	199
BA30X066SSA	Basin 30 X 66 sw w/stl af	202	206
BA30X072SSA	Basin 30 X 72 sw w/stl af	220	212
BA30X078SSA	Basin 30 X 78 sw w/stl af	239	218
BA30X084SSA	Basin 30 X 84 sw w/stl af	257	225
BA30X090SSA	Basin 30 X 90 sw w/stl af	275	231
BA30X096SSA	Basin 30 X 96 sw w/stl af	294	237
BA30X102SSA	Basin 30 X 102 sw w/stl af	312	269
BA30X108SSA	Basin 30 X 108 sw w/stl af	330	276
BA30X114SSA	Basin 30 X 114 sw w/stl af	349	283
BA30X120SSA	Basin 30 X 120 sw w/stl af	367	291
BA30X126SSA	Basin 30 X 126 sw w/stl af	386	297
BA30X132SSA	Basin 30 X 132 sw w/stl af	404	304
BA30X138SSA	Basin 30 X 138 sw w/stl af	422	311
BA30X144SSA	Basin 30 X 144 sw w/stl af	441	317
BA30X150SSA	Basin 30 X 150 sw w/stl af	459	324
BA30X156SSA	Basin 30 X 156 sw w/stl af	477	332
BA30X162SSA	Basin 30 X 162 sw w/stl af	496	338
BA30X168SSA	Basin 30 X 168 sw w/stl af	514	345
BA30X174SSA	Basin 30 X 174 sw w/stl af	532	351
BA30X180SSA	Basin 30 X 180 sw w/stl af	551	358
BA30X186SSA	Basin 30 X 186 sw w/stl af	569	365
BA30X192SSA	Basin 30 X 192 sw w/stl af	588	372
BA30X198SSA	Basin 30 X 198 sw w/stl af	606	382
BA30X204SSA	Basin 30 X 204 sw w/stl af	624	390
BA30X210SSA	Basin 30 X 210 sw w/stl af	643	400
BA30X216SSA	Basin 30 X 216 sw w/stl af	661	409
BA30X222SSA	Basin 30 X 222 sw w/stl af	679	419
BA30X228SSA	Basin 30 X 228 sw w/stl af	698	428
BA30X234SSA	Basin 30 X 234 sw w/stl af	716	438
BA30X240SSA	Basin 30 X 240 sw w/stl af	734	447
BA30X246SSA	Basin 30 X 246 sw w/stl af	753	613
BA30X252SSA	Basin 30 X 252 sw w/stl af	771	623
BA30X258SSA	Basin 30 X 258 sw w/stl af	789	632
BA30X264SSA	Basin 30 X 264 sw w/stl af	808	642
BA30X270SSA	Basin 30 X 270 sw w/stl af	826	651
BA30X276SSA	Basin 30 X 276 sw w/stl af	845	661
BA30X282SSA	Basin 30 X 282 sw w/stl af	863	670
BA30X288SSA	Basin 30 X 288 sw w/stl af	881	679
BA30X294SSA	Basin 30 X 294 sw w/stl af	900	688
BA30X300SSA	Basin 30 X 300 sw w/stl af	918	697
BA30X306SSA	Basin 30 X 306 sw w/stl af	936	707
BA30X312SSA	Basin 30 X 312 sw w/stl af	955	716
BA30X318SSA	Basin 30 X 318 sw w/stl af	973	726
BA30X324SSA	Basin 30 X 324 sw w/stl af	991	735
BA30X330SSA	Basin 30 X 330 sw w/stl af	1010	744
BA30X336SSA	Basin 30 X 336 sw w/stl af	1028	753
BA30X342SSA	Basin 30 X 342 sw w/stl af	1047	763
BA30X348SSA	Basin 30 X 348 sw w/stl af	1065	773
BA30X354SSA	Basin 30 X 354 sw w/stl af	1083	782
BA30X360SSA	Basin 30 X 360 sw w/stl af	1102	791



## Straight Wall Basins with Steel Anti-Float

Basin Dia. X Depth	Part Description	Approx. Gallons	Approx. Weight
BA36X024SSA	Basin 36 X 24 sw w/stl af	106	224
BA36X030SSA	Basin 36 X 30 sw w/stl af	132	232
BA36X036SSA	Basin 36 X 36 sw w/stl af	159	239
BA36X042SSA	Basin 36 X 42 sw w/stl af	185	247
BA36X048SSA	Basin 36 X 48 sw w/stl af	212	254
BA36X054SSA	Basin 36 X 54 sw w/stl af	238	262
BA36X060SSA	Basin 36 X 60 sw w/stl af	264	270
BA36X066SSA	Basin 36 X 66 sw w/stl af	291	277
BA36X072SSA	Basin 36 X 72 sw w/stl af	317	285
BA36X078SSA	Basin 36 X 78 sw w/stl af	344	324
BA36X084SSA	Basin 36 X 84 sw w/stl af	370	333
BA36X090SSA	Basin 36 X 90 sw w/stl af	397	342
BA36X096SSA	Basin 36 X 96 sw w/stl af	423	351
BA36X102SSA	Basin 36 X 102 sw w/stl af	449	359
BA36X108SSA	Basin 36 X 108 sw w/stl af	476	368
BA36X114SSA	Basin 36 X 114 sw w/stl af	502	377
BA36X120SSA	Basin 36 X 120 sw w/stl af	529	385
BA36X126SSA	Basin 36 X 126 sw w/stl af	555	394
BA36X132SSA	Basin 36 X 132 sw w/stl af	582	402
BA36X138SSA	Basin 36 X 138 sw w/stl af	608	410
BA36X144SSA	Basin 36 X 144 sw w/stl af	635	422
BA36X150SSA	Basin 36 X 150 sw w/stl af	661	434
BA36X156SSA	Basin 36 X 156 sw w/stl af	687	445
BA36X162SSA	Basin 36 X 162 sw w/stl af	714	457
BA36X168SSA	Basin 36 X 168 sw w/stl af	740	468
BA36X174SSA	Basin 36 X 174 sw w/stl af	767	480
BA36X180SSA	Basin 36 X 180 sw w/stl af	793	491
BA36X186SSA	Basin 36 X 186 sw w/stl af	820	502
BA36X192SSA	Basin 36 X 192 sw w/stl af	846	514
BA36X198SSA	Basin 36 X 198 sw w/stl af	872	526
BA36X204SSA	Basin 36 X 204 sw w/stl af	899	537
BA36X210SSA	Basin 36 X 210 sw w/stl af	925	548
BA36X216SSA	Basin 36 X 216 sw w/stl af	952	560
BA36X222SSA	Basin 36 X 222 sw w/stl af	978	571
BA36X228SSA	Basin 36 X 228 sw w/stl af	1005	583
BA36X234SSA	Basin 36 X 234 sw w/stl af	1031	597
BA36X240SSA	Basin 36 X 240 sw w/stl af	1058	611
BA36X246SSA	Basin 36 X 246 sw w/stl af	1084	785
BA36X252SSA	Basin 36 X 252 sw w/stl af	1110	795
BA36X258SSA	Basin 36 X 258 sw w/stl af	1137	807
BA36X264SSA	Basin 36 X 264 sw w/stl af	1163	818
BA36X270SSA	Basin 36 X 270 sw w/stl af	1190	830
BA36X276SSA	Basin 36 X 276 sw w/stl af	1216	841
BA36X282SSA	Basin 36 X 282 sw w/stl af	1243	852
BA36X288SSA	Basin 36 X 288 sw w/stl af	1269	864
BA36X294SSA	Basin 36 X 294 sw w/stl af	1295	875
BA36X300SSA	Basin 36 X 300 sw w/stl af	1322	889
BA36X306SSA	Basin 36 X 306 sw w/stl af	1348	903
BA36X312SSA	Basin 36 X 312 sw w/stl af	1375	918
BA36X318SSA	Basin 36 X 318 sw w/stl af	1401	931
BA36X324SSA	Basin 36 X 324 sw w/stl af	1428	946
BA36X330SSA	Basin 36 X 330 sw w/stl af	1454	959
BA36X336SSA	Basin 36 X 336 sw w/stl af	1481	973
BA36X342SSA	Basin 36 X 342 sw w/stl af	1507	988
BA36X348SSA	Basin 36 X 348 sw w/stl af	1533	1001
BA36X354SSA	Basin 36 X 354 sw w/stl af	1560	1016
BA36X360SSA	Basin 36 X 360 sw w/stl af	1586	1029

## Straight Wall Basins with Steel Anti-Float



Basin Dia. X Depth	Part Description	Approx. Gallons	Approx. Weight
BA42X024SSA	Basin 42 X 24 sw w/stl af	144	284
BA42X030SSA	Basin 42 X 30 sw w/stl af	180	293
BA42X036SSA	Basin 42 X 36 sw w/stl af	216	302
BA42X042SSA	Basin 42 X 42 sw w/stl af	252	311
BA42X048SSA	Basin 42 X 48 sw w/stl af	288	322
BA42X054SSA	Basin 42 X 54 sw w/stl af	324	334
BA42X060SSA	Basin 42 X 60 sw w/stl af	360	345
BA42X066SSA	Basin 42 X 66 sw w/stl af	396	357
BA42X072SSA	Basin 42 X 72 sw w/stl af	432	368
BA42X078SSA	Basin 42 X 78 sw w/stl af	468	414
BA42X084SSA	Basin 42 X 84 sw w/stl af	504	425
BA42X090SSA	Basin 42 X 90 sw w/stl af	540	436
BA42X096SSA	Basin 42 X 96 sw w/stl af	576	446
BA42X102SSA	Basin 42 X 102 sw w/stl af	612	461
BA42X108SSA	Basin 42 X 108 sw w/stl af	648	475
BA42X114SSA	Basin 42 X 114 sw w/stl af	684	489
BA42X120SSA	Basin 42 X 120 sw w/stl af	720	502
BA42X126SSA	Basin 42 X 126 sw w/stl af	756	516
BA42X132SSA	Basin 42 X 132 sw w/stl af	792	531
BA42X138SSA	Basin 42 X 138 sw w/stl af	828	545
BA42X144SSA	Basin 42 X 144 sw w/stl af	864	559
BA42X150SSA	Basin 42 X 150 sw w/stl af	900	573
BA42X156SSA	Basin 42 X 156 sw w/stl af	936	587
BA42X162SSA	Basin 42 X 162 sw w/stl af	972	601
BA42X168SSA	Basin 42 X 168 sw w/stl af	1008	613
BA42X174SSA	Basin 42 X 174 sw w/stl af	1044	631
BA42X180SSA	Basin 42 X 180 sw w/stl af	1080	648
BA42X186SSA	Basin 42 X 186 sw w/stl af	1116	665
BA42X192SSA	Basin 42 X 192 sw w/stl af	1152	682
BA42X198SSA	Basin 42 X 198 sw w/stl af	1188	699
BA42X204SSA	Basin 42 X 204 sw w/stl af	1224	716
BA42X210SSA	Basin 42 X 210 sw w/stl af	1259	732
BA42X216SSA	Basin 42 X 216 sw w/stl af	1295	749
BA42X222SSA	Basin 42 X 222 sw w/stl af	1331	766
BA42X228SSA	Basin 42 X 228 sw w/stl af	1367	784
BA42X234SSA	Basin 42 X 234 sw w/stl af	1403	799
BA42X240SSA	Basin 42 X 240 sw w/stl af	1439	817
BA42X246SSA	Basin 42 X 246 sw w/stl af	1475	977
BA42X252SSA	Basin 42 X 252 sw w/stl af	1511	994
BA42X258SSA	Basin 42 X 258 sw w/stl af	1547	1010
BA42X264SSA	Basin 42 X 264 sw w/stl af	1583	1030
BA42X270SSA	Basin 42 X 270 sw w/stl af	1619	1050
BA42X276SSA	Basin 42 X 276 sw w/stl af	1655	1069
BA42X282SSA	Basin 42 X 282 sw w/stl af	1691	1089
BA42X288SSA	Basin 42 X 288 sw w/stl af	1727	1109
BA42X294SSA	Basin 42 X 294 sw w/stl af	1763	1128
BA42X300SSA	Basin 42 X 300 sw w/stl af	1799	1148
BA42X306SSA	Basin 42 X 306 sw w/stl af	1835	1167
BA42X312SSA	Basin 42 X 312 sw w/stl af	1871	1187
BA42X318SSA	Basin 42 X 318 sw w/stl af	1907	1207
BA42X324SSA	Basin 42 X 324 sw w/stl af	1943	1226
BA42X330SSA	Basin 42 X 330 sw w/stl af	1979	1246
BA42X336SSA	Basin 42 X 336 sw w/stl af	2015	1265
BA42X342SSA	Basin 42 X 342 sw w/stl af	2051	1285
BA42X348SSA	Basin 42 X 348 sw w/stl af	2087	1303
BA42X354SSA	Basin 42 X 354 sw w/stl af	2123	1324
BA42X360SSA	Basin 42 X 360 sw w/stl af	2159	1344



## Straight Wall Basins with Steel Anti-Float

Basin Dia. X Depth	Part Description	Approx. Gallons	Approx. Weight
BA48X024SSA	Basin 48 X 24 sw w/stl af	188	350
BA48X030SSA	Basin 48 X 30 sw w/stl af	235	365
BA48X036SSA	Basin 48 X 36 sw w/stl af	282	382
BA48X042SSA	Basin 48 X 42 sw w/stl af	329	397
BA48X048SSA	Basin 48 X 48 sw w/stl af	376	410
BA48X054SSA	Basin 48 X 54 sw w/stl af	423	425
BA48X060SSA	Basin 48 X 60 sw w/stl af	470	439
BA48X066SSA	Basin 48 X 66 sw w/stl af	517	452
BA48X072SSA	Basin 48 X 72 sw w/stl af	564	465
BA48X078SSA	Basin 48 X 78 sw w/stl af	611	523
BA48X084SSA	Basin 48 X 84 sw w/stl af	658	536
BA48X090SSA	Basin 48 X 90 sw w/stl af	705	552
BA48X096SSA	Basin 48 X 96 sw w/stl af	752	570
BA48X102SSA	Basin 48 X 102 sw w/stl af	799	586
BA48X108SSA	Basin 48 X 108 sw w/stl af	846	604
BA48X114SSA	Basin 48 X 114 sw w/stl af	893	620
BA48X120SSA	Basin 48 X 120 sw w/stl af	940	637
BA48X126SSA	Basin 48 X 126 sw w/stl af	987	657
BA48X132SSA	Basin 48 X 132 sw w/stl af	1034	677
BA48X138SSA	Basin 48 X 138 sw w/stl af	1081	698
BA48X144SSA	Basin 48 X 144 sw w/stl af	1128	718
BA48X150SSA	Basin 48 X 150 sw w/stl af	1175	738
BA48X156SSA	Basin 48 X 156 sw w/stl af	1222	757
BA48X162SSA	Basin 48 X 162 sw w/stl af	1269	777
BA48X168SSA	Basin 48 X 168 sw w/stl af	1316	797
BA48X174SSA	Basin 48 X 174 sw w/stl af	1363	817
BA48X180SSA	Basin 48 X 180 sw w/stl af	1410	838
BA48X186SSA	Basin 48 X 186 sw w/stl af	1457	858
BA48X192SSA	Basin 48 X 192 sw w/stl af	1504	878
BA48X198SSA	Basin 48 X 198 sw w/stl af	1551	897
BA48X204SSA	Basin 48 X 204 sw w/stl af	1598	915
BA48X210SSA	Basin 48 X 210 sw w/stl af	1645	935
BA48X216SSA	Basin 48 X 216 sw w/stl af	1692	958
BA48X222SSA	Basin 48 X 222 sw w/stl af	1739	981
BA48X228SSA	Basin 48 X 228 sw w/stl af	1786	1005
BA48X234SSA	Basin 48 X 234 sw w/stl af	1833	1028
BA48X240SSA	Basin 48 X 240 sw w/stl af	1880	1051
BA48X246SSA	Basin 48 X 246 sw w/stl af	1927	1243
BA48X252SSA	Basin 48 X 252 sw w/stl af	1974	1266
BA48X258SSA	Basin 48 X 258 sw w/stl af	2021	1288
BA48X264SSA	Basin 48 X 264 sw w/stl af	2068	1311
BA48X270SSA	Basin 48 X 270 sw w/stl af	2115	1334
BA48X276SSA	Basin 48 X 276 sw w/stl af	2162	1357
BA48X282SSA	Basin 48 X 282 sw w/stl af	2209	1380
BA48X288SSA	Basin 48 X 288 sw w/stl af	2256	1402
BA48X294SSA	Basin 48 X 294 sw w/stl af	2303	1425
BA48X300SSA	Basin 48 X 300 sw w/stl af	2350	1448
BA48X306SSA	Basin 48 X 306 sw w/stl af	2397	1471
BA48X312SSA	Basin 48 X 312 sw w/stl af	2444	1498
BA48X318SSA	Basin 48 X 318 sw w/stl af	2491	1526
BA48X324SSA	Basin 48 X 324 sw w/stl af	2538	1554
BA48X330SSA	Basin 48 X 330 sw w/stl af	2585	1581
BA48X336SSA	Basin 48 X 336 sw w/stl af	2632	1609
BA48X342SSA	Basin 48 X 342 sw w/stl af	2679	1637
BA48X348SSA	Basin 48 X 348 sw w/stl af	2726	1663
BA48X354SSA	Basin 48 X 354 sw w/stl af	2773	1691
BA48X360SSA	Basin 48 X 360 sw w/stl af	2820	1719



# Straight Wall Basins with Steel Anti-Float



Basin Dia. X Depth	Part Description	Approx. Gallons	Approx. Weight
BA54X024SSA	Basin 54 X 24 sw w/stl af	238	449
BA54X030SSA	Basin 54 X 30 sw w/stl af	297	468
BA54X036SSA	Basin 54 X 36 sw w/stl af	357	488
BA54X042SSA	Basin 54 X 42 sw w/stl af	416	505
BA54X048SSA	Basin 54 X 48 sw w/stl af	476	523
BA54X054SSA	Basin 54 X 54 sw w/stl af	535	540
BA54X060SSA	Basin 54 X 60 sw w/stl af	595	557
BA54X066SSA	Basin 54 X 66 sw w/stl af	654	573
BA54X072SSA	Basin 54 X 72 sw w/stl af	714	645
BA54X078SSA	Basin 54 X 78 sw w/stl af	773	665
BA54X084SSA	Basin 54 X 84 sw w/stl af	833	685
BA54X090SSA	Basin 54 X 90 sw w/stl af	892	705
BA54X096SSA	Basin 54 X 96 sw w/stl af	952	725
BA54X102SSA	Basin 54 X 102 sw w/stl af	1011	750
BA54X108SSA	Basin 54 X 108 sw w/stl af	1071	772
BA54X114SSA	Basin 54 X 114 sw w/stl af	1130	797
BA54X120SSA	Basin 54 X 120 sw w/stl af	1190	821
BA54X126SSA	Basin 54 X 126 sw w/stl af	1249	843
BA54X132SSA	Basin 54 X 132 sw w/stl af	1309	868
BA54X138SSA	Basin 54 X 138 sw w/stl af	1368	890
BA54X144SSA	Basin 54 X 144 sw w/stl af	1428	915
BA54X150SSA	Basin 54 X 150 sw w/stl af	1487	937
BA54X156SSA	Basin 54 X 156 sw w/stl af	1547	960
BA54X162SSA	Basin 54 X 162 sw w/stl af	1606	984
BA54X168SSA	Basin 54 X 168 sw w/stl af	1666	1010
BA54X174SSA	Basin 54 X 174 sw w/stl af	1725	1036
BA54X180SSA	Basin 54 X 180 sw w/stl af	1785	1062
BA54X186SSA	Basin 54 X 186 sw w/stl af	1844	1091
BA54X192SSA	Basin 54 X 192 sw w/stl af	1904	1117
BA54X198SSA	Basin 54 X 198 sw w/stl af	1963	1143
BA54X204SSA	Basin 54 X 204 sw w/stl af	2023	1169
BA54X210SSA	Basin 54 X 210 sw w/stl af	2082	1195
BA54X216SSA	Basin 54 X 216 sw w/stl af	2142	1222
BA54X222SSA	Basin 54 X 222 sw w/stl af	2201	1248
BA54X228SSA	Basin 54 X 228 sw w/stl af	2260	1274
BA54X234SSA	Basin 54 X 234 sw w/stl af	2320	1306
BA54X240SSA	Basin 54 X 240 sw w/stl af	2379	1338
BA54X246SSA	Basin 54 X 246 sw w/stl af	2439	1548
BA54X252SSA	Basin 54 X 252 sw w/stl af	2498	1580
BA54X258SSA	Basin 54 X 258 sw w/stl af	2558	1612
BA54X264SSA	Basin 54 X 264 sw w/stl af	2617	1644
BA54X270SSA	Basin 54 X 270 sw w/stl af	2677	1676
BA54X276SSA	Basin 54 X 276 sw w/stl af	2736	1707
BA54X282SSA	Basin 54 X 282 sw w/stl af	2796	1739
BA54X288SSA	Basin 54 X 288 sw w/stl af	2855	1771
BA54X294SSA	Basin 54 X 294 sw w/stl af	2915	1803
BA54X300SSA	Basin 54 X 300 sw w/stl af	2974	1835
BA54X306SSA	Basin 54 X 306 sw w/stl af	3034	1866
BA54X312SSA	Basin 54 X 312 sw w/stl af	3093	1896
BA54X318SSA	Basin 54 X 318 sw w/stl af	3153	1928
BA54X324SSA	Basin 54 X 324 sw w/stl af	3212	1960
BA54X330SSA	Basin 54 X 330 sw w/stl af	3272	1992
BA54X336SSA	Basin 54 X 336 sw w/stl af	3331	2023
BA54X342SSA	Basin 54 X 342 sw w/stl af	3391	2055
BA54X348SSA	Basin 54 X 348 sw w/stl af	3450	2085
BA54X354SSA	Basin 54 X 354 sw w/stl af	3510	2117
BA54X360SSA	Basin 54 X 360 sw w/stl af	3569	2149



## Straight Wall Basins with Steel Anti-Float

Basin Dia. X Depth	Part Description	Approx. Gallons	Approx. Weight
BA60X024SSA	Basin 60 X 24 sw w/stl af	294	552
BA60X030SSA	Basin 60 X 30 sw w/stl af	367	576
BA60X036SSA	Basin 60 X 36 sw w/stl af	441	601
BA60X042SSA	Basin 60 X 42 sw w/stl af	514	624
BA60X048SSA	Basin 60 X 48 sw w/stl af	588	644
BA60X054SSA	Basin 60 X 54 sw w/stl af	661	663
BA60X060SSA	Basin 60 X 60 sw w/stl af	734	737
BA60X066SSA	Basin 60 X 66 sw w/stl af	808	769
BA60X072SSA	Basin 60 X 72 sw w/stl af	881	794
BA60X078SSA	Basin 60 X 78 sw w/stl af	955	817
BA60X084SSA	Basin 60 X 84 sw w/stl af	1028	842
BA60X090SSA	Basin 60 X 90 sw w/stl af	1102	870
BA60X096SSA	Basin 60 X 96 sw w/stl af	1175	897
BA60X102SSA	Basin 60 X 102 sw w/stl af	1248	925
BA60X108SSA	Basin 60 X 108 sw w/stl af	1322	952
BA60X114SSA	Basin 60 X 114 sw w/stl af	1395	980
BA60X120SSA	Basin 60 X 120 sw w/stl af	1469	1007
BA60X126SSA	Basin 60 X 126 sw w/stl af	1542	1035
BA60X132SSA	Basin 60 X 132 sw w/stl af	1616	1062
BA60X138SSA	Basin 60 X 138 sw w/stl af	1689	1092
BA60X144SSA	Basin 60 X 144 sw w/stl af	1763	1123
BA60X150SSA	Basin 60 X 150 sw w/stl af	1836	1153
BA60X156SSA	Basin 60 X 156 sw w/stl af	1909	1184
BA60X162SSA	Basin 60 X 162 sw w/stl af	1983	1216
BA60X168SSA	Basin 60 X 168 sw w/stl af	2056	1245
BA60X174SSA	Basin 60 X 174 sw w/stl af	2130	1275
BA60X180SSA	Basin 60 X 180 sw w/stl af	2203	1306
BA60X186SSA	Basin 60 X 186 sw w/stl af	2277	1342
BA60X192SSA	Basin 60 X 192 sw w/stl af	2350	1380
BA60X198SSA	Basin 60 X 198 sw w/stl af	2424	1415
BA60X204SSA	Basin 60 X 204 sw w/stl af	2497	1451
BA60X210SSA	Basin 60 X 210 sw w/stl af	2570	1489
BA60X216SSA	Basin 60 X 216 sw w/stl af	2644	1525
BA60X222SSA	Basin 60 X 222 sw w/stl af	2717	1560
BA60X228SSA	Basin 60 X 228 sw w/stl af	2791	1596
BA60X234SSA	Basin 60 X 234 sw w/stl af	2864	1631
BA60X240SSA	Basin 60 X 240 sw w/stl af	2938	1669
BA60X246SSA	Basin 60 X 246 sw w/stl af	3011	1906
BA60X252SSA	Basin 60 X 252 sw w/stl af	3084	1941
BA60X258SSA	Basin 60 X 258 sw w/stl af	3158	1977
BA60X264SSA	Basin 60 X 264 sw w/stl af	3231	2012
BA60X270SSA	Basin 60 X 270 sw w/stl af	3305	2048
BA60X276SSA	Basin 60 X 276 sw w/stl af	3378	2083
BA60X282SSA	Basin 60 X 282 sw w/stl af	3452	2119
BA60X288SSA	Basin 60 X 288 sw w/stl af	3525	2154
BA60X294SSA	Basin 60 X 294 sw w/stl af	3599	2190
BA60X300SSA	Basin 60 X 300 sw w/stl af	3672	2225
BA60X306SSA	Basin 60 X 306 sw w/stl af	3745	2261
BA60X312SSA	Basin 60 X 312 sw w/stl af	3819	2306
BA60X318SSA	Basin 60 X 318 sw w/stl af	3892	2351
BA60X324SSA	Basin 60 X 324 sw w/stl af	3966	2396
BA60X330SSA	Basin 60 X 330 sw w/stl af	4039	2441
BA60X336SSA	Basin 60 X 336 sw w/stl af	4113	2486
BA60X342SSA	Basin 60 X 342 sw w/stl af	4186	2531
BA60X348SSA	Basin 60 X 348 sw w/stl af	4260	2575
BA60X354SSA	Basin 60 X 354 sw w/stl af	4333	2620
BA60X360SSA	Basin 60 X 360 sw w/stl af	4406	2665

## Straight Wall Basins with Steel Anti-Float



Basin Dia. X Depth	Part Description	Approx. Gallons	Approx. Weight
BA72X024SSA	Basin 72 X 24 sw w/stl af	423	807
BA72X030SSA	Basin 72 X 30 sw w/stl af	529	843
BA72X036SSA	Basin 72 X 36 sw w/stl af	635	878
BA72X042SSA	Basin 72 X 42 sw w/stl af	740	910
BA72X048SSA	Basin 72 X 48 sw w/stl af	846	1012
BA72X054SSA	Basin 72 X 54 sw w/stl af	952	1047
BA72X060SSA	Basin 72 X 60 sw w/stl af	1058	1082
BA72X066SSA	Basin 72 X 66 sw w/stl af	1163	1122
BA72X072SSA	Basin 72 X 72 sw w/stl af	1269	1160
BA72X078SSA	Basin 72 X 78 sw w/stl af	1375	1197
BA72X084SSA	Basin 72 X 84 sw w/stl af	1481	1238
BA72X090SSA	Basin 72 X 90 sw w/stl af	1586	1272
BA72X096SSA	Basin 72 X 96 sw w/stl af	1692	1314
BA72X102SSA	Basin 72 X 102 sw w/stl af	1798	1357
BA72X108SSA	Basin 72 X 108 sw w/stl af	1904	1396
BA72X114SSA	Basin 72 X 114 sw w/stl af	2009	1438
BA72X120SSA	Basin 72 X 120 sw w/stl af	2115	1477
BA72X126SSA	Basin 72 X 126 sw w/stl af	2221	1519
BA72X132SSA	Basin 72 X 132 sw w/stl af	2327	1566
BA72X138SSA	Basin 72 X 138 sw w/stl af	2432	1612
BA72X144SSA	Basin 72 X 144 sw w/stl af	2538	1659
BA72X150SSA	Basin 72 X 150 sw w/stl af	2644	1705
BA72X156SSA	Basin 72 X 156 sw w/stl af	2750	1752
BA72X162SSA	Basin 72 X 162 sw w/stl af	2855	1798
BA72X168SSA	Basin 72 X 168 sw w/stl af	2961	1845
BA72X174SSA	Basin 72 X 174 sw w/stl af	3067	1891
BA72X180SSA	Basin 72 X 180 sw w/stl af	3173	1938
BA72X186SSA	Basin 72 X 186 sw w/stl af	3278	1981
BA72X192SSA	Basin 72 X 192 sw w/stl af	3384	2028
BA72X198SSA	Basin 72 X 198 sw w/stl af	3490	2074
BA72X204SSA	Basin 72 X 204 sw w/stl af	3596	2161
BA72X210SSA	Basin 72 X 210 sw w/stl af	3701	2219
BA72X216SSA	Basin 72 X 216 sw w/stl af	3807	2276
BA72X222SSA	Basin 72 X 222 sw w/stl af	3913	2331
BA72X228SSA	Basin 72 X 228 sw w/stl af	4019	2388
BA72X234SSA	Basin 72 X 234 sw w/stl af	4124	2443
BA72X240SSA	Basin 72 X 240 sw w/stl af	4230	2501
BA72X246SSA	Basin 72 X 246 sw w/stl af	4336	2759
BA72X252SSA	Basin 72 X 252 sw w/stl af	4442	2816
BA72X258SSA	Basin 72 X 258 sw w/stl af	4547	2871
BA72X264SSA	Basin 72 X 264 sw w/stl af	4653	2925
BA72X270SSA	Basin 72 X 270 sw w/stl af	4759	2983
BA72X276SSA	Basin 72 X 276 sw w/stl af	4865	3037
BA72X282SSA	Basin 72 X 282 sw w/stl af	4970	3092
BA72X288SSA	Basin 72 X 288 sw w/stl af	5076	3150
BA72X294SSA	Basin 72 X 294 sw w/stl af	5182	3204
BA72X300SSA	Basin 72 X 300 sw w/stl af	5288	3258
BA72X306SSA	Basin 72 X 306 sw w/stl af	5393	3316
BA72X312SSA	Basin 72 X 312 sw w/stl af	5499	3370
BA72X318SSA	Basin 72 X 318 sw w/stl af	5605	3425
BA72X324SSA	Basin 72 X 324 sw w/stl af	5711	3479
BA72X330SSA	Basin 72 X 330 sw w/stl af	5816	3534
BA72X336SSA	Basin 72 X 336 sw w/stl af	5922	3591
BA72X342SSA	Basin 72 X 342 sw w/stl af	6028	3646
BA72X348SSA	Basin 72 X 348 sw w/stl af	6134	3700
BA72X354SSA	Basin 72 X 354 sw w/stl af	6239	3755
BA72X360SSA	Basin 72 X 360 sw w/stl af	6345	3809



## Fiberglass Risers

Part Number	Approx. Weight
24" Diameter Risers	
EX24X006	19
EX24X012	24
EX24X018	29
EX24X024	35
EX24X030	40
EX24X036	45
EX24X042	50
EX24X048	55
30" Diameter Risers	
EX30X006	24
EX30X012	30
EX30X018	37
EX30X024	43
EX30X030	49
EX30X036	56
EX30X042	62
EX30X048	69
36" Diameter Risers	
EX36X006	36
EX36X012	44
EX36X018	51
EX36X024	59
EX36X030	66
EX36X036	74
EX36X042	82
EX36X048	89
42" Diameter Risers	
EX42X006	42
EX42X012	51
EX42X018	60
EX42X024	69
EX42X030	78
EX42X036	86
EX42X042	95
EX42X048	104
48" Diameter Risers	
EX48X006	48
EX48X012	58
EX48X018	68
EX48X024	78
EX48X030	89
EX48X036	99
EX48X042	109
EX48X048	119
54" Diameter Risers	
EX54X006	64
EX54X012	76
EX54X018	87
EX54X024	99
EX54X030	110
EX54X036	122
EX54X042	133
EX54X048	145
60" Diameter Risers	
EX60X006	72
EX60X012	84
EX60X018	97
EX60X024	110
EX60X030	122
EX60X036	135
EX60X042	148
EX60X048	161

Part Number	Approx. Weight
72" Diameter Risers	
EX72X006	86
EX72X012	101
EX72X018	116
EX72X024	132
EX72X030	147
EX72X036	162
EX72X042	177
EX72X048	193



### NOTICE ADDING RISERS TO FIBERGLASS BASINS

Steele Plastics Inc. basins are designed, and built, to be installed with the top flange flush with the top of the ground. When an extension is added to the top of the basin, it effectively buries the original tank deeper than it was designed to be installed. Many of our customers, thru their own experience and knowledge of the job site, choose to add extensions or "risers" to an existing installed basin. Steele Plastics Inc. does build and sell extensions on a regular basis. However, it must be clearly understood that the application of the extensions is solely at the discretion of the purchaser, and that the original warranty on the original basin that the extension is attached to, is null and void.

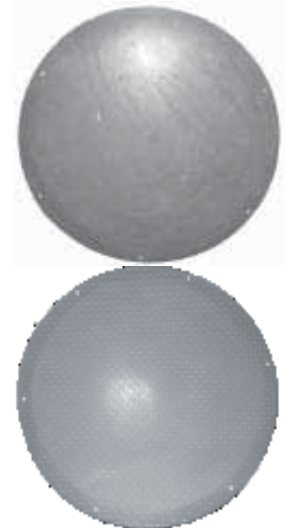


# Fiberglass Covers

## Solid Fiberglass Covers

-Standard accessories are SS hardware & gasket material

Part Number	Part Description	Approx. Weight
CVF18SLDG	Cover 18 solid frp green	7
CVF18SLDNG	Cover 18 solid frp natural	6
CVF18SLDT	Cover 18 solid frp tan	7
CVF24SLDG	Cover 24 solid frp green	10
CVF24SLDNG	Cover 24 solid frp natural	9
CVF24SLDT	Cover 24 solid frp tan	10
CVF24SLDTG	Cover 24 solid frp tread green	12
CVF24SLDTNG	Cover 24 solid frp tread natural	12
CVF30SLDG	Cover 30 solid frp green	14
CVF30SLDNG	Cover 30 solid frp natural	13
CVF30SLDT	Cover 30 solid frp tan	14
CVF30SLDTG	Cover 30 solid frp tread green	16
CVF30SLDTNG	Cover 30 solid frp tread natural	16
CVF36SLDG	Cover 36 solid frp green	25
CVF36SLDNG	Cover 36 solid frp natural	23
CVF36SLDT	Cover 36 solid frp tan	25
CVF36SLDTG	Cover 36 solid frp tread green	27
CVF36SLDTNG	Cover 36 solid frp tread natural	27
CVF42SLDG	Cover 42 solid frp green	38
CVF42SLDNG	Cover 42 solid frp natural	35
CVF42SLDT	Cover 42 solid frp tan	38
CVF42SLDTG	Cover 42 solid frp tread green	40
CVF42SLDTNG	Cover 42 solid frp tread natural	40
CVF48SLDG	Cover 48 solid frp green	59
CVF48SLDNG	Cover 48 solid frp natural	57
CVF48SLDT	Cover 48 solid frp tan	59
CVF48SLDTG	Cover 48 solid frp tread plate green	62
CVF48SLDTNG	Cover 48 solid frp tread natural	62
CVF54SLDG	Cover 54 solid frp green	71
CVF54SLDNG	Cover 54 solid frp natural	68
CVF54SLDT	Cover 54 solid frp tan	71
CVF60SLDG	Cover 60 solid frp green	85
CVF60SLDNG	Cover 60 solid frp natural	81
CVF60SLDT	Cover 60 solid frp tan	85
CVF72SLDG	Cover 72 solid frp green	116
CVF72SLDNG	Cover 72 solid frp natural	111
CVF72SLDT	Cover 72 solid frp tan	116



## Simplex Fiberglass Covers with Pump Access and Inspection Covers

-Standard accessories are discharge grommet, vent grommet, pump cord seal, SS hardware and gasket material – specify discharge and vent size

Part Number	Part Description	Approx. Weight
CVF24SIM	Cover 24" simplex frp tan	18
CVF30SIM	Cover 30" simplex frp tan	25
CVF36SIM	Cover 36" simplex frp tan	32



## Duplex Fiberglass Covers with Pump Access and Inspection Covers

-Standard accessories are discharge grommet, vent grommet, pump cord seal, SS hardware and gasket material – specify discharge and vent size

Part Number	Part Description	Approx. Weight
CVF30DUP	Cover 30" duplex frp tan	24
CVF36DUP	Cover 36" duplex frp tan	33



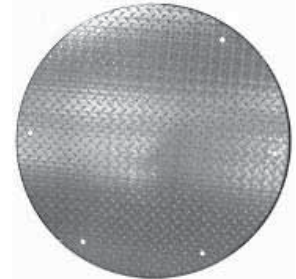


## Aluminum Covers

### Solid Aluminum Covers

*-Standard accessories are SS hardware & gasket material*

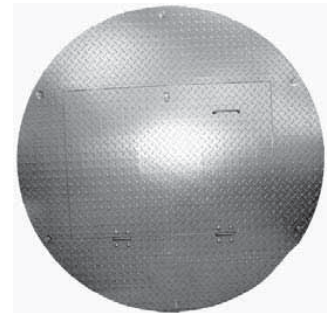
Part Number	Part Description	Approx. Weight
CVA24SLD	Cover 24 solid aluminum	19
CVA30SLD	Cover 30 solid aluminum	25
CVA36SLD	Cover 36 solid aluminum	37
CVA42SLD	Cover 42 solid aluminum	49
CVA48SLD	Cover 48 solid aluminum	60
CVA54SLD	Cover 54 solid aluminum	80
CVA60SLD	Cover 60 solid aluminum	98
CVA72SLD	Cover 72 solid aluminum	139



### Aluminum Hatch Covers

*-Standard accessories are SS hardware & gasket material*

Part Number	Part Description	Approx. Weight
CVA30HTH	Cover 30 hatch aluminum	35
CVA36HTH	Cover 36 hatch aluminum	42
CVA42HTH	Cover 42 hatch aluminum	60
CVA48HTH	Cover 48 hatch aluminum	75
CVA54HTH	Cover 54 hatch aluminum	100
CVA60HTH	Cover 60 hatch aluminum	124
CVA72HTH	Cover 72 hatch aluminum	168



### 70/30 Split Aluminum Covers

*-Standard accessories are SS hardware & gasket material*

Part Number	Part Description	Approx. Weight
CVA24FM	Cover 24 70/30 split aluminum	21
CVA30FM	Cover 30 70/30 split aluminum	28
CVA36FM	Cover 36 70/30 split aluminum	39
CVA42FM	Cover 42 70/30 split aluminum	53
CVA48FM	Cover 48 70/30 split aluminum	62
CVA54FM	Cover 54 70/30 split aluminum	81
CVA60FM	Cover 60 70/30 split aluminum	100
CVA72FM	Cover 72 70/30 split aluminum	141



Special covers are available – Consult Factory

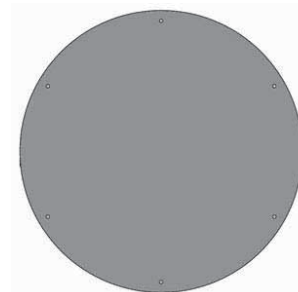
# Steel Covers



## Solid Steel Covers

-Standard accessories are SS hardware & gasket material

Part Number	Part Description	Approx. Weight
CVS24SLD	Cover 24 solid steel	50
CVS30SLD	Cover 30 solid steel	72
CVS36SLD	Cover 36 solid steel	98
CVS42SLD	Cover 42 solid steel	128
CVS48SLD	Cover 48 solid steel	162



## Simplex Steel Covers

-Standard accessories are discharge grommet, vent grommet, pump cord seal, SS hardware and gasket material – specify discharge and vent size

Part Number	Part Description	Approx. Weight
CVS24SIM	Cover 24 simplex steel with inspection	54
CVS30SIM	Cover 30 simplex steel with inspection	76
CVS36SIM	Cover 36 simplex steel with inspection	104
CVS42SIM	Cover 42 simplex steel with inspection	135
CVS48SIM	Cover 48 simplex steel with inspection	169
CVS54SIM	Cover 54 simplex steel with inspection	304
CVS60SIM	Cover 60 simplex steel with inspection	368



## Duplex Steel Covers

-Standard accessories are discharge grommet, vent grommet, pump cord seal, SS hardware and gasket material – specify discharge and vent size

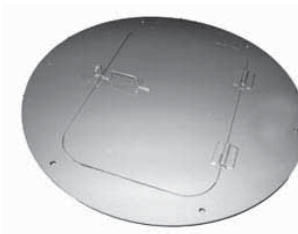
Part Number	Part Description	Approx. Weight
CVS30DUP	Cover 30 duplex steel with inspection	82
CVS36DUP	Cover 36 duplex steel with inspection	108
CVS42DUP	Cover 42 duplex steel with inspection	140
CVS48DUP	Cover 48 duplex steel with inspection	174
CVS54DUP	Cover 54 duplex steel with inspection	270
CVS60DUP	Cover 60 duplex steel with inspection	333
CVS72DUP	Cover 72 duplex steel with inspection	477



## Single Door Steel Hatch Covers

-Standard accessories are SS hardware & gasket material

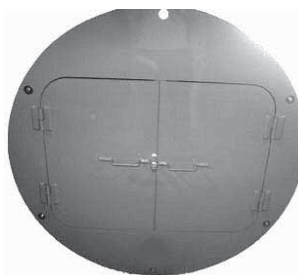
Part Number	Part Description	Approx. Weight
CVS30HTHSD	Cover 30 hatch steel single door	87
CVS36HTHSD	Cover 36 hatch steel single door	113
CVS42HTHSD	Cover 42 hatch steel single door	143
CVS48HTHSD	Cover 48 hatch steel single door	173



## Double Door Steel Hatch Covers

-Standard accessories are SS hardware & gasket material

Part Number	Part Description	Approx. Weight
CVS48HTHDD	Cover 48 hatch steel double door	177
CVS54HTHDD	Cover 54 hatch steel double door	315
CVS60HTHDD	Cover 60 hatch steel double door	378
CVS72HTHDD	Cover 72 hatch steel double door	522





## Cover Options

### List Price Adders

LCM= Level Control Modification - 1/2" cord grip in inspection plate for control floats

CPLG= Coupling for vent

CTE= Coal tar epoxy coating

### Simplex and Duplex Fiberglass Covers

Part Number	Part Number
LCM1	LCM3
LCM2	LCM4

### Simplex and Duplex Steel Covers

Part Number	Part Number	Part Number
CTE24	CPLG1.25	LCM1
CTE30	CPLG1.50	LCM2
CTE36	CPLG2.00	LCM3
CTE42	CPLG3.00	LCM4
CTE48	CPLG4.00	
CTE54		
CTE60		
CTE72		

### Steel Hatch Covers

Part Number	Part Number
CTE30	CPLG1.25
CTE36	CPLG1.50
CTE42	CPLG2.00
CTE48	CPLG3.00
CTE54	CPLG4.00
CTE60	
CTE72	

### Aluminum Hatch & 70/30 Split Covers

Part Number	Part Number
CPLG1.25	CPLG3.00
CPLG1.50	CPLG4.00
CPLG2.00	



# Accessories



## Uniseal Pipe Grommets

Part Number	Part Description	Approx. Weight
PGR038	Grommet 3/8" pipe schedule 40/80	1
PGR050	Grommet 1/2" pipe schedule 40/80	1
PGR075	Grommet 3/4" pipe schedule 40/80	1
PGR100	Grommet 1" pipe schedule 40/80	1
PGR125	Grommet 1-1/4" pipe schedule 40/80	1
PGR150	Grommet 1-1/2" pipe schedule 40/80	1
PGR200	Grommet 2" pipe schedule 40/80	1
PGR300	Grommet 3" pipe schedule 40/80	1
PGR400	Grommet 4" pipe schedule 40/80	1
PGR40035	Grommet 4" pipe sdr 35	1
PGR600	Grommet 6" pipe schedule 40/80	1



## Electric Cord Grommet

Part Number	Part Description	Approx. Weight
70562	Rubber Power cord plug w/ 1 thru hole and 2 blind holes	1



## Cover Gasket Material

Part Number	Part Description	Approx. Weight
70101	Seal Gray Foam 3/16x5/8 (50'/RL)	1



## Bolt on Threaded Curved Carbon Steel Discharge Couplings

Part Number	Part Description	Approx. Weight
BOC125	Coupling 1.25 bolt-on carbon stl	2
BOC150	Coupling 1.50 bolt-on carbon stl	2
BOC200	Coupling 2.00 bolt-on carbon stl	3
BOC300	Coupling 3.00 bolt-on carbon stl	6
BOC400	Coupling 4.00 bolt-on carbon stl	8



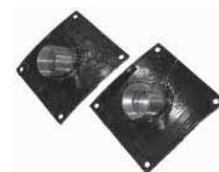
## Bolt on Threaded Curved Stainless Steel Discharge Couplings

Part Number	Part Description	Approx. Weight
BOC125SS	Coupling 1.25 bolt-on stainless steel	2
BOC150SS	Coupling 1.50 bolt-on stainless steel	2
BOC200SS	Coupling 2.00 bolt-on stainless steel	3
BOC300SS	Coupling 3.00 bolt-on stainless steel	6
BOC400SS	Coupling 4.00 bolt-on stainless steel	8



## Bolt on Threaded Curved Carbon Steel Parallel Discharge Couplings

Part Number	Part Description	Approx. Weight
BOC125P	Coupling 1.25 bolt-on carbon steel parallel	2
BOC150P	Coupling 1.50 bolt-on carbon steel parallel	2
BOC200P	Coupling 2.00 bolt-on carbon steel parallel	3
BOC300P	Coupling 3.00 bolt-on carbon steel parallel	6
BOC400P	Coupling 4.00 bolt-on carbon steel parallel	8



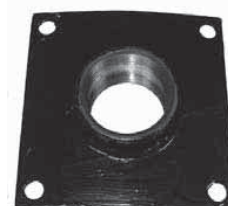
## Bolt on Threaded Curved Stainless Steel Parallel Discharge Couplings

Part Number	Part Description	Approx. Weight
BOC125PSS	Coupling 1.25 bolt-on stainless steel parallel	2
BOC150PSS	Coupling 1.50 bolt-on stainless steel parallel	2
BOC200PSS	Coupling 2.00 bolt-on stainless steel parallel	3
BOC300PSS	Coupling 3.00 bolt-on stainless steel parallel	6
BOC400PSS	Coupling 4.00 bolt-on stainless steel parallel	8



## Flat Faced Bolt on Threaded Carbon Steel Discharge Couplings

Part Number	Part Description	Approx. Weight
BOCF125	Coupling 1.25 flat bolt-on carbon stl	2
BOCF150	Coupling 1.50 flat bolt-on carbon stl	2
BOCF200	Coupling 2.00 flat bolt-on carbon stl	3
BOCF300	Coupling 3.00 flat bolt-on carbon stl	6
BOCF400	Coupling 4.00 flat bolt-on carbon stl	8

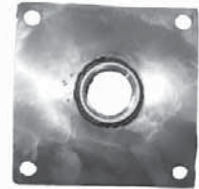




## Accessories

### Bolt on Flat Threaded Stainless Steel Discharge Couplings

Part Number	Part Description	Approx. Weight
BOCF125SS	Coupling 1.25 flat bolt-on stainless steel	2
BOCF150SS	Coupling 1.50 flat bolt-on stainless steel	2
BOCF200SS	Coupling 2.00 flat bolt-on stainless steel	3
BOCF300SS	Coupling 3.00 flat bolt-on stainless steel	6
BOCF400SS	Coupling 4.00 flat bolt-on stainless steel	8



### Stainless Steel Float Brackets with Compression Cord Grips

Part Number	Part Description	Approx. Weight
FLTBKT-3	Bracket float switch kit 3 hole	1
FLTBKT-4	Bracket float switch kit 4 hole	2
FLTBKT-6	Bracket float switch kit 6 hole	3



### Mercury Float Switches with Weights

Part Number	Part Description	Approx. Weight
MFS-NO-20	Switch mercury float – normally open – 20 ft	3
MFS-NO-30	Switch mercury float – normally open – 30 ft	3



### Junction Boxes

Part Number	Part Description	Approx. Weight
70522	Box Junction PVC 6" x 6" x 4"	2
70912	Box Junction PVC 8" X 8" X 4"	3
70913	Box Junction PVC 12" X 12" X 4"	4



### Compression Electric Cord Grips

Part Number	Part Description	Approx. Weight
70546	Grip cord 1/2" NPT – sealing range 0.236 – 0.472	1
70141	Grip cord 3/4" NPT – sealing range 0.481 – 0.617	1
70547	Grip cord 3/4" NPT – sealing range 0.545 – 0.708	1
70541	Grip cord 1" NPT – sealing range 0.551 – 0.827	1
70548	Grip cord 1" NPT – sealing range 0.709 – 1.024	1



### Junction Boxes – Grips Installed w/ bolt on coupling

Part Number	Part Description	Approx. Weight
JB66-1	Junction Box 6 X 6 X 4 - (3) 1/2" grips - 1 1/2" bolt on coupling	4
JB66-2	Junction Box 6 X 6 X 4 - (4) 1/2" grips - 1 1/2" bolt on coupling	4
JB66-3	Junction Box 6 X 6 X 4 - (5) 1/2" grips - 1 1/2" bolt on coupling	4
JB88-1	Junction Box 8 X 8 X 4 - (6) 1/2" grips - 2" bolt on coupling	5
JB88-2	Junction Box 8 X 8 X 4 - (4) 1/2" grips - (2) 3/4" grips - 2" bolt on coupling	5
JB88-3	Junction Box 8 X 8 X 4 - (4) 1/2" grips - (2) 1" grips - 2" bolt on coupling	5



Custom Junction boxes available on request – please consult factory

### Bolt on Inlet Baffles

Part Number	Part Description	Approx. Weight
IBF1	Baffle 6" or under inlet	5
IBF2	Baffle 8" or 10" inlet	8



### Cast Iron Caulking Hubs

Part Number	Part Description	Approx. Weight
HUB400	Hub 4" cast iron inlet caulking	7
HUB600	Hub 6" cast iron inlet caulking	11
HUB800	Hub 8" cast iron inlet caulking	17



# Accessories



## Fiberglass Caulking Hubs

Part Number	Part Description	Approx. Weight
HUBF05-24D	Hub 5" ID FRP bolt on 24" basin	16
HUBF05-30D	Hub 5" ID FRP bolt on 30" basin	16
HUBF05-36D	Hub 5" ID FRP bolt on 36" basin	18
HUBF05-42D	Hub 5" ID FRP bolt on 42" basin	18
HUBF05-48D	Hub 5" ID FRP bolt on 48" basin	19
HUBF05-54D	Hub 5" ID FRP bolt on 54" basin	22
HUBF05-60D	Hub 5" ID FRP bolt on 60" basin	23
HUBF05-72D	Hub 5" ID FRP bolt on 72" basin	22
HUBF05-FF	Hub 5" ID FRP bolt on flat face	17
HUBF06-24D	Hub 6" ID FRP bolt on 24" basin	18
HUBF06-30D	Hub 6" ID FRP bolt on 30" basin	18
HUBF06-36D	Hub 6" ID FRP bolt on 36" basin	20
HUBF06-42D	Hub 6" ID FRP bolt on 42" basin	20
HUBF06-48D	Hub 6" ID FRP bolt on 48" basin	21
HUBF06-54D	Hub 6" ID FRP bolt on 54" basin	23
HUBF06-60D	Hub 6" ID FRP bolt on 60" basin	24
HUBF06-72D	Hub 6" ID FRP bolt on 72" basin	23
HUBF06-FF	Hub 6" ID FRP bolt on flat face	23
HUBF08-36D	Hub 8" ID FRP bolt on 36" basin	23
HUBF08-42D	Hub 8" ID FRP bolt on 42" basin	23
HUBF08-48D	Hub 8" ID FRP bolt on 48" basin	24
HUBF08-54D	Hub 8" ID FRP bolt on 54" basin	27
HUBF08-60D	Hub 8" ID FRP bolt on 60" basin	28
HUBF08-72D	Hub 8" ID FRP bolt on 72" basin	27
HUBF08-FF	Hub 8" ID FRP bolt on flat face	23
HUBF10-42D	Hub 10" ID FRP bolt on 42" basin	27
HUBF10-48D	Hub 10" ID FRP bolt on 48" basin	27
HUBF10-54D	Hub 10" ID FRP bolt on 54" basin	30
HUBF10-60D	Hub 10" ID FRP bolt on 60" basin	31
HUBF10-72D	Hub 10" ID FRP bolt on 72" basin	30
HUBF10-FF	Hub 10" ID FRP bolt on flat face	30
HUBF12-48D	Hub 12" ID FRP bolt on 48" basin	33
HUBF12-54D	Hub 12" ID FRP bolt on 54" basin	36
HUBF12-60D	Hub 12" ID FRP bolt on 60" basin	37
HUBF12-72D	Hub 12" ID FRP bolt on 72" basin	36
HUBF12-FF	Hub 12" ID FRP bolt on flat face	34
HUBF14-54D	Hub 14" ID FRP bolt on 54" basin	40
HUBF14-60D	Hub 14" ID FRP bolt on 60" basin	41
HUBF14-72D	Hub 14" ID FRP bolt on 72" basin	40
HUBF14-FF	Hub 14" ID FRP bolt on flat face	40
HUBF16-54D	Hub 16" ID FRP bolt on 54" basin	44
HUBF16-60D	Hub 16" ID FRP bolt on 60" basin	45
HUBF16-72D	Hub 16" ID FRP bolt on 72" basin	44
HUBF16-FF	Hub 16" ID FRP bolt on flat face	45



## Link Seals

Part Number	Part Description	Approx. Weight
LS-300-S316	Link seal epdm ss hardware	.2
LS-315-S316	Link seal epdm ss hardware	.3
LS-325-S316	Link seal epdm ss hardware	.6
LS-400-S316	Link seal epdm ss hardware	1.2
LS-410-S316	Link seal epdm ss hardware	.8
LS-425-S316	Link seal epdm ss hardware	1
LS-475-S316	Link seal epdm ss hardware	1



See following page for Application Chart



## Accessories

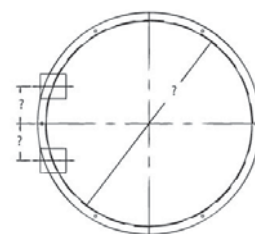
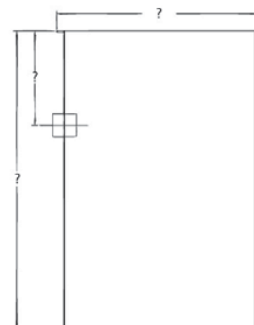
FRP Hub and Sleeve Chart				
Hub - Sleeve ID	Can Be Used With Pipe Type	Pipe OD	Link-Seal P/N	Qty.
5	3" STL/PVC	3.500	LS-300	8
	3" CI (Service weight)	3.300	LS-315	8
	3" CI (Extra heavy)	3.500	LS-300	8
6	3" DI	3.960	LS-325	5
	4" SDR 35	4.220	LS-315	10
	4" STL/PVC	4.500	LS-300	10
	4" CI (Service weight)	4.300	LS-315	10
	4" CI (Extra heavy)	4.500	LS-300	10
8	4" DI	4.800	LS-410	7
	5" STL/PVC	5.563	LS-425	6
	5" CI (Service weight)	5.300	LS-425	6
	5" CI (Extra heavy)	5.500	LS-425	6
10	6" SDR 35	6.280	LS-475	10
	6" STL/PVC	6.625	LS-475	10
	6" CI (Service weight)	6.300	LS-475	10
	6" CI (Extra heavy)	6.500	LS-475	10
	6" DI	6.900	LS-410	10
12	8" SDR 35	8.400	LS-475	12
	8" STL/PVC	8.625	LS-475	12
	8" CI (Service weight)	8.380	LS-475	12
	8" CI (Extra heavy)	8.620	LS-475	12
	8" DI	9.050	LS-400	9
14	10" SDR 35	10.500	LS-475	14
	10" STL/PVC	10.750	LS-400	10
	10" CI (Service weight)	10.500	LS-475	14
	10" CI (Extra heavy)	10.750	LS-400	10
	10" DI	11.100	LS-400	10
16	12" SDR 35	12.500	LS-475	17
	12" STL/PVC	12.750	LS-400	12
	12" CI (Service weight)	12.500	LS-475	17
	12" CI (Extra heavy)	12.750	LS-400	12

# Accessories



## Pass thru Sleeves – Installed

Part Number	Part Description	Approx. Weight
SLVP05-INST-1	Sleeve 5" parallel installed 1 ea.	7
SLVP05-INST-2	Sleeve 5" parallel installed 2 ea.	13
SLVP05-INST-3	Sleeve 5" parallel installed 3 ea.	20
SLVP05-INST-4	Sleeve 5" parallel installed 4 ea.	27
SLVP06-INST-1	Sleeve 6" parallel installed 1 ea.	8
SLVP06-INST-2	Sleeve 6" parallel installed 2 ea.	16
SLVP06-INST-3	Sleeve 6" parallel installed 3 ea.	24
SLVP06-INST-4	Sleeve 6" parallel installed 4 ea.	32
SLVP08-INST-1	Sleeve 8" parallel installed 1 ea.	11
SLVP08-INST-2	Sleeve 8" parallel installed 2 ea.	21
SLVP08-INST-3	Sleeve 8" parallel installed 3 ea.	32
SLVP08-INST-4	Sleeve 8" parallel installed 4 ea.	42
SLVP10-INST-1	Sleeve 10" parallel installed 1 ea.	15
SLVP10-INST-2	Sleeve 10" parallel installed 2 ea.	30
SLVP10-INST-3	Sleeve 10" parallel installed 3 ea.	45
SLVP10-INST-4	Sleeve 10" parallel installed 4 ea.	60
SLVS05-INST-1	Sleeve 5" straight installed 1 ea.	7
SLVS05-INST-2	Sleeve 5" straight installed 2 ea.	13
SLVS05-INST-3	Sleeve 5" straight installed 3 ea.	20
SLVS06-INST-1	Sleeve 6" straight installed 1 ea.	8
SLVS06-INST-2	Sleeve 6" straight installed 2 ea.	16
SLVS06-INST-3	Sleeve 6" straight installed 3 ea.	24
SLVS08-INST-1	Sleeve 8" straight installed 1 ea.	11
SLVS08-INST-2	Sleeve 8" straight installed 2 ea.	21
SLVS08-INST-3	Sleeve 8" straight installed 3 ea.	32
SLVS10-INST-1	Sleeve 10" straight installed 1 ea.	15
SLVS10-INST-2	Sleeve 10" straight installed 2 ea.	30
SLVS10-INST-3	Sleeve 10" straight installed 3 ea.	45



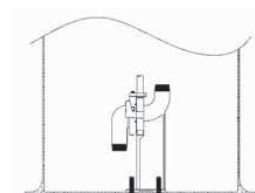
## Basin Lifting Lugs – Installed

Part Number	Part Description	Approx. Weight
LUGS-INST-2	2 Basin lifting lugs installed	32
LUGS-INST-3	3 Basin lifting lugs installed	48
LUGS-INST-4	4 Basin lifting lugs installed	64



## Rail Base Anchors – Installed

Part Number	Part Description	Approx. Weight
STUD375-INST-2	Stud 3/8-16 x 4" oal ss installed 2ea	2
STUD375-INST-3	Stud 3/8-16 x 4" oal ss installed 3ea	3
STUD375-INST-4	Stud 3/8-16 x 4" oal ss installed 4ea	3
STUD375-INST-6	Stud 3/8-16 x 4" oal ss installed 6ea	5
STUD375-INST-8	Stud 3/8-16 x 4" oal ss installed 8ea	6
STUD500-INST-2	Stud 1/2-13 x 4" oal ss installed 2ea	2
STUD500-INST-3	Stud 1/2-13 x 4" oal ss installed 3ea	3
STUD500-INST-4	Stud 1/2-13 x 4" oal ss installed 4ea	4
STUD500-INST-6	Stud 1/2-13 x 4" oal ss installed 6ea	6
STUD500-INST-8	Stud 1/2-13 x 4" oal ss installed 8ea	8
STUD625-INST-2	Stud 5/8-11 x 4" oal ss installed 2ea	3
STUD625-INST-3	Stud 5/8-11 x 4" oal ss installed 3ea	4
STUD625-INST-4	Stud 5/8-11 x 4" oal ss installed 4ea	5
STUD625-INST-6	Stud 5/8-11 x 4" oal ss installed 6ea	7
STUD625-INST-8	Stud 5/8-11 x 4" oal ss installed 8ea	9
STUD750-INST-2	Stud 3/4-10 x 4" oal ss installed 2ea	3
STUD750-INST-3	Stud 3/4-10 x 4" oal ss installed 3ea	4
STUD750-INST-4	Stud 3/4-10 x 4" oal ss installed 4ea	6
STUD750-INST-6	Stud 3/4-10 x 4" oal ss installed 6ea	8
STUD750-INST-8	Stud 3/4-10 x 4" oal ss installed 8ea	11

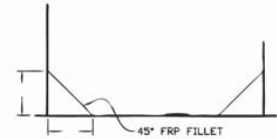




## Accessories

### Basin Fillet Bottoms – Installed

Part Number	Part Description	Approx. Weight
FIL36-06-INST	Fillet bottom 36" 6 X 6 X 45 degrees	41
FIL42-06-INST	Fillet bottom 42" 6 X 6 X 45 degrees	48
FIL48-06-INST	Fillet bottom 48" 6 X 6 X 45 degrees	55
FIL48-12-INST	Fillet bottom 48" 12 X 12 X 45 degrees	73
FIL54-06-INST	Fillet bottom 54" 6 X 6 X 45 degrees	62
FIL54-12-INST	Fillet bottom 54" 12 X 12 X 45 degrees	82
FIL60-06-INST	Fillet bottom 60" 6 X 6 X 45 degrees	68
FIL60-12-INST	Fillet bottom 60" 12 X 12 X 45 degrees	91
FIL72-06-INST	Fillet bottom 72" 6 X 6 X 45 degrees	82
FIL72-12-INST	Fillet bottom 72" 12 X 12 X 45 degrees	109



### Brass Gate Valves

Part Number	Part Description	Approx. Weight
70635	Valve Gate Brass 1.25"	2
70637	Valve Gate Brass 1.5"	2
70639	Valve Gate Brass 2"	4
70641	Valve Gate Brass 3"	10
70643	Valve Gate Brass 4"	18



### Brass Swing Check Valves

Part Number	Part Description	Approx. Weight
70636	Valve Check Brass 1.25"	2
70638	Valve Check Brass 1.5"	2
70640	Valve Check Brass 2"	3
70642	Valve Check Brass 3"	9
70644	Valve Check Brass 4"	14



### Cast Iron Ball Check Valves

Part Number	Part Description	Approx. Weight
70817	Valve Ball Check CI (cast iron) 1-1/4"	5
70818	Valve Ball Check CI (cast iron) 2"	10



### PVC Ball Check Valves

Part Number	Part Description	Approx. Weight
70764	Valve Ball Check PVC 1.25"	2
70783	Valve Ball Check PVC 2"	3



### PVC Flapper Check Valve – Solvent Weld

Part Number	Part Description	Approx. Weight
70766	Valve Swing CK PVC 1.25"	1
70785	Valve Swing CK PVC 2"	1



## Accessories



### PVC True Union Ball Valves

Part Number	Part Description	Approx. Weight
70765	Valve Ball True Union 1.25"	2
70784	Valve Ball True Union 2.0"	3



### Bolt and Washer Kits

Part Number	Part Description	Approx. Weight
BWK6	Bolts 6 ea 3/8-16x1 SS & washers 6 ea 3/8"x1 1/2 OD SS	1



### Powder Coated Mushroom Vents

Part Number	Part Description	Approx. Weight
70402	Vent 2" Mushroom Green	1
70403	Vent 3" Mushroom Green	4
70404	Vent 4" Mushroom Green	6



### PVC Close Nipples

Part Number	Part Description	Approx. Weight
70780	Nipple close sch 80 pvc 2"	1
70796	Nipple close sch 80 pvc 3"	1
70811	Nipple close sch 80 pvc 4"	1



### SS Close Nipples

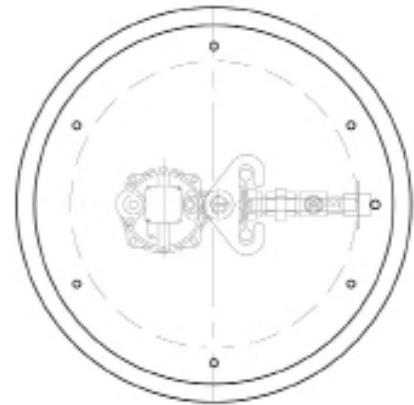
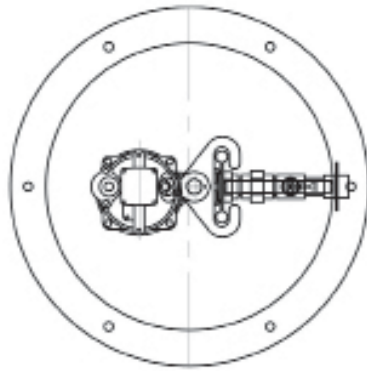
Part Number	Part Description	Approx. Weight
70676	Nipple 2" SS Close	1
70889	Nipple 3" SS Close	1
70890	Nipple 4" SS Close	2



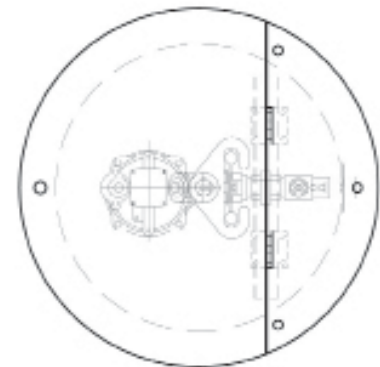


# SPI Rail Package

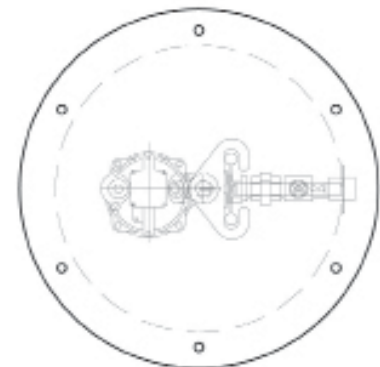
## 1 1/4" Simplex Rail Assembly



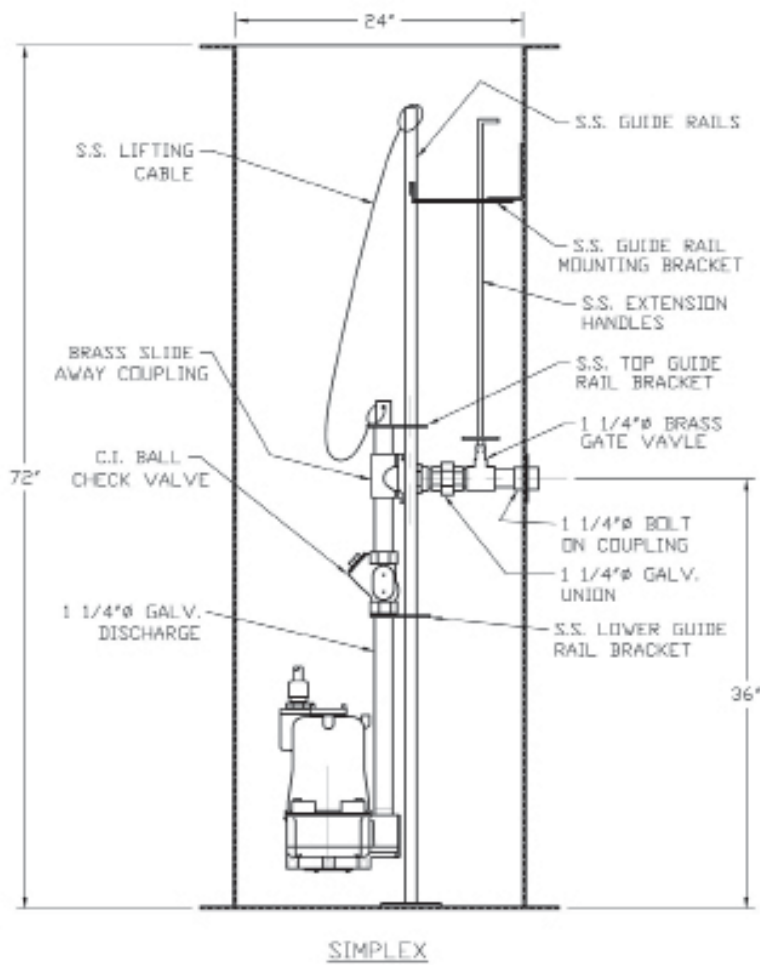
SOLID FRP COVER



ALUMINUM FROG MOUTH COVER



SOLID STEEL COVER



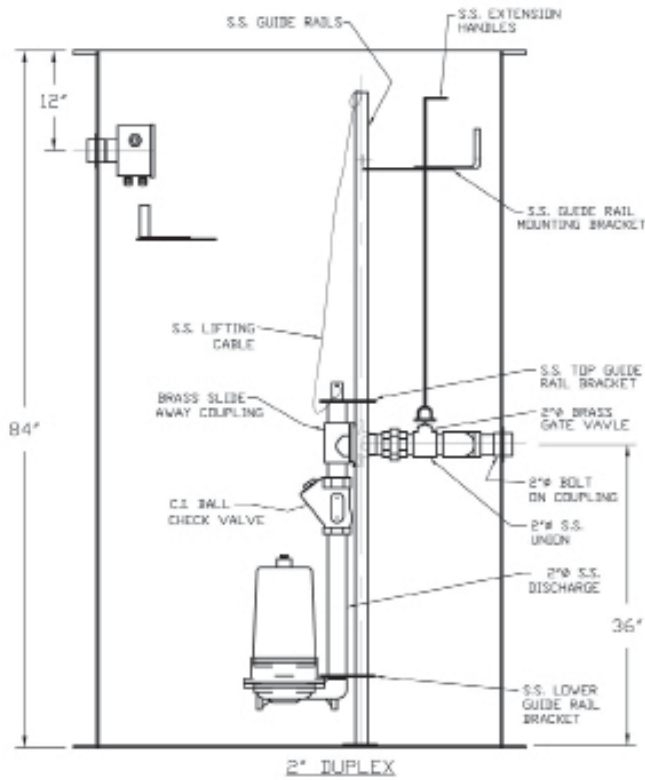
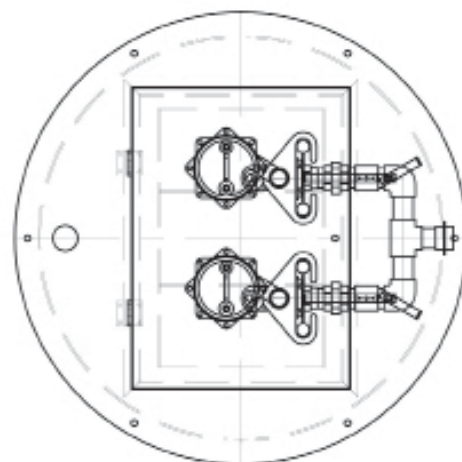
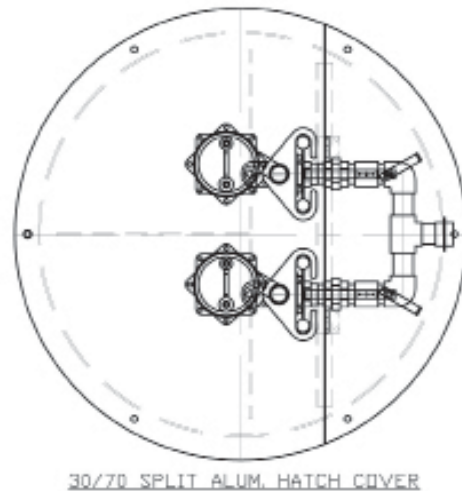
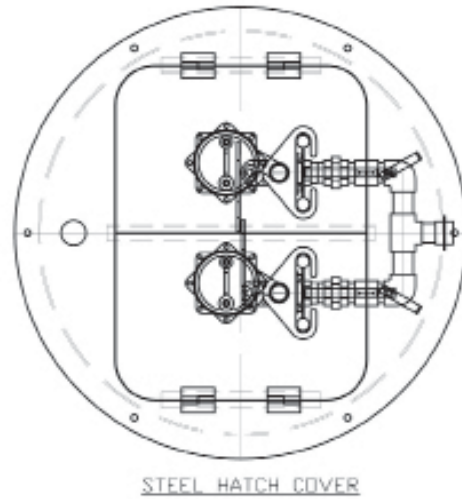
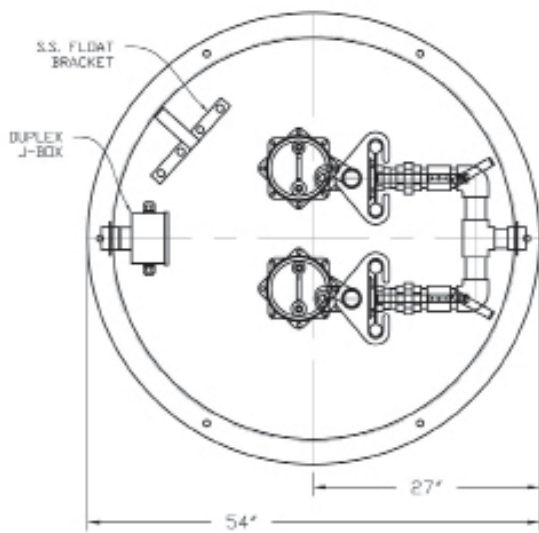
Consult Factory for Pricing



# SPI Rail Package



## 2" Duplex Rail Assembly



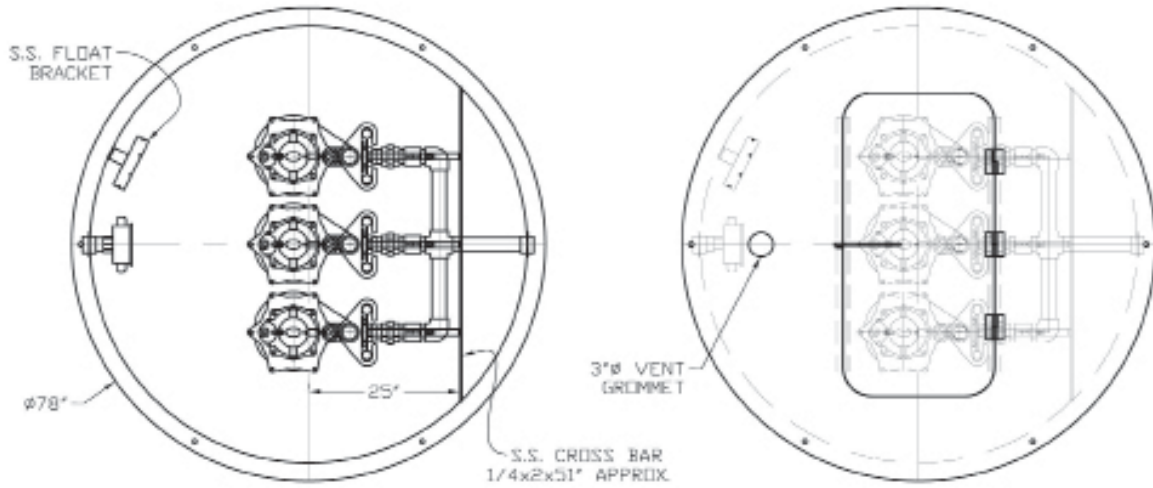
Consult Factory for Pricing

Phone 501-327-5122 • 800-523-2167 • Fax 501-327-0807



# SPI Rail Package

## 2" Triplex Rail Assembly



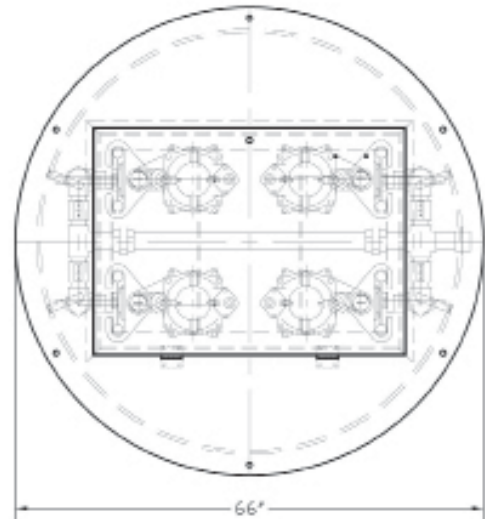
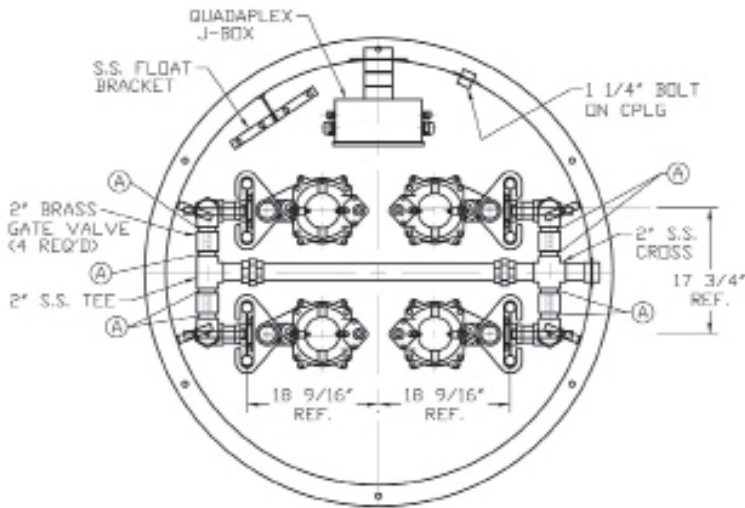
STEEL HATCH COVER

Consult Factory for Pricing

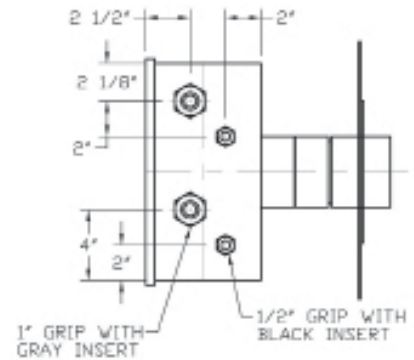
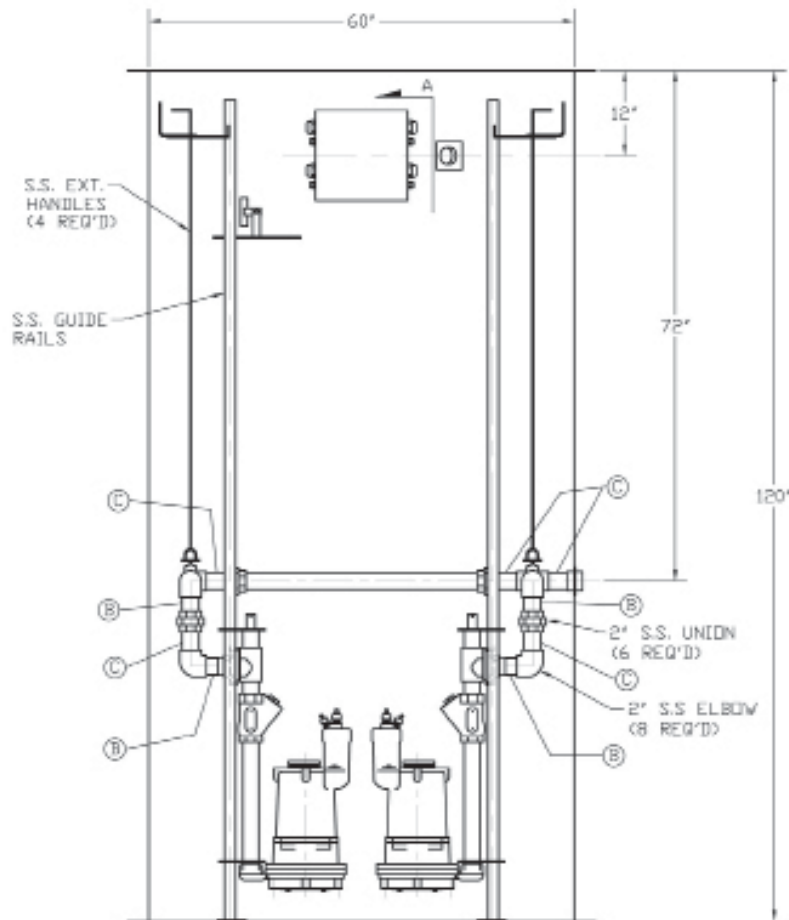
# SPI Rail Package



## 2" Quadraplex Rail Assembly



ALUMINUM HATCH COVER



SECTION "A"

### NIPPLE LEGEND

- Ⓐ NIPPLE -2 x CLOSE S.S.
- Ⓑ NIPPLE 2 x 3" S.S.
- Ⓒ NIPPLE 2 x 4" S.S.

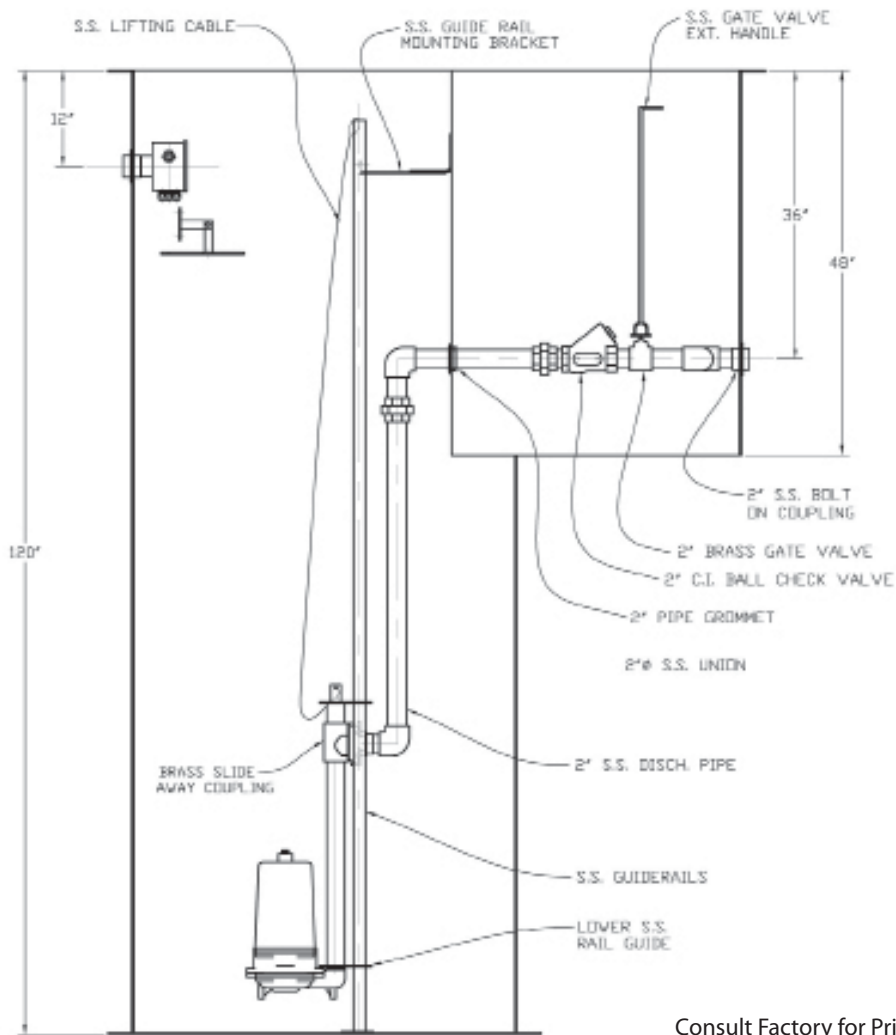
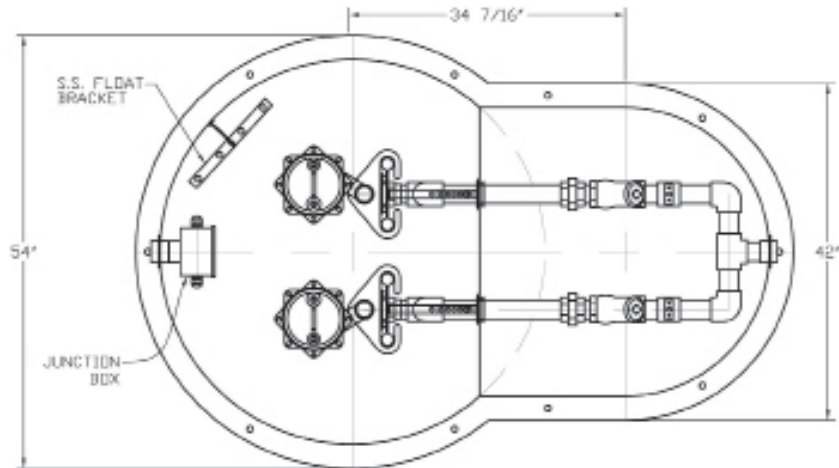
Consult Factory for Pricing

Phone 501-327-5122 • 800-523-2167 • Fax 501-327-0807



# SPI Rail Package

2" Duplex Rail Assembly with Attached Valve Box

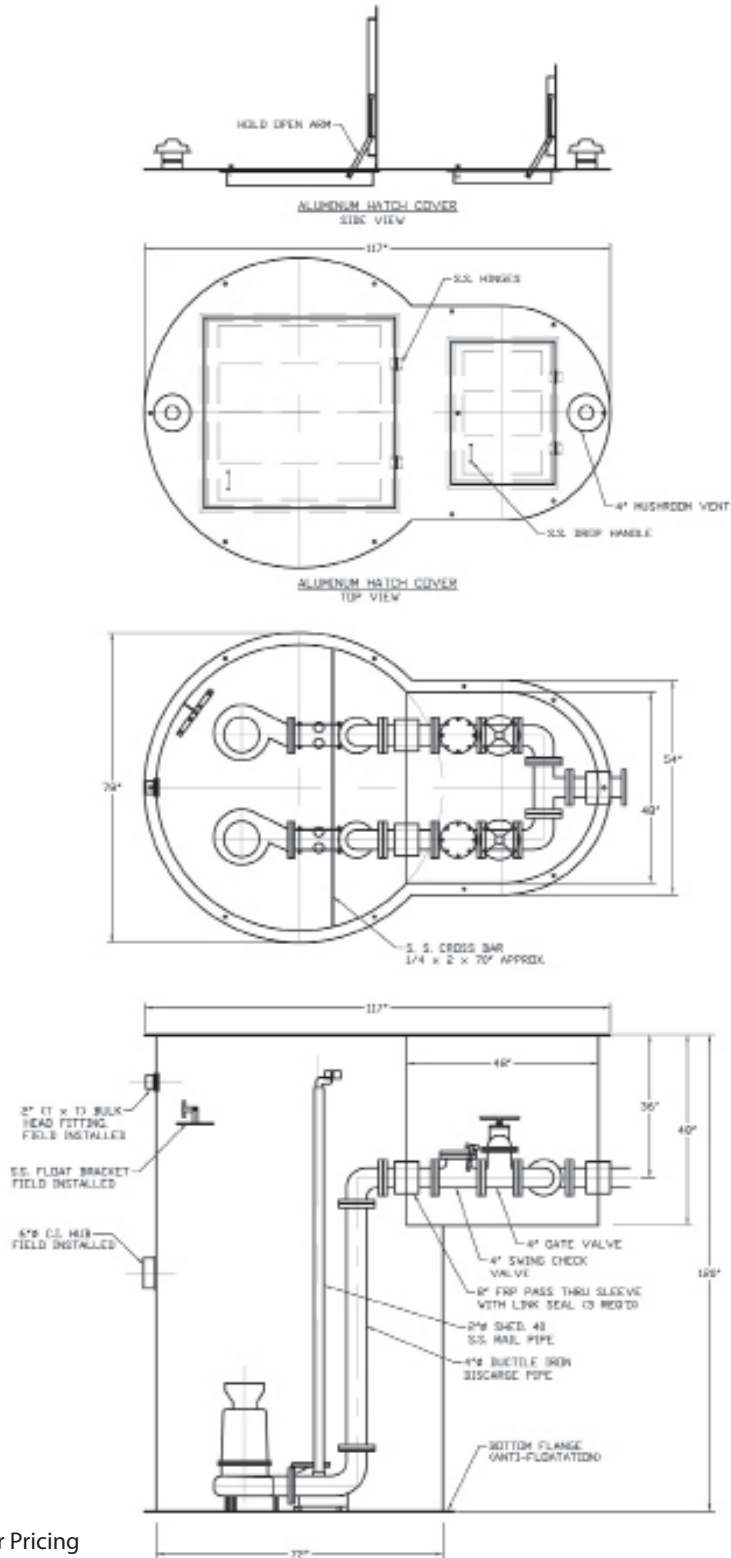


Consult Factory for Pricing



# Other Rail Package

## 4" Duplex Rail Assembly with Attached Valve Box



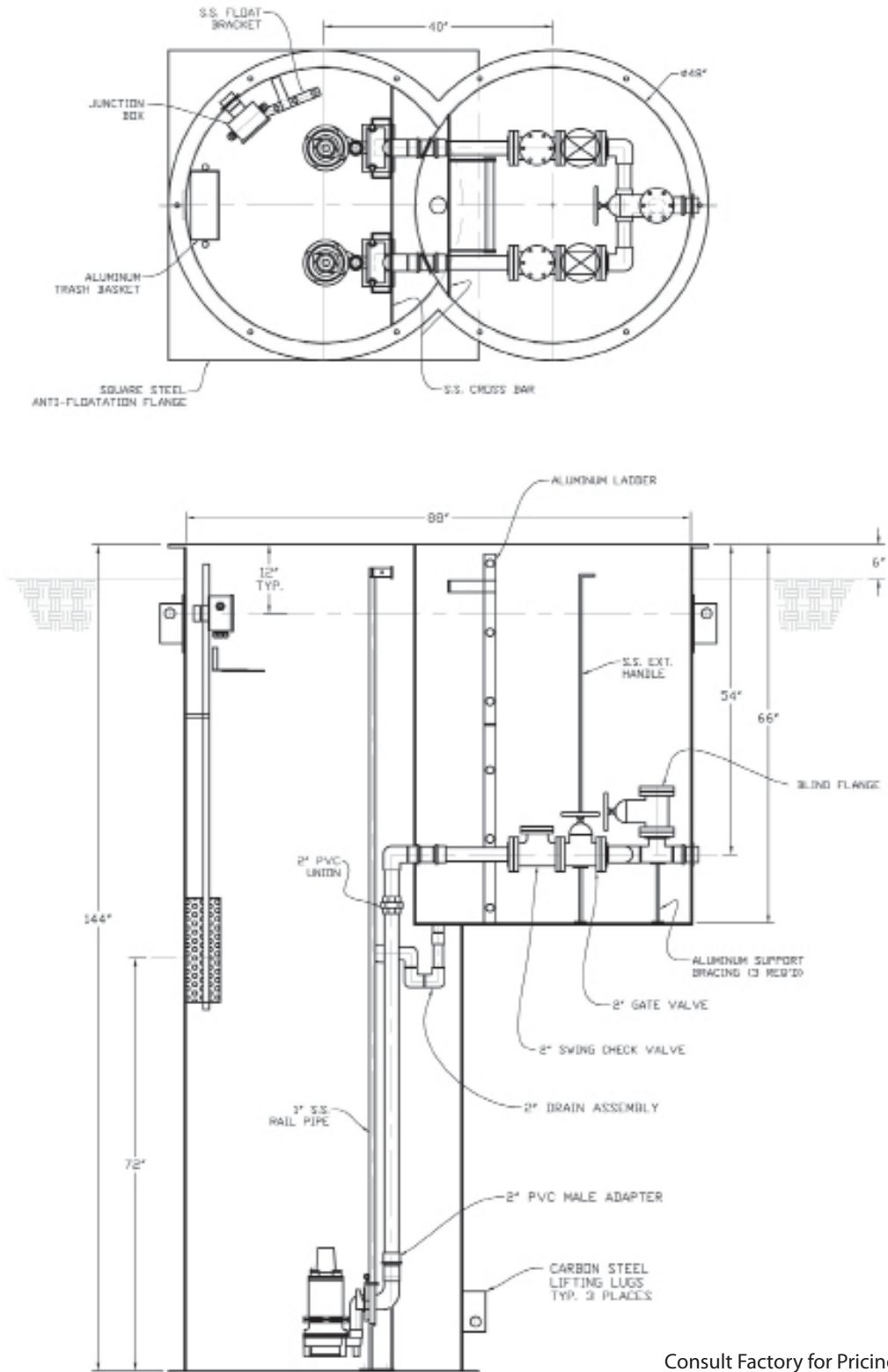
Consult Factory for Pricing

Phone 501-327-5122 • 800-523-2167 • Fax 501-327-0807



## Other Rail Package

2" Duplex Rail Assembly with Attached Valve Box



Consult Factory for Pricing



## Limited Warranty

This limited warranty is issued to the original purchaser of Steele Plastics, Inc. fiberglass reinforced plastic sewage sump basins/wetwells and accessories. This limited warranty is not assignable, transferable or enforceable by any person, corporation or entity, other than the original purchaser.

This limited warranty and all implied warranties are hereby limited to one year from installation or eighteen months from shipment of said sump basin/wetwell, whichever first occurs. Some states do not allow limitations on implied warranty. This limitation may not apply to you.

Steele Plastics, Inc., warrants that the sump basin/wetwell sold to the original purchaser is fit for underground application against defects, provided it is not used under circumstances that would be considered other than normal and there is proper handling and installation of the unit as per the directions of Steele Plastics, Inc. Steele Plastics, Inc. agrees to provide the repair of the sump basin/wetwell or to supply any parts that are defective for the repair of the sump basin and specifically excludes any obligation or liability for any consequential or special damages or incidental damages for the breach of this warranty or any implied warranty.

This limited warranty applies only if the following conditions are met:

- (1) The sump basin/wetwell shall be installed in a vertical position with the top being at finish grade. Under no circumstances shall the bottom of the basin/wetwell be installed deeper than the total depth of the basin/wetwell. Sump basins/wetwells are for the use in sewage/wastewater applications only and shall not be used with potable water.
- (2) Backfill must be of a suitable material compacted to a minimum soil modulus of 700 P.S.I.

Should there be a sump basin/wetwell defect claimed the original purchaser shall notify, in writing, Steele Plastics, Inc., within 10 days of the discovery of the defect. The claimant shall give Steele Plastics, Inc., the opportunity to be present, through its agents or employees, in the removal and inspection of the tank claimed to be defective. Should the conditions of this limited warranty be met and Steele Plastics, Inc. determines that the defect is covered by this warranty, then it will repair or correct in the method it determines as its sole option to be necessary at its own cost or expense, exclusive of freight or other transportation costs.

This limited warranty does not apply under the following conditions:

Normal wear and tear; damage due to incorrect or improper handling or installation; any damage occurring after shipment by Steele Plastics, Inc.; damages that are a result of the improper design of the purchaser or its agent(s); any items warranted by another manufacturer.

There are no warranties, either expressed or implied, which extend beyond the description or the face hereof.

Any questions related to this limited warranty please contact Steele Plastics, Inc. Phone: 800-523-2167, Fax: 501-327-0807

## Terms and Conditions

### Prices

Prices are subject to change without notice. All prices are F.O.B. Conway Arkansas 72032.

### Payment Terms

Payment terms will be found on the invoice at the time of shipment or as may be otherwise stated in writing by an officer of Steele Plastics, Inc. Steele Plastics reserves the right to charge a late fee on all past due accounts.

### Orders

All orders are subject to approval by Steele Plastics, Inc in Conway Arkansas. Orders submitted by phone shall be confirmed in writing. Orders that include "custom" specifications must have all specifications provided in writing at the time the order is entered. All orders must have a valid shipping address to be considered released for production.

### Delivery

Normal order to shipment time is approximately two weeks. Steele Plastics stocks many common sizes for immediate shipment.

### Freight

Specific carriers may be requested on collect and third party shipments. A minimal fee will be added to all prepay and add shipments.

### Returns

All returns are subject to a 25% restocking fee. Custom or non-stocked products shall not be considered returnable. All returned merchandise must have written authorization and a valid RMA (Return Merchandise Authorization) attached to be accepted by Steele Plastics, Inc.



**STEELE  
PLASTICS, INC.**

1280 Sturgis Road  
P.O. Box 1076  
Conway, AR 72033  
501-327-5122  
Fax 501-327-0807  
1-800-523-2167