



**THE WHOLESALER'S PREMIER SOURCE FOR
FIRE PROTECTION & PLUMBING SPECIALTIES.**

RELY ON





TABLE OF CONTENTS

FIRE PROTECTION SUPPLIES

Gauges and Kits	2
Hose and Accessories	3
Hose Valves and Accessories	4
FDCs and Accessories	5-8
Adapters	9
Electrical Devices - Bells and Switches	10
Valves	11-16
Risers - Commercial and Residential	17-19
Escutcheons	20-21
Hangers & Fasteners	22-23
Sprinkler Accessories	25-27
Signs	27
Cast Iron Fittings	28
Ductile Iron Fittings	29
Chemicals	30
Nipples	31
Tools	32&34
Grooved Products	33
Backflow Preventers	35

PLUMBING

Lead-Free Brass Pex	36-37
Black Poly Pex	38
Pex Tubing	39
Plumbing Valves and Fittings	40-41

Terms and Conditions	42
Credit Application	43

STAINLESS STEEL GAUGES



Brecco gauges are for use with wet or dry systems. Bronze burdon tube movement in a stainless steel case. 4" Diameter. UL Listed and FM Approved. Custom gauges available. Year of gauge manufacture displayed on face of gauge.

Description	Item #
Air / Water 300 Psi UL/FM	100-325-00040
Air w/ Retard 250 Psi UL/FM	100-325-00120
2" Residential Gauge 300 Psi w/ Black Steel Case	100-325-00180
Dry Compound Gauge (-30 To 300)	100-325-00900

PLASTIC GAUGES



Plastic case for corrosion resistance. UL/ ULC Listed and FM Approved. 4" Diameter face. Year of gauge manufacture displayed on face of gauge.

Description	Item #
Air w/ Retard - 0-250 PSI	100-325-00145
Air Only - 0-300 PSI	100-325-00920
Water Only - 0-300 PSI	100-325-00160
Water - 0-600 PSI	100-325-00150
Air/Water - 0-300 PSI	100-325-00140

LIQUID FILLED GAUGES



Glycerine filled w/ Glass Face & Stainless Steel case

Description	Item #
Gauge (0 To 300)	100-325-00880
Compound Gauge (-30 To 300)	100-325-00860

GAUGE KITS



Stainless Steel Gauges(UL Listed and FM Approved), Pre-packaged with necessary components

Description	Item #
Air/water 300psi, 1/4" x 4" Nipple, 1/4" 3-way Valve, 1/4" Plug, 1/2" x 1/4" Hex Head Bushing	100-325-00080
Air Only 250 Psi, 1/4" x 4" Nipple, 1/4" 3-way Valve, 1/4" Plug, 1/2" x 1/4" Hex Head Bushing	100-325-00760

HOSE RACKS

Brecco Hose Racks are Rated for Class II Service under NFPA/FEMA class of service.

Racks are available with:

- 1½" x 1½" Hose Rack Assembly
- 1½" Single Jacket Lined Hose - UL, ULC/FM
- 1½" Cast Brass Coupling
- 1½" Fog Nozzle - UL, ULC/FM (Brass or Plastic)
- 1½" Angle Valve F x F
- 1½" Brass Rack Nipple
- Red Enamel Pin Back - UL, ULC/FM



Description	Item #
RACK with HOSE	
1½" RACK w 50' HOSE	350-100-00020
1½" RACK w 75' HOSE	350-100-00040
1½" RACK w 100' HOSE	350-100-00060
2½" RACK w 125' HOSE	350-100-00580
RACK with HOSE, and RACK NIPPLE	
1½" x 50'	350-100-00080
1½" x 75'	350-100-00100
1½" x 100'	350-100-00120
RACK with HOSE, RACK NIPPLE and BRASS FOG NOZZLE	
1½" x 50'	350-100-00140
1½" x 75'	350-100-00160
1½" x 100'	350-100-00180
RACK with HOSE, RACK NIPPLE, BRASS FOG NOZZLE and 1½" FxF HOSE	
1½" x 50'	350-100-00200
1½" x 75'	350-100-00220
1½" x 100'	350-100-00240
RACK with HOSE, RACK NIPPLE, BRASS NOZZLE and 1½ FxF PRESS. RESTRICTING HOSE VALVE	
1½" x 100'	350-100-00370
RACK with HOSE, RACK NIPPLE and PLASTIC FOG NOZZLE	
1½" x 50'	350-100-00260
1½" x 75'	350-100-00280
1½" x 100'	350-100-00300
RACK with HOSE, RACK NIPPLE, PLASTIC FOG NOZZLE and 1½ FxF HOSE VALVE	
1½" x 50'	350-100-00320
1½" x 75'	350-100-00340
1½" x 100'	350-100-00360

HOSE

The Wilco Peerless 500 is an emergency fire hose for interior use. Hose is designed for racks and reels with a 100% Synthetic woven jacket and single ply w/ thermoplastic lining.

- Available with Brass or Chrome couplings



Description	Item #
1½" x 50' Hose w/BR CPLG	350-100-00380
1½" x 75' Hose w/BR CPLG	350-100-00400
1½" x 100' Hose w/BR CPLG	350-100-00420

HOSE RACK ACCESSORIES

Swing Rack for 1½" HOSE RACKS UL, ULC and FM Listed



Description	Item #
RED Swing Rack	350-100-00620
C.P. Swing Rack	350-100-00640
Hose Rack - PLASTIC COVER	350-100-00760

RACK NIPPLES

Cast brass w/ Male hose thread x Male pipe thread. For use with hose racks.



Size	Thread	Item #
1½"	MNPT x MNST	350-100-00720
2½"	MNPT x MNST	350-100-00740

NOZZLES



Brecco Lexan Nozzle is rated for Class II Service under NFPA/ FEMA class of service. Recommended for fire hose cabinets and fire hose racks, for lined or unlined fire hose. Both the 1½" NST Lexan adjustable fog nozzle & 1½" NST cast brass adjustable fog nozzle are capable of complete shutoff or any degree of conical FOG. Brass nozzle comes in Satin Brass and has optional chrome plating.

Brecco Play Pipe is 30" long and made with rugged brass construction. Equipped with NST thread inlet w/ swivel handle and 1½" orifice.

Description	Item #
1½" Plastic Fog Nozzle (RED) NST	350-100-00780
1½" Adj Fog Nozzle - Brass NST	350-100-00820
1½" Adj Fog Nozzle - Chrome Plated	350-100-00860
2½" PLAY PIPE	350-100-00880
1½" Adj Fog Nozzle - Brass NPSH	350-100-00840
1½" Plastic Fog Nozzle (RED) NPSH	350-100-00850

HOSE CABINETS



Brecco Hose Cabinets are constructed of 16 gauge Cold Rolled Steel and come with valve knockouts. Interior and exterior are treated with our exclusive WILCO "PRO-TECH" Premiere prime coating system. The door is fitted with 3/16" clear glass, stainless steel concealed latch, and reinforced piano hinges.

- Finish Options Include: Satin Stainless Steel, White, Red
 Options for Glass: ¼" Doullite, Lexan, or Georgian Wire
 Options for Mount: Surface, Recessed
 Options for Door: Full Metal, Glass, Stainless Steel

Description	Item #
30" x 30" x 8" Recessed Glass	350-100-00920
30" x 30" x 8" Recessed Metal	350-100-00930
30" x 30" x 8" Surface Glass	350-100-00900
30" x 30" x 8" Surface Metal	350-100-00910
30" x 30" x 6" Surface Glass	350-100-00890
30" x 30" x 6" Recessed Glass	350-100-00935



ANGLE HOSE VALVES



Brecco Angle Hose Valves feature all brass construction with cast bodies for rigidity and light weight. Rated to 300 Lbs. Compatible with a Fire Hose Rack Assembly or as a Fire Department Connection Outlet. UL and FM approved. Comes with optional chrome plate finish.

Size	Thread	Item #
1 1/2"	NST M x F	350-125-00820
1 1/2"	NPT F x F	350-125-00900
2 1/2"	NPT F x F	350-125-00920
2 1/2"	NST G x M	350-125-01140
2 1/2"	NST M x F	350-125-00840
2 1/2"	PHX M x F	350-125-01060
2 1/2"	TEMPE M x F	350-125-01100
2 1/2"	NYCC	350-125-00860
2 1/2"	NYFD	350-125-01040
2 1/2"	G x NYCC	350-125-00980
1 1/2"	HANDLE	350-125-01180
2 1/2"	HANDLE	350-125-01200

** Other thread types are available, but not listed.
Please call for the specific thread you need. **

CAP & CHAINS

Brecco Cap & Chains are available in solid brass, aluminum, and plastic. Each is constructed with Female Caps w/ pins and come attached with a hook and chain. Plastic can prevent debris buildup but is not pressure testing suitable. For use with hose valves.



Description	Finish	Item #
1 1/2" NST	Brass	350-125-01480
2 1/2" NST	Aluminum	350-125-01730
2 1/2" NST	Chrome	350-125-01720
2 1/2" NST	Brass	350-125-01580
2 1/2" PHX	Brass	350-125-01640
2 1/2" TMP	Brass	350-125-01680
1 1/2" NST - RED	Plastic	350-125-01540
2 1/2" NST - RED	Plastic	350-125-01760
2 1/2" NYCC	Brass	350-125-01600
2 1/2" NYFD	Brass	350-125-01620
HOOK & CHAIN	Brass	350-125-01220

ANGLE HOSE VALVES-PRESSURE RESTRICTING



Brecco Heavy Duty 2 1/2" angle hose valve is 300 lb pressure tested as an approved restricting valve. Constructed with a lightweight cast brass body, Forged line Bonnet, and Seat Assembly. Water pressure is controlled by an adjustable flow restrictor. If full flow is required the restrictor may be overridden. Item comes furnished with field setting chart. UL/ULC Listed and FM Approved.

Specify regional hose thread for outlet.
FINISH: Cast Brass

Size	Thread	Item #
1 1/2"	F x F NST	350-125-01130
2 1/2"	M x F NST	350-125-01132
2 1/2"	M x F NYFD	350-125-01134

BRASS REDUCERS

Brecco Brass Reducers are Cast Brass. Constructed with 2 1/2" Female NST x 1 1/2" Male NST.



Description	Item #
2 1/2" FNST x 1 1/2" MNST Red.	350-125-01240
2 1/2" FNST x 3/4" MGHT	350-125-01880
2 1/2" FNST x 2" MNPT	350-125-01960
2 1/2" FNST x 1 1/2" MNPSH Red.	350-125-01940
2 1/2" NYCC x 1 1/2" NST	350-125-01900
2 1/2" NYFD x 1 1/2" MNST	350-125-01905

STRAIGHT HOSE VALVES



Brecco Straight Hose Globe Valve is a Heavy Duty 2 1/2" straightway hose valve. Pressure tested at 300lb, it comes constructed with a lightweight cast brass body and a Forged Bonnett. Includes Seat Assembly and Cast Brass finish. Optional Polished Chromed or Brass finishes available. Regional hose thread for outlet available upon request.

Our 2.5" Straight Hose Gate Valve is made up of a brass body, brass trim, a red hand wheel, and a non-rising stem with a female NPT inlet and male hose thread outlet (specify threads when ordering). Made for use on hydrants, standpipes, and fire pumps. Pressure rated for 300 psi UL Listed / FM Approved.

Finishes: Cast Brass, Cast Chrome
Options: Round Handle with Speed Chuck

Size	Thread	Item #
2 1/2"	FNPT x MNST Gate	350-125-01970
2 1/2"	FNPT x MNST Globe	350-125-01965

90° 4" x 2 1/2" x 2 1/2" - SINGLE CLAPPER



Brecco FDCs are UL Listed and FM Approved in accordance with NFPA. Each FDC is of solid brass construction and single clapper design. **

Thread	Item #
NST	350-175-02420
NST Chrome	350-175-02440
PHX/PIT	350-175-02460
TEMPE	350-175-02480
NYCC	350-175-02500
NYFD	350-175-02520

STRAIGHT 4" x 2 1/2" x 2 1/2" - SINGLE CLAPPER



Brecco FDCs are UL Listed and FM Approved in accordance with NFPA. Each FDC is made of solid brass construction and single clapper design. **

Thread	Finish	Item #
NST	Brass	350-175-02540
NST	Chrome	350-175-02560
NPT	Pol. Brass	350-175-02565
PHX/PIT		350-175-02620
TEMPE		350-175-02640
NYCC		350-175-02580
NYFD		350-175-02600

STRAIGHT EXPOSED SIAMESE - DOUBLE CLAPPER



Brecco FDCs are UL Listed and FM Approved in accordance with NFPA. Each FDC is made of solid brass construction and double clapper design. **

Style	Thread	Item #
4" NPT x 2 1/2" x 2 1/2"	NST	350-175-02650
4" NPT x 2 1/2" x 2 1/2"	NST	350-175-02645
4" NPT x 3" x 3"	NST	350-175-02720
6" NPT x 2 1/2" x 2 1/2"	NST	350-175-02785
6" NPT x 3" x 3"	NST	350-175-04385

90° EXPOSED SIAMESE - DOUBLE CLAPPER



Brecco FDCs are UL Listed and FM Approved in accordance with NFPA. Each FDC is made of solid brass construction and double clapper design. 4" x 2 1/2" x 2 1/2" **

Style	Thread	Item #
4" NPT x 2 1/2" x 2 1/2"	NST	350-175-02651
4" NPT x 3" x 3"	NST	350-175-02660
6" NPT x 2 1/2" x 2 1/2"	NST	350-175-02784
6" NPT x 3" x 3"	NST	350-175-04380

STRAIGHT CONCEALED SIAMESE - DOUBLE CLAPPER/ BODY ONLY



Used as a flush mount double clapper Fire Department Connection. The double clapper design ensures water supply from supplementary sources, connected to either one or two servicing hoses. The Auxiliary Inlet Connection allows in excess of 500 G.P.M. supplementary water supply for fire protection system. UL Listed FM Approved. **

Style	Thread	Item #
4" GRV x 2 1/2" x 2 1/2"	NST	350-175-03380
4" Grooved x 3" x 3"	NST	350-175-02705
4" NPT x 3" x 3"	NST	350-175-02680
4" GRV x 2 1/2" x 2 1/2"	NST	350-175-02700
6" GRV x 3" x 3"	NST	350-175-02745
6" NPT x 3" x 3"	NST	350-175-04390

90° CONCEALED SIAMESE - DOUBLE CLAPPER/ANGLE BODY ONLY



Applicable as a flush mount double clapper Fire Department Connection. Double clapper design ensures water supply from supplementary source(s). The Auxiliary Inlet Connection allows in excess of 500 G.P.M. supplementary water supply for fire protection system. Angle body and field adjustable clappers allow for a top or bottom inlet.

UL Listed FM Approved. **

Description	Thread	Item #
4" GRV x 2 1/2" x 2 1/2"	NST	350-175-02755
4" GRV x 3" x 3"	NST	350-175-03400
4" NPT x 3" x 3"	NYCC	350-175-02760
6" GRV x 3" x 3"	NST	350-175-04394
6" NPT x 3" x 3"	NST	350-175-04395

STRAIGHT CONCEALED GROOVED BODY -Complete Pack W/PLATE, SNOOTS & P & C



Brecco's FDC Straight Concealed Grooved Body is a flush mounted straight body, back outlet, double Clapper, Fire Department Connection. The body is cast brass with 4" grooved inlet and two 2 1/2" NPT outlets. Package includes: A Plate and 2 plug & chains. 2 Snoot and Swivels. *1/2" or 3/4" ball drip available. With polished brass or chrome finishes. UL Listed FM Approved. **

Description	Finish	Item #
4 x 2 1/2" x 2 1/2"	Brass	350-175-03420
4 x 2 1/2" x 2 1/2"	Chrome Plated	350-175-03440

90° CONCEALED GROOVED BODY -Complete Pack W/PLATE, SNOOTS & P & C



UL Listed FM Approved. Constructed as Fire Department Connection package with a flush mounted angle body. Clappers are field adjustable to provide either a top or bottom inlet. Body Design: Cast brass with 4" grooved inlet and two 2 1/2" NPT outlets. Package includes: A Plate and 2 plug & chains. 2 Snoot and Swivels. *1/2" or 3/4" ball drip available. Polished brass or chrome finishes available. **

Description	Finish	Item #
4 x 2 1/2" x 2 1/2"	Brass	350-175-03460
4 x 2 1/2" x 2 1/2"	Chrome Plated	350-175-03480

ROOF MANIFOLDS



Brecco Roof Manifolds are cast brass body, combined with gate or angle hose valves for flow control. NPT Threads. Optional Finish includes: Chrome, Polished Brass, or Polished Chrome. Optional addition: 2 1/2" angle valves and 2 1/2" brass caps and chains. UL Listed. **

Size	Style	Item #
4" x 2 1/2" x 2 1/2"	90°	350-175-03500
4" x 2 1/2" x 2 1/2"	Straight	350-175-03520
6" x 3" x 3" x 3"	90°	350-175-04510
6" x 3" x 3" x 3"	Straight	350-175-04500
6" x 3" x 3" x 3" x3"	90°	350-175-04515
6" x 3" x 3" x 3" x3"	Straight	350-175-04505
6" x 3" x 3" x 3" x3"	Square	350-175-04520

1 1/2" SINGLE SNOOT -w/WALL PLATE, PLUG & CHAIN



Brecco's 1 1/2" Single Snoot is all brass. Ideal for residential applications where needed. Comes as a complete unit with brass wall plate, plug and chain. UL Listed/ FM Approved. **

Thread	Finish	Item #
NST X NPT	Brass	350-175-02320
NST X NPT	Chrome	350-175-02860

2 1/2" SINGLE SNOOT



Brecco FDC Single Snoot is all brass. Available with 7" O.D., brass wall plate, and plug and chain or solely with Body & Swivel. UL Listed/ FM Approved. **

BODY & SWIVEL ONLY

Thread	Item #
NST	350-175-02960
PHX / PIT	350-175-03000
TEMPE	350-175-03020
NYCC	350-175-02980

w/WALL PLATE, PLUG & CHAIN

NST	350-175-02340
PHX/ PIT	350-175-02920
TEMPE	350-175-02940
NYCC	350-175-02900

STORZ CONNECTIONS -COMPLETE W/ CAP & SCREEN



STORZ connections provide "quick connection" of large diameter hose by Fire Service Professionals to fire sprinkler or standpipe systems. Each can be assembled or disassembled quickly with simple engagement of the lugs and approximately one quarter turn. Hose ends on Fire Service hoses have an integrated "lever type lock" to keep connection from disconnecting while under pressure. In accordance with NFPA requirements. Available with UL Listing.

Description	Item #
4" STORZ X 4" NPT w/Cap & Screen Straight	350-175-03900
5" STORZ X 4" NPT w/Cap & Screen Straight	350-175-03920
5" STORZ X 5" NPT w/Cap & Screen Straight	350-175-03930
5" STORZ X 6" NPT w/Cap & Screen Straight	350-175-04235
4" STORZ X 4" NPT w/Cap & Screen 30° Elbow	350-175-03940
5" STORZ X 4" NPT w/Cap & Screen 30° Elbow	350-175-04120
5" STORZ X 6" NPT w/Cap & Screen 30° Elbow	350-175-04140

CHECK SNOOT -w/ PIN LUG SWIVEL



Brecco Check Snoots are brass made and help prevent water backflow into connected supply lines. An NST plug should be used to prevent debris from waterway entrance. Available in all rough and polished brass. UL Listed/ FM Listed and Approved.

Size/ Thread	Item #
3" MNPT x 2 1/2" FNST Swivel	350-175-03040
3" FNPT x 2 1/2" FNST Swivel	350-175-03060

PLUG & CHAINS



Used with hose valves or Fire Department Connections. **

Size	Thread	Finish	Item #
1 1/2"	NST	Brass	350-125-01260
2 1/2"	NST	Aluminum	350-125-01410
2 1/2"	NST	Chrome	350-125-01380
2 1/2"	NST	Brass	350-125-01280
2 1/2"	PHX	Brass	350-125-01300
2 1/2"	TEM	Brass	350-125-01320
2 1/2"	NYCC	Brass	350-125-01340
2 1/2"	NYFD	Brass	350-125-01360

SWIVEL KIT



Brecco Swivel Kit comes with brass swivel, gasket, and ball bearings with brass set screw. **

Size	Thread	Item #
2 1/2"	NST	350-175-03140
2 1/2"	PHX	350-175-03180
2 1/2"	TEMPE	350-175-03220
2 1/2"	NYCC	350-175-03260

**** Other thread types are available, but not listed. Please call for the specific thread you need. ****

BREAK CAPS



Brecco Break Caps come in aluminum or plastic. Break Caps are packaged two per set and are equipped with eye bolts and nuts. Designed to break in an emergency.

Size	Material	Color	Item #
2 1/2" (2pcs)	Metal	RED	350-125-01800
2 1/2" (2pcs)	Plastic	RED	350-125-01780
3" (2pcs)	Alum	GREEN	350-125-01840

IDENTIFICATION SIGNS



Fire Department Connection Signs come in aluminum, brass, chrome, or plastic.

Description	Finish	Item #
2 1/2" IPS Round W.P. Auto SPKR	Brass	350-150-02100
4" IPS Round W.P. Auto SPKR	Brass	350-150-02180
4" IPS Round W.P. Auto SPKR	Chrome	350-150-02200
4" IPS Round W.P. Combo STD Pipe	Brass	350-150-02220
4" IPS Round W.P. Dry STD Pipe	Brass	350-150-02240
4" IPS Round W.P. Wet STD Pipe	Brass	350-150-02260
4" IPS Round W.P. Auto SPKR	Alum	350-150-02140
4" IPS Round W.P. Auto SPKR	Plastic	350-150-02160
8" X 4" Rectangle F.D.C.	Alum	350-150-02300
4" IPS Wall Hydrant	Brass	350-150-02270

FDC FLUSH MOUNT WALL PLATE - 2 HOLE

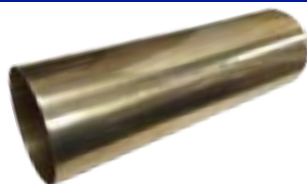


Brecco FDC Wall Plate includes standard plate lettering for flush mount siamese: A Polished Brass finish with an optional polished Chrome or Stainless Steel finish.

Plate lettering includes: Stand Pipe, Stand Pipe/Auto Sprinkler, Pump Test, Auto Sprinkler, Wall Hydrant

Size	Description	Finish	Item #
15" x 9"	AUTO SPRKR	BRASS	350-175-03540
15" x 9"	AUTO SPRKR	C.P.	350-175-03560
15" x 9"	STANDPIPE	BRASS	350-175-03600
15" x 9"	STANDPIPE	C.P.	350-175-03580
15" x 9"	AUTO SPRKR/S.P.	BRASS	350-175-03620
15" x 9"	AUTO SPRKR/S.P.	C.P.	350-175-03640

SLEEVES for REMOTE FDC



Brecco Remote FDC Sleeve is used to conceal incoming pipe of free-standing fire department connection. Comes in a polished brass finish with optional polished chrome plated finish.

Size	Description	Item #
4" x 18"	Aluminum	350-175-03880
6" x 18"	Aluminum	350-175-03890

SWIVEL GASKETS



Black rubber swivel gasket. For use with 1 1/2" and 2 1/2" swivels.

Size	Item #
1 1/2"	350-175-03280
2 1/2"	350-175-03320

BALL BEARING PACKS



Brecco Ball Bearing Packs are applicable to 1 1/2" and 2 1/2" swivels. Comes in plastic bag with 50 ball bearings and brass set screw.

Description	Item #
BALL BEARINGS w/SET SCREW	350-175-03340

M x M BRASS HEX



Brecco M x M Brass Hex Adapter is equipped as a hexagon hose nipple, with Male NPT x Male regional hose thread. Cast Brass finish with an optional chrome finish.**

Size	Threads	Item #
1 1/2"	MNPT x MNST	350-125-00320
2 1/2"	MNPT x MNST	350-125-00020
2 1/2"	MNST x MNST	350-125-00080
2 1/2"	MNST x 2" MNPT	350-125-00300
2 1/2"	MNPT x MNYCC	350-100-00060
2 1/2"	MNPT x MNYFD	350-125-00280

F x F BRASS HEX



Brecco F x F Brass Hex Adapter is equipped as a hexagon hose connector, with Female NPT x Female NST. Cast Brass finish with an optional chrome finish.**

Size	Threads	Item #
1 1/2"	FNPT x FNST	350-125-00360
2 1/2"	FNPT x FNST	350-125-00380

F x M BRASS HEX



Brecco F x M Hexagon hose adapter is equipped with Female NPT x Male regional hose threads. Finish: Cast Brass; Optional Finish: Chrome**

Size	Threads	Item #
1 1/2"	FNPT x MNST	350-125-00660
1 1/2"	FNPT x MNPSH	350-125-00680
2 1/2"	FNPT x MNST	350-125-00420
2 1/2"	FNPT x MPIT	350-125-00760
2 1/2"	FNST x MNYCC	350-125-00730
2 1/2"	FNPT x MNYFD	350-125-00700

M x F BRASS



Brecco M x F Hexagon hose adapter is equipped with Female NPT x Male regional hose threads. Finish: Cast Brass; Optional Finish: Chrome**

Size	Threads	Item #
1 1/2"	MNPT x FNST	350-125-00390
2 1/2"	MNPT x FNST	350-125-00400

M x F BRASS SWIVEL



Brecco hexagon swivel hose adapter comes equipped with Male NPT x Female regional hose thread swivel. Comes with ball bearings and set screw. Finish: Cast Brass Optional Finish: Chrome**

Size/	Threads	Item #
1 1/2"	MNPT x FNST	350-125-00755
2 1/2"	MNPT x FNST	350-125-00720
2"	MNPT x 2 1/2" FNST	350-125-00710

F x F BRASS DOUBLE SWIVEL



Brecco Cast Brass Double Swivel is used to connect a fire hose to a standpipe or sprinkler system. Comes with a cast brass finish and a chrome or polish brass optional finish.**

Size	Threads	Item #
2 1/2"	FNST Swivel x FNST	350-125-00745

F x M BRASS BUSHING



Brecco F x M brass hex bushing is equipped with male NST x female NPT or NST threads.**

Size	Threads	Item #
2 1/2"	MNST x 2" FNPT	350-125-00770
2 1/2"	MNST x 1 1/2" FNST	350-125-00765

**** Other thread types are available, but not listed. Please call for the specific thread you need. ****

ELECTRIC BELLS



Features four wires, 120V and 24V red enamel heavy steel gong. Indoor and outdoor installation. UL Listed.

Size	Volts	Item #
6"	120V AC	300-175-00100
8"	120V AC	300-175-00110
10"	120V AC	300-175-00120
6"	24V DC	300-175-00130
8"	24V DC	300-175-00140
10"	24V DC	300-175-00150

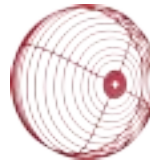
BELL BACK BOX



Brecco Back Boxes are weatherproof. For use in attaching electric bells to walls. Made from aluminum

	Item #
Red	300-175-00080

WIRE BELL GUARDS



Brecco Wire Bell Guards are made with heavy wire construction applicable to water motor gongs. Will fit 6", 8", and 10" bells with 4 quick cuts.

	Item #
Red	300-175-00090

WATERFLOW SWITCHES

System Sensor Waterflow Switches are compatible with schedule 7 through 40 steel pipe. Can be mounted in a vertical or horizontal position. The sealed retard mechanism is immune to dust and other contaminants. Visual switch activation for indoor and outdoor use. Switch assembly and delay mechanism assembly are field replaceable. UL, ULC Listed and FM Approved.



Description	Item #
1"-1 1/2" Tee Tap	300-100-00020
2" w/Retard	300-100-00030
2 1/2" w/Retard	300-100-00040
3" with Retard	300-100-00050
4" w/Retard	300-100-00070
5" w/Retard	300-100-00080
6" w/Retard	300-100-00090
8" w/Retard	300-100-00100

SUPERVISORY TAMPER SWITCH

The System Sensor OSY2 is used to monitor the open position of an Outside Screw and Yoke (OS&Y) type gate valve. UL, ULC Listed and FM Approved. PSP1 can be used with ball valves and other valves that will not work with the OSY2.



Description	Item #
OS&Y Tamper w/ Bracket	300-125-00020
P.I.V. or Butterfly Valve Tamper	300-125-00040
Plug-in Special Purpose PSP1	300-125-00030

PRESSURE SWITCHES

System Sensor EPS10 Series switches are designed for use in wet, dry, deluge, and pre-action automatic sprinkler systems to indicate a discharge from a sprinkler. System Sensor EPS40 Series switches are designed for use in dry pipe systems or pressure tanks and water pressure supplies of automatic water control valves. UL, ULC Listed and FM, Approved.



Description	Item #
Alarm Press SW-1 SPDT 101	300-150-00070
Alarm Press SW-2 SPDT 102	300-150-00080
Supervisory Low Press-1 SPDT 401	300-150-00050
Supervisory High Press-2 SPDT 402	300-150-00060

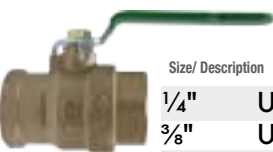
BALL VALVES

Brecco Full Port Ball Valves are constructed with forged brass and hard chrome plated bronze ball. Designed for trim or test valve usage. Suitable for use with flammable liquid. 600psi non-shock WOG. UL Listed and FM Approved.



Size		Item #
1/4"	Full Port	700-200-00020
3/8"	Full Port	700-200-00040
1/2"	Full Port	700-200-00060
3/4"	Full Port	700-200-00080
1"	Full Port	700-200-00100
1 1/4"	Full Port	700-200-00120
1 1/2"	Full Port	700-200-00140
2"	Full Port	700-200-00160

BALL VALVES - LEAD FREE



Size/ Description	Item #
1/4" UL/FM	700-200-00205
3/8" UL/FM	700-200-00210
1/2" UL/FM	700-200-00215
3/4" UL/FM	700-200-00220
1" UL/FM	700-200-00225
1 1/4" UL/FM	700-200-00230
1 1/2" UL/FM	700-200-00235
2" UL/FM	700-200-00240
2 1/2"	700-200-00245
3"	700-200-00250

BRASS IN-LINE CHECK VALVE

Brecco In-Line Check Valves are brass constructed and equipped with both an O-ring seat and a spring loaded clapper.

-Rated at 200 PSI.



Size	Item #
1"	700-225-00260
1 1/4"	700-225-00280
1 1/2"	700-225-00300
2"	700-225-00320

IN-LINE SPRING CHECK VALVE

LEAD FREE

Brecco In-Line Check Valves are Lead Free brass constructed and equipped with both an O-ring seat and a spring loaded clapper. Brass is Lead Free. Rated at 200 PSI.



Size	Item #
1"	700-225-02200
1 1/4"	700-225-02202
1 1/2"	700-225-02204
2"	700-225-02206

ANGLE VALVES

BRECCO Brass Angle Valves with rubber disc are specifically designed for use in sprinkler systems. Typically used in Trim or Drain application. Rated at 200 PSI.



Size	Item #
1/4"	700-125-00100
3/8"	700-125-00120
1/2"	700-125-00140
3/4"	700-125-00160
1"	700-125-00180
1 1/4"	700-125-00200
1 1/2"	700-125-00220
2"	700-125-00240

GLOBE VALVES

Bronze globe valves with rubber disc. Rated at 200 PSI. Hand Wheel - JIS FC 20 painted Red

Brecco bronze globe valves are specifically designed for use in fire sprinkler systems. Typically used in drain or trim applications



Size		Item #
1/4"	200 WOG	700-100-00020
3/8"	200 WOG	700-100-00040
1/2"	200 WOG	700-100-00060
3/4"	200 WOG	700-100-00080
1"	200 WOG	700-100-00100
1 1/4"	200 WOG	700-100-00120
1 1/2"	200 WOG	700-100-00140
2"	200 WOG	700-100-00160
3"	200 WOG	700-100-00180
1"	PRTDV	700-100-00200
1"	Handle	700-100-00500

BRASS SWING CHECK VALVE

Brecco Brass Swing Check Valves come constructed with rubber seats, nuts, and washer. Brass body. Rated at 200 PSI. Brecco small pipe check valves are brass made with a rubber seat feature and a full floating clapper assembly.



Size	Item #
1/2"	700-225-00020
3/4"	700-225-00040
1"	700-225-00060
1 1/4"	700-225-00080
1 1/2"	700-225-00100
2"	700-225-00120

SWING CHECK VALVES

LEAD FREE

Brecco Brass Swing Check Valves come constructed with rubber seats, nuts, and washer. Lead Free Brass. Rated at 200 PSI. Brecco small pipe check valves are brass made with a rubber seat feature and a full floating clapper assembly.



Size	Item #
1"	700-225-02300
1 1/4"	700-225-02302
1 1/2"	700-225-02304
2"	700-225-02306

TEST & DRAIN VALVES

Brecco Test & Drain Valves are used to test waterflow through sprinkler systems. Constructed with forged brass body, three position ball valve, and 1/2" restricted orifice. UL Listed/ FM Approved. Pressure reducing kit available.



Size	Item #
1"	700-400-00020
1 1/4"	700-400-00040
1 1/2"	700-400-00060
2"	700-400-00080

BOILER DRAINS

Drain complies w/ ANSI B1.20.1
Hose threads comply with ANSI B1.20.7



Size	Item #
1/2"	700-150-00020
3/4"	700-150-00040

OS&Y GATE VALVES

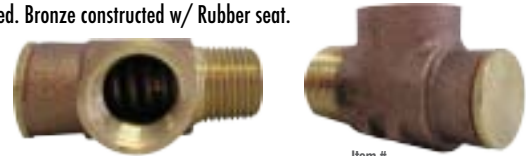


Brecco OS&Y Gate Valve is exclusively crafted with Brass Screwed Ends outside Screw & Yoke. UL Listed/ FM Approved @ 175lbs. WOG 100% Pressure Tested Rising Stem.

Size	Item #
1"	700-250-00020
1 1/4"	700-250-00040
1 1/2"	700-250-00060
2"	700-250-00080

PRESSURE RELIEF VALVES

Brecco Pressure Relief Valve is set on a single setting. It is designed to be used in "grid type" and residential sprinkler systems or release system pressure when required. Bronze constructed w/ Rubber seat.



Size	Item #
1/2" x 1/2" (150 PSI)	700-375-00080
1/2" x 1/2" (175 PSI)	700-375-00040
3/4" x 3/4" (175 PSI)	700-375-00060

WAFFER CHECK VALVES



UL Listed and FM Approved as antiwater hammer check valve for fire pump service only. 250 WOG @ 180° Max. 100% Pressure Tested. Contains Lead. Not intended for use in Potable Water Systems.

Size	Item #
4"	700-225-01080
6"	700-225-01100
8"	700-225-01120

THREE WAY VALVES



Brecco Bronze 1/4" Three Way Valve is designed for use with air or water gauges. Constructed with brass and are UL Listed.

Size	Item #
1/4" 3-Way Valve	700-100-00220

BALL DRIP VALVES



Automatic drain device - To be installed horizontally only. Designed to prevent accumulation of moisture on the dry side of Fire Department Connections when used with approved check valves. Brass body with brass ball.

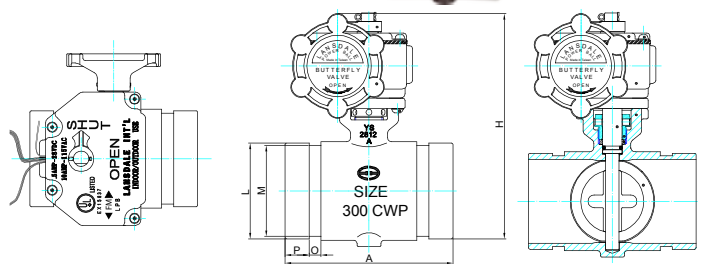
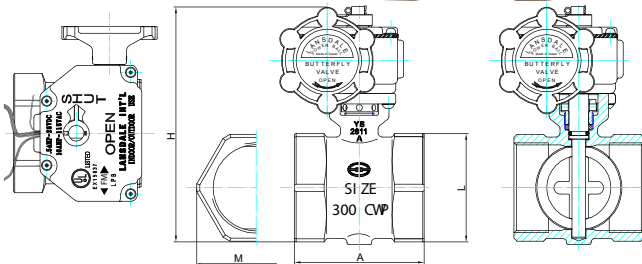
Size	Item #
1/2"	700-150-00060
3/4"	700-150-00080



POWERBALL 300 SPRINKLER CONTROL VALVE

- Rated 300psi
- Indoor/Outdoor use
- Integral tamper switch
- Eliminates water hammer
- Slow open/Slow close

Brass body, chrome plated brass disc, and 300 PSI. UL Listed/ FM Approved. Available threaded in sizes 1" to 2½" and grooved from 1¼" to 2½". Complete with Position Indicator and integral Tamper Switch.



DIMENSIONS (IN)

SIZE	1"	1¼"	1½"	2"	2½"
A	±0.08	2.125	2.626	2.874	3.252
H	±0.12	4.937	5.126	5.595	6.126
L		1.563	1.937	2.189	2.756
M		1.752	2.165	2.374	3.11

DIMENSIONS(IN)

SIZE	1¼"	1½"	2"	2½"
A	±1.78	±2.03	±2.03	±2.5
H	±2.54	±2.54	±2.54	±2.5
P	±0.76	±0.76	±0.76	±0.7
O	±0.76	±0.76	±0.76	±0.7
M	+0 -0.38	+0 -0.38	+0 -0.38	+0 -0.4
L	±0.41	±0.48	±0.61	±0.7

POWERBALL 300™

FIRE PROTECTION • SLOW-CLOSE BUTTERFLY VALVE • 300 PSI



GROOVED BUTTERFLY VALVES

- UL Listed/FM approved
- Pressure rated for 300 PSI
- Prewired Double Tamper Switch
- Ductile Iron body

- Indoor/Outdoor use
- Flag type position indicator
- Slow open/ close



Size	Item #
2 1/2"	700-325-00160
3"	700-325-00180
4"	700-325-00200
6"	700-325-00240
8"	700-325-00260

WAFER BUTTERFLY VALVES



Brecco Wafer Butterfly Valve closes slowly to prevent water hammer. Equipped with a double tamper switch and pressure rated for 300psi. Applicable to indoor/outdoor use. UL Listed/FM Approved

Size	Item #
4"	700-325-00280
6"	700-325-00300
8"	700-325-00320

POWERBALL VALVES

Brecco Powerball eliminates water hammer and is applicable to indoor an outdoor usage. Constructed with a brass body, chrome plated brass disc, and 300psi. UL Listed/FM Approved. Complete with Position Indicator & Tamper Switch. Available in threaded and grooved.



Size	Thread	Item #
1 1/4"	GxG	700-350-00120
1 1/2"	GxG	700-350-00140
2"	GxG	700-350-00160
2 1/2"	GxG	700-350-00180
1"	TxT	700-350-00020
1 1/4"	TxT	700-350-00040
1 1/2"	TxT	700-350-00060
2"	TxT	700-350-00080
2 1/2"	TxT	700-350-00100
2"	Lead Free - TxT	700-350-00270

BRASS CHECK VALVES

Brecco Check Valves close to prevent backward flow of liquid. UL Listed.



Size	Thread	Item #
2"	GxG	700-225-00410
2 1/2"	GxG	700-225-00420
3"	GxG	700-225-00440
4"	GxG	700-225-00350
4"	(GRVxMT) GxT	700-225-00340
4"	(FTxMT) TxT	700-225-00360

GROOVED CHECK VALVES

Brecco Cast Iron Check Valves are approved for installation in both horizontal or vertical line with upward flow. Easier and faster to maintain and install. Low pressure drop. EPDM non-stick leak tight sealing. All Stainless steel wetted parts to provide superior corrosion resistance. FM Approved and UL/ULC Listed.



Size	Item #
2"	700-225-00500
2 1/2"	700-225-00520
3"	700-225-00540
4"	700-225-00560
6"	700-225-00580
8"	700-225-00400

SHOTGUN RISER TRIM KITS

1 1/4" Angle Valve, 1 1/4 x Close Nipple, 1/4" Nipples, Air/Water Gauges, 1/4" Plugs, 1/4" 3-Way Valves, and 1/2 x 1/4 Bushings for 2 1/2" & 3" RISER CHECK VALVES

Description	Item #
for 2 1/2" & 3"	650-275-00270

1 1/4" Angle Valve, 1 1/4 x Close Nipple, 1/4" Nipples, Air/Water Gauges, 1/4" Plugs, 1/4" 3-Way Valves, and 1/2 x 1/4 Bushings for 2 1/2" & 3" RISER CHECK VALVES

Description	Item #
for 4", 6" & 8"	650-275-00280



RISER CHECK VALVES-"SHOTGUN"

Brecco's Riser Check Valves (Shotgun Risers) are intended for use in wet pipe fire protection systems as well as pre-action systems where there is no need for a mechanical alarm. The use of a water flow switch can provide an electric alarm. Grooved ends provide for a fast and economical installation. When installed vertically, the direction of flow arrow should point upward. For horizontal installation, the hinge pin must be located at the top. If used in a pre-action system, the valve must be installed vertically. Rated for 200 PSI.



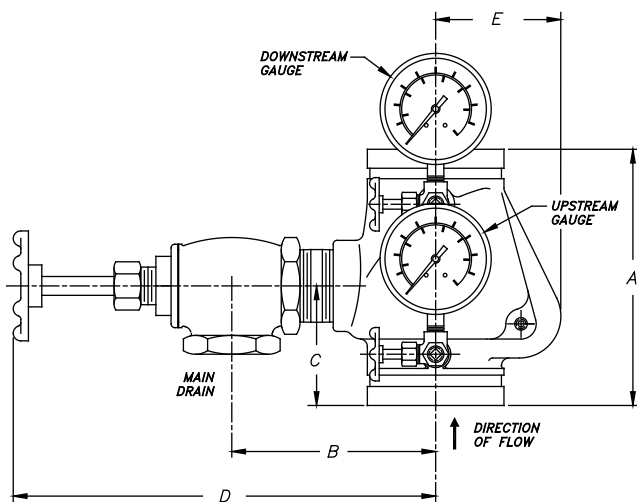
Size	Thread	Item #
2"	GxG	650-275-00010
2 1/2"	GxG	650-275-00020
3"	GxG	650-275-00040
4"	GxG	650-275-00060
6"	GxG	650-275-00080

RISER CHECK ASSEMBLY



Kit includes: riser check valve, angle valve, nipples, 1/4" 3 way valves, water gauges, & 1/4" plugs. All parts pre-assembled, excluding top water gauge.

- Designed to be compact, lightweight, & cost effective
- Grooved end connections for easy installation
- Non-slamming, spring loaded clapper prevents water hammer
- Elastomer coated clapper provides positive leak-free sealing
- Approved for vertical or horizontal operation
- Designed for low friction loss



SIZE	A	B	C	D	E
2"	6.65"	5"	3 1/4"	9 1/2"	2 1/2"
2 1/2"	7"	5"	3 1/4"	9 1/2"	3"
3"	8"	5"	3 1/4"	9 1/2"	3 1/2"
4"	8 3/4"	7"	4 1/4"	13 1/2"	4 1/4"
6"	10 3/4"	8"	6"	14 1/2"	4 3/4"

OS&Y RESILIENT SEATED GATE VALVE W/ FLANGE ENDS



Brecco OS&Y Resilient Gate Valve is constructed with a high quality graphite stem seal and a NPT brass plug on the body. A heavy duty nut attaches the handwheel to the yoke. Internally and externally fusion bonded epoxy powder coated for corrosion protection. Flange designed to EN1092-2 PN10 / PN16, ANSI B16.1 Class 125 (others available upon request). Maintains working pressure of 300psi & working temperature of 33.08°F to 125.6°F. Valves comply with AWWA C515. UL and FM approved.

Size	Item #
2.5"	700-250-00100
3"	700-250-00120
4"	700-250-00140
5"	700-250-00160
6"	700-250-00180
8"	700-250-00200
10"	700-250-00220
12"	700-250-00240

NRS RESILIENT SEATED GATE VALVE W/ FLANGE ENDS 300psi



Brecco NRS Resilient Seated Gate Valve is constructed with triple O-ring stem seal and a NPT brass plug on the body. Comes equipped with an indicator post flange and a 2" square operating nut. No rising stem. Internally and externally fusion bonded epoxy powder coated for corrosion protection. Flange designed to EN1092-2 PN10 / PN16, ANSI B16.1 Class 125 (others available upon request). Maintains working pressure of 300psi & working temperature of 33.08°F to 125.6°F. Valves comply with AWWA C515. UL Listed and FM approved.

Size	Item #
4"	700-275-00020
6"	700-275-00040
8"	700-275-00060

SWING CHECK VALVES W/ FLANGE ENDS 300psi



Brecco Swing Check Valves come equipped with two brass plugs screwed on one side of the body. Valves comply with AWWA C508, clear waterway design. Seating type is resilient material to bronze seat construction. Flanges designed to EN1092 - PN10 / PN16, ANSI B16.1 Class 125 (others available upon request). Internally and externally fusion bonded epoxy powder coated for corrosion protection. Maintains working pressure of 300psi with 200psi and 250psi upon request. Working temperature of 33.08°F to 125.6°F. UL/FM Approved.

Size	Item #
3"	700-225-00940
4"	700-225-00960
6"	700-225-01000

VERTICAL INDICATOR POST



Brecco Vertical Indicator Post indicates if valve is in the open or shut position. The indicator post creates a way to operate a buried/inaccessible valve. Indicator post's adjustment range reaches 34.5" and can be easily adjusted on site. The wrench handle fits over a "U" bracket on the barrel, and may be fixed with a padlock to secure the operating wrench to the barrel. Ability to open left or right. UL Listed/FM Approved. Internally and externally red epoxy coated RAL3000 for corrosion protection.

Item #
700-275-00180

WALL INDICATOR POST



Brecco Wall Indicator Post indicates if the valve is in the open or shut position. It is operated by a handwheel and used to operate a valve installed behind a wall. Comes equipped with a 12" O.D. post flange to mount on a wall. Ability to open left or right. UL Listed/FM Approved. Internally and externally red epoxy coated RAL3000 for corrosion protection.

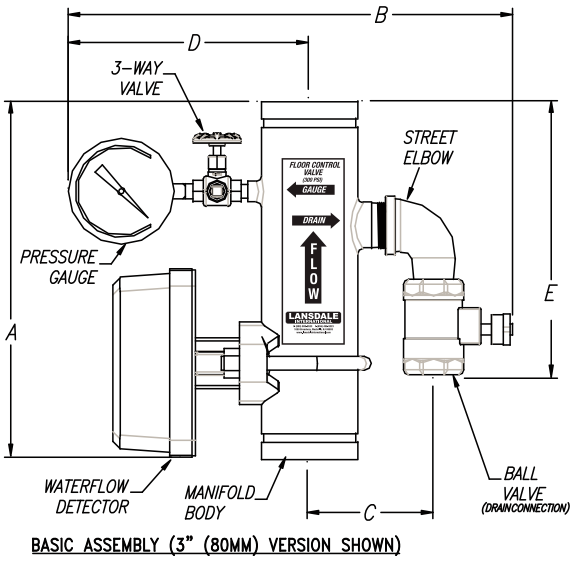
Item #
700-275-00160

COMMERCIAL RISERS

FLOOR CONTROL VALVE

Brecco Commercial Risers are factory assembled with brass and galvanized trim. Each riser is factory tested at 200psi and available with "Test and Drain" or Ball Valve designs.

- Built in System Sensor Water Flow Switch assures optimum sensitivity
- Built in port allows hydrostatic testing without draining the system.
- 1/4" 3-way valve allows for easy testing and replacing of pressure gauge
- UL Listed Assembly.



BASIC ASSEMBLY (3" (80MM) VERSION SHOWN)

Nominal Size	2"	2.5"	3"	4"	6"
A	13"	13"	13"	13"	13"
B (Ball Valve)	13"	13 ³ / ₄ "	15 ³ / ₄ "	19 ¹ / ₂ "	20"
B (Test & Drain)	13 ¹ / ₂ "	14 ¹ / ₄ "	16 ¹ / ₄ "	19"	20 ³ / ₄ "
C	5 ¹ / ₄ "	5"	5 ¹ / ₂ "	7"	8 ¹ / ₄ "
D	9 ¹ / ₄ "	9 ¹ / ₂ "	9 ¹ / ₂ "	10 ³ / ₈ "	11"
E (Ball Valve)	5 ⁵ / ₈ "	7 ¹ / ₈ "	9 ⁷ / ₈ "	12 ¹ / ₈ "	13 ¹ / ₂ "
E (Test & Drain)	10"	10 ¹ / ₄ "	12 ¹ / ₄ "	14 ³ / ₄ "	14 ¹ / ₂ "
F	3 ¹ / ₂ "	3 ¹ / ₂ "	3 ¹ / ₂ "	3 ¹ / ₂ "	3 ¹ / ₂ "
G	4 ¹ / ₂ "	4 ¹ / ₂ "	4 ¹ / ₂ "	4 ¹ / ₂ "	4 ¹ / ₂ "
H	3 ¹ / ₂ "	3 ¹ / ₂ "	3 ¹ / ₂ "	3 ¹ / ₂ "	3 ¹ / ₂ "



RESIDENTIAL RISERS



Brecco Residential Risers are factory assembled to meet all of your needs. With a stainless steel body and all brass trim, each riser is factory tested at 200psi and designed for female to female connections.

-Brecco's slim design allows for easy installation.

-Constructed with a dedicated UL & ULC listed System Sensor Water Flow Detector to assure optimum sensitivity

Available in 3 kinds of trim: Basic Trim, Basic Trim with Pressure Relief Kit, Test & Drain, Test & Drain w/ Pressure Relief UL Listed Assembly.

Description	Size	Item #
BASE TRIM		
	1"	650-375-00100
	1 1/4"	650-375-00120
	1 1/2"	650-375-00160
	2"	650-375-00180
WITH PRESSURE RELIEF VALE TRIM		
	1"	650-375-00200
	1 1/4"	650-375-00220
	1 1/2"	650-375-00240
	2"	650-375-00260
WITH TEST & DRAIN		
	1"	650-375-00280
	1 1/4"	650-375-00740
	1 1/2"	650-375-00760
	2"	650-375-00840

COMMERCIAL RISERS



Brecco Commercial Risers are factory assembled with brass and galvanized trim. Each riser is factory tested at 200psi and available with "Test and Drain" or Ball Valve designs.

-Built in System Sensor Water Flow Switch assures optimum sensitivity

-Built in port allows hydrostatic testing without draining the system.

-1/4" 3-way valve allows for easy testing and replacing of pressure gauge
UL Listed Assembly.

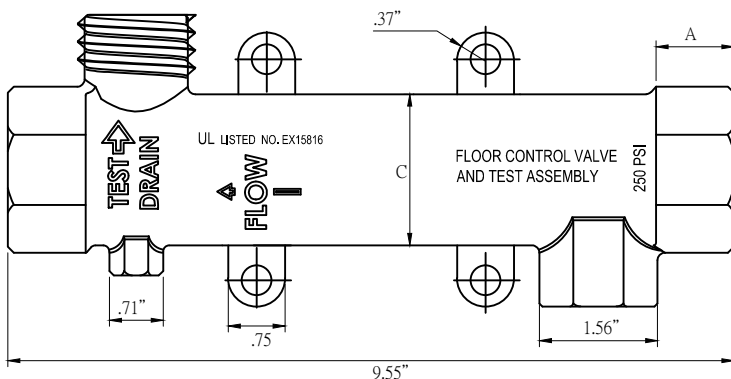
Description	Size	Item #
BASE TRIM		
	2"	650-375-00400
	2 1/2"	650-375-00420
	3"	650-375-00440
	4"	650-375-00460
	6"	650-375-00480
WITH TEST & DRAIN VALVE		
	2"	650-375-00540
	2 1/2"	650-375-00560
	3"	650-375-00580
	4"	650-375-00600
	6"	650-375-00620
PRESSRE RELIEF KIT (SOLD SEPERATE)		
	2"	650-375-00545
	2 1/2" & 3"	650-375-00585
	4" & 6"	650-375-00605

RESIDENTIAL RISERS

The Residential Riser is a cost effective, factory assembled riser assembly. The assembly comes in various configurations to meet all of your needs. Featuring cast-in place mounting brackets for ease of installation. The assembly has a working pressure of 175 PSI. UL Listed.

Features:

- Lead Free stainless steel body construction with all brass trim
- Factory assembled
- Factory pressure tested at 200psi (13.8 bar)
- Choice of 4 kinds of trim: Basic Trim, Basic Trim w/Pressure Relief Kit, Test & Drain, and Test & Drain w/Pressure Relief Kit
- NPT (female x female) connections
- Slim design allows for easy installation
- Optimum sensitivity is assured through a dedicated FM approved/UL and ULC Listed Water Flow Detector



Size	A
1"	.75"
1¼"	1.02"
1½"	1.02"
2"	1.02"





SEMI RECESSED COMPRESSION-LARGE

MODEL A

Size	Finish	Item #
1/2"	CP	100-225-02440



SEMI RECESSED- STANDARD SKIRT

MODEL B-2PC

For use with 1/2" and 3/4" IPS sprinkler heads. Canopies have approximately 3/4" adjustment.

Size	Finish	Item #
1/2"	Brass	100-225-00200
3/4"	Brass	100-225-02480
1/2"	Black	100-225-02500
3/4"	Black	100-225-02520
1/2"	Chrome	100-225-00160
3/4"	Chrome	100-225-00220
1/2"	White	100-225-00180
3/4"	White	100-225-00240



SEMI RECESSED- SHORT SKIRT

MODEL C-2PC

For use with 1/2" and 3/4" IPS sprinkler heads. Canopies have approximately 3/4" adjustment.

Size	Finish	Item #
1/2"	Brass	100-225-02700
3/4"	Brass	100-225-02720
1/2"	Chrome	100-225-00260
3/4"	Chrome	100-225-00300
1/2"	White	100-225-00280
3/4"	White	100-225-02800



ESCUTCHEONS- CUP- STEEL

For use with 1/2" and 3/4" IPS sprinkler heads. Cup #1 is 1 3/4" deep, Cup #2 is 1" depth

Style	Size	Finish	Item #
CUP #1	1/2"	Brass	100-225-01640
CUP #1	3/4"	Brass	100-225-01660
CUP #1	1/2"	Chrome	100-225-01680
CUP #1	3/4"	Chrome	100-225-01700
CUP #1	1/2"	White	100-225-01720
CUP #1	3/4"	White	100-225-01740
CUP #2	1/2"	Brass	100-225-01760
CUP #2	3/4"	Brass	100-225-01780
CUP #2	1/2"	Chrome	100-225-01800
CUP #2	3/4"	Chrome	100-225-01820
CUP #2	1/2"	White	100-225-01840
CUP #2	3/4"	White	100-225-01860



KYDEX RING - WHITE

Covers holes that are too large for standard escutcheons.

Description	Item #
1 3/4" ID x 4 1/16" OD	100-225-03160



ESCUTCHEONS- SKIRT- STEEL

For use with 1/2" and 3/4" IPS sprinkler heads. Skirts are interchangeable with either cup to allow maximum adjustment without having to recut drops.

Style	Finish	Item #
SKIRT A	Brass	100-225-01940
SKIRT A	Chrome	100-225-01960
SKIRT A	White	100-225-01980
SKIRT B	Brass	100-225-02000
SKIRT B	Chrome	100-225-02020
SKIRT B	White	100-225-02040
SKIRT C	Brass	100-225-02060
SKIRT C	Chrome	100-225-02080
SKIRT C	White	100-225-02100



NOTE: Skirt A- 1.25" Deep, Skirt B- Flush, Skirt C- Short Tapered

ESCUTCHEONS- RETROFIT - STEEL (SPLIT)

Used to replace escutcheons without having to drain the sprinkler system.

RECESSED	Finish	Item #
1/2"	Chrome	100-225-02660
3/4"	Chrome	100-225-02680
1/2"	White	100-225-02685
CUP #1		
1/2"	Chrome	100-225-01900
1/2"	Brass	100-225-01880
1/2"	White	100-225-01920

FLAT	Finish	Item #
1/2"	Chrome	100-225-01600
3/4"	Chrome	100-225-01620



EXTENSION RING

For semi rec. escutcheons and concealed cover plates

Size	Finish	Item #
RECESSED		
5"	Chrome	100-225-02620
5"	White	100-225-02640
CONCEALED		
4 1/2"	Chrome	100-250-00810
4 1/2"	White	100-250-00820



THREADED SEMI RECESSED - MODEL D

For use with 1/2" IPS sprinkler heads. Canopies have over a 1/2" adjustment.

Size	Finish	Item #
1/2"	CP	100-225-00320
1/2"	White	100-225-02840



ROD BUTTONS - PLASTIC

Used to cover holes in ceiling for hanger rods.

Size	Finish	Item #
3/8"	White	100-225-03120
3/8"	Chrome	100-225-03100



ONE PIECE CANOPY

For use with 1/2" and 3/4" IPS sprinkler heads with weep hole for leak detection. These canopies are made of heavy steel, making them hard to bend.

Model	Size	Finish	Item #
C-25	1/2"	Brass	100-225-00600
C-25	3/4"	Brass	100-225-00620
C-25	1/2"	Chrome	100-225-00640
C-25	3/4"	Chrome	100-225-00660
C-25	1/2"	White	100-225-00680
C-25	3/4"	White	100-225-00700
C-50	1/2"	Brass	100-225-00720
C-50	3/4"	Brass	100-225-00740
C-50	1/2"	Chrome	100-225-00760
C-50	3/4"	Chrome	100-225-00780
C-50	1/2"	White	100-225-00800
C-50	3/4"	White	100-225-00820
C-75	1/2"	Brass	100-225-00840
C-75	3/4"	Brass	100-225-00860
C-75	1/2"	Chrome	100-225-00880
C-75	3/4"	Chrome	100-225-00900
C-75	1/2"	White	100-225-00920
C-75	3/4"	White	100-225-00940
C-100	1/2"	Brass	100-225-00960
C-100	3/4"	Brass	100-225-00980
C-100	1/2"	Chrome	100-225-01000
C-100	3/4"	Chrome	100-225-01020
C-100	1/2"	White	100-225-01040
C-100	3/4"	White	100-225-01060
C-125	1/2"	Chrome	100-225-01120
C-125	3/4"	Chrome	100-225-01140
C-125	1/2"	White	100-225-01160
C-125	3/4"	White	100-225-01180
C-150	1/2"	Chrome	100-225-01240
C-150	3/4"	Chrome	100-225-01260
C-150	1/2"	White	100-225-01280
C-150	3/4"	White	100-225-01300
C-175	1/2"	Chrome	100-225-01360
C-175	3/4"	Chrome	100-225-01380
C-175	1/2"	White	100-225-01400
C-175	3/4"	White	100-225-01420
C-200	1/2"	Chrome	100-225-01480
C-200	3/4"	Chrome	100-225-01500
C-200	1/2"	White	100-225-01520
C-200	3/4"	White	100-225-01540
C-50	1/2"	White	100-225-01580 - PLASTIC



EXTENSION TUBES

For use with cup & skirt escutcheons. Tubes are wrapped for protection of surface. Made from stainless steel. To be used with our 2-Piece retrofit escutcheons.

Finish	Size	Item #
Chrome	4"	100-225-02160
	6"	100-225-02180
	8"	100-225-02200
	10"	100-225-02220
White	4"	100-225-02300
	6"	100-225-02320
	8"	100-225-02340
	10"	100-225-02360



FLOOR & CEILING PLATES - PLASTIC

1 Piece plastic plates come with a split for ease of installation.

Finish	Size	Item #
Chrome	1/2"	100-250-00320
	3/4"	100-250-00340
	1"	100-250-00360
	1 1/4"	100-250-00380
	1 1/2"	100-250-00400
	2"	100-250-00420
	2 1/2"	100-250-00440
	3"	100-250-00460
	4"	100-250-00500
	5"	100-250-00520
White	6"	100-250-00540
	8"	100-250-00560
	1/2"	100-250-00580
	3/4"	100-250-00600
	1"	100-250-00620
	1 1/4"	100-250-00640
	1 1/2"	100-250-00660
	2"	100-250-00680
	2 1/2"	100-250-00700
	3"	100-250-00720
4"	100-250-00740	
5"	100-250-00760	
6"	100-250-00780	
8"	100-250-00800	



GALVANIZED WALL PLATE

WITH SET SCREW

Made from malleable iron and galvanized for superior corrosion resistance.

Size	Item #
1"	100-575-00020
1 1/4"	100-575-00040
1 1/2"	100-575-00060
2"	100-575-00080
2 1/2"	100-575-00100
3"	100-575-00120
4"	100-575-00140



FLOOR & CEILING PLATES - METAL

Chrome plated heavy gauge steel with locking tab and spring inserts for tight fit.

Size	Item #
1/2"	100-250-00020
3/4"	100-250-00040
1"	100-250-00060
1 1/4"	100-250-00080
1 1/2"	100-250-00100
2"	100-250-00120
2 1/2"	100-250-00140
3"	100-250-00160
4"	100-250-00200
5"	100-250-00220
6"	100-250-00240
8"	100-250-00260
10"	100-250-00280



ROD COUPLINGS

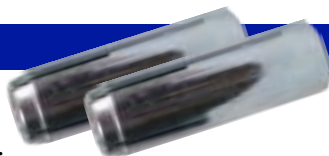


- Zinc-plated for corrosion resistance.
- Material: Steel
- Standard Finish: Electroplated
- Designed for coupling two hanger rods of equal sizes.

Size	Item #
3/8" x 1 1/8"	500-500-00100
3/8" x 1 3/4"	500-500-00120
1/2" x 1 3/4"	500-500-00140
5/8" x 2 1/8"	500-500-00160
3/4" x 2 1/4"	500-500-00180
3/4" x 5/8"	500-500-00200

Reducing, R.C.

DROP-IN ANCHOR



- Zinc plated steel
- Used in concrete and stone.
- Use with machine screw, bolt or threaded rod
- For flush mounted installations

Size	Item #
3/8"	500-450-00020
3/8" Short UL/FM	500-450-00010
1/2"	500-450-00040
1/2" Short UL/FM	500-450-00015
3/8" Setting Tool	100-525-01320
1/2" Setting Tool	100-525-01300

FLAT WASHERS



Zinc plated for corrosion resistance.

Size	Item #
3/8"	500-600-01060
1/2"	500-600-01100
5/8"	500-600-01160
3/4"	500-600-01180
7/8"	500-600-01200

FENDER WASHERS

3/8" x 2"	500-600-01080
1/2" x 2"	500-600-01140

HEX HEAD BOLTS



Grade 2
Zinc coated to ensure corrosion resistance.

Size	Item #
5/8" x 2 1/2"	500-600-00340
5/8" x 3"	500-600-00360
3/4" x 3 1/2"	500-600-00400
7/8" x 4"	500-600-00460

HEX NUTS



Grade 2
Zinc coated to ensure corrosion resistance.

Size	Item #
3/8"	500-600-00120
1/2"	500-600-00140
5/8"	500-600-00160
3/4"	500-600-00180
5/8"	500-600-00200

DRIVE SCREWS



For use with U-Hooks.

#16 x 2	500-550-00280
---------	---------------

COACH ROD SCREW (HANGER ROD)

Zinc plated for corrosion resistance.



Size	Item #
3/8" x 4"	500-550-00160
3/8" x 6"	500-550-00180
3/8" x 8"	500-550-00200
3/8" x 10"	500-550-00220
1/2" x 4"	500-550-00240

LAG BOLTS - HEX HEAD

Zinc plated for corrosion resistance.
Used in heavier load applications



Size	Item #
3/8" x 2"	500-600-00800
3/8" x 2 1/2"	500-600-00820
3/8" x 3"	500-600-00840
1/2" x 2 1/2"	500-600-00860
1/2" x 3"	500-600-00880

TOGGLE WING

Zinc plated to ensure corrosion resistance.



Size	Item #
3/8"	500-500-00220

CLEVIS HANGERS

Brecco Clevis Hangers are designed to suspend light stationary pipe and allow room for vertical adjustments. Made from steel with a galvanized finished. UL Listed for 3/4" thru 12". Complies with Federal Specification WW-H-171E Type 12Riser



Size	Item #
3/4"	500-250-00040
1"	500-250-00060
1 1/4"	500-250-00080
1 1/2"	500-250-00100
2"	500-250-00120
2 1/2"	500-250-00140
3"	500-250-00160
4"	500-250-00180
5"	500-250-00200
6"	500-250-00220
8"	500-250-00240
10"	500-250-00260
12"	500-250-00280

RISER CLAMPS

Brecco Riser Clamps are made to support and stabilize vertical pipe runs. The Clamp is fitted for steel pipe and usually installed below a coupling or shear lugs. Riser Clamps are steel made and available in plain and galvanized finish. Complies with Federal Specification WW-H-171E Type 8. UL Listed.



Size	Item #
1/2"	500-200-00020
3/4"	500-200-00040
1"	500-200-00060
1 1/4"	500-200-00080
1 1/2"	500-200-00100
2"	500-200-00120
2 1/2"	500-200-00140
3"	500-200-00160
3 1/2"	500-200-00180
4"	500-200-00200
5"	500-200-00220
6"	500-200-00240
8"	500-200-00260
10"	500-200-00280
12"	500-200-00300

CPVC HANGERS

Designed to be used as a hanger and restrainer for CPVC piping. Brecco "standoff" design eases installation by eliminating the need for wood blocking. Packaged individually with approved screws. UL Listed to support Fire Sprinkler CPVC piping.



Size	Style	Item #
3/4"	1-Hole Strap	500-300-00220
1"	1-Hole Strap	500-300-00240
1 1/4"	1-Hole Strap	500-300-00260
1 1/2"	1-Hole Strap	500-300-00280
2"	1-Hole Strap	500-300-00300



3/4"	2-Hole Strap	500-300-00320
1"	2-Hole Strap	500-300-00340
1 1/4"	2-Hole Strap	500-300-00360
1 1/2"	2-Hole Strap	500-300-00380
2"	2-Hole Strap	500-300-00400



Size	Style	Item #
3/4"	Stand Off	500-300-00420
1"	Stand Off	500-300-00440
1 1/4"	Stand Off	500-300-00460
1 1/2"	Stand Off	500-300-00480
2"	Stand Off	500-300-00500



3/4"	Side Mount	500-300-00520
1"	Side Mount	500-300-00540
1 1/4"	Side Mount	500-300-00560
1 1/2"	Side Mount	500-300-00580
2"	Side Mount	500-300-00600

SAMMYS®- WOOD



The original threaded rod anchoring system is used for vertical suspension of threaded rods within fire protection and other pipe hanging applications. UL/FM approved. The vertical, horizontal, and sidewinder models allow you to hang pipe where needed, saving you time and lowering your install costs. **Additional models in stock.**

Description		Item #
2" Swivel for 3/8" Rod	SH-GST 20	500-850-01300
2 1/2" for 3/8 Rod	GST25-380	500-850-00100
2" for 3/8 Rod	GST 20	500-850-00020
3" for 3/8 Rod	GST 30	500-850-00120
2" for 1/2 Rod	GST 2	500-850-00140
1" for 3/8 Rod	GST10	500-850-00160
2" Sidewinder for 3/8 Rod	SWG 20	500-850-00080
2 1/2" Sidewinder for 3/8 Rod	SWG 25-380	500-850-00040
3" Sidewinder for 3/8 Rod	SWG30	500-850-00060

SAMMYS®- STEEL



The original threaded rod anchoring system is used for vertical suspension of threaded rods within fire protection and other pipe hanging applications. UL/FM approved. The vertical, horizontal and sidewinder models allow you to hang pipe where needed, saving you time and lowering your install costs. **Additional models in stock.**

Description		Item #
1" for 3/8 Rod w/nut	DSTR 1	500-850-00220
1 1/4" for 3/8 Rod w/nut	DSTR 516	500-850-00260
1 1/4" for 3/8 Rod	DST 516	500-850-00320
2" for 3/8 Rod	DST 20	500-850-00280
1" Sidewinder for 3/8 Rod w/nut	SWDR 1	500-850-00240
1 1/4" Sidewinder for 3/8 Rod	SWD 516	500-850-00340
1 1/4" Sidewinder for 3/8 Rod w/nut	SWDR 516	500-850-00360
X-Press for Deck 3/8 Rod	XP 20	500-850-00520
Swivel X-Press for Deck 3/8 Rod	SXP 20	500-850-00560
Swivel X-Press for Purlin 3/8 Rod	SXP 35	500-850-00540

SAMMYS®- CONCRETE



The original threaded rod anchoring system is used for vertical suspension of threaded rods within fire protection and other pipe hanging applications. UL/FM approved. The vertical, horizontal and sidewinder models allow you to hang pipe where needed, saving you time and lowering your install costs. **Additional models in stock.**

Description		Item #
1 3/4" for 3/8 Rod	CST20	500-850-00440
1 3/4" Sidewinder for 3/8 Rod	SWC20	500-850-00460
3" Drywall Toggle for 3/8 Rod	SST 30	500-850-00480

SAMMYS® TOOLS



Used for the installation of Sammys Threaded Rod Anchors.

Description	Item #
Drive Socket #14 Vertical Black	500-850-02240
Drive Socket #14 Sidewinder Red	500-850-02260
X-Press It Tool - XPIT	500-850-02300
XPBD 25/64" Drill Bit for XPIT	500-850-02320
Spot Rite Level	100-525-01280

GASKETS - FULL FACED (RED RUBBER)

Brecco Full Face Gaskets are 1/8" thick red rubber. For 150 lb pipe flanges.



Size	Item #
2"	100-300-00790
2 1/2"	100-300-00220
3"	100-300-00240
4"	100-300-00260
6"	100-300-00280
8"	100-300-00810
10"	100-300-00300
12"	100-300-00830

GASKETS - RING (RED RUBBER)

Brecco Ring Gaskets are 1/8" thick red rubber. 150W - Suitable for 125 lb flanges



Size	Item #
2"	100-300-00020
2 1/2"	100-300-00040
3"	100-300-00060
4"	100-300-00100
5"	100-300-00120
6"	100-300-00140
8"	100-300-00160
10"	100-300-00180
12"	100-300-00200

GASKETS - NON ASBESTOS - 150 & 300 lb

Brecco Full Face Gaskets are Non Asbestos formed. Styled for 150 lb. & 300 lb pipe flanges.



Size	Item #
GREEN 150 lb	
2"	100-275-00700
2 1/2"	100-275-00720
3"	100-275-00740
4"	100-275-00760
6"	100-275-00780
8"	100-275-00800
10"	100-275-00820
12"	100-275-00840
GREEN 300 lb	
2"	100-275-00880
2 1/2"	100-275-00860
3"	100-275-00900
4"	100-275-00920
6"	100-275-00940
8"	100-275-00960
10"	100-275-00980
12"	100-275-01000

FLANGE PACKS W/RED RUBBER GASKET

Grade 2 zinc coated hex bolts and nuts with 1/8" thick 150 lb Red rubber ring gaskets. Our Flange Packs can be made with any gaskets we sell; full face or non-asbestos. Enough for one flanged connection.



Size	Item #
2"	100-275-00020
2 1/2"	100-275-00040
3"	100-275-00060
4"	100-275-00080
5"	100-275-00100
6"	100-275-00120
8"	100-275-00140
10"	100-275-00160
12"	100-275-00180

Full Face, 150 & 300 lb Ring Gasket, 150 & 300 lb Full Face Non-Asbestos Flange Accessory kits also available upon request

SPARE HEAD CABINETS

Brecco Spare Head Cabinets are all constructed with "knockouts" to accommodate specific sized sprinkler heads. Spare Head Cabinets are welded with 1/2" holes with 3/4" knock outs or sizes as noted.



Size	Item #
3 Head	100-375-00020
6 Head	100-375-00040
12 Head	100-375-00060
6 Head	100-375-00080
- ESFR 3/4" Holes w/ 1" Knockouts	

SPRINKLER HEADS NOT INCLUDED.

SIGHT GLASSES

Flow can be viewed through two high impact acrylic windows on either side of the sight glass. Used for sprinkler systems inspectors' test trim. We offer our Bronze Male & Female Sight Glasses in both "full flow" and "restricted orifice" design.



Size/ Description		Item #
1" with 1/2" ORIFICE	M x F	100-450-00020
1" with 1/2" ORIFICE	F x F	100-450-00100
1" with 17/32 ORIFICE	M x F	100-450-00040
1" Full Flow	M x F	100-450-00060
1 1/4" Full Flow	M x F	100-450-00080

BREAK LOCKS

Break shackle locks are to prevent tampering with control valves. Locks are keyed alike to allow easy access to secured valves by authorized personnel. Two keys included with each Lock.

	Item #
Lg/Steel	100-400-00040
Sm/Brass	100-400-00020



HEADGUARDS



Brecco Sprinkler Head Guards provide protection from occasional light contact in warehouses, institutional and other applications. Sprinkler head guards do not protect sprinkler heads from direct impact or abuse.

1-PIECE	Item #
Chrome	100-350-00060
Red	100-350-00020
White	100-350-00100



1-PIECE (Semi Recessed)	Item #
Chrome	100-350-00120

2-PIECE CHROME	Item #
1/2"	100-350-00420
3/4"	100-350-00080



2-PIECE RED	Item #
1/2"	100-350-00440
3/4"	100-350-00040

BAFFLE FOR 2-PC	Item #
Red Only	100-350-00220

1-Piece w/BAFFLE RED	Item #
STD	100-350-00160
Short	100-350-00140

STRAINERS



Brass Y Type 50 Mesh

Size	Item #
1/4"	650-225-05430

BRASS EXTENSIONS



Different lengths designed to ease sprinkler head elevation by eliminating the need to use multiple smaller extensions on one head. (This product is covered by additional disclaimers regarding suitability and use. Purchaser and user take full responsibility for the use of this product. Brecco will not be held liable for product failure or damage caused by use.)

	Size	Item #
KNURL	1/2" X 1/2"	100-125-00020
HEX	1/2" X 1/2"	100-125-00025
	1/2" X 3/4"	100-125-00040
	1/2" X 1"	100-125-00060
	1/2" X 1 1/2"	100-125-00080
	1/2" X 2"	100-125-00100
	3/4" X 1/2"	100-125-00120
	3/4" X 3/4"	100-125-00140
	3/4" X 1"	100-125-00160

ORIFICE UNIONS



1/2" IPS with 3/32" ORIFICE
Brass union with orifice is specifically design for use in the pressure sensing line for fire pump systems.

Size	Item #
1/2"	100-125-00220

WATERSHIELD

Brecco Water Shields are for use in the pendant position. Fits both one or two piece headguards. 4 Inch Sheet Metal



Item #	Item #
Round	100-350-00260
Square	100-350-00240

PIPE PAINT MARKERS - MEDIUM POINT



- Outdoor & Indoor use.
- Quick drying.
- Waterproof.
- Highly visible.
- Resists abrasions.
- Fade resistant paint.
- For industrial use only.

Color	Item #
Yellow	100-425-00020
White	100-425-00040
Red	100-425-00060
Black	100-425-00080
Blue	100-425-00100
Green	100-425-00120
Orange	100-425-00140
Lite Blue	100-425-00141
Lite Green	100-425-00142
Pink	100-425-00143
Silver	100-425-00144

DOPE BRUSH

Wooden handle brush for applying pipe dope, grease or flux to pipe and fittings.



Item #	Item #
Wood Handle	100-175-00040

SIGNS

Brecco Aluminum Signs are painted white then printed with "fade resistant" red ink and designed in accordance with NFPA Standards.

Equipped with 3/16" diameter attaching holes. Each sign is drilled for easy installation.

Plastic coated to prevent scratching during shipment and final installation.

Custom signs can be made upon request. Please call for more information.

Size	Description	Item #
6" X 2"	Air Control	100-475-00600
6" X 2"	Auxiliary Drain	100-475-00020
6" X 2"	Anti-Freeze	100-475-00620
6" X 2"	Anti-Freeze System	100-475-00280
6" X 2"	Air Line	100-475-00420
6" X 2"	Alarm Line	100-475-00640
6" X 2"	Alarm Test	100-475-00200
6" X 2"	Blank Sign (White W/Red Border)	100-475-00680
6" X 2"	Blank Sign (Raw Aluminum)	100-475-00660
6" X 2"	Comb. Standpipe System	100-475-00980
6" X 2"	Control Valve	100-475-00340
9" X 7"	Control Valve	100-475-00320
12" X 6"	Curb Valve	100-475-00480
6" X 2"	Drain	100-475-01020
6" X 2"	Do Not Close	100-475-01040
6" X 2"	Drain Valve	100-475-01080
6" X 2"	Drum Drip	100-475-00430
6" X 2"	Dry Standpipe	100-475-01060
6" X 2"	Entire System	100-475-01100
6" Rnd	Fire Alarm Bell-Dial 911	100-475-01180
6" Rnd	Fire Alarm Bell-Call Fire Dept.	100-475-01160
6" X 2"	Fire Dept Conn	100-475-01220
6" X 2"	From City Main	100-475-01200
9" X 7"	Fire Spkr Riser Inside	100-475-01240
6" X 2"	Fire Spkr Riser Inside	100-475-00425
6" X 2"	Fire Spkr Valve	100-475-01260
6" X 2"	Fire Spkr Valve/ Do Not Close	100-475-01280
5" X 7"	Hydra. Sys Calc Plate - Comm	100-475-00160
5" X 7"	Hydra. Sys Calc Plate - Comm	100-475-01400
	NFPA 13 LONG VERSION	
8 1/2" X 11"	Hydra. Sys Calc Plate - Comm	100-475-02255
6" X 2"	Inspector'S Test	100-475-00180
6" X 2"	In This Bldg.	100-475-01440
6" X 2"	In This Section	100-475-01460
6" X 2"	Main Control	100-475-00380
6" X 2"	Main Drain	100-475-00120
6" X 2"	Normally Closed	100-475-01480
6" X 2"	Normally Open	100-475-01500
6" X 2"	Open Spkr. Control	100-475-01520
6" X 2"	Open Spkr Drain	100-475-01540
6" X 2"	Spkr. Control Room	100-475-01560
6" X 2"	Spkr Control Valve	100-475-01580
9" X 7"	Sprklr Fire Alarm-CALL 911	100-475-01170
9" X 7"	Sprklr Fire Alarm-Call Fire Dept	100-475-00240
6" X 2"	Sprinkler Riser	100-475-01600
6" X 2"	Sprinkler Riser Room	100-475-01610
5" X 7"	Sprinkler Sys "General Info"	100-475-01620

Size	Description	Item #
6" X 2"	Standpipe System	100-475-00220
6" X 2"	Spkr Valve Room	100-475-00260
6" X 2"	Spkr Valve	100-475-01820
6" X 2"	Test & Drain	100-475-00300
6" X 2"	Test Valve	100-475-00400
8" X 1 1/4"	Valve Shut	100-475-00140
4" X 6"	Valve Controls Auto Sprklr	100-475-01000
5" X 7"	Warning - "Multi Use"	100-475-01910
6" X 2"	Water Motor Line	100-475-00360
6" X 2"	Wet Standpipe	100-475-01760
12" X 6"	Auto Spkr Shut Off Valve	100-475-00520
12" X 6"	Auto Spkr / Standpipe	100-475-00560
12" X 8"	Standpipe Sign	100-475-00540
12" X 10"	Siamese Conn For Fire Dept	100-475-00442
12" X 10"	Sprinklers Throughout Bldg	100-475-00462
12" X 10"	Blank (White W/Red Border)	100-475-00580

STICKERS / DECALS

3"	Round - Do Not Hang	100-475-02020
6" X 2"	Fire Sprinkler Line	100-475-00060
6" X 2"	Auxiliary Drain	100-475-01920
6" X 2"	Control Valve	100-475-00100
6" X 2"	Inspectors Test	100-475-00080
6" X 2"	Main Drain	100-475-02160
6" X 2"	Fire Sprinkler Riser	100-475-02040
5" X 7"	Commerical Calc Sticker	100-475-02100

SIGN CHAIN

Brecco sign chains are Zinc plated for corrosion resistance & suitable for use in exposed areas.



Description	Item#
100'	#16 ZINC Jack Chain 100-475-02260
250'	#16 ZINC Jack Chain 100-475-02280



90° ELBOWS



Size	Item #
1 x 1/2"	400-130-00120
1" x 3/4"	400-130-00140
1"	400-130-00020
1 1/4" x 1/2"	400-130-00160
1 1/4" x 3/4"	400-130-00180
1 1/4" x 1"	400-130-00200
1 1/4"	400-130-00040
1 1/2" x 1/2"	400-130-00220
1 1/2" x 3/4"	400-130-00240
1 1/2" x 1"	400-130-00260
1 1/2" x 1 1/4"	400-130-00280
1 1/2"	400-130-00060
2" x 1/2"	400-130-00300
2" x 3/4"	400-130-00320
2" x 1"	400-130-00340
2" x 1 1/4"	400-130-00360
2" x 1 1/2"	400-130-00380
2"	400-130-00080
2 1/2"	400-130-00100

45° ELBOWS



Size	Item #
1	400-130-00400
1 1/4"	400-130-00420
1 1/2"	400-130-00440
2	400-130-00460

CROSS



Size	Item #
1"	400-130-01500
1 1/4" x 1"	400-130-01580
1 1/4"	400-130-01520
1 1/2" x 1"	400-130-01600
1 1/2"	400-130-01540
2" x 1"	400-130-01620
2"	400-130-01560

COUPLINGS



Size	Item #
1" x 1/2"	400-130-01640
1" x 3/4"	400-130-01660

PLUGS



Size	Item #
1/2"	400-130-01680
3/4"	400-130-01700
1"	400-130-01720
1 1/4"	400-130-01740
1 1/2"	400-130-01760
2"	400-130-01780

TEES



Size	Item #
1" x 1/2" x 1"	400-130-00580
1" x 3/4" x 1"	400-130-00600
1" x 1" x 1/2"	400-130-00620
1" x 1" x 3/4"	400-130-00640
1"	400-130-00480
1" x 1" x 1 1/4"	400-130-00660
1" x 1" x 1 1/2"	400-130-00680
1 1/4" x 1" x 1/2"	400-130-00700
1 1/4" x 1" x 3/4"	400-130-00720
1 1/4" x 1" x 1"	400-130-00740
1 1/4" x 1" x 1 1/4"	400-130-00760
1 1/4" x 1" x 1 1/2"	400-130-00780
1 1/4" x 1 1/4" x 1/2"	400-130-00800
1 1/4" x 1 1/4" x 3/4"	400-130-00820
1 1/4" x 1 1/4" x 1"	400-130-00840
1 1/4"	400-130-00500
1 1/4" x 1 1/4" x 1 1/2"	400-130-00860
1 1/4" x 1 1/4" x 2"	400-130-00880
1 1/2" x 1" x 1/2"	400-130-00900
1 1/2" x 1" x 3/4"	400-130-00920
1 1/2" x 1" x 1"	400-130-00940
1 1/2" x 1" x 1 1/4"	400-130-00960
1 1/2" x 1" x 1 1/2"	400-130-00980
1 1/2" x 1 1/4" x 1/2"	400-130-01000
1 1/2" x 1 1/4" x 3/4"	400-130-01020

TEES



Size	Item #
1 1/2" x 1 1/4" x 1"	400-130-01040
1 1/2" x 1 1/4" x 1 1/4"	400-130-01060
1 1/2" x 1 1/4" x 1 1/2"	400-130-01080
1 1/2" x 1 1/4" x 2"	400-130-01100
1 1/2" x 1 1/2" x 1/2"	400-130-01120
1 1/2" x 1 1/2" x 3/4"	400-130-01140
1 1/2" x 1 1/2" x 1"	400-130-01160
1 1/2" x 1 1/2" x 1 1/4"	400-130-01180
1 1/2"	400-130-00520
1 1/2" x 1 1/2" x 2"	400-130-01200
2" x 1" x 2"	400-130-01220
2" x 1 1/4" x 2"	400-130-01240
2" x 1 1/2" x 1/2"	400-130-01260
2" x 1 1/2" x 3/4"	400-130-01280
2" x 1 1/2" x 1"	400-130-01300
2" x 1 1/2" x 1 1/4"	400-130-01320
2" x 1 1/2" x 1 1/2"	400-130-01340
2" x 1 1/2" x 2"	400-130-01360
2" x 2" x 1/2"	400-130-01380
2" x 2" x 3/4"	400-130-01400
2" x 2" x 1"	400-130-01420
2" x 2" x 1 1/4"	400-130-01440
2" x 2" x 1 1/2"	400-130-01460
2"	400-130-00540
2" x 2" x 2 1/2"	400-130-01480
2 1/2"	400-130-00560



90° ELBOW



Size	Item #
1" X 1/2"	400-150-00150
1" X 3/4"	400-150-00160
1"	400-150-00010
1 1/4" X 1/2"	400-150-00170
1 1/4" X 3/4"	400-150-00180
1 1/4" X 1"	400-150-00190
1 1/4"	400-150-00020
1 1/2" X 1"	400-150-00200
1 1/2" X 1 1/4"	400-150-00210
1 1/2"	400-150-00030
2 X 1/2"	400-150-00220
2 X 3/4"	400-150-00230
2 X 1"	400-150-00240
2 X 1 1/4"	400-150-00250
2 X 1 1/2"	400-150-00260
2"	400-150-00040

REDUCING CROSS

Size	Item #
1 1/4" x 1 1/4" x 1" x 1"	400-150-00310
1 1/2" x 1 1/2" x 1" x 1"	400-150-00320
2" x 2" x 1" x 1"	400-150-00330

TEES

Size	Item #
1" x 1/2" x 1"	400-150-00570
1" x 3/4" x 1"	400-150-00580
1" x 1" x 1/2"	400-150-00590
1" x 1" x 3/4"	400-150-00600
1"	400-150-00070
1" x 1" x 1 1/4"	400-150-00340
1" x 1" x 1 1/2"	400-150-00350
1 1/4" x 1" x 1/2"	400-150-00610
1 1/4" x 1" x 3/4"	400-150-00620
1 1/4" x 1" x 1"	400-150-00630
1 1/4" x 1" x 1 1/4"	400-150-00640
1 1/4" x 1" x 1 1/2"	400-150-00360
1 1/4" x 1 1/4" x 1/2"	400-150-00650
1 1/4" x 1 1/4" x 3/4"	400-150-00660
1 1/4" x 1 1/4" x 1"	400-150-00370
1 1/4"	400-150-00080
1 1/4" x 1 1/4" x 1 1/2"	400-150-00380
1 1/4" x 1 1/4" x 2"	400-150-00390
1 1/2" x 1" x 1/2"	400-150-00680
1 1/2" x 1" x 3/4"	400-150-00690
1 1/2" x 1" x 1"	400-150-00700
1 1/2" x 1" x 1 1/4"	400-150-00710
1 1/2" x 1" x 1 1/2"	400-150-00720
1 1/2" x 1 1/4" x 1/2"	400-150-00730

45° ELBOW



Size	Item #
1"	400-150-00110
1 1/4"	400-150-00120
1 1/2"	400-150-00130
2"	400-150-00140

CROSS



Size	Item #
1"	400-150-00270
1 1/4"	400-150-00280
1 1/2"	400-150-00290
2"	400-150-00300

CAPS



Size	Item #
1"	400-150-00460
1 1/4"	400-150-00470
1 1/2"	400-150-00480
2"	400-150-00490

COUPLINGS



Size	Item #
1"	400-150-00420
1 1/4"	400-150-00430
1 1/2"	400-150-00440
2"	400-150-00450
1 X 1/2"	400-150-00050
1 X 3/4"	400-150-00060

BUSHINGS



Size	Item #
1" x 1/2"	400-150-00500
1 x 3/4"	400-150-00510
1 1/4" x 1"	400-150-00520
1 1/2" x 1"	400-150-00535
1 1/2" x 1 1/4"	400-150-00530
2" x 1"	400-150-00540
2" x 1 1/4"	400-150-00550
2" x 1 1/2"	400-150-00560

TEES



Size	Item #
1 1/2" x 1 1/4" x 3/4"	400-150-00740
1 1/2" x 1 1/4" x 1"	400-150-00750
1 1/2" x 1 1/4" x 2"	400-150-00400
1 1/2" x 1 1/2" x 1/2"	400-150-00760
1 1/2" x 1 1/2" x 3/4"	400-150-00770
1 1/2" x 1 1/2" x 1"	400-150-00780
1 1/2" x 1 1/2" x 1 1/4"	400-150-00790
1 1/2"	400-150-00090
1 1/2" x 1 1/2" x 2"	400-150-00410
2" x 1" x 2"	400-150-00800
2" x 1 1/4" x 2"	400-150-00810
2" x 1 1/2" x 1/2"	400-150-00820
2" x 1 1/2" x 3/4"	400-150-00830
2" x 1 1/2" x 1"	400-150-00840
2" x 1 1/2" x 1 1/4"	400-150-00850
2" x 1 1/2" x 1 1/2"	400-150-00860
2" x 1 1/2" x 2"	400-150-00870
2" x 2" x 1/2"	400-150-00880
2" x 2" x 3/4"	400-150-00890
2" x 2" x 1"	400-150-00900
2" x 2" x 1 1/4"	400-150-00910
2" x 2" x 1 1/2"	400-150-00920
2"	400-150-00100



TEFLON TAPE



Brecco thread sealing tape is made from pure virgin Teflon.
 • Manufactured to ML SPEC T27730A.
 • Teflon® is a registered trademark of E.I. Dupont.

Description	Item #
1/2" x 520"	100-500-00020
3/4" x 520"	100-500-00040

PIPE DOPE



Brecco Pipe Dope is a Power Plus Thread Sealant Paste w/ PTFE. Formulated as a low cost, high performance thread sealant. Now FBC approved for use with CPVC.

Description	Item #
1 Qt Brush Top	250-250-00240
1 Qt Metal Can	250-250-00280
1 Qt Screw Top	250-250-00260
1 Gal Friction Top	250-250-00300
5 Gal Friction Top	250-250-00320
55 Gal Friction Top	250-250-00340



ANAEROBIC PIPE SEALANT - BRECCO



Brecco Sealant uses anaerobic technology to prevent leaks in sprinkler system fabrication and improve installation in the field. Unlike traditional pipe dope, this sealant cures to a plastic seal initiated by the presence of metal and the absence of air.

- Allows disassembly with normal tools.
- Easy to clean excess with soap and water.
- 100% leak-free seal.
- Eliminates repair costs due to call-backs.
- Seals cuts and misthreaded fittings
- Will not dry out when container is left open.
- Will not thin in summer or thicken in winter.
- Replaces pipe dope and sealing tapes. • UL Listed.

Description	Item #
250 MI - Tube	250-250-00020
750ml - Friction Top	250-250-00040
1 Quart - Friction Top	250-250-00060

WELD SEAL - POROSITY SEALANT



Brecco Weld Seal is a porosity sealant applicable to most metallic surfaces. Seals "pin hole" leaks. Used for quality control after welding. Low cost, high performance sealant

Description	Item #
50 MI Bottle	250-250-00015
250 MI Bottle	250-250-00420
1 Liter Bottle	250-250-00440

COUPLING GREASE - PIPE LUBE



Brecco's Phoenix Coupling Grease eases the installation of mechanical fittings. Specifically designed for mechanical couplings. Will not dry out or freeze in normal applications. Now FBC approved for use with CPVC.

Description	Item #
1 QT	250-150-00040



CUTTING OIL - DARK



Brecco Cutting Oil extends threading machine die life and the quality of the threads. Has several times the film strength of ordinary cutting oils. Its high percentage of sulfur and chlorine absorbs and radiates heat. It is positively non-gumming.

Description	Item #
1 Gal (Jug)	250-200-00020
5 Gal (Pail)	250-200-00040
55 Gal(Drum)	250-200-00060





ALBANY PIPE & NIPPLE

HOME OF THE LANSDALE NIPPLE

Albany Pipe & Nipple, located just outside of Albany, NY is a full line manufacturer of steel pipe nipples. The company's roots go back over 50 years to the Lansdale Nipple Company located in Eastern Pennsylvania which moved to the Albany area in 2001 under its new name and ownership. Albany Pipe & Nipple's strength lies in its ability to meet customer needs in a timely fashion and "specials" are standard. Threaded, grooved or plain ends are available in any length or finish that may be required.

Only domestic pipe is used at Albany Pipe & Nipple so you can be sure that you are buying a domestic nipple from a quality manufacturer.



- **Black Standard Weight Nipples**
Nominal Pipe Size: 1/8" - 8"
Nominal Length: Close - 12"
- **Black Extra Long Nipples**
Nominal Pipe Size: 1/8" - 2"
Nominal Length: 18" - 12"
- **Galvanized Standard Weight Nipples**
Nominal Pipe Size: 1/8" - 8"
Nominal Length: Close - 12"
- **Galvanized Extra Long Nipples**
Nominal Pipe Size: 1/8" - 2"
Nominal Length: 18" - 12"
- **Right and Left Nipples**
Nominal Pipe Size: 1/8" - 4"
Nominal Length: 4" & 6"
- **Butt Nipples**
Nominal Pipe Size: 1/8" - 4"
- **Tank Nipples**
Nominal Pipe Size: 1/8" - 2"
- **Grooved Nipples**
Nominal Pipe Size: 1 1/4" - 10"
Black & Galvanized Available.
Lengths as specified
- **Custom Nipples**
Any length as specified

SAMMYS® TOOLS



Used for the installation of Sammys Threaded Rod Anchors.

Description	Item #
Socket #14 Vertical Black	500-850-02240
Socket #14 Sidewinder Red	500-850-02260
Socket #14 Swivel Orange	500-850-02280
X-Press It Tool - XPIT	500-850-02300
XPBD 25/64" Bit for XPIT	500-850-02320
Spot Rite Level	100-525-01280

ALL THREAD CHASER



Designed to chase damaged hanger rod threads. Quickly chase the damaged thread after cutting rod with a bolt cutter.

Size	Item #
3/8" All Thread Rod Chaser	100-525-01385

POST INDICATOR WRENCH



Brecco Post Indicator Wrench is a Universal Post Indicator Valve Wrench. One wrench fits most indicator posts. Tamper-proof slide nut adjusts to desired location and locks into place.

Description	Item #
Adjustable Wrench for PIV	100-525-02000

GROOVING WHEEL

Brecco Grooving wheel is used to make roll grooves in the field and can replace the cutting wheel on select pipe cutters.



Description	Item #
Roll Groove Wheel	100-525-01140

SET TOOL

Setting tool for drop-in anchors

Description	Item #
3/8" Setting Tool	100-525-01320
1/2" Setting Tool	100-525-01300

HYDRANT & SPANNER WRENCHES



Heavy Duty Hydrant Wrench Item # 350-125-02092
Brecco Heavy Duty Adjustable Hydrant Wrench is equipped with a malleable iron head 7/8" and a plated steel handle. It is used for pentagon hydrant nuts up to 1 3/4" from point to flat. The Spanner is used with pin lug or rocker lug couplings 1 1/2" - 6".

Hose and Hydrant Wrench Item # 350-125-02094
Brecco Combo Spanner Wrench comes in Cast Aluminum
• Combination 1 1/2" (38mm) and 2 1/2" (65mm) Coupling Spanner
• For use on rocker lug or pin lug

Combo Spanner for 1 1/2" & 2 1/2" Item # 350-125-02090
Brecco Adjustable Hose and Hydrant Wrench is a cast plated malleable iron head with a 1/2" plated steel handle.
• Adjustable for Pentagon nuts up to 1 3/4"
• Built in spanner for rocker lug or pin lug couplings

HYDROSTATIC TEST PUMP



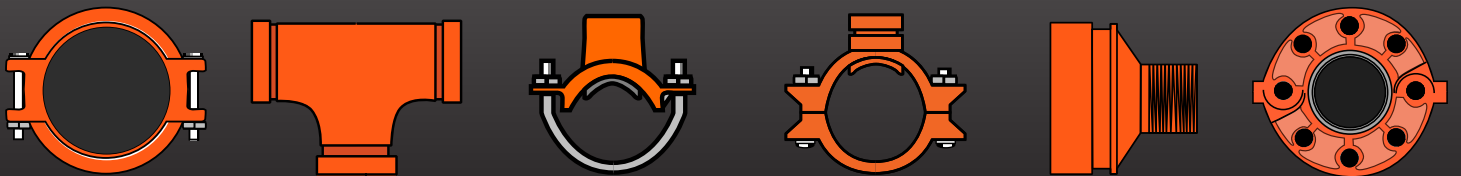
- 1/2 H.P. Ball bearing motor (115V) with capacitor starting
- All brass pipe and fittings, up to 300 PSI operating design
- Check valve holds system pressure if pump is unplugged
- Liquid-filled pressure gauge positioned on system-side of check valve for convenient reading
- Sturdy, easy-carry handle, carrying weight only 32lbs
- Furnished with 10ft. of hose with a quick-disconnect and check valve
- Suction-side strainer to minimize the potential of plugging

Description	Item #
HT-90E Test Pump	100-525-01220

Gem Lock[®]



BRECCO CARRIES THE COMPLETE LINE OF GEMLOCK[®]
GROOVED COUPLINGS, FITTINGS AND VALVES.



Speak With a Brecco Associate For All Your Grooved Product Needs.

PILOT CLAMP & PARTS

Brecco Pilot Clamp (Complete Kit) is used to drill/cut holes for mechanical tee's, crosses, welded outlets, thread-o-lets, and detection devices (flow switch and pressure switches).

Kit Includes:

- Pilot Clamp® with levels
- Two Lenox® arbors
- Six Lenox® Bi-Metal hole saws
- Hole size chart
- Carrying case
- Pilot bit
- Six interchangeable hole saw guides: (1", 1³/₁₆", 1¹/₄", 1¹/₂", 1³/₄", and 2")

Design Features And Benefits:

- Cuts a cleaner hole with no wobble in tight cramped areas
- No special drills needed
- Save money with extended hole saw life
- Increases the diameter of an existing hole (replacement of flow switches)



Description	Item #
Pilot Clamp (Complete Kit)	100-525-00740
Clamp ONLY - w/ Head & Jaw	100-525-00940
Replacement Head	100-525-00880
Replacement Jaw	100-525-00900
Replacement Level	100-525-00920
1" Replacement Guide	100-525-00760
1 ³ / ₁₆ " Replacement Guide	100-525-00780
1 ¹ / ₄ " Replacement Guide	100-525-00800
1 ¹ / ₂ " Replacement Guide	100-525-00820
1 ³ / ₄ " Replacement Guide	100-525-00840
2" Replacement Guide	100-525-00860

HOLE SAWS

Black Belt Hole Saws are Bi-Metal made with 8% Cobalt Tooth Tip.

Performs 1³/₈" Depth cuts through 2" x 4" in one easy pass.

- Reduced vibration.
- Deep Gullet design, for improved chip removal.
- Faster cutting allows for more holes per saw.

Cuts holes in wood, plastic, or any machinable metal, including nail-embedded wood, plywood, pipe, and stainless steel.



Description	Size	Item #
Hole Saw	1"	100-525-00180
Hole Saw	1 ³ / ₈ "	100-525-00220
Hole Saw	1 ¹ / ₄ "	100-525-00300
Hole Saw	1 ³ / ₁₆ "	100-525-00240
Hole Saw	1 ³ / ₈ "	100-525-00260
Hole Saw	1 ¹ / ₂ "	100-525-00320
Hole Saw	1 ³ / ₄ "	100-525-00360
Hole Saw	2"	100-525-00380
Hole Saw	2 ¹ / ₈ "	100-525-00400
Hole Saw	2 ¹ / ₄ "	100-525-00420
Hole Saw	2 ¹ / ₂ "	100-525-00440
Hole Saw	2 ³ / ₄ "	100-525-00480
Hole Saw	3"	100-525-00520
Hole Saw	3 ¹ / ₂ "	100-525-00580
Hole Saw	4"	100-525-00640
Hole Saw	4 ¹ / ₂ "	100-525-00700
Arbor	A-1	100-525-00020
Arbor	A-2	100-252-00060
Arbor	A-10 (Quick Hitch)	100-525-00040
Pilot Bit	1/4"	100-525-00080



DOUBLE CHECK VALVE ASSEMBLY MODEL 950XL

Designed for installation on water lines to protect against both backsiphonage and backpressure of polluted water into the potable water supply. Assembly shall provide protection where a potential health hazard not exists.

Sizes: 3/4", 1", 1 1/2", 2"



Options: (Suffixes can be combined)

- with full port QT ball valves (standard)
- L less ball valves
- U with union ball valves
- S with bronze "Y" type strainer
- TCU with test cocks "vertical" up
- PF with Z-Bite™ push fit connections* (1/2"-1" only)
- V with union swivel elbows 3/4" & 1"
- OSY with OS & Y gate valves
- FDC with fire hydrant connection (2" only)
- FT with integral male 45° flare SAE test fitting
- PR with Z-Press™ press fit connections*

DOUBLE CHECK DETECTOR ASSEMBLY MODEL 950XLTDABF

Designed for installation on potable water connections in fire sprinkler systems to protect against both backsiphonage and backpressure of polluted water into the potable water supply. Model 950XLTDABF shall provide protection where a potential health hazard does not exist. Incorporates metered by-pass to detect leaks and unauthorized water use.

Sizes: 2"



Options: (Suffixes can be combined)

- SS - with butterfly valve supervisory switches (UL and FM Approved for indoor and outdoor use)
- LM - less water meter
- with gal meter (standard)
- CFM with cu ft meter

REDUCED PRESSURE PRINCIPLE ASSEMBLY MODEL 975XL

Designed for installation on water lines to protect against both backsiphonage and backpressure of contaminated water into the potable water supply.

Assembly shall provide protection where a potential health hazard exists

Sizes: 3/4", 1", 1-1/4", 1-1/2", 2"



Options: (Suffixes can be combined)

- with full port QT ball valves (standard)
- L - less ball valves, male pipe thread
- U - with union ball valves
- MS - with integral relief valve monitor switch
- S - with bronze "Y" type strainer
- BMS - with battery operated monitor switch
- FDC - with fire hydrant connection; 2" only
- FT - with integral male 45° flare SAE test fitting
- TCU - with test cocks up
- V - with union swivel elbows (3/4" & 1")
- V - with union swivel elbows (3/4" & 1")

BARB ELBOWS - LEAD FREE



Item #	Size / Description	
	3/8" Barb Elbow	400-500-00020
	1/2" Barb Elbow	400-500-00040
	5/8" Barb Elbow	400-500-00060
	3/4" Barb Elbow	400-500-00080
	1" Barb Elbow	400-500-00100
	3/4" x 1/2" Reducing Elbow	400-500-00120
	1/2" Barb x 1/2" Ip Male	400-500-00140
	1/2" Barb x 3/4" Ip Male	400-500-00160
	3/4" Barb x 3/4" Ipt Male	400-500-00180
	1/2" Sweat x 3/8" Barb	400-500-00200
	1/2" Sweat x 1/2" Barb	400-500-00220
	1/2" Sweat x 3/4" Barb	400-500-00240
	3/4" Sweat x 1/2" Barb	400-500-00260
	3/4" Sweat x 3/4" Barb	400-500-00280
	1" Sweat x 1" Barb	400-500-00300
	1/2" Male Sweat (Street)x 1/2" Barb	400-500-00320
	3/4" Male Sweat (Street)x 3/4" Barb	400-500-00340
	1/2" Barb x 1/2" Fpt Drop Ear	400-500-00360
	3/4" Barb x 3/4" Fpt Drop Ear	400-500-00380
	3/4" Barb x 1/2" Fpt Drop Ear	400-500-00400
	3/4" x 3/4" Fip Swivel Elbow (Brass Nut)	400-500-00420
	1/2" x 1/2" Fip Swivel Elbow (Brass Nut)	400-500-00440

BARB TEES - LEAD FREE



Item #	Size / Description	
	3/8" Barb Tee	400-500-00460
	1/2" Barb Tee	400-500-00480
	5/8" Barb Tee	400-500-00500
	3/4" Barb Tee	400-500-00520
	1" Barb Tee	400-500-00540
	1/2" x 1/2" x 3/4" Reducing Tee	400-500-00560
	3/4" x 1/2" x 1/2" Reducing Tee	400-500-00580
	3/4" x 1/2" x 3/4" Reducing Tee	400-500-00600
	3/4" x 3/4" x 1/2" Reducing Tee	400-500-00620
	3/4" x 3/4" x 1" Reducing Tee	400-500-00640
	1" x 1/2" x 3/4" Reducing Tee	400-500-00660
	1" x 1/2" x 1" Reducing Tee	400-500-00680
	1" x 3/4" x 1/2" Reducing Tee	400-500-00700
	1" x 3/4" x 3/4" Reducing Tee	400-500-00720
	1" x 3/4" x 1" Reducing Tee	400-500-00740
	1" x 1" x 1/2" Reducing Tee	400-500-00760
	1" x 1" x 3/4" Reducing Tee	400-500-00780

BARB COUPLINGS - LEAD FREE



Item #	Size/ Description	
	3/8" Coupling	400-500-00800
	1/2" Coupling	400-500-00820
	5/8" Coupling	400-500-00840
	3/4" Coupling	400-500-00860
	1" Coupling	400-500-00880
	1/2" X 3/8" Reducing Coupling	400-500-00900
	3/4" X 1/2" Reducing Coupling	400-500-00920
	1" X 3/4" Reducing Coupling	400-500-00940

BARB ADAPTERS - LEAD FREE



Item #	Size/ Description	
	1/2" Barb X 1/2" Ip Male	400-500-00960
	1/2" Barb X 3/4" Ip Male	400-500-00980
	5/8" Barb X 1/2" Ip Male	400-500-01000
	3/4" Barb X 1/2" Ip Male	400-500-01020
	3/4" Barb X 3/4" Ip Male	400-500-01040
	3/4" Barb X 1" Ip Male	400-500-01060
	1" Barb X 3/4" Ip Male	400-500-01080
	1" Barb X 1" Ip Male	400-500-01100
	1/2" Barb X 1/2" Ip Female	400-500-01120
	1/2" Barb X 3/4" Ip Female	400-500-01140
	3/4" Barb X 3/4" Ip Female	400-500-01160
	3/8" Male Sweat X 3/8" Barb	400-500-01180
	1/2" Male Sweat X 3/8" Barb	400-500-01200
	1/2" Male Sweat X 1/2" Barb	400-500-01220
	1/2" Male Sweat X 5/8" Barb	400-500-01240
	1/2" Male Sweat X 3/4" Barb	400-500-01260
	3/4" Male Sweat X 3/4" Barb	400-500-01280
	3/4" Male Sweat X 1/2" Barb	400-500-01300
	1" Male Sweat X 1" Barb	400-500-01320
	1" Male Sweat X 3/4" Barb	400-500-01340
	1/2" Sweat X 1/2" Barb	400-500-01360
	1/2" Sweat X 5/8" Barb	400-500-01380
	1/2" Sweat X 3/4" Barb	400-500-01400
	3/4" Sweat X 1/2" Barb	400-500-01420
	3/4" Sweat X 3/4" Barb	400-500-01440
	1" Sweat X 1" Barb	400-500-01460
	1" Sweat X 3/4" Barb	400-500-01480

BARB END PLUGS - LEAD FREE



Item #	Size/ Description	
	3/8" Barb End Plug	400-500-01500
	1/2" Barb End Plug	400-500-01520
	3/4" Barb End Plug	400-500-01540
	1" Barb End Plug	400-500-01560

BARB ELBOWS - BLACK POLY



Size/ Description	Item #
1/2" Black Poly Pex Elbow	400-525-00020
3/4" Black Poly Pex Elbow	400-525-00040
3/4" x 1/2" Black Poly Pex Elbow	400-525-00060
1" Black Poly Pex Elbow	400-525-00080
3/4" Black Poly Pex x 3/4" MPT Elbow	400-525-00100
1/2" Black Poly Pex x 1/2" MPT Swivel Elbow	400-525-00120
1/2" Black Poly Pex x 1/2" FPT Swivel Elbow	400-525-00140
3/4" Black Poly Pex x 3/4" FPT Swivel Elbow	400-525-00160

BARB TEES - BLACK POLY



Size/ Description	Item #
1/2" Black Poly Pex Tee	400-525-00200
3/4" Black Poly Pex Tee	400-525-00220
1" Black Poly Pex Tee	400-525-00240
1/2" x 1/2" x 3/4" Black Poly Pex Reducing Tee	400-525-00260
3/4" x 1/2" x 1/2" Black Poly Pex Reducing Tee	400-525-00280
3/4" x 1/2" x 3/4" Black Poly Pex Reducing Tee	400-525-00300
3/4" x 3/4" x 1/2" Black Poly Pex Reducing Tee	400-525-00320
3/4" X 3/4" X 1" Black Poly Pex Reducing Tee	400-525-00340
1" X 3/4" X 3/4" Black Poly Pex Reducing Tee	400-525-00360
1" X 3/4" X 1" Black Poly Pex Reducing Tee	400-525-00380
1" X 1" X 1/2" Black Poly Pex Reducing Tee	400-525-00400
1" X 1" X 3/4" Black Poly Pex Reducing Tee	400-525-00420

BARB COUPLINGS - BLACK POLY



Size/ Description	Item #
1/2" Black Poly Pex Coupling	400-525-00440
3/4" Black Poly Pex Coupling	400-525-00460
3/4" x 1/2" Black Poly Pex Coupling	400-525-00480
1" Black Poly Pex Coupling	400-525-00500
1" X 1/2" Black Poly Pex Coupling	400-525-00520
1" X 3/4" Black Poly Pex Coupling	400-525-00540
1/2" Black Poly Pex x 1/2" MPT Adapter	400-525-00560
1/2" Black Poly Pex X 3/4" MPT Adapter	400-525-00580
3/4" Black Poly Pex X 1/2" MPT Adapter	400-525-00600
3/4" Black Poly Pex x 3/4" MPT Adapter	400-525-00620
1" Black Poly Pex X 1" MPT Adapter	400-525-00640
1/2" Black Poly Pex x 1/2" FPT SWIVEL Adapter	400-525-00660
3/4" Black Poly Pex x 3/4" FPT SWIVEL Adapter	400-525-00680

BARB PLUGS - BLACK POLY



Size/ Description	Item #
3/8" Black Poly Pex Plug	400-525-00700
1/2" Black Poly Pex Plug	400-525-00720
3/4" Black Poly Pex Plug	400-525-00740
1" Black Poly Pex Plug	400-525-00760

PEX TUBING - POTABLE

Red

Size/Description	Item #
1/2" X 20 Red Potable Pex	600-550-00500
3/4" X 20 Red Potable Pex	600-550-00520
1" X 20 Red Potable Pex	600-550-00540
1/2" X 100 Red Potable Pex Tubing	600-550-00020
1/2" X 300 Red Potable Pex Tubing	600-550-00040
1/2" X 500 Red Potable Pex Tubing	600-550-00060
3/4" X 100 Red Potable Pex Tubing	600-550-00080
3/4" X 300 Red Potable Pex Tubing	600-550-00100
3/4" X 500 Red Potable Pex Tubing	600-550-00120
1" X 100 Red Potable Pex Tubing	600-550-00140
1" X 300 Red Potable Pex Tubing	600-550-00160

Blue

Size/Description	Item #
1/2" X 20 Blue Potable Pex	600-550-00560
3/4" X 20 Blue Potable Pex	600-550-00580
1" X 20 Blue Potable Pex Tubing	600-550-00600
1/2" X 100 Blue Potable Pex Tubing	600-550-00180
1/2" X 300 Blue Potable Pex Tubing	600-550-00200
1/2" X 500 Blue Potable Pex Tubing	600-550-00220
3/4" X 100 Blue Potable Pex Tubing	600-550-00240
3/4" X 300 Blue Potable Pex Tubing	600-550-00260
3/4" X 500 Blue Potable Pex Tubing	600-550-00280
1" X 100 Blue Potable Pex Tubing	600-550-00300
1" X 300 Blue Potable Pex Tubing	600-550-00320

White

Size/Description	Item #
1/2" X 100 White Potable Pex Tubing	600-550-00340
1/2" X 300 White Potable Pex Tubing	600-550-00360
1/2" X 500 White Potable Pex Tubing	600-550-00380
3/4" X 100 White Potable Pex Tubing	600-550-00400
3/4" X 300 White Potable Pex Tubing	600-550-00420
3/4" X 500 White Potable Pex Tubing	600-550-00440
1" X 100 White Potable Pex Tubing	600-550-00460
1" X 300 White Potable Pex Tubing	600-550-00480

Oxygen Barrier

Size/Description	Item #
1/2" X 100 Red O2 Barrier Pex Tubing	600-550-00760
1/2" X 300 Red O2 Barrier Pex Tubing	600-550-00780
1/2" X 500 Red O2 Barrier Pex Tubing	600-550-00800
1/2" X 1000 Red O2 Barrier Pex Tubing	600-550-00820
5/8" X 100 Red O2 Barrier Pex Tubing	600-550-00840
5/8" X 500 Red O2 Barrier Pex Tubing	600-550-00860
3/4" X 100 Red O2 Barrier Pex Tubing	600-550-00880
3/4" X 300 Red O2 Barrier Pex Tubing	600-550-00900
3/4" X 500 Red O2 Barrier Pex Tubing	600-550-00920
3/4" X 1000 Red O2 Barrier Pex Tubing	600-550-00940
1" X 100 Red O2 Barrier Pex Tubing	600-550-00960
1" X 300 Red O2 Barrier Pex Tubing	600-550-00980



PEX STUB OUTS



Item #	Size/ Description
400-550-00020	1/2" X 8" Pex X Copper Stub Out Elbow
400-550-00040	1/2" X 8" Pex X Copper Stub Out Straight
400-550-00060	1/2" X 8" Pex X Copper Stub Out Elbow W/ Flange
400-550-00080	3/4" X 8" Pex X Copper Stub Out Elbow
400-550-00100	3/4" X 8" Pex X Copper Stub Out Elbow W/ Flange

PEX BALL VALVES - LEAD FREE



Item #	Size/ Description
700-205-00020	1/2" Pex Ball Valve
700-205-00040	3/4" Pex Ball Valve
700-205-00060	1" Pex Ball Valve
700-205-00080	1/2" Pex Ball Valve W Drain
700-205-00100	3/4" Pex Ball Valve W Drain
700-205-00120	1" Pex Ball Valve W Drain
700-205-00140	1/2" Pex X Male Ball Valve
700-205-00160	3/4" Pex X Male Ball Valve
700-205-00180	1" Pex X Male Ball Valve

STOPS - LEAD FREE



Chrome Plated 1/4 Turn Stops.

Item #	Size/ Description
700-450-00010	3/8" FIP X 3/8" OD Comp Angle
700-450-00020	3/8" FIP X 3/8" OD Comp Straight
700-450-00040	1/2" FIP X 3/8" OD Comp Angle
700-450-00060	1/2" FIP X 3/8" OD Comp Straight
700-450-00080	1/2" Swt X 3/8" OD Comp Angle
700-450-00100	1/2" Swt X 3/8" OD Comp Straight
700-450-00120	5/8" OD Comp X 3/8" OD Comp Straight
700-450-00140	5/8" OD Comp X 3/8" OD Comp 1/4 Turn Angle
700-450-00160	1/2" Pex X 3/8" OD CP Comp Angle
700-450-00180	1/2" Pex X 3/8" OD Comp CP Straight
700-450-00200	5/8" OD Cpvc Comp X 3/8" OD Comp Straight
700-450-00220	5/8" OD Cpvc Comp X 3/8" OD Comp Angle

BOILER DRAINS - LEAD FREE



Item #	Size/ Description
700-155-00020	1/2" Female Boiler Drain
700-155-00040	3/4" Female Boiler Drain
700-155-00060	1/2" Boiler Drain
700-155-00080	3/4" Boiler Drain
700-155-00100	1/2" 1/4 Turn Boiler Drain
700-155-00120	3/4" 1/4 Turn Boiler Drain

BALL VALVES - LEAD FREE

LANSDALE
INTERNATIONAL



Item #	Size/ Description	Item #
	1/4" IPS Ball Valve UL/FM	700-200-00205
	3/8" IPS Ball Valve UL/FM	700-200-00210
	1/2" IPS Ball Valve UL/FM	700-200-00215
	1/2" Swt Ball Valve UL/FM	700-200-00255
	3/4" IPS Ball Valve UL/FM	700-200-00220
	3/4" Swt Ball Valve UL/FM	700-200-00260
	1" IPS Ball Valve UL/FM	700-200-00225
	1" Swt Ball Valve UL/FM	700-200-00265
	1 1/4" IPS Ball Valve UL/FM	700-200-00230
	1 1/4" Swt Ball Valve UL/FM	700-200-00270
	1 1/2" IPS Ball Valve UL/FM	700-200-00235
	1 1/2" Swt Ball Valve UL/FM	700-200-00275
	2" IPS Ball Valve UL/FM	700-200-00240
	2" Swt Ball Valve UL/FM	700-200-00280
	2 1/2" IPS Ball Valve	700-200-00245
	2 1/2" Swt Ball Valve	700-200-00285
	3" IPS Ball Valve	700-200-00250
	3" Swt Ball Valve	700-200-00290

COPPER DROP EAR - LEAD FREE



Size/ Description	Item #
1/2" Copper x Female Drop Ear Elbow	400-100-00200

GAS COCKS - LEAD FREE

LANSDALE
INTERNATIONAL



Item #	Size/ Description
	1/2" Gas Cock
	3/4" Gas Cock
	1" Gas Cock



Terms: Net 30 Days

Accounts over 30 days will be charged 1½% interest per month (18% per annum).

Completion of all orders accepted, and fulfillment of all agreements or contracts entered into, are subject to any delay which might be occasioned by strikes, fires, accidents or other causes whether beyond our control or not. Brecco Distribution, Corp., All Subsidiaries, and/or Affiliates shall not be liable for any consequential damages arising from any such delay.

We guarantee products which are manufactured by Brecco Distribution, Corp., Its Subsidiaries, and/or Affiliates, and will replace those products having manufacturing defects, when used as recommended. There will be no charges for labor or expense required to repair defective goods.

The measure of the damage will be the replacement of the defective goods or the cost of said goods only. All allegedly defective goods must be returned as a condition of replacement or credit.

No goods will be accepted back and credited unless our consent has first been obtained and then accompanied by a return authorization memo.

All products returned with our permission must be goods obtained through us and in clean salable condition.

All products returned will be covered by the manufacturer's warranty only.

Credit will only be allowed on the basis of prices agreed upon, less 20% to cover handling costs, less any additional costs for reestablishing products to a salable condition, and less transportation charges on original and return shipments.

Orders for fabricated goods are not subject to cancellation for any reason whatsoever after work has been started on them, except upon agreement to make payment for all work which has been performed.

All promises of shipment will be as closely estimated as possible. We strive to ship within the time promised, but cannot guarantee to do so. Liabilities for delays outside of our control are not subject to liabilities against Brecco and/or its affiliates.

All claims for shortages must be made upon receipt of goods.

Stenographic, clerical, and/or PC system and program errors are subject to corrections and price revisions.

Upon opening and/or maintaining an account with Brecco Distribution, Corp., Its Subsidiaries, and/or Affiliates, you hereby agree that all disputes, including those arising as a result of your nonpayment, may be submitted to New York State courts located in Nassau County (including Nassau County District Courts).

Any claims against Brecco Distribution, Corp., Its Subsidiaries and/or Affiliates must be brought, if at all, to the Supreme or District court of the State of New York, County of Nassau.

In the event your account is placed with an attorney for collections or other actions to protect Brecco Distribution, Corp., Its Subsidiaries, and/or Affiliates interest, you will be responsible for all attorneys' fees in the amount not less than 25% of your outstanding balance.

These terms may be modified from time to time. In such an event, you will be bound by the revised terms unless you elect, in writing, to close your account within five (5) business days of receipt of said revised terms, and pay your account in full no later than sixty (60) days thereafter.

These terms will supersede any and all other terms and conditions of your purchase order or similar contracts, in print or implied, both past, present and forthcoming. Buyers purchase order terms shall not be binding on Brecco Distribution, Corp., Its Subsidiaries, and/or Affiliates terms as stated herein.



Credit Application (Please Mail Original)

Date: _____

Business Name: _____
 Billing Address: _____ Own or Rent (Circle One)
 City: _____ State: _____ Zip Code: _____
 Delivery Address: _____
 City: _____ State: _____ Zip Code: _____

License ID #: _____ Federal ID #: _____
 Business Phone: _____ Business Fax: _____
 Type of Business: _____ Tax Status: _____

****Please Forward Exempt Certificate With Completed Application****

Year Business Started: _____ Years at Present Location: _____
 Type of Organization (Please Circle One): Corporation LLC Individual Partnership
 Resale#: _____

****Officers / Partners****

(Please see page 4 for additional Officers / Partners space)

Name: _____ Title: _____
 SS# (Must Have): _____ D.O.B.: _____
 Home Address: _____

****Bank References (Include Acct# and Contact)****

Bank Name: _____ Phone#: _____
 Address: _____

Checking Acct#: _____ Savings Acct#: _____
 Phone#: _____ Fax#: _____
 Contact Name: _____

****Trade References (Include Contact Name)****

A) _____ Phone#: _____
 B) _____ Phone#: _____
 C) _____ Phone#: _____
 D) _____ Phone#: _____

**** (Vehicle Information) ****

Vehicles ID#: _____
 LIC#: _____ Own or Lease: _____ Make: _____
 Model: _____ Year: _____

Vehicles ID#: _____
 LIC#: _____ Own or Lease: _____ Make: _____
 Model: _____ Year: _____

Credit Limit Requested:

In making this application for credit, the Customer acknowledges receipt of Brecco Distribution Corporation and / or affiliates terms of sale as Stated on the following page of this application and agrees to pay all invoices in accordance with such terms. In addition Customer agrees to pay a service charge of 1 1/2% per month, which is an annual percentage rate of 18%, on all overdue balances. In the event a law suit is necessary to collect any amount, the Customer agrees to pay the Seller's attorney fees and costs including attorney's fees for approval. By signing this application, Customer represents that the information contained herein is true and correct.

Personal Guarantee of account of: _____ Date: _____
 I/We, the undersigned, hereby personally, jointly and severally guarantee(s) payment of all invoices and other charges as set forth above, and Understand payments on accounts will be applied first against the oldest open invoices.

Signature: _____ Print Name: _____
 Signature: _____ Print Name: _____
 Signature: _____ Print Name: _____
 Signature: _____ Print Name: _____

X _____ X _____
 Acceptance of Brecco Distribution Corporation (a Long Island Pipe Affiliate) terms & conditions Date

THE WHOLESALER'S PREMIER SOURCE FOR
FIRE PROTECTION & PLUMBING SPECIALTIES.

RELY ON

BRECCO



Brecco Distribution Corp.
77 N. 45th Avenue, Ste #1 • Phoenix, AZ 85043

Brecco Distribution East
1050 Broadway • Westville, NJ 08093

Phone: (800) 543-4194 • Fax: (877) 474-9248
www.breccocorp.com
Se habla Espanol.

C201612