



**CRAFTMASTER
HARDWARE**

Your Essential Security Supplier Since 1951

CRAFTMASTER HARDWARE is a full service distributor of locksmith supplies and security hardware. Whether your application is in the residential, institutional, detention, architectural or industrial field, we have the knowledge and inventory to supply all your requirements.

Call us at 800-221-3212 for a Free full-line Architectural/Locksmith Supply Catalog:



We Accept Institutional Purchase Orders



Credit Cards Accepted



**CRAFTMASTER
HARDWARE**

Local: 201-768-0808 Toll Free: 800-221-3212 Fax: 800-501-7750

Website: www.craftmaster.net e-mail: info@craftmaster.net
190 Veterans Drive, Northvale, NJ 07647

TERMS & CONDITIONS

PAYMENT

Net-30 days to open accounts. All others; MasterCard, Visa, American Express, and Discover.

NEW ACCOUNTS

We accept your purchase orders.

FREIGHT

We will pay U.P.S. charges on all orders of \$450 east of the Mississippi or \$600 west of the Mississippi.

MINIMUMS

Minimum order - \$50.

RETURNS

No goods may be returned without our prior approval. Returns must be made within 30 days of purchase. Special order items may not be returned unless defective and then only for exact replacement. Returned goods are subject to a restocking charge.

CLAIMS

All claims for shortages, incorrect, or defective merchandise must be made within 15 days of invoice date.

NOTE

We are not responsible for photographic or typographical errors.



**CRAFTMASTER
HARDWARE**

Local: 201-768-0808 Toll Free: 800-221-3212 Fax: 800-501-7750

Website: www.craftmaster.net e-mail: info@craftmaster.net

190 Veterans Drive, Northvale, NJ 07647

TABLE OF CONTENTS

FOLGER ADAM

Key Blanks	10
Cylinders & Tumblers	11-12

FA Accessories & Tools

Access Panel/Doors	15
Ball Clothes Hooks	7
Brass Tags	11
Cable Cutters	8
Choke Chains	8
Closing Tools	4
Control Consoles	9
Crimping Tools	4
Cutting Tools	4
Cylinder Escutcheon	9
Cylinder Keys	9
Detention Mirrors	15
Door Position Switches	14
Door Protectors	4
Door Pulls	9
Glow Sticks	3
Grab Bars	7
Hand Swager Tools	8
Handcuffs	8
Head & Foot Bolts	14
Hinge Doctor	6
Hinge Screws	6
Hinges	13
Kee Baks	3
Kee Pals	3
Key Cabinets	15
Key Chains	8
Key Rings	34
Key Safe	3
Key Shields	11
Mogul Cylinders	11
Padlocks	5
Pistol Lockers	15
Screwdrivers	5, 6
Spanner Keys	9
Steel Cable	8
Stools; Floor Mount, Wall Mount	7
Swagers	8
Test Units	9
Universal Cuff Keys	8

FA Locks

FA-10 Series	16
FA-17 Series	17
FA-30 Series	17
FA-50 Series	23
FA-60 Series	18
FA-70 Series	18

FA-80 Series	16
FA-110 Series	21
FA-120 Series	24
FA-120E Retro Series	25
FA-125 Electric Series	26
FA-125 Mechanical Series	21
FA-NS400 Series	27
FA-800 Series	28
FA-3800 Series	20
FA-A9300 Series	22
Lock Mountings	19

FA Operators

FA-Type D2B	29
FA-Type D3B	29
FA-Type D5B	30
FA-Type J	31
FA-Type KR	30

FA Parts & Diagrams

FA-10 Series	32
FA-17 Series	38
FA-30 Series	34
FA-30D Series	35
FA-50 Series	40,46
FA-60 Series	36
FA-60K Series	37
FA-70 Series	39
FA-80 Series	33
FA-120 Series	47-57
FA-125-1 Series	58
FA-125-2 Series	61
FA-125-3 Series	64
FA-125-4 Series	67
FA-NS400 Series	73-79
FA-800 Series	70
FA-D2B	80
FA-D5B	80
FA-3B.2	81
FA-KR.3	82

SOUTHERN STEEL 83

SS Accessories & Tools

Cylinders & Tumblers	84
Cylinder Keys	84
Detention Mirrors	89
Door Position Switches	88
Door Pulls	87
Head & Foot Bolts	89
Hinges	86
Key Cabinets	89
Mogul Cylinders	84
Pistol Lockers	89

Spanner Keys	89
Test Units	88

SS Locks

SS-1010 Series	90
SS-1017 Series	91
SS-1030 Series	92
SS-1060 Series	93
SS-1070 Series	94
SS-1080 Series	95
SS-10500 Series	96
SS-10600 Series	97
SS-1050 Series	98
SS-1051 Series	99
SS-10120 Series	100
SS-10300 Series	101

SS Operators

SS-3150Lx.b Series	102
SS-3165L Series	102

SS Parts & Diagrams

SS-1010 Series	103
SS-1017 Series	107
SS-1030 Series	110
SS-1060 Series	113
SS-1070 Series	115
SS-1080 Series	119
SS-10500 Series	121
SS-10600 Series	137
SS-1050 Series	141
SS-1051 Series	143
SS-10120 Series	150
SS-10300 Series	154

Also Available

Locksets

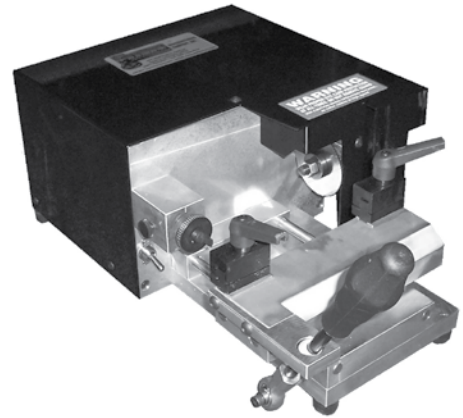


Closers



Exit Devices

Key Machines



Lock Picks



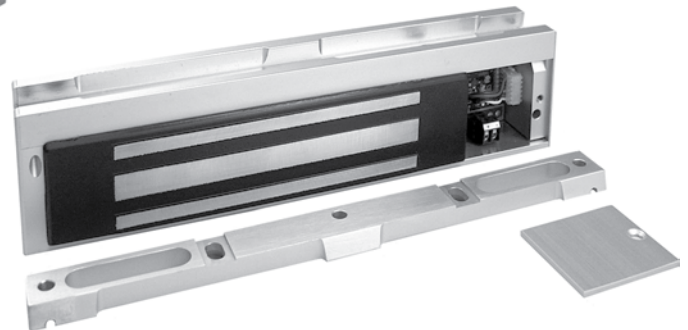
Electric Strikes



Mortise Locks



Electro-Magnetics



Padlocks



Key Cabinets

Starrett Key Caddy

SR-SK1

Chrome Plated Case
Heavy-duty stainless steel chain



"Kee Pal"

Can be worn right side up or upside down for additional key security. Fits 2 1/2" width belt.

LL-00479-NB-BULK..... (black)



Okay's "Key Safe"

Slips through 2" wide belt so it won't pull off.

OK-39NXB(black)



Inspection Mirrors

Excellent for security when needed to look under or around vehicles, machines, equipment and hard-to-see areas.



- > 6 styles to choose from
- > Available Round Convex or Flat
- > Acrylic lens
- > Adjustable swivel
- > Light-weight 51" handle
- > Low 3-1/2" ground clearance
- > Heavy-duty extruded rubber rim
- > For indoor or outdoor use

Inspection Mirrors

Hand Held	Model	
BS-P-120IM	Convex	
BS-P-120FIM	Flat	
With Wheels		
BS-P-120IMW	Convex	
BS-P-120FIMW	Flat	With Wheels and Light
BS-P-120IMLW	Convex	
BS-P-120FIMLW	Flat	



Key Bak

Belt Loop Type..... LL-43301

Clip on Type LL-43501



Key Bak Super 48

Heavy duty cable extends 48"

LL-43651

6" Glow Light Stick

6" Snap light lasts 12 hours. Available in green, blue, red, orange, white or yellow. (Green is the brightest)

CR/GEO-GLOW



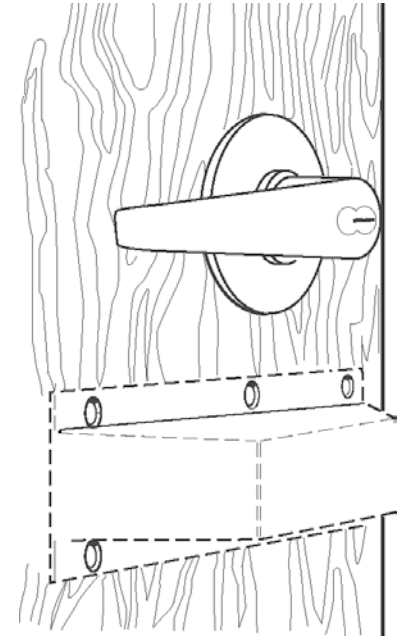
Smart Keys

Keys are secured to a Smart Key locking mechanism and memory chip, which provide additional security and functionality for the key management systems. When a Smart Key is inserted into a key slot within a KeyWatcher or KeyBank cabinet, the memory chip data is stored and then retrieved after a key is properly accessed. Users can only access keys from the cabinets with a proper User Code, as designated by their security managers.

Colors Available: Please specify: Red, Yellow, Blue, Green, Black, Brown and White

MW-KR-8100

Sold in packs of 5 each.



PROTECT-A-LOK

Designed for use in areas where locks may have a chance of getting hit by carts, forklifts or moving vehicles. Can be used with levers, knobs or panic hardware. Specify K-12 (Lexan cream), K-12D (Lexan duranodic) and K-12S (stainless steel).

KD-K-12/K or 12D

KD-K-12S

KD-K-12S-XL24 (24")

KD-K-12S-XL34 (34")

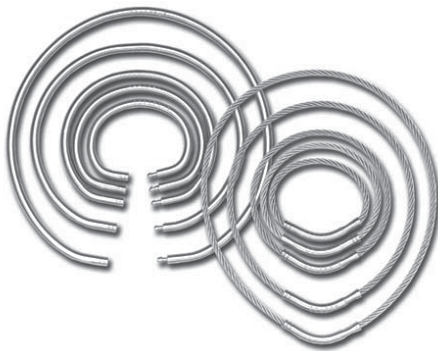


Metal Chain Clips

3mm x 22" Federal Bureau of Prisons Policy: Every key ring must be attached to a metal chain and clip.

Snap clips available separately

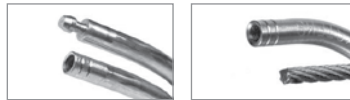
OP-46403



Tamper Proof Key Rings

Replaces welded rings to prevent removal of keys. If ring is forced open, seal is destroyed showing ring has been tampered with.

Solid or Flexible Tamper-Proof Key Rings™ available in solid and flexible (braided) versions.



Unique ID Each ring has its own unique serial number. This string of numbers and letters enables audits on both the rings and their keys. The permanent ID prevents someone from removing or substituting keys without detection.

Packs of 10

KS-2791" Ring

KS-2781-5/8" Ring

KS-2702" Ring

KS-2773" Ring

KS-2724" Ring

Crimping Tool

KS-271D



Closing Tool

KS-271V



Cutting Tool

KS-271X



**Select-A-Bit
High Security Model**

8 Double-ended bits that store in the handle.
Shaft features a flat section to accommodate an open-ended or adjustable wrench.

- > 1 Phillips #2, 1 Slotted 7/32"
- > 4 Spanners – S4, S6, S8, S10
- > 10 Torx Security with pin – T7/T40



IO-SAB444

5000 Series Padlocks

Satin chrome-plated, hardened solid steel padlock bodies – Solid steel cylinder cover plates Case hardened, chrome-plated boron alloy steel shackles – Stainless steel double ball locking mechanisms Rekeyable cylinders, available key retaining/deadlocking (Prevents the key from being removed while the padlock is open).

NOTE: NR=Key Retaining DL=Deadlocking

1/4" Shackle Dia.



5100 Series – 1-1/2" wide body

Standard or Key Retaining (NR)	Shackle Length
AMA-5100KD	1"
AMA-5100NR-KD	1"
AMA-5100KA	1"
AMA-5100NR-KA	1"
AMA-5101KD	1-1/2"
AMA-5101NR-KD	1-1/2"
AMA-5101KA	1-1/2"
AMA-5101NR-KA	1-1/2"
AMA-5102KD	3"
AMA-5102NR-KD	3"
AMA-5102KA	3"
AMA-5102NR-KA	3"

15/16" Shackle Dia.



5200 Series – 1-3/4" wide body

Standard or Key Retaining (NR)	Shackle Length
AMA-5200KD	1-1/8"
AMA-5200NR-KD	1-1/8"
AMA-5200KA	1-1/8"
AMA-5200NR-KA	1-1/8"
AMA-5201KD	2"
AMA-5201NR-KD	2"
AMA-5201KA	2"
AMA-5201NR-KA	2"
AMA-5202KD	3"
AMA-5202NR-KD	3"
AMA-5202KA	3"
AMA-5202NR-KA	3"

3/8" Shackle Dia.



5260 Series – 2" wide body

Standard or Key Retaining (NR)	Shackle Length
AMA-5260KD	1-1/8"
AMA-5260NR-KD	1-1/8"
AMA-5260KA	1-1/8"
AMA-5260NR-KA	1-1/8"
AMA-5261KD	2"
AMA-5261NR-KD	2"
AMA-5261KA	2"
AMA-5261NR-KA	2"
AMA-5262KD	3"
AMA-5262NR-KD	3"
AMA-5262KA	3"
AMA-5262NR-KA	3"



Hinge Doctor Door Sag Tool

This tool is designed to adjust worn or improperly adjusted 4-1/2" x 4-1/2" butt hinges that cause the door to sag. All you do to fix it is slip the tool over the door hinge, hold it in place with one hand, while you open the door with the other hand. This action causes the door hinge to bind while the tool is in place. Open the door only an inch or two past the point where it binds against the tool then remove the tool from the hinge, check the door

GK-HA1 - Standard Hinges for 4-1/2"

GK-HA3 - Ball Bearing Hinges for ball bearing and larger hinges

GK-HA4 - Prison Hinges..... for 4-1/2" prison hinges



Mega Screwdriver

A 24" screwdriver / impact driver for removing & installing door hinges, door strikes and door closers on metal doors & frames. The non-slip handle grip, impact slider & 24" length will break loose any stubborn hinge screw. The quick change chuck allows the use of any standard quick change bit.

GK-MS1



Special Hinge Screws

Self-drilling, self-taping #14 screws with #12 head to replace #12 stripped out hinge, strike plate and door closer screws in steel frames.

GK-HSP50..... 50 per pack

GK-HSP100M..... 100 per pack

Floor Mount Stool

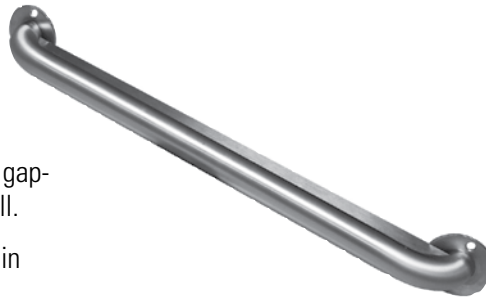
- > 11 gauge tubular steel is fully welded at both ends to 1/4" thick steel mounting plates.
- > Powder coated for maximum scratch and corrosion resistance.
- > Stainless steel or Super Slammer Stone® seats.
Specify colors (Slate Blue, Buff, Fog Grey, Blue Grey, Plum, Teal)



Product No.	Size	Seat	Material	Base
NX-S561-100	18-1/2"H	13" dia.	Super Slammer Stone	Grey
NX-S561-120	18"H	12" dia.	Stainless Steel	Grey

Security Grab Bar

- > Suicide Prevention
- > The Security Grab Bar comes with a safety gap-filler between the round tube bar and the wall.
- > Standard sizes in 24", 36" and 42". Comes in stainless steel.



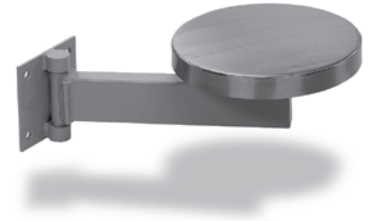
Product No.	Size
NX-IGS-24	24" Bar
NX-IGS-36	36" Bar
NX-IGS-42	42" Bar

Ball Clothes Hooks

- > Collapsible safety hooks in groups of four with optional 8" deep X 18" long bookshelf.
- > Ball and stem style in stainless only.



Product No.	Size	Description
NX-S565-526	18"W x 5-1/2"H x 2-7/16"D	4 Ball Hook Strip
NX-S565-528	18"W x 12"H x 9"D	4 Ball Hook Strip with Shelf


Wall Mount Stool

- > 11 gauge tubular steel is fully welded at both ends to 1/4" thick steel mounting plates.
- > Powder coated for maximum scratch and corrosion resistance.
Stainless steel


Ball Clothes Hook

- > Single collapsible safety hook
- > Ball and stem style in stainless only.

NX-S565-528



Peerless® Handcuff Company

The Peerless® chain link handcuff has a new design. The Model 700 now incorporates spun rivet construction for increased strength and durability. Smooth single strand action allow for fast and efficient cuffing. The profiled edges minimize the risk of tissue and nerve injury. The Model 700 has been approved by the National Institute of Justice. It comes with a lifetime warranty for manufacture defects.

Two keys supplied.

- Material: Carbon Steel
- Minimum opening: 2.0"
- Minimum inside perimeter: 5.9"
- Maximum inside perimeter: 8.3"
- Maximum overall length: 9.3"



Choke Chain

OP-46403



Cable Cutter

CA-Cable Cutter



UHK-1 UHK-2 UHK-3 UHK-4 UHK-5 UHK-6 UHK-7

Universal Cuff Keys Designed To Fit Most Handcuffs

UHK-1 Small key, same as included with all HVC cuffs

UHK-2 HVC Stainless steel key. slotted 2-7/8" long

UHK-3 HVC Defender side handle baton style 3-3/4" long, black

UHK-4 Deluxe Hiatts key, nickel plated

UHK-5 Concealable, fits over keeper snaps black 2-1/2" long

UHK-6 Swivel, black knurled aluminum with ring 3-5/8" long

UHK-7 Pocket pen style, black nylon with metal key tip 4-1/2" long



Coated Steel Cable

CA-Coated Cable

Swager

CA-DBL-332

CA-DBL-18



Hand Swager

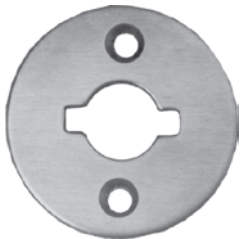
CA-Swager Tool

Test Units

The FA2000 Test Unit is a sturdy, portable tester for use by facility maintenance and detention equipment contractors. It is an excellent tool for preventive maintenance checks with easy-to-read indicator lights. This unit will operate virtually all models of Folger Adam electric and pneumatic locks and sliding door locking systems.



FA-2000



**Cylinder
Escutcheon**

FA-US32D FA-1

FA-US4..... FA-1B



**Cylinder
Shield**

FA-2CS



Door Pull

FA-3



Spanner key

FA-105K



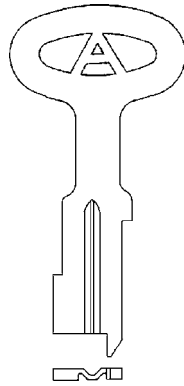
Door Pull

FA-2

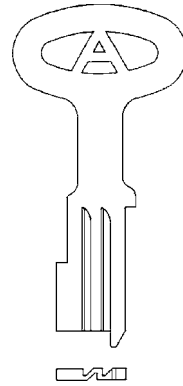
Folger Adam Key Blanks

All Folger Adam keys are registered before shipment. Keys are sold separately and not included in the price of the locks.

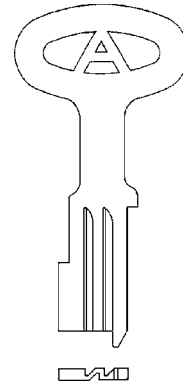
The purchase of keys must be authorized by the institution. Authorization is required with each order. We will not cut combinations which are unauthorized, unassigned, or which are not issued to the institution.



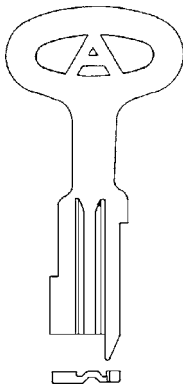
2/300 5-Tumbler



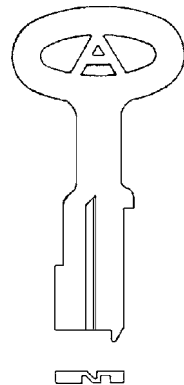
4/500 5-Tumbler



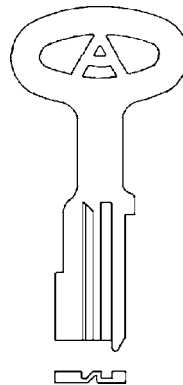
1/1500 5-Tumbler



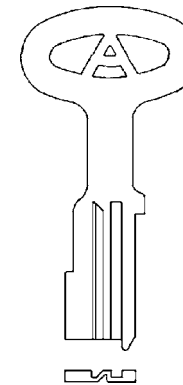
3/3500 5-Tumbler



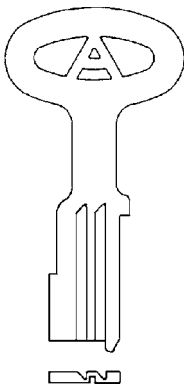
5/5500 5-Tumbler



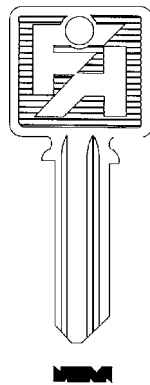
6/6500 6-Tumbler



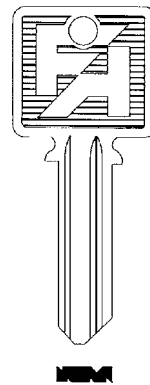
7/7500 5-Tumbler



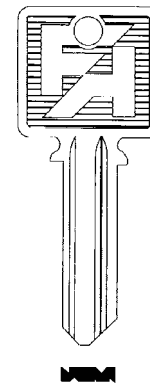
8/8500 5-Tumbler



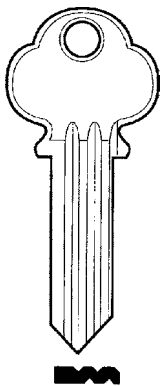
E-Series Level 1 & 2



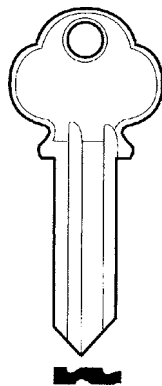
F-Series Level 1 & 2



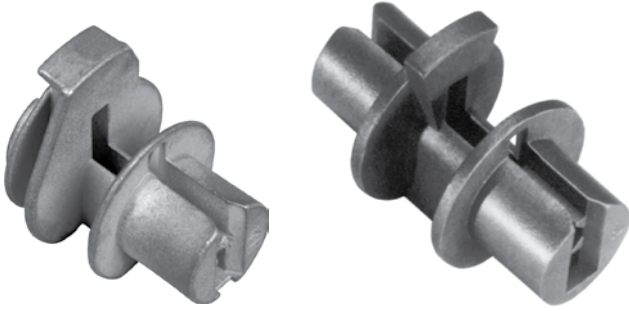
EF-Series Level 1 & 2



AR-Series



YR-Series

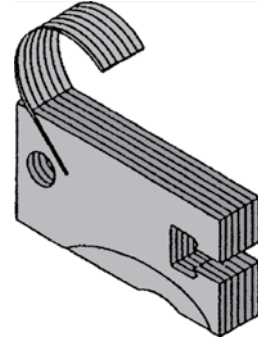


Replacement Key Cylinder Lever Tumbler Locks

To order cylinder, specify lock model number and grooving series.

See Chart on next page

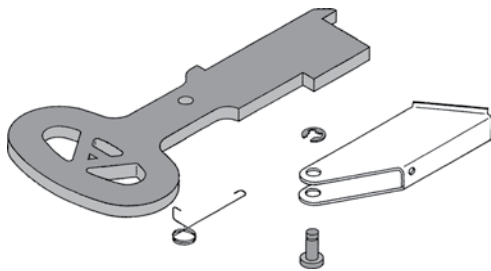
i.e., 82 Cylinder 2/300 Series



**Replacement Tumbler Sets
Lever Tumbler Locks**

To order tumbler sets, specify lock model number and number stamped on key.

i.e., 76 tumbler 220A



Key Shield for Lever Tumbler Keys

FA-144-0001-001



**MOGUL and MAXI-MOGUL® Key Cylinders
for Pin Tumbler Locks**

Keys must be ordered separately
Specify keyway
26D finish standard



**Solid Brass Key Tags
100 Per Box**

Product No.	Size
LL-26006	3/4"
LL-26010	1"
LL-26011	1-1/8"
LL-26012	1-1/4"
LL-26013	1-3/8"
LL-26017	1-7/8"



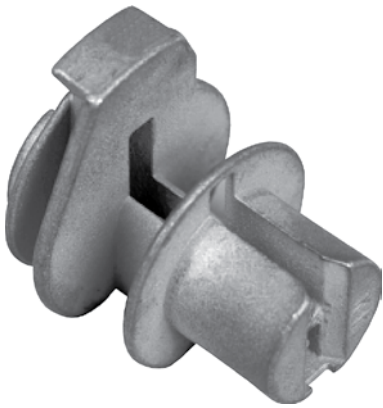
**Solid Aluminum Key
100 Per Box Tags**

> Color Coded
> 1-1/4" Diameter

Product No.	Color
LL-25600	Assorted
LL-25620	Black
LL-25630	Blue
LL-25640	Green
LL-25665	Purple
LL-25670	Red
LL-25693	Aluminum

Replacement Key Cylinder Lever Tumbler Locks

To order cylinder, specify lock model number and grooving series.



Keyway	Keyed 1 Side	Keyed 2 Sides
10 Series Locks		
2/300	012-1701-003	012-1700-003
4/500	012-1701-004	012-1700-004
1/1500	012-1701-005	012-1700-005
3/3500	012-1701-007	012-1700-007
4500	012-1701-008	012-1700-008
5/5500	012-1701-001	012-1700-001
8/8500	012-1701-002	012-1700-002

10-6 Series		
6/6500	012-1701-009	012-1700-009
7/7500	012-1701-010	012-1700-010

15-17 Series		
2/300	012-1702-003	
4/500	012-1702-004	
1/1500	012-1702-005	
3/3500	012-1702-007	
4500	012-1702-008	
5/5500	012-1702-001	
8/8500	012-1702-002	

32-36 Series		
2/300	012-1703-003	012-1709-001
4/500	012-1703-004	012-1706-001
1/1500	012-1703-005	013-1705-001
3/3500	012-1703-007	010-0004-000
4500	012-1703-008	010-0867-000
5/5500	012-1703-001	013-1700-001
8/8500	012-1703-002	013-1703-001

32-36 Series		
6/6500	013-1701-002	013-1701-001
7/7500	013-1702-002	013-1702-001

Keyway		Keyed 1 Side	Keyed 2 Sides
62/62k-66/66k Series			
2/300	RH	012-1704-003	012-1705-003
	LH	012-1704-009	012-1705-009
4/500	RH	012-1704-004	012-1705-004
	LH	012-1704-010	012-1705-010
1/1500	RH	012-1704-005	012-1705-005
	LH	012-1704-011	012-1705-011
3/3500	RH	012-1704-007	012-1705-005
	LH	012-1704-013	012-1705-013
4500	RH	012-1704-008	012-1705-008
	LH	012-1704-014	012-1705-014
5/5500	RH	012-1704-001	012-1705-001
	LH	012-1704-015	012-1705-015
8/8500	RH	012-1704-002	012-1705-002
	LH	012-1704-016	012-1705-016

72-76 Series		
2/300		012-1709-002 012-1709-001
4/500		012-1706-002 012-1706-001
1/1500		013-1705-002 013-1705-001
3/3500		010-0001-500 010-0004-000
4500		010-0867-200 010-0867-000
5/5500		013-1700-002 013-1700-001
8/8500		013-1703-002 013-1703-001

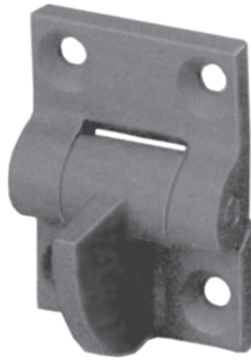
72-6-76-6 Series		
6/6500		013-1701-002 013-1701-001
7/7500		013-1702-002 013-1702-001

82-86 Series		
2/300		012-1709-002 012-1709-001
4/500		012-1706-002 012-1706-001
1/1500		013-1705-002 013-1705-001
3/3500		010-0001-500 010-0004-000
4500		010-0867-200 010-0867-000
5/5500		013-1700-002 013-1700-001
8/8500		013-1703-002 013-1703-001

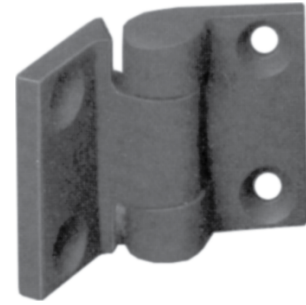
82-6-86-6 Series		
6/6500		013-1701-002 013-1701-001
7/7500		013-1702-002 013-1702-001

Prison Hinges

No. 3 hinges suitable for use on moderate size doors, such as foodpass doors, control or key cabinet doors, and window grilles.



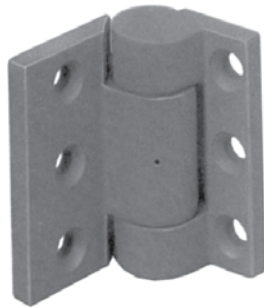
FA-3FP Food-Pass



FA-3FS Full-Surface

Prison Hinges

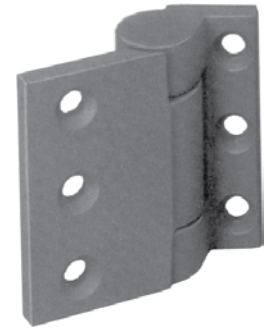
No. 5 hinges suitable for use on cell or corridor doors, security vestibule doors, and primary entrances. Also suitable for armories or drug storage areas, or access panels in high abuse situations.



FA-5FS Full-Surface



FA-5G Gap-Type



FA-5HS Half-Surface



Institutional Hinges

Model FA-4-1/2EH

Electric hinges for use in the detention environment on administration area doors or cell doors.

Hinge is non-load-bearing.

Institutional Hinges

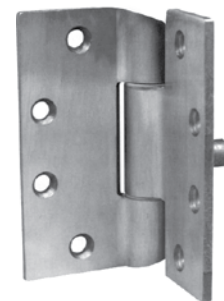
Investment-cast, detention strength, fullmortise hinges for hollow metal doors and frames.

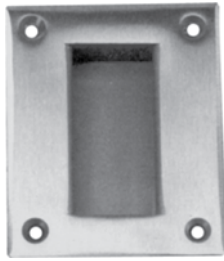
Model FA-4-1/2FM

Specified for use in the detention environment of administration area doors or cell doors.

Model FA-4-1/2FM-ICS

Suitable for virtually any detention door. Integral studs on each leaf add to abuse-resistance.





Single Direction Pull FA4-1S

Double Direction Pull..... FA4-1D



Foot Bolt Receptacle

FA-105FBR



Door-Position Indication Switches – For Swinging Doors

Overhead, concealed switch with track and arm for installation (3/4" centerline hinge). SPDT 10-Amps @ 125 or 250 VAC.

FA-523*

* Indicates Non-Load bearing, actuators only.



Head & Foot Bolts

FA-105-G For Grille Doors

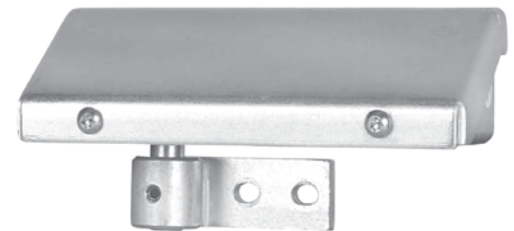
FA-105HM For Hollow Metal Doors



Door-Position Indication Switches – For Swinging Doors

Magnetic reed switch for mortise installation. SPDT 1-Amp @ 24 VAC; 5/8-Amp @ 24 VAC.

FA-ASSW-105A



Door-Position Indication Switches – For Swinging Doors

Surface-mounted switch actuator.

FA-534*

* Indicates Non-Load bearing, actuators only.

Detention Mirrors

Model No.	Description
FA-408S	Mirror and Frame 11-1/2" x 17"
FA-408-1	Replacement mirror for FA-408
FA-408B-1	Replacement mirror for FA-408B
FA-408SF	Back plate or imbed plate for 408SS



Pistol Lockers

Pistol lockers are cabinets for the security of staff sidearms. Each cabinet contains lined compartments with individual locks. The locks are individually keyed and master keyed. Compartment size: 15-1/4"W x 6-3/8"H x 3-1/4"D



Model	Compartments	Height	Width	Depth	Weight
FA-405P-2	2	24-1/8"	21-5/8"	6"	85 lbs.
FA-405P-3	3	33-5/8"	21-5/8"	6"	100 lbs.
FA-405P-4	4	24-5/8"	39-1/8"	6"	115 lbs.
FA-405P-6	6	33-5/8"	39-1/8"	6"	140 lbs.
FA-405P-8	8	43-1/8"	39-1/8"	6"	165 lbs.
FA-405P-9	9	33-5/8"	56-5/8"	6"	180 lbs.

Key Cabinets

300 key capacity – includes FA-12 lock

FA-505E

720 key capacity – includes FA-82 lock

FA-505F



Access Panel/ Doors

Clear opening:
34"H x 22"W

Lift-out access panel

FA-415

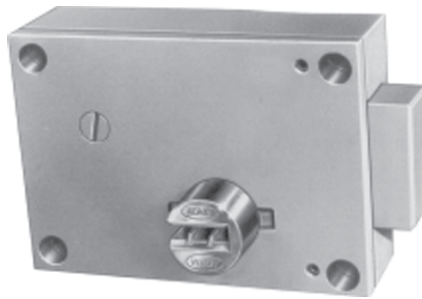
Swinging access door

FA-416



Series FA-10 Deadlocks

Series FA-10 Deadlocks are lever tumbler, mechanical locks designed for use on small swinging doors such as access panels, plumbing spaces, electric panels, or hatches which are infrequently used. They are not intended for use on cell doors.



Right Hand
Shown

FA-12 5 tumbler, Keyed One Side

FA-12-6 6 tumbler, Keyed One Side

FA-16 5 tumbler, Keyed Two Sides

FA-16-6 6 tumbler, Keyed Two Sides

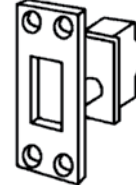
To order parts see page 26



FA-10-4B



FA-10-4DB



FA-10-4BL

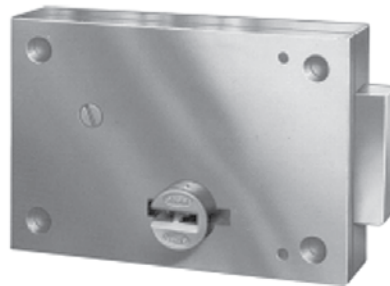


FA-10-4F

Keepers not included with lock, must be ordered separately.

Series FA-80 Deadlocks

Series FA-80 deadlocks are lever tumbler, mechanical locks designed for use on swinging cell doors, corridor doors, dormitory doors, and dayrooms. Also suitable for storage rooms, or large control cabinets.



Right Hand
Shown

FA-82 5 tumbler, Keyed One Side

FA-82-6 6 tumbler, Keyed One Side

FA-86 5 tumbler, Keyed Two Sides

FA-86-6 6 tumbler, Keyed Two Sides

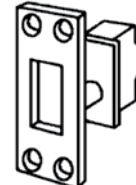
To order parts see page 27



FA-80-4B



FA-80-4DB



FA-80-4BL



FA-80-4F

Keepers not included with lock, must be ordered separately.

Handing for FA-10 & FA-80 Series Mechanical Deadlocks

Mounting Plate Hinge Side



Mounting Plate Stop Side





Series FA-30 Locks

Series FA-30 lever tumbler deadlatches for sliding doors. Recommended for sliding doors requiring slam-locking, such as corridor or entrance doors. Doors should never be left unattended in open position. Not for use on cells. Deadlocks on door closure, unlocks by key. Key is removable in the latch position only.

FA-32Keyed One Side

FA-36 Keyed Two Sides

To order parts see page 28

Right Hand Shown



Series FA-30D Locks

Series FA-30D lever tumbler deadlock for sliding doors. Recommended for use on sliding cell, corridor, or entrance doors. Ideal for doors left open or unattended at times. Mechanical operation, deadlocks and unlocks by key. Key is removable in both locked and unlocked condition.

FA-32D Keyed One Side

FA-36D Keyed Two Sides

To order parts see page 29

Right Hand Shown



FA-10-4B



FA-10-4DB



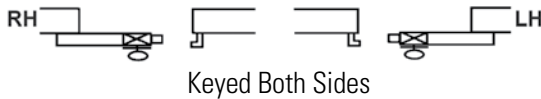
FA-10-4BL



FA-10-4F

Keepers not included with lock, must be ordered separately.

Handing for Series FA-30 & FA-30D Locks – Lock Mounting Track Side



Keyed Both Sides



Keyed Track Side



Series FA-17 Latch

Model FA-17 latches are lever tumbler, mechanical locks for small swinging doors. Keyed One Side only. Designed for use above hinged food pass doors, on observation panels, gun lockers, or other small doors. Not for use on full size doors.

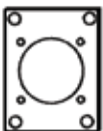
To order parts see page 32



Series FA-17 M1 Latch

Model FA-17-M1 latch with a pin tumbler cylinder, is specifically designed for food-pass door applications. May be specified with either the Mogul, or Maxi-Mogul® cylinder. The 17-4 keeper should be specified to capture the latchbolt and protect it from tampering when surface mounted.

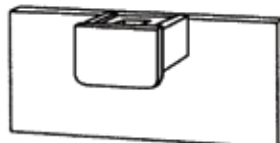
To order parts see page 2



FA-17-HM



FA-17-4F

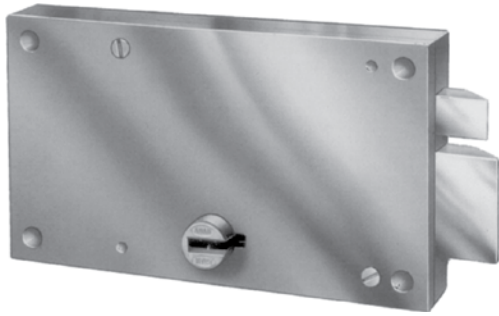


FA-17-4-FPD

Keepers not included with lock, must be ordered separately.

Series FA-70 Deadlatches

Series FA-70 slam-locking deadlatches are lever tumbler, mechanical locks for swinging doors. Recommended for heavily used doors such as dayrooms, recreation areas or dining rooms.



To order parts see page 33

FA-72 Keyed One Side

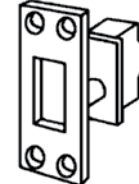
FA-76 Keyed Two Sides



FA-70-4B



FA-70-4DB



FA-70-4BL



FA-70-4F

Keepers not included with lock, must be ordered separately.

Series FA-60 Latch and Key Operated Deadlocks

Series FA-60 locks are lever tumbler, mechanical locks for swinging doors. Series FA-60 locks are key operated only, Series FA-60K locks also have a knob set which is active when the lock is not deadlocked. Series FA-60 locks are ideal for use on corridor, cell, dining room or recreational area doors. Series FA-60K locks with knobs are suited for administrative or infirmary areas where staff personnel require the convenience of knob operation combined with slam-locking and the security of a deadlock.

To order parts see page 30-31



FA-62 Keyed One Side

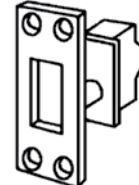
FA-66 Keyed Two Sides



FA-60-4B



FA60-4DB



FA-60-4BL



FA-60-4F

Keepers not included with lock, must be ordered separately.



FA-62K Keyed One Side

FA-66K Keyed Two Sides

Handing for FA-60 & FA-70 Series Locks

Mounting Plate Hinge Side

Keyed Both Sides



Keyed Hinge Side



Keyed Stop Side



Mounting Plate Stop Side

Keyed Both Sides



Keyed Stop Side



Keyed Hinge Side



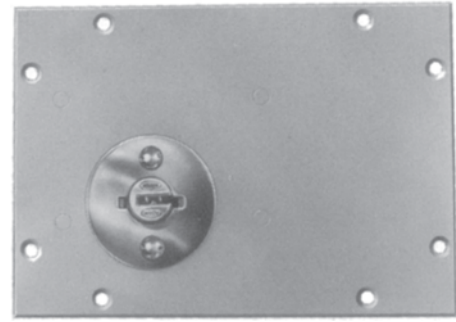


Lock Mounting Locks

Lock Mounting for Mechanical

For welding to flat horizontal bars of a grille door. The lock is installed to the inside of the back plate, and covered by a front plate secured by security screws. **Specify handling.**

FA-G

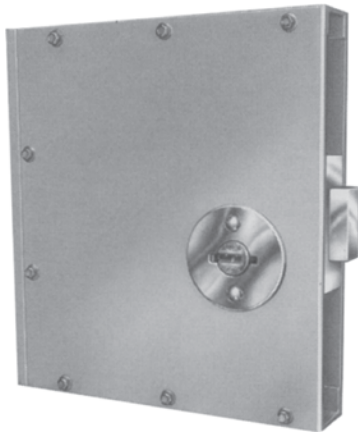


Lock Mounting Locks

Lock Mounting for Mechanical

A specially designed plate to which a lock is installed. The plate then covers the lock pocket in a hollow metal door. This mounting is not removable when the door is locked. In stop-side applications a longer bolt projection is required and must be specified. **Specify handling.**

FA-HM



Fence Gate Lock/Mounting

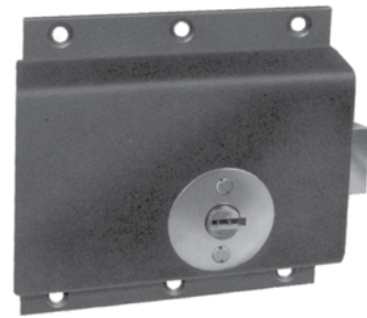
Model FA-FGM-80 deadlock is a lever tumbler, mechanical lock and mounting for swinging chain link fence gates. Designed for use in outdoor applications.

FA-FGM-82 5 tumbler, Keyed One Side

FA-FGM-82-6 6 tumbler, Keyed One Side

FA-FGM-86 5 tumbler, Keyed Two Sides

FA-FGM-86-6 6 tumbler, Keyed Two Sides



Lock Mounting Locks

Lock Mounting for Mechanical

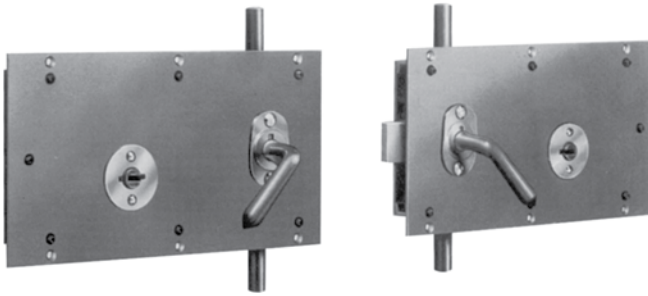
For rim mounting a lock to the surface of a plate door. The lock installs to the inside of the mounting, and is then attached to the door. **Specify handling.**

FA-P



Fence gate keeper

FA-80-4H

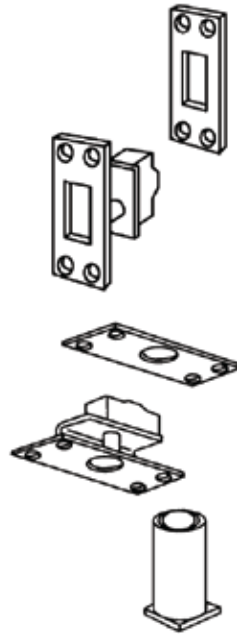


Series FA-3800 Cremone Bolts

Series FA-3800 Cremone bolt sets are lever tumbler, mechanical deadlocks for single or paired swinging doors. Cremone bolts provide three-point locking for the active or single door, and five-point locking for paired doors. Designed for maximum security on corridor, entrance, or armory doors. Specify for use with hollow metal or grille doors and handing.

Model No.	Door Type	Keyed
FA-3821G	Single grille	One side
FA-3861G		Both sides
FA-3822G	Double grille	One side
FA-3862G		Both sides
FA-3821HM	Single hollow metal	One side
FA-3861HM		Both sides
FA-3822HM	Double hollow metal	One side
FA-3862HM		Both sides

Lock includes head and foot bolts, foot bolt receptacle(s), No. 1 cylinder escutcheon(s) and mounting screws. When ordering specify overall door opening size.



Model FA-80-4B Keeper

Mortise, center bolt keeper and mounting screws.

Model FA-80-4BL Keeper

Mortise, center bolt keeper with switch and mounting screws.

Model FA-80-4DB Keeper

Mortise, center bolt keeper with dust box and mounting screws.

Model FA-3S-4B Keeper

Mortise, head bolt keeper and mounting screws.

Model FA-3S-4BL Keeper

Mortise, head bolt keeper with switch and mounting screws.

Model FA-3S-FBR Keeper

Additional foot bolt receptacle.

Keepers not included with lock, must be ordered separately.

FA-3800 Series Handing for Single and Double Doors

Removable Cover Stop Side

FA-3861
Keyed
Both Sides



FA-3821
Keyed
Stop Side



FA-3862
Keyed
Both Sides



FA-3862
Keyed
Both Sides



FA-3822
Keyed
Stop Side



FA-3822
Keyed
Stop Side



Removable Cover Hinge Side

FA-3861
Keyed
Both Sides



FA-3821
Keyed
Hinge Side



FA-3862
Keyed
Both Sides



FA-3862
Keyed
Both Sides



FA-3822
Keyed
Hinge Side



FA-3822
Keyed
Hinge Side





FA-110-01



FA-110-04



FA-110-07

Series 110 Mortise Locks

Series FA-110 mortise locks are pin tumbler, mechanical locks for swinging doors suited for minimum to medium security applications. Designed for offices, patient rooms, or other doors where abuse is unlikely. For swinging wood or hollow metal doors, 1-3/4" thick or more. **Specify hand when ordering.**

Model No.	Keyed
FA-110-01	Keyed One Side, lockset
FA-110-02	Keyed Two Sides, lockset
FA-110-04	Keyed One Side, deadbolt
FA-110-05	Keyed Two Sides, deadbolt
FA-110-07	Latchset

Series 125 Mortise Deadlatches

Series FA-125 mortise deadlatches are pin tumbler, mechanical locks for swinging doors that are suitable for use on hollow metal doors in administrative areas or commercial/ industrial doors. Fits doors 1-3/4" thick or more. **Specify handing.**

FA-125-1 Latchbolt retracted by key and/or active knob.

FA-125-4 Knobs are locked by key, restricting access until unlocked by key (mechanical knob lockout).

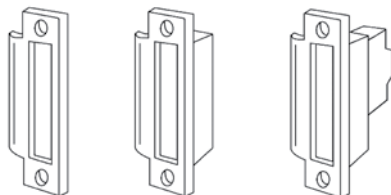


To order parts see page 53 & 61

Handing for Series FA-110 & FA-125 Mortise Locks



Strikes not included with lock, must be ordered separately.



Model No.	Includes
Model FA-110-4B	Mortise strike and mounting screws.
Model FA-110-4DB	Mortise strike with dust box and mounting screws.
Model FA-110-4BL	Mortise strike with dust box, switch and mounting screws.



FA-A9300 Series Mortise Locks

Builders' Hardware 6-Pin Tumbler – Lever Handles
Series FA-A9300 locks are extra heavy duty pin tumbler mortise locks for swinging doors. Suitable on minimum security cell or public areas. Fits ANSI door preparation. Standardized installation in hollow metal doors modified to accommodate lock body thickness of 1-1/8". Locks are field reversible.

Mortise Locks

Model No.	ANSI	Description
FA-LT-A9301	F01	Passage latch
FA-LT-A9304	F04	Entry lock
FA-LT-A9305	F05	Classroom lock
FA-LT-A9307	F07	Storeroom lock
FA-LT-A9309	F09	Apartment lock
FA-LT-A9313	F13	Dormitory or exit lock
FA-LT-A9314	F14	Store door lock
FA-LT-A9321	F21	Room door lock
FA-LT-A9319	F19	Privacy lock
FA-LT-A9320	F20	Apartment corridor door lock
FA-LT-A9321	F21	Room door lock
FA-LT-A9335	(1)	Modified hotel guest lock

Strikes

Model No.	Description
FA-918-L	Latchbolt – 1-1/8"
FA-914-L	Latchbolt – 1-1/4"
FA-918-LD	Latch & deadbolt – 1-1/8"
FA-914-LD	Latch & deadbolt – 1-1/4"
FA-918-DNL	Deadbolt – no lip
FA-900-BOX	Dust box
FA-918-D	Deadbolt – 1-1/8"
FA-914-D	Deadbolt – 1-1/4"

1) Similar to F15. Inside handle or outside key operated deadlatch. Inside thumbturn or outside key operated deadbolt. Outside handle always inactive.

**Series FA-51E
Electric Deadlatches**

Series FA-51E deadlatches are lever tumbler, solenoid-operated lock for swinging doors. Designed for door-jamb installation, and provides maximum security for heavily used cell, corridor, or entrance doors. Provides the convenience of slam-locking with remote, electrical unlocking.



FA-52EKeyed One Side

FA-56E Keyed Two Sides

Optional Features:

No-notch – the holdback lever has no notch to hold the latchbolt mechanically retracted. The latchbolt extends in the locked position regardless of the position of the door.

Interlocking – accomplished through the control console.

Finish – galvanized.

To order parts see page 34-36

How To Specify

Operation	Keying	w/indication switch
Standard (1)	one side	52EL
	two sides	56EL
No-notch (2)	one side	52ELNN
	two sides	56ELNN

**Series FA-51M
Electric Deadlatches**

Series FA-51M deadlatches are lever tumbler, motor-operated locks for swinging doors. Designed to provide maximum security for cell, corridor or entryway doors. They slam-lock on closure, and provide staff with the convenience of remote, electric unlocking.



FA-52M..... Keyed One Side

FA-56M..... Keyed Two Sides

Optional Features:

No-notch – the holdback lever has no notch to hold the latchbolt mechanically retracted. This feature may be used with continuous duty feature, and operates in the same manner as above, except that the latchbolt extends when the motor is energized a second time regardless of the position of the door.

Interlock switch – an interlock switch is added which prevents electrical unlocking of other doors in a system when one is unlocked.

Finish – galvanized.

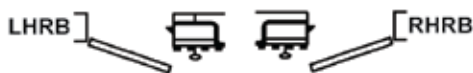
To order parts see page 37-40

How To Specify

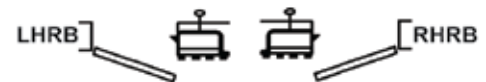
Operation	Keying	w/indication switches	w/indication & int. switches
Standard	one side	52ML	52MLI
	two sides	56ML	56MLI
Continuous Duty	one side	52MCL	N/A
	two sides	56MCL	N/A
With No-notch	one side	52MCLNN	N/A
	two sides	56MCLNN	N/A

Handing for FA-51E & FA-51M Jamb-Mounted Electric Locks

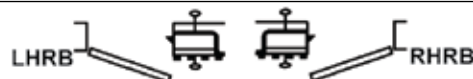
FA-52 Keyed
Hinge Side



FA-52
Keyed
Stop Side



FA-52 Keyed
Both Sides



Series FA-120E Electric Deadlatches

Series FA-120E deadlatches are pin tumbler, solenoid-operated locks for swinging doors. They are suited for medium or maximum security applications including cell doors, sallyport or egress doors, corridor or entrance doors. These jamb-mounted locks are designed to be part of an electrical system with remote operation.



Strikes
Sold
Separately

- FA-121E**.....Keyed case side
- FA-122E**..... Keyed cover sides
- FA-126E**.....Keyed Both Sides

To order parts see page 41-44

Series	120E Options		
	Operation	Function	
FA-120E	1 Standard	01	
		04	
		07	
	2 Knob Release	01	
		04	
		07	
FA-120RUP	3 Key Hold Back	01	
		04	
		07	
FA-120ED	3	02	
FA-120ED	3	01	
FA-120EDR	1	04	
		2	04
		3	04

Series FA-120M Electric Deadlatches

Series FA-120M deadlatches are pin tumbler, motor-operated locks for swinging doors. They are jamb-mounted and designed for use in medium or maximum security applications to secure cell doors, sallyports, corridor or entrance doors. The motor provides smooth, quiet operation and positive locking.



Strikes
Sold
Separately

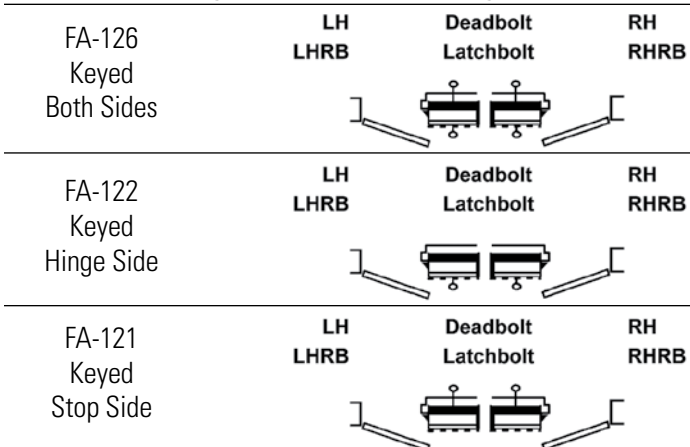
- FA-121M**Keyed case side
- FA-122M** Keyed cover sides
- FA-126M**Keyed Both Sides

To order parts see page 41-44

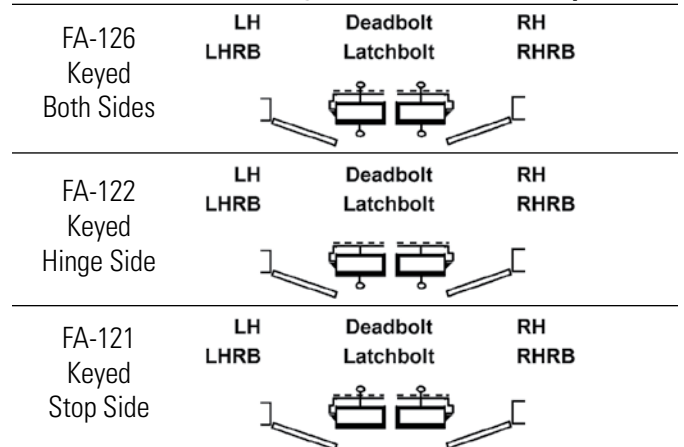
Series	120M Options	
	Operation	Function
FA-120M	1 Standard	01
		01
		01
	2 Knob Release	01
		04
		09
FA-120MC	3 Key Hold Back	01
		04
		09
	1	01
		04
		09
FA-120MI	2	01
		01

Handing for FA-120E & FA-120M Series Deadlatches

Lock Cover Hinge Side/Pocket Cover Hinge Side



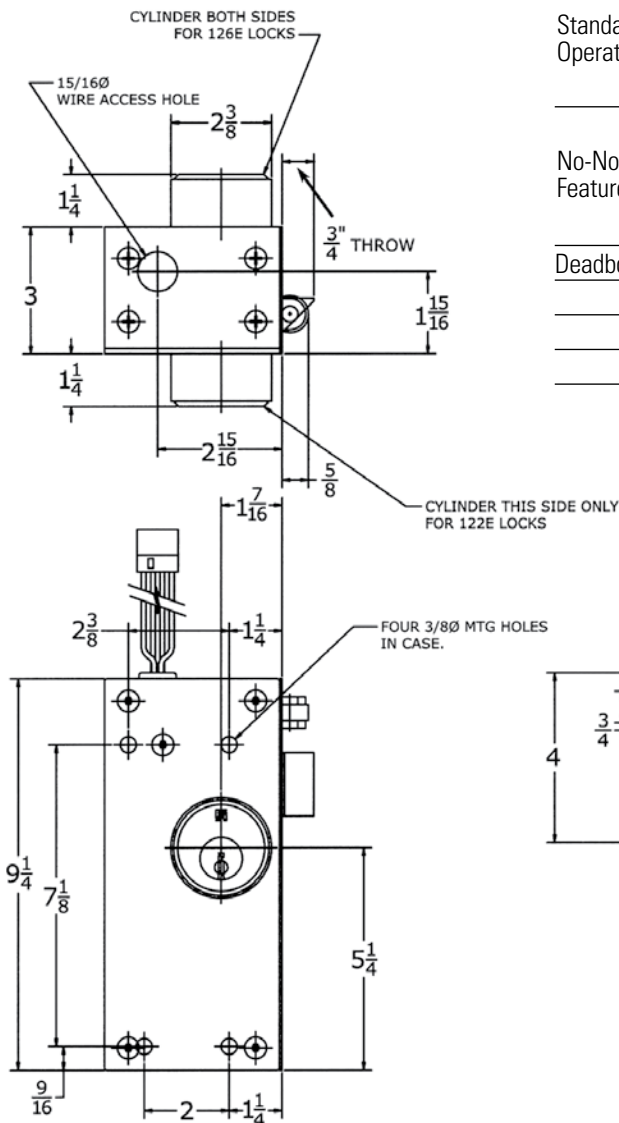
Extended Lock Cover Hinge Side/Pocket Cover Stop Side



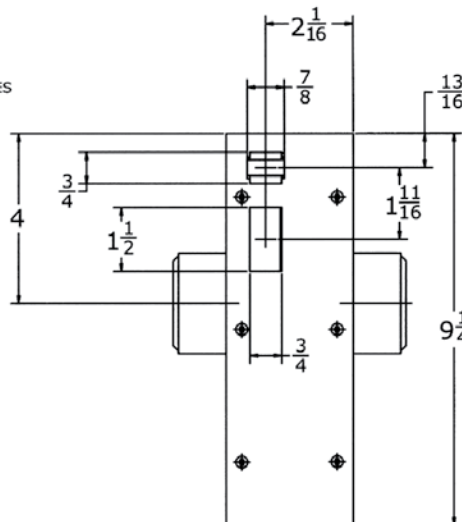
120E RETRO Series

120EMLL Retro Series Locks are pin tumbler, solenoid operated locks for swinging doors, designed to be an exact replacement for the old-style 120 Series Locks built between 1940 and 1987. Replaces the old-style 120 locks without having to replace the frame or cut in a new lock pocket. All 120 Retro Locks are built as 3" deep models.

To order parts see page 45-51



Operation	Type of Cylinder	Keyed	With "LL" Switches
Standard Operation	FA-110 MOGUL	One Side	122EMLL
		Two Sides	126EMLL
	FA-190 MAXI-MOGUL	One Side	122ELL x M1
		Two Sides	126ELL x M1
No-Notch Feature	FA-110 MOGUL	One Side	122EMLLNN
		Two Sides	126EMLLNN
Deadbolt	FA-190 MAXI-MOGUL	One Side	122EMLLNN x M1
		Two Sides	126EMLLNN x M1
	FA-110 MOGUL	One Side	122EDLL
		Two Sides	126EDLL
	FA-110 MAXI-MOGUL	One Side	122EDLL x M1
		Two Sides	126EDLL x M1



Series FA-125 Electric Deadlatches

Series FA-125 mortise deadlatches are pin tumbler locks with an electrically-controlled knob-lockout function for swinging doors, intended for usage on minimum to medium security applications. Suitable for installation in administrative areas or in residence/ dayroom areas where supervision limits opportunities for abuse.

FA-125-2..... Fail-Safe Operation

FA-125-3..... Non-Fail-Safe Operation

To order parts see page 55-60



Fail-Safe Model No.	Non-Fail-Safe Model No.	Keyed	Outside Knob	Inside Knob
FA-125-2-01	FA-125-3-01	Outside	Rigid	Active
FA-125-2-02	FA-125-3-02	Both Sides	Rigid	Active
FA-125-2-03	FA-125-3-03	Outside	Active	Active
FA-125-2-04	FA-125-3-04	Both Sides	Active	Active
FA-125-2-09	FA-125-3-09	Outside	None	Active
FA-125-2-10	FA-125-3-10	Both Sides	None	Active
FA-125-2-11	FA-125-3-11	N/A	Rigid	Active
FA-125-2-12	FA-125-3-12	N/A	Active	Active
FA-125-2-13	FA-125-3-13	Outside	Active	Always Active

Function Descriptions

01 Deadlocking latchbolt

Outside knob is rigid at all times. Latchbolt operated by key cylinder on outside or by knob on inside (unless knob is locked out)

02 Deadlocking latchbolt

Outside knob is rigid at all times. Latchbolt operated by key cylinder on both sides or by knob on inside (unless knob is locked out)

03 Deadlocking latchbolt

Latchbolt operated by key cylinder on outside or by knob on both sides (unless knobs are locked out)

04 Deadlocking latchbolt

Latchbolt operated by cylinder on both sides or by knob on both sides (unless knobs are locked out)

09 Deadlocking latchbolt

Latchbolt operated by key cylinder on outside or by knob on inside (unless knob is locked out)

10 Deadlocking latchbolt

Latchbolt operated by key cylinder on both sides or by knob on inside (unless knob is locked out)

11 Deadlocking latchbolt

Outside knob is rigid at all times Latchbolt operated by knob on inside (unless inside knob is locked out)

12 Deadlocking latchbolt

Latchbolt operated by knob on both sides (unless knobs are locked out)

13 Deadlocking latchbolt

Inside knob is active at all times – not affected by knob lockout function. Latchbolt operated by key cylinder on outside or by knob on both sides (unless outside knob is locked – it is the only knob affected by the knob lockout function)

Handing for FA-125 Series Deadlatches

Keyed Both Sides



FA-52 Keyed Hinge Side



Latch Set Only



FA-52 Keyed Both Sides





**Series NS400E
Electric Deadlatches**

FA-NS400E series deadlatches are pin tumbler, solenoid-operated locks for swinging doors. Suitable for minimum to medium security swinging cell, corridor or administration areas of institutions with 2" wide hollow metal jamb construction.

FA-NS402EKey one side

FA-NS402EFS.....Key one side

FA-NS406EKey both sides

FA-NS406EFS.....Key both sides

To order parts see page 67-73

FA-NS400E Function Options

Series	Operations	Function
FA-NS400E	Solenoid Latchbolt	01
	Non-Fail-Safe	04
FA-NS400EFS	Solenoid Latchbolt	07
	Fail-Safe	04



**Series NS400M
Electric Deadlatches**

FA-NS400M and MC series deadlatches are pin tumbler, motor-operated locks for swinging doors. Suitable for minimum to medium security swinging cell, corridor or administration areas of institutions with 2" wide hollow metal jamb construction.

FA-NS402M/MCKey one side

FA-NS406M/MCKey one side

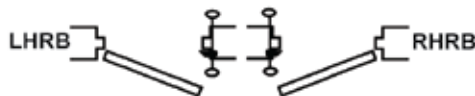
To order parts see page 67-73

FA-NS400M Function Options

Series	Operations	Function
FA-NS400M	Motor Latchbolt	01
	Non-Fail-Safe	01
	Two-Position	04
FA-NS400MC	Motor Deadbolt	09
	Non-Fail-Safe	04
	Two-Position	04
FA-NS400MCD	Motor Deadbolt	04
	Non-Fail-Safe	

Handing for NS400 Series Locks – Mortised Into Jamb

FA-NS406
Keyed
Both Sides



FA-NS402
Keyed
Hinge Side



FA-NS402
Keyed
Stop Side





Series 800ES Gate Locks

Series 800 deadlatches are lever tumbler, solenoid-operated locks for swinging or sliding chainlink fence gates. Provides automatic deadlocking with flexibility of remote control. Electrically operated for unlocking. The deadbolt retracts when solenoid is energized. Once retracted, deadbolt is held electrically retracted until gate is closed. Deadbolt extends automatically in case of power failure. Emergency mechanical operation by paracentric key.

To order parts see page 64-66

800ES for Swinging Gates

Model	Keyed	Tumblers
FA802ES-L	Cover side	5
FA806ES-L	Both sides	5
FA802ES-6-L	Cover side	6
FA806ES-6-L	Both sides	6



Series 800ER Gate Locks

Series 800 deadlatches are lever tumbler, solenoid-operated locks for swinging or sliding chainlink fence gates. Provides automatic deadlocking with flexibility of remote control. Electrically operated for unlocking. The deadbolt retracts when solenoid is energized. Once retracted, deadbolt is held electrically retracted until gate is closed. Deadbolt extends automatically in case of power failure. Emergency mechanical operation by paracentric key.

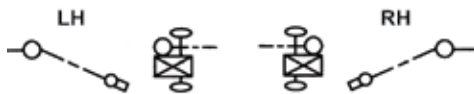
To order parts see page 64-66

800ER for Sliding Gates

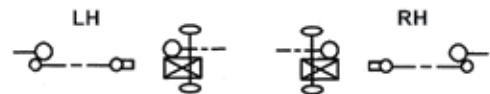
Model	Keyed	Tumblers
FA802ER-L	Cover side	5
FA806ER-L	Both sides	5
FA802ER-6-L	Cover side	6
FA806ER-6-L	Both sides	6

Handing for 800ES-ER Gate Locks

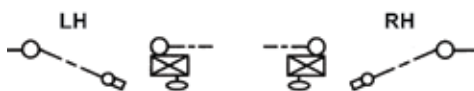
806ES
Keyed
Both Sides



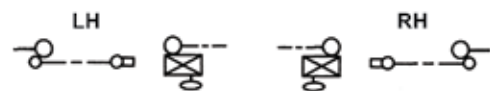
806ER
Keyed
Both Sides



802ES
Keyed
Hinge Side



802ER
Keyed
Track Side



FA-Type D2B Corridor Door Operator

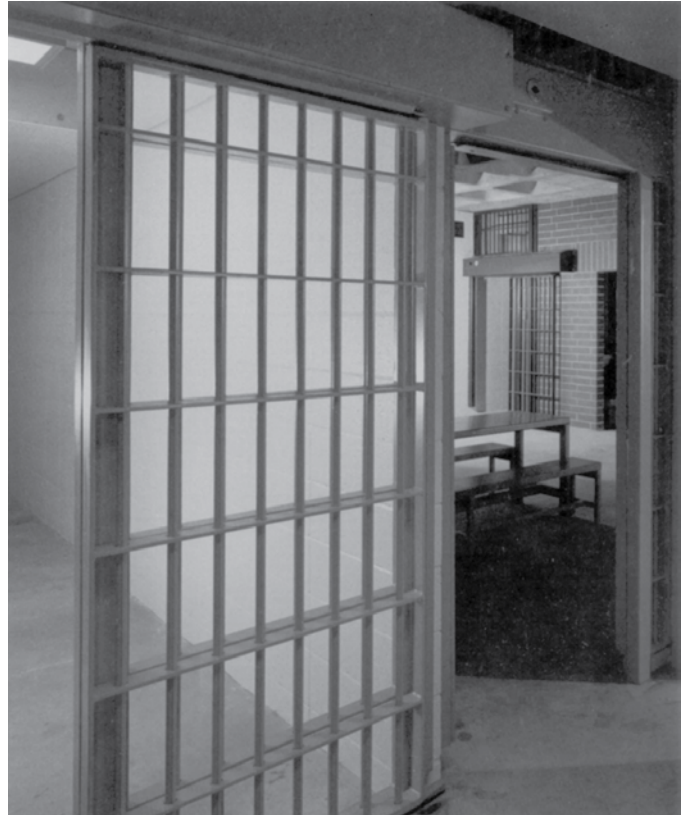
D2B operators are high security locking and operating systems for individual sliding doors with a maximum weight not exceeding 450 pounds.

D2B operators should be specified for security entrances, safety vestibules, corridor doors, or sallyports where remote electric control and chain drive are desirable.

Unit unlocks, opens and locks open; or unlocks, closes and deadlocks a corridor door. A door stopped in mid-travel may be opened or closed manually. Direction of movement of a door may be reversed electrically. In event of blockage, a torque limiter slips to prevent motor damage. When obstruction is removed, the door will automatically continue movement to the open or closed position. Pressure exerted by a door in travel is factory-set to approximately 40 pounds.

Doors operated by Type D2B operators deadlock closed automatically at two points on the rear edge of the door. When opened, doors automatically lock in the open position. Locking components are not exposed or subject to inmate tampering. No components project into the door opening.

To order parts see page 74



FA-Type D3B Corridor Door Operator

Type D3B operators are high security locking and operating systems for individual sliding doors to a maximum weight of 350 pounds.

D3B operators should be specified for security entrances, corridor doors, safety vestibules, or sallyports where remote electric control and precise rack and pinion drive are desirable.

Unit unlocks, opens and locks open; or unlocks, closes and deadlocks closed, an individual door. Door movement may be stopped in mid-travel, leaving the door in a fixed (non-movable) position. The device must be electrically or mechanically operated or moved to the open or closed position to lock. Pressure exerted by a door in travel is approximately 40 pounds. Blockage of a door will not cause motor damage. When obstruction is removed, the door continues movement to the open or closed position. Individual doors may be mechanically unlocked at the door.

To order parts see page 75



FA-Type D5B Corridor Door Operator

Type D5B operators are high security, motorized locking and operating mechanisms for individual sliding doors not exceeding 450 pounds.

D5B operators may be specified for use in safety vestibules, corridors, or entrances requiring both remote and local control, together with reliable chain drive. Recommended for high-usage entryways or corridors.

Unit unlocks, opens and locks open; or unlocks, closes and deadlocks corridor door. A door stopped in mid-travel may be opened or closed manually. Direction of movement of a door may be reversed electrically. In event of blockage, a torque limiter slips to prevent motor damage. When obstruction is removed, the door will automatically continue movement toward the open or closed position. Pressure exerted by a door in travel is factory set to approximately 40 pounds. In event of power failure, door may be released from a column at the door location by use of a paracentric key. The door may be moved manually to an open position.

To order parts see page 74



FA-Type KR Sliding Door Locking Device

Type KR devices are medium security, sliding cell door locking devices for use with doors not exceeding 300 lbs.

KR devices are applicable to any multiple cell or inmate room door situation requiring selective, remote, electrical unlocking and manual movement of the door either open or closed.

Unit unlocks selected individual doors from a remote push button. A door starter then opens the door(s) a few inches. Doors opened or closed manually automatically snaplock and deadlock. In event of emergency or power failure, gang unlocking is accomplished in a remote, mechanical release cabinet. Doors are then opened the remainder of the way by hand.

Upon closure, each door automatically deadlocks at two concealed points at the top and bottom rear edge of the door. Upon opening, each door automatically deadlocks open at the front edge of the door. Locking components are not exposed or subject to tampering. Components do not project into the door opening.

To order parts see page 76



FA-Type J Sliding Fence Gate Operator

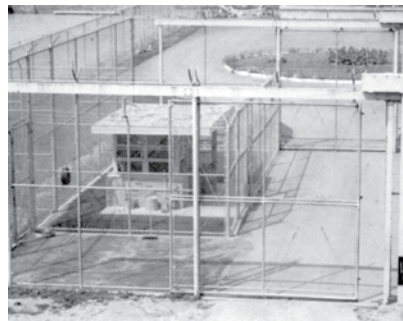
Type J operator is a medium security operating and locking system for standard 14'H x 14'W chain link fence gates. Units may be supplied for gates to a maximum of 16'H x 30'W, maximum weight, 1,000 pounds. Medium security designation is applied, as chain-link fence construction is for medium security applications.

Type J operators are applicable to vehicular entryways for perimeter control. Two or more operators may be installed and interlocked to create vehicular sallyports permitting a secure location for inspection of vehicles and passengers.

Unit unlocks, opens; or closes and deadlocks a gate electrically, from a remote push button station. When closed, it is impossible to move the gate except by electrical or mechanical methods.

Movement of a gate in either direction may be stopped and restarted by pressing the appropriate push button. Mechanical movement of the gate is accomplished by a hand crank in the release column in the event of power failure or emergency.

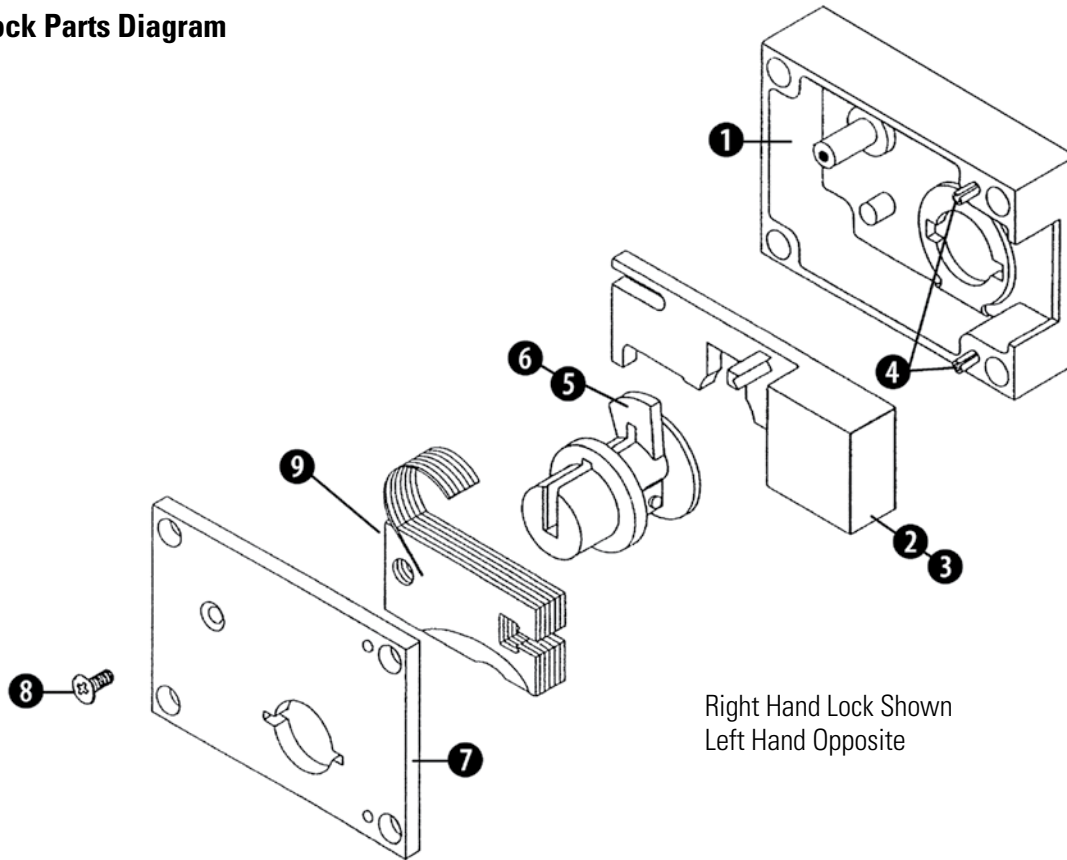
On closure, locking is accomplished by means of a keyless locking device which engages the gate at three locations in the locking column. In the open position, all openings in the locking column are completely closed to prevent tampering.



J-Operator Parts

Description	Part Number
Limit Switch LSYAB3K	005-2408-001
Reversing Starter 208-Volt 3-Phase	005-5510-010
Reversing Starter 115-Volt 1-Phase	005-5509-003
Gearmotor VM-3104 208-Volt 3-Phase	010-0631-500
Gearmotor VL-1301 110-Volt 1-Phase	010-0660-800
Gate Roller with Bearing	010-0656-000
Cam & Front Hanger Assembly RH	010-0653-100
Cam & Front Hanger Assembly LH	010-0653-200
Center Roller Assembly	010-0657-400
AFT Roller Assembly RH	010-0658-300
AFT Roller Assembly LH	010-0658-400

10-Series Lock Parts Diagram

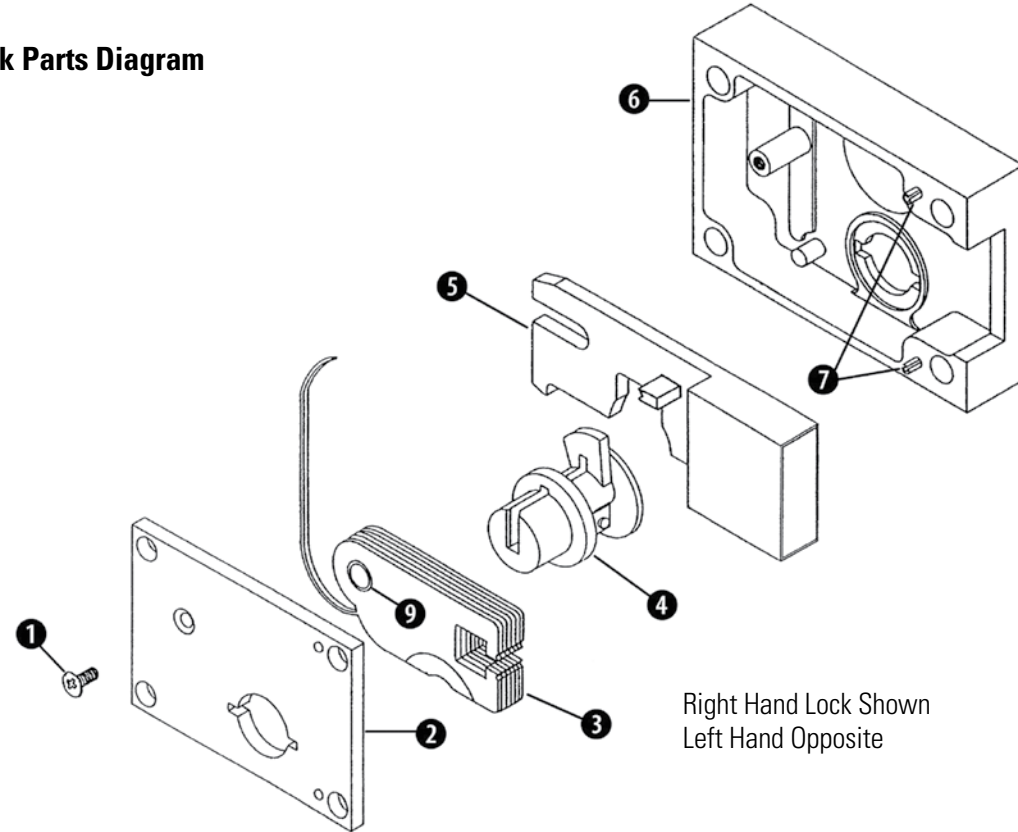


Right Hand Lock Shown
Left Hand Opposite

10-Series Lock • No. 12 – Keyed One Side • No. 16 – Keyed Two Sides

Item	Quantity Per Lock	Description	Right Hand	Left Hand
1	1	Lock Case	010-0068-100	010-0068-500
2	1	Lockbolt 1-1/4" projection	072-0300-003	072-0301-003
3	1	Lockbolt 1/2" projection	072-0300-002	072-0301-002
4	2	Roll pin 3/32" x 1"		002-5301-001
5	1	Cylinder	See Cylinder Page	
6	1	Cylinder Keyed Both Sides	See Cylinder Page	
7	1	Cover 1000/1500 & 3000/3500	010-0068-200	010-0068-300
		Cover 200/300 & 400/500	010-0941-200	010-0941-300
8	1	FHPMS screw 10-32 x 1/2"	002-2301-603	
9	5	Tumbler # 1	072-0101-001	
		Tumbler # 2	072-0102-001	
		Tumbler # 3	072-0103-001	
		Tumbler # 4	072-0104-001	
		Tumbler # 5	072-0105-001	
9	6	Tumbler "A"	072-0106-001	
		Tumbler "B"	072-0107-001	
		Tumbler "C"	072-0108-001	
		Tumbler "D"	072-0109-001	
		Tumbler "E"	072-0110-001	
		Tumbler "F"	072-0111-001	
		Tumbler "G"	072-0112-001	
		Tumbler "H"	072-0113-001	

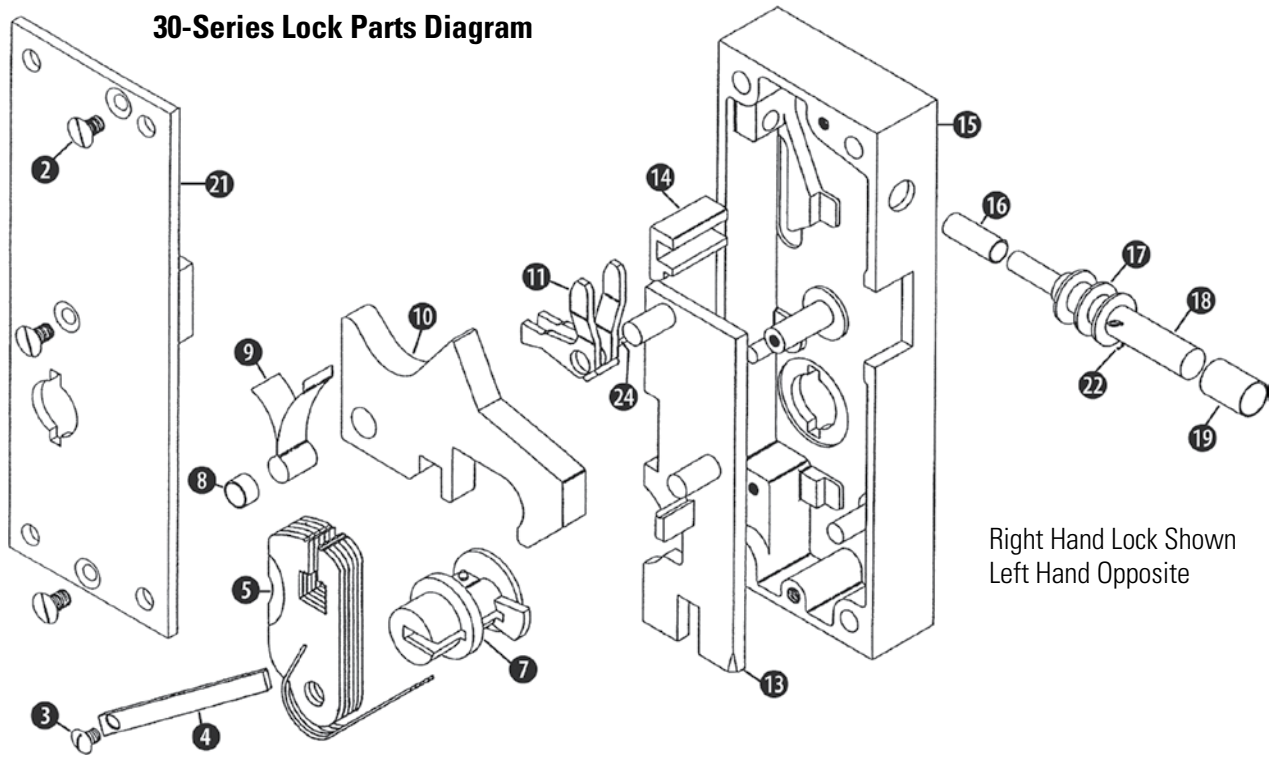
80-Series Lock Parts Diagram



80-Series Lock • No. 82 – Keyed One Side • No. 86 – Keyed Two Sides

Item	Quantity Per Lock	Description	Right Hand	Left Hand
1	1	FHPMS 10-32 x 1/2"	002-2301-603	002-2301-603
2	1	Cover 1000/1500 & 3000/3500	010-0082-800	010-0083-200
		Cover 200/300 & 400/500	010-1807-700	010-1807-800
4	1	Cylinder	See Cylinder Page	
		Cylinder Keyed Both Sides	See Cylinder Page	
5	1	Lockbolt 1/2" projection	072-3816-001	072-3816-008
		Lockbolt 1-1/4" projection	072-3816-004	072-3816-011
6	1	Lock Case	010-0082-700	010-0083-100
7	2	Roll pin 5/32" x 1"	002-5301-001	
9	1	Tumbler bushing	010-1945-700	
3	5	Tumbler # 1	072-3608-001	
		Tumbler # 2	072-3609-001	
		Tumbler # 3	072-3610-001	
		Tumbler # 4	072-3611-001	
		Tumbler # 5	072-3612-001	
3	6	Tumbler "A"	072-3613-001	
		Tumbler "B"	072-3614-001	
		Tumbler "C"	072-3615-001	
		Tumbler "D"	072-3616-001	
		Tumbler "E"	072-3617-001	
		Tumbler "F"	072-3618-001	
		Tumbler "G"	072-3619-001	
		Tumbler "H"	072-3620-001	

30-Series Lock Parts Diagram

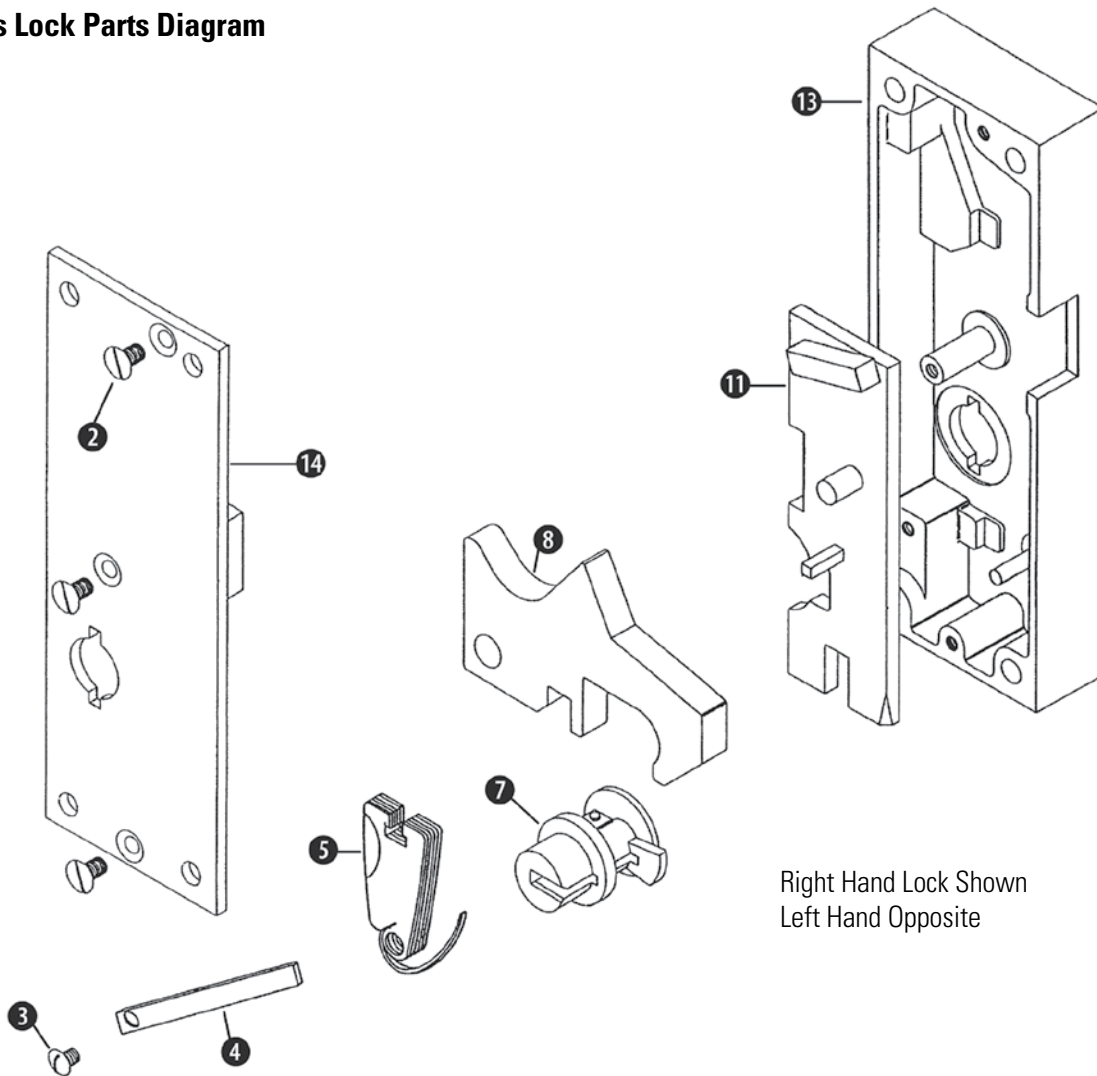


Right Hand Lock Shown
Left Hand Opposite

30-Series Lock • No. 32 – Keyed One Side • No. 36 – Keyed Two Sides

Item	Quantity Per Lock	Description	Right Hand	Left Hand
2	3	FHPMS 1/4" -20 x 1/2"	002-2301-014	
3	1	PHPMS 1/4" -20 x 3/8"	002-2303-012	
4	1	Tumbler retainer	010-0012-200	
5	5	Tumbler # 1	072-1601-001	
		Tumbler # 2	072-1602-001	
		Tumbler # 3	072-1603-001	
		Tumbler # 4	072-1604-001	
		Tumbler # 5	072-1605-001	
		Cylinder keyed 1 side	See Cylinder Page	
		Cylinder Keyed Both Sides	See Cylinder Page	
8	1	Spring hold down	010-0013-200	
9	1	Leaf spring	010-0013-000	
10	1	Lock bolt	010-0692-500	
11	1	Latch	010-0013-100	
13	1	Lock slide assembly	072-2305-001	072-2304-001
14	1	Deadlock block	010-0875-800	
15	1	Lock Case	072-1700-003	072-1700-004
16	1	Front safety spring	010-0013-700	
17	3	1/2" Cut Washer	008-1300-001	
18	1	Snub pin 1-3/16" projection	010-0875-100	
19	1	Back safety spring	010-0013-600	
21	1	Cover 1000/1500 & 3000/3500	010-0072-400	010-0072-800
	1	Cover 200/300 & 400/500	010-0073-200	010-0073-600
22	2	Cotter pin 3/32" x 3/4"	002-4902-003	
24	1	Roll pin 5/32" x 1"	002-5301-001	

30D-Series Lock Parts Diagram

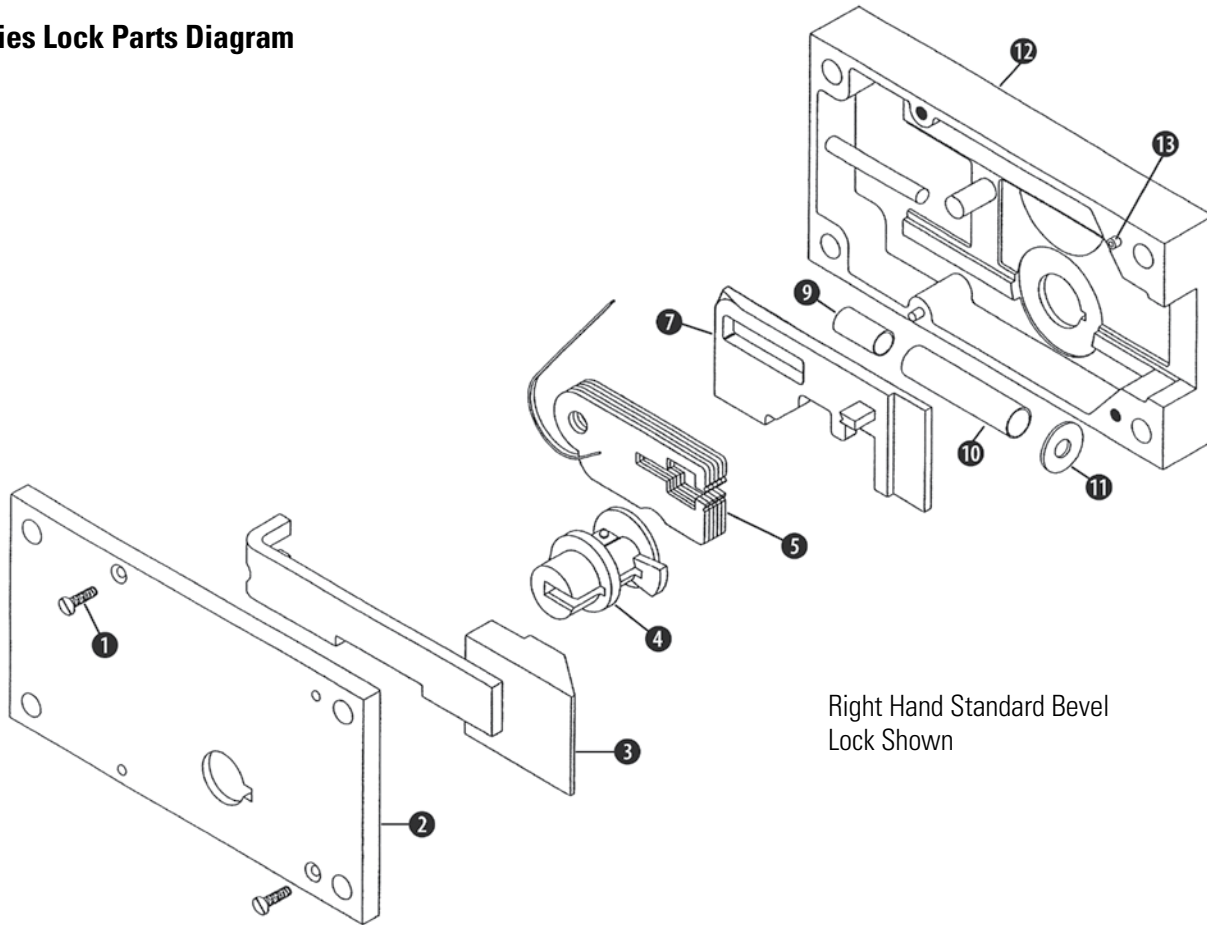


Right Hand Lock Shown
Left Hand Opposite

30D-Series Lock • No. 32D – Keyed One Side • No. 36D – Keyed Two Sides

Item	Quantity Per Lock	Description	Right Hand	Left Hand
2	3	FHPMS screw 1/4"-20 x 1/2"	002-2301-014	
3	1	PHPMS screw 1/4"-20 x 3/8"	002-2303-012	
4	1	Tumbler retainer	010-0012-200	
5	5	Tumbler # 1	010-0876-800	
		Tumbler # 2	010-0876-900	
		Tumbler # 3	010-0877-000	
		Tumbler # 4	010-0877-100	
		Tumbler # 5	010-0877-200	
7	1	Cylinder keyed 1 side	See Cylinder Page	
		Cylinder Keyed Both Sides	See Cylinder Page	
8	1	Lock bolt	010-0876-200	
11	1	Lock slide assembly	010-2303-001	010-2302-001
13	1	Lock case	072-2200-003	072-2200-004
14	1	Cover 1000/1500 & 3000/3500	010-0074-000	010-0074-400
		Cover 200/300 & 400/500	010-0074-800	010-0075-200

60-Series Lock Parts Diagram

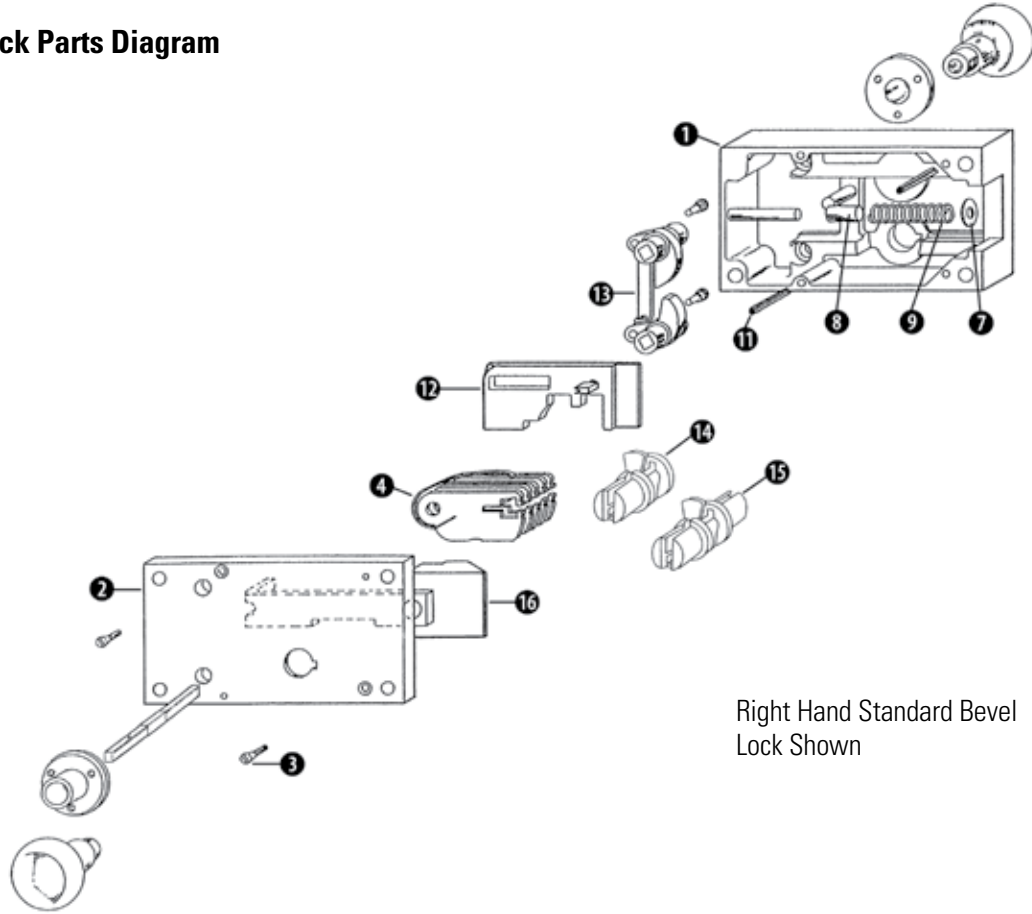


Right Hand Standard Bevel
Lock Shown

60-Series Lock • No. 62D – Keyed One Side • No. 66D – Keyed Two Sides

Item	Quantity Per Lock	Description	Right Hand	Left Hand
1	2	FHPMS screw 10-32 x 5/8"		002-2301-615
2	1	Cover 1000/1500 & 3000/3500	010-0075-600	010-0076-000
		Cover 200/300 & 400/500	010-1969-800	010-1969-900
3	1	Spring Bolt SB 1/2" Projection	010-0871-200	010-0872-300
		Spring Bolt SB 1-1/4" Projection	010-0872-000	010-0885-300
		Spring Bolt RB 1/2" Projection	010-0885-400	010-0885-500
		Spring Bolt RB 1-1/4" Projection	010-0885-600	010-0885-700
4	1	Cylinder keyed 1 side		See Cylinder Page
		Cylinder Keyed Both Sides		See Cylinder Page
5	5	Tumbler # 1		072-2606-001
		Tumbler # 2		072-2607-001
		Tumbler # 3		072-2608-001
		Tumbler # 4		072-2609-001
		Tumbler # 5		072-2610-001
7	1	Lock slide	072-2800-001	072-2800-002
9	1	Spring guide bushing		010-0020-100
10	1	Bolt spring		003-0006-001
11	1	Washer 5/16" flat		010-0578-900
12	1	Lock case	072-2700-002	072-2700-004
13	2	Roll pin 5/32" x 1"		002-5301-001

60K-Series Lock Parts Diagram

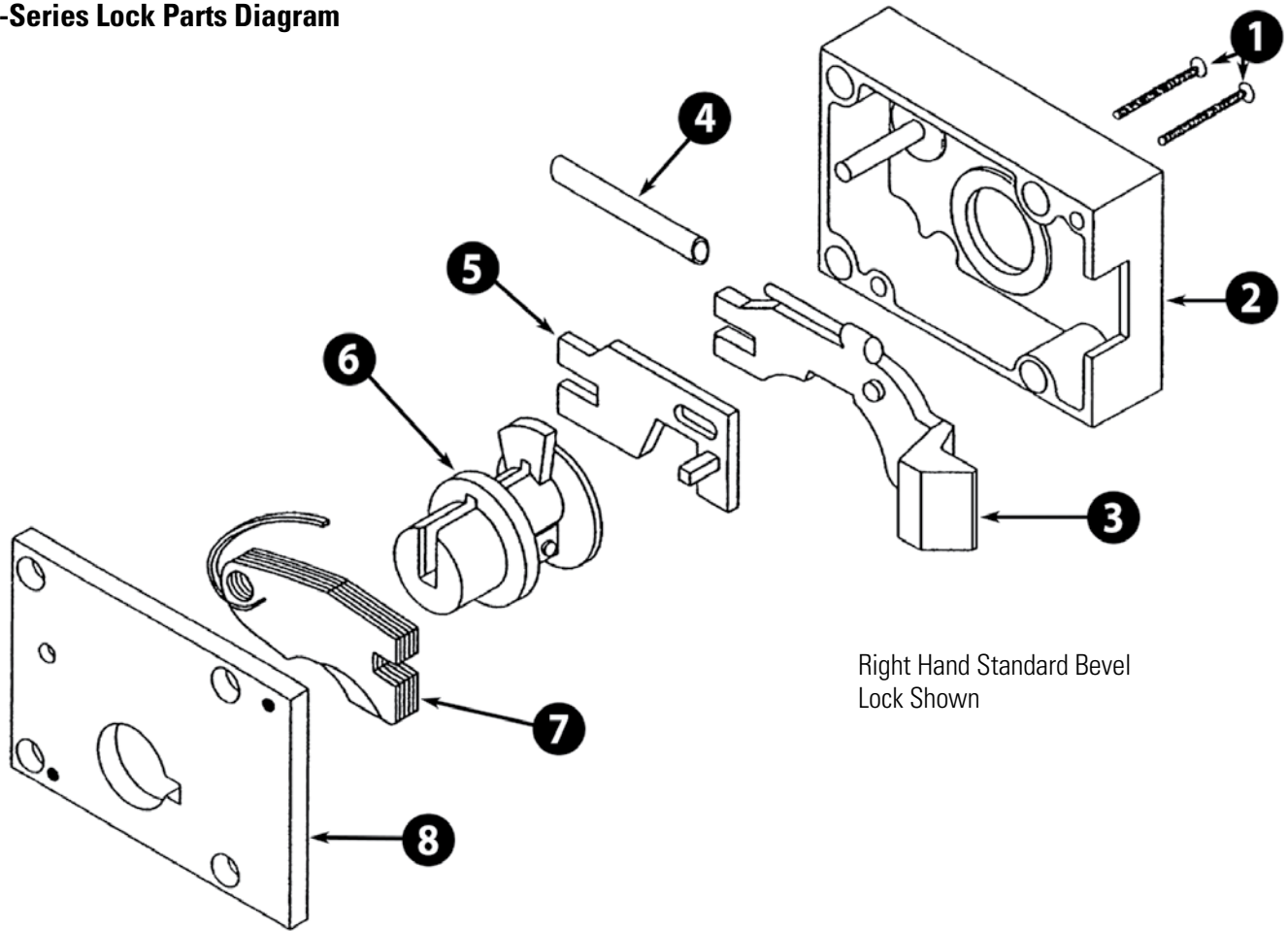


Right Hand Standard Bevel
Lock Shown

60K-Series Lock • No. 62K – Keyed One Side • No. 66K – Keyed Two Sides

Item	Quantity Per Lock	Description	Right Hand	Left Hand
1	1	Lock case	072-2701-002	072-2701-004
2	1	Cover 1000/1500 & 3000/3500	010-0079-400	072-0079-800
2	1	Cover 200/300 & 400/500	010-1970-000	010-1970-100
3	2	FHPMS screw 10-32 x 5/8"	002-2301-615	
4	5	Tumbler # 1	072-2606-001	
		Tumbler # 2	072-2607-001	
		Tumbler # 3	072-2608-001	
		Tumbler # 4	072-2609-001	
		Tumbler # 5	072-2610-001	
7	1	Washer .75 OD x .34 ID x .05	002-5801-002	
8	1	Spring guide bushing	010-0020-100	
9	1	Bolt spring	003-0006-001	
11	2	Roll pin 5/32" x 1"	002-5301-001	
12	1	Lock slide	072-2800-001	072-2800-002
13	1	Cam linkage assembly	010-0026-200	010-0028-200
14	1	Cylinder	See Cylinder Page	
15	1	Cylinder Keyed Both Sides	See Cylinder Page	
16	1	Spring bolt SB 1/2" projection	010-0871-200	010-0872-000
		Spring bolt SB 1-1/4" projection	010-0872-300	010-0885-300
		Spring bolt RB 1/2" projection	010-0885-400	010-0885-500
		Spring bolt RB 1-1/4" projection	010-0885-600	010-0885-700

17-Series Lock Parts Diagram

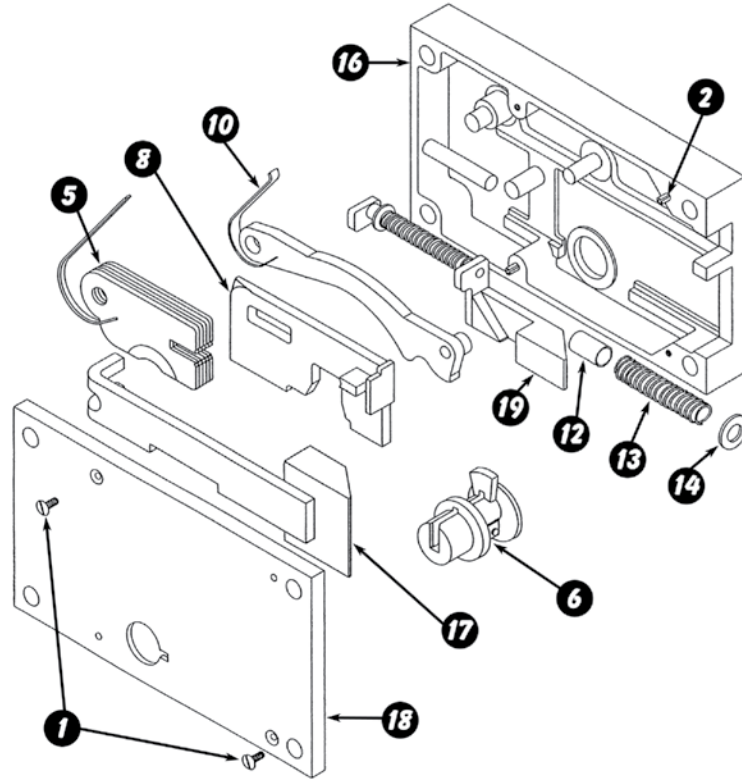


Right Hand Standard Bevel
Lock Shown

17-Series Lock

Item	Quantity Per Lock	Description	Right Hand	Left Hand
1	2	FHPMS 10-32 x 1-1/4"		002-2301-640
2	1	Lock case	010-0070-900	010-0071-300
3	1	Lock bolt SB flush projection	012-1213-001	012-1213-002
		Lock bolt SB 1/2" projection	012-1215-001	012-1215-002
		Lock bolt RB flush projection	012-1213-003	012-1213-004
		Lock bolt RB 1/2" projection	012-1215-003	012-1215-004
		Deadbolt flush projection	012-1217-001	012-1217-002
		Deadbolt 1/2" projection	012-1219-001	012-1219-002
4	1	Spring		010-0006-400
5	1	Slide assembly	010-0869-500	010-0870-100
6	1	Cylinder keyed 1 side	See Cylinder Page	
7	5	Tumbler # 1		072-0601-001
		Tumbler # 2		072-0602-001
		Tumbler # 3		072-0603-001
		Tumbler # 4		072-0604-001
		Tumbler # 5		072-0605-001
8	1	Cover 1000/1500 & 3000/3500	012-1222-002	012-1222-006
		Cover 200/300 & 400/500	012-1222-004	012-1222-008

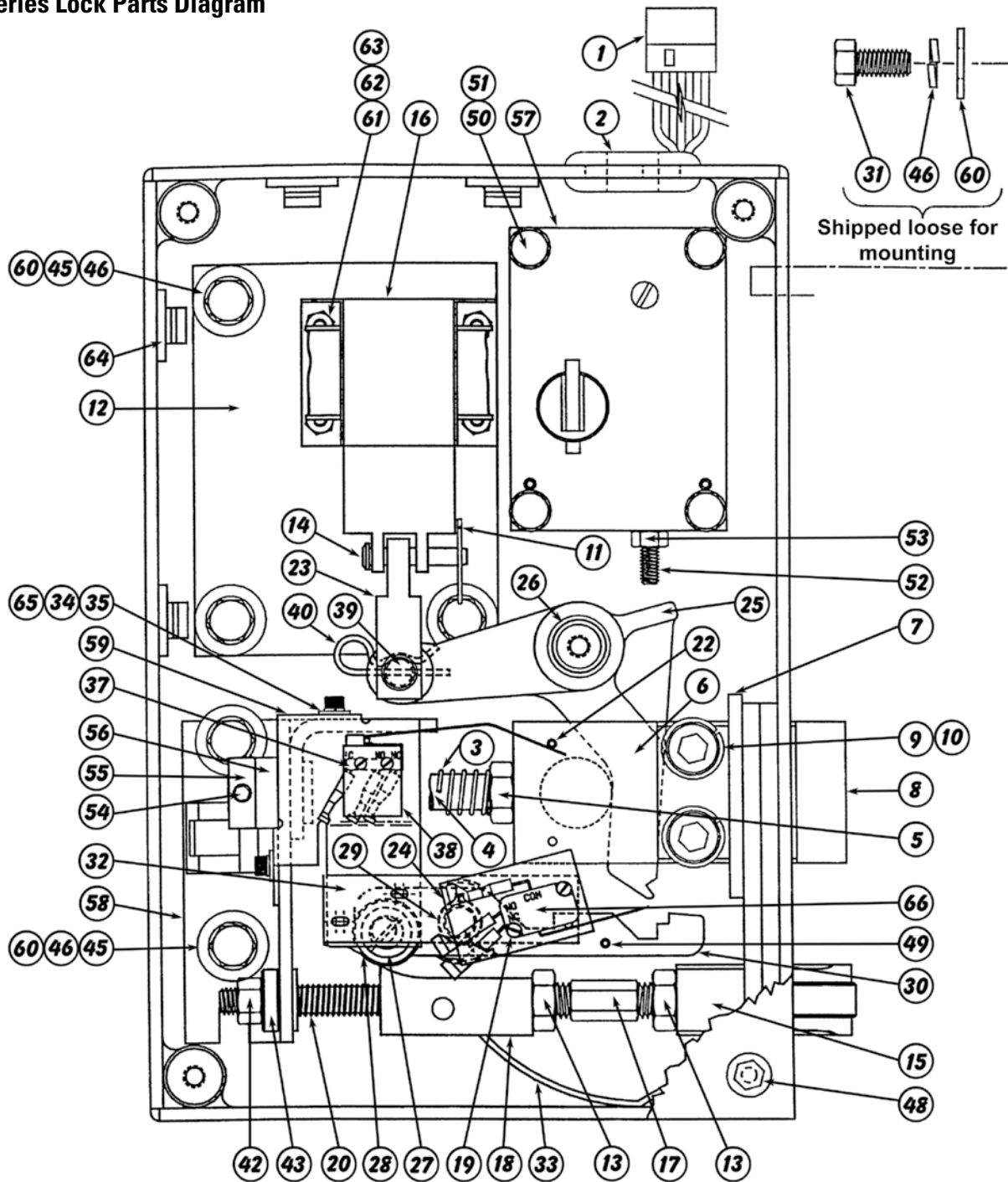
70-Series Lock Parts Diagram



70-Series Lock • No. 72K – Keyed One Side • No. 76K – Keyed Two Sides

Item	Quantity Per Lock	Description	Right Hand	Left Hand
1	2	FHPMS 10-32 x 5/8"	002-2301-615	
2	2	Roll pin – 3/32" x 1"	002-5301-001	
5	5	Tumbler # 1	010-1092-000	
		Tumbler # 2	010-1092-100	
		Tumbler # 3	010-1092-200	
		Tumbler # 4	010-1092-300	
		Tumbler # 5	010-1092-400	
6	1	Cylinder – keyed 1 side	See Cylinder Page	
		Cylinder – keyed 2 sides	See Cylinder Page	
10	1	Deadlock control arm	010-0035-500	010-0037-500
12	1	Spring tube stop bushing	010-1838-200	
13	1	Bolt spring	003-0006-001	
14	1	5/16" flat washer	010-0578-900	
16	1	Lock case	072-3200-002	072-3200-004
		Latch bolt SB 1/2" projection	010-1294-000	010-1294-600
17	1	Latch bolt SB 1-1/4" projection	010-1476-500	010-1476-800
		Latch bolt RB 1/2" projection	010-1477-100	010-1477-400
		Latch bolt RB 1-1/4" projection	010-1477-700	010-1478-000
		Cover 1000/1500 & 3000/3500	010-0084-800	010-0085-200
18	1	Cover 200/300 & 400/500	010-1970-200	010-1970-300
		Deadlock control assy. SB 1/2" proj.	010-0034-300	010-0037-100
19	1	Deadlock control assy. SB 1-1/4" proj.	010-0038-200	010-0038-600
		Deadlock control assy. RB 1/2" proj.	010-0039-200	010-0039-800
		Deadlock control assy. RB 1-1/4" proj.	010-0040-400	010-0041-000

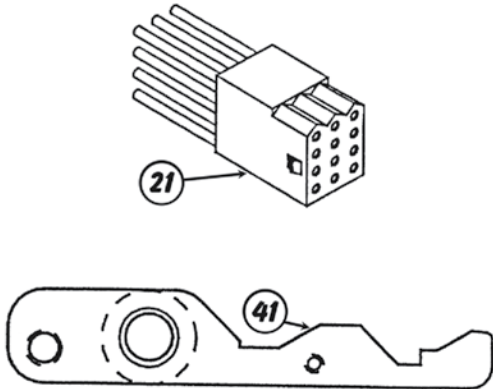
50E-Series Lock Parts Diagram



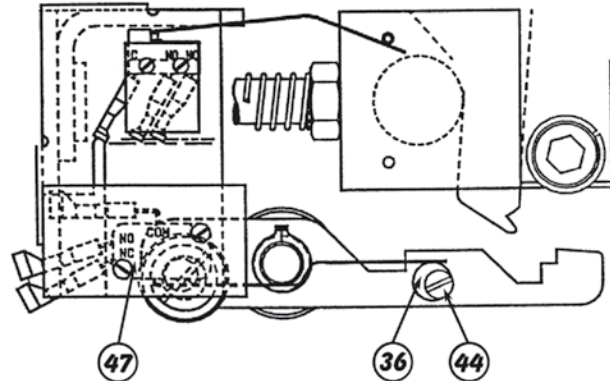
50E-Series Lock

Item	Description	Right Hand	Left Hand
1	Grommet	005-1002-003	
2	Plug Connector – 12 Pin	005-1705-005	
3	Springbolt Spring	010-0189-600	
4	Bolt Guide Pin	010-1644-600	
5	1/2"-20 Jam Nut	002-6700-705	

50E-Series Lock Parts Diagram



Switch assembly prior to third quarter 1991



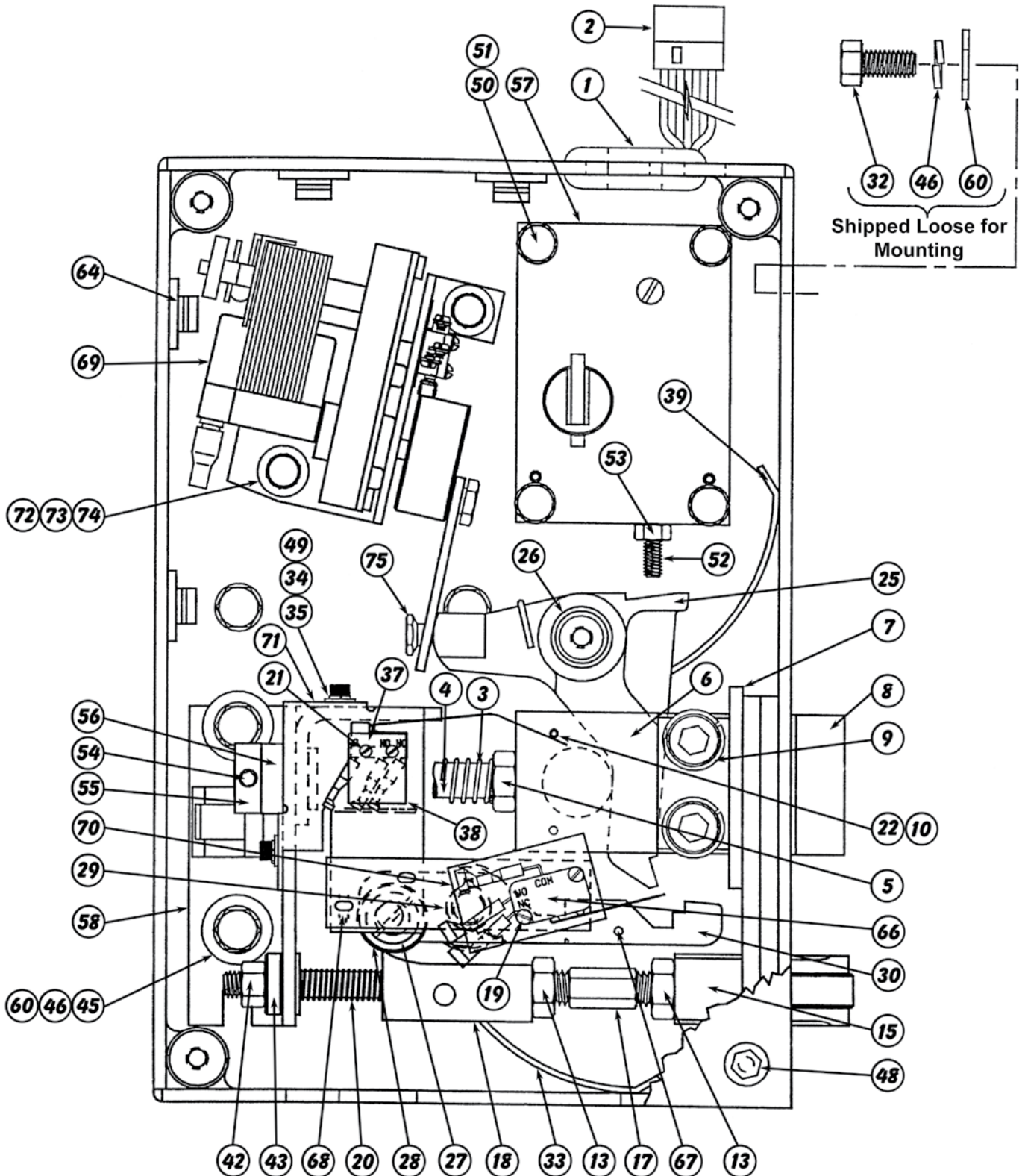
50E-Series Lock (continued)

Item	Description	Right Hand	Left Hand
6	Bolt Assembly – SILVER	074-0203-003	
	Bolt Assembly – GALV	074-0203-002	
7	Collar For Springbolt – GALV	008-3703-002	
8	Springbolt Head RB 1/4" Projection	010-0694-900	
	Springbolt Head SB 1/4" Projection	010-1066-900	
9	1/2" Lock Washer	010-0189-500	
10	SHCS 1/2"-20 x 3/4"	002-2801-395	
11	Hair Spring Cotter Pin # 4	002-4900-003	
12	Solenoid Mounting Plate – USP	012-3703-001	012-3703-002
13	1/2" -13 Jam Nut	002-6700-703	002-6700-704
14	Clevis Pin 1/4" x 1"		002-5200-003
15	Roller Bolt Head		010-0187-300
16	Solenoid Assembly 115VAC	005-4125-001	
	Solenoid Assembly 220VAC	074-0309-002	
17	Head Connector	010-0188-200	
18	Roller Bolt Cam – GALV	074-0202-001	
19	PHPMS # 4-40 x 9/16"	002-2303-638	
20	Roller Bolt Spring	010-0115-100	
21	Field Receptacle	075-0517-001	
22	Roll Pin 1/8" x 3/4"	002-5301-032	
23	Solenoid Link GALV	012-3709-001	
24	Switch Insulator	005-0712-001	
25	Operating Lever GALV	074-0204-001	074-0205-001
26	Operating Lever Spacer	010-0190-200	
27	Deadlock Lever Roller Stud	011-3704-003	
28	Deadlock Lever Roller	010-0191-600	
29	Retaining Ring	002-6301-004	
30	Deadlock Lever with Pin GALV	074-0900-003	074-0900-004

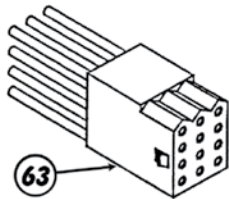
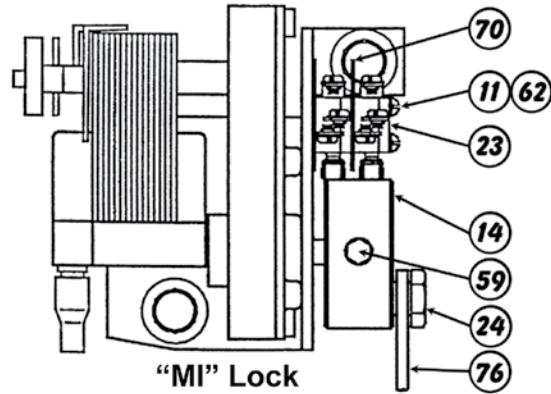
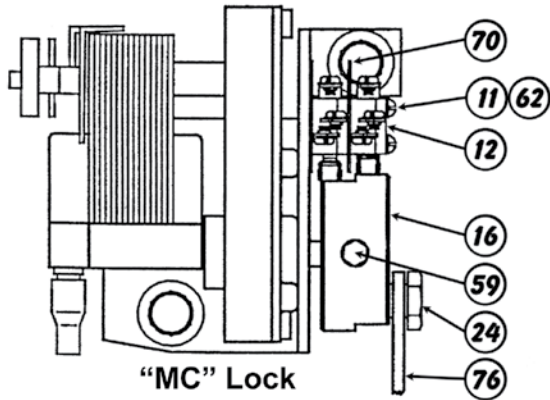
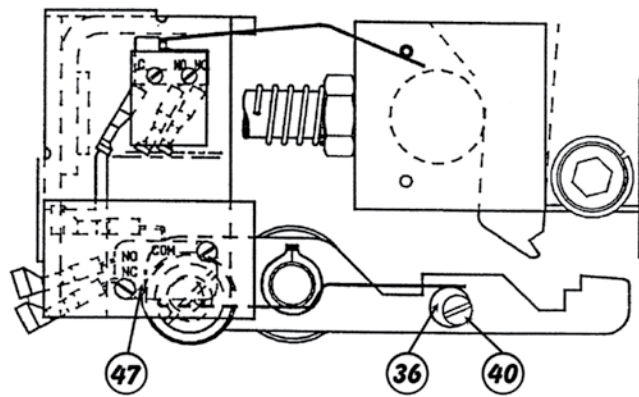
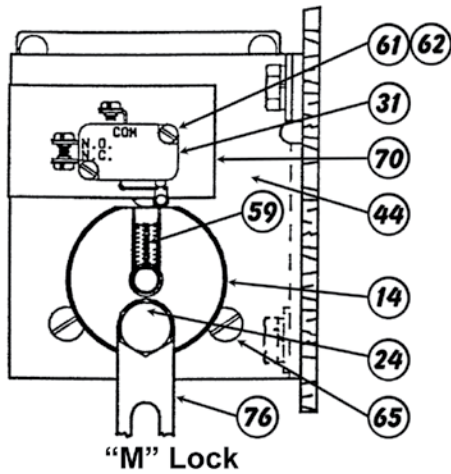
50E-Series Lock (continued)

Item	Description	Right Hand	Left Hand
31	HHCS 3/8" -16 x 3/4"		002-2901-282
32	Deadlock switch bracket – GALV		012-3716-003
33	Deadlock lever spring	010-0192-800	010-0192-900
34	# 8 Lock washer		010-0123-100
35	# 8 Flat washer		010-0289-600
36	Switch tripper pin – GALV		011-3700-001
37	"LL" switch with wires		074-0304-001
37A	"LL" switch only		005-2438-001
37B	"LL" switch only		005-2436-001
38	Switch insulator		005-0711-001
39	Clevis pin 3/8" x 1-1/2"		002-5200-005
40	Hair spring cotter pin # 5		002-4900-004
41	Deadlock lever with pin – GALV – NN	074-0901-003	074-0901-004
42	3/8"-16 Nyloc Nut		002-6700-104
43	Roller bolt spacer – GALV		011-3707-002
44	PHPMS # 8-32 x 1-1/2"		002-2303-434
45	HHCS 3/8" -16 x 5/8"		002-2901-004
46	3/8" Lock washer		002-5800-001
47	"L" switch with wires		074-0305-001
	"L" switch only		005-2401-002
48	FHSE 5/16" -18 x 5/8" – B/O		002-0001-503
	FHSE 5/16" -18 x 5/8" – GALV		002-0001-504
49	Roll Pin 1/8" x 1-1/2"		002-5301-004
50	HHCS 5/16" -18 x 2"		002-2901-230
51	5/16" Lock washer		010-0195-000
52	Lock bolt stud		002-5700-001
53	1/4"-20 Nut		002-6700-502
54	SSSC 1/4"-20 x 1/4"		002-1200-296
55	Latch bolt collar – GALV		012-3706-002
56	Latch bolt bumper		010-0204-800
57	# 10 Lock for 50 Series		Per Order
58	Bolt guide bracket – GALV	074-0200-001	074-0201-001
59	Switch bracket – GALV	008-3700-002	008-3701-002
60	3/8" Lock washer		002-5801-001
61	FHPMS # 10-32 x 1/2"		002-2301-603
62	# 10-32 Nut		002-6700-303
63	# 10 Lock washer		010-0118-200
64	Cord clip		010-0860-200
65	SHCS # 8-32 x 1/2"		002-2801-043
66	"L" switch with wires		074-0311-001
	"L" switch only		005-2440-001

50M-Series Lock Parts Diagram



50M-Series Lock Parts Diagram



50M-Series Lock

Item	Description	Right Hand	Left Hand
1	Grommet	005-1002-003	
2	Plug connector – 12 Pin	005-1705-005	
3	Spring bolt spring	010-0189-600	
4	Bolt guide pin	010-1644-600	
5	1/2" -20 Jam nut	002-6700-705	
6	Bolt assembly – GALV	074-0203-002	
7	Collar for spring bolt – GALV	008-3703-002	
8	Spring bolt head RB 1/4" projection	010-0694-900	
	Spring bolt head SB 1/4" projection	010-1066-900	
9	1/2" Lock washer	010-0189-500	
10	SHCS 1/2" -20 x 3/4"	002-2801-395	

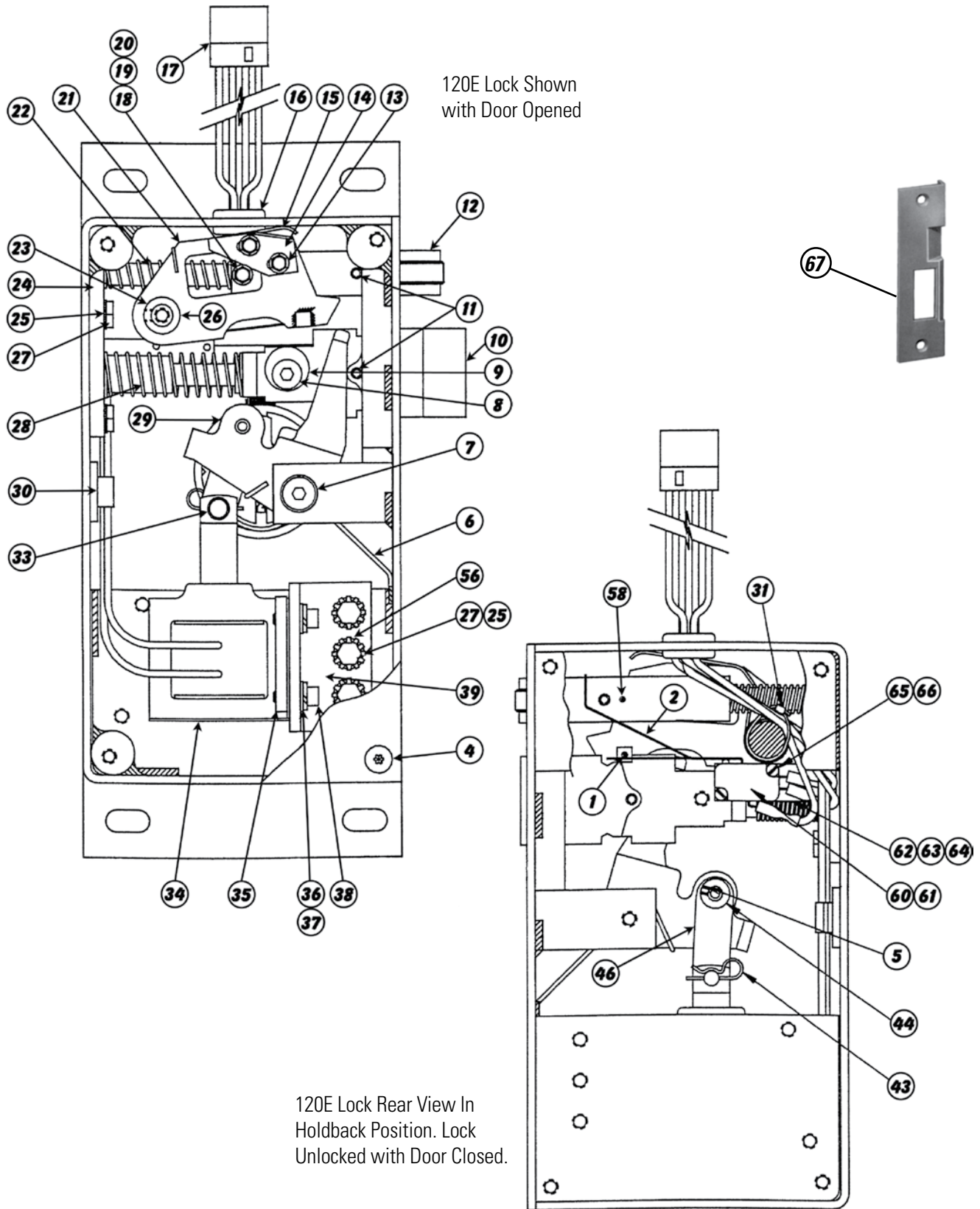
50M-Series Lock (continued)

Item	Description	Right Hand	Left Hand
11	PHPMS # 4-40 x 1"		002-2303-044
12	"MC" motor switch with wires		074-0307-001
12A	"MC" motor switch only		005-2436-001
13	1/2"-13 Jam nut	002-6700-703	002-6700-704
14	51M Gearmotor cam		010-1648-500
15	Roller bolt head		010-0187-300
16	51MC motor cam		010-0207-300
17	Head connector		010-0188-200
18	Roller bolt cam – GALV		074-0202-001
19	PHPMS # 4-40 x 9/16"		002-2303-638
20	Roller bolt spring		010-0115-100
21	FHPMS # 2-56 x 3/8"		002-2301-361
22	Roll Pin 1/8" x 3/4"		002-5301-032
23	"MI" motor switch with wires		074-0308-001
23A	"MI" motor switch only		005-2436-001
24	Connecting link stud		010-0134-000
25	Operating lever – USP		010-0314-100
	Operating lever – GALV		010-1966-900
26	Operating lever spacer		010-0190-200
27	Deadlock lever roller stud		011-3704-003
28	Deadlock lever roller		010-0191-600
29	Retaining ring		002-6301-004
30	Deadlock lever with pin – GALV	074-0900-003	074-0900-004
31	"M" switch with wires		074-0306-001
31A	"M" switch only		005-2436-001
32	HHCS 3/8"-16 x 3/4"		002-2901-282
33	Deadlock lever spring	010-0192-800	010-0192-900
34	# 8 Lock washer		010-0123-100
35	# 8 Flat washer		010-0289-600
36	Switch tripper pin – USP		011-3700-003
	Switch tripper pin – GALV		011-3700-002
37	"LL" switch with wires		074-0304-001
37A	"LL" switch only		005-2438-001
38	Switch insulator		005-0711-001
39	Operating lever spring	010-0205-600	010-0205-500
40	PHPMS # 8-32 x 1-1/2"		002-2303-434
41	Deadlock lever with pin – GALV – NN	074-0901-003	074-0901-004
42	3/8"-16 Nyloc Nut		002-6700-104
43	Roller bolt spacer – GALV		011-3707-002
44	Motor mounting bracket – USP	010-1290-200	010-1290-300
	Motor mounting bracket – GALV	010-1967-100	010-1967-000
45	HHCS 3/8"-16 x 5/8"		002-2901-004
46	3/8" Lock washer		002-5800-001

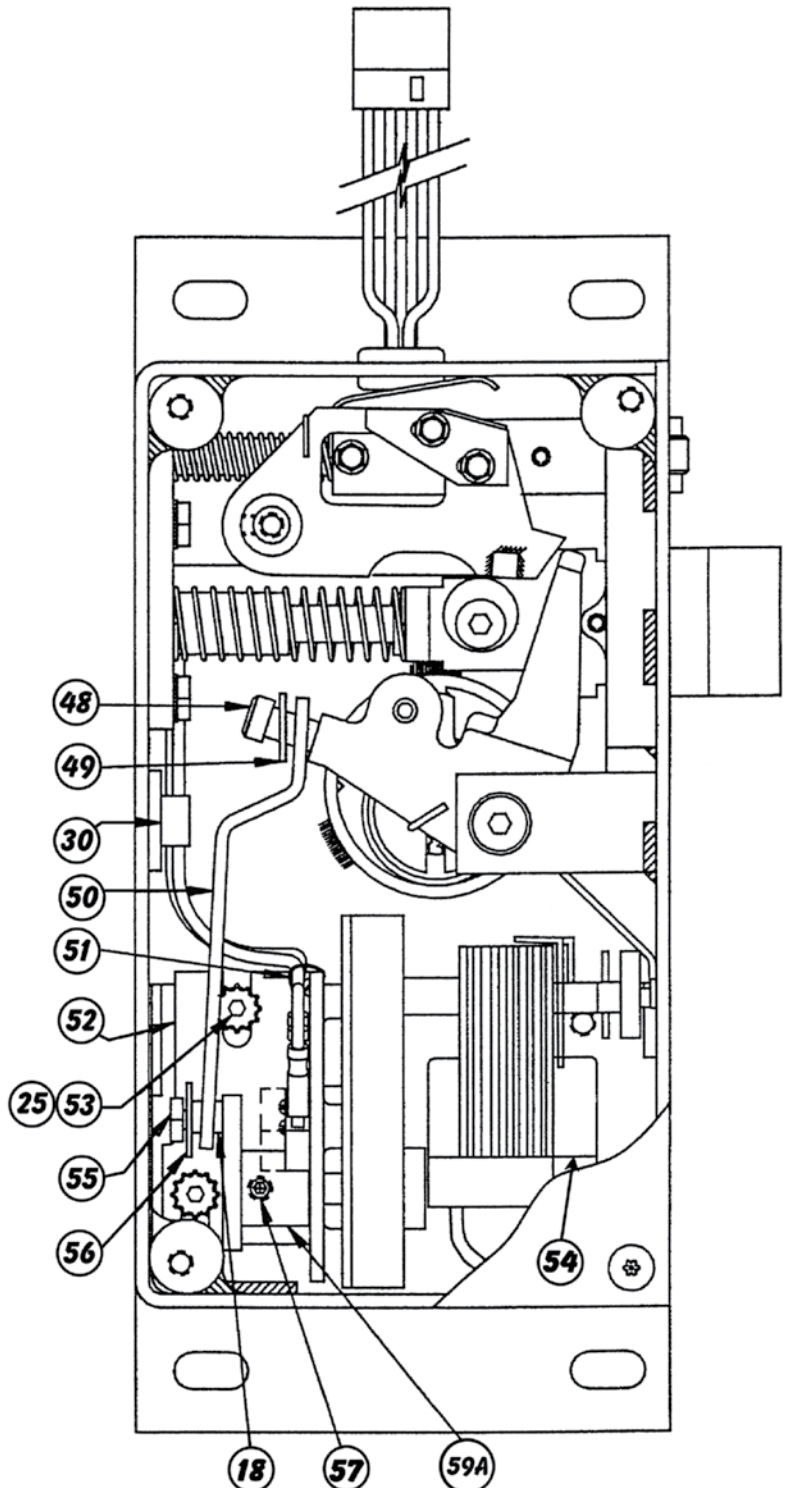
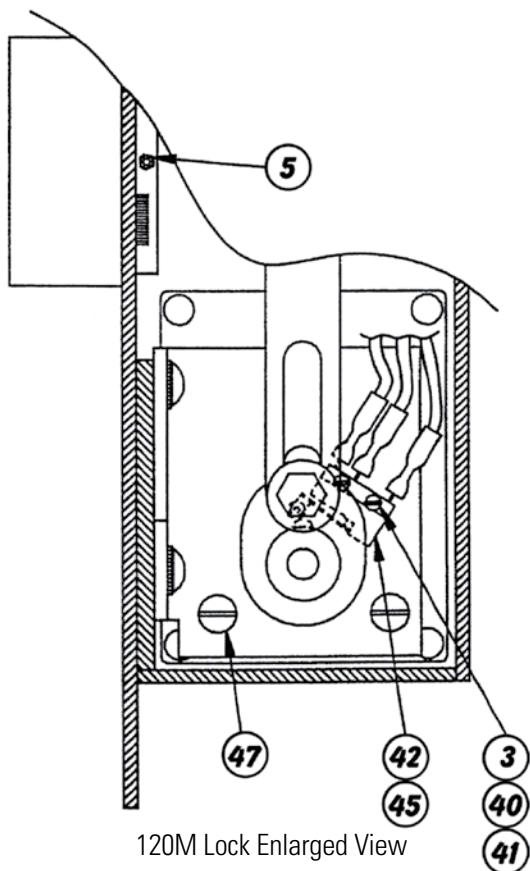
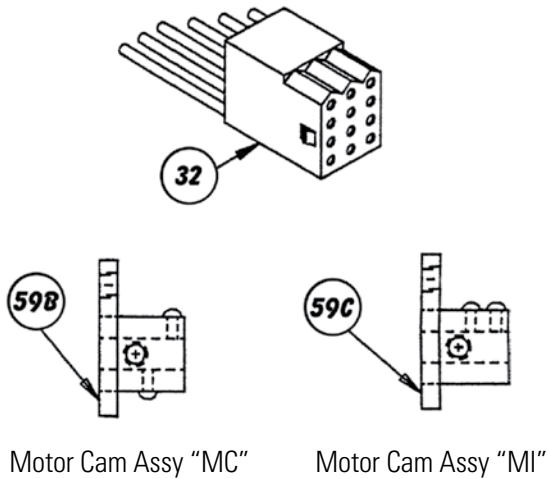
50M-Series Lock (continued)

Item	Description	Right Hand	Left Hand
47	"L" switch with wires		074-0305-001
47A	"L" switch only		005-2401-002
48	FHSE 5/16"-18 x 5/8" – USP		002-0001-503
	FHSE 5/16"-18 x 5/8" – GALV		002-0001-504
49	SHCS # 8-32 x 1/2"		002-2801-043
50	HHCS 5/16"-18 x 2"		002-2901-230
51	5/16" Lock washer		010-0195-000
52	Lock bolt stud		002-5700-001
53	1/4"-20 Nut		002-6700-502
54	SSSC 1/4"-20 x 1/4"		002-1200-296
55	Latch bolt collar – GALV		012-3706-002
56	Latch bolt bumper		010-0204-800
57	# 10 Lock for 50 Series		Per Order
58	Bolt guide bracket – GALV	074-0200-001	074-0201-001
59	SSSC 5/16"-18 x 1/2"		002-1200-444
60	3/8" Lock washer		002-5801-001
61	PHPMS # 4-40 x 5/8"		002-2303-210
62	# 4 Lock washer		010-0204-300
63	Field receptacle		075-0517-001
64	Cord clip		010-0860-200
65	FHPMS # 10-32 x 5/16"		002-2301-579
66	"L" switch with wires		074-0311-001
66A	"L" switch only		005-2440-001
67	Roll pin 1/8" x 1-1/2"		002-5301-004
68	Deadlock switch bracket – GALV		012-3716-003
69	Gearmotor 115VAC		005-2600-003
	Gearmotor 24VDC		005-2608-001
70	Switch insulator		005-0712-001
71	Switch bracket – GALV	008-3700-002	008-3701-002
72	HHCS 1/4"-20 x 1/2"		002-2901-007
73	1/4" Lock washer		010-0014-100
74	1/4" Flat washer		010-0020-000
75	Pull link stud		010-0134-100
76	Pull link		010-1826-400

120E & M Series Locks Parts Diagram
Current Style



120E & M Series Locks Parts Diagram
Current Style



120M Lock Shown In
Deadlocked Position
with Door Closed.

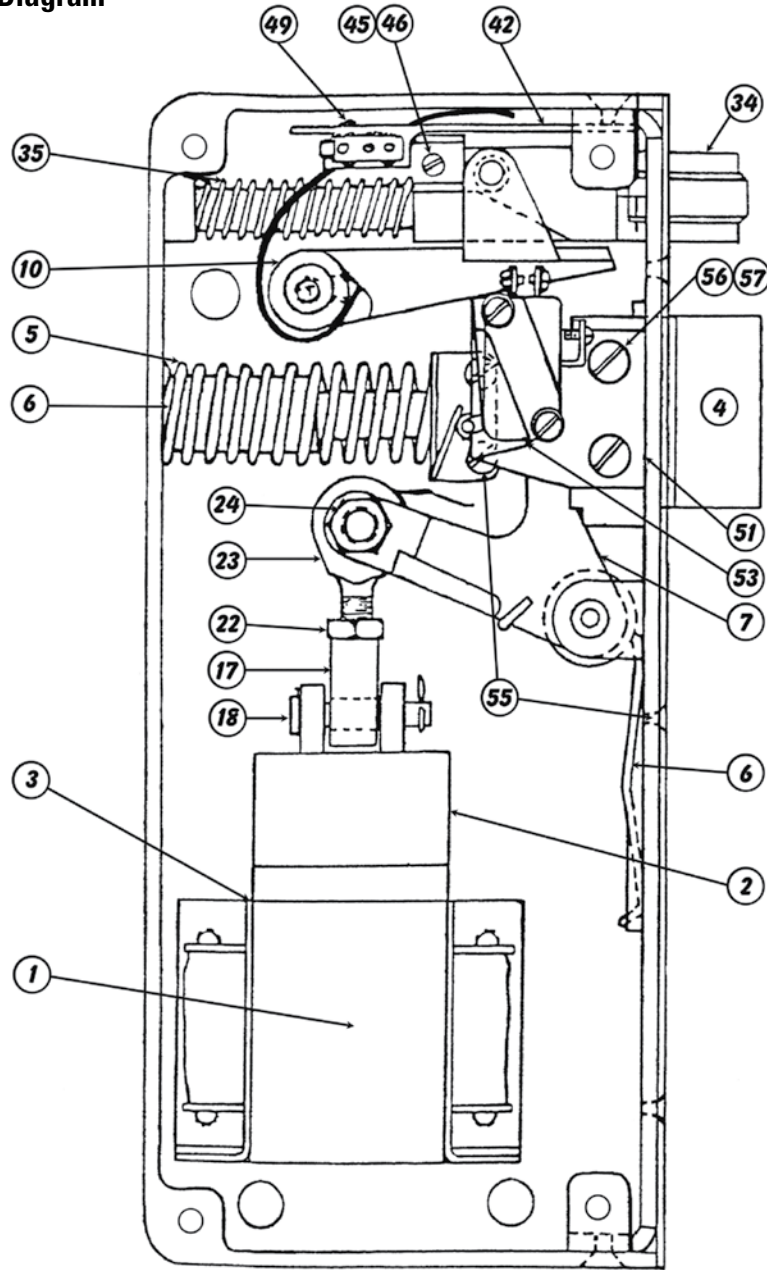
120E & M Series Lock – Current Style

Item	Description	Right Hand	Left Hand
1	Roll pin 3/32" x 1-1/4"	002-5301-022	
2	Auxiliary indication switch	075-3115-001	
3	# 2 Lock washer	010-1320-600	
4	FHTS 1/4"-20 x 1/2" – USP	002-0605-420	
	FHTS 1/4"-20 x 1/2" – GALV	002-0605-421	
5	SSSC # 8-32 x 1/4" with Nyloc	002-1200-112	
6	Operating lever spring	003-0223-001	003-0223-002
7	Soc. shldr. screw 5/16" x 1-1/4" with Nyloc	002-3100-511	
8	FHSSC 1/4"-20 x 5/8" with Nyloc	002-2802-067	
9	Eccentric bolt retractor	012-3128-001	
10	Latchbolt	075-0512-001	
11	Roll pin 3/16" x 1-1/4"	002-5301-020	
12	Roller bolt	075-0507-001	
13	HWHMS # 8-32 x 5/16" with Nyloc	002-5802-006	
14	Deadlock ramp	008-3119-001	
15	Deadlock lever spring	003-0224-001	003-0224-002
16	Grommet	005-1002-002	
17	Connector plug	005-1705-005	
18	Outer deadlock release bushing	011-3124-001	
19	Inner deadlock release bushing	011-3155-001	
20	HWHMS # 8-32 x 9/16" with Nyloc	002-5802-005	
21	Deadlock lever – Latch Back	012-3186-001	012-3186-002
	Deadlock lever – Non-Latch Back	012-3186-003	012-3186-004
22	Roller bolt spring	003-0024-001	
23	Deadlock lever collar	011-3126-001	
24	Bolt guide – GALV	075-0533-001	
25	1/4" External lock washer	002-6000-002	
26	SSSC # 10-32 x 1/4" with Nyloc	002-1200-212	
27	HHCS 1/4"-28 x 1/2"	002-2901-766	
28	Lockbolt spring	003-0017-001	
29	Operating lever – Mogul	075-0509-001	075-0509-002
	Operating lever – Builders Hardware	012-3166-001	012-3166-002
30	Cord clip	010-0860-200	
31	Cable tie	005-4901-001	
32	Field receptacle	075-0517-001	
33	Clevis pin 1/4" x 1"	002-5200-003	
34	Solenoid assembly 115VAC with pins	074-0309-003	
	Solenoid assembly 230VAC with pins	074-0309-004	
35	Solenoid retaining strap – USP	012-4229-002	
	Solenoid retaining strap – GALV	012-4229-001	
36	# 10 Lock washer	010-0118-200	
37	# 10 Flat washer	002-5801-005	
38	SHCS # 10-24 x 5/8"	002-2801-056	
39	Solenoid mounting bracket – USP	008-3123-001	
	Solenoid mounting bracket – GALV	008-3123-002	

120E & M Series Lock – Current Style (continued)

Item	Description	Right Hand	Left Hand
40	PHPMS # 2-56 x 3/4"	002-2303-166	
41	PHPMS # 2-56 x 1/2"	002-2303-144	
42	Switch insulator	005-0715-001	
43	Hair spring cotter pin # 4	002-4900-003	
44	Solenoid link collar	011-3130-001	
45	"M" motor switch with wires	075-3117-001	
	"MC" motor switch with wires	075-3119-001	
	"MI" motor switch with wires	075-3118-001	
45A	Motor switch (switch only)	005-2437-002	
46	Solenoid pull link	008-3124-001	
47	FHPMS # 10-32 x 1/4"	002-2301-567	
48	Soc.shldr. screw 5/16" x 1/2" with Nyloc	002-3100-510	
49	5/16" Flat washer	010-0578-900	
50	Motor pull link	008-3120-001	
51	Cable tie	005-4901-002	
52	Motor mounting bracket – GALV	008-3125-003	
53	BHCS 1/4"-28 x 3/8"	002-2800-104	
54	Gearmotor with leads – 115VAC	005-2600-003	
	Gearmotor with leads – 24VDC	005-2608-001	
55	HHCS 1/4"-20 x 5/8" with Nyloc	002-2901-020	
56	1/4" Flat washer	002-5801-011	
57	SSSC 1/4"-20 x 3/16" with Nyloc	002-1200-284	
58	Roll Pin 1/8" x 1-1/2"	002-5301-004	
59A	"M" motor cam	075-1002-001	
59B	"MC" motor cam	075-1003-001	
59C	"MI" motor cam	075-1004-001	
60	Deadlock indication switch (switch only)	075-3116-001	
60A	Deadlock indication switch (switch only)	005-2440-001	
61	Switch insulator	005-0712-001	
62	Deadlock switch bracket	012-3145-001	
63	PHPMS # 8-32 x 3/8"	002-2303-375	
64	# 8 Lock washer	010-0123-100	
65	PHPMS # 4-40 x 9/16"	002-2303-638	
66	# 4 Lock washer	010-0204-300	
67	Strike	013-3105-005	013-3105-006

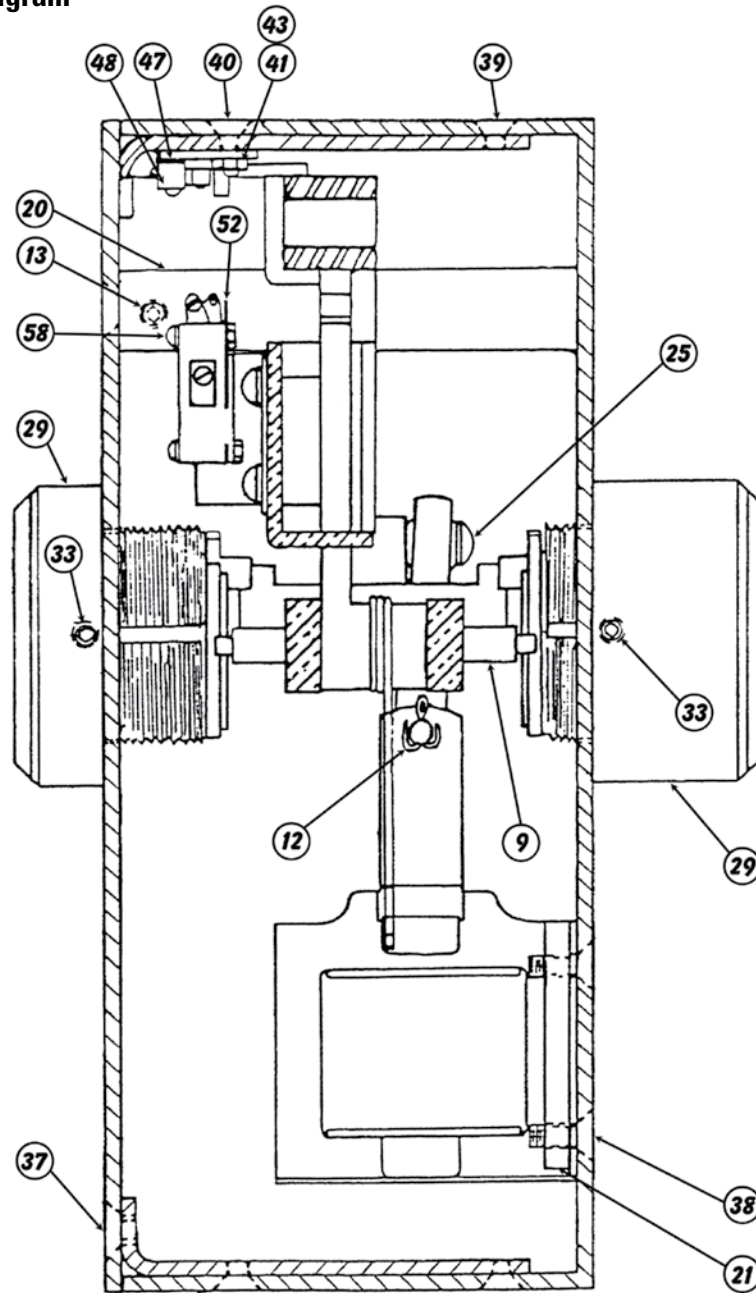
**120E Series Locks Parts Diagram
Old Style**



120E Series Lock – Old Style

Item	Description	Right Hand	Left Hand
1	Solenoid assembly – 115VAC	005-4124-001	
	Solenoid assembly – 220VAC	005-4124-003	
2	Solenoid plunger	005-4124-002	
3	Solenoid – 115VAC	005-4011-004	
	Solenoid – 220VAC	005-4011-005	
4	Spring bolt RB – Flush projection with pin	012-3120-001	
	Spring bolt SB – 3/4" projection with pin	012-3124-001	
	Spring bolt RB – Flush projection with holes	010-0130-000	
	Spring bolt SB – 3/4" projection with holes	010-1813-200	

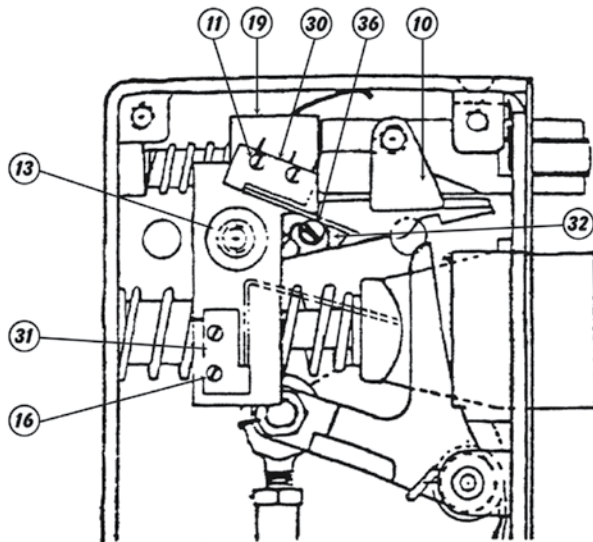
120E Series Locks Parts Diagram
Old Style (continued)



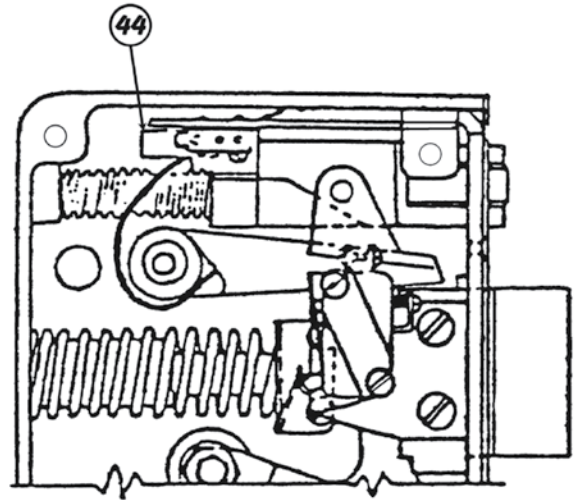
120E Series Lock – Old Style (continued)

Item	Description	Right Hand	Left Hand
5	Spring bolt spring		003-0014-001
6	Operating lever spring	010-0115-300	010-0691-600
7	Operating lever (3-7/8" case)	010-0127-500	010-0127-700
	Operating lever (3" case)	010-0727-500	010-0727-700
8	Roll pin 1/8" x 3/4"		002-5301-032
	Pivot pin – Keyed 1 side		010-0148-900
9	Pivot pin – Keyed 2 sides		010-1148-000
	Pivot pin – Keyed case side		010-1796-800

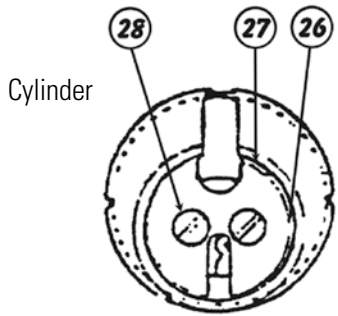
120E Series Locks Parts Diagram
Old Style (continued)



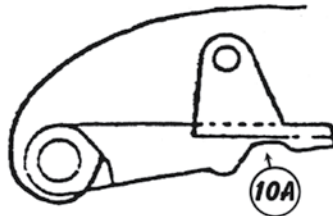
New Switch Design



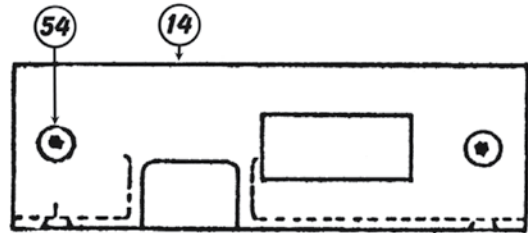
Shown In Locked Position



Cylinder



N-N Feature



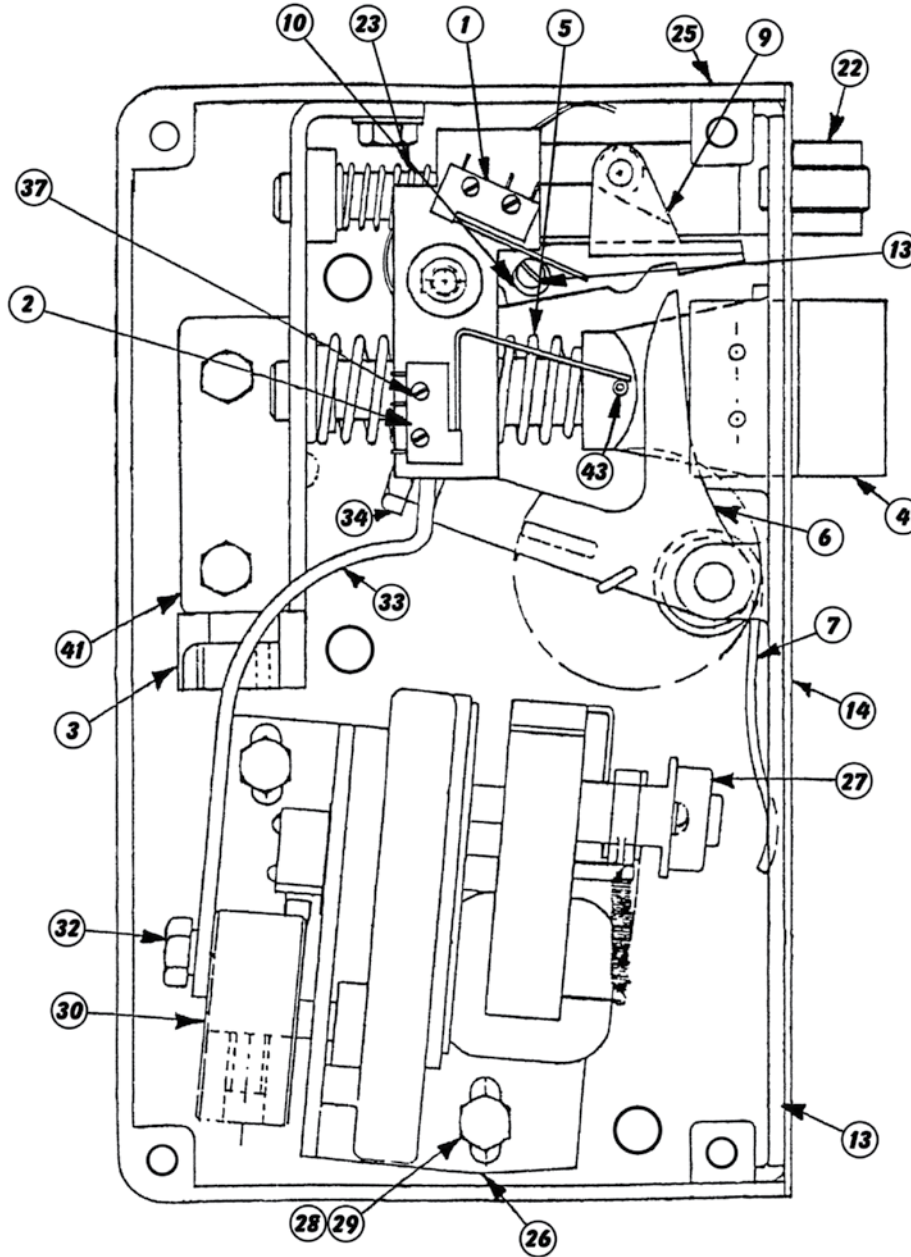
120E Series Lock – Old Style (continued)

Item	Description	Right Hand	Left Hand
10	Deadlock latch lever	075-0401-001	075-0401-002
	Deadlock latch lever – NN	075-0402-001	075-0402-002
11	# 4-40 Nut		002-6700-202
12	Cotter pin 3/32" x 3/4"		002-4902-003
13	SSSC # 10-32 x 1/4"		002-1200-257
14	Strike – SST	013-3101-001	013-3101-002
	Strike – US32D	013-3101-003	013-3101-004
15	FHTS # 6-32 x 1/4" with Nyloc – US4		002-0605-026
	FHTS # 6-32 x 1/4" with Nyloc – US26D		002-0605-029
16	FHPMS # 2-56 x 3/8"		002-2301-361
17	Solenoid link – USP		012-3107-001
	Solenoid link – GALV		012-3107-002
18	Clevis pin 3/16" x 1"		002-5200-001
19	Switch mounting plate – GALV	075-0501-005	075-0501-006
20	Spacer deadlock latch lever – USP		010-1941-300
	Spacer deadlock latch lever – GALV		010-1796-700

120E Series Lock – Old Style (continued)

Item	Description	Right Hand	Left Hand
21	Retaining strap – GALV	012-3108-002	
22	1/4"-28 Nut	002-6700-505	
23	Rod end male	012-3109-001	
24	1/4"-20 Nut with Nyloc	002-6700-501	
25	BHCS 1/4"-20 x 7/8"	002-2800-068	
26	Retainer disc for 120 cylinder	012-3101-001	
27	Cylinder cam and pin	010-1147-700	
28	FHPMS # 8-32 x 1/4"	002-2301-064	
29	Mogul cylinder	Per Order	
30	"L" switch wired	075-3110-001	
31	"LL" switch wired	075-3110-002	
32	Eccentric switch tripper	011-3112-002	
33	SSSC 1/4"-20 x 1/4"	002-1200-297	
34	Deadlock latchbolt – Flush projection	075-0400-001	075-0400-002
	Deadlock latchBolt – 3/4" projection	075-0400-003	075-0400-004
	Deadlock latchBolt – Flush projection	010-0115-600	010-0119-200
	Deadlock latchBolt – 3/4" projection	010-1730-200	010-1730-300
	Deadlock latchBolt – Flush projection	010-0131-200	010-0131-400
	Deadlock latchBolt – 3/4" projection	010-1816-500	010-1816-600
35	Roller bolt spring	010-0115-100	
36	RHMS # 6-32 x 3/4" with Nyloc	002-2200-097	
37	FHTS 1/4"-20 x 1/2" (USP)	002-0605-420	
	FHTS 1/4"-20 x 1/2" (GALV)	002-0605-421	
38	FHPMS # 10-32 x 1/2"	002-2301-603	
39	FHPMS # 10-32 x 5/16"	002-2301-579	
40	FHPMS # 10-32 x 5/8"	002-2301-603	
41	# 10 Lock washer	010-0118-615	
42	Switch mounting bracket – USP	008-3116-001	
	Switch mounting bracket – GALV	008-3116-002	
43	# 10-32 Nut	002-6700-303	
44	Switch tripper	008-3115-001	008-3115-002
45	PHPMS # 6-32 x 1/4"	002-2303-232	
46	# 6 Lock washer	010-0196-800	
47	Switch insulator	005-0715-001	
48	120EMLL switch wired	075-3111-001	
49	# 2-56 Nut	002-6700-201	
50	Switch tripper RH	010-0122-500	010-0691-700
52	Switch insulator	005-0712-001	
53	120EML switch with wires	075-3107-001	
54	FHTS # 12-24 x 1/2"	002-0605-327	
55	PHPMS # 6-32 x 1/4" with Nyloc	002-2303-164	
56	RHMS # 8-32 x 3/16"	002-2302-342	
57	# 8 Lock washer	010-0123-100	
58	PHPMS # 4-40 x 5/8"	002-2303-210	

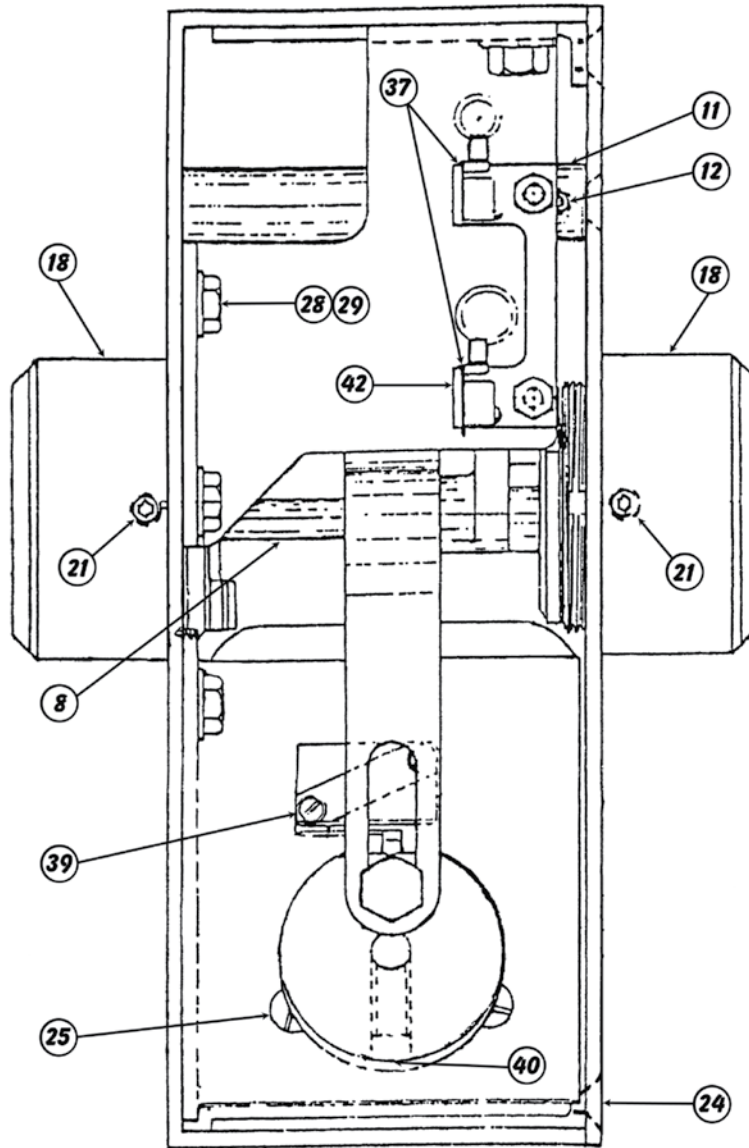
**120M Series Locks Parts Diagram
Old Style**



120M Series Lock – Old Style

Item	Description	Right Hand	Left Hand
1	"L" switch wired	075-3110-001	
2	"LL" switch wired	075-3110-002	
3	Cord clip	010-0860-200	
4	Spring bolt RB – Flush projection	075-1400-007	
	Spring bolt SB – Flush projection	075-1400-008	
	Spring bolt RB – 3/4" projection	075-1400-005	
	Spring bolt SB – 3/4" projection	075-1400-006	
5	Spring bolt spring	003-0014-001	

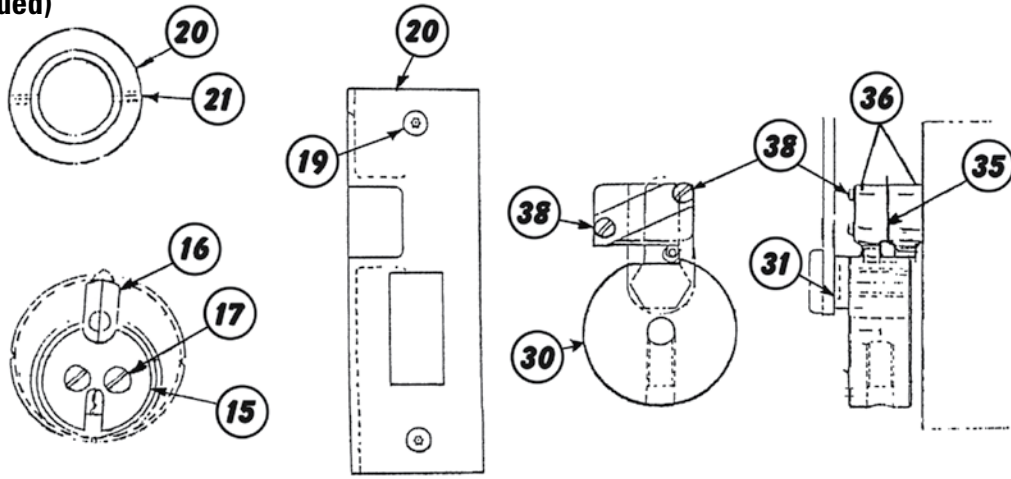
120M Series Locks Parts Diagram
Old Style (continued)



120M Series Lock – Old Style (continued)

Item	Description	Right Hand	Left Hand
6	Operating Lever	010-0133-300	010-0137-200
7	Operating Lever Spring	010-0115-300	010-0691-600
8	Pivot Pin – Operating Lever		010-0133-900
9	Deadlock Latch Lever NN	075-0402-001	075-0402-002
10	Eccentric Switch Tripper		011-3112-002
11	Spacer Deadlock Latch Lever		010-1941-200
12	SSSC # 10-32 x 1/4"		002-1200-257
13	RHMS # 6-32 x 3/4" with Nyloc		002-2200-097
14	FHTS # 6-32 x 1/4" with Nyloc US4		002-0605-026
	FHTS # 6-32 x 1/4" with Nyloc US26D		002-0605-029
15	Retainer Disc for 120 Cylinder		012-3101-001
16	Cylinder Cam & Pin		010-1147-700

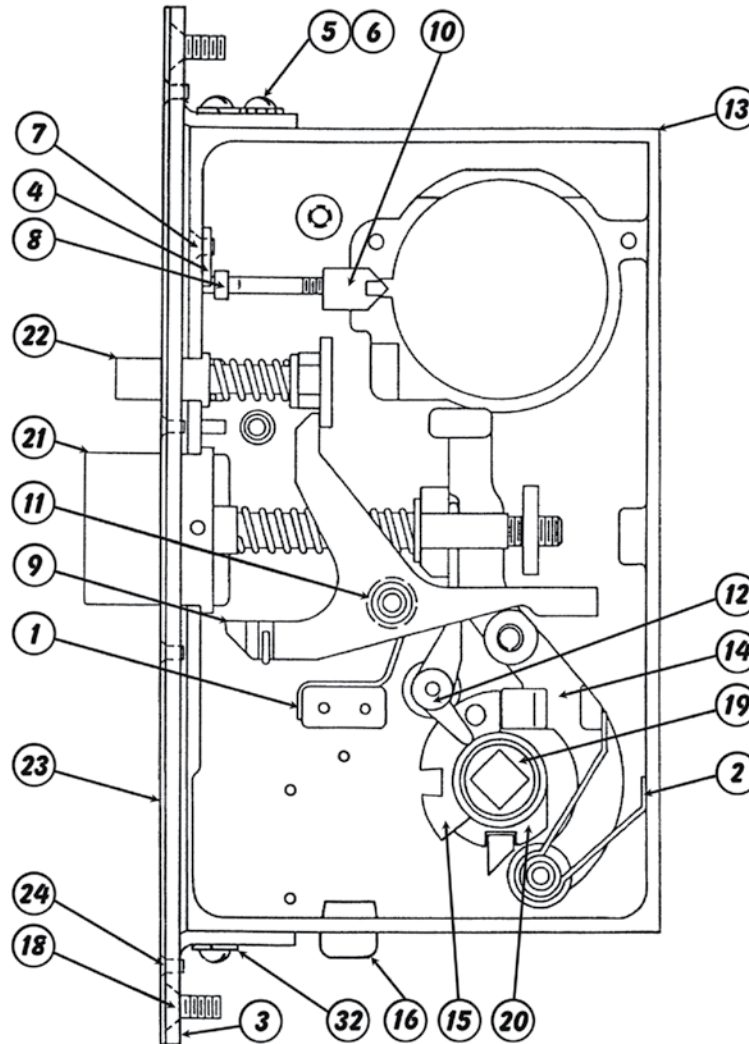
**120M Series Locks Parts Diagram
Old Style (continued)**



120M Series Lock – Old Style (continued)

Item	Description	Right Hand	Left Hand
17	FHPMS # 8-32 x 1/4"		002-2301-064
18	Mogul cylinder		Per Order
19	FHTS # 12-24 x 1/2"		002-0605-327
20	Strike – SST	013-3101-001	013-3101-002
	Strike – US32D	013-3101-003	013-3101-004
21	SSSC 1/4"-20 x 1/4"		002-1200-297
22	Deadlock latchbolt – Flush projection		010-0134-900
	Deadlock latchbolt – 3/4" projection		010-1797-600
23	Deadlock latchbolt Spring		003-0006-001
24	FHTS 1/4"-20 x 1/2" (USP)		002-0605-420
	FHTS 1/4"-20 x 1/2" (GALV)		002-0605-421
25	FHPMS # 10-32 x 5/16"		002-2301-579
26	Motor mounting bracket	010-1290-200	010-1290-300
27	Gearmotor 115VAC		005-2600-003
	Gearmotor 24VDC		005-2608-001
28	HHCS 1/4"-20 x 3/8" with Nyloc		002-2901-125
29	1/4" Lock Washer		010-0014-100
30	120M Gearmotor cam		010-0134-700
	120MC Gearmotor cam		010-0164-300
31	Spacer		011-3103-002
32	Connecting link stud		010-0134-000
33	Pull link		010-1638-000
34	Pull link stud		010-0134-100
35	Switch insulator		005-0712-001
36	Motor switch (E34)		005-2436-001
37	FHPMS # 2-56 x 3/8"		002-2301-361
38	PHPMS # 4-40 x 1"		002-2303-144
39	Deadlock latch lever	075-0401-001	075-0401-002
40	SSSC 5/16"-18 x 1/2"		002-1200-444
41	Bolt tail bracket	010-1767-900	010-1768-000
42	Switch mounting plate	075-0501-007	075-0501-008
43	Roll pin 1/8" x 1"		002-5301-033

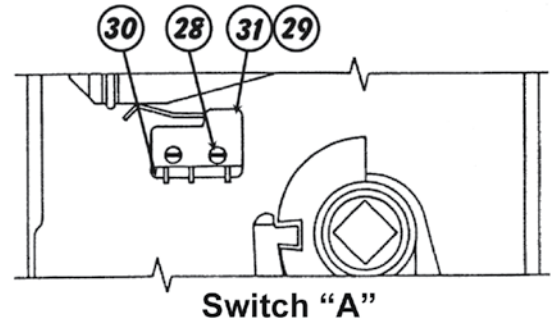
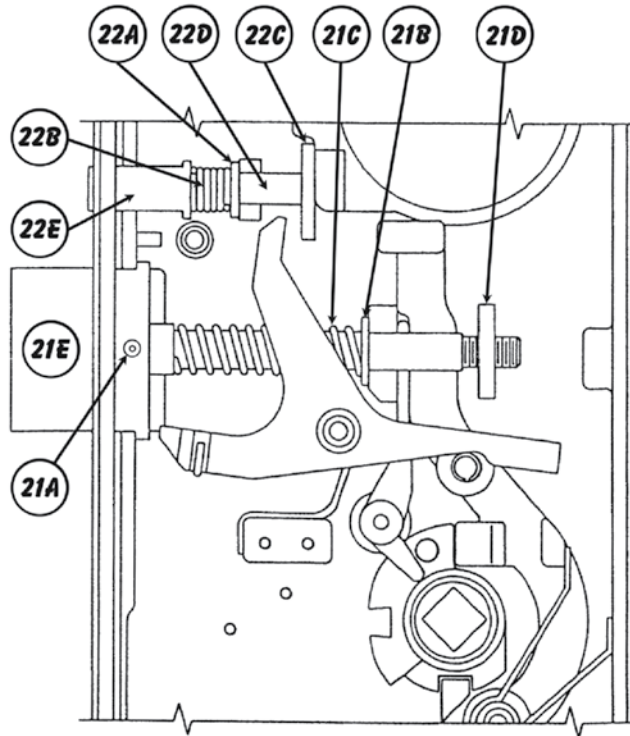
125-1 Series Locks Parts Diagram



125-1 Series Lock

Item	Description	Right Hand	Left Hand
1	Deadlatch lever spring	003-0214-001	
2	Operating lever spring	003-0311-001	
3	Back plate	008-2600-001	
4	Cylinder retainer holder	008-2604-001	
5	# 8 External tooth washer	010-0098-500	
6	PHPMS # 8-32 x 5/16"	002-2303-364	
7	FHPMS # 4-40 x 5/16"	002-2301-398	
8	Cylinder retainer screw	012-2603-001	
9	Deadlatch lever	012-2614-001	
10	Cylinder retainer	012-2616-001	
11	Deadlatch lever spacer	012-2617-001	
12	Balance knob lever	012-2621-001	
13	Case and cover assembly	073-0501-001	
14	Operating lever	073-0503-001	
15	Knob actuator	073-0504-001	

125-1 Series Locks Parts Diagram
(continued)



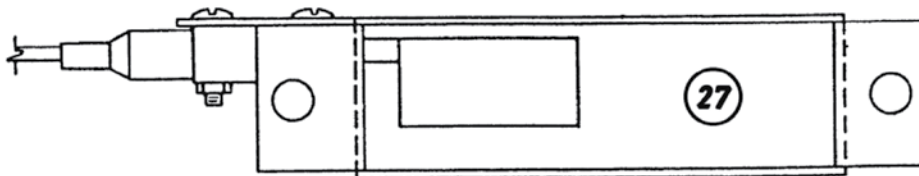
125-1 Series Lock (continued)

Item	Description	Right Hand	Left Hand
16	Strain relief		005-4906-001
17	FHTS # 12-24 x 1/2"		002-0605-327
18	FHPMS # 12-24 x 1/2"		002-2301-118
19	Active knob cam		013-2616-001
20	Inactive knob cam		013-2617-001
21	Latch bolt assembly		073-0502-001
21A	Roll pin 1/8" x 5/8"		002-5301-012
21B	Washer		002-5801-008
21C	Latch bolt spring		003-0009-001
21D	Latch bolt rod end		012-2600-001
21E	Latch bolt head and rod		073-0522-001
22	Trigger bolt assembly		073-0507-001
22A	Washer		002-5801-011
22B	Trigger bolt spring		003-0008-001
22C	Trigger bolt rod end		008-2603-001
22D	Trigger bolt rod		011-2602-001
22E	Trigger bolt head		012-2615-001
23	Finish plate US32D		012-2612-006
24	FHTS # 6-32 x 1/4" with Nyloc US4		002-0605-026
	FHTS # 6-32 x 1/4" with Nyloc US26D		002-0605-029

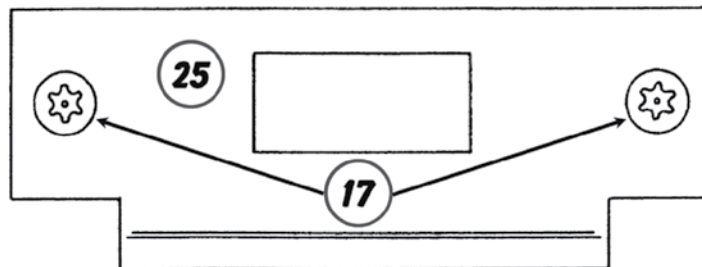
125-1 Series Locks Parts Diagram
(continued)



Dust Box



"C" Switch

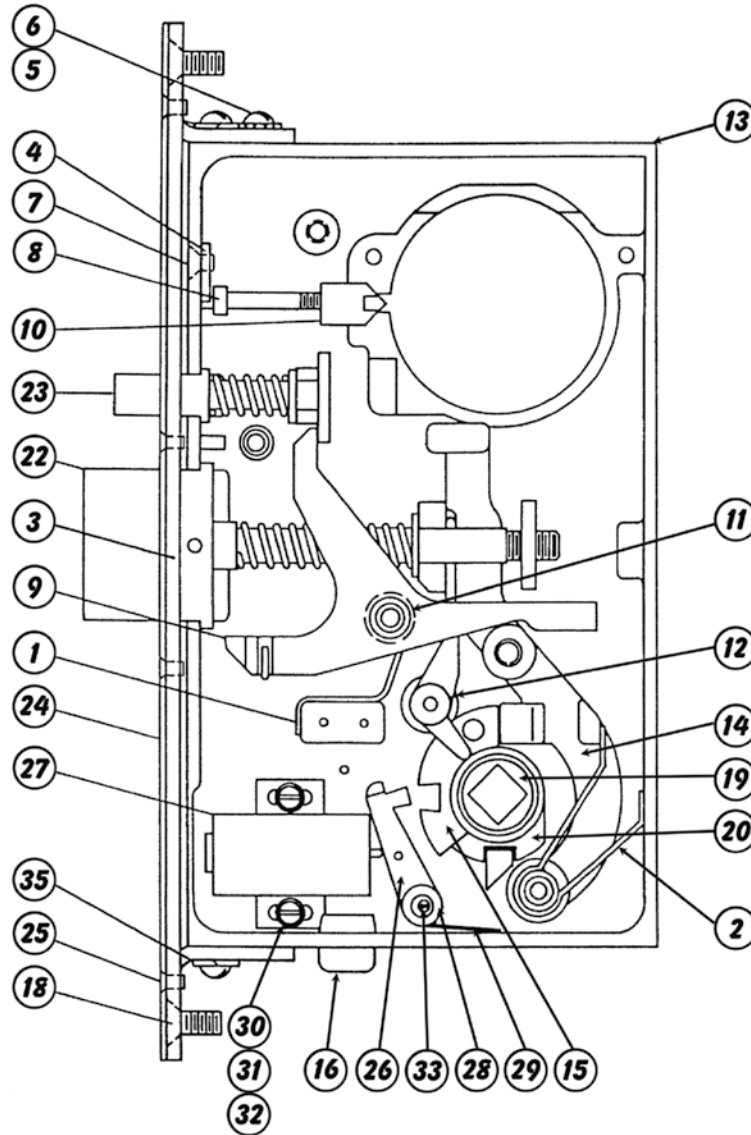


Strike Plate

125-1 Series Lock (continued)

Item	Description	Right Hand	Left Hand
25	Strike plate US32D		008-2606-002
26	Dust box		008-2602-002
27	"C" switch (ASSW-104A)		010-0922-800
28	PHPMS # 2-56 x 3/4"		002-2303-166
29	Insulator		005-0715-001
30	Switch spacer		012-2620-001
31	"A" switch assembly		073-0510-001
32	# 8 Lock washer		012-0123-100

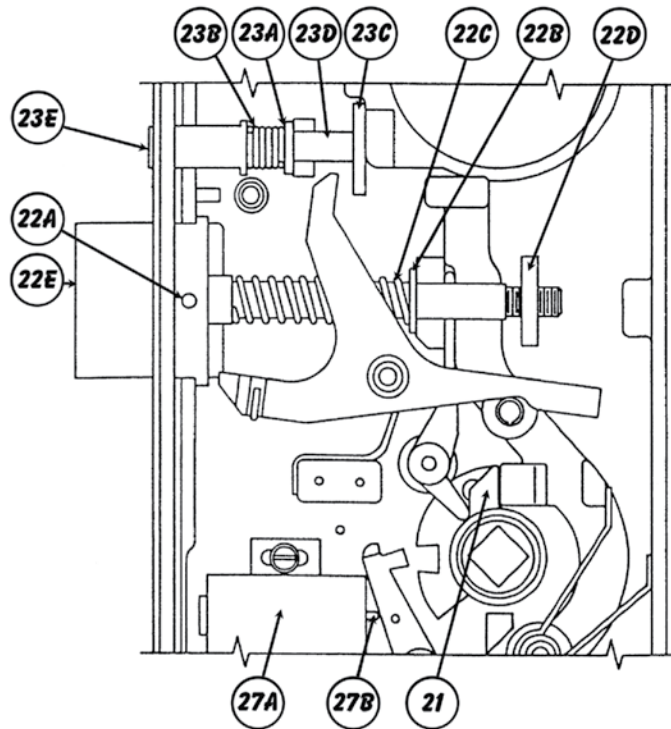
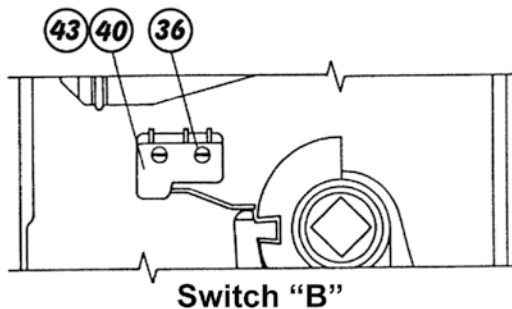
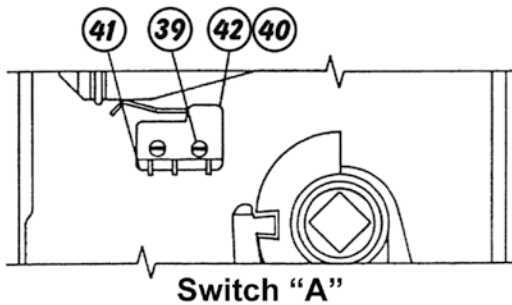
125-2 Series Locks Parts Diagram



125-2 Series Lock

Item	Description	Right Hand	Left Hand
1	Deadlatch lever spring	003-0214-001	
2	Operating lever spring	003-0311-001	
3	Back plate	008-2600-001	
4	Cylinder retainer holder	008-2604-001	
5	# 8 External tooth washer	010-0098-500	
6	PHPMS # 8-32 x 5/16"	002-2303-364	
7	FHPMS # 3-40 x 5/16"	002-2301-398	
8	Cylinder retainer screw	012-2616-001	
9	Deadlatch lever	012-2614-001	
10	Cylinder retainer	012-2616-001	
11	Deadlatch lever spacer	012-2617-001	
12	Balance knob lever	012-2621-001	

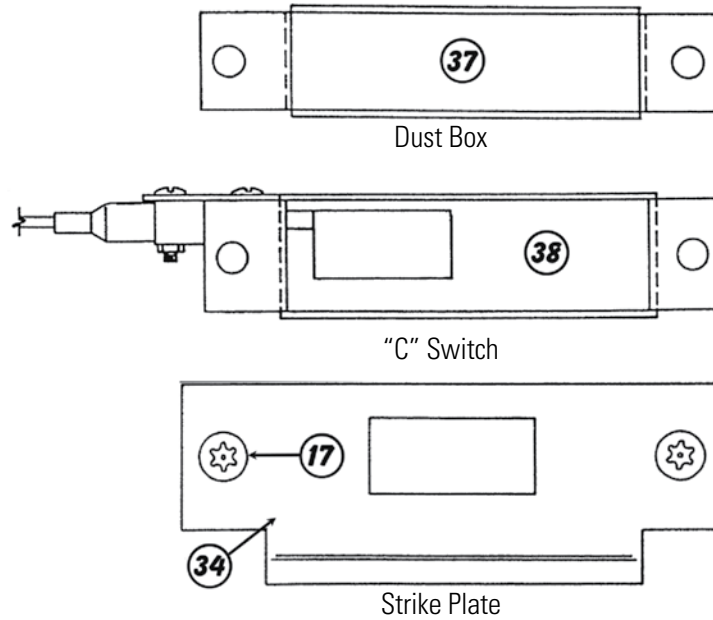
**125-2 Series Locks Parts Diagram
(continued)**



125-2 Series Lock (continued)

Item	Description	Right Hand	Left Hand
13	Case and cover assembly		073-0501-001
14	Operating lever		073-0503-001
15	Knob actuator		073-0504-001
16	Strain relief		005-4906-001
17	FHTS # 12-24 x 1/2"		002-0605-327
18	FHPMS # 12-24 x 1/2"		002-2301-118
19	Active knob cam		013-2616-001
20	Inactive knob cam		013-2617-001
22	Classroom knob cam		013-2609-001
22	Latch bolt assembly		073-0502-001
22A	Roll pin 1/8" x 5/8"		002-5301-012
22B	Washer		002-5801-008
22C	Latch bolt spring		003-0009-001
22D	Latch bolt rod end		012-2600-001
22E	Latch bolt head and rod		073-0522-001
23	Trigger bolt assembly		073-0507-001
23A	Washer		002-5801-011
23B	Trigger bolt spring		003-0008-001
23C	Trigger bolt rod end		008-2603-001
23D	Trigger bolt rod		011-2602-001
23E	Trigger bolt head		012-2615-001

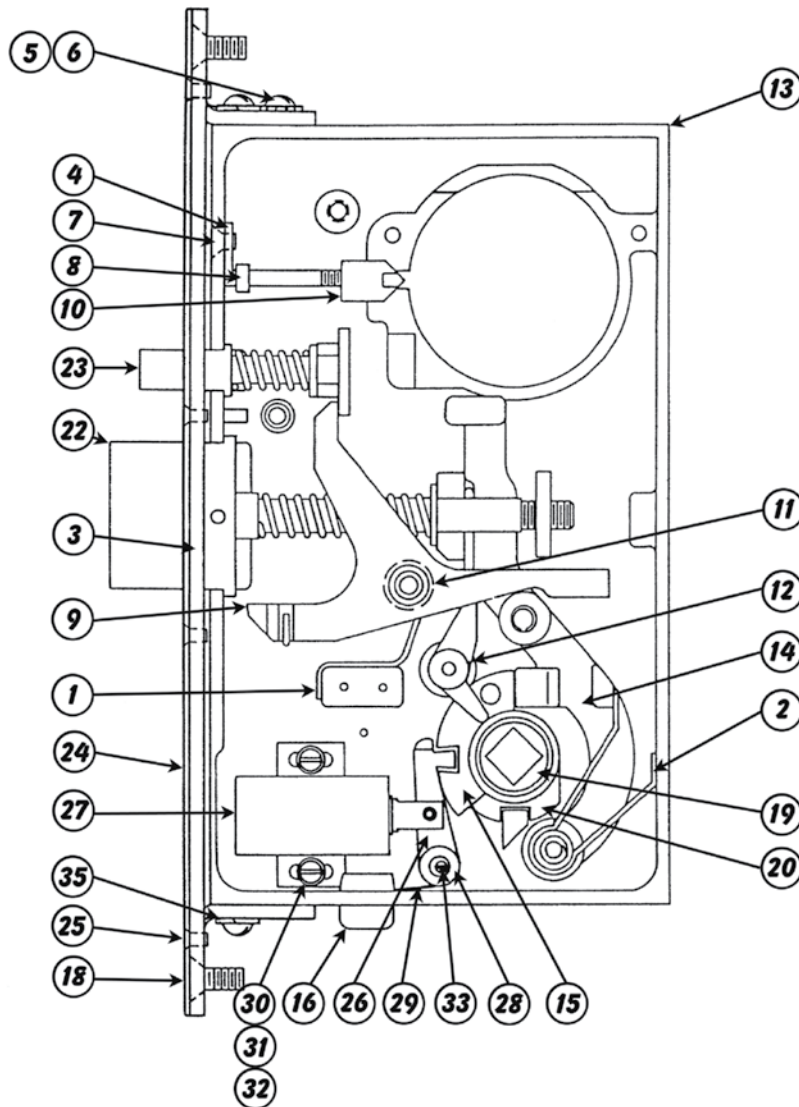
**125-2 Series Locks Parts Diagram
(continued)**



125-2 Series Lock (continued)

Item	Description	Right Hand	Left Hand
24	Finish plate US4	012-2612-001	
	Finish plate US32D		012-2612-006
25	FHTS # 6-32 x 1/4" with Nyloc US4	002-0605-026	
	FHTS # 6-32 x 1/4" with Nyloc US26D		002-0605-029
26	Solenoid lever and pin	073-0514-001	
27	Solenoid assembly-Push 24VDC	073-0900-001	
27A	Solenoid 24VDC	005-4005-001	
27B	Plunger push type	005-4114-001	
28	Washer	002-5801-010	
29	Solenoid lever spring LH	003-0219-002	
30	#6 Lock washer	010-0196-800	
31	PHPMS # 6-32 x 1/4"	002-2303-232	
32	# 6 Flat washer	010-1453-000	
33	Solenoid lever pin with Nyloc	011-2609-003	
34	Strike plate US32D	008-2606-002	
35	# 8 Lock washer	010-0123-100	
36	PHPMS # 2-56 x 3/8"	002-2303-133	
37	Dust box	008-2602-002	
38	"C" switch (ASSW-104A)	010-0922-800	
39	PHPMS # 2-56 x 3/4"	002-2303-166	
40	Insulator	005-0715-001	
41	Switch spacer	012-2620-001	
42	"A" switch assembly	073-0510-001	
43	"B" switch assembly	073-0511-001	
*	"A" & "B" switch assembly (not shown)	073-0512-001	

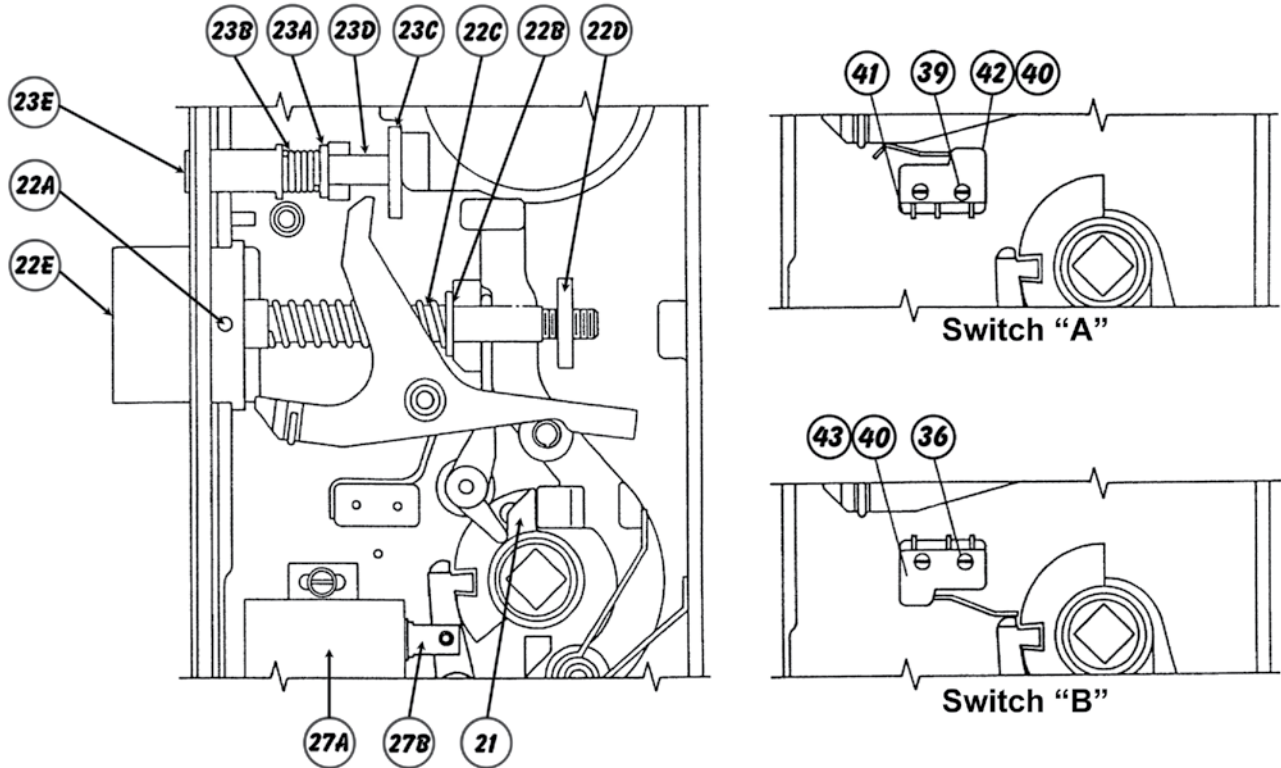
125-3 Series Locks Parts Diagram



125-3 Series Lock

Item	Description	Right Hand	Left Hand
1	Deadlatch lever spring	003-0214-001	
2	Operating lever spring	003-0311-001	
3	Back plate	008-2600-001	
4	Cylinder retainer holder	008-2604-001	
5	# 8 External tooth washer	010-0098-500	
6	PHPMS # 8-32 x 5/16"	002-2303-364	
7	FHPMS # 4-40 x 5/16"	002-2301-398	
8	Cylinder retainer screw	011-2603-001	
9	Deadlatch lever	012-2614-001	
10	Cylinder retainer	012-2616-001	
11	Deadlatch lever spacer	012-2617-001	
12	Balance knob lever	012-2621-001	
13	Case and cover assembly	073-0501-001	

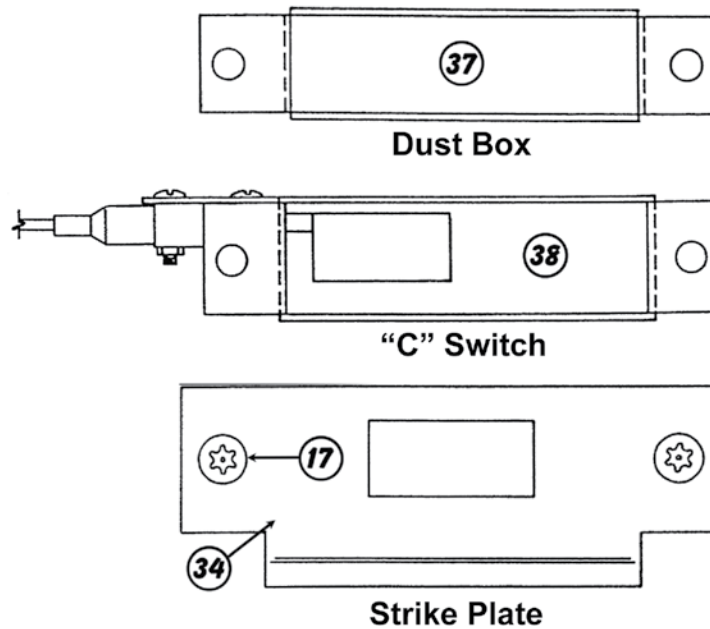
125-3 Series Locks Parts Diagram
(continued)



125-3 Series Lock (continued)

Item	Description	Right Hand	Left Hand
14	Operating lever		073-0503-001
15	Knob actuator		073-0504-001
16	Strain relief		005-4906-001
17	FHTS # 12-24 x 1/2"		002-0605-327
18	FHPMS # 12-24 x 1/2"		002-2301-118
19	Active knob cam		013-2616-001
20	Inactive knob cam		013-2617-001
21	Classroom knob cam		013-2609-001
22	Latch bolt assembly		073-0502-001
22A	Roll pin 1/8" x 5/8"		002-5301-012
22B	Washer		002-5801-008
22C	Latch bolt spring		003-0009-001
22D	Latch bolt rod end		012-2600-001
22E	Latch bolt head and rod		073-0522-001
23	Trigger bolt assembly		073-0507-001
23A	Washer		002-5801-011
23B	Trigger bolt spring		003-0008-001
23C	Trigger bolt rod end		008-2603-001
23D	Trigger bolt rod		011-2602-001
23E	Trigger bolt head		012-2615-001

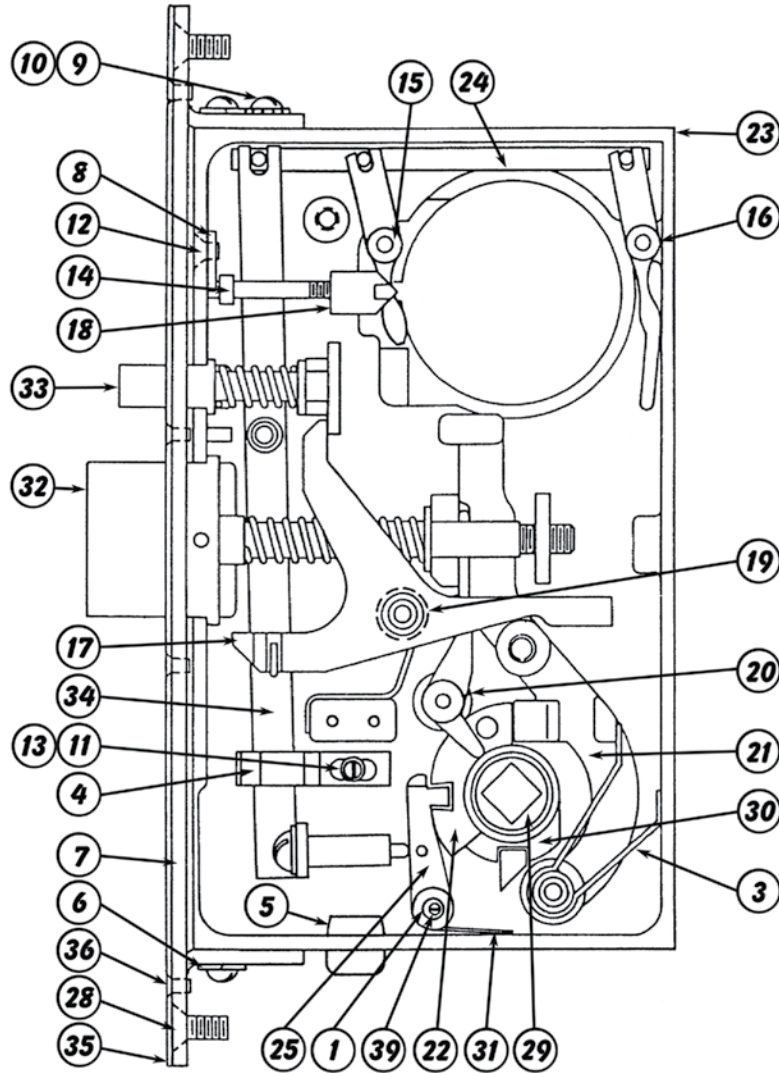
**125-3 Series Locks Parts Diagram
(continued)**



125-3 Series Lock (continued)

Item	Description	Right Hand	Left Hand
24	Finish plate US4	012-2612-001	
	Finish plate US32D	012-2612-006	
25	FHTS # 6-32 x 1/4" with Nyloc US4	002-0605-026	
	FHTS # 6-32 x 1/4" with Nyloc US26D	002-0605-029	
26	Solenoid lever and pin	073-0514-001	
27	Solenoid assembly-Pull 24VDC	073-0900-002	
27A	Solenoid 24VDC	005-4005-001	
27B	Plunger pull type	005-4115-001	
28	Washer	002-5801-010	
29	Solenoid lever spring LH	003-0219-002	
30	# 6 Lock washer	010-0196-800	
31	PHPMS # 6-32 x 1/4"	002-2303-232	
32	# 6 Flat washer	010-1453-000	
33	Solenoid lever pin with Nyloc	011-2609-003	
34	Strike plate US32D	008-2606-002	
35	# 8 Lock washer	010-0123-100	
36	PHPMS # 2-56 x 3/8"	002-2303-133	
37	Dust box	008-2602-002	
38	"C" switch (ASSW-104A)	010-0922-800	
39	PHPMS # 2-56 x 3/4"	002-2303-166	
40	Insulator	005-0715-001	
41	Switch spacer	012-2620-001	
42	"A" switch assembly	073-0510-001	
43	"B" switch assembly	073-0511-001	
*	"A" & "B" switch assembly (not shown)	073-0512-001	

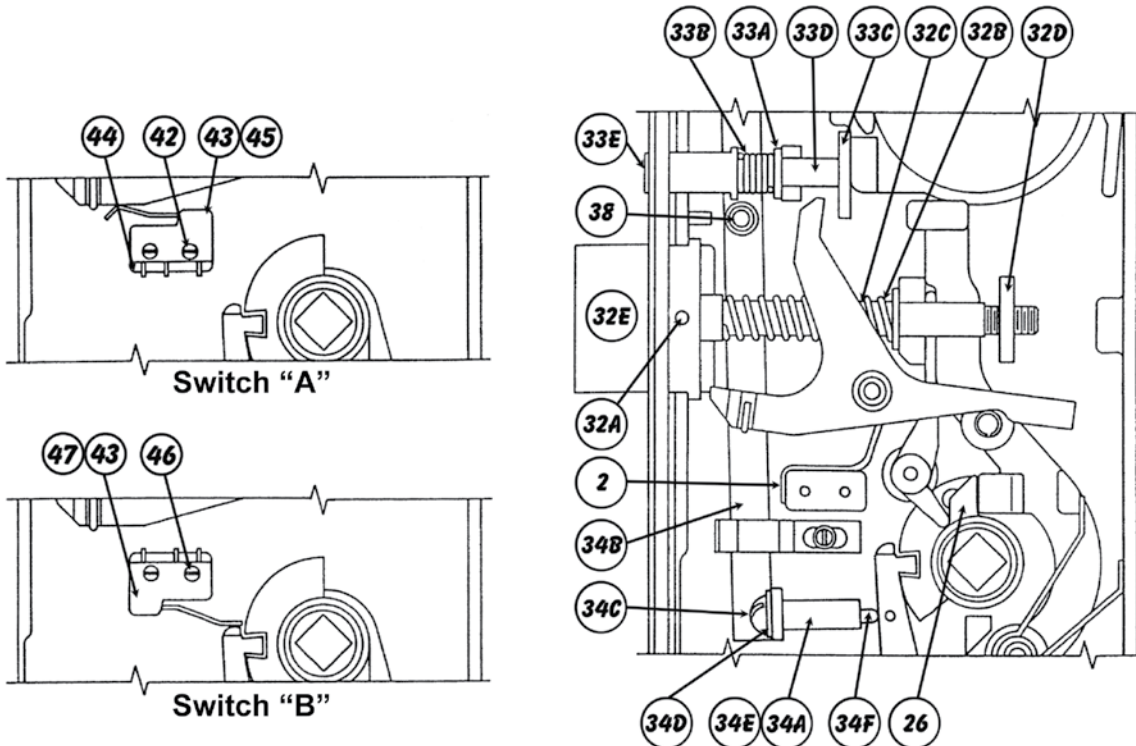
125-4 Series Locks Parts Diagram



125-4 Series Lock

Item	Description	Right Hand	Left Hand
1	Washer	002-5801-010	
2	Deadlatch lever spring	003-0214-001	
3	Operating lever spring	003-0311-001	
4	Retainer spring clip	003-0312-001	
5	Strain relief	005-4906-001	
6	# 8 Lock washer	010-0123-100	
7	Back plate	008-2600-001	
8	Cylinder retainer holder	008-2604-001	
9	# 8 External tooth washer	010-0098-500	
10	PHPMS # 8-32 x 5/16"	002-2303-364	
11	# 6 Lock washer	010-0196-800	
12	FHPMS # 4-40 x 5/16"	002-2301-398	
13	PHPMS # 6-32 x 3/16"	002-2303-243	
14	Cylinder retainer screw	012-2616-001	

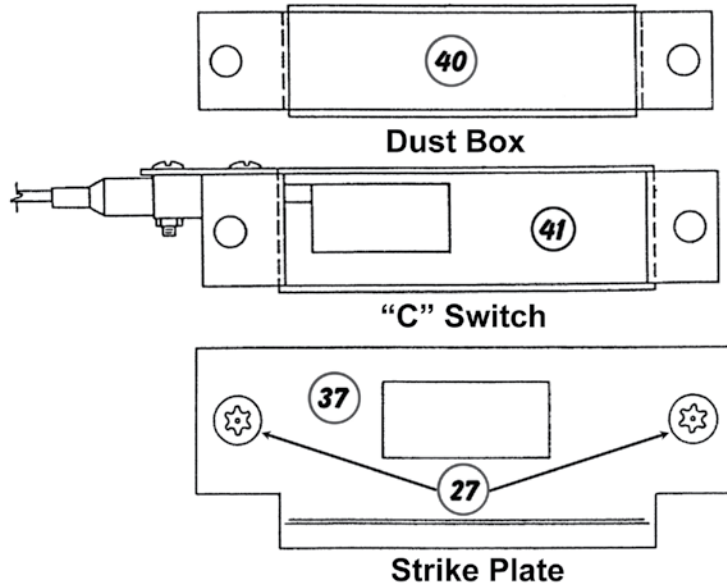
**125-4 Series Locks Parts Diagram
(continued)**



125-4 Series Lock (continued)

Item	Description	Right Hand	Left Hand
15	Knob lock lever-Short		012-2603-001
16	Knob lock lever-Long		012-2603-002
17	Deadlatch lever		012-2614-001
18	Cylinder retainer		012-2616-001
19	Deadlatch lever spacer		012-2617-001
20	Balanced knob lever		012-2621-001
21	Operating lever		073-0503-001
22	Knob actuator		073-0504-001
23	Case and cover assembly		073-0506-001
24	Connecting link		073-0508-001
25	Solenoid lever and pin		073-0514-001
26	Classroom knob cam		013-2609-001
27	FHTS # 12-24 x 1/2"		002-0605-327
28	FHPMS # 12-24 x 1/2"		002-2301-118
29	Active knob cam		013-2616-001
30	Inactive knob cam		013-2617-001
31	Solenoid lever spring LH		003-0219-002
32	Latch bolt assembly		073-0502-001
32A	Roll pin 1/8" x 5/8"		002-5301-012
32B	Washer		002-5801-008
32C	Latch bolt spring		003-0009-001
32D	Latch bolt rod end		012-2600-001
32E	Latch bolt head and rod		073-0522-001

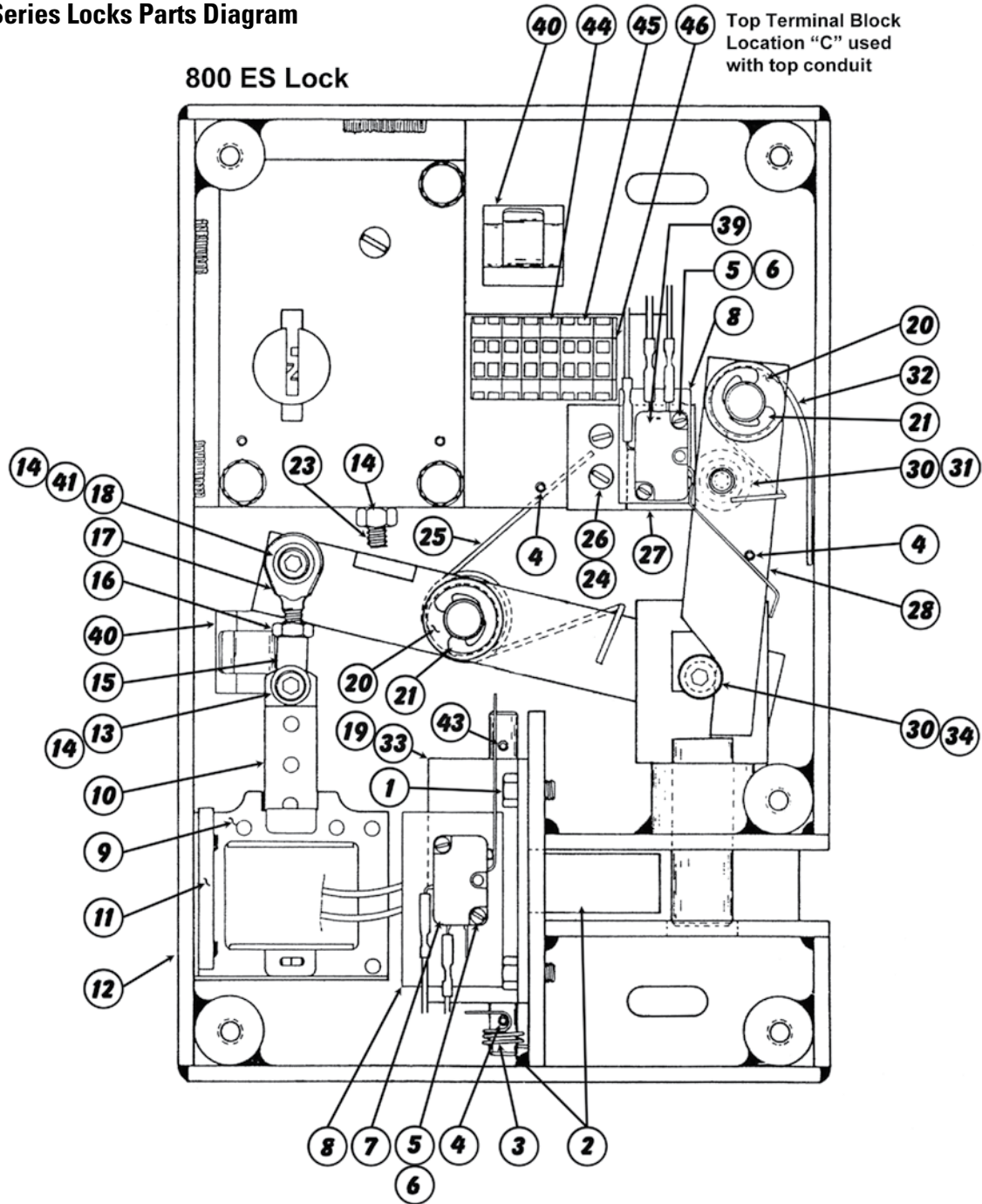
**125-4 Series Locks Parts Diagram
(continued)**



125-4 Series Lock (continued)

Item	Description	Right Hand	Left Hand
33	Trigger bolt assembly	073-0507-001	
33A	Washer	002-5801-011	
33B	Trigger bolt spring	003-0008-001	
33C	Trigger bolt rod end	008-2603-001	
33D	Trigger bolt rod	011-2602-001	
33E	Trigger bolt head	012-2615-001	
34	Knob lock link lever assembly	073-0509-001	
34A	Knob lock link lever spring	003-0011-001	
34B	Knob lock link lever	008-2605-001	
34C	RHMS # 12-24 x 1/4"	002-2100-540	
34D	# 12 External tooth washer	010-0098-600	
34E	Knob lock link lever pin holder	011-2606-001	
34F	Knob lock link lever pin	011-2607-001	
35	Finish plate US4	012-2612-001	
	Finish plate US32D	012-2612-006	
36	FHTS # 6-32 x 1/4" with Nyloc US4	002-0605-026	
	FHTS # 6-32 x 1/4" with Nyloc US26D	002-0605-029	
37	Strike plate US32D	008-2606-002	
38	Lock sleeve pin	011-2613-001	
39	Solenoid Lever Pin with Nyloc	011-2609-003	
40	Dust box	008-2602-002	
41	"C" switch (ASSW-104A)	010-0922-800	
42	PHPMS # 2-56 x 3/4"	002-2303-166	
43	"A" switch assembly	073-0510-001	
44	Switch spacer	012-2620-001	
45	Insulator	005-0715-001	
46	PHPMS # 2-56 x 3/8"	002-2303-133	
47	"B" switch assembly	073-0511-001	
*	A & B switch assembly (not shown)	073-0512-001	

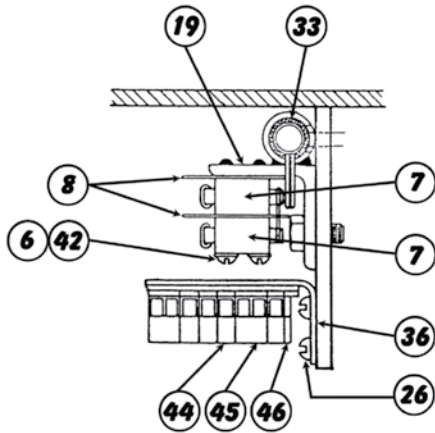
800ES-ER Series Locks Parts Diagram



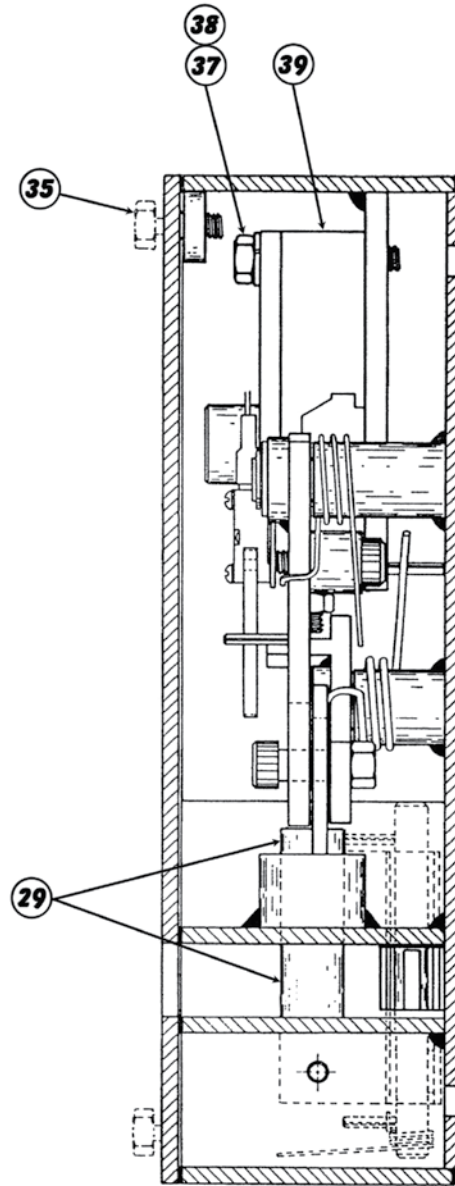
800ES-ER Series Lock

Item	Description	Right Hand	Left Hand
1	HHCS 1/4" h-28 x 3/8" h	002-2901-125	
2	Holdback paddle 800ES	074-1008-001	
	Holdback paddle 800ER	074-1502-001	
3	Holdback paddle spring 800ES	003-0218-001	003-0218-002
	Holdback paddle spring 800ER	003-0220-001	003-0220-002
4	Roll pin 1/8" h x 1" h	002-5301-033	
5	PHPMS 4-40 x 5/8" h	002-2303-210	

800ES-ER Series Locks Parts Diagram
(continued)



"LL" Switch and bottom terminal block used with bottom conduit.



800 ES Lock

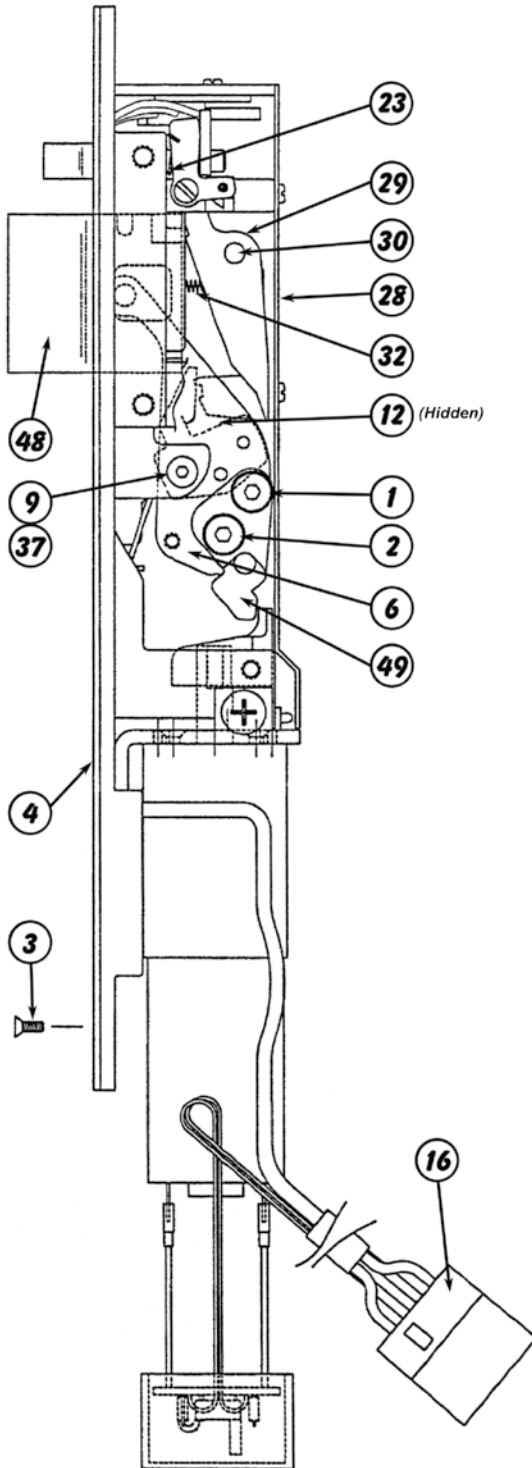
800ES-ER Series Lock (continued)

Item	Description	Right Hand	Left Hand
6	# 4 Lock washer	010-0204-300	
7	Switch with lever	005-2401-001	
8	Switch insulator	005-0712-001	
9	Solenoid assembly 115VAC	005-4125-001	
	Solenoid assembly 220VAC	005-4125-003	
10	Solenoid plunger	005-4125-002	
11	Solenoid retaining strap	012-4229-002	
11A	Solenoid retaining strap - GAL	012-4229-001	
12	# 10-24 x 1/2" FHSE	002-0001-216	
13	SHCS 1/4"-20 x 1-1/2"	002-2801-199	

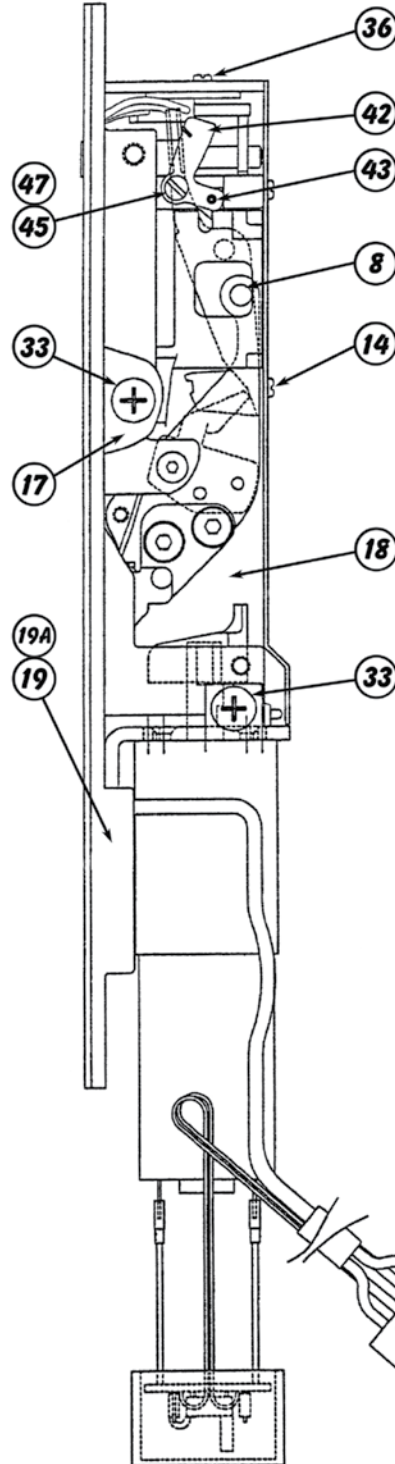
800ES-ER Series Lock (continued)

Item	Description	Right Hand	Left Hand
14	1/4"-20 Nut		002-6700-501
15	Solenoid link		012-3107-002
16	1/4"-28 Nut		002-6700-505
17	Rod end male		012-3109-001
18	SHCS 1/4"-20 x 1" with Nyloc		002-2801-305
19	Holdback paddle mounting		074-1012-001
20	1/2" cut washer		008-1300-001
21	Retaining ring		002-6302-002
22	Operating lever	074-1005-001	074-1005-002
23	Stud 1/4"-20 x 1-1/4"		002-5700-001
24	# 8 Lock washer		010-0123-100
25	Operating lever spring	003-0216-001	003-0216-002
26	PHPMS # 8-32 x 5/16"		002-2303-364
27	Switch mounting bracket		012-4222-001
28	Deadlocking lever	074-1007-001	074-1007-002
29	Lock bolt		074-1006-001
30	Soc. shoulder screw 1/4"-20 x 5/8"		002-3100-505
31	Bolt bumper		017-4200-001
32	Deadlock spring	003-0217-001	003-0217-002
33	3/8" x 1/2" x 3/8" Bearing		002-9001-004
34	5/16"-18 Nut		002-6700-001
35	FHSE 5/16"-18 x 5/8"		002-0001-504
36	Terminal strip mounting angle		012-4228-001
37	HHCS 5/16"-18 x 1-3/4"		002-2901-217
38	5/16" Lock washer		010-0195-000
39	Switch with lever		005-2401-001
40	Cord clip		010-0860-200
41	1/4" Flat washer		010-0020-000
42	PHPMS # 4-40 x 1-1/2"		002-2303-221
43	Roll pin 1/8" x 1-1/2"		002-5301-004
44	Terminal block 1-Pole		005-1804-001
45	Terminal block 2-Pole		005-1804-002
46	Terminal block end plate		005-1804-003

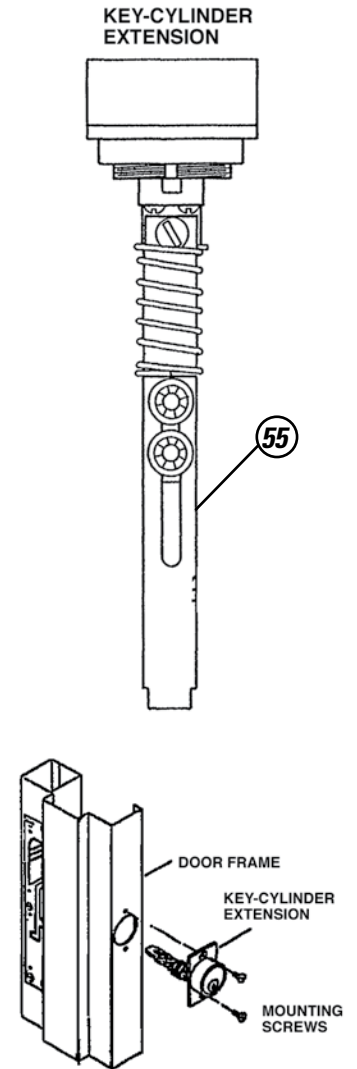
NS400M & MC Series Locks Parts Diagram



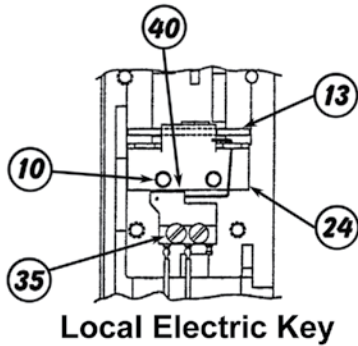
**Door Open
Lock Unlocked
All Views Shown With
Side Cover Removed**



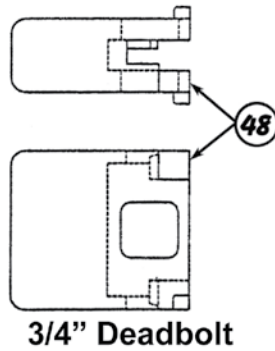
**Door Closed
Lock Unlocked
Lock in Latchback**



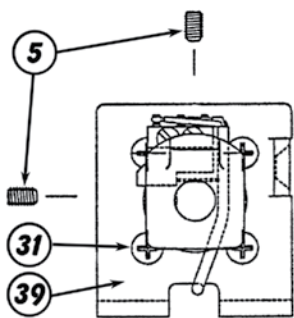
NS400M & MC Series Locks Parts Diagram
(continued)



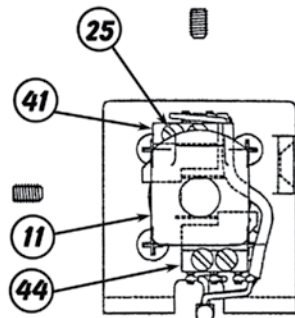
Local Electric Key



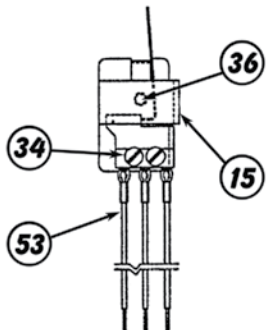
3/4" Deadbolt



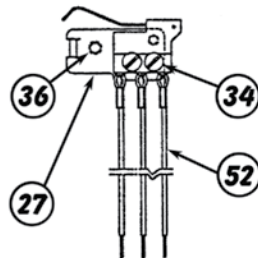
"M" Switch Assembly



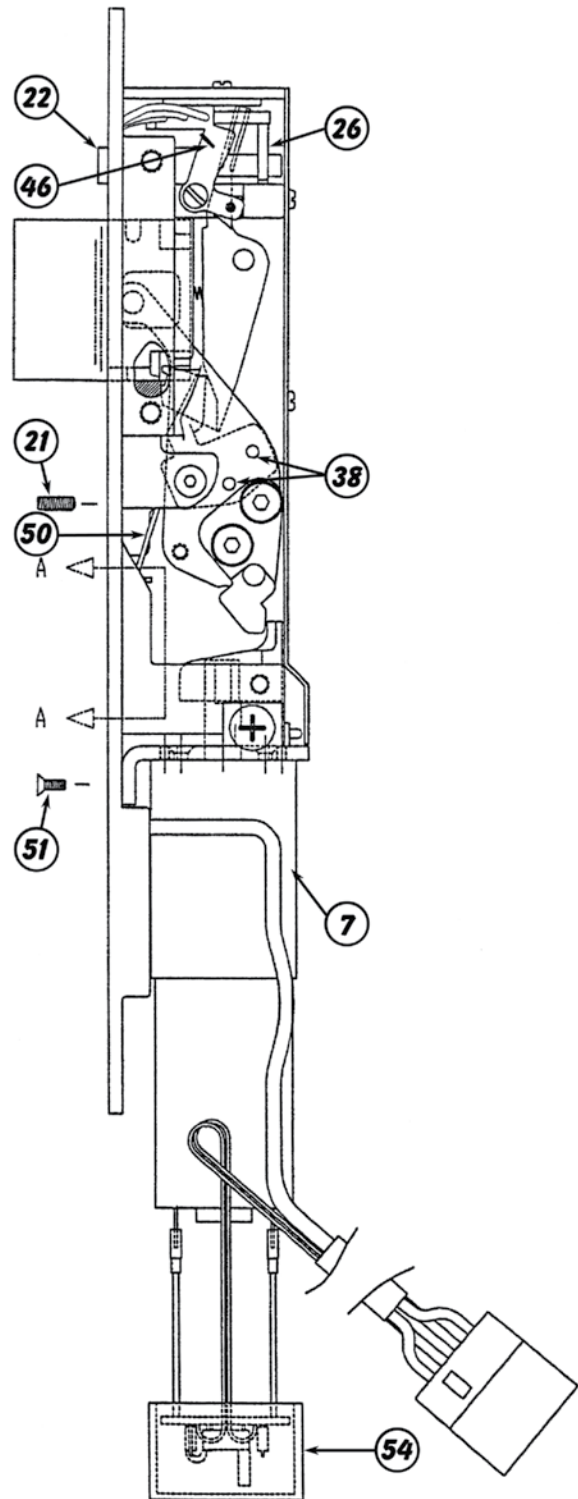
"MC" Switch Assembly



DPS/Holdback/Relock Switch Assembly



Deadlock Indication Switch Assembly



**Door Closed
Lock Deadlocked
(faceplate removed)**

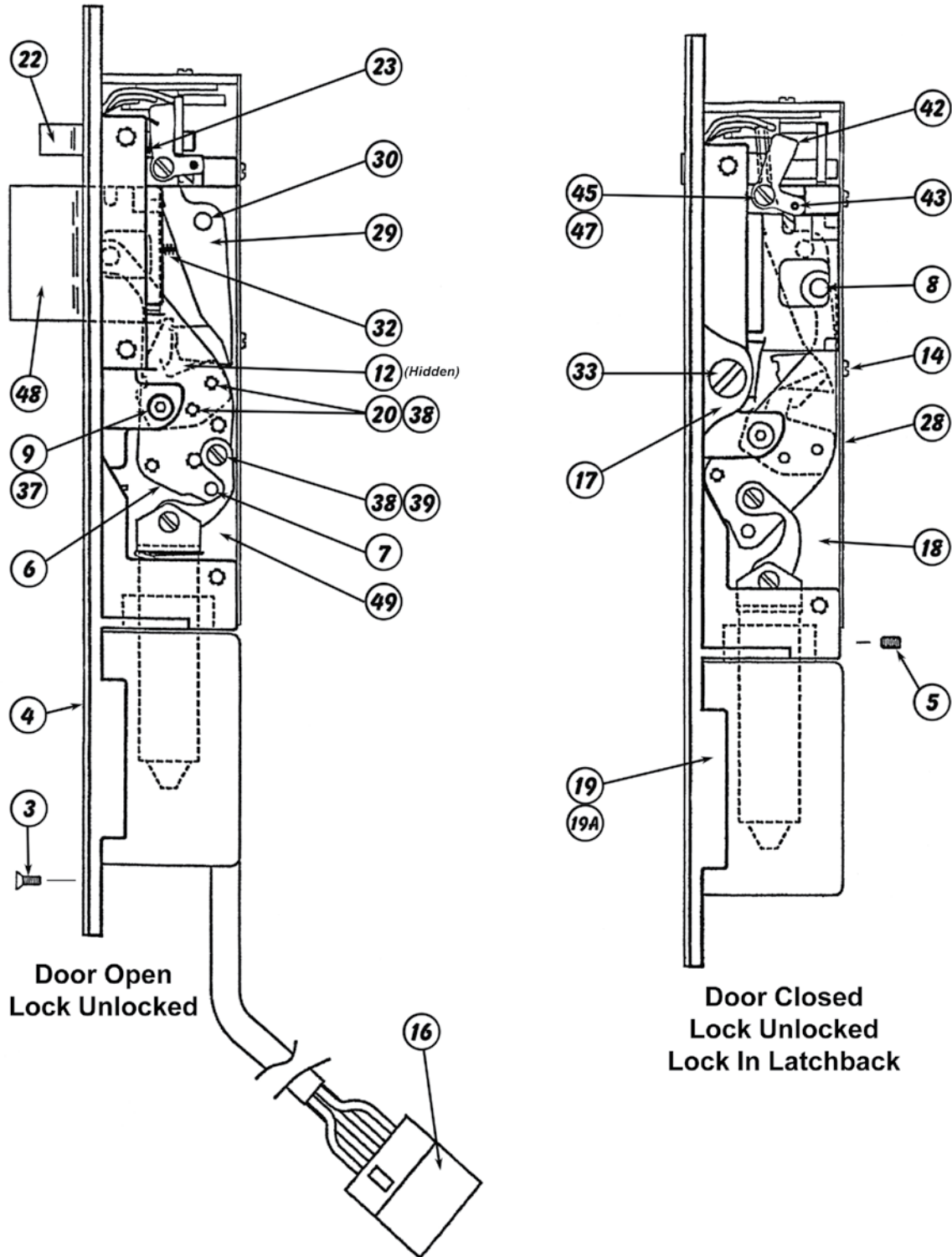
NS400M & MC Series Lock

Item	Description	Right Hand	Left Hand
1	FHSCS # 8-32 x 1/2" with Nyloc	002-2802-083	
2	FHSCS # 8-32 x 3/8" with Nyloc	002-2802-005	
3	FHTS # 6-32 x 1/4" with Nyloc US4	002-0605-026	
	FHTS # 6-32 x 1/4" with Nyloc US26D	002-0605-029	
4	Face plate US4	012-3505-001	
	Face plate US32D	012-3505-006	
5	SSSC # 10-32 x 1/4" with Nyloc	002-1200-212	
6	Operating lever	008-3512-003	
7	Motor 24VDC without brake	005-2610-001	
8	Bolt pin	002-5102-001	
9	SHCS # 8-32 x 7/16" with Nyloc	002-2801-418	
10	FHPMS # 4-40 x 3/16"	002-2301-387	
11	Motor cam	012-3565-001	
12	Deadlock release	013-3512-002	
13	Switch tripper – LEK	003-0805-001	
14	BDPMS # 4-40 x 3/16" (3 per)	002-2404-102	
14A	BDMS # 4-40 x 1/8" (1 per)	002-2401-101	
15	Switch mounting bracket – Bolt	008-3510-003	
16	Connector plug – 12 Pin	005-1705-005	
17	Side cover	012-3503-002	
18	Case frame	012-3558-002	
19	Armor backplate	012-3566-001	
19A	Armor backplate – NLB	012-3566-002	
20	# 6 external tooth lock washer	010-1707-600	
21	SSSC # 6-32 x 5/16"	002-1200-065	
22	Trigger bolt assembly	075-3595-002	
23	Spring – trigger bolt	003-0003-002	
24	Switch mounting bracket – LEK	008-3546-002	
25	PHPMS # 2-56 x 5/16"	002-2303-001	
26	Trigger bolt tail	008-3540-002	
27	Switch mounting bracket – Case	008-3515-001	
28	Rear cover	008-3545-002	
29	Deadlock lever	012-3502-002	
30	Deadlock shoulder screw with Nyloc	011-3502-002	
31	PHPMS M3 x 0.5 x 6MM	002-2900-001	
32	Deadlock lever spring	003-0104-001	
33	FHPMS # 10-32 x 1/4"	002-2301-567	
34	BDPMS # 2-56 x 1/4"	002-2404-052	
35	FHPMS # 2-56 x 5/16"	002-2301-349	
36	BDPMS # 4-40 x 3/16"	002-2404-102	

NS400M & MC Series Lock (continued)

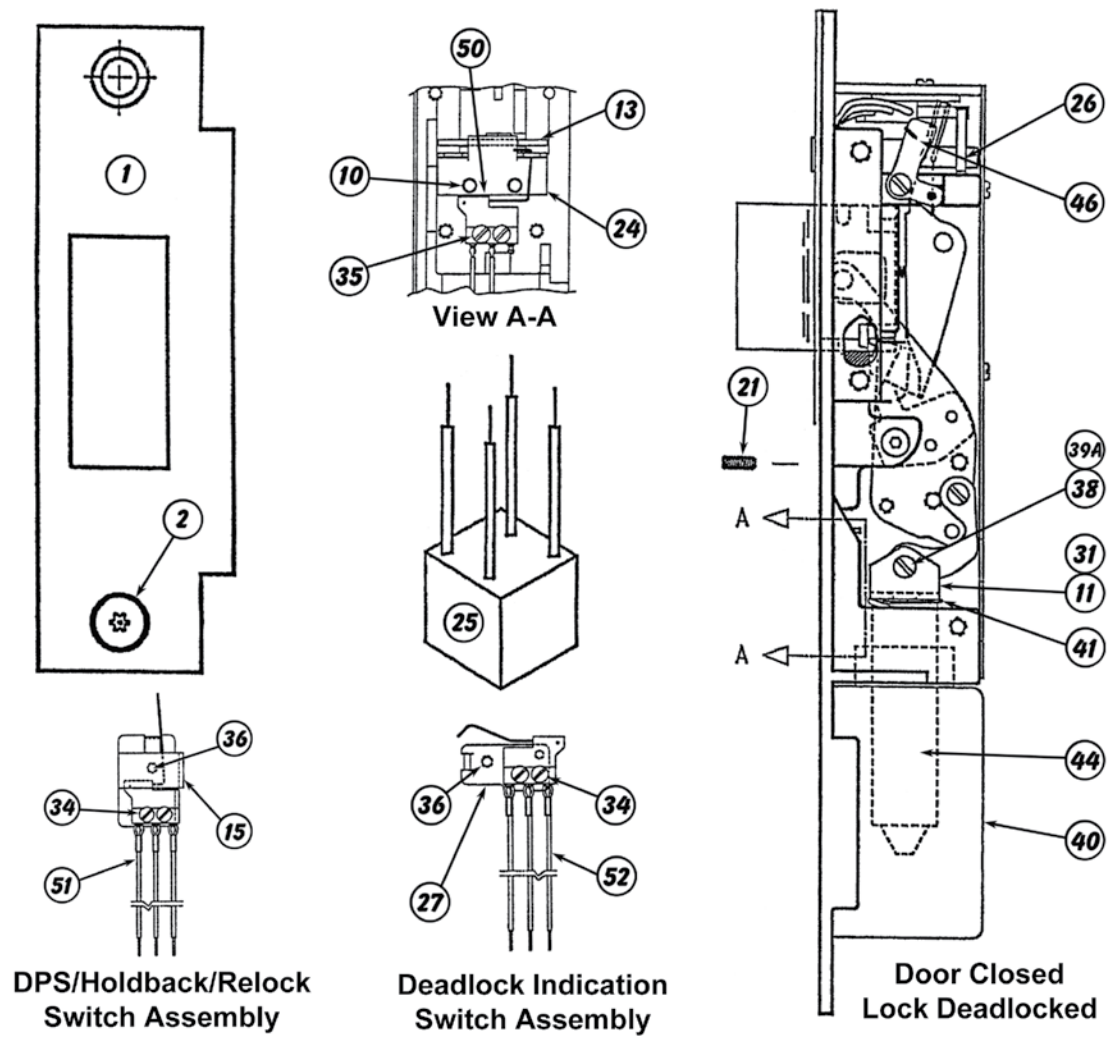
Item	Description	Right Hand	Left Hand
37	Pivot bushing – Operating lever	011-3511-001	
38	PHPMS # 6-32 x 1/4" with Nyloc	002-2303-164	
39	Motor mounting bracket	008-3900-002	
40	LEK switch – NFS	075-3613-001	
41	"M" motor switch	075-3629-001	
42	Latchback lever	008-3539-001	
43	Latchback catch with roll pin	075-3609-001	
44	"MC" motor switch	075-3628-001	
45	Spacer – Latchback	011-3513-001	
46	Latchback lever spring	003-0232-001	
47	PHPMS # 4-40 x 5/16" with Nyloc	002-2303-204	
48	Latchbolt finished – Latch Back	013-3503-002	
48A	Deadbolt finished	075-3524-002	
49	Motor push block	013-3509-002	
50	Operating lever spring	003-0230-001	
51	FHPMS 6-32 x 1/4"	002-2301-450	
52	Indication switch	075-3612-002	
53	DPS/Holdback/Relock switch	075-3611-002	
54	DC motor brake – Potted	005-0916-002	
55	NS-400 Cylinder Extension	(specify cylinder manufacturer)	
Not Shown			
	Strike US32D	008-3542-002	
	FHTS # 12-24 x 1/2" (strike screws)	002-0605-327	

NS400E & EFS Series Locks Parts Diagram



All Views Shown with Side Cover Removed

NS400E & EFS Series Locks Parts Diagram
(continued)



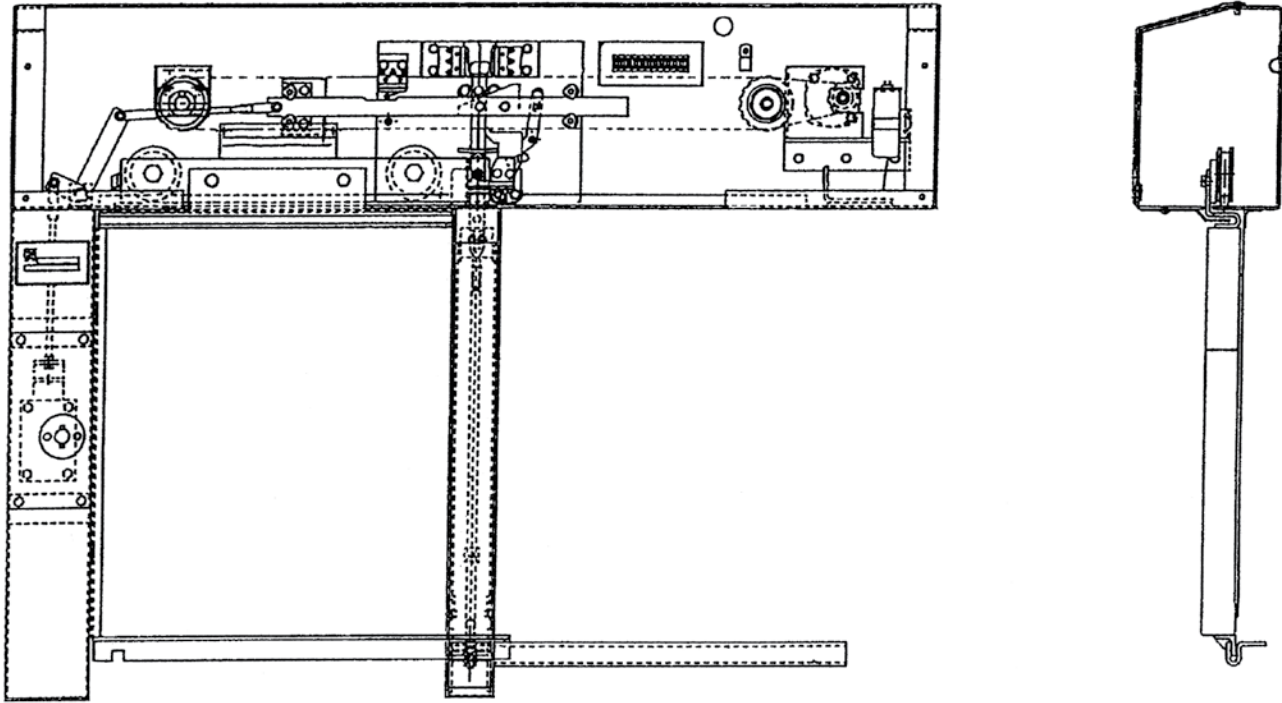
NS400E & EFS Series Lock

Item	Description	Right Hand	Left Hand
1	Strike US32D	008-3542-002	
2	FHTS # 12-24 x 1/2"	002-0605-327	
3	FHTS # 6-32 x 1/4" with Nyloc US4	002-0605-026	
	FHTS # 6-32 x 1/4" with Nyloc US26D	002-0605-029	
4	Face plate US4	012-3505-001	
	Face plate US32D	012-3505-006	
5	SSSC # 10-32 x 1/4" with Nyloc	002-1200-212	
6	Operating lever	008-3512-003	
7	Manual release pin with Nyloc	011-3510-002	
8	Bolt pin	002-5102-001	
9	SHCS # 8-32 x 7/16" with Nyloc	002-2801-418	
10	FHPMS # 4-40 x 3/16"	002-2301-387	
11	Solenoid plunger mounting angle	008-3534-001	
12	Deadlock release	008-3535-001	

NS400E & EFS Series Lock (continued)

Item	Description	Right Hand	Left Hand
13	Switch tripper – LEK	003-0805-001	
14	BDPMS # 4-40 x 3/16" (3 per)	002-2404-102	
15	Switch mounting bracket – bolt	008-3510-003	
16	Connector plug – 12 Pin	005-1705-005	
17	Side cover	012-3503-002	
18	Case frame	012-3558-002	
19	Armor backplate	012-3559-002	
19A	Armor backplate – NLB (EFS)	012-3559-003	
20	# 6 external tooth lock washer	010-1707-600	
21	SSSC # 6-32 x 5/16"	002-1200-065	
22	Trigger bolt assembly	075-3595-002	
23	Spring – trigger bolt	003-0003-002	
24	Switch mounting bracket – LEK	008-3546-002	
25	Rectifier	076-0710-004	
26	Trigger bolt tail	008-3540-002	
27	Switch mounting bracket – case	008-3515-001	
28	Rear cover	008-3507-004	
29	Deadlock lever	012-3502-002	
30	Deadlock shoulder screw with Nyloc	011-3502-002	
31	FHPMS # 8-32 x 3/8" with Nyloc	002-2301-067	
32	Deadlock lever spring	003-0104-001	
33	FHPMS # 10-32 x 1/4"	002-2301-567	
34	BDPMS # 2-56 x 1/4"	002-2404-052	
35	FHPMS # 2-56 x 5/16"	002-2301-349	
36	BDPMS # 4-40 x 3/16"	002-2404-102	
37	Pivot bushing – Operating lever	011-3511-001	
38	PHPMS # 6-32 x 1/4" with Nyloc	002-2303-164	
39	Pivot bushing .100	011-3503-001	
39A	Pivot bushing .70	011-3503-002	
40	Solenoid 24VDC	005-4010-002	
41	Spring – Solenoid plunger	003-0023-001	
	Spring – Solenoid plunger NFS	003-0023-002	
42	Latchback lever	008-3539-001	
43	Latchback catch with roll pin	075-3609-001	
44	Solenoid plunger	005-4126-003	
45	Spacer – latchback	011-3513-001	
46	Latchback lever spring	003-0232-001	
47	PHPMS # 4-40 x 5/16" with Nyloc	002-2303-204	
48	Latchback finished – LB	075-3540-002	
49	Connecting link – NFS	008-3513-006	
	Connecting link – FS	008-3514-004	
50	LEK switch – NFS	075-3613-001	
	LEK switch – FS	075-3613-002	
51	DPS/Holdback/Relock switch	075-3611-002	
52	Indication switch	075-3612-002	
	Power Modulator	005-7505-002	

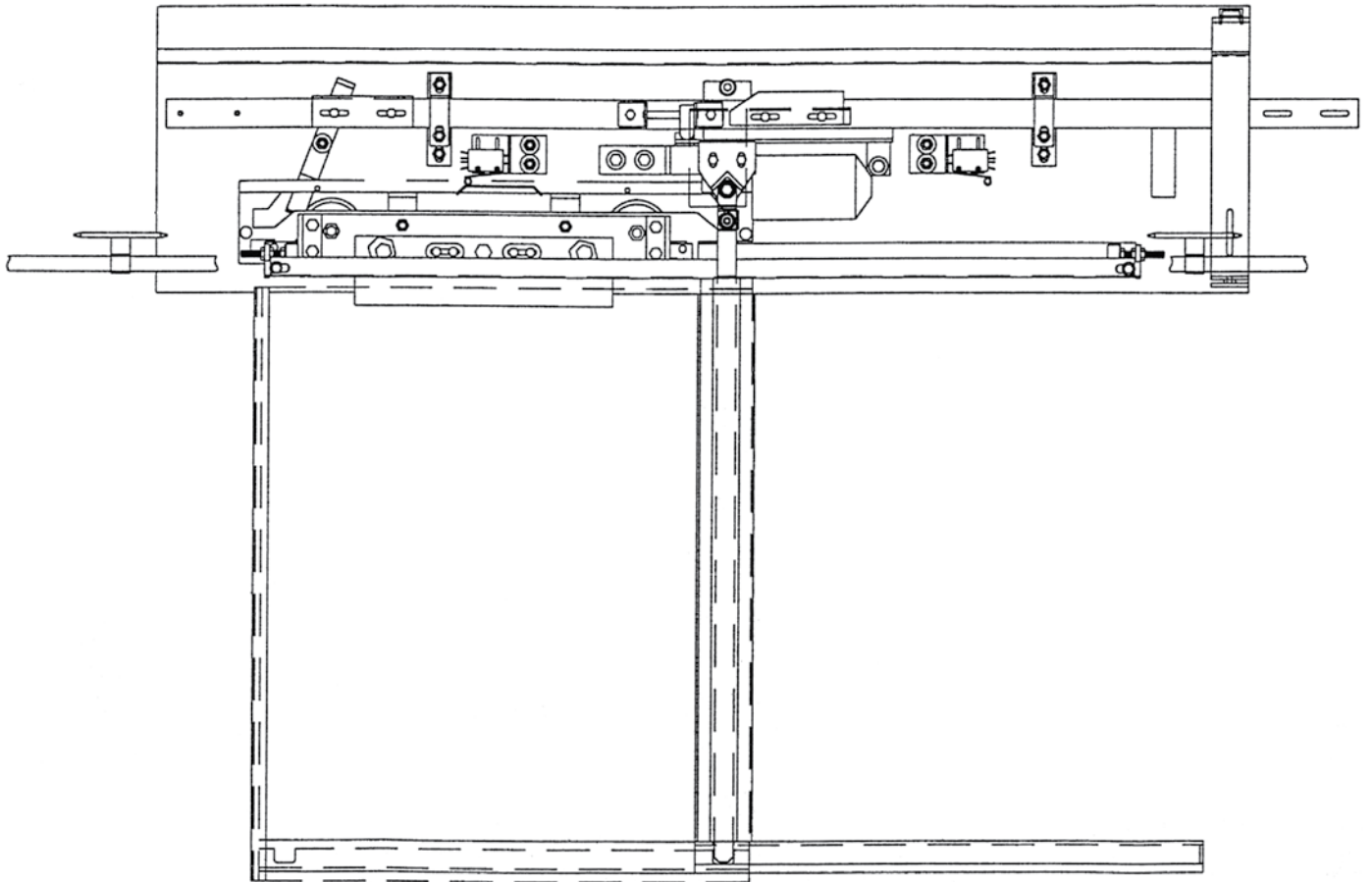
D2B & D5B Operator Parts Diagram



D5B Operator Parts

Description	Part Number
Gearmotor 1/10 HP	005-2619-002
Capacitor 17.5 MFD	005-0315-001
Micro switch BZ-2RW822-P4	005-2423-001
Micro switch BZ-2RW863-A2	005-2424-001
Door roller with bearing	010-0512-100
Deadlock spring RH	010-0519-000
Deadlock spring LH	010-0519-100
Deadlock actuator RH	010-0513-800
Deadlock actuator LH	010-0514-000
Travel bar spacer	011-8068-001
Fiber washer	010-0511-800
Motor drive assembly RH	010-0519-700
Motor drive assembly LH	010-0519-800
Shaft & torque limiter assembly	010-0522-100
Lock head assembly	010-0514-900
Lock head assembly with master bar	010-0580-600
Lock head roller	010-0515-800
Lock head roller stud	010-0516-400

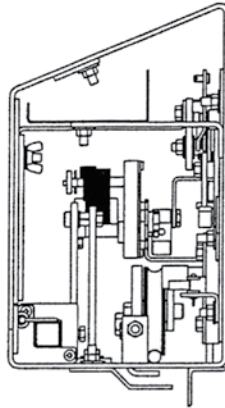
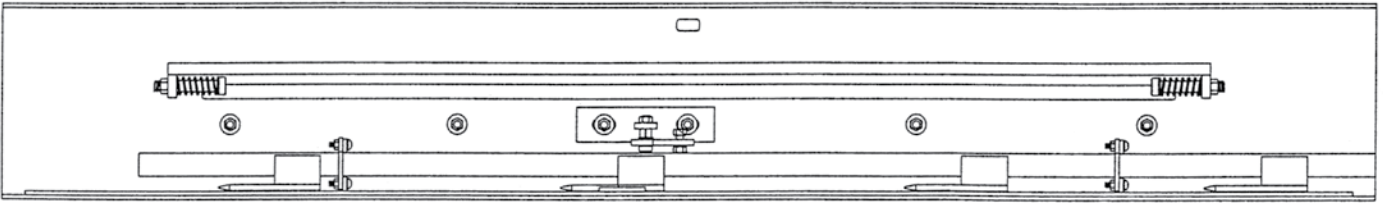
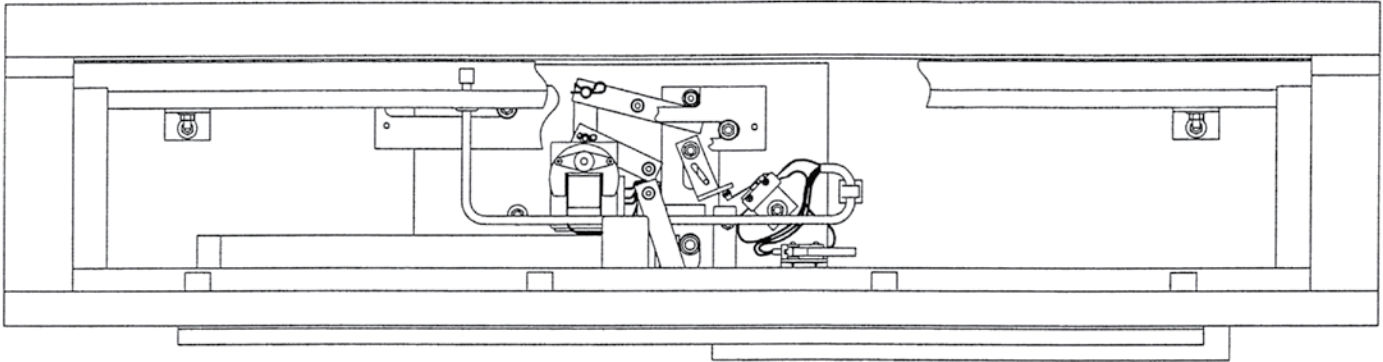
3B.2 Operator Parts Diagram



3B.2 Operator Parts

Description	Part Number
Door roller T-247-0BB	010-0621-700
Bronze washer BW-1	IEM101
Bronze washer BW-2	IEM102
Switch Unimax DAW roller type	IEM47
Bearing – Killian D2269DS	IEM49
Motor 1/20th HP LH RHN-LHR	IEM51
Motor 1/20th HP RH LHN-RHR	IEM127
Spur gear 15T 1/2" bore	IEM64
Front latch assembly – Left Side	IEM65
Front latch assembly – Right Side	IEM66

KR.3 Operator Parts Diagram

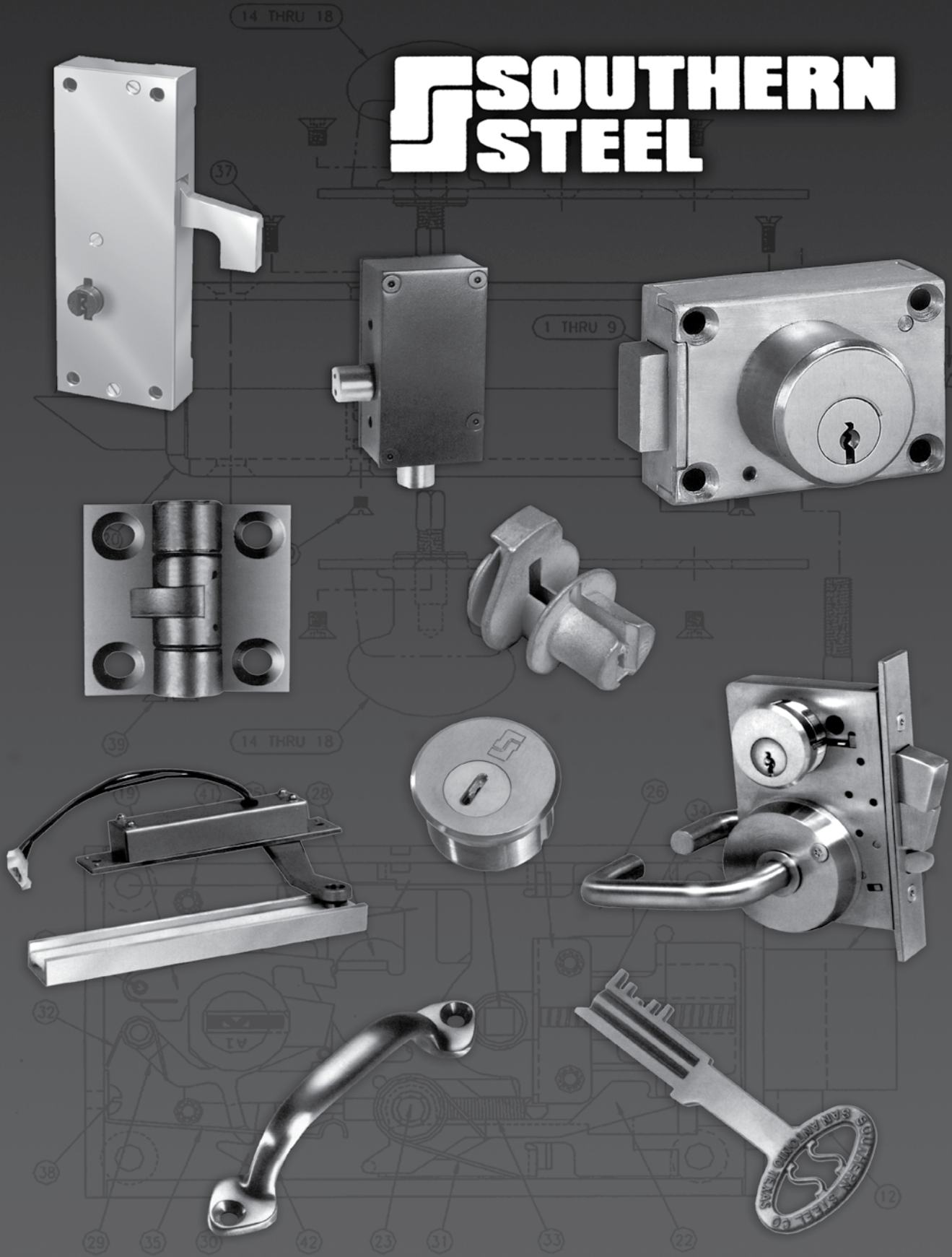


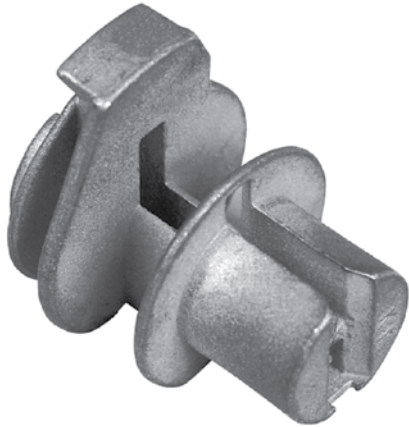
KR.3 Operator Parts

Description	Part Number
Gearmotor 115VAC	005-2600-003
Gearmotor 24VDC	005-2608-002
Door Position Switch E13-50H	005-2446-002
Deadlock/Open Limit Switch	005-2445-001
Motor Switch E62-30K	005-2437-002
Round Groove Door Roller	006-1400-001



SOUTHERN STEEL





Paracentric Cylinders

Southern Steel manufactures a complete line of high-quality, detention-type locks using paracentric lever tumbler cylinders. The cylinders are cast bronze and are operated by paracentric key. Master keying is not available for locks with paracentric cylinders.

See Chart on Page 85

Single..... Specify Keyway

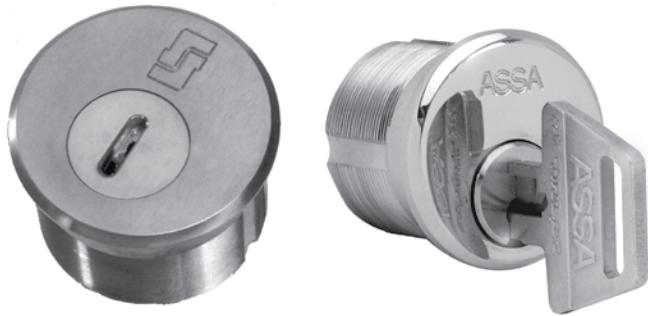
Double Specify Keyway



Paracentric Keys

Southern Steel

Specify Keyway



Mogul Cylinders

Many of our locks are equipped with a "mogul-type" cylinder. This rugged cylinder is approximately twice the size of a standard "builder's hardware" cylinder. The mogul cylinder has six-pins with side bar operation. Six tumbler cylinders provide higher security than standard five tumbler cylinder with more combinations available. All cylinders operate under a single master key, including security builders cylinder, if desired.

NOTE: Master keying available.

M..... Old Style

ASSA..... Specify Keyway



Mogul Keys

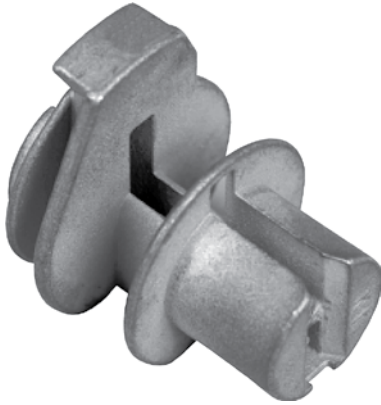
Southern Steel

M..... Old Style

ASSA..... Specify Keyway

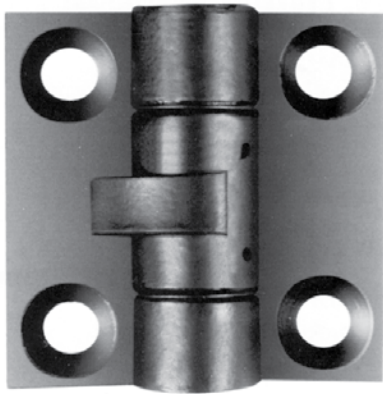
Replacement Key Cylinder Lever Tumbler Locks

To order cylinder, specify lock model number and grooving series.

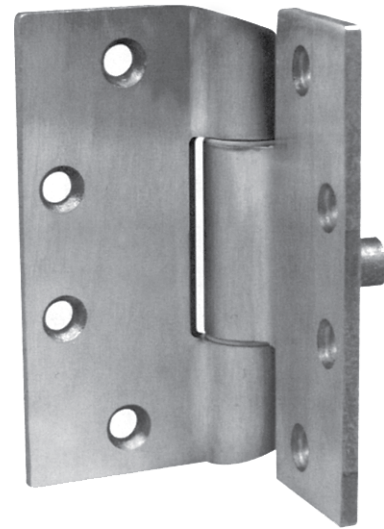


Keyway		Keyed 1 Side	Keyed 2 Sides
1010, 1070 & 1080 Series			
A	RH	96960019	96960021
	LH	96960020	
A1	RH	96960200	96960202
	LH	96960201	
B	RH	96960029	96960031
	LH	96960030	
C	RH	96960150	96960152
	LH	96960151	
D	RH	96960012	96960013a
	LH	96960014	
E	RH	96960153	96960155
	LH	96960154	
F	RH	96960035	96960036
	LH	96960034	
G	RH	96960040	96960041
	LH	96960039	
K	RH	96960162	96960164
	LH	96960163	
L	RH	96960165	96960167
	LH	96960166	

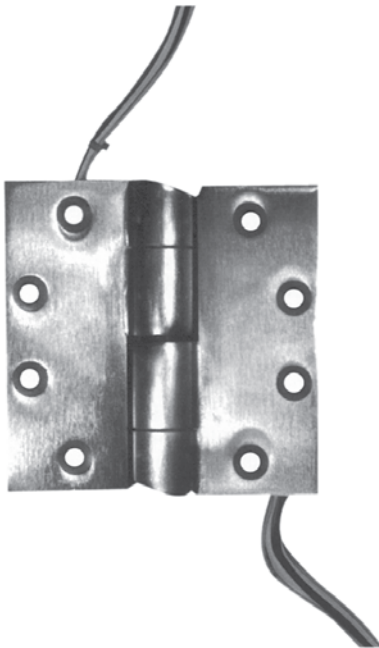
Keyway		Keyed 1 Side	Keyed 2 Sides
1015, 1017 Series			
A	RH	76761520	
	LH	76761512	
A1	RH	96960200	
	LH	96960201	
B	RH	76761530	
	LH	76761531	
C	RH	76761547	
D	RH	76761537	
	LH	76761538	
E		76761548	
F	RH	76761540	
	LH	76761541	
G	RH	76761543	
	LH	76761544	
K		76761549	
L		76761550	
1060, 1060K Series			
A	RH	76760641	76760645
	LH	76760643	
A1	RH	96960200	96960202
	LH	96960201	
B	RH	76760642	
	LH	76760644	
C		76760635	76760636
D	RH	76760633	76760634
	LH	76760632	
E		76760639	76760651
F	RH	76760638	76760647
	LH	76760637	
G	RH	76760649	76760650
	LH	76760648	
K		76760652	76760654

**Food Pass Hinge**

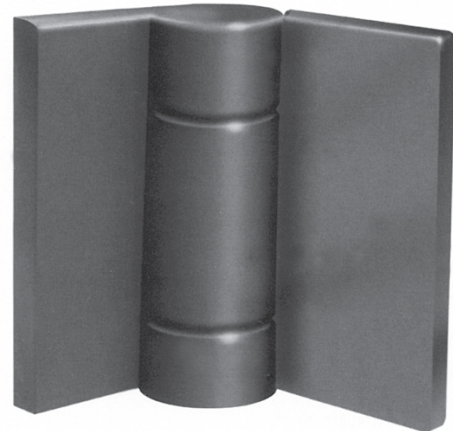
For use on food passes, observation shutters and other small swinging doors where a medium duty hinge is required. Available with solid leaves for welded application or pre-drilled for fasteners. The 203FP is a version of the 203FS with a built-in stop to hold the food pass door in a horizontal position for use as a shelf.

SS-203FP**Full Mortise Hinge**

For swinging hollow metal doors. Each hinge features cast stainless steel leaves with integral security stud and non-removable stainless steel pin. Security fasteners are provided with each unit.

SS-204FMSS**Electric Power Transfer Hinge**

Designed to supply power from door frames to electric locks on hollow metal doors, the 204E Power Transfer Hinge contains five completely concealed and tamperproof Teflon-coated conductors. Available in full mortise configuration only to be used with 204FM institutional hinges. This is not a load-bearing hinge.

SS-204E**Heavy Duty Hinge**

Swinging doors at cells, corridors, plumbing chases or other locations where a higher degree of security is required. Available in full surface, half surface or gap type configurations. Since these hinges are usually welded, standard hinges are provided without attachment holes.

These hinges are drop forged of mild steel and feature heavy-duty thrust bearings, completely concealed and protected from tampering. Extremely strong and durable, one pair will support a standard plate door measuring 2'4" x 10" and weighing 250 pounds. Larger or heavier doors require a third hinge.

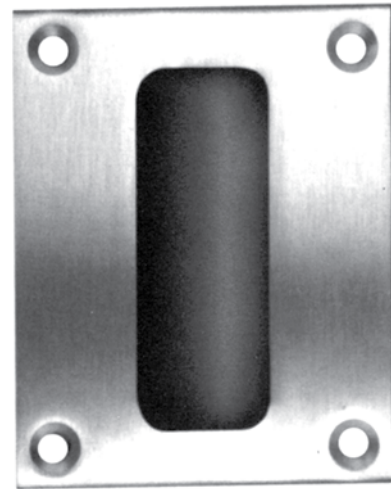
SS-205



Raised Door Pull

Economical, attractive, general purpose door pulls designed for ease of operation on heavy doors and/or heavy traffic areas. Provided with security fasteners.

SS-212C



Recessed Door Pull

The 214 is of adequate size for easily manipulating large, heavy doors. Often used on inmate side of doors. Provided with security fasteners.

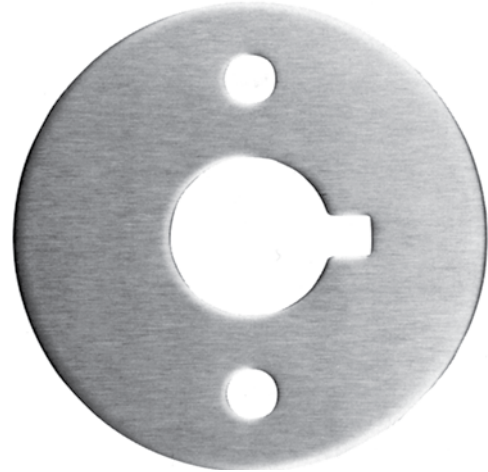
SS-214S



Knob Pull

An attractive, brass knob pull for light traffic areas where a fixed knob is required. Provided with security fasteners.

SS-215C



Escutcheon

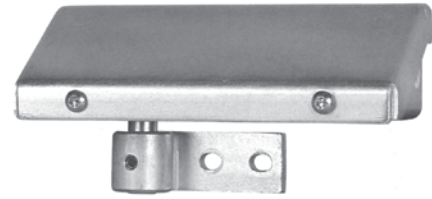
The 218 Escutcheon is used to provide a close fit between a paracentric cylinder and the keyhole. It also serves to protect the finish around the keyhole from chipping. The one-way escutcheon prevents the key from being extracted from the cylinder while lock is in the unlocked condition. Provided with security fasteners.

SS-218-1 One Way

SS-218-2 Two Way

Cylinder Shield

The 219 Cylinder Shield mounts over the paracentric cylinder on exterior doors to protect the keyhole from dirt, snow and other foreign elements. Provided with security fasteners.

**SS-219****Door Position Switch**

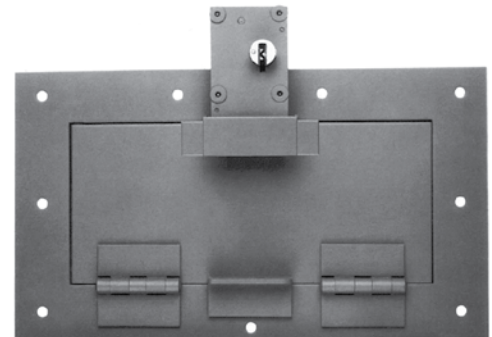
The 219 Cylinder Shield mounts over the paracentric cylinder on exterior doors to protect the keyhole from dirt, snow and other foreign elements. Provided with security fasteners.

SS-220A**Magnetic Switch**

The 200MRS is used where a built-in door indicator switch is desired. This tamper-proof unit is mortised into the door frame. An actuating magnet is recessed into the door edge. Provided with security fasteners.

SS-215C**Food Pass**

For use in hollow metal or plate doors and walls. Opening area measures 5" H x 1' 3-1/4" W. Built-in stop positions the food pass door as a shelf when open. Key operated springlock provides positive security and prevents unauthorized use.

SS-262**Test Units**

The SS2000 Test Unit is a sturdy, portable tester for use by facility maintenance and detention equipment contractors. It is an excellent tool for preventive maintenance checks with easy-to-read indicator lights. The unit will operate virtually all models of Southern Steel electric and pneumatic locks and sliding door locking systems.

**SS-2000****Concealed Position Switch**

The 240CPS is used where a built-in door indicator switch is desired. This tamper proof unit is mortised into the door and frame. Indicator switch is mechanically activated when the door is moved from the closed position. A switch adjustment is provided to allow for varying field conditions. Provided with security fasteners.

SS-240CPS

Head or Foot Bolt

For the inactive leaf of pairs of swinging hollow metal, grating or steel plate doors.

Actuated by means of a "spanner" type key which extends the bolt into appropriate receptacle in the floor or jamb head. A special foot bolt receptacle is available for floor installations.



SS-10105

Foot Bolt Receptacle



SS-10105R

Key



SS-10105K

Pistol Locker

Each compartment of the Model 605 tilts out for access on a continuous hinge. Construction is 7 to 10 gauge steel. Compartments are 6" H x 1' 1-1/2" W x 4-1/2" D, bottom-lined with moth-proofed felt and locked with an individual keyed snaplock. Master keying is available by special order. Can be surfaced mounted or built in. Indicate type of mounting required. Prime painted.



SS-605

Specify:

- 605-3: 3-compartment**
- 605-6: 6-compartment**
- 605-9: 9-compartment**
- 605-12: 12-compartment**



**Security One-Piece
Safety Mirrors**

Stainless steel face plate is polished to a mirror finish which approximates that of glass. One piece formed mirror and frame mount directly to wall. Mirrors are designed to accept 1/4-20 flathead security fasteners.

SS-432



Key Cabinets

Model 622, which accommodates 60 keys in steel slots welded to the inside back of the cabinet. Capacity is increased to 180 keys by adding a hinged interior panel with key slots on both sides (Model 623).

SS-622

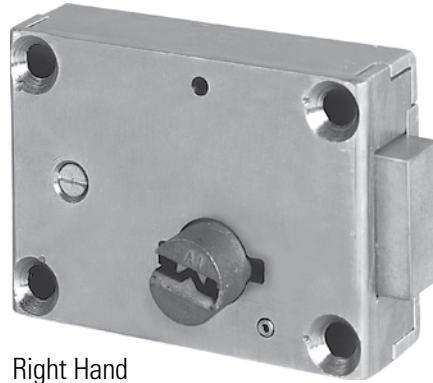
Series 1010 Old Style Deadlocks

Series 1010 Old Style Deadlocks are lever tumbler, mechanical locks designed for use on small swinging doors such as access panels, plumbing spaces, electric panels, or hatches which are infrequently used. They are not intended for use on cell doors.

SS-1010-1 Keyed One Side

SS-1010-2 Keyed Two Sides

To order parts see page 103

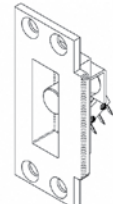


Right Hand Shown

Keepers not included with lock, must be ordered separately.



4C



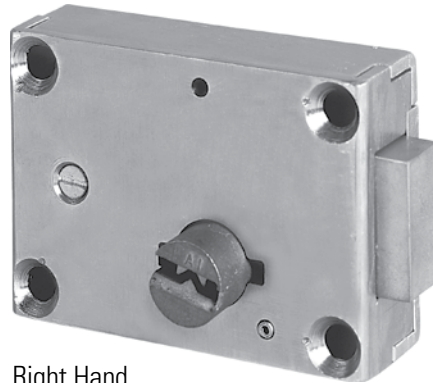
4CL

Series 1010A New Style Deadlocks are lever tumbler, mechanical locks designed for use on small swinging doors such as access panels, plumbing spaces, electric panels, or hatches which are infrequently used. They are not intended for use on cell doors.

SS-1010A-1..... Keyed One Side

SS-1010A-2..... Keyed Two Sides

To order parts see page 104

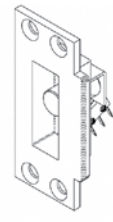


Right Hand Shown

Keepers not included with lock, must be ordered separately.



4C

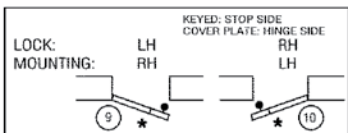
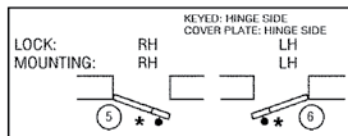
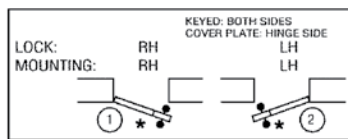


4CL

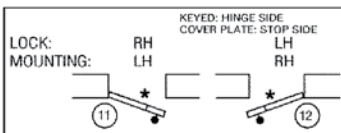
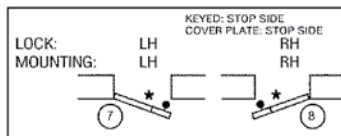
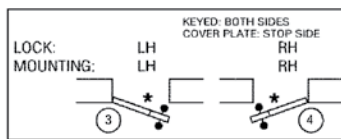
Handing for SS-1010 & SS-1010A Series Mechanical Deadlocks

Swing Chart: Specify circled swing number when ordering.

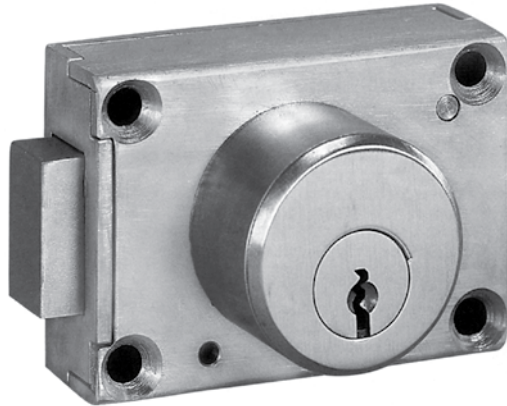
Mounting Plate Hinge Side



Mounting Plate Stop Side



* Indicates lock mounting/access plate side.



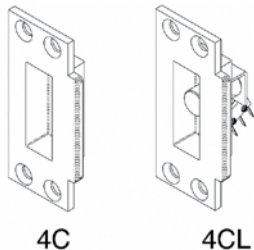
Left Hand Shown

Series 1010AM
Deadbolts with Mogul Cylinders

Series 1010AM Deadlocks are mogul cylinder, mechanical locks designed for use on small swinging doors such as access panels, plumbing spaces, electric panels, or hatches which are infrequently used. They are not intended for use on cell doors.

SS-1010AM-1..... with Mogul Cylinder

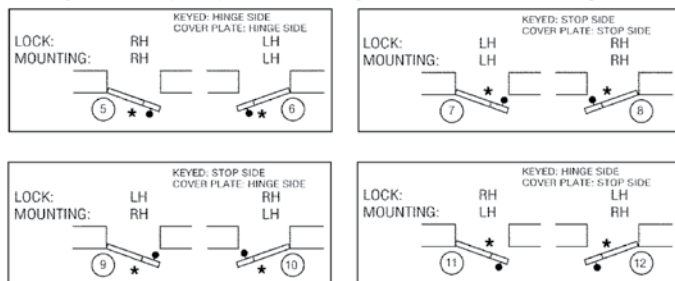
To order parts see page 105



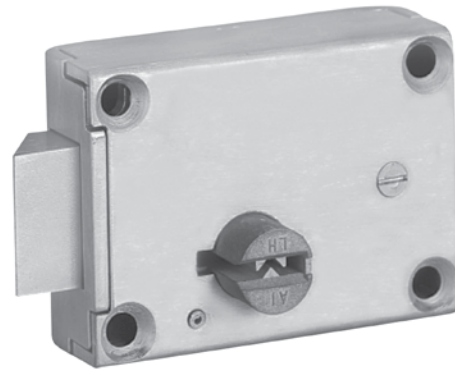
Keepers not included with lock, must be ordered separately.

Handing for SS-1010AM

Swing Chart: Specify circled swing number when ordering.



* Indicates lock mounting/access plate side.



SS-1017A
Left Hand Shown



SS-1017AM
Left Hand Shown

Series 1017 Snaplatches

Series 1017 Snaplatches are lever tumbler, mechanical locks designed for use on small swinging doors such as for food passes, observation shutters and other small swinging doors where snaplatching is desired. Key activated unlatching. Snaplatches upon closing. They are not intended for use on cell doors.

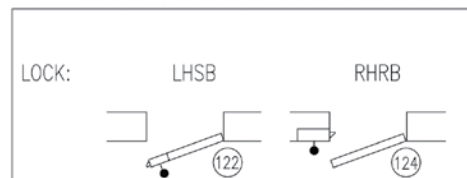
SS-1017A..... Food Pass Lock Paracentric

To order parts see page 107

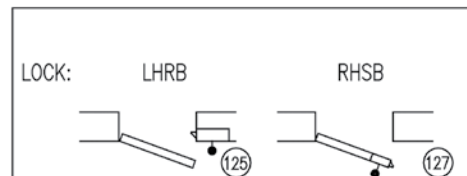
SS-1010AM .. Food Pass Lock Mogul Cylinder

To order parts see page 108

Handing for SS-1017A



Handing for SS-1017AM





Left Hand Shown

Series 1030A Automatic Deadlocks

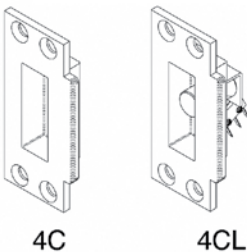
Series 1030A Deadlocks are door mounted for sliding doors. Maximum security sliding doors at holding cells, medium-to-low traffic corridors and cutoff doors. Sliding door normally requires a Model 1300 Track Set.

Key activated unlocking. Hook bolt snaplocks upon closing. Final 3/8" of door travel pushes plunger pin against door jamb and deadlocks bolt.

SS-1030A-1.....Keyed One Side

SS-1030A-2..... Keyed Both Sides

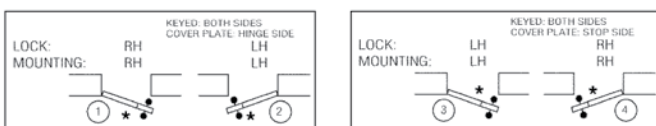
To order parts see page 110



Keepers not included with lock, must be ordered separately.

Handing for SS-1030A

Swing Chart: Specify circled swing number when ordering.



* Indicates lock mounting/access plate side.



Right Hand Shown

Series 1030AD Deadlocks

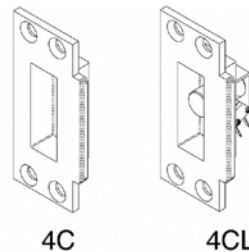
Series 1030A Deadlocks are door mounted for sliding doors. Maximum security sliding doors at holding cells, low traffic corridors and cutoff doors. Sliding door normally requires a Model 1300 Track Set.

Key activated locking and unlocking of hook bolt. Does not snaplock upon closing.

SS-1030AD-1.....Keyed One Side

SS-1030AD-2..... Keyed Both Sides

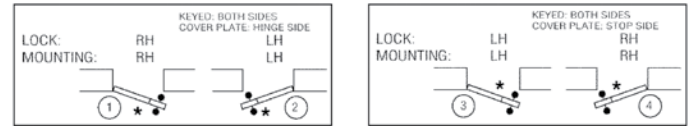
To order parts see page 112



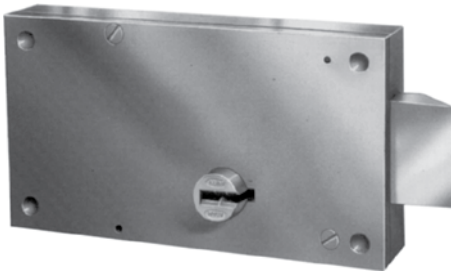
Keepers not included with lock, must be ordered separately.

Handing for SS-1030AD

Swing Chart: Specify circled swing number when ordering.



* Indicates lock mounting/access plate side.



Right Hand Shown

Series 1060A Combination Spring and Deadlocks

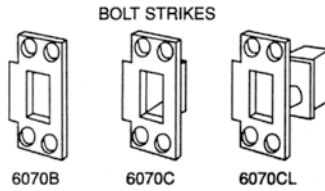
Series 1010AM Deadlocks are door mounted for swinging doors. For high Security swinging doors where slamlocking is desired. Use in low traffic passage doors and holding cells where snaplocking is desired.

Key activated unlocking by half turn. Automatically snaplocks upon closing. Full turn of the key in the opposite direction deadlocks the latchbolt.

SS-1060A-1..... Keyed One Side

SS-1060A-2..... Keyed Both Sides

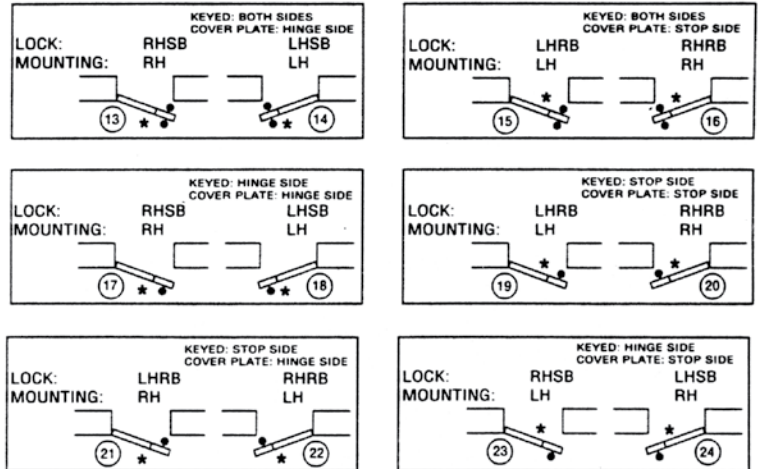
To order parts see page 113



Bolt Strikes not included with lock, must be ordered separately.

Handing for SS-1060A

Swing Chart: Specify circled swing number when ordering.



* Indicates lock mounting/access plate side.



Right Hand Shown

Series 1060AK Combination Spring and Deadlocks

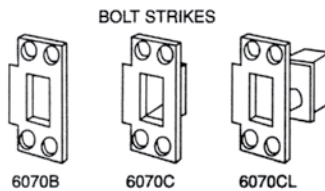
Series 1060AK Deadlocks are for swinging doors where slamlocking is desired along with the convenience of knob operation in areas where manual deadlocking with a key is desired.

Key activated unlocking by halfturn. Automatically snaplocks upon closing. Full turn of the key in the opposite direction deadlocks the latchbolt. Knob also retracts the latchbolt except when deadlocked. One side or two side knob operation.

SS-1060AK-1..... Keyed One Side

SS-1060AK-2..... Keyed Both Sides

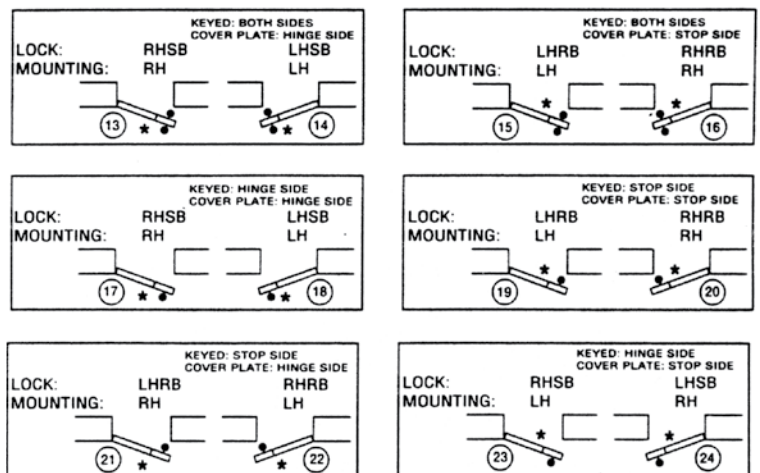
To order parts see page 114



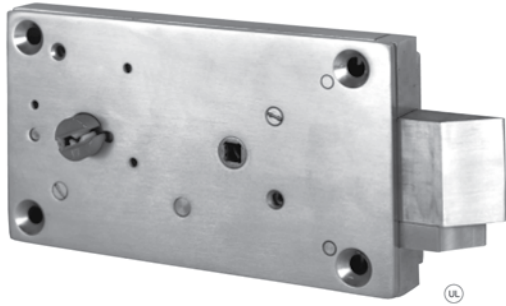
Bolt Strikes not included with lock, must be ordered separately.

Handing for SS-1060AK

Swing Chart: Specify circled swing number when ordering.



* Indicates lock mounting/access plate side.



Right Hand Shown

Series 1070A Combination Spring and Deadlocks

Series 1070AM Deadlocks are for high security swinging doors where slamlocking is desired.

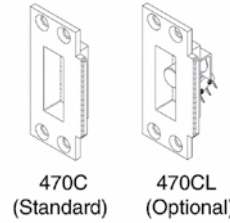
Key activated unlocking. Automatically snaplocks and deadlocks upon closing. Latchbolt unlocks with a half turn of the key.

SS-1070A-1..... Keyed One Side

SS-1070A-2.....Keyed Both Sides

To order parts see page 115

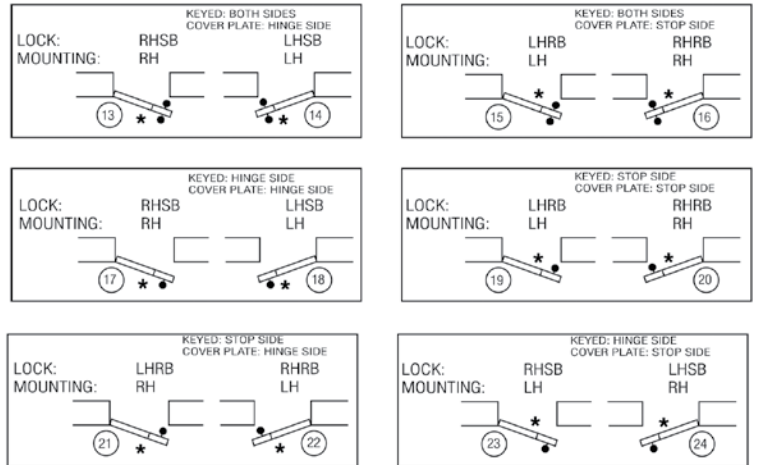
BOLT KEEPERS/STRIKES



Bolt Keepers/Strikes not included with lock, must be ordered separately.

Handing for SS-1070A

Swing Chart: Specify circled swing number when ordering.



* Indicates lock mounting/access plate side.



Right Hand Shown

Series 1070AK Combination Spring and Deadlocks

Series 1070AM Deadlocks are for high security swinging doors where slamlocking is desired along with the convenience of knob operation in areas where manual deadlocking with a key is desired.

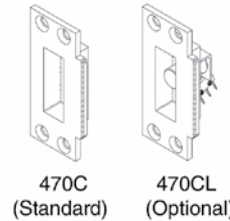
Automatically snaplocks and deadlocks upon closing. Knobs unlock with a 1/2 turn of the key. Quarter turn of the key in the opposite direction deadlocks the knobs. Knob will retract the latchbolt in both directions, except when deadlocked. One side or two knob operation.

SS-1070AK-1..... Keyed One Side

SS-1070AK-2.....Keyed Both Sides

To order parts see page 117

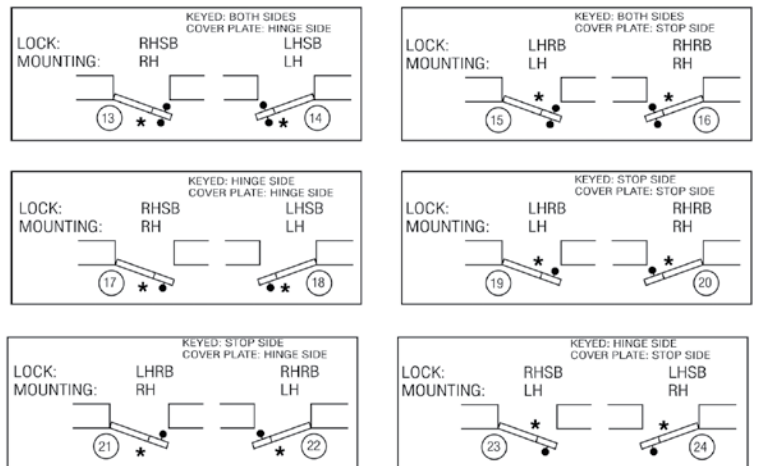
BOLT KEEPERS/STRIKES



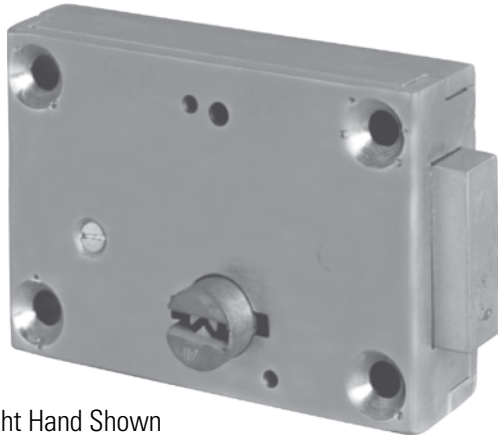
Bolt Keepers/Strikes not included with lock, must be ordered separately.

Handing for SS-1070AK

Swing Chart: Specify circled swing number when ordering.



* Indicates lock mounting/access plate side.



Right Hand Shown

Series 1080 Old Style Deadlocks

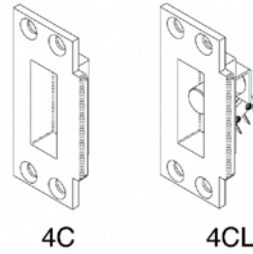
Series 1080A Deadlocks are door mounted for swinging doors. For swinging cell, corridor, storage room and high security doors where slamlocking is not vrequired.

Key activated locking and unlocking. Deadlocks in both locked and unlocked position.

SS-1080-1 **Keyed One Side**

SS-1080-2 **Keyed Both Sides**

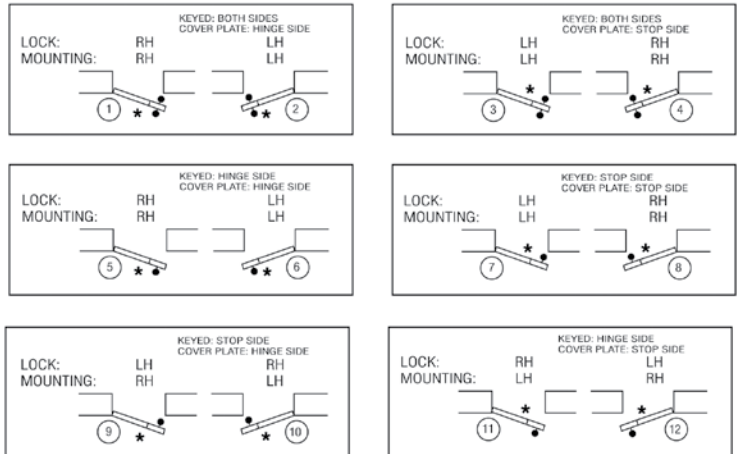
To order parts see page 119



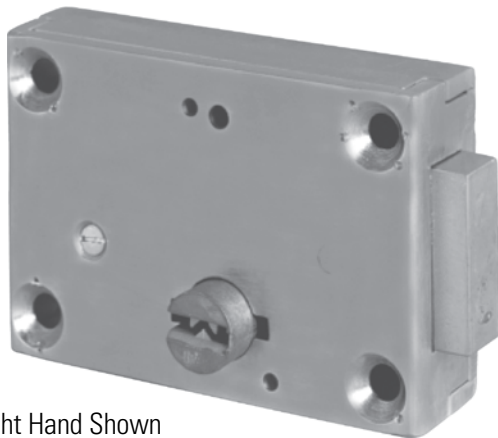
Bolt Keepers/Strikes not included with lock, must be ordered separately.

Handing for SS-1080 Old Style

Swing Chart: Specify circled swing number when ordering.



* Indicates lock mounting/access plate side.



Right Hand Shown

Series 1080A New Style Deadlocks

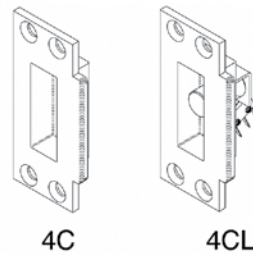
Series 1080A Deadlocks are door mounted for swinging doors. For swinging cell, corridor, storage room and high security doors where slamlocking is not required.

Key activated locking and unlocking. Deadlocks in both locked and unlocked position.

SS-1080A-1..... **Keyed One Side**

SS-1080A-2..... **Keyed Both Sides**

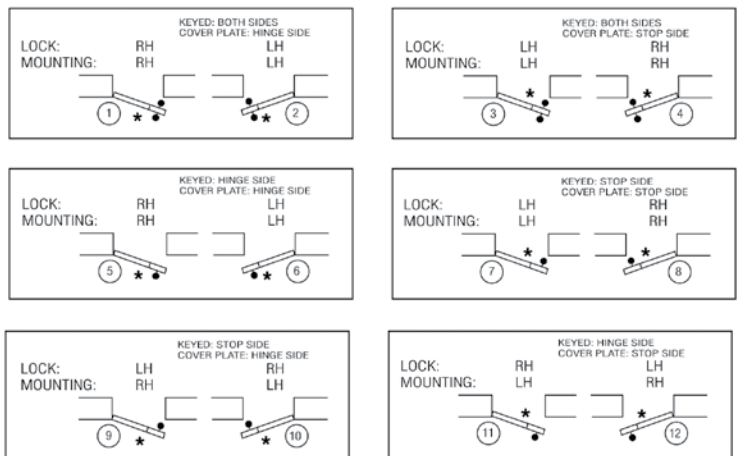
To order parts see page 120



Bolt Keepers/Strikes not included with lock, must be ordered separately.

Handing for SS-1080A New Style

Swing Chart: Specify circled swing number when ordering.



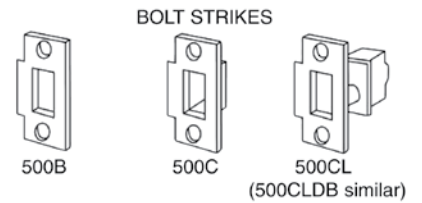
* Indicates lock mounting/access plate side.



Series 10500 Institutional Mortise Locks

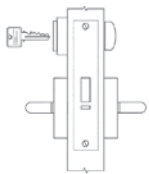
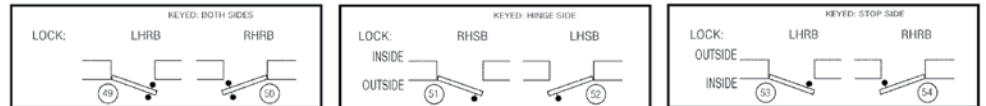
Designed for minimum and medium security areas where lever or knob operation is required. Available in a variety of styles utilizing several deadbolt/latchbolt combinations.

A variety of functions are available to meet job requirements. **See function charts below.**



Bolt Keepers/Strikes not included with lock, must be ordered separately.

Swing Chart : Compare swing to function listed for lock. Specify circled swing number when ordering.

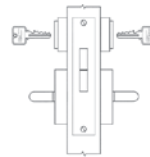


Function 10504 Entry Lock

- > Latchbolt operated by lever either side, except when outside lever is locked by inside thumbturn.
- > When outside lever is locked, latchbolt operated by key outside, lever inside.
- > Deadlock actuator.

F04

To order parts see page 121

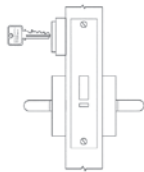


Function 10514 Store Door Lock

- > Latchbolt operated by lever either side.
- > Deadbolt operated by key both sides.
- Modified Store Door Lock
- > Latchbolt and deadbolt operated by lever either side.
- > Deadbolt operated by key both sides.

F14

To order parts see page 129

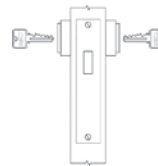


Function 10505 Classroom Lock

- > Latchbolt operated by lever either side, except when outside lever is locked by key outside.
- > Lever inside is always active.
- > Deadlock actuator.

F05

To order parts see page 123

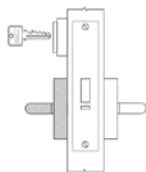


Function 10516 Deadlock

- > Deadbolt is operated by key either side.

F16

To order parts see page 131

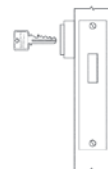


Function 10507 Storeroom or Closet Lock

- > Latchbolt operated by key outside, lever inside.
- > Lever outside always rigid.
- > Deadlock actuator.

F07

To order parts see page 125

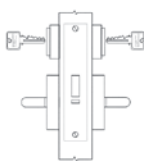


Function 10518 Deadlock

- > Deadbolt is operated by key from outside.

F18

To order parts see page 133

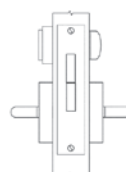


Function 10509 Apartment, Exit or Toilet Lock

- > Latchbolt operated by lever either side except when outside lever is locked by key from inside.
- > When outside lever is locked, latchbolt is operated by key outside, lever inside.
- > Deadlock actuator.

F09

To order parts see page 127



Function 10519 Privacy, Bedroom or Bath Lock

- > Latchbolt operated by lever either side.
- > Deadbolt operated by thumbturn inside, emergency release outside.
- > Lever inside simultaneously operates both bolts.
- > No key operation

F19

To order parts see page 135

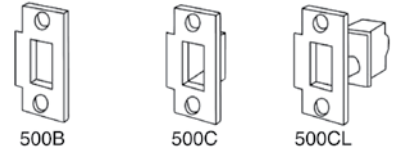


Series 10600 Institutional Mortise Locks

Designed for minimum and medium security areas where remote electric or local manual control of lever or knobs is desired. Door position switch and door closure are recommended. 204E power transfer hinge is required.

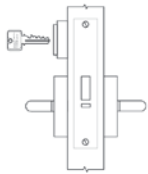
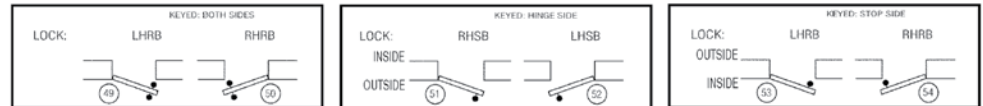
A variety of functions are available to meet job requirements. **See function charts below.**

BOLT STRIKES



Bolt Keepers/Strikes not included with lock, must be ordered separately.

Swing Chart : Specify circled swing number when ordering.

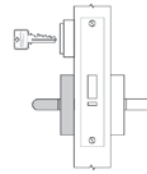


F01

Function 10601 Lockset

- > Latchbolt operated by lever either side, except when both are locked out.
- > Key outside operates latchbolt when both levers are locked out.
- > Deadlock actuator.
- > 10601E: Both levers are locked, except when power is applied.
- > 10601EP: Both levers are unlocked, except when power is applied.

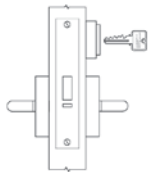
To order parts see page 137



F06

Function 10606 Lockset

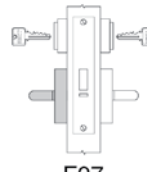
- > Latchbolt operated by lever inside, except when locked out.
- > Key outside operates latchbolt.
- > Lever outside always rigid.
- > Dead lock actuator.
- > 10606E: Inside lever is locked, except when power is applied.
- > 10606EP: Inside lever is unlocked, except when power is applied.



F04

Function 10604 Lockset

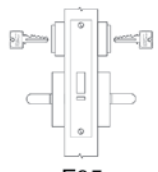
- > Latchbolt operated by lever either side, except when inside lever is locked out.
- > Key inside operates latchbolt when inside lever is locked out.
- > Lever outside always active.
- > Deadlock actuator.
- > 10604E: Inside lever is locked, except when power is applied.
- > 10604EP: Inside lever is unlocked, except when power is applied.



F07

Function 10607 Lockset

- > Latchbolt operated by inside lever, except when locked out.
- > Key both sides operates latchbolt.
- > Lever outside always rigid.
- > Deadlock actuator.
- > 10607E: Inside lever is locked, except when power is applied.
- > 10607EP: Inside lever is unlocked, except when power is applied.

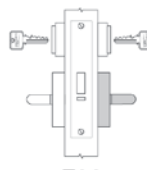


F05

Function 10605 Lockset

- > Latchbolt operated by lever both sides, except when locked out.
- > Key both sides operates latchbolt when both levers are locked out.
- > Deadlock actuator.
- > 10605E: Both levers are locked, except when power is applied.
- > 10605EP: Both levers are unlocked, except when power is applied.

To order parts see page 139



F08

Function 10608 Lockset

- > Latchbolt operated by lever outside, except when locked out.
- > Key both sides operates latchbolt.
- > Lever inside always rigid.
- > Deadlock actuator.
- > 10608E: Outside lever is locked, except when power is applied.
- > 10608EP: Outside lever is unlocked, except when power is applied.



Series 1050SD Solenoid Operated Electro-Mechanical Gate Locks

The Series 1050SD Gate locks are for swinging and sliding gates. Standard mounting is for chain link fencing, but may be modified for other types of gates.

ELECTRIC - Remote switch activates a solenoid which raises an internal bolt, enabling the gate to be opened. Remains unlocked until gate is closed, then automatically deadlocks.

MECHANICAL - Bolt may be manually retracted by paracentric key, and remains retracted until key is returned to the locked position.

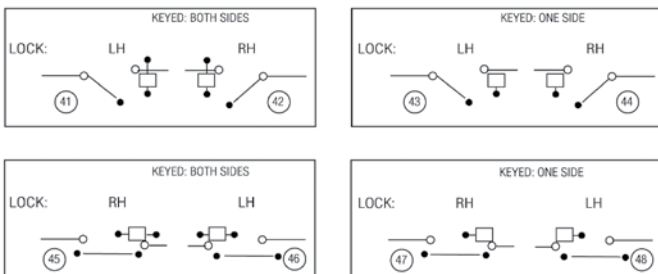
SS-1050SD-1 Keyed One Side

SS-1050SD-2 Keyed Both Sides

To order parts see page 141

Handing for SS-1050SD

Swing Chart: Specify circled swing number when ordering.



Series 1050RD Solenoid Operated Electro-Mechanical Gate Locks

The Series 1050RD Gate locks are for swinging and sliding gates. Standard mounting is for chain link fencing, but may be modified for other types of gates.

ELECTRIC - Remote switch activates a solenoid which raises an internal bolt, enabling the gate to be opened. Remains unlocked until gate is closed, then automatically deadlocks.

MECHANICAL - Bolt may be manually retracted by paracentric key, and remains retracted until key is returned to the locked position.

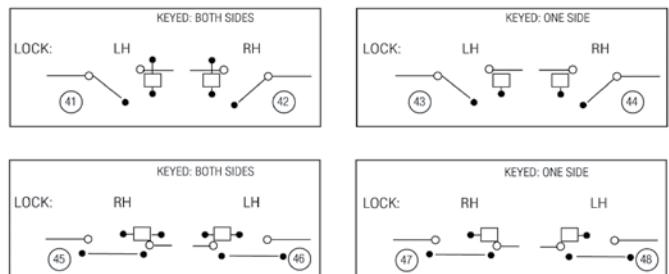
SS-1050RD-1 Keyed One Side

SS-1050RD-2 Keyed Both Sides

To order parts see page 141

Handing for SS-1050RD

Swing Chart: Specify circled swing number when ordering.





Series 1051E Solenoid Operated Electro-Mechanical Deadlatches

The Series 1051E Deadlatches are for maximum security swinging doors that are to be unlocked from a remote location. Jamb mounted. Door position indicator switch, door closer and heavy duty door pull are recommended.

ELECTRIC - Remote switch activates a solenoid which retracts the latchbolt. Latchbolt remains retracted until door is opened approximately 2", then it releases, automatically latches and deadlocks when the door is closed.

MECHANICAL - Latchbolt is retracted by a paracentric key at the door and remains retracted until door is opened approximately 2", then it releases, automatically latches and deadlocks when the door is closed.

Automatic deadlatch feature is suspended when paracentric key is rotated to mechanical key hold-back position. Normal function is resumed when key is returned to deadlocked position.

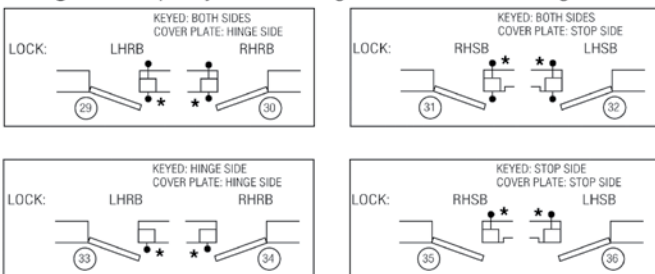
SS-1051E-1..... Keyed One Side

SS-1051E-2.....Keyed Both Sides

To order parts see page 143

Handing for SS-1051E

Swing Chart: Specify circled swing number when ordering.



* Indicates lock mounting/access plate side.



Series 1051M Motor Operated Electro-Mechanical Deadlatches

The Series 1051M Deadlatches are for maximum security swinging doors that are to be unlocked from a remote location. Jamb mounted. Door position indicator switch, door closer and heavy duty door pull are recommended.

ELECTRIC - Remote switch activates a motor which retracts the latchbolt. Latchbolt remains retracted until door is opened approximately 2", then it releases, automatically latches and deadlocks when the door is closed.

MECHANICAL - Latchbolt is retracted by a paracentric key at the door and remains retracted until door is opened approximately 2", then it releases, automatically latches and deadlocks when the door is closed.

Automatic deadlatch feature is suspended when paracentric key is rotated to mechanical key hold-back position. Normal function is resumed when key is returned to deadlocked position.

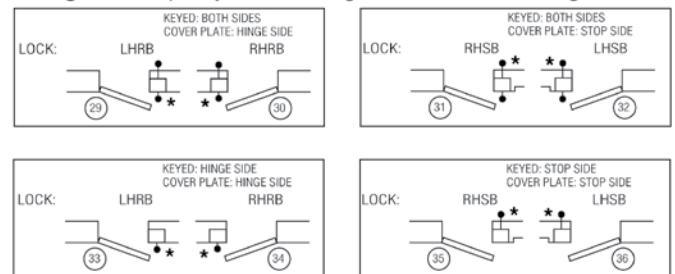
SS-1051M-1..... Keyed One Side

SS-1051M-2.....Keyed Both Sides

To order parts see page 146

Handing for SS-1051M

Swing Chart: Specify circled swing number when ordering.



* Indicates lock mounting/access plate side.



Series 10120AE Solenoid Operated Electro-Mechanical Deadlatch

The Series 10120AE are medium and maximum security swinging doors that are to be unlocked from a remote location. Jamb mounted. Door position indicator switch, door closer and heavy duty door pull are recommended.

ELECTRIC - Remote switch activates a solenoid which retracts the latchbolt. Latchbolt remains retracted until door is opened approximately 2", then it releases, automatically latches and deadlocks when the door is closed.

MECHANICAL - Latchbolt is retracted with a mogul key at the door, and remains retracted until door is opened approximately 2", then it releases and automatically latches and deadlocks when the door is closed.

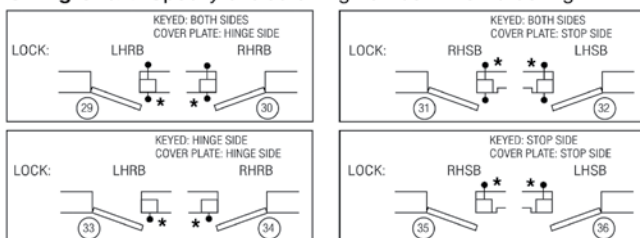
SS-10120AE-1 Keyed One Side

SS-10120AE-2Keyed Both Sides

To order parts see page 150

Handing for SS-10120AE

Swing Chart: Specify circled swing number when ordering.



*Indicates both mounting/access plate side.



Series 10120AM Motor Operated Electro-Mechanical Deadlatch

The Series 10120AM are medium and maximum security swinging doors that are to be unlocked from a remote location. Jamb mounted. Door position indicator switch, door closer and heavy duty door pull are recommended.

ELECTRIC - Remote switch activates a motor which retracts the latchbolt. Latchbolt remains retracted until door is opened approximately 2", then it releases, automatically latches and deadlocks when the door is closed.

MECHANICAL - Latchbolt is retracted with a mogul key at the door, and remains retracted until door is opened approximately 2", then it releases and automatically latches and deadlocks when the door is closed.

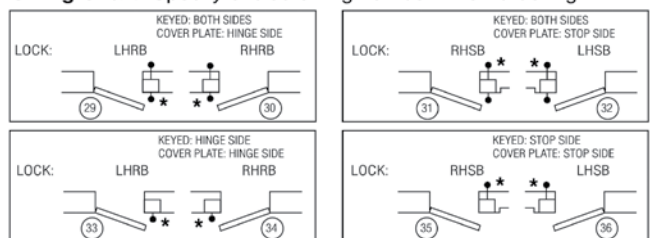
SS-10120AM-1..... Keyed One Side

SS-10120AM-2.....Keyed Both Sides

To order parts see page 152

Handing for SS-10120AM

Swing Chart: Specify circled swing number when ordering.



*Indicates both mounting/access plate side.



Series 10300E Solenoid Operated Electro-Mechanical Deadlatch

The Series 10300E are minimum and medium security swinging doors that are to be unlocked from a remote location. Jamb mounted. Door position indicator switch, door closer and heavy duty door pull are recommended..

ELECTRIC - Remote switch activates a solenoid which retracts the latchbolt. Latchbolt remains retracted until door is opened approximately 2", then it releases, automatically latches and deadlocks when the door is closed.

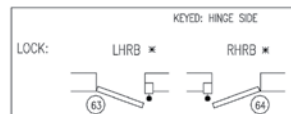
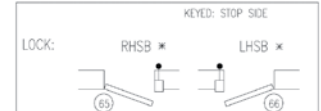
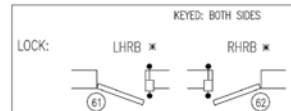
MECHANICAL - Latchbolt is retracted with a builder's hardware key at the door, and remains retracted until door is opened approximately 2", then it releases and automatically latches and deadlocks when the door is closed.

SS-10300E-1 Keyed One Side

SS-10300E-2 Keyed Two Sides

To order parts see page 154

Swing Chart: Specify circled swing number when ordering.



Series 10300M Motor Operated Electro-Mechanical Deadlatch

The Series 10300M are minimum and medium security swinging doors that are to be unlocked from a remote location. Jamb mounted. Door position indicator switch, door closer and heavy duty door pull are recommended..

ELECTRIC - Remote switch activates a motor which retracts the latchbolt. Latchbolt remains retracted until door is opened approximately 2", then it releases, automatically latches and deadlocks when the door is closed.

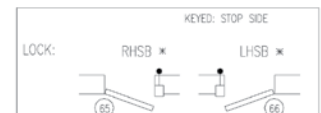
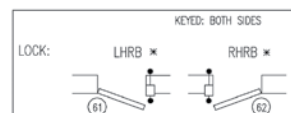
MECHANICAL - Latchbolt is retracted with a builder's hardware key at the door, and remains retracted until door is opened approximately 2", then it releases and automatically latches and deadlocks when the door is closed.

SS-10300M-1 Keyed One Side

SS-10300M-2 Keyed Two Sides

To order parts see page 157

Swing Chart: Specify circled swing number when ordering.





Series 3150LX.b Electric Locking Systems

The 3150LX.b system offers complete selective electric operation of sliding doors in a line or group from a remote control station. Doors are operated by electric motors through a rack and pinion drive mechanism over each door. This system also provides emergency mechanical unlocking from a control cabinet at the head of the door line. Doors are locked at top and bottom in both the open and closed positions by means of a concealed vertical lock bar at the rear jamb of each door. The vertical lock bar is deadlocked at a third locking point inside the horizontal cover box above the door. Standard clear door opening widths are from 2'4" to 3'2".

ELECTRIC - A remote switch activates a motor which raises a vertical lock bar and propels the door open or closed. Individual lamp indicators on the control panel show locked/unlocked condition. A single switch can provide group unlocking.

MECHANICAL - In the absence of electrical power, doors may be individually unlocked with a manual release tool. Door movement is by hand and door will relock in either fully open or closed position.

EMERGENCY GANG RELEASE - In an emergency, all doors in a cell line may be simultaneously unlocked from a mechanical release cabinet at the end of the cell line. While in emergency release mode, doors will not relock in any position.

SS-3150LX



Series 3165L and 3165LX.b Electric Locking Systems

The 3165 system includes several versions of a system designed for locking, unlocking and propelling sliding doors in safety vestibules, in dayrooms or in high-traffic corridors.

Each 3165LX.b model utilizes an electric motor to operate the door through a rack and pinion drive mechanism. Doors are locked at top and bottom in both the open and closed positions by means of a concealed vertical lock bar at the rear jamb of the door. The vertical lock bar is deadlocked at a third locking point inside the horizontal cover box above the door. Standard clear door opening widths available are 3' 0" to 4' 6".

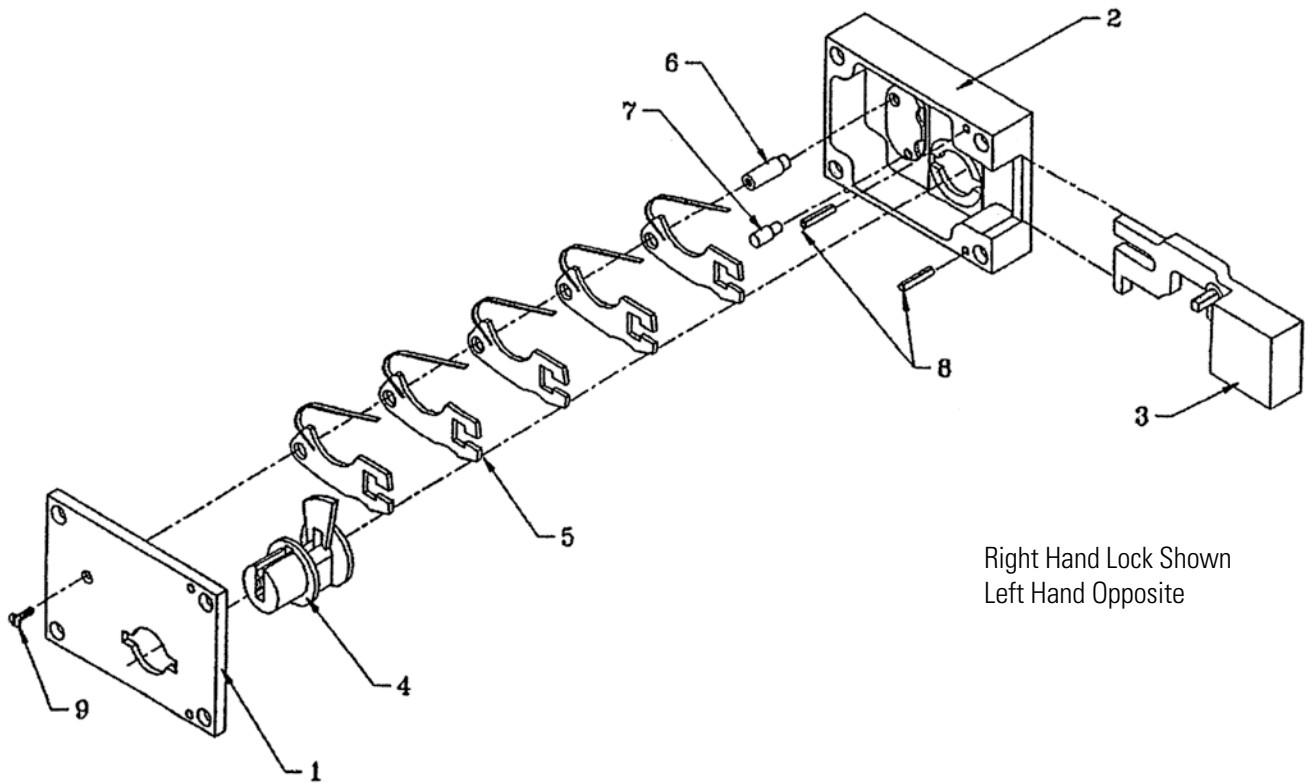
ELECTRIC - A remote switch activates a motor which raises a vertical lock bar and propels the door open or closed.

MECHANICAL - Manual unlocking is provided for each device. After being manually released, door movement is by hand. The door automatically deadlocks when moved to the fully open or closed position.

SS-3165L

SS-3165LX.b

Series 1010 Old Style Deadlocks Parts Diagram

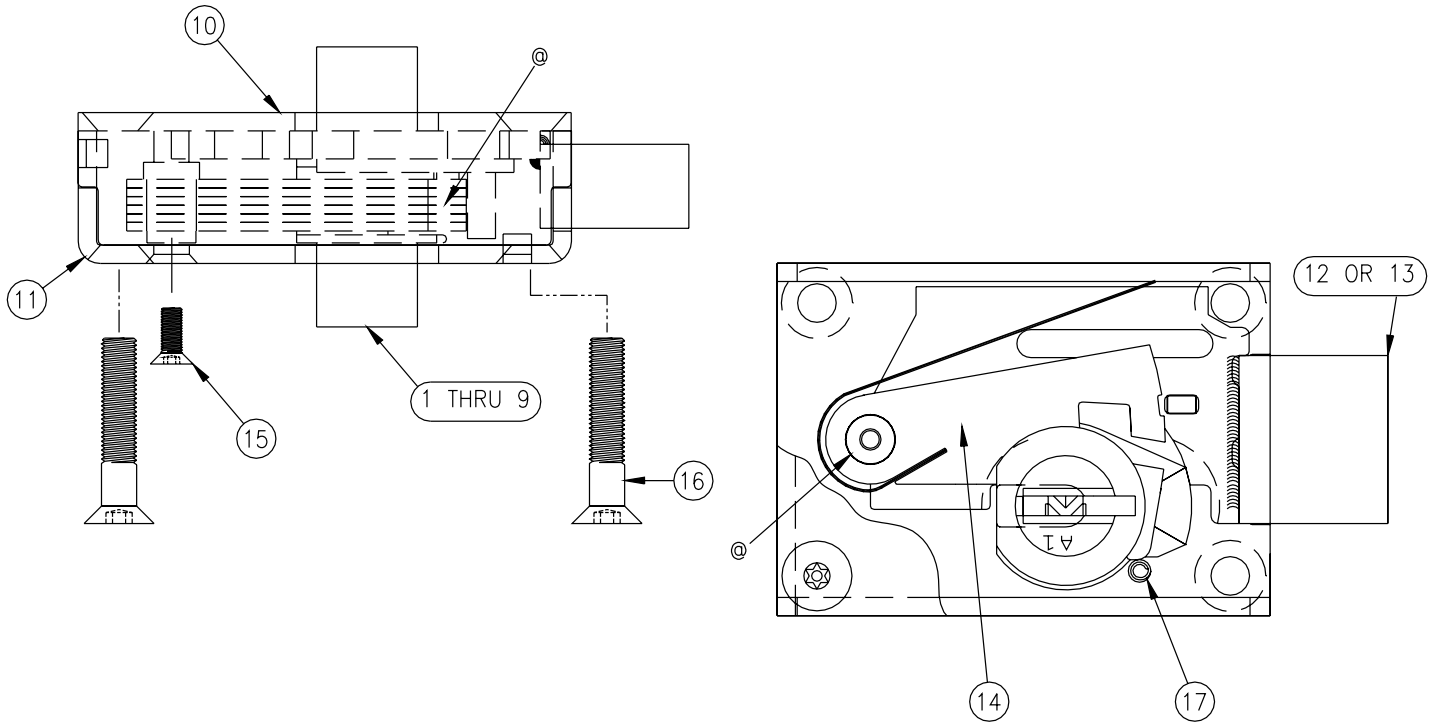


Right Hand Lock Shown
Left Hand Opposite

1010 Old Style Deadlocks • SS-1010-1 – Keyed One Side • SS-1010-2 – Keyed Two Sides

Item	Quantity Per Lock	Description	Right Hand	Left Hand
1	1	Cover Plate	76760128	
2	1	Case	76760107	
3	1	Bolt 1/2" Projection	76760144	76760143
		Bolt 1-1/4" Projection	76760145	76760146
4	1	Lock Cylinder	96960019	
5	1	Tumbler Set	76760109	
6	1	Lockbolt Guide Pin	76760140	
7	1	Lockbolt Stop Pin	76760141	
8	2	5/32 Roll Pin 3/4"	96960001	
9	1	10-32 Flat Head machine Screw 1/2"	91917602	

Series 1010A New Style Deadlocks Parts Diagram



@ Lubricate with Tri-Flow Lubricant

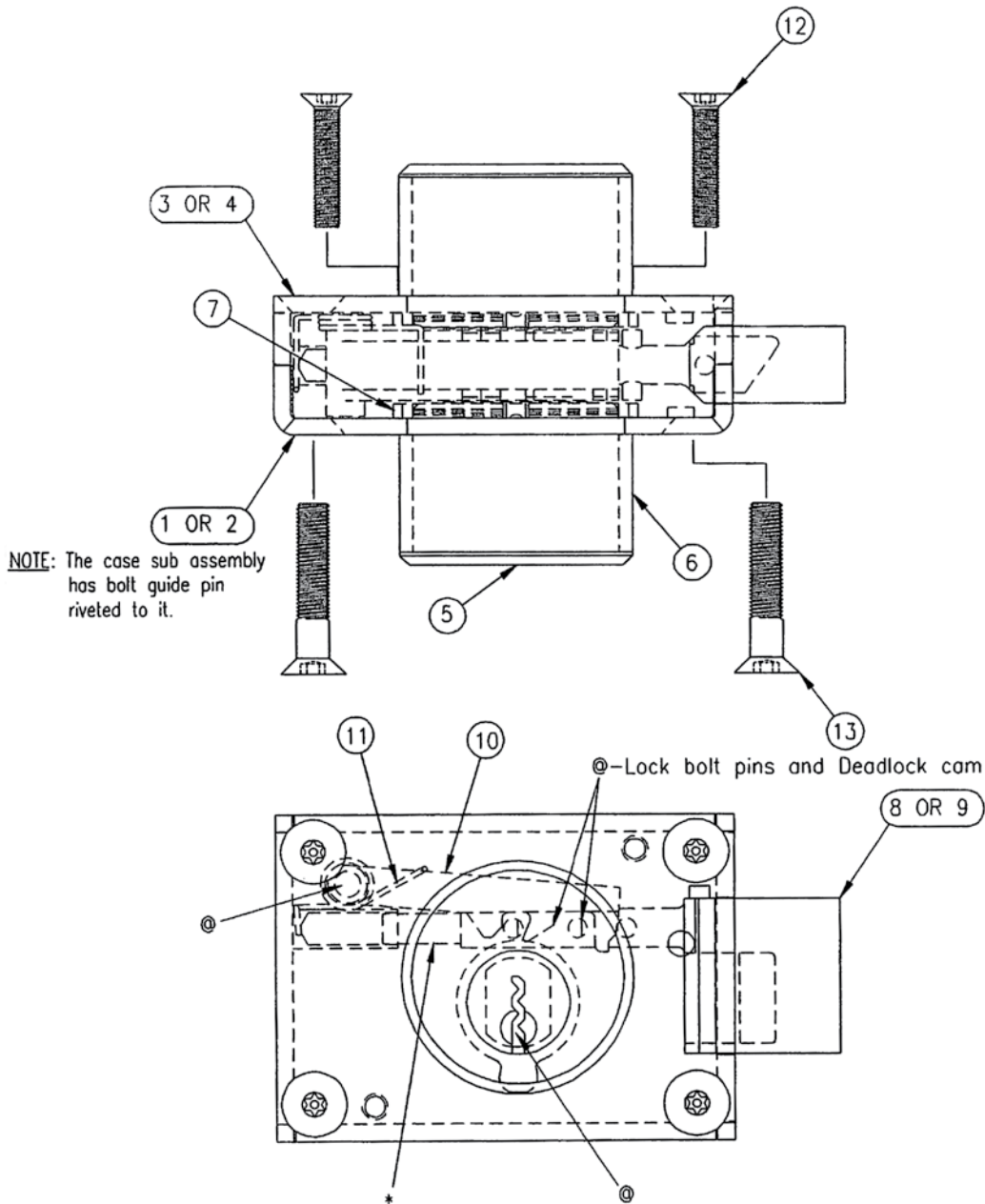
1010A New Style Deadlocks • SS-1010A-1 – Keyed One Side • SS-1010A-2 – Keyed Two Sides

Item	Description	Part #
1-9	Key Cylinder ¹	J/R
10	1010A Case Assembly	76761802
11	1010A Cover	96961812
12	1010A Deadbolt 1/2" Bolt Projection ²	76761806
13	1010A Deadbolt 1 1/4" Bolt Projection ²	76761808
14	1010A/1017A/1080A Tumbler Set ³	76761800
15	H TRX TMPRF 10-32 x 1/2"	96925130
16	1010A/AM & 1017A/AL/AM Fastener Pkg.	76769992
17	Pin, Coil Spring 3/16" x 1 3/8"	96950045
Not Shown	4C Paracentric Keeper w/Fasteners ⁴	76761794
Not Shown	4CL Paracentric Keeper Switch w/Fasteners ⁴	76761795

Notes:

1. Key cylinder type indicated on face of key cylinder. Hand of key cylinder can be determined as follows: 1-way left-hand (LH) designated on face of cylinder, 1-way right hand (RH) not marked and 2-way key cylinders are not handed. Key cylinder is determined by the job requirement and key code assigned to the lock.
2. Bolt projection can be found on lock label, if not visible it can be determined by retracting Deadbolt with key then measure from the case to end of deadbolt to obtain the bolt projection.
3. Key code (located on key), Lock type (ex: 1010A), Name of facility and Location are required information to process order for tumbler set.
4. 4C and 4CL are optional equipment. For information refer to 4C or 4CL product manual.

Series 1010AM Deadbolts with Mogul Cylinders Parts Diagram



LUBRICANT LEGEND

*-LUBRICATE WITH SUPER-STA GREASE NO.2 MULTIPURPOSE LITHIUM GREASE.
 @-APPROVED PETROLEUM BASED LUBRICANT (DO NOT USE GRAPHITE OR SILICON LUBRICANT) SOUTHERN STEEL #96963520.

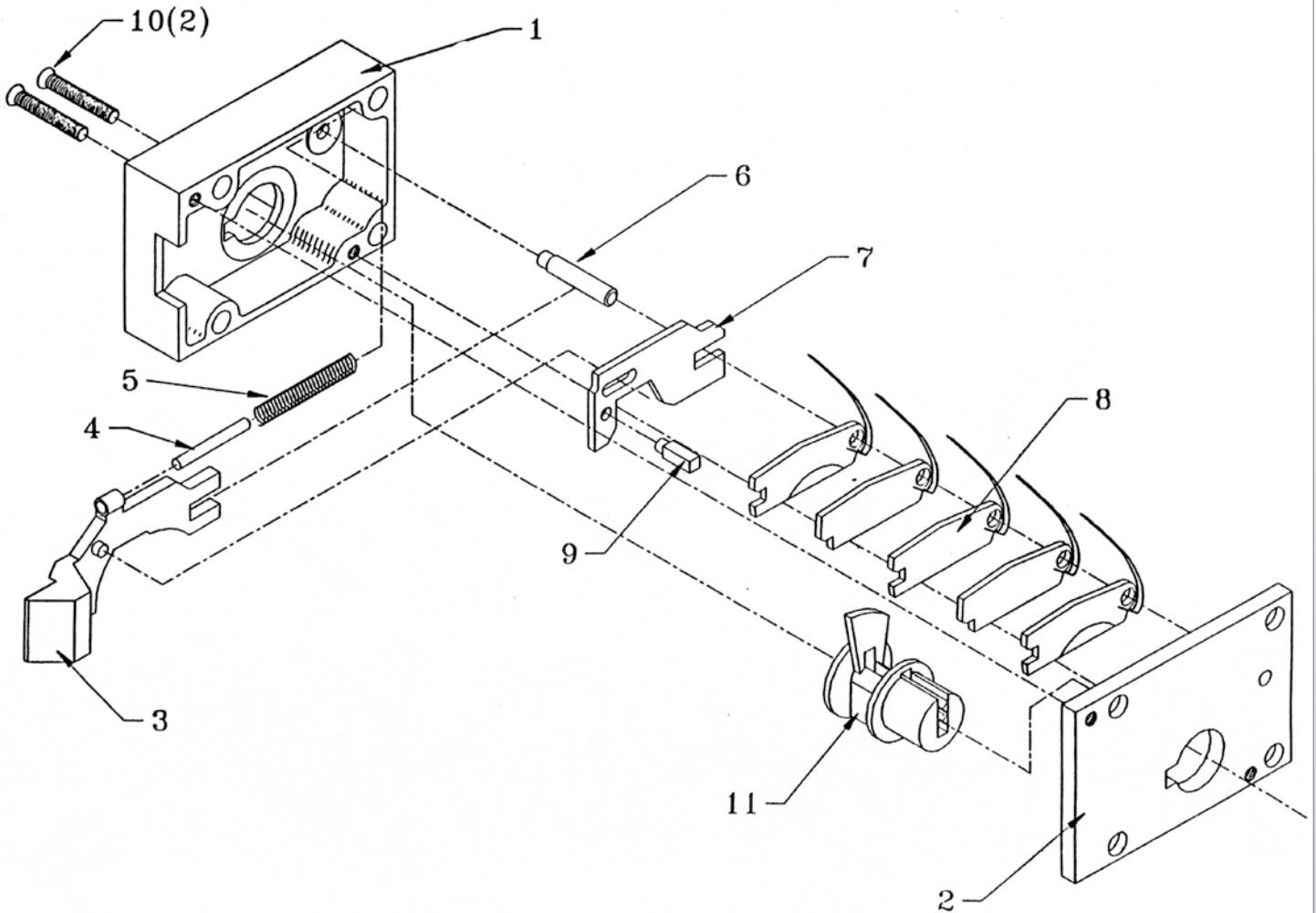
1010AM Deadbolts with Mogul Cylinders (Continued)

Item	Description	Part #
1	1010AM Case Sub-Assembly	76761820
2	1010AM Case W/O Cyl. Hole Sub-Assy	76761822
3	1010AM Cover	96961816
4	1010AM Cover W/O Cylinder Hole	96961817
5	1010AM/1017AM Mogul Cylinder 2601	J/R
6	1010AM/1017AM Cylinder Retainer	76761842
7	Housing Mogul Nut 2-27	76763348
8	1010AM Deadbolt 1/2" Projection ²	96961800
9	1010AM Deadbolt 1-1/4" Projection ²	76761816
10	1010AM Deadlock Cam	96961804
11	1010AM Deadlock Cam Torsion Spring	96961840
12	FH TORX TMPRF 1/4-20 x 1-5/16"	96925246
13	1010AM & 1017AM Fastener Pkg.	76769992
Not Shown	4C Paracentric Keeper w/Fasteners ³	76761794
Not Shown	4CL Paracentric Keeper Switch w/Fasteners ³	76761795

Notes:

1. To order replacement mogul cylinders the following information is required: Key code (located on key), Lock type (ex: 101 DAM), Name of facility and Location.
2. Bolt projection can be found on lock label, if not visible it can be determined by retracting Deadbolt with key then measure from the case to end of deadbolt to obtain the bolt projection.
3. 4C and 4CL are optional equipment. For information refer to 4C or 4CL product manual.

Series 1017A Snaplatch Parts Diagram

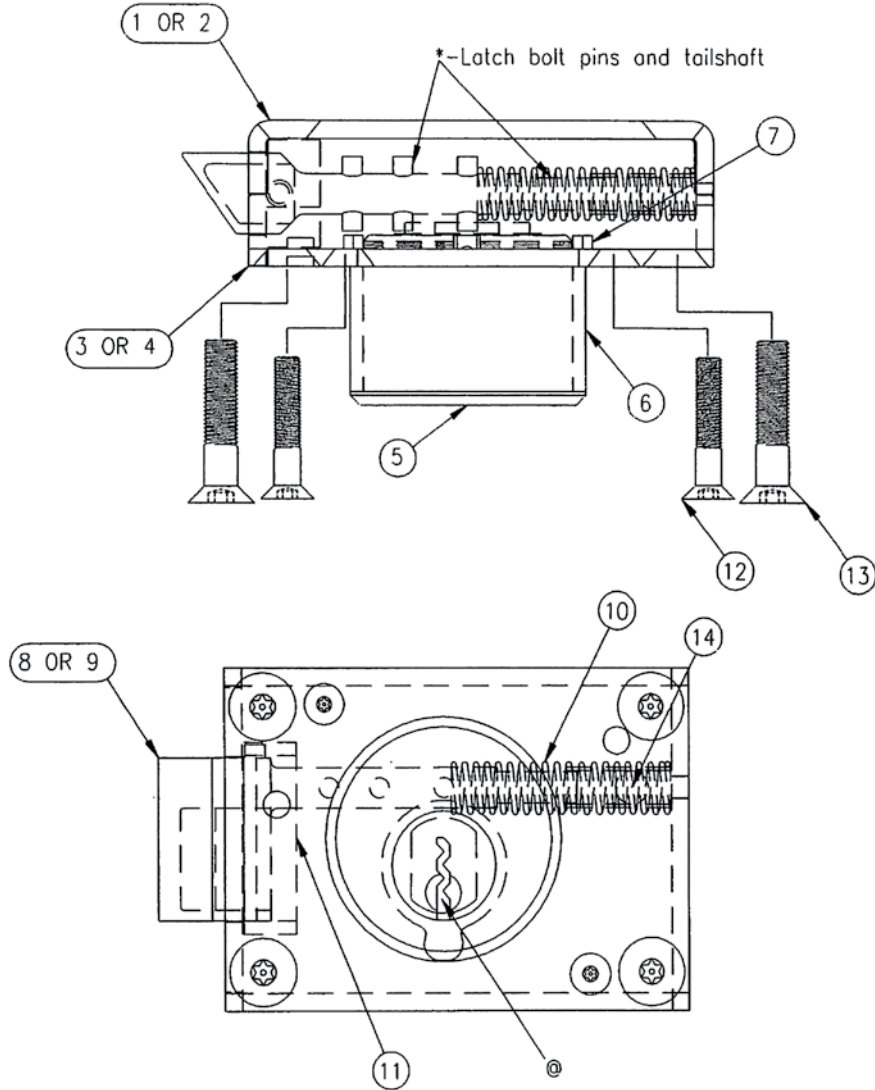


1017A Snaplatch

Item	Quantity Per Lock	Description	Part #
1	1	Lock Case	76761707
2	1	Lock Cover	76761730
3	1	Lock Bolt Standard Bevel	76761718
4	1	Lock Bolt Pin	76761741
5	1	Lock Bolt Spring	96961736
6	1	Tumbler Post	96961743
7	1	Bolt Slide	76761720
8	1	Tumbler Set	76761709
9	1	Bolt Slide Post	76761742
10	2	10-32 FL HD Machine Screw	91917008
11	1	Lock Cylinder	76761163

Series 1017AM Snaplatch Parts Diagram

NOTE: The case sub assembly has bolt guide pin riveted to it.



LUBRICANT LEGEND

@-LUBRICATE WITH TRI-FLOW LUBRICANT.

*-LUBRICATE WITH SUPER-STA GREASE NO.2 MULTIPURPOSE LITHIUM GREASE.

76769700 @ REV 3

5/5/2003

1017AM Snaplatch

Item	Description	Part #
1	1010AM Case Sub-Assembly	76761820
2	1010AM Case WID Cyl. Hole Sub-Assy	76761822
3	1010AM Cover	96961816
4	1010AM Cover WID Cylinder Hole	96961817

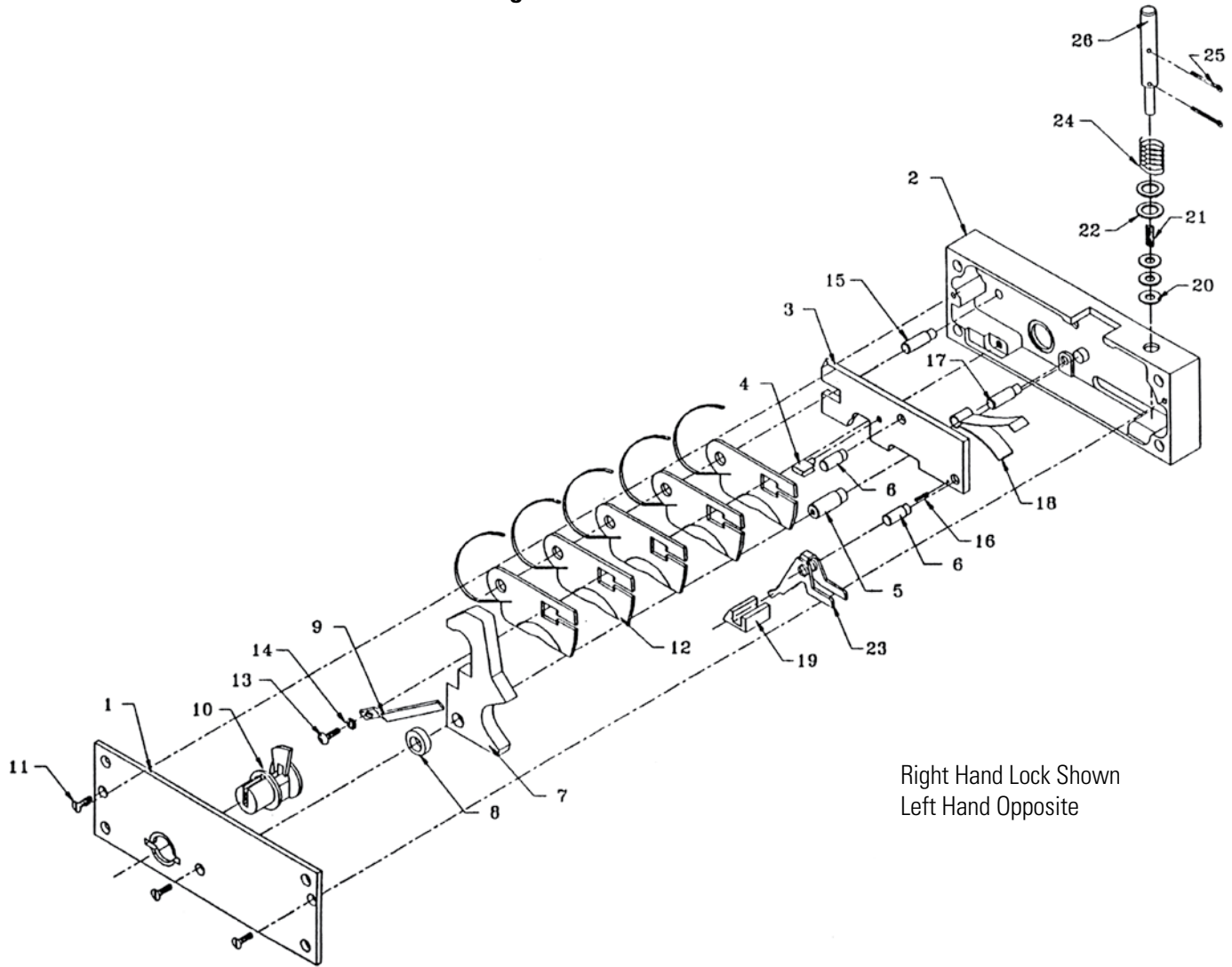
1017AM Deadbolts with Mogul Cylinders (Continued)

Item	Description	Part #
5	1010AM/1017AM Mogul Cylinder 2601	J/R
6	1017AM Cylinder Retainer	76761842
7	Housing Mogul Nut 2-27	76763348
8	1017AM Latch Bolt 5/8" Extended ²	76761854
9	1017AM Latch Bolt 1" Extended ²	76761856
10	1017AM/AL Latch Bolt Compression Spring	96961871
11	1017AM Cover Shield ³	96961865
12	FH TRX TMPRF 1/4-20 X 1-5/16 Long	96925246
13	1010AIAM & 1017A1AM/AL Fastener Pkg.	76769992
14	5/16 Diameter Steel Ball	96903207

Notes:

1. To order replacement mogul cylinders the following information is required: Key code (located on key), Lock type (ex: 1017 AM), Name of facility and Location.
2. Bolt projection can be found on lock label, if not visible it can be determined by measuring from the case to end of latch bolt to obtain the bolt extension.
3. Cover Shield not required on 1" extended latch bolt.

Series 1030A Automatic Deadlocks Parts Diagram



Right Hand Lock Shown
Left Hand Opposite

1030A Automatic Deadlocks

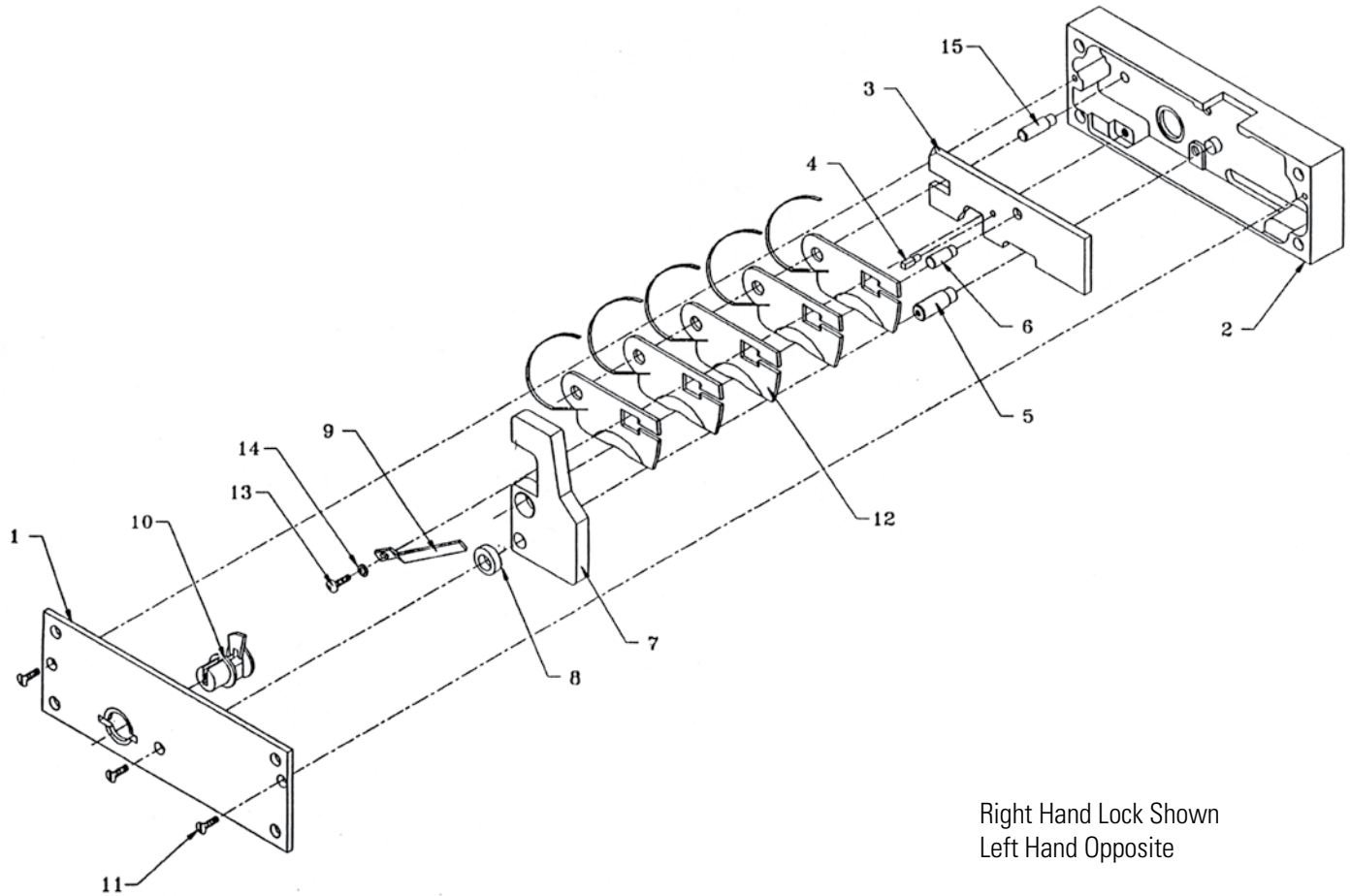
Item	Quantity Per Lock	Description	Right Hand	Left Hand
1	1	Lock Cover	76760328	76760329
2	1	Lock Case	76760307	76760308
3	1	Sliding Bolt	76760334	76760335
4	1	Lockbolt Post For Tumbler		76760839
5	1	Lockbolt Post		76760316
6	2	Lever Cam Post		76760323
7	1	Lockbolt		76760315
8	1	Cover Spacer		76760319
9	1	Tumbler Retainer		76760309
10	1	Lock Cylinder		96960020
11	3	FH. MS. 10-32 X 1/2"		91917602



1030A Automatic Deadlocks (Continued)

Item	Quantity Per Lock	Description	Right Hand	Left Hand
12	1	Tumbler Set	76760336	
13	1	SK. BH. CS. 1/4-20 X 3/8"	91915151	
14	1	1/4 Lock Washer	92920836	
15	1	Sliding Lockbolt Guide Pin	76760340	
16	1	Roll Pin 3/32 X 1/2"	96960002	
17	1	Lockbolt Spring Pin	76760317	
18	1	Lockbolt Spring	96960337	
19	1	Deadlock Slide Bar	76760325	
20	3	5/16 Flat Washer	92920820	
21	1	Deadbolt Spring	96960335	
22	2	Deadlock Bolt Washer	76760326	
23	1	Deadlock Lever Cam	96960325	
24	1	Deadbolt Spring	96960336	
25	2	Cotter Pin 3/32 X 1	92921013	
26	1	Deadlock Plunger Pin	76760318	

Series 1030AD Automatic Deadlocks Parts Diagram

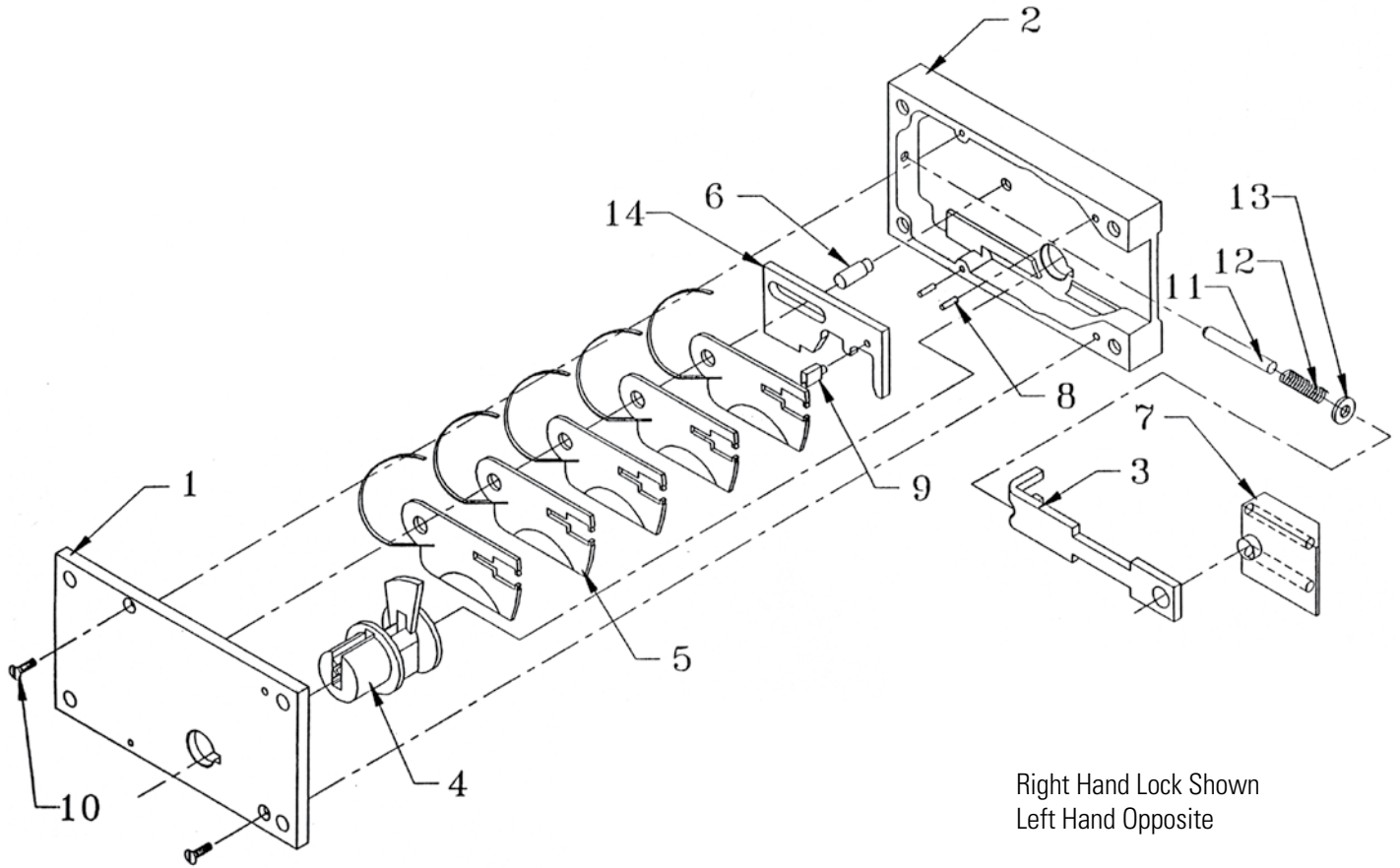


Right Hand Lock Shown
Left Hand Opposite

1030AD Automatic Deadlocks

Item	Quantity Per Lock	Description	Right Hand	Left Hand
1	1	Lock Cover	76760345	76760346
2	1	Lock Case	76760357	76760358
3	1	Sliding Bolt	76760372	76760373
4	1	Lockbolt Post For Tumbler		76760142
5	1	Lockbolt Post		76760316
6	2	Lever Cam Post		76760374
7	1	Lockbolt		76760365
8	1	Cover Spacer		76760319
9	1	Tumbler Retainer		76760309
10	1	Lock Cylinder		96960020
11	3	FH. MS. 10-32 X 1/2"		91917602
12	1	Tumbler Set		76760359
13	1	SK. BH. CS. 1/4-20 X 3/8"		91915151
14	1	1/4 Lock Washer		92920836
15	1	Sliding Lockbolt Guide Pin		76760340

Series 1060A Combination Spring and Deadlocks Parts Diagram

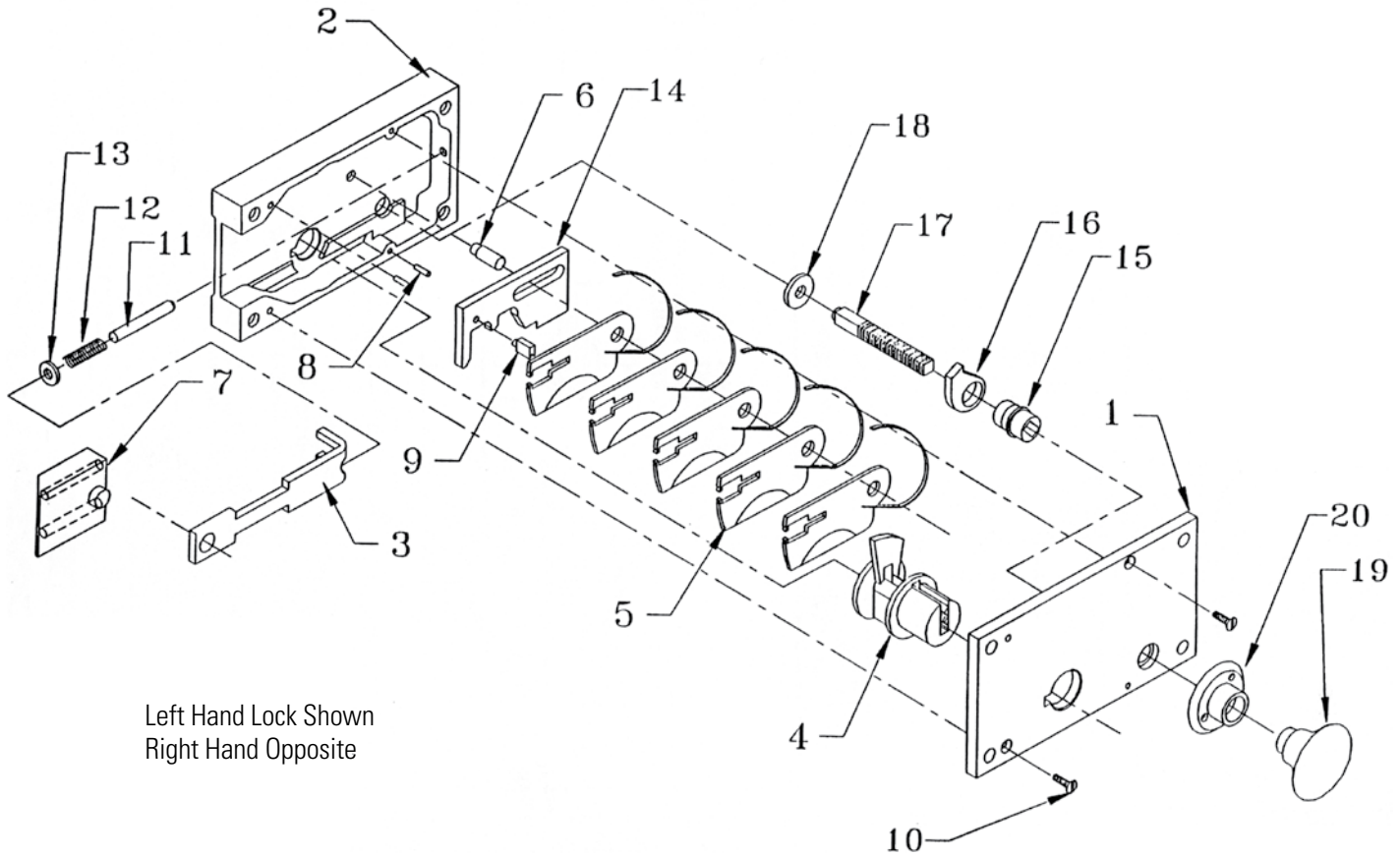


Right Hand Lock Shown
Left Hand Opposite

1060A Combination Spring and Deadlocks

Item	Quantity Per Lock	Description	Right Hand	Left Hand
1	1	Cover Plate	76760630	76760631
2	1	Lock Case	76760607	76760608
3	1	Lock Bolt Guide		76760617
4	1	Key Cylinder		76760633
5	1	Tumbler Set		76760609
6	1	Tumbler Post		76760742
7	1	Lockbolt Head 2-1/2"		76760624
8	2	5/32 X 3/4" Roll Pin		96960001
9	1	Lockbolt Post		76760842
10	2	FL. HD. Mach. Screw 10-32 X 5/8"		91917603
11	1	FH. MS. 10-32 X 1/2"		76760640
12	1	Tumbler Set		96960636
13	1	1/4 Lock Washer		76760623
14	1	SK. BH. CS. 1/4-20 X 3/8"		92920820

Series 1060AK Combination Spring and Deadlocks Parts Diagram

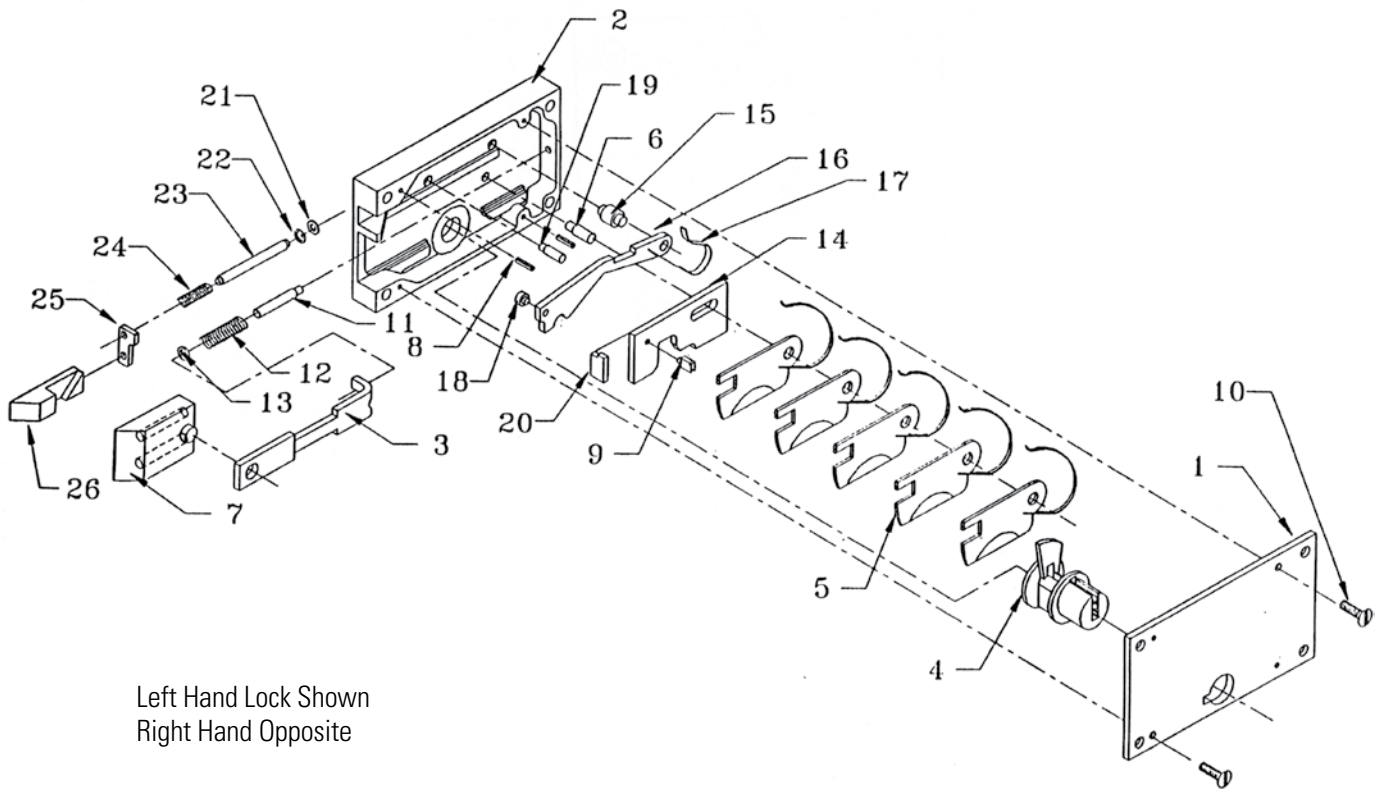


Left Hand Lock Shown
Right Hand Opposite

1060AK Combination Spring and Deadlocks

Item	Quantity Per Lock	Description	Right Hand	Left Hand
1	1	Cover Plate	76760681	
2	1	Lock Case	76760658	
3	1	Lock Bolt Guide	76760617	
4	1	Key Cylinder	76760633	
5	1	Tumbler Set	76760609	
6	1	Tumbler Post	76760742	
7	1	Lockbolt Head 2-1/2"	76760624	
8	2	5/32 X 3/4" Roll Pin	96960001	
9	1	Lockbolt Post	76760842	
10	2	FL. HD. Mach. Screw 10-32 X 5/8"	91917603	
11	1	Lock Bolt Guide Pin	76760640	
12	1	Tumbler Set	96960636	
13	1	SK. BH. CS. 1/4-20 X 3/8"	92920820	
14	1	1/4 Lock Washer	76760623	
15	1	Shaft-Door Knob Operating Cam	76760696	
16	1	Door Knob Operating	76760698	
17	1	Single Knob Spindle	76760668	
18	1	Single Knob Spindle Disk	76760669	
19	1	Door Knob	76760684	
20	1	Rose For Door Knob	76760685	

Series 1070A Combination Spring and Deadlocks Parts Diagram



Left Hand Lock Shown
Right Hand Opposite

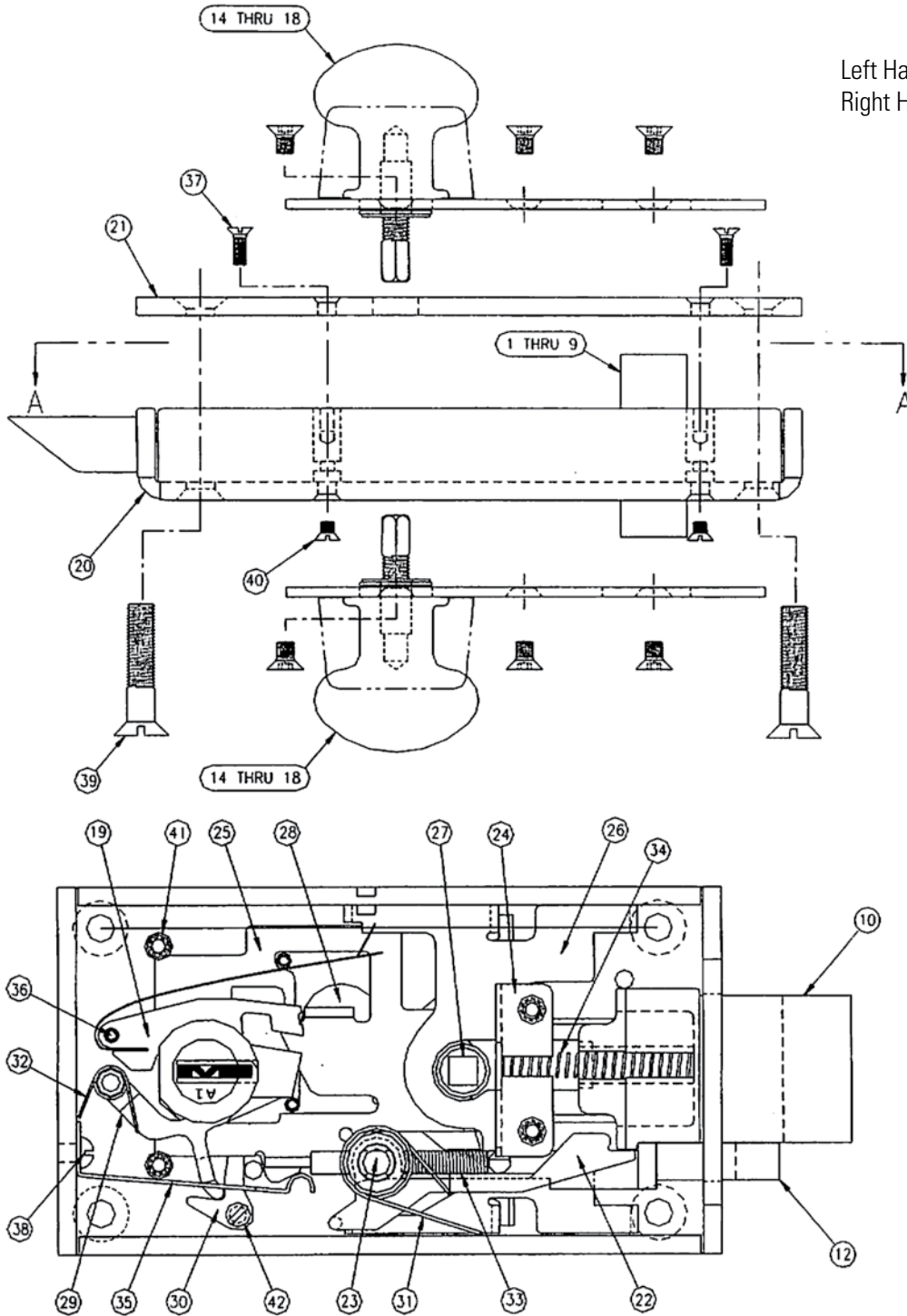
1070A Combination Spring and Deadlocks

Item	Quantity Per Lock	Description	Right Hand	Left Hand
1	1	Cover Plate	76760731	
2	1	Lock Case	76760708	
3	1	Lock Bolt Guide	76760717	
4	1	Key Cylinder	96960019	
5	1	Tumbler Set	76760709	
6	1	Tumbler Post	76760742	
7	1	Lockbolt Head 3-1/4"	76760624	
8	2	5/32 X 3/4" Roll Pin	96960001	
9	1	Lockbolt Post	76760839	
10	2	FH. Mach. Screw 10-32 X 5/8"	91917603	
11	1	Lock Bolt Guide Pin	76760743	
12	1	Lockbolt Spring	96960636	
13	1	5/16 SAE Washer	92920821	
14	1	Lockbolt Slide LH	76760723	
15	1	Deadlock Cam Pivot Pin	76760740	
16	1	Deadlock Cam	76760724	
17	1	Deadlock Cam Spring	76760737	
18	1	Deadlock Cam Pin	76760738	
19	1	Deadlock Cam Stop	76760741	

1070A Combination Spring and Deadlocks (Continued)

Item	Quantity Per Lock	Description	Right Hand	Left Hand
20	1	Deadlock Cam Release	760718	
21	1	1/4 SAE Washer	920820	
22	1	Spring Retainer Washer	760752	
23	1	Deadlock Spring Rod	760748	
24	1	Deadlock Spring	960737	
25	1	Deadlock Bolt Spring Guide	760749	
26	1	Deadlock Bolt Head	760762	
		1-1/4" Reverse Bevel		

Series 1070AK Combination Spring and Deadlocks Parts Diagram



Left Hand Lock Shown
Right Hand Opposite

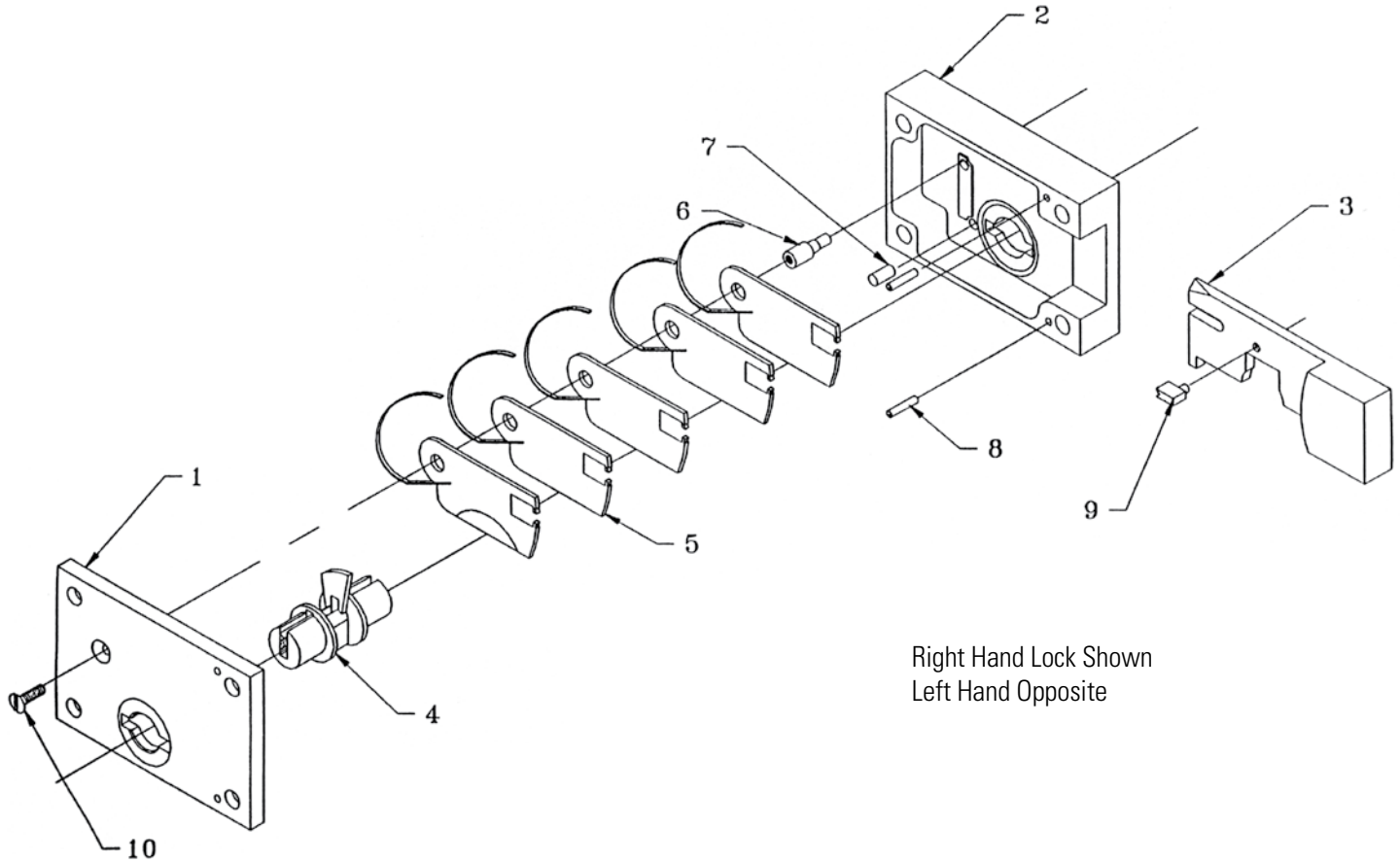
1070AK Combination Spring and Deadlocks

Item	Quantity Per Lock	Description	Right Hand	Left Hand
1-9		Key Cylinder 1	J/R	
10		1070A Lock Bolt Assembly LH (LHRB/RHSB)	76761914	
11		1070A Lock Bolt Assembly RH (RHRB/LHSB)	76761915	

1070AK Combination Spring and Deadlocks (Continued)

Item	Quantity Per Lock	Description	Right Hand	Left Hand
12		Deadlock Actuator 1070A LH (LHRB/RHSB)	96961902	
13		Deadlock Actuator 1070A RH (RHRB/LHSB)	96961903	
14		1070AK Escutcheon w/ Cyl. Hole & Fasteners 32D	76761901	
15		1070AK Knob Assy. w/o Cyl. Hole w/ Fasteners 32D	76761902	
16		1070AK Knob Assy. w/ Cyl. Hole & Fasteners 32D	76761903	
17		1070ASK Knob Assy. w/o Cyl. Hole w/ Fasteners 32D	76761940	
18		1070ASK Knob Assy. w/ Cyl. Hole & Fasteners 32D	76761941	
19		1030AI1030DAI1070A Tumbler Set	76761900	
20		1070A Case	96961920	
21		1070A Cover	96961922	
22		1070A Deadlock Cam	96961904	
23		1070A Deadlock Actuator Pin	6761929	
24		1070A Latchbolt Spring Bracket	96961924	
25		1070A Key Bolt Drive	96961925	
26		1070A Knob Bolt Drive	96961927	
27		1070AK Knob Cam	96961906	
28		1070AK Knob Lock Cam	96961929	
29		1070AK Key Cam	96961908	
30		1070AK Locking Key Cam	96961931	
31		1070A Deadlock Cam Torsion Spring	96961942	
32		1070AK Key Cam Torsion Spring	96961943	
33		1070A Deadlock Actuator Compression Spring	96961941	
34		1070A Latchbolt Compression Spring	96961940	
35		1070AK Knob Lock Cam Lever Spring	96961944	
36		Pin, Coil Spring 3/16" x 1-3/8" Long	96950045	
37		FHMS 10-32 x 1" Long	96917602	
38		RHMS 10-32 X 1" Long	96917176	
39		1060/1 060K11 070/1 070AI1 080/1 D80A Fastener PKG.	76770230	
40		FHMS 10-32 x 1" Long Undercut SS	96917596	
41		Pin Bolt Guide Paracentric 1070A	76761939	
42		FHMS 8-32 X 1" Long UNCUT	96917549	
Not Shown		4C Paracentric Keeper w/Fasteners	76761794	
Not Shown		4CL Paracentric Keeper Switch w/Fasteners	76761795	

Series 1080 Old Style Deadlocks Parts Diagram

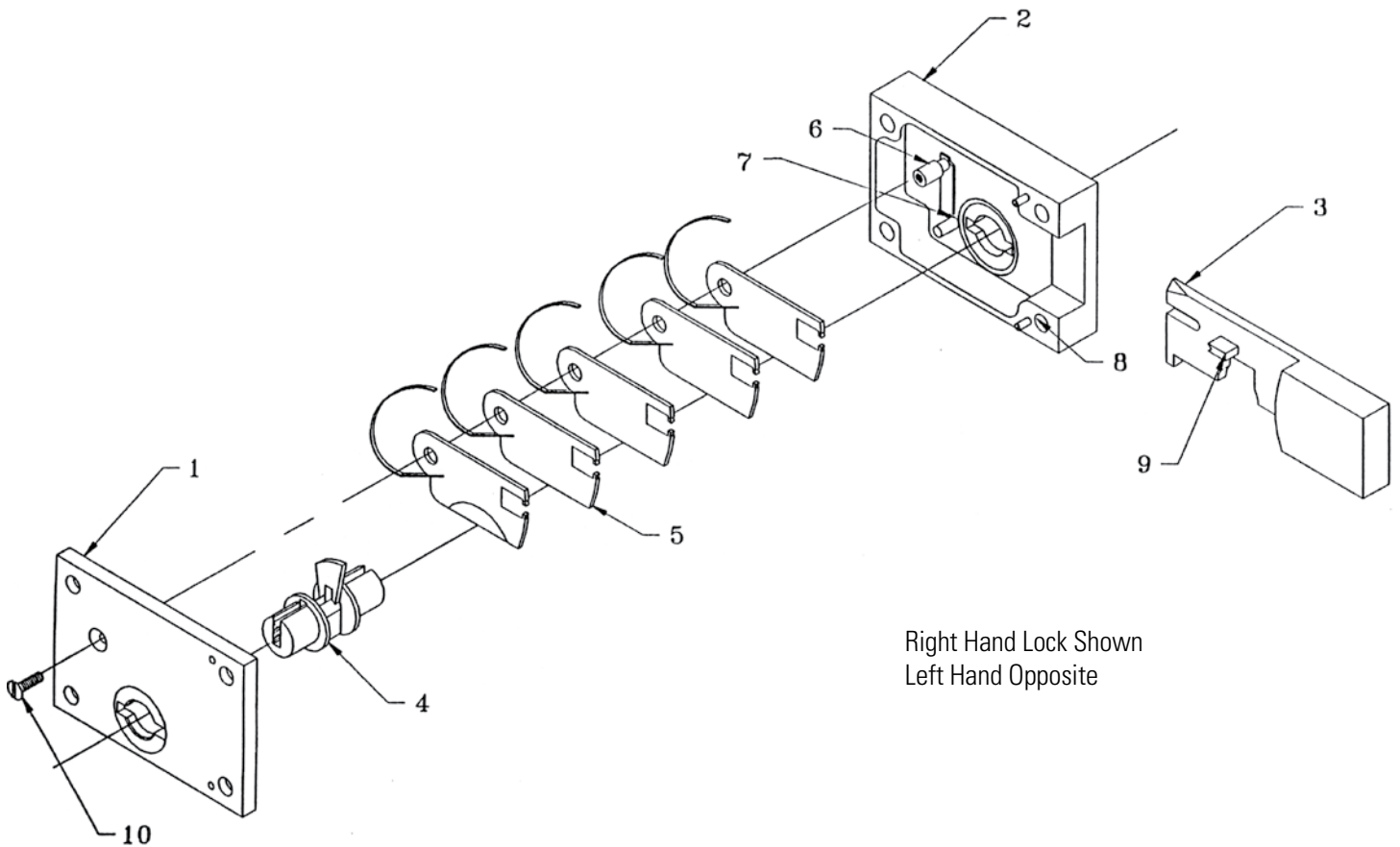


Right Hand Lock Shown
Left Hand Opposite

1080 Old Style Deadlocks

Item	Quantity Per Lock	Description	Right Hand	Left Hand
1	1	Cover Plate RH.	76760830	
2	1	Lock Case RH.	76760805	
3	1	Lockbolt 1/2" Proj.	76760865	76760866
		Lockbolt 1-1/4" Proj.	76760869	76760870
4	1	Key Cylinder	96960019	
5	1	Tumbler Set	76760809	
6	1	Lockbolt Guide Pin	76760840	
7	1	Lockbolt Stop Pin	76760141	
8	2	5/32 X 3/4" Roll Pin	96960001	
9	1	Lockbolt Post	76760839	
10	1	FH.MS. 10-32 X 5/8"	91917603	

Series 1080A New Style Deadlocks Parts Diagram

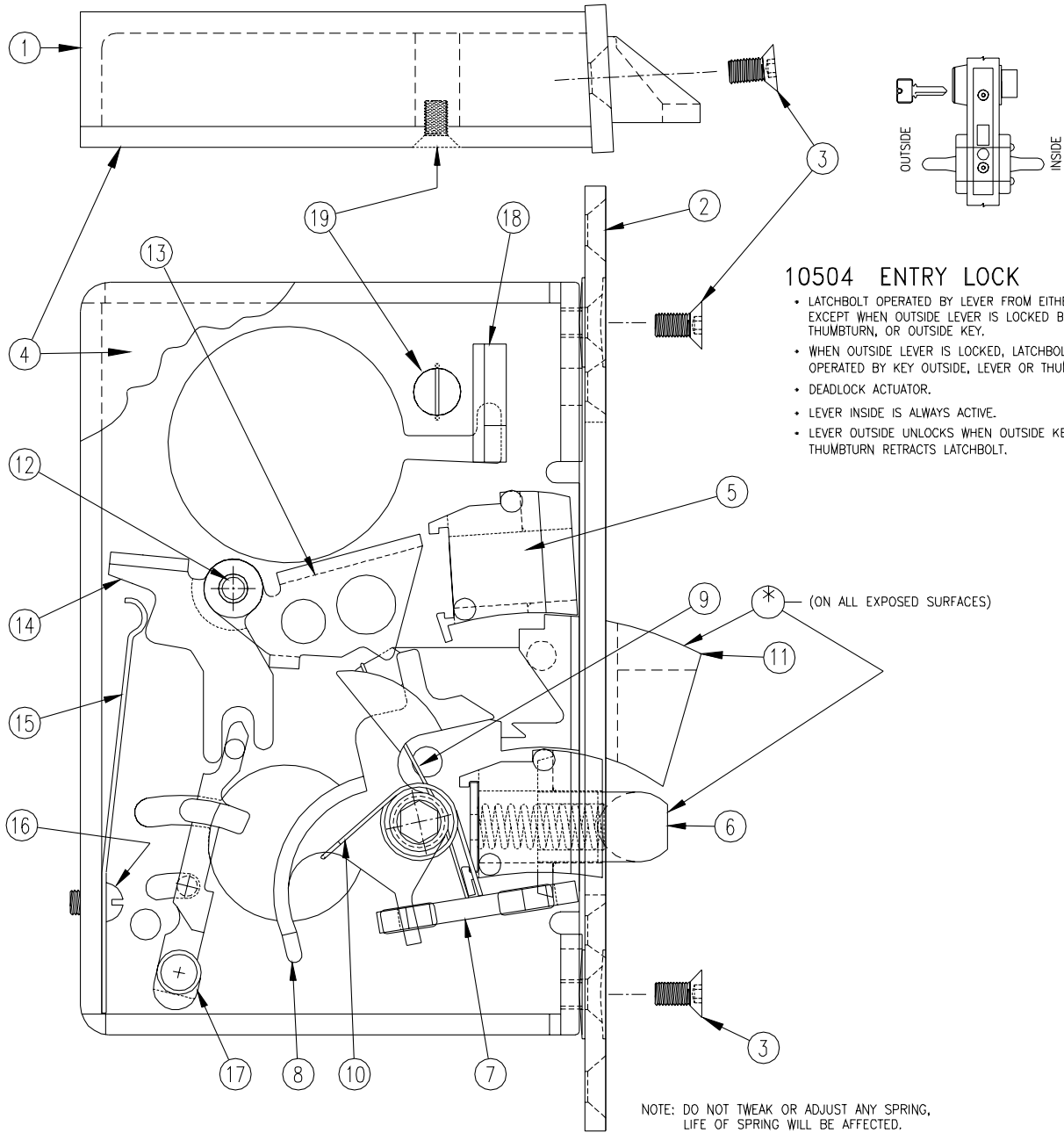


Right Hand Lock Shown
Left Hand Opposite

1080A New Style Deadlocks

Item	Quantity Per Lock	Description	Right Hand	Left Hand
1	1	Cover Plate RH.	76760830	
2	1	Lock Case RH.	76760805	
3	1	Lockbolt 1/2" Proj. (Non-handed)	76761954	
		Lockbolt 1-1/4" Proj. (Non-handed)	76761956	
4	1	Key Cylinder	96960019	
5	1	Tumbler Set	76760809	
6	1	Lockbolt Guide Pin	76760840	
7	1	Lockbolt Stop Pin	76760141	
8	2	5/32 X 3/4" Roll Pin	96960001	
9	1	Lockbolt Post	76760839	
10	1	FH.MS. 10-32 X 5/8"	91917603	

Series 10504 Institutional Mortise Locks Parts Diagram



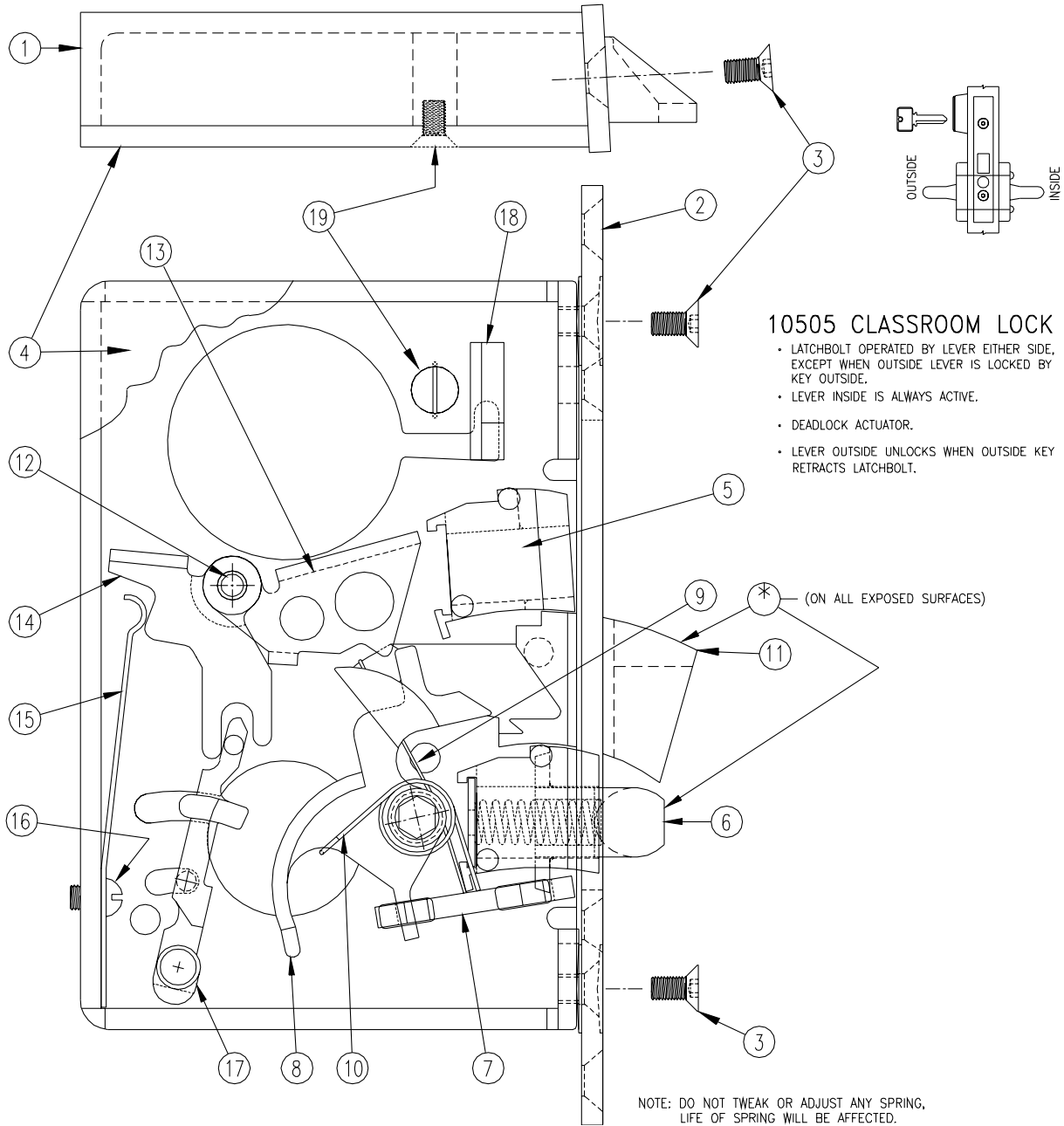
10504 Institutional Mortise Locks

Item	Description	Part #
1	10500 Case	76767320
2	10500 Anchor Plate	96967116
3	SK FH CS 1/4 - 20 x 3/8	96914651
4	Cover 10500	96967146
5	Guide Bushing Deadlock Actuator	96967256
6	Deadlock Actuator Sub Assy LH	76767322

10504 Institutional Mortise Locks (Continued)

Item	Description	Part #
Not Shown	Deadlock Actuator sub Assy RH	76767224
7	Stamping 10500 Drive Plate Deadlock Actv.	96967118
8	Mach. Deadlock Cam	76767251
9	Torsion Spring (Latch bolt)	96967294
10	Spring Torsion Deadlock Cam	96967285
11	Latch Bolt (LHSB/RHRB)	96967257
Not Shown	Latch Bolt (RHSB/LHRB)	96967258
12	Pin 10500	76767302
13	10500 Cam Retraction Latch Bolt	96967132
14	10500 Cam Lockout Drive (Knob/lever)	96967131
15	Spring Leaf 10500 Knob Locked	96967290
16	RH MS 1/4 - 20 x 1/4	96917176
17	Cam, Knob Locking Cover Side	96967261
Not Shown	Cam, Knob Locking Case Side	96967259
18	Bracket Cylinder Locking 10500	96967117
19	FH MS 1/4 - 20 x 1/2	96917678
20	Spring Torsion 10500 Knob Lock	96967286
Not Shown	15/16 Mogul Cone 2" Door	96963361
Not Shown	Modified Mogul Cone 1 3/4" Door	96963363
Not Shown	SK SS CPPT 8-32 x 1 3/4 Set Screw	96915547

Series 10505 Institutional Mortise Locks Parts Diagram



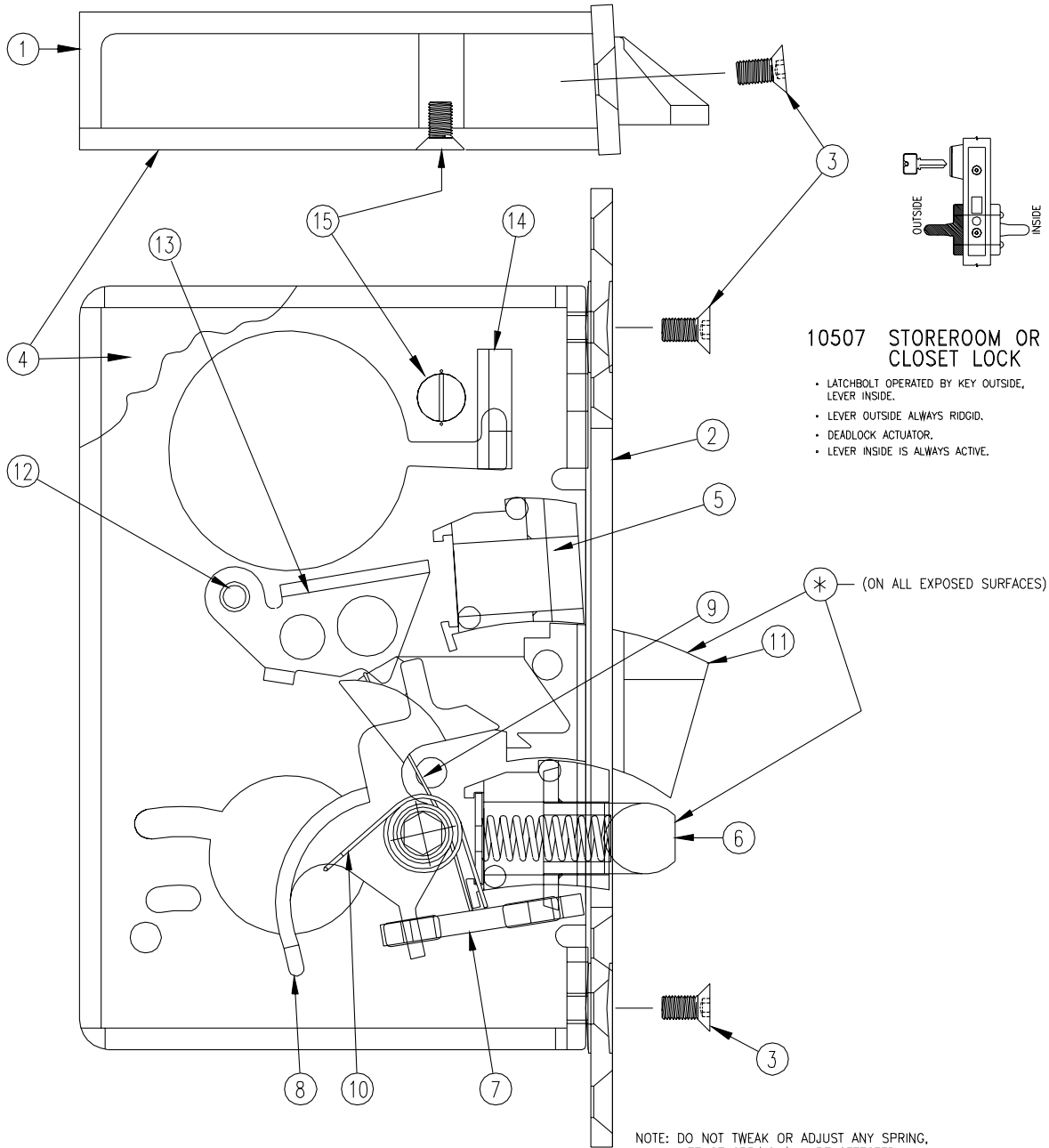
10505 Institutional Mortise Locks

Item	Description	Part #
1	10500 Case	76767320
2	10500 Anchor Plate	96967116
3	SK FH CS 1/4 - 20 x 3/8	96914651
4	Cover 10500	96967146
5	Guide Bushing Deadlock Actuator	96967256
6	Deadlock Actuator Sub Assy LH	76767322

10505 Institutional Mortise Locks (Continued)

Item	Description	Part #
Not Shown	Deadlock Actuator sub Assy RH	76767224
7	Stamping 10500 Drive Plate Deadlock Actv.	96967118
8	Mach. Deadlock Cam	76767251
9	Torsion Spring (Latch bolt)	96967294
10	Spring Torsion Deadlock Cam	96967285
11	Latch Bolt (LHSB/RHRB)	96967257
Not Shown	Latch Bolt (RHSB/LHRB)	96967258
12	Pin 10500	76767302
13	10500 Cam Retraction Latch Bolt	96967132
14	10500 Cam Lockout Drive (Knob/lever)	96967131
15	Spring Leaf 10500 Knob Locked	96967290
16	RH MS 1/4 - 20 x 1/4	96917176
17	Cam, Knob Locking Cover Side	96967261
Not Shown	Cam, Knob Locking Case Side	96967259
18	Bracket Cylinder Locking 10500	96967117
19	FH MS 1/4 - 20 x 1/2	96917678
20	Spring Torsion 10500 Knob Lock	96967286
Not Shown	15/16 Mogul Cone 2" Door	96963361
Not Shown	Modified Mogul Cone 1 3/4" Door	96963363
Not Shown	10500/10600 Thumb Turn	76767334
Not Shown	SK SS CPPT 8-32 x 1 3/4 Set Screw	96915547

Series 10507 Institutional Mortise Locks Parts Diagram



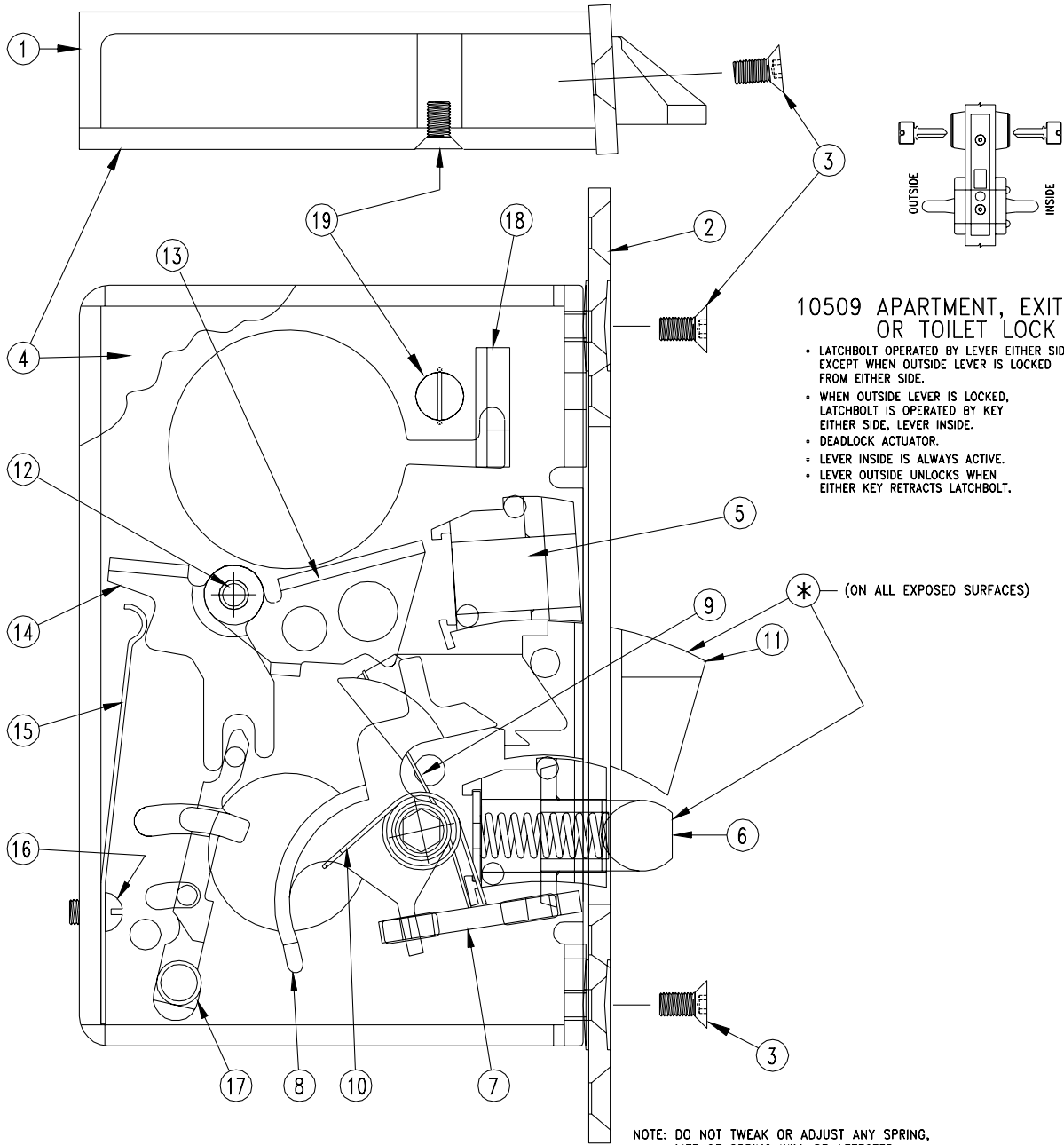
10507 Institutional Mortise Locks

Item	Description	Part #
1	10500 Case	76767320
2	10500 Anchor Plate	96967116
3	SK FH CS 1/4 - 20 x 3/8	96914651
4	Cover 10500	96967146
5	Guide Bushing Deadlock Actuator	96967256
6	Deadlock Actuator Sub Assy RH 10500	76767324

10507 Institutional Mortise Locks (Continued)

Item	Description	Part #
7	Deadlock Actuator sub Assy LH 10500	76767322
Not Shown	Stamping 10500 Drive Plate Deadlock Actv.	96967118
7	Mach. Deadlock Cam	76767251
9	Torsion Spring (Latch bolt)	96967294
10	Spring Torsion Deadlock Cam	96967285
11	Latch Bolt (RHSB/LHRB) 10500	96967258
Not Shown	Latch Bolt (LHSB/RHRB) 10500	96967257
12	Pin 10500	76767302
13	10500 Cam Retraction Latch Bolt	96967132
14	Bracket Cylinder Locking 10500	96967117
15	FHMS 1/4 - 20 x 1/2	96917678
Not Shown	15/16 Mogul Cone 2"	96963361
Not Shown	Door Modified Mogul Cone 1 3/4" Door	96963363
Not Shown	SK SS CPPT 8-32 x 1 3/4 Set Screw	96915547

Series 10509 Institutional Mortise Locks Parts Diagram



10509 APARTMENT, EXIT OR TOILET LOCK

- LATCHBOLT OPERATED BY LEVER EITHER SIDE, EXCEPT WHEN OUTSIDE LEVER IS LOCKED FROM EITHER SIDE.
- WHEN OUTSIDE LEVER IS LOCKED, LATCHBOLT IS OPERATED BY KEY EITHER SIDE, LEVER INSIDE.
- DEADLOCK ACTUATOR.
- LEVER INSIDE IS ALWAYS ACTIVE.
- LEVER OUTSIDE UNLOCKS WHEN EITHER KEY RETRACTS LATCHBOLT.

* (ON ALL EXPOSED SURFACES)

NOTE: DO NOT TWEAK OR ADJUST ANY SPRING, LIFE OF SPRING WILL BE AFFECTED.

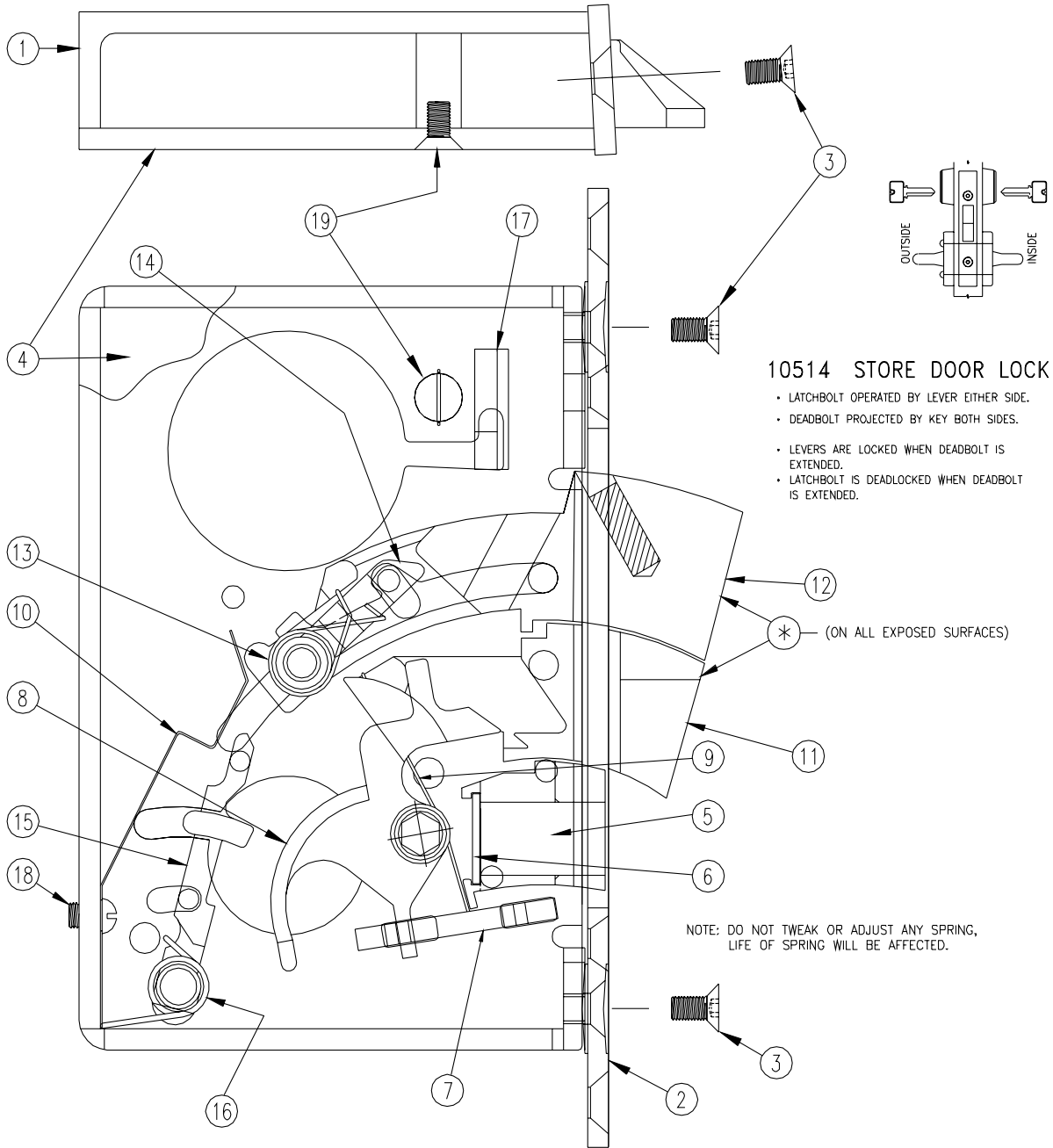
10509 Institutional Mortise Locks

Item	Description	Part #
1	10500 Case	76767320
2	10500 Anchor Plate	96967116
3	SK FH CS 1/4 - 20 x 3/8	96914651
4	Cover 10500	96967146
5	Guide Bushing Deadlock Actuator	96967256
6	Deadlock Actuator Sub Assy LH	76767322

10509 Institutional Mortise Locks (Continued)

Item	Description	Part #
Not Shown	Deadlock Actuator sub Assy RH	76767224
7	Stamping 10500 Drive Plate Deadlock Actv.	96967118
8	Mach. Deadlock Cam	76767251
9	Torsion Spring (Latch bolt)	96967294
10	Spring Torsion Deadlock Cam	96967285
11	Latch Bolt (LHSB/RHRB)	96967257
Not Shown	Latch Bolt (RHSB/LHRB)	96967258
12	Pin 10500	76767302
13	10500 Cam Retraction Latch Bolt	96967132
14	10500 Cam Lockout Drive (Knob/lever)	96967131
15	Spring Leaf 10500 Knob Locked	96967290
16	RH MS 1/4 - 20 x 1/4	96917176
17	Cam, Knob Locking Cover Side	96967261
Not Shown	Cam, Knob Locking Case Side	96967259
18	Bracket Cylinder Locking 10500	96967117
19	FH MS 1/4 - 20 x 1/2	96917678
20	Spring Torsion 10500 Knob Lock	96967286
Not Shown	15/16 Mogul Cone 2" Door	96963361
Not Shown	Modified Mogul Cone 1 3/4" Door	96963363
Not Shown	SK SS CPPT 8-32 x 1 3/4 Set Screw	96915547

Series 10514 Institutional Mortise Locks Parts Diagram



10514 STORE DOOR LOCK

- LATCHBOLT OPERATED BY LEVER EITHER SIDE.
- DEADBOLT PROJECTED BY KEY BOTH SIDES.
- LEVERS ARE LOCKED WHEN DEADBOLT IS EXTENDED.
- LATCHBOLT IS DEADLOCKED WHEN DEADBOLT IS EXTENDED.

(ON ALL EXPOSED SURFACES)

NOTE: DO NOT TWEAK OR ADJUST ANY SPRING,
LIFE OF SPRING WILL BE AFFECTED.

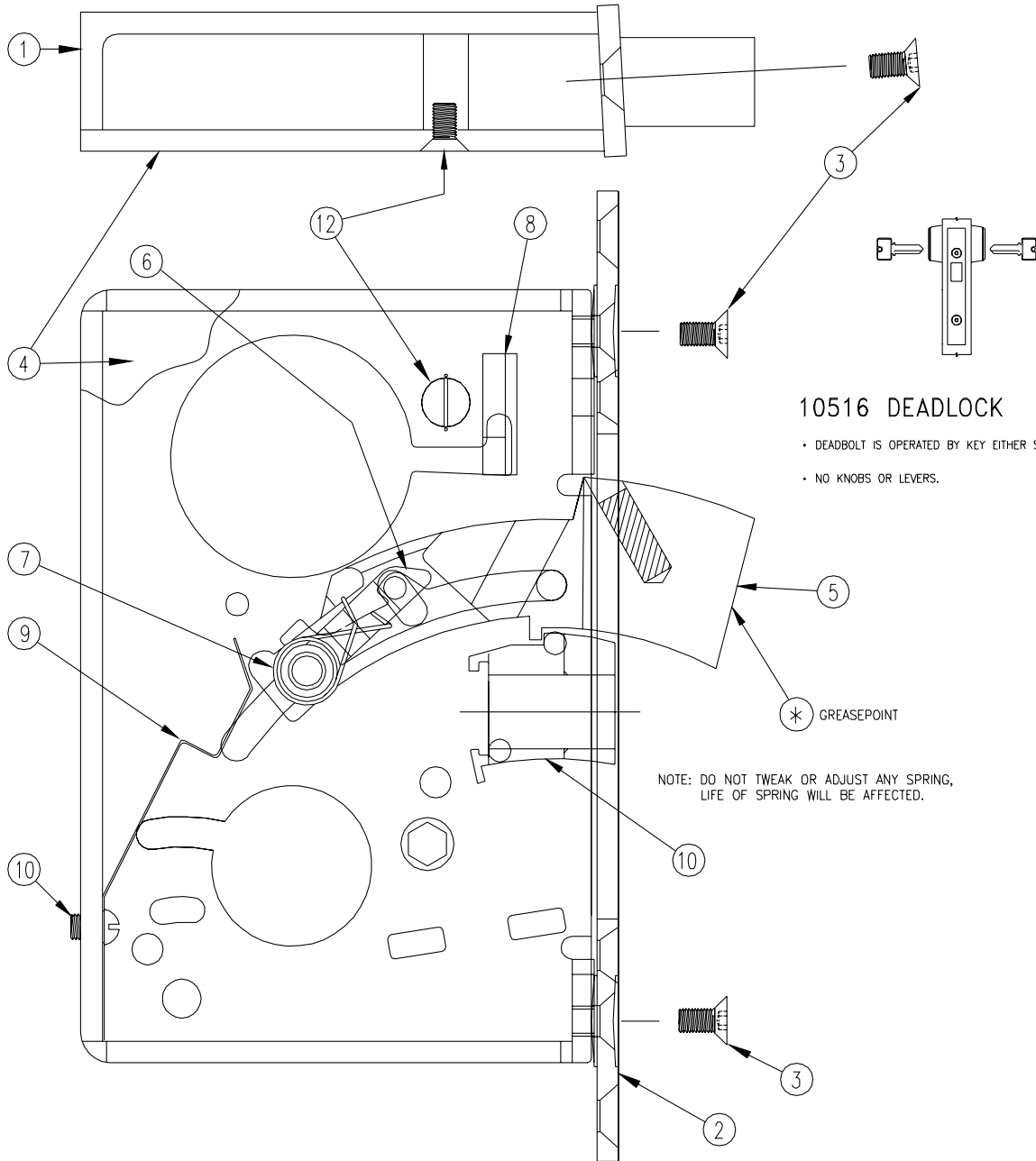
10514 Institutional Mortise Locks

Item	Description	Part #
1	10500 Case	76767320
2	10500 Anchor Plate	96967116
3	SK FH CS 1/4 - 20 x 3/8	96914651
4	Cover 10500	96967146
5	Guide Bushing Deadlock	96967256
6	Square Washer	96920879

10514 Institutional Mortise Locks (Continued)

Item	Description	Part #
7	10500 Non-Deadlock Latch Bolt	96967136
8	(Mach) Deadlock Cam (Latch Bolt) 10500	76767251
9	Torsion Spring (Latch Bolt) 10500	96967294
10	Spring Cantilever Dead Bolt 10500	96967291
11	Latch Bolt (RHBS/LHRB) 10500	96967258
Not Shown	Latch Bolt (LHSB/RHRB) 10500	96767257
12	10500 Dead Bolt (Anti-Sawing)	76767250
13	Spring Torsion Deadlock Dead Bolt	96967293
14	10500 Dead Bolt Deadlock Cam	76767253
15	Cam, Knob Locking 10500	96967260
16	Spring Torsion 10500 Knob Locking	96967286
17	Bracket Cylinder Locking 10500	96967117
18	RHMS 1/4 - 20 x 1/4	96917176
19	FHMS 1/4 - 20 x 1/2	96917678
Not Shown	15/16 Mogul Cone 2" Door	96963361
Not Shown	Modified Mogul Cone 1 3/4 Door	96963363
Not Shown	SK SS CPPT 8 - 32 x 1 3/4	96915547

Series 10516 Institutional Mortise Locks Parts Diagram



10516 DEADLOCK

- DEADBOLT IS OPERATED BY KEY EITHER SIDE.
- NO KNOBS OR LEVERS.

* GREASEPOINT

NOTE: DO NOT TWEAK OR ADJUST ANY SPRING,
LIFE OF SPRING WILL BE AFFECTED.

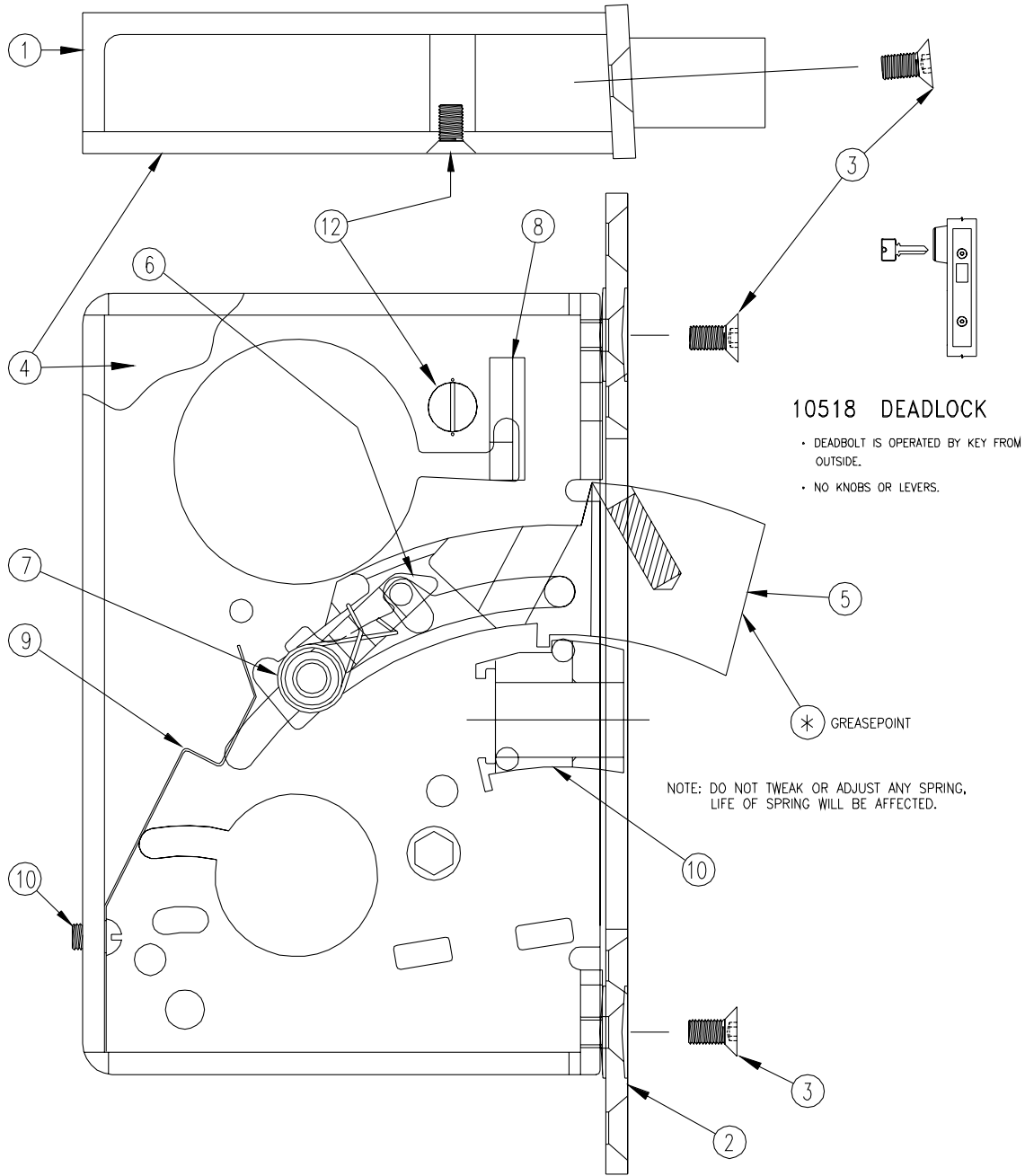
10516 Institutional Mortise Locks

Item	Description	Part #
1	10500 Case	76767320
2	Anchor Plate 10500	96967116
3	SK FH CS 1/4 - 20 x 3/8	96914651
4	Cover 10500	96967146
5	Deadbolt Assy 10500 Anti Sawing	76767250
6	10500 Deadbolt Deadlock Cam	76767253

10516 Institutional Mortise Locks (Continued)

Item	Description	Part #
7	Spring Torsion Deadlock Deadbolt 10500	96967293
8	Bracket Cylinder Locking 10500	96967117
9	Spring Cantilever Deadbolt 10500	96967291
10	RH MS 1/4 - 20 x 1/4	96917176
11	Guide Bushing Deadlock Actuator	96967256
12	FH MS 1/4 - 20 x 1/2	96917678
Not Shown	15/16 Mogul Cone 2" Door	96963361
Not Shown	Modified Mogul Cone 1-3/4" Door	96963363
Not Shown	SK SS CPPT 8-32 x 1-3/4" Set Screw	96915547

Series 10518 Institutional Mortise Locks Parts Diagram



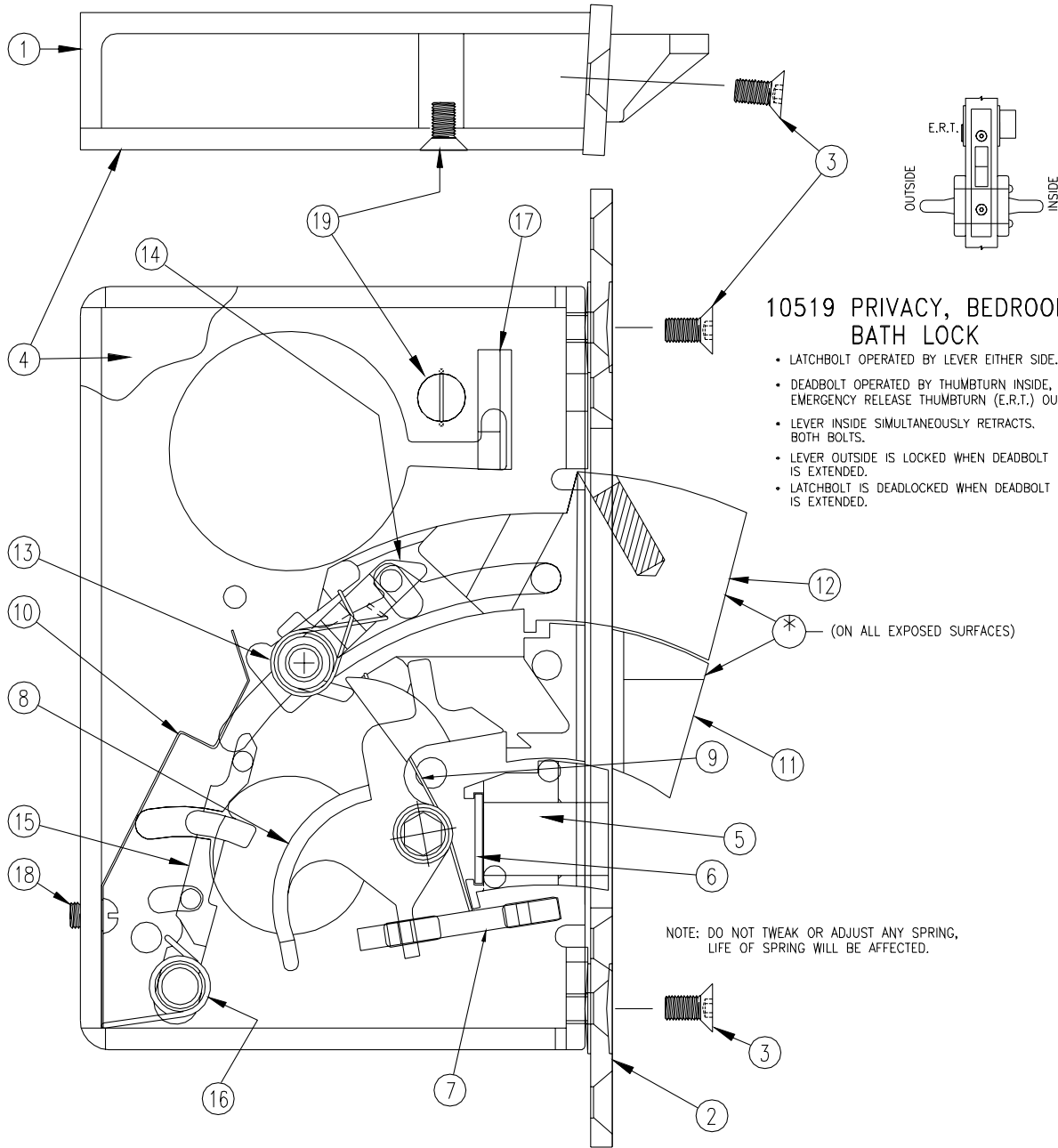
10518 Institutional Mortise Locks

Item	Description	Part #
1	10500 Case	76767320
2	Anchor Plate 10500	96967116
3	SK FH CS 1/4 - 20 x 3/8	96914651
4	Cover 10500	96967146
5	Deadbolt Assy 10500 Anti Sawing	76767250
6	10500 Deadbolt Deadlock Cam	76767253

10518 Institutional Mortise Locks (Continued)

Item	Description	Part #
7	Spring Torsion Deadlock Deadbolt 10500	96967293
8	Bracket Cylinder Locking 10500	96967117
9	Spring Cantilever Deadbolt 10500	96967291
10	RH MS 1/4 - 20 x 1/4	96917176
11	Guide Bushing Deadlock Actuator	96967256
12	FH MS 1/4 - 20 x 1/2	96917678
Not Shown	15/16 Mogul Cone 2" Door	96963361
Not Shown	Modified Mogul Cone 1-3/4" Door	96963363
Not Shown	SK SS CPPT 8-32 x 1-3/4" Set Screw	96915547

Series 10519 Institutional Mortise Locks Parts Diagram



10519 PRIVACY, BEDROOM OR BATH LOCK

- LATCHBOLT OPERATED BY LEVER EITHER SIDE.
- DEADBOLT OPERATED BY THUMBTURN INSIDE, EMERGENCY RELEASE THUMBTURN (E.R.T.) OUTSIDE.
- LEVER INSIDE SIMULTANEOUSLY RETRACTS BOTH BOLTS.
- LEVER OUTSIDE IS LOCKED WHEN DEADBOLT IS EXTENDED.
- LATCHBOLT IS DEADLOCKED WHEN DEADBOLT IS EXTENDED.

(*) (ON ALL EXPOSED SURFACES)

NOTE: DO NOT TWEAK OR ADJUST ANY SPRING, LIFE OF SPRING WILL BE AFFECTED.

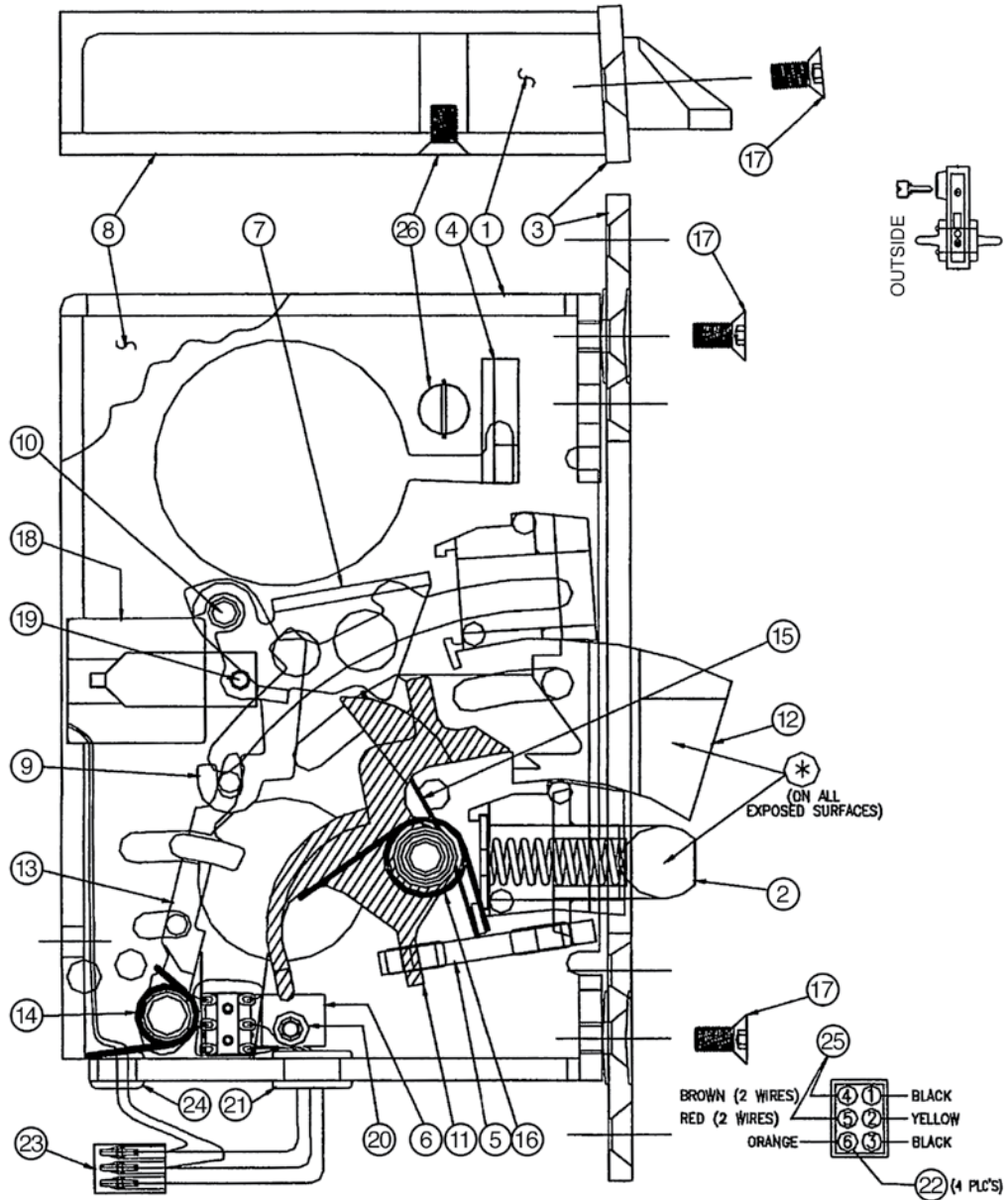
10519 Institutional Mortise Locks

Item	Description	Part #
1	10500 Case	76767320
2	10500 Anchor Plate	96967116
3	SK FH CS 1/4 - 20 x 3/8	96914651
4	Cover 10500	96967146
5	Guide Bushing Deadlock Actuator	96967256
6	Square Washer	96920879

10519 Institutional Mortise Locks (Continued)

Item	Description	Part #
7	10500 Non-Deadlock Latch Bolt	96967136
8	(Mach) Deadlock Cam (Latch Bolt) 10500	76767251
9	Torsion Spring (Latch Bolt) 10500	96967294
10	Spring Cantilever Dead Bolt 10500	96967291
11	Latch Bolt (LHSB/RHRB) 10500	96967257
Not Shown	Latch Bolt (RHSB/LHRB) 10500	96767258
12	10500 Dead Bolt (Anti-Sawing)	76767250
13	Spring Torsion Deadlock Dead Bolt	96967293
14	10500 Mach Dead Bolt Deadlock (Knob Ret.)	76767254
15	Cam, Knob Locking Cover Side	96967261
Not Shown	Cam, Knob Locking Case Side	96967259
16	Spring Torsion Knob Lock	96967286
17	Bracket Cylinder Locking	96967117
18	RH MS 1/4 - 20 x 1/4	96917176
19	FH MS 1/4 - 20 x 1/2	96917678
Not Shown	Thumb Turn	76767334
Not Shown	15/16" Mogul cone 2" Door	96963361
Not Shown	Modified Mogul Cone 1-3/4" Door	96963363
Not Shown	SK SS CPPT 8 - 32 x 1-3/4 Set Screw	96915547
Not Shown	Emergency Release	76767408

Series 10601 Institutional Mortise Locks Parts Diagram



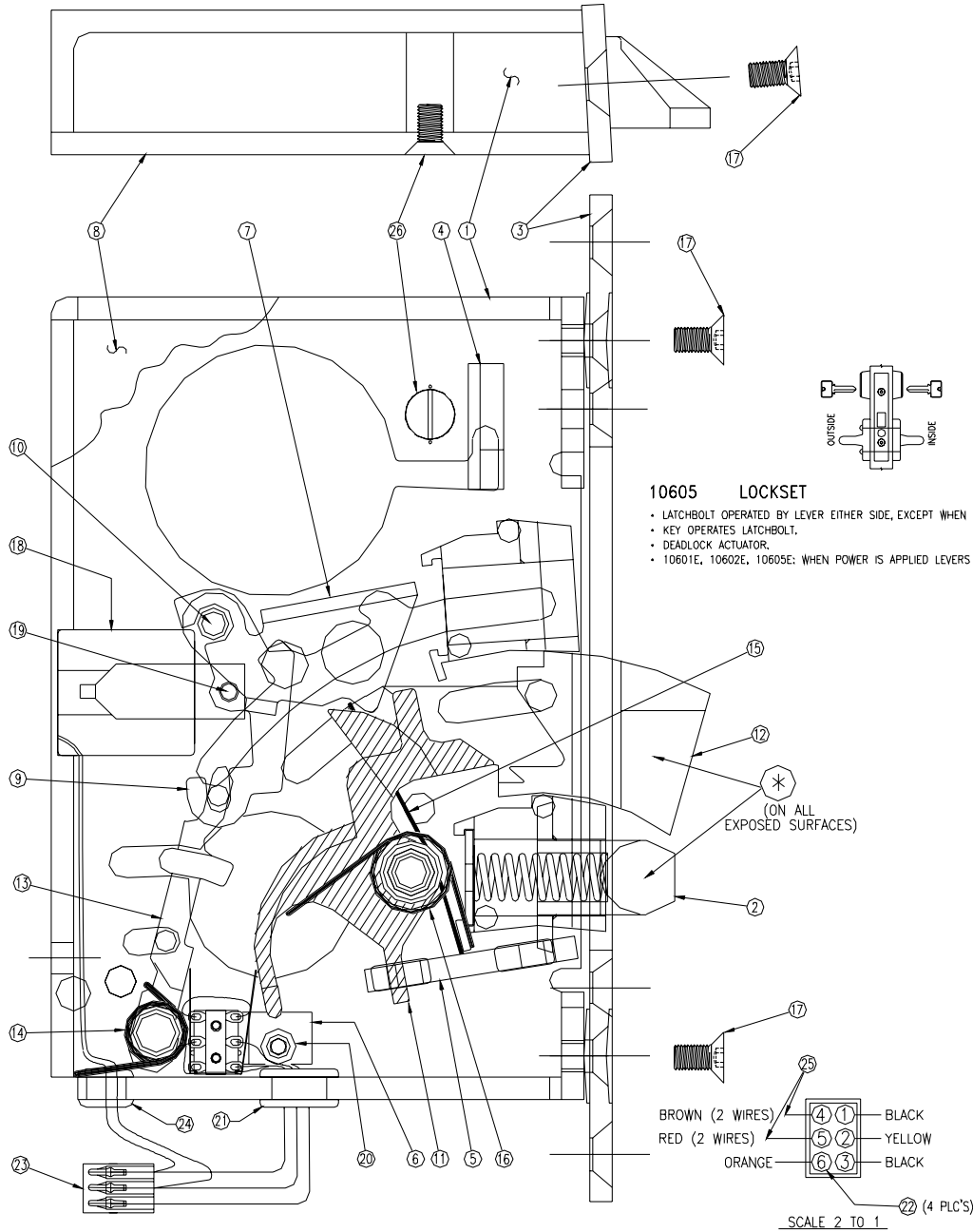
10601 Institutional Mortise Locks

Item	Description	Right Hand	Left Hand
1	Case 10600	76767303	
2	10500 Deadlock Actuator Sub-Assy	76767324	76767322
3	Anchor Plate 10500	96967116	
4	Bracket Cylinder Locking 10500	96967117	
5	Dr. Plate Deadlock Actuator (Stamping)	96967118	
6	Switch Assembly 10600	76767327	
7	10600 Cam, Retraction Latchbolt	76767307	

10601 Institutional Mortise Locks (Continued)

Item	Description	Right Hand	Left Hand
8	Cover 10500	96967146	
9	Cam, Knob Lock Retraction 10600	96967138	
10	Pin 10500	76767302	
11	(Mach) Deadlock Cam Latchbolt 10500	76767251	
12	Latchbolt 10500	96967258	96967257
13	10500 Cam, Knob Locking	96967260	
14	Torsion, Spring 10600E, Knob Lock	96967289	
15	Torsion, Spring Latchbolt 10500	96967294	
16	Torsion, Spring Deadbolt Cam Latchbolt	96967285	
17	SK FH CS 1/4 - 20 x 3/8	96914651	
18	Solenoid 10600	96967300	
19	Roll Pin 1/8 x 3/8	96950021	
20	SK BH CS 1/4 - 20 x 1/4	96915149	
21	Rubber Grommet	96908999	
22	Molex Pin 22 -24 GA.	96908598	
23	Molex -Plug	96908620	
24	Rubber Grommet	96908840	
25	Molex Pin 14 -20 GA.	96908600	
26	FH MS 1/4 - 20 x 1/4	96917678	
Not Shown	SK S8 CPPT 8 -32 x 1-3/4 Set Screw	96915547	
Not Shown	15/16 Mogul Cone 2" Door	96963361	
Not Shown	Modified Mogul Cone 1-3/4" Door	96963363	

Series 10605 Institutional Mortise Locks Parts Diagram



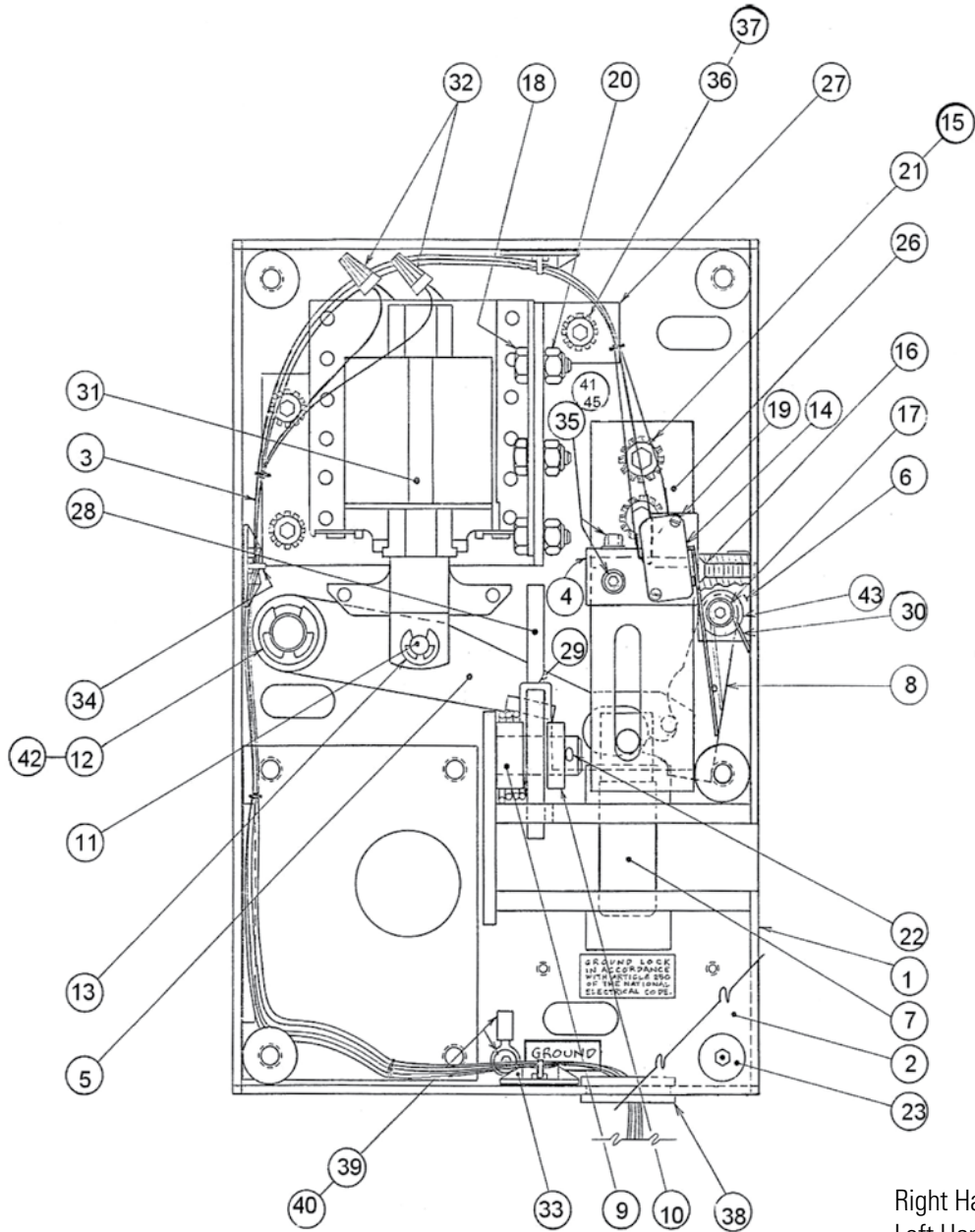
10605 Institutional Mortise Locks

Item	Description	Part #
1	Case 10600	76767303
2	10500 Deadlock Actuator Sub-Assy (RH)	76767324
Not Shown	10500 Deadlock Actuator Sub-Assy (LH)	76767322
3	Anchor Plate 10500	96967116
4	Bracket Cylinder Locking 10500	96967117
5	10500 Dr. Plate Deadlock Actuator (Stamping)	96967118
6	Switch Assembly 10600	76767327

10605 Institutional Mortise Locks (Continued)

Item	Description	Part #
7	10600 Cam, Retraction Latchbolt	76767307
8	Cover 10500	96967146
9	Cam, Knob Lock Retraction 10600	96967138
10	Pin 10500	76767302
11	(Mach) Deadlock Cam Latchbolt 10500	76767251
12	Latchbolt (RHSB, LHRB) 10500	96967258
Not Shown	Latchbolt (LHSB, RHRB) 10500	96967257
13	10500 Cam, Knob Locking	96967260
14	Torsion, Spring 10600E, Knob Lock	96967289
15	Torsion, Spring Latchbolt 10500	96967294
16	Torsion, Spring Deadbolt Cam Latchbolt	96967285
17	SK FH CS 1/4 - 20 x 3/8	96914651
18	Solenoid 10600	96967300
19	Roll Pin 1/8 x 3/8	96950021
20	SK BH CS 1/4 - 20 x 1/4	96915149
21	Rubber Grommet	96908999
22	Molex Pin 22 - 24 GA.	96908598
23	Molex Plug	96908620
24	Rubber Grommet	96908840
25	Molex Pin 14 20 GA.	96908600
26	FH MS 1/4 - 20 x 1/2	96917678
Not Shown	SK SS CPPT 8-32 x 1 3/4 Set Screw	96915547
Not Shown	15/16 Mogul Cone 2h Door	96963361
Not Shown	Modified Mogul Cone 1 3/4 Door	96963363

Series 1050SD Solenoid Operated Electro-Mechanical Locks Parts Diagram



Right Hand Lock Shown
Left Hand Opposite

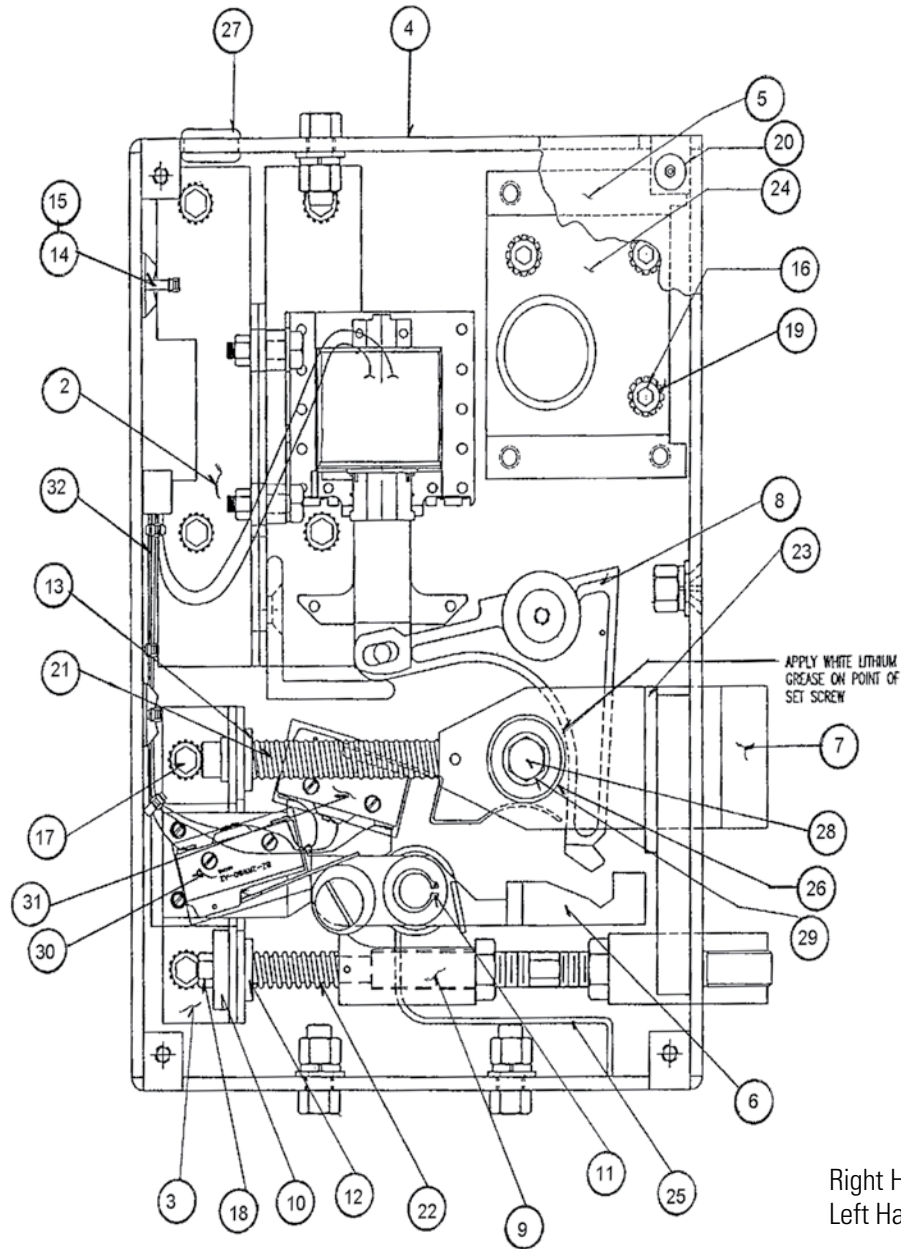
1050SD Solenoid Operated Electro-Mechanical Locks

Item	Description	Right Hand	Left Hand
1	1050-D Lock Case	76766008	76766009
2	1050/50D RH Lock Cover	76766014	76766015
3	1050-D Wire Harness		76766085
4	1050-D Switch Bracket	96966302	96966303
5	1050-D Driver Rocker	76766072	76766073
6	1050-D DDLK Rocker Support	76766083	76766084
7	1050-D Lock Pin Assy		76766086

1050SD Solenoid Operated Electro-Mechanical Locks (Continued)

Item	Description	Right Hand	Left Hand
8	1050-D Deadlock Rocker		76766082
9	1050-D Spacer 3/8" Wide		76766078
10	1050-D Spacer 1/4" Wide		76766079
11	1050-D Solenoid Pin		76766081
12	RET Ring		96900594
13	RET Ring		96900631
14	Dead Lock Ind. Switch		96905076
15	SKH CS 5/16-18 x 3/8		96914201
16	SK FH CS 8-32 x 1		96914532
17	SKH SHS 1/4 10-24 x 1		96915886
18	HH CS 1/4-20 x 1/2, Zinc Plate		96916152
19	2-56 x 1/2 Pan HD Screw		96918047
20	Z HLN 1/4-20 Nylon Insert		96920635
21	External Washer 5/16		96920852
22	Cotter Pin 3/32 x 1		96921013
23	FH TRX TMPRF 5/16-18 x 3/4 Zinc		96925350
24	SLFLK SPR TSPN 3/16 Dia. Roll Pin 1 3/8 Lg.		96950045
25	3/32 x 1-1/2 Dia Roll Pin ZP		96950035
26	1050D Lock Bolt Guide	96966002	96966003
27	1050D Solenoid Bracket	96966004	96966005
28	1050D Rocker Hold		96966006
29	1050D Torsion Spring	96966008	96966009
30	Torsn Spring	96900647	96900648
31	Solenoid Cont. Duty		96960540
32	Wire Nut		96908950
33	Adhesive Back Mount		96909014
34	Tie Wrap		96909016
35	SK BH CS 8-32 x 3/8		96915027
36	SKH CS 1/4-20 x 3/8		96914151
37	Int Ext Lock Washer 1/4 Zinc		96920855
38	Rubber Grommet		96908993
39	Term. Ring #8 16/14 Wire		96908976
40	SK BH CS 8-32 x 1/4		96915026
41	Lock Washer #8		96920833
42	LNK WSHR 22 GA Mild Steel		96950000
43	SAE Washer 1/4		96920820
44	1050-D Lock Cover Gasket		76766087
45	SAE Washer #8		96920817

Series 1051E Solenoid Operated Electro-Mechanical Deadlatches Parts Diagram



Right Hand Lock Shown
Left Hand Opposite

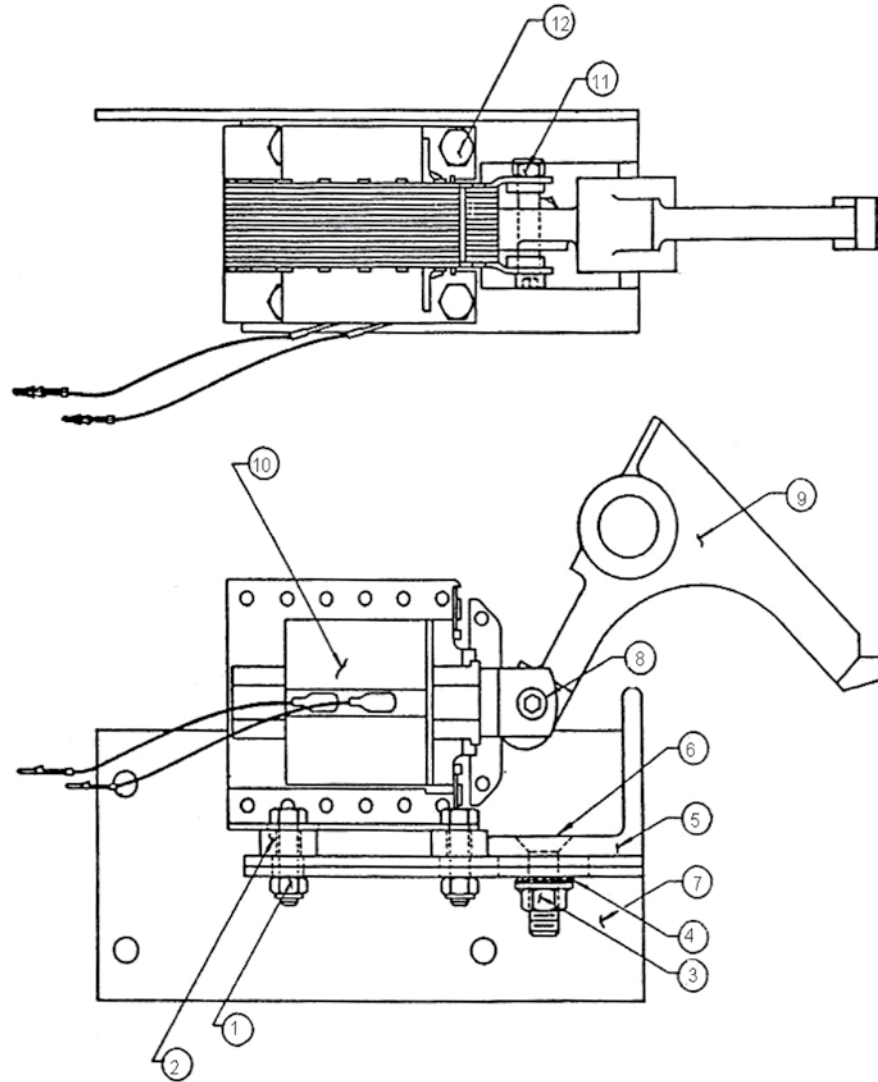
1051E Solenoid Operated Electro-Mechanical Deadlatches

Item	Description	Right Hand	Left Hand
1	1051E S/A Less 1010A LK	76763551	76763552
2	1051 Solenoid Module	76763590	76763591
3	LK Bolt Guide & SW SUPP 51E	76763534	76763535
4	51E/M Housing Weldment	76763522	76763523
5	51E/M LK CVR & Sleeve WLD	76763525	76763526
6	Deadlock Cam Assembly 51E & M	76763563	76763564
	1051NL Deadlock Cam Assy 51E/M	76763496	76763497
7	Lock Bolt Assy 51M/E RB/SB		76763569
8	Lock Bolt Rocker		76763574

1051E Solenoid Operated Electro-Mechanical Deadlatches (Continued)

Item	Description	Right Hand	Left Hand
9	51E/M DDLK Roller Bolt Assy		76763576
10	Spacer-Lock Nut DDLK RLR		76763583
11	RET RING		96900605
12	BRZ Bushing		96900987
13	BRZ Bushing		96900988
14	Adhesive Back Mount		96909014
15	Tie Wrap		96909016
16	SKH CS 5/16-18 x 3/8		96914201
17	SKH CS 5/16-18 x 1/2		96914202
18	3/8-16 LK NUT 2-W Reverse		96920622
19	External Washer 5/16		96920852
20	FH TRX TMPRF 1/4-20 x 1/2 Zinc		96925175
21	Spring LK Bolt 51M & 51E		96960518
22	DDLK Bolt Spring 51E, 120M/A		96960519
23	1051E/M LK Bolt Stop STMP		96963542
24	51M/E Supt Bkt Key LK	96963545	96963544
25	51M/E DDLK Cam Spring	96963590	96963592
26	Lock Bolt Bushing 51M & 51E		76763572
27	Rubber Grommet		96908993
28	3/8-16 x 1-1/2" Bolt		96916259
29	3/8-16 Hex Hug Nut RH	96920622	
30	Switch – Dead Lock		96905105
31	Switch – Lock Bolt		96905104
32	1051E SWBRKT Harness		76763520
Not Shown	10120/10300/1051/1058M Pigtail		76763073

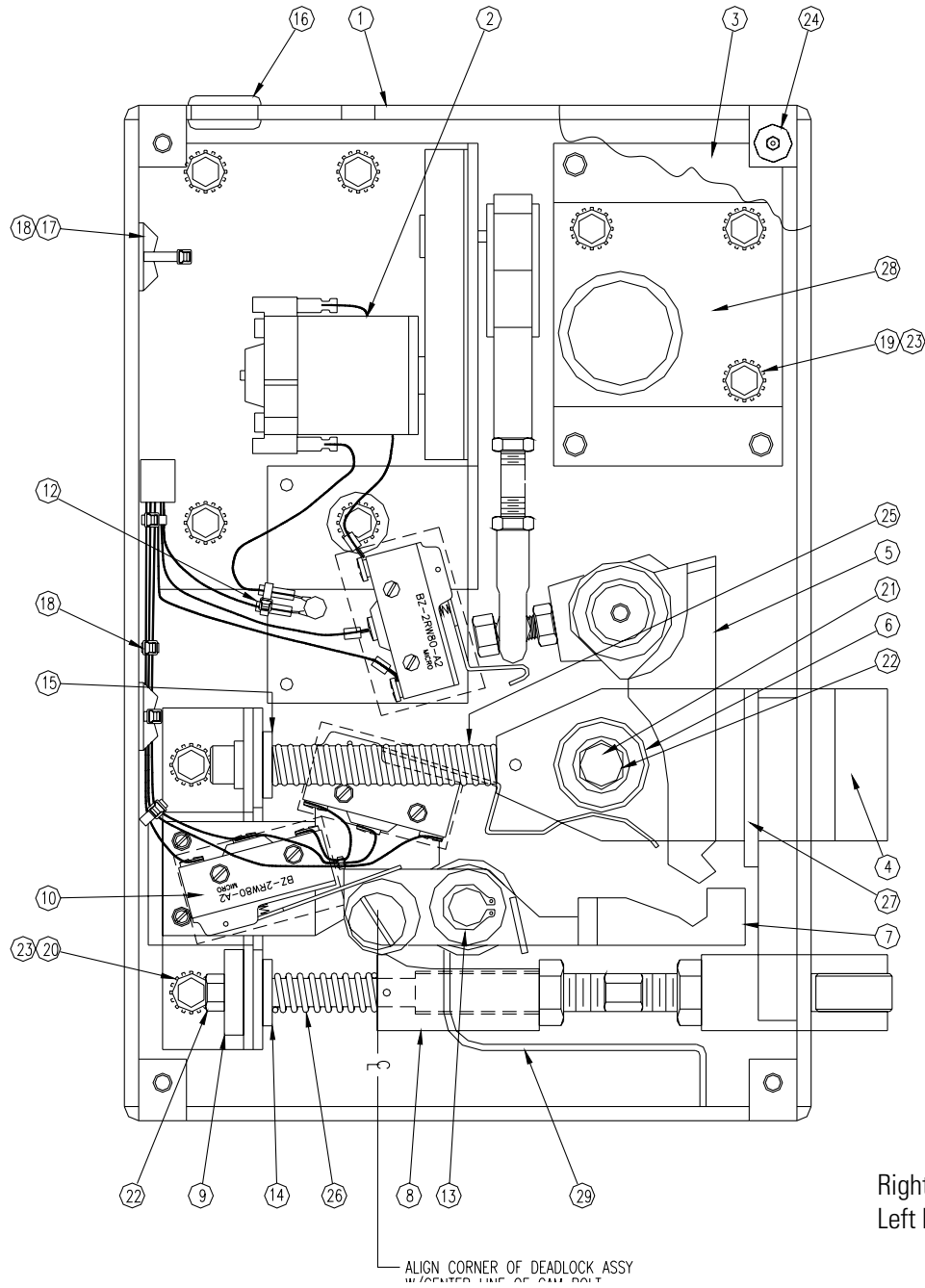
Series 1051E Solenoid Sub-Assembly Parts Diagram



1051E Solenoid Sub-Assembly

Item	Description	Right Hand	Left Hand
1	1/4-20 Hex Lock Nut w/Nylon Insert (4 plcs)	96920635	
2	Solenoid Spacer (4 plcs)	76763592	
3	3/8-16 Hex Hug Nut	96929622	
4	3/8 External Lock Washer	96920856	
5	Stop, Solenoid Plunger	76763588	
6	3/8-16 x 1-1/4" Flat Head Screw	96914757	
7	Solenoid Support	96963535	
8	10-24 x 1-1/4" Skt. Head Shoulder Screw	96915888	
9	Machined Solenoid Rocker	76763575	
10	Modified Solenoid (Continuous Duty)	76763072	
11	10-24 Hex Lock Nut, Zinc w/nylon Insert	96920634	
12	1/4-20 x 1" Hex Head Cap Screw (4 plcs)	96916155	

Series 1051M Motor Operated Electro-Mechanical Deadlatches Parts Diagram



Right Hand Lock Shown
Left Hand Opposite

1051M Motor Operated Electro-Mechanical Deadlatches

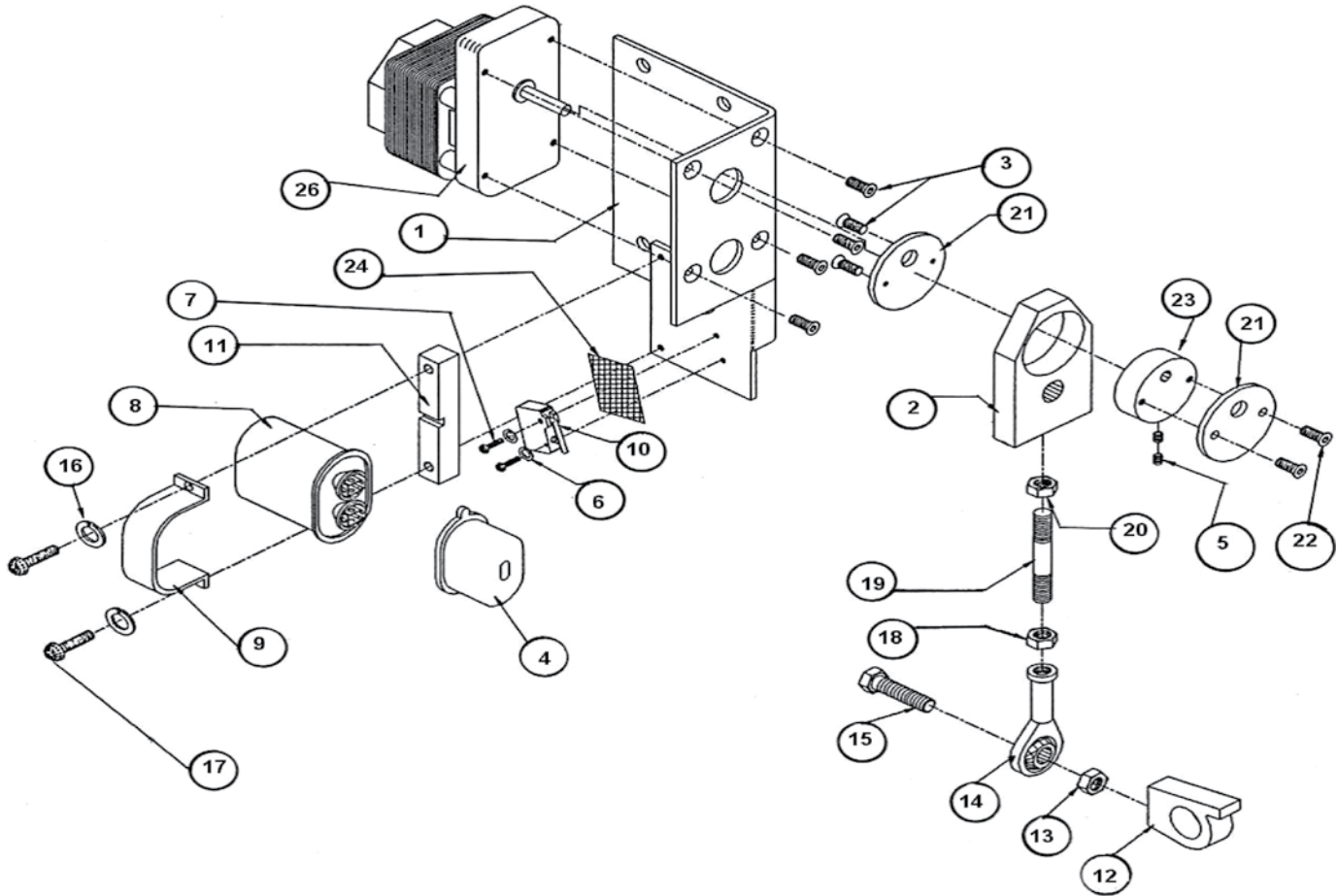
Item	Description	Right Hand	Left Hand
1	50E/M Housing Weldment	76763522	76763523
2	51M Lock RH Motor Assembly – 120 VAC	76763516	76763517
	51M Lock RH Motor Assembly – 24 VDC	76763376	76763377
3	51M/E Lock Cover	76763525	76763526
4	Lock Bolt Assy 51M/E RB/SB		76763569
5	1051M Lock Bolt Rocker		76763574

1051M Motor Operated Electro-Mechanical Deadlatches (Continued)

Item	Description	Right Hand	Left Hand
6	Lock Bolt Bushing 51M & 51E		76763572
7	Deadlock CAM Assembly 51E&M	76763563	76763564
8	#51E/M DDLK Roller Bolt Assembly		76763576
9	Spacer-Lock Nut DDLK RLR		76763583
10	LK Bolt Guide & SW Support Brkt RH 51E	76763534	76763535
12	Motor Limit Switch Wire harness 120VAC		76763185
	Motor Limit Switch Wire Harness 24 VDC		76763378
13	RET RING		96900605
14	BRZ Bushing		96900987
15	BRZ Bushing		96900988
16	Rubber Grommet		96908993
17	Adhesive Back Mounts		96909014
18	Tie Wrap		96909016
19	SKH CS 5/16-18 x 3/8		96914201
20	SHK CS 5/16-18 x 1/2		96914202
21	HH CS 3/8-16 x 1-1/2		96916259
22	3/8-16 LK Nut 2-W Reversa		96920622
23	External Washer 5/16		96920852
24	FH TRX TMRPF 1/4 - 20 x 1/2 Zinc		96925175
25	Spring LK Bolt 51M & 51E		96960518
26	DDLK Bolt Spring 51E, 120M/A		96960519
27	1051E/M LK Bolt Stop STMP		96963542
28	51M/E Supt Key LK. Brkt	96963544	96963545
29	51M/E DDLK Cam Spring	96963592	96963590
30	Limit Switch – Lock Bolt		96905104
31	Limit Switch – Deadlock		76763374
32	Limit Switch – Motor Run		76763374
Not Shown	10120/10300/1051/1058M Pigtail		76763073

Series 1051M Assembly Parts Diagram

Right Hand Motor Shown
Left Hand Opposite



1051M Motor Assembly

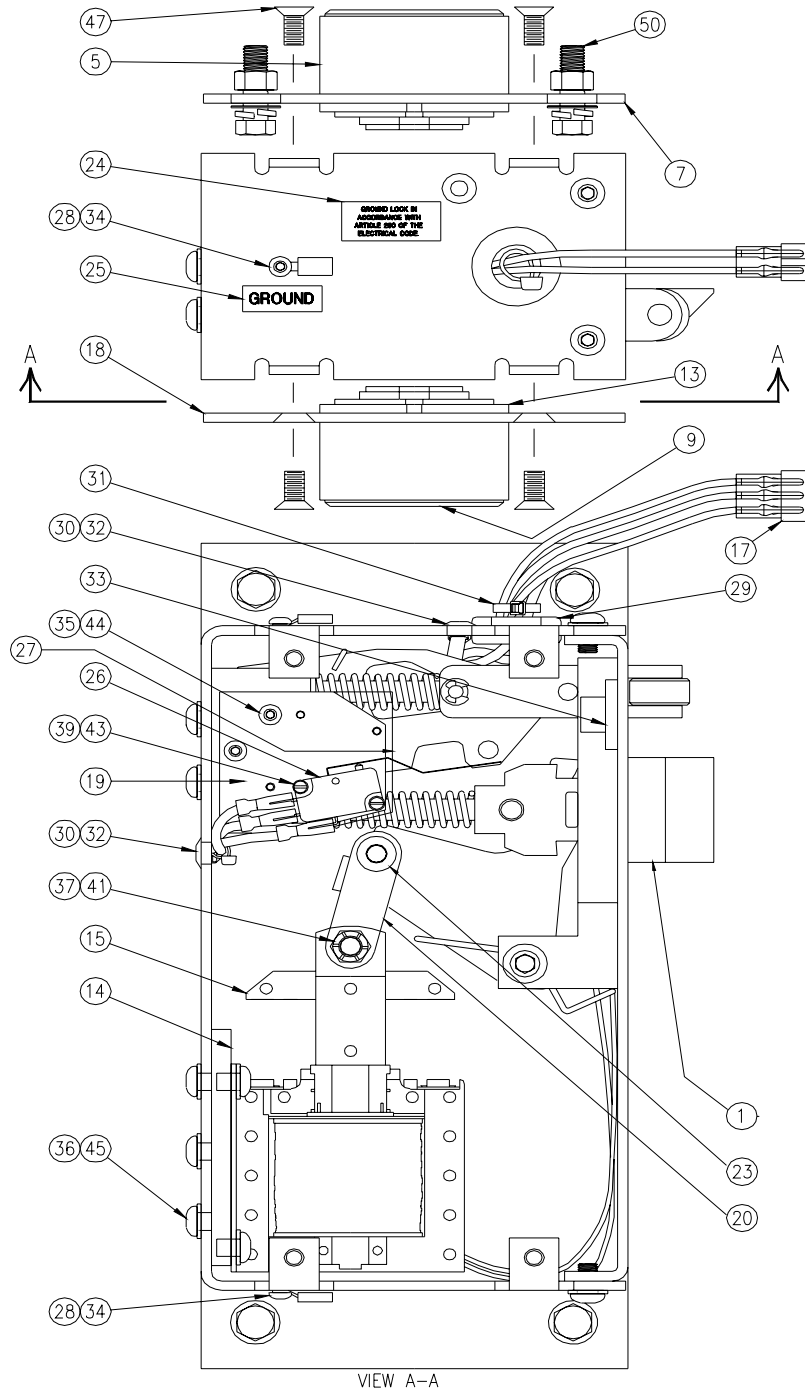
Item	Description	Right Hand	Left Hand
1	Motor Support RH	96963536	96963537
2	Motor Drive	76763530	
3	8-32 x 3/8" SKT. FH Screw		96914527
4	Rubber Boot, Capacitor		96908123
5	10-32 x 3/16" SKT Set Screw		96915563
6	#6 SAE Washer		96920816
7	6-32 x 7/8" R.H. Machine Screw		96917031
8	Capacitor		96908050
9	Capacitor Bracket		96908127
10	Limit Switch Motor Run		76763374
11	Spacer, Capacitor		76763533



1051M Motor Assembly (Continued)

Item	Description	Right Hand	Left Hand
12	Machined Lock Bolt Rocker Arm	76763573	
13	5/16 – 18 Jamb Nut	96920118	
14	Rod End	96902558	
15	5/16 – 18 x 1–1/4" HH Cap Screw	96916208	
16	#8 SAE Washer	96920817	
17	8 – 32 x 3/4" RH Machine Screw	96917054	
18	5/16 – 24 Jamb Nut RH	96920120	
19	Turn Buckle stud for Motor Link	76763532	
20	5/16 – 24 Jamb Nut LH	96920121	
21	Face Plate for Hub	96963554	
22	8/32 x 3/8" F.H. SKT. Screw	96914527	
23	Eccentric Drive Hub	76763531	
24	Fish Cloth	76763490	
Not Shown	Wire Harness (Motor-Limit Switch)	76763185	
26	Motor Module sub-Assembly 110 VAC	76767200	

Series 10120AE Solenoid Operated Electro-Mechanical Deadlatches Parts Diagram



Right Hand Lock Shown
Left Hand Opposite

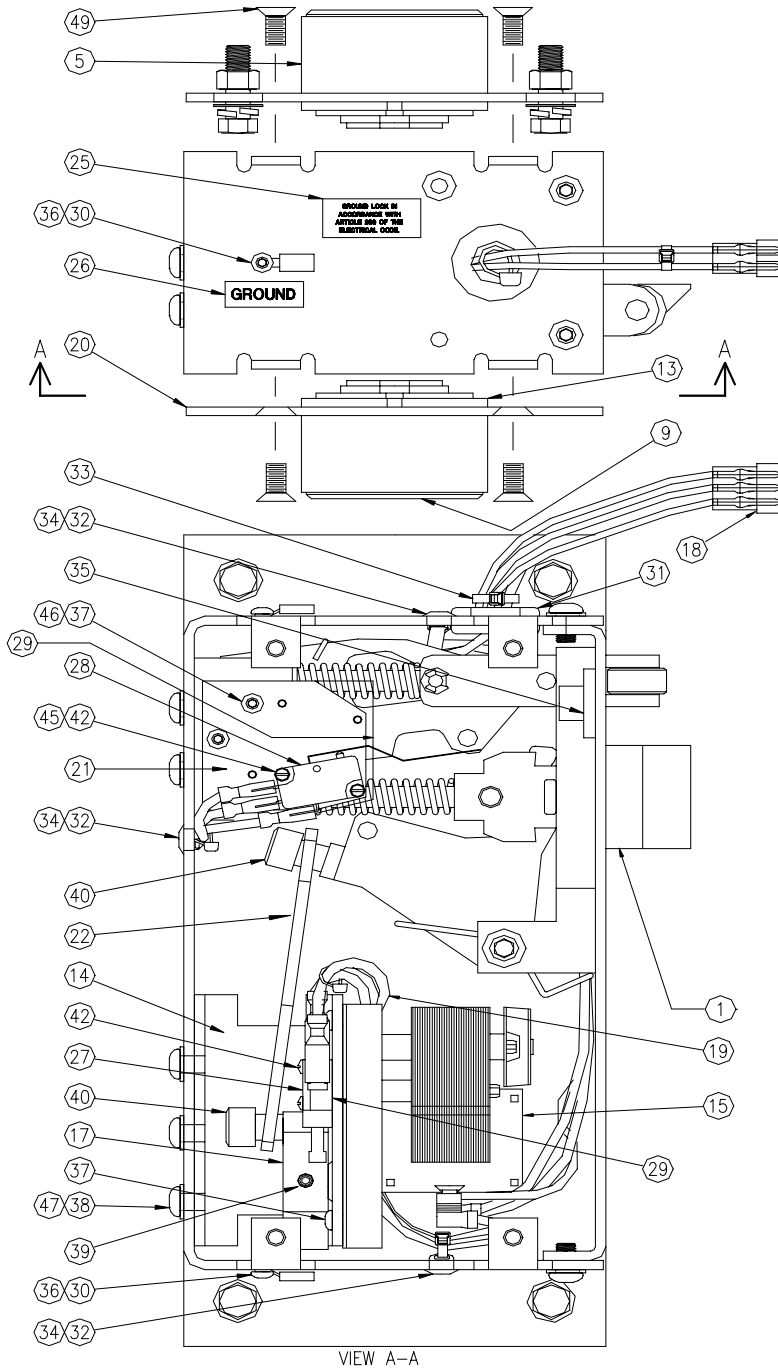
10120AE Solenoid Operated Electro-Mechanical Deadlatches

Item	Description	Right Hand	Left Hand
1	10120A Sub-Assembly (For right or left hand assy std or rev bevel)		J/R
5	Cylinder Retainer	76763768	
7	Anchor Plate w/Keyhole	76763868	

10120AE Solenoid Operated Electro-Mechanical Deadlatches (Continued)

Item	Description	Right Hand	Left Hand
8	Anchor Plate w/o Keyhole	76763869	
9	Mogul Cylinder	J/R	
13	Housing Nut - Mogul	76763348	
14	Solenoid Mount	96963740	
15	10120E/1051E Mod Solenoid	76763072	
17	Wire Harness	76763785	
18	10120A CV PL w/key hole	76763867	
19	Switch Plate	76763872	
20	Solenoid Link	96963745	
23	Set Screw Collar	96900998	
24	Lock Grounding Label	96905001	
25	Ground Label	96905002	
26	Micro Switch	76763780	
28	Term Ring #8	96908976	
29	Rubber Grommet	96908993	
30	Tie Wrap	96909016	
31	Tie Wrap	96909017	
32	Push Mount	96909023	
33	Cord Clip	96909024	
34	SK. BH SCR. 8-32 x 1/4"	96915026	
35	SK. BH SCR. 8-32 x 3/8"	96915027	
36	SK. BH SCR. 1/4"-20-3/8"	96915151	
37	SKH. SHS. 1/4-20 x 1 1/4"	96915888	
39	PHMS 4-40 x 1/2 ZP Slotted	99618005	
41	Z HLN 10-24 Nylon Insert	96920634	
43	Lk Washer #4	96920830	
44	Lk Washer #8	96920833	
45	Lk Washer 1/4"	96920836	
47	FH TRX TRMPRF 1/4-20 x 1/2" Zinc	96925175	
48	10120AE 120V UL Label	N/A	
49	10120AE 120V UL 1034 Label	N/A	
50	10120AM/MD/E/P Fastener Package	76879990	
56	Deadlock Switch Fishcloth	76763796	
57	Deadlock Sw Cover Plate Fishcloth	76763797	
Not Shown	10120A Strike w/ Fasteners	76710812	76710813
Not Shown	10120AM/MD/E/P Pigtail	76763073	

Series 10120AM Motor Operated Electro-Mechanical Deadlatches Parts Diagram



Right Hand Lock Shown
Left Hand Opposite

10120AM Motor Operated Electro-Mechanical Deadlatches

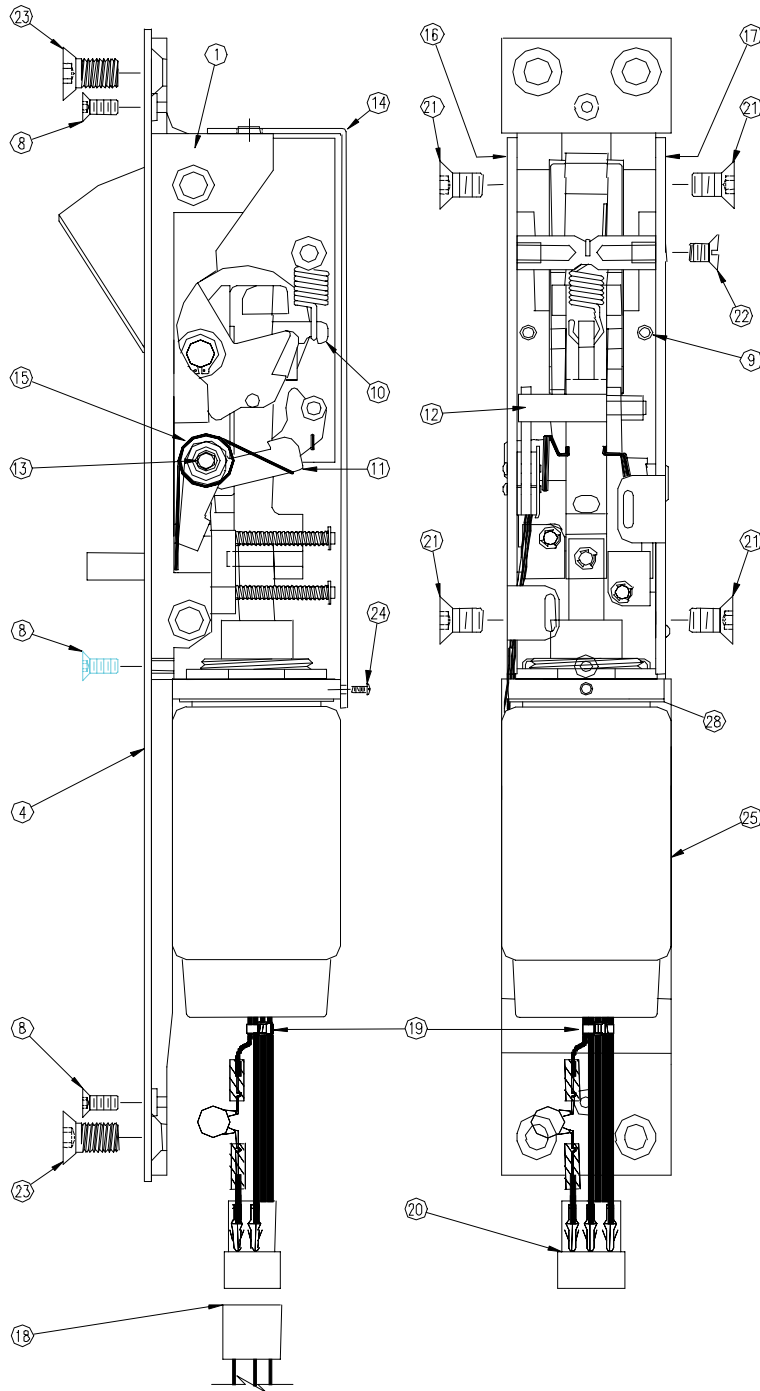
Item	Description	Right Hand	Left Hand
1	10120A Sub-Assembly		J/R
5	Cylinder Retainer		76763768
7	Anchor Plate w/Keyhole		76763868
8	Anchor Plate w/o Keyhole		76763869

10120AM Motor Operated Electro-Mechanical Deadlatches (Continued)

Item	Description	Right Hand	Left Hand
9	Mogul Cylinder		J/R
13	Housing Nut - Mogul		76763348
14	10120AM Motor Mount		96963760
15	110VAC Motor		96908047
	24VDC Motor		96908049
17	Motor Cam		76763775
18	Wire Harness		76763785
19	115V Motor Wire Harness		76763787
	24VDC Motor Wire Harness		76763791
20	10120A CV PL w/Key Hole		76763867
21	10120A Switch Plate		76763872
22	10120AM Motor Drive Link		96963781
25	Lock Grounding Label		96905001
26	Ground Label		96905002
27	Micro Switch		96905075
28	Micro Switch		96905076
29	Fish Cloth		96908580
30	Term Ring #8		96908976
31	Rubber Grommet		96908993
32	Tie Wrap		96909016
33	Tie Wrap		96909017
34	Push Mount		96909023
35	Cord Clip		96909024
36	SK. BH SCR. 8-32 x 1/4"		96915026
37	SK. BH SCR. 8-32 x 3/8"		96914026
38	SK. BH SCR. 1/4"-20-3/8"		96915151
39	SK SS CPPT 10-32 1/4"		96915565
40	Modified Shoulder Bolt		76797020
42	PHMS 4-40 x 1/2 ZP Slotted		99618005
45	Lk Washer #4		96920830
47	Lk Washer 1/4"		96920836
49	FH TRX TRMPRF 1/4-20 x 1/2" Zinc		96925175
50	10120AM 120V UL Label		N/A
	10120AM 24VDC UL Label		N/A
51	10120AM 120V UL 1034 Label		N/A
	10120AM 24VDC UL 1034 Label		N/A
52	10120AM/MD/E/P Fastener Package		76879990
	55 SK BH CS 8-32 x 5/8 96915025		
	Not Shown 10120A Strike w/ Fasteners	76710812	76710813
	Not Shown 10120AM/MD/E/P Pigtail 76763073		

NOTE: Motor cam requires two (2) setscrews per hole.

Series 10300E Solenoid Operated Electro-Mechanical Deadlatches Parts Diagram



Right Hand Lock Shown
Left Hand Opposite

10300E Solenoid Operated Electro-Mechanical Deadlatches

Item	Description	Right Hand	Left Hand
1	Sub-Assembly	76768710	76768711
4	Face Plate US32D UL	96968636	
8	FH TRX TMPRF 10-24x5/16 SS	96925082	
9	SK SS CPPT 6-32x5/16	96915532	

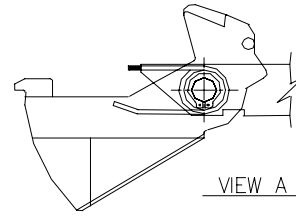
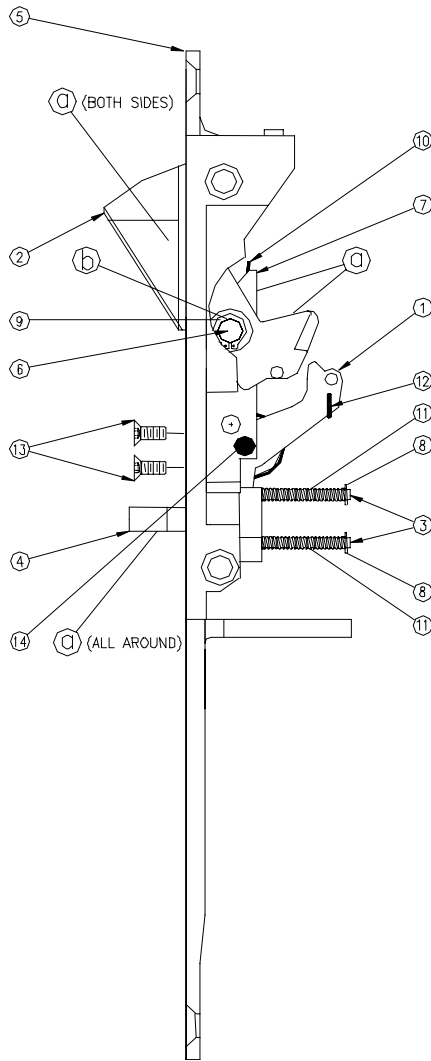
10300E Solenoid Operated Electro-Mechanical Deadlatches (Continued)

Item	Description	Right Hand	Left Hand
10	Drive Bolt, Actuator (Sol-Pneu)		96968626
11	Mech. Latchbolt Cam*		96968618
12	Deadlock Pin		76768632
13	Bolt, Shld Deadlock, Mech. Latchbolt*		76768628
14	Top Cover		96968643
15	Spring for Mech. Latchbolt Cam*		96900652
16	Side Cover Assembly		76768695
17	Side Cover RH		96968645
18	Pigtail		76768696
Not Shown	E & P Keyswitch Pigtail **		76768697
Not Shown	Molex Pin **		96908598
Not Shown	Molex Plug *		96908630
19	Tie Wrap		96909016
20	Plug		96908620
21	SK FH CS 1/4-20x3/8		96914651
22	FHMS 8-32x1/4 UNCT		96917549
23	FH TRX TMPRF 1/4-20x1.2 UNCUT		96925174
24	PHMS 6-32x3/16		96918003
25	Solenoid 24VDC		76768081
28	10300E Washer		96968647
Not Shown	Strike, RH		96968650
Not Shown	Strike, LH		96968651
Not Shown	FN TRX TMPRF 1/4-20x3/4 UNCUT		96925205

NOTE: *-Not required on NL function versions of lock.

** - Only required when Isolated Key switch is required.

Series 10300E Solenoid Operated Electro-Mechanical Deadlatches Sub-Assembly Parts Diagram



Right Hand Lock Shown
Left Hand Opposite

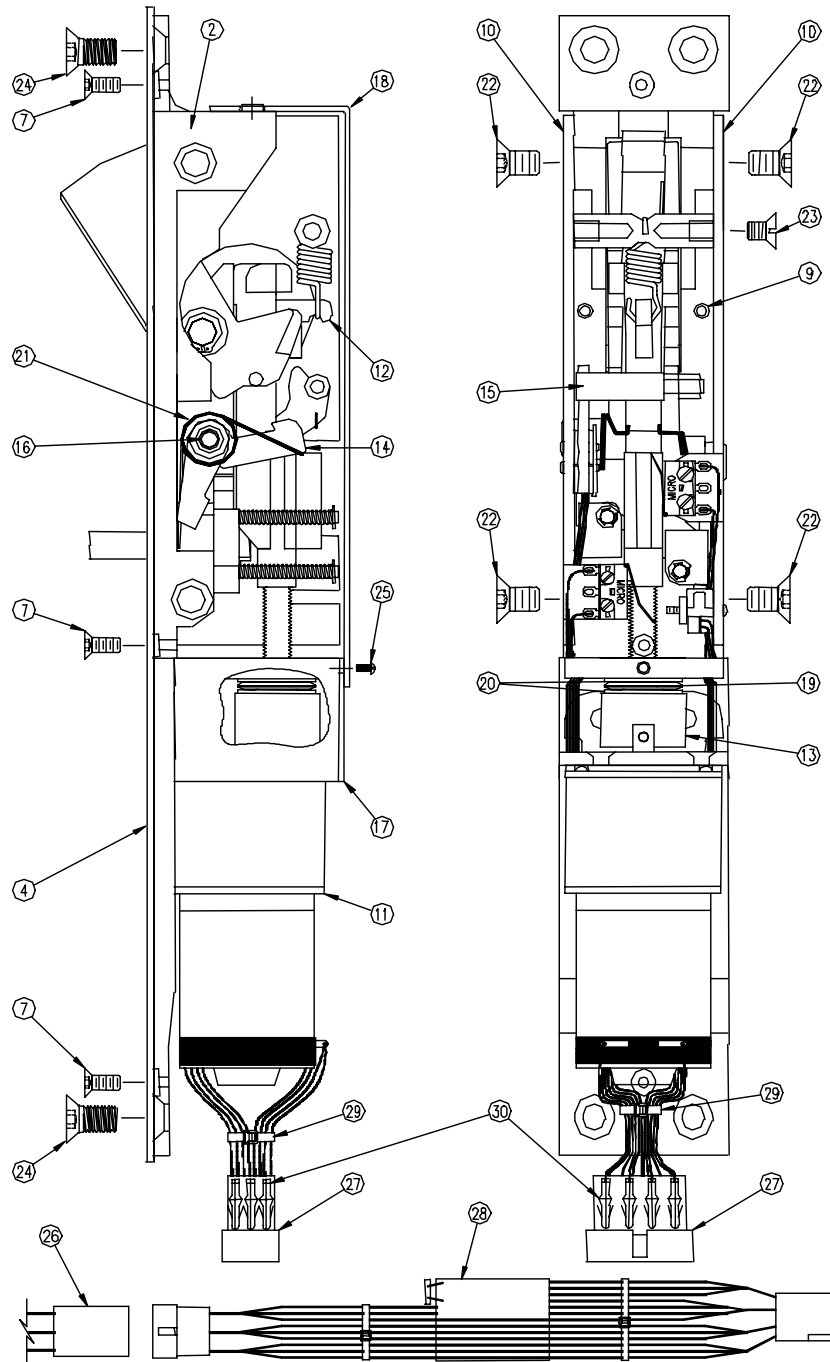
LUBRICATION AND ADHESIVE NOTES

- 1.) AT AREA a ADD GREASE
- 2.) AT AREA b ADD TRIFLOW

10300E Solenoid Operated Electro-Mechanical Deadlatches Sub Assembly

Item	Description	Right Hand	Left Hand
1	Deadlock Cam		96968614
2	Bolt Assembly	76768604	76768606
3	Pin, Guide Deadlock Bolt		76768635
4	Deadlatch Bolt		96968620
5	10300E Housing		76768611
6	Anchor Pin		76768631
7	Bar Housing Mounting		76768616
8	Ret. Ring		96900628
9	Ret. Ring		96900599
10	Spring for 10300 RH Bolt		96900650
11	Spring for 10300 Pin, Guide Ddlk, Bolt		96900654
12	Spring for 10300 Deadlock Cam		96900651
13	SK FH CS 1/4-20x3/8		96914651
14	Bolt, Shld Deadlock, Mech. Latchbolt		76768628

Series 10300M Motor Operated Electro-Mechanical Deadlatches Parts Diagram



Right Hand Lock Shown
Left Hand Opposite

10300M Motor Operated Electro-Mechanical Deadlatches

Item	Description	Right Hand	Left Hand
2	Sub-Assembly	76768700	76768701
4	Face Plate US32D UL **	96968636	
	Face Plate US32D	96968638	
7	FH TRX TMRPF 10-24x5/16 SS	96925082	

10300M Motor Operated Electro-Mechanical Deadlatches (Continued)

Item	Description	Right Hand	Left Hand
9	SK SS CPPT 6-32x5/16	96915532	
10	Wire Harness Cover Assembly	76768690	
11	Motor & Spur Gearbox Assembly	76768665	
12	Drive Bolt Actuator	76768624	
13	Drive Hub Screw	76768664	
14	Mech. Latchbolt Cam*	96968618	
15	Deadlock Pin	76768632	
16	Bolt, Shld Deadlock, Mech. Latchbolt*	76768628	
17	Cover, Nut & Bearing	96968644	
18	Top Cover	96968643	
19	Bearing	96902340	
20	Thrust Washer	96902341	
21	Spring for Mech. Latchbolt Cam*	96900652	
22	SK FH CS 1/4-20x3/8	96914651	
23	FHMS 8-32x1/4 UNCT	96917549	
24	FH TRX TMPRF 1/4-20x3/4 UNCT	96925205	
25	RHMS 6-32x1/4	96917026	
26	Pigtail	76768694	
27	Cap	96908637	
28	Module - DC	76768800	
29	Tie Wrap	96909017	
30	Pin	96908598	
	Pin	96908600	
Not Shown	Strike	96968650	96968651
Not Shown	Module, 10300 24V AC***	76768802	
Not Shown	Isolated Key Switch Pigtail ****	76768698	

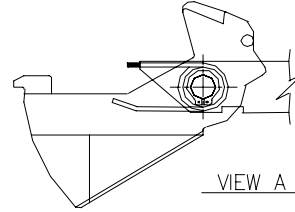
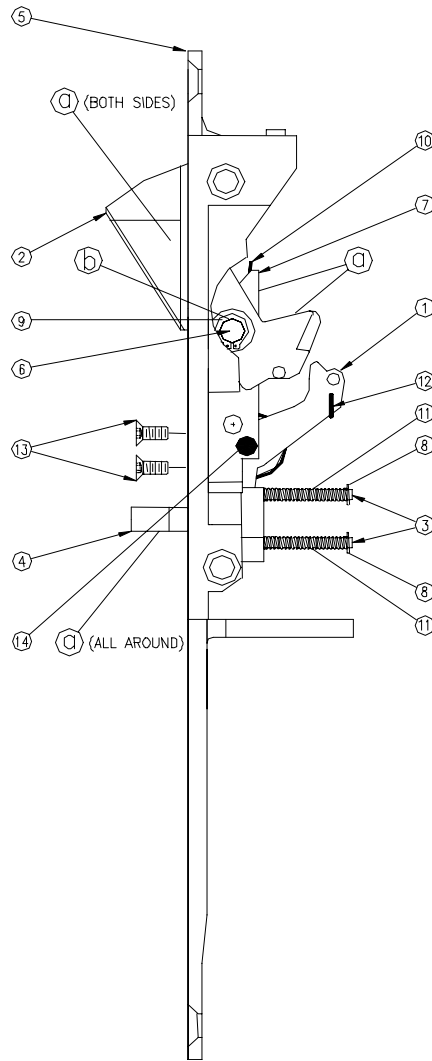
NOTE: *- Not required on NL function versions of lock.

** - UL listing not available with MD function.

*** - Module must be used with 76768800 module.

**** - Only used when Isolated Key switch is required.

Series 10300M Motor Operated Electro-Mechanical Deadlatches Sub-Assembly Parts Diagram



Right Hand Lock Shown
Left Hand Opposite

LUBRICATION AND ADHESIVE NOTES

- 1.) AT AREA a ADD GREASE
- 2.) AT AREA b ADD TRIFLOW

10300M Motor Operated Electro-Mechanical Deadlatches Sub Assembly

Item	Description	Right Hand	Left Hand
1	Deadlock Cam		96968614
2	Bolt Assembly	76768604	76768606
3	Pin, Guide Deadlock Bolt		76768635
4	Deadlatch Bolt		96968620
5	10300M Housing		76768610
6	Anchor Pin		76768631
7	Bar Housing Mounting		76768616
8	Ret. Ring		96900628
9	Ret. Ring		96900599
10	Spring for 10300 RH Bolt		96900650
11	Spring for 10300 Pin, Guide Ddlk, Bolt		96900654
12	Spring for 10300 Deadlock Cam		96900651
13	SK FH CS 1/4-20x3/8		96914651
14	Bolt, Shld Deadlock, Mech. Latchbolt		76768628

Also Available

Locksets

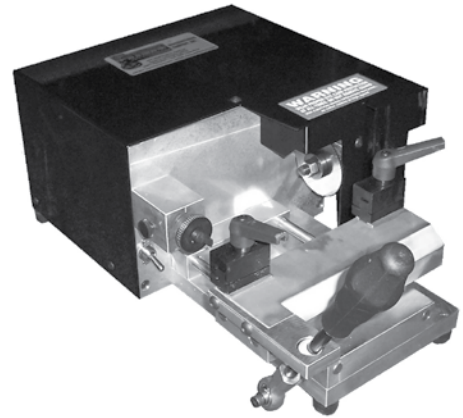


Closers



Exit Devices

Key Machines



Mortise Locks

Lock Picks

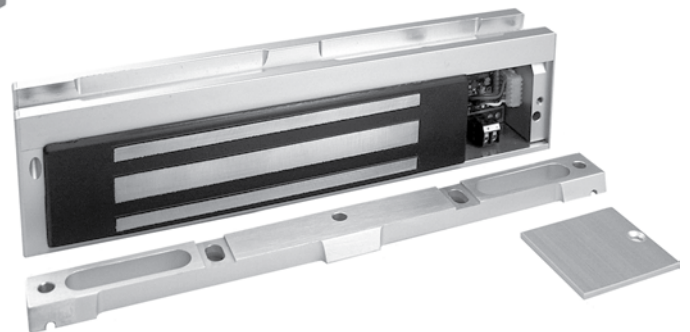


Electric Strikes



Key Cabinets

Electro-Magnetics



Padlocks



