

SOUCY TRACK SYSTEMS INSTALLATION, OPERATION AND MAINTENANCE GUIDE

For Soucy Track system ST-110 installed on the Kubota models:
RTV 1100 and RTV 1140

and Soucy Track system ST-110X installed on the Kubota models:
RTV X900, RTV X1100, RTV X1120



Page Intentionally Left Blank



TABLE OF CONTENTS

TITLE	PAGE
SECTION 1 INTRODUCTION	1
1.1 PRESENTATION	1
1.2 HOW TO USE THIS GUIDE	1
1.3 IDENTIFICATION AND SERIAL NUMBER	2
1.4 SOUCY TRACK SYSTEM WARRANTY	2
SECTION 2 SAFETY	3
2.1 GENERAL	3
2.2 SAFETY SIGNS USED IN THIS GUIDE	4
2.3 SAFETY INSTRUCTIONS	4
2.4 SAFETY LABELS	5
SECTION 3 TRACK SYSTEM PART LIST & INSTALLATION	9
3.1 TRACK SYSTEM PART LIST	10
3.2 FRONT TRACK INSTALLATION	38
3.3 REAR BRACKET INSTALLATION	55
3.3.1 ST-110X WITH INDEPENDANT SUSPENSION	55
3.4 REAR BRACKET INSTALLATION	59
3.4.1 ST-110 ON RTV-1100 WITH FIXED REAR AXLE	59
3.4.2 ST-110 ON RTV-1140 WITH FIXED REAR AXLE	61
3.4.3 ST-110 ON RTV1100 AND RTV1140 REAR ANTI-ROTATION ARM INSTALLATION	63
SECTION 4 TRACK SYSTEM OPERATION	67
4.1 BREAK-IN PERIOD, NEW TRACK	67
SECTION 5 TRACK SYSTEM MAINTENANCE	69
5.1 REGULAR MAINTENANCE SCHEDULE	69
5.2 DAILY MAINTENANCE	71
5.3 LONG-TERM STORAGE CONDITIONS	73
SECTION 6 REPLACEMENT PROCEDURE	75
6.1 CHANGING THE FRONT SPROCKET AND / OR TRACK	75
6.2 CHANGING THE REAR SPROCKET SEGMENT AND/OR TRACK	77
6.3 CHANGING THE FRONT PIVOT	79
6.4 CHANGING THE REAR AXLE	81
6.5 CHANGING THE JOINT AND THE REAR AXLE BEARING	83
6.6 CHANGING THE FRAME AND/OR THE FRONT WHEEL AXLE	85
6.7 CHANGING THE FRAME AND/OR THE REAR WHEEL AXLE	87
SECTION 7 RESTARTING PRECAUTIONS	89
SECTION 8 APPENDIX	91

Page Intentionally Left Blank

SECTION 1 INTRODUCTION

1.1 PRESENTATION

- This guide contains the information required for safely installing, operating and maintaining your Soucy Track system. Please read this guide carefully to learn and understand how to correctly install, operate and service the Track system. Failure to do so could result in personal injury or equipment failure.
- Familiarize yourself with the instructions before you proceed with the installation, operation and maintenance of the track system.
- Keep this guide handy while installing, operating, and maintaining your system.
- This equipment shall be used for agricultural operations and recreational vehicles winter trail grooming only. Contact Soucy Track if you wish to use it for other purposes.

NOTICE

THIS GUIDE MAY BE REVISED BASED ON OPERATIONAL LEARNINGS, FEEDBACK FROM USERS, AND TRACK SYSTEM DESIGN IMPROVEMENTS.

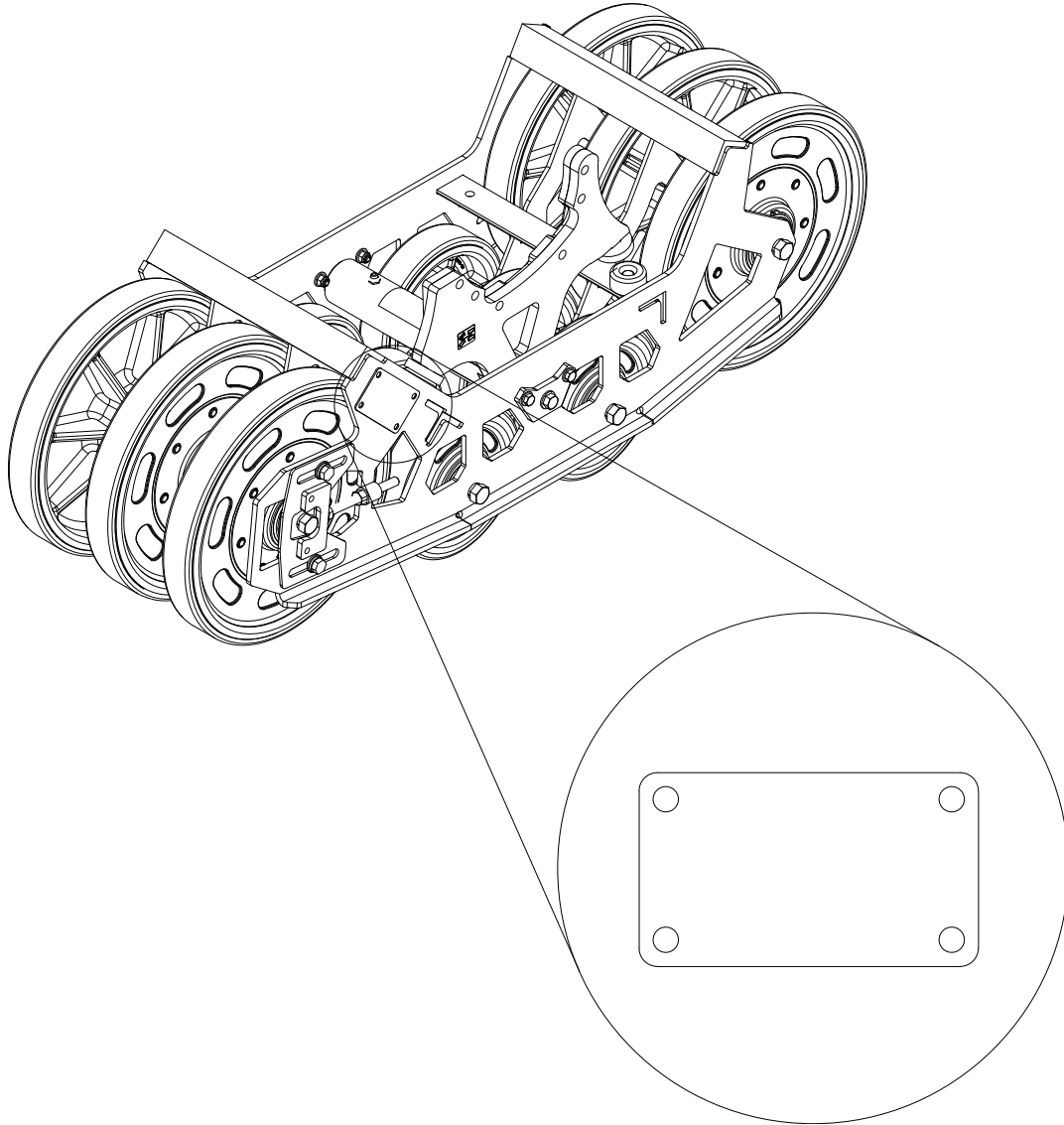
1.2 HOW TO USE THIS GUIDE

NOTICE

THIS GUIDE REFLECTS THE SYSTEM CONFIGURATION AT TIME OF PRINT. **PHOTOS AND FIGURES ARE TYPICAL.** SOUCY TRACK RESERVES THE RIGHT TO MODIFY THE SYSTEM AT ANY TIME WITHOUT PRIOR NOTICE. YOUR SYSTEM MAY SLIGHTLY DIFFER FROM THE EQUIPMENT SHOWN.

1.3 IDENTIFICATION AND SERIAL NUMBER

1. The serial number is written on a plate fixed to the internal structure of the right front track system



1.4 SOUCY TRACK SYSTEM WARRANTY

1. Check with your dealer to determine if the warranty for your vehicle remains valid with the installation of this track system. The ST-100 and ST-110X Track System are covered by a one year warranty or 1 000 hours on all parts against all manufacturing faults starting from the date of purchases by the customer. SOUCY COMPANY disclaims all responsibility in case of abusive use of the track system.
2. ALL USE IN CONDITIONS OTHER THAN THOSE FORSEEN FOR THE VEHICLE CANCELS THE WARRANTY FOR THIS TRACK SYSTEM.

SECTION 2 SAFETY

2.1 GENERAL

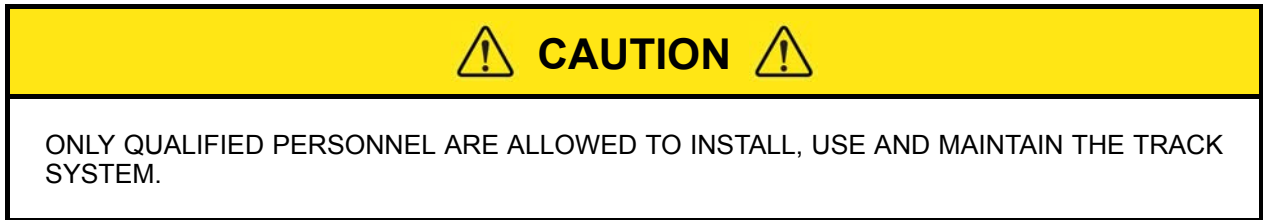


Figure 2.1 Safety Alert Symbol









- The symbol above draws your attention to important instructions concerning your personal safety. Read the accompanying message carefully to avoid personal injury or death.
- Keep this manual in the cab while using the Soucy Track System.
- Always remove key from ignition before working on the vehicle.



2.2 SAFETY SIGNS USED IN THIS GUIDE

- The following signal words are used throughout this guide per **ANSI Z535.4-2007** (Product Safety Signs and Labels):

EXAMPLE

 DANGER 
DANGER INDICATES A HAZARDOUS SITUATION WHICH, IF NOT AVOIDED, WILL RESULT IN DEATH OR SERIOUS INJURY;
 WARNING 
WARNING INDICATES A HAZARDOUS SITUATION WHICH, IF NOT AVOIDED, COULD RESULT IN DEATH OR SERIOUS INJURY;
 CAUTION 
CAUTION INDICATES A HAZARDOUS SITUATION WHICH, IF NOT AVOIDED, COULD RESULT IN MINOR OR MODERATE INJURY;
NOTICE
NOTICE INDICATES INFORMATION CONSIDERED IMPORTANT, BUT NOT HAZARD-RELATED (E.G., MESSAGES RELATING TO PROPERTY DAMAGE);

2.3 SAFETY INSTRUCTIONS

- Make sure no one is in the danger zone of the vehicle while the engine is running or the vehicle is moving.
- Read your vehicle owner's manual before you use it with Soucy Track systems.
- Check that safety labels are intact and visible. Replace damaged or illegible labels.
- Read the installation, operation and maintenance guide of your Soucy Track system before installing and operating your system.
- Make sure the lifting equipment has the capacity to keep the vehicle stable during installation of the system. Inadequate lifting equipment can lead to unstable vehicle that can cause severe injuries or death.

NOTICE

DO NOT INSTALL OR OPERATE THE TRACK SYSTEM WITH DAMAGED COMPONENTS OR BROKEN OR MISSING HARDWARE.

⚠ WARNING ⚠

HEAVY PARTS CAN CAUSE INJURIES. TWO PEOPLE ARE REQUIRED FOR ASSEMBLY AND REMOVAL OF THE SOUCY TRACK SYSTEM. USE A JACK, A FORKLIFT OR A HOIST TO HANDLE SYSTEM AND SUB-ASSEMBLIES.

2.4 SAFETY LABELS

- Soucy Track recommends placing different labels in the cabin, in an area where they won't block the outside view or on the track system:

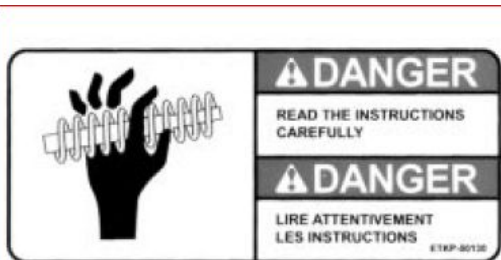
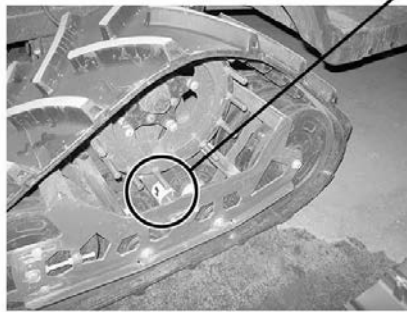
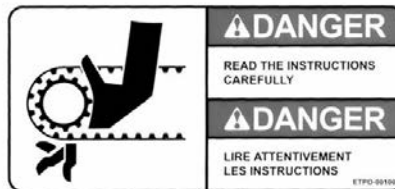
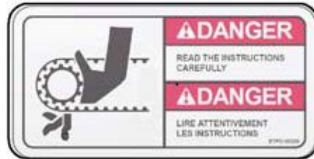
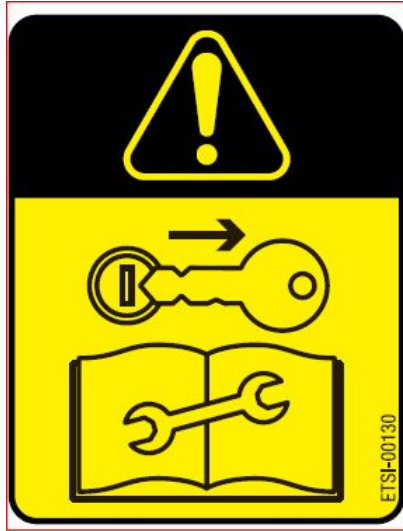


Figure 2.2 SAMPLE



NOTICE						
REGULAR MAINTENANCE CHECKS OF TRACK SYSTEMS						
OPERATION	FREQUENCY (HOURS)					
	FIRST	EVERY				
		8	10	25	50	100
						Once per season
Greasing of wheel axles and pivots under normal conditions ¹			✓			
Greasing of wheel axles and pivots under difficult conditions ²		✓				
Greasing of main axle (zerk of housing cover)					✓	
Inspection of oscillating bogie bearing (balling)						✓
Tension of tracks	✓					✓
Tightening of bolts ³ <small>Track 2 Axle and below</small>	✓					✓
Visual inspection of tracks				✓		
Visual inspection of wheels				✓		
Visual inspection of frame, attachment and main axle (wheels, bolts)					✓	
Alignment of tracks	✓					✓
Oil level check of main axle		✓				
Oil change of main axle				1 st only		✓
Cleaning		✓				

1: Normal conditions: well-drained, dry or slightly damp ground, no abrasives (e.g., rocks, dust and sand), with the system emergent.
 2: Difficult conditions: very wet, poorly drained, muddy ground, abrasives (e.g., rocks, dust and sand), with the system submerged.
 Note: Greasing gets rid of potential contamination in the bearings.

ETSI-001406N

NOTICE

- CAREFULLY READ THE OWNER'S MANUAL OF THE VEHICLE IN ORDER TO UNDERSTAND FULLY HOW YOUR MACHINE FUNCTIONS AND ALSO TO BE FULLY AWARE OF ALL THE DANGERS AND WARNINGS RELATED TO YOUR VEHICLE.
- THERE IS A RISK OF PERSONAL INJURY IF YOU TRY TO TOUCH ANY PART OF THE TRACK SYSTEM WITH YOUR HANDS OR FEET WHILE THE VEHICLE IS IN MOTION. YOUR HANDS COULD BECOME STUCK BETWEEN THE COMPONENTS. FOR THIS REASON, ALWAYS STOP THE MOTOR, TAKE THE KEY OUT OF THE IGNITION AND SET THE PARKING BRAKE IF YOU HAVE TO INSPECT CLOSELY THE TRACK SYSTEM.
- THERE IS A SLIGHT LOSS OF SPEED ON A VEHICLE EQUIPPED WITH A TRACK SYSTEM. THIS IS DUE TO THE REDUCTION OF THE SPROCKET WHEEL DIAMETER IN COMPARISON TO THE WHEELS; THE ADDITIONAL WEIGHT ADDED TO THE VEHICLE AND THE INCREASED TRACTION OF THE TRACK SYSTEM ON THE GROUND.
- VISUALLY INSPECT THE TRACK SYSTEM BEFORE EACH USE. MAKE SURE ALL THE COMPONENTS ARE TIGHTENED AND IN GOOD CONDITION.
- ALL THE COMPONENTS OF THE TRACK SYSTEM, WITHOUT EXCEPTION, MUST BE REMOVED BEFORE INSTALLING THE ORIGINAL WHEELS OF THE VEHICLE. ANY PARTS LEFT ON THE VEHICLE COULD DAMAGE AND/OR CAUSE LOSS OF CONTROL OF THE VEHICLE DUE TO THE POTENTIAL ENCOUNTER WITH DEBRIS. AS A RESULT, THERE IS A RISK OF DAMAGE TO THE VEHICLE AND/OR PHYSICAL INJURY.
- WEARING SECURITY BOOTS IS STRONGLY RECOMMENDED WHILE INSTALLING AND MANIPULATING THE VARIOUS COMPONENTS.

Page Intentionally Left Blank

SECTION 3 TRACK SYSTEM PART LIST & INSTALLATION

3.1 TRACK SYSTEM PART LIST

Figure 3.1 ST- 110X FRONT RIGHT TRACK SYSTEM

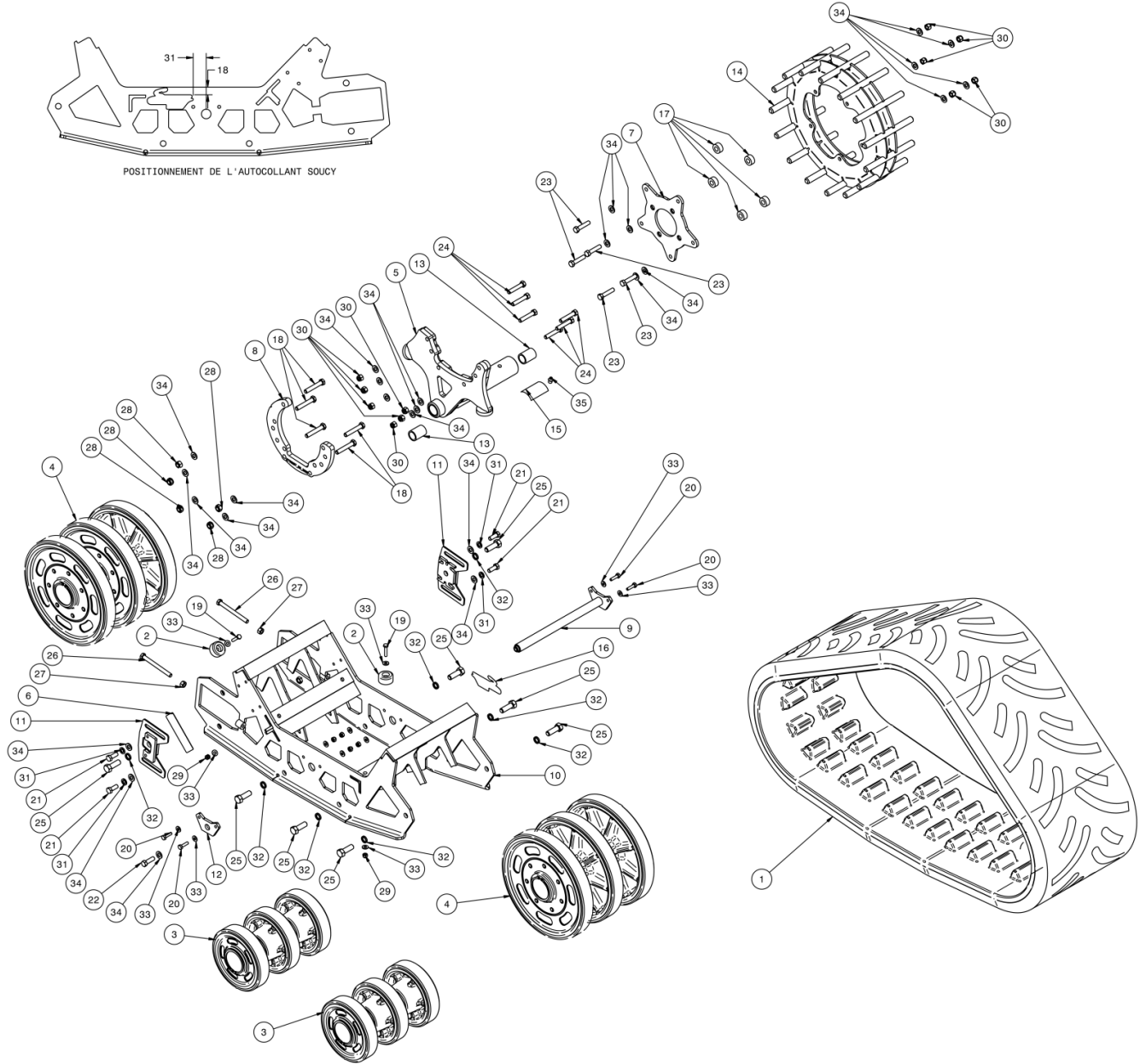


Table 3.1 ST- 110X FRONT RIGHT TRACK SYSTEM

ITEM	PART	QTY	DESCRIPTION
01	1si0143	1	front track 14" x 32 pas utv
02	2500028-1-2010	2	RUBBER STOPPER
03	2750130	2	7" wheel axle (assembly)
04	2750132	2	12" wheel axle (assembly)
05	2790187-2-7200	1	FRONT RIGHT PIVOT (ASSEMBLY)
06	PLAQUE SIGNAL CE	1	CE NAMEPLATE
07	2790187-50-2000	1	FRONT MOUNTING PLATE
08	2790187-50-3000	1	RTV-X FRONT PIVOT MOUNTING PLATE
09	2810171-1-1000	1	FRONT PIVOT SHAFT
10	2810171-1-2000	1	FRONT TRACK BEAM (ASSEMBLY)
11	2810171-1-3000	2	TRACK TENSIONER
12	2810171-1-4000	1	FRONT PIVOT MOUNTING PLATE
13	2810171-1-7010	2	BRASS BUSHING CB-1418-12
14	2810171-3-4000	1	15-teeth sprocket
15	ETKP-00100	1	DANGER LABEL
16	ETSI-00020	1	SOUCY TRACK LABEL
17	Q2212-10083	5	FRONT SPROCKET SPACER
18	S1231-10060-0D1	5	M10-1.25 X 60 MM HEX. BOLT
19	S1711-00410-052	2	1/4-20 x 1 1/4" hex. Bolt
20	S1711-00408-052	4	1/4-20 x 1" hex. Bolt
21	S1711-00608-052	4	3/8-16 x 1" hex. Bolt
22	S1711-00610-052	1	3/8-16 x 1 1/4" hex. Bolt
23	S1711-00614-052	5	3/8-16 x 1 3/4" hex. Bolt
24	S1711-00616-052	6	3/8-16 x 2" hex. Bolt
25	S1711-00812-052	8	1/2-13 x 1 1/2" hex. Bolt
26	S1721-00632-052	2	3/8-16 x 4" hex. Bolt
27	S4111-10600-022	2	3/8-16 REG. HEX. NUT
28	S4186- m100n-091	5	M10-1.5 HEX. NYLON NUT
29	S4186-10400-022	6	1/4-20 HEX. NYLON SELF-LOCKING NUT
30	S4186-10600-022	11	3/8-16 HEX. NYLON SELF-LOCKING NUT
31	S4511-00600-002	4	3/8" spring lock washer
32	S4511-00800-002	8	1/2" spring lock washer
33	S4612-00400-002	12	1/4 (9/32) flat washer
34	S4612-M1000-091	26	M10 10.5 MM I.D. X 20 MM O.D. FLAT WASHER
35	S6602-00002-000	1	1/8-27 npt hex. 7/16 grease zerk

Figure 3.2 ST- 110X FRONT LEFT TRACK SYSTEM

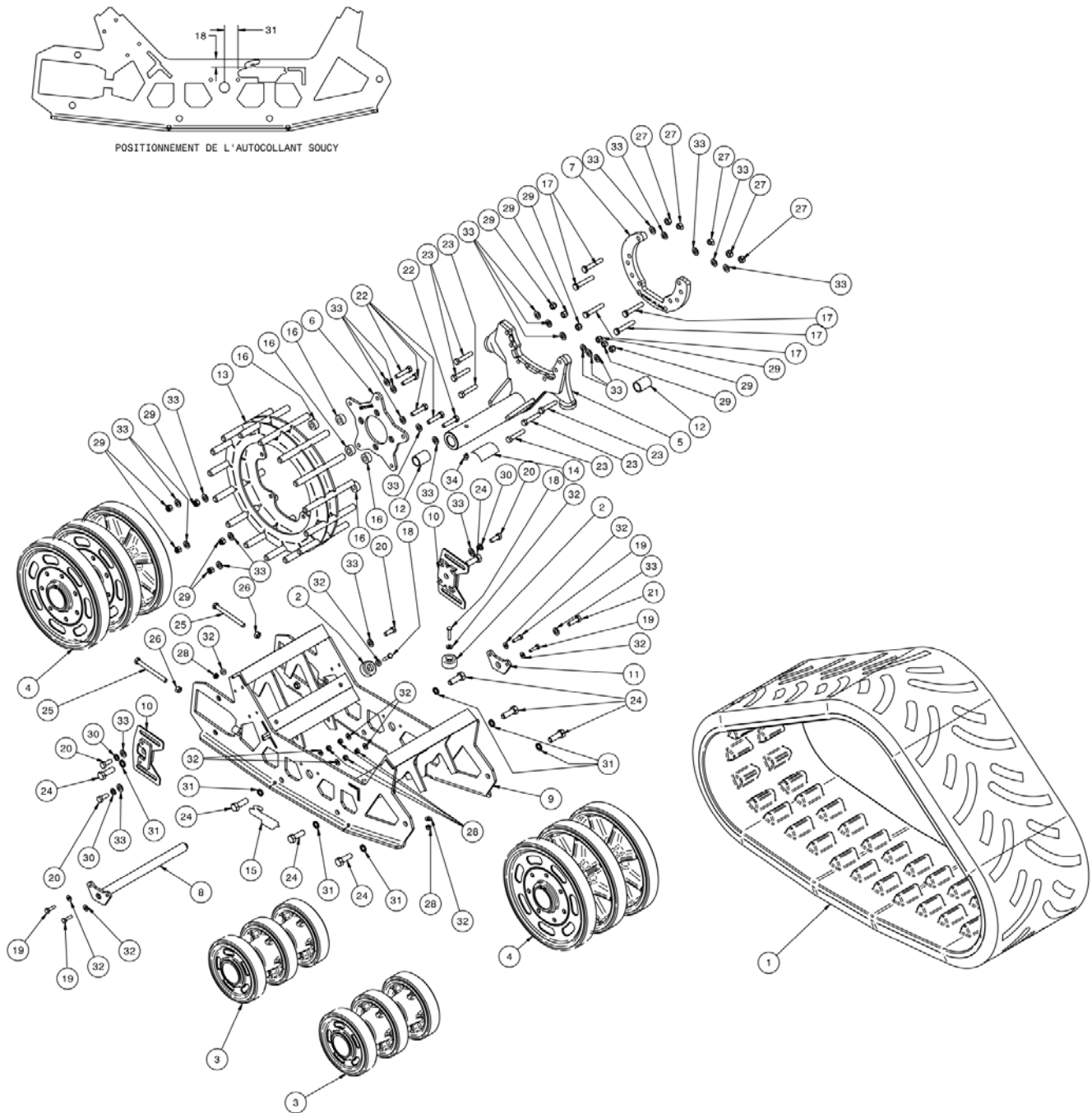


Table 3.2 ST- 110X FRONT LEFT TRACK SYSTEM

ITEM	PART	QTY	DESCRIPTION
01	1SI0143	1	Front track 14.0" x 32 pas UTV
02	2500028-1-2010	2	Rubber stopper
03	2750130	2	7" wheel axle (assembly)
04	2750132	2	12" wheel axle (assembly)
05	2790187-2-7200	1	Front left pivot (assembly)
06	2790187-50-2000	1	Front mounting plate
07	2790187-50-3000	1	RTV-X front pivot mounting plate
08	2810171-1-1000	1	Front pivot shaft
09	2810171-1-2000	1	Front track beam (assembly)
10	2810171-1-3000	2	Track tensioner
11	2810171-1-4000	1	Front pivot mounting plate
12	2810171-1-7010	2	Brass bushing CB-1418-12
13	2810171-3-4000	1	15-teeth sprocket
14	ETKP-00100	1	DANGER LABEL
15	ETSI-00020	1	Soucy Track LABEL
16	Q2212-10083	5	Front sprocket spacer
17	S1231-10060-0D1	5	M10-1.25 x 60 mm hex. bolt
18	S1711-00410-052	2	1/4-20 x 1 1/4" hex. bolt
19	S1711-00408-052	4	1/4-20 x 1" hex. bolt
20	S1711-00608-052	4	3/8-16 x 1" hex. bolt
21	S1711-00610-052	1	3/8-16 x 1 1/4" hex. bolt
22	S1711-00614-052	5	3/8-16 x 1 3/4" hex. bolt
23	S1711-00616-052	6	3/8-16 x 2" hex. bolt
24	S1711-00812-052	8	1/2-13 x 1 1/2" hex. bolt
25	S1721-00632-052	2	3/8-16 x 4" hex. bolt
26	S4111-10600-022	2	3/8-16 reg. hex. nut
27	S4186- M100N-091	5	M10-1.5 hex. nylon nut
28	S4186-10400-022	6	1/4-20 hex. self-locking nylon nut
29	S4186-10600-022	11	3/8-16 hex. self-locking nylon nut
30	S4511-00600-002	4	3/8" spring lock washer
31	S4511-00800-002	8	1/2" spring lock washer
32	S4612-00400-002	12	1/4 (9/32) flat washer
33	S4612-M1000-091	26	M10 10.5 mm I.D. x 20 mm O.D. flat washer
34	S6602-00002-000	1	1/8-27 NPT hex. 7/16 grease zerk

Figure 3.3 ST- 110X REAR RIGHT TRACK SYSTEM

POSITIONNEMENT DE L'AUTOCOLLANT SOUCY

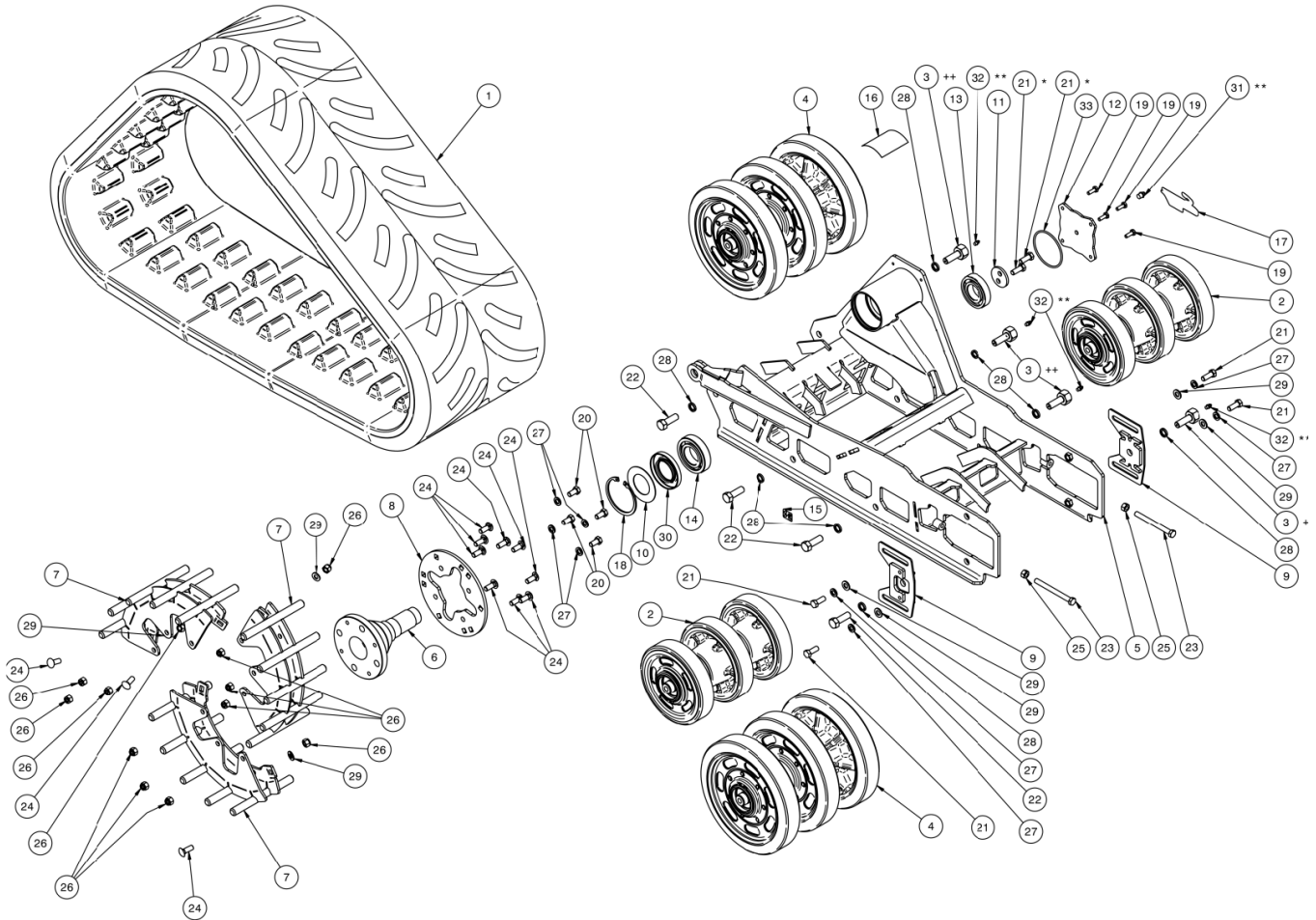
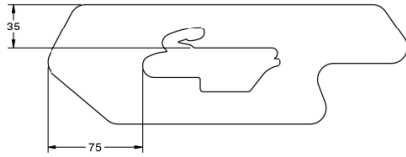


Table 3.3 ST- 110X REAR RIGHT TRACK SYSTEM

ITEM	PART	QTY	DESCRIPTION
01	1si0143	1	rear track 14.0" x 32 pas utv
02	2750130	2	7" wheel axle (assembly)
03	2750130-1000	4	GREASING BOLT
04	2750131	2	10" wheel axle (assembly)
05	2790178-3-1000	1	RIGHT REAR FRAME
06	2790187-1000	1	RTV REAR AXLE
07	2790178-3-5000	3	1/3 sprocket
08	2790187-3-6000	1	SPROCKET MOUNT PLATE
09	2810171-1-3000	2	TRACK TENSIONER
10	2810171-3-200	1	OIL SEAL
11	2810171-3-5000	1	LOCKING PLATE
12	2810171-3-6000	1	GREASER COVER (ASSEMBLY)
13	B6207	1	WTW 6207 BALL BEARING
14	B6208	1	WTW 6208 BALL BEARING
15	ET97-00190	1	REAR RIGHT LABEL
16	ETKP-00100	1	DANGER LABEL
17	ETSI-00020	1	soucy track LABEL
18	N1300-0315	1	SNAP RING
19	S1711-00406-082A	4	1/4-20 x 3/4" hex. Bolt
20	S1711-00606-052	4	3/8-16 x 3/4" hex. Bolt
21	S1711-00608-052	6	3/8-16 x 1" hex. Bolt
22	S1711-00812-052	4	1/2-13 x 1 1/2" hex. Bolt
23	S1721-00632-052	2	3/8-16 x 4" hex. Bolt
24	S2412-0E016-0A2	12	3/8-16 x 1" carriage bolt
25	S4111-10600-022	2	3/8-16 REG. HEX. NUT
26	S4186-10600-022	12	3/8-16 HEX. SELF-LOCKING NYLON NUT
27	S4511-00600-002	8	3/8" spring lock washer
28	S4511-00800-002	8	1/2" spring lock washer
29	S4612-M1000-091	7	M10 10.5 MM I.D. X 20 MM O.D. FLAT WASHER
30	S6502-00001-000	1	45 x 80 x 10 bearing seal
31	S6602-00002-000	1	1/8-27 npt hex. 7/16 grease zerk
32	S6602-00007-000	4	M6 X 1 YELLOW GREASE ZERK
33	S7602-00003-000	1	3" i.d. X 1/8" o-ring

Figure 3.4 ST- 110X REAR LEFT TRACK SYSTEM

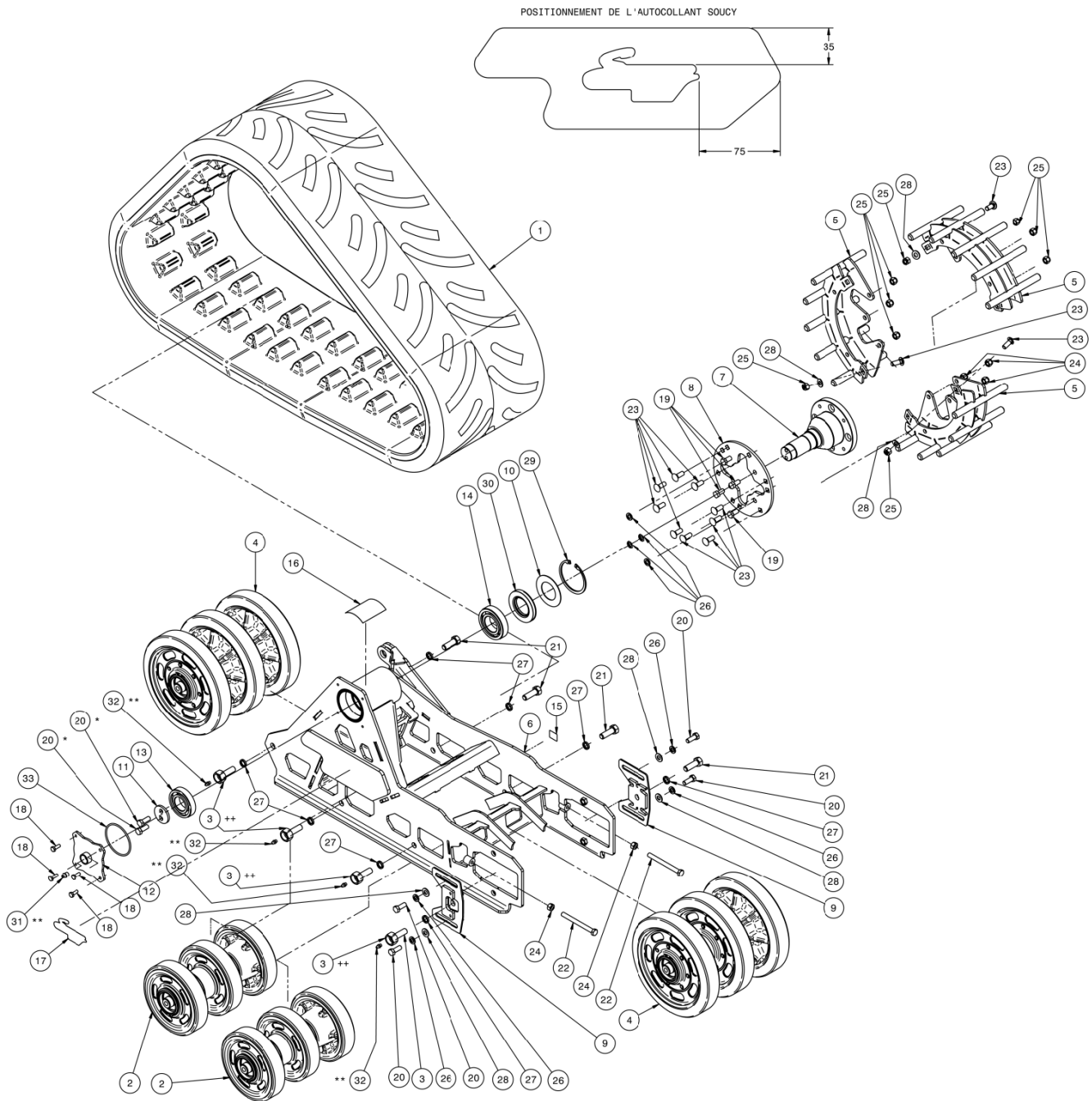


Table 3.4 ST- 110X REAR LEFT TRACK SYSTEM

ITEM	PART	QTY	DESCRIPTION
01	1SI0143	1	Rear track 14.0" x 32 pas UTV
02	2750130	2	7" wheel axle (assembly)
03	2750130-1000	4	Greasing bolt
04	2750131	2	10" wheel axle (assembly)
05	2790178-3-5000	3	1/3 sprocket
06	2790178-3-1000	1	Left rear frame
07	2790187-1000	1	RTV rear axle
08	2790187-3-6000	1	Sprocket mount plate
09	2810171-1-3000	2	Track tensioner
10	2810171-3-200	1	Oil seal
11	2810171-3-5000	1	Locking plate
12	2810171-3-6000	1	Greaser cover (assembly)
13	B6207	1	WTW 6207 ball bearing
14	B6208	1	WTW 6208 ball bearing
15	ET97-00190	1	Rear left LABEL
16	ETKP-00100	1	DANGER LABEL
17	ETSI-00020	1	Soucy Track LABEL
18	S1711-00406-082A	4	1/4-20 x 3/4" hex. bolt
19	S1711-00606-052	4	3/8-16 x 3/4" hex. bolt
20	S1711-00608-052	6	3/8-16 x 1" hex. bolt
21	S1711-00812-052	4	1/2-13 x 1 1/2" hex. bolt
22	S1721-00632-052	2	3/8-16 x 4" hex. bolt
23	S2412-0E016-0A2	12	3/8-16 x 1" carriage bolt
24	S4111-10600-022	2	3/8-16 reg. hex. nut
25	S4186-10600-022	12	3/8-16 hex. self-locking nylon nut
26	S4511-00600-002	8	3/8" spring lock washer
27	S4511-00800-002	8	1/2" spring lock washer
28	S4612-M1000-091	7	3/8 (13/32) flat washer
29	S5212-10011-004	1	Snap ring
30	S6502-00001-000	1	45 x 80 x 10 bearing seal
31	S6602-00002-000	1	1/8-27 NPT hex. 7/16 grease Zerk
32	S6602-00007-000	4	M6 x 1 yellow grease Zerk
33	S7602-00003-000	1	3" I.D. x 1/8" O-ring

Figure 3.5 ST-110X REAR BRACKET AND FRONT DIRECTION LIMITER

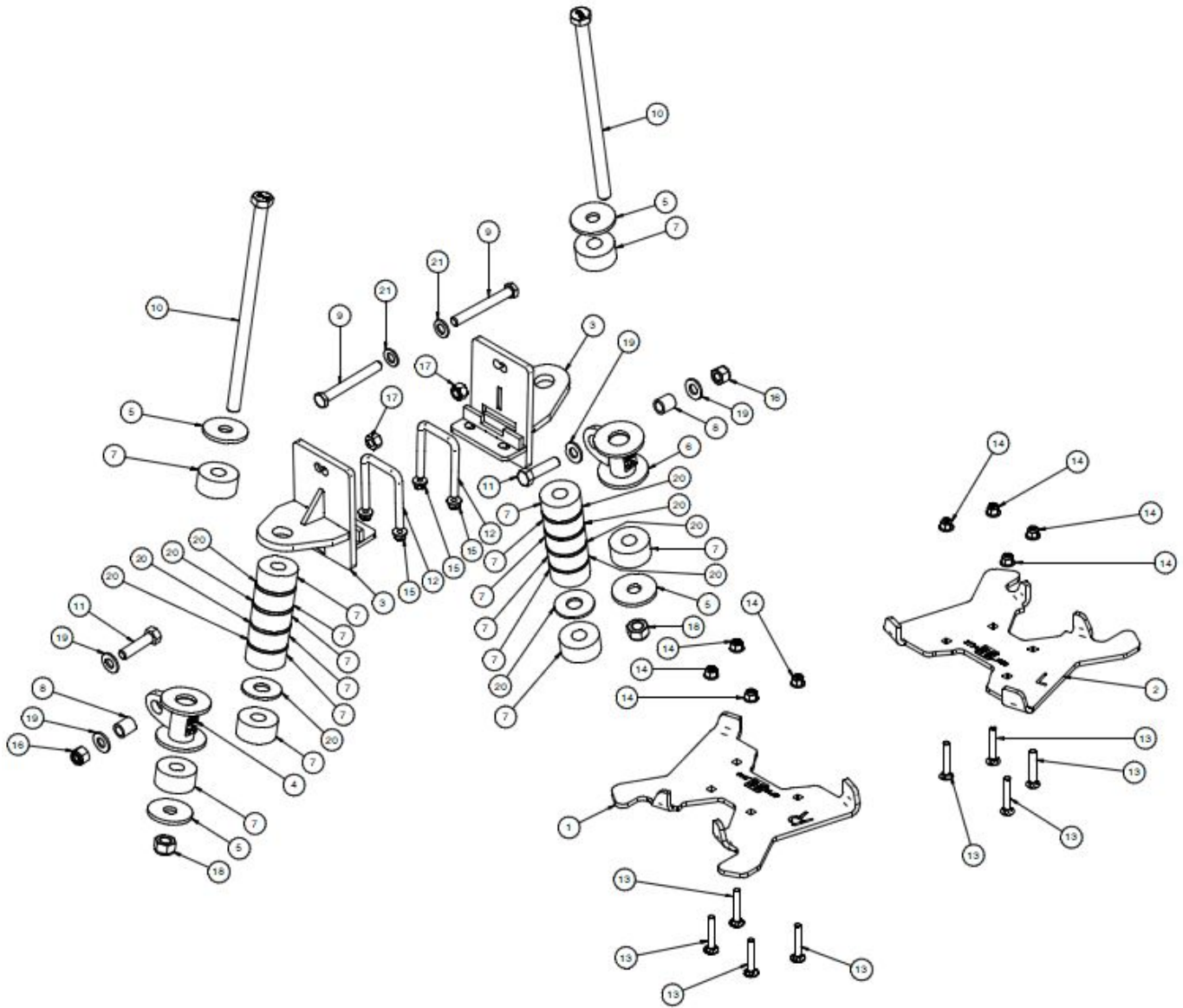


Table 3.5 ST-110X REAR BRACKET AND FRONT DIRECTION LIMITER

ITEM	PART	QTY	DESCRIPTION
01	2790187-1-1000	1	Front right limiter
02	2790187-2-1000	1	Front left limiter
03	2790187-3-1000	2	Rear bracket
04	2790187-3-2000	1	Rear right guide
05	2790187-3-3000	4	Front end washer
06	2790187-4-2000	1	Rear left guide
07	7510039-1-30-6000	16	Rubber bushing
08	Q2212-10084	2	3/4" O.D. x 0.510 I.D. x 0.81 W. spacer
09	S1111-12100-0D1	2	M12-1.75 x 100 mm hex. bolt
10	S1111-16300-0F1	3	M16-2.0 x 300 mm hex. bolt
11	S1711-00816-052	2	1/2-13 x 2" hex. bolt
12	S2221-E3248-002	2	3/8-16 x 3" W. x 2" INT. U-bolt
13	S2411-M8050-011	8	M8-1.25 x 50 mm carriage bolt
14	S4173-M008M-055	8	M8-1.25 hex. nut (flange nylon)
15	S4173-10600-052	4	3/8"-16 hex. nut (flange nylon)
16	S4186-10800-022	2	1/2-13 hex. self-locking nylon nut
17	S4186-M120P-021	2	M12-1.75 hex. self-locking nylon nut
18	S4186-M160Q-051	2	M16-2.0 hex. self-locking nylon nut
19	S4612-00800-002	4	1/2" (17/32) flat washer
20	S4612-01200-022	10	19 mm I.D. x 51 mm O.D. x 3 mm thick. flat washer
21	S4612-M1200-0A1	2	13 mm I.D. x 24 mm O.D. flat washer

Figure 3.6 ST-110 FRONT RIGHT TRACK SYSTEM

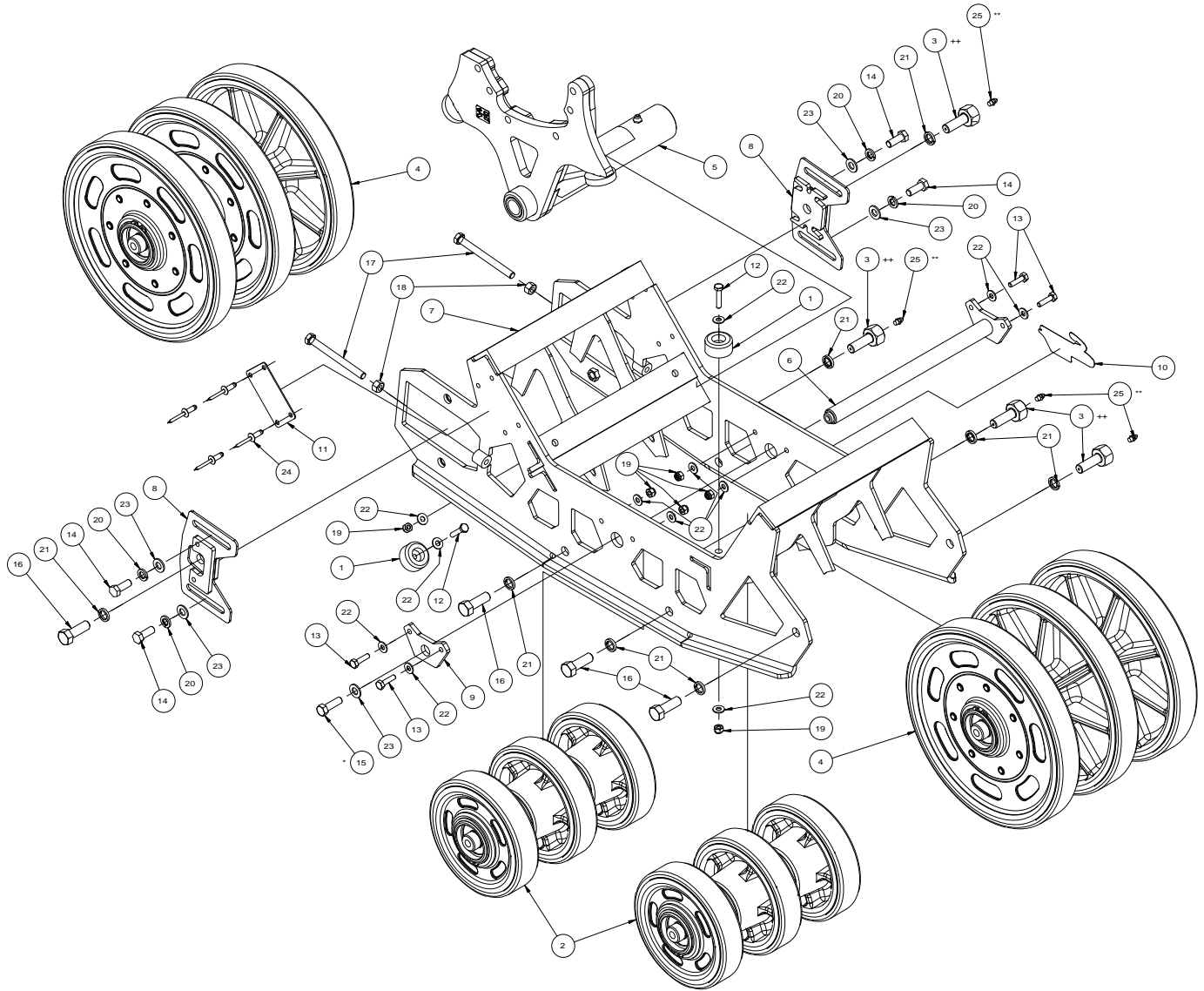


Table 3.6 ST-110 FRONT RIGHT TRACK SYSTEM

ITEM	PART	QTY	DESCRIPTION
1	2500028-1-2010	2	
2	2750130	2	7in WHEEL AXLE ASS'Y
3	2750130-1000	4	GREASING BOLT
4	2750132	2	12in WHEEL AXLE ASS'Y
5	2790187-1-7200A	1	FRONT RIGHT PIVOT ASS'B
6	2810171-1-1000	1	FRONT PIVOT SHAFT
7	2810171-1-2000	1	FRONT TRACK BEAM ASS'Y
8	2810171-1-3000	2	TRACK TENSIONER
9	2810171-1-4000-511	1	FRONT PIVOT MOUNTING PLATE
10	ETSI-00020	1	SOUCY TRACK LABEL
11	PLAQUE-SIGNAL-CE	1	CE NAMEPLATE
12	S1711-00410-052	2	HEX. B. GR5 ZP 1/4-20 X 1 1/4"
13	S1711-00408-052	4	HEX. B. GR5 ZP 1/4-20 X 1"
14	S1711-00608-052	4	HEX. B. GR5 ZP 3/8-16 X 1"
15	S1711-00610-052	1	HEX. B. GR5 ZP 3/8-16 X 1 1/4"
16	S1711-00812-052	4	HEX.B. GR5 ZP 1/2-13 X 1 1/2"
17	S1721-00632-052	2	HEX. BOLT 3/8-16 X 4" Z.P. GR.5 FULL
18	S4111-10600-022	2	HEX. NUT GR2 REG. ZP 3/8-16
19	S4186-10400-022	6	HEX. STOP NUT GR2 A/B NYL. ZP 1/4-20
20	S4511-00600-002	4	SPRING LOCK WASHER ZP 3/8
21	S4511-00800-002	8	LOCK WASHER 1/2" Z.P.
22	S4612-00400-002	12	FLAT WASHER ZP 1/4 (9/32)
23	S4612-M1000-091	5	FLAT WASHER ZP M10 - I.D.= 10.5mm, O.D.=20mm
24	S5111-S0863-202	4	POP RIVET DOME H. 1/4 X 5/8 ALUM.-STEEL
25	S6602-00007-000	4	Z.P. YELLOW M6 x 1 ZERK GREASE FIT STRAIGHT

Figure 3.7 ST-110 FRONT LEFT TRACK SYSTEM

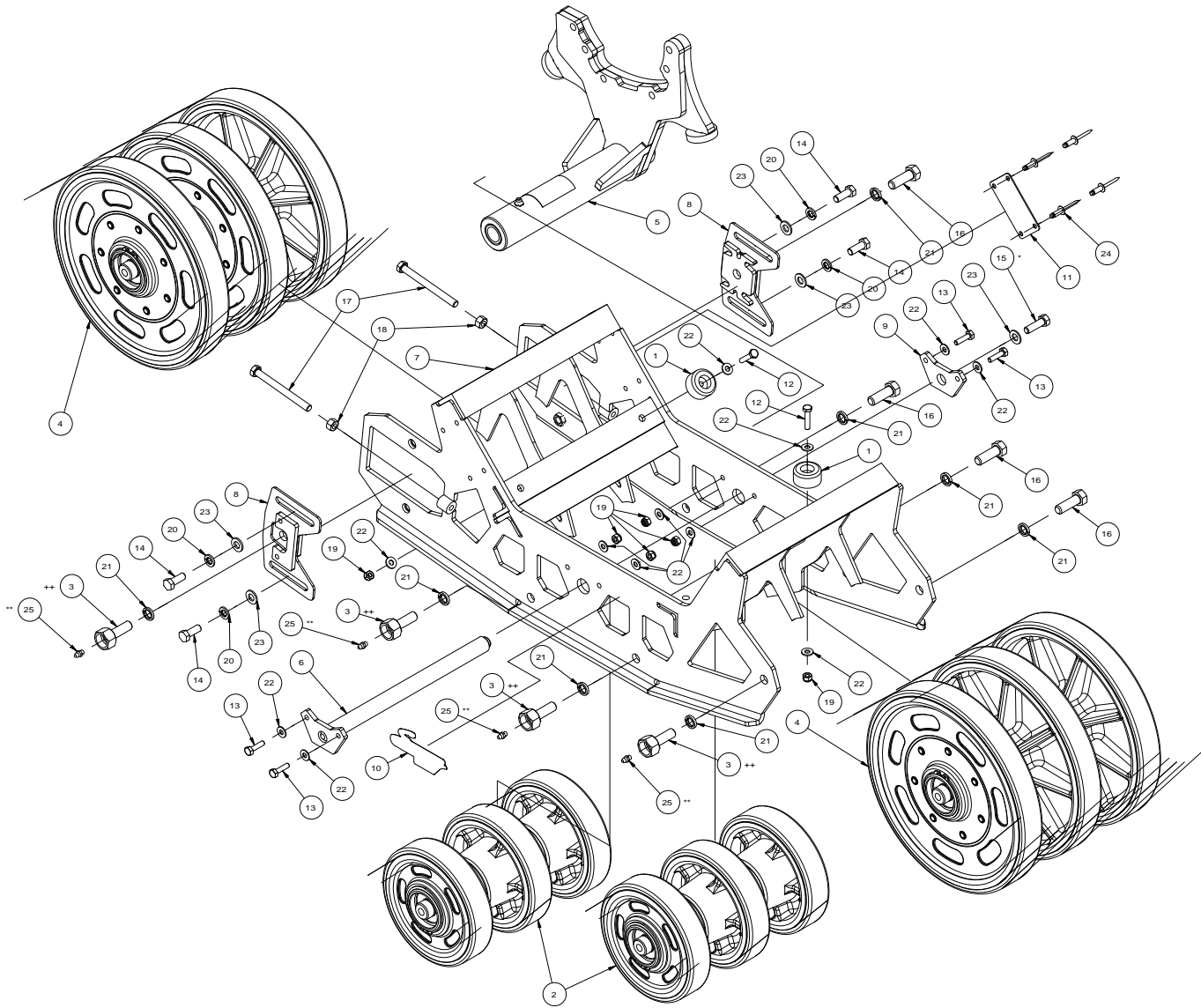


Table 3.7 ST-110 FRONT LEFT TRACK SYSTEM

ITEM	PART	QTY	DESCRIPTION
1	2500028-1-2010	2	RUBBER STOPPER
2	2750130	2	7in WHEEL AXLE ASS'Y
3	2750130-1000	4	GREASING BOLT
4	2750132	2	12in WHEEL AXLE ASS'Y
5	2790187-2-7200A	1	FRONT LEFT PIVOT ASS'Y
6	2810171-1-1000	1	FRONT PIVOT SHAFT
7	2810171-1-2000	1	FRONT TRACK BEAM ASS'Y
8	2810171-1-3000	2	TRACK TENSIONER
9	2810171-1-4000-511	1	FRONT PIVOT MOUNTING PLATE
10	ETSI-00020	1	SOUCY TRACK LABEL
11	PLAQUE-SIGNAL-CE	1	CE NAMEPLATE
12	S1711-00410-052	2	HEX. B. GR5 ZP 1/4-20 X 1 1/4"
13	S1711-00408-052	4	HEX. B. GR5 ZP 1/4-20 X 1"
14	S1711-00608-052	4	HEX. B. GR5 ZP 3/8-16 X 1"
15	S1711-00610-052	1	HEX. B. GR5 ZP 3/8-16 X 1 1/4"
16	S1711-00812-052	4	HEX.B. GR5 ZP 1/2-13 X 1 1/2"
17	S1721-00632-052	2	HEX. BOLT 3/8-16 X 4" Z.P. GR.5 FULL
18	S4111-10600-022	2	HEX. NUT GR2 REG. ZP 3/8-16
19	S4186-10400-022	6	HEX. STOP NUT GR2 A/B NYL. ZP 1/4-20
20	S4511-00600-002	4	SPRING LOCK WASHER ZP 3/8
21	S4511-00800-002	8	LOCK WASHER 1/2" Z.P.
22	S4612-00400-002	12	FLAT WASHER ZP 1/4 (9/32)
23	S4612-M1000-091	5	FLAT WASHER ZP M10 - I.D.= 10.5mm, O.D.=20mm
24	S5111-S0863-202	4	POP RIVET DOME H. 1/4 X 5/8 ALUM.-STEEL
25	S6602-00007-000	4	Z.P. YELLOW M6 x 1 ZERK GREASE FIT STRAIGHT

Figure 3.8 ST-110 REAR RIGHT TRACK SYSTEM

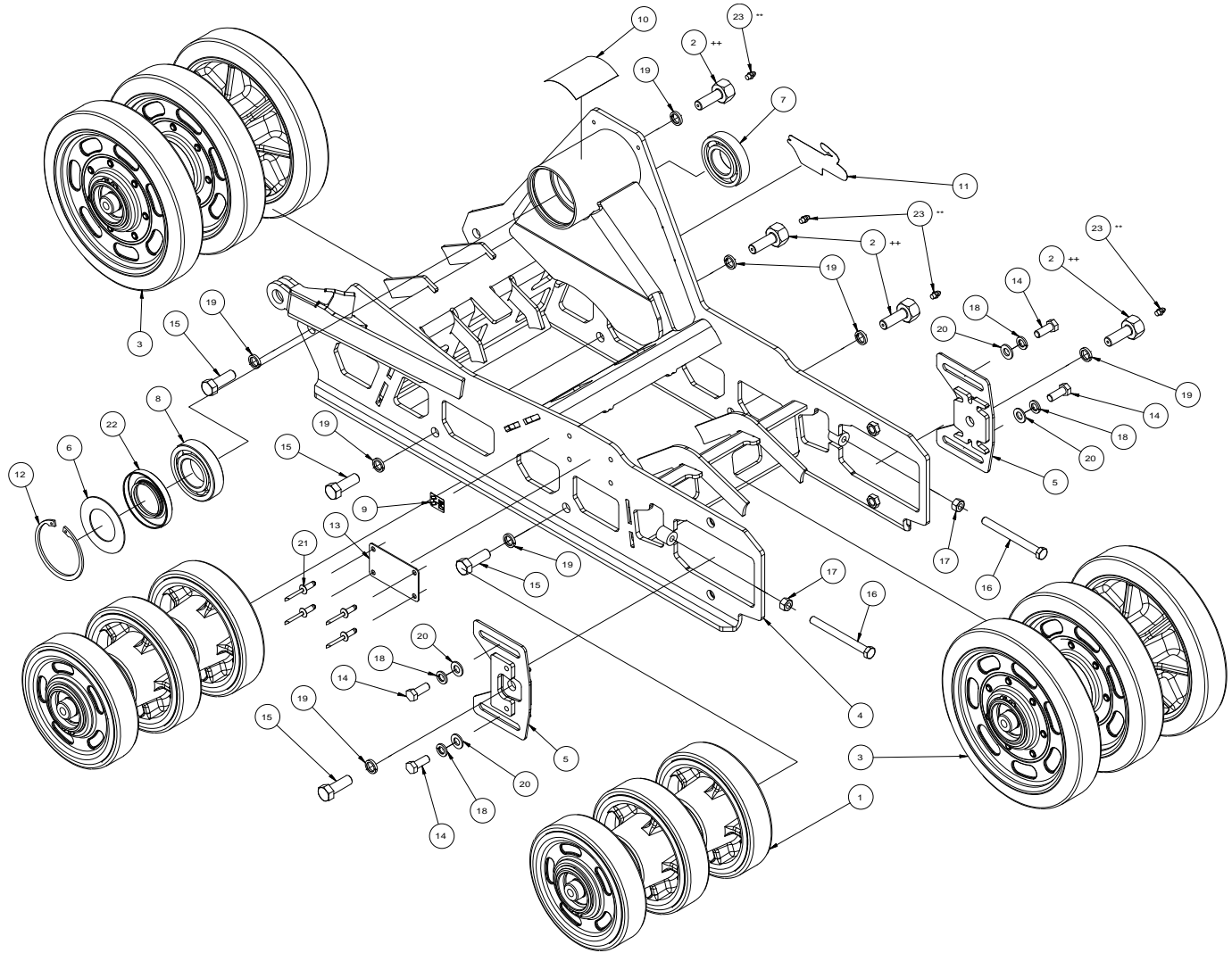


Table 3.8 ST-110 REAR RIGHT TRACK SYSTEM

ITEM	PART	QTY	DESCRIPTION
1	2750130	2	7in WHEEL AXLE ASS'Y
2	2750130-1000	4	GREASING BOLT
3	2750131	2	10in WHEEL AXLE ASS'Y
4	2790178-3-1000	1	RIGHT REAR FRAME
5	2810171-1-3000	2	TRACK TENSIONER
6	2810171-3-200	1	OIL SEAL
7	B6207	1	BALL BEARING WTW 6207
8	B6208	1	BALL BEARING WTW 6208
9	ET97-00190	1	REAR LEFT BLUE LABEL
10	ETKP-00100	1	WARNING LABEL
11	ETSI-00020	1	SOUCY TRACK LABEL
12	N1300-0315	1	BLACK OXYDE 3.348 OD SNAP RING (N1300-0315)
13	PLAQUE-SIGNAL-CE	1	CE NAMEPLATE
14	S1711-00608-052	4	HEX. B. GR5 ZP 3/8-16 X 1"
15	S1711-00812-052	4	HEX.B. GR5 ZP 1/2-13 X 1 1/2"
16	S1721-00632-052	2	HEX. BOLT 3/8-16 X 4" Z.P. GR.5 FULL
17	S4111-10600-022	2	HEX. NUT GR2 REG. ZP 3/8-16
18	S4511-00600-002	4	SPRING LOCK WASHER ZP 3/8
19	S4511-00800-002	8	LOCK WASHER 1/2" ZINC PLATED (DIN 127 B)
20	S4612-M1000-091	4	FLAT WASHER ZINC PLATED M10 I.D. 10.5 X O.D. 20 X 2 TH. (DIN 125 A)
21	S5111-S0863-202	4	POP RIVET DOME H. 1/4 X 5/8 ALUM.-STEEL
22	S6502-00001-000	1	BEARING SEAL 45 X 80 X 10 D.L.
23	S6602-00007-000	4	Z.P. YELLOW M6 x 1 ZERK GREASE FIT STRAIGHT

Figure 3.9 ST-110 REAR LEFT TRACK SYSTEM

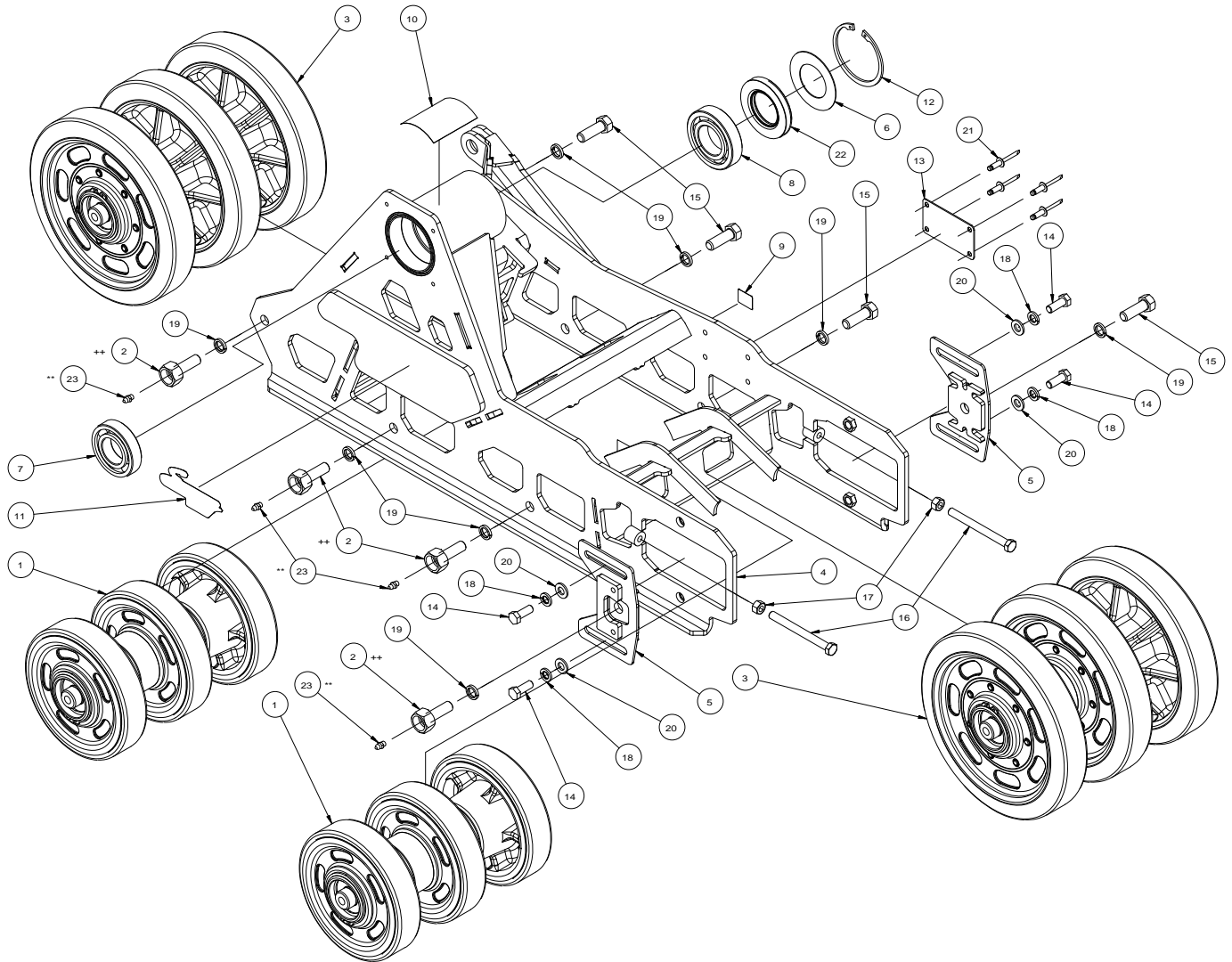


Table 3.9 ST-110 REAR LEFT TRACK SYSTEM

ITEM	PART	QTY	DESCRIPTION
1	2750130	2	7in WHEEL AXLE ASS'Y
2	2750130-1000	4	GREASING BOLT
3	2750131	2	10in WHEEL AXLE ASS'Y
4	2790178-4-1000	1	LEFT REAR FRAME
5	2810171-1-3000	2	TRACK TENSIONER
6	2810171-3-200	1	OIL SEAL
7	B6207	1	BALL BEARING WTW 6207
8	B6208	1	BALL BEARING WTW 6208
9	ET97-00180	1	REAR LEFT GREEN LABEL
10	ETKP-00100	1	WARNING LABEL
11	ETSI-00020	1	SOUCY TRACK LABEL
12	N1300-0315	1	BLACK OXYDE 3.348 OD SNAP RING (N1300-0315)
13	PLAQUE-SIGNAL-CE	1	CE NAMEPLATE
14	S1711-00608-052	4	HEX. B. GR5 ZP 3/8-16 X 1"
15	S1711-00812-052	4	HEX.B. GR5 ZP 1/2-13 X 1 1/2"
16	S1721-00632-052	2	HEX. BOLT 3/8-16 X 4" Z.P. GR.5 FULL
17	S4111-10600-022	2	HEX. NUT GR2 REG. ZP 3/8-16
18	S4511-00600-002	4	SPRING LOCK WASHER ZP 3/8
19	S4511-00800-002	8	LOCK WASHER 1/2" ZINC PLATED (DIN 127 B)
20	S4612-M1000-091	4	FLAT WASHER ZINC PLATED M10 I.D. 10.5 X O.D. 20 X 2 TH. (DIN 125 A)
21	S5111-S0863-202	4	POP RIVET DOME H. 1/4 X 5/8 ALUM.-STEEL
22	S6502-00001-000	1	BEARING SEAL 45 X 80 X 10 D.L.
23	S6602-00007-000	4	Z.P. YELLOW M6 x 1 ZERK GREASE FIT STRAIGHT

Figure 3.10 ST-110 REAR AXLE AND SPROCKET

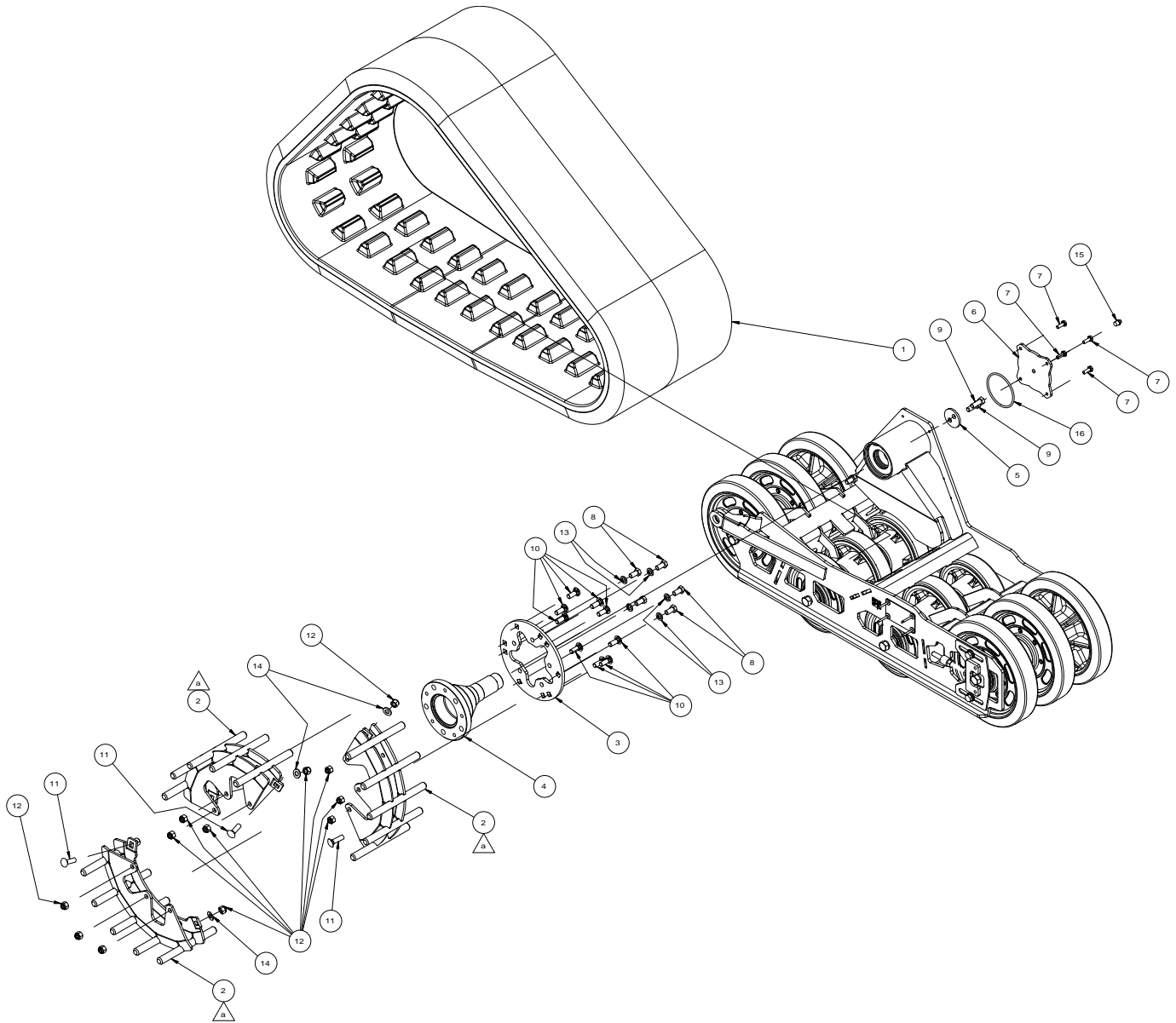


Table 3.10 ST-110 REAR AXLE AND SPROCKET

ITEM	PART	QTY	DESCRIPTION
1	1S10143	1	FRONT TRACK 14.0" X 32 PAS UTV
2	2790178-3-5000	3	1/3 SPROCKET
3	2790178-3-6000	1	SPROKET MOUNT PLATE
4	2810171-3-1200	1	REAR AXLE
5	2810171-3-5000	1	LOCKING PLATE
6	2810171-3-6000	1	GREASER COVER ASS'Y
7	S1711-00406-082A	4	HEX. B. GR8 ZP 1/4-20 X 3/4" NYLOK BLUE PATCH
8	S1711-00606-052	5	HEX. B. GR5 ZP 3/8-16 X 3/4"
9	S1711-00608-052	2	HEX. B. GR5 ZP 3/8-16 X 1"
10	S2412-0E016-0A2	9	CAR. BOLT GR5 ZP 3/8-16 X 1"
11	S2412-0E020-0A2	3	CAR. BOLT GR5 ZP 3/8-16 X 1 1/4"
12	S4186-10600-022	12	HEX. NYLON NUT GR.2 ZINC PLATED 3/8-16 UNC (ANSI B18.2.2)
13	S4511-00600-002	5	SPRING LOCK WASHER ZP 3/8
14	S4612-M1000-091	3	FLAT WASHER ZINC PLATED M10 I.D. 10.5 X O.D. 20 X 2 TH. (DIN 125 A)
15	S6602-00002-000	1	ZERK GREASE FIT STRAIGHT 1/8-27 NPT HEX. 7/16 Z.P.
16	S6701-00003-000	1	O-RING 3" I.D. X 1/8" THK.(2-234)

Figure 3.11 ST-110 FRONT SPROCKET AND ANTI-ROTATION SYSTEM

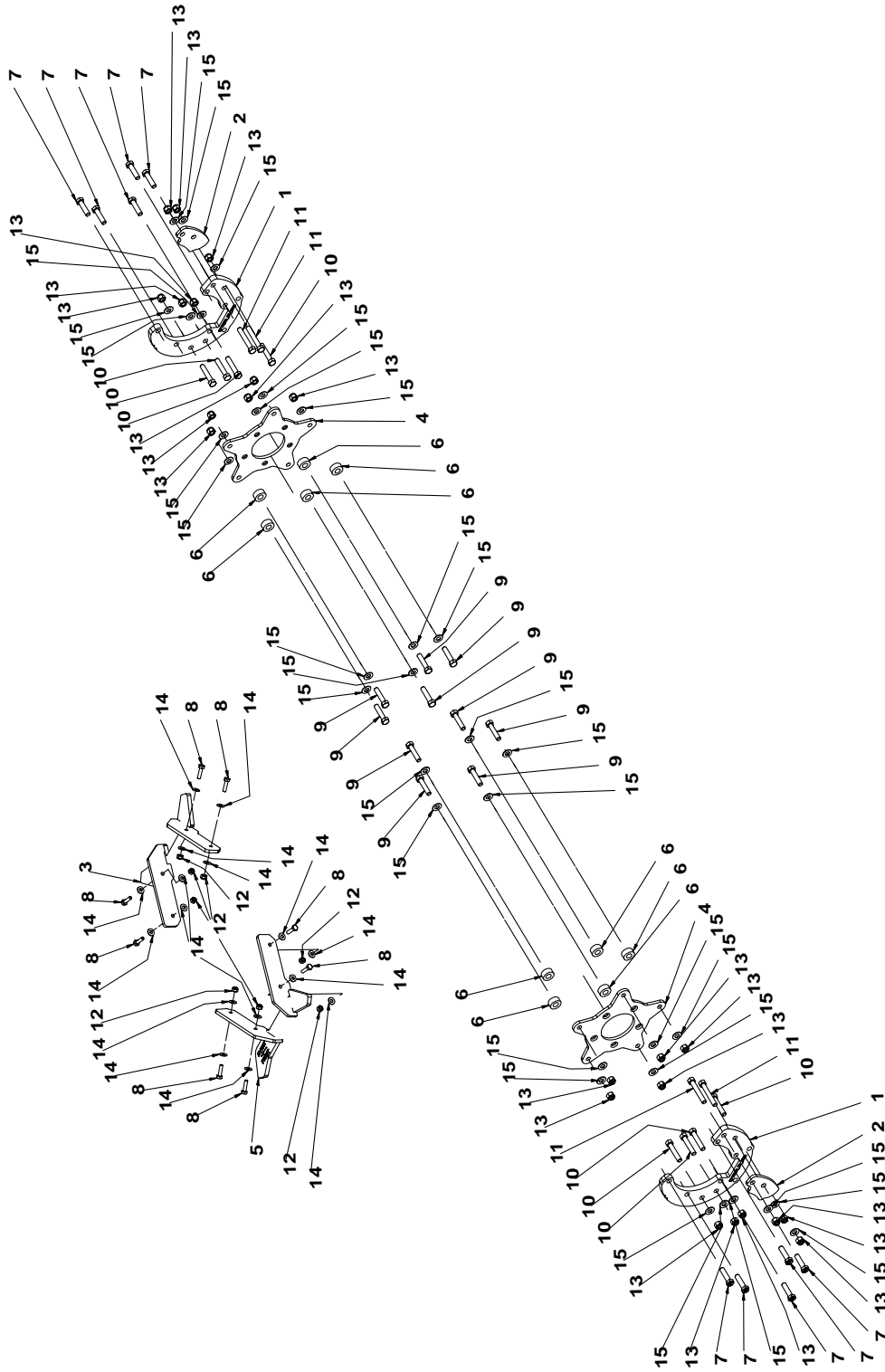
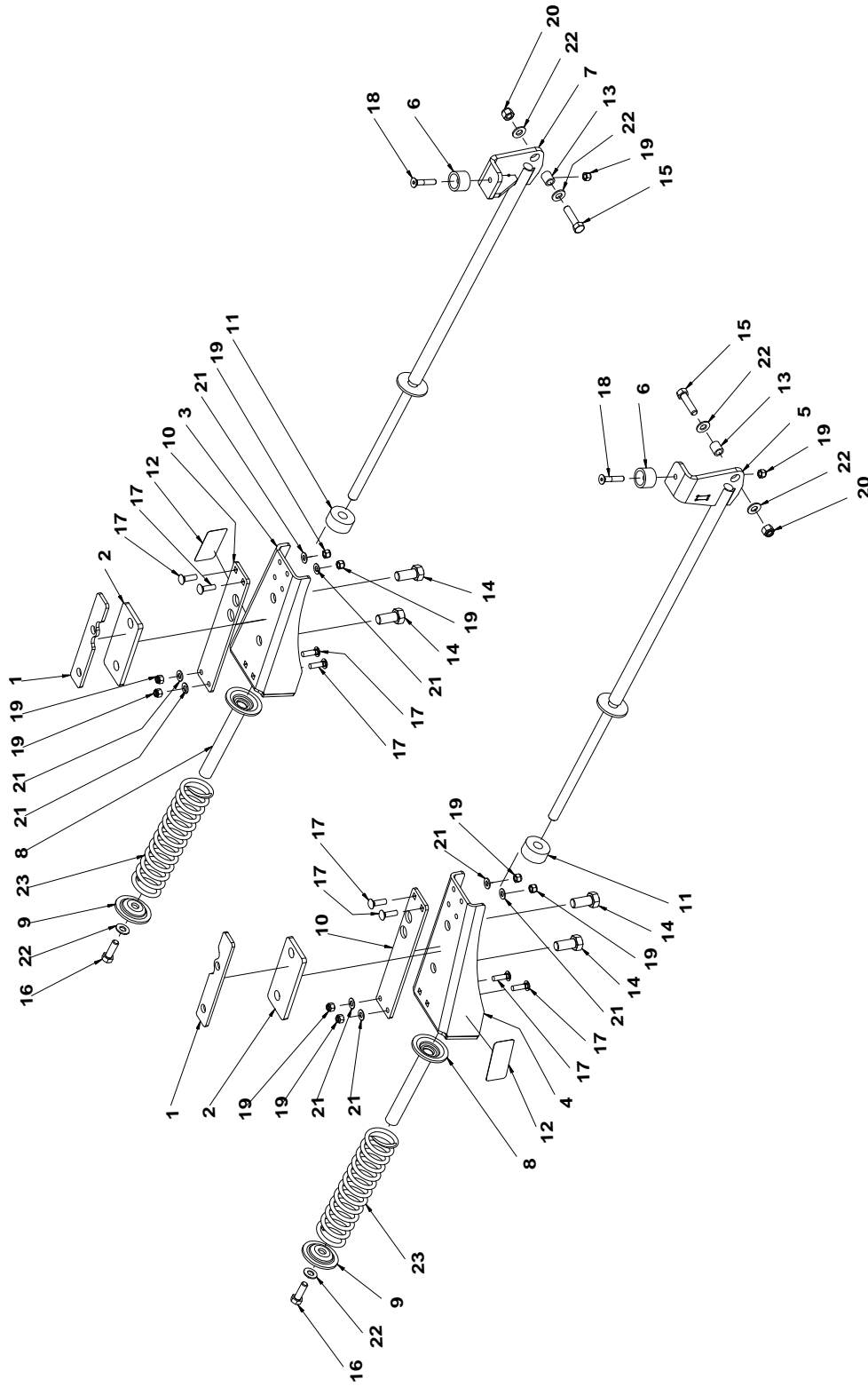


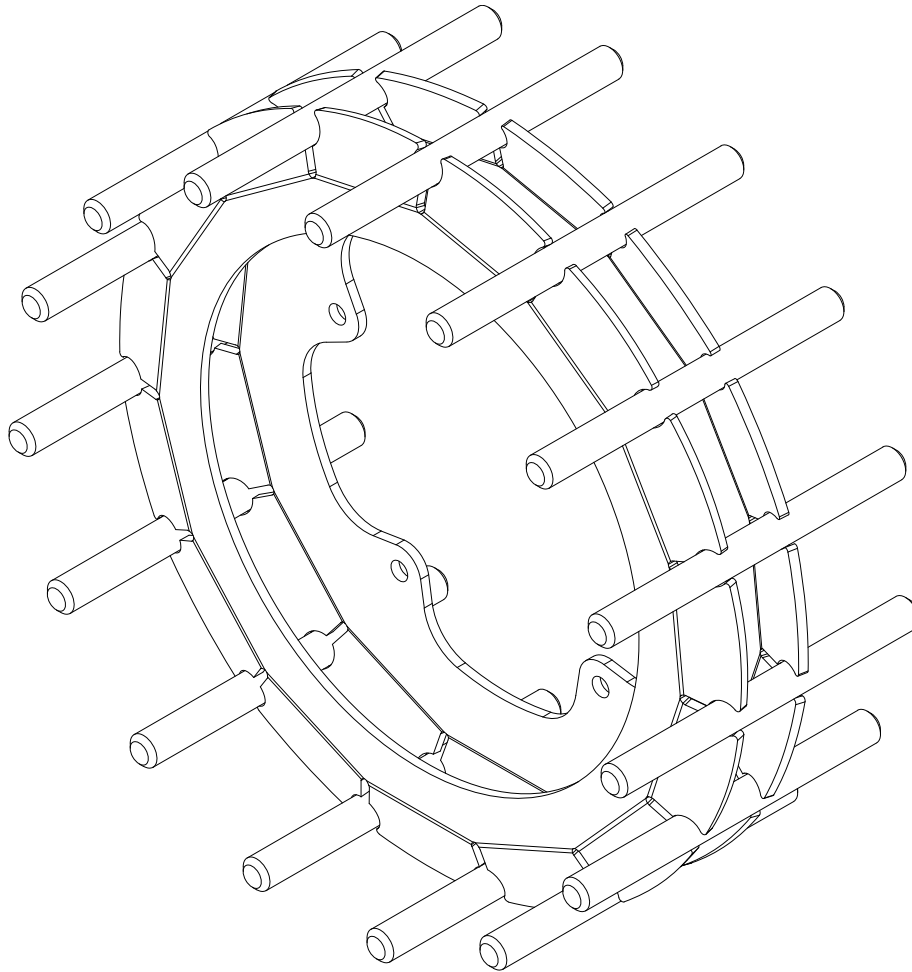
Table 3.11 ST-110 FRONT SPROCKET AND ANTI-ROTATION SYSTEM

ITEM	PART	QTY	DESCRIPTION
1	2790188-50-3000	2	FRONT PIVOT MOUNTING PLATE NO X
2	2790188-50-4000	2	STOPPER PLATE
3	2810171-50-1000	1	FRONT RIGHT STEERING LIMITER
4	2810171-50-2000	2	FRONT MOUNTING PLATE
5	2810171-60-1000	1	FRONT LEFT STEERING LIMITER
6	Q2212-10083	10	FRONT SPROCKET SPACER
7	S1211-10040-0D1	10	HEX. B. GR8.8 ZP M10-1.25 X 40MM (DIN933)
8	S1711-00408-052	8	HEX. B. GR5 ZP 1/4-20 X 1"
9	S1711-00614-052	10	HEX. BOLT 3/8-16 X 1 3/4 Z.P. GR.5
10	S1711-00616-052	8	HEX. B. GR5 ZP 3/8-16 X 2"
11	S1711-00620-052	4	HEX. B. GR5 ZP 3/8-16 X 2 1/2"
12	S4186-10400-022	8	HEX. STOP NUT GR2 A/B NYL. ZP 1/4-20
13	S4186-10600-022	22	HEX. STOP NUT GR2 NYL. ZP 3/8-16
14	S4612-00400-002	16	FLAT WASHER ZP 1/4 (9/32)
15	S4612-00600-002	32	FLAT WASHER ZP 3/8 (13/32)

Figure 3.12 ST-110 REAR ANTI-ROTATION SYSTEM



ITEM	PART	QTY	DESCRIPTION
1	2790178-1000	2	REAR SUBTABLE BOLT PLATE
2	2790178-2000	2	ANTI-ROTATION SPACEUR
3	2790178-3-2000	1	REAR RIGHT SUBTABLE
4	2790178-4-2000	1	REAR LEFT SUBTABLE
5	2810171-3-3000	1	REAR ANTI-ROTATION ARM A
6	2810171-3-3200	2	BUMPER
7	2810171-4-3000	1	REAR ANTI-ROTATION ARM B
8	2810171-70-2000	2	REAR TRAVEL LIMITER
9	2810171-70-4000	2	SPRING SEAT SMALL
10	2810235-3-2000	2	REAR SUBTABLE ATACHEMENT PLATE
11	7510039-1-30-6000	2	RUBBER BUSHING 60 DURO
12	ETKP-00130	2	WARNING LABEL
13	Q2212-10084	2	SPACER PZ 3/4"ODX.510 IDX.81 LG
14	S1111-18040-0F1	4	HEX. BOLT M18 X 1.5 X 40M LG ZP CL.10.9
15	S1711-00816-052	2	HEX. BOLT GR5 ZINC PLATED 1/2-13 X 2"
16	S1811-00812-052C	2	HEX. BOLT GR.5 ZINC PLATED 1/2-20 X1 1/2" NYLON PATCH
17	S2412-0E020-0A2	8	CAR. BOLT GR5 ZP 3/8-16 X 1 1/4"
18	S3161-BOD32-002	2	FLAT HEAD SOCKET CAP SCREW PZ 3/8-16 X 2"
19	S4186-10600-022	10	HEX. NYLON NUT GR.2 ZINC PLATED 3/8-16 UNC (ANSI B18.2.2)
20	S4186-10800-022	2	HEX. NYLON NUT ZINC PLATED 1/2-13 UNC
21	S4612-00600-002	8	FLAT WASHER ZP 3/8 (13/32)
22	S4612-00800-002	6	FLAT WASHER ZP 1/2 (17/32)
23	S9711-00004-006	2	BLACK HIGH STRENGTH SPRING



PART #	DESCRIPTION
2810171-4-4000-511	FRONT PAINTED SPROCKET

Figure 3.13 ST-110X WHEELS AXLE 7 IN.

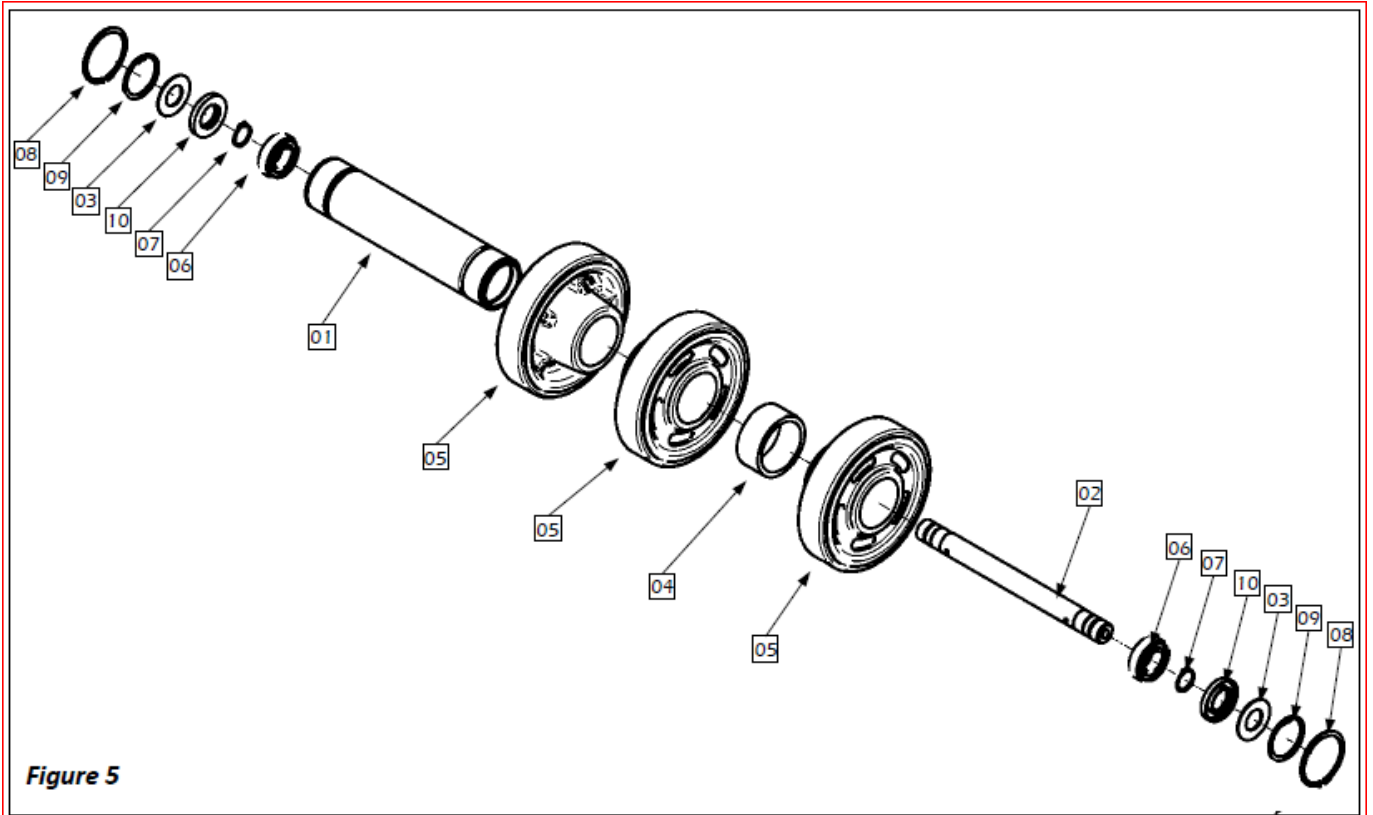


Figure 5

ITEM	PART	QTY	DESCRIPTION
01	2750130-2000	1	AXLE TUBE
02	2750130-3000	1	AXLE SHAFT
03	2750130-4000	2	WHEEL AXLE WASHER
04	2810171-1-5010	1	PLASTIC SPACER
05	4400058	3	7" WHEEL
06	B6205-2RS1	2	BALL BEARING
07	S5211-10001-004	2	63/64" DIA. RETAINING RING
08	S5211-10004-004	2	2.313" DIA. RETAINING RING
09	S5212-10007-004	2	2.280" DIA. RETAINING RING
10	S6501-00006-000	2	25 mm i.d. x 52 mm o.d. x 7 mm seal

Figure 3.14 ST-110X WHEELS AXLE 10 IN.

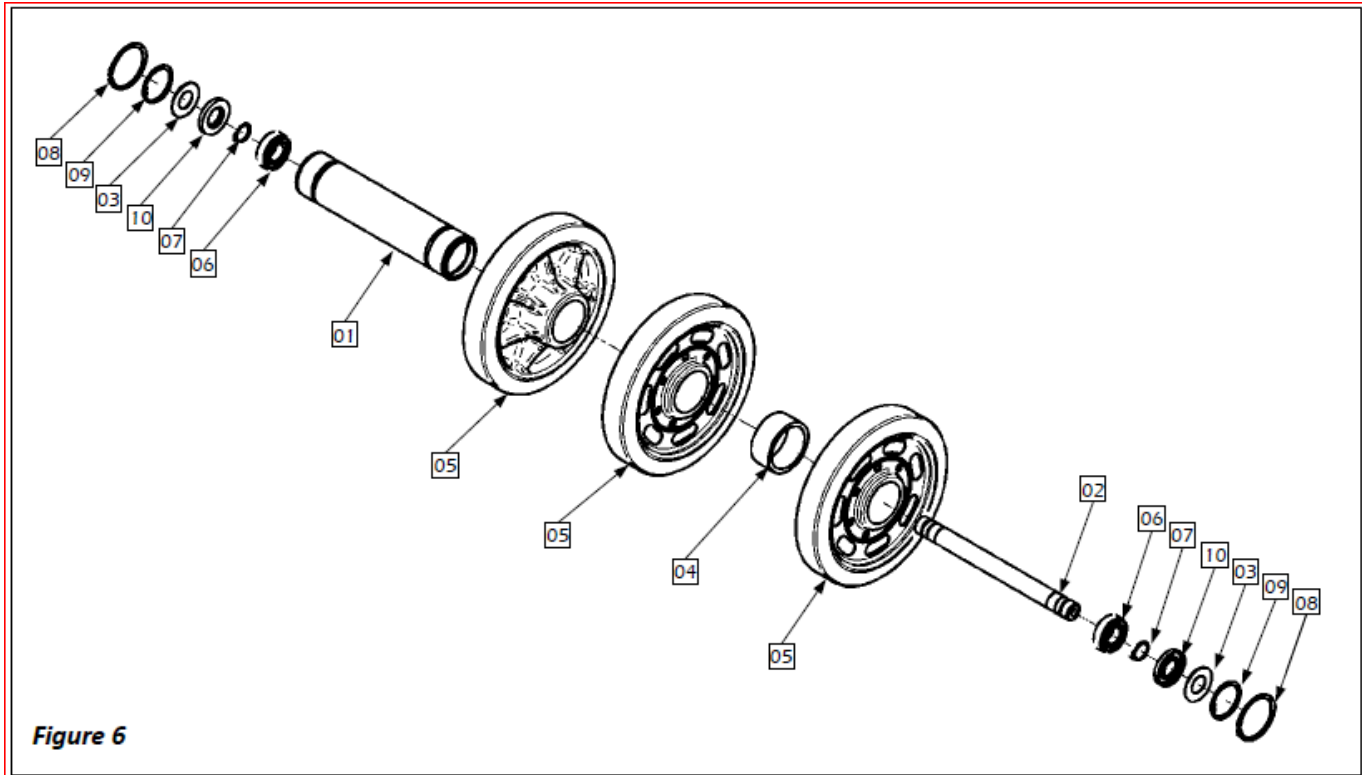
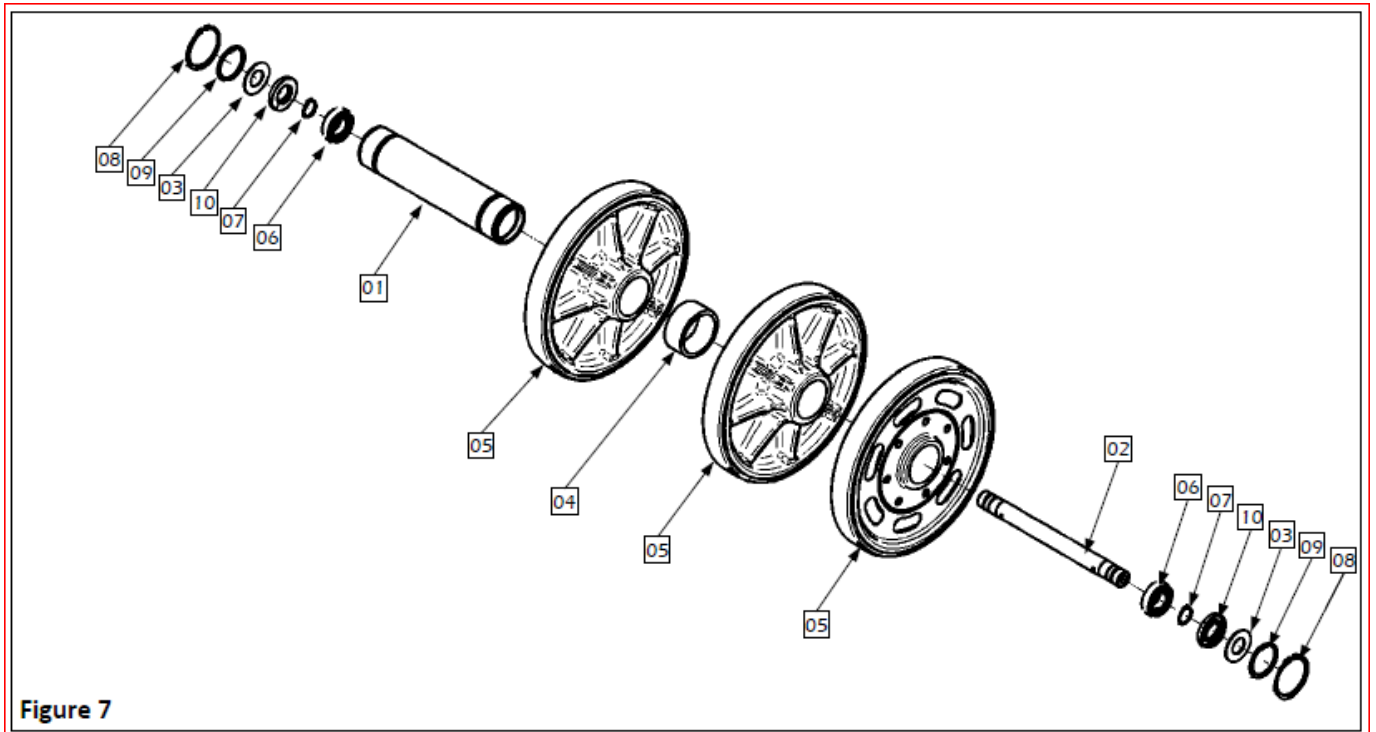


Figure 6

ITEM	PART	QTY	DESCRIPTION
01	2750130-2000	1	AXLE TUBE
02	2750130-3000	1	AXLE SHAFT
03	2750130-4000	2	WHEEL AXLE WASHER
04	2810171-1-5010	1	PLASTIC SPACER
05	4400080-20	3	10" WHEEL
06	B6205-2RS1	2	BALL BEARING
07	S5211-10001-004	2	63/64" DIA. RETAINING RING
08	S5211-10004-004	2	2.313" DIA. RETAINING RING
09	S5212-10007-004	2	2.280" DIA. RETAINING RING
10	S6501-00006-000	2	25 mm i.d. x 52 mm o.d. x 7 mm seal

Figure 3.15 ST-110X WHEELS AXLE 12 IN.



ITEM	PART	QTY	DESCRIPTION
01	2750130-2000	1	AXLE TUBE
02	2750130-3000	1	AXLE SHAFT
03	2750130-4000	2	WHEEL AXLE WASHER
04	2810171-1-5010	1	PLASTIC SPACER
05	4400059	3	12" WHEEL
06	B6205-2RS1	2	BALL BEARING
07	S5211-10001-004	2	63/64" DIA. RETAINING RING
08	S5211-10004-004	2	2.313" DIA. RETAINING RING
09	S5212-10007-004	2	2.280" DIA. RETAINING RING
10	S6501-00006-000	2	25 mm i.d. x 52 mm o.d. x 7 mm seal

3.2 FRONT TRACK INSTALLATION

NOTICE

- BEFORE BEGINNING THE INSTALLATION OF THE TRACK SYSTEM, TURN OFF THE ENGINE, PUT INTO 2-WHEEL DRIVE MODE WITH THE TRANSMISSION IN NEUTRAL AND MAKE SURE THAT THE VEHICLE CANNOT MOVE (PLACE BLOCKS IN FRONT OF AND BEHIND THE WHEELS).
- ALL BOLTS AND NUTS MUST BE TORQUED ACCORDING TO THE TORQUE SPECIFICATIONS ON ANNEX 1.

⚠ CAUTION ⚠

WHEN THE VEHICLE IS RAISED, MAKE SURE THAT IT IS PROPERLY SUPPORTED/SECURED TO PREVENT IT FROM FALLING DURING THE INSTALLATION OF THE TRACK SYSTEM. IF NOT PROPERLY SUPPORTED/SECURED, SERIOUS PHYSICAL INJURY MAY OCCUR.

- POSITION THE FOUR SUPPORTS UNDER THE VEHICLE IN ORDER TO ENSURE YOUR SAFETY



NOTICE

ALL PARTS NUMBER INDICATED BETWEEN () ARE AS PER THE EXPLODED VIEW OF THE ST-110X TRACK SYSTEM PARTS LIST

1. Use a 17 mm socket to remove the front wheels from the vehicle.



2. Use a 10 mm socket to remove the front universal joint shield.



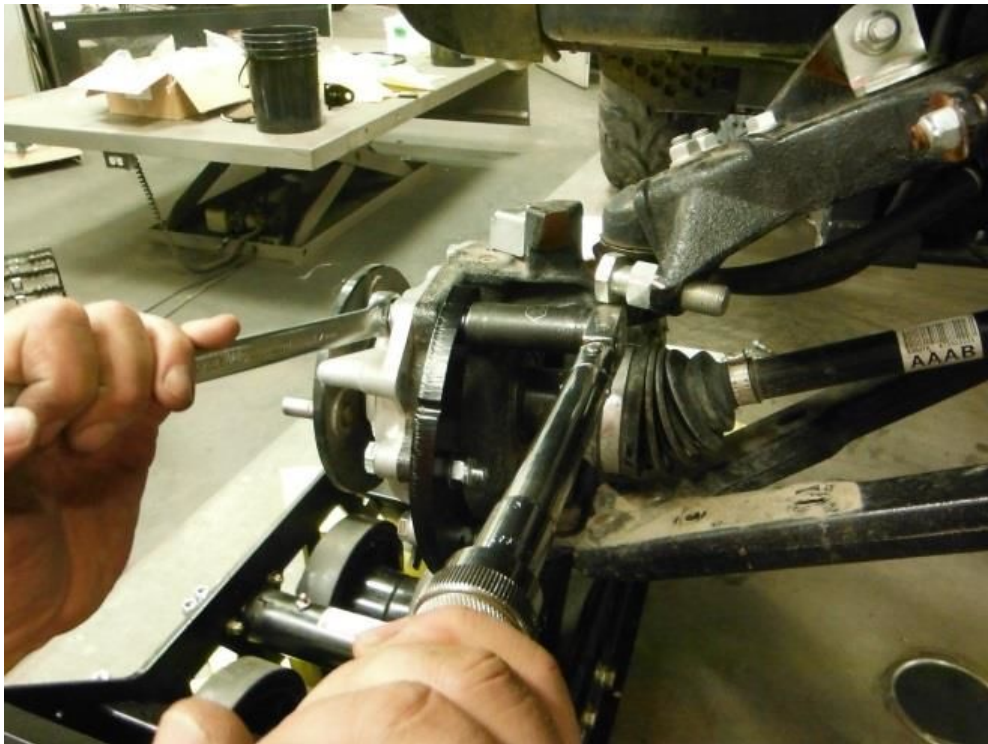
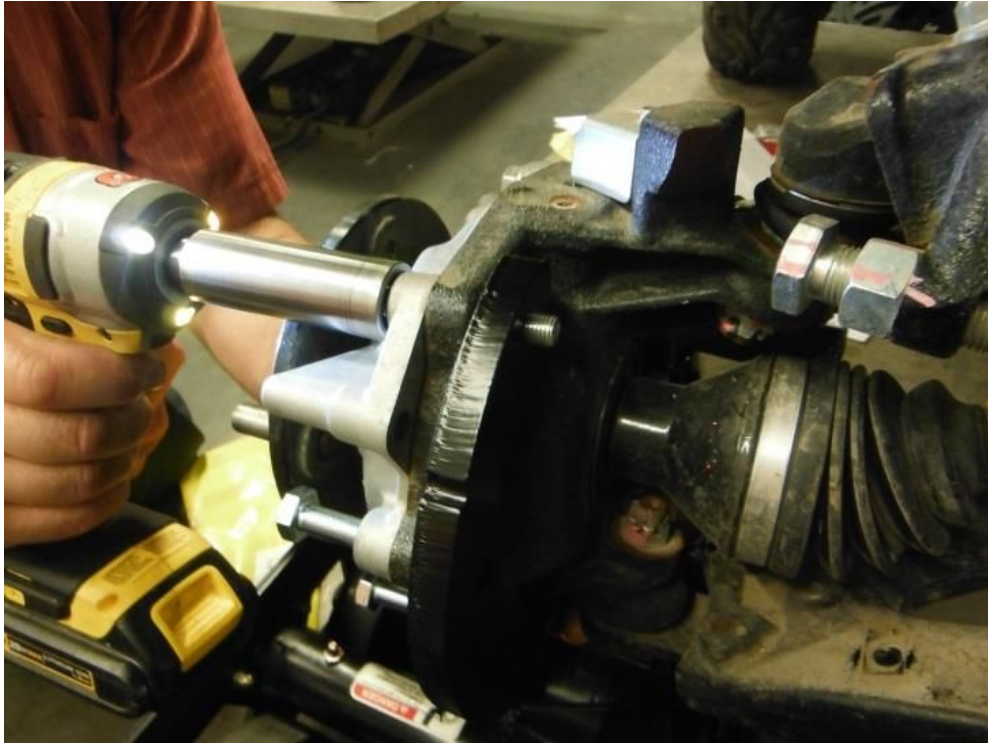
- Use a 14 mm wrench to remove five of the six right front brake cover bolts (see Figure 11) and reassemble with five (5) M10-1.25 x 60 mm bolts [24] at tightening torque 68-78N.m. It's normal to have excess thread on the internal side of the brake cover.



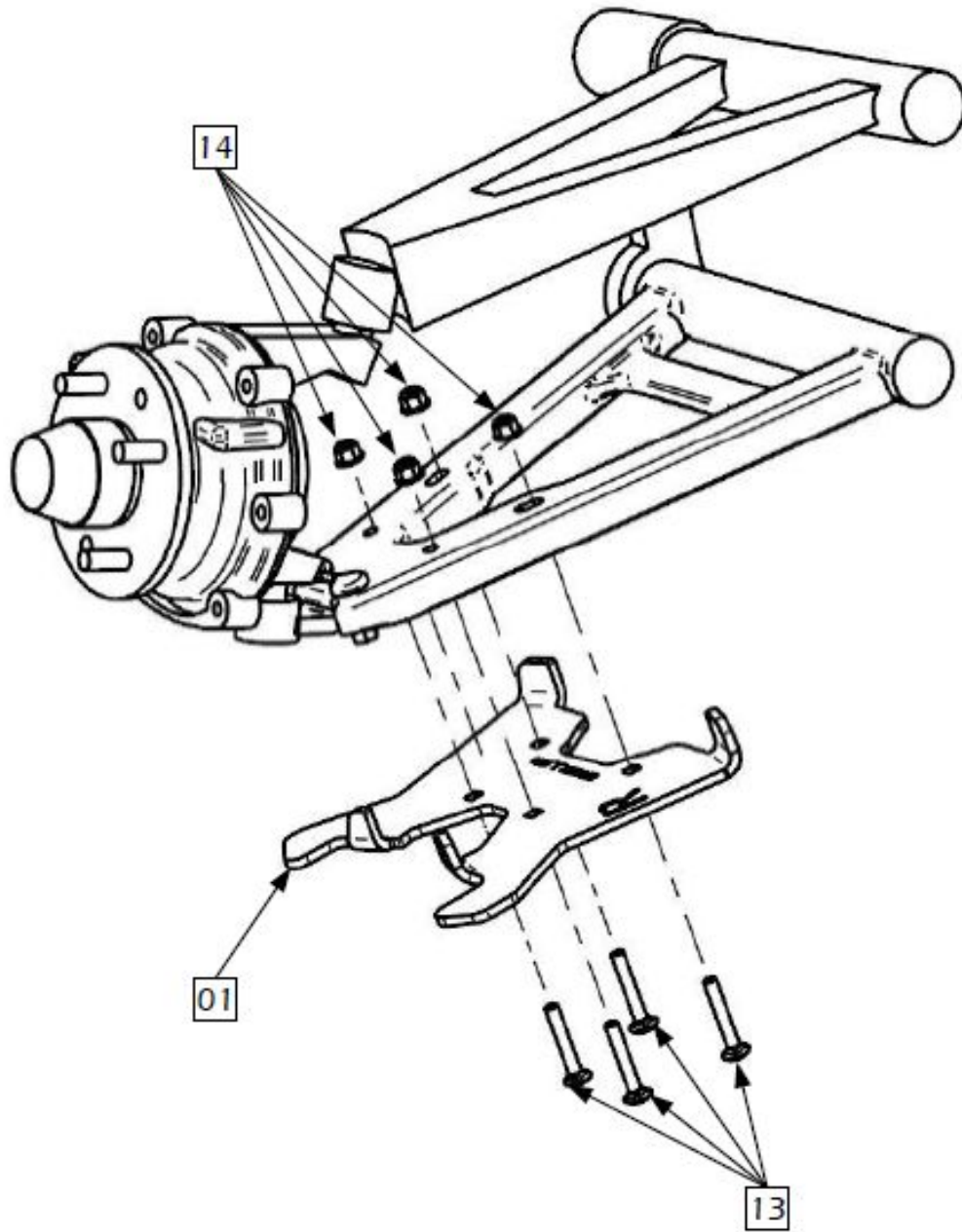
NOTE

ITEM	DESCRIPTION
NOTE	DO NOT REMOVE THIS BOLT

4. Use a 17 mm socket to attach the front pivot mounting plate [08] to the brake cover with five (5) M10-1.25 x 40 mm bolts [24] install at step 5 (see next figures) and install washers [34] and nuts [28] at tightening torque 68-78N.m. Turn the steering for easy access to the two bottom bolts.



5. Use 7/16" wrench and socket to attach the front right steering limiter [01] to the front suspension table with four (4) M8-1.25 x 50 mm carriage bolts [13] and four (4) M8-1.25 hex. nuts [14] at tightening torque 21- 23N.m
6. Repeat previous steps for the opposite side.

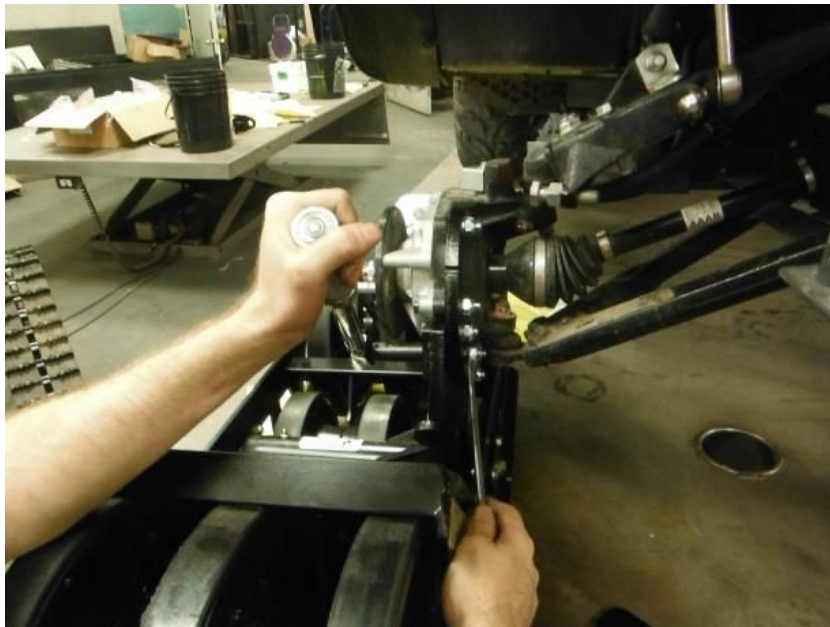
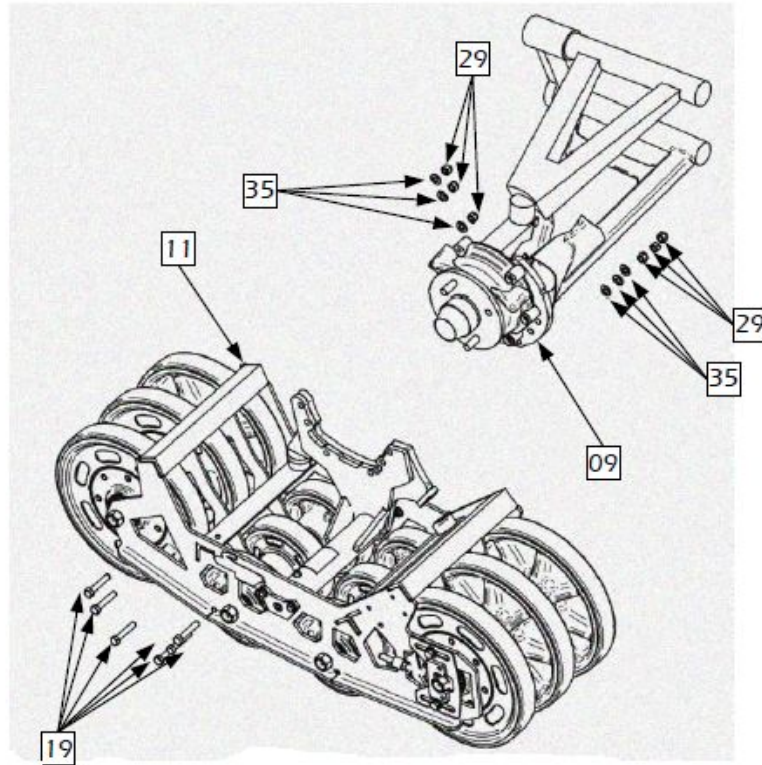


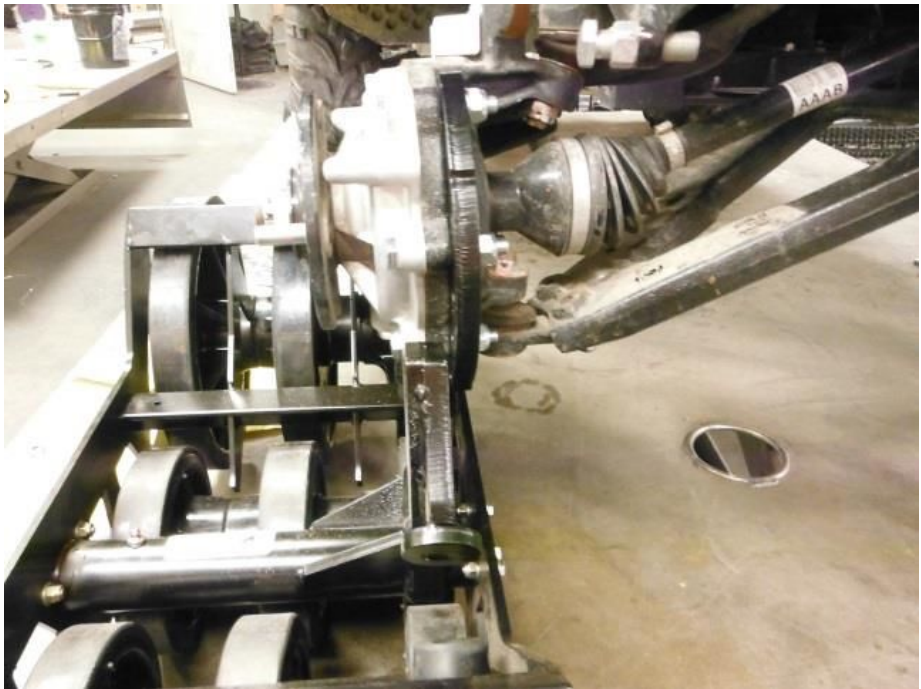


NOTICE

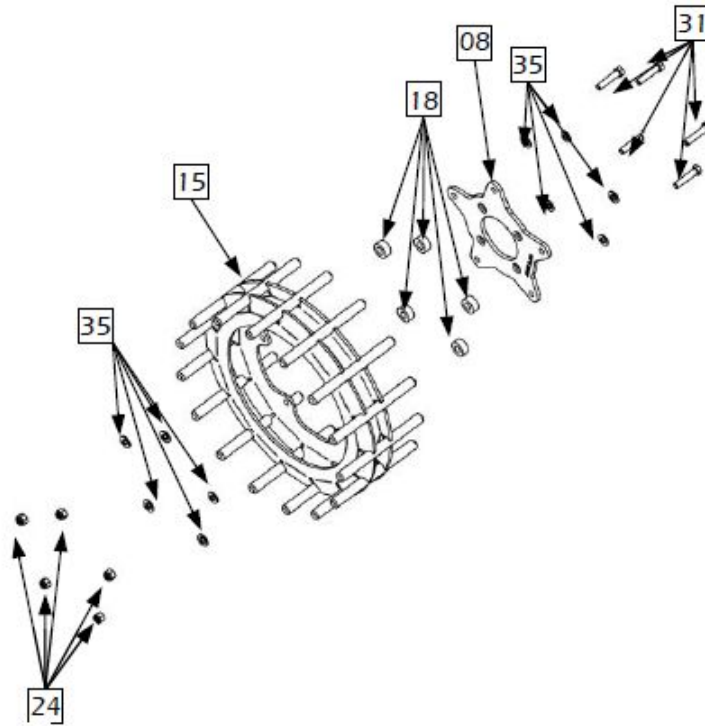
DO NOT INVERSE THE RIGHT AND LEFT SIDES. DO NOT INVERSE THE FRONT AND REAR SYSTEMS. THIS WILL RESULT IN DAMAGE TO YOUR VEHICLE AND AFFECT ITS PERFORMANCE.

7. Use 17 mm wrench and socket to install the front track beam [11] to the front pivot mounting plate [09] with six (6) bolt [19], six (6) 3/8" spring lock washer [35] and six (6) 3/8" NC self-locking nuts [29] at tightening torque 34-37N.m





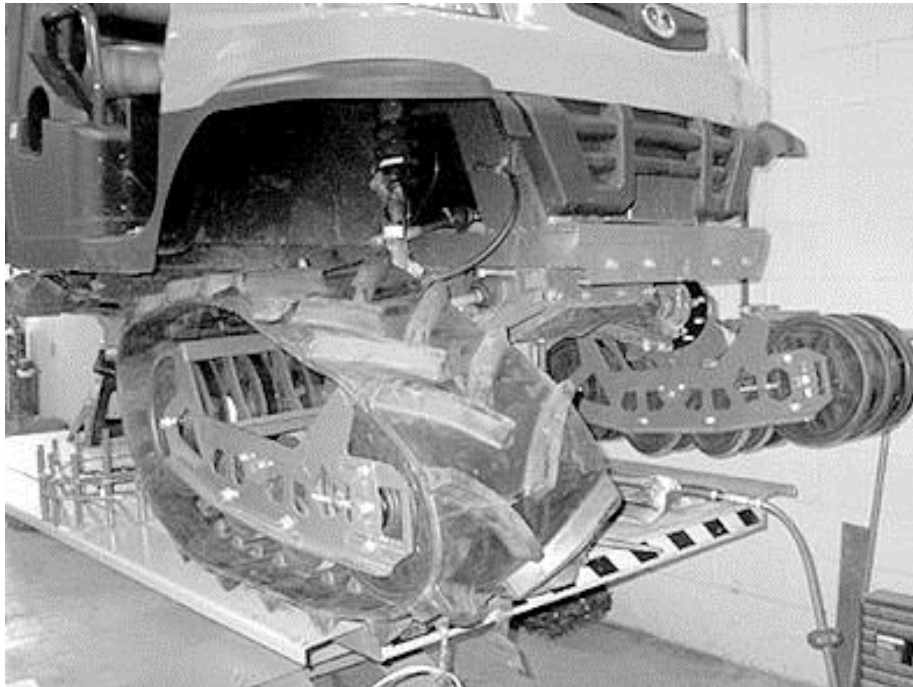
8. Use 9/16" wrench and socket to assemble the front mounting plate [08] to sprocket [15] using five (5) 3/8" NC x 1-3/4 hex. bolts [31], five (5) M10 flat washers [35], five (5) front sprocket spacers [18], five (5) more M10 flat washers [35] and five (5) 3/8" NC self-locking nuts [24] at tightening torque 34-37N.m. Place the front mounting plate [08] so that the hole's chamfers are facing the exterior.

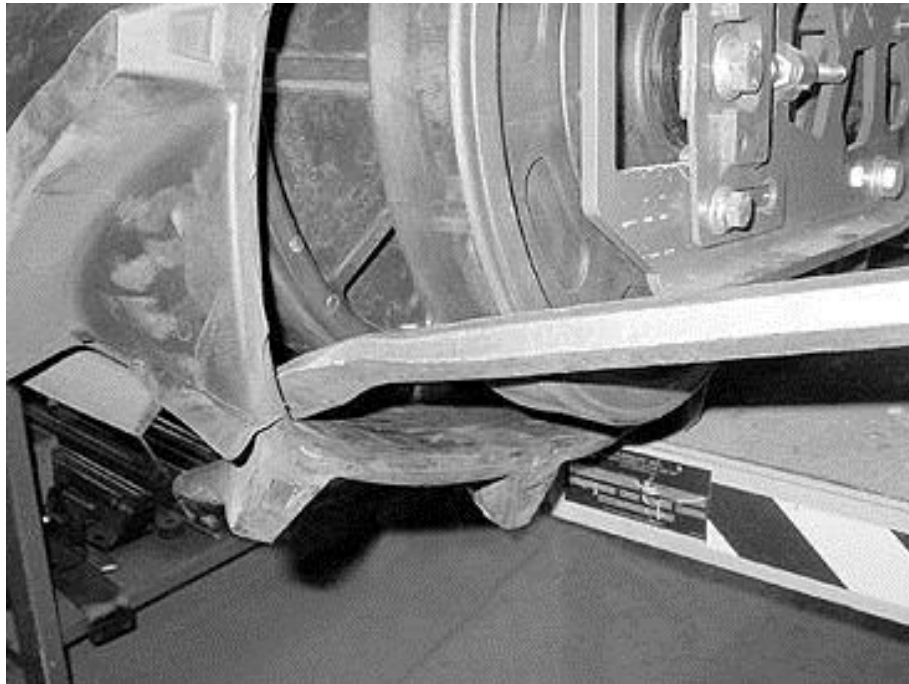
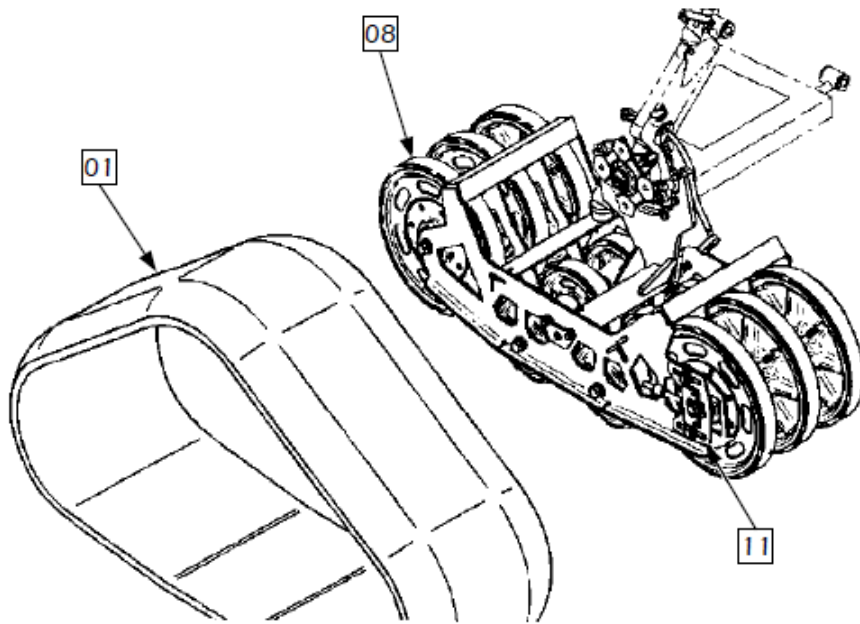


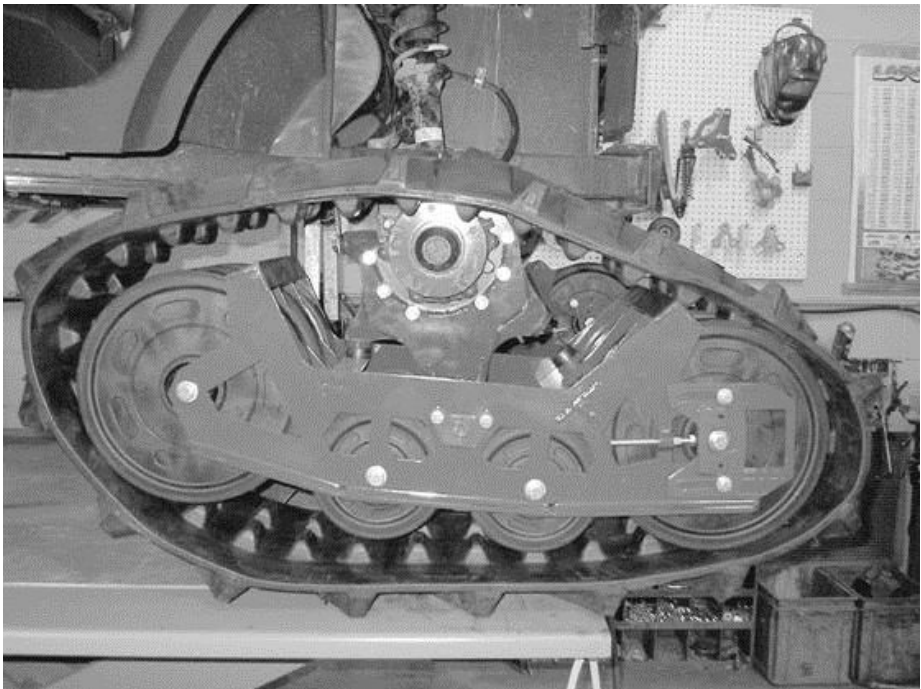
NOTICE

- MAKE SURE THAT THE TRACK TENSIONER [11] IS IN A RETRACTED POSITION.
- MAKE SURE THE SENSE OF THE ROTATION OF THE TRACK IS MAINTAINED DURING THE INSTALLATION (SEE NEXT FIGURE)

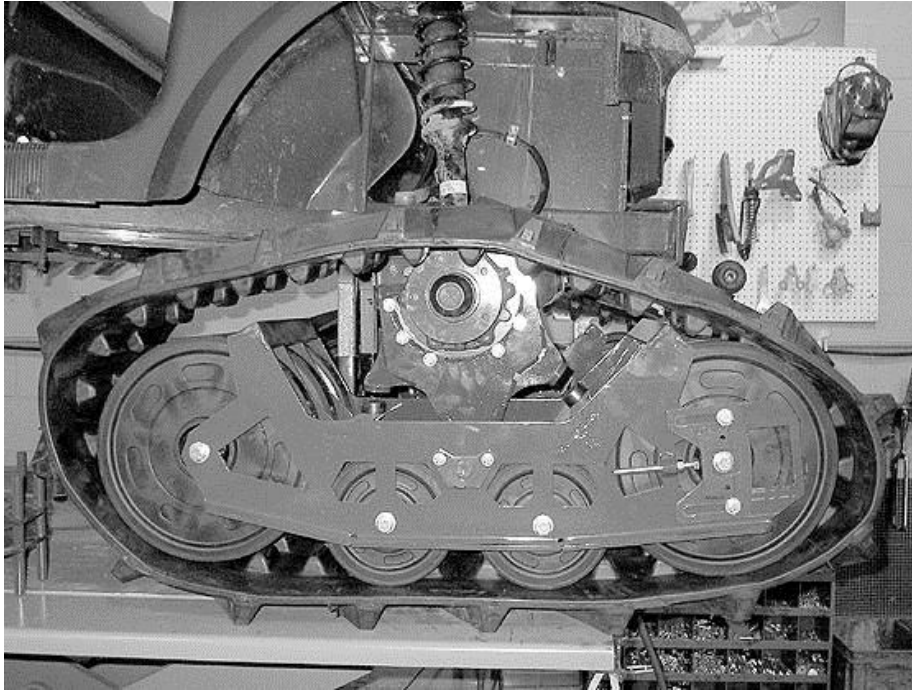
9. Install the front track [01] onto the front track frame [08]. To do this, insert the internal teeth one at a time alternating from front to back (see next figures)
10. Repeat previous steps for the opposite side.



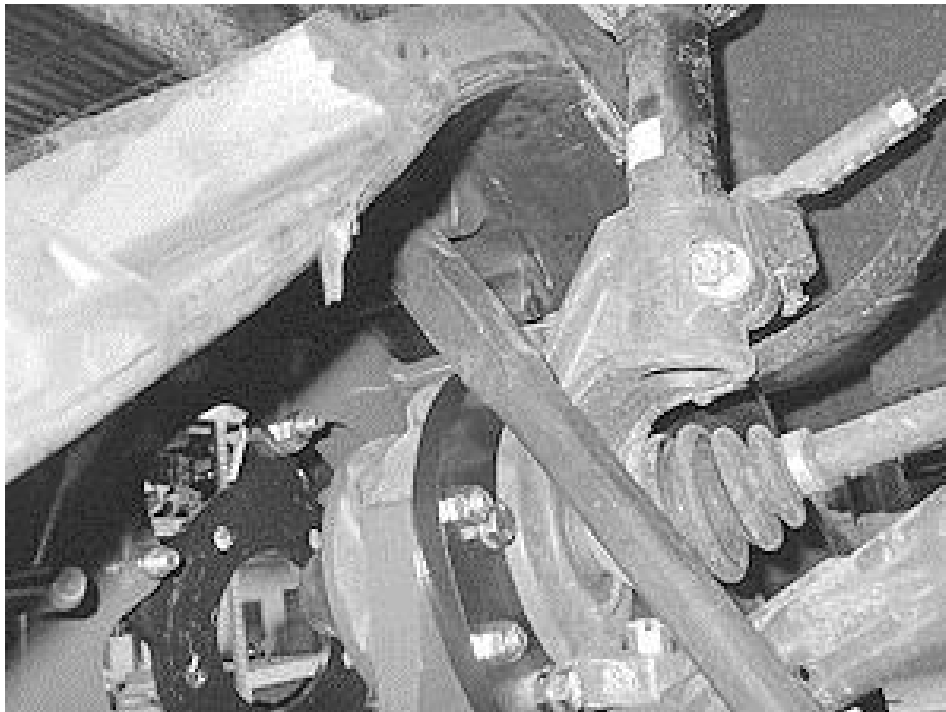




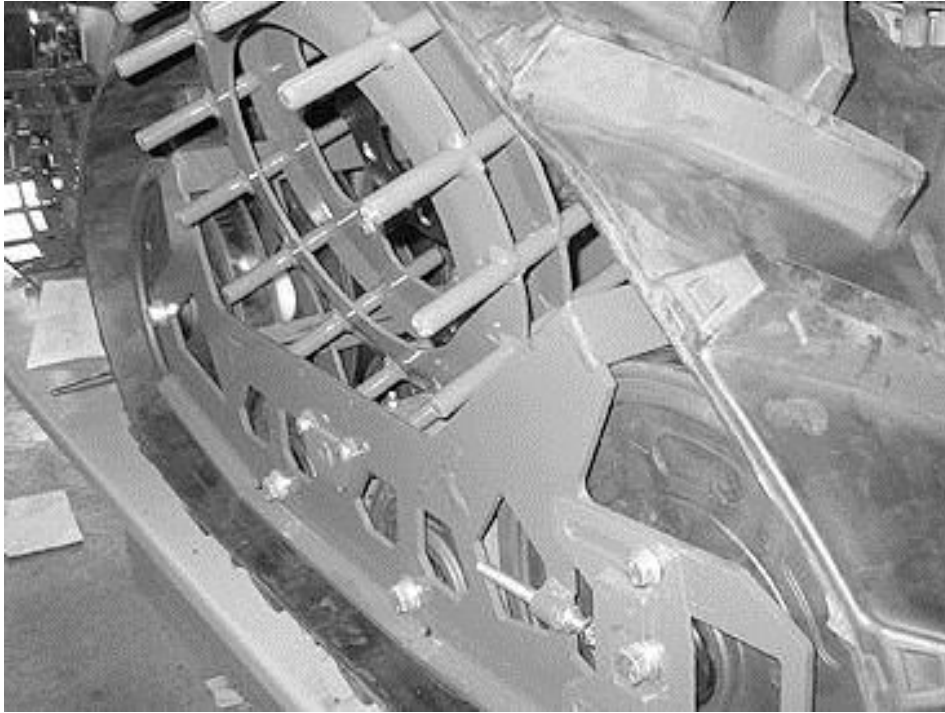
11. Once the installation of the two (2) front tracks [01] is complete, lower the vehicle so that it sits on the tracks.



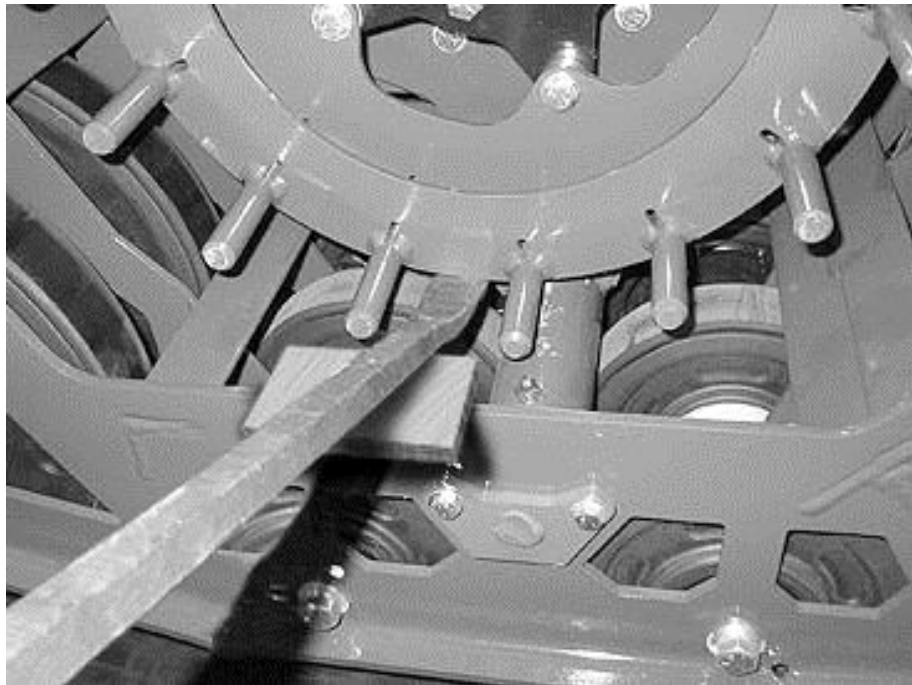
12. Insert the bottom of the sprocket [14] by pulling the track with the help of a crowbar on the brake cover.



13. Insert the top of the sprocket [14] into the track.



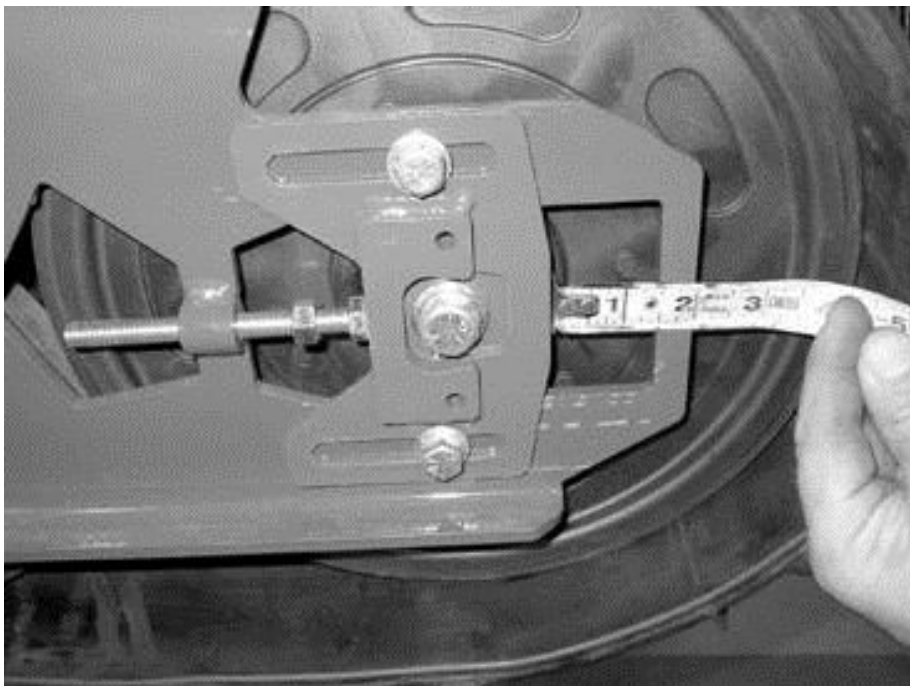
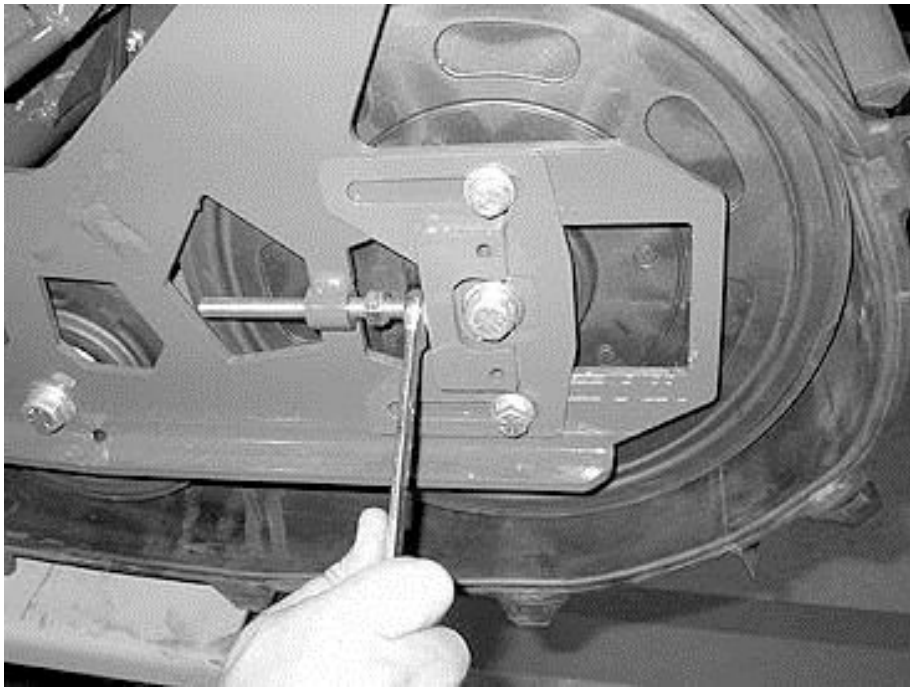
14. With the help of a crowbar, lift the sprocket [14] and turn the wheel hub of the vehicle in order to align the mounting holes (protect the Track system metal frame from scratches with a piece of plywood)



15. Use a 17 mm socket to attach the sprocket [14] to the wheel hub with the original wheel bolts at the torque recommended by the vehicle manufacturer.

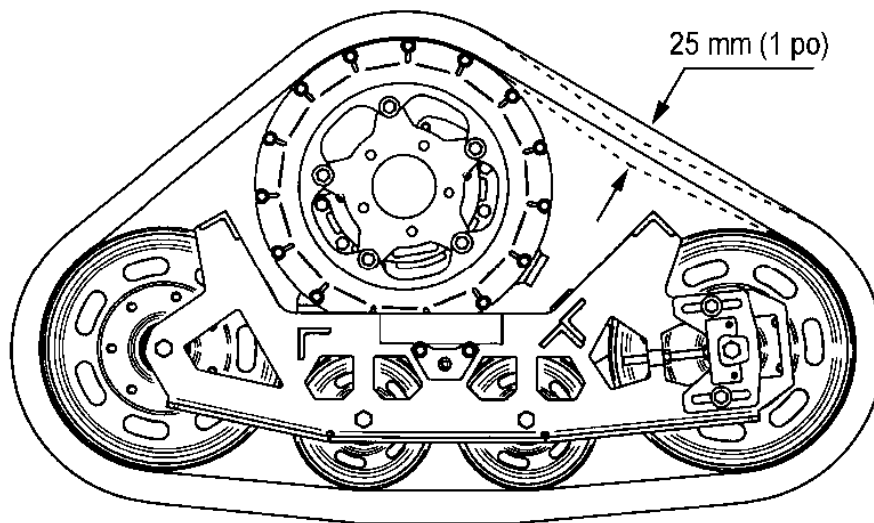


16. Use a 9/16" wrench to adjust the track tensioners [11] (next figure). Use a tape measure to check that the distance is equal between both sides of the frame (next figure).

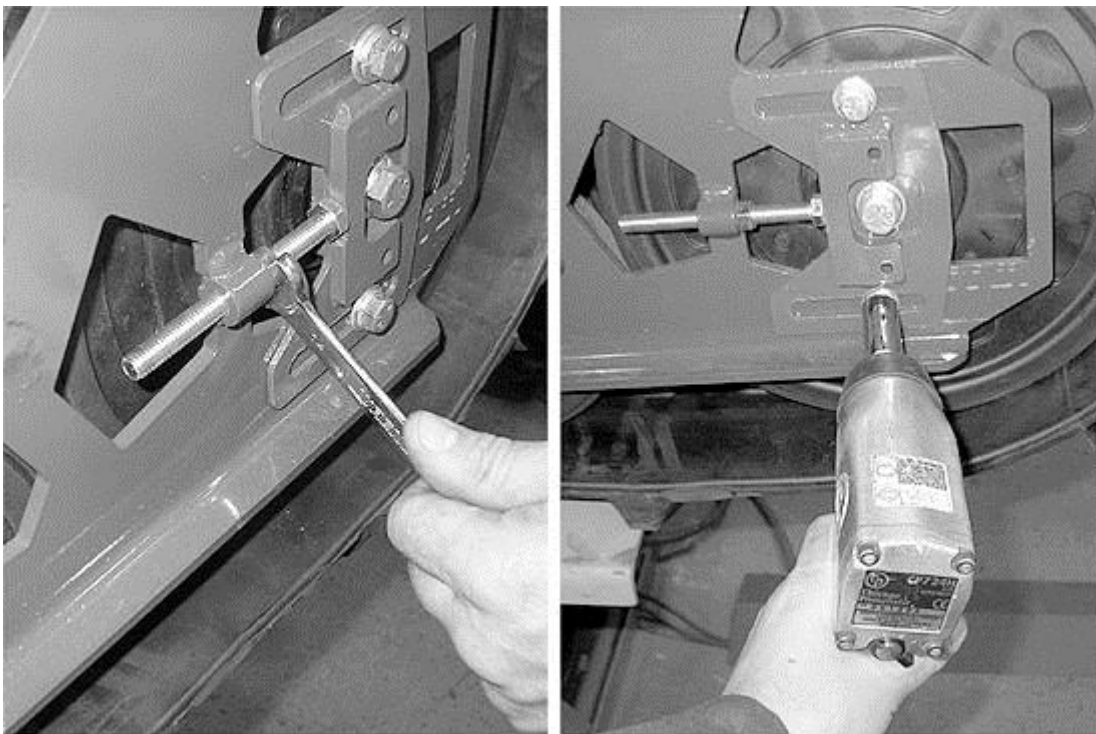


NOTICE

THE TENSION OF THE TRACK IS ADEQUATE WHEN THE TRACK BENDS ABOUT 25 MM (1") WHEN A FORCE OF 10 KG (22 LB) IS APPLIED MID-WAY BETWEEN THE SPROCKET AND THE WHEEL



17. Use 9/16" wrench and socket to tighten the 3/8" NC hex. nut [27] of the adjustment bolt [26] and the tightening bolts [21] of the track tensioner [09] at tightening torque 34-37N.m



3.3 REAR BRACKET INSTALLATION

NOTICE

- BEFORE BEGINNING THE INSTALLATION OF THE TRACK SYSTEM, TURN OFF THE ENGINE, PUT INTO 2-WHEEL DRIVE MODE WITH THE TRANSMISSION IN NEUTRAL AND MAKE SURE THAT THE VEHICLE CANNOT MOVE (PLACE BLOCKS IN FRONT OF AND BEHIND THE WHEELS).
- ALL BOLTS AND NUTS MUST BE TORQUED ACCORDING TO THE TORQUE SPECIFICATIONS ON ANNEX 1.

⚠ CAUTION ⚠

WHEN THE VEHICLE IS RAISED, MAKE SURE THAT IT IS PROPERLY SUPPORTED/SECURED TO PREVENT IT FROM FALLING DURING THE INSTALLATION OF THE TRACK SYSTEM. IF NOT PROPERLY SUPPORTED/SECURED, SERIOUS PHYSICAL INJURY MAY OCCUR.

- POSITION THE FOUR SUPPORTS UNDER THE VEHICLE IN ORDER TO ENSURE YOUR SAFETY

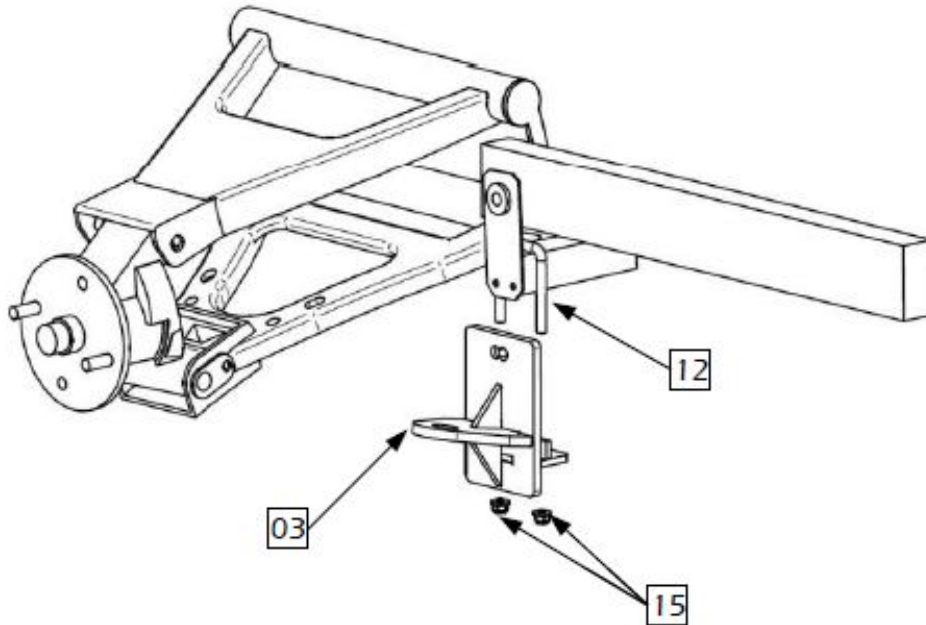
3.3.1 ST-110X WITH INDEPENDANT SUSPENSION

1. Remove the protection plate from under the vehicle.

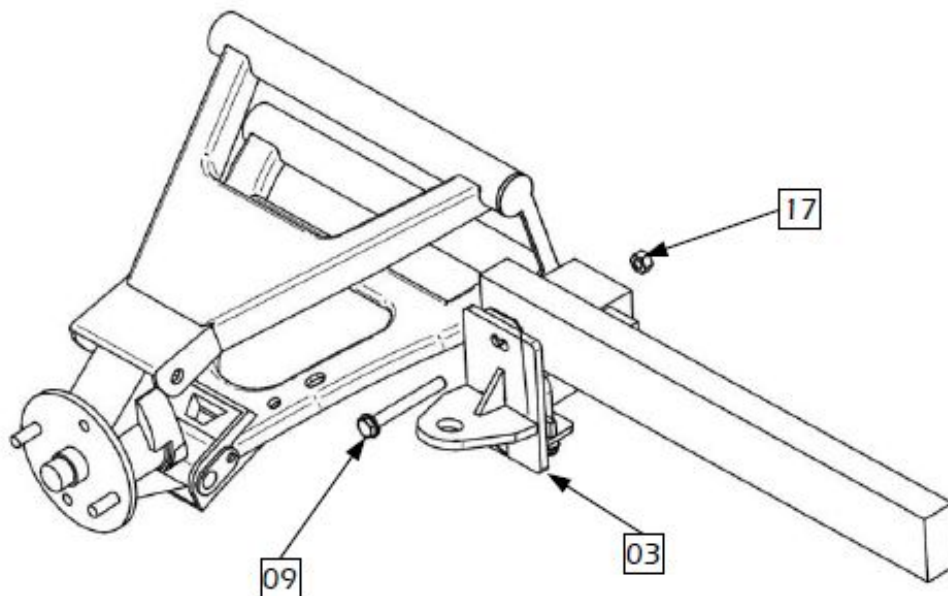


Remove with cutting wheel a square of $\frac{1}{2}$ " x $\frac{1}{2}$ ".

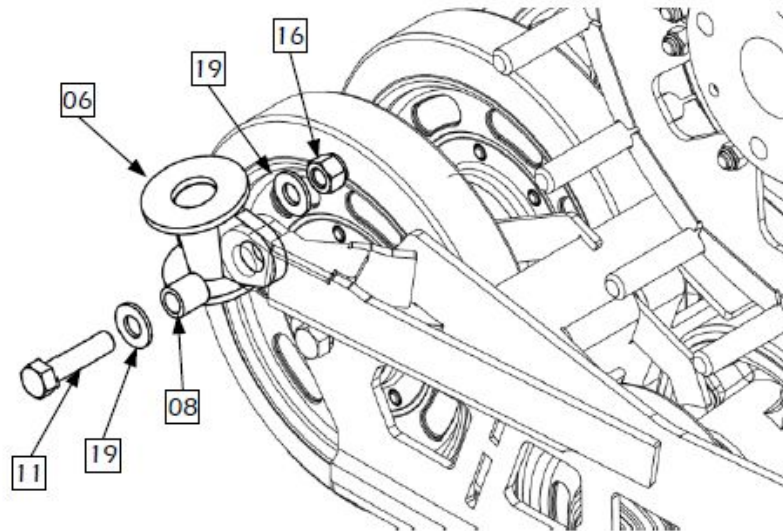
2. Place a U-bolt [12] and slide the bracket [03]. Hand tight 2 nuts [15]



3. Insert a bolt [09] and a washer [21] in the bracket [03] with the vehicle frame. Torque a nut [17] at tightening torque 34-37N.m using a 19 mm wrench. Assemble two (2) nuts [15] at tightening torque 34- 37N.m of the U-bolt.



4. Attach the part [06] to the rear track assembly with a bolt [11], a washer [19] on a ring [08], and the bracket [03] with a washer [19] and a nut [16] at tightening torque 93-102N.m.



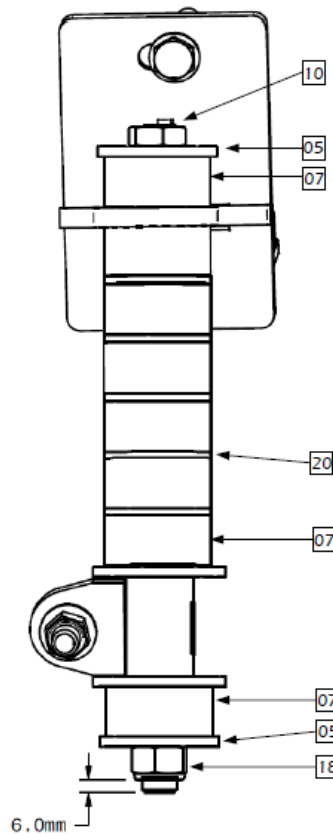
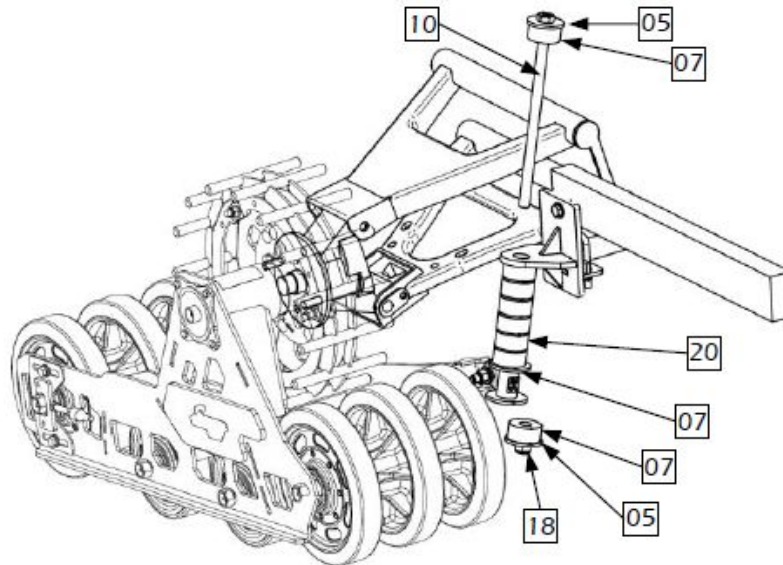
NOTICE

DO NOT INVERSE THE RIGHT AND LEFT SIDES. DO NOT INVERSE THE FRONT AND REAR SYSTEMS. THIS WILL RESULT IN DAMAGE TO YOUR VEHICLE AND AFFECT ITS PERFORMANCE.

5. Use a 21 mm socket (3/8" drive) to attach the right rear track assembly on the vehicle hub with the supply wheel bolts and nuts at the torque recommended by the vehicle manufacturer.



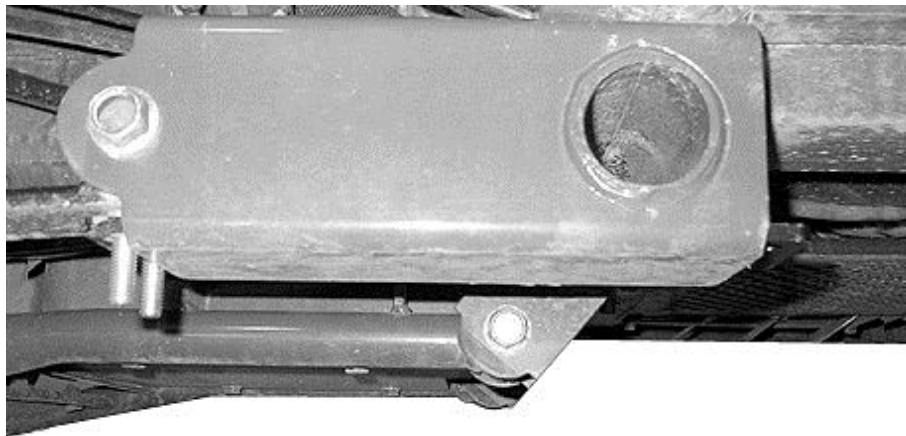
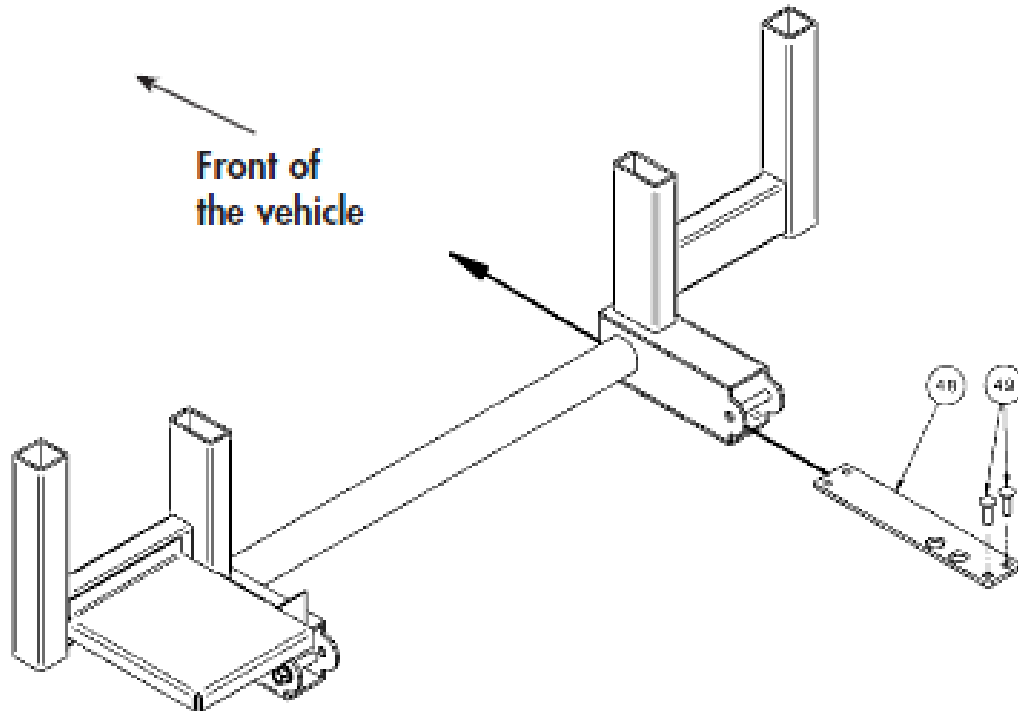
6. Assemble a bolt [10] with a washer [05] and one (1) part [07] and insert them in the bracket [03]. Insert washers [20] and the part [07] as shown. Lift the vehicle and turn the track system to insert washer and rubber. Lower the vehicle and add one (1) part [07], a washer [05] and a nut [18]. The end of the bolt and the end of the nut must be 1/4 in (6 mm) apart.



3.4 REAR BRACKET INSTALLATION

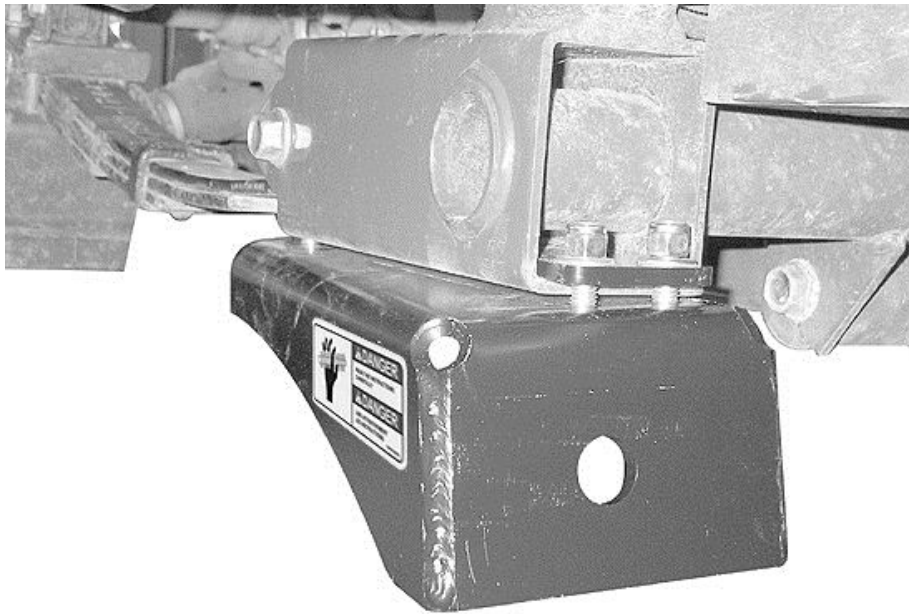
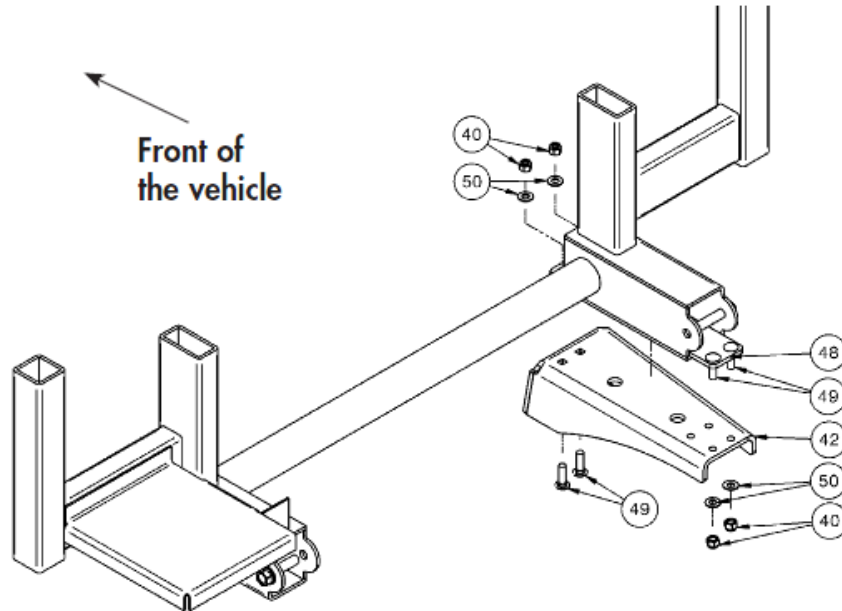
3.4.1 ST-110 ON RTV-1100 WITH FIXED REAR AXLE

1. Insert (2) 3/8" nc X 1-1/4" carriage bolts (49) to one of the ends of the rear A-arm attachment plate (48). Clean out all the scrap in the passage and slide the rear towards the rear A-arm attachment plate (48)



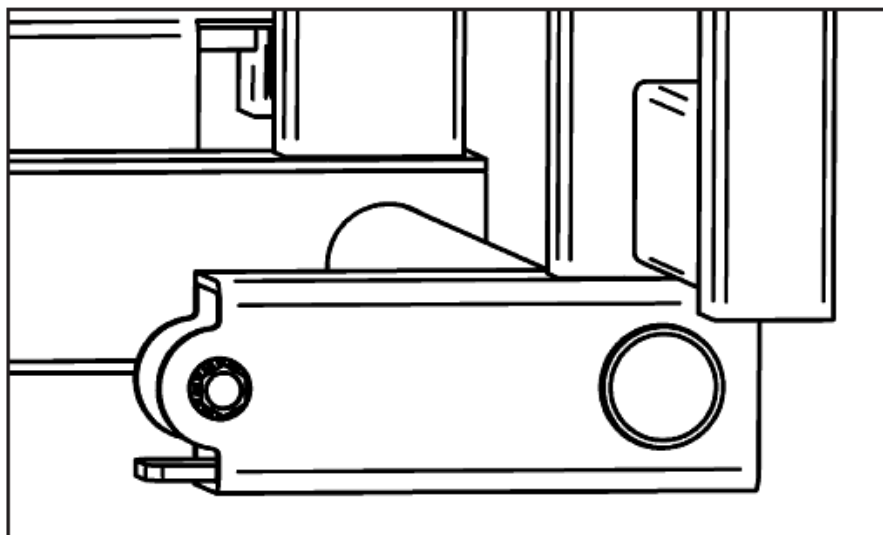
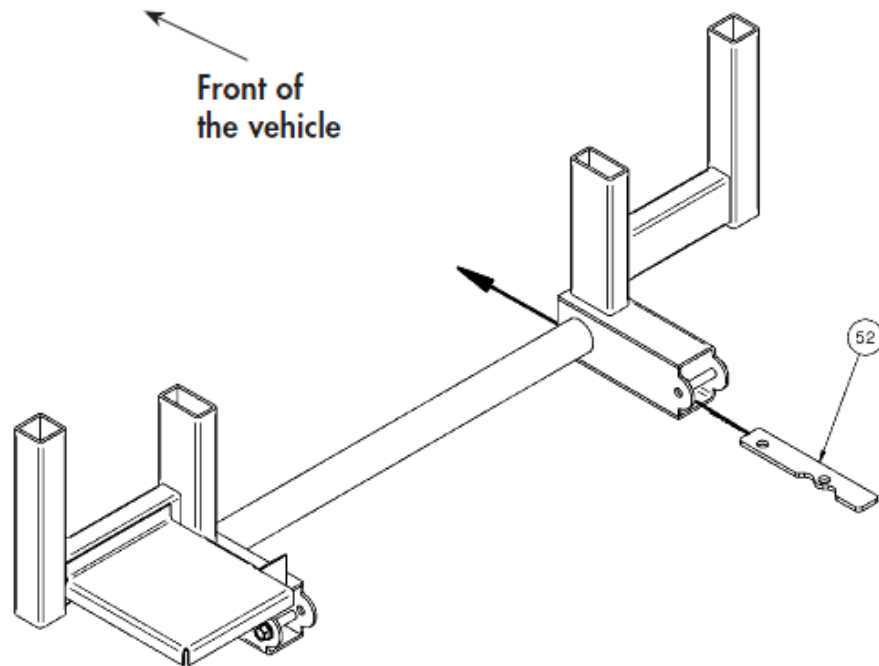
2. Assemble the rear part of the rear right A-arm bracket (42) to the rear A-arm attachment plate (48) using (2) previously installed 3/8" nc X 1-1/4" carriage bolts (49), (2) 3/8" dia flat washers (50), and (2) 3/8" nc self-locking nuts (40).

Assemble the front part of the rear right A-arm bracket (42) to the rear A-arm attachment plate (48) using (2) 3/8" nc X 1-1/4" carriage bolts (49), (2) 3/8" dia flat washers (50), and (2) 3/8" nc self-locking nuts (40)

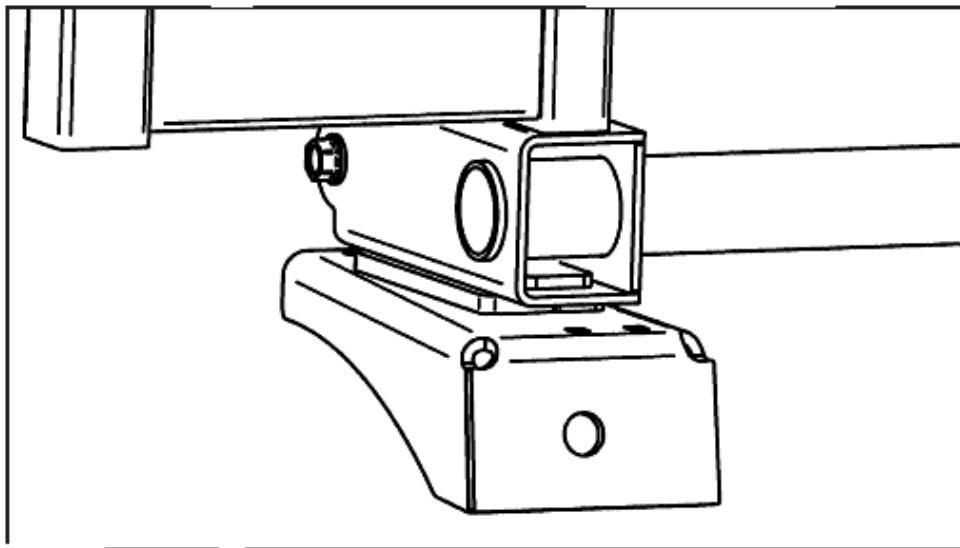
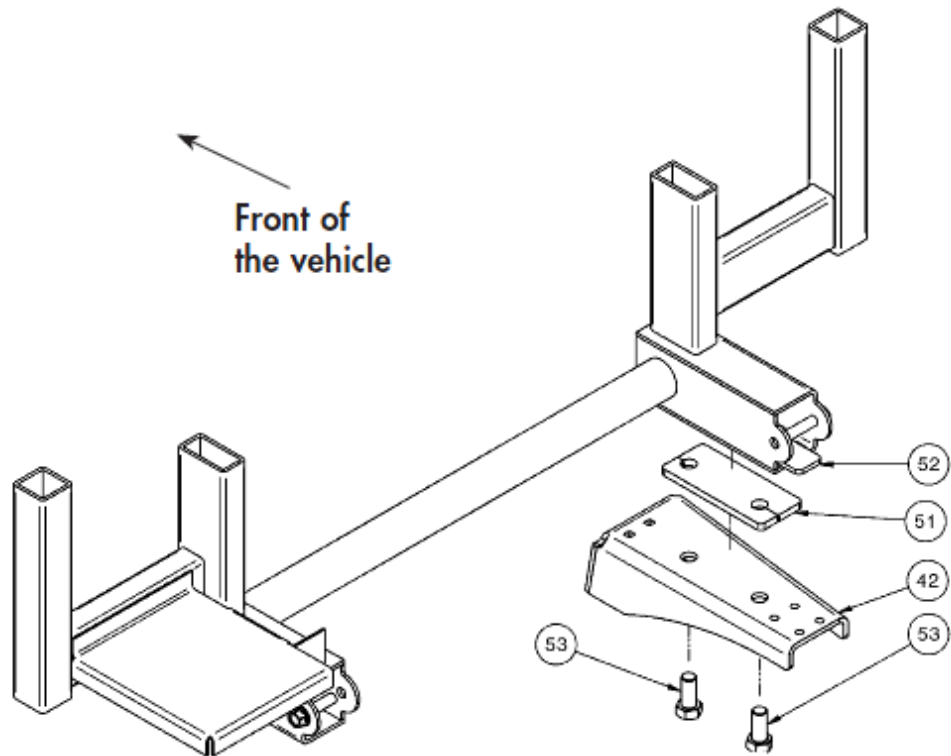


3.4.2 ST-110 ON RTV-1140 WITH FIXED REAR AXLE

1. Clean out all the scrap in the passage and slide the rear towards the rear A-arm threaded plate (52)



2. Assemble the spacing plate (51) and the rear A-arm bracket (42) onto the rear A-arm threaded plate (52) using (2) M18-1.5 X 40 mm hex bolts (53)

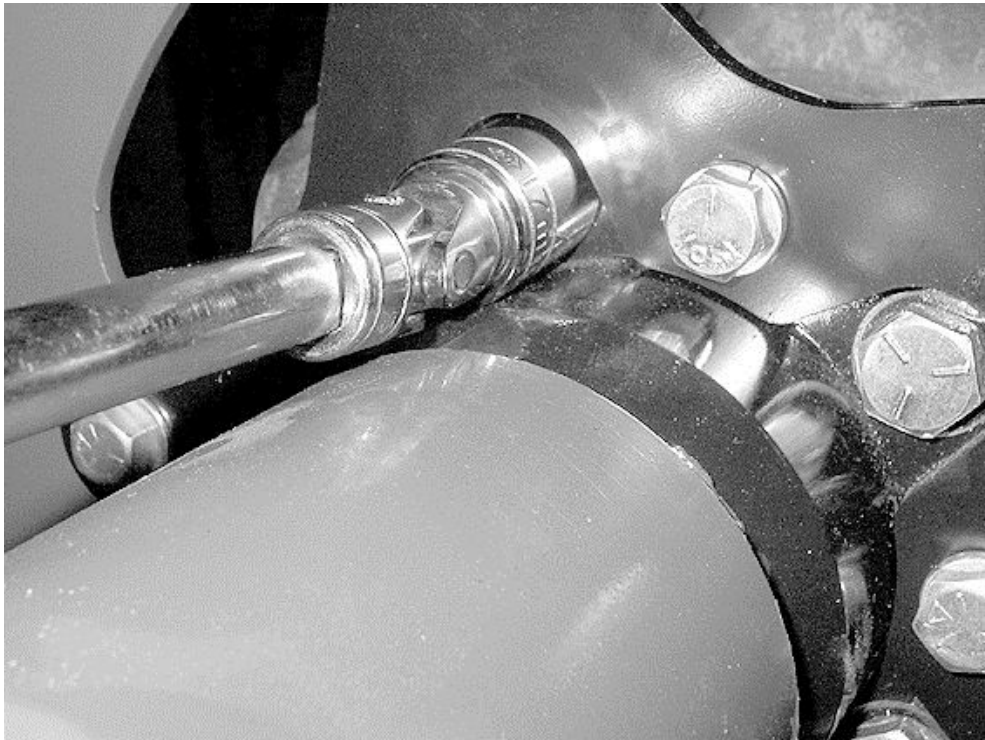


3.4.3 ST-110 ON RTV1100 and RTV1140 REAR ANTI-ROTATION ARM INSTALLATION

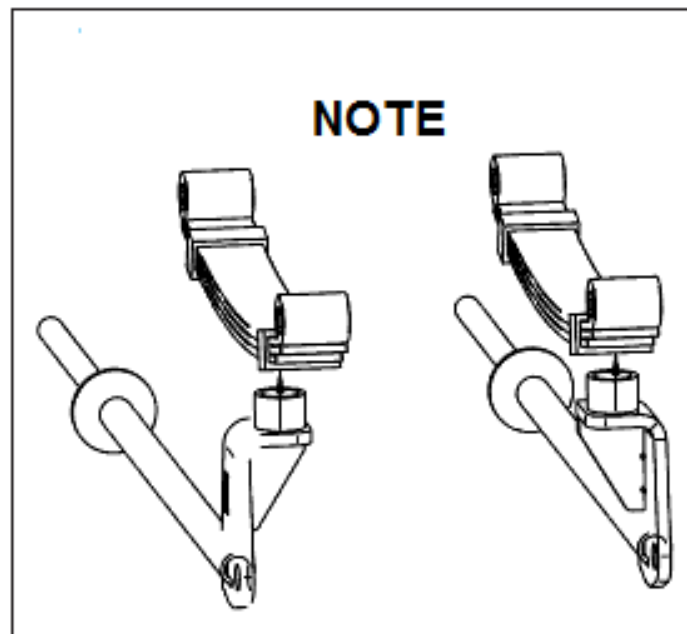
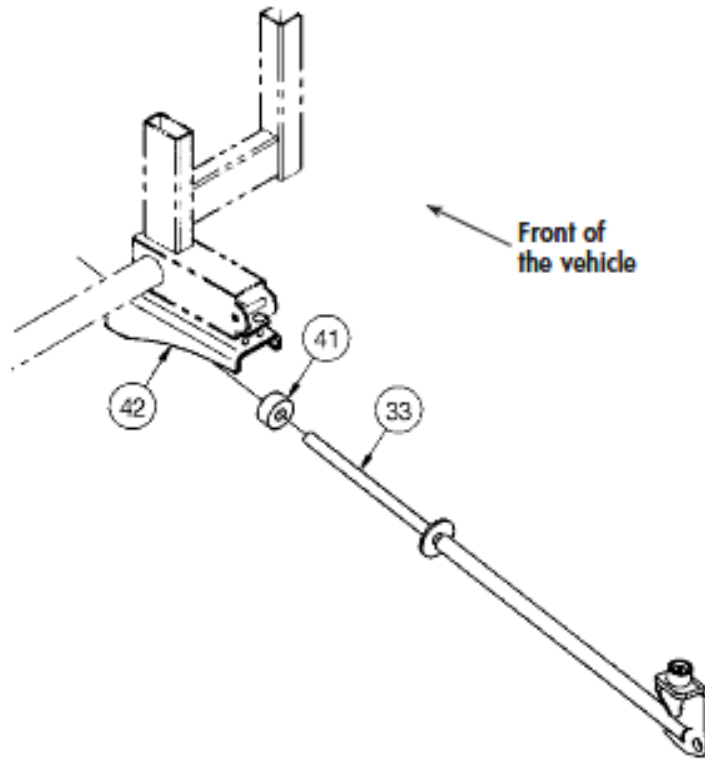
NOTICE

DO NOT INVERSE THE RIGHT AND LEFT SIDE. DO NOT INVERSE THE FRONT AND REAR SYSTEMS. THIS WILL RESULT IN DAMAGE TO YOUR VEHICLE AND AFFECT ITS PERFORMANCE.

1. Use a 17mm socket to fix the rear right track unit to the wheel hub of the vehicle using the original wheel bolts. Tighten as per torque specification in annex 1.



2. Insert the rubber bushing (41) onto the rod of the rear anti-rotation arm (33).
Slide the rear anti-rotation arm (33) into the intended hole in the rear right A-arm bracket (42).



ITEM
NOTE

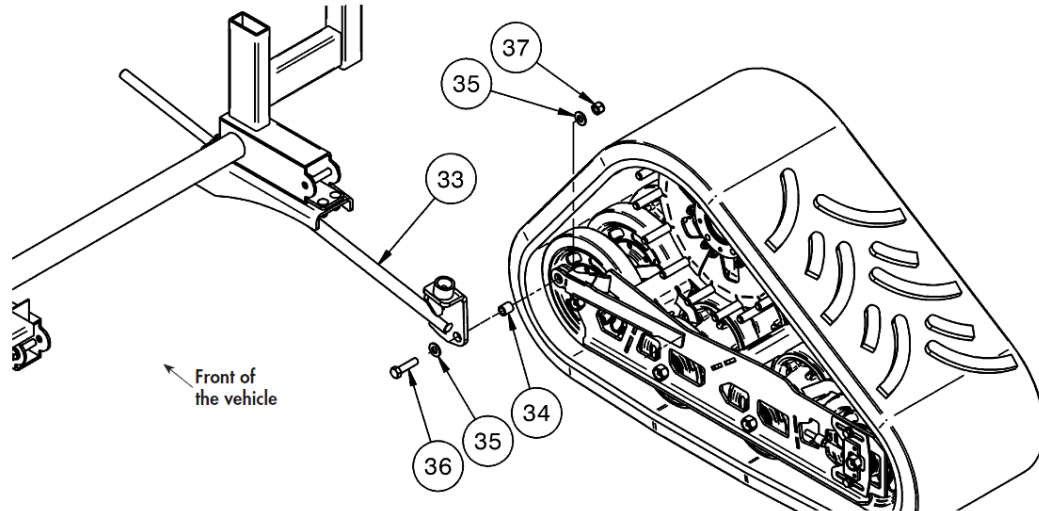
DESCRIPTION

Take care to use the rear anti-rotation arm whose nylon bumper is located under the blade's suspension.

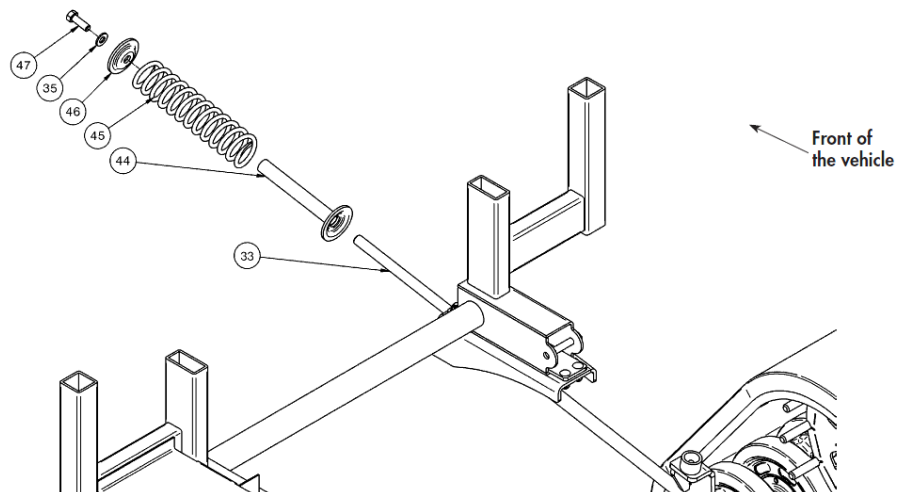
3. Attach the extremity of the rear anti-rotation arm (33) to the rear right track unit using a 1/2" nc X 2" hex bolt (36), a 1/2" dia flat washer (35), a tightening sleeve (34), a 1/2" dia flat washer (35), and a 1/2" nc self-locking nut (37)

NOTICE

LIFT UP THE REAR OF THE TRACK UNIT TO MAKE IT EASIER TO ALIGN THE MOUNTING HOLES.



4. On the tube of the rear anti-rotation arm (33), insert the rear travel limiter (44), the spring (45), the spring seat (46), the 1/2" dia flat washer (35), and the 1/2" nf X 1-1/2" hex bolt (47) with its the threads covered with nylon.
5. Tighten the bolt to the end until the parts are together.
6. Repeat previous steps for the opposite side.



Page Intentionally Left Blank

SECTION 4 TRACK SYSTEM OPERATION

4.1 BREAK-IN PERIOD, NEW TRACK

- A vehicle equipped with tracks moves slower than when operating on its original wheels.
- You will notice that the vehicle moves at a speed of about 60% of the odometer reading, but that the traction effect is greater in consequence.
- The first time you take the vehicle out with the tracks, cover familiar ground at a slow speed in order to try out turns in both directions. This will enable you to check if the tracks have been installed correctly as well as help you become familiar with the different way the vehicle operated with tracks.
- Before using the vehicle equipped with tracks, check to make sure that all the bolts are present and tightened, that the tracks have an adequate tension and that nothing is damaged. Take particular care to check the axle and sprocket bolts, and the track tensioners.
- Adjust or replace any parts as necessary.
- Only those familiar with the operation of the vehicle and those familiar with the operation manual should operate a vehicle with the SOUCY TRACK system. Do not go faster than the limits set out in the vehicle manual.
- Carefully read the installation, owner's and maintenance manual for the track system before operating in order to better understand its features and limitations. Everyone involved in operating this vehicle must be informed.

NOTICE

DO NOT ATTEMPT TO PASS OVER OBSTACLES SUCH AS STUMPS THAT ARE BIGGER THAN 8 INCHES (20 CM) IN DIAMETER AS THERE IS A RISK THAT THE OBSTACLE COULD GET STUCK BETWEEN THE TRACKS, DAMAGING THE UNDERCARRIAGE PARTS OF THE VEHICLE.

CAUTION

THERE IS A GREAT RISK OF PERSONAL INJURY IN ANY ATTEMPT TO TOUCH THE TRACK SYSTEM COMPONENTS WHILE THE VEHICLE IS IN MOTION. THE MOVING PARTS CAN INJURE HANDS AND FEET. ALWAYS TURN OFF THE ENGINE, REMOVE THE KEY FROM THE IGNITION AND SET THE PARKING BRAKE BEFORE INSPECTING THE TRACKS.

Page Intentionally Left Blank

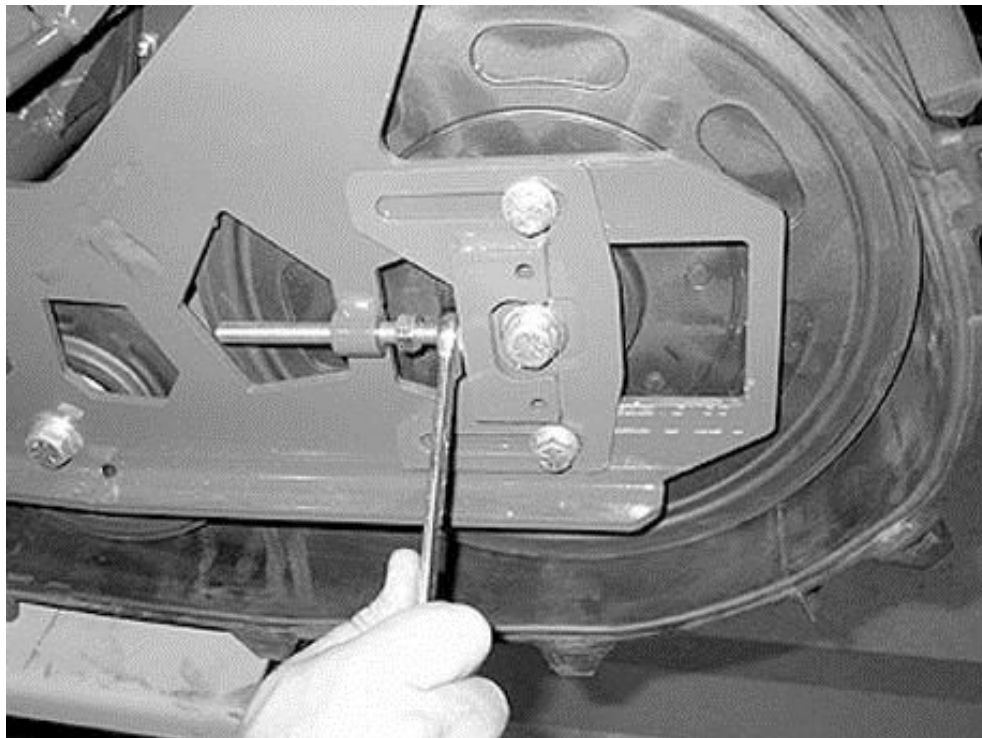
SECTION 5 TRACK SYSTEM MAINTENANCE

5.1 REGULAR MAINTENANCE SCHEDULE

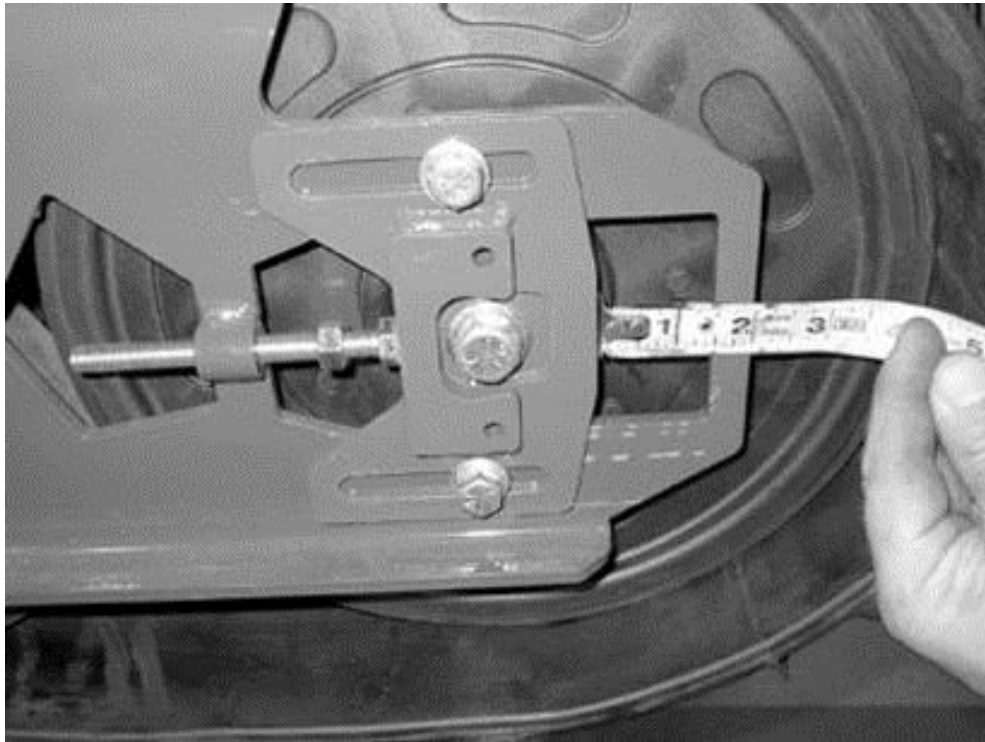
⚠ CAUTION ⚠

> ALL TORQUES ARE AS PER APPENDIX "A" TORQUE TABLE UNLESS OTHERWISE SPECIFIED.
> ALWAYS USE SOUCY TRACK APPROVED SPARE PARTS AND LUBRICANTS WHEN YOU MAINTAIN YOUR TRACK SYSTEM.
> INSPECT TORQUE ON ALL BOLTS AFTER THE FIRST TWO HOURS OF USE. OPERATING WITH LOOSE BOLTS CAN LEAD TO DAMAGE TO COMPONENTS, LOSS OF TRACK SYSTEM SUB-ASSEMBLIES, AND SEVERE INJURIES OR DEATH.

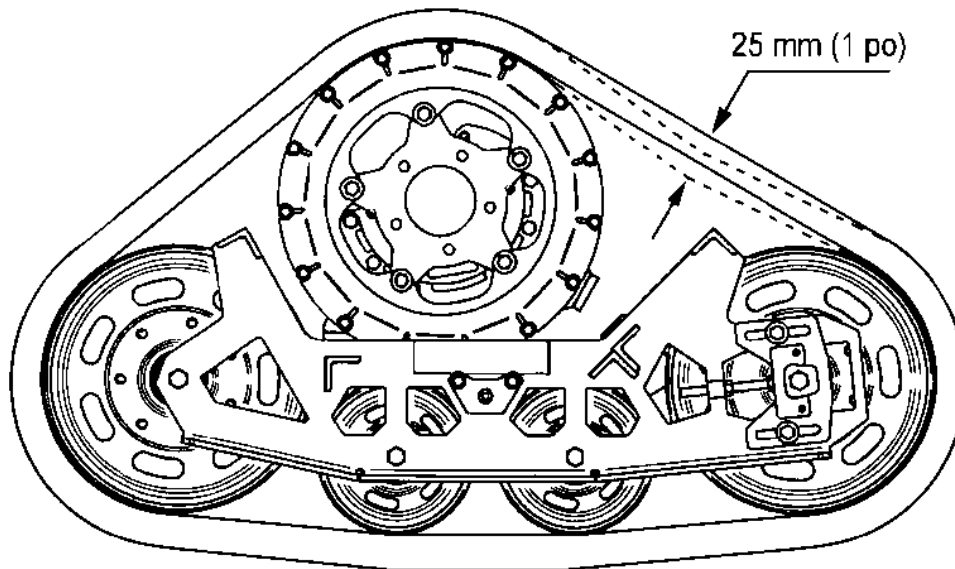
- Proper maintenance of the track system will maximize its service life and prevent premature failure of components.
- Always clean the track system after use to make sure there is no debris accumulation inside the frame. Failure to do so will result in premature wear of components.
- Never use solvents to clean rubber tracks. These substances may cause rapid degradation of the rubber and the plastic. Use only water with mild detergent.
- Checking the tightness of the different components and adjusting the tension of the tracks are important to prevent ratcheting and premature wear of the track and the sprocket. Use a 9/16" wrench to adjust the tensioners



- Use a tape measure to check that the distances are the same on both sides of the frame.

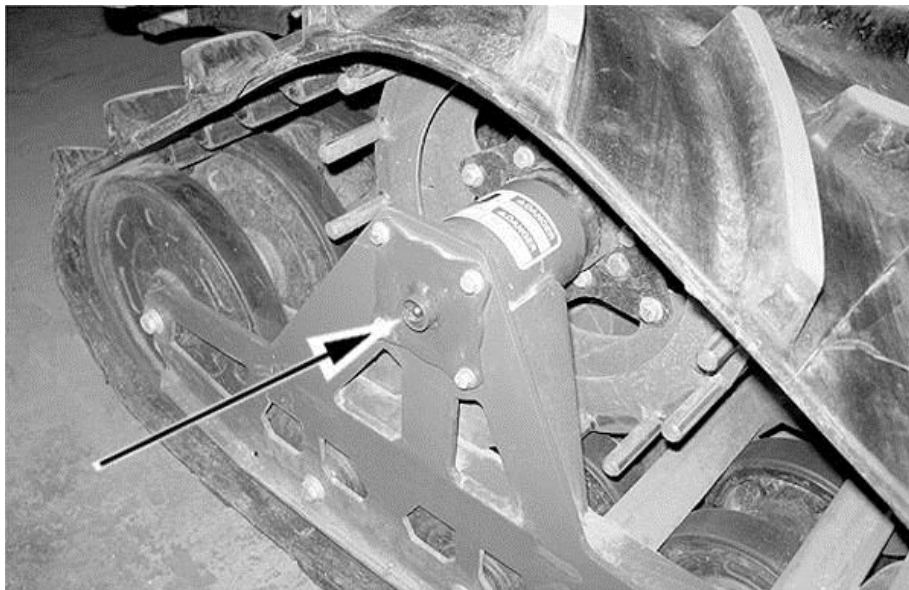


- Track tension is adequate if the track bends about 25 mm (1") under a force of 10 kg (22 lb) applied mid-way between the sprocket and the wheel hub



5.2 DAILY MAINTENANCE

- Do a complete visual inspection of the track system and the anti-rotation arms in order to detect premature wear, missing parts, loose parts or breakage. Check the track tension.
- Adjust or replace any parts as needed.
- If the vehicle is operated in muddy or wet conditions, lubricate the grease points every day to clean out any contaminants (see next figures).
- Apply a good quality bearing grease to the front pivots and the rear axles after every 50 hours of use (see next figures).

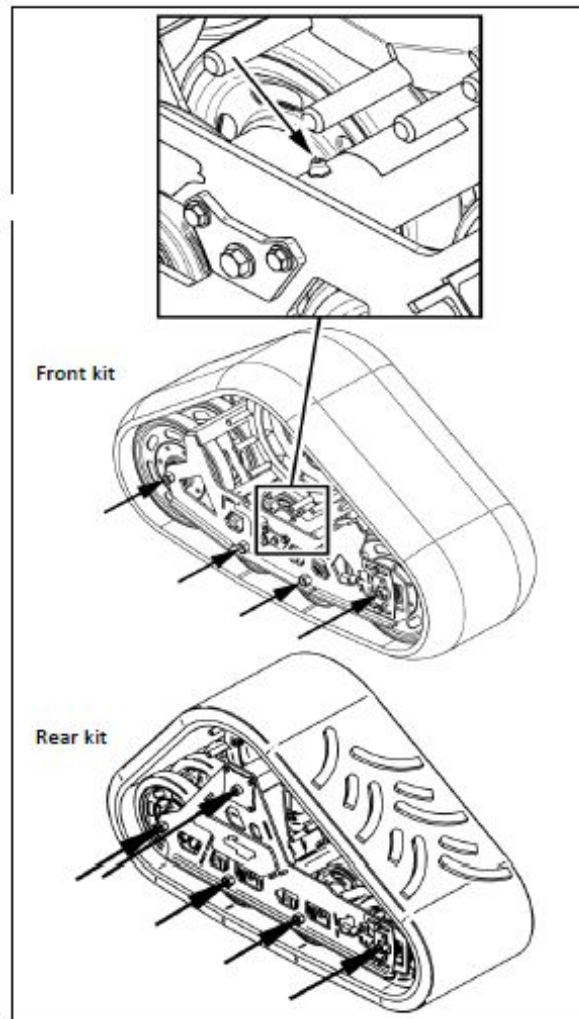


- If the vehicle is operated in muddy or wet conditions, lubricate the grease points every day to clean out any contaminants.
- **Wheel greasing:** After each 50 hours of use, it is recommended to use Shell Albida LC EP-1 grease for the greasing of the wheel axles. Figure 45 shows the location of the grease points on the different wheel axles. The grease points for front and back track systems are more or less the same.

NOTICE

WIPE OFF ANY GREASE THAT MIGHT HAVE FALLEN ON THE TRACK. CLEAN THOROUGHLY ALL GREASING APPARATUS BEFORE APPLYING NEW GREASE IN ORDER TO AVOID THE INTRODUCTION OF DEBRIS INSIDE THE ROLLING ZONES. THESE PROCEDURES WILL LENGTHEN THE LIFESPAN OF YOUR TRACK SYSTEM.

- **Seasonal maintenance:** Do a complete inspection of the components and their tightness. Replace any used or damaged parts.



5.3 LONG-TERM STORAGE CONDITIONS

- When the original wheels of the vehicle are put back in place, all the parts of the track system must be removed, except the mounting plates of the front pivots. Any parts of the track system left on the vehicle could cause damage to the vehicle and lead to a loss of control of the vehicle. Objects may become stuck. You risk damage to the vehicle and/or serious injury to yourself and others.
- When storing the vehicle with the tracks installed, only the weight of the vehicle must stand on the tracks. Never leave additional weight in the cargo compartment or on the seat of the vehicle.
- Store the vehicle on a flat surface when the tracks are installed.
- Store the track system indoors in a cool dry area (4 °C to 25 °C, 40 °F to 75 °F). Avoid exposure to UV rays. Cover system if stored outside.
- Avoid storing at temperatures greater than 35 °C (95 °F) for extended periods.
- If possible, release tension of tracks.
- Do not store track system in closed areas with electric devices that generate ozone (such as motors), or with petrol chemicals or petrol chemical vapors.
- The track system is flammable. Proper fire suppression equipment is required.

Page Intentionally Left Blank

SECTION 6 REPLACEMENT PROCEDURE

NOTICE

- BEFORE BEGINNING THE INSTALLATION OF THE TRACK SYSTEM, TURN OFF THE ENGINE, PUT INTO 2-WHEEL DRIVE MODE WITH THE TRANSMISSION IN NEUTRAL AND MAKE SURE THAT THE VEHICLE CANNOT MOVE (PLACE BLOCKS IN FRONT OF AND BEHIND THE WHEELS).
- ALL BOLTS AND NUTS MUST BE TORQUED ACCORDING TO THE TORQUE SPECIFICATIONS ON ANNEX 1.

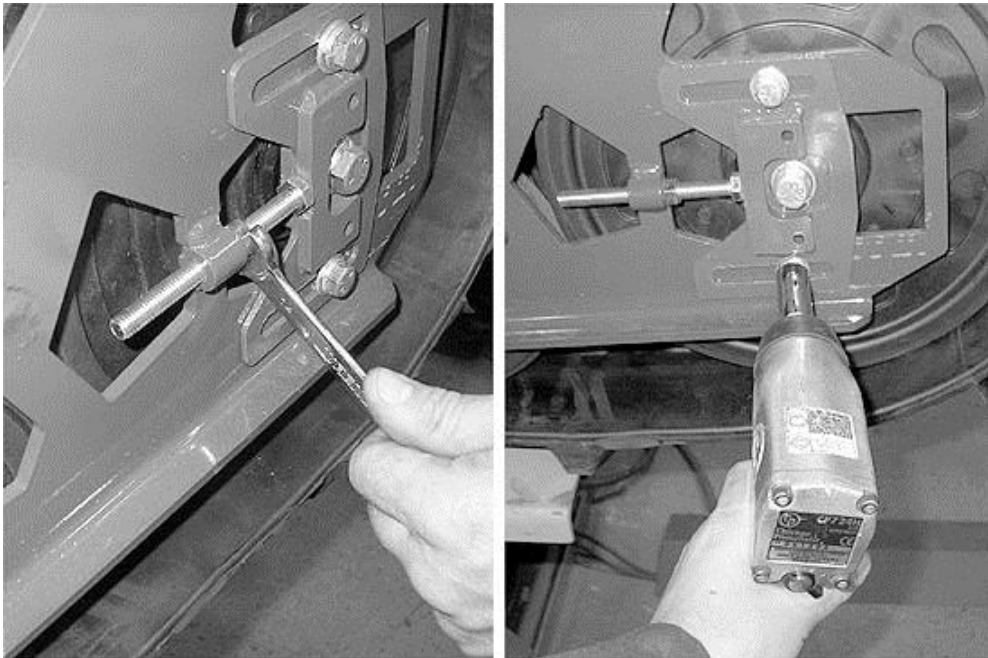
⚠ CAUTION ⚠

WHEN THE VEHICLE IS RAISED, MAKE SURE THAT IT IS PROPERLY SUPPORTED/SECURED TO PREVENT IT FROM FALLING DURING THE INSTALLATION OF THE TRACK SYSTEM. IF NOT PROPERLY SUPPORTED/SECURED, SERIOUS PHYSICAL INJURY MAY OCCUR.

- POSITION THE FOUR SUPPORTS UNDER THE VEHICLE IN ORDER TO ENSURE YOUR SAFETY

6.1 CHANGING THE FRONT SPROCKET AND / OR TRACK

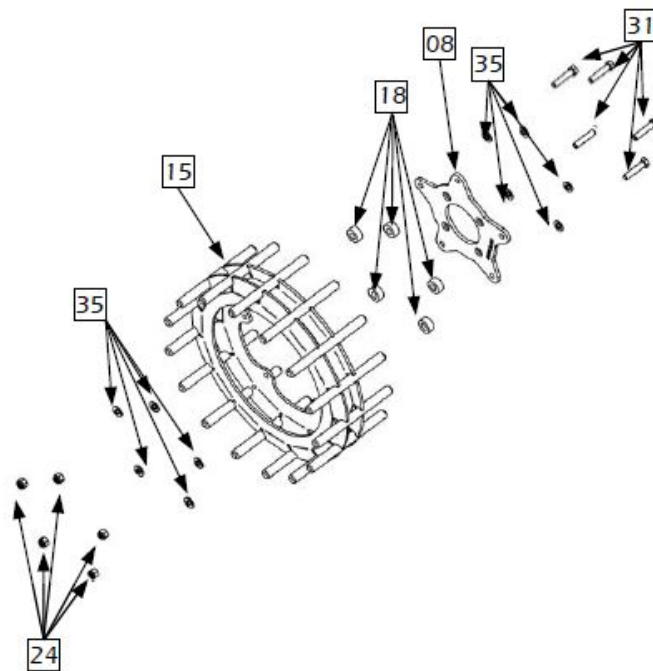
1. Lift the vehicle.
2. Use 9/16" wrench and socket to unscrew the self-locking nut [27], the adjustment bolt [26] and tightening bolt [25] of the track tensioner [11]



3. Unscrew the adjustment bolt [26] in order to reduce the tension on the track.
4. Use a 17 mm socket to take off the original wheel bolts that are holding the sprocket [14] to the vehicle's hub



5. Remove the sprocket [14].
6. At this point you can:
change the track: the use of crowbar may be necessary;
change the sprocket: disassemble the mounting plate [08] with 9/16" wrench and socket.



7. Reinstall the system using the track tension and greasing maintenance methods described in Section: Maintenance.

6.2 CHANGING THE REAR SPROCKET SEGMENT AND/OR TRACK

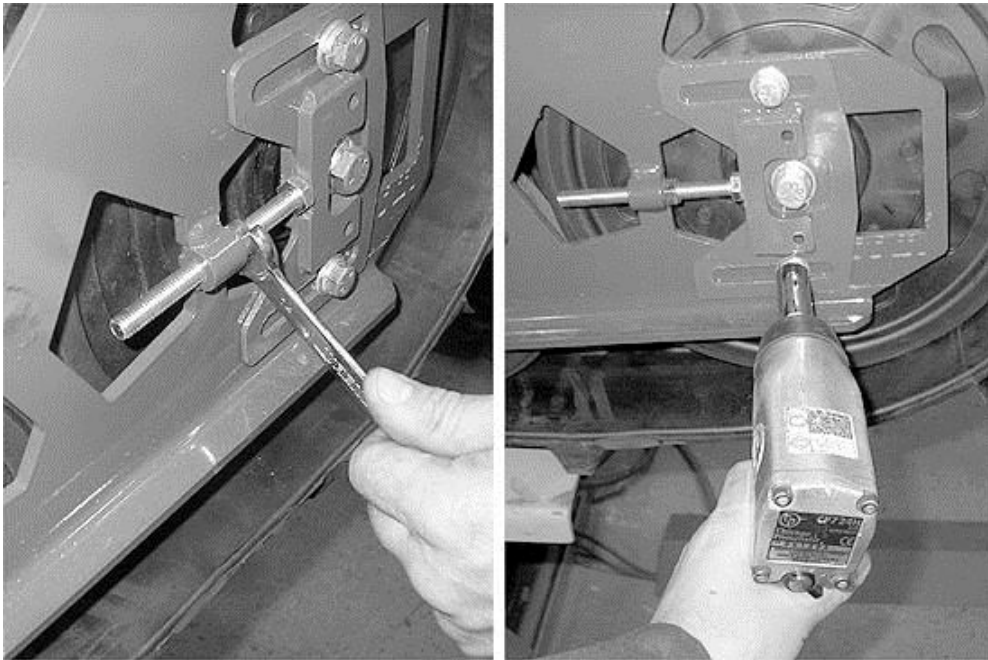
CAUTION

WHEN THE VEHICLE IS RAISED, MAKE SURE THAT IT IS PROPERLY SUPPORTED/SECURED TO PREVENT IT FROM FALLING DURING THE INSTALLATION OF THE TRACK SYSTEM. IF NOT PROPERLY SUPPORTED/SECURED, SERIOUS PHYSICAL INJURY MAY OCCUR.

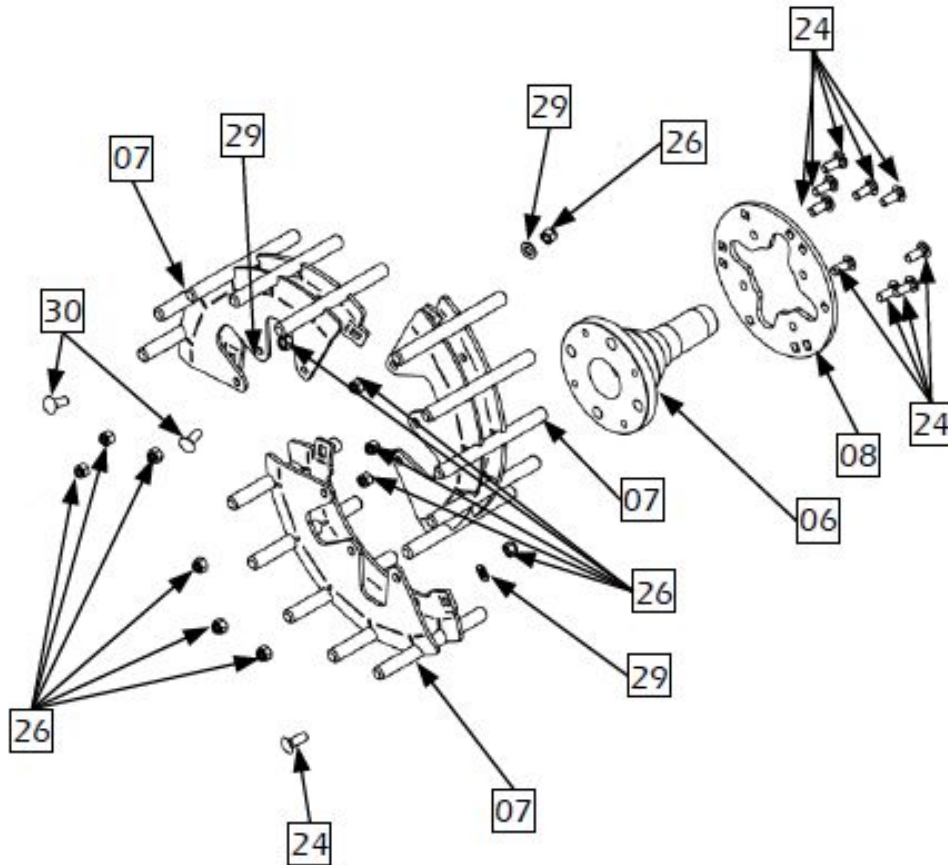
NOTICE

BEFORE BEGINNING THE INSTALLATION OF THE TRACK SYSTEM, TURN OFF THE ENGINE, PUT INTO 2-WHEEL DRIVE MODE WITH THE TRANSMISSION IN NEUTRAL AND MAKE SURE THAT THE VEHICLE CANNOT MOVE (PLACE BLOCKS IN FRONT OF AND BEHIND THE WHEELS).

1. Lift the vehicle.
2. Use 9/16" wrench and socket to unscrew the self-locking nut [22], the adjustment bolt [23] and tightening bolt [21] of the track tensioner [09]



3. Rotate the axle so that the segment [07] desired is not engaged in the track.
4. Use a 9/16" socket to unscrew the three (3) nuts [26] retaining the sprocket segment to the sprocket bracket [07] and the two (2) nuts [26] retaining the sprocket segment to the two others.
5. Unscrew the carriage bolts [24 and 30] and remove the segment.
6. Repeat the 3 previous steps to remove the other segments.



7. After removing the three segments [07], you can remove the track with a crowbar if necessary.
8. Reinstall the system using the track tension and greasing maintenance methods described in Section: Maintenance.

6.3 CHANGING THE FRONT PIVOT

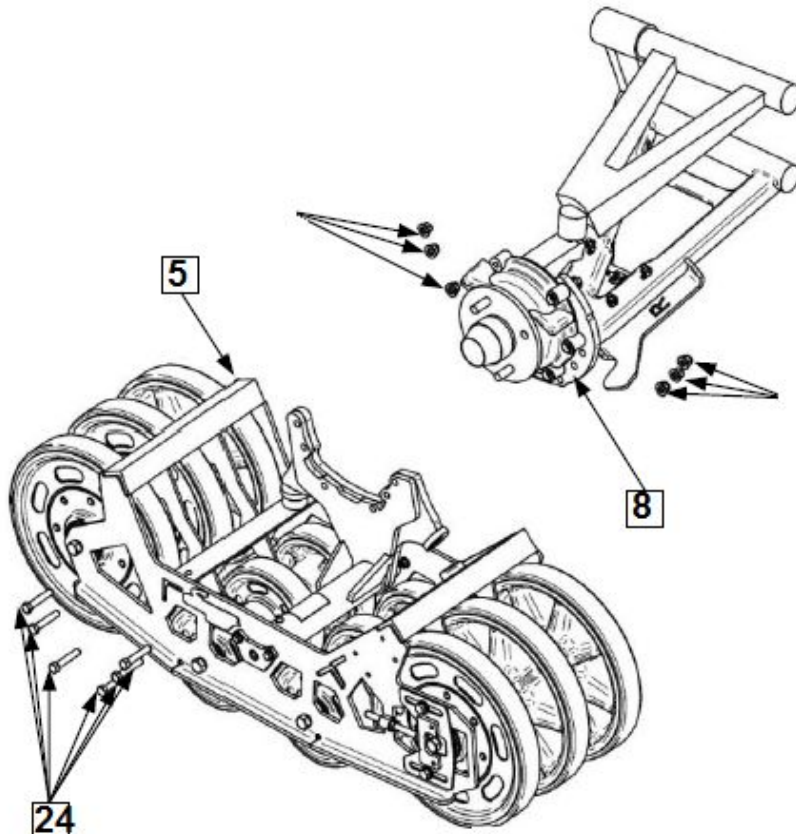
⚠ CAUTION ⚠

WHEN THE VEHICLE IS RAISED, MAKE SURE THAT IT IS PROPERLY SUPPORTED/SECURED TO PREVENT IT FROM FALLING DURING THE INSTALLATION OF THE TRACK SYSTEM. IF NOT PROPERLY SUPPORTED/SECURED, SERIOUS PHYSICAL INJURY MAY OCCUR.

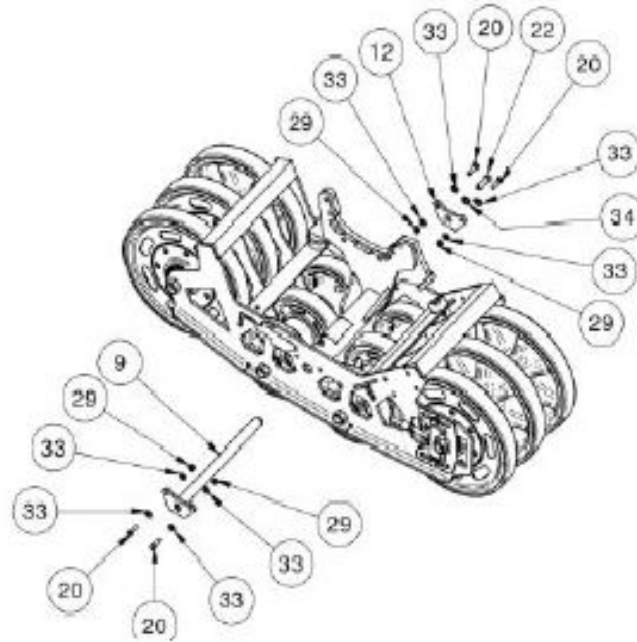
NOTICE

BEFORE BEGINNING THE INSTALLATION OF THE TRACK SYSTEM, TURN OFF THE ENGINE, PUT INTO 2-WHEEL DRIVE MODE WITH THE TRANSMISSION IN NEUTRAL AND MAKE SURE THAT THE VEHICLE CANNOT MOVE (PLACE BLOCKS IN FRONT OF AND BEHIND THE WHEELS).

1. Refer to ST-110X FRONT RIGHT TRACK SYSTEM DRAWING.
2. Lift the vehicle.
3. Use 9/16" wrench and socket to remove the hex. bolts [24] retaining the front pivot assembly (5) to the front pivot mounting plate (8) (see Figure). The front track system is no longer on the vehicle.



4. Use 5/16" and 9/16" sockets and unscrew the two (2) 1/4" NC x 1" hex. bolts [20] and the 3/8" NC x 1-1/4" hex. bolt [22] retaining the front pivot shaft [09]
5. Remove the front pivot shaft [09] from the frame.
6. Protect the shaft because during reassembly, it will have to fit in the bearings of the pivot.



7. Reinstall the system using the track tension and greasing maintenance methods described in Section: **Maintenance**.

6.4 CHANGING THE REAR AXLE

CAUTION

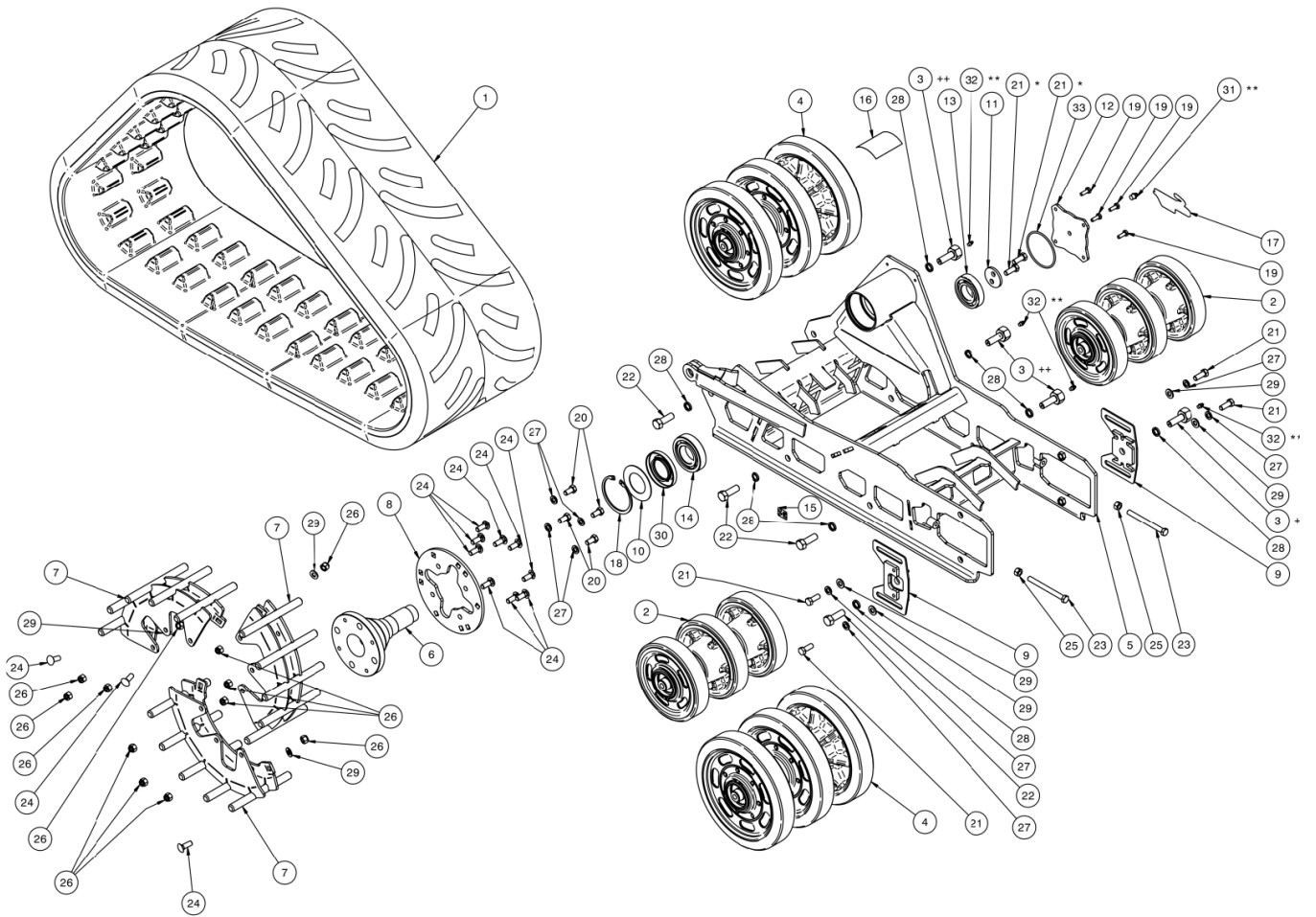
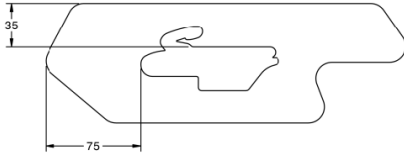
WHEN THE VEHICLE IS RAISED, MAKE SURE THAT IT IS PROPERLY SUPPORTED/SECURED TO PREVENT IT FROM FALLING DURING THE INSTALLATION OF THE TRACK SYSTEM. IF NOT PROPERLY SUPPORTED/SECURED, SERIOUS PHYSICAL INJURY MAY OCCUR.

NOTICE

BEFORE BEGINNING THE INSTALLATION OF THE TRACK SYSTEM, TURN OFF THE ENGINE, PUT INTO 2-WHEEL DRIVE MODE WITH THE TRANSMISSION IN NEUTRAL AND MAKE SURE THAT THE VEHICLE CANNOT MOVE (PLACE BLOCKS IN FRONT OF AND BEHIND THE WHEELS).

1. Refer to ST-110X REAR RIGHT TRACK SYSTEM DRAWING
2. Lift the vehicle.
3. Take off the track using the method described in Section: **Changing the Rear Sprocket Segment and/or Track.**
4. Use a 3/4" socket and unscrew the bolt [10] and the nut [18] from the frame [05].
5. Use a 17 mm socket and unscrew the four bolts retaining the axle to the hub of the vehicle. The rear track system is no longer on the vehicle.
6. Unscrew the hex. bolts [19] and remove the grease cover [12].
7. Unscrew the hex. bolts [21] and remove the locking plate [11].
8. Thread locking (Loctite 242) must be used during reassembly.
9. Remove the rear axle [06] from the track frame.
10. Unscrew the bolts [20] and remove the rear mounting plate [07].
11. When reassembling, be careful to put the O-ring [33] in its groove between the grease cover [12] and the frame [05].
12. Reinstall the system using the track tension and greasing maintenance methods described in Section: **Maintenance.**

POSITIONNEMENT DE L'AUTOCOLLANT SOUCY



6.5 CHANGING THE JOINT AND THE REAR AXLE BEARING

CAUTION

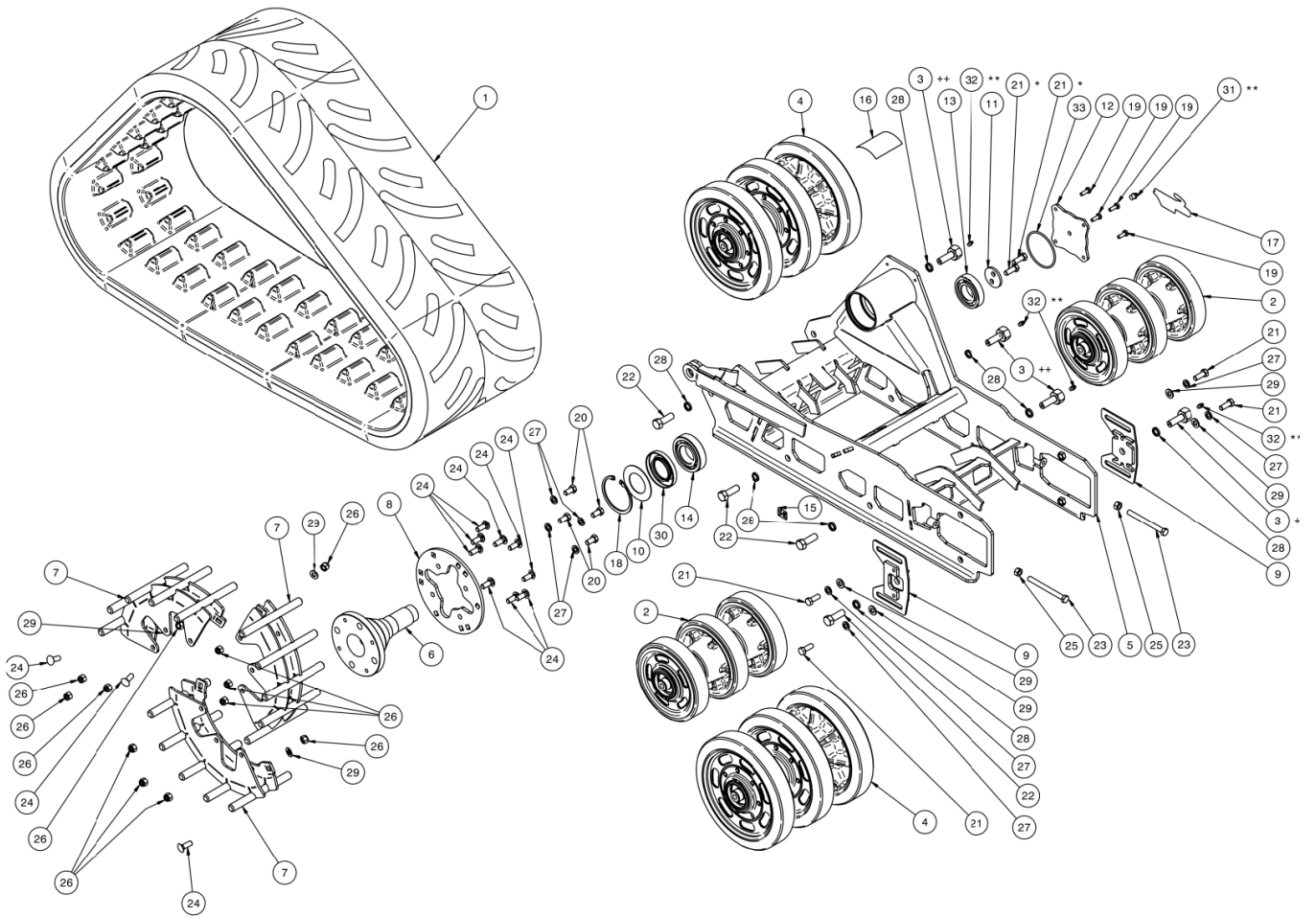
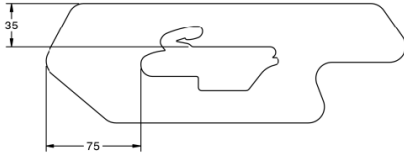
WHEN THE VEHICLE IS RAISED, MAKE SURE THAT IT IS PROPERLY SUPPORTED/SECURED TO PREVENT IT FROM FALLING DURING THE INSTALLATION OF THE TRACK SYSTEM. IF NOT PROPERLY SUPPORTED/SECURED, SERIOUS PHYSICAL INJURY MAY OCCUR.

NOTICE

BEFORE BEGINNING THE INSTALLATION OF THE TRACK SYSTEM, TURN OFF THE ENGINE, PUT INTO 2-WHEEL DRIVE MODE WITH THE TRANSMISSION IN NEUTRAL AND MAKE SURE THAT THE VEHICLE CANNOT MOVE (PLACE BLOCKS IN FRONT OF AND BEHIND THE WHEELS).

1. Refer to ST-110X REAR RIGHT TRACK SYSTEM DRAWING.
2. Lift the vehicle.
3. Take off the track using the method described in Section : **Changing the Rear Sprocket Segment and/or Track.**
4. Remove the rear axle using the method described in Section : **Changing the Rear Axle.**
5. Take off the internal retaining ring [28], the protection washer [10] and the joint [29].
IMPORTANT: If the joint [29] is removed, it must be replaced.
6. Take off the ball bearings [13 and 14] using a press.
7. Reinstall the system using the track tension and greasing maintenance methods described in Section: **Maintenance.**

POSITIONNEMENT DE L'AUTOCOLLANT SOUCY



6.6 CHANGING THE FRAME AND/OR THE FRONT WHEEL AXLE

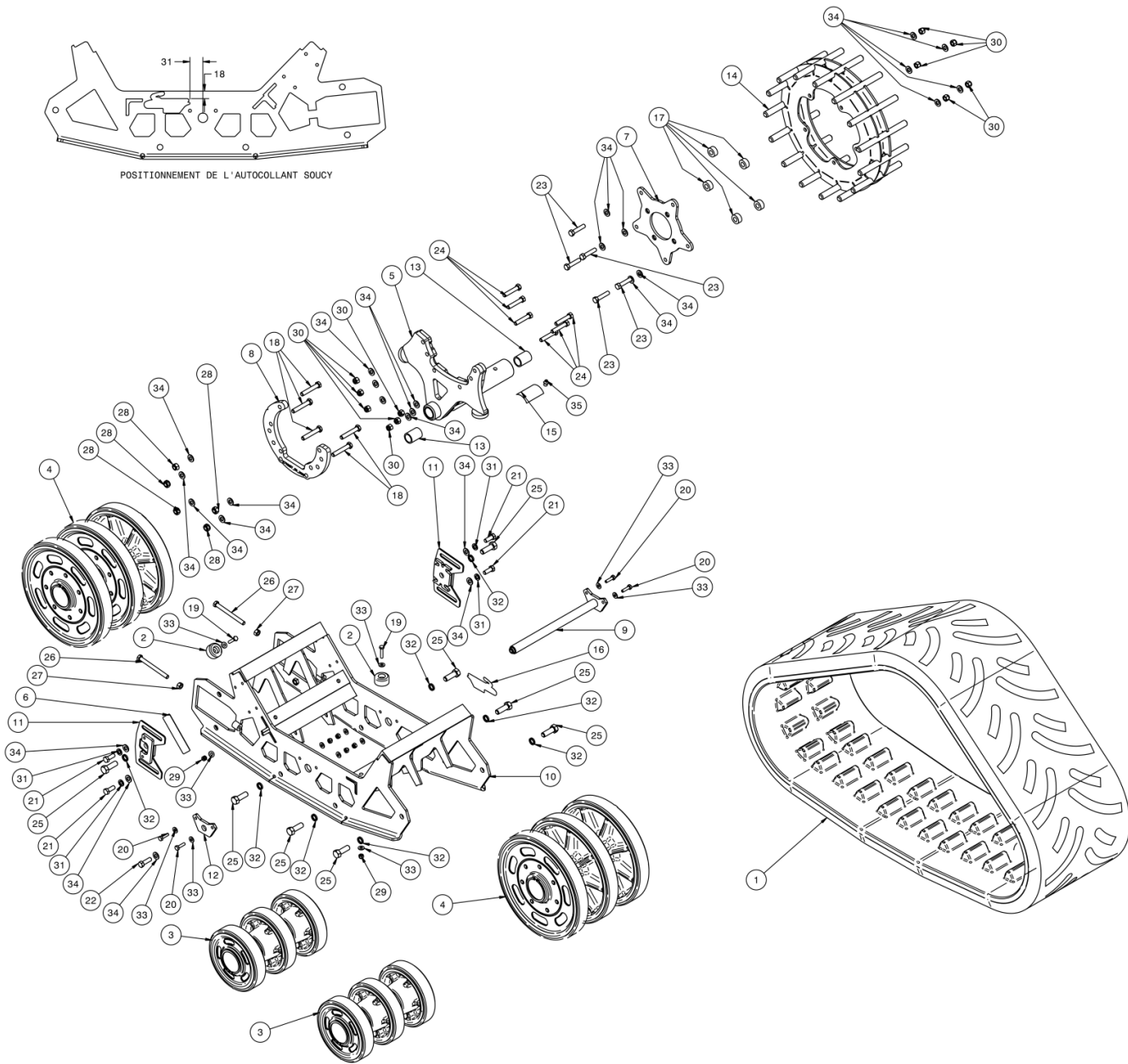
CAUTION

WHEN THE VEHICLE IS RAISED, MAKE SURE THAT IT IS PROPERLY SUPPORTED/SECURED TO PREVENT IT FROM FALLING DURING THE INSTALLATION OF THE TRACK SYSTEM. IF NOT PROPERLY SUPPORTED/SECURED, SERIOUS PHYSICAL INJURY MAY OCCUR.

NOTICE

BEFORE BEGINNING THE INSTALLATION OF THE TRACK SYSTEM, TURN OFF THE ENGINE, PUT INTO 2-WHEEL DRIVE MODE WITH THE TRANSMISSION IN NEUTRAL AND MAKE SURE THAT THE VEHICLE CANNOT MOVE (PLACE BLOCKS IN FRONT OF AND BEHIND THE WHEELS).

1. Refer to ST-110X FRONT RIGHT TRACK SYSTEM DRAWING.
2. Lift the vehicle.
3. Take off the track using the method described in Section: **Changing the Front Sprocket and / or Track.**
4. Remove the front pivot using the method described in Section: **Changing the Front Pivot.**
5. At this stage, use 1" and 3/4" sockets and unscrew the greasing bolts [04] and the wheel bolts [26] to remove the wheel axles [03 and 04].
6. Use a 9/16" socket and unscrew the four (4) 3/8" NC x 1" hex. bolts [21] and the two (2) 3/8" NC x 4" hex. bolts [26]. Take off the track tensioner [11] and change the frame [10].
7. Reinstall the system using the track tension and greasing maintenance methods described in Section: **Maintenance.**



6.7 CHANGING THE FRAME AND/OR THE REAR WHEEL AXLE

CAUTION

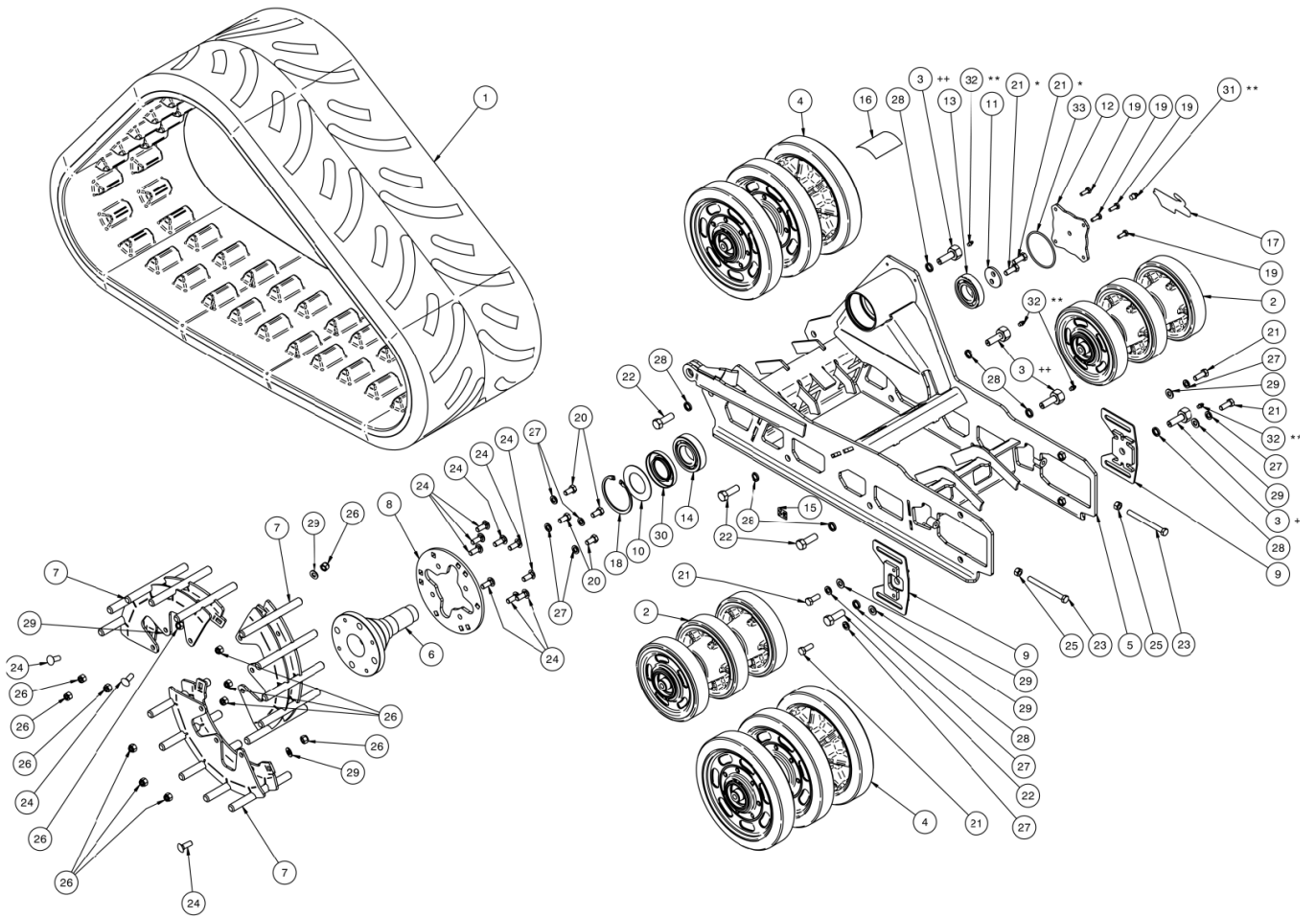
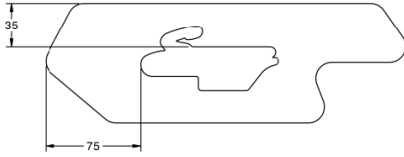
WHEN THE VEHICLE IS RAISED, MAKE SURE THAT IT IS PROPERLY SUPPORTED/SECURED TO PREVENT IT FROM FALLING DURING THE INSTALLATION OF THE TRACK SYSTEM. IF NOT PROPERLY SUPPORTED/SECURED, SERIOUS PHYSICAL INJURY MAY OCCUR.

NOTICE

BEFORE BEGINNING THE INSTALLATION OF THE TRACK SYSTEM, TURN OFF THE ENGINE, PUT INTO 2-WHEEL DRIVE MODE WITH THE TRANSMISSION IN NEUTRAL AND MAKE SURE THAT THE VEHICLE CANNOT MOVE (PLACE BLOCKS IN FRONT OF AND BEHIND THE WHEELS).

1. Refer to ST-110X REAR RIGHT TRACK SYSTEM DRAWING.
2. Lift the vehicle.
3. Take off the track using the method described in Section: **Changing the Rear Sprocket Segment and/or Track.**
4. Remove the rear axle using the method described in Section: **Changing the rear axle.**
5. At this stage, use 1" and 3/4" sockets and unscrew the greasing bolts [03] and the wheel bolts [22] to remove the wheel axles [02 and 04].
6. Use a 9/16" socket and unscrew the four (4) 3/8" NC x 1" hex. bolts [21] and the two (2) 3/8" NC x 4" hex. bolts [23]. Take off the track tensioner [09] and change the frame [05].
7. Reinstall the system using the track tension and greasing maintenance methods described in Section: **Maintenance.**

POSITIONNEMENT DE L'AUTOCOLLANT SOUCY



SECTION 7 RESTARTING PRECAUTIONS

1. Do a visual inspection of the track system and check that all the parts are in good condition.
 - a. Check that the bolts are tightened.
 - b. Check that the rear axles turn freely and that there is no play in the axles.
 - c. Check that the wheels turn freely.
 - d. Readjust the track tensioners.

NOTICE

ANYTHING STRANGE OR UNUSUAL BEHAVIOUR OF YOUR VEHICLE MUST BE THOROUGHLY INVESTIGATED. ANY POTENTIAL PROBLEM MUST BE CORRECTED BEFORE USING THE VEHICLE.

Page Intentionally Left Blank

SECTION 8 APPENDIX

APPENDIX A: STANDARD TORQUE TABLE

Table 8.1 STANDARD TORQUE TABLE

Bolt Ø (mm)	6		8		10		12		14	
Thread	Coarse	Fine	Coarse	Fine	Coarse	Fine	Coarse	Fine	Coarse	Fine
Pitch (mm)	1,00	0,75	1,25	1,00	1,50	1,00	1,75	1,25	2,00	1,50
Class	Tightening Torque Nm									
8,8	9,3	10	22	24	45	50	78	85	124	134
10,9	14	15	33	35	65	73	114	125	182	197
12,9	16	17	39	41	77	85	133	146	213	230
Bolt Ø (mm)	16		18		20		22		24	
Thread	Coarse	Fine	Coarse	Fine	Coarse	Fine	Coarse	Fine	Coarse	Fine
Pitch (mm)	2,00	1,50	2,50	1,50	2,50	1,50	2,50	1,50	3,00	1,50
Class	Tightening Torque Nm									
8,8	193	206	266	299	376	417	513	563	650	739
10,9	283	302	391	439	552	613	753	827	954	1085
12,9	331	353	457	514	646	717	881	967	1117	1270
Bolt Ø (mm)	6		8		10		12		14	
Thread	Coarse	Fine	Coarse	Fine	Coarse	Fine	Coarse	Fine	Coarse	Fine
Pitch (mm)	1,00	0,75	1,25	1,00	1,50	1,00	1,75	1,25	2,00	1,50
Class	Tightening Torque (ft-lb)									
8,8	6,8	7,5	17	18	33	37	57	63	92	99
10,9	10	11	24	26	48	54	84	92	134	145
12,9	12	13	29	31	56	63	98	108	157	170
Bolt Ø (mm)	16		18		20		22		24	
Thread	Coarse	Fine	Coarse	Fine	Coarse	Fine	Coarse	Fine	Coarse	Fine
Pitch (mm)	2,00	1,50	2,50	1,50	2,50	1,50	2,50	1,50	3,00	1,50
Class	Tightening Torque (ft-lb)									
8,8	142	152	196	220	277	308	378	415	479	545
10,9	209	223	288	324	407	452	555	610	704	801
12,9	244	261	337	379	447	529	650	713	824	937



In order to prevent any transcription and/or transmission error during registration process, We recommend using the electronic copy of this form available on the Soucy Track Data Center at: <http://datacenter.soucy-track.com>. Note that you must be a Soucy Track dealer to apply for a free access to this Web site

TRACK SYSTEM REGISTRATION FORM

Fill out the following fields and return to Soucy Track Technical Service Department at service.soucy-track@soucy-group.com or by fax at: 819-477-9423

PURCHASING INFORMATION

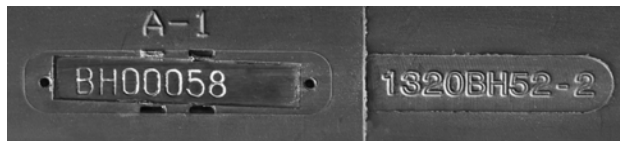
DEALER NAME: _____
 CONTACT PERSON: _____
 CLIENT NAME & ADDRESS: _____

VEHICLE BRAND: _____ MODEL: _____
 HOURS OF USAGE: _____ hr at time of instalation MODEL YEAR: _____

SOUCY TRACK SYSTEM MODEL: _____
 TRACK PURCHASING DATE: _____
 INVOICE NUMBER: _____

WERE THE OPERATOR MANUAL AND WARRANTY POLICY SUPPLIED AND EXPLAINED TO CLIENT?
 YES NO

TRACK SYSTEM IDENTIFICATION



SERIAL NUMBER PART NUMBER



RUBBER TRACKS IDENTIFICATIONS

FRONT TRACKS P/N: _____
 FRONT LH S/N: _____
 FRONT RH S/N: _____

REAR TRACK P/N: _____
 REAR LH S/N: _____
 REAR RH S/N: _____

TRACK FRAMES IDENTIFICATIONS

FRONT FRAMES P/N: _____
 FRONT LH S/N: _____
 FRONT RH S/N: _____

REAR FRAMES P/N: _____
 REAR LH S/N: _____
 REAR RH S/N: _____

PRIMARY USE OF TRACK SYSTEM

TYPE OF USE

SNOW GROOMING: _____ SPECIFY: _____

AGRICULTURE - Primary use: _____ SPECIFY: _____

AGRICULTURE - Secondary use: _____ SPECIFY: _____

COMMERCIAL UTILITY: Please specify _____ SPECIFY: _____

IS EQUIPMENT USED FOR CUSTOM WORK: YES NO

TYPE(S) OF CROP

RICE SOYBEAN CORN OTHER
 CEREALS SUGAR CANE
 CRANBERRY VEGETABLES
 SPECIFY: _____

Table 8.2 COUNTERSUNK BOLTS

Bolt Ø (mm)	12	14	16	18	20
Class	Tightening Torque Nm				
10,9	81	108	154	213	301
Bolt Ø (mm)	12	14	16	18	20
Class	Tightening Torque (ft-lb)				
10,9	60	80	114	157	222

NOTE

- Applicable to new lubricated, new unlubricated and used lubricated bolts.
- Torque indicated on drawing is always prevailing. Torque Tolerance $\pm 5\%$