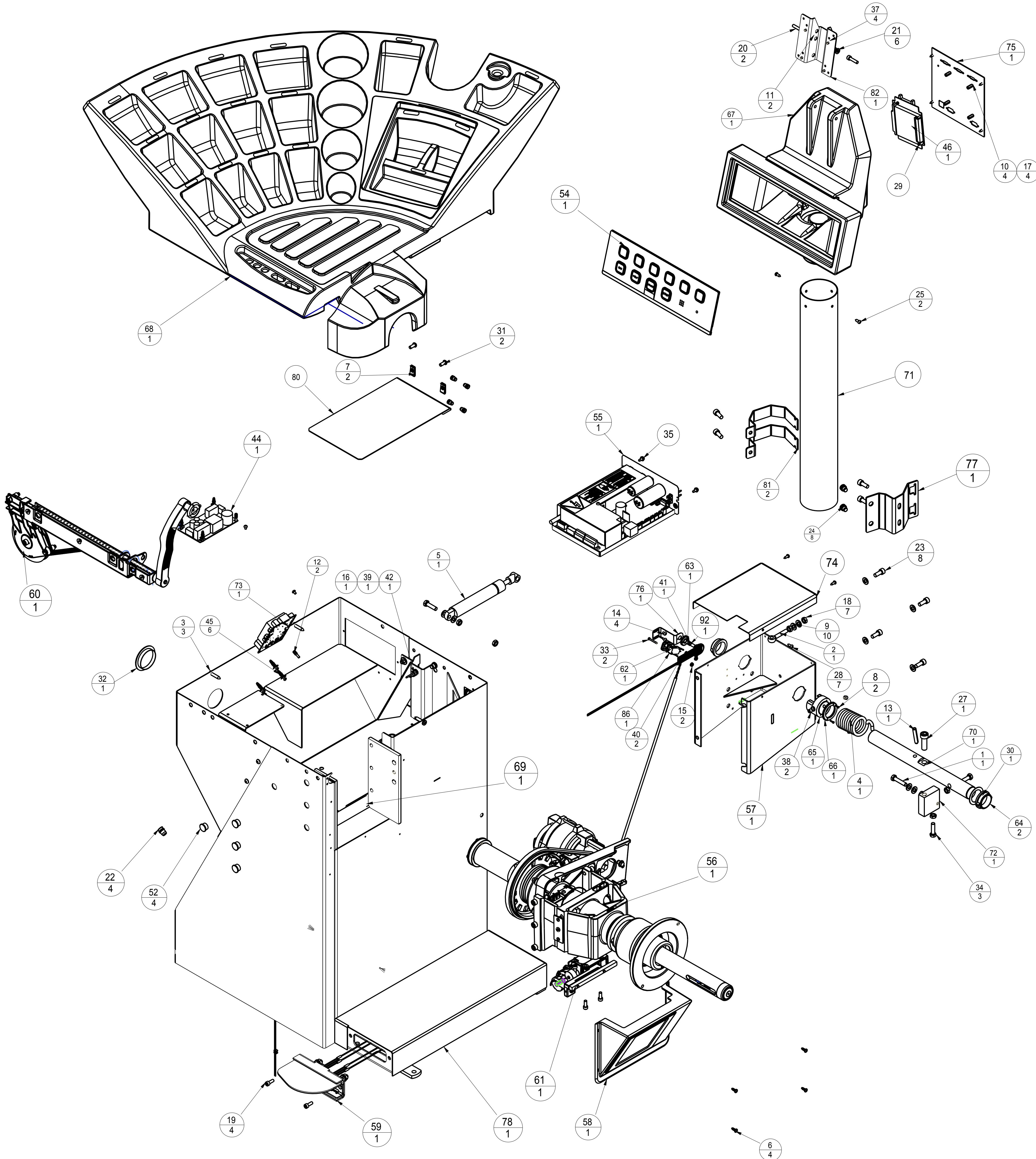
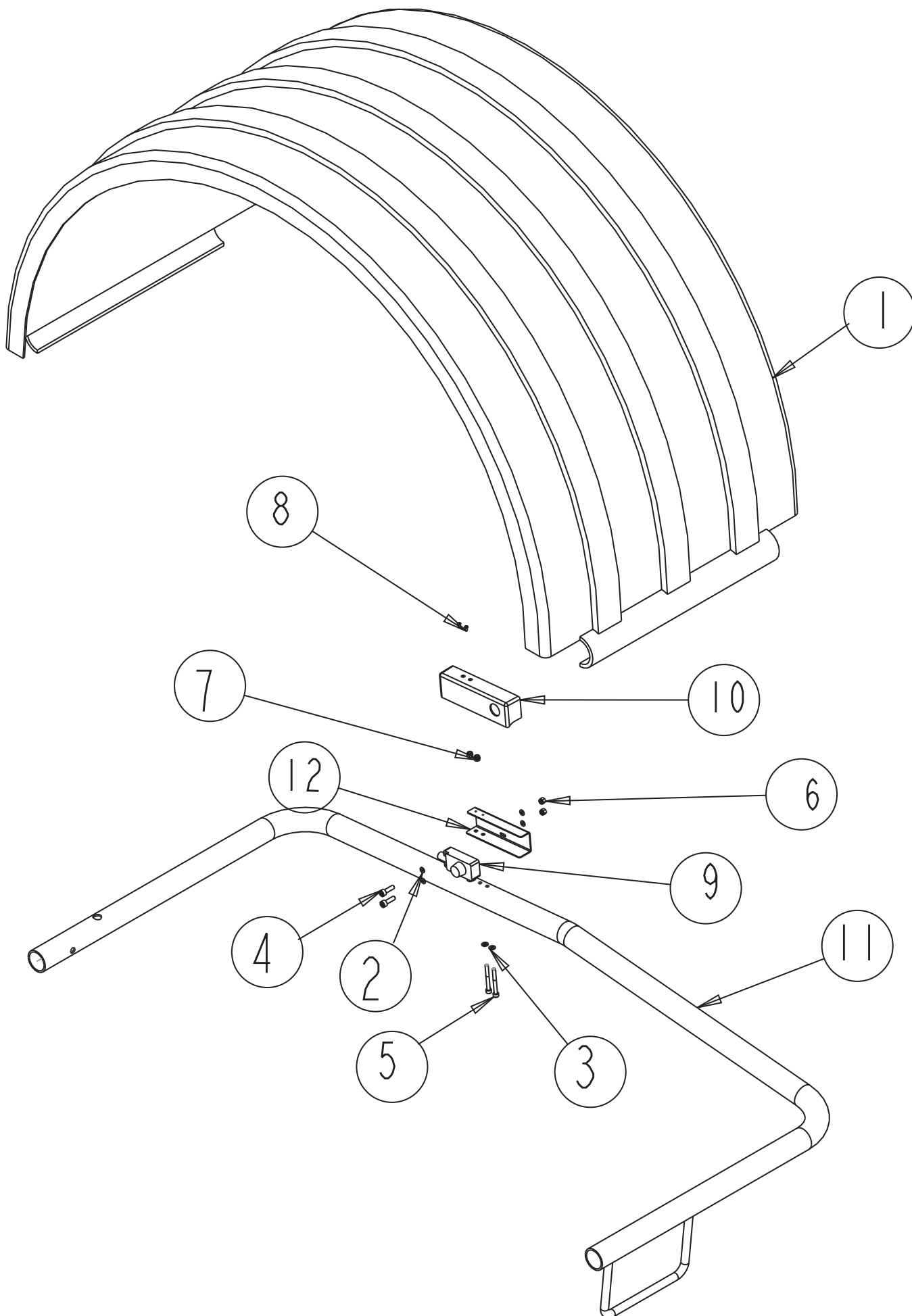


SYM	REQD	ITEM	PART NUMBER	DESCRIPTION	DWG SIZE
	1	1	EAA0369J07A	BALANCER ASSY – JB VPI BFH 800	
<b>G</b>	1	2	EAK0309J26A	KIT - MONITOR, VIDEO BAL	
	1	5	EAX0039J02A	CORD-POWER 230V PIGTAIL	
	1	6	00058839000	TOOL-PDQ WEIGHT	
	1	7	EAA0346J01A	ASS'Y WHEEL GUARD WITH SONAR	
	4	8	EAC0060G02A	FLANGE-COVER, ACCESSORY	
	4	9	EAM0006G01A	HOOK-ACCESSORY STORAGE	
	1	10	EAM0005D40A	CALIBRATION WEIGHT	
	3	11	1-02815A	SCREW-HH LAG 5/16 X 3	
	3	12	1-2541	WASHER – FLAT, 5/16	
	1	14	00089209000	CORD-POWER ADAPTER 12	
	1	15	ZEEWB526D9	LIT PACK- BFH 800C	
	1	16	EAL0341J96A	LABEL – BALANCER WARING, REAR	
	1	17	EAL0341J97A	LABEL – BALANCER WARING, SIDE	
	1	18	EAL0343J76A	LABEL-ELECTRICAL/SERIAL	
	1	19	EAL0420J15A	DECAL- BFH 800	
	1	20	EAL0341J60A	LABEL-PATENT	
	1	22	EAA0307G54A	ACCY KIT-PWR CLAMP	
	2ft	23	01122633000	SPLIT LOOM- WIRE COVER 3/8	
	1	24	4500-0029	TIE CABLE (BLACK)	
	1	27	EAA0247G21A	CALIPER-RIM WIDTH	
	1	29	EAL0307L00A	LABEL-UL	
	1	30	EAL0341J56A	LABEL-LASER	
	1	31	EAL0341J57A	LABEL-CAUTION	
	1	32	EAL0341J44A	LABEL - ATTENTION – MAX WEIGHT	
<b>D</b>	1	33	EAL0415J38A	DECAL – JOHN BEAN TM, CHROME	
	1	34	1-35001A	SCREW – HEX HD – M10 x 55mm	
	1	35	1-15433	NUT – M10 x 8mm ZINC	
	1	37	EAL0341J70A	LABEL – LASER APERATURE	
	1	38	EAL0341J71A	LABEL – CFR CERTIFICATION	
<b>B</b>	1	39	3-60826AF1	MEMORY CARD PROG EPC NEW GUI	
	1	40	3-02309A	MODULE FLASH 44 PIN	
	1	41	EAL0392J89A	LABEL-CUST SERV JBC	



SYM	REQD	PART NO	DESCRIPTION
94	1	8-08516A	GROMMET-5/8X7/8X1/8
93	1	EAW0276G39A	CABLE ASM- AWP ENCODER
92	1	EAW0276G37A	ROTATIVE TRANSDUCER 100HM
91	1	EAW0243P16B	CABLE ASSY - 6 WAY TO 6 WAY
90	1	EAW0240G48A	PWR CONN ASSY - EMBEDDED PC
89	1	EAW0233J38A	ULTRASONIC SENSOR
88	1	EAW0233J37A	CABLE ASM-POWER SPLY, BFH800B
86	1	EAW0233J08A	CABLE-SWITCH ASSY
85	1	EAW0233J04A	CABLE - JBC DISPLAY
82	1	EAS2113J55A	BRACKET - MONITOR MOUNT
81	2	EAS2113J54A	CLAMP - BALANCER TOWER
80	1	EAS2113J53A	SHIELD - FIRE
78	1	EAA0369J32A	CABINET ASSY - M2, RED
77	1	EAS2103J58A	PLATE - TOWER BRACKET
76	1	EAS2103J23A	SUPPORT - BFH 800, TRANSDUCER
75	1	EAS2097G95A	SUPPORT PLATE FOR
74	1	EAS2081J67A	COVER - WHEELG SUPPORT, BFH800
73	1	EAP0274G30A	MOTOR DRIVER BOARD
72	1	EAM0050J62A	BLOCK-WHEELGUARBTOP, BFH 800
71	1	EAM0050J49A	TOWER - BALANCER TUBE
70	1	EAM0048G32A	STANDARDIZED WHEEL GUARD
69	1	EAL0341J65A	DECAL - INSIDE SCAN,
68	1	EAC0054P11A	BALCOWEIGHT-TRAY
67	1	EAC0094G36A	MONITOR ANDKEYBOARD SUPP.
66	1	EAC0087G28A	COG WHEEL56 THEETH
65	1	EAC0058D38A	Schaltring Switch Segment
64	2	EAC0058D36A	WHEELGUARDBUSHING D.32
63	1	EAC0058D13A	Cog Wheel 28 teeth
62	1	EAC0053J16A	MICROSWITCH PLATE
61	1	EAA0358G69A	INSIDE SCANNER (CCD & PROCESSOR BOARD)
60	1	EAA0346J87A	STANDARD MANUAL M1 SAPE ASSY
59	1	EAA0346J82A	ASSY - FOOT PEDAL POWER CLAMP
58	1	EAA0346J13A	ASSY - INSIDE SCANNER COVER
57	1	EAA0346J04A	SUPPORT - WHEEL GUARD, BFH 800
56	1	EAA0363G57A	ALU. OPTIMA VIBRATORY SYSTEM
55	1	EAA0338G83B	ASSY - IBP DIGITAL BOX
54	1	EAA0364G98A	KEYPAD - NEUTRAL GREY W/ SLIDER
53	1	EAW0233J52A	WIRE - GROUNDING, EMBEDDED PC
52	4	8-7216	PLUG-HOLE, 16MM DIA
51	2	8-09619A	STRAIN RELIEF - FLAT CABLE
50	1	6-02322A	CABLE-EXTENTION SERIAL
49	1	6-01029A	CABLE - FFC, L=388MM, 18 CONDUCTORS
48	3	5-845	CABLE TIE PLASTIC
47	1	5-06745A	WRAP - SPLIT HARNESS
46	1	3-02809A	EMBEDDED-PC KIT PCM3353F-L0A1E
45	6	2-732	SUPPORT PCB LOCKING
44	1	2-48066A	12V POWER SUPPLY
43	6	2-3657	CABLE CLAMP- FLAT CABLE
42	1	2-23201	TERMINAL LUG-6.3MM X .8MM POP RIVET
41	1	2-07657A	CLAMPING DEVICE W/NUT
40	2	1-9541	WASHER-FLAT,M3DIN 125A
39	1	1-7558	POP RIVET-3/16"
38	2	1-49010A	SCREW, SOCKET WITH CUP POINT M8X8
37	4	1-46809	Screw-Hex Socket Head Cap M4x6 8.8 -A2J
36	1	2-31001A	TERMINAL - QUICK CONNECT
35	2	1-3724	SCREW-SELF TAP.5 X 10MM
34	3	1-32801A	SCREW - HHCS, M8 X 30mm ZINC
33	2	1-27001	SCREW,HEX HEAD MAC. M3X25 8.8 A2J DIN933
32	1	1-2676	PLUG-HOLE, 2"DIA
31	2	1-2509	SCREW-BHCS,1/4 - 20 X 5/8
30	1	1-22441A	SHIM RING 32X45X1
29	4	1-20504A	SCREWPAN HEAD
28	7	1-12926A	SCREW, SELF TAPPING M4.2 X 13mm
27	1	1-20409	SCREW TCEI M12X35 12.9 BR
26	8	EAS2116G12A	SPACER - VIB 0.2MM
25	2	1-18523A1	SELF TAPPING SCREW D4,8X13mm
24	8	1-18359A	NUTSERT, M8
23	8	1-17709	SCREW - SHCS M8 X 20mm
22	4	1-17659A	NUTSERT - M10
21	6	1-17559A	NUTSERT - M6
20	2	1-16509A1	SCREW - SHCS, M6 X 25mm, BLK
19	4	1-16309	SCREW - SHCS, M6 X 16mm,
18	7	1-15933A	NUT - HEX, M8 X 1.25 DIN 936, UNI5589
17	4	1-15661A	STANDOFF - HEX, M3 X 15mm BRASS
16	1	1-1548	WASHER-EXT.SHAKEPROOF6MM
15	2	1-15033	NUT-KEPS, M3 - .5
14	4	1-13606A	SCREW-PHMS,M4 X6MM W/ LOCKWASHER
13	1	1-12452	PINS - STRAIGHT SLOTTED 8X45 DIN 1481
12	2	1-11961A	STANDOFF - HEX M4 X 10
11	2	1-11744A	WASHER - NYLON FLAT
10	4	1-11233	NUT - HEX, M3 DIN 934
9	10	1-10041	WASHER D.8 UNI6592-69/DIN125
8	2	1-09824A	SCREW SELF TAPPING FOR
7	2	1-07439A	NUT - SPEED, "U" TYPE,
6	4	1-07424A	SCREW - PAN HD, 8-18 X 1/2
5	1	1-04769A	SPRING - GAS, PNEUMATIC PISTON
4	1	1-04267A	SPRING-TORSION
3	3	1-03725A	SCREW-PH SELF TAP M6.3X32 PHIL
2	1	1-01530	EYEBOLT-M8 X 50
1	1	1-01515A	SCREW - HHMS8M -1.25 x 50mm





13	1	EAW0240G73A	CABLE SENSOR ULTRASONIC BFH
12	1	EAS2081J69A	SUPPORT - SONAR
11	1	EAM0050J07A	WHEEL GUARD - WELDMENT, BFH800B
10	1	EAC0087G29A	PLASTIC PROTECTION FOR SONAR
9	1	2-48166A	ULTRASONIC SENSOR
8	2	1-16523	SCREW-PHMS,M2.9X 9.5MM,SELF TAP,TYPE B
7	2	1-20833A	NUT M5, SELF-LOCKING,
6	2	1-01737A	NUT-ESNA,M4
5	2	1-15609	SCREW HEX SOCKET HEAD CUP
4	2	1-13709	SCREW, HEX SOCKET HEAD M4x20
3	2	1-9741	WASHER-FLAT, M5 X 10.00D X 1MM THK
2	4	1-9641	PLAIN WASHER D4mm
1	1	2800051	WG-COVER G2600/2800
SYM	REQD	PART NO	DESCRIPTION