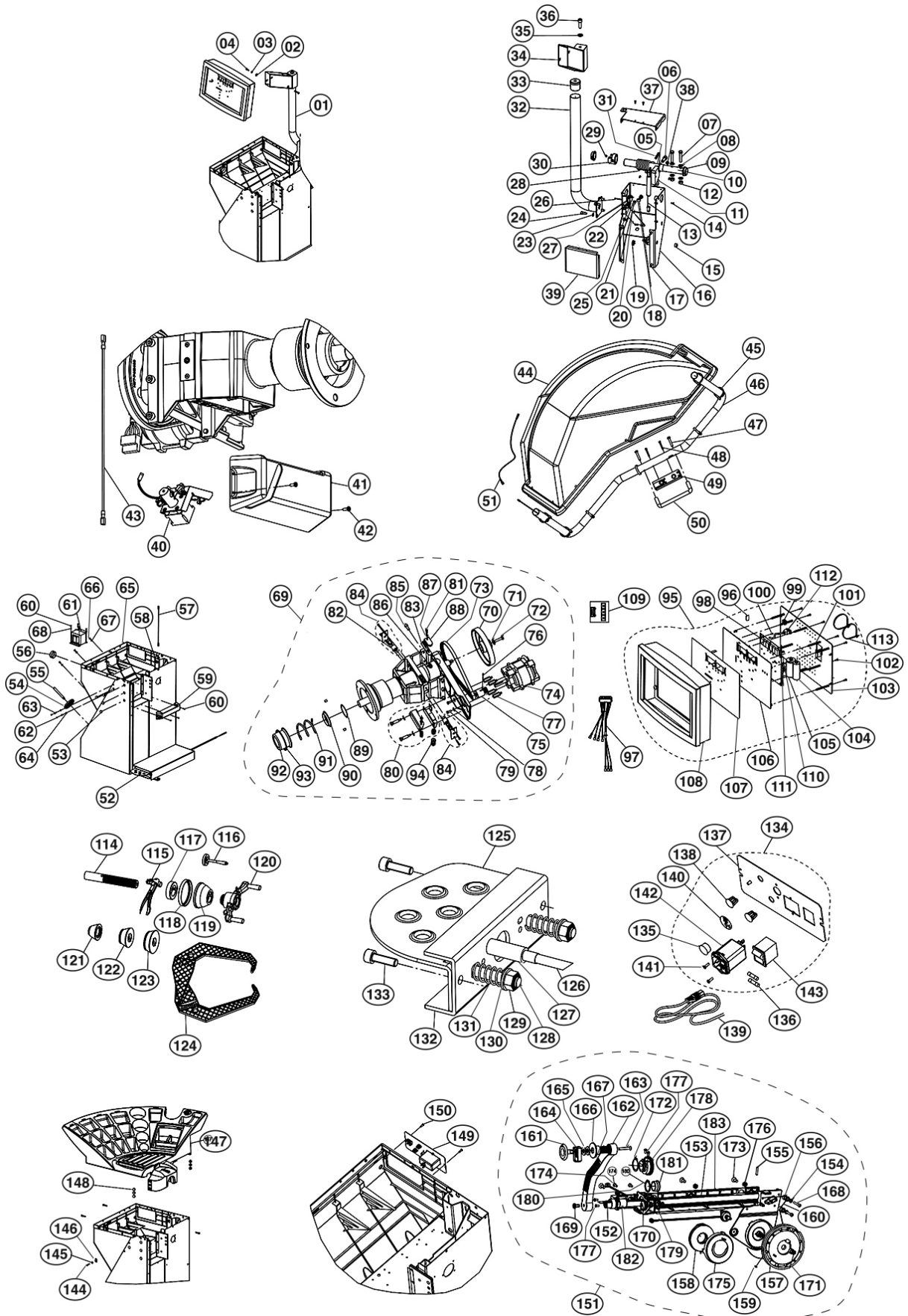


Parts Catalog \ WHEEL BALANCERS / TIRE CHANGERS \ WHEEL BALANCERS AND ACCESSORIES \ EEWB332B - Motorized Wheel Balancer with Raised Display \ Motorized Wheel Balancer with Raised Display



Key	Part No	Description	QTY
	EAM0003J69A	3.4-5.4" Cone	1
01	EAS2178J04A	Monitor Support Pipe	2
02	1-20041A	WASHER - FLAT 18mm OD X 6.5mm ID X 1.5mm THK	2
03	1-2746	Washer, Lock	2
04	1-30901A2	1-30901A2	2
05	1-22441A	SHIM RING 32X45X1	1
06	1-20409	SCREW TCEI M12X35 12.9 BR	2
07	1-19901	Screw, Hex Head Machine	2
08	1-10141A1	WASHER-PLAIN D10MM 7021025	6
09	EAC0058D36A	WHEELGUARD BUSHING D.32	2
10	EAM0076G37 A	W.G. Shaft	1
100	1-17226A	Self Tapping Screw	5
101	1-16561A	SPACER M4x60	10
102	1-24606A	SCREW-PHMS,M4 X .7MM X 12MM	14
103	EAS2098G03A	Display Support Plate	1
104	2-01429A	CAPACITOR - 10uF, 400V	1
105	2-01529A	Capacitor, Start, 20uf 400v	1
106	EAC0099G63 A	Large Keyboard Support	1
107	EAL0462G56A	Big Panel Membrane	1
108	EAC0100G33 A	CONSOLE DISPLAY BLACK	1
109	EAP0275G10A	Potentiometers Interface Board	1
11	EAM0076G38 A	Wheelguard Stop	1
111	2-31251A	Fuse Time Lag T	2
112	6-14422A	B USB Cable Panel	1
113	5-05145A	CABLE TIE-11.38 CLEAR	2
114	EAM0021D90 A	Standard 40 mm Stub Shaft	1
115	WWPR13A	Wheel Weight Pliers	1
116	EAM0005D40 A	Weight - Calibration	1
117	EAC0058D08A	Pressure, Disk	1
118	EAC0058D15A	Soft Protector Ring	1
119	EAC0058D07A	Cup - Pressure	1
12	1-18733A	Nut, Self Lock. All-Metal	2
120	EAA0263G66A	Quick Nut, 40mm	1
121	EAM0005D23 A	1.6-3.0" Cone	1
122	EAM0005D24 A	2.8-3.9" Cone	1
123	EAM0005D25 A	3.8-4.5" Cone	1
124	EAA0247G21A	Rim Width Caliper	1
125	EAS2020P20A	Foot Pedal	1
126	EAA0344G15A	CABLE-BRAKEPEDAL0032324	1
127	EAM0053G06 A	SPACER-BRAKECABLE0032322	1
128	1-18209	SHCS - M8 x 45	2
129	1-10033	Nut - ESNA, M8	2
13	1-06769A	GAS SPRING	1
131	1-06768A	Spring Compression, D187	2
132	EAS2027G18A	Support - Brake Pedal	1
133	1-16409	SCREW - HEX SOCKET HEAD CAP DIN 912	2
135	EAC0060G00 A	Vibratory System Holes Cup	12
136	2-21251A	FUSE-6.3 AMP 250 VAC GS 28301	2
137	EAA0457G53A	Power Inlet Sheetmetal Assembly	1
138	1-08176A	CAP,CLOSING	2
139	EAW0290J26A	115 V AC POWER CORD	1
140	8-23662A	Label	1
141	1-11103	Screw	2
142	2-68948	Filtered Power Entry Module	1
143	2-13258A	ROCKER SWITCH BLK	1

Key	Part No	Description	QTY
144	1-19623A	Screw, PHILLIPS® Pan Head Tapping	4
145	1-13241	WASHER,FLAT, d.6	1
146	1-6839	Retainer, Self Thr. Screw	1
147	EAM0122G76 A	Balco Weight-Tray H/D	1
149	EAA0458G37A	Assy Power Inlet w/o Capacitors	2
150	1-09326A	Self Tapping Screw	2
151	EAA0376G68A	M2 Sape 2D Assembly	1
152	EAM0053G19 A	STANDARD. ROD SAPE, M1	1
153	EAM0140G91 A	Distance Scale Decal (mm) x Sape M2	1
154	1-9641	PLAIN WASHER D4mm	10
155	1-7810	SCREW, SET M4 x 20 FLAT TIP	1
156	EAM0005D35 A	Reel - Guiding Sape	2
157	EAC0058D06A	Reel - Rope 290mm	1
158	1-06567A	STAND SAPE TENSION SPRING	1
16	EAS2128J49A	Wheelguard and Monitor Sup.	1
160	6-00604A	ROPE HONEYWELL SPECTRA FIBER 1000 D=0.6	1
161	EAC0058D11A	Disk Touching	1
162	EAC0054P01A	Arm, Axcel Caliper	1
163	1-3624	Screw - 5.0 x 40mm, Self Tap	1
164	EAC0058D09A	Ejector	1
166	EAC0058D10A	Ring, Push	1
167	1-06868A	Spring - Comp D145e, Din 2098	1
168	1-24906A	SCREW, PAN HEAD PHIL M4 x 30	2
169	1-3824	Screw - M6 x 12mm Pan Hd	1
170	EAA0266D20A	Rotative Transducer - 10ohm Asy	2
171	2-07657A	Device, Clamping, w/Nut	2
172	1-13377A	Circlip, 27 x 1.20	1
173	1-22003A	SCREW SOCKET FLAT HEAT M6 x 16 ZINC	3
174	1-12126A	SELF TAP. SCREW PT WN1413 4 x 12 ZINC	2
175	EAC0058D58A	Safety Cover	1
176	1-9933	NUT, PREVAILING TORQUE M6	3
177	1-11726A	SCREW, SELF TAPPING FOR PLASTIC D4 x 8MM	4
178	EAC0058D12A	Wheel, Cog, 56 Tooth	1
179	EAC0058D13A	Wheel, Cog, 28 Tooth	1
18	1-01530	EYEBOLT-M8 X 50	1
180	1-4577	Ring - Snap, 25 x 1.20	1
181	EAM0068G76 A	S2-2D SAPE BUSHING	1
182	1-13865A	Bushing	1
183	EAM0085G27 A	Machined M2 Sape Support	1
20	1-11233	Nut-Hex, M3 Din 934	3
21	1-1248	Washer - Ext, Shakeproof, M3	2
22	2-7261	Microswitch	1
23	1-10041	Washer - Plain, M8 Din 125 A	14
24	1-17709	SCREW - SHCS M8 X 20mm	14
25	1-9541	Wahser - Flat, M3 Din 125a	2
26	1-7104	SCREW - PAN HS, M3 X 30	2
27	EAC0053J16A	MICROSWITCH PLATE	1
28	1-04267A	SPRING-TORSION	1
29	1-49010A	Screw, Socket With Cup Point	1
30	EAC0058D38A	Schaltring Switch Segment	1
31	1-12452	PINS - STRAIGHT SLOTTED 8X45 DIN 1481	1
33	1-11576A	Threaded Cap	1
34	EAS2138G17A	Assembly Vesa Support	1
35	1-10241A	WASHER, ISO 7089 (DIN 125A)	4
37	EAS2128J54A	Cover Wheelg. Supp.	1
38	1-11733	NUT M8 UNI5588-65/DIN934	3
39	EAS2177G41A	Front Backpack Cover	1
40	EAA0394G93A	Laser Pointer With Long Cables	1
43	EAW0276G28 A	Laser - Pointer Extension Wire	1

Key	Part No	Description	QTY
44	EAC0100G21 A	HOOD 42,??	1
45	5-03345A	CABLE TIE, PLASTIC	7
46	EAM0076G34 A	Wheel Guard Pipe	1
47	1-19101A	Screw, Hexag.	2
48	1-15509	SCREW HSHC 5X40 8G ZINC	2
49	EAA0439G97A	Assembly Sonar For Pipe	1
50	8-09233A	PLASTIC HANDLE	1
51	EAW0283G81 A	Sonar Sensor IIC Extension Cable	1
52	EAA0263G07A	ASSY-BRAKE PEDAL	1
54	EAC0060G02 A	Flange - Cover, Hook	4
55	EAM0006G01 A	Pin - Accessory	4
56	1-10576A	Black Cov. Cap for Sheetmetal	1
57	EAW0265G40 A	Grounding Conductor	1
59	EAC0103G31 A	Vibratory System Cover	2
60	1-22623A	SCR, SHT MET PHIL PHN 3.8mm X 13mm	20
61	7-01601A	Insulating Transformer 115/230 V	1
62	1-10476A	Black Cap For Screws M5	2
63	1-25503A	Screw TSEI	2
64	1-11533	Hex Nut	2
65	EAC0100G63 A	Plastic Cover Assy M2	1
66	1-22323A	Self-Tapping Screw	9
67	1-9841	WASHER, PLAIN d6 ZINC. UNI6592-69	7
69	EAA0364G85A	VIBRATORY, MOTORIZED	1
70	EAM0005D12 A	Wheel, Drive	1
71	1-17841	WASHER - d. 8X24	1
72	1-32901	SCREW, HEXAGON CAP 8X35 8.8 A2J DIN933	1
73	8-3531	Multirib Belt 5 PJ 711 Din 7867	1
74	2-59366A	Y2K UL MOTOR CAR VERSION EME	1
75	EAM0005D08 A	Pulley, Motor	1
76	1-28410	SET SCREW	1
77	EAM0005D09 A	Bolt, Distance, Motor	4
78	1-16641	WASHER PLAIN D 6mm	2
79	1-46701A	SCREW HEX. HEAD M6x16	2
80	EAA0332G12A	Main Shaft Lock Assembly	1
81	1-35006A	SCREW - PHMS,M4X20 4.8 A2J DIN7985	1
82	EAA0260D59A	Transducer	2
83	EAA0344G00A	Encoder	1
84	EAA0328G16A	Fastening Means for Transducer	1
86	EAW0240G67 A	Opto cable	1
88	EAC0094G11 A	ALU VS ENCODER BOARD PROTECTION	1
89	1-17641	Washer	1
90	EAC0058D14A	Spring Centering Ring	1
91	1-07768A	Compression Spring 5x63x180	1
92	EAS2025D14A	Spring Case Deep Draw	1
93	1-13077	Snap Ring	1
94	EAM0005D18 A	Spacer	2
95	EAA0423J40A	Assy Integrated Keyboard/P	1
96	3-52226AF1	Programmed MMC / Sd Card	1
97	EAW0277G78 A	User Interface JB H/D /P Harness	1
98	EAP0290G50A 1	Integrated Led Display JB	1
99	2-23201	Terminal - Lug, Pop Rivet	3