

Snap-on[®]

EEWB332A



WHEEL BALANCER

Parts Manual

TEEWB332A3

All information contained or disclosed in this document is considered confidential and proprietary by Snap-on Equipment. All manufacturing, use, reproduction, and sales rights are reserved by Snap-on Equipment and the information contained herein shall not be used in whole or in part without the express written consent of Snap-on Equipment.

Table of Contents

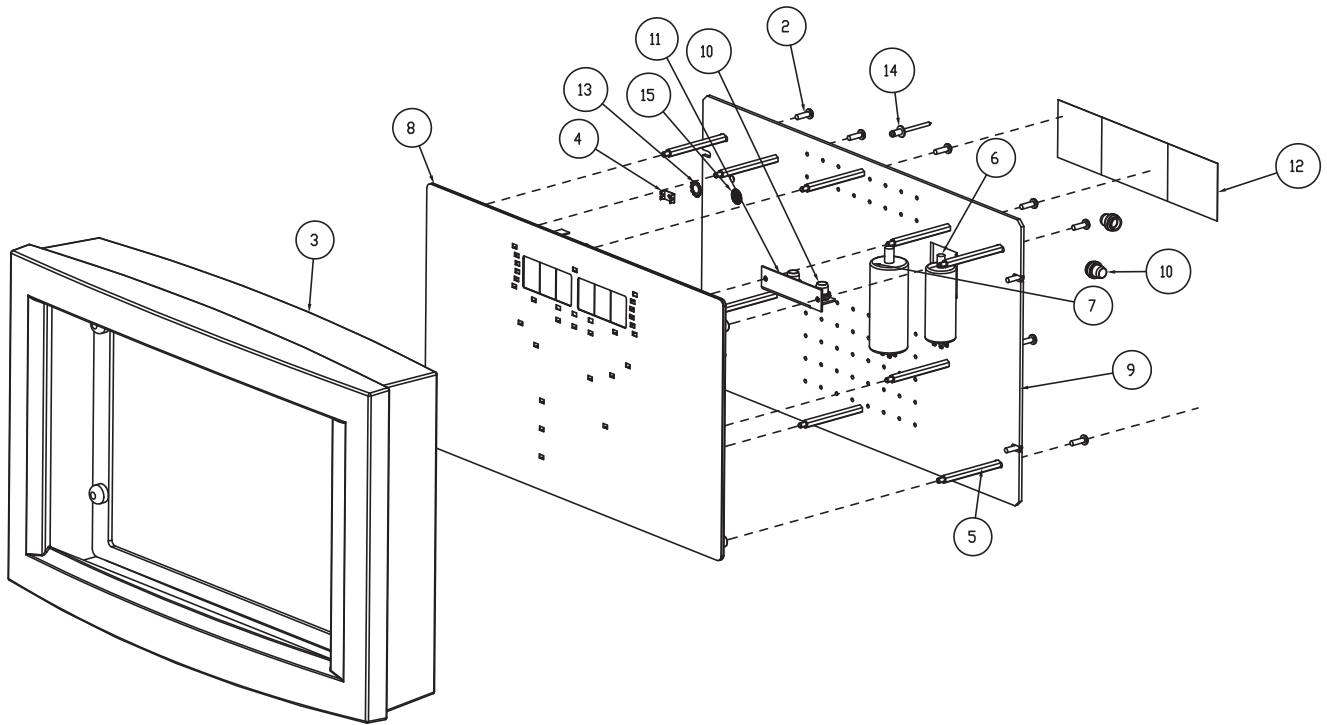
BOM - EEWB332A	3
BALANCER ASSEMBLY	4
UPPER DISPLAY	6
2D SAPE ASSEMBLY	7
VIBRATORY ASSEMBLY	8
CONES AND ACCESSORIES.....	9
WHEEL GUARD SUPPORT.....	10
HOOD ASSEMBLY WITH SONAR.....	12

BOM - EEWB332A

REQD	ITEM	PART NUMBER	DESCRIPTION
1	1	EAA0369J82A	BAL ASSY – SNAPON RAISED DISPLAY
1	2	EAA0369J66A	HOOD ASSY 42" WITH SONAR
1	3	EAX0039J00A	115V AC POWER CORD
4	4	2-3657	CABLE CLAMP (FLAT CABLE)
3	7	1-02815A	SCREW-HH LAG 5/16 X 3
3	8	1-2541	WASHER – FLAT, 5/16
1	10	ZEEWB332A9	LIT PACK - SNAP-ON HAND SPIN
1	11	EAL0341J96A	LABEL – BALANCER WARING, REAR
1	12	EAL0341J97A	LABEL – BALANCER WARING, SIDE
1	13	EAL0341J60A	LABEL - PATENT, WHEEL BALANCER
1	14	EAL0343J76B	LABEL-ELECTRICAL/SERIAL
1	15	EAL0352J20A	LABEL - SNAP-ON, WHITE
1	16	EAL0352J19A	LABEL – SNAP-ON BIG S
1	17	EAL0420J33A	LABEL - CAUTION MAX DIAM AND WEIGHT
1	18	5403	CERTIFICATE-INSTALL REGISTRATION
1	19	EAA0263G79A	QUICK NUT KIT, 40MM
1	20	EAK0309J28A	KIT – 4 CONES
1	24	EAM0005D40A	CALIBRATION WEIGHT
4	25	EAM0006G01A	HOOK - ACCESSORY STORAGE
4	26	EAC0060G02A	FLANGE - COVER, ACCESSORY HOOK
1	27	58839000	WEIGHT TOOL
1	28	EAA0247G21A	CALIPER - RIM WIDTH

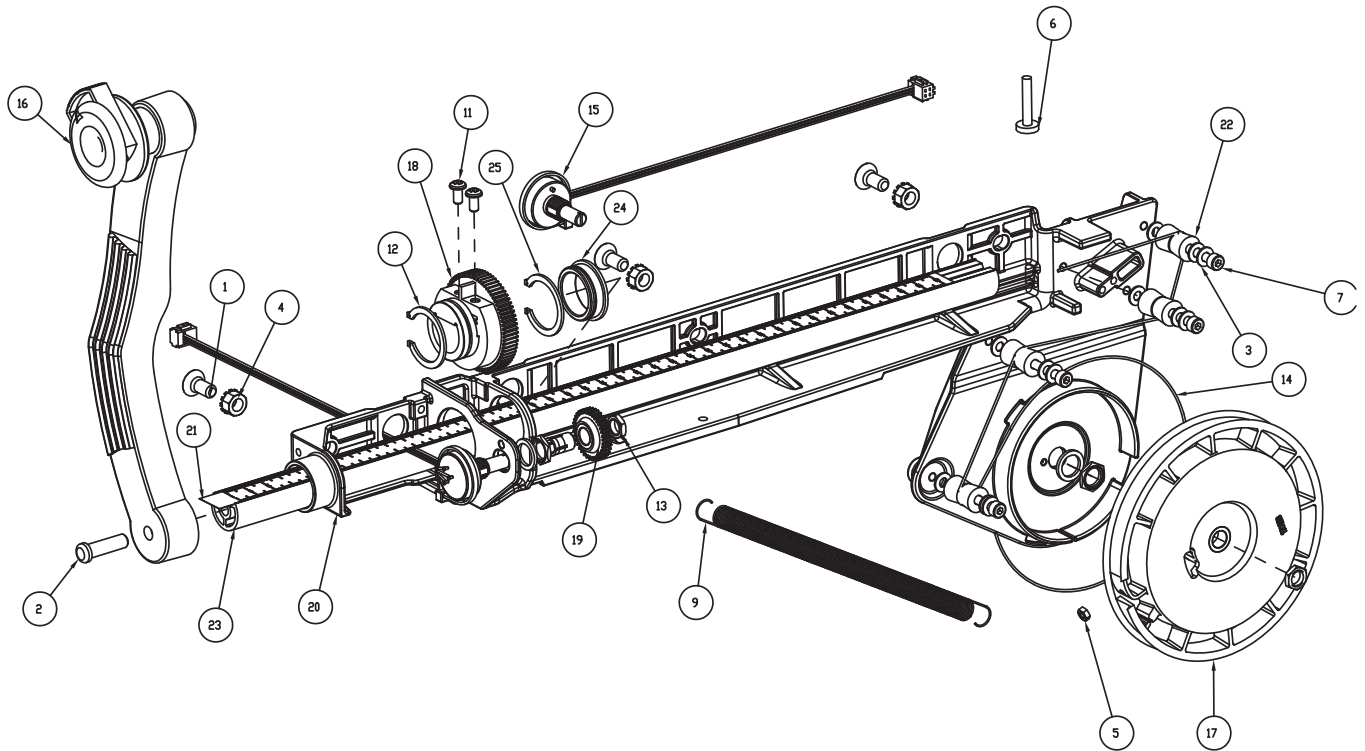
SYM	REQ	PART NO	DESCRIPTION
1	3	1-03725A	SCREW-PH SELF TAP M6.3X32 PHIL
2	2	1-11633A	NUT-M6 X 5,2MMTHK, BLK
4	2	1-1548	WASHER-EXT,SHAKEPROOF 6MM
5	2	1-16309	SCREW - SHCS, M6 X 16MM,
6	4	1-17659A	THREADED INSERT M10X22
7	4	1-18359A	NUTSERT, M8
8	2	1-22623A	SCR, SHT MET PHIL PHN 3.8MM X 13MM
9	6	1-3724	SCREW-SELF TAP,5 X 10MM
10	1	1-6668	COMPRESSION SPRING
11	1	1-7558	POP RIVET-3/16"
12	2	2-23201	TERMINAL LUG-6.3MM X .8MM POP RIVET
14	4	8-7216	PLUG-HOLE, 16MM DIA
15	1	EAA0263G07A	ASSY-BRAKE PEDAL
16	1	EAA0346J85A	STAND. M1 SAPE 1D-2D ASSY
17	1	EAA0364G85A	ALU VS MOT. INT.FL. D. 28.5/40
18	1	EAA0369J32A	CABINET ASSY - M2, RED
19	1	EAA0369J55A	POWER INLET ASSEMBLY
20	1	EAA0369J86A	WHEEL GUARD SUPPORT
21	1	EAC0053J15A	BRAKE SPACER
22	1	1-2676	PLUG-HOLE, 2"DIA
23	1	EAM0062G50A	VIBRATORY SYSTEM COVER
25	1	EAM0084J34A	DISPLAY SUPPORT ASSY
27	1	EAM0084J36A	WEIGHT-TRAY
29	2	EAW0239D07A	GROUND WIRE
33	1	EAW0243J02A	MAIN SWITCH INVERTER CABLE
34	1	7-16201A	TRANSFORMER- 500VA AUTOMATIC
35	2	1-10041	WASHER D.8 UNI6592-69/DIN125
36	2	1-02543A	WASHER - LOCK, M8
37	2	1-17709	SCREW - SHCS M8 X 20MM
38	1	EAA0369J87A	ASSY USER INTERFACE
39	2	1-39901A	SCREW - HHMS 8M X 50MM
40	2	1-10033	HEX NUT PREVAILING
41	2	1-07439A	NUT - SPEED, "U" TYPE,
42	1	EAW0282G91A	SONAR SENSOR CABLE IIC
43	1	EAW0282G92A	SONAR SENSOR IIC EXTENSION CABLE
44	1	EAS2113J53A	SHIELD - FIRE
45	2	1-2509	SCREW-BHCS, 1/4 - 20 X 5/8
50	1	EAP0275G10A	POTENTIOMETER INTFC BOARD
51	1	2-62148A	MALE CONN 6 POLE 2.5MM PIN SPACING
52	1	EAW0283G24A	USER INTERFACE HD HARNESS
56	1	8-23762A	LABEL - EARTH SYMBOL
	1	EAL0352J11A	SNAP ON DECAL
	1	EAL0352J19A	SNAP ON "S"

UPPER DISPLAY
EAA0369J87A



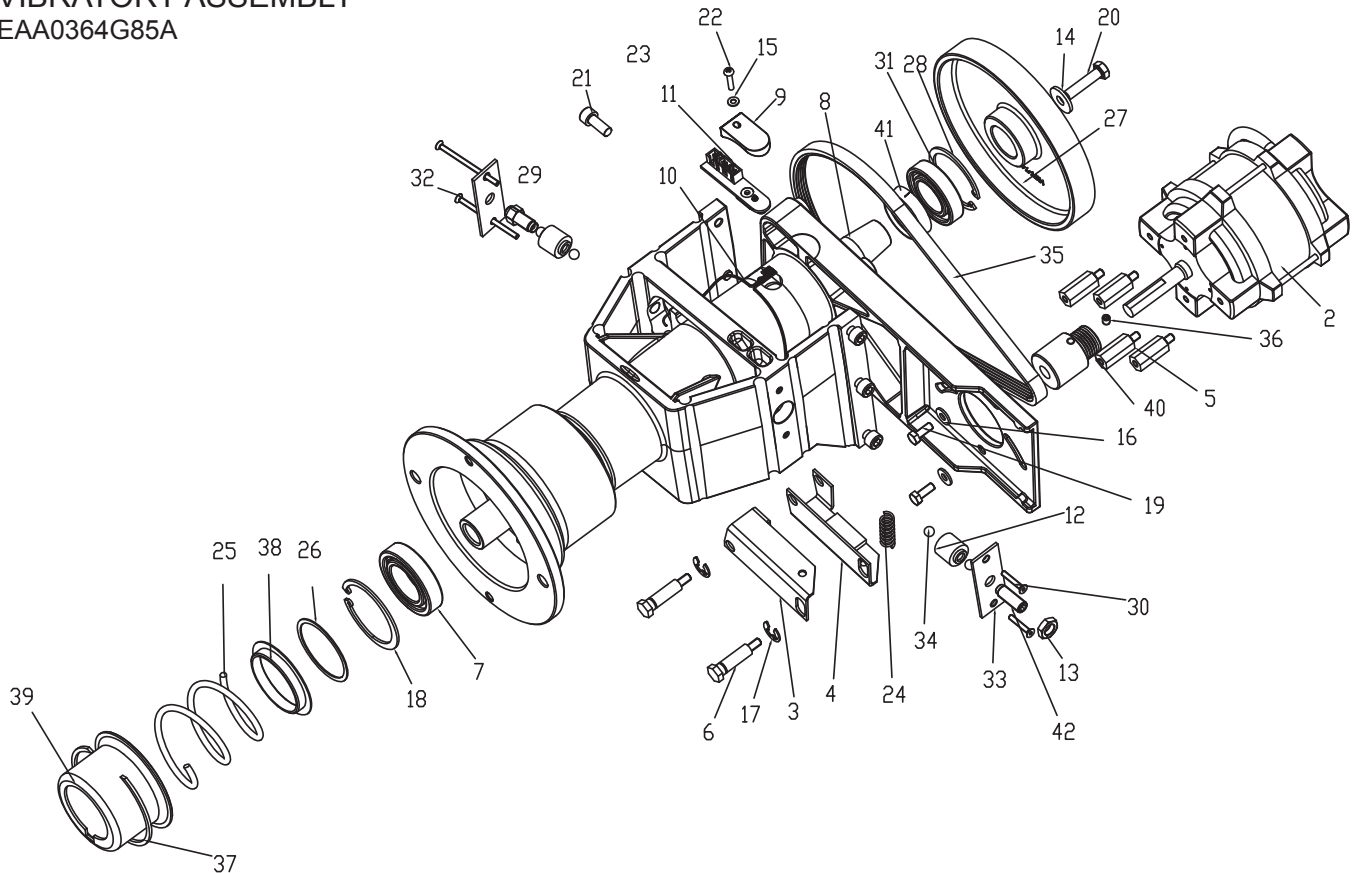
SYM	REQ	PART NO	DESCRIPTION
2	14	1-24606A	SCREW-PHMS,M4 X .7MM X 12MM
3	1	EAC0100G33A	CONSOLE DISPLAY BLACK
4	1	2-23201	TERMINAL LUG-6.3MM X .8MM POP RIVET
5	10	1-16561A	SPACER M4X60
6	1	2-01429A	CAPACITOR - 10UF, 400V
7	1	2-01529A	CAPACITOR - 20UF, 400V
8	1	EAA0394G56A	INTEGRATED DISPLAY PANEL SNAP-ON
9	1	EAS2128J62A	GS DISPLAY SUPPORT PLATE
10	4	1-18359A	THREADED INSERT M8X1,25
11	1	EAS2128J73A	MOUNTING BRACKET
12	1	EAL0341J98A	LABEL-BALANCER WARNINGS, EBOX
13	1	1-1548	WASHER-EXT,SHAKEPROOF 6MM
14	1	1-7558	POP RIVET-3/16"
15	1	8-23762A	LABEL - EARTH SYMBOL

2D SAPE ASSEMBLY
EAA0346J85A



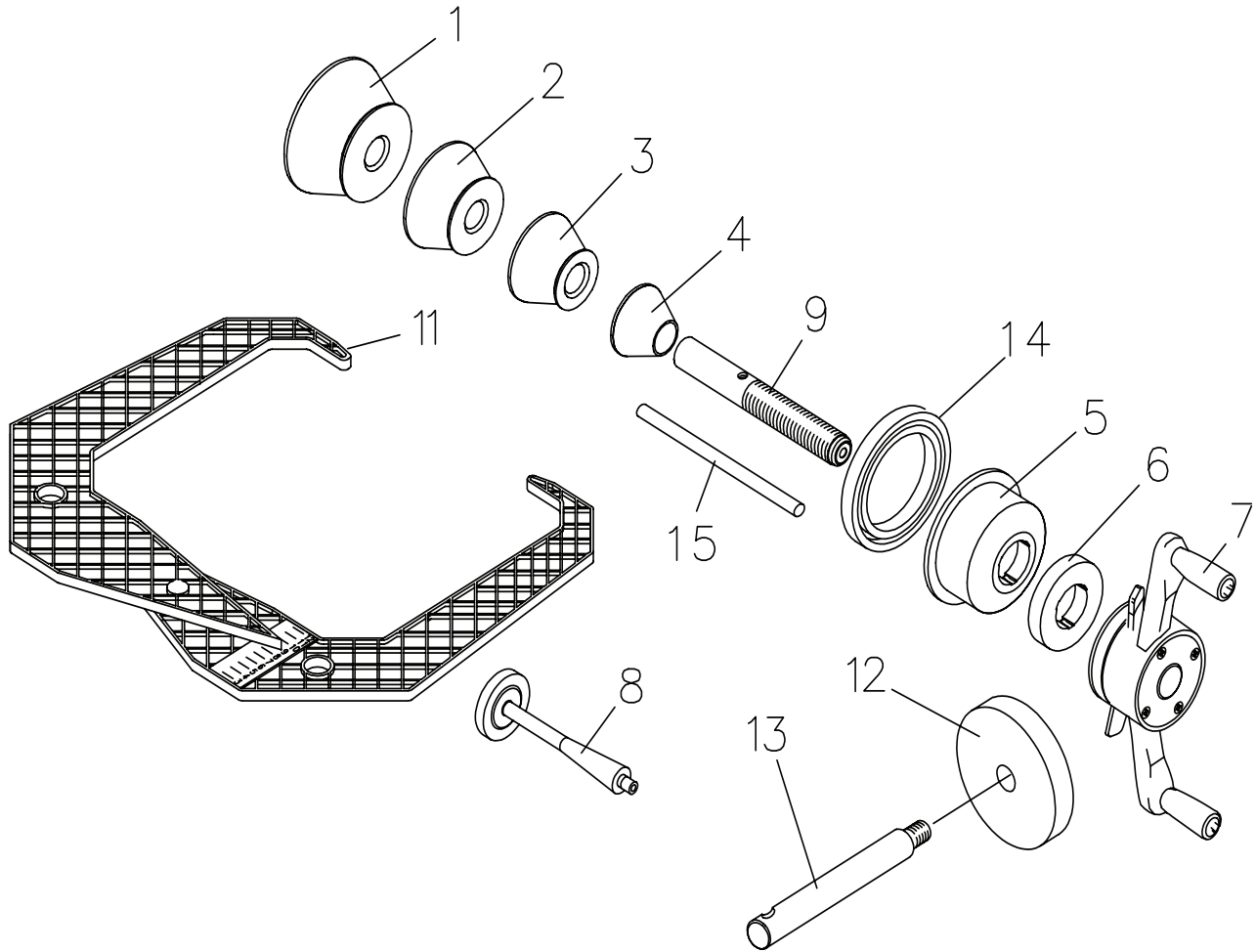
SYM	REQ	PART NO	DESCRIPTION
1	3	1-27903A	SCREW - M6 X 14MM FHMS, SKT DIN 7991
2	1	1-3824	SCREW-SELF TAP,6 X 12MM
3	12	1-9641	PLAIN WASHER D4MM
4	3	1-25433A	NUT-M6 KEPS, SERRATED LW ZINC
5	1	1-11233	NUT - HEX, M3 DIN 934
6	1	1-13609	SCREW-HHCS,M4-16 X 8.8
7	4	1-13909	SCR - HEX SKT HD CAP (M4 X 30MM)DIN912
9	1	1-06567A	STAND SAPE TENSION SPRING
11	2	1-11726A	SCREW, SELF TAPPING FOR PLASTIC
12	1	1-13377A	CIRCLIP-27MM X 1.20MM DIN 471
13	2	2-07657A	CLAMPING DEVICE W/NUT
14	1	6-00604A	ROPE - SPECTRA 1000, 150 LBS
15	2	EAA0266D20A	ROTATIVE TRANSDUCER 100HM
16	1	EAA0277D94A	SAPE ARM EUROPE W/ EJECTOR
17	1	EAC0058D06A	RIEMENHALTEROLLE MIT EINLEGETEIL
18	1	EAC0058D12A	COG WHEEL - 56 TOOTH
19	1	EAC0058D13A	COG WHEEL 28 TEETH
20	1	EAC0087G60A	M1 SAPE SUPPORT
21	1	EAL0349G31A	DISTANCE SCALE
22	4	EAM0005D35A	REEL-GUIDING,SAPE
23	1	EAM0053G19A	STANDARD. ROD SAPE, M1
24	1	EAM0068G76A	S2-2D SAPE BUSHING
25	1	1-4577	RING-SNAP,25 X 1.20

VIBRATORY ASSEMBLY
EAA0364G85A



SYM	REQ	PART NO	DESCRIPTION
1	1	EAM0079G46A	MACHINED INTEGRATED FLANGE FOR ALU VS
2	1	2-59366A	Y2K UL MOTOR CAR VERSION EME
3	1	EAA0260D56A	BRAKE LEVER A CPL.
4	1	EAA0260D57A	BRAKE LEVER B CPL.
5	4	EAM0005D09A	MOTOR DISTANCE BOLT
6	2	EAM0005D10A	BOLT SW13
7	1	1-06663A	BALL BEARING 6007 2NSE 62/35/14
8	1	EAM0048G97A	ALU VS MAIN SHAFT INT.FLANGE D 28/40
9	1	EAC0094G11A	ALU VS ENCODER BOARD PROTECTION
10	1	EAW0240G67A	VIBRAT.SYSTEM CABLE WITHOUT TEMP.SENSOR
11	1	EAA0344G00A	OPTO-ENCODER BOARD WITH LENS
12	2	EAA0260D59A	PIEZO SENSOR
13	1	1-04634A	NUT - HEX, M10, 1,5MM PITCH, ZINC
14	1	1-17841	WASHER - D. 8X24
15	1	1-9641	PLAIN WASHER D4MM
16	2	1-16641	WASHER PLAIN D 6MM
17	2	1-13177	CIRCLIP D. 9
18	1	1-20777A	RING, STOP FOR HOLES D62X2 UNI7437
19	2	1-46701A	SCREW HEX. HEAD M6X16
20	1	1-32901	SCREW, HEXAGON CAP 8X35 8.8 A2J DIN933
21	6	1-17709	SCREW - SHCS M8 X 20MM ISO4762, DIN912
22	1	1-35006A	SCREW - PHMS,M4X20 4.8 A2J DIN7985 **
23	1	EAA0364G80A	PREASS. ALU V.S. MOT. INTEGRATED FLANGE INTERF.
24	1	1-6568	COMPRESSION SPRING 1.6 X 10 X 58.5
25	1	1-6468	COMPRESSION SPRING 5 X 63 X 120
26	1	1-17641	WASHER
27	1	EAM0005D12A	DRIVE WHEEL
28	1	1-10477	RETAINING RING FOR BORES J55X2 DIN472
29	1	1-11833	NUT - M8 - X 1.25 DIN 934
30	2	1-17403	MSCR, FLH - M 4 X 25MM
31	1	1-1863	BALL BEARING 6006 ZZE
32	2	1-19903A	MSCR, FLH - M 4 X 65MM
33	2	1-2967	PRETENSION SPRING
35	1	8-3531	MULTIRIB BELT 5 PJ 711 DIN7867
36	1	1-28410	SET SCREW
37	1	1-13077	CIRCLE CLIP SB 92
38	1	6413918	SPRING CENTERING RING SHORT
39	1	6416521	SPRING CASE
40	1	EAM0005D08A	MOTOR PULLEY Y2K
41	1	EAC0058D94A	POLYGON RING
42	2	EAM0005D07A	M10X1 SET SCREW M10X29 "SNAP-ON"

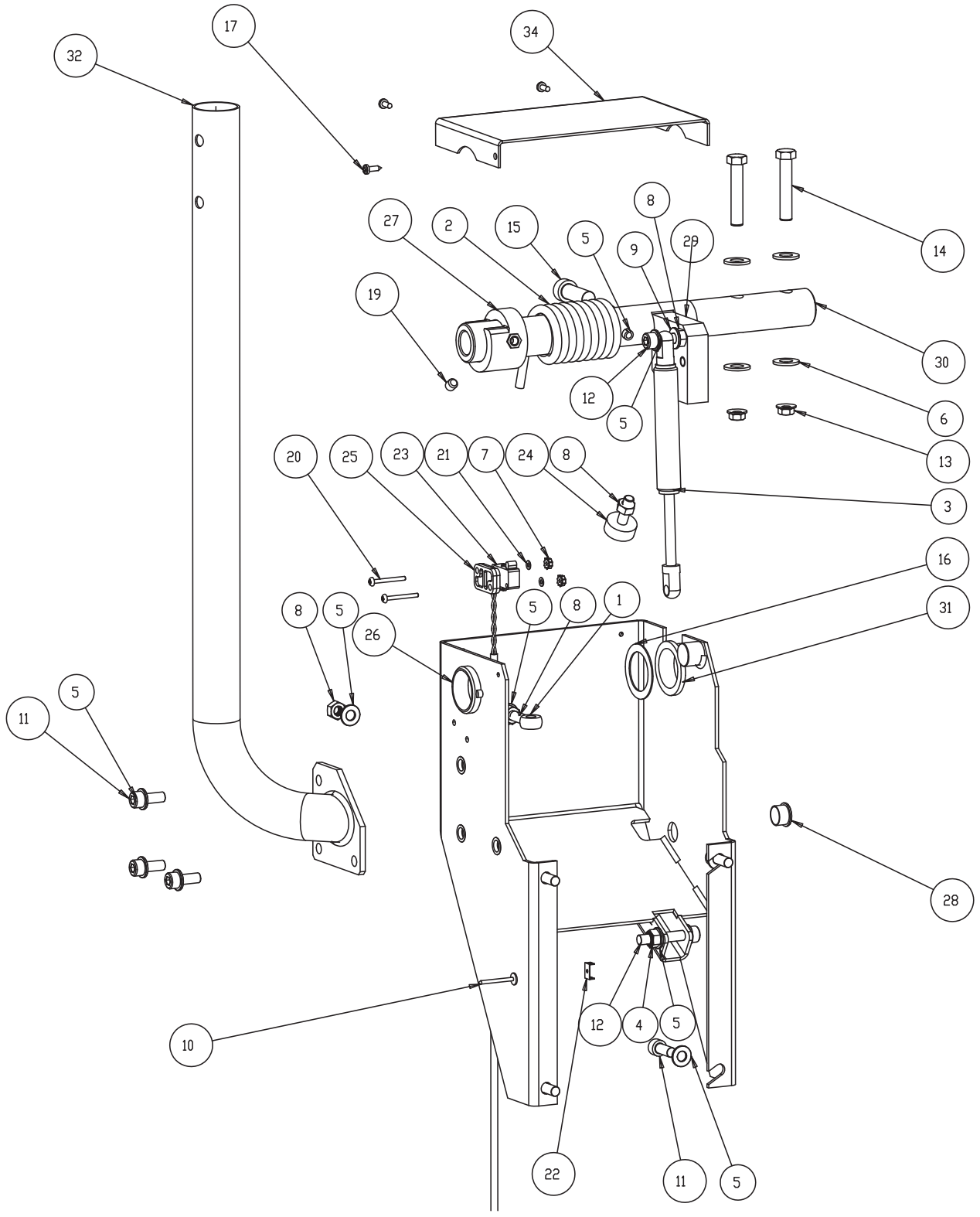
CONES AND ACCESSORIES
EEWB332A parts



ITEM	QTY	PART NUMBER	DESCRIPTION
1	1	EAM0003J69A	CONE, 89-132 MM (3.42" - 5.40")
2	1	EAM0005D25A	CONE, 71 - 99 MM (3.78" - 4.57")
3	1	EAM0005D24A	CONE, 56 - 84 MM (2.83" - 3.90")
4	1	EAM0005D23A	CONE, 43 -63 MM (1.65" - 3.03")
5	1	EAC0058D07A	CUP - PRESSURE
6	1	EAC0058D08A	DISK - PRESSURE
7	1	EAA0263G66A	QUICK NUT
8	1	EAM0005D40A	WEIGHT - CALIBRATION
9	1	EAM0021D90A	40 MM STUB SHAFT
11	1	EAA0247G21A	CALIPER - RIM WIDTH
12	4	EAC0060G02A	FLANGE - COVER, HOOK
13	4	EAM0006G01A	HOOK - STORAGE
14	1	EAC9958D15A	RUBBER PROTECTOR
15	1	EAM0005D34A	FASTENING ROD

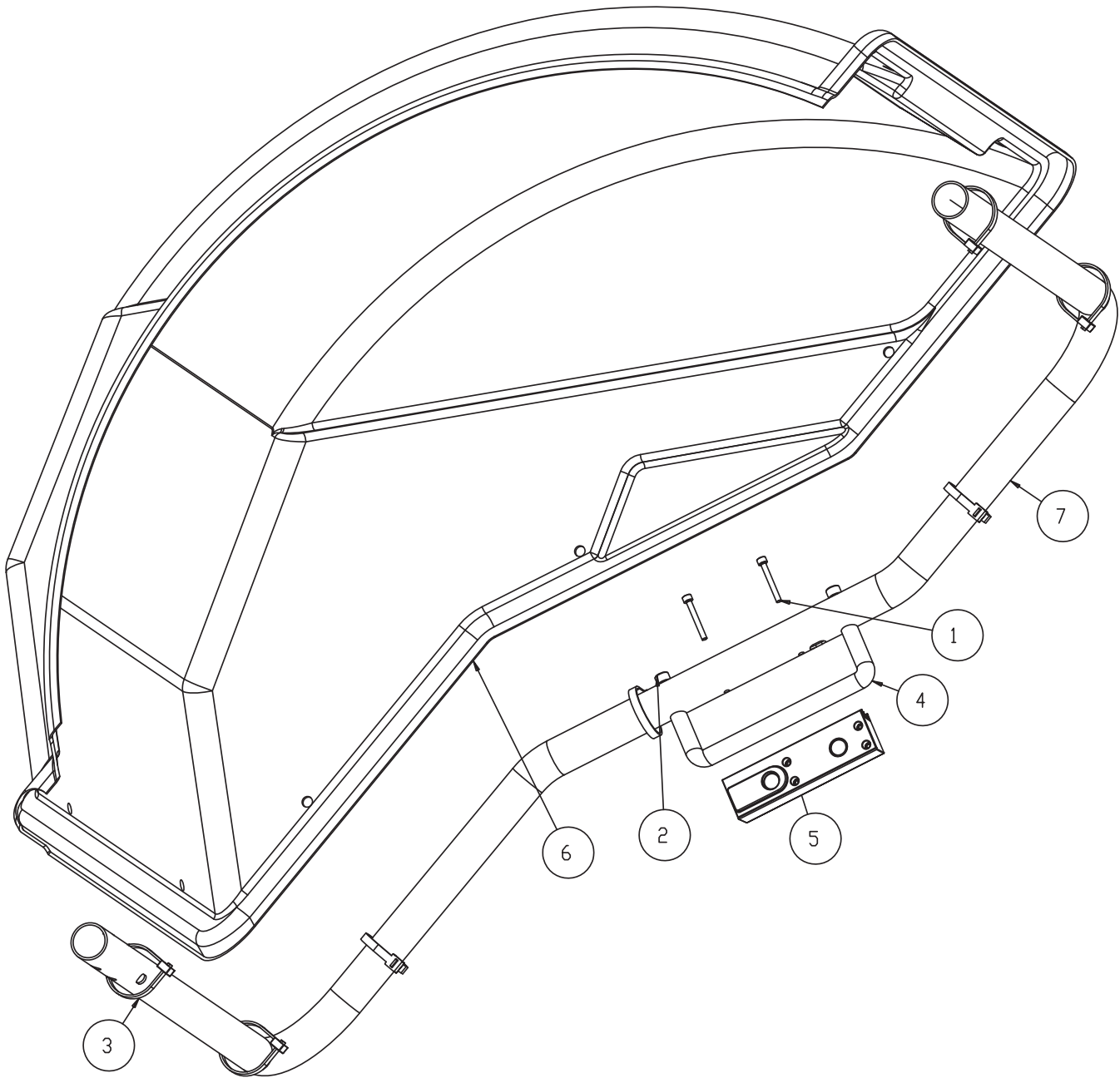
WHEEL GUARD SUPPORT

EAA0369J86A



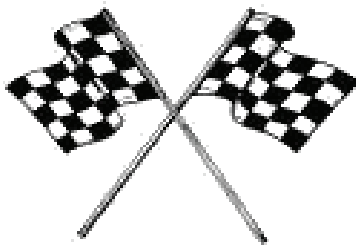
SYM	REQD	PART NO	DESCRIPTION
1	1	1-01530	EYEBOLT-M8 X 50
2	1	1-04267A	SPRING-TORSION
3	1	1-06769A	GAS SPRING
4	1	1-10033	NUT, HEX, M8
5	13	1-10041	WASHER D.8 UNI6592-69/DIN125
6	4	1-10141	WASHER, PLAIN DIN 125A
7	2	1-15033	NUT-KEPS, M3 - .5
8	4	1-15933A	NUT - HEX, M8
9	1	1-12452	PINS - STRAIGHT SLOTTED 8X45 DIN 1481
10	1	1-7558	POP RIVET-3/16"
11	7	1-17709	SCREW - SHCS M8 X 20MM
12	2	1-18209	SHCS-M8 X 45
13	2	1-8133	NUT & WASHER ASSY 3/8 - 16
14	2	1-1101	SCREW - HHMS 3/8 - 16 X 2.00
15	1	1-20409	SCREW TCEI M12X35 12.9 BR
16	1	1-22441A	SHIM RING 32X45X1
17	3	1-22623A	SELF-TAPPING SCREW TCB
19	1	1-47810	SCREW, SET, FLT PT M8 - 1.25 X 8MM
20	2	1-7104	SCREW - PAN HS, M3 X 30
21	2	1-9541	WASHER-FLAT,M3 DIN 125A
22	1	2-23201	TERMINAL LUG-6.3MM X .8MM POP RIVET
23	1	EAW0233J08A	CABLE-SWITCH ASSY
24	1	8-14418A	BUMPER 25X10 / M8X25
25	1	EAC0053J16A	MICROSWITCH PLATE
26	2	EAC0058D36A	WHEELGUARD BUSHING D.32
27	1	EAC0058D38A	SCHALTRING SWITCH SEGMENT
28	1	8-7216	PLUG-HOLE, 16MM DIA
29	1	EAM0084J28A	WHEELGUARD STOP
30	1	EAM0084J29A	BACKPACK SHAFT
31	1	EAS2128J70A	ASSY BACK PACK
32	1	EAS2128J72A	ASSY MONITOR
34	1	EAS2128J71A	WHEELGUARD LID

HOOD ASSEMBLY WITH SONAR
EAA0369J66A



SYM	REQ	PART NO	DESCRIPTION
1	2	1-15509	SCREW HSHC 5X40 8G ZINC
2	2	1-18209	SHCS-M8 X 45
3	7	5-03345A	CABLE TIE, PLASTIC
4	1	8-09233A	PLASTIC HANDLE
5	1	EAA0373G96A	ASSY SONAR BOX
6	1	EAC0100G21A	HOOD 42"
7	1	EAM0084J30A	L.E. VIDEO WHEELGUARD

Snap-on®



Notice: The information contained in this document is subject to change without notice. Snapon Equipment makes no warranty with regard to this material. Snapon Equipment shall not be liable for errors contained herein or for incidental consequential damages in connection with furnishings, performance, or use of this material.

This document contains proprietary information which is protected by copyright and patents. All rights are reserved. No part of this document may be photocopied, reproduced, or translated without prior written consent of Snapon Equipment.