

**COMPRESSOR**

Displacement (cm <sup>3</sup> )	12.1
Diameter (mm)	27.0
Stroke (mm)	21.13
Net Weight (Kg)	10.7
Oil type	ISO VG 10 MINERAL
Oil charge (cm <sup>3</sup> )	300

**MOTOR**

Approximate Power (CV)	1/5
Voltage/Frequency (V/Hz)	220V 50Hz
Voltage range (V)	187-264
Code	63.512
Type	RSIR
Phase number	1 PH
Locked rotor current (A)	10.9
Main W. resist. at 25°C (Ω)	14.17
Start W. resist. at 25°C (Ω)	18.25

**APPLICATION**

Application	Low back pressure
Refrigerant	R600a
Evaporating (°C)	-35 to -10
Expansion	Capillar
Comp. cooling	Static
Max. ambient temp. (°C)	43

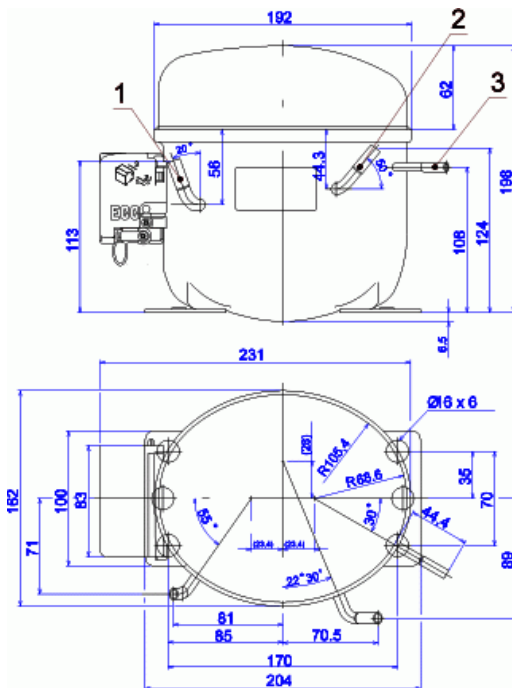
NOMINAL PERFORMANCE	CYCLE A	CYCLE B
Cooling capacity (kcal/h)	124	165
Input power (W)	128	134
EER (kcal/Wh)	0.96	1.23
COP (W/W)	1.12	1.43
Current (A)	0.83	0.86

**TEST CONDITIONS**

Evaporating temp. (°C)	-25.0	-23.3
Condensing temp. (°C)	55.0	55.0
Liq.t. entering expan. (°C)	55.0	32.0
Ambient t. and return (°C)	32.0	32.0
Tens/Freq (V/Hz)	220V 50Hz	220V 50Hz

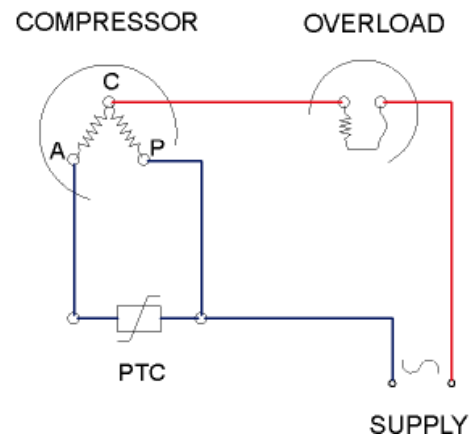
**ELECTRICAL COMPONENTS**

Relay	PTC 3003 - K100			
Nominal voltage (V)	200 - 240			
Resistance μ	14,00			
Protector	MSP327LZ	T0500	AE18FU	4TM265NFBY Y
Current (A)	6.3	5.7	6.3	9.2
Time check (seg)	7.5-14	7.5-14	7.5-14	5-15
Disc temp. (Open/Close) (°C)	120.0 / 61.0	135.0 / 62.0	120.0 / 62.0	120.0 / 61.0

**DIMENSIONS AND ELECTRICAL DIAGRAM**


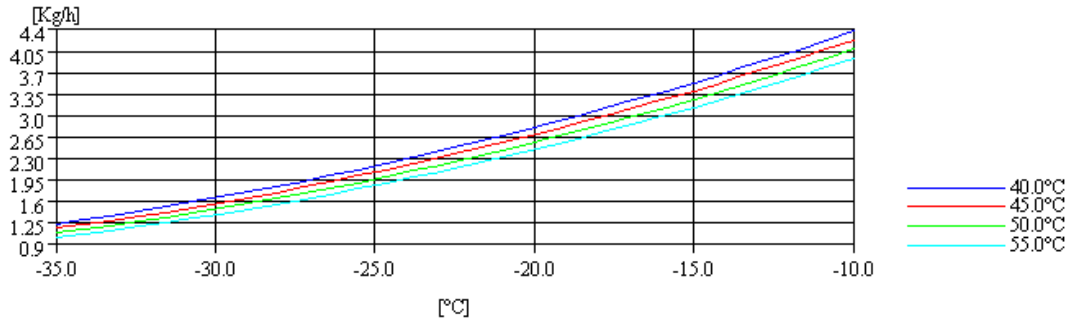
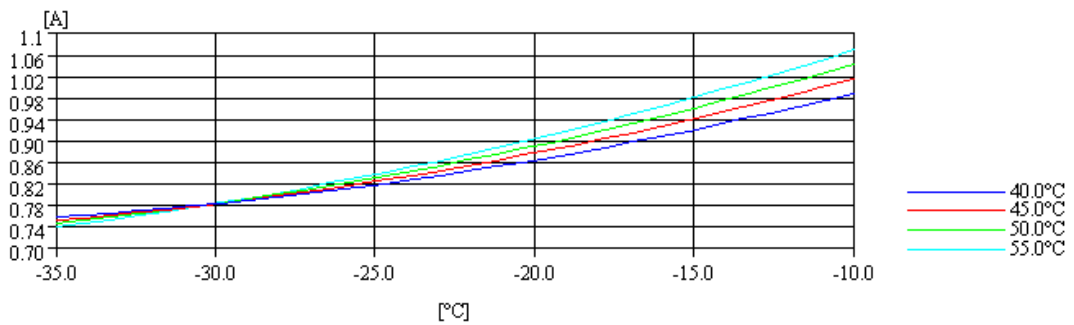
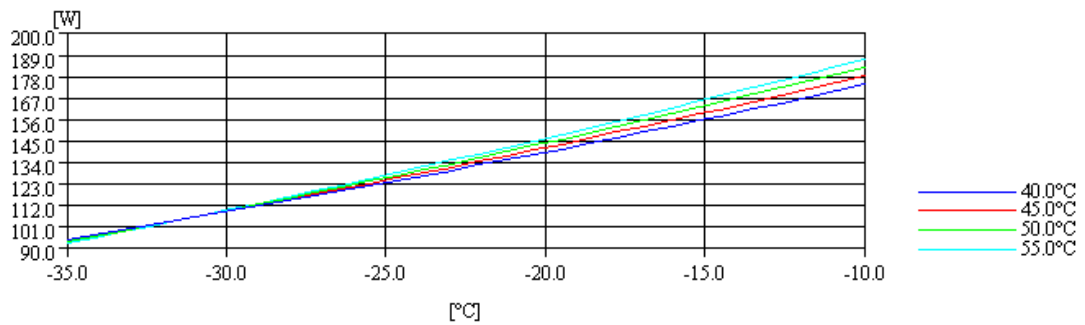
	DESIGNATION	INTERNAL DIAM. (MM)
1	Suction	8.1
2	Service	8.1
3	Discharge	6.5

**RSIR**



**TEST CONDITIONS**

Voltage/frequency	220V 50Hz
Ambient t. and return	32 °C
Liq.t. entering expan.	Subcooling at 32 °C

**MASS FLOW**

**INTENSITY**

**CONSUMPTION**

**COOLING CAPACITY**
