

### Overview

## HPE RDX Removable Disk Backup System

HPE RDX Removable Disk Backup System is a disk-based back up and recovery solution with unmatched portability, fast recovery and easy integration into a single server or branch office environment. HPE RDX works exceptionally well in harsh work environments where businesses need to protect, manage and transport large amounts of data in less than ideal locations. Complement your cloud backup strategy with a local copy so you can recover quickly and always feel confident your data is never far away.



Internal & External Dock

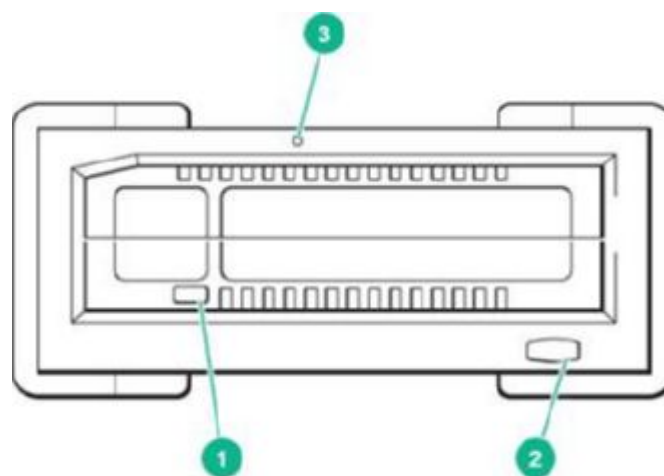
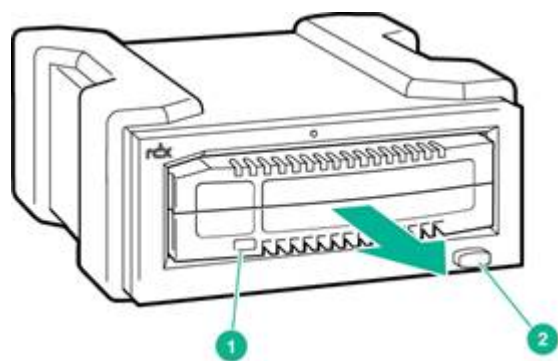


Removable Disk Cartridges

## What's New

HPE RDX 4TB cartridge and backup systems offer the highest available RDX capacity on the market today, increasing backup and recovery 33% over the previous available 3TB capacity.

There is currently a choice of 500 GB, 1 TB, 2 TB, 3 TB and now 4TB disk capacities.



### 1. Activity LED (located on cartridge)

- Blinking green, cartridge is connected to an RDX dock (reading, writing, seeking activity).
- On amber: The drive has detected a cartridge fault condition

### 2. Eject button/power LED

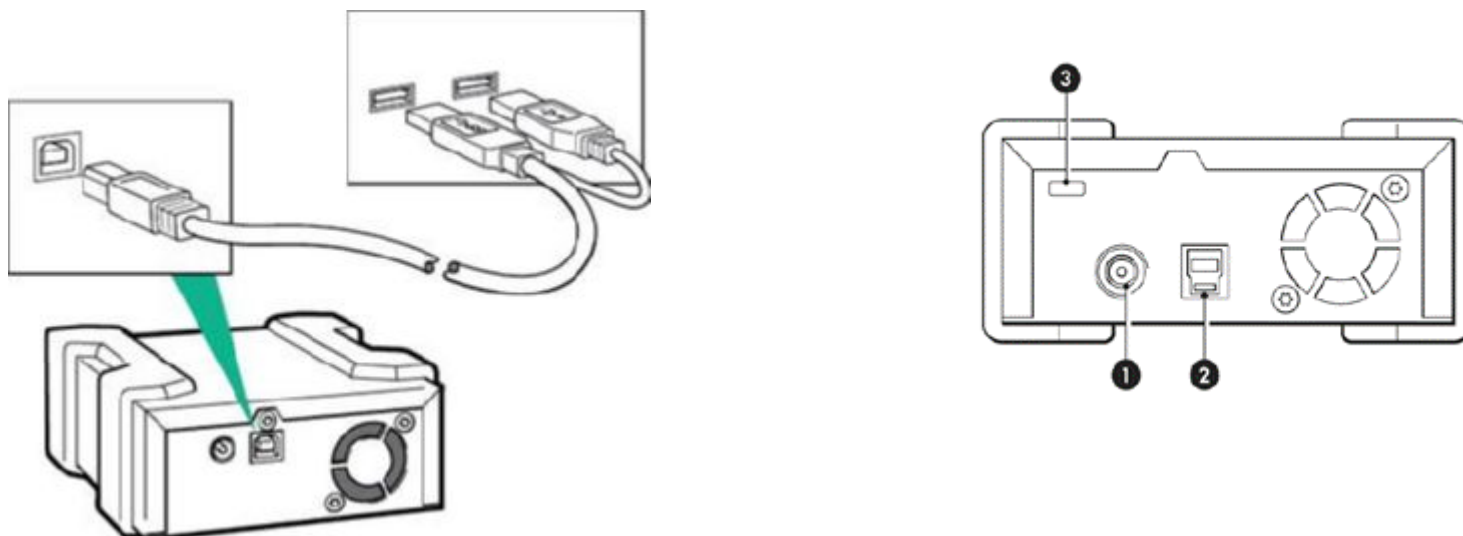
- Off: No power.

### Overview

- Green: Dock is ready for use.
- Blinking Green: Dock is ejecting the cartridge.
- Amber: Fault with the dock.
- Blinking Amber: Drive is waiting for cartridge activity to complete before ejecting.

### 3. Emergency eject hole.

If the cartridge cannot be ejected with the Eject button, insert the emergency eject pin, included with the product, into the emergency eject hole and gently push to release the cartridge.



1- Power socket - If two USB 2.0 ports do not provide sufficient power, an external power adapter can be used (power adapter not supplied). For specifications see the RDX User Guide at <http://www.hpe.com/support/rdx>.

2- USB 3.0 Port - For optimal performance, Hewlett Packard Enterprise recommends connecting the RDX+ drive to a USB 3.0 port. If the host system does not provide enough power from a single USB port, attach both USB connectors to the host computer.

3- Attach point for a Kensington lock located at the rear of the external drive so the unit can be easily secured, if required

### Product Highlights

### Key Features

- Low power ruggedized design offers flexibility to plug it in anywhere and feel confident the data is always available and safe
  - Cartridge style hard drive has a 97% survival rate compared to 0% for ordinary USB drives in a independent drop test.
  - Ability to recover quickly with disk to disk backup performance reaching speeds of up to 360 GB/hr.
  - Compatibility across various operating systems and virtualization platforms makes RDX simple to adapt into any small business environment
  - Built in static protection eliminates server or workstation failures due to statically charged peripherals
  - Supports drag and drop file access making backup as simple and convenient as the click of the mouse.
  - Supports disk spanning, just add cartridges during the backup process, dynamically increasing the backup.
  - Inner buffers built into the system lower disk drive vibration, increasing read/write disk performance.
  - Hewlett Packard Enterprise qualified and tested, making it easy to integrate into your server storage and networking environments.
  - Hardware read-only option preventing data from being accidentally erased
  - Internal dock option makes it easy to configure with ProLiant and StoreEver products
-

Pre-configured models

### Models



#### Internal Models

HPE RDX1000 USB3.0 Internal Disk Backup System

B7B67A

RDX Internal Docking Station, installation poster, internal USB cable, HPE RDX 1 TB Removable Disk Cartridge

**NOTE:** 0D1 will appear after this part number on your sales order if factory integration is indicated.

HPE RDX 2TB USB3.0 Internal Disk Backup System

E7X52A

RDX Internal Docking Station, installation poster, internal USB cable, HPE RDX 2 TB Removable Disk Cartridge

**NOTE:** 0D1 will appear after this part number on your sales order if factory integration is indicated.

HPE RDX 3TB USB 3.0 Internal Disk Backup System

P9L71A

RDX Removable Disk Backup System installation poster/flyer, internal USB cable, power cable, HPE RDX 3TB GB Removable Disk Cartridge

**NOTE:** 0D1 will appear after this part number on your sales order if factory integration is indicated.

HPE RDX 4TB USB 3.0 Internal Disk Backup System

Q2R32A

RDX Removable Disk Backup System installation poster/flyer, internal USB cable, power cable, HPE RDX 4TB GB Removable Disk Cartridge

**NOTE:** 0D1 will appear after this part number on your sales order if factory integration is indicated.

### Pre-configured models



### External Models

HPE RDX+ 1TB External Backup System B7B69B  
RDX External Docking Station, installation poster, external USB Y-cable, HPE RDX 1TB Removable Disk Cartridge

HPE RDX 2TB USB3.0 External Disk Backup System E7X53B  
RDX External Docking Station, installation poster, external USB Y-cable, HPE RDX 2TB Removable Disk Cartridge

HPE RDX+ 3TB USB 3.0 External Disk Backup System P9L72A  
RDX External Docking Station, installation poster, external USB Y-cable, HPE RDX 3TB Removable Disk Cartridge

HPE RDX 4TB USB 3.0 External Disk Backup System Q2R33A  
RDX External Docking Station, installation poster, external USB Y-cable, HPE RDX 4TB Removable Disk Cartridge

### Individual models

#### Docks

HPE RDX USB 3.0 Internal Docking Station

C8S06A

RDX Removable Disk Backup System Internal Docking Station installation poster/flyer, internal USB cable, power cable. Is backwards and forwards compatible with any RDX capacity media.



HPE RDX+ External Docking System

C8S07B

RDX Removable Disk Backup System External Docking Station installation poster/flyer, external USB Y-cable. Is backwards and forwards compatible with any RDX capacity media.



#### Media



HPE RDX 500GB Removable Disk Cartridge (Recommended)

Q2042A

HPE RDX 1TB Removable Disk Cartridge (Recommended)

Q2044A

HPE RDX 2TB Removable Disk Cartridge (Recommended)

Q2046A

HPE RDX 3TB Removable Disk Cartridge (Recommended)

Q2047A

HPE RDX 4TB Removable Disk Cartridge (Recommended)

Q2048A

Individual models

### Compatibility

#### Compatibility

The HPE extensive compatibility testing program assures that your HPE RDX Removable Disk Backup System works with leading servers, operating systems, and backup applications. For the latest list of operating systems and backup software that support the HPE RDX Removable Disk Backup System, visit our compatibility pages on our web site at <http://www.hpe.com/stc>

USB 3.0 is backwards compatible with USB 2.0; however if the host device does not support USB 3.0, you will not be able to experience the full transfer rate performance that their RDX USB 3.0 dock provides. We recommend the following controller for a user who currently only has USB 2.0: [HPE USB 3.0 Controller](#). HPE USB 3.0 controllers do not support this product.

---

#### HPE Server/ Storage Compatibility

The HPE RDX Removable Disk Backup System is compatible with Hewlett Packard Enterprise servers and storage devices.

---

##### HPE StoreEver 1U USB Rack-mount Kit

1U USB Rack-Mount Kit holds up to two internal HPE RDX/HPE RDX+ Removable Disk Backup Systems.

USB Cable Kit (one per internal RDX dock)

HPE StoreEver 1U Rackmount 2 meter USB 3.0 Type A Cable for one RDX drive.

#### HPE RDX Internal Disk Backup System

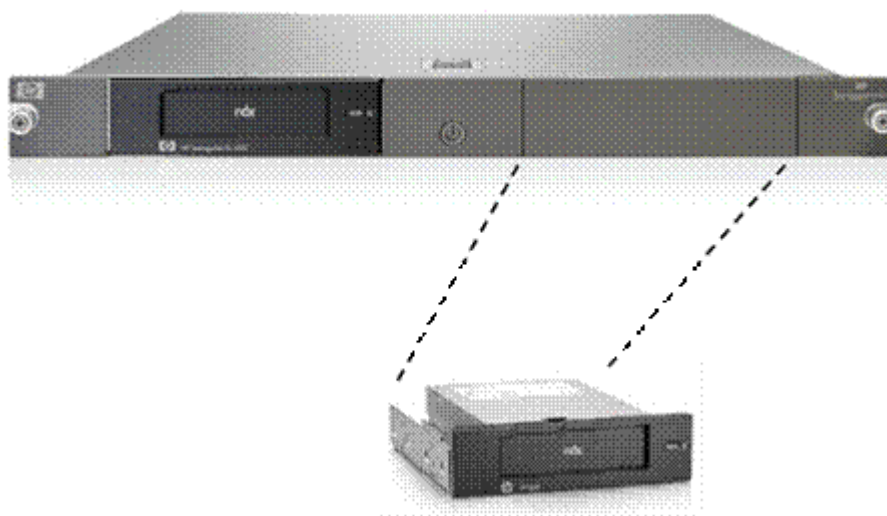
Please select RDX dock/capacity.

HPE RDX 1 TB Internal Disk Backup System

HPE RDX 2 TB Internal Disk Backup System

HPE RDX 3 TB Internal Disk Backup System

HPE RDX 4 TB Internal Disk Backup System



**NOTE:** Please refer to the following web page for further product information:

<https://www.hpe.com/nz/en/product-catalog/storage/tape-drives-and-enclosures/pip.hpe-storeever-rack-mount-kits.1010748961.html>

#### ProLiant Servers

DL Series

External RDX dock connectivity when USB port is present on server.



### Compatibility

#### ML Series

External RDX dock connectivity when USB port is present on back of server.

Internal RDX dock connectivity on ML30, ML150, ML350

For details and a full list of which HPE RDX Removable Disk Backup System models work with which server and storage systems, including third-party systems, visit:

<http://www.hpe.com/storage/spock> for the latest hardware compatibility information.

**NOTE:** Hewlett Packard Enterprise recommends that no more than one HPE RDX Removable Disk Backup System be connected to a system at a time.

### OS Support

#### Operating System

#### Version

Windows Client & Server Operating Systems

Windows Server 2016 Standard, Windows Server 2016 Datacenter, Windows Server 2012 (x86, x64) Standard, Windows Server 2012 (x64) Datacenter, Windows Server 2008 R2 Standard, Windows Server 2008 R2 Datacenter, Windows Server 2003 R2 Standard x64, Windows 8.1 (x86, x64), Windows 7 (x86, x64) SP1, Windows 7 (x86) SP2 or later)

Linux Distributions (Kernel ver. 2.6.9 and later)

RedHat Enterprise Linux  
SUSE Linux Enterprise Server  
CentOS Linux  
Fedora Core 5  
Clear OS

Apple

Mac-OS (OS X) 10.3 and later

Virtualization Compatibility

vSphere 6.5, Windows Server 2012, XenServer

**NOTE:** Please visit: <http://www.hpe.com/storage/spock> for the latest compatibility information.

## Service and Support, and Warranty Information

**Warranty and Services Included with the Product**

Hewlett Packard Enterprise provides a 3-year, next-day, parts exchange, limited warranty for the HPE RDX/HPE RDX+ Removable Disk Backup System, plus 9x5 phone support for the duration of the warranty.

Hewlett Packard Enterprise warrants only that the Storage software media will be free of physical defects for a period of ninety (90) days from delivery.

For more information about HPE's Global Limited Warranty and Technical Support, visit: <http://www.hpe.com/storage/warranty>

---

**Service and Support Protect your business beyond warranty with HPE Support Services**

HPE Technology Services delivers confidence, reduces risk and helps customers realize agility and stability. Our integrated portfolio of Services for storage help customers reduce costs, optimize data, streamline storage management, and improve backup and recovery. HPE Support Services enable you to choose the right service level, length of coverage and response time as you purchase your new storage solution, giving you full entitlement for the support for need for your IT and business.

---

**Recommended Support Services****Optimized Care****HPE Proactive Care\* with 6 hour call-to-repair commitment, three year Support Service**

HPE Proactive Care gives customers an enhanced call experience plus helps prevent problems and maintains IT stability by utilizing tailored, proactive reports with recommendations and advice when your products are connected to Hewlett Packard Enterprise. This Service combines three years' proactive reporting and advice with our highest level of hardware support - The Hewlett Packard Enterprise 24x7, six hour hardware call-to-repair. Hewlett Packard Enterprise is the only leading manufacturer who makes this level of coverage available as a standard service offering for your most valuable storage systems. <https://www.hpe.com/h20195/v2/GetPDF.aspx/4AA3-8855ENW.pdf>

**Standard Care****HPE Proactive Care\* with 24x7 coverage, three year Support Service**

HPE Proactive Care gives customers an enhanced call experience plus helps preventing problems and maintains IT stability by utilizing personalized proactive reports with recommendations and advice when your products are connected to Hewlett Packard Enterprise. This Service combines three years' proactive reporting and advice with our 24x7 coverage, four hour hardware response time when there is a problem.

<https://www.hpe.com/h20195/v2/GetPDF.aspx/4AA3-8855ENW.pdf>

**NOTE:** \*HPE Proactive Care and HPE Proactive Care Advanced require that the customer connect their devices to make the most of these services and receive all the deliverables.

**Basic Care****HPE Foundation Care 24x7, three-year Support Service**

HPE Foundation Care 24x7 gives you access to Hewlett Packard Enterprise 24 hours a day, seven days a week for assistance on resolving issues. This service includes need based Hardware onsite response within four hours. Simplify your support experience and make Hewlett Packard Enterprise your first call to help resolve hardware or software

## Service and Support, and Warranty Information

problems.

<http://www.hpe.com/h20195/V2/GetDocument.aspx?docname=4AA4-8876ENW&cc=us&lc=en>

---

**More Information**     <http://www.hpe.com/services>

---

**Parts and Materials**     Hewlett Packard Enterprise will provide HPE-supported replacement parts and materials necessary to maintain the covered hardware product in operating condition, including parts and materials for available and recommended engineering improvements. Parts and components that have reached their maximum supported lifetime and/or the maximum usage limitations as set forth in the manufacturer's operating manual, product quick-specs, or the technical product data sheet will not be provided, repaired, or replaced as part of these services. The defective media retention service feature option applies only to Disk or eligible SSD/Flash Drives replaced by Hewlett Packard Enterprise due to malfunction.

## Technical Specifications

### Performance and Compatibility

**Native Capacity** 500GB, 1TB, 2TB, 3TB or 4TB

**Compressed\* Capacity** 1TB, 2TB, 4TB, 6TB or 8TB

**NOTE:** \*Assumes 2:1 application based data compression.

**Native average sustained transfer rate** Up to 100 MB/s

**Compressed\* average sustained transfer rate** Up to 200 MB/s

**NOTE:** \*Assumes 2:1 application based data compression.

**Average Access time** < 15 ms

**Supported File Systems** NTFS, FAT32, ext2, ext3, ext4 and Mac OS Extended (HFS+)

**Supported Operating Systems** Windows XP, Windows Vista SP1, Windows 7, Windows 8, Windows Server 2003, Windows Server 2003 R2, Windows Server 2008, Windows Server 2008 R2, Windows Server 2012, Windows Server 2012 R2, Small Business Server 2008, Small Business Server 2011, CentOS Linux, Fedora Core 5, RHEL, SLES, OS X  
(HPE RDX Compatibility details are available at <http://www.hpe.com/storage/spock>)

**RDX Cartridge Compatibility** Forward and backward compatible to all RDX drives and systems (Note, a firmware upgrade is required for legacy RDX USB 2.0 drives, for use with 3TB or 4TB cartridges. See <http://www.hpe.com/support/rdx>).

### Reliability

**MTBF (Drive)** 550,000 hours

**Uncorrected Error Rate** 1 error per 10<sup>14</sup> bits read

**Load/ Unload Cycles**  
 Drive Minimum of 10,000 Load/Unload cycles  
 Cartridge Minimum of 5,000 Load/Unload cycles

**Cartridge Drop Shock (non-operating)** 1m drop to tile over concrete floor

### Power Specifications and Interface

**Voltage**  
 Internal Drive +5V or +12V  
 External Drive +5V (USB powered or Power Adaptor) or +12V (Power Adaptor)

**Operating Current during write/read (Typical/Peak)**  
 Internal Drive @ 5V 0.9A / 1.6A  
 Internal Drive @ 12V 0.005A  
 External Drive @ 5V 0.9A / 1.6A (powered via USB)  
 External Drive @ 5V 1.2A / 2.4A (powered via Power Adaptor)  
 External Drive @ 12V 0.5A / 1A (powered via Power Adaptor)

### Technical Specifications

<b>Power Connector</b>	Internal Drive	4-Pin Molex
	External Drive	USB 3.0 Y-cable (supplied) or Power Adaptor (not supplied)
<b>Interface</b>	Internal Drive	USB 3.0 SuperSpeed (Type-B connector)
	External Drive	USB 3.0 SuperSpeed (Type-B connector)
<b>Orientation (Mounting and Operational)</b>	Internal Drive	Horizontal or Vertical
	External Drive	Horizontal or Vertical
<b>Environmental</b>		
<b>Operating Conditions</b>	Temperature	+10°C to +40°C (+50°F to +104°F)
	Vibration	0.5G (operating)
	Relative Humidity	20% to 80%, non-condensing
	Altitude	-15 m to 3,048 m (-50 ft to 10,000 ft)
<b>Non-Operating Conditions</b>	Temperature	-40°C to +65°C (-40°F to +149°F)
	Vibration	1.0G (non-operating)
	Relative Humidity	8% to 90%, non-condensing
	Altitude	-15 m to 10,660 m (-50 ft to 35,000 ft)
<b>Archival Conditions</b>	Temperature	5°C to +26°C (41°F to 78°F)
	Relative Humidity	8% to 90%, non-condensing
	Maximum Wet Bulb	25°C (77°F), non-condensing
<b>Dimensions</b> Product only (no Packaging)	Internal Drive (H x W x D)	1.63 x 5.78 x 6.72 inches (4.14 x 14.60 x 17.07 cm) including bezel
	External Drive (H x W x D)	2.04 x 4.32 x 7.00 inches (5.18 x 10.98 x 17.75 cm) including bezel
	Cartridge (H x W x D)	0.92 x 3.39 x 4.68 inches (2.34 x 8.66 x 11.9 cm)
<b>Shipping</b> (Product and Packaging)	Internal Drive (H x W x D)	8.1 x 11.2 x 3.3 inches (20.9 x 28.0 x 8.6 cm)
	External Drive (H x W x D)	6.5 x 9.8 x 3.6 inches (16.4 x 25.0 x 9.2 cm)
	Internal System** (H x W x D)	8.1 x 14.6 x 3.3 inches (20.9 x 37.0 x 8.6 cm)
	External System** (H x W x D)	6.7 x 9.8 x 5.5 inches (17.0 x 25.0 x 14.0 cm)
	Cartridge only (H x W x D)	4.52 x 7.48 x 2.75 inches (11.5 x 19.0 x 7.0 cm)

**NOTE:** \*\*System = Drive and Cartridge.

## Technical Specifications

### Weights

Internal Drive	1.40 lb (408g)
External Drive	1.35 lb (615g)
Cartridge	up to 0.60 lb (272g) HDD dependent

### Shipping

(Products and Packaging)

Internal Drive	2.38 lb (1080g)
External Drive	2.28 lb (1036g)
Internal System**	3.08 to 3.37 lb (1395 to 1527g) HDD dependent
External System**	3.12 to 3.35 lb (1414 to 1519g) HDD dependent
Cartridge	0.76 lb to 1.04 lb (344g to 470g) HDD dependent

**NOTE:** \*\*System = Drive and Cartridge.

### Standards Compliance

(all models)

SAFETY COMPLIANCE	Regulatory Organization	Compliant to / mark:
Country		
USA	Underwriters Laboratories (UL)	UL 60950-1
EU member nations	European Committee for Electrotechnical Standardization (CENELEC)	IEC 60950 / EN60950
Canada	Underwriters Laboratories (cUL)	CAN/CSA C22.2 60950-1
Germany	Technischer Überwachungs-Verein (TUV) Rheinland	IEC 950 / EN60950-01
Mexico	Normas Oficiales Mexicanas (NOM), similar to UL	NOM standards
Singapore	Productivity and Standards Board (PSB)	PSB safety certification
South Korea	JEON	eK certification
Argentina	Instituto Argentino de Racionalization de Materiales (IRAM)	S-Mark safety certification
China	Chinese Commodity Import Bureau (CCIB)	CCC safety certification
Member nations of IECIEE4	IECEE International Electrotechnical Commission on Electrical Equipment (IECEE) for Mutual Recognition of Test Certificates for Electrical Equipment "CB Scheme"?	CB Scheme per IEC 950 / EN60950-01 with details and exceptions for each member country
Russia	GOSSTANDART (GOST)	CB Scheme
Malaysia	JBE SIRIM	CB Scheme
South Africa	SABS	CB Scheme
Israel	SII	CB Scheme
Saudi Arabia	KSA-ICCP	CB Scheme
Japan	PSE	CB Scheme
Taiwan	Bureau of Commodity Inspection and Quarantine (BSMI)	BSMI safety certification

## Technical Specifications

Australia /

New South Wales N-mark

CB Scheme

New Zealand

## Summary of Changes

Date	Version History	Action	Description of Change
13-Aug-2018	From Version 27 to 28	Changed	Pre-configured models, Individual models, and Compatibility were revised.
06-Nov-2017	From Version 26 to 27	Changed	Fixed the Tech Specs section.
25-Sept-2017	From Version 25 to 26	Changed	Changes made throughout the QuickSpecs.
08-May-2017	From Version 24 to 25	Changed	Added the Veeam Endpoint, Windows Backup.
27-Mar-2017	From Version 23 to 24	Changed	Changes made throughout the QuickSpecs.
07-Jun-2016	From Version 22 to 23	Changed	Changes made throughout the QuickSpecs.
19-Feb-2016	From Version 21 to 22	Changed	Image on page 1 was updated.
16-Oct-2015	From Version 20 to 21	Added	Added mention of Yosemite Backup software + Fixed Disk Mode. Added new picture of RDX+ system.
		Removed	Removed DL erver Backup Modules. Removed RDX External Disk Backup Systems. Removed RDX docking Station. Removed mention of CDP software. Removed 320 GB cartridges and systems. Removed mention of any CD's in kit contents.
05-Jun-2015	From Version 19 to 20	Changed Added	Modified to have RDX+ be a version. Added all previous SKUs that were incorrectly deleted.
01-Jun-2015	From Version 18 to 19	Changed	Added RDX+ SKUs, removed all RDX system and RDX Docking station SKUs.
15-Sep-2014	From Version 17 to 18	Changed	Changed the picture from fist page.
31-Mar-2014	From Version 16 to 17	Changed	Changes made to Overview, What's New, Features and Technical Specifications sections.
25-Mar-2013	From Version 15 to 16	Changed	Changes made to Overview, What's New, Features and Kit Contents sections.
26-Nov-2012	From Version 14 to 15	Changed	Change made to Kit Content titles in Kit Content section.
13-Nov-2012	From Version 13 to 14	Changed	Correction made to the North America and Canada versions only.
12-Oct-2012	From Version 12 to 13	Changed	Change made to the URL in Service and Support, HPE Pointnext operational and Warranty Information section.
21-Sep-2012	From Version 11 to 12	Changed	Change made to the URL in Service and Support, HPE Pointnext operational and Warranty Information section.
14-Sep-2012	From Version 10 to 11	Changed	Changes were made in Compatibility section.



## Summary of Changes

13-Aug-2012	From Version 9 to 10	Changed	Changes made throughout the QuickSpecs.
08-Jun-2011	From Version 8 to 9	Removed	Mentions of StorageWorks were removed.
15-Nov-2010	From Version 7 to 8	Changed	HPE RDX 1TB Removable Disk Backup System was added and HPE RDX 750GB Removable Disk Backup System was removed.  HPE ProLiant DL385 G7 Server was added.  www.hp.com/storage/spock was added to Compatibility.
27-Sep-2010	From Version 6 to 7	Changed	Kit Contents models were completely revised, Product descriptions were revised in Media and Models were removed from the Overview.
16-Feb-2010	From Version 5 to 6	Changed	Changes made throughout the entire QuickSpecs.
05-Jun-2009	From Version 4 to 5	Changed	Updated the Out of box, Removable Disk Cartridge Weight and Shipping, Removable Disk Cartridge Weight for the HPE RDX 500 and HPE RDX DL380 G6 server module in the Technical Specifications section.
01-Apr-2009	From Version 3 to 4	Added	Added "including the HPE ProLiant DL380 G6 servers" to the Compatibility section.
30-Mar-2009	From Version 2 to 3	Changed	Revised the Introduction and What's New sections. Other updates made throughout the QuickSpecs.
17-Nov-2008	From Version 1 to 2	Added	Added Model numbers AP724A, AP725A, AP726A.
		Changed	Changes made throughout the entire QuickSpecs.



© Copyright 2018 Hewlett Packard Enterprise Development LP. The information contained herein is subject to change without notice. The only warranties for Hewlett Packard Enterprise products and services are set forth in the express warranty statements accompanying such products and services. Nothing herein should be construed as constituting an additional warranty. Hewlett Packard Enterprise shall not be liable for technical or editorial errors or omissions contained herein.

Microsoft and Windows NT are US registered trademarks of Microsoft Corporation. Intel is a US registered trademark of Intel Corporation.

For RDX+ drives and media, 1 GB = 1 billion bytes. Actual formatted capacity is less.

c04111633 - 13036 - Worldwide - V28 - 6-August-2018

