
5000 twin auger HD mixers

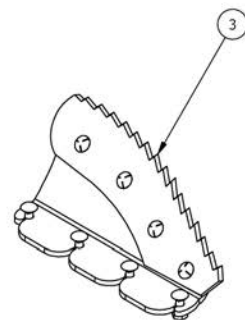
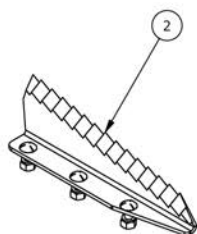
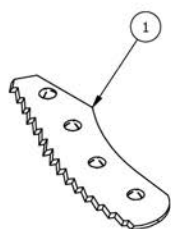
Table of Contents

Book Page	Page Number
Auger	
Knife Options	5
Slide Plate Auger	6
Angling Blade Auger	8
Axle	
Axle ID Chart	10
Axle Mounts (cast)	11
Axle Mounts (welded, U-bolts)	13
Axle Mounts (welded, clamps)	15
Wheels	17
Hub 10-Bolt	18
Hub - Braked 21.5T	20
Hub - Braked 28T	22
Conveyor	
Conveyor Wing - 41in & 48in	24
Conveyor Wing - 60in & 72in	26
6ft Conveyor	28
6ft Conveyor with Wing	30
8ft & 9ft2in Conveyor (top view)	32
8ft & 9ft2in Conveyor (bottom view)	34
36in Conveyor (top view)	36
36in Conveyor (bottom view)	38
Conveyor Shields - 6ft	39
Conveyor Shields - Wings	41
Conveyor Shields - 8ft & 9ft2in part 1	43

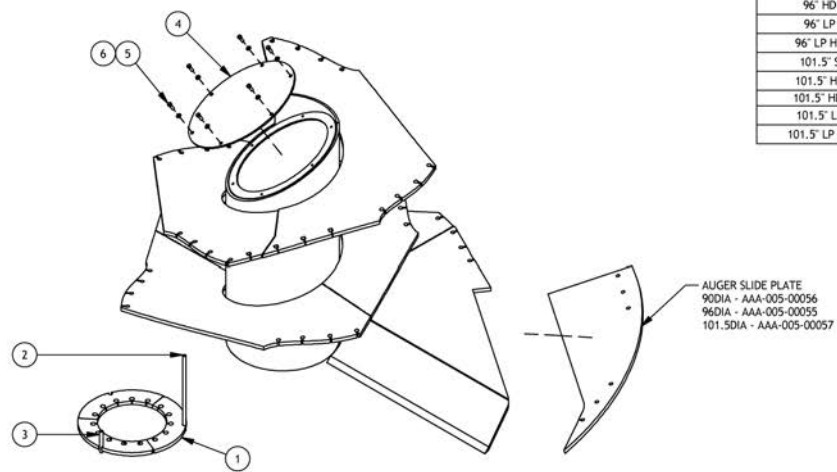
Conveyor Shields - 8ft & 9ft2in part 2	45
Conveyor Shields - 36in	47
Conveyor Magnet Chute	48
Conveyor Dual Drop Boot	49
Conveyor Drive Shaft	51
36in Conveyor Hydraulics	52
6ft41in Conveyor Hydraulics	53
6ft48in Conveyor Hydraulics	55
6ft60in Conveyor Hydraulics	57
6ft72in Conveyor Hydraulics	59
Dual Drop Boot Hydraulics	61
Dual Discharge Conveyor Hydraulics	62
Right Discharge Conveyor Hydraulics	63
Driveline	
1603 Lower Planetary	64
1602/1603 Upper Planetary	65
1602/1603 Input/Output Seals	66
1602/1603 Bearings	67
ECS2013 Hardware	68
ECS2013 Bevel Gear	69
2-Speed Gearbox AP602 (1.3:1)(1:1)	71
2-Speed Gearbox AP602 (1.8:1)(1:1)	73
2-Speed Gearbox ODG 1.3:1 & 1.8:1	75
2-Speed Remote Shifter AP502 & AP602	77
2-Speed Remote Shifter ODG	79
Standard Driveline Parts	81
2-Speed Driveline Parts	83
PTO AAB-007-00158	85
PTO AAB-007-00159	86
PTO AAB-007-00160	87
PTO AAB-007-00161	88

PTO AAB-007-00163	89
PTO AAB-007-00167	91
PTO AAB-007-00830	93
PTO AAB-007-00835	95
PTO AAB-007-00840	97
Lube System 5750HD, 5850HD, 51000HD	99
Lube System 51520HD	100
Grease Lines	101
Drum	
Viewing Window	102
Extensions	103
Restrictor Blade	104
Hay Ring	105
Front Door Panel & Tracks	106
Rear Door Panel & Tracks	108
Corner Door Panel & Tracks	110
C-Side Door Panel & Tracks	112
Front Door Arm	114
Corner Door Arm	115
Rear Door Shield	116
Corner Door Shield	118
C-Side Door Shield	120
Corner Door Chute	121
C-Side Door Chute	122
Ladder 5750HD, 5850HD, 51000HD	123
Ladder 51250HD	124
Front Door Hydraulics	125
Front Corner Door Hydraulics	126
Rear Corner Door Hydraulics	127
Rear Door Hydraulics	128
Front C-Side Door Hydraulics	129

Rear C-Side Door Hydraulics	131
Electrical	
Scale System	133
Scale Accessories	134
Safety Lighting	135
Front-End	
Hitch (std)	136
Hitch (Ball)	137
Front Frame Assy	138



Pos	SKU	Description	Qty	Remark
1	AAA-005-00226	STANDARD KNIFE KIT (INCL HARDWARE)	1	
1	AAA-005-01028	STANDARD 10 KNIFE KIT (INCL HARDWARE)	1	
2	AAA-005-00225	VERTICAL KNIFE KIT (INCL HARDWARE)	1	
3	AAA-005-00224	ALEXANDER KNIFE KIT (INCL HARDWARE)	1	



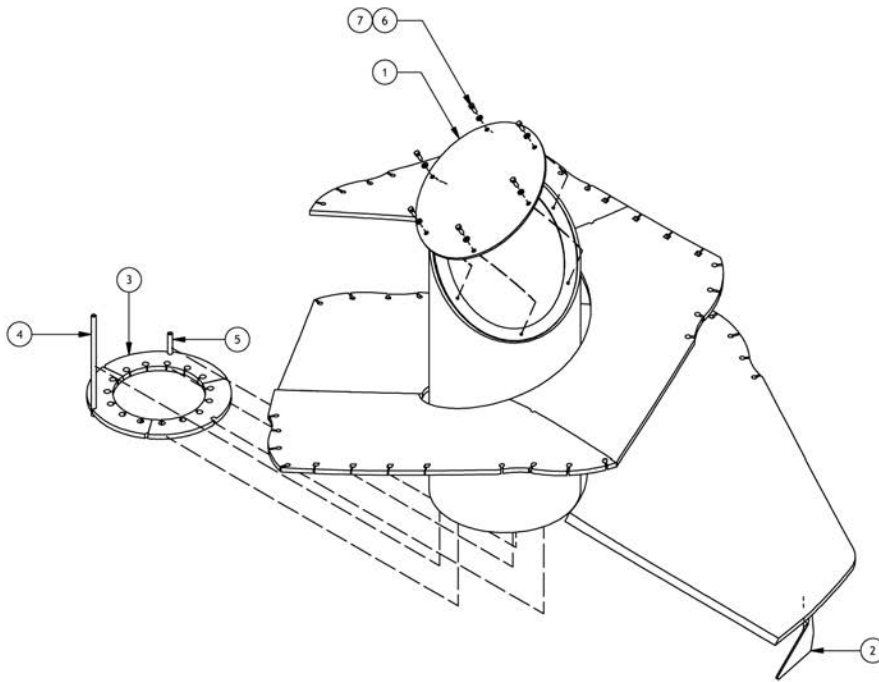
AUGER PART NUMBERS	
AUGER SIZE	PART NUMBER
90" S	AAA-005-00060
90" HD	AAA-005-00265
96" S	AAA-005-00069
96" HD	AAA-005-00238
96" LP	AAA-005-00328
96" LP HD	AAA-005-00332
101.5" S	AAA-005-00063
101.5" HD	AAA-005-00251
101.5" HD*	AAA-005-00296
101.5" LP	AAA-005-00121
101.5" LP HD	AAA-005-00283

AUGER SIZE CHART			
MODEL	90"DIA	96"DIA	101.5"DIA
5350	S		
5400			LP
5425		S	
5575			S
5600		LP	
5650	S		
5750	S, HD		
5850		S, HD	
51000			HD
51250			HD*

S - STANDARD AUGER
 HD - HEAVY DUTY AUGER
 LP - LOW PROFILE AUGER

Pos	SKU	Description	Qty	Remark
1	AAA-005-00061	AUGER SUPT RING	3	
2	AAA-005-00978	AUGER PIPE SCH 40 1/4 IN PIPE 14-1/2 IN LONG	1	
3	AAA-005-00979	AUGER PIPE SCH 40 1/4 IN PIPE 4 IN LONG	1	
4	AAA-005-00066	4000 SERIES AUGER CAP	1	
5	AAB-015-10056	BOLT HEX 3/8 X 1 UNC GRD 2	6	
6	AAB-015-30017	WSHR LOCK 3/8	6	
SLIDE PLATES	AAA-005-00060	SLIDE PLATE AUGER ASSY 90DIA	1	MODEL: 5350, 5650, 5750
SLIDE PLATES	AAA-005-00063	SLIDE PLATE AUGER ASSY 101DIA	1	MODEL: 5575
SLIDE PLATES	AAA-005-00069	SLIDE PLATE AUGER ASSY 96DIA	1	MODEL: 5425, 5850
SLIDE PLATES	AAA-005-00121	4000 SERIES AUGER ASSY 101.5DIA LP	1	MODEL: 5400
SLIDE PLATES	AAA-005-00238	4000 SERIES AUGER ASSY 96DIA HD	1	MODEL: 5425, 5850 - HD AUGER
SLIDE PLATES	AAA-005-00251	4000 SERIES AUGER ASSY 101.5DIA HD	1	MODEL: 5575, 51000 - HD AUGER

Pos	SKU	Description	Qty	Remark
SLIDE PLATES	AAA-005-00265	4000 SERIES AUGER ASSY 90DIA HD	1	MODEL: 5350, 5650, 5750 - HD AUGER
SLIDE PLATES	AAA-005-00283	4000 SERIES AUGER ASSY 101.5DIA LP HD	1	MODEL: 5400 - HD AUGER
SLIDE PLATES	AAA-005-00296	4000 SERIES AUGER ASSY 101.5DIA 41250HD	1	MODEL: 51250 - HD AUGER
SLIDE PLATES	AAA-005-00328	4000 SERIES AUGER ASSY 96DIA LP	1	MODEL: 5600
SLIDE PLATES	AAA-005-00332	4000 SERIES AUGER ASSY 96DIA LP HD	1	MODEL: 5600 - HD AUGER
AUGERS	AAA-005-00055	96DIA SLIDE PLATE	1	MODEL: 5425, 5600, 5850
AUGERS	AAA-005-00056	90DIA SLIDE PLATE 5/8T	1	MODEL: 5350, 5650, 5750
AUGERS	AAA-005-00057	101.5DIA SLIDE PLATE 5/8T	1	MODEL: 5400, 5575, 51000, 51250



AUGER PART NUMBERS	
AUGER SIZE	PART NUMBER
90" S	AAA-005-00093
90" HD	AAA-005-00270
96" S	AAA-005-00094
96" HD	AAA-005-00246
101.5" S	AAA-005-00099
101.5" HD	AAA-005-00249
101.5" LP	AAA-005-00004
101.5" LP HD	AAA-005-00280

AUGER SIZE CHART			
MODEL	90" DIA	96" DIA	101.5" DIA
5350	S		
5400			LP
5425		S	
5575			S
5600		S	
5650	S		
5750	S, HD		
5850		S, HD	
51000			HD
51250			HD

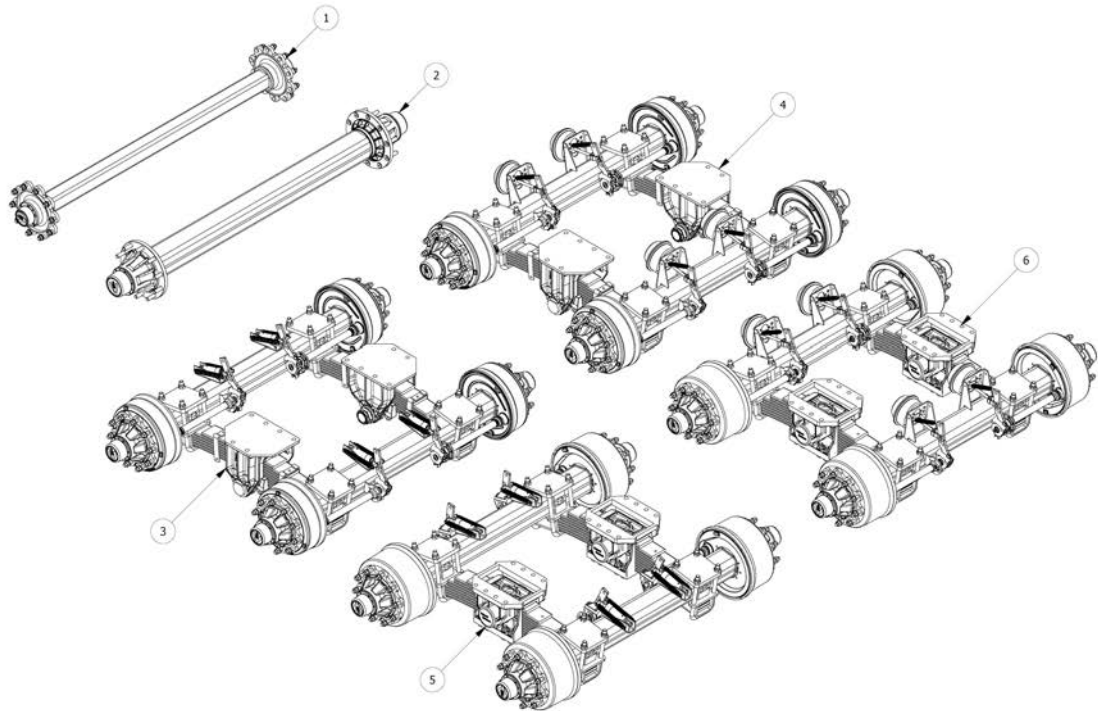
S - STANDARD AUGER
 HD - HEAVY DUTY AUGER
 LP - LOW PROFILE AUGER

Pos	SKU	Description	Qty	Remark
1	AAA-005-00086	3000 SERIES AUGER CAP	1	
2	AAA-005-00085	ANGLING BLADE 5/8T	1	
3	AAA-005-00061	AUGER SUPT RING	3	
4	AAA-005-00978	AUGER PIPE SCH 40 1/4 IN PIPE 14-1/2 IN LONG	1	
5	AAA-005-00979	AUGER PIPE SCH 40 1/4 IN PIPE 4 IN LONG	1	
6	AAB-015-10056	BOLT HEX 3/8 X 1 UNC GRD 2	6	
7	AAB-015-30017	WSHR LOCK 3/8	6	
AUGERS	AAA-005-00004	ANGLING BLADE AUGER ASSY 101DIA LP	1	MODEL: 5400
AUGERS	AAA-005-00093	ANGLING BLADE AUGER ASSY 90DIA	1	MODEL: 5350, 5650, 5750
AUGERS	AAA-005-00094	ANGLING BLADE AUGER ASSY 96DIA	1	MODEL: 5425, 5600, 5850
AUGERS	AAA-005-00099	ANGLING BLADE AUGER ASSY 101DIA	1	MODEL: 5575, 51000, 51250
AUGERS	AAA-005-00246	3000 SERIES AUGER ASSY 96DIA HD	1	MODEL: 5425, 5600, 5850 - HD AUGERS
AUGERS	AAA-005-00249	3000 SERIES AUGER ASSY 101.5DIA HD	1	MODEL: 5575, 51000, 51250 - HD AUGERS

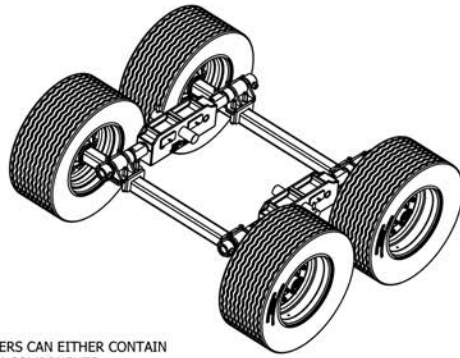
Pos	SKU	Description	Qty	Remark
AUGERS	AAA-005-00270	3000 SERIES AUGER ASSY 90DIA HD	1	MODEL: 5350, 5650, 5750 - HD AUGERS
AUGERS	AAA-005-00280	3000 SERIES AUGER ASSY 101.5DIA LP HD	1	MODEL: 5400 - HD AUGER

5000 SERIES AXLE PART NUMBER CHART FOR HD MODELS

MODEL	STANDARD AXLE	STD. AXLE PART #	OPTIONAL AXLE	OPT. AXLE PART #
5750HD	AXLE 100MM X 100MM WITH 2030 MM F-F (TRACK)	AAB-004-00017	N/A	N/A
5850HD	AXLE 100MM X 100MM WITH 2030 MM F-F (TRACK)	AAB-004-00017	21.5T HYD BRAKE TANDEM 1200MM 21.5T AIR BRAKE TANDEM 1200MM	AAB-004-00266 AAB-004-00287
51000HD	AXLE 150MM SQUARE BEAM 16MM WALL 1950MM TRACK	AAB-004-00210	28T HYD BRAKE TANDEM 1200MM 28T AIR BRAKE TANDEM 1200MM	AAB-004-00267 AAB-004-00288
51250HD	AXLE 150MM SQUARE BEAM 16MM WALL 1950MM TRACK	AAB-004-00210	28T HYD BRAKE TANDEM 1200MM 28T AIR BRAKE TANDEM 1200MM	AAB-004-00267 AAB-004-00288



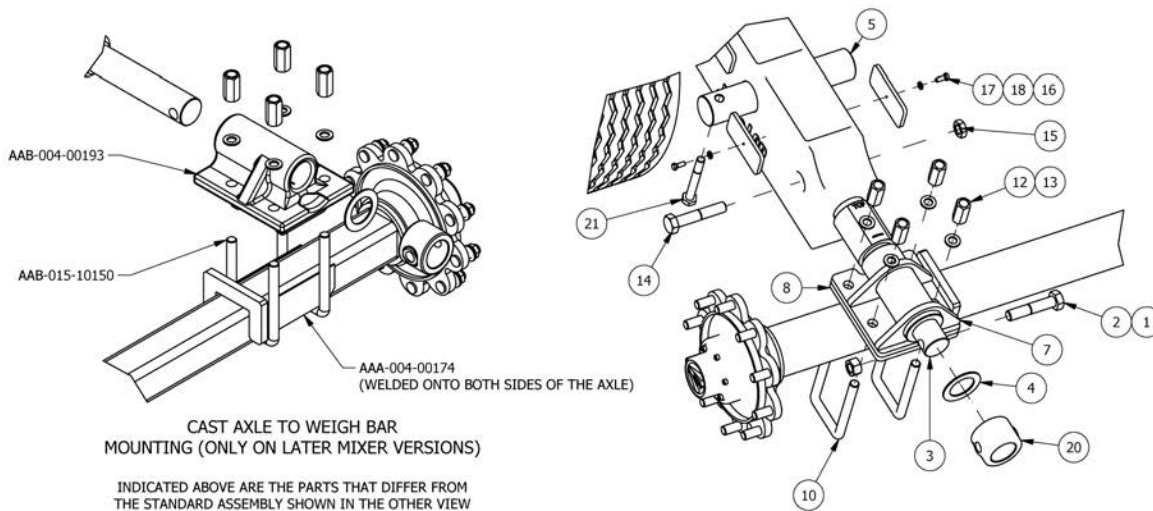
Pos	SKU	Description	Qty	Remark
2	AAB-004-00210	AXLE 150MM SQUARE BEAM 16MM WALL 1950MM TRACK (10 M22 280/335)	1	
3	AAB-004-00266	21.5T HYD BRAKE TANDEM 5000 SERIES HD'S 1200MM	1	
1	AAB-004-00017	AXLE 100MM X 100MM WITH 2030MM [80"] F-F (TRACK)	1	
4	AAB-004-00287	21.5T AIR BRAKE TANDEM 5000 SERIES HD'S 1200MM	1	
5	AAB-004-00267	28T HYD BRAKE TANDEM 5000 SERIES HD'S 1200MM	1	
6	AAB-004-00288	28T AIR BRAKE TANDEM 5000 SERIES HD'S 1200MM	1	



NOTE:

BASED ON MIXER SERIAL, HD TRAILERS CAN EITHER CONTAIN WELDED OR CASTED WALKING BEAM COMPONENTS.

CHECK WITH OUR PARTS DEPARTMENT TO MAKE SURE THE CORRECT PARTS ARE ORDERED

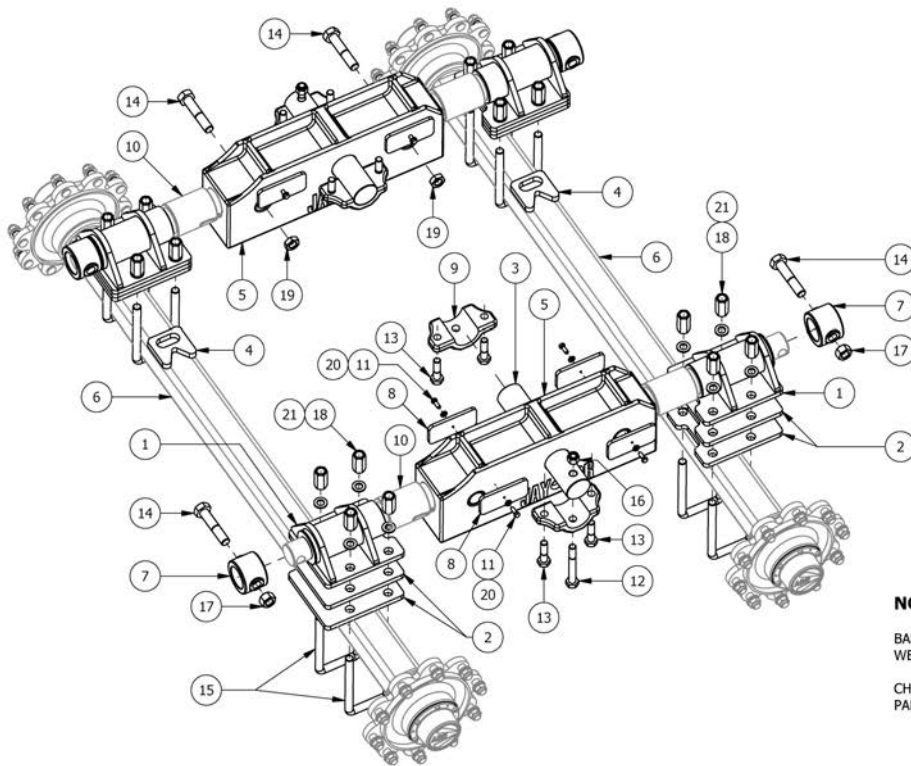


CAST AXLE TO WEIGH BAR MOUNTING (ONLY ON LATER MIXER VERSIONS)

INDICATED ABOVE ARE THE PARTS THAT DIFFER FROM THE STANDARD ASSEMBLY SHOWN IN THE OTHER VIEW

Pos	SKU	Description	Qty	Remark
1	AAB-015-20021	NUT HEX 1" UNC GRD 8	4	
2	AAB-015-10091	BOLT HEX 1 X 5 UNC GRD 8	4	
3	AAB-010-00195	DG WB 2-5/8DIA 3-1/8DIA X 26-1/4L	4	
4	AAA-000-00113	SPCR NYLON 2-5/8ID X 1/8T FOR OSCILLATING AXLE	4	
5	AAA-002-00714	HD WALKING BEAM HINGE PIN 15 3/4LG X 3DIA	2	
6	AAB-004-00124	TIRE AND RIM 445/50R22.5	4	
7	AAA-002-00588	AXLE WB WELDMENT (HD W/ 7/8 U-BOLTS)	4	
8	AAA-002-00589	AXLE PLT UBOLT 100MM AXLE 5/8T	4	
9	AAB-004-00017	AXLE 100MM X 100MM WITH 2030MM [80"] F-F (TRACK)	2	
10	AAB-015-10106	U-BOLT SQ 7/8 X 4W X 8L UNF GRD 8	8	
11	AAA-000-00106	PLT BRACE MNT AXLE 10BOLT 3/4T	4	
12	AAB-015-20029	NUT HEX COUPLING 7/8 X 2-1/2LG -14 UNF	16	
13	AAB-015-30027	WSHR FLAT 7/8 HARDENED	16	
14	AAB-015-10136	BOLT HEX 1 X 5 1/2 UNC GRD 8	4	
15	AAB-015-20034	JAM NUT HEX 1 UNC GRD 8	4	
16	AAB-004-00180	SPACER NYLATRON NSM / SL - 2-7/8 X 6 X 3/8T	8	

Pos	SKU	Description	Qty	Remark
17	AAB-015-10056	BOLT HEX 3/8 X 1 UNC GRD 2	8	
18	AAB-015-30017	WSHR LOCK 3/8	8	
19	AAB-002-00657	WALKING BEAM AXLE CROSS MEMBER	2	
20	AAB-004-00176	CAST WB TUBE 2.645ID X 4OD X 2.86L	4	
21	AAB-015-10072	BOLT HEX 3/4 X 6 UNC GRD 8	2	
22	AAB-004-00193	WALKING BEAM AXLE WB MNT	1	
23	AAB-015-10150	U-BOLT SQ 7/8 X 4-5/16W X 8L UNF GRD 8	1	
24	AAB-004-00174	TIRE RR EXPRESS 15.0/55-17 18 PLY	1	

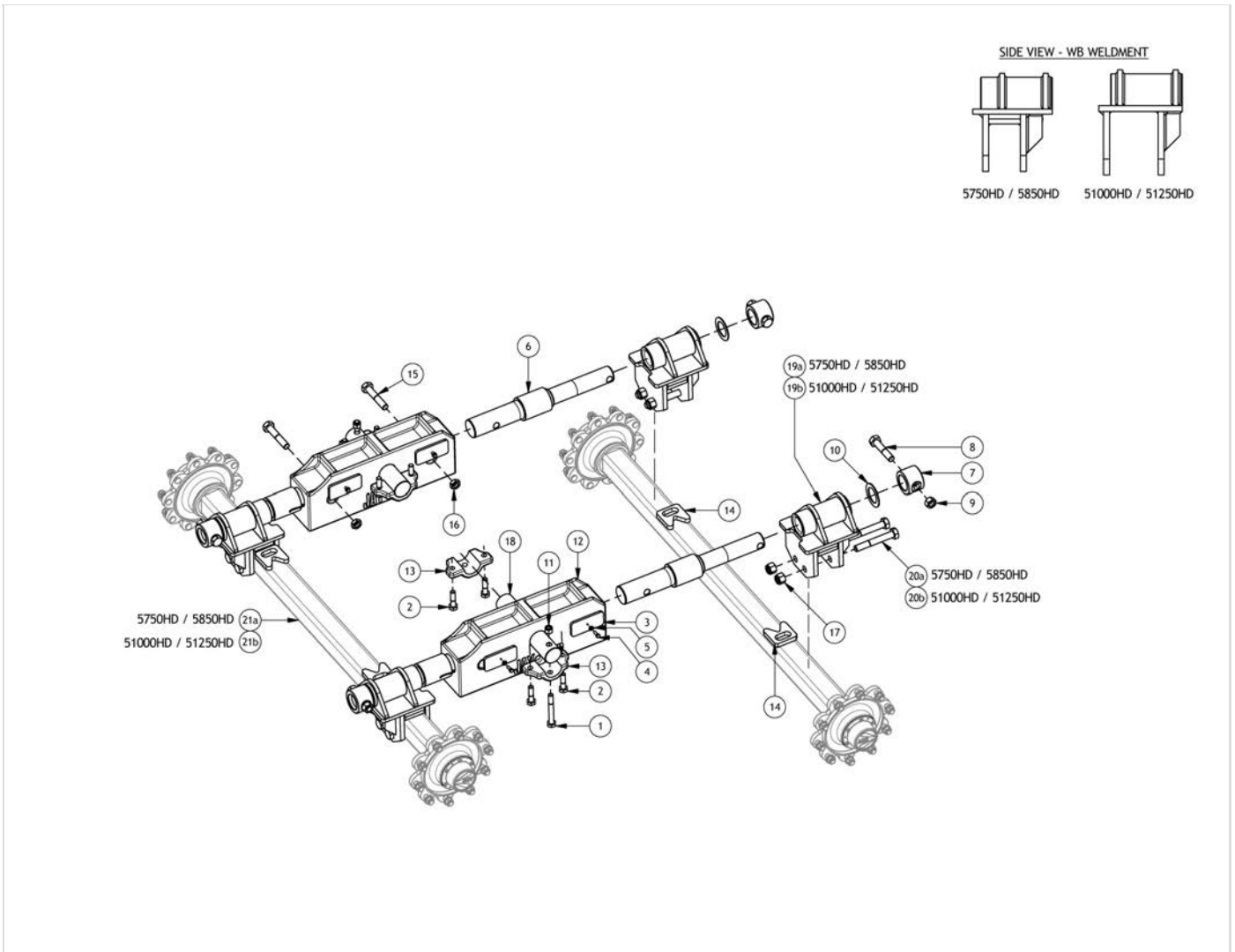
**NOTE:**

BASED ON MIXER SERIAL, HD TRAILERS CAN EITHER CONTAIN WELDED OR CASTED WALKING BEAM COMPONENTS.

CHECK WITH OUR PARTS DEPARTMENT TO MAKE SURE THE CORRECT PARTS ARE ORDERED

Pos	SKU	Description	Qty	Remark
1	AAA-002-00588	AXLE WB WELDMENT (HD W/ 7/8 U-BOLTS)	4	
2	AAA-002-00589	AXLE PLT UBOLT 100MM AXLE 5/8T	8	
3	AAA-002-00714	HD WALKING BEAM HINGE PIN 15 3/4LG X 3DIA	2	
4	AAA-002-01142	AXLE BRACE 3/4T	4	
5	AAB-002-00657	WALKING BEAM AXLE CROSS MEMBER	2	
6	AAB-004-00017	AXLE 100MM X 100MM WITH 2030MM [80"] F-F (TRACK)	2	
7	AAB-004-00176	CAST WB TUBE 2.645ID X 4OD X 2.86L	4	
8	AAB-004-00180	SPACER NYLATRON NSM / SL - 2-7/8 X 6 X 3/8T	8	
9	AAB-004-00194	WALKING BEAM LWR WB CLAMP	4	
10	AAB-010-00195	DG WB 2-5/8DIA 3-1/8DIA X 26-1/4L	4	
11	AAB-015-10056	BOLT HEX 3/8 X 1 UNC GRD 2	8	
12	AAB-015-10072	BOLT HEX 3/4 X 6 UNC GRD 8	2	
13	AAB-015-10079	BOLT HEX 3/4 X 3 UNC GRD 5	8	
14	AAB-015-10091	BOLT HEX 1 X 5 UNC GRD 8	6	
15	AAB-015-10204	U-BOLT SQ 7/8 X 4W X 9L UNF GRD 8	8	
16	AAB-015-20016	NUT HEX LOCK NYLON 3/4 UNC GRD 8	2	

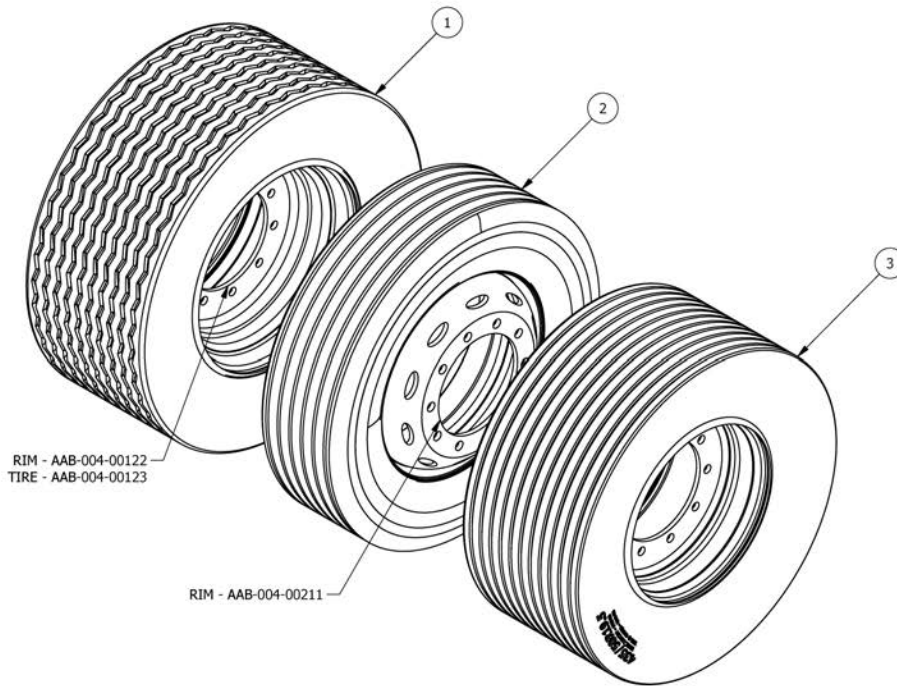
Pos	SKU	Description	Qty	Remark
17	AAB-015-20021	NUT HEX 1" UNC GRD 8	2	
18	AAB-015-20029	NUT HEX COUPLING 7/8 X 2-1/2LG -14 UNF	16	
19	AAB-015-20034	JAM NUT HEX 1 UNC GRD 8	4	
20	AAB-015-30017	WSHR LOCK 3/8	8	
21	AAB-015-30027	WSHR FLAT 7/8 HARDENED	16	



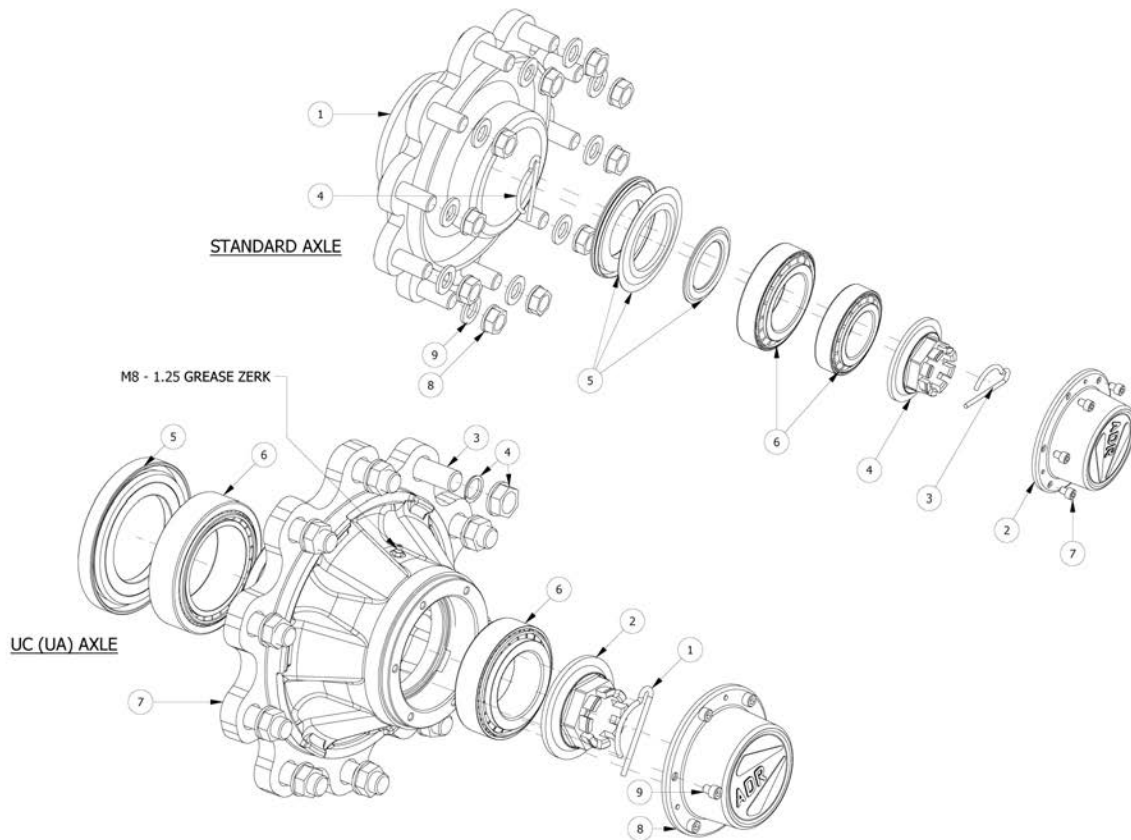
Pos	SKU	Description	Qty	Remark
1	AAB-015-10072	BOLT HEX 3/4 X 6 UNC GRD 8	2	
2	AAB-015-10079	BOLT HEX 3/4 X 3 UNC GRD 5	8	
3	AAB-004-00180	SPACER NYLATRON NSM / SL - 2-7/8 X 6 X 3/8T	8	
4	AAB-015-10056	BOLT HEX 3/8 X 1 UNC GRD 2	8	
5	AAB-015-30017	WSHR LOCK 3/8	16	
6	AAB-010-00195	DG WB 2-5/8DIA 3-1/8DIA X 26-1/4L	4	
7	AAB-004-00176	CAST WB TUBE 2.645ID X 4OD X 2.86L	4	
8	AAB-015-10091	BOLT HEX 1 X 5 UNC GRD 8	4	
9	AAB-015-20021	NUT HEX 1" UNC GRD 8	4	
10	AAA-000-00113	SPCR NYLON 2-5/8ID X 1/8T FOR OSCILLATING AXLE	4	
11	AAB-015-20016	NUT HEX LOCK NYLON 3/4 UNC GRD 8	4	
12	AAB-002-00657	WALKING BEAM AXLE CROSS MEMBER	2	
13	AAB-004-00194	WALKING BEAM LWR WB CLAMP	4	
14	AAA-002-01142	AXLE BRACE 3/4T	4	
15	AAB-015-10136	BOLT HEX 1 X 5 1/2 UNC GRD 8	4	
16	AAB-015-20034	JAM NUT HEX 1 UNC GRD 8	4	

Pos	SKU	Description	Qty	Remark
18	AAA-002-00714	HD WALKING BEAM HINGE PIN 15 3/4LG X 3DIA	2	
17	AAB-015-20026	NUT HEX NYLOCK 1 UNC GRD 8	8	
19	AAA-002-00880	AXLE WB WELDMENT (W 1" BOLTS)	4	MODEL: 51000HD, 51250HD
19	AAA-002-02801	AXLE WB WELDMENT HD (100MM AXLE) PAINTED	4	MODEL: 5750HD, 5850HD
20	AAB-015-10109	BOLT HEX 1 X 7 UNC GRD 8	8	MODEL: 5750HD, 5850HD
20	AAB-015-10146	BOLT HEX 1 X 9 UNC GRD 8	8	MODEL: 51000HD, 51250HD
21	AAB-004-00017	AXLE 100MM X 100MM WITH 2030MM [80"] F-F (TRACK)	2	MODEL: 5750HD, 5850HD
21	AAB-004-00210	AXLE 150MM SQUARE BEAM 16MM WALL 1950MM TRACK (10 M22 280/335)	2	MODEL: 51000HD, 51250HD

Model	Standard Tire	Optional Tire	Hyd Brake Tire	Air Brake Tire
5750 HD	AAB-004-00242	n/a	n/a	n/a
5850 HD	AAB-004-00124	n/a	AAB-004-00124	AAB-004-00124
51000 HD	AAB-004-00124	AAB-004-00213	AAB-004-00213	AAB-004-00213
51250 HD	AAB-004-00213	n/a	AAB-004-00213	AAB-004-00213

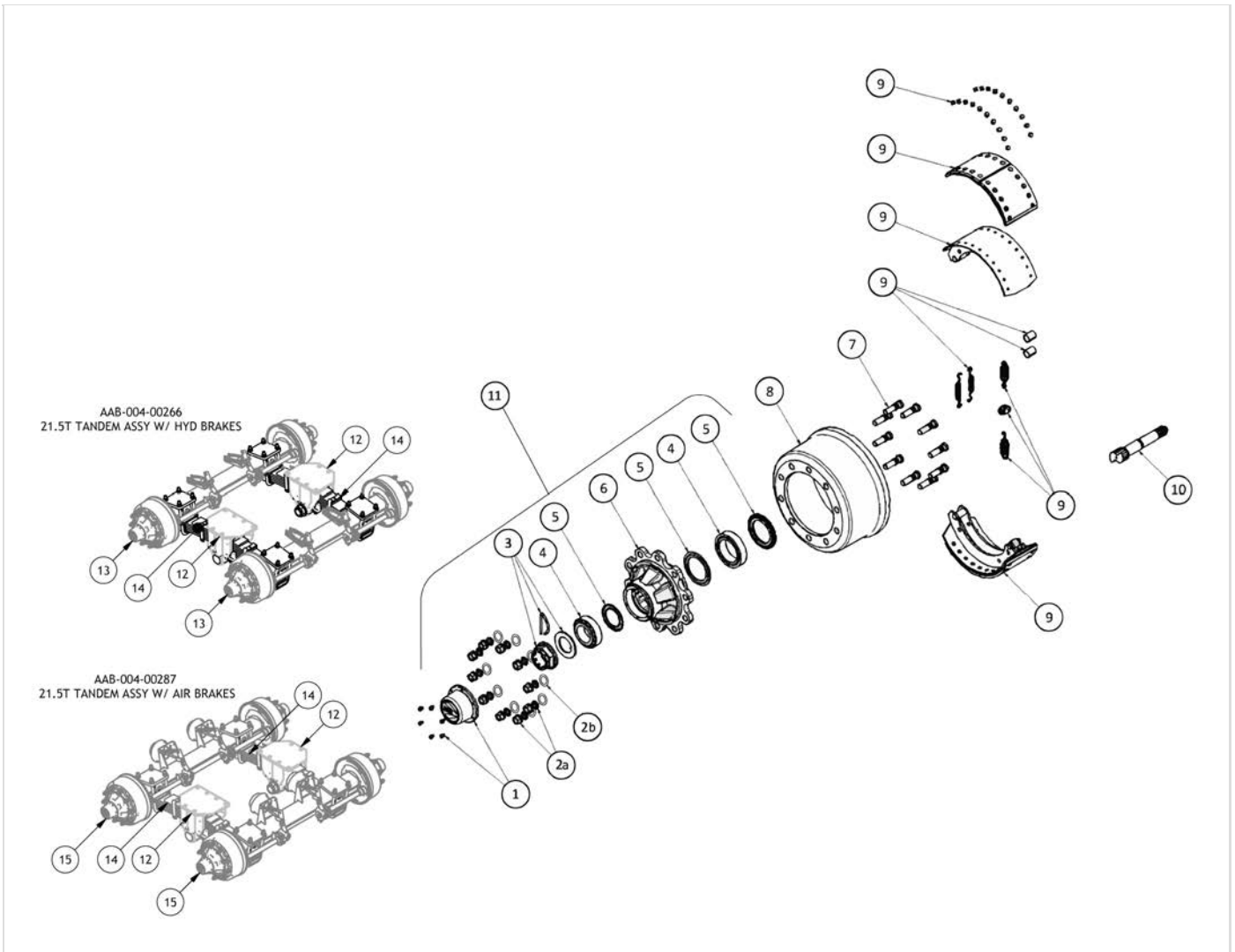


Pos	SKU	Description	Qty	Remark
1	AAB-004-00124	TIRE AND RIM 445/50R22.5	1	
2	AAB-004-00213	275/70R22.5 TIRE & WHL	1	
3	AAB-004-00242	435/50R19.5 TIRE & WHL ASSEMBLY	1	
4	AAB-004-00122	RIM 13 X 22.5 11.070 / 13.1875 / 10 OFFSET -0.5"	1	
5	AAB-004-00123	TIRE ONLY 445/50R22.5	1	
6	AAB-004-00211	RIM 22.5 X 8.25"	1	



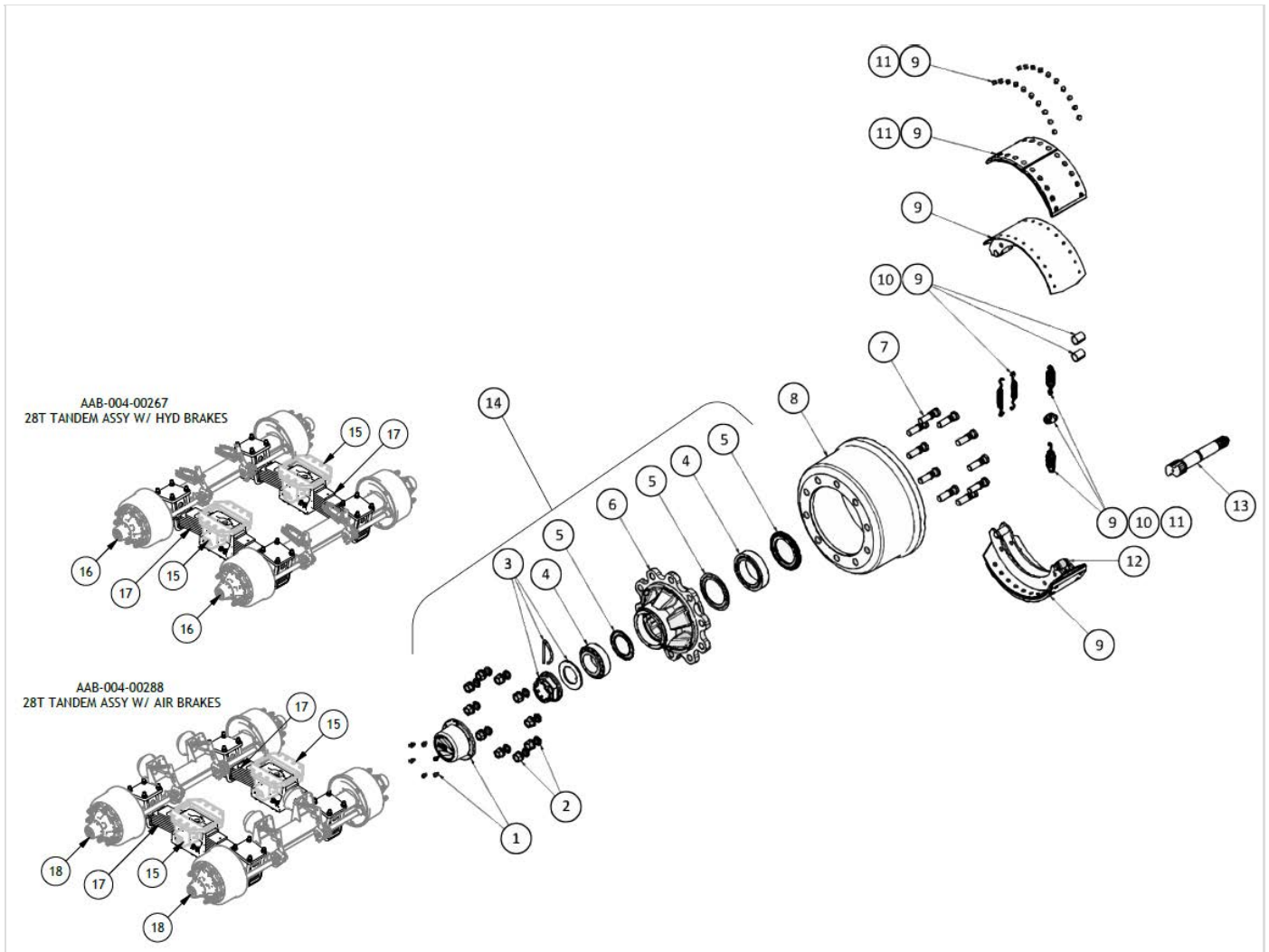
Pos	SKU	Description	Qty	Remark
1	AAA-004-00159	ADR 10-BOLT HUB W/ STUDS - UI - OLD STYLE W/O GREASE NIPPLE	1	
2	AAA-004-00160	PAINTED KIT ADR 10 BOLT HUB DUST CAP W/SEAL	1	
3	AAB-004-00030	PIN SPRING FOR ADR AXLE NUT	1	
4	AAB-004-00039	NUT AXLE SLOTTED FOR ADR 10 BOLT	1	
5	AAB-004-00046	ADR SEAL KIT FOR 10 BOLT AXLE	1	
6	AAB-004-00047	ADR BEARING KIT FOR 10 BOLT AXLE - 32214, 32217	1	
7	AAB-015-10037	BOLT SHCS 8MM X 10MM GRD 8.8	6	
8	AAB-015-20010	WHEEL NUT HEX M22 X 1.5	10	
9	AAB-015-30027	WSHR FLAT 7/8 HARDENED	10	
1-UC	AAB-004-00030	PIN SPRING FOR ADR AXLE NUT	1	
2-UC	AAB-004-00039	NUT AXLE SLOTTED FOR ADR 10 BOLT	1	
3-UC	AAB-004-00048	KIT STUDS 10 BOLT ADR HUB	1	
4-UC	AAB-004-00134	KIT ADR 10 BOLT M22 NUT AND SPHERICAL LOCK WASHER	1	
5-UC	AAB-004-00230	ADR INDUSTRIAL GREASE SEAL FOR 10-BOLT HUB (5471402)	1	
6-UC	AAB-004-00245	BRNG KIT UA/UC TYPE 10 BOLT AXLE (33114, 33018)	1	

Pos	SKU	Description	Qty	Remark
7-UC	AAB-004-00246	ADR 10-BOLT HUB W/O STUDS - UC / UA AXLE	1	
8-UC	AAA-004-00160-P3	PAINTED KIT ADR 10 BOLT HUB DUST CAP W/SEAL	1	
9-UC	AAB-015-10037	BOLT SHCS 8MM X 10MM GRD 8.8	6	



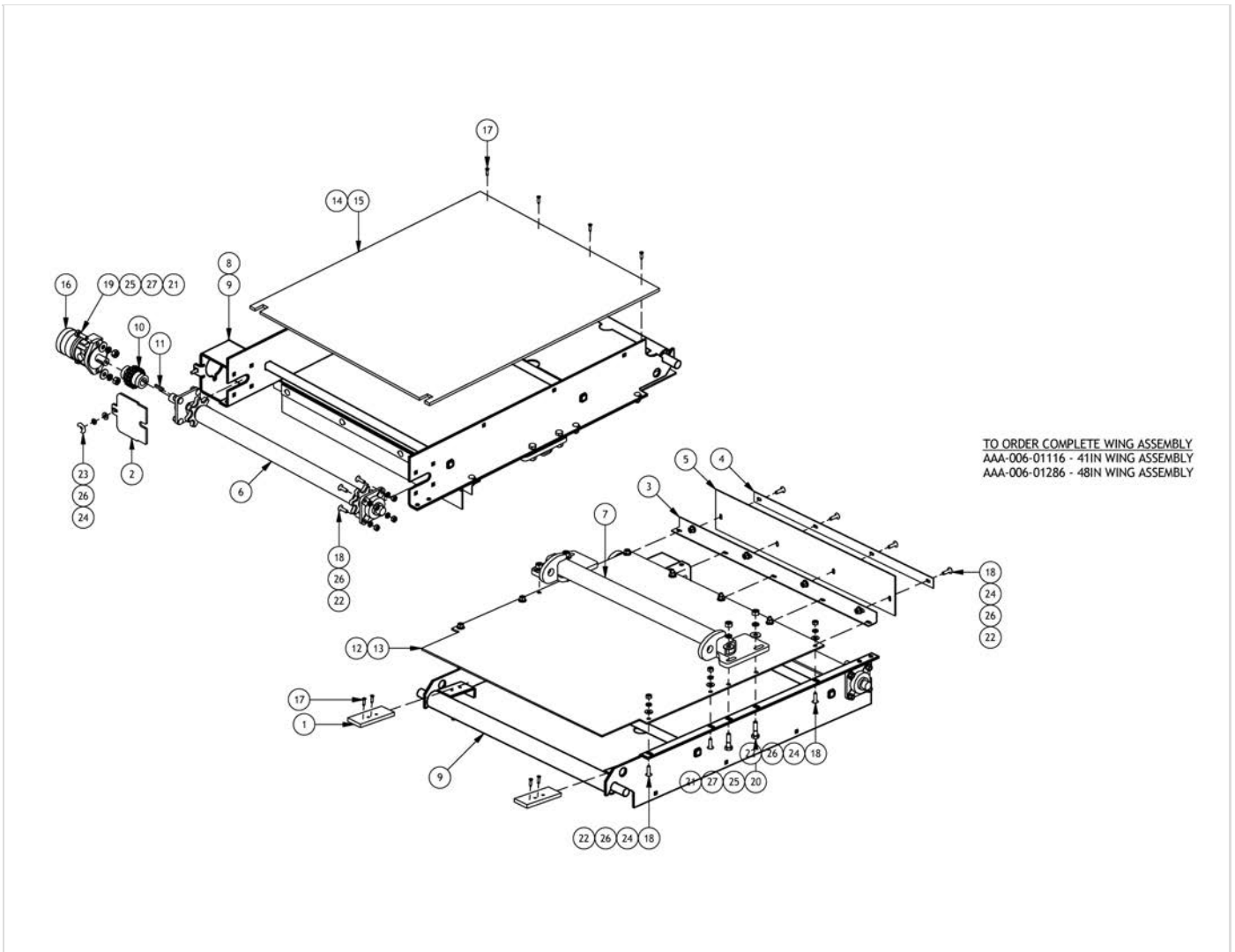
Pos	SKU	Description	Qty	Remark
1	AAB-004-00299	ADR AXLE CAP SET (9RT130L)	1	
2a, 2b	AAB-004-00318	ADR M22 CLOSED RING KIT FOR TWIN WHEELS QTY 20 (9RRC22-20)	1	
2a, 2b	AAB-204-00091	SPARE PART KIT (#10 NUTS AND SPHERICAL LOCK WASHERS) (9RD228G-10)	1	
3	AAB-004-00300	ADR CROWN NUT SPRING PIN & WASHER SET (9RDFVR)	1	
4	AAB-004-00301	ADR BEARING KIT (9RCVF)	1	
5	AAB-004-00302	ADR SEAL KIT FOR BEARING 9RCVF (9RNVF)	1	
6	AAB-004-00303	ADR HUB 10-BOLT 130/150 (61L1VI001)	1	
7	AAB-004-00319	ADR 10-STUD KIT M22X1.50 (9RC22L1-10)	1	
8	AAB-004-00320	ADR BRAKE DRUM 406X120 (66LVA1006)	1	
9	AAB-004-00321	ADR BRAKE SHOE SET 406X120 (9RE0092)	1	
10	AAB-004-00322	ADR BRAKE CAM RIGHT (75P4063006)	1	
10	AAB-004-00323	ADR BRAKE CAM LEFT (75Q4063006)	1	
11	AAA-004-00369	KIT ADR HUB FOR 21.5T BRAKED AXLES	1	
12	AAB-004-00276	TYPE 1 TANDEM MOUNT ADR	2	
13	AAB-004-00279	AXLE 10 BOLT X 335MM BC X 1950MM F-F	2	

Pos	SKU	Description	Qty	Remark
14	AAB-004-00278	21.5T TANDEM LEAF ASSEMBLY 1200MM	2	
15	AAB-004-00286	AXLE 10 BOLT X 335MM BC X 1950MM F-F FOR 21.5T TANDEM W/ AIR BRAKES	2	



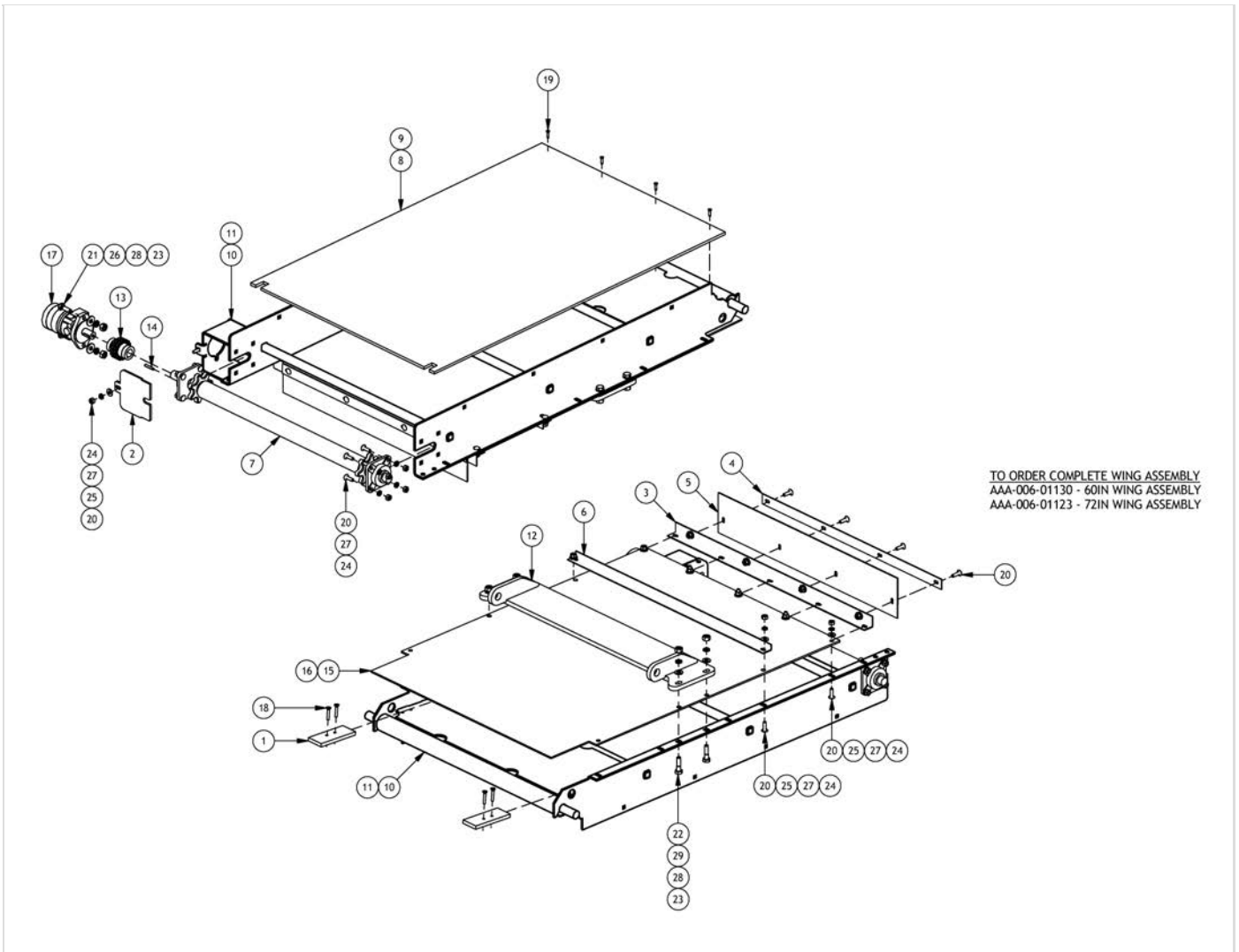
Pos	SKU	Description	Qty	Remark
1	AAB-004-00299	ADR AXLE CAP SET (9RT130L)	1	
2a, 2b	AAB-004-00318	ADR M22 CLOSED RING KIT FOR TWIN WHEELS QTY 20 (9RRC22-20)	1	
2a, 2b	AAB-204-00091	SPARE PART KIT (#10 NUTS AND SPHERICAL LOCK WASHERS) (9RD228G-10)	1	
3	AAB-004-00300	ADR CROWN NUT SPRING PIN & WASHER SET (9RDFVR)	1	
4	AAB-004-00301	ADR BEARING KIT (9RCVF)	1	
5	AAB-004-00302	ADR SEAL KIT FOR BEARING 9RCVF (9RNVF)	1	
6	AAB-004-00303	ADR HUB 10-BOLT 130/150 (61L1VI001)	1	
7	AAB-004-00298	ADR WHEEL STUD KIT M22 X 1.5 QTY 10 (9RC22L2-10)	1	
8	AAB-004-00304	ADR BRAKE DRUM 420X180 (66LXA1002)	1	
9	AAB-004-00305	ADR BRAKE SHOE SET 420X180 (9RE0082)	1	
10	AAB-204-00099	SPRINGS SPARE PART KIT FOR BRAKE XC ZEN04 (9RK0016)	1	
11	AAB-004-00306	ADR BRAKE SHOE SET 420X180 (9RH0028)	1	
12	AAB-204-00101	SPARE PART KIT BRAKE ROLLER ASSEMBLY (9RE0084)	1	
13	AAB-004-00307	ADR BRAKE CAM 1.5" Z=10 RIGHT (75P4063005)	1	

Pos	SKU	Description	Qty	Remark
13	AAB-004-00308	ADR BRAKE CAM 1.5" Z=10 LEFT (75Q4063005)	1	
14	AAA-004-00368	KIT ADR HUB FOR 28T BRAKED AXLES	1	
15	AAB-004-00285	TYPE 2 TANDEM MOUNT ADR	2	
16	AAB-004-00283	AXLE 10 BOLT X 335MM BC X 1950MM F-F FOR 28T TANDEM W/ HYD BRAKES	1	
17	AAB-004-00282	28T TANDEM LEAF ASSEMBLY 1200MM	1	
18	AAB-004-00284	AXLE 10 BOLT X 335MM BC X 1950MM F-F FOR 28T TANDEM W/ AIR BRAKES	1	



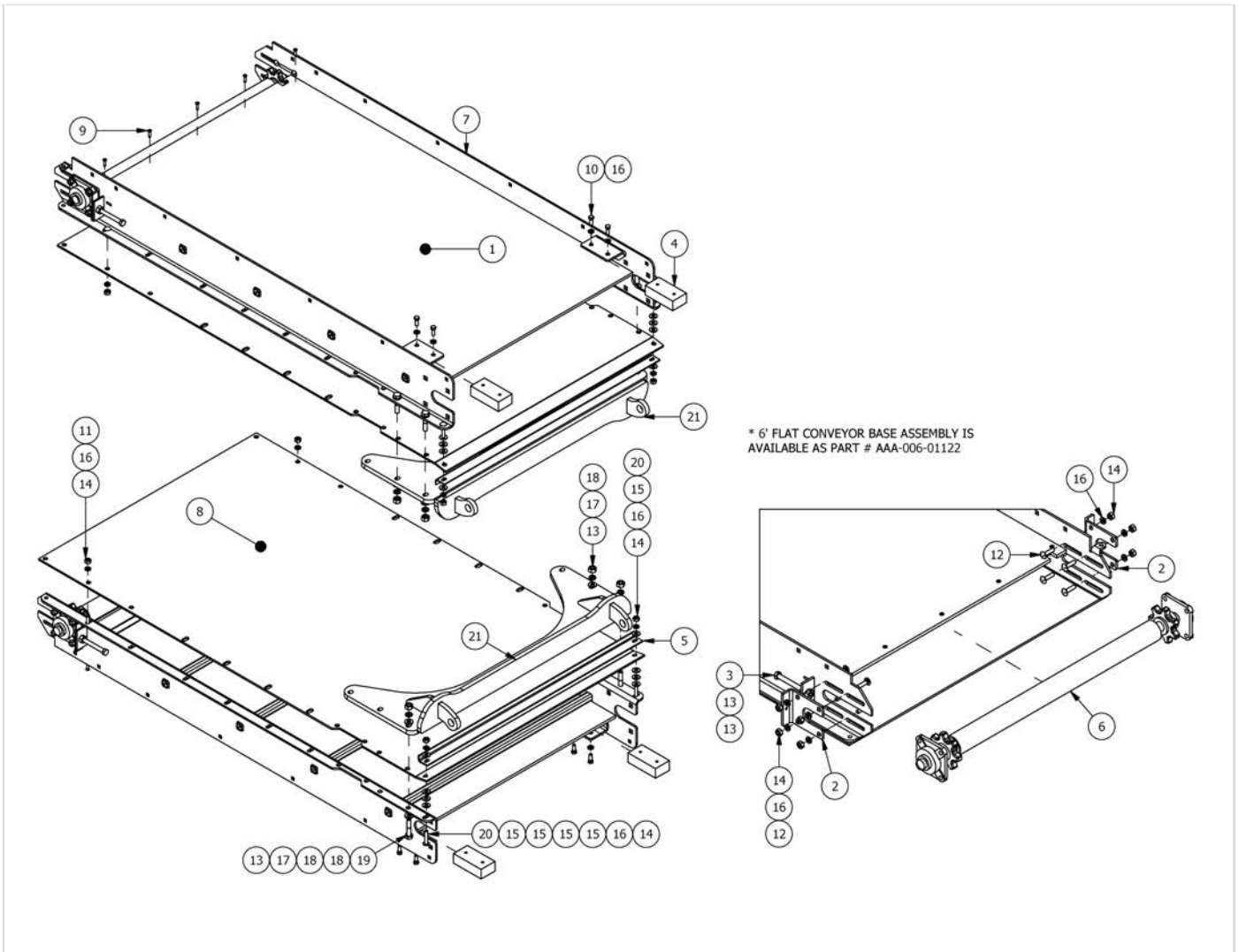
Pos	SKU	Description	Qty	Remark
1	AAA-006-00068	WEAR PLT POLY	2	
2	AAA-006-00272	MOTOR COVER PLT 1/4T	1	
3	AAA-006-00407	PLASTIC SUPT AND RUBR BRKT 38-1/2 FOR WING CNVR	1	
4	AAA-006-00409	RUBR FLAP RETAINER FB	1	
5	AAA-006-00410	RUBR FLAP FOR UNDERSIDE OF CNVR	1	
6	AAA-006-00617-P3	CNVR DRIVESHAFT ASSY	1	
7	AAA-006-01147-P3	CNVR 41 & 48 WING 2CYL MNT 5000 SERIES PAINTED	1	
8	AAA-006-01117	CNVR WING 41 WELDMNT 5000 SERIES	1	
9	AAA-006-01289	CNVR WING 48 GALVANIZED 5000 SERIES	1	
10	AAB-006-00026	COUPLER CNVR DRIVE ASSY WITH 1/4 KEYWAY	1	
11	AAB-006-00030	KEY 1/4 X 1 1/2	1	
12	AAB-006-00085	CNVR UNDERSHIELD 41 IN WING HDPE BLACK 0.22T	1	
13	AAB-006-00177	CNVR UNDERSHIELD 48 IN WING HDPE BLACK 0.22T	1	
14	AAA-006-00237	FLR 41 CNVR WING 3/8T HDPE	1	
15	AAB-006-00178	FLR 48 CNVR WING 3/8T HDPE	1	

Pos	SKU	Description	Qty	Remark
16	AAB-009-00284	MOTOR HYD 160CC 1 KEYED SHAFT 2 BOLT FLNG SAE 10	1	
17	AAB-015-10051	SCREW TORX FLRBOARD 1/4 X 1	8	
18	AAB-015-10060	BOLT CARRIAGE 3/8 X 1-1/4 UNC GRD 2	22	
19	AAB-015-10063	BOLT HEX 1/2 X 1-1/2 UNC GRD 5	2	
20	AAB-015-10064	BOLT HEX 1/2 X 2 UNC GRD 5	4	
21	AAB-015-20011	NUT HEX 1/2 UNC GRD 5	6	
22	AAB-015-20017	NUT HEX 3/8 UNC GRD 2	21	
23	AAB-015-20041	WING NUT FORGED 3/8-16	1	
24	AAB-015-30012	WSHR FLAT 3/8 USS	14	
25	AAB-015-30013	WSHR FLAT 1/2 USS	6	
26	AAB-015-30017	WSHR LOCK 3/8	22	
27	AAB-015-30018	WSHR LOCK 1/2	6	
28	AAA-006-01116	CNVR WING ASSY 41IN 5000 SERIES	1	
29	AAA-006-01286	CNVR WING ASSY 48IN 5000 SERIES	1	



Pos	SKU	Description	Qty	Remark
1	AAA-006-00068	WEAR PLT POLY	2	
2	AAA-006-00272	MOTOR COVER PLT 1/4T	1	
3	AAA-006-00407	PLASTIC SUPT AND RUBR BRKT 38-1/2 FOR WING CNVR	1	
4	AAA-006-00409	RUBR FLAP RETAINER FB	1	
5	AAA-006-00410	RUBR FLAP FOR UNDERSIDE OF CNVR	1	
6	AAA-006-00421	SUPT ANGLE CNVR BOTTOM SHIELD	1	
7	AAA-006-00617-P3	CNVR DRIVESHAFT ASSY	1	
8	AAA-006-00826	FLR 5FT CNVR WING 3/8T HDPE	1	
9	AAA-006-00238	FLR 6FT CNVR WING 3/8T HDPE	1	
10	AAA-006-01131	CNVR WING 60 WELDMNT 5000 SERIES	1	
11	AAA-006-01124	CNVR 72 IN WING WELDMNT 5000 SERIES	1	
12	AAA-006-01144-P3	CNVR 60/72 WING 2 CYL MNT WELDMNT 5000 SERIES (BLACK)	1	
13	AAB-006-00026	COUPLER CNVR DRIVE ASSY WITH 1/4 KEYWAY	1	
14	AAB-006-00030	KEY 1/4 X 1 1/2	1	
15	AAB-006-00092	CNVR UNDERSHIELD 60IN WING HDPE BLACK 0.22T	1	

Pos	SKU	Description	Qty	Remark
16	AAB-006-00082	CNVR UNDERSHIELD 72IN WING HDPE BLACK 0.22T	1	
17	AAB-009-00284	MOTOR HYD 160CC 1 KEYED SHAFT 2 BOLT FLNG SAE 10	1	
18	AAB-015-10031	BOLT TORX 5/16 X 1 3/4 UNC	4	
19	AAB-015-10051	SCREW TORX FLRBOARD 1/4 X 1	4	
20	AAB-015-10060	BOLT CARRIAGE 3/8 X 1-1/4 UNC GRD 2	20	
21	AAB-015-10063	BOLT HEX 1/2 X 1-1/2 UNC GRD 5	2	
22	AAB-015-10064	BOLT HEX 1/2 X 2 UNC GRD 5	4	
23	AAB-015-20011	NUT HEX 1/2 UNC GRD 5	6	
24	AAB-015-20017	NUT HEX 3/8 UNC GRD 2	20	
25	AAB-015-30012	WSHR FLAT 3/8 USS	12	
26	AAB-015-30013	WSHR FLAT 1/2 USS	2	
27	AAB-015-30017	WSHR LOCK 3/8	20	
28	AAB-015-30018	WSHR LOCK 1/2	6	
29	AAB-015-30035	WSHR FLAT HARDENED 1/2ID X 1-1/16OD X 1/8T	8	
30	AAA-006-01130	CNVR WING ASSY 60IN 5000 SERIES	1	
31	AAA-006-01123	CNVR WING ASSY 72IN 5000 SERIES	1	



Pos	SKU	Description	Qty	Remark
1	AAA-006-00239	FLR 6FT CNVR FLAT 3/8T HDPE	1	
2	AAA-006-00351	CNVR FLNG BRNG HOLDER	2	
3	AAA-006-00352	TIGHTENER ROD CNVR BRNG 1/2" x 5" (FULL THREAD)	2	
4	AAA-006-00363	UPPR UHMW BLOCK	2	
5	AAA-006-00406	SUPT ANGLE CNVR BOTTOM SHIELD	1	
6	AAA-006-00618-P3	CNVR IDLER SHAFT ASSY	1	
7	AAA-006-00929	CNVR 6 FT FLAT WELDMNT 5000 SERIES (1.5IN PIVOT)	1	
8	AAB-006-00084	CNVR UNDERSHIELD 6FT FLAT HDPE BLACK 0.22T	1	
9	AAB-015-10051	SCREW TORX FLRBOARD 1/4 X 1	5	
10	AAB-015-10056	BOLT HEX 3/8 X 1 UNC GRD 2	4	
11	AAB-015-10060	BOLT CARRIAGE 3/8 X 1-1/4 UNC GRD 2	2	
12	AAB-015-10061	BOLT CARRIAGE 3/8 X 1-1/2 UNC GRD 5	8	
13	AAB-015-20011	NUT HEX 1/2 UNC GRD 5	7	
14	AAB-015-20017	NUT HEX 3/8 UNC GRD 2	12	
15	AAB-015-30012	WSHR FLAT 3/8 USS	8	
16	AAB-015-30017	WSHR LOCK 3/8	16	

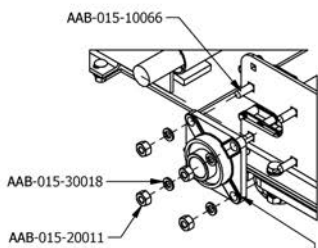
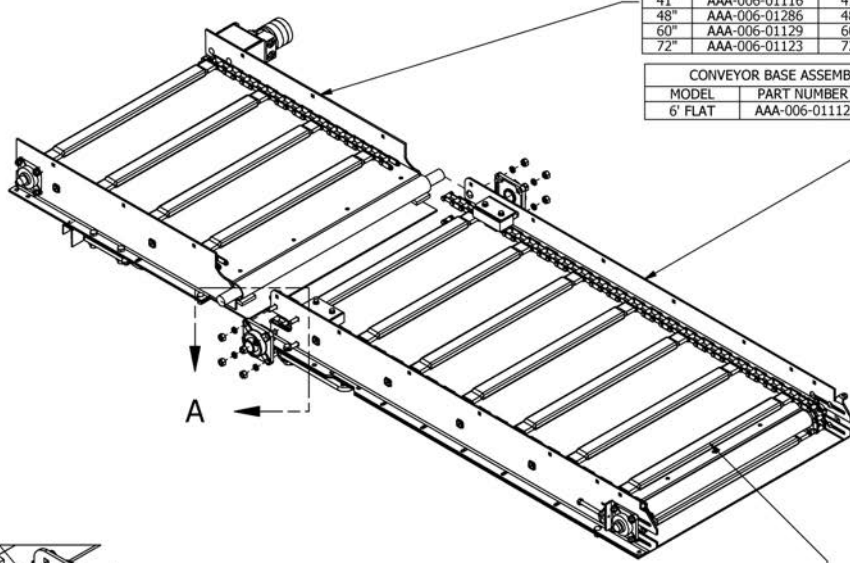
Pos	SKU	Description	Qty	Remark
17	AAB-015-30018	WSHR LOCK 1/2	3	
18	AAB-015-30035	WSHR FLAT HARDENED 1/2ID X 1-1/16OD X 1/8T	6	
19	AAB-015-10088	BOLT HEX 1/2 X 2-1/2 UNC GRD 5	3	
20	AAB-015-10081	BOLT CARRIAGE 3/8 X 2 UNC GRD 5	2	
21	AAA-006-01146-P3	CNVR 6 FLAT 2 CYL MNT WELDMENT 5000 SERIES	1	
22	AAA-006-01122	6FT 72IN BASE ASSY 5000 SERIES	1	

CONVEYOR BASE ASSEMBLY HARDWARE			
MODEL	PART NUMBER	DESCRIPTION	QTY
ALL	AAB-015-20011	HEX NUT 1/2 UNC GRD 5	8
ALL	AAB-015-30018	LOCK WASHER 1/2	8
ALL	AAB-015-10066	CARRIAGE BOLT 1/2 X 1-1/2 UNC GRD 5	8

CONVEYOR BASE ASSEMBLIES 5000 SERIES - ASSEMBLY PART NUMBERS			
MODEL	PART NUMBER	DESCRIPTION	QTY
6'41"	AAA-006-01111	6FT 41IN BASE ASSEMBLY	1
6' 60"	AAA-006-01129	6FT 60IN BASE ASSEMBLY	1
6' 72"	AAA-006-01122	6FT 72IN BASE ASSEMBLY	1

CONVEYOR BASE ASSEMBLIES 5000 SERIES - WING ASSEMBLIES			
MODEL	PART NUMBER	DESCRIPTION	QTY
41"	AAA-006-01116	41IN CONVEYOR WING ASSEMBLY	1
48"	AAA-006-01286	48IN CONVEYOR WING ASSEMBLY	1
60"	AAA-006-01129	60IN CONVEYOR WING ASSEMBLY	1
72"	AAA-006-01123	72IN CONVEYOR WING ASSEMBLY	1

CONVEYOR BASE ASSEMBLIES 5000 SERIES - BED ASSEMBLY			
MODEL	PART NUMBER	DESCRIPTION	QTY
6' FLAT	AAA-006-01112	6FT FLAT CONVEYOR ASSEMBLY	1



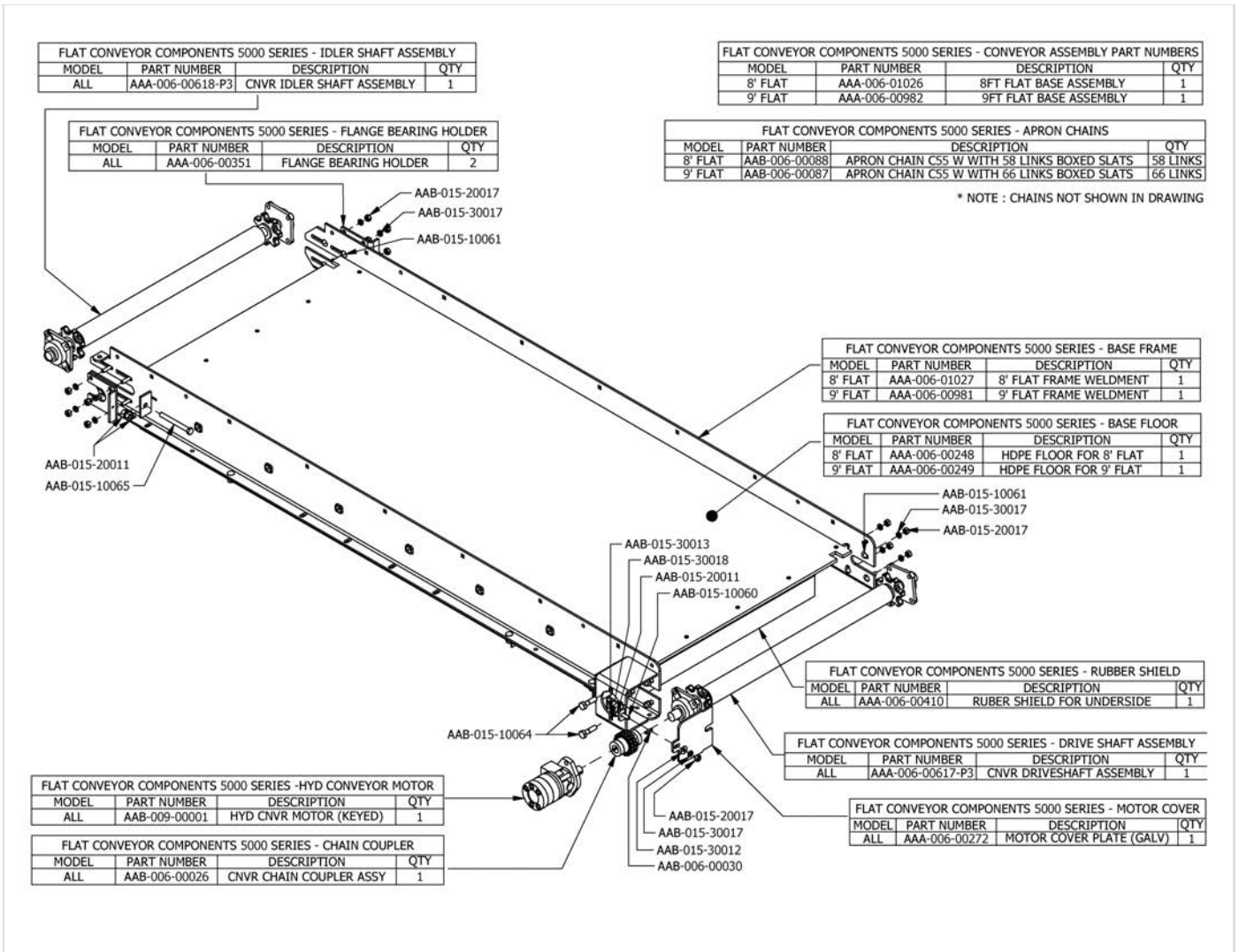
DETAIL A

CONVEYOR BASE ASSEMBLIES 5000 SERIES - APRON CHAINS			
MODEL	PART NUMBER	DESCRIPTION	QTY
6'41"	AAB-006-00087	APRON CHAIN C55 W WITH 66 LINKS BOXED SLATS	66 LINKS
6'48"	AAB-006-00179	APRON CHAIN C55 W WITH 72 LINKS BOXED SLATS	72 LINKS
6'60"	AAB-006-00089	APRON CHAIN C55 W WITH 79 LINKS BOXED SLATS	79 LINKS
6'72"	AAB-006-00090	APRON CHAIN C55 W WITH 86 LINKS BOXED SLATS	86 LINKS

CONVEYOR BASE ASSEMBLIES 5000 SERIES - FLANGE BEARINGS			
MODEL	PART NUMBER	DESCRIPTION	QTY
ALL	AAB-007-00661	FLANGE BEARING 1-1/2 UCF 208-24	1

Pos	SKU	Description	Qty	Remark
1	AAB-015-20011	NUT HEX 1/2 UNC GRD 5	8	
2	AAB-015-30018	WSHR LOCK 1/2	8	
3	AAB-015-10066	BOLT CARRIAGE 1/2 X 1-1/2 UNC GRD 5	8	
4	AAA-006-01111	6FT 41IN BASE ASSY 5000 SERIES	1	
5	AAA-006-01129	6FT 60IN BASE ASSY 5000 SERIES	1	
6	AAA-006-01122	6FT 72IN BASE ASSY 5000 SERIES	1	
7	AAA-006-01116	CNVR WING ASSY 41IN 5000 SERIES	1	
8	AAA-006-01286	CNVR WING ASSY 48IN 5000 SERIES	1	
9	AAA-006-01129	6FT 60IN BASE ASSY 5000 SERIES	1	
10	AAA-006-01123	CNVR WING ASSY 72IN 5000 SERIES	1	
11	AAA-006-01112	6FT FLAT CNVR ASSY 5000 SERIES	1	
12	AAB-006-00087	APRON CHAIN C55 W WITH 66 LINKS BOXED SLATS FOR 6 41 AND 9 2	1	
13	AAB-006-00179	APRON CHAIN C55 W WITH 72 LINKS BOXED SLATS FOR 6 48	1	
14	AAB-006-00089	APRON CHAIN C55 W WITH 79 LINKS BOXED SLATS FOR 6 60	1	
15	AAB-006-00090	APRON CHAIN C55 W WITH 86 LINKS BOXED SLATS FOR 6 72	1	

Pos	SKU	Description	Qty	Remark
16	AAB-007-00661	FLNG BRNG 1-1/2 UCF 208-24	2	
17	AAB-015-10066	BOLT CARRIAGE 1/2 X 1-1/2 UNC GRD 5	8	
18	AAB-015-30018	WSHR LOCK 1/2	8	
19	AAB-015-20011	NUT HEX 1/2 UNC GRD 5	8	



Pos	SKU	Description	Qty	Remark
1	AAA-006-00618-P3	CNVR IDLER SHAFT ASSY	1	
2	AAA-006-00351	CNVR FLNG BRNG HOLDER	2	
3	AAA-006-01026	8FT FLAT BASE ASSY 5000 SERIES	1	
4	AAA-006-00982	CNVR BASE ASSY 9FT 2IN FLAT 5000 SERIES	1	
5	AAB-006-00088	APRON CHAIN C55 W WITH 58 LINKS BOXED SLATS FOR 8FT	1	
6	AAB-006-00087	APRON CHAIN C55 W WITH 66 LINKS BOXED SLATS FOR 6 41 AND 9 2	1	
7	AAA-006-01027	CNVR 8FT FLAT WELDMENT 5000 SERIES	1	
8	AAA-006-00981	CNVR WELDMENT 9FT2IN	1	
9	AAA-006-00248	FLR 8FT CNVR 3/8T HDPE	1	
10	AAA-006-00249	FLR 9FT2 CNVR 3/8T HDPE	1	
11	AAA-006-00410	RUBR FLAP FOR UNDERSIDE OF CNVR	1	
12	AAA-006-00617-P3	CNVR DRIVESHAFT ASSY	1	
13	AAA-006-00272	MOTOR COVER PLT 1/4T	1	
14	AAB-006-00026	COUPLER CNVR DRIVE ASSY WITH 1/4 KEYWAY	1	
15	AAB-009-00001	MOTOR HYD 1 KEYED SHAFT 2 BOLT FLNG SAE 10	1	
16	AAB-006-00030	KEY 1/4 X 1 1/2	1	

Pos	SKU	Description	Qty	Remark
17	AAB-015-30012	WSHR FLAT 3/8 USS	1	
18	AAB-015-30017	WSHR LOCK 3/8	17	
19	AAB-015-20017	NUT HEX 3/8 UNC GRD 2	17	
20	AAB-015-10060	BOLT CARRIAGE 3/8 X 1-1/4 UNC GRD 2	1	
21	AAB-015-20011	NUT HEX 1/2 UNC GRD 5	4	
22	AAB-015-30018	WSHR LOCK 1/2	2	
23	AAB-015-30013	WSHR FLAT 1/2 USS	2	
24	AAB-015-10064	BOLT HEX 1/2 X 2 UNC GRD 5	2	
25	AAB-015-10065	BOLT HEX 1/2 X 5 FULL THREAD GRD 5	1	
26	AAB-015-20011	NUT HEX 1/2 UNC GRD 5	4	
27	AAB-015-10061	BOLT CARRIAGE 3/8 X 1-1/2 UNC GRD 5	17	
28	AAB-015-30017	WSHR LOCK 3/8	17	
29	AAB-015-20017	NUT HEX 3/8 UNC GRD 2	17	

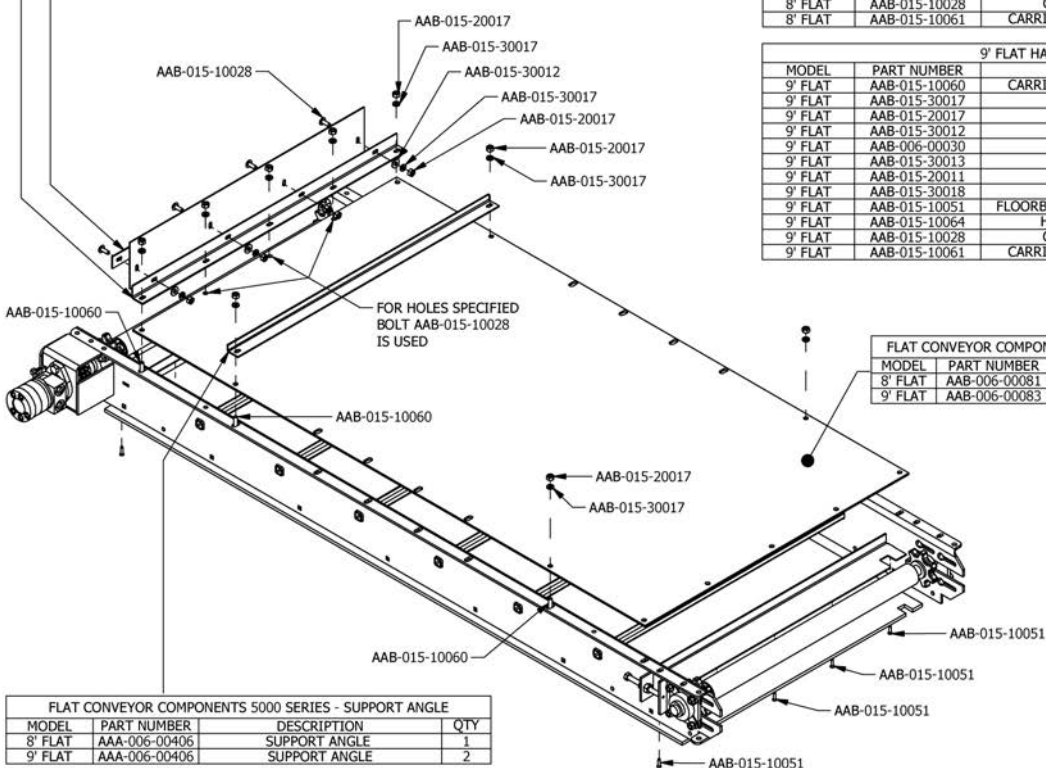
FLAT CONVEYOR COMPONENTS 5000 SERIES - SUPPORT ANGLE AND RUBBER SHIELD MOUNT			
MODEL	PART NUMBER	DESCRIPTION	QTY
ALL	AAA-006-00408	SUPPORT ANGLE AND RUBBER SHIELD MOUNT	1

FLAT CONVEYOR COMPONENTS 5000 SERIES - RETAINER PLATE			
MODEL	PART NUMBER	DESCRIPTION	QTY
ALL	AAA-006-00409	RUBER FLAP RETAINER	1

8' FLAT HARDWARE			
MODEL	PART NUMBER	DESCRIPTION	QTY
8' FLAT	AAB-015-10060	CARRIAGE BOLT 3/8 X 1-1/4 UNC GRD 2	7
8' FLAT	AAB-015-30017	LOCK WASHER 3/8	30
8' FLAT	AAB-015-20017	HEX NUT 3/8 UNC GRD 2	30
8' FLAT	AAB-015-30012	FLAT WASHER 3/8 USS	5
8' FLAT	AAB-006-00030	SHEAR KEY 1/4 X 1	1
8' FLAT	AAB-015-30013	FLAT WASHER 1/2 USS	2
8' FLAT	AAB-015-20011	HEX NUT 1/2 UNC GRD 5	6
8' FLAT	AAB-015-30018	LOCK WASHER 1/2	2
8' FLAT	AAB-015-10051	FLOORBOARD SCREW 1/2" X 1" TORX HEAD	10
8' FLAT	AAB-015-10064	HEX BOLT 1/2 X 2 UNC GRD 5	2
8' FLAT	AAB-015-10028	CARRIAGE BOLT 3/8 X 1 UNC	7
8' FLAT	AAB-015-10061	CARRIAGE BOLT 3/8 X 1-1/2 UNC GRD 5	16

9' FLAT HARDWARE			
MODEL	PART NUMBER	DESCRIPTION	QTY
9' FLAT	AAB-015-10060	CARRIAGE BOLT 3/8 X 1-1/4 UNC GRD 2	9
9' FLAT	AAB-015-30017	LOCK WASHER 3/8	32
9' FLAT	AAB-015-20017	HEX NUT 3/8 UNC GRD 2	32
9' FLAT	AAB-015-30012	FLAT WASHER 3/8 USS	5
9' FLAT	AAB-006-00030	SHEAR KEY 1/4 X 1	1
9' FLAT	AAB-015-30013	FLAT WASHER 1/2 USS	2
9' FLAT	AAB-015-20011	HEX NUT 1/2 UNC GRD 5	6
9' FLAT	AAB-015-30018	LOCK WASHER 1/2	2
9' FLAT	AAB-015-10051	FLOORBOARD SCREW 1/2" X 1" TORX HEAD	10
9' FLAT	AAB-015-10064	HEX BOLT 1/2 X 2 UNC GRD 5	2
9' FLAT	AAB-015-10028	CARRIAGE BOLT 3/8 X 1 UNC	7
9' FLAT	AAB-015-10061	CARRIAGE BOLT 3/8 X 1-1/2 UNC GRD 5	16

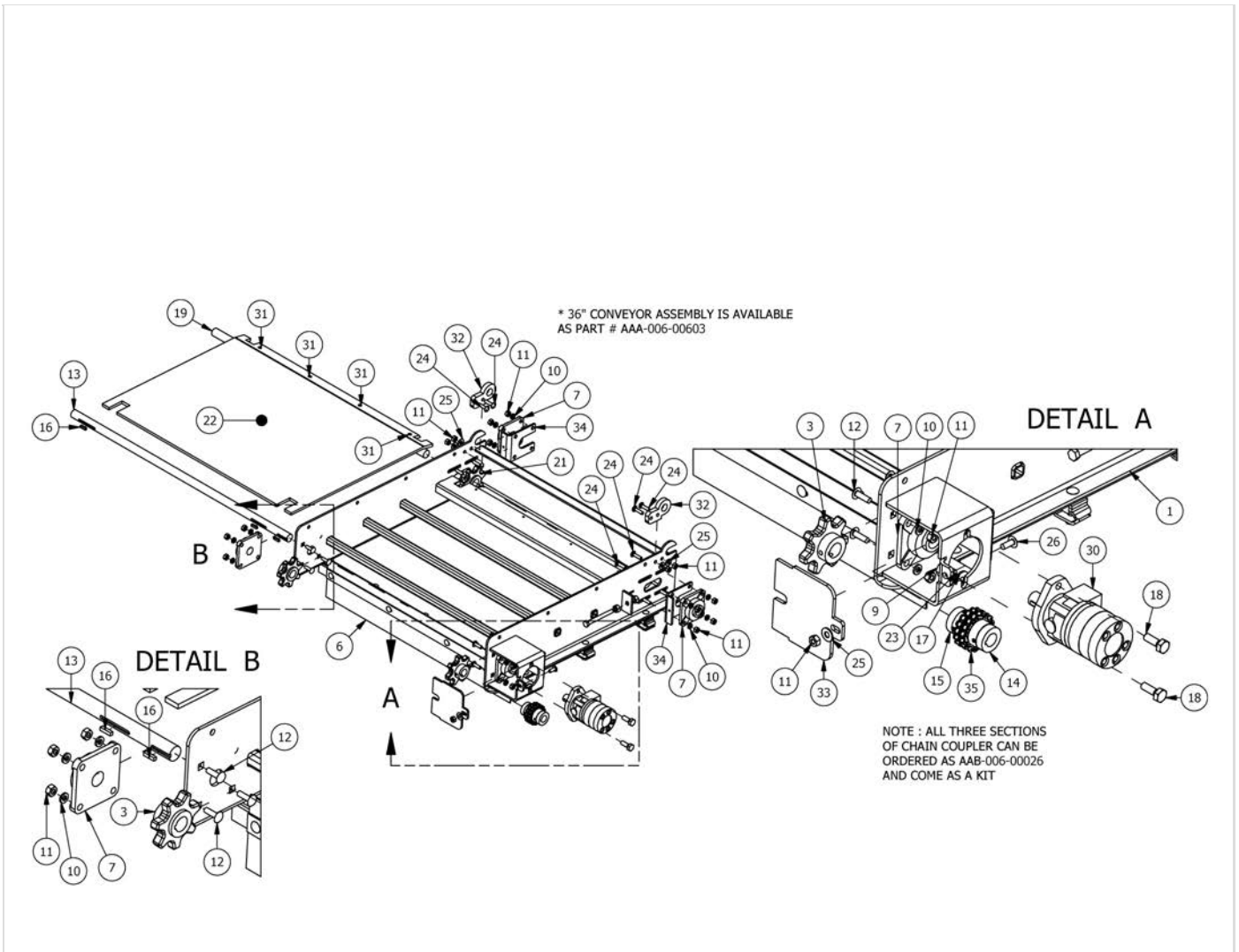
FLAT CONVEYOR COMPONENTS 5000 SERIES - BASE UNDERSHIELD			
MODEL	PART NUMBER	DESCRIPTION	QTY
8' FLAT	AAB-006-00081	HDPE UNDERSHIELD FOR 8' FLAT	1
9' FLAT	AAB-006-00083	HDPE UNDERSHIELD FOR 9' FLAT	1



FLAT CONVEYOR COMPONENTS 5000 SERIES - SUPPORT ANGLE			
MODEL	PART NUMBER	DESCRIPTION	QTY
8' FLAT	AAA-006-00406	SUPPORT ANGLE	1
9' FLAT	AAA-006-00406	SUPPORT ANGLE	2

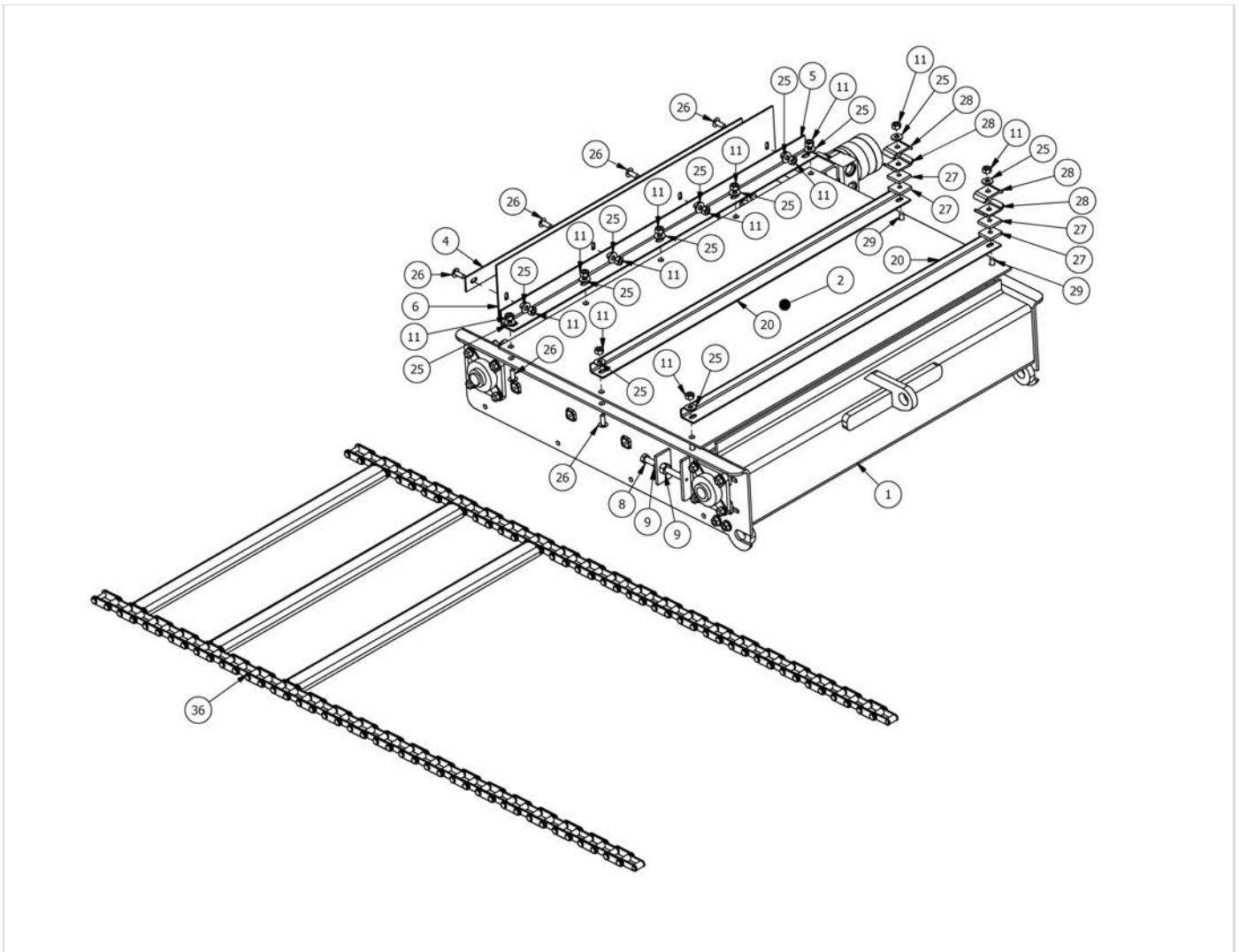
Pos	SKU	Description	Qty	Remark
1	AAA-006-00408	PLASTIC SUPT AND RUBR BRKT 39-1/2 FOR FLAT CNVR	1	
2	AAA-006-00409	RUBR FLAP RETAINER FB	1	
3	AAB-015-10060	BOLT CARRIAGE 3/8 X 1-1/4 UNC GRD 2	7	
4	AAB-015-30017	WSHR LOCK 3/8	30	
5	AAB-015-20017	NUT HEX 3/8 UNC GRD 2	30	
6	AAB-015-30012	WSHR FLAT 3/8 USS	5	
7	AAB-006-00030	KEY 1/4 X 1 1/2	1	
8	AAB-015-30013	WSHR FLAT 1/2 USS	2	
9	AAB-015-20011	NUT HEX 1/2 UNC GRD 5	6	
10	AAB-015-30018	WSHR LOCK 1/2	2	
11	AAB-015-10051	SCREW TORX FLRBOARD 1/4 X 1	10	
12	AAB-015-10064	BOLT HEX 1/2 X 2 UNC GRD 5	2	
13	AAB-015-10028	BOLT CARRIAGE 3/8-16 X 1 GRD 5	7	
14	AAB-015-10061	BOLT CARRIAGE 3/8 X 1-1/2 UNC GRD 5	16	
15	AAB-015-10060	BOLT CARRIAGE 3/8 X 1-1/4 UNC GRD 2	9	
16	AAB-015-30017	WSHR LOCK 3/8	32	

Pos	SKU	Description	Qty	Remark
17	AAB-015-20017	NUT HEX 3/8 UNC GRD 2	32	
18	AAB-015-30012	WSHR FLAT 3/8 USS	5	
19	AAB-006-00030	KEY 1/4 X 1 1/2	1	
20	AAB-015-30013	WSHR FLAT 1/2 USS	2	
21	AAB-015-20011	NUT HEX 1/2 UNC GRD 5	6	
22	AAB-015-30018	WSHR LOCK 1/2	2	
23	AAB-015-10051	SCREW TORX FLRBOARD 1/4 X 1	10	
24	AAB-015-10064	BOLT HEX 1/2 X 2 UNC GRD 5	2	
25	AAB-015-10028	BOLT CARRIAGE 3/8-16 X 1 GRD 5	7	
26	AAB-015-10061	BOLT CARRIAGE 3/8 X 1-1/2 UNC GRD 5	16	
27	AAB-006-00081	CNVR UNDERSHIELD 8FT HDPE BLACK 0.22T	1	
28	AAB-006-00083	CNVR UNDERSHIELD 9FT 2IN HDPE BLACK 0.22T	1	
29	AAA-006-00406	SUPT ANGLE CNVR BOTTOM SHIELD	1	

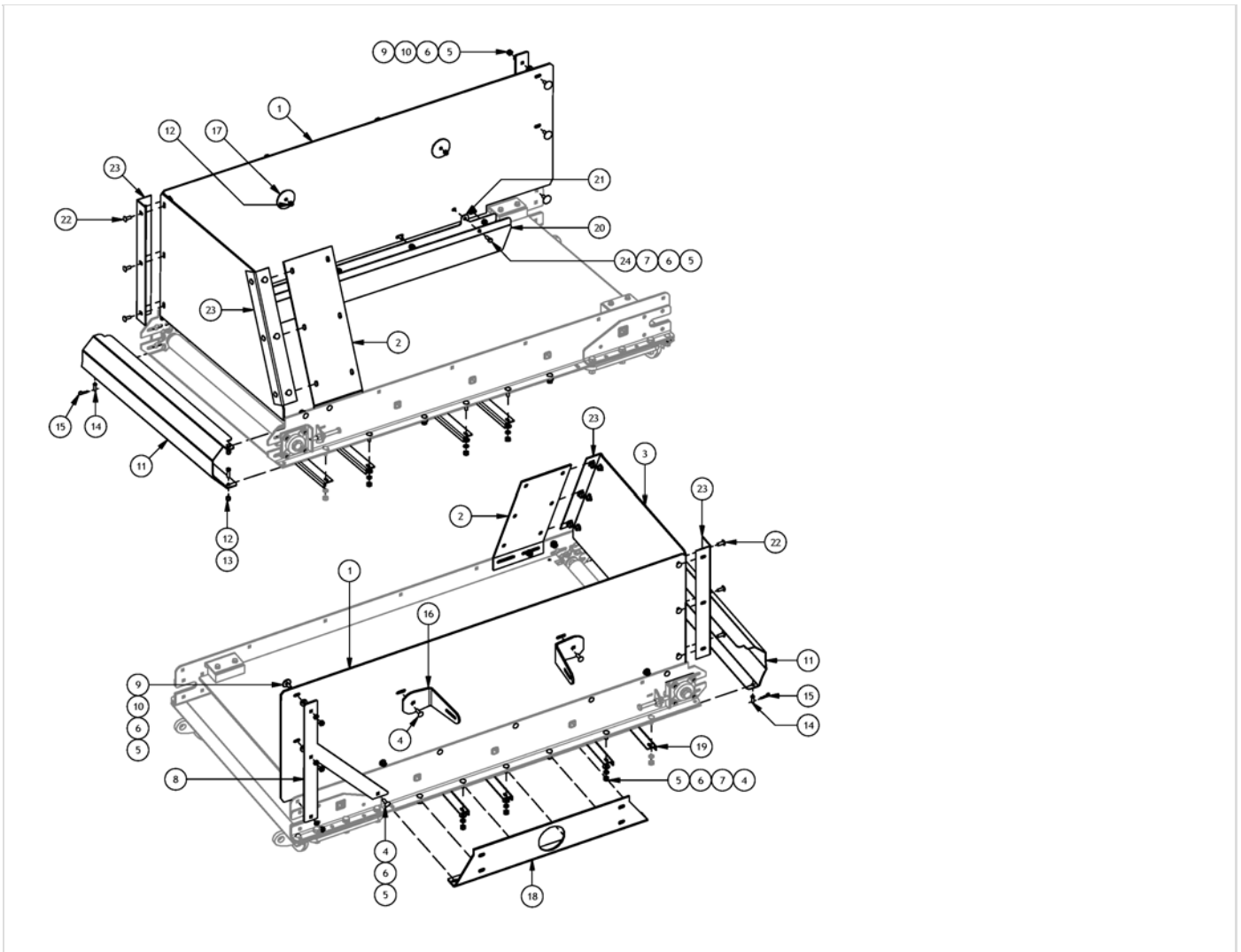


Pos	SKU	Description	Qty	Remark
1	AAA-006-00192	CNVR WING 3FT WELDMENT	1	
3	AAB-006-00013	SPROCKET CAST KEYED FOR DRIVE	2	
7	AAB-006-00009	BRNG 1-1/8 ID FLNG FOR CNVR DRIVE AND IDLER SHAFTS	4	
9	AAB-015-20011	NUT HEX 1/2 UNC GRD 5	6	
10	AAB-015-30017	WSHR LOCK 3/8	16	
11	AAB-015-20017	NUT HEX 3/8 UNC GRD 2	34	
12	AAB-015-10060	BOLT CARRIAGE 3/8 X 1-1/4 UNC GRD 2	8	
13	AAB-006-00012	DRIVE SHAFT 1-1/8DIA X 41L COLD RLD	1	
14	AAB-006-00028	SPROCKET 1 KEYED NUMBER 40 16 TOOTH	1	
15	AAB-006-00029	SPROCKET 1-1/8 KEYED NUMBER 40 16 TOOTH	1	
16	AAB-006-00030	KEY 1/4 X 1 1/2	3	
17	AAB-015-30013	WSHR FLAT 1/2 USS	2	
18	AAB-015-10063	BOLT HEX 1/2 X 1-1/2 UNC GRD 5	2	
19	AAA-006-00354	IDLER SHAFT 1-1/8DIA X 40-1/4L COLD RLD	1	
21	AAB-006-00011	SPROCKET CAST WITH SET SCREW FOR IDLER 0600027	2	
22	AAA-006-00207	FLR 36 CNVR 3/8T POLY	1	

Pos	SKU	Description	Qty	Remark
23	AAB-015-30018	WSHR LOCK 1/2	2	
24	AAB-015-10061	BOLT CARRIAGE 3/8 X 1-1/2 UNC GRD 5	12	
25	AAB-015-30012	WSHR FLAT 3/8 USS	18	
26	AAB-015-10028	BOLT CARRIAGE 3/8-16 X 1 GRD 5	12	
30	AAB-009-00001	MOTOR HYD 1 KEYED SHAFT 2 BOLT FLNG SAE 10	1	
31	AAB-015-10051	SCREW TORX FLRBOARD 1/4 X 1	4	
32	AAA-006-00196	HINGE REINFORCEMENT FOR 36 CNVR WALL 1/2T	2	
33	AAA-006-00272	MOTOR COVER PLT 1/4T	1	
34	AAA-006-00351	CNVR FLNG BRNG HOLDER	2	
35	AAB-006-00027	CONNECTING CHAIN DBL W NUMBER 40	1	
37	AAA-006-00603	3FT CNVR BASE ASSY	1	
38	AAB-006-00026	COUPLER CNVR DRIVE ASSY WITH 1/4 KEYWAY	1	

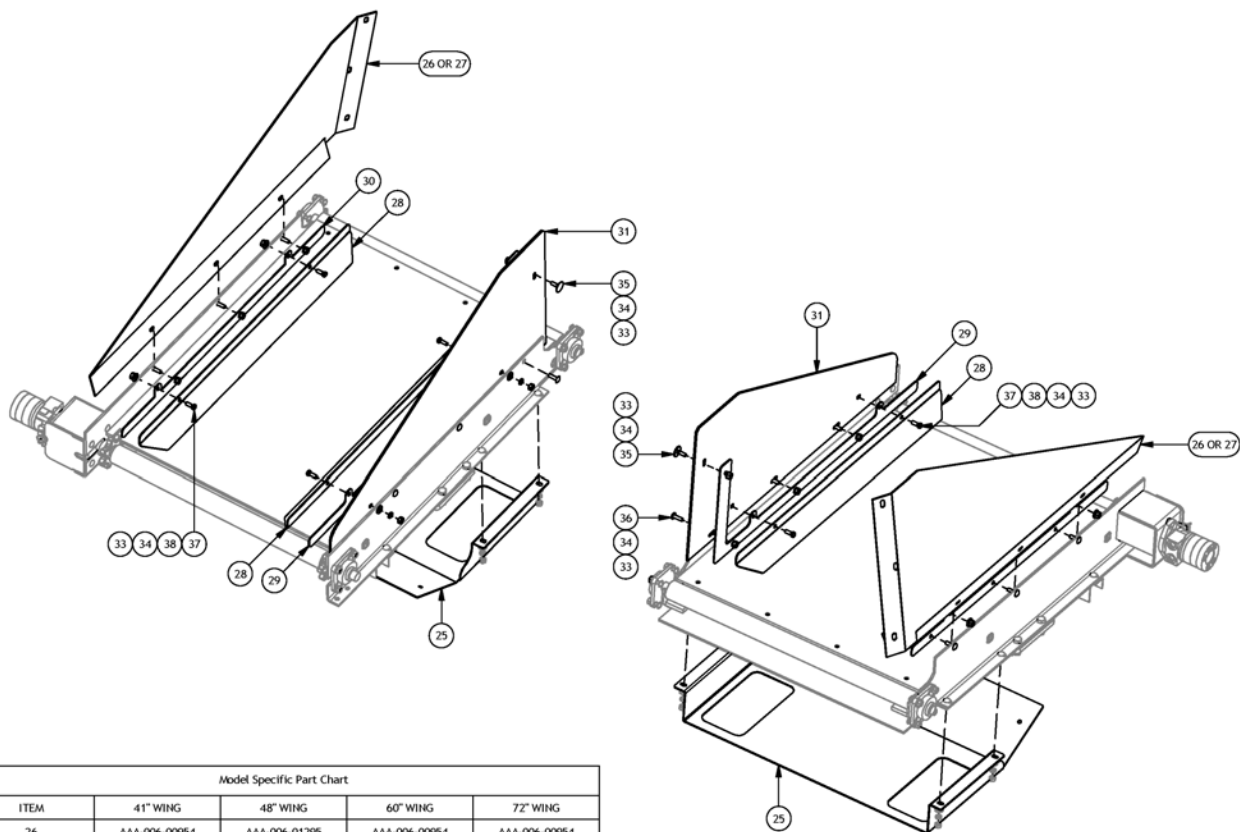


Pos	SKU	Description	Qty	Remark
2	AAA-006-00208	UNDERSHIELD 36 CNVR POLY	1	
4	AAA-006-00409	RUBR FLAP RETAINER FB	1	
5	AAA-006-00407	PLASTIC SUPT AND RUBR BRKT 38-1/2 FOR WING CNVR	1	
6	AAA-006-00410	RUBR FLAP FOR UNDERSIDE OF CNVR	1	
8	AAA-006-00352	TIGHTENER ROD CNVR BRNG 1/2" x 5" (FULL THREAD)	2	
9	AAB-015-20011	NUT HEX 1/2 UNC GRD 5	6	
11	AAB-015-20017	NUT HEX 3/8 UNC GRD 2	34	
20	AAA-006-00406	SUPT ANGLE CNVR BOTTOM SHIELD	2	
25	AAB-015-30012	WSHR FLAT 3/8 USS	18	
26	AAB-015-10028	BOLT CARRIAGE 3/8-16 X 1 GRD 5	12	
27	AAA-006-00135	SPCR PLASTIC 1/4T	4	
28	AAA-002-00343	CLIP HYD HOSE ZINC	4	
29	AAB-015-10081	BOLT CARRIAGE 3/8 X 2 UNC GRD 5	2	
36	AAA-006-00604	APRON CHAIN C55 3FT WING (20 LINKS)	1	
1	AAA-006-00192	CNVR WING 3FT WELDMENT	1	



Pos	SKU	Description	Qty	Remark
1	AAB-006-00071	CNVR SHIELD 6FT FRT HDPE BLACK 0.22T	1	
2	AAB-006-00073	CNVR SHIELD 6FT DRUM SIDE HDPE BLACK 0.22T	1	
3	AAB-006-00072	CNVR SHIELD 6FT END HDPE BLACK 0.22T	1	
4	AAB-015-10060	BOLT CARRIAGE 3/8 X 1-1/4 UNC GRD 2	11	
5	AAB-015-20017	NUT HEX 3/8 UNC GRD 2	25	
6	AAB-015-30017	WSHR LOCK 3/8	25	
7	AAB-015-30012	WSHR FLAT 3/8 USS	21	
8	AAA-006-00953	CNVR SHIELD STIFFENER 5000 SERIES	1	
9	AAB-015-10141	ELEVATOR BOLT 3/8 X 1-1/4 UNC	3	
10	AAB-015-30032	WASHER BLACK NYLON 3/8ID X 1OD X 1/4T	2	
11	AAA-006-00943	CNVR BOOT 5000 SERIES	1	
12	AAB-015-20012	NUT HEX 3/8 LOCK NYLON GRD 2	6	
13	AAB-015-10111	BOLT HEX 3/8 X 1-1/4 UNC GRD 5	2	
14	AAB-015-40007	PIN 3/8DIA X 7/8L	1	
15	AAB-015-40005	HTCH PIN CLIP 1/16DIA X 1-5/8L	1	
16	AAA-006-00922	BRKT CNVR SHLD SUPT MBR 1/4T (PAINTED)	2	

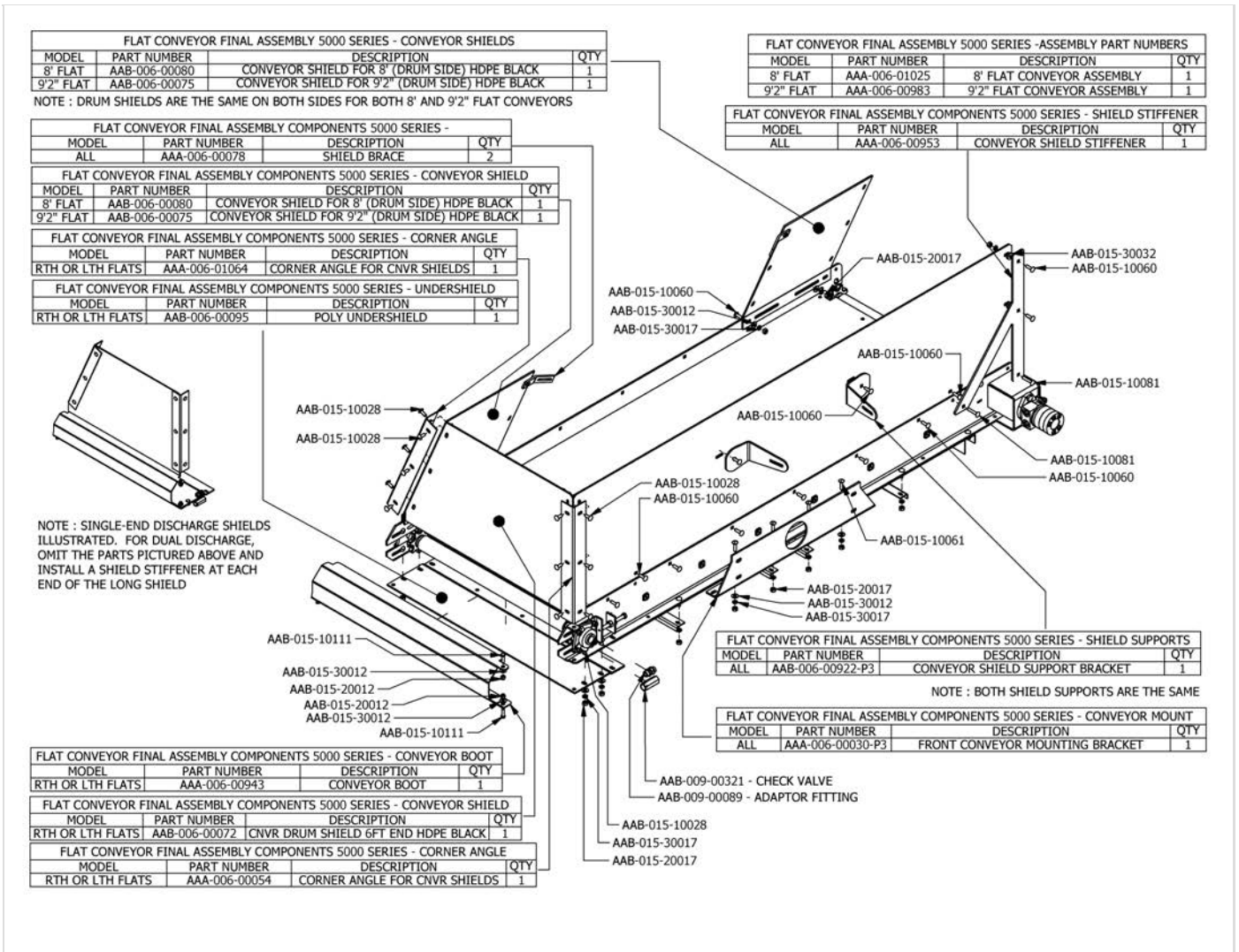
Pos	SKU	Description	Qty	Remark
17	AAB-015-30042	WSHR FLAT 2.375 OD X 0.4375 ID BLACK OXIDE COATING	1	
18	AAA-006-00030	SUPT FOR FRT CNVR MNT	1	
19	AAA-006-00406	SUPT ANGLE CNVR BOTTOM SHIELD	2	
20	AAA-006-01044	CNVR 6FT FLAT AND 5FT WING CHAIN COVER	1	
21	AAA-006-00945	CNVR 6FT FLAT CHAIN COVER BRKT 1/8T	1	
22	AAB-015-10028	BOLT CARRIAGE 3/8-16 X 1 GRD 5	12	
23	AAA-006-01064	CORNER ANGLE FOR CNVR SHIELDS 5000 SERIES	2	
24	AAB-015-10056	BOLT HEX 3/8 X 1 UNC GRD 2	2	



Model Specific Part Chart				
ITEM	41" WING	48" WING	60" WING	72" WING
26	AAA-006-00954	AAA-006-01295	AAA-006-00954	AAA-006-00954
27	AAA-006-01033	AAA-006-01297	AAA-006-01033	AAA-006-01033
28	AAA-006-01045	AAA-006-01669	AAA-006-01044	AAA-006-01048
29	AAA-006-00955	AAA-006-01670	AAA-006-01007	AAA-006-00999
30	AAA-006-00956	AAA-006-01671	AAA-006-01008	AAA-006-01000
31	AAB-006-00074	AAB-006-00180	AAB-006-00078	AAB-006-00077

Pos	SKU	Description	Qty	Remark
25	AAA-006-01149-P3	CNVR WING SKID PLT 2 CYL 5000 SERIES 1/8T	1	
26	AAA-006-00954	CNVR RUBR WING SHIELD FOR LTH DISCHARGE 5000 SERIES	1	WING: 41", 60", 72"
26	AAA-006-01295	48IN CNVR RUBR WING SHIELD FOR LTH DISCHARGE 5000 SERIES	1	WING: 48"
27	AAA-006-01033	CNVR RUBR WING SHIELD FOR RTH DISCHARGE 5000 SERIES	1	WING: 41", 60", 72"
27	AAA-006-01297	48IN CNVR RUBR WING SHIELD FOR RTH DISCHARGE 5000 SERIES	1	WING: 48"
28	AAA-006-01044	CNVR 6FT FLAT AND 5FT WING CHAIN COVER	2	WING: 60"
28	AAA-006-01045	CNVR 41IN WING CHAIN COVER	2	WING: 41"
28	AAA-006-01048	CNVR 72IN WING CHAIN COVER	2	WING: 72"
28	AAA-006-01669	CNVR 48IN WING CHAIN COVER GALV	2	WING: 48"
29	AAA-006-00955	CNVR 41IN WING CHAIN COVER BRKT AND SHIELD SUPT	1	WING: 41"
29	AAA-006-00999	CNVR 72IN WING CHAIN COVER BRKT AND SHIELD SUPT	1	WING: 72"
29	AAA-006-01007	CNVR 60IN WING CHAIN COVER BRKT AND SHIELD SUPT	1	WING: 60"

Pos	SKU	Description	Qty	Remark
29	AAA-006-01670	CNVR 48IN WING CHAIN COVER BRKT AND SHIELD SUPT ZINC	1	WING: 48"
30	AAA-006-00956	CNVR CHAIN GUARD MNT BRKT 41IN WING	1	WING: 41"
30	AAA-006-01000	CNVR CHAIN GUARD 72IN WING BRKT	1	WING: 72"
30	AAA-006-01008	CNVR 60IN WING CHAIN COVER BRKT	1	WING: 60"
30	AAA-006-01671	CNVR CHAIN GUARD 48IN WING BRKT ZINC	1	WING: 48"
31	AAB-006-00074	CNVR SHIELD 41IN WING HDPE BLACK 0.22T	1	WING: 41"
31	AAB-006-00077	CNVR SHIELD 72IN WING HDPE BLACK 0.22T	1	WING: 72"
31	AAB-006-00078	CNVR SHIELD 60IN WING HDPE BLACK 0.22T	1	WING: 60"
31	AAB-006-00180	CNVR SHIELD 48IN WING HDPE BLACK 0.22T	1	WING: 48"
32	AAB-015-10061	BOLT CARRIAGE 3/8 X 1-1/2 UNC GRD 5	4	
33	AAB-015-20017	NUT HEX 3/8 UNC GRD 2	10	
34	AAB-015-30017	WSHR LOCK 3/8	10	
35	AAB-015-10141	ELEVATOR BOLT 3/8 X 1-1/4 UNC	1	
36	AAB-015-10060	BOLT CARRIAGE 3/8 X 1-1/4 UNC GRD 2	6	
37	AAB-015-10056	BOLT HEX 3/8 X 1 UNC GRD 2	4	
38	AAB-015-30012	WSHR FLAT 3/8 USS	4	



Pos	SKU	Description	Qty	Remark
1	AAB-006-00075	CNVR SHIELD 9FT 2IN DRUM SIDE HDPE BLACK 0.22T	1	9FT2IN
1	AAB-006-00080	CNVR SHIELD 8FT DRUM SIDE HDPE BLACK 0.22T	1	8FT
2	AAA-006-00078	SHIELD SUPT	2	
3	AAB-006-00075	CNVR SHIELD 9FT 2IN DRUM SIDE HDPE BLACK 0.22T	1	9FT2IN
3	AAB-006-00080	CNVR SHIELD 8FT DRUM SIDE HDPE BLACK 0.22T	1	8FT
4	AAA-006-01064	CORNER ANGLE FOR CNVR SHIELDS 5000 SERIES	1	
5	AAB-006-00095	POLY UNDERSHIELD EXT. 5000 SERIES	1	
6	AAA-006-00943	CNVR BOOT 5000 SERIES	1	
7	AAB-006-00072	CNVR SHIELD 6FT END HDPE BLACK 0.22T	1	
8	AAA-006-00054	ANGLE CORNER SUPT FOR CNVR 1/8T	1	
9	AAA-006-00983	9FT 2IN FLAT ASSY 5000 SERIES	1	9FT2IN
9	AAA-006-01025	8FT FLAT ASSY 5000 SERIES	1	8FT
10	AAA-006-00953	CNVR SHIELD STIFFENER 5000 SERIES	1	
12	AAA-006-00030-P3	SUPT FOR FRT CNVR MNT (BLACK)	1	
13	AAB-009-00321	VALVE CHECK 10 FORB X 10 FORB	1	
14	AAB-009-00089	FIT ADPT 10 ADJUST MORB X 10 MORB	1	

Pos	SKU	Description	Qty	Remark
15	AAB-015-10028	BOLT CARRIAGE 3/8-16 X 1 GRD 5	1	
16	AAB-015-10111	BOLT HEX 3/8 X 1-1/4 UNC GRD 5	1	
17	AAB-015-20012	NUT HEX 3/8 LOCK NYLON GRD 2	1	
18	AAB-015-30012	WSHR FLAT 3/8 USS	1	
19	AAB-015-20017	NUT HEX 3/8 UNC GRD 2	1	
20	AAB-015-30017	WSHR LOCK 3/8	1	
21	AAB-015-10060	BOLT CARRIAGE 3/8 X 1-1/4 UNC GRD 2	1	
22	AAB-015-10061	BOLT CARRIAGE 3/8 X 1-1/2 UNC GRD 5	1	
23	AAB-015-10081	BOLT CARRIAGE 3/8 X 2 UNC GRD 5	1	
24	AAB-015-30032	WASHER BLACK NYLON 3/8ID X 1OD X 1/4T	1	
25	AAA-006-02055	CNVR BOOT KIT FOR 5000 SERIES FLAT CNVR (PARTS ORDER)	1	

FLAT CONVEYOR FINAL ASSEMBLY COMPONENTS 5000 SERIES - CONVEYOR SHIELD			
MODEL	PART NUMBER	DESCRIPTION	QTY
8' FLAT	AAB-006-00079	CNVR SHIELD 8FT FRT HDPE BLACK	1
9'2" FLAT	AAB-006-00076	CNVR SHIELD 9FT 2IN FRT HDPE BLACK	1

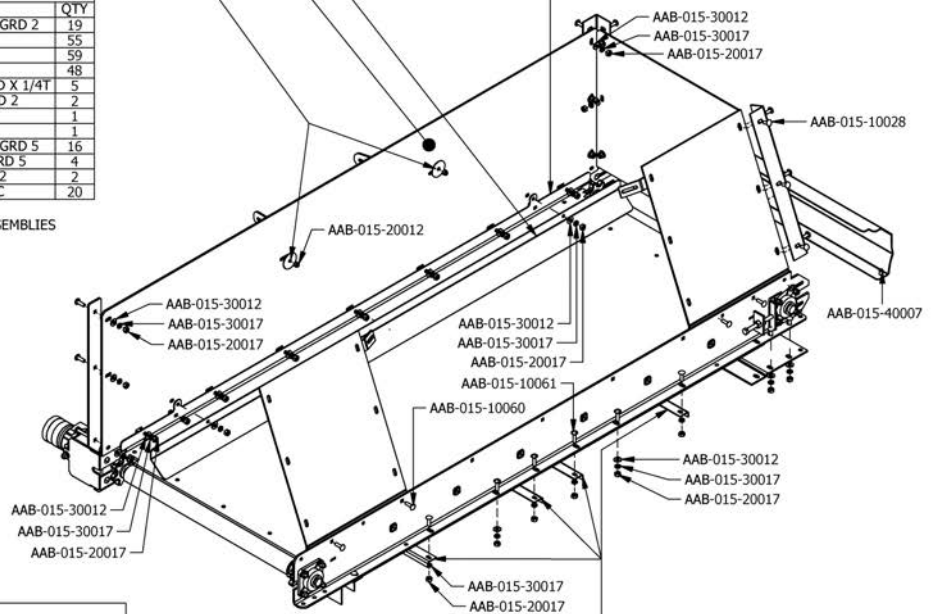
FLAT CONVEYOR FINAL ASSEMBLY COMPONENTS 5000 SERIES - SHIELD WASHER			
MODEL	PART NUMBER	DESCRIPTION	QTY
ALL	AAB-015-30042	CONVEYOR SHIELD WASHER	2

8' FLAT ASSEMBLY HARDWARE			
MODEL	PART NUMBER	DESCRIPTION	QTY
8' FLAT	AAB-015-10060	CARRIAGE BOLT 3/8 X 1-1/4 UNC GRD 2	19
8' FLAT	AAB-015-30017	LOCK WASHER 3/8	55
8' FLAT	AAB-015-20017	HEX NUT 3/8 UNC GRD 2	59
8' FLAT	AAB-015-30012	FLAT WASHER 3/8 USS	48
8' FLAT	AAB-015-30032	WASHER BLACK NYLON 3/8ID X 1OD X 1/4T	5
8' FLAT	AAB-015-20012	HEX NUT 3/8 LOCK NYLON GRD 2	2
8' FLAT	AAB-015-40007	PIN 3/8 X 7/8 PLT	1
8' FLAT	AAB-015-40005	PIN CLIP 1/16 X 1-5/8	1
8' FLAT	AAB-015-10061	CARRIAGE BOLT 3/8 X 1-1/2 UNC GRD 5	16
8' FLAT	AAB-015-10081	CARRIAGE BOLT 3/8 X 2 UNC GRD 5	4
8' FLAT	AAB-015-10056	HEX BOLT 3/8 X 1 UNC GRD 2	2
8' FLAT	AAB-015-10028	CARRIAGE BOLT 3/8 X 1 UNC	20

NOTE : SOME HARDWARE USED ON 9'2" FLAT CONVEYOR ASSEMBLIES MAY NOT MATCH WHAT IS SHOWN IN DRAWING

FLAT CONVEYOR FINAL ASSEMBLY COMPONENTS 5000 SERIES - CHAIN COVER / GUARD			
MODEL	PART NUMBER	DESCRIPTION	QTY
8' FLAT	AAA-006-01047	CONVEYOR 8FT FLAT CHAIN COVER	1
9'2" FLAT	AAA-006-01049	CONVEYOR 9FT 2IN FLAT CHAIN COVER	1

FLAT CONVEYOR FINAL ASSEMBLY COMPONENTS 5000 SERIES - CHAIN COVER			
MODEL	PART NUMBER	DESCRIPTION	QTY
8' FLAT	AAA-006-01030	CONVEYOR 8FT FLAT CHAIN COVER BRACKET	1
9'2" FLAT	AAA-006-00980	CONVEYOR 9FT 2IN FLAT CHAIN COVER BRACKET	1

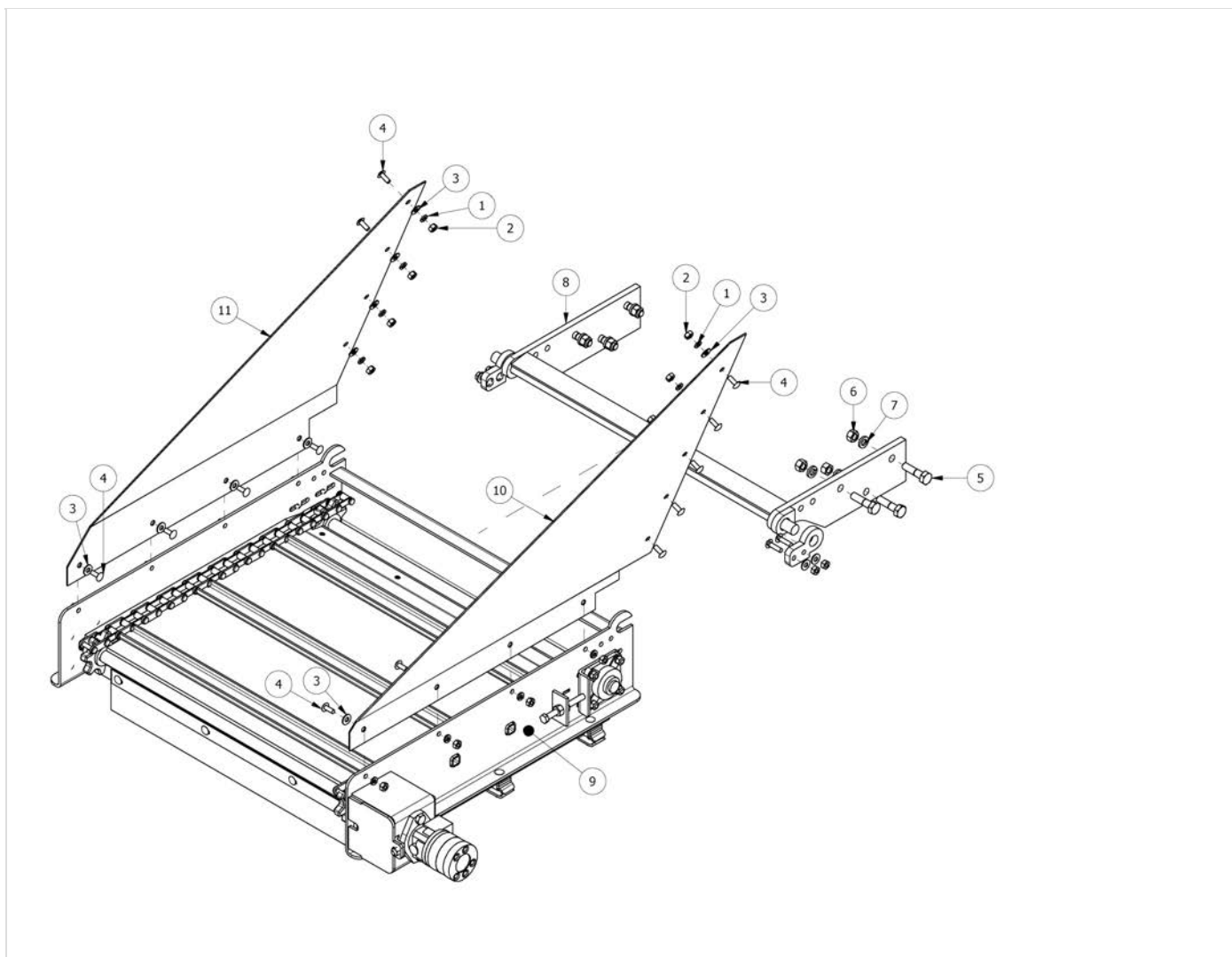


9'2" FLAT ASSEMBLY HARDWARE			
MODEL	PART NUMBER	DESCRIPTION	QTY
9'2" FLAT	AAB-015-10060	CARRIAGE BOLT 3/8 X 1-1/4 UNC GRD 2	20
9'2" FLAT	AAB-015-30017	LOCK WASHER 3/8	42
9'2" FLAT	AAB-015-20017	HEX NUT 3/8 UNC GRD 2	46
9'2" FLAT	AAB-015-30012	FLAT WASHER 3/8 USS	40
9'2" FLAT	AAB-015-30032	WASHER BLACK NYLON 3/8ID X 1OD X 1/4T	4
9'2" FLAT	AAB-015-20012	HEX NUT 3/8 LOCK NYLON GRD 2	4
9'2" FLAT	AAB-015-40007	PIN 3/8 X 7/8 PLT	1
9'2" FLAT	AAB-015-40005	PIN CLIP 1/16 X 1-5/8	1
9'2" FLAT	AAB-015-10061	CARRIAGE BOLT 3/8 X 1-1/2 UNC GRD 5	11
9'2" FLAT	AAB-015-10111	HEX BOLT 3/8 X 1-1/4 UNC GRD 5	2
9'2" FLAT	AAB-015-10028	BOLT CARRIAGE 3/8 X 1 UNC	17

FLAT CONVEYOR FINAL ASSEMBLY COMPONENTS 5000 SERIES - SUPPORT ANGLE			
MODEL	PART NUMBER	DESCRIPTION	QTY
ALL	AAA-006-00406	SUPPORT ANGLE FOR CNVR UNDERSIDE	4

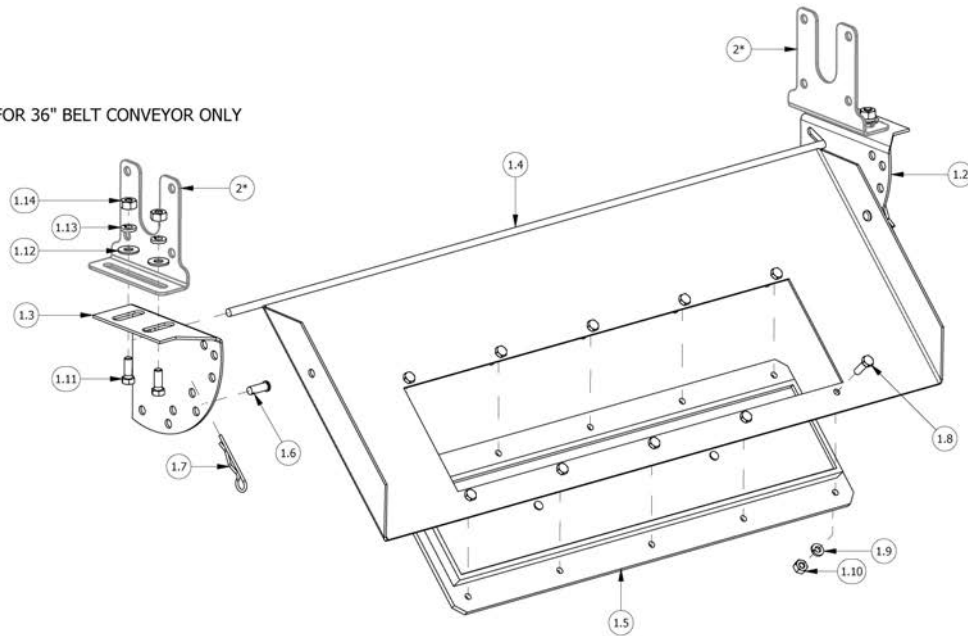
Pos	SKU	Description	Qty	Remark
1	AAB-006-00076	CNVR SHIELD 9FT 2IN FRT HDPE BLACK 0.22T	1	
1	AAB-006-00079	CNVR SHIELD 8FT FRT HDPE BLACK 0.22T	1	
2	AAB-015-30042	WSHR FLAT 2.375 OD X 0.4375 ID BLACK OXIDE COATING	2	
3	AAB-015-10060	BOLT CARRIAGE 3/8 X 1-1/4 UNC GRD 2	19	
4	AAB-015-30017	WSHR LOCK 3/8	55	
5	AAB-015-20017	NUT HEX 3/8 UNC GRD 2	59	
6	AAB-015-30012	WSHR FLAT 3/8 USS	48	
7	AAB-015-30032	WASHER BLACK NYLON 3/8ID X 1OD X 1/4T	5	
8	AAB-015-20012	NUT HEX 3/8 LOCK NYLON GRD 2	2	
9	AAB-015-40007	PIN 3/8DIA X 7/8L	1	
10	AAB-015-40005	HTCH PIN CLIP 1/16DIA X 1-5/8L	1	
11	AAB-015-10061	BOLT CARRIAGE 3/8 X 1-1/2 UNC GRD 5	16	
12	AAB-015-10081	BOLT CARRIAGE 3/8 X 2 UNC GRD 5	4	
13	AAB-015-10056	BOLT HEX 3/8 X 1 UNC GRD 2	2	
14	AAB-015-10028	BOLT CARRIAGE 3/8-16 X 1 GRD 5	20	
15	AAA-006-01047	CNVR 8FT FLAT CHAIN COVER	1	

Pos	SKU	Description	Qty	Remark
15	AAA-006-01049	CNVR 9FT 2IN FLAT CHAIN COVER	1	
16	AAA-006-00980	CNVR 9FT2IN CHAIN COVER BRKT	1	
16	AAA-006-01030	CNVR 8FT FLAT CHAIN COVER BRKT	1	
17	AAA-006-00406	SUPT ANGLE CNVR BOTTOM SHIELD	4	
18	AAB-015-10060	BOLT CARRIAGE 3/8 X 1-1/4 UNC GRD 2	20	
19	AAB-015-30017	WSHR LOCK 3/8	42	
20	AAB-015-20017	NUT HEX 3/8 UNC GRD 2	46	
21	AAB-015-30012	WSHR FLAT 3/8 USS	40	
22	AAB-015-30032	WASHER BLACK NYLON 3/8ID X 1OD X 1/4T	4	
23	AAB-015-20012	NUT HEX 3/8 LOCK NYLON GRD 2	4	
24	AAB-015-40007	PIN 3/8DIA X 7/8L	1	
25	AAB-015-40005	HTCH PIN CLIP 1/16DIA X 1-5/8L	1	
26	AAB-015-10061	BOLT CARRIAGE 3/8 X 1-1/2 UNC GRD 5	11	
27	AAB-015-10111	BOLT HEX 3/8 X 1-1/4 UNC GRD 5	2	
28	AAB-015-10028	BOLT CARRIAGE 3/8-16 X 1 GRD 5	17	



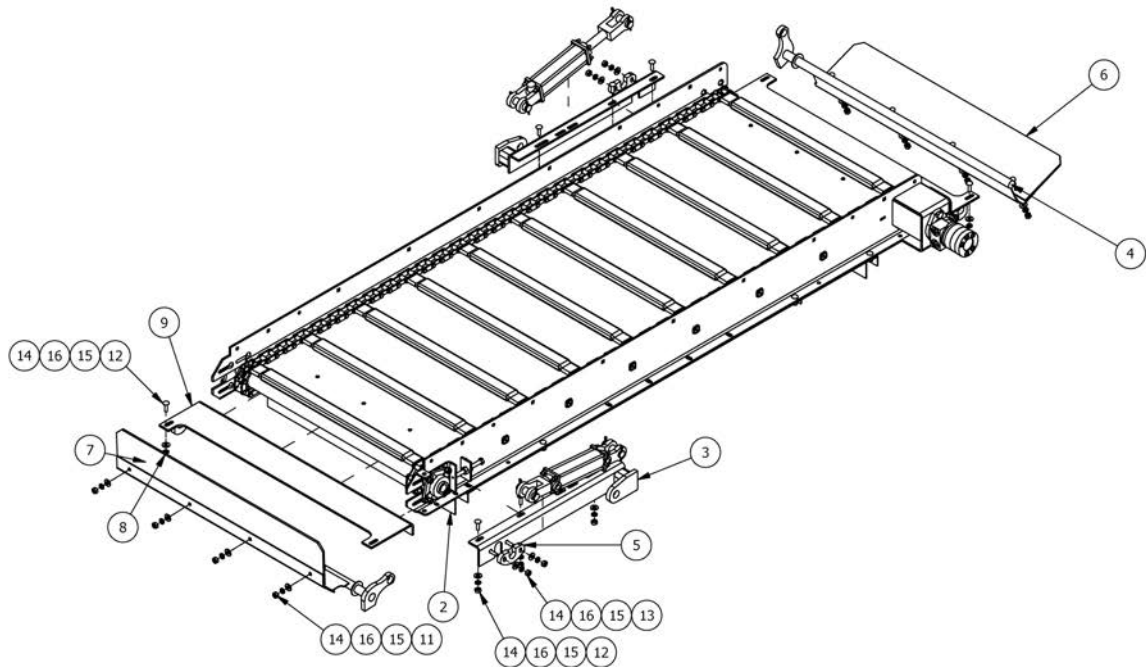
Pos	SKU	Description	Qty	Remark
1	AAB-015-30017	WSHR LOCK 3/8	17	
2	AAB-015-20017	NUT HEX 3/8 UNC GRD 2	17	
3	AAB-015-30012	WSHR FLAT 3/8 USS	17	
4	AAB-015-10028	BOLT CARRIAGE 3/8-16 X 1 GRD 5	17	
5	AAB-005-00005	BOLT HEX 5/8 X 2-1/2 UNC GRD 8 (USE AAB-015-10250)	6	
6	AAB-015-20013	NUT HEX 5/8 UNC GRD 5	6	
7	AAB-015-30019	WSHR LOCK 5/8	6	
8	AAA-006-00328	PIVOT PIN WELDMENT 3FT WING	1	
9	AAA-006-00603	3FT CNVR BASE ASSY	1	
10	AAA-006-00190	RUBBER SHIELD FOR 3FT CNVR WING MOTOR SIDE	1	
11	AAA-006-00187	RUBBER SHIELD FOR 3FT CNVR WING OPPOSITE MOTOR SIDE	1	

*ITEM 2 REQUIRED FOR 36" BELT CONVEYOR ONLY



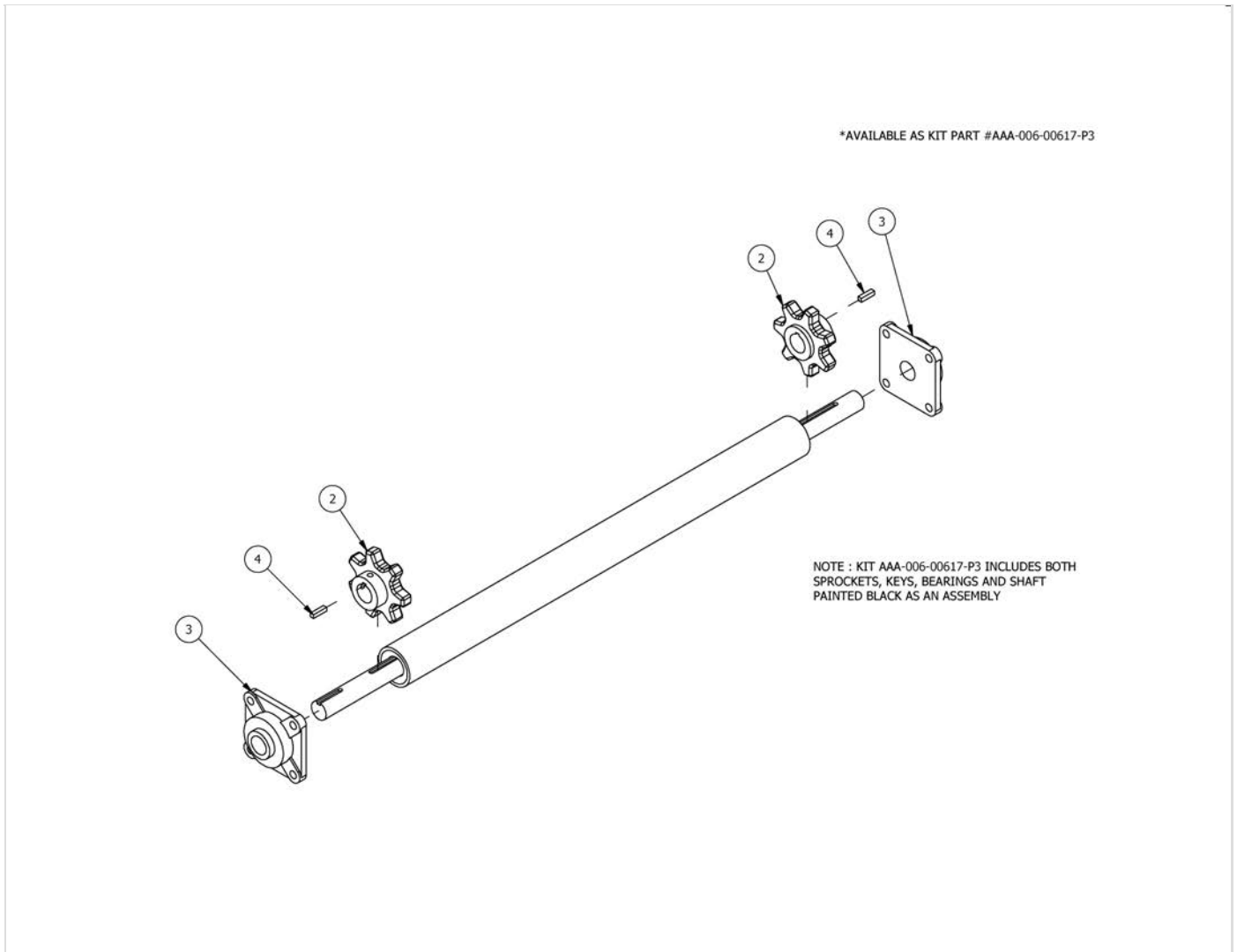
Pos	SKU	Description	Qty	Remark
1	AAA-006-00795	MAGNET CHUTE KIT (INCL BRACKETS AND HARDWARE)	1	
1.2	AAA-006-00224	MNT MAGNET CHUTE LTH	1	
1.3	AAA-006-00225	MNT MAGNET CHUTE RTH	1	
1.4	AAA-006-00015	MAGNET CHUTE WELDMENT	1	
1.5	AAB-006-00035	MAGNET PLATE 25 X 8 X 1	1	
1.6	AAB-015-40007	PIN 3/8DIA X 7/8L	2	
1.7	AAB-001-00019	PIN HTCH CLIP 1/8 X 2-9/16	2	
1.8	AAB-015-10036	BOLT HEX 5/16 X 1 UNC GRD 5	10	
1.9	AAB-015-30016	WSHR LOCK 5/16	10	
1.10	AAB-015-20020	NUT HEX 5/16 UNC GRD 2	10	
1.11	AAB-015-10056	BOLT HEX 3/8 X 1 UNC GRD 2	4	
1.12	AAB-015-30012	WSHR FLAT 3/8 USS	4	
1.13	AAB-015-30017	WSHR LOCK 3/8	4	
1.14	AAB-015-20017	NUT HEX 3/8 UNC GRD 2	4	
2	AAA-006-01795-P3	MAGNET CHUTE MNT BRKT PAINTED	2	

*Available as a kit, part #AAA-006-01058

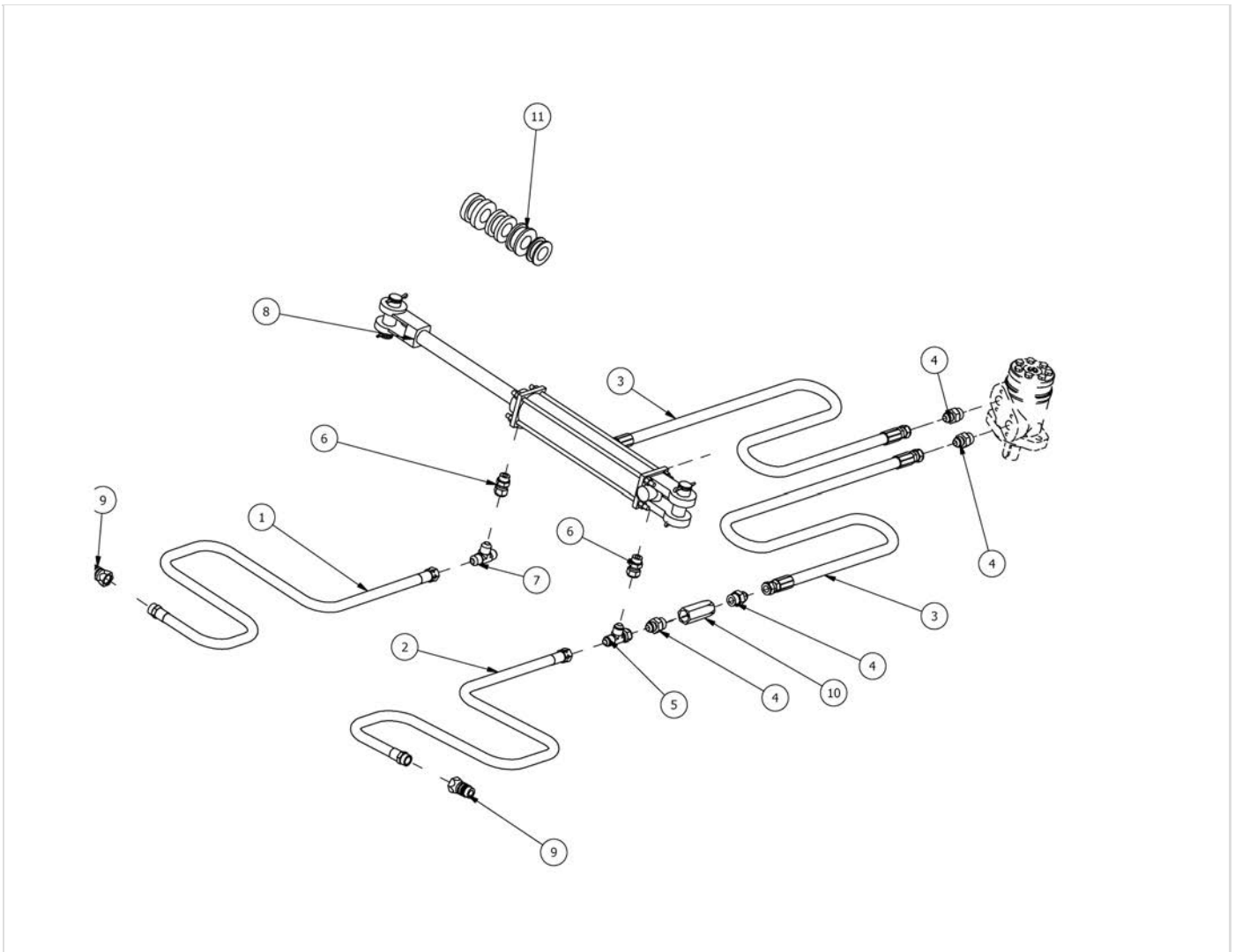


Pos	SKU	Description	Qty	Remark
1	AAA-006-00408	PLASTIC SUPT AND RUBR BRKT 39-1/2 FOR FLAT CNVR	1	
2	AAA-006-00410	RUBR FLAP FOR UNDERSIDE OF CNVR	1	
3	AAA-006-00485	DROP BOOT LOWER CYDR MNT WELDMENT	2	
4	AAA-006-00487	DROP BOOT WELDMENT	1	
5	AAA-006-00500	DROP BOOT LOCK PLT 5/8T	2	
6	AAA-006-00503	DROP BOOT END SHIELD HDPE 0.22T	1	
7	AAA-006-01054	DROP BOOT WELDMENT IDLER SHAFT SIDE 5000 SERIES	1	
8	AAA-006-01055	DROP BOOT END SHIELD HDPE IDLER SHAFT SIDE 0.22T 5000 SERIES	1	
9	AAA-006-01057	DROP BOOT LOWER SHIELD WELDMENT 5000 SERIES	2	
10	AAA-009-00161	KIT FIT AND HOSE DUAL CNVR DROP BOOT	1	
11	AAB-015-10028	BOLT CARRIAGE 3/8-16 X 1 GRD 5	12	
12	AAB-015-10060	BOLT CARRIAGE 3/8 X 1-1/4 UNC GRD 2	12	
13	AAB-015-10061	BOLT CARRIAGE 3/8 X 1-1/2 UNC GRD 5	4	
14	AAB-015-20017	NUT HEX 3/8 UNC GRD 2	28	
15	AAB-015-30012	WSHR FLAT 3/8 USS	28	

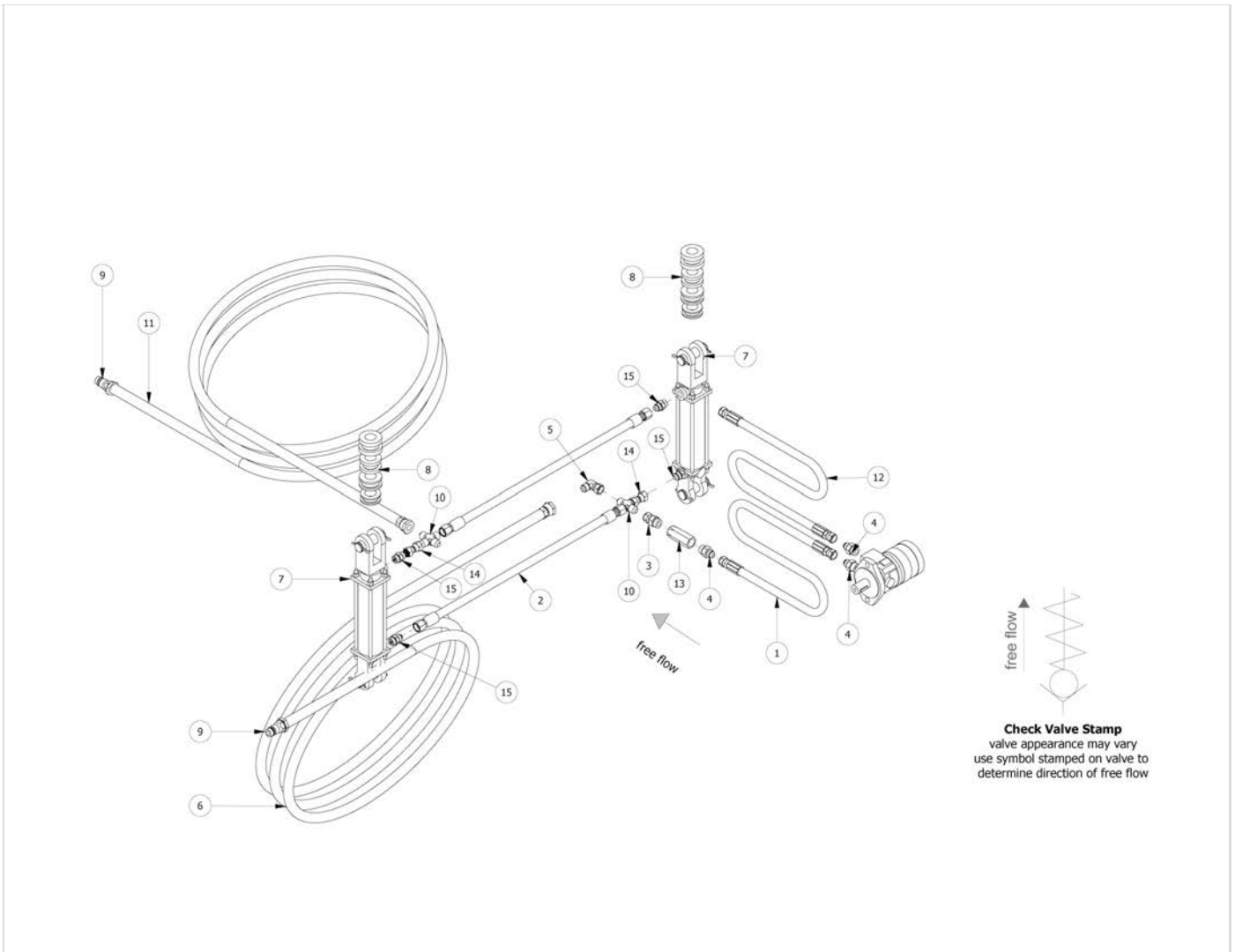
Pos	SKU	Description	Qty	Remark
16	AAB-015-30017	WSHR LOCK 3/8	28	
17	AAA-006-01058	DUAL CNVR DROP BOOT ASSY 5000 SERIES	1	



Pos	SKU	Description	Qty	Remark
1	AAA-006-00617-P3	CNVR DRIVESHAFT ASSY	1	
2	AAB-006-00013	SPROCKET CAST KEYED FOR DRIVE	2	
3	AAB-006-00009	BRNG 1-1/8 ID FLNG FOR CNVR DRIVE AND IDLER SHAFTS	2	
4	AAB-006-00030	KEY 1/4 X 1 1/2	2	

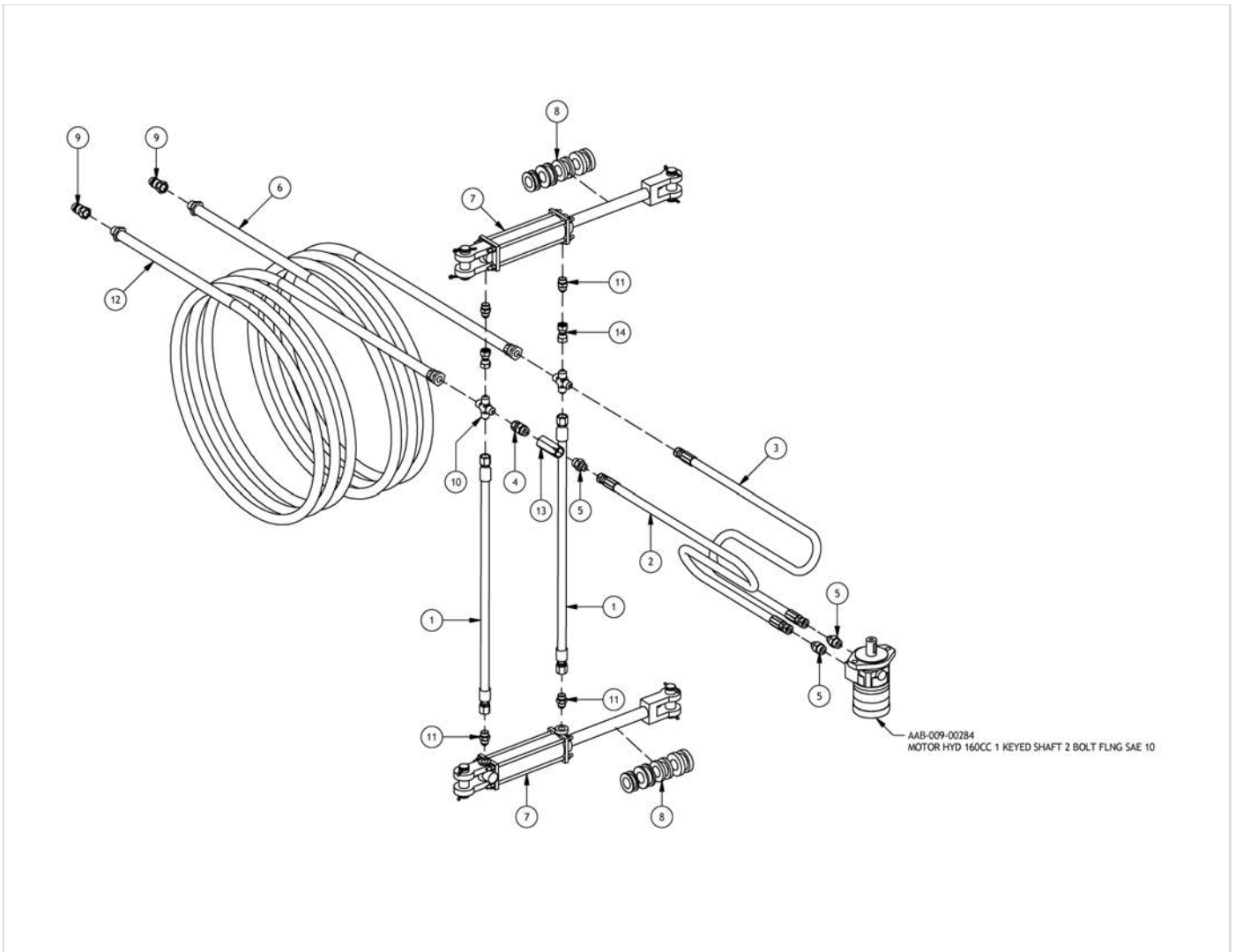


Pos	SKU	Description	Qty	Remark
1	AAA-009-00255	HOSE HYD 1/2DIA SINGLE BRAID 8 MORB X 8 FJIC 240L 3000PSI	1	
2	AAA-009-00259	HOSE HYD 1/2DIA SINGLE BRAID 8 MORB X 8 FJIC 224L 3000PSI	1	
3	AAB-009-00058	HOSE HYD 1/2DIA SNGL BRAID 8 FJIC SWIVEL X 8 FJIC SWIVEL X 63L	2	
4	AAB-009-00080	FIT ADPT 8 MJIC X 10 MORB	4	
5	AAB-009-00029	FIT TEE 8 MJIC X 8 FJIC SWIVEL X 8 MJIC	1	
6	AAB-009-00341	FIT ADPT 8 FJIC X 8 MORB	2	
7	AAB-009-00340	FIT TEE 8 MJIC X 8 MJIC X 8MJIC	1	
8	AAB-009-00237	HYD CYL 10" STROKE X 2" BORE	1	
9	AAB-009-00322	FIT ADPT 8 MQDC X 8 FORB BALL STYLE	2	
10	AAB-009-00321	VALVE CHECK 10 FORB X 10 FORB	1	
11	AAB-009-00314	KIT LOCK COLLARS 1-1/8 AND 1-1/4DIA WITH 3/4, 1, 1-1/4, 1-1/2	1	



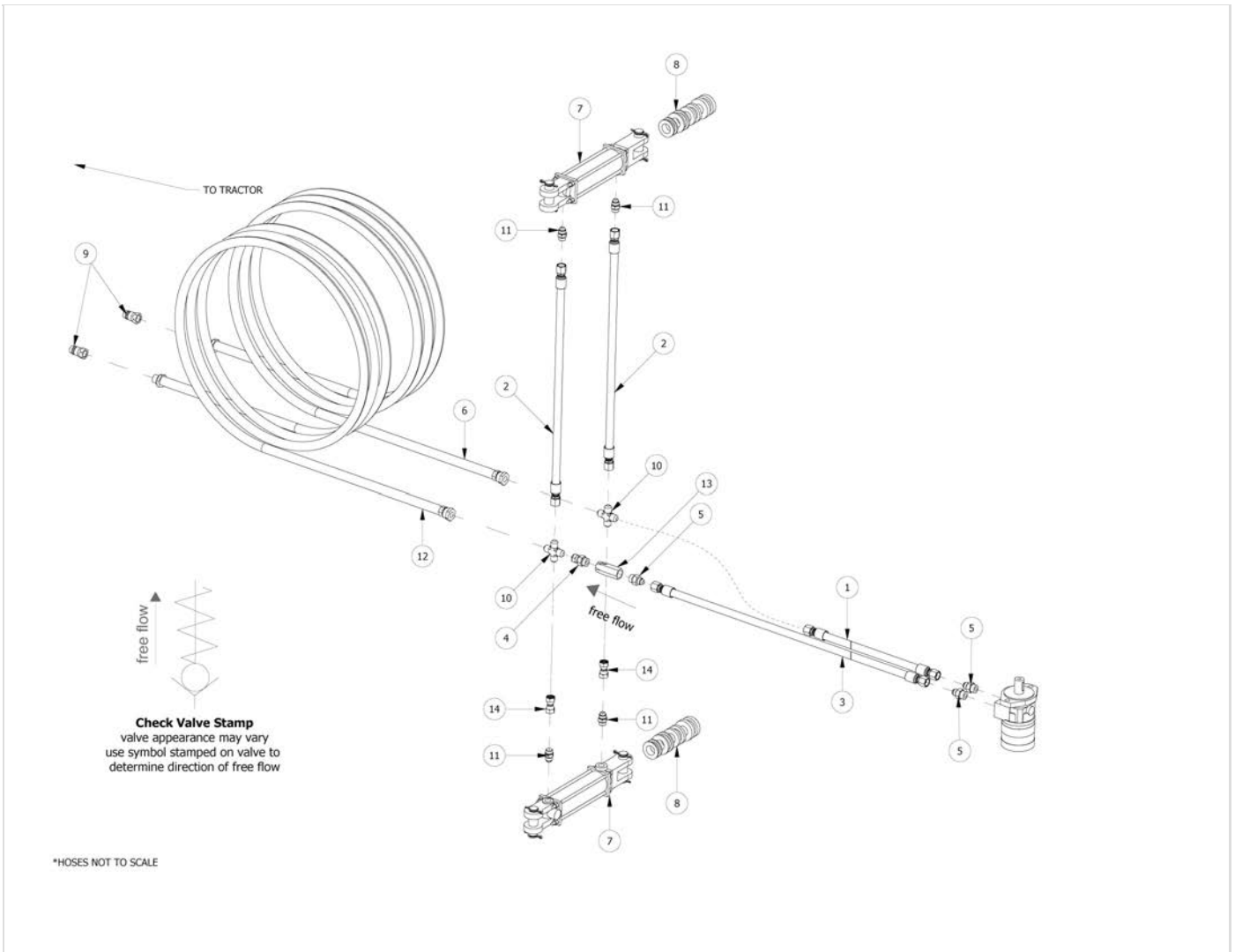
Pos	SKU	Description	Qty	Remark
1	AAA-009-00152	HOSE HYD 1/2DIA SNGL BRAID 8 FJIC SWIVEL X 8 FJIC SWIVEL 60L	1	
2	AAA-009-00404	HOSE HYD 1/2DIA SINGLE BRAID 8 FJIC X 8 FJIC 26L 3000PSI	2	
3	AAB-009-00079	FIT ADPT 10 MORB X 8 FJIC SWIVEL	1	
4	AAB-009-00080	FIT ADPT 8 MJIC X 10 MORB	3	
5	AAB-009-00088	FIT 90DEG 8 MJIC X 8 FJIC SWIVEL	1	
6	AAB-009-00133	HOSE HYD 1/2DIA SINGLE BRAID 8 MORB X 8 FJIC X 180L	1	
7	AAB-009-00230	HYD CYDR 6 STROKE X 2DIA	2	
8	AAB-009-00314	KIT LOCK COLLARS 1-1/8 AND 1-1/4DIA WITH 3/4, 1, 1-1/4, 1-1/2	2	
9	AAB-009-00322	FIT ADPT 8 MQDC X 8 FORB BALL STYLE	2	
10	AAB-009-00326	FIT CROSS 8 MJIC X 8 MJIC X 8 MJIC X 8 MJIC	2	
11	AAB-009-00508	HOSE HYD 1/2DIA SINGLE BRAID 8 MORB X 8 FJIC X 168L	1	
12	AAB-009-00509	HOSE HYD 1/2DIA SNGL BRAID 8 FJIC SWIVEL X 8 FJIC SWIVEL 40L	1	
13	AAB-009-00511	CHECK VALVE 10 FORB X 10 FORB 65/72 PSI CRACK PRESSURE	1	

Pos	SKU	Description	Qty	Remark
14	AAB-009-00725	FIT ADPT 8 FJIC X 8 FJIC	2	
15	AAB-009-00738	FIT RESTRICTOR 3/16DIA - 8 MORB X 8 MJIC	4	



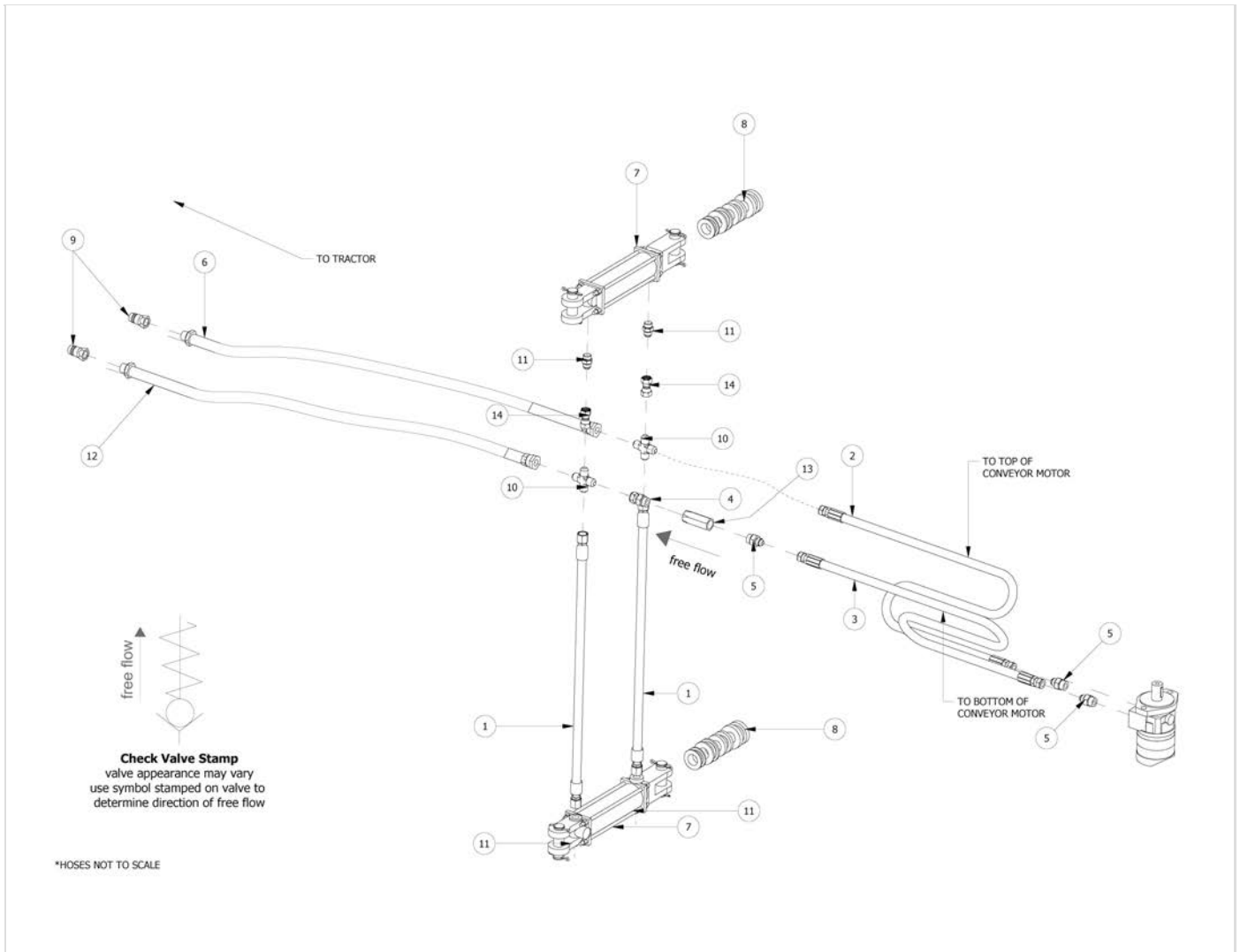
Pos	SKU	Description	Qty	Remark
1	AAA-009-00404	HOSE HYD 1/2DIA SINGLE BRAID 8 FJIC X 8 FJIC 26L 3000PSI	2	
2	AAA-009-00962	HOSE HYD 1/2DIA SNGL BRAID 8 FJIC SWIVEL X 8 FJIC SWIVEL X 54L	1	
3	AAA-009-00963	HOSE HYD 1/2DIA SNGL BRAID 8 FJIC SWIVEL X 8 FJIC SWIVEL X 42L	1	
4	AAB-009-00079	FIT ADPT 10 MORB X 8 FJIC SWIVEL	1	
5	AAB-009-00080	FIT ADPT 8 MJIC X 10 MORB	3	
6	AAB-009-00133	HOSE HYD 1/2DIA SINGLE BRAID 8 MORB X 8 FJIC X 180L	1	
7	AAB-009-00230	HYD CYDR 6 STROKE X 2DIA	2	
8	AAB-009-00314	KIT LOCK COLLARS 1-1/8 AND 1-1/4DIA WITH 3/4, 1, 1-1/4, 1-1/2	2	
9	AAB-009-00322	FIT ADPT 8 MQDC X 8 FORB BALL STYLE	2	
10	AAB-009-00326	FIT CROSS 8 MJIC X 8 MJIC X 8 MJIC X 8 MJIC	2	
11	AAB-009-00353	FIT RESTRICTOR 1/16DIA - 8 MORB X 8 MJIC	4	
12	AAB-009-00508	HOSE HYD 1/2DIA SINGLE BRAID 8 MORB X 8 FJIC X 168L	1	
13	AAB-009-00511	CHECK VALVE 10 FORB X 10 FORB 65/72 PSI CRACK PRESSURE	1	

Pos	SKU	Description	Qty	Remark
14	AAB-009-00725	FIT ADPT 8 FJIC X 8 FJIC	2	
15	AAB-009-00284	MOTOR HYD 160CC 1 KEYED SHAFT 2 BOLT FLNG SAE 10	1	



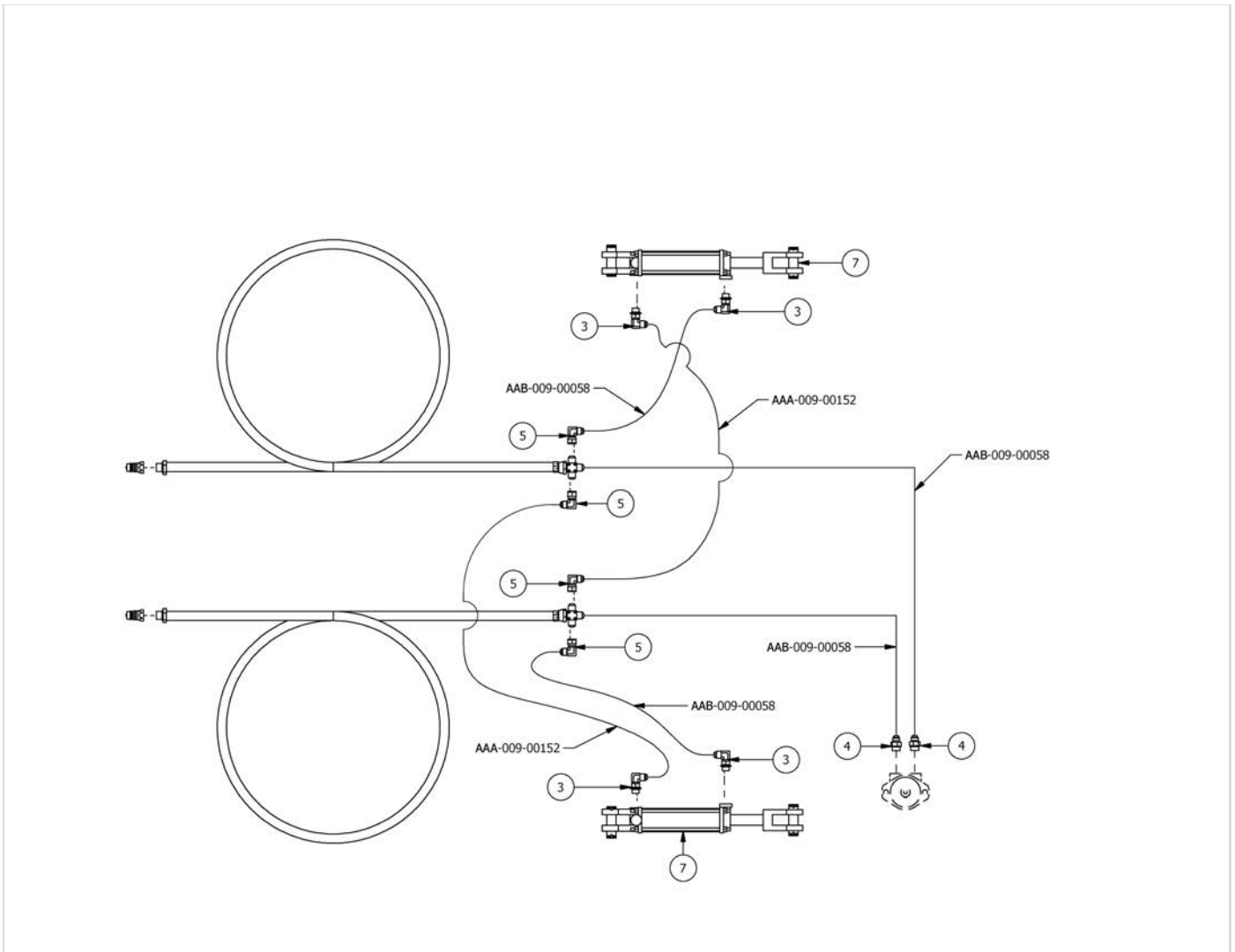
Pos	SKU	Description	Qty	Remark
1	AAA-009-00213	HOSE HYD 1/2DIA SINGLE BRAID 8 FJIC X 8 FJIC 48L 3000PSI	1	
2	AAA-009-00404	HOSE HYD 1/2DIA SINGLE BRAID 8 FJIC X 8 FJIC 26L 3000PSI	2	
3	AAA-009-00405	HOSE HYD 1/2DIA SINGLE BRAID 8 FJIC X 8 FJIC 67L 3000PSI	1	
4	AAB-009-00079	FIT ADPT 10 MORB X 8 FJIC SWIVEL	1	
5	AAB-009-00080	FIT ADPT 8 MJIC X 10 MORB	3	
6	AAB-009-00133	HOSE HYD 1/2DIA SINGLE BRAID 8 MORB X 8 FJIC X 180L	1	
7	AAB-009-00230	HYD CYDR 6 STROKE X 2DIA	2	
8	AAB-009-00314	KIT LOCK COLLARS 1-1/8 AND 1-1/4DIA WITH 3/4, 1, 1-1/4, 1-1/2	2	
9	AAB-009-00322	FIT ADPT 8 MQDC X 8 FORB BALL STYLE	2	
10	AAB-009-00326	FIT CROSS 8 MJIC X 8 MJIC X 8 MJIC X 8 MJIC	2	
11	AAB-009-00353	FIT RESTRICTOR 1/16DIA - 8 MORB X 8 MJIC	4	
12	AAB-009-00508	HOSE HYD 1/2DIA SINGLE BRAID 8 MORB X 8 FJIC X 168L	1	
13	AAB-009-00511	CHECK VALVE 10 FORB X 10 FORB 65/72 PSI CRACK PRESSURE	1	

Pos	SKU	Description	Qty	Remark
14	AAB-009-00725	FIT ADPT 8 FJIC X 8 FJIC	2	

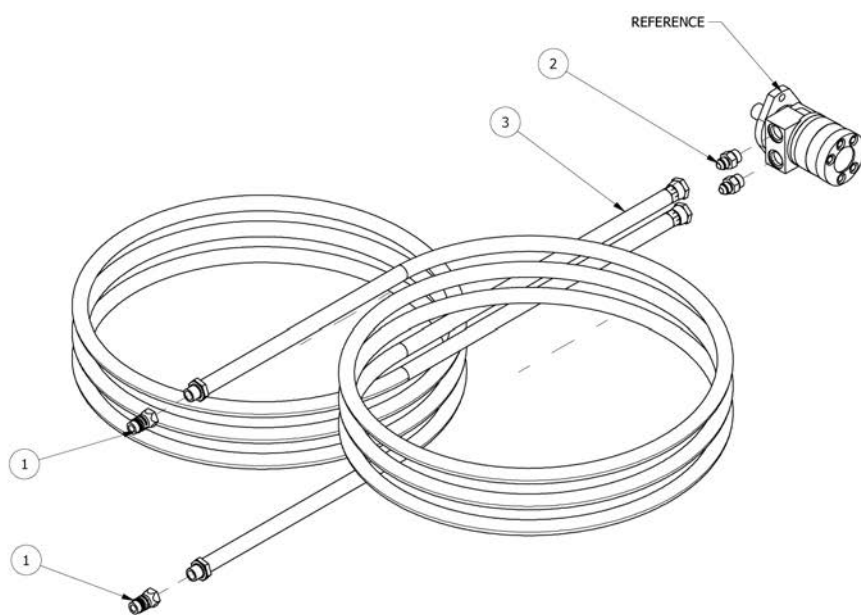


Pos	SKU	Description	Qty	Remark
1	AAA-009-00404	HOSE HYD 1/2DIA SINGLE BRAID 8 FJIC X 8 FJIC 26L 3000PSI	2	
2	AAA-009-00451	HOSE HYD 1/2DIA SINGLE BRAID 8 FJIC SWIVEL X 8 FJIC SWIVEL 65L	1	
3	AAA-009-00452	HOSE HYD 1/2DIA SNGL BRAID 8 FJIC SWIVEL X 8 FJIC SWIVEL X 80L	1	
4	AAB-009-00079	FIT ADPT 10 MORB X 8 FJIC SWIVEL	1	
5	AAB-009-00080	FIT ADPT 8 MJIC X 10 MORB	3	
6	AAB-009-00133	HOSE HYD 1/2DIA SINGLE BRAID 8 MORB X 8 FJIC X 180L	1	
7	AAB-009-00230	HYD CYDR 6 STROKE X 2DIA	2	
8	AAB-009-00314	KIT LOCK COLLARS 1-1/8 AND 1-1/4DIA WITH 3/4, 1, 1-1/4, 1-1/2	2	
9	AAB-009-00322	FIT ADPT 8 MQDC X 8 FORB BALL STYLE	2	
10	AAB-009-00326	FIT CROSS 8 MJIC X 8 MJIC X 8 MJIC X 8 MJIC	2	
11	AAB-009-00353	FIT RESTRICTOR 1/16DIA - 8 MORB X 8 MJIC	4	
12	AAB-009-00508	HOSE HYD 1/2DIA SINGLE BRAID 8 MORB X 8 FJIC X 168L	1	
13	AAB-009-00511	CHECK VALVE 10 FORB X 10 FORB 65/72 PSI CRACK PRESSURE	1	

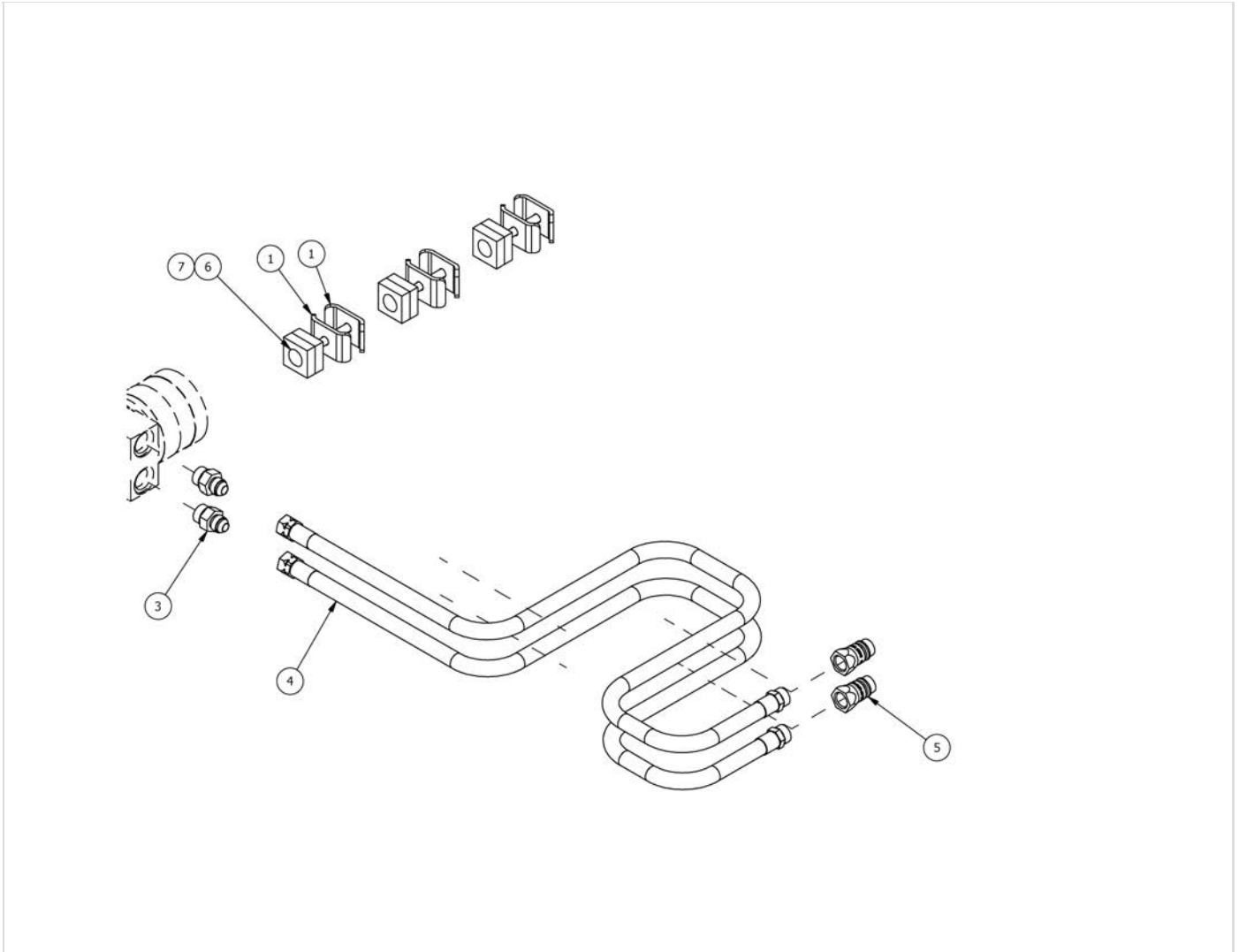
Pos	SKU	Description	Qty	Remark
14	AAB-009-00725	FIT ADPT 8 FJIC X 8 FJIC	2	



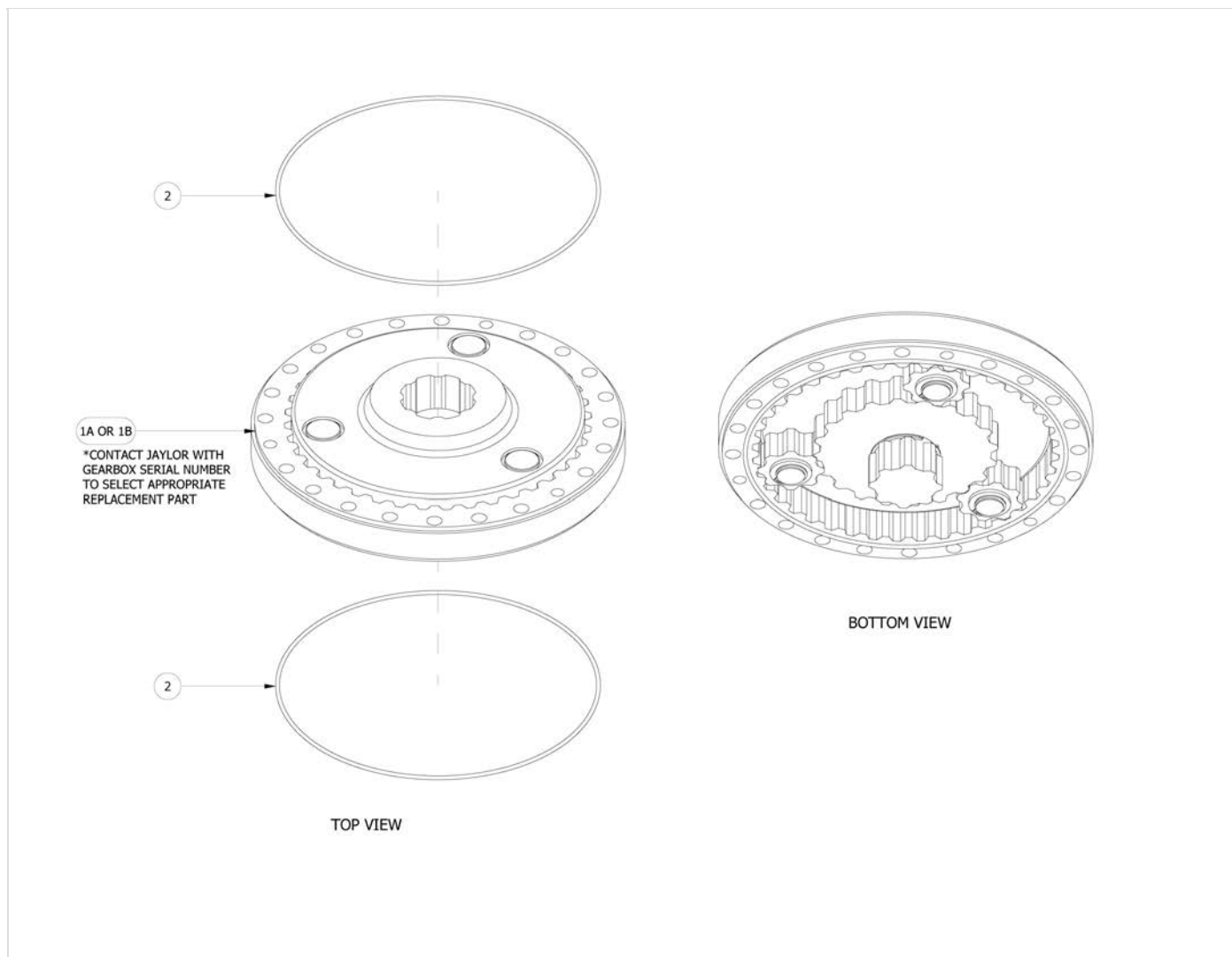
Pos	SKU	Description	Qty	Remark
1	AAA-009-00152	HOSE HYD 1/2DIA SNGL BRAID 8 FJIC SWIVEL X 8 FJIC SWIVEL 60L	2	
2	AAB-009-00058	HOSE HYD 1/2DIA SNGL BRAID 8 FJIC SWIVEL X 8 FJIC SWIVEL X 63L	4	
3	AAB-009-00076	FIT 90DEG 8 MJIC X ADJUST 8 MORB	4	
4	AAB-009-00080	FIT ADPT 8 MJIC X 10 MORB	2	
5	AAB-009-00088	FIT 90DEG 8 MJIC X 8 FJIC SWIVEL	4	
6	AAB-009-00133	HOSE HYD 1/2DIA SINGLE BRAID 8 MORB X 8 FJIC X 180L	2	
7	AAB-009-00230	HYD CYDR 6 STROKE X 2DIA	2	
8	AAB-009-00322	FIT ADPT 8 MQDC X 8 FORB BALL STYLE	2	
9	AAB-009-00326	FIT CROSS 8 MJIC X 8 MJIC X 8 MJIC X 8 MJIC	2	



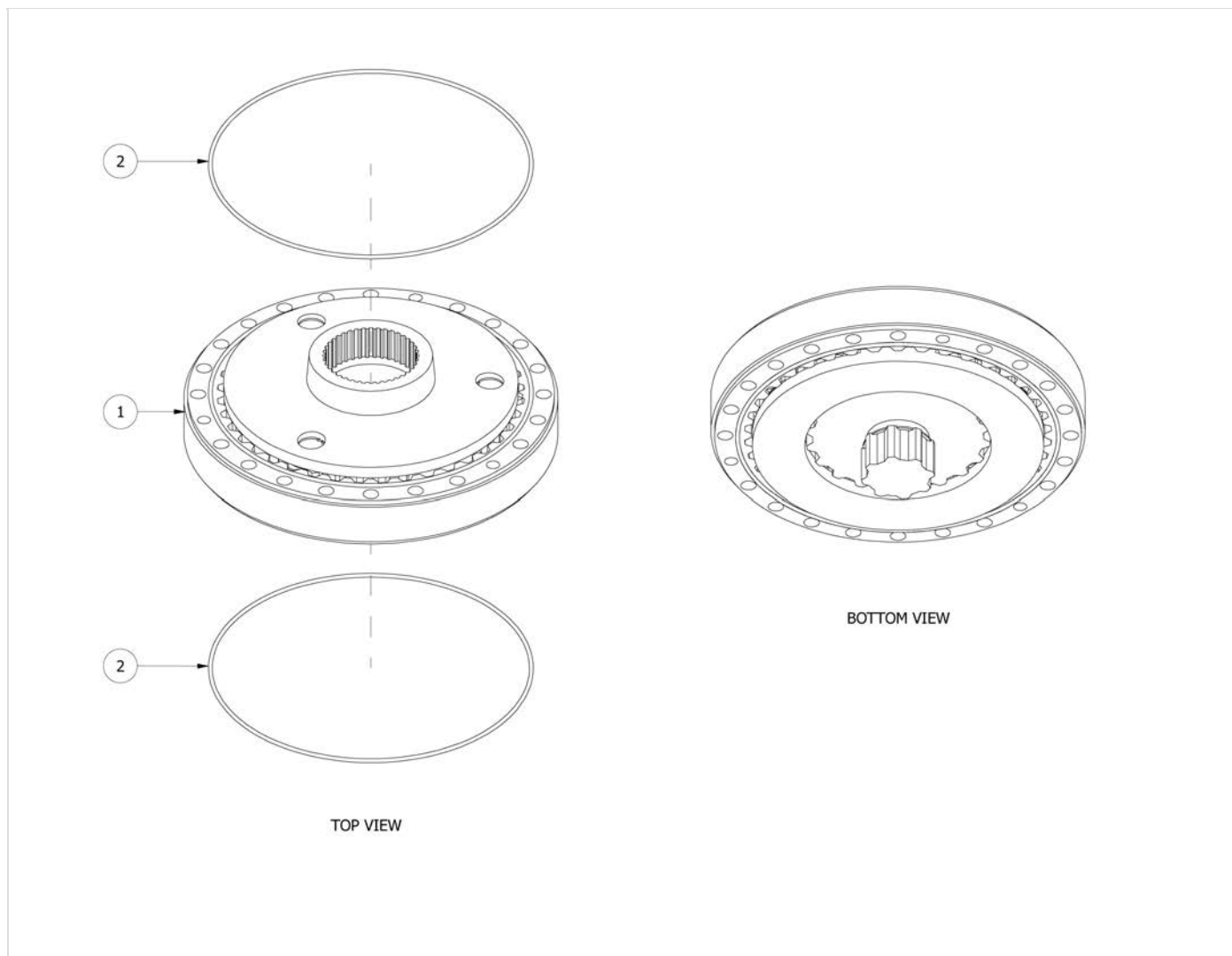
Pos	SKU	Description	Qty	Remark
1	AAB-009-00322	FIT ADPT 8 MQDC X 8 FORB BALL STYLE	2	
2	AAB-009-00080	FIT ADPT 8 MJIC X 10 MORB	2	
3	AAB-009-00133	HOSE HYD 1/2DIA SINGLE BRAID 8 MORB X 8 FJIC X 180L	2	



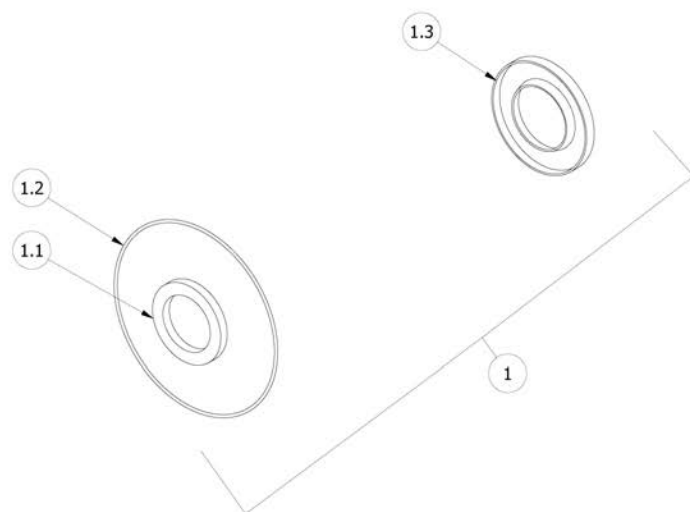
Pos	SKU	Description	Qty	Remark
1	AAA-002-00343	CLIP HYD HOSE ZINC	6	
2	AAA-006-00223	SPCR PLASTIC 1/2T 1-1/2SQ	6	
3	AAB-009-00080	FIT ADPT 8 MJIC X 10 MORB	2	
4	AAA-009-00255	HOSE HYD 1/2DIA SINGLE BRAID 8 MORB X 8 FJIC 240L 3000PSI	2	
5	AAB-009-00322	FIT ADPT 8 MQDC X 8 FORB BALL STYLE	2	
6	AAB-015-10062	BOLT CARRIAGE 3/8 X 4 GRD 2	3	
7	AAB-015-20017	NUT HEX 3/8 UNC GRD 2	3	



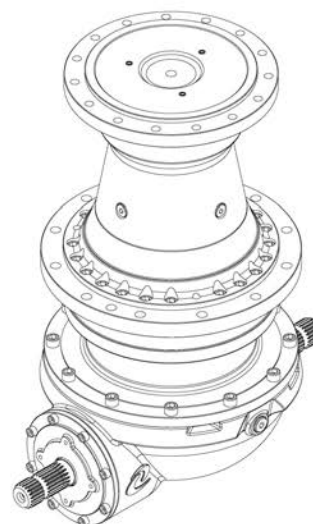
Pos	SKU	Description	Qty	Remark
1	AAB-007-00270	KIT PLANETARY SET PGA1603 VM (LOWER SET)	1	
1	AAB-007-01363	KIT PLANETARY SET PGA1603 VM (LOWER SET)	1	
2	AAB-007-00523	ORING 3.53MM X 291.69MM 41150	2	



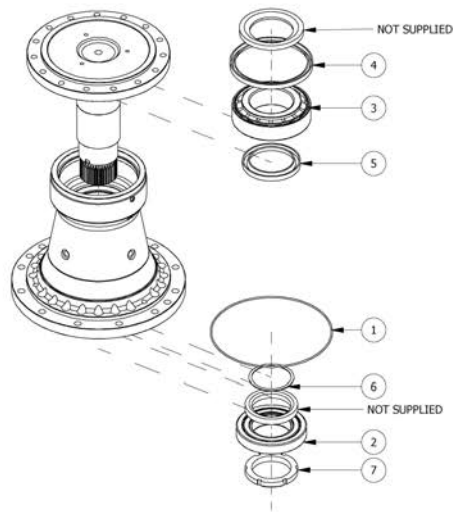
Pos	SKU	Description	Qty	Remark
1	AAB-007-00234	KIT PLANETARY SET PGA 1602VM AND PGA 1603 VM (UPPER PLANETARY SET)	1	
2	AAB-007-00523	ORING 3.53MM X 291.69MM 41150	2	



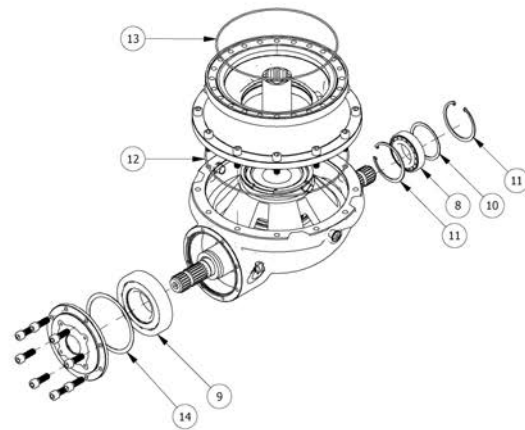
NOTE: INPUT AND OUTPUT SHAFT SEALS COMMON BETWEEN 1602 AND 1603 (THRU SHAFT)



Pos	SKU	Description	Qty	Remark
1	AAA-007-00133	KIT INPUT / OUTPUT SEALS 1602/1603	1	
1.1	AAB-007-00255	OIL SEAL BASL 45 X 72 X 8 DIN 3760 - NB	1	
1.2	AAB-007-00256	O-RING 2.62 X 158.42	1	
1.3	AAB-007-00259	OIL SEAL BASL 55 X 100 X 10	1	



TO ORDER ALL PARTS AS A KIT, USE PART # AAA-007-00131

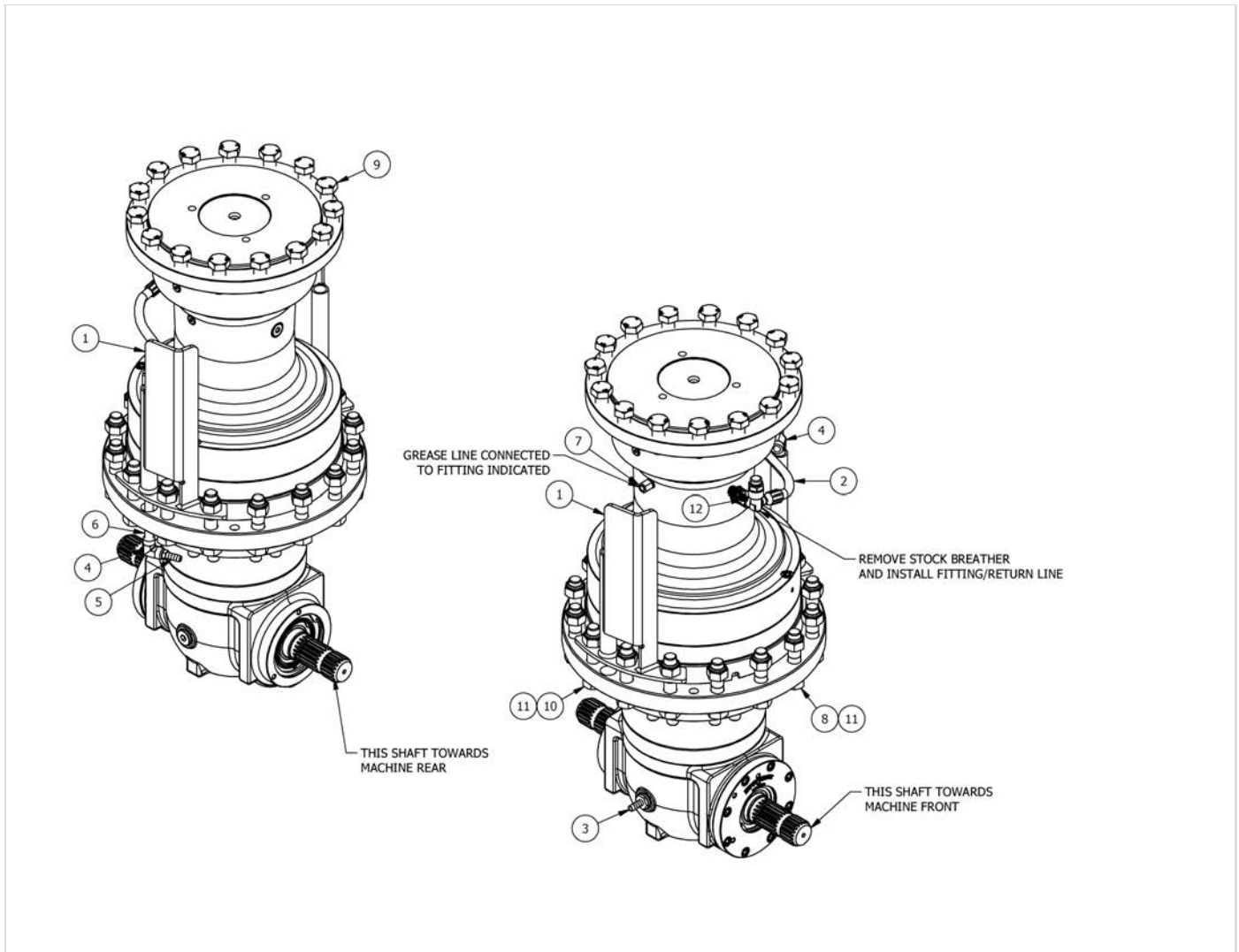


NOTE:
KITS AVAILABLE FOR:

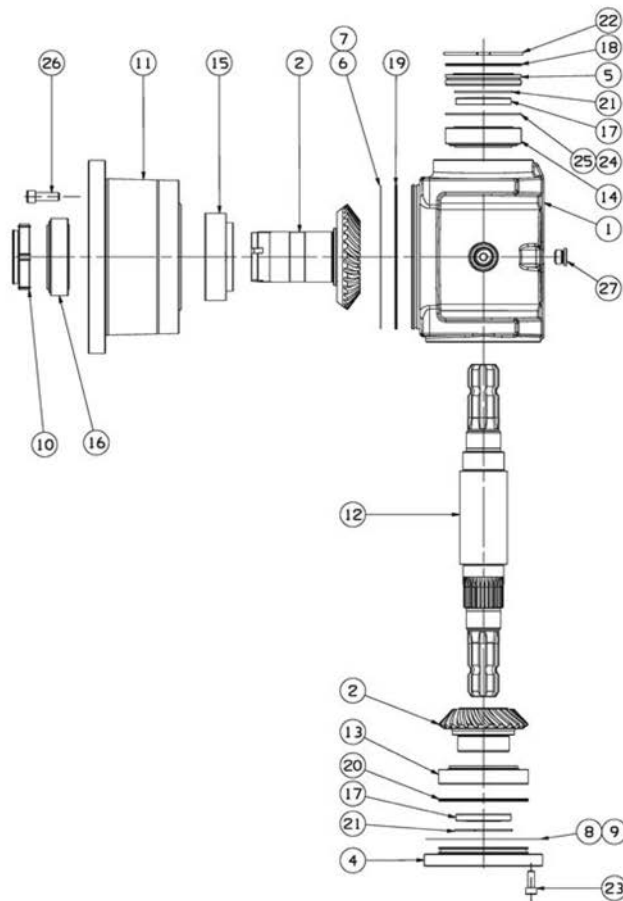
- 1. COMPLETE PLANETARY REDUCTION ASSEMBLY
- 2. INPUT AND OUTPUT SHAFT SEALS

ALL PARTS NOT IN KITS. PLEASE REFER TO
MANUFACTURER'S PART LIST IN GEARBOX SECTION

Pos	SKU	Description	Qty	Remark
1	AAB-007-00523	ORING 3.53MM X 291.69MM 41150	2	
2	AAB-007-00237	BRNG TAPER - 32221	1	
3	AAB-007-00238	BRNG TAPERED ROLLER 30219	1	
4	AAB-007-00239	SEAL OIL A 180X200X15 DIN 3750 - NB	1	
5	AAB-007-00242	SEAL OIL A 105X140X12 DIN 3760 - NB	1	
6	AAB-007-00404	KIT SHIM 95.2MM X 109.8MM	1	
7	AAB-007-00244	RING NUT KM19	1	
8	AAB-007-00251	TAPERED ROLLER BEARING 32211	1	
9	AAB-007-00250	TAPERED ROLLER BEARING 30315	1	
10	AAB-007-00645	KIT SHIM 85.3MM X 99.7MM (9479.085.100)	1	
11	AAB-007-00258	INTERNAL CIRCLIP 100MM	2	
12	AAB-007-00408	ORING 41300 3.53mm x 329.79mm	1	
13	AAB-007-00523	ORING 3.53MM X 291.69MM 41150	2	
14	AAB-007-00646	KIT SHIM 140.3MM X 159.6MM (9479.140.160)	1	
15	AAA-007-00131	KIT SEAL / BEARING 1602 / 1603	1	

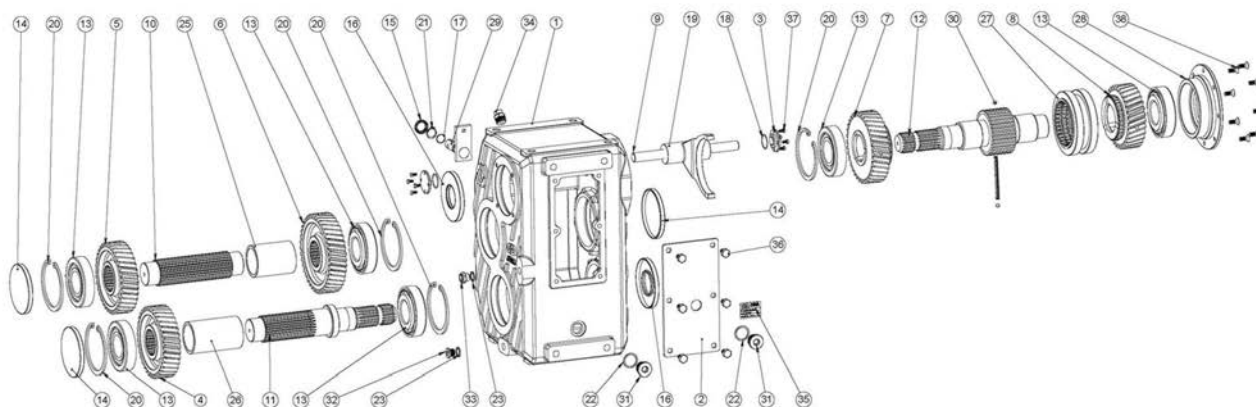


Pos	SKU	Description	Qty	Remark
1	AAA-008-00080	INTERNAL LINE PROTECTOR	4	
2	AAA-009-00149	HOSE HYD 1/4DIA 4 NPT X 4 JIC 90 DEG SWIVEL	2	
3	AAB-008-00002	FIT 8 MNPT X 3/8 BARB	2	
4	AAB-008-00004	FIT 90DEG 4 FNPT X 4 FNPT	4	
5	AAB-008-00006	FIT 4 MNPT X 3/8 BARB	2	
6	AAB-008-00021	PIPE BLACK 1/4DIA X 4MNPT X 4MNPT X 11L	2	
7	AAB-008-00120	9035-02-02 MALE BSPP X FEMALE NPT	2	
8	AAB-015-10151	M20-2.5 X 90MM CLASS 10.9 ZINC CAP SCREW	20	
9	AAB-015-10152	M20-2.5 X 50MM CLASS 10.9 ZINC CAP SCREW	30	
10	AAB-015-10153	M20-2.5 X 100MM CLASS 10.9 ZINC CAP SCREW	12	
11	AAB-015-20044	M20-2.5 ZINC PLATED NYLON LOCK NUT	32	
12	AAB-008-00148	FIT ADPT 4 MJIC X 6 BSPP	2	



Pos	SKU	Description	Qty	Remark
1	AAB-007-00908	ECS2013 HOUSING C1M/./././..	1	
2	AAB-007-00909	ECS2013 PINION+RING-GEAR CQM/A27/A.27/..	1	
3	AAB-007-00910	ECS2013 COVER C1M/./././IF150	1	
4	AAB-007-00911	ECS2013 COVER C1M/./././IF96	1	
5	AAB-007-00912	ECS2013 SPACER C1M/214/160.4/0.1	1	
6	AAB-007-00913	ECS2013 SPACER C1M/214/160.5/0.15	1	
7	AAB-007-00914	ECS2013 SPACER C1M/167/130.5/0.1	1	
8	AAB-007-00915	ECS2013 SPACER C1M/167/130.5/0.15	1	
9	AAB-007-00915	ECS2013 SPACER C1M/167/130.5/0.15	1	
10	AAB-007-00916	ECS2013 LOCK NUT C1MM75x2/4T/..	1	
11	AAB-007-00917	ECS2013 INTERMEDIATE FLANGE EM1065/./././CM1	1	
12	AAB-007-00918	ECS2013 SHAFT C1M/1-3_4z20/./1-3_4z20	1	
13	AAB-007-00919	ECS2013 BEARING 30215 DIN720	1	
14	AAB-007-00920	ECS2013 BEARING 33212 DIN720	1	
15	AAB-007-00921	ECS2013 BEARING 33215 DIN720	1	
16	AAB-007-00922	ECS2013 BEARING 33015 DIN720	1	
17	AAB-007-00923	ECS2013 OIL SEAL BASL50x80x10 VITON	2	

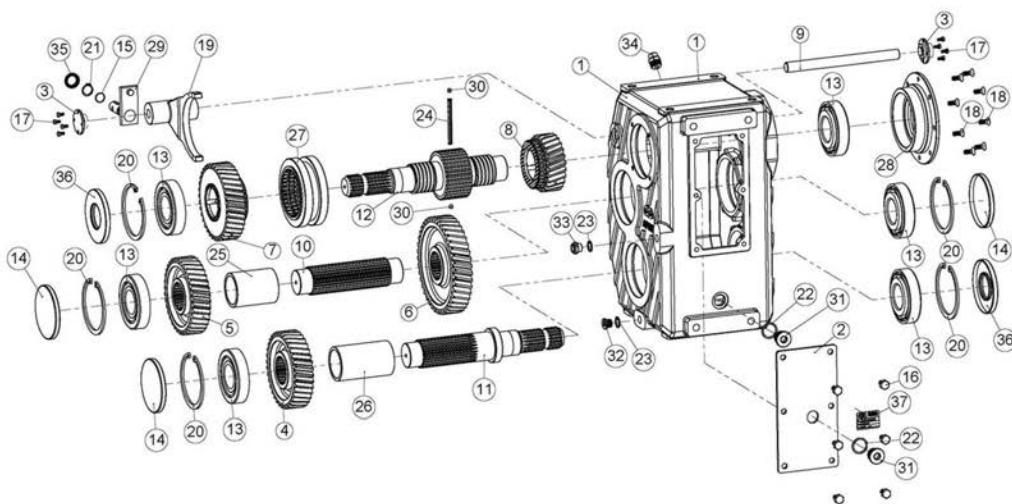
Pos	SKU	Description	Qty	Remark
18	AAB-007-00924	ECS2013 O-RING 2-155 101.27x2.62	1	
19	AAB-007-00925	ECS2013 O-RING 2-172 209.22x2.62	1	
20	AAB-007-00926	ECS2013 O-RING 2-249 123.42x3.53	1	
21	AAB-007-00927	ECS2013 CIRCLIP INT. 80 UNI7437-75	2	
22	AAB-007-00928	ECS2013 CIRCLIP INT. 110 UNI7437-75	1	
23	AAB-007-00929	ECS2013 SCREW M10x25 UNI5931-67-8.8	8	
24	AAB-007-00930	ECS2013 SHIM PS90x110x0.1 DIN988	1	
25	AAB-007-00931	ECS2013 SHIM PS90x110x2 DIN988	1	
26	AAB-007-00932	ECS2013 SCREW M12x35 UNI5931-67-8.8	12	
27	AAB-007-00933	ECS2013 PLUG G1/2 DIN908 MAGN.INC_O- RING_LANTHANE	3	



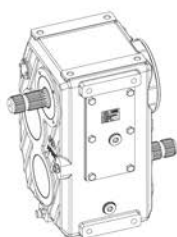
PART # AAA-007-00832-P3
2-SPEED GEARBOX AP602, 1.3:1 RATIO

Pos	SKU	Description	Qty	Remark
1	AAB-007-00988	HOUSING AP602	1	
2	AAB-007-00989	HOUSING COVER AP502 Fe37 3/4 "(341)	1	
3	AAB-007-00990	LEVER COVER AP602	2	
4	AAB-007-00991	GEAR Z36 M4 R1 / 1 EL DX	1	
5	AAB-007-00992	GEAR Z36 M4 R1 / 1 EL SX	1	
6	AAB-007-01019	CROWN GEAR Z41 M4 R1/1 EL DX	1	
7	AAB-007-00994	GEAR RL Z36 M4 R1 / 1 EL DX	1	
8	AAB-007-01020	PINION GEAR RL Z31 M4 R1.32 EL SX	1	
9	AAB-007-00996	TRANSMISSION SHAFT	1	
10	AAB-007-00997	INTERMEDIATE SHAFT	1	
11	AAB-007-00998	OUTPUT SHAFT R	1	
12	AAB-007-00999	INPUT SHAFT R	1	
13	AAB-007-01021	TAPERED ROLLER BEARING	6	
14	AAB-007-01022	RCA CAP CLOSURE	3	
15	AAB-007-00487	SEAL AP502	1	
16	AAB-007-00777	SEAL OIL 50MM X 110MM X 10MM TC	2	
17	AAB-007-00620	ORING AP502 gearbox ANELLO OR METRICO Øint. 17 x Øcor. 1.5 1 07.OR.170-15	1	
18	AAB-007-01023	O-RING 2112 28.3MM ID X 1.78MM OD	2	
19	AAB-007-01003	FORK	1	
21	AAB-007-01004	CIRCLIP EXTERNAL 20MM UNI7435	1	

Pos	SKU	Description	Qty	Remark
22	AAB-007-01005	COPPER GASKET 3/4"	2	
23	AAB-007-01006	COPPER GASKET 3/8"	2	
24	AAB-007-01007	19MM SPRING (AP602)	1	
25	AAB-007-01008	SPACER 57.8ID x 70OD x 90.5H	1	
26	AAB-007-01009	SPACER 57.8ID x 70OD x 115.5H	1	
27	AAB-007-01010	COUPLING BUSHING	1	
28	AAB-007-01011	CLOSING FLANGE	1	
29	AAB-007-01012	LEVER WELDED WITH KEY	1	
30	AAB-007-01013	BALL BEARING 8MM OD	2	
31	AAB-007-01014	OIL CAP 3/4" DIN908 ZINC	2	
32	AAB-007-01015	OIL CAP 3/8" DIN908 ZINC	1	
33	AAB-007-01016	OIL CAP WITH WINDOW 3/8" ALUMINUM	1	
34	AAB-007-01017	VENT VALVE 1/2" BRASS	1	
35	AAB-007-01018	SERIAL NUMBER PLATE	1	
36	AAB-007-01000	SCREW HEX 10 X 16 MM	6	
37	AAB-007-01001	SCREW HEX 5 X 10 MM	8	
38	AAB-007-01002	SCREW COUNTERSUNK 8 X 20 MM	8	



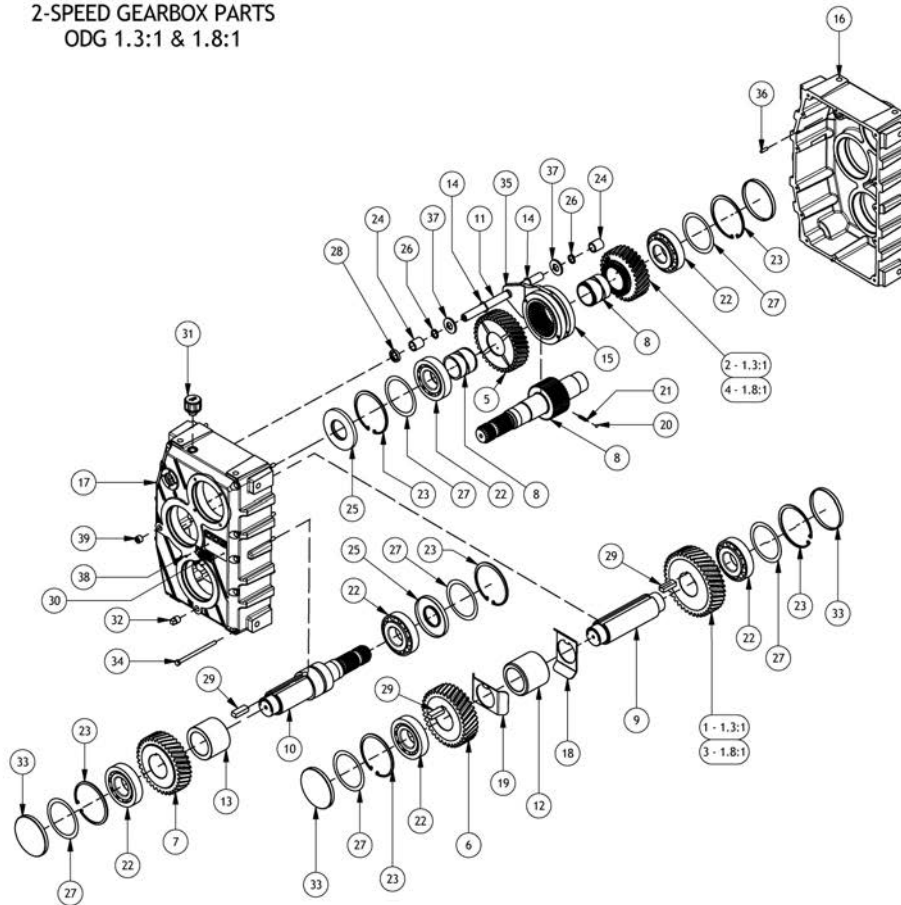
PART # AAA-007-00833-P3
2-SPEED GEARBOX AP602, 1.8:1 RATIO



Pos	SKU	Description	Qty	Remark
1	AAB-007-00988	HOUSING AP602	1	
2	AAB-007-00989	HOUSING COVER AP502 Fe37 3/4 "(341)	1	
3	AAB-007-00990	LEVER COVER AP602	2	
4	AAB-007-00991	GEAR Z36 M4 R1 / 1 EL DX	1	
5	AAB-007-00992	GEAR Z36 M4 R1 / 1 EL SX	1	
6	AAB-007-00993	CROWN GEAR Z46 M4 R1 / 1.84 EL DX	1	
7	AAB-007-00994	GEAR RL Z36 M4 R1 / 1 EL DX	1	
8	AAB-007-00995	PINION GEAR RL Z25 M4 R1 / 1.84 EL SX	1	
9	AAB-007-00996	TRANSMISSION SHAFT	1	
10	AAB-007-00997	INTERMEDIATE SHAFT	1	
11	AAB-007-00998	OUTPUT SHAFT R	1	
12	AAB-007-00999	INPUT SHAFT R	1	
13	AAB-007-00464	BRNG TAPERED ROLLER 30310	6	
14	AAB-007-00775	COVER RUBBER 110MM X 10MM RCA	3	
15	AAB-007-00620	ORING AP502 gearbox ANELLO OR METRICO Øint. 17 x Øcor. 1.5 1 07.OR.170-15	1	
16	AAB-007-01000	SCREW HEX 10 X 16 MM	6	
17	AAB-007-01001	SCREW HEX 5 X 10 MM	8	
18	AAB-007-01002	SCREW COUNTERSUNK 8 X 20 MM	8	
19	AAB-007-01003	FORK	1	
21	AAB-007-01004	CIRCLIP EXTERNAL 20MM UNI7435	1	

Pos	SKU	Description	Qty	Remark
22	AAB-007-01005	COPPER GASKET 3/4"	2	
23	AAB-007-01006	COPPER GASKET 3/8"	2	
24	AAB-007-01007	19MM SPRING (AP602)	1	
25	AAB-007-01008	SPACER 57.8ID x 70OD x 90.5H	1	
26	AAB-007-01009	SPACER 57.8ID x 70OD x 115.5H	1	
27	AAB-007-01010	COUPLING BUSHING	1	
28	AAB-007-01011	CLOSING FLANGE	1	
29	AAB-007-01012	LEVER WELDED WITH KEY	1	
30	AAB-007-01013	BALL BEARING 8MM OD	2	
31	AAB-007-01014	OIL CAP 3/4" DIN908 ZINC	2	
32	AAB-007-01015	OIL CAP 3/8" DIN908 ZINC	1	
33	AAB-007-01016	OIL CAP WITH WINDOW 3/8" ALUMINUM	1	
34	AAB-007-01017	VENT VALVE 1/2" BRASS	1	
35	AAB-007-00487	SEAL AP502	1	
36	AAB-007-00777	SEAL OIL 50MM X 110MM X 10MM TC	2	
37	AAB-007-01018	SERIAL NUMBER PLATE	1	

2-SPEED GEARBOX PARTS
ODG 1.3:1 & 1.8:1

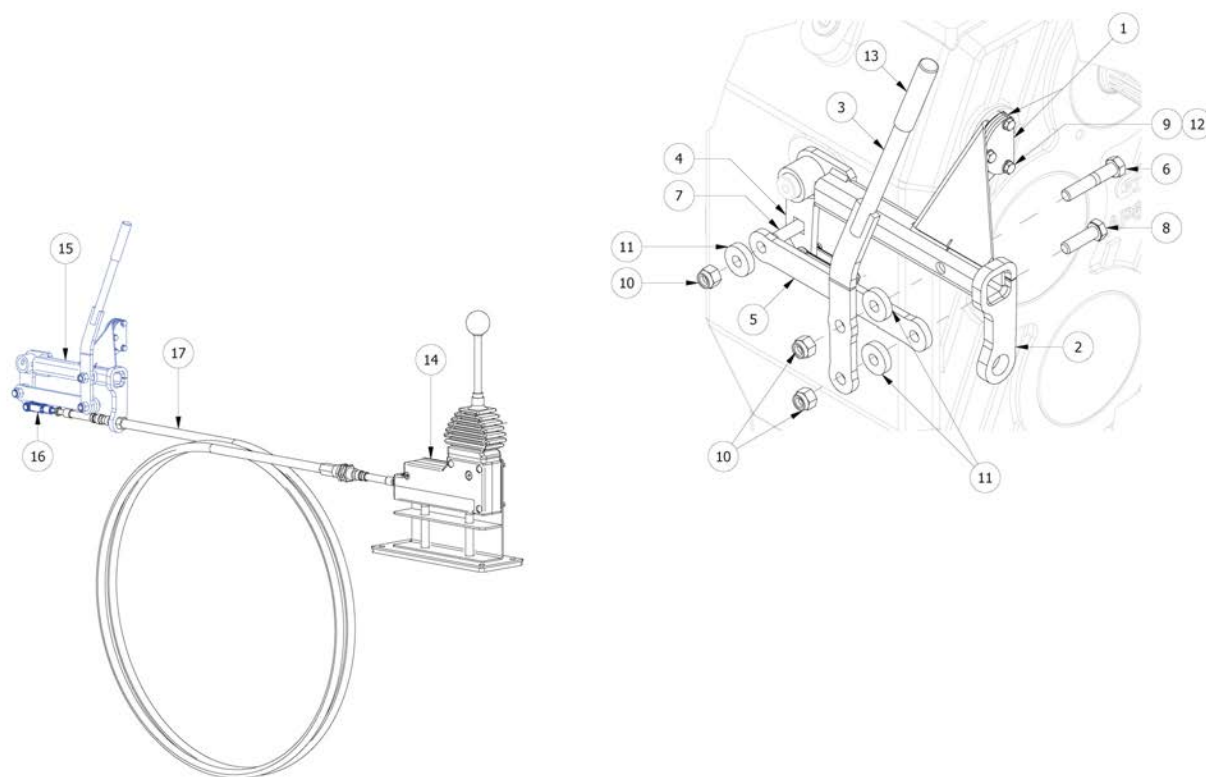


Pos	SKU	Description	Qty	Remark
1	AAB-007-01077	GEAR, 39T INTERMEDIATE	1	
2	AAB-007-01078	GEAR, 30T INPUT	1	
3	AAB-007-01079	GEAR, 45T INTERMEDIATE	1	
4	AAB-007-01080	GEAR, 25T INPUT	1	
5	AAB-007-01081	GEAR, 35T INPUT	1	
6	AAB-007-01082	GEAR, 35T INTERMEDIATE	1	
7	AAB-007-01083	GEAR, 35T OUTPUT	1	
8	AAB-007-01084	SHAFT, INPUT	1	
9	AAB-007-01085	SHAFT, INTERMEDIATE	1	
10	AAB-007-01086	SHAFT, OUTPUT	1	
11	AAB-007-01087	SHAFT, SHIFTER 0.750 STAINLESS	1	
12	AAB-007-01088	WASHER, INTERMEDIATE 3.2"	1	
13	AAB-007-01089	WASHER, OUTPUT - 2.555	1	
14	AAB-007-01090	WASHER, WAVE 0.752	2	
15	AAB-007-01091	CLUTCH, SHIFT COLLAR	1	
16	AAB-007-01092	HOUSING, OUTPUT SIDE	1	
17	AAB-007-01093	HOUSING, INPUT SIDE	1	

Pos	SKU	Description	Qty	Remark
18	AAB-007-01094	SLINGER, OIL (0 DEG.)	1	
19	AAB-007-01095	SLINGER, OIL (90 DEG.)	1	
20	AAB-007-01096	BALL, 6mm	2	
21	AAB-007-01097	SPRING, SHIFTER	2	
22	AAB-007-01098	BEARING, TAPER 110X50X29,25	6	
23	AAB-007-01099	RETAINING RING, WHM-450	6	
24	AAB-007-01100	BUSHING, OILITE AA1049-16	2	
25	AAB-007-01101	SEAL, OIL 110X50X10	2	
26	AAB-007-01102	RETAINING RING, 98585A115	2	
27	AAB-007-01103	SHIM, SET 90X110	6	
28	AAB-007-01104	SEAL, OIL	1	
29	AAB-007-01105	KEY, 5/8 X 7/16 X 11/16	3	
30	AAB-007-01106	PLATE, NAME-S/N WHITE	1	
31	AAB-007-01107	BREATHER, 3/8-16 BSPP, TMDV-DS/38	1	
32	AAB-007-01108	PLUG, MAGNETIC 3/8-18NPT SQ.HD	1	
33	AAB-007-01109	SEAL, END CAP 110X10	4	
34	AAB-007-01110	HHCS, M8X1.25 X 130 GRADE 8.8	11	
35	AAB-007-01111	FORK, SHIFTING	1	
36	AAB-007-01112	DOWEL, 1/4 X 7/8	2	
37	AAB-007-01113	WASHER, 0.781X1.625X0.161	2	
38	AAB-007-01114	TACK, NAME PLATE	2	
39	AAB-007-01115	3/8 NPT COUNTERSUNK HEX-HEAD PLUG	2	

2-SPEED REMOTE SHIFTER

AP502 & AP602 2-SPEED GEARBOXES

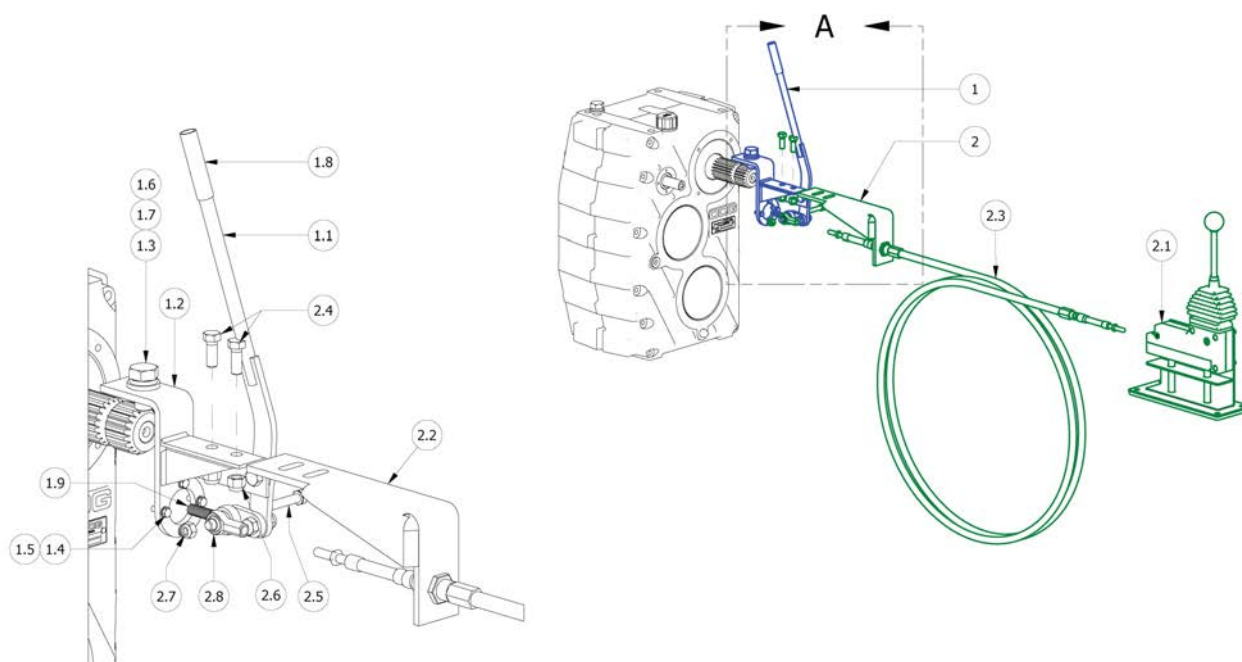


Pos	SKU	Description	Qty	Remark
1	AAA-007-00718	SS SPCR (REMOTE) SHIFTER AP502 & AP602 12GA	3	
2	AAA-007-00721-P3	2-SPD SHIFTER FRAME PAINTED	1	
3	AAA-007-00724-P3	SHIFTER HANDLE WELDMENT (PAINTED)	1	
4	AAA-007-00728-P3	2-SPD SHIFTER CRANK (PAINTED)	1	
5	AAA-007-00731-P3	CONNECTING ROD 2-SPD SHIFTER 1/4T (PAINTED)	1	
6	AAB-015-10057	BOLT HEX 3/8 X 2 GRD 2	1	
7	AAB-015-10060	BOLT CARRIAGE 3/8 X 1-1/4 UNC GRD 2	1	
8	AAB-015-10111	BOLT HEX 3/8 X 1-1/4 UNC GRD 5	1	
9	AAB-015-10165	M5-0.8 X 22MM DIN 933 CLASS 8.8 ZINC CAP SCREW (BOLT)	3	
10	AAB-015-20012	NUT HEX 3/8 LOCK NYLON GRD 2	3	
11	AAB-015-30032	WASHER BLACK NYLON 3/8ID X 1OD X 1/4T	3	
12	AAB-015-30040	M5 DIN 125 STL ZINC FLAT WSHR	3	
13	AAB-015-40009	GRIP ADJUSTMENT PIN VINYL 1/2 X 2-1/2	1	
14	AAA-007-00737	2 SPEED LEVER ASSEMBLY WITH MNT BRKT's	1	
15	AAA-007-00739	AP502/602 UPRIGHT/INVERTED SHIFTER KIT PARTS ORDER	1	

Pos	SKU	Description	Qty	Remark
16	AAB-007-00498	5/16 THREAD CLEVIS ASSY FOR TWO-SPEED SHIFTER KIT	1	
17	AAB-007-00738	CABLE ASSEMBLY FOR TWO-SPEED SHIFTER KIT	1	

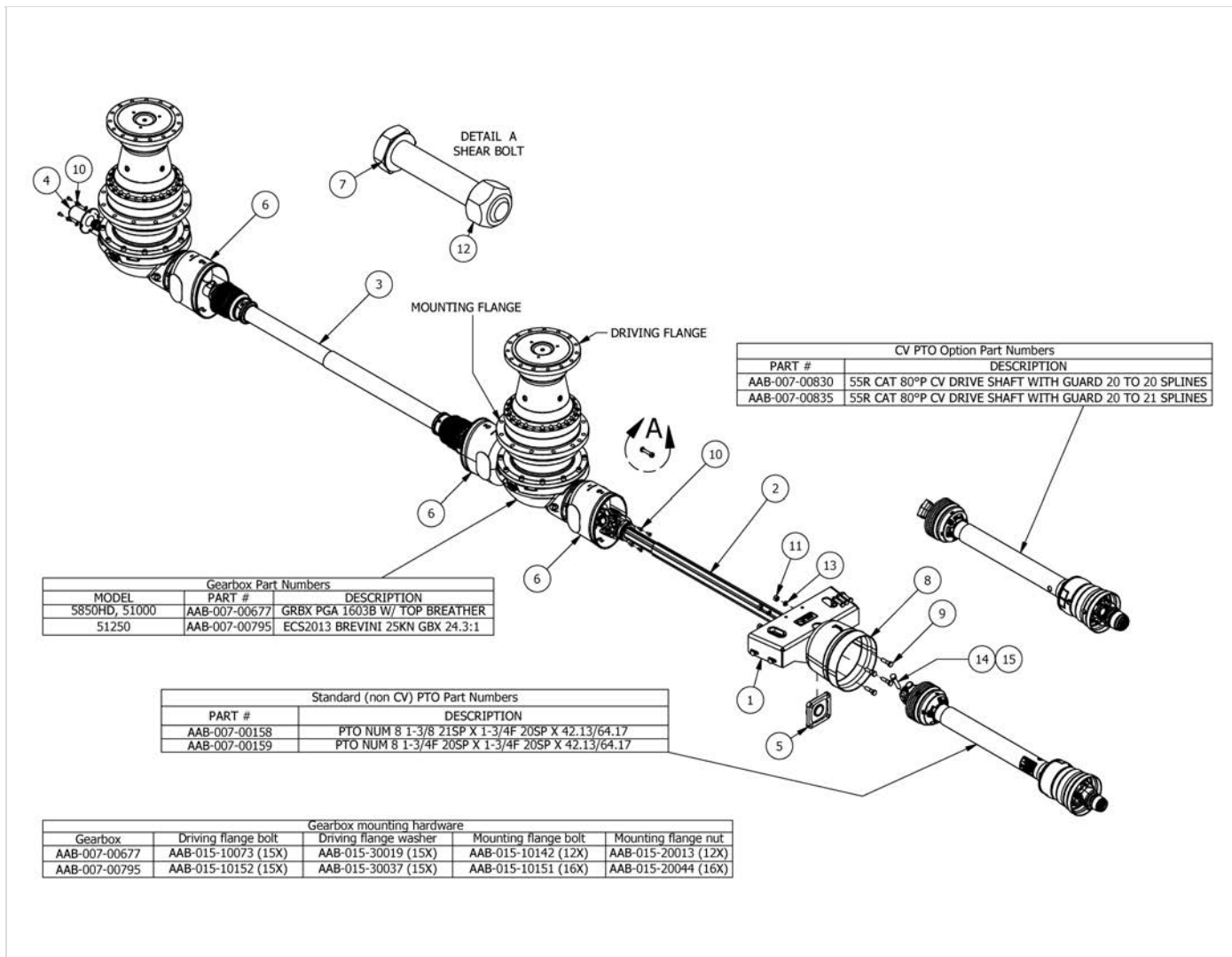
2-SPEED REMOTE SHIFTER

ODG 2-SPEED GEARBOXES



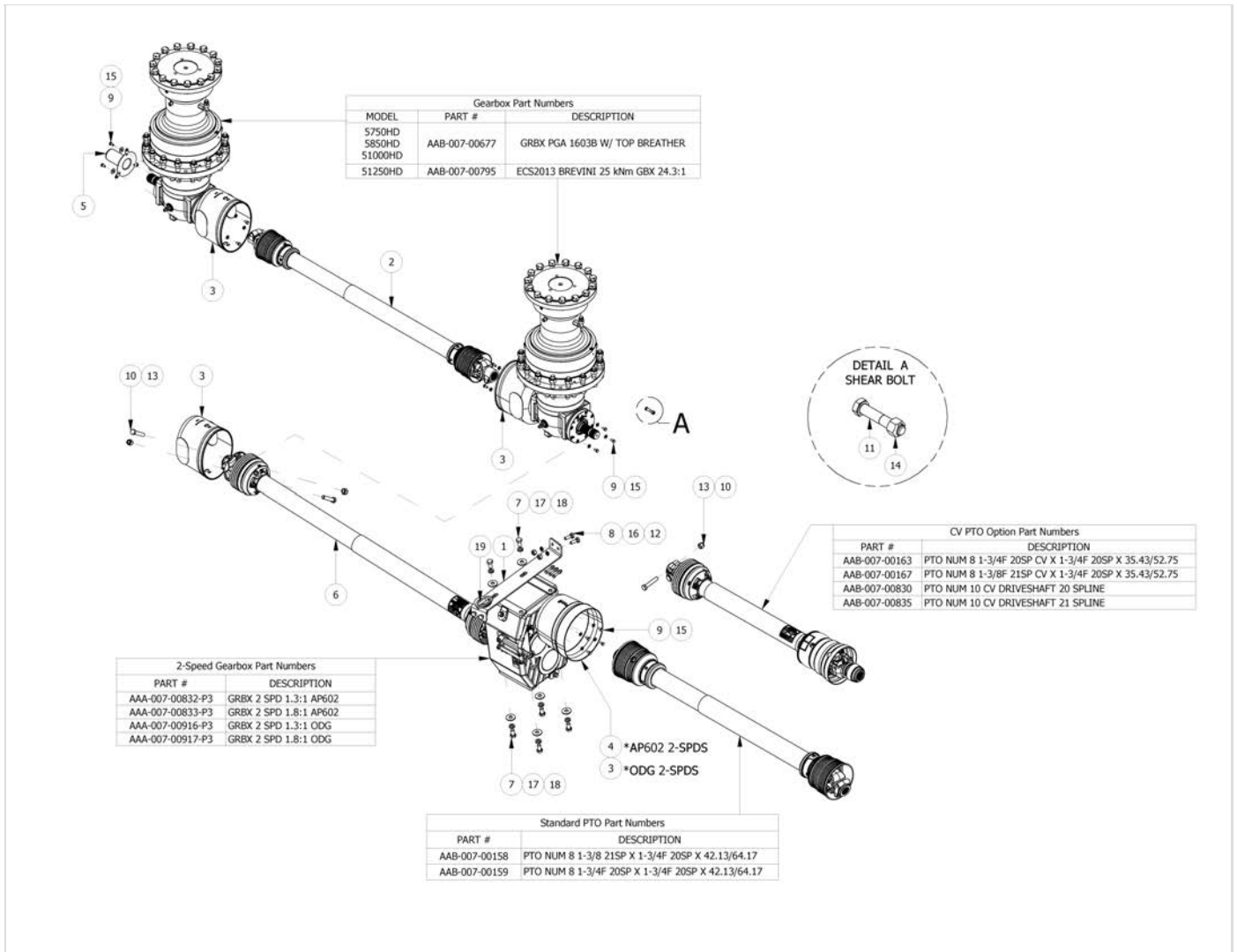
Pos	SKU	Description	Qty	Remark
1	AAA-007-00953	ODG 2-SPD SHIFTER KIT (PARTS ORDER)	1	
1.1	AAA-007-00724-P3	SHIFTER HANDLE WELDMENT (PAINTED)	1	
1.2	AAA-007-00915-P3	ODG 2 SPD SHIFTER MOUNT (PAINTED)	1	
1.3	AAB-015-10055	BOLT HEX 16MM X 30MM GRD 10.9	1	
1.4	AAB-015-10248	M5-0.8 X 16MM DIN 933 CLASS 8.8 ZINC CAP SCREW (BOLT)	4	
1.5	AAB-015-30040	M5 DIN 125 STL ZINC FLAT WSHR	4	
1.6	AAB-015-30043	WSHR FLAT HARDENED M16	1	
1.7	AAB-015-30053	WSHR LOCK M16	1	
1.8	AAB-015-40009	GRIP ADJUSTMENT PIN VINYL 1/2 X 2-1/2	1	
1.9	AAB-015-40041	MALE ROD END M10x1.5 RIGHT HAND	1	
2	AAA-007-00954	ODG 2-SPD REMOTE SHIFTER KIT (PARTS ORDER)	1	
2.1	AAA-007-00737	2 SPEED LEVER ASSEMBLY WITH MNT BRKT's	1	
2.2	AAA-007-00900-P3	2 SPD GRBX REMOTE SHIFTER MOUNT (PAINTED)	1	
2.3	AAB-007-00738	CABLE ASSEMBLY FOR TWO-SPEED SHIFTER KIT	1	
2.4	AAB-015-10056	BOLT HEX 3/8 X 1 UNC GRD 2	2	
2.5	AAB-015-10528	BOLT HEX 5/16 X 1-3/4 UNC GRD 5	1	

Pos	SKU	Description	Qty	Remark
2.6	AAB-015-20012	NUT HEX 3/8 LOCK NYLON GRD 2	2	
2.7	AAB-015-20035	NUT HEX 5/16-18 LOCK NYLON	1	
2.8	AAB-015-40014	FEMALE ROD END 5/16-24 UNF	1	



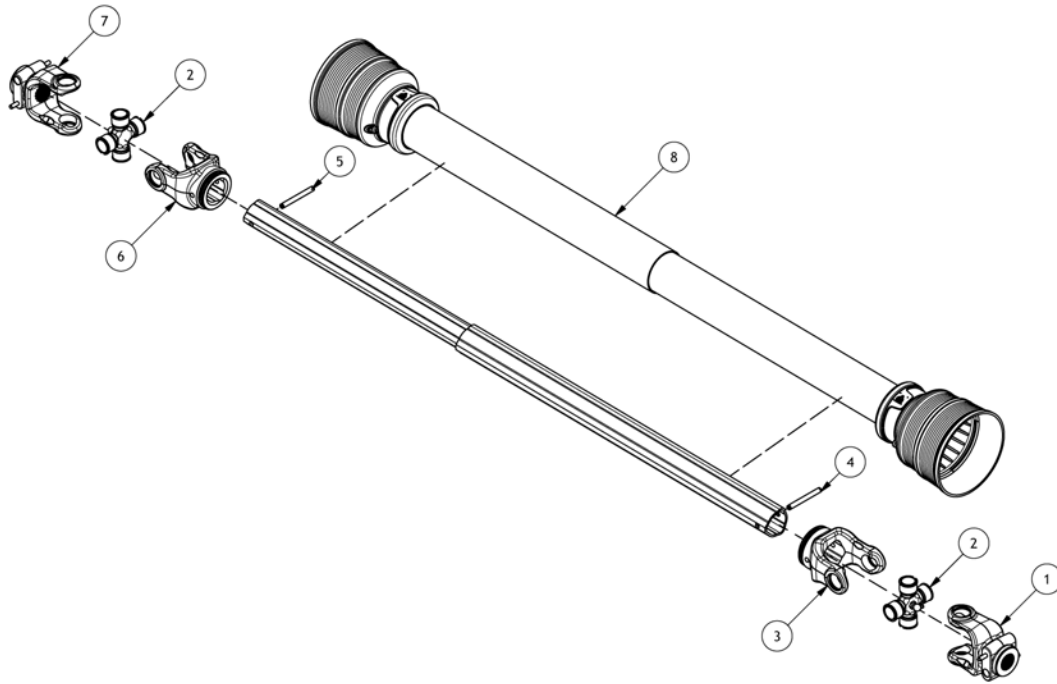
Pos	SKU	Description	Qty	Remark
1	AAA-002-01078-P3	MNT FLNG BRNG 5000 HD'S (BLACK)	1	
2	AAB-007-00160	PTO NUM 8 1-3/4M 20SP X 1-3/4F 20SP SB X 44.49/69.29	1	
3	AAB-007-00162	PTO NUM 6 1-3/4F 20SP X 1-3/4F 20SP X 51.57/80.31	1	
4	AAB-007-00171	SHIELD FOR REAR SHAFT ON THROUGH SHAFT GRBX	1	
5	AAB-007-00290	BRNG FLNG 1-3/4 UCF 20928	1	
6	AAB-007-00323	PTO COVER BLACK FOR DRIVESHAFT 275MM X217MM X 180MM	3	
7	AAB-007-00384	BOLT HEX 12MM X 65MM GRD 8.8	4	
8	AAB-007-00817	IICS/CONE BLACK WITH RUBR EXT (517000E03)	1	
9	AAB-015-10064	BOLT HEX 1/2 X 2 UNC GRD 5	4	
10	AAB-015-10078	BOLT HEX 8MM X 16MM GRD 8.8	16	
11	AAB-015-20011	NUT HEX 1/2 UNC GRD 5	8	
12	AAB-015-20022	NUT ALL STL LOCK 12MM	1	
13	AAB-015-30018	WSHR LOCK 1/2	8	
14	AAB-015-10142	BOLT HEX 5/8 X 3 1/4 UNC GRD 8	1	
15	AAB-015-20015	NUT HEX NYLON LOCK 5/8	1	

Pos	SKU	Description	Qty	Remark
16	AAB-007-00830	PTO NUM 10 1-3/4 20SP CV AUTO X 1-3/4 20 SP X 35.25/52.75 (WITH GUARD)	1	
16	AAB-007-00835	PTO NUM 10 1-3/8 21SP CV AUTO X 1-3/4 20 SP X 35.24/52.75 (WITH GUARD)	1	
17	AAB-007-00677	GRBX PGA 1603/ 25.89:1/ 1-3/4 Z20/ TOP BREATHER	1	
17	AAB-015-10073	BOLT HEX 16MM X 45MM GRD 10.9	15	
17	AAB-015-10142	BOLT HEX 5/8 X 3 1/4 UNC GRD 8	12	
17	AAB-015-20013	NUT HEX 5/8 UNC GRD 5	12	
17	AAB-015-30019	WSHR LOCK 5/8	15	
18	AAB-007-00795	ECS2013 BREVINI 25KNM GRBX 24.3:1	1	
18	AAB-015-10151	M20-2.5 X 90MM CLASS 10.9 ZINC CAP SCREW	12	
18	AAB-015-10152	M20-2.5 X 50MM CLASS 10.9 ZINC CAP SCREW	15	
18	AAB-015-20044	M20-2.5 ZINC PLATED NYLON LOCK NUT	12	
18	AAB-015-30037	WSHR LOCK M20	15	
19	AAB-007-00158	PTO NUM 8 1-3/8F 21SP X 1-3/4F 20SP X 42.13/64.17	1	
19	AAB-007-00159	PTO NUM 8 1-3/4F 20SP X 1-3/4F 20SP X 42.13/64.17	1	
20	AAB-007-00677	GRBX PGA 1603/ 25.89:1/ 1-3/4 Z20/ TOP BREATHER	1	
20	AAB-007-00795	ECS2013 BREVINI 25KNM GRBX 24.3:1	1	



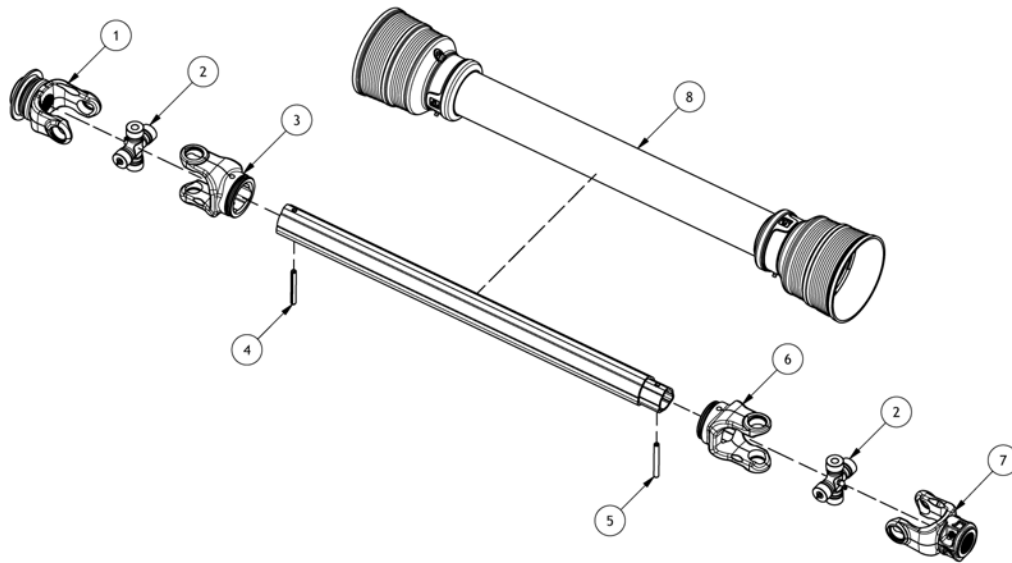
Pos	SKU	Description	Qty	Remark
1	AAA-002-01141	TOP 2-SPD MNT 5000 HD MODELS 1/4T (PAINTED)	1	
2	AAB-007-00162	PTO NUM 6 1-3/4F 20SP X 1-3/4F 20SP X 51.57/80.31	1	
3	AAB-007-00323	PTO COVER BLACK FOR DRIVESHAFT 275MM X217MM X 180MM	3	
5	AAB-007-00819	PTO TAIL SHAFT COVER (BREVINI 25KNM GRBX)	1	
6	AAB-007-00840	PTO NUM 10 1-3/4F 20SP X 1-3/4F 20SP WSB X 48/74 (WITH GUARD)	1	
7	AAB-015-10055	BOLT HEX 16MM X 30MM GRD 10.9	6	
4	AAB-007-00817	IICS/CONE BLACK WITH RUBR EXT (517000E03)	1	
8	AAB-015-10063	BOLT HEX 1/2 X 1-1/2 UNC GRD 5	4	
9	AAB-015-10078	BOLT HEX 8MM X 16MM GRD 8.8	16	
10	AAB-015-10142	BOLT HEX 5/8 X 3 1/4 UNC GRD 8	3	
11	AAB-015-10169	BOLT HEX 3/8-16 X 2 GRD 8	4	
12	AAB-015-20011	NUT HEX 1/2 UNC GRD 5	4	
13	AAB-015-20015	NUT HEX NYLON LOCK 5/8	3	
14	AAB-015-20054	NUT HEX NYLOCK M24 X 3.00 GRD 8.8	4	
15	AAB-015-30011	WSHR FLAT 5/16 USS	13	
16	AAB-015-30018	WSHR LOCK 1/2	4	

Pos	SKU	Description	Qty	Remark
17	AAB-015-30019	WSHR LOCK 5/8	6	
18	AAB-015-30020	WSHR FLAT 5/8 USS	6	
19	AAB-015-50000	GROMMET 2-3/8ID	1	
20	AAB-007-00163	PTO NUM 8 1-3/4 20SP CV X 1-3/4F 20SP X 35.43/52.75	1	
20	AAB-007-00167	PTO NUM 8 1-3/8 21SP CV X 1-3/4F 20SP X 35.43/52.75	1	
20	AAB-007-00830	PTO NUM 10 1-3/4 20SP CV AUTO X 1-3/4 20 SP X 35.25/52.75 (WITH GUARD)	1	
20	AAB-007-00835	PTO NUM 10 1-3/8 21SP CV AUTO X 1-3/4 20 SP X 35.24/52.75 (WITH GUARD)	1	
21	AAB-007-00158	PTO NUM 8 1-3/8F 21SP X 1-3/4F 20SP X 42.13/64.17	1	
21	AAB-007-00159	PTO NUM 8 1-3/4F 20SP X 1-3/4F 20SP X 42.13/64.17	1	
22	AAA-007-00832-P3	GRBX 2 SPD AP 602 (1.3:1) PAINTED	1	
22	AAA-007-00833-P3	GRBX 2 SPD AP 602 (1.8:1) PAINTED	1	
22	AAA-007-00916-P3	GRBX 2 SPD 1.3:1 ODG (PAINTED)	1	
22	AAA-007-00917-P3	GRBX 2 SPD 1.8:1 ODG (PAINTED)	1	
23	AAB-007-00677	GRBX PGA 1603/ 25.89:1/ 1-3/4 Z20/ TOP BREATHER	1	
23	AAB-007-00795	ECS2013 BREVINI 25KNM GRBX 24.3:1	1	



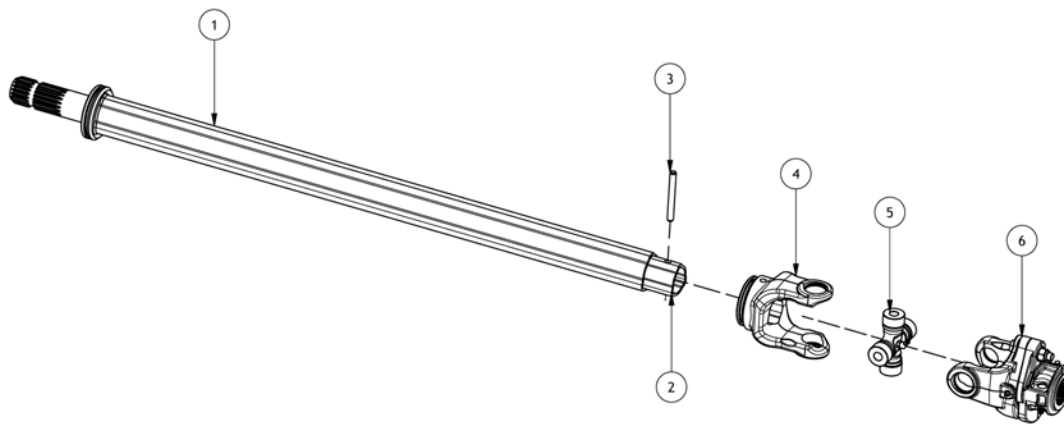
NOTE: TO ORDER ENTIRE DRIVESHAFT USE PART # AAB-007-00158

Pos	SKU	Description	Qty	Remark
1	AAB-007-00201	YOKE ASSEMBLY PUSH PIN TRACTOR NUM 8 1-3/8 Z21 (1028015)	1	
2	AAB-007-00190	CROSS ASSEMBLY NUM 8 (106.4MM x 34.9MM) (1008020)	2	
3	AAB-007-00191	OUTER TUBE YOKE NUM 8 (1708027)	1	
4	AAB-007-00193	10X90 1485DIN ROLL PIN (6331090)	1	
5	AAB-007-00193	10X90 1485DIN ROLL PIN (6331090)	1	
6	AAB-007-00194	INNER TUBE YOKE NUM 8 (1708029)	1	
7	AAB-007-00199	PTO YOKE NUM 8 1-3/4 Z20 (1028025)	1	
8	AAB-007-01348	COMPLETE PROTECTION NUM 8 (96SS8077)	1	
9	AAB-007-00158	PTO NUM 8 1-3/8F 21SP X 1-3/4F 20SP X 42.13/64.17	1	



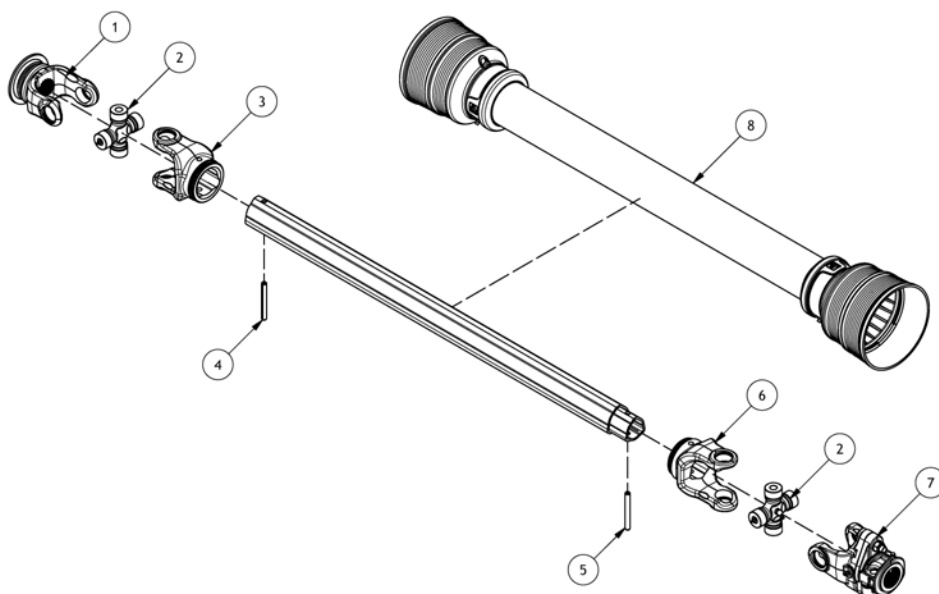
NOTE: TO ORDER ENTIRE DRIVESHAFT USE PART # AAB-007-00159

Pos	SKU	Description	Qty	Remark
1	AAB-007-01282	YOKE ASSEMBLY PULL COLLAR IMPLEMENT NUM 8 1-3/4 Z20 (1018028)	1	
2	AAB-007-00190	CROSS ASSEMBLY NUM 8 (106.4MM x 34.9MM) (1008020)	2	
3	AAB-007-00191	OUTER TUBE YOKE NUM 8 (1708027)	1	
4	AAB-007-00193	10X90 1485DIN ROLL PIN (6331090)	1	
5	AAB-007-00193	10X90 1485DIN ROLL PIN (6331090)	1	
6	AAB-007-00194	INNER TUBE YOKE NUM 8 (1708029)	1	
7	AAB-007-00199	PTO YOKE NUM 8 1-3/4 Z20 (1028025)	1	
8	AAB-007-01348	COMPLETE PROTECTION NUM 8 (96SS8077)	1	
9	AAB-007-00159	PTO NUM 8 1-3/4F 20SP X 1-3/4F 20SP X 42.13/64.17	1	



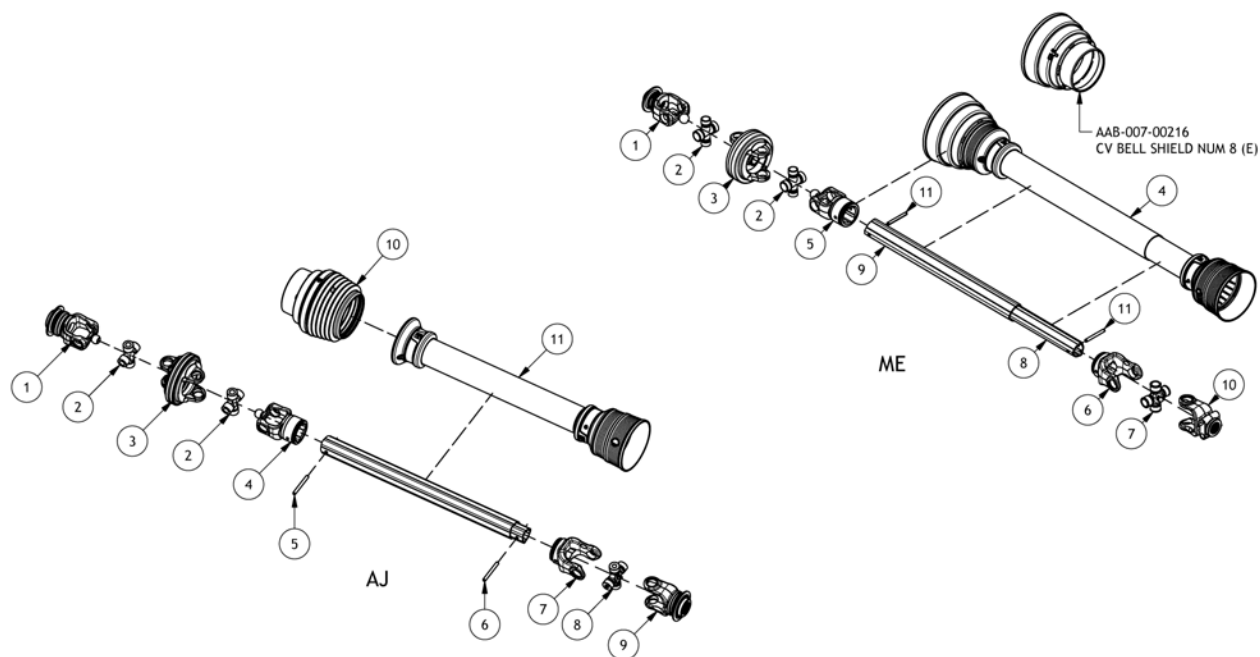
NOTE: TO ORDER ENTIRE DRIVESHAFT USE PART # AAB-007-00160

Pos	SKU	Description	Qty	Remark
1	AAB-007-01342	OUTER TUBE ASSEMBLY (1898098N320)	1	
2	AAB-007-01296	INNER TUBE (1528099)	1	
3	AAB-007-00177	10X80 1485DIN ROLL PIN NUM 6 (6331080)	1	
4	AAB-007-00194	INNER TUBE YOKE NUM 8 (1708029)	1	
5	AAB-007-00190	CROSS ASSEMBLY NUM 8 (106.4MM x 34.9MM) (1008020)	1	
6	AAB-007-00196	YOKE ASSEMBLY NUM 8 1-3/4 Z20 W/ SHEAR BOLT (1498234)	1	
7	AAB-007-00160	PTO NUM 8 1-3/4M 20SP X 1-3/4F 20SP SB X 44.49/69.29	1	



NOTE: TO ORDER ENTIRE DRIVESHAFT USE PART # AAB-007-00161

Pos	SKU	Description	Qty	Remark
1	AAB-007-01282	YOKE ASSEMBLY PULL COLLAR IMPLEMENT NUM 8 1-3/4 Z20 (1018028)	1	
2	AAB-007-00190	CROSS ASSEMBLY NUM 8 (106.4MM x 34.9MM) (1008020)	2	
3	AAB-007-00191	OUTER TUBE YOKE NUM 8 (1708027)	1	
4	AAB-007-00193	10X90 1485DIN ROLL PIN (6331090)	1	
5	AAB-007-00193	10X90 1485DIN ROLL PIN (6331090)	1	
6	AAB-007-00194	INNER TUBE YOKE NUM 8 (1708029)	1	
7	AAB-007-00196	YOKE ASSEMBLY NUM 8 1-3/4 Z20 W/ SHEAR BOLT (1498234)	1	
8	AAB-007-01349	COMPLETE PROTECTION NUM 8 (96SS8092)	1	
9	AAB-007-00161	PTO NUM 8 1-3/4F 20SP X 1-3/4F 20SP SB X 48.03/73.82	1	

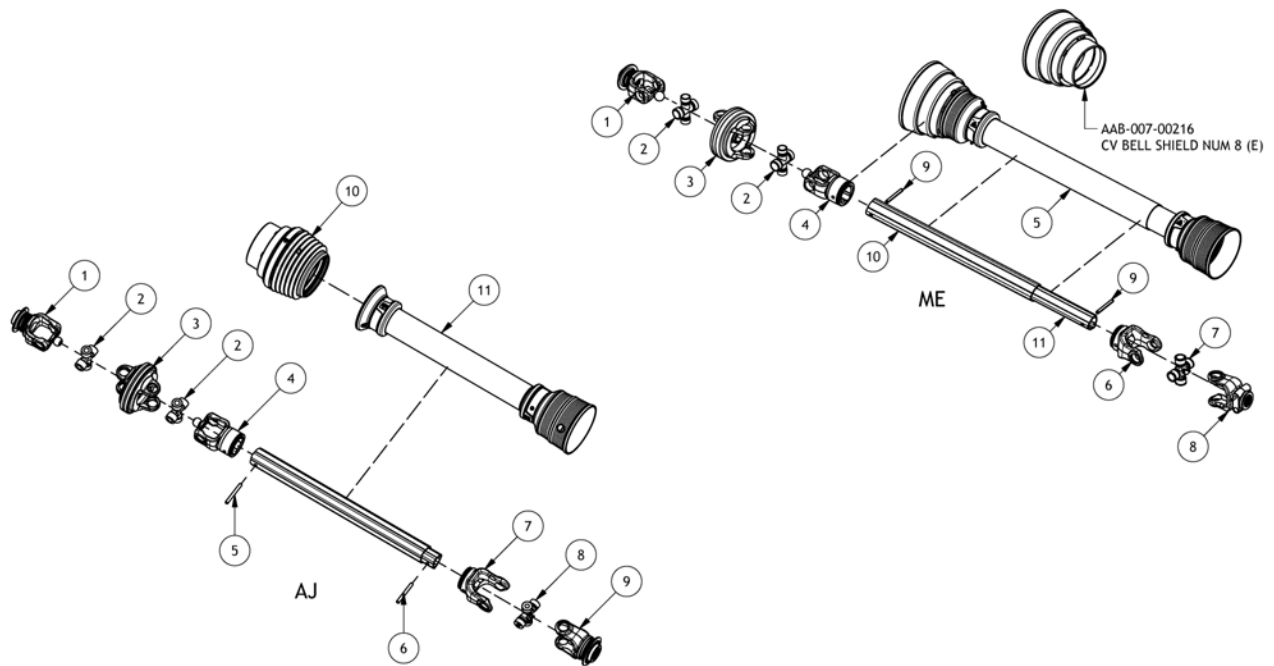


NOTE: TO ORDER ENTIRE DRIVESHAFT USE PART # AAB-007-00163

NOTE:
 FOR EUROCARDAN PTOs THE
 MANUFACTURER PART NUMBER ON THE
 PTO SHIELD MUST BE CHECKED.
 IF THE PART NUMBER BEGINS WITH ME,
 USE THE ME SERIES PARTS LIST.
 IF THE PART NUMBER BEGINS WITH AJ,
 USE THE AJ SERIES PARTS LIST.

Pos	SKU	Description	Qty	Remark
1-AJ	AAB-007-01135	OUTER G08 PULL COLLAR YOKE NUM 8 1-3/4 Z20 AJ (1018728)	1	
2-AJ	AAB-007-01176	G08 CROSS ASSEMBLY NUM 8 AJ (1008720)	2	
3-AJ	AAB-007-01178	HOMOKINETIC JOINT NUM 8 AJ (1008701)	1	
4-AJ	AAB-007-01177	OUTER TUBE HOMOKINETIC YOKE NUM 8 AJ (1008727)	1	
5-AJ, 6-AJ, 11-ME	AAB-007-00193	10X90 1485DIN ROLL PIN (6331090)	1	
7-AJ, 6-ME	AAB-007-00194	INNER TUBE YOKE NUM 8 (1708029)	1	
8-AJ, 7-ME	AAB-007-00190	CROSS ASSEMBLY NUM 8 (106.4MM x 34.9MM) (1008020)	1	
9-AJ, 10-ME	AAB-007-01282	YOKE ASSEMBLY PULL COLLAR IMPLEMENT NUM 8 1-3/4 Z20 (1018028)	1	
10-AJ	AAB-007-01341	WIDE ANGLE PROTECTION NUM 8 (9590801)	1	
11-AJ	AAB-007-01357	HALF OUTER PROTECTION NUM 8 AJ (97MS8065)	1	
1-ME	AAB-007-00215	CV YOKE NUM 8 1-3/4 Z20 (E) ()	1	
2-ME	aab-007-00212	CV CROSS KIT NUM 8 (E) ()	2	
3-ME	AAB-007-00288	CV PTO JOINT NUM 8 (E) (56661)	1	
4-ME	AAB-007-00436	CV SHIELD KIT NUM 8 (E) (65773)	1	
5-ME	AAB-007-00214	CV YOKE OUTER SHAFT NUM 8 (E) (56662)	1	

Pos	SKU	Description	Qty	Remark
8-ME	AAB-007-01306	INNER TUBE NUM 8 (1551076)	1	
9-ME	AAB-007-01303	OUTER TUBE NUM 8 (1550076)	1	
12-ME	AAB-007-00216	PTO CV BELL SHIELD NUM 8 (E)	1	
13	AAB-007-00163	PTO NUM 8 1-3/4 20SP CV X 1-3/4F 20SP X 35.43/52.75	1	

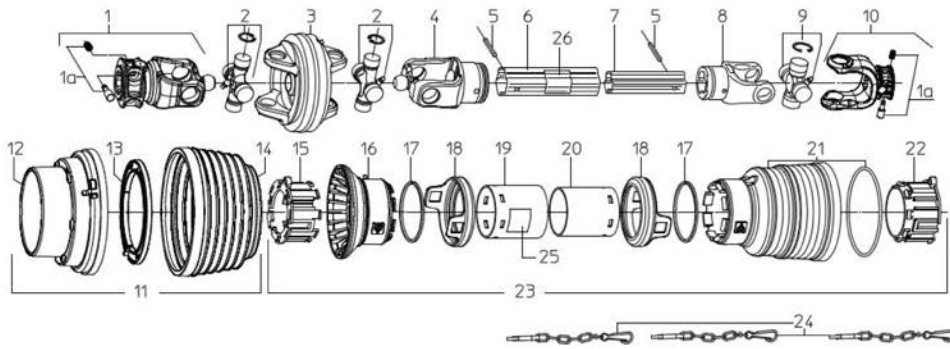


NOTE: TO ORDER ENTIRE DRIVESHAFT USE PART # AAB-007-00167

NOTE:
FOR EUROCARDAN PTOs THE
MANUFACTURER PART NUMBER ON THE
PTO SHIELD MUST BE CHECKED.
IF THE PART NUMBER BEGINS WITH ME,
USE THE ME SERIES PARTS LIST.
IF THE PART NUMBER BEGINS WITH AJ,
USE THE AJ SERIES PARTS LIST.

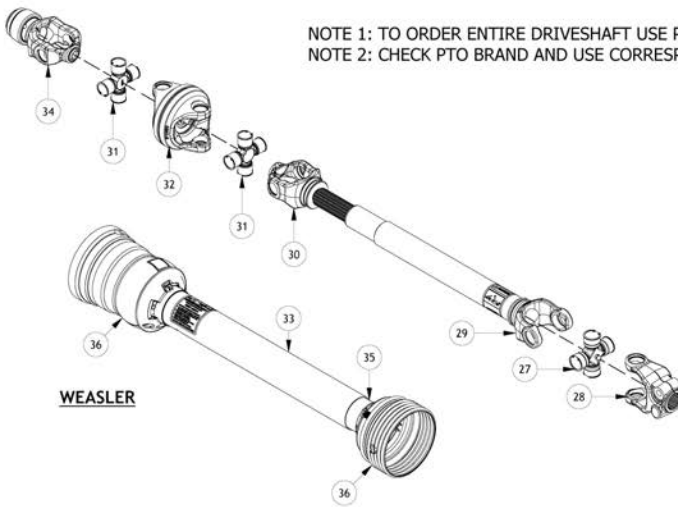
Pos	SKU	Description	Qty	Remark
1-AJ	AAB-007-01133	OUTER G08 PULL COLLAR YOKE NUM 8 1-3/8 Z21 AJ (1018718)	1	
2-AJ	AAB-007-01176	G08 CROSS ASSEMBLY NUM 8 AJ (1008720)	2	
3-AJ	AAB-007-01178	HOMOKINETIC JOINT NUM 8 AJ (1008701)	1	
4-AJ	AAB-007-01177	OUTER TUBE HOMOKINETIC YOKE NUM 8 AJ (1008727)	1	
5-AJ, 6-AJ, 9-ME	AAB-007-00193	10X90 1485DIN ROLL PIN (6331090)	1	AJ SERIES
7-AJ, 6-ME	AAB-007-00194	INNER TUBE YOKE NUM 8 (1708029)	1	
8-AJ, 7-ME	AAB-007-00190	CROSS ASSEMBLY NUM 8 (106.4MM x 34.9MM) (1008020)	1	
9-AJ, 8-ME	AAB-007-01282	YOKE ASSEMBLY PULL COLLAR IMPLEMENT NUM 8 1-3/4 Z20 (1018028)	1	
10-AJ	AAB-007-01341	WIDE ANGLE PROTECTION NUM 8 (9590801)	1	
11-AJ	AAB-007-01132	HALF OUTER PROTECTION NUM 8 AJ (97MS8059)	1	
1-ME	AAB-007-00386	CV YOKE NUM 8 1-3/8 Z21 (E) (56659)	1	
2-ME	aab-007-00212	CV CROSS KIT NUM 8 (E) ()	2	
3-ME	AAB-007-00288	CV PTO JOINT NUM 8 (E) (56661)	1	
4-ME	AAB-007-00214	CV YOKE OUTER SHAFT NUM 8 (E) (56662)	1	
5-ME	AAB-007-00436	CV SHIELD KIT NUM 8 (E) (65773)	1	

Pos	SKU	Description	Qty	Remark
10-ME	AAB-007-00217	OUTER TUBE NUM 8 (1550070)	1	
11-ME	AAB-007-01304	INNER TUBE NUM 8 (1551070)	1	
12-ME	AAB-007-00216	PTO CV BELL SHIELD NUM 8 (E)	1	
13	AAB-007-00167	PTO NUM 8 1-3/8 21SP CV X 1-3/4F 20SP X 35.43/52.75	1	



EUROCARDAN

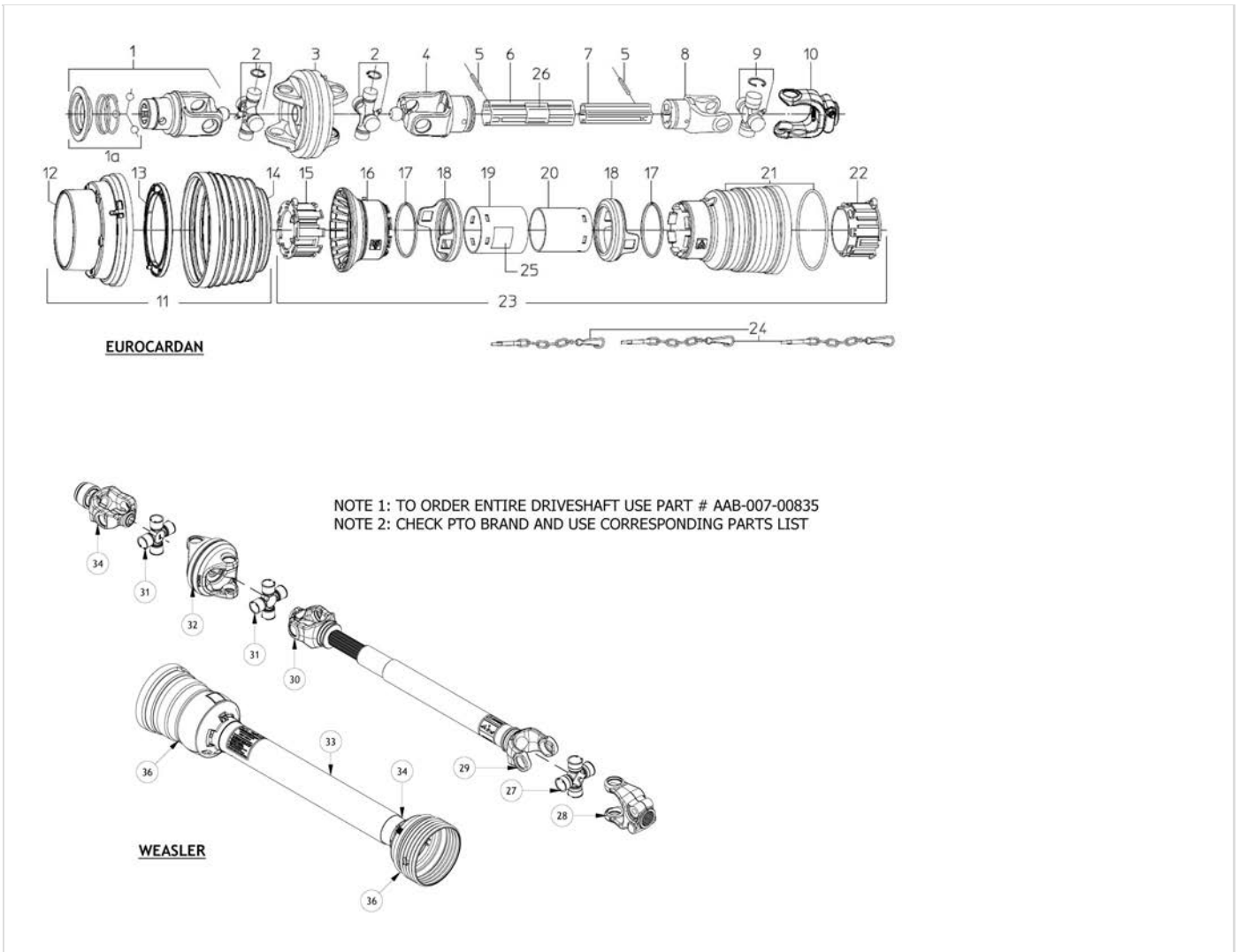
NOTE 1: TO ORDER ENTIRE DRIVESHAFT USE PART # AAB-007-00830
 NOTE 2: CHECK PTO BRAND AND USE CORRESPONDING PARTS LIST



WEASLER

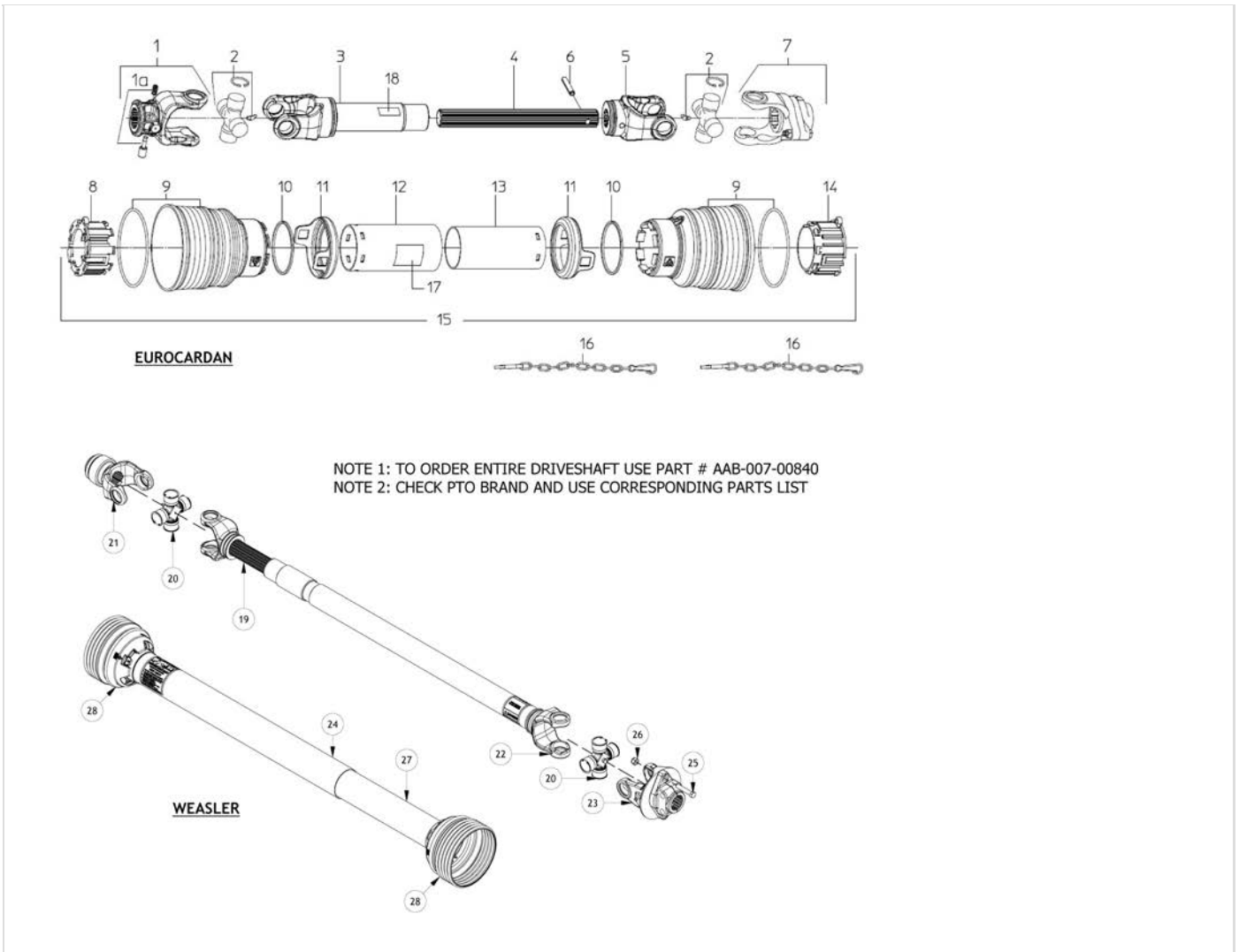
Pos	SKU	Description	Qty	Remark
1	AAB-007-01253	OUTER G08 PUSH PIN YOKE NUM 10 Z20 (1028775)	1	
1a	AAB-007-01254	PUSH PIN KIT (1581042)	2	
2	AAB-007-01255	G08 CROSS ASSEMBLY NUM 10 (1008740)	2	
3	AAB-007-01178	HOMOKINETIC JOINT NUM 8 AJ (1008701)	1	
4	AAB-007-01257	OUTER TUBE HOMOKINETIC YOKE NUM 10 (1000767)	1	
5	AAB-007-00193	10X90 1485DIN ROLL PIN (6331090)	2	
6	AAB-007-01258	OUTER TUBE NUM 10 (1818070)	1	
7	AAB-007-01259	INNER TUBE NUM 10 (1827070)	1	
8	AAB-007-01260	INNER TUBE YOKE NUM 10 (1708169)	1	
9	AAB-007-01261	CROSS ASSEMBLY NUM 10 (1S08020)	1	
10	AAB-007-01262	YOKE ASSEMBLY PUSH PIN IMPLEMENT NUM 10 Z20 (1028525)	1	
11	AAB-007-01263	WIDE ANGLE PROTECTION NUM 10 (9290801)	1	
12	AAB-007-01264	SOFT CONE NUM 10 (1790080)	1	
13	AAB-007-01265	BEARING SOFT CONE NUM 10 (1790082)	1	
14	AAB-007-01266	HOMOKINETIC BOOT NUM 10 (1888804)	1	
15	AAB-007-01242	TUBE BEARING (OUTER TUBE) NUM 10 (1790816)	1	

Pos	SKU	Description	Qty	Remark
16	AAB-007-01267	EXTRA-SHORT CONE NUM 10 (1790805)	1	
17	AAB-007-01244	STOP RING NUM 10 (1218035)	2	
18	AAB-007-01245	SAFETY SLEEVE NUM 10 (1888009)	2	
19	AAB-007-01268	OUTER TUBE SHIELD NUM 10 (1798058)	1	
20	AAB-007-01269	INNER TUBE SHIELD NUM 10 (1879058)	1	
21	AAB-007-01243	STANDARD CONE NUM 10 (1790803)	1	
22	AAB-007-01248	TUBE BEARING (INNER TUBE) NUM 10 (1790817)	1	
23	AAB-007-01270	HALF OUTER PROTECTION NUM 10 (92MS8058)	1	
24	AAB-007-01250	ANTIROTATION CHAIN (1006065)	3	
25	AAB-007-01251	OUTER 'CE' DECAL (1140010)	1	
26	AAB-007-01252	INNER 'CE' DECAL (1140011)	1	
27	AAB-007-00828	55R CROSS KIT (03-10050)	1	
28	AAB-007-00829	YOKE (55053-1009)	1	
29	AAB-007-00831	YOKE, TUBE & SLIP SLEEVE (98-26764)	1	
30	AAB-007-00832	WWCV YOKE & SHAFT (1.69-20 SP) (99-26764)	1	
31	AAB-007-00833	AB8/AW24/CAT 6 80'PBL CROSS KIT (03-15452)	2	
32	AAB-007-00834	WWCV CENTER HOUSING (26-16033)	1	
33	AAB-007-00836	OUTER GUARD (97-26764)	1	
34	AAB-007-00845	WWCV AUTO-LOK YOKE ASM (68810-1005)	1	
35	AAB-007-01361	INNER GUARD (96-26764)	1	
36	AAB-007-01360	GUARD REPAIR KIT (19-15121)	2	
37	AAB-007-00830	PTO NUM 10 1-3/4 20SP CV AUTO X 1-3/4 20 SP X 35.25/52.75 (WITH GUARD)	1	



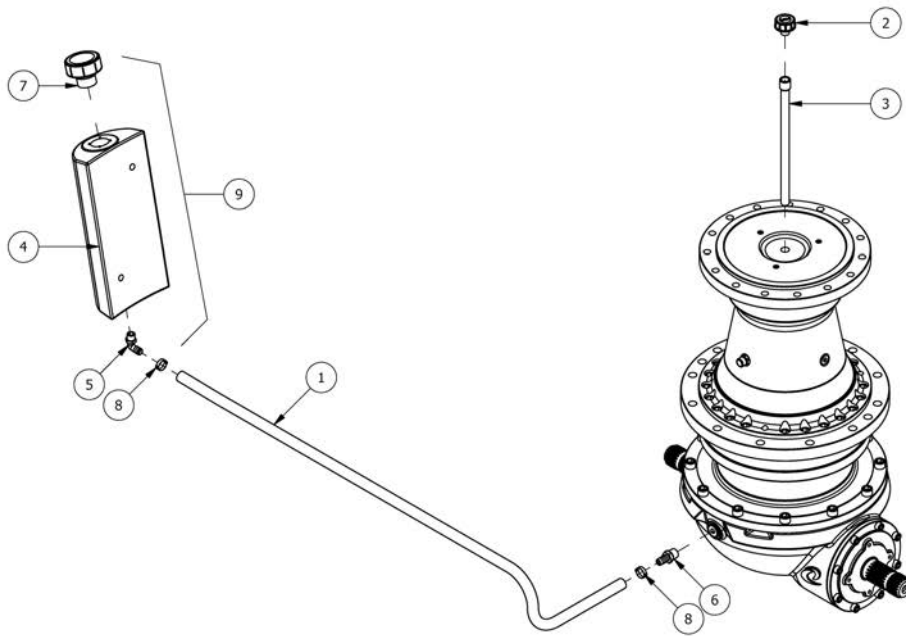
Pos	SKU	Description	Qty	Remark
1	AAB-007-01133	OUTER G08 PULL COLLAR YOKE NUM 8 1-3/8 Z21 AJ (1018718)	1	
1a	AAB-007-01272	PULL COLLAR KIT NUM 10 (1004227)	2	
2	AAB-007-01255	G08 CROSS ASSEMBLY NUM 10 (1008740)	2	
3	AAB-007-01178	HOMOKINETIC JOINT NUM 8 AJ (1008701)	1	
4	AAB-007-01257	OUTER TUBE HOMOKINETIC YOKE NUM 10 (1000767)	1	
5	AAB-007-00193	10X90 1485DIN ROLL PIN (6331090)	2	
6	AAB-007-01258	OUTER TUBE NUM 10 (1818070)	1	
7	AAB-007-01259	INNER TUBE NUM 10 (1827070)	1	
8	AAB-007-01260	INNER TUBE YOKE NUM 10 (1708169)	1	
9	AAB-007-01261	CROSS ASSEMBLY NUM 10 (1S08020)	1	
10	AAB-007-01273	YOKE ASSEMBLY IMPLEMENT NUM 10 Z20 (1108025)	1	
11	AAB-007-01263	WIDE ANGLE PROTECTION NUM 10 (9290801)	1	
12	AAB-007-01264	SOFT CONE NUM 10 (1790080)	1	
13	AAB-007-01265	BEARING SOFT CONE NUM 10 (1790082)	1	
14	AAB-007-01266	HOMOKINETIC BOOT NUM 10 (1888804)	1	
15	AAB-007-01242	TUBE BEARING (OUTER TUBE) NUM 10 (1790816)	1	

Pos	SKU	Description	Qty	Remark
16	AAB-007-01267	EXTRA-SHORT CONE NUM 10 (1790805)	1	
17	AAB-007-01244	STOP RING NUM 10 (1218035)	2	
18	AAB-007-01245	SAFETY SLEEVE NUM 10 (1888009)	2	
19	AAB-007-01268	OUTER TUBE SHIELD NUM 10 (1798058)	1	
20	AAB-007-01269	INNER TUBE SHIELD NUM 10 (1879058)	1	
21	AAB-007-01243	STANDARD CONE NUM 10 (1790803)	1	
22	AAB-007-01248	TUBE BEARING (INNER TUBE) NUM 10 (1790817)	1	
23	AAB-007-01270	HALF OUTER PROTECTION NUM 10 (92MS8058)	1	
24	AAB-007-01250	ANTIROTATION CHAIN (1006065)	3	
25	AAB-007-01251	OUTER 'CE' DECAL (1140010)	1	
26	AAB-007-01252	INNER 'CE' DECAL (1140011)	1	
27	AAB-007-00828	55R CROSS KIT (03-10050)	1	
28	AAB-007-00829	YOKE (55053-1009)	1	
29	AAB-007-00831	YOKE, TUBE & SLIP SLEEVE (98-26764)	1	
30	AAB-007-00832	WWCV YOKE & SHAFT (1.69-20 SP) (99-26764)	1	
31	AAB-007-00833	AB8/AW24/CAT 6 80'PBL CROSS KIT (03-15452)	2	
32	AAB-007-00834	WWCV CENTER HOUSING (26-16033)	1	
33	AAB-007-00836	OUTER GUARD (97-26764)	1	
34	AAB-007-00845	WWCV AUTO-LOK YOKE ASM (68810-1005)	1	
35	AAB-007-01361	INNER GUARD (96-26764)	1	
36	AAB-007-01360	GUARD REPAIR KIT (19-15121)	2	
37	AAB-007-00835	PTO NUM 10 1-3/8 21SP CV AUTO X 1-3/4 20 SP X 35.24/52.75 (WITH GUARD)	1	

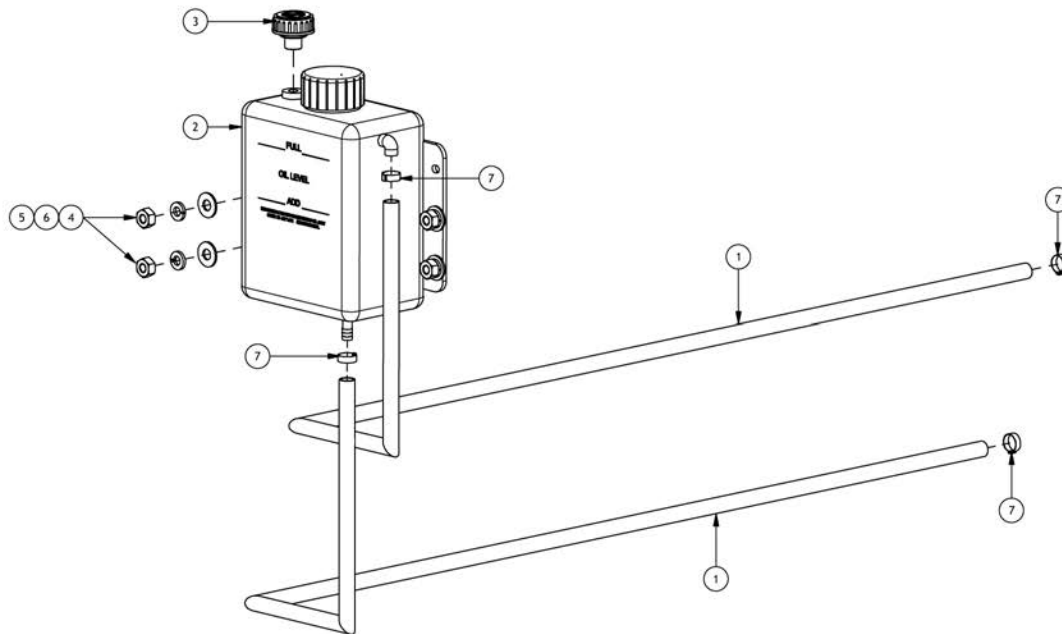


Pos	SKU	Description	Qty	Remark
1	AAB-007-01234	YOKE ASSEMBLY PUSH PIN NUM 10 Z20 (1020025)	1	
1a	AAB-007-01235	PUSH PIN KIT (1-3/4) NUM 10 (1581039)	2	
2	AAB-007-01236	CROSS ASSEMBLY NUM 10 (1V00020)	2	
3	AAB-007-01237	EXTERNAL TELESCOPIC UNIT NUM 10 (1960089N)	1	
4	AAB-007-01238	CUNA SECTION NUM 10 (1303101)	1	
5	AAB-007-01239	INNER TUBE YOKE NUM 10 (1700113)	1	
6	AAB-007-00193	10X90 1485DIN ROLL PIN (6331090)	1	
7	AAB-007-01241	TORQUE LIMITER (LC) NUM 10 (1490234)	1	
8	AAB-007-01242	TUBE BEARING (OUTER TUBE) NUM 10 (1790816)	1	
9	AAB-007-01243	STANDARD CONE NUM 10 (1790803)	2	
10	AAB-007-01244	STOP RING NUM 10 (1218035)	2	
11	AAB-007-01245	SAFETY SLEEVE NUM 10 (1888009)	2	
12	AAB-007-01246	OUTER TUBE SHIELD NUM 10 (1798089)	1	
13	AAB-007-01247	INNER TUBE SHIELD NUM 10 (1879089)	1	
14	AAB-007-01248	TUBE BEARING (INNER TUBE) NUM 10 (1790817)	1	
15	AAB-007-01249	COMPLETE PROTECTION NUM 10 (92SS8089)	1	
16	AAB-007-01250	ANTIROTATION CHAIN (1006065)	2	

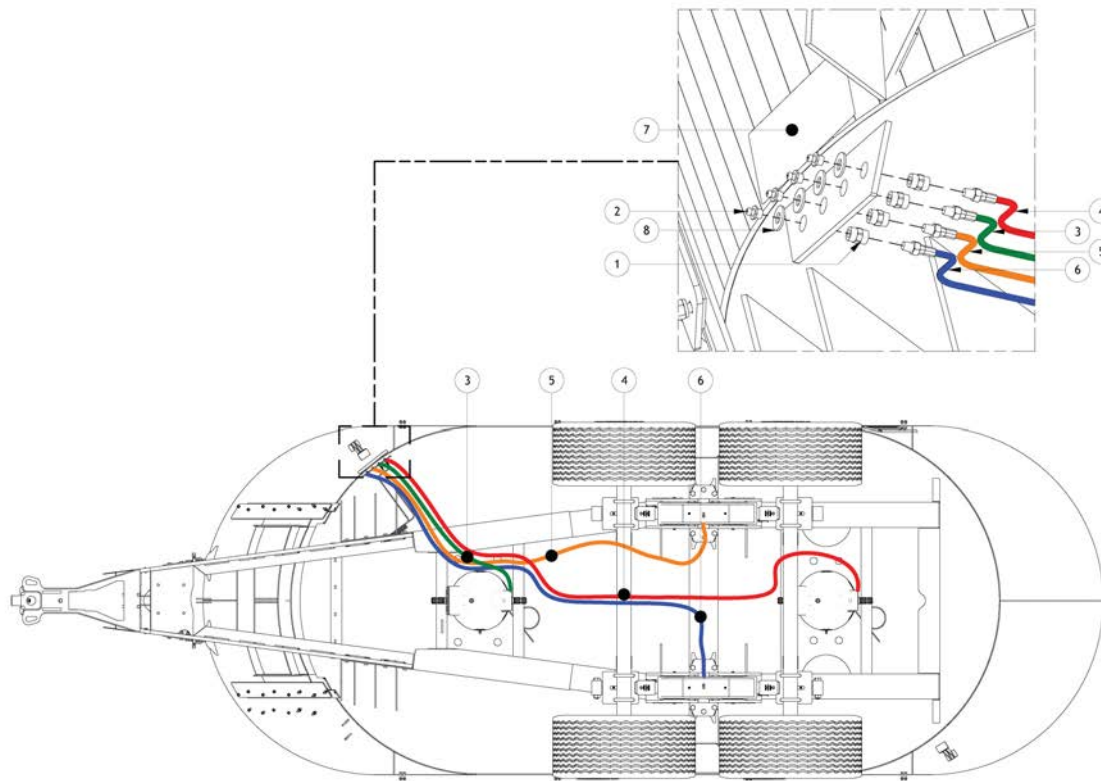
Pos	SKU	Description	Qty	Remark
17	AAB-007-01251	OUTER 'CE' DECAL (1140010)	1	
18	AAB-007-01252	INNER 'CE' DECAL (1140011)	1	
19	AAB-007-00837	YOKE & SHAFT (99-26762)	1	
20	AAB-007-00838	CROSS KIT, 55E (03-15307)	2	
21	AAB-007-00839	YOKE, 55, SLIDE LOCK (55141-1001)	1	
22	AAB-007-00842	YOKE, TUBE & SLIP SLEEVE (98-26762)	1	
23	AAB-007-00843	BALL SHEAR, 55 (40-10044)	1	
24	AAB-007-00844	OUTER GUARD (97-26762)	1	
25	AAB-015-10200	BOLT HEX 7/16-14 UNC X 2-1/4L GRD 5	1	
26	AAB-015-20007	NUT HEX ELASTIC LOCK 7/16 UNC	1	
27	AAB-007-01362	INNER GUARD (96-26762)	1	
28	AAB-007-01360	GUARD REPAIR KIT (19-15121)	2	
29	AAB-007-00840	PTO NUM 10 1-3/4F 20SP X 1-3/4F 20SP WSB X 48/74 (WITH GUARD)	1	



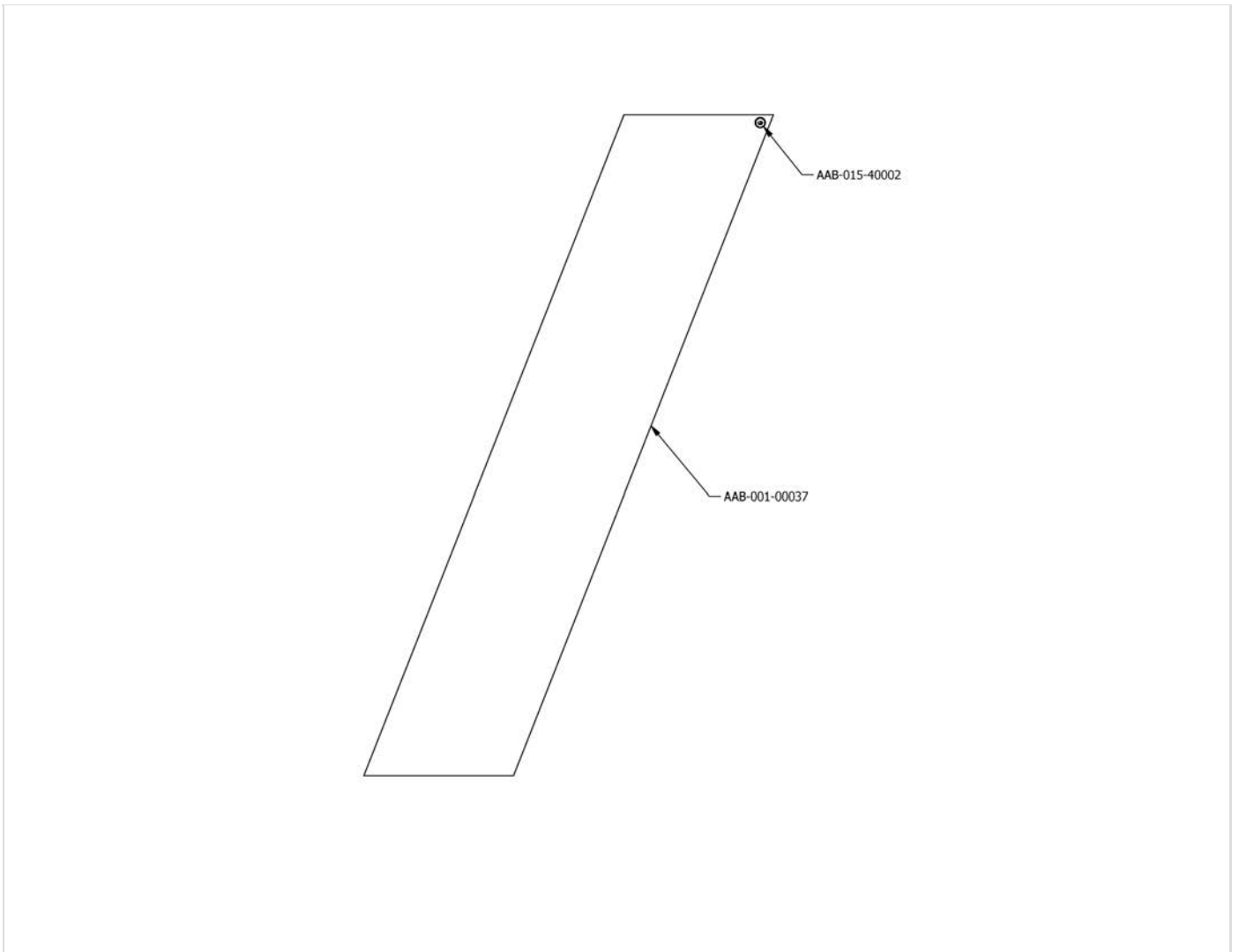
Pos	SKU	Description	Qty	Remark
1	AAA-008-00092	5000 SERIES OIL RESERVOIR HOSE 1/2" X 120"L	1	
2	AAB-008-00034	BREATHER OPEN 40 MICRON 3/8 NPT	1	
3	AAB-008-00124	STL BREATHER EXTENSION 12L (MALE 3/8G - 6 FNPT)	1	
4	AAB-008-00125	GRBX RESERVOIR 5000 SERIES	1	
5	AAB-008-00126	1/2" MPT X 1/2" BARB 90 DEGREE WHITE NYLON FITTING	1	
6	AAB-008-00127	FIT 8 MNPT X 1/2" BARB	1	
7	AAB-008-00137	BREATHER OPEN 40 MICRON 1-1/4 NPT	1	
8	AAB-015-40024	CLAMP TWO EAR SIZE 22 (FOR 1/2" HOSE)	2	
9	AAA-008-00091	GRBX RESERVOIR ASSEMBLY 5000 SERIES	1	



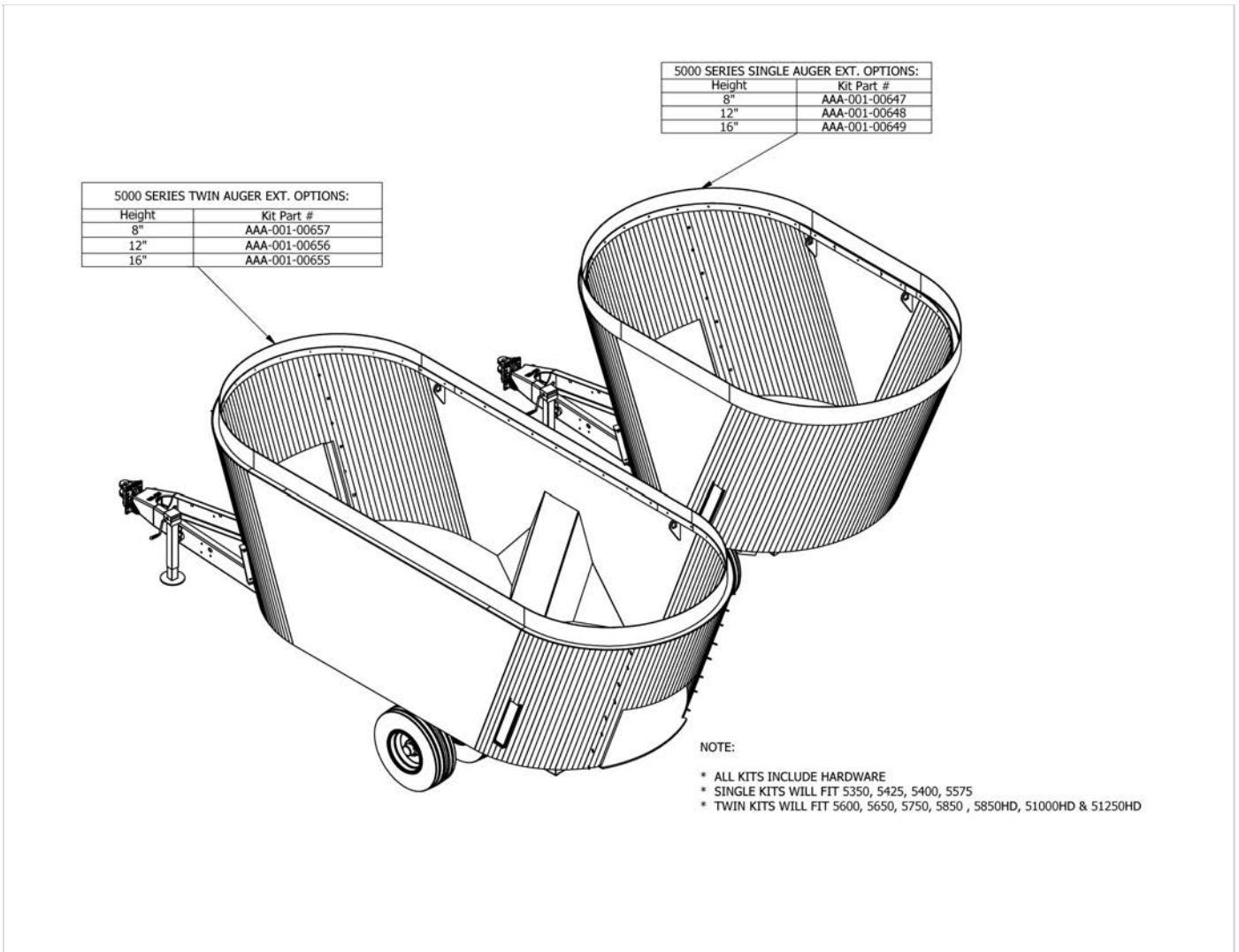
Pos	SKU	Description	Qty	Remark
1	AAA-008-00016	HOSE LWR OIL RSVR	2	
2	AAB-008-00022	OIL RSVR 3QT ASSY PLASTIC TNK (WITH BREATHER)	1	
3	AAB-008-00034	BREATHER OPEN 40 MICRON 3/8 NPT	1	
4	AAB-015-20017	NUT HEX 3/8 UNC GRD 2	4	
5	AAB-015-30012	WSHR FLAT 3/8 USS	4	
6	AAB-015-30017	WSHR LOCK 3/8	4	
7	AAB-015-40006	CLAMP ONE EAR 11/16	4	



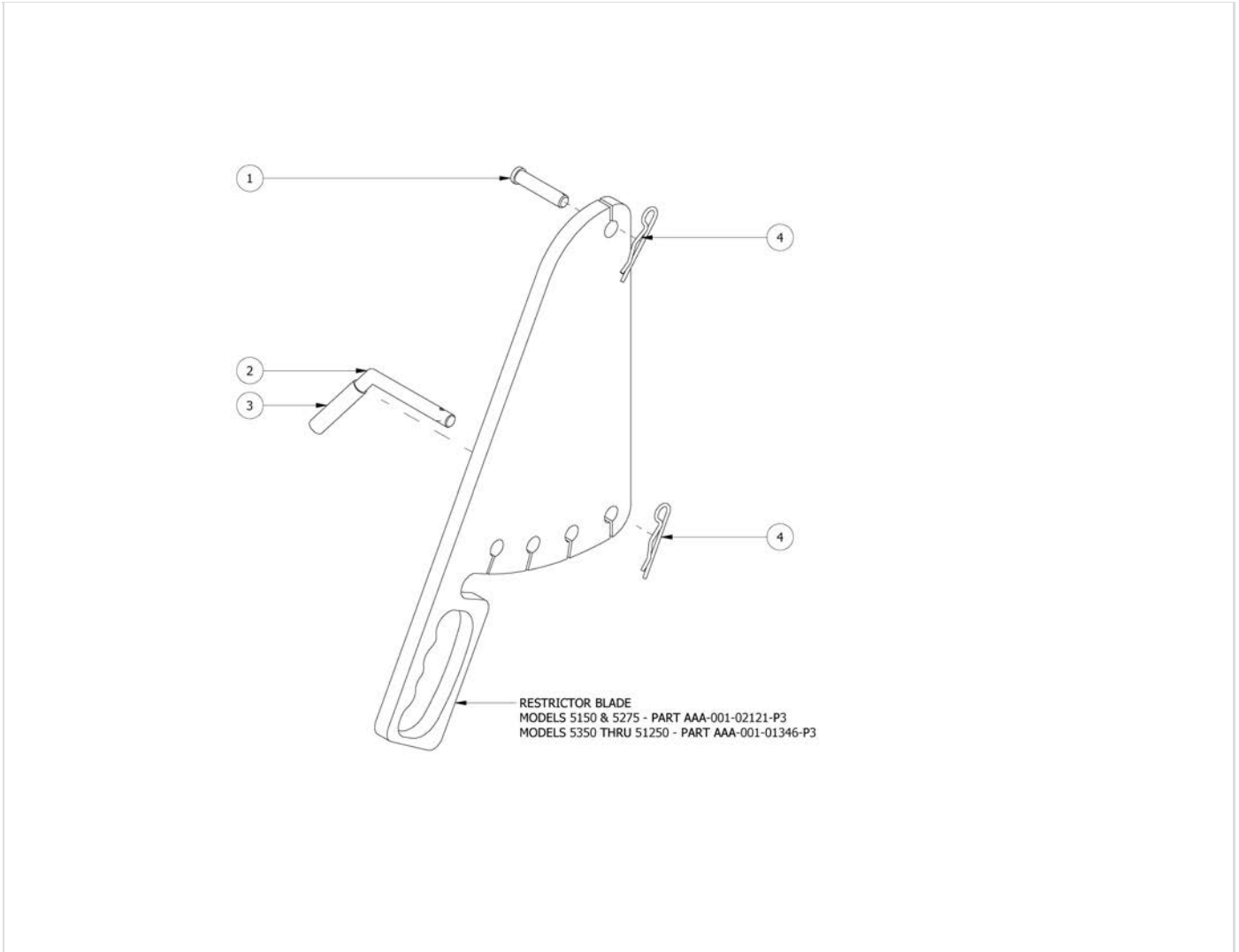
Pos	SKU	Description	Qty	Remark
1	AAB-008-00030	FIT 2 FNPT X 2 FNPT	4	
2	AAB-008-00031	FIT GREASE NIPPLE X 2 MNPT	4	
3	AAB-008-00129	CTRL GREASE LINE FRT GRBX 2 MNPT X 2MNPT X 102L / SAE100R7 THERMAL PLASTIC	1	
4	AAB-008-00130	CTRL GREASE LINE REAR GRBX 2MNPT X 2MNPT X 220L / SAE100R7 THERMAL PLASTIC	1	
5	AAB-008-00131	CTRL GREASE LINE LTH WB 2MNPT X 2MNPT X 162L / SAE100R7 THERMAL PLASTIC	1	
6	AAB-008-00132	CTRL GREASE LINE RTH WB 2MNPT X 2MNPT X 198L SAE100R7 THERMAL PLASTIC	1	
7	AAB-012-00120	DECAL CENTRAL GREASE HD MODELS	1	
8	AAB-015-30012	WSHR FLAT 3/8 USS	4	



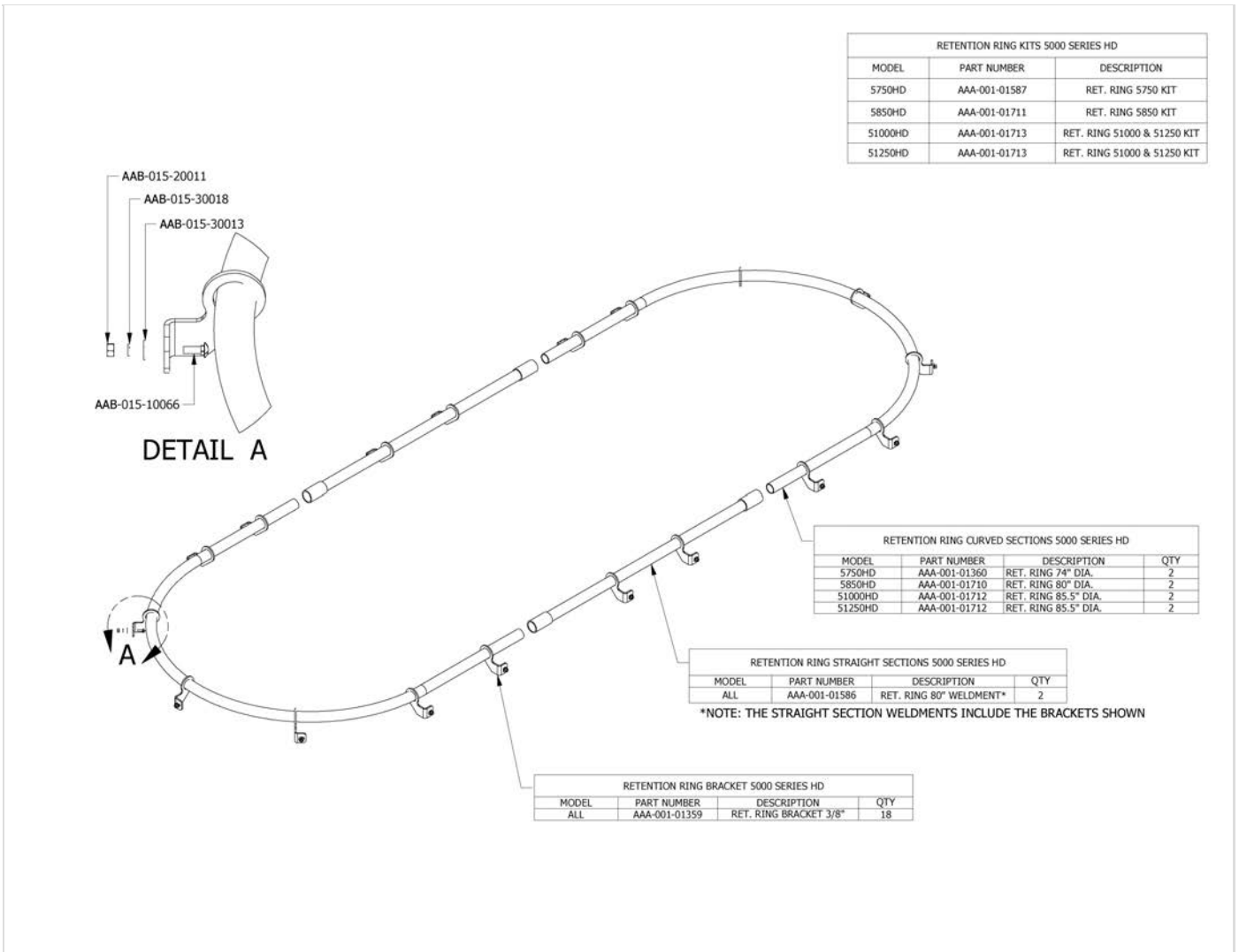
Pos	SKU	Description	Qty	Remark
1	AAB-015-40002	SCREW HEX #10-16 X 1/2	1	
2	AAB-001-00037	WNDW VIEWING	1	



Pos	SKU	Description	Qty	Remark
1	AAA-001-00655	KIT TWIN AUGER 16" DRUM EXT. UV STABILIZED HDPE BLACK	1	
1	AAA-001-00656	KIT TWIN AUGER 12" DRUM EXT. UV STABILIZED HDPE BLACK	1	
1	AAA-001-00657	KIT TWIN AUGER 8" DRUM EXT. UV STABILIZED HDPE BLACK	1	
2	AAA-001-00647	KIT SINGLE AUGER 8" DRUM EXT. UV STABILIZED HDPE BLACK	1	
2	AAA-001-00648	KIT SINGLE AUGER & 5275 TWIN 12" DRUM EXT. UV STABILIZED HDPE BLACK	1	
2	AAA-001-00649	KIT SINGLE AUGER 16" DRUM EXT. UV STABILIZED HDPE BLACK	1	



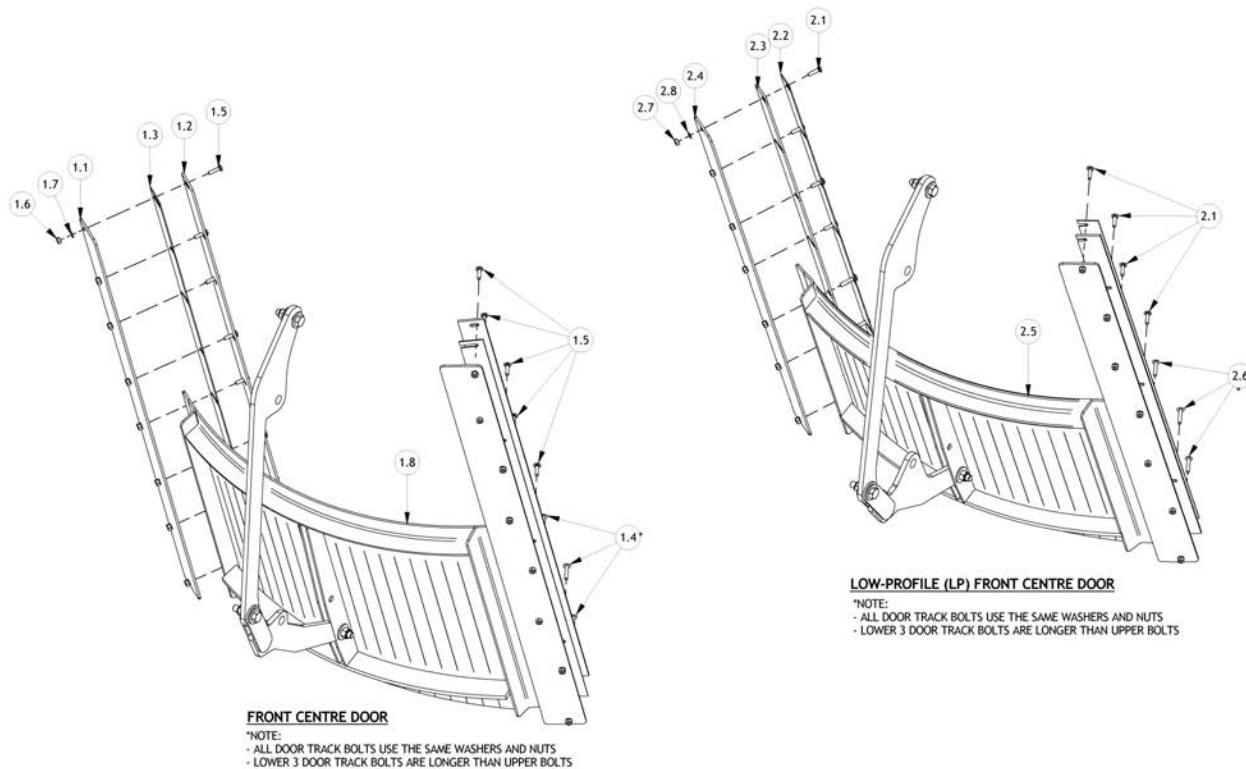
Pos	SKU	Description	Qty	Remark
1	AAB-001-00017	PIN PIVOT 1/2 X 2	1	
2	AAB-001-00020	PIN BENT ADJUSTMENT 1/2 X 3-5/8 FOR RB	1	
3	AAB-015-40009	GRIP ADJUSTMENT PIN VINYL 1/2 X 2-1/2	1	
4	AAB-001-00019	PIN HTCH CLIP 1/8 X 2-9/16	2	
5	AAA-001-01346-P3	RB 5000 SERIES (PAINTED)	1	MODEL: 5350 THRU 51250HD
5	AAA-001-02121-P3	RB (5150/5275) (PAINTED)	1	MODEL: 5150, 5275



Pos	SKU	Description	Qty	Remark
1	AAB-015-10066	BOLT CARRIAGE 1/2 X 1-1/2 UNC GRD 5	18	
1	AAB-015-20011	NUT HEX 1/2 UNC GRD 5	18	
1	AAB-015-30013	WSHR FLAT 1/2 USS	18	
1	AAB-015-30018	WSHR LOCK 1/2	18	
2	AAA-001-01587	RET. RING 5650 & 5750 KIT	1	
2	AAA-001-01711	RET. RING 5850 KIT	1	
2	AAA-001-01713	RET. RING 51000 & 51250 KIT	1	
3	AAA-001-01586	RET. RING 80" STRAIGHT W/ BRKTS WELDMENT	2	
4	AAA-001-01360	RET.RING 74" DIA TWIN (EXT.L 172.18") (5650 & 5750)	2	
4	AAA-001-01710	RET. RING 80" DIA TWIN (EXT. L 197") (5850)	2	
4	AAA-001-01712	RET. RING 85.5" DIA TWIN (EXT.L 208.235) (51000 & 51250)	2	
5	AAA-001-01359	RET. RING BRKT 3/8T	18	

REFERENCE TABLES

ITEM 1.8 - FRONT CENTRE DOOR PANEL		ITEM 2.5 - LP FRONT CENTRE DOOR PANEL	
MODEL	PART NUMBER	MODEL	PART NUMBER
5350	AAA-001-00813	5400	AAA-001-01660
5425	AAA-001-00767	5600	AAA-001-01676
5575	AAA-001-00814		
5650	AAA-001-00813		
5750	AAA-001-00813		
5850	AAA-001-00767		
5750HD	AAA-001-00813		
5850HD	AAA-001-00767		
51000HD	AAA-001-00814		
51250HD	AAA-001-00814		

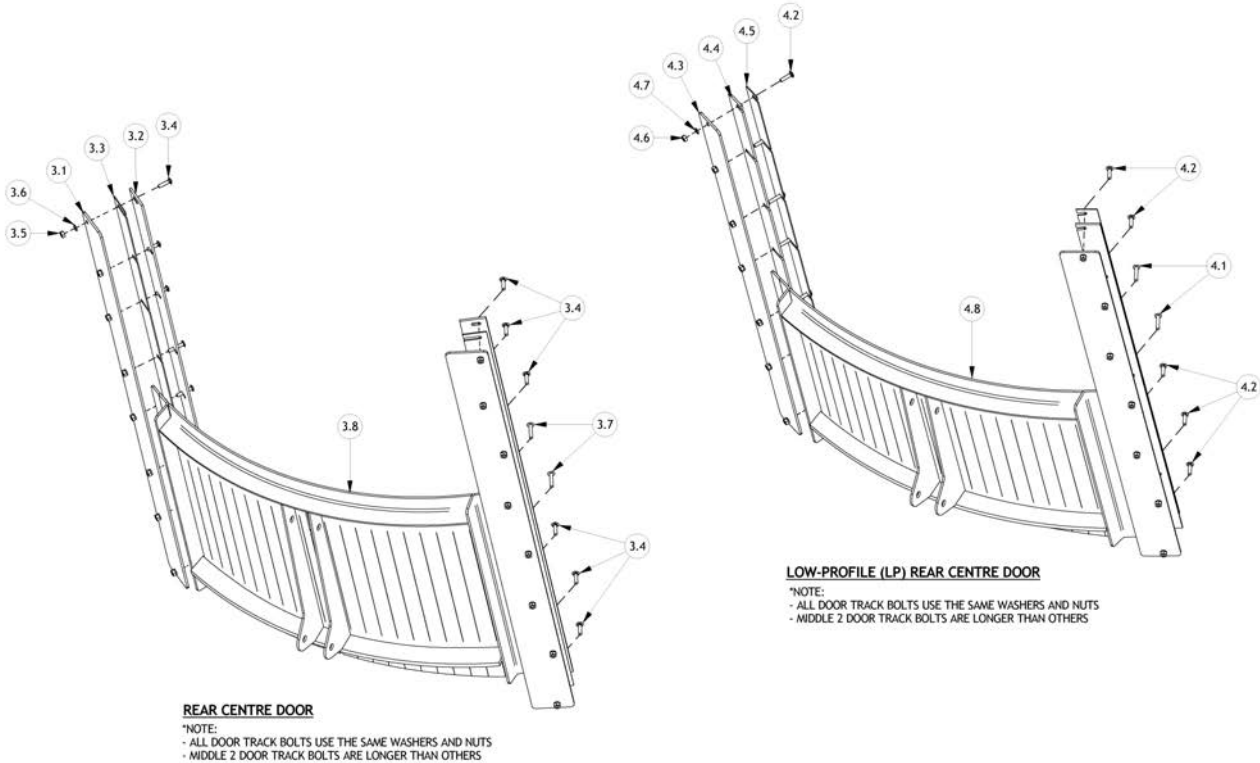


Pos	SKU	Description	Qty	Remark
1.1	AAA-001-00857	OUTER DOOR TRACK 1/4T X 67H	2	
1.2	AAA-001-00860	INNER DOOR SPCR 1/4T X 67H	2	
1.3	AAA-001-00859	INNER DOOR SPCR 1/8T X 67H	2	
1.4	AAB-015-10081	BOLT CARRIAGE 3/8 X 2 UNC GRD 5	6	
1.5	AAB-015-10061	BOLT CARRIAGE 3/8 X 1-1/2 UNC GRD 5	10	
1.6	AAB-015-20017	NUT HEX 3/8 UNC GRD 2	16	
1.7	AAB-015-30017	WSHR LOCK 3/8	16	
1.8	AAA-001-00767	DRUM DOOR FRT 96DIA (PARTS ORDER)	1	MODEL: 5425, 5850, 5850HD
1.8	AAA-001-00813	DRUM DOOR FRT 90DIA (PARTS ORDER)	1	MODEL: 5350, 5650, 5750, 5750HD
1.8	AAA-001-00814	DRUM DOOR FRT 102DIA (PARTS ORDER)	1	MODEL: 5575, 51000HD, 51250HD
2.1	AAB-015-10061	BOLT CARRIAGE 3/8 X 1-1/2 UNC GRD 5	8	
2.2	AAA-001-01377	INNER DOOR SPCR 1/8T X 58.5H	2	
2.3	AAA-001-01378	INNER DOOR SPCR 1/4T X 58.5	2	
2.4	AAA-001-01376	OUTER DOOR TRACK 1/4T X 58.5H	2	

Pos	SKU	Description	Qty	Remark
2.5	AAA-001-01660	DRUM DOOR WELDMENT LP FRT 101.5" DIA (PAINTED)	1	MODEL:5400
2.5	AAA-001-01676	96" LP FRONT DOOR (PARTS ORDER)	1	MODEL:5600
2.6	AAB-015-10081	BOLT CARRIAGE 3/8 X 2 UNC GRD 5	6	
2.7	AAB-015-20017	NUT HEX 3/8 UNC GRD 2	14	
2.8	AAB-015-30017	WSHR LOCK 3/8	14	

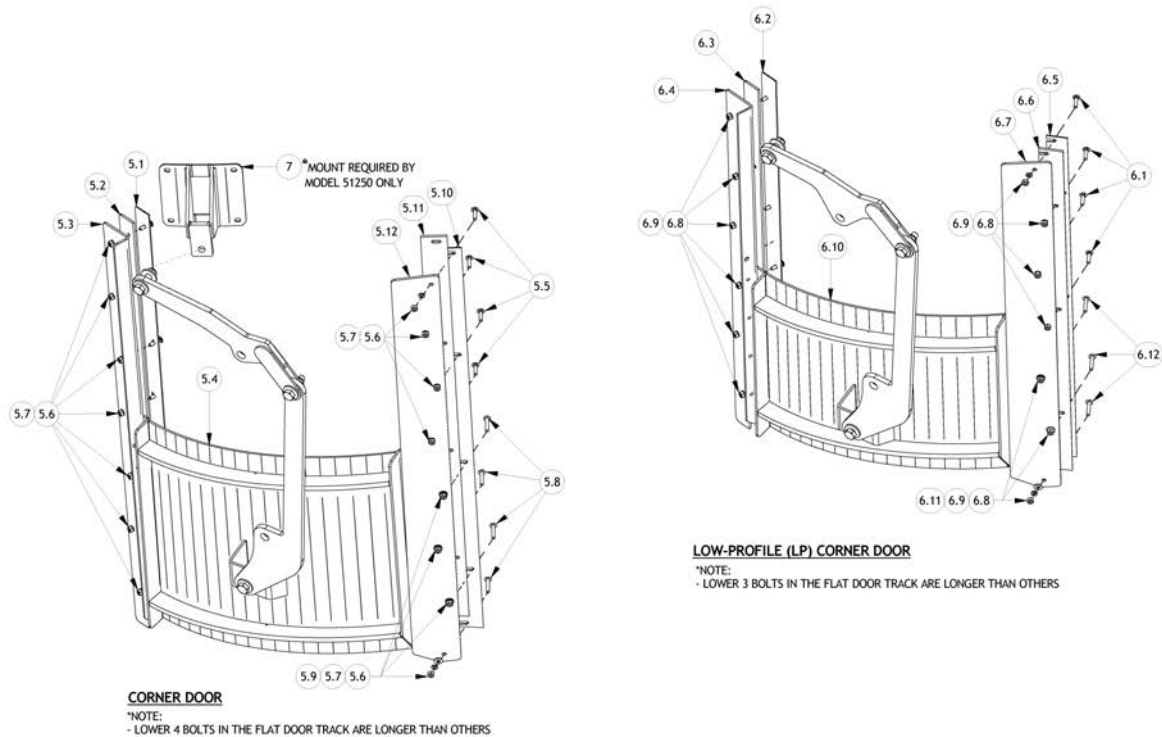
REFERENCE TABLES

ITEM 3.8 - REAR CENTRE DOOR PANEL		ITEM 4.8 - LP REAR CENTRE DOOR PANEL	
MODEL	PART NUMBER	MODEL	PART NUMBER
5350	AAA-001-00812	5400	AAA-001-01665
5425	AAA-001-00811	5600	AAA-001-01637
5575	AAA-001-00515		
5650	AAA-001-00812		
5750	AAA-001-00812		
5850	AAA-001-00811		
5750HD	AAA-001-00812		
5850HD	AAA-001-00811		
51000HD	AAA-001-00515		
51250HD	AAA-001-00515		



Pos	SKU	Description	Qty	Remark
3.1	AAA-001-00857	OUTER DOOR TRACK 1/4T X 67H	2	
3.2	AAA-001-00860	INNER DOOR SPCR 1/4T X 67H	2	
3.3	AAA-001-00859	INNER DOOR SPCR 1/8T X 67H	2	
3.4	AAB-015-10061	BOLT CARRIAGE 3/8 X 1-1/2 UNC GRD 5	12	
3.5	AAB-015-20017	NUT HEX 3/8 UNC GRD 2	16	
3.6	AAB-015-30017	WSHR LOCK 3/8	16	
3.7	AAB-015-10081	BOLT CARRIAGE 3/8 X 2 UNC GRD 5	4	
3.8	AAA-001-00515	DRUM DOOR WELDMENT REAR 102DIA (PARTS ORDER)	1	MODEL: 5575, 51000HD, 51250HD
3.8	AAA-001-00811	DRUM DOOR WELDMENT REAR 96DIA	1	MODEL: 5425, 5850, 5850HD
3.8	AAA-001-00812	DRUM DOOR REAR 90DIA (PAINTED PARTS ORDER)	1	MODEL: 5350, 5650, 5750, 5750HD
4.1	AAB-015-10081	BOLT CARRIAGE 3/8 X 2 UNC GRD 5	4	
4.2	AAB-015-10061	BOLT CARRIAGE 3/8 X 1-1/2 UNC GRD 5	10	
4.3	AAA-001-01376	OUTER DOOR TRACK 1/4T X 58.5H	2	
4.4	AAA-001-01378	INNER DOOR SPCR 1/4T X 58.5	2	

Pos	SKU	Description	Qty	Remark
4.5	AAA-001-01377	INNER DOOR SPCR 1/8T X 58.5H	2	
4.6	AAB-015-20017	NUT HEX 3/8 UNC GRD 2	14	
4.7	AAB-015-30017	WSHR LOCK 3/8	14	
4.8	AAA-001-01637	DRUM DOOR WELDMENT LP REAR 96 (PAINTED)	1	MODEL:5600
4.8	AAA-001-01665	DRUM DOOR WELDMENT LP REAR 101.5" DIA (PAINTED)	1	MODEL:5400

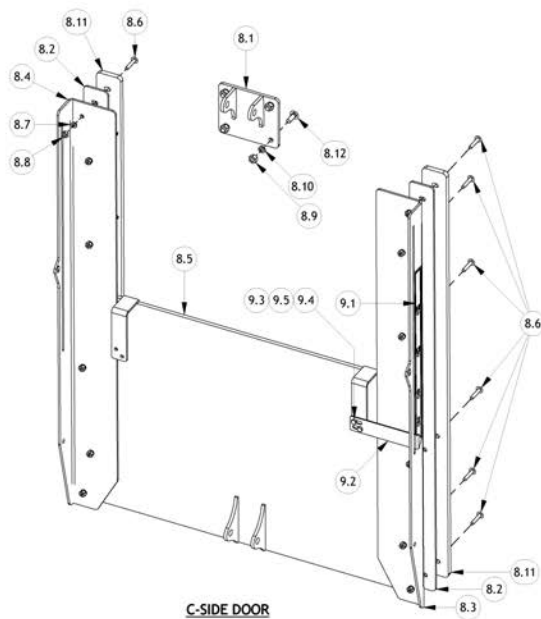


Pos	SKU	Description	Qty	Remark
5.1	AAA-001-00621C	SPCR INNER CORNER DOOR REAR 1/8T	1	
5.2	AAA-001-00622C	SPCR INNER CORNER DOOR REAR 64-1/4H X 1/4T	1	
5.3	AAA-001-00623	TRACK OUTER CORNER DOOR REAR 64-1/4H X 1/4T	1	
5.4	AAA-001-00272	DRUM DOOR WELDMENT 525T	1	MODEL: 5425, 5850, 5850HD
5.4	AAA-001-00330	DRUM DOOR WELDMENT 610T	1	MODEL: 5575, 51000HD, 51250HD
5.4	AAA-001-00334	DRUM DOOR WELDMENT 445T	1	MODEL: 5350, 5650, 5750, 5750HD
5.5	AAB-015-10061	BOLT CARRIAGE 3/8 X 1-1/2 UNC GRD 5	11	
5.6	AAB-015-20017	NUT HEX 3/8 UNC GRD 2	15	
5.7	AAB-015-30017	WSHR LOCK 3/8	15	
5.8	AAB-015-10081	BOLT CARRIAGE 3/8 X 2 UNC GRD 5	4	
5.9	AAB-015-30012	WSHR FLAT 3/8 USS	4	
5.10	AAA-001-00859	INNER DOOR SPCR 1/8T X 67H	1	
5.11	AAA-001-00860	INNER DOOR SPCR 1/4T X 67H	1	

Pos	SKU	Description	Qty	Remark
5.12	AAA-001-00901	OUTER DOOR TRACK 1/4T X 67-1/2H (CORNER DOORS)	1	
6.1	AAB-015-10061	BOLT CARRIAGE 3/8 X 1-1/2 UNC GRD 5	10	
6.2	AAA-001-01646	INNER CORNER DOOR SPCR REAR 1/8T LP	1	
6.3	AAA-001-01645	INNER CORNER DOOR SPCR REAR 1/4T	1	
6.4	AAA-001-01643	OUTER CORNER DOOR TRACK 1/4T LP	1	
6.5	AAA-001-01377	INNER DOOR SPCR 1/8T X 58.5H	1	
6.6	AAA-001-01378	INNER DOOR SPCR 1/4T X 58.5	1	
6.7	AAA-001-01644	OUTER DOOR TRACK 1/4T LP CORNER DOOR	1	
6.8	AAB-015-20017	NUT HEX 3/8 UNC GRD 2	13	
6.9	AAB-015-30017	WSHR LOCK 3/8	13	
6.10	AAA-001-01647	96" LP CORNER DOOR WELDMENT	1	MODEL:5600
6.10	AAA-001-01668	101.5" LP CORNER DOOR WELDMENT	1	MODEL:5400
6.11	AAB-015-30012	WSHR FLAT 3/8 USS	3	
6.12	AAB-015-10081	BOLT CARRIAGE 3/8 X 2 UNC GRD 5	3	
7	AAA-001-01727-P3	TOP CYL MNT CRNR DOOR 51250 (PARTS ORDER)	1	

REFERENCE TABLES

ITEM 8.1 - C-SIDE UPPER CYLINDER LUG	
MODEL	PART NUMBER
5350	AAA-001-01576
5425	AAA-001-01576
5575	AAA-001-01576
5650	AAA-001-01576
5750	AAA-001-01576
5850	AAA-001-01576
5750HD	AAA-001-01576
5850HD	AAA-001-01576
51000HD	AAA-001-01576
51250HD	AAA-001-01733-P3

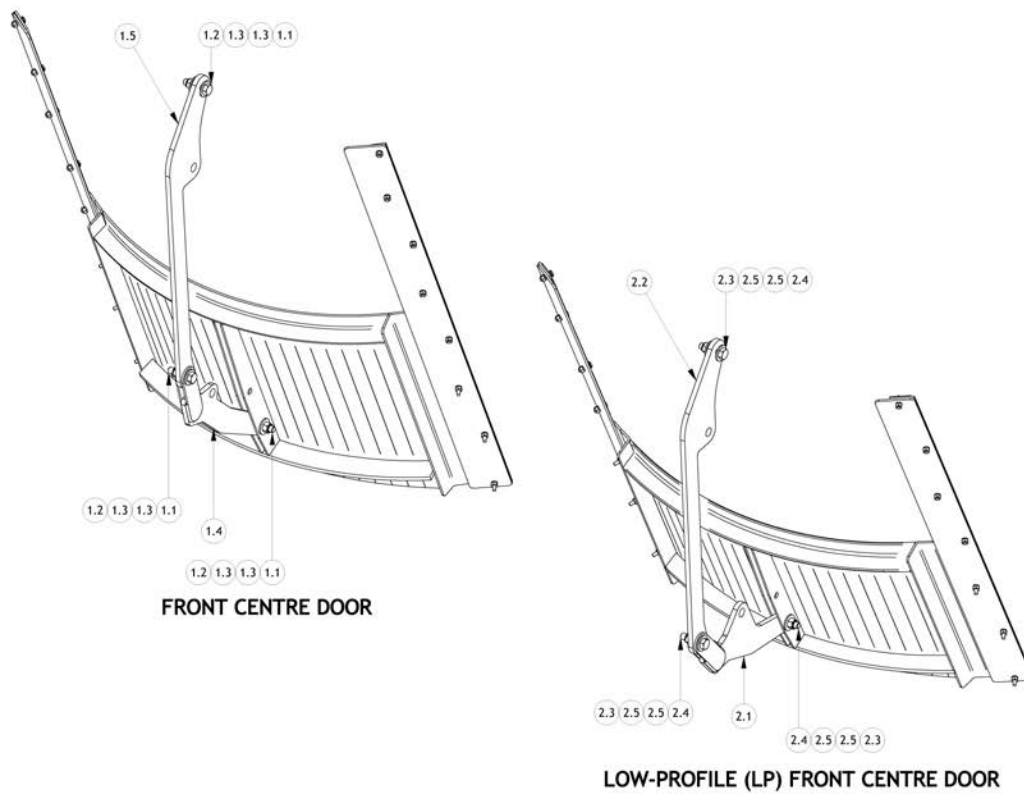


APPLICABLE MODELS:

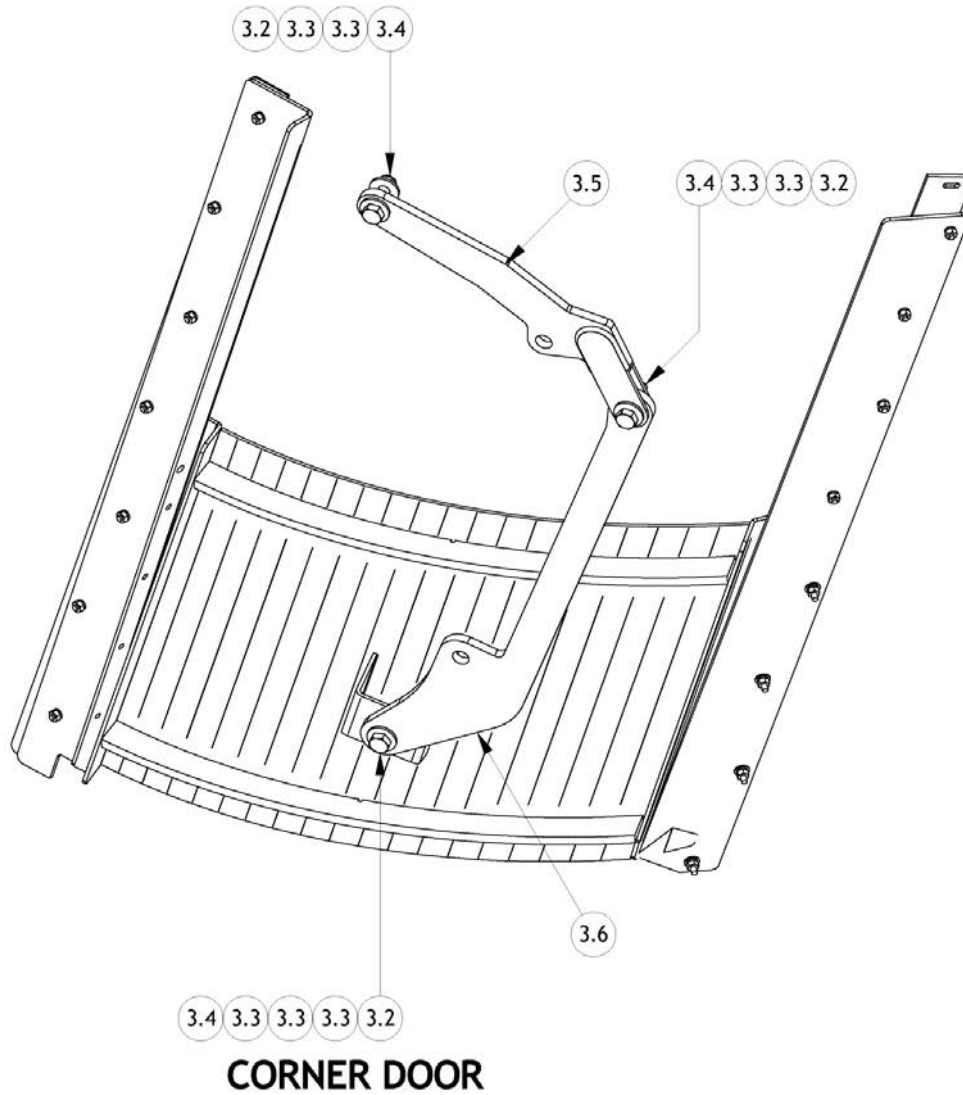
- 5350
- 5425
- 5575
- 5650
- 5750
- 5850
- 51000
- 51250

Pos	SKU	Description	Qty	Remark
8.1	AAA-001-01576	C-SIDE UPPER CYL LUG WELDMENT	1	MODEL:5350 through 51000HD
8.1	AAA-001-01733-P3	C-SIDE UPPER CYL LUG FOR 51250 (BLACK FOR PO)	1	MODEL:51250HD
8.2	AAA-001-01577	C-SIDE DOOR SPCR 1/4T	2	
8.3	AAA-001-01578	C-SIDE DOOR TRACK RTH 1/4T	1	
8.4	AAA-001-01579	C-SIDE DOOR TRACK LTH 1/4T	1	
8.5	AAA-001-01287	DOOR C-SIDE WELDMENT PAINTED (PARTS ORDER)	1	
8.6	AAB-015-10081	BOLT CARRIAGE 3/8 X 2 UNC GRD 5	12	
8.7	AAB-015-30017	WSHR LOCK 3/8	12	
8.8	AAB-015-20017	NUT HEX 3/8 UNC GRD 2	12	
8.9	AAB-015-20011	NUT HEX 1/2 UNC GRD 5	4	
8.10	AAB-015-30018	WSHR LOCK 1/2	4	
8.11	AAA-001-01639	C-SIDE DOOR SPCR 5/8T	2	
8.12	AAB-015-10066	BOLT CARRIAGE 1/2 X 1-1/2 UNC GRD 5	4	
9.1	AAB-012-00115	DECAL DOOR HEIGHT MARKER 5000 SERIES	6	
9.2	AAA-001-01697-P3	C-SIDE DOOR HEIGHT INDICATOR 1/8T (BLACK)	6	

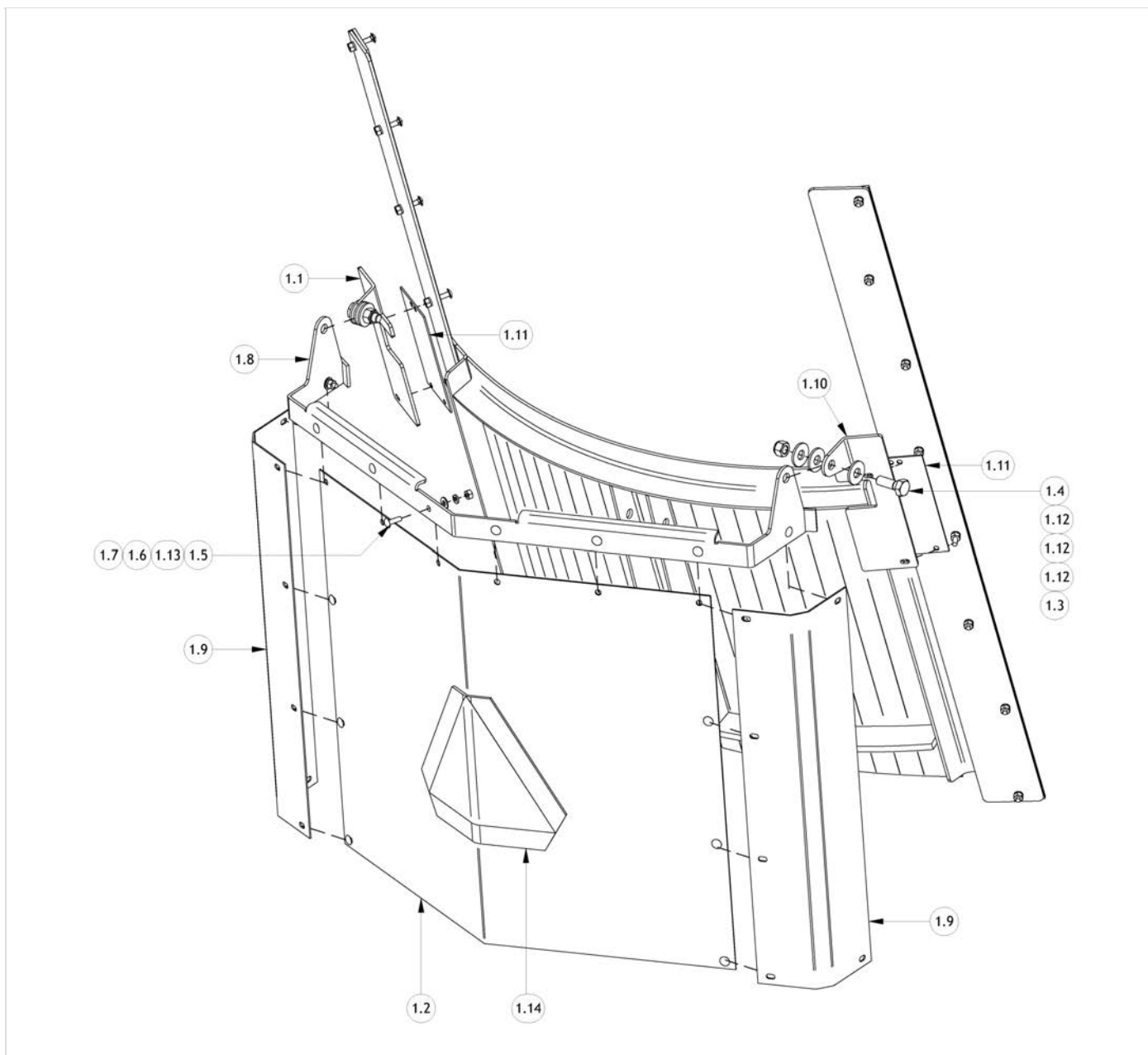
Pos	SKU	Description	Qty	Remark
9.3	AAB-015-20017	NUT HEX 3/8 UNC GRD 2	12	
9.4	AAB-015-10056	BOLT HEX 3/8 X 1 UNC GRD 2	12	
9.5	AAB-015-30017	WSHR LOCK 3/8	12	



Pos	SKU	Description	Qty	Remark
1.1	AAB-015-20016	NUT HEX LOCK NYLON 3/4 UNC GRD 8	3	
1.2	AAB-015-10079	BOLT HEX 3/4 X 3 UNC GRD 5	3	
1.3	AAB-015-30015	WSHR FLAT 3/4 USS	6	
1.4	AAA-001-00536-P3	DOOR CYL ARM WELDMENT SINGLE CYDR HOLE	1	
1.5	AAA-001-00737-P3	ARM LONG FOR DOOR	1	
2.1	AAA-001-01349-P3	LWR DOOR ARM WELDMENT LP CYDR HOLE (PAINTED)	1	
2.2	AAA-001-00737-P3	ARM LONG FOR DOOR	1	
2.3	AAB-015-10079	BOLT HEX 3/4 X 3 UNC GRD 5	3	
2.4	AAB-015-20016	NUT HEX LOCK NYLON 3/4 UNC GRD 8	3	
2.5	AAB-015-30015	WSHR FLAT 3/4 USS	6	



Pos	SKU	Description	Qty	Remark
3.2	AAB-015-10079	BOLT HEX 3/4 X 3 UNC GRD 5	3	
3.3	AAB-015-30015	WSHR FLAT 3/4 USS	8	
3.4	AAB-015-20016	NUT HEX LOCK NYLON 3/4 UNC GRD 8	3	
3.5	AAA-001-00536-P3	DOOR CYL ARM WELDMENT SINGLE CYDR HOLE	1	MODEL: ALL EXCEPT 5400, 5600
3.5	AAA-001-01349-P3	LWR DOOR ARM WELDMENT LP CYDR HOLE (PAINTED)	1	MODEL: 5400, 5600
3.6	AAA-001-00737-P3	ARM LONG FOR DOOR	1	

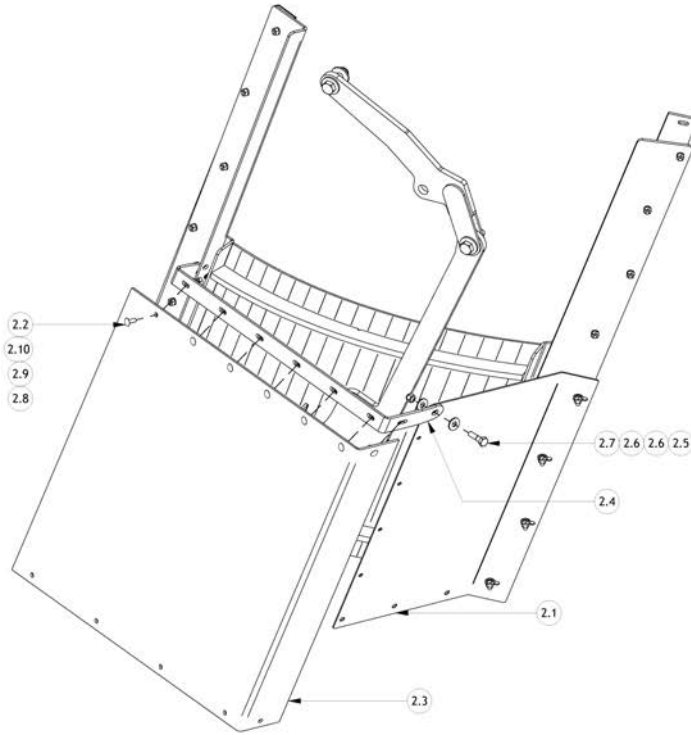


Pos	SKU	Description	Qty	Remark
1.1	AAA-006-00444	REAR DOOR SHIELD PIVOT BRKT LTH 1/4T	1	
1.2	AAA-006-00445	REAR DOOR RUBR SHIELD 1/8T	1	
1.3	AAB-015-20016	NUT HEX LOCK NYLON 3/4 UNC GRD 8	2	
1.4	AAB-015-10025	BOLT HEX 3/4 X 2-1/4 UNC GRD 8	2	
1.5	AAB-015-10060	BOLT CARRIAGE 3/8 X 1-1/4 UNC GRD 2	14	
1.6	AAB-015-30017	WSHR LOCK 3/8	14	
1.7	AAB-015-20017	NUT HEX 3/8 UNC GRD 2	14	
1.8	AAA-001-00832	REAR DOOR SHIELD HINGE BRKT WELDMENT	1	
1.9	AAA-006-00440	REAR DOOR SHIELD SIDE SUPT 1/8T	2	
1.10	AAA-006-00533	REAR DOOR SHIELD PIVOT BRKT RTH 1/4T	1	
1.11	AAA-006-00532	REAR DOOR SHIELD RUBR SPCR 1/8T	2	
1.12	AAB-015-30015	WSHR FLAT 3/4 USS	6	
1.13	AAB-015-30012	WSHR FLAT 3/8 USS	14	

Pos	SKU	Description	Qty	Remark
1.14	AAB-012-00074	DECAL SMV PLASTIC BOLT ON	1	

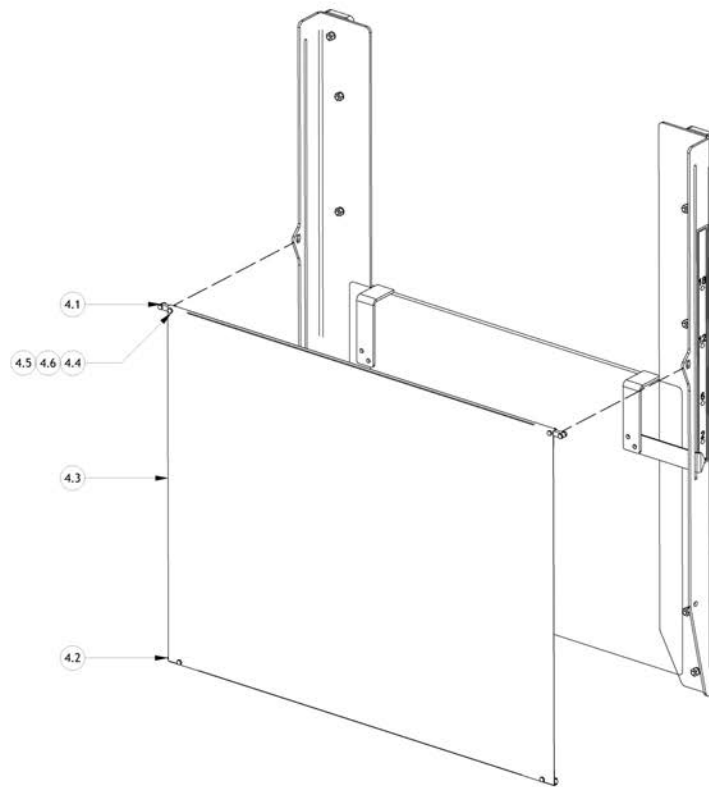
REFERENCE TABLE

PART NUMBERS FOR REGULAR CORNER DOOR SHIELDS		
MODEL	ITEM 2.1	ITEM 2.4
5350	AAA-001-00328	AAA-001-00646
5400	AAA-001-00365	AAA-001-00652
5425	AAA-001-00293	AAA-001-00646
5575	AAA-001-00336	AAA-001-00652
5600	AAA-001-01692	AAA-001-00646
5650	AAA-001-00328	AAA-001-00646
5750	AAA-001-00328	AAA-001-00646
5850	AAA-001-00293	AAA-001-00646
5750HD	AAA-001-00328	AAA-001-00646
5850HD	AAA-001-00293	AAA-001-00646
51000HD	AAA-001-00336	AAA-001-00652
51250HD	AAA-001-00336	AAA-001-00652

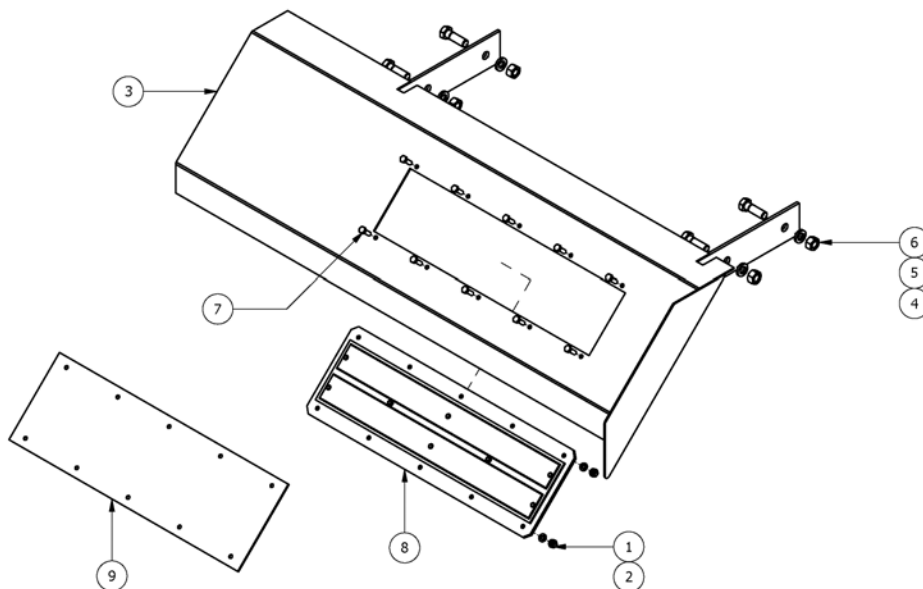


Pos	SKU	Description	Qty	Remark
2.1	AAA-001-00293	SHIELD DRUM 1/8T (96" DIA)	1	MODEL: 5425, 5850, 5850HD
2.1	AAA-001-00328	SHIELD DRUM 1/8T (90" DIA)	1	MODEL: 5350, 5650, 5750, 5750HD
2.1	AAA-001-00336	DOOR SIDE SHIELD 1/8T (101.5" DIA)	1	MODEL: 5575, 51000HD, 51250HD
2.1	AAA-001-00365	SHIELD DRUM 1/8T LP (101.5" DIA)	1	MODEL:5400
2.1	AAA-001-01692	DRUM SHIELD LP 1/8T (96" DIA)	1	MODEL:5600
2.2	AAB-015-10028	BOLT CARRIAGE 3/8-16 X 1 GRD 5	7	
2.3	AAA-001-00651	DISCHARGE SHIELD W/ LWR SUPT 1/4T	1	
2.4	AAA-001-00646	DISCHARGE SHIELD HINGE 1/4T (90" & 96" DIA)	1	MODEL: 5350, 5425, 5575, 5650, 5750, 5850, 5750HD, 5850HD
2.4	AAA-001-00652	DISCHARGE SHIELD HINGE 1/4T (101.5" DIA)	1	MODEL: 5400, 5600, 51000HD, 51250HD
2.5	AAB-015-20019	NUT NYLON LOCK 1/2 UNC GRD 5	2	

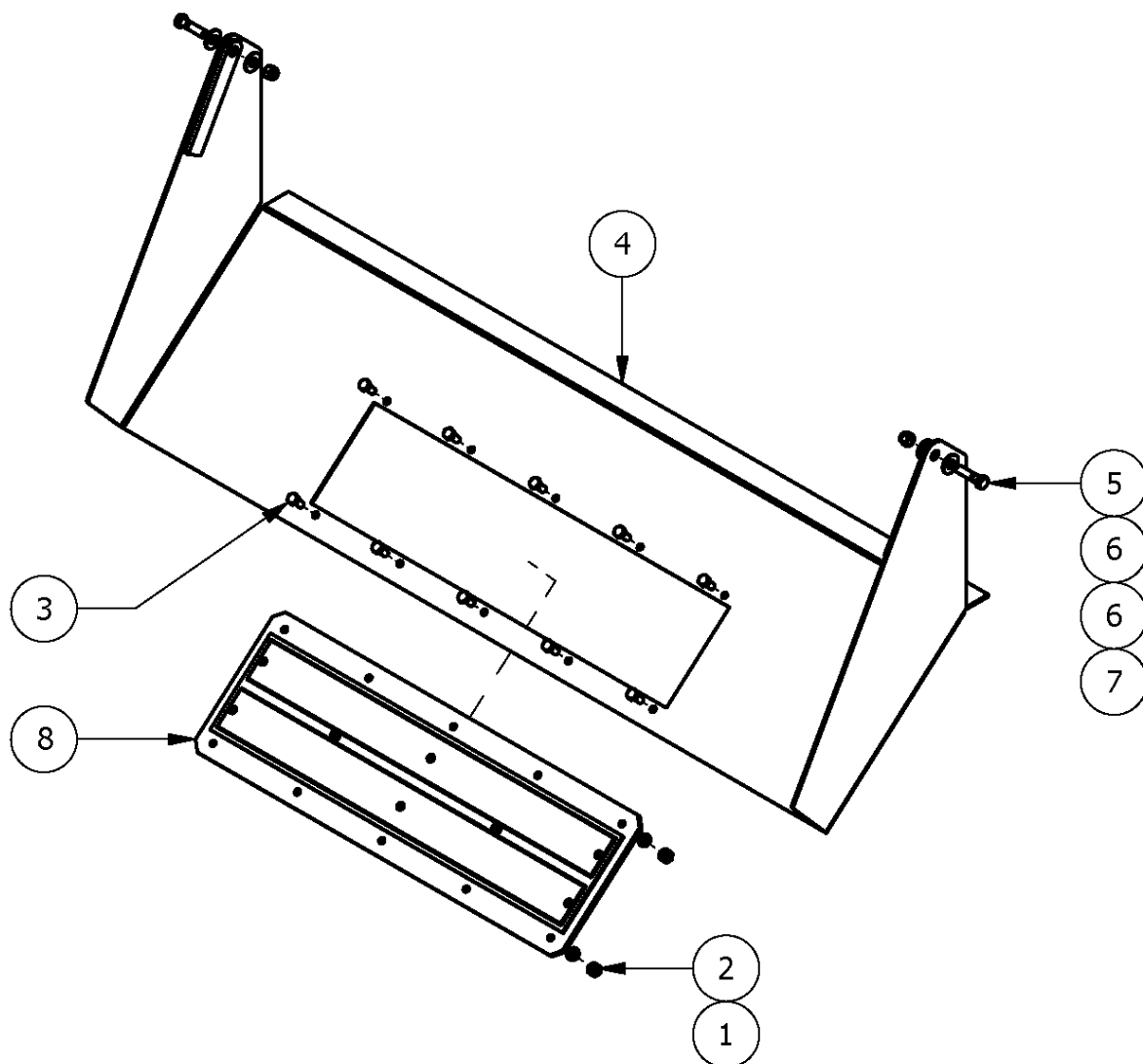
Pos	SKU	Description	Qty	Remark
2.6	AAB-015-30013	WSHR FLAT 1/2 USS	4	
2.7	AAB-015-10064	BOLT HEX 1/2 X 2 UNC GRD 5	2	
2.8	AAB-015-20017	NUT HEX 3/8 UNC GRD 2	7	
2.9	AAB-015-30017	WSHR LOCK 3/8	7	
2.10	AAB-015-30012	WSHR FLAT 3/8 USS	7	



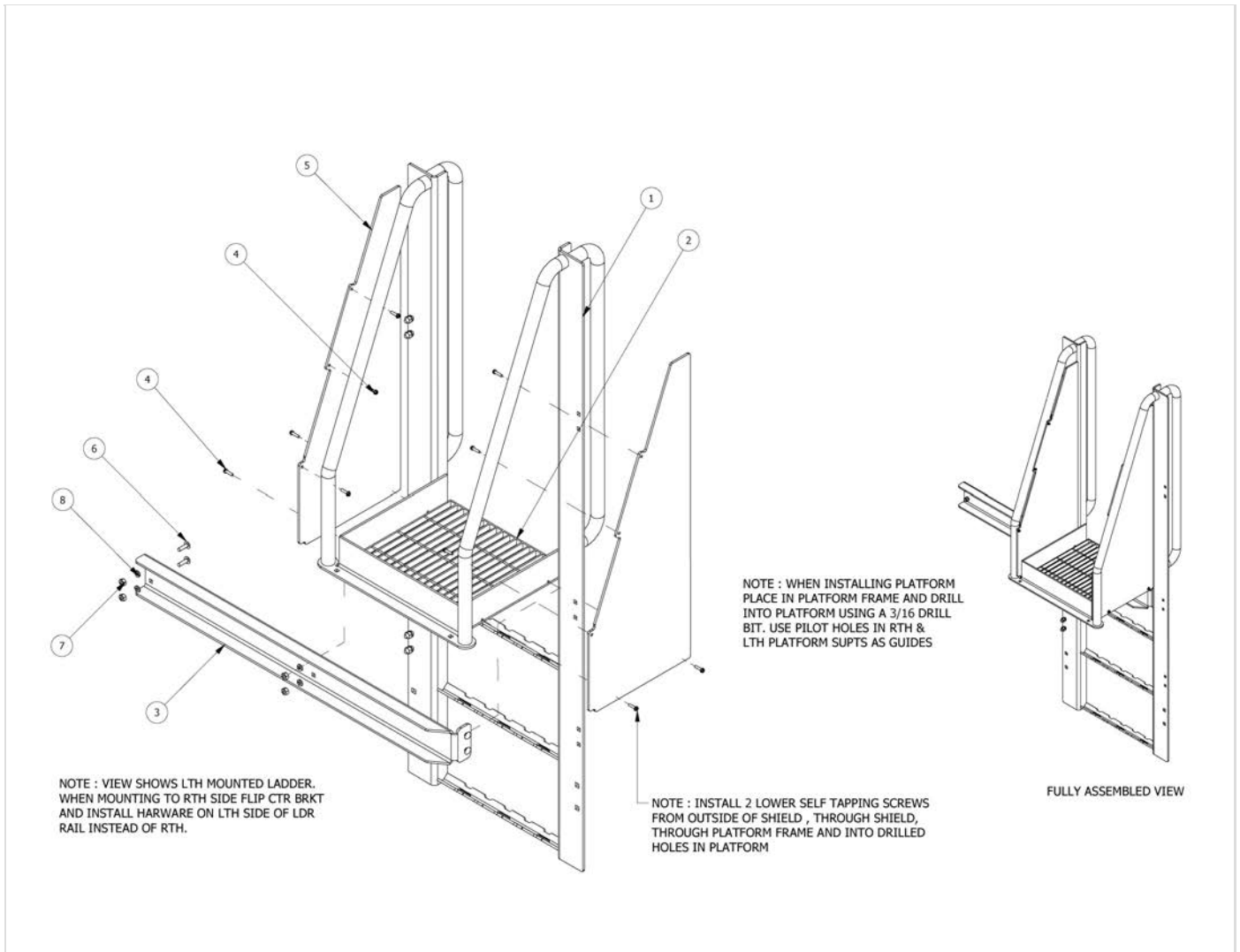
Pos	SKU	Description	Qty	Remark
4.1	AAA-001-01581-P1	C-SIDE SHIELD UPPR CROSS BAR 3/8T (PAINTED RED)	1	
4.2	AAA-001-01582-P1	C-SIDE SHIELD LWR CROSS BAR 3/8T (PAINTED RED)	1	
4.3	AAB-001-00047	C-SIDE TARP DISCHARGE SHIELD 40 OZ	1	
4.4	AAB-015-10089	BOLT HEX 1/4 X 3/4 GRD 5	4	
4.5	AAB-015-20036	NUT HEX 1/4 UNC GRD 5	4	
4.6	AAB-015-30025	WSHR FLAT 1/4 USS	4	



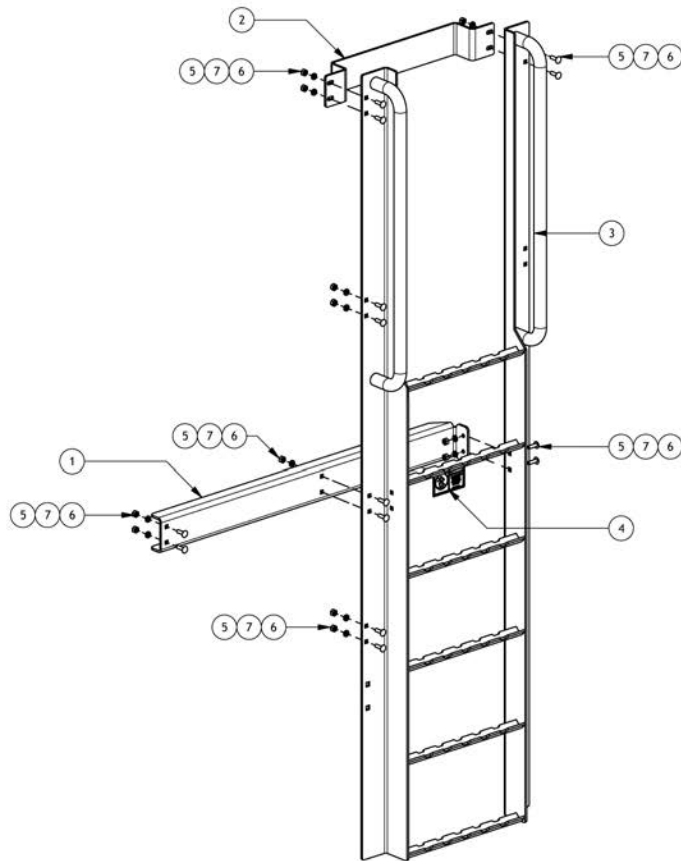
Pos	SKU	Description	Qty	Remark
1	AAB-015-20020	NUT HEX 5/16 UNC GRD 2	10	
2	AAB-015-30016	WSHR LOCK 5/16	10	
3	AAA-006-00317	DISCHARGE CHUTE 50L (PAINTED)	1	
4	AAB-015-10068	BOLT HEX 5/8 X 2 UNC GRD 8	4	
5	AAB-015-30019	WSHR LOCK 5/8	4	
6	AAB-015-20013	NUT HEX 5/8 UNC GRD 5	4	
7	AAB-015-10036	BOLT HEX 5/16 X 1 UNC GRD 5	10	
8	AAB-006-00035	MAGNET PLATE 25 X 8 X 1	1	
9	AAA-006-00321	PLT MAGNET CHUTE BLANK 1/8T	1	



Pos	SKU	Description	Qty	Remark
1	AAB-015-30016	WSHR LOCK 5/16	10	
2	AAB-015-20020	NUT HEX 5/16 UNC GRD 2	10	
3	AAB-015-10054	BOLT HEX 5/16 X 3/4 UNC GRD 5	10	
4	AAA-006-01013-P1	C-SIDE MAGNET CHUTE WELDMENT (PAINTED RED)	1	
5	AAB-015-10059	BOLT HEX 3/8 X 1-1/2 UNC GRD 2	2	
6	AAB-015-30012	WSHR FLAT 3/8 USS	4	
7	AAB-015-20012	NUT HEX 3/8 LOCK NYLON GRD 2	2	
8	AAA-006-00321	PLT MAGNET CHUTE BLANK 1/8T	1	
8	AAB-006-00035	MAGNET PLATE 25 X 8 X 1	1	

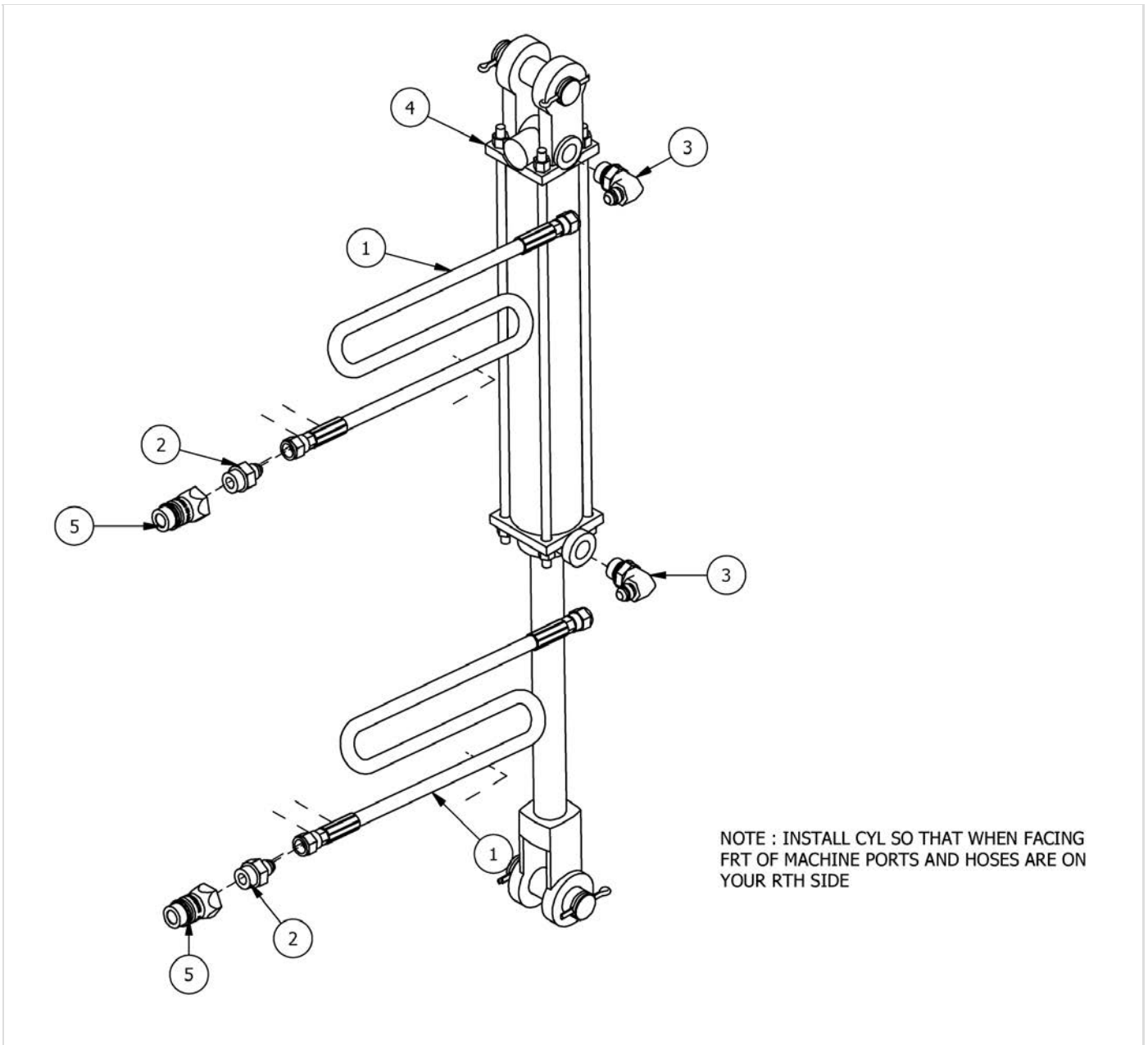


Pos	SKU	Description	Qty	Remark
1	AAA-003-00228	LDR WELDMENT 5000	1	
2	AAB-003-00006	LDR PLATFORM	1	
3	AAA-003-00241	CTR UPRTH LDR SUPT BRKT 1/4T	2	
4	AAB-015-10158	BOLT HEX THREAD CUTTING & SELF-TAPPING 1/4-20 X 1L GRD 5	10	
5	AAB-003-00004	LDR SIDE SHIELD (HDPE BLACK)	2	
6	AAB-015-10060	BOLT CARRIAGE 3/8 X 1-1/4 UNC GRD 2	10	
7	AAB-015-20017	NUT HEX 3/8 UNC GRD 2	10	
8	AAB-015-30017	WSHR LOCK 3/8	10	

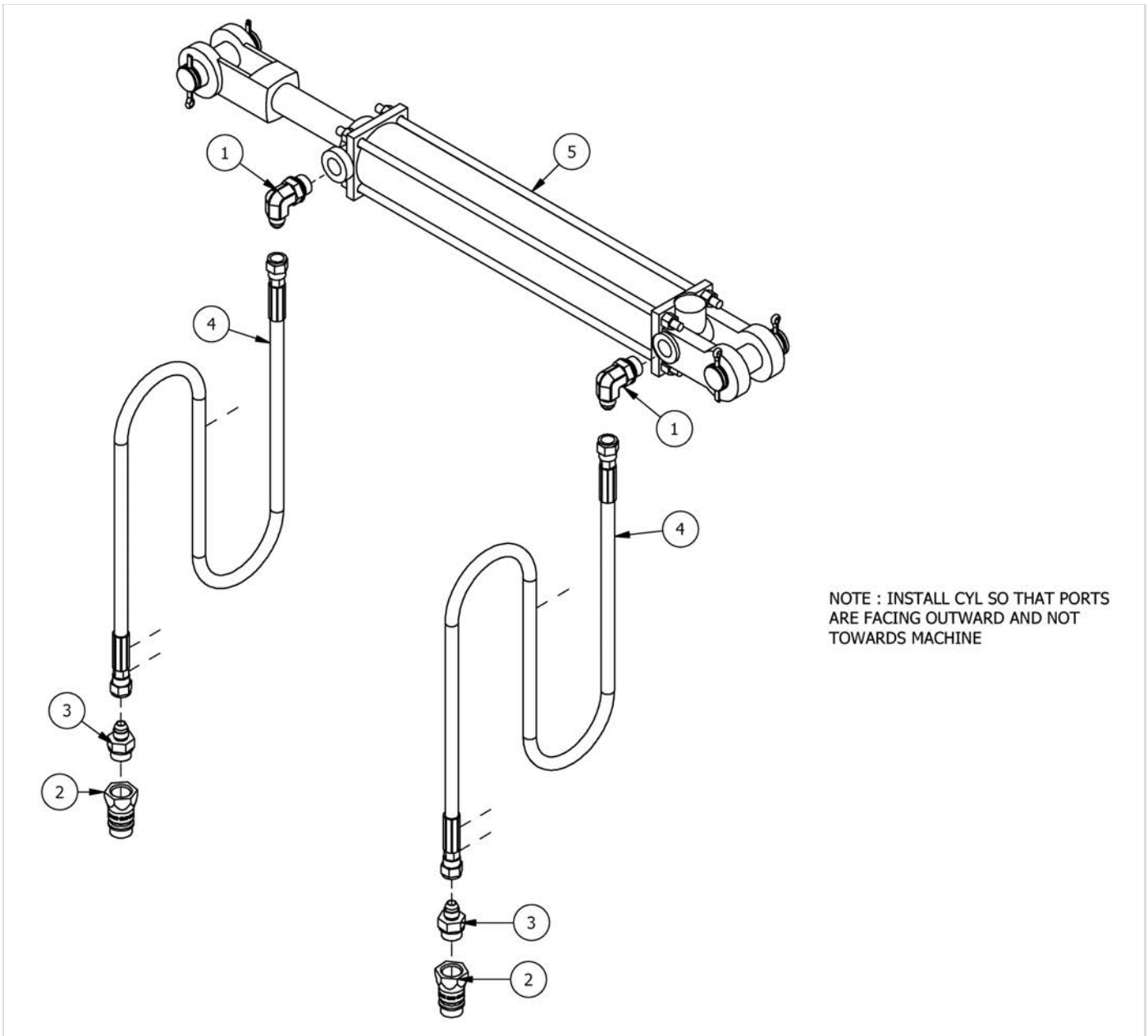


NOTE:
 VIEW SHOWS LTH MOUNTED LADDER
 WHEN MOUNTING TO RTH SIDE FLIP SUPT BRKT & SAFETY BRKT
 AND INSTALL HARDWARE ON LTH SIDE OF LDR RAIL

Pos	SKU	Description	Qty	Remark
1	AAA-003-00241-P1	CTR UPRTH LDR SUPT BRKT 1/4T (PAINTED RED)	1	
2	AAA-003-00258	LP LDR SAFETY BRKT	1	
3	AAA-003-00326	51250HD LDR WELDMENT (PAINTED)	1	
4	AAB-012-00148	DECAL DO NOT STEP	1	
5	AAB-015-10060	BOLT CARRIAGE 3/8 X 1-1/4 UNC GRD 2	22	
6	AAB-015-20017	NUT HEX 3/8 UNC GRD 2	22	
7	AAB-015-30017	WSHR LOCK 3/8	22	

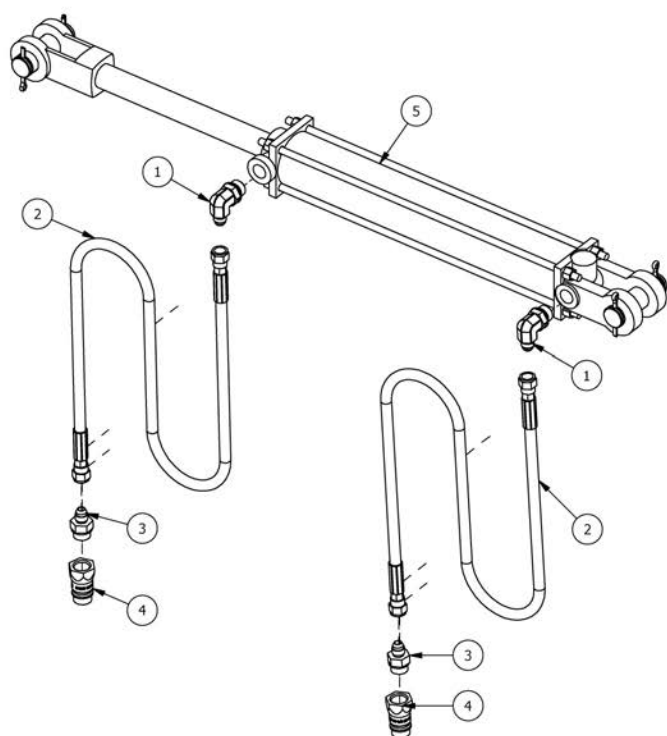


Pos	SKU	Description	Qty	Remark
1	AAB-009-00144	HOSE HYD 1/4DIA SNGL BRAID 6 FJIC SWIVEL X 6 FJIC SWIVEL 150L	2	
2	AAB-009-00074	FIT ADPT 6 MJIC X 8 MORB	2	
3	AAB-009-00352	FIT 90DEG 6 MJIC X 8 MORB ADJ	2	
4	AAB-009-00330	CYL HYD 12IN STROKE X 2 IN BORE WITH PINS AND CLIPS	1	
5	AAB-009-00322	FIT ADPT 8 MQDC X 8 FORB BALL STYLE	2	

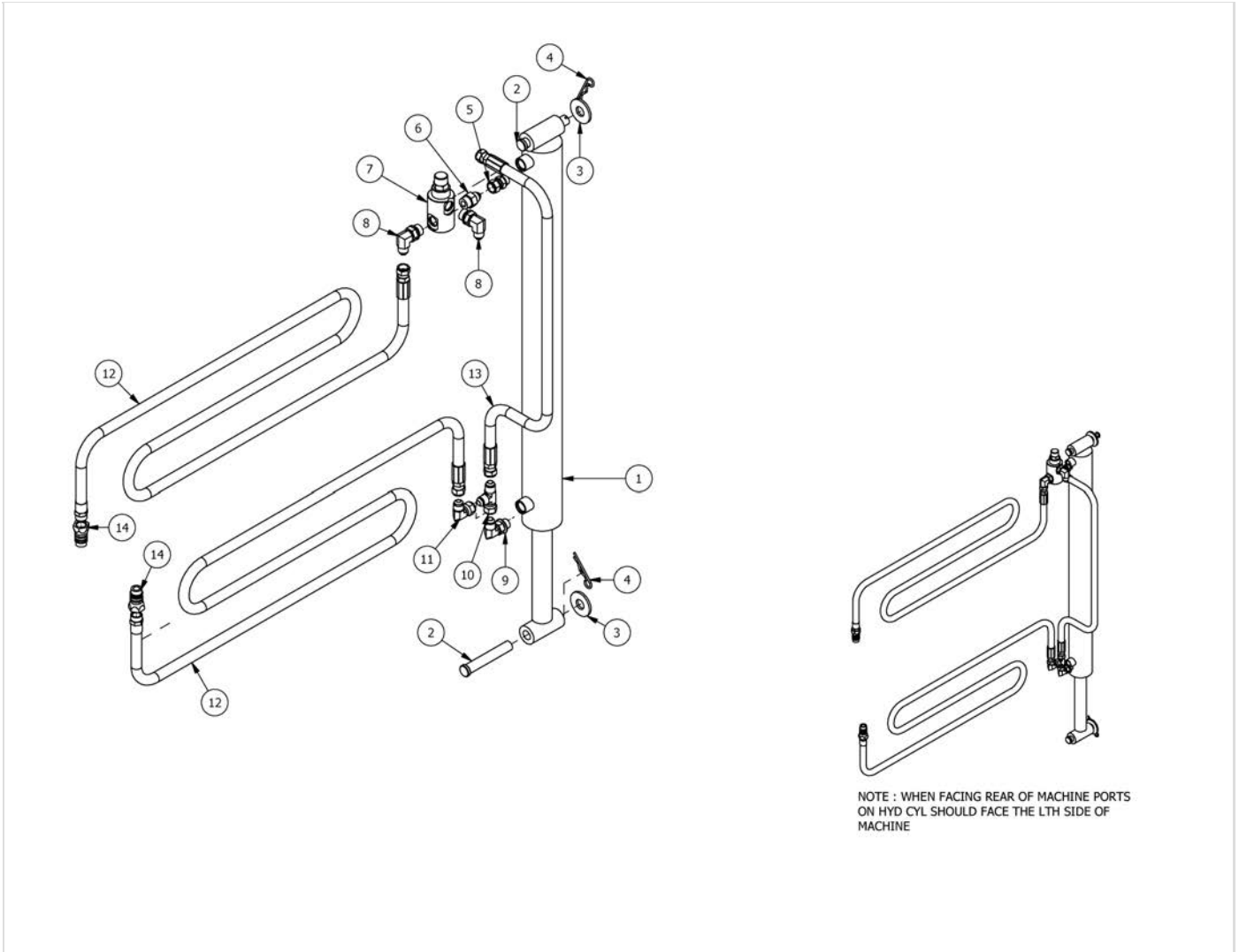


Pos	SKU	Description	Qty	Remark
1	AAB-009-00352	FIT 90DEG 6 MJIC X 8 MORB ADJ	2	
2	AAB-009-00322	FIT ADPT 8 MQDC X 8 FORB BALL STYLE	2	
3	AAB-009-00074	FIT ADPT 6 MJIC X 8 MORB	2	
4	AAA-009-00155	HOSE HYD 1/4DIA DOUBLE BRAID 6 FJIC SWIVEL X 6 FJIC SWIVEL 300L 3000PSI	2	
5	AAB-009-00330	CYL HYD 12IN STROKE X 2 IN BORE WITH PINS AND CLIPS	1	

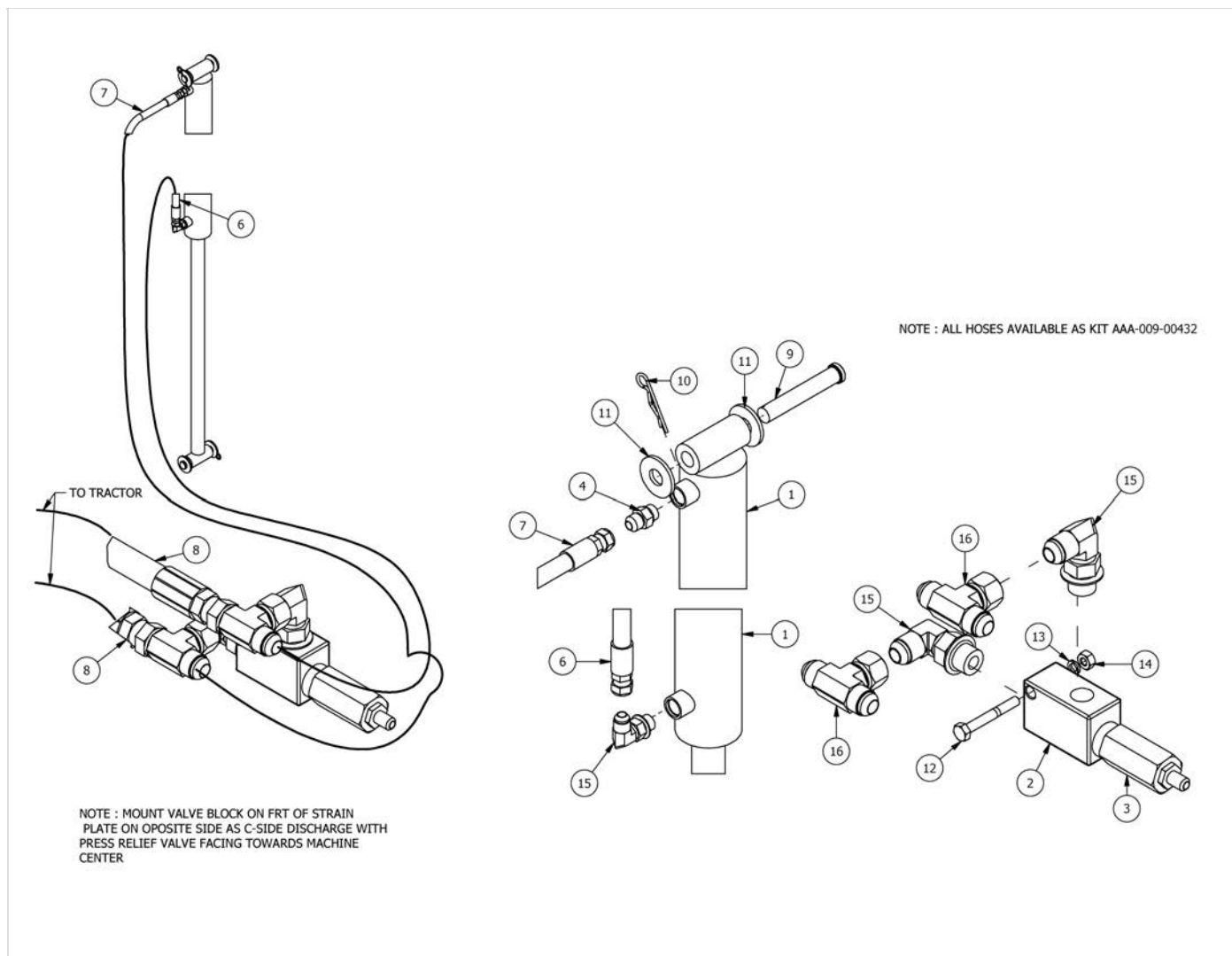
NOTE : INSTALL CYL SO THAT PORTS
ARE FACING OUTWARD AND NOT
TOWARDS MACHINE



Pos	SKU	Description	Qty	Remark
1	AAB-009-00352	FIT 90DEG 6 MJIC X 8 MORB ADJ	2	
2	AAA-009-00257	HOSE HYD 1/4DIA DOUBLE BRAID 6 FJIC SWIVEL X 6 FJIC SWIVEL 540L	2	
3	AAB-009-00074	FIT ADPT 6 MJIC X 8 MORB	2	
4	AAB-009-00322	FIT ADPT 8 MQDC X 8 FORB BALL STYLE	2	
5	AAB-009-00330	CYL HYD 12IN STROKE X 2 IN BORE WITH PINS AND CLIPS	1	

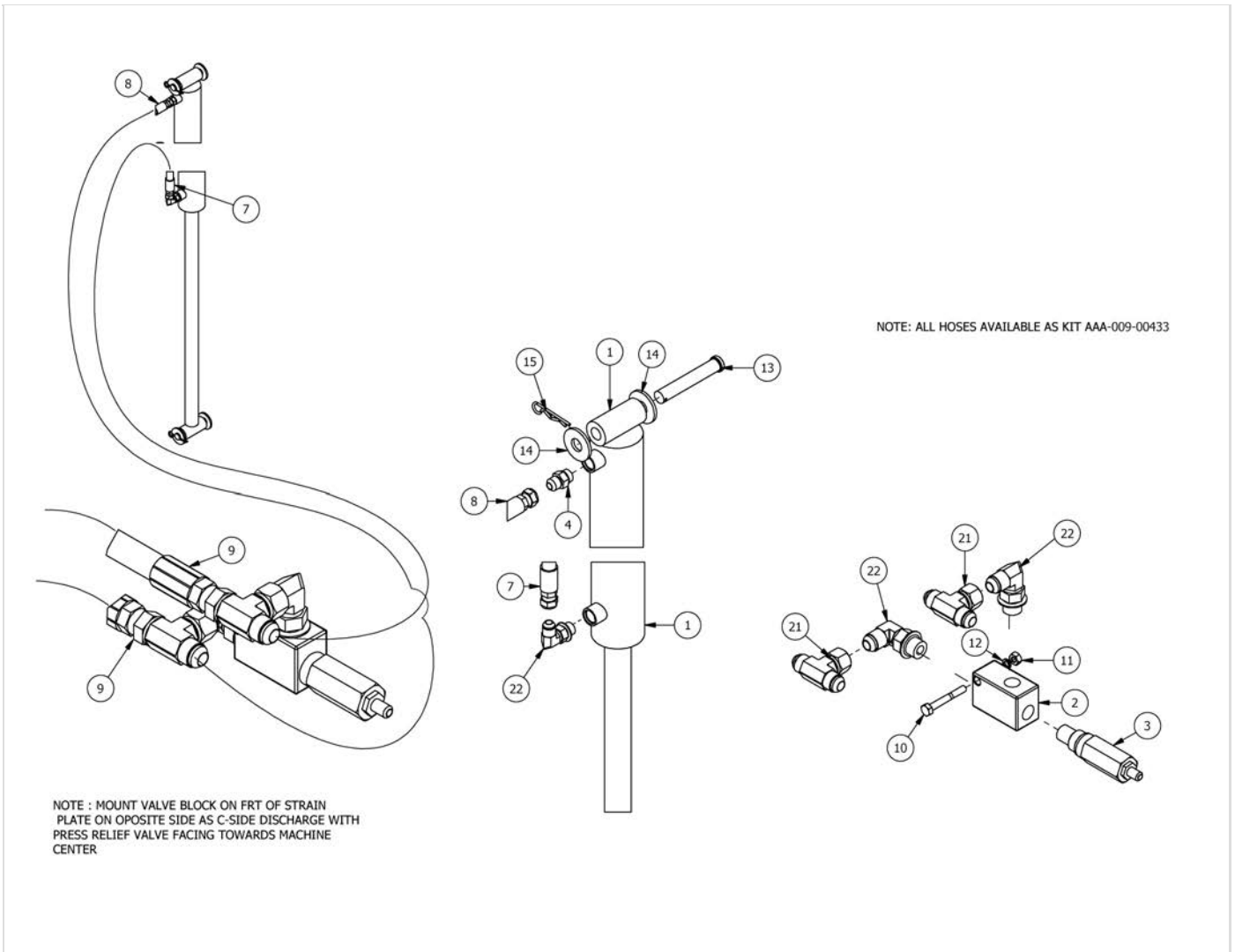


Pos	SKU	Description	Qty	Remark
1	AAB-009-00320	CYDR HYD 66 8 SAE PORTS	1	
2	AAB-015-00147	PIN PIVOT 3/4 X 4-1/2	2	
3	AAB-015-30015	WSHR FLAT 3/4 USS	2	
4	AAB-001-00019	PIN HTCH CLIP 1/8 X 2-9/16	2	
5	AAB-009-00341	FIT ADPT 8 FJIC X 8 MORB	1	
6	AAB-009-00080	FIT ADPT 8 MJIC X 10 MORB	1	
7	AAB-009-00110	VALVE PRESSURE RELIEF 400 PSI - #10 SAE THREAD	1	
8	AAB-009-00099	FIT 90DEG 8 MJIC X 10 MORB ADJ	2	
9	AAB-009-00076	FIT 90DEG 8 MJIC X ADJUST 8 MORB	1	
10	AAB-009-00029	FIT TEE 8 MJIC X 8 FJIC SWIVEL X 8 MJIC	1	
11	AAB-009-00088	FIT 90DEG 8 MJIC X 8 FJIC SWIVEL	1	
12	AAB-009-00175	HOSE HYD 1/2DIA SINGLE BRAID 8 FJIC X 8 MORB 540L 3000PSI	2	
13	AAA-009-00486	HOSE HYD 1/2DIA SINGLE BRAID 8 FJIC X 8 FJIC 24L 3000PSI	1	
14	AAB-009-00322	FIT ADPT 8 MQDC X 8 FORB BALL STYLE	2	



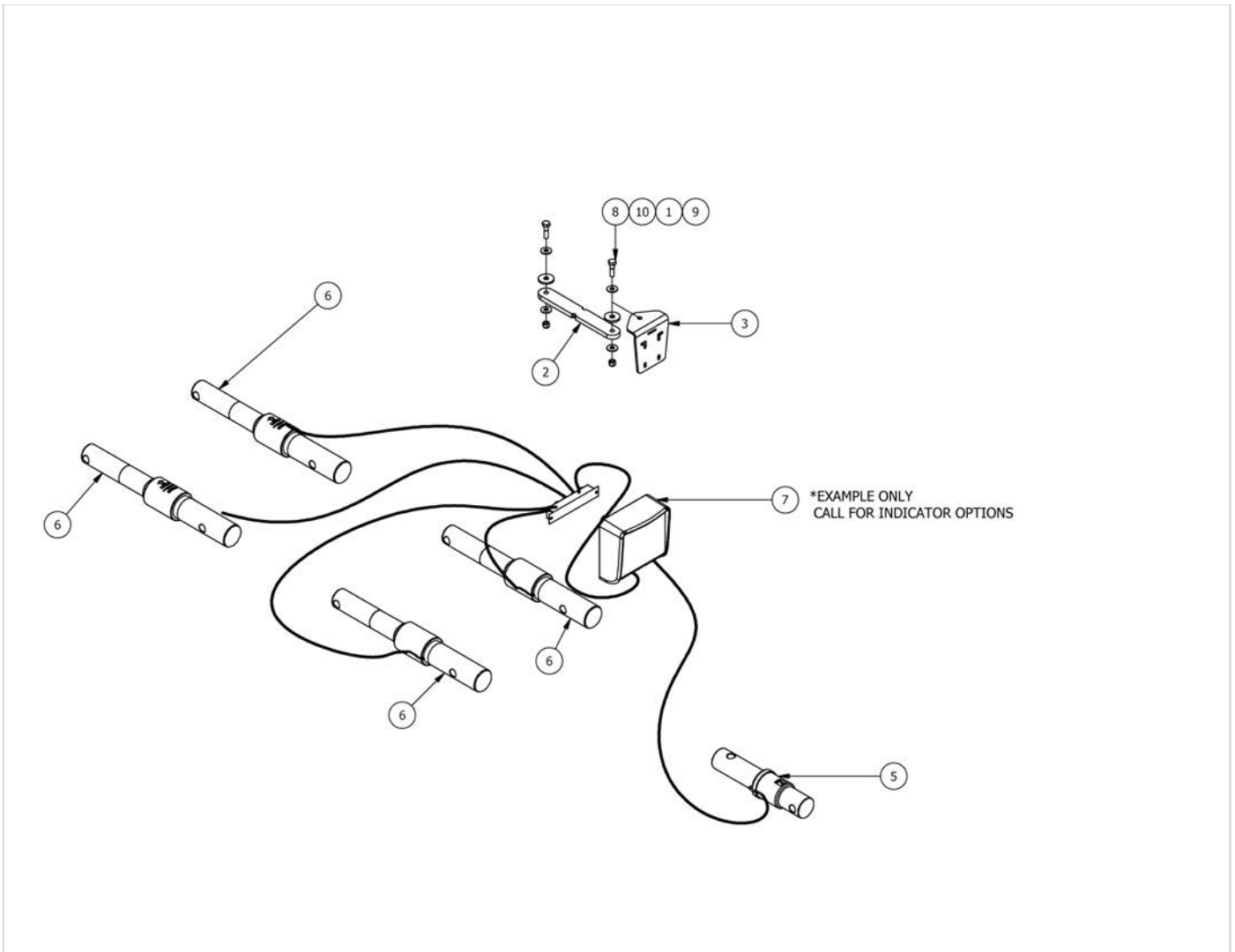
Pos	SKU	Description	Qty	Remark
1	AAA-009-00214-P3	CYDR HYD 66 8 SAE PORTS	1	
2	AAB-009-00698	FAJ BODY SAE 8 VALVE BLOCK	1	
3	AAB-009-00697	RDDA LDN @ 300 PSI PRESS RELIEF	1	
4	AAB-009-00087	FIT ADPT 8 MJIC X 8 MORB	4	
6	AAB-009-00700	HOSE HYD 1/2 DIA SINGLE BRAID 8FJIC X 8FJIC 225L	1	
7	AAB-009-00699	HOSE HYD 1/2DIA SINGLE BRAID 8FJIC X 8FJIC 195L	1	
8	AAB-009-00701	HOSE HYD 1/2 DIA SINGLE BRAID 8 FJIC X 8MORB 235L	2	
9	AAB-015-00147	PIN PIVOT 3/4 X 4-1/2	2	
10	AAB-001-00019	PIN HTCH CLIP 1/8 X 2-9/16	2	
11	AAB-015-30015	WSHR FLAT 3/4 USS	4	
12	AAB-015-10126	BOLT HEX 1/4 X 2 UNC GRD 5	1	
13	AAB-015-30038	WSHR LOCK 1/4	1	
14	AAB-015-20036	NUT HEX 1/4 UNC GRD 5	1	
15	AAB-009-00076	FIT 90DEG 8 MJIC X ADJUST 8 MORB	3	
16	AAB-009-00506	FIT TEE 8 MJIC x 8 MJIC x 8 FJIC SWIVEL	2	

Pos	SKU	Description	Qty	Remark
17	AAA-009-00432	KIT HOSE AND FIT FOR SINGLE & FRT TWIN C-SIDE	1	



Pos	SKU	Description	Qty	Remark
1	AAA-009-00214-P3	CYDR HYD 66 8 SAE PORTS	1	
2	AAB-009-00698	FAJ BODY SAE 8 VALVE BLOCK	1	
3	AAB-009-00697	RDDA LDN @ 300 PSI PRESS RELIEF	1	
4	AAB-009-00087	FIT ADPT 8 MJIC X 8 MORB	4	
7	AAB-009-00700	HOSE HYD 1/2 DIA SINGLE BRAID 8FJIC X 8FJIC 225L	1	
8	AAB-009-00699	HOSE HYD 1/2DIA SINGLE BRAID 8FJIC X 8FJIC 195L	1	
9	AAB-009-00702	HOSE HYD 1/2 DIA SINGLE BRAID 8 FJIC X 8 MORB 320L	2	
10	AAB-015-10126	BOLT HEX 1/4 X 2 UNC GRD 5	1	
11	AAB-015-20036	NUT HEX 1/4 UNC GRD 5	1	
12	AAB-015-30038	WSHR LOCK 1/4	1	
13	AAB-015-00147	PIN PIVOT 3/4 X 4-1/2	2	
14	AAB-015-30015	WSHR FLAT 3/4 USS	4	
15	AAB-001-00019	PIN HTCH CLIP 1/8 X 2-9/16	2	
21	AAB-009-00506	FIT TEE 8 MJIC x 8 MJIC x 8 FJIC SWIVEL	2	
22	AAB-009-00076	FIT 90DEG 8 MJIC X ADJUST 8 MORB	3	

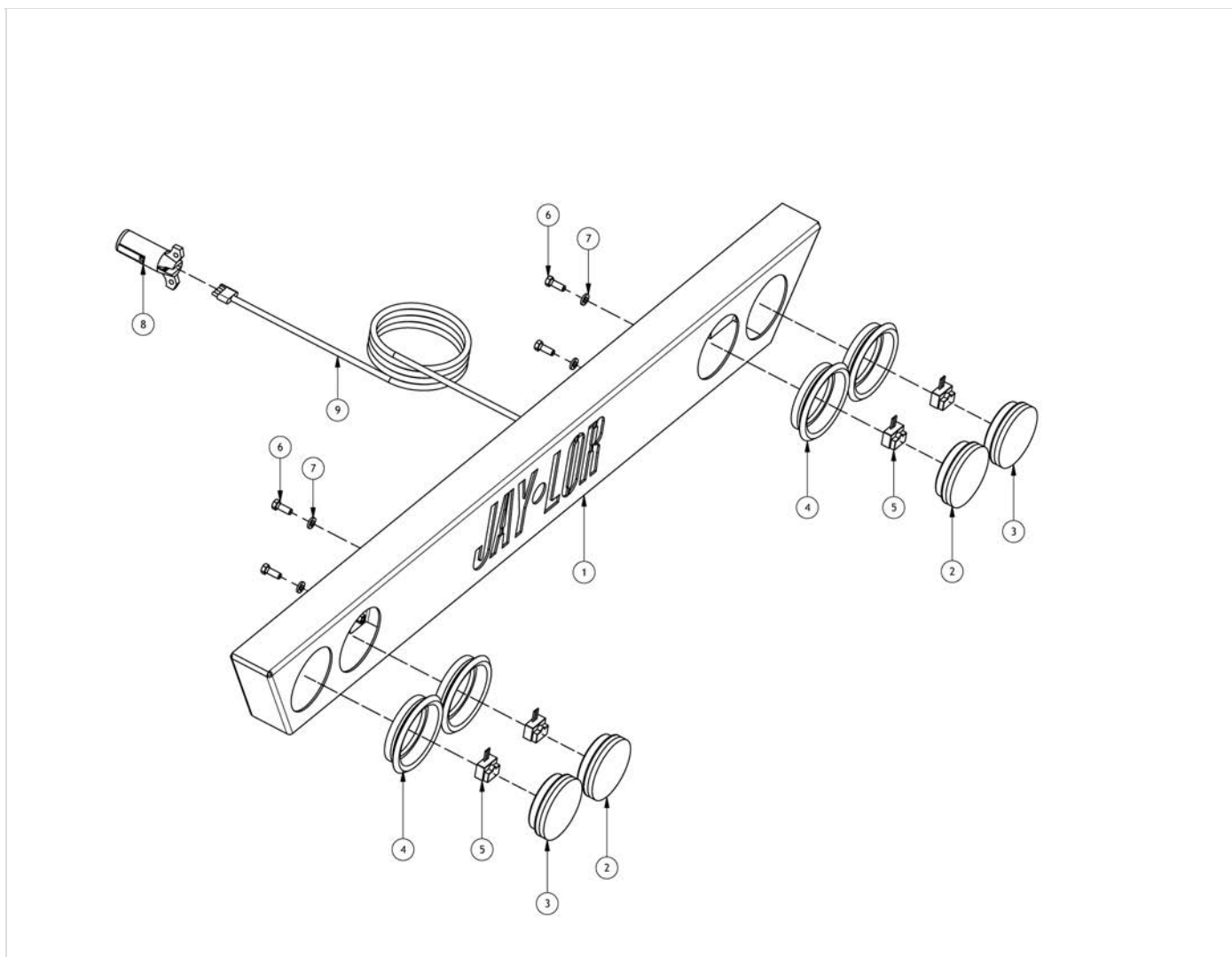
Pos	SKU	Description	Qty	Remark
23	AAA-009-00433	KIT HOSE AND FIT FOR REAR TWIN C-SIDE	1	



Pos	SKU	Description	Qty	Remark
1	AAA-000-00059	WSHR URETHANE 2DIA	2	
2	AAA-002-00995-P3	SCALE HEAD SWING ARM 5/8T (BLACK)	1	
3	AAA-010-00048	SCALE HEAD MNT BRKT (PAINTED)	1	
4	AAB-010-00115	AWT 4-WB, 5-PIN JUNCTION BOX	1	
5	AAB-010-00191	DG WB 2-7/8DIA X 15-3/4L	1	
6	AAB-010-00195	DG WB 2-5/8DIA 3-1/8DIA X 26-1/4L	4	
7	AAB-010-00197	DG INDICTR - STAD 04	1	
8	AAB-015-10064	BOLT HEX 1/2 X 2 UNC GRD 5	2	
9	AAB-015-20019	NUT NYLON LOCK 1/2 UNC GRD 5	2	
10	AAB-015-30013	WSHR FLAT 1/2 USS	4	

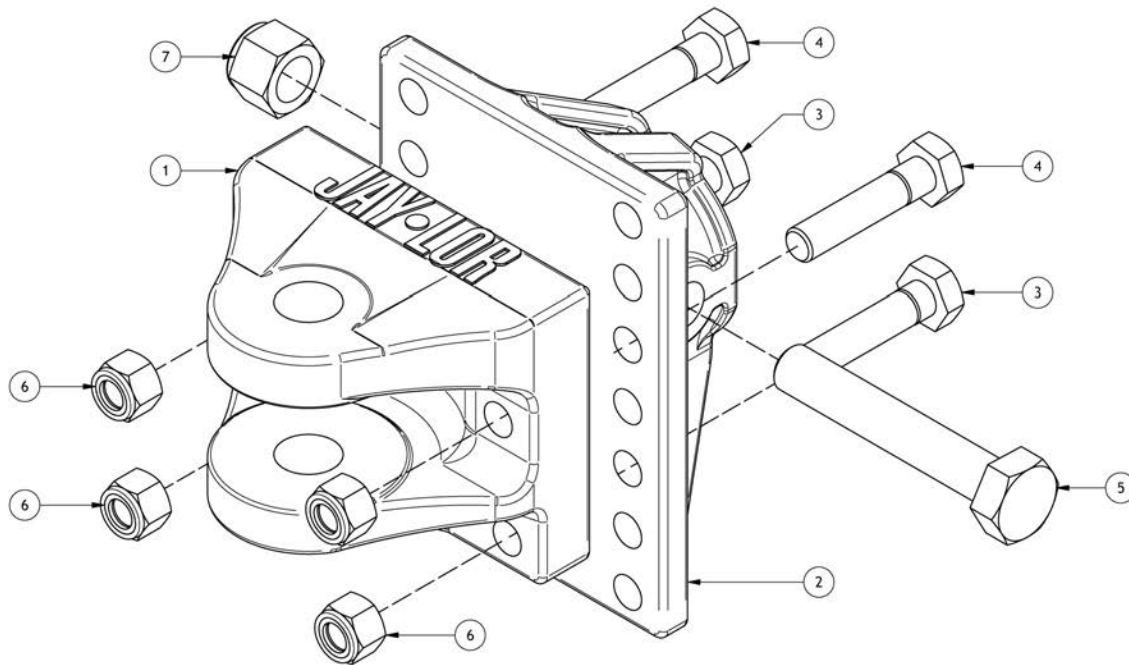


Pos	SKU	Description	Qty	Remark
1	AAB-010-00102	AWT 2-PIN POWER CORD 18' 12VDC (2-PIN MALE TRACTOR TO 2-PIN AWT)	1	
2	AAB-010-00103	AWT TRACTOR PLUG 10' 12VDC	1	
3	AAB-010-00106	AWT POWER SUPPLY WALL TRANSFORMER 115VAC TO 12VDC 1A	1	
4	AAB-010-00108	AWT V-MOUNT BRACKET, MACHINE END	1	
5	AAB-010-00115	AWT 4-WB, 5-PIN JUNCTION BOX	1	
6	AAB-010-00128	AWT 7-PIN 18' POWER CORD WITH AUXILIARY 4 PRONG PLUG	1	
7	AAB-010-00207	DG CABLE 33 FT FOR REMOTE DISPLAYS	1	
8	AAB-010-00209	DG REMOTE DISPLAY POWER CABLE 11FT6 FOR CAB DISPLAY & WEIGHT REPEATER	1	
9	AAB-010-00274	AWT ADAPTER CABLE 25' 5-PIN TO 5-PIN	1	
10	AAB-010-00285	DG CABLE FOR XL REMOTE DISPLAY & EXTRA DISPLAY (33 FT)	1	
11	AAB-010-00288	INDICATOR WB PORT CAP 14S-5 (17963-0062)	1	
12	AAB-010-00400	DG TRACTOR CABLE COBO AND FASTON CONNECTOR 3m L, P/N 989-0012	1	



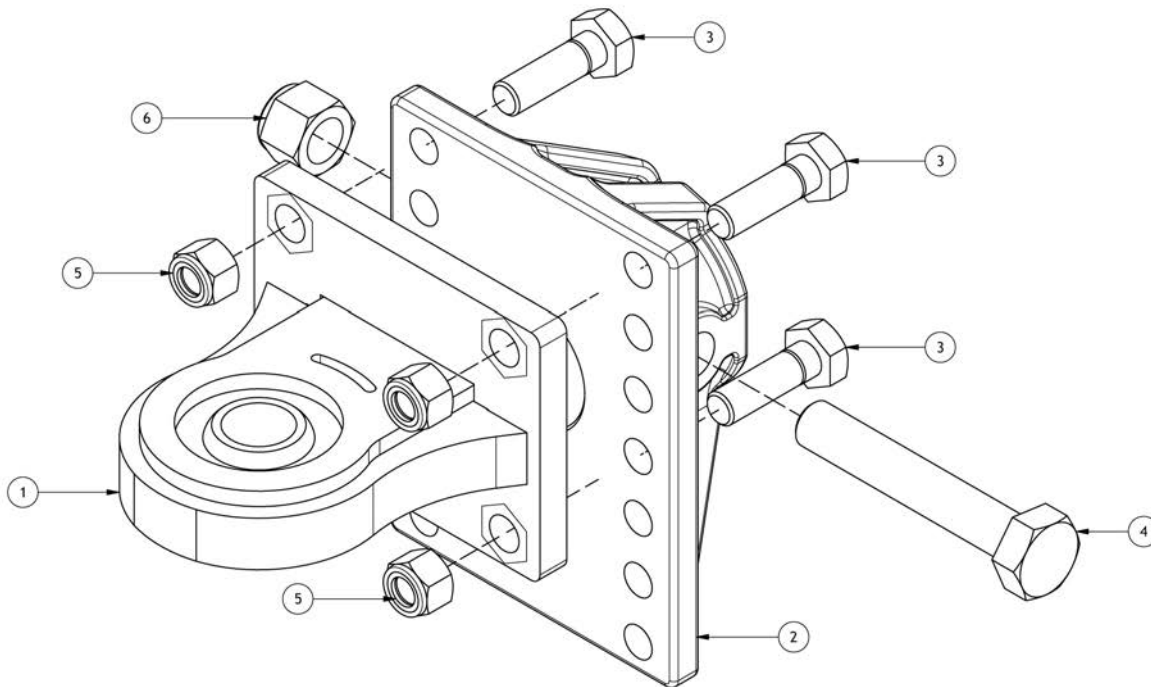
Pos	SKU	Description	Qty	Remark
1	AAA-018-00037-P3	LIGHTBAR RETRO PAINTED	1	
2	AAB-018-00131	4" SEALED STOP/TAIL/MARKER LAMP (GLOLIGHT)	2	
3	AAB-018-00132	4" SEALED PARKING/TURN SIGNAL (GLOLIGHT)	2	
4	AAB-018-00147	4" SIGNAL/BRAKE LIGHT GROMMET(GROTE 91740)	4	
5	AAB-018-00148	4" SIGNAL/BRAKE LIGHT PIGTAIL (66811)	4	
6	AAB-015-10056	BOLT HEX 3/8 X 1 UNC GRD 2	4	
7	AAB-015-30017	WSHR LOCK 3/8	4	
8	AAB-018-00002	PLUG ADPT RETRO 7-RND FOR LIGHT PACKAGES	1	
9	AAB-018-00146	30 FT 14/4 TRAILER CABLE W/ TRAILER 4 PRONG PLUG	1	

USE PART # AAA-002-00993 TO ORDER ALL PARTS AS A KIT

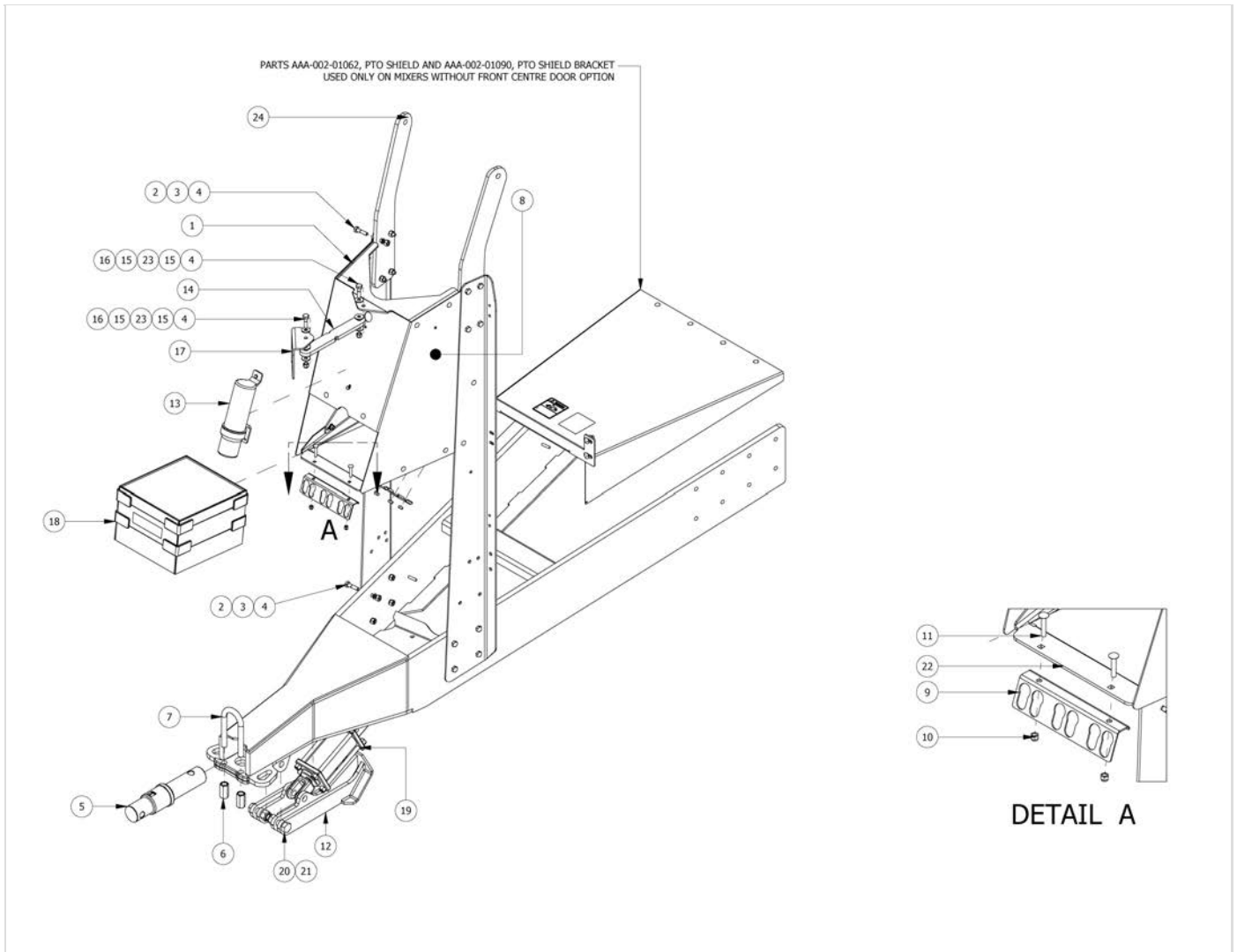


Pos	SKU	Description	Qty	Remark
1	AAB-002-00232-P3	CAST HTCH ADJUSTMENT PLATE 2.5DIA X 3.5OD X 3L (BLACK)	1	
2	AAB-002-00234-P3	CAST HTCH FRT WB TUBE 2.895DIA X 4OD X 3.25L (4850,4990) (BLACK)	1	
3	AAB-015-10135	BOLT HEX 3/4 X 3-1/4 UNC GRD 8	2	
4	AAB-015-10145	BOLT HEX 3/4 X 3-1/2 UNC GRD 8	2	
6	AAB-015-20016	NUT HEX LOCK NYLON 3/4 UNC GRD 8	4	
7	AAB-015-20026	NUT HEX NYLOCK 1 UNC GRD 8	1	
8	AAA-002-00993	ADJUSTABLE CAST HITCH ASSY (4850/4990 & HD SERIES)	1	
5	AAB-015-10215	HEX BOLT 1 X 6 UNC GRD 8	1	

USE PART # AAA-002-01202 TO ORDER ALL PARTS AS A KIT



Pos	SKU	Description	Qty	Remark
1	AAA-002-00899	TOWING EYE HITCH FOR B6690 (INTENDED FOR CAT III)	1	
2	AAB-002-00234-P3	CAST HTCH FRT WB TUBE 2.895DIA X 4OD X 3.25L (4850,4990) (BLACK)	1	
3	AAB-015-10134	BOLT HEX 3/4 X 2-1/2 UNC GRD 8	4	
4	AAB-015-10215	HEX BOLT 1 X 6 UNC GRD 8	1	
5	AAB-015-20016	NUT HEX LOCK NYLON 3/4 UNC GRD 8	4	
6	AAB-015-20026	NUT HEX NYLOCK 1 UNC GRD 8	1	
7	AAA-002-01202	BALL HITCH ASSY KIT	1	



Pos	SKU	Description	Qty	Remark
1	AAA-002-00975	5000 SERIES FRT HOOD CAP 1/4T	1	
2	AAB-015-20011	NUT HEX 1/2 UNC GRD 5	16	
3	AAB-015-30018	WSHR LOCK 1/2	16	
4	AAB-015-10064	BOLT HEX 1/2 X 2 UNC GRD 5	18	
5	AAB-010-00191	DG WB 2-7/8DIA X 15-3/4L	1	
6	AAB-015-20029	NUT HEX COUPLING 7/8 X 2-1/2LG -14 UNF	2	
7	AAB-015-10155	U-BOLT RND 7/8 X 2-15/16W X 7-1/2L UNF GRD 8	1	
8	AAA-002-00982	5000 SERIES HOOD 1/8T	1	
9	AAA-002-00994-P3	HOSE CLAMP 1/8T (PAINTED)	1	
10	AAB-015-20012	NUT HEX 3/8 LOCK NYLON GRD 2	3	
11	AAB-015-10081	BOLT CARRIAGE 3/8 X 2 UNC GRD 5	5	
12	AAA-002-00961-P3	HYD TRAILING FOOT PAINTED	1	
13	AAB-002-00001	MANUAL HOLDER	1	
14	AAA-002-00995-P3	SCALE HEAD SWING ARM 5/8T (BLACK)	1	
15	AAB-015-30013	WSHR FLAT 1/2 USS	4	
16	AAB-015-20019	NUT NYLON LOCK 1/2 UNC GRD 5	2	
17	AAA-010-00048	SCALE HEAD MNT BRKT (PAINTED)	1	

Pos	SKU	Description	Qty	Remark
18	AAA-000-00171	JAYLOR PARTICLE SEPARATOR (3 TIER / 2 SIEVE - AUG22-2012)	1	
19	AAB-009-00704	HYD TIE ROD CYDR 6IN STROKE X 4IN BORE	1	
20	AAB-015-10143	BOLT HEX 1 X 3 UNC GRD 8	2	
21	AAB-015-20026	NUT HEX NYLOCK 1 UNC GRD 8	2	
22	AAA-002-00983W	WELDED BOTTOM CAP HOOD 1/4T	1	
23	AAB-000-00004	TPR RUBR WSHR 1-1/2OD X 1/2ID X 1/8T BLACK	2	
24	AAA-002-00998	UPPR FRAME ATTCH ARM 5/8T (5000 HD MODELS)	2	
26	AAA-002-01062	PTO SHIELD 1/8T FOR HD TWIN CORNER/C-SIDE DOORS (PAINTED)	1	
27	AAB-002-00197	JACK IMP ASSY W/OUTER SLV, 1 INNER SLV, PIN & CHAIN	1	
25	AAA-002-00987	UPPR FRAME ATTCH ARM 5/8T (5350 & 5650 / 5750)	1	
25	AAA-002-00988	UPPR FRAME ATTCH ARM 5/8T (5575)	1	
25	AAA-002-00989	UPPR FRAME ATTCH ARM 5/8T (5425, 5850,5990)	1	
25	AAA-002-00990	UPPR FRAME ATTCH ARM 5/8T (600 LP)	1	MODEL: 5600
25	AAA-002-00991	UPPR FRAME ATTCH ARM 5/8T (400 LP)	1	MODEL: 5400