

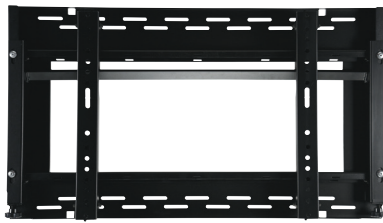
VIDEOWALL MOUNT PD02VW 46 55 L

ORDER CODES: 100013263

Universal videowall mount for modular installations of NEC MultiSync® 46" XUN/V, 55" XUN/S and 40" to 55" XS and P Series in a videowall.

This videowall mount includes innovative features that simplify the installation process, such as the 8point of tool-less micro adjustment. Connector Kits are obtainable for the specific display models to eliminate on-site configuration calculations. Landscape orientation only.

PD02VW 46 55 L



CLEAN PROFILE



TOOL-LESS MICRO ADJUSTMENT



LOCKING BAR PREVENTS REMOVAL OF DISPLAY



Delivering Genuine Benefits

Supports an unlimited number of displays without configuration limitation

Connector Kits eliminate guesswork and on-site installation calculations

Tool-less micro adjustments at 8 point seamlessly align the displays

Open wall plate architecture allows for total wall access that increases electrical and cable management options

Displays and mounts sit flush against the wall for a clean side appearance

Integrated cable management tie-backs make display-to-display cabling simple

Included security hardware deters tampering and theft

Ready-to-install right out of the box

CONNECTOR KITS FOR NEC PUBLIC DISPLAYS

CONNECTOR KITS	SUPPORTED NEC DISPLAYS
CK02XHBP MFS 46 L	P463
CK02XUN MFS 46 L	46" XUN/V
CK02XS MFS 46 L	X462S
CK02XUN MFS 55 L	55" XUN/S
CK02P MFS 55 L	P553
CK02XS MFS 55 L	X552S

NUMBER OF CONNECTOR KITS REQUIRED

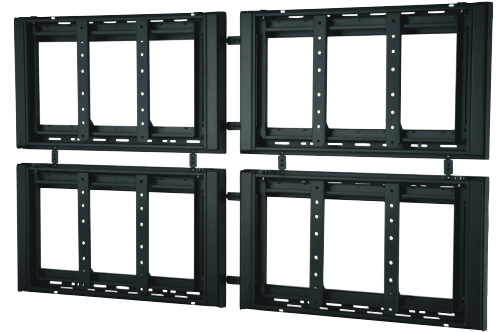
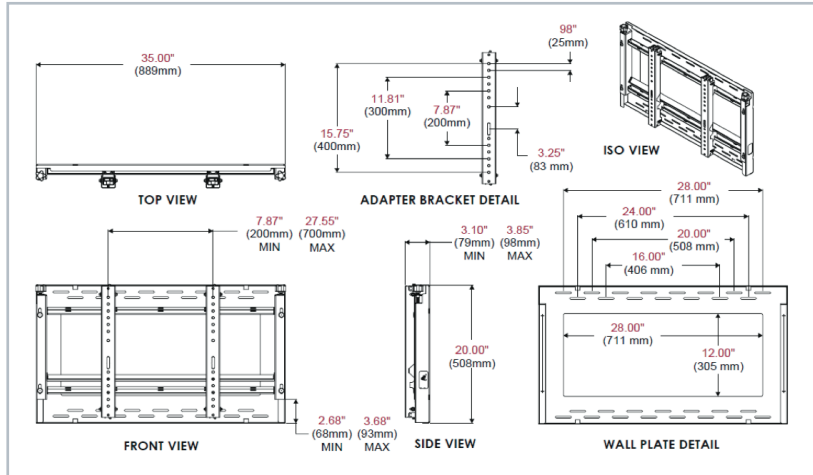
		NUMBER OF HORIZONTAL DISPLAYS									
		Num.	1	2	3	4	5	6	7	8	9
NUMBER OF VERTICAL DISPLAYS	1	0	1	2	3	4	5	6	7	8	9
	2	1	2	4	6	8	10	12	14	16	18
	3	2	4	6	9	12	15	18	21	24	27
	4	3	6	9	12	16	20	24	28	32	36
	5	4	8	12	16	20	25	30	35	40	45
	6	5	10	15	20	25	30	36	42	48	54
	7	6	12	18	24	30	36	42	49	56	63
	8	7	14	21	28	35	42	49	56	64	72
	9	8	16	24	32	40	48	56	64	72	81
	10	9	18	27	36	45	54	63	72	81	90



VIDEOWALL MOUNT PD02VW 46 55 L

ORDER CODES: 100013263

PD02VW 46 55 L



TECHNICAL SPECIFICATIONS

ORDER CODES			
PD02VW 46 55 L		100013263	
CONNECTOR KITS			
CK02XHBP MFS 46 L	100013096	CK02XUN MFS 55 L	100013104
CK02XUN MFS 46 L	100013106	CK02P MFS 55 L	100013098
CK02XS MFS 46 L	100013108	CK02XS MFS 55 L	100013109
MIN. DEPTH		79 mm	
MAX. HEIGHT ADJUSTMENT		93 mm	
MOUNTING PATTERN COMPATIBILITY		200 x 200 mm to 700 x 400mm	
CONFIGURATION			
Number of mounts		Unlimited	
Orientation		Landscape	
Max. Weight capacity		57kg *	
MECHANICAL			
Package Dimensions (W x H x D)		546.1 x 95.3 x 930.3 mm	
Weight of mount		12 kg	
OTHER SPECIFICATIONS			
Certificates / Standard		UL Listed, RoHs	
Warranty		3 years	
Supported NEC Public Displays		MultiSync® 46" XUN/V, 55" XUN/S and 40" to 55" XS and P Series	
Videowall options		Over Frame Kit (KT-46UN-OF2, KT-46UN-OF3, KT-55UN-OF, KT-55UN-OF2); Remote Control Kit (KT-RC, KT-RC2); Calibration Kit (KT-LFD-CC, KT-LFD-CC2)	
For additional pictures and Solutions overview, Visit www.nec-display-solutions.com for details.		* Please consider the overall weight of the complete construction. It is the installers responsibility to make certain the structure to which the mount is being attached is capable of supporting all equipment. For this NEC does not take any responsibility. Please consult your local vendor if advise is needed.	

This document is © Copyright 2014 NEC Display Solutions Europe GmbH. All rights are reserved in favour of their respective owners. The document, or parts thereof, should not be copied, adapted, redistributed, or otherwise used without the prior written permission of NEC Display Solutions Europe GmbH. This document is provided "as is" without warranty of any kind whatsoever, either express or implied. Errors and omissions are excepted.

NEC Display Solutions Europe GmbH may make changes, revisions or improvements in, or discontinue the supply of any product described or referenced in this document at any time without notice. 12. May 2014

NEC Information:

Call: +49 (0)89/99 699-0

Email: infomail@nec-displays.com

www.nec-display-solutions.com

Empowered by Innovation

