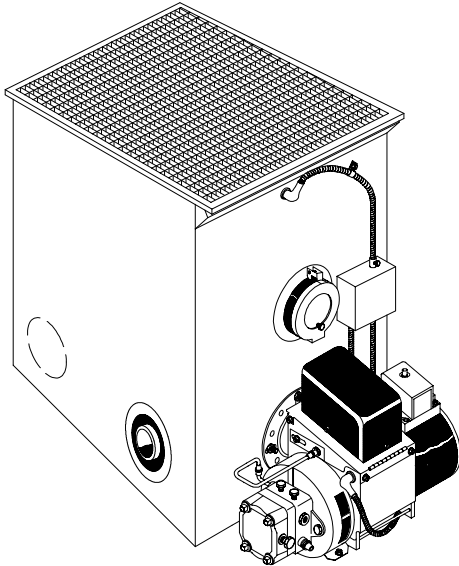


# FLOOR FURNACE

# TEMPSTAR®

Heating and Cooling Products



Representative photo only, some models may vary in appearance.

## GUN TYPE

### FEATURES

- Blower forced air system helps reduce register temperatures.
- DURAFUSED® (ceramic coated) heat exchanger.
- Stainless steel combustion chamber.
- Nonadjustable fan and limit controls. Oil primary reset button.
- Includes thermostat and 25' wire.
- Furnace has only 32 1/2" overall depth.
- Barometric draft control included.
- Has two knock outs for optional connection of return air ducts from other rooms. (6" diameter)
- Complete installation and operating instructions.
- Washable air filter included. Saves replacement cost of disposable types commonly used.
- Deluxe high pressure oil burner with integrated primary safety control and cadmium sulfide cell.



Listed By  
Underwriters'  
Laboratories

### FURNACE SPECIFICATIONS: MODEL NFOD073EA

BTU Input Per Hr.	BTU Output Per Hr.	Overall Furnace Size			Floor Opening		Register Size		Vent Size	Distance from Floor to Center of Vent	Oil Line Size	Burner Nozzle Size	Electrical Data	
		Length	Width	Depth	Length	Width	Length	Width					Power Supply	Max. Fuse Size
91M	69M	36 3/8"	24"	32 1/2"	36 1/2"	24 1/8"	38"	26"	6"	26 5/16"	3/8"	.65 GPH 80°	115V. - 60 Hz.	15 Amp.

# TEMPSTAR®

Heating and Cooling Products

INTERNATIONAL COMFORT PRODUCTS CORPORATION (USA)  
650 HEIL - QUAKER AVE.  
LEWISBURG, TENNESSEE 37091

RESIDENTIAL AND COMMERCIAL SYSTEMS • SPLIT SYSTEMS • PACKAGED AIR CONDITIONERS •  
COMBINATION GAS / ELECTRIC UNITS • HEAT PUMPS • AIR HANDLERS • MANUFACTURED HOME AIR  
CONDITIONERS • GAS, OIL AND ELECTRIC FURNACES