



H4H4

DX 1400

Product Specifications

**HIGH EFFICIENCY 14 SEER HEAT PUMP
ENVIRONMENTALLY SOUND R-410A REFRIGERANT
1½ THRU 5 TONS SPLIT SYSTEM
208 / 230 Volt, 1-phase, 60 Hz
REFRIGERATION CIRCUIT**

- Copeland Scroll™ compressors on all models
- Suction line accumulator factory installed
- Bi-flow filter-drier included for field installation
- Integrated solid state control with Time-Temperature Defrost
- High and Low pressure switches
- Copper tube / aluminum fin coil

PERFORMANCE

- 2-speed Fan Motors factory wired on all models
- Compressor Sound Jacket standard

EASY TO INSTALL AND SERVICE

- Comfort Alert™ Diagnostics device on all models
- Easy Access service valves on all models
- Innovative control box design
- External high and low refrigerant service ports
- Fan motor in-line disconnect plug
- Only two screws to access control panel
- Factory charged with R-410A refrigerant

BUILT TO LAST

- High gloss, baked-on powder coat finish over galvanized steel
- Post-painted (black) coil fins
- Coated, weather-resistant cabinet screws
- Coated inlet grille with 3/8" (10mm) spacing for extra protection
- Corner Posts for extra strength and style

WARRANTY*

- 5 year No Hassle Replacement™ limited warranty
- 5 year compressor limited warranty
- 5 year parts limited warranty (including compressor and coil)
 - With timely registration, an additional 5 year parts limited warranty (including compressor and coil)

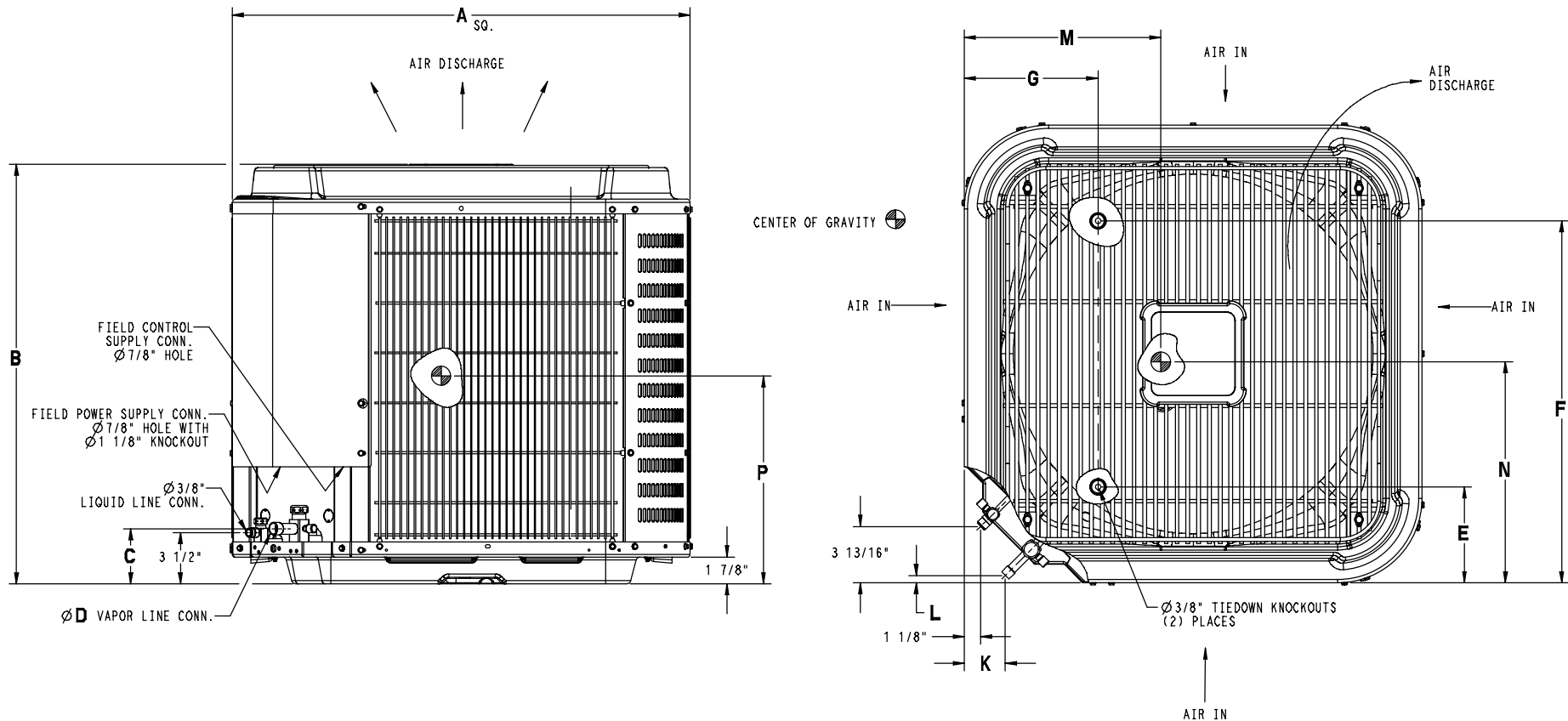
* Applies to original purchaser/homeowner, some limitations may apply. See Warranty certificate for complete details.



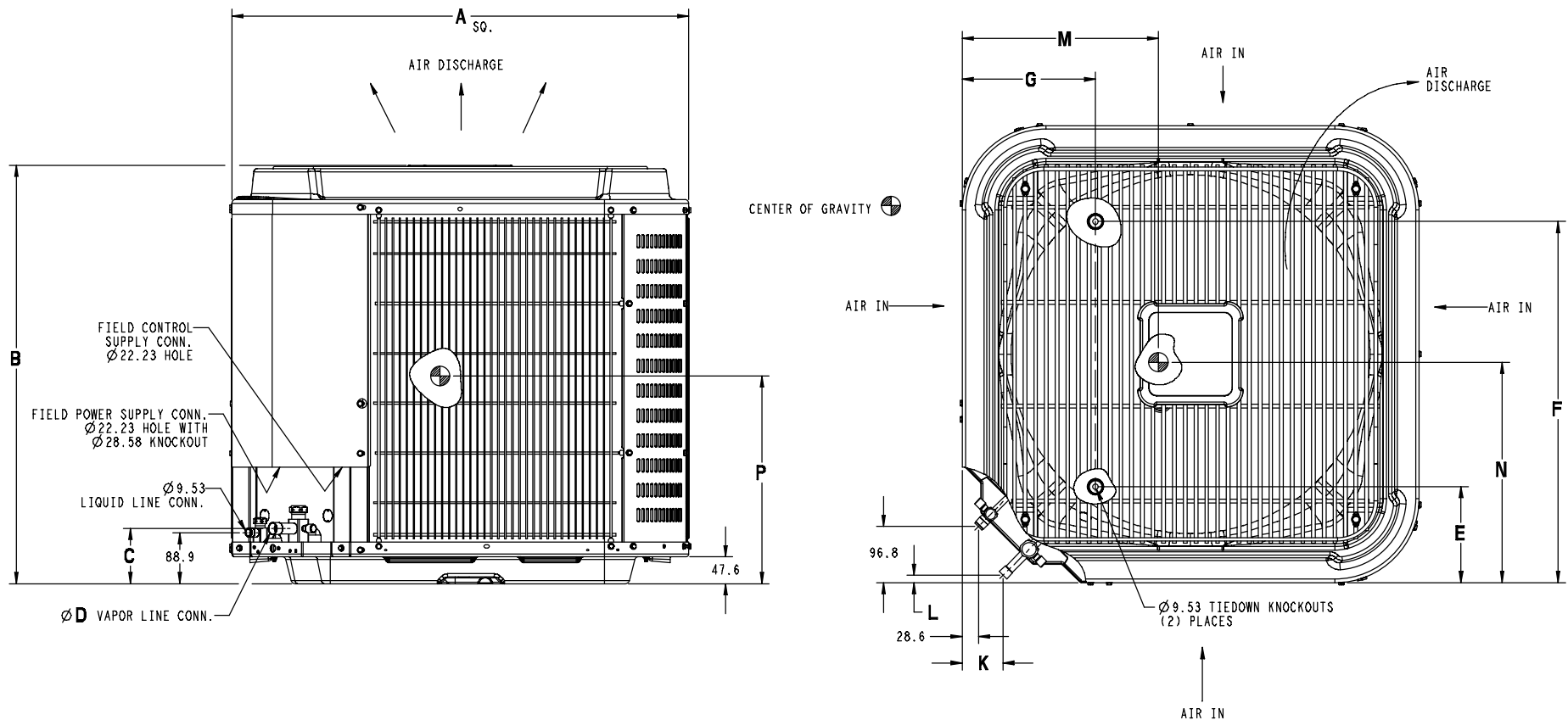
This product has been designed and manufactured to meet ENERGY STAR criteria for energy efficiency when matched with appropriate coil components. However, proper refrigerant charge and proper air flow are critical to achieve rated capacity and efficiency. Installation of this product should follow the manufacturer's refrigerant charging and air flow instructions. Failure to confirm proper charge and airflow may reduce energy efficiency and shorten equipment life.

Rated in accordance with ARI Standard 210/240 Unitary Heat Pumps. Certification applies only when used with proper components as listed with ARI.

Model Number	Size (tons)	Nominal Btu/hr	Min. Circuit Ampacity	Max. Fuse or Breaker	Operating Dimensions height x width x depth in (mm)	Ship / Operating Weight lbs. (kg)
H4H418GKD	1½	18,000	11.8	20	29 ¹⁵ / ₁₆ x 35 x 35 (760 x 889 x 889)	227 / 187 (103 / 85)
H4H419GKD	1½	18,000	13.1	20	29 ¹⁵ / ₁₆ x 35 x 35 (760 x 889 x 889)	211 / 171 (96 / 78)
H4H424GKD	2	24,000	16.5	25	40 ⁷ / ₈ x 35 x 35 (1019 x 889 x 889)	254 / 209 (115 / 95)
H4H430GKD	2½	30,000	18.5	30	33 ⁵ / ₁₆ x 35 x 35 (846 x 889 x 889)	274 / 232 (124 / 105)
H4H436GKD	3	36,000	21.7	35	36 ³ / ₄ x 35 x 35 (933 x 889 x 889)	287 / 242 (130 / 110)
H4H442GKD	3½	42,000	30.4	50	36 ³ / ₄ x 35 x 35 (933 x 889 x 889)	308 / 265 (140 / 120)
H4H448GKD	4	48,000	28.5	45	36 ³ / ₄ x 35 x 35 (933 x 889 x 889)	319 / 276 (145 / 125)
H4H460GKD	5	60,000	35.5	60	40 ⁷ / ₈ x 35 x 35 (1019 x 889 x 889)	332 / 289 (151 / 131)
H4H461GKD	5	60,000	34.5	50	46 ⁷ / ₈ x 35 x 35 (1191 x 889 x 889)	382 / 342 (173 / 155)



Model	Dimensions Inches (English)												Minimum Mounting Pad Size	Crated Dimensions B(h) x A(w) x R(d)
	A	B	C	D	E	F	G	K	L	M	N	P		
H4H418GKD	35	29 ¹⁵ / ₁₆	3 ³ / ₄	5 ⁵ / ₈	6 ⁹ / ₁₆	28 ⁷ / ₁₆	9 ¹ / ₈	2 ¹³ / ₁₆	1/2	16	16 ¹ / ₂	16	35 x 35	35 ¹⁵ / ₁₆ x 39 ¹ / ₄ x 36 ¹ / ₈
H4H419GKD	35	29 ¹⁵ / ₁₆	3 ³ / ₄	5 ⁵ / ₈	6 ⁹ / ₁₆	28 ⁷ / ₁₆	9 ¹ / ₈	2 ¹³ / ₁₆	1/2	16	16 ¹ / ₄	13 ³ / ₄	35 x 35	35 ¹⁵ / ₁₆ x 39 ¹ / ₄ x 36 ¹ / ₈
H4H424GKD	35	40 ¹ / ₈	3 ³ / ₄	5 ⁵ / ₈	6 ⁹ / ₁₆	28 ⁷ / ₁₆	9 ¹ / ₈	2 ¹³ / ₁₆	1/2	16	15 ¹ / ₂	19 ¹ / ₂	35 x 35	46 ³ / ₁₆ x 39 ¹ / ₄ x 36 ¹ / ₈
H4H430GKD	35	33 ⁵ / ₁₆	3 ³ / ₄	3 ³ / ₄	6 ⁹ / ₁₆	28 ⁷ / ₁₆	9 ¹ / ₈	2 ¹³ / ₁₆	1/2	16	17	15	35 x 35	39 ³ / ₈ x 39 ¹ / ₄ x 36 ¹ / ₈
H4H436GKD	35	36 ¹ / ₄	3 ³ / ₄	3 ³ / ₄	6 ⁹ / ₁₆	28 ⁷ / ₁₆	9 ¹ / ₈	2 ¹³ / ₁₆	1/2	16	16 ¹ / ₂	17	35 x 35	42 ³ / ₄ x 39 ¹ / ₄ x 36 ¹ / ₈
H4H442GKD	35	36 ¹ / ₄	3 ⁷ / ₈	7 ⁷ / ₈	6 ⁹ / ₁₆	28 ⁷ / ₁₆	9 ¹ / ₈	2 ¹⁵ / ₁₆	5 ⁵ / ₈	16	17	16	35 x 35	42 ³ / ₄ x 39 ¹ / ₄ x 36 ¹ / ₈
H4H448GKD	35	36 ¹ / ₄	3 ⁷ / ₈	7 ⁷ / ₈	6 ⁹ / ₁₆	28 ⁷ / ₁₆	9 ¹ / ₈	2 ¹⁵ / ₁₆	5 ⁵ / ₈	17	17	18	35 x 35	42 ³ / ₄ x 39 ¹ / ₄ x 36 ¹ / ₈
H4H460GKD	35	40 ¹ / ₈	3 ⁷ / ₈	7 ⁷ / ₈	6 ⁹ / ₁₆	28 ⁷ / ₁₆	9 ¹ / ₈	2 ¹⁵ / ₁₆	5 ⁵ / ₈	16	19	16	35 x 35	46 ³ / ₁₆ x 39 ¹ / ₄ x 36 ¹ / ₈
H4H461GKD	35	46 ⁷ / ₈	3 ⁷ / ₈	7 ⁷ / ₈	6 ⁹ / ₁₆	28 ⁷ / ₁₆	9 ¹ / ₈	2 ¹⁵ / ₁₆	5 ⁵ / ₈	16	19	22	35 x 35	50 ¹³ / ₁₆ x 39 ¹ / ₄ x 36 ¹ / ₈



Dimensions mm (SI Metric)

Model	Dimensions mm (SI Metric)												Minimum Mounting Pad Size	Crated Dimensions B(h) x A(w) x R(d)
	A	B	C	D	E	F	G	K	L	M	N	P		
H4H418GKD	889	760	95	16	167	722	232	71	13	406	419	406	889 x 889	913 x 998 x 918
H4H419GKD	889	760	95	16	167	722	232	71	13	406	413	349	889 x 889	913 x 998 x 918
H4H424GKD	889	1019	95	16	167	722	232	71	13	406	394	495	889 x 889	1172 x 998 x 918
H4H430GKD	889	846	95	19	167	722	232	71	13	406	432	381	889 x 889	1000 x 998 x 918
H4H436GKD	889	933	95	19	167	722	232	71	13	406	419	432	889 x 889	1086 x 998 x 918
H4H442GKD	889	933	98	22	167	722	232	75	16	406	432	406	889 x 889	1086 x 998 x 918
H4H448GKD	889	933	98	22	167	722	232	75	16	432	432	457	889 x 889	1086 x 998 x 918
H4H460GKD	889	1019	98	22	167	722	232	75	16	406	483	406	889 x 889	1172 x 998 x 918
H4H461GKD	889	1191	98	22	167	722	232	75	16	406	483	559	889 x 889	1290 x 998 x 918

PHYSICAL DATA									
Model Size	18	19	24	30	36	42	48	60	61
Nominal Cooling Capacity (BTU/hr)	18,000	18,000	24,000	30,000	36,000	42,000	48,000	60,000	60,000
Nominal SEER	14.0	14.0	14.0	14.0	14.0	14.0	14.0	14.0	14.0
Sound Rating**									
High Speed Fan (dBA)	69	72	75	73	73	73	74	72	72
Low Speed Fan (dBA)	68	71	74	73	72	72	74	72	71
PSC Fan Motor HP	1/12	1/12	1/12	1/8	1/8	1/8	1/5	1/5	1/5
Fan RPM High	785	770	799	816	823	818	826	830	817
Fan RPM Low	638	701	697	767	765	769	767	767	738
Fan CFM (High)	3200	3300	3200	3300	3300	3300	3800	3800	4800
Coil Face Area ft ² (m ²)	17.60 (1.64)	17.60 (1.64)	25.15 (2.34)	20.12 (1.87)	22.63 (2.1)	22.63 (2.1)	22.63 (2.1)	25.15 (2.34)	30.20 (2.81)
Coil Rows–fins per inch	1–20	1–20	1–20	2–20	2–20	2–20	2–20	2–20	2–20
Low Pressure Switch									
Open Pressure (psig)	23 ± 5	23 ± 5	23 ± 5	23 ± 5	23 ± 5	23 ± 5	23 ± 5	23 ± 5	23 ± 5
Close Pressure (psig)	55 ± 5	55 ± 5	55 ± 5	55 ± 5	55 ± 5	55 ± 5	55 ± 5	55 ± 5	55 ± 5
High Pressure Switch									
Open Pressure (psig)	670 ± 10	670 ± 10	670 ± 10	670 ± 10	670 ± 10	670 ± 10	670 ± 10	670 ± 10	670 ± 10
Close Pressure (psig)	470 ± 25	470 ± 25	470 ± 25	470 ± 25	470 ± 25	470 ± 25	470 ± 25	470 ± 25	470 ± 25
Liquid Line Connection Size in. (mm)	3/8 (10)	3/8 (10)	3/8 (10)	3/8 (10)	3/8 (10)	3/8 (10)	3/8 (10)	3/8 (10)	3/8 (10)
Vapor Line Connection Size in. (mm)	5/8 (16)	5/8 (16)	5/8 (16)	3/4 (19)	3/4 (19)	7/8 (22)	7/8 (22)	7/8 (22)	7/8 (22)
Recommended Line Set Liquid Tube Diameter in. (mm)	3/8 (10)	3/8 (10)	3/8 (10)	3/8 (10)	3/8 (10)	3/8 (10)	3/8 (10)	3/8 (10)	3/8 (10)
Recommended Line Set Vapor Tube Diameter in. (mm) *	5/8 (16)*	5/8 (16)*	5/8 (16)*	3/4 (19)*	3/4 (19)*	7/8 (22)*	7/8 (22)*	1 1/8 (29)*	1 1/8 (29)*
* Recommended Vapor Tube Line size is for standard installations. These recommendations may not apply to “Long Line” installations. When the total equivalent line length exceeds 80 feet (24.4m) or there is more than 20 feet (6.1m) vertical separation between indoor and outdoor units, consult the Long Line Application Guideline document before purchasing/installing line sets.									
Factory Charge R–410A lbs.(kg)	6.19 (2.81)	8.60 (3.90)	9.63 (4.37)	11.40 (5.17)	12.90 (5.85)	11.22 (5.09)	11.52 (5.23)	12.37 (5.61)	16.20 (7.35)
Required Subcooling ° F (° C)	11 (6)	8 (4)	6 (3)	10 (6)	10 (6)	10 (6)	11 (6)	11 (6)	13 (7)
Outdoor Unit Factory Piston Size (used in Outdoor Unit for heating mode)	42	40	46	52	59	63	67	73	76
Weight, shipping lbs. (kg)	227 (103)	211 (96)	254 (115)	274 (124)	287 (130)	308 (140)	319 (145)	332 (151)	382 (173)
Weight, operating lbs. (kg)	187 (85)	171 (78)	209 (95)	232 (105)	242 (110)	265 (120)	276 (125)	289 (131)	342 (155)

ELECTRICAL DATA (208/230–1–60, voltage range 197V – 253V)									
Model Size	18	19	24	30	36	42	48	60	61
Minimum Circuit Ampacity – MCA (amps)	11.8	13.1	16.5	18.5	21.7	30.4	28.5	35.5	34.5
Maximum OverCurrent Protective device – MOCP (amps)	20	20	25	30	35	50	45	60	50
Compressor RLA (Rated Load Amps)	9.0	10.10	12.8	14.1	16.7	23.6	21.9	27.5	26.7
LRA (Locked Rotor Amps)	48.0	48.0	58.3	73.0	79.0	109.0	117.0	134.0	134.0
Fan Motor FLA (Full Load Amps)	0.5	0.5	0.5	0.9	0.9	0.9	1.1	1.1	1.2

**Sound Rating tested in accordance with ARI Standard 270–95 (not listed with ARI).

R-410A COOLING CAPACITY LOSS FOR VARIOUS LINE LENGTHS & TUBE DIAMETERS

Model Size	Liquid Line in.(mm)	Acceptable Vapor Line Sizes in. (mm)	Cooling Capacity Loss (%) at Total Equivalent Line Length, feet (m) Refer to Long Line Application Guideline to calculate equivalent length										
			Standard Application			Long Line Application (Requires Accessories)							
			25' (7.6)	50' (15.2)	80' (24.4)	81' (24.7)	100' (30.5)	125' (38.1)	150' (45.7)	175' (53.3)	200' (61)	225' (68.6)	250' (76.2)
18,19	3/8 (10)	1/2 (13)	1	2	3	3	4	6	7	8	9	10	12
		5/8 (16)	0	0	1	1	1	1	2	2	3	3	3
24		5/8 (16)	0	1	1	1	2	3	3	4	4	5	6
		3/4 (19)	0	0	0	0	0	1	1	1	1	1	2
30		5/8 (16)	1	2	3	3	3	4	5	6	7	8	9
		3/4 (19)	0	0	1	1	1	1	2	2	2	3	3
		7/8 (22)	0	0	0	0	0	1	1	1	1	1	1
36		5/8 (16)	1	2	4	4	5	6	7	9	10	11	13
		3/4 (19)	0	0	1	1	1	2	2	3	3	4	4
		7/8 (22)	0	0	0	0	0	1	1	1	1	2	2
42		3/4 (19)	0	1	2	2	2	3	4	4	5	6	6
		7/8 (22)	0	0	1	1	1	1	2	2	2	3	3
48		3/4 (19)	0	1	2	2	3	4	5	5	6	7	8
		7/8 (22)	0	0	1	1	1	2	2	2	3	3	4
60,61	3/4 (19)	1	2	4	4	5	6	7	9	10	11	12	
	7/8 (22)	0	1	2	2	2	3	4	4	5	5	6	
	1 1/8 (29)	0	0	0	0	1	1	1	1	1	1	2	

* Applications are considered "Long Line" if the total equivalent tubing length exceeds 80 feet (24.4m) or there is more than 20 foot (6.1m) vertical separation between indoor and outdoor units. These applications require additional accessories and system modifications for reliable system operation.

Applications in shaded area may have height restrictions that limit allowable total equivalent length when outdoor unit is below indoor unit.

ACCESSORY USAGE GUIDELINES

Accessory	REQUIRED FOR APPLICATIONS IN SNOW-BELT REGION	REQUIRED FOR LOW-AMBIENT APPLICATIONS {Below 55°F (13°C)}	REQUIRED FOR LONG-LINE APPLICATIONS* {Over 80 Ft. (24.4m)}
Evaporator Freeze Thermostat	No	Yes	No
Accumulator	Standard (factory installed)	Standard (factory installed)	Standard (factory installed)
Low Ambient Kit (Pressure Switch)	No	Yes	No
Hard Start Kit (Capacitor & Relay)	No	Yes	Yes
Support Feet, 4" (102mm) tall	Yes	Recommended	No
Liquid Line Solenoid Valve	No	No	See Long-Line Application Guideline

* For Line Set lengths between 80 and 200 ft (24.4 and 61m) horizontal. or more than 20 ft (6.1m) indoor-outdoor vertical separation, refer to the Long Line Application Guideline document.

ACCESSORIES		
Part Number	Description	Used On Model Size
NASA00601CH	Crankcase Heater for Scroll Compressor (208/230 V)	18, 19, 24
NASA00501CH	Crankcase Heater for Scroll Compressor (208/230 V)	42
(Factory Installed)	Crankcase Heater for Scroll Compressor (208/230 V)	30, 36, 48, 60, 61 (Factory Installed)
NASA001SC	Start Component – PTC Device	ALL
NASA001FS	Evaporator Freeze Thermostat	ALL
NASA001LS	Liquid Line Solenoid Valve, HP, R-22 or R-410A	ALL
NASA001TD	Time Delay Relay, Indoor Blower	ALL
NASA001AC	Anti-Cycle Timer (5 minute delay)	ALL
NASA005SC	Hard Start Kit (Capacitor & Relay)	ALL
NASA401LA	Low Ambient Kit (Pressure Switch), R-410A	ALL
NASA001SF	Support Feet, 4" (102mm) tall	ALL
NASA00106SS	Snow Stand Kit	ALL
AXWR01DFC	Fossil Fuel Kit	ALL
EBAC05TXVX	TXV Kit, R-410A *	18, 19, 24, 30
EBAC06TXVX	TXV Kit, R-410A *	36, 42
EBAC07TXVX	TXV Kit, R-410A *	48, 60, 61

* ONLY converts Fan Coils equipped with factory installed R-22 TXV.

COOLING & HEATING PERFORMANCE FOR COMBINATION RATINGS
Indoor Models

Outdoor Model	Current Indoor Model (‡ tested combo)	Furnace Model	Factory Installed	Cool 95° F (35° C)			SEER		Heat 47° F (8.3° C)		Heat 17° F (-8.3° C)		HSPF
				BTU/hr	S / T	EER	factory	with field TDR	BTU/hr	COP	BTU/hr	COP	
H4H418GKD	‡FEM4X18****	†	TDR&TXV	17,500	0.74	11.50	14.00		18,000	3.70	10,800	2.46	8.2
	ED*4X18B**	*8MPV050	TDR&TXV	17,500	0.74	11.50	14.00		18,000	3.64	10,900	2.44	8.2
	ED*4X18B**	MV08B15**B*	TDR&TXV	17,200	0.74	12.00	14.50		18,000	3.54	10,500	2.42	8.0
	ED*4X24B**	*8MPV050	TDR&TXV	17,900	0.74	12.00	14.50		18,000	3.84	11,100	2.52	8.5
	ED*4X24B**	MV08B15**B*	TDR&TXV	17,500	0.74	12.00	15.00		18,000	3.70	10,600	2.48	8.3
	ED*4X24B**		TXV	17,400	0.74	10.50		13.00	18,000	3.56	11,300	2.36	8.1
	ED*4X24F**	*9MPV050	TDR&TXV	18,000	0.74	12.00	14.50		18,000	3.88	11,100	2.54	8.5
	ED*4X24F**	*9MPV075	TDR&TXV	18,000	0.74	12.00	14.50		18,000	3.90	11,100	2.54	8.5
	ED*4X24F**	†	TXV	17,400	0.74	10.50		13.00	18,000	3.56	11,300	2.36	8.1
	EHD4X24A**	*8MPV050	TDR&TXV	17,900	0.74	12.00	14.50		18,000	3.86	11,100	2.52	8.5
	EHD4X24A**	*9MPV050	TDR&TXV	18,000	0.74	11.50	14.50		18,000	3.88	11,100	2.52	8.5
	EHD4X24A**	*9MPV075	TDR&TXV	18,000	0.74	11.50	14.50		18,000	3.86	11,100	2.52	8.5
	EHD4X24A**	*9MVX040	TDR&TXV	18,000	0.74	11.50	14.50		18,000	3.88	11,200	2.52	8.6
	EHD4X24A**	*9MVX060	TDR&TXV	18,000	0.74	11.50	14.50		18,000	3.88	11,100	2.52	8.6
	EHD4X24A**	MV08B15**B*	TDR&TXV	17,600	0.74	12.00	15.00		18,000	3.74	10,700	2.50	8.3
	EHD4X24A**	†	TXV	17,600	0.74	10.50		13.00	18,000	3.62	11,400	2.38	8.1
	EMA4X24D**	†	TXV	17,400	0.74	10.50		13.00	18,000	3.62	11,300	2.36	8.1
	FEM4X24****	†	TDR&TXV	17,600	0.74	12.00	14.50		18,000	3.74	10,800	2.48	8.3
	FSA4X24**A*	†	TDR&TXV	17,300	0.74	10.50	13.00		18,000	3.52	11,300	2.34	8.0
FVM4X24****	†	TDR&TXV	17,600	0.74	12.00	15.00		18,000	3.74	10,700	2.50	8.3	
H4H419GKD	‡FEM4X18****	†	TDR&TXV	17,800	0.75	12.50	15.00		17,800	3.70	9,900	2.48	8.5
	ED*4X18B**	*8MPV050	TDR&TXV	17,900	0.75	12.50	15.00		17,900	3.68	10,100	2.46	8.2
	ED*4X18B**	MV08B15**B*	TDR&TXV	17,500	0.75	12.50	15.50		17,400	3.58	9,700	2.46	8.0
	ED*4X18B**	†	TXV	17,400	0.75	11.20		13.50	18,000	3.42	10,300	2.32	7.7
	ED*4X24B**	*8MPV050	TDR&TXV	18,000	0.75	12.50	15.50		18,000	3.84	10,100	2.52	8.5
	ED*4X24B**	MV08B15**B*	TDR&TXV	17,900	0.75	13.00	16.00		17,500	3.72	9,700	2.50	8.2
	ED*4X24B**	†	TXV	17,800	0.75	11.50		14.00	18,000	3.56	10,400	2.36	8.0
	ED*4X24F**	*9MPV050	TDR&TXV	18,000	0.75	12.50	15.50		18,000	3.86	10,200	2.52	8.5
ED*4X24F**	*9MPV075	TDR&TXV	18,000	0.75	12.50	15.50		18,000	3.86	10,200	2.52	8.5	

2009 ENERGY STAR compliance for combinations with all three: SEER 14.50 or higher and EER 12.00 or higher and HSPF 8.2 or higher.
 † For coils not listed with a matching furnace or blower, coil rating applies with any indoor blower device.
 For complete ratings information, use the AHRI website directory search: www.AHRIdirectory.org. (Occasionally, new ratings will be listed online before Specification Sheets are updated.)

- continued on next page -

COOLING & HEATING PERFORMANCE FOR COMBINATION RATINGS (continued)
Indoor Models

Outdoor Model	Current Indoor Model (‡ tested combo)	Furnace Model	Factory Installed	Cool 95° F (35° C)			SEER		Heat 47° F (8.3° C)		Heat 17° F (-8.3° C)		HSPF
				BTU/hr	S / T	EER	factory	with field TDR	BTU/hr	COP	BTU/hr	COP	
H4H419GKD (continued)	ED*4X24F**	*9MVX040	TDR&TXV	18,000	0.75	12.50	15.50		18,000	3.84	10,200	2.52	8.5
	ED*4X24F**	*9MVX060	TDR&TXV	18,000	0.75	12.50	15.50		18,000	3.86	10,200	2.52	8.5
	ED*4X24F**	†	TXV	17,800	0.75	11.50		14.00	18,000	3.56	10,400	2.36	8.0
	EHD4X24A**	*8MPV050	TDR&TXV	18,000	0.75	12.50	15.50		18,000	3.84	10,100	2.50	8.5
	EHD4X24A**	*9MPV050	TDR&TXV	18,000	0.75	12.50	15.50		18,000	3.86	10,200	2.52	8.5
	EHD4X24A**	*9MPV075	TDR&TXV	18,000	0.75	12.50	15.00		18,000	3.84	10,200	2.50	8.5
	EHD4X24A**	*9MVX040	TDR&TXV	18,000	0.75	12.50	15.00		18,000	3.86	10,200	2.50	8.5
	EHD4X24A**	*9MVX060	TDR&TXV	18,000	0.75	12.50	15.50		18,000	3.86	10,200	2.52	8.5
	EHD4X24A**	MV08B15**B*	TDR&TXV	18,000	0.75	13.00	16.00		17,600	3.76	9,800	2.50	8.2
	EHD4X24A**	†	TXV	18,000	0.75	11.50		14.00	18,000	3.60	10,400	2.38	8.0
	EMA4X24D**	†	TXV	17,800	0.75	11.50		14.00	18,000	3.60	10,400	2.36	8.0
	FEA4X18**A*	†	TDR&TXV	17,900	0.75	12.50	15.00		17,800	3.68	10,000	2.46	8.2
	FEA4X24**A*	†	TDR&TXV	18,000	0.75	12.50	15.50		17,800	3.78	9,900	2.52	8.5
	FEA4X24**A*	†	TDR&TXV	18,000	0.75	12.50	15.50		17,800	3.78	9,900	2.52	8.5
	FEA4X30**A*	†	TDR&TXV	18,000	0.75	12.50	15.50		17,900	3.74	10,000	2.50	8.5
	FEA4X36**A*	†	TDR&TXV	18,000	0.75	12.50	15.50		18,000	3.78	10,000	2.50	8.5
	FEM4X24****	†	TDR&TXV	18,000	0.75	12.50	15.50		17,800	3.74	9,900	2.50	8.5
	FS(M,U)4X18****	†	TDR&TXV	17,500	0.75	11.20	13.50		18,000	3.46	10,300	2.32	7.7
	FS(M,U)4X24****	†	TDR&TXV	17,600	0.75	11.20	13.50		18,000	3.46	10,400	2.32	7.7
	FSA4X18**A*	†	TDR&TXV	17,500	0.75	11.20	13.50		18,000	3.46	10,300	2.32	7.7
FSA4X24**A*	†	TDR&TXV	17,700	0.75	11.50	13.50		18,000	3.52	10,400	2.34	7.8	
FVM4X24****	†	TDR&TXV	18,000	0.75	13.00	16.00		17,600	3.76	9,800	2.50	8.5	
H4H424GKD	‡FS(M,U)4X30****	†	TDR&TXV	23,200	0.76	11.50	14.00		24,000	3.66	15,100	2.54	8.4
	ED*4X24B**	*8MPV050	TDR&TXV	23,400	0.76	12.00	14.50		24,000	3.78	14,900	2.62	8.5
	ED*4X24B**	MV08B15**B*	TDR&TXV	23,200	0.76	12.50	15.50		24,000	3.76	14,400	2.66	8.5
	ED*4X24B**	†	TXV	23,000	0.76	11.20		13.50	24,000	3.64	15,200	2.52	8.3
	ED*4X24F**	*8MPV075	TDR&TXV	23,400	0.76	12.50	15.00		24,000	3.86	14,800	2.68	8.7
	ED*4X24F**	*9MPV050	TDR&TXV	23,200	0.76	12.00	14.50		24,000	3.72	14,700	2.62	8.5

2009 ENERGY STAR compliance for combinations with all three: SEER 14.50 or higher and EER 12.00 or higher and HSPF 8.2 or higher.

† For coils not listed with a matching furnace or blower, coil rating applies with any indoor blower device.

For complete ratings information, use the AHRI website directory search: www.AHRIdirectory.org. (Occasionally, new ratings will be listed online before Specification Sheets are updated.)

- continued on next page -

COOLING & HEATING PERFORMANCE FOR COMBINATION RATINGS (continued)
Indoor Models

Outdoor Model	Current Indoor Model († tested combo)	Furnace Model	Factory Installed	Cool 95° F (35° C)			SEER		Heat 47° F (8.3° C)		Heat 17° F (-8.3° C)		HSPF
				BTU/hr	S / T	EER	factory	with field TDR	BTU/hr	COP	BTU/hr	COP	
H4H424GKD (continued)	ED*4X24F**	*9MPV075	TDR&TXV	23,200	0.76	12.00	14.50		24,000	3.76	14,700	2.62	8.5
	ED*4X24F**	*9MVX040	TDR&TXV	23,200	0.76	12.00	14.50		24,000	3.74	14,700	2.62	8.6
	ED*4X24F**	*9MVX060	TDR&TXV	23,400	0.76	12.00	14.50		24,000	3.82	14,800	2.64	8.8
	ED*4X24F**	MV12F19**B*	TDR&TXV	23,200	0.76	12.50	15.50		24,000	3.76	14,400	2.68	8.5
	ED*4X24F**	†	TXV	23,000	0.76	11.20		13.50	24,000	3.64	15,200	2.52	8.3
	ED*4X30B**	*8MPV050	TDR&TXV	23,600	0.76	12.00	14.50		24,000	3.76	14,900	2.64	8.5
	ED*4X30B**	MV08B15**B*	TDR&TXV	23,400	0.76	12.50	15.50		23,600	3.78	14,400	2.68	8.7
	ED*4X30B**	†	TXV	23,400	0.76	11.20		13.50	24,000	3.60	15,300	2.54	8.5
	ED*4X30F**	*8MPV075	TDR&TXV	24,000	0.76	12.50	15.00		23,800	3.86	14,800	2.72	8.9
	ED*4X30F**	*9MPV050	TDR&TXV	23,600	0.76	12.50	15.00		23,800	3.76	14,700	2.66	8.5
	ED*4X30F**	*9MPV075	TDR&TXV	23,600	0.76	12.50	15.00		24,000	3.78	14,800	2.66	8.6
	ED*4X30F**	*9MVX040	TDR&TXV	23,600	0.76	12.00	15.00		23,800	3.76	14,700	2.66	8.7
	ED*4X30F**	*9MVX060	TDR&TXV	23,800	0.76	12.00	15.00		24,000	3.80	14,800	2.68	8.8
	ED*4X30F**	MV12F19**B*	TDR&TXV	23,400	0.76	12.50	15.50		23,600	3.80	14,400	2.70	8.7
	ED*4X30F**	†	TXV	23,400	0.76	11.20		13.50	24,000	3.60	15,300	2.54	8.3
	EHD4X24A**	*8MPV050	TDR&TXV	23,600	0.76	12.00	14.50		24,000	3.82	15,000	2.64	8.6
	EHD4X24A**	*8MPV075	TDR&TXV	23,600	0.76	12.50	15.00		24,000	3.86	14,800	2.66	8.8
	EHD4X24A**	*8MPV100	TDR&TXV	23,800	0.76	12.50	15.00		24,000	3.94	14,800	2.70	9.0
	EHD4X24A**	*8MPV125	TDR&TXV	23,800	0.76	12.50	15.00		24,000	3.94	14,800	2.72	9.0
	EHD4X24A**	*9MPV050	TDR&TXV	23,200	0.76	12.00	14.50		24,000	3.74	14,700	2.60	8.6
	EHD4X24A**	*9MPV075	TDR&TXV	23,200	0.76	12.00	14.50		24,000	3.74	14,700	2.60	8.6
	EHD4X24A**	*9MPV100	TDR&TXV	23,600	0.76	12.00	15.00		24,000	3.86	14,800	2.66	8.8
	EHD4X24A**	*9MPV125	TDR&TXV	23,600	0.76	12.50	15.00		24,000	3.88	14,800	2.68	8.9
	EHD4X24A**	*9MVX040	TDR&TXV	23,200	0.76	12.00	14.50		24,000	3.76	14,700	2.62	8.7
	EHD4X24A**	*9MVX060	TDR&TXV	23,400	0.76	12.00	14.50		24,000	3.80	14,800	2.64	8.7
	EHD4X24A**	*9MVX080	TDR&TXV	23,800	0.76	12.00	15.00		24,000	3.92	14,900	2.70	9.0
	EHD4X24A**	*9MVX100	TDR&TXV	23,600	0.76	12.50	15.00		24,000	3.88	14,800	2.68	8.9
	EHD4X24A**	MV08B15**B*	TDR&TXV	23,400	0.76	12.50	15.50		24,000	3.86	14,500	2.68	8.8
	EHD4X24A**	MV12F19**B*	TDR&TXV	23,400	0.76	12.50	15.50		24,000	3.86	14,500	2.68	8.8
	EHD4X24A**	†	TXV	23,400	0.76	11.20		13.50	24,000	3.72	15,300	2.56	8.5
EHD4X30A**	*8MPV050	TDR&TXV	23,800	0.76	12.00	14.50		23,800	3.76	15,000	2.66	8.6	
EHD4X30A**	*8MPV075	TDR&TXV	23,800	0.76	12.50	15.00		23,800	3.82	14,800	2.70	8.7	

2009 ENERGY STAR compliance for combinations with all three: SEER 14.50 or higher and EER 12.00 or higher and HSPF 8.2 or higher.

† For coils not listed with a matching furnace or blower, coil rating applies with any indoor blower device.

For complete ratings information, use the AHRI website directory search: www.AHRIdirectory.org. (Occasionally, new ratings will be listed online before Specification Sheets are updated.)

COOLING & HEATING PERFORMANCE FOR COMBINATION RATINGS (continued)

Indoor Models

Outdoor Model	Current Indoor Model (‡ tested combo)	Furnace Model	Factory Installed	Cool 95° F (35° C)			SEER		Heat 47° F (8.3° C)		Heat 17° F (-8.3° C)		HSPF
				BTU/hr	S / T	EER	factory	with field TDR	BTU/hr	COP	BTU/hr	COP	
H4H424GKD (continued)	EHD4X30A**	*8MPV100	TDR&TXV	24,000	0.76	12.70	15.50		23,600	3.88	14,900	2.74	9.0
	EHD4X30A**	*8MPV125	TDR&TXV	24,000	0.76	12.70	15.50		23,600	3.90	14,800	2.76	9.0
	EHD4X30A**	*9MPV050	TDR&TXV	23,600	0.76	12.50	15.00		23,800	3.72	14,700	2.64	8.7
	EHD4X30A**	*9MPV075	TDR&TXV	23,600	0.76	12.50	15.00		23,800	3.74	14,800	2.64	8.5
	EHD4X30A**	*9MPV100	TDR&TXV	24,000	0.76	12.50	15.00		23,600	3.82	14,900	2.70	8.7
	EHD4X30A**	*9MPV125	TDR&TXV	24,000	0.76	12.70	15.50		23,600	3.86	14,800	2.72	9.0
	EHD4X30A**	*9MVX040	TDR&TXV	23,600	0.76	12.00	15.00		23,800	3.72	14,700	2.64	8.7
	EHD4X30A**	*9MVX060	TDR&TXV	23,800	0.76	12.00	15.00		23,800	3.78	14,800	2.66	8.8
	EHD4X30A**	*9MVX080	TDR&TXV	24,000	0.76	12.50	15.00		23,600	3.86	14,900	2.74	9.0
	EHD4X30A**	*9MVX100	TDR&TXV	24,000	0.76	12.50	15.00		23,600	3.86	14,800	2.72	9.0
	EHD4X30A**	MV08B15**B*	TDR&TXV	23,600	0.76	12.50	15.50		23,600	3.80	14,400	2.70	8.8
	EHD4X30A**	MV12F19**B*	TDR&TXV	23,600	0.76	12.50	15.50		23,600	3.80	14,400	2.70	8.8
	EHD4X30A**	†	TXV	23,400	0.76	11.20		13.50	24,000	3.62	15,300	2.56	8.5
	EMA4X24D**	†	TXV	23,000	0.76	11.20		13.50	24,000	3.72	15,300	2.54	8.5
	FEM4X24****	†	TDR&TXV	23,200	0.76	12.00	14.50		24,000	3.74	14,700	2.62	8.5
	FEM4X30****	†	TDR&TXV	23,600	0.76	12.50	15.00		24,000	3.88	14,700	2.68	8.6
	FS(M,U)4X24****	†	TDR&TXV	22,800	0.76	11.20	13.50		24,000	3.56	15,100	2.50	8.2
	FVM4X24****	†	TDR&TXV	23,400	0.76	12.70	15.50		24,000	3.84	14,500	2.68	8.8
FVM4X36****	†	TDR&TXV	23,600	0.76	13.00	15.50		23,600	3.82	14,400	2.70	8.8	
H4H430GKD	‡FSU4X36****	†	TDR&TXV	28,800	0.74	11.50	14.00		30,000	3.58	18,200	2.42	8.2
	ED*4X30B**	*8MPV050	TDR&TXV	28,800	0.74	12.00	14.50		29,800	3.58	17,900	2.46	8.2
	ED*4X30B**	MV08B15**B*	TDR&TXV	29,000	0.74	12.50	15.50		29,000	3.68	17,200	2.54	8.2
	ED*4X30B**	†	TXV	28,800	0.74	11.50		14.00	30,000	3.56	18,100	2.44	8.2
	ED*4X30F**	*8MPV075	TDR&TXV	29,000	0.74	12.50	15.00		29,600	3.68	17,600	2.54	8.5
	ED*4X30F**	*9MPV050	TDR&TXV	28,800	0.74	12.50	15.00		29,400	3.58	17,600	2.48	8.2
	ED*4X30F**	*9MPV075	TDR&TXV	28,800	0.74	12.50	15.00		29,400	3.60	17,600	2.48	8.2
	ED*4X30F**	*9MVX040	TDR&TXV	28,800	0.74	12.00	15.00		29,400	3.60	17,600	2.48	8.3
	ED*4X30F**	*9MVX060	TDR&TXV	29,000	0.74	12.50	15.00		29,600	3.64	17,600	2.50	8.4
ED*4X30F**	MV12F19**B*	TDR&TXV	29,000	0.74	13.00	16.00		29,000	3.72	17,100	2.58	8.5	

2009 ENERGY STAR compliance for combinations with all three: SEER 14.50 or higher and EER 12.00 or higher and HSPF 8.2 or higher.

† For coils not listed with a matching furnace or blower, coil rating applies with any indoor blower device.

For complete ratings information, use the AHRI website directory search: www.AHRIdirectory.org. (Occasionally, new ratings will be listed online before Specification Sheets are updated.)

- continued on next page -

COOLING & HEATING PERFORMANCE FOR COMBINATION RATINGS (continued)
Indoor Models

Outdoor Model	Current Indoor Model († tested combo)	Furnace Model	Factory Installed	Cool 95° F (35° C)			SEER		Heat 47° F (8.3° C)		Heat 17° F (-8.3° C)		HSPF
				BTU/hr	S / T	EER	factory	with field TDR	BTU/hr	COP	BTU/hr	COP	
H4H430GKD (continued)	ED*4X30F**	†	TXV	28,800	0.74	11.50		14.00	30,000	3.56	18,100	2.44	8.2
	ED*4X36B**	*8MPV050	TDR&TXV	29,000	0.74	12.00	14.50		30,000	3.62	17,900	2.46	8.3
	ED*4X36B**	MV08B15**B*	TDR&TXV	29,000	0.74	13.00	15.50		29,200	3.72	17,200	2.56	8.5
	ED*4X36B**	†	TXV	29,000	0.74	11.50		14.00	30,000	3.60	18,200	2.44	8.2
	ED*4X36F**	*8MPV075	TDR&TXV	29,200	0.74	12.80	15.50		29,600	3.74	17,600	2.54	8.5
	ED*4X36F**	*9MPV050	TDR&TXV	28,800	0.74	12.50	15.00		29,600	3.62	17,600	2.48	8.3
	ED*4X36F**	*9MPV075	TDR&TXV	29,000	0.74	12.50	15.00		29,600	3.64	17,600	2.50	8.3
	ED*4X36F**	*9MVX040	TDR&TXV	28,800	0.74	12.50	15.00		29,600	3.62	17,600	2.50	8.3
	ED*4X36F**	*9MVX060	TDR&TXV	29,000	0.74	12.50	15.00		29,600	3.68	17,700	2.52	8.5
	ED*4X36F**	MV12F19**B*	TDR&TXV	29,200	0.74	13.00	16.00		29,000	3.76	17,100	2.58	8.5
	ED*4X36F**	†	TXV	29,000	0.74	11.50		14.00	30,000	3.60	18,200	2.44	8.3
	ED*4X36J**	*8MPV100	TDR&TXV	29,400	0.74	13.00	15.50		29,600	3.82	17,500	2.60	8.7
	ED*4X36J**	*8MPV125	TDR&TXV	29,400	0.74	13.00	15.50		29,600	3.82	17,500	2.60	8.7
	ED*4X36J**	*9MPV100	TDR&TXV	29,400	0.74	13.00	15.50		29,600	3.78	17,600	2.58	8.6
	ED*4X36J**	*9MVX080	TDR&TXV	29,400	0.74	13.00	15.50		29,800	3.80	17,600	2.58	8.7
	ED*4X36J**	†	TXV	29,000	0.74	11.50		14.00	30,000	3.60	18,200	2.44	8.3
	EHD4X30A**	*8MPV050	TDR&TXV	29,000	0.74	12.00	14.50		30,000	3.62	17,900	2.46	8.3
	EHD4X30A**	*8MPV075	TDR&TXV	29,000	0.74	12.50	15.00		29,600	3.68	17,600	2.52	8.5
	EHD4X30A**	*8MPV100	TDR&TXV	29,200	0.74	13.00	15.50		29,400	3.70	17,400	2.54	8.5
	EHD4X30A**	*8MPV125	TDR&TXV	29,200	0.74	13.00	15.50		29,200	3.70	17,400	2.54	8.5
	EHD4X30A**	*9MPV050	TDR&TXV	28,800	0.74	12.50	15.00		29,400	3.58	17,600	2.46	8.2
	EHD4X30A**	*9MPV075	TDR&TXV	28,800	0.74	12.50	15.00		29,400	3.58	17,600	2.48	8.4
	EHD4X30A**	*9MPV100	TDR&TXV	29,000	0.74	12.50	15.00		29,400	3.66	17,500	2.52	8.4
	EHD4X30A**	*9MPV125	TDR&TXV	29,000	0.74	13.00	15.50		29,200	3.68	17,400	2.54	8.4
	EHD4X30A**	*9MVX040	TDR&TXV	28,800	0.74	12.00	15.00		29,400	3.58	17,600	2.46	8.3
	EHD4X30A**	*9MVX060	TDR&TXV	29,000	0.74	12.50	15.00		29,600	3.64	17,600	2.50	8.4
	EHD4X30A**	*9MVX080	TDR&TXV	29,200	0.74	12.50	15.50		29,600	3.72	17,600	2.54	8.5
	EHD4X30A**	*9MVX100	TDR&TXV	29,000	0.74	12.50	15.50		29,200	3.66	17,400	2.52	8.4
EHD4X30A**	MV08B15**B*	TDR&TXV	29,200	0.74	13.00	15.50		29,200	3.72	17,300	2.56	8.5	

2009 ENERGY STAR compliance for combinations with all three: SEER 14.50 or higher and EER 12.00 or higher and HSPF 8.2 or higher.
 † For coils not listed with a matching furnace or blower, coil rating applies with any indoor blower device.
 For complete ratings information, use the AHRI website directory search: www.AHRIdirectory.org. (Occasionally, new ratings will be listed online before Specification Sheets are updated.)

COOLING & HEATING PERFORMANCE FOR COMBINATION RATINGS (continued)													
Indoor Models													
Outdoor Model	Current Indoor Model (‡ tested combo)	Furnace Model	Factory Installed	Cool 95° F (35° C)			SEER		Heat 47° F (8.3° C)		Heat 17° F (-8.3° C)		HSPF
				BTU/hr	S / T	EER	factory	with field TDR	BTU/hr	COP	BTU/hr	COP	
H4H430GKD (continued)	EHD4X30A**	MV12F19**B*	TDR&TXV	29,200	0.74	13.00	15.50		29,200	3.74	17,200	2.58	8.5
	EHD4X30A**	†	TXV	29,000	0.74	11.50		14.00	30,000	3.60	18,200	2.44	8.3
	EHD4X36A**	*8MPV050	TDR&TXV	29,600	0.74	12.50	15.00		30,000	3.76	18,100	2.52	8.5
	EHD4X36A**	*8MPV075	TDR&TXV	29,800	0.74	13.00	16.00		29,800	3.84	17,700	2.58	8.7
	EHD4X36A**	*8MPV100	TDR&TXV	29,800	0.74	13.00	16.00		29,800	3.90	17,500	2.62	8.8
	EHD4X36A**	*8MPV125	TDR&TXV	29,800	0.74	13.00	15.00		29,800	3.90	17,500	2.62	8.8
	EHD4X36A**	*9MPV050	TDR&TXV	29,400	0.74	12.50	15.00		29,800	3.74	17,700	2.54	8.5
	EHD4X36A**	*9MPV075	TDR&TXV	29,400	0.74	12.50	15.00		29,800	3.76	17,700	2.54	8.5
	EHD4X36A**	*9MPV100	TDR&TXV	29,800	0.74	13.00	15.50		29,800	3.86	17,700	2.60	8.7
	EHD4X36A**	*9MPV125	TDR&TXV	29,800	0.74	13.00	15.50		29,800	3.88	17,500	2.62	8.7
	EHD4X36A**	*9MVX040	TDR&TXV	29,400	0.74	12.50	15.00		29,800	3.74	17,700	2.52	8.5
	EHD4X36A**	*9MVX060	TDR&TXV	29,600	0.74	12.50	15.50		30,000	3.80	17,800	2.56	8.7
	EHD4X36A**	*9MVX080	TDR&TXV	30,000	0.74	13.00	15.50		30,000	3.90	17,700	2.62	8.9
	EHD4X36A**	*9MVX100	TDR&TXV	29,600	0.74	13.00	16.00		29,600	3.84	17,500	2.60	8.7
	EHD4X36A**	MV08B15**B*	TDR&TXV	29,600	0.74	13.00	16.00		29,400	3.84	17,300	2.62	8.5
	EHD4X36A**	MV12F19**B*	TDR&TXV	29,600	0.74	13.00	16.00		29,400	3.86	17,300	2.62	8.5
	EHD4X36A**	†	TXV	29,400	0.74	12.00		14.00	30,000	3.70	18,300	2.48	8.5
	EMA4X36D**	†	TXV	28,800	0.74	11.50		14.00	30,000	3.58	18,200	2.44	8.2
	FEM4X30****	†	TDR&TXV	29,000	0.74	12.50	15.00		29,600	3.72	17,600	2.54	8.5
	FEM4X36****	†	TDR&TXV	29,800	0.74	13.00	15.50		30,000	3.86	17,800	2.58	8.7
FS(M,U)4X30****	†	TDR&TXV	28,600	0.74	11.50	14.00		30,000	3.58	18,000	2.42	8.2	
FSM4X36****	†	TDR&TXV	29,400	0.74	12.00	14.00		30,000	3.68	18,300	2.48	8.5	
FVM4X24****	†	TDR&TXV	29,000	0.74	13.00	15.50		29,200	3.72	17,300	2.54	8.5	
FVM4X36****	†	TDR&TXV	29,000	0.74	13.00	16.00		29,000	3.74	17,200	2.56	8.5	
FVM4X48****	†	TDR&TXV	30,000	0.74	13.00	16.00		29,400	3.92	17,300	2.66	8.9	
H4H436GKD	‡FS(M,U)4X42****	†	TDR&TXV	35,000	0.77	11.50	14.00		36,000	3.64	22,200	2.50	8.2
	ED*4X36B**	*8MPV050	TDR&TXV	33,600	0.77	11.20	13.50		35,600	3.46	21,400	2.44	7.8
	ED*4X36B**	MV08B15**B*	TDR&TXV	34,400	0.77	12.00	15.00		35,200	3.64	21,000	2.56	8.2
	ED*4X36B**	†	TXV	34,000	0.77	11.20		13.50	36,000	3.52	21,600	2.46	7.9

2009 ENERGY STAR compliance for combinations with all three: SEER 14.50 or higher and EER 12.00 or higher and HSPF 8.2 or higher.

† For coils not listed with a matching furnace or blower, coil rating applies with any indoor blower device.

For complete ratings information, use the AHRI website directory search: www.AHRIdirectory.org. (Occasionally, new ratings will be listed online before Specification Sheets are updated.)

- continued on next page -

COOLING & HEATING PERFORMANCE FOR COMBINATION RATINGS (continued)
Indoor Models

Outdoor Model	Current Indoor Model († tested combo)	Furnace Model	Factory Installed	Cool 95° F (35° C)			SEER		Heat 47° F (8.3° C)		Heat 17° F (-8.3° C)		HSPF
				BTU/hr	S / T	EER	factory	with field TDR	BTU/hr	COP	BTU/hr	COP	
H4H436GKD (continued)	ED*4X36F**	*8MPV075	TDR&TXV	34,400	0.77	12.00	14.50		35,600	3.62	21,200	2.54	8.2
	ED*4X36F**	*9MPV050	TDR&TXV	34,000	0.77	11.20	13.50		35,600	3.52	21,400	2.46	7.9
	ED*4X36F**	*9MPV075	TDR&TXV	34,000	0.77	12.00	14.00		35,600	3.56	21,400	2.48	8.2
	ED*4X36F**	*9MVX040	TDR&TXV	34,000	0.77	11.20	13.50		35,600	3.50	21,400	2.46	8.2
	ED*4X36F**	*9MVX060	TDR&TXV	34,200	0.77	11.50	14.00		35,600	3.60	21,400	2.50	8.3
	ED*4X36F**	MV12F19**B*	TDR&TXV	34,600	0.77	12.50	15.00		35,000	3.70	20,800	2.60	8.5
	ED*4X36F**	†	TXV	34,400	0.77	11.20		13.50	36,000	3.58	22,000	2.48	8.0
	ED*4X36J**	*8MPV100	TDR&TXV	35,000	0.77	12.50	15.00		35,800	3.76	21,400	2.60	8.4
	ED*4X36J**	*8MPV125	TDR&TXV	35,000	0.77	12.50	15.00		35,600	3.76	21,200	2.60	8.4
	ED*4X36J**	*9MPV100	TDR&TXV	34,800	0.77	12.50	14.50		35,800	3.72	21,400	2.58	8.3
	ED*4X36J**	*9MVX080	TDR&TXV	34,800	0.77	12.00	14.50		35,800	3.74	21,400	2.58	8.6
	ED*4X36J**	MV16J22**B*	TDR&TXV	34,600	0.77	12.50	15.50		35,000	3.70	20,800	2.60	8.5
	ED*4X36J**	†	TXV	34,400	0.77	11.20		13.50	36,000	3.58	22,000	2.48	8.0
	ED*4X42F**	*9MVX040	TDR&TXV	34,200	0.77	11.50	14.00		35,800	3.56	21,600	2.48	8.3
	ED*4X42F**	*9MVX060	TDR&TXV	34,600	0.77	12.00	14.50		35,800	3.64	21,400	2.52	8.4
	ED*4X42F**	MV12F19**B*	TDR&TXV	34,800	0.77	12.50	15.50		35,200	3.74	20,800	2.62	8.5
	ED*4X42J**	*8MPV100	TDR&TXV	35,200	0.77	12.50	15.00		36,000	3.82	21,400	2.62	8.5
	ED*4X42J**	*8MPV125	TDR&TXV	35,200	0.77	13.00	15.00		35,800	3.82	21,200	2.64	8.5
	ED*4X42J**	*9MPV100	TDR&TXV	35,000	0.77	12.50	14.50		36,000	3.76	21,400	2.60	8.4
	ED*4X42J**	*9MVX080	TDR&TXV	35,200	0.77	12.00	14.50		36,000	3.78	21,600	2.60	8.7
	ED*4X42J**	MV16J22**B*	TDR&TXV	34,800	0.77	12.50	15.50		35,000	3.76	20,800	2.62	8.5
	ED*4X42J**	†	TXV	34,600	0.77	11.20		13.50	36,000	3.62	22,000	2.50	8.2
	ED*4X42L**	*9MPV125	TDR&TXV	35,200	0.77	12.50	15.00		35,800	3.80	21,400	2.62	8.5
	ED*4X42L**	*9MVX100	TDR&TXV	35,000	0.77	12.50	15.00		35,600	3.76	21,200	2.60	8.7
	ED*4X42L**	MV20L24**B*	TDR&TXV	34,800	0.77	12.50	15.50		35,000	3.76	20,800	2.62	8.5
	ED*4X42L**	†	TXV	34,600	0.77	11.20		13.50	36,000	3.62	22,000	2.50	8.2
	ED*4X48F**	MV12F19**B*	TDR&TXV	35,600	0.77	13.00	15.50		35,600	3.92	21,000	2.68	8.5
	EHD4X36A**	*8MPV050	TDR&TXV	34,600	0.77	12.00	14.00		36,000	3.62	21,600	2.50	8.2
	EHD4X36A**	*8MPV075	TDR&TXV	35,200	0.77	12.50	14.50		36,000	3.76	21,400	2.60	8.4

2009 ENERGY STAR compliance for combinations with all three: SEER 14.50 or higher and EER 12.00 or higher and HSPF 8.2 or higher.
 † For coils not listed with a matching furnace or blower, coil rating applies with any indoor blower device.
 For complete ratings information, use the AHRI website directory search: www.AHRIdirectory.org. (Occasionally, new ratings will be listed online before Specification Sheets are updated.)

COOLING & HEATING PERFORMANCE FOR COMBINATION RATINGS (continued)

Indoor Models

Outdoor Model	Current Indoor Model (‡ tested combo)	Furnace Model	Factory Installed	Cool 95° F (35° C)			SEER		Heat 47° F (8.3° C)		Heat 17° F (-8.3° C)		HSPF
				BTU/hr	S / T	EER	factory	with field TDR	BTU/hr	COP	BTU/hr	COP	
H4H436GKD (continued)	EHD4X36A**	*8MPV100	TDR&TXV	35,600	0.77	12.50	15.00		36,000	3.86	21,400	2.64	8.6
	EHD4X36A**	*8MPV125	TDR&TXV	35,600	0.77	13.00	15.00		36,000	3.86	21,400	2.64	8.6
	EHD4X36A**	*9MPV050	TDR&TXV	34,800	0.77	12.00	14.00		36,000	3.64	21,600	2.52	8.2
	EHD4X36A**	*9MPV075	TDR&TXV	34,800	0.77	12.00	14.50		36,000	3.68	21,600	2.54	8.3
	EHD4X36A**	*9MPV100	TDR&TXV	35,400	0.77	12.50	15.00		36,000	3.82	21,600	2.62	8.5
	EHD4X36A**	*9MPV125	TDR&TXV	35,400	0.77	12.50	15.00		36,000	3.84	21,400	2.62	8.5
	EHD4X36A**	*9MVX040	TDR&TXV	34,800	0.77	11.50	14.00		36,000	3.64	21,600	2.52	8.4
	EHD4X36A**	*9MVX060	TDR&TXV	35,000	0.77	12.00	14.50		36,000	3.72	21,600	2.56	8.6
	EHD4X36A**	*9MVX080	TDR&TXV	35,600	0.77	12.50	15.00		36,000	3.84	21,600	2.62	8.8
	EHD4X36A**	*9MVX100	TDR&TXV	35,200	0.77	12.50	15.00		35,800	3.80	21,400	2.62	8.7
	EHD4X36A**	MV08B15**B*	TDR&TXV	35,200	0.77	12.50	15.50		35,400	3.80	21,000	2.62	8.5
	EHD4X36A**	MV12F19**B*	TDR&TXV	35,200	0.77	12.50	15.50		35,400	3.84	21,000	2.66	8.5
	EHD4X36A**	MV16J22**B*	TDR&TXV	35,400	0.77	12.50	15.50		35,400	3.84	21,000	2.66	8.8
	EHD4X36A**	MV20L24**B*	TDR&TXV	35,400	0.77	12.50	15.50		35,400	3.84	21,000	2.66	8.5
	EHD4X36A**	†	TXV	35,200	0.77	11.20		13.50	36,000	3.70	22,200	2.52	8.5
	EHD4X42A**	*8MPV050	TDR&TXV	34,800	0.77	12.00	14.00		36,000	3.66	21,600	2.52	8.2
	EHD4X42A**	*8MPV075	TDR&TXV	35,400	0.77	12.50	15.00		36,000	3.82	21,600	2.62	8.5
	EHD4X42A**	*8MPV100	TDR&TXV	35,800	0.77	13.00	15.00		36,000	3.94	21,600	2.66	8.7
	EHD4X42A**	*8MPV125	TDR&TXV	35,800	0.77	13.00	15.00		36,000	3.94	21,400	2.68	8.7
	EHD4X42A**	*9MPV050	TDR&TXV	35,000	0.77	12.00	14.00		36,000	3.70	21,800	2.54	8.5
	EHD4X42A**	*9MPV075	TDR&TXV	35,200	0.77	12.50	14.50		36,000	3.74	21,600	2.56	8.5
	EHD4X42A**	*9MPV100	TDR&TXV	35,600	0.77	12.50	15.00		36,000	3.88	21,600	2.64	8.6
	EHD4X42A**	*9MPV125	TDR&TXV	35,800	0.77	13.00	15.00		36,000	3.90	21,400	2.66	8.6
	EHD4X42A**	*9MVX040	TDR&TXV	35,000	0.77	11.50	14.00		36,000	3.68	21,600	2.54	8.5
	EHD4X42A**	*9MVX060	TDR&TXV	35,400	0.77	12.00	14.50		36,000	3.78	21,600	2.58	8.7
	EHD4X42A**	*9MVX080	TDR&TXV	35,800	0.77	12.50	15.00		36,000	3.90	21,600	2.64	8.9
	EHD4X42A**	*9MVX100	TDR&TXV	35,600	0.77	12.50	15.00		36,000	3.86	21,400	2.64	8.8
	EHD4X42A**	MV08B15**B*	TDR&TXV	35,400	0.77	12.50	15.50		35,600	3.84	21,000	2.64	8.8
EHD4X42A**	MV12F19**B*	TDR&TXV	35,600	0.77	12.50	15.50		35,400	3.88	21,000	2.68	8.8	

2009 ENERGY STAR compliance for combinations with all three: SEER 14.50 or higher and EER 12.00 or higher and HSPF 8.2 or higher.

† For coils not listed with a matching furnace or blower, coil rating applies with any indoor blower device.

For complete ratings information, use the AHRI website directory search: www.AHRIdirectory.org. (Occasionally, new ratings will be listed online before Specification Sheets are updated.)

- continued on next page -

COOLING & HEATING PERFORMANCE FOR COMBINATION RATINGS (continued)
Indoor Models

Outdoor Model	Current Indoor Model († tested combo)	Furnace Model	Factory Installed	Cool 95° F (35° C)			SEER		Heat 47° F (8.3° C)		Heat 17° F (-8.3° C)		HSPF
				BTU/hr	S / T	EER	factory	with field TDR	BTU/hr	COP	BTU/hr	COP	
H4H436GKD (continued)	EHD4X42A**	MV16J22**B*	TDR&TXV	35,600	0.77	12.50	15.50		35,400	3.88	21,000	2.68	8.8
	EHD4X42A**	MV20L24**B*	TDR&TXV	35,600	0.77	12.50	15.50		35,400	3.88	21,000	2.68	8.8
	EHD4X42A**	†	TXV	35,400	0.77	12.00		14.00	36,000	3.76	22,200	2.54	8.4
	EMA4X36D**	†	TXV	34,200	0.77	11.20		13.50	36,000	3.56	22,000	2.46	8.0
	FEM4X36****	†	TDR&TXV	35,600	0.77	12.50	15.00		36,000	3.84	21,600	2.62	8.6
	FEM4X42****	†	TDR&TXV	35,600	0.77	12.50	15.00		36,000	3.86	21,400	2.64	8.6
	FSM4X36****	†	TDR&TXV	35,000	0.77	11.20	13.50		36,000	3.66	22,000	2.50	8.5
	FSU4X36****	†	TDR&TXV	34,200	0.77	11.20	13.50		36,000	3.54	22,000	2.46	8.0
	FVM4X24****	†	TDR&TXV	34,200	0.77	12.50	14.50		35,400	3.64	21,000	2.54	8.2
	FVM4X36****	†	TDR&TXV	34,600	0.77	13.00	15.00		35,000	3.68	20,800	2.58	8.4
	FVM4X48****	†	TDR&TXV	35,800	0.77	13.00	15.50		35,600	3.90	21,000	2.68	8.9
FVM4X60****	†	TDR&TXV	36,000	0.77	13.00	16.00		35,600	4.00	21,000	2.74	9.0	
H4H442GKD	‡FS(M,U)4X48****	†	TDR&TXV	41,500	0.74	11.50	14.00		42,000	3.64	26,800	2.58	8.4
	ED*4X42F**	*8MPV075	TDR&TXV	40,500	0.74	11.50	14.00		41,500	3.48	26,000	2.56	8.2
	ED*4X42F**	*9MPV075	TDR&TXV	40,000	0.74	11.20	13.00		41,500	3.42	26,200	2.50	8.1
	ED*4X42F**	*9MVX060	TDR&TXV	40,500	0.74	11.20	13.50		41,500	3.44	26,200	2.52	8.1
	ED*4X42F**	MV12F19**B*	TDR&TXV	41,000	0.74	12.00	14.50		40,500	3.58	25,400	2.62	8.4
	ED*4X42F**	†	TXV	41,000	0.74	11.20		13.50	42,000	3.50	26,600	2.52	8.2
	ED*4X42J**	*8MPV100	TDR&TXV	41,000	0.74	12.00	14.50		41,000	3.58	25,800	2.62	8.4
	ED*4X42J**	*8MPV125	TDR&TXV	41,000	0.74	12.00	14.50		41,000	3.60	25,600	2.62	8.4
	ED*4X42J**	*9MPV100	TDR&TXV	41,000	0.74	11.50	14.00		41,500	3.54	25,800	2.58	8.3
	ED*4X42J**	*9MVX080	TDR&TXV	41,000	0.74	11.50	14.00		41,500	3.56	26,000	2.60	8.4
	ED*4X42J**	MV16J22**B*	TDR&TXV	41,000	0.74	12.50	15.00		40,500	3.60	25,200	2.64	8.4
	ED*4X42J**	†	TXV	41,000	0.74	11.20		13.50	42,000	3.50	26,600	2.52	8.2
	ED*4X42L**	*9MPV125	TDR&TXV	41,000	0.74	12.00	14.50		41,000	3.56	25,600	2.60	8.3
	ED*4X42L**	*9MVX100	TDR&TXV	41,000	0.74	12.00	14.50		41,000	3.54	25,600	2.60	8.3
	ED*4X42L**	MV20L24**B*	TDR&TXV	41,000	0.74	12.50	15.00		40,500	3.60	25,200	2.64	8.4

2009 ENERGY STAR compliance for combinations with all three: SEER 14.50 or higher and EER 12.00 or higher and HSPF 8.2 or higher.

† For coils not listed with a matching furnace or blower, coil rating applies with any indoor blower device.

For complete ratings information, use the AHRI website directory search: www.AHRIdirectory.org. (Occasionally, new ratings will be listed online before Specification Sheets are updated.)

- continued on next page -

COOLING & HEATING PERFORMANCE FOR COMBINATION RATINGS (continued)

Indoor Models

Outdoor Model	Current Indoor Model (‡ tested combo)	Furnace Model	Factory Installed	Cool 95° F (35° C)			SEER		Heat 47° F (8.3° C)		Heat 17° F (-8.3° C)		HSPF
				BTU/hr	S / T	EER	factory	with field TDR	BTU/hr	COP	BTU/hr	COP	
H4H442GKD (continued)	ED*4X42L**	†	TXV	41,000	0.74	11.20		13.50	42,000	3.50	26,600	2.52	8.2
	ED*4X48F**	*8MPV075	TDR&TXV	42,000	0.74	12.00	14.00		42,000	3.66	26,200	2.62	8.5
	ED*4X48F**	*9MPV075	TDR&TXV	41,500	0.74	11.50	13.50		42,000	3.58	26,400	2.58	8.3
	ED*4X48F**	*9MPV060	TDR&TXV	41,500	0.74	11.50	14.00		42,000	3.62	26,400	2.60	8.5
	ED*4X48F**	MV12F19**B*	TDR&TXV	42,000	0.74	12.50	15.00		41,500	3.76	25,600	2.70	8.5
	ED*4X48F**	†	TXV	42,000	0.74	11.50		14.00	42,000	3.72	26,800	2.60	8.5
	ED*4X48J**	*8MPV100	TDR&TXV	42,000	0.74	12.00	14.50		41,500	3.72	26,000	2.66	8.5
	ED*4X48J**	*8MPV125	TDR&TXV	42,000	0.74	12.00	15.00		41,500	3.72	25,800	2.68	8.5
	ED*4X48J**	*9MPV100	TDR&TXV	42,000	0.74	12.00	14.50		42,000	3.68	26,000	2.64	8.5
	ED*4X48J**	*9MPV080	TDR&TXV	42,000	0.74	12.00	14.50		42,000	3.70	26,200	2.64	8.6
	ED*4X48J**	MV16J22**B*	TDR&TXV	42,000	0.74	12.50	15.00		41,000	3.72	25,400	2.70	8.5
	ED*4X48J**	†	TXV	41,500	0.74	11.50		13.50	42,000	3.62	26,800	2.58	8.4
	ED*4X48L**	*9MPV125	TDR&TXV	42,000	0.74	12.00	14.50		41,500	3.68	25,800	2.66	8.5
	ED*4X48L**	*9MPV100	TDR&TXV	41,500	0.74	12.00	14.50		41,500	3.66	25,800	2.64	8.6
	ED*4X48L**	MV20L24**B*	TDR&TXV	42,000	0.74	12.50	15.00		41,000	3.74	25,400	2.70	8.5
	ED*4X48L**	†	TXV	41,500	0.74	11.50		13.50	42,000	3.62	26,800	2.58	8.4
	EHD4X42A**	*8MPV075	TDR&TXV	41,500	0.74	11.80	14.00		42,000	3.62	26,200	2.60	8.4
	EHD4X42A**	*8MPV100	TDR&TXV	42,000	0.74	12.00	14.50		41,500	3.70	26,000	2.66	8.5
	EHD4X42A**	*8MPV125	TDR&TXV	42,000	0.74	12.50	14.50		41,500	3.72	25,800	2.66	8.5
	EHD4X42A**	*9MPV075	TDR&TXV	41,500	0.74	11.50	13.50		42,000	3.54	26,400	2.56	8.3
	EHD4X42A**	*9MPV100	TDR&TXV	42,000	0.74	12.00	14.50		42,000	3.66	26,000	2.64	8.5
	EHD4X42A**	*9MPV125	TDR&TXV	42,000	0.74	12.00	14.50		41,500	3.68	25,800	2.64	8.5
	EHD4X42A**	*9MPV060	TDR&TXV	41,500	0.74	11.50	14.00		42,000	3.58	26,400	2.58	8.4
	EHD4X42A**	*9MPV080	TDR&TXV	42,000	0.74	12.00	14.50		42,000	3.68	26,200	2.64	8.6
	EHD4X42A**	*9MPV100	TDR&TXV	41,500	0.74	12.00	14.50		41,500	3.66	25,800	2.64	8.6
	EHD4X42A**	MV12F19**B*	TDR&TXV	42,000	0.74	12.50	15.00		41,000	3.72	25,600	2.68	8.5
	EHD4X42A**	MV16J22**B*	TDR&TXV	42,000	0.74	12.50	15.00		41,000	3.74	25,600	2.70	8.5
	EHD4X42A**	MV20L24**B*	TDR&TXV	42,000	0.74	12.50	15.00		41,000	3.74	25,600	2.70	8.5
EHD4X42A**	†	TXV	42,000	0.74	11.50		13.50	42,000	3.62	26,800	2.58	8.4	

2009 ENERGY STAR compliance for combinations with all three: SEER 14.50 or higher and EER 12.00 or higher and HSPF 8.2 or higher.
 † For coils not listed with a matching furnace or blower, coil rating applies with any indoor blower device.
 For complete ratings information, use the AHRI website directory search: www.AHRIdirectory.org. (Occasionally, new ratings will be listed online before Specification Sheets are updated.)

- continued on next page -

COOLING & HEATING PERFORMANCE FOR COMBINATION RATINGS (continued)
Indoor Models

Outdoor Model	Current Indoor Model († tested combo)	Furnace Model	Factory Installed	Cool 95° F (35° C)			SEER		Heat 47° F (8.3° C)		Heat 17° F (-8.3° C)		HSPF
				BTU/hr	S / T	EER	factory	with field TDR	BTU/hr	COP	BTU/hr	COP	
H4H442GKD (continued)	EHD4X48A**	*8MPV075	TDR&TXV	42,000	0.74	12.00	14.50		42,000	3.66	26,200	2.62	8.5
	EHD4X48A**	*8MPV100	TDR&TXV	42,000	0.74	12.00	15.00		42,000	3.74	26,000	2.68	8.5
	EHD4X48A**	*8MPV125	TDR&TXV	42,000	0.74	12.50	15.00		41,500	3.74	25,800	2.68	8.5
	EHD4X48A**	*9MPV075	TDR&TXV	41,500	0.74	11.50	13.50		42,000	3.58	26,400	2.58	8.3
	EHD4X48A**	*9MPV100	TDR&TXV	42,000	0.74	12.00	14.50		42,000	3.70	26,200	2.64	8.5
	EHD4X48A**	*9MPV125	TDR&TXV	42,000	0.74	12.00	14.50		41,500	3.70	26,000	2.66	8.5
	EHD4X48A**	*9MVX060	TDR&TXV	41,500	0.74	11.50	14.00		42,000	3.62	26,400	2.60	8.5
	EHD4X48A**	*9MVX080	TDR&TXV	42,000	0.74	12.00	14.50		42,000	3.72	26,200	2.64	8.7
	EHD4X48A**	*9MVX100	TDR&TXV	42,000	0.74	12.00	14.50		41,500	3.68	25,800	2.64	8.6
	EHD4X48A**	MV12F19**B*	TDR&TXV	42,000	0.74	12.50	15.00		41,500	3.74	25,600	2.70	8.5
	EHD4X48A**	MV16J22**B*	TDR&TXV	42,000	0.74	12.50	15.00		41,000	3.76	25,600	2.70	8.5
	EHD4X48A**	MV20L24**B*	TDR&TXV	42,000	0.74	12.50	15.00		41,000	3.76	25,600	2.70	8.5
	EHD4X48A**	†	TXV	42,000	0.74	11.50		13.50	42,000	3.66	26,800	2.60	8.5
	EMA4X48D**	†	TXV	41,500	0.74	11.20		13.50	42,000	3.56	26,600	2.56	8.3
	FEM4X42****	†	TDR&TXV	42,000	0.74	12.00	14.50		42,000	3.66	26,200	2.62	8.5
	FEM4X48****	†	TDR&TXV	42,000	0.74	12.50	15.00		42,000	3.82	26,200	2.68	8.5
	FS(M,U)4X42****	†	TDR&TXV	41,500	0.74	11.00	13.50		42,000	3.52	26,800	2.52	8.2
	FVM4X36****	†	TDR&TXV	40,500	0.74	12.00	14.50		40,500	3.50	25,400	2.58	8.2
	FVM4X48****	†	TDR&TXV	42,000	0.74	12.50	15.50		41,000	3.74	25,600	2.70	8.5
FVM4X60****	†	TDR&TXV	42,000	0.74	13.00	15.50		41,500	3.90	25,600	2.74	8.8	
H4H448GKD	‡FS(M,U)4X60****	†	TDR&TXV	47,000	0.75	11.50	14.00		48,000	3.84	31,600	2.70	8.5
	ED*4X48F**	†	TXV	46,000	0.75	11.50		13.00	48,000	3.70	30,800	2.66	8.4
	ED*4X48J**	*8MPV100	TDR&TXV	46,500	0.75	11.50	14.00		48,000	3.76	30,600	2.72	8.5
	ED*4X48J**	*8MPV125	TDR&TXV	46,500	0.75	12.00	14.50		48,000	3.78	30,400	2.72	8.5
	ED*4X48J**	*9MPV100	TDR&TXV	46,000	0.75	11.50	14.00		48,000	3.70	30,800	2.68	8.4
	ED*4X48J**	*9MVX080	TDR&TXV	46,000	0.75	11.50	14.00		48,000	3.72	30,800	2.68	8.5
	ED*4X48J**	MV16J22**B*	TDR&TXV	46,500	0.75	12.50	15.00		47,500	3.80	30,000	2.78	8.5
	ED*4X48J**	†	TXV	46,500	0.75	11.50		13.00	48,000	3.74	31,200	2.68	8.4
ED*4X48L**	*9MPV125	TDR&TXV	46,000	0.75	11.50	14.00		48,000	3.74	30,600	2.70	8.4	

2009 ENERGY STAR compliance for combinations with all three: SEER 14.50 or higher and EER 12.00 or higher and HSPF 8.2 or higher.

† For coils not listed with a matching furnace or blower, coil rating applies with any indoor blower device.

‡ For complete ratings information, use the AHRI website directory search: www.AHRIdirectory.org. (Occasionally, new ratings will be listed online before Specification Sheets are updated.)

- continued on next page -

COOLING & HEATING PERFORMANCE FOR COMBINATION RATINGS (continued)

Indoor Models

Outdoor Model	Current Indoor Model (‡ tested combo)	Furnace Model	Factory Installed	Cool 95° F (35° C)			SEER		Heat 47° F (8.3° C)		Heat 17° F (-8.3° C)		HSPF
				BTU/hr	S / T	EER	factory	with field TDR	BTU/hr	COP	BTU/hr	COP	
H4H448GKD (continued)	ED*4X48L**	*9MVX100	TDR&TXV	46,000	0.75	11.50	14.00		48,000	3.72	30,600	2.70	8.4
	ED*4X48L**	MV20L24**B*	TDR&TXV	46,500	0.75	12.50	15.00		47,500	3.82	30,000	2.78	8.5
	ED*4X48L**	†	TXV	46,500	0.75	11.50		13.00	48,000	3.74	31,200	2.68	8.4
	ED*4X60J**	*8MPV100	TDR&TXV	47,500	0.75	12.00	14.50		48,000	3.86	30,800	2.78	8.5
	ED*4X60J**	*8MPV125	TDR&TXV	47,500	0.75	12.50	15.00		48,000	3.88	30,600	2.78	8.5
	ED*4X60J**	*9MPV100	TDR&TXV	47,500	0.75	12.00	14.50		48,000	3.80	30,800	2.74	8.5
	ED*4X60J**	*9MVX080	TDR&TXV	47,500	0.75	12.00	14.50		48,000	3.82	31,000	2.74	8.6
	ED*4X60J**	MV16J22**B*	TDR&TXV	47,500	0.75	12.50	15.50		48,000	3.90	30,000	2.82	8.5
	ED*4X60J**	†	TXV	47,500	0.75	11.50		13.00	48,000	3.82	31,400	2.70	8.5
	ED*4X60L**	*9MPV125	TDR&TXV	47,500	0.75	12.00	14.50		48,000	3.80	30,800	2.74	8.5
	ED*4X60L**	*9MVX100	TDR&TXV	47,000	0.75	12.00	14.50		48,000	3.78	30,600	2.74	8.6
	ED*4X60L**	MV20L24**B*	TDR&TXV	47,500	0.75	12.50	15.50		48,000	3.88	30,000	2.82	8.5
	ED*4X60L**	†	TXV	47,500	0.75	11.50		13.00	48,000	3.82	31,400	2.70	8.5
	EHD4X48A**	*8MPV100	TDR&TXV	46,500	0.75	12.00	14.50		48,000	3.80	30,600	2.72	8.5
	EHD4X48A**	*8MPV125	TDR&TXV	47,000	0.75	12.00	14.50		48,000	3.82	30,600	2.74	8.5
	EHD4X48A**	*9MPV100	TDR&TXV	46,500	0.75	11.50	14.00		48,000	3.74	30,800	2.68	8.4
	EHD4X48A**	*9MPV125	TDR&TXV	46,500	0.75	12.00	14.00		48,000	3.76	30,600	2.70	8.5
	EHD4X48A**	*9MVX080	TDR&TXV	46,500	0.75	11.50	14.00		48,000	3.76	30,800	2.70	8.5
	EHD4X48A**	*9MVX100	TDR&TXV	46,500	0.75	11.50	14.00		48,000	3.74	30,600	2.70	8.5
	EHD4X48A**	MV16J22**B*	TDR&TXV	47,000	0.75	12.50	15.00		48,000	3.86	30,200	2.78	8.5
	EHD4X48A**	MV20L24**B*	TDR&TXV	47,000	0.75	12.50	15.00		48,000	3.84	30,200	2.78	8.5
	EHD4X48A**	†	TXV	47,000	0.75	11.50		13.00	48,000	3.80	31,400	2.70	8.5
	EHD4X60A**	*8MPV100	TDR&TXV	48,000	0.75	12.00	14.50		48,000	3.90	30,800	2.78	8.5
	EHD4X60A**	*8MPV125	TDR&TXV	48,000	0.75	12.50	15.00		48,000	3.92	30,600	2.80	8.5
	EHD4X60A**	*9MPV100	TDR&TXV	47,500	0.75	12.00	14.50		48,000	3.84	31,000	2.74	8.5
	EHD4X60A**	*9MPV125	TDR&TXV	47,500	0.75	12.00	14.50		48,000	3.86	30,800	2.76	8.5
	EHD4X60A**	*9MVX080	TDR&TXV	47,500	0.75	12.00	14.50		48,000	3.86	31,000	2.74	8.7
	EHD4X60A**	*9MVX100	TDR&TXV	47,500	0.75	12.00	14.50		48,000	3.84	30,600	2.74	8.7
EHD4X60A**	MV16J22**B*	TDR&TXV	47,500	0.75	13.00	15.50		48,000	3.92	30,000	2.82	8.5	

2009 ENERGY STAR compliance for combinations with all three: SEER 14.50 or higher and EER 12.00 or higher and HSPF 8.2 or higher.
 † For coils not listed with a matching furnace or blower, coil rating applies with any indoor blower device.
 For complete ratings information, use the AHRI website directory search: www.AHRIdirectory.org. (Occasionally, new ratings will be listed online before Specification Sheets are updated.)

- continued on next page -

COOLING & HEATING PERFORMANCE FOR COMBINATION RATINGS (continued)
Indoor Models

Outdoor Model	Current Indoor Model († tested combo)	Furnace Model	Factory Installed	Cool 95° F (35° C)			SEER		Heat 47° F (8.3° C)		Heat 17° F (-8.3° C)		HSPF
				BTU/hr	S / T	EER	factory	with field TDR	BTU/hr	COP	BTU/hr	COP	
H4H448GKD (continued)	EHD4X60A**	MV20L24**B*	TDR&TXV	47,500	0.75	13.00	15.50		48,000	3.92	30,000	2.84	8.5
	EHD4X60A**	†	TXV	47,500	0.75	11.50		13.00	48,000	3.84	31,400	2.72	8.5
	EMA4X48D**	†	TXV	45,500	0.75	11.50		13.00	48,000	3.58	30,600	2.62	8.1
	FEM4X48****	†	TDR&TXV	47,500	0.75	12.00	14.50		48,000	3.86	30,800	2.76	8.5
	FEM4X60****	†	TDR&TXV	48,000	0.75	12.50	15.00		48,000	4.02	30,800	2.82	8.5
	FS(M,U)4X48****	†	TDR&TXV	47,000	0.75	11.50	13.50		48,000	3.70	31,600	2.66	8.4
	FVM4X48****	†	TDR&TXV	47,000	0.75	12.50	15.00		48,000	3.82	30,200	2.78	8.5
	FVM4X60****	†	TDR&TXV	48,000	0.75	13.00	15.50		48,000	3.96	30,200	2.84	8.5
H4H460GKD	‡FEM4X60****	†	TDR&TXV	58,000	0.76	11.50	14.00		59,500	3.72	35,400	2.56	8.2
	ED*4X60J**	*8MPV125	TDR&TXV	58,000	0.76	11.00	13.50		60,000	3.62	35,800	2.50	8.0
	ED*4X60J**	MV16J22**B*	TDR&TXV	58,500	0.76	11.50	14.00		59,500	3.68	35,200	2.56	8.2
	ED*4X60J**	†	TXV	58,000	0.76	11.00		13.00	60,000	3.56	35,800	2.48	8.0
	ED*4X60L**	MV20L24**B*	TDR&TXV	58,500	0.76	11.50	14.00		59,500	3.68	35,400	2.54	8.1
	ED*4X60L**	†	TXV	58,000	0.76	11.00		13.00	60,000	3.56	35,800	2.48	8.0
	EHD4X60A**	*8MPV125	TDR&TXV	58,500	0.76	11.00	13.50		60,000	3.64	36,000	2.52	8.2
	EHD4X60A**	MV16J22**B*	TDR&TXV	58,500	0.76	11.50	14.00		59,500	3.70	35,200	2.58	8.2
	EHD4X60A**	MV20L24**B*	TDR&TXV	58,500	0.76	11.50	14.00		59,500	3.70	35,200	2.58	8.2
	EHD4X60A**	†	TXV	58,000	0.76	11.00		13.00	60,000	3.58	36,000	2.48	8.0
	FVM4X60****	†	TDR&TXV	59,000	0.76	11.50	14.00		60,000	3.74	35,400	2.58	8.2
H4H461GKD	‡FEM4X60****	†	TDR&TXV	57,000	0.77	12.50	15.00		57,500	3.86	36,200	2.76	8.7
	ED*4X60J**	*8MPV125	TDR&TXV	56,500	0.77	11.50	14.00		58,500	3.74	36,800	2.68	8.7
	ED*4X60J**	MV16J22**B*	TDR&TXV	56,500	0.77	12.50	15.00		58,000	3.84	36,000	2.74	8.7
	ED*4X60J**	†	TXV	56,000	0.77	11.50		14.00	58,500	3.72	36,800	2.68	8.7
	ED*4X60L**	MV20L24**B*	TDR&TXV	56,500	0.77	12.50	15.00		58,000	3.84	36,000	2.76	8.7
	ED*4X60L**	†	TXV	56,000	0.77	11.50		14.00	58,500	3.72	36,800	2.68	8.7
	EHD4X60A**	*8MPV125	TDR&TXV	56,500	0.77	12.00	14.00		59,000	3.80	36,800	2.72	8.7
	EHD4X60A**	MV16J22**B*	TDR&TXV	57,000	0.77	12.50	15.00		58,000	3.90	36,000	2.78	8.7
	EHD4X60A**	MV20L24**B*	TDR&TXV	57,000	0.77	12.50	15.00		58,000	3.90	36,000	2.78	8.7
	EHD4X60A**	†	TXV	56,500	0.77	11.50		14.00	58,500	3.76	36,800	2.68	8.7
	FS(M,U)4X60****	†	TDR&TXV	56,500	0.77	11.50	14.00		59,000	3.72	37,000	2.66	8.7
FVM4X60****	†	TDR&TXV	57,000	0.77	12.50	15.00		58,000	3.90	36,000	2.78	8.7	

2009 ENERGY STAR compliance for combinations with all three: SEER 14.50 or higher and EER 12.00 or higher and HSPF 8.2 or higher.

† For coils not listed with a matching furnace or blower, coil rating applies with any indoor blower device.

For complete ratings information, use the AHRI website directory search: www.AHRI.org. (Occasionally, new ratings will be listed online before Specification Sheets are updated.)

OUTDOOR UNIT MODEL NUMBER IDENTIFICATION GUIDE (single phase)											
Digit Position:	1	2	3	4	5, 6	7	8	9	10	11	12
Example Part Number:	H	4	H	4	18	G	K	D	1	0	0
H = ICP Commercial Mainline N = ICP Commercial Entry BRANDING											
2 = R-22 4 = R-410A REFRIGERANT											
A = Air Conditioner H = Heat Pump TYPE											
3 = 13 SEER 4 = 14 SEER 5 = 15 SEER 6 = 16 SEER 7 = 17 SEER 8 = 18 SEER NOMINAL EFFICIENCY											
18 = 18,000 BTUH = 1½ tons 19 = 18,000 BTUH = 1½ tons 24 = 24,000 BTUH = 2 tons 30 = 30,000 BTUH = 2½ tons 36 = 36,000 BTUH = 3 tons 42 = 42,000 BTUH = 3½ tons 48 = 48,000 BTUH = 4 tons 60 = 60,000 BTUH = 5 tons 61 = 60,000 BTUH = 5 tons NOMINAL CAPACITY											
A = Standard Grille G = Coil Guard Grille C = Coastal FEATURES											
K = 208/230-1-60 VOLTAGE											
Sales Code											
Engineering Revision											
Extra Digit											
Extra Digit											

ACCESSORIES PART NUMBER IDENTIFICATION GUIDE									
Digit Position:	1	2	3	4	5	6, 7	8, 9	10, 11	
Example Part Number:	N	A	S	A	0	01	01	CH	
N = Non-Branded BRANDING									
A = Accessory PRODUCT GROUP									
S = Split System (AC & HP) KIT USAGE									
A = Original B = 2nd Generation MAJOR SERIES									
0 = Generic or Not Applicable 2 = R-22 4 = R-410A REFRIGERANT									
Product Identifier Number									
Package Quantity									
Type of Kit (Example: CH = Crankcase Heater)									