



Controls, Start-Up, Operation, Service and Troubleshooting

CONTENTS


	Page
CONTENTS	1
SAFETY CONSIDERATIONS	2
GENERAL	3
Conventions Used in This Manual	3
Display Module Usage	3
CONTROLS	8
General	8
Main Base Board (MBB)	8
Compressor Protection Module (CPM)	8
Electronic Expansion Valve (EXV) Board	13
Fan Boards	15
Enable-Off-Remote Contact Switch (SW1)	17
Emergency On/Off Switch (SW2)	17
Hand-Off-Auto Switch (HOA)	17
Energy Management Module (EMM)	17
Hot Gas Bypass/Pump Board	17
Local Equipment Network	19
Board Addresses	19
Carrier Controller Display	19
Control Module Communication	20
Carrier Comfort Network® (CCN) Interface	20
Remote Alarm and Alert Relays	21
CONFIGURATION	21
Carrier Controller Operation Configuration Tables ..	21
Machine Control Methods	23
Machine On/Off Control	23
Fluid Set Point Control Location	27
Cooling Set Point Selection	28
Chilled Water Fluid Type Selection	29
Cooler Pump Control	30
Machine Start Delay	32
Circuit/Compressor Staging and Loading	32
Minimum Load Control	34
Dual Chiller Control	34
Night Time/Low Noise Operation	39
Ramp Loading	39
Temperature Reset	39
Demand Limit	43
Ice Storage Operation	47
Broadcast Configuration	47
Alarm Control	47
Daylight Saving Time Configuration	48
Capacity Control Overrides	49
Head Pressure Control	51
PRE-START-UP	60
System Check	60
START-UP	60
Actual Start-Up	60
Operating Limitations	61
OPERATION	70
Sequence of Operation	70
Dual Chiller Sequence of Operation	71
Operating Modes	71
Sensors	74
SERVICE	78
Economizer Assembly	78
Electronic Expansion Valve (EXV)	78
Compressor Assembly	82
Cooler Service	84
Flooded Cooler Units	84
DX Cooler Units	87
DX Cooler and Flooded Cooler Units	90
Condenser Coil Maintenance and Cleaning Recommendations	90
MCHX Condenser Coil Maintenance and Cleaning Recommendations	90
RTPF Condenser Coil Maintenance and Cleaning Recommendations	90
Condenser Fans	91
Refrigerant Circuit	91
Safety Devices	92
Relief Devices	92
MAINTENANCE	93
Recommended Maintenance Schedule	93
TROUBLESHOOTING	93
Alarms and Alerts	93
Service Test	109
APPENDIX A — CARRIER CONTROLLER DISPLAY TABLES	118
APPENDIX B — NAVIGATOR TABLES	135
APPENDIX C — CCN TABLES	150
APPENDIX D — 30XA080-501 CPM DIP SWITCH ADDRESSES	168
APPENDIX E — PIPING/INSTRUMENTATION ..	174
APPENDIX F — MAINTENANCE SUMMARY AND LOG SHEETS	180
APPENDIX G — BACNET COMMUNICATION ..	183
APPENDIX H — COOLER HEATER SENSOR SET POINT	193
INDEX	194
START-UP CHECKLIST FOR 30XA LIQUID CHILLERS	CL-1

SAFETY CONSIDERATIONS

Installation and servicing of air-conditioning equipment can be hazardous due to system pressure and electrical components. Only trained and qualified service personnel should install, repair, or service air-conditioning equipment.

Untrained personnel can perform basic maintenance functions of cleaning coils and filters and replacing filters. All other operations should be performed by trained service personnel. When working on air-conditioning equipment, observe precautions in the literature, tags and labels attached to the unit, and other safety precautions that may apply.

Follow all safety codes, including ANSI (American National Standards Institute) Z223.1. Wear safety glasses and work gloves. Use quenching cloth for unbrazing operations. Have fire extinguisher available for all brazing operations.

It is important to recognize safety information. This is the safety-alert symbol . When you see this symbol on the unit and in instructions or manuals, be alert to the potential for personal injury.

Understand the signal words DANGER, WARNING, CAUTION, and NOTE. These words are used with the safety-alert symbol. DANGER identifies the most serious hazards which **will** result in severe personal injury or death. WARNING signifies hazards which **could** result in personal injury or death. CAUTION is used to identify unsafe practices, which **may** result in minor personal injury or product and property damage. NOTE is used to highlight suggestions which **will** result in enhanced installation, reliability, or operation.

DANGER

Failure to follow these procedures will result in severe personal injury or death.

DO NOT VENT refrigerant relief devices within a building. Outlet from rupture disc or relief valve must be vented outdoors in accordance with the latest edition of ANSI/ASHRAE 15 (American National Standards Institute/American Society of Heating, Refrigerating and Air-Conditioning Engineers) (Safety Code for Mechanical Refrigeration). The accumulation of refrigerant in an enclosed space can displace oxygen and cause asphyxiation.

PROVIDE adequate ventilation in accordance with ANSI/ASHRAE 15, especially for enclosed and low overhead spaces. Inhalation of high concentrations of vapor is harmful and may cause heart irregularities, unconsciousness, or death. Intentional misuse can be fatal. Vapor is heavier than air and reduces the amount of oxygen available for breathing. Product causes eye and skin irritation. Decomposition products are hazardous.

DO NOT USE OXYGEN to purge lines or to pressurize a machine for any purpose. Oxygen gas reacts violently with oil, grease, and other common substances.

DO NOT USE air to leak test. Use only refrigerant or dry nitrogen.

NEVER EXCEED specified test pressures. VERIFY the allowable test pressure by checking the instruction literature and the design pressures on the equipment nameplate.

DO NOT VALVE OFF any safety device.

BE SURE that all pressure relief devices are properly installed and functioning before operating any machine.

RISK OF INJURY OR DEATH by electrocution. High voltage is present on motor leads even though the motor is not running when a solid state or inside-delta mechanical starter is used. Open the power supply disconnect before touching motor leads or terminals.

WARNING

Electrical shock can cause personal injury and death. Shut off all power to this equipment during installation. There may be more than one disconnect switch. Tag all disconnect locations to alert others not to restore power until work is completed.

DANGER

DO NOT USE TORCH to remove any component. System contains oil and refrigerant under pressure.

To remove a component, wear protective gloves and goggles and proceed as follows:

- Shut off electrical power to unit.
- Recover refrigerant to relieve all pressure from system using both high-pressure and low pressure ports.
- Traces of vapor should be displaced with nitrogen and the work area should be well ventilated. Refrigerant in contact with an open flame produces toxic gases.
- Cut component connection tubing with tubing cutter and remove component from unit. Use a pan to catch any oil that may come out of the lines and as a gage for how much oil to add to the system.
- Carefully un-sweat remaining tubing stubs when necessary. Oil can ignite when exposed to torch flame.

Failure to follow these procedures may result in personal injury or death.

CAUTION

UNIT DAMAGE HAZARD

This unit uses a microprocessor-based electronic control system. **Do not** use jumpers or other tools to short out components or to bypass or otherwise depart from recommended procedures. Any short-to-ground of the control board or accompanying wiring may destroy the electronic modules or electrical components.

CAUTION

To prevent potential damage to heat exchanger tubes, always run fluid through heat exchanger when adding or removing refrigerant charge. Use appropriate antifreeze solutions in cooler fluid loop to prevent the freezing of heat exchanger or interconnecting piping when the equipment is exposed to temperatures below 32°F (0°C). Proof of flow switch is factory installed on all models. Do NOT remove power from this chiller during winter shut down periods without taking precaution to remove all water from heat exchanger. Failure to properly protect the system from freezing may constitute abuse and may void warranty.

CAUTION

Compressors require specific rotation. Test condenser fan(s) first to ensure proper phasing. Swap any two incoming power leads to correct condenser fan rotation before starting compressors. Operating the unit without testing the condenser fan(s) for proper phasing could result in equipment damage.

⚠ CAUTION

DO NOT re-use compressor oil or any oil that has been exposed to the atmosphere. Dispose of oil per local codes and regulations. DO NOT leave refrigerant system open to air any longer than the actual time required to service the equipment. Seal circuits being serviced and charge with dry nitrogen to prevent oil contamination when timely repairs cannot be completed. Failure to follow these procedures may result in damage to equipment.

GENERAL

This publication contains Controls, Operation, Start-Up, Service and Troubleshooting information for the 30XA080-501 air-cooled liquid chillers with electronic controls. The 30XA chillers are equipped with *ComfortLink* controls and electronic expansion valves. The AquaForce® 30XA chillers offer two different user interface devices, the Carrier Controller display and the Navigator™ display.

Conventions Used in This Manual

The following conventions for discussing configuration points for the Navigator module and Carrier Controller display will be used in this manual.

Point names for the Carrier Controller display will be shown in **bold**. See Appendix A for a complete list of point names. Item names for the Navigator module will be shown in *bold italics*. See Appendix B for the complete path name preceding the item name. The point and item names in Appendices A and B will be listed in alphabetical order and the path name for each will be written with the mode name first, then any sub-modes, each separated by an arrow symbol (→).

This path name will show the user how to navigate through the Navigator module or the Carrier Controller display to reach the desired configuration. The user would scroll through the modes and sub-modes using the ▲ and ▼ keys on the Navigator display. For the Carrier Controller display, the user would simply touch the menu item on the screen. The arrow symbol in the path name represents pressing **ENTER** to move into the next level of the menu structure for the Navigator module, or touching the menu item on the screen for the Carrier Controller display.

When a value is included as part of the point name, it will be shown after the point name after an equals sign. If the value represents a configuration setting, an explanation will be shown in parentheses after the value. The Carrier Controller name will be shown first with the Navigator name following. As an example, **(Circuit Loading Sequence = 1 (A Lead), LLCS = Cir A leads)**.

Press the **ESCAPE** and **ENTER** keys simultaneously on the Navigator module to display an expanded text description of the point name or value. The expanded description is shown in the Navigator display tables (Appendix B) but will not be shown with the path names in text. The Carrier Controller display will show an expanded description of the point name. To view the expanded point name for the Carrier Controller display go to Appendix A.

The Carrier Controller display configures the unit via the CCN (Carrier Comfort Network®) Tables, which are located in Appendix C of this manual.

Display Module Usage

CARRIER CONTROLLER DISPLAY

The Carrier Controller display is the standard user interface for the AquaForce 30XA chillers with the *ComfortLink* control system. The display includes a large LCD (liquid crystal display) touch

screen for display and user configuration, a Start/Stop button, and an Alarm Indicator LED (light-emitting diode). See Fig. 1.

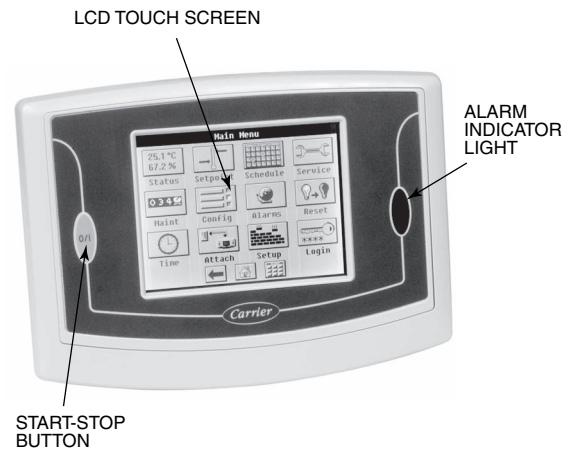











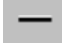





Fig. 1 — Carrier Controller Display


The Carrier Controller display can be used to access various Carrier Comfort Network® devices. For operation under these circumstances, contact your Carrier representative.


Operation of the Carrier Controller display is driven from the displays on the touch screen. The Carrier Controller display uses the following screen “buttons” to allow the user to operate the display and navigate within and between screens.


-  “BACK” Returns to the next higher screen in the hierarchy.
-  “HOME” Displays the Default Group Display screen for Carrier Controller display. The Default Screen is a user-configured display of up to 9 points on each of 8 screens. This allows for quick access to various, frequently viewed points, without navigating through the Main Menu structure. This button is available at all menu levels and returns the user to the first Default Group Display screen.
-  “MAIN MENU” Displays the Main Menu screen. This allows access for viewing and configuration, where possible, of all points supported by the controller. This includes points such as set point and operational configuration. This button is available at all menu levels and returns the user to the Main Menu screen.
-  “PREVIOUS” In a group of sequential screens of the same type, pressing this button moves the user to the next earlier screen in the group.
-  “NEXT” In a group of sequential screens of the same type, pressing this button advances the user to the next screen in the group.
-  “OK” Agrees with, or says “yes” to a prompt and performs the appropriate processing.
-  “NO” Rejects, or says “no” to a prompt and performs the appropriate processing.
-  “CANCEL” Terminates an ongoing action and returns to the current screen without any other processing.
-  “CLEAR DATA” Clears the data value in a data entry dialog box. This button is used to clear incorrect data.
-  “RESET DATA” Zeros the data value in a data entry dialog box.
-  “ADD” Adds the active point to a Group Display screen.
-  “REMOVE” Deletes a point from a Group Display screen.
-  “INCREASE” Modifies the value of a field within its defined limits or “SCROLL UP” and shifts the screen view up by one item.

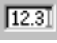
 “DECREASE” Modifies the value of a field within its defined limits or “SCROLL DOWN” and shifts the screen view down by one item.


 “PAGE DOWN” If the current table or list has more data than will fit on the screen, pressing this button will replace the items currently on the screen with the next group of items.


 “PAGE UP” If the current table or list has more data than will fit on the screen, pressing this button will replace the items currently on the screen with the previous group of items.

 “FORCE” Begins the process of forcing or overriding the value of a point.

 “AUTO” Begins the process of removing a force from a point.

 “MODIFY” Begins the process of modifying a configuration value.

 “ALARM INDICATOR LIGHT” An LED alarm indicator light is activated when a new alarm condition occurs. The alarm indicator light, located on the right side of the display, remains activated until it is manually reset using the Reset button on the Main menu.

 “START/STOP BUTTON” The Carrier Controller display includes an equipment Start/Stop Button that enables the user to start or stop the chiller from the display. See Enable-Off-Remote Contact Switch (SW1) on page 17 for additional information.


Several items are password protected. When required, a Password dialog box will be displayed for field input of the password. The default password is 3333. The password can be changed if desired.

COMMAND REJECTED will be displayed if the unit is in an ON state and a configuration change is attempted. Place the unit in the OFF state before making a configuration change.


Power-Up Display

When the Carrier Controller display is powered up, it displays an initialization progress bar and attaches (initiates communication) to the Main Base Board. The Carrier Controller display then shows that controller’s default Group Display screen. See Fig. 2. This is a user-configured display screen with up to 9 points on 8 separate screens. For more information on adding or removing points from the Group Display screen, see the Group Display Screens section on page 5.

Touch any of the screen point buttons and the Point Data Dialog box will be displayed with expanded information. In the example shown below, the CTRL_PNT button in the bottom left corner was selected. See Fig. 2 and 3.

To exit the box, press .

Main Menu Display

The default screen for the Carrier Controller controller is the Group Display screen. To access the Main Menu, press the  button. The screen shown in Fig. 4 will be displayed. Selecting a button will display the screens associated with that category. The user can also access the login screen from the Main Menu if needed.

Carrier Controller Menu Structure

The user can navigate through the Carrier Controller display screens by selecting the buttons that appear on the screen. When a button is selected, either a sub-menu or a list of point names and values will be shown. Submenus will display a list of associated point names. See Fig. 5 for the Carrier Controller menu structure.

If the list of point names and values are shown, the top line of the display is the table name. The line and total line counter is displayed in the upper right corner of the display. Selecting an item will cause a Point Data dialog box to appear.

Setup Menu Screen

The Setup Menu screen, shown in Fig. 6, is accessed by pressing the Setup button from the Main Menu. This configuration allows the user to configure the basic operation and look of the display. Table 1 summarizes the Setup Menu functions.

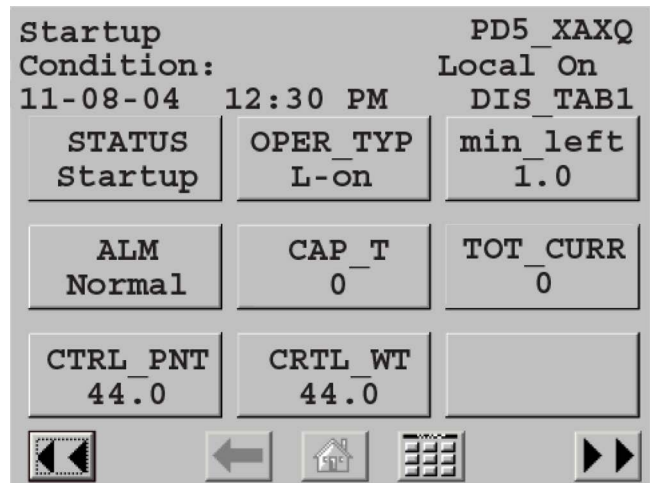


Fig. 2 — Group Display Screen

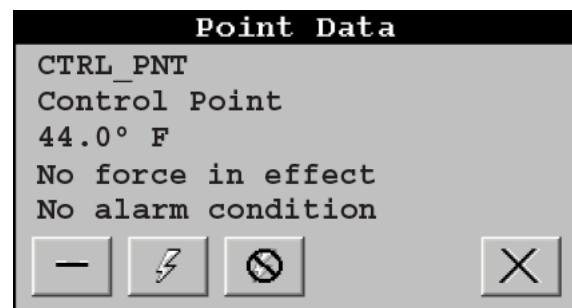


Fig. 3 — Point Data Dialog Box

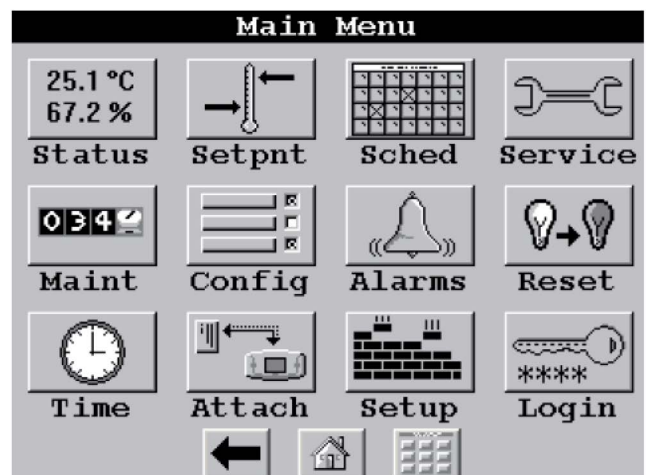


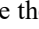













Fig. 4 — Main Menu Display

Setting the Time and Date

The ComfortLink control has a time and date function. This can be useful for diagnostics to determine when alarms occur. The control is factory configured for the proper date and is set for the Eastern Time Zone. The date and time zone must be checked and corrected if necessary, to allow the machine to function on an internal time schedule and to display a proper

time and date stamp for alarms. The time and date is displayed on the Group Display Screen.

To change the Time and Date, press the  Main Menu button. Select  Time. On the display, a day and date box with a time box will be shown. To change the day and date, press the day and date box. A calendar will be displayed. If the correct month is displayed, touch the correct date. If the wrong month is displayed, use the  or  to change to the correct month and select the correct date. The date will be highlighted. Press  to accept the change. The previous screen will be displayed with the corrected day and date shown. To correct the time, use the  or  on the left to change the hour. Use the  or  on the left to change the minutes. Continuously touching the  or  will sequence the numbers. The time is shown in a 24-hour format. To accept the changes, press the  or  buttons. A “Save” dialog box is displayed with the words, “Do you wish to save changes?” Press  to accept the changes.

Group Display Screens

The Carrier Controller display supports up to eight Group Display screens. Group Display screens show status information along the top of the screens and nine buttons that display nine point names and point values that are chosen by the user. All Group Display screen points are user configurable. The bottom line of the screen contains navigation buttons that can be used to move between the Group Display screens.

Pressing a point button will show that point’s Point Data dialog box. See Fig. 2 and 3. This box contains buttons that remove the point from the group display and apply or remove a force (point override). When touching any button in the display screen, the button will be outlined to acknowledge input. There may be a delay in response to input, but if the button is outlined, do NOT press any other button until the previous input has been processed.

If there is a communication failure with the MBB (Main Base Board), all point buttons will be displayed in inverse video and the message *Communication Failure* will be displayed in the top left line of the screen.

Default Group Designation

The default group is the first of the 8 Group Display screens. This is the default screen of the display. Information on this screen as well as the other 7 screens can be user-modified to meet the needs of the site.

To Add a Point To a Group Display

From the Main Menu, press the desired menu button (Status, Setpoint, Service, Maint, or Config) and, if necessary, the sub-menu button to access the point to be added. Press the point button to show the source point’s Point Data dialog box. See Fig. 3. From the Point Data dialog box, press the ADD button. The display will show the last Group Display accessed. Use the navigation buttons to access the destination Group Display. Press an existing point button or a blank button to update the highlighted button with the source point’s name. Press to add the highlighted point to the group and return to the table display.

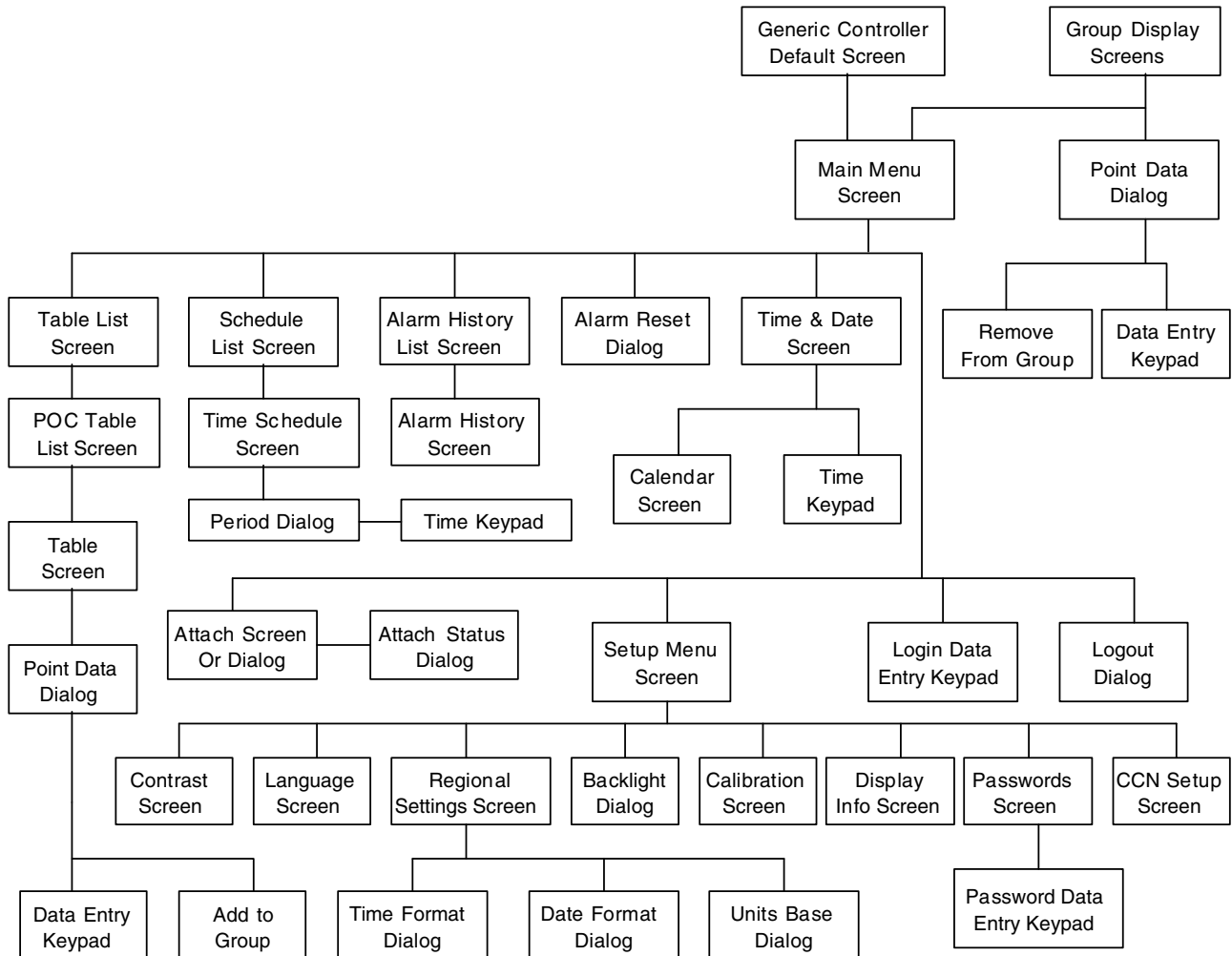


Fig. 5 — Carrier Controller Display Menu Structure

Table 1 — Setup Menu

SETUP MENU BUTTON	FUNCTION
REGIONAL	This button specifies the time and date format and the base unit of measure. Time display can be configured as a 12-hour AM/PM setting or as a 24-hour setting. The date can be formatted in one of 3 settings, MM-DD-YYYY (Month-Day-Year), DD-MM-YYYY (Day-Month-Year), or YYYY-MM-DD (Year-Month-Day). Units of measure can be either US (English) or Metric (SI).
LANGUAGE	This button selects the active language and font of the display. Available languages are English and Spanish (Español). If a preferred language is not available, additional software for the Main Base Board (MBB) and the Carrier Controller display are required. Contact your Carrier representative for instructions and software.
CONTRAST	This button adjusts the LCD contrast. Press and hold the [MOON] button to increase/darken the contrast or the [STAR] button to decrease/lighten the current contrast. NOTE: Touching the screen anywhere for 5 seconds while powering up will prompt the user to restore contrast and calibration settings to factory defaults.
BACKLIGHT	This button specifies whether backlighting should be kept on at all times or turned off during inactive periods.
CALIBRATE	This button is used to adjust the LCD touch screen calibration. Touch the screen in the circular targets located first in the upper left and then in the lower right corner of the screen to adjust.
PASSWORDS	This button is used to configure the limited and full logged-in access system passwords. In order to change passwords, the user must be logged in with full access to view and change the passwords. All passwords must consist of 4 digits, which can be entered using the numeric keypad. Access levels and associated privileges are as follows: Limited Logged-in Access - Provides the user with read/write access to all available tables (except service configuration tables, where the user will not be permitted to modify point data, and Group Display tables, where the user will not be permitted to add points.) This access level also provides read/write access to all Carrier Controller display setup properties except Display, CCN, and Password. Full Logged-in Access - Provides user with read/write access to all available tables for the attached device and all Carrier Controller display properties. If the user does not log in, read-only access to all tables is allowed. The user will be prompted to log in when attempting to access password-required functions.
DISPLAY	This button is used to view the description data and part number from the Ctrl-ID Table and to specify the Operating Mode. The Operating mode can be configured for Equipment mode or Network mode. For Carrier Controller displays that are standard with the unit, Operating mode should not be changed from Equipment mode. Equipment mode provides access only to the chiller's MBB via the Local Equipment Network (LEN) Bus. For remote access, a remote Carrier Controller display can be set to Network mode. Network mode provides access to all devices on the CCN (Carrier Comfort Network®) bus. NOTE: When changing the operating mode, a power cycle is required in order for the new operating mode to take effect. The user should view and correct the following CCN data: address and baud rate, alarm acknowledge, and broadcast acknowledge designation.
CCN	This button is used to configure the bus and element numbers and the baud rate of the control on the network.



Fig. 6 — Setup Menu Display

To Remove a Point From a Group Display

From the Point Data Dialog box, press the REMOVE button and follow the prompts. The display will return to the Group Display screen from which the point was removed, and the button corresponding to the deleted point will be blank and disabled.

NAVIGATOR™ DISPLAY MODULE

The Navigator display module provides a mobile user interface to the ComfortLink control system. The display has up and down arrow keys, an [ENTER] key, and an [ESCAPE] key. These keys are used to navigate through the different levels of the display structure. Press the [ESCAPE] key until “Select a Menu Item” is displayed. Use the up and down arrow keys to move through the top 11 mode levels indicated by LEDs on the left side of the display. See Fig. 7. See Table 2 and Appendix B for more details about the display menu structure.

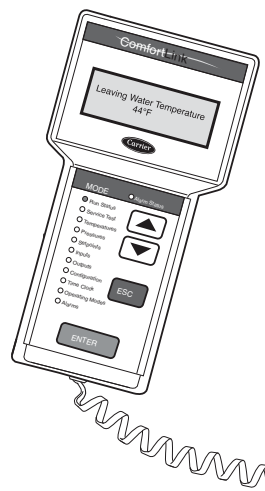


Fig. 7 — Navigator Display Module

Table 2 — ComfortLink Navigator™ Display Menu Structure

MODE										
RUN STATUS	SERVICE TEST	TEMPERATURES	PRESSURES	SET POINTS	INPUTS	OUTPUTS	CONFIGURATION	TIME CLOCK	OPERATING MODES	ALARMS
Auto Display (VIEW)	Manual Test Mode (TEST)	Unit Temperatures (UNIT)	Circuit A Pressures (PRC.A)	Cooling Setpoints (COOL)	General Inputs (GEN.I)	Circuit A Outputs (CIR.A)	Display Configuration (DISP)	Time of Day (TIME)	Operating Control Type (SLCT)	Reset Current Alarms (R.ALM)
Machine Starts/Hours (RUN)	Quick Test Mode (QUIC)	Circuit A Temperatures (CIR.A)	Circuit B Pressures (PRC.B)	Heating Setpoints (HEAT)		Circuit B Outputs (CIR.B)	Unit Configuration (UNIT)	Day, Date (DATE)	Operating Modes (MODE)	Current Alarms (ALRM)
Compressor Run Hours (HOUR)		Circuit B Temperatures (CIR.B)	Circuit C Pressures (PRC.C)	Misc. Setpoints (MISC)		Circuit C Outputs (CIR.C)	Service Configurations (SERV)	Schedule 1 (SCH1)		Alarm History (H.ALM)
Compressor Starts (STRT)		Circuit C Temperatures (CIR.C)				General Outputs (GEN.O)	Options Configuration (OPTN)	Schedule 2 (SCH2)		
Fan Run Hours (FAN)							Reset, Demand Limit, Master/Slave (RSET)	Holidays (HOLI)		
Compressor Disable (CP.UN)								Service Maintenance Configuration (MCFG)		
Predictive Maintenance (MAIN)										
Software Versions (VERS)										

Once within a mode or sub-mode, “>” indicates the currently selected item on the display screen. Pressing the **ENTER** and **ESCAPE** keys simultaneously will put the Navigator module into expanded text mode where the full meaning of all sub-modes, items, and their values can be displayed. Pressing the **ENTER** and **ESCAPE** keys when the display says “Select Menu Item” (Mode LED level) will return the Navigator module to its default menu of rotating display items (those items in *Run Status* → *VIEW*). In addition, the password will be disabled, requiring that it be entered again before changes can be made to password protected items. Press the **ESCAPE** key to exit out of the expanded text mode.

When a specific item is located, the item name appears on the left of the display, the value will appear near the middle of the display, and the units (if any) will appear on the far right of the display. Press the **ENTER** key at a changeable item and the value will begin to flash. Use the up and down arrow keys to change the value, and confirm the value by pressing the **ENTER** key.

Changing item values or testing outputs is accomplished in the same manner. Locate and display the desired item. Press **ENTER** so that the item value flashes. Use the arrow keys to change the value or state and press the **ENTER** key to accept it. Press the **ESCAPE** key to return to the next higher level of structure. Repeat the process as required for other items.

Items in the Configuration and Service Test modes are password protected. The words **Enter Password** will be displayed when required, with 1111 also being displayed. The default password is 0111. Use the arrow keys to change each number and press **ENTER** to accept the digit. Continue with the remaining digits of the password. The password can only be changed through CCN operator interface software such as ComfortWORKS®, ComfortVIEW™, and Service Tool.

Power-Up Display

When the Navigator display is powered up it will display:

ComfortLink
Navigator
By
Carrier

This indicates an initialization period while the Navigator™ display initiates communication with the Main Base Board. Once communication is established, the default rotating display will be shown. If communication is not established, the Navigator module will display:

Communication
Failure

If the Navigator module is connected to a Main Base Board without software loaded, the display will remain at the powered-up initialization display.

Setting the Time and Date

The ComfortLink control has a time and date function. This can be useful for diagnostics to determine when alarms occur. The control is factory configured for the proper date and for use in the Eastern Time Zone. The control must be checked and corrected if necessary. The correct time is important if the machine is to function on an internal time schedule and display a proper time and date stamp for alarms. The time and date will be displayed on the default rotating display of the Navigator module. The time and date can also be checked and changed under the Time Clock mode as described below.

ITEM	ITEM EXPANSION	PATH	VALUE
HH.MM	Time of Day	Time Clock→TIME	XX.XX

To change the time, press the arrow key to move to the correct hour and press **ENTER**. The minutes can be changed in a similar manner.

To check or change the date, the following items must be checked and changed if necessary.

ITEM	ITEM EXPANSION	PATH	VALUE
MNTH	Month of Year	Time Clock→DATE	WW
DOM	Day of Month	Time Clock→DATE	XX
DAY	Day of Week	Time Clock→DATE	YY
YEAR	Year of Century	Time Clock→DATE	ZZ

NOTE:
WW is the current month of the controller, (01=January, 02=February, etc.).
XX is the current day of the month
YY is the day of the week, (01=Monday, 02=Tuesday, etc.)
ZZ is the year of the century, (06=2006, 07=2007)

Changing the Unit of Measure

The Navigator display has two options for unit of measure on the display, English or SI (metric). The factory default for the

units of measure is English. To change the unit of measure, the following item must be changed.

ITEM	ITEM EXPANSION	PATH	VALUE
METR	Metric Display	Configuration→DISP	OFF – English ON – SI (Metric)

Changing the Display Language

The Navigator display has five language selections: English, Espanol, Francais, Portuguese, and Translated. The “Translated” option is not supported at this time. The factory default language is English. To change the display language, the following item must be changed.

ITEM	ITEM EXPANSION	PATH	VALUE
LANG	Language Selection	Configuration→DISP	English Espanol Francais Portuguese Translated

NOTE: When the Language Selection (**Configuration** →**DISP** →**LANG**) variable is changed, all appropriate display expansions will immediately change to the new language. The four letter/digit code will not change. No power-off or control reset is required when reconfiguring languages.

Adjusting the Contrast

The display contrast can be adjusted to suit ambient conditions. To adjust the contrast, enter the LED Test mode of the device.

ITEM	ITEM EXPANSION	PATH	VALUE
TEST	Test Display LEDs	Configuration→DISP	

Pressing **ENTER** will access the TEST point. Pressing **ENTER** again will cause the “OFF” to flash. Use the up or down arrow to change “OFF” to “ON.” Pressing **ENTER** will illuminate all LEDs and display all pixels in the view screen. Pressing **ENTER** and **ESCAPE** simultaneously allows the user to adjust the display contrast. The display will read:

```
Adjust Contrast
-----+-----
```

Use the up or down arrows to adjust the contrast. The screen’s contrast will change with the adjustment. Press **ENTER** to accept the change. The Navigator module will keep this setting as long as it is plugged in to the LEN (Local Equipment Network) bus.

Adjusting the Backlight Brightness

The backlight of the display can be adjusted to suit ambient conditions. The factory default is set to the highest level. To adjust the backlight of the Navigator module, enter the LED Test mode of the device.

ITEM	ITEM EXPANSION	PATH	VALUE
TEST	Test Display LEDs	Configuration Mode→DISP	

Pressing **ENTER** will access the TEST point. Pressing **ENTER** again will cause the “OFF” to flash. Use the up or down arrow to change “OFF” to “ON.” Pressing **ENTER** will illuminate all LEDs and display all pixels in the view screen. Pressing the up and down arrow keys simultaneously allows the user to adjust the display brightness. The display will read:

```
Adjust Brightness
-----+-----
```

Use the up or down arrow keys to adjust screen brightness. Press **ENTER** to accept the change. The Navigator module will keep this setting as long as it is plugged in to the LEN bus.

CONTROLS

General

The 30XA air-cooled liquid chillers contain the *ComfortLink* electronic control system that controls and monitors all operations of the chiller. The control system is composed of several components as listed in the following sections. All machines have a Main Base Board (MBB), Carrier Controller module, electronic expansion valve board (EXV), fan board, Compressor Protection board, Emergency On/Off switch, and an Enable-Off-Remote Contact switch.

Main Base Board (MBB)

The MBB is the core of the *ComfortLink* control system. It contains the major portion of operating software and controls the operation of the machine. See Fig. 8. The MBB continuously monitors input/output channel information received from its inputs and from all other modules. The MBB receives inputs from status and feedback switches, pressure transducers and thermistors. The MBB also controls several outputs. Some inputs and outputs that control the chiller are located on other boards, but are transmitted to or from the MBB via the internal communications bus. Information is transmitted between modules via a 3-wire communication bus or LEN (Local Equipment Network). The CCN (Carrier Comfort Network®) bus is also supported. Connections to both LEN and CCN buses are made at TB3. For a complete description of Main Base Board inputs and outputs and their channel identifications, see Table 3.

Compressor Protection Module (CPM)

There is one CPM per compressor. See Fig. 9. The device controls the compressor contactors, oil solenoid, loading/unloading the solenoid, motor cooling solenoid (30XA080,082 only) and the oil separator heater. The CPM also monitors the compressor motor temperature, high pressure switch, oil level switch, discharge gas temperature, oil pressure transducer, motor current, MTA (must trip amps) setting and economizer pressure transducer. The CPM responds to commands from the MBB (Main Base Board) and sends the MBB the results of the channels it monitors via the LEN (Local Equipment Network). The CPM has three DIP switch input banks, Switch 1 (S1), Switch 2 (S2), and Switch 3 (S3). The CPM board DIP switch (S1) configures the board for the type of starter, the location and type of the current transformers and contactor failure instructions. See Table 4 for description of DIP switch 1 (S1) inputs. See Appendix D for DIP switch settings.

The CPM board DIP switch S2 setting determines the must trip amps (MTA) setting. See Appendix D for DIP switch settings. The MTA setting which is calculated using the settings S2 must match the MTA setting in the software or an MTA alarm will be generated.

See below for CPM board DIP switch S3 address information. See Table 5 for CPM inputs and outputs.

CPM-A DIP Switch	1	2	3	4
Address:	OFF	OFF	OFF	OFF
CPM-B DIP Switch	1	2	3	4
Address:	OFF	OFF	ON	OFF
CPM-C DIP Switch	1	2	3	4
Address:	OFF	OFF	OFF	ON

NOTE: The CPM-A and CPM-B DIP switches are for all units. The CPM-C DIP switches are for 30XA400, 450, and 500 units only.

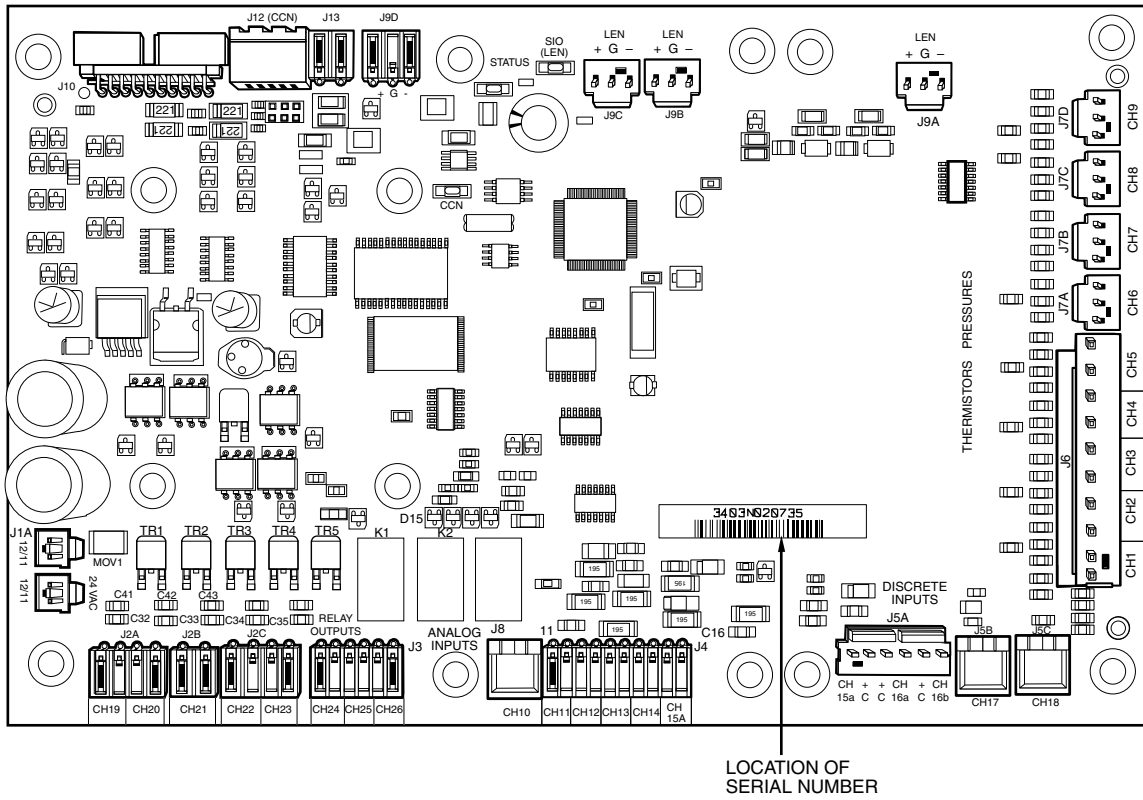


Fig. 8 — Main Base Board

Table 3 — Main Base Board Inputs and Outputs

DESCRIPTION	INPUT/OUTPUT	I/O TYPE	DISPLAY MODULE POINT NAME	CONNECTION POINT	
				Pin	Notation
Power (24 vac supply)	—	—	—	MBB-J1, MBB-J1A, MBB-J1B	
				11	24 vac
				12	Ground
Local Equipment Network	—	—	—	MBB-J9A, MBB-J9B, MBB-J9C, MBB-J9D	
				+	RS485 Port (D+)
				G	RS485 Port (Gnd)
Carrier Communication Network	—	—	—	MBB-J12	
				+	RS485 Port (D+)
				G	RS485 Port (Gnd)
Chilled Water Flow Switch	CWFS	Switch	Cooler Flow Switch, <i>LOCK</i>	MBB-J5B-CH17	
				17	
Demand Limit Switch No. 1	Demand Limit SW1	Switch	Limit Switch 2 Status, <i>DLS1</i>	MBB-J4-CH13	
Circuit A Discharge Pressure Transducer	DPTA	Pressure Transducer	Discharge Pressure, <i>DP.A</i>	MBB-J7A-CH6	
				5V	+5 vdc Ref.
				S	Signal
				R	Return
Circuit B Discharge Pressure Transducer	DPTB	Pressure Transducer	Discharge Pressure, <i>DP.B</i>	MBB-J7C-CH8	
				5V	+5 vdc Ref.
				S	Signal
				R	Return
Dual Chiller LWT Thermistor	DUAL	5k Thermistor	CHWS Temperature, <i>CHWS</i>	MBB-J6-CH3	
Dual Set Point Input	Dual Set Point	Switch	Remote Setpoint Switch, <i>DUAL</i>	MBB-J4-CH12	
Entering Water Thermistor	EWT	5k Thermistor	Cooler Entering Fluid, <i>EWT</i>	MBB-J6-CH2	
Leaving Water Thermistor	LWT	5k Thermistor	Cooler Leaving Fluid, <i>LWT</i>	MBB-J6-CH1	
Outdoor Air Thermistor	OAT	5k Thermistor	External Temperature, <i>OAT</i>	MBB-J6-CH4	
External Chilled Water Pump Interlock	PMPI	Switch	Electrical Box Interlock, <i>ELEC</i>	MBB-J4-CH15A	
Circuit A Suction Pressure Transducer	SPTA	Pressure Transducer	Suction Pressure, <i>SP.A</i>	MBB-J7B-CH7	
				5V	+5 vdc Ref.
				S	Signal
Circuit B Suction Pressure Transducer	SPTB	Pressure Transducer	Suction Pressure, <i>SP.B</i>	MBB-J7D-CH9	
				5V	+5 vdc Ref.
				S	Signal
Unit Status	Remote Contact-Off-Enable	Switch	On/Off Remote Switch, <i>ONOF</i>	MBB-J4-CH11	
Alarm Relay	ALM R	Relay	Alarm Relay Output, <i>ALRM</i>	MBB-J3-CH24	
Alert Relay	ALT R	Relay	Alert Relay Output, <i>ALRT</i>	MBB-J3-CH25	
Cooler Heater	CL-HT	Contactora	Cooler Heater Command, <i>CO.HT</i>	MBB-J3-CH26	
Isolation Valve A	ISVA	Contactora	Ball Valve Position, <i>BVL.A</i>	MBB-J2A-CH19	
Isolation Valve B	ISVB	Contactora	Ball Valve Position, <i>BVL.B</i>	MBB-J2A-CH20	
Isolation Valve C (Size 400-500)	ISVC	Contactora	Ball Valve Position, <i>BVL.C</i>	MBB-J2C-CH22	
Oil Heater A (Size 080, 082 only)	OIL HT_A	Contactora	Circuit A Oil Heater, <i>HT.A</i>	MBB-J2C-CH22	
Oil Heater B (Size 080, 082 only)	OIL HT_A	Contactora	Circuit B Oil Heater, <i>HT.B</i>	MBB-J2C-CH23	
Pump #1 Interlock Pump #2 Interlock	PMP1 PMP2	Switch	Cooler Pump Run Status, <i>PUMP</i>	MBB-J5C-CH18	
Cooler Heater Sensor Relay	HT.SW	Relay	Heater Switch Input, <i>HT.SW</i>	MBB-J5A-CH16B	

LEGEND

I/O — Input or Output
LWT — Leaving Water Temperature

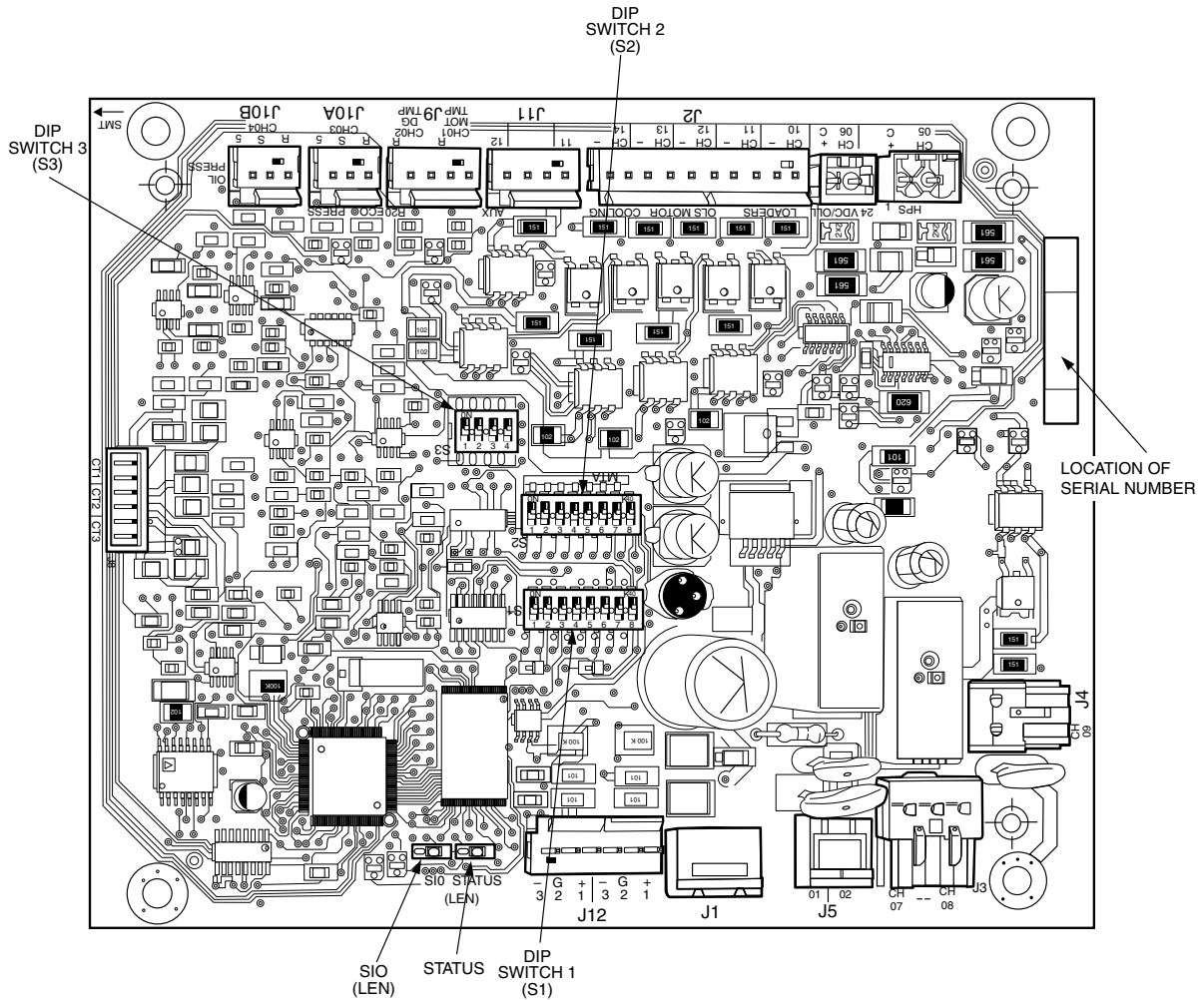


Fig. 9 — Compressor Protection Module

Table 4 — DIP Switch 1 (S1) Inputs

DIP SWITCH POSITION	FUNCTION	SETTING	MEANING
1	Starter Configuration	OFF	Across-the-line Start
		ON	Wye-Delta Start
2, 3	Current Transformer (CT) Position	OFF (2), OFF (3)	CT is located in the Delta of the motor
		ON (2), OFF (3)	CT is located in the main line
		OFF (2), ON (3)	Reserved for future use
		ON (2), ON (3)	Invalid; will cause MTA configuration alarm
4, 5, 6	Current Transformer (CT) Selection	OFF (4), OFF (5), OFF (6)	100A/1V CT1, CT ratio: 4,030:1
		ON (4), OFF (5), OFF (6)	100A/0.503V CT2, CT ratio 8,000:1
		OFF (4), ON (5), OFF (6)	100A/0.16V CT3, CT ration: 25,200:1
		ON (4), ON (5), OFF (6)	Invalid; will cause MTA configuration alarm
		OFF (4), OFF (5), ON (6)	Invalid; will cause MTA configuration alarm
		ON (4), OFF (5), ON (6)	Invalid; will cause MTA configuration alarm
		OFF (4), ON (5), ON (6)	Invalid; will cause MTA configuration alarm
		ON (4), ON (5), ON (6)	Invalid; will cause MTA configuration alarm
7	Contactor Failure Action	OFF	All units should be off
		ON	Used when Shunt Trip is available in the unit
8	Not Used	—	—

Table 5 — Compressor Protection Module Inputs and Outputs*

DESCRIPTION	INPUT/OUTPUT	I/O TYPE	DISPLAY MODULE POINT NAME	CONNECTION POINT	
				Pin	Notation
Power (24 vac supply)	—	—	—	CPM-X-J1	
				11	24 vac
				12	Ground
Local Equipment Network	—	—	—	CPM-X-JP12	
				1	RS485 Port (D+)
				2	RS485 Port (Gnd)
				3	RS485 Port (D-)
				CPM-X-J12	
				1	RS485 Port (D+)
2	RS485 Port (Gnd)				
3	RS485 Port (D-)				
Circuit X High Pressure Switch	HPS-X	Switch	—	CPM-X-J7-CH05	
				1	
Oil Level Switch	Oil LS X	Switch	Circuit X Oil Solenoid, <i>OLS.X</i>	CPM-X-J6-CH06	
				1	
				2	
Must Trip Amps†	MTA (S2)	8-Pin DIP Switch	Must Trip Amps, <i>MTA.X</i>		
Configuration Switch†	S1	8-Pin DIP Switch	S1 Config Switch, <i>C.SW.X</i>		
Compressor X Motor Temperature	MTR-X	NTC Thermistor	Motor Temperature, <i>CTP.X</i>	CPM-X-J9-CH01	
				1	
Compressor X Discharge Gas Temperature	DGT X	NTC Thermistor	Discharge Gas Temp, <i>DGT.X</i>	CPM-X-J9-CH02	
				1	
				2	
Oil Pressure Transducer	OPT X	Pressure Transducer	Oil Pressure, <i>OP.X</i>	CPM-X-J10B-CH04	
				5V	+ 5 vdc ref
				S	Signal
				R	Return
Economizer Pressure Transducer	EPT X	Pressure Transducer	Economizer Pressure, <i>ECP.X</i>	CPM-X-J10A	
				5V	+ 5 vdc ref
				S	Signal
				R	Return
Compressor Current X Phase A		Current Sensor	CUR.A	CPM-X-J8-CH01	
				1	
Compressor Current X Phase B		Current Sensor	CUR.B	CPM-X-J8-CH02	
				1	
Compressor Current X Phase C		Current Sensor	CUR.C	CPM-X-J8-CH3	
				1	
				2	
Compressor X 1M Contactor	C X 1M	Contactor	Compressor Output, <i>CP.X</i>	CPM-X-J1-CH07	
				1	
Compressor X 2M Contactor	C X 2M	Contactor	Not available	CPM-X-J2-CH8	
				1	
Compressor X S Contactor	C X S	Contactor	Not available	CPM-X-J2-CH9	
				1	
Oil Heater Relay X (090-501 Only)	Oil HTR X	Contactor	Oil Heater Output, <i>HT.X</i>	CPM-X-J2-CH10	
				1	
Oil Solenoid X	Oil solenoid-X	Solenoid	Oil Solenoid Output, <i>OLS.X</i>	CPM-X-J2-CH12	
				1	
Load Solenoid X	Loading Solenoid-X	Solenoid	Slide Valve 1 Output, <i>SL1.X</i>	CPM-X-J2-CH13	
				1	
Unload Solenoid X	Unloading Solenoid-X	Solenoid	Slide Valve 2 Output, <i>SL2.X</i>	CPM-X-J2-CH14	
				1	
Gas Cooling Solenoid X (080,082 Only)	Gas Cooling Solenoid-X	Solenoid	DGT Cooling Solenoid, <i>DGT.X</i>	CPM-X-J2-CH10	
				1	
				2	

*"X" denotes the circuit, A, B or C.

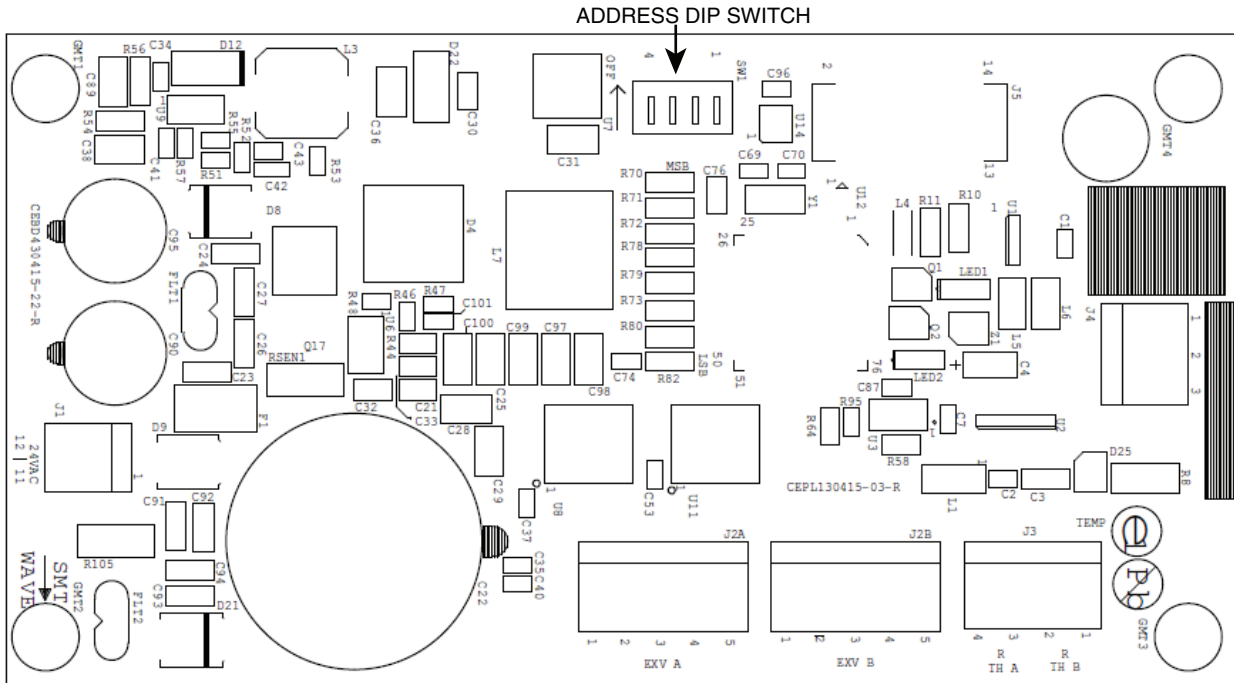
†See Appendix D for MTA settings.

Electronic Expansion Valve (EXV) Board

The 30XA080,082 unit has one EXV board. The 30XA090-501 units have one EXV board per circuit. See Fig. 10. The board is responsible for monitoring the suction gas temperature and economizer gas temperature thermistors. The board also signals the main EXV and economizer EXV (ECEXV) motors to open or close. The electronic expansion valve board responds to commands from the MBB and sends the MBB the results of the channels it monitors via the LEN (Local Equipment

Network). See below for DIP switch information. See Tables 6 and 7 for EXV inputs and outputs.

EXV1 DIP SWITCH	1	2	3	4
Address: 65	OFF	OFF	OFF	OFF
EXV2 DIP SWITCH	1	2	3	4
Address: 66	ON	OFF	OFF	OFF
EXV3 DIP SWITCH	1	2	3	4
Address: 67	OFF	ON	OFF	OFF



NOTE: PIN1 OF EACH CONNECTOR MARKED WITH "1"

Fig. 10 — EXV Board

Table 6 — EXVA Board Inputs and Outputs (30XA080,082)

DESCRIPTION	INPUT/OUTPUT	I/O TYPE	DISPLAY MODULE POINT NAME	CONNECTION POINT	
				Pin	Notation
Power (24 vac supply)	—	—	—	EXVA-J1	
				11	24 vac
				12	Ground
Local Equipment Network	—	—	—	EXVA-J4	
				1	RS485 Port (D+)
				2	RS485 Port (Gnd)
Circuit A Suction Gas Thermistor	SGTA	5k Thermistor	Compressor Suction Temp, <i>SGT.A</i>	EXVA-J3	
				TH	
				A	
Circuit B Suction Gas Thermistor	SGTB	5k Thermistor	Compressor Suction Temp, <i>SGT.B</i>	EXVA-J3	
				TH	
				B	
Circuit A EXV	EXV-A	Stepper Motor	EXV Position, <i>EXV.A</i>	EXVA-J2A	
				1	
				2	
				3	
Circuit B EXV	EXV-B	Stepper Motor	EXV Position, <i>EXV.B</i>	EXVA-J2B	
				1	
				2	
				3	
				4	

Table 7 — EXV A,B Board Inputs and Outputs* (30XA090-501)

DESCRIPTION	INPUT/OUTPUT	I/O TYPE	DISPLAY MODULE POINT NAME	CONNECTION POINT	
				Pin	Notation
Power (24 vac supply)	—	—	—	EXVX-J1	
				11	24 vac
				12	Ground
Local Equipment Network	—	—	—	EXVX-J4	
				1	RS485 Port (D+)
				2	RS485 Port (Gnd)
Circuit X Suction Gas Thermistor	SGT X	5k Thermistor	Compressor Suction Temp, <i>SGT.X</i>	EXVX-J3	
				TH	
				A	
Circuit X Economizer Gas Thermistor	ECT X	5k Thermistor	Economizer Gas Temp, <i>ECT.X</i>	EXVX-J3	
				TH	
				B	
Circuit X EXV	EXV-X	Stepper Motor	EXV Position, <i>EXV.X</i>	EXVX-J2A	
				1	
				2	
				3	
Circuit X Economizer EXV	ECEXV-X	Stepper Motor	Cir X Economizer EXV Pos, <i>ECO.X</i>	EXVX-J2A	
				1	
				2	
				3	
				4	

*"X" denotes the circuit, A, or B.

Fan Boards

At least one fan board is installed in each unit. See Fig. 11 and 12. There are two types of fan boards: one with and one without an analog output signal for the low ambient temperature head pressure control fan speed controllers. If a unit does not have low ambient temperature head pressure control installed, it will not have the analog connection terminals. The fan board responds to commands from the MBB and sends the MBB the results of the channels it monitors via the Local Equipment Network (LEN). See below for fan board A, B and C DIP switch addresses. See Tables 8-10 for inputs and outputs.

FAN BOARD (080,082) DIP SWITCH	1	2	3	4	5	6	7	8
Address:	OFF	ON	OFF	OFF	ON	OFF	ON	OFF

FAN BOARD A (090-501) DIP SWITCH	1	2	3	4	5	6	7	8
Address:	OFF	ON	OFF	OFF	ON	OFF	ON	OFF

FAN BOARD B (140-501) DIP SWITCH	1	2	3	4	5	6	7	8
Address:	ON	ON	OFF	OFF	ON	OFF	ON	OFF

FAN BOARD C (400, 450, 500) DIP SWITCH	1	2	3	4	5	6	7	8
Address:	OFF	OFF	ON	OFF	ON	OFF	ON	OFF

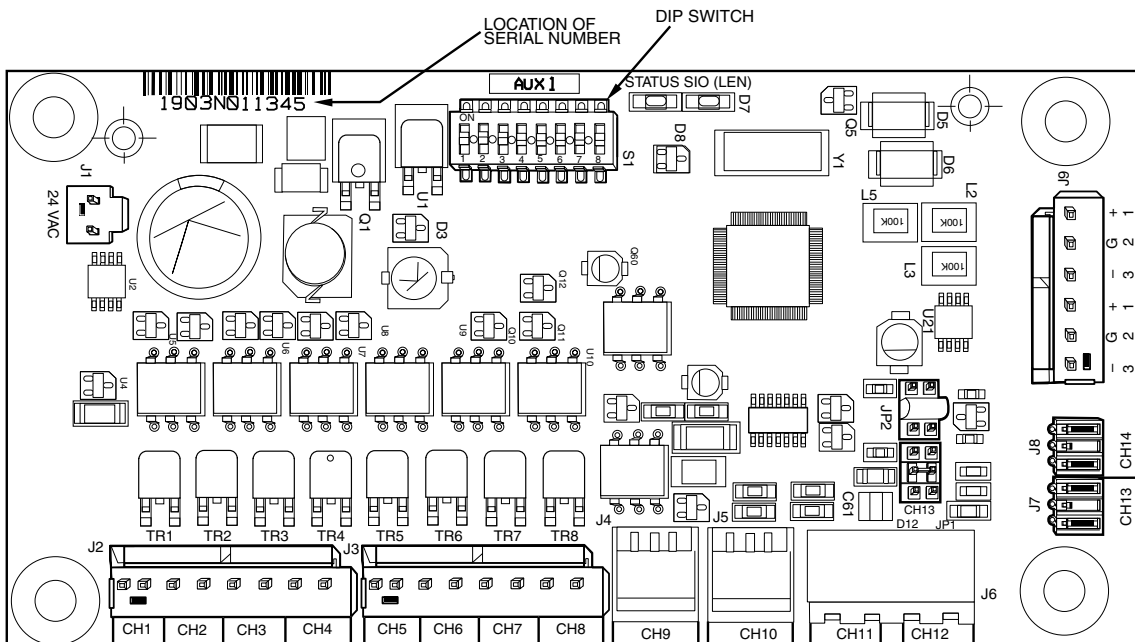


Fig. 11 — Fan Board (AUX 1) with Low Ambient Temperature Head Pressure Control

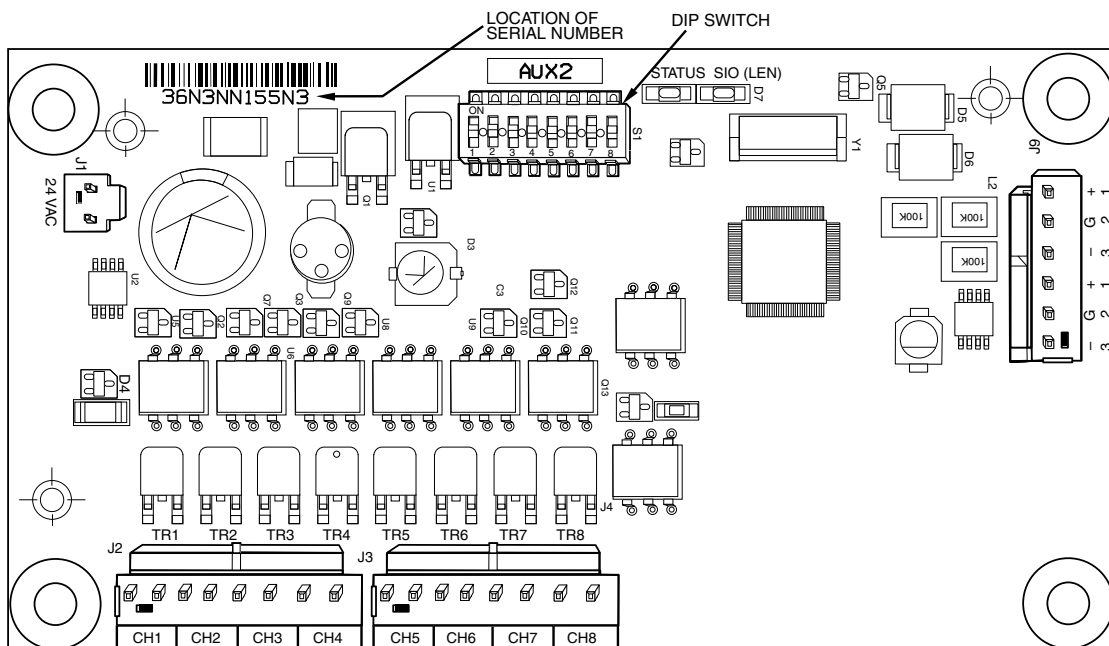


Fig. 12 — Fan Board (AUX 2) without Low Ambient Temperature Head Pressure Control

Table 8 — Fan Board A Outputs (30XA080-122)

DESCRIPTION	INPUT/OUTPUT	I/O TYPE	DISPLAY MODULE POINT NAME	CONNECTION POINT	
				Pin	Notation
Power (24 vac supply)	—	—	—	FBA-J1	
				11	24 vac
				12	Ground
Local Equipment Network	—	—	—	FBA-J9	
				+	RS485 Port (D+)
				G	RS485 Port (Gnd)
				-	RS485 Port (D-)
				+	RS485 Port (D+)
				G	RS485 Port (Gnd)
Circuit A Low Ambient Temperature Head Pressure Control Speed Signal	MM-A*	0-10 VDC	Head Press Actuator Pos, <i>SPD.A</i>	FBA-CH9	
				+	Signal
Circuit B Low Ambient Temperature Head Pressure Control Speed Signal	MM-B*	0-10 VDC	Head Press Actuator Pos, <i>SPD.B</i>	FBA-CH10	
				+	Signal
Fan Contactor A1	FCA1	TRIAC 24 VAC		FBA-J2-CH1	
Fan Contactor A2	FCA2	TRIAC 24 VAC		FBA-J2-CH2	
Fan Contactor A3	FCA3	TRIAC 24 VAC		FBA-J2-CH3	
Fan Contactor A4	FCA4	TRIAC 24 VAC		FBA-J2-CH4 (090-122)	
Fan Contactor B1	FCB1	TRIAC 24 VAC		FBA-J3-CH5	
Fan Contactor B2	FCB2	TRIAC 24 VAC		FBA-J3-CH6	
Fan Contactor B3	FCB3	TRIAC 24 VAC		FBA-J3-CH7	
Fan Contactor B4	FCB4	TRIAC 24 VAC		FBA-J3-CH8 (090-122)	

*Output only on low ambient temperature head pressure control (AUX1).

Table 9 — Fan Board A and B Outputs (30XA140-501)

DESCRIPTION	INPUT/OUTPUT	I/O TYPE	DISPLAY MODULE POINT NAME	CONNECTION POINT	
				Pin	Notation
Power (24 vac supply)	—	—	—	FBX-J1	
				11	24 vac
				12	Ground
Local Equipment Network	—	—	—	FBX-J9	
				+	RS485 Port (D+)
				G	RS485 Port (Gnd)
				-	RS485 Port (D-)
				+	RS485 Port (D+)
				G	RS485 Port (Gnd)
Circuit X Low Ambient Temperature Head Pressure Control Speed Signal	MM-n*	0-10 VDC	Head Press Actuator Pos, <i>SPD.X</i>	FBX-CH9	
				+	Signal
Fan Contactor X1	FCX1	TRIAC 24 VAC		FBX-J2-CH01	
Fan Contactor X2	FCX2	TRIAC 24 VAC		FBX-J2-CH02	
Fan Contactor X3	FCX3	TRIAC 24 VAC		FBX-J2-CH03	
Fan Contactor X4	FCX4	TRIAC 24 VAC		FBX-J2-CH04	
Fan Contactor X5	FCX5	TRIAC 24 VAC		FBX-J3-CH05	
Fan Contactor X6	FCX6	TRIAC 24 VAC		FBX-J3-CH06	
Fan Contactor X7	FCX7	TRIAC 24 VAC		FBX-J3-CH07	
Fan Contactor X8	FCX8	TRIAC 24 VAC		FBX-J3-CH08	

*Output only on units with low ambient temperature head pressure control installed (AUX1).

NOTES:

1. Fan Board B used on 30XA140-501.
2. "X" indicates circuit A or circuit B.
3. See page 52, Fig. 31 for which contactor is used with circuit A or B.

Table 10 — Fan Board C Inputs and Outputs (30XA400,450,500)

DESCRIPTION	INPUT/OUTPUT	I/O TYPE	DISPLAY MODULE POINT NAME	CONNECTION POINT (Unit Size)	
				Pin	Notation
Power (24 vac supply)	—	—	—	FBC-J1	
				11	24 vac
				12	Ground
Local Equipment Network	—	—	—	FBC-J9	
				+	RS485 Port (D+)
				G	RS485 Port (Gnd)
				-	RS485 Port (D-)
				+	RS485 Port (D+)
				G	RS485 Port (Gnd)
Circuit C Discharge Pressure Transducer	DPTC	Pressure Transducer	Discharge Pressure, <i>DP.C</i>	FBC-J7-CH13	
Circuit C Suction Pressure Transducer	SPTC	Pressure Transducer	Suction Pressure, <i>SP.C</i>	FBC-J8-CH14	
Circuit C Low Ambient Temperature Head Pressure Control Speed Signal	MM-C	0-10 VDC	Head Press Actuator Pos, <i>SPD.C</i>	FBC-CH9	
				+	Signal
				-	Ground
Fan Contactor C1	FCC1	TRIAC 24 VAC		FBC-J2-CH1	
Fan Contactor C2	FCC2	TRIAC 24 VAC		FBC-J2-CH2	
Fan Contactor C3	FCC3	TRIAC 24 VAC		FBC-J2-CH3	
Fan Contactor C4	FCC4	TRIAC 24 VAC		FBC-J2-CH4	
Fan Contactor C5	FCC5	TRIAC 24 VAC		FBC-J3-CH5	
Fan Contactor C6	FCC6	TRIAC 24 VAC		FBC-J3-CH6	
Fan Contactor C7	FCC7	TRIAC 24 VAC		FBC-J3-CH7	
Fan Contactor C8	FCC8	TRIAC 24 VAC		FBC-J3-CH8	

Enable-Off-Remote Contact Switch (SW1)

This switch is installed in all units and provides the owner and service person with a local means of enabling or disabling the machine. It is a 3-position switch and it is used to control the chiller. When switched to the Enable position, the chiller will be under its own control. When switched to the Off position, the chiller will shut down. When switched to the Remote Contact position, a field-installed dry contact can be used to start the chiller. The contacts must be capable of handling a 24-vac, 50-mA load. In the Enable and Remote Contact (dry contacts closed) positions, the chiller is allowed to operate and respond to the scheduling configuration, CCN configuration, and set point data.

For units with a Carrier Controller display, the position of the Enable/Off/Remote contact switch is ignored except when the “remote mode” control type is selected. Refer to the Machine Control Methods section on page 23 for more details.

Emergency On/Off Switch (SW2)

This switch is installed in all units. The Emergency On/Off switch should only be used when it is required to shut the chiller off immediately. Power to all modules is interrupted when this switch is off and all outputs from these modules will be turned off.

Hand-Off-Auto Switch (HOA)

This switch is installed in all units with hydronic pump packages and provides the owner and service personnel with a method of operating the pump without the chiller enabled. It is a 3-position switch used to control Pump 1, and does not affect the operation of Pump 2, if equipped. With the switch in the Off position, Pump 1 will not operate. With the switch in the Hand position, the pump will start and run. For normal chiller operation, the switch must be in the Auto position.

Energy Management Module (EMM)

The EMM is available as a factory-installed option or as a field-installed accessory. See Fig. 13. The EMM receives 4 to 20 mA inputs for the temperature reset, cooling set point and demand limit functions. The EMM also receives the switch inputs for the field-installed second stage 2-step demand limit and ice done functions. The EMM communicates the status of all inputs with the MBB, and the MBB adjusts the control point, capacity limit, and other functions according to the inputs received. See Table 11.

⚠ CAUTION
Care should be taken when interfacing with other manufacturer’s control systems due to possible power supply differences, full wave bridge versus half wave rectification, which could lead to equipment damage. The two different power supplies cannot be mixed. <i>ComfortLink</i> controls use half wave rectification. A signal isolation device should be utilized if a full wave bridge rectifier signal generating device is used.

Hot Gas Bypass/Pump Board

The hot gas bypass (HGBP) and pump board controls the ON/OFF of the HGBP solenoids and pump contactors, and responds to MBB commands via the LEN connection. Hot gas bypass is available as a factory-installed option or as a field-installed accessory for 30XA080-501, and the pump package is available as factory-installed option for sizes 30XA090-162. See Fig. 14. The board is not required for single pump operation. See below for DIP switch information. See Table 12 for HGBP/Pump board inputs and outputs.

HGBP/Pump BOARD DIP SWITCH	1	2	3	4	5	6	7	8
Address:	ON	ON	ON	OFF	ON	OFF	ON	OFF

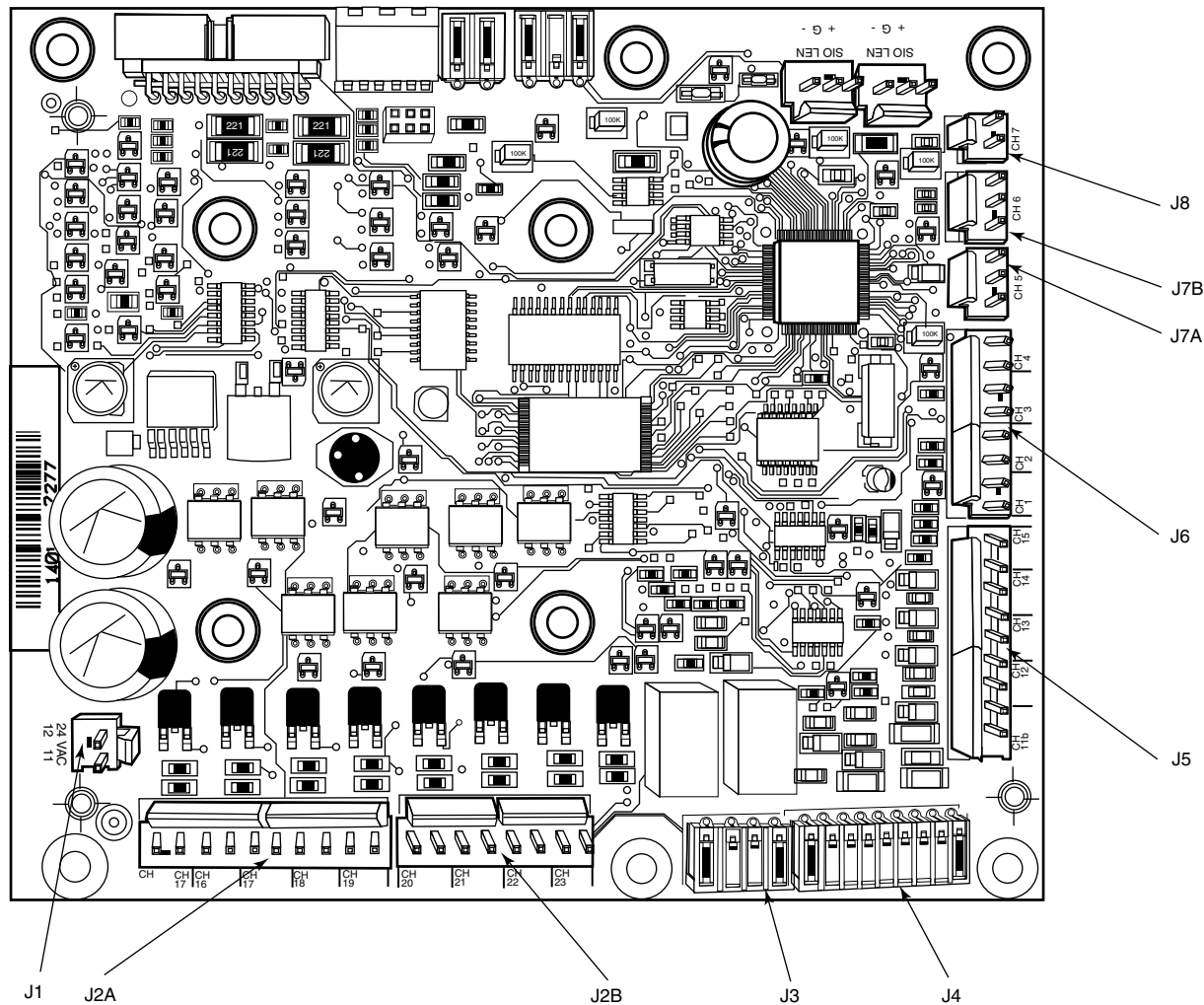


Fig. 13 — Energy Management Module

Table 11 — Energy Management Module (EMM) Inputs and Outputs

INPUT/OUTPUT	DESCRIPTION	I/O TYPE	DISPLAY MODULE POINT NAME	CONNECTION POINT
4-20 mA Demand Limit	4-20 mA Demand Limit	4-20 mA*	Limit 4-20 mA Signal, <i>DMND</i>	EMM-J7B-CH6
4-20 mA Temperature Reset/Cooling Setpoint	4-20 mA Temperature Reset/ Cooling Set point	4-20 mA*	Reset/Setpnt 4-20 mA Signal, <i>RSET</i>	EMM-J7A-CH5
Demand Limit SW2	Demand Limit Step 2	Switch Input	Switch Limit Setpoint 2, <i>DLS2</i>	EMM-J4-CH9
Ice Done	Ice Done Switch	Switch Input	Ice Done Storage Switch, <i>ICE.D</i>	EMM-J4-CH11A
Occupancy Override	Occupied Schedule Override	Switch Input	Occupied Override Switch, <i>OCSS</i>	EMM-J4-CH8
Remote Lockout Switch	Chiller Lockout	Switch Input	Remote Interlock Switch, <i>RLOC</i>	EMM-J4-CH10
SPT	Space Temperature Thermistor	10k Thermistor	Optional Space Temp, <i>SPT</i>	EMM-J6-CH2
% Total Capacity	Percent Total Capacity Output	0-10 vdc	Chiller Capacity Signal, <i>CATO</i>	EMM-J8-CH7
RUN R	Run Relay	Relay	Running Status, <i>RUN</i>	EMM-J3-CH25
SHD R	Shutdown Relay	Relay	Shutdown Indicator State, <i>SHUT</i>	EMM-J3-CH24

* A field-supplied 1/2 watt 250 ohm resistor is required across terminals TB6-1,2 (CH6) and/or TB6-3, 4 (CH5).

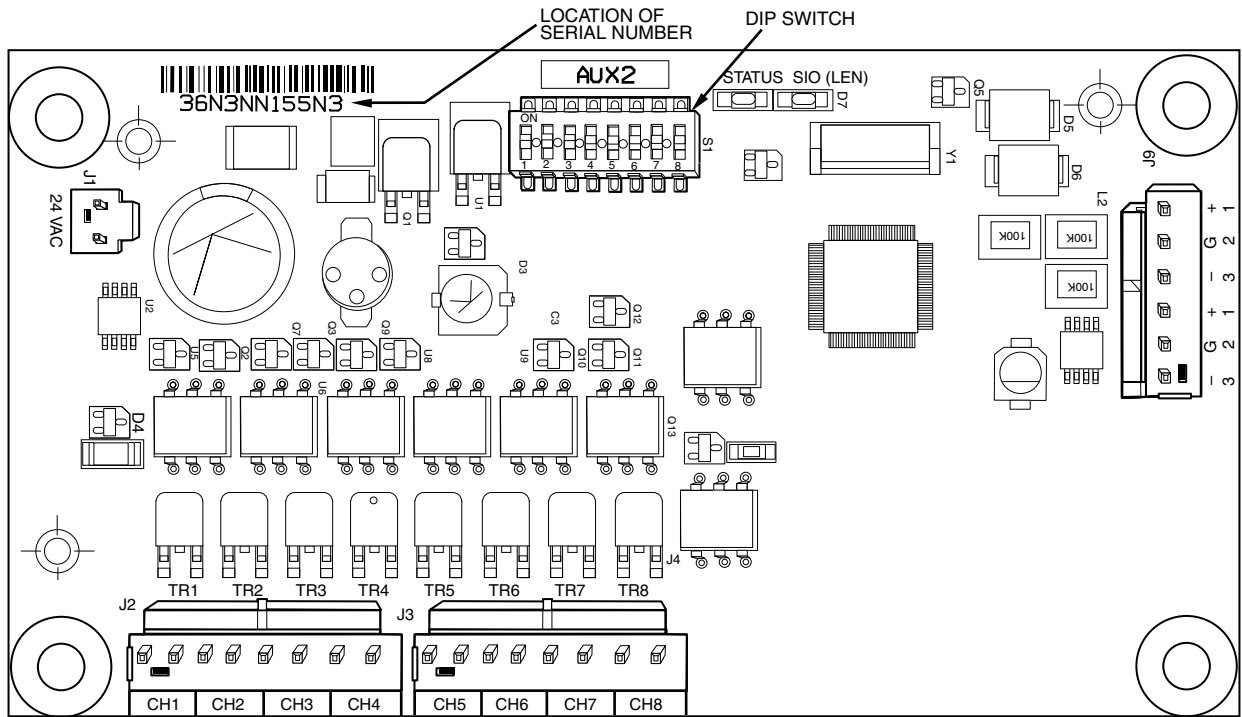


Fig. 14 — Hot Gas Bypass/Pump Board

Table 12 — Hot Gas Bypass/Pump Board Inputs and Outputs

DESCRIPTION	INPUT/OUTPUT	I/O TYPE	DISPLAY MODULE POINT NAME	CONNECTION POINT	
				Pin	Notation
Power (24 vac supply)	—	—	—	HGBP/PMP-J1	
				11	24 vac
Local Equipment Network	—	—	—	HGBP/PMP-J9	
				+	RS485 Port (D+)
				G	RS485 Port (Gnd)
				-	RS485 Port (D-)
Circuit A Minimum Load Control	MLV-A	TRIAC 24 VAC	Hot Gas Bypass A Output, <i>HGB.A</i>	HGBP/PMP-J2-CH3	
Circuit B Minimum Load Control	MLV-B	TRIAC 24 VAC	Hot Gas Bypass B Output, <i>HGB.B</i>	HGBP/PMP-J2-CH4	
Circuit C Minimum Load Control	MLV-C	TRIAC 24 VAC	Hot Gas Bypass C Output, <i>HGB.C</i>	HGBP/PMP-J2-CH5	
Pump #1 Starter	PMP1	TRIAC 24 VAC	Water Exchanger Pump 1, <i>PMP.1</i>	HGBP/PMP-J2-CH1	
Pump #2 Starter	PMP2	TRIAC 24 VAC	Water Exchanger Pump 2, <i>PMP.2</i>	HGBP/PMP-J2-CH2	

Local Equipment Network

Information is transmitted between modules via a 3-wire communication bus or LEN (Local Equipment Network). External connection to the LEN bus is made at TB3.

Board Addresses

All boards (except the Main Base Board and Energy Management Module Board) have 8-position DIP switches.

Carrier Controller Display

The Carrier Controller display port connections are shown in Table 13. Wiring is shown in Fig. 15.

Table 13 — Carrier Controller Display Port Connections

CONNECTOR	PIN	FUNCTION
J1 (Power)	1	24VAC +
	2	24VAC -
	3	Earth Ground
J2 (COM1)	1	RS485 Port (D+)
	2	RS485 Port (GND)
	3	RS485 Port (D-)
J3 (RJ11)	1	24VAC (+)
	2	RS485 Port (D+)
	3	RS485 Port (GND)
	4	Unused (no connect)
	5	RS485 Port (D-)
	6	24VAC(-)

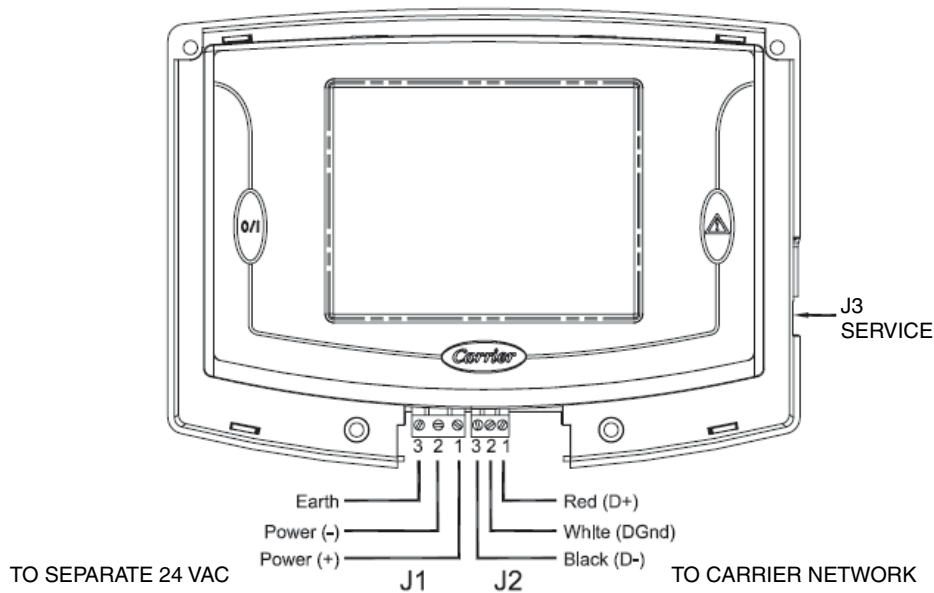


Fig. 15 — Carrier Controller Display Wiring

Control Module Communication

RED LED

Proper operation of the control boards can be visually checked by looking at the red status LEDs (light-emitting diodes). When operating correctly, the red status LEDs will blink in unison at a rate of once every 2 seconds. If the red LEDs are not blinking in unison, verify that correct power is being supplied to all modules. Be sure that the Main Base Board (MBB) is supplied with the current software. If necessary, reload current software. If the problem still persists, replace the MBB. A red LED that is lit continuously or blinking at a rate of once per second or faster indicates that the board should be replaced.

GREEN LED

All boards have a green LEN (SIO) LED which should be blinking whenever power is on. If the LEDs are not blinking as described check LEN connections for potential communication errors at the board connectors. See Input/Output Tables 3-12 for LEN connector designations. A 3-wire bus accomplishes communication between modules. These 3 wires run in parallel from module to module. The J9A connector on the MBB provides communication directly to the Navigator™ display module.

YELLOW LED

The MBB has one yellow LED. The Carrier Comfort Network® (CCN) LED will blink during times of network communication.

Carrier Comfort Network® (CCN) Interface

All 30XA units can be connected to the CCN, if desired. The communication bus wiring is a shielded, 3-conductor cable with drain wire and is field supplied and installed. The system elements are connected to the communication bus in a daisy chain arrangement. The positive pin of each system element communication connector must be wired to the positive pins of the system elements on either side of it. The negative and signal ground pins of each system element must also be wired in the same manner. Wiring connections for CCN should be made at TB3. Consult the CCN Contractor's Manual for further information. See Fig. 16.

NOTE: Conductors and drain wire must be 20 AWG (American Wire Gage) minimum stranded, tinned copper. Individual conductors must be insulated with PVC, PVC/nylon, vinyl, Teflon¹, or polyethylene. An aluminum/polyester 100% foil shield and an outer jacket of PVC, PVC/nylon, chrome vinyl, or Teflon with a minimum operating temperature range of -20°C to 60°C is required. See Table 14 for recommended wire manufacturers and part numbers.

1. Teflon is a registered trademark of DuPont.

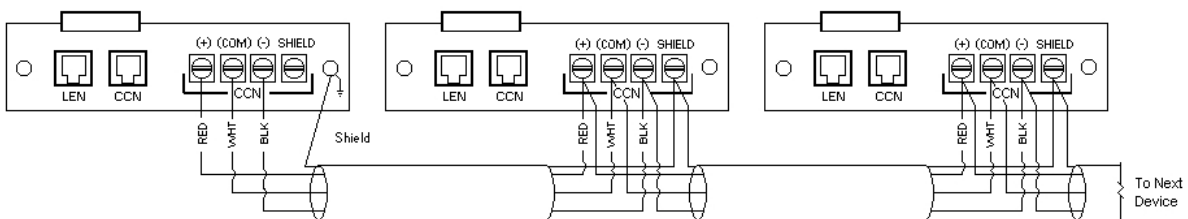


Fig. 16 — ComfortLink CCN Communication Wiring

Table 14 — CCN Communication Bus Wiring

MANUFACTURER	PART NUMBER	
	Regular Wiring	Plenum Wiring
Alpha	1895	—
American	A21451	A48301
Belden	8205	884421
Columbia	D6451	—
Manhattan	M13402	M64430
Quabik	6130	—

It is important when connecting to a CCN communication bus that a color-coding scheme be used for the entire network to simplify the installation. It is recommended that red be used for the signal positive, black for the signal negative, and white for the signal ground. Use a similar scheme for cables containing different colored wires.

At each system element, the shields of its communication bus cables must be tied together. If the communication bus is entirely within one building, the resulting continuous shield must be connected to a ground at one point only. If the communication bus cable exits from one building and enters another, the shields must be connected to grounds at the lightning suppressor in each building where the cable enters or exits the building (one point per building only). To connect the unit to the network:

1. Turn off power to the control box.
2. Cut the CCN wire and strip the ends of the red (+), white (ground), and black (–) conductors. (Substitute appropriate colors for different colored cables.)
3. Connect the red wire to (+) terminal on TB3 of the plug, the white wire to COM terminal, and the black wire to the (–) terminal.
4. The RJ14 CCN connector on TB3 can also be used, but is only intended for temporary connection (for example, a laptop computer running Service Tool).

Table 15 — Carrier Controller — Controller Identification Configuration Table

CONTROLLER ID DATA	BLOCK NO.	VALUE AND RANGE	QUALIFIERS
Device Name	1	CHILLDSP 8 character Name field	Default Optional
Local address	2	115	Default
Bus number	2	0	Default
Device (driver) type	2	0 = Non-bridge 3 = Broadcast Acknowledger	Default Optional
Primary baud rate	3	38400	Default
Secondary baud rate	3	38400	Fixed
Device description	4	Global Chiller Display 24 character text field	Default Optional
Device location	4	(Blank) 24 character text field	Default Optional
Software part number	4	CESR-131363-01	Fixed
Model number	4	(Blank)	Fixed
Serial number	4	(Blank)	Fixed
Reference number	4	Version 1.0	Fixed
Broadcast address processing list (primary)	5	241-251, 254, 255 enabled 241-255 enabled/disabled	Defaults Optional
Broadcast address processing list (secondary)	5	none	Not applicable

IMPORTANT: A shorted CCN bus cable will prevent some routines from running and may prevent the unit from starting. If abnormal conditions occur, disconnect the CCN bus. If conditions return to normal, check the CCN connector and cable. Run new cable if necessary. A short in one section of the bus can cause problems with all system elements on the bus.

Remote Alarm and Alert Relays

The 30XA chiller can be equipped with a remote alert and remote alarm annunciator contacts. Both relays connected to these contacts must be rated for a maximum power draw of 10 va sealed, 25 va inrush at 24 volts. The alarm relay, indicating that the complete unit has been shut down, can be connected to TB5-12 and TB5-13. Refer to unit wiring diagrams. For an alert relay, indicating that at least 1 circuit is off due to the alert, a field-supplied and installed relay must be connected between MBB-J3-CH25-3 and TB5-13. The action of the alarm and alert relays can be reversed from normally open to normally closed by using the Reverse Alarms Relay configuration (**Reverse Alarms Relay, RV.AL**).

CONFIGURATION

Carrier Controller Operation Configuration Tables

The Carrier Controller display operation is controlled by configuration information entered in the following configuration tables. These tables are accessible by using Network Service Tool or ComfortVIEW™ software. The tables are the CtrlID (Controller Identification) configuration table and the USERCONF (User Configuration) table. See Tables 15 and 16.

NOTE: Always perform an Upload to obtain the latest configuration before making configuration table changes.

Table 16 — Carrier Controller User Configuration (USERCONF) Table

DESCRIPTION	LIMITS	UNITS	NAME	DEFAULT
Backlight always on?	No - Yes		BACKLITE	No
Full access password	0 - 9999		PSWDFULL	3333
Limited access password	0 - 9999		PSWDLMTD	2222
Active language	0 - 1		ACTLANG	0
Time format	0 - 1		TIMEFMT	0
Date format	0 - 2		DATEFMT	0
Units base	US - Metric		UNITBASE	US
Contrast control	Manual - Auto		CONTRAST	Auto
Network mode	0 - 1		NETWORK	0
Network settings				
Alarm acknowledger	No - Yes		ALARMACK	No
Broadcast acknowledger	No - Yes		BROADACK	No
Equipment CCN address				
Bus number	0 - 239		EQUIPBUS	0
Element number	1 - 239		EQUIPELE	1
Control variables				
Equipment status (Not Used)	Name char 8		EQSTATUS	NOT USED
Equipment start/stop (Not Used)	Name char 8		STARSTOP	NOT USED
Alarm status (Not Used)	Name char 8		ALSTATUS	NOT USED
Alarm reset (Not Used)	Name char 8		ALRESET	NOT USED

BACKLIGHT ALWAYS ON?

This configuration is used to keep the backlight on continuously or to turn it off after 60 seconds with no activity.

Allowable Entries: No/Yes (No=0 or Yes=1)
 Default Value: No

FULL ACCESS PASSWORD

This configuration is used to specify the full access password. Refer to Table 1, Setup Menu, for additional information on passwords.

Allowable Entries: 0 through 9999
 Default Value: 3333

LIMITED ACCESS PANEL

This configuration is used to specify the limited access password.

Allowable Entries: 0 through 9999
 Default Value: 2222

ACTIVE LANGUAGE

This configuration is used to specify the display's active language. All translatable text will be displayed in this language.

Allowable Entries: 0, 1
 Default Value: 0

TIME FORMAT

This configuration is used to specify the format for display of time.

Allowable Entries: 0 = H:MM AM/PM without leading zero
 1 = HH:MM with leading zero when necessary
 Default Value: 0

DATE FORMAT

This configuration is used to specify the format for display of date.

Allowable Entries: 0 = MM-DD-YYYY with leading zero when necessary
 1 = DD-MM-YYYY with leading zero when necessary
 2 = YYYY-MM-DD
 Default Value: 0

UNITS BASE

This configuration is used to specify the format of the units of measure.

Allowable Entries: U.S.
 Metric
 Default Value: U.S.

CONTRAST CONTROL

This configuration is used to enable or disable the display's auto contrast adjustment feature. When enabled, the display's contrast will be automatically adjusted as required, based on temperature.

Allowable Entries: Manual
 (Auto Contrast Adjustment Disabled)
 Auto
 (Auto Contrast Adjustment Enabled)
 Default Value: Auto

NETWORK MODE

This configuration is used to set the display's operating mode. For additional information on operating mode, refer to *Display* in the Table Setup Menu. This decision will be ignored and the mode will default to Equipment when the display is connected to a device (the LEN Bus).

NOTE: A power cycle is required for this decision to take effect.

Allowable Entries: 0 (Disable) = Equipment Mode
 1 (Enable) = Network Mode
 Default Value: 0 (Disable)

ALARM ACKNOWLEDGER

This configuration is used to specify whether the Carrier Controller display will act as the alarm acknowledger for the CCN. There can be only one alarm acknowledger per CCN. Therefore, if another CCN device such as ComfortVIEW™ software, the Autodial Gateway or TeLINK is already set as the alarm acknowledger for the CCN network then this decision should be set to *No*.

NOTE: The display must be in Network mode and connected to the primary CCN bus and this decision set to *Yes* for alarm acknowledgment to be enabled.

Allowable Entries: No
 Yes
 Default Value: No

BROADCAST ACKNOWLEDGER

This configuration is used to indicate whether the Carrier Controller display will act as the broadcast acknowledger for its CCN bus. There can be only one broadcast acknowledger per CCN bus.

NOTE: The display must be in Network mode and this decision set to *Yes* for broadcast acknowledgment to be enabled.

Allowable Entries: No
Yes
Default Value: No

EQUIPMENT CCN ADDRESS

When in equipment mode (USERCONF Table's Network Mode decision is set to *Disable*), the Bus Number and Element Number decisions are used to specify the CCN address of the piece of equipment to communicate with. An Attach or power cycle must be performed for changes to take effect. These decisions will be ignored when the display is connected to the LEN bus or in Network mode. In Network mode, specify the bus and element number the equipment communicates with using the display's Attach function.

NOTE: In Network mode, these configurations will be overwritten with the default device address if it is changed through the Attach process.

BUS NUMBER

This configuration is used to specify the Equipment Controller bus number.

Allowable Entries: 0 through 239
Default Value: 0

ELEMENT NUMBER

This configuration is used to specify the Equipment Controller element number.

Allowable Entries: 1 through 239
Default Value: 1

Machine Control Methods

Three variables control how the machine operates. These variables control the On-Off function, set point operation, and Heat-Cool operation.

Machine On/Off Control

Machine On/Off control depends on which interface display is used. The control is different for Carrier Controller or Navigator™ displays. Select the correct configuration procedure below based on which interface is being used.

CARRIER CONTROLLER MACHINE CONTROL

Machine On/Off control is determined locally by pushing the Start/Stop button on the Carrier Controller display. Pressing this button will cause the Equipment Start screen to be displayed. See Fig. 17.

Table 17 summarizes the unit control type and stop or go status with regard to the following parameters:

- Operating type: this is selected by using the start/stop button on the front of the user interface.
- Remote start/stop contacts: these contacts are used when the unit is in remote operating type (Remote mode).
- CHIL_S_S: this network command variable relates to the chiller start/stop when the unit is in CCN control (CCN mode). When this variable forced to Disable, then the unit is stopped. When this variable is forced to Enable, then the unit runs in accordance with schedule 1.
- Start/Stop schedule: occupied or unoccupied status of the unit as determined by the chiller start/stop program (Schedule 1).

- Master control type: This parameter is used when the unit is the master unit in a two chiller lead/lag arrangement. The master control type determines whether the unit is to be controlled locally, remotely or through CCN (this parameter is a Service configuration).
- CCN emergency shutdown: if this CCN command is activated, it shuts the unit down whatever the active operating type.
- General alarm: the unit is totally stopped due to failure.

Local Mode

To start the machine in local mode, press the Start/Stop button on the Carrier Controller display. The Equipment Start screen will be displayed. Select Local On. The control will ignore the position of Enable/Off/Remote Contact switch and all CCN network force commands, except an Emergency Stop Command. The **Run Status** variable, indicating the current status of the machine, will change to RUNNING, DELAY or READY. The **Chiller Occupied?** variable will change to YES. The **Control Type** variable indicates the type of control. For this configuration, **Control Type** will be Local. The **Operating Type** variable will change to L-On (Local On).

Local Schedule

To start the machine with a local schedule, press the Start/Stop button on the Carrier Controller display. The Equipment Start screen will be displayed. Select Local Schedule. The unit will start and stop according to the schedule defined in the Time Schedule menu. Two Internal Time Schedules are available and must be field programmed. Time Schedule 1 is used for single set point On-Off control. Time Schedule 2 is used for Dual Set Point/Occupied-Unoccupied set point control. The control will ignore the position of Enable/Off/Remote Contact switch and all CCN network force commands, except the Emergency Stop Command.

The **Run Status** variable will indicate the current status of the machine — OFF, RUNNING, DELAY, or READY. The **Chiller Occupied?** variable will indicate the occupied state of the machine according to Time Schedule 1 and will be either YES (occupied) or NO (unoccupied). The **Control Type** variable will indicate the type of control. For this configuration, **Control Type** will be Local. The **Operating Type** variable will change to L-Sched (Local Schedule).

The schedules consist of 8 user-configurable occupied time periods. The control supports time schedules for local control, remote control, and ice building. These time periods can be flagged to be in effect or not in effect on each day of the week. The day begins at 00.00 and ends at 24.00. The machine will be in unoccupied mode unless a scheduled time period is in effect. If an occupied period extends past midnight, the occupied period will automatically end at 24:00 hours (midnight) and the new occupied period must be programmed to begin at 00:00 hours.

In the following example, the occupied period starts at 6:00 AM, Monday through Friday and 10:00 AM on Saturday and Sunday. The occupied time ends at 6:30 PM on Monday through Friday and 2:00 PM on Saturday and Sunday. See Fig. 18.



Fig. 17 — Equipment Start Screen

Table 17 — Carrier Controller Start/Stop Control

ACTIVE OPERATING TYPE	PARAMETER STATUS						CONTROL TYPE	UNIT STATUS	
	CHIL_S_S Variable	Remote Start/Stop Contact	Master Unit Control Type	Start/Stop Schedule Mode	CCN Emergency Shutdown	General Alarm			
Local On	—	—	—	—	Disabled	No	Local	On	
Local Off	—	—	—	—	—	—	Local	Off	
Local Schedule	—	—	—	Unoccupied	—	—	Local	Off	
				Occupied	Disabled	No	Local	On	
Remote Mode	—	Off	—	—	—	—	Remote	Off	
		—	—	Unoccupied	—	—	Remote	Off	
		On Cool	—	Occupied	Disabled	No	Remote	On	
CCN Mode	Off	—	—	—	—	—	CCN	Off	
	—	—	—	—	—	—	CCN	Off	
	On	—	—	Occupied	Disabled	No	CCN	On	
Master Mode	—	—	Local	Unoccupied	—	—	Local	Off	
				Occupied	Disabled	No	Local	On	
			Remote	Unoccupied	—	—	Remote	Off	
				CCN	Unoccupied	—	—	CCN	Off
			Off	Remote	—	—	—	Remote	Off
				On Cool	Remote	Occupied	Disabled	No	Remote
			Off	—	CCN	—	—	—	CCN
On	—	CCN	Occupied	Disabled	No	CCN	On		
—	—	—	—	—	Active	—	—	Off	
					—	Yes	—	Off	

OCC1P01S		1-5/8	
1.	MTWTFSSH	From	To
	XXXXXX	06:00	18:30
2.	MTWTFSSH	From	To
	XX	10:00	14:00
3.	MTWTFSSH	From	To
	X	12:00	14:00
4.	MTWTFSSH	From	To
		00:00	24:00
5.	MTWTFSSH	From	To
		00:00	24:00

Fig. 18 — Chiller Schedule Screen

NOTE: This schedule was designed to illustrate the programming of the schedule function and is not intended as a recommended schedule for chiller operation.

If the chiller is to be controlled to a single set point, use Schedule 1 (OCCPC01S). This will start and stop the machine. During the unoccupied times, the chiller will be off. If the chiller is to be controlled to 2 set points, occupied and unoccupied, use Schedule 2 (OCCPC02S). This will cause the chiller to control to an occupied set point and an unoccupied set point. The machine will be able to provide cooling at any time.

To configure this option on the Carrier Controller display see Table 18.

Table 18 — Configuring the Schedule with Carrier Controller Display

DISPLAY NAME	PATH	LINE NO.	VALUE
Period 1 DOW (MTWTFSSH)	Config\ OCCDEFCS\ OCC1P01S or OCC1P02S	2	10000000
Occupied from		3	00:00
Occupied to		4	03:00
Period 2 DOW (MTWTFSSH)		5	11000000
Occupied from		6	07:00
Occupied to		7	18:00
Period 3 DOW (MTWTFSSH)		8	00100000
Occupied from		9	07:00
Occupied to		10	21:30
Period 4 DOW (MTWTFSSH)		11	00011000
Occupied from		12	07:00
Occupied to		13	17:00
Period 5 DOW (MTWTFSSH)		14	00000100
Occupied from		15	07:00
Occupied to		16	12:00

Holiday Schedule

For the Carrier Controller display, the control allows up to 16 holiday periods. All holidays are entered with numerical values. To configure, first change the month (**Holiday Start Month**), then the day (**Holiday Start Day**), then the duration (**Holiday Duration**) of the holiday period in days. If a holiday is included in one of the Occupied Time Periods of the schedule, the machine will follow that operating condition for the holiday. In the following examples, the holidays July 4 and December 25-26 are programmed for Holiday 1 and Holiday 2, respectively. To configure these holidays with the Carrier Controller display, see Table 19. To configure Holidays with the Navigator display, check the H (holiday) schedule on the Schedule screen and program in the desired occupied times. See Fig. 18.

Table 19 — Programming Holiday Schedules with Carrier Controller Display

DISPLAY NAME	PATH	LINE NO.	VALUE
Holiday Start Month	Config\HOLIDAY\HOLDY_01	1	7
Start Day		2	4
Duration (days)		3	1
Holiday Start Month	Config\HOLIDAY\HOLDY_02	1	12
Start Day		2	25
Duration (days)		3	2

Timed Override

With the Carrier Controller display only, each time schedule can be overridden to keep the chiller in an Occupied mode (Timed Override Hours) for 1, 2, 3 or 4 hours on a one-time basis. To configure this option for the Carrier Controller display, see Table 20.

Table 20 — Configuring Timed Override

DISPLAY NAME	PATH	LINE NO.	VALUE
Timed Override Hours	Config\OCCDEFCS\ OCC1P01S or OCC1P02S	1	Range: 0 to 4 Default: 0

If configured for a timed override, the override can be canceled by changing the Timed Override Hours to 0.

CCN Global Time Schedule

A CCN Global Schedule can be utilized with the chiller controls. The schedule number can be set anywhere from 65 to 99 to configure operation under a CCN global schedule. The 30XA chillers can be configured to follow a CCN Global Time Schedule broadcast by another system element. ComfortVIEW™ Network Manager’s Configure and Modify commands or the Service Tool’s Modify/Names function must be used to change the number of the Occupancy Equipment Part Table Name (OCC1P01E) to the Global Schedule Number. The Schedule Number can be set from 65 to 99 (OCC1P65E to OCC1P99E).

The Occupancy Supervisory Part table name (OCC1P01S) number must be changed to configure the unit to broadcast a Global Time Schedule. The Schedule Number can be set from 65 to 99 (OCC1P65S to OCC1P99S). When OCC1PxxS is set to a value greater than 64, an occupancy flag is broadcast over the CCN every time it transitions from occupied to unoccupied or vice-versa. By configuring their appropriate Time Schedule decisions to the same number, other devices on the network can follow this same schedule.

CCN Mode

To allow machine control by CCN commands, press the Start/Stop button on the Carrier Controller display. The Equipment Start screen will be displayed. Select CCN Mode. The unit will be controlled by a CCN command to the **CCN Chiller Start/Stop** variable. An external CCN device, such as Chillvisor, controls the On/Off state of the machine. When controlled by a Chillvisor, it is recommended that the **Auto Start When SM Lost** configuration be set to Yes. In the event of a loss of communication with the network, the machine will start and be controlled locally.

Careful evaluation of chilled water plant control should be reviewed. In the event local control is established, be sure that all pumps, valves, and other devices are capable of operating properly. The control will ignore the position of Enable/Off/Remote Contact switch. The **Run Status** variable will indicate the current status of the machine — OFF, RUNNING, DELAY, or READY. The **Control Type** variable will change to CCN. The **Operating Type** variable will change to CCN.

For dual chiller control applications, the slave chiller must be enabled using the CCN Mode button.

Remote Mode

To allow machine to start and stop via a remote contact closure, press the Start/Stop button on the Carrier Controller display. The Equipment Start screen will be displayed. Select Remote Mode. The unit will be controlled by the Enable/Off/Remote Contact switch. Switching the Enable/Off/Remote Contact switch to the Enable or Remote Contact position (external contacts closed) will force the unit into an occupied state. In this mode, all CCN network force commands, except the Emergency Stop Command will be ignored. The **Run Status** variable will indicate the current status of the machine (OFF, RUNNING, DELAY, or READY), depending on the position of the Remote/Off/Enable Switch closure. The **Chiller Occupied?** variable will change to YES. The **Control Type** variable will change to Remote. The **Operating Type** variable will change to Remote.

Master Mode

To activate Dual Chiller Control, each machine must be individually configured for Dual Chiller Control. To operate the machines in Dual Chiller Mode, one machine must be designated as the master unit and one machine as the slave unit. On the master unit, press the Start/Stop button on the Carrier Controller display. The Equipment Start screen will be displayed. Select Master Mode. Failure to start the Master unit in this manner will cause both machines to operate in local mode.

The Master Unit Control can be done locally, remotely or through CCN commands per the master/slave configuration (**Master Control Type**). The control will ignore the position of Enable/Off/Remote Contact switch if the **Master Control Type** is configured for Local Control or CCN Control. The **Run Status** variable, **Chiller Occupied?** variable, and **Control Type** variable will change based on the **Master Control Type** configured above and the Machine On/Off Control defined above. The **Operating Type** variable will change to Master.

To Turn Machine Off

To turn the machine off, press the Start/Stop button on the Carrier Controller display. See Fig. 19. The machine will shut down. While the unit is in Local Off, it will remain shut down and ignore all CCN commands as well as the position of Enable/Off/Remote Contact switch. The **Run Status** variable, indicating the current status of the machine, will change to OFF. The **Chiller Occupied?** variable will change to NO. The **Control Type** variable will indicate Local. The **Operating Type** variable will change to L-OFF (Local Off).

NAVIGATOR™ DISPLAY MACHINE CONTROL

Machine On/Off control with the Navigator display is determined by the configuration of the Operating Type Control (**OPER**). Options to control the machine locally via a switch, from a local Time Schedule, or via a Carrier Comfort Network® command are offered. See Table 21.

Switch Control

In the Switch Control operating type, the Enable/Off/Remote Contact switch controls the machine locally. All models are factory configured with Operating Type Control (**OPER**) set to **SWITCH CTRL** (Switch Control). With **SWITCH CTRL**, switching the Enable/Off/Remote Contact switch to the Enable or Remote Contact position (external contacts closed) will put the chiller in an occupied state. The Unit Run Status (**STAT**) will indicate the current status of the machine and will change from OFF to RUNNING or DELAY. The unit Occupied Status (**OCC**) will change from NO to YES. The Status Unit Control Type (**CTRL**) will change from LOCAL OFF when the switch is Off to LOCAL ON when in the Enable position or in the Remote Contact position with external contacts closed.

ITEM	ITEM EXPANSION	PATH	VALUE
OPER	Operating Control Type	Operating Modes→SLCT→OPER	SWITCH CTRL



Fig. 19 — Equipment Stop Screen

Time Schedule

With Time Schedule Operating Type control, the machine operates under a local schedule programmed by the user as long as the Enable/Off/Remote Contact switch is in the Enable or Remote Contact position (external contacts closed). To operate under this Operating Type Control (**OPER**) must be set to **TIME SCHED** (Time Schedule).

Two Internal Time Schedules are available and must be field programmed. Time Schedule 1 (**SCH1**) is used for single set point On-Off control. Time Schedule 2 (**SCH2**) is used for dual set point On-Off and Occupied-Unoccupied set point control. The control will use the operating schedules as defined under the Time Clock mode in the Navigator display module.

ITEM	ITEM EXPANSION	PATH	VALUE
OPER	Operating Control Type	Operating Modes→SLCT→OPER	TIME SCHED

The schedules consist of 8 user-configurable occupied time periods. The control supports time schedules for local control, remote control, and ice building. These time periods can be flagged to be in effect or not in effect on each day of the week. The day begins at 00.00 and ends at 24.00. The machine is in unoccupied mode unless a scheduled time period is in effect. If an occupied period is to extend past midnight, the occupied period must end at 24:00 hours (midnight) and a new occupied period must be programmed to begin at 00:00 hours.

Table 21 — Navigator Start/Stop Control

CONTROL METHOD (OPER)	ACTIVE OPERATING TYPE	REMOTE/OFF/ENABLE SWITCH	REMOTE ON/OFF SWITCH	TIME SCHEDULE 1	CCN CHILLER START/STOP (CHIL_S_S)	EMERGENCY STOP (EMSTOP)	ALARM	REMOTE LOCKOUT SWITCH	UNIT STATUS
All	Local Off	Off	—	—	—	—	—	—	Off
		Remote	Open	—	—	—	—	—	Off
		—	—	—	—	—	Enable	—	Off
		—	—	—	—	—	—	Yes	—
Switch Control	Local On	Enable	—	—	—	Disable	—	—	On
		Remote	Closed	—	—	Disable	—	—	On
Time Schedule	Local Schedule	Enable	—	Occupied	—	Disable	—	—	On
		Remote	Closed	Occupied	—	Disable	—	—	On
		—	—	Unoccupied	—	Disable	—	—	Off
CCN Control	CCN	Remote	Closed	—	Enable	Disable	—	—	On
		Remote	Closed	—	Disable	Disable	—	—	Off
		Enable	—	—	Enable	Disable	—	—	On
		Enable	—	—	Disable	Disable	—	—	Off

In the following example, a early morning pulldown time period is scheduled for Monday morning from 12:00 AM to 3:00 AM. The occupied period starts at 7:00 AM, Monday through Saturday. The occupied time ends at 6:00 PM on Monday and Tuesday, 9:30 PM on Wednesday, 5:00 PM on Thursday and Friday, and 12:00 PM on Saturday.

NOTE: This schedule was designed to illustrate the programming of the schedule function and is not intended as a recommended schedule for chiller operation.

If the chiller is to be controlled to a single set point, use Schedule 1 (**SCH1**). This type of schedule will start and stop the machine only. During the unoccupied times, the chiller will be off. If the chiller is to be controlled to 2 set points, occupied and unoccupied, use Schedule 2 (**SCH2**). This will cause the chiller to control to an occupied set point and an unoccupied set point. The machine will be able to provide cooling at any time.

To configure this option while using the Navigator™ display, see Table 22.

Holiday Schedule

The unit control allows up to 16 holiday periods. All holidays are entered with numerical values. First enter the month (**MON.x**), then the day (**DAY.x**), then the duration (**DUR.x**) of the holiday period in days. If a holiday is included in one of the Occupied Time Periods of the schedule, the machine will follow that operating condition for the holiday. In the following examples, the holidays July 4 and December 25-26 are programmed for Holiday 1 and Holiday 2 respectively.

To configure this option for the Navigator display, see Table 23.

CCN Global Time Schedule

A CCN global schedule can be used if desired. The schedule number can be set anywhere from 65 to 99 for operation under a CCN global schedule. The 30XA chillers can be configured to follow a CCN Global Time Schedule broadcast by another system element. The ComfortVIEW™ Network Manager's Configure and Modify commands or the Service Tool's Modify/Names function must be used to change the number of the Occupancy Equipment Part Table Name (OCC1P01E) to the Global Schedule Number. The Schedule Number can be set from 65 to 99 (OCC1P65E to OCC1P99E).

Table 22 — Configuring Schedules with Navigator™ Display

ITEM	ITEM EXPANSION	PATH	VALUE
OCC.1	Occupied Time		00:00
UNO.1	Unoccupied Time		03:00
MON.1	Monday Select		Yes
TUE.1	Tuesday Select		No
WED.1	Wednesday Select	Time Clock→SCH1→PER.1	No
THU.1	Thursday Select	or Time Clock→SCH2→PER.1	No
FRI.1	Friday Select		No
SAT.1	Saturday Select		No
SUN.1	Sunday Select		No
HOL.1	Holiday Select		No
OCC.2	Occupied Time		07:00
UNO.2	Unoccupied Time		18:00
MON.2	Monday Select		Yes
TUE.2	Tuesday Select		Yes
WED.2	Wednesday Select	Time Clock→SCH1→PER.2	No
THU.2	Thursday Select	or Time Clock→SCH2→PER.2	No
FRI.2	Friday Select		No
SAT.2	Saturday Select		No
SUN.2	Sunday Select		No
HOL.2	Holiday Select		No
OCC.3	Occupied Time		07:00
UNO.3	Unoccupied Time		21:30
MON.3	Monday Select		No
TUE.3	Tuesday Select		No
WED.3	Wednesday Select	Time Clock→SCH1→PER.3	Yes
THU.3	Thursday Select	or Time Clock→SCH2→PER.3	No
FRI.3	Friday Select		No
SAT.3	Saturday Select		No
SUN.3	Sunday Select		No
HOL.3	Holiday Select		No
OCC.4	Occupied Time		07:00
UNO.4	Unoccupied Time		17:00
MON.4	Monday Select		No
TUE.4	Tuesday Select		No
WED.4	Wednesday Select	Time Clock→SCH1→PER.4	No
THU.4	Thursday Select	or Time Clock→SCH2→PER.4	Yes
FRI.4	Friday Select		Yes
SAT.4	Saturday Select		No
SUN.4	Sunday Select		No
HOL.4	Holiday Select		No
OCC.5	Occupied Time		07:00
UNO.5	Unoccupied Time		12:00
MON.5	Monday Select		No
TUE.5	Tuesday Select		No
WED.5	Wednesday Select	Time Clock→SCH1→PER.5	No
THU.5	Thursday Select	or Time Clock→SCH2→PER.5	No
FRI.5	Friday Select		No
SAT.5	Saturday Select		Yes
SUN.5	Sunday Select		No
HOL.5	Holiday Select		No

Table 23 — Configuring Holiday Schedules with Navigator Display

ITEM	ITEM EXPANSION	PATH	VALUE
MON.1	Holiday Start Month		7
DAY.1	Holiday Start Day	Time Clock→HOLI→HOL.1	4
DUR.1	Holiday Duration in Day		1
MON.2	Holiday Start Month		12
DAY.2	Holiday Start Day	Time Clock→HOLI→HOL.2	25
DUR.2	Holiday Duration in Day		2

The Occupancy Supervisory Part table name (OCC1P01S) number must be changed to configure the unit to broadcast a Global Time Schedule. The Schedule Number can be set from 65 to 99 (OCC1P65S to OCC1P99S). When OCC1PxxS is set to a value greater than 64, an occupancy flag is broadcast over the CCN every time it transitions from occupied to unoccupied or vice-versa. By configuring their appropriate Time Schedule decisions to the same number, other devices on the network can follow this same schedule. The Enable/Off/Remote Contact must be in the Enable position or the Remote Contact position with the contacts closed for the unit to operate. The Unit Run Status (**STAT**) will indicate the current status of the machine (OFF, RUNNING, STOPPING or DELAY), depending on the schedule. The unit Occupied status (**OCC**) will indicate the current occupied schedule according to the schedule, either NO or YES. The Status Unit Control Type (**CTRL**) will be LOCAL OFF when the switch is Off. The Status Unit Control Type will be CCN when the Enable/Off/Remote Contact switch input is On.

CCN Control

With CCN Operating Type control, the machine operates under CCN control as long as the Enable/Off/Remote Contact Switch is in the Enable or Remote Contact position (external contacts closed). To operate under this Operating Control, OPER must be set to CCN CONTROL. An external CCN device, such as Chillervisor, controls the On/Off state of the machine. When controlled by a Chillervisor, it is recommended that the Auto Start When SM Lost (**AU.SM**) be set to Yes.

Chilled Water Plant control should be carefully evaluated. In the event Local Control is established, be sure that all pumps, valves, and other devices are capable of operating properly. In the event of a loss of communication with the network, the machine will start and be controlled locally. The CCN device forces the variable CHIL_S_S to control the chiller. The Unit Run Status (**STAT**) will indicate the current status of the machine (OFF, RUNNING, STOPPING or DELAY), depending on the CCN command. The unit Occupied status (**OCC**) will indicate the current occupied state according to the CCN command and will be displayed as either NO or YES. The Status Unit Control Type (**CTRL**) will be LOCAL OFF when the Enable/Off/Remote Contact switch is Off. The Status Unit Control Type will be CCN when the Enable/Off/Remote Contact switch input is Closed and the CHIL_S_S variable is Stop or Start.

For Dual Chiller Control applications, the Slave Chiller must be enabled using the CCN CONTROL option.

ITEM	ITEM EXPANSION	PATH	VALUE
OPER	Operating Control Type	Operating Modes→SLCT→OPER	CCN CONTROL
AU.SM	Auto Start when SM Lost	Configuration→SERV	YES

Fluid Set Point Control Location

The chilled water fluid set point factory default is to control to leaving water temperature. An option is available to configure for entering water control. The control operation remains the same except the control point is focused on entering water temperature rather than leaving water temperature.

To configure this option with the Carrier Controller display:

DISPLAY NAME	PATH	LINE NO.	VALUE
Entering Fluid Control	Service\ SERVICE1	5	No = Leaving Water Control Yes = Entering Water Control

To configure this option with the Navigator™ display:

ITEM	ITEM EXPANSION	PATH	VALUE
EWTO	Entering Water Control	Configuration→SERV	No = Leaving Water Control Yes = Entering Water Control

Cooling Set Point Selection

Several options for controlling the Leaving Chilled Water Set Point are offered and are configured by the Cooling Set Point Select (**Setpoint Select, *SP.SE***) variable. In addition to the Cooling Set Point Select, Ice Mode Enable discussed later in this book and Heat Cool Select (**Heat/Cool Select, *HC.SE***) variables also have a role in determining the set point of the machine. All units are shipped from the factory with the Heat Cool Select set to 0.

All default set points are based on Leaving Water Control (**Entering Fluid Control, *EWTO***) set to No. Values must be confirmed for the individual set points. Limits for the set points are listed in the configurations noted below.

To configure these options for the Carrier Controller display, see Table 24. To configure these options for the Navigator display, see Table 25.

Table 24 — Cooling Set Point Selection with Carrier Controller Display

DISPLAY NAME	PATH	LINE NO.	VALUE
Cooling Setpoint 1	Setpoint	2	Range: 14 to 70°F (-10.0 to 21.1°C) Default: 44°F (6.6°C)
Cooling Setpoint 2	Setpoint	3	Range: 14 to 70°F (-10.0 to 21.1°C) Default: 44°F (6.6°C)
Cooling Ice Setpoint	Setpoint	4	Range: -20 to 32°F (-28.9 to 0°C) Default: 44°F (6.6°C)

Table 25 — Cooling Set Point Selection with Navigator™ Display

ITEM	ITEM EXPANSION	PATH	VALUE
CSP.1	Cooling Setpoint 1	Setpoints→COOL	Range: 14 to 70°F (-10.0 to 21.1°C) Default: 44°F (6.6°C)
CSP.2	Cooling Setpoint 2	Setpoints→COOL	Range: 14 to 70°F (-10.0 to 21.1°C) Default: 44°F (6.6°C)
CSP.3	Ice Setpoint	Setpoints→COOL	Range: -20 to 32°F (-28.9 to 0°C) Default: 44°F (6.6°C)

Table 27 — Cooling Set Point Selection Carrier Controller Parameters

SET POINT CONFIGURATION (Setpoint Select)	ICE MODE ENABLE (ice_cnfg)	DUAL SET POINT INPUT (SETP_SW)	ICE DONE INPUT (ICE_SW)	TIME SCHEDULE 2	ACTIVE SET POINT	
0 (Auto)	NO	—	—	Occupied	Cooling Setpoint 1	
		—	—	Unoccupied	Cooling Setpoint 2	
	YES	—	Open	Unoccupied	Cooling Ice Setpoint	
		—	Closed	Unoccupied	Cooling Setpoint 2	
1 (Setp 1)	—	—	—	Occupied	Cooling Setpoint 1	
2 (Setp 2)	—	—	—	—	Cooling Setpoint 1	
3 (4-20 mA)	—	—	—	—	Cooling Setpoint 2	
4 (Setp Sw)	NO	Open	—	—	4 to 20 mA Input	
		Closed	—	—	Cooling Setpoint 1	
	YES	Open	—	—	—	Cooling Setpoint 2
		Closed	Open	—	—	Cooling Setpoint 1
		Closed	Closed	Open	—	Cooling Ice Setpoint
			Closed	—	Cooling Setpoint 2	

In all cases, there are limits on what values are allowed for each set point. These values depend on the Cooler Fluid Type and the Brine Freeze Set point, discussed later. See Table 26.

Table 26 — Configuration Set Point Limits

SET POINT LIMITS	COOLER FLUID TYPE (COOLER FLUID TYPE, FLUD)	
	1, Water	2, Brine
Minimum *	38°F (3.3°C)	14°F (-10.0°C)
Maximum	60°F (15.5°C)	

* The minimum set point for Medium Temperature Brine applications is related to the Brine Freeze Point. The set point is limited to be no less than the Brine Freeze Point +5°F (2.8°C).

The Setpoint select configuration can be set to five different control options: Set Point Occupancy, Set Point 1, Set Point 2, 4-20 mA Input, and Dual Switch.

SET POINT OCCUPANCY

Set Point Occupancy is the default configuration for the Setpoint select variable. When Setpoint select (**Setpoint Select, *SP.SE***) is configured to 0 (Setpoint Occ), the unit's active set point is based on Cooling Set Point 1 (**Cooling Setpoint 1, *CSP1***) during the occupied period while operating under Time Schedule 1 (***SCH1***). If the Time Schedule 2 (***SCH2***) is in use, the unit's active set point is based on Cooling Set Point 1 (**Cooling Setpoint 1, *CSP1***) during the occupied period and Cooling Set Point 2 (**Cooling Setpoint 2, *CSP2***) during the unoccupied period. See Tables 27 and 28.

To configure this option with a Carrier Controller display:

DISPLAY NAME	PATH	LINE NO.	VALUE
Setpoint select	Status→GENUNIT	25	0 (Setpoint Occupied)

To change this value, a Control Point Force must be applied. When configured correctly, Setpoint Control (**Setpoint Control, *SP.SE***) will indicate Auto.

To configure this option with a Navigator™ display:

ITEM	ITEM EXPANSION	PATH	VALUE
SP.SE	Setpoint Select	Operating Modes→SLCT	Setpoint Occ

Table 28 — Cooling Set Point Selection Navigator™ Parameters

PARAMETER STATUS							ACTIVE SET POINT
Control Method (OPER)	Heat/Cool Select (HC.SE)	Setpoint Select (SP.SE)	Ice Mode Enable (ICE.M)	Ice Done (ICE.D)	Dual Setpoint Switch (DUAL)	Setpoint Occupied (SP.OC)	
LOCAL	COOL	Setpoint Occ	—	—	—	Occupied	CSP.1
		Setpoint Occ	—	—	—	Unoccupied	CSP.2
		Setpoint Occ	Enable	Open	—	Unoccupied	CSP.3
		Setpoint 1	—	—	—	—	CSP.1
		Setpoint 2	—	—	—	—	CSP.2
		4-20mA Setp	—	—	—	—	4-20mA
		—	Enable	Open	Closed	—	CSP.3
		—	Enable	Closed	Closed	—	CSP.2
		—	—	—	Open	—	CSP.1
CCN	COOL	Dual Setp Sw	—	—	Closed	—	CSP.2
		—	—	—	—	Occupied	CSP.1
—	—	—	—	—	Unoccupied	CSP.2	

Set Point 1

When Set Point select (**Setpoint Select, SP.SE**) is configured to 1 (**Setpoint 1**), the unit’s active set point is based on Cooling Set Point 1 (**Cooling Setpoint 1, CSP.1**).

To configure this option with the Carrier Controller display:

DISPLAY NAME	PATH	LINE NO.	VALUE
Setpoint select	Status→GENUNIT	25	1 (Set Point 1)

To change this value, a Control Point Force must be applied. When configured correctly, **Setpoint Control** will indicate Setp 1. To configure this option with the Navigator display:

ITEM	ITEM EXPANSION	PATH	VALUE
SP.SE	Setpoint Select	Operating Modes→SLCT	Setpoint 1

Set Point 2

When Set Point select (**Setpoint Select, SP.SE**) is configured to 2 (**Setpoint 2**), the unit’s active set point is based on Cooling Set Point 2 (**Cooling Setpoint 2, CSP.2**).

To configure this option with the Carrier Controller display:

DISPLAY NAME	PATH	LINE NO.	VALUE
Setpoint select	Status→GENUNIT	25	2 (Set Point 2)

To change this value, a Control Point Force must be applied. When configured correctly, Setpoint Control (**Status→GENUNIT**) will indicate Setp 2.

To configure this option with the Navigator display:

ITEM	ITEM EXPANSION	PATH	VALUE
SP.SE	Setpoint Select	Operating Modes→SLCT	Setpoint 2

4 to 20 mA Input

When Setpoint select (**Setpoint Select, SP.SE**) is configured to 3 (4-20 mA Setp), the unit’s active set point is based on an field supplied, external 4 to 20 mA signal input to the Energy Management Module (EMM). Care should be taken when interfacing with other manufacturer’s control systems, due to power supply differences of full wave bridge versus half wave rectification. The two different power supplies cannot be mixed. *ComfortLink* controls use half wave rectification. A signal isolation device should be utilized if a full wave bridge signal generating device is used.

The following equation is used to control the set point; see Fig. 20.

$$\text{Fahrenheit Set Point} = 10 + 70(\text{mA} - 4)/16 \text{ (deg F)}$$

$$\text{Celsius Set Point} = -12.2 + 38.9(\text{mA} - 4)/16 \text{ (deg C)}$$

To configure this option while using a Carrier Controller display:

DISPLAY NAME	PATH	LINE NO.	VALUE
Setpoint select	Status→GENUNIT	25	3 (4-20 mA Input)

A Control Point Force must be applied to change this value. When configured correctly, Setpoint Control will indicate 4-20 mA.

To configure this option while using a Navigator display:

ITEM	ITEM EXPANSION	PATH	VALUE
SP.SE	Setpoint Select	Operating Modes→SLCT	4-20 mA Setp

Dual Switch

When Set Point select (**Setpoint Select, SP.SE**) is configured to 4 (Dual Setp Sw), the unit’s active set point is based on Cooling Set Point 1 (**Cooling Setpoint 1, CSP.1**) when the Dual Set Point switch contact is open and Cooling Set Point 2 (**Cooling Setpoint 2, CSP.2**) when it is closed.

To configure this option while using a Carrier Controller display:

DISPLAY NAME	PATH	LINE NO.	VALUE
Setpoint select	Status→GENUNIT	25	4 (Dual Setpoint Switch)

A Control Point Force must be applied to change this value. When configured correctly, **Setpoint Control** will indicate Setp Sw.

To configure this option while using a Navigator display:

ITEM	ITEM EXPANSION	PATH	VALUE
SP.SE	Setpoint Select	Operating Modes→SLCT	Dual Setp Sw

Chilled Water Fluid Type Selection

The chilled water fluid must be configured. The fluid type must be configured to obtain the proper leaving water set point control range and freeze protection. The Cooler Fluid Type (**Cooler Fluid Type, FLUD**) can be set to water or brine.

FRESH WATER

Configure the unit for Cooler Fluid Type (**Cooler Fluid Type, FLUD**) to water for units without brine or glycol installed in the chilled water loop. The factory default fluid type is fresh water. Use this option for fresh water systems. This will allow for a water temperature set point of 38 to 60°F (3.3 to 15.5°C). With water as the selection, the Freeze Point is fixed at 34°F (1.1°C).

To configure this option with the Carrier Controller display:

DISPLAY NAME	PATH	LINE NO.	VALUE
Cooler Fluid Type	Main Menu→Service→SERVICE1	1	1 = Water

To configure this option with the Navigator display:

ITEM	ITEM EXPANSION	PATH	VALUE
FLUD	Cooler Fluid Type	Configuration→SERV	Water

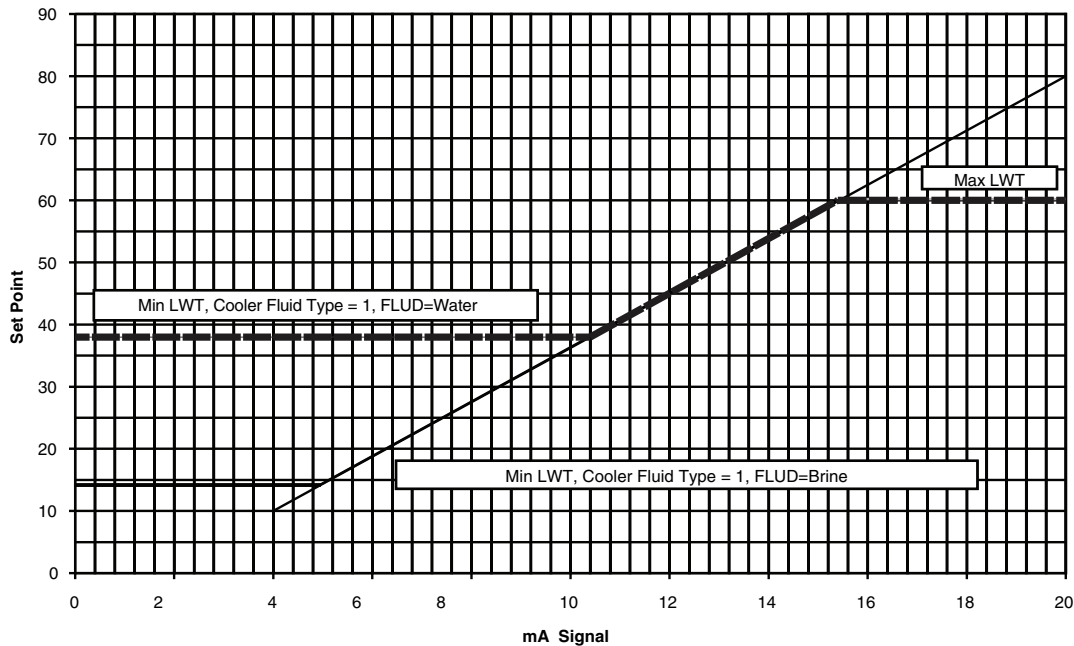


Fig. 20 — 4 to 20 mA Set Point Control

BRINE OR GLYCOL OPERATION

Configure the unit for Cooler Fluid Type (**Cooler Fluid Type, FLUD**) to brine for brine or glycol chilled water loops. This option will allow for a set point temperature range of 14 to 60°F (-10.0 to 15.5°C). Before configuring this selection, confirm that a suitable antifreeze has been added and is at a sufficient concentration to protect the loop. Additionally, the Brine Freeze Set Point (**Brine Freeze Setpoint, LOSP**) must be set for proper freeze protection operation. Set the Brine Freeze Set Point to the burst protection provided by the glycol concentration. This value will be Freeze Point for the fluid.

To configure this option with the Carrier Controller display:

DISPLAY NAME	PATH	LINE NO.	VALUE
Cooler Fluid Type	Main Menu →Service→SERVICE 1	1	2 = Brine
Brine Freeze Setpoint	Main Menu →Service→SERVICE 1	3	Dependent on fluid concentration

To configure this option with the Navigator™ display:

ITEM	ITEM EXPANSION	PATH	VALUE
FLUD	Cooler Fluid Type	Configuration→SERV	Brine
LOSP	Brine Freeze Setpoint	Configuration→SERV	Dependent on fluid concentration

Cooler Pump Control

It is required for flooded cooler units that cooler pump control be utilized on all chillers unless the chilled water pump runs continuously or the chilled water system contains a suitable antifreeze solution. The 30XA units can be configured for single external pump control as standard. Control of dual external pumps requires installation of the external pump control accessory package (Part No. 00EFN900003200A).

Cooler Pumps Sequence (**Cooler Pumps Sequence, PUMP**) is the variable that must be confirmed in the field. Proper configuration of the cooler pump control is required to provide reliable chiller operation. Pump control can be accomplished for both on-board and external pumps. For external pump control, control connections to the pump contactor and a feedback circuit from the contactor must be supplied. The Cooler Pumps Sequence configuration can be set to 5 different control settings: No Pump

Control, Single Pump Control, Dual Pump Control, Pump 1 Manual, and Pump 2 Manual.

When the Cooler Pumps Sequence is configured, the cooler pump output will be energized when the chiller enters an “ON” mode. The cooler pump output is also energized when certain alarms are generated. The cooler pump output should be used as an override to the external pump control if cooler pump control is not utilized. The cooler pump output is energized if a P.01 Water Exchanger Freeze Protection alarm is generated, which provides additional freeze protection if the system is not protected with a suitable antifreeze solution.

A chilled water pump interlock contact PMP-I is connected across TB5 terminals 1-2, as an alternative to the standard jumper. This interlock is an optional field-installed device which would provide extra protection in the event of the flow switch failing closed. It may be used regardless of whether or not pump control is enabled. However, this interlock should NOT be confused with the pump contactor feedback auxiliary contacts which MUST be wired to MBB channel 18 at connector J5C if the pump control feature is enabled (with or without the optional on-board hydronic package).

NO PUMP CONTROL

The factory default setting for Cooler Pumps Sequence (**Cooler Pumps Sequence, PUMP**) is 0 (No Pump), for units without the factory-installed hydronic package.

When Cooler Pumps Sequence is set to 0 (No Pump), closure of both the chilled water flow switch (CWFS) and the chilled water pump interlock contact (connected across TB-5 terminals 1 and 2) are required for the unit to start mechanical cooling.

To configure this option with the Carrier Controller display:

DISPLAY NAME	PATH	LINE NO.	VALUE
Cooler Pumps Sequence	Main Menu→Config→USER	8	0 (No Pump Control)

To configure this option with the Navigator™ display:

ITEM	ITEM EXPANSION	PATH	VALUE
PUMP	Cooler Pumps Sequence	Configuration→OPTN	No Pump

SINGLE PUMP CONTROL

For units with the single pump hydronic package, the factory default setting for Cooler Pumps Sequence (**Cooler Pumps Sequence, PUMP**) is 1 (1 Pump Only). This control algorithm may be used to control an external pump, as long as the same controls are applied as noted below.

When the Cooler Pumps Sequence configuration is set to 1 Pump Only, closure of both the chilled water flow switch (CWFS) and the chilled water pump interlock contact (connected across TB-5 terminals 1 and 2) are required for the unit to start mechanical cooling. Additionally, the normally open auxiliary contacts for Pump 1 contactor must be connected to the violet and pink wires located in the harness from the MBB-J5C-CH18 connector. The wires in the harness are marked "PMP1-13" and "PMP1-14." See the field wiring diagram in the 30XA Installation Instructions.

Three additional parameters are configurable for pump control with single pump control. Periodic pump start and check flow if pump is off parameters can customize the pump operation for the application. Another parameter, to stop the pump in standby mode is not supported.

The control system has the ability to periodically start the pumps to maintain the bearing lubrication and seal integrity. If Periodic Pump Start (**Pump Sticking Protection, PM.PS**) is set to YES and the unit is off at 2:00 PM, the pump will be started once each day for 2 seconds. The default for this option is NO.

Another configuration to check the status of the chilled water flow switch can be selected. When configured, if Flow Checked if Pump Off (**Flow Checked if C Pump Off, P.LOC**) is set to YES, the control will monitor the chilled water flow switch status and will alarm if the pump is commanded off and the chilled water flow switch is closed. This can provide the user with information of a faulty cooler pump contactor or a failed chilled water flow switch. This parameter should be set to NO for series flow machines. The factory default for this item is YES.

To configure this option with the Carrier Controller display:

DISPLAY NAME	PATH	LINE NO.	VALUE
Cooler Pumps Sequence	Main Menu→Config→USER	8	1 (Single Pump Control)
Pump Sticking Protection	Main Menu→Config→USER	15	Default = No No = Disabled Yes = Enabled
Flow Checked if C Pump Off	Main Menu→Config→USER	17	Default = Yes No = Disabled Yes = Enabled

To configure this option with the Navigator™ display:

ITEM	ITEM EXPANSION	PATH	VALUE
PUMP	Cooler Pumps Sequence	Configuration→OPTN	1 Pump Only
PM.PS	Periodic Pump Start	Configuration→OPTN	Default = No No = Disabled Yes = Enabled
P.LOC	Flow Checked if Pmp Off	Configuration→OPTN	Default = Yes No = Disabled Yes = Enabled

DUAL PUMP AND MANUAL CONTROL

For units with the dual pump hydronic package, the factory default setting for Cooler Pumps Sequence (**Cooler Pumps Sequence, PUMP**) is 2 (2 Pumps Auto). This control algorithm may be used to control two external pumps, as long as the same controls are applied as noted below. For dual pump hydronic option units, three control options exist. The control will start the pumps and automatically alternate the operation of the pumps to even the wear of the pumps based on the hours configured under Pump Auto Rotation Delay (**Pump Auto Rotation Delay, ROT.P**). If the difference between the operating hours of the 2 pumps exceeds the Pump Auto Rotation Delay

the lead pump will change. If a flow failure is detected, the other pump will attempt to start.

Two manual control options also exist. When the Cooler Pumps Sequence (**Cooler Pumps Sequence, PUMP**) is set to 3 (PMP 1 Manual), Cooler Pump 1 will always operate. When the Cooler Pumps Sequence (**Cooler Pumps Sequence, PUMP**) is set to 4 (PMP 2 Manual), Cooler Pump 2 will always operate.

If the Cooler Pumps Sequence configuration is set to 2 (2 Pumps Auto), 3 (PMP 1 Manual), or 4 (PMP 2 Manual), closure of both the chilled water flow switch (CWFS) and the chilled water pump interlock contact (connected across TB-5 terminals 1 and 2) are required for the unit to start mechanical cooling. Additionally, the normally open auxiliary contacts for Pump 1 and Pump 2 contactors (wired in parallel) must be connected to the violet and pink wires located in the harness from the MBB-J5C-CH18 connector. The wires in the harness are marked "PMP1-13" and "PMP1-14." See the field wiring diagram in the 30XA Installation Instructions.

Three additional parameters are configurable for pump control with single pump control. The Periodic Pump Start (**Pump Sticking Protection, PM.PS**) and Flow Checked if Pump Off (**Flow Checked if C Pump Off, P.LOC**) parameters can customize the pump operation for the application. Another parameter, that is used to stop the pump in standby mode, is not supported.

The control system has the ability to periodically start the pumps to maintain the bearing lubrication and seal integrity. If Periodic Pump Start (**Pump Sticking Protection, PM.PS**) is set to YES and if the unit is off at 2:00 PM, a pump will be started once each day for 2 seconds. If the unit has 2 pumps, Pump 1 will be started on even days (such as day 2, 4, or 6 of the month); Pump 2 will be started on odd days (such as day 1, 3 or 5 of the month). The default for this option is NO.

A configuration to check the status of the chilled water flow switch can be selected. When Flow Checked if Pump Off (**Flow Checked if C Pump Off, P.LOC**) is configured to YES, the control will monitor the chilled water flow switch status and will alarm if the pump is commanded off and the chilled water flow switch is closed. This can alert the user to a faulty cooler pump contactor or a failed chilled water flow switch. This parameter should be set to NO for series flow machines. The factory default for this item is YES.

To configure these options with the Carrier Controller display:

DISPLAY NAME	PATH	LINE NO.	VALUE
Cooler Pumps Sequence	Main Menu→Config→USER	8	2 (2 Pumps Automatic) 3 (Pump 1 Manual) 4 (Pump 2 Manual)
Pump Auto Rotation Delay	Main Menu→Config→USER	14	Default = 48 hours
Pump Sticking Protection	Main Menu→Config→USER	15	Default = No No = Disabled Yes = Enabled
Flow Checked if C Pump Off	Main Menu→Config→USER	17	Default = Yes No = Disabled Yes = Enabled

To configure these options with the Navigator display:

ITEM	ITEM EXPANSION	PATH	VALUE
PUMP	Cooler Pumps Sequence	Configuration→OPTN	2 Pumps Auto PMP1 Manual PMP2 Manual
ROT.P	Pump Rotation Delay	Configuration→OPTN	Default = 48 hours
PM.PS	Periodic Pump Start	Configuration→OPTN	Default = No No = Disabled Yes = Enabled
P.LOC	Flow Checked if Pmp Off	Configuration→OPTN	Default = Yes No = Disabled Yes = Enabled

Machine Start Delay

An option to delay the start of the machine is also available. This parameter is useful in keeping multiple machines from starting at the same time in case of a power failure. The parameter has a factory default of 1 minute. This parameter also has a role in the timing for a chilled water flow switch alarm.

To configure this option with the Carrier Controller display:

DISPLAY NAME	PATH	LINE NO.	VALUE
Unit Off to On Delay	Main Menu →Config→USER	6	Default = 1 Minute

To configure this option with the Navigator display:

ITEM	ITEM EXPANSION	PATH	VALUE
DELY	Minutes Off Time	Configuration→OPTN	Default = 1 Minute

Circuit/Compressor Staging and Loading

The AquaForce® 30XA chillers employ one compressor per circuit. As a result, circuit and compressor staging are the same. The control has several control option parameters to load the compressors. The circuit/compressor start can be configured as well as the loading of each circuit/compressor.

CIRCUIT/COMPRESSOR STAGING

The control can be configured to decide which circuit/compressor starts first, by configuring Lead/Lag Circuit Select (**Circuit Loading Sequence, LLCS**). Four options for this variable are allowed: Automatic Lead-Lag, Circuit A Leads, Circuit B Leads, or Circuit C Leads (30XA400,450, and 500 only). The factory default is Automatic Lead-Lag.

The automatic lead-lag function determines which circuit/compressor starts. When enabled, the control will determine which circuit/compressor starts to even the wear of the compressor. The compressor wear factor (combination of starts and run hours) is used to determine which compressor starts.

Compressor Wear Factor = (Compressor Starts) + 0.1 (Compressor Run Hours)

The circuit/compressor with the lowest compressor wear factor is the circuit that starts first.

If starting a particular circuit/compressor first is desired, that can also be configured with the same variable.

To configure this option with the Carrier Controller display:

DISPLAY NAME	PATH	LINE NO.	VALUE
Circuit Loading Sequence	Main Menu →Config→USER	1	0 (Automatic Lead-lag) 1 (Circuit A Leads) 2 (Circuit B Leads) 3 (Circuit C Leads) Default = 0 (Automatic Lead-lag)

To configure this option with the Navigator™ display:

ITEM	ITEM EXPANSION	PATH	VALUE
LLCS	Lead/Lag Circuit Select	Configuration →OPTN	Range: Automatic, Cir A Leads, Cir B Leads, Cir C Leads Default – Automatic

CIRCUIT/COMPRESSOR LOADING

The control can be configured to stage the circuit/compressors. The Loading Sequence Select (**Staged Loading Sequence, LOAD**) setting determines how the control will perform loading. The configuration can be set to Equal or Staged.

Equal Loading

With Equal loading, the circuit which starts first will maintain the minimum stage of capacity with the slide valve fully unloaded. When additional capacity is required, the next circuit with the lowest compressor wear factor is started with its slide valve at minimum position. As additional capacity is required, the slide valve for a circuit will be adjusted in approximately 5% increments to match capacity requirements. The control will alternate between circuits to maintain the same percentage of capacity on each circuit. See Fig. 21.

Staged Loading

If staged loading is selected, the circuit which starts first will gradually load its slide valve to match capacity requirements until the circuit is fully loaded. Once the circuit is fully loaded and additional capacity is required, the control will start an additional circuit fully unloaded. The control will gradually unload the circuit which was fully loaded to match capacity requirements. See Fig. 21.

To configure this option with the Carrier Controller display:

DISPLAY NAME	PATH	LINE NO.	VALUE
Staged Loading Sequence	Main Menu →Config→USER	4	Default = No No (Equal) Yes (Staged)

To configure this option with the Navigator display:

ITEM	ITEM EXPANSION	PATH	VALUE
LOAD	Loading Sequence Select	Configuration→OPTN	Default = Equal Equal Staged

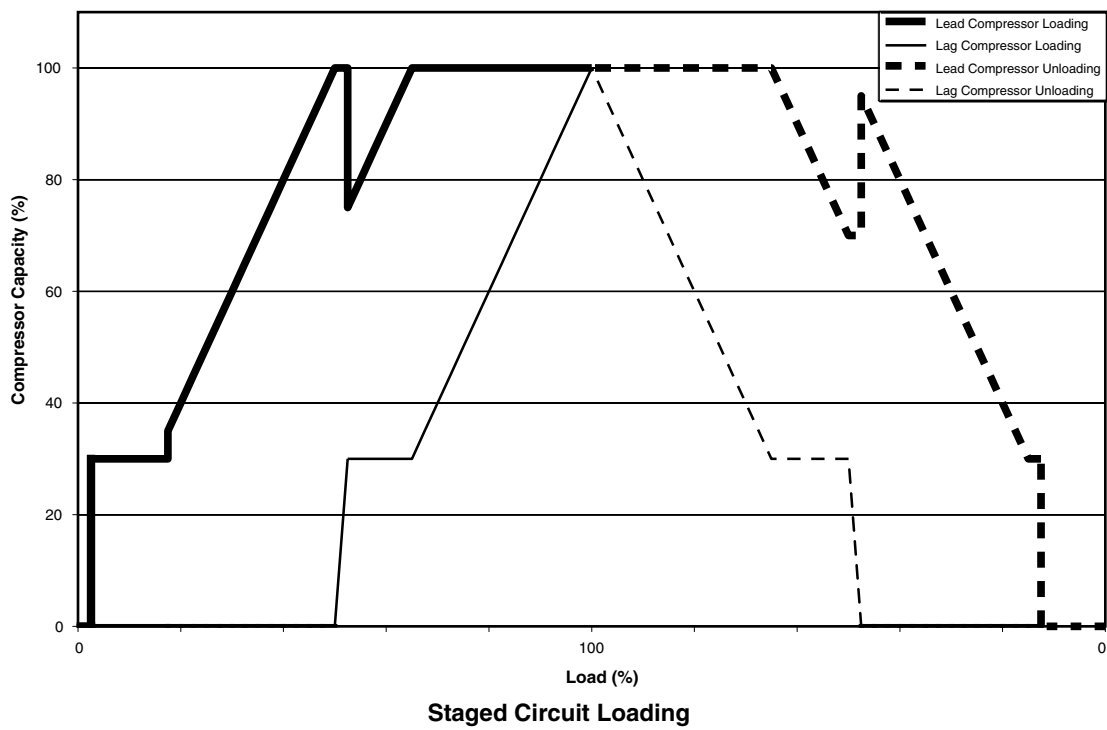
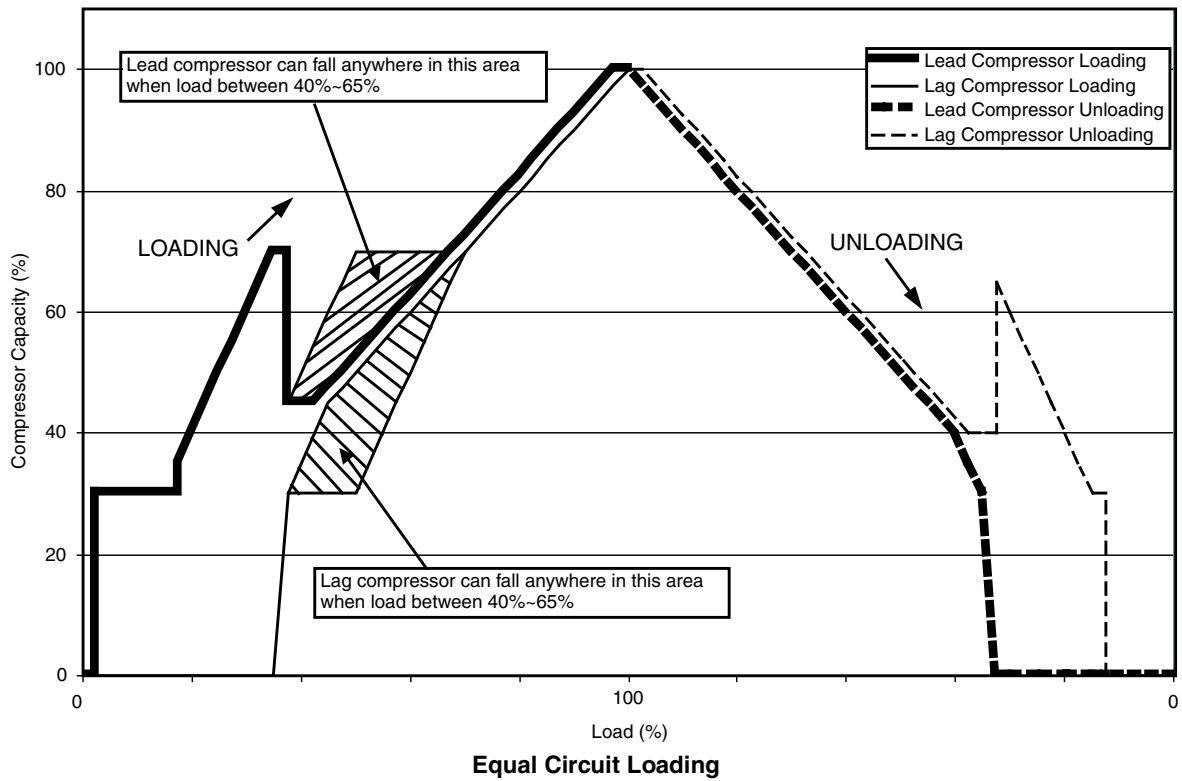


Fig. 21 — Compressor Loading and Unloading

Minimum Load Control

Minimum Load Control can be a factory-installed option or a field-installed accessory. If installed, and its operation is desired, the Minimum Load Control must be enabled. Once enabled, the valve will be operational only during the first stage of cooling.

To configure this option with the Carrier Controller display:

DISPLAY NAME	PATH	LINE NO.	VALUE
Hot Gas Bypass Select	Main Menu→Service →FACTORY	14	Default = No No (No Minimum Load Control) Yes (Minimum Load Control Installed)

To configure this option with the Navigator display:

ITEM	ITEM EXPANSION	PATH	VALUE
HGBP	Hot Gas Bypass Select	Configuration→UNIT	No = No Minimum Load Control Yes = Minimum Load Control Installed

Dual Chiller Control

The dual chiller routine is available for the control of two units installed in series or parallel supplying chilled fluid on a common loop. One chiller must be configured as the master chiller, the other as the slave chiller. An additional leaving fluid temperature thermistor (Dual Chiller LWT) must be installed in the common chilled water piping as described in the Installation Instructions for both the master and slave chillers. See the Field Wiring section in the 30XA Installation Instructions for Dual Chiller LWT sensor control wiring.

The control algorithm relies on several parameters that must be field configured for operation. Both chillers must be on the same Carrier Comfort Network® bus with different addresses. On both chillers, Master/Slave Select (**Master/Slave Select, 3MSSL**) must be enabled. The water piping arrangement, Chillers in Series (**Chiller in Series, SERI**), must be configured. The master chiller must be programmed with the Slave Chiller Address (**Slave Address, SLVA**). Additional optional programming parameters may be configured to meet application requirements.

Lead/Lag Balance Select (**Lead Lag Select, LLBL**) determines which chiller is the lead machine. The options are Always Lead, Lag if Fail, and Runtime Select. Under Runtime Select control, the lead chiller will change based on the time increment selected in the Lead/Lag Balance Delta configuration (**Lead/Lag Balance Data, LLBD**). If the run hour difference between the master and the slave remains less than the Lead/Lag Balance Delta, the chiller designated as the lead will remain the lead chiller. The Lead/Lag changeover between the master and the slave chiller due to hour balance will occur during chiller operating odd days, such as day 1, day 3, and day 5 of the month, at 12:00 a.m. If a lead chiller is not designated, the master chiller will always be designated the lead chiller.

The dual chiller control algorithm has the ability to delay the start of the lag chiller in two ways. The Lead Pulldown Time parameter (**Lead Pulldown Type, LPUL**) is a one-time time delay initiated after starting the lead chiller, before checking

whether to start an additional chiller. This time delay gives the lead chiller a chance to remove the heat that the chilled water loop picked up while being inactive during an unoccupied period. The second time delay, Lead/Lag Delay (**Lag Start Timer, LLDY**) is a time delay imposed between the last stage of the lead chiller and the start of the lag chiller. This prevents enabling the lag chiller until the lead/lag delay timer has expired.

A quicker start of the lag chiller can be accomplished by configuring the Start if Error Higher parameter (**Start if Error Higher, LLER**). If the difference between the common leaving water temperature and the set point is greater than the configured value, then the lag chiller will start.

A minimum on time for the lag chiller can be programmed with the Lag Minimum Running Time configuration (**Lag Minimum Running Time, LAGM**). This parameter causes the control to run the lag chiller for the programmed minimum on time. The Lag Unit Pump Select (**Lag Unit Pump Control, LAGP**) can be configured such that the pump can be on or off while the chiller is off. This parameter is only active in Parallel Chiller Operation.

For units with a Carrier Controller display, two additional steps must be completed to start the machine. On the master chiller, the Master Control Type must be configured for the start control defined in the Machine Control configuration. To start the machines, the master chiller must be started with the Start/Stop button and Master Mode selected. The slave chiller must be started with the CCN Mode selected.

Each application, Parallel and Series, is described separately below.

DUAL CHILLER CONTROL FOR PARALLEL APPLICATIONS

To configure the master chiller for parallel applications using the Carrier Controller display, see Table 29. To configure the master chiller for parallel applications using the Navigator™ display, see Table 30.

To configure the slave chiller for parallel applications using the Carrier Controller display, see Table 31. To configure the slave chiller for parallel applications using the Navigator display, see Table 32. A power cycle is required for the values to take effect.

DUAL CHILLER PUMP CONTROL FOR PARALLEL CHILLER APPLICATIONS

It is recommended that a dedicated pump be used for each unit. The chiller must start and stop its own water pump located on its own piping. If pumps are not dedicated for each chiller, chiller isolation valves are required and each chiller must open and close its own isolation valve.

DUAL CHILLER CONTROL FOR SERIES APPLICATIONS

To configure the master chiller for series applications using the Carrier Controller display, see Table 33. To configure the master chiller for series applications using the Navigator™ display, see Table 34.

To configure the slave chiller for series applications using the Carrier Controller display, see Table 35. To configure the slave chiller for series applications using the Navigator display, see Table 36. A power cycle is required for the values to take effect.

Table 29 — Dual Master Chiller Control Parameters for Parallel Applications with Carrier Controller Display

DISPLAY NAME	PATH	LINE NO.	VALUE
Master/Slave Select	Main Menu→Config→MST_SLV	3	1 (Master) Default: 0 (Disable)
Master Control Type	Main Menu→Config→MST_SLV	7	1=Local Control 2=Remote Control 3=CCN Control Default: 1 Configure for proper control type.
Slave Address	Main Menu→Config→MST_SLV	11	Must be set to the Slave Chiller's address. The master and slave chiller must have different addresses and be on the same Bus Number Default: 2
Lead Lag Select	Main Menu→Config→MST_SLV	12	0 (Master Always Leads) 1 (Lag Once Failed Only) 2 (Lead/Lag Runtime Select) Default: 0 (Master Always Leads)
Lead/Lag Balance Delta	Main Menu→Config→MST_SLV	16	Range: 40 to 400 hours Default: 168 hours
Lag Start Timer	Main Menu→Config→MST_SLV	17	Range: 2 to 30 minutes Default: 10 minutes
Lead Pulldown Time	Main Menu→Config→MST_SLV	18	Range: 0 to 60 minutes Default: 0 minutes
Start If Error Higher	Main Menu→Config→MST_SLV	19	Range: 3.0 to 18 ΔF (1.7 to 10.0 ΔC) Default: 4.0 ΔF (2.2 ΔC)
Lag Minimum Running Time	Main Menu→Config→MST_SLV	20	Range: 0 to 150 minutes Default: 0 minutes
Lag Unit Pump Control	Main Menu→Config→MST_SLV	21	0 (Stop If Unit Stops) 1 (Run If Unit Stops) Default: 0 (Stop If Unit Stops)
Chiller In Series	Main Menu→Config→MST_SLV	22	Default: No Value: No

NOTE: If pump control is configured to OFF, then LAG UNIT PUMP SELECT = 1. If pump control is set to any other value, then LAG UNIT PUMP SELECT = 0. This configuration must be set consistently for both master and slave chillers.

Table 30 — Dual Master Chiller Control Parameters for Parallel Applications with Navigator™ Display

ITEM	ITEM EXPANSION	PATH	VALUE
MSSL	Master/Slave Select	Configuration→RSET	Master Default: Disable
SLVA	Slave Address	Configuration→RSET	Must be set to the Slave Chiller's address. The master and slave chiller must have different addresses and be on the same Bus Number Default: 2
LLBL	Master Lead Lag Select	Configuration→RSET	Range: Always Lead, Lag if Fail, Runtime Sel Default: Always Lead
LLBD	Lead/Lag Balance Delta	Configuration→RSET	Range: 40 to 400 hours Default: 168 hours
LLDY	Lag Start Delay	Configuration→RSET	Range: 2 to 30 minutes Default: 10 minutes
LLER	Start If Error Higher	Configuration→RSET	Range: 3.0 to 18 ΔF (1.7 to 10.0 ΔC) Default: 4.0 ΔF (2.2 ΔC)
LAG.M	Lag Unit Pump Select	Configuration→RSET	Range: Off If U Stp, On If U Stop Default: Off If U Stp
LPUL	Lead Pulldown Time	Configuration→RSET	Range: 0 to 60 minutes Default: 0 minutes
SERI	Chillers in Series	Configuration→RSET	No Default: No
OPER	Operating Control Type	Operating Modes→SLCT	Set to desired control

NOTE: If pump control is configured to OFF, then LAG UNIT PUMP SELECT = 1. If pump control is set to any other value, then LAG UNIT PUMP SELECT = 0. This configuration must be set consistently for both master and slave chillers.

Table 31 — Dual Slave Chiller Control Parameters for Parallel Applications with Carrier Controller Display

DISPLAY NAME	PATH	LINE NO.	VALUE
Master/Slave Select	Main Menu→Config→MST_SLV	3	2 (Slave) Default: 0 (Disable)
Master Control Type	Main Menu→Config→MST_SLV	7	1 (Local Control) 2 (Remote Control) 3 (CCN Control) Default: 1 Configure for proper control type.
Slave Address	Main Menu→Config→MST_SLV	11	Must be set to the Slave Chiller's address. The master and slave chiller must have different addresses and be on the same Bus Number Default: 2
Lead Lag Select	Main Menu→Config→MST_SLV	12	0 (Master Always Leads) 1 (Lag Once Failed Only) 2 (Lead/Lag Runtime Select) Default: 0 (Master Always Leads)
Lead/Lag Balance Delta	Main Menu→Config→MST_SLV	16	Range: 40 to 400 hours Default: 168 hours
Lag Start Timer	Main Menu→Config→MST_SLV	17	Range: 2 to 30 minutes Default: 10 minutes
Lead Pulldown Time	Main Menu→Config→MST_SLV	18	Range: 0 to 60 minutes Default: 0 minutes
Start If Error Higher	Main Menu→Config→MST_SLV	19	Range: 3.0 to 18 ΔF (1.7 to 10.0 ΔC) Default: 4.0 ΔF (2.2 ΔC)
Lag Minimum Running Time	Main Menu→Config→MST_SLV	20	Range: 0 to 150 minutes Default: 0 minutes
Lag Unit Pump Control	Main Menu→Config→MST_SLV	21	0 (Stop If Unit Stops) 1 (Run If Unit Stops) Default: 0 (Stop If Unit Stops)
Chiller In Series	Main Menu→Config→MST_SLV	22	No Default: No

NOTE: If pump control is configured to OFF, then LAG UNIT PUMP SELECT = 1. If pump control is set to any other value, then LAG UNIT PUMP SELECT = 0. This configuration must be set consistently for both master and slave chillers.

Table 32 — Dual Slave Chiller Control Parameters for Parallel Applications with Navigator™ Display

ITEM	ITEM EXPANSION	PATH	VALUE
MSSL	Master/Slave Select	Configuration→RSET	Slave Default: Disable
SLVA	Slave Address	Configuration→RSET	Must be set to the Slave Chiller's address. The master and slave chiller must have different addresses and be on the same Bus Number Default: 2
LLBL	Master Lead Lag Select	Configuration→RSET	Range: Always Lead, Lag if Fail, Runtime Sel Default: Always Lead
LLBD	Lead/Lag Balance Delta	Configuration→RSET	Range: 40 to 400 hours Default: 168 hours
LLDY	Lag Start Delay	Configuration→RSET	Range: 2 to 30 minutes Default: 10 minutes
LLER	Start If Error Higher	Configuration→RSET	Range: 3.0 to 18 ΔF (1.7 to 10.0 ΔC) Default: 4.0 ΔF (2.2 ΔC)
LAG.M	Lag Unit Pump Select	Configuration→RSET	Range: Off If U Stp, On If U Stop Default: Off If U Stp
LPUL	Lead Pulldown Time	Configuration→RSET	Range: 0 to 60 minutes Default: 0 minutes
SERI	Chillers in Series	Configuration→RSET	No, Default: No
OPER	Operating Control Type	Operating Modes→SLCT	CCN Control

NOTE: If pump control is configured to OFF, then LAG UNIT PUMP SELECT = 1. If pump control is set to any other value, then LAG UNIT PUMP SELECT = 0. This configuration must be set consistently for both master and slave chillers.

Table 33 — Dual Master Chiller Control Parameters for Series Applications with Carrier Controller Display

DISPLAY NAME	PATH	LINE NO.	VALUE
Master/Slave Select	Main Menu→Config→MST_SLV	3	1 (Master) Default: 0 (Disable)
Master Control Type	Main Menu→Config→MST_SLV	7	1 (Local Control) 2 (Remote Control) 3 (CCN Control) Default: 1 (Local Control) Value: Configure for proper control type.
Slave Address	Main Menu→Config→MST_SLV	11	Must be set to the Slave Chiller's address. The master and slave chiller must have different addresses and be on the same Bus Number Default: 2
Lead Lag Select	Main Menu→Config→MST_SLV	12	0 (Master Always Leads) 1 (Lag Once Failed Only) 2 (Lead/Lag Runtime Select) Default: 0 (Master Always Leads)
Lead/Lag Balance Delta	Main Menu→Config→MST_SLV	16	Range: 40 to 400 hours Default: 168 hours
Lag Start Timer	Main Menu→Config→MST_SLV	17	Range: 2 to 30 minutes Default: 10 minutes
Lead Pulldown Time	Main Menu→Config→MST_SLV	18	Range: 0 to 60 minutes Default: 0 minutes
Start If Error Higher	Main Menu→Config→MST_SLV	19	Range: 3.0 to 18 ΔF (1.7 to 10.0 ΔC) Default: 4.0Δ F (2.2 ΔC)
Lag Minimum Running Time	Main Menu→Config→MST_SLV	20	Range: 0 to 150 minutes Default: 0 minutes
Lag Unit Pump Control	Main Menu→Config→MST_SLV	21	0 (Stop If Unit Stops) 1 (Run If Unit Stops) Default: 0 (Stop If Unit Stops)
Chiller In Series	Main Menu→Config→MST_SLV	22	Yes Default: No

NOTE: If pump control is configured to OFF, then LAG UNIT PUMP SELECT = 1. If pump control is set to any other value, then LAG UNIT PUMP SELECT = 0. This configuration must be set consistently for both master and slave chillers.

Table 34 — Dual Master Chiller Control Parameters for Series Applications with Navigator Display

ITEM	ITEM EXPANSION	PATH	VALUE
MSSL	Master/Slave Select	Configuration→RSET	Master Default: Disable
SLVA	Slave Address	Configuration→RSET	Must be set to the Slave Chiller's address. The master and slave chiller must have different addresses and be on the same Bus Number Default: 2
LLBL	Master Lead Lag Select	Configuration→RSET	Range: Always Lead, Lag if Fail, Runtime Sel Default: Always Lead
LLBD	Lead/Lag Balance Delta	Configuration→RSET	Range: 40 to 400 hours Default: 168 hours
LLDY	Lag Start Delay	Configuration→RSET	Range: 2 to 30 minutes Default: 10 minutes
LL.ER	Start If Error Higher	Configuration→RSET	Range: 3.0 to 18 ΔF (1.7 to 10.0 ΔC) Default: 4.0 ΔF (2.2 ΔC)
LAG.M	Lag Unit Pump Select	Configuration→RSET	Range: Off If U Stp, On If U Stop Default: Off If U Stp
LPUL	Lead Pulldown Time	Configuration→RSET	Range: 0 to 60 minutes Default: 0 minutes
SERI	Chillers in Series	Configuration→RSET	YES Default: NO
OPER	Operating Control Type	Operating Modes→SLCT	Set to desired value

NOTE: If pump control is configured to OFF, then LAG UNIT PUMP SELECT = 1. If pump control is set to any other value, then LAG UNIT PUMP SELECT = 0. This configuration must be set consistently for both master and slave chillers.

Table 35 — Dual Slave Chiller Control Parameters for Series Applications with Carrier Controller Display

DISPLAY NAME	PATH	LINE NO.	VALUE
Master/Slave Select	Main Menu→Config→MST_SLV	3	2 (Slave) Default: 0 (Disable)
Master Control Type	Main Menu→Config→MST_SLV	7	1 (Local Control) 2 (Remote Control) 3 (CCN Control) Default: 1 (Local Control) Value: Configure for proper control type.
Slave Address	Main Menu→Config→MST_SLV	11	Must be set to the Slave Chiller's address. The master and slave chiller must have different addresses and be on the same Bus Number Default: 2
Lead Lag Select	Main Menu→Config→MST_SLV	12	0 (Master Always Leads) 1 (Lag Once Failed Only) 2 (Lead/Lag Runtime Select) Default: 0 (Master Always Leads)
Lead/Lag Balance Delta	Main Menu→Config→MST_SLV	16	Range: 40 to 400 hours Default: 168 hours
Lag Start Timer	Main Menu→Config→MST_SLV	17	Range: 2 to 30 minutes Default: 10 minutes
Lead Pulldown Time	Main Menu→Config→MST_SLV	18	Range: 0 to 60 minutes Default: 0 minutes
Start If Error Higher	Main Menu→Config→MST_SLV	19	Range: 3.0 to 18 ΔF (1.7 to 10.0 ΔC) Default: 4.0 ΔF (2.2 ΔC)
Lag Minimum Running Time	Main Menu→Config→MST_SLV	20	Range: 0 to 150 minutes Default: 0 minutes
Lag Unit Pump Control	Main Menu→Config→MST_SLV	21	0 (Stop If Unit Stops) 1 (Run If Unit Stops) Default: 0 (Stop If Unit Stops)
Chiller In Series	Main Menu→Config→MST_SLV	22	Yes Default: No

NOTE: If pump control is configured to OFF, then LAG UNIT PUMP SELECT = 1. If pump control is set to any other value, then LAG UNIT PUMP SELECT = 0. This configuration must be set consistently for both master and slave chillers.

Table 36 — Dual Slave Chiller Control Parameters for Series Applications with Navigator™ Display

ITEM	ITEM EXPANSION	PATH	VALUE
MSSL	Master/Slave Select	Configuration→RSET	Slave Default: Disable
SLVA	Slave Address	Configuration→RSET	Must be set to the Slave Chiller's address. The master and slave chiller must have different addresses and be on the same Bus Number Default: 2
LLBL	Master Lead Lag Select	Configuration→RSET	Range: Always Lead, Lag if Fail, Runtime Sel Default: Always Lead
LLBD	Lead/Lag Balance Delta	Configuration→RSET	Range: 40 to 400 hours Default: 168 hours
LLDY	Lag Start Delay	Configuration→RSET	Range: 2 to 30 minutes Default: 10 minutes
LL.ER	Start If Error Higher	Configuration→RSET	Range: 3.0 to 18 ΔF (1.7 to 10.0 ΔC) Default: 4.0 ΔF (2.2 ΔC)
LAG.M	Lag Unit Pump Select	Configuration→RSET	Range: Off If U Stp, On If U Stop Default: Off If U Stp
LPUL	Lead Pulldown Time	Configuration→RSET	Range: 0 to 60 minutes Default: 0 minutes
SERI	Chillers in Series	Configuration→RSET	YES Default: NO
OPER	Operating Control Type	Operating Modes→SLCT	CCN Control

NOTE: If pump control is configured to OFF, then LAG UNIT PUMP SELECT = 1. If pump control is set to any other value, then LAG UNIT PUMP SELECT = 0. This configuration must be set consistently for both master and slave chillers.

DUAL CHILLER PUMP CONTROL FOR SERIES CHILLER APPLICATIONS

Pump control for series chiller applications is controlled by the master chiller only. The control of the slave chiller is directed through commands emitted by the master chiller. The slave chiller has no action in master/slave operations. The slave chiller only verifies that CCN communication with the master chiller is present. See the Dual Chiller Sequence of Operation section on page 71.

Night Time/Low Noise Operation

The *ComfortLink* controls have the ability to lower the sound level of the machine by reducing the number of fans that are running, provided that the conditions are acceptable. Reducing the number of running fans also limits the capacity. Three parameters must be configured for this operation. A start and end time for the mode of operation is required and an optional capacity limit set point must also be configured.

If the Start and End Time remain at the factory default (0:00), then the unit is not programmed for Night Time/Low Noise Operation.

To configure this option with the Carrier Controller display:

DISPLAY NAME	PATH	LINE NO.	VALUE
Start Hour	Main Menu→Config→User	39	Default: 00:00
End Hour	Main Menu→Config→User	40	Default: 00:00
Capacity Limit	Main Menu→Config→User	41	Default: 100%

To configure this option with the Navigator™ display:

ITEM	ITEM EXPANSION	PATH	VALUE
LS.ST	Night Low Noise Start	Configuration→OPTN	Default: 00:00
LS.ND	Night Low Noise End	Configuration→OPTN	Default: 00:00
LS.LT	Low Noise Capacity Lim	Configuration→OPTN	Default: 100%

Ramp Loading

Ramp Loading limits the rate of change of the leaving fluid temperature. If the unit is in a Cooling mode and configured for Ramp Loading Select (**Ramp Loading Select, RL.S**), the control makes two comparisons before deciding to increase capacity. First, the control calculates the temperature difference between the control point and leaving fluid temperature. If the difference is greater than 4°F (2.2°C) and the rate of change (°F or °C per minute) is more than the configured Cool Ramp Loading rate (**Cooling Ramp Loading, CRMP**), then the control does not allow any increase of capacity.

To configure this option with the Carrier Controller display:

DISPLAY NAME	PATH	LINE NO.	VALUE
Ramp Loading Select	Main Menu →Config→USER	5	Yes
Cooling Ramp Loading	Main Menu →Setpoint	14	Range: 0.2 to 2.0°F (0.1 to 1.1°C) Default: 1.0°F (0.5°C)

To configure this option with the Navigator display:

ITEM	ITEM EXPANSION	PATH	VALUE
RL.S	Ramp Load Select	Configuration→OPTN	Yes
CRMP	Cool Ramp Loading	Setpoints→COOL	Range: 0.2 to 2.0 °F (0.1 to 1.1 °C) Default: 1.0 °F (0.5 °C)

Temperature Reset

Temperature reset is a value added to the basic leaving fluid temperature set point and the resulting sum of these values is the new control point. When a non-zero temperature reset is applied, the chiller controls to the new control point, not the set point. The type of temperature reset is configured with the Cooling Reset Type (**Cooling Reset Select, CRST**) variable. Four types of temperature reset are available: Return Water Reset, Outside Air Temperature Reset, Space Temperature Reset, and 4-20 mA Temperature Reset.

Under normal operation, the chiller will maintain a constant entering or leaving fluid temperature, based on the configuration, approximately equal to the chilled fluid set point. As the cooler load varies, the cooler fluid temperature difference will change in proportion to the load. For example, if the chiller was selected for a Entering to Leaving Water Temperature difference of 10°F (5.5°C) at full load, at 50% load the temperature difference would be 5°F (2.2°C). See Fig. 22. Because the change in temperature through the cooler is a measure of the building load, the temperature difference reset is the average building load. Usually the chiller size and fluid temperature set point are selected based on a full load condition. At part load, the fluid temperature set point may be lower than required. If the fluid temperature were allowed to increase at part load, the efficiency of the machine would increase. The chiller can also be set for return water temperature control. See Fig. 23.

Other indirect means of estimating building load and controlling temperature reset are also available and are discussed below.

To verify that reset is functioning correctly, subtract the Setpoint Select (**Current Setpoint, SETP**) from the Control Point (**Control Point, CTPT**) to determine the degrees reset.

RETURN WATER RESET

The control system is capable of performing fluid temperature reset based on cooler fluid temperature difference. Because the change in temperature through the cooler is a measure of the building load, the temperature difference reset is, in effect, an average building load reset method.

Return Water Temperature Reset allows for the chilled water temperature set point to be reset upward as a function of the fluid temperature difference (building load).

NOTE: Return Water Temperature Reset should not be used with variable cooler flow rate systems.

To use Return Water Temperature Reset, four variables must be configured. Cooling Reset Type (**Cooling Reset Select, CRST**) must be enabled. The variable Delta T No Reset Temp (**Delta T No Reset Value, CRT1**) should be set to the cooler temperature difference (T) where no chilled water temperature reset should occur. The variable Delta T Full Reset Temp (**Delta T Full Reset Value, CRT2**) should be set to the cooler temperature difference where the maximum chilled water temperature reset should occur. The variable Degrees Cool Reset (**Cooling Reset Deg. Value, DGRC**) should be set to the maximum amount of reset desired.

To configure this option with the Carrier Controller display:

DISPLAY NAME	PATH	LINE NO.	VALUE
Cooling Reset Select	Main Menu→Config→USER	19	Default =0 (No Reset) 2 (Delta T)
Delta T No Reset Temp	Main Menu→Setpoint→SETPOINT	7	Default = 0°F (0°C)
Delta T Full Reset Temp	Main Menu→Setpoint→SETPOINT	8	Default = 0°F (0°C)
Cooling Reset Deg. Value	Main Menu→Setpoint→SETPOINT	13	Default = 0°F (0°C)

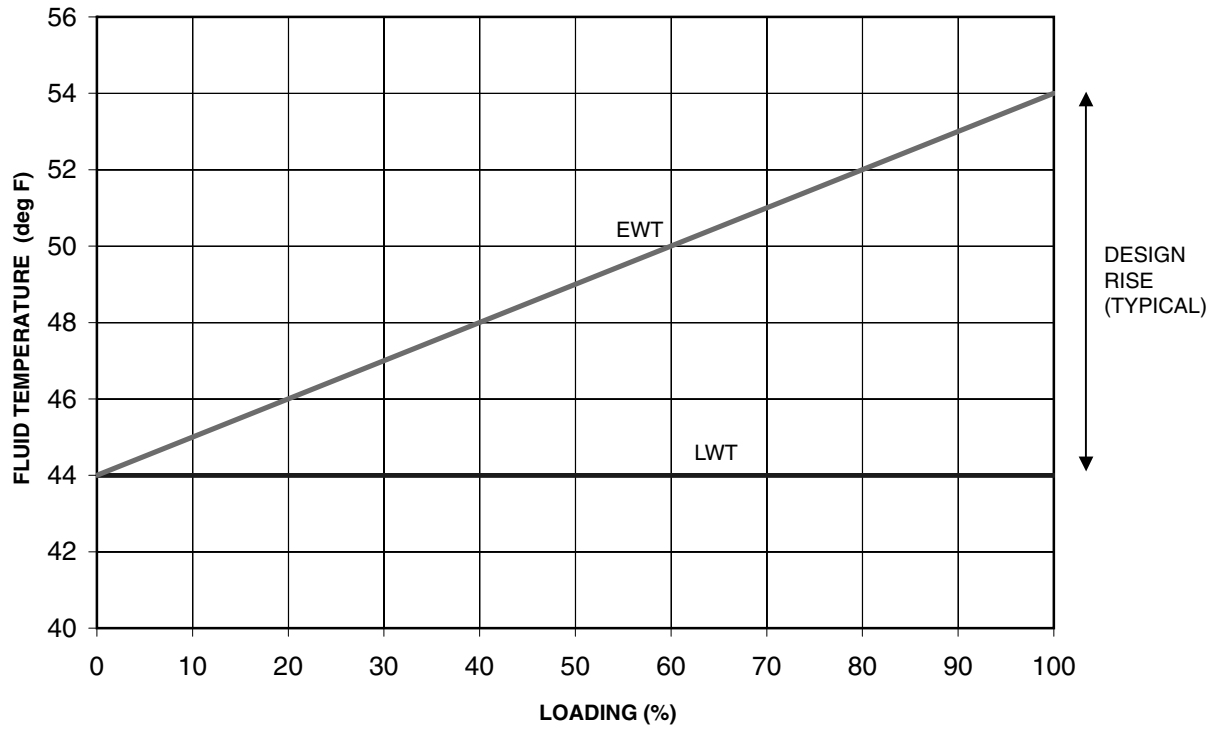


Fig. 22 — Leaving Chilled Water Temperature Control

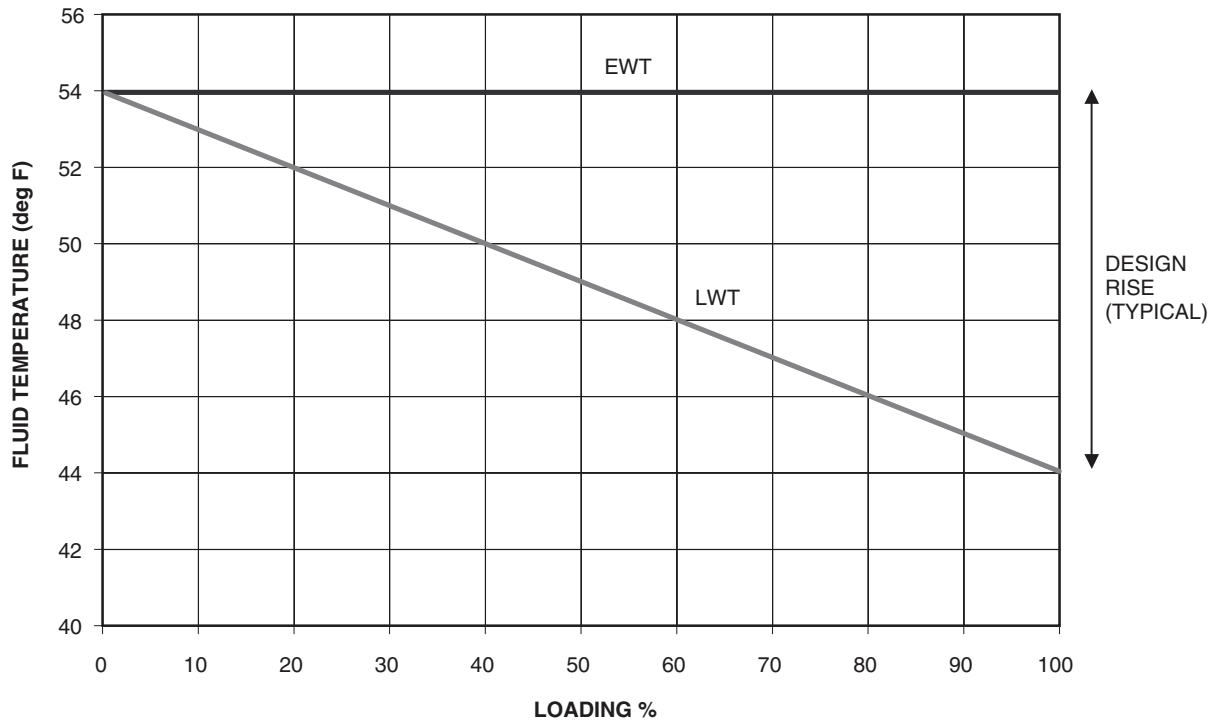


Fig. 23 — Return Water Temperature Control Load Profile

To configure this option with the Navigator™ display:

ITEM	ITEM EXPANSION	PATH	VALUE
CRST	Cooling Reset Type	Configuration→RSET	Default = No Reset Delta T Temp
CRT1	Delta T No Reset Temp	Setpoints→COOL	Default = 0°F (0°C)
CRT2	Delta T Full Reset Temp	Setpoints→COOL	Default = 0°F (0°C)
DGRC	Degrees Cool Reset	Setpoints→COOL	Default = 0°F (0°C)

In the example in Fig. 24 using Return Water Temperature Reset, the chilled water temperature will be reset by 5°F (2.8°C) when the Fluid Temperature Difference is 2°F (1.1°C) and 0°F (0°C) reset when the Temperature Difference is 10°F.

OUTSIDE AIR TEMPERATURE RESET

The control system is also capable of temperature reset based on outdoor-air temperature (OAT).

To use Outdoor Air Temperature Reset, four variables must be configured. Cooling Reset Type (**Cooling Reset Select, CRST**) must be enabled. The outside temperature at which no temperature reset is required, OAT No Reset Temp (**OAT No Reset Value, CROI**) must be set. The outside temperature at which full temperature reset is required, OAT Full Reset Temp (**OAT Full Reset Value, CRO2**) must be set. Finally, the amount of temperature reset desired, Degrees Cool Reset (**Cooling Reset Deg. Value, DRGC**) must be set.

To configure this option with the Carrier Controller display:

DISPLAY NAME	PATH	LINE NO.	VALUE
Cooling Reset Select	Main Menu→Config→USER	19	Default = 0 (No Reset) 1 (OAT)
OAT No Reset Value	Main Menu→Setpoint→SETPOINT	5	Default = 14°F (-10°C)
OAT Full Reset Value	Main Menu→Setpoint→SETPOINT	6	Default = 14°F (-10°C)
Cooling Reset Deg. Value	Main Menu→Setpoint→SETPOINT	13	Default = 0°F (0°C)

To configure this option with the Navigator display:

ITEM	ITEM EXPANSION	PATH	VALUE
CRST	Cooling Reset Type	Configuration→RSET	Default = No Reset Out Air Temp
CRO1	OAT No Reset Temp	Setpoints→COOL	Default = 14°F (-10°C)
CRO2	OAT Full Reset Temp	Setpoints→COOL	Default = 14°F (-10°C)
DGRC	Degrees Cool Reset	Setpoints→COOL	Default = 0°F (0°C)

In the example in Fig. 25, the outdoor air temperature reset example provides 0°F (0°C) chilled water set point reset at 85°F (29.4°C) outdoor-air temperature and 15°F (8.3°C) reset at 55°F (12.8°C) outdoor-air temperature.

SPACE TEMPERATURE RESET

The control system is also capable of temperature reset based on space temperature (SPT). An accessory sensor must be used for SPT reset (33ZCT55SPT). The Energy Management Module (EMM) is also required for temperature reset using space temperature.

To use Space Temperature Reset, four variables must be configured. Cooling Reset Type (**Cooling Reset Select, CRST**) must be enabled. The space temperature at which no temperature reset is required, Space T No Reset Temp (**Space T No Reset Value, CRS1**) must be set. The space temperature at which full temperature reset is required, Space T Full Reset Temp (**Space T Full Reset Value, CRS2**) must be set. Finally, the amount of temperature reset desired, Degrees Cool Reset (**Cooling Reset Deg. Value, DRGC**), must be set.

To configure this option with the Carrier Controller display:

DISPLAY NAME	PATH	LINE NO.	VALUE
Cooling Reset Select	Main Menu →Config→USER	19	Default = 0 (No Reset) 4 (Space Temp)
Space T No Reset Value	Main Menu →Setpoint→SETPOINT	11	Default = 14°F (-10°C)
Space T Full Reset Value	Main Menu →Setpoint→SETPOINT	12	Default = 14°F (-10°C)
Cooling Reset Deg. Value	Main Menu →Setpoint→SETPOINT	13	Default = 0°F (0°C)

To configure this option with the Navigator display:

ITEM	ITEM EXPANSION	PATH	VALUE
CRST	Cooling Reset Type	Configuration→RSET	Default = No Reset Space Temp
CRS1	Space T No Reset Temp	Setpoints→COOL	Default = 14°F (-10°C)
CRS2	Space T Full Reset Temp	Setpoints→COOL	Default = 14°F (-10°C)
DGRC	Degrees Cool Reset	Setpoints→COOL	Default = 0°F (0°C)

In the space temperature reset example in Fig. 26, 0°F (0°C) chilled water set point reset at 72°F (22.2°C) space temperature and 6°F (3.3°C) reset at 68°F (20.0°C) space temperature.

4-20 MA TEMPERATURE RESET

The control system is also capable of temperature reset based on an externally powered 4 to 20 mA signal. The Energy Management Module (EMM) is required for temperature reset using a 4 to 20 mA signal.

To use 4-20 mA Temperature Reset, four variables must be configured. Cooling Reset Type (**Cooling Reset Select, CRST**) must be enabled. The milliamp signal at which no temperature reset is required, Current No Reset Value (**Current No Reset Value, CRV1**), must be set. The milliamp signal at which full temperature reset is required, Current Full Reset Value (**Current Full Reset Value, CRV2**), must be set. Finally, the amount of temperature reset desired, Degrees Cool Reset (**Cooling Reset Deg. Value, DRGC**), must be set.

⚠ CAUTION

Care should be taken when interfacing with other control systems due to possible power supply differences such as a full wave bridge versus a half wave rectification. Connection of control devices with different power supplies may result in permanent damage. The *ComfortLink* controls incorporate power supplies with half wave rectification. A signal isolation device should be utilized if the signal generator incorporates a full wave bridge rectifier.

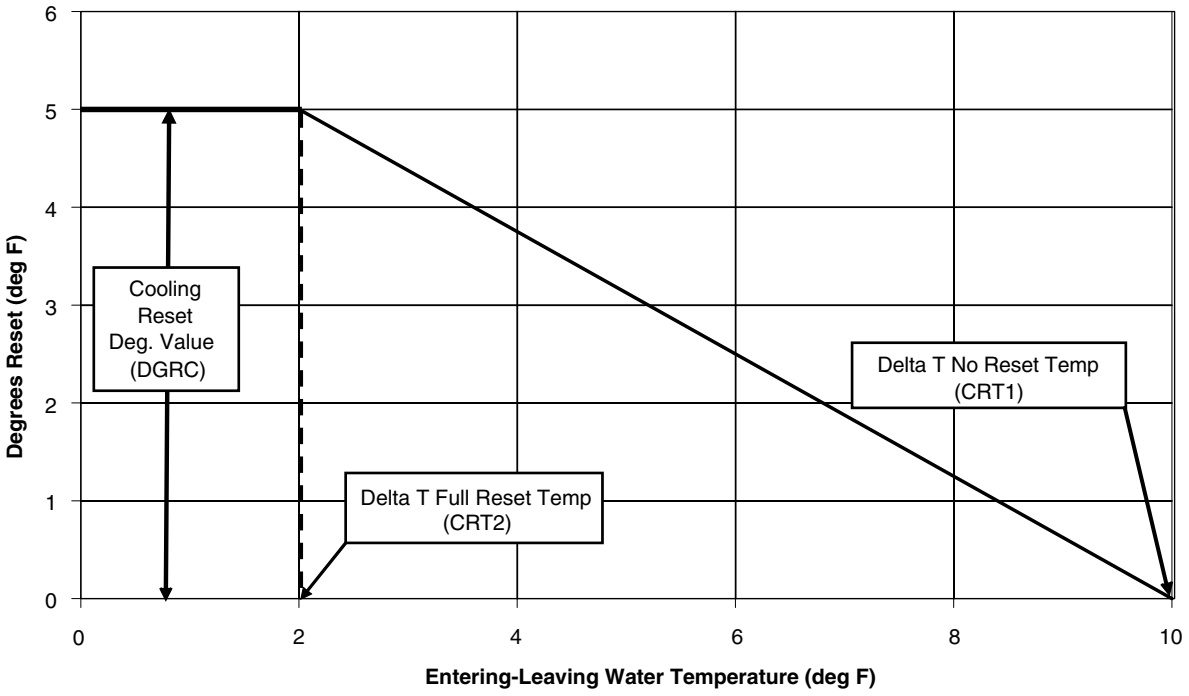


Fig. 24 — Example: Return Water Reset

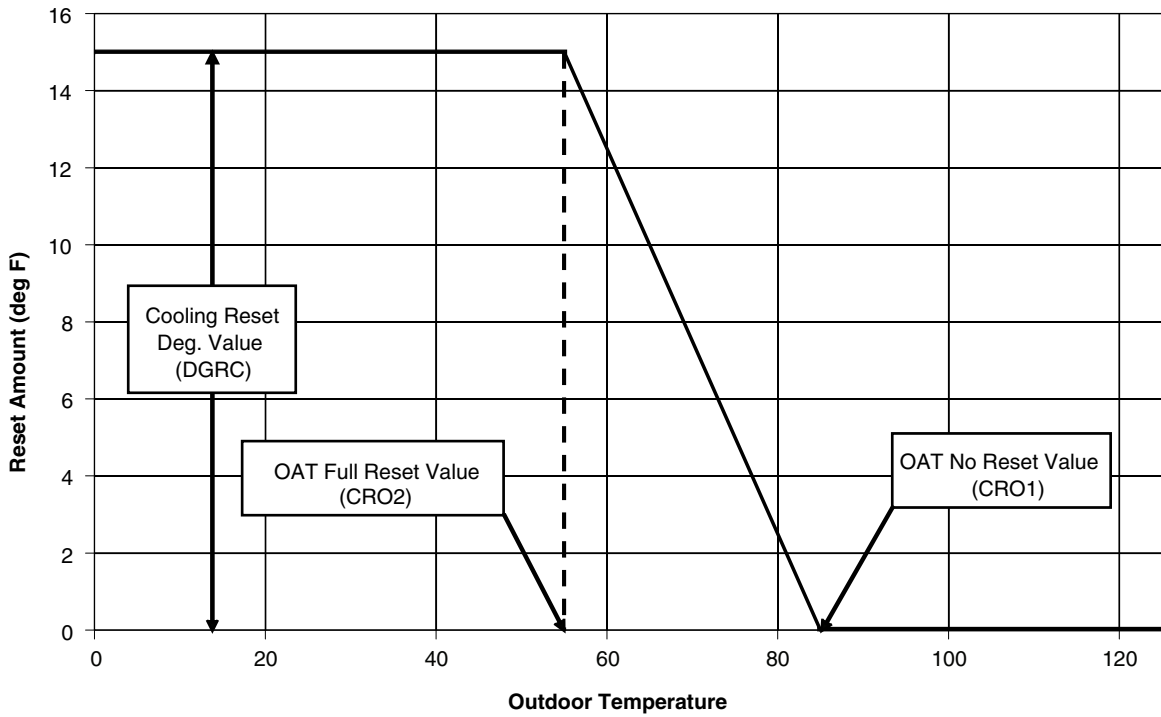


Fig. 25 — Example: OAT Temperature Reset

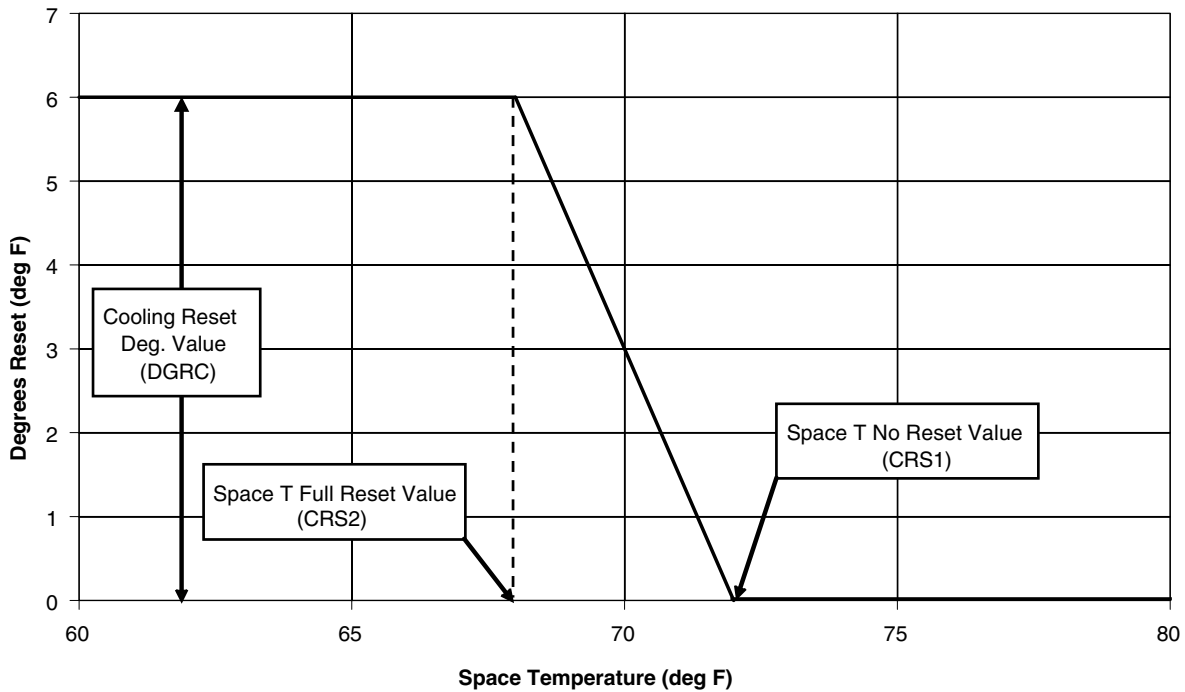


Fig. 26 — Example: Space Temperature Reset

To configure this option with the Carrier Controller display:

DISPLAY NAME	PATH	LINE NO.	VALUE
Cooling Reset Select	Main Menu →Config→USER	19	Default = 0 (No Reset) 3 (4-20mA Control)
Current No Reset Value	Main Menu →Setpoint→SETPOINT	9	4.0 mA Default = 0.0
Current Full Reset Value	Main Menu →Setpoint→SETPOINT	10	30.0 mA Default = 0.0
Cooling Reset Deg. Value	Main Menu →Setpoint→SETPOINT	13	Default = 0.0°F (0.0°C)

To configure this option with the Navigator™ display:

ITEM	ITEM EXPANSION	PATH	VALUE
CRST	Cooling Reset Type	Configuration→RSET	Default = No Reset 4-20mA Input
CRV1	Current No Reset Temp	Setpoints→COOL	4.0 mA Default = 0.0
CRV2	Current Full Reset Temp	Setpoints→COOL	20.0 mA Default = 0.0
DGRC	Degrees Cool Reset	Setpoints→COOL	5.0°F (2.8°C) Default = 0.0

In the example in Fig. 27, at 4 mA no reset takes place and at 20 mA, 5°F (2.8°C) chilled water set point reset is required.

Demand Limit

Demand limit is a feature that allows the unit capacity to be limited during periods of peak energy usage. This allows the owner to keep energy costs down. There are three types of demand limiting that can be configured. The first type is through 2-step switch control, which will reduce the maximum capacity to 2 user configurable percentages. The second type is by 4 to 20 mA signal input which will reduce the maximum capacity

linearly between 100% at a 4 mA input signal (no reduction) down to the user-configurable level at a 20 mA input signal. The third type uses the CCN Loadshed module and has the ability to limit the current operating capacity to maximum and further reduce the capacity if required. Demand limit control can be based on a calculated capacity level or by compressor current level.

NOTE: If using the compressor current level for demand limit, take into account the other power draws such as the condenser-fan motors when determining the limit value desired.

SWITCH CONTROLLED DEMAND LIMIT

The control system is capable of demand limit based on a field-supplied switch for 1-step demand limit or 2 switches for 2-step demand limit. One-step Demand Limit is standard. The 2-step switch control of demand limiting requires the Energy Management Module (EMM). Demand Limit steps are controlled by two relay switch inputs field wired to TB5-5 and TB5-14 for Switch 1 and TB6-14 and TB6-15 for Switch 2.

For demand limit by switch control, closing the first demand limit contact will put the unit on the first demand limit level, either by capacity or compressor current. The unit will not exceed the percentage of capacity or compressor current entered as Demand Limit Switch 1 set point. Closing contacts on the second demand limit switch prevents the unit from exceeding the demand limit entered as Demand Limit Switch 2 set point. The demand limit percent capacity or compressor current that is set to the lowest demand takes priority if both demand limit inputs are closed. If the demand limit percentage does not match unit operation, the unit will limit capacity or current to the closest step without exceeding the value.

To use Demand Limit, select the type of demand limiting to use by configuring the Demand Limit Select variable (**Demand Limit Type Select, DMDC**) to Switch. Configure the Demand Limit set points based on the type selected.

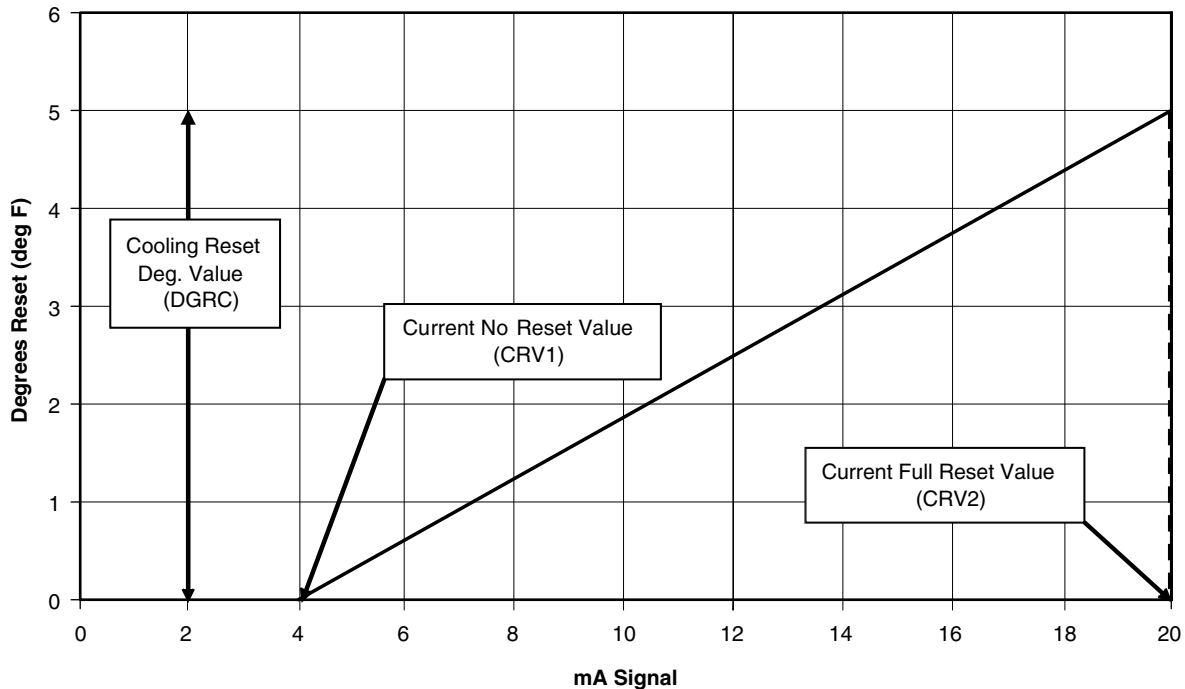


Fig. 27 — Example: 4 to 20 mA Temperature Reset

Switch Controlled (Capacity Based)

If using 2-step Demand Limit control, an Energy Management Module must be installed. One-step Demand Limit control does not require the Energy Management Module. To configure Demand Limit for switch control, three parameters for 1-step switch control must be configured. For 2-step control, four parameters must be configured. The parameters are: the type of Demand Limit Selection (**Demand Limit Type Select, DMDC**), the setting for Switch Limit Set Point 1 (**Switch Limit Setpoint 1, DLS1**), The setting for Switch Limit Set Point 2 (**Switch Limit Setpoint 2, DLS2**), and Current Limit Select (**Current Limit Select, CUR.S**). Current Limit Select must be set to NO.

To configure this option with the Carrier Controller display:

DISPLAY NAME	PATH	LINE NO.	VALUE
Demand Limit Type Select	Config→USER	24	1 (Switch Control) Default = 0 (None)
Switch Limit Setpoint 1	Setpoints→SETPOINT	33	Default = 100%
Switch Limit Setpoint 2	Setpoints→SETPOINT	34	(Not required for 1-Step) Default = 100%
Current Limit Select	Config→USER	30	No Default = No

To configure this option with the Navigator™ display:

ITEM	ITEM EXPANSION	PATH	VALUE
DMDC	Demand Limit Select	Configuration→RSET	SWITCH Default = NONE
DLS1	Switch Limit Setpoint 1	Setpoints→MISC	Default = 100%
DLS2	Switch Limit Setpoint 2	Setpoints→MISC	(Not required for 1-Step) Default = 100%
CUR.S	Current Limit Select	Configuration→OPTN	NO Default: NO

In the following example, 2-step demand limit based on capacity is desired with the first switch closure limiting the capacity to 60%. The second switch closure is to limit the capacity to 40%. Demand Limit Switch 1 is 60% and Demand Limit Switch 2 is 40%.

CARRIER CONTROLLER DISPLAY		NAVIGATOR DISPLAY	
Display Name	Value	Item	Value
Demand Limit Type Select	1	DMDC	SWITCH
Switch Limit Setpoint 1	60%	DSL1	60%
Switch Limit Setpoint 2	40%	DSL2	40%
Current Limit Select	No	CUR.S	NO

Switch Controlled (Current Based)

If using 2-step demand limit control, an Energy Management Module must be installed. One-step demand limit control does not require the Energy Management Module. Four parameters for 1-step switch control must be configured. For 2-step control, five parameters must be configured. The parameters are: the type of Demand Limit Selection (**Demand Limit Type Select, DMDC**), the setting for Switch Limit Set Point 1 (**Switch Limit Setpoint 1, DLS1**), the setting for Switch Limit Set Point 2 (**Switch Limit Setpoint 2, DLS2**), the Current Limit Select (**Current Limit Select, CUR.S**), and the Compressor Current limit at 100% signal, (**Current Limit at 100%, CUR.F**).

To configure this option with the Carrier Controller display:

DISPLAY NAME	PATH	LINE NO.	VALUE
Demand Limit Type Select	Config→USER	24	1 (Switch Control) Default = 0 (None)
Switch Limit Setpoint 1	Setpoints→SETPOINT	33	Default = 100%
Switch Limit Setpoint 2	Setpoints→SETPOINT	34	(Not required for 1-Step) Default = 100%
Current Limit Select	Config→USER	30	Yes Default = No
Current Limit at 100%	Config→USER	31	Default = 2000.0 Amps

To configure this option with the Navigator™ display:

ITEM	ITEM EXPANSION	PATH	VALUE
DMDC	Demand Limit Select	Configuration→RSET	SWITCH Default = NONE
DSL1	Switch Limit Setpoint 1	Setpoints→MISC	Default = 100%
DSL2	Switch Limit Setpoint 2	Setpoints→MISC	(Not required for 1-Step) Default = 100%
CUR.S	Current Limit Select	Configuration→OPTN	NO Default: NO
CUR.F	Current Limit at 100%	Configuration→OPTN	Default = 2000

EXTERNALLY POWERED (4 TO 20 mA) CAPACITY BASED DEMAND LIMIT

The Energy Management Module is required for 4 to 20 mA demand limit control. An externally powered 4 to 20 mA signal must be connected to TB6-1 and TB6-2. To configure demand limit for 4 to 20 mA control based on unit capacity, four parameters must be configured. The parameters are: the type of Demand Limit Selection (**Demand Limit Type Select, DMDC**), the current at which 100% capacity limit takes place (**mA For 100% Demand Limit, DMMX**), the current at which 0% capacity limit takes place (**mA For 0% Demand Limit, DMZE**), and the Current Limit Selection (**Current Limit Select, CUR.S**).

⚠ CAUTION

Care should be taken when interfacing with other control systems due to possible power supply differences such as a full wave bridge versus a half wave rectification. Connection of control devices with different power supplies may result in permanent damage. *ComfortLink* controls incorporate power supplies with half wave rectification. A signal isolation device should be utilized if the signal generator incorporates a full wave bridge rectifier.

To configure this option with the Carrier Controller display:

DISPLAY NAME	PATH	LINE NO.	VALUE
Demand Limit Type Select	Config→USER	24	2 (4-20mA Control) Default = 0 (None)
mA For 100% Demand Limit	Config→USER	28	4.0 mA Default = 0.0 mA
mA For 0% Demand Limit	Config→USER	29	20.0 mA Default = 10.0 mA
Current Limit Select	Config→USER	30	No Default = No

To configure this option with the Navigator display:

ITEM	ITEM EXPANSION	PATH	VALUE
DMDC	Demand Limit Select	Config→RSET	4-20MA INPUT Default = NONE
DMMX	mA for 100% Demand Lim	Config→RSET	4.0 mA Default = 0.0 mA
DMZE	mA for 0% Demand Limit	Config→RSET	20.0 mA Default = 10.0 mA
CUR.S	Current Limit Select	Config→OPTN	NO Default: NO

In the example in Fig. 28, a 4 mA signal is Demand Limit 100% and a 20 mA Demand Limit signal is 0%. The 4 to 20 mA signal is connected to TB6-1 and TB6-2. The demand limit is a linear interpolation between the two values entered. If the machine receives a 12 mA signal, the machine controls will limit the capacity to 50%.

EXTERNALLY POWERED (4 TO 20 mA) CURRENT BASED DEMAND LIMIT

The Energy Management Module is required for 4 to 20 mA demand limit control. An externally powered 4 to 20 mA signal must be connected to TB6-1 and TB6-2. To configure demand limit for 4 to 20 mA control based on compressor current, five parameters must be configured. The parameters are: the type of Demand Limit Selection (**Demand Limit Type Select, DMDC**), the current at which 100% capacity limit takes place (**mA For 100% Demand Limit, DMMX**), the current at which 0% capacity limit takes place (**mA For 0% Demand Limit, DMZE**), the Current Limit Selection (**Current Limit Select, CUR.S**), and the Compressor Current limit at 100% signal (**Current Limit at 100%, CUR.F**).

⚠ CAUTION

Care should be taken when interfacing with other control systems due to possible power supply differences such as a full wave bridge versus a half wave rectification. Connection of control devices with different power supplies may result in permanent damage. *ComfortLink* controls incorporate power supplies with half wave rectification. A signal isolation device should be utilized if the signal generator incorporates a full wave bridge rectifier.

To configure this option with the Carrier Controller display:

DISPLAY NAME	PATH	LINE NO.	VALUE
Demand Limit Type Select	Config→USER	24	2 (4-20mA Control) Default = 0 (None)
mA For 100% Demand Limit	Config→USER	28	4.0 mA Default = 0.0 mA
mA For 0% Demand Limit	Config→USER	29	20.0 mA Default = 10.0 mA
Current Limit Select	Config→USER	30	Yes Default = No
Current Limit at 100%	Config→USER	31	Default = 2000.0 Amps

To configure this option with the Navigator display:

ITEM	ITEM EXPANSION	PATH	VALUE
DMDC	Demand Limit Select	Config→RSET	4-20MA INPUT Default = NONE
DMMX	mA for 100% Demand Lim	Config→RSET	4.0 mA Default = 0.0 mA
DMZE	mA for 0% Demand Limit	Config→RSET	20.0 mA Default = 10.0 mA
CUR.S	Current Limit Select	Config→OPTN	YES Default: NO
CUR.F	Current Limit at 100%	Config→OPTN	Default = 2000

In the example in Fig. 29, a 4 mA signal is Demand Limit for compressor current is 2000 amps and a 20 mA Demand Limit signal corresponds with a compressor current of 0 amps. The 4 to 20 mA signal is connected to TB6-1 and TB6-2. The demand limit is a linear interpolation between the two values entered. If the machine receives a 12 mA signal, the machine controls will limit the total compressor current capacity to 1000 amps.

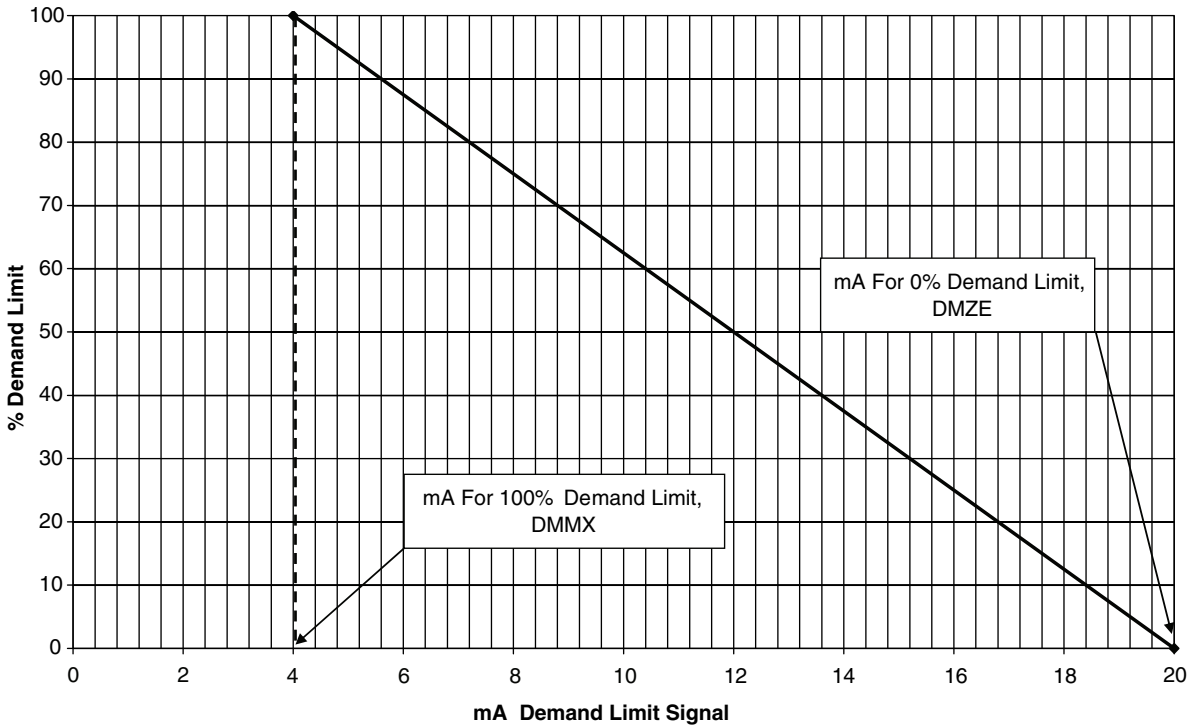


Fig. 28 — Example: 4 to 20 mA Demand Limit (Capacity)

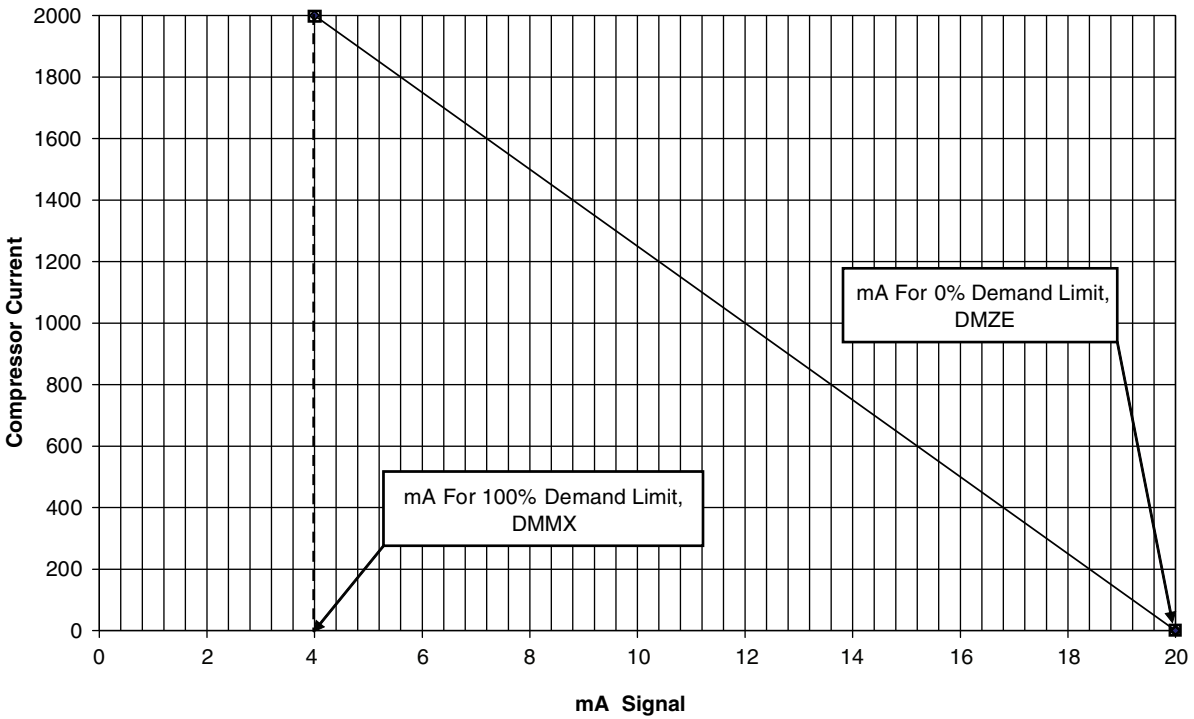


Fig. 29 — Example: 4 to 20 mA Demand Limit (Compressor Current)

CCN LOADSHED CONTROLLED DEMAND LIMIT

To configure Demand Limit for CCN Loadshed control, the unit Operating Type Control must be in CCN control. With the Carrier Controller display, the machine must be started with CCN Control. For the Navigator™ display, the Operating Control Type (**I/O Button, OPER**) must be CCN CONTROL.

The unit must be controlled by a Chillervisor module. The Chillervisor module can force the demand limit variable and directly control the capacity of the machine. Additionally, the unit's set point will be artificially lowered to force the chiller to load to the demand limit value.

Ice Storage Operation

Chiller operation can be configured to make and store ice. The Energy Management Module and an Ice Done Switch are required for operation in the Ice Mode. In this configuration, the machine can operate with up to three cooling set points: Cooling Set Point 1 (**Cooling Setpoint 1, CSP.1**) is used during the Occupied period; Cooling Set Point 2 (**Cooling Setpoint 2, CSP.2**) is used during the Unoccupied period when the ice build is complete (Ice Done Switch is closed); and Cooling Ice Set Point (**Cooling Ice Setpoint, CSP.3**) is used during the unoccupied period while ice is building (Ice Done Switch is open).

To configure this option with the Carrier Controller display:

DISPLAY NAME	PATH	LINE NO.	VALUE
Ice Mode Enable	Config→USER	42	Yes

To configure this option with the Navigator™ display:

ITEM	ITEM EXPANSION	PATH	VALUE
ICE.M	Ice Mode Enable	Configuration→OPTN	ENBL

Broadcast Configuration

The 30XA chiller is capable of broadcasting outside-air temperature (OAT), time, date, and holiday status to all elements in the CCN system. In the stand-alone mode, broadcast must be activated to utilize holiday schedules and adjust for daylight saving time. If the chiller is to be connected to a CCN system, determine which system element is to be the network broadcaster and activate broadcast in all other system elements. Broadcast is activated and deactivated in the BRODEFS Table. It is accessible from Carrier Controller display (**Config→BRODEFS**) or through Network Service Tool. It is not accessible through Navigator display.

Only one element should be configured as a broadcaster. If a broadcast is activated by a device that has been designated as a network broadcaster, then broadcasted time, date, and holiday status will be updated over the CCN system. If broadcast is enabled, a broadcast acknowledger must also be enabled. The acknowledger cannot be the same machine as the broadcasting machine.

ACTIVATE

The Activate variable enables the broadcast function of the ComfortLink controls. If this variable is set to 0, this function is not used and holiday schedules and daylight savings compensation are not possible. Setting this variable to 1 allows the machine to broadcast and receive broadcasts on the network. The following information is broadcast: the time with compensation for daylight savings, date, holiday flag, and the outdoor-air temperature.

Set this variable to 2 for stand-alone units that are not connected to a CCN. With this configuration, daylight saving time and holiday determination will be done without broadcasting through the bus. This variable can only be changed when using the Carrier Controller display, ComfortVIEW™ software, or Network Service Tool. This variable cannot be changed with the Navigator display.

To configure this option with the Carrier Controller display:

DISPLAY NAME	PATH	LINE NO.	VALUE
Activate	Config→BRODEFS	1	Range = 0 to 2 Default = 2

OAT BROADCAST

To enable the outside air temperature (OAT) broadcast, the unit broadcasting the temperature must be configured with its own CCN Bus and CCN Address. Leaving the parameters at the factory default of 0 for the CCN Bus and CCN Address disables the OAT Broadcast function. Once configured, the first broadcast of OAT will be within 5 minutes. This variable can only be changed when using the Carrier Controller display, ComfortVIEW software, or Network Service Tool. This variable cannot be changed with the Navigator display.

To configure this option with the Carrier Controller display:

DISPLAY NAME	PATH	LINE NO.	VALUE
Activate	Config→BRODEFS	1	Range = 0 to 2 Default = 2
OAT Broadcast	Config→BRODEFS	3	
Bus #	Config→BRODEFS	4	Range = 0 to 239 Default = 0
Element #	Config→BRODEFS	5	Range = 0 to 239 Default = 0

BROADCAST ACKNOWLEDGER

This configuration defines if the chiller will be used to acknowledge broadcast messages on the CCN bus. One broadcast acknowledger is required per bus, including secondary buses created by the use of a bridge. This variable can only be changed with the Carrier Controller display, ComfortVIEW software, or Network Service Tool. This variable cannot be changed with the Navigator display.

To configure this option with the Carrier Controller display:

DISPLAY NAME	PATH	LINE NO.	VALUE
Broadcast acknowledger	Config→Ctlt-ID	10	Yes

Alarm Control

ALARM ROUTING CONTROL

Alarms recorded on the chiller can be routed through the CCN. To configure this option, the ComfortLink controls must be configured to determine which CCN elements will receive and process alarms. Input for the decision consists of eight digits, each of which can be set to either 0 or 1. Setting a digit to 1 specifies that alarms will be sent to the system element that corresponds to that digit. Setting all digits to 0 disables alarm processing. The factory default is 00000000. See Fig. 30. The default setting is based on the assumption that the unit will not be connected to a network. If the network does not contain a ComfortVIEW, ComfortWORKS®, TeLink, DataLINK™, or BACLink module, enabling this feature will only add unnecessary activity to the CCN Communication Bus.

This option can be modified with the Carrier Controller display. It cannot be modified with the Navigator display.

Typical configuration of the Alarm Routing variable is 11010000. This Alarm Routing status will transmit alarms to ComfortView software, TeLink, BACLink, and DataLINK.

To configure this option with the Carrier Controller display:

DISPLAY NAME	PATH	LINE NO.	VALUE
Alarm Routing Control	Config→ALARMDEF	1	Default = 00000000

DESCRIPTION	STATUS								POINT
	0	0	0	0	0	0	0	0	
Alarm Routing	0	0	0	0	0	0	0	0	ALRM_CNT
ComfortVIEW™ or ComfortWORKST™									
TeLink									
Unused									
BACLink or DataLINK™									
Unused									

Fig. 30 — Alarm Routing Control

ALARM EQUIPMENT PRIORITY

The ComfortVIEW software uses the equipment priority value when sorting alarms by level. The purpose of the equipment priority value is to determine the order in which to sort alarms that have the same level. A priority of 0 is the highest and would appear first when sorted. A priority of 7 would appear last when sorted. For example, if two chillers send out identical alarms, the chiller with the higher priority would be listed first. The default is 4. This variable can only be changed when using the Carrier Controller display, ComfortVIEW software, or Network Service Tool. This variable cannot be changed with the Navigator™ display. To configure this option with the Carrier Controller display:

DISPLAY NAME	PATH	LINE NO.	VALUE
Alarm Equipment Priority	Config→ALARMDEF	2	Range = 0 to 7 Default = 4

COMMUNICATION FAILURE RETRY TIME

This variable specifies the amount of time that will be allowed to elapse between alarm retries. Retries occur when an alarm is not acknowledged by a network alarm acknowledger, which may use either ComfortVIEW software or TeLink. If acknowledgement is not received, the alarm will be re-transmitted after the number of minutes specified in this decision. This variable can only be changed with the Carrier Controller display, ComfortVIEW, or Network Service Tool. This variable cannot be changed with the Navigator display. To configure this option with the Carrier Controller display:

DISPLAY NAME	PATH	LINE NO.	VALUE
Comm Failure Retry Time	Config→ALARMDEF	3	Range = 1 to 240 minutes Default = 10 minutes

RE-ALARM TIME

This variable specifies the amount of time that will be allowed to elapse between re-alarms. A re-alarm occurs when the conditions that caused the initial alarm continue to persist for the number of minutes specified in this decision. Re-alarms will continue to occur at the specified interval until the condition causing the alarm is corrected. This variable can only be changed with the Carrier Controller display, ComfortVIEW, or Network Service Tool. This variable cannot be changed with the Navigator display. To configure this option with the Carrier Controller display:

DISPLAY NAME	PATH	LINE NO.	VALUE
Realarm Time	Config→ALARMDEF	4	Range = 1 to 254 minutes 255 = Re-Alarm Disabled Default = 30 minutes

ALARM SYSTEM NAME

This variable specifies the system element name that will appear in the alarms generated by the unit control. The name can be up to 8 alphanumeric characters in length. This variable can only be changed when using the Carrier Controller display, ComfortVIEW, or Network Service Tool. This variable cannot be changed with the Navigator display.

To configure this option with the Carrier Controller display:

DISPLAY NAME	PATH	LINE NO.	VALUE
Alarm System Name	Config→ALARMDEF	5	Default = PRO_RGRW

Daylight Saving Time Configuration

The 30XA chiller control contains software which can automatically correct for daylight saving time. This software is accessible from the Carrier Controller display, ComfortVIEW, or Network Service Tool. It is not accessible through the Navigator display.

To enable this feature, Daylight Saving Select must be set to 1. The start of Daylight Saving must be configured by setting the Month, Day of Week, and Week of Month. The end for Daylight Saving must also be configured. To configure this option with the Carrier Controller display, see Table 37.

Table 37 — Daylight Saving Time Configuration

DISPLAY NAME	PATH	LINE NO.	VALUE
Activate	Config→BRODEFS	1	1 or 2 Default = 2
Daylight Saving Select	Config→BRODEFS	7	Enable Default = Dsble
Entering	Config→BRODEFS	8	
Month	Config→BRODEFS	9	Enter Starting Month for Daylight Saving
Day of Week (1=Monday)	Config→BRODEFS	10	Enter the Day of the Week Daylight Saving Starts
Week of Month	Config→BRODEFS	11	Enter Week of the Month Daylight Saving Starts
Leaving	Config→BRODEFS	12	
Month	Config→BRODEFS	13	Enter Ending Month for Daylight Saving
Day of Week (1=Monday)	Config→BRODEFS	14	Enter the Day of the Week Daylight Saving ends
Week of Month	Config→BRODEFS	15	Enter Week of the Month Daylight Saving ends

Capacity Control Overrides

The following capacity control overrides (**Active Capacity Override, CAPS**) will modify the normal operation routine. If any of the override conditions listed below are satisfied, the override will determine the capacity change instead of the normal control. Overrides are listed by priority order and are often linked to unit operating modes. See Table 38 for a list of overrides. See the Operating Modes section on page 71 for more information regarding operating modes.

Override #1: Cooler Freeze Protection

This override attempts to avoid the freeze protection alarm. If the Leaving Water Temperature is less than Brine Freeze Set Point (**Brine Freeze Setpoint, LOSP**) + 2.0°F (1.1°C) then a stage of capacity is removed.

NOTE: The freeze set point is 34°F (1.1°C) for fresh water systems (**Cooler Fluid Type, FLUD=1**). The freeze set point is Brine Freeze Set Point (**Brine Freeze Setpoint, LOSP**), for Medium Temperature Brine systems (**Cooler Fluid Type, FLUD=2**).

Override #2: Circuit A Low Saturated Suction Temperature in Cooling

Override #3: Circuit B Low Saturated Suction Temperature in Cooling

Override #4: Circuit C Low Saturated Suction Temperature in Cooling

These overrides attempt to avoid the low suction temperature alarms and are active only when the compressor is running beyond the fully unloaded level. The slide valve in the affected circuit will be decreased in position if the Saturated Suction Temperature is less than Brine Freeze Set Point (**Brine Freeze Setpoint, LOSP**) – 18.0°F (–10°C) for 90 seconds, or the Saturated Suction Temperature is less than –4°F (–20°C).

Override #5: Low Temperature Cooling and High Temperature Heating

This override decreases capacity when the difference between the Control Point (**Control Point, CTPT**) and the Leaving Water Temperature (**Cooler Leaving Fluid, LWT**) reaches a predetermined limit and the rate of change of the water is 0°F per minute or still decreasing.

Override #6: Low Temperature Cooling and High Temperature Heating

This override decreases capacity (approximately 5% of circuit capacity) when the Entering Water Temperature (**Cooler Entering Fluid, EWT**) is less than the Control Point (**Control Point, CTPT**).

Override #7: Ramp Loading

No capacity stage increase will be made if the unit is configured for ramp loading (**Ramp Loading Select, RLS=ENBL**) and the difference between the Leaving Water Temperature and the Control Point is greater than 4°F (2.2°C) and the rate of change of the leaving water is greater than Cool Ramp Loading Rate (**Cooling Ramp Loading, CRMP**). Operating mode 5 (MD05) will be in effect.

Override #8: Service Manual Test Override

This override mode places the unit into Service Test mode. The user can then use Service Test functions to test the unit. All safeties and higher priority overrides are monitored and acted upon.

Override #9: Demand Limit

This override mode is active when a command to limit the capacity is received. If the current unit capacity is greater than the active capacity limit value, a stage is removed. If the current capacity is lower than the capacity limit value, the control will not add a stage that will result in the new capacity being greater than the capacity limit value. Operating mode 4 (MD04) will be in effect.

Table 38 — Capacity Control Overrides

CAPACITY CONTROL OVERRIDES	
1	Cooler Freeze Protection
2	Circuit A Low Saturated Suction Temperature in Cooling
3	Circuit B Low Saturated Suction Temperature in Cooling
4	Circuit C Low Saturated Suction Temperature in Cooling
5	Low Temperature Cooling and High Temperature Heating (LWT)
6	Low Temperature Cooling and High Temperature Heating (EWT)
7	Ramp Loading
8	Service Manual Test Override
9	Demand Limit
10	Cooler Interlock Override
11	High Temperature Cooling and Low Temperature Heating
12	High Temperature Cooling and Low Temperature Heating (minimum load control in effect)
13	Minimum On/Off and Off/On Time Delay
14	Slow Change Override
15	System Manager Capacity Control
16	Circuit A High Pressure Override
17	Circuit B High Pressure Override
18	Circuit C High Pressure Override
19	Standby Mode
20	—
21	—
22	Minimum On Time Delay
23	Circuit A Low Saturated Suction Temperature in Cooling
24	Circuit B Low Saturated Suction Temperature in Cooling
25	Circuit C Low Saturated Suction Temperature in Cooling
26	Circuit A High Discharge Gas Override
27	Circuit B High Discharge Gas Override
28	Circuit C High Discharge Gas Override
29	—
30	—
31	—
32	—
33	—
34	Circuit A Low Refrigerant Charge
35	Circuit B Low Refrigerant Charge
36	Circuit C Low Refrigerant Charge
37	—
38	—
39	—
40	—
41	Circuit A High Current Override
42	Circuit B High Current Override
43	Circuit C High Current Override
44	Circuit A High Suction Superheat at Part Load
45	Circuit B High Suction Superheat at Part Load
46	Circuit C High Suction Superheat at Part Load
47	—
48	—
49	—
50	Circuit A MCHX MOP Control
51	Circuit B MCHX MOP Control
52	Circuit C MCHX MOP Control
53	Circuit A Delay for Unloading the Slide Valve
54	Circuit B Delay for Unloading the Slide Valve
55	Circuit C Delay for Unloading the Slide Valve
56	Circuit A Delay for Refrigeration Isolation Valve to Open
57	Circuit B Delay for Refrigeration Isolation Valve to Open
58	Circuit C Delay for Refrigeration Isolation Valve to Open
59	Circuit A Low Oil Level
60	Circuit B Low Oil Level
61	Circuit C Low Oil Level
62	Circuit A High Motor Temperature Override
63	Circuit B High Motor Temperature Override
64	Circuit C High Motor Temperature Override
77	Boostload Function

Override #10: Cooler Interlock Override

This override prohibits compressor operation until the Cooler Interlock (**Cooler Flow Switch, LOCK**) is closed.

Override #11: High Temperature Cooling and Low Temperature Heating

This override algorithm runs once when the unit is switched to ON. If the difference between the Leaving Water Temperature (**Cooler Leaving Fluid, LWT**) and the Control Point (**Control Point, CTPT**) exceeds a calculated value and the rate of change of the water temperature is greater than $-0.1^{\circ}\text{F}/\text{min}$, a stage will be added.

Override #12: High Temperature Cooling and Low Temperature Heating

This override runs only when Minimum Load Control is Enabled, (**Hot Gas Bypass Select, HGBP**) and is set to **YES, 2** or **3**. This override will add a stage of capacity if the next stage is Minimum Load Control, when the difference between the Leaving Water Temperature (**Cooler Leaving Fluid, LWT**) and the Control Point (**Control Point, CTPT**) exceeds a calculated value and the rate of change of the water temperature is greater than a fixed value.

Override #13: Minimum On/Off and Off/On Time Delay

Whenever a capacity change has been made, the control will remain at this capacity stage for the next 90 seconds. During this time, no capacity control algorithm calculations will be made. If the capacity step is a compressor, an additional 90-second delay is added to the previous hold time (see Override #22). This override allows the system to stabilize before another capacity stage is added or removed. If a condition of a higher priority override occurs, the higher priority override will take precedence. Operating Mode 10 (MD10) will be in effect.

Override #14: Slow Change Override

This override prevents compressor stage changes when the leaving temperature is close to the control point and slowly moving towards it.

Override #15: System Manager Capacity Control

If a Chillervisor module is controlling the unit and multiple chillers, the unit will increase capacity to attempt to load to the demand limited value.

Override #16: Circuit A High Pressure Override

Override #17: Circuit B High Pressure Override

Override #18: Circuit C High Pressure Override

This override attempts to avoid a high pressure failure. The algorithm is run every 4 seconds. If the Saturated Condensing Temperature for the circuit is above the High Pressure Threshold (**High Pressure Threshold, HP.TH**) then the position of slide valve will be unloaded.

Override #19: Standby Mode

This override algorithm will not allow a compressor to run if the unit is in Standby mode, (**Heat/Cool Status, HC.ST=2**).

Override #22: Minimum On Time Delay

In addition to Override #13 Minimum On/Off and Off/On Time Delay, for compressor capacity changes, an *additional* 90-second delay will be added to Override #13 delay. No compressor will be deenergized until 3 minutes have elapsed since the last compressor has been turned ON. When this override is active, the capacity control algorithm calculations will be performed, but no capacity reduction will be made until the timer has expired. A control with higher precedence will override the Minimum On Time Delay.

Override #23: Circuit A Low Saturated Suction Temperature in Cooling

Override #24: Circuit B Low Saturated Suction Temperature in Cooling

Override #25: Circuit C Low Saturated Suction Temperature in Cooling

If the circuit is operating close to the operational limit of the compressor, the circuit capacity will remain at the same point or unload to raise the saturated suction temperature. This algorithm will be active if the circuit is on and one of the following conditions is true:

1. Saturated Suction Temperature is less than the Brine Freeze Setpoint (**Brine Freeze Setpoint, LOSP**) -6°F (3.3°C).
2. Saturated Suction Temperature is less than the Brine Freeze Setpoint (**Brine Freeze Setpoint, LOSP**) and the circuit approach (Leaving Water Temperature – Saturated Suction Temperature) is greater than 15°F (8.3°C) and the Circuit Superheat (Discharge Gas Temperature – Saturated Discharge Temperature) is greater than 25°F (13.9°C).
NOTE: The freeze set point is 34°F (1.1°C) for fresh water systems (**Cooler Fluid Type, FLUD=1**). The freeze set point is Brine Freeze Set Point (**Brine Freeze Setpoint, LOSP**), for Medium Temperature Brine systems (**Cooler Fluid Type, FLUD=2**).

If any of these conditions are met, the appropriate operating mode, 21 (Circuit A), 22 (Circuit B) or 23 (Circuit C) will be in effect.

Override #26: Circuit A High Discharge Gas Override

Override #27: Circuit B High Discharge Gas Override

Override #28: Circuit C High Discharge Gas Override

When the temperature is above the limit curve minus 2°F (1.1°C) increase in capacity will not be allowed. This override will remain active until the discharge gas temperature drops below the limit curve by -3°F (-1.7°C).

Override #34: Circuit A Low Refrigerant Charge

Override #35: Circuit B Low Refrigerant Charge

Override #36: Circuit C Low Refrigerant Charge

The capacity override attempts to protect the compressor from starting with no refrigerant in the circuit. This algorithm runs only when the circuit is not operational (compressor is OFF). There are several criteria that will enable this override:

1. The saturated suction temperature or saturated discharge temperature is less than -13°F (-10.6°C).
2. All of these conditions must be true:
 - a. The saturated suction temperature or saturated discharge temperature is less than leaving-water temperature by more than 5.4°F (3.0°C).
 - b. Saturated suction temperature or saturated discharge temperature is less than 4°F (5°C).
 - c. Outdoor-air temperature is less than 32°F (0°C).
 - d. Saturated suction temperature or saturated discharge temperature is less than the outdoor-air temperature by more than 5.4°F (3.0°C).
3. All of these conditions must be true:
 - a. The saturated suction temperature or saturated discharge temperature is less than leaving-water temperature by more than 5.4°F (3.0°C).
 - b. Saturated suction temperature or saturated discharge temperature is less than 4°F (5°C).
 - c. Saturated suction temperature or saturated discharge temperature is less than the brine freeze point (**Brine Freeze Setpoint, LOSP**) by more than 6°F (3.3°C).

NOTE: The freeze set point is 34°F (1.1°C) for fresh water systems (**Brine Freeze Setpoint, FLUD=1**). The freeze set point is brine freeze set point (**Brine Freeze Setpoint, LOSP**), for medium temperature brine systems (**Cooler Fluid Type, FLUD=2**).

4. All of these conditions must be true:
 - a. The saturated suction temperature or saturated discharge temperature is less than leaving-water temperature by more than 5.4°F (3.0°C).
 - b. Saturated suction temperature or saturated discharge temperature is less than 4°F (5°C).
 - c. Saturated suction temperature or saturated discharge temperature is less than the outdoor-air temperature by more than 9°F (5°C).

If any of these conditions 1, 2, 3 or 4 are met, the appropriate operating mode, 21 (Circuit A), 22 (Circuit B) or 23 (Circuit C) will be in effect.

Override #41: Circuit A High Current Override
Override #42: Circuit B High Current Override
Override #43: Circuit C High Current Override

This override attempts to avoid an overcurrent failure. The algorithm is run every 4 seconds. If the compressor current is greater than 79% of must trip amps (MTA) but less than 85% MTA, then the capacity will be held at current capacity. If the compressor current is greater than 85% MTA, then capacity will be reduced by repositioning the slide valve until the current is less than 85% MTA (**Must Trip Amps, MTA.X**).

Override #44: Circuit A High Suction Superheat at Part Load
Override #45: Circuit B High Suction Superheat at Part Load
Override #46: Circuit C High Suction Superheat at Part Load

If the compressor of the circuit is on, the compressor current is no more than 30% of the MTA, main EXV is more than 90% open and the suction superheat is higher than the superheat control point for more than 5 minutes, then the circuit will be shut down.

Override #50: Circuit A MCHX MOP Control Override
Override #51: Circuit B MCHX MOP Control Override
Override #52: Circuit C MCHX MOP Control Override

This override prevents the compressor from increasing capacity when saturated suction temperature is greater than the MOP set point and saturated condensing temperature is greater than the maximum condensing temperature set point minus 15°F on units equipped with MCHX (Microchannel Heat Exchanger) condenser option. This is to avoid high pressure alarm and operation outside the compressor envelope.

Override #53: Circuit A Delay for Unloading the Slide Valve
Override #54: Circuit B Delay for Unloading the Slide Valve
Override #55: Circuit C Delay for Unloading the Slide Valve

This override prevents compressor from restarting with locked rotor failure after being shut down due to an alarm or power cycle. The delay varies depending on the size of the compressor: 20 minutes will elapse for 165 and 185 ton compressors, 8 minutes for 90 and 120 ton compressors, and 5 minutes for 45 and 50 ton compressors. The delay allows the compressor slide valve to move back to its fully unloaded position. The delay is adjusted according to the percent of the compressor running capacity before it is shut down. If the compressor is stopped normally, no delay will be applied. If the compressor is shut down by the locked rotor alarm, a full delay will be applied before the compressor is allowed to restart. See Table 39 for compressor nominal capacity.

Override #56: Circuit A Delay for Refrigeration Isolation Valve to Open
Override #57: Circuit B Delay for Refrigeration Isolation Valve to Open
Override #58: Circuit C Delay for Refrigeration Isolation Valve to Open

This override allows the discharge motorized ball valve to open before the compressor starts. The delay is 2 minutes and 30 seconds. (Does not apply to units with DX cooler option.)

Override #59: Circuit A Low Oil Level
Override #60: Circuit B Low Oil Level
Override #61: Circuit C Low Oil Level

This override is only effective when the circuit is not running. The override will prevent the circuit from starting up with a low oil level. If this override occurs three times, the low oil level alarm will be tripped.

Override #62: Circuit A High Motor Temperature Override
Override #63: Circuit B High Motor Temperature Override
Override #64: Circuit C High Motor Temperature Override

This override prevents the compressor motor temperature from rising above the high temperature limit, but still allows the chiller to run close to the high temperature limit by unloading the compressor. If the motor temperature is greater than 214°F (101.1°C), the compressor will not load. This override will remain active until the temperature drops below 214°F (101.1°C).

If the motor temperature is greater than 225°F (107.2°C) for 60 seconds, the circuit capacity will decrease by one stage. If the motor temperature is greater than 228°F (108.9°C), the circuit capacity will decrease by one stage immediately.

Override #77: Boostload Function

This override can be present when boostload function is enabled. It is set in the following conditions:

$$\text{if cool_lwt} > \text{ctrl_pnt} + 5.4 \text{ and } \text{cool_ewt} > \text{ctrl_pnt} + 9.0 \text{ and } \text{demand limit} > 99\%$$

Head Pressure Control

The Main Base Board (MBB) controls the condenser fans to maintain the lowest condensing temperature possible, and thus, the highest unit efficiency. The MBB uses the saturated condensing temperature input from the discharge pressure transducer to control the fans. Head pressure control is maintained through a calculated set point which is automatically adjusted based on actual saturated condensing and saturated suction temperatures so that the compressor(s) is (are) always operating within the manufacturer's specified envelope (see Fig. 31). Each time a fan is added, the calculated head pressure set point will be raised 25°F (13.9°C) for 35 seconds to allow the system to stabilize. The control will automatically reduce the unit capacity as the saturated condensing temperature approaches an upper limit. See capacity overrides #16-18. The control will indicate through an operating mode that high ambient unloading is in effect. If the saturated condensing temperature in a circuit exceeds the calculated maximum, the circuit will be stopped. For these reasons, there are no head pressure control methods or set points to enter. The control will turn off a fan stage when the condensing temperature is below the minimum head pressure requirement for the compressor. Fan sequences are shown in Fig. 31. See Table 39 for compressor nominal capacity.

Table 39 — 30XA Compressor Nominal Capacity

30XA UNIT SIZE	080, 082	090, 092	100, 102	110, 112	120, 122	140, 142	160, 162	180, 182	200, 202	220, 222	240, 242	260, 262	280, 282	300, 302	325, 327	350, 352	400	401	450	451	476	500	501
Compressor Nominal Capacity (tons)																							
Circuit A	45	45	50	60	60	90	100	90	100	120	120	165	165	185	165	185	120	225	185	275	250	185	275
Circuit B	45	45	50	50	60	50	60	90	100	100	120	100	120	120	165	165	120	185	90	185	225	120	250
Circuit C	—	—	—	—	—	—	—	—	—	—	—	—	—	—	—	—	165	—	185	—	—	185	—

CIRCUIT STAGE

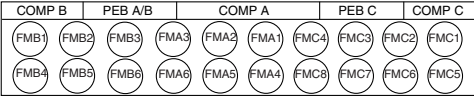
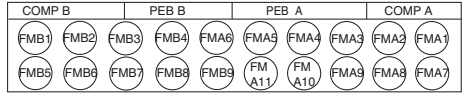
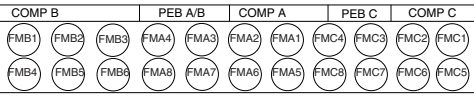
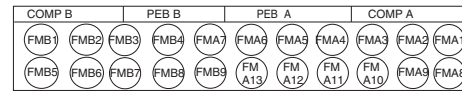
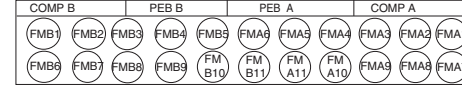
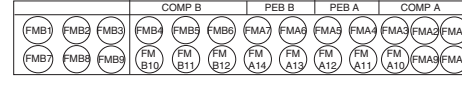
	CIRCUIT										
<p>30XA080,082</p>	A	Fan stage A	1	2	3						
		Contactor #	FC A1	FC A2	FC A3						
	Fan position	FMA1	FMA2	FMA3							
	B	Fan stage B	1	2	3						
Contactor #		FC B1	FC B2	FC B3							
<p>30XA090-122</p>	A	Fan stage A	1	2	3	4					
		Contactor #	FC A1	FC A2	FC A3	FC A4					
	Fan position	FMA1	FMA2	FMA3	FMA4						
	B	Fan stage B	1	2	3	4					
Contactor #		FC B1	FC B2	FC B3	FC B4						
<p>30XA140-162</p>	A	Fan stage A	1	2	3	4	5	6			
		Contactor #	FC A1	FC A2	FC A3	FC A4	FC A5	FC A6			
	Fan position	FMA1	FMA2	FMA3	FMA4	FMA5	FMA6				
	B	Fan stage B	1	2	3	4					
Contactor #		FC B1	FC B2	FC B3	FC B4						
<p>30XA180-202</p>	A	Fan stage A	1	2	3	4	5	6			
		Contactor #	FC A1	FC A2	FC A3	FC A4	FC A5	FC A6			
	Fan position	FMA1	FMA2	FMA3	FMA4	FMA5	FMA6				
	B	Fan stage B	1	2	3	4	5	6			
Contactor #		FC B1	FC B2	FC B3	FC B4	FC B5	FC B6				
<p>30XA220-242</p>	A	Fan stage A	1	2	3	4	5	6	7		
		Contactor #	FC A1	FC A2	FC A3	FC A4	FC A5	FC A6	FC A7		
	Fan position	FMA1	FMA2	FMA3	FMA4	FMA5	FMA6	FMA7			
	B	Fan stage B	1	2	3	4	5	6			
Contactor #		FC B1	FC B2	FC B3	FC B4	FC B5	FC B6				
<p>30XA260,262</p>	A	Fan stage A	1	2	3	4	5	6	7	8	
		Contactor #	FC A1	FC A2	FC A3	FC A4	FC A5	FC A6	FC A7	FC A8	FC A9
	Fan position	FMA1	FMA2	FMA3	FMA4	FMA5	FMA6	FMA7	FMA8	FMA9	
	B	Fan stage B	1	2	3	4	5	6			
Contactor #		FC B1	FC B2	FC B3	FC B4	FC B5	FC B6				
<p>30XA280,282</p>	A	Fan stage A	1	2	3	4	5	6	7	8	
		Contactor #	FC A1	FC A2	FC A3	FC A4	FC A5	FC A6	FC A7	FC A8	FC A9
	Fan position	FMA1	FMA2	FMA3	FMA4	FMA5	FMA6	FMA7	FMA8	FMA9	
	B	Fan stage B	1	2	3	4	5	6	7		
Contactor #		FC B1	FC B2	FC B3	FC B4	FC B5	FC B6	FC B7			
<p>30XA300,302</p>	A	Fan stage A	1	2	3	4	5	6	7	8	
		Contactor #	FC A1	FC A2	FC A3	FC A4	FC A5	FC A6	FC A7	FC A8	FC A9
	Fan position	FMA1	FMA2	FMA3	FMA4	FMA5	FMA6	FMA7	FMA8	FMA9	FMA10
	B	Fan stage B	1	2	3	4	5	6			
Contactor #		FC B1	FC B2	FC B3	FC B4	FC B5	FC B6				
<p>30XA325-352</p>	A	Fan stage A	1	2	3	4	5	6	7	8	
		Contactor #	FC A1	FC A2	FC A3	FC A4	FC A5	FC A6	FC A7	FC A8	FC A9
	Fan position	FMA1	FMA2	FMA3	FMA4	FMA5	FMA6	FMA7	FMA8	FMA9	
	B	Fan stage B	1	2	3	4	5	6	7	8	
Contactor #		FC B1	FC B2	FC B3	FC B4	FC B5	FC B6	FC B7	FC B8	FC B9	

LEGEND

- COMP** — Compressor **FM** — Fan Motor
- FC** — Fan Contactor **PEB** — Power Electrical Box

Fig. 31 — Fan Staging

CIRCUIT STAGE

	CIRCUIT												
		Fan stage A	1	2	3	4	5	6	7	8			
 <p>30XA400</p>	A	Fan stage A	1	2	3	4	5	6	7	8			
		Contactor #	FC A1	FC A2	FC A3	FC A4	FC A5	FC A6					
		Fan position	FMA1	FMA2	FMA3	FMA4	FMA5	FMA6					
	B	Fan stage B	1	2	3	4	5	6					
		Contactor #	FC B1	FC B2	FC B3	FC B4	FC B5	FC B6					
		Fan position	FMB1	FMB2	FMB3	FMB4	FMB5	FMB6					
C	Fan stage C	1	2	3	4	5	6	7	8				
	Contactor #	FC C1	FC C2	FC C3	FC C4	FC C5	FC C6	FC C7	FC C8				
	Fan position	FMC1	FMC2	FMC3	FMC4	FMC5	FMC6	FMC7	FMC8				
 <p>30XA401</p>	A	Fan stage A	1	2	3	4	5	6	7	8			
		Contactor #	FC A1	FCA2	FC A3	FC A4	FC 5	FC A6	FC A7	FC A8	FC A9	FC A10	FC A11
		Fan position	FMA1	FMA2	FMA3	FMA4	FMA5	FMA6	FMA7	FMA8	FMA9	FMA10	FMA11
	B	Fan stage B	1	2	3	4	5	6	7	8			
		Contactor #	FC B1	FC B2	FC B3	FC B4	FC B5	FC B6	FC B7	FC B8	FC B9		
		Fan position	FMB1	FMB2	FMB3	FMB4	FMB5	FMB6	FMB7	FMB8	FMB9		
 <p>30XA450, 500</p>	A	Fan stage A	1	2	3	4	5	6	7	8			
		Contactor #	FC A1	FC A2	FC A3	FC A4	FC A5	FC A6	FC A7	FC A8			
		Fan position	FMA1	FMA2	FMA3	FMA4	FMA5	FMA6	FMA7	FMA8			
	B	Fan stage B	1	2	3	4	5	6					
		Contactor #	FC B1	FC B2	FC B3	FC B4	FC B5	FC B6					
		Fan position	FMB1	FMB2	FMB3	FMB4	FMB5	FMB6					
C	Fan stage C	1	2	3	4	5	6	7	8				
	Contactor #	FC C1	FC C2	FC C3	FC C4	FC C5	FC C6	FC C7	FC C8				
	Fan position	FMC1	FMC2	FMC3	FMC4	FMC5	FMC6	FMC7	FMC8				
 <p>30XA451</p>	A	Fan stage A	1	2	3	4	5	6	7	8			
		Contactor #	FC A1	FCA2	FC A3	FC A4	FC A5	FC A6	FC A7	FC A8	FC A9	FC A10	FC A11
		Fan position	FMA1	FMA2	FMA3	FMA4	FMA5	FMA6	FMA7	FMA8	FMA9	FMA10	FMA11
	B	Fan stage B	1	2	3	4	5	6	7	8			
		Contactor #	FC B1	FC B2	FC B3	FC B4	FC B5	FC B6	FC B7	FC B8	FC B9	FC B10	FC B11
		Fan position	FMB1	FMB2	FMB3	FMB4	FMB5	FMB6	FMB7	FMB8	FMB9	FMB10	FMB11
 <p>30XA476</p>	A	Fan stage A	1	2	3	4	5	6	7	8			
		Contactor #	FC A1	FCA2	FC A3	FC A4	FC A5	FC A6	FC A7	FC A8	FC A9	FC A10	FC A11
		Fan position	FMA1	FMA2	FMA3	FMA4	FMA5	FMA6	FMA7	FMA8	FMA9	FMA10	FMA11
	B	Fan stage B	1	2	3	4	5	6	7	8			
		Contactor #	FC B1	FC B2	FC B3	FC B4	FC B5	FC B6	FC B7	FC B8	FC B9	FC B10	FC B11
		Fan position	FMB1	FMB2	FMB3	FMB4	FMB5	FMB6	FMB7	FMB8	FMB9	FMB10	FMB11
 <p>30XA501</p>	A	Fan stage A	1	2	3	4	5	6	7	8			
		Contactor #	FC A1	FCA2	FC A3	FC A4	FC A5	FC A6	FC A7	FC A8	FC A9	FC A10	FC A11
		Fan position	FMA1	FMA2	FMA3	FMA4	FMA5	FMA6	FMA7	FMA8	FMA9	FMA10	FMA11
	B	Fan stage B	1	2	3	4	5	6	7	8			
		Contactor #	FC B1	FC B2	FC B3	FC B4	FC B5	FC B6	FC B7	FC B8	FC B9	FC B10	FC B11
		Fan position	FMB1	FMB2	FMB3	FMB4	FMB5	FMB6	FMB7	FMB8	FMB9	FMB10	FMB11

LEGEND

- COMP — Compressor
- FC — Fan Contactor
- FM — Fan Motor
- PEB — Power Electrical Box

Fig. 31 — Fan Staging (cont)

LOW AMBIENT TEMPERATURE HEAD PRESSURE CONTROL OPTION

Units will start and operate down to 32°F (0°C) as standard. Operation to -20°F (-29°C) requires optional low ambient head pressure control as well as wind baffles (field fabricated and installed on all units for operation below 32°F [0°C]) if wind velocity is anticipated to be greater than 5 mph (8 kp/h). Inhibited propylene glycol or other suitable corrosion-resistant anti-freeze solution must be field supplied and installed in all units for unit operation below 34°F (1.1°C). Solution must be added to fluid loop to protect loop down to 15°F (8.3°C) below minimum operating ambient temperature. Concentration should be based on expected minimum temperature and either “Burst” or “Freeze” protection levels. At least 6 gal per ton (6.5 l/kW) of water volume is the recommended minimum for a moderate system load.

For low-ambient temperature operation, the lead fan on a circuit can be equipped with low ambient temperature head pressure control option or accessory. The controller adjusts fan speed to maintain the calculated head pressure set point.

LOW AMBIENT TEMPERATURE HEAD PRESSURE CONTROL OPERATING INSTRUCTIONS

The 30XA low ambient control is a variable speed drive (VFD) that varies the speed of the lead condenser fan in each circuit to maintain the calculated head pressure control set point. The fan speed varies in proportion to the 0 to 10 vdc analog signal produced by the AUX1 fan board. The display indicates motor speed in Hz by default.

Operation

The low ambient temperature head pressure controller is pre-configured to operate from a 0 to 10 vdc analog input signal present on terminals 3 (AIN+) and 4 (AIN-). Jumpers between terminals 2 and 4 and terminals 5 and 8 (5 and 9 for 575-v drives) are required for proper operation. The drive is enabled based on an increase in the analog input signal above 0 vdc. Output is varied from 0 Hz to 60 Hz as the analog signal increases from 0 vdc to 10 vdc. When the signal is at 0 vdc the drive holds the fan at 0 rpm. The head pressure control set point is not adjustable. The MBB determines the control set point as required.

Replacement

If the controller is replaced the parameters in Table 40 must be configured. See Fig. 32 and 33.

Table 40 — Siemens VFD Control Parameters

PARAMETER*	VALUE	DESCRIPTION
P0010	1	Enter Quick Commissioning
P0311	1140†	Rated Motor Speed
	850**	
P0305	††	Rated Motor Current
P0757	0.50	Control Signal Scaling Offset
P0761	0.50	Control Signal Scaling Offset
P3900	1	End of Quick Commissioning
P0003	3	User Access Level
P1210	6	Automatic Restart
P1310	10%	Continuous Boost

* Remove jumper from terminals 5 and 8 (or terminals 5 and 9 for 575 v) before configuring parameter. Reinstall jumper after configuration is complete.

† High Ambient option.

** Standard.

†† RLA from rating plate.

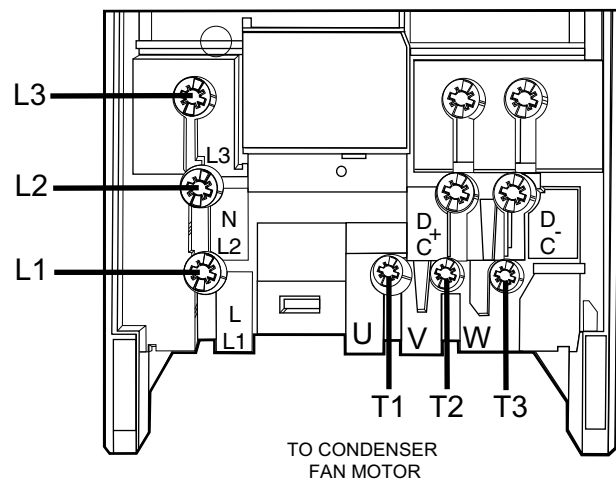


Fig. 32 — Siemens Low Ambient Temperature Control Power Wiring

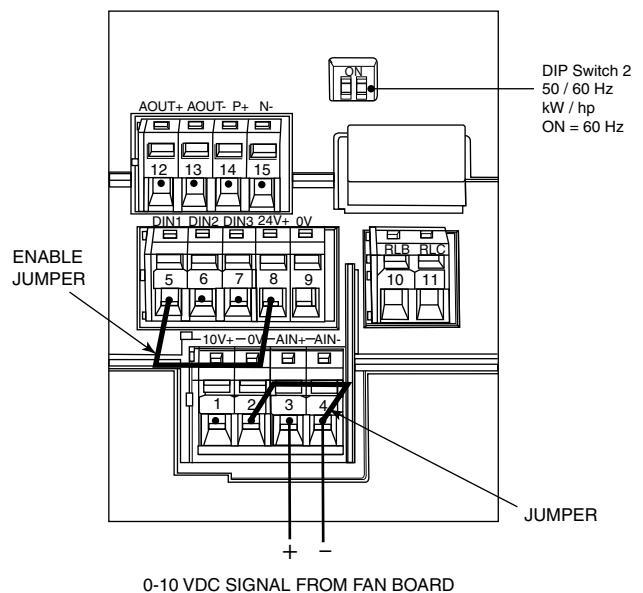


Fig. 33 — Siemens Low Ambient Temperature Control Signal Wiring

The DIP switches must also be set. DIP switch 1 is not used and DIP switch 2 is the motor frequency (OFF = 50 Hz, ON = 60 Hz).












Drive Programming

Parameter values can be altered via the operator panel. The operator panel features a five-digit, seven-segment display for displaying parameter numbers and values, alarm and fault messages, set points, and actual values. See Fig. 34 and 35. See Table 41 for additional information on the operator panel.



Fig. 34 — Siemens Low Ambient Temperature Controller

CHANGING P0004 — PARAMETER FILTER FUNCTION

STEP	RESULT ON DISPLAY
1 Press  to access parameters	
2 Press  until P0004 is displayed	
3 Press  to access the parameter value level	
4 Press  or  to the required value	
5 Press  to confirm and store the value	
6 Only the command parameters are visible to the user.	

CHANGING P0719 AN INDEXED PARAMETER SELECTION OF COMMAND/SETPOINT SOURCE


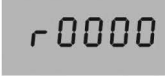























STEP	RESULT ON DISPLAY
1 Press  to access parameters	
2 Press  until P0719 is displayed	
3 Press  to access the parameter value level	
4 Press  to display current set value	
5 Press  or  to the required value	
6 Press  to conform and store the value	
7 Press  until r0000 is displayed	
8 Press  to return the display to the standard drive display (as defined by the customer)	

Fig. 35 — Changing Parameters with the Operator Panel

Table 41 — Siemens Low Ambient Temperature Controller Operator Panel

PANEL/BUTTON	FUNCTION	DESCRIPTION
	Indicates Status	The LCD displays the settings currently used by the converter.
	Start Converter	The Start Converter button is disabled by default. To enable this button set P0700 = 1.
	Stop Converter	Press the Stop Converter button to cause the motor to come to a standstill at the selected ramp down rate. Disabled by default, to enable set P0700 = 1. Press the Stop Converter button twice (or hold) to cause the motor to coast to a standstill. This function is always enabled.
	Change Direction	Press the Change Direction button to change the direction of rotation of the motor. Reverse is indicated by a minus (-) sign or a flashing decimal point. Disabled by default, to enable set P0700 = 1.
	Jog Motor	Press the Jog Motor button while the inverter has no output to cause the motor to start and run at the preset jog frequency. The motor stops when the button is released. The Jog Motor button is not enabled when the motor is running.
	Functions	The Functions button can be used to view additional information. Press and hold the button to display the following information starting from any parameter during operation: <ol style="list-style-type: none"> DC link voltage (indicated by d – units V). Output current. (A) Output frequency (Hz) Output voltage (indicated by o – units V). The value selected in P0005 (If P0005 is set to show any of the above [3, 4, or 5] then this will not be shown when toggling through the menu). Press the Functions button repeatedly to toggle through displayed values. Jump Function Press of the Fn button from any parameter (rXXXX or PXXXX) to immediately jump to r0000, when another parameter can be changed, if required. Return to r0000 and press the Functions button again to return.
	Access Parameters	Allows access to the parameters.
	Increase Value	Press the Increase Value button to increase the displayed value. To change the Frequency Setpoint using the operator panel set P1000 = 1.
	Decrease Value	Press the Decrease Value button to decrease the displayed value. To change the Frequency Setpoint using the operating panel set P1000 = 1.

NOTE: The operator panel motor control functions are disabled by default. To control the motor via the operator panel, parameter P0700 should be set to 1 and P1000 set to 1. The operator panel can be fitted to and removed from the drive while power is applied. If the operator panel has been set as the I/O control (P0700 = 1), the drive will stop if the operator panel is removed.

Changing Parameters with the Operator Panel

See Fig. 35 for the procedure for changing the value of parameter P0004. Modifying the value of an indexed parameter is illustrated in Fig. 35 using the example of P0719. Follow the same procedure to alter other parameters using the operator panel.

NOTE: When changing parameter values, if the operator panel displays **P----**, the drive is busy with tasks of higher priority.

Changing Single Digits in Parameter Values

For changing the parameters value rapidly, the single digits of the display can be changed by performing the following actions:

Ensure operator panel is in the parameter value changing level as described in Changing Parameters with the Operator Panel.

1. Press **Fn** (function button), which causes the farthest right digit to blink.
2. Change the value of this digit by pressing **▲** or **▼**.
3. Press **Fn** (function button) again to cause next digit to blink.
4. Perform steps 2 to 4 until the required value is displayed.
5. Press **P** (parameter button) to exit the parameter value changing level.

NOTE: The function button may also be used to acknowledge a fault condition.

Quick Commissioning (P0010=1)

It is **important** to use parameter P0010 for commissioning and P0003 to select the number of parameters to be accessed. Parameter P0010 allows a group of parameters to be selected that enable quick commissioning. Parameters such as motor settings and ramp settings are included. At the end of the quick commissioning sequences, P3900 should be selected, which, when set to 1, will carry out the necessary motor calculations and clear all other parameters (not included in P0010=1) to the default settings. This will only occur in Quick Commissioning mode. See Fig. 36.

Reset to Factory Default

To reset all parameters to the factory default settings, the following parameters should be set as follows:

1. Jumpers must be in place from terminals 2 and 4 and 5 and 8 (5 and 9 for 575v drives only).
2. Remove the keypad (pull out from top) and verify that DIP switch 1 is OFF and 2 is ON. Replace keypad.
3. Power up the drive. Press Parameter **P** key. Press **▲** to Parameter **P0010**.
4. Press **P**, then **▲** to change the 0 to a 1. Press **P** again to accept the change.
5. Press **▲** to Parameter **P0311**. Press **P** and press **▼** to change this value to 1140 for 6-pole motors or 850 for units with 8-pole motors. Press **P** to accept.
6. Press **▲** to Parameter **P3900**. Press **P** and use **▲** to change this value to 1. Press **P** to accept.
7. The drive will finish standard programming. Remove one end of the jumper wire from terminal 8.
8. Press **P** again and go to Parameter **P0003**. Press **P** and use **▲** to change this value to 3. Press **P** to accept.
9. Press **▲** to Parameter **P1210**. Press **P** and use **▲** to change this value to 6. Press **P** to accept.

10. Press **▲** to Parameter **P1310**. Press **P** and use **▼** to change this value to 10%. Press **P** to accept.
11. Press the Function **Fn** key and then **P**. The display will read 0.00 Hz.
12. Replace the wire jumper in terminal 8.
13. The drive is now active. Check fan rotation prior to testing. If fan is spinning forward, further adjustment is needed. Fan should be still when commanded speed is 0%. If fan spins forward, press **P** and **▲** to Parameter **P0761**. Press **P** and use **▲** to change this value to 0.1. Press **P** to accept. Check the fan. If rotation has stopped no further adjustment is required. If fan still rotates forward, press **P** and use **▲** to change this value to 0.2. Press **P** to accept. Repeat as needed until fan is still or is just barely moving in either direction. Do NOT enter a value greater than 0.5 for this parameter without first contacting your Carrier representative.

Troubleshooting with the Operating Panel

Warnings and faults are displayed on the operating panel with Axxx and Fxxx. The individual messages are shown in Table 42.

If the motor fails to start, check the following:

- Power is present on T1, T2 and T3.
- Configuration jumpers are in place.
- Control signal between 1 vdc and 10 vdc present on terminals 3 and 4.
- P0010 = 0.
- P0700 = 2.

Fault Messages (Tables 42 and 43)

In the event of a failure, the drive switches off and a fault code appears on the display.

NOTE: To reset the fault code, use one of the following methods:

1. Cycle the power to the drive.
2. Press the **Fn** button on the operator panel.

Schneider Altivar VFD Operation

Low ambient temperature head pressure controller is configured to operate from a 0 to 10 vdc analog input signal present on terminals A11 and COM. A jumper between terminals 24V and L11 is required for proper operation. The drive is enabled based on an increase in the analog input signal above 0 vdc. Output varies from 0 Hz to 60 Hz as analog signal increases from 0 vdc to 10 vdc. When the signal is at 0 vdc the drive holds the fan at 0 rpm. The head pressure control set point is not adjustable. The MBB determines the control set point as required. The operating panel is shown in Fig. 37. Refer to the Quick Start Guide for how to access the programming mode, or www.schneider-electric.com for VFD parameters, fault codes, and troubleshooting information.

Schneider Altivar VFD Replacement

For Altivar 212 VFDs, if the controller is replaced the parameters in Table 44 must be configured. Verify the VFD configuration per Table 44 prior to proceeding.

Also, the following must be wired:

1. A jumper must be in place from terminal P24 to F.
2. Connect the red and black wires from fan board 0-10 VDC output to terminal VIA and CC respectively.
3. Connect the motor power wires T1, T2 and T3 respectively to terminal U/T1, V/T2 and W/T3 of the drive.
4. Connect the line power wires L1, L2 and L3 from control box respectively to terminal R/L1, S/L2 and T/L3 of the drive.

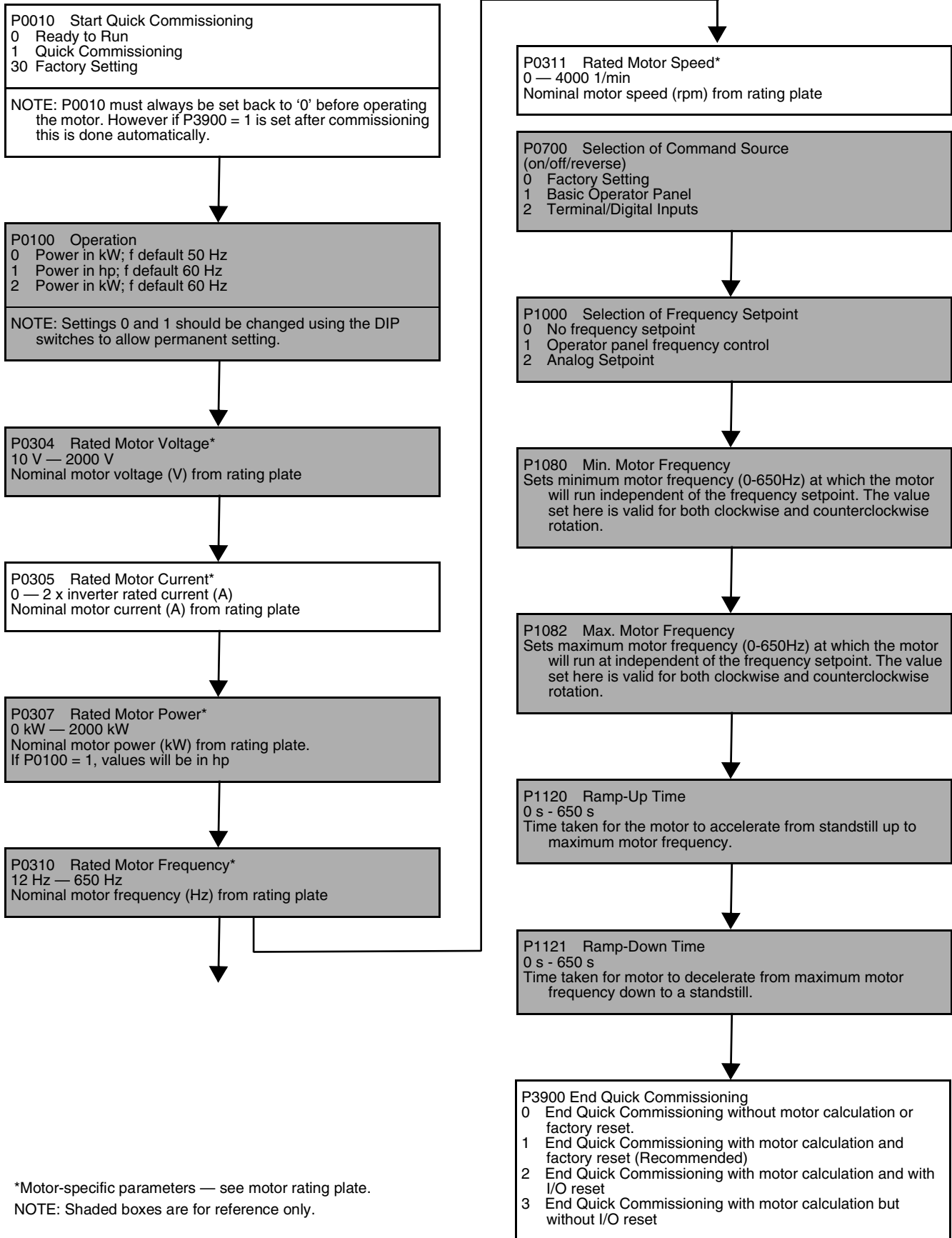


Fig. 36 — Siemens Low Ambient Temperature Controller Flow Chart Quick Commissioning

Table 42 — Siemens Low Ambient Temperature Controller Fault Messages

FAULT	POSSIBLE CAUSES	TROUBLESHOOTING
F0001 Overcurrent	<ul style="list-style-type: none"> Motor power does not correspond to the inverter power Motor lead short circuit Ground fault 	Check the following: <ol style="list-style-type: none"> Motor power (P0307) must correspond to inverter power (P0206) Motor cable and motor must have no short-circuits or ground faults Motor parameters must match the motor in use Motor must not be obstructed or overloaded After Steps 1-4 have been checked, increase the ramp time (P1120) and reduce the boost level (P1310, P1311, P1312).
F0002 Overvoltage	<ul style="list-style-type: none"> DC-link voltage (r0026) exceeds trip level (P2172) Overvoltage can be caused either by too high main supply voltage or if motor is in regenerative mode Regenerative mode can be caused by fast ramp downs or if the motor is driven from an active load 	Check the following: <ol style="list-style-type: none"> Supply voltage (P0210) must lie within limits indicated on rating plate DC-link voltage controller must be enabled (P1240) with parameters set correctly Ramp-down time (P1121) must match inertia of load
F0003 Undervoltage	<ul style="list-style-type: none"> Main supply failed Shock load outside specified limits 	Check the following: <ol style="list-style-type: none"> Supply voltage (P0210) must lie within limits indicated on rating plate Supply must not be susceptible to temporary failures or voltage reductions
F0004 Drive Overtemperature	<ul style="list-style-type: none"> Ambient temperature outside of limits Fan failure 	Check the following: <ol style="list-style-type: none"> Fan must turn when inverter is running Pulse frequency must be set to default value Air inlet and outlet points are not obstructed Ambient temperature could be higher than specified for the drive.
F0005 Drive I²t	<ul style="list-style-type: none"> Drive overloaded Duty cycle too demanding Motor power (P0307) exceeds drive power capability (P0206) 	Check the following: <ol style="list-style-type: none"> Load duty cycle must lie within specified limits Motor power (P0307) must match drive power (P0206)
F0011 Motor Overtemperature I²t	<ul style="list-style-type: none"> Motor overloaded Motor data incorrect Long time period operating at low speeds 	<ol style="list-style-type: none"> Check motor data Check loading on motor Boost settings too high (P1310, P1311, P1312) Check parameter for motor thermal time constant Check parameter for motor I²t warning level
F0041 Stator Resistance Measurement Failure	Stator resistance measurement failure	<ol style="list-style-type: none"> Check if the motor is connected to the drive Check that the motor data has been entered correctly
F0051 Parameter EEPROM Fault	Reading or writing of the non-volatile parameter storage has failed	<ol style="list-style-type: none"> Factory reset and new parameters set Replace drive
F0052 Powerstack Fault	Reading of the powerstack information has failed or the data is invalid	Replace drive
F0060 Asic Timeout	Internal communications failure	<ol style="list-style-type: none"> Acknowledge fault Replace drive if repeated
F0070 Communications Board Set Point Error	No setpoint received from communications board during telegram off time	<ol style="list-style-type: none"> Check connections to the communications board Check the master
F0071 No Data for RS232 Link During Telegram Off Time	No response during telegram off time via BOP link	<ol style="list-style-type: none"> Check connections to the communications board Check the master
F0072 No Data from RS485 Link During Telegram Off Time	No response during telegram off time via COM link	<ol style="list-style-type: none"> Check connections to the communications board Check the master
F0080 Analog Input - Lost Input Signal	<ul style="list-style-type: none"> Broken wire Signal out of limits 	Check connection to analog input
F0085 External Fault	External fault is triggered via terminal inputs	Disable terminal input for fault trigger
F0101 Stack Overflow	Software error or processor failure	<ol style="list-style-type: none"> Run self test routines Replace drive
F0221 PI Feedback Below Minimum Value	PID Feedback below minimum value P2268	<ol style="list-style-type: none"> Change value of P2268 Adjust feedback gain
F0222 PI Feedback Above Maximum Value	PID Feedback above maximum value P2267	<ol style="list-style-type: none"> Change value of P2267 Adjust feedback gain
F0450 (Service Mode Only) BIST Tests Failure	Fault value <ol style="list-style-type: none"> Some of the power section tests have failed Some of the control board tests have failed Some of the functional tests have failed Some of the IO module tests have failed The Internal RAM has failed its check on power-up 	<ol style="list-style-type: none"> Inverter may run but certain actions will not function correctly Replace drive

LEGEND

- ASIC** — Application Specific Instruction
- BIST** — Built-in Self Test
- BOP** — Basic Operating Panel
- I²t** — Current Squared Time
- PI** — Proportional Integral
- PID** — Proportional Integral Derivative

NOTE: To reset the fault code, one of the following methods can be used:


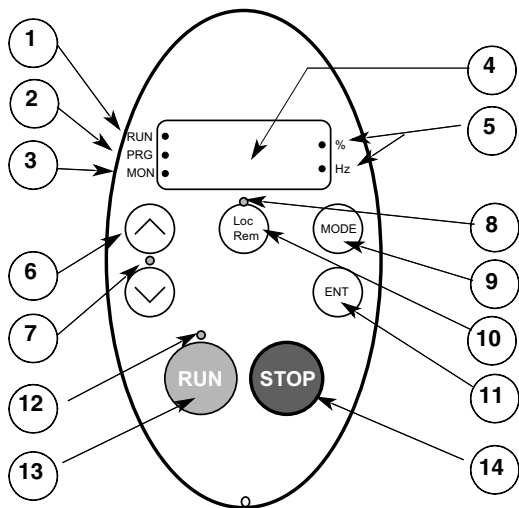
- Cycle the power to the drive.
- Press the  button on the operator panel.

Table 43 — Siemens Low Ambient Temperature Controller Alarm Messages

FAULT	POSSIBLE CAUSES	TROUBLESHOOTING
A0501 Current Limit	<ul style="list-style-type: none"> Motor power does not correspond to the drive power Motor leads are too short Ground fault 	<ol style="list-style-type: none"> 1. Check whether the motor power corresponds to the drive power 2. Check that the cable length limits have not been exceeded 3. Check motor cable and motor for short-circuits and ground faults 4. Check whether the motor parameters correspond with the motor being used 5. Check the stator resistance 6. Increase the ramp-up-time 7. Reduce the boost 8. Check whether the motor is obstructed or overloaded
A0502 Overvoltage Limit	<ul style="list-style-type: none"> Mains supply too high Load regenerative Ramp-down time too short 	<ol style="list-style-type: none"> 1. Check that mains supply voltage is within allowable range 2. Increase ramp down times <p>NOTE: If the vdc-max controller is active, ramp-down times will be automatically increased</p>
A0503 Undervoltage Limit	<ul style="list-style-type: none"> Mains supply too low Short mains interruption 	Check main supply voltage (P0210)
A0504 Drive Overtemperature	Warning level of inverter heat-sink temperature (P0614) is exceeded, resulting in pulse frequency reduction and/or output frequency reduction (depending on parameters set (P0610))	<ol style="list-style-type: none"> 1. Check if ambient temperature is within specified limits 2. Check load conditions and duty cycle 3. Check if fan is turning when drive is running
A0505 Drive I2t	Warning level is exceeded; current will be reduced if parameters set (P0610 = 1)	Check if duty cycle is within specified limits
A0506 Drive Duty Cycle	Heatsink temperature and thermal junction model are outside of allowable range	Check if duty cycle is within specified limits
A0511 Motor Overtemperature I2t	Motor overloaded	<p>Check the following:</p> <ol style="list-style-type: none"> 1. P0611 (motor I2t time constant) should be set to appropriate value 2. P0614 (motor I2t overload warning level) should be set to suitable level 3. Are long periods of operation at low speed occurring 4. Check that boost settings are not too high
A0541 Motor Data Identification Active	Motor data identification (P1910) selected or running	Wait until motor identification is finished
A0600 RTOS Overrun Warning	Software error	—

LEGEND

I2t — Current Squared Time
RTOS — Run Time Operating System



CALLOUT	LED/KEY	DESCRIPTION
1	Display RUN LED	Illuminates when a run command is applied to the drive controller. Flashes when a speed reference is present with the run command.
2	Display PRG LED	Illuminates when Programming mode is active. Flashes when -GrU menus are active.
3	Display MON LED	Illuminates when Monitoring mode is active. Flashes in fault record display mode.
4	Display Unit	4 digits, 7 segments
5	Display Unit LED	The % LED illuminates when numeric value displayed is a percentage. The Hz LED illuminates when numeric value displayed is in hertz.
6	Up/Down arrows	Depending on the mode, use the arrows to: navigate between the menus, change a value, or change the speed reference when Up/Down LED (7) is lit.
7	Up/Down LED	Illuminates when the Up/Down arrows are controlling the speed reference.
8	Loc/Rem LED	Illuminates when Local mode is selected.
9	MODE	Press to select the Keypad mode. Modes are: Run mode (default on power-up), Programming mode, and Monitoring mode. Can also be used to go back to the previous menu.
10	Loc/Rem	Switches between Local and Remote modes.
11	ENT	Press to display a parameter's value or to save a changed value.
12	RUN LED	Illuminates when the Run key is enabled.
13	RUN	Pressing this key when RUN LED is illuminated starts drive controller.
14	STOP	Stop/reset key. In Local mode, pressing the STOP key causes drive controller to stop based on the setting of parameter F721. In Remote mode, pressing the STOP key causes drive controller to stop based on the setting of parameter F603. The display will indicate a flashing "E". If F735 is set to 0 (default setting), pressing the stop key twice will reset all resettable faults if the fault condition has been resolved.

Fig. 37 — Schneider Altivar 212 VFD Display Panel

Table 44 — Schneider Altivar 212 VFD Operating Parameters

PARAMETER	NAME	VALUE
uLu	Rated Motor Voltage	Nominal motor voltage (V) from rating plate
F201	VIA Speed Reference Level 1	5
F202	VIA Output Frequency Level 1	0
F203	VIA Speed Reference Level 2	100
F204	VIA Output Frequency Level 2	60
F401	Slip compensation	60%
F415	Rated Motor Current	Nominal motor current(A) from rating plate
F417	Rated Motor Speed	Nominal motor speed (RPM) from rating plate
F701	Keypad display: % or A/V	1
tHr	Motor Rated Current Overload Setting	Nominal motor current (A) from rating plate
uL	Rated Motor Frequency	60 Hz
FH	Maximum Frequency	60 Hz
LL	Low Speed	0 Hz
UL	High Speed	60 Hz
ACC	Ramp-up Time	10 Sec
dEC	Ramp-down Time	10 Sec
cnod	Remote Mode Start/Stop Control	0 (Control terminal logic inputs)
fnod	Remote Mode Primary Speed reference Source	1 (VIA)

PRE-START-UP

IMPORTANT: Complete the Start-Up Checklist for 30XA Liquid Chillers at the end of this publication.

The checklist assures proper start-up of a unit, and provides a record of unit condition, application requirements, system information, and operation at initial start-up.

Do not attempt to start the chiller until the following checks have been completed.

System Check

1. Check that auxiliary components, such as the chilled fluid circulating pump, air-handling equipment, or other equipment to which the chiller supplies liquid are operational. Consult manufacturer’s instructions. If the unit has field-installed accessories, be sure all are properly installed and wired correctly. Refer to unit wiring diagrams.
2. Open compressor suction service valves (if equipped).
3. Open discharge line, liquid line, oil line, and economizer (if equipped) service valves.
4. Fill the chiller fluid circuit with clean water (with recommended inhibitor added) or other non-corrosive fluid to be cooled. Bleed all air out of high points of system. If outdoor temperatures are expected to be below 32°F (0°C), and unit has a flooded cooler option, sufficient inhibited propylene glycol or other suitable corrosion-inhibited antifreeze should be added to the chiller water circuit to prevent possible freeze-up.
5. The chilled water loop must be cleaned before the unit is connected. Units supplied with the accessory hydronic package include a run-in screen. If the run-in screen is left in the suction guide/strainer, it is recommended that the Service Maintenance be set to alert the operator within 24 hours of start-up to be sure that the run-in screen in the suction guide/strainer is removed. To set the time for the parameter, go to **Water Filter Ctrl (days), W.FIL**. Values for this item are counted as days. Refer to the hydronic pump package literature if unit is equipped with the optional hydronic pump package.
6. Check tightness of all electrical connections.

7. Electrical power source must agree with unit nameplate.
8. Oil separator heaters must be firmly seated under the oil separator, and must be energized for 24 hours prior to start-up.
9. Verify power supply phase sequence. Fan motors are 3 phase. Check rotation of non low-ambient controlled fans by using the quick test. Fan rotation is counterclockwise as viewed from top of unit. If fan is not turning counterclockwise, reverse 2 of the power wires at the main terminal block.
10. Perform service test to verify proper operation.

START-UP

⚠ CAUTION

Do not manually operate contactors. Serious damage to the machine may result.

Actual Start-Up

Actual start-up should be done only under supervision of a qualified refrigeration technician.

1. Be sure all oil, suction valves, discharge valves (if equipped) and liquid line service valves are open.
2. Using the unit control, set leaving-fluid set point (Cooling Set-point 1, **CSP.1**). No cooling range adjustment is necessary.
3. If optional control functions or accessories are being used, the unit must be properly configured. Refer to Configuration Options section for details.
4. Start the chilled fluid pump, if unit is not configured for pump control (**Cooler Pumps Sequence, PUMP=0**).
5. Complete the Start-Up Checklist to verify all components are operating properly.
6. If unit is equipped with Navigator™ display, turn Enable/Off/Remote contact switch to Enable position. If unit is equipped with Carrier Controller display, press the Start/Stop button and select Local On.
7. Allow unit to operate and confirm that everything is functioning properly. Check that leaving fluid temperature agrees with leaving set point Control Point (**Control Point, CTPT**).

Operating Limitations

TEMPERATURES

Unit operating temperature limits are listed in the table below.

TEMPERATURE	F	C
Maximum Ambient Temperature	125	52
Minimum Ambient Temperature	32	0
Maximum Cooler EWT*	95	35
Maximum Cooler LWT	60	15
Minimum Cooler LWT†	40	4.4

LEGEND

EWT — Entering Fluid (Water) Temperature

LWT — Leaving Fluid (Water) Temperature

* For sustained operation, EWT should not exceed 70°F (21.1°C).

† Unit requires brine modification for operation below this temperature.

Low Ambient Temperature Operation

If unit operating temperatures below 32°F (0°C) are expected, refer to separate unit installation instructions for low ambient temperature operation using accessory low ambient temperature head pressure control, if not equipped. Contact your Carrier representative for details.

NOTE: If wind velocity is expected to be greater than 5 mph (8 km/h), wind baffles and brackets must be field-fabricated and installed for all units using accessory low ambient head pressure control. See the 30XA Installation Instructions or the low ambient temperature head pressure control accessory installation instructions for more information.

CAUTION

Brine duty application (below 40°F [4.4°C] LCWT) for chiller normally requires factory modification. Contact a Carrier Representative for details regarding specific applications. Operation below 40°F (4.4°C) LCWT without modification can result in compressor failure.

VOLTAGE

Main Power Supply

Minimum and maximum acceptable supply voltages are listed in the Installation Instructions.

Unbalanced 3-Phase Supply Voltage

Never operate a motor where a phase imbalance between phases is greater than 2%.

To determine percent voltage imbalance:

$$\% \text{ Voltage Imbalance} = 100 \times \frac{\text{max voltage deviation from avg voltage}}{\text{average voltage}}$$

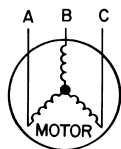
The maximum voltage deviation is the largest difference between a voltage measurement across 2 legs and the average across all 3 legs.

Example: Supply voltage is 240-3-60.

$$AB = 243\text{v}$$

$$BC = 236\text{v}$$

$$AC = 238\text{v}$$



1. Determine average voltage:

$$\begin{aligned} \text{Average voltage} &= \frac{243+236+238}{3} \\ &= \frac{717}{3} \\ &= 239 \end{aligned}$$

2. Determine maximum deviation from average voltage:

$$(AB) 243 - 239 = 4 \text{ v}$$

$$(BC) 239 - 236 = 3 \text{ v}$$

$$(AC) 239 - 238 = 1 \text{ v}$$

Maximum deviation is 4 v.

3. Determine percent voltage imbalance:

$$\begin{aligned} \% \text{ Voltage Imbalance} &= 100 \times \frac{4}{239} \\ &= 1.7\% \end{aligned}$$

This voltage imbalance is satisfactory as it is below the maximum allowable of 2%.

IMPORTANT: If the supply voltage phase imbalance is more than 2%, contact the local electric utility company immediately. Do not operate unit until imbalance condition is corrected.

MINIMUM FLUID LOOP VOLUME

To obtain proper temperature control, loop fluid volume must be at least 3 gallons per ton (3.25 L per kW) of chiller nominal capacity for air conditioning and at least 6 gallons per ton (6.5 L per kW) for process applications or systems that must operate at low ambient temperatures (below 32°F [0°C]). Refer to application information in Product Data literature for details.

FLOW RATE REQUIREMENTS

Standard chillers should be applied with nominal flow rates within those listed in the Minimum and Maximum Cooler Flow Rates table. Higher or lower flow rates are permissible to obtain lower or higher temperature rises. Minimum flow rates must be exceeded to assure turbulent flow and proper heat transfer in the cooler. See Table 45. See Fig. 38-50 for cooler pressure drop curves.

CAUTION

Operation below minimum flow rate could generate alarms, which could result in damage to the cooler.

Consult application data section in the Product Data literature and job design requirements to determine flow rate requirements for a particular installation.

Table 45 — 30XA Minimum and Maximum Cooler Flow Rates

ITEM				MINIMUM		MAXIMUM		
Cooler Leaving Water Temperature*				40°F (4.4°)		60°F (15°C)		
Cooler Entering Water Temperature†				45°F (7.2°C)		70°F (21.1°C)		
30XA UNIT SIZE	Nominal Flow Rate		Cooler	Number of Passes	Minimum Flow Rate**		Maximum Flow Rate	
	(gpm)	(L/s)			(gpm)	(L/s)	(gpm)	(L/s)
80	180.4	11.4	Standard, Flooded	2	95	6	379	23.9
			Plus One Pass, Flooded	3	43	2.7	192	12.1
			Minus One Pass, Flooded	1	196	12.4	782	49.3
82	172.8	10.9	DX Cooler	—	86	5.4	346	21.8
90	201.9	12.7	Standard, Flooded	2	101	6.4	403	25.4
			Plus One Pass, Flooded	3	43	2.7	200	12.6
			Minus One Pass, Flooded	1	229	14.4	917	57.9
92	193.7	12.2	DX Cooler	—	97	6.1	387	24.4
100	225.5	14.2	Standard, Flooded	2	101	6.4	403	25.4
			Plus One Pass, Flooded	3	43	2.7	200	12.6
			Minus One Pass, Flooded	1	229	14.4	917	57.9
102	214.3	13.5	DX Cooler	—	107	6.7	429	27.0
110	244.9	15.5	Standard, Flooded	2	125	7.9	501	31.6
			Plus One Pass, Flooded	3	61	3.8	244	15.4
			Minus One Pass, Flooded	1	254	16	1014	64
112	235.2	14.8	DX Cooler	—	118	7.4	470	29.6
120	264.8	16.7	Standard, Flooded	2	125	7.9	501	31.6
			Plus One Pass, Flooded	3	73	4.6	293	18.5
			Minus One Pass, Flooded	1	281	17.7	1124	70.9
122	254.7	16.0	DX Cooler	—	127	8.0	509	32.1
140	317.8	20.1	Standard, Flooded	2	134	8.5	538	33.9
			Plus One Pass, Flooded	3	73	4.6	293	18.5
			Minus One Pass, Flooded	1	324	20.4	1296	81.8
142	303.5	19.1	DX Cooler	—	152	9.6	607	38.2
160	365.1	23	Standard, Flooded	2	165	10.4	660	41.6
			Plus One Pass, Flooded	3	98	6.2	391	24.7
			Minus One Pass, Flooded	1	354	22.3	1418	89.5
162	347	21.9	DX Cooler	—	174	10.9	694	43.7
180	409.6	25.8	Standard, Flooded	2	202	12.7	807	50.9
			Plus One Pass, Flooded	3	73	4.6	391	24.7
			Minus One Pass, Flooded	1	416	26.2	1662	104.9
182	401.7	25.3	DX Cooler	—	201	12.6	803	50.6
200	463.9	29.3	Standard, Flooded	2	223	14.1	892	56.3
			Plus One Pass, Flooded	3	98	6.2	391	24.7
			Minus One Pass, Flooded	1	458	28.9	1833	115.6
202	447.1	28.2	DX Cooler	—	224	14.1	894	56.3
220	505.9	31.9	Standard, Flooded	2	235	14.8	941	59.4
			Plus One Pass, Flooded	3	122	7.7	489	30.9
			Minus One Pass, Flooded	1	501	31.6	2004	126.4
222	493	31.1	DX Cooler	—	246	15.5	950	59.9
240	545.8	34.4	Standard, Flooded	2	266	16.8	1063	67.1
			Plus One Pass, Flooded	3	147	9.3	587	37
			Minus One Pass, Flooded	1	538	33.9	2151	135.7
242	530	33.5	DX Cooler	—	265	16.7	950	59.9
260	600.3	37.9	Standard, Flooded	2	257	16.2	1027	64.8
			Plus One Pass, Flooded	3	141	8.9	562	35.5
			Minus One Pass, Flooded	1	584	36.8	2334	147.3
262	583	36.8	DX Cooler	—	292	18.4	950	59.9
280	642.2	40.5	Standard, Flooded	2	293	18.5	1173	74
			Plus One Pass, Flooded	3	141	8.9	562	35.5
			Minus One Pass, Flooded	1	620	39.1	2481	156.5
282	627	39.5	DX Cooler	—	313	19.8	950	59.9
300	687.5	43.4	Standard, Flooded	2	327	20.6	1308	82.5
			Plus One Pass, Flooded	3	174	11	697	44
			Minus One Pass, Flooded	1	687	43.3	2750	173.5
302	665	42.0	DX Cooler	—	333	21.0	1331	83.9

Table 45 — 30XA Minimum and Maximum Cooler Flow Rates (cont)

ITEM					MINIMUM		MAXIMUM	
Cooler Leaving Water Temperature*					40°F (4.4°)		60°F (15°C)	
Cooler Entering Water Temperature†					45°F (7.2°C)		70°F (21.1°C)	
30XA UNIT SIZE	Nominal Flow Rate		Cooler	Number of Passes	Minimum Flow Rate**		Maximum Flow Rate	
	(gpm)	(L/s)			(gpm)	(L/s)	(gpm)	(L/s)
325	733.4	46.3	Standard, Flooded	2	361	22.8	1442	91
			Plus One Pass, Flooded	3	211	13.3	843	53.2
			Minus One Pass, Flooded	1	724	45.7	2897	182.8
327	720	45.4	DX Cooler	—	360	22.7	1440	90.8
350	775.4	48.9	Standard, Flooded	2	379	23.9	1516	95.6
			Plus One Pass, Flooded	3	244	15.4	978	61.7
			Minus One Pass, Flooded	1	767	48.4	3068	193.6
352	757	47.8	DX Cooler	—	379	23.9	1514	95.5
400	917.6	57.9	Standard, Flooded	1	501	31.6	2004	126.4
			Plus One Pass, Flooded	—	—	—	—	—
			Minus One Pass, Flooded	—	—	—	—	—
401	948	59.9	Standard, Flooded	2	474	29.9	1896	119.6
			Plus One Pass, Flooded	—	—	—	—	—
			Minus One Pass, Flooded	1	800	50.5	3792	239.3
450	1019.3	64.3	Standard, Flooded	1	501	31.6	2004	126.4
			Plus One Pass, Flooded	—	—	—	—	—
			Minus One Pass, Flooded	—	—	—	—	—
451	1047	66.1	Standard, Flooded	2	523.5	33.0	2094	132.1
			Plus One Pass, Flooded	—	—	—	—	—
			Minus One Pass, Flooded	1	800	50.5	4000	252.4
476	1104	69.7	Standard, Flooded	2	552	34.8	2208	139.3
			Plus One Pass, Flooded	—	—	—	—	—
			Minus One Pass, Flooded	1	950	59.9	4000	252.4
500	1092.8	68.9	Standard, Flooded	1	501	31.6	2004	126.4
			Plus One Pass, Flooded	—	—	—	—	—
			Minus One Pass, Flooded	—	—	—	—	—
501	1184	74.7	Standard, Flooded	2	592	37.3	2368	149.4
			Plus One Pass, Flooded	—	—	—	—	—
			Minus One Pass, Flooded	1	950	59.9	4000	252.4

LEGEND

DX — Direct Expansion

* For applications requiring cooler leaving water temperature operation at less than 40°F (4.4°C), the units require the use of antifreeze and application may require the brine option. Contact your local Carrier representative for more information.

† For applications requiring cooler entering water temperature operation at less than 45°F (7.2°C), contact your local Carrier representative for unit selection using the Carrier electronic catalog.

** For minimum cooler flow rate with brine applications, refer to E-CAT software performance.

NOTES:

1. The 30XA units will start and pull down with loop temperatures up to 95°F (35°C).
2. Nominal flow rates required at AHRI conditions 44°F (7°C) leaving fluid temperature, 54°F (12°C) entering water temperature, 95°F (35°C) ambient. Fouling factor 0.00010 ft²-hr-F/Btu (0.000018 m²-K/kW).
3. To obtain proper temperature control, cooler loop fluid volume must be at least 3 gal/ton (3.23 L/kW) of chiller nominal capacity for air conditioning and at least 6 gal/ton (6.5 L/kW) for process applications or systems that must operate in low ambient temperatures (below 32°F [0°C]).

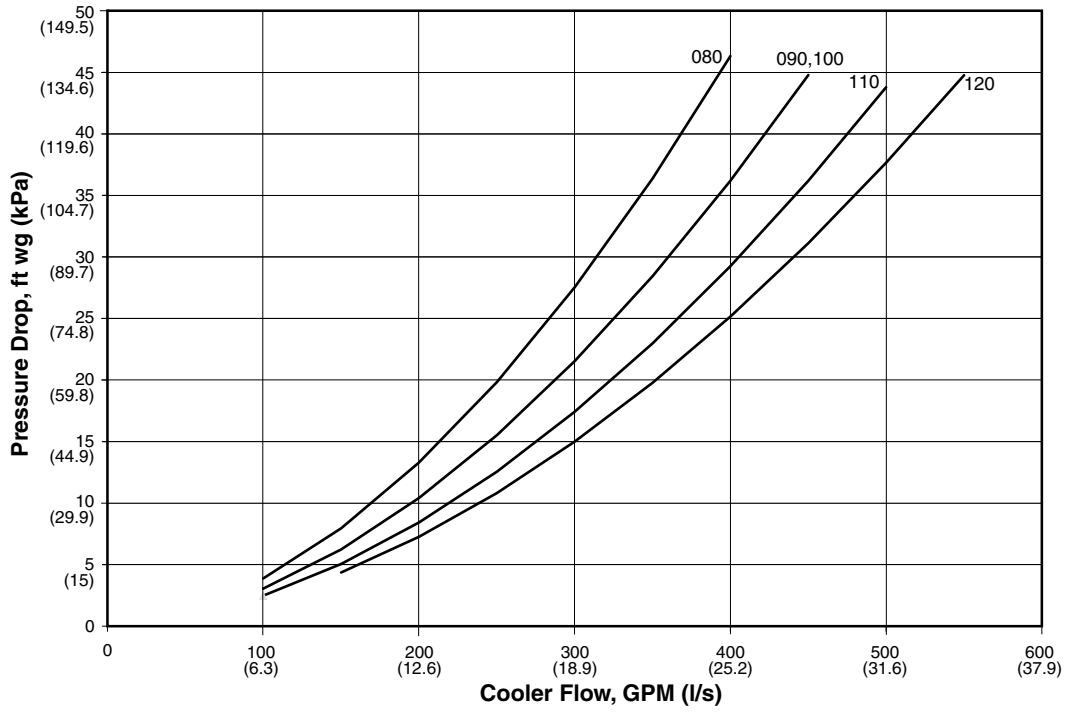


Fig. 38 — Cooler Pressure Drop Curves, Standard Pass Flooded Cooler Unit Sizes 30XA080, 90, 100, 110, 120

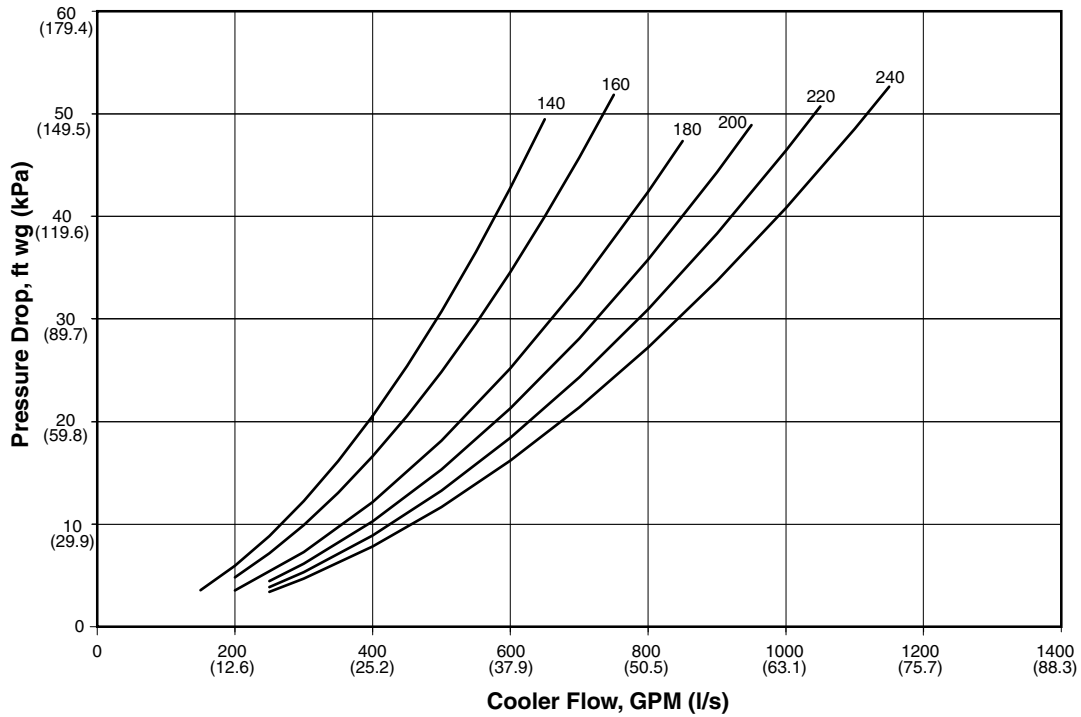


Fig. 39 — Cooler Pressure Drop Curves, Standard Pass Flooded Cooler Unit Sizes 30XA140, 160, 180, 200, 220, 240

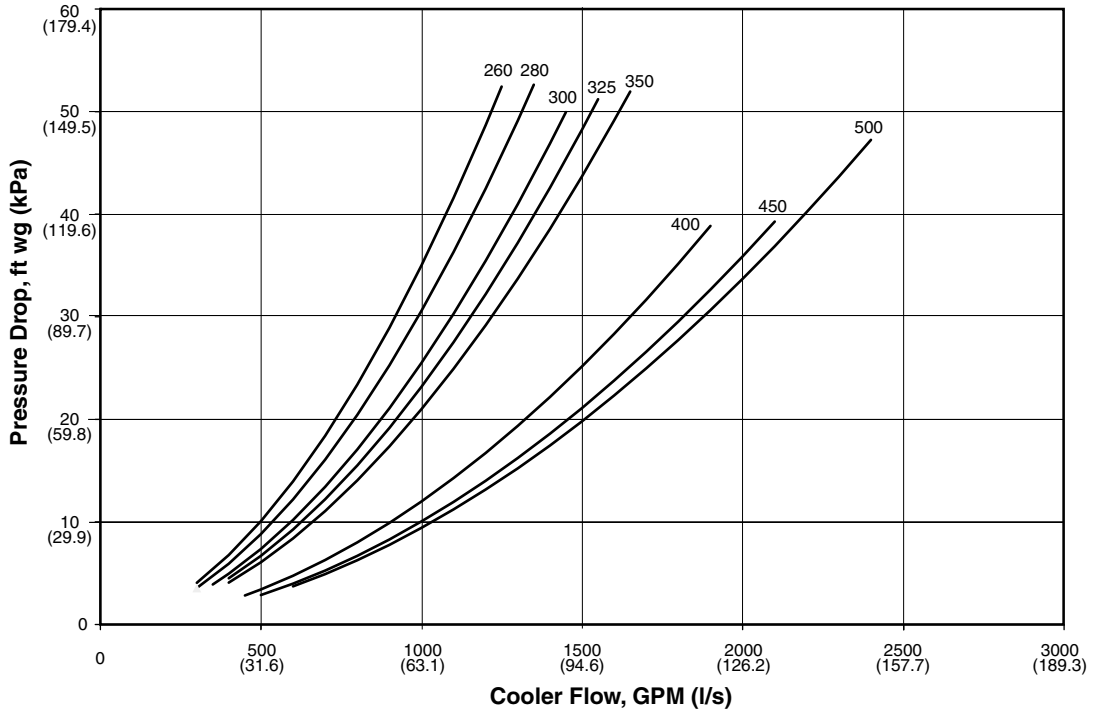


Fig. 40 — Cooler Pressure Drop Curves, Standard Pass Flooded Cooler Unit Sizes 30XA260, 280, 300, 325, 350, 400, 450, 500

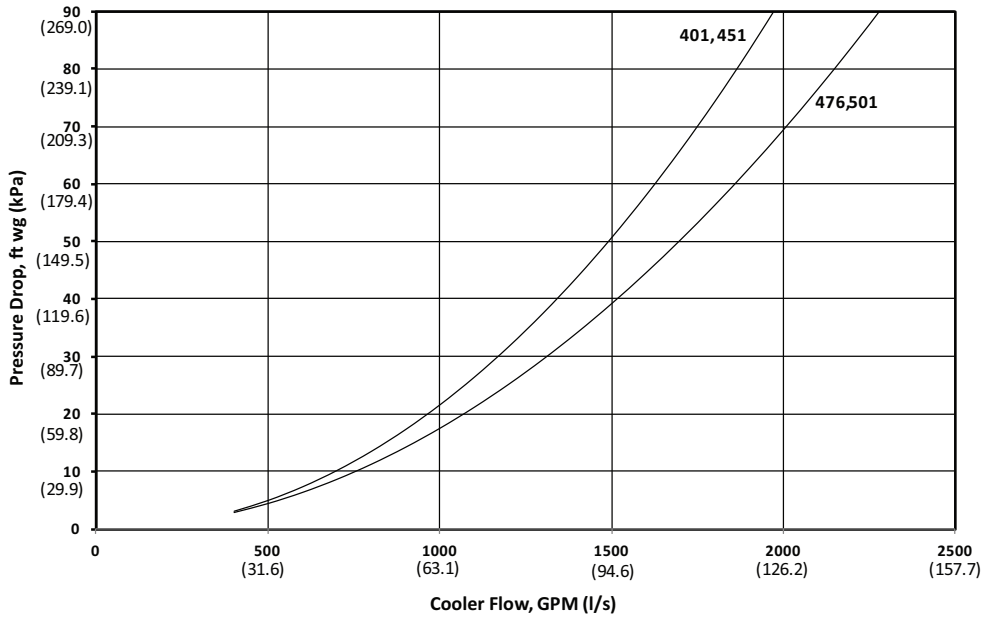


Fig. 41 — Cooler Pressure Drop Curves, Standard Pass Flooded Cooler Unit Sizes 30XA401, 451, 476, 501

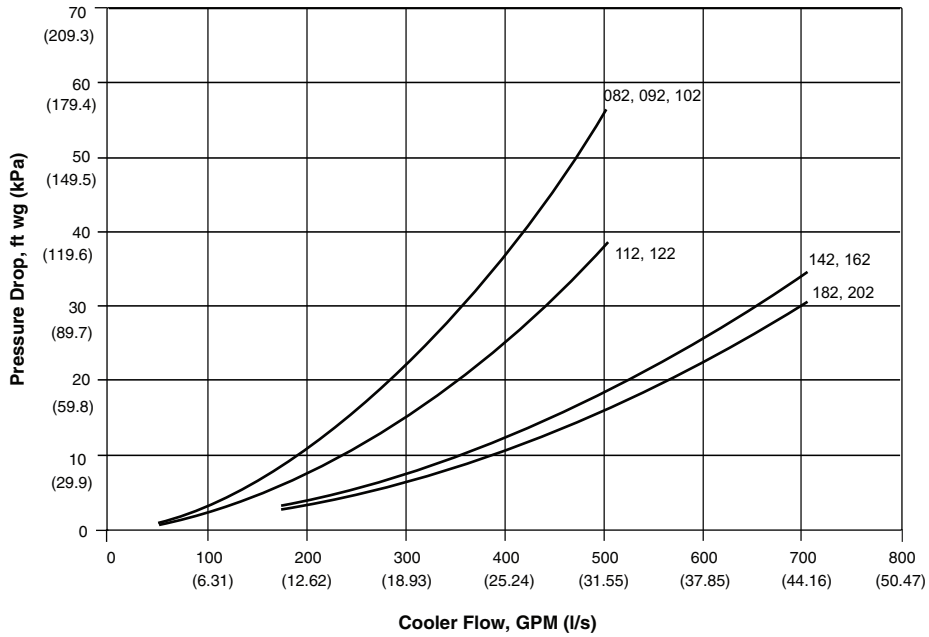


Fig. 42 — Cooler Pressure Drop Curves, DX (Direct Expansion) Cooler Unit Sizes 30XA082, 092, 102, 112, 122, 142, 162, 182, 202

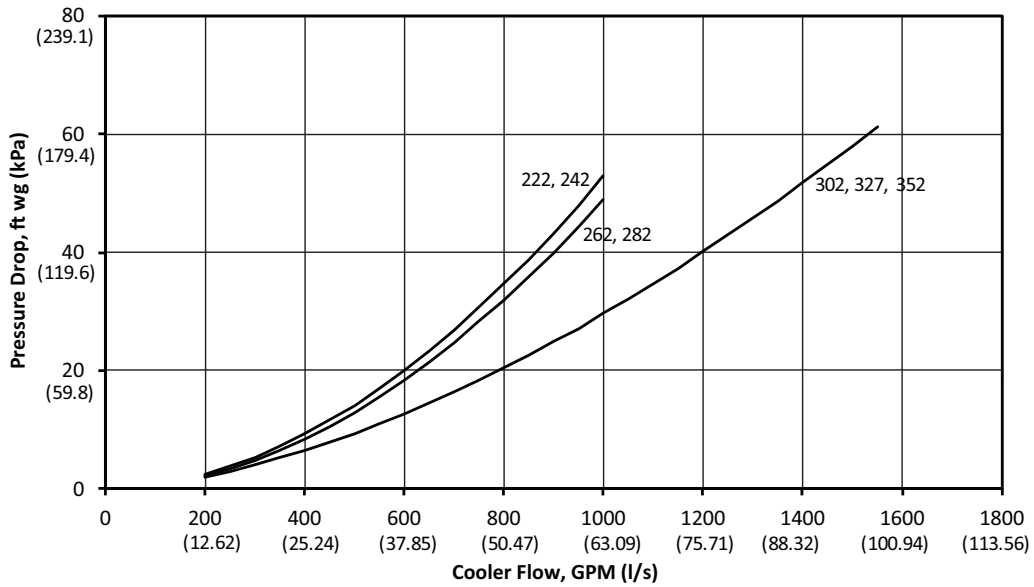
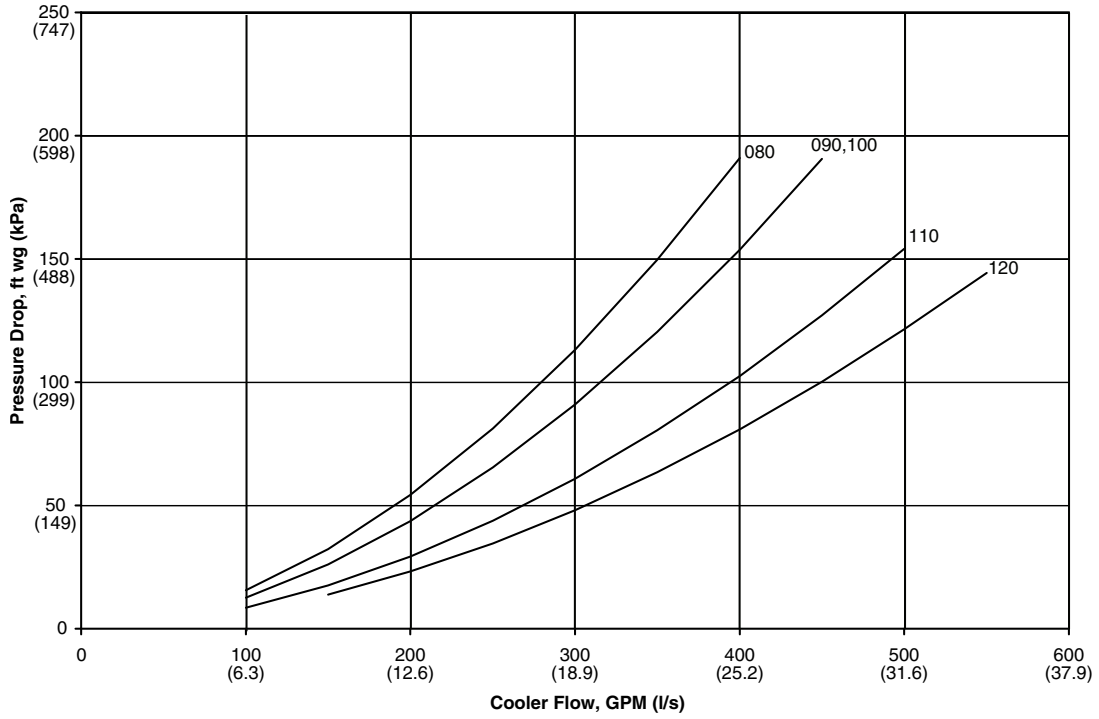
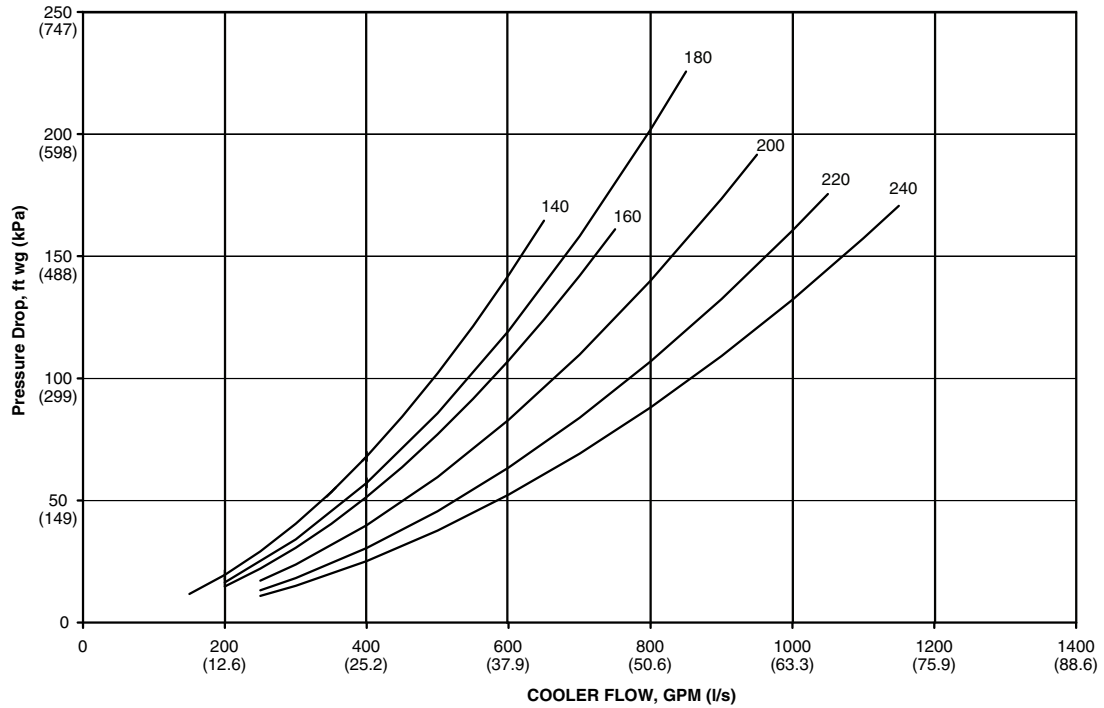


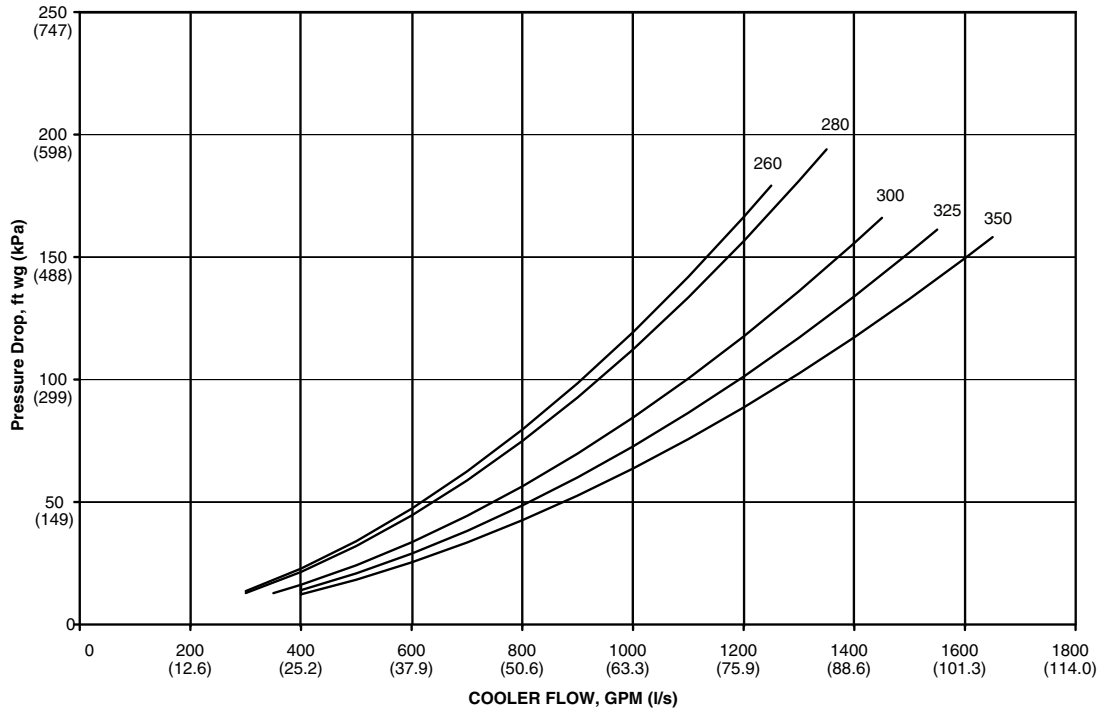
Fig. 43 — Cooler Pressure Drop Curves, DX (Direct Expansion) Cooler Unit Sizes 30XA222, 242, 262, 282, 302, 327, 352



**Fig. 44 — Cooler Pressure Drop Curves, Plus One-Pass Flooded Cooler
Unit Sizes 30XA080, 090, 100, 110, 120**

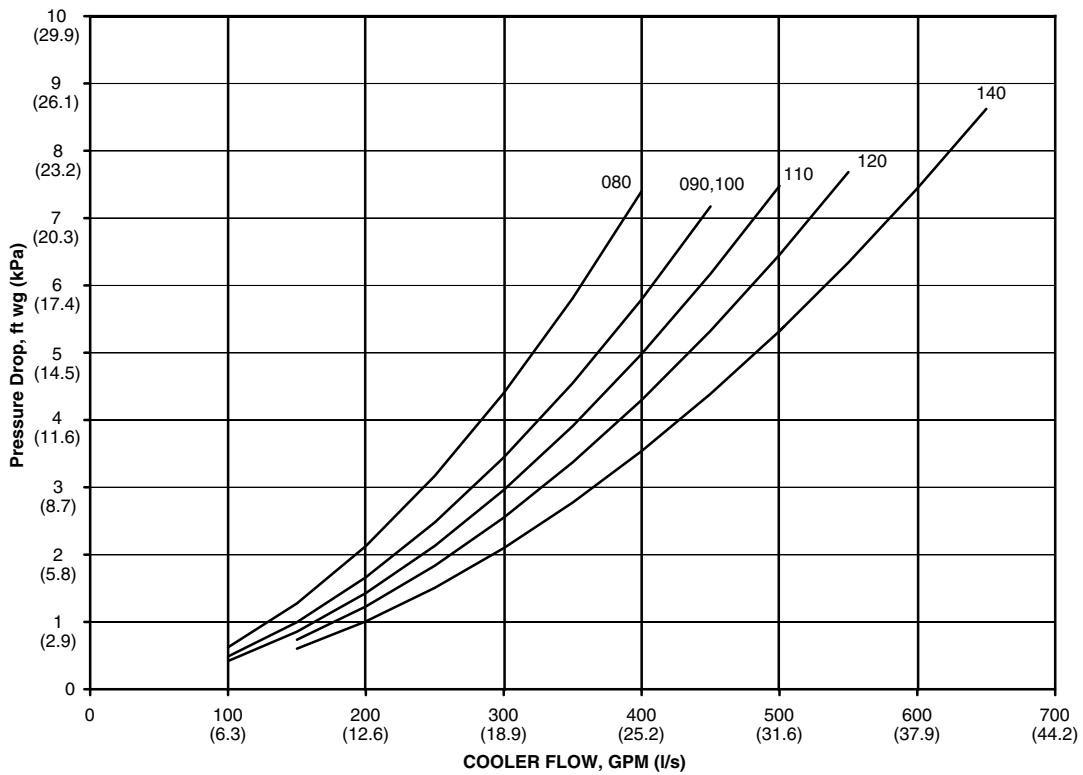


**Fig. 45 — Cooler Pressure Drop Curves, Plus One-Pass Flooded Cooler
Unit Sizes 30XA140, 160, 180, 200, 220, 240**

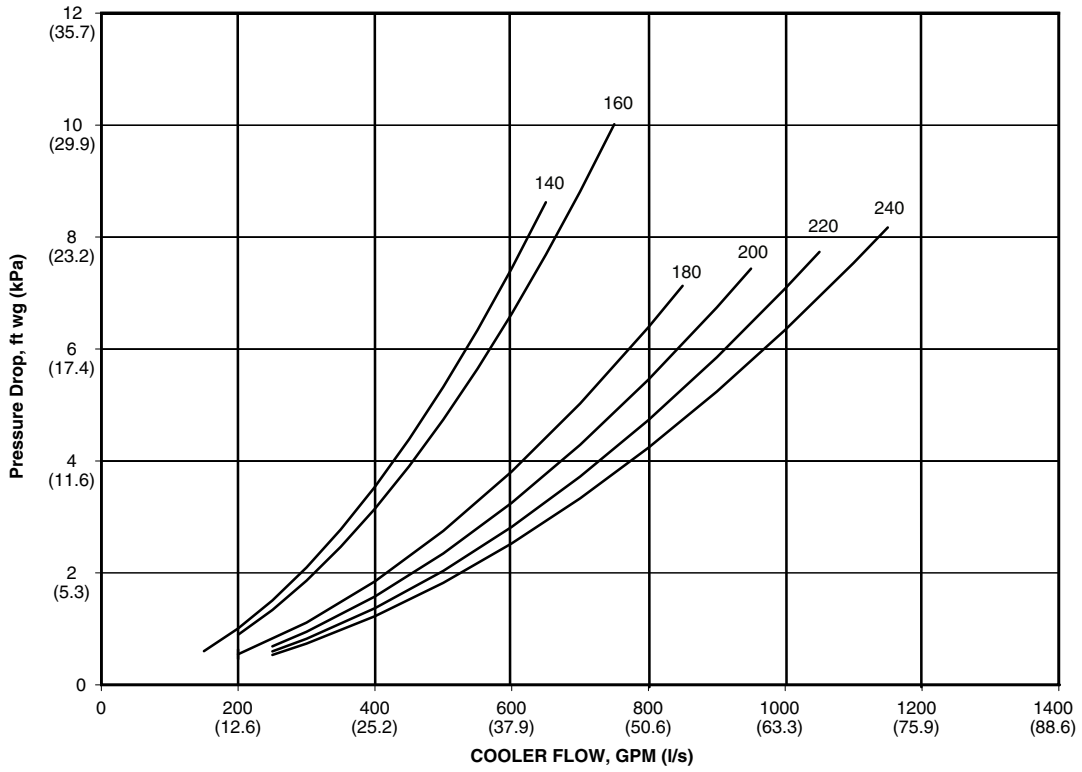


NOTE: Plus-one-pass coolers are not available for 30XA400-501 units.

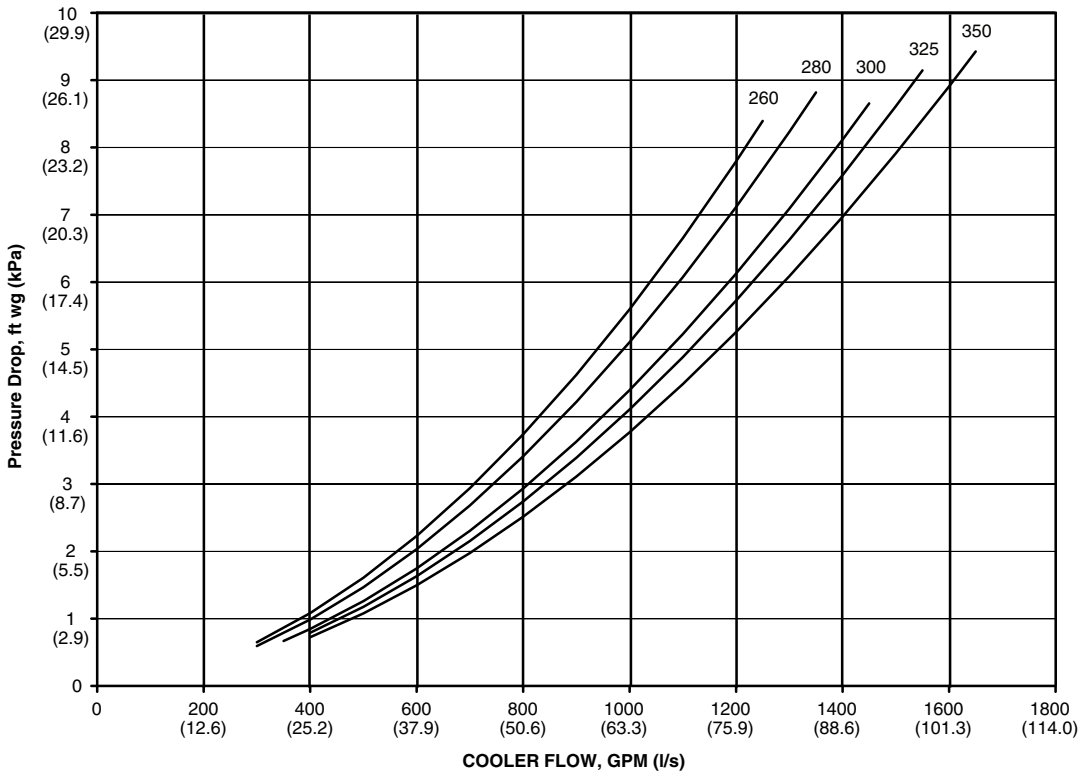
**Fig. 46 — Cooler Pressure Drop Curves, Plus One-Pass Flooded Cooler
Unit Sizes 30XA260, 280, 300, 325, 350**



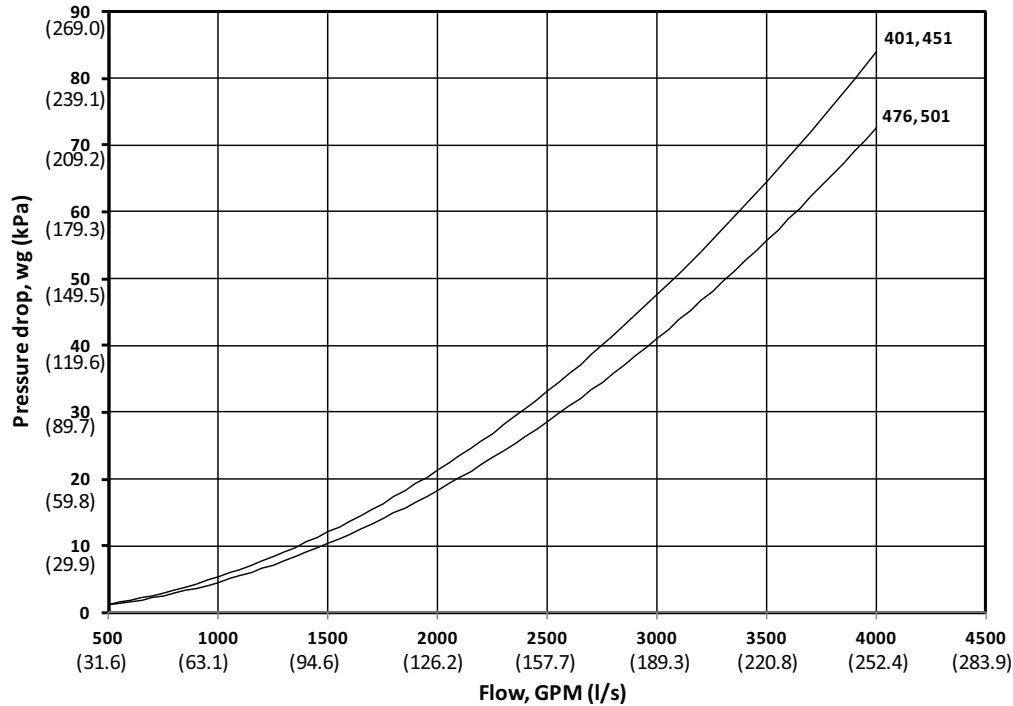
**Fig. 47 — Cooler Pressure Drop Curves, Minus One-Pass Flooded Cooler
Unit Sizes 30XA080, 090, 100, 110, 120, 140**



**Fig. 48 — Cooler Pressure Drop Curves, Minus One-Pass Flooded Cooler
Unit Sizes 30XA140, 160, 180, 200, 220, 240**



**Fig. 49 — Cooler Pressure Drop Curves, Minus One-Pass Flooded Cooler
Unit Sizes 30XA260, 280, 300, 325, 350**



NOTE: Minus-one-pass coolers are not available for 30XA400, 450, or 500 units.

**Fig. 50 — Cooler Pressure Drop Curves, Minus One-Pass Flooded Cooler
Unit Sizes 30XA401, 451, 476, 501**

OPERATION

Sequence of Operation

With a command to start the chiller, the cooler pump will start. After verifying water flow, the control will monitor the entering and leaving water temperature. If the need for mechanical cooling is determined, the control decides which circuit and compressor to start. The control will start the required compressor completely unloaded and deenergize the oil separator heater (if already energized). The control will continue to load this circuit by moving the slide valve to satisfy cooling requirements. Once fully loaded, the control will start additional circuits to satisfy the load as required. Shutdown of each circuit under normal conditions occurs in the opposite sequence to loading. Once the A circuit is fully unloaded, the compressor is shut off and the EXV will close completely.

If the outside-air temperature is less than the brine freeze point plus 17°F (9.4°C) then the circuit will perform a pump down cycle. The EXV will be closed and the compressor continues to operate until the saturated suction temperature (SST) is 10°F (5.6°C) lower than the starting SST or 10°F (5.6°C) less than the brine freeze point. Once the compressor is shut off the actuated ball valve (located in the discharge line) will be closed if equipped (flooded cooler option units only).

ACTUATED BALL VALVE, FLOODED COOLER ONLY

Either one or two discharge ABVs (actuated ball valves) are located in the discharge line of each circuit of the unit. See Fig. 51 for a typical ABV assembly with enclosure. The ABV is a motorized ball valve, which is used to close the discharge line to prevent refrigerant migrating from condenser to the cooler when the circuit is off. The valve will be opened before the compressor is started and will normally close when pressure equalizes between suction

and discharge lines. If the outside-air temperature is less than the brine freeze point plus 17°F (9.4°C) then the valve will close immediately without waiting for pressure equalization.

The actuated ball valves are linked to the cooler heater operation in the controls. Cooler Heater option (**Configuration** → **Unit** → **CO.HT, SERVICE** → **FACTORY** → **Cooler Heater Select**) must be enabled for the Actuated Ball Valve to operate.

See Fig. 52 for a view of a fully open ball valve with the actuator removed. The flat surface at the top of the valve shaft is parallel to the discharge line. The ball valve motor mounting plate should be perpendicular to the discharge line at all times. If not, adjust it by loosening the set screw on the side of the valve, reposition assembly, and tighten set screw.

See Fig. 53 for a view of the ball valve motor mounting with a fully open valve. The motor actuator arm should be at a counterclockwise position, with the valve shaft in a parallel position. If not in a parallel position, loosen the clamping screw and push the disengagement button to rotate the actuator arm until it stops. Retighten the clamping screw.

ABV Manual Operation

The ABV can be operated manually as a discharge service valve by completing the following steps:

1. Remove the actuator cover.
2. With the compressor off, hold down the **Disengagement** button. See Fig. 53.
3. Close the ABV by turning the shaft adapter by hand or with a wrench so that the flats on the end of the shaft are perpendicular to the discharge line.
4. Release the **Push** button.
5. Disconnect the control power cable to the ABV.

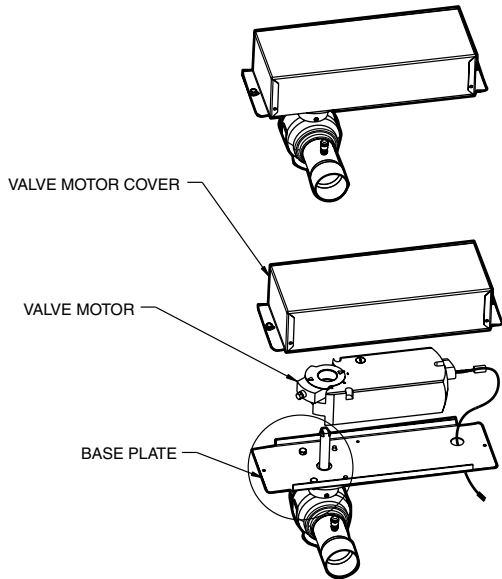


Fig. 51 — Typical ABV Assembly with Enclosure

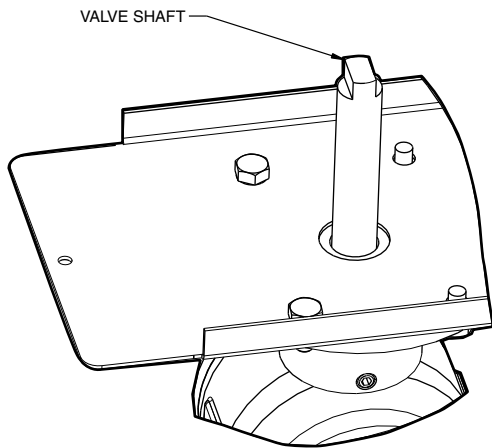


Fig. 52 — Fully Open Ball Valve with Actuator Removed

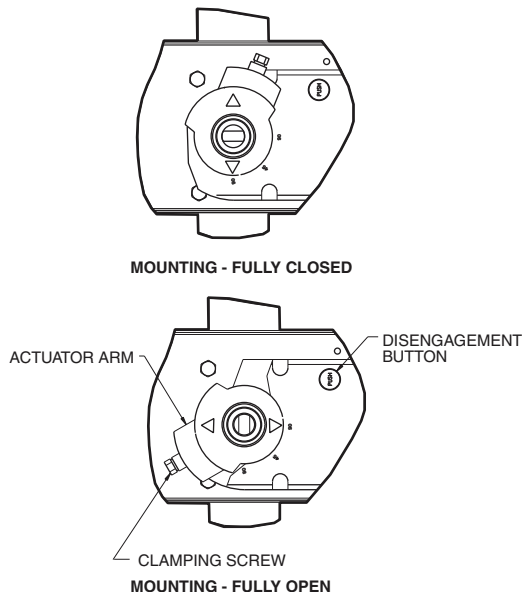


Fig. 53 — Ball Valve Motor

Dual Chiller Sequence of Operation

With a command to start the chiller, the master chiller determines which chiller will become the lead chiller based on the configuration of **Lead Lag Select, LLBL** and **Lead/Lag Balance Data, LLBD**. The lead chiller is always started first and the lag chiller is held at zero percent capacity by the master chiller forcing the lag demand limit value to 0%. If **Lead Pulldown Time (Lead Pulldown Time, LPUL)** has been configured, the lead chiller will continue to operate alone for that specified time. After the **Lead Pulldown Time** timer has elapsed and when the lead chiller is fully loaded, either all available compression is on or at the master demand limit value, then the lag start timer (**Lag Start Timer, LLDY**) is initiated. When the pulldown timer and lag start timer has elapsed and the **Combined Leaving Chilled Water Temperature** is more than 3°F (1.7°C) above the set point, then the lag chiller is started. If the lag chiller's water pump was not started when the machines went into occupied mode, the lag chiller water pump will be started. The lag chiller will start with the master chiller forcing the lag chiller demand limit value (**LAG LIM**) to the master's demand limit value. If lead/lag capacity balance is selected, once the lag chiller has started, the master shall try to keep the difference in capacity between lead and lag less than 20%. The master shall then be responsible for water loop capacity calculation, and will determine which chiller, the lead or lag, will increase or decrease capacity. When the load reduces, the lag chiller will be the first chiller to unload. To accomplish this, the lead chiller set point is decreased by 4°F (-2.2°C) until the lag chiller unloads.

PUMP OPERATION

For parallel chiller pump operation, the lead chiller's water pump will be started. The lag chiller's water pump will be maintained off if **Lag Unit Pump Control, LAGP=0**. The internal algorithm of lead chiller will control capacity of the lead chiller.

For series chiller operation, the pump is always controlled by the master chiller.

Operating Modes

Operating modes are override modes that affect normal operation of the equipment. More than one operating mode can be in effect at the same time. Some operating modes have corresponding capacity control overrides in the **Capacity Control Overrides** section on page 49.

For the Carrier Controller display, the status of the operating modes can be found in the **MODES** submenu, which is under the **STATUS** menu. Each operating mode and its status (Yes = active, No = inactive) is listed.

For the Navigator™ display, the status of the operating modes can be found in the **MODE** submenu under the **OPERATING MODES** menu. The 6 top priority operating modes are displayed in **MD01** through **MD06**. To view the modes with the Navigator display:

ITEM	ITEM EXPANSION	PATH	VALUE
MD01	First Active Mode	Operating modes→MODE	0-32
MD02	Second Active Mode	Operating modes→MODE	0-32
MD03	Third Active Mode	Operating modes→MODE	0-32
MD04	Fourth Active Mode	Operating modes→MODE	0-32
MD05	Fifth Active Mode	Operating modes→MODE	0-32
MD06	Sixth Active Mode	Operating modes→MODE	0-32

See Table 46 for a list of operating modes.

Table 46 — 30XA Operating Modes

NAVIGATOR OPERATING MODE NUMBER	NAVIGATOR EXPANSION	CARRIER CONTROLLER DISCRPTION	CARRIER CONTROLLER LINE NUMBER	CARRIER CONTROLLER VALUE
01	Startup Delay in Effect	Startup Delay in Effect	2	Yes/No
02	Second Setpoint in Use	Second Setpoint in Use	3	Yes/No
03	Reset in Effect	Reset in Effect	4	Yes/No
04	Demand Limit Active	Demand Limit Active	5	Yes/No
05	Ramp Loading Active	Ramp Loading Active	6	Yes/No
06	Cooler Heater Active	Cooler Heater Active	7	Yes/No
07	Cooler Pumps Rotation	Cooler Pumps Rotation	8	Yes/No
08	Pump Periodic Start	Pump Periodic Start	9	Yes/No
09	Night Low Noise Active	Night Low Noise Active	10	Yes/No
10	System Manager Active	System Manager Active	11	Yes/No
11	Mast Slave Ctrl Active	Mast Slave Active	12	Yes/No
12	Auto Changeover Active	Auto Changeover Active	13	Yes/No
13	Free Cooling Active	Free Cooling Active	14	Yes/No
14	Reclaim Active	Reclaim Active	15	Yes/No
15	Electric Heat Active	Electric Heat Active	16	Yes/No
16	Heating Low EWT Lockout	Heating Low EWT Lockout	17	Yes/No
17	Condenser Pumps Rotation	Condenser Pumps Rotation	18	Yes/No
18	Ice Mode in Effect	Ice Mode in Effect	19	Yes/No
19	Defrost Active on Cir A	Defrost Active on Cir A	20	Yes/No
20	Defrost Active on Cir B	Defrost Active on Cir B	21	Yes/No
21	Low Suction Circuit A	Low Suction Circuit A	22	Yes/No
22	Low Suction Circuit B	Low Suction Circuit B	23	Yes/No
23	Low Suction Circuit C	Low Suction Circuit C	24	Yes/No
24	High DGT Circuit A	High DGT Circuit A	25	Yes/No
25	High DGT Circuit B	High DGT Circuit B	26	Yes/No
26	High DGT Circuit C	High DGT Circuit C	27	Yes/No
27	High Pres Override Cir A	High Pres Override Cir A	28	Yes/No
28	High Pres Override Cir B	High Pres Override Cir B	29	Yes/No
29	High Pres Override Cir C	High Pres Override Cir C	30	Yes/No
30	Low Superheat Circuit A	Low Superheat Circuit A	31	Yes/No
31	Low Superheat Circuit B	Low Superheat Circuit B	32	Yes/No
32	Low Superheat Circuit C	Low Superheat Circuit C	33	Yes/No

STARTUP DELAY IN EFFECT

This mode is checked for when the unit is started. This mode is active when the Minutes Off Time (**Unit Off to On Delay, DELY**) timer is active. The unit will not start until the timer has expired. The mode will terminate when the timer expires.

SECOND SETPOINT IN USE

This mode is checked for when the unit is ON. The mode is active when Cooling Setpoint 2 (**Cooling Setpoint 2, CSP.2**) or Ice Setpoint (**Cooling Ice Setpoint, CSP.3**) is in use. While in this mode, the Active Setpoint (**Current Setpoint, SETP**) will show the **CSP.2** or **CSP.3** value.

While in this mode, the unit will operate to the Cooling Setpoint 2 (**CSP.2**) or Ice Setpoint (**CSP.3**). The mode will terminate when the Cooling Setpoint 2 (**CSP.2**) or Ice Setpoint (**CSP.3**) is no longer in use.

RESET IN EFFECT

This mode is checked for when the unit is ON. The mode will be active when Temperature Reset (**Cooling Reset Select, CRST**) is enabled either by **CRST=1** (Outside Air Temperature), **CRST=2** (Return Water), **CRST=3** (4-20 mA Input), or **CRST=4** (Space Temperature) and reset is active.

While in this mode, the Active Setpoint (**Current Setpoint, SETP**) will be modified according to the programmed information and will be displayed as the Control Point (**Control Point, CTPT**). The mode will terminate when the Temperature Reset is not modifying the active leaving water set point, causing **SETP** to be the same as **CTPT**.

DEMAND LIMIT ACTIVE

This mode is checked for when the unit is ON. The mode is active when Demand Limit (**Demand Limit Type Select, DMDC**) is enabled either by **DMDC=1** (Switch), **DMDC=2** (4-20 mA Input), or the Night Time Low Sound Capacity Limit (**Capacity Limit, LS.LT**).

The Active Demand Limit Value (**Active Demand Limit Val, LIM**) will display the current demand limit according to the programmed information and the unit's capacity will be reduced to the amount shown or lower. The mode will terminate when the Demand Limit command has been removed.

RAMP LOADING ACTIVE

This mode is checked for when the unit is ON. The mode is active when Ramp Loading (**Ramp Loading Select, RL.S**) is enabled and the following conditions are met:

1. The leaving water temperature is more than 4°F (2.2°C) from the Control Point (**Control Point, CTPT**), and
2. The rate of change of the leaving water temperature is greater than the Cool Ramp Loading (**Cooling Ramp Loading, CRMP**).

The control will limit the percent capacity increase until one of the two conditions above are no longer met; then the mode will terminate.

COOLER HEATER ACTIVE

This mode is checked for whether the unit is ON or OFF. The mode is active when the cooler heater is energized. The cooler heater is energized when the Outdoor Air Temperature (**External Temperature, OAT**) is less than the calculated value, (Freeze Setpoint + Cooler Heater Delta T Setpoint [**Cooler Heater Delta Spt, HTR**] default – 2°F [1.1°C]) and either the Leaving Water Temperature (**Cooler Leaving Fluid, LWT**) or the Entering Water Temperature (**Cooler Entering Fluid, EWT**) are less than or equal to the Freeze Setpoint + Cooler Heater Delta T Setpoint (**HTR**).

The Freeze Setpoint is 34°F (1.1°C), for fresh water systems (**Cooler Fluid Type, FLUD=1**). The Freeze Setpoint is Brine Freeze Setpoint (**Brine Freeze Setpoint, LOSP**), for Medium Temperature Brine systems (**Cooler Fluid Type, FLUD=2**).

When in this mode, the cooler heater will be energized. The cooler heater will be deenergized when both the Entering Water Temperature (**EWT**) and Leaving Water Temperature (**LWT**) are above the Freeze Setpoint + Cooler Heater Delta T Setpoint (**HTR**).

This mode is enabled for freeze protection. If the temperatures are not as described above, check the accuracy of the outside air, entering and leaving water thermistors.

COOLER PUMPS ROTATION

This mode is checked for whether the unit is ON or OFF. The mode is active when the Cooler Pump Sequence (**Cooler Pump Run Status, PUMP=2**) (2 Pumps Automatic Changeover) and the Pump Rotation Delta Timer (**Pump Auto Rotation Delay, ROT.P**) have expired.

The control will switch the operation of the pumps. The lead pump will operate normally. The lag pump will be started, becoming the lead, and then the original lead pump will be shut down. This mode will terminate when the pump operation has been completed.

PUMP PERIODIC START

This mode is active when the cooler pump is started due to the Periodic Pump Start configuration (**Pump Sticking Protection, PM.PS=YES**). If the pump has not run that day, a pump will be started and will run for 2 seconds at 2:00 PM. If the machine is equipped with dual pumps, Pump no. 1 will run on even days (such as day 2, 4, 6 of the month). Pump no. 2 will run on odd days (such as day 1, 3, 5 of the month). The mode will terminate when the pump shuts down.

NIGHT LOW NOISE ACTIVE

This mode is active when the Night Time Low Noise Option has been configured and the current time is within the configured time frame. Programming a Night Low Noise Start Time (**Start Hour, LS.ST**) and a Night Low Noise End Time (**End Hour, LS.ND**) configures the option.

The control will raise the head pressure set point to reduce the number of condenser fans on, thereby reducing the sound level of the machine. Additionally, if the Night Time Low Sound Capacity Limit (**Start Hour, LS.LT**) has been configured, the unit's capacity will be limited to the programmed level. This mode will terminate once the Night Low Noise End Time (**LS.ND**) has been reached.

SYSTEM MANAGER ACTIVE

This mode is checked when the unit is ON or OFF. This mode is active if a System Manager such as Building Supervisor, Chillervisor System Manager, or another CCN device is controlling the machine.

When this mode is active, the machine will respond to the specific commands received from the System Manager. The mode will be terminated if the System Manager control is released.

MASTER SLAVE CONTROL ACTIVE

This mode is checked for if the machine is ON. This mode is active if Master Slave Control has been enabled. This occurs when two machines are programmed, one as the master (**Master/Slave Select, MSSL=1** [Master]) and the other as a slave (**Master/Slave Select, MSSL=2** [Slave]).

Both master and slave machines will respond to the capacity control commands issued by the master controller. This may include control point changes and demand limit commands. This mode will terminate when Master Slave Control has been disabled.

AUTO CHANGEOVER ACTIVE

This mode is not supported.

FREE COOLING ACTIVE

This mode is not supported.

RECLAIM ACTIVE

This mode is not supported.

ELECTRIC HEAT ACTIVE

This mode is not supported.

HEATING LOW EWT LOCKOUT

This mode is not supported.

CONDENSER PUMPS ROTATION

This mode is not supported.

ICE MODE IN EFFECT

This mode is checked for when the unit is ON. This mode is active when Ice Setpoint (**Cooling Ice Setpoint, CSP.3**) is in use. While in this mode, the Active Setpoint (**Current Setpoint, SETP**) will show the **Cooling Ice Setpoint, CSP.3**, value and the unit will operate to the Ice Setpoint (**CSP.3**). This mode will terminate when the Ice Setpoint (**CSP.3**) is no longer in use.

DEFROST ACTIVE ON CIR A

This mode is not supported.

DEFROST ACTIVE ON CIR B

This mode is not supported.

LOW SUCTION CIRCUIT A

LOW SUCTION CIRCUIT B

LOW SUCTION CIRCUIT C

These modes are checked when the circuit is ON. The appropriate circuit mode will be active if one of the following conditions is true:

1. If the circuit's saturated suction temperature (SST) is more than 6°F (3.3°C) less than the freeze point and both the cooler approach (Leaving Water Temperature – SST) and superheat (Suction Gas Temperature – SST) are greater than 15°F (8.3°C).
2. If the circuit is ON and the circuit's SST is more than 18°F (10.0°C) below the freeze point for more than 90 seconds.
3. If the circuit's saturated suction temperature is more than 6°F (3.3°C) below the freeze point for more than 3 minutes.

For a fresh water system (**Cooler Fluid Type, FLUD =1**), the freeze point is 34°F (1.1°C). For medium temperature brine systems (**Cooler Fluid Type, FLUD=2**), the freeze point is Brine Freeze Set Point (**Brine Freeze Setpoint, LOSP**).

For criterion 1, no additional capacity will be added. For criteria 2 and 3 capacity will be decreased on the circuit. The mode will terminate when the circuit's SST is greater than the freeze point minus 6°F (3.3°C) or the circuit has alarmed.

If this condition is encountered, see Possible Causes for Alarms 56-58 on page 102.

HIGH DGT CIRCUIT A

This mode is not supported.

HIGH DGT CIRCUIT B

This mode is not supported.

HIGH DGT CIRCUIT C

This mode is not supported.

HIGH PRES OVERRIDE CIR A

HIGH PRES OVERRIDE CIR B

HIGH PRES OVERRIDE CIR C

This mode is checked for when the circuit is ON. The appropriate circuit mode is active if the discharge pressure for the circuit, Discharge Pressure Circuit A (**Discharge Pressure, DPA**), Discharge Pressure Circuit B (**Discharge Pressure, DPB**), or Discharge Pressure Circuit C (**Discharge Pressure, DPC**), is greater than the High Pressure Threshold (**High Pressure Threshold, HPTH**).

The capacity of the affected circuit will be reduced. Two minutes following the capacity reduction, the circuit's saturated condensing temperature (SCT_{t+2}) is calculated and stored. The affected circuit will not be allowed to add capacity for at least 5 minutes following the capacity reduction. If after 5 minutes, the circuit's saturated condensing temperature is less than $SCT_{t+2} - 3^{\circ}\text{F}$ (1.7°C), and then if required, percent capacity will be added. If additional capacity is required, the control will look for other circuits to add capacity.

This mode will terminate once the circuit's saturated condensing temperature is less than $SCT_{t+2} - 3^{\circ}\text{F}$ (1.7°C).

If this condition is encountered, see Possible Causes for Alarm A1.03. on page 107.

LOW SUPERHEAT CIRCUIT A

LOW SUPERHEAT CIRCUIT B

LOW SUPERHEAT CIRCUIT C

This mode is checked for when the circuit is ON. The appropriate circuit mode will be active if the circuit's superheat (discharge gas temperature – SCT) is less than 18°F (10°C).

No additional capacity will be added until the circuit's superheat is greater than 18°F (10°C). The control will look for other circuits to add capacity if additional steps of capacity are required. This mode will terminate once the affected circuit's superheat is greater than 18°F (10°C).

If this condition is encountered, see Possible Causes for Alarms P.11, P.12 and P.13 on page 103.

Sensors

The electronic control uses up to 17 thermistors to sense temperatures and up to 12 transducers to sense pressure for controlling chiller operation. These sensors are outlined below.

THERMISTORS (TABLES 47-49)

Thermistors that are monitoring the chiller's operation include: Cooler Entering Water, Cooler Leaving Water, Dual Chiller Leaving Water, Compressor Suction Gas Temperature, Compressor Discharge Gas Temperature, Economizer Temperature, Compressor Motor Temperature, and Outdoor Air Temperature Thermistors. These thermistors are 5 kΩ at 77°F (25°C) and are identical in temperature versus resistance. The Space Temperature Thermistor is 10 kΩ at 77°F (25°C) and has a different temperature vs. resistance.

Cooler Leaving Water Sensor

On all sizes, this thermistor is installed in a friction fit well in the leaving water nozzle of the cooler. See Fig. 54 and 55.

Table 47 — Thermistor Identification

THERMISTOR ID	DESCRIPTION	RESISTANCE AT 77 F (25°C)	CONNECTION POINT
EWT	Entering Water Thermistor	5k Ω	MBB-J6-CH2
LWT	Leaving Water Thermistor	5k Ω	MBB-J6-CH1
OAT	Outdoor Air Thermistor	5k Ω	MBB-J6-CH4
SGTA*	Circuit A Suction Gas Thermistor	5k Ω	EXVA-J3-THA
SGTB*	Circuit B Suction Gas Thermistor	5k Ω	EXVB-J3-THA
SGTC	Circuit C Suction Gas Thermistor	5k Ω	EXVC-J3-THA
DGTA	Circuit A Discharge Gas Thermistor	5k Ω	CPM-A-J9-CH02
DGTB	Circuit B Discharge Gas Thermistor	5k Ω	CPM-B-J9-CH02
DGTC	Circuit C Discharge Gas Thermistor	5k Ω	CPM-C-J9-CH02
ECTA	Circuit A Economizer Thermistor	5k Ω	EXVA-J3-THB
ECTB	Circuit B Economizer Thermistor	5k Ω	EXVB-J3-THB
ECTC	Circuit C Economizer Thermistor	5k Ω	EXVC-J3-THB
DUAL	Dual Chiller LWT Thermistor	5k Ω	MBB-J6-CH3
CAMT	Circuit A Motor Temperature	5k Ω	CPM-A-J9-CH01
CBMT	Circuit B Motor Temperature	5k Ω	CPM-B-J9-CH01
CCMT	Circuit C Motor Temperature	5k Ω	CPM-C-J9-CH01
SPT	Space Temperature Thermistor	10k Ω	EMM-J6-CH2

*SGTA and SGTB for 30XA080,082 units are connected to the EXVA board.

Table 48 — 5K Thermistor Temperature (°F) vs Resistance

TEMP (F)	RESISTANCE (Ohms)	TEMP (F)	RESISTANCE (Ohms)	TEMP (F)	RESISTANCE (Ohms)	TEMP (F)	RESISTANCE (Ohms)	TEMP (F)	RESISTANCE (Ohms)
-25	98,010	26	19,393	77	4,976	128	1,614	179	570
-24	94,707	27	18,843	78	4,855	129	1,582	180	561
-23	91,522	28	18,311	79	4,737	130	1,550	181	551
-22	88,449	29	17,796	80	4,622	131	1,519	182	542
-21	85,486	30	17,297	81	4,511	132	1,489	183	533
-20	82,627	31	16,814	82	4,403	133	1,459	184	524
-19	79,871	32	16,346	83	4,298	134	1,430	185	516
-18	77,212	33	15,892	84	4,196	135	1,401	186	508
-17	74,648	34	15,453	85	4,096	136	1,373	187	501
-16	72,175	35	15,027	86	4,000	137	1,345	188	494
-15	69,790	36	14,614	87	3,906	138	1,318	189	487
-14	67,490	37	14,214	88	3,814	139	1,291	190	480
-13	65,272	38	13,826	89	3,726	140	1,265	191	473
-12	63,133	39	13,449	90	3,640	141	1,240	192	467
-11	61,070	40	13,084	91	3,556	142	1,214	193	461
-10	59,081	41	12,730	92	3,474	143	1,190	194	456
-9	57,162	42	12,387	93	3,395	144	1,165	195	450
-8	55,311	43	12,053	94	3,318	145	1,141	196	445
-7	53,526	44	11,730	95	3,243	146	1,118	197	439
-6	51,804	45	11,416	96	3,170	147	1,095	198	434
-5	50,143	46	11,112	97	3,099	148	1,072	199	429
-4	48,541	47	10,816	98	3,031	149	1,050	200	424
-3	46,996	48	10,529	99	2,964	150	1,029	201	419
-2	45,505	49	10,250	100	2,898	151	1,007	202	415
-1	44,066	50	9,979	101	2,835	152	986	203	410
0	42,679	51	9,717	102	2,773	153	965	204	405
1	41,339	52	9,461	103	2,713	154	945	205	401
2	40,047	53	9,213	104	2,655	155	925	206	396
3	38,800	54	8,973	105	2,597	156	906	207	391
4	37,596	55	8,739	106	2,542	157	887	208	386
5	36,435	56	8,511	107	2,488	158	868	209	382
6	35,313	57	8,291	108	2,436	159	850	210	377
7	34,231	58	8,076	109	2,385	160	832	211	372
8	33,185	59	7,866	110	2,335	161	815	212	367
9	32,176	60	7,665	111	2,286	162	798	213	361
10	31,202	61	7,468	112	2,239	163	782	214	356
11	30,260	62	7,277	113	2,192	164	765	215	350
12	29,351	63	7,091	114	2,147	165	750	216	344
13	28,473	64	6,911	115	2,103	166	734	217	338
14	27,624	65	6,735	116	2,060	167	719	218	332
15	26,804	66	6,564	117	2,018	168	705	219	325
16	26,011	67	6,399	118	1,977	169	690	220	318
17	25,245	68	6,238	119	1,937	170	677	221	311
18	24,505	69	6,081	120	1,898	171	663	222	304
19	23,789	70	5,929	121	1,860	172	650	223	297
20	23,096	71	5,781	122	1,822	173	638	224	289
21	22,427	72	5,637	123	1,786	174	626	225	282
22	21,779	73	5,497	124	1,750	175	614		
23	21,153	74	5,361	125	1,715	176	602		
24	20,547	75	5,229	126	1,680	177	591		
25	19,960	76	5,101	127	1,647	178	581		

Table 49 — 5K Thermistor Temperature (°C) vs Resistance/Voltage

TEMP (C)	RESISTANCE (Ohms)	TEMP (C)	RESISTANCE (Ohms)	TEMP (C)	RESISTANCE (Ohms)
-32	100,260	15	7,855	62	1,158
-31	94,165	16	7,499	63	1,118
-30	88,480	17	7,161	64	1,079
-29	83,170	18	6,840	65	1,041
-28	78,125	19	6,536	66	1,006
-27	73,580	20	6,246	67	971
-26	69,250	21	5,971	68	938
-25	65,205	22	5,710	69	906
-24	61,420	23	5,461	70	876
-23	57,875	24	5,225	71	836
-22	54,555	25	5,000	72	805
-21	51,450	26	4,786	73	775
-20	48,536	27	4,583	74	747
-19	45,807	28	4,389	75	719
-18	43,247	29	4,204	76	693
-17	40,845	30	4,028	77	669
-16	38,592	31	3,861	78	645
-15	38,476	32	3,701	79	623
-14	34,489	33	3,549	80	602
-13	32,621	34	3,404	81	583
-12	30,866	35	3,266	82	564
-11	29,216	36	3,134	83	547
-10	27,633	37	3,008	84	531
-9	26,202	38	2,888	85	516
-8	24,827	39	2,773	86	502
-7	23,532	40	2,663	87	489
-6	22,313	41	2,559	88	477
-5	21,163	42	2,459	89	466
-4	20,079	43	2,363	90	456
-3	19,058	44	2,272	91	446
-2	18,094	45	2,184	92	436
-1	17,184	46	2,101	93	427
0	16,325	47	2,021	94	419
1	15,515	48	1,944	95	410
2	14,749	49	1,871	96	402
3	14,026	50	1,801	97	393
4	13,342	51	1,734	98	385
5	12,696	52	1,670	99	376
6	12,085	53	1,609	100	367
7	11,506	54	1,550	101	357
8	10,959	55	1,493	102	346
9	10,441	56	1,439	103	335
10	9,949	57	1,387	104	324
11	9,485	58	1,337	105	312
12	9,044	59	1,290	106	299
13	8,627	60	1,244	107	285
14	8,231	61	1,200		

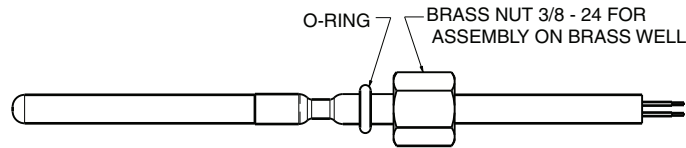


Fig. 54 — 5K Thermistor (Sensor 00PPG000008105A, Connector: HY06AM016)

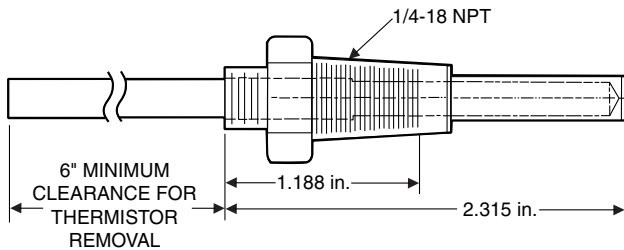


Fig. 55 — Dual Leaving Water Thermistor Well (00PPG000008000A)

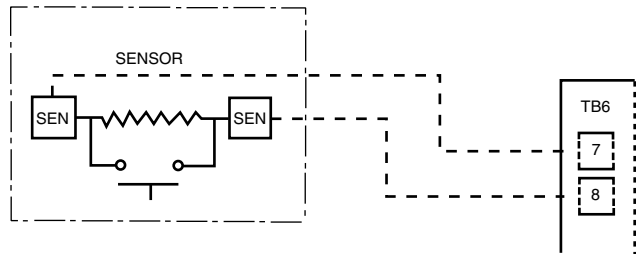


Fig. 56 — Typical Remote Space Temperature Sensor (33ZCT55SPT) Wiring

Cooler Entering Water Sensor

On all sizes, this thermistor is factory-installed in a friction fit well in the entering water nozzle of the cooler.

Suction Gas Temperature

On all sizes, this thermistor is factory-installed in a friction fit well located on the compressor of each circuit. There is one thermistor for each circuit.

Compressor Discharge Gas Temperature

On all sizes, this thermistor is factory-installed in a friction fit well located in the discharge end of the compressor for the circuit. There is one thermistor for each circuit.

Economizer Temperature

On all sizes except 080 and 082, this thermistor is factory-installed in a friction fit well located in the economizer line for the circuit. There is one thermistor for each circuit.

Compressor Motor Temperature

On all sizes, this thermistor is embedded in the motor windings. There are two thermistors in each compressor. One spare is provided.

Outdoor Air Temperature

This sensor is factory-installed to the back of the control box.

Remote Space Temperature

This sensor (part no. 33ZCT55SPT) is a field-installed accessory mounted in the indoor space and is used for water temperature reset. The sensor should be installed as a wall-mounted thermostat would be (in the conditioned space where it will not be subjected to either a cooling or heating source or direct exposure to sunlight, and 4 to 5 ft above the floor).

Space temperature sensor wires are to be connected to terminals in the unit main control box. See Fig. 56. The space temperature sensor includes a terminal block (SEN) and a RJ11 female connector. The RJ11 connector is used access into the Carrier Comfort Network® (CCN) at the sensor.

To connect the space temperature sensor (see Fig. 56):

1. Using a 20 AWG (American Wire Gauge) twisted pair conductor cable rated for the application, connect one wire of the twisted pair to one SEN terminal and connect the other

wire to the other SEN terminal located under the cover of the space temperature sensor.

2. Connect the other ends of the wires to terminals 7 and 8 on TB6 located in the unit control box.

Units on the CCN can be monitored from the space at the sensor through the RJ11 connector, if desired. To wire the RJ11 connector into the CCN:

1. Cut the CCN wire and strip ends of the red (+), white (ground), and black (-) conductors. (If another wire color scheme is used, strip ends of appropriate wires.)
2. Insert and secure the red (+) wire to terminal 5 of the space temperature sensor terminal block.
3. Insert and secure the white (ground) wire to terminal 4 of the space temperature sensor.
4. Insert and secure the black (-) wire to terminal 2 of the space temperature sensor.

IMPORTANT: The cable selected for the RJ11 connector wiring **MUST** be identical to the CCN communication bus wire used for the entire network. Refer to Table 14 for acceptable wiring.

5. Connect the other end of the communication bus cable to the remainder of the CCN communication bus.

NOTE: The Energy Management Module (EMM) is required for this accessory.

TRANSDUCERS

There are four pressure transducers per circuit, and two different types of transducers: low pressure (green connector) and high pressure (black connector).

Low Pressure Type

Suction Pressure Transducer (SPT), Economizer Pressure Transducer (EPT).

High Pressure Type

Discharge Pressure Transducer (DPT), Oil Pressure Transducer (OPT). See Fig. 57 and 58 for transducer locations.

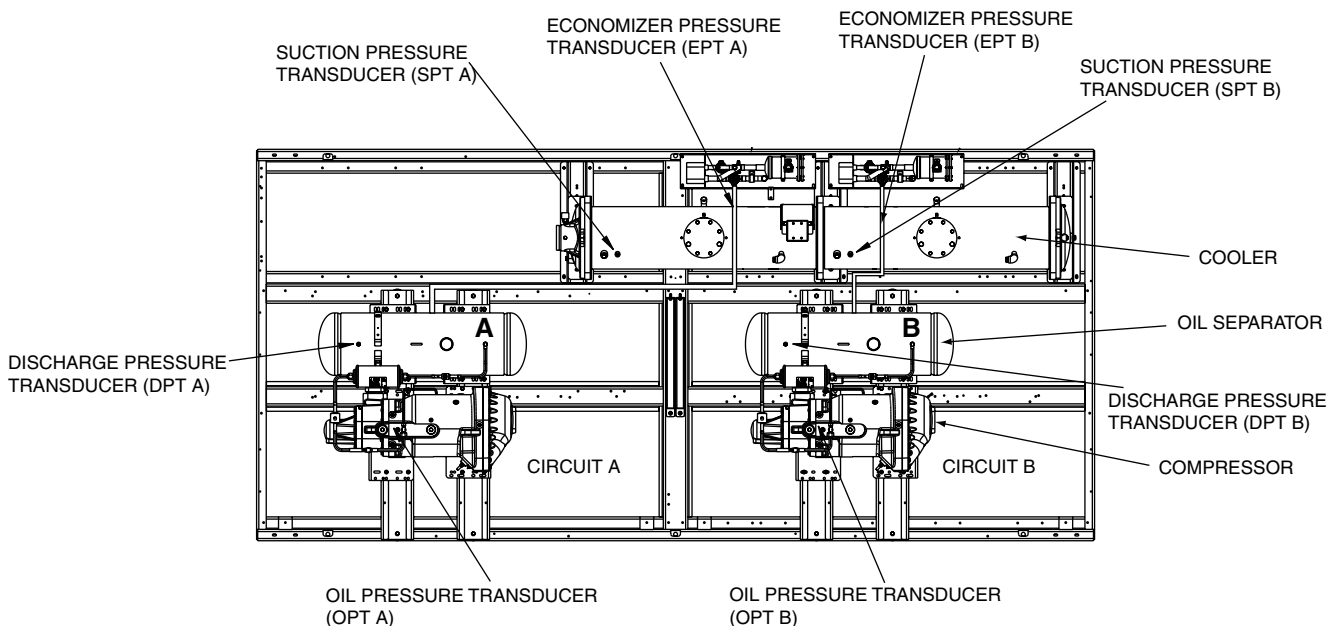


Fig. 57 — Transducer Locations (Flooded Cooler Units)

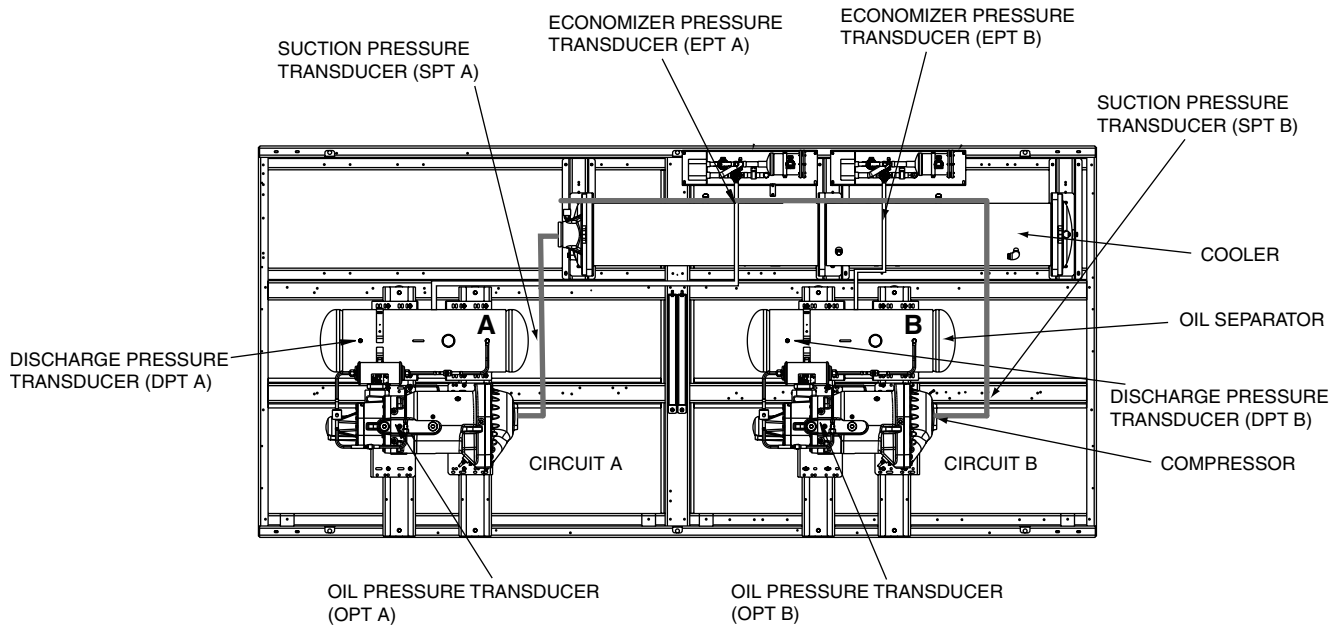


Fig. 58 — Transducer Locations (DX Cooler Units)

SERVICE

Economizer Assembly

Each circuit on the 30XA090-501 units has an economizer assembly. The 30XA080,082 units do not have an economizer and have one main electronic expansion valve. The 30XA080,082 units are controlled the same way as units with a separate economizer assembly. See Fig. 59.

Electronic Expansion Valve (EXV)

See Fig. 60 for a cutaway view of the EXV. High-pressure liquid refrigerant enters valve through the top. As refrigerant passes through the orifice, pressure drops and refrigerant changes to a 2-phase condition (liquid and vapor). The electronic expansion valve operates through an electronically controlled activation of a stepper motor. The stepper motor stays in position unless power pulses initiate the two discrete sets of motor stator windings for rotation in either direction. The direction depends on the phase relationship of the power pulses.

The motor directly operates the spindle, which has rotating movements that are transformed into linear motion by the transmission in the cage assembly. The valve cone is a V-port type which includes a positive shut-off when closed.

The large number of steps and long stroke results in very accurate control of the refrigerant flow. The stepper motor has either 3690 (main) or 2785 (economizer) steps.

FLOODED COOLER MAIN EXV CONTROL

Each circuit has a thermistor located in the discharge end of the compressor (DGT) and another one located in the compressor motor cavity (SGT). Each circuit also has discharge and suction pressure transducer. Discharge and suction pressures as measured by the transducers are converted to saturated temperatures. The main control logic for the EXV uses discharge superheat to control the position of the EXV. The difference between the temperature of the discharge gas and the saturated discharge temperature is the superheat. The EXV module controls the position of the electronic expansion valve stepper motor to maintain the discharge superheat set point.

The EXV control logic has several overrides, which are also used to control the position of the EXV.

- Approach between SST (Saturated Suction Temperature) and LWT
- Maximum Operating Pressure (MOP)

Approach

If the approach (pinch), which is the difference between leaving fluid temperature and saturated suction temperature, is equal to or less than the pinch set point then the EXV will not open any further even though discharge superheat set point is not met. Pinch set point is calculated using suction superheat, discharge superheat and pinch offset. Pinch offset is used to adjust calculated pinch set point to accuracy of transducers and thermistors.

MOP

The EXV is also used to limit cooler saturated suction temperature to 62°F (16.6°C). This makes it possible for the chiller to start at higher cooler fluid temperatures without overloading the compressor. This is commonly referred to as MOP (maximum operating pressure). If the SST is equal to or greater than the MOP set point then the MBB will try to control the EXV position to maintain the MOP set point.

The discharge superheat leaving the compressor is maintained between approximately 18 and 25°F (10 and 14°C), or less. Because EXV status is communicated to the Main Base Board (MBB) and is controlled by the EXV modules, it is possible to track the valve position. The unit is then protected against loss of charge and a faulty valve. During initial start-up, the EXV is fully closed. After an initialization period, valve position is tracked by the EXV module by constantly monitoring the amount of valve movement.

DX (DIRECT EXPANSION) COOLER MAIN EXV CONTROL

Each circuit has a thermistor located in a well in the discharge of the compressor (DGT) and another one located in the compressor motor cavity (SGT). Thermistors are also located in a well in the water inlet and outlet nozzles. Apart from thermistors, each circuit also has a discharge and suction pressure transducer. Discharge and suction pressures as measured by the transducers are converted to saturated temperatures. The main control logic for the EXV uses approach temperature in the cooler (Water Inlet Temperature – Saturated Suction Temperature) and suction superheat (Suction Temperature – Saturated Suction Temperature) to control the position of the EXV. The EXV module controls the position of the electronic expansion valve stepper motor to maintain a minimum approach and a suction superheat set point.

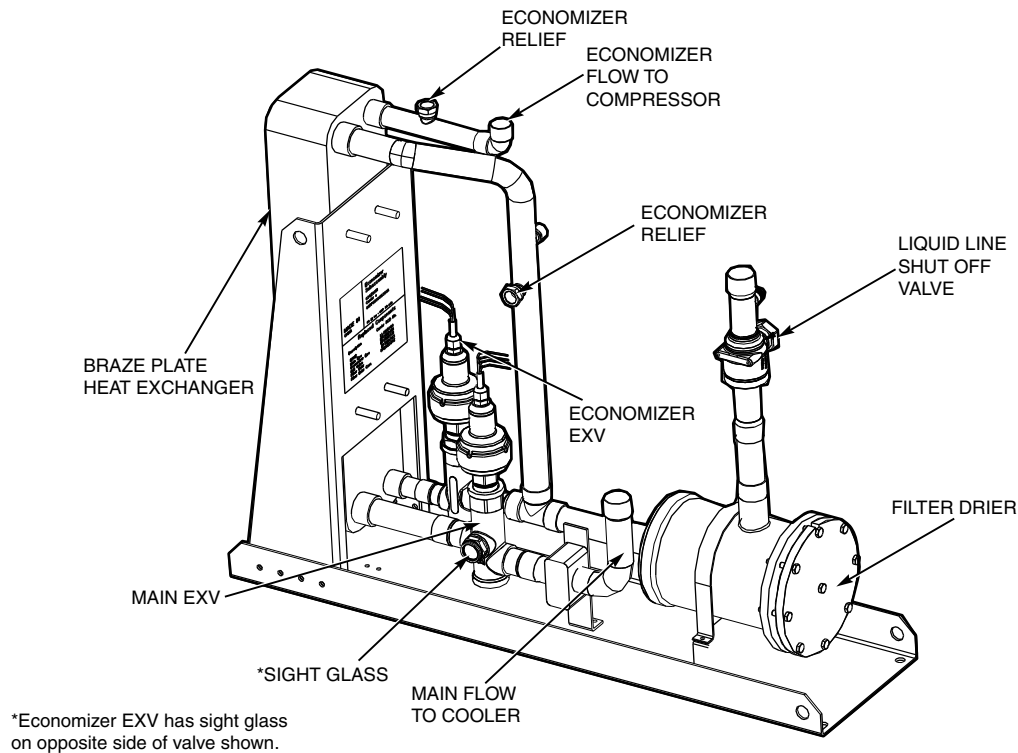


Fig. 59 — Economizer Assembly

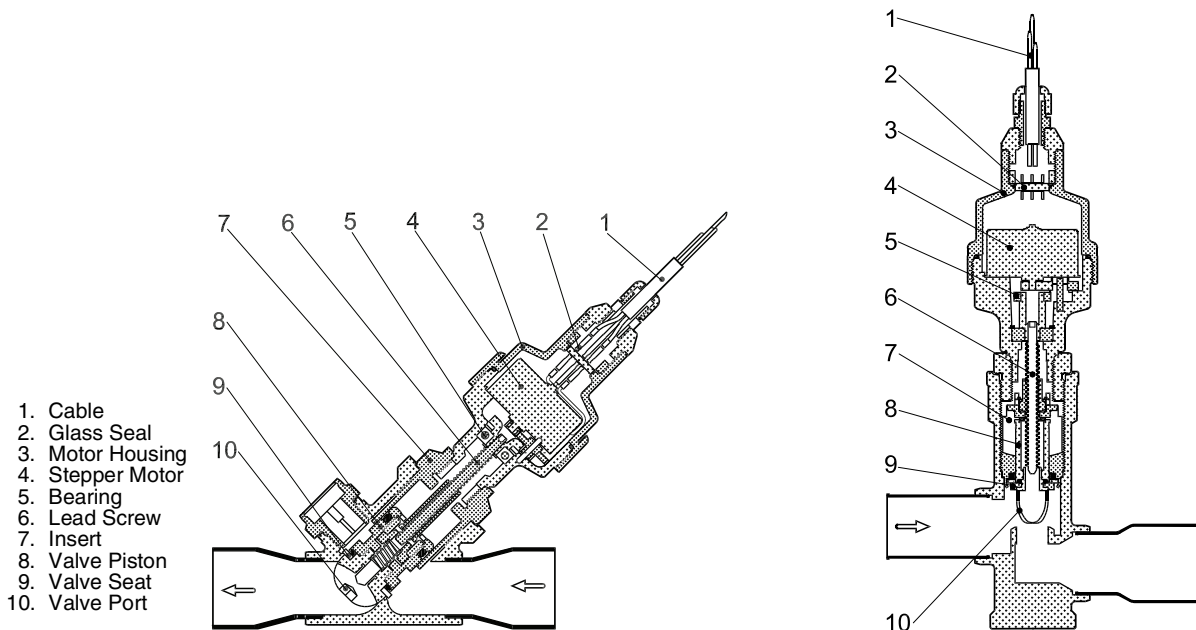


Fig. 60 — Cutaway Views of the Electronic Expansion Valve

The EXV control logic has several overrides, which are also used to control the position of the EXV.

- Maximum Operating Pressure (MOP)
- High Discharge Gas Temperature
- Low Discharge Superheat

MOP

The EXV is also used to limit cooler saturated suction temperature to 62°F (16.6°C). This makes it possible for the chiller to start at higher cooler fluid temperatures without overloading the compressor. This is commonly referred to as MOP (maximum operating pressure). If the SST (Saturated Suction Temperature) is equal to or greater than the MOP set point then the MBB will try to control the EXV position to maintain the MOP set point.

High Discharge Gas Temperature

The EXV is also used to limit the discharge gas temperature to 200°F (93.3°C). This makes it possible for the chiller to operate at low load and high ambient temperature without overloading the compressor. If the DGT is approaching the High DGT limit then the control will try to control the EXV position to bring the DGT down by opening the EXV.

Low Discharge Superheat

The EXV is also used to limit the discharge superheat (DSH) to 18°F (10°C). This makes it possible for the chiller to operate at high load and low ambient temperature without overloading the compressor. If the DSH goes below 18°F (10°C) the MBB will try to control the EXV position to bring the discharge superheat up by closing the EXV valve.

The suction superheat entering the compressor is maintained between approximately 15 and 25°F (8.3 and 14°C) while maintaining a constant approach in the cooler. Because EXV status is communicated to the Main Base Board (MBB) and is controlled by the EXV modules, it is possible to track the valve position. During initial start-up, the EXV is fully closed. After an initialization period, valve position is tracked by the EXV module by constantly monitoring the amount of valve movement.

ECONOMIZER EXV CONTROL

The economizer EXV is controlled by the circuit EXV board. There is an economizer gas temperature thermistor and economizer pressure transducer located in the line, which runs from the economizer assembly to the compressor. The economizer pressure is converted to saturated temperature and is used to calculate economizer superheat. Economizer superheat equals economizer temperature minus saturated economizer temperature. The economizer EXV only operates during normal conditions when the capacity of the circuit is greater than 75%. Once the capacity of the circuit is greater than 75% the MBB will start controlling the economizer EXV to maintain economizer superheat set point, which is approximately 8 to 12°F (4.4 to 6.7°C). If the circuit capacity is less than 75%, the economizer EXV will be closed.

The economizer EXV has one override. If the discharge gas temperature exceeds 195°F (90.6°C) the economizer EXV will start to open. The EXV will be controlled to maintain discharge gas temperature at approximately 195°F (90.6°C).

If it appears that the main EXV or economizer EXV is not properly controlling circuit operation to maintain correct superheat, there are a number of checks that can be made using test functions and initialization features built into the microprocessor control. See the Service Test section starting on page 109 to test EXVs.

EXV TROUBLESHOOTING PROCEDURE

There are two different economizer EXVs. Both of the economizer EXVs have a total of 2785 steps. There are three different main EXVs, which all have a total of 3690 steps. The EXV motor moves at 150 steps per second. Commanding the valve to either 0% or 100% will add an additional 160 steps to the move, to ensure the valve is open or closed completely.

⚠ CAUTION

Do not remove EXV cables from the EXV board with the power applied to the board. Damage to the board may occur.

Follow the steps below to diagnose and correct EXV problems. Check EXV motor operation first. Switch the Enable/Off/Remote (EOR) Contact switch to the Off position. Check the appropriate circuit EXV, Circuit A EXV % Open (**Circuit A EXV Position, EXV.A**), Circuit B EXV % Open (**Circuit B EXV Position, EXV.B**), or Circuit C EXV % Open (**Circuit C EXV Position, EXV.C**). The current value of 0 will be displayed. Increase the EXV position to select 100% valve position. The actuator should be felt moving through the EXV. To close the valve, select 0%. The actuator should knock when it reaches the bottom of its stroke. See Table 50 for a list of EXV modes and submodes.

If the valve is not working properly, continue with the following test procedure:

Check the 8-position DIP switch on the board for the proper address (see page 11). Check the EXV output signals at appropriate terminals on the EXV module. For 30XA080,082 units, connect the positive test lead to EXV-J2A terminal 5 for Circuit A and to EXV-J2B terminal 5 for Circuit B.

For 30XA090-501 units connect positive test lead to EXV(X)-J2A terminal 5 for EXV(X) and EXV(X)-J2B terminal 5 for Economizer EXV(X). Using the Service Test procedure on page 109, move the valve output under test to 100%. DO NOT short meter leads together or pin 5 to any other pin, as board damage will occur. During the next several seconds, carefully connect the negative test lead to pins 1,2,3 and 4 in succession. Digital voltmeters will average this signal and display approximately 6 vdc. If the output remains at a constant voltage other than 6 vdc or shows 0 volts, remove the connector to the valve and recheck.

Select 0% to close the valve.

NOTE: Twelve vdc is the output from the EXV board when the valve is stationary.

See Tables 6 and 7. If a problem still exists, replace the EXV board. If the reading is correct, the expansion valve and EXV wiring should be checked. Check the EXV connector and interconnecting wiring.

1. Check color-coding and wire connections. Make sure they are connected to the correct terminals at the EXV board and EXV plug and that the cables are not crossed.
2. Check for continuity and tight connection at all pin terminals.

Check the resistance of the EXV motor windings. For 30XA080,082 units remove the EXV module plug EXV-J2A for Circuit A EXV and EXV-J2B for Circuit B EXV. For 30XA090-501 units remove the EXV module plug EXV(X)-J2A for main EXV and EXV(X)-J2B for economizer EXV. Check the resistance of the two windings between pins 1 and 3 for one winding and pins 2 and 4 for the other winding. Resistance should be 52 ohms (± 5.2 ohms). Also check pins 1-4 for any shorts to ground.

Table 50 — EXV Modes and Submodes

EXV TYPE AND CIRCUIT	CARRIER CONTROLLER PATH	NAVIGATOR™ PATH
EXV, Circuit A	Main Menu→Status→CIRCA_AN	Service Test Mode→QUIC→EXV.A
EXV, Circuit B	Main Menu→Status→CIRCB_AN	Service Test Mode→QUIC→EXV.B
EXV, Circuit C	Main Menu→Status→CIRCC_AN	Service Test Mode→QUIC→EXV.C
Economizer EXV, Circuit A	Main Menu→Status→QCK_TST1	Service Test Mode→QUIC→ECO.A
Economizer EXV, Circuit B	Main Menu→Status→QCK_TST1	Service Test Mode→QUIC→ECO.B
Economizer EXV, Circuit C	Main Menu→Status→QCK_TST1	Service Test Mode→QUIC→ECO.C

Inspecting/Opening Electronic Expansion Valves

IMPORTANT: Obtain replacement gaskets before opening EXV. Do not re-use gaskets.

To check the physical operation of an EXV, the following steps must be performed. If the unit does not have service valve option or activated ball valves (flooded coolers only), the complete charge needs to be recovered using proper recovery techniques Steps 1-3 shown below. If the unit has ABV or discharge service valves, only perform Steps 1 and 2.

1. Close the liquid line service valve of the circuit to be checked. Put the Enable/Off/Remote Contact switch in the Off position. Enter the Service Test mode and change **Service Test Enable, T.REQ** from **OFF** to **ON**. A password may be required. Switch the EOR switch to the Enable position. Under the COMP sub-mode, enable one of the compressors (**CP.xn**) for the circuit. Let compressor run until gage on suction pressure port reads 10 psig (68.9 kPa). Turn the compressor off. Immediately after the compressor shuts off, manually close the ABV (see the Actuated Ball Valve section on page 70 for instructions). If the unit is equipped with suction service valves, discharge service valve and economizer service valves, then close all valves. Closing the valves will minimize the amount of charge that will have to be removed from the system after pump down.
2. Remove any remaining refrigerant from the system low side using proper recovering techniques. The economizer assembly has a 1/4-in. access connection which can be used to remove charge from the inlet of the EXVs. Turn off the line voltage power supply to the compressors.

CAUTION

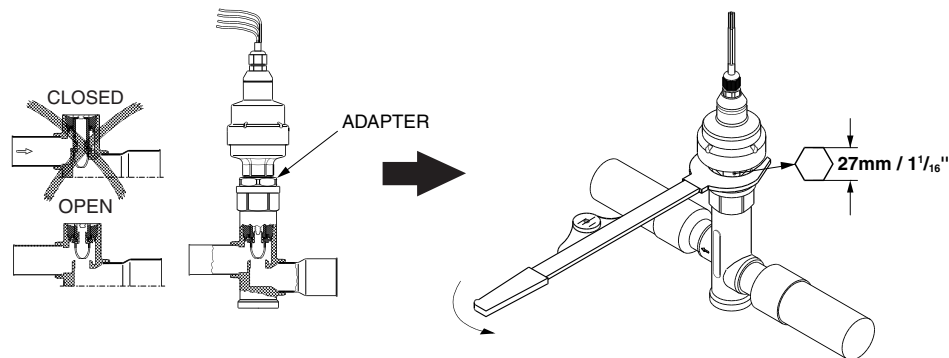
Ensure refrigerant is removed from both the inlet and outlet of EXV assemblies. Equipment damage could result.

3. The expansion valve motor is hermetically sealed inside the top portion of the valve. See Fig. 60. Disconnect the EXV plug. Carefully unscrew the motor portion from the body of the valve. The EXV operator will come out with the motor portion of the device. Reconnect the EXV plug.
4. Enter the appropriate EXV test step under the (**QUIC**) Service Test mode. Locate the desired item **Circuit A EXV Position, EXV.A, Circuit B EXV Position, EXV.B, or Circuit C EXV Position, EXV.C**. Change the position to 100%. Observe the operation of the lead screw. See Fig. 60. The motor should be turning, raising the operator closer to the motor. Motor actuator movement should be smooth and uniform from fully closed to fully open position. Select 0% and check open to closed operation. If the valve is properly connected to the processor and receiving correct signals, yet does not operate as described above, the sealed motor portion of the valve should be replaced.

Installing EXV Motor

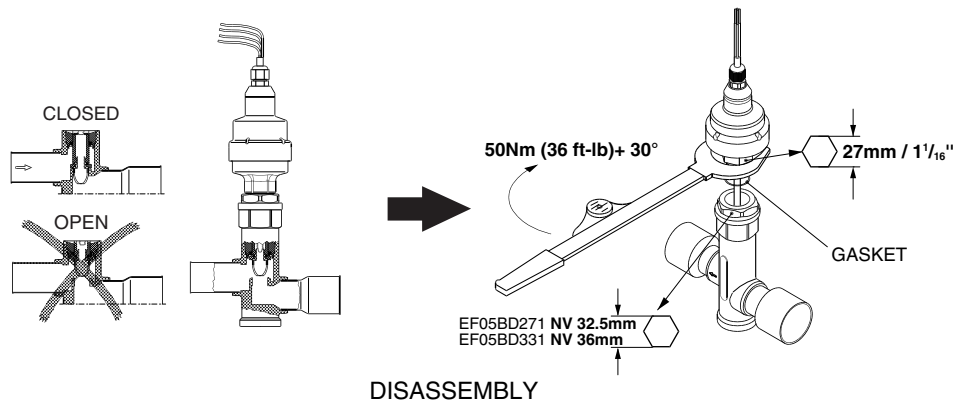
IMPORTANT: Obtain replacement gasket before opening EXV. Do not re-use gaskets.

If re-installing the motor, be sure to use a new gasket in the assembly. See Fig. 61.



NOTE: Open valve in Quick Test sub-mode before disassembling.

ASSEMBLY



DISASSEMBLY

NOTES:

1. Push down on valve piston to close valve before assembling.
2. After valve is assembled close valve in Quick Test sub-mode or cycle power before opening service valve.

Fig. 61 — Disassembly and Assembly of EXV Motor

It is easier to install the motor assembly with the piston in the fully closed position. Insert the motor into the body of the EXV. Tighten the motor to the body to 36 ft-lb (50 N-m) and then tighten the valve another 30 degrees.

Moisture Liquid Indicator

Clear flow of liquid refrigerant indicates sufficient charge in system. Bubbles in the sight glass indicate undercharged system or presence of noncondensables. Moisture in system, measured in parts per million (ppm), changes color of indicator. See Table 51. Change filter drier at first sign of moisture in system.

Table 51 — Color Indicators When Moisture Is Present in Refrigerant

COLOR INDICATOR	R-134A, 75°F (24°C) (ppm)	R-134A, 125°F (52°C) (ppm)
Green — Dry	<30	<45
Yellow-green — Caution	30 to 100	45 to 170
Yellow — Wet	>100	>170

IMPORTANT: Unit must be in operation at least 12 hours before moisture indicator can give an accurate reading. With unit running, indicating element must be in contact with liquid refrigerant to give true reading.

Filter Drier

Whenever moisture-liquid indicator shows presence of moisture, replace filter drier(s). There is one filter drier assembly on each circuit with either one or two cores. The 30XA080-122 units have one core per circuit. The 30XA140-162 units have

two cores, in circuit A and one for circuit B. The 30XA180-501 units have two cores per circuit. Refer to the Carrier Standard Service Techniques Manual, Chapter 1, Refrigerants, for details on servicing filter driers.

Liquid Line Service Valve

This valve is located immediately ahead of filter drier, and has a 1/4-in. access connection for field charging. In combination with compressor discharge service valve, each circuit can be pumped down into the high side for servicing.

Compressor Assembly

The 30XA units utilize screw compressors with a modulating slide valve which varies capacity from 30% to 100% of compressor capacity for each circuit. See Fig. 62 for a view of a typical 06T compressor. The slide valve position is varied by opening and closing the 2 solenoid valves located on the compressor. To unload the compressor, both solenoids are deenergized. To increase in capacity both solenoid valves are energized together which will cause the slide valve to slide towards the fully loaded position. To stop the loading process, solenoid 2 is energized and solenoid 1 is deenergized. This will cause the slide valve to maintain its current position. There is no feedback for the position of the slide valve. The control utilizes compressor current as an indicator of the slide valve position. Once the calculated position of the slide valve reaches 100% circuit capacity, the control will try to increase capacity again if the compressor current continues to increase. The control will continue to load the compressor until the compressor current no longer increases. At that time the control will energize both solenoids and the circuit will be considered fully loaded.

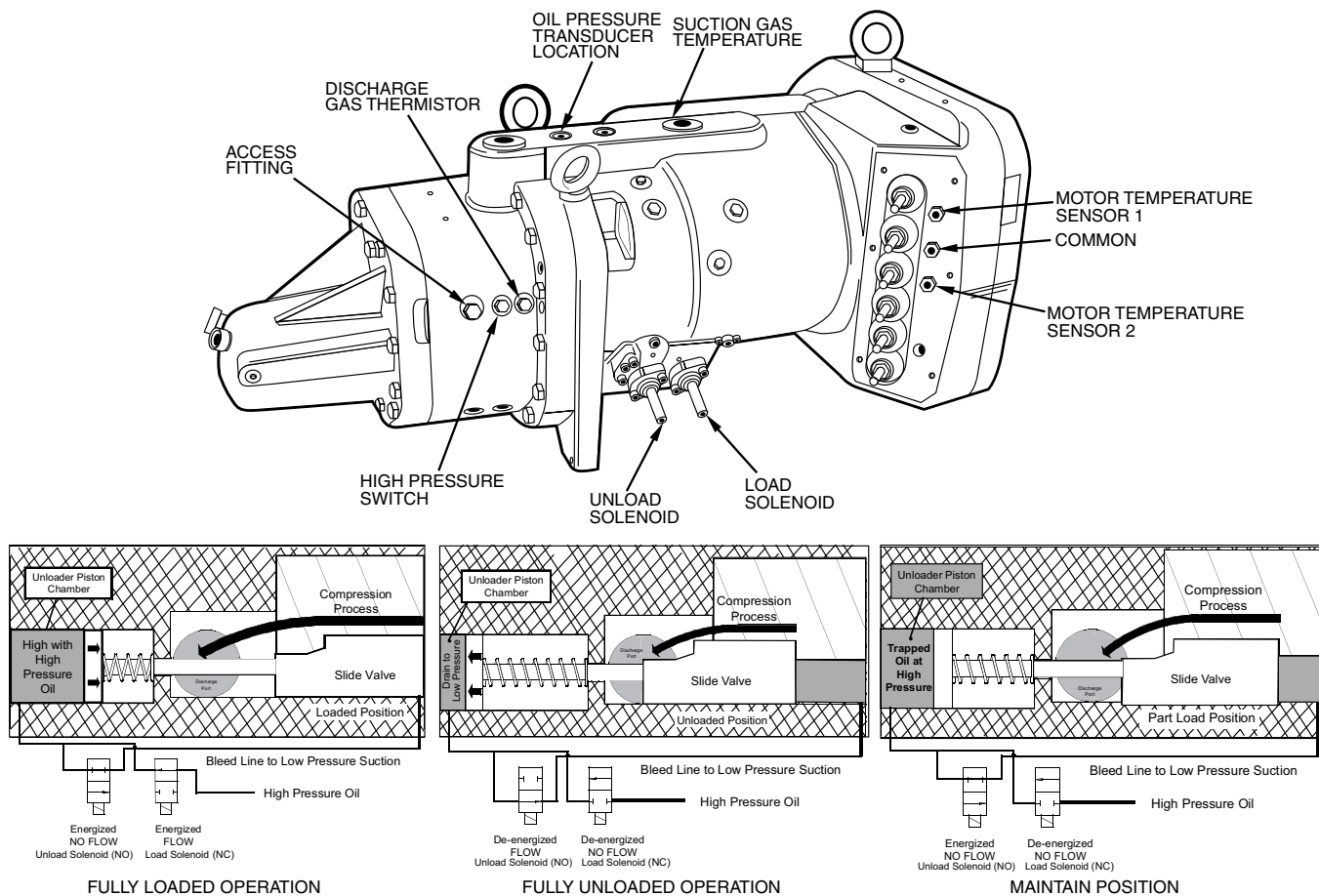


Fig. 62 — Typical 06T Compressor (All Units)

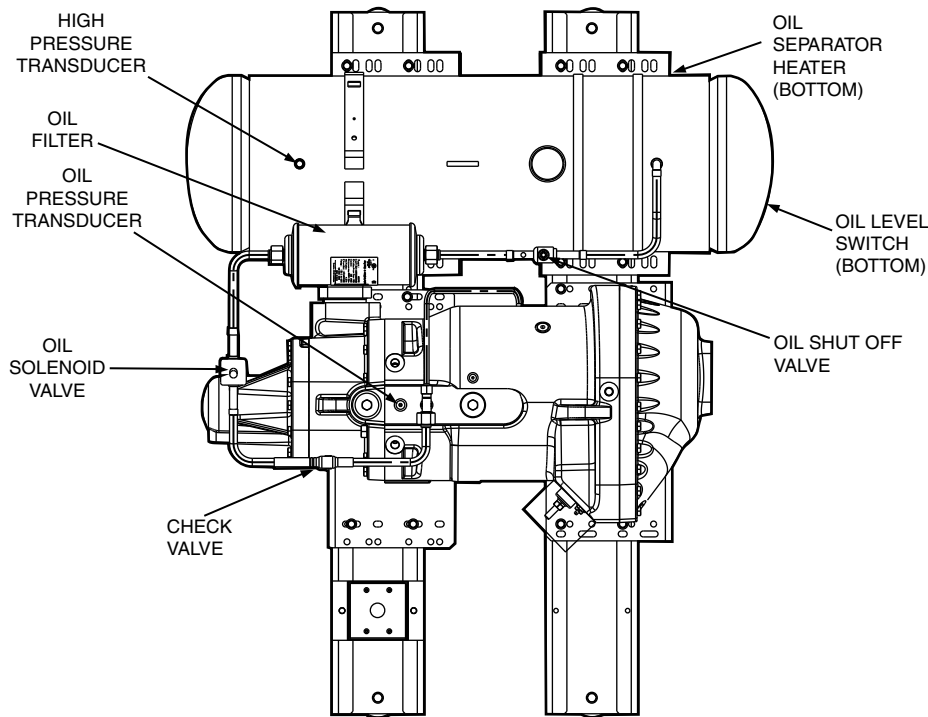


Fig. 63 — Typical Oil System (All Units)

COMPRESSOR OIL SYSTEM

Each compressor/circuit has its own oil system which includes an oil filter, oil solenoid, check valve, oil level switch, oil separator heater, oil pressure transducer, and an oil shut-off valve. A typical oil system is shown in Fig. 63. See Table 52.

Table 52 — Unit Oil Quantities

30XA UNIT SIZE	OIL CHARGE (gal, [liters])		
	Circuit A	Circuit B	Circuit C
080-122	5.5 [20.8]	5.5 [20.8]	—
140-162	6.25 [23.7]	5.5 [20.8]	—
180-202	6.25 [23.7]	6.25 [23.7]	—
220,222	6.75 [25.6]	6.25 [23.7]	—
240,242	6.75 [25.6]	6.75 [25.6]	—
260,262	7.50 [28.4]	6.75 [25.6]	—
280-302	7.50 [28.4]	6.75 [25.6]	—
325-352	7.50 [28.4]	7.50 [28.4]	—
400	6.75 [25.6]	6.75 [25.6]	7.50 [28.4]
401	7.50 [28.4]	7.50 [28.4]	—
450	7.50 [28.4]	6.25 [23.7]	7.50 [28.4]
451	7.50 [28.4]	7.50 [28.4]	—
476	7.50 [28.4]	7.50 [28.4]	—
500	7.50 [28.4]	6.75 [25.6]	7.50 [28.4]
501	7.50 [28.4]	7.50 [28.4]	—

Oil Charge

When additional oil or a complete charge is required it must meet the following specifications:

- Manufacturer.....Emkarate RL220XL
- Oil Type.....Inhibited polyolester-based synthetic compressor lubricant for use with screw compressors.
- ISO Viscosity Grade220

Do not reuse drained oil or any oil that has been exposed to the atmosphere.

Oil is available in the following quantities from your local Carrier representative:

QUANTITY	TOTALINE PART NO.
1 Quart	P903-2325
1 Gallon	P903-2301
5 Gallon	P903-2305

If unsure whether there is low oil charge in the system, follow the steps below:

1. If the unit shuts off repeatedly from a low oil level alert it may be an indication of inadequate oil charge; however, it could also indicate that the oil is not being reclaimed from the low-side of the system.
2. Begin running the unit at full load for 1½ hours. Use the manual Test Mode feature of Service Test if the unit does not normally run at full load.
NOTE: An adequate load must be available.
3. After running the unit for 1½ hours at full load, allow the unit to restart and run normally. If low oil alarms persist, continue with the following steps.
4. Close the liquid line service valve and place a pressure gage on top of the cooler or suction line service port. Enable the Service Test feature and turn the Enable/Off/Remote switch to the enable position. Start the desired circuit by turning it on under the TEST function: **CPA** for compressor A, **CPB** for compressor B, or **CPC** for compressor C.
5. When the compressor starts successfully, observe the cooler pressure. When the pressure reads 10 psig (68.9 kPa), turn the Emergency Switch (SW2) to the OFF position. The compressor should stop.
6. Open the liquid line service valve and allow the unit to restart normally. If low oil level alarms persist, continue with the following steps.
7. If none of the previous steps was successful, the unit is low on oil charge. Add oil to the oil separator using the ¼ in. access fitting that the discharge pressure transducer is mounted to.

8. NOTE: To facilitate the oil charging process, ensure that the unit is not running when adding oil. The system is under pressure even when the unit is not running, so it is necessary to use a suitable pump to add oil to the system. Using a suitable pump, add 1/2 gal (1.9 l) of oil to the system. Continue adding oil in 1/2 gal (1.9 l) increments until the problem is resolved, up to a maximum of 1.5 gal (5.7 l). If it is necessary to add factory oil charge levels to the system contact your local Carrier representative.

Oil Filter Maintenance

Each circuit has one oil filter located externally to the compressor. Oil line pressure drop is monitored by the control. Oil line pressure drop is calculated by subtracting oil pressure (OP) from discharge pressure (DP). If the oil line pressure drop exceeds 30 psi (206.8 kPa) for 5 minutes the control will generate a High Oil Filter Pressure Drop alert. The High Oil Filter Pressure Drop alert will not shut down the compressor, but instead indicates that the oil filter is dirty. If oil pressure line losses exceed 50 psi (344.7 kPa) then the control will shut down the circuit on Maximum Oil Filter Differential Pressure Failure.

⚠ CAUTION

Compressor oil is pressurized. Use proper safety precautions when relieving pressure.

Replacing the Oil Filter

Close the oil line ball valve located in front of the oil filter. Connect a charging hose to the 1/4-in. access fitting port located downstream of the valve and bleed off oil trapped between the service valve and the oil solenoid valve. A quart of oil is typically removed during this process. Remove the charging hose. Unscrew the nuts from both ends of the oil filter and remove the oil filter. Remove the protective caps from the new oil filter and install, being careful not to lose or damage the new O-ring located on the new oil filter. Draw a vacuum at the Schrader port. Remove the charging hose and open the oil line ball valve. Check both fittings for leaks.

Cooler Service

Two types of coolers are utilized in the 30XA units: flooded and DX-style. Separate sections address each cooler. See Flooded Cooler Units section below or DX Cooler Units section on page 87 as appropriate.

COOLER WATER TREATMENT

Untreated or improperly treated water may result in corrosion, scaling, erosion, or algae. The services of a qualified water treatment specialist should be obtained to develop and monitor a treatment program.

⚠ CAUTION

Water must be within design flow limits, clean and treated to ensure proper machine performance and reduce the potential of tubing damage due to corrosion, scaling, and algae. Carrier assumes no responsibility for cooler damage resulting from untreated or improperly treated water.

Flooded Cooler Units

FLOODED COOLER UNIT SUCTION SERVICE VALVE

The suction service valve is a factory-installed option for 30XA units. It is located in the suction outlet of the cooler. 30XA401,

451, 476, and 501 units have a Victaulic butterfly valve suction service valve. All other units have a bucket-style suction service valve that is bolted between the cooler outlet and the suction flange piping. The bucket-style suction service valve shaft has a locking device located on the shaft to lock the valve in either a fully open position or a fully closed position. The locking device must be pulled out prior to moving the valve handle to a fully open or a fully closed position. See Fig. 64 and 65 for details on the bucket-style suction service valve.

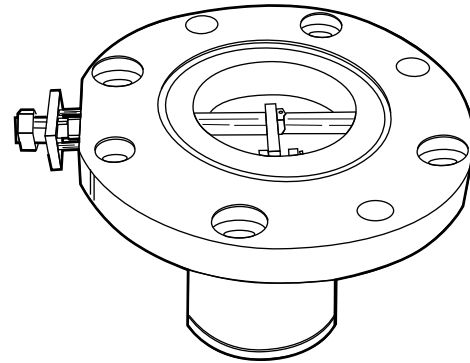


Fig. 64 — Suction Service Valve Locking Device, Closed and Unlocked (Flooded Cooler Units except 401,451,476,501)

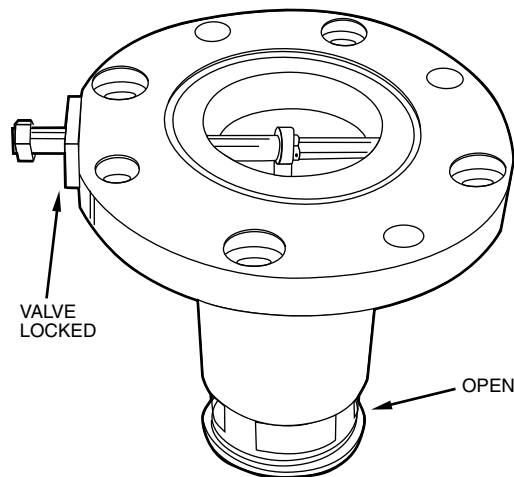


Fig. 65 — Suction Service Valve Locking Device, Open and Locked (Flooded Cooler Units except 401,451,476,501)

FLOODED COOLER FREEZE PROTECTION

All coolers are equipped with cooler heaters and are controlled by the Main Base Board. The control logic uses the unit status, outdoor air temperature, and the saturated suction temperatures for all circuits to decide if the cooler heater should be energized. The cooler heaters can only be energized when the state of the unit is OFF. The cooler heaters will be energized if the outdoor-air temperature is less than the Cooler Heater Set Point and the lowest circuit Saturated Suction Temperature is less than the heater set point plus 6°F (3.3°C). See Table 53. The cooler heater set point = freeze point + Cooler Heater DT Setp (**Cooler Heater Delta Spt, HTR**). If the entering or leaving water temperature is less than the Heater Set Point and the outdoor-air temperature is less than the Heater Set Point -2°F (1.1°C), then the heater will be turned on.

Table 53 — Cooler Heater Operation Examples for Flooded Coolers

OAT F (C)	UNIT STATUS	BRINE FREEZE POINT F (C)	COOLER DELTA T F (C)	COOLER HEATER SETPOINT F (C)	SSTA F (C)	SSTB F (C)	SSTC F (C)	COOLER HEATER STATUS	COMMENTS
50 (10)	OFF	36 (2.2)	6 (3.3)	42 (5.6)	N/A	N/A	N/A	OFF	OAT >42°F (5.6°C)
40 (4.4)	OFF	36 (2.2)	6 (3.3)	42 (5.6)	41 (5)	N/A	N/A	ON	SSTA <42°F (5.6°C)
		15 (-9.4)	6 (3.3)	21 (-6.1)	41 (5)	N/A	N/A	OFF	SSTA >21°F (-6.1°C)
		36 (2.2)	6 (3.3)	42 (5.6)	52.1 (11.2)	52.1 (11.2)	52.1 (11.2)	OFF	All SST Temperatures >52°F (11.2°C)
	ON	36 (2.2)	6 (3.3)	42 (5.6)	N/A	N/A	N/A	OFF	Unit Status ON

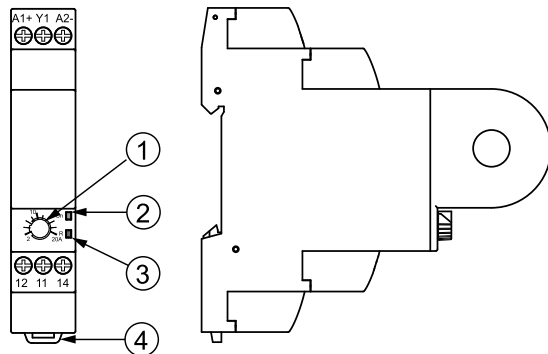
LEGEND

- N/A** — Not Applicable
- OAT** — Outdoor-Air Temperature
- SSTA** — Saturated Suction Temperature, Circuit A
- SSTB** — Saturated Suction Temperature, Circuit B
- SSTC** — Saturated Suction Temperature, Circuit C

If the Entering or Leaving Water Temperature is less than the Brine Freeze Setpoint (**Brine Freeze Setpoint, LOSP**) +1.0°F (0.5°C), then the heater will be turned on along with the pump.

The entire cooler is covered with closed-cell insulation applied over the heater. The heater plus insulation protects cooler against low ambient temperature freeze-up to 0°F (-17.8°C).

A current sensor relay monitors the current to the cooler heaters. If a heater fails, the reduction in current will switch the relay and produce a “Cooler Freezer Alarm” (P.01). In addition, the pump signal will energize. See Appendix H for relay set points. See Fig. 66 for cooler heater sensor set point adjustment location.



LEGEND

- 1 — Overcurrent Adjusting Potentiometer
- 2 — Power Supply Status LED (green)
- 3 — Relay Output Supply Status LED (yellow)
- 4 — 35 mm Rail Clip-in Spring

Fig. 66 — Cooler Heater Set Point Adjustment

To configure this option with the Navigator™ display:

ITEM	ITEM EXPANSION	PATH	VALUE
CO.HT	Cooler Heater Select	Configuration →UNIT →CO.HT	0 = No cooler heater 1 = Cooler heater without current sensor 2 = Cooler heater with current sensor

NOTE: Must be configured to 1 or 2 for the motorized ball valves (ABV) to operate on flooded cooler units.

To configure this option with the Carrier Controller display:

Display Name	PATH	Line No.	VALUE
Cooler Heater Select	Main Menu →Service →Factory	12	0 = No cooler heater 1 = Cooler heater without current sensor 2 = Cooler heater with current sensor

NOTE: Must be configured to 1 or 2 for the motorized ball valves (ABV) to operate on flooded cooler units.

IMPORTANT: If unit is installed in an area where ambient temperatures fall below 32°F (0°C), a suitable corrosion-inhibited antifreeze solution or cooler heater must be used in the chilled water circuit.

FLOODED COOLER LOW FLUID TEMPERATURE

Main Base Board is programmed to shut chiller down if leaving fluid temperature drops below 34°F (1.1°C) for cooler fluid type water or below Brine Freeze Setpoint (**Brine Freeze Setpoint, LOSP**) for cooler fluid type brine. The unit will shut down without a pumpout. When fluid temperature rises to 6°F (3.3°C) above the leaving fluid set point, safety resets and chiller restarts. Reset is automatic as long as this is the first occurrence.

FLOODED COOLER LOSS OF FLUID FLOW PROTECTION

All 30XA machines include an integral flow switch that protects the cooler against loss of cooler flow.

FLOODED COOLER TUBE PLUGGING

A leaky tube can be plugged until retubing can be done. The number of tubes plugged determines how soon the cooler *must* be retubed. All tubes in the cooler may be removed. Loss of unit capacity and efficiency as well as increased pump power will result from plugging tubes. Failed tubes should be replaced as soon as possible. Up to 10% of the total number of tubes can be plugged before retubing is necessary. Figure 67 shows an Elliott tube plug and a cross-sectional view of a plug in place. See Tables 54 and 55 for plug components. If the tube failure occurs in both circuits using tube plugs will not correct the problem. Contact your local Carrier representative for assistance.

CAUTION

Use extreme care when installing plugs to prevent damage to the tube sheet section between the holes.

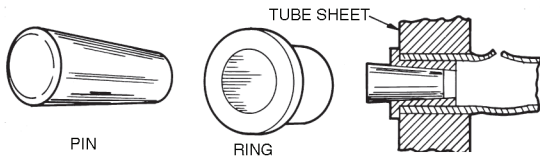


Fig. 67 — Elliott Tube Plug

Table 54 — Plug Component Parts (Flooded Cooler Units Only)

COMPONENT	PART NUMBER
For Tubes	
Brass Pin	853103-1*
Brass Ring	853002-640 or 657* (measure tube before ordering)
For Holes without tubes	
Brass Pin	853103-1A
Brass Ring	85102-738
Loctite	No. 675 †
Locquic	"N" †
Roller Extension	S82-112/11

*Order directly from Elliot Tube Company, Dayton, OH or RCD.

†Can be obtained locally.

Table 55 — Flooded Cooler Tube Components

COMPONENT	SIZE	
	in.	mm
Tube sheet hole diameter	0.756	19.20
Tube OD	0.750	19.05
Tube ID after rolling (includes expansion due to clearance.)	0.650 to 0.667	16.51 to 16.94

NOTE: Tubes replaced along heat exchanger head partitions must be flush with tube sheet (both ends).

FLOODED COOLER RETUBING

When retubing is required, obtain service of qualified personnel experienced in boiler maintenance and repair. Most standard procedures can be followed when retubing the coolers. An 8% crush is recommended when rolling replacement tubes into the tube sheet.

Place one drop of Loctite No. 675 or equivalent on top of tube prior to rolling. This material is intended to "wick" into the area of the tube that is not rolled into the tube sheet, and prevent fluid from accumulating between the tube and the tube sheet. New tubes must also be rolled into the center tube sheet to prevent circuit to circuit leaks.

FLOODED COOLER TIGHTENING COOLER HEAD BOLTS

Preparation

When reassembling cooler heads, always check the condition of the O-rings first. The O-ring should be replaced if there is visible signs of deterioration, cuts or damage. Apply a thin film of grease to the O-ring before installation. This will aid in holding the O-ring in the groove while the head is installed. Torque all bolts to the following specification and in sequence:

$\frac{3}{4}$ -in. Diameter Perimeter Bolts (Grade 5) 200 to 225 ft-lb

(271 to 305 N-m)

1. Install all bolts finger tight.
2. Bolt tightening sequence is outlined in Fig. 68. Follow the numbering or lettering sequence so that pressure is evenly applied to O-ring.
3. Apply torque in one-third steps until required torque is reached. Load *all* bolts to each one-third step before proceeding to next one-third step.
4. No less than one hour later, retighten all bolts to required torque values.
5. After refrigerant is restored to system, check for refrigerant leaks using recommended industry practices.
6. Replace cooler insulation.

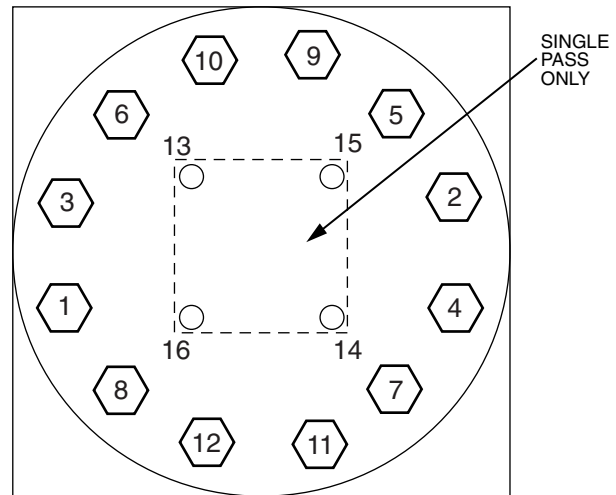


Fig. 68 — Flooded Cooler Unit Head Recommended Bolt Torque Sequence

FLOODED COOLER INSPECTING/CLEANING HEAT EXCHANGERS

Inspect and clean cooler tubes at the end of the first operating season. Because these tubes have internal ridges, a rotary-type tube cleaning system is necessary to fully clean the tubes. Tube condition in the cooler will determine the scheduled frequency for cleaning, and will indicate whether water treatment is adequate in the chilled water/brine circuit. Inspect the entering and leaving water thermistor wells for signs of corrosion or scale. Replace the well if corroded or remove any scale if found.

CAUTION

Hard scale may require chemical treatment for its prevention or removal. Consult a water treatment specialist for proper treatment procedures.

FLOODED COOLER WATER TREATMENT

Untreated or improperly treated water may result in corrosion, scaling, erosion or algae. The services of a qualified water treatment specialist should be obtained to develop and monitor a treatment program.

CAUTION

Water must be within design flow limits, clean and treated to ensure proper machine performance and reduce the potential of tubing damage due to corrosion, scaling, and algae. Carrier assumes no responsibility for cooler damage resulting from untreated or improperly treated water.

DX Cooler Units

DX COOLER SUCTION SERVICE VALVE

The suction service valve is a factory-installed option for 30XA units. It is located in the suction line for each circuit. The suction service valve is either a ball valve type valve or a butterfly type valve.

DX COOLER FREEZE PROTECTION

Coolers can be ordered with heaters installed in the factory. If equipped, the main base board based on the outdoor-air temperature and the entering and leaving water thermistors controls the cooler heaters. The Heater Set Point is the sum of the freeze point and Cooler Heater DT Setp (*Configuration* → *SERV* → *HTR*).

If the entering or leaving-water temperature is less than the Heater Set Point and the outdoor-air temperature is less than the Heater Set Point - 2°F (1.1°C), then the heater will be turned on.

If the Entering or Leaving Water Temperature is less than the Brine Freeze Setpoint (*Configuration* → *SERV* → *LOSP*) + 1.0°F (0.5°C), then the heater will be turned on along with the pump.

Entire cooler is covered with closed-cell insulation applied over the heater. Heater plus insulation protect cooler against low ambient temperature freeze-up to -20°F (-28°C).

A current sensor relay monitors the current to the cooler heaters. If a heater fails, the reduction in current will switch the relay and produce a “Cooler Freezer Alarm” (P.01). In addition, the pump signal will energize. See Appendix H for relay set points.

To configure this option with the Navigator™ display:

ITEM	ITEM EXPANSION	PATH	VALUE
CO.HT	Cooler Heater Select	Configuration →UNIT →CO.HT	0 = No cooler heater 1 = Cooler heater with- out current sensor 2 = Cooler heater with current sensor

NOTE: Must be configured to 1 or 2 for the motorized ball valves (ABV) to operate on flooded cooler units.

To configure this option with the Carrier Controller display:

Display Name	PATH	Line No.	VALUE
Cooler Heater Select	Main Menu →Service →Factory	12	0 = No cooler heater 1 = Cooler heater with- out current sensor 2 = Cooler heater with current sensor

NOTE: Must be configured to 1 or 2 for the motorized ball valves (ABV) to operate on flooded cooler units.

IMPORTANT: If unit is installed in an area where ambient temperatures fall below 32°F (0°C), it is recommended that a suitable corrosion-inhibited antifreeze solution be used in chilled water circuit.

DX COOLER LIQUID FLUID TEMPERATURE

Main Base Board is programmed to shut chiller down if leaving fluid temperature drops below 34°F (1.1°C) for cooler fluid type

water or below Brine Freeze Setpoint (Brine Freeze Setpoint, LOSP) for cooler fluid type brine. The unit will shut down without a pumpout. When fluid temperature rises to 6°F (3.3°C) above the leaving fluid set point, safety resets and chiller re-starts. Reset to automatic as long as this is the first occurrence.

DX COOLER LOSS OF FLUID FLOW PROTECTION

All 30XA machines include an integral flow switch that protects the cooler against loss of cooler flow.

DX COOLER TUBE PLUGGING

A leaky tube can be plugged until retubing can be done. The number of tubes plugged determines how soon the cooler must be retubed. If several tubes require plugging, check with a local Carrier representative to find out how the number and location of tubes can affect unit capacity. Figure 69 shows an Elliott tube plug and a cross-sectional view of a plug in place. See Tables 56 and 57 for plug components.

CAUTION

Use extreme care when installing plugs to prevent damage to the tube sheet section between the holes.

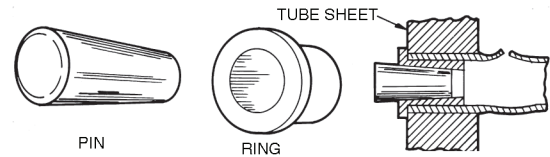


Fig. 69 — Elliott Tube Plug

Table 56 — DX Cooler Unit Plug Component Part Numbers

COMPONENTS FOR PLUGGING	PART NUMBER
For Tubes	
Brass Pin	853103-312*
Brass Ring	853002-322*
For Holes without tubes	
Brass Pin	853103-375
Brass Ring	853002-377
Loctite	No. 675 †
Locquic	“N” †

*Order directly from Elliot Tube Company, Dayton, OH or RCD.
†Can be obtained locally.

Table 57 — DX Cooler Unit Plug Component Dimensions

PLUG COMPONENT	SIZE	
	in.	mm
Tube sheet hole diameter	0.377-0.382	9.58-9.70
Tube OD	0.373-0.377	9.47-9.58
Tube ID after rolling (includes expansion due to clearance.)	0.328	8.33

NOTE: Tubes next to gasket webs must be flush with tube sheet (both ends).

For the 30XA142,162,182,202,222,242,262,282,302,327,352 DX coolers, the pass partition has a perforated distribution plate in the inlet pass to more uniformly distribute the refrigerant as it enters the tubes of the cooler. The perforated distribution plate is on the tube sheet side of the pass partition. A tube plug will interfere with the installation of pass partition. The tube plug must be flush with the tube sheet to prevent this interference. The pass partition is symmetrical, meaning the partition plate can be rotated 180 degrees; however, the performance of the machine will be affected if the pass partition is installed incorrectly.

DX COOLER RETUBING

When retubing is required, obtain service of qualified personnel experienced in boiler maintenance and repair. Most standard procedures can be followed when retubing the coolers. An 8% crush is recommended when rolling replacement tubes into the tube sheet.

The following Elliott Co. tube rolling tools are required:

- Expander Assembly
- Cage
- Mandrel
- Rolls

Place one drop of Loctite No. 675 or equivalent on top of tube prior to rolling. This material is intended to “wick” into the area of the tube that is not rolled into the tube sheet, and prevent fluid from accumulating between the tube and the tube sheet.

DX COOLER TIGHTENING COOLER HEAD BOLTS (FIG. 70-73)

Gasket Preparation

When reassembling cooler heads, always use new gaskets. Gaskets are neoprene-based and are brushed with a light film of compressor oil. *Do not soak gasket or gasket deterioration will result.* Use new gaskets within 30 minutes to prevent deterioration.

Reassemble cooler nozzle end or plain end cover of the cooler with the gaskets. Torque all cooler bolts to the following specification and sequence:

5/8-in. Diameter Perimeter Bolts (Grade 5) 150 to 170 ft-lb
(201 to 228 N-m)

1/2-in. Diameter Flange Bolts (Grade 5) 70 to 90 ft-lb
(94 to 121 N-m)

1/2-in. Diameter Center Stud (Grade 5) 70 to 90 ft-lb
(94 to 121 N-m)

1. Install all bolts finger tight, except for the suction flange bolts. Installing these flanges will interfere with tightening the center stud nuts.
2. Bolt tightening sequence is outlined in Fig. 70-73. Follow the numbering or lettering sequence so that pressure is evenly applied to gasket.
3. Apply torque in one-third steps until required torque is reached. Load *all* bolts to each one-third step before proceeding to next one-third step.
4. No less than one hour later, retighten all bolts to required torque values.
5. After refrigerant is restored to system, check for refrigerant leaks using recommended industry practices.
6. Replace cooler insulation.

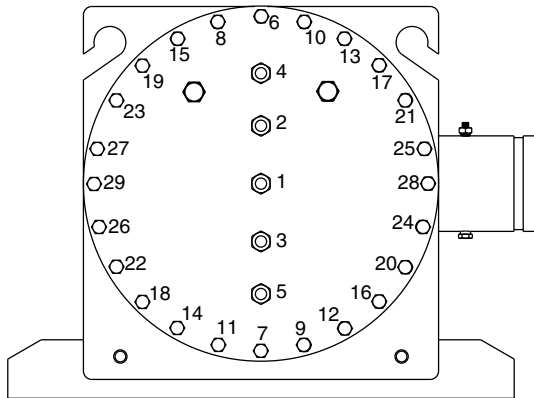


Fig. 70 — Bolt Tightening Sequence, 30XA082,092,102,122

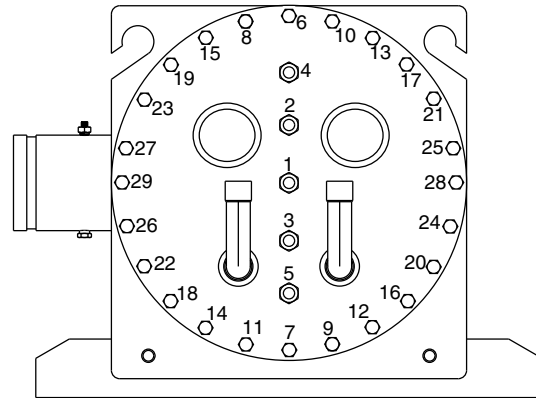


Fig. 71 — Bolt Tightening Sequence, 30XA142,162,182,202

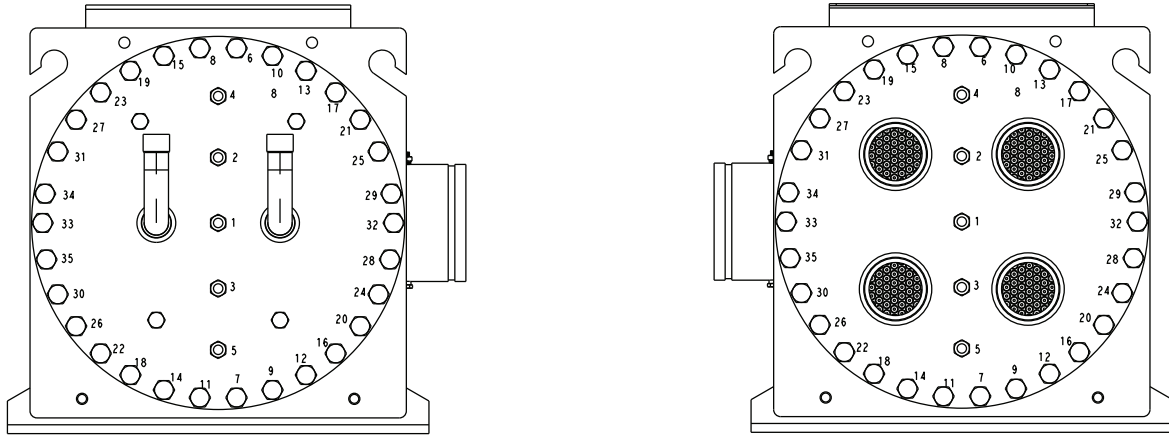


Fig. 72 — Bolt Tightening Sequence, 30XA222, 242, 262, 282

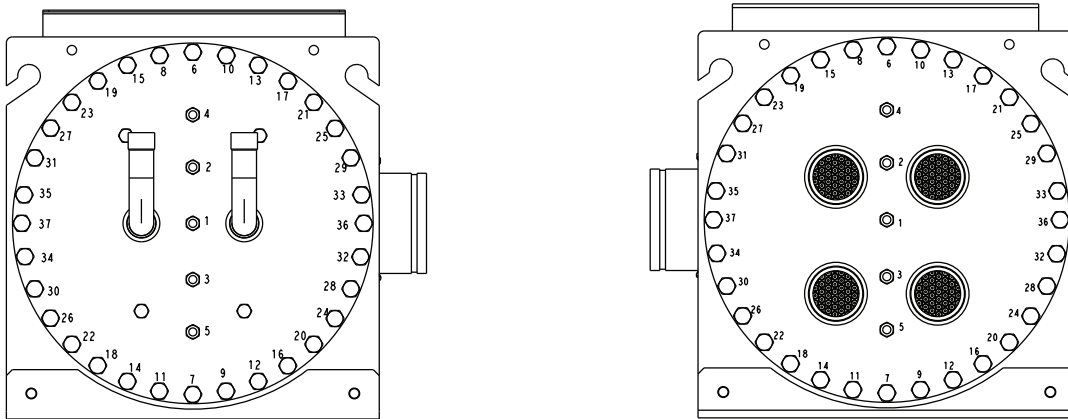


Fig. 73 — Bolt Tightening Sequence, 30XA302, 327, 352

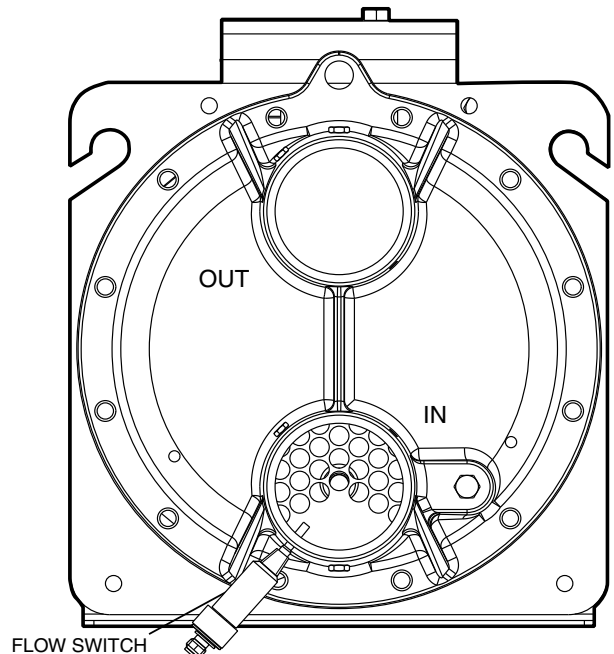
DX COOLER CHILLED WATER FLOW SWITCH

A factory-installed flow switch is installed in the entering water nozzle for all machines. See Fig. 74 and 75. This is a thermal-dispersion flow switch. Figure 74 shows typical installation. If nuisance trips of the sensor are occurring, follow the steps below to correct:

1. Check to confirm that all strainers are clean, valves are open and pumps are running. For the case of variable frequency drive (VFD) controlled pumps, ensure the minimum speed setting has not been changed.
2. Measure the pressure drop across the cooler. Use the cooler pressure drop curves on pages 64-70 to calculate the flow and compare this to system requirements.



Fig. 74 — Chilled Water Flow Switch



STANDARD FLOODED COOLER

Fig. 75 — Flow Switch

DX Cooler and Flooded Cooler Units

PREPARATION FOR WINTER SHUTDOWN

If the unit is not operational during the winter months, at the end of cooling season complete the following steps.

⚠ CAUTION

Failure to remove power before draining heater equipped coolers and hydronic packages can result in heater tape and insulation damage.

1. If the unit has optional heater tapes on the cooler and the cooler will not be drained, do not shut off power disconnect during off-season shutdown. If the unit has optional heater tapes on the cooler and the cooler is drained, open the circuit breaker for the heater, CB-13 or shut off power during off-season shutdown.
2. Draining the fluid from the system is highly recommended. If the unit is equipped with a hydronic package, there are additional drains in the pump housing and strainer that must be opened to allow for all of the water to drain.
3. Isolate the cooler from the rest of the system with water shutoff valves.
4. Replace the drain plug and completely fill the cooler with a mixture of water and a suitable corrosion-inhibited antifreeze solution such as propylene glycol. The concentration should be adequate to provide freeze protection to 15°F (8.3°C) below the expected low ambient temperature conditions. Antifreeze can be added through the vent on top of the cooler. If the unit has a hydronic pump package, the pump must be treated in the same manner.
5. Leave cooler filled with the antifreeze solution for the winter, or drain if desired. Be sure to deenergize heaters (if installed) as explained in Step 1 to prevent damage. Use an approved method of disposal when removing antifreeze solution.

At the beginning of the next cooling season, be sure that there is refrigerant pressure on each circuit before refilling cooler, add recommended inhibitor, and reset the CB-HT (circuit breaker heater) (if opened) or restore power.

Condenser Coil Maintenance and Cleaning Recommendations

Routine cleaning of MCHX (Microchannel Heat Exchanger) and RTPF (Round Tube Plate Fin) coil surfaces is essential to maintain proper operation of the unit. Elimination of contamination and removal of harmful residues will greatly increase the life of the coil and extend the life of the unit.

MCHX Condenser Coil Maintenance and Cleaning Recommendations

Take the following steps to clean MCHX condenser coils:

⚠ CAUTION

Do not apply any chemical cleaners to MCHX condenser coils. These cleaners can accelerate corrosion and damage the coil.

1. Remove any foreign objects or debris attached to the coil face or trapped within the mounting frame and brackets.
2. Put on personal protective equipment including safety glasses and/or face shield, waterproof clothing and gloves. It is recommended to use full coverage clothing.
3. Start high pressure water sprayer and purge any soap or industrial cleaners from sprayer before cleaning condenser

coils. Only clean potable water is authorized for cleaning condenser coils.

4. Clean condenser face by spraying the coil steady and uniformly from top to bottom while directing the spray straight toward the coil. Do not exceed 900 psig (6205 kPa) or 30 degree angle. The nozzle must be at least 12 in. (304.8 mm) from the coil face. Reduce pressure and use caution to prevent damage to air centers.

⚠ CAUTION

Excessive water pressure will fracture the braze between air centers and refrigerant tubes.

RTPF Condenser Coil Maintenance and Cleaning Recommendations

The following maintenance and cleaning procedures are recommended as part of the routine maintenance activities to extend the life of the coil.

REMOVE SURFACE LOADED FIBERS

Surface loaded fibers or dirt should be removed with a vacuum cleaner. If a vacuum cleaner is not available, a soft non-metallic bristle brush may be used. In either case, the tool should be applied in the direction of the fins. Coil surfaces can be easily damaged (fin edges can be easily bent over and damage to the coating of a protected coil) if the tool is applied across the fins.

NOTE: Use of a water stream, such as a garden hose, against a surface loaded coil will drive the fibers and dirt into the coil. This will make cleaning efforts more difficult. Surface loaded fibers must be completely removed prior to using low velocity clean water rinse.

PERIODIC CLEAN WATER RINSE

A periodic clean water rinse is very beneficial for coils that are applied in coastal or industrial environments. However, it is very important that the water rinse is made with very low velocity water stream to avoid damaging the fin edges. Monthly cleaning as described below is recommended.

ROUTINE CLEANING FOR RTPF COIL SURFACE

Routine cleaning with Totaline® environmentally sound coil cleaner is essential to extend the life of coils. This cleaner is available from Carrier Replacement Parts division as part number P902-0301 for a one gallon container, and part number P902-0305 for a five gallon container. It is recommended that all coils, including the standard copper tube aluminum fin, precoated fin, copper fin, or e-coated coils be cleaned with the Totaline environmentally sound coil cleaner as described below. Coil cleaning should be part of the unit's regularly scheduled maintenance procedures to ensure long life of the coil. Failure to clean the coils may result in reduced durability in the environment. Avoid the use of:

- coil brighteners
- acid cleaning prior to painting
- high pressure washers
- poor quality water for cleaning

Totaline environmentally sound coil cleaner is non-flammable, hypoallergenic, nonbacterial, and a USDA accepted biodegradable agent that will not harm the coil or surrounding components such as electrical wiring, painted metal surfaces, or insulation. Use of non-recommended coil cleaners is strongly discouraged since coil and unit durability could be affected.

Totaline Environmentally Sound Coil Cleaner Application Equipment

- 2½ gallon garden sprayer
- Water rinse with low velocity spray nozzle

⚠ CAUTION

Harsh chemicals, household bleach or acid or basic cleaners should not be used to clean outdoor or indoor coils of any kind. These cleaners can be very difficult to rinse out of the coil and can accelerate corrosion at the fin/tube interface where dissimilar materials are in contact. If there is dirt below the surface of the coil, use the Totaline environmentally sound coil cleaner as described above.

⚠ CAUTION

High velocity water from a pressure washer, garden hose, or compressed air should never be used to clean a coil. The force of the water or air jet will bend the fin edges and increase air-side pressure drop. Reduced unit performance or nuisance unit shutdown may occur.

Totaline Environmentally Sound Coil Cleaner Application Instructions

1. Proper eye protection such as safety glasses is recommended during mixing and application.
2. Remove all surface loaded fibers and dirt with a vacuum cleaner as described above.
3. Thoroughly wet finned surfaces with clean water and a low velocity garden hose, being careful not to bend fins.
4. Mix Totaline environmentally sound coil cleaner in a 2½ gallon garden sprayer according to the instructions included with the cleaner. The optimum solution temperature is 100°F.

NOTE: Do **NOT USE** water in excess of 130°F (54.4°C), as the enzymatic activity will be destroyed.

5. Thoroughly apply Totaline environmentally sound coil cleaner solution to all coil surfaces including finned area, tube sheets and coil headers.
6. Hold garden sprayer nozzle close to finned areas and apply cleaner with a vertical, up-and-down motion. Avoid spraying in horizontal pattern to minimize potential for fin damage.

7. Ensure cleaner thoroughly penetrates deep into finned areas.
8. Interior and exterior finned areas must be thoroughly cleaned.
9. Finned surfaces should remain wet with cleaning solution for 10 minutes.
10. Ensure surfaces are not allowed to dry before rinsing. Reapply cleaner as needed to ensure 10-minute saturation is achieved.
11. Thoroughly rinse all surfaces with low velocity clean water using downward rinsing motion of water spray nozzle. Protect fins from damage from the spray nozzle.

Condenser Fans

A formed metal mount bolted to fan deck supports each fan and motor assembly. A shroud and a wire guard provide protection from the rotating fan. See Fig. 76. The exposed end of the fan motor shaft is protected from weather by grease. If fan motor must be removed for service or replacement, be sure to regrease fan shaft and reinstall fan guard. The fan motor has a step in the motor shaft. For proper performance, fan should be positioned such that it is securely seated on this step. Tighten the bolt to 15 ft lb ± 2.0 (20.34 Nm ± 2.7 Nm).

Refrigerant Circuit

LEAK TESTING

Units are shipped with complete operating charge of refrigerant R-134a (see Physical Data tables supplied in the 30XA installation instructions) and should be under sufficient pressure to conduct a leak test. If there is no pressure in the system, introduce enough nitrogen to search for the leak. Repair the leak using good refrigeration practices. After leaks are repaired, system must be evacuated and dehydrated.

REFRIGERANT CHARGE

Refer to Physical Data tables supplied in the 30XA installation instructions. Immediately ahead of filter drier in each circuit is a factory-installed liquid line service valve. Each valve has a ¼-in. access connection for charging liquid refrigerant.

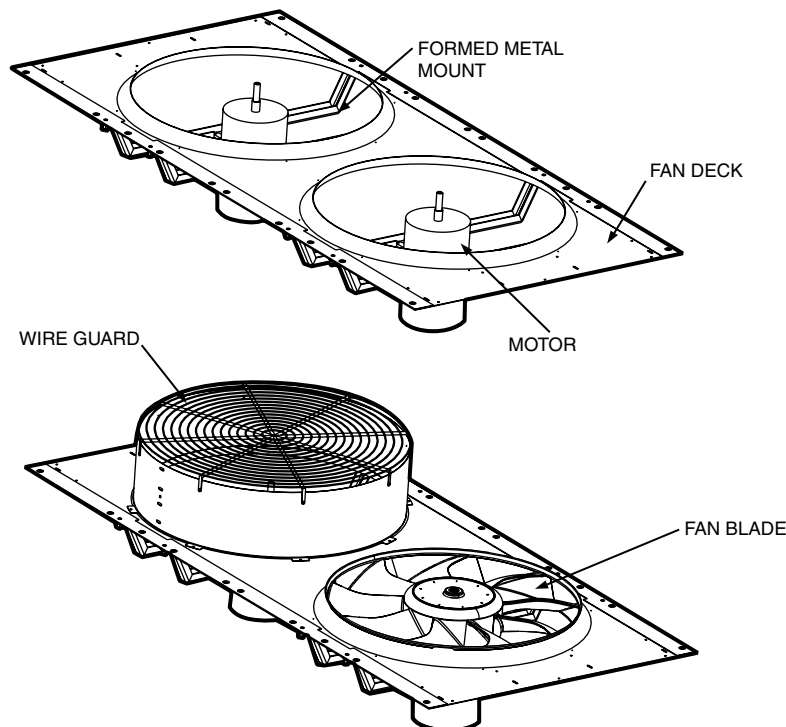


Fig. 76 — Fan Mounting

Charging with Unit Off and Evacuated

Close liquid line service valve before charging. Weigh in charge shown on unit nameplate. Open liquid line service valve; start unit and allow it to run several minutes fully loaded. Check for a clear sight glass. Be sure clear condition is liquid and not vapor.

Charging with Unit Running

If charge is to be added while unit is operating, all condenser fans and compressors must be operating. It may be necessary to block condenser coils at low ambient temperatures to raise condensing pressure to approximately 198 psig (1365 kPa) to turn all condenser fans on. Do not totally block a coil to do this. Partially block all coils in uniform pattern. Charge each circuit until sight glass shows clear liquid, and has a liquid line temperature of 103°F (39°C) for 30XA080-352 units, 108°F (42°C) for 30XA400, 450, and 500 units, and 105°F (41°C) for 30XA401, 451, 476, and 501 units.

Add 3 to 5 lb (1.36 to 2.27 kg) depending on unit size of liquid charge into the fitting located on the tube entering the cooler. This fitting is located between the electronic expansion valve (EXV) and the cooler.

Allow the system to stabilize and then recheck the liquid temperature. If needed, add additional liquid charge, 3 to 5 lb at a time, allowing the system to stabilize between each charge addition. Slowly add charge as the sight glass begins to clear to avoid overcharging.

IMPORTANT: When adjusting refrigerant charge, circulate fluid through cooler continuously to prevent freezing and possible damage to the cooler. Do not overcharge, and never charge liquid into the low-pressure side of system.

Safety Devices

The 30XA chillers contain many safety devices and protection logic built into the electronic control. Following is a description of the major safeties.

COMPRESSOR PROTECTION

Motor Overload

The compressor protection modules (CPMs) protect each compressor against overcurrent. Do not bypass the current transformers or make any changes to the factory-installed and configured headers. The configuration of these headers defines the Must Trip Amps (MTA) at which the CPM will turn the compressors off. Determine the cause for trouble and correct the problem before resetting the CPM. See Appendix D for MTA settings and configuration headers.

Each CPM board also reads the status of each compressor’s high-pressure switch. All compressors have factory-installed high-pressure switches. See Table 58.

Table 58 — High-Pressure Switch Settings

UNIT	SWITCH SETTING	
	psig	kPa
30XA	304.5 ±7.25	2099 ±50

If the switch opens during operation, the compressor will be shut down. The CPM will reset automatically when the switch closes; however, a manual reset of the control is required to restart the compressor.

OIL SEPARATOR HEATERS

Each oil separator circuit has a heater mounted on the underside of the vessel. The heater is deenergized anytime the compressor is on. If the compressor is off and outdoor-air temperature (OAT) is greater than 100°F (37.8°C) the heater is deenergized. The heater will also be deenergized if OAT – SST >32°F (17.8°C) and the OAT – LWT > 32°F (17.8°C).

COOLER PROTECTION

Low Water Temperature

Microprocessor is programmed to shut the chiller down if the leaving fluid temperature drops below 34°F (1.1°C) for water or more than 8°F (4.4°C) below set point for Fluid Type = brine. When the fluid temperature rises 6°F (3.3°C) above the leaving fluid set point, the safety resets and the chiller restarts. Reset is automatic as long as this is the first occurrence of the day.

IMPORTANT: If unit is installed in an area where ambient temperatures fall below 32°F (0°C), a suitable corrosion-inhibited antifreeze solution or cooler heater must be used in the chilled water circuit.

Relief Devices

Fusible plugs are located in each circuit between the condenser and the liquid line shutoff valve.

PRESSURE RELIEF VALVES

Valves are installed in each circuit and are located on the coolers and oil separators. These valves are designed to relieve if an abnormal pressure condition arises. Relief valves on all coolers relieve at 220 psi (1517 kPa). Relief valves on oil separators relieve at 350 psi (2413 kPa). These valves should not be capped. If a valve relieves, it should be replaced. If the valve is not replaced, it may relieve at a lower pressure, or leak due to trapped dirt from the system which may prevent resealing.

See Table 59. Some local building codes require that relieved gases be exhausted to a specific location. This connection allows conformance to this requirement.

Table 59 — Relief Valve Connection Specs

LOCATION	CONNECTION SIZES
Oil Separator	3/8 SAE Flare
DX Cooler Option	5/8 SAE Flare
Flooded Cooler Option	3/4 in. NPT Female

Inspection and Maintenance

The relief valves on this on this chiller protect the system against the potentially dangerous effects of overpressure. To ensure against damage to the equipment and possible injury to personnel, these devices must be kept in peak operating condition. As a minimum, the following maintenance is required:

1. At least once a year, disconnect the vent piping at the valve outlet if equipped. Inspect the vent piping for corrosion, a restriction or blockage. If any is found, clean or replace the affected vent piping.
2. Carefully inspect the valve body and mechanism for any evidence of internal corrosion or rust, dirt, scale, leakage, etc. If corrosion or foreign material is found, do not attempt to repair or recondition; replace the valve.
3. If the chiller is installed in a corrosive atmosphere or the relief valves are vented into a corrosive atmosphere, inspect relief valves and piping at more frequent intervals.

MAINTENANCE

Recommended Maintenance Schedule

The following are only recommended guidelines. Jobsite conditions may dictate maintenance schedule be performed more often.

Routine:

For machines with e-coat condenser coils:

- Check condenser coils for debris; clean as necessary with Carrier approved coil cleaner.
- Periodic clean water rinse, especially in coastal and industrial applications.

Every month:

- Check condenser coils for debris; clean as necessary with Carrier approved coil cleaner.
- Check moisture indicating sight glass for possible refrigerant loss and presence of moisture.

Every 3 months (for all machines):

- Check refrigerant charge.
- Check all refrigerant joints and valves for refrigerant leaks; repair as necessary.
- Check chilled water flow switch operation.
- Check all condenser fans for proper operation.
- Check oil filter pressure drop.
- Check oil separator heater operation.
- Inspect pump seal if unit has a hydronic pump package.

Every 12 months (for all machines):

- Check all electrical connections; tighten as necessary.
- Inspect all contactors and relays; replace as necessary.
- Check accuracy of thermistors; replace if greater than $\pm 2^{\circ}\text{F}$ (1.2°C) variance from calibrated thermometer.

- Check accuracy of transducers; replace if greater than ± 5 psi (34.47 kPa) variance.
- Check to be sure that the proper concentration of anti-freeze is present in the chilled water loop, if applicable.
- Verify that the chilled water loop is properly treated.
- Check refrigerant filter driers for excessive pressure drop; replace as necessary.
- Check chilled water strainers, clean as necessary.
- Check cooler heater operation.
- Check condition of condenser fan blades and that they are securely fastened to the motor shaft.
- Perform Service Test to confirm operation of all components.
- Check for excessive cooler approach (Leaving Chilled Water Temperature – Saturated Suction Temperature) which may indicate fouling. Clean cooler vessel if necessary.
- Obtain oil analysis; change as necessary.

TROUBLESHOOTING

See Table 60 for an abbreviated list of symptoms, possible causes, and possible remedies.

Alarms and Alerts

The integral control system constantly monitors the unit and generates warnings when abnormal or fault conditions occur. Alarms may cause either a circuit (Alert) or the whole machine (Alarm) to shut down. Alarms and Alerts are assigned codes as described in Table 61. The alarm/alert indicator LED on the Navigator™ module is illuminated when any alarm or alert condition is present. If an Alert is active, the Alarm Indicator LED will blink. If an Alarm is active, the Alarm Indicator LED will remain on. Currently active Alerts and Alarms can be found in (**Current Alarm, ALRM**).

Table 60 — Troubleshooting

SYMPTOM	POSSIBLE CAUSE	POSSIBLE REMEDY
Unit Does Not Run	Check for power to unit	<ul style="list-style-type: none"> • Check overcurrent protection device. • Check non-fused disconnect (if equipped). • Restore power to unit. • Check Active Capacity Override, CAP.S.
	Wrong or incorrect unit configuration	Check unit configuration.
	Active alarm	Check Alarm status. See the Alarms and Alerts section and follow troubleshooting instructions.
	Active operating mode	Check for Operating Modes. See the Operating Modes section and follow troubleshooting instructions.
Unit Operates too Long or Continuously	Low refrigerant charge	Check for leak and add refrigerant.
	Compressor or control contacts welded	Replace contactor or relay.
	Air in chilled water loop	Purge water loop.
	Non-condensables in refrigerant circuit	Remove refrigerant and recharge.
	Inoperative EXV	<ul style="list-style-type: none"> • Check EXV, clean or replace. • Check EXV cable, replace if necessary. • Check EXV board for output signal.
	Load too high	Unit may be undersized for application.
Circuit Does Not Run	Active alarm	Check Alarm status. See the Alarms and Alerts section and follow troubleshooting instructions. Check Active Capacity Override, CAP.S .
	Active operating mode	Check for Operating Modes. See the Operating Modes section and follow troubleshooting instructions. Check Active Capacity Override, CAP.S .
Circuit Does Not Load	Active alarm	Check Alarm status. See the Alarms and Alerts section and follow troubleshooting instructions.
	Active operating mode	Check for Operating Modes. See the Operating Modes section and follow troubleshooting instructions.
	Low saturated suction temperature	See Operating Modes 21, 22 and 23.
	High circuit suction superheat	The circuit capacity is not allowed increase if circuit superheat is greater than 36°F (20°C). See Alarms 59-61 for potential causes.
	Low suction superheat	The circuit capacity is not allowed to increase if the circuit superheat is less than 18°F (10°C). See Alarms 62-64 for potential causes.
Compressor Does Not Run	Active alarm	Check Alarm status. See the Alarms and Alerts section and follow troubleshooting instructions.
	Active operating mode	Check for Operating Modes. See the Operating Modes section and follow troubleshooting instructions.
	Inoperative compressor contactor	<ul style="list-style-type: none"> • Check control wiring. • Check scroll protection module. • Check contactor operation, replace if necessary.
Chilled Water Pump is ON, but the Machine is OFF	Cooler freeze protection	Chilled water loop temperature too low. Check cooler heater.

LEGEND

EXV — Electronic Expansion Valve

Table 61 — Alarm Codes

PREFIX CODE	SUFFIX CODE	ALARM NUMBER	ALARM DESCRIPTION	REASON FOR ALARM	ACTION TAKEN BY CONTROL	RESET TYPE	PROBABLE CAUSE
th	01	1	Cooler Entering Fluid Thermistor	Temperature measured by the controller is outside of the range of -40 to 245°F (-40 to 118°C)	Unit shut down or not allowed to start	Automatic	Faulty Sensor, wiring error or failed main base board
	02	2	Cooler Leaving Fluid Thermistor				
	03	3	Circuit A Defrost Thermistor	Temperature measured by the controller is outside of the range of -40 to 245°F (-40 to 118°C)	None	Automatic	Configuration error
	04	4	Circuit B Defrost Thermistor				
	06	5	Condenser Entering Fluid Thermistor				
	07	6	Condenser Leaving Fluid Thermistor				
	08	7	Reclaim Condenser Entering Thermistor				
	09	8	Reclaim Condenser Leaving Thermistor				
	10	9	OAT Thermistor				
	11	10	Master/Slave Common Fluid Thermistor	Temperature measured by the controller is outside of the range of -40 to 245°F (-40 to 118°C)	Dual chiller deactivated. Master and slave machines operate in stand-alone mode		
	12	11	Circuit A Suction Gas Thermistor	Temperature measured by the controller is outside of the range of -40 to 245°F (-40 to 118°C)	Circuit shut down or not allowed to start	Automatic	Faulty Sensor, wiring error, failed EXV or CPM board
	13	12	Circuit B Suction Gas Thermistor				
	14	13	Circuit C Suction Gas Thermistor				
	15	14	Circuit A Discharge Gas Thermistor				
	16	15	Circuit B Discharge Gas Thermistor				
	17	16	Circuit C Discharge Gas Thermistor				
	18	17	Circuit A Condenser Subcooling Liquid Thermistor	Temperature measured by the controller is outside of the range of -40 to 245°F (-40 to 118°C)	None	Automatic	Configuration error
	19	18	Circuit B Condenser Subcooling Liquid Thermistor				
	21	19	Space Temperature Thermistor	Temperature measured by the controller is outside of the range of -40 to 245°F (-40 to 118°C)	Alarm tripped	Automatic	Faulty Sensor, wiring error, failed EMM board
	23	20	Cooler heater feedback thermistor	Temperature measured by the controller is outside of the range of -40 to 245°F (-40 to 118°C)	None	Automatic	Configuration error
	24	21	Circuit A Economizer Gas Thermistor	Temperature measured by the controller is outside of the range of -40 to 245°F (-40 to 118°C)	Circuit economizer function disabled	Automatic	Faulty Sensor, wiring error, failed EXV board
	25	22	Circuit B Economizer Gas Thermistor				
	26	23	Circuit C Economizer Gas Thermistor				
Pr	01	24	Circuit A Discharge Transducer	Measured voltage is 0 vdc or SST > EWT and EXV < 50% for 1 minute	Circuit shut down or not allowed to start	Automatic	Faulty transducer, wiring error, failed main base board or fan board
	02	25	Circuit B Discharge Transducer				
	03	26	Circuit C Discharge Transducer				
	04	27	Circuit A Suction Transducer				
	05	28	Circuit B Suction Transducer				
	06	29	Circuit C Suction Transducer				
	07	30	Circuit A Reclaim Pumpdown Pressure Transducer	Measured voltage is 0 vdc or SST > EWT and EXV < 50% for 1 minute	None	Automatic	Configuration error
	08	31	Circuit B Reclaim Pumpdown Pressure Transducer				

Table 61 — Alarm Codes (cont)

PREFIX CODE	SUFFIX CODE	ALARM NUMBER	ALARM DESCRIPTION	REASON FOR ALARM	ACTION TAKEN BY CONTROL	RESET TYPE	PROBABLE CAUSE
Pr	10	32	Circuit A Oil Pressure Transducer	Measured voltage is 0 vdc or SST > EWT and EXV < 50% for 1 minute	Circuit shut down or not allowed to start	Automatic	Faulty transducer, wiring error, failed CPM board
	11	33	Circuit B Oil Pressure Transducer				
	12	34	Circuit C Oil Pressure Transducer				
	13	35	Circuit A Economizer Pressure Transducer				
	14	36	Circuit B Economizer Pressure Transducer				
	15	37	Circuit C Economizer Pressure Transducer	Measured voltage is 0 vdc	Circuit shut down or not allowed to start	Automatic	Faulty transducer, wiring error, failed CPM board
Co	A1	38	Loss of communication with Compressor Board A	No communication with CPM board	Affected compressor shut down	Automatic	Wrong CPM address, wrong unit configuration, wiring error, power loss, failed CPM board
	B1	39	Loss of communication with Compressor Board B				
	C1	40	Loss of communication with Compressor Board C				
	E1	41	Loss of communication with EXV Board A	No communication with EXV board	Affected compressor shut down	Automatic	Wrong EXV board address, wrong unit configuration, wiring error, power loss, failed EXV board
	E2	42	Loss of communication with EXV Board B				
	E3	43	Loss of communication with EXV Board C				
	F1	44	Loss of communication with Fan Board 1	No communication with fan board	Circuit A/B shut down or not allowed to start (080-120 ton), Circuit A shut down or not allowed to start (130-500 ton)	Automatic	Wrong board address, wrong unit configuration, wiring error, loss of power, failed board
	F2	45	Loss of communication with Fan Board 2	No communication with fan board	Circuit B shut down or not allowed to start (130-500 ton)	Automatic	Wrong board address, wrong unit configuration, wiring error, loss of power, failed board
	F3	46	Loss of communication with Fan Board 3	No communication with fan board	Circuit C shut down or not allowed to start (400-500 ton)	Automatic	Wrong board address, wrong unit configuration, wiring error, loss of power, failed board
	01	47	Loss of communication with Free Cooling Board 1	No communication with free cooling board	None	Automatic	Configuration error
	02	48	Loss of communication with Free Cooling Board 2				
	03	49	Loss of communication with Energy Management Board	No communication with EMM board	Disable or not allow EMM functions 3 step and 4-20 mA and space temperature reset, occupancy override, and ice build	Automatic	Wrong board address, wrong unit configuration, wiring error, power loss to module, failed module
	04	50	Loss of communication with Heat Reclaim Board	No communication with Free Cooling Board	None	Automatic	Configuration error
	05	51	Loss of communication with AUX Board 6	No communication with HGBP/PUMP Board	Unit shut down or not allowed to start	Automatic	Wrong board address, wrong unit configuration, wiring error, power loss to module, failed module
	P	01	52	Cooler Freeze Protection	Entering or leaving thermistor sensed a temperature at or below freeze point or cooler heater current sensing relay detected a failed heater	Unit shut down or not allowed to start	Automatic, first occurrence in 24 hours; manual if multiple alarms within 24 hours
02		53	Condenser Freeze Protection Circuit A	—	None	Automatic	Configuration error
03		54	Condenser Freeze Protection Circuit B				
04		55	Condenser Freeze Protection Circuit C				

Table 61 — Alarm Codes (cont)

PREFIX CODE	SUFFIX CODE	ALARM NUMBER	ALARM DESCRIPTION	REASON FOR ALARM	ACTION TAKEN BY CONTROL	RESET TYPE	PROBABLE CAUSE
P	05	56	Circuit A Low Suction Temperature	Low saturated suction temperatures detected for a period of time	Circuit shut down	Automatic, first occurrence in 24 hours; manual if multiple alarms within 24 hours	Faulty thermistor, faulty wiring, low water flow, low loop volume, fouled cooler, or freeze conditions. Closed suction valve, DX units.
	06	57	Circuit B Low Suction Temperature				
	07	58	Circuit C Low Suction Temperature				
	08	59	Circuit A High Suction Superheat	EXV>98%, suction superheat > 30°F (16.7°C), and SST<MOP for more than 5 minutes	Circuit shut down	Manual	Faulty transducer, faulty wiring, faulty thermistor, faulty EXV, low refrigerant charge, plugged or restricted liquid line
	09	60	Circuit B High Suction Superheat				
	10	61	Circuit C High Suction Superheat				
	11	62	Circuit A Low Suction Superheat	EXV<5% and either the suction superheat is less than the set point by at least 5°F (2.8°C) or the suction temperature is greater than MOP set point for more than 5 minutes	Circuit shut down	Manual	Faulty transducer, faulty wiring, faulty thermistor, faulty EXV, or incorrect configuration
	12	63	Circuit B Low Suction Superheat				
	13	64	Circuit C Low Suction Superheat				
	14	65	Interlock Failure	Lockout Switch Closed	Unit shut down or not allowed to start	Automatic	Lockout Switch Closed on EMM board
	28	66	Electrical Box Thermostat Failure/Reverse Rotation	External pump interlock open	Unit shut down or not allowed to start	Automatic	External pump off. Faulty jumper wiring when channel not used
	29	67	Loss of communication with System Manager	Loss of communication with an external control device for more than 2 minutes	Unit change to stand-alone operation	Automatic	Faulty communication wiring, no power supply to the external controller
	30	68	Master/Slave communication Failure	Communication between the master and slave machines lost	Unit change to stand-alone operation	Automatic	Faulty communication wiring, no power or control power to the main base board of either module
	67	69	Circuit A Low Oil Pressure	Oil pressure and suction pressure differential is less than the set point	Circuit shut down	Automatic, first occurrence in 24 hours; manual if multiple alarms within 24 hours	Plugged oil filter, faulty oil transducer, oil check valve stuck, plugged oil strainer
	68	70	Circuit B Low Oil Pressure				
	69	71	Circuit C Low Oil Pressure				
	70	72	Circuit A Max Oil Filter Differential Pressure	Difference between discharge pressure and oil pressure is greater than 50 psi for more than 30 seconds	Circuit shut down	Manual	Plugged oil filter, closed oil valve, bad oil solenoid, oil check valve stuck, faulty oil pressure transducer
	71	73	Circuit B Max Oil Filter Differential Pressure				
	72	74	Circuit C Max Oil Filter Differential Pressure				
	84	75	Circuit A High Oil Filter Drop Pressure	Difference between discharge pressure and oil pressure is greater than 30 psi for more than 5 minutes	Alert generated	Manual	Plugged oil filter
85	76	Circuit B High Oil Filter Drop Pressure					
86	77	Circuit C High Oil Filter Drop Pressure					
75	78	Circuit A Low Oil Level	Oil level switch open	Circuit shut down or not allowed to start	Automatic, first occurrence in 24 hours; manual if multiple alarms within 24 hours	Low oil level, faulty switch, wiring error, failed CPM board	
76	79	Circuit B Low Oil Level					
77	80	Circuit C Low Oil Level					
MC	nn	81	Master chiller configuration error Number 01 to nn	Wrong or incompatible configuration data	Unit not allowed to start in Master-slave control	Automatic	Configuration error
FC	n0	82	No factory configuration	No Configuration	Unit not allowed to start	Automatic	Configuration error
	nn	83	Illegal factory configuration Number 01 to 04	Wrong or incompatible configuration data	Unit not allowed to start	Automatic	Configuration error (see Table 63)
P	31	84	Unit is in CCN emergency stop	Emergency stop command has been received	Unit shut down or not allowed to start	Automatic	Carrier Comfort Network® Emergency Stop command received
	32	85	Cooler pump #1 fault	Pump interlock status does not match pump status	Unit shuts down, if available, another pump will start	Manual	Faulty contacts, wiring error or low control voltage. Configuration error.
	33	86	Cooler pump #2 fault				
	15	87	Condenser Flow Switch Failure	—	None	Manual	Configuration error

Table 61 — Alarm Codes (cont)


PREFIX CODE	SUFFIX CODE	ALARM NUMBER	ALARM DESCRIPTION	REASON FOR ALARM	ACTION TAKEN BY CONTROL	RESET TYPE	PROBABLE CAUSE
P	34	88	Circuit A Reclaim Operation Failure	—	None	Manual	Configuration error
	35	89	Circuit B Reclaim Operation Failure				
	37	90	Circuit A — Repeated high discharge gas overrides	Multiple capacity overrides due to high saturated discharge temperature	Circuit shut down	Automatic	Condenser air recirculation, dirty or plugged condenser coils, inaccurate discharge transducer, faulty condenser fan
	38	91	Circuit B — Repeated high discharge gas overrides				
	39	92	Circuit C — Repeated high discharge gas overrides				
	40	93	Circuit A — Repeated low suction temp overrides	Multiple capacity overrides due to low saturated suction temperature	Circuit shut down	Automatic	Inaccurate transducer, faulty EXV, low refrigerant charge, plugged or restricted liquid line filter drier.
	41	94	Circuit B — Repeated low suction temp overrides				
	42	95	Circuit C — Repeated low suction temp overrides				
	43	96	Low entering water temperature in heating	Not supported	—	—	—
	73	97	Condenser pump #1 default	—	None	Manual	Configuration error
	74	98	Condenser pump #2 default				
	78	99	Circuit A High Discharge Temperature	Discharge gas temperature is higher than 212°F (100°C) for more than 90 seconds	Circuit shut down	Manual	Faulty transducer/high pressure switch, low/restricted condenser flow
	79	100	Circuit B High Discharge Temperature				
	80	101	Circuit C High Discharge Temperature				
	81	102	Circuit A Low Economizer Pressure	The economizer pressure is below the suction pressure more than 14.5 psi for more than 10 seconds	Circuit shut down	Manual	Faulty transducer, faulty main base board, faulty wiring, closed suction service valve, faulty EXV
	82	103	Circuit B Low Economizer Pressure				
	83	104	Circuit C Low Economizer Pressure				
	87	105	Circuit A Slide Valve Control Unverifiable	If 100% load current is less than 1.1 times of 30% load current, or for 1 minute when active cooling setpoint is greater than 32°F (0°C).	None	Manual	Slide valve stuck, inaccurate initial current reading
	88	106	Circuit B Slide Valve Control Unverifiable				
	89	107	Circuit C Slide Valve Control Unverifiable				
90	108	Cooler flow switch set point configuration failure	—	None	Manual	Configuration error	
91	109	Cooler flow switch failure	Flow switch open	Unit shut down	Manual if unit is running, automatic otherwise	Faulty flow switch, low cooler flow, faulty wiring, faulty cooler pump, faulty main base board, minutes off time set to 0	
97	127	Water Exchanger Temperature Sensors Swapped	Control detects EWT below LWT for 1 minute	Unit shut down	Manual	Wiring error, EWT and LWT sensors swapped	
Sr	nn	110	Service maintenance alert Number # nn	Field programmed elapsed time has expired for maintenance time	None	Manual	Maintenance required
A1, B1, C1	01	111-01, 112-01, 113-01	Compressor Motor temperature too high	Compressor temperature higher than 232°F (111°C) for more than 90 seconds	Circuit shut down	Manual	Motor cooling solenoid or economizer (080,082 only) EXV failure, faulty CPM board, low refrigerant charge (090-500)
	02	111-02, 112-02, 113-02	Compressor Motor temperature out of range	Compressor temperature reading out of the range of -40 to 245°F (-40 to 118°C)	Circuit shut down	Manual	Faulty thermistor, faulty wiring, faulty CPM board
	03	111-03, 112-03, 113-03	Compressor High pressure switch protection	HPS input on CPM board open	Circuit shut down	Manual, press reset button on HPS	Loss of condenser air flow, operation beyond compressor envelope, faulty high pressure switch, faulty wiring, faulty CPM board

Table 61 — Alarm Codes (cont)

PREFIX CODE	SUFFIX CODE	ALARM NUMBER	ALARM DESCRIPTION	REASON FOR ALARM	ACTION TAKEN BY CONTROL	RESET TYPE	PROBABLE CAUSE
A1, B1, C1	04	111-04, 112-04, 113-04	Compressor Over current	CPM board detects high motor current compared with MTA setting	Circuit shut down	Manual	Operating beyond compressor envelope, incorrect configuration
	05	111-05, 112-05, 113-05	Compressor Locked rotor	CPM board detects locked rotor current compared with MTA setting	Circuit shut down	Manual	Compressor motor failure, unloader slide valve failure, compressor mechanical failure
	06	111-06, 112-06, 113-06	Compressor Phase loss L1	CPM board detects current unbalance greater than 48% for more than 1 second	Circuit shut down	Manual	Blown fuse, wiring error, loose terminals
	07	111-07, 112-07, 113-07	Compressor Phase loss L2				
	08	111-08, 112-08, 113-08	Compressor Phase loss L3				
	09	111-09, 112-09, 113-09	Compressor Low current alarm	CPM detects motor current less than a certain percentage of the MTA setting, compressor not operating	Circuit shut down	Manual	Power supply disconnected, blown fuse, wiring error, contact deenergized, faulty current toroid high pressure switch trip
	10	111-10, 112-10, 113-10	Compressor Y delta starter current increase failure alarm	If the delta mode current is not 25% greater than the current in Y mode	Circuit shut down	Manual	Power supply to delta contactor not connected, faulty delta contactor or wiring, faulty CPM board
	11	111-11, 112-11, 113-11	Compressor Contactor failure	CPM board detects greater than 15% of MTA current for 10 seconds after shutting off the compressor contactor.	Circuit shut down. Oil solenoid is energized.	Manual	Faulty contactor, contactor welded, wiring error
	12	111-12, 112-12, 113-12	Compressor Unable to stop motor	CPM board detects greater than 15% of MTA current for 10 seconds after three attempts	Circuit shut down	Manual	Faulty contactor, contactor welded, wiring error
	13	111-13, 112-13, 113-13	Compressor Phase reversal	CPM board detects phase reversal from current toroid	Circuit shut down	Manual	Terminal block power supply lead not in correct phase. Power supply leads going through toroid crossed
	14	111-14, 112-14, 113-14	Compressor MTA configuration fault	MTA setting is out of the allowed MTA range	Circuit shut down	Manual	Incorrect MTA setting, faulty CPM board
	15	111-15, 112-15, 113-15	Compressor Configuration switch mismatch	CPM board MTA setting do not match factory configuration	Circuit shut down	Manual	Incorrect CPM dipswitch setting, incorrect factory MTA setting, faulty CPM board
	16	111-16, 112-16, 113-16	Compressor Unexpected switch setting change	CPM board dipswitch S1 setting changed	Circuit shut down	Manual	Incorrect CPM dipswitch setting, faulty CPM board
	17	111-17, 112-17, 113-17	Compressor Power on reset	CPM board detects a power failure	Circuit shut down	Manual	Power supply interruption
	18	111-18, 112-18, 113-18	Compressor UL 1998 critical section software error	Software error	Circuit shut down	Manual	Electric noise, faulty CPM board
	19	111-19, 112-19, 113-19	Compressor UL 1998 current measure dual channel mismatch	Software error	Circuit shut down	Manual	Electric noise, faulty CPM board

LEGEND

- | | |
|---|--|
| CCN — Carrier Comfort Network® | HPS — High Pressure Switch |
| CPM — Compressor Protection Module | LWT — Leaving Water Temperature |
| DX — Direct Expansion | MOP — Maximum Operating Pressure |
| EMM — Energy Management Module | MTA — Must Trip Amps |
| EWT — Entering Water Temperature | OAT — Outdoor Air Temperature |
| EXV — Electronic Expansion Valve | SST — Saturated Suction Temperature |
| HGBP — Hot Gas Bypass | UL — Underwriters Laboratories |

To reset the alarm with Carrier Controller display, press the Reset button . Do not reset the chiller at random without first investigating and correcting the cause(s) of the failure.

Each alarm is described by a three or four-digit code. The first one or two digits indicate the alarm source and are listed in Fig. 77. The last two digits pinpoint the problem. See Table 61.

The controller generates two types of alarms. Automatic reset alarms will reset without any intervention if the condition that caused the alarm corrects itself. Manual reset alarms require the service technician to check for the alarm cause and reset the alarm. The following method must be followed to reset manual alarms:

Before resetting any alarm, first determine the cause of the alarm and correct it. To reset the alarm with Navigator™ module, set **R.ALM** to YES. The alarms will be reset. Indicator light will be turned off when switched correctly.

Alarm Descriptor	Alarm	
	th	.01
Alarm Prefix		
A1 – Compressor A1 Failure		
B1 – Compressor B1 Failure		
C1 – Compressor C1 Failure		
Co – Communication Failure		
FC – Factory Configuration Error		
MC – Master Chiller Configuration Error		
P – Process Failure		
Pr – Pressure Transducer Failure		
Sr – Service Notification		
th – Thermistor Failure		
Alarm Suffix		
Code Number to identify source		

Fig. 77 — Alarm Description

DIAGNOSTIC ALARM CODES AND POSSIBLE CAUSES

Thermistor Failure

Alarm 1 — Cooler Fluid Entering (th.01)

Alarm 2 — Cooler Fluid Leaving (th.02)

Criteria for Trip — This alarm criterion is tested whether the unit is on or off if the temperature as measured by the thermistor is outside of the range -40 to 245°F (-40 to 118.3°C).

Action To Be Taken — The unit shuts down normally, or is not allowed to start.

Reset Method — Automatic, the alarm will reset once the thermistor reading is within the expected range.

Possible Causes — If this condition is encountered, check the following items:

- sensor wiring to the Main Base Board
- sensor accuracy

See the Thermistors section on page 74 for thermistor description, identifiers and connections.

Defrost Thermistor Failure

Alarm 3 — Circuit A (th.03)

Alarm 4 — Circuit B (th.04)

NOTE: These alarms are not used or supported. If this condition is encountered, confirm machine configuration.

Thermistor Failure

Alarm 5 — Condenser Entering Fluid (th.06)

Alarm 6 — Condenser Leaving Fluid (th.07)

NOTE: These alarms are not used or supported. If this condition is encountered, confirm machine configuration.

Condenser Reclaim Thermistor

Alarm 7 — Reclaim Entering Fluid (th.08)

Alarm 8 — Reclaim Leaving Fluid (th.09)

NOTE: Alarms 7 and 8 are not used or supported. If this condition is encountered, confirm machine configuration.

Alarm 9 — Outdoor Air Temperature Thermistor Failure (th.10)

Criteria for Trip — This alarm criterion is tested whether the unit is ON or OFF. The alarm is tripped if the temperature measured by the outdoor air thermistor sensor is outside the range of -40 to 245°F (-40 to 118.3°C).

Action To Be Taken — The unit shuts down normally, or is not allowed to start.

Reset Method — Automatic, the alarm will reset once the thermistor reading is within the expected range.

Possible Causes — If this condition is encountered, check the following items:

- sensor wiring to the Main Base Board
- a faulty thermistor

See the Thermistors section on page 74 for thermistor description, identifiers and connections.

Alarm 10 — Master/Slave Common Fluid Thermistor (th.11)

Criteria for Trip — This alarm criterion is tested whether the unit is ON or OFF. The alarm will be tripped if the unit is configured as a master or a slave (**Master/Slave Select, MSSL**), leaving temperature control is selected (**Entering Fluid Control, EWTO**), and the temperature measured by the CHWS (chilled water sensor) fluid sensor is outside the range of -40 to 245°F (-40 to 118.3°C).

Action To Be Taken — Master/slave operation is disabled and the chiller returns to stand alone mode.

Reset Method — Reset is automatic when the thermistor reading is inside the range of -40 to 245°F (-40 to 118.3°C).

Possible Causes — If this condition is encountered, check the following items:

- sensor wiring to the Main Base Board
- a faulty thermistor

See the Thermistors section on page 74 for thermistor description, identifiers and connections.

Suction Gas Thermistor

Alarm 11 — Circuit A (th.12)

Alarm 12 — Circuit B (th.13)

Alarm 13 — Circuit C (th.14)

Criteria for Trip — This alarm criterion is tested whether the unit is ON or OFF. If the suction gas temperature as measured by the thermistor is outside of the range -40 to 245°F (-40 to 118.3°C).

Action To Be Taken — The affected circuit shuts down normally.

Reset Method — Automatic, once the thermistor reading is within the expected range. The affected circuit will restart once the alarm has cleared.

Possible Causes — If this condition is encountered, check the following items:

- sensor wiring to the EXV board
- board for a faulty channel
- a faulty thermistor

See the Thermistors section on page 74 for thermistor description, identifiers and connections.

Circuit Discharge Gas Thermistor Sensor Failure

Alarm 14 — Circuit A (th.15)

Alarm 15 — Circuit B (th.16)

Alarm 16 — Circuit C (th.17)

Criteria for Trip — This alarm criterion is tested whether the unit is ON or OFF. The alarm is tripped if the temperature measured by the Outdoor Air Thermistor sensor is outside the range of -40 to 245°F (-40 to 118.3°C).

Action To Be Taken — The unit shuts down normally, or is not allowed to start.

Reset Method — Automatic, the alarm will reset once the thermistor reading is within the expected range.

Possible Causes — If this condition is encountered, check the following items:

- sensor wiring to the CPM board
- a faulty thermistor
- a faulty channel on the board

See the Thermistors section on page 74 for thermistor description, identifiers and connections.

Condenser Subcooling Liquid Thermistor

Alarm 17 — Circuit A (th.18)

Alarm 18 — Circuit B (th.19)

NOTE: Alarms 17 and 18 are not used or supported. If this condition is encountered, confirm machine configuration.

Alarm 19 — Space Temperature Sensor Failure (th.21)

Criteria for Trip — This alarm criterion is checked whether the unit is ON or OFF and if Space Temperature Reset has been enabled. This alarm is generated if the outdoor-air temperature as measured by the thermistor is outside of the range -40 to 245°F (-40 to 118.3°C).

Action To Be Taken — Unit operates under normal control. Temperature Reset based on Space Temperature is disabled.

Reset Method — Automatic, once the thermistor reading is within the expected range. The Space Temperature Reset will resume once the alarm has cleared.

Possible Causes — If this condition is encountered, check the following items:

- sensor wiring to the Energy Management Module
- board for a faulty channel
- a faulty thermistor

For thermistor descriptions, identifiers and connections, see the Thermistors section.

Alarm 20 — Cooler Heater Feedback Sensor Thermistor (th.23)

NOTE: Alarm 20 is not used or supported. If this condition is encountered, confirm machine configuration.

Economizer Gas Thermistor

Alarm 21 — Circuit A (th.24)

Alarm 22 — Circuit B (th.25)

Alarm 23 — Circuit C (th.26)

Criteria for Trip — This alarm criterion is tested whether the unit is ON or OFF. The alarm is tripped if the Economizer gas reading is outside the range of -40 to 245°F (-40 to 118.3°C).

Action To Be Taken — The unit shuts down normally, or is not allowed to start.

Reset Method — Automatic, the alarm will reset once the thermistor reading is within the expected range.

Possible Causes — If this condition is encountered, check the following items:

- sensor wiring to the EXV board
- a faulty thermistor
- a faulty channel on the board

See the Thermistors section on page 74 for thermistor description, identifiers and connections.

Discharge Transducer

Alarm 24 — Circuit A (Pr.01)

Alarm 25 — Circuit B (Pr.02)

Alarm 26 — Circuit C (Pr.03)

Criteria for Trip — The criterion is tested whether the circuit is ON or OFF. This alarm is generated if the voltage as sensed by the MBB or Fan Board C (FBC) is 0 vdc, which corresponds to the Navigator™ display of -7 psi (-48.3 kPa).

Action To Be Taken — The circuit is shut down normally, or not allowed to start.

Reset Method — Automatic, once the transducer voltage is greater than 0 vdc, which corresponds to the Navigator display of a value greater than -7 psi (-48.3 kPa).

Possible Causes — If this condition is encountered, check the following items:

- sensor wiring to Main Base Board (Alarms 24 and 25)
- sensor wiring to Fan Board C (Alarm 26)
- board for a faulty channel
- for a faulty transducer
- confirm unit configuration

Suction Pressure Transducer Failure

Alarm 27 — Circuit A (Pr.04)

Alarm 28 — Circuit B (Pr.05)

Alarm 29 — Circuit C (Pr.06)

Criteria for Trip — The criteria are tested whether the circuit is ON or OFF. The alarm is generated if one of the following criteria is met:

1. If the voltage as sensed by the MBB or Fan Board C is 0 vdc, which corresponds to the Navigator™ display of -7 psi (-48.3 kPa).
2. The circuit is ON in cooling mode and the Saturated Suction Temperature (**Saturated Suction Temp, SST**) for the circuit is greater than the Entering Water Temperature and EXV opening is less than 50% for more than 60 seconds.

Action To Be Taken — The circuit is shut down immediately, or not allowed to start.

1. *Reset Method* — Automatic, once the transducer voltage is greater than 0 vdc, which corresponds to the Navigator display of a value greater than -7 psi (-48.3 kPa).
2. Automatic once the circuit's saturated suction temperature is lower than the Entering Water Temperature by 3°F (1.6°C). If this criterion trips the alarm 3 times within a 24-hour period, the alarm changes to a manual reset.

Possible Causes — If this condition is encountered, check the following items:

- sensor wiring to Main Base Board (Alarms 27 and 28)
- sensor wiring to Fan Board C (Alarm 29)
- board for a faulty channel
- faulty transducer
- faulty entering water temperature sensor
- unit configuration
- low refrigerant charge
- excessive hot gas bypass

Reclaim Pumpdown Pressure Transducer

Alarm 30 — Circuit A (Pr.07)

Alarm 31 — Circuit B (Pr.08)

NOTE: Alarms 30 and 31 are not used or supported. If this condition is encountered, confirm machine configuration.

Oil Pressure Transducer

Alarm 32 — Circuit A (Pr.10)

Alarm 33 — Circuit B (Pr.11)

Alarm 34 — Circuit C (Pr.12)

Criteria for Trip — The criteria are tested whether the circuit is ON or OFF. The alarm is generated if one of the following criteria is met:

1. If the voltage as sensed by the MBB or Fan Board C is 0 vdc, which corresponds to the Navigator display of -7 psi (-48.3 kPa).
2. The circuit is OFF and outside air temperature is below 35.6°F (2°C).
3. The circuit is OFF and the fluid type is brine.

Action To Be Taken — The circuit is shut down immediately, or not allowed to start.

Reset Method — Automatic, once the transducer voltage is greater than 0 vdc.

Possible Causes — If this condition is encountered, check the following items:

- sensor wiring to CPM board
- board for a faulty channel
- faulty transducer
- plugged oil filter
- faulty oil solenoid valve coil
- stuck oil solenoid valve
- confirm unit configuration

Economizer Pressure Transducer Failure

Alarm 35 — Circuit A (Pr. 13)

Alarm 36 — Circuit B (Pr. 14)

Alarm 37 — Circuit C (Pr. 15)

Criteria for Trip — For economized units only. The criteria are tested whether the circuit is ON or OFF. The alarm is generated if the voltage as sensed by the MBB or Fan Board C is 0 vdc, which corresponds to the Navigator display of -7 psi (-48.3 kPa).

Action To Be Taken — The circuit is shut down immediately, or not allowed to start.

Reset Method — Automatic, once the transducer voltage is greater than 0 vdc, which corresponds to the Navigator display of a value greater than -7 psi (-48.3 kPa).

Possible Causes — If this condition is encountered, check the following items:

- sensor wiring to EXV Board
- EXV board for a faulty channel
- faulty transducer
- faulty economizer EXV or EXV wiring
- faulty economizer EXV channel on the board
- closed or partially closed suction service valve
- confirm unit configuration

Loss of Communication with Compressor Board

Alarm 38 — Compressor Board A (Co.A1)

Alarm 39 — Compressor Board B (Co.B1)

Alarm 40 — Compressor Board C (Co.C1)

Criteria for Trip — The alarm criterion is tested whether the unit is ON or OFF. If communication with the Compressor Protection Module Board (CPM) is lost for a period of 10 seconds, the alarm will be generated.

Action To Be Taken — The affected compressor will be shut down.

Reset Method — Automatic, if communication is established. If called for, the compressor will start normally.

Possible Causes — If this condition is encountered, check the following items:

- power supply to the affected CPM board
- address of the CPM
- local equipment network (LEN) wiring
- confirm unit configuration

Loss of Communication with EXV Board

Alarm 41 — Circuit A, EXV Board A (Co.E1)

Alarm 42 — Circuit B, EXV Board B (Co.E2)

Alarm 43 — Circuit C, EXV Board C (Co.E3)

Criteria for Trip — The alarm criterion is tested whether the unit is ON or OFF. If communication with EXVA, B or C is lost for a period of 10 seconds, the alarm will be triggered.

Action To Be Taken — If running, Circuit A, B or C will shut down normally. If Circuit A, B or C is not operating, it will not be allowed to start.

Reset Method — Automatic, if communication is established, the unit will start normally.

Possible Causes — If this condition is encountered, check the following items:

- power supply to EXVA, B or C
- address of the EXV board
- local equipment network (LEN) wiring
- confirm unit configuration

Alarm 44 — Loss of Communication with Fan Board 1 (Co.F1)

Criteria for Trip — The criterion is tested whether the unit is ON or OFF. If communication with Fan Board A is lost for a period of 10 seconds, the alarm will be triggered.

Action To Be Taken — If the number of fans per circuit is greater than four fans per circuit, Circuit A will shut down normally if they are running. Circuit B will continue to run. If the circuit or circuits controlled by the board are not running, then they will not be allowed to start.

Reset Method — Automatic, if communication is established, the unit will start normally.

Possible Causes — If this condition is encountered, check the following items:

- power supply to Fan Board A
- address of the Fan Board A
- local equipment network (LEN) wiring
- confirm unit configuration

Alarm 45 — Loss of Communication with Fan Board 2 (Co.F2)

Criteria for Trip — The criterion is tested whether the unit is ON or OFF, and only if Circuit A or B has more than four fans per circuit.

NOTE: Fan Board B controls Circuit B only.

Action To Be Taken — If communication with Fan Board B is lost for a period of 10 seconds, the alarm will be triggered. If running, Circuit B will shut down normally. If Circuit B is not running, then it will not be allowed to start.

Reset Method — Automatic, if communication is established, the unit will start normally.

Possible Causes — If this condition is encountered, check the following items:

- power supply to Fan Board B
- address of the Fan Board B
- local equipment network (LEN) wiring
- confirm unit configuration

Alarm 46 — Loss of Communication with Fan Board 3 (Co.F3)

Criteria for Trip — The criterion is tested whether the unit is ON or OFF, and on units with three circuits only. If communication with Fan Board C is lost for a period of 10 seconds, the alarm will be triggered.

Action To Be Taken — If running, Circuit C will shut down normally. If circuit is not running, then it will not be allowed to start.

Reset Method — Automatic, if communication is established, the unit will start normally.

Possible Causes — If this condition is encountered, check the following items:

- power supply to Fan Board C
- address of the Fan Board C
- local equipment network (LEN) wiring
- confirm unit configuration

Loss of Communication with Free Cooling Board

Alarm 47 — Board 1 (Co.01)

Alarm 48 — Board 2 (Co.02)

NOTE: Alarms 47 and 48 are not used or supported. If this condition is encountered, confirm machine configuration.

Alarm 49 — Loss of Communication with Energy Management Module Board (Co.03)

Criteria for Trip — The criterion is tested whether the unit is ON or OFF and when a function that requires the Energy Management Module (EMM) is configured. If communication with the EMM is lost for a period of 10 seconds, the alarm will be triggered.

Action To Be Taken — If any function controlled by the EMM (3-Step and 4-20 mA Demand Limit, 4-20 mA and Space Temperature Reset, Occupancy Override, and Ice Build) is active, that function will be terminated. If an EMM function is programmed, and communication is lost, the function will not be allowed to start.

Reset Method — Automatic, if communication is established, the functions will be enabled.

Possible Causes — If this condition is encountered, check the following items:

- The EMM is installed, (**EMM NRCP2 Board, EMM**). If **EMM NRCP2 Board, EMM=YES**, then check for a control option that requires the EMM that may be enabled (correct configuration if not correct).
- power supply to EMM
- address of the EMM
- local equipment network (LEN) wiring
- confirm unit configuration to be sure that no options that require the EMM are enabled

Alarm 50 — Loss of Communication with Heat Reclaim Board (Co.04)

NOTE: Alarm 50 is not used or supported. If this condition is encountered, confirm machine configuration.

Alarm 51 — Loss of Communication with AUX Board 6 (Co.05)

Criteria for Trip — The alarm criteria are checked whether the unit is ON or OFF. If units are configured for dual cooler pump control (**Cooler Pumps Sequence, PUMP=2,3,4**) or HGBP = YES. If communication with the AUX board is lost then the alarm will be generated.

Action To Be Taken — Unit shut down or not allowed to start.

Reset Method — Automatic, if communication is established, the unit will start normally.

Possible Causes — If this condition is encountered, check the following items:

- power supply to the HGBP/PUMP board
- address of the HGBP/PUMP board

- local equipment network (LEN) wiring
- confirm network configuration

Alarm 52 — Cooler Freeze Protection (P.01)

Criteria for Trip — The alarm criteria are checked whether the unit is ON or OFF. If the entering or leaving water thermistor senses a temperature at the freeze point or less, the alarm will be generated. For a fresh water system (**Cooler Fluid Type, FLUD=1**), the freeze point is 34°F (1.1°C). For medium temperature brine systems (**Cooler Fluid Type, FLUD=2**), the freeze point is Brine Freeze Set Point (**Brine Freeze Setpoint, LOSP**). *Case 2:* The alarm criteria are checked when the unit is OFF. If the cooler heater is on and the current is below the setpoint on the cooler heater sensing relay, the alarm will be generated.

Action To Be Taken — Unit shut down or not allowed to start. Chilled water pump will be started.

Reset Method — Automatic, first occurrence in 24 hours if LWT rises to 6°F (3°C) above set point. Manual, if more than one occurrence in 24 hours.

Possible Causes — If this condition is encountered, check the following items:

- entering and leaving fluid thermistors for accuracy
- water flow rate
- loop volume — low loop volume at nominal flow rates can in extreme cases bypass cold water to the cooler
- freezing conditions
- heater tape and other freeze protection items for proper operation
- glycol concentration and adjust **LOSP** accordingly
- If the Leaving Water Set Point is above 40°F (4.4°C) and there is glycol in the loop, consider using the Medium Temperature Brine option (**Cooler Fluid Type, FLUD=2**) to utilize the brine freeze point instead of 34°F (1.1°C)

Condenser Freeze Protection

Alarm 53 — Circuit A (P.02)

Alarm 54 — Circuit B (P.03)

Alarm 55 — Circuit C (P.04)

NOTE: Alarms 53-55 are not used or supported. If this condition is encountered, confirm machine configuration.

Low Saturated Suction Temperature

Alarm 56 — Circuit A (P.05)

Alarm 57 — Circuit B (P.06)

Alarm 58 — Circuit C (P.07)

Criteria for Trip — The criteria are tested only when the circuit is ON. This alarm is generated if one of the following criteria is met:

- If the circuit Saturated Suction Temperature is below -13°F (-25°C) for more than 30 seconds or 40 seconds if OAT is less than 14°F (-10°C) or LWT is less than 36°F (2.2°C).
- If the circuit Saturated Suction Temperature is below -22°F (-30°C) for more than 10 seconds, or 20 seconds if OAT less than 50°F (10°C).

Action To Be Taken — The circuit is shut down immediately.

Prior to the alarm trip, the control will take action to avoid the alarm. See Operating Modes 21, 22 and 23 on page 71.

Reset Method — Automatic, first occurrence in 24 hours. Manual, if more than one occurrence in 24 hours.

Possible Causes — If this condition is encountered, check the following items:

- sensor wiring to Main Base Board (Alarm 56 and 57) or Fan Board C (Alarm 58)
- board for a faulty channel
- faulty suction transducer
- cooler water flow
- loop volume

- EXV operation
- liquid line refrigerant restriction, filter drier, service valve, etc.
- refrigerant charge
- If the Leaving Water Set Point is above 40°F (4.4°C) and there is glycol in the loop, consider using the Medium Temperature Brine option (**Cooler Fluid Type, FLUD=2**) to utilize the brine freeze point instead of 34°F (1.1°C).
- Closed suction service valve on DX Cooler units.

High Suction Superheat

Alarm 59 — Circuit A (P.08)

Alarm 60 — Circuit B (P.09)

Alarm 61 — Circuit C (P.10)

Criteria for Trip — The criteria are tested only when the circuit is ON. This alarm is generated if *all* of the following criteria are met:

- The EXV position is equal to or greater than 98%.
- The circuit's Suction Superheat (Suction Gas Temperature – Saturated Suction Temperature) is greater than the superheat control set point.
- The circuit's Saturated Suction Temperature is less than Maximum Operating Pressure (MOP) set point (**EXV MOP Setpoint, MOP**) for more than 5 minutes.

Action To Be Taken — The circuit is shut down normally.

Reset Method — Manual.

Possible Causes — If this condition is encountered, check the following items:

- suction pressure transducer wiring to Main Base Board (Alarm 59 and 60) or Fan Board C (Alarm 61)
- board for a faulty channel
- a faulty suction transducer
- suction gas thermistor wiring to EXV Board 1 (Alarm 41) or to EXV Board 2 (Alarm 42)
- suction gas thermistor sensor for accuracy
- for EXV Board 1 (Alarm 41) or EXV Board 2 (Alarm 42) faulty channel
- EXV operation
- a liquid line refrigerant restriction, filter drier, service valve, etc.
- refrigerant charge

Low Suction Superheat

Alarm 62 — Circuit A (P.11)

Alarm 63 — Circuit B (P.12)

Alarm 64 — Circuit C (P.13)

Criteria for Trip — The criteria are tested when the circuit is ON. This alarm is generated if the following criterion is met:

The EXV position is equal to or less than 5% and the circuit's Suction Superheat (Suction Gas Temperature – Saturated Suction Temperature) is less than the Suction Superheat Set Point (**EXVA Superheat Setpoint, SHPA, EXVB Superheat Setpoint, SHPB, or EXVC Superheat Setpoint, SHPC**) by at least 5°F (2.8°C) or the circuit Saturated Suction Temperature is greater than Maximum Operating Pressure (MOP) set point (**EXV MOP Setpoint, MOP**) for more than 5 minutes.

Action To Be Taken — The circuit is shut down normally.

Reset Method — Automatic, first occurrence in 24 hours. Manual, if more than one occurrence in 24 hours.

Possible Causes — If this condition is encountered, check the following items:

- suction pressure transducer wiring to Main Base Board (Alarm 62 and 63) or Fan Board C (Alarm 64)
- board for a faulty channel
- faulty suction transducer

- suction gas thermistor wiring to EXV Board 1 (Alarm 41) or to EXV Board 2 (Alarm 42)
- suction gas thermistor sensor for accuracy
- EXV Board 1 (Alarm 41) or EXV Board 2 (Alarm 42) faulty channel
- EXV operation
- confirm maximum operating pressure set point
- refrigerant charge level

Alarm 65 — Interlock Failure (P.14)

Criteria for Trip — The criteria are tested whether the unit is ON or OFF. This alarm is generated if the lockout switch (located in the Energy Management Module) is closed during normal operation.

Action To Be Taken — All compressors are shut down immediately without going through pumpdown and are not allowed to start.

Reset Method — Automatic, first occurrence in 24 hours. Manual, if more than one occurrence in 24 hours.

Possible Causes — If this condition is encountered, check the following items:

- remote lockout switch is closed.

Alarm 66 — Electrical Box Thermostat Failure/Reverse Rotation (P.28)

Criteria for Trip — The alarm criteria are checked whether the unit is ON or OFF. If channel 15A on the MBB, which is used for field wired external pump interlock, is open then the alarm will be generated.

Action To Be Taken — Unit shut down or note allowed to start.

Reset Method — Automatic, if the channel is closed, the unit will start normally.

Possible Causes — If this condition is encountered, check the following items:

- jumper wiring on TB5-1 and TB5-2 when channel is not in use
- external pump status
- field wiring for the external pump interlock

Alarm 67 — Loss of Communication with System Manager (P.29)

Criteria for Trip — The criterion is tested whether the unit is ON or OFF. This alarm is generated if the System Manager had established communications with the machine and is then lost for more than 2 minutes.

Action To Be Taken — The action to be taken by the control depends on the configuration. If Auto Start when SM lost is enabled, (**Cooler Heater Delta Spt, AUSM=YES**), then the unit will force the CCN Chiller Start Stop to **ENBL** and clear all forced points from the System Manager. The unit will revert to stand-alone operation.

Reset Method — Automatic, once communication is re-established.

Possible Causes — If this condition is encountered, check the following items:

- communication wiring
- power supply to the System Manager and unit controls

Alarm 68 — Master/Slave Communication Failure (P.30)

Criteria for Trip — The criterion is tested whether the units are ON or OFF and a master and slave machine has been configured, (**Master/Slave Select, MSSL=1** and **Master/Slave Select, MSSL=2**). If communication is lost for more than 3 minutes, this alarm is generated.

Action To Be Taken — Dual chiller control will be disabled and each unit will operate in Stand-Alone mode.

Reset Method — Automatic, once communication is re-established.

Possible Causes — If this condition is encountered, check the following items:

- CCN wiring
- control power to each Main Base Board, master and slave
- confirm correct configuration

Low Oil Pressure

Alarm 69 — Circuit A (P.67)

Alarm 70 — Circuit B (P.68)

Alarm 71 — Circuit C (P.69)

Criteria for Trip — The criteria are tested only when the compressor is ON. The alarm is generated if one of the following occurs, where:

oil = oil pressure transducer reading for appropriate compressor

sp = suction pressure reading for the affected circuit

dp = discharge pressure reading for the affected circuit

$oil_sp1 = 0.7 \times (dp-sp) + sp$

$oil_sp2 = sp + 7.2 \text{ psi (15 seconds after start)}$

$oil_sp2 = sp + 14.5 \text{ psi (45 seconds after start)}$

If the compressor starts with the ambient temperature (OAT) less than 36°F [2°C] the oil pressure monitoring is delayed by 30 seconds.

Action To Be Taken — The affected compressor will be stopped. The other compressors will continue to operate.

Reset Method — Manual.

Possible Causes — If this condition is encountered, check the following items:

- sensor wiring to the CPM Board
- board for a faulty channel
- faulty transducer
- plugged oil filter
- faulty oil solenoid valve coil
- stuck oil solenoid valve
- stuck check valve
- manual shut off valve to ensure it is fully open
- confirm unit configuration

Max Oil Filter Differential Pressure Failure

Alarm 72 — Circuit A (P.70)

Alarm 73 — Circuit B (P.71)

Alarm 74 — Circuit C (P.72)

Criteria for Trip — The criterion is tested when the compressor has been operating for at least 5 seconds. The alarm is generated if the difference between the Circuit Discharge Pressure and the Compressor Oil Pressure is greater than 50 psi (345 kPa) for more than 30 seconds.

Action To Be Taken — The affected compressor will be turned off.

Reset Method — Manual

Possible Causes — If this condition is encountered, check the following items:

- check the discharge and oil sensor wiring to the Main Base Board and CPM board
- boards for a faulty channel
- faulty transducer
- plugged oil filter
- faulty oil solenoid valve coil
- stuck oil solenoid valve
- stuck check valve
- manual shut off valve to ensure it is fully open

High Oil Filter Pressure Drop

Alarm 75 — Circuit A (P.84)

Alarm 76 — Circuit B (P.85)

Alarm 77 — Circuit C (P.86)

Criteria for Trip — The criterion is tested when the compressor has been operating for at least 5 seconds. The alarm is generated if the difference between the Circuit Discharge Pressure and the Compressor Oil Pressure is greater than 30 psi for more than 5 minutes.

Action To Be Taken — The compressor will continue to run.

Reset Method — Manual

Possible Causes — If this condition is encountered, check the following items:

- discharge and oil sensor wiring to the Main Base Board and CPM board
- boards for a faulty channel
- faulty transducer
- plugged oil filter
- faulty oil solenoid valve coil
- oil solenoid valve stuck open
- stuck check valve
- manual shut off valve to ensure it is fully open

Check the power supply to the System Manager and unit controls.

Low Oil Level Failure

Alarm 78 — Circuit A (P.75)

Alarm 79 — Circuit B (P.76)

Alarm 80 — Circuit C (P.77)

Criteria for Trip — The criteria are tested whether the compressor is on or off. The alarm is generated if:

- The compressor is not running and an increase in capacity is required and the compressor is not started.
- The compressor is running and the oil level switch is open for more than 45 seconds.

Action To Be Taken — The affected compressor will be turned off.

Reset Method — Automatic, when the oil level is elevated, first three times the alarm is tripped in a 24-hour period. Manual if alarm is tripped more than three times in a 24-hour period.

Possible Causes — If this condition is encountered, check the following items:

- oil level in the oil separator
- oil level switch wiring to the CPM board
- CPM board for a faulty channel
- faulty oil level switch
- oil solenoid valve stuck open

Alarm 81 — Master Chiller Configuration Error (MC.nn)

Criteria for Trip — The criterion is tested whether the unit is ON or OFF. The units must be configured as a Master and Slave machine (**Master/Slave Select, MSSL=1** and **Master/Slave Select, MSSL=2**), and one of the following configuration errors has been found. The “nn” refers to the error code listed in Table 62.

Action To Be Taken — Unit not allowed to start in Master Slave control.

Reset Method — Automatic

Possible Causes — If this condition is encountered, check the following:

- CCN wiring.
- Control power to each Main Base Board, master and slave.
- Move to first position.
- Confirm unit configuration.

Table 62 — Master/Slave Alarm Code

MC ERROR CODE	MASTER	SLAVE	DESCRIPTION
01	X	X	The master or slave water pump is not configured while the control of the lag unit pump is required (<i>lag_pump = 1</i>)
02	X		Master and slave units have the same network address.
03	X		There is no slave configured at the slave address
04	X		Slave <i>pump_seq</i> incorrect configuration
05	X		There is a conflict between the master and the slave LWT option: the master is configured for EWT control while the slave is configured for LWT control.
06	X		There is a conflict between the master and the slave LWT option: the master is configured for LWT control while the slave is configured for EWT control.
07	X		There is a conflict between the master and the slave pump option: the master is configured for lag pump control while the slave is not configured for lag pump control.
08	X		There is a conflict between the master and the slave pump option: the master is not configured for lag pump control while the slave is configured for lag pump control.
09	X	X	The slave chiller is in local or remote control (<i>chilstat = 3</i>)
10	X	X	The slave chiller is down due to fault (<i>chilstat = 5</i>)
11	X		The master chiller operating type is not Master: <i>master_oper_typ</i>
12	X	X	No communication with slave.
13	X		Master and slave heat cool status are not the same.

LEGEND

EWT — Entering Water Temperature
LWT — Leaving Water Temperature

Alarm 82 — Initial Factory Configuration Required (FC.n0)

Criteria for Trip — The criterion is tested whether the unit is ON or OFF. The alarm will be generated if the **Unit Capacity Model, TONS=0**.

Action To Be Taken — The unit is not allowed to start.

Reset Method — Automatic after factory configuration is complete. The configuration must be manually completed.

Possible Causes — If this condition is encountered, confirm the unit configuration.

Alarm 83 — Illegal Configuration (FC.nn)

Criteria for Trip — The criterion is tested whether the unit is ON or OFF. The alarm will be generated if the one of the following configuration errors is detected by the control. The “nn” refers to the error code listed in Table 63.

Action To Be Taken — The unit is not allowed to start.

Reset Method — Automatic after reconfiguration is completed.

Possible Causes — If this condition is encountered, confirm the unit configuration (**None, UNIT**).

Alarm 84 — Unit is in Emergency Stop (P.31)

Criteria for Trip — The criterion is tested whether the units are ON or OFF and when the machine receives a Carrier Comfort Network® (CCN) command for an Emergency Stop.

Action To Be Taken — Unit will stop, or will not allowed to start.

Reset Method — Automatic, once a return to normal command is received.

Possible Causes — If this condition is encountered, check for CCN Emergency Stop command.

Table 63 — Illegal Configuration Alarm Code

FC ERROR CODE	DESCRIPTION
01	Unit size is unknown.
02	Reclaim option selected for Heat Pump machine.
03	Hot Gas Bypass configured for a Heat Pump machine.
04	Number of Fans controlled by low ambient temperature head pressure control is greater than expected.

Cooler Pump Fault

Alarm 85 — Pump 1 Fault (P.32)

Alarm 86 — Pump 2 Fault (P.33)

Criteria for Trip — The criterion is tested whether the units are ON or OFF. This alarm will be generated if the cooler pump interlock opens. When starting the pump, the control must read an open circuit for 3 consecutive reads. If the pump is operating and the circuit opens, the alarm will be generated immediately.

Action To Be Taken — The pump and machine will be shut down. If there is another pump available, the control will start that pump, restart the machine and clear the alarm. If no other pump is available, the unit will remain OFF.

Reset Method — Manual.

Possible Causes — If this condition is encountered, check the following items:

- interlock wiring circuit
- control signal to the pump controller
- cooler pump contactor for proper operation
- control voltage for proper voltage (on 208-volt systems, be sure the proper tap on TRAN1 is utilized)
- open chilled water flow switch

Alarm 87 — Condenser Flow Switch Failure (P.15)

NOTE: Alarm 87 is not used or supported. If this condition is encountered, confirm machine configuration.

Reclaim Operation Failure

Alarm 88 — Circuit A (P.34)

Alarm 89 — Circuit B (P.35)

Repeated High Discharge Gas Overrides

Alarm 90 — Circuit A (P.37)

Alarm 91 — Circuit B (P.38)

Alarm 92 — Circuit C (P.39)

Criteria for Trip — The criterion is tested when the circuit is ON. This alarm will be tripped if the circuit capacity is reduced more than 8 times in 30 minutes due to high discharge gas temperatures. If no override occurs in a 30-minute period, the counter is reset.

Action To Be Taken — The affected circuit will be shut down.

Reset Method — Automatic, after 30 minutes. If the alarm is cleared via the Manual method, the counter will be reset to zero.

Possible Causes — If this condition is encountered, check the following items:

- Maximum Condensing Temperature (MCT) for the proper setting
- noncondensables in the refrigerant circuit
- condenser air re-circulation
- proper refrigerant charge (overcharged)
- operation beyond the limit of the machine
- condenser coils for debris or restriction
- condenser fans and motors for proper rotation and operation
- discharge service valve to be sure that it is open. Check the discharge pressure transducer for accuracy
- confirm unit configuration

Repeated Low Suction Temperature Protection

Alarm 93 — Circuit A (P.40)

Alarm 94 — Circuit B (P.41)

Alarm 95 — Circuit C (P.42)

Criteria for Trip — The criterion is tested when the circuit is ON. If the circuit operates and if more than 8 successive circuit capacity decreases (stop the compressor) have occurred because of low suction temperature protection overrides, the circuit alarm will be tripped. If no override has occurred for more than 30 minutes, the override counter will be reset to zero.

Action To Be Taken — ALARM_LED will be set to blinking. Alert relay will be energized.

Reset Method — Automatic, when the override counter returns to zero. If the alarm is cleared via the Manual method, the counter will be forced to zero.

Possible Causes — If this condition is encountered, check the following items:

- suction transducer for accuracy
- suction transducer wiring
- EXV operation
- proper refrigerant charge (undercharged)
- evaporator loop for low water flow
- evaporator leaving water temperature
- suction service valve to be sure it is open
- plugged filter drier

Alarm 96 — Low Entering Water Temperature in Heating (P.43)

NOTE: Alarm 96 is not used or supported. If this condition is encountered, confirm machine configuration.

Condenser Default

Alarm 97 — Pump 1 (P.73)

Alarm 98 — Pump 2 (P.74)

NOTE: Alarms 97 and 98 are not used or supported. If this condition is encountered, confirm machine configuration.

High Discharge Temperature

Alarm 99 — Circuit A (P.78)

Alarm 100 — Circuit B (P.79)

Alarm 101 — Circuit C (P.80)

Criteria for Trip — The criterion is tested when the compressor is operating. This alarm will be tripped if the discharge gas temperature is higher than 212°F (100°C) for more than 90 seconds.

Action To Be Taken — The affected compressor will be stopped.

Reset Method — Manual.

Possible Causes — If this condition is encountered, check the following items:

- noncondensables in the refrigerant circuit
- condenser air re-circulation
- proper refrigerant charge (undercharged) EXV operation

- EXV operation
- operation beyond the limit of the machine
- condenser coils for debris or restriction
- condenser fans and motors for proper rotation and operation
- the discharge service valve to be sure that it is open, check the discharge pressure transducer for accuracy
- confirm unit configuration

Low Economizer Pressure

Alarm 102 — Circuit A (P.81)

Alarm 103 — Circuit B (P.82)

Alarm 104 — Circuit C (P.83)

Criteria for Trip — The criterion is tested when the compressor is operating to prevent pumpdown conditions when the suction service valve is closed. This alarm will be tripped if the economizer pressure is below the suction pressure more than 1 bar (14.5 psi) for more than 10 seconds.

Action To Be Taken — The affected compressor will be stopped.

Reset Method — Manual.

Possible Causes — If this condition is encountered, check the following items:

- suction service valve is closed
- sensor wiring to the EXV boards
- boards for faulty channels
- faulty transducer
- economizer EXV operation

Slide Valve Control Unverifiable

Alarm 105 — Circuit A (P.87)

Alarm 106 — Circuit B (P.88)

Alarm 107 — Circuit C (P.89)

Criteria for Trip — The criteria are tested when the compressor is operating and the active cooling set point is greater than 32°F (0°C). This alarm will be tripped if the circuit is operating at 100% of capacity and the measured current is less than 1.1 times the current at fully unloaded 30% for more than one minute.

Action To Be Taken — The affected compressor continues to run.

Reset Method — Manual.

Possible Causes — If this condition is encountered, check the following items:

- faulty unloader solenoid valves
- faulty unloader solenoid coils
- wiring of the unloader solenoid valves
- CPM board for faulty channels
- current transformer reading for accuracy

Alarm 108 — Cooler Flow Switch Setpoint Configuration Failure (P.90)

NOTE: Alarm 108 is not used or supported. If this condition is encountered, confirm machine configuration.

Alarm 109 — Cooler Flow Switch Failure (P.91)

Criteria for Trip — The criteria are tested when the unit is on or off. This alarm will be tripped when the unit is on if:

- The flow switch fails to close after the Off/On delay.
- If the master/slave control is active, the unit is the lag chiller and if the cooler flow switch fails to close within one minute after the cooler pump was restarted. The alarm is ignored if the lag cooler pump is stopped as a result of master/slave control.
- The flow switch is opened during normal operation.

The alarm will be tripped when the unit is off if:

- The cooler pump control is enabled (**Cooler Pumps Sequence, PUMP=0**) and the cooler flow switch is checked when the pump is enabled (**Flow Checked if C Pump Off, P.LOC**) and the cooler flow switch is closed after the cooler pump is commanded OFF for more than 2 minutes.
- The flow switch fails to close after the Off/On delay after the cooler pump has been turned on to protect the cooler from freezing (**Cooler Pumps Sequence, PUMP=0**).

Action To Be Taken — For criteria for trip A1 and A2, the compressors will not be started.

For criteria for trip A3, all compressors will be stopped without going through pumpdown. Cooler pump will be stopped with no delay.

For criteria for trip B1, the unit will not start.

Reset Method — Manual if at least one compressor is operating. Automatic if no compressors are operating.

Possible Causes — If this condition is encountered, check the following items:

- a faulty flow switch
- flow switch wiring
- Main Base Board for a faulty channel
- Minutes off time set to 0 (DELY, unit off to on delay)

Alarm 127 — Water Exchanger Temperature Sensors Swapped (P.97)

Criteria for Trip — The alarm criterion is checked when the chiller is ON and one or more compressors is running. This alarm will be tripped if the entering water temperature is less than the leaving water temperature for more than 1 minute.

Action To Be Taken — The chiller is shut down immediately.

Reset Method — Manual.

Possible Causes — If this condition is encountered, check the following items:

- Check LWT and EWT wiring at main base board (connector J6, channels 1,2).
- Check for faulty entering or leaving water temperature sensor.
- Check cooler nozzles for proper water temperature sensor locations.

Alarm 110 — Service Maintenance Alert (Sr.nn)

Criteria for Trip — This alert is tested whether the unit is ON or OFF and when the Servicing Alert decisions listed under **Time Clock**→**MCFG** have been enabled. The alarm will be generated if the one of the following configuration errors is detected by the control. The “nn” refers to the error code listed in Table 64.

Table 64 — Service Maintenance Alert Codes

CODE	DESCRIPTION
Sr.01	Circuit A Loss of Refrigerant Charge
Sr.02	Circuit B Loss of Refrigerant Charge
Sr.03	Circuit C Loss of Refrigerant Charge
Sr.04	Water Loop Size Warning
Sr.05	Air Exchanger Cleanliness Warning
Sr.06	Cooler Pump 1 Servicing Required
Sr.07	Cooler Pump 2 Servicing Required
Sr.08	Condenser Pump 1 Servicing Required
Sr.09	Condenser Pump 2 Servicing Required
Sr.10	Water Filter Servicing Required
Sr.11	Compressor A Oil Filter Servicing Required
Sr.12	Compressor B Oil Filter Servicing Required
Sr.13	Compressor C Oil Filter Servicing Required

Action To Be Taken — None.

Reset Method — Manual, after the service has been completed.

Possible Causes — If the Sr-01, 02, or 03 conditions are encountered, check the following items:

- refrigerant charge
- sensor wiring to the Main Base Board
- sensor for accuracy

Compressor Motor Temperature Too High

Alarm 111-01 — Circuit A (A1.01)

Alarm 112-01 — Circuit B (B1.01)

Alarm 113-01 — Circuit C (C1.01)

Criteria for Trip — The alarm criteria are checked when the compressor is ON. This alarm will be generated if:

- The temperature is greater than 245°F (118°C) and it has been greater than 212°F (100°C) for 10 consecutive seconds.
- The compressor temperature is greater than 232°F (111°C) for 90 seconds (but less than 250°F [120 C]).

Action To Be Taken — The circuit shuts down immediately.

Reset Method — Manual

Possible Causes — If this condition is encountered, check the following items:

- faulty wiring and loose plugs
- faulty CPM board

Compressor Motor Temperature Out of Range

Alarm 111-02 — Circuit A (A1.02)

Alarm 112-02 — Circuit B (B1.02)

Alarm 113-02 — Circuit C (C1.02)

Criteria for Trip — The alarm criterion is checked when the compressor is ON. This alarm will be generated if: the temperature is greater than 245°F (118°C) and it has NOT been greater than 212°F (100°C) for 10 consecutive seconds.

Action To Be Taken — The compressor will be stopped.

Reset Method — Manual

Possible Causes — If this condition is encountered, check the following items:

- faulty compressor temperature thermistor
- faulty wiring and loose plugs
- faulty CPM board

Compressor High Pressure Switch Protection

Alarm 111-03 — Circuit A (A1.03)

Alarm 112-03 — Circuit B (B1.03)

Alarm 113-03 — Circuit C (C1.03)

Criteria for Trip — The alarm criterion is checked when the compressor is ON. This alarm will be generated if the circuit high-pressure switch (HPS) opens for more than 2 seconds. The CPM board monitors the HPS switch.

Action To Be Taken — The compressor will be stopped.

Reset Method — Manual (reset button on switch)

Possible Causes — If this condition is encountered, check the following items:

- condenser fan or contactor failure or loss of condenser air flow
- compressor operating beyond the operation envelope
- faulty high pressure switch or wiring
- faulty CPM board

Compressor Overcurrent

Alarm 111-04 — Circuit A (A1.04)

Alarm 112-04 — Circuit B (B1.04)

Alarm 113-04 — Circuit C (C1.04)

Criteria for Trip — The alarm criterion is checked when the compressor is ON. This alarm will be generated if the CPM

board detects a motor current greater than 93% MTA (must trip amps) and less than 2 times that for more than 1.7 seconds.

Action To Be Taken — The compressor will be stopped.

Reset Method — Manual

Possible Causes — If this condition is encountered, check the following items:

- Compressor operating beyond the operation envelope.
- Incorrect MTA setting.

Compressor Locked Rotor

Alarm 111-05 — Circuit A (A1.05)

Alarm 112-05 — Circuit B (B1.05)

Alarm 113-05 — Circuit C (C1.05)

Criteria for Trip — The alarm criterion is checked during start-up when the compressor is ON. This alarm will be generated if the CPM board detects a high motor current compared with the MTA (must trip amps) setting for more than 450 ms.

Action To Be Taken — The compressor will be stopped.

Reset Method — Manual

Possible Causes — If this condition is encountered, check the following items:

- compressor mechanical failure
- unloader slide valve failure
- compressor motor failure

Compressor Phase Loss

Alarm 111-06 — Circuit A L1 (A1.06)

Alarm 112-06 — Circuit B L1 (B1.06)

Alarm 113-06 — Circuit C L1 (C1.06)

Alarm 111-07 — Circuit A L2 (A1.07)

Alarm 112-07 — Circuit B L2 (B1.07)

Alarm 113-07 — Circuit C L2 (C1.07)

Alarm 111-08 — Circuit A L3 (A1.08)

Alarm 112-08 — Circuit B L3 (B1.08)

Alarm 113-08 — Circuit C L3 (C1.08)

Criteria for Trip — The alarm criteria are checked during start-up when the compressor is ON. This alarm will be generated if:

- The current unbalance on any of the 3 phases is greater than 48% for more than 1 second continuously during start-up.
- The current unbalance on any of the 3 phases is greater than 48% for more than 2 seconds continuously during runtime.

Action To Be Taken — The compressor will be stopped.

Reset Method — Manual

Possible Causes — If this condition is encountered, check the following items:

- power failure
- blown fuse or tripped circuit breaker
- power wiring errors or loose terminals

Compressor Low Current

Alarm 111-09 — Circuit A (A1.09)

Alarm 112-09 — Circuit B (B1.09)

Alarm 113-09 — Circuit C (C1.09)

Criteria for Trip — The alarm criteria are checked when the compressor is ON. This alarm will be generated if:

- The current is less than 15% MTA on all three legs for more than 1 second for Wye-Delta start units.
- If the current is less than 15% of MTA on all three legs for more than 1 second for direct start units.

Action To Be Taken — The compressor will be stopped.

Reset Method — Manual

Possible Causes — If this condition is encountered, check the following items:

- power failure

- blown fuse or tripped circuit breaker
- deenergized contactor
- faulty current toroid
- high pressure switch (HPS) trip (when auto reset HPS is used)

Compressor Wye-Delta Starter Current Increase Failure

Alarm 111-10 — Circuit A (A1.10)

Alarm 112-10 — Circuit B (B1.10)

Alarm 113-10 — Circuit C (C1.10)

Criteria for Trip — The alarm criterion is checked during compressor start-up. This alarm will be generated if the current in Delta mode is not more than 25% greater than the current in Y mode within 550 ms.

Action To Be Taken — The compressor will be stopped.

Reset Method — Manual

Possible Causes — If this condition is encountered, check the following items:

- power supply failure to the delta contactor
- faulty wiring to the delta contactor
- faulty CPM board
- faulty current toroid

Compressor Contactor Failure

Alarm 111-11 — Circuit A (A1.11)

Alarm 112-11 — Circuit B (B1.11)

Alarm 113-11 — Circuit C (C1.11)

Criteria for Trip — The alarm criterion is checked during compressor shutdown. This alarm will be generated if the current is greater than 15% of the MTA on at least one phase for 10 continuous seconds.

Action To Be Taken — The compressor will be stopped.

Reset Method — Manual

Possible Causes — If this condition is encountered, check the following items:

- faulty or welded contactor
- faulty wiring
- faulty CPM board

Compressor Unable to Stop Motor

Alarm 111-12 — Circuit A (A1.12)

Alarm 112-12 — Circuit B (B1.12)

Alarm 113-12 — Circuit C (C1.12)

Criteria for Trip — The alarm criterion is checked during compressor shutdown. This alarm will be generated if after three attempts to turn off the compressor outputs and the current is still greater than 15% of the MTA on at least one phase for 10 continuous seconds.

Action To Be Taken — The compressor will be stopped.

Reset Method — Manual

Possible Causes — If this condition is encountered, check the following items:

- faulty or welded contactor
- faulty wiring

Compressor Phase Reversal

Alarm 111-13 — Circuit A (A1.13)

Alarm 112-13 — Circuit B (B1.13)

Alarm 113-13 — Circuit C (C1.13)

Criteria for Trip — The alarm criterion is checked during compressor start-up. This alarm will be generated if the CPM board detects a phase reversal from the current toroid.

Action To Be Taken — The compressor will be stopped.

Reset Method — Manual

Possible Causes — If this condition is encountered, check the following items:

- if power supply lead at the terminal block is not operating at the correct phase
- if power supply is crossed when going through the current toroid

Compressor MTA Configuration Fault

Alarm 111-14 — Circuit A (A1.14)

Alarm 112-14 — Circuit B (B1.14)

Alarm 113-14 — Circuit C (C1.14)

Criteria for Trip — The alarm criterion is checked whether the compressor is ON or OFF. This alarm will be generated if the MTA setting is out of the allowed MTA range.

Action To Be Taken — The compressor will be stopped.

Reset Method — Manual

Possible Causes — If this condition is encountered, check the following items:

- incorrect MTA settings
- faulty CPM board

Compressor Configuration Switch Mismatch

Alarm 111-15 — Circuit A (A1.15)

Alarm 112-15 — Circuit B (B1.15)

Alarm 113-15 — Circuit C (C1.15)

Criteria for Trip — The alarm criterion is checked whether the compressor is ON or OFF. This alarm will be generated if the CPM board S1 and S2 setting does not match software configuration.

Action To Be Taken — The compressor will be stopped.

Reset Method — Manual

Possible Causes — If this condition is encountered, check the following items:

- incorrect CPM board settings
- faulty CPM board

Compressor Unexpected Switch Setting Change

Alarm 111-16 — Circuit A (A1.16)

Alarm 112-16 — Circuit B (B1.16)

Alarm 113-16 — Circuit C (C1.16)

Criteria for Trip — The alarm criterion is checked when the compressor is ON. This alarm will be generated if the CPM board S1 setting has changed.

Action To Be Taken — The compressor will be stopped.

Reset Method — Manual

Possible Causes — If this condition is encountered, check the following items:

- incorrect CPM board settings
- faulty CPM board

Compressor Power on Reset

Alarm 111-17 — Circuit A (A1.17)

Alarm 112-17 — Circuit B (B1.17)

Alarm 113-17 — Circuit C (C1.17)

Criteria for Trip — The alarm criterion is checked when the compressor is ON. This alarm will be generated if the CPM board detects a power failure.

Action To Be Taken — The compressor will be stopped.

Reset Method — Manual

Possible Causes — If this condition is encountered, check for power interruptions.

Compressor UL 1998 Critical Section Software Error

Alarm 111-18 — Circuit A (A1.18)

Alarm 112-18 — Circuit B (B1.18)

Alarm 113-18 — Circuit C (C1.18)

Criteria for Trip — The alarm criterion is checked when the compressor is ON. This alarm will be generated if the CPM board detects a software error.

Action To Be Taken — The compressor will be stopped.

Reset Method — Manual

Possible Causes — If this condition is encountered, check the following items:

- electrical noise
- faulty CPM board

Compressor UL 1998 Current Measure Dual Channel Mismatch

Alarm 111-19 — Circuit A (A1.19)

Alarm 112-19 — Circuit B (B1.19)

Alarm 113-19 — Circuit C (C1.19)

Criteria for Trip — The alarm criterion is checked when the compressor is ON. This alarm will be generated if the CPM board detects a software error.

Action To Be Taken — The compressor will be stopped.

Reset Method — Manual

Possible Causes — If this condition is encountered, check the following items:

- electrical noise
- faulty CPM board

Service Test

Main power and control circuit power must be on for Service Test.

The Service Test function is used to verify proper operation of various devices within the chiller, such as condenser fan(s), compressors, minimum load valve solenoid (if installed), cooler pump(s) and remote alarm relay. This is helpful during the start-up procedure to determine if devices are installed correctly. See Fig. 78-83 for 30XA wiring diagrams.

To use the Service Test mode, the Enable/Off/Remote Contact switch must be in the OFF position. Use the display keys to move to the Service Test mode. The items are described in the Service Test table. There are two sub-modes available. **Service Test Enable, T.REQ** allows for manual control of the compressors and minimum load control. In this mode the compressors will operate only on command. The capacity control and head pressure control algorithms will be active. The condenser fans will operate along with the EXVs. There must be a load on the chiller to operate for an extended period of time. All circuit safeties will be honored during the test. **Quick Test Enable, Q.REQ** allows for test of EXVs, condenser fans, pumps, low ambient head pressure control speed control, oil separator, cooler heaters, oil solenoids, unloader solenoids and status points (alarm relays, running status and chiller capacity). If there are no keys pressed for 5 minutes, the active test mode will be disabled.

To enter the Manual Control mode with the Navigator™ display, the Enable/Off/Remote Contact switch must be in the OFF position. Move the LED to the Service Test mode. Press **[ENTER]** to access **TEST**. Press **[ENTER]** to access **T.REQ**. Press **[ENTER]** and the display will show **OFF**. Press **[ENTER]** and **OFF** will flash. Enter the password if required. Use either arrow key to change the **T.REQ** value to **ON** and press **[ENTER]**. Place the Enable/Off/Remote Switch in the enable position. Manual Control mode is now active. Press the arrow keys to move to the appropriate item. To activate an item locate the item, press **[ENTER]** and the display will show **OFF**. Press **[ENTER]** and **OFF** will flash. Use either arrow key to change the value to **ON** and press **[ENTER]**. The item should be active. To turn the item off, locate the item, press **[ENTER]** and the display will show

ON. The chiller must be enabled by turning the Enable/Off/Remote Contact switch to Enable. Press **ENTER** and **ON** will flash. Use either arrow key to change the value to **OFF** and press **ENTER**. The item should be inactive.

To enter the Quick Test mode, the Enable/Off/Remote Contact switch must be in the OFF position. Move the LED to the Service Test mode. Press **ENTER** to access **TEST**. Use the **▼** key until the display reads **QUIC**. Press **ENTER** to access **Q.REQ**. Press **ENTER** and the display will show **OFF**. Press **ENTER** and **OFF** will flash. Enter the password if required. Use either arrow key to change the **QUIC** value to **ON** and press **ENTER**. Quick Test mode is now active. Follow the same instructions for the Manual Control mode to activate a component (see Table 65).

Example — Test the condenser fan A1.

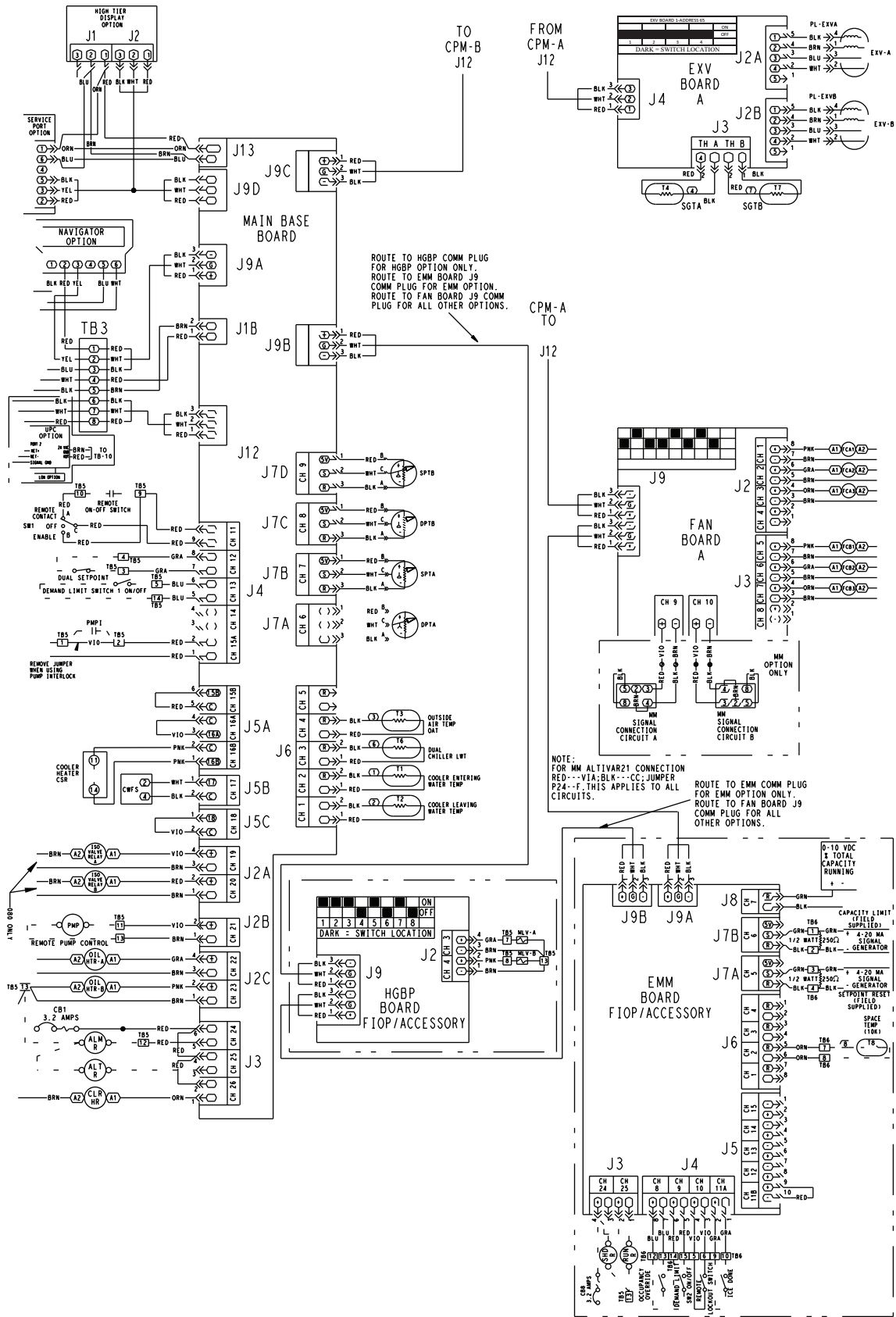
Power must be applied to the unit. Enable/Off/Remote Contact switch must be in the OFF position.

Test the condenser fans, cooler pump(s) and alarm relay by changing the item values from OFF to ON. These discrete outputs are then turned off if there is no keypad activity for 10 minutes. Test the compressor and minimum load valve solenoid (if installed) outputs in a similar manner. The minimum load valve solenoids will be turned off if there is no keypad activity for 10 minutes. Compressors will stay on until the operator turns them off. The Service Test mode will remain enabled for as long as there is one or more compressors running. All safeties are monitored during this test and will turn a compressor, circuit or the machine off if required. Any other mode or sub-mode can be accessed, viewed, or changed during the Manual Control mode only. The **STAT** item (**Run Status**→**VIEW**) will display “0” as long as the Service mode is enabled. The **TEST** sub-mode value must be changed back to OFF before the chiller can be switched to Enable or Remote contact for normal operation.

NOTE: There may be up to a one-minute delay before the selected item is energized.

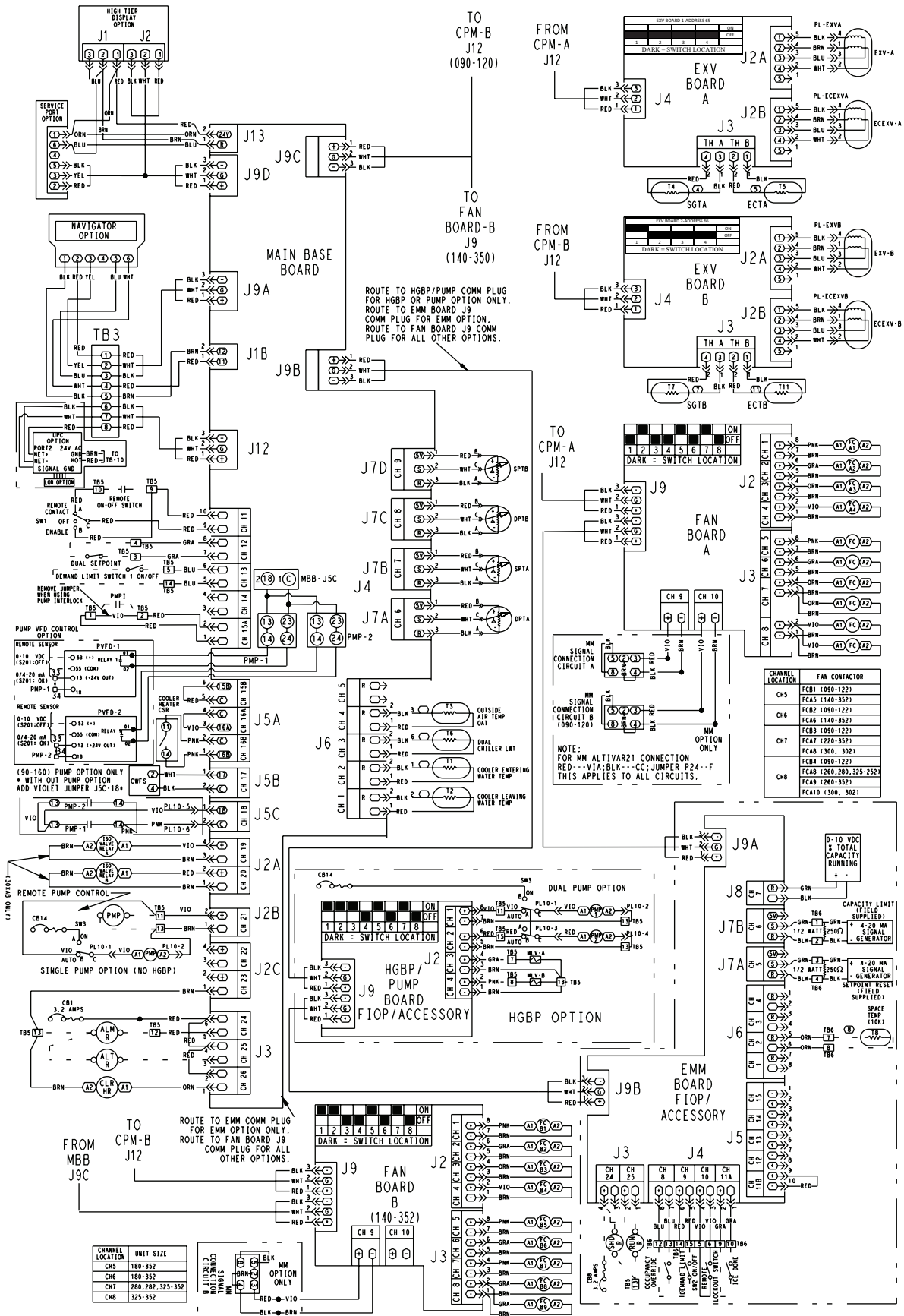
LEGEND FOR FIG. 78-83

ALM	— Alarm
ALT	— Alert
CB	— Circuit Breaker
CLR	— Cooler
CPM	— Compressor Protection Module
CSR	— Current Sensing Relay
CWFS	— Chilled Water Flow Switch
DPT	— Discharge Pressure and Temperature
ECEXV	— Economizer Electronic Expansion Valve
ECTA	— Economizer A Temp
EMM	— Energy Management Module
EXV	— Electronic Expansion Valve
FC	— Fuse
FIOP	— Factory-Installed Option
HGBP	— Hot Gas Bypass
HTR	— Heater
LWT	— Leaving Water Temperature
MBB	— Main Base Board
MLV	— Minimum Load Valve
MM	— Low Ambient Temperature Head Pressure Control
OAT	— Outdoor Air Temperature
PMP	— Pump
PMPI	— Pump Interlock
SGT	— Saturated Gas Temperature
SHD	— Loadshed
SPT	— Space Temperature
TB	— Terminal Block
UPC	— Universal Protocol Converter/BacNet Communications Option
XL	— Across-the-Line



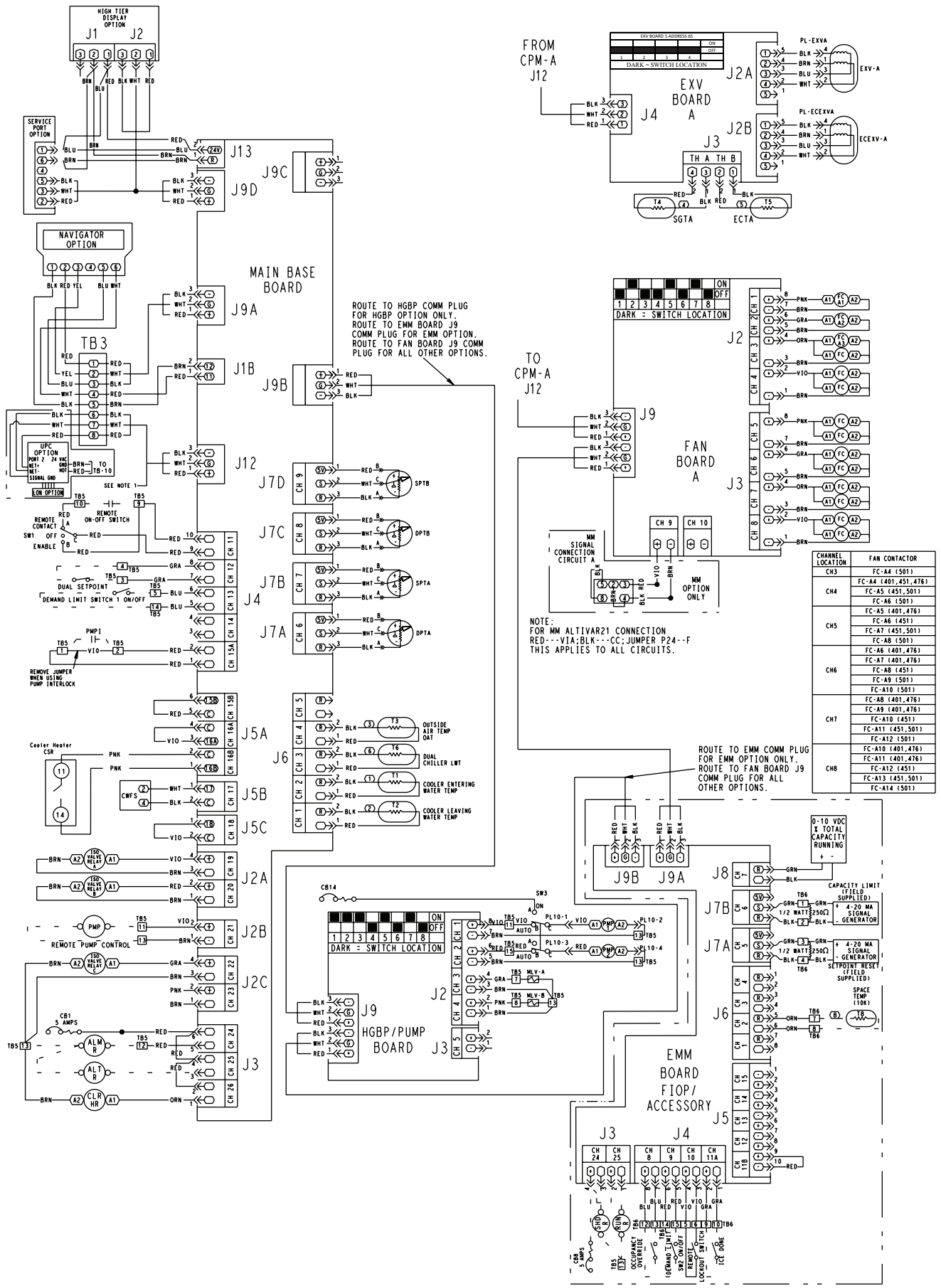
See legend on page 110.

Fig. 78 — 30XA080,082 Low Voltage Control Schematic



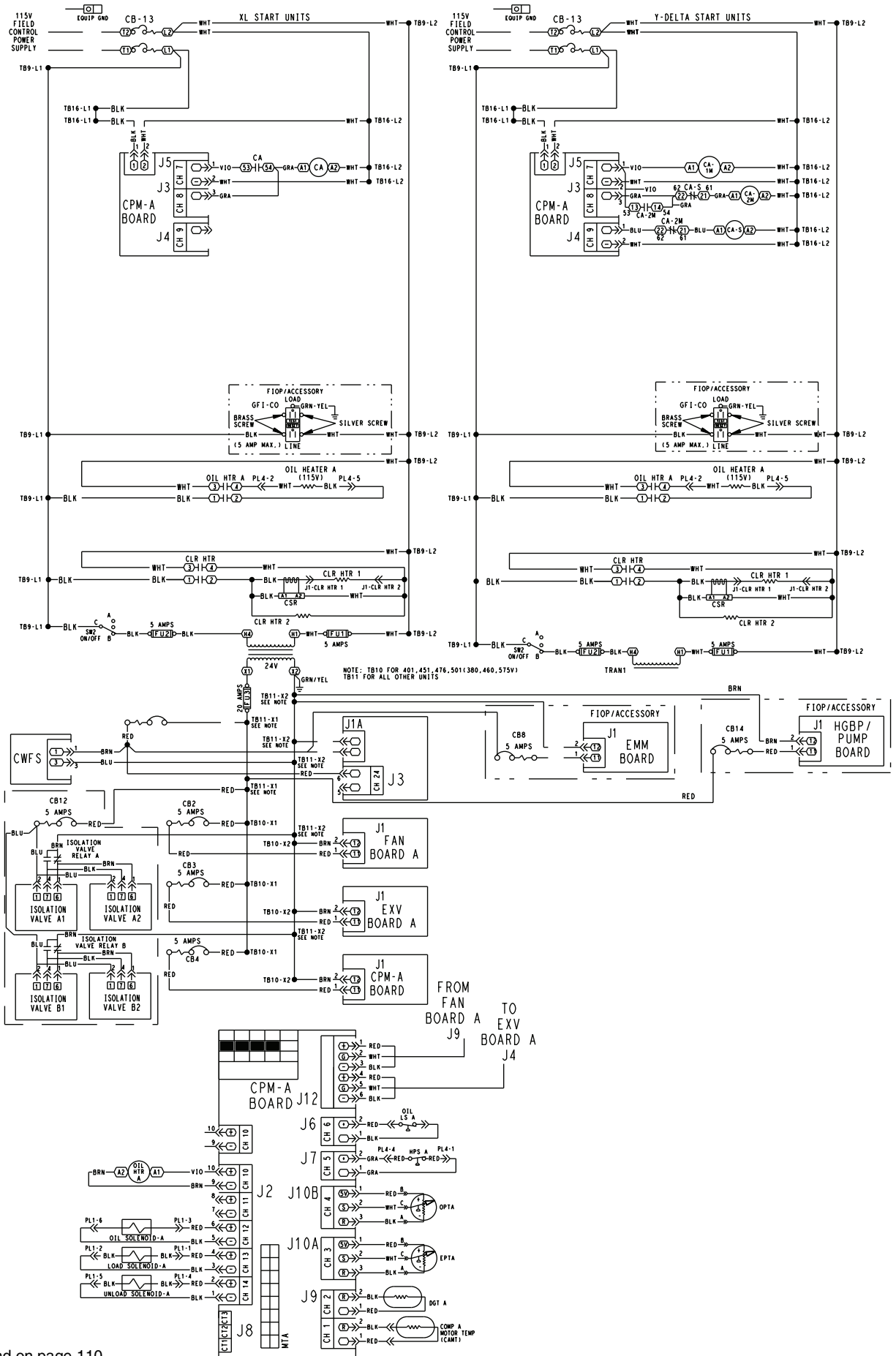
See legend on page 110.

Fig. 79 — 30XA090-352 Low Voltage Control Schematic



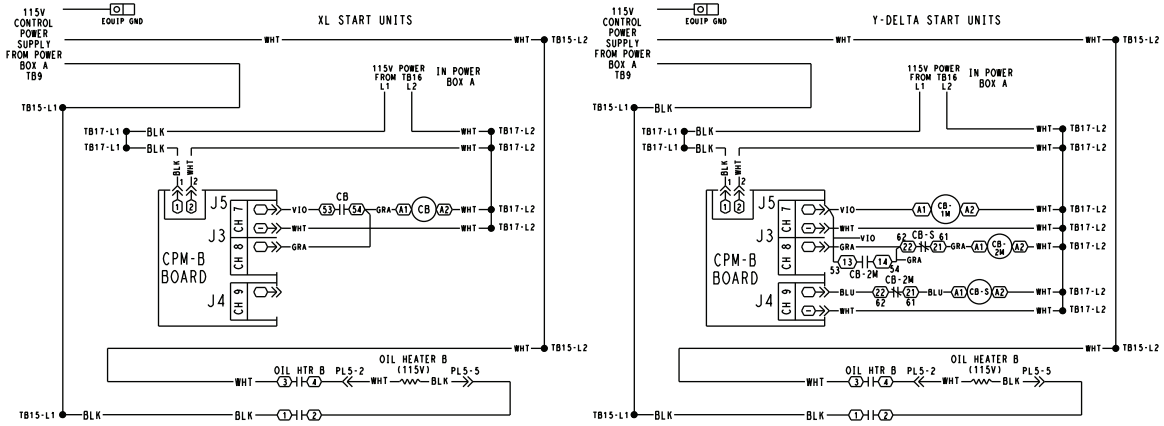
See legend on page 110.

Fig. 81 — 30XA401, 451, 476, 501 Low Voltage Control Schematic

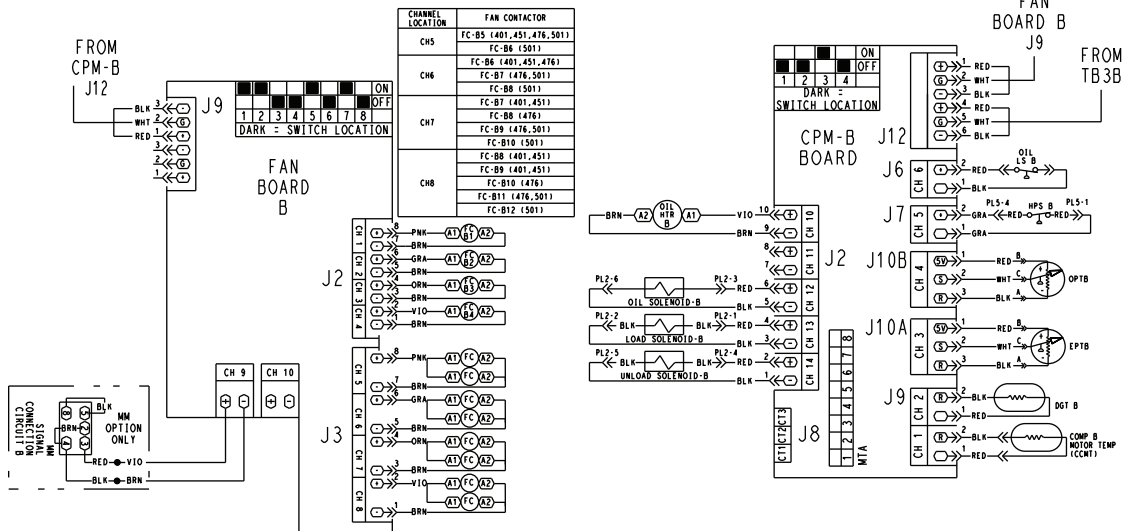
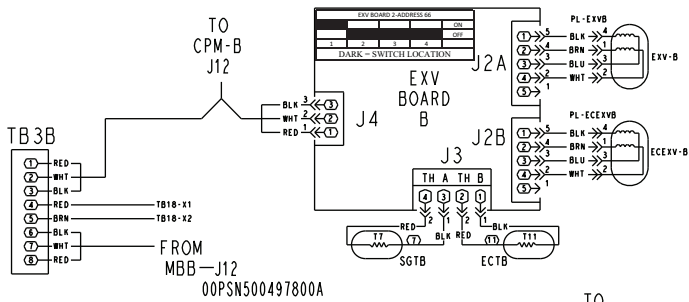
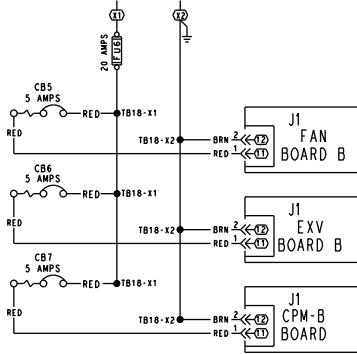


See legend on page 110.

Fig. 82 — 30XA401, 451, 476, 501 Low Voltage Control Schematic



FROM
TB10 LOCATED IN POWERBOX CIRCUIT A



See legend on page 110.

Fig. 83 — 30XA401, 451, 476, 501 Control Schematic

Table 65 — Testing Circuit A Oil Solenoid

MODE (Red LED)	SUB-MODE	KEYPAD ENTRY	ITEM	DISPLAY EXPANSION	VALUE DESCRIPTION (Units)	COMMENT
SERVICE TEST		ENTER		Service Test Mode		
	TEST	↓		Manual Sequence		
	QUIC	ENTER	Q.REQ			
			PASS WORD			Password may be required
		ENTER			0111	
		ENTER ENTER ENTER ENTER				Each ENTER will lock in the next digit. If 0111 is not the password, use the arrow keys to change the password digit and press ENTER when correct.
		ENTER	Q.REQ			Returns to the original field
		ENTER			OFF	
		ENTER			OFF	OFF will flash
		↓			ON	The Enable/Off/Remote Contact switch must be in the OFF position.
		ESCAPE	Q.REQ			
		↓	EXV.A			
		↓	Press 15 times.			
		↓	OLS.A	Oil Solenoid Cap.A		
		ENTER			OFF	
		ENTER			OFF	OFF will flash
		↑			ON	
		ENTER			ON	OLS.A will turn on.
		ENTER			ON	1 will flash
		↓			OFF	
	ENTER			OFF	OLS.A will turn off.	

APPENDIX A — CARRIER CONTROLLER DISPLAY TABLES

The Carrier Controller display tables are formatted in alphabetical order based on the point name description. The line number corresponds to the line number from the top of the Carrier Controller screen. A cross reference to the CCN tables in Appendix C is provided. Please refer to Appendix C for range and configuration default information.

NOTE: In places where duplicated point name descriptions were used, the headers were added to the point name description to differentiate them. For example, the description 3 Way Valve Position is used three times for circuits A, B, and C. In this table, the descriptions include Circuit A, Circuit B, and Circuit C.

CARRIER CONTROLLER DISPLAY TABLES

CARRIER CONTROLLER DESCRIPTION	CARRIER CONTROLLER POINT NAME	CARRIER CONTROLLER PATH	LINE	READ/ WRITE	CCN TABLE NAME
1 Elec Stage for backup	ehs_back	MAIN MENU\Config\USER	35	RW	Configuration Tables\USER
3 Way Valve Position	Q_3W_VLV	MAIN MENU>Status\QCK_TST2	11	RW	Status Display Tables\QCK_TST2
3 Way Valve Position					
Circuit A	fc_vlv_a	MAIN MENU>Status\FREECOOL	14	RO	Status Display Tables\FREECOOL
Circuit B	fc_vlv_b	MAIN MENU>Status\FREECOOL	24	RO	Status Display Tables\FREECOOL
Circuit C	fc_vlv_c	MAIN MENU>Status\FREECOOL	34	RO	Status Display Tables\FREECOOL
3 Way Valve Status					
Circuit A	FC_VLV_A	MAIN MENU>Status\FREECOOL	15	RO	Status Display Tables\FREECOOL
Circuit B	FC_VLV_B	MAIN MENU>Status\FREECOOL	25	RO	Status Display Tables\FREECOOL
Circuit C	FC_VLV_C	MAIN MENU>Status\FREECOOL	35	RO	Status Display Tables\FREECOOL
4 Way Refrigerant Valve					
Circuit A	RV_A	MAIN MENU>Status\CIRCA_D	24	RO	Status Display Tables\CIRCA_D
Circuit B	RV_B	MAIN MENU>Status\CIRCB_D	24	RO	Status Display Tables\CIRCB_D
Circuit C	RV_C	MAIN MENU>Status\CIRCC_D	23	RO	Status Display Tables\CIRCC_D
4 way Valve Circuit A	Q_RV_A	MAIN MENU>Status\QCK_TST2	13	RW	Status Display Tables\QCK_TST2
4 way Valve Circuit B	Q_RV_B	MAIN MENU>Status\QCK_TST2	14	RW	Status Display Tables\QCK_TST2
Activate	ccnbroad	MAIN MENU\Config\BRODEFS	1	RW	Configuration Tables\BRODEFS\BROCASTS
Active Capacity Override	over_cap	MAIN MENU\Maint\LOADFACT	20	RO	Maintenance Display Tables\LOADFACT
Active Demand Limit Val	DEM_LIM	MAIN MENU>Status\GENUNIT	21	RO	Status Display Tables\GENUNIT
Actual Capacity	cap_t	MAIN MENU\Maint\LOADFACT	8	RO	Maintenance Display Tables\LOADFACT
Actual Capacity Limit	cap_lim	MAIN MENU\Maint\LOADFACT	9	RO	Maintenance Display Tables\LOADFACT
Actual Chiller Current	TOT_CURR	MAIN MENU\Maint\LOADFACT	10	RO	Maintenance Display Tables\LOADFACT
Actual Chiller Current	TOT_CURR	MAIN MENU>Status\GENUNIT	23	RO	Status Display Tables\GENUNIT
Air Cond Enter Valve A	Q_HREA_A	MAIN MENU>Status\QCK_TST2	3	RW	Status Display Tables\QCK_TST2
Air Cond Enter Valve B	Q_HREA_B	MAIN MENU>Status\QCK_TST2	7	RW	Status Display Tables\QCK_TST2
Air Cond Entering Valv A	hr_ea_a	MAIN MENU>Status\RECLAIM	15	RO	Status Display Tables\RECLAIM
Air Cond Entering Valv B	hr_ea_b	MAIN MENU>Status\RECLAIM	25	RO	Status Display Tables\RECLAIM
Air Cond Leaving Valv A	Q_HRLA_A	MAIN MENU>Status\QCK_TST2	4	RW	Status Display Tables\QCK_TST2
Air Cond Leaving Valv B	Q_HRLA_B	MAIN MENU>Status\QCK_TST2	8	RW	Status Display Tables\QCK_TST2
Air Cond Leaving Valve A	hr_la_a	MAIN MENU>Status\RECLAIM	17	RO	Status Display Tables\RECLAIM
Air Cond Leaving Valve B	hr_la_b	MAIN MENU>Status\RECLAIM	27	RO	Status Display Tables\RECLAIM
Air Cooled Reclaim Sel	recl_opt	MAIN MENU\Service\FACTORY	10	RW	Service Configuration Tables\FACTORY
Alarm Equipment Priority	EQP_TYP	MAIN MENU\Config\ALARMDDEF	2	RW	Configuration Tables\ALARMDDEF\ALARMS01
Alarm Relay Output	Q_ALARM	MAIN MENU>Status\QCK_TST1	48	RW	Status Display Tables\QCK_TST1
Alarm Relay Status	ALARMOUT	MAIN MENU>Status\STATEGEN	27	RO	Status Display Tables\STATEGEN
Alarm Routing Control	ALRM_CNT	MAIN MENU\Config\ALARMDDEF	1	RW	Configuration Tables\ALARMDDEF\ALARMS01
Alarm State	ALM	MAIN MENU>Status\GENUNIT	13	RO	Status Display Tables\GENUNIT
Alarm System Name	ALRM_NAM	MAIN MENU\Config\ALARMDDEF	5	RW	Configuration Tables\ALARMDDEF\ALARMS01
Alert Relay Output	Q_ALERT	MAIN MENU>Status\QCK_TST1	49	RW	Status Display Tables\QCK_TST1
Alert Relay Status	ALERT	MAIN MENU>Status\STATEGEN	28	RO	Status Display Tables\STATEGEN
Auto Changeover Active	Mode_12	MAIN MENU>Status\MODES	13	RO	Status Display Tables\MODES
Auto Changeover Select	auto_sel	MAIN MENU\Config\USER	18	RW	Configuration Tables\USER
Auto Start When SM Lost	auto_sm	MAIN MENU\Service\SERVICE1	18	RW	Service Configuration Tables\SERVICE1
AUX Board #1 Part Number	AUX_BRD1	MAIN MENU\Maint\BOARD_PN	4	RO	Maintenance Display Tables\BOARD_PN
AUX Board #2 Part Number	AUX_BRD2	MAIN MENU\Maint\BOARD_PN	5	RO	Maintenance Display Tables\BOARD_PN
AUX Board #3 Part Number	AUX_BRD3	MAIN MENU\Maint\BOARD_PN	6	RO	Maintenance Display Tables\BOARD_PN
AUX Board #4 Part Number	AUX_BRD4	MAIN MENU\Maint\BOARD_PN	7	RO	Maintenance Display Tables\BOARD_PN
AUX Board #5 Part Number	AUX_BRD5	MAIN MENU\Maint\BOARD_PN	8	RO	Maintenance Display Tables\BOARD_PN
Average Ctrl Water Temp	ctrl_avg	MAIN MENU\Maint\LOADFACT	2	RO	Maintenance Display Tables\LOADFACT
Ball Valve Closing Out					
Circuit A	ISO_CL_A	MAIN MENU>Status\CIRCA_D	22	RO	Status Display Tables\CIRCA_D
Circuit B	ISO_CL_B	MAIN MENU>Status\CIRCB_D	22	RO	Status Display Tables\CIRCB_D
Circuit C	ISO_CL_C	MAIN MENU>Status\CIRCC_D	22	RO	Status Display Tables\CIRCC_D
Ball Valve Opening Out					
Circuit A	ISO_OP_A	MAIN MENU>Status\CIRCA_D	23	RO	Status Display Tables\CIRCA_D
Circuit B	ISO_OP_B	MAIN MENU>Status\CIRCB_D	23	RO	Status Display Tables\CIRCB_D
Circuit C	ISO_OP_C	MAIN MENU>Status\CIRCC_D	23	RO	Status Display Tables\CIRCC_D

APPENDIX A — CARRIER CONTROLLER DISPLAY TABLES (cont)

CARRIER CONTROLLER DESCRIPTION	CARRIER CONTROLLER POINT NAME	CARRIER CONTROLLER PATH	LINE	READ/ WRITE	CCN TABLE NAME
Ball Valve Position					
Circuit A	ISO_REFA	MAIN MENU\Status\CIRCA_D	21	RO	Status Display Tables\CIRCA_D
Circuit B	ISO_REFB	MAIN MENU\Status\CIRCB_D	21	RO	Status Display Tables\CIRCB_D
Circuit C	ISO_REFC	MAIN MENU\Status\CIRCC_D	21	RO	Status Display Tables\CIRCC_D
Bypass Valve Close Out					
Circuit A	FcByCl_A	MAIN MENU\Status\FREECOOL	18	RW	Status Display Tables\FREECOOL
Circuit B	FcByCl_B	MAIN MENU\Status\FREECOOL	42	RW	Status Display Tables\FREECOOL
Bypass Valve Open Out					
Circuit A	FcByOp_A	MAIN MENU\Status\FREECOOL	17	RW	Status Display Tables\FREECOOL
Circuit B	FcByOp_B	MAIN MENU\Status\FREECOOL	41	RW	Status Display Tables\FREECOOL
Bypass Valve Status					
Circuit A	FcByStsA	MAIN MENU\Status\FREECOOL	19	RW	Status Display Tables\FREECOOL
Circuit B	FcByStsB	MAIN MENU\Status\FREECOOL	43	RW	Status Display Tables\FREECOOL
Baud rate	Baud rate	MAIN MENU\Config\Ctr-ID	9	RO	Configuration Tables!\CtrlID\PD5_XAXQ
Boiler Active	Mode_15	MAIN MENU\Status\MODES	16	RO	Status Display Tables\MODES
Brine flow Switch SP	flow_sp	MAIN MENU\Service\SERVICE1	2	RW	Service Configuration Tables\SERVICE1
Brine Freeze Setpoint	lowestsp	MAIN MENU\Service\SERVICE1	3	RW	Service Configuration Tables\SERVICE1
Broadcast acknowledger	Broadcast	MAIN MENU\Config\Ctr-ID	10	RO	Configuration Tables!\CtrlID\PD5_XAXQ
Bus	Bus	MAIN MENU\Config\Ctr-ID	7	RO	Configuration Tables!\CtrlID\PD5_XAXQ
CCN Chiller Start/Stop	CHIL_S_S	MAIN MENU\Status\GENUNIT	5	RO	Status Display Tables\GENUNIT
Chiller Capacity in0-10v	Q_CATO	MAIN MENU\Status\QCK_TST1	46	RW	Status Display Tables\QCK_TST1
Chiller Capacity Signal	CAPT_010	MAIN MENU\Status\STATEGEN	48	RO	Status Display Tables\STATEGEN
Chiller Current Limit	CURR_LIM	MAIN MENU\Maint\LOADFACT	11	RO	Maintenance Display Tables\LOADFACT
Chiller Current Limit	CURR_LIM	MAIN MENU\Status\GENUNIT	24	RW	Status Display Tables\GENUNIT
Chiller in Series	ll_serie	MAIN MENU\Config\MST_SLV	24	RW	Configuration Tables\MST_SLV
Chiller Occupied?	CHIL_OCC	MAIN MENU\Status\GENUNIT	6	RO	Status Display Tables\GENUNIT
Chiller Ready Output	Q_READY	MAIN MENU\Status\QCK_TST1	40	RW	Status Display Tables\QCK_TST1
Chiller Running Output	Q_RUN	MAIN MENU\Status\QCK_TST1	41	RW	Status Display Tables\QCK_TST1
CHWS Temperature	CHWSTEMP	MAIN MENU\Status\STATEGEN	39	RO	Status Display Tables\STATEGEN
Circuit C Heater Temp	T_HEAT_C	MAIN MENU\Status\STATEGEN	37	RO	Status Display Tables\STATEGEN
Circuit Loading Sequence	lead_cir	MAIN MENU\Config\USER	1	RW	Configuration Tables\USER
Comm Failure Retry Time	RETRY_TM	MAIN MENU\Config\ALARMDEF	3	RW	Configuration Tables\ALARMDEF\ALARMS01
Comp A Must Trip Amps	cpa_mtac	MAIN MENU\Service\FACTORY2	2	RW	Service Configuration Tables\FACTORY2
Comp A S1 Config Switch (8->1)	cpa_s1_c	MAIN MENU\Service\FACTORY2	3	RW	Service Configuration Tables\FACTORY2
Comp B Must Trip Amps	cpb_mtac	MAIN MENU\Service\FACTORY2	6	RW	Service Configuration Tables\FACTORY2
Comp B S1 Config Switch (8->1)	cpb_s1_c	MAIN MENU\Service\FACTORY2	7	RW	Service Configuration Tables\FACTORY2
Comp C Must Trip Amps	cpc_mtac	MAIN MENU\Service\FACTORY2	10	RW	Service Configuration Tables\FACTORY2
Comp C S1 Config Switch (8->1)	cpc_s1_c	MAIN MENU\Service\FACTORY2	11	RW	Service Configuration Tables\FACTORY2
Compressor A Disable	un_cp_a	MAIN MENU\Service\CP_UNABL	2	RW	Service Configuration\CP_UNABL
Compressor A Hours	hr_cp_a	MAIN MENU\Service\UPDTHOUR	7	RW	Service Configuration Tables\UPDTHOUR
Compressor A Hours	HR_CP_A	MAIN MENU\Status\STRTHOUR	3	RO	Status Display Tables\STRTHOUR
Compressor A Output	Q_CPA	MAIN MENU\Status\SERV_TST	3	RW	Status Display Tables\SERV_TST
Compressor A Starts	st_cp_a	MAIN MENU\Service\UPDTHOUR	8	RW	Service Configuration Tables\UPDTHOUR
Compressor A Starts	st_cp_a	MAIN MENU\Status\STRTHOUR	4	RO	Status Display Tables\STRTHOUR
Compressor B Disable	un_cp_b	MAIN MENU\Service\CP_UNABL	3	RW	Service Configuration\CP_UNABL
Compressor B Hours	hr_cp_b	MAIN MENU\Service\UPDTHOUR	9	RW	Service Configuration Tables\UPDTHOUR
Compressor B Hours	HR_CP_B	MAIN MENU\Status\STRTHOUR	5	RO	Status Display Tables\STRTHOUR
Compressor B Output	Q_CPB	MAIN MENU\Status\SERV_TST	5	RW	Status Display Tables\SERV_TST
Compressor B Starts	st_cp_b	MAIN MENU\Service\UPDTHOUR	10	RW	Service Configuration Tables\UPDTHOUR
Compressor B Starts	st_cp_b	MAIN MENU\Status\STRTHOUR	6	RO	Status Display Tables\STRTHOUR
Compressor C Disable	un_cp_c	MAIN MENU\Service\CP_UNABL	4	RW	Service Configuration\CP_UNABL
Compressor C Hours	hr_cp_c	MAIN MENU\Service\UPDTHOUR	11	RW	Service Configuration Tables\UPDTHOUR
Compressor C Hours	HR_CP_C	MAIN MENU\Status\STRTHOUR	7	RO	Status Display Tables\STRTHOUR
Compressor C Output	Q_CPC	MAIN MENU\Status\SERV_TST	7	RW	Status Display Tables\SERV_TST
Compressor C Starts	st_cp_c	MAIN MENU\Service\UPDTHOUR	12	RW	Service Configuration Tables\UPDTHOUR
Compressor C Starts	st_cp_c	MAIN MENU\Status\STRTHOUR	8	RO	Status Display Tables\STRTHOUR
Compressor Output					
Circuit A	COMP_A	MAIN MENU\Status\CIRCA_D	2	RO	Status Display Tables\CIRCA_D
Circuit B	COMP_B	MAIN MENU\Status\CIRCB_D	2	RO	Status Display Tables\CIRCB_D
Circuit C	COMP_C	MAIN MENU\Status\CIRCC_D	2	RO	Status Display Tables\CIRCC_D
Compressor Suction Temp					
Circuit A	SUCT_T_A	MAIN MENU\Status\CIRCA_AN	14	RO	Status Display Tables\CIRCA_AN
Circuit B	SUCT_T_B	MAIN MENU\Status\CIRCB_AN	14	RO	Status Display Tables\CIRCB_AN
Circuit C	SUCT_T_C	MAIN MENU\Status\CIRCC_AN	14	RO	Status Display Tables\CIRCC_AN

APPENDIX A — CARRIER CONTROLLER DISPLAY TABLES (cont)

CARRIER CONTROLLER DESCRIPTION	CARRIER CONTROLLER POINT NAME	CARRIER CONTROLLER PATH	LINE	READ/ WRITE	CCN TABLE NAME
Condenser Entering Fluid	COND_EWT	MAIN MENU\Status\STATEGEN	34	RO	Status Display Tables\STATEGEN
Condenser Flow Status	CONDFLOW	MAIN MENU\Status\STATEGEN	14	RO	Status Display Tables\STATEGEN
Condenser Fluid Type	cond_typ	MAIN MENU\Service\SERVICE1	5	RW	Service Configuration Tables\SERVICE1
Condenser Leaving Fluid	COND_LWT	MAIN MENU\Status\STATEGEN	35	RO	Status Display Tables\STATEGEN
Condenser Probe Select	condprob	MAIN MENU\Service\FACTORY	26	RW	Service Configuration Tables\FACTORY
Condenser Pump #1 Command	HPUMP_1	MAIN MENU\Status\STATEGEN	23	RO	Status Display Tables\STATEGEN
Condenser Pump #1 Hours	hr_hpum1	MAIN MENU\Service\UPDTHOUR	15	RW	Service Configuration Tables\UPDTHOUR
Condenser Pump #1 Hours	hr_hpum1	MAIN MENU\Status\STRTHOUR	11	RO	Status Display Tables\STRTHOUR
Condenser Pump #2 Command	HPUMP_2	MAIN MENU\Status\STATEGEN	24	RO	Status Display Tables\STATEGEN
Condenser Pump #2 Hours	hr_hpum2	MAIN MENU\Service\UPDTHOUR	16	RW	Service Configuration Tables\UPDTHOUR
Condenser Pump #2 Hours	hr_hpum2	MAIN MENU\Status\STRTHOUR	12	RO	Status Display Tables\STRTHOUR
Condenser Pump 1	Q_HPMP1	MAIN MENU\Status\QCK_TST1	39	RW	Status Display Tables\QCK_TST1
Condenser Pump Off In Cool	stopcool	MAIN MENU\Config\USER	43	RW	Configuration Tables\USER
Condenser Pumps Rotation	Mode_17	MAIN MENU\Status\MODES	18	RO	Status Display Tables\MODES
Condenser Pumps Sequence	hpump_seq	MAIN MENU\Config\USER	7	RW	Configuration Tables\USER
Condenser Water Val Sel	cond_val	MAIN MENU\Service\FACTORY	13	RW	Service Configuration Tables\FACTORY
Control Point	CTRL_PNT	MAIN MENU\Maint\LOADFACT	5	RO	Maintenance Display Tables\LOADFACT
Control Point	CTRL_PNT	MAIN MENU\Status\GENUNIT	28	RO	Status Display Tables\GENUNIT
Control Type	ctr_type	MAIN MENU\Status\GENUNIT	3	RO	Status Display Tables\GENUNIT
Controlled Temp Error	tp_error	MAIN MENU\Maint\LOADFACT	7	RO	Maintenance Display Tables\LOADFACT
Controlled Water Temp	CTRL_WT	MAIN MENU\Status\GENUNIT	29	RO	Status Display Tables\GENUNIT
Cool Changeover Setpt	cauto_sp	MAIN MENU\Setpoint\	29	RW	Setpoint Configuration Tables\SETPOINT
Cooler Entering Fluid	COOL_EWT	MAIN MENU\Status\STATEGEN	32	RO	Status Display Tables\STATEGEN
Cooler Exchange DT Cir A	pinch_a	MAIN MENU\Maint\EXV_CTRL	6	RO	Maintenance Display Tables\EXV_CTRL
Cooler Exchange DT Cir B	pinch_b	MAIN MENU\Maint\EXV_CTRL	14	RO	Maintenance Display Tables\EXV_CTRL
Cooler Exchange DT Cir C	pinch_c	MAIN MENU\Maint\EXV_CTRL	22	RO	Maintenance Display Tables\EXV_CTRL
Compressor A Starts	st_cp_a	MAIN MENU\Service\UPDTHOUR	8	RW	Service Configuration Tables\UPDTHOUR
Compressor A Starts	st_cp_a	MAIN MENU\Status\STRTHOUR	4	RO	Status Display Tables\STRTHOUR
Compressor B Disable	un_cp_b	MAIN MENU\Service\CP_UNABL	3	RW	Service Configuration\CP_UNABL
Compressor B Hours	hr_cp_b	MAIN MENU\Service\UPDTHOUR	9	RW	Service Configuration Tables\UPDTHOUR
Compressor B Hours	HR_CP_B	MAIN MENU\Status\STRTHOUR	5	RO	Status Display Tables\STRTHOUR
Compressor B Output	Q_CPB	MAIN MENU\Status\SERV_TST	5	RW	Status Display Tables\SERV_TST
Compressor B Starts	st_cp_b	MAIN MENU\Service\UPDTHOUR	10	RW	Service Configuration Tables\UPDTHOUR
Compressor B Starts	st_cp_b	MAIN MENU\Status\STRTHOUR	6	RO	Status Display Tables\STRTHOUR
Compressor C Disable	un_cp_c	MAIN MENU\Service\CP_UNABL	4	RW	Service Configuration\CP_UNABL
Compressor C Hours	hr_cp_c	MAIN MENU\Service\UPDTHOUR	11	RW	Service Configuration Tables\UPDTHOUR
Compressor C Hours	HR_CP_C	MAIN MENU\Status\STRTHOUR	7	RO	Status Display Tables\STRTHOUR
Compressor C Output	Q_CPC	MAIN MENU\Status\SERV_TST	7	RW	Status Display Tables\SERV_TST
Compressor C Starts	st_cp_c	MAIN MENU\Service\UPDTHOUR	12	RW	Service Configuration Tables\UPDTHOUR
Compressor C Starts	st_cp_c	MAIN MENU\Status\STRTHOUR	8	RO	Status Display Tables\STRTHOUR
Compressor Output					
Circuit A	COMP_A	MAIN MENU\Status\CIRCA_D	2	RO	Status Display Tables\CIRCA_D
Circuit B	COMP_B	MAIN MENU\Status\CIRCB_D	2	RO	Status Display Tables\CIRCB_D
Circuit C	COMP_C	MAIN MENU\Status\CIRCC_D	2	RO	Status Display Tables\CIRCC_D
Compressor Suction Temp					
Circuit A	SUCT_T_A	MAIN MENU\Status\CIRCA_AN	14	RO	Status Display Tables\CIRCA_AN
Circuit B	SUCT_T_B	MAIN MENU\Status\CIRCB_AN	14	RO	Status Display Tables\CIRCB_AN
Circuit C	SUCT_T_C	MAIN MENU\Status\CIRCC_AN	14	RO	Status Display Tables\CIRCC_AN
Condenser Entering Fluid	COND_EWT	MAIN MENU\Status\STATEGEN	34	RO	Status Display Tables\STATEGEN
Condenser Flow Status	CONDFLOW	MAIN MENU\Status\STATEGEN	14	RO	Status Display Tables\STATEGEN
Condenser Fluid Type	cond_typ	MAIN MENU\Service\SERVICE1	5	RW	Service Configuration Tables\SERVICE1
Condenser Leaving Fluid	COND_LWT	MAIN MENU\Status\STATEGEN	35	RO	Status Display Tables\STATEGEN
Condenser Probe Select	condprob	MAIN MENU\Service\FACTORY	26	RW	Service Configuration Tables\FACTORY
Condenser Pump #1 Command	HPUMP_1	MAIN MENU\Status\STATEGEN	23	RO	Status Display Tables\STATEGEN
Condenser Pump #1 Hours	hr_hpum1	MAIN MENU\Service\UPDTHOUR	15	RW	Service Configuration Tables\UPDTHOUR
Condenser Pump #1 Hours	hr_hpum1	MAIN MENU\Status\STRTHOUR	11	RO	Status Display Tables\STRTHOUR
Condenser Pump #2 Command	HPUMP_2	MAIN MENU\Status\STATEGEN	24	RO	Status Display Tables\STATEGEN
Condenser Pump #2 Hours	hr_hpum2	MAIN MENU\Service\UPDTHOUR	16	RW	Service Configuration Tables\UPDTHOUR
Condenser Pump #2 Hours	hr_hpum2	MAIN MENU\Status\STRTHOUR	12	RO	Status Display Tables\STRTHOUR
Condenser Pump 1	Q_HPMP1	MAIN MENU\Status\QCK_TST1	39	RW	Status Display Tables\QCK_TST1
Condenser Pump Off In Cool	stopcool	MAIN MENU\Config\USER	43	RW	Configuration Tables\USER
Condenser Pumps Rotation	Mode_17	MAIN MENU\Status\MODES	18	RO	Status Display Tables\MODES
Condenser Pumps Sequence	hpump_seq	MAIN MENU\Config\USER	7	RW	Configuration Tables\USER
Condenser Water Val Sel	cond_val	MAIN MENU\Service\FACTORY	13	RW	Service Configuration Tables\FACTORY
Control Point	CTRL_PNT	MAIN MENU\Maint\LOADFACT	5	RO	Maintenance Display Tables\LOADFACT
Control Point	CTRL_PNT	MAIN MENU\Status\GENUNIT	28	RO	Status Display Tables\GENUNIT
Control Type	ctr_type	MAIN MENU\Status\GENUNIT	3	RO	Status Display Tables\GENUNIT

APPENDIX A — CARRIER CONTROLLER DISPLAY TABLES (cont)

CARRIER CONTROLLER DESCRIPTION	CARRIER CONTROLLER POINT NAME	CARRIER CONTROLLER PATH	LINE	READ/ WRITE	CCN TABLE NAME
Controlled Temp Error	tp_error	MAIN MENU\Maint\LOADFACT	7	RO	Maintenance Display Tables\LOADFACT
Controlled Water Temp	CTRL_WT	MAIN MENU>Status\GENUNIT	29	RO	Status Display Tables\GENUNIT
Cool Changeover Setpt	cauto_sp	MAIN MENU\Setpoint\	29	RW	Setpoint Configuration Tables\SETPOINT
Cooler Entering Fluid	COOL_EWT	MAIN MENU>Status\STATEGEN	32	RO	Status Display Tables\STATEGEN
Cooler Exchange DT Cir A	pinch_a	MAIN MENU\Maint\EXV_CTRL	6	RO	Maintenance Display Tables\EXV_CTRL
Cooler Exchange DT Cir B	pinch_b	MAIN MENU\Maint\EXV_CTRL	14	RO	Maintenance Display Tables\EXV_CTRL
Cooler Exchange DT Cir C	pinch_c	MAIN MENU\Maint\EXV_CTRL	22	RO	Maintenance Display Tables\EXV_CTRL
Cooler Flow Setpoint Out	SET_FLOW	MAIN MENU>Status\STATEGEN	18	RO	Status Display Tables\STATEGEN
Cooler Flow Switch	FLOW_SW	MAIN MENU>Status\STATEGEN	12	RO	Status Display Tables\STATEGEN
Cooler Fluid Type	flui_typ	MAIN MENU\Service\SERVICE1	1	RW	Service Configuration Tables\SERVICE1
Cooler Heater Active	Mode_06	MAIN MENU>Status\MODES	7	RO	Status Display Tables\MODES
Cooler Heater Command	COOLHEAT	MAIN MENU>Status\STATEGEN	25	RO	Status Display Tables\STATEGEN
Cooler Heater Delta Spt	heatersp	MAIN MENU\Service\SERVICE1	19	RW	Service Configuration Tables\SERVICE1
Cooler Heater Output	Q_CL_HT	MAIN MENU>Status\QCK_TST1	36	RW	Status Display Tables\QCK_TST1
Cooler Heater Select	heat_sel	MAIN MENU\Service\FACTORY	12	RW	Service Configuration Tables\FACTORY
Cooler Heater Temp	T_HEATER	MAIN MENU>Status\STATEGEN	36	RO	Status Display Tables\STATEGEN
Cooler Leaving Fluid	COOL_LWT	MAIN MENU>Status\STATEGEN	33	RO	Status Display Tables\STATEGEN
Cooler Pinch Ctl Point A	pinch_spa	MAIN MENU\Maint\EXV_CTRL	7	RO	Maintenance Display Tables\EXV_CTRL
Cooler Pinch Ctl Point B	pinch_spb	MAIN MENU\Maint\EXV_CTRL	15	RO	Maintenance Display Tables\EXV_CTRL
Cooler Pinch Ctl Point C	pinch_spc	MAIN MENU\Maint\EXV_CTRL	23	RO	Maintenance Display Tables\EXV_CTRL
Cooler Pump #1 Command	CPUMP_1	MAIN MENU>Status\STATEGEN	20	RO	Status Display Tables\STATEGEN
Cooler Pump #1 Hours	hr_cpum1	MAIN MENU>Status\STRTHOUR	9	RO	Status Display Tables\STRTHOUR
Cooler Pump #2 Command	CPUMP_2	MAIN MENU>Status\STATEGEN	21	RO	Status Display Tables\STATEGEN
Cooler Pump Off in Heat	stopheat	MAIN MENU\Config\USER	42	RW	Configuration Tables\USER
Cooler Pump Run Status	CPUMPDEF	MAIN MENU>Status\STATEGEN	13	RO	Status Display Tables\STATEGEN
Cooler Pumps Rotation	Mode_07	MAIN MENU>Status\MODES	8	RO	Status Display Tables\MODES
Cooler Pumps Sequence	cpump_seq	MAIN MENU\Config\USER	8	RW	Configuration Tables\USER
Cooling/Free Cool Timeout	fc_tmout	MAIN MENU>Status\FREECOOL	7	RO	Status Display Tables\FREECOOL
Cooling Ice Setpoint	ice_sp	MAIN MENU\Setpoint\SETPOINT	4	RW	Setpoint Configuration Tables\SETPOINT
Cooling Power	cool_pwr	MAIN MENU>Status\STATEGEN	45	RO	Status Display Tables\STATEGEN
Cooling Ramp Loading	cramp_sp	MAIN MENU\Setpoint\SETPOINT	14	RW	Setpoint Configuration Tables\SETPOINT
Cooling Reset Deg. Value	cr_deg	MAIN MENU\Setpoint\SETPOINT	13	RW	Setpoint Configuration Tables\SETPOINT
Cooling Reset Select	cr_sel	MAIN MENU\Config\USER	19	RW	Configuration Tables\USER
Cooling Setpoint 1	csp1	MAIN MENU\Setpoint\SETPOINT	2	RW	Setpoint Configuration Tables\SETPOINT
Cooling Setpoint 2	csp2	MAIN MENU\Setpoint\SETPOINT	3	RW	Setpoint Configuration Tables\SETPOINT
Cooling/FreeCool Timeout	fc_tmout	MAIN MENU>Status\FREECOOL	7	RO	Status Display Tables\FREECOOL
CPump 1 Ctl Delay (days)	cpump1_c	MAIN MENU\Service\MAINTCFG	5	RW	Service Configuration Tables\MAINTCFG
CPump 2 Ctl Delay (days)	cpump2_c	MAIN MENU\Service\MAINTCFG	6	RW	Service Configuration Tables\MAINTCFG
Current Alarm 1	alarm_1	MAIN MENU>Status\GENUNIT	14	RO	Status Display Tables\GENUNIT
Current Alarm 2	alarm_2	MAIN MENU>Status\GENUNIT	15	RO	Status Display Tables\GENUNIT
Current Alarm 3	alarm_3	MAIN MENU>Status\GENUNIT	16	RO	Status Display Tables\GENUNIT
Current Alarm 4	alarm_4	MAIN MENU>Status\GENUNIT	17	RO	Status Display Tables\GENUNIT
Current Alarm 5	alarm_5	MAIN MENU>Status\GENUNIT	18	RO	Status Display Tables\GENUNIT
Current At 100% Load A	cur100_a	MAIN MENU\Maint\LOADFACT	15	RO	Maintenance Display Tables\LOADFACT
Current At 100% Load B	cur100_b	MAIN MENU\Maint\LOADFACT	16	RO	Maintenance Display Tables\LOADFACT
Current At 100% Load C	cur100_c	MAIN MENU\Maint\LOADFACT	17	RO	Maintenance Display Tables\LOADFACT
Current At 30% Load A	cur_30_a	MAIN MENU\Maint\LOADFACT	12	RO	Maintenance Display Tables\LOADFACT
Current At 30% Load B	cur_30_b	MAIN MENU\Maint\LOADFACT	13	RO	Maintenance Display Tables\LOADFACT
Current At 30% Load C	cur_30_c	MAIN MENU\Maint\LOADFACT	14	RO	Maintenance Display Tables\LOADFACT
Compressor A Starts	st_cp_a	MAIN MENU\Service\UPDTHOUR	8	RW	Service Configuration Tables\UPDTHOUR
Compressor A Starts	st_cp_a	MAIN MENU>Status\STRTHOUR	4	RO	Status Display Tables\STRTHOUR
Compressor B Disable	un_cp_b	MAIN MENU\Service\CP_UNABL	3	RW	Service Configuration\CP_UNABL
Compressor B Hours	hr_cp_b	MAIN MENU\Service\UPDTHOUR	9	RW	Service Configuration Tables\UPDTHOUR
Compressor B Hours	HR_CP_B	MAIN MENU>Status\STRTHOUR	5	RO	Status Display Tables\STRTHOUR
Compressor B Output	Q_CPB	MAIN MENU>Status\SERV_TST	5	RW	Status Display Tables\SERV_TST
Compressor B Starts	st_cp_b	MAIN MENU\Service\UPDTHOUR	10	RW	Service Configuration Tables\UPDTHOUR
Compressor B Starts	st_cp_b	MAIN MENU>Status\STRTHOUR	6	RO	Status Display Tables\STRTHOUR
Compressor C Disable	un_cp_c	MAIN MENU\Service\CP_UNABL	4	RW	Service Configuration\CP_UNABL
Compressor C Hours	hr_cp_c	MAIN MENU\Service\UPDTHOUR	11	RW	Service Configuration Tables\UPDTHOUR
Compressor C Hours	HR_CP_C	MAIN MENU>Status\STRTHOUR	7	RO	Status Display Tables\STRTHOUR
Compressor C Output	Q_CPC	MAIN MENU>Status\SERV_TST	7	RW	Status Display Tables\SERV_TST
Compressor C Starts	st_cp_c	MAIN MENU\Service\UPDTHOUR	12	RW	Service Configuration Tables\UPDTHOUR
Compressor C Starts	st_cp_c	MAIN MENU>Status\STRTHOUR	8	RO	Status Display Tables\STRTHOUR
Compressor Output					
Circuit A	COMP_A	MAIN MENU>Status\CIRCA_D	2	RO	Status Display Tables\CIRCA_D

APPENDIX A — CARRIER CONTROLLER DISPLAY TABLES (cont)

CARRIER CONTROLLER DESCRIPTION	CARRIER CONTROLLER POINT NAME	CARRIER CONTROLLER PATH	LINE	READ/ WRITE	CCN TABLE NAME
Circuit B	COMP_B	MAIN MENU\Status\CIRCB_D	2	RO	Status Display Tables\CIRCB_D
Circuit C	COMP_C	MAIN MENU\Status\CIRCC_D	2	RO	Status Display Tables\CIRCC_D
Compressor Suction Temp					
Circuit A	SUCT_T_A	MAIN MENU\Status\CIRCA_AN	14	RO	Status Display Tables\CIRCA_AN
Circuit B	SUCT_T_B	MAIN MENU\Status\CIRCB_AN	14	RO	Status Display Tables\CIRCB_AN
Circuit C	SUCT_T_C	MAIN MENU\Status\CIRCC_AN	14	RO	Status Display Tables\CIRCC_AN
Condenser Entering Fluid	COND_EWT	MAIN MENU\Status\STATEGEN	34	RO	Status Display Tables\STATEGEN
Condenser Flow Status	CONDFLOW	MAIN MENU\Status\STATEGEN	14	RO	Status Display Tables\STATEGEN
Condenser Fluid Type	cond_typ	MAIN MENU\Service\SERVICE1	5	RW	Service Configuration Tables\SERVICE1
Condenser Leaving Fluid	COND_LWT	MAIN MENU\Status\STATEGEN	35	RO	Status Display Tables\STATEGEN
Condenser Probe Select	condprob	MAIN MENU\Service\FACTORY	26	RW	Service Configuration Tables\FACTORY
Condenser Pump #1 Command	HPUMP_1	MAIN MENU\Status\STATEGEN	23	RO	Status Display Tables\STATEGEN
Condenser Pump #1 Hours	hr_hpum1	MAIN MENU\Service\UPDTHOUR	15	RW	Service Configuration Tables\UPDTHOUR
Condenser Pump #1 Hours	hr_hpum1	MAIN MENU\Status\STRTHOUR	11	RO	Status Display Tables\STRTHOUR
Condenser Pump #2 Command	HPUMP_2	MAIN MENU\Status\STATEGEN	24	RO	Status Display Tables\STATEGEN
Condenser Pump #2 Hours	hr_hpum2	MAIN MENU\Service\UPDTHOUR	16	RW	Service Configuration Tables\UPDTHOUR
Condenser Pump #2 Hours	hr_hpum2	MAIN MENU\Status\STRTHOUR	12	RO	Status Display Tables\STRTHOUR
Condenser Pump 1	Q_HPMP1	MAIN MENU\Status\QCK_TST1	39	RW	Status Display Tables\QCK_TST1
Condenser Pump Off In Cool	stopcool	MAIN MENU\Config\USER	43	RW	Configuration Tables\USER
Condenser Pumps Rotation	Mode_17	MAIN MENU\Status\MODES	18	RO	Status Display Tables\MODES
Condenser Pumps Sequence	hpump_seq	MAIN MENU\Config\USER	7	RW	Configuration Tables\USER
Condenser Water Val Sel	cond_val	MAIN MENU\Service\FACTORY	13	RW	Service Configuration Tables\FACTORY
Control Point	CTRL_PNT	MAIN MENU\Maint\LOADFACT	5	RO	Maintenance Display Tables\LOADFACT
Control Point	CTRL_PNT	MAIN MENU\Status\GENUNIT	28	RO	Status Display Tables\GENUNIT
Control Type	ctr_type	MAIN MENU\Status\GENUNIT	3	RO	Status Display Tables\GENUNIT
Controlled Temp Error	tp_error	MAIN MENU\Maint\LOADFACT	7	RO	Maintenance Display Tables\LOADFACT
Controlled Water Temp	CTRL_WT	MAIN MENU\Status\GENUNIT	29	RO	Status Display Tables\GENUNIT
Cool Changeover Setpt	cauto_sp	MAIN MENU\Setpoint\	29	RW	Setpoint Configuration Tables\SETPOINT
Cooler Entering Fluid	COOL_EWT	MAIN MENU\Status\STATEGEN	32	RO	Status Display Tables\STATEGEN
Cooler Exchange DT Cir A	pinch_a	MAIN MENU\Maint\EXV_CTRL	6	RO	Maintenance Display Tables\EXV_CTRL
Cooler Exchange DT Cir B	pinch_b	MAIN MENU\Maint\EXV_CTRL	14	RO	Maintenance Display Tables\EXV_CTRL
Cooler Exchange DT Cir C	pinch_c	MAIN MENU\Maint\EXV_CTRL	22	RO	Maintenance Display Tables\EXV_CTRL
Current Control	on_ctrl	MAIN MENU\Status\STATEGEN	4	RO	Status Display Tables\STATEGEN
Current Cooling Power	cool_pwr	MAIN MENU\Status\FREECOOL	4	RO	Status Display Tables\FREECOOL
Current Full Reset Value	v_cr_fu	MAIN MENU\Setpoint\SETPOINT	10	RW	Setpoint Configuration Tables\SETPOINT
Current Full Reset Value	v_hr_fu	MAIN MENU\Setpoint\SETPOINT	24	RW	Setpoint Configuration Tables\SETPOINT
Current Limit at 100%	curr_ful	MAIN MENU\Config\USER	31	RW	Configuration Tables\USER
Current Limit Select	curr_sel	MAIN MENU\Config\USER	30	RW	Configuration Tables\USER
Current Mode (1=occup.)	MODE	MAIN MENU\Maint\OCCDEFM\OCC1PO1S	1	RO	Maintenance Display Tables\OCCDEFM\OCC1PO1S
Current Mode (1=occup.)	MODE	MAIN MENU\Maint\OCCDEFM\OCC2PO2S	1	RO	Maintenance Display Tables\OCCDEFM\OCC2PO2S
Current No Reset Value	v_cr_no	MAIN MENU\Setpoint\SETPOINT	9	RW	Setpoint Configuration Tables\SETPOINT
Current No Reset Value	v_hr_no	MAIN MENU\Setpoint\SETPOINT	23	RW	Setpoint Configuration Tables\SETPOINT
Current Occup Period #	PER-NO	MAIN MENU\Maint\OCCDEFM\OCC1PO1S	2	RO	Maintenance Display Tables\OCCDEFM\OCC1PO1S
Current Occup Period #	PER-NO	MAIN MENU\Maint\OCCDEFM\OCC2PO2S	2	RO	Maintenance Display Tables\OCCDEFM\OCC2PO2S
Current Occupied Time	STRTTIME	MAIN MENU\Maint\OCCDEFM\OCC1PO1S	5	RO	Maintenance Display Tables\OCCDEFM\OCC1PO1S
Current Occupied Time	STRTTIME	MAIN MENU\Maint\OCCDEFM\OCC2PO2S	5	RO	Maintenance Display Tables\OCCDEFM\OCC2PO2S
Current Phase 1 Comp A	cpa_cur1	MAIN MENU\Maint\CUR_PHAS	1	RO	Maintenance Display Tables\CUR_PHAS
Current Phase 1 Comp B	cpb_cur1	MAIN MENU\Maint\CUR_PHAS	4	RO	Maintenance Display Tables\CUR_PHAS
Current Phase 1 Comp C	cpc_cur1	MAIN MENU\Maint\CUR_PHAS	7	RO	Maintenance Display Tables\CUR_PHAS
Current Phase 2 Comp A	cpa_cur2	MAIN MENU\Maint\CUR_PHAS	2	RO	Maintenance Display Tables\CUR_PHAS
Current Phase 2 Comp B	cpb_cur2	MAIN MENU\Maint\CUR_PHAS	5	RO	Maintenance Display Tables\CUR_PHAS
Current Phase 2 Comp C	cpc_cur2	MAIN MENU\Maint\CUR_PHAS	8	RO	Maintenance Display Tables\CUR_PHAS
Current Phase 3 Comp A	cpa_cur3	MAIN MENU\Maint\CUR_PHAS	3	RO	Maintenance Display Tables\CUR_PHAS
Current Phase 3 Comp B	cpb_cur3	MAIN MENU\Maint\CUR_PHAS	6	RO	Maintenance Display Tables\CUR_PHAS
Current Phase 3 Comp C	cpc_cur3	MAIN MENU\Maint\CUR_PHAS	9	RO	Maintenance Display Tables\CUR_PHAS
Current Setpoint	SP	MAIN MENU\Status\GENUNIT	31	RW	Status Display Tables\GENUNIT
Current Unoccupied Time	ENDTIME	MAIN MENU\Maint\OCCDEFM\OCC1PO1S	6	RO	Maintenance Display Tables\OCCDEFM\OCC1PO1S
Current Unoccupied Time	ENDTIME	MAIN MENU\Maint\OCCDEFM\OCC2PO2S	6	RO	Maintenance Display Tables\OCCDEFM\OCC2PO2S
Current Z Multiplier Val	zm	MAIN MENU\Maint\LOADFACT	18	RO	Maintenance Display Tables\LOADFACT
Customer Shutdown Out	Q_SHUT	MAIN MENU\Status\QCK_TST1	46	RW	Status Display Tables\QCK_TST1
Daylight Sav Ent Day of Week (1=Monday)	startdow	MAIN MENU\Config\BRODEFS	10	RW	Configuration Tables\BRODEFS\BROCASTS

APPENDIX A — CARRIER CONTROLLER DISPLAY TABLES (cont)

CARRIER CONTROLLER DESCRIPTION	CARRIER CONTROLLER POINT NAME	CARRIER CONTROLLER PATH	LINE	READ/ WRITE	CCN TABLE NAME
Daylight Sav Ent Month	startmon	MAIN MENU\Config\BRODEFS	9	RW	Configuration Tables\BRODEFS\BROCASTS
Daylight Sav Ent Week of Month	startwom	MAIN MENU\Config\BRODEFS	11	RW	Configuration Tables\BRODEFS\BROCASTS
Daylight Sav Leaving Day of Week (1=Monday)	stopdow	MAIN MENU\Config\BRODEFS	14	RW	Configuration Tables\BRODEFS\BROCASTS
Daylight Sav Leaving Month	stopmon	MAIN MENU\Config\BRODEFS	13	RW	Configuration Tables\BRODEFS\BROCASTS
Daylight Sav Leaving Week of Month	stopwom	MAIN MENU\Config\BRODEFS	15	RW	Configuration Tables\BRODEFS\BROCASTS
Daylight Saving Select	dayl_sel	MAIN MENU\Config\BRODEFS	7	RW	Configuration Tables\BRODEFS\BROCASTS
Decription	DevDesc	MAIN MENU\Config\Ctr-ID	1	RW	Configuration Tables\CtrID\PD5_XAXQ
Defrost Active On Cir A	Mode_19	MAIN MENU>Status\MODES	20	RO	Status Display Tables\MODES
Defrost Active On Cir B	Mode_20	MAIN MENU>Status\MODES	21	RO	Status Display Tables\MODES
Defrost Active?					
Circuit A	mode[19]	MAIN MENU\Maint\DEFROSTM	4	RO	Maintenance Display Tables\DEFROSTM
Circuit B	mode[20]	MAIN MENU\Maint\DEFROSTM	21	RO	Maintenance Display Tables\DEFROSTM
Defrost Duration					
Circuit A	defr_dua	MAIN MENU\Maint\DEFROSTM	6	RO	Maintenance Display Tables\DEFROSTM
Circuit B	defr_dub	MAIN MENU\Maint\DEFROSTM	23	RO	Maintenance Display Tables\DEFROSTM
Defrost Fan Offset Cal A	def_of_a	MAIN MENU\Maint\DEFROSTM	16	RO	Maintenance Display Tables\DEFROSTM
Defrost Fan Offset Cal B	def_of_b	MAIN MENU\Maint\DEFROSTM	33	RO	Maintenance Display Tables\DEFROSTM
Defrost Fan Start Cal A	def_ca_a	MAIN MENU\Maint\DEFROSTM	15	RO	Maintenance Display Tables\DEFROSTM
Defrost Fan Start Cal B	def_ca_b	MAIN MENU\Maint\DEFROSTM	32	RO	Maintenance Display Tables\DEFROSTM
Defrost Number					
Circuit A	nb_def_a	MAIN MENU\Service\UPDHRFAN	6	RW	Service Configuration Tables\UPDHRFAN
Circuit B	nb_def_b	MAIN MENU\Service\UPDHRFAN	7	RW	Service Configuration Tables\UPDHRFAN
Defrost Number					
Circuit A	nb_def_a	MAIN MENU>Status\FANHOURS	3	RO	Status Display Tables\FANHOURS
Circuit B	nb_def_b	MAIN MENU>Status\FANHOURS	4	RO	Status Display Tables\FANHOURS
Defrost Temperature					
Circuit A	DEFRT_A	MAIN MENU\Maint\DEFROSTM	5	RO	Maintenance Display Tables\DEFROSTM
Circuit B	DEFRT_B	MAIN MENU\Maint\DEFROSTM	22	RO	Maintenance Display Tables\DEFROSTM
Delta - Reference Delta					
Circuit A	delt_v_a	MAIN MENU\Maint\DEFROSTM	13	RO	Maintenance Display Tables\DEFROSTM
Circuit B	delt_v_b	MAIN MENU\Maint\DEFROSTM	30	RO	Maintenance Display Tables\DEFROSTM
Delta: OAT - Mean SST					
Circuit A	delt_a	MAIN MENU\Maint\DEFROSTM	11	RO	Maintenance Display Tables\DEFROSTM
Circuit B	delt_b	MAIN MENU\Maint\DEFROSTM	28	RO	Maintenance Display Tables\DEFROSTM
Delta T Full Reset Value	dt_cr_fu	MAIN MENU\Setpoint\SETPOINT	8	RW	Setpoint Configuration Tables\SETPOINT
Delta T Full Reset Value	dt_hr_fu	MAIN MENU\Setpoint\SETPOINT	22	RW	Setpoint Configuration Tables\SETPOINT
Delta T No Reset Value	dt_cr_no	MAIN MENU\Setpoint\SETPOINT	7	RW	Setpoint Configuration Tables\SETPOINT
Delta T No Reset Value	dt_hr_no	MAIN MENU\Setpoint\SETPOINT	21	RW	Setpoint Configuration Tables\SETPOINT
Demand Limit Active	Mode_04	MAIN MENU>Status\MODES	5	RO	Status Display Tables\MODES
Demand Limit Type Select	lim_sel	MAIN MENU\Config\USER	24	RW	Configuration Tables\USER
Deri PID Gain Varifan	hd_dg	MAIN MENU\Service\SERVICE1	9	RW	Service Configuration Tables\SERVICE1
DGT Cool Solenoid					
Circuit A	Q_CDGT_A	MAIN MENU>Status\QCK_TST1	21	RW	Status Display Tables\QCK_TST1
Circuit B	Q_CDGT_B	MAIN MENU>Status\QCK_TST1	28	RW	Status Display Tables\QCK_TST1
DGT Cooling Solenoid					
Circuit A	GASCOOLA	MAIN MENU>Status\CIRCA_D	8	RO	Status Display Tables\CIRCA_D
Circuit B	GASCOOLB	MAIN MENU>Status\CIRCB_D	8	RO	Status Display Tables\CIRCB_D
Circuit C	GASCOOLC	MAIN MENU>Status\CIRCC_D	8	RO	Status Display Tables\CIRCC_D
Discharge Gas Temp					
Circuit A	DGT_A	MAIN MENU>Status\CIRCA_AN	10	RO	Status Display Tables\CIRCA_AN
Circuit B	DGT_B	MAIN MENU>Status\CIRCB_AN	10	RO	Status Display Tables\CIRCB_AN
Circuit C	DGT_C	MAIN MENU>Status\CIRCC_AN	10	RO	Status Display Tables\CIRCC_AN
Discharge Pressure					
Circuit A	DP_A	MAIN MENU>Status\CIRCA_AN	3	RO	Status Display Tables\CIRCA_AN
Circuit B	DP_B	MAIN MENU>Status\CIRCB_AN	3	RO	Status Display Tables\CIRCB_AN
Circuit C	DP_C	MAIN MENU>Status\CIRCC_AN	3	RO	Status Display Tables\CIRCC_AN
Differential Water Temp	diff_wt	MAIN MENU\Maint\LOADFACT	3	RO	Maintenance Display Tables\LOADFACT
Discharge A Gas Limit	sdtlim_a	MAIN MENU\Maint\PR_LIMIT	3	RO	Maintenance Display Tables\PR_LIMIT
Discharge A Temp Average	sdt_m_a	MAIN MENU\Maint\PR_LIMIT	1	RO	Maintenance Display Tables\PR_LIMIT
Discharge A Temp Rate	sdt_mr_a	MAIN MENU\Maint\PR_LIMIT	2	RO	Maintenance Display Tables\PR_LIMIT
Discharge B Gas Limit	sdtlim_b	MAIN MENU\Maint\PR_LIMIT	7	RO	Maintenance Display Tables\PR_LIMIT
Discharge B Temp Average	sdt_m_b	MAIN MENU\Maint\PR_LIMIT	5	RO	Maintenance Display Tables\PR_LIMIT
Discharge B Temp Rate	sdt_mr_b	MAIN MENU\Maint\PR_LIMIT	6	RO	Maintenance Display Tables\PR_LIMIT
Discharge C Gas Limit	sdtlim_c	MAIN MENU\Maint\PR_LIMIT	11	RO	Maintenance Display Tables\PR_LIMIT
Discharge C Temp Average	sdt_m_c	MAIN MENU\Maint\PR_LIMIT	9	RO	Maintenance Display Tables\PR_LIMIT

APPENDIX A — CARRIER CONTROLLER DISPLAY TABLES (cont)

CARRIER CONTROLLER DESCRIPTION	CARRIER CONTROLLER POINT NAME	CARRIER CONTROLLER PATH	LINE	READ/ WRITE	CCN TABLE NAME
Discharge C Temp Rate	sd_t_mr_c	MAIN MENU\Maint\PR_LIMIT	10	RO	Maintenance Display Tables\PR_LIMIT
Discharge Superheat A	DSH_A	MAIN MENU\Maint\EXV_CTRL	3	RO	Maintenance Display Tables\EXV_CTRL
Discharge Superheat B	DSH_B	MAIN MENU\Maint\EXV_CTRL	11	RO	Maintenance Display Tables\EXV_CTRL
Discharge Superheat C	DSH_C	MAIN MENU\Maint\EXV_CTRL	19	RO	Maintenance Display Tables\EXV_CTRL
Discharge Valve Close Out					
Circuit A	FcDsCl_A	MAIN MENU\Status\FREECOOL	15	RW	Status Display Tables\FREECOOL
Circuit B	FcDsCl_B	MAIN MENU\Status\FREECOOL	39	RW	Status Display Tables\FREECOOL
Discharge Valve Open Out					
Circuit A	FcDsOp_A	MAIN MENU\Status\FREECOOL	14	RW	Status Display Tables\FREECOOL
Circuit B	FcDsOp_B	MAIN MENU\Status\FREECOOL	38	RW	Status Display Tables\FREECOOL
Discharge Valve Status					
Circuit A	FcDsStsA	MAIN MENU\Status\FREECOOL	16	RW	Status Display Tables\FREECOOL
Circuit B	FcDsStsB	MAIN MENU\Status\FREECOOL	40	RW	Status Display Tables\FREECOOL
DLY 3 - Cooler Pump 1 (days)	cpump1_m	MAIN MENU\Maint\SERMAINT	10	RO	Maintenance Display Tables\SERMAINT
DLY 4 - Cooler Pump 2 (days)	cpump2_m	MAIN MENU\Maint\SERMAINT	11	RO	Maintenance Display Tables\SERMAINT
DLY 5 - Condenser Pump 1 (days)	hpump1_m	MAIN MENU\Maint\SERMAINT	12	RO	Maintenance Display Tables\SERMAINT
DLY 6 - Condenser Pump 2 (days)	hpump2_m	MAIN MENU\Maint\SERMAINT	13	RO	Maintenance Display Tables\SERMAINT
DLY 7 - Water Filter (days)	wfilte_m	MAIN MENU\Maint\SERMAINT	14	RO	Maintenance Display Tables\SERMAINT
DLY 8 - Cp A Oil Filter (days)	ofilta_m	MAIN MENU\Maint\SERMAINT	15	RO	Maintenance Display Tables\SERMAINT
DLY 9 - Cp B Oil Filter (days)	ofiltb_m	MAIN MENU\Maint\SERMAINT	16	RO	Maintenance Display Tables\SERMAINT
DLY 10 - Cp C Oil Filter (days)	ofiltc_m	MAIN MENU\Maint\SERMAINT	17	RO	Maintenance Display Tables\SERMAINT
DX Cooler Select	dxcooler	MAIN MENU\Service\FACTORY	16	RW	Service Configuration Tables\FACTORY
Economizer A Steps Numb	eco_cnfa	MAIN MENU\Service\FACTORY2	22	RW	Service Configuration Tables\FACTORY2
Economizer B Steps Numb	eco_cnfb	MAIN MENU\Service\FACTORY2	23	RW	Service Configuration Tables\FACTORY2
Economizer C Steps Numb	eco_cnfc	MAIN MENU\Service\FACTORY2	24	RW	Service Configuration Tables\FACTORY2
Economizer Position A	EXV_EC_A	MAIN MENU\Maint\EXV_CTRL	28	RO	Maintenance Display Tables\EXV_CTRL
Economizer Position B	EXV_EC_B	MAIN MENU\Maint\EXV_CTRL	32	RO	Maintenance Display Tables\EXV_CTRL
Economizer Position C	EXV_EC_C	MAIN MENU\Maint\EXV_CTRL	36	RO	Maintenance Display Tables\EXV_CTRL
Economizer SH Setpoint A	ecsh_spa	MAIN MENU\Maint\EXV_CTRL	30	RO	Maintenance Display Tables\EXV_CTRL
Economizer SH Setpoint A	esh_sp_a	MAIN MENU\Service\SERVICE1	23	RW	Service Configuration Tables\SERVICE1
Economizer SH Setpoint B	ecsh_spb	MAIN MENU\Maint\EXV_CTRL	34	RO	Maintenance Display Tables\EXV_CTRL
Economizer SH Setpoint B	esh_sp_b	MAIN MENU\Service\SERVICE1	24	RW	Service Configuration Tables\SERVICE1
Economizer SH Setpoint C	ecsh_spc	MAIN MENU\Maint\EXV_CTRL	36	RO	Maintenance Display Tables\EXV_CTRL
Economizer SH Setpoint C	esh_sp_c	MAIN MENU\Service\SERVICE1	25	RW	Service Configuration Tables\SERVICE1
Economizer Superheat A	eco_sha	MAIN MENU\Maint\EXV_CTRL	29	RO	Maintenance Display Tables\EXV_CTRL
Economizer Superheat B	eco_shb	MAIN MENU\Maint\EXV_CTRL	33	RO	Maintenance Display Tables\EXV_CTRL
Economizer Superheat C	eco_shc	MAIN MENU\Maint\EXV_CTRL	37	RO	Maintenance Display Tables\EXV_CTRL
Economizer EXV Pos					
Circuit A	Q_ECO_A	MAIN MENU\Status\QCK_TST1	6	RW	Status Display Tables\QCK_TST1
Circuit B	Q_ECO_B	MAIN MENU\Status\QCK_TST1	7	RW	Status Display Tables\QCK_TST1
Circuit C	Q_ECO_C	MAIN MENU\Status\QCK_TST1	8	RW	Status Display Tables\QCK_TST1
Economizer Gas Temp					
Circuit A	ECO_TP_A	MAIN MENU\Status\CIRCA_AN	11	RO	Status Display Tables\CIRCA_AN
Circuit B	ECO_TP_B	MAIN MENU\Status\CIRCB_AN	11	RO	Status Display Tables\CIRCB_AN
Circuit C	ECO_TP_C	MAIN MENU\Status\CIRCC_AN	11	RO	Status Display Tables\CIRCC_AN
Economizer Pressure					
Circuit A	ECON_P_A	MAIN MENU\Status\CIRCA_AN	5	RO	Status Display Tables\CIRCA_AN
Circuit B	ECON_P_B	MAIN MENU\Status\CIRCB_AN	5	RO	Status Display Tables\CIRCB_AN
Circuit C	ECON_P_C	MAIN MENU\Status\CIRCC_AN	5	RO	Status Display Tables\CIRCC_AN
EHS Ctrl Override	over_ehs	MAIN MENU\Maint\LOADFACT	22	RO	Maintenance Display Tables\LOADFACT
Electrical Box Interlock	ELEC_BOX	MAIN MENU\Status\STATEGEN	16	RO	Status Display Tables\STATEGEN
Electrical Heat Stage	EHS_STEP	MAIN MENU\Status\STATEGEN	19	RO	Status Display Tables\STATEGEN
Electrical Heat Stages	ehs_sel	MAIN MENU\Service\FACTORY	16	RW	Service Configuration Tables\FACTORY
Electrical Pulldown?	ehspulld	MAIN MENU\Maint\LOADFACT	24	RO	Maintenance Display Tables\LOADFACT
Element	Element	MAIN MENU\Config\Ctr-ID	8	RO	Configuration Tables\CtrID\DP5_XAXQ
Emergency Stop	EMSTOP	MAIN MENU\Status\GENUNIT	32	RO	Status Display Tables\GENUNIT
EMM NRCP2 Board	EMM_NRCP	MAIN MENU\Maint\BOARD_PN	9	RO	Maintenance Display Tables\BOARD_PN
Energy Management Module	emm_nrmp	MAIN MENU\Service\FACTORY	17	RW	Service Configuration Tables\FACTORY
Entering Fluid Control	ewt_opt	MAIN MENU\Service\SERVICE1	6	RW	Service Configuration Tables\SERVICE1
Estimated FreeCool Power	fc_pwr	MAIN MENU\Status\FREECOOL	5	RO	Status Display Tables\FREECOOL
Exchanger Frost Factor					

APPENDIX A — CARRIER CONTROLLER DISPLAY TABLES (cont)

CARRIER CONTROLLER DESCRIPTION	CARRIER CONTROLLER POINT NAME	CARRIER CONTROLLER PATH	LINE	READ/ WRITE	CCN TABLE NAME
Circuit A	frost_a	MAIN MENU\Maint\DEFROSTM	2	RO	Maintenance Display Tables\DEFROSTM
Circuit B	frost_b	MAIN MENU\Maint\DEFROSTM	19	RO	Maintenance Display Tables\DEFROSTM
External Temperature	OAT	MAIN MENU>Status\GENUNIT	30	RO	Status Display Tables\GENUNIT
EXV A Maximum Steps Numb	exva_max	MAIN MENU\Service\FACTORY2	18	RW	Service Configuration Tables\FACTORY2
EXV A Superheat Setpoint	sh_sp_a	MAIN MENU\Service\SERVICE1	11	RW	Service Configuration Tables\SERVICE1
EXV B Maximum Steps Numb	exvb_max	MAIN MENU\Service\FACTORY2	19	RW	Service Configuration Tables\FACTORY2
EXV B Superheat Setpoint	sh_sp_b	MAIN MENU\Service\SERVICE1	12	RW	Service Configuration Tables\SERVICE1
EXV Board Circuit A	EXV_BRD1	MAIN MENU\Maint\BOARD_PN	1	RO	Maintenance Display Tables\BOARD_PN
EXV Board Circuit B	EXV_BRD2	MAIN MENU\Maint\BOARD_PN	2	RO	Maintenance Display Tables\BOARD_PN
EXV Board Circuit C	EXV_BRD3	MAIN MENU\Maint\BOARD_PN	3	RO	Maintenance Display Tables\BOARD_PN
EXV C Maximum Steps Numb	exvc_max	MAIN MENU\Service\FACTORY2	20	RW	Service Configuration Tables\FACTORY2
EXV C Superheat Setpoint	sh_sp_c	MAIN MENU\Service\SERVICE1	13	RW	Service Configuration Tables\SERVICE1
EXV MOP Setpoint	mop_sp	MAIN MENU\Service\SERVICE1	17	RW	Service Configuration Tables\SERVICE1
EXV Override					
Circuit A	oc_eco_a	MAIN MENU\Maint\EXV_CTRL	31	RO	Maintenance Display Tables\EXV_CTRL
Circuit B	oc_eco_b	MAIN MENU\Maint\EXV_CTRL	35	RO	Maintenance Display Tables\EXV_CTRL
Circuit C	oc_eco_c	MAIN MENU\Maint\EXV_CTRL	39	RO	Maintenance Display Tables\EXV_CTRL
EXV Override					
Circuit A	ov_exv_a	MAIN MENU\Maint\EXV_CTRL	8	RO	Maintenance Display Tables\EXV_CTRL
Circuit B	ov_exv_b	MAIN MENU\Maint\EXV_CTRL	16	RO	Maintenance Display Tables\EXV_CTRL
Circuit C	ov_exv_c	MAIN MENU\Maint\EXV_CTRL	24	RO	Maintenance Display Tables\EXV_CTRL
EXV Position Circuit A					
Circuit A	EXV_A	MAIN MENU\Maint\EXV_CTRL	2	RO	Maintenance Display Tables\EXV_CTRL
Circuit B	EXV_B	MAIN MENU\Maint\EXV_CTRL	10	RO	Maintenance Display Tables\EXV_CTRL
Circuit C	EXV_C	MAIN MENU\Maint\EXV_CTRL	18	RO	Maintenance Display Tables\EXV_CTRL
EXV Position					
Circuit A	Q_EXVA	MAIN MENU>Status\QCK_TST1	3	RW	Status Display Tables\QCK_TST1
Circuit B	Q_EXVB	MAIN MENU>Status\QCK_TST1	4	RW	Status Display Tables\QCK_TST1
Circuit C	Q_EXVC	MAIN MENU>Status\QCK_TST1	5	RW	Status Display Tables\QCK_TST1
EXV Position					
Circuit A	EXV_A	MAIN MENU>Status\CIRCA_AN	15	RO	Status Display Tables\CIRCA_AN
Circuit B	EXV_B	MAIN MENU>Status\CIRCB_AN	15	RO	Status Display Tables\CIRCB_AN
Circuit C	EXV_C	MAIN MENU>Status\CIRCC_AN	15	RO	Status Display Tables\CIRCC_AN
EXV Position					
Circuit A	FC_EXV_A	MAIN MENU>Status\FREECOOL	24	RO	Status Display Tables\FREECOOL
Circuit B	FC_EXV_B	MAIN MENU>Status\FREECOOL	48	RO	Status Display Tables\FREECOOL
Factory Password	fac_pass	MAIN MENU\Service\FACTORY	19	RW	Service Configuration Tables\FACTORY
Fan #1 Hours					
Circuit A	hr_fana1	MAIN MENU\Service\UPDHRFAN	8	RW	Service Configuration Tables\UPDHRFAN
Circuit B	hr_fanb1	MAIN MENU\Service\UPDHRFAN	18	RW	Service Configuration Tables\UPDHRFAN
Circuit C	hr_fanc1	MAIN MENU\Service\UPDHRFAN	28	RW	Service Configuration Tables\UPDHRFAN
Fan #1 Hours					
Circuit A	hr_fana1	MAIN MENU>Status\FANHOURS	5	RO	Status Display Tables\FANHOURS
Circuit B	hr_fanb1	MAIN MENU>Status\FANHOURS	15	RO	Status Display Tables\FANHOURS
Circuit C	hr_fanc1	MAIN MENU>Status\FANHOURS	25	RO	Status Display Tables\FANHOURS
Fan #2 Hours					
Circuit A	hr_fana2	MAIN MENU\Service\UPDHRFAN	9	RW	Service Configuration Tables\UPDHRFAN
Circuit B	hr_fanb2	MAIN MENU\Service\UPDHRFAN	19	RW	Service Configuration Tables\UPDHRFAN
Circuit C	hr_fanc2	MAIN MENU\Service\UPDHRFAN	29	RW	Service Configuration Tables\UPDHRFAN
Fan #2 Hours					
Circuit A	hr_fana2	MAIN MENU>Status\FANHOURS	6	RO	Status Display Tables\FANHOURS
Circuit B	hr_fanb2	MAIN MENU>Status\FANHOURS	16	RO	Status Display Tables\FANHOURS
Circuit C	hr_fanc2	MAIN MENU>Status\FANHOURS	26	RO	Status Display Tables\FANHOURS
Fan #3 Hours					
Circuit A	hr_fana3	MAIN MENU\Service\UPDHRFAN	10	RW	Service Configuration Tables\UPDHRFAN
Circuit B	hr_fanb3	MAIN MENU\Service\UPDHRFAN	20	RW	Service Configuration Tables\UPDHRFAN
Circuit C	hr_fanc3	MAIN MENU\Service\UPDHRFAN	30	RW	Service Configuration Tables\UPDHRFAN
Fan #3 Hours					
Circuit A	hr_fana3	MAIN MENU>Status\FANHOURS	7	RO	Status Display Tables\FANHOURS
Circuit B	hr_fanb3	MAIN MENU>Status\FANHOURS	17	RO	Status Display Tables\FANHOURS
Circuit C	hr_fanc3	MAIN MENU>Status\FANHOURS	27	RO	Status Display Tables\FANHOURS
Fan #4 Hours					
Circuit A	hr_fana4	MAIN MENU\Service\UPDHRFAN	11	RW	Service Configuration Tables\UPDHRFAN
Circuit B	hr_fanb4	MAIN MENU\Service\UPDHRFAN	21	RW	Service Configuration Tables\UPDHRFAN
Circuit C	hr_fanc4	MAIN MENU\Service\UPDHRFAN	31	RW	Service Configuration Tables\UPDHRFAN
Fan #4 Hours					
Circuit A	hr_fana4	MAIN MENU>Status\FANHOURS	8	RO	Status Display Tables\FANHOURS

APPENDIX A — CARRIER CONTROLLER DISPLAY TABLES (cont)

CARRIER CONTROLLER DESCRIPTION	CARRIER CONTROLLER POINT NAME	CARRIER CONTROLLER PATH	LINE	READ/ WRITE	CCN TABLE NAME
Circuit B	hr_fanb4	MAIN MENU\Status\FANHOURS	18	RO	Status Display Tables\FANHOURS
Circuit C	hr_fanc4	MAIN MENU\Status\FANHOURS	28	RO	Status Display Tables\FANHOURS
Fan #5 Hours					
Circuit A	hr_fana5	MAIN MENU\Service\UPDHRFAN	12	RW	Service Configuration Tables\UPDHRFAN
Circuit B	hr_fanb5	MAIN MENU\Service\UPDHRFAN	22	RW	Service Configuration Tables\UPDHRFAN
Circuit C	hr_fanc5	MAIN MENU\Service\UPDHRFAN	32	RW	Service Configuration Tables\UPDHRFAN
Fan #5 Hours					
Circuit A	hr_fana5	MAIN MENU\Status\FANHOURS	9	RO	Status Display Tables\FANHOURS
Circuit B	hr_fanb5	MAIN MENU\Status\FANHOURS	19	RO	Status Display Tables\FANHOURS
Circuit C	hr_fanc5	MAIN MENU\Status\FANHOURS	29	RO	Status Display Tables\FANHOURS
Fan #6 Hours					
Circuit A	hr_fana6	MAIN MENU\Service\UPDHRFAN	13	RW	Service Configuration Tables\UPDHRFAN
Circuit B	hr_fanb6	MAIN MENU\Service\UPDHRFAN	23	RW	Service Configuration Tables\UPDHRFAN
Circuit C	hr_fanc6	MAIN MENU\Service\UPDHRFAN	33	RW	Service Configuration Tables\UPDHRFAN
Fan #6 Hours					
Circuit A	hr_fana6	MAIN MENU\Status\FANHOURS	10	RO	Status Display Tables\FANHOURS
Circuit B	hr_fanb6	MAIN MENU\Status\FANHOURS	20	RO	Status Display Tables\FANHOURS
Circuit C	hr_fanc6	MAIN MENU\Status\FANHOURS	30	RO	Status Display Tables\FANHOURS
Fan #7 Hours					
Circuit A	hr_fana7	MAIN MENU\Service\UPDHRFAN	14	RW	Service Configuration Tables\UPDHRFAN
Circuit B	hr_fanb7	MAIN MENU\Service\UPDHRFAN	24	RW	Service Configuration Tables\UPDHRFAN
Circuit C	hr_fanc7	MAIN MENU\Service\UPDHRFAN	34	RW	Service Configuration Tables\UPDHRFAN
Fan #7 Hours					
Circuit A	hr_fana7	MAIN MENU\Status\FANHOURS	11	RO	Status Display Tables\FANHOURS
Circuit B	hr_fanb7	MAIN MENU\Status\FANHOURS	21	RO	Status Display Tables\FANHOURS
Circuit C	hr_fanc7	MAIN MENU\Status\FANHOURS	31	RO	Status Display Tables\FANHOURS
Fan #8 Hours					
Circuit A	hr_fana8	MAIN MENU\Service\UPDHRFAN	15	RW	Service Configuration Tables\UPDHRFAN
Circuit B	hr_fanb8	MAIN MENU\Service\UPDHRFAN	25	RW	Service Configuration Tables\UPDHRFAN
Circuit C	hr_fanc8	MAIN MENU\Service\UPDHRFAN	35	RW	Service Configuration Tables\UPDHRFAN
Fan #8 Hours					
Circuit A	hr_fana8	MAIN MENU\Status\FANHOURS	12	RO	Status Display Tables\FANHOURS
Circuit B	hr_fanb8	MAIN MENU\Status\FANHOURS	22	RO	Status Display Tables\FANHOURS
Circuit C	hr_fanc8	MAIN MENU\Status\FANHOURS	32	RO	Status Display Tables\FANHOURS
Fan #9 Hours					
Circuit A	hr_fana9	MAIN MENU\Service\UPDHRFAN	16	RW	Service Configuration Tables\UPDHRFAN
Circuit B	hr_fanb9	MAIN MENU\Service\UPDHRFAN	26	RW	Service Configuration Tables\UPDHRFAN
Circuit C	hr_fanc9	MAIN MENU\Service\UPDHRFAN	36	RW	Service Configuration Tables\UPDHRFAN
Fan #9 Hours					
Circuit A	hr_fana9	MAIN MENU\Status\FANHOURS	13	RO	Status Display Tables\FANHOURS
Circuit B	hr_fanb9	MAIN MENU\Status\FANHOURS	23	RO	Status Display Tables\FANHOURS
Circuit C	hr_fanc9	MAIN MENU\Status\FANHOURS	33	RO	Status Display Tables\FANHOURS
Fan #10 Hours					
Circuit A	hrfana10	MAIN MENU\Service\UPDHRFAN	17	RW	Service Configuration Tables\UPDHRFAN
Circuit B	hrfanb10	MAIN MENU\Service\UPDHRFAN	27	RW	Service Configuration Tables\UPDHRFAN
Circuit C	hrfanc10	MAIN MENU\Service\UPDHRFAN	37	RW	Service Configuration Tables\UPDHRFAN
Fan #10 Hours					
Circuit A	hrfana10	MAIN MENU\Status\FANHOURS	14	RO	Status Display Tables\FANHOURS
Circuit B	hrfanb10	MAIN MENU\Status\FANHOURS	24	RO	Status Display Tables\FANHOURS
Circuit C	hrfanc10	MAIN MENU\Status\FANHOURS	34	RO	Status Display Tables\FANHOURS
Fan Cycle Counter					
Circuit A	fancyc_a	MAIN MENU\Maint\FANCTRL	3	RO	Maintenance Display Tables\FANCTRL
Circuit B	fancyc_b	MAIN MENU\Maint\FANCTRL	7	RO	Maintenance Display Tables\FANCTRL
Circuit C	fancyc_c	MAIN MENU\Maint\FANCTRL	11	RO	Maintenance Display Tables\FANCTRL
Fan Output DO #1					
Circuit A	fan_a1	MAIN MENU\Status\CIRCA_D	11	RO	Status Display Tables\CIRCA_D
Circuit B	fan_b1	MAIN MENU\Status\CIRCB_D	11	RO	Status Display Tables\CIRCB_D
Circuit C	fan_c1	MAIN MENU\Status\CIRCC_D	11	RO	Status Display Tables\CIRCC_D
Fan Output DO #2					
Circuit A	fan_a2	MAIN MENU\Status\CIRCA_D	12	RO	Status Display Tables\CIRCA_D
Circuit B	fan_b2	MAIN MENU\Status\CIRCB_D	12	RO	Status Display Tables\CIRCB_D
Circuit C	fan_c2	MAIN MENU\Status\CIRCC_D	12	RO	Status Display Tables\CIRCC_D
Fan Output DO #3					
Circuit A	fan_a3	MAIN MENU\Status\CIRCA_D	13	RO	Status Display Tables\CIRCA_D
Circuit B	fan_b3	MAIN MENU\Status\CIRCB_D	13	RO	Status Display Tables\CIRCB_D
Circuit C	fan_c3	MAIN MENU\Status\CIRCC_D	13	RO	Status Display Tables\CIRCC_D
Fan Output DO #4					

APPENDIX A — CARRIER CONTROLLER DISPLAY TABLES (cont)

CARRIER CONTROLLER DESCRIPTION	CARRIER CONTROLLER POINT NAME	CARRIER CONTROLLER PATH	LINE	READ/ WRITE	CCN TABLE NAME
Circuit A	fan_a4	MAIN MENU\Status\CIRCA_D	14	RO	Status Display Tables\CIRCA_D
Circuit B	fan_b4	MAIN MENU\Status\CIRCB_D	14	RO	Status Display Tables\CIRCB_D
Circuit C	fan_c4	MAIN MENU\Status\CIRCC_D	14	RO	Status Display Tables\CIRCC_D
Fan Output DO #5					
Circuit A	fan_a5	MAIN MENU\Status\CIRCA_D	15	RO	Status Display Tables\CIRCA_D
Circuit B	fan_b5	MAIN MENU\Status\CIRCB_D	15	RO	Status Display Tables\CIRCB_D
Circuit C	fan_c5	MAIN MENU\Status\CIRCC_D	15	RO	Status Display Tables\CIRCC_D
Fan Output DO #6					
Circuit A	fan_a6	MAIN MENU\Status\CIRCA_D	16	RO	Status Display Tables\CIRCA_D
Circuit B	fan_b6	MAIN MENU\Status\CIRCB_D	16	RO	Status Display Tables\CIRCB_D
Circuit C	fan_c6	MAIN MENU\Status\CIRCC_D	16	RO	Status Display Tables\CIRCC_D
Fan Output DO #7					
Circuit A	fan_a7	MAIN MENU\Status\CIRCA_D	17	RO	Status Display Tables\CIRCA_D
Circuit B	fan_b7	MAIN MENU\Status\CIRCB_D	17	RO	Status Display Tables\CIRCB_D
Circuit C	fan_c7	MAIN MENU\Status\CIRCC_D	17	RO	Status Display Tables\CIRCC_D
Fan Output DO #8					
Circuit A	fan_a7	MAIN MENU\Status\CIRCA_D	18	RO	Status Display Tables\CIRCA_D
Circuit B	fan_b7	MAIN MENU\Status\CIRCB_D	18	RO	Status Display Tables\CIRCB_D
Circuit C	fan_c7	MAIN MENU\Status\CIRCC_D	18	RO	Status Display Tables\CIRCC_D
Fan Sequence Started?					
Circuit A	def_fa_a	MAIN MENU\Maint\DEFROSTM	7	RO	Maintenance Display Tables\DEFROSTM
Circuit B	def_fa_b	MAIN MENU\Maint\DEFROSTM	24	RO	Maintenance Display Tables\DEFROSTM
Fan Stages					
Circuit A	Q_FAN_A	MAIN MENU\Status\QCK_TST1	9	RW	Status Display Tables\QCK_TST1
Circuit B	Q_FAN_B	MAIN MENU\Status\QCK_TST1	10	RW	Status Display Tables\QCK_TST1
Circuit C	Q_FAN_C	MAIN MENU\Status\QCK_TST1	11	RW	Status Display Tables\QCK_TST1
Fan Staging Number					
Circuit A	FAN_ST_A	MAIN MENU\Status\CIRCA_D	19	RO	Status Display Tables\CIRCA_D
Circuit B	FAN_ST_B	MAIN MENU\Status\CIRCB_D	19	RO	Status Display Tables\CIRCB_D
Circuit C	FAN_ST_C	MAIN MENU\Status\CIRCC_D	19	RO	Status Display Tables\CIRCC_D
Fan Staging Number					
Circuit A	FAN_ST_A	MAIN MENU\Status\FREECOOL	13	RO	Status Display Tables\FREECOOL
Circuit B	FAN_ST_B	MAIN MENU\Status\FREECOOL	37	RO	Status Display Tables\FREECOOL
Flow Checked if C Pump Off	pump_loc	MAIN MENU\Config\USER	17	RW	Configuration Tables\USER
Free Cool A Ball Valve	Q_FCBVL_A	MAIN MENU\Status\QCK_TST2	18	RO	Status Display Tables\QCK_TST2
Free Cool A EXV Position	Q_FCEXVA	MAIN MENU\Status\QCK_TST2	16	RO	Status Display Tables\QCK_TST2
Free Cool B Ball Valve	Q_FCBVL_B	MAIN MENU\Status\QCK_TST2	19	RO	Status Display Tables\QCK_TST2
Free Cool B EXV Position	Q_FCEXVB	MAIN MENU\Status\QCK_TST2	17	RO	Status Display Tables\QCK_TST2
Free Cool Conditions OK?					
Circuit A	fc_ok?_a	MAIN MENU\Status\FREECOOL	9	RW	Status Display Tables\FREECOOL
Circuit B	fc_ok?_b	MAIN MENU\Status\FREECOOL	33	RW	Status Display Tables\FREECOOL
Free Cool Pump A Hours	hr_fcm_a	MAIN MENU\Status\FANHOURS	1	RO	Status Display Tables\FANHOURS
Free Cool Pump B Hours	hr_fcm_b	MAIN MENU\Status\FANHOURS	2	RO	Status Display Tables\FANHOURS
Free Cool Request?					
Circuit A	fc_reqst_a	MAIN MENU\Status\FREECOOL	10	RO	Status Display Tables\FREECOOL
Circuit B	fc_reqst_b	MAIN MENU\Status\FREECOOL	34	RO	Status Display Tables\FREECOOL
Free Cooling A Pump Hours	hr_fcp_a	MAIN MENU\Service\UPDHRFAN	4	RW	Service Configuration Tables\UPDHRFAN
Free Cooling Active	Mode_13	MAIN MENU\Status\MODES	14	RO	Status Display Tables\MODES
Free Cooling Active					
Circuit A	FC_ON_A	MAIN MENU\Status\FREECOOL	12	RO	Status Display Tables\FREECOOL
Circuit B	FC_ON_B	MAIN MENU\Status\FREECOOL	36	RO	Status Display Tables\FREECOOL
Free Cooling B Pump Hours	hr_fcp_b	MAIN MENU\Service\UPDHRFAN	5	RW	Service Configuration Tables\UPDHRFAN
Free Cooling Delta T Th	free_dt	MAIN MENU\Config\USER	33	RW	Configuration Tables\USER
Free Cooling Disable	FC_DSBLE	MAIN MENU\Status\GENUNIT	12	RW	Status Display Tables\GENUNIT
Free Cooling Disable Sw	FC_SW	MAIN MENU\Status\STATEGEN	6	RO	Status Display Tables\STATEGEN
Free Cooling Disable?	FC_DSBLE	MAIN MENU\Status\FREECOOL	2	RO	Status Display Tables\FREECOOL
Free Cooling Heater	Q_FC_HTR	MAIN MENU\Status\QCK_TST2	15	RO	Status Display Tables\QCK_TST2
Free Cooling Heaters					
Circuit A	fc_heata	MAIN MENU\Status\FREECOOL	11	RW	Status Display Tables\FREECOOL
Circuit B	fc_heatb	MAIN MENU\Status\FREECOOL	35	RW	Status Display Tables\FREECOOL
Free Cooling Liquid Tmp					
Circuit A	FC_LT_A	MAIN MENU\Status\FREECOOL	25	RW	Status Display Tables\FREECOOL
Circuit B	FC_LT_B	MAIN MENU\Status\FREECOOL	49	RW	Status Display Tables\FREECOOL
Free Cooling Maxi Power					
Circuit A	fc_pwr_a	MAIN MENU\Status\FREECOOL	6	RW	Status Display Tables\FREECOOL
Circuit B	fc_pwr_b	MAIN MENU\Status\FREECOOL	30	RW	Status Display Tables\FREECOOL
Free Cooling OAT Limit	free_oat	MAIN MENU\Config\USER	33	RW	Configuration Tables\USER

APPENDIX A — CARRIER CONTROLLER DISPLAY TABLES (cont)

CARRIER CONTROLLER DESCRIPTION	CARRIER CONTROLLER POINT NAME	CARRIER CONTROLLER PATH	LINE	READ/ WRITE	CCN TABLE NAME
Free Cooling Select	freecool	MAIN MENU\Service\FACTORY	11	RW	Service Configuration Tables\FACTORY
Free Cooling Subcool Spt					
Circuit A	FC_SCS_A	MAIN MENU>Status\FREECOOL	27	RW	Status Display Tables\FREECOOL
Circuit B	FC_SCS_B	MAIN MENU>Status\FREECOOL	51	RW	Status Display Tables\FREECOOL
Free Cooling Subcool Tmp					
Circuit A	FC_SC_A	MAIN MENU>Status\FREECOOL	26	RW	Status Display Tables\FREECOOL
Circuit B	FC_SC_B	MAIN MENU>Status\FREECOOL	50	RW	Status Display Tables\FREECOOL
Frost Integrator Gain					
Circuit A	fr_int_a	MAIN MENU\Maint\DEFROSTM	14	RO	Maintenance Display Tables\DEFROSTM
Circuit B	fr_int_b	MAIN MENU\Maint\DEFROSTM	31	RO	Maintenance Display Tables\DEFROSTM
Full Load Timeout	fc_tmout	MAIN MENU\Config\USER	34	RW	Configuration Tables\USER
Head Press Speed					
Circuit A	Q_VFANA	MAIN MENU>Status\QCK_TST1	12	RW	Status Display Tables\QCK_TST1
Circuit B	Q_VFANB	MAIN MENU>Status\QCK_TST1	13	RW	Status Display Tables\QCK_TST1
Circuit C	Q_VFANC	MAIN MENU>Status\QCK_TST1	14	RW	Status Display Tables\QCK_TST1
HEAT RECLAIM CIRCUIT A	—	MAIN MENU>Status\RECLAIM	9	RO	Status Display Tables\RECLAIM
HEAT RECLAIM CIRCUIT B	—	MAIN MENU>Status\RECLAIM	19	RO	Status Display Tables\RECLAIM
Heat Reclaim Select	RECL_SEL	MAIN MENU>Status\RECLAIM	1	RO	Status Display Tables\RECLAIM
Heat Reclaim Select	RECL_SET	MAIN MENU>Status\GENUNIT	11	RW	Status Display Tables\GENUNIT
Heat/Cool Select	HC_SEL	MAIN MENU>Status\GENUNIT	9	RW	Status Display Tables\GENUNIT
Heat/Cool Status	HEATCOOL	MAIN MENU>Status\GENUNIT	8	RO	Status Display Tables\GENUNIT
Heater switches	HEATR_SW	MAIN MENU>Status\STATEGEN	19	RW	Status Display Tables\STATEGEN
Heating Changeover Setpt	hautosp	MAIN MENU\Setpoint\SETPOINT	30	RW	Setpoint Configuration Tables\SETPOINT
Heating Low EWT Lockout	Mode_16	MAIN MENU>Status\MODES	17	RO	Status Display Tables\MODES
Heating OAT Threshold	heat_th	MAIN MENU\Config\USER	32	RW	Configuration Tables\USER
Heating Ramp Loading	hramp_sp	MAIN MENU\Setpoint\SETPOINT	26	RW	Setpoint Configuration Tables\SETPOINT
Heating Reset Deg. Value	hr_deg	MAIN MENU\Setpoint\SETPOINT	25	RW	Setpoint Configuration Tables\SETPOINT
Heating Reset Select	hr_sel	MAIN MENU\Config\USER	20	RW	Configuration Tables\USER
Heating Setpoint 1	hsp1	MAIN MENU\Setpoint\SETPOINT	17	RW	Setpoint Configuration Tables\SETPOINT
Heating Setpoint 2	hsp2	MAIN MENU\Setpoint\SETPOINT	18	RW	Setpoint Configuration Tables\SETPOINT
High Condensing Select	highcond	MAIN MENU\Service\FACTORY	24	RW	Service Configuration Tables\FACTORY
High DGT Circuit A	Mode_24	MAIN MENU>Status\MODES	25	RO	Status Display Tables\MODES
High DGT Circuit B	Mode_25	MAIN MENU>Status\MODES	26	RO	Status Display Tables\MODES
High DGT Circuit C	Mode_26	MAIN MENU>Status\MODES	27	RO	Status Display Tables\MODES
High Pres Override Cir A	Mode_27	MAIN MENU>Status\MODES	28	RO	Status Display Tables\MODES
High Pres Override Cir B	Mode_28	MAIN MENU>Status\MODES	29	RO	Status Display Tables\MODES
High Pres Override Cir C	Mode_29	MAIN MENU>Status\MODES	30	RO	Status Display Tables\MODES
High Pressure Threshold	hp_th	MAIN MENU\Service\SERVICE1	18	RW	Service Configuration Tables\SERVICE1
High Tiers Display Selec	highdisp	MAIN MENU\Service\FACTORY	18	RW	Service Configuration Tables\FACTORY
Holiday Duration (days)	HOL-LEN	MAIN MENU\Config\HOLIDAY\HOLDY_01	3	RW	Configuration Tables\HOLIDAY\HOLDY_01
Holiday Start Day	HOL-DAY	MAIN MENU\Config\HOLIDAY\HOLDY_01	2	RW	Configuration Tables\HOLIDAY\HOLDY_01
Holiday Start Month	HOL-MON	MAIN MENU\Config\HOLIDAY\HOLDY_01	1	RW	Configuration Tables\HOLIDAY\HOLDY_01
Hot Gas Bypass Select	hgbp_sel	MAIN MENU\Service\FACTORY	14	RW	Service Configuration Tables\FACTORY
Head Press Actuator Pos					
Circuit A	hd_pos_a	MAIN MENU>Status\CIRCA_AN	16	RO	Status Display Tables\CIRCA_AN
Circuit B	hd_pos_b	MAIN MENU>Status\CIRCB_AN	16	RO	Status Display Tables\CIRCB_AN
Circuit C	hd_pos_c	MAIN MENU>Status\CIRCC_AN	16	RO	Status Display Tables\CIRCC_AN
Heater Ball Valve					
Circuit A	Q_BVL_A	MAIN MENU>Status\QCK_TST1	19	RW	Status Display Tables\QCK_TST1
Circuit B	Q_BVL_B	MAIN MENU>Status\QCK_TST1	26	RW	Status Display Tables\QCK_TST1
Circuit C	Q_BVL_C	MAIN MENU>Status\QCK_TST1	33	RW	Status Display Tables\QCK_TST1
Hot Gas Bypass Output					
Circuit A	HGBP_A	MAIN MENU>Status\CIRCA_D	9	RO	Status Display Tables\CIRCA_D
Circuit B	HGBP_B	MAIN MENU>Status\CIRCB_D	9	RO	Status Display Tables\CIRCB_D
Circuit C	HGBP_C	MAIN MENU>Status\CIRCC_D	9	RO	Status Display Tables\CIRCC_D
Hot Gas Bypass					
Circuit A	Q_HGBP_A	MAIN MENU>Status\QCK_TST1	20	RW	Status Display Tables\QCK_TST1
Circuit B	Q_HGBP_B	MAIN MENU>Status\QCK_TST1	27	RW	Status Display Tables\QCK_TST1
Circuit C	Q_HGBP_C	MAIN MENU>Status\QCK_TST1	34	RW	Status Display Tables\QCK_TST1
HPump 1 Ctl Delay (days)	hpump1_c	MAIN MENU\Service\MAINTCFG	7	RW	Service Configuration Tables\MAINTCFG
HPump 2 Ctl Delay (days)	hpump2_c	MAIN MENU\Service\MAINTCFG	8	RW	Service Configuration Tables\MAINTCFG
HR Condenser Heater	Q_CD_HT	MAIN MENU>Status\QCK_TST2	12	RW	Status Display Tables\QCK_TST2
HSM Both Command Select	both_sel	MAIN MENU\Config\USER	35	RW	Configuration Tables\USER
Ice Done Storage Switch	ICE_SW	MAIN MENU>Status\STATEGEN	11	RO	Status Display Tables\STATEGEN
Ice Mode Enable	ice_cnfg	MAIN MENU\Config\USER	40	RW	Configuration Tables\USER

APPENDIX A — CARRIER CONTROLLER DISPLAY TABLES (cont)

CARRIER CONTROLLER DESCRIPTION	CARRIER CONTROLLER POINT NAME	CARRIER CONTROLLER PATH	LINE	READ/ WRITE	CCN TABLE NAME
Ice Mode in Effect	Mode_18	MAIN MENU\Status\MODES	19	RO	Status Display Tables\MODES
Int PID Gain Varifan	hd_ig	MAIN MENU\Service\SERVICE1	8	RW	Service Configuration Tables\SERVICE1
Lag Capacity Limit Value	LAG_LIM	MAIN MENU\Status\GENUNIT	22	RO	Status Display Tables\GENUNIT
Lag Minimum Running Time	lag_mini	MAIN MENU\Config\MST_SLV	20	RW	Configuration Tables\MST_SLV
Lag Start Delay	l_strt_d	MAIN MENU\Maint\M_MSTSLV	8	RO	Maintenance Display Tables\MSTSLAVE
Lag Start Timer	lstr_tim	MAIN MENU\Config\MST_SLV	17	RW	Configuration Tables\MST_SLV
Lag Unit Pump Control	lag_pump	MAIN MENU\Config\MST_SLV	21	RW	Configuration Tables\MST_SLV
Language Selection	LANGUAGE	MAIN MENU\Config\DISPCONF	2	RW	Configuration Tables\DISPCONF
Lead Lag Select	lead_sel	MAIN MENU\Config\MST_SLV	12	RW	Configuration Tables\MST_SLV
Lead Pulldown Time	lead_pul	MAIN MENU\Config\MST_SLV	18	RW	Configuration Tables\MST_SLV
Lead Pulldown?	ll_pull	MAIN MENU\Maint\M_MSTSLV	11	RO	Maintenance Display Tables\MSTSLAVE
Lead Unit is the:	lead_sel	MAIN MENU\Maint\M_MSTSLV	5	RO	Maintenance Display Tables\MSTSLAVE
Lead/Lad Changeover?	ll_chang	MAIN MENU\Maint\M_MSTSLV	10	RO	Maintenance Display Tables\MSTSLAVE
Lead/Lag Balance Delta	ll_bal_d	MAIN MENU\Config\MST_SLV	16	RW	Configuration Tables\MST_SLV
Lead/Lag Hours Delta	ll_hr_d	MAIN MENU\Maint\M_MSTSLV	9	RO	Maintenance Display Tables\MSTSLAVE
Limit 4-20mA Signal	LIM_ANAL	MAIN MENU\Status\STATEGEN	47	RO	Status Display Tables\STATEGEN
Limit Switch 1 Status	LIM_SW1	MAIN MENU\Status\STATEGEN	8	RO	Status Display Tables\STATEGEN
Limit Switch 2 Status	LIM_SW2	MAIN MENU\Status\STATEGEN	9	RO	Status Display Tables\STATEGEN
Load/Unload Factor	smz	MAIN MENU\Maint\LOADFACT	19	RO	Maintenance Display Tables\LOADFACT
Location	Location	MAIN MENU\Config\Ctr-ID	2	RO	Configuration Tables\CtrID\PD5_XAXQ
Low Suction Circuit A	Mode_21	MAIN MENU\Status\MODES	22	RO	Status Display Tables\MODES
Low Suction Circuit B	Mode_22	MAIN MENU\Status\MODES	23	RO	Status Display Tables\MODES
Low Suction Circuit C	Mode_23	MAIN MENU\Status\MODES	24	RO	Status Display Tables\MODES
Low Superheat Circuit A	Mode_30	MAIN MENU\Status\MODES	31	RO	Status Display Tables\MODES
Low Superheat Circuit B	Mode_31	MAIN MENU\Status\MODES	32	RO	Status Display Tables\MODES
Low Superheat Circuit C	Mode_32	MAIN MENU\Status\MODES	33	RO	Status Display Tables\MODES
LWT-OAT Delta	fc_delta	MAIN MENU\Status\FREECOOL	3	RO	Status Display Tables\FREECOOL
mA For 0% Demand Limit	lim_ze	MAIN MENU\Config\USER	29	RW	Configuration Tables\USER
mA For 100% Demand Limit	lim_mx	MAIN MENU\Config\USER	28	RW	Configuration Tables\USER
Machine Operating Hours	hr_mach	MAIN MENU\Service\UPDTHOUR	5	RW	Service Configuration Tables\UPDTHOUR
Machine Operating Hours	HR_MACH	MAIN MENU\Status\STRTHOUR	1	RO	Status Display Tables\STRTHOUR
Machine Starts	st_mach	MAIN MENU\Service\UPDTHOUR	6	RW	Service Configuration Tables\UPDTHOUR
Machine Starts Number	st_mach	MAIN MENU\Status\STRTHOUR	2	RO	Status Display Tables\STRTHOUR
Master Control Type	ms_ctrl	MAIN MENU\Config\MST_SLV	7	RW	Configuration Tables\MST_SLV
Master Control Type	ms_ctrl	MAIN MENU\Maint\M_MSTSLV	3	RO	Maintenance Display Tables\MSTSLAVE
Master Slave Active	Mode_11	MAIN MENU\Status\MODES	12	RO	Status Display Tables\MODES
Master/Slave Ctrl Active	ms_activ	MAIN MENU\Maint\M_MSTSLV	4	RO	Maintenance Display Tables\MSTSLAVE
Master/Slave Error	ms_error	MAIN MENU\Maint\M_MSTSLV	12	RO	Maintenance Display Tables\MSTSLAVE
Master/Slave Select	ms_sel	MAIN MENU\Config\MST_SLV	3	RW	Configuration Tables\MST_SLV
Max Available Capacity?	cap_max	MAIN MENU\Maint\M_MSTSLV	13	RO	Maintenance Display Tables\MSTSLAVE
Max Condenser LWT = 45C	max_clwt	MAIN MENU\Service\FACTORY	25	RW	Service Configuration Tables\FACTORY
MCHX Exchanger Select	mchx_sel	MAIN MENU\Service\FACTORY	15	RW	Service Configuration Tables\FACTORY
Metric Display on STDU	DISPUNIT	MAIN MENU\Config\DISPCONF	1	RW	Configuration Tables\DISPCONF
Minutes Left for Start	min_left	MAIN MENU\Status\GENUNIT	7	RO	Status Display Tables\GENUNIT
Model Number	ModelNum	MAIN MENU\Config\Ctr-ID	4	RO	Configuration Tables\CtrID\PD5_XAXQ
Must Trip Amps	cpa_mtam	MAIN MENU\Maint\BOARD_PN	12	RO	Maintenance Display Tables\BOARD_PN
Must Trip Amps	cpb_mtam	MAIN MENU\Maint\BOARD_PN	16	RO	Maintenance Display Tables\BOARD_PN
Must Trip Amps	cpc_mtam	MAIN MENU\Maint\BOARD_PN	20	RO	Maintenance Display Tables\BOARD_PN
Mean SST Calculation					
Circuit A	sst_dm_a	MAIN MENU\Maint\DEFROSTM	10	RO	Maintenance Display Tables\DEFROSTM
Circuit B	sst_dm_b	MAIN MENU\Maint\DEFROSTM	27	RO	Maintenance Display Tables\DEFROSTM
Mechanical Cooling Power					
Circuit A	mc_pwr_a	MAIN MENU\Status\FREECOOL	5	RW	Status Display Tables\FREECOOL
Circuit B	mc_pwr_b	MAIN MENU\Status\FREECOOL	29	RW	Status Display Tables\FREECOOL
Motor Current					
Circuit A	CURREN_A	MAIN MENU\Status\CIRCA_AN	8	RO	Status Display Tables\CIRCA_AN
Circuit B	CURREN_B	MAIN MENU\Status\CIRCB_AN	8	RO	Status Display Tables\CIRCB_AN
Circuit C	CURREN_C	MAIN MENU\Status\CIRCC_AN	8	RO	Status Display Tables\CIRCC_AN
Motor Temperature					
Circuit A	CP_TMP_A	MAIN MENU\Status\CIRCA_AN	9	RO	Status Display Tables\CIRCA_AN
Circuit B	CP_TMP_B	MAIN MENU\Status\CIRCB_AN	9	RO	Status Display Tables\CIRCB_AN
Circuit C	CP_TMP_C	MAIN MENU\Status\CIRCC_AN	9	RO	Status Display Tables\CIRCC_AN
NB Fans on Varifan Cir A	varfan_a	MAIN MENU\Service\FACTORY	5	RW	Service Configuration Tables\FACTORY
NB Fans on Varifan Cir B	varfan_b	MAIN MENU\Service\FACTORY	6	RW	Service Configuration Tables\FACTORY
NB Fans on Varifan Cir C	varfan_c	MAIN MENU\Service\FACTORY	7	RW	Service Configuration Tables\FACTORY
Next Occupied Day	NXTOCDAY	MAIN MENU\Maint\OCCDEFM\OCC1PO1S	7	RO	Maintenance Display Tables\OCCDEFM\OCC1PO1S

APPENDIX A — CARRIER CONTROLLER DISPLAY TABLES (cont)

CARRIER CONTROLLER DESCRIPTION	CARRIER CONTROLLER POINT NAME	CARRIER CONTROLLER PATH	LINE	READ/ WRITE	CCN TABLE NAME
Next Occupied Day	NXTOCDAY	MAIN MENU\Maint\OCCDEFM\OCC2PO2S	7	RO	Maintenance Display Tables\OCCDEFM\OCC2PO2S
Next Occupied Time	NXTOCTIM	MAIN MENU\Maint\OCCDEFM\OCC1PO1S	8	RO	Maintenance Display Tables\OCCDEFM\OCC1PO1S
Next Occupied Time	NXTOCTIM	MAIN MENU\Maint\OCCDEFM\OCC2PO2S	8	RO	Maintenance Display Tables\OCCDEFM\OCC2PO2S
Next Sequence Allowed in Circuit A	def_se_a	MAIN MENU\Maint\DEFROSTM	20	RO	Maintenance Display Tables\DEFROSTM
Circuit B	def_se_b	MAIN MENU\Maint\DEFROSTM	20	RO	Maintenance Display Tables\DEFROSTM
Next Session Allowed In Circuit A	fc_next_a	MAIN MENU\Status\FREECOOL	7	RO	Status Display Tables\FREECOOL
Circuit B	fc_next_b	MAIN MENU\Status\FREECOOL	31	RO	Status Display Tables\FREECOOL
Next Unoccupied Day	NXTUNDAY	MAIN MENU\Maint\OCCDEFM\OCC1PO1S	9	RO	Maintenance Display Tables\OCCDEFM\OCC1PO1S
Next Unoccupied Day	NXTUNDAY	MAIN MENU\Maint\OCCDEFM\OCC2PO2S	9	RO	Maintenance Display Tables\OCCDEFM\OCC2PO2S
Next Unoccupied Time	NXTUNTIM	MAIN MENU\Maint\OCCDEFM\OCC1PO1S	10	RO	Maintenance Display Tables\OCCDEFM\OCC1PO1S
Next Unoccupied Time	NXTUNTIM	MAIN MENU\Maint\OCCDEFM\OCC2PO2S	10	RO	Maintenance Display Tables\OCCDEFM\OCC2PO2S
Night Control Capacity Limit	nh_limit	MAIN MENU\Config\USER	39	RW	Configuration Tables\USER
Night Control End Hour	nh_end	MAIN MENU\Config\USER	38	RW	Configuration Tables\USER
Night Control Start Hour	nh_start	MAIN MENU\Config\USER	37	RW	Configuration Tables\USER
Night Low Noise Active	Mode_09	MAIN MENU\Status\MODES	10	RO	Status Display Tables\MODES
OAT Broadcast Bus #	oatbusnm	MAIN MENU\Config\BRODEFS	4	RW	Configuration Tables\BRODEFS\BROADCASTS
OAT Broadcast Element #	oatlocad	MAIN MENU\Config\BRODEFS	5	RW	Configuration Tables\BRODEFS\BROADCASTS
OAT Full Reset Value	oatcr_fu	MAIN MENU\Setpoint\SETPOINT	6	RW	Setpoint Configuration Tables\SETPOINT
OAT Full Reset Value	oathr_fu	MAIN MENU\Setpoint\SETPOINT	20	RW	Setpoint Configuration Tables\SETPOINT
OAT No Reset Value	oatcr_no	MAIN MENU\Setpoint\SETPOINT	5	RW	Setpoint Configuration Tables\SETPOINT
OAT No Reset Value	oathr_no	MAIN MENU\Setpoint\SETPOINT	19	RW	Setpoint Configuration Tables\SETPOINT
Occupied From	OCCOD#	MAIN MENU\Schedule\OCCPC01S	1	RO	Configuration Tables\OCCPC01S
Occupied Override Switch	OCC_OVSW	MAIN MENU\Status\STATEGEN	10	RO	Status Display Tables\STATEGEN
Occupied To	UNOCTOD#	MAIN MENU\Schedule\OCCPC01S	1	RO	Configuration Tables\OCCPC01S
Oil Filter A Ctrl (days)	oilfil_a	MAIN MENU\Service\MAINTCFG	10	RW	Service Configuration Tables\MAINTCFG
Oil Filter B Ctrl (days)	oilfil_b	MAIN MENU\Service\MAINTCFG	11	RW	Service Configuration Tables\MAINTCFG
Oil Filter C Ctrl (days)	oilfil_c	MAIN MENU\Service\MAINTCFG	12	RW	Service Configuration Tables\MAINTCFG
Oil Heater Circuit A	Q_HT_A	MAIN MENU\Status\QCK_TST1	15	RW	Status Display Tables\QCK_TST1
Circuit B	Q_HT_B	MAIN MENU\Status\QCK_TST1	22	RW	Status Display Tables\QCK_TST1
Circuit C	Q_HT_C	MAIN MENU\Status\QCK_TST1	29	RW	Status Display Tables\QCK_TST1
Oil Heater Output Circuit A	OIL_HT_A	MAIN MENU\Status\CIRCA_D	5	RO	Status Display Tables\CIRCA_D
Circuit B	OIL_HT_B	MAIN MENU\Status\CIRCB_D	5	RO	Status Display Tables\CIRCB_D
Circuit C	OIL_HT_C	MAIN MENU\Status\CIRCC_D	5	RO	Status Display Tables\CIRCC_D
Oil Level Input Circuit A	OIL_L_A	MAIN MENU\Status\CIRCA_D	7	RO	Status Display Tables\CIRCA_D
Circuit B	OIL_L_B	MAIN MENU\Status\CIRCB_D	7	RO	Status Display Tables\CIRCB_D
Circuit C	OIL_L_C	MAIN MENU\Status\CIRCC_D	7	RO	Status Display Tables\CIRCC_D
Oil Pressure Circuit A	OP_A	MAIN MENU\Status\CIRCA_AN	6	RO	Status Display Tables\CIRCA_AN
Circuit B	OP_B	MAIN MENU\Status\CIRCB_AN	6	RO	Status Display Tables\CIRCB_AN
Circuit C	OP_C	MAIN MENU\Status\CIRCC_AN	6	RO	Status Display Tables\CIRCC_AN
Oil Pressure Difference Circuit A	DOP_A	MAIN MENU\Status\CIRCA_AN	7	RO	Status Display Tables\CIRCA_AN
Circuit B	DOP_B	MAIN MENU\Status\CIRCB_AN	7	RO	Status Display Tables\CIRCB_AN
Circuit C	DOP_C	MAIN MENU\Status\CIRCC_AN	7	RO	Status Display Tables\CIRCC_AN
Oil Solenoid Circuit A	Q_OILS_A	MAIN MENU\Status\QCK_TST1	16	RW	Status Display Tables\QCK_TST1
Circuit B	Q_OILS_B	MAIN MENU\Status\QCK_TST1	23	RW	Status Display Tables\QCK_TST1
Circuit C	Q_OILS_C	MAIN MENU\Status\QCK_TST1	30	RW	Status Display Tables\QCK_TST1
Oil Solenoid Output Circuit A	OIL_SL_A	MAIN MENU\Status\CIRCA_D	6	RO	Status Display Tables\CIRCA_D
Circuit B	OIL_SL_B	MAIN MENU\Status\CIRCB_D	6	RO	Status Display Tables\CIRCB_D
Circuit C	OIL_SL_C	MAIN MENU\Status\CIRCC_D	6	RO	Status Display Tables\CIRCC_D
Optimal Fan Count Circuit A	fancop_a	MAIN MENU\Maint\FANCTRL	4	RO	Maintenance Display Tables\FANCTRL
Circuit B	fancop_b	MAIN MENU\Maint\FANCTRL	8	RO	Maintenance Display Tables\FANCTRL

APPENDIX A — CARRIER CONTROLLER DISPLAY TABLES (cont)

CARRIER CONTROLLER DESCRIPTION	CARRIER CONTROLLER POINT NAME	CARRIER CONTROLLER PATH	LINE	READ/ WRITE	CCN TABLE NAME
Circuit C	fancop_c	MAIN MENU\Maint\FANCTRL	12	RO	Maintenance Display Tables\FANCTRL
On/Off - Remote Switch	ONOFF_SW	MAIN MENU>Status\STATEGEN	2	RO	Status Display Tables\STATEGEN
OP WARN 1- Refrigerant Charge	charge_m	MAIN MENU\Maint\SERMAINT	6	RO	Maintenance Display Tables\SERMAINT
OP WARN 2 - Water Loop Size	wloop_m	MAIN MENU\Maint\SERMAINT	7	RO	Maintenance Display Tables\SERMAINT
Operating Type	OPER_TYP	MAIN MENU>Status\GENUNIT	2	RO	Status Display Tables\GENUNIT
Optional Space temp	SPACETMP	MAIN MENU>Status\STATEGEN	38	RO	Status Display Tables\STATEGEN
Override State					
Circuit A	over_d_a	MAIN MENU\Maint\DEFROSTM	8	RO	Maintenance Display Tables\DEFROSTM
Circuit B	over_d_b	MAIN MENU\Maint\DEFROSTM	25	RO	Maintenance Display Tables\DEFROSTM
Pass for All User Config	all_pass	MAIN MENU\Config\USER	44	RW	Configuration Tables\USER
Percent Total Capacity	CAP_T	MAIN MENU>Status\GENUNIT	20	RO	Status Display Tables\GENUNIT
Percent Total Capacity					
Circuit A	CAPA_T	MAIN MENU>Status\CIRCA_AN	2	RO	Status Display Tables\CIRCA_AN
Circuit B	CAPB_T	MAIN MENU>Status\CIRCB_AN	2	RO	Status Display Tables\CIRCB_AN
Circuit C	CAPC_T	MAIN MENU>Status\CIRCC_AN	2	RO	Status Display Tables\CIRCC_AN
Period # DOW (MTWTFSSH)	DOW#	MAIN MENU\Schedule\OCCPC01S	1	RO	Configuration Tables\OCCPC01S
Pinch offset circuit A	p_ofst_a	MAIN MENU\Service\SERVICE1	14	RW	Service Configuration Tables\SERVICE1
Pinch offset circuit B	p_ofst_b	MAIN MENU\Service\SERVICE1	15	RW	Service Configuration Tables\SERVICE1
Pinch offset circuit C	p_ofst_c	MAIN MENU\Service\SERVICE1	16	RW	Service Configuration Tables\SERVICE1
Power Down 1: day-mon-year	date_of1	MAIN MENU\Maint\LAST_POR	3	RO	Maintenance Display Tables\LAST_POR
Power Down 1: hour-minute	time_of1	MAIN MENU\Maint\LAST_POR	4	RO	Maintenance Display Tables\LAST_POR
Power Down 2: day-mon-year	date_of2	MAIN MENU\Maint\LAST_POR	7	RO	Maintenance Display Tables\LAST_POR
Power Down 2: hour-minute	time_of2	MAIN MENU\Maint\LAST_POR	8	RO	Maintenance Display Tables\LAST_POR
Power Down 3: day-mon-year	date_of3	MAIN MENU\Maint\LAST_POR	11	RO	Maintenance Display Tables\LAST_POR
Power Down 3: hour-minute	time_of3	MAIN MENU\Maint\LAST_POR	12	RO	Maintenance Display Tables\LAST_POR
Power Down 4: day-mon-year	date_of4	MAIN MENU\Maint\LAST_POR	15	RO	Maintenance Display Tables\LAST_POR
Power Down 4: hour-minute	time_of4	MAIN MENU\Maint\LAST_POR	16	RO	Maintenance Display Tables\LAST_POR
Power Down 5: day-mon-year	date_of5	MAIN MENU\Maint\LAST_POR	19	RO	Maintenance Display Tables\LAST_POR
Power Down 5: hour-minute	time_of5	MAIN MENU\Maint\LAST_POR	20	RO	Maintenance Display Tables\LAST_POR
Power Frequency 60HZ Sel	freq_60H	MAIN MENU\Service\FACTORY	3	RW	Service Configuration Tables\FACTORY
Power On 1: day-mon-year	date_on1	MAIN MENU\Maint\LAST_POR	1	RO	Maintenance Display Tables\LAST_POR
Power On 1: hour-minute	time_on1	MAIN MENU\Maint\LAST_POR	2	RO	Maintenance Display Tables\LAST_POR
Power On 2: day-mon-year	date_on2	MAIN MENU\Maint\LAST_POR	5	RO	Maintenance Display Tables\LAST_POR
Power On 2: hour-minute	time_on2	MAIN MENU\Maint\LAST_POR	6	RO	Maintenance Display Tables\LAST_POR
Power On 3: day-mon-year	date_on3	MAIN MENU\Maint\LAST_POR	9	RO	Maintenance Display Tables\LAST_POR
Power On 3: hour-minute	time_on3	MAIN MENU\Maint\LAST_POR	10	RO	Maintenance Display Tables\LAST_POR
Power On 4: day-mon-year	date_on4	MAIN MENU\Maint\LAST_POR	13	RO	Maintenance Display Tables\LAST_POR
Power On 4: hour-minute	time_on4	MAIN MENU\Maint\LAST_POR	14	RO	Maintenance Display Tables\LAST_POR
Power On 5: day-mon-year	date_on5	MAIN MENU\Maint\LAST_POR	17	RO	Maintenance Display Tables\LAST_POR
Power On 5: hour-minute	time_on5	MAIN MENU\Maint\LAST_POR	18	RO	Maintenance Display Tables\LAST_POR
Power Supply Voltage	voltage	MAIN MENU\Service\FACTORY	4	RW	Service Configuration Tables\FACTORY
Prev unoccupied Day	PRVUNDAY	MAIN MENU\Maint\OCCDEFM\OCC1PO1S	11	RO	Maintenance Display Tables\OCCDEFM\OCC1PO1S
Prev unoccupied Day	PRVUNDAY	MAIN MENU\Maint\OCCDEFM\OCC2PO2S	11	RO	Maintenance Display Tables\OCCDEFM\OCC2PO2S
Prev unoccupied Time	PRVUNTIM	MAIN MENU\Maint\OCCDEFM\OCC1PO1S	12	RO	Maintenance Display Tables\OCCDEFM\OCC1PO1S
Prev unoccupied Time	PRVUNTIM	MAIN MENU\Maint\OCCDEFM\OCC2PO2S	12	RO	Maintenance Display Tables\OCCDEFM\OCC2PO2S
Prop PID Gain Varifan	hd_pg	MAIN MENU\Service\SERVICE1	7	RW	Service Configuration Tables\SERVICE1
Pump Auto Rotation Delay	pump_del	MAIN MENU\Config\USER	14	RW	Configuration Tables\USER
Pump Differential Press.					
Circuit A	fc_dp_a	MAIN MENU>Status\FREECOOL	23	RO	Status Display Tables\FREECOOL
Circuit B	fc_dp_b	MAIN MENU>Status\FREECOOL	47	RO	Status Display Tables\FREECOOL
Pump Inlet Pressure					
Circuit A	fc_inp_a	MAIN MENU>Status\FREECOOL	21	RO	Status Display Tables\FREECOOL
Circuit B	fc_inp_b	MAIN MENU>Status\FREECOOL	45	RO	Status Display Tables\FREECOOL
Pump Inlet Pressure					
Circuit A	fc_inp_a	MAIN MENU>Status\FREECOOL	17	RO	Status Display Tables\FREECOOL
Circuit B	fc_inp_b	MAIN MENU>Status\FREECOOL	27	RO	Status Display Tables\FREECOOL
Circuit C	fc_inp_c	MAIN MENU>Status\FREECOOL	37	RO	Status Display Tables\FREECOOL
Pump Outlet Pressure					
Circuit A	fc_oup_a	MAIN MENU>Status\FREECOOL	22	RO	Status Display Tables\FREECOOL
Circuit B	fc_oup_b	MAIN MENU>Status\FREECOOL	46	RO	Status Display Tables\FREECOOL
Pump Periodic Start	Mode_08	MAIN MENU>Status\MODES	9	RO	Status Display Tables\MODES
Pump Sticking Protection	pump_per	MAIN MENU\Config\USER	15	RW	Configuration Tables\USER
Pumpdown Pressure Cir A	PD_P_A	MAIN MENU>Status\RECLAIM	11	RO	Status Display Tables\RECLAIM

APPENDIX A — CARRIER CONTROLLER DISPLAY TABLES (cont)

CARRIER CONTROLLER DESCRIPTION	CARRIER CONTROLLER POINT NAME	CARRIER CONTROLLER PATH	LINE	READ/ WRITE	CCN TABLE NAME
Pumpdown Pressure Cir B	PD_P_B	MAIN MENU\Status\RECLAIM	21	RO	Status Display Tables\RECLAIM
Pumpdown Saturated Tmp A	hr_sat_a	MAIN MENU\Status\RECLAIM	13	RO	Status Display Tables\RECLAIM
Pumpdown Saturated Tmp B	hr_sat_b	MAIN MENU\Status\RECLAIM	23	RO	Status Display Tables\RECLAIM
Quick EHS for Defrost	ehs_defr	MAIN MENU\Config\USER	37	RW	Configuration Tables\USER
Quick Test Enable	Q_TSTRQ	MAIN MENU\Status\QCK_TST1	1	RW	Status Display Tables\QCK_TST1
Quick Test Enable	Q_TSTRQ	MAIN MENU\Status\QCK_TST2	1	RW	Status Display Tables\QCK_TST2
Ramp Loading Active	Mode_05	MAIN MENU\Status\MODES	6	RO	Status Display Tables\MODES
Ramp Loading Select	ramp_sel	MAIN MENU\Config\USER	5	RW	Configuration Tables\USER
Ready or Running Status	READY	MAIN MENU\Status\STATEGEN	29	RO	Status Display Tables\STATEGEN
Realarm Time	RE_ALARM	MAIN MENU\Config\ALARMDEF	4	RW	Configuration Tables\ALARMDEF\ALARMS01
Recl Valve Max Position	max_3w	MAIN MENU\Service\SERVICE1	22	RW	Service Configuration Tables\SERVICE1
Recl Valve Min Position	min_3w	MAIN MENU\Service\SERVICE1	21	RW	Service Configuration Tables\SERVICE1
Reclaim Active	Mode_14	MAIN MENU\Status\MODES	15	RO	Status Display Tables\MODES
Reclaim Condenser Flow	CONDFLOW	MAIN MENU\Status\RECLAIM	3	RO	Status Display Tables\RECLAIM
Reclaim Condenser Heater	cond_htr	MAIN MENU\Status\RECLAIM	4	RO	Status Display Tables\RECLAIM
Reclaim Condenser Pump	HPUMP_1	MAIN MENU\Status\RECLAIM	2	RO	Status Display Tables\RECLAIM
Reclaim Deadband	hr_deadb	MAIN MENU\Setpoint\SETPOINT	37	RW	Setpoint Configuration Tables\SETPOINT
Reclaim Entering Fluid	HR_EWT	MAIN MENU\Status\RECLAIM	5	RO	Status Display Tables\RECLAIM
Reclaim Fluid Setpoint	RSP	MAIN MENU\Status\RECLAIM	7	RO	Status Display Tables\RECLAIM
Reclaim Leaving Fluid	HR_LWT	MAIN MENU\Status\RECLAIM	6	RO	Status Display Tables\RECLAIM
Reclaim NRCP2 Board	REC_NRCP	MAIN MENU\Maint\BOARD_PN	10	RO	Maintenance Display Tables\BOARD_PN
Reclaim Setpoint	rsp	MAIN MENU\Setpoint\SETPOINT	36	RW	Setpoint Configuration Tables\SETPOINT
Reclaim Status Circuit A	hrstat_a	MAIN MENU\Status\RECLAIM	10	RO	Status Display Tables\RECLAIM
Reclaim Status Circuit B	hrstat_b	MAIN MENU\Status\RECLAIM	20	RO	Status Display Tables\RECLAIM
Reclaim Valve Position	hr_v_pos	MAIN MENU\Status\RECLAIM	8	RO	Status Display Tables\RECLAIM
Reference Number	RefNum	MAIN MENU\Config\Ctr-ID	6	RO	Configuration Tables\CtrID\DP5_XAXQ
Refrigerant Charge Ctrl	charge_c	MAIN MENU\Service\MAINTCFG	3	RW	Service Configuration Tables\MAINTCFG
Remote Heat/Cool Switch	HC_SW	MAIN MENU\Status\STATEGEN	3	RO	Status Display Tables\STATEGEN
Remote Interlock Status	REM_LOCK	MAIN MENU\Status\STATEGEN	15	RO	Status Display Tables\STATEGEN
Remote Reclaim Switch	RECL_SW	MAIN MENU\Status\STATEGEN	5	RO	Status Display Tables\STATEGEN
Remote Setpoint Switch	SETP_SW	MAIN MENU\Status\STATEGEN	7	RO	Status Display Tables\STATEGEN
Reset Amount	reset	MAIN MENU\Maint\LOADFACT	6	RO	Maintenance Display Tables\LOADFACT
Reset in Effect	Mode_03	MAIN MENU\Status\MODES	4	RO	Status Display Tables\MODES
Reset Maintenance Alert	S_RESET	MAIN MENU\Maint\SERMAINT	1	RO	Maintenance Display Tables\SERMAINT
Reset/Setpnt 4-20mA Sgnl	SP_RESET	MAIN MENU\Status\STATEGEN	46	RO	Status Display Tables\STATEGEN
Reverse Alarms Relay	al_rever	MAIN MENU\Config\USER	41	RW	Configuration Tables\USER
Rotate Condenser Pumps?	ROTHPUMP	MAIN MENU\Status\STATEGEN	24	RO	Status Display Tables\STATEGEN
Rotate Cooler Pumps?	ROTCPUMP	MAIN MENU\Status\STATEGEN	22	RO	Status Display Tables\STATEGEN
Run Status	STATUS	MAIN MENU\Status\GENUNIT	4	RO	Status Display Tables\GENUNIT
Running Status	RUNNING	MAIN MENU\Status\STATEGEN	30	RO	Status Display Tables\STATEGEN
Reference Delta					
Circuit A	delt_r_a	MAIN MENU\Maint\DEFROSTM	12	RO	Maintenance Display Tables\DEFROSTM
Circuit B	delt_r_b	MAIN MENU\Maint\DEFROSTM	29	RO	Maintenance Display Tables\DEFROSTM
Refrigerant Pump Out					
Circuit A	FC_PMP_A	MAIN MENU\Status\FREECOOL	20	RO	Status Display Tables\FREECOOL
Circuit B	FC_PMP_B	MAIN MENU\Status\FREECOOL	44	RO	Status Display Tables\FREECOOL
Running Output					
Circuit A	Q_RUN_A	MAIN MENU\Status\QCK_TST1	43	RW	Status Display Tables\QCK_TST1
Circuit B	Q_RUN_B	MAIN MENU\Status\QCK_TST1	44	RW	Status Display Tables\QCK_TST1
Circuit C	Q_RUN_C	MAIN MENU\Status\QCK_TST1	45	RW	Status Display Tables\QCK_TST1
S1 Config Switch (8->1)	cpa_s1_m	MAIN MENU\Maint\BOARD_PN	13	RO	Maintenance Display Tables\BOARD_PN
S1 Config Switch (8->1)	cpb_s1_m	MAIN MENU\Maint\BOARD_PN	17	RO	Maintenance Display Tables\BOARD_PN
S1 Config Switch (8->1)	cpc_s1_m	MAIN MENU\Maint\BOARD_PN	21	RO	Maintenance Display Tables\BOARD_PN
Saturated Condensing Tmp					
Circuit A	SCT_A	MAIN MENU\Status\CIRCA_AN	12	RO	Status Display Tables\CIRCA_AN
Circuit B	SCT_B	MAIN MENU\Status\CIRCB_AN	12	RO	Status Display Tables\CIRCB_AN
Circuit C	SCT_C	MAIN MENU\Status\CIRCC_AN	12	RO	Status Display Tables\CIRCC_AN
Saturated Suction Temp					
Circuit A	SST_A	MAIN MENU\Status\CIRCA_AN	13	RO	Status Display Tables\CIRCA_AN
Circuit B	SST_B	MAIN MENU\Status\CIRCB_AN	13	RO	Status Display Tables\CIRCB_AN
Circuit C	SST_C	MAIN MENU\Status\CIRCC_AN	13	RO	Status Display Tables\CIRCC_AN
SCT Candidate					
Circuit A	sct_fu_a	MAIN MENU\Maint\FANCTRL	2	RO	Maintenance Display Tables\FANCTRL
Circuit B	sct_fu_b	MAIN MENU\Maint\FANCTRL	7	RO	Maintenance Display Tables\FANCTRL
Circuit C	sct_fu_c	MAIN MENU\Maint\FANCTRL	10	RO	Maintenance Display Tables\FANCTRL

APPENDIX A — CARRIER CONTROLLER DISPLAY TABLES (cont)

CARRIER CONTROLLER DESCRIPTION	CARRIER CONTROLLER POINT NAME	CARRIER CONTROLLER PATH	LINE	READ/ WRITE	CCN TABLE NAME
SCT Control Point					
Circuit A	sct_sp_a	MAIN MENU\Maint\FANCTRL	1	RO	Maintenance Display Tables\FANCTRL
Circuit B	sct_sp_b	MAIN MENU\Maint\FANCTRL	5	RO	Maintenance Display Tables\FANCTRL
Circuit C	sct_sp_c	MAIN MENU\Maint\FANCTRL	9	RO	Maintenance Display Tables\FANCTRL
Second Setpoint in Use	Mode_02	MAIN MENU\Status\MODES	3	RO	Status Display Tables\MODES
Serial Number	SerialNo	MAIN MENU\Config\Ctr-ID	5	RO	Configuration Tables!\CtrlID\PD5_XAXQ
Service Test Enable	Q_STREQ	MAIN MENU\Status\SERV_TST	1	RW	Status Display Tables\SERV_TST
Servicing Alert	s_alert	MAIN MENU\Service\MAINTCFG	2	RW	Service Configuration Tables\MAINTCFG
Setpoint Control	sp_ctrl	MAIN MENU\Status\GENUNIT	27	RO	Status Display Tables\GENUNIT
Setpoint Occupied?	SP_OCC	MAIN MENU\Status\GENUNIT	26	RO	Status Display Tables\GENUNIT
Setpoint select	sp_sel	MAIN MENU\Status\GENUNIT	25	RW	Status Display Tables\GENUNIT
Shutdown Indicator State	SHUTDOWN	MAIN MENU\Status\STATEGEN	26	RO	Status Display Tables\STATEGEN
Slave Address	slv_addr	MAIN MENU\Config\MST_SLV	11	RW	Configuration Tables\MST_SLV
Slave Chiller State	slv_stat	MAIN MENU\Maint\M_MSTSLV	6	RO	Maintenance Display Tables\MSTSLAVE
Slave Chiller Total Cap	slv_capt	MAIN MENU\Maint\M_MSTSLV	7	RO	Maintenance Display Tables\MSTSLAVE
Slave lagstat	lagstat	MAIN MENU\Maint\M_MSTSLV	14	RO	Maintenance Display Tables\MSTSLAVE
Slide Valve 1					
Circuit A	Q_SLI_1A	MAIN MENU\Status\QCK_TST1	17	RW	Status Display Tables\QCK_TST1
Circuit B	Q_SLI_1B	MAIN MENU\Status\QCK_TST1	24	RW	Status Display Tables\QCK_TST1
Circuit C	Q_SLI_1C	MAIN MENU\Status\QCK_TST1	31	RW	Status Display Tables\QCK_TST1
Slide Valve 2					
Circuit A	Q_SLI_2A	MAIN MENU\Status\QCK_TST1	18	RW	Status Display Tables\QCK_TST1
Circuit B	Q_SLI_2B	MAIN MENU\Status\QCK_TST1	25	RW	Status Display Tables\QCK_TST1
Circuit C	Q_SLI_2C	MAIN MENU\Status\QCK_TST1	32	RW	Status Display Tables\QCK_TST1
Slide Valve					
Capacity A	Q_SLIA	MAIN MENU\Status\SERV_TST	4	RW	Status Display Tables\SERV_TST
Capacity B	Q_SLIB	MAIN MENU\Status\SERV_TST	6	RW	Status Display Tables\SERV_TST
Capacity C	Q_SLIC	MAIN MENU\Status\SERV_TST	8	RW	Status Display Tables\SERV_TST
Slide Valve 1 Output					
Circuit A	SLID_1_A	MAIN MENU\Status\CIRCA_D	3	RO	Status Display Tables\CIRCA_D
Circuit B	SLID_1_B	MAIN MENU\Status\CIRCB_D	3	RO	Status Display Tables\CIRCB_D
Circuit C	SLID_1_C	MAIN MENU\Status\CIRCC_D	3	RO	Status Display Tables\CIRCC_D
Slide Valve 2 Output					
Circuit A	SLID_2_A	MAIN MENU\Status\CIRCA_D	4	RO	Status Display Tables\CIRCA_D
Circuit B	SLID_2_B	MAIN MENU\Status\CIRCB_D	4	RO	Status Display Tables\CIRCB_D
Circuit C	SLID_2_C	MAIN MENU\Status\CIRCC_D	4	RO	Status Display Tables\CIRCC_D
Soft Starter Select	softstar	MAIN MENU\Service\FACTORY	8	RW	Service Configuration Tables\FACTORY
Software Part Number	PartNum	MAIN MENU\Config\Ctr-ID	3	RO	Configuration Tables!\CtrlID\PD5_XAXQ
Space T Full Reset Value	spacr_fu	MAIN MENU\Setpoint\SETPOINT	12	RW	Setpoint Configuration Tables\SETPOINT
Space T No Reset Value	spacr_no	MAIN MENU\Setpoint\SETPOINT	11	RW	Setpoint Configuration Tables\SETPOINT
Staged Loading Sequence	seq_typ	MAIN MENU\Config\USER	4	RW	Configuration Tables\USER
Start if Error Higher	start_dt	MAIN MENU\Config\MST_SLV	19	RW	Configuration Tables\MST_SLV
Startup Delay in Effect	Mode_01	MAIN MENU\Status\MODES	2	RO	Status Display Tables\MODES
Stop Pump During Standby	pump_sby	MAIN MENU\Config\USER	16	RW	Configuration Tables\USER
Sub Condenser Temp Cir A	hr_subta	MAIN MENU\Status\RECLAIM	12	RO	Status Display Tables\RECLAIM
Sub Condenser Temp Cir B	hr_subtb	MAIN MENU\Status\RECLAIM	22	RO	Status Display Tables\RECLAIM
Subcooling Temperature A	hr_subca	MAIN MENU\Status\RECLAIM	14	RO	Status Display Tables\RECLAIM
Subcooling Temperature B	hr_subcb	MAIN MENU\Status\RECLAIM	24	RO	Status Display Tables\RECLAIM
Suction A Temp Average	sst_m_a	MAIN MENU\Maint\PR_LIMIT	4	RO	Maintenance Display Tables\PR_LIMIT
Suction B Temp Average	sst_m_b	MAIN MENU\Maint\PR_LIMIT	8	RO	Maintenance Display Tables\PR_LIMIT
Suction C Temp Average	sst_m_c	MAIN MENU\Maint\PR_LIMIT	12	RO	Maintenance Display Tables\PR_LIMIT
Suction Pressure					
Circuit A	SP_A	MAIN MENU\Status\CIRCA_AN	4	RO	Status Display Tables\CIRCA_AN
Circuit B	SP_B	MAIN MENU\Status\CIRCB_AN	4	RO	Status Display Tables\CIRCB_AN
Circuit C	SP_C	MAIN MENU\Status\CIRCC_AN	4	RO	Status Display Tables\CIRCC_AN
Suction SH Control Pt A	sh_sp_a	MAIN MENU\Maint\EXV_CTRL	5	RO	Maintenance Display Tables\EXV_CTRL
Suction SH Control Pt B	sh_sp_b	MAIN MENU\Maint\EXV_CTRL	13	RO	Maintenance Display Tables\EXV_CTRL
Suction SH Control Pt C	sh_sp_c	MAIN MENU\Maint\EXV_CTRL	21	RO	Maintenance Display Tables\EXV_CTRL
Suction Superheat A	SH_A	MAIN MENU\Maint\EXV_CTRL	4	RO	Maintenance Display Tables\EXV_CTRL
Suction Superheat B	SH_B	MAIN MENU\Maint\EXV_CTRL	12	RO	Maintenance Display Tables\EXV_CTRL
Suction Superheat C	SH_C	MAIN MENU\Maint\EXV_CTRL	20	RO	Maintenance Display Tables\EXV_CTRL
Switch Limit Setpoint 1	lim_sp1	MAIN MENU\Setpoint\SETPOINT	33	RW	Setpoint Configuration Tables\SETPOINT
Switch Limit Setpoint 2	lim_sp2	MAIN MENU\Setpoint\SETPOINT	34	RW	Setpoint Configuration Tables\SETPOINT
Switch Limit Setpoint 3	lim_sp3	MAIN MENU\Setpoint\SETPOINT	35	RW	Setpoint Configuration Tables\SETPOINT
System Manager Active	Mode_10	MAIN MENU\Status\MODES	11	RO	Status Display Tables\MODES
TCPM Board Comp A	cpa_vers	MAIN MENU\Maint\BOARD_PN	11	RO	Maintenance Display Tables\BOARD_PN
TCPM Board Comp B	cpb_vers	MAIN MENU\Maint\BOARD_PN	15	RO	Maintenance Display Tables\BOARD_PN

APPENDIX A — CARRIER CONTROLLER DISPLAY TABLES (cont)

CARRIER CONTROLLER DESCRIPTION	CARRIER CONTROLLER POINT NAME	CARRIER CONTROLLER PATH	LINE	READ/ WRITE	CCN TABLE NAME
TCPM Board Comp C	cpc_vers	MAIN MENU\Maint\BOARD_PN	19	RO	Maintenance Display Tables\BOARD_PN
Timed Override Hours	OVR_EXT	Configuration Tables\OCCPC01S	1	RO	Configuration Tables\OCCPC01S
Timed Override Hours	OVR_EXT	MAIN MENU\Schedule\OCCPC02S	1	RO	Configuration Tables\OCCPC02S
Timed-Override Duration	OVE_HRS	MAIN MENU\Maint\OCCDEFM\OCC1PO1S	4	RO	Maintenance Display Tables\OCCDEFM\OCC1PO1S
Timed-Override Duration	OVE_HRS	MAIN MENU\Maint\OCCDEFM\OCC2PO2S	4	RO	Maintenance Display Tables\OCCDEFM\OCC2PO2S
Timed-Override in Effect	OVERLAST	MAIN MENU\Maint\OCCDEFM\OCC1PO1S	3	RO	Maintenance Display Tables\OCCDEFM\OCC1PO1S
Timed-Override in Effect	OVERLAST	MAIN MENU\Maint\OCCDEFM\OCC2PO2S	3	RO	Maintenance Display Tables\OCCDEFM\OCC2PO2S
Total Fans NB					
Circuit A	nb_fan_a	MAIN MENU\Service\FACTORY2	14	RW	Service Configuration Tables\FACTORY2
Circuit B	nb_fan_b	MAIN MENU\Service\FACTORY2	15	RW	Service Configuration Tables\FACTORY2
Circuit C	nb_fan_c	MAIN MENU\Service\FACTORY2	16	RW	Service Configuration Tables\FACTORY2
Unit Capacity Model	unitsize	MAIN MENU\Service\FACTORY	2	RW	Service Configuration Tables\FACTORY
Unit is Master or Slave	mstslv	MAIN MENU\Maint\M_MSTSLV	2	RO	Maintenance Display Tables\MSTSLAVE
Unit Off to On Delay	off_on_d	MAIN MENU\Config\USER	6	RW	Configuration Tables\USER
Unit Type (Heat Pump=2)	unit_typ	MAIN MENU\Service\FACTORY	1	RW	Service Configuration Tables\FACTORY
Valve Actuators Heaters	FC_HTR	MAIN MENU>Status\FREECOOL	10	RO	Status Display Tables\FREECOOL
VLT Fan Drive Select	vt_set	MAIN MENU\Service\FACTORY	22	RW	Service Configuration Tables\FACTORY
VLT Fan Drive RPM	vt_rpm	MAIN MENU\Service\FACTORY	23	RW	Service Configuration Tables\FACTORY
Water Cond Enter Valv A	Q_HREW_A	MAIN MENU>Status\QCK_TST2	5	RW	Status Display Tables\QCK_TST2
Water Cond Enter Valv B	Q_HREW_B	MAIN MENU>Status\QCK_TST2	9	RW	Status Display Tables\QCK_TST2
Water Cond Enter Valve A	hr_ew_a	MAIN MENU>Status\RECLAIM	16	RO	Status Display Tables\RECLAIM
Water Cond Enter Valve B	hr_ew_b	MAIN MENU>Status\RECLAIM	26	RO	Status Display Tables\RECLAIM
Water Cond Leav Valve B	Q_HRLW_B	MAIN MENU>Status\QCK_TST2	10	RW	Status Display Tables\QCK_TST2
Water Cond Leaving Valve A	hr_lw_a	MAIN MENU>Status\RECLAIM	18	RO	Status Display Tables\RECLAIM
Water Cond Leaving Valve B	hr_lw_b	MAIN MENU>Status\RECLAIM	28	RO	Status Display Tables\RECLAIM
Water Delta T	delta_t	MAIN MENU\Maint\LOADFACT	4	RO	Maintenance Display Tables\LOADFACT
Water Exchanger Pump 1	Q_PMP1	MAIN MENU>Status\QCK_TST1	37	RW	Status Display Tables\QCK_TST1
Water Exchanger Pump 2	Q_PMP2	MAIN MENU>Status\QCK_TST1	38	RW	Status Display Tables\QCK_TST1
Water Filter Ctrl (days)	wfilte_c	MAIN MENU\Service\MAINTCFG	9	RW	Service Configuration Tables\MAINTCFG
Water flow	wat_flow	MAIN MENU>Status\STATEGEN	44	RO	Status Display Tables\STATEGEN
Water Loop Control	wloop_c	MAIN MENU\Service\MAINTCFG	4	RW	Service Configuration Tables\MAINTCFG
Water pres after cooler	watpres2	MAIN MENU>Status\STATEGEN	41	RO	Status Display Tables\STATEGEN
Water pres after filter	watpres4	MAIN MENU>Status\STATEGEN	43	RO	Status Display Tables\STATEGEN
Water pres before cooler	watpres1	MAIN MENU>Status\STATEGEN	40	RO	Status Display Tables\STATEGEN
Water pres before filter	watpres3	MAIN MENU>Status\STATEGEN	42	RO	Status Display Tables\STATEGEN
Water Pump #1 Hours	hr_cpum1	MAIN MENU\Service\UPDTHOUR	13	RW	Service Configuration Tables\UPDTHOUR
Water Pump #2 Hours	hr_cpum2	MAIN MENU\Service\UPDTHOUR	14	RW	Service Configuration Tables\UPDTHOUR
Water Val Condensing Stp	w_sct_sp	MAIN MENU\Setpoint\SETPOINT	38	RW	Setpoint Configuration Tables\SETPOINT
Water Cond Leav Valve A	Q_HRLW_A	MAIN MENU>Status\QCK_TST2	6	RW	Status Display Tables\QCK_TST2
Wye Delta Start Select	wye_delt	MAIN MENU\Service\FACTORY	9	RW	Service Configuration Tables\FACTORY

LEGEND

RO — Read Only
RW — Read/Write

APPENDIX B — NAVIGATOR TABLES
MODE — RUN STATUS

ITEM	EXPANSION	UNITS	RANGE	COMMENT	WRITE STATUS	CCN TABLE	CCN POINT	PAGE NO.
VIEW	AUTO DISPLAY							
→ EWT	Entering Fluid Temp	XXXX.X (deg F/deg C)	0-100			STATEGEN	COOL_EWT	10,49,61,73
→ LWT	Leaving Fluid Temp	XXX.X (deg F/deg C)	0-100			STATEGEN	COOL_LWT	10,49,50,61,73, 78,92
→ SETP	Active Setpoint	XXX.X (deg F/deg C)	0-100			GENUNIT	SP	39,72,73
→ CTPT	Control Point	XXX.X (deg F/deg C)	0-100			GENUNIT	CTRL_PNT	39,49,50,60,72
→ STAT	Unit Run Status		Off Running Stopping Delay			GENUNIT	STATUS	25,27,110
→ OCC	Occupied		NO/YES			GENUNIT	CHIL_OCC	25
→ CTRL	Status Unit Control Type		Local Off Local On CCN Remote			GENUNIT	ctr_type	25
→ CAP	Percent Total Capacity	XXX (%)	0-100			GENUNIT	CAP_T	
→ CAP. A	Percent Capacity Cir A	XXX (%)	0-100			GENUNIT	CAPA_T	
→ CAP. B	Percent Capacity Cir B	XXX (%)	0-100			GENUNIT	CAPB_T	
→ CAP. C	Percent Capacity Cir C	XXX (%)	0-100			GENUNIT	CAPC_T	
→ CAP. S	Capacity Indicator	XX	0-32			LOADFACT	OVER_CAPLC	49,93
→ LIM	Active Demand Limit Val	XXX (%)	0-100			GENUNIT	DEM-LIM	72
→ CURR	Actual Chiller Current	XXX (amps)	0-4000			GENUNIT	TOT_CURR	
→ CUR.L	Chiller Current Limit	XXX (amps)	0-4000			GENUNIT	CURR_LIM	
→ ALRM	Alarm State		0=Normal 1=Partial 2=Shutdown			GENUNIT	ALM	
→ EMGY	Emergency Stop		DSBL/ENBL			GENUNIT	EMSTOP	
→ CH.SS	CCN Chiller Start Stop		DSBL/ENBL			GENUNIT	CHILL_S_S	
→ HC.ST	Heat Cool Status		0=Cooling 1=Heating 2=Standby	Standby not supported.		GENUNIT	HEATCOOL	50
→ RC.ST	Reclaim Select Status		NO/YES	Not supported.		GENUNIT	reclaim_sel	
→ TIME	Time of Day	XX.XX	00:00-23:59			N/A	TIME	
→ MNTH	Month of Year		1=January 2=February 3=March 4=April 6=May 6=June 7=July 8=August 9=September 10=October 11=November 12=December			N/A	moy	
→ DATE	Day of Month	XX	1-31			N/A	dom	
→ YEAR	Year of Century	XX	00-99			N/A	yoc	
RUN	MACHINE STARTS/HOURS							
→ HRS.U	Machine Operating Hours	XXXX (hours)	0-999999*		forcible	STRTHOUR	hr_mach	
→ STR.U	Machine Starts	XXXX	0-999999*		forcible	STRTHOUR	st_mach	
→ HR.P1	Water Pump 1 Run Hours	XXXX (hours)	0-999999*		forcible	STRTHOUR	hr_cpum1	
→ HR.P2	Water Pump 2 Run Hours	XXXX (hours)	0-999999*		forcible	STRTHOUR	hr_cpum2	
→ HR.P3	Condenser Pump 1 Hours	XXXX (hours)	0-999999*		forcible	STRTHOUR	hr_hpump1	
HOUR	COMPRESSOR RUN HOURS							
→ HR.A	Compressor A Run Hours	XXXX (hours)	0-999999*		forcible	STRTHOUR	hr_cp_a	
→ HR.B	Compressor B Run Hours	XXXX (hours)	0-999999*		forcible	STRTHOUR	hr_cp_b	
→ HR.C	Compressor C Run Hours	XXXX (hours)	0-999999*		forcible	STRTHOUR	hr_cp_c	
STRT	COMPRESSOR STARTS							
→ ST.A	Compressor A Starts	XXXX	0-999999*		forcible	STRTHOUR	st_cp_a	
→ ST.B	Compressor B Starts	XXXX	0-999999*		forcible	STRTHOUR	st_cp_b	
→ ST.C	Compressor C Starts	XXXX	0-999999*		forcible	STRTHOUR	st_cp_c	
FAN	FAN RUN HOURS							
→ FR.A1	Fan 1 Run Hours Cir A	XXXX (hours)	0-999999*	Not supported.	forcible	FANHOURS	hr_fana1	
→ FR.A2	Fan 2 Run Hours Cir A	XXXX (hours)	0-999999*	Not supported.	forcible	FANHOURS	hr_fana2	
→ FR.A3	Fan 3 Run Hours Cir A	XXXX (hours)	0-999999*	Not supported.	forcible	FANHOURS	hr_fana3	
→ FR.A4	Fan 4 Run Hours Cir A	XXXX (hours)	0-999999*	Not supported.	forcible	FANHOURS	hr_fana4	
→ FR.A5	Fan 5 Run Hours Cir A	XXXX (hours)	0-999999*	Not supported.	forcible	FANHOURS	hr_fana5	
→ FR.A6	Fan 6 Run Hours Cir A	XXXX (hours)	0-999999*	Not supported.	forcible	FANHOURS	hr_fana6	
→ FR.A7	Fan 7 Run Hours Cir A	XXXX (hours)	0-999999*	Not supported.	forcible	FANHOURS	hr_fana7	
→ FR.A8	Fan 8 Run Hours Cir A	XXXX (hours)	0-999999*	Not supported.	forcible	FANHOURS	hr_fana8	

APPENDIX B — NAVIGATOR TABLES (cont)
MODE — RUN STATUS (cont)

ITEM	EXPANSION	UNITS	RANGE	COMMENT	WRITE STATUS	CCN TABLE	CCN POINT	PAGE NO.
→ FR.A9	Fan 9 Run Hours Cir A	XXXX (hours)	0-999999*	Not supported.	forcible	FANHOURS	hr_fana9	
→ F.A10	Fan 10 Run Hours Cir A	XXXX (hours)	0-999999*	Not supported.	forcible	FANHOURS	hrfana10	
→ FR.B1	Fan 1 Run Hours Cir B	XXXX (hours)	0-999999*	Not supported.	forcible	FANHOURS	hr_fanb1	
→ FR.B2	Fan 2 Run Hours Cir B	XXXX (hours)	0-999999*	Not supported.	forcible	FANHOURS	hr_fanb2	
→ FR.B3	Fan 3 Run Hours Cir B	XXXX (hours)	0-999999*	Not supported.	forcible	FANHOURS	hr_fanb3	
→ FR.B4	Fan 4 Run Hours Cir B	XXXX (hours)	0-999999*	Not supported.	forcible	FANHOURS	hr_fanb4	
→ FR.B5	Fan 5 Run Hours Cir B	XXXX (hours)	0-999999*	Not supported.	forcible	FANHOURS	hr_fanb5	
→ FR.B6	Fan 6 Run Hours Cir B	XXXX (hours)	0-999999*	Not supported.	forcible	FANHOURS	hr_fanb6	
→ FR.B7	Fan 7 Run Hours Cir B	XXXX (hours)	0-999999*	Not supported.	forcible	FANHOURS	hr_fanb7	
→ FR.B8	Fan 8 Run Hours Cir B	XXXX (hours)	0-999999*	Not supported.	forcible	FANHOURS	hr_fanb8	
→ FR.B9	Fan 9 Run Hours Cir B	XXXX (hours)	0-999999*	Not supported.	forcible	FANHOURS	hr_fanb9	
→ F.B10	Fan 10 Run Hours Cir B	XXXX (hours)	0-999999*	Not supported.	forcible	FANHOURS	hrfanb10	
→ FR.C1	Fan 1 Run Hours Cir C	XXXX (hours)	0-999999*	Not supported.	forcible	FANHOURS	hr_fanc1	
→ FR.C2	Fan 2 Run Hours Cir C	XXXX (hours)	0-999999*	Not supported.	forcible	FANHOURS	hr_fanc2	
→ FR.C3	Fan 3 Run Hours Cir C	XXXX (hours)	0-999999*	Not supported.	forcible	FANHOURS	hr_fanc3	
→ FR.C4	Fan 4 Run Hours Cir C	XXXX (hours)	0-999999*	Not supported.	forcible	FANHOURS	hr_fanc4	
→ FR.C5	Fan 5 Run Hours Cir C	XXXX (hours)	0-999999*	Not supported.	forcible	FANHOURS	hr_fanc5	
→ FR.C6	Fan 6 Run Hours Cir C	XXXX (hours)	0-999999*	Not supported.	forcible	FANHOURS	hr_fanc6	
→ FR.C7	Fan 7 Run Hours Cir C	XXXX (hours)	0-999999*	Not supported.	forcible	FANHOURS	hr_fanc7	
→ FR.C8	Fan 8 Run Hours Cir C	XXXX (hours)	0-999999*	Not supported.	forcible	FANHOURS	hr_fanc8	
→ FR.C9	Fan 9 Run Hours Cir C	XXXX (hours)	0-999999*	Not supported.	forcible	FANHOURS		
→ F.C10	Fan 10 Run Hours Cir C	XXXX (hours)	0-999999*	Not supported.	forcible	FANHOURS		
CP.UN	COMPRESSOR DISABLE							
→ A.UN	Compressor A Disable		NO/YES		forcible	CP_UNABL	un_cp_a	
→ B.UN	Compressor B Disable		NO/YES		forcible	CP_UNABL	un_cp_b	
→ C.UN	Compressor C Disable		NO/YES		forcible	CP_UNABL	un_cp_c	
MAIN	PREDICTIVE MAINTENANCE							
→ CHRG	Refrigerant Charge		NO/YES			SERMAINT	charge_m	
→ WATE	Water Loop Size		NO/YES			SERMAINT	wloop_m	
→ PMP.1	Pump 1 (Days)	(days)				SERMAINT	cpump1_m	19
→ PMP.2	Pump 2 (Days)	(days)				SERMAINT	cpump2_m	19
→ PMP.3	Cond Pump 1 (Days)					SERMAINT	hpump1_m	
→ PMP.4	Cond Pump 2 (Days)			Not supported.		SERMAINT	hpump2_m	
→ W.FIL	Water Filter	(days)		Not supported.		SERMAINT	wfilte_m	
→ A.FIL	Comp A Oil Filter (days)					SERMAINT	ofilta_m	
→ B.FIL	Comp B Oil Filter (days)					SERMAINT	ofiltb_m	
→ C.FIL	Comp C Oil Filter (days)					SERMAINT	ofiltc_m	
VERS	SOFTWARE VERSIONS			Press ENTER and ESCAPE simultaneously to read version information				
→ APPL	CSA-XXXXXXXXXX					CntIID	PD5_APPL	
→ MARQ	XXXXXXXX-XX-XX						STDU	
→ NAVI	XXXXXXXX-XX-XX						Navigator	
→ EXVA	XXXXXXXX-XX-XX					BOARD_PN	EXV_BRDA	
→ EXVB	XXXXXXXX-XX-XX					BOARD_PN	EXV_BRDB	
→ EXVC	XXXXXXXX-XX-XX					BOARD_PN	EXV_BRDC	
→ AUX1	XXXXXXXX-XX-XX					BOARD_PN	AUX_BRD1	
→ AUX2	XXXXXXXX-XX-XX					BOARD_PN	AUX_BRD2	
→ AUX3	XXXXXXXX-XX-XX					BOARD_PN	AUX_BRD3	
→ AUX4	XXXXXXXX-XX-XX					BOARD_PN	AUX_BRD4	
→ AUX5	XXXXXXXX-XX-XX					BOARD_PN	AUX_BRD5	
→ AUX6	XXXXXXXX-XX-XX					BOARD_PN	AUX_BRD6	
→ CPMA	XXXXXXXX-XX-XX					BOARD_PN	SPM_CPA	
→ CPMB	XXXXXXXX-XX-XX					BOARD_PN	SPM_CPB	
→ CPMC	XXXXXXXX-XX-XX					BOARD_PN	SPM_CPC	
→ EMM	XXXXXXXX-XX-XX					BOARD_PN	EMM_NRCP	
→ R.BRD	XXXXXXXX-XX-XX					BOARD_PN	REC_NRCP	

* As data in all of these categories can exceed 9999 the following display strategy is used:
From 0-9999 display as 4 digits.
From 9999-99999 display xx.xK
From 99900-999999 display as xxxK.

APPENDIX B — NAVIGATOR TABLES (cont)

MODE — SERVICE TEST

ITEM	EXPANSION	UNITS	RANGE	COMMENT	WRITE STATUS	CCN TABLE	CCN POINT	PAGE NO.
TEST	MANUAL TEST MODE					SERV_TST		
→ T.REQ	Manual Sequence		OFF/ON	Remote-Off-Enable Switch must be set to OFF Position	forcible	SERV_TST	Q_STREQ	81
→ CP.A	Compressor A Output		OFF/ON		forcible	SERV_TST	Q_CPA	83
→ SLI.A	Slide Valve Capacity A		unchanged increase decrease	Remote-Off-Enable Switch must be set to ENABLE Position	forcible	SERV_TST	Q_SLIA	
→ CP.B	Compressor B Output		OFF/ON		forcible	SERV_TST	Q_CPB	83
→ SLI.B	Slide Valve Capacity B		unchanged increase decrease		forcible	SERV_TST	Q_SLIB	
→ CP.C	Compressor C Output		OFF/ON		forcible	SERV_TST	Q_CPC	83
→ SLI.C	Slide Valve Capacity C		unchanged increase decrease		forcible	SERV_TST	Q_SLIC	
QUIC	QUICK TEST MODE					QCK_TST1		
→ Q.REQ			OFF/ON	Remote-Off-Enable Switch must be set to OFF Position	forcible	QCK_TST1	Q_TSTRQ	109
→ EXV.A	Circuit A EXV % Open	XXX (%)	0-100		forcible	QCK_TST1	Q_EXVA	80,81
→ EXV.B	Circuit B EXV % Open	XXX (%)	0-100		forcible	QCK_TST1	Q_EXVB	80,81
→ EXV.C	Circuit C EXV % Open	XXX (%)	0-100		forcible	QCK_TST1	Q_EXVC	80,81
→ ECO.A	Circ A ECO EXV %	XXX (%)	0-100		forcible	QCK_TST1	Q_ECO_A	80
→ ECO.B	Circ B ECO EXV %	XXX (%)	0-100		forcible	QCK_TST1	Q_ECO_B	80
→ ECO.C	Circ C ECO EXV %	XXX (%)	0-100		forcible	QCK_TST1	Q_ECO_C	80
→ FAN.A	Circuit A Fan Stages	X	0-8		forcible	QCK_TST1	Q_FAN_A	
→ FAN.B	Circuit B Fan Stages	X	0-8		forcible	QCK_TST1	Q_FAN_B	
→ FAN.C	Circuit C Fan Stages	X	0-8		forcible	QCK_TST1	Q_FAN_C	
→ SPD.A	Cir A Varifan position	XXX (%)	0-100		forcible	QCK_TST1	Q_VFANA	
→ SPD.B	Cir B Varifan position	XXX (%)	0-100		forcible	QCK_TST1	Q_VFANB	
→ SPD.C	Cir C Varifan position	XXX (%)	0-100		forcible	QCK_TST1	Q_VFANC	
→ HT.A	Oil Heater Circuit A		OFF/ON		forcible	QCK_TST1	Q_HT_A	
→ SL1.A	Slide Valve 1 Cir A		OFF/ON		forcible	QCK_TST1	Q_SLI_1A	
→ SL2.A	Slide Valve 2 Cir B		OFF/ON		forcible	QCK_TST1	Q_SLI_2A	
→ HGP.A	Hot Gas Bypass A Output		OFF/ON		forcible	QCK_TST1	Q_HGBP_A	
→ OLS.A	Oil Solenoid Cir A		OFF/ON		forcible	QCK_TST1	Q_OILS_A	
→ DGT.A	DGT Cool Solenoid A		OFF/ON		forcible	QCK_TST1	Q_CDGT_A	
→ HT.B	Oil Heater Circuit B		OFF/ON		forcible	QCK_TST1	Q_HT_B	
→ SL1.B	Slide Valve 1 Cir B		OFF/ON		forcible	QCK_TST1	Q_SLI_1B	
→ SL2.B	Slide Valve 2 Cir B		OFF/ON		forcible	QCK_TST1	Q_SLI_2B	
→ HGP.B	Hot Gas Bypass B Output		OFF/ON		forcible	QCK_TST1	Q_HGBP_B	
→ OLS.B	Oil Solenoid Cir A		OFF/ON		forcible	QCK_TST1	Q_OILS_B	
→ DGT.B	DGT Cool Solenoid B		OFF/ON		forcible	QCK_TST1	Q_CDGT_B	
→ HT.C	Oil Heater Circuit C		OFF/ON		forcible	QCK_TST1	Q_HT_C	
→ SL1.C	Slide Valve 1 Cir C		OFF/ON		forcible	QCK_TST1	Q_SLI_1C	
→ SL2.C	Slide Valve 2 Cir C		OFF/ON		forcible	QCK_TST1	Q_SLI_2C	
→ HGP.C	Hot Gas Bypass C Output		OFF/ON		forcible	QCK_TST1	Q_HGBP_C	
→ OLS.C	Oil Solenoid Cir C		OFF/ON		forcible	QCK_TST1	Q_OILS_C	
→ DGT.C	DGT Cool Solenoid C		OFF/ON		forcible	QCK_TST1	Q_CDGT_C	
→ PMP.1	Water Exchanger Pump 1		OFF/ON		forcible	QCK_TST1	Q_PMP1	
→ PMP.2	Water Exchanger Pump 2		OFF/ON		forcible	QCK_TST1	Q_PMP2	
→ PMP.3	Condenser Pump 1		OFF/ON		forcible	QCK_TST1	Q_HPMP1	
→ CL.HT	Cooler Heater Output		OFF/ON		forcible	QCK_TST1	Q_CL_HT	
→ BVL.A	Ball Valve Position A		OPEN/CLSE		forcible	QCK_TST1	Q_BVL_A	
→ BVL.B	Ball Valve Position B		OPEN/CLSE		forcible	QCK_TST1	Q_BVL_B	
→ BVL.C	Ball Valve Position C		OPEN/CLSE		forcible	QCK_TST1	Q_BVL_C	
→ Q.RDY	Chiller Ready Status		OFF/ON		forcible	QCK_TST1	Q_READY	
→ Q.RUN	Chiller Running Status		OFF/ON		forcible	QCK_TST1	Q_RUN	
→ SHUT	Customer Shutdown Stat		OFF/ON		forcible	QCK_TST1	Q_SHUT	
→ CATO	Chiller Capacity in 0-10v	XX.X (vdc)	0-10		forcible	QCK_TST1	Q_CATO	
→ ALRM	Alarm Relay		OFF/ON		forcible	QCK_TST1	Q_ALARM	
→ ALRT	Alert Relay		OFF/ON		forcible	QCK_TST1	Q_ALERT	

APPENDIX B — NAVIGATOR TABLES (cont)

MODE — TEMPERATURE

ITEM	EXPANSION	UNITS	RANGE	COMMENT	WRITE STATUS	CCN TABLE	CCN POINT	PAGE NO.
UNIT	UNIT TEMPERATURES							
→ CEWT	Cooler Entering Fluid	XXX.X (deg F/deg C)	-40 to 245 F (-40 to 118 C)			STATEGEN	COOL_EWT	41
→ CLWT	Cooler Leaving Fluid	XXX.X (deg F/deg C)	-40 to 245 F (-40 to 118 C)			STATEGEN	COOL_LWT	
→ CD.LT	Condenser Entering Fluid	XXX.X (deg F/deg C)	-40 to 245 F (-40 to 118 C)	Not supported.			COND_LWT	
→ CD.ET	Condenser Leaving Fluid	XXX.X (deg F/deg C)	-40 to 245 F (-40 to 118 C)	Not supported.			COND_EWT	
→ OAT	Outside Air Temperature	XXX.X (deg F/deg C)	-40 to 245 F (-40 to 118 C)			GENUNIT	OAT	
→ CHWS	Lead/Lag Leaving Fluid	XXX.X (deg F/deg C)	-40 to 245 F (-40 to 118 C)			STATEGEN	CHWS	
→ SPT	Optional Space Temp	XXX.X (deg F/deg C)	-40 to 245 F (-40 to 118 C)			STATEGEN	SPACETMP	
→ THHR	Cooler Heater Temp	XXX.X (deg F/deg C)	-40 to 245 F (-40 to 118 C)	Not supported.			TH_HEATER	
→ THR.C	Cooler Heat Temp Cir C	XXX.X (deg F/deg C)	-40 to 245 F (-40 to 118 C)	Not supported.			T_HEAT_C	
CIR.A	CIRCUIT A TEMPERATURES							
→ SCT.A	Sat Cond Temp Circ A	XXX.X (deg F/deg C)	-40 to 245 F (-40 to 118 C)			CIRCA_AN	SCT_A	
→ SST.A	Sat Suction Temp Circ A	XXX.X (deg F/deg C)	-40 to 245 F (-40 to 118 C)			CIRCA_AN	SST_A	
→ DGT.A	Discharge Gas Temp Cir A	XXX.X (deg F/deg C)	-40 to 245 F (-40 to 118 C)			CIRCA_AN	DGT_A	
→ SGT.A	Suction Gas Temp Circ A	XXX.X (deg F/deg C)	-40 to 245 F (-40 to 118 C)			CIRCA_AN	SUCT_T_A	
→ SUP.A	Superheat Temp Circ A	XXX.X (ΔF/ΔC)				EXV_CTRL	SH_A	
→ ECT.A	Economizer Gas Temp A	XXX.X (deg F/deg C)	-40 to 245 F (-40 to 118 C)			CIRCA_AN	ECO_TP_A	
→ ESH.A	Economizer Superheat A	XXX.X (deg F/deg C)	-40 to 245 F (-40 to 118 C)			EXV_CTRL	eco_sha	
→ CTP.A	Motor Temperature Cir A	XXX.X (deg F/deg C)	-40 to 245 F (-40 to 118 C)			CIRCA_AN	CP_TMP_A	
CIR.B	CIRCUIT B TEMPERATURES							
→ SCT.B	Sat Cond Temp Circ B	XXX.X (deg F/deg C)	-40 to 245 F (-40 to 118 C)			CIRCB_AN	SCT_B	
→ SST.B	Sat Suction Temp Circ B	XXX.X (deg F/deg C)	-40 to 245 F (-40 to 118 C)			CIRCB_AN	SST_B	
→ DGT.B	Discharge Gas Temp Cir B	XXX.X (deg F/deg C)	-40 to 245 F (-40 to 118 C)			CIRCB_AN	DGT_B	
→ SGT.B	Suction Gas Temp Circ B	XXX.X (deg F/deg C)	-40 to 245 F (-40 to 118 C)			CIRCB_AN	SUCT_T_B	
→ SUP.B	Superheat Temp Circ B	XXX.X (ΔF/ΔC)				EXV_CTRL	SH_B	
→ ECT.B	Economizer Gas Temp B	XXX.X (deg F/deg C)	-40 to 245 F (-40 to 118 C)			CIRCB_AN	ECO_TP_B	
→ ESH.B	Economizer Superheat B	XXX.X (deg F/deg C)	-40 to 245 F (-40 to 118 C)			EXV_CTRL	eco_shb	
→ CTP.B	Motor Temperature Cir B	XXX.X (deg F/deg C)	-40 to 245 F (-40 to 118 C)			CIRCB_AN	CP_TMP_B	
CIR.C	CIRCUIT C TEMPERATURES							
→ SCT.C	Sat Cond Temp Circ C	XXX.X (deg F/deg C)	-40 to 245 F (-40 to 118 C)			CIRCC_AN	SCT_C	
→ SST.C	Sat Suction Temp Circ C	XXX.X (deg F/deg C)	-40 to 245 F (-40 to 118 C)			CIRCC_AN	SST_C	
→ DGT.C	Discharge Gas Temp Cir C	XXX.X (deg F/deg C)	-40 to 245 F (-40 to 118 C)			CIRCC_AN	DGT_C	
→ SGT.C	Suction Gas Temp Circ C	XXX.X (deg F/deg C)	-40 to 245 F (-40 to 118 C)			CIRCC_AN	SUCT_T_C	
→ SUP.C	Superheat Temp Circ C	XXX.X (ΔF/ΔC)				EXV_CTRL	SH_C	
→ ECT.C	Economizer Gas Temp C	XXX.X (deg F/deg C)	-40 to 245 F (-40 to 118 C)			CIRCC_AN	ECO_TP_C	
→ ESH.C	Economizer Superheat C	XXX.X (deg F/deg C)	-40 to 245 F (-40 to 118 C)			EXV_CTRL	eco_shc	
→ CTP.C	Motor Temperature Cir C	XXX.X (deg F/deg C)	-40 to 245 F (-40 to 118 C)			CIRCC_AN	CP_TMP_C	

APPENDIX B — NAVIGATOR TABLES (cont)

MODE — PRESSURE

ITEM	EXPANSION	UNITS	RANGE	COMMENT	WRITE STATUS	CCN TABLE	CCN POINT	PAGE NO.
PRC.A	CIRCUIT A PRESSURES							
→ DP.A	Discharge Pressure Cir A	XXX.X (psig/kPa)				CIRCA_AN	DP_A	74
→ SP.A	Suction Pressure Circ A	XXX.X (psig/kPa)				CIRCA_AN	SP_A	
→ OP.A	Oil Pressure Circ A	XXX.X (psig/kPa)				CIRCA_AN	OP_A	
→ DOP.A	Oil Pressure Diff A	XXX.X (psig/kPa)				CIRCA_AN	DOP_A	
→ ECP.A	Economizer Pressure A	XXX.X (psig/kPa)				CIRCA_AN	ECON_P_A	
PRC.B	CIRCUIT B PRESSURES							
→ DP.B	Discharge Pressure Cir B	XXX.X (psig/kPa)				CIRCB_AN	DP_B	74
→ SP.B	Suction Pressure Circ B	XXX.X (psig/kPa)				CIRCB_AN	SP_B	
→ OP.B	Oil Pressure Circ B	XXX.X (psig/kPa)				CIRCB_AN	OP_B	
→ DOP.B	Oil Pressure Diff B	XXX.X (psig/kPa)				CIRCB_AN	DOP_B	
→ ECP.B	Economizer Pressure B	XXX.X (psig/kPa)				CIRCB_AN	ECON_P_B	
PRC.C	CIRCUIT A PRESSURES							
→ DP.C	Discharge Pressure Cir C	XXX.X (psig/kPa)				CIRCC_AN	DP_C	74
→ SP.C	Suction Pressure Circ C	XXX.X (psig/kPa)				CIRCC_AN	SP_C	
→ OP.C	Oil Pressure Circ C	XXX.X (psig/kPa)				CIRCC_AN	OP_C	
→ DOP.C	Oil Pressure Diff C	XXX.X (psig/kPa)				CIRCC_AN	DOP_C	
→ ECP.C	Economizer Pressure C	XXX.X (psig/kPa)				CIRCC_AN	ECON_P_C	

MODE — INPUTS

ITEM	EXPANSION	UNITS	RANGE	COMMENT	WRITE STATUS	CCN TABLE	CCN POINT	PAGE NO.
GEN.I	GENERAL INPUTS							
→ ONOF	On Off Switch		OPEN/CLSE			STATEGEN	ONOF	50
→ LOCK	Cooler Interlock		OPEN/CLSE			STATEGEN	LOCK_1	
→ COND	Condenser Flow Switch		OPEN/CLSE			STATEGEN	CONFLOW	
→ DLS1	Demand Limit Switch 1		OPEN/CLSE			STATEGEN	LIM_SW1	
→ DLS2	Demand Limit Switch 2		OPEN/CLSE			STATEGEN	LIM_SW2	
→ ICE.D	Ice Done		OFF/ON			STATEGEN	ICE_SW	29
→ DUAL	Dual Setpoint Switch		OFF/ON			STATEGEN	SETP_SW	29
→ ELEC	Electrical Box Safety		OPEN/CLSE			STATEGEN	ELEC_BOX	
→ PUMP	Pump Run Feedback		OPEN/CLSE			STATEGEN	PUMP_DEF	
→ OCCS	Occupancy Override Swit		OFF/ON			STATEGEN	OCC_OVSW	
→ HC.SW	Heat Cool Switch Status		OFF/ON			STATEGEN	HC_SW	
→ RLOC	Remote Interlock Switch		OPEN/CLSE			STATEGEN	REM-LOCK	
→ OIL.A	Oil Level Circuit A		LOW/HIGH			STATEGEN	OIL_L_A	
→ OIL.B	Oil Level Circuit B		LOW/HIGH			STATEGEN	OIL_L_B	
→ OIL.C	Oil Level Circuit C		LOW/HIGH			STATEGEN	OIL_L_C	
→ CUR.A	Motor Current Circuit A	XXX.X (amps)*	0-600			STATEGEN	CURR_A	
→ CUR.B	Motor Current Circuit B	XXX.X (amps)*	0-600			STATEGEN	CURR_B	
→ CUR.C	Motor Current Circuit C	XXX.X (amps)*	0-600			STATEGEN	CURR_C	
→ DMND	4-20 mA Demand Signal	XXX.X (mA)	4 to 20			STATEGEN	LIM_ANAL	
→ RSET	4-20 mA Reset/Setpoint	XXX.X (mA)	4 to 20			STATEGEN	SP_RESET	
→ HT.SW	Heater Switch Input	XXX.X (mA)	OFF/ON			STATEGEN	HEATR_SW	

* For Wye-Delta units, displayed motor current value is measured current multiplied by 1.72. See Fig. A for Wye-Delta Start wiring.

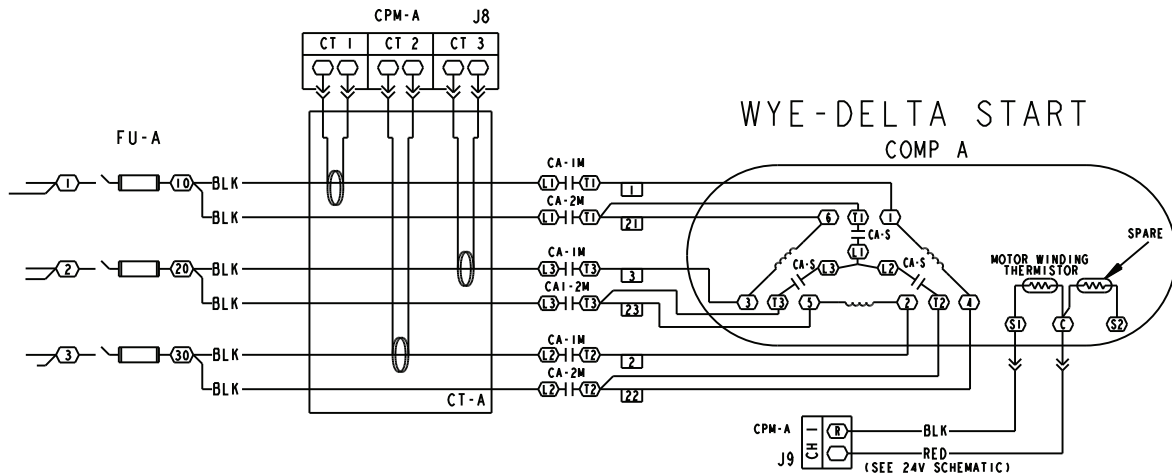


Fig. A — Wye-Delta Start Wiring

APPENDIX B — NAVIGATOR TABLES (cont)

MODE — SET POINTS

ITEM	EXPANSION	UNITS	RANGE	COMMENT	WRITE STATUS	CCN TABLE	CCN POINT	PAGE NO.
COOL	COOLING SETPOINTS							
→ CSP.1	Cooling Setpoint 1	XXXX.X (deg F/deg C)	-20-70°F (-29-21 C), Default = 44.0		forcible	SETPOINT	csp1	28-29, 47
→ CSP.2	Cooling Setpoint 2	XXXX.X (deg F/deg C)	-20-70°F (-29-21 C), Default = 44.0		forcible	SETPOINT	csp2	28-29, 47,72
→ CSP.3	Ice Setpoint	XXXX.X (deg F/deg C)	-20-70°F (-29-21 C), Default = 44.0		forcible	SETPOINT	ice_sp	28-29, 47,72
→ CRV1	Current No Reset Val	XX.X (mA)	0-20, Default = 0		forcible	SETPOINT	v_cr_no	41
→ CRV2	Current Full Reset Val	XX.X (mA)	0-20, Default = 0		forcible	SETPOINT	v_cr_fu	41
→ CRT1	Delta T No Reset Temp	XXX.X (ΔF/ΔC)	0-125 F (0-69.4 C), Default = 0		forcible	SETPOINT	dt_cr_no	39
→ CRT2	Delta T Full Reset Temp	XXX.X (ΔF/ΔC)	0-125 F (0-69.4 C), Default = 0		forcible	SETPOINT	dt_cr_fu	39
→ CRO1	OAT No Reset Temp	XXX.X (deg F/deg C)	0-125 F (-18-52 C), Default = 14.0		forcible	SETPOINT	oatcr_no	41
→ CRO2	OAT Full Reset Temp	XXX.X (deg F/deg C)	0-25 F (-18-52 C), Default = 14.0		forcible	SETPOINT	oatcr_fu	41
→ CRS1	Space T No Reset Temp	XXX.X (deg F/deg C)	0-125 F (-18-52 C), Default = 14.0		forcible	SETPOINT	spacr_no	41
→ CRS2	Space T Full Reset Temp	XXX.X (deg F/deg C)	0-125 F (-18-52 C), Default = 14.0		forcible	SETPOINT	spacr_fu	41
→ DGRC	Degrees Cool Reset	XX.X (ΔF/ΔC)	-30-30°F (-16.7-16.7 C), Default = 0		forcible	SETPOINT	cr_deg	43
→ CAUT	Cool Changeover Setpt	XX.X (deg F/deg C)	Default = 75.0	Not supported.	forcible	SETPOINT	cauto_sp	
→ CRMP	Cool Ramp Loading	X.X	0.2-2.0 ΔF (0.1-1.1 ΔC), Default = 1.0		forcible	SETPOINT	cramp_sp	39
HEAT	HEATING SETPOINTS							
→ HSP.1	Heating Setpoint 1	XXX.X (deg F/deg C)	Default = 100	Not supported.	forcible	SETPOINT	HSP.1	
→ HSP.2	Heating Setpoint 2	XXX.X (deg F/deg C)	Default = 100	Not supported.	forcible	SETPOINT	HSP.2	
→ HRV1	Current to Reset Val	XX.X (mA)	Default = 0	Not supported.	forcible	SETPOINT	v_hr_no	
→ HRV2	Current Full Reset Val	XX.X (mA)	Default = 0	Not supported.	forcible	SETPOINT	v_hr_fu	
→ HRT1	Delta T No Reset Temp	XXX.X (ΔF/ΔC)	Default = 0	Not supported.	forcible	SETPOINT	dt_hr_no	
→ HRT2	Delta T Full Reset Temp	XXX.X (ΔF/ΔC)	Default = 0	Not supported.	forcible	SETPOINT	dt_hr_fu	
→ HRO1	OAT No Reset Temp	XXX.X (deg F/deg C)	Default = 14.0	Not supported.	forcible	SETPOINT	oathr_no	
→ HRO2	OAT Full Reset Temp	XXX.X (deg F/deg C)	Default = 14.0	Not supported.	forcible	SETPOINT	oathr_fu	
→ DGRH	Degrees Heat Reset	XX.X (ΔF/ΔC)	Default = 0	Not supported.	forcible	SETPOINT	DGRH	
→ HAUT	Heat Changeover Setpt	XX.X (deg F/deg C)	Default = 64	Not supported.	forcible	SETPOINT	haut_sp	
→ HRMP	Heat Ramp Loading	X.X	Default = 1.0	Not supported.	forcible	SETPOINT	hramp_sp	
MISC	MISC SETPOINTS							
→ DLS1	Switch Limit Setpoint 1	XXX (%)	0-100, Default = 100		forcible	SETPOINT	lim_sp1	44
→ DLS2	Switch Limit Setpoint 2	XXX (%)	0-100, Default = 100		forcible	SETPOINT	lim_sp2	44
→ DLS3	Switch Limit Setpoint 3	XXX (%)	0-100, Default = 100		forcible	SETPOINT	lim_sp3	
→ W.SCT	Water Val Cond Stp	XXX.X (deg F/deg C)	80-140°F (26.7-60 C)	Not supported.		SETPOINT	w_sct_sp	

APPENDIX B — NAVIGATOR TABLES (cont)

MODE — OUTPUTS

ITEM	EXPANSION	UNITS	RANGE	COMMENT	WRITE STATUS	CCN TABLE	CCN POINT	PAGE NO.
CIR.A	CIRCUIT A OUTPUTS							
→ CP.A	Compressor A Relay		OFF/ON			CIRCA_D	CP_A	80
→ HT.A	Oil Heater Circuit A		OFF/ON			CIRCA_D	OIL_HT_A	
→ SL1.A	Slide Valve 1 Cir A		OFF/ON			CIRCA_D	SLID1_A	
→ SL2.A	Slide Valve 2 Cir A		OFF/ON			CIRCA_D	SLID2_A	
→ OLS.A	Oil Solenoid Cir A		OFF/ON			CIRCA_D	OIL_SL_A	
→ HGB.A	Hot Gas Bypass Cir A		OFF/ON			CIRCA_D		
→ FAN.A	Circuit A Fan Stages	X	0-6			CIRCA_D	FAN_ST_A	
→ SPD.A	Circ A Varifan Position	XXX (%)	0-100			CIRCA_AN	hd_pos_a	
→ EXV.A	Circuit A EXV % Open	XXX (%)	0-100			CIRCA_AN	EXV_A	
→ ECO.A	Circ A EXV ECO % Open	XXX (%)	0-100			CIRCA_AN	EXV_EC_A	
→ DGT.A	DGT Cool Solenoid A		OFF/ON			CIRCA_D	dgt_gascool_a	
CIR.B	CIRCUIT B OUTPUTS							
→ CP.B	Compressor B Relay		OFF/ON			CIRCB_D	CP_B	80
→ HT.B	Oil Heater Circuit B		OFF/ON			CIRCB_D	OIL_HT_B	
→ SL1.B	Slide Valve 1 Cir B		OFF/ON			CIRCB_D	SLID1_B	
→ SL2.B	Slide Valve 2 Cir B		OFF/ON			CIRCB_D	SLID2_B	
→ OLS.B	Oil Solenoid Cir B		OFF/ON			CIRCB_D	OIL_SL_B	
→ HGB.B	Hot Gas Bypass Cir B		OFF/ON			CIRCB_D		
→ FAN.B	Circuit B Fan Stages	X	0-6			CIRCB_D	FAN_ST_B	
→ SPD.B	Circ B Varifan Position	XXX (%)	0-100			CIRCB_AN	hd_pos_b	
→ EXV.B	Circuit B EXV % Open	XXX (%)	0-100			CIRCB_AN	EXV_B	
→ ECO.B	Circ B EXV ECO % Open	XXX (%)	0-100			CIRCB_AN	EXV_EC_B	
→ DGT.B	DGT Cool Solenoid B		OFF/ON			CIRCB_D	dgt_gascool_b	
CIR.C	CIRCUIT C OUTPUTS							
→ CP.C	Compressor C Relay	OFF/ON				CIRCC_D	CP_C	80
→ HT.C	Oil Heater Circuit C	OFF/ON				CIRCC_D	OIL_HT_C	
→ SL1.C	Slide Valve 1 Cir C		OFF/ON			CIRCC_D	SLID1_C	
→ SL2.C	Slide Valve 2 Cir C		OFF/ON			CIRCC_D	SLID2_C	
→ OLS.C	Oil Solenoid Cir C		OFF/ON			CIRCC_D	OIL_SL_C	
→ HGB.C	Hot Gas Bypass Cir C		OFF/ON			CIRCC_D		
→ FAN.C	Circuit C Fan Stages	X	0-6			CIRCC_D	FAN_ST_C	
→ SPD.C	Circ C Varifan Position	XXX (%)	0-100			CIRCC_AN	hd_pos_c	
→ EXV.C	Circuit C EXV % Open	XXX (%)	0-100			CIRCC_AN	EXV_C	
→ ECO.C	Circ C EXV ECO % Open	XXX (%)	0-100			CIRCC_AN	EXV_EC_C	
→ DGT.C	DGT Cool Solenoid C		OFF/ON			CIRCC_D	dgt_gascool_c	
GEN.O	GENERAL OUTPUTS							
→ PMP.1	Water Exchanger Pump 1		OFF/ON		forcible	STATEGEN	CPUMP_1	80
→ PMP.2	Water Exchanger Pump 2		OFF/ON		forcible	STATEGEN	CPUMP_2	
→ PMP.3	Condenser Pump 1		OFF/ON			STATEGEN	HPUMP_1	
→ CO.HT	Cooler Heater Output		OFF/ON			STATEGEN	COOLHEAT	
→ BVL.A	Ball Valve Position A		OPEN/CLOSE			CIRCA_D	ref_iso_a	
→ BVL.B	Ball Valve Position B		OPEN/CLOSE			CIRCB_D	ref_iso_b	
→ BVL.C	Ball Valve Position C		OPEN/CLOSE			CIRCC_D	ref_iso_c	
→ CN.HT	Condenser Heat Output		OFF/ON	Not supported.		RECLAIM	cond_htr	
→ REDY	Chiller Ready Status		OFF/ON			STATEGEN	READY	
→ RUN	Chiller Running Status		OFF/ON			STATEGEN	RUNNING	
→ SHUT	Customer Shutdown Stat		OFF/ON			STATEGEN	SHUTDOWN	
→ CATO	Chiller Capacity 0-10 v	XX.X	0-10			STATEGEN	CAPT_010	
→ ALRM	Alarm Relay		OFF/ON			STATEGEN	ALARM	
→ ALRT	Alert Relay		OFF/ON			STATEGEN	ALERT	

APPENDIX B — NAVIGATOR TABLES (cont)

MODE — CONFIGURATION

ITEM	EXPANSION	UNITS	RANGE	COMMENT	DEFAULT	CCN TABLE	CCN POINT	PAGE NO.
DISP	DISPLAY CONFIGURATION							
→ TEST	Test Display LEDs		OFF/ON		OFF	N/A	display_test	8
→ METR	Metric Display		US/METR		US	DISPCONF	DISPUNIT	8
→ LANG	Language Selection		English Español Français Português Translated		English	DISPCONF	LANGUAGE	8
UNIT	UNIT CONFIGURATION							
→ TYPE	Unit Type		1 = Air Cooled 2 = Heat Pump		Air cooled	FACTORY	unit_typ	
→ TONS	Unit Size	XXX	0 to 1800* (nominal size)			FACTORY	unitsize	105
→ VAR.A	Nb Fan on Varifan Cir A	X	0-8	0: No low ambient temperature head pressure control 1: low ambient temperature head pressure control	0	FACTORY	varfan_a	
→ VAR.B	Nb Fan on Varifan Cir B	X	0-8	0: No low ambient temperature head pressure control 1: low ambient temperature head pressure control	0	FACTORY	varfan_b	
→ VAR.C	Nb Fan on Varifan Cir C	X	0-8	0: No low ambient temperature head pressure control 1: low ambient temperature head pressure control	0	FACTORY	varfan_c	
→ VOLT	Power Supply Voltage	XXX (volt)	200, 230, 380, 460, 575		Nameplate value	FACTORY	voltage	
→ 60HZ	60 Hz Frequency		NO/YES		YES	FACTORY	freq_60H	
→ STAR	Soft Starter Select		NO/YES	Not supported.		FACTORY	softstar	
→ Y.D	Wye Delta Start Select		NO/YES			FACTORY	wye_delt	
→ MTA.A	Must Trip Amps Cir A	XXX (amps)	0 to 1500			FACTORY	cpa_mtac	
→ R.MT.A	Read Must Trip Amps A	XXX (amps)	0 to 1500			FACTORY	cpa_mtam	
→ MTA.B	Must Trip Amps Cir B	XXX (amps)	0 to 1500			FACTORY	cpb_mtac	
→ R.MT.B	Read Must Trip Amps B	XXX (amps)	0 to 1500			FACTORY	cpb_mtam	
→ MTA.C	Must Trip Amps Cir C	XXX (amps)	0 to 1500			FACTORY	cpc_mtac	
→ R.MT.C	Read Must Trip Amps C	XXX (amps)	0 to 1500			FACTORY	cpb_mtam	
→ C.SW.A	S1 Config Switch Cir A	XXX (amps)	0 to 255			FACTORY	cpa_s1_c	
→ R.CSA	Read S1 Config Switch A	XXX (amps)	0 to 255			FACTORY	cpa_s1_m	
→ C.SW.B	S1 Config Switch Cir B	XXX (amps)	0 to 255			FACTORY	cpb_s1_c	
→ R.CSB	Read S1 Config Switch B	XXX (amps)	0 to 255			FACTORY	cpb_s1_m	
→ C.SW.C	S1 Config Switch Cir C	XXX (amps)	0 to 255			FACTORY	cpc_s1_c	
→ R.CSC	Read S1 Config Switch C	XXX (amps)	0 to 255			FACTORY	cpc_s1_m	
→ RECL	Heat Reclaim Select		NO/YES	Not supported.	NO	FACTORY	recl_opt	
→ DX.CL	DX Cooler Select		NO/YES		NO			
→ EMM	EMM Module Installed		NO/YES		NO	FACTORY	emm_nrcp	102
→ PAS.E	Password Enable		ENBL/DSBL		ENBL	FACTORY	pass_enb	
→ PASS	Factory Password	XXX	1 to 0150		0111	FACTORY	fac_pass	
→ CO.HT	Cooler Heater Select†		0-2	0-No Heater, 1-Cooler Heater, 2-Future	1	FACTORY	heat_sel	70
→ CON.V	Condenser Valve Select		NO/YES		NO	FACTORY	cond_val	
→ HGBP	Hot Gas Bypass Select		NO/YES		NO	FACTORY	hgbp_sel	34,50
→ MCHX	MCHX Exchanger Select		NO/YES		NO	FACTORY	mchx_sel	
→ HI.TI	High Tiers Display Select		NO/YES		**	FACTORY	highdisp	
→ H.KIT	Hydronic Kit Selection		NO/YES	Not supported.	NO	FACTORY		
→ PA.NB	Cooler Pass Number		1-3		2	FACTORY		
→ VLT	VLT Fan Drive Select			Not supported.	NONE	FACTORY		
→ RPM	VLT Fan Drive RPM			Not supported.	0	FACTORY		
→ H.CON	High Condensing Select		NO/YES		NO	FACTORY		

APPENDIX B — NAVIGATOR TABLES (cont)
MODE — CONFIGURATION (cont)

ITEM	EXPANSION	UNITS	RANGE	COMMENT	DEFAULT	CCN TABLE	CCN POINT	PAGE NO.
SERV	SERVICE CONFIGURATIONS							
→ FLUD	Cooler Fluid Type		WATER, BRINE		WATER	SERVICE1	flui_typ	30,49,50,73,102
→ CFLU	Condenser Fluid Type		WATER, BRINE	Not supported.	WATER		cond_typ	
→ MOP	EXV MOP Setpoint	XX.X (deg F/deg C)	40-60°F (4.4-15.6 C)		62.0	SERVICE1	mop_sp	103
→ HP.TH	High Pressure Threshold	XXX.X (psi/kPa)	200-300 psi (1724-1930 kPa)		290	SERVICE1	hp_th	50,74
→ SHP.A	Cir A Superheat Setp	XX.X (ΔF/ΔC)	12.6-44.0°F (1.7-7.8 C)		14.4††	SERVICE1	sh_sp_a	103
→ SHP.B	Cir B Superheat Setp	XX.X (ΔF/ΔC)	12.6-44.0°F (1.7-7.8 C)		14.4††	SERVICE1	sh_sp_b	103
→ SHP.C	Cir C Superheat Setp	XX.X (ΔF/ΔC)	12.6-44.0°F (1.7-7.8 C)		14.4	SERVICE1	sh_sp_c	103
→ HTR	Cooler Heater DT Setp	XX.X (ΔF/ΔC)	0.5-9 F (0.3-5.0 C)		2.0	SERVICE1	heatersp	73,84,87
→ EWTO	Entering Water Control		NO/YES		NO	SERVICE1	ewt_opt	99
→ AU.SM	Auto Start When SM Lost		NO/YES		NO	SERVICE1	auto_sm	27,103
→ LLWT	Brine Minimum Fluid Temp	XX.X (deg F/deg C)	-20-38 F (-28.9-3.3 C)		38			
→ LOSP	Brine Freeze Setpoint	XX.X (deg F/deg C)	-20-50°F (-20-10 C)		34	SERVICE1	lowestsp	30,49,50,73,102
→ FL.SP	Brine Flow Switch Setp		0-60	Not supported.	1	SERVICE1	flow_sp	
→ HD.PG	Varifan Proportion Gain	XX.X	-10-10		2.0	SERVICE1	hd_pg	
→ HD.DG	Varifan Derivative Gain	XX.X	-10-10		0.4	SERVICE1	hd_dg	
→ HD.IG	Varifan Integral Gain	XX.X	-10-10		0.2	SERVICE1	hd_ig	
→ F.LOA	Fast Load Select		0-4		0	SERVICE1	fastload	
→ AVFA	Fan A Drive Attach		NO/YES	Not supported.	NO			
→ AVFB	Fan B Drive Attach		NO/YES	Not supported.	NO			
→ AVFC	Fan C Drive Attach		NO/YES	Not supported.	NO			
→ EWTS	EWT Probe on Cir A Side		NO/YES		YES	SERVICE1	ewt_cirA	
→ MAXL	Max Condenser LWT 45DC		NO/YES	Not supported.	NO	FACTORY	max_clwt	
OPTN	OPTIONS CONFIGURATION							
→ CCNA	CCN Address	XXX	1-239		1	N/A	CCNA	
→ CCNB	CCN Bus Number	XXX	0-239		0	N/A	CCNB	
→ BAUD	CCN Baud Rate		2400 4800 9600 19200 38400		9600	N/A	BAUD	
→ LOAD	Loading Sequence Select		Equal, Staged		EQUAL	USER	lead_cir	32
→ LLCS	Lead/Lag Circuit Select		Automatic Cir A Leads Cir B Leads Cir C Leads		AUTOMATIC	USER	seq_typ	32
→ RL.S	Ramp Load Select		ENBL/DSBL		DSBL	USER	ramp_sel	39,72
→ DELY	Minutes Off Time	XX (Minutes)	1 to 15†		1	USER	off_on_d	32,72
→ ICE.M	Ice Mode Enable		ENBL/DSBL		DSBL	USER	ice_cnfg	47
→ HPUM	Condenser Pumps Sequence		No Pump 1 Pump Only 2 Pumps Auto PMP 1 Manual PMP 2 Manual	Not supported.	NO PUMP		hpum_seq	
→ PUMP	Cooler Pumps Sequence		No Pump 1 Pump Only 2 Pumps Auto PMP 1 Manual PMP 2 Manual		NO PUMP	USER	pump_seq	30,60,73,102
→ ROT.P	Pump Rotation Delay	XXXX (hours)	24 to 3000		48	USER	pump_del	31,73
→ PM.PS	Periodic Pump Start		NO-YES		NO	USER	pump_per	31,73
→ P.SBY	Stop Pump In Standby		NO-YES		NO	USER	pump_sby	
→ P.LOC	Flow Checked if Pmp Off		NO-YES		NO	USER	pump_loc	31,107
→ LS.ST	Night Low Noise Start	XX.XX	00.00-23.59		00.00	USER	nh_start	73
→ LS.ND	Night Low Noise End	XX.XX	00.00-23.59		00.00	USER	nh_end	73
→ LS.LT	Low Noise Capacity Lim	XXX (%)	0-100		100	USER	nh_limit	73
→ RV.AL	Reverse Alarms Relay		NO-YES		NO	USER	al_rever	21
→ OA.TH	Heat Mode OAT Threshold	XX.X (deg F/C)		Not supported.	5 F	USER	heat_th	
→ CUR.S	Current Limit Select		NO/YES		NO	USER	curr_sel	44
→ CUR.F	Current Limit at 100%	XXXX	0 to 5000		2000	USER	curr_ful	44

APPENDIX B — NAVIGATOR TABLES (cont)
MODE — CONFIGURATION (cont)

ITEM	EXPANSION	UNITS	RANGE	COMMENT	DEFAULT	CCN TABLE	CCN POINT	PAGE NO.
RSET	RESET, DEMAND LIMIT, MASTER/SLAVE							
→ CRST	Cooling Reset Type		No Reset Out Air Temp Delta T Temp 4-20 mA Input Space Temp		NO RESET	USER	cr_sel	39,72
→ HRST	Heating Reset Type		No Reset Out Air Temp Delta T Temp 4-20 mA Input		NO RESET	USER	hr_sel	
→ DMDC	Demand Limit Select		None Switch 4-20 mA Input		NONE	USER	lim_sel	43,72
→ DMMX	mA for 100% Demand Limit	XX.X (mA)			0.0	USER	lim_mx	45
→ DMZE	mA for 0% Demand Limit	XX.X (mA)			10.0	USER	lim_ze	45
→ MSSL	Master/Slave Select		Disable Master Slave		DISABLE	MST_SLV	ms_sel	34-38,73,99, 103,104
→ SLVA	Slave Address	XXX	1-236		2	MST_SLV	slv_addr	34-38
→ LLBL	Lead/Lag Balance Select		Always Lead Lag if Fail Runtime Sel		Always Lead	MST_SLV	ll_bal	34-38,71
→ LLBD	Lead/Lag Balance Delta	XXX (hours)	40-400		168	MST_SLV	ll_bal_d	34-38,71
→ LLDY	Lead/Lag Delay	XX (minutes)	2-30		10	MST_SLV	lsrt_tim	34-38,71
→ LLER	Start if Error Higher	XX.X (deg F/deg C)	3-18		4	MST_SLV	start_dt	34-38,71
→ LAGM	Lag Minimum Running Time	XXX (min)	0-150		0	MST_SLV	lag_mini	34-38
→ LAGP	Lag Unit Pump Select		OFF if U stp ON if U stp		OFF if U stp	MST_SLV	lag_pump	34-38,71
→ LPUL	Lead Pulldown Time	XX (minutes)	0-60		0	MST_SLV	lead_pul	34-38,71
→ SERI	Chillers in Series		NO/YES		NO	MST_SLV	ll_serie	34-38

* Unit size should be entered as nominal size. For units with DX cooler option, unit capacity is nominal tonnage i.e., 92 should be 90) and configure DX cooler equal to yes.

† Must be configured to 1 for the motorized ball valves (ABV) to operate.

** Navigator Display = NO, Carrier Controller Display = YES.

†† Superheat setpoint for DX cooler unit see table below:

SUPERHEAT SETPOINT FOR DX COOLER				
FLUID	CKT.	UNIT SIZE		
		082-242	262-302	327-352
Water LWT ≥ 40°F	A	15	10	10
	B	15	15	10
Brine LWT < 40°F	A	25	20	20
	B	25	25	20

APPENDIX B — NAVIGATOR TABLES (cont)

MODE — TIMECLOCK

ITEM	EXPANSION	UNITS	RANGE	COMMENT	WRITE STATUS	CCN TABLE	CCN POINT	PAGE NO.
TIME	TIME OF DAY							
→ HH.MM	Hour and Minute	XX.XX	00.00-23.59		forcible	N/A	HH.MM	
DATE	DAY, DATE							
→ MNTH	Month		1=January 2=February 3=March 4=April 5=May 6=June 7=July 8=August 9=September 10=October 11=November 12=December		forcible	N/A	MNTH	
→ DOM	Day of Month	XX	1-31		forcible	N/A	DOM	
→ DAY	Day of Week		1=Monday 2=Tuesday 3=Wednesday 4=Thursday 5=Friday 6=Saturday 7=Sunday		forcible	N/A	DAY	
→ YEAR	Year of Century	XX	00-99		forcible	N/A	YEAR	
SCH1	SCHEDULE 1							26
→ PER.1	Period 1 Occ/Unocc Sel							
→ PER.1→ OCC.1	Occupied Time	XX.XX	00:00-23:59		forcible	OCC1P01S	OCCTOD1	
→ PER.1→ UNO.1	Unoccupied Time	XX.XX	00:00-23:59		forcible	OCC1P01S	UNOCTOD1	
→ PER.1→ MON.1	Monday Select		NO/YES		forcible	OCC1P01S	DOW1	
→ PER.1→ TUE.1	Tuesday Select		NO/YES		forcible	OCC1P01S	DOW1	
→ PER.1→ WED.1	Wednesday Select		NO/YES		forcible	OCC1P01S	DOW1	
→ PER.1→ THU.1	Thursday Select		NO/YES		forcible	OCC1P01S	DOW1	
→ PER.1→ FRI.1	Friday Select		NO/YES		forcible	OCC1P01S	DOW1	
→ PER.1→ SAT.1	Saturday Select		NO/YES		forcible	OCC1P01S	DOW1	
→ PER.1→ SUN.1	Sunday Select		NO/YES		forcible	OCC1P01S	DOW1	
→ PER.1→ HOL.1	Holiday Select		NO/YES		forcible	OCC1P01S	DOW1	
→ PER.2	Period 2 Occ/Unocc Sel					OCC1P01S		
→ PER.2→ OCC.2	Occupied Time	XX.XX	00:00-23:59		forcible	OCC1P01S	OCCTOD2	
→ PER.2→ UNO.2	Unoccupied Time	XX.XX	00:00-23:59		forcible	OCC1P01S	UNOCTOD2	
→ PER.2→ MON.2	Monday Select		NO/YES		forcible	OCC1P01S	DOW2	
→ PER.2→ TUE.2	Tuesday Select		NO/YES		forcible	OCC1P01S	DOW2	
→ PER.2→ WED.2	Wednesday Select		NO/YES		forcible	OCC1P01S	DOW2	
→ PER.2→ THU.2	Thursday Select		NO/YES		forcible	OCC1P01S	DOW2	
→ PER.2→ FRI.2	Friday Select		NO/YES		forcible	OCC1P01S	DOW2	
→ PER.2→ SAT.2	Saturday Select		NO/YES		forcible	OCC1P01S	DOW2	
→ PER.2→ SUN.2	Sunday Select		NO/YES		forcible	OCC1P01S	DOW2	
→ PER.2→ HOL.2	Holiday Select		NO/YES		forcible	OCC1P01S	DOW2	
→ PER.3	Period 3 Occ/Unocc Sel					OCC1P01S		
→ PER.3→ OCC.3	Occupied Time	XX.XX	00:00-23:59		forcible	OCC1P01S	OCCTOD3	
→ PER.3→ UNO.3	Unoccupied Time	XX.XX	00:00-23:59		forcible	OCC1P01S	UNOCTOD3	
→ PER.3→ MON.3	Monday Select		NO/YES		forcible	OCC1P01S	DOW3	
→ PER.3→ TUE.3	Tuesday Select		NO/YES		forcible	OCC1P01S	DOW3	
→ PER.3→ WED.3	Wednesday Select		NO/YES		forcible	OCC1P01S	DOW3	
→ PER.3→ THU.3	Thursday Select		NO/YES		forcible	OCC1P01S	DOW3	
→ PER.3→ FRI.3	Friday Select		NO/YES		forcible	OCC1P01S	DOW3	
→ PER.3→ SAT.3	Saturday Select		NO/YES		forcible	OCC1P01S	DOW3	
→ PER.3→ SUN.3	Sunday Select		NO/YES		forcible	OCC1P01S	DOW3	
→ PER.3→ HOL.3	Holiday Select		NO/YES		forcible	OCC1P01S	DOW3	
→ PER.4	Period 4 Occ/Unocc Sel					OCC1P01S		
→ PER.4→ OCC.4	Occupied Time	XX.XX	00:00-23:59		forcible	OCC1P01S	OCCTOD4	
→ PER.4→ UNO.4	Unoccupied Time	XX.XX	00:00-23:59		forcible	OCC1P01S	UNOCTOD4	
→ PER.4→ MON.4	Monday Select		NO/YES		forcible	OCC1P01S	DOW4	
→ PER.4→ TUE.4	Tuesday Select		NO/YES		forcible	OCC1P01S	DOW4	
→ PER.4→ WED.4	Wednesday Select		NO/YES		forcible	OCC1P01S	DOW4	
→ PER.4→ THU.4	Thursday Select		NO/YES		forcible	OCC1P01S	DOW4	
→ PER.4→ FRI.4	Friday Select		NO/YES		forcible	OCC1P01S	DOW4	
→ PER.4→ SAT.4	Saturday Select		NO/YES		forcible	OCC1P01S	DOW4	
→ PER.4→ SUN.4	Sunday Select		NO/YES		forcible	OCC1P01S	DOW4	
→ PER.4→ HOL.4	Holiday Select		NO/YES		forcible	OCC1P01S	DOW4	
→ PER.5	Period 5 Occ/Unocc Sel					OCC1P01S		

APPENDIX B — NAVIGATOR TABLES (cont)

MODE — TIMECLOCK (cont)

ITEM	EXPANSION	UNITS	RANGE	COMMENT	WRITE STATUS	CCN TABLE	CCN POINT	PAGE NO.
→ PER.5 → OCC.5	Occupied Time	XX.XX	00:00-23:59		forcible	OCC1P01S	OCCTOD5	
→ PER.5 → UNO.5	Unoccupied Time	XX.XX	00:00-23:59		forcible	OCC1P01S	UNOCTOD5	
→ PER.5 → MON.5	Monday Select		NO/YES		forcible	OCC1P01S	DOW5	
→ PER.5 → TUE.5	Tuesday Select		NO/YES		forcible	OCC1P01S	DOW5	
→ PER.5 → WED.5	Wednesday Select		NO/YES		forcible	OCC1P01S	DOW5	
→ PER.5 → THU.5	Thursday Select		NO/YES		forcible	OCC1P01S	DOW5	
→ PER.5 → FRI.5	Friday Select		NO/YES		forcible	OCC1P01S	DOW5	
→ PER.5 → SAT.5	Saturday Select		NO/YES		forcible	OCC1P01S	DOW5	
→ PER.5 → SUN.5	Sunday Select		NO/YES		forcible	OCC1P01S	DOW5	
→ PER.5 → HOL.5	Holiday Select		NO/YES		forcible	OCC1P01S	DOW5	
→ PER.6	Period 6 Occ/Unocc Sel							
→ PER.6 → OCC.6	Occupied Time	XX.XX	00:00-23:59		forcible	OCC1P01S	OCCTOD6	
→ PER.6 → UNO.6	Unoccupied Time	XX.XX	00:00-23:59		forcible	OCC1P01S	UNOCTOD6	
→ PER.6 → MON.6	Monday Select		NO/YES		forcible	OCC1P01S	DOW6	
→ PER.6 → TUE.6	Tuesday Select		NO/YES		forcible	OCC1P01S	DOW6	
→ PER.6 → WED.6	Wednesday Select		NO/YES		forcible	OCC1P01S	DOW6	
→ PER.6 → THU.6	Thursday Select		NO/YES		forcible	OCC1P01S	DOW6	
→ PER.6 → FRI.6	Friday Select		NO/YES		forcible	OCC1P01S	DOW6	
→ PER.6 → SAT.6	Saturday Select		NO/YES		forcible	OCC1P01S	DOW6	
→ PER.6 → SUN.6	Sunday Select		NO/YES		forcible	OCC1P01S	DOW6	
→ PER.6 → HOL.6	Holiday Select		NO/YES		forcible	OCC1P01S	DOW6	
SCH1	SCHEDULE 1							
→ PER.7	Period 7 Occ/Unocc Sel							
→ PER.7 → OCC.7	Occupied Time	XX.XX	00:00-23:59		forcible	OCCP01S	OCCTOD7	
→ PER.7 → UNO.7	Unoccupied Time	XX.XX	00:00-23:59		forcible	OCCP01S	UNOCTOD7	
→ PER.7 → MON.7	Monday Select		NO/YES		forcible	OCCP01S	DOW7	
→ PER.7 → TUE.7	Tuesday Select		NO/YES		forcible	OCCP01S	DOW7	
→ PER.7 → WED.7	Wednesday Select		NO/YES		forcible	OCCP01S	DOW7	
→ PER.7 → THU.7	Thursday Select		NO/YES		forcible	OCCP01S	DOW7	
→ PER.7 → FRI.7	Friday Select		NO/YES		forcible	OCCP01S	DOW7	
→ PER.7 → SAT.7	Saturday Select		NO/YES		forcible	OCCP01S	DOW7	
→ PER.7 → SUN.7	Sunday Select		NO/YES		forcible	OCCP01S	DOW7	
→ PER.7 → HOL.7	Holiday Select		NO/YES		forcible	OCCP01S	DOW7	
→ PER.8	Period 8 Occ/Unocc Sel							
→ PER.8 → OCC.8	Occupied Time	XX.XX	00:00-23:59		forcible	OCCP01S	OCCTOD8	
→ PER.8 → UNO.8	Unoccupied Time	XX.XX	00:00-23:59		forcible	OCCP01S	UNOCTOD8	
→ PER.8 → MON.8	Monday Select		NO/YES		forcible	OCCP01S	DOW8	
→ PER.8 → TUE.8	Tuesday Select		NO/YES		forcible	OCCP01S	DOW8	
→ PER.8 → WED.8	Wednesday Select		NO/YES		forcible	OCCP01S	DOW8	
→ PER.8 → THU.8	Thursday Select		NO/YES		forcible	OCCP01S	DOW8	
→ PER.8 → FRI.8	Friday Select		NO/YES		forcible	OCCP01S	DOW8	
→ PER.8 → SAT.8	Saturday Select		NO/YES		forcible	OCCP01S	DOW8	
→ PER.8 → SUN.8	Sunday Select		NO/YES		forcible	OCCP01S	DOW8	
→ PER.8 → HOL.8	Holiday Select		NO/YES		forcible	OCCP01S	DOW8	
SCH2	SCHEDULE 2							26
→ PER.1	Period 1 Occ/Unocc Sel							
→ PER.1 → OCC.1	Occupied Time	XX.XX	00:00-23:59		forcible	OCC2P02S	OCCTOD1	
→ PER.1 → UNO.1	Unoccupied Time	XX.XX	00:00-23:59		forcible	OCC2P02S	UNOCTOD1	
→ PER.1 → MON.1	Monday Select		NO/YES		forcible	OCC2P02S	DOW1	
→ PER.1 → TUE.1	Tuesday Select		NO/YES		forcible	OCC2P02S	DOW1	
→ PER.1 → WED.1	Wednesday Select		NO/YES		forcible	OCC2P02S	DOW1	
→ PER.1 → THU.1	Thursday Select		NO/YES		forcible	OCC2P02S	DOW1	
→ PER.1 → FRI.1	Friday Select		NO/YES		forcible	OCC2P02S	DOW1	
→ PER.1 → SAT.1	Saturday Select		NO/YES		forcible	OCC2P02S	DOW1	
→ PER.1 → SUN.1	Sunday Select		NO/YES		forcible	OCC2P02S	DOW1	
→ PER.1 → HOL.1	Holiday Select		NO/YES		forcible	OCC2P02S	DOW1	
→ PER.2	Period 2 Occ/Unocc Sel							
→ PER.2 → OCC.2	Occupied Time	XX.XX	00:00-23:59		forcible	OCC2P02S	OCCTOD	
→ PER.2 → UNO.2	Unoccupied Time	XX.XX	00:00-23:59		forcible	OCC2P02S	UNOCTOD2	
→ PER.2 → MON.2	Monday Select		NO/YES		forcible	OCC2P02S	DOW2	
→ PER.2 → TUE.2	Tuesday Select		NO/YES		forcible	OCC2P02S	DOW2	
→ PER.2 → WED.2	Wednesday Select		NO/YES		forcible	OCC2P02S	DOW2	
→ PER.2 → THU.2	Thursday Select		NO/YES		forcible	OCC2P02S	DOW2	
→ PER.2 → FRI.2	Friday Select		NO/YES		forcible	OCC2P02S	DOW2	
→ PER.2 → SAT.2	Saturday Select		NO/YES		forcible	OCC2P02S	DOW2	
→ PER.2 → SUN.2	Sunday Select		NO/YES		forcible	OCC2P02S	DOW2	

APPENDIX B — NAVIGATOR TABLES (cont)

MODE — TIMECLOCK (cont)

ITEM	EXPANSION	UNITS	RANGE	COMMENT	WRITE STATUS	CCN TABLE	CCN POINT	PAGE NO.
→ PER.2 → HOL.2	Holiday Select		NO/YES		forcible	OCC2P02S	DOW2	
→ PER.3	Period 3 Occ/Unocc Sel							
→ PER.3 → OCC.3	Occupied Time	XX.XX	00:00-23:59		forcible	OCC2P02S	OCCTOD	
→ PER.3 → UNO.3	Unoccupied Time	XX.XX	00:00-23:59		forcible	OCC2P02S	UNOCTOD3	
→ PER.3 → MON.3	Monday Select		NO/YES		forcible	OCC2P02S	DOW3	
→ PER.3 → TUE.3	Tuesday Select		NO/YES		forcible	OCC2P02S	DOW3	
→ PER.3 → WED.3	Wednesday Select		NO/YES		forcible	OCC2P02S	DOW3	
→ PER.3 → THU.3	Thursday Select		NO/YES		forcible	OCC2P02S	DOW3	
→ PER.3 → FRI.3	Friday Select		NO/YES		forcible	OCC2P02S	DOW3	
→ PER.3 → SAT.3	Saturday Select		NO/YES		forcible	OCC2P02S	DOW3	
→ PER.3 → SUN.3	Sunday Select		NO/YES		forcible	OCC2P02S	DOW3	
→ PER.3 → HOL.3	Holiday Select		NO/YES		forcible	OCC2P02S	DOW3	
→ PER.4	Period 4 Occ/Unocc Sel							
→ PER.4 → OCC.4	Occupied Time	XX.XX	00:00-23:59		forcible	OCC2P02S	OCCTOD4	
→ PER.4 → UNO.4	Unoccupied Time	XX.XX	00:00-23:59		forcible	OCC2P02S	UNOCTOD4	
→ PER.4 → MON.4	Monday Select		NO/YES		forcible	OCC2P02S	DOW4	
→ PER.4 → TUE.4	Tuesday Select		NO/YES		forcible	OCC2P02S	DOW4	
→ PER.4 → WED.4	Wednesday Select		NO/YES		forcible	OCC2P02S	DOW4	
→ PER.4 → THU.4	Thursday Select		NO/YES		forcible	OCC2P02S	DOW4	
→ PER.4 → FRI.4	Friday Select		NO/YES		forcible	OCC2P02S	DOW4	
→ PER.4 → SAT.4	Saturday Select		NO/YES		forcible	OCC2P02S	DOW4	
→ PER.4 → SUN.4	Sunday Select		NO/YES		forcible	OCC2P02S	DOW4	
→ PER.4 → HOL.4	Holiday Select		NO/YES		forcible	OCC2P02S	DOW4	
→ PER.5	Period 5 Occ/Unocc Sel							
→ PER.5 → OCC.5	Occupied Time	XX.XX	00:00-23:59		forcible	OCC2P02S	OCCTOD5	
→ PER.5 → UNO.5	Unoccupied Time	XX.XX	00:00-23:59		forcible	OCC2P02S	UNOCTOD5	
→ PER.5 → MON.5	Monday Select		NO/YES		forcible	OCC2P02S	DOW5	
→ PER.5 → TUE.5	Tuesday Select		NO/YES		forcible	OCC2P02S	DOW5	
→ PER.5 → WED.5	Wednesday Select		NO/YES		forcible	OCC2P02S	DOW5	
→ PER.5 → THU.5	Thursday Select		NO/YES		forcible	OCC2P02S	DOW5	
→ PER.5 → FRI.5	Friday Select		NO/YES		forcible	OCC2P02S	DOW5	
→ PER.5 → SAT.5	Saturday Select		NO/YES		forcible	OCC2P02S	DOW5	
→ PER.5 → SUN.5	Sunday Select		NO/YES		forcible	OCC2P02S	DOW5	
→ PER.5 → HOL.5	Holiday Select		NO/YES		forcible	OCC2P02S	DOW5	
→ PER.6	Period 6 Occ/Unocc Sel							
→ PER.6 → OCC.6	Occupied Time	XX.XX	00:00-23:59		forcible	OCC2P02S	OCCTOD6	
→ PER.6 → UNO.6	Unoccupied Time	XX.XX	00:00-23:59		forcible	OCC2P02S	UNOCTOD6	
→ PER.6 → MON.6	Monday Select		NO/YES		forcible	OCC2P02S	DOW6	
→ PER.6 → TUE.6	Tuesday Select		NO/YES		forcible	OCC2P02S	DOW6	
→ PER.6 → WED.6	Wednesday Select		NO/YES		forcible	OCC2P02S	DOW6	
→ PER.6 → THU.6	Thursday Select		NO/YES		forcible	OCC2P02S	DOW6	
→ PER.6 → FRI.6	Friday Select		NO/YES		forcible	OCC2P02S	DOW6	
→ PER.6 → SAT.6	Saturday Select		NO/YES		forcible	OCC2P02S	DOW6	
→ PER.6 → SUN.6	Sunday Select		NO/YES		forcible	OCC2P02S	DOW6	
→ PER.6 → HOL.6	Holiday Select		NO/YES		forcible	OCC2P02S	DOW6	
→ PER.7	Period 7 Occ/Unocc Sel							
→ PER.7 → OCC.7	Occupied Time	XX.XX	00:00-23:59		forcible	OCC2P02S	OCCTOD7	
→ PER.7 → UNO.7	Unoccupied Time	XX.XX	00:00-23:59		forcible	OCC2P02S	UNOCTOD7	
→ PER.7 → MON.7	Monday Select		NO/YES		forcible	OCC2P02S	DOW7	
→ PER.7 → TUE.7	Tuesday Select		NO/YES		forcible	OCC2P02S	DOW7	
→ PER.7 → WED.7	Wednesday Select		NO/YES		forcible	OCC2P02S	DOW7	
→ PER.7 → THU.7	Thursday Select		NO/YES		forcible	OCC2P02S	DOW7	
→ PER.7 → FRI.7	Friday Select		NO/YES		forcible	OCC2P02S	DOW7	
→ PER.7 → SAT.7	Saturday Select		NO/YES		forcible	OCC2P02S	DOW7	
→ PER.7 → SUN.7	Sunday Select		NO/YES		forcible	OCC2P02S	DOW7	
→ PER.7 → HOL.7	Holiday Select		NO/YES		forcible	OCC2P02S	DOW7	
→ PER.8	Period 8 Occ/Unocc Sel							
→ PER.8 → OCC.8	Occupied Time	XX.XX	00:00-23:59		forcible	OCC2P02S	OCCTOD8	
→ PER.8 → UNO.8	Unoccupied Time	XX.XX	00:00-23:59		forcible	OCC2P02S	UNOCTOD8	
→ PER.8 → MON.8	Monday Select		NO/YES		forcible	OCC2P02S	DOW8	
→ PER.8 → TUE.8	Tuesday Select		NO/YES		forcible	OCC2P02S	DOW8	
→ PER.8 → WED.8	Wednesday Select		NO/YES		forcible	OCC2P02S	DOW8	
→ PER.8 → THU.8	Thursday Select		NO/YES		forcible	OCC2P02S	DOW8	
→ PER.8 → FRI.8	Friday Select		NO/YES		forcible	OCC2P02S	DOW8	
→ PER.8 → SAT.8	Saturday Select		NO/YES		forcible	OCC2P02S	DOW8	
→ PER.8 → SUN.8	Sunday Select		NO/YES		forcible	OCC2P02S	DOW8	

APPENDIX B — NAVIGATOR TABLES (cont)

MODE — TIMECLOCK (cont)

ITEM	EXPANSION	UNITS	RANGE	COMMENT	WRITE STATUS	CCN TABLE	CCN POINT	PAGE NO.
→ <i>PER.8</i> → <i>HOL.8</i>	Holiday Select		NO/YES		forcible	OCC2P02S	DOW8	
HOLI → <i>HOL.1</i> → <i>HOL.1</i> → <i>MON.1</i>	HOLIDAYS* Holiday 1 Configuration		1=January 2=February 3=March 4=April 5=May 6=June 7=July 8=August 9=September 10=October 11=November 12=December					24
→ <i>HOL.1</i> → <i>DAY.1</i>	Holiday Start Month				forcible	HOLDY_01	HOL_MON	
→ <i>HOL.1</i> → <i>DUR.1</i>	Holiday Start Day	XX	1 to 31		forcible	HOLDY_01	HOL_DAY	
→ <i>HOL.1</i> → <i>HOL.2</i>	Holiday Duration in Days	XX	1 to 99		forcible	HOLDY_01	HOL_LEN	
→ <i>HOL.1</i> → <i>MON.2</i>	Holiday 2 Configuration							
→ <i>HOL.2</i> → <i>DAY.2</i>	Holiday Start Month		See HOL.1 → MON.1		forcible	HOLDY_02	HOL_MON	
→ <i>HOL.2</i> → <i>DUR.2</i>	Holiday Start Day		See HOL.1 → DAY.1		forcible	HOLDY_02	HOL_DAY	
	Holiday Duration in Days		See HOL.1 → DUR.1		forcible	HOLDY_02	HOL_LEN	
→ <i>HOL.16</i> → <i>HO.16</i>	Holiday 16 Configuration							
→ <i>HOL.16</i> → <i>MO.16</i>	Holiday Start Month		See HOL.1 → MON.1		forcible	HOLDY_16		
→ <i>HOL.16</i> → <i>DA.16</i>	Holiday Start Day		See HOL.1 → DAY.1		forcible	HOLDY_16		
→ <i>HOL.16</i> → <i>DU.16</i>	Holiday Duration in Days		See HOL.1 → DUR.1		forcible	HOLDY_16		
MCFG	SERVICE MAINTENANCE CONFIGURATION							107
→ <i>AL.SV</i>	Service Warning Select		NO/YES	DEFAULT=NO	forcible	MAINTCFG	s_alert	
→ <i>CHRG</i>	Refrigerant Charge		NO/YES	DEFAULT=NO	forcible	MAINTCFG	charge_a	
→ <i>WATE</i>	Water Loop Size		NO/YES	DEFAULT=NO	forcible	MAINTCFG	wloop_c	
→ <i>PMP.1</i>	Pump 1 (days)	XXXX (days)	0-65,500	DEFAULT=0	forcible	MAINTCFG	pump1_c	
→ <i>PMP.2</i>	Pump 2 (days)	XXXX (days)	0-65,500	DEFAULT=0	forcible	MAINTCFG	pump2_c	
→ <i>PMP.3</i>	Cond Pump 1 (days)	XXXX (days)	0-65,500	DEFAULT=0	forcible	MAINTCFG	hpump1_c	
→ <i>PMP.4</i>	Cond Pump 2 (days)	XXXX (days)	0-65,500	DEFAULT=0	forcible	MAINTCFG	hpump2_c	
→ <i>W.FIL</i>	Water Filter (days)	XXXX (days)	0-65,500	DEFAULT=0	forcible	MAINTCFG	wfilte_c	60
→ <i>A.FIL</i>	Comp A Oil Filter (days)	XXXX (days)	0-65,500	DEFAULT=0	forcible	MAINTCFG	ofilta_c	
→ <i>B.FIL</i>	Comp B Oil Filter (days)	XXXX (days)	0-65,500	DEFAULT=0	forcible	MAINTCFG	ofiltb_c	
→ <i>C.FIL</i>	Comp C Oil Filter (days)	XXXX (days)	0-65,500	DEFAULT=0	forcible	MAINTCFG	ofiltc_c	
→ <i>RS.SV</i>	Servicing Alert Reset		0=Default 1=Refrigerant Charge 2=Water loop size 3=Not used 4=Pump 1 5=Pump 2 6=Reclaim Pump (not used) 7=Reclaim Pump (not used) 8=Water Filter 9=Compressor A Oil Filter 10=Compressor B Oil Filter 11=Compressor C Oil Filter 12=Reset All	DEFAULT=0	forcible	SERMAINT	s_reset	

*Holidays range from 1-16. Item has same structure, with the only difference being the two-number identifier.

APPENDIX B — NAVIGATOR TABLES (cont)

MODE — OPERATING MODE

ITEM	EXPANSION*	UNITS	RANGE	COMMENT	WRITE STATUS	CCN TABLE	CCN POINT	PAGE NO.
SLCT	OPERATING CONTROL TYPE							
→ OPER	Operating Control Type		Switch Ctrl Time Sched CCN Control	Default = Switch Ctrl	forcible	N/A	N/A	29
→ SP.SE	Setpoint Select		Setpoint Occ Setpoint1 Setpoint2 4-20mA Setp Dual Setp Sw	Default = Setpoint Occ	forcible	GENUNIT	sp_ctrl	29
→ HC.SE	Heat Cool Select		Cooling Heating Auto Chgover Heat Cool Sw	Default = Cooling	forcible	GENUNIT	HC_SEL	29
MODE*	OPERATING MODES							
→ MD01	First Active Mode		0-32			MODES		71
→ MD02	Second Active Mode		0-32			MODES		71
→ MD03	Third Active Mode		0-32			MODES		71
→ MD04	Fourth Active Mode		0-32			MODES		71
→ MD05	Fifth Active Mode		0-32			MODES		71
→ MD06	Sixth Active Mode		0-32			MODES		71

*Up to six current operating modes will be displayed.

NOTE: See Operating Modes starting on page 71.

MODE — ALARMS

ITEM	EXPANSION*	UNITS	RANGE	COMMENT	WRITE STATUS	CCN TABLE	CCN POINT	PAGE NO.
R.ALM	RESET ALL CURRENT ALARM		NO/YES		forcible	N/A	N/A	99
ALRM†	CURRENTLY ACTIVE ALARMS							93
	Current Alarm 1					GENUNIT	alarm_1	
	Current Alarm 2					GENUNIT	alarm_2	
	Current Alarm 3					GENUNIT	alarm_3	
	Current Alarm 4					GENUNIT	alarm_4	
	Current Alarm 5					GENUNIT	alarm_5	
H.ALM**	ALARM HISTORY							
	Alarm History #1					ALRMHIST	alm_history_01	
	Alarm History #2					ALRMHIST	alm_history_02	
	Alarm History #49					ALRMHIST	alm_history_49	
	Alarm History #50					ALRMHIST	alm_history_50	

*Expanded display will be actual alarm description.

†History of up to five past alarms will be displayed.

**History of fifty past alarms will be displayed.

APPENDIX C — CCN TABLES
STATUS DISPLAY TABLES

TABLE	DISPLAY NAME	RANGE	UNITS	POINT NAME	WRITE STATUS
CIRCA_AN	CIRCUIT A ANALOG VALUES				
	Percent Total Capacity	0 - 100	%	CAPA_T	
	Discharge Pressure	nnn.n	psi	DP_A	
	Suction Pressure	nnn.n	psi	SP_A	
	Economizer Pressure	nnn.n	psi	ECON_P_A	
	Oil Pressure	nnn.n	psi	OP_A	
	Oil Pressure Difference	nnn.n	psi	DOP_A	
	Motor Current	nnn.n	AMPS	CURREN_A	
	Motor Temperature	nnnn	°F	CP_TMP_A	
	Discharge Gas Temp	nnnn	°F	DGT_A	
	Economizer Gas Temp	nnnn	°F	ECO_TP_A	
	Saturated Condensing Tmp	±nnn.n	°F	SCT_A	
	Saturated Suction Temp	±nnn.n	°F	SST_A	
	Compressor Suction Temp	±nnn.n	°F	SUCT_T_A	
EXV Position	0 - 100	%	EXV_A		
Head Press Actuator Pos	0 - 100	%	hd_pos_a		
CIRCA_D	CIRCUIT A DISCRETE				
	Compressor Output	ON/OFF		COMP_A	
	Slide Valve 1 Output	ON/OFF		SLID_1_A	
	Slide Valve 2 Output	ON/OFF		SLID_2_A	
	Oil Heater Output	ON/OFF		OIL_HT_A	
	Oil Solenoid Output	ON/OFF		OIL_SL_A	
	Oil Level Input	Low/High		OIL_L_A	
	DGT Cooling Solenoid	ON/OFF		GASCOOLA	
	Hot Gas Bypass Output	ON/OFF		HGBP_A	
	FANS OUTPUT				
	Fan Output DO # 1	ON/OFF		fan_a1	
	Fan Output DO # 2	ON/OFF		fan_a2	
	Fan Output DO # 3	ON/OFF		fan_a3	
	Fan Output DO # 4	ON/OFF		fan_a4	
	Fan Output DO # 5	ON/OFF		fan_a5	
	Fan Output DO # 6	ON/OFF		fan_a6	
	Fan Output DO # 7	ON/OFF		fan_a7	
	Fan Output DO # 8	ON/OFF		fan_a8	
	Fan Staging Number	0-10		FAN_ST_A	
	MISCELLANEOUS				
	Ball Valve Position*	OPEN/CLSE		ISO_REFA	
	Ball Valve Closing Out*	ON/OFF		ISO_CL_A	
Ball Valve Opening Out*	ON/OFF		ISO_OP_A		
4 Way Refrigerant Valve†	ON/OFF		RV_A		
CIRCB_AN	CIRCUIT B ANALOG VALUES				
	Percent Total Capacity	0 - 100	%	CAPB_T	
	Discharge Pressure	nnn.n	psi	DP_B	
	Suction Pressure	nnn.n	psi	SP_B	
	Economizer Pressure	nnn.n	psi	ECON_P_B	
	Oil Pressure	nnn.n	psi	OP_B	
	Oil Pressure Difference	nnn.n	psi	DOP_B	
	Motor Current	nnn.n	AMPS	CURREN_B	
	Motor Temperature	nnnn	°F	CP_TMP_B	
	Discharge Gas Temp	nnnn	°F	DGT_B	
	Economizer Gas Temp	nnnn	°F	ECO_TP_B	
	Saturated Condensing Tmp	±nnn.n	°F	SCT_B	
	Saturated Suction Temp	±nnn.n	°F	SST_B	
	Compressor Suction Temp	±nnn.n	°F	SUCT_T_B	
EXV Position	0-100	%	EXV_B		
Head Press Actuator Pos	0-100	%	hd_pos_b		

APPENDIX C — CEN TABLES (cont)
STATUS DISPLAY TABLES (cont)

TABLE	DISPLAY NAME	RANGE	UNITS	POINT NAME	WRITE STATUS
CIRCB_D	CIRCUIT B DISCRETE				
	Compressor Output	ON/OFF		COMP_B	
	Slide Valve 1 Output	ON/OFF		SLID_1_B	
	Slide Valve 2 Output	ON/OFF		SLID_2_B	
	Oil Heater Output	ON/OFF		OIL_HT_B	
	Oil Solenoid Output	ON/OFF		OIL_SL_B	
	Oil Level Input	Low/High		OIL_L_B	
	DGT Cooling Solenoid	ON/OFF		GASCOOLB	
	Hot Gas Bypass Output	ON/OFF		HGBP_B	
	FANS OUTPUT				
	Fan Output DO # 1	ON/OFF		fan_b1	
	Fan Output DO # 2	ON/OFF		fan_b2	
	Fan Output DO # 3	ON/OFF		fan_b3	
	Fan Output DO # 4	ON/OFF		fan_b4	
	Fan Output DO # 5	ON/OFF		fan_b5	
	Fan Output DO # 6	ON/OFF		fan_b6	
	Fan Output DO # 7	ON/OFF		fan_b7	
	Fan Output DO # 8	ON/OFF		fan_b8	
	Fan Staging Number	0-10		FAN_ST_B	
	MISCELLANEOUS				
Ball Valve Position	OPEN/CLSE		ISO_REFB		
Ball Valve Closing Out	ON/OFF		ISO_CL_B		
Ball Valve Opening Out	ON/OFF		ISO_OP_B		
4 Way Refrigerant Valve†	ON/OFF		RV_B		
CIRCC_AN	CIRCUIT C ANALOG VALUES				
	Percent Total Capacity	0-100	%	CAPC_T	
	Discharge Pressure	nnn.n	psi	DP_C	
	Suction Pressure	nnn.n	psi	SP_C	
	Economizer Pressure	nnn.n	psi	ECON_P_C	
	Oil Pressure	nnn.n	psi	OP_C	
	Oil Pressure Difference	nnn.n	psi	DOP_C	
	Motor Current	nnn.n	AMPS	CURREN_C	
	Motor Temperature	nnnn	°F	CP_TMP_C	
	Discharge Gas Temp	nnnn	°F	DGT_C	
	Economizer Gas Temp	nnnn	°F	ECO_TP_C	
	Saturated Condensing Tmp	±nnn.n	°F	SCT_C	
	Saturated Suction Temp	±nnn.n	°F	SST_C	
	Compressor Suction Temp	±nnn.n	°F	SUCT_T_C	
	EXV Position	0-100	%	EXV_C	
Head Press Actuator Pos	0-100	%	hd_pos_c		
CIRCC_D	CIRCUIT C DISCRETE				
	Compressor Output	ON/OFF		COMP_C	
	Slide Valve 1 Output	ON/OFF		SLID_1_C	
	Slide Valve 2 Output	ON/OFF		SLID_2_C	
	Oil Heater Output	ON/OFF		OIL_HT_C	
	Oil Solenoid Output	ON/OFF		OIL_SL_C	
	Oil Level Input	Low/High		OIL_L_C	
	DGT Cooling Solenoid	ON/OFF		GASCOOLC	
	Hot Gas Bypass Output	ON/OFF		HGBP_C	
	FANS OUTPUT				
	Fan Output DO # 1	ON/OFF		fan_c1	
	Fan Output DO # 2	ON/OFF		fan_c2	
	Fan Output DO # 3	ON/OFF		fan_c3	
	Fan Output DO # 4	ON/OFF		fan_c4	
	Fan Output DO # 5	ON/OFF		fan_c5	
	Fan Output DO # 6	ON/OFF		fan_c6	
	Fan Output DO # 7	ON/OFF		fan_c7	
	Fan Output DO # 8	ON/OFF		fan_c8	
	Fan Staging Number	0-10		FAN_ST_C	
	MISCELLANEOUS				
Ball Valve Position	OPEN/CLSE		ISO_REFC		
Ball Valve Closing Out	ON/OFF		ISO_CL_C		
Ball Valve Opening Out	ON/OFF		ISO_OP_C		

APPENDIX C — CCN TABLES (cont)
STATUS DISPLAY TABLES (cont)

TABLE	DISPLAY NAME	RANGE	UNITS	POINT NAME	WRITE STATUS
FAN HOURS	Free Cool A Pump Hours	nnnnn	hours	hr_fem_a	
	Free Cool B Pump Hours	nnnnn	hours	hr_fem_b	
	Circuit A Defrost Number	nnnnn	—	ub_def_a	
	Circuit B Defrost Number	nnnnn	—	ub_def_b	
	Circuit A Fan #1 Hours	nnnnn	hours	hr_fana1	
	Circuit A Fan #2 Hours	nnnnn	hours	hr_fana2	
	Circuit A Fan #3 Hours	nnnnn	hours	hr_fana3	
	Circuit A Fan #4 Hours	nnnnn	hours	hr_fana4	
	Circuit A Fan #5 Hours	nnnnn	hours	hr_fana5	
	Circuit A Fan #6 Hours	nnnnn	hours	hr_fana6	
	Circuit A Fan #7 Hours	nnnnn	hours	hr_fana7	
	Circuit A Fan #8 Hours	nnnnn	hours	hr_fana8	
	Circuit A Fan #9 Hours	nnnnn	hours	hr_fana9	
	Circuit A Fan #10 Hours	nnnnn	hours	hr_fana10	
	Circuit B Fan #1 Hours	nnnnn	hours	hr_fanb1	
	Circuit B Fan #2 Hours	nnnnn	hours	hr_fanb2	
	Circuit B Fan #3 Hours	nnnnn	hours	hr_fanb3	
	Circuit B Fan #4 Hours	nnnnn	hours	hr_fanb4	
	Circuit B Fan #5 Hours	nnnnn	hours	hr_fanb5	
	Circuit B Fan #6 Hours	nnnnn	hours	hr_fanb6	
	Circuit B Fan #7 Hours	nnnnn	hours	hr_fanb7	
	Circuit B Fan #8 Hours	nnnnn	hours	hr_fanb8	
	Circuit B Fan #9 Hours	nnnnn	hours	hr_fanb9	
	Circuit B Fan #10 Hours	nnnnn	hours	hr_fanb10	
	Circuit C Fan #1 Hours	nnnnn	hours	hr_fanc1	
	Circuit C Fan #2 Hours	nnnnn	hours	hr_fanc2	
	Circuit C Fan #3 Hours	nnnnn	hours	hr_fanc3	
	Circuit C Fan #4 Hours	nnnnn	hours	hr_fanc4	
	Circuit C Fan #5 Hours	nnnnn	hours	hr_fanc5	
	Circuit C Fan #6 Hours	nnnnn	hours	hr_fanc6	
	Circuit C Fan #7 Hours	nnnnn	hours	hr_fanc7	
	Circuit C Fan #8 Hours	nnnnn	hours	hr_fanc8	

APPENDIX C — CCN TABLES (cont)
STATUS DISPLAY TABLES (cont)

TABLE	DISPLAY NAME	RANGE	UNITS	POINT NAME	WRITE STATUS
GENUNIT	Operating Type	L-Off-Local Off (Navigator Display= SW1 Switch=Opened) L-On-Local On L-Sched-Local On/Off State based on Time Schedules CCN-Unit is in CCN Control Remote-On/Off Based on Remote Contact (not applied to Navigator Display) Master-Unit Operation in Lead/Lag and it is a Master		OPER_TYP	
	Control Type	Local CCN Remote		ctr_type	
	Run Status	0 = Off 1 = Running 2 = Stopping 3 = Delay 4 = Tripout 5 = Ready 6 = Override 7 = Defrost 8 = Run Test 9 = Test		STATUS	
	CCN Chiller Start/Stop	Enable/Disable		CHIL_S_S	forcible
	Chiller Occupied?	Yes/No		CHIL_OCC	forcible
	Minutes Left for Start	0-15	min	min_left	
	Heat/Cool Status	0 = Cool 1 = Heat 2 = Stand-by 3 = Both		HEATCOOL	
	Heat/Cool Select	0 = Cool 1 = Heat 2 = Auto		HC_SEL	forcible
	Heat Reclaim Select	Yes/No		RECL_SEL	forcible*
	Free Cooling Selct	Yes/No		FC_DSBLE	forcible
	Alarm State	0 = Normal 1 = Partial 2 = Shutdown		ALM	
	Current Alarm 1	nnnnn		alarm_1	
	Current Alarm 2	nnnnn		alarm_2	
	Current Alarm 3	nnnnn		alarm_3	
	Current Alarm 4	nnnnn		alarm_4	
	Current Alarm 5	nnnnn		alarm_5	
	Percent Total Capacity	nnn	%	CAP_T	
	Active Demand Limit Val	nnn	%	DEM_LIM	forcible†
	Lag Capacity Limit Value	nnn	%	LAG_LIM	
	Actual Chiller Current	nnn	amps	TOT_CURR	
	Chiller Current Limit	nnn	amps	CURR_LIM	forcible
	Current Setpoint	±nnn.n	°F	SP	
	Setpoint Occupied?	Yes/No		SP_OCC	forcible
	Setpoint Control	Setpt 1 Setpt 2 Ice_sp 4-20mA Auto		sp_ctrl	
	Control Point	±nnn.n	°F	CTRL_PNT	forcible†
	Controlled Water Temp	±nnn.n	°F	CTRL_WT	
	External Temperature	±nnn.n	°F	OAT	
	Emergency Stop	Enable/Disable		EMSTOP	forcible

APPENDIX C — CCN TABLES (cont)
STATUS DISPLAY TABLES (cont)

TABLE	DISPLAY NAME	RANGE	UNITS	POINT NAME	WRITE STATUS
MODES	Startup Delay in Effect	Yes/No	—	Mode_01	
	Second Setpoint in Use	Yes/No	—	Mode_02	
	Reset in Effect	Yes/No	—	Mode_03	
	Demand Limit Active	Yes/No	—	Mode_04	
	Ramp Loading Active	Yes/No	—	Mode_05	
	Cooler Heater Active	Yes/No	—	Mode_06	
	Cooler Pumps Rotation	Yes/No	—	Mode_07	
	Pump Periodic Start	Yes/No	—	Mode_08	
	Night Low Noise Active	Yes/No	—	Mode_09	
	System Manager Active	Yes/No	—	Mode_10	
	Master Slave Active	Yes/No	—	Mode_11	
	Auto Changeover Active	Yes/No	—	Mode_12	
	Free Cooling Active	Yes/No	—	Mode_13	
	Reclaim Active	Yes/No	—	Mode_14	
	Electric Heat Active	Yes/No	—	Mode_15	
	Heating Low EWT Lockout	Yes/No	—	Mode_16	
	Condenser Pumps Rotation	Yes/No	—	Mode_17	
	Ice Mode in Effect	Yes/No	—	Mode_18	
	Defrost Active On Cir A	Yes/No	—	Mode_19	
	Defrost Active On Cir B	Yes/No	—	Mode_20	
	Low Suction Circuit A	Yes/No	—	Mode_21	
	Low Suction Circuit B	Yes/No	—	Mode_22	
	Low Suction Circuit C	Yes/No	—	Mode_23	
	High DGT Circuit A	Yes/No	—	Mode_24	
	High DGT Circuit B	Yes/No	—	Mode_25	
	High DGT Circuit C	Yes/No	—	Mode_26	
	High Pres Override Cir A	Yes/No	—	Mode_27	
	High Pres Override Cir B	Yes/No	—	Mode_28	
	High Pres Override Cir C	Yes/No	—	Mode_29	
	Low Superheat Circuit A	Yes/No	—	Mode_30	
	Low Superheat Circuit B	Yes/No	—	Mode_31	
	Low Superheat Circuit C	Yes/No	—	Mode_32	
QCK_TST1	Quick Test Enable	no/Yes	—	Q_TSTRQ	forcible
	Circuit A EXV Position	0 - 100	%	Q_EXVA	forcible
	Circuit B EXV Position	0 - 100	%	Q_EXVB	forcible
	Circuit C EXV Position	0 - 100	%	Q_EXVC	forcible
	Cir A Economizer EXV Pos	0 - 100	%	Q_ECO_A	forcible
	Cir B Economizer EXV Pos	0 - 100	%	Q_ECO_B	forcible
	Cir C Economizer EXV Pos	0 - 100	%	Q_ECO_C	forcible
	Circuit A Fan Stages	0-10	—	Q_FAN_A	forcible
	Circuit B Fan Stages	0-10	—	Q_FAN_B	forcible
	Circuit C Fan Stages	0-10	—	Q_FAN_C	forcible
	Circuit A Head Press Speed	0 - 100	%	Q_VFANA	forcible
	Circuit B Head Press Speed	0 - 100	%	Q_VFANB	forcible
	Circuit C Head Press Speed	0 - 100	%	Q_VFANC	forcible
	Circuit A Oil Heater	Off/On	—	Q_HT_A	forcible
	Circuit A Oil Solenoid	Off/On	—	Q_OILS_A	forcible
	Circuit A Slide Valve 1	Off/On	—	Q_SLI_1A	forcible
	Circuit A Slide Valve 2	Off/On	—	Q_SLI_2A	forcible
	Cir A Heater Ball Valve	Off/On	—	Q_BVL_A	forcible
	Cir A Hot Gas Bypass	Off/On	—	Q_HGBP_A	forcible
	Cir A DGT Cool Solenoid	Off/On	—	Q_CDGT_B	forcible
	Circuit B Oil Heater	Off/On	—	Q_HT_B	forcible
	Circuit B Oil Solenoid	Off/On	—	Q_OILS_B	forcible
	Circuit B Slide Valve 1	Off/On	—	Q_SLI_1B	forcible
	Circuit B Slide Valve 2	Off/On	—	Q_SLI_2B	forcible
	Cir B Heater Ball Valve	Off/On	—	Q_BVL_B	forcible
	Cir B Hot Gas Bypass	Off/On	—	Q_HGBP_B	forcible
	Cir B DGT Cool Solenoid	Off/On	—	Q_CDGT_B	forcible
	Circuit C Oil Heater	Off/On	—	Q_HT_C	forcible
	Circuit C Oil Solenoid	Off/On	—	Q_OILS_C	forcible
	Circuit C Slide Valve 1	Off/On	—	Q_SLI_1C	forcible
	Circuit C Slide Valve 2	Off/On	—	Q_SLI_2C	forcible
	Cir C Heater Ball Valve	Off/On	—	Q_BVL_C	forcible

APPENDIX C — CCN TABLES (cont)
STATUS DISPLAY TABLES (cont)

TABLE	DISPLAY NAME	RANGE	UNITS	POINT NAME	WRITE STATUS
	Cir C Hot Gas Bypass	Off/On	—	Q_HGBP_C	forcible
	Cooler Heater Output	Off/On	—	Q_CL_HT	forcible
	Water Exchanger Pump 1	Off/On	—	Q_PMP1	forcible
	Water Exchanger Pump 2	Off/On	—	Q_PMP2	forcible
	Condenser Pump 1	Off/On	—	Q_HPMP1	forcible
	Condenser Pump 2*	Off/On	—	Q_HPMP2	forcible
	Chiller Ready Output	Off/On	—	Q_READY	forcible
	Chiller Running Output	Off/On	—	Q_RUN	forcible
	Customer Shutdown Out*	Off/On	—	Q_SHUT	forcible
	Alarm Relay Output	Off/On	—	Q_ALARM	forcible
	Alert Relay Output	Off/On	—	Q_ALERT	forcible
	Cir A Running Output*	Off/On	—	Q_RUN_A	forcible
	Cir B Running Output*	Off/On	—	Q_RUN_B	forcible
	Cir C Running Output*	Off/On	—	Q_RUN_C	forcible
	Chiller Capacity in 0-10v	0 – 10.0	volt	Q_CATO	forcible
QCK_TST2*	Quick Test Enable	no/Yes	—	Q_TSTRQ	forcible
	Air Cond Enter Valve A	Off/On	—	Q_HREA_A	forcible
	Air Cond Leaving Valv A	Off/On	—	Q_HRLA_A	forcible
	Water Cond Enter Valv A	Off/On	—	Q_HREW_A	forcible
	Water Cond Leav Valve A	Off/On	—	Q_HRLW_A	forcible
	Air Cond Enter Valve B	Off/On	—	Q_HREA_B	forcible
	Air Cond Leaving Valv B	Off/On	—	Q_HRLA_B	forcible
	Water Cond Enter Valv B	Off/On	—	Q_HREW_B	forcible
	Water Cond Leav Valve B	Off/On	—	Q_HRLW_B	forcible
	HR Condenser Heater	Off/On	—	Q_CD_HT	forcible
	4 way Valve Circuit A	Off/On	—	Q_RV_A	forcible
	4 way Valve Circuit B	Off/On	—	Q_RV_B	forcible
	Free Cooling Heater	On/Off	—	Q_FC_HTR	forcible
	Free Cool A EXV Position	0 - 100	%	Q_FCExVA	forcible
	Free Cool B EXV Position	0 - 100	%	Q_FCExVB	forcible
	Free Cool A Ball Valve	Off/On	—	Q_FCBVL_A	forcible
	Free Cool B Ball Valve	Off/On	—	Q_FCBVL_B	forcible
SERV_TST	Service Test Enable*	no/Yes	—	Q_STREQ	forcible
	Compressor A Output	Off/On	—	Q_CPA	forcible
	Slide Valve Capacity A	0 - 2†	—	Q_SLIA	forcible
	Compressor B Output	Off/On	—	Q_CPB	forcible
	Slide Valve Capacity B	0 - 2†	—	Q_SLIB	forcible
	Compressor C Output	Off/On	—	Q_CPC	forcible
	Slide Valve Capacity C	0 - 2†	—	Q_SLIC	forcible
FREECOOL*	GENERAL PARAMETERS				
	Free Cooling Disable ?	Yes/No	—	FC_DSBLE	
	LWT – OAT Delta	±nnn.n	°F	fc_delta	
	Current Cooling Power	nnn	°F	cool_pwr	
	Estimated FreeCoo Power	nnn	°F	fc_pwr	
	Next Session Allowed In	nn	minutes	fc_next	
	Cooling/FreeCool Timeout	nn	minutes	fc_tmout	
	Free Cool Conditions OK ?	Yes/No	—	fc_ready	
	Free Cool Request ?	Yes/No	—	fc_reqst	
	Valve Actuators Heaters ?	On/Off	—	FC_HTR	
	CIRCUIT A				
	Free Cooling Active	Yes/No	—	fc_on_a	
	Fan Staging Number	1 to 6	—	FAN_ST_A	
	3 Way Valve Position	nnn	%	fc_vlv_a	
	3 Way Valve Status	Opening/Closing/...	—	FC_VLV_A	
	Refrigerant Pump Out	On/Off	—	fc_pmp_a	
	Pump Inlet Pressure	±nnn	kPa	fc_inp_a	
	Pump Outlet Pressure	±nnn	kPa	fc_oup_a	
	Pump Differential Pressure	±nnn	kPa	fc_dp_a	
	EXV Position	nnn.n	%	EXV_A	
	CIRCUIT B				
	Free Cooling Active	Yes/No	—	fc_on_b	
	Fan Staging Number	1 to 6	—	FAN_ST_B	

APPENDIX C — CCN TABLES (cont)
STATUS DISPLAY TABLES (cont)

TABLE	DISPLAY NAME	RANGE	UNITS	POINT NAME	WRITE STATUS
	3 Way Valve Position	nnn	%	fc_vlv_b	
	3 Way Valve Status	Opening/Closing/...	—	FC_VLV_B	
	Refrigerant Pump Out	On/Off	—	fc_pmp_b	
	Pump Inlet Pressure	±nnn	kPa	fc_inp_b	
	Pump Outlet Pressure	±nnn	kPa	fc_oup_b	
	Pump Differential Pressure	±nnn	kPa	fc_dp_b	
	EXV Position	nnn.n	%	EXV_B	
	CIRCUIT C				
	Free Cooling Active	Yes/No	—	fc_on_c	
	Fan Staging Number	1 to 6	—	FAN_ST_C	
	3 Way Valve Position	nnn	%	fc_vlv_c	
	3 Way Valve Status	Opening/Closing/...	—	FC_VLV_C	
	Refrigerant Pump Out	On/Off	—	fc_pmp_c	
	Pump Inlet Pressure	±nnn	kPa	fc_inp_c	
	Pump Outlet Pressure	±nnn	kPa	fc_oup_c	
	Pump Differential Pressure	±nnn	kPa	fc_dp_c	
	EXV Position	nnn.n	%	EXV_C	
RECLAIM*	Heat Reclaim Select	Yes/no		RECL_SEL	
	Reclaim Condenser Pump	On/Off		CONDUMP	
	Reclaim Condenser Flow	On/Off		CONDFLOW	
	Reclaim Condenser Heater	On/Off		cond_htr	
	Reclaim Entering Fluid	±nnn.n	°F	HR_EWT	
	Reclaim Leaving Fluid	±nnn.n	°F	HR_LWT	
	Reclaim Fluid Setpoint	±nnn.n	°F	RSP	forcible
	Reclaim Valve Position	±nnn.n	%	hr_v_pos	
	HEAT RECLAIM CIRCUIT A				
	Reclaim Status Circuit A	n		hrstat_a	
	Pumpdown Pressure Cir A	±nnn.n	psi	PD_P_A	
	Sub Condenser Temp Cir A	±nnn.n	°F	hr_subta	
	Pumpdown Saturated Tmp A	±nnn.n	°F	hr_sat_a	
	Subcooling Temperature A	±nnn.n	^F	hr_subca	
	Air Cond Entering Valv A	On/Off		hr_ea_a	
	Water Cond Enter Valve A	On/Off		hr_ew_a	
	Air Cond Leaving Valve A	On/Off		hr_la_a	
	Water Cond Leaving Val A	On/Off		hr_lw_a	
	HEAT RECLAIM CIRCUIT B				
	Reclaim Status Circuit B	n		hrstat_b	
	Pumpdown Pressure Cir B	±nnn.n	psi	PD_P_B	
	Sub Condenser Temp Cir B	±nnn.n	°F	hr_subtb	
	Pumpdown Saturated Tmp B	±nnn.n	°F	hr_sat_b	
	Subcooling Temperature B	±nnn.n	^F	hr_subcb	
	Air Cond Entering Valv B	On/Off		hr_ea_b	
	Water Cond Enter Valve B	On/Off		hr_ew_b	
	Air Cond Leaving Valve B	On/Off		hr_la_b	
	Water Cond Leaving Val B	On/Off		hr_lw_b	

APPENDIX C — CCN TABLES (cont)
STATUS DISPLAY TABLES (cont)

TABLE	DISPLAY NAME	RANGE	UNITS	POINT NAME	WRITE STATUS
STATEGEN	UNIT DISCRETE IN				
	On/Off – Remote Switch	Open/Clse		ONOFF_SW	
	Remote Heat/Cool Switch	Open/Clse		HC_SW	
	Current Control	Off, On Cool, On Heat, On Auto		on_ctrl	
	Remote Reclaim Switch	Open/Clse		RECL_SW	
	Free Cooling Disable Switch*	Open/Clse		FC_SW	
	Remote Setpoint Switch	Open/Clse		SETP_SW	
	Limit Switch 1 Status	Open/Clse		LIM_SW1	
	Limit Switch 2 Status	Open/Clse		LIM_SW2	
	Occupied Override Switch	Open/Clse		OCC_OVSW	
	Ice Done Storage Switch	Open/Clse		ICE_SW	
	Cooler Flow Switch	Open/Clse		FLOW_SW	
	Cooler Pump Run Status	Open/Clse		CPUMPDEF	
	Condenser Flow Status	On/Off		CONDFLOW	
	Remote Interlock Status	Open/Clse		REM_LOCK	
	Electrical Box Interlock*	Open/Clse		ELEC_BOX	
	UNIT DISCRETE OUT				
	Cooler Flow Setpoint Out*	On/Off		SET_FLOW	
	Heater Switch	On/Off		HEAT_SW	
	Electrical Heat Stage*	0-4/Off		EHS_STEP	
	Cooler Pump #1 Command	On/Off		CPUMP_1	forcible
	Cooler Pump #2 Command	On/Off		CPUMP_2	forcible
	Rotate Cooler Pumps ?	Yes/No		ROTCPUMP	forcible
	Condenser Pump #1 Command*	On/Off		HPUMP_1	forcible
	Rotate Condenser Pumps?*	Yes/No		ROTHPUMP	forcible
	Cooler Heater Command	On/Off		COOLHEAT	
	Shutdown Indicator State	On/Off		SHUTDOWN	
	Alarm Relay Status	On/Off		ALARMOUT	
	Alert Relay Status	On/Off		ALERT	
	Ready or Running Status	On/Off		READY	
	Running Status	On/Off		RUNNING	
UNIT DIALOG					
Cooler Entering Fluid	±nnn.n		°F	COOL_EWT	
Cooler Leaving Fluid	±nnn.n		°F	COOL_LWT	
Condenser Entering Fluid	±nnn.n		°F	COND_EWT	
Condenser Leaving Fluid	±nnn.n		°F	COND_LWT	
Cooler Heater Temp*	±nnn.n		°F	HEATER	
Circuit C Heater Temp*	±nnn.n		°F	T_HEAT_C	
Optional Space Temp	±nnn.n		°F	SPACETMP	
CHWS Temperature	±nnn.n		°F	CHWSTEMP	
Water pres before cooler*	nnn.n		psi	watpres1	
Water pres after cooler*	nnn.n		psi	watpres2	
Water pres before filter*	nnn.n		psi	watpres3	
Water pres after filter*	nnn.n		psi	watpres4	
Water flow*	nnn.n		gps	wat_flow	
Cooling power*	nnn.n		kW	cool_pwr	
Reset /Setpnt 4-20mA Sgnl	±nn.n		ma	SP_RESET	
Limit 4-20mA Signal	±nn.n		ma	LIM_ANAL	
Chiller Capacity Signal	±nn.n		volts	CAPT_010	
STRTHOUR	Machine Operating Hours	nnnnn	hours	HR_MACH	
	Machine Starts Number	nnnnn		st_mach	
	Compressor A Hours	nnnnn	hours	HR_CP_A	
	Compressor A Starts	nnnnn		st_cp_a	
	Compressor B Hours	nnnnn	hours	HR_CP_B	
	Compressor B Starts	nnnnn		st_cp_b	
	Compressor C Hours	nnnnn	hours	HR_CP_C	
	Compressor C Starts	nnnnn		st_cp_c	
	WATER PUMPS				
	Cooler Pump #1 Hours	nnnnn	hours	hr_cpum1	
	Cooler Pump #2 Hours	nnnnn	hours	hr_cpum2	
	Condenser Pump #1 Hours*	nnnnn	hours	hr_hpum1	
	Condenser Pump #2 Hours*	nnnnn	hours	hr_hpum2	

* Not supported for units with DX cooler.

† Not supported.

NOTE: Disable quick test: all the quick test parameters shall be reset to 0.

APPENDIX C — CCN TABLES (cont)

CONFIGURATION TABLES

TABLE	DISPLAY NAME	RANGE	DEFAULT	UNITS	POINT NAME
!CtrlID/PD5_XAXQ	Device Name	8 chars	30XW		
	Description	24 chars	PRO-DIALOG 5 30XA XQ XW		DevDesc
	Location	24 chars			Location
	Software Part Number	16 chars	CSA-SR-20C47nnnn		PartNum
	Model Number	20 chars			ModelNum
	Serial Number	12 chars			SerialNo
	Reference Number	24 chars			RefNum
	CCN Bus Number	0-239	0		CCNB
	CCN Element Number	1-239	1		CCNA
	9600				
	CCN Baud Rate	19200 38400	9600		BAUD
ALARMDEF/ ALARMS01	Alarm Routing Control	0-11111111	00000000		ALRM_CNT
	Alarm Equipment Priority	0-7	4		EQP_TYP
	Comm Failure Retry Time	1-240	10	min	RETRY_TM
	Realarm Time	1-255	30	min	RE_ALARM
	Alarm System Name	8 chars	PRO_XAXQ		ALRM_NAM
BRODEFS/BROCASTS	Activate	0=Unused 1=Broadcast time, date, holiday flag and OAT. 2=For Standalone chiller. Daylight savings time & holiday determination will be done without broadcasting through the bus.	2	—	ccnbroad
	OAT Broadcast				
	Bus #	0 to 239	0		oatbusnm
	Element #	0 to 239	0		oatlocad
	DAYLIGHT SAVING SELECT	Disable/Enable	Disable		dayl_sel
	ENTERING				
	Month	1 to 12	3		startmon
	Day of week* (1=Monday)	1 to 7	7		startdow
	Week Number of Month†	1 to 5	5		startwom
	LEAVING				
Month	1 to 12	10		Stopmon	
Day of week* (1=Monday)	1 to 7	7		Stoptdow	
Week Number of Month†	1 to 5	5		stopwom	
HOLIDAY/HOLDY_nn nn = 01 to 16	Holiday Start Month	0-12	0		HOL_MON
	Start Day	0-31	0		HOL_DAY
	Duration (days)	0-99	0		HOL_LEN
OCCDEFCS/ OCCnP0nS n = 1 or 2	Timed Override Hours	0-4	0		OVR_EXT
	Period 1 DOW (MTWTFSSH)	0/1	11111111		DOW1
	Occupied From	00:00-24:00	00:00		OCCTOD1
	Occupied To	00:00-24:00	24:00		UNOCTOD1
	Period 2 DOW (MTWTFSSH)	0/1	11111111		DOW2
	Occupied From	00:00-24:00	00:00		OCCTOD2
	Occupied To	00:00-24:00	00:00		UNOCTOD2
	Period 3 DOW (MTWTFSSH)	0/1	00000000		DOW3
	Occupied From	00:00-24:00	00:00		OCCTOD3
	Occupied To	00:00-24:00	00:00		UNOCTOD3
	Period 4 DOW (MTWTFSSH)	0/1	00000000		DOW4
	Occupied From	00:00-24:00	00:00		OCCTOD4
	Occupied To	00:00-24:00	00:00		UNOCTOD4
	Period 5 DOW (MTWTFSSH)	0/1	00000000		DOW5
	Occupied From	00:00-24:00	00:00		OCCTOD5
	Occupied To	00:00-24:00	00:00		UNOCTOD5
	Period 6 DOW (MTWTFSSH)	0/1	00000000		DOW6
	Occupied From	00:00-24:00	00:00		OCCTOD6
	Occupied To	00:00-24:00	00:00		UNOCTOD6
	Period 7 DOW (MTWTFSSH)	0/1	00000000		DOW7
	Occupied From	00:00-24:00	00:00		OCCTOD7
	Occupied To	00:00-24:00	00:00		UNOCTOD7
	Period 8 DOW (MTWTFSSH)	0/1	00000000		DOW8
	Occupied From	00:00-24:00	00:00		OCCTOD8
Occupied To	00:00-24:00	00:00		UNOCTOD8	

APPENDIX C — CCN TABLES (cont)
CONFIGURATION TABLES (cont)

TABLE	DISPLAY NAME	RANGE	DEFAULT	UNITS	POINT NAME
CFG_TABn (n = 1 to 8)	Display n table number 1	nn			tab_nb_1
	Display n var number 1	nn			var_nb_1
	Display n table number 2	nn			tab_nb_2
	Display n var number 2	nn			var_nb_2
	Display n table number 3	nn			tab_nb_3
	Display n var number 3	nn			var_nb_3
	Display n table number 4	nn			tab_nb_4
	Display n var number 4	nn			var_nb_4
	Display n table number 5	nn			tab_nb_5
	Display n var number 5	nn			var_nb_5
	Display n table number 6	nn			tab_nb_6
	Display n var number 6	nn			var_nb_6
	Display n table number 7	nn			tab_nb_7
	Display n var number 7	nn			var_nb_7
	Display n table number 8	nn			tab_nb_8
	Display n var number 8	nn			var_nb_8
	Display n table number 9	nn			tab_nb_9
Display n var number 9	nn			var_nb_9	
DISPCNF	Metric Display on STDU	Yes/No	No		DISPUNIT
	Language Selection	0=English 1=Espanol 2=Francais 3=Portugues 4=Translated	0		LANGUAGE
MST_SLV	MASTER SLAVE CONTROL				
	Master/Slave Select	0=Disable 1=Master 2=Slave	0		ms_sel
	Master Control Type	1=Local Control 2=Remote Control 3=CCN Control	1		ms_ctrl
	Slave Address	1 to 236	2		slv_addr
	Lead Lag Select	0=Always Lead 1=Lag Once Failed Only 2=Lead/Lag Runtime Sel	0		lead_sel
	Lead/Lag Balance Delta	40 to 400	168	hours	ll_bal_d
	Lag Start Timer	2 to 30	10	min	lstr_tim
	Lead Pulldown Time	0 to 60	0	min	lead_pul
	Start if Error Higher		4	^F	start_dt
	Lag Minimum Running Time		0	min	lag_mini
	Lag Unit Pump Control	0=Stop if Unit Stops 1=Run if Unit Stops	0		lag_pump
	Chiller in Series	Yes/No	No		ll_serie

APPENDIX C — CCN TABLES (cont)
CONFIGURATION TABLES (cont)

TABLE	DISPLAY NAME	RANGE	DEFAULT	UNITS	POINT NAME	
USER	Circuit Loading Sequence	0-3 0=Auto, 1=A Lead, 2=B Lead, 3=C Lead	0		lead_cir	
	Staged Loading Sequence	No/Yes†† No=Equal Current Loading Yes=Staged Current Loading	No		seq_typ	
	Ramp Loading Select	No/Yes	No		ramp_sel	
	Unit Off to On Delay	1-15††	1	min	off_on_d	
	Condenser Pumps Sequence	0-4**	0		hpumpseq	
	Cooler Pumps Sequence	0-4 0=No Pump 1=One Pump Only 2=Two Pumps Auto 3=Pump#1 Manual 4=Pump#2 Manual	0		cpumpseq	
	Pump Auto Rotation Delay	24-3000	48	hours	pump_del	
	Pump Sticking Protection	No/Yes	No		pump_per	
	Stop Pump During Standby	No/Yes	No		pump_sby	
	Flow Checked if Pump Off	No/Yes	No		pump_loc	
	Auto Changeover Select**	No/Yes	No		auto_sel	
	Cooling Reset Select	0-4	0		cr_sel	
	Heating Reset Select**	0-4 0=None 1=OAT, 2=Delta T, 3=4-20mA Control 4=Space Temp	0		hr_sel	
	Demand Limit Type Select	0-2 0=None 1=Switch Control 2=4-20mA Control	0		lim_sel	
	mA For 100% Demand Limit	0-20	0	ma	lim_mx	
	mA For 0% Demand Limit	0-20	10	ma	lim_ze	
	Current Limit Select	No/Yes	No		curr_sel	
	Current Limit at 100%	0 to 2000	2000	amps	curr_ful	
	Heating OAT Threshold**	-4-32	5	°F	heat_th	
	Free Cooling Delta T Th**	14.4-27	18	°F	free_dt	
	Full Load Timeout	20-300	30	min	fc_tmout	
	HSM Both Command Select	No/Yes	No		both_sel	
	NIGHT CONTROL					
		Start Hour	00:00-24:00	00:00		nh_start
		End Hour	00:00-24:00	00:00		nh_end
		Capacity Limit	0-100	100	%	nh_limit
		Ice Mode Enable	No/Yes	No		ice_cnfg
		Reverse Alarms Relay	No/Yes	No		al_rever
		Cooler pump off in heat	No/Yes	No		stopheat
		Cond pump off in cool	No/Yes	No		stopcool

* Day of week where daylight savings time will occur in the morning (at 2:00 am). Daylight savings time occurs on Sunday (7) morning, 1 hour shall be added when entering and 1 hour subtracted when leaving.

† Date once selected (from 1) shall occur in the week number entered. 1: If day of week selected is 7 (Sunday) time change will occur the first Sunday (week number 1) in the month. 5: If day of week selected is 7 (Sunday) time change will occur the last Sunday of the month (week number 4 or 5).

** Not supported.

†† Do not configure for 0.

NOTES:

1. nnnn is software version.
2. Flow checked if pump off needed when a command is sent to the primary pump to prevent cooler from freezing in winter conditions. Command will set the cooler flow switch to closed while the controls stop the cooler pump. The controls may then generate an alarm. If this decision is active, the cooler flow switch is not checked when the cooler pump is stopped.
3. If cooling reset select set point has been selected the set point based on 4-20mA input signal through *ComfortLink* control, then a 4-20 mA reset function shall be ignored. Configuration 3 (4-20mA Control) and 4 (Space Temperature) shall require an Energy Management Module.
4. Configuration 2 (4-20mA Control) shall require an Energy Management Module. Configuration 1 Switch Demand limit provides 3 step demand limit if an Energy Management Module is present. Otherwise, only one step is allowed.
5. Reverse Alarms Relay configuration will be deenergized when an alarm and alert relay is present and will be energized when no alarm is present.

APPENDIX C — CCN TABLES (cont)
SETPOINT CONFIGURATION TABLES

TABLE	DISPLAY NAME	RANGE	DEFAULT	UNITS	POINT NAME	
SETPOINT	COOLING					
	Cooling Setpoint 1	-20-70	44.0	°F	csp1	
	Cooling Setpoint 2	-20-70	44.0	°F	csp2	
	Cooling Ice Setpoint	-20-70	44.0	°F	ice_sp	
	OAT No Reset Value	14-125	14.0	°F	oatcr_no	
	OAT Full Reset Value	14-125	14.0	°F	oatcr_fu	
	Delta T No Reset Value	0-25	0.0	^F	dt_cr_no	
	Delta T Full Reset Value	0-25	0.0	^F	dt_cr_fu	
	Current No Reset Value	0-20	0.0	ma	v_cr_no	
	Current Full Reset Value	0-20	0.0	ma	v_cr_fu	
	Space T No Reset Value	14-125	14.0	°F	spacr_no	
	SpaceT Full Reset Value	14-125	14.0	°F	spacr_fu	
	Cooling Reset Deg. Value	-30-30	0.0	^F	cr_deg	
	Cooling Ramp Loading	0.2-2.0	1.0	^F	cramp_sp	
	HEATING*					
	Heating Setpoint 1	80-140	100.0	°F	hsp1	
	Heating Setpoint 2	80-140	100.0	°F	hsp2	
	OAT No Reset Value	14-125	14.0	°F	oathr_no	
	OAT Full Reset Value	14-125	14.0	°F	oathr_fu	
	Delta T No Reset Value	0-25	0.0	^F	dt_hr_no	
	Delta T Full Reset Value	0-25	0.0	^F	dt_hr_fu	
	Current No Reset Value	0-20	0.0	ma	v_hr_no	
	Current Full Reset Value	0-20	0.0	ma	v_hr_fu	
	Heating Reset Deg. Value	-30-30	0.0	^F	hr_deg	
	Heating Ramp Loading	0.2-2.0	1.0	^F	hramp_sp	
	AUTO CHANGEOVER*					
	Cool Changeover Setpt	39-122	75.0	°F	cauto_sp	
	Heat Changeover Setpt	32-115	64.0	°F	hauto_sp	
	MISCELLANEOUS					
	Switch Limit Setpoint 1	0-100	100	%	lim_sp1	
	Switch Limit Setpoint 2	0-100	100	%	lim_sp2	
	Switch Limit Setpoint 3	0-100	100	%	lim_sp3	
	Reclaim Setpoint*	95-140	122.0	°F	rsp	
	Reclaim Deadband*	5-27	9.0	°F	hr_deadb	
	Water Val Condensing Stp*	80 to 120	86	°F	w_sct_sp	

* Not supported.

APPENDIX C — CCN TABLES (cont)

MAINTENANCE DISPLAY TABLES

TABLE	DISPLAY NAME	RANGE	UNITS	POINT NAME	WRITE STATUS
BOARD_PN	EXV Board Circuit A	XXXXXXXXXX		exv_brda	
	EXV Board Circuit B	XXXXXXXXXX		exv_brdb	
	EXV Board Circuit C	XXXXXXXXXX		exv_brdc	
	AUX Board #1 Part Number	XXXXXXXXXX		aux_brd1	
	AUX Board #2 Part Number	XXXXXXXXXX		aux_brd2	
	AUX Board #3 Part Number	XXXXXXXXXX		aux_brd3	
	AUX Board #4 Part Number	XXXXXXXXXX		aux_brd4	
	AUX Board #5 Part Number	XXXXXXXXXX		aux_brd5	
	EMM NRCP2 Board	XXXXXXXXXX		emm_nrpc	
	Reclaim NRCP2 Board	XXXXXXXXXX		rec_nrpc	
	TCPM Board Comp A	XXXXXXXXXX		cpa_vers	
	Must Trip Amps	0-600	amps	cpa_mtam	
	S1 Config Switch (8 to 1)	00000000	0	cpa_s1_m	
	TCPM Board Comp B	nnnn		cpb_vers	
	Must Trip Amps	0-600	amps	cpb_mtam	
S1 Config Switch (8 to 1)	00000000	0	cpb_s1_m		
TCPM Board Comp C	XXXXXXXXXX		cpc_vers		
Must Trip Amps	0-600	amps	cpc_mtam		
S1 Config Switch (8 to 1)	00000000	0	cpc_s1_m		
CUR_PHASE	Current Phase 1 Comp A	0-600	amps	cpa_cur1	
	Current Phase 2 Comp A	0-600	amps	cpa_cur2	
	Current Phase 3 Comp A	0-600	amps	cpa_cur3	
	Current Phase 1 Comp B	0-600	amps	cpb_cur1	
	Current Phase 2 Comp B	0-600	amps	cpb_cur2	
	Current Phase 3 Comp B	0-600	amps	cpb_cur3	
	Current Phase 1 Comp C	0-600	amps	cpc_cur1	
	Current Phase 2 Comp C	0-600	amps	cpc_cur2	
	Current Phase 3 Comp C	0-600	amps	cpc_cur3	
DEFROSTM*	CIR A DEFROST CONTROL				
	Exchanger Frost Factor	0-100	%	frost_a	
	Next Sequence Allowed in Defrost Active?	nnn	minutes	def_se_a	
	Defrost Temperature	±nnn.n	°F	DEFRT_A	
	Defrost Duration	nnn	minutes	defr_dua	
	Fan Sequence Started ?	n		def_fa_a	
	Override State	nn		over_d_a	
	Mean SST Calculation	±nnn.n	°F	sst_dm_a	
	Delta: OAT - Mean SST	±nnn.n	°F	delt_a	
	Reference Delta	±nnn.n	°F	delt_r_a	
	Delta - Reference Delta	±nnn.n	°F	del_v_a	
	Frost Integrator Gain	n.n		fr_int_a	
	Defrost Fan Start Cal A	0.00	psi	def_ca_a	
	Defrost Fan Offset Cal A	0.00	psi	def_of_a	
	CIR B DEFROST CONTROL				
	Exchanger Frost Factor	0-100	%	frost_b	
	Next Sequence Allowed in Defrost Active?	nnn	minutes	def_se_b	
	Defrost Temperature	±nnn.n	°F	DEFRT_B	
	Defrost Duration	nnn	minutes	defr_dub	
	Fan Sequence Started?	n		def_fa_b	
Override State	nn		over_d_b		
Mean SST calculation	±nnn.n	°F	sst_dm_b		
Delta: OAT - Mean SST	±nnn.n	°F	delt_b		
Reference Delta	±nnn.n	°F	delt_r_b		
Delta - Reference Delta	±nnn.n	°F	del_v_b		
Frost Integrator Gain	n.n		fr_int_b		
Defrost Fan Start Cal B	0.00	psi	def_ca_b		
Defrost Fan Offset Cal B	0.00	psi	def_of_b		

*Not supported.

NOTES: Tables for display only. Forcing shall not be supported on this maintenance screen.

APPENDIX C — CCN TABLES (cont)
MAINTENANCE DISPLAY TABLES (cont)

TABLE	DISPLAY NAME	RANGE	UNITS	POINT NAME	WRITE STATUS
FANCTRL	Cir A SCT Control Point	±nnn.n	°F	sct_sp_a	
	Cir A SCT Candidate	±nnn.n	°F	sct_fu_a	
	Cir B SCT Control Point	±nnn.n	°F	sct_sp_b	
	Cir B SCT Candidate	±nnn.n	°F	sct_fu_b	
	Cir C SCT Control Point	±nnn.n	°F	sct_sp_c	
	Cir C SCT Candidate	±nnn.n	°F	sct_fu_c	
	Circuit A Fan Power Drive			drva_pwt	
	Circuit A Fan Drive Amps			drva_i	
	Fan A Drive Attach			SET_A_DRVA	
	Fan B Drive Attach			SET_B_DRVA	
Fan C Drive Attach			SET_C_DRVA		
LAST_POR	Power On 1: day-mon-year	nnnnnn	ddmmyy	date_on1	
	Power On 1: hour-minute	nnnn	hhmm	time_on1	
	PowerDown 1:day-mon-year	nnnnnn	ddmmyy	date_of1	
	PowerDown 1:hour-minute	nnnn	hhmm	time_of1	
	Power On 2: day-mon-year	nnnnnn	ddmmyy	date_on2	
	Power On 2: hour-minute	nnnn	hhmm	time_on2	
	PowerDown 2:day-mon-year	nnnnnn	ddmmyy	date_of2	
	PowerDown 2:hour-minute	nnnn	hhmm	time_of2	
	Power On 3: day-mon-year	nnnnnn	ddmmyy	date_on3	
	Power On 3: hour-minute	nnnn	hhmm	time_on3	
	PowerDown 3:day-mon-year	nnnnnn	ddmmyy	date_of3	
	PowerDown 3:hour-minute	nnnn	hhmm	time_of3	
	Power On 4: day-mon-year	nnnnnn	ddmmyy	date_on4	
	Power On 4: hour-minute	nnnn	hhmm	time_on4	
	PowerDown 4:day-mon-year	nnnnnn	ddmmyy	date_of4	
	PowerDown 4:hour-minute	nnnn	hhmm	time_of4	
	Power On 5: day-mon-year	nnnnnn	ddmmyy	date_on5	
	Power On 5: hour-minute	nnnn	hhmm	time_on5	
PowerDown 5:day-mon-year	nnnnnn	ddmmyy	date_of5		
PowerDown 5:hour-minute	nnnn	hhmm	time_of5		
LOADFACT	CAPACITY CONTROL				
	Average Ctrl Water Temp	±nnn.n	°F	ctrl_avg	
	Differential Water Temp	±nnn.n	°F	diff_wt	
	Water Delta T	±nnn.n	°F	delta_t	
	Control Point	±nnn.n	°F	CTRL_PNT	
	Reset Amount	±nnn.n	°F	reset	
	Controlled Temp Error	±nnn.n	°F	tp_error	
	Actual Capacity	nnn	%	cap_t	
	Actual Capacity Limit	nnn	%	cap_lim	
	Actual Chiller Current	nnnn	amps	TOT_CURR	
	Chiller Current Limit	nnnn	amps	CURR_LIM	
	Current At 30% Load A	nnnn	amps	cur_30_a	
	Current At 30% Load B	nnnn	amps	cur_30_b	
	Current At 30% Load C	nnnn	amps	cur_30_c	
	Current At 100% Load A	nnnn	amps	cur100_a	
	Current At 100% Load B	nnnn	amps	cur100_b	
	Current At 100% Load C	nnnn	amps	cur100_c	
	Current Z Multiplier Val	±n.n		zm	
	Load/Unload Factor	±nnn.n	0/0	smz	
	Active Capacity Override	nn		over_cap	
	EHS CAPACITY CONTROL*				
	EHS Ctrl Override	nn		over_ehs	
	Requested Electric Stage	nn		eh_stage	
Electrical Pulldown?	True/False		ehspulld		
EXV_CTRL	EXV CONTROL				
	EXV Position Circuit A	nnn.n	%	EXV_A	
	Discharge Superheat A	nnn.n	%	DSH_A	
	Suction Superheat A	nn.n	°F	SH_A	
	Suction SH Control Pt A	nn.n	°F	sh_sp_a	
	Cooler Exchange DT Cir A	nn.n	°F	pinch_a	
	Cooler Pinch Ctl Point A	nn.n	°F	pinch_spa	
	EXV Override Circuit A	nn		ov_exv_a	
	WC EXV Optimiz Status A				
	EXV Position Circuit B	nnn.n	%	EXV_B	
	Discharge Superheat B	nnn.n	%	DSH_B	
	Suction Superheat B	nn.n	°F	SH_B	
	Suction SH Control Pt B	nn.n	°F	sh_sp_b	
	Cooler Exchange DT Cir B	nn.n	°F	pinch_b	
	Cooler Pinch Ctl Point B	nn.n	°F	pinch_spb	
	EXV Override Circuit B	nn		ov_exv_b	
	WC EXV Optimiz status				
	EXV Position Circuit C	nnn.n	%	EXV_C	
	Discharge Superheat C	nnn.n	%	DSH_C	
	Suction Superheat C	nn.n	°F	SH_C	
	Suction SH Control Pt C	nn.n	°F	sh_sp_c	
	Cooler Exchange DT Cir C	nn.n	°F	pinch_c	
	Cooler Pinch Ctl Point C	nn.n	°F	pinch_spc	
	EXV Override Circuit C	nn		ov_exv_c	
	WC EXV Optimiz Status				
	ECONOMIZER CONTROL				
	Economizer Position A	nnn.n	%	EXV_EC_A	
	Economizer Superheat A	nn.n	°F	eco_sha	
	Economizer SH Setpoint A	nn.n	°F	ecsh_spa	
	EXV Override Circuit A	nn		ov_eco_a	
	Economizer Position B	nnn.n	%	EXV_EC_B	
	Economizer Superheat B	nn.n	°F	eco_shb	
Economizer SH Setpoint B	nn.n	°F	ecsh_spb		
EXV Override Circuit B	nn		ov_eco_b		
Economizer Position C	nnn.n	%	EXV_EC_C		
Economizer Superheat C	nn.n	°F	eco_shc		
Economizer SH Setpoint C	nn.n	°F	ecsh_spc		
EXV Override Circuit C	nn		ov_eco_c		

*Not supported.

APPENDIX C — CCN TABLES (cont)

MAINTENANCE DISPLAY TABLES (cont)

TABLE	DISPLAY NAME	RANGE	UNITS	POINT NAME	WRITE STATUS
MSTSLAVE	MASTER/SLAVE CONTROL Unit is Master or Slave Master Control Type† Master/Slave Ctrl Active Lead Unit is the:	Disable/Master/Slave Local/Remote/CCN True/False Master/Slave 0=Chiller is off 1=Valid Run State in CCN Mode 2=Unused for this control 3=Chiller is in local mode 4=Power fail restart in progress 5=Shutdown due to fault 6=Communication failure		mstslv ms_ctrl ms_activ lead_sel	
	Slave Chiller State**			slv_stat	
	Slave Chiller Total Cap Lag Start Delay†† Lead/Lag Hours Delta Lead/Lag Changeover?†† Lead Pulldown? Master/Slave Error Max Available Capacity?***	0-100 1-30 ±nnnn Yes/No Yes/No nn True/False 0=Unit not configured as slave chiller 1=Slave pump configuration error (ms_error=1) 2=Unit configured as slave chiller with lwt_opt=no (entering water control) with pump control (lag_pump=0) 3=Unit configured as slave chiller with lwt_opt=yes (leaving water control) with pump control (lag_pump=0) 4=Unit Configured as slave chiller with lwt_opt=no (entering water control) with no pump control (lag_pump=1) 5=Unit configured as slave chiller with lwt_opt=yes (leaving water control) with no pump control (lag_pump=1)	% minutes hours	slv_capt l_strt_d ll_hr_d ll_chang ll_pull ms_error cap_max	
	Slave Lagstat			lagstat	

* Always CCN for the slave chiller.

† Slave chiller chillstat value

** This decision is consistent for master chiller only. It shall be set by default to 0 for the slave chiller.

†† This item is true when chiller has loaded its total available capacity tonnage.

TABLE	DISPLAY NAME	RANGE	UNITS	POINT NAME	WRITE STATUS
OCCMAINT	Current Mode (1=occup.)	0/1		MODE	
	Current Occp Period #	1 to 8		PER_NO	
	Timed-Override in Effect	Yes/No		OVERLAST	
	Timed-Override Duration	0-4	hours	OVR_HRS	
	Current Occupied Time	00:00-23:59		STRTTIME	
	Current Unoccupied Time	00:00-23:59		ENDTIME	
	Next Occupied Day	Mon-Sun		NXTOCDAY	
	Next Occupied Time	00:00-23:59		NXTOCTIM	
	Next Unoccupied Day	Mon-Sun		NXTUNDAY	
	Next Unoccupied Time	00:00-23:59		NXTUNTIM	
	Prev Unoccupied Day	Mon-Sun		PRVUNDAY	
	Prev Unoccupied Time	00:00-23:59		PRVUNTIM	

TABLE	DISPLAY NAME	RANGE	UNITS	POINT NAME	WRITE STATUS
PR_LIMIT	Discharge A Temp Average	±nnn.n	°F	sdt_m_a	
	Discharge A Temp Rate	±nnn.n	°F	sdt_mr_a	
	Discharge A Gas Limit	±nnn.n	°F	sdtlim_a	
	Suction A Temp Average	±nnn.n	°F	sst_m_a	
	Discharge B Temp Average	±nnn.n	°F	sdt_m_b	
	Discharge B Temp Rate	±nnn.n	°F	sdt_mr_b	
	Discharge B Gas Limit	±nnn.n	°F	sdtlim_b	
	Suction B Temp Average	±nnn.n	°F	sst_m_b	
	Discharge C Temp Average	±nnn.n	°F	sdt_m_c	
	Discharge C Temp Rate	±nnn.n	°F	sdt_mr_c	
	Discharge C Gas Limit	±nnn.n	°F	sdtlim_c	
	Suction C Temp Average	±nnn.n	°F	sst_m_c	

NOTE: Table for display only. Used for Cooling and Heat Pump Compressor Envelope.

TABLE	DISPLAY NAME	RANGE	UNITS	POINT NAME	WRITE STATUS	
SERMAINT	Reset Maintenance Alert 1 to 11: reset individually 12: reset all	nn		S_RESET	forcible	
	OPERATION WARNINGS					
	1 — Refrigerant Charge	Normal/Low/Disable		charge_m		
	2 — Water Loop Size	Normal/Low/Disable		wloop_m		
	GENERAL SERVICING DELAYS					
	3 — Cooler Pump 1 (days)	0-1000/Alert/Disable		cpump1_m		
	4 — Cooler Pump 2 (days)	0-1000/Alert/Disable		cpump2_m		
	5 — Condenser Pump 1 (days)	0-1000/Alert		hpump1_m		
	6 — Condenser Pump 2 (days)	0-1000/Alert		hpump2_m		
	7 — Water Filter (days)	0-1000/Alert/Disable		wfite_m		
	8 — Cp A Oil Filter (days)	0-1000/Alert		ofilTa_m		
	9 — Cp B Oil Filter (days)	0-1000/alert		ofilTb_m		
	10 — CPC Oil Filter (days)	0-1000/Alert		ofilTc_m		

APPENDIX C — CCN TABLES (cont)
SERVICE CONFIGURATION TABLES

TABLE	DISPLAY NAME	RANGE	DEFAULT	UNITS	POINT NAME	WRITE STATUS
TABLE USED TO DISABLE COMPRESSORS (see notes)						
CP_UNABL (See Notes)	Compressor A Disable	No/Yes	No		un_cp_a	
	Compressor B Disable	No/Yes	No		un_cp_b	
	Compressor C Disable*	No/Yes	No		un_cp_c	
FACTORY (See Notes)	Unit Type	1 (Air Cooled) 2 (Heat Pump)	1		unit_typ	
	Unit Capacity	0 to 1800†	Nominal Unit Size		unitsize	
	Power Frequency 60HZ Sel	Yes/No	Yes		freq_60H	
	Power Supply Voltage	200 to 660	Nameplate Voltage	volts	voltage	
	NB Fans on Varifan Cir A	0 to 6	1		varfan_a	
	NB Fans on Varifan Cir B	0 to 6	1		varfan_b	
	NB Fans on Varifan Cir C	0 to 6	0		varfan_c	
	Soft Starter Select*	Yes/No	No		softstar	
	Wye Delta Start Select	Yes/No	No		wye_delt	
	Air Cooled Reclaim Sel*	Yes/No	No		recl_opt	
	Free Cooling Select*	Yes/No	No		freecool	
	Cooler Heater Select	0 to 2 0 = No Heater 1 = Cooler Heater 2 = Future	1		heat_sel	
	Condenser Water Val Sel	Yes/No	No		cond_val	
	Hot Gas Bypass Select	Yes/No	No		hgbp_sel	
	MCHX Exchanger Select	Yes/No	Yes		mchx_sel	
	DX Cooler Select	Yes/No	No		dx_sel	
	Boiler Command Select*	Yes/No	No		boil_sel	
	Energy Management Module	Yes/No	No		emm_nrcp	
	High Tiers Display Selec	No = Use Navigator™ display as user interface (factory installed) Yes = Use Carrier Controller Display as user interface (factory installed)	No		highdisp	
	Factory Password	0 to 9999	111		fac_pass	
	Hydraulic Transducer Kit*	Yes/No	No		kithydro	
	Cooler Pass Number	1 to 3	2		cpass_nb	
	VLT Fan Drive Select*		0		vlt_sel	
VLT Fan Drive rpm*		0		vlt_rpm		
High Condensing Select*	Yes/No	No		highcond		
Max Condenser LWT=45degC*	Yes/No	No		max_clwt		
Condenser probe select*	Yes/No	No		condprob		
FACTORY2	Compressor A Config					
	Must Trip Amps	0 to 600	Refer to Appendix D		cpa_mtac	
	S1 Config Switch (8 to 1)	00000000 (8 position dip switch configuration)	Refer to Appendix D		cpa_s1_c	
	Compressor B Config					
	Must Trip Amps	0 to 600	Refer to Appendix D		cpb_mtac	
	S1 Config Switch (8 to 1)	00000000 (8 position dip switch configuration)	Refer to Appendix D		cpb_s1_c	
	Compressor C Config					
	Must Trip Amps	0 to 600	Refer to Appendix D		cpc_mtac	
	S1 Config Switch (8 to 1)	00000000 (8 position dip switch configuration)	Refer to Appendix D		cpc_s1_c	
	Circuit A Total Fans NB	2 to 8			nb_fan_a	
	Circuit B Total Fans NB	2 to 8			nb_fan_b	
	Circuit C Total Fans NB	0 to 8			nb_fan_c	
	EXV A Maximum Steps Numb	0/15000	3690		exva_max	
	EXV B Maximum Steps Numb	0/15000	3690		exvb_max	
	EXV C Maximum Steps Numb	0/15000	3690		exvc_max	
	Economizer A Steps Numb	0/15000	2785**		eco_cnfa	
	Economizer B Steps Numb	0/15000	2785**		eco_cnfb	
	Economizer C Steps Numb	0/15000	2785**		eco_cnfc	

APPENDIX C — CCN TABLES (cont)
SERVICE CONFIGURATION TABLES (cont)

TABLE	DISPLAY NAME	RANGE	DEFAULT	UNITS	POINT NAME	WRITE STATUS
MAINTCFG	MAINTENANCE CONFIG					
	Servicing Alert	Enable/Disable	Disable		s_alert	
	Refrigerant Charge Ctrl	Enable/Disable	Disable		charge_c	
	Water Loop Control	Enable/Disable	Disable		wloop_c	
	CPump 1 Ctl Delay (days)	0-1000	0		cpump1_c	
	CPump 2 Ctl Delay (days)	0-1000	0		cpump2_c	
	HPump 1 Ctrl Delay (days)††	0-1000	0		hpump1_c	
	HPump 2 Ctrl Delay (days)††	0-1000	0		hpump2_c	
	Water Filter Ctrl (days)	0-1000	0		wfilte_c	
	Oil Filter A Ctrl (days)	0 to 1000	0		oilfia_c	
Oil Filter B Ctrl (days)	0 to 1000	0		oilfib_c		
Oil Filter C Ctrl (days)	0 to 1000	0		oilfic_c		
SERVICE1	Cooler Fluid Type	1/2 1=Water 2=Brine	1		flui_typ	
	Flow Switch SP††	0-60	1		flow_sp	
	Brine Freeze Setpoint	-20.0-34.0	34	°F	freezesp	
	Brine Minimum Fluid Temp	10.0-34.0	38	°F	mini_lwt	
	Condenser Fluid Type††	1/2 1=Water 2=Brine	1		cond_typ	
	Entering Fluid Control	Yes/No	No		ewt_opt	
	Prop PID Gain Varifan	-20.0-20.0	2.0		hd_pg	
	Int PID Gain Varifan	-5.0-5.0	0.2		hd_ig	
	Deri PID Gain Varifan	-20.0-20.0	0.4		hd_dg	
	Maximum Ducted Fan Speed††	20-100	100	%	fan_max	
	EXV A Superheat Setpoint	7.2-44	14.4***	°F	sh_sp_a	
	EXV B Superheat Setpoint	7.2-44	14.4***	°F	sh_sp_b	
	EXV C Superheat Setpoint	7.2-44	14.4	°F	sh_sp_c	
	Pinch offset circuit A	-5.4-5.4	0	°F	p_ofst_a	
	Pinch offset circuit B	-5.4-5.4	0	°F	p_ofst_b	
	Pinch offset circuit C	-5.4-5.4	-3.6	°F	p_ofst_c	
	EXV MOP Setpoint	40-55	62	°F	mop_sp	
	High Pressure Threshold	200-290	275.5	psi	hp_th	
	Cooler Heater Delta Spt	1-6	2	°F	heatersp	
	Auto Start When SM Lost	Enable/Disable	Disable		auto_sm	
	3way Valve Min Position††	0-50	0	%	min_3w	
	3way Valve Max Position††	20-100	100	%	max_3w	
	Economizer SH Setpoint A	5-15	10.8	°F	esh_sp_a	
	Economizer SH Setpoint B	5-15	10.8	°F	esh_sp_b	
	Economizer SH Setpoint C	5-15	10.8	°F	esh_sp_c	
	Fast Loading Sequence	0-4	0		fastload	
	EWI Probe on Cir A Side	Yes/No	Yes		ewt_cirA	
	Current Offset Cir A	-50 to 50	0	amps	cur_offA	
	Current Offset Cir B	-50 to 50	0	amps	cur_offB	
	Current Offset Cir C	-50 to 50	0	amps	cur_offC	

APPENDIX C — CCN TABLES (cont)
SERVICE CONFIGURATION TABLES (cont)

TABLE	DISPLAY NAME	RANGE	UNITS	POINT NAME	WRITE STATUS
TABLE TO BE USED FOR RUN TIMES UPDATE IN CASE OF MBB REPLACEMENT					
UPDTHOUR	Machine Operating Hours	0	hours	hr_mach	
	Machine Starts	0		st_mach	
	Compressor A Hours	0	hours	hr_cp_a	
	Compressor A Starts	0		st_cp_a	
	Compressor B Hours	0	hours	hr_cp_b	
	Compressor B Starts	0		st_cp_b	
	Compressor C Hours	0	hours	hr_cp_c	
	Compressor C Starts	0		st_cp_c	
	Water Pump #1 Hours	0	hours	hr_cpum1	
	Water Pump #2 Hours	0	hours	hr_cpum2	
	Condenser Pump #1 Hours	0	hours	hr_hpum1	

* Not supported.

† Unit capacity should be entered as nominal size. For DX unit capacity unit capacity is nominal tonnage. i.e., 92 should be 90 and configure DX cooler select equal to yes.

** 0 = No economizer.

†† Not supported. Must be configured at default.

*** Default superheat setpoint for DX cooler unit see table below:

NOTES:

- Table used to disable compressors for maintenance purposes. The capacity control will consider that these compressors (once set to YES) are failed manually (no alarm will appear).
- Enter unit size. This item allows the controls to determine capacity of each compressor and the total number of fans on each circuit based on a compressor arrangement array (can be viewed in table FACTORY2). It is not necessary to enter compressor capacity and number of fans on each circuit. See the 30XA Installation Instructions for more information.
- Number of fans controlled directly by a variable speed fan actuator using 0 to 10 vdc signal. This will enable the controls to determine the remaining discrete fan staging outputs from the total fans on each circuit.
- Used for extra functions with the purpose of energy management such as occupancy override switch, ice storage, setpoint reset, and demand limit.
- Compressor capacity will be automatically determined if unit size entered in FACTORY table matches the values in the unit compressor configuration table.

6. Total number of fans includes fans controlled by a variable speed fan. This value will be automatically populated if unit size entered in FACTORY table matches the values in the unit compressor configuration table.

7. This table shall be downloadable at any time. However, modified value shall not be used by tasks until the unit is in OFF state. This shall not apply to the Varifan gains that shall be modified at any time and used immediately by the head pressure control tasks even if the unit is in operation.

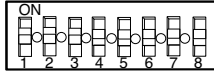
8. This table shall be used for purposes of transplanting the devices run hours and starts in the event of a module hardware failure or software upgrade via downloading. It shall be usable only if all items are still null. Afterwards, its access shall be denied.

Superheat Setpoint for DX Cooler

Fluid	Ckt.	Unit Size		
		082-242	262-302	327-352
Water LWT ≥ 40°F	A	15	10	10
	B	15	15	10
Brine LWT < 40°F	A	25	20	20
	B	25	25	20

APPENDIX D — 30XA080-501 CPM DIP SWITCH ADDRESSES

ACROSS-THE-LINE START



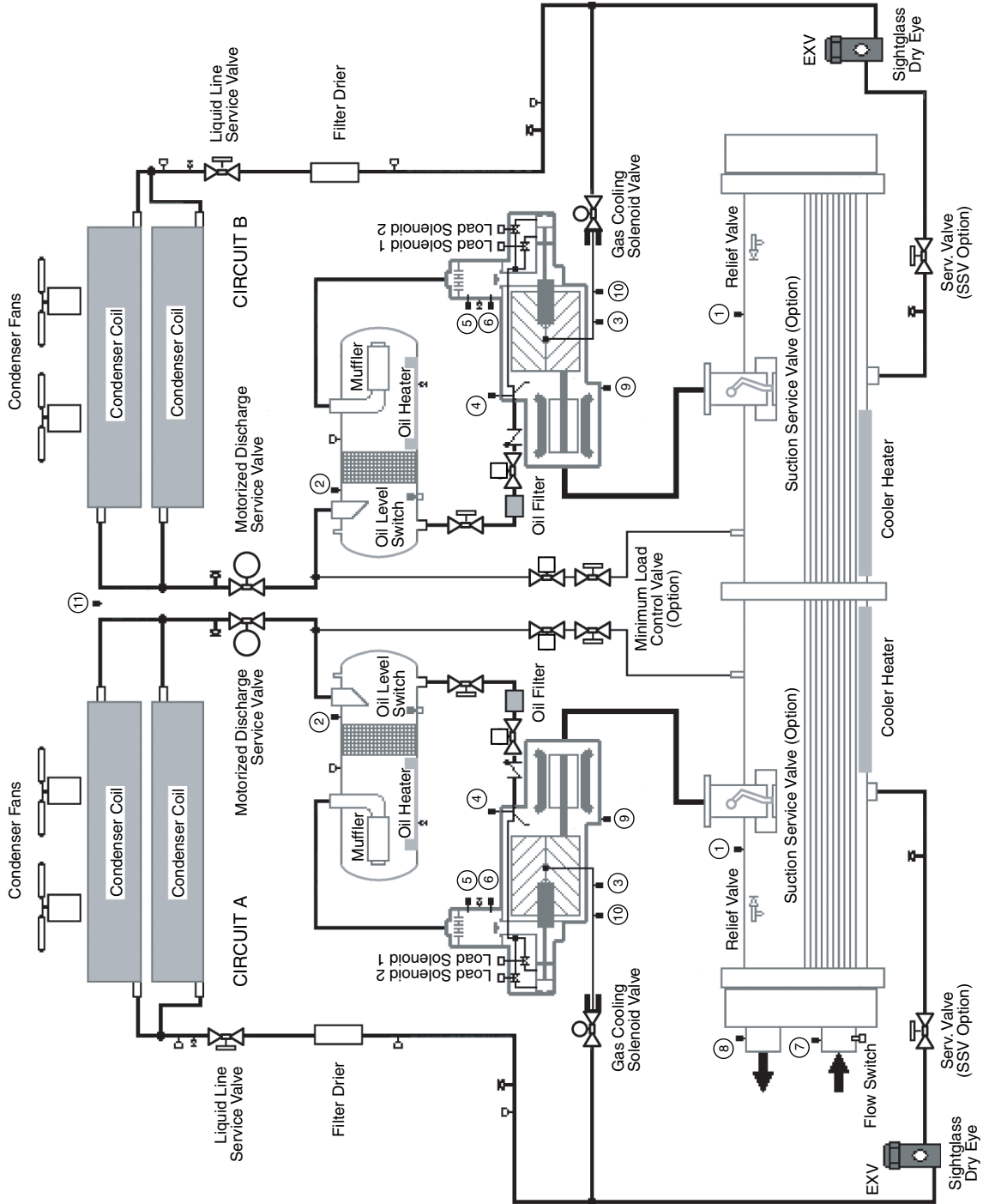
30XA UNIT SIZE	VOLTAGE (3 ph, 60 Hz)	CPM DIP SWITCHES	CIRCUIT A								CIRCUIT B								CIRCUIT C								MTA SETTING CIRCUIT A	MTA SETTING CIRCUIT B	MTA SETTING CIRCUIT C
			1	2	3	4	5	6	7	8	1	2	3	4	5	6	7	8	1	2	3	4	5	6	7	8			
080, 082	575	S1	OFF	ON	OFF	OFF	OFF	OFF	OFF	OFF	OFF	ON	ON	OFF	OFF	OFF	OFF	OFF	OFF	—	—	—	70	70	—				
		S2	ON	ON	ON	ON	OFF	OFF	OFF	OFF	OFF	ON	ON	ON	ON	OFF	OFF	OFF	OFF	OFF	—	—	—	—	—	—			
	460	S1	OFF	ON	OFF	OFF	OFF	OFF	OFF	OFF	OFF	ON	ON	OFF	OFF	OFF	OFF	OFF	OFF	—	—	—	92	92	—				
		S2	OFF	ON	OFF	ON	ON	OFF	OFF	OFF	OFF	OFF	ON	OFF	ON	ON	OFF	OFF	OFF	OFF	—	—	—	—	—	—			
	380	S1	OFF	ON	OFF	ON	OFF	OFF	OFF	OFF	OFF	OFF	ON	OFF	ON	OFF	OFF	OFF	OFF	—	—	—	106	106	—				
		S2	ON	OFF	OFF	OFF	OFF	ON	OFF	OFF	OFF	ON	OFF	OFF	OFF	ON	OFF	OFF	OFF	—	—	—	—	—	—	—			
230	S1	OFF	ON	OFF	ON	OFF	OFF	OFF	OFF	OFF	OFF	ON	OFF	ON	OFF	OFF	OFF	OFF	—	—	—	184	184	—					
	S2	OFF	OFF	OFF	ON	OFF	OFF	ON	OFF	OFF	OFF	OFF	OFF	ON	OFF	OFF	ON	OFF	—	—	—	—	—	—	—				
200	S1	OFF	ON	OFF	ON	OFF	OFF	OFF	OFF	OFF	OFF	ON	OFF	ON	OFF	OFF	OFF	OFF	—	—	—	204	204	—					
	S2	OFF	ON	OFF	OFF	ON	OFF	ON	OFF	OFF	OFF	ON	OFF	OFF	ON	OFF	ON	OFF	—	—	—	—	—	—	—				
090, 092	575	S1	OFF	ON	OFF	OFF	OFF	OFF	OFF	OFF	OFF	ON	ON	OFF	OFF	OFF	OFF	OFF	—	—	—	72	72	—					
		S2	OFF	OFF	OFF	OFF	ON	OFF	OFF	OFF	OFF	OFF	OFF	OFF	ON	OFF	OFF	OFF	OFF	—	—	—	—	—	—	—			
	460	S1	OFF	ON	OFF	OFF	OFF	OFF	OFF	OFF	OFF	ON	ON	OFF	ON	ON	OFF	OFF	OFF	—	—	—	94	94	—				
		S2	ON	ON	OFF	ON	ON	OFF	OFF	OFF	OFF	ON	ON	OFF	ON	ON	OFF	OFF	OFF	—	—	—	—	—	—	—			
	380	S1	OFF	ON	OFF	ON	OFF	OFF	OFF	OFF	OFF	OFF	ON	OFF	ON	OFF	OFF	OFF	OFF	—	—	—	110	110	—				
		S2	ON	ON	OFF	OFF	OFF	ON	OFF	OFF	OFF	ON	ON	OFF	OFF	OFF	ON	OFF	OFF	—	—	—	—	—	—	—			
230	S1	OFF	ON	OFF	ON	OFF	OFF	OFF	OFF	OFF	OFF	ON	OFF	ON	OFF	OFF	OFF	OFF	—	—	—	190	190	—					
	S2	ON	ON	OFF	ON	OFF	OFF	ON	OFF	OFF	ON	ON	OFF	ON	OFF	OFF	ON	OFF	—	—	—	—	—	—	—				
200	S1	OFF	ON	OFF	ON	OFF	OFF	OFF	OFF	OFF	OFF	ON	OFF	ON	OFF	OFF	OFF	OFF	—	—	—	208	208	—					
	S2	OFF	OFF	ON	OFF	ON	OFF	ON	OFF	OFF	OFF	OFF	ON	OFF	ON	OFF	ON	OFF	—	—	—	—	—	—	—				
100, 102	575	S1	OFF	ON	OFF	OFF	OFF	OFF	OFF	OFF	OFF	ON	ON	OFF	OFF	OFF	OFF	OFF	—	—	—	80	80	—					
		S2	OFF	OFF	ON	OFF	ON	OFF	OFF	OFF	OFF	OFF	OFF	ON	OFF	ON	OFF	OFF	OFF	—	—	—	—	—	—	—			
	460	S1	OFF	ON	OFF	ON	OFF	OFF	OFF	OFF	OFF	OFF	ON	OFF	ON	OFF	OFF	OFF	OFF	—	—	—	104	104	—				
		S2	OFF	OFF	OFF	OFF	OFF	ON	OFF	OFF	OFF	OFF	OFF	OFF	OFF	ON	OFF	OFF	OFF	—	—	—	—	—	—	—			
	380	S1	OFF	ON	OFF	ON	OFF	OFF	OFF	OFF	OFF	OFF	ON	OFF	ON	OFF	OFF	OFF	OFF	—	—	—	122	122	—				
		S2	ON	OFF	OFF	ON	OFF	ON	OFF	OFF	OFF	ON	OFF	OFF	ON	OFF	ON	OFF	OFF	—	—	—	—	—	—	—			
230	S1	OFF	ON	OFF	ON	OFF	OFF	OFF	OFF	OFF	OFF	ON	OFF	ON	OFF	OFF	OFF	OFF	—	—	—	210	210	—					
	S2	ON	OFF	ON	OFF	ON	OFF	ON	OFF	OFF	ON	OFF	ON	OFF	ON	OFF	ON	OFF	—	—	—	—	—	—	—				
200	S1	OFF	ON	OFF	ON	OFF	OFF	OFF	OFF	OFF	OFF	ON	OFF	ON	OFF	OFF	OFF	OFF	—	—	—	232	232	—					
	S2	OFF	OFF	OFF	OFF	OFF	ON	ON	OFF	OFF	OFF	OFF	OFF	OFF	ON	ON	OFF	OFF	—	—	—	—	—	—	—				
110, 112	575	S1	OFF	ON	OFF	OFF	OFF	OFF	OFF	OFF	OFF	ON	ON	OFF	OFF	OFF	OFF	OFF	—	—	—	98	80	—					
		S2	ON	OFF	ON	ON	ON	OFF	OFF	OFF	OFF	OFF	OFF	ON	OFF	ON	OFF	OFF	OFF	—	—	—	—	—	—	—			
	460	S1	OFF	ON	OFF	ON	OFF	OFF	OFF	OFF	OFF	OFF	ON	OFF	ON	OFF	OFF	OFF	OFF	—	—	—	128	104	—				
		S2	OFF	OFF	ON	ON	OFF	ON	OFF	OFF	OFF	OFF	OFF	OFF	OFF	ON	OFF	OFF	OFF	—	—	—	—	—	—	—			
380	S1	OFF	ON	OFF	ON	OFF	OFF	OFF	OFF	OFF	OFF	ON	OFF	ON	OFF	OFF	OFF	OFF	—	—	—	148	122	—					
	S2	OFF	ON	ON	OFF	ON	ON	OFF	OFF	OFF	ON	OFF	OFF	ON	OFF	ON	OFF	OFF	—	—	—	—	—	—	—				
120, 122	575	S1	OFF	ON	OFF	OFF	OFF	OFF	OFF	OFF	OFF	ON	ON	OFF	OFF	OFF	OFF	OFF	—	—	—	98	98	—					
		S2	ON	OFF	ON	ON	ON	OFF	OFF	OFF	OFF	ON	OFF	ON	ON	ON	OFF	OFF	OFF	—	—	—	—	—	—	—			
	460	S1	OFF	ON	OFF	ON	OFF	OFF	OFF	OFF	OFF	OFF	ON	OFF	ON	OFF	OFF	OFF	OFF	—	—	—	128	128	—				
		S2	OFF	OFF	ON	ON	OFF	ON	OFF	OFF	OFF	OFF	OFF	ON	ON	OFF	ON	OFF	OFF	—	—	—	—	—	—	—			
380	S1	OFF	ON	OFF	ON	OFF	OFF	OFF	OFF	OFF	OFF	ON	OFF	ON	OFF	OFF	OFF	OFF	—	—	—	148	148	—					
	S2	OFF	ON	ON	OFF	ON	ON	OFF	OFF	OFF	OFF	ON	ON	OFF	ON	ON	OFF	OFF	—	—	—	—	—	—	—				
140, 142	575	S1	OFF	ON	OFF	ON	OFF	OFF	OFF	OFF	OFF	ON	ON	OFF	OFF	OFF	OFF	OFF	—	—	—	152	80	—					
		S2	OFF	OFF	OFF	ON	ON	ON	OFF	OFF	OFF	OFF	OFF	ON	OFF	ON	OFF	OFF	OFF	—	—	—	—	—	—	—			
	460	S1	OFF	ON	OFF	ON	OFF	OFF	OFF	OFF	OFF	OFF	ON	OFF	ON	OFF	OFF	OFF	OFF	—	—	—	198	104	—				
		S2	ON	ON	ON	ON	OFF	OFF	ON	OFF	OFF	OFF	OFF	OFF	OFF	ON	OFF	OFF	OFF	—	—	—	—	—	—	—			
380	S1	OFF	ON	OFF	ON	OFF	OFF	OFF	OFF	OFF	OFF	ON	OFF	ON	OFF	OFF	OFF	OFF	—	—	—	230	122	—					
	S2	ON	ON	ON	ON	ON	OFF	ON	OFF	OFF	ON	OFF	OFF	ON	OFF	ON	OFF	OFF	—	—	—	—	—	—	—				
160, 162	575	S1	OFF	ON	OFF	ON	OFF	OFF	OFF	OFF	OFF	ON	ON	OFF	OFF	OFF	OFF	OFF	—	—	—	176	98	—					
		S2	OFF	OFF	ON	OFF	OFF	OFF	ON	OFF	OFF	ON	OFF	ON	ON	ON	OFF	OFF	OFF	—	—	—	—	—	—	—			
	460	S1	OFF	ON	OFF	ON	OFF	OFF	OFF	OFF	OFF	OFF	ON	OFF	ON	OFF	OFF	OFF	OFF	—	—	—	230	128	—				
		S2	ON	ON	ON	ON	ON	OFF	ON	OFF	OFF	OFF	OFF	ON	ON	OFF	ON	OFF	OFF	—	—	—	—	—	—	—			
380	S1	OFF	ON	OFF	OFF	ON	OFF	OFF	OFF	OFF	OFF	ON	OFF	ON	OFF	OFF	OFF	OFF	—	—	—	266	148	—					
	S2	OFF	OFF	ON	OFF	OFF	OFF	OFF	OFF	OFF	OFF	ON	ON	OFF	ON	ON	OFF	OFF	—	—	—	—	—	—	—				
180, 182	575	S1	OFF	ON	OFF	ON	OFF	OFF	OFF	OFF	OFF	ON	ON	OFF	OFF	OFF	OFF	OFF	—	—	—	152	152	—					
		S2	OFF	OFF	OFF	ON	ON	ON	OFF	OFF	OFF	OFF	OFF	OFF	ON	ON	ON	OFF	OFF	—	—	—	—	—	—	—			
	460	S1	OFF	ON	OFF	ON	OFF	OFF	OFF	OFF	OFF	OFF	ON	OFF	ON	OFF	OFF	OFF	OFF	—	—	—	198	198	—				
		S2	ON	ON	ON	ON	ON	OFF	OFF	ON	OFF	ON	ON	ON	ON	OFF	OFF	ON	OFF	—	—	—	—	—	—	—			
380	S1	OFF	ON	OFF	ON	OFF	OFF	OFF	OFF	OFF	OFF	ON	OFF	ON	OFF	OFF	OFF	OFF	—	—	—	230	230	—					
	S2	ON	ON	ON	ON	ON	OFF	ON	OFF	OFF	ON	ON	ON	ON	OFF	ON	OFF	ON	—	—	—	—	—	—	—				

See Legend on page 173.

APPENDIX E — PIPING/INSTRUMENTATION

30XA080 Flooded Cooler Units

- LEGEND**
- SSV — Suction Service Valve
 - 1 — Suction Pressure
 - 2 — Discharge Pressure
 - 3 — Economizer Pressure
 - 4 — Oil Pressure
 - 5 — High Pressure Switch
 - 6 — Discharge Gas Thermistor
 - 7 — Entering Water Thermistor
 - 8 — Leaving Water Thermistor
 - 9 — Return Gas Thermistor
 - 10 — Economizer Gas Thermistor
 - 11 — Outside Air Thermistor
 - Refrigerant Access Fitting
 - High Flow Strainer Valve
 - Fusible Plug
 - Device Connection

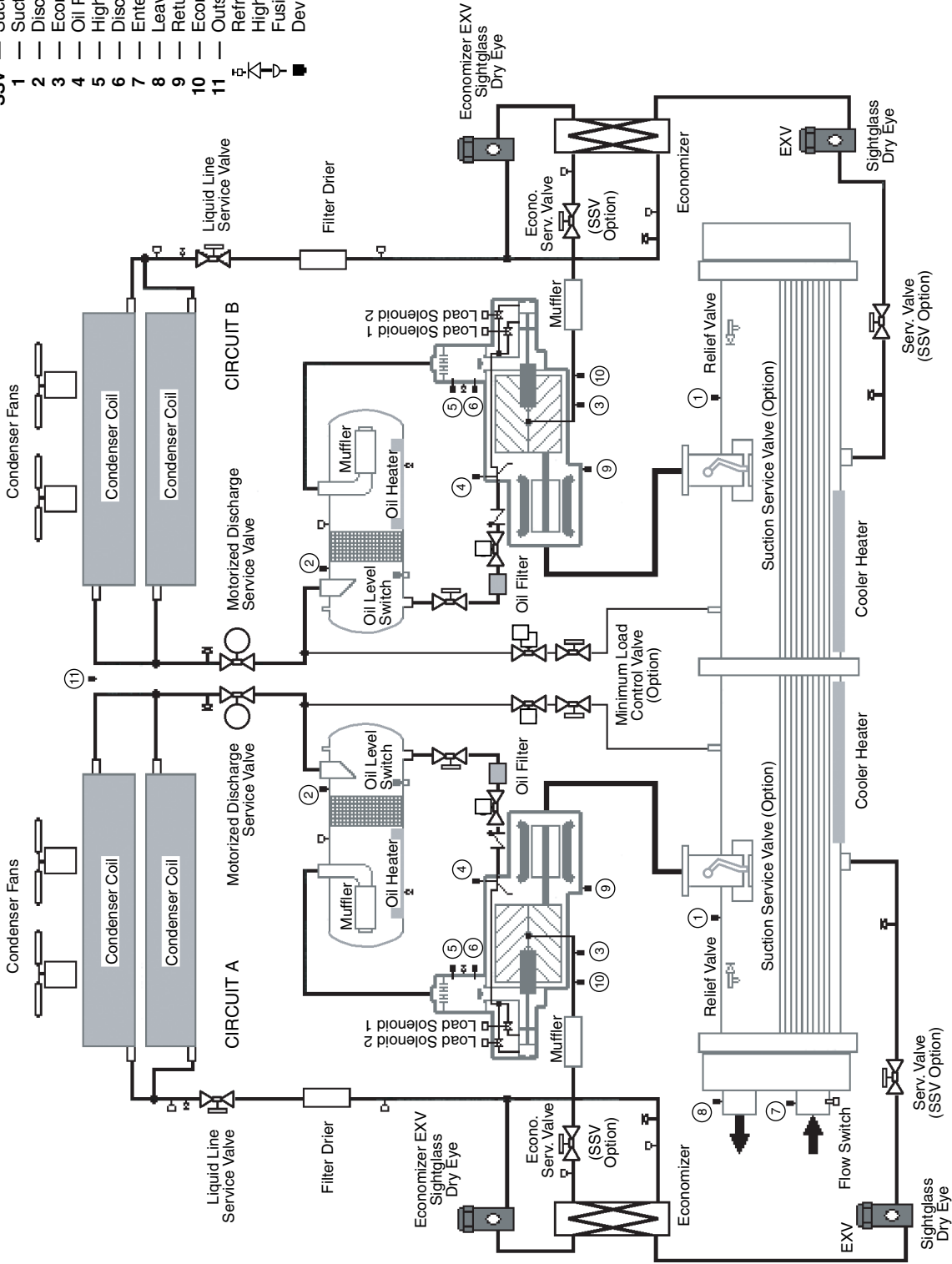


APPENDIX E — PIPING AND INSTRUMENTATION (CONT)

30XA090, 100, 110, 120, 140, 160, 180, 200, 220, 240, 260, 280, 300, 325, 350, 401, 451, 476, 501 Flooded Cooler Units

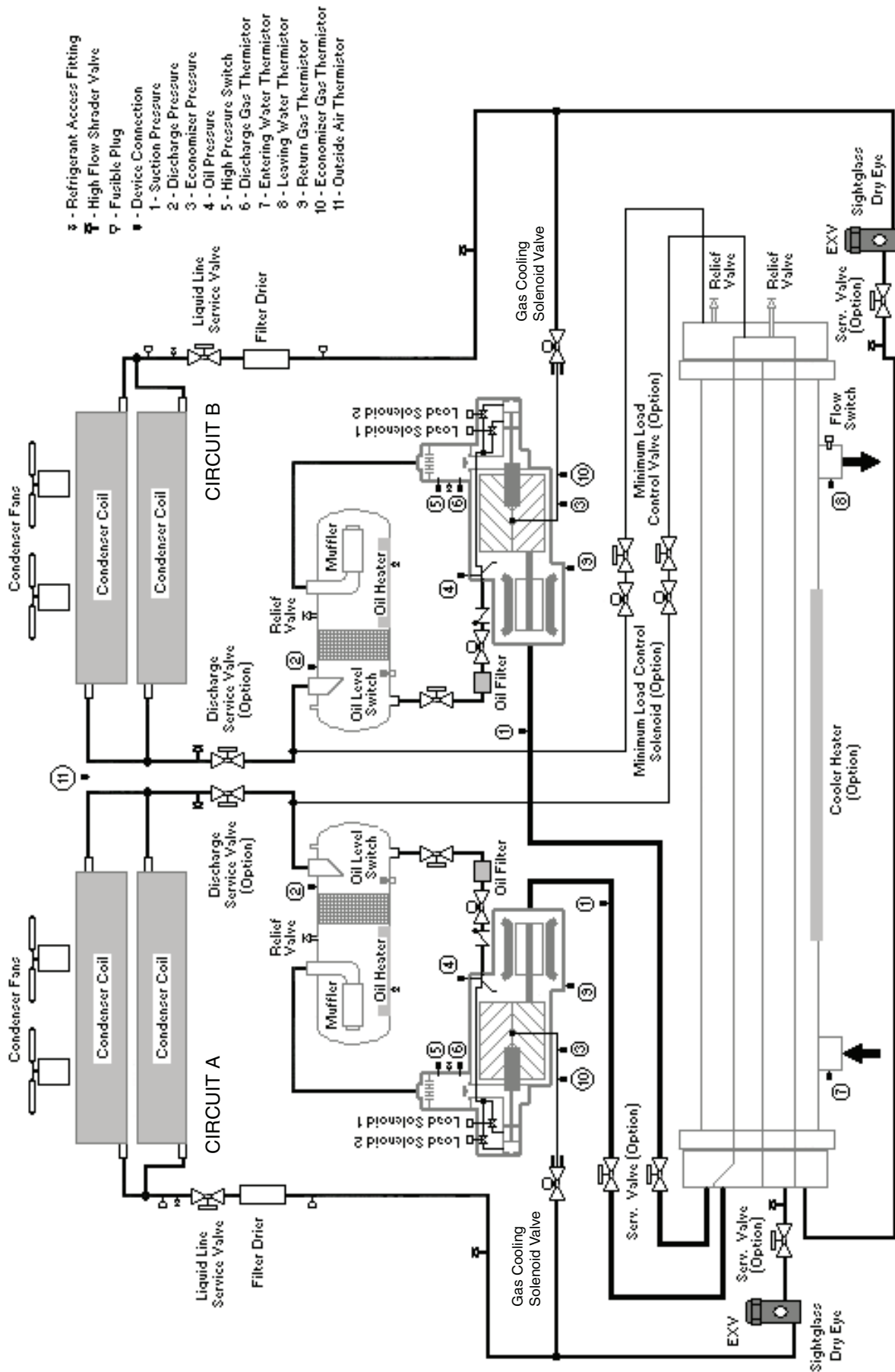
LEGEND

- | | |
|--------------|---------------------------|
| SSV — | Suction Service Valve |
| 1 — | Suction Pressure |
| 2 — | Discharge Pressure |
| 3 — | Economizer Pressure |
| 4 — | Oil Pressure |
| 5 — | High Pressure Switch |
| 6 — | Discharge Gas Thermistor |
| 7 — | Entering Water Thermistor |
| 8 — | Leaving Water Thermistor |
| 9 — | Return Gas Thermistor |
| 10 — | Economizer Gas Thermistor |
| 11 — | Outside Air Thermistor |
-
- | | |
|---|----------------------------|
| ⊕ | Refrigerant Access Fitting |
| ⊖ | High Flow Strader Valve |
| ⊙ | Fusible Plug |
| ■ | Device Connection |



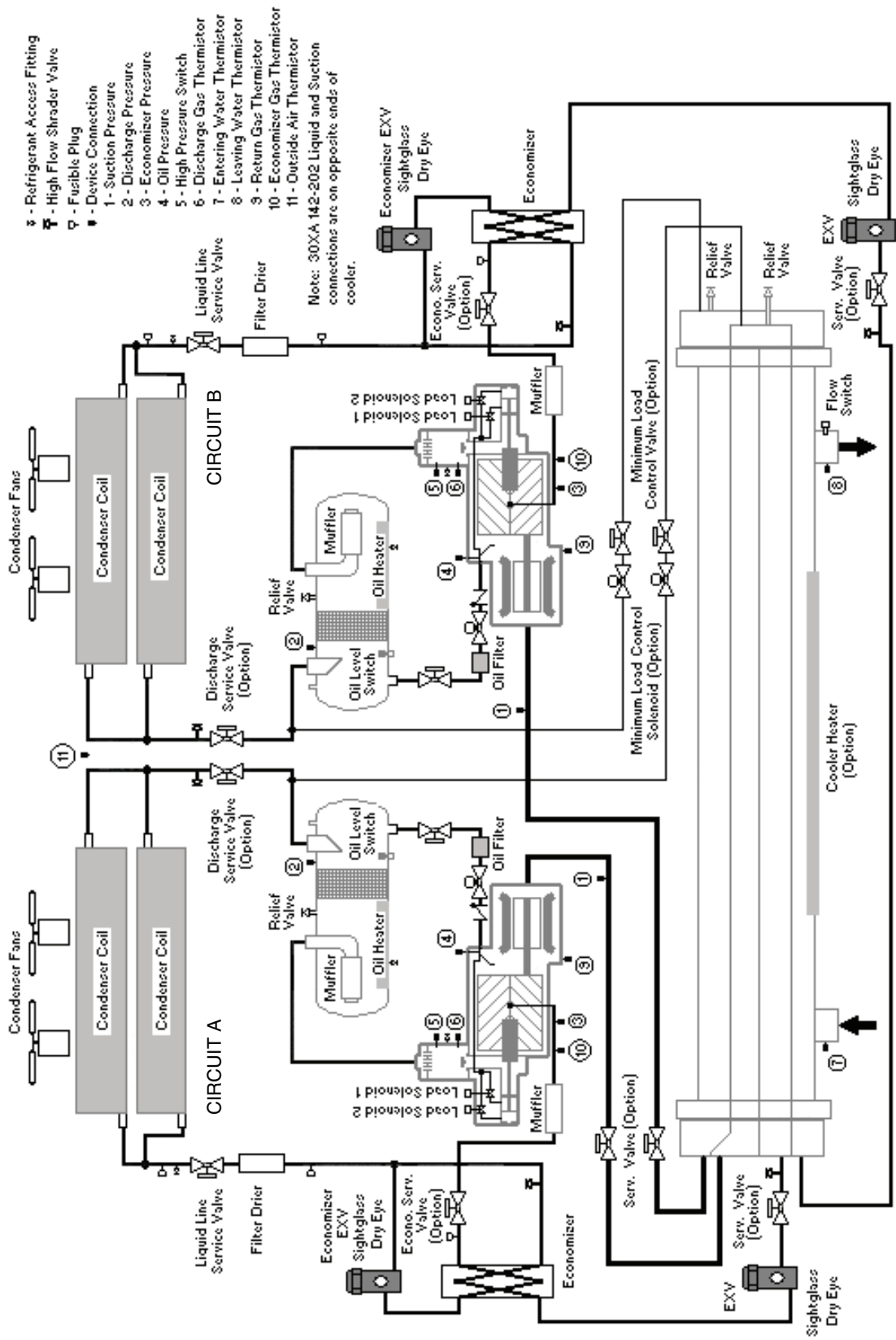
APPENDIX E — PIPING AND INSTRUMENTATION (CONT)

30XA082 DX Cooler Units



APPENDIX E — PIPING AND INSTRUMENTATION (CONT)

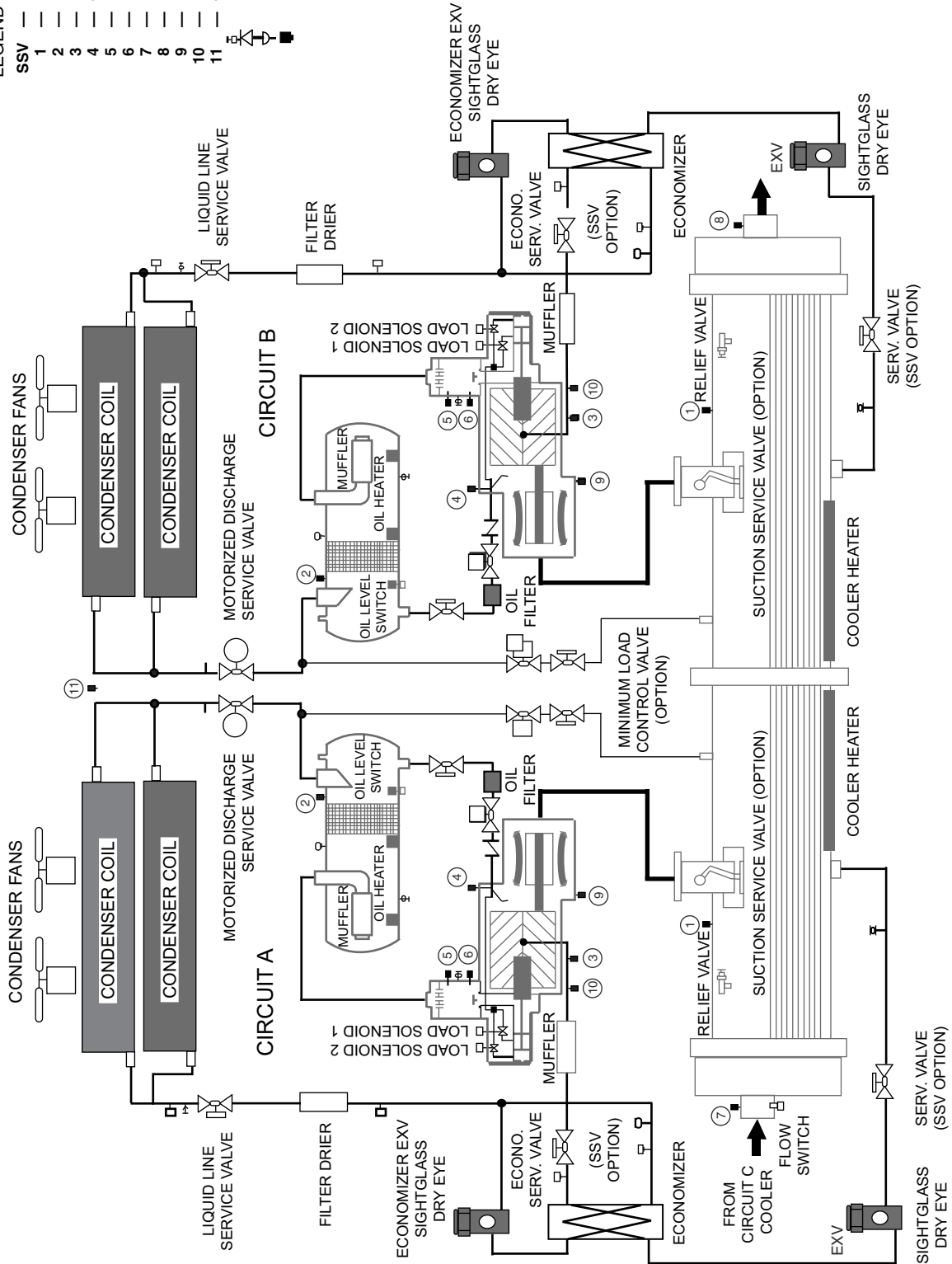
30XA092, 102, 112, 122, 142, 162, 182, 202, 222, 242, 262, 282, 302, 327, 352 DX Cooler Units



APPENDIX E — PIPING AND INSTRUMENTATION (CONT)

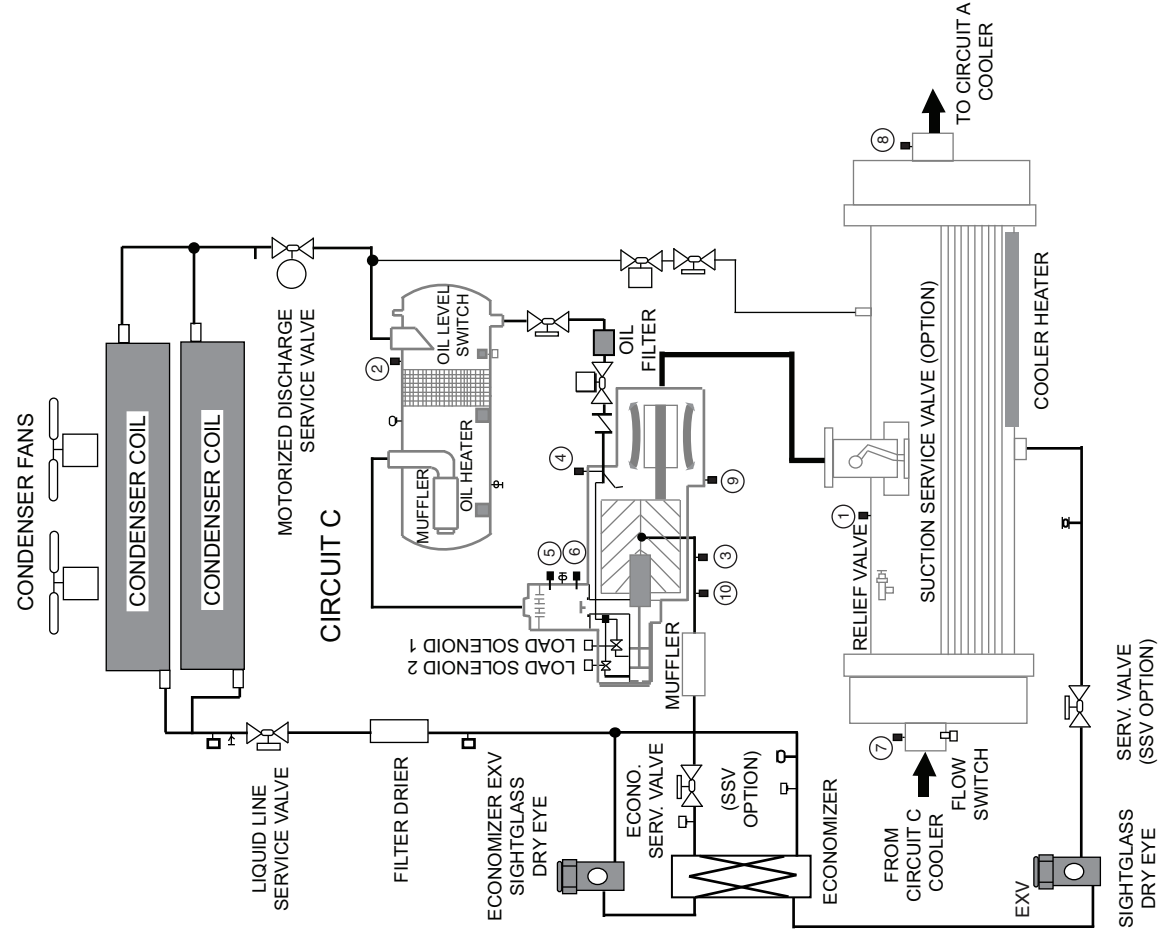
30XA400, 450, 500 Flooded Cooler Units, Circuit A, B

- LEGEND**
- SSV — Suction Service Valve
 - 1 — Suction Pressure
 - 2 — Discharge Pressure
 - 3 — Economizer Pressure
 - 4 — Oil Pressure
 - 5 — High Pressure Switch
 - 6 — Discharge Gas Thermistor
 - 7 — Entering Water Thermistor
 - 8 — Leaving Water Thermistor
 - 9 — Return Gas Thermistor
 - 10 — Economizer Gas Thermistor
 - 11 — Outside Air Thermistor
 - Refrigerant Access Fitting
 - High Flow Schrader Valve
 - Fusible Plug
 - Device Connection



APPENDIX E — PIPING AND INSTRUMENTATION (CONT)

30XA400, 450, 500 Flooded Cooler Units, Circuit C



LEGEND

- SSV — Suction Service Valve
 - 1 — Suction Pressure
 - 2 — Discharge Pressure
 - 3 — Economizer Pressure
 - 4 — Oil Pressure
 - 5 — High Pressure Switch
 - 6 — Discharge Gas Thermistor
 - 7 — Entering Water Thermistor
 - 8 — Leaving Water Thermistor
 - 9 — Return Gas Thermistor
 - 10 — Economizer Gas Thermistor
- ⊕ — Refrigerant Access Fitting
 - ⊖ — High Flow Shrader Valve
 - ⊕ — Fusible Plug
 - — Device Connection

APPENDIX F — MAINTENANCE SUMMARY AND LOG SHEETS

30XA Maintenance Interval Requirements

WEEKLY			
Compressor	Check Oil Level.	Economizer	None.
Cooler	None.	Controls	Review Alarm/Alert History.
Condenser	Inspect and clean all coils as necessary.	Starter	None.
MONTHLY			
Compressor	Check Oil Level.	Economizer	None.
Cooler	Check moisture.	Controls	Check accuracy of transducers and thermistors. Verify flow switch operation.
Condenser	Inspect and clean all coils as necessary.	Starter	Inspect all contactors.
QUARTERLY			
Compressor	Check Oil Level.	Economizer	Check all connections for leaks.
Cooler	Check refrigerant charge. Check for leaks.	Controls	Perform an Automated Controls test. Run all Compressors and ensure proper operation. Verify operation of units flow switch.
Condenser	Check for leaks.	Starter	None.
ANNUALLY			
Compressor	Check Oil Level. Obtain and test an oil sample.	Economizer	Verify proper operation of EXVs.
Cooler	Check approach on unit to determine if tubes need cleaning (flooded cooler units only). Check for temperature drop across filter drier to determine if filter needs replacement.	Controls	Perform an Automated Controls test. Run all Compressors and ensure proper operation.
Condenser	Check fan blades and motors for cracks and loose bolts. Tighten bolts as needed.	Starter	Inspect all electrical connections and tighten as needed. Measure current to each compressor and inspect contactors.

NOTE: Equipment failures caused by lack of adherence to the Maintenance Interval Requirements are not covered under warranty.

**APPENDIX F — MAINTENANCE SUMMARY
AND LOG SHEETS (CONT)**

30XA Monthly Maintenance Log

Month			1	2	3	4	5	6	7	8	9	10	11	12
Date			/ /	/ /	/ /	/ /	/ /	/ /	/ /	/ /	/ /	/ /	/ /	/ /
Operator														

UNIT SECTION	ACTION	UNIT	ENTRY											
Compressor	Change Oil Filter (Screw Compressors)	yes/no	Year 1 then As Needed											
	Send Oil Sample Out for Analysis	yes/no	Annually											
	Leak Test	yes/no												
Cooler	Inspect and Clean Cooler Tubes*	yes/no	Every 3 - 5 Years											
	Inspect Cooler Heater	amps												
	Inspect Relief Valves	yes/no												
	Leak Test	yes/no												
	Record Water Pressure Differential (PSI)	PSI												
	Inspect Water Pumps	yes/no												
	Eddy Current Test	yes/no	Every 3 - 5 Years											
Condenser	Leak Test	yes/no												
	Inspect and Clean Condenser Coils	yes/no												
	Inspect Relief Valves	yes/no												
Controls	General Cleaning and Tightening Connections	yes/no	Annually											
	Check Pressure Transducers for Accuracy	yes/no												
	Verify Flow Switch Operation	yes/no												
	Confirm Accuracy of Thermistors	yes/no												
Starter	General Tightening and Cleaning Connections	yes/no	Annually											
	Inspect All Contactors	yes/no												
System	Check Refrigerant Charge	yes/no												
	Verify Operation of EXVs	yes/no												
	Record System Superheat	deg. F												

*Flooded cooler units only.

NOTE: Equipment failures caused by lack of adherence to the Maintenance Interval Requirements are not covered under warranty.

**APPENDIX F — MAINTENANCE SUMMARY
AND LOG SHEETS (CONT)**

30XA Seasonal Shutdown Log

Month		1	2	3	4	5	6	7	8	9	10	11	12
Date		/ /	/ /	/ /	/ /	/ /	/ /	/ /	/ /	/ /	/ /	/ /	/ /
Operator													

UNIT SECTION	ACTION	ENTRY											
Cooler	Isolate and Drain Waterbox/Cooler												
	Add Glycol/Water Mixture to Prevent Freeze-up												
Controls	Do Not Disconnect Control Power												

NOTE: Equipment failures caused by lack of adherence to the Maintenance Interval Requirements are not covered under warranty.

APPENDIX G — BACNET COMMUNICATION

The following section is used to configure the UPC Open controller which is used when the BACnet¹ communication option is selected. The UPC Open controller is mounted in a separate enclosure below the main control box.

TO ADDRESS THE UPC OPEN CONTROLLER

The user must give the UPC Open controller an address that is unique on the BACnet network. Perform the following procedure to assign an address:

1. If the UPC Open controller is powered, pull the screw terminal connector from the controller's power terminals labeled Gnd and HOT. The controller reads the address each time power is applied to it.
2. Using the rotary switches (see Fig. B and C), set the controller's address. Set the Tens (10's) switch to the tens digit of the address, and set the Ones (1's) switch to the ones digit.

As an example in Fig. C, if the controller's address is 25, point the arrow on the Tens (10's) switch to 2 and the arrow on the Ones (1's) switch to 5.

1. BACnet is a Registered Trademark of ASHRAE (American Society of Heating, Refrigerating, and Air Conditioning Engineers).

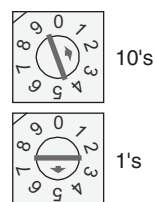


Fig. B — Address Rotary Switches

BACNET DEVICE INSTANCE ADDRESS

The UPC Open controller also has a BACnet Device Instance address. This Device Instance MUST be unique for the complete BACnet system in which the UPC Open controller is installed. The Device Instance is auto generated by default and is derived by adding the MAC address to the end of the Network Number. The Network Number of a new UPC Open controller is 16101, but it can be changed using i-Vu[®] Tools or BACView device. By default, a MAC address of 20 will result in a Device Instance of 16101 + 20 which would be a Device Instance of 1610120.

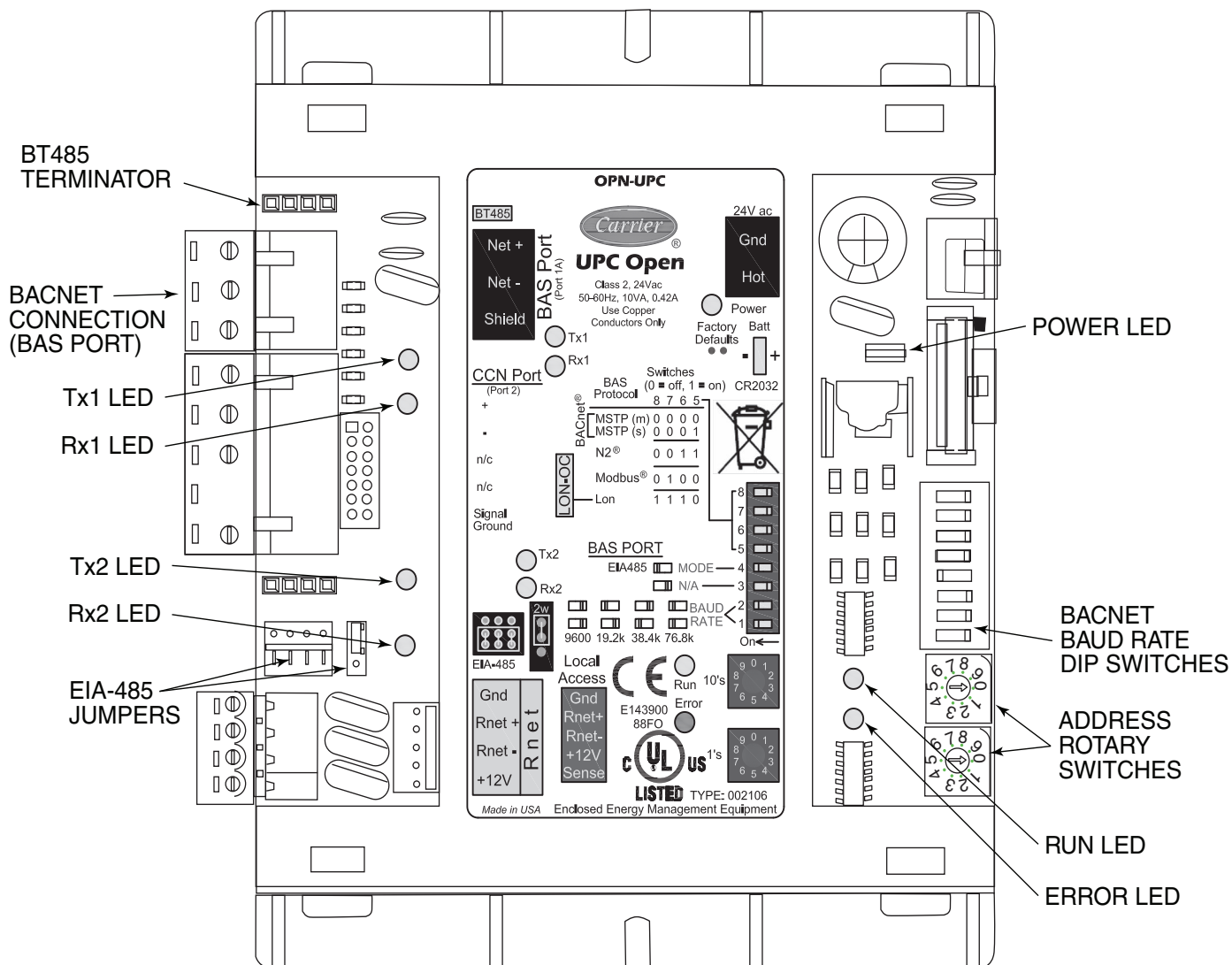


Fig. C — UPC Open Controller

APPENDIX G — BACNET COMMUNICATION (CONT)

CONFIGURING THE BAS PORT FOR BACNET MS/TP

Use the same baud rate and communication settings for all controllers on the network segment. The UPC Open controller is fixed at 8 data bits, No Parity, and 1 Stop bit for this protocol's communications.

If the UPC Open controller has been wired for power, pull the screw terminal connector from the controller's power terminals labeled Gnd and HOT. The controller reads the DIP Switches and jumpers each time power is applied to it.

Set the BAS Port DIP switch DS3 to "enable." Set the BAS Port DIP switch DS4 to "E1-485." Set the BMS Protocol DIP switches DS8 through DS5 to "MSTP." See Table A.

Table A — SW3 Protocol Switch Settings for MS/TP

DS8	DS7	DS6	DS5	DS4	DS3
Off	Off	Off	Off	On	Off

Verify that the EIA-485 jumpers below the CCN Port are set to EIA-485 and 2W.

The example in Fig. D shows the BAS Port DIP Switches set for 76.8k (Carrier default) and MS/TP.

Set the BAS Port DIP Switches DS2 and DS1 for the appropriate communications speed of the MS/TP network (9600, 19.2k, 38.4k, or 76.8k bps). See Fig. D and Table B.

Table B — Baud Selection Table

BAUD RATE	DS2	DS1
9,600	Off	Off
19,200	On	Off
38,400	Off	On
76,800	On	On

WIRING THE UPC OPEN CONTROLLER TO THE MS/TP NETWORK

The UPC Open controller communicates using BACnet on an MS/TP network segment communications at 9600 bps, 19.2 kbps, 38.4 kbps, or 76.8 kbps.

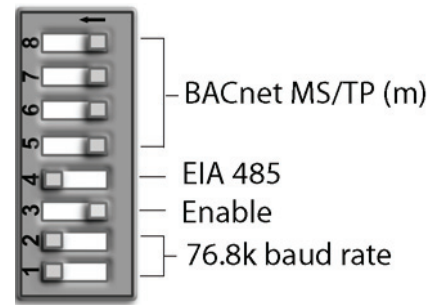


Fig. D — DIP Switches

Wire the controllers on an MS/TP network segment in a daisy-chain configuration. Wire specifications for the cable are 22 AWG (American Wire Gauge) or 24 AWG, low-capacitance, twisted, stranded, shielded copper wire. The maximum length is 2000 ft.

Install a BT485 terminator on the first and last controller on a network segment to add bias and prevent signal distortions due to echoing. See Fig. D, E, and F.

To wire the UPC Open controller to the BAS network:

1. Pull the screw terminal connector from the controller's BAS Port.
2. Check the communications wiring for shorts and grounds.
3. Connect the communications wiring to the BAS port's screw terminals labeled Net +, Net -, and Shield.

NOTE: Use the same polarity throughout the network segment.

4. Insert the power screw terminal connector into the UPC Open controller's power terminals if they are not currently connected.
5. Verify communication with the network by viewing a module status report. To perform a module status report using the BACview keypad/display unit, press and hold the "FN" key then press the "." key.

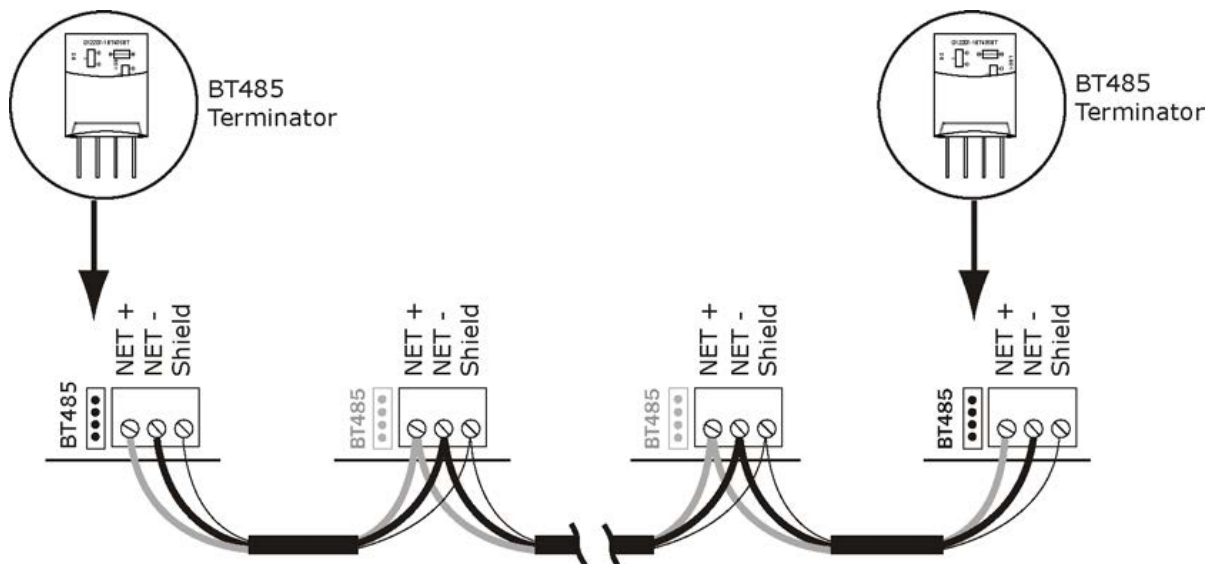


Fig. E — Network Wiring

APPENDIX G — BACNET COMMUNICATION (CONT)

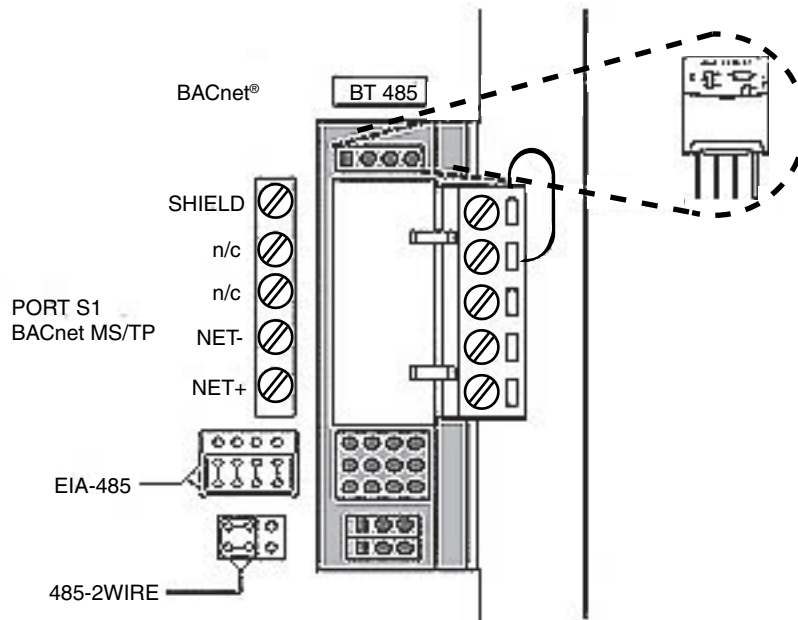


Fig. F — BT485 Terminator Installation

To install a BT485 terminator, push the BT485 terminator on to the BT485 connector located near the BACnet connector.

NOTE: The BT485 terminator has no polarity associated with it.

To order a BT485 terminator, consult Commercial Products i-Vu Open Control System Master Prices.

MS/TP WIRING RECOMMENDATIONS

Recommendations are shown in Tables C and D. The wire jacket and UL temperature rating specifications list two acceptable alternatives. The Halar¹ specification has a higher temperature rating

and a tougher outer jacket than the SmokeGard² specification, and it is appropriate for use in applications where the user is concerned about abrasion. The Halar jacket is also less likely to crack in extremely low temperatures.

NOTE: Use the specified type of wire and cable for maximum signal integrity.

1. Halar is a registered trademark of Solvay Plastics.
2. SmokeGard is a trademark of AlphaGary-Mexichem Corp.

Table C — MS/TP Wiring Recommendations

SPECIFICATION	RECOMMENDATION
Cable	Single twisted pair, low capacitance, CL2P, 22 AWG (7x30), TC foam FEP, plenum rated cable
Conductor	22 or 24 AWG stranded copper (tin plated)
Insulation	Foamed FEP 0.015 in. (0.381 mm) wall 0.060 in. (1.524 mm) O.D.
Color Code	Black/White
Twist Lay	2 in. (50.8 mm) lay on pair 6 twists/foot (20 twists/meter) nominal
Shielding	Aluminum/Mylar shield with 24 AWG TC drain wire
Jacket	SmokeGard Jacket (SmokeGard PVC) 0.021 in. (0.5334 mm) wall 0.175 in. (4.445 mm) O.D. Halar Jacket (E-CTFE) 0.010 in. (0.254 mm) wall 0.144 in. (3.6576 mm) O.D.
DC Resistance	15.2 Ohms/1000 feet (50 Ohms/km) nominal
Capacitance	12.5 pF/ft (41 pF/meter) nominal conductor to conductor
Characteristic Impedance	100 Ohms nominal
Weight	12 lb/1000 feet (17.9 kg/km)
UL Temperature Rating	SmokeGard 167°F (75°C) Halar -40 to 302°F (-40 to 150°C)
Voltage	300 Vac, power limited
Listing	UL: NEC CL2P, or better

LEGEND

AWG	— American Wire Gage
CL2P	— Class 2 Plenum Cable
DC	— Direct Current
FEP	— Fluorinated Ethylene Polymer
NEC	— National Electrical Code
O.D.	— Outside Diameter
TC	— Tinned Copper
UL	— Underwriters Laboratories

APPENDIX G — BACNET COMMUNICATION (CONT)

Table D — Open System Wiring Specifications and Recommended Vendors

WIRING SPECIFICATIONS		RECOMMENDED VENDORS AND PART NUMBERS			
Wire Type	Description	Connect Air International	Belden	RMCORP	Contractors Wire and Cable
MS/TP Network (RS-485)	22 AWG, single twisted shielded pair, low capacitance, CL2P, TC foam FEP, plenum rated. See MS/TP Installation Guide for specifications.	W221P-22227	—	25160PV	CLP0520LC
	24 AWG, single twisted shielded pair, low capacitance, CL2P, TC foam FEP, plenum rated. See MS/TP Installation Guide for specifications.	W241P-2000F	82841	25120-OR	—
Rnet	4 conductor, unshielded, CMP, 18 AWG, plenum rated.	W184C-2099BLB	6302UE	21450	CLP0442

LEGEND

- AWG** — American Wire Gage
- CL2P** — Class 2 Plenum Cable
- CMP** — Communications Plenum Rated
- FEP** — Fluorinated Ethylene Polymer
- TC** — Tinned Copper

LOCAL ACCESS TO THE UPC OPEN CONTROLLER

The user can use a BACview⁶ handheld keypad display unit or the Virtual BACview software as a local user interface to an Open controller. These items let the user access the controller network information. These are accessory items and do not come with the UPC Open controller.

The BACview⁶ unit connects to the local access port on the UPC Open controller. See Fig. G. The BACview software must be running on a laptop computer that is connected to the local access port on the UPC Open controller. The laptop will require an additional USB link cable for connection.

See the *BACview Installation and User Guide* for instructions on connecting and using the BACview⁶ device.

To order a BACview⁶ Handheld (BV6H), consult Commercial Products i-Vu[®] Open Control System Master Prices.

CONFIGURING UPC OPEN CONTROLLER'S PROPERTIES

The UPC Open device and *ComfortLink* control must be set to the same CCN Address (Element) number and CCN Bus number. The factory default settings for CCN Element and CCN Bus number are 1 and 0 respectively.

If modifications to the default Element and Bus number are required, both the *ComfortLink* and UPC Open configurations must be changed.

The following configurations are used to set the CCN Address and Bus number in the *ComfortLink* control. These configurations can be changed using the scrolling marquee display or accessory Navigator[™] handheld device.

Configuration → **CCN** → **CCN.A** (CCN Address)

Configuration → **CCN** → **CCN.B** (CCN Bus Number)

The following configurations are used to set the CCN Address and Bus Number in the UPC Open controller. These configurations can be changed using the accessory BACview⁶ display.

Navigation: BACview → CCN
 Home: Element Comm Stat
 Element: 1
 Bus: 0

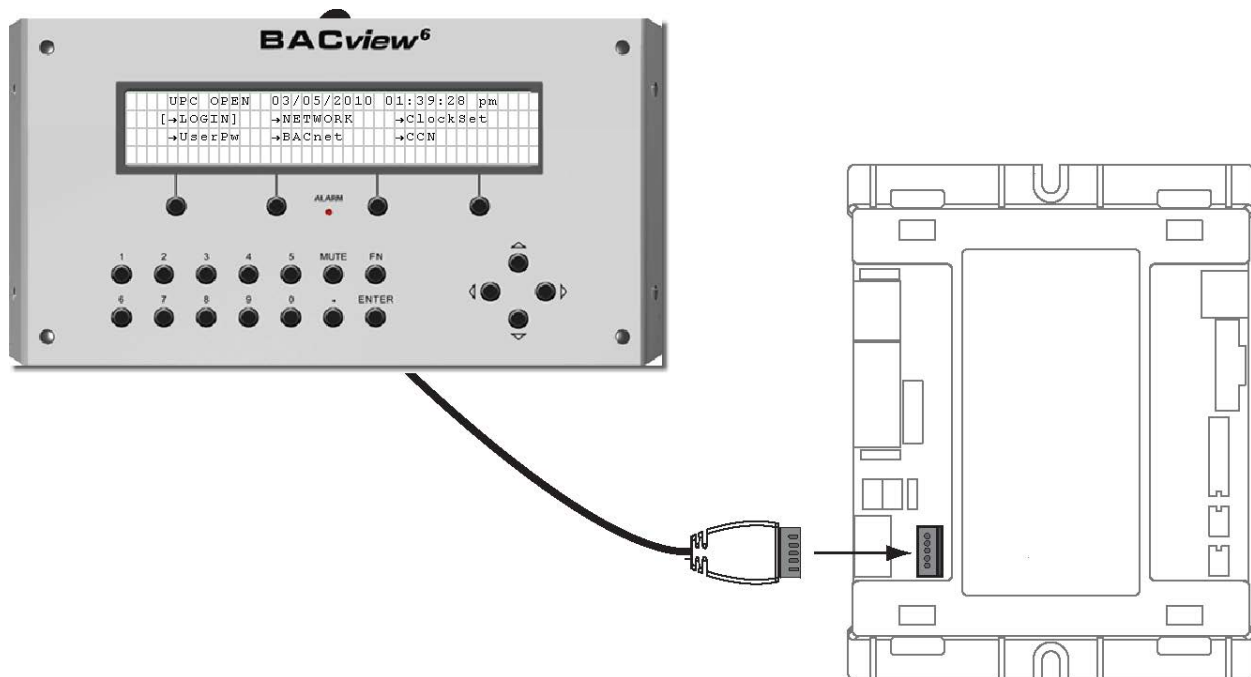


Fig. G — BACview⁶ Device Connection

APPENDIX G — BACNET COMMUNICATION (CONT)

If the UPC Open controller is used with the chiller application of Lead/Lag/Standby, all chillers and UPC Open's CCN element numbers must be changed to a unique number in order to follow CCN specifications. In this application, there can only be a maximum of 3 UPC Open controllers on a CCN bus.

For the CCN Alarm Acknowledger configuration, the UPC Open controller defaults to CCN Acknowledger. If a Chiller Lead/Lag/Standby application is being used, then the Carrier technician must change the configuration to only one CCN Acknowledger on the CCN bus.

For the CCN Time Broadcaster configuration, the UPC Open controller defaults to CCN Time Broadcaster. If the Chiller Lead/Lag/Standby application is used, then the Carrier technician must change the configuration to only one CCN Time Broadcaster on the CCN bus.

TROUBLESHOOTING

If there are problems wiring or addressing the UPC Open controller, contact Carrier Technical Support.

COMMUNICATION LEDS

The LEDs indicate if the controller is communicating with the devices on the network. See Tables E and F. The LEDs should reflect communication traffic based on the baud rate set. The higher the baud rate the more solid the LEDs become. See Fig. A for location of LEDs on UPC Open module.

REPLACING THE UPC OPEN BATTERY

The UPC Open controller's 10-year lithium CR2032 battery provides a minimum of 10,000 hours of data retention during power outages.

IMPORTANT: Power must be **ON** to the UPC Open controller when replacing the battery, or the date, time, and trend data will be lost.

Remove the battery from the controller, making note of the battery's polarity. Insert the new battery, matching the battery's polarity with the polarity indicated on the UPC Open controller.

NETWORK POINTS LIST

The points list for the controller is shown in Table G.

Table E — LED Status Indicators

LED	STATUS
Power	Lights when power is being supplied to the controller. The UPC Open controller is protected by internal solid-state polyswitches on the incoming power and network connections. These polyswitches are not replaceable and will reset themselves if the condition that caused the fault returns to normal.
Rx	Lights when the controller receives data from the network segment; there is an Rx LED for Ports 1 and 2.
Tx	Lights when the controller transmits data to the network segment; there is an Tx LED for Ports 1 and 2.
Run	Lights based on controller status. See Table F.
Error	Lights based on controller status. See Table F.

Table F — Run and Error LEDs Controller and Network Status Indication

RUN LED	ERROR LED	STATUS
2 flashes per second	Off	Normal
2 flashes per second	2 flashes, alternating with Run LED	Five minute auto-restart delay after system error
2 flashes per second	3 flashes, then off	Controller has just been formatted
2 flashes per second	1 flash per second	Controller is alone on the network
2 flashes per second	On	Exec halted after frequent system errors or control programs halted
5 flashes per second	On	Exec start-up aborted, Boot is running
5 flashes per second	Off	Firmware transfer in progress, Boot is running
7 flashes per second	7 flashes per second, alternating with Run LED	Ten second recovery period after brownout
14 flashes per second	14 flashes per second, alternating with Run LED	Brownout

APPENDIX G — BACNET COMMUNICATION (CONT)

Table G — Network Points List

POINT DESCRIPTION	READ/ WRITE	UNITS	DEFAULT VALUE	RANGE	BACNET OBJECT ID	BACNET OBJECT NAME
Active Demand Limit Value	R/W	%		0-100	AV:79	dem_lim_1
Actual Chiller Current	R	A			AV:80	tot_curr_1
Alarm Relay Status	R				BV:90	alarmout_1
Alarm State	R			0=Normal 1=Partial 2=Shutdown	AV:137	alm_1
Alert Relay Status	R				BV:91	alert_1
Auto Changeover Active	R				BV:69	mode_12_1
Ball Valve Position	R				BV:3	iso_refa_1
Ball Valve Position	R				BV:4	iso_refb_1
Ball Valve Position	R				BV:5	iso_refc_1
Boiler Active	R				BV:72	mode_15_1
Boiler Command	R				BV:92	boiler_1
Chiller Capacity Signal	R	V			AV:89	capt_010_1
Chiller Current Limit	R/W	A		0 - 4000	AV:81	curr_lim_1
Chiller Occupied?	R/W			0 = No 1 = Yes	BV:2	chil_occ_1
Chiller Start/Stop	R/W			0 = Disable 1 = Enable	BV:1	chil_s_s_1
CHWS Temperature	R	°F			AV:90	chwstemp_1
Circuit A Fan #1 Hours	R	hr			AV:1	hr_fana1_1
Circuit A Fan #2 Hours	R	hr			AV:2	hr_fana2_1
Circuit A Fan #3 Hours	R	hr			AV:3	hr_fana3_1
Circuit A Fan #4 Hours	R	hr			AV:4	hr_fana4_1
Circuit A Fan #5 Hours	R	hr			AV:5	hr_fana5_1
Circuit A Fan #6 Hours	R	hr			AV:6	hr_fana6_1
Circuit A Fan #7 Hours	R	hr			AV:7	hr_fana7_1
Circuit A Fan #8 Hours	R	hr			AV:8	hr_fana8_1
Circuit A Fan #9 Hours	R	hr			AV:9	hr_fana9_1
Circuit A Fan #10 Hours	R	hr			AV:10	hrfana10_1
Circuit B Fan #1 Hours	R	hr			AV:11	hr_fanb1_1
Circuit B Fan #2 Hours	R	hr			AV:12	hr_fanb2_1
Circuit B Fan #3 Hours	R	hr			AV:13	hr_fanb3_1
Circuit B Fan #4 Hours	R	hr			AV:14	hr_fanb4_1
Circuit B Fan #5 Hours	R	hr			AV:15	hr_fanb5_1
Circuit B Fan #6 Hours	R	hr			AV:16	hr_fanb6_1
Circuit B Fan #7 Hours	R	hr			AV:17	hr_fanb7_1
Circuit B Fan #8 Hours	R	hr			AV:18	hr_fanb8_1
Circuit B Fan #9 Hours	R	hr			AV:19	hr_fanb9_1
Circuit B Fan #10 Hours	R	hr			AV:20	hrfanb10_1
Circuit C Fan #1 Hours	R	hr			AV:21	hr_fanc1_1
Circuit C Fan #2 Hours	R	hr			AV:22	hr_fanc2_1
Circuit C Fan #3 Hours	R	hr			AV:23	hr_fanc3_1
Circuit C Fan #4 Hours	R	hr			AV:24	hr_fanc4_1
Circuit C Fan #5 Hours	R	hr			AV:25	hr_fanc5_1
Circuit C Fan #6 Hours	R	hr			AV:26	hr_fanc6_1
Circuit C Fan #7 Hours	R	hr			AV:27	hr_fanc7_1
Circuit C Fan #8 Hours	R	hr			AV:28	hr_fanc8_1
Circuit C Heater Temp	R	°F			AV:91	t_heat_c_1
Circuit Loading Sequence	R/W			0=Auto 1=A Lead 2=B Lead 3=C Lead	AV:106	lead_cir_1
Compressor A Hours	R	hr			AV:107	hr_cp_a_1
Compressor A Starts	R				AV:108	st_cp_a_1
Compressor B Hours	R	hr			AV:109	hr_cp_b_1
Compressor B Starts	R				AV:110	st_cp_b_1
Compressor C Hours	R	hr			AV:111	hr_cp_c_1
Compressor C Starts	R				AV:112	st_cp_c_1
Compressor Output	R				BV:6	comp_a_1
Compressor Output	R				BV:7	comp_b_1
Compressor Output	R				BV:8	comp_c_1

APPENDIX G — BACNET COMMUNICATION (CONT)

Table G — Network Points List (cont)

POINT DESCRIPTION	READ/ WRITE	UNITS	DEFAULT VALUE	RANGE	BACNET OBJECT ID	BACNET OBJECT NAME
Compressor Suction Temp	R	°F			AV:29	suct_t_a_1
Compressor Suction Temp	R	°F			AV:30	suct_t_b_1
Compressor Suction Temp	R	°F			AV:31	suct_t_c_1
Condenser Flow Status	R				BV:93	condflow_1
Condenser pumps Rotation	R				BV:74	mode_17_1
Controlled Water temp	R	°F			AV:82	ctrl_wt_1
Control point	R/W	°F		0 - 100	AV:83	ctrl_pnt_1
Cooler Entering Fluid	R	°F			AV:94	cool_ewt_1
Cooler Flow Setpoint Out	R			Off/On	BV:94	set_flow_1
Cooler Flow Switch	R				BV:95	flow_sw_1
Cooler Heater Active	R				BV:63	mode_06_1
Cooler Heater Command	R				BV:96	coolheat_1
Cooler Heater Temp	R	°F			AV:95	t_heater_1
Cooler Leaving Fluid - Prime Variable	R	°F			AV:96	cool_lwt_1
Cooler Pump #1 Command	R/W			Off/On	BV:97	cpump_1_1
Cooler Pump #2 Command	R/W			Off/On	BV:98	cpump_2_1
Cooler pump #1 Hours	R	hr			AV:113	hr_cpum1_1
Cooler pump #2 Hours	R	hr			AV:114	hr_cpum2_1
Cooler Pump Run Status	R				BV:99	cpumpdef_1
Cooler Pumps Rotation	R				BV:64	mode_07_1
Cooler Pumps Sequence	R/W			0=No Pump 1=One Pump Only 2=Two Pumps Auto 3=Pump#1 Manual 4=Pump#2 Manual	AV:117	cpumpseq_1
Cooling Ice Setpoint	R/W	°F		0	AV:121	ice_sp_1
Cooling power*	R	kW			AV:97	cool_pwr_1
Cooling Ramp Loading	R/W	°^F		0.2 - 2.0	AV:122	cramp_sp_1
Cooling Reset Degrees	R/W	°^F		-30 - 30	AV:123	cr_deg_1
Cooling Setpoint 1	R/W	°F		-20 - 70	AV:124	csp1_1
Cooling Setpoint 2	R/W	°F		-20 - 70	AV:125	csp2_1
Current Full Reset Value	R/W	mA		0 - 20	AV:126	v_cr_fu_1
Current Limit at 100%	R/W	A		0 - 2000	AV:118	curr_ful_1
Current Limit Select	R/W			Off/On	BV:118	curr_sel_1
Current No Reset Value	R/W	mA		0 - 20	AV:127	v_cr_no_1
Current Setpoint	R	°F			AV:84	sp_1
Defrost Active on Circuit A	R				BV:76	mode_19_1
Defrost Active on Circuit B	R				BV:77	mode_20_1
Delta T Full Reset Value	R/W	°^F		0 - 25	AV:128	dt_cr_fu_1
Delta T No Reset Value	R/W	°^F		0 - 25	AV:129	dt_cr_no_1
Demand Limit Active	R				BV:61	mode_04_1
DGT Cooling Solenoid	R				BV:9	gascoola_1
DGT Cooling Solenoid	R				BV:10	gascoolb_1
DGT Cooling Solenoid	R				BV:11	gascoolc_1
Discharge Gas Temp	R	°F			AV:32	dgt_a_1
Discharge Gas Temp	R	°F			AV:33	dgt_b_1
Discharge Gas Temp	R	°F			AV:34	dgt_c_1
Discharge Pressure	R	psi			AV:35	dp_a_1
Discharge Pressure	R	psi			AV:36	dp_b_1
Discharge Pressure	R	psi			AV:37	dp_c_1
Economizer Gas Temp	R	°F			AV:38	eco_tp_a_1
Economizer Gas Temp	R	°F			AV:39	eco_tp_b_1
Economizer Gas Temp	R	°F			AV:40	eco_tp_c_1
Economizer Pressure	R	psi			AV:41	econ_p_a_1
Economizer Pressure	R	psi			AV:42	econ_p_b_1
Economizer Pressure	R	psi			AV:43	econ_p_c_1
Electrical Box Interlock	R				BV:100	elec_box_1
Element Comm Status	R				BV:2999	element_stat_1
Element Communications Alarm	R				BV:120	comm_lost_alm_1

APPENDIX G — BACNET COMMUNICATION (CONT)

Table G — Network Points List (cont)

POINT DESCRIPTION	READ/ WRITE	UNITS	DEFAULT VALUE	RANGE	BACNET OBJECT ID	BACNET OBJECT NAME
Emergency Stop	R/W			0=Disable, 1=Enable	BV:56	emstop_1
External Temperature	R	°F			AV:85	oat_1
EXV Position	R	%			AV:44	exv_a_1
EXV Position	R	%			AV:45	exv_b_1
EXV Position	R	%			AV:46	exv_c_1
Fan Output DO #1	R				BV:12	fan_a1_1
Fan Output DO #1	R				BV:20	fan_b1_1
Fan Output DO #1	R				BV:28	fan_c1_1
Fan Output DO #2	R				BV:13	fan_a2_1
Fan Output DO #2	R				BV:21	fan_b2_1
Fan Output DO #2	R				BV:29	fan_c2_1
Fan Output DO #3	R				BV:14	fan_a3_1
Fan Output DO #3	R				BV:22	fan_b3_1
Fan Output DO #3	R				BV:30	fan_c3_1
Fan Output DO #4	R				BV:15	fan_a4_1
Fan Output DO #4	R				BV:23	fan_b4_1
Fan Output DO #4	R				BV:31	fan_c4_1
Fan Output DO #5	R				BV:16	fan_a5_1
Fan Output DO #5	R				BV:24	fan_b5_1
Fan Output DO #5	R				BV:32	fan_c5_1
Fan Output DO #6	R				BV:17	fan_a6_1
Fan Output DO #6	R				BV:25	fan_b6_1
Fan Output DO #6	R				BV:33	fan_c6_1
Fan Output DO #7	R				BV:18	fan_a7_1
Fan Output DO #7	R				BV:26	fan_b7_1
Fan Output DO #7	R				BV:34	fan_c7_1
Fan Output DO #8	R				BV:19	fan_a8_1
Fan Output DO #8	R				BV:27	fan_b8_1
Fan Output DO #8	R				BV:35	fan_c8_1
Fan Staging Number	R				AV:47	fan_st_a_1
Fan Staging Number	R				AV:48	fan_st_b_1
Fan Staging Number	R				AV:49	fan_st_c_1
Free Cooling Active	R				BV:70	mode_13_1
Free Cooling Disable*	R/W			No/Yes	BV:36	fc_dsble_1
Free Cooling Disable Switch*	R				BV:104	fc_sw_1
Head Pressure Actuator Position	R	%			AV:50	hd_pos_a_1
Head Pressure Actuator Position	R	%			AV:51	hd_pos_b_1
Head Pressure Actuator Position	R	%			AV:52	hd_pos_c_1
Heat/Cool Select	R/W			0=Cool 1=Heat* 2=Auto*	AV:53	hc_sel_1
Heat/Cool Status	R				AV:92	heatcool_1
Heating Low EWT Lockout	R				BV:73	mode_16_1
Heat Reclaim Select*	R/W			No/Yes	BV:37	recl_sel_1
High DGT Circuit A	R				BV:81	mode_24_1
High DGT Circuit B	R				BV:82	mode_25_1
High DGT Circuit C	R				BV:83	mode_26_1
High Pressure Override Circuit A	R				BV:84	mode_27_1
High Pressure Override Circuit B	R				BV:85	mode_28_1
High Pressure Override Circuit C	R				BV:86	mode_29_1
Hot Gas Bypass A Output	R				BV:38	hgbp_a_1
Hot Gas Bypass B Output	R				BV:39	hgbp_b_1
Hot Gas Bypass C Output	R				BV:40	hgbp_c_1
Ice Done Storage Switch	R				BV:105	ice_sw_1
Ice Mode in Effect	R				BV:75	mode_18_1
Lag Capacity Limit Value	R	%			AV:86	lag_lim_1
Limit 4-20mA Signal	R	mA			AV:98	lim_anal_1
Limit Switch 1 Status	R				BV:106	lim_sw1_1
Limit Switch 2 Status	R				BV:107	lim_sw2_1
Local Schedule	R				BV:119	schedule_1

APPENDIX G — BACNET COMMUNICATION (CONT)

Table G — Network Points List (cont)

POINT DESCRIPTION	READ/ WRITE	UNITS	DEFAULT VALUE	RANGE	BACNET OBJECT ID	BACNET OBJECT NAME
Low Suction Circuit A	R				BV:78	mode_21_1
Low Suction Circuit B	R				BV:79	mode_22_1
Low Suction Circuit C	R				BV:80	mode_23_1
Low Superheat Circuit A	R				BV:87	mode_30_1
Low Superheat Circuit B	R				BV:88	mode_31_1
Low Superheat Circuit C	R				BV:89	mode_32_1
Machine Operating Hours	R	hr			AV:115	hr_mach_1
Machine Starts	R				AV:116	st_mach_1
Master Slave Active	R				BV:68	mode_11_1
Minutes Left for Start	R	min			AV:54	min_left_1
Motor Current	R	A			AV:55	curren_a_1
Motor Current	R	A			AV:56	curren_b_1
Motor Current	R	A			AV:57	curren_c_1
Motor Temperature	R	°F			AV:58	cp_tmp_a_1
Motor Temperature	R	°F			AV:59	cp_tmp_b_1
Motor Temperature	R	°F			AV:60	cp_tmp_c_1
Night Low Noise Active	R				BV:66	mode_09_1
OAT Full Reset Value	R/W	°F		14 - 125	AV:130	oatcr_fu_1
OAT No Reset Value	R/W	°F		14 - 125	AV:131	oatcr_no_1
Occupied Override Switch	R				BV:108	occ_ovsw_1
Oil Heater Output	R				BV:41	oil_ht_a_1
Oil Heater Output	R				BV:42	oil_ht_b_1
Oil Heater Output	R				BV:43	oil_ht_c_1
Oil Level Input	R				BV:44	oil_l_a_1
Oil Level Input	R				BV:45	oil_l_b_1
Oil Level Input	R				BV:46	oil_l_c_1
Oil Pressure	R	psi			AV:61	op_a_1
Oil Pressure	R	psi			AV:62	op_b_1
Oil Pressure	R	psi			AV:63	op_c_1
Oil Pressure Difference	R	psi			AV:64	dop_a_1
Oil Pressure Difference	R	psi			AV:65	dop_b_1
Oil Solenoid Output	R				BV:47	oil_sl_a_1
Oil Solenoid Output	R				BV:48	oil_sl_b_1
Oil Solenoid Output	R				BV:49	oil_sl_c_1
On/Off - Remote Switch	R				BV:109	onoff_sw_1
Optional Space Temp	R	°F			AV:99	spacetmp_1
Percent Total Capacity	R	%			AV:67	capa_t_1
Percent Total Capacity	R	%			AV:68	capb_t_1
Percent Total Capacity	R	%			AV:69	capc_t_1
Percent Total Capacity	R	%			AV:87	cap_t_1
Pump Auto Rotation Delay	R/W	hr		24 - 3000	AV:119	pump_del_1
Pump Periodic Start	R				BV:65	mode_08_1
Ramped Loading Select	R/W			No/Yes	BV:101	ramp_sel_1
Ramp Loading Active	R				BV:62	mode_05_1
Ready or Running Status	R				BV:110	ready_1
Reclaim Active	R				BV:71	mode_14_1
Remote Heat/Cool Switch	R				BV:111	hc_sw_1
Remote Interlock Status	R				BV:112	rem_lock_1
Remote Reclaim Switch	R				BV:113	recl_sw_1
Remote Setpoint Switch	R				BV:114	setp_sw_1
Reset in Effect	R				BV:60	mode_03_1
Reset/Setpoint 4-20mA Signal	R	mA			AV:100	sp_reset_1
Rotate Cooler Pumps?	R/W			0=No 1=Yes	BV:115	rotcpump_1
Running Status	R				BV:116	running_1

APPENDIX G — BACNET COMMUNICATION (CONT)

Table G — Network Points List (cont)

POINT DESCRIPTION	READ/ WRITE	UNITS	DEFAULT VALUE	RANGE	BACNET OBJECT ID	BACNET OBJECT NAME
Run Status	R			0=Off 1=Running 2=Stopping 3= Delay 4=Tripout 5=Ready 6=Override 7=Defrost 8=Run Test 9=Test	AV:93	status_1
Saturated Condensing Temp	R	°F			AV:70	sct_a_1
Saturated Condensing Temp	R	°F			AV:71	sct_b_1
Saturated Condensing Temp	R	°F			AV:72	sct_c_1
Saturated Suction Temp	R	°F			AV:73	sst_a_1
Saturated Suction Temp	R	°F			AV:74	sst_b_1
Saturated Suction Temp	R	°F			AV:75	sst_c_1
Second Setpoint in Use	R				BV:59	mode_02_1
Setpoint Occupied?	R			0=No, 1=Yes	BV:57	sp_occ_1
Setpoint Select	R				AV:88	sp_sel_1
Shutdown Indicator State	R				BV:117	shutdown_1
Slide Valve 1 Output	R				BV:50	slid_1_a_1
Slide Valve 1 Output	R				BV:52	slid_1_b_1
Slide Valve 1 Output	R				BV:54	slid_1_c_1
Slide Valve 2 Output	R				BV:51	slid_2_a_1
Slide Valve 2 Output	R				BV:53	slid_2_b_1
Slide Valve 2 Output	R				BV:55	slid_2_c_1
Space T Full Reset Value	R/W	°F		14 - 125	AV:132	spacr_fu_1
Space T No Reset Value	R/W	°F		14 - 125	AV:133	spacr_no_1
Staged Loading Sequence	R/W			No/Yes	BV:102	seq_typ_1
Suction Pressure	R	psi			AV:76	sp_a_1
Suction Pressure	R	psi			AV:77	sp_b_1
Suction Pressure	R	psi			AV:78	sp_c_1
Switch Limit Setpoint 1	R/W	%		0 - 100	AV:134	lim_sp1_1
Switch Limit Setpoint 2	R/W	%		0 - 100	AV:135	lim_sp2_1
Switch Limit Setpoint 3	R/W	%		0 - 100	AV:136	lim_sp3_1
System Cooling Demand Level	R				AV:9006	cool_demand_level_1
System Demand Limiting	R				BV:103	dem_lmt_act_1
System Manager Active	R				BV:67	mode_10_1
System OAT Master	R	°F			AV:80001	mstr_oa_temp_1
Unit Off-to-On Delay	R	min			AV:120	off_on_d_1
User Defined Analog 1	R/W				AV:2901	user_analog_1_1
User Defined Analog 2	R/W				AV:2902	user_analog_2_1
User Defined Analog 3	R/W				AV:2903	user_analog_3_1
User Defined Analog 4	R/W				AV:2904	user_analog_4_1
User Defined Analog 5	R/W				AV:2905	user_analog_5_1
User Defined Binary 1	R/W				BV:2911	user_binary_1_1
User Defined Binary 2	R/W				BV:2912	user_binary_2_1
User Defined Binary 3	R/W				BV:2913	user_binary_3_1
User Defined Binary 4	R/W				BV:2914	user_binary_4_1
User Defined Binary 5	R/W				BV:2915	user_binary_5_1
Water flow*	R	gal/sec			AV:105	wat_flow_1
Water pressure after cooler*	R	psi			AV:102	watpres2_1
Water pressure after filter*	R	psi			AV:104	watpres4_1
Water pressure before cooler*	R	psi			AV:101	watpres1_1
Water pressure before filter*	R	psi			AV:103	watpres3_1

LEGEND

CHWS — Chilled Water Switch	EXV — Expansion Valve
DGT — Discharge Gas Thermistor	OAT — Outdoor Air Temperature
DO — Digital Output	R — Read
EWT — Entering Water Temperature	W — Write

*Not supported.

APPENDIX H — COOLER HEATER SENSOR SET POINT

Cooler Heater Sensor Set Point

30XA FLOODED COOLER UNITS SIZE	AMPS
080	5.2
090	5.2
100	5.2
110	5.2
120	5.2
140	5.2
160	5.2
180	10.4
200	10.4
220	10.4
240	10.4
260	10.4
280	10.4
300	10.4
325	10.4
350	10.4
400	15.5
450	15.5
500	15.5
401	10.4
451	10.4
476	10.4
501	10.4

30XA DX COOLER UNITS SIZE	AMPS
082	6
092	6
102	6
112	6
122	6
142	6
162	6
182	12
202	12
222	6
242	6
262	12
282	12
302	12
327	12
352	12

INDEX

- 4-20 mA temperature reset 41
- Actual start-up 60
- Actuated ball valve (ABV) 70
- Alarms and alerts 93
 - Alarm control 47
 - Equipment priority 48
 - Routing control 47
 - System name 48
- BACnet communications option 183-192
- Board addresses 19
- Brine or glycol operation 30
- Broadcast acknowledger 47
- Broadcast configuration 47
- Capacity control overrides 49
- Carrier Comfort Network® (CCN)
 - Interface 20
 - Loadshed controlled demand limit 47
 - Tables 150-167
- Carrier Controller display 3,19
 - Display tables 118-134
 - Machine control 23
 - Operation configuration tables 21
- Chilled water flow switch, DX Cooler 89
- Chilled water fluid type selection 29
- Circuit/compressor staging and loading 32
 - Loading 32
 - Staging 32
- Communication failure retry time 48
- Compressor
 - Assembly 82
 - Oil system 83
 - Compressor protection module (CPM) 8
- Condenser coil maintenance and cleaning recommendations 90
- Condenser fans 91
- Configuration 21-60
- Control module communication 20
- Controls 8-21
- Conventions used in this manual 3
- Cooler
 - Protection 85,87
 - Pump control 30
 - Service 87
- Cooling set point selection 28
- CPM DIP switch addresses 168-173
- Daylight saving time configuration 48
- Demand limit 43
 - Externally powered capacity based 45
 - Externally powered current based 45
 - Switch controlled 44
- Diagnostic alarm codes and possible causes 94
- Display module usage 3
- Dual chiller control 34
 - For parallel applications 34
 - For series applications 34
 - Pump control for parallel chiller applications 34
 - Pump control for series chiller applications 34
- Dual chiller sequence of operation 71
- Dual pump and manual control 31
- DX cooler units 87,90
- Economizer assembly 78
- Electronic expansion valve (EXV) 78
 - EXV board 13
 - Economizer EXV control 80
 - Main EXV control 78
 - Troubleshooting procedure 80
- Emergency on/off switch (SW2) 17
- Enable-off-remote contact switch (SW1) 17
- Energy Management Module (EMM) 17
- Fan boards 15
- Flooded cooler units 84,90
- Flow rate requirements 61
- Fluid set point control location 27
- Freeze protection 85,87
- Fresh water 29
- General (Controls) 8
- Green LED 20
- Hand-Off-Auto switch 17
- Head pressure control 51
- Heat exchangers, inspecting/cleaning 86
- Hot gas bypass/pump board 17
- Ice storage operation 47
- Leak testing 91
- Liquid fluid temperature 87
- Local equipment network 19
- Loss of fluid flow protection 85,87
- Low ambient temperature head pressure control 54
 - Operating instructions 54
 - Option 54
- Low fluid temperature 85
- Machine control methods 23
- Machine on/off control 23
- Machine start delay 32
- Main Base Board (MBB) 8
- Maintenance 93
 - Log Sheets 180-182
- Microchannel heat exchanger maintenance and cleaning 90
- Minimum fluid loop volume 61
- Minimum load control 34
- Navigator™ display module 6
 - Display tables 118-134
 - Machine control 25
- Night time/low noise operation 39
- No pump control 30
- OAT broadcast 47
- Oil separator heaters 92
- Operating limitations 61
- Operating modes 71
- Operation 70-78
- Outside air temperature reset 41
- Piping and instrumentation 174-179
- Pressure relief valves 92
- Pre-start-up 60
- Pump operation 74
- Ramp loading 39
- Re-alarm time 48
- Recommended maintenance schedule 93
- Red LED 20
- Refrigerant charge 91
- Refrigerant circuit 91
- Relief devices 92
- Remote alarm and alert relays 21
- Retubing 86,88
- Return water reset 39
- Round tube plate fin condenser coil maintenance and cleaning 90
- Safety considerations 2
- Safety devices 92
- Sensors 74
- Sequence of operation 70
- Service 78-92
- Service test 109
- Set point occupancy 28
- Single pump control 31
- Space temperature reset 41
- Start-up 60-70
- Start-up checklist for 30XA liquid chillers CL-1 to CL-8
- Suction service valve 84,87
- System check 60
- Temperature reset 39
- Thermistors 74
- Tightening cooler head bolts 86,88
- Transducers 77
- Troubleshooting 93-117
- Tube plugging 86,87
- Voltage 61
- Water treatment 86
- Winter shutdown, preparation for 90
- Yellow LED 20

© 2021 Carrier

Manufacturer reserves the right to discontinue, or change at any time, specifications or designs without notice and without incurring obligations.

START-UP CHECKLIST FOR 30XA LIQUID CHILLERS

NOTE: To avoid injury to personnel and damage to equipment or property when completing the procedures listed in this start-up checklist, use good judgment, follow safe practices, and adhere to the safety considerations/information as outlined in preceding sections of this Controls, Start-Up, Operation, Service and Troubleshooting document.

A. PROJECT INFORMATION

Job name _____

Address _____

City _____ State _____ Zip _____

Equipment tag/mark for _____

Installing contractor _____

Sales office _____

Start-up performed by _____

Design Information

	CAPACITY	EWT	LWT	FLUID TYPE	FLOW RATE	P.D.	AMBIENT
Cooler							

Unit

Model _____ Serial _____

Compressors

Compressor A
Model _____ Serial _____

Compressor B
Model _____ Serial _____

Compressor C
Model _____ Serial _____

Cooler

Model _____ Serial _____

B. PRELIMINARY EQUIPMENT CHECK (This section to be completed by installing contractor)

- | | | |
|--|------------------------------|-----------------------------|
| 1. Is there any physical damage? | <input type="checkbox"/> Yes | <input type="checkbox"/> No |
| Will this prevent start-up? | <input type="checkbox"/> Yes | <input type="checkbox"/> No |
| Description _____ | | |
| | | |
| 2. Unit is installed level as per the installation instructions. | <input type="checkbox"/> Yes | <input type="checkbox"/> No |
| 3. Power supply agrees with the unit nameplate. | <input type="checkbox"/> Yes | <input type="checkbox"/> No |
| 4. Correct control voltage _____ vac. | <input type="checkbox"/> Yes | <input type="checkbox"/> No |
| 5. Electrical power wiring is installed properly. | <input type="checkbox"/> Yes | <input type="checkbox"/> No |
| 6. Unit is properly grounded. | <input type="checkbox"/> Yes | <input type="checkbox"/> No |
| 7. Electrical circuit protection has been sized and installed properly. | <input type="checkbox"/> Yes | <input type="checkbox"/> No |
| 8. All terminals are tight. | <input type="checkbox"/> Yes | <input type="checkbox"/> No |
| 9. All plug assemblies are tight. | <input type="checkbox"/> Yes | <input type="checkbox"/> No |
| 10. All cables, thermistors and transducers have been inspected for cross wires. | <input type="checkbox"/> Yes | <input type="checkbox"/> No |
| 11. All thermistors are fully inserted into wells. | <input type="checkbox"/> Yes | <input type="checkbox"/> No |
| 12. Oil separator heaters energized for 24 hours before start-up. | <input type="checkbox"/> Yes | <input type="checkbox"/> No |
| 13. Relief valve vent piping per local codes. | <input type="checkbox"/> Yes | <input type="checkbox"/> No |

Chilled Water System Check

- | | | |
|---|------------------------------|-----------------------------|
| 1. All chilled water valves are open. | <input type="checkbox"/> Yes | <input type="checkbox"/> No |
| 2. All piping is connected properly. | <input type="checkbox"/> Yes | <input type="checkbox"/> No |
| 3. All air has been purged from the system. | <input type="checkbox"/> Yes | <input type="checkbox"/> No |
| 4. Chilled water pump is operating with the correct rotation. | <input type="checkbox"/> Yes | <input type="checkbox"/> No |
| 5. Chilled water pump starter controlled by chiller. | <input type="checkbox"/> Yes | <input type="checkbox"/> No |
| 6. Chilled water flow switch operational. | <input type="checkbox"/> Yes | <input type="checkbox"/> No |
| 7. Units without hydronic package, and units with hydronic package installed in open loop: inlet piping to cooler includes a 20 mesh strainer within 10 ft of unit. | <input type="checkbox"/> Yes | <input type="checkbox"/> No |
| 8. Water loop volume greater than 3 gal/ton (40 L/kW) for air conditioning or 6 gal/ton (80 L/kW) for process cooling and low ambient operation. | <input type="checkbox"/> Yes | <input type="checkbox"/> No |
| 9. Proper loop freeze protection provided to ____ °F (°C).
Antifreeze type _____ Concentration ____%.
(If antifreeze solution is not utilized on 30XA machines and the minimum outdoor ambient is below 32°F (0°C) then items 10 and 11 have to be completed to provide cooler freeze protection to -20°F (-28.9 C). Refer to Installation Instructions for proper cooler winterization procedure.) | <input type="checkbox"/> Yes | <input type="checkbox"/> No |
| 10. Outdoor piping wrapped with electric heater tape. | <input type="checkbox"/> Yes | <input type="checkbox"/> No |
| 11. Cooler heaters installed and operational. | <input type="checkbox"/> Yes | <input type="checkbox"/> No |
| 12. Is the Unit equipped with low ambient head pressure control? | <input type="checkbox"/> Yes | <input type="checkbox"/> No |
| a. If yes, are wind baffles installed? | <input type="checkbox"/> Yes | <input type="checkbox"/> No |

C. UNIT START-UP

- | | | |
|---|------------------------------|-----------------------------|
| 1. All liquid line service valves are open. | <input type="checkbox"/> Yes | <input type="checkbox"/> No |
| 2. Verify actuated ball valve (ABV) operation. (Flooded Cooler Units only) | <input type="checkbox"/> Yes | <input type="checkbox"/> No |
| 3. All suction and discharge service valves are open. | <input type="checkbox"/> Yes | <input type="checkbox"/> No |
| 4. Economizer service valves open. (Leaving Main EXV and Leaving Braze Plate Heat Exchanger [Economizer]) | <input type="checkbox"/> Yes | <input type="checkbox"/> No |
| 5. Oil service valves open. | <input type="checkbox"/> Yes | <input type="checkbox"/> No |
| 6. Leak check unit. Locate, repair and report any refrigerant leaks. | <input type="checkbox"/> Yes | <input type="checkbox"/> No |
| 7. Voltage at terminal block is within unit nameplate range.
Check voltage imbalance: A-B _____ A-C _____ B-C _____
Average voltage = _____ (A-B + A-C + B-C)/3
Maximum deviation from average voltage = _____
Voltage imbalance = _____ % (max. deviation / average voltage) X 100
Is voltage imbalance less than 2%. | <input type="checkbox"/> Yes | <input type="checkbox"/> No |
| (DO NOT start chiller if voltage imbalance is greater than 2%. Contact local utility for assistance.) | | |
| 8. Verify cooler flow rate
Pressure entering cooler _____ psig (kPa)
Pressure leaving cooler _____ psig (kPa)
Cooler pressure drop _____ psig (kPa)
Psig x 2.31 ft/psi = _____ ft of water
kPa x 0.334 m/psi = _____ mm of water
Cooler flow rate _____ gpm (l/s) (See Cooler Pressure Drop Curve) | | |

Start and Operate Machine

- Complete component test utilizing Quick Test Mode
- Operate compressors and verify slide valve operation using manual test mode.
- Check refrigerant and oil charge. Record charge information.
- Record compressor and condenser fan motor current.
- Record operating data.
- Provide operating instructions to owner's personnel.

Refrigerant Charge

	Circuit A	Circuit B	Circuit C
Additional charge required	_____	_____	_____

Oil Charge

Additional charge required	_____	_____	_____
----------------------------	-------	-------	-------

Record Software Versions

CARRIER CONTROLLER DESCRIPTION	NAVIGATOR ITEM	NAVIGATOR SUB-MODE	ITEM EXPANSION
Software Part Number	APPL	Run Status→VERS	CSA-SR- _____

(Press ENTER and ESCAPE simultaneously to obtain software versions)

CUT ALONG DOTTED LINE

CUT ALONG DOTTED LINE

Record Configuration Information

CARRIER CONTROLLER DESCRIPTION	NAVIGATOR™ ITEM	NAVIGATOR SUBMODE	DEFAULT*	ENTRY
None (Navigator Configuration)	TEST	Configuration→DISP	OFF	
Metric Display on STDU	METR	Configuration→DISP	US	
Language Selection	LANG	Configuration→DISP	English	
Unit Type	TYPE	Configuration→UNIT	Air-Cooled	
Unit Capacity Model	TONS	Configuration→UNIT	Nominal Unit Size	
NB Fans on Varifan Cir A	VAR.A	Configuration→UNIT	0: No low ambient temperature head pressure control 1: low ambient temperature head pressure control installed	
NB Fans on Varifan Cir B	VAR.B	Configuration→UNIT	0: No low ambient temperature head pressure control 1: low ambient temperature head pressure control installed	
NB Fans on Varifan Cir C	VAR.C	Configuration→UNIT	0: No low ambient temperature head pressure control 1: low ambient temperature head pressure control installed	
Power Supply Voltage	VOLT	Configuration→UNIT	Nameplate voltage	
Power Frequency 60HZ Sel	60HZ	Configuration→UNIT	YES	
Soft Starter Select	STAR	Configuration→UNIT	NO†	
Wye Delta Start Select	Y.D	Configuration→UNIT	Unit Dependent	
Must Trip Amps (Circuit A)	MTA.A	Configuration→UNIT	Unit Dependent	
Must Trip Amps (Read Circuit A)	R.MT.A	Configuration→UNIT	Unit Dependent	
Must Trip Amps (Circuit B)	MTA.B	Configuration→UNIT	Unit Dependent	
Must Trip Amps (Read Circuit B)	R.MT.B	Configuration→UNIT	Unit Dependent	
Must Trip Amps (Circuit C)	MTA.C	Configuration→UNIT	Unit Dependent	
Must Trip Amps (Read Circuit C)	R.MT.C	Configuration→UNIT	Unit Dependent	
S1 Config Switch (Circuit A)	C.SW.A	Configuration→UNIT	Unit Dependent	
S1 Config Switch (Read Circuit A)	R.CSA	Configuration→UNIT	Unit Dependent	
S1 Config Switch (Circuit B)	C.SW.B	Configuration→UNIT	Unit Dependent	
S1 Config Switch (Read Circuit B)	R.CSB	Configuration→UNIT	Unit Dependent	
S1 Config Switch (Circuit C)	C.SW.C	Configuration→UNIT	Unit Dependent	
S1 Config Switch (Read Circuit C)	R.CSC	Configuration→UNIT	Unit Dependent	
Air Cooled Reclaim Sel	RECL	Configuration→UNIT	NO†	
DX Cooler Select	DX.CL	Configuration→UNIT	NO	
Energy Management Module	EMM	Configuration→UNIT	NO	
Password Enable	PAS.E	Configuration→UNIT	ENBL	
Factory Password	PASS	Configuration→UNIT	0111	
Cooler Heater Select	CO.HT	Configuration→UNIT	1	
Condenser Water Val Sel	CON.V	Configuration→UNIT	NO†	
Hot Gas Bypass Select	HGBP	Configuration→UNIT	NO	
MCHX Exchanger Select	MCHX	Configuration→UNIT	NO	
High Tier Display Selec	HI.TI	Configuration→UNIT	NO	
Hydronic Kit Select	H.KIT	Configuration→UNIT	NO†	
Cooler Pass Number	PA.NB	Configuration→UNIT	2	
VLT Fan Drive Select	VLT	Configuration→UNIT	NONE†	
VLT Fan Drive RPM	RPM	Configuration→UNIT	0†	
High Condensing Select	H.CON	Configuration→UNIT	NO†	
Cooler Fluid Type	FLUD	Configuration→SERV	WATER	
Condenser Fluid Type	CFLU	Configuration→SERV	WATER†	
EXV MOP Setpoint	MOP	Configuration→SERV	62	
High Pressure Threshold	HP.TH	Configuration→SERV	290.0	
EXV A Superheat Setpoint	SHP.A	Configuration→SERV	Unit dependent	
EXV B Superheat Setpoint	SHP.B	Configuration→SERV	Unit dependent	
EXV C Superheat Setpoint	SHP.C	Configuration→SERV	Unit dependent	
Cooler Heater Delta Spt	HTR	Configuration→SERV	2.0 (Number of degrees added to brine freeze set point to enable cooler heater.)	
Entering Fluid Control	EWTO	Configuration→SERV	NO	
Auto Start When SM Lost	AU.SM	Configuration→SERV	NO	
Brine Freeze Setpoint	LOSP	Configuration→SERV	34	

* Based on Navigator controls.

† Not supported.

Record Configuration Information

CARRIER CONTROLLER DESCRIPTION	NAVIGATOR™ ITEM	NAVIGATOR SUBMODE	DEFAULT*	ENTRY
Brine Flow Switch SP	FL.SP	Configuration→SERV	1†	
Varifan Proportional Gain	HD.PG	Configuration→SERV	2.0	
Varifan Derivative Gain	HD.DG	Configuration→SERV	0.4	
Varifan Integral Gain	HD.IG	Configuration→SERV	0.2	
Element	CCNA	Configuration→OPTN	1	
Bus	CCNB	Configuration→OPTN	0	
Baud Rate	BAUD	Configuration→OPTN	9600	
Circuit Loading Sequence	LOAD	Configuration→OPTN	EQUAL	
Staged Loading Sequence	LLCS	Configuration→OPTN	AUTOMATIC	
Ramp Loading Select	RL.S	Configuration→OPTN	DSBL	
Unit Off to On Delay	DELY	Configuration→OPTN	1	
Ice Mode Enable	ICE.M	Configuration→OPTN	DSBL	
Condenser Pumps Sequence†	HPUM	Configuration→OPTN	NO PUMP	
Cooler Pumps Sequence	PUMP	Configuration→OPTN	NO PUMP	
Pump Auto Rotation Delay	ROT.P	Configuration→OPTN	48	
Pump Sticking Protection	PM.PS	Configuration→OPTN	NO	
Stop Pump During Standby	P.SBY	Configuration→OPTN	NO	
Flow Checked if C Pump On	P.LOC	Configuration→OPTN	NO	
Start Hour (Night Control)	LS.ST	Configuration→OPTN	00.00	
End Hour (Night Control)	LS.ND	Configuration→OPTN	00.00	
Capacity Limit (Night Control)	LS.LT	Configuration→OPTN	100	
Reverse Alarms Relay	RV.AL	Configuration→OPTN	NO	
Heating OAT Threshold*	OA.TH	Configuration→OPTN	5 F	
Current Limit Select	CUR.S	Configuration→OPTN	NO	
Current Limit at 100%	CUR.F	Configuration→OPTN	2000	
Cooling Reset Select	CRST	Configuration→RSET	NO RESET	
Heating Reset Select	HRST	Configuration→RSET	NO RESET	
Demand Limit Type Select	DMDC	Configuration→RSET	NONE	
mA for 100% Demand Limit	DMMX	Configuration→RSET	0.0	
mA for 0% Demand Limit	DMZE	Configuration→RSET	10.0	
Master/Slave Select	MSSL	Configuration→RSET	DISABLE	
Slave Address	SLVA	Configuration→RSET	2	
Lead/Lag Select	LLBL	Configuration→RSET	ALWAYS LEAD	
Lead/Lag Balance Delta	LLBD	Configuration→RSET	168	
Lag Start Timer	LLDY	Configuration→RSET	10	
Start if Error Higher	LL.ER	Configuration→RSET	4	
Lag Minimum Running Time	LAG.M	Configuration→RSET	0	
Lag Unit Pump Control	LAGP	Configuration→RSET	OFF IF U STP	
Lead Pulldown Time	LPUL	Configuration→RSET	0	
Chiller in Series	SERI	Configuration→RSET	NO	
Cooling Setpoint 1	CSP.1	Set Point→COOL	44.0	
Cooling Setpoint 2	CSP.2	Set Point→COOL	44.0	
Cooling Ice Setpoint	CSP.3	Set Point→COOL	44.0	
Current No Reset Value (Cooling)	CRV1	Set Point→COOL	0	
Current Full Reset Value (Cooling)	CRV2	Set Point→COOL	0	
Delta T No Reset Value (Cooling)	CRT1	Set Point→COOL	0	
Delta T Full Reset Value (Cooling)	CRT2	Set Point→COOL	0	
OAT No Reset Value (Cooling)	CRO1	Set Point→COOL	14.0	
OAT Full Reset Value (Cooling)	CRO2	Set Point→COOL	14.0	
Space T No Reset Value	CRS1	Set Point→COOL	14.0	
Space T Full Reset Value	CRS2	Set Point→COOL	14.0	
Cooling Reset Deg. Value	DGRC	Set Point→COOL	0	
Cool Changeover Setpoint	CAUT	Set Point→COOL	75	
Cooling Ramp Loading	CRMP	Set Point→COOL	1.0	
Switch Limit Setpoint 1	DLS1	Set Point→MISC	100	
Switch Limit Setpoint 2	DLS2	Set Point→MISC	100	
Switch Limit Setpoint 3	DLS3	Set Point→MISC	100	
Water Val Condensing Stp*	W.SCT	Set Point→MISC	95.0	
Equipment Start (I/O Button)	OPER	Operating Modes→SLCT	SWITCH CTRL	
Setpoint Select	SP.SE	Operating Modes→SLCT	SET POINT OOC	
Heat/Cool Select	HC.SE	Operating Modes→SLCT	COOLING	

* Based on Navigator controls.

† Not supported.

CUT ALONG DOTTED LINE

CUT ALONG DOTTED LINE

Component Test

Complete the following tests to make sure all peripheral components are operational before the compressors are started.

CARRIER CONTROLLER DESCRIPTION	NAVIGATOR™ ITEM	NAVIGATOR SUBMODE	CHECK WHEN COMPLETE
Service Test Enable	T.REQ	Service Test→TEST	
Compressor A Output	CP.A	Service Test→TEST	
Slide Valve Capacity A	SLI.A	Service Test→TEST	
Compressor B Output	CP.B	Service Test→TEST	
Slide Valve Capacity B	SLI.B	Service Test→TEST	
Compressor C Output	CP.C	Service Test→TEST	
Slide Valve Capacity C	SLI.C	Service Test→TEST	
Quick Test Enable	Q.REQ	Service Test→QUIC	
Circuit A EXV Position	EXV.A	Service Test→QUIC	
Circuit B EXV Position	EXV.B	Service Test→QUIC	
Circuit C EXV Position	EXV.C	Service Test→QUIC	
Cir A Economizer EXV Position	ECO.A	Service Test→QUIC	
Cir B Economizer EXV Position	ECO.B	Service Test→QUIC	
Cir C Economizer EXV Position	ECO.C	Service Test→QUIC	
Circuit A Fan Stages	FAN.A	Service Test→QUIC	
Circuit B Fan Stages	FAN.B	Service Test→QUIC	
Circuit C Fan Stages	FAN.C	Service Test→QUIC	
Circuit A Head Pressure Speed	SPD.A	Service Test→QUIC	
Circuit B Head Pressure Speed	SPD.B	Service Test→QUIC	
Circuit C Head Pressure Speed	SPD.C	Service Test→QUIC	
Circuit A Oil Heater	HT.A	Service Test→QUIC	
Circuit A Slide Valve 1	SL1.A	Service Test→QUIC	
Circuit A Slide Valve 2	SL2.A	Service Test→QUIC	
Circuit A Hot Gas Bypass	HGP.A	Service Test→QUIC	
Circuit A Oil Solenoid	OLS.A	Service Test→QUIC	
Circuit A DGT Cool Solenoid	DGT.A	Service Test→QUIC	
Circuit B Oil Heater	HT.B	Service Test→QUIC	
Circuit B Slide Valve 1	SL1.B	Service Test→QUIC	
Circuit B Slide Valve 2	SL2.B	Service Test→QUIC	
Circuit B Hot Gas Bypass	HGP.B	Service Test→QUIC	
Circuit B Oil Solenoid	OLS.B	Service Test→QUIC	
Circuit B DGT Cool Solenoid	DGT.B	Service Test→QUIC	
Circuit C Oil Heater	HT.C	Service Test→QUIC	
Circuit C Slide Valve 1	SL1.C	Service Test→QUIC	
Circuit C Slide Valve 2	SL2.C	Service Test→QUIC	
Circuit C Hot Gas Bypass	HGP.C	Service Test→QUIC	
Circuit C Oil Solenoid	OLS.C	Service Test→QUIC	
Circuit C DGT Cool Solenoid	DGT.C	Service Test→QUIC	
Water Exchanger Pump 1	PMP.1	Service Test→QUIC	
Water Exchanger Pump 2	PMP.2	Service Test→QUIC	
Water Exchanger Pump 3	PMP.3	Service Test→QUIC	
Cooler Heater Output	CL.HT	Service Test→QUIC	
Cir A Heater Ball Valve	BVL.A	Service Test→QUIC	
Cir B Heater Ball Valve	BVL.B	Service Test→QUIC	
Cir C Heater Ball Valve	BVL.C	Service Test→QUIC	
Chiller Ready Status	Q.RDY	Service Test→QUIC	
Chiller Running Output	Q.RUN	Service Test→QUIC	
Customer Shutdown Out	SHUT	Service Test→QUIC	
Chiller Capacity in 0-10V	CATO	Service Test→QUIC	
Alarm Relay Output	ALRM	Service Test→QUIC	
Alert Relay Output	ALRT	Service Test→QUIC	

Operating Data:

Record the following information from the Run Status, Temperatures and Outputs Modes when machine is in a stable operating condition.

TEMPERATURES

COOLER ENTERING FLUID EWT _____
 COOLER LEAVING FLUID LWT _____
 CONTROL POINT CTPT _____
 CAPACITY CAP _____
 OUTSIDE AIR TEMPERATURE OAT _____
 LEAD/LAG LEAVING FLUID CHWS _____ (Dual Chiller Control Only)

CIRCUIT A	CIRCUIT B	CIRCUIT C
SCT.A _____	SCT.B _____	SCT.C _____
SST.A _____	SST.B _____	SST.C _____
DGT.A _____	DGT.B _____	DGT.C _____
SGT.A _____	SGT.B _____	SGT.C _____
SUP.A _____	SUP.B _____	SUP.C _____
ECT.A _____	ECT.B _____	ECT.C _____
ESH.A _____	ESH.B _____	ESH.C _____
CTP.A _____	CTP.B _____	CTP.C _____
EXV.A _____	EXV.B _____	EXV.C _____
ECO.A _____	ECO.B _____	ECO.C _____

NOTE: EXV A,B,C positions are found in the output mode.

COMPRESSOR MOTOR CURRENT

	L1	L2	L3
COMPRESSOR A1	_____	_____	_____
COMPRESSOR B1	_____	_____	_____
COMPRESSOR C1	_____	_____	_____

CONDENSER FAN MOTOR CURRENT

	L1	L2	L3		L1	L2	L3		L1	L2	L3
FAN MOTOR A1	_____	_____	_____	FAN MOTOR B1	_____	_____	_____	FAN MOTOR C1	_____	_____	_____
FAN MOTOR A2	_____	_____	_____	FAN MOTOR B2	_____	_____	_____	FAN MOTOR C2	_____	_____	_____
FAN MOTOR A3	_____	_____	_____	FAN MOTOR B3	_____	_____	_____	FAN MOTOR C3	_____	_____	_____
FAN MOTOR A4	_____	_____	_____	FAN MOTOR B4	_____	_____	_____	FAN MOTOR C4	_____	_____	_____
FAN MOTOR A5	_____	_____	_____	FAN MOTOR B5	_____	_____	_____	FAN MOTOR C5	_____	_____	_____
FAN MOTOR A6	_____	_____	_____	FAN MOTOR B6	_____	_____	_____	FAN MOTOR C6	_____	_____	_____
FAN MOTOR A7	_____	_____	_____	FAN MOTOR B7	_____	_____	_____	FAN MOTOR C7	_____	_____	_____
FAN MOTOR A8	_____	_____	_____	FAN MOTOR B8	_____	_____	_____	FAN MOTOR C8	_____	_____	_____
FAN MOTOR A9	_____	_____	_____	FAN MOTOR B9	_____	_____	_____				
FAN MOTOR A10	_____	_____	_____	FAN MOTOR B10	_____	_____	_____				
FAN MOTOR A11	_____	_____	_____	FAN MOTOR B11	_____	_____	_____				
FAN MOTOR A12	_____	_____	_____	FAN MOTOR B12	_____	_____	_____				
FAN MOTOR A13	_____	_____	_____								
FAN MOTOR A14	_____	_____	_____								

CUT ALONG DOTTED LINE

CUT ALONG DOTTED LINE

CUT ALONG DOTTED LINE

CUT ALONG DOTTED LINE