

# RAM ARMS

CNH Part Number	RAM Part Number	Description	Image	Ball Size	Arm Length
91770341	RAM-B-201U-A	B Size (1" Socket Arm, Short Length		B	Short
47762148	RAM-B-201U	B Size (1" Socket Arm, Standard Length		B	Medium
21.61601	RAM-B-201U-C	B Size (1" Socket Arm, Long Length		B	Long
87284257	RAM-201U	C Size (1.5" Socket Arm, Standard Length		C	Medium

87645094	RAM-201U-B	C Size (1.5") Socket Arm, Short Length		C	Short
21.51237	RAM-201U-D	C Size (1.5") Socket Arm, Long Length		C	Long
90479640	RAM-D-201U	D Size (2.25") Socket Arm, Standard Length		D	Medium
90480279	RAM-D-201U-C	D Size (2.25") Socket Arm, Short Length		D	Short

21.51317	RAP-BC-201U	Swivel Double Socket Arm for B Size & C Size 	C	N/A
90479630	RAM-261-ADJU	Ratchet & Swing Arm with 1/2" NPT Hole and Single socket Arm 	C	
21.51318	RAP-B-200-1U	Single Socket Arm with Octagon Button Socket 	B	
21.51320	RAP-200-1U	Single Socket Arm with Octagon Socket 	C	
21.51319	RAP-280U	Composite Double Octagon Button (used to combine 21.51318 and/or 21.51320 to form a double socket arm with the capability to rotate 360° in the center of the arm. Also gives the ability to have a B size 1" ball socket on one side and a C size 1.5" ball socket on the other. Intended for light duty use. 	N/A	


# RAM BASES/MOUNTS

CNH Part Number	RAM Part Number	Description	Ball Size
91770789	RAP-TRACK-B7U	RAM® Tough-Track™ - 4" Track for 5/8" - 1 1/4" Rails 	N/A
91770582	RAP-TRACK-B12U	RAM® Tough-Track™ - 9" Track for 5/8" - 1 1/4" Rails 	N/A
91770787	RAP-TRACK-B18U	RAM® Tough-Track™ - 15" Track for 5/8" - 1 1/4" Rails 	N/A
91770344	RAP-354U-TRA1	RAM® Track Ball™ with T-Bolt Attachment 	C
91770345	RAP-B-354U-TRA1	RAM® Track Ball™ with T-Bolt Attachment 	B

48165853	RAP-224-1U	<p>Twist-Lock™ Suction Cup Base</p> 	N/A
73344505	RAM-B-224-1U	<p>Twist-Lock™ Suction Cup Base with Ball</p> 	B
73344508	RAP-365-224-1U	<p>Twist-Lock™ Triple Suction Cup Ball Base</p> 	C
21.42423	RAM-B-231ZU	<p>B Size (1") Handlebar U-Bolt Base for Rails .5"-1.25"</p> 	B

73344509	RAM-B-231U	B Size (1") Handlebar U-Bolt Base for Rails .5"-1"		B
51427982	RAM-235-2U	C Size (1.5") Double U-Bolt Ball Base for .75"-1" Rails		C
48165528	RAM-B-235U	B Size (1") Double U-Bolt Ball Base for 1"-1.25" Rails		B
87284259	RAM-235U	C Size (1.5") Double U-Bolt Ball Base for 1"-1.25" Rails		C
73344506	RAM-B-238U	B Size (1") Diamond Ball Base		B

47949738*	N/A	Consists of: - Qty. 1 of C Size (1.5") Diamond Ball Base - Qty. 1 Backing Plate - Qty. 2 Thumb Screws - Qty. 2 Flat Washers - Qty. 2 Lock Washers		C
21.71610	RAM-B-202U	Round Plate (2.5") with B Size Ball (1")		B
47762152	RAM-202U	Round Plate (2.5") with C Size Ball (1.5")		C
90479641	RAM-D-202U	Large Round Plate (3.68") with D Size Ball (2.25")		D
47976406	RAP-379U-M1217512	Tough-Ball™ with M12-1.75 x 12mm Threaded Stud		C





91772789	RAP-B-379U-312462	RAM® Tough-Ball™ with 5/16"-24 X .625" Threaded Stud		
21.61596	RAM-B-236U	Ball Adapter with 3/8"-16 Threaded Post		B
87432348	RAM-236U	C Size (1.5") Ball Adapter with 3/8" - 16 Threaded Post		C
91770340	RAM-B-337-1U	RAM® Add-A-Ball™ for RAM® Torque™ Large Rail Bases		B
73344510	RAM-B-347U	Ball Adapter with AMPS Plate		B








84339795	RAM-347U	Ball Adapter with 1/4"-20" Female Threaded Hole and Hex Post		C
87386398	RAM-2461U	C Size (1.5") 75x75mm VESA Plate (3.625"x3.625") with Ball		C
47949740	RAM-2462U	C Size (1.5") 35x75mm VESA Plate (2.1"x3.625") with Ball		C
90479635	RAM-271U-12	C Size (1.5") Rail Clamp Ball Base for 1.25"-1.875" Rails		C

90479634	RAM-271U-2	C Size (1.5") Rail Clamp Ball Base for 2"-2.5" Rails		C
90479628	RAM-231-1U	C Size (1.5") Handlebar U-Bolt Base for Rails 1"-1.25"		C
48142605	RAM-HOL-UN7-BALLU	RAM® Ball Adapter for RAM® X-Grip®		B
90479636	RAM-304B-HP	Horizontal Mounting Base with 1/2" NPT Post		N/A
90479637	RAM-304B-VP	Vertical Mounting Base with 1/2" NPT Post		N/A


# RAM TECH MOUNTS

CNH Part Number	RAM Part Number	Description	Ball Size
47762155	RAM-HOL-UN9U	X-Grip® Universal Holder for 9"-10" Tablets 	N/A
47762521	RAM-HOL-UN9-235U	X-Grip® Mount with Double U-Bolt Base for 9"-10" Tablets and Medium Length Arm 	C
91770342	RAM-HOL-PD4-238AU	RAM® Quick-Grip™ XL Phone Holder with Ball 	B
91770343	RAM-HOL-UN14WB	RAM® Quick-Grip™ Waterproof Wireless Charging Holder with Ball 	B



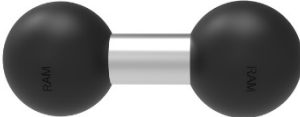
47762523	RAM-HOL-UN7B-235U	X-Grip® Phone Mount with Double U-Bolt Base and Medium Length Arm		B
47763009	RAM-HOL-UN7BU	X-Grip® Universal Phone Holder with Ball		B
48133480	RAP-B-102-UN7U	X-Grip® Composite Phone Mount with Diamond Base and Medium Length Arm		B
48165525	RAM-HOL-AP17U	EZ-Roll'r Cradle for Apple iPad 6th gen, Air 1-2 & Pro 9.7		N/A
73344511	RAM-HOL-TAB3U	Tab-Tite™ Tablet Holder for Apple iPad Gen 1-4 and more		N/A

# RAM ASSEMBLIES

CNH Part Number	RAM Part Number	Description	Ball Size	Arm Length
48165791	RAM-B-103U	<p>Consists of:</p> <ul style="list-style-type: none"> <li>- Qty. 1 of 47762148 B Size (1") Socket Arm, Standard Length</li> <li>- Qty. 1 of 21.71601 2.5" Round Plate with B Size (1") Ball</li> </ul>	B	Medium
48165874	RAM-B-102U-C	<p>Consists of:</p> <ul style="list-style-type: none"> <li>- Qty. 2 of 73344506 Diamond Ball (B Size - 1") Base</li> <li>- Qty. 1 of 21.61601 B Size (1") Socket Arm, Long Length</li> </ul>	B	Long
51565783	RAM-101U-B	<p>Consists of:</p> <ul style="list-style-type: none"> <li>- Qty. 2 of 47762152 Round Plate (2.5") with C Size Ball (1.5")</li> <li>- Qty. 1 of 87645094 C Size (1.5") Socket Arm, Short Length</li> </ul>	C	Short
84189824	RAM-B-101U-C	<p>Consists of:</p> <ul style="list-style-type: none"> <li>- Qty. 2 of 21.71610 Round Plate (2.5") with B Size Ball (1")</li> <li>- Qty. 1 of 21.61601 B Size (1") Socket Arm, Long Length</li> </ul>	B	Long

87284256*	RAM-101U-CA1	<p>Arm Assembly, Monitor Mount consists of:</p> <ul style="list-style-type: none"> <li>- Qty. 1 of 87284259 C Size (1.5") Double U-Bolt Ball Base for 1"-1.25" Rails</li> <li>- Qty. 1 of 87284257 C Size (1.5") Socket Arm, Standard Length</li> <li>- Qty. 1 of 47762152 Round Plate (2.5") with C Size Ball (1.5")</li> </ul>		C	Medium
87386396	RAM-334-1U	<p>Consists of:</p> <ul style="list-style-type: none"> <li>- Qty. 1 of 51427982 C Size (1.5") Double U-Bolt Ball Base for .75"-1" Rails</li> <li>- Qty. 1 of 87386398 C Size (1.5") 75x75mm VESA Plate (3.625"x3.625") with Ball</li> <li>- Qty. 1 of 87284257 C Size (1.5") Socket Arm, Standard Length</li> </ul>		C	Medium
87645133	RAM-102U-B-2461	<p>Consists of:</p> <ul style="list-style-type: none"> <li>- Qty. 2 of 87386398 C Size (1.5") 75x75mm VESA Plate</li> <li>- Qty. 1 of 87645094 C Size (1.5") Socket Arm, Short Length</li> </ul>		C	Short
90479639	RAM-D-101U-C	<p>Consist of:</p> <ul style="list-style-type: none"> <li>- Qty. 2 of 90479641 Large Round Plate (3.68") with D Size Ball (2.25")</li> <li>- Qty. 1 of 90480279 D Size (2.25") Socket Arm, Short Length</li> </ul>		D	Short

# RAM ADAPTERS

CNH Part Number	RAM Part Number	Description	Ball Size
21.42426	Ram-330U	Ball Adapter with 1/2" NPT Hole and Tightening Knob 	C
51674415	RAM-230U	Double Ball Adapter 	C
73344507	RAM-B-230U	Double Ball Adapter 	B

\*Product not available to all brands. Check CSPA for availability within your brand(s).