



Skid Steer Loaders &
Compact Track Loaders










Loader
Backhoes

Wheel
Loaders

Excavators

Telehandlers

Table of Contents

General Information	GI-1	
Skid Steer Loaders/Compact Track Loaders	SS-1	
Loader Backhoes	LBH-1	
Compact Wheel Loaders	CWL-1	
Wheel Loaders	WL-1	
Mini Excavators	MHEX-1	
Excavators	EX-1	
Telehandlers	TLH-1	
Manufacturer's Warranties	MW-1	



General Information



SINCE 1842





HOW TO USE THIS CATALOG

- 1** Unit includes hoses and quick disconnects.

	PART NUMBER	WEIGHT LB
60" UTILITY SCRAP GRAPPLE	47443888	808
66" UTILITY SCRAP GRAPPLE	47443890	858
72" UTILITY SCRAP GRAPPLE	47443892	905

3

MODEL COMPATIBILITY	SR130	SR150	SR160	SR175	SR185	SR200	SR210	SR220	SR240	SV250	SR250	SR270	SV280	SV300	SV340	TR270	TR310	TR320	TR340	TV370	TV380	TV450	REQ'D EQUIPMENT											
	410	420	430	440	435	445	450	465	420CT	440CT	445CT	450CT	STD FLOW	HIGH FLOW	EHF	CASE DRAIN	FRONT ELEC	DEMO DOOR	2ND AUX															
60" UTILITY SCRAP GRAPPLE	•	•																							R									
66" UTILITY SCRAP GRAPPLE	•	•	•			•										•									R									
72" UTILITY SCRAP GRAPPLE		•	•	•	•	•										•									R									

- Unit refers to the attachment. All CASE attachments are designed specifically for CASE machines and come standard with the correct quick disconnects, hose length and hose routing for proper fit up.
- Operating weight of the attachment
- Provides the CASE models for which each attachment is compatible.
- Provides the requirements for the CASE machine model. For example, if the machine needs to have High Flow auxiliary hydraulics, there will be in an "R" in that column.

Required Equipment Legend:

- STD FLOW:** Standard flow auxiliary hydraulics
- HIGH FLOW:** High flow auxiliary hydraulics
- EHF:** Enhanced High Flow auxiliary hydraulics
- CASE DRAIN:** Separate connection for auxiliary hydraulics
- FRONT ELEC:** Auxiliary front electric control kit
- DEMO DOOR:** Demolition door
- 2ND AUX:** Second auxiliary or attachment valve with extra auxiliary hydraulic function
- R:** Required
- O:** Optional

CASE OEM ATTACHMENT ADVANTAGE

Our OEM attachments are tested and configured to match OEM specifications to deliver performance and fit. OEM attachments are plug and play: meaning our engineers make sure the connections and configurations are ready from the start and avoid retrofits – saving customers time and money.

PRICE LIST

An Attachment price list is available on the Dealer Portal. The price list provides DNET and List price, as well as an interactive tab that calculates Attachment Commitment Program discount, Ordering Level discount, and Service fee. To access on the Dealer Portal:

- Wholegoods > Product Information > Attachments & Ground Engaging Tools > Attachments
- Parts > Product Information > Attachments & Ground Engaging Tools > Attachments

AVAILABILITY AND LEAD TIME

To check availability of attachments fulfilled from our Central Stocking Location, please use the web site below. Use the search functionality to find a part number. If part number has inventory available, the lead time is 2-5 business days processing, plus shipping.

- Web site: <https://extranet.venchurs.com>
- User ID (case sensitive): CNHUser
- Password (case sensitive): CNHUser1!

For part numbers that have “0” quantity, as well as for part numbers not listed on the web site, please contact Parts & Service Inside Sales for availability and lead time.

- Parts & Service Inside Sales: 1-855-CNH-PART (1-855-264-7278), Option #2

WILL CALL

For dealers picking up attachments directly from the supplier. The 3% service fee is offset with 3% additional cash discount. Will Call orders must be placed by phone with Parts & Service Inside Sales.

- Parts & Service Inside Sales: 1-855-CNH-PART (1-855-264-7278), Option #2

SHIPMENT STATUS

To check the shipment status on an order that has been placed, please contact Dealer Parts Support at 1-855-CNH-PART (1-855-264-7278), Option #1.

ORDERING PROGRAMS

2019 Construction Attachments Commitment Program

For order placements, use ordering levels defined below	2019 Commitment Level (USD*)		Commitment Discount	
	\$75,000 - \$124,999		3%	
	\$125,000 - \$249,999		4%	
	\$250,000+		5%	

For order placements, use ordering levels defined below	2019 Commitment Level (CND*)		Commitment Discount	
	\$100,000 - \$164,999		3%	
	\$165,000 - \$329,999		4%	
	\$330,000+		5%	

2019 Construction Attachments Ordering Level Discount or Terms

	Ordering Levels (USD*)	Service Fee	Freight Charge	Terms	Cash Discount
Order Type 54 – Cash Order Type 56 - Terms	\$1 - \$14,999	3%	No	N/A	0%
	\$15,000 - \$24,999	3%	No	T1 (3 equal)	1%
	\$25,000+	3%	No	T4 (Ext, 6)	2%

* Ordering Levels will only be in US Dollars. The order level for Canadian dealers is based on the current market exchange rate, which is updated monthly.

Eligible Product:

- Only Direct from Supplier (DFS) product available in the Construction (CE) Attachments Program (DFS CE Attachments are under MPL 390, excludes Sectional Snow Pushers) are eligible for CE Attachments Commitment Program discounts, and CE Attachments Ordering Level Cash Discount or Terms
- The annual CE Attachments Commitment Program volume is based on:
 - DFS CE Attachments
 - DFS All-Makes Attachments (MPL 399)
 - Sectional Snow Pushers

**THIS PAGE
INTENTIONALLY
LEFT BLANK**



Skid Steer Loaders/ Compact Track Loaders



SINCE 1842





Adapter	SS-2	Mulcher	SS-49-50
Auger	SS-3-5	Pallet Fork	SS-51-52
Auto Rake	SS-6	Pallet/Nursery Fork – Hydraulic	SS-53
Backhoe	SS-7	Post Driver	SS-54
Backhoe Options & Accessories	SS-8-10	Preparator® Landscape Rake	SS-55-56
Backhoe Specifications	SS-11	Rear Stabilizer	SS-57
Bale Handler	SS-12	Rock Bucket	SS-58
Bale Spear	SS-13	Rock Saw	SS-59-60
Broom, Angle	SS-14	Root Rake	SS-61
Broom, Hopper	SS-15	Rotary Cutter	SS-62
Broom, Pick-Up – Standard and VS Vacuum	SS-16	Rotary Cutter - Extreme	SS-63
Bucket, 4X1 (Utility)	SS-17	Silage Defacer	SS-64
Bucket, 4X1 (Construction)	SS-18	Silt Fence Installer	SS-65
Bucket, Power Side Discharge	SS-19	Skid Hoe	SS-66
Chipper	SS-20	Snow Blade (Standard Duty)	SS-67
Cold Planer, High Flow	SS-21-22	Snow Blade (Heavy Duty)	SS-68
Cold Planer, Standard Flow	SS-23	Snow Blade/Pusher (Hydraulic)	SS-69-70
Cold Planer – Specifications	SS-24	Snow Blade, Trip Edge	SS-71
Cold Planer – LT Series	SS-25-26	Snow Blower, High Flow	SS-72-73
Concrete Bucket	SS-27	Snow Blower, Standard Flow	SS-74
Concrete Claw	SS-28	Snow Bucket	SS-75
Dozer Blade	SS-29	Snow Push	SS-76
Grading Box, Laser	SS-30-31	Snow Push – Sectional	SS-77
Grapple, Brush Construction	SS-32-33	Snow V-Blade	SS-78-79
Grapple, Brush Utility	SS-34-35	Stump Grinder	SS-80-81
Grapple, Farm	SS-36	Three-Point Hitch	SS-82
Grapple, Large Capacity	SS-37	Tree Puller	SS-83
Grapple, Log	SS-38	Tiller	SS-84
Grapple, Scrap Construction	SS-39-40	Tilt-Attach	SS-85
Grapple, Scrap Utility	SS-41	Tracks, Steel	SS-86
Harley Power Box Rake®	SS-42	Tree Shovel	SS-87
Hydraulic Hammer	SS-43-44	Tree Spade	SS-88-89
Lift Boom	SS-45	Trencher	SS-90-92
Load Monitor	SS-46	Vibratory Roller (Padfoot Drum)	SS-93
Manure Fork & Manure Fork w/Grapple	SS-47	Vibratory Roller (Smooth Drum)	SS-94
Manure Scraper	SS-48	Water Kit	SS-95

	PART NUMBER	WEIGHT LB
ADAPTER, SSL ATTACHMENT BLANK, Standard Duty	84397477	75
ADAPTER, SSL ATTACHMENT BLANK, Heavy Duty	84397478	123

MODEL COMPATIBILITY	SR130 SR150 SR160	SR175 SV185	SR200 SR210	SR220 SR240		SV250 SR250 SR270 SV280	SV300 SV340		TR270	TR310		TR320 TR340 TV370 TV380 TV450
	410	420	430	440	435	445 450	465	420CT		440CT	445CT 450CT	
ADAPTER PLATE - STD	•	•	•									
ADAPTER PLATE - HD	•	•	•	•	•	•	•	•	•	•	•	•

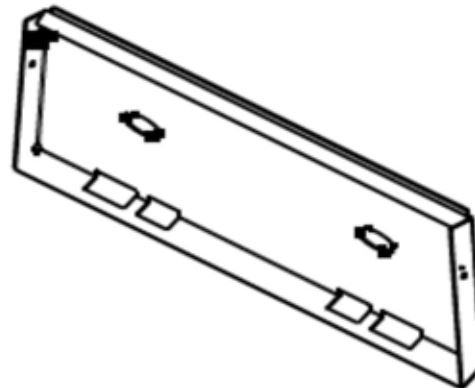
FEATURES

- Std Duty - 1/4" steel construction
- Heavy Duty - 3/8" steel construction with reinforced upper hitch bar

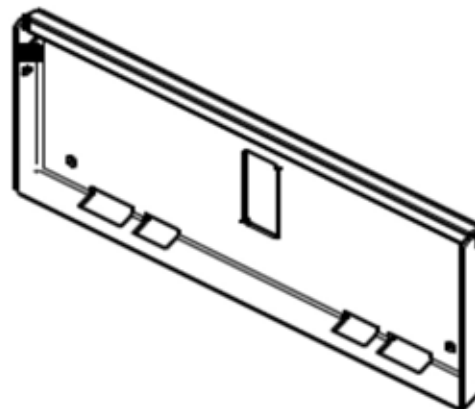
APPLICATIONS

- Used to adapt special attachments to skid steer coupler

Standard Duty



Heavy Duty



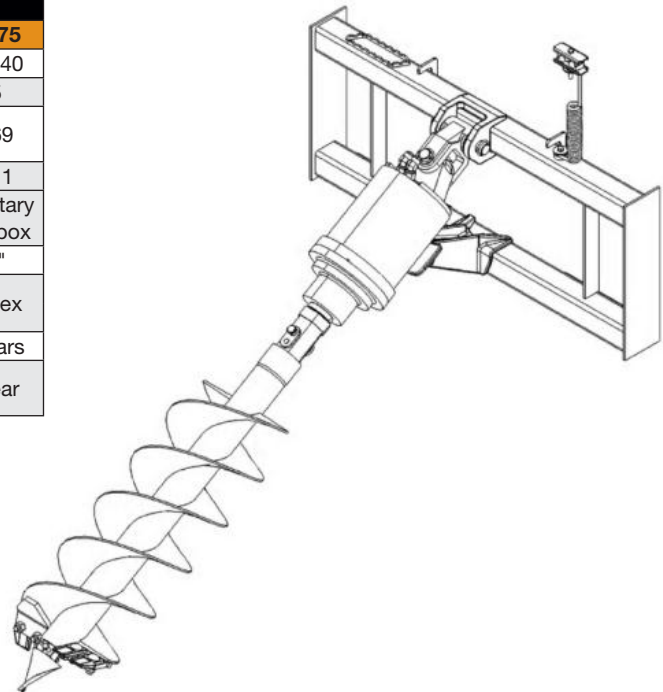
Unit includes mounting bracket, auger drive head, hoses and quick disconnects. Must order bit for complete unit.

	PART NUMBER	WEIGHT LB
X1475R256 DRIVE UNIT, 2-9/16" round output shaft	87042591	457
X1475H200 DRIVE UNIT, 2" hex output shaft	87042592	457
X1975R256 DRIVE UNIT, 2-9/16" round output shaft	87042593	457
X1975H200 DRIVE UNIT, 2" hex output shaft	87042594	457
X2475H200 DRIVE UNIT, 2" hex output shaft	47898620	457
X5075H200 DRIVE UNIT, 2" hex output shaft (high flow auxiliary hydraulics and case drain required)	87488593	586

MODEL COMPATIBILITY	SR130 SR150 SR160		SR175 SV185		SR200 SR210		SR220 SR240		SV250 SR250 SR270 SV280		SV300 SV340		TR270 TR310			TR320 TR340 TV370 TV380 TV450			REQ'D EQUIPMENT			
		410	420		430 440	435 445		450 465	420CT		440CT 445CT 450CT		STD FLOW	HIGH FLOW	CASE DRAIN	FRONT ELEC	DEMO DOOR	2ND AUX				
AUGER DRIVE, X1475 (10-25)	•	•	•	•	•	•	•	•	•	•	•	•	R									
AUGER DRIVE, X1975 (15-30)		•	•	•	•	•	•	•	•	•	•	•	R									
AUGER DRIVE, X2475 (20-35)				•	•	•	•	•	•	•	•	•	R	*								
AUGER DRIVE, X5075 (28-40)			•	•	•	•	•	•	•	•	•	•		R	R							

* X2475 may be operated as high flow up to 35 gpm

Auger Model	SPECIFICATIONS			
	X1475	X1975	X2475	X5075
Flow (gpm)	10 - 25	15 - 30	20 - 35	28 - 40
RPM @ max flow	96	100	73	85
Max Torque @ max flow and pressure (ft-lb)	2377	2769	3451	5069
Gear Reduction	3.8:1	3.8:1	3.8:1	6.1:1
	Planetary Gearbox	Planetary Gearbox	Planetary Gearbox	Planetary Gearbox
Max auger diameter	30"	36"	36"	36"
Output shaft	2-9/16" Rd	2-9/16" Rd	2" Hex	2" Hex
	2" Hex	2" Hex		
Warranty - Gearbox	5 Years	5 Years	5 Years	5 Years
Warranty - Other, (non-wear)	1 Year	1 Year	1 Year	1 Year



Auger Options (Continued next page)

AUGER OPTIONS

HDF STYLE AUGERS	PART NUMBER	WEIGHT LB
2-9/16" Round Coupler		
6" X 4' Auger	9863606	40
9" X 4' Auger	9863607	86
12" X 4' Auger	9863608	115
15" X 4' Auger	9863609	136
18" X 4' Auger	9863610	176
24" X 4' Auger	9863611	278
30" X 4' Auger	9863612	325
36" X 4' Auger	9863613	443

HDF STYLE AUGERS	PART NUMBER	WEIGHT LB
2" Hex Coupler		
6" X 4' Auger	9863626	40
9" X 4' Auger	9863627	86
12" X 4' Auger	9863628	115
15" X 4' Auger	9863629	136
18" X 4' Auger	9863630	176
24" X 4' Auger	9863631	278
30" X 4' Auger	9863632	325
36" X 4' Auger	9863633	443

HDC STYLE AUGERS	PART NUMBER	WEIGHT LB
2-9/16" Round Coupler		
6" X 4' Auger	9863614	45
9" X 4' Auger	9863615	98
12" X 4' Auger	9863616	128
15" X 4' Auger	9863617	139
18" X 4' Auger	9863618	204
24" X 4' Auger	9863619	272
30" X 4' Auger	9863620	312
36" X 4' Auger	9863621	430

HDC STYLE AUGERS	PART NUMBER	WEIGHT LB
2" Hex Coupler		
6" X 4' Auger	9863634	45
9" X 4' Auger	9863635	98
12" X 4' Auger	9863636	128
15" X 4' Auger	9863637	139
18" X 4' Auger	9863638	204
24" X 4' Auger	9863639	272
30" X 4' Auger	9863640	312
36" X 4' Auger	9863641	430



HDF STYLE AUGERS

For light to moderate ground conditions

- Fabricated boring head
- Hardened bolt-on teeth
- Hardened "fishtail" point
- Heavy-duty double flighting
- 4' overall length



HDC STYLE AUGERS

For difficult ground conditions, compacted soils, heavy clay, asphalt, frozen ground fracturable rock

- HD cast boring head
- Hardened, drive-in teeth
- Hardened "fishtail" point
- Heavy-duty double flighting
- 4' overall length

Auger extensions and adapters (Continued next page)

HTF STYLE AUGERS	PART NUMBER	WEIGHT LB
2-9/16" Round Coupler		
18" X 4' Auger	9863622	144
24" X 4' Auger	9863623	198
30" X 4' Auger	9863624	264
36" X 4' Auger	9863625	349

HTF STYLE AUGERS	PART NUMBER	WEIGHT LB
2" Hex Coupler		
18" X 4' Auger	9863642	144
24" X 4' Auger	9863643	198
30" X 4' Auger	9863644	264
36" X 4' Auger	9863645	349

SRR ROCK AUGERS	PART NUMBER	WEIGHT LB
2" Hex Coupler		
6" X 4' Rock Auger	47904378	82
9" X 4' Rock Auger	47904381	110
12" X 4' Rock Auger	47904382	137
16" X 4' Rock Auger	47904383	171
18" X 4' Rock Auger	47904384	192
20" X 4' Rock Auger	47904385	239
24" X 4' Rock Auger	47904386	285
30" X 4' Rock Auger	47904387	315
36" X 4' Rock Auger	47904388	414

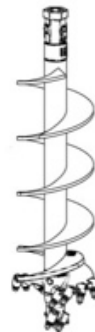
AUGER EXTENSIONS AND ADAPTERS	PART NUMBER	WEIGHT LB
2" hex female to 2-9/16" round male	9863646	16
2-9/16" round female to 2" hex male	9863647	15
2" hex female to 2" round male	87042596	10
2-9/16" round female to 2" round male	87042597	12
12" extension, 2-9/16" round	87042598	21
24" extension, 2-9/16" round	87042600	39
12" extension, 2" hex	87042601	20
24" extension, 2" hex	87042602	32
48" extension, 2" hex	84514060	57



HTF STYLE AUGERS

For tree and shrub planting

- Fabricated boring head
- Two-diameter design
- Hardened, bolt-on teeth
- Hardened "fishtail" point
- HD double flighting
- 4' overall length



SRR Rock Augers

For solid, fracturable rock, frozen ground and compacted soils

- Bullet style teeth
- Fabricated boring head
- HD single flighting
- 2" hexagon collar only
- .75" thick bottom flight and a hardface outer edge
- 4' overall length

Unit includes mounting plate, hoses and quick couplers.

	PART NUMBER	WEIGHT LB
AUTO RAKE, 66"	279530A1	1092
AUTO RAKE, 76"	251357A1	1200

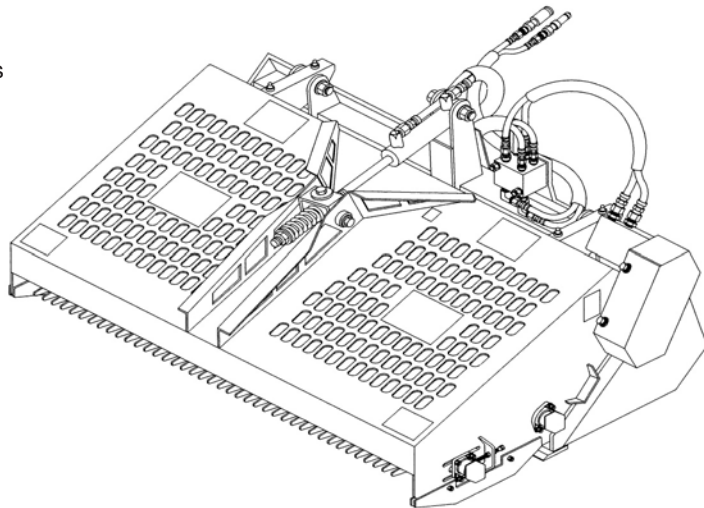
MODEL COMPATIBILITY	SR130	SR150	SR160	SR175	SV185		SR200	SR210	SR220	SR240		SV250	SR250	SV280	SR270	SV340		TR270	TR310		TR320	TR340	TV370	TV380	TV450	REQ'D EQUIPMENT						
	410	420			430				440	435		445	450	465	420CT			440CT	445CT	450CT						STD FLOW	HIGH FLOW	CASE DRAIN	FRONT ELEC	DEMO DOOR	2ND AUX	
AUTO RAKE, 66"	•	•	•	•	•	•	•	•	•	•	•	•	•	•	•	•	•	•	•	•	•	•	•	•	•	R						
AUTO RAKE, 76"		•	•	•	•	•	•	•	•	•	•	•	•	•	•	•	•	•	•	•	•	•	•	•	•	R						

FEATURES

- Grooms and finishes soil for seeding and sodding
- Picks up rocks from 3/4" to 6" in diameter and collects them in the hopper
- Breaks up clods and levels soil
- Easy to dump collected debris, simply raise the loader boom and open the shroud hydraulically

REQUIREMENTS FOR OPERATION

- Standard auxiliary hydraulics
- Rear counterweight on 1800 Series



WORKING WIDTH	66 in.	76 in.
Overall Width	73.8 in.	83.8 in.
Height	40 in.	40 in.
Depth	64 in.	64 in.
Hopper Capacity	13 cu. ft.	15 cu. ft.

Units includes fold-down stabilizers. Vertical stabilizer may be substituted on 509B, 511B, 611B (extra charge). Must order mounting kit, stabilizer pad option as indicated and bucket for complete unit. Backhoes are not compatible with cab or demolition doors. Doors must be removed for backhoe operation.

AUXILIARY BOOM HYDRAULICS REQUIRED. REAR COUNTERWEIGHTS OR REAR STABILIZERS RECOMMENDED.	PART NUMBER	WEIGHT LB
Model 485 Backhoe (Fold-down stabilizers included with dirt pads only. Bolt-on rubber pads are optional.)	87498441	1010
Model 509B Backhoe (Must select pad option for fold-down or vertical stabilizers)	47670832	1525
Model 511B Backhoe (Must select pad option for fold-down or vertical stabilizers)	47670834	1694
Model 611B Backhoe (Must select pad option for fold-down or vertical stabilizers)	47670835	1930

MODEL COMPATIBILITY	410	420	430	440	435 445	450 465	420CT	440CT	445CT	450CT	SR130 SR150 SR160	SR175 w/10x16.5	SR175 w/12x16.5	SV185	SR200 SR210 w/10x16.5	SR200 SR210 w/12x16.5 or 33/15.5x16.5	SR220 SR240	SR250 SR270	SV250 SV280 SV300 SV340	TR270 TR310	TR320 TR340 TV370 TV380 TV450	REQ'D EQUIPMENT						
																						STD FLOW	HIGH FLOW	CASE DRAIN	FRONT ELEC	DEMO DOOR	2ND AUX	
485 BACKHOE	•	•	•				•				•	•	•	•									R					
509B BACKHOE	•	•	•	•	•	•	•	•	•	•		•	•	•	•	•	•	•	•	•	•	•	R					
511B BACKHOE		•	•	•	•	•	•	•	•	•		•	•	•	•	•	•	•	•	•	•	•	R					
611B BACKHOE				•	•	•	•	•	•	•							•	•	•	•	•	•	R					
COMPLETE MOUNTING KIT (BACKHOE AND LOADER HALVES)																												
MOUNTING KIT - 87318192	•	•	•	•			•	•																				
MOUNTING KIT - 87318193					•	•			•																			
MOUNTING KIT - 84420962											•																	
MOUNTING KIT - 84420963												•		•	•													
MOUNTING KIT - 84420965													•			•	•	•	•	•	•	•						
MOUNTING BRACKETS (LOADER HALF ONLY)																												
MOUNTING BRKT - 87318194	•	•	•	•			•	•																				
MOUNTING BRKT - 87318195					•	•			•																			
MOUNTING BRKT - 84466100											•																	
MOUNTING BRKT - 84420966												•		•	•													
MOUNTING BRKT - 84420967													•			•	•	•	•	•	•	•						

MOUNTING KITS (Must Order One to Complete Unit)

	PART NUMBER	WEIGHT LB
Mounting kit for 410, 420, 430, 440, 420CT, 440CT	87318192	223
Mounting kit for 435, 445, 450, 465, 445CT, 450CT	87318193	205
Mounting kit for SR130, SR150, SR160	84420962	250
Mounting kit for SR175, SV185, SR200, SR210 (see table)	84420963	275
Mounting kit for SR175, SR200, SR210, SR220, SR250, SV250, SV300, SV340, TR270, TR320, TR340, TV370, TV380, TV450 (see table)	84420965	270

STABILIZER PAD OPTIONS (Must order one as indicated)

	PART NUMBER	WEIGHT LB
Rubber Street Pads for 485 (fold-down) - not required	84150223	10
Flat Pads for 509B, 511B (fold-down)	47670838	20
Standard Dirt Pads for 509B, 511B (fold-down)	86547400	30
Rubber Street Pads for 509B, 511B (fold-down)	86547423	70
Flat Pads for 611B (fold-down)	47670839	55
Standard Dirt Pads for 611B (fold-down)	47670841	46
Rubber Street Pads for 611B (fold-down)	47670842	95
Flip-Over Pads for 509B, 511B, 611B (fold-down)	86547424	100

FACTORY INSTALLED VERTICAL STABILIZER OPTIONS (Order as needed. Must order pads)

	PART NUMBER	WEIGHT LB
Vertical Stabilizers for 509B, 511B	87034086	90
Vertical Stabilizers for 611B	47670844	90
Standard Dirt Pads for all models (vertical)	86590026	32
Rubber Street Pads for all models (vertical)	86590027	70
Flat Pads for all models (vertical)	86590028	32

FACTORY-INSTALLED OPTIONS (Order as Needed)

	PART NUMBER	WEIGHT LB
C&P Bucket Quick Coupler for 509B, 511B, 611B	84150409	63
Rigid Thumb for 485	87487657	70
Rigid Thumb for 509B, 511B, 611B	87034089	150
Hydraulic Thumb for 509B, 511B, 611B	87034090	150
Hammer Hydraulic Kit for 509B, 511B	47687596	27
Hammer Hydraulic Kit for 611B	47687597	27
2-Way Aux. Hydraulic Kit for 509B, 511B (for hydraulic thumb, hammer and auger applications)	47670854	60
2-Way Aux. Hydraulic Kit for 611B (for hydraulic thumb, hammer and auger applications)	47670855	60

STANDARD PIN-ON BUCKET OPTIONS FOR 485 BACKHOE (Must order bucket for complete unit)

	PART NUMBER	WEIGHT LB
10" Bucket (.9 ft ³)	86547428	72
12" Bucket (1.2 ft ³)	86547429	76
16" Bucket (1.9 ft ³)	86547430	89
18" Bucket (2.1 ft ³)	86547431	95
24" Bucket (3.1 ft ³)	86547432	115

Backhoe Options & Accessories (Continued next page)

STANDARD PIN-ON BUCKET OPTIONS FOR 509B, 511B AND 611B BACKHOES (Must order bucket for complete unit.)

	PART NUMBER	WEIGHT LB
12" Bucket (1.5 ft³)*	84150228	125
16" Bucket (2.2 ft³)*	84150229	148
18" Bucket (2.5 ft³)	84150230	156
20" Bucket (2.9 ft³)	47670859	164
24" Bucket (3.6 ft³)	84150231	180
34" Bucket (5.3 ft³)	84150232	238
36" Bucket (5.7 ft³)*	84150233	246
38" Bucket (6.0 ft³)	84150234	255
Auger Adapter Bracket - Allows Case auger drives to pin onto the dipper. Auger operation requires 2-way aux. hydraulic kit.)	87648164	70
Hammer Adapter Bracket - Allows Case hammers to pin onto the dipper. Hammer operation requires hammer valve kit or 2-way aux. hydraulic kit.	47670861	52
Hammer Adapter, Pin and Bushing Kit - required for above adapter (ships from Willoughby, OH)	47741688	17

* Thumb contacts bucket teeth, others mesh with teeth

C&P MOUNT BUCKET OPTIONS FOR 509B, 511B AND 611B BACKHOES (Requires C&P bucket quick coupler.)

	PART NUMBER	WEIGHT LB
12" C&P 027 Heavy Duty bucket (2.4 ft³)*	87034110	175
18" C&P 027 Heavy Duty bucket (3.5 ft³)	87034112	210
24" C&P 027 Heavy Duty bucket (4.8 ft³)*	87034115	250
30" C&P 027 Heavy Duty bucket (6.1 ft³)	87034116	275
36" C&P 027 Heavy Duty bucket (7.5 ft³)	87034117	300
30" C&P 027 Ditch Cleaning bucket (6.1 ft³)	87034118	250
36" C&P 027 Ditch Cleaning bucket (7.5 ft³)	87034119	275
C&P 027 Ripper Tooth	87034120	150
C&P 027 Auger adapter (allows Case auger to be attached to dipper. Requires auxiliary hydraulic kit)	87034122	115
C&P 027 Hammer Adapter Bracket - Allows Case hammers to attach to C&P coupler. Hammer operation requires hammer valve kit or 2-way aux. hydraulic kit.	47687598	109
Hammer Adapter, Pin and Bushing Kit - required for above adapter (ships from Willoughby, OH)	47741688	17

* Thumb contacts bucket teeth, others mesh with teeth

FIELD INSTALLED OPTIONS (Order as Needed)

	PART NUMBER	WEIGHT LB
Mounting bracket for 410, 420, 430, 440, 420CT, 440CT (Loader side only)	87318194	63
Mounting bracket for 435, 445, 450, 465, 445CT, 450CT (Loader side only)	87318195	40
Mounting bracket for SR130, SR150, SR160 (Loader side only)	84466100	51
Mounting bracket for SR175, SV185, SR200, SR210 (see table) (Loader side only)	84420966	43
Mounting bracket for SR175, SR200, SR210, SR220, SR250, SV250, SV300, SV340, TR270, TR320, TR340, TV370, TV380, TV450 (see table) (Loader side only)	84420967	40
Stabilizer Cylinder Guard Kit – 509B, 511B, 611B (fold-down)	47670869	15
C&P Bucket Quick Coupler for 509B, 511B, 611B	84150410	75
Rigid Thumb for 485	87487658	90
Rigid Thumb for 509B, 511B, 611B	87034125	155
Hydraulic Thumb for 509B, 511B, 611B	87034127	124
Hammer Hydraulic Kit for 509B, 511B	47670874	27
Hammer Hydraulic Kit for 611B	47670875	27

Backhoe Options & Accessories (Continued next page)

FIELD INSTALLED OPTIONS (Order as Needed) - continued

	PART NUMBER	WEIGHT LB
2-Way Aux. Hydraulic Kit for 509B, 511B (for hydraulic thumb, hammer and auger applications)	47670876	60
2-Way Aux. Hydraulic Kit for 611B (for hydraulic thumb, hammer and auger applications)	47670877	60
Field-installed Vertical Stabilizers for 509B, 511B	87034129	230
Field-installed Vertical Stabilizers for 611B	47670853	230

FEATURES

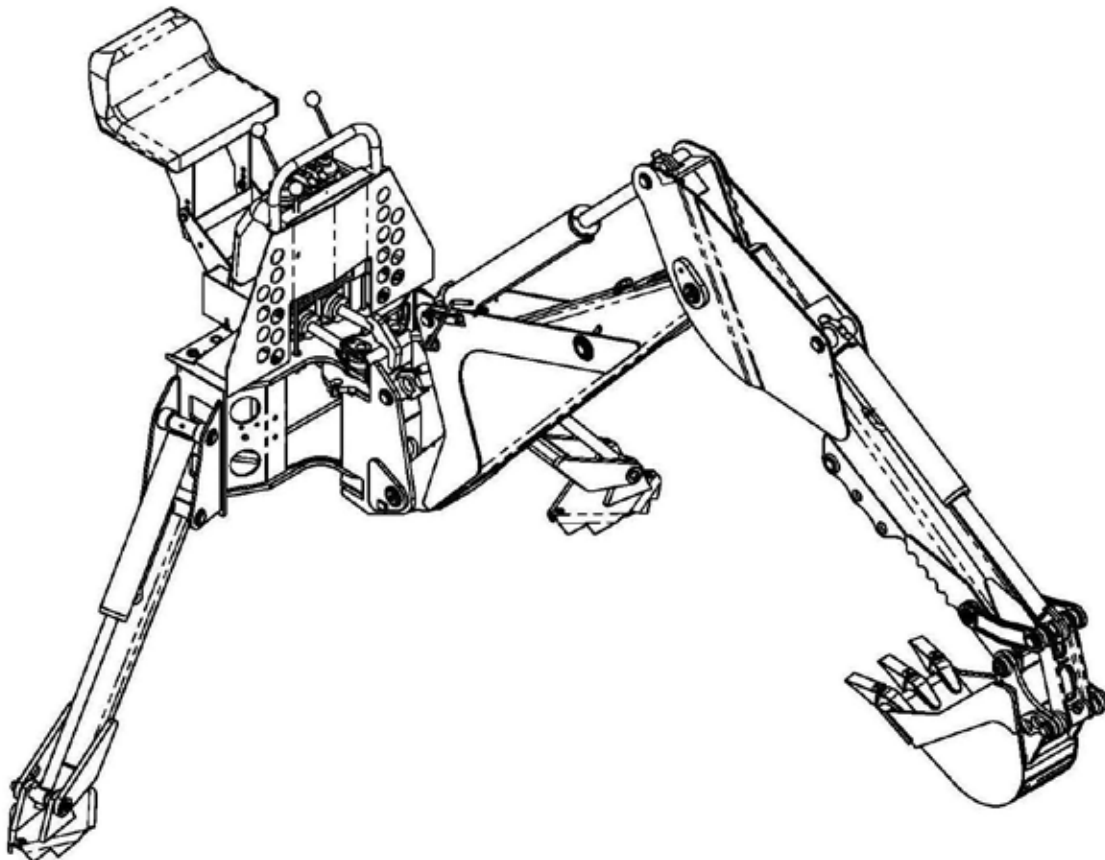
- 611B - Best in class digging force; Best in class reach
- All models thumb-ready
- Dual swing cylinders for maximum power
- Cushioned swing with speed control
- Optional thumbs
- Optional aux. hydraulic kits for thumb, hammer and auger operation (509B, 511B, 611B)
- Fold-down or vertical stabilizer options.
- Standard pin-on or C&P quick mount buckets (509B, 511B, 611B)

REQUIREMENTS FOR OPERATION

- Standard auxiliary hydraulics

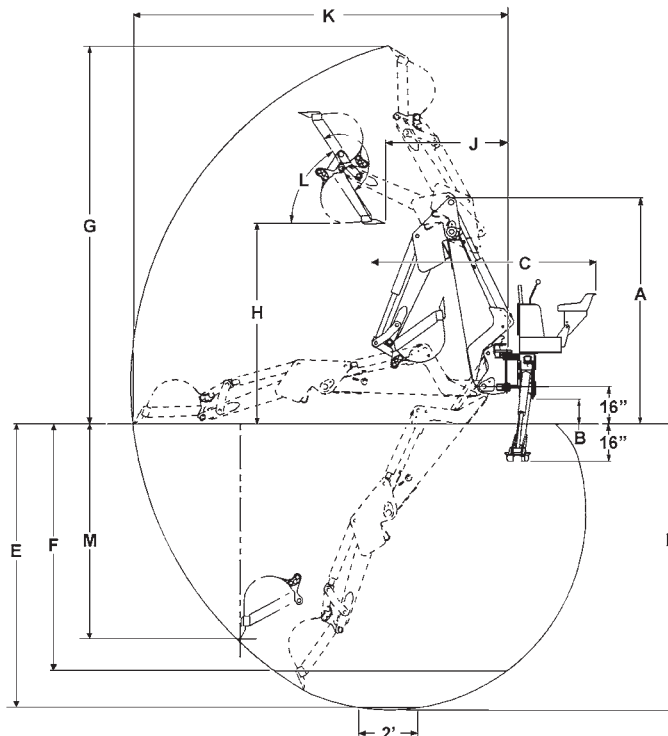
APPLICATIONS

- Light construction, landscaping, golf courses, nurseries, cemeteries
- Dig trenches for footers and utilities



BACKHOE MODEL		485	509B	511B	611B
TRANSPORT					
A.	Transport Height (w/boom fully retracted)	6' 9"	7' 9"	8' 10"	8' 10"
	Transport Width (w/fold down stabilizers up)	4' 3"	5' 0"	5' 0"	4' 9"
	Transport Width (w/vertical stabilizers)	N/A	4' 9"	4' 9"	5' 10"
B.	Ground Clearance	10"	11"	11"	11"
C.	Overall Length	6' 11"	7' 7"	7' 9"	7' 9"
	Boom Pivot Height	12"	16"	16"	16"
OPERATIONAL					
D.	Digging Depth Maximum	8' 3"	9' 8"	11' 1"	11' 1"
E.	Digging Depth (2') Flat Bottom	8' 2"	9' 7"	11' 0"	11' 0"
F.	Digging Depth (8') Flat Bottom	4' 4"	8' 3"	9' 11"	9' 11"
G.	Overall Operating Height - Fully Raised	10' 1"	12' 10"	14' 5"	14' 5"
H.	Loading Height	5' 3"	6' 10"	8' 0"	8' 0"
J.	Loading Reach	4' 10"	4' 2"	5' 0"	5' 0"
K.	Reach from Swing Post	10' 7"	12' 9"	14' 5"	14' 5"
L.	Bucket Rotation	180°	180°	180°	180°
	Swing Arc	180°	180°	180°	180°
M.	Straight Wall Dig Depth	4' 8"	7' 3"	8' 2"	8' 2"
	Stabilizer Spread-Operating Pos. (fold down)	7' 6"	7' 11"	7' 11"	9' 11"
	Stabilizer Spread-Operating Pos. (vertical)	N/A	4' 9"	4' 9"	5' 10"
	Stabilizer Down Below Grade (fold down)	10"	16"	16"	17"
	Stabilizer Down Below Grade (vertical)	N/A	11"	11"	12"
	System Relief Valve Setting	2,750 psi	2,500 psi	2,500 psi	2,750 psi
	Digging Force - Bucket Cylinder	3,895 lbs.	5,676 lbs.	5,676 lbs.	6,200 lbs.
	Digging Force - Dipper Cylinder	2,358 lbs.	2,754 lbs.	3,056 lbs.	4,350 lbs.

Some dimensions may vary depending on loader model, tire options, etc.



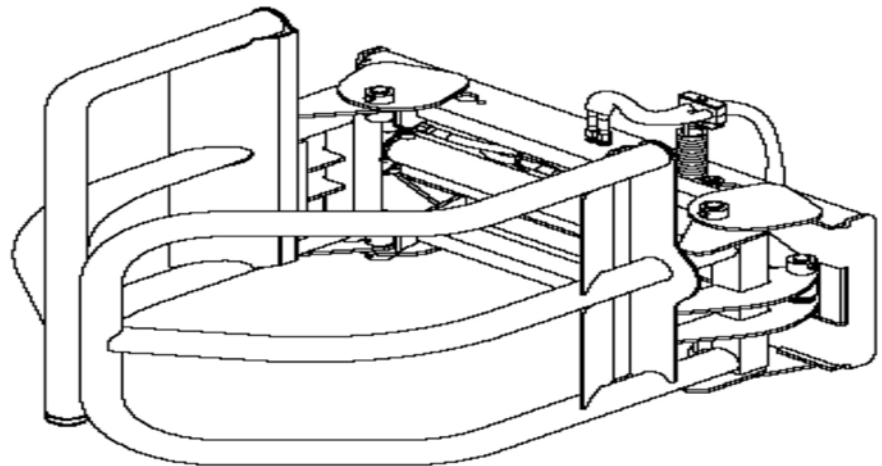
Unit includes mounting bracket, cylinder, hoses and quick couplers.

	PART NUMBER	WEIGHT LB
BALE HANDLER	87381816	590

MODEL COMPATIBILITY	SR130 SR150 SR160	SR175 SV185	SR200 SR210	SR220 SR240		SV250 SR250 SR270 SV280	SV300 SV340		TR270 TR310		TR320 TR340 TV370 TV380 TV450	REQ'D EQUIPMENT					
	410	420	430	440	435	445 450	465	420CT	440CT	445CT 450CT		STD FLOW	HIGH FLOW	CASE DRAIN	FRONT ELEC	DEMO DOOR	2ND AUX
BALE HANDLER	•	•	•	•	•	•	•	•	•	•	•	R					

FEATURES

- Handles bales from 28" to 80"
- Constant pressure eliminates dropped bales
- Hugger arms fabricated with formed round tubing that protects bale wrap
- Lifts, moves, stacks round or rectangular bales



	PART NUMBER	WEIGHT LB
BALE SPEAR, Std Single	87648168	160
BALE SPEAR, HD Single	87473627	195
BALE SPEAR, HD Dual	87473628	235
BALE SPEAR, 3 x 27"	87473629	210
BALE SPEAR, 3 X 44"	87473630	230

MODEL COMPATIBILITY	SR130	SR150	SR160	SR175	SV185	SR200	SR210	SR220	SR240	SV250	SR250	SR270	SV280	SV300	SV340	TR270	TR310	TR320	TR340	TV370	TV380	TV450	REQ'D EQUIPMENT				
	410	420	430	440	435	445	450	465	420CT	440CT	445CT	450CT	STD FLOW	HIGH FLOW	CASE DRAIN	FRONT ELEC	DEMO DOOR	2ND AUX									
BALE SPEAR, Std Single	•	•	•	•	•	•	•	•	•	•	•	•	•	•	•	•	•	•	•	•	•	•	•				
BALE SPEAR, HD Single	•	•	•	•	•	•	•	•	•	•	•	•	•	•	•	•	•	•	•	•	•	•	•				
BALE SPEAR, HD Dual	•	•	•	•	•	•	•	•	•	•	•	•	•	•	•	•	•	•	•	•	•	•	•				
BALE SPEAR, 3 X 27"	•	•	•	•	•	•	•	•	•	•	•	•	•	•	•	•	•	•	•	•	•	•	•				
BALE SPEAR, 3 X 44"	•	•	•	•	•	•	•	•	•	•	•	•	•	•	•	•	•	•	•	•	•	•	•				

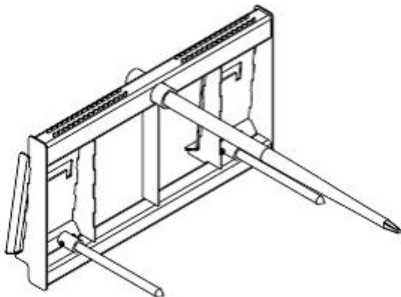
SINGLE TINE BALE SPEAR

Standard Duty

- For bales up to 2000 lb. at 24" load center
- Main spear – single tapered, forged, 1-1/4" dia x 44"
- Stabilizer spikes – dual 1-1/4" dia x 19"

Heavy Duty

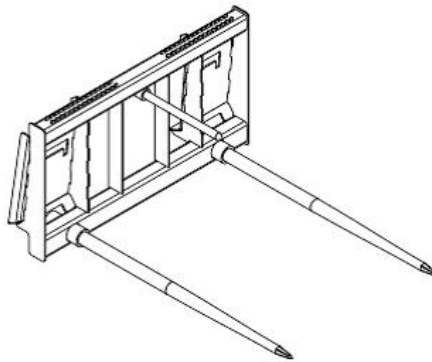
- For bales up to 3000 lb. at 24" load center
- Main spear – single tapered, forged, 2-1/8" dia x 49"
- Stabilizer spikes – dual 1-1/4" dia x 19"



DUAL TINE BALE SPEAR

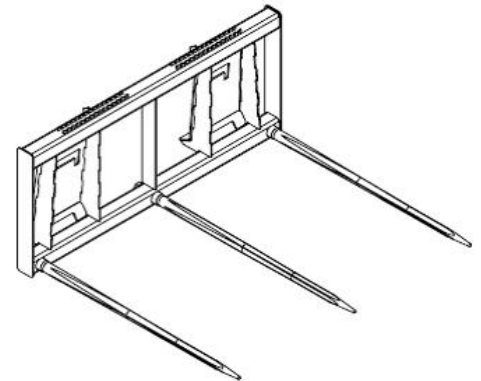
Heavy Duty

- For bales up to 4000 lb. at 24" load center
- Main spears – dual tapered, forged, 2-1/8" dia x 49"
- Stabilizer spike – single 1-1/4" dia x 19"



3 TINE BALE SPEAR

- For bales up to 4000 lb. at 24" load center
- Main spikes – 3 tapered, forged, 1-3/4" dia
- Available with 27" or 44" length spears

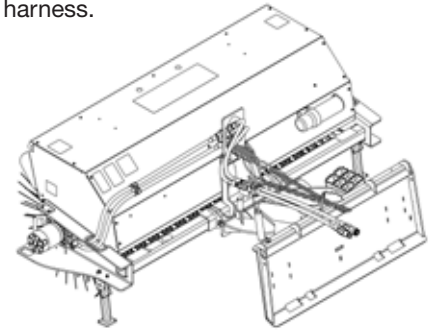


PREPACKAGED COMPLETE BROOMS. Units include 14-pin hydraulic angle kit (84215698) installed. Also includes mounting bracket, hoses, quick disconnects and parking stands. Requires Front Electric 14-pin boom harness.

	PART NUMBER	WEIGHT LB
72" Angle Broom with hyd angle and poly/wire brush	48159719	1125
84" Angle Broom with hyd angle and poly/wire brush	48159720	1175

STANDARD BROOMS – Manual angle is standard. Hydraulic angle kits must be ordered separately. Units are shipped with mounting bracket, hoses, quick disconnects and parking stands.

72" ANGLE BROOM with poly/wire combination brush	84215694	1018
84" ANGLE BROOM with poly/wire combination brush	84215695	1098
96" ANGLE BROOM with poly/wire combination brush	84215696	1178
96" ANGLE BROOM DUAL MOTOR with poly/wire combination brush	47358395	1208



OPTIONS (Order as Needed)

Hydraulic Angle Kit (Universal) includes: diverter valve, cylinder, hoses, wiring and switch box mounted in cab.	84215697	20
Hydraulic Angle Kit (14 - Pin) includes: diverter valve, cylinder, hoses, wiring for loaders equipped with 14-pin boom connector.	84215698	20
Hydraulic Angle Kit (2nd Aux) includes cylinder, hoses, and quick disconnects for loaders equipped with 2nd auxiliary function.	84215699	18
Wire Harness Adapter for 85XT, 90XT, 95XT (use with 84215698). Adapts pre- 9/1/2001 units with 8 - pin boom connector.	87383458	2
Heavy Duty Spring/chain kit (for rough terrain)	48184477	11

Loader-mounted water kits available separately. See "Water Kit" page for details.

REPLACEMENT BRUSH SETS

Poly/Wire Brush Set for 72" broom	84376838	140
Poly/Wire Brush Set for 84" broom	84376839	164
Poly/Wire Brush Set for 96" broom	84376840	196
All Poly Brush set for 72" broom	51416970	120
All Poly Brush set for 84" broom	51416971	140
All Poly Brush set for 96" broom	51416972	175

MODEL COMPATIBILITY	SR130	SR150	SR160	SR175	SV185	SR200	SR210	SR220	SR240	SV250	SR250	SR270	SV280	SV300	SV340	TR270	TR310	TR320	TR340	TV370	TV380	TV450	REQ'D EQUIPMENT							
			410	420	430	440	435	445	450	465	420CT	440CT	445CT	450CT										STD FLOW	HIGH FLOW	CASE DRAIN	FRONT ELEC	DEMO DOOR	2ND AUX	
72" ANGLE BROOM	•	•	•	•	•	•	•	•	•	•	•	•	•	•	•	•	•	•	•	•	•	•	•	R				O		O
84" ANGLE BROOM																								R				O		O
96" ANGLE BROOM																								R				O		O
96" ANGLE BROOM (DUAL)																								R				O		O

FEATURES

- 50/50 Poly/wire brush core
- Parking stands
- Angles 30° right or left
- 32" brush diameter
- Integral nozzle mounting for water application
- Bolt together hood for simple, less costly replacement, if damaged
- Quick-change brush without breaking hydraulic lines

APPLICATIONS

- Street cleaning & parking lot maintenance, road maintenance clean-up, bridge deck clean-up, jobsite clean-up
- Snow removal

REQUIREMENTS FOR OPERATION

- Standard auxiliary hydraulics

Unit includes mounting bracket, hoses and quick disconnects.

	PART NUMBER	WEIGHT LB
60" 215 Hopper Broom with poly/wire brush	51469714	1031
72" 215 Hopper Broom with poly/wire brush	51469715	1153
84" 215 Hopper Broom with poly/wire brush	51469717	1275

OPTIONS (Order as Needed)

Single gutter brush kit, fits right or left (all poly)	84188890	90
Dual gutter brush kit (all poly)	48119587	180
Single gutter brush kit, fits right or left (all wire)	84124630	105
Dual gutter brush kit (all wire)	84124631	205
Dust control kit, broom mounted, includes 25 gallon tank, nozzles and hose. (for standard models only)	445999A1	75

Loader-mounted water kits available separately. See "Water Kit" page for details.

REPLACEMENT BRUSH SETS

Poly/wire brush set for 60" broom	84375436	97
Poly/wire brush set for 72" broom	84375437	113
Poly/wire brush set for 84" broom	84375438	134

REPLACEMENT BOLT-ON EDGES

Bolt-on edge for 60" broom	51469729	65
Bolt-on edge for 72" broom	51469730	77
Bolt-on edge for 84" broom	51469731	90

MODEL COMPATIBILITY	SR130	SR150	SR160	SR175	SV185	SR200	SR210	SR220	SR240	SV250	SR250	SR270	SV280	SV300	SV340	TR270	TR310	TR320	TR340	TV370	TV380	TV450	REQ'D EQUIPMENT							
	410	420	430	440	435	445	450	465	420CT	440CT	445CT	450CT	STD FLOW	HIGH FLOW	CASE DRAIN	FRONT ELEC	DEMO DOOR	2ND AUX												
60" 215 HOPPER BROOM	•	•	•	•																					R					
72" 215 HOPPER BROOM		•	•	•	•	•	•	•			•									•						R				
84" 215 HOPPER BROOM						•	•	•	•	•	•	•	•													R				

FEATURES

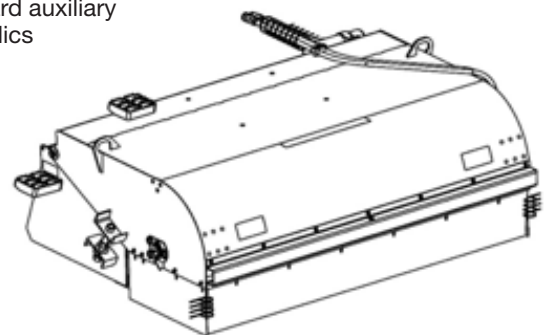
- Bi-directional motor for forward or reverse sweeping
- High capacity single drive motor for 10-25 gpm systems
- Direct drive brush motor eliminates chains and sprockets
- No caster wheel allows closer proximity to objects and better contact with sweeping surface
- Peripheral rubber skirt keeps debris and dust contained
- Combination poly and wire brush
- Heavy duty front bumper with integral water nozzle mounts
- Replaceable bolt-on bucket edge
- No chains needed for dumping
- 26" brush diameter
- Optional gutter brush mounts on left or right side, or dual brush option
- Hydraulic hoses and flat face hydraulic disconnects included

APPLICATIONS

- Street cleaning & parking lot maintenance, road maintenance clean-up, bridge deck clean-up, jobsite clean-up

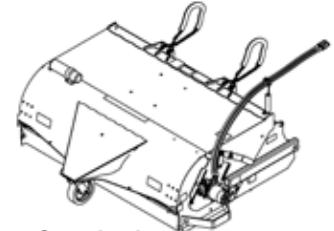
REQUIREMENTS FOR OPERATION

- Standard auxiliary hydraulics



Units are shipped with mounting bracket, hoses, quick disconnects.

	PART NUMBER	WEIGHT LB
60" STANDARD PICK-UP BROOM with poly/wire combination brush	87553107	1225
72" STANDARD PICK-UP BROOM with poly/wire combination brush	87553108	1350
84" STANDARD PICK-UP BROOM with poly/wire combination brush	87553109	1475
60" VS VACUUM PICK-UP BROOM with poly/wire combination brush	51422416	1480
72" VS VACUUM PICK-UP BROOM with poly/wire combination brush	51422417	1600
84" VS VACUUM PICK-UP BROOM with poly/wire combination brush	51422418	1725



Standard

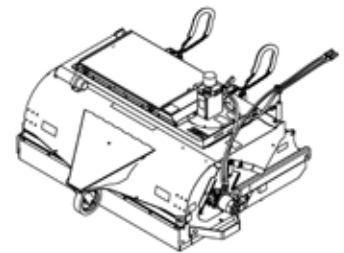
ELECTRIC CONTROL (one required for VS units)

Wire Harness Connector – For units with 14-pin Front Elec.	48114556	2
Universal Electric Control kit – For units w/o 14-pin Front Elec.	48114557	2

OPTIONS (Order as Needed)

Single gutter brush kit, fits right or left (all poly)	84188890	90
Dual gutter brush kit (all poly)	48119587	180
Single gutter brush kit, fits right or left (all wire)	84124630	105
Dual gutter brush kit (all wire)	84124631	205
Dust control kit, broom mounted, includes 25 gallon tank, nozzles and hose. (for std models only)	445999A1	75

Loader-mounted water kits available separately. See "Water Kit" page for details.



VS Vacuum

REPLACEMENT BRUSH SETS

Poly/wire brush set for 60" broom	84375436	97
Poly/wire brush set for 72" broom	84375437	113
Poly/wire brush set for 84" broom	84375438	134

REPLACEMENT BOLT-ON EDGES

Bolt-on edge for 60" broom	51469729	65
Bolt-on edge for 72" broom	51469730	77
Bolt-on edge for 84" broom	51469731	90

MODEL COMPATIBILITY	SR130	SR150	SR160	SR175	SR185	SR200	SR210	SR220	SR240	SV250	SR250	SR270	SV280	SV300	SV340	TR270	TR310	TR320	TR340	TV370	TV450	REQ'D EQUIPMENT					
	410	420	430	440	435	445	450	465	420CT	440CT	445CT	450CT										STD FLOW	HIGH FLOW	CASE DRAIN	FRONT ELEC	DEMO DOOR	2ND AUX
60" STD/VS PICK-UP BROOM	•	•	•	•																		R			O		
72" STD/VS PICK-UP BROOM		•	•	•	•	•	•	•	•	•	•	•	•	•	•	•	•	•	•	•	•	R			O		
84" STD/VS PICK-UP BROOM				•	•	•	•	•	•	•	•	•	•	•	•	•	•	•	•	•	•	R			O		

FEATURES – Standard and VS

- Bi-directional motor for forward or reverse sweeping
- High capacity single drive motor for 10-23 gpm systems
- Quick-change brush without breaking hydraulic lines
- Drive motor can be removed for brush change without tools
- No tools required for brush pattern adjustment
- "Volumizing" feature for increased bucket capacity
- Heavy duty caster wheel and wheel mount
- Integral sprinkler nozzle mounts
- Flat face hydraulic quick disconnects included
- Hydraulic hoses and disconnects included
- Optional gutter brush, mounts left, right, or in tandem
- Combination poly and wire brush
- Replaceable bolt-on bucket edge
- Direct drive brush motor eliminates chains and sprockets
- 26" diameter brush

FEATURES – VS only

- Allows dust mitigation without a water tank
- Washable 10 micron coated filter works in dry or wet conditions
- Can help meet OSHA regulations regarding crystalline silica dust in work environment
- 12-volt shaker dislodges loose debris from the filter media directly into the hopper bucket

APPLICATIONS

- Street cleaning & parking lot maintenance, road maintenance clean-up, bridge deck clean-up, jobsite clean-up

REQUIREMENTS FOR OPERATION

- Standard auxiliary hydraulics
- Front electric control option (VS Vacuum only)

Unit includes hoses and quick disconnects.

	PART NUMBER	WEIGHT LB
BUCKET, 4X1 UTILITY, 66" (10.2 ft ³ struck/ 14.2 ft ³ heaped capacity)	87648133	650
BUCKET, 4X1 UTILITY, 72" (11.2 ft ³ struck/ 15.6 ft ³ heaped capacity)	87648134	685

OPTIONS FOR UTILITY DUTY BUCKETS

Bolt-on spill guard for 66" 4X1 bucket	87648135	28
Bolt-on spill guard for 72" 4X1 bucket	87648136	30

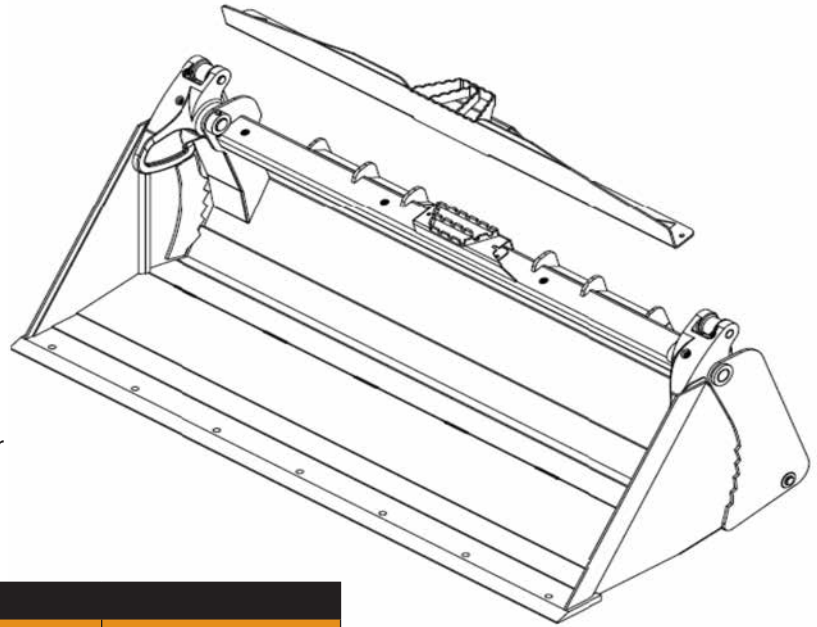
MODEL COMPATIBILITY	SR130	SR150	SR160	SR175	SV185	SR200	SR210	SR220	SR240	SV250	SR250	SR270	SV280	SV300	SV340	TR270	TR310	TR320	TR340	TV370	TV450	REQ'D EQUIPMENT									
	410	420	430	440	435	445	450	465	420CT	440CT	445CT	450CT	STD FLOW	HIGH FLOW	CASE DRAIN	FRONT ELEC	DEMO DOOR	2ND AUX													
66" 4x1 BUCKET (UTILITY)	•	•	•													•									R						
72" 4x1 BUCKET (UTILITY)		•	•	•	•	•										•									R						

FEATURES

- Includes hoses and quick disconnects
- 2" cylinder bore; 1-1/8" diameter rod
- Fixed greasable cylinder ends
- 10 ga. 100K psi bucket construction
- 1/2" x 4" wear strips on bucket floor
- 2,350 lb. clamping force
- 34-5/8" clam opening
- 23-1/8" floor length
- Optional spill guards increase struck capacity approx. 29% and heaped capacity approx. 24%
- Compatible with toothbars and bolt-on edges

APPLICATIONS

- Functions as a loader bucket, clam, dozer, scraper and bottom dump bucket
- Material spreading – gravel, mulch, dirt, etc.



ACCESSORIES

Width	Bolt-on Edge	Bolt-on Rezhloh™ edge	Toothbar for bucket w/o bolt-on edge	Toothbar for bucket with bolt-on edge
66"	86577167	HCE86577167	9624721H	86599707H
72"	86577169	HCE86577169	9624722H	86599708H

Unit includes hoses and quick disconnects.

	PART NUMBER	WEIGHT LB
BUCKET, 4X1 CONSTRUCTION, 72" (12.5 ft ³ struck/ 17.8 ft ³ heaped)	87648161	930
BUCKET, 4X1 CONSTRUCTION, 78" (13.6 ft ³ struck/19.3 ft ³ heaped)	87648162	965
BUCKET, 4X1 CONSTRUCTION, 84" (14.6 ft ³ struck/20.8 ft ³ heaped)	87648163	1005

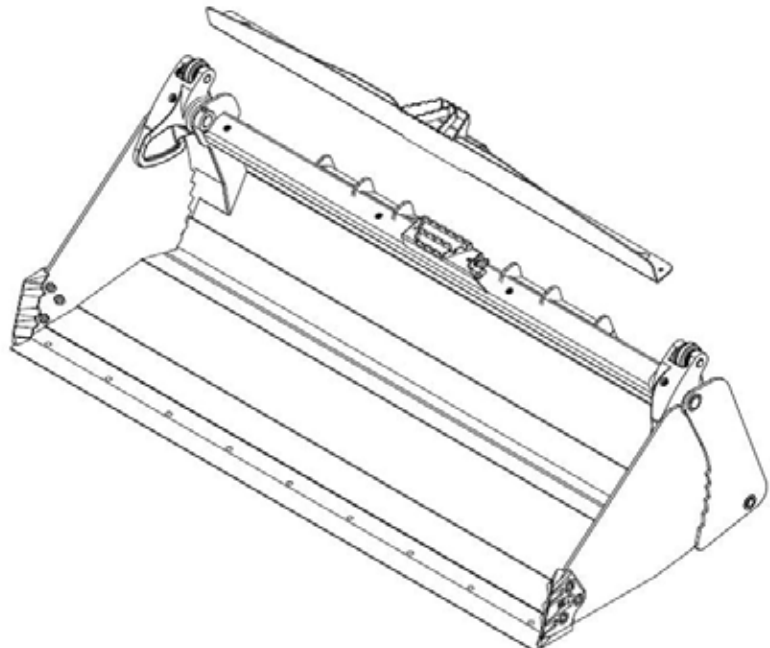
OPTIONS FOR CONSTRUCTION DUTY BUCKETS

Bolt-on spill guard for 72" 4X1 bucket	87648136	30
Bolt-on spill guard for 78" 4X1 bucket	87648165	33
Bolt-on spill guard for 84" 4X1 bucket	87648166	35

MODEL COMPATIBILITY	SR130	SR150	SR160	SR175	SV185	SR200	SR210	SR220	SR240	SV250	SR250	SR270	SV280	SV300	SV340	TR270	TR310	TR320	TR340	TV370	TV450	REQ'D EQUIPMENT						
	410	420		430	440	435	445	450	465	420CT	440CT	445CT	450CT									STD FLOW	HIGH FLOW	CASE DRAIN	FRONT ELEC	DEMO DOOR	2ND AUX	
72" 4x1 BUCKET (CONSTR)				•	•	•	•	•	•	•	•	•	•	•	•	•	•					R						
78" 4x1 BUCKET (CONSTR)						•	•	•	•	•	•	•	•	•	•	•	•		•			R						
84" 4x1 BUCKET (CONSTR)						•	•	•	•	•	•	•	•	•	•	•	•		•	•		R						

FEATURES

- Includes hoses and quick disconnects
- 2-1/2" cylinder bore; 1-1/4" diameter rod
- Spherical, greasable cylinder ends
- 1" x 6" clam cutter bar
- 7 ga, 100K psi bucket construction
- 5/8" x 5" wear strips on bucket floor
- Dual pilot-operated check hydraulic system for positive load holding
- 4,000 lb. clamping force
- 34-3/4" clam opening
- 26-5/8" floor length
- Replaceable bolt-on side cutters
- Optional spill guards (increase struck capacity approx. 26% and heaped capacity approx 21%)
- Compatible with toothbars and bolt-on edges



APPLICATIONS

- Functions as a loader bucket, clam, dozer, scraper and bottom dump bucket
- Material spreading – gravel, mulch, dirt, etc.

ACCESSORIES				
Width	Bolt-on Edge	Bolt-on Rezloh™ edge	Toothbar for bucket w/o bolt-on edge	Toothbar for bucket with bolt-on edge
72"	86577169	HCE86577169	87299776	87299779
78"	86577171	HCE86577171	87299777	87299780
84"	86577173	HCE86577173	87299778	87299781

Unit includes hoses and quick disconnects.

STANDARD AUXILIARY BOOM HYDRAULICS REQUIRED	PART NUMBER	WEIGHT LB
BUCKET, POWER SIDE DISCHARGE (sand), 60"	84195960	805
BUCKET, POWER SIDEDISCHARGE (sand), 72"	84195961	915
BUCKET, POWER SIDE DISCHARGE (sawdust), 72"	84195962	1120
BUCKET, POWER SIDE DISCHARGE (sawdust), 84"	84195963	1300

MODEL COMPATIBILITY	SR130	SR150	SR160	SR175	SV185	SR200	SR210	SR220	SR240		SV250	SV280	SR250	SR270	SV300	SV340		TR270	TR310		TR320	TR340	TV370	TV450	REQ'D EQUIPMENT							
	410	420	430	440	435	445	450	465	420CT		440CT	445CT	450CT													STD FLOW	HIGH FLOW	CASE DRAIN	FRONT ELEC	DEMO DOOR	2ND AUX	
60" POWER SIDE DISCHARGE (SAND)	•	•	•															•								R						
72" POWER SIDE DISCHARGE (SAND)		•	•	•	•	•	•	•	•	•	•	•	•	•	•	•	•	•	•							R						
72" POWER SIDE DISCHARGE (SAWDUST)		•	•	•	•	•	•	•	•	•	•	•	•	•	•	•	•	•	•							R						
84" POWER SIDE DISCHARGE (SAWDUST)								•	•	•	•	•	•	•	•	•	•	•	•							R						

FEATURES

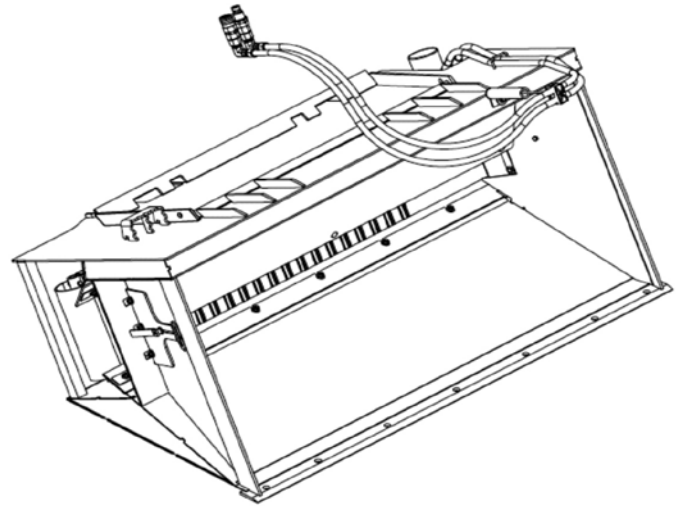
- Adjustable discharge gates
- Rubber discharge belt with exposure baffle
- Left or right discharge
- Sawdust model includes agitator to eliminate bridging

APPLICATIONS

- The power side discharge buckets are designed to collect and discharge sawdust, mulch, and sand into barns, stalls and orchards, or backfill. Capable of spreading a variety of materials such as silage, stone, or topsoil.
- Road maintenance, agriculture, landscaping, sand bagging

REQUIREMENTS

- Standard auxiliary hydraulics
- Bolt-on cutting edge recommended (see below)



	WEIGHT (lbs.)	HEIGHT (in.)	DEPTH (in.)	CAPACITY (yd³)	Material Performance Rating*					
					Sand	Aggregate	Topsoil	Sawdust	Mulch	Silage
60" (SAND)	869	31.8	39.5	0.55	Best	Good	Good	Poor	Poor	Fair
72" (SAND)	959	31.8	39.5	0.68	Best	Good	Good	Poor	Poor	Fair
72" (SAWDUST)	1,184	45.3	47	1.34	Fair	Fair	Fair	Best	Best	Good
84" (SAWDUST)	1,328	45.3	47	1.58	Fair	Fair	Fair	Best	Best	Good

* Ratings consider the material to be in a typical working condition with respect to moisture content. In most cases, as moisture content increases, performance will be adversely affected.

ACCESSORIES		
Width	Bolt-on Edge	Hardware kit
60"	86577165	86635434
72"	86577169	86635434
84"	86577173	86635435

AUXILIARY BOOM HYDRAULICS REQUIRED	PART NUMBER	WEIGHT LB
MODEL 74500 STANDARD FLOW CHIPPER	87330077	1145
MODEL 74800 HIGH FLOW CHIPPER	87330078	1525

MODEL COMPATIBILITY	SR130	SR150	SR160	SR175	SV185	SR200	SR210	SR220	SR240	SV250	SR250	SR270	SV280	SV300	SV340	TR270	TR310	TR320	TR340	TV370	TV450	REQ'D EQUIPMENT					
			410	420	430	440	435	445	450	465	420CT	440CT	445CT	450CT								STD FLOW	HIGH FLOW	CASE DRAIN	FRONT ELEC	DEMO DOOR	2ND AUX
CHIPPER - STD. FLOW			•	•	•	•	•	•	•	•	•	•	•	•	•	•	•	•	•	•	•	R		R			
CHIPPER - HIGH FLOW				•	•	•	•	•	•	•	•	•	•	•	•	•	•	•	•	•	•		R	R			

SPECIFICATIONS		
MODEL	74500	74800
Hydraulics	standard-flow, min. 15 gpm	high-flow, min. 25 gpm
Feed Opening Size	5 1/2" x 7"	9" x 9"
Continuous Chipping Size	3"	5"
Feed System	Variable hydraulic	Variable hydraulic
Chipper Disc	20" x 1-1/4" 140 lbs.	30" x 1-1/4" 275 lbs.
Operating Weight (lbs.)	1,145	1,525

FEATURES

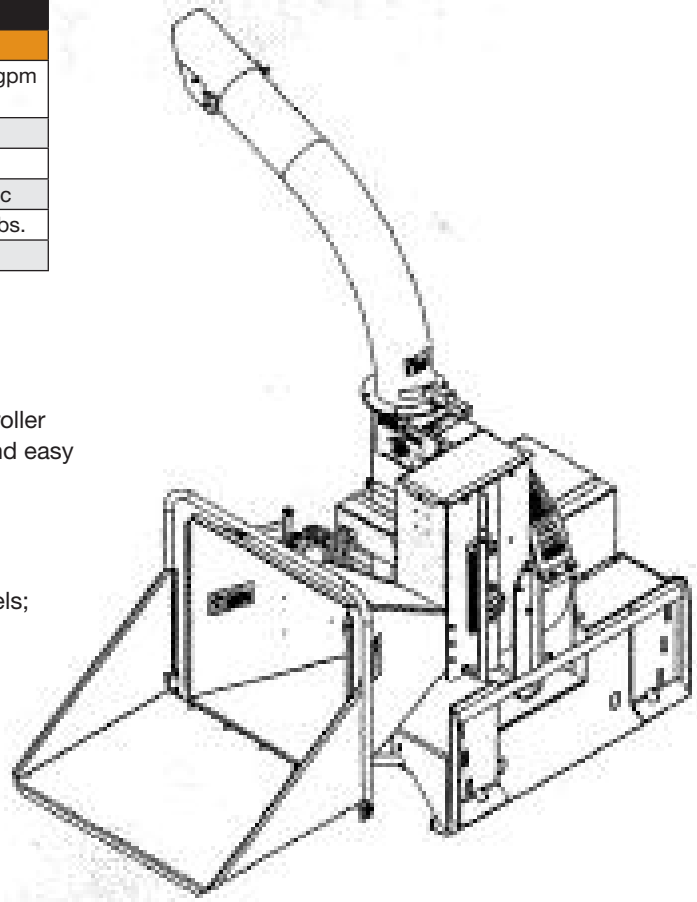
- Chipper has two mounts, so it can be set to feed in front or to the curb side
- Four position manual valve easily controls the hydraulic feed roller
- Built-in hydraulic jack makes feed roller maintenance quick and easy
- Infinitely variable feed roll speed
- Feed roll control lever accessible on both sides of unit

REQUIREMENTS FOR OPERATION

- Case drain line required for both standard and high flow models; Case drain kit available for 400-series loaders
- Standard flow, min. 15 gpm for Model 74500
- High flow, min. 25 gpm for Model 74800

APPLICATIONS

- Chip brush, limbs from tree trimming, land clearing and storm damage clean-up



For specified skid-steer loaders equipped with optional high flow, auxiliary boom hydraulics. Includes drum, hydraulic depth, tilt, hydraulic sideshift, hoses, fittings and quick couplers.

	PART NUMBER	WEIGHT LB
COLD PLANER HP16* - 16" with hydr. controls (26-30 gpm)	84539377	2150
COLD PLANER HP18 - 18" with hydr. controls (26-30 gpm)	84539378	2200
COLD PLANER HP16* - 16" with hydr. controls (31-44 gpm)	84539379	2150
COLD PLANER HP18 - 18" with hydr. controls (31-44 gpm)	84539380	2200
COLD PLANER HP24 - 24" with hydr. controls (31-44 gpm)	84539381	2400
COLD PLANER HP30 - 30" with hydr. controls (31-44 gpm)	84539382	2600
COLD PLANER HP40 - 40" with hydr. controls (31-44 gpm)	84539383	3100
EHF COLD PLANER HP24 - 24" with hydr. controls (31-44 gpm)	84523776	2400
EHF COLD PLANER HP30 - 30" with hydr. controls (31-44 gpm)	84523778	2600
EHF COLD PLANER HP40 - 40" with hydr. controls (31-44 gpm)	84523780	3100

*16" drum installed in 18" housing.

ADDITIONAL COMPONENTS (Order as Needed)

2.5" slot cutting drum for HP16, HP18, HP24, HP30, HP40	87045459	120
4" slot cutting drum for HP16, HP18, HP24, HP30, HP40	87045460	135
6" slot cutting drum for HP16, HP18, HP24, HP30, HP40	87045461	150
Universal electric control kit for units without front electric (not for EHF planers)	47403651	4
Wire harness adapter (adapts pre-9/1/2001 75XT, 85XT, 90XT, 95XT w/8-pin connector to 14-pin connector)	87048529	2
Water nozzle kit, includes 3 spray nozzles, tubing and fitting to reach coupler on loader boom for SP12 - HP30	87045462	10
Water nozzle kit, includes 4 spray nozzles, tubing and fitting to reach coupler on loader boom for HP40	87326406	12

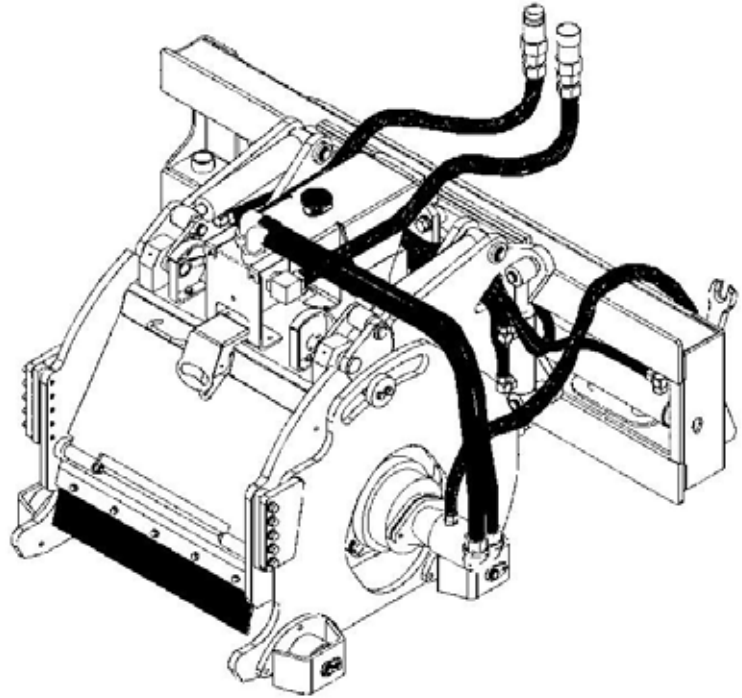
Pressurized Water Kit available. See "Water Kit" page for details

MODEL COMPATIBILITY	SR130	SR150	SR160	SR175	SV185	SR200	SR210	SR220	SR240	SV250	SV280	465	SR250	SR270	SV300	SV340		TR270	TR310	TV370	TR320	TR340	TV450	REQ'D EQUIPMENT							
	410	420		430		440	435	445	450				420CT	440CT				445CT	450CT					STD FLOW	HIGH FLOW	EHF	CASE DRAIN	FRONT ELEC	DEMO DOOR	2ND AUX	
16" COLD PLANER (26-30)				•																						R		R	R		
18" COLD PLANER (26-30)				•																						R		R	R		
16" COLD PLANER (31-44)		•			•	•	•	•	•	•	•	•	•	•	•	•	•	•	•	•	•	•	•			R		R	R		
18" COLD PLANER (31-44)					•	•	•	•	•	•	•	•	•	•	•	•	•	•	•	•	•	•	•			R		R	R		
24" COLD PLANER (31-44)						•	•	•	•	•	•	•	•	•	•	•	•	•	•	•	•	•	•			R		R	R		
30" COLD PLANER (31-44)							•	•	•	•	•	•	•	•	•	•	•	•	•	•	•	•	•			R		R	R		
40" COLD PLANER (31-44)								•	•	•	•	•	•	•	•	•	•	•	•	•	•	•	•			R		R	R		
EHF 24" COLD PLANER (31-44)													•	•	•	•	•					•	•	R		R	R	R			
EHF 30" COLD PLANER (31-44)													•	•	•	•	•					•	•	R		R	R	R			
EHF 40" COLD PLANER (31-44)													•	•	•	•	•					•	•	R		R	R	R			

Cold Planers, High Flow (Continued next page)

FEATURES

- Independent pivoting head for better contour tracking
- Removable wheels for planing next to curbs and obstructions
- Hinged cover for pick maintenance access
- Pick maintenance tool included
- Solid steel wheel construction (hardened) with greasable manifold pins and secluded zerks
- Plated and powder-coated surfaces offer resistance to harsh environments
- High rear spoil clearance to prevent recirculation of material
- T1 steel construction in high wear areas
- $\pm 8^\circ$ tilt capability
- 0-5" cutting depth, 0-19" sideshift center to right
- Convenient, fully electro-hydraulic, in-cab control for depth, tilt, and sideshift
- Depth and tilt position indicators
- Protective shields for hydraulic and electrical components
- Independent self-leveling depth adjustment shoe allows for precise lapping cuts and taper cuts (i.e. multiple pass and approaches to RR crossings)
- Efficient piston drive motor
- Planetary drive delivers high torque
- Universal, general purpose picks standard



REQUIREMENTS FOR OPERATION

- High flow auxiliary hydraulics (EHF for specified units)
- Front electric control kit or universal electric control kit
- Case drain

APPLICATIONS

- For heavy duty planing jobs, including milling transition and repair areas, frost heaves and expansion joints

For specified skid-steer loaders equipped with standard auxiliary boom hydraulics. Includes drum, manual depth and tilt, hydraulic sideshift, hoses, fittings and quick couplers. Fully hydraulic controls are optional.

STANDARD BOOM HYDRAULICS (12 - 22 gpm)	PART NUMBER	WEIGHT LB
COLD PLANER SP12M-12" manual controls	87048530	1450
COLD PLANER SP12H -12" with hydraulic controls. Requires front electric kit.	87048531	1500

ADDITIONAL COMPONENTS (Order as Needed)

2.5" slot cutting drum for SP12	87045458	90
Water nozzle kit, includes 3 spray nozzles, tubing, and fitting to reach coupler on loader boom for SP12 - HP30	87045462	10
Wire harness adapter (adapts pre-9/1/2001 75XT, 85XT, 90XT, 95XT w/8-pin connector to 14-pin connector)	87048529	2

Pressurized Water Kit available. See "Water Kit" page for details.

MODEL COMPATIBILITY	SR130 SR150 SR160		SR175 SV185		SR200 SR210		SR220 SR240		SV250 SR250 SR270		SV280 SV300 SV340		TR270 TR310		TR320 TR340 TV370 TV450		REQ'D EQUIPMENT					
		410	420	430	440	435	445 450	465	420CT	440CT	445CT 450CT			STD FLOW	HIGH FLOW	CASE DRAIN	FRONT ELEC	DEMO DOOR	2ND AUX			
12" COLD PLANER - MANUAL (12-22)	•	•	•	•	•	•	•	•	•	•	•	•	•	•	•	•	R					
12" COLD PLANER - HYD (12-22)		•	•	•	•	•	•	•	•	•	•	•	•	•	•	•	R			R		

FEATURES

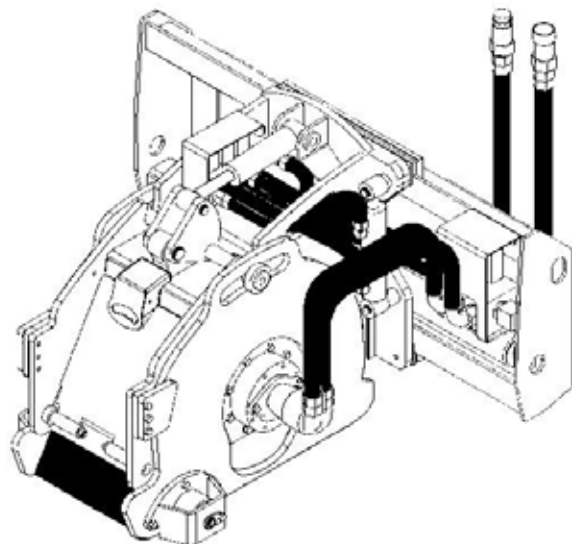
- Independent pivoting head for better contour tracking
- Removable wheels for planing next to curbs and obstructions
- Hinged cover for pick maintenance access
- Solid steel wheel construction (hardened) with greasable manifold pins and secluded zerks
- Pick maintenance tool included
- Plated and powder-coated surfaces offer resistance to harsh environments
- High rear spoil clearance to prevent recirculation of material
- T1 steel construction in high wear areas
- 19" drum diameter with 37 general purpose carbide picks
- ± 11° tilt capability
- 0-5" cutting depth, 0-19" sideshift center to right
- Manual depth and tilt, hydraulic sideshift on SP12M
- Fully electro-hydraulic, in-cab control for depth, tilt, and sideshift on SP12H
- Depth and tilt position indicators
- Planetary drive delivers high torque
- Protective shields for hydraulic and electrical components
- Integral water nozzle ports
- Universal, general purpose picks standard

REQUIREMENTS FOR OPERATION

- Standard auxiliary hydraulics
- Front electric kit (SP12H)

APPLICATIONS

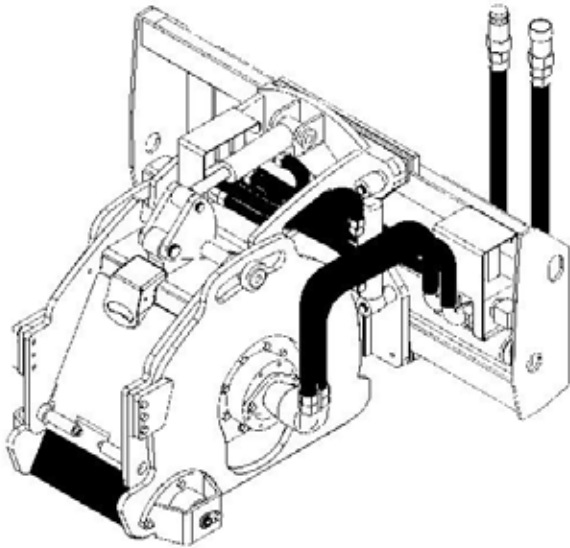
- Convenient for planing frost heaves, expansion joints, and removing lane markings



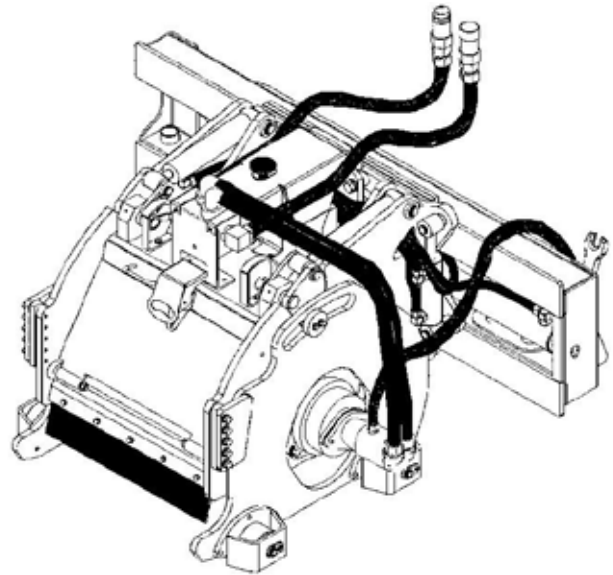
Cold Planers, Standard Flow (Continued next page)

SPECIFICATIONS						
MODEL	SP12	HP16*	HP18	HP24	HP30	HP 40
Operating Weight - lb. (kg)	1400 (635)	2100 (952)	2150 (975)	2350 (1066)	2550 (1157)	3100 (1338)
Cutting Depth - in. (mm)	0-5 (0-127)	0-5 (0-127)	0-5 (0-127)	0-5 (0-127)	0-5 (0-127)	0-5 (0-127)
Cutting Width - in. (mm)	12 (305)	16 (450)	18 (450)	24 (600)	30 (762)	40 (1016)
Drum Diameter - in. (mm)	19 (482)	22 (559)	22 (559)	22 (559)	22 (559)	22 (559)
Tilt	± 11°	± 8°	± 8°	± 8°	± 8°	± 8°
Sideshift - in. (mm)	0-19 (0-483) center to right	-3-22 (-76-560) center to right	-3-22 (-76-560) center to right	-3-22 (-76-560) center to right	-3-22 (-76-560) center to right	-3-22 (-76-560) center to right
Hydraulic requirement- gpm (l/m)	12- 22 (45-83)	26-30 or 31-44 (98-115 or 116-166)	26-30 or 31-44 (98-115 or 116-166)	31-44 (116-166)	31-44 (116-166)	31-44 (116-166)
Hydraulic requirement - psi (bar)	2500-3000 (172-206)	2500-3000 (172-206)	2500-3500 (172-241)	2500-3500 (172-241)	2500-3500 (172-241)	2500-3500 (172-241)
EHF Hydraulic requirement -psi (bar)				4000 (275)	4000 (275)	4000 (275)
Wheels/shoes	Both with independent left/right control	Both with independent left/right control	Both with independent left/right control	Both with independent left/right control	Both with independent left/right control	Both with independent left/right control
Drive	Planetary	Planetary	Planetary	Planetary	Planetary	Planetary
Controls	Manual - SP12 Hyd. - SP12H hy- draulic optional	Full hydraulic with in-cab controls	Full hydraulic with in-cab controls	Full hydraulic with in-cab controls	Full hydraulic with in-cab controls	Full hydraulic with in-cab controls
No. of Carbide Picks	37	43	45	57	69	89

* 16" drum installed in 18" housing.



SP12



HP24

Unit includes hoses and quick disconnects.

	PART NUMBER	WEIGHT LB
Standard Flow Cold Planers with manual depth, tilt and hydraulic side shift		
COLD PLANER - 12" Std flow (13-25 gpm)	48035234	1231
COLD PLANER - 16" Std flow (16-25 gpm)	48035235	1321
High Flow Cold Planers with hydraulic depth, tilt and side shift		
COLD PLANER - 16" High Flow (24-45 gpm)	48035236	1606
COLD PLANER - 18" High Flow (26-45 gpm)	48035237	1656
COLD PLANER - 24" High Flow (28-45 gpm)	48035238	1786
COLD PLANER - 30" High Flow (28-45 gpm)	48035239	1951
COLD PLANER - 36" High Flow (31-45 gpm)	48035240	2111

OPTIONAL EQUIPMENT (Must order harness adapter or electric kit for complete unit.)

Electric Harness Adapter - 14 pin round connector - for loaders with front electric kit.	87023319	1
Universal electric control kit for loaders without front electric kit	48038648	15

ADDITIONAL COMPONENTS (Order as needed)

Water nozzle kit, includes 4 spray nozzles, tubing and fitting to reach coupler on loader boom	48035330	7
--	----------	---

Pressurized Water Kit available. See "Water Kit" page for details.

MODEL COMPATIBILITY	SR130	SR150	SR160	SR175	SV185	SR200	SR210	SR220	SR240	SV250	SR250	SR270	SV280	SV300	SV340	TR270	TR310	TR320	TR340	TV370	TV450	REQ'D EQUIPMENT						
	410	420	430	440	435	445	450	465	420CT	440CT	445CT	450CT	STD FLOW	HIGH FLOW	CASE DRAIN	FRONT ELEC	DEMO DOOR	2ND AUX										
COLD PLANER - 12" Std flow (13-25)	•	•	•	•	•	•	•	•	•	•	•	•	•	•	•	•	•	•	•	•	•	R						
COLD PLANER - 16" Std flow (16-25)		•	•	•	•	•	•	•	•	•	•	•	•	•	•	•	•	•	•	•	•	R						
COLD PLANER - 16" High Flow (24-45)		•	•	•	•	•	•	•	•	•	•	•	•	•	•	•	•	•	•	•	•		R		R	O		
COLD PLANER - 18" High Flow (26-45)		•	•	•	•	•	•	•	•	•	•	•	•	•	•	•	•	•	•	•	•		R		R	O		
COLD PLANER - 24" High Flow (28-45)		•	•	•	•	•	•	•	•	•	•	•	•	•	•	•	•	•	•	•	•		R		R	O		
COLD PLANER - 30" High Flow (28-45)						•	•	•	•	•	•	•	•	•	•	•	•	•	•	•	•		R		R	O		
COLD PLANER - 36" High Flow (31-45)						•	•	•	•	•	•	•	•	•	•	•	•	•	•	•	•		R		R	O		

FEATURES

- Side shifts 24" left or right to cut next to obstacles
- High flow models feature planetary gearbox drive for increased torque and durability
- Optimized pick pattern provides a faster cut by maximizing the horsepower per pick
- Std asphalt picks included
- Hoses and quick disconnects included

APPLICATIONS

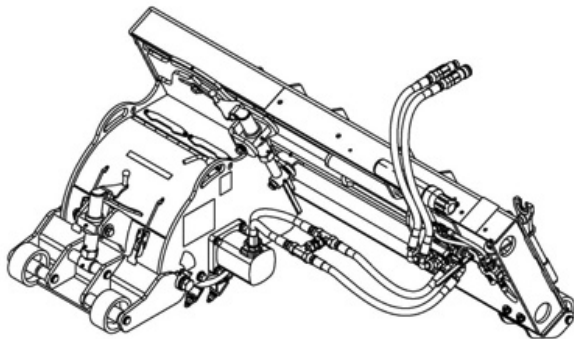
- Make full depth utility cuts
- Mill frost heaves around manholes
- Restore proper drainage to pavement
- Add texture to pavement for skid resistance

REQUIREMENTS FOR OPERATION

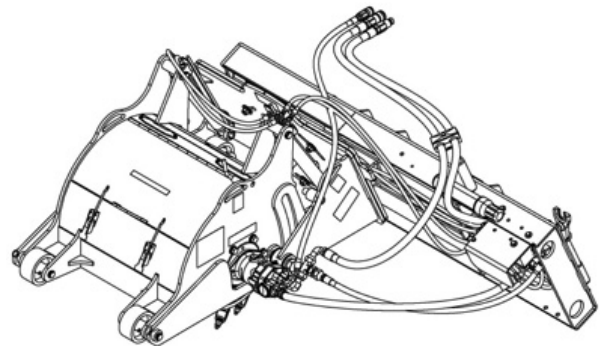
- Front electric kit or universal electric control kit for high flow units
- Case drain for high flow units

Cold Planers, LT Series (Continued next page)

SPECIFICATIONS							
MODEL	12" Std flow	16" Std flow	16" HF	18" HF	24" HF	30" HF	36" HF
Operating Weight – lb. (kg)	1135 (515)	1225 (556)	1510 (685)	1560 (708)	1690 (767)	1855 (841)	2015 (914)
Cutting Depth – in. (mm)	0-5 (0-127)	0-5 (0-127)	0-6 (0-152)	0-6 (0-152)	0-6 (0-152)	0-6 (0-152)	0-6 (0-152)
Cutting Width – in. (mm)	12 (305)	16 (406)	16 (406)	18 (457)	24 (610)	30 (762)	36 (914)
Drum Diameter – in. (mm)	18.6 (472)	18.6 (472)	21.9 (556)	21.9 (556)	21.9 (556)	21.9 (556)	21.9 (556)
Tilt	± 15°	± 15°	± 15°	± 15°	± 15°	± 12.5°	± 10°
Side shift – in. (mm)	24 (610)	24 (610)	24 (610)	24 (610)	24 (610)	24 (610)	24 (610)
Hydraulic req. – gpm (l/m)	13-25 (45-95)	16-25 (60-95)	24-45 (91-170)	26-45 (98-170)	28-45 (106-170)	28-45 (106-170)	31-45 (117-170)
Hydraulic req. – psi (bar)	2200-3400 (152-235)	2200-3400 (152-235)	2200-5000 (152-345)	2200-5000 (152-345)	2200-5000 (152-345)	2200-5000 (152-345)	2200-5000 (152-345)
Drive	Direct	Direct	Planetary	Planetary	Planetary	Planetary	Planetary
Controls	Manual w/ hyd side shift diverter valve	Manual w/ hyd side shift diverter valve	Full hydraulic with in-cab controls	Full hydraulic with in-cab controls	Full hydraulic with in-cab controls	Full hydraulic with in-cab controls	Full hydraulic with in-cab controls
No. of Carbide Picks	36	44	48	52	64	76	88



Std Flow



High Flow

Unit includes bucket, mounting bracket, hoses, quick couplers and chute extensions.

	PART NUMBER	WEIGHT LB
C50 CONCRETE BUCKET (1/2 yd cap.)	87398932	492
C75 CONCRETE BUCKET (3/4 yd cap.)	87398933	554

OPTIONAL COMPONENTS – (Order as needed)

90° CHUTE KIT – Allows chute to be positioned for left or right discharge.	48022262	76
--	----------	----

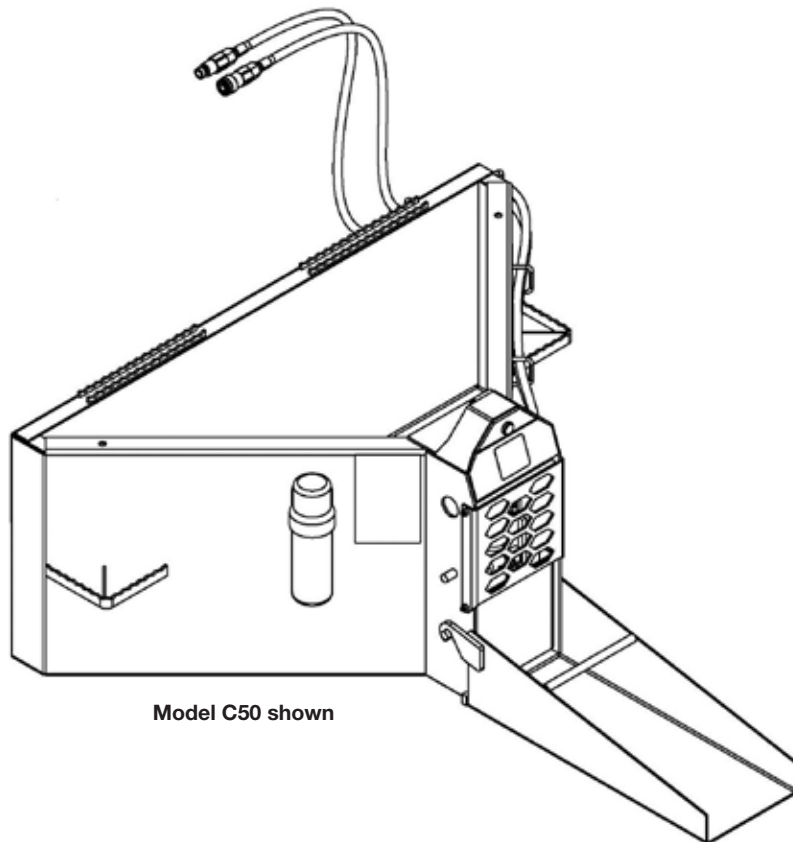
MODEL COMPATIBILITY	SR130	SR150	SR160	SR175	SV185	SR200	SR210	SR220	SR240	SV250	SR250	SR270	SV280	SV300	SV340	TR270	TR310	TR320	TR340	TV370	TV450	REQ'D EQUIPMENT						
	410	420	430	440	435	445	450	465	420CT	440CT	445CT	450CT	STD FLOW	HIGH FLOW	CASE DRAIN	FRONT ELEC	DEMO DOOR	2ND AUX										
C50 CONCRETE BUCKET	•	•	•	•	•	•	•	•	•	•	•	•	•	•	•	•	•	•	•	•	•	R						
C75 CONCRETE BUCKET						•	•	•	•	•	•	•	•	•	•	•	•	•	•	•	•	R						

FEATURES

- Dispenses concrete safely and easily into column and wall forms
- Quick, clean and accurate placement of concrete without a wheelbarrow
- Hydraulically actuated gate for precise concrete metering
- Removable chute extension
- Safety door keeps co-workers safe from dispensing gate
- 58" wide. Can be easily picked up and transported in a standard 60" bucket
- Optional 90° chute kit

APPLICATIONS

- Ideal for pools and patios



Model C50 shown

	PART NUMBER	WEIGHT LB
CONCRETE CLAW	87045489	575

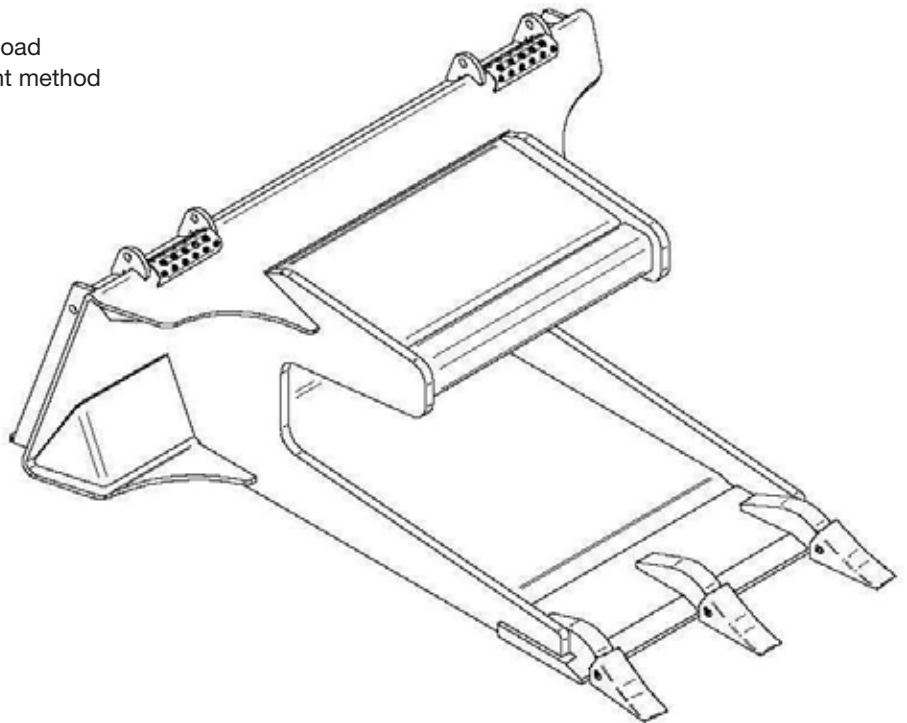
MODEL COMPATIBILITY	SR130	SR150	SR160	SR175	SV185	SR200	SR210	SR220	SR240	SV250	SR250	SR270	SV280	SV300	SV340	TR270	TR310	TR320	TR340	TV370	TV450	REQ'D EQUIPMENT			
	410	420	430	440	435	445	450	465	420CT	440CT	445CT	450CT		STD FLOW	HIGH FLOW	CASE DRAIN	FRONT ELEC	DEMO DOOR	2ND AUX						
CONCRETE CLAW	•	•	•	•	•	•	•	•	•	•	•	•	•	•	•	•	•	•	•	•	•	•	•	•	•

FEATURES

- Slide the claw teeth under the concrete, lift & load
- Allows for a cleaner, quicker, and more efficient method of concrete removal
- Features name-brand replaceable points with 1-1/2" wide shanks
- Rubberized flex pins securely fasten replaceable points
- End plates and tooth shanks are made with high strength T-1 steel
- 1" x 8" wear resistant steel tapered cutting edge

APPLICATIONS

- Concrete removal on sidewalks, driveways or any construction site



STANDARD AUXILIARY BOOM HYDRAULICS REQUIRED	PART NUMBER	WEIGHT LB
PL1300 DOZER BLADE, 72"	87387403	1360
PL1300 DOZER BLADE, 84"	87387404	1440
PL1300 DOZER BLADE, 96"	87387405	1490

BASE UNIT OPTIONS (Must Order One for Complete Unit)

Universal wiring kit (includes full wiring to cab and battery with cab-mounted switch)	87015256	3
Wiring adapter kit (for use with loaders equipped with front electric kit. Includes adapter to 14-pin boom connector).	86602638	2
Wire harness adapter (adapts pre-9/1/2001 75XT, 85XT, 90XT, 95XT w/8-pin connector to 14-pin connector)	87048529	2

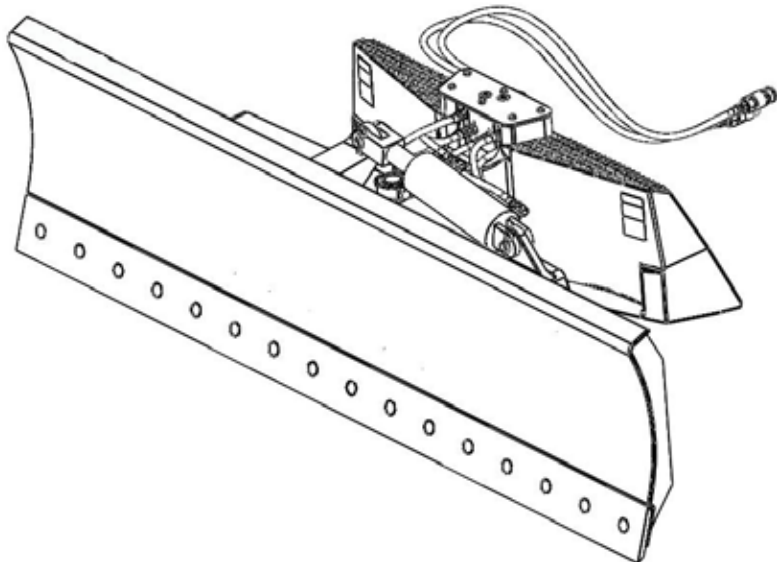
MODEL COMPATIBILITY	SR130	SR150	SR160	SR175	SV185	SR200	SR210	SR220	SR240	SV250	SR250	SR270	SV280	SV300	SV340	TR270	TR310	TR320	TR340	TV370	TV450	REQ'D EQUIPMENT					
	410	420	430	440	435	445	450	465	420CT	440CT	445CT	450CT										STD FLOW	HIGH FLOW	CASE DRAIN	FRONT ELEC	DEMO DOOR	2ND AUX
72" DOZER BLADE	•	•	•	•	•																	R			O		
84" DOZER BLADE		•	•	•	•						•											R			O		
96" DOZER BLADE				•	•						•											R			O		

FEATURES

- Rugged, heavy-duty cast moldboard and mounting frame
- Bolt-on reversible cutting edge
- Adjustable skid shoes - standard
- Blade angles 30 degrees left or right
- Blade tilts 10 degrees

APPLICATIONS

- Rough and finish grading as well as light dozing



Unit includes laser-ready grading box, mast pole(s), hoses and quick disconnects.

	PART NUMBER	WEIGHT LB
LASER-READY GRADING BOX (Does not include CASE Site Control laser package)		
72" LASER-READY GRADING BOX, PS-Series, Single Mast	48175187	1685
84" LASER-READY GRADING BOX, PS-Series, Single Mast	48175188	1735
96" LASER-READY GRADING BOX, PS-Series, Single Mast	48175189	1820
72" LASER-READY GRADING BOX, PD-Series, Dual Mast	48175190	2000
84" LASER-READY GRADING BOX, PD-Series, Dual Mast	48175191	2050
96" LASER-READY GRADING BOX, PD-Series, Dual Mast	48175192	2135
LASER-READY GRADING BOX HARNESS/CABLE/BRACKET KIT (Must order one for complete unit)		
KIT, PS SINGLE MAST (harness, cable and bracket)	48175206	9
KIT, PD DUAL MAST (harness, cable and bracket)	48175207	9
CASE SITE CONTROL LASER COMPONENT KITS (Must order control panel kit plus one receiver kit for complete unit)		
KIT, LASER CONTROL PANEL	51436794	2
KIT, LASER RECEIVER, Single Mast	48175208	2
KIT, LASER RECEIVER, Dual Mast	48175209	2
CASE SITE CONTROL LASER BEACONS (Other laser beacon brands may be compatible)		
RUGBY 610 (Horizontal flat plane only)	LG6011150	19
RUGBY 620 (Horizontal, manual grade, no display)	LG6011152	21
RUGBY 640 (Horiz/Vert., manual grade, no display)	LG6011154	19
RUGBY 640G (Horiz/Vert., manual grade, no display)	LG6011486	20
RUGBY CLH wBasic functionality (Horizontal flat plane only)	LG6012274	20
RUGBY CLH w/CLX 200 functionality (Horizontal, manual grade, no display)	LG6012276	21
RUGBY CLH w/CLX 300 functionality (Single grade to 8%, semi auto, w/display)	LG6012277	21
RUGBY CLH w/CLX 400 functionality (Dual grade to 8%, semi auto, w/display)	LG6012278	21
RUGBY CLA w/CLX 500 functionality (Horiz/Vert., manual grade, no display)	LG6012282	24
RUGBY CLA w/CLX 600 functionality (Single grade to 15%, full auto)	LG6012283	24
RUGBY CLA w/CLX 700 functionality (Dual grade to 15%, full auto)	LG6012284	24
RUGBY CLA w/CLX 800 functionality (Dual grade to 15%, full auto, + more)	LG6012280	24
RUGBY CLI w/CLX 900 functionality (Dual grade to 15%, full auto, + more)	LG6012286	19

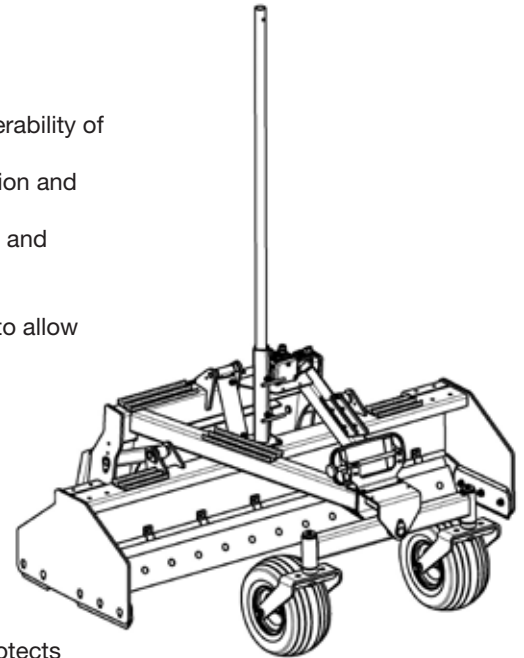
MODEL COMPATIBILITY	SR130	SR150	SR160	SR175	SV185	SR200	SR210	SR220	SR240	SV250	SR250	SR270	SV280	SV300	SV340	TR270	TR310	TR320	TR340	TV370	TV450	REQ'D EQUIPMENT						
	410	420	430	440	435	445	450	465	420CT	440CT	445CT	450CT	STD FLOW	HIGH FLOW	CASE DRAIN	FRONT ELEC	DEMO DOOR	2ND AUX										
72" LASER-READY GRADING BOX, PS or PD		•	•	•	•	•	•	•	•	•	•	•	•	•	•	•	•	•	•	•	•	•	R		R	R		
84" LASER-READY GRADING BOX, PS or PD		•	•	•	•	•	•	•	•	•	•	•	•	•	•	•	•	•	•	•	•	•	R		R	R		
96" LASER-READY GRADING BOX, PS or PD				•	•	•	•	•	•	•	•	•	•	•	•	•	•	•	•	•	•	•	R		R	R		

Model	Grades	Working Width	Front Capacity	Rear Capacity
PS-72	Depth	72" (1829 mm)	11.5 ft³ (.33 M³)	7.0 ft³ (.20 M³)
PD-72	Depth and slope			
PS-84	Depth	84" (2134 mm)	13.4 ft³ (.38 M³)	8.0 ft³ (.23 M³)
PD-84	Depth and slope			
PS-96	Depth	96" (2438 mm)	15.3 ft³ (.43 M³)	9.0 ft³ (.25 M³)
PD-96	Depth and slope			

Grading Box, Laser (Continued next page)

FEATURES

- Create highly precise finish grades to within 1/10th of an inch
- Push-pull design grades moving forward and in reverse to utilize the maneuverability of a SSL or CTL and increase productivity
- Front wheel location provides stability, resulting in a smoother grading operation and surface
- Hydraulic valve system adjusts grading box, providing operators with smooth and accurate performance in even the toughest environments
- Composite, greaseless bushings in all pivot points
- Reversible and replaceable cutting edge on all sides; main edges are hinged to allow better penetration when digging
- Large mirror allows operator to view spoil and material in front of box
- Foam-filled tires for flat-free operation
- Universal skid steer mount compatible
- Connect-under-pressure flat face quick couplers
- Durable powder coat finish
- Compatible with CASE Site Control laser control panel, receivers and beacons
- Single or dual mast options (single mast for automated elevation only; dual mast for automated elevation and cross-slope)
- Industry-leading 3-year standard product warranty through CNH Industrial protects the grading box against workmanship and defects not related to wear (1-year standard product warranty through CNH Industrial for hydraulic components)



Single Mast (PS)

HOW IT WORKS

- A rotating laser is set for desired grade; the rotating beam of laser light is read by the laser receiver(s) which is mounted to the mast pole
- The beam's location is sent to the control panel which interprets where the beam of light is, in relation to grade
- The control panel then tells the hydraulic valve to adjust the grading box up or down to keep the receiver(s) on grade

APPLICATIONS

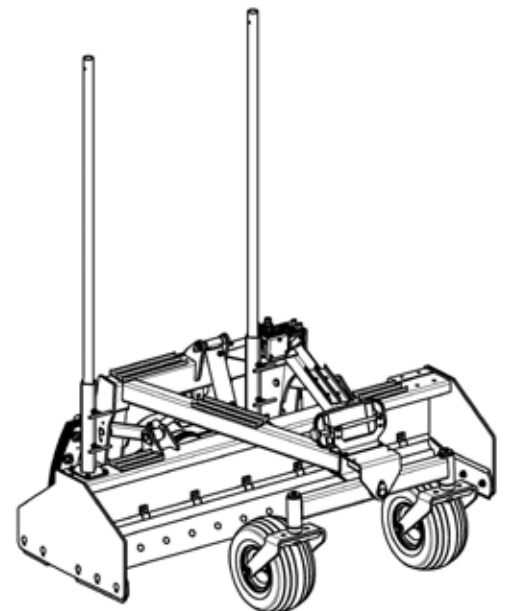
- Concrete subgrade
- Athletic fields
- Parking lots, driveways and sidewalks
- Golf course tee boxes and cart paths
- Equestrian riding arenas and rings
- Outdoor tennis and basketball courts
- Other fine grading applications for general excavation, pole barn and storage facility construction

REQUIREMENTS FOR OPERATION

- Standard auxiliary hydraulics
- Case drain
- Front electric kit required for laser control package
- Harness/cable/bracket kit for laser-ready grading box
- CASE Site Control laser control panel kit
- CASE Site Control laser receiver kit (single or dual mast)
- CASE Site Control rotating laser beacon (other laser beacon brands may be compatible)

DEALER REQUIREMENTS

- Dealer must be Level 2: 2D On-Machine Systems certified to order CASE Site Control laser component kits and beacons



Dual Mast (PD)

Unit includes hoses and quick disconnects.

	PART NUMBER	WEIGHT LB
72" CONSTRUCTION BRUSH GRAPPLE*	87678207	925
78" CONSTRUCTION BRUSH GRAPPLE*	87678208	999
84" CONSTRUCTION BRUSH GRAPPLE*	87678209	1054
90" CONSTRUCTION BRUSH GRAPPLE*	87678210	1105
72" CONSTRUCTION BRUSH GRAPPLE - LT Series	51422159	885
78" CONSTRUCTION BRUSH GRAPPLE - LT Series	51422160	920
84" CONSTRUCTION BRUSH GRAPPLE - LT Series	51422161	1120

*Compatible with some CWL models

OPTIONAL COMPONENTS (Order as needed)

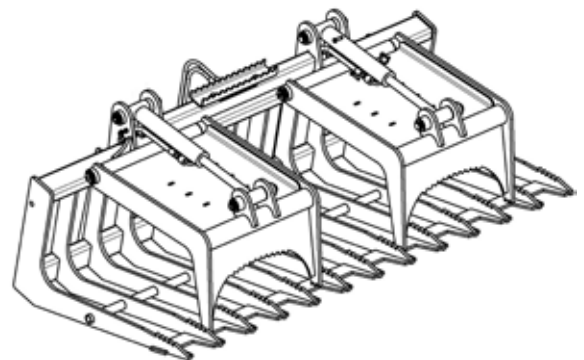
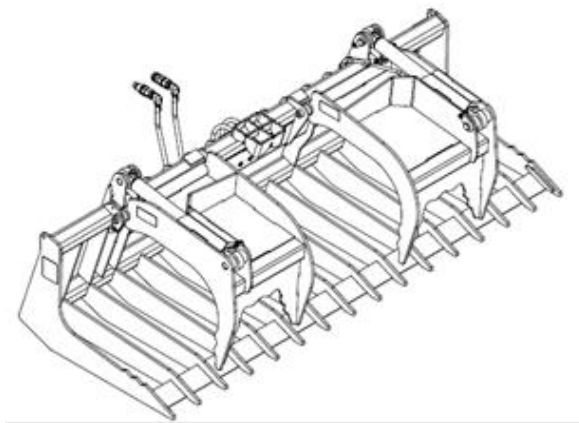
CYLINDER GUARD KIT - LT Series	51453848	25
--------------------------------	----------	----

MODEL COMPATIBILITY	SR130	SR150	SR160	SR175	SV185	SR200	SR210	SR220	SR240	SV250	SR250	SR270	SV280	SV300	SV340	TR270	TR310	TR320	TR340	TV370	TV450	REQ'D EQUIPMENT						
	410				420	430	435	440		445	450	465	420CT	440CT	445CT	450CT						STD FLOW	HIGH FLOW	CASE DRAIN	FRONT ELEC	DEMO DOOR	2ND AUX	
72" CONSTRUCTION BRUSH GRAPPLE					•	•	•			•	•	•		•	•							R						
78" CONSTRUCTION BRUSH GRAPPLE						•	•			•	•	•		•	•				•			R						
84" CONSTRUCTION BRUSH GRAPPLE										•	•			•	•				•	•		R						
90" CONSTRUCTION BRUSH GRAPPLE										•	•			•	•				•	•		R						
72" CONSTRUCTION BRUSH GRAPPLE - LT Series				•	•	•	•			•	•	•		•	•							R						
78" CONSTRUCTION BRUSH GRAPPLE - LT Series										•	•	•		•	•				•	•		R						
84" CONSTRUCTION BRUSH GRAPPLE - LT Series							•			•	•	•		•	•				•	•		R						

APPLICATIONS

- Open sided design ideal for hauling brush and logs
- Pick up rocks and debris, while leaving dirt behind

	Construction Brush Grapple	Construction Brush Grapple - LT Series
FEATURES		
Overview	<ul style="list-style-type: none"> Full featured grapple comes standard with cushioned cylinders and cylinder guards 	<ul style="list-style-type: none"> LT Series strikes the right balance between durability and affordability
Sizes	<ul style="list-style-type: none"> 72", 78", 84" and 90" 	<ul style="list-style-type: none"> 72", 78" and 84"
Other Features	<ul style="list-style-type: none"> 1-1/4" x 24" grapple pins greatly reduce torsional force 1-1/4" cylinder pivot pins 1/2" end plates Standard load check valve for positive clamp force 	<ul style="list-style-type: none"> Teflon coated bushings provide lubrication at all pivot locations Each serrated tine is precision cut from one piece of 1/2" Grade 80 steel, from tip to top brace, to add rigidity Greasable 1-1/4" diameter cylinder pins and 1-9/16" diameter hinge pins
Cylinders	<ul style="list-style-type: none"> Two independent cushioned cylinders – 2" x 8" x 1-1/4" 	<ul style="list-style-type: none"> Two independent 2" bore, 8-3/8" hydraulic cylinders feature corrosion, dent and flake resistant NitroSteel® cylinder rods
Cylinder Guards	<ul style="list-style-type: none"> Standard 	<ul style="list-style-type: none"> Optional
Finish	<ul style="list-style-type: none"> Durable powder coat 	<ul style="list-style-type: none"> Durable powder coat
Warranty	<ul style="list-style-type: none"> 1-year standard product warranty through Paladin for workmanship and defect not related to wear 	<ul style="list-style-type: none"> 1-year standard product warranty through CNH Industrial for workmanship and defect not related to wear
Parts Available in CNH Depot	<ul style="list-style-type: none"> No 	<ul style="list-style-type: none"> Yes
REQUIREMENTS FOR OPERATION		
	<ul style="list-style-type: none"> Standard auxiliary hydraulics 	<ul style="list-style-type: none"> Standard auxiliary hydraulics
SPECIFICATIONS		
Unit Includes	<ul style="list-style-type: none"> Hoses and quick disconnects 	<ul style="list-style-type: none"> Hoses and quick disconnects
Material Yield Strength	<ul style="list-style-type: none"> 100K PSI 	<ul style="list-style-type: none"> 80K PSI
Tine Spacing	<ul style="list-style-type: none"> 6" 	<ul style="list-style-type: none"> 5-1/2"
Throat Opening	<ul style="list-style-type: none"> Open – 40" / Closed – 16-1/2" 	<ul style="list-style-type: none"> Open – 36-1/2" / Closed – 21-3/10"
Overall Depth	<ul style="list-style-type: none"> 39" 	<ul style="list-style-type: none"> 39-9/10"
Manufacturer	<ul style="list-style-type: none"> Paladin 	<ul style="list-style-type: none"> Virnig



Unit includes hoses and quick disconnects.

	PART NUMBER	WEIGHT LB
66" UTILITY BRUSH GRAPPLE	47443896	810
72" UTILITY BRUSH GRAPPLE	47443897	845
72" UTILITY BRUSH GRAPPLE - LT Series	51422158	800

OPTIONAL COMPONENTS (Order as needed)

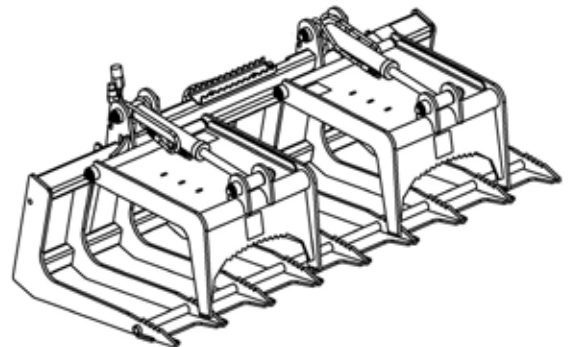
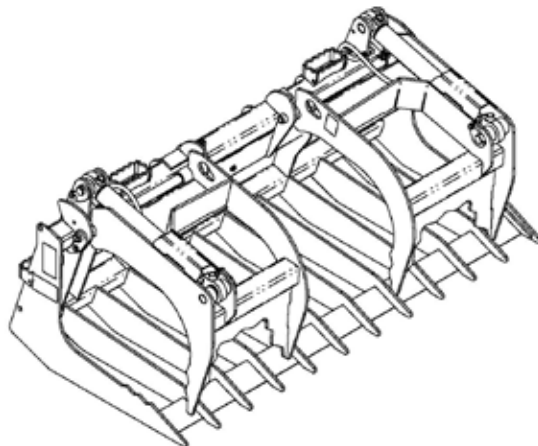
CYLINDER GUARD KIT - LT Series	51453848	25
--------------------------------	----------	----

MODEL COMPATIBILITY	SR130	SR150	SR160	SR175	SR185	SR200	SR210	SR220	SR240	SV250	SR250	SR270	SV280	SV300	SV340	TR270	TR310	TR320	TR340	TV370	TV450	REQ'D EQUIPMENT						
		410	420	430	435	440	445	450	465	420CT	440CT	445CT	450CT	STD FLOW	HIGH FLOW	CASE FLOW	FRONT DRAIN	FRONT ELEC	DEMO DOOR	2ND AUX								
66" UTILITY BRUSH GRAPPLE	•	•	•											•									R					
72" UTILITY BRUSH GRAPPLE		•	•	•												•								R				
72" UTILITY BRUSH GRAPPLE - LT Series	•	•	•	•	•																			R				

APPLICATIONS

- Open sided design ideal for picking up/hauling brush and logs, while leaving dirt behind

	Utility Brush Grapple	Utility Brush Grapple - LT Series
FEATURES		
Overview	<ul style="list-style-type: none"> Full featured grapple comes standard with cushioned cylinders and cylinder guards 	<ul style="list-style-type: none"> LT Series strikes the right balance between durability and affordability
Sizes	<ul style="list-style-type: none"> 66" and 72" 	<ul style="list-style-type: none"> 72"
Other Features	<ul style="list-style-type: none"> 1-1/4" x 24" grapple pins greatly reduce torsional force 1-1/4" cylinder pivot pins 3/8" end plates Standard load check valve for positive clamp force 	<ul style="list-style-type: none"> Teflon coated bushings provide lubrication at all pivot locations Each serrated tine is precision cut from one piece of 1/2" Grade 50 steel, from tip to top brace, to add rigidity Greasable 1-1/4" diameter cylinder pins and hinge pins
Cylinders	<ul style="list-style-type: none"> Two independent cushioned and sleeved cylinders – 2" x 8" x 1-1/4" 	<ul style="list-style-type: none"> Two independent 2" bore, 8-3/8" hydraulic cylinders feature corrosion, dent and flake resistant NitroSteel® cylinder rods
Cylinder Guards	<ul style="list-style-type: none"> Standard 	<ul style="list-style-type: none"> Optional
Finish	<ul style="list-style-type: none"> Durable powder coat 	<ul style="list-style-type: none"> Durable powder coat
Warranty	<ul style="list-style-type: none"> 1-year standard product warranty through Paladin for workmanship and defect not related to wear 	<ul style="list-style-type: none"> 1-year standard product warranty through CNH Industrial for workmanship and defect not related to wear
Parts Available in CNH Depot	<ul style="list-style-type: none"> No 	<ul style="list-style-type: none"> Yes
REQUIREMENTS FOR OPERATION		
	<ul style="list-style-type: none"> Standard auxiliary hydraulics 	<ul style="list-style-type: none"> Standard auxiliary hydraulics
SPECIFICATIONS		
Unit Includes	<ul style="list-style-type: none"> Hoses and quick disconnects 	<ul style="list-style-type: none"> Hoses and quick disconnects
Material Yield Strength	<ul style="list-style-type: none"> 100K PSI 	<ul style="list-style-type: none"> 50K PSI
Tine Spacing	<ul style="list-style-type: none"> 6" 	<ul style="list-style-type: none"> 8-1/2"
Throat Opening	<ul style="list-style-type: none"> Open – 29" / Closed – 17-3/8" 	<ul style="list-style-type: none"> Open – 35-1/2" / Closed – 20-3/10"
Overall Depth	<ul style="list-style-type: none"> 36" 	<ul style="list-style-type: none"> 36-9/10"
Manufacturer	<ul style="list-style-type: none"> Paladin 	<ul style="list-style-type: none"> Virnig



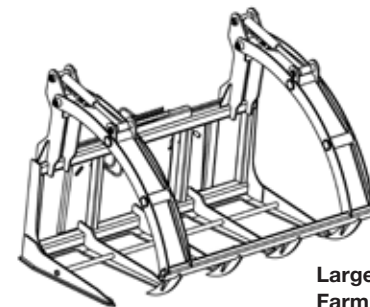
Unit includes hoses and quick disconnects.

	PART NUMBER	WEIGHT LB
Large Capacity Farm Grapple – 72" (1830 mm)	51498695	1165
Large Capacity Farm Grapple – 84" (2130 mm)	51498696	1265
Large Capacity Farm Bucket Grapple – 72" (1830 mm)	51498699	1440
Large Capacity Farm Bucket Grapple – 84" (2130 mm)	51498700	1520

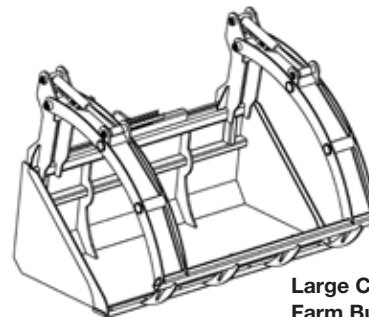
MODEL COMPATIBILITY	SR130 SR150 SR160	SR175 SV185 SR200 SR210	SR220 SR240	SV250 SR250 SR270 SV280	SV300 SV340	TR270	TR310	TR320 TR340 TV370 TV450	REQ'D EQUIPMENT					
	410	420 430	435 440	445	450 465	420CT 440CT	445CT 450CT	STD FLOW HIGH FLOW	CASE DRAIN	FRONT ELEC	DEMO DOOR	2ND AUX		
Large Capacity Farm Grapple – 72"				•	•		•	•	R					
Large Capacity Farm Grapple – 84"				•	•		•	•	R					
Large Capacity Farm Bucket Grapple – 72"				•	•		•	•	R					
Large Capacity Farm Bucket Grapple – 84"				•	•		•	•	R					

FEATURES

- Large Capacity Farm Grapple features an open bottom and back providing excellent visibility while allowing smaller debris to fall through
- Large Capacity Farm Bucket Grapple features five 1/2" x 4" structural wear bars under bucket for added strength
- Two-cylinder grapple with large jaw opening allows handling of big round bales, four 1/2" Grade 80 curved tines (80K PSI yield strength steel) penetrate bales with minimal damage (may be used with twine or net wrapping but should not be used with plastic wrap to prevent tearing)
- Two independent 2" bore, 8-3/8" hydraulic cylinders feature corrosion, dent and flake resistant NitroSteel® cylinder rods
- Greasable hinge pins and cylinder pins
- Teflon coated bushings provide lubrication at all pivot locations
- Durable powder coat finish
- 1-year standard product warranty through CNH Industrial
- Replacement and wear parts supported in our depot network



Large Capacity Farm Grapple



Large Capacity Farm Bucket Grapple

APPLICATIONS

- Effectively handle and transport large, loose round bales
- Move brush and loose materials
- Perform multiple farm chores

REQUIREMENTS FOR OPERATION

- Standard auxiliary hydraulics

ACCESSORIES	
Width	Bolt-on Edge for bucket
72"	86577169
84"	86577173

	SPECIFICATIONS			
	Large Capacity Farm Grapple 72"	Large Capacity Farm Grapple 84"	Large Capacity Farm Bucket Grapple 72"	Large Capacity Farm Bucket Grapple 84"
Width	74.0" (1880 mm)	86.0" (2184 mm)	73-1/2" (1867 mm)	85-1/2" (2172 mm)
Depth	40-4/5" (1036 mm)		40.0" (1016 mm)	
Height	30-4/5" (782 mm)		31-2/5" (798 mm)	
Number of tines	5	6	—	—
Grapple jaw opening	73-2/5" (1864 mm)		74-3/10" (1887 mm)	
Number of grapple teeth	4	4	4	4
Bucket capacity (heaped)	—	—	33.2 ft³ (.94 M³)	38.8 ft³ (1.1 M³)
Operating weight	1050 lbs. (476 kg)	1150 lbs. (522 kg)	1325 lbs. (601 kg)	1405 lbs. (637 kg)

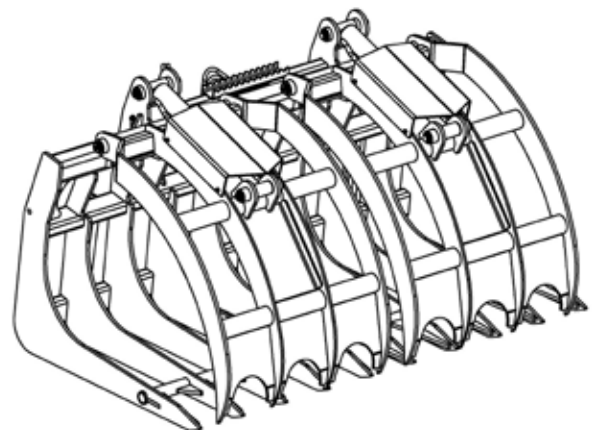
Unit includes hoses and quick disconnects.

	PART NUMBER	WEIGHT LB
GRAPPLE, LARGE CAPACITY – 72" (1830 mm)	51498737	1665
GRAPPLE, LARGE CAPACITY – 84" (2130 mm)	51498738	1765

MODEL COMPATIBILITY	SR130 SR150 SR160	SR175 SV185 SR200 SR210	SR220 SR240	SV250 SR250 SR270 SV280	SV300 SV340	TR270	TR310	TR320 TR340 TV370 TV450	REQ'D EQUIPMENT					
	410	420 430	435 440	445	450 465	420CT	440CT	445CT 450CT	STD FLOW	HIGH FLOW	CASE DRAIN	FRONT ELEC	DEMO DOOR	2ND AUX
GRAPPLE, LARGE CAPACITY – 72"				•	•		•	•	R					
GRAPPLE, LARGE CAPACITY – 84"				•	•			•	R					

FEATURES

- Fully utilizes the increased capacity of large CASE machines to get jobs done faster
- Open bottom and back providing excellent visibility while allowing smaller debris to fall through
- Heavy-duty 1/2" Grade 80 steel tines and 1/2" Grade 50 steel outer jaw tines
- Fully gusseted tine tips for added strength
- Two independent 2-1/2" bore, 8-3/8" hydraulic cylinders feature corrosion, dent and flake resistant NitroSteel® cylinder rods
- Teflon® coated bushings provide lubrication at all pivot locations
- Comes standard with cylinder guards
- Greasable 1-9/16" diameter hinge pins and 1-1/4" cylinder pins
- Durable powder coat finish
- 1-year standard product warranty through CNH Industrial
- Replacement and wear parts supported in our depot network



APPLICATIONS

- Works well for bulky material where smaller debris can fall through the grapple bottom
- Independent grapple opens over 5 feet for large jobs and grabbing odd-shaped materials with ease
- Perfect for clearing tree lines and wooded lots after felling

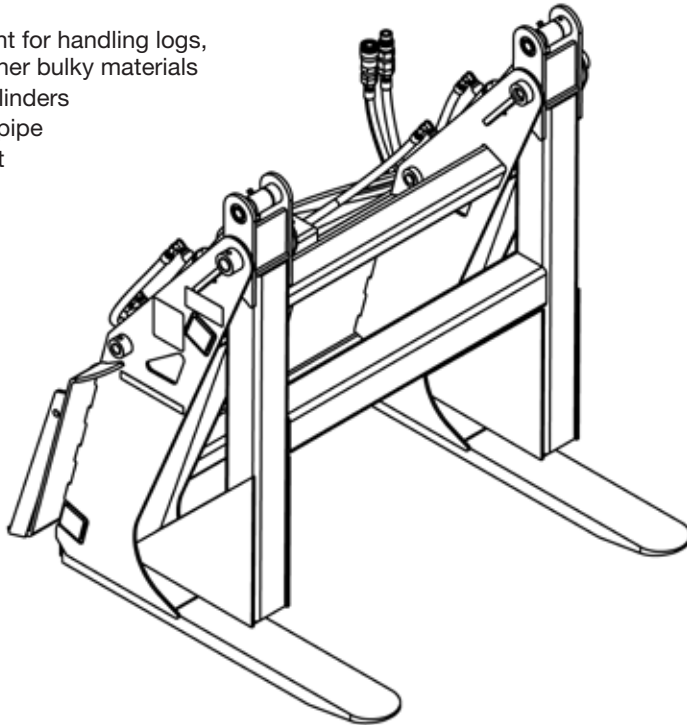
SPECIFICATIONS		
	72"	84"
Width	73.0" (1854 mm)	85.0" (2159 mm)
Depth	46.0" (1168 mm)	
Height	33-4/5" (859 mm)	
Number of tines	10	12
Grapple jaw opening	62-4/5" (1595 mm)	
Operating weight	1550 lbs. (703 kg)	1650 lbs. (748 kg)

STANDARD AUXILIARY BOOM HYDRAULICS REQUIRED	PART NUMBER	WEIGHT LB
LOG GRAPPLE	87382066	650

MODEL COMPATIBILITY	SR130 SR150 SR160	SR175 SV185	SR200 SR210	SR220 SR240		SV250 SR250 SR270 SV280	SV300 SV340		TR270 TR310		TR320 TR340 TV370 TV450	REQ'D EQUIPMENT					
	410	420	430	440	435	445 450	465	420CT	440CT	445CT 450CT		STD FLOW	HIGH FLOW	CASE DRAIN	FRONT ELEC	DEMO DOOR	2ND AUX
LOG GRAPPLE	•	•	•	•	•	•	•	•	•	•	•	R					

FEATURES

- Excellent attachment for handling logs, piles, brush, and other bulky materials
- 2" x 8" hydraulic cylinders
- Closes to 6" log or pipe
- 43-1/8" open height
- 29-1/2" fork length



Unit includes hoses and quick disconnects.

	PART NUMBER	WEIGHT LB
76" CONSTRUCTION SCRAP GRAPPLE*	87677288	1081
82" CONSTRUCTION SCRAP GRAPPLE*	87677289	1133
88" CONSTRUCTION SCRAP GRAPPLE*	87677290	1180
78" CONSTRUCTION SCRAP GRAPPLE - LT Series	51422157	1120

*Compatible with some CWL models

OPTIONAL COMPONENTS (Order as needed)

CYLINDER GUARD KIT - LT Series	51453848	25
--------------------------------	----------	----

MODEL COMPATIBILITY	SR130	SR150	SR160	SR175	SV185	SR200	SR210	SR220	SR240	SV250	SR250	SR270	SR280	SV300	SV340	TR270	TR310		TR320	TR340	TV370	TV450	REQ'D EQUIPMENT							
	410	420	430	435	440	445	450	465	420CT	440CT	445CT	450CT											STD FLOW	HIGH FLOW	HIGH FLOW	CASE DRAIN	FRONT ELEC	DEMO DOOR	2ND AUX	
76" CONSTRUCTION SCRAP GRAPPLE			•	•	•		•	•	•	•	•	•	•	•	•	•	•	•	•	•	•	•	R							
82" CONSTRUCTION SCRAP GRAPPLE											•	•	•	•	•	•	•	•	•	•	•	•	R							
88" CONSTRUCTION SCRAP GRAPPLE											•	•	•	•	•	•	•	•	•	•	•	•	R							
78" CONSTRUCTION SCRAP GRAPPLE - LT Series																														

ACCESSORIES

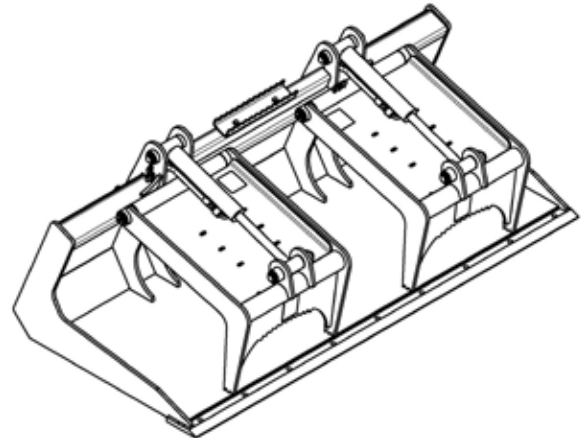
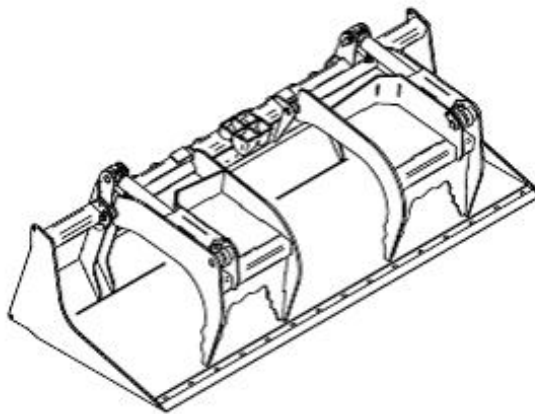
Width	Bolt-on Edge
76"	86577171
82"	86577173
88"	85999108

APPLICATIONS

- Grab and secure large, bulky scrap and waste material

Grapple, Scrap - Construction (Continued next page)

	Construction Scrap Grapple	Construction Scrap Grapple - LT Series
FEATURES		
Overview	<ul style="list-style-type: none"> Full featured grapple comes standard with cushioned cylinders and cylinder guards 	<ul style="list-style-type: none"> LT Series strikes the right balance between durability and affordability
Sizes	<ul style="list-style-type: none"> 76", 82" and 88" 	<ul style="list-style-type: none"> 78"
Other Features	<ul style="list-style-type: none"> 1-1/4" x 24" grapple pins greatly reduce torsional force 1-1/4" cylinder pivot pins 1/2" end plates Standard load check valve for positive clamp force 	<ul style="list-style-type: none"> Solid bottom constructed from 1/4" Grade 50 steel Four 1/2" thick vertical braces and a welded brace plate inside the bucket for added strength Teflon coated bushings provide lubrication at all pivot locations Greasable 1-1/4" diameter cylinder pins and 1-9/16" diameter hinge pins
Cylinders	<ul style="list-style-type: none"> Two independent cushioned cylinders – 2" x 8" x 1-1/4" 	<ul style="list-style-type: none"> Two independent 2" bore, 8-3/8" hydraulic cylinders feature corrosion, dent and flake resistant NitroSteel® cylinder rods
Cylinder Guards	<ul style="list-style-type: none"> Standard 	<ul style="list-style-type: none"> Optional
Bolt-On Edge	<ul style="list-style-type: none"> Bucket edge drilled for replaceable edge 	<ul style="list-style-type: none"> 3/4" x 6" weld-on cutting edge with holes to accept 78" bolt-on edge
Finish	<ul style="list-style-type: none"> Durable powder coat 	<ul style="list-style-type: none"> Durable powder coat
Warranty	<ul style="list-style-type: none"> 1-year standard product warranty through Paladin for workmanship and defect not related to wear 	<ul style="list-style-type: none"> 1-year standard product warranty through CNH Industrial for workmanship and defect not related to wear
Parts Available in CNH Depot	<ul style="list-style-type: none"> No 	<ul style="list-style-type: none"> Yes
REQUIREMENTS FOR OPERATION		
	<ul style="list-style-type: none"> Standard auxiliary hydraulics 	<ul style="list-style-type: none"> Standard auxiliary hydraulics
SPECIFICATIONS		
Unit Includes	<ul style="list-style-type: none"> Hoses and quick disconnects 	<ul style="list-style-type: none"> Hoses and quick disconnects
Throat Opening	<ul style="list-style-type: none"> Open – 40" / Closed – 20" 	<ul style="list-style-type: none"> Open – 38-4/5" / Closed – 22-1/2"
Overall Depth	<ul style="list-style-type: none"> 38" 	<ul style="list-style-type: none"> 37"
Manufacturer	<ul style="list-style-type: none"> Paladin 	<ul style="list-style-type: none"> Virnig



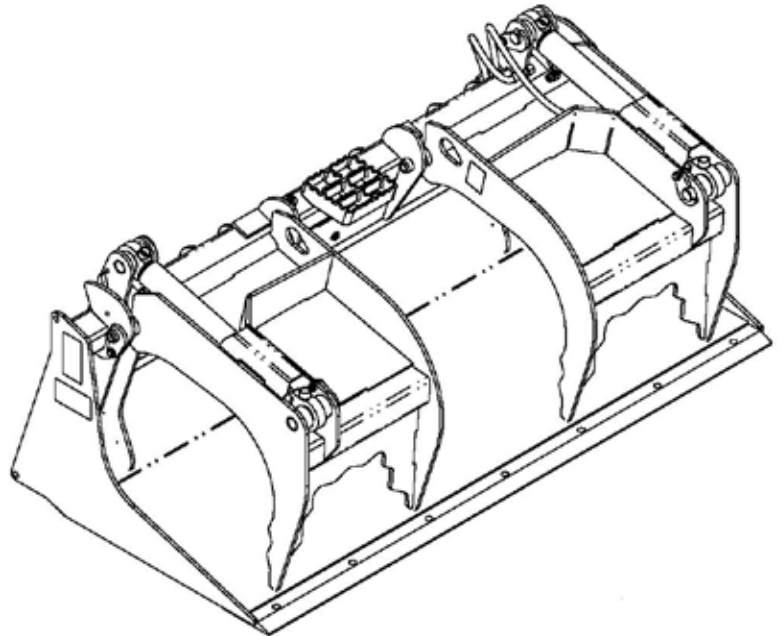
Unit includes hoses and quick disconnects.

	PART NUMBER	WEIGHT LB
60" UTILITY SCRAP GRAPPLE	47443888	808
66" UTILITY SCRAP GRAPPLE	47443890	858
72" UTILITY SCRAP GRAPPLE	47443892	905

MODEL COMPATIBILITY	SR130	SR150	SR160	SR175	SV185	SR200	SR210	SR220	SR240	SV250	SR250	SR270	SV280	SV300	SV340	TR270	TR310	TR320	TR340	TV370	TV450	REQ'D EQUIPMENT					
		410	420		430		440		435		445	450		465	420CT		440CT	445CT	450CT			STD FLOW	HIGH FLOW	CASE DRAIN	FRONT ELEC	DEMO DOOR	2ND AUX
60" UTILITY SCRAP GRAPPLE	•	•																				R					
66" UTILITY SCRAP GRAPPLE	•	•	•			•								•								R					
72" UTILITY SCRAP GRAPPLE		•	•	•		•	•							•								R					

FEATURES

- Includes hoses and quick disconnects
- Dual independent grapples
- Standard cylinder guards protect all cylinder components
- Standard load check valve for positive clamp force
- 1-1/4" cylinder pivot pins
- 1-1/4" x 24" grapple pins reduce torsional force
- 3/8" end plates
- Cushioned cylinders – 2" x 8" x 1-1/4"
- Bucket edge drilled for replaceable edge
- Throat opening grapple open – 34"
- Throat opening grapple closed – 19-3/4"
- Overall Depth – 36"



ACCESSORIES

Width	Bolt-on Edge
60"	86577165
66"	86577167
72"	86577169

Unit includes rake head, angling mounting frame, hoses and quick disconnects.

STANDARD AUXILIARY BOOM HYDRAULICS REQUIRED	PART NUMBER	WEIGHT LB
POWER BOX RAKE, 72" MANUAL ANGLE	84160162	1150
POWER BOX RAKE, 72" HYDR ANGLE	84160163	1175
POWER BOX RAKE, 84" MANUAL ANGLE	84160164	1350
POWER BOX RAKE, 84" HYDR ANGLE	84160165	1400
POWER BOX RAKE, 90" MANUAL ANGLE	84160166	1620
POWER BOX RAKE, 90" HYDR ANGLE	84160167	1670

ADDITIONAL COMPONENTS (Must order Electric Control Kit for hyd. angle units)

Electric Control Kit for loaders not equipped with factory Front Electric kit.	84372934	5
Electric Control Kit for loaders equipped with new style Front Electric kit w/14 pin round connector	87023319	2
Electric Control Kit for loaders equipped with previous XT-style Front Electric kit 305359A1 w/8 pin rectangular connector	87383458	2

MODEL COMPATIBILITY	SR130	SR150	SR160	SR175	SV185	SR200	SR210	SR220	SR240	SV250	SR250	SR270	SV280	SV300	SV340	TR270	TR310	TR320	TR340	TV370	TV450	REQ'D EQUIPMENT						
	410	420	430	440	435	445	450	465	420CT	440CT	445CT	450CT										STD FLOW	HIGH FLOW	CASE DRAIN	FRONT ELEC	DEMO DOOR	2ND AUX	
72" HARLEY BOX RAKE (MAN)	•	•	•	•	•	•	•	•	•	•	•	•	•	•	•	•	•						R					
72" HARLEY BOX RAKE (HYD)	•	•	•	•	•	•	•	•	•	•	•	•	•	•	•	•	•						R			O		
84" HARLEY BOX RAKE (MAN)		•	•	•	•	•	•	•	•	•	•	•	•	•	•	•	•						R					
84" HARLEY BOX RAKE (HYD)		•	•	•	•	•	•	•	•	•	•	•	•	•	•	•	•						R			O		
90" HARLEY BOX RAKE (MAN)						•	•	•	•	•	•	•	•	•	•	•	•						R					
90" HARLEY BOX RAKE (HYD)						•	•	•	•	•	•	•	•	•	•	•	•						R			O		

FEATURES

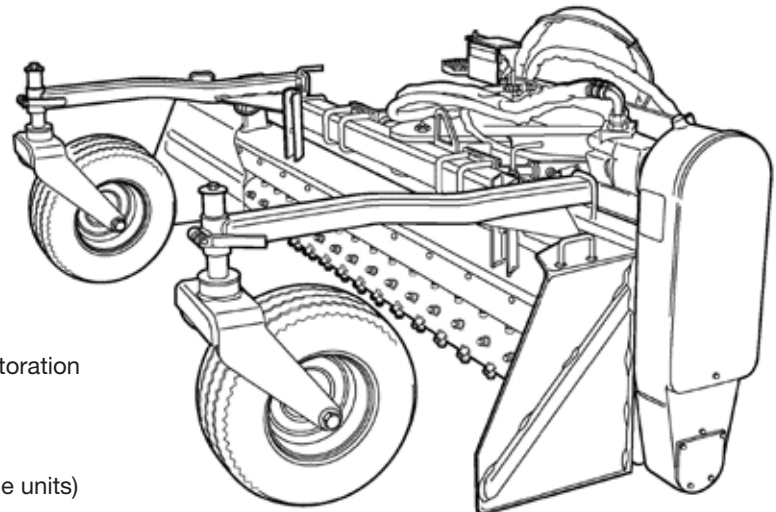
- Powered by standard skid steer auxiliary hydraulics
- Hydraulic motor drive
- Operates in forward and reverse
- Reversible end plates
- Adjustable dual gauge wheels
- Carbide tipped teeth
- Flat face hydraulic quick disconnects included
- Hoses included

APPLICATIONS

- Ideal for seedbed preparation, landscaping, trench restoration

REQUIREMENTS FOR OPERATION

- Standard auxiliary hydraulics, 11 to 20 GPM
- Auxiliary front electric control kit (optional for hyd. angle units)



Unit includes hammer body, side plates, SSL mounting bracket, hoses, quick disconnects andmoil point.

	PART NUMBER	WEIGHT LB
CH-2M HYDRAULIC HAMMER with single position mounting bracket	47450996	679
CH-2M HYDRAULIC HAMMER with 3 position mounting bracket	47450997	699
CH-3M HYDRAULIC HAMMER with single position mounting bracket	47450998	794
CH-3M HYDRAULIC HAMMER with 3 position mounting bracket	47450999	814
CH-4M HYDRAULIC HAMMER with single position mounting bracket	47451000	911
CH-4M HYDRAULIC HAMMER with 3 position mounting bracket	47451002	931
CH-5M HYDRAULIC HAMMER with single position mounting bracket	47451003	1128

ADDITIONAL COMPONENTS (Optional)

Auto Lube Kit - fits CH-2M to CH-5M	47766709	9
-------------------------------------	----------	---

ADDITIONAL COMPONENTS for CH-2M (Order as needed)

Moil Point (1 included with base hammer)	47451007	15
Chisel Point	47451008	17
Blunt Point	47451009	17
Frost Wedge (2.0" wide)	47451010	22
Asphalt Cutter (6" wide)	47451011	36
Tamping pad (8" X 8")	47451012	43

ADDITIONAL COMPONENTS for CH-3M (Order as needed)

Moil Point (1 included with base hammer)	47451018	26
Chisel Point	47451019	26
Blunt Point	47451021	28
Frost Wedge (2.3" wide)	47451022	39
Asphalt Cutter (6" wide)	47451023	36
Tamping pad (12" X 12")	47451024	119

ADDITIONAL COMPONENTS for CH-4M (Order as needed)

Moil Point (1 included with base hammer)	47451026	33
Chisel Point	47451027	33
Blunt Point	47451028	36
Frost Wedge (2.5" wide)	47451029	42
Asphalt Cutter (6" wide)	47451030	42
Tamping pad (12" X 12")	47451031	126

ADDITIONAL COMPONENTS for CH-5M (Order as needed)

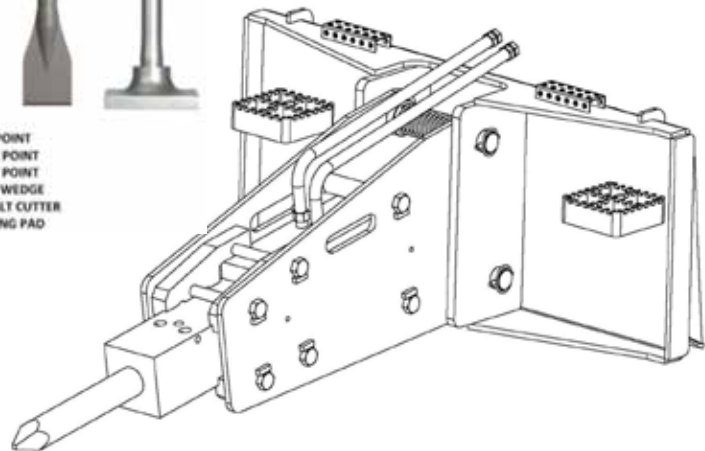
Moil Point (1 included with base hammer)	47451037	48
Chisel Point	47451039	53
Blunt Point	47451040	51
Asphalt Cutter (6" wide)	47451041	71
Tamping pad (12" X 12")	47451042	130

Hydraulic Hammer (Continued next page)

MODEL COMPATIBILITY	SR130	SR150 SR160	SR175 SV185	SR200 SR210	SR220 SR240	435	SV250 SR250 SR270 SV280	SV300 SV340	TR270 TR310	440CT	445CT 450CT	TR320 TR340 TV370 TV450	REQ'D EQUIPMENT					
	410	420	430	440	445 450	465	420CT	440CT	445CT 450CT	STD FLOW	HIGH FLOW	CASE DRAIN	FRONT ELEC	DEMO DOOR	2ND AUX			
CH-2M HYDRAULIC HAMMER	•	•	•	•										R			R	
CH-3M HYDRAULIC HAMMER		•	•	•	•	•		•	•	•	•	•		R			R	
CH-4M HYDRAULIC HAMMER			•	•	•	•	•	•	•	•	•	•		R			R	
CH-5M HYDRAULIC HAMMER					•	•	•	•		•	•	•		R			R	

FEATURES

- Only 2 moving parts (piston and control valve) means less maintenance
- Will not dry-fire
- Low pressure gas charge
- Low recoil
- Low hydraulic surge
- Dual tool retainer pins
- Hoses and quick disconnects included
- Moil Point included
- Gas recharge kit included
- Operation/Service Parts Manual
- 3 Year Warranty
- Uses standard auxiliary hydraulics





APPLICATIONS

- Demolition, construction, road maintenance

REQUIREMENTS FOR OPERATION

- Standard auxiliary hydraulics
- Demolition door

SPECIFICATIONS				
	CH-2M	CH-3M	CH-4M	CH-5M
Impact class (ft-lb)	250	350	550	825
Blows per min.	600-1150	550-1000	580-1060	550-1000
Operating wt. – lbs. (kg)	512-552 (232-250)	780-800 (354-363)	879-899 (399-408)	1076 (488)
Tool diam. – in. (mm)	2.0 (51)	2.3 (58)	2.5 (64)	3.0 (76)
Input flow – gpm (l/min)	5.3-9.2 (20-35)	6.6-12 (25-45)	8-14.5 (30-55)	9.2-16 (35-61)

HAMMER ORDERING GUIDE		
Mounting configuration	Hammer Model	Hammer Part. No.
 Single position mount bracket	CH-2M	47450996
	CH-3M	47450998
	CH-4M	47451000
	CH-5M	47451003
 3 position mount bracket	CH-2M	47450997
	CH-3M	47450999
	CH-4M	47451002

	PART NUMBER	WEIGHT LB
LIFT BOOM 6'	87381819	400

MODEL COMPATIBILITY	SR130	SR150	SR160	SR175	SV185	SR200	SR210	SR220	SR240		SV250	SR250	SR270	SV280	SV300	SV340		TR270	TR310		TR320	TR340	TV370	TV450	REQ'D EQUIPMENT					
	410	420	430	440	435	445	450	465	420CT		440CT	445CT	450CT		STD FLOW	HIGH FLOW	CASE DRAIN	FRONT ELEC	DEMO DOOR	2ND AUX										
LIFT BOOM 6'	•	•	•	•	•	•	•	•	•	•	•	•	•	•	•	•	•	•	•	•	•	•	•	•	•					

FEATURES

- Overall Width: 47"
- Loading Depth: 25.1"
- Depth: 31"
- Overall height: 73.2"
- Reach: 83.1"
- Adds 6.5 ft additional reach to loader

APPLICATIONS

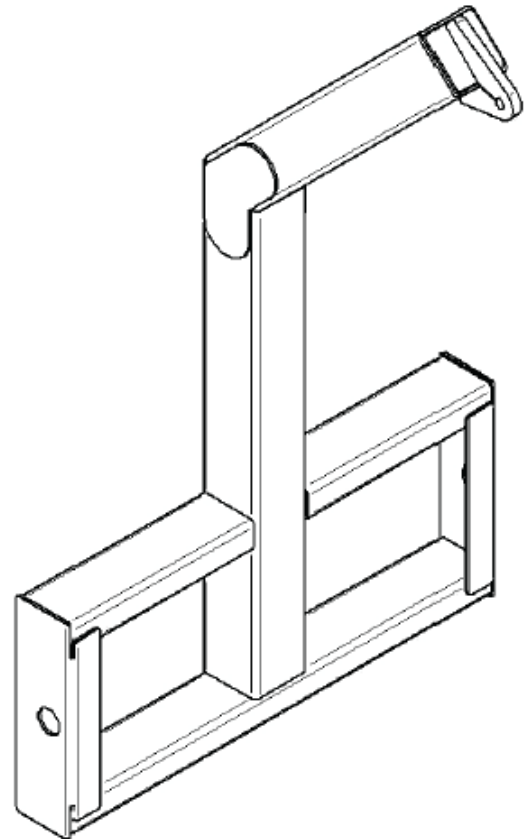
- Ideal for moving trees/shrubs for transplanting
- Use to load and unload attachments, etc.
- Ideal for placing and removing concrete forms



Vertical Mast
(70% of Operating Load, not to exceed 6,000 pounds)



Maximum Reach
(30% of Operating Load, not to exceed 6,000 pounds)



	PART NUMBER	WEIGHT LB
WEIGHLOG 100 LOAD MONITOR (XT, 400 Series)	84316807	12
WEIGHLOG 200 LOAD MONITOR (XT, 400 Series)	84316808	14
WEIGHLOG 100 LOAD MONITOR (Alpha Series)	84512810	12
WEIGHLOG 200 LOAD MONITOR (Alpha Series)	84512811	14

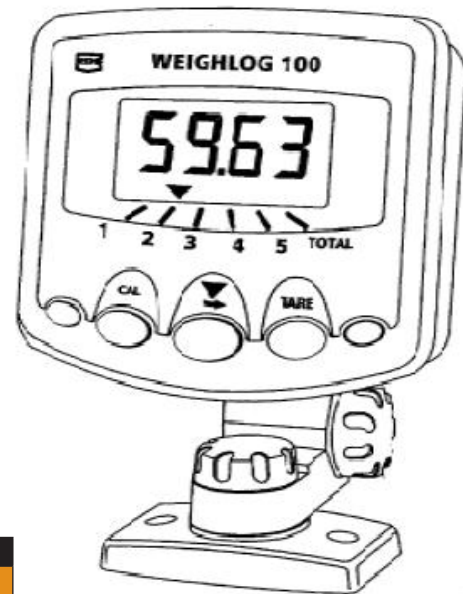
ADDITIONAL EQUIPMENT (Order as needed)

PRINTER KIT - for WEIGHLOG 200 Only	84316810	1
-------------------------------------	----------	---

MODEL COMPATIBILITY	410		430		450		420CT		445CT		SR130	SR150	SR160	SR175	SV185	SR200	SR210	SR220	SR240	SV250	SR250	SR270	SV280	SV300	SV340	TR270	TR310	TR320	TR340	TV370	TV450
	420	440	445	465	440CT	450CT																									
WEIGHLOG 100 - 84316807	•	•	•	•	•	•																									
WEIGHLOG 200 - 84316808	•	•	•	•	•	•																									
WEIGHLOG 100 - 84512810											•	•	•	•	•	•	•	•	•	•	•	•	•	•	•	•	•	•	•	•	
WEIGHLOG 200 - 84512811											•	•	•	•	•	•	•	•	•	•	•	•	•	•	•	•	•	•	•	•	

FEATURES

- Static or dynamic weighing
- 5 individual display channels
- Proven sensor technology
- Backlit LCD graphic display and keypad
- Measures, displays and records net weight based on lift system pressure
- Calibrate for any bucket, pallet fork, etc.
- Internal audible alarm
- Kit comes complete with:
 - Head unit
 - Heavy duty load sensor
 - Hydraulic fitting kit
 - Reference/direction sensors
 - Remote enter button
 - Installation kit
- WeighLog is not certified for legal sale of goods



SPECIFICATIONS		
MODEL	WL100	WL200
Operating Voltage	11 - 30 vdc	
Temperature Range	32°-102°F (0°-50°C)	
System Accuracy	±2% (or better)	
Pressure Range	0-4350 psi (0-250 bar)	
Speed Compensated Dynamic Weighing	No	Yes
Printer Compatible	No	Yes
Warranty	1 year/parts	

STANDARD AUXILIARY BOOM HYDRAULICS REQUIRED (for Grapple Option Only)	PART NUMBER	WEIGHT LB
MANURE FORK, 60"	84218741	500
MANURE FORK, 66"	84218742	515
MANURE FORK, 72"	84218743	525
MANURE FORK, 84"	84218744	575

OPTIONS

Kit, Grapple Attachment (requires standard auxiliary hydraulics)	84218745	130
--	----------	-----

MODEL COMPATIBILITY	SR130	SR150	SR160	SR175	SV185	SR200	SR210	SR220	SR240	SV250	SR250	SR270	SV280	SV300	SV340	TR270	TR310	TR320	TR340	TV370	TV450	REQ'D EQUIPMENT							
	410	420				430	440	435		445	450		465	420CT		440CT	445CT	450CT					STD FLOW	HIGH FLOW	CASE DRAIN	FRONT ELEC	DEMO DOOR	2ND AUX	
60" MANURE FORK	•	•																					○						
66" MANURE FORK	•	•	•			•	•	•		•	•		•	•	•								○						
72" MANURE FORK		•	•	•		•	•	•		•	•		•	•	•				•				○						
84" MANURE FORK							•	•		•	•		•	•	•				•				○						

FEATURES

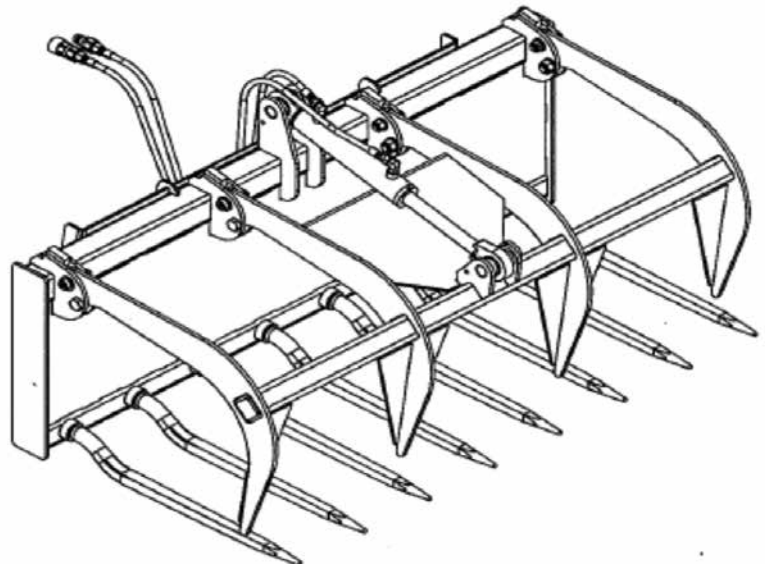
- All standard fork attachments are grapple-ready
- Heavy duty forged tines
- Single, heavy duty cylinder for grapple option
- Overall depth – 30"
- Grapple opening – 37"
- Overall height – 25"

APPLICATIONS

- Moves loose hay and manure
- Clean-up and transport branches, brush and limbs

REQUIREMENTS FOR OPERATION

- Standard auxiliary hydraulics for optional grapple



	PART NUMBER	WEIGHT LB
MANURE SCRAPER, 60"	84225459	376
MANURE SCRAPER, 72"	84225460	413
MANURE SCRAPER, 84"	84225461	472
MANURE SCRAPER, 96"	84225462	508

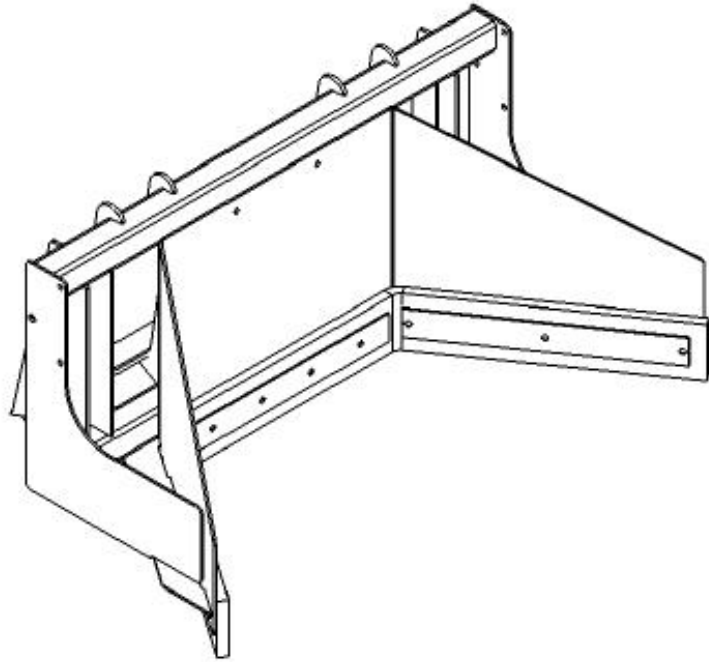
MODEL COMPATIBILITY	SR130 SR150 SR160	SR175 SV185	SR200 SR210	SR220 SR240	SV250 SR250 SR270 SV280	SV300 SV340	TR270	TR310	TR320 TR340 TV370 TV450	REQ'D EQUIPMENT					
	410	420	430	440	435	445 450	465	420CT	440CT 445CT 450CT	STD FLOW	HIGH FLOW	CASE DRAIN	FRONT ELEC	DEMO DOOR	2ND AUX
60" MANURE SCRAPER	•	•													
72" MANURE SCRAPER	•	•	•	•	•	•	•	•							
84" MANURE SCRAPER		•	•	•	•	•	•	•	•						
96" MANURE SCRAPER				•	•	•	•	•	•						

FEATURES

- 30" overall height, 31" overall depth
- 1" x 6" reversible rubber edge
- Tapered end blades for improved visibility

APPLICATIONS

- Feedlot clean-up
- Flood clean-up
- Waste water clean-up
- Snow removal



Unit includes – see Specifications in table below

	PART NUMBER	WEIGHT LB
MULCHER – 60" with double carbide tools	84523771	2560
MULCHER – 60" with double claw tools	84554134	2560
MULCHER – 61" with double-tipped carbide tools	51472131	2678

ADDITIONAL EQUIPMENT (Order as needed)

OIL COOLER UNIT, for 60" mulcher (dealer installed)	51436796	140
DEFLECTOR DOOR KIT, for 61" mulcher (Use w/EHF configured units)	51472133	165
DEFLECTOR DOOR KIT, for 61" mulcher (Use w/HF configured units)	51472134	165

REPLACEMENT TOOLS

DOUBLE CARBIDE TOOL SET (44 tools), for 60" mulcher	84553733	140
DOUBLE CLAW TOOL SET (44 tools), for 60" mulcher	84553734	146
DOUBLE-TIPPED CARBIDE TOOL (1 tool), for 61" mulcher (Order 30 for complete set)	51472144	3
SAMURAI KNIFE TOOL (1 tool), for 61" mulcher (Order 30 for complete set)	51472145	3

MODEL COMPATIBILITY	SR130	SR150	SR160	SR175	SV185	SR200	SR210	SR220	SR240	445	SV250	SV280	SR250	SR270	SV300	SV340	TR270	TR310	TV370	TR320	TR340	TV450	REQ'D EQUIPMENT								
	410	420	430	435	440	445	450	465						420CT	440CT	445CT	450CT						STD FLOW	HIGH FLOW	EHF	CASE DRAIN	FRONT ELEC	DEMO DOOR	2ND AUX		
60" MULCHER													•	•						•											
61" MULCHER																					•					R*	R*	R*	R*	R*	

* Ships standard with High Flow (HF) configuration, but the same model can be easily converted at the dealership for use on Enhanced High Flow (EHF) machines

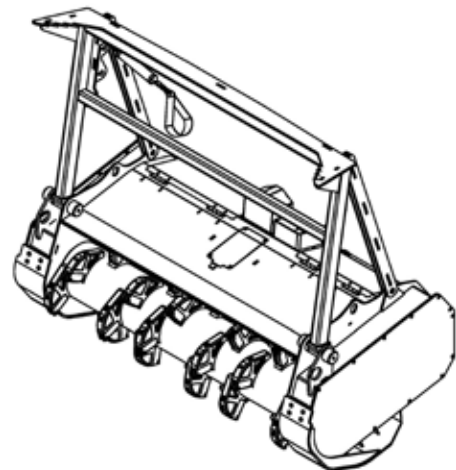
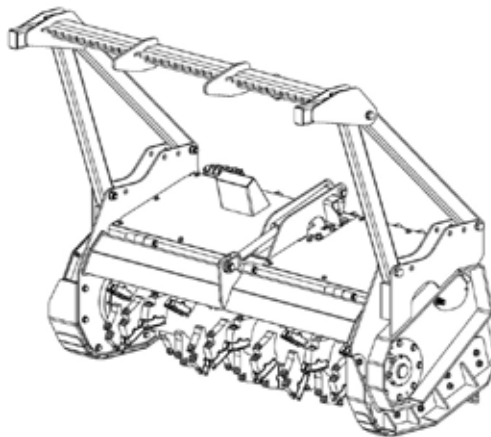
APPLICATIONS

- Land clearing, site prep
- Right-of-way maintenance
- Parks and trails
- Wildfire break lines
- Mulch trees and brush to ground level

	60" Mulcher	61" Mulcher
REQUIREMENTS FOR OPERATION		
	<ul style="list-style-type: none"> • Enhanced High Flow (EHF) Only • Front Electric Control Kit • Case Drain • Demolition Door 	<ul style="list-style-type: none"> • High Flow (HF) or Enhanced High Flow (EHF) • Front Electric Control Kit • Case Drain • Demolition Door
SPECIFICATIONS		
Unit Includes	• Cutting tools, mounting bracket, wire harness, hoses and quick coupler	• Cutting tools, hoses, quick disconnects and enhanced high flow (EHF) electrical connector
Working Width	• 60" (1524 mm)	• 61" (1549 mm)
Overall Width	• 73" (1854 mm)	• 74" (1880 mm)
Weight	• 2,530 lb. (1148 kg)	• 2,650 lb. (1202 kg)
Flow Range	• 30-45 gpm (114-170 l/m)	• 35-45 gpm (132-170 l/m)
# of Cutting Tools	• 44	• 30
Manufacturer	• Paladin	• Fecon

Mulchers (Continued next page)

	60" Mulcher	61" Mulcher
FEATURES		
Material Processing	<ul style="list-style-type: none"> Effectively grinds 4-6" diameter material 	<ul style="list-style-type: none"> Effectively grinds 4-6" diameter material
Motor	<ul style="list-style-type: none"> Variable displacement motor for performance optimization 	<ul style="list-style-type: none"> Variable 2-speed motor automatically adjusts the motor displacement to maximize rotor speed and torque to changing material loads
Rotor	<ul style="list-style-type: none"> 2,000 rpm Four second recovery time from dead stall stop Rotor spiral cut pattern cuts the entire length of rotor and reduces the amount of cut per tool to maximize efficiency and performance 	<ul style="list-style-type: none"> 2,000 rpm Drum-style rotor system features a smooth rotor surface, spiral tool pattern and innovative tool shape for smooth, efficient cutting
Cutting Tool Options	<ul style="list-style-type: none"> Double carbide cutting tools are for general purpose use and provide longer life Double claw cutting tools produces smaller chip size; not recommended for mulching below grade 	<ul style="list-style-type: none"> Comes standard with double-tipped carbide cutting tools for both performance and durability Optional Samurai knife cutting tool (available separately) produces smaller chip size; not recommended for mulching below grade
Other Features	<ul style="list-style-type: none"> Low profile design weighing 2,560 lb. Adjustable push bar Replaceable abrasion resistant AR400 wear plate on skid shoes 	<ul style="list-style-type: none"> Severe duty body construction features smooth top plate which easily sheds water and debris Pin-on push bar with serrated ears adjusts to 3 positions to better direct material to feed the mulcher Hinged motor cover provides easy service access; no tools required Bolt-on AR400 steel skid shoes reduce plowing of material for a more uniform final result
Hydraulic Front Deflector Door	<ul style="list-style-type: none"> Standard 	<ul style="list-style-type: none"> Optional
On-Board Pressure Gauge	<ul style="list-style-type: none"> Standard 	<ul style="list-style-type: none"> Standard
Oil Cooler Unit	<ul style="list-style-type: none"> Optional 	<ul style="list-style-type: none"> Not available
Warranty	<ul style="list-style-type: none"> 1-year standard product warranty through Paladin for workmanship and defect not related to wear 	<ul style="list-style-type: none"> 1-year standard product warranty through CNH Industrial for workmanship and defect not related to wear
Parts Available in CNH Depot	<ul style="list-style-type: none"> No 	<ul style="list-style-type: none"> Yes



Unit includes fork frame and tines.

	PART NUMBER	WEIGHT LB
PALLET FORK ASSEMBLY - 42" Tines - 2,500 lb. rated	48188360	346
PALLET FORK ASSEMBLY - 48" Tines - 2,500 lb. rated	48188361	359
PALLET FORK ASSEMBLY - 42" Tines - 4,000 lb. rated	48188362	399
PALLET FORK ASSEMBLY - 48" Tines - 4,000 lb. rated	48188363	416
PALLET FORK ASSEMBLY - 42" Tines - 5,500 lb. rated	48188365	416
PALLET FORK ASSEMBLY - 48" Tines - 5,500 lb. rated	48188366	438

ADDITIONAL EQUIPMENT (Order as needed)

FORK FRAME ONLY	48188358	220
TINE SET (2 tines) 42" - 2,500 lb. rated, 1.2" x 3" x 42"	48188367	126
TINE SET (2 tines) 48" - 2,500 lb. rated, 1.2" x 3" x 48"	48188368	129
TINE SET (2 tines) 42" - 4,000 lb. rated, 1.4" x 4" x 42"	84354440	179
TINE SET (2 tines) 48" - 4,000 lb. rated, 1.4" x 4" x 48"	84354441	196
TINE SET (2 tines) 42" - 5,500 lb. rated, 1.6" x 4" x 42"	84332183	196
TINE SET (2 tines) 48" - 5,500 lb. rated, 1.6" x 4" x 48"	84332184	218

MODEL COMPATIBILITY	SR130	SR150	SR160	SR175	SV185	SR200	SR210	SR220	SR240	SV250	SR250	SR270	SV280	SV300	SV340	TR270	TR310	TR320	TR340	TV370	TV450	REQ'D EQUIPMENT					
	410	420		430	440	435	445		450	465	420CT	440CT	445CT		450CT	STD FLOW	HIGH FLOW	CASE DRAIN	FRONT ELEC	DEMO DOOR	2ND AUX						
PALLET FORKS - 2,500 lb. rated	•																										
PALLET FORKS - 4,000 lb. rated	•		•		•			•		•						•											
PALLET FORKS - 5,500 lb. rated	•		•		•			•		•				•		•											

FEATURES

- Heat-treated forged tines, manually adjustable
- Locking position pins
- High visibility back guard
- Steps for easy entry to cab
- Frame forward design for use on ROPS or cab units
- Custom etching option available - for more information, see Marketing Bulletin MB18-189 on the Dealer Portal (Parts > Product Information > Attachments & Ground Engaging Tools > Attachments)

Light Duty Tines

- 42" (1067mm) or 48" (1219mm) length
- 1.2" x 3" (30mm x 80mm) cross-section
- 2500# Class II (1140 kg) - Rated at 24" (600mm) - 2 tines

Standard Tines

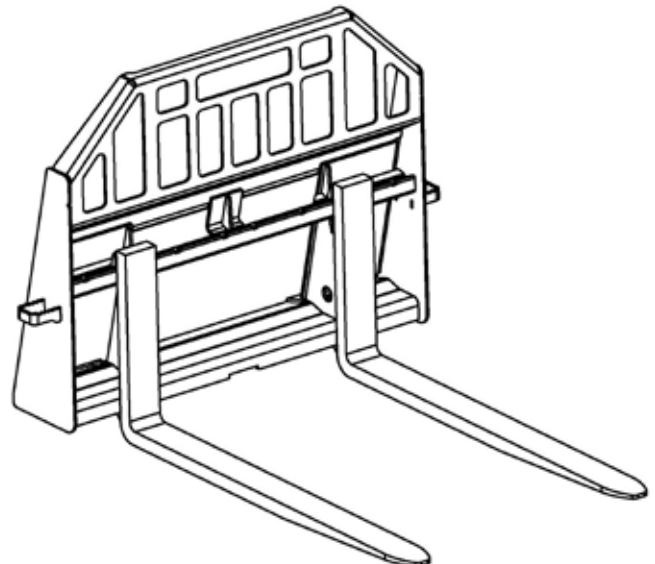
- 42" (1067mm) or 48" (1219mm) length
- 1.4" x 4" (35mm x 100mm) cross-section
- 4000# Class II (1800 kg) - Rated at 24" (600mm) - 2 tines

Heavy Duty Tines

- 42" (1067mm) or 48" (1219mm) length
- 1.6" x 4" (40mm x 100mm) cross-section
- 5500# Class II (2500 kg) - Rated at 24" (600mm) - 2 tines

APPLICATIONS

- Handling pallets and construction materials



Unit includes fork frame and tines.

	PART NUMBER	WEIGHT LB
PALLET FORK ASSEMBLY - 42" Tines - 4,000 lb. rated	84354438	401
PALLET FORK ASSEMBLY - 48" Tines - 4,000 lb. rated	84354439	418
PALLET FORK ASSEMBLY - 42" Tines - 5,500 lb. rated	84332180	418
PALLET FORK ASSEMBLY - 48" Tines - 5,500 lb. rated	84332181	440

ADDITIONAL EQUIPMENT (Order as needed)

FORK FRAME ONLY	84348693	222
TINE SET (2 tines) 42" - 4,000 lb. rated, 1.4" x 4" x 42"	84354440	179
TINE SET (2 tines) 48" - 4,000 lb. rated, 1.4" x 4" x 48"	84354441	196
TINE SET (2 tines) 42" - 5,500 lb. rated, 1.6" x 4" x 42"	84332183	196
TINE SET (2 tines) 48" - 5,500 lb. rated, 1.6" x 4" x 48"	84332184	218

MODEL COMPATIBILITY	SR130	SR150	SR160	SR175	SV185	SR200	SR210	SR220	SR240	SV250	SR250	SR270	SV280	SV300	SV340	TR270	TR310	TR320	TR340	TV370	TV450	REQ'D EQUIPMENT			
	410	420	430	440	435	445	450	465	420CT	440CT	445CT	450CT	STD FLOW	HIGH FLOW	CASE DRAIN	FRONT ELEC	DEMO DOOR	2ND AUX							
PALLET FORKS - 4,000 lb. rated	•	•	•	•	•	•	•	•	•	•	•	•	•	•	•	•	•	•	•	•	•	•	•	•	
PALLET FORKS - 5,500 lb. rated	•	•	•	•	•	•	•	•	•	•	•	•	•	•	•	•	•	•	•	•	•	•	•	•	

FEATURES

- Heat-treated forged tines, manually adjustable
- Locking position pins
- High visibility back guard
- Steps for easy entry to cab
- ROPS frame:
 - Original design
 - Close-coupled frame
 - High lift capacity
 - Back guard contact with fully open cab door on some models

Standard Tines

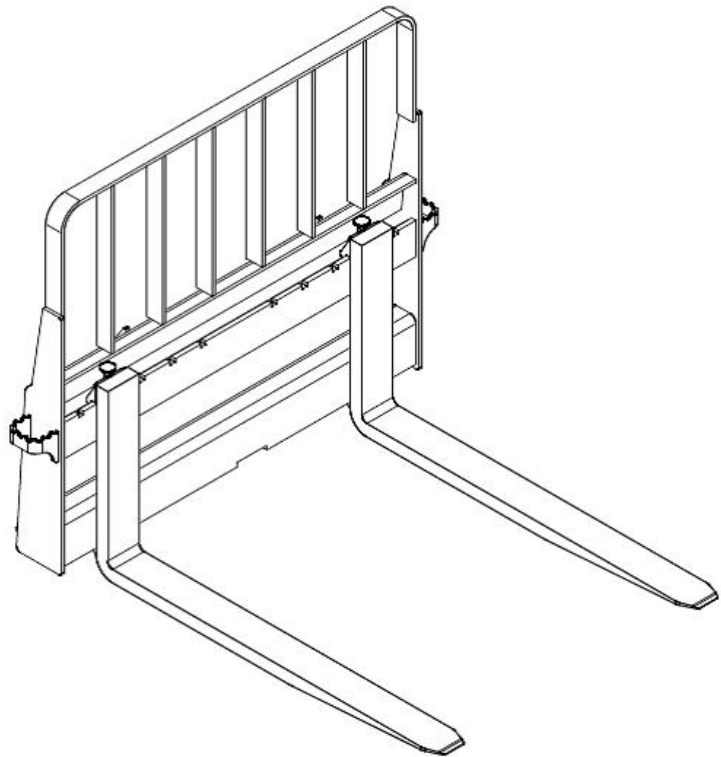
- 42" (1067mm) or 48" (1219mm) length
- 1.4" x 4" (35mm x 100mm) cross-section
- 4000# Class II (1800 kg) - Rated at 24" (600mm) - 2 tines

Heavy Duty Tines

- 42" (1067mm) or 48" (1219mm) length
- 1.6" x 4" (40mm x 100mm) cross-section
- 5500# Class II (2500 kg) - Rated at 24" (600mm) - 2 tines

APPLICATIONS

- Handling pallets and construction materials



Unit includes tines, hoses and quick disconnects.

	PART NUMBER	WEIGHT LB
COMPLETE UNITS		
PALLET FORKS, Hyd. Positioning with 42" Tines	47909707	398
PALLET FORKS, Hyd. Positioning with 48" Tines	47909708	416
NURSERY FORKS, Hyd. Positioning with 48" Tines and Nursery Sleeves	48124313	831
FRAME ONLY		
PALLET FORKS, Hyd. Positioning, Frame Only without tines (use std ITA Class II, 3" or 4" width tines)	47909711	376
OPTIONAL EQUIPMENT (Order as needed)		
KIT, Tines and Nursery Sleeves only	48124315	400

MODEL COMPATIBILITY	SR130	SR150	SR160	SR175	SV185	SR200	SR210	SR220	SR240	SV250	SR250	SR270	SV280	SV300	SV340	TR270	TR310	TR320	TR340	TV370	TV450	REQ'D EQUIPMENT						
	410	420	430	440	435	445	450	465	420CT	440CT	445CT	450CT										STD FLOW	HIGH FLOW	CASE DRAIN	FRONT ELEC	DEMO DOOR	2ND AUX	
PALLET FORKS, Hyd. Positioning, 42" Tines	•	•	•	•	•	•	•	•	•	•	•	•	•	•	•	•	•	•	•	•	•	R						
PALLET FORKS, Hyd. Positioning, 48" Tines	•	•	•	•	•	•	•	•	•	•	•	•	•	•	•	•	•	•	•	•	•	R						
NURSERY FORKS, Hyd. Positioning, 48" Tines and Nursery Sleeves	•	•	•	•	•	•	•	•	•	•	•	•	•	•	•	•	•	•	•	•	•	R						

FEATURES

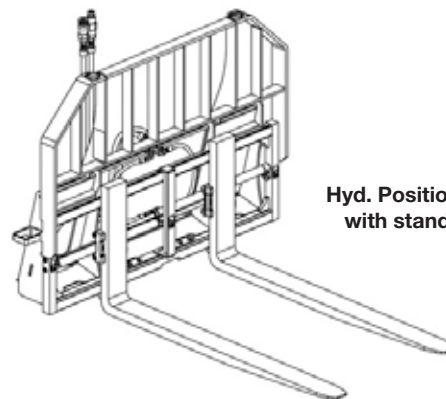
- Hydraulically position tines from 10" to 44" spacing (outside to outside)
- Excellent operator visibility
- Steps for easy entry to cab
- Zinc plated, corrosion resistant components
- Center mount, 4 inch wide fork carriers
- 42/48" Tines - 1-1/2" x 4" cross-section
- 5500#/pair ITA Class II rated tines
- Hoses and flat face hydraulic disconnects included
- The pin-on nursery sleeves protect the tree root ball when clamping and transporting

APPLICATIONS

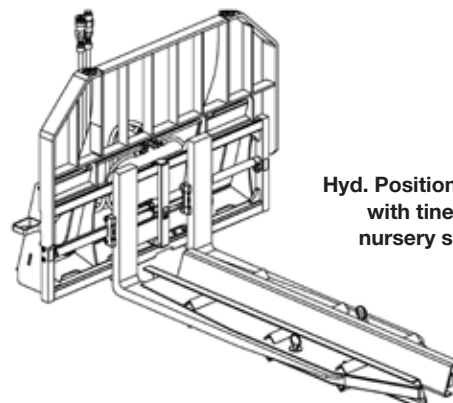
- Handling pallets and construction materials
- Nursery Forks – pick up and transport nursery stock

REQUIREMENTS FOR OPERATION

- Standard auxiliary hydraulics



Hyd. Positioning frame with standard tines



Hyd. Positioning frame with tines and nursery sleeves

	PART NUMBER	WEIGHT LB
POST DRIVER - MODEL PD4800	84258061	1385

COMPLETING KITS (Must select one for complete unit)

Square collar and striker plate assy 3.5"	84258062	63
Square collar and striker plate assy 6"	84258063	65
Square collar and striker plate assy 8"	84258064	66
Collar and striker plate assy 6" X 8"	84258065	64

OPTIONAL EQUIPMENT (Order as needed)

Round collar, 3"	84258066	15
Square collar, 3.5"	84258067	15
Round collar, 4"	84258068	15
H beam collar 4" X 6"	84258070	15
Round collar, 6"	84258071	15
Square collar, 6"	84258073	15
Square collar, 8"	84258074	15
Collar, 6" X 8"	84258076	15
T post adapter (use w/ 6" round or 6" square collar)	84258078	15

MODEL COMPATIBILITY	SR130	SR150	SR160	SR175	SV185	SR200	SR210	SR220	SR240		SV250	SR250	SR270	SV280	SV300	SV340		TR270	TR310		TR320	TR340	TV370	TV450	REQ'D EQUIPMENT							
	410	420	430	440	435	445	450	465	420CT		440CT	445CT	450CT													STD FLOW	HIGH FLOW	CASE DRAIN	FRONT ELEC	DEMO DOOR	2ND AUX	
POST DRIVER		•	•	•	•	•	•	•	•	•	•	•	•	•	•	•	•	•	•	•	•	•	•	•	•	R						

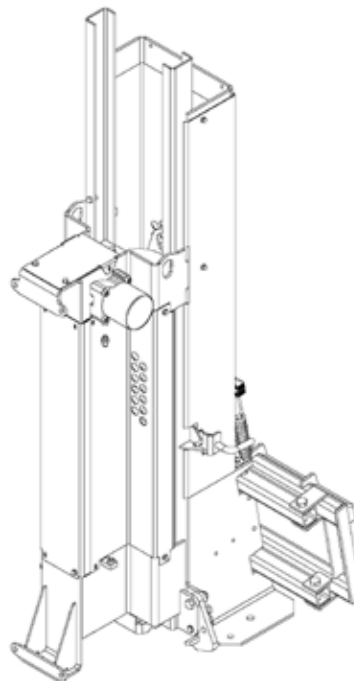
FEATURES

- May be used with Tilt-Attach
- Manual side shift
- 24 gpm maximum flow
- Quick change striker plate and collar assemblies
- Designed for smooth operation with no shock load back to the skid steer

REQUIREMENTS FOR OPERATION

- Standard auxiliary hydraulics

SPECIFICATIONS	
Length	38.69"
Width	54.25"
Height	91.48"
Maximum stroke	48"
Weight (lbs)	1,360
Hammer weight, standard (lbs)	289
Maximum hammer wt (lbs)	600
Strokes per minute	42
Minimum hydraulic pressure	2000 psi
Maximum flow	24 gpm
Impact energy w/289 lb wt	1,156 ft-lb
Impact energy w/600 lb wt	2,400 ft-lb



Unit includes mounting plate, hoses and quick couplers.

REQUIRES STANDARD AUXILIARY BOOM HYDRAULICS	PART NUMBER	WEIGHT LB
PREPARATOR® LANDSCAPER GRADER RAKE, 66"	446019A1	1270
PREPARATOR® LANDSCAPER GRADER RAKE, 76"	446020A1	1465

MODEL COMPATIBILITY	SR130 SR150 SR160	SR175 SV185	SR200 SR210	SR220 SR240	SV250 SR250 SR270 SV280	SV300 SV340	TR270 TR310	TR320 TR340 TV370 TV450	REQ'D EQUIPMENT					
	410 420	430	440 435	445 450	465	420CT	440CT 445CT 450CT	STD FLOW	HIGH FLOW	CASE DRAIN	FRONT ELEC	DEMO DOOR	2ND AUX	
PREPARATOR - 66"	•	•	•	•	•	•	•	R						
PREPARATOR - 76"		•	•	•	•	•	•	R						

FEATURES

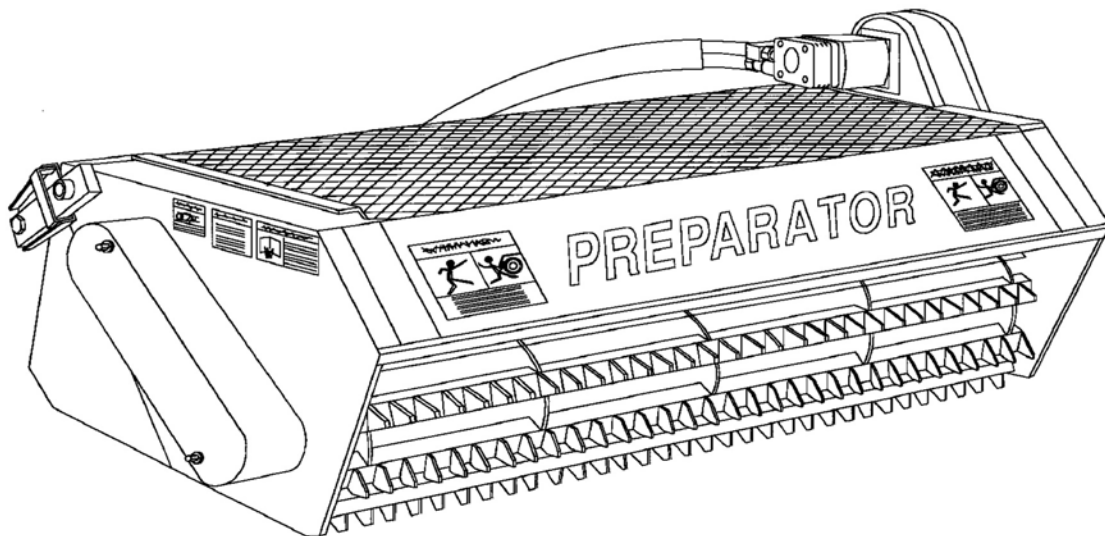
- Conditions the soil with scarifying action while picking up debris
- Picks up rocks from 1" to 20" diameter
- An all-in-one landscaping tool; levels out ridges and ruts; cuts out grass that needs reseeding; prepares soil for planting
- Ruggedly built to withstand constant use
- Flat face hydraulic quick disconnects included
- Hydraulic hoses included

APPLICATIONS

- Clean up, rock removal and soil preparation

REQUIREMENTS FOR OPERATION

- Standard auxiliary hydraulics 10-25 gpm required



Preparator Landscape Grader Rake (Continued next page)

SPECIFICATIONS		
MODEL	PREPARATOR 66"	PREPARATOR 76"
BUCKET		
Capacity	10.32 ft3 (0.29m3)	12.50 ft3 (0.35m3)
Overall Width	74.75 in. (190 cm)	84.75 in. (215 cm)
Swath Width	66.0 in. (168 cm)	76.0 in. (193 cm)
Overall Height	25.53 in. (65 cm)	25.53 in. (65 cm)
Overall Length	60.13 in. (153 cm)	60.13 in. (153 cm)
DRUM		
RPM-r/min	0 - 86	0 - 86
Overall Diameter	12.5 in. (54.6 cm)	21.5 in. (54.6 cm)
Rake Bar (square steel tubing)	2 in. x 2 in. (50.8 x 50.8 mm)	2 in. x 2 in. (50.8 x 50.8 mm)
Teeth	T-1 Steel	T-1 Steel
Tooth Thickness	0.19 in. (4.82 mm)	0.19 in. (4.82 mm)
Tooth Length	2.19 in. (55.6 mm)	2.19 in. (55.6 mm)
Number of Teeth	310	350
HYDRAULIC MOTOR		
Operating RPM Range	10 - 18 gpm (38 - 61 L/min) @ 2300 psi (15 858 kPa)	10 - 18 gpm (38 - 61 L/min) @ 2300 psi (15 858 kPa)
Horsepower	12 - 23 (8.9 - 17.1 kW)	12 - 23 (8.9 - 17.1 kW)
Torque	11,701 lb-in (1322 N-m)	11,701 lb-in (1322 N-m)
DRIVE CHAINS		
Rake Drive	#80H Roller Chain	#80H Roller Chain
Brush Drive	#50H Roller Chain	#50H Roller Chain
Overall Weight	1,270 lb (576 kg)	1,465 lb (664 kg)

Base stabilizer packages include rear stabilizers (less pads) and mounting brackets. Hydraulic kits required as indicated.

REQUIRES STANDARD AUXILIARY BOOM HYDRAULICS	PART NUMBER	WEIGHT LB
REAR STABILIZER PACKAGE (includes hyd kit)	87053912	375
REAR STABILIZER PACKAGE (includes hyd kit)	87053913	391
REAR STABILIZER PACKAGE (includes hyd kit)	87373393	405
REAR STABILIZER PACKAGE (requires hyd kit)	84518504	460
REAR STABILIZER PACKAGE (requires hyd kit)	84518505	480

ADDITIONAL COMPONENTS (Must order hydraulic kit as indicated and pad kit for complete unit.)

HYDRAULIC KIT - FOR USE W/ATTACHMENT VALVE (SR175, SR200, SR210, SR220, SR240, SR250, SR270, TR270, TR310, TR320, TR340)	84518506	20
HYDRAULIC KIT - FOR USE W/2ND AUX KIT (SR175, SR200, SR210, SR220, SR240, SR250, SR270, TR310, TR270, TR320, TR340)	84546390	20
HYDRAULIC KIT - FOR USE W/ATTACHMENT VALVE (SV185, SV250, SV280, SV300, SV340, TV370, TV380, TV450)	84518507	25
HYDRAULIC KIT - FOR USE W/2ND AUX KIT (SV185, SV250, SV280, SV300, SV340, TV370, TV380, TV450)	84546391	25
GROUSER PAD SET	87053914	40
FLAT PAD SET	86590028	39

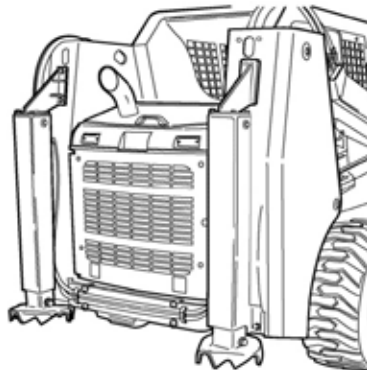
MODEL COMPATIBILITY	410	420	430	440	445	450	465	420CT	440CT	445CT	450CT	SR130	SR150	SR160	SR175	SV185	SR200	SR210	SR220	SR240	SV250	SV280	SR250	SR270	SV300	SV340	TR270	TR310	TR320	TR340	TV370	TV450	REQ'D EQUIP			
																		STD FLOW	2ND AUX																	
REAR STABILIZER - 87053912	•	•						•																									R	O		
REAR STABILIZER - 87053913				•		•			•																									R	O	
REAR STABILIZER - 87373393						•				•																								R	O	
REAR STABILIZER - 84518504															•	•	•											•						R	O	
REAR STABILIZER - 84518505																			•	•	•	•	•	•	•	•								R	O	
HYDRAULIC KIT - 84518506															•		•	•	•				•	•	•	•										
HYDRAULIC KIT - 84546390															•		•	•	•				•	•	•	•									R	
HYDRAULIC KIT - 84518507																•						•		•	•	•										
HYDRAULIC KIT - 84546391																•						•		•	•	•										R

FEATURES

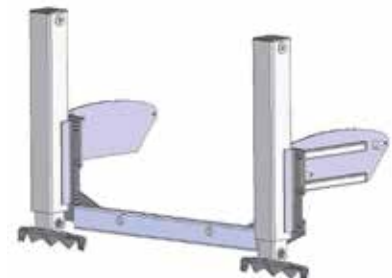
- Use with tree spades, backhoes, etc.

REQUIREMENTS FOR OPERATION

- 2nd auxiliary or attachment valve with extra auxiliary hydraulic function



400 Series



Alpha Series

REQUIRES STANDARD AUXILIARY BOOM HYDRAULICS	PART NUMBER	WEIGHT LB
ROCK BUCKET 66", 3" tine spacing	87381975	555
ROCK BUCKET 66", 2" tine spacing	87381976	680
ROCK BUCKET 75", 3" tine spacing	87381977	625
ROCK BUCKET 75", 2" tine spacing	87381978	680
ROCK BUCKET 84", 3" tine spacing	87381979	792

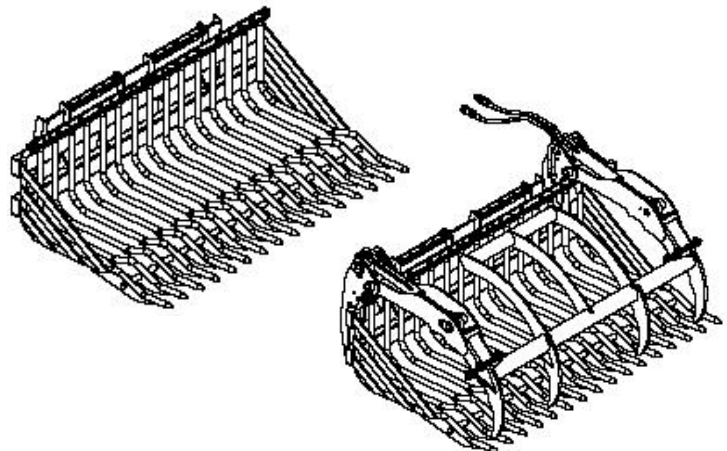
OPTIONAL EQUIPMENT

Grapple attachment for 75" and 84" Rock Buckets (Not compatible with CWL HD buckets)	87389692	490
---	----------	-----

MODEL COMPATIBILITY	SR130	SR150	SR160	SR175	SV185	SR200	SR210	SR220	SR240	SV250	SR250	SR270	SV280	SV300	SV340	TR270	TR310	TR320	TR340	TV370	TV450	REQ'D EQUIPMENT					
	410	420	430	440	435	445	450	465	420CT	440CT	445CT	450CT	STD FLOW	HIGH FLOW	CASE DRAIN	FRONT ELEC	DEMO DOOR	2ND AUX									
66" ROCK BUCKET	•	•	•	•										•	•												
75" ROCK BUCKET		•	•	•	•	•	•	•	•	•	•	•	•	•	•	•	•	•	•	•	•	•	•	•	•	•	•
84" ROCK BUCKET						•	•	•	•	•	•	•	•	•	•	•	•	•	•	•	•	•	•	•	•	•	•

FEATURES

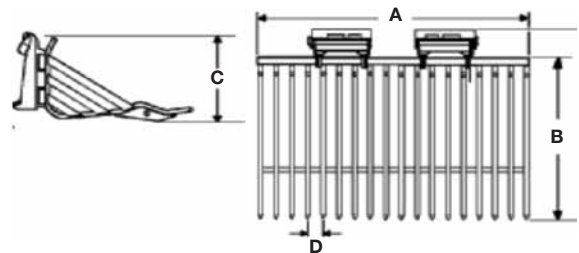
- Designed to hold the collected rocks and debris while leaving the soil
- Tine spacing determines the size of rocks and debris that will be retained while allowing the soil to sift back to the ground
- 2" tine spacing keep bricks in the bucket for easier clean up around job sites
- The rake design is used to gather material away from buildings and obstructions, for faster clean up of debris, to level out clumps of dirt and pick-up pieces of sod



APPLICATIONS

- Rake - Pile - Load debris from construction sites, pastures, fields, etc.

SPECIFICATIONS			
DESCRIPTION	66"	75"	84"
A. Overall Width	65.9"	74.4"	82.9"
B. Overall Depth	49.8"	49.8"	49.8"
C. Overall Height	21.8"	21.8"	21.8"
D. Tine Spacing			
(center to center)	4.25" or 3.15"	4.25" or 3.15"	4.25" or 3.15"
(between tines)	3.1" or 2"	3.1" or 2"	3.1"
Number of Tines	16 or 21	18 or 24	20
Tine Rod Diameter	1.1"	1.1"	1.1"



Rock wheel packages include drum, hydraulic depth and sideshift, hoses and quick couplers. Must select drum pick kit for required width.

* HIGH FLOW AUXILIARY BOOM HYDRAULICS, CASE DRAIN PLUMBING AND AUXILIARY FRONT ELECTRIC CONTROL KIT REQUIRED	PART NUMBER	WEIGHT LB
ROCK SAW, RS18, 18"	87523116	1775
ROCK SAW, RS 24, 24"	87523117	2095
EHF ROCK SAW, RS18, 18"	84523784	1775
EHF ROCK SAW, RS24, 24"	84523785	2095

ADDITIONAL COMPONENTS (Must Select One for Complete Unit)

2.5" drum/pick kit for RS18	87523118	220
4" drum/pick kit for RS18	87523119	245
2.5" drum/pick kit for RS24	87523120	290
4" drum/pick kit for RS24	87523121	325

ADDITIONAL COMPONENTS (Order as needed)

Wire harness adapter (adapts pre-9/1/2001 75XT, 85XT, 90XT, 95XT w/8-pin connector to 14-pin connector)	87048529	182
---	----------	-----

MODEL COMPATIBILITY	SR130	SR150	SR160	SR175	SR185	SR200	SR210	SR220	SR240	SV250	SV280	SR250	SR270	SV300	SV340		TR270	TR310	TV370	TR320	TR340	TV450	REQ'D EQUIPMENT						
	410	420		430		440	435	445	450	465				420CT	440CT		445CT	450CT					STD FLOW	HIGH FLOW	EHF	CASE DRAIN	FRONT ELEC	DEMO DOOR	2ND AUX
ROCK SAW, RS18, 18"								•	•	•		•	•				•			•				R		R	R		
ROCK SAW, RS 24, 24"										•	•	•	•							•				R		R	R		
EHF ROCK SAW, RS18, 18"												•	•										R		R	R	R		
EHF ROCK SAW, RS24, 24"												•	•										R		R	R	R		

FEATURES

- Planetary drive
- Convenient electro-hydraulic control for depth and sideshift
- Dual side discharge of material
- Pick removal tool included
- Available in 2.5" and 4" wheel widths
- 40-gallon Pressurized Water Kit available (See "Water Kits")

APPLICATIONS

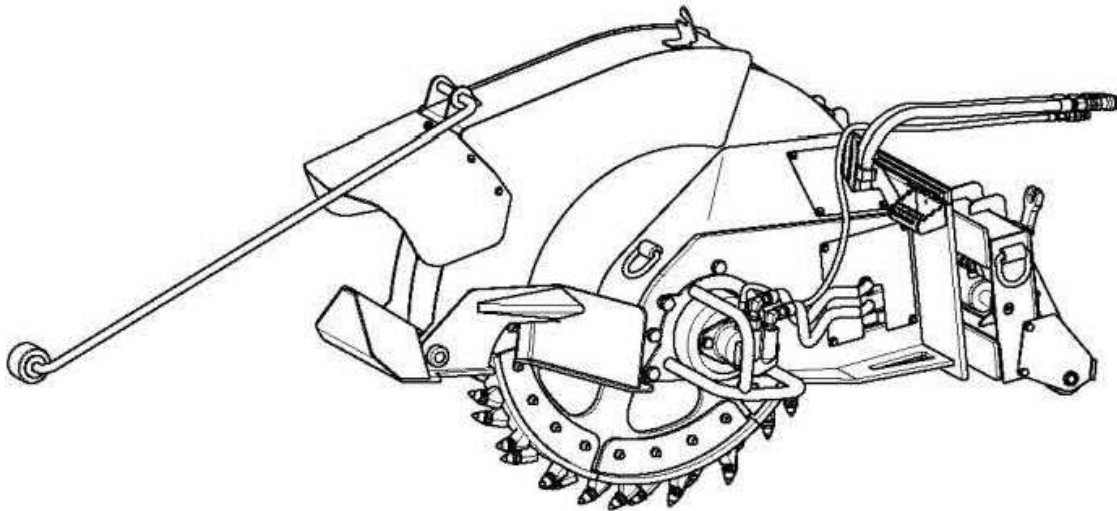
- Slot cutting
- Utility cuts for gas, water, sewer, electrical and cable TV installation and repair
- Asphalt patch cuts
- Cuts to create expansion joints in roadways

REQUIREMENTS FOR OPERATION

- High flow auxiliary hydraulics (EHF for specified units)
- Front Electric Control Kit
- Case Drain

Rock Saw (Continued next page)

SPECIFICATIONS		
MODEL	RS18	RS24
Operating Weight - lb. (kg)	2020 (916)	2420 (1098)
Cutting Depth - in. (mm)	0-18 (0-457)	0-24 (0-610)
Cutting Width - in. (mm)	2.5 (64)/4 (102)	2.5 (64)/4 (102)
Drum Diameter - in. (mm)	48(1219)	60(1524)
Sideshift - in. (mm)	-3-22(-76-560) center to right	-3-22 (-76-560) center to right
Hydraulic requirement - gpm (l/m)	30-40 (114-151)	35-40 (132-151)
Hydraulic requirement - psi (bar)	2500-3500 (172-241)	2500-3500 (172-241)
EHF Units Hydraulic requirement - psi (bar)	4000 (275)	4000 (275)
Drive	Planetary	Planetary
Controls	Full hydraulic with in-cab controls	Full hydraulic with in-cab controls
No. of Carbide Picks	42	56



Unit includes skid steer mounting bracket, hoses and quick couplers.

REQUIRES STANDARD AUXILIARY BOOM HYDRAULICS	PART NUMBER	WEIGHT LB
72" ROOT RAKE with grapple	87382368	1100
78" ROOT RAKE with grapple	87389704	1150
84" ROOT RAKE with grapple	87389705	1220

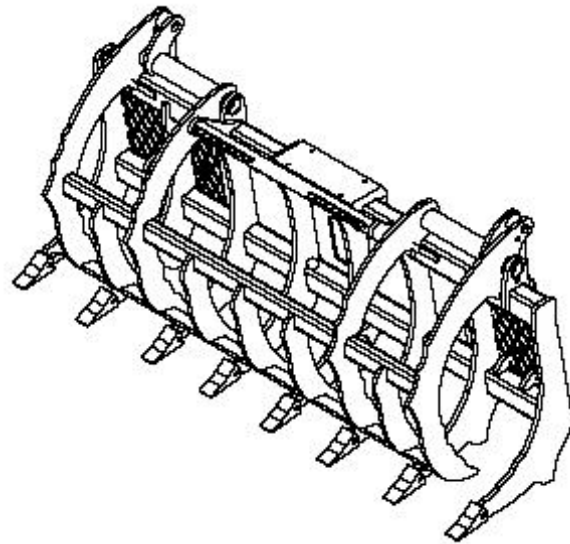
MODEL COMPATIBILITY	SR130	SR150	SR160	SR175	SV185	SR200	SR210	SR220	SR240		SV250	SR250	SR270	SV280	SV300	SV340		TR270	TR310		TR320	TR340	TV370	TV450	REQ'D EQUIPMENT							
	410	420	430	440	435	445	450	465	420CT		440CT	445CT	450CT													STD FLOW	HIGH FLOW	CASE DRAIN	FRONT ELEC	DEMO DOOR	2ND AUX	
72" ROOT RAKE		•	•	•	•	•	•	•	•	•	•	•	•	•	•	•	•	•	•	•	•	•	•	•	•	R						
78" ROOT RAKE			•	•	•	•	•	•	•	•	•	•	•	•	•	•	•	•	•	•	•	•	•	•	•	R						
84" ROOT RAKE					•	•	•	•	•	•	•	•	•	•	•	•	•	•	•	•	•	•	•	•	•	R						

FEATURES

- Upper push-bar, aggressive profiles with H&L-230 style teeth work together to neatly gather material into more manageable pile
- Zinc plated, greasable, pivot pins with protected grease zerks, and replaceable hardened steel bushings at all pivot locations
- Pilot operated check for positive lock clamping
- Weld-on D-ring for countless applications

APPLICATIONS

- Rake - Pile - Load debris from construction sites, pastures, fields, storm damage, etc.



Unit includes base mower, mounting frame, safety chain, quick disconnects and hoses.

REQUIRES STANDARD AUXILIARY BOOM HYDRAULICS	PART NUMBER	WEIGHT LB
ROTARY CUTTER, 60" Std Flow (15 - 25 gpm)	47591786	1225
ROTARY CUTTER, 72" Std Flow (15 - 25 gpm)	47591787	1375
ROTARY CUTTER, 78" Std Flow (15 - 25 gpm)	47591788	1460
ROTARY CUTTER, 72" High Flow (26 - 32 gpm)	47591789	1375
ROTARY CUTTER, 72" High Flow (32 - 40 gpm)	47591790	1495
ROTARY CUTTER, 78" High Flow (26 - 32 gpm)	47591791	1460
ROTARY CUTTER, 78" High Flow (32 - 40 gpm)	47591792	1580

ADDITIONAL EQUIPMENT (Order as needed)

PRESSURE INDICATOR KIT - SF/26-32HF	47591794	10
PRESSURE INDICATOR KIT - 32-40HF	47591795	10
DUAL WHEEL KIT (UNDER DECK)	47591797	85
WEAR SHOE REPLACEMENT KIT	47591801	15

REPLACEMENT BLADE SETS

REPLACEMENT BLADES - 60"	47591798	45
REPLACEMENT BLADES - 72"	47591799	50
REPLACEMENT BLADES - 78"	47591800	55

MODEL COMPATIBILITY	SR130	SR150	SR160	SR175	SR185	SR200	SR210	SR220	SR240	SV250	SR250	SR270	SV280	SV300	SV340	TR270	TR310	TR320	TR340	TV370	TV450	REQ'D EQUIPMENT							
	410	420	430	440	435	445	450	465	420CT	440CT	445CT	450CT	STD FLOW	HIGH FLOW	CASE DRAIN	FRONT ELEC	DEMO DOOR	2ND AUX											
STANDARD FLOW (15-25 gpm)																													
60" ROTARY CUTTER	•	•	•	•																			R				R		
72" ROTARY CUTTER		•	•	•	•	•	•	•			•	•	•	•	•	•	•	•	•	•	•		R				R		
78" ROTARY CUTTER						•	•	•	•	•	•	•	•	•	•	•	•	•	•	•	•		R				R		
HIGH FLOW (26-32 gpm)																													
72" ROTARY CUTTER				•		•										•	•								R			R	
78" ROTARY CUTTER						•										•									R			R	
HIGH FLOW (32-40 gpm)																													
72" ROTARY CUTTER		•		•		•	•	•	•	•	•	•	•	•	•	•			•	•	•			R	R		R		
78" ROTARY CUTTER						•	•	•	•	•	•	•	•	•	•			•	•	•				R	R		R		

FEATURES

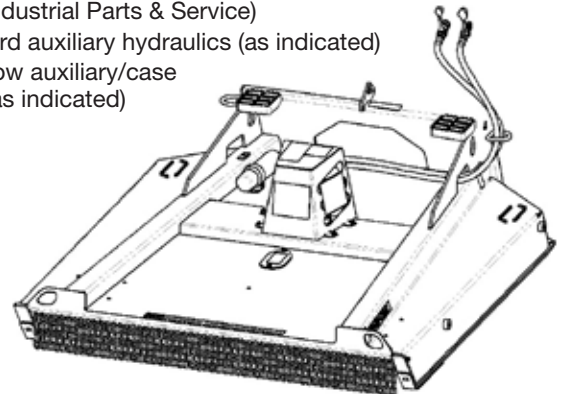
- Direct drive motor with options for 15 to 40 gpm with dual internal reliefs for drive system protection and fast, controlled shut down
- 3-blade carrier
- Double edged blades for bi-directional cutting
- Optional pressure gauge to help prevent excessive stalling and overheating
- Heavy-duty 1/4" high strength steel deck for added strength and rigidity
- Replaceable skid shoes
- Lift limiting safety chain
- Hoses and flat face hydraulic disconnects included

APPLICATIONS

- For small trees and brush up to 4" in diameter

REQUIREMENTS FOR OPERATION

- Demolition Door (must order separately from CNH Industrial Parts & Service)
- Standard auxiliary hydraulics (as indicated)
- High flow auxiliary/case drain (as indicated)



Unit includes base mower, mounting frame, safety chain, quick disconnects and hoses.

EXTREME DUTY GROUND SHARK™ Brush Cutter	PART NUMBER	WEIGHT LB
ROTARY CUTTER, 72" High Flow (30 - 45 gpm)	47898424	2150

ADDITIONAL EQUIPMENT (Order as needed)

CARBIDE TOOTH KIT	47898425	10
-------------------	----------	----

REPLACEMENT BLADE SETS

REPLACEMENT BLADE KIT (4 blades with hardware)	47898427	103
WEAR SHOE REPLACEMENT KIT	47898429	30

MODEL COMPATIBILITY	SR130 SR150 SR160	SR175 SV185	SR200 SR210	SR220 SR240	SV250 SR250 SR270 SV280	SV300 SV340	TR270	TR310	TR320 TR340 TV370 TV450	REQ'D EQUIPMENT					
	410 420	430	440	435	445 450	465	420CT	440CT	445CT 450CT	STD FLOW	HIGH FLOW	CASE DRAIN	FRONT ELEC	DEMO DOOR	2ND AUX
ROTARY CUTTER, 72" High Flow (30 - 45 gpm)				•	•	•	•	•	•		R			R	

FEATURES

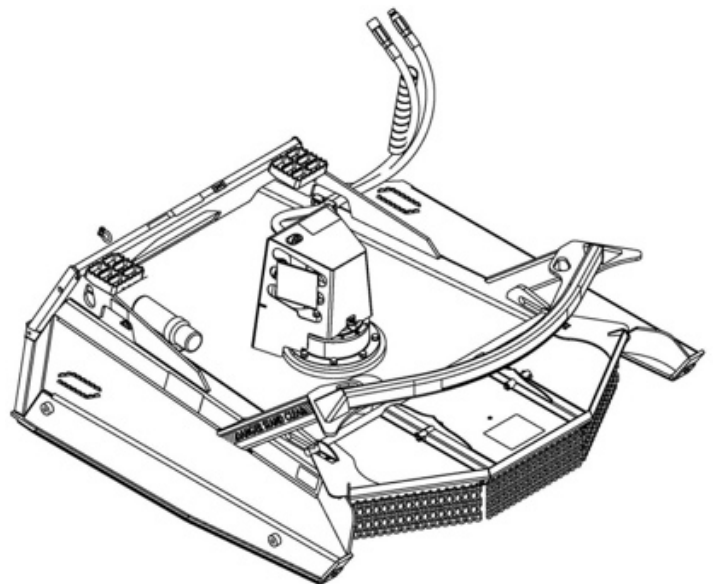
- Direct drive motor with options for 30 to 45 gpm with dual internal reliefs for drive system protection and fast, controlled shut down
- Pressure relief valve on the hydraulic motor protects against pressure spikes that could damage the drive system
- Four double bevel edge blades
- Capable of cutting heavy brush and sapling trees up to 7" in diameter
- Standard pressure gauge to help prevent excessive stalling and overheating
- Heavy-duty 1/4" high strength steel deck for added strength and rigidity
- Heavy duty push bar pushes trees away from the operator
- Optional 18 tooth carbide stump grinding kit increases mulching performance
- Retractable front shield to utilize more of the blade in heavy material
- Replaceable skid shoes
- Lift limiting safety chain
- Hoses and flat face hydraulic disconnects included

APPLICATIONS

- Roadside maintenance, right of way clearing, site preparation, fire control, fence line maintenance, and trail maintenance

REQUIREMENTS FOR OPERATION

- Demolition Door (must order separately from CNH Industrial Parts & Service)
- High flow auxiliary hydraulics

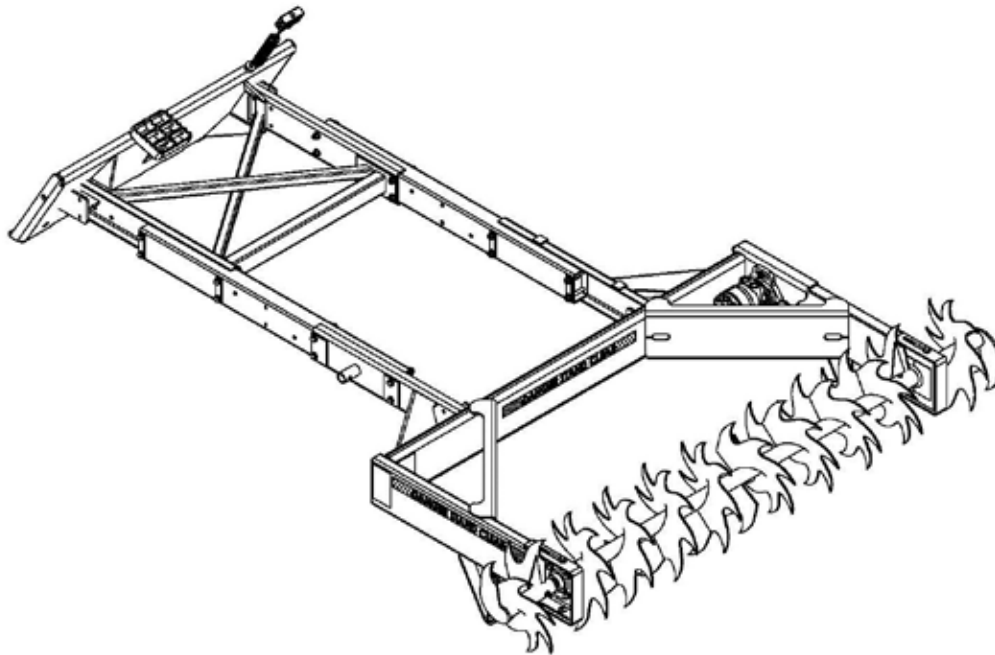


AUXILIARY BOOM HYDRAULICS REQUIRED – REAR COUNTERWEIGHTS RECOMMENDED	PART NUMBER	WEIGHT LB
SILAGE DEFACER	87045796	940

MODEL COMPATIBILITY	SR130	SR150	SR160	SR175	SV185	SR200	SR210	SR220	SR240		SV250	SR250	SR270	SV280	SV300	SV340		TR270	TR310		TR320	TR340	TV370	TV450	REQ'D EQUIPMENT					
	410	420	430	440	435	445	450	465	420CT	440CT	445CT	450CT			STD FLOW	HIGH FLOW	CASE DRAIN	FRONT ELEC	DEMO DOOR	2ND AUX										
SILAGE DEFACER		•	•	•	•	•	•	•	•	•	•	•	•	•	•	•	•	•	•	•	•	•	•	•	•	R				

FEATURES

- 3-position, extendable frame. Working heights up to 19', depending on loader lift height, loader capacity and frame position
- Inverted auger style cutter loosens haylage and silage from tightly compacted bunker silos
- Maintains smooth compacted bunker face for reduced spoilage and improved palatability
- Does not reduce haylage stem length for optimum digestibility yielding higher milk production
- Open frame design allows the operator so see the bunker face
- 96" full width cut and inboard mounted drive motor allows defacer to operate closer to bunker walls
- Frame stands protect rotor when running or parked
- Cutter made from abrasion-resistant steel for long life
- Enclosed #80H chain drive with simple chain tension adjustment
- For skid-steers with 15-25 gpm hydraulic flow



	PART NUMBER	WEIGHT LB
SILT FENCE INSTALLER with integrated skid-steer mount	87596133	840
SILT FENCE INSTALLER with 3-point mount (requires 87596137 for skid steer operation)	87596134	825
SILT FENCE INSTALLER with 3 point mount and 72" sliding offset hitch (requires 87596137 for skid steer operation)	87596135	1260
SILT FENCE INSTALLER with 3 point mount and 84" sliding offset hitch (requires 87596137 for skid steer operation)	87596136	1315

BASE UNIT OPTIONS (Order as Needed)

Skid-steer adapter bracket for 3-point mount models used on skid-steers	87596137	255
Hydraulic top link kit for 3-point mount models used on tractors	87596138	35

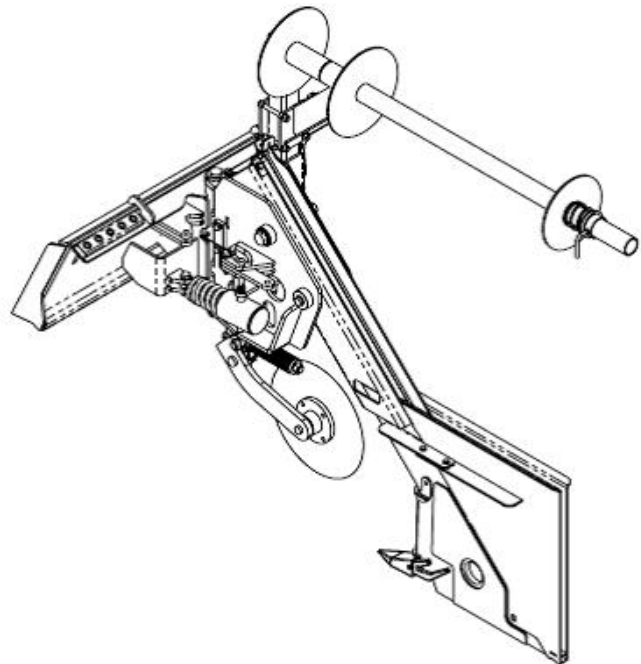
MODEL COMPATIBILITY	SR130	SR150 SR160	SR175 SV185	SR200 SR210	SR220 SR240	SV250 SR250 SR270 SV280	SV300 SV340	TR270	TR310	TR320 TR340 TV370 TV450	REQ'D EQUIPMENT					
	410	420	430	440	435	445 450	465	420CT	440CT	445CT 450CT	STD FLOW	HIGH FLOW	CASE DRAIN	FRONT ELEC	DEMO DOOR	2ND AUX
SILT FENCE INSTALLER – SSL	•	•	•	•	•	•	•	•	•	•						
SILT FENCE INSTALLER – 3-PT HITCH		•	•	•	•	•	•	•	•	•						
SILT FENCE INSTALLER – 3-PT HITCH 72" OFFSET					•	•	•	•	•	•						
SILT FENCE INSTALLER – 3-PT HITCH 84" OFFSET					•	•	•	•	•	•						

FEATURES

- Simple, economical, efficient silt fence installation
- Install 36", 42" or 48" standard fence
- Place fence up to 20" depth
- Skid-steer or 3-point models (skid-steer adapter available for 3-point models)
- Spring-loaded coulter cuts through trash, roots and sod
- Static blade, no hydraulics required

APPLICATIONS

- Install silt fence around job sites



Unit includes mounting bracket, boom, cylinder, bucket linkage, hoses and quick disconnects. Must order bucket for complete unit.

AUXILIARY BOOM HYDRAULICS REQUIRED (See note below for additional requirements)	PART NUMBER	WEIGHT LB
SKID HOE	87487656	305

IMPORTANT:

This attachment requires base end bucket circuit port relief valve to be installed in loader control valve. Order Case part no. 87445935 for all manual control units up to late production 400 Series. Later production 400 Series manual control machines have port relief valves included. All pilot controlled units, track models, 450 models and all Alpha Series have had factory installed port relief valves since first production. Confirm port relief valve installation before operating this attachment.

ADDITIONAL EQUIPMENT (Must order bucket for complete unit)

	PART NUMBER	WEIGHT LB
10" Bucket (.9 ft³)	86547428	72
12" Bucket (1.2 ft³)	86547429	76
16" Bucket (1.9 ft³)	86547430	89
18" Bucket (2.1 ft³)	86547431	95
24" Bucket (3.1 ft³)	86547432	115

OPTIONAL EQUIPMENT

RIGID THUMB ATTACHMENT - factory installed	87487657	70
RIGID THUMB ATTACHMENT - field installed	87487658	90

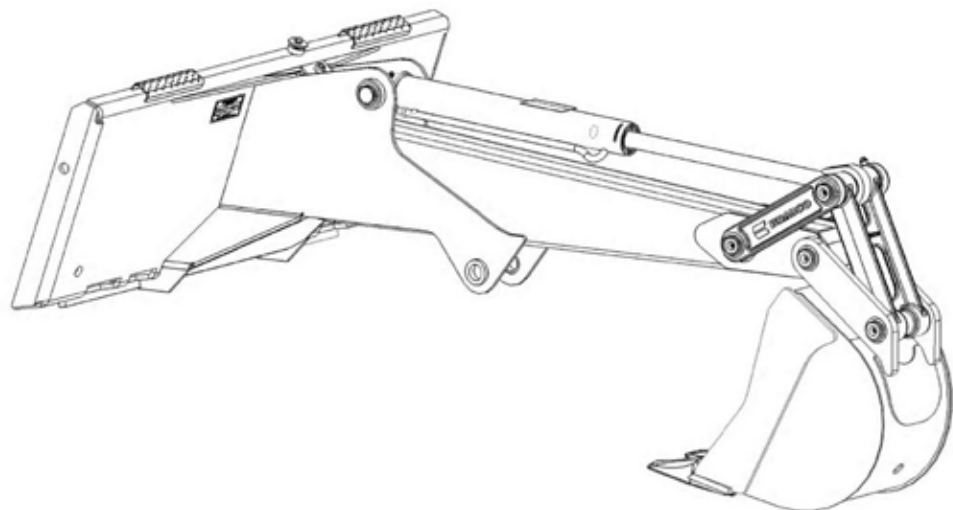
MODEL COMPATIBILITY	SR130	SR150	SR160	SR175	SV185	SR200	SR210	SR220	SR240		SV250	SR250	SR270	SV280	SV300	SV340		TR270	TR310		TR320	TR340	TV370	TV450	REQ'D EQUIPMENT							
	410	420	430	440	435	445	450	465	420CT		440CT	445CT	450CT		STD FLOW	HIGH FLOW	CASE DRAIN	FRONT ELEC	DEMO DOOR	2ND AUX												
SKID HOE	•	•	•	•	•	•	•	•	•	•	•	•	•	•	•	•	•	•	•	•	•	•	•	•	•	R						

FEATURES

- Digs trenches up to 6' deep with a skid steer
- Provides excellent mobility for digging footings
- Does not require stabilizers
- 2-1/4" x 18-1/4" cylinder provides up to 3,895 lb. breakout force
- Buckets common with 408/485 backhoes
- Thumb ready – factory or field installed

APPLICATIONS

- Excellent for digging trenches or footings



Unit includes mounting bracket, steel cutting edge, hydraulic angling, hoses and quick couplers.

	PART NUMBER	WEIGHT LB
SNOW BLADE, 60"	442972A1	450
SNOW BLADE, 72"	H673881	475
SNOW BLADE, 84"	H673869	500

OPTIONAL COMPONENTS (Order as needed)

Replacement Steel Edge Kit, 60"	47937193	82
Replacement Steel Edge Kit, 72"	47937194	88
Replacement Steel Edge Kit, 84"	47937195	95
Rubber Edge Kit, 60"	47937196	92
Rubber Edge Kit, 72"	47937197	100
Rubber Edge Kit, 84"	47937198	109

MODEL COMPATIBILITY	SR130	SR150	SR160	SR175	SV185	SR200	SR210	SR220	SR240	435	SV250	SR250	SR270	SV280	SV300	SV340	420CT	TR270	TR310	440CT	445CT	450CT	TR320	TR340	TV370	TV450	REQ'D EQUIPMENT						
	410	420		430	440						445	450	465														STD FLOW	HIGH FLOW	CASE DRAIN	FRONT ELEC	DEMO DOOR	2ND AUX	
60" SNOW BLADE	•	•																										R					
72" SNOW BLADE	•	•		•	•												•											R					
84" SNOW BLADE				•	•												•											R					

FEATURES

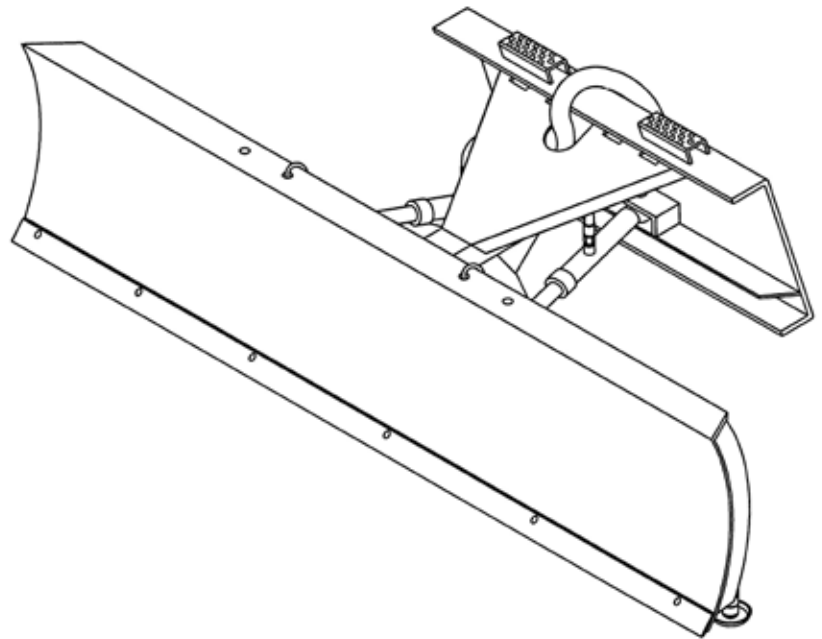
- Adjustable skid shoes
- Spring loaded trip protection
- Blade angle 30° maximum
- Reversible, replaceable edge
- Flat face hydraulic quick disconnects included
- Hydraulic hoses included
- 21.5" blade height
- 7 gauge reinforced moldboard
- Optional rubber edge (1.5" X 8")
- Locking bolts for light dozer applications

APPLICATIONS

- Snow removal
- Light dozing

REQUIREMENTS FOR OPERATION

- Standard auxiliary hydraulics



Unit includes mounting bracket, hydraulic angling, hoses and quick couplers.

	PART NUMBER	WEIGHT LB
SNOW BLADE, 84", w/steel cutting edge	442973A1	1135
SNOW BLADE, 96", w/steel cutting edge	442974A1	1172
SNOW BLADE, 108", w/steel cutting edge	442975A1	1240
SNOW BLADE, 84", w/rubber cutting edge	442977A1	1076
SNOW BLADE, 96", w/rubber cutting edge	442978A1	1105
SNOW BLADE, 108", w/rubber cutting edge	442979A1	1153

OPTIONAL COMPONENTS (Order as needed)

Steel Edge Kit, 84"	47937199	160
Steel Edge Kit, 96"	47937200	176
Steel Edge Kit, 108"	47937201	192
Rubber Edge Kit, 84"	47937204	123
Rubber Edge Kit, 96"	47937205	134
Rubber Edge Kit, 108"	47937206	145
Polyurethane Edge Kit, 84"	47937208	60
Polyurethane Edge Kit, 96"	47937209	65
Polyurethane Edge Kit, 108"	47937210	70
Top Deflector Kit, 84"	47531764	62
Top Deflector Kit, 96"	47531766	64
Top Deflector Kit, 108"	47531767	66
Hyd. Cushion Valve Kit (Protects against damage to angle cylinders)	47941457	10

MODEL COMPATIBILITY	SR130	SR150	SR160	SR175	SR200	SR210	SR220	SR240		SV250	SR250	SR270	SV280	SV300	SV340		TR270	TR310		TR320	TR340	TV370	TV450	REQ'D EQUIPMENT					
	410	420	430	440	435	445	450	465	420CT	440CT	445CT	450CT					STD FLOW	HIGH FLOW	CASE DRAIN	FRONT ELEC	DEMO DOOR	2ND AUX							
84" SNOW BLADE		•	•	•	•	•	•	•	•	•	•	•	•	•	•	•	•	•	•	•	•	•	•	•	R				
96" SNOW BLADE			•	•	•	•	•	•	•	•	•	•	•	•	•	•	•	•	•	•	•	•	•	•	R				
108" SNOW BLADE				•	•	•	•	•	•	•	•	•	•	•	•	•	•	•	•	•	•	•	•	•	R				

FEATURES

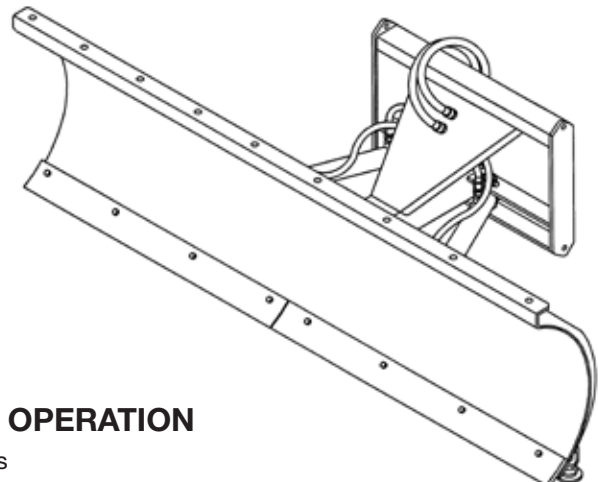
- Adjustable skid shoes
- Spring loaded trip protection
- Flat face hydraulic quick disconnects included
- Hydraulic hoses included
- 35 degree hydraulic angle in either direction
- 31.75" blade height
- 10 gauge reinforced moldboard
- Available with factory-installed steel or rubber cutting edge
- Optional polyurethane edge (1" X 6")
- Optional 2-ply rubber snow deflector (.25 X 10")
- Optional hydraulic cushion valve

APPLICATIONS

- Snow removal

REQUIREMENTS FOR OPERATION

- Standard auxiliary hydraulics



Unit includes hoses and quick disconnects.

	PART NUMBER	WEIGHT LB
SNOW BLADE/PUSHER – 120"	51533048	1720
SNOW BLADE/PUSHER – 132"	51533049	1780
SNOW BLADE/PUSHER – 144"	51533050	1855
SNOW BLADE/PUSHER – 156"	51533051	1915

ELECTRIC CONTROL (Must select one for complete unit)

ELECTRIC CONTROL ADAPTER (Use with units equipped with Front Electric, 14-pin boom connector)	51533076	1
UNIVERSAL ELECTRIC CONTROL (Use with units not equipped with Front Electric kit)	51535628	3

MODEL COMPATIBILITY	SR130	SR150	SR160	SR175	SR200	SR220	SR240	SR250	SR270	SR300	TR270	TR310	TR320	TR340	TR370	TV450	REQ'D EQUIPMENT					
	410	420	430	435	440	445	450	465	420CT	440CT	445CT	450CT	STD FLOW	HIGH FLOW	CASE DRAIN	FRONT ELEC	DEMO DOOR	2ND AUX				
SNOW BLADE/PUSHER – 120"		•	•	•	•	•	•	•	•	•	•	•	•	•	•	•	R			O		
SNOW BLADE/PUSHER – 132"			•	•	•	•	•	•	•	•	•	•	•	•	•	•	R			O		
SNOW BLADE/PUSHER – 144"				•	•	•	•	•	•	•	•	•	•	•	•	•	R			O		
SNOW BLADE/PUSHER – 156"					•	•	•	•	•	•	•	•	•	•	•	•	R			O		

FEATURES

- Independent angling of each wing allows for infinite wing/blade angle configurations
- Floating frame link maintains full blade contact when wings are angled, while also allowing down pressure when the wings are straight
- Side-to-side oscillation and adjustable cast skid shoes allows edge to follow uneven surfaces
- Hydraulic crossover relief valve absorbs shock to ensure longevity of attachment
- Trip edge design featuring four main edge compression springs with two additional compression springs on each wing
- 2" bore, 8-3/8" stroke cylinders with 1-1/4" rods and 1-1/4" cylinder pins
- 1-9/16" diameter pivot pins, 2-1/4" diameter oscillation pin
- Center section comes standard with 5/8" x 8" reversible, replaceable bolt-on edge designed for 5-1/2" total wear
- Replacement and wear parts supported in CNH depot
- 1-year standard product warranty through CNH Industrial

APPLICATIONS

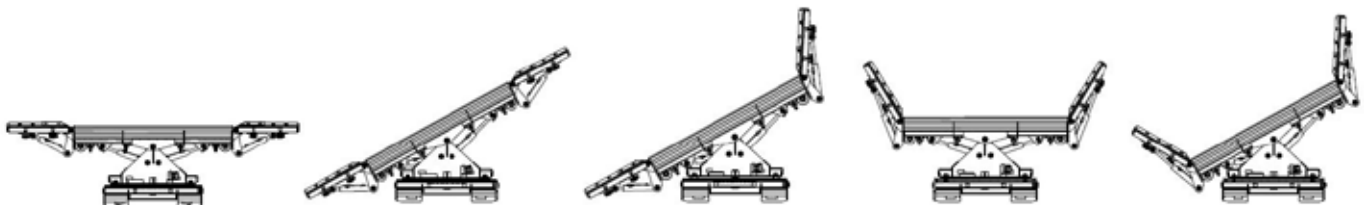
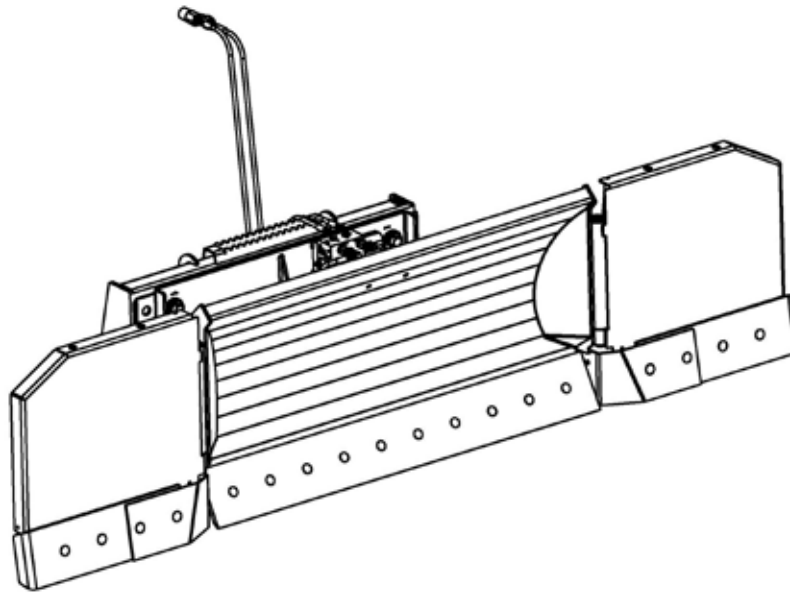
- Variable pusher, straight and angled positions allow optimal snow removal

REQUIREMENTS FOR OPERATION

- Standard auxiliary hydraulics
- Front electric kit installed on loader or complete electrical control package

Snow Blade/Pusher – Hydraulic (Continued next page)

SPECIFICATIONS				
	120"	132"	144"	156"
Overall width	124-1/2" (3162 mm)	136-1/2" (3467 mm)	148-1/2" (3772 mm)	160-1/2" (4077 mm)
Moldboard width	62" (1575 mm)	74" (1880 mm)	86" (2184 mm)	98" (2489 mm)
Blade height	31" (787 mm)			
Blade angle	±30°			
Wing angle	+60° (forward only)			
Width at full angle, both wings open	110" (2794 mm)	120-1/2" (3061 mm)	131" (3327 mm)	141-1/2" (3594 mm)
Width at full angle, one wing open	86" (2184 mm)	96-1/2" (2451 mm)	107" (2718 mm)	117-1/2" (2985 mm)
Width at full scoop position	96-1/2" (2451 mm)	108-1/2" (2756 mm)	120-1/2" (3061 mm)	132-1/2" (3366 mm)
Moldboard thickness	0.19" (4.8 mm)			
Cutting edge	5/8" x 8" (16 mm x 203 mm) Bolt-on			
Wing cutting edges	1/2" x 7-3/4" (12.7 mm x 197 mm) High tensile steel, Bolt-on			
Blade oscillation	±4°			
Float oscillation	±5°			
Operating weight	1590 lbs. (721 kg)	1650 lbs. (748 kg)	1710 lbs. (776 kg)	1770 lbs. (803 kg)



Optional rubber edge, hoses and quick disconnects.

STANDARD AUXILIARY BOOM HYDRAULICS REQUIRED	PART NUMBER	WEIGHT LB
TRIP EDGE SNOW BLADE, 84"	47531751	990
TRIP EDGE SNOW BLADE, 96"	47531752	1045
TRIP EDGE SNOW BLADE, 108"	47531753	1090

OPTIONAL EQUIPMENT (ORDER AS NEEDED)

Rubber Edge Kit, 84"	47531754	105
Rubber Edge Kit, 96"	47531755	115
Rubber Edge Kit, 108"	47531756	125
Polyurethane Edge Kit, 84"	47937208	60
Polyurethane Edge Kit, 96"	47937209	65
Polyurethane Edge Kit, 108"	47937210	70
Replacement Steel Edge Kit, 84"	47531761	80
Replacement Steel Edge Kit, 96"	47531762	90
Replacement Steel Edge Kit, 108"	47531763	100
Top Deflector Kit, 84"	47531764	62
Top Deflector Kit, 96"	47531766	64
Top Deflector Kit, 108"	47531767	66
Marker Kit	84281638	5

MODEL COMPATIBILITY	SR130 SR150 SR160	SR175 SV185	SR200 SR210	SR220 SR240	SV250 SR250 SR270 SV280	SV300 SV340	TR270	TR310	TR320 TR340 TV370 TV450	REQ'D EQUIPMENT						
	410	420	430	440	435	445 450	465	420CT	440CT	445CT 450CT	STD FLOW	HIGH FLOW	CASE DRAIN	FRONT ELEC	DEMO DOOR	2ND AUX
84" SNOW BLADE	•	•	•	•	•	•	•	•	•		R					
96" SNOW BLADE		•	•	•	•	•	•	•	•	•	R					
108" SNOW BLADE				•	•	•	•	•	•	•	R					

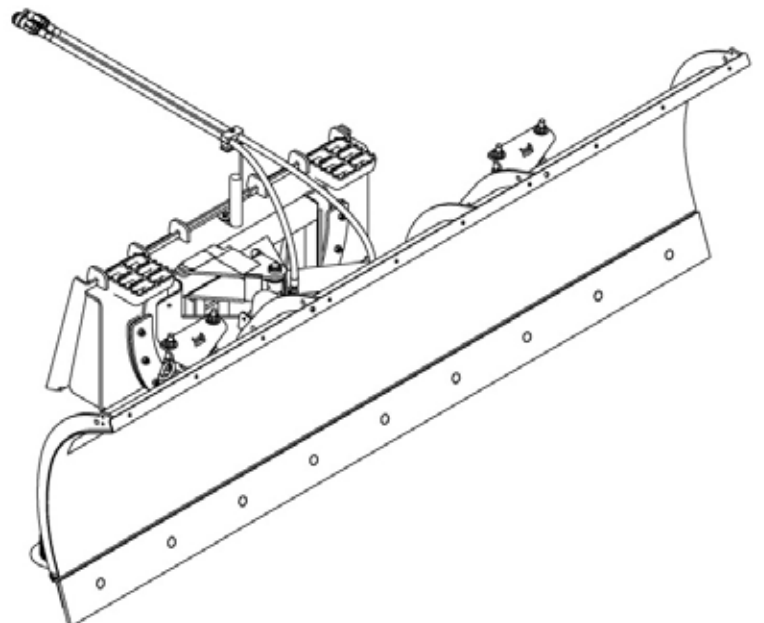
FEATURES

- Standard 0.5" X 6" steel edge
- Hydraulic angle - 30° left and right
- Optional rubber edge (1.5" X 10")
- Optional polyurethane edge (1" X 6")
- Optional 2-ply rubber snow deflector (0.25 X 10")
- High visibility yellow moldboard
- Cutting edge trip system
- Adjustable skid shoes

REQUIREMENTS FOR OPERATION

- Standard auxiliary hydraulics

SPECIFICATIONS			
Working Width (in.)	84	96	108
Operating Weight (lbs.)	940	990	1,030
Height (in.)	33.3	33.3	33.3
Depth	41.8	41.8	41.8
Max. Oscillation	±5°	±5°	±5°
Width @ 30° angle (in.)	72.6	83.0	93.4



Unit includes skid steer mounting bracket, wire harness to boom electrical connector, hoses and hydraulic couplers.

	PART NUMBER	WEIGHT LB
72" SNOW BLOWER (F, 22-34 gpm)	84592485	1264
72" SNOW BLOWER (G - Dual, 19-34 gpm)	84421455	1264
72" SNOW BLOWER (H - Dual, 30-42 gpm)	84592487	1264
84" SNOW BLOWER (F, 22-34 gpm)	84592489	1342
84" SNOW BLOWER (G - Dual, 19-34 gpm)	84421456	1342
84" SNOW BLOWER (H - Dual, 30-42 gpm)	84592491	1342
96" SNOW BLOWER (H - Dual, 30-42 gpm)	84592493	1420
84" SNOW BLOWER (G - Dual, EHF) Includes EHF harness. No optional wiring harness	47358362	1290
96" SNOW BLOWER (G - Dual, EHF) Includes EHF harness. No optional wiring harness	47358363	1370

OPTIONAL EQUIPMENT (Must order one electric kit for complete unit. Electric kit not required for EHF units.)

Electric Harness Adapter (14 pin round connector – all 40XT, 60XT, 70XT and 75XT, 85XT, 90XT, 95XT built after 9/1/2001 and all 400 series and all Alpha-series)	87023319	1
Universal Electrical Control Package. Controls chute rotation and deflector. Package includes magnetically mounted in-cab control box, boom wiring harness and wiring to battery. Connects to wiring harness supplied with blower. For machines without Front Electric Control Kit.	87023320	5
Electric Harness Adapter (Adapts pre-9/1/2001 75XT, 85XT, 90XT, 95XT with 8-pin connector to 14-pin connector)	87383458	1
Truck Loading Chute Kit	47981840	255

REPLACEMENT COMPONENTS (Order as needed)

Replacement Steel Edge, 72"	47981833	36
Replacement Steel Edge, 84"	47981834	42
Replacement Steel Edge, 96"	47981836	48
Replacement Skid Shoe	47981838	15

MODEL COMPATIBILITY	SR130 SR160		SR175 SV185		SR200 SR210		SR220 SR240		SV250 SV280		SR250 SR270 SV300 SV340		TR270 TR310		TV370		TR320 TR340 TV450		REQ'D EQUIPMENT					
	410	420	430	440	435 445	450 465	420CT	440CT	445CT	450CT	445CT	450CT	STD FLOW	HIGH FLOW	EHF	CASE DRAIN	FRONT ELEC	DEMO DOOR	2ND AUX					
72" SNOW BLOWER (F, 22-34 gpm)		•	•	•	•		•	•					R				O							
72" SNOW BLOWER (G - Dual, 19-34 gpm)		•	•	•			•	•					R				O							
72" SNOW BLOWER (H - Dual, 30-42 gpm)				•		•	•	•					R				O							
84" SNOW BLOWER (F, 22-34 gpm)			•	•	•		•	•					R				O							
84" SNOW BLOWER (G - Dual, 19-34 gpm)			•	•			•	•					R				O							
84" SNOW BLOWER (H - Dual, 30-42 gpm)				•	•	•	•	•					R				O							
96" SNOW BLOWER (H - Dual, 30-42 gpm)					•	•	•	•					R				O							
84" SNOW BLOWER (G - Dual, EHF)									•						R		R							
96" SNOW BLOWER (G - Dual, EHF)									•						R		R							

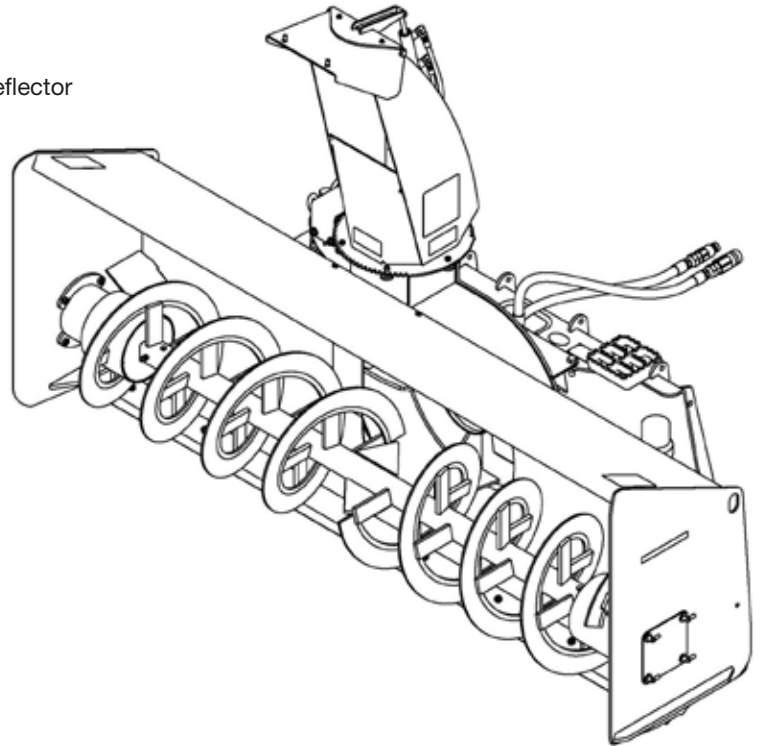
Snow Blower, High Flow (Continued next page)

FEATURES

- Two-stage hydraulic blowers blow snow up to 45 feet
- Direct drive motors eliminate moving parts and wear
- Electro-hydraulically controlled, poly-lined chute and deflector
- Bolt-on replaceable wear edge, 1/2" x 4"
- 3/4" main drive hoses
- 5/8" supply hoses
- Adjustable skid shoes

REQUIREMENTS FOR OPERATION

- High flow hydraulics required
Enhanced High Flow (EHF) on specified units
- Front electric kit installed on loader or complete control package



SPECIFICATIONS

Model	72F	72G	72H	84F	84G	84H	96G	96H
Cut Height (in.)	36	36	36	36	36	36	36	36
Flow Range (gpm)	22-34	19-34	30-42	22-34	19-34	30-42	19-34	30-42
Auger Drive	Single motor	Dual motor	Dual motor	Single motor	Dual motor	Dual motor	Dual motor	Dual motor
Auger Diameter (in.)	18	18	18	18	18	18	18	18
Fan Drive	Single motor	Single motor	Single motor	Single motor	Single motor	Single motor	Single motor	Single motor
Fan Diameter	26	26	26	26	26	26	26	26
No. of fan blades	4	4	4	4	4	4	4	4

Unit includes skid steer mounting bracket, wire harness to boom electrical connector, hoses and hydraulic couplers.

	PART NUMBER	WEIGHT LB
SNOW BLOWER, 60" (D, 14 - 21 gpm)	84421457	866
SNOW BLOWER, 72" (D, 14 - 21 gpm)	84421458	924
SNOW BLOWER, 72" (E, 18 - 27 gpm)	84421459	924
SNOW BLOWER, 84" (E, 18 - 27 gpm)	84421460	985

OPTIONAL EQUIPMENT (Must order one for complete unit.)

Electric Harness (14 pin round connector - all 40XT, 60XT, 70XT and 75XT, 85XT, 90XT, 95XT built after 9/1/2001), all 400 series and all Alpha series	87023319	1
Universal Electrical Control Package. Controls chute rotation and deflector. Package includes magnetically mounted in-cab control box, boom wiring harness and wiring to battery. Connects to wiring harness supplied with blower. For machines without Electric Control Kit.	87023320	6
Electric Harness Adapter (Adapts pre-9/1/2001 75XT, 85XT, 90XT, 95XT with 8-pin connector to 14-pin connector)	87383458	1

REPLACEMENT COMPONENTS (Order as needed)

Replacement Steel Edge, 60"	47981829	17
Replacement Steel Edge, 72"	47981831	20
Replacement Steel Edge, 84"	47981832	23
Replacement Skid Shoe	47981838	15

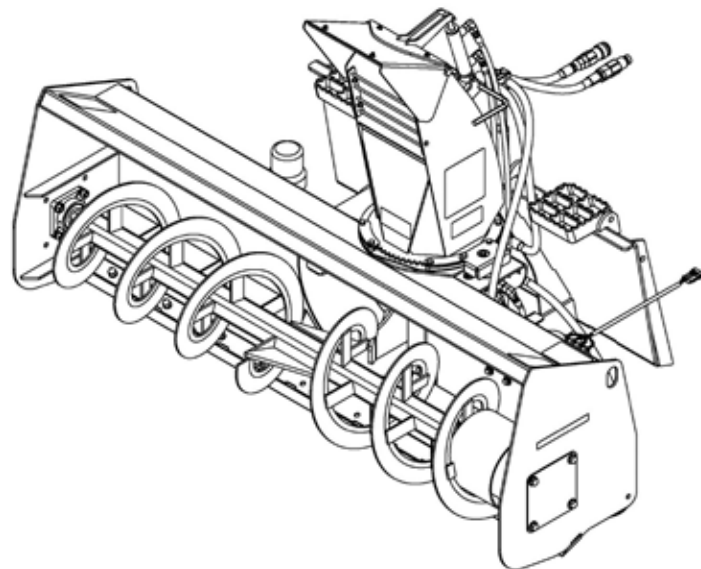
MODEL COMPATIBILITY	SR130	SR150	SR160			SR175	SV185	SR200	SR210	SR220	SR240	SV250	SV280	SR250	SR270	SV300	SV340	420CT	440CT	445CT	450CT	TR270	TR310	TR320	TR340	TV370	TV450	REQ'D EQUIPMENT							
				410	420			430	440			435	445	450		465													STD FLOW	HIGH FLOW	CASE DRAIN	FRONT ELEC	DEMO DOOR	2ND AUX	
SNOW BLOWER, 60" (D, 14 - 21 gpm)	•	•																												R			O		
SNOW BLOWER, 72" (D, 14 - 21 gpm)	•					•																								R			O		
SNOW BLOWER, 72" (E, 18 - 27 gpm)				•	•			•	•	•	•	•	•	•	•	•	•	•	•	•	•	•	•	•	•	•	•		R			O			
SNOW BLOWER, 84" (E, 18 - 27 gpm)								•	•	•	•	•	•	•	•	•	•	•	•	•	•	•	•	•	•	•	•		R			O			

FEATURES

- Two-stage hydraulic blowers blow snow up to 35 ft.
- Excellent visibility
- Electro-hydraulically controlled poly-lined chute and deflector
- High volume 24-1/2" shroud opening with 14" diameter auger and 18" diameter fan
- Wear resistant steel edge 3/8" x 3"
- 12 gauge reinforced wrapper
- Adjustable skid shoes

REQUIREMENTS FOR OPERATION

- Standard auxiliary hydraulics
- Front electric kit installed on loader or complete electrical control package



	PART NUMBER	WEIGHT LB
MEDIUM DUTY SNOW BUCKET, 84"	87324180	725
MEDIUM DUTY SNOW BUCKET, 96"	87324181	775
HEAVY DUTY SNOW BUCKET, 96"	87324182	980
HEAVY DUTY SNOW BUCKET, 108"	87324183	1060

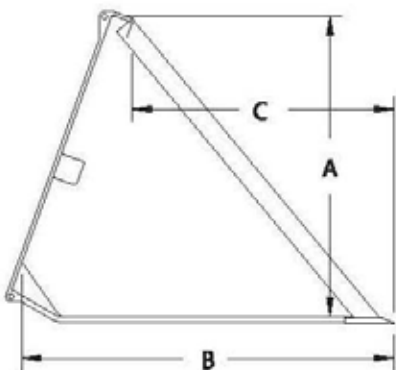
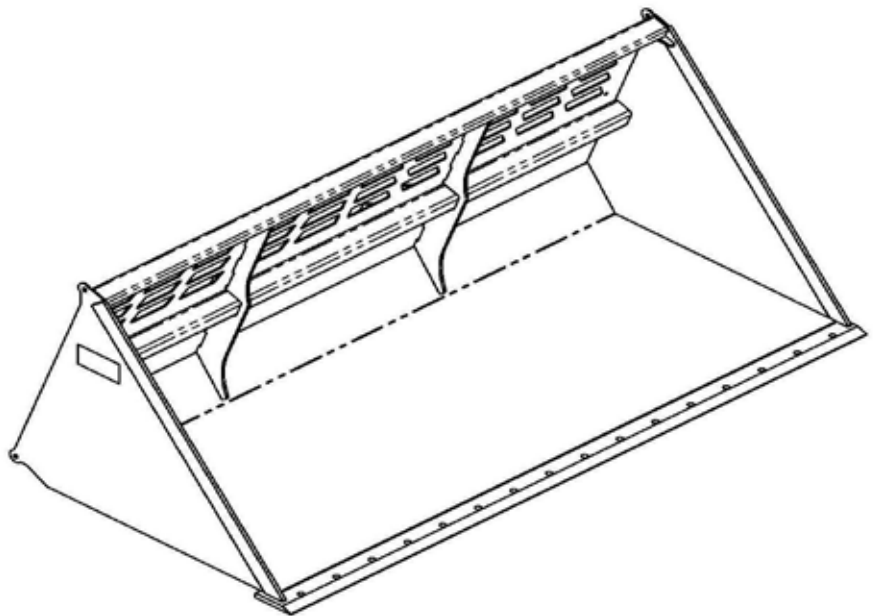
ADDITIONAL EQUIPMENT (Order as needed)

Bolt-on Cutting edge kit 84" (incl. reversible edge and hardware)	87324184	141
Bolt-on Cutting edge kit 96"(incl. reversible edge and hardware)	87324185	161
Bolt-on cutting edge kit 108" (incl. reversible edge and hardware)	87324186	181

MODEL COMPATIBILITY	SR130	SR150	SR160	SR175	SV185	SR200	SR210	SR220	SR240	SV250	SR250	SR270	SV280	SV300	SV340	TR270	TR310	TR320	TR340	TV370	TV450	REQ'D EQUIPMENT						
	410	420	430	440	435	445	450	465	420CT	440CT	445CT	450CT										STD FLOW	HIGH FLOW	CASE DRAIN	FRONT ELEC	DEMO DOOR	2ND AUX	
MEDIUM DUTY SNOW BUCKET, 84"	•	•	•	•	•									•	•	•												
MEDIUM DUTY SNOW BUCKET, 96"			•	•	•									•	•	•												
HEAVY DUTY SNOW BUCKET, 96"				•	•		•	•						•	•	•			•									
HEAVY DUTY SNOW BUCKET, 108"											•			•					•									

FEATURES

- Move large volumes of snow or other loose material efficiently
- Cut out back plate for improved visibility
- Pre-drilled cutting edges for bolt on edge



SPECIFICATIONS					
	Height A	Depth B	Leading Edge C	Struck Cap.	Heaped Cap.
84" Medium Duty	30"	42"	29.7"	1.14 yd ³	1.47 yd ³
96" Medium Duty	30"	42"	29.7"	1.31 yd ³	1.70 yd ³
96" Heavy Duty	38"	46"	32.5"	1.83 yd ³	2.36 yd ³
108" Heavy Duty	38"	46"	32.5"	2.07 yd ³	2.67 yd ³

	PART NUMBER	WEIGHT LB
SNOW PUSH - LOW PROFILE - 72"	47625941	605
SNOW PUSH - LOW PROFILE - 84"	47625942	670
SNOW PUSH - LOW PROFILE - 96"	47625943	735
SNOW PUSH - LOW PROFILE - 120"	47625944	865

OPTIONAL COMPONENTS – FACTORY INSTALLED (Order as needed)

PULL BACK KIT with rubber edge		
PULL BACK KIT - 72" LP	47645845	185
PULL BACK KIT - 84" LP	47645846	215
PULL BACK KIT - 96" LP	47645847	245
PULL BACK KIT - 120" LP	47645848	300

OPTIONAL COMPONENTS – FIELD INSTALLED (Order as needed)

PULL BACK KIT without rubber edge		
PULL BACK KIT - 72" LP	47625945	155
PULL BACK KIT - 84" LP	47625946	175
PULL BACK KIT - 96" LP	47625947	200
PULL BACK KIT - 120" LP	47625948	250
RUBBER EDGE KIT (Use as replacement edge for base push or add-on for pullback kit)		
RUBBER EDGE KIT - 72" LP	47626032	90
RUBBER EDGE KIT - 84" LP	47626033	110
RUBBER EDGE KIT - 96" LP	47626034	125
RUBBER EDGE KIT - 120" LP	47626035	135

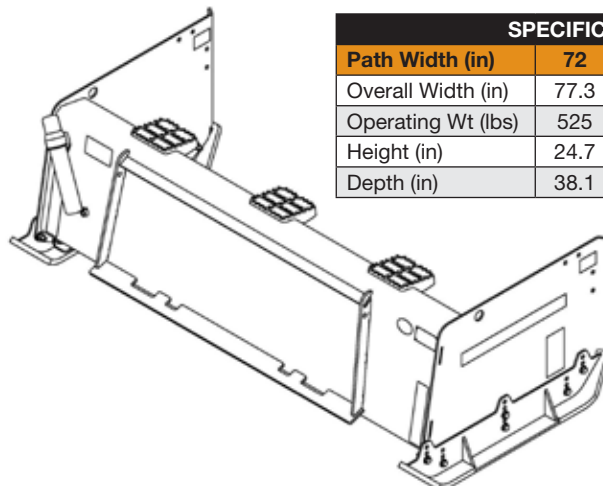
MODEL COMPATIBILITY	SR130	SR150	SR160	SR175	SV185	SR200	SR210	SR220	SR240	SV250	SR250	SR270	SV280	SV300	SV340	TR270	TR310	TR320	TR340	TV370	TV450	REQ'D EQUIPMENT							
	410	420	430	440	435	445	450	465	420CT	440CT	445CT	450CT											STD FLOW	HIGH FLOW	CASE DRAIN	FRONT ELEC	DEMO DOOR	2ND AUX	
SNOW PUSH 72" LP	•	•	•	•	•									•	•														
SNOW PUSH 84" LP	•	•	•	•	•	•	•	•	•	•	•	•	•	•	•	•	•	•	•	•	•	•							
SNOW PUSH 96" LP				•	•	•	•	•	•	•	•	•	•	•	•	•	•	•	•	•	•	•							
SNOW PUSH 120" LP											•	•	•	•	•	•	•	•	•	•	•	•							

FEATURES

- Moves large volumes of snow efficiently
- Draws back snow from confined areas with optional pull back kit
- Reversible, 1" x 8" rubber edge on main blade
- Reversible, replaceable 3/4" x 5" wear shoes of abrasion resistant AR400 steel

APPLICATIONS

- Snow, waste water, manure, feed lot and flood clean-up



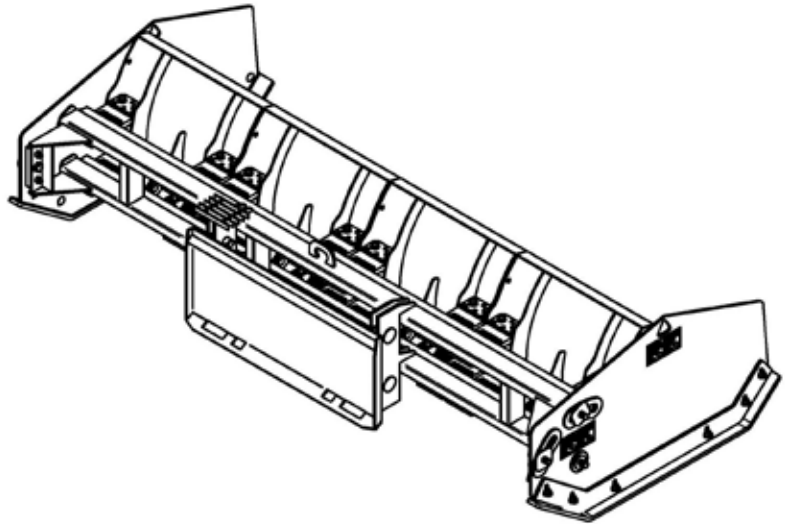
SPECIFICATIONS				
Path Width (in)	72	84	96	120
Overall Width (in)	77.3	89.3	101.3	125.3
Operating Wt (lbs)	525	570	610	705
Height (in)	24.7	24.7	24.7	24.7
Depth (in)	38.1	38.1	38.1	38.1

	PART NUMBER	WEIGHT LB
SECTIONAL SNOW PUSH – 8 FT.	48026413	1300
SECTIONAL SNOW PUSH – 10.5 FT.	48026414	1942

MODEL COMPATIBILITY	SR130 SR150 SR160	SR175 SV185	SR200 SR210		SR220 SR240	SV250 SR250 SR270 SV280	SV300 SV340		TR270 TR310	TR320 TR340 TV370 TV450	REQ'D EQUIPMENT					
	410	420	430	440	435	445 450	465	420CT	440CT	445CT 450CT	STD FLOW	HIGH FLOW	CASE DRAIN	FRONT ELEC	DEMO DOOR	2ND AUX
SECTIONAL SNOW PUSH – 8 FT.		•	•	•	•	•	•	•	•	•						
SECTIONAL SNOW PUSH – 10.5 FT.			•	•	•	•	•		•	•						

FEATURES

- Individual moldboard sections and articulating side panels move up and down independently to contour to the pavement, parking curbs and other obstacles, scraping cleanly down to the bare pavement on the first pass
- Interchangeable quick connect coupler mounting system
- Patented Slip-Hitch allows the entire pusher to move up and down independently of the machine pushing it, automatically self-leveling and perfectly adjusting the pusher to the pavement every time
- Individual moldboard sections and articulating side panels skip over curbs and other obstacles up to 9" in height to prevent operator injury and equipment damage
- Every part of the sectional pusher is removable, allowing just the damaged part or component to be replaced
- Hardox 450 hardened steel shoes and cutting edges



APPLICATIONS

- Snow and ice removal
- Moving waste water, manure and feed lot

SPECIFICATIONS		
Model	LD-8	LD-10.5
Overall Width – in (m)	96 (2.4)	126 (3.2)
Operating Wt – lbs (kg)	1,150 (522)	1,792 (813)
Height – in (mm)	32 (813)	
Depth – in (mm)	58 (1473)	
Number of sections	3	4

SPECIFICATIONS					
MODEL	72" (1829 mm)	84" (2134 mm)	96" (2438 mm)	108" (2743 mm)	120" (3048 mm)
Overall Blade Width	74" (1880 mm)	86" (2184 mm)	98" (2489 mm)	110" (2794 mm)	120" (3048 mm)
Blade Height	31" (787 mm)				
Blade Angle	±30°				
Width at Full Angle	64" (1626 mm)	74" (1880 mm)	84" (2134 mm)	95" (2413 mm)	104" (2642 mm)
Width at Full Scoop	60" (1524 mm)	70" (1778 mm)	81" (2057 mm)	92" (2337 mm)	101" (2565 mm)
Width at Full V	66" (1676 mm)	76" (1930 mm)	88" (2235 mm)	99" (2515 mm)	108" (2743 mm)
Moldboard Thickness	0.19" (4.8 mm)				
Cutting Edge	5/8" x 8" (16 mm x 203 mm) Bolt-on				
Center Edge	1/2" (12.7 mm) High Tensile Steel, Bolt-on				
Blade Oscillation	±4°				
Float Oscillation	±5°				
Operating Weight	1130 lbs (513 kg)	1190 lbs (540 kg)	1250 lbs (567 kg)	1310 lbs (594 kg)	1370 lbs (621 kg)

Snow V-Blade (Continued next page)

Options include skid-steer mounting bracket, wire harness to boom electrical connector, hoses and hydraulic couplers.

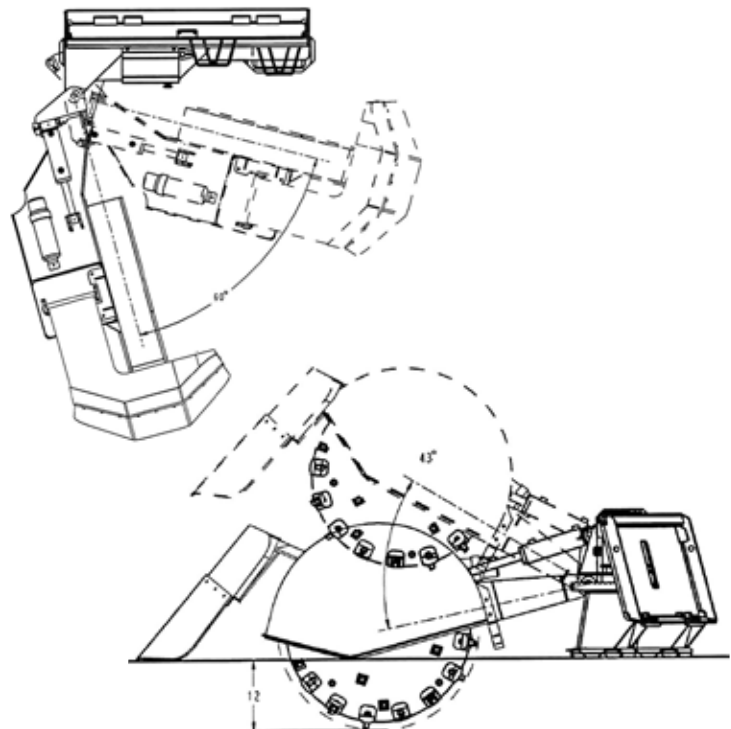
ELECTRIC CONTROL KIT REQUIRED AND AUXILIARY HYDRAULICS AS NOTED	PART NUMBER	WEIGHT LB
STUMP GRINDER, Model SG26, standard flow (requires standard flow boom hydraulics, 15 - 22 gpm)	87050300	790
STUMP GRINDER, Model SG30, high flow (requires high flow boom hydraulics, 25 - 42 gpm)	87050301	860

ADDITIONAL COMPONENTS (ORDER AS NEEDED)

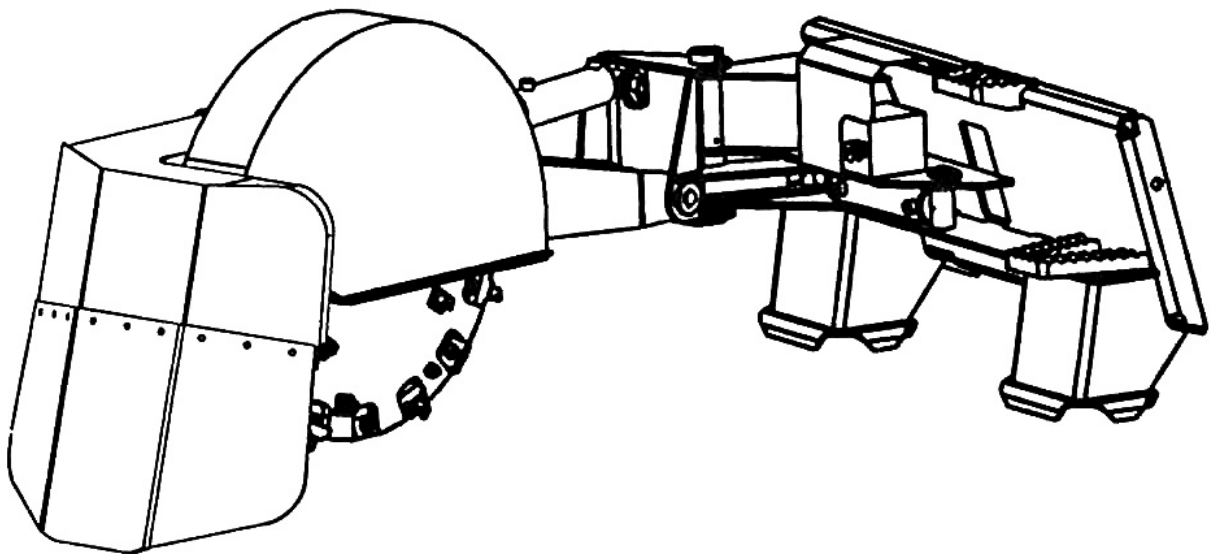
Electrical control package, controls arm swing & depth. Package includes magnetically mounted, in-cab control box, boom wiring harness & wiring to battery. Connects to wiring harness supplied with stump grinder. For loaders not equipped with front electric kit.	87050304	3
Wire harness adapter (adapts pre 9/1/2002 75XT, 85XT, 90XT, 95XT with 8-pin connector to 14-pin connector)	87048529	2

MODEL COMPATIBILITY	SR130	SR150	SR160	SR175	SV185	SR200	SR210	SR220	SR240	SV250	SR250	SR270	SV280	SV300	SV340	TR270	TR310	TR320	TR340	TV370	TV450	REQ'D EQUIPMENT						
	410	420	430		440	435	445	450	465	420CT	440CT	445CT	450CT										STD FLOW	HIGH FLOW	CASE DRAIN	FRONT ELEC	DEMO DOOR	2ND AUX
STUMP GRINDER – STD FLOW (15-22)	•	•	•	•	•	•	•	•	•	•	•	•	•	•	•	•	•	•	•	•	•	•	R			R		
STUMP GRINDER – HIGH FLOW (25-42)		•	•	•	•	•	•	•	•	•	•	•	•	•	•	•	•	•	•	•	•	•		R	R	R		

SPECIFICATIONS		
	SG26 Standard Flow	SG30 High Flow
Overall Length	84 in.	84 in.
Overall Width	58 in.	58 in.
Overall Height	37 in.	37 in.
Weight (approx)	790 lb.	860 lb.
Wheel Diameter	26 in.	30 in.
Cutting Diameter	29 in.	33 in.
Number of Teeth	28	28
Flow Requirement	15-22 gpm	25-42 gpm
Max Pressure (continuous)	3000 psi	3000 psi
Wheel Speed	575-850 rpm	515-860 rpm
Lateral Sweep	60 degrees	60 degrees
Vertical Lift	43 degrees	43 degrees



Stump Grinders (Continued next page)

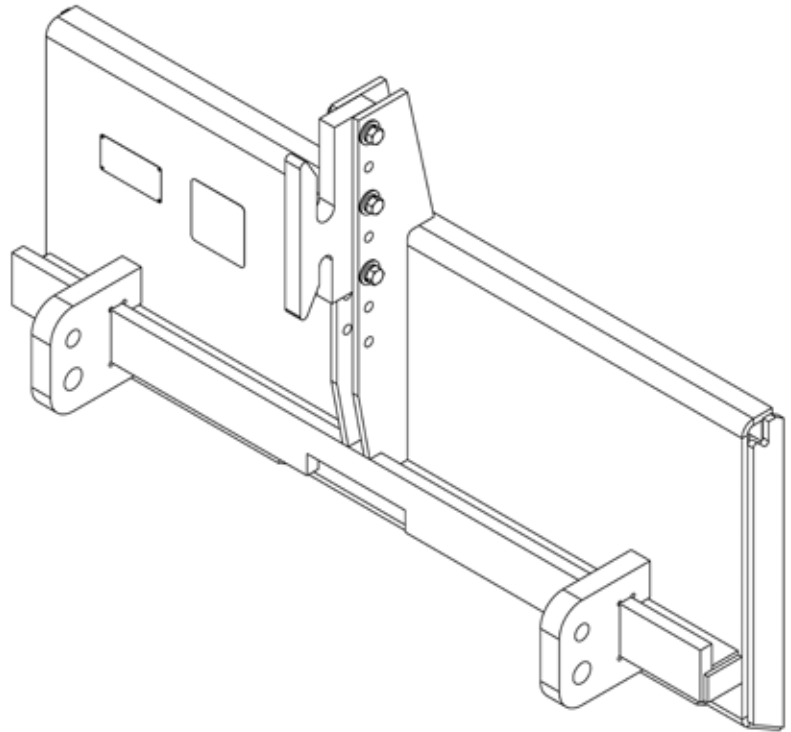


	PART NUMBER	WEIGHT LB
THREE POINT HITCH	48145926	235

MODEL COMPATIBILITY	SR130 SR150 SR160	SR175 SV185	SR200 SR210	SR220 SR240	SV250 SR250 SR270 SV280	SV300 SV340	TR270 TR310	TR320 TR340 TV370 TV450	REQ'D EQUIPMENT					
	410	420	430	440 435	445 450	465	420CT 440CT	445CT 450CT	STD FLOW	HIGH FLOW	CASE DRAIN	FRONT ELEC	DEMO DOOR	2ND AUX
THREE POINT HITCH ADAPTER	•	•	•	•	•	•	•	•						

APPLICATIONS

- Attaches like regular bucket, allows hookup to Cat I or Cat II equipment
- Bottom two arms slide to allow quick and easy hookup and maximum versatility



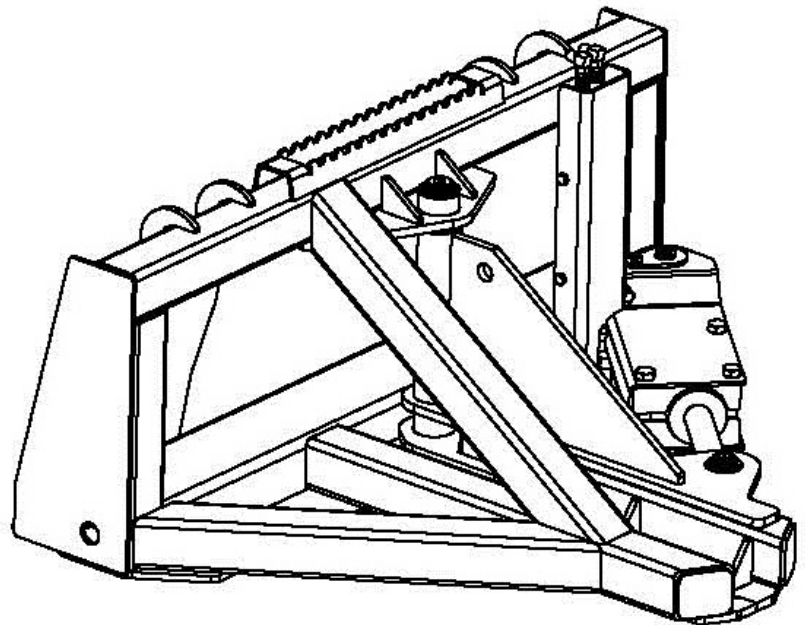
Unit includes hoses and quick disconnects.

	PART NUMBER	WEIGHT LB
TREE PULLER	51495995	515

MODEL COMPATIBILITY	SR130	SR150	SR160	SR175	SV185	SR200	SR210	SR220	SR240	SV250	SR250	SR270	SV280	SV300	SV340	TR270	TR310	TR320	TR340	TV370	TV450	REQ'D EQUIPMENT			
	410	420	430	440	435	445	450	465	420CT	440CT	445CT	450CT	STD FLOW	HIGH FLOW	CASE DRAIN	FRONT ELEC	DEMO DOOR	2ND AUX							
TREE PULLER	•	•	•	•	•	•	•	•	•	•	•	•	•	•	•	•	•	•	•	•	•	•	•	•	•

FEATURES

- Serrated jaw teeth are made from 1/2" Grade 80 laser cut steel; additionally, every other tooth is gusseted to provide rigidity
- Hard stop at tip keeps small space between teeth when fully closed, allowing even small trees to be pulled without shearing them off
- 11-1/2" (292 mm) max. jaw opening
- Shake out excess dirt for refilling holes
- Single hydraulic cylinder guarded from debris and other objects
- Corrosion, dent and flake resistant NitroSteel® cylinder rod made in the USA
- Maximum size of tree that can be removed will vary greatly depending on the size of the loader, type of tree and ground conditions
- Replacement and wear parts supported in CNH depot
- 1-year standard product warranty through CNH Industrial



APPLICATIONS

- Pull out entire trees, wood and metal fence posts, stumps and roots

REQUIREMENTS FOR OPERATION

- Standard auxiliary hydraulics

Unit includes hoses and quick disconnects.

	PART NUMBER	WEIGHT LB
HT52 - 52" TILLER (14-17 gpm)	84412545	880
HT52 - 52" TILLER (18-25 gpm)	87311526	880
HT66 - 66" TILLER (14-17 gpm)	84412546	1100
HT66 - 66" TILLER (18-25 gpm)	87311527	1100
HT66H - 66" TILLER HF (28-40 gpm)	87343219	1100
HT78H - 78" TILLER HF (28-40 gpm)	87343220	1370

ADDITIONAL COMPONENTS (Order as Needed)

SCARIFIER KIT for HT52	87311523	40
SCARIFIER KIT for HT66, HT66H	87311524	50
SCARIFIER KIT for HT78H	87343216	60

MODEL COMPATIBILITY	SR130	SR150	SR160	SR175	SV185	SR200	SR210	SR220	SR240	SV250	SR250	SR270	SV280	SV300	SV340	TR270	TR310	TR320	TR340	TV370	TV450	REQ'D EQUIPMENT							
			410	420	430	440	435	445	450	465	420CT	440CT	445CT	450CT									STD FLOW	HIGH FLOW	CASE DRAIN	FRONT ELEC	DEMO DOOR	2ND AUX	
52" TILLER – STD FLOW (14-17)	•																						R						
52" TILLER – STD FLOW (18-25)		•	•	•	•	•	•	•	•	•	•	•	•	•	•	•	•	•	•	•	•		R						
66" TILLER – STD FLOW (14-17)	•																						R						
66" TILLER – STD FLOW (18-25)		•	•	•	•	•	•	•	•	•	•	•	•	•	•	•	•	•	•	•	•		R						
66" TILLER – HIGH FLOW (28-40)			•	•	•	•	•	•	•	•	•	•	•	•	•	•	•	•	•	•	•			R	R				
78" TILLER – HIGH FLOW (28-40)						•	•	•	•	•	•	•	•	•	•	•	•	•	•	•	•			R	R				

FEATURES

- Industry exclusive optional scarifiers pre-cuts rough crust to improve tiller efficiency
- Front hood is heavily ribbed which levels till as a leveling blade
- Exclusive off-set hitch on 52" allows tight cut next to obstacles
- Industry exclusive on 66" and 78" with dual hitch both off-set and center mount
- Productivity is further improved with high torque efficient chain system and large frame to handle trash
- Easily adjusted chain tension with CAM lock
- Dual rotation with bi-directional tines standard
- Single wide skid-shoe protects drive and controls depth

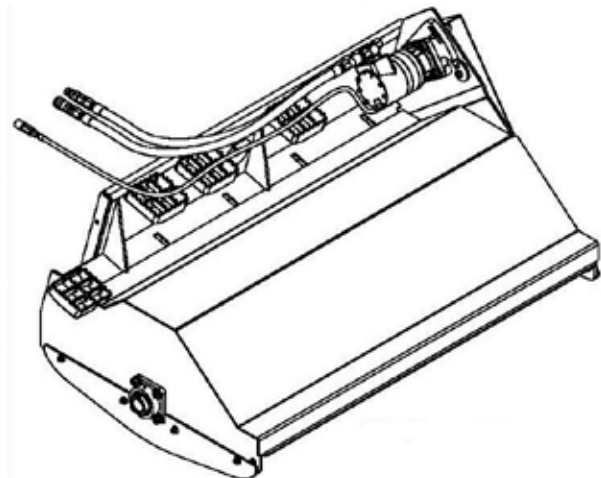
APPLICATIONS

- Use for jobsite leveling, soil mixing, seedbed preparation

REQUIREMENTS FOR OPERATION

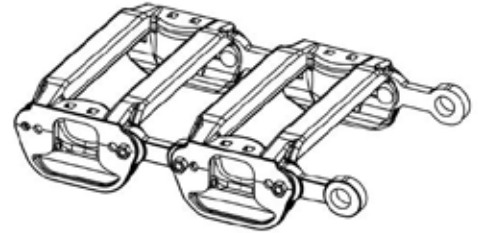
- Standard auxiliary hydraulics (as indicated)
- High flow auxiliary hydraulics (as indicated)

SPECIFICATIONS				
	HT52	HT66	HT66H	HT78H
Working Width (in.)	52	66	66	78
Overall Width (inches)	67.8	81.8	81.8	94.8
Weight – approx. (lbs.)	730	950	950	1220
Cutting Depth (in.)	6	6	6	6
Number of Tines	24	32	32	40
Flow Requirement (gpm)	14-17 18 - 28	14-17 18 - 28	28-40	28-40



Track sets include tracks, hardware and ratchet/strap installation tool. Order wheel spacer kits separately as specified.

	PART NUMBER	WEIGHT LB
F-Series Cast Tracks for 27/10.50x15 tires	84406432	840
F-Series Cast Tracks for 10.00x16.5 tires	87324797	918
F-Series Cast Tracks for 31.5/13x16.5 tires	87324798	839
F-Series Cast Tracks for 10x16.5 tires	87324799	969
F-Series Cast Tracks for 12.00x16.5 tires	87324800	1018
F-Series Cast Tracks for 33/15.50x16.5 tires	87324801	1145
F-Series Cast Tracks for 12.00x16.5 tires	87324802	1072
F-Series Cast Tracks for 33/15.50x16.5 tires	87324804	1200
F-Series Cast Tracks for 12.00x16.5 tires	87324805	1072
F-Series Cast Tracks for 33/15.50x16.5 tires	87324806	1206
F-Series Cast Tracks for 12.00x16.5 tires	87324807	1125
F-Series Cast Tracks for 33/15.50x16.5 tires	87324808	1266



Tracks are not compatible with semi-pneumatic, liquid filled, foam filled or any non-pneumatic tires.

ADDITIONAL COMPONENTS (Order as Needed)

Wheel spacer kit, 1-1/2" (M16)	84426158	70
Wheel spacer kit, 2" (M16)	84426159	84

MODEL COMPATIBILITY	SR130 SR150 SR160		410 420 (<S8)		420-S3 430 440		430 440		SR175 SV185 SR200 SR210		435 445		450		465		SR220 SR240 SR250 SR270		SV250 SV280 SV300 SV340		SR220 SR240 SR250 SR270 SV280 SV300 SV340		
	10.00X16.5 27/10.50X15		10.00X16.5 31.5/13X16.5		10.00X16.5 12.00X16.5		33/15.5X16.5		10.00X16.5 12.00X16.5 33/15.5X16.5		12.00X16.5 33/15.5X16.5		12.00X16.5 33/15.5X16.5		12.00X16.5 33/15.5X16.5		12.00X16.5 33/15.5X16.5		12.00X16.5 33/15.5X16.5		14x17.5		
	40XT		60XT 70XT		60XT 70XT		75XT 85XT		90XT		95XT												
84406432		•																					
87324797			•																				
87324798				•																			
87324799					•				•														
87324800						•				•													
87324801							•																
87324802											•												
87324804												•											
87324805													•										
87324806														•									
87324807															•						•		
87324808																•						•	
WHEEL SPACERS																							
84426158									SR	•	•							•	•				
84426159									SV			•		•		•					•*	•*	

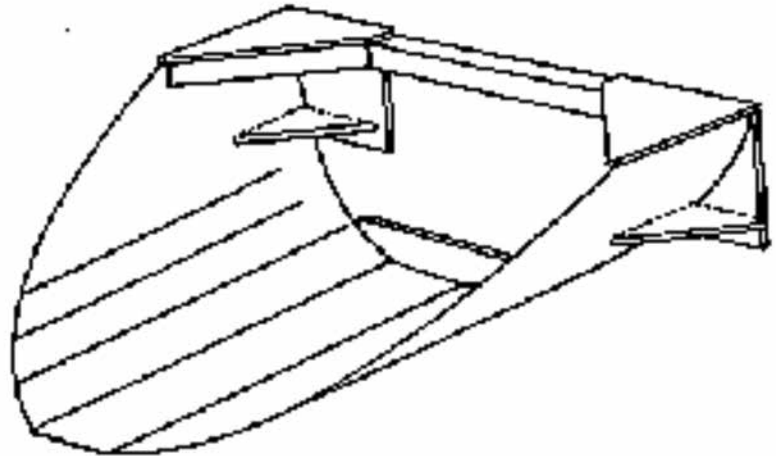
*Minimal clearance to boom with 50mm stops.

	PART NUMBER	WEIGHT LB
TREE SHOVEL, 36"	87383455	260
TREE SHOVEL, 42"	87383456	360
TREE SHOVEL, 48"	87383457	460

MODEL COMPATIBILITY	SR130 SR150 SR160	SR175 SV185	SR200 SR210	SR220 SR240		SV250 SR250 SR270 SV280	SV300 SV340		TR270	TR310		TR320 TR340 TV370 TV450	REQ'D EQUIPMENT					
	410	420	430	440	435	445 450	465	420CT		440CT	445CT 450CT		STD FLOW	HIGH FLOW	CASE DRAIN	FRONT ELEC	DEMO DOOR	2ND AUX
36" TREE SHOVEL	•	•	•	•	•	•	•	•	•	•	•	•						
42" TREE SHOVEL	•	•	•	•	•	•	•	•	•	•	•	•						
48" TREE SHOVEL	•	•	•	•	•	•	•	•	•	•	•	•						

FEATURES

- Dig holes for incoming trees
- Transplant trees and shrubbery
- Transport/load prepackaged trees
- Place large decorative stones easily
- Constructed of 3/8" plate with sharp tapered edge



For specified skid-steer loaders equipped with standard auxiliary boom hydraulics. Includes complete spade with standard 14-pin control harness, hoses and quick couplers.

REAR STABILIZERS RECOMMENDED.*	PART NUMBER	WEIGHT LB
Internal Frame, 25° Blade Angle, Truncated Spades		
2625 TREE SPADE	87050389	1150
3625 TREE SPADE	87050390	1640
4425 TREE SPADE	87050391	1875

* See "Rear Stabilizer" pages for rear stabilizer options.

ADDITIONAL COMPONENTS (Order as Needed)

Electrical control package includes magnetically mounted control handle for cab, wire harness to tree spade connector and battery (Required for all XT models). Also for 400 series and Alpha series w/o front electric kit.	87050392	3
--	----------	---

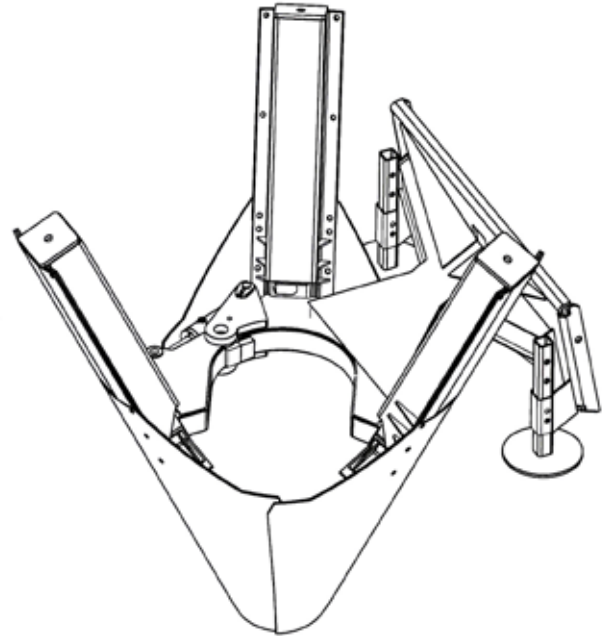
MODEL COMPATIBILITY	SR130 SR150 SR160	SR175 SV185	SR200 SR210 SR220 SR240	SR250 SR250 SR270 SV280	SV300 SV340	TR270 TR310	TR320 TR340 TV370 TV450	REQ'D EQUIPMENT						
	410	420	430	440 435 445 450	465	420CT	440CT 445CT 450CT	STD FLOW	HIGH FLOW	CASE DRAIN	FRONT ELEC	DEMO DOOR	2ND AUX	
2625 TREE SPADE		•	•	•	•	•	•	R			O			
3625 TREE SPADE				•	•	•	•	R			O			
4425 TREE SPADE				•	•		•	R			O			

SPECIFICATIONS			
DESCRIPTION	2625	3625	4425
Ball Diameter (inches)	18-26	24-36	36-44
Optional Ball Diameter (inches)	—	—	—
Tree Diameter (inches)	1.5 - 2.5	2.0 - 3.5	3.0 - 4.5
Ball weight (lbs.)	150 - 300	250 - 1,000	1,200 - 1,400
Spade weight (lbs.)	1,100	1,500	1,825
Blade Style & Angle	25° Mod. Truncated	25° Mod. Truncated	25° Mod. Truncated
Under Cutter	No	No	No
Frame Style	Internal	Internal	Internal
Number of Blades	3	3	4
DIMENSIONS			
Width (inches)	54	66	63
Width - Gate Open (inches)	67	89	107
Height (inches)	51	65	65
Length (inches)	63	68	70
Max. Opening (inches)	29	40	33
Max. Digging Depth (inches)	22	31	31

Tree Spades (Continued next page)

FEATURES

- Designed for production tree harvesting, nursery applications and landscaping
- Low profile blade towers to allow machine to fit between closely planted trees
- High strength "T1" steel blade material
- Two year warranty
- Overlapping blades to clear cut roots
- Adjustable blade slides to maintain alignment
- Adjustable blade depth control legs
- Wide gate opening to clear trees easily
- Produces round balls that actually fit wire baskets available from many vendors
- Built for heavy use at production nurseries and rental centers
- Straight blade design has less resistance in penetrating soil
- Inside frame allows work in tight areas
- Blade towers use high density plastic sides to eliminate greasing
- Produce several uniform ball sizes with 1 set of blades
- Inside frame style allows compressing tree ball in the basket



PREPACKAGED COMPLETE TRENCHERS. Includes drive head, boomer/crumber and chain as indicated. Also includes mounting brackets, manual side shift, hoses and quick couplers. Optional hydraulic side shift also available separately.

	PART NUMBER	WEIGHT LB
MODEL 625 TRENCHER-STD FLOW (14-22 gpm) with 36" Boom/crumber, 86620053 and 6x36 TES chain, 9862926.	47725417	1010
MODEL 625 TRENCHER-STD FLOW (14-22 gpm) with 48" Boom/crumber, 86620055 and 6x48 TES chain, 9862932.	47725418	1060
MODEL 625 TRENCHER-STD FLOW (14-22 gpm) with 36" Boom/crumber, 86620053 and 6x36 R&F chain, 86621858.	51519264	1240

CONFIGURABLE TRENCHERS. Basic trencher includes trencher head, mounting brackets, manual side shift, hoses and quick couplers. Must specify boom and chain options separately. Optional hydraulic side shift also available separately.

	PART NUMBER	WEIGHT LB
MODEL 625 TRENCHER – STD FLOW (14-22 gpm)	87050942	755
MODEL 640 TRENCHER – HIGH FLOW (25-28 gpm)	84421969	880
MODEL 640 TRENCHER – HIGH FLOW (29-35 gpm)	87554974	880
MODEL 640 TRENCHER – HIGH FLOW (36-44 gpm)	51450335	880

MODEL COMPATIBILITY	SR130	SR150	SR160	SR175	SV185	SR200	SR210	SR220	SV250	SR250	SV300	SR240	SR270	SV280	SV340	TR270	TR310	TR320	TR340	TV370	TV450	REQ'D EQUIPMENT						
	410			420	430			440	435	445	450	465				420CT	440CT	445CT	450CT			STD FLOW	HIGH FLOW	CASE DRAIN	FRONT ELEC	DEMO DOOR	2ND AUX	
625 TRENCHER – STD FLOW (14-22 gpm)	•	•	•	•	•	•	•	•	•	•	•	•	•	•	•	•	•	•	•	•	•	R						O
MODEL 640 TRENCHER – HIGH FLOW (25-28 gpm)				•																			R	R			O	
MODEL 640 TRENCHER – HIGH FLOW (29-35 gpm)				•	•	•	•	•	•	•	•					•	•						R	R			O	
MODEL 640 TRENCHER – HIGH FLOW (36-44 gpm)														•						•			R	R			O	

OPTIONAL COMPONENTS (Order as needed).

	PART NUMBER	WEIGHT LB
Hydraulic Side shift package - Requires 2nd aux. kit	86620056	52

BOOM AND CRUMBER OPTIONS (Must order one for complete unit. Not required for prepackaged units).

	PART NUMBER	WEIGHT LB
30" Boom and crumber assembly	86620052	104
36" Boom and crumber assembly	86620053	115
42" Boom and crumber assembly	86620054	128
48" Boom and crumber assembly	86620055	140
60" Boom and crumber assembly (for model 640 only)	87554975	180

CHAIN OPTIONS 50,000 lb, 2" pitch (Must match boom length. Order one for complete unit. Not required for prepackaged units).

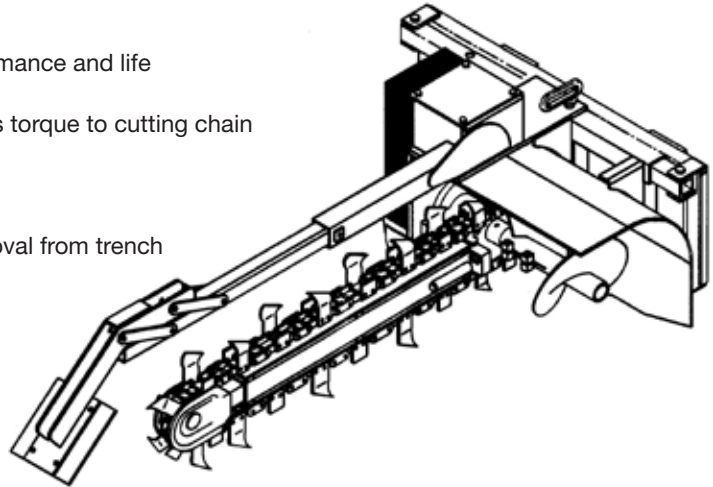
	PART NUMBER	WEIGHT LB
For 30" Boom - Tooth Every Station (TES)		
6" wide chain	9862922	110
8" wide chain	9862923	118
10" wide chain	9862924	130
12" wide chain	9862925	145
For 30" Boom - Tooth Every Other Station (TEOS)		
6" wide chain	9862934	89
8" wide chain	9862935	94
10" wide chain	9862936	98
12" wide chain	9862937	108
For 30" Boom - Rock and Frost Chain		
6" wide chain (50% bullet teeth/ 50% cup teeth)	86621857	152
For 30" Boom - Shark tooth Chain		
6" wide chain (70% shark teeth/30% cup teeth)	87027549	118
6" wide chain (100% shark teeth)	87027550	121
For 36" Boom - Tooth Every Station (TES)		
6" wide chain	9862926	135
8" wide chain	9862927	142
10" wide chain	9862928	155
12" wide chain	87050858	190
For 36" Boom - Tooth Every Other Station (TEOS)		
6" wide chain	9862938	103
8" wide chain	9862939	108
10" wide chain	9862940	116
For 36" Boom - Rock and Frost Chain		
6" wide chain (50% bullet teeth/50% cup teeth)	86621858	182
For 36" Boom - Shark Tooth Chain		
6" wide chain (70% shark teeth/30% cup teeth)	87027551	133
6" wide chain (100% shark teeth)	87027552	137
For 42" Boom - Tooth Every Station (TES)		
6" wide chain	9862929	148
8" wide chain	9862930	156
10" wide chain	9862931	170

	PART NUMBER	WEIGHT LB
For 42" Boom - Tooth Every Other Station (TEOS)		
6" wide chain	9862941	117
8" wide chain	9862942	123
10" wide chain	9862943	132
For 42" Boom - Rock and Frost Chain		
6" wide chain (50% bullet teeth/50% cup teeth)	86621859	212
For 42" Boom - Shark Tooth Chain		
6" wide chain (70% shark teeth/30% cup teeth)	87027553	153
6" wide chain (100% shark teeth)	87027554	151
For 48" Boom - Tooth Every Station (TES)		
6" wide chain	9862932	160
8" wide chain	9862933	170
For 48" Boom - Tooth Every Other Station (TEOS)		
6" wide chain	9862944	130
8" wide chain	9862945	137
For 48" Boom - Rock and Frost Chain		
6" wide chain (50% bullet teeth/50% cup teeth)	86621860	242
For 48" Boom - Shark Tooth Chain		
6" wide chain (70% shark teeth/30% cup teeth)	87027555	168
6" wide chain (100% shark teeth)	87027556	172
For 60" Boom - Tooth Every Station (TES)		
6" wide chain	9862960	173
For 60" Boom - Tooth Every Other Station (TEOS)		
6" wide chain	9862970	149
For 60" Boom - Rock and Frost Chain		
6" wide chain (50% bullet teeth/50% cup teeth)	87050857	251
For 60" Boom - Shark Tooth Chain		
6" wide chain (70% shark teeth/30% cup teeth)	87027565	195

Trenchers (Continued next page)

FEATURES

- Side shift: Manual standard; Hydraulic optional
- 2" pitch, 50,000 lb, anti-back flex chain for maximum performance and life
- High torque hydraulic motor for maximum digging power
- Heavy duty chain (625) or planetary (640) reduction amplifies torque to cutting chain
- Sealed idler bearing is maintenance free (625)
- Low profile dirt shield for improved operator visibility
- Built-in skid shoe to provide positive depth control for auger
- Pivoting crumber shoe and bar to assist with loose soil removal from trench
- Bolt-on replaceable wear strips on boom extend boom life under rough conditions
- Drum scrapers included



REQUIREMENTS FOR OPERATION

- Standard Auxiliary hydraulics (as indicated)
- High Flow Auxiliary hydraulics (as indicated)

SPECIFICATIONS					
DESCRIPTION	30 in.	36 in.	42 in.	48 in.	60 in.
Trench Depth with Auger @ 65° Digging Angle.	30"	36"	42"	48"	60"
Trench Widths Available:	6, 8, 10, 12"	6, 8, 10, 12"	6, 8, 10"	6, 8"	6"
Recommended Trenching Angle	65°	65°	65°	65°	65°
Head shaft Height	8"	8"	8"	8"	8"
Overall Trencher Length	66"	73"	80"	86"	86"
Overall Trencher Width	48"	48"	48"	48"	48"
Overall Trencher Height	32"	32"	32"	32"	32"
Spoil Discharge Reach	18"	18"	18"	18"	18"
Side Shift, Right of Corner	17"	17"	17"	17"	17"
Distance from Centerline Drive Sprocket to Back of Mounting Frame	16"	16"	16"	16"	16"

CHAIN SELECTION

TOOTH EVERY STATION (TES):

Designed for standard digging conditions in light to moderately compacted, sandy, loam soils and loosely packed gravelly soils. Typically good digging conditions.

TOOTH EVERY OTHER STATION (TEOS):

Designed to be the most productive in wet, sticky conditions such as wet clay, gumbo, etc. TEOS allows sticky soils to be discharged as it comes around the headshaft sprocket allowing the auger to pick it up and discharge spoil to the side of the trench.

ROCK AND FROST CHAIN 50/50 (50% R&F teeth/50% cup teeth):

Gives highest production in frozen ground, highly compacted or rocky soils. Bullet shaped rock teeth break tougher soils and rock allowing the cup teeth to pick it up and clean the trench. Aggressive in tough conditions but not as productive in lighter normal conditions.

SHARK TOOTH CHAIN 70/30 (70% Shark teeth/30% cup teeth):

The 70/30 chain should be used in compacted soils, light frozen ground, baked hard clay, shale or rocky soils. Shark teeth will slice, break and relieve the tough soils allowing cup teeth to follow and clean the trench. Not as productive as TES chain in normal digging conditions.

FULL SHARK TOOTH CHAIN (100% SHARK teeth):

Full shark tooth chain is recommended for fracturable rock, shale, caliche or conditions with little or no loose soil. Will not efficiently clean the trench in sand, silt, and high moisture clay conditions.

Unit includes mounting plate, hoses and quick couplers.

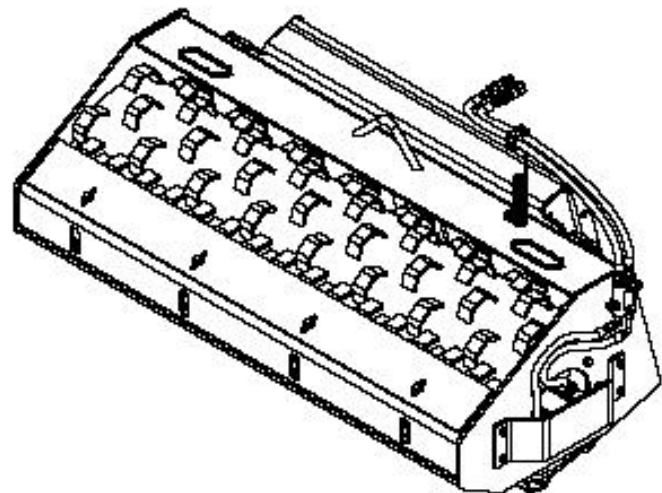
REQUIRES STANDARD AUXILIARY BOOM HYDRAULICS	PART NUMBER	WEIGHT LB
VRP48 48" VIBRATORY ROLLER	87373395	1630
VRP66 66" VIBRATORY ROLLER	87373396	2085
VRP73 73" VIBRATORY ROLLER	87373397	2230
VRP84 84" VIBRATORY ROLLER	87373398	2455

MODEL COMPATIBILITY	SR130	SR150	SR160	SR175	SV185	SR200	SR210	SR220	SR240	SV250	SR250	SR270	SV280	SV300	SV340	TR270	TR310	TR320	TR340	TV370	TV450	REQ'D EQUIPMENT						
	410	420			430	440	435	445	450	465	420CT	440CT	445CT	450CT								STD FLOW	HIGH FLOW	CASE DRAIN	FRONT ELEC	DEMO DOOR	2ND AUX	
48" VIBRATORY ROLLER	•	•		•	•	•	•	•	•	•	•	•	•	•	•	•	•	•	•	•	•	R						
66" VIBRATORY ROLLER				•	•	•	•	•	•	•	•	•	•	•	•	•	•	•	•	•	•	R						
73" VIBRATORY ROLLER						•	•	•	•	•	•	•	•	•	•	•	•	•	•	•	•	R						
84" VIBRATORY ROLLER								•	•	•	•	•	•	•	•	•	•	•	•	•	•	R						

SPECIFICATIONS				
DESCRIPTION	VRP48	VRP66	VRP73	VRP84
Drum Width - in. (mm)	48 (1219)	66 (1676)	73 (1854)	84 (2134)
Drum Diameter - in. (mm)	22 (559)	22 (559)	22 (559)	22 (559)
Dynamic Force - lb. (kn)	5750 (25.6)	7800 (34.7)	8550 (38.0)	9370 (41.7)
Frequency @ 20 gpm - vpm	2600	2600	2600	2600
Vibrating Wt. - lb. (kg)	890 (404)	1130 (513)	1225 (556)	1370 (621)
Operating Wt. - lb. (kg)	1630 (739)	2085 (946)	2230 (1012)	2455 (1114)
Drum Oscillation	±15°	±15°	±15°	±15°
Max. Hyd. Flow - gpm (lpm)	25 (95)	25 (95)	25 (95)	25 (95)

FEATURES

- Compact sand, gravel or soil in preparation for concrete or asphalt surfacing
- ± 15° Drum oscillation
- Includes quick disconnects
- Can be center mounted or offset 12" to right
- Drum scrapers included



Unit includes mounting plate, hoses and quick couplers.

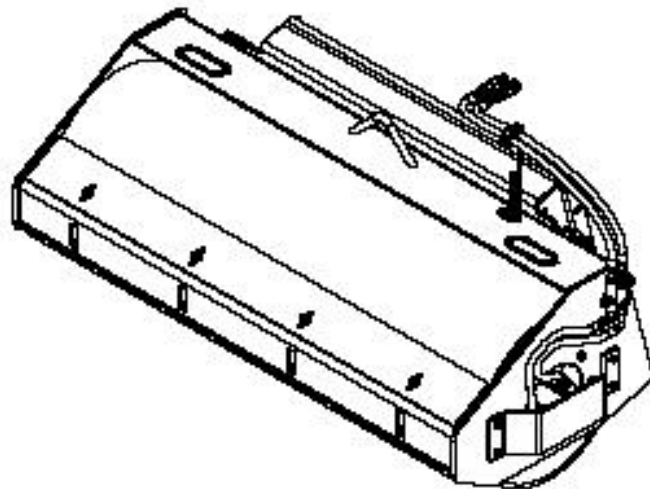
REQUIRES STANDARD AUXILIARY BOOM HYDRAULICS	PART NUMBER	WEIGHT LB
VRS48 48" VIBRATORY ROLLER	87373001	1680
VRS66 66" VIBRATORY ROLLER	87373002	2150
VRS73 73" VIBRATORY ROLLER	87373003	2300
VRS84 84" VIBRATORY ROLLER	87373004	2530

MODEL COMPATIBILITY	SR130	SR150	SR160	SR175	SV185	SR200	SR210	SR220	SR240	SV250	SR250	SR270	SV280	SV300	SV340	TR270	TR310	TR320	TR340	TV370	TV450	REQ'D EQUIPMENT						
	410	420				430		440	435		445	450		465	420CT		440CT	445CT	450CT			STD FLOW	HIGH FLOW	CASE DRAIN	FRONT ELEC	DEMO DOOR	2ND AUX	
48" VIBRATORY ROLLER	•	•		•		•		•	•		•		•	•	•	•	•	•				R						
66" VIBRATORY ROLLER				•		•		•	•		•		•	•	•	•	•	•				R						
73" VIBRATORY ROLLER								•	•		•		•	•	•	•	•	•				R						
84" VIBRATORY ROLLER											•		•	•	•	•	•	•				R						

SPECIFICATIONS				
DESCRIPTION	VRP48	VRP66	VRP73	VRP84
Drum Width - in. (mm)	48 (1219)	66 (1676)	73 (1854)	84 (2134)
Drum Diameter - in. (mm)	24 (610)	24 (610)	24 (610)	24 (610)
Dynamic Force - lb. (kn)	5750 (25.6)	7800 (34.7)	8550 (38.0)	9370 (41.7)
Frequency @ 20 gpm - vpm	2600	2600	2600	2600
Vibrating Wt. - lb. (kg)	935 (424)	1190 (540)	1290 (585)	1440 (653)
Operating Wt. - lb. (kg)	1680 (762)	2150 (975)	2300 (1043)	2550 (1157)
Drum Oscillation	±15°	±15°	±15°	±15°
Max. Hyd. Flow - gpm (lpm)	25 (95)	25 (95)	25 (95)	25 (95)

FEATURES

- Compact sand, gravel or soil in preparation for concrete or asphalt surfacing
- ± 15° Drum oscillation
- Includes quick disconnects
- Can be center mounted or offset 12" to right
- Drum scrapers included



CASE

CONSTRUCTION

SKID STEER LOADERS/COMPACT TRACK LOADERS

**THIS PAGE
INTENTIONALLY
LEFT BLANK**

CASE
CONSTRUCTION

**Tractor Loaders/
Backhoe Loaders**



SINCE 1842

CNI
INDUSTRIAL | GENUINE
PARTS



Auger	LBH-2-3
Bale Spear	LBH-4
Box Scraper	LBH-5
Broom, Angle	LBH-6
Broom, Collector	LBH-7
Bucket, General Purpose & Light Material	LBH-8
Bucket, 4x1	LBH-9
Coupler, FFC Quick Attach	LBH-10
Grapple, Scrap	LBH-11
Hydraulic Compactor	LBH-12
Hydraulic Hammer	LBH-13-14
Pallet Fork	LBH-15
Snow Blade	LBH-16
Snow Push	LBH-17
Snow Push - Sectional	LBH-18
Thumb	LBH-19

	PART NUMBER	WEIGHT LB
DRIVE UNITS - LOADER MOUNT Includes auger drive unit, mounting bracket, hoses, and flat face disconnects.		
AUGER DRIVE, X5075H200 – Drive unit with 2" hex output shaft (includes case drain plumbing)	87488594	700
DRIVE UNITS - DIPPER MOUNT Includes auger drive unit, hoses, case drain plumbing and flat face quick disconnects.		
AUGER DRIVE, X5075H200, – Drive unit with 2" hex output shaft (includes case drain plumbing)	87488595	500

OPTIONS, DIPPER MOUNT (Must Order One for Complete Unit)

	PART NUMBER	WEIGHT LB
PENDULUM MOUNT BRACKET (L/M-Series)	87389736	134
PENDULUM MOUNT BRACKET (N-Series)	84367232	92
CRADLE MOUNT BRACKET (L/M Series)	87389737	155
CRADLE MOUNT BRACKET (N-Series)	84366809	135

AUGER OPTIONS (Must order one for complete unit)

HDF STYLE AUGERS	PART NUMBER	WEIGHT LB
2" Hex Coupler		
6" X 4' Auger	9863626	40
9" X 4' Auger	9863627	86
12" X 4' Auger	9863628	115
15" X 4' Auger	9863629	136
18" X 4' Auger	9863630	176
24" X 4' Auger	9863631	278
30" X 4' Auger	9863632	325
36" X 4' Auger	9863633	443



HDF STYLE AUGERS

For light to moderate ground conditions

- Fabricated boring head
- Hardened, bolt-on teeth
- Hardened "fishtail" point
- HD double flighting
- 4' overall length

HDC STYLE AUGERS	PART NUMBER	WEIGHT LB
2" Hex Coupler		
6" X 4' Auger	9863634	45
9" X 4' Auger	9863635	98
12" X 4' Auger	9863636	128
15" X 4' Auger	9863637	139
18" X 4' Auger	9863638	204
24" X 4' Auger	9863639	272
30" X 4' Auger	9863640	312
36" X 4' Auger	9863641	430



HDC STYLE AUGERS

For difficult ground conditions, compacted soils, heavy clay, asphalt, frozen ground, fracturable rock

- HD cast boring head
- Hardened, drive-in teeth
- Hardened "fishtail" point
- Heavy duty double flighting
- 4' overall length

HDTF STYLE AUGERS	PART NUMBER	WEIGHT LB
2" Hex Coupler		
18" X 4' Auger	9863642	144
24" X 4' Auger	9863643	198
30" X 4' Auger	9863644	264
36" X 4' Auger	9863645	349



HTF STYLE AUGERS

For tree and shrub planting

- Fabricated boring head
- Two-diameter design
- Hardened, bolt-on teeth
- Hardened "fishtail" point
- HD double flighting
- 4' overall length

SRR ROCK AUGERS	PART NUMBER	WEIGHT LB
2" Hex Coupler		
6" X 4' Rock Auger	47904378	82
9" X 4' Rock Auger	47904381	110
12" X 4' Rock Auger	47904382	137
16" X 4' Rock Auger	47904383	171
18" X 4' Rock Auger	47904384	192
20" X 4' Rock Auger	47904385	239
24" X 4' Rock Auger	47904386	285
30" X 4' Rock Auger	47904387	315
36" X 4' Rock Auger	47904388	414



SRR Rock Augers

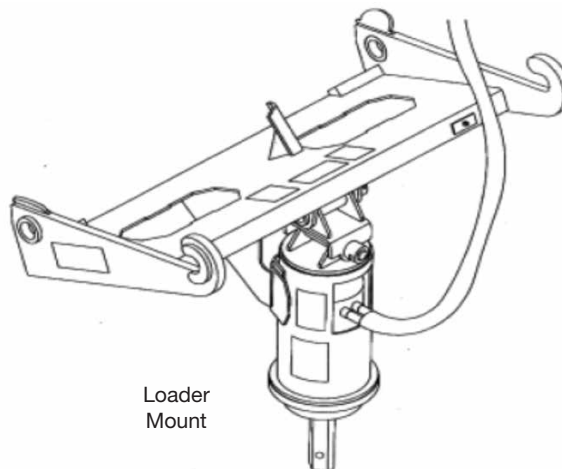
For solid, fracturable rock, frozen ground and compacted soils

- Bullet style teeth
- Fabricated boring head
- HD single flighting
- 2" hexagon collar only
- .75" thick bottom flight and a hardface outer edge
- 4' overall length

AUGER ADAPTERS AND EXTENSIONS	PART NUMBER	WEIGHT LB
2" hex female to 2-9/16" round male	9863646	16
2" hex female to 2" round male	87042596	10
12" extension - 2" hex	87042601	20
24" extension - 2" hex	87042602	32
48" extension, 2" hex	84514060	57

MODEL COMPATIBILITY	570LXT	570MXT	570NXT	580L/580SL/590SL	580M	580SM	580SM+	590SM	580N	580SN	580SN WT	590SN	REQ'D EQUIPMENT			
													LOADER AUX. HYD.	QUICK COUPLER	HOSE/ QD KIT	BI-DIR DIPPER AUX. HYD.
AUGER DRIVE, X5075H200 LOADER MOUNT	•	•	•	•	•	•	•	•	•	•	•	•	R	R	R	
AUGER DRIVE, X5075H200 DIPPER MOUNT				•	•	•	•	•	•	•	•	•	R			

SPECIFICATIONS	
Auger Model	X5075
Flow (gpm)	28-40
RPM @ max flow	85
Max torque @ max flow and pressure (ft-lb)	5069
Planetary Gear Reduction	6.1:1 Planetary gearbox
Max auger diameter	36"
Output shaft	2" Hex
Warranty - Gearbox	5 year
Warranty - Other, (non-wear)	1 year



Loader Mount



Pendulum Mount



Cradle Mount

	PART NUMBER	WEIGHT LB
BALE SPEAR	87473631	277

MODEL COMPATIBILITY	570LXT	570MXT	570NXT	580L/580SL/ 590SL	580M	580SM	580SM+	590SM	580N	580SN	580SN WT	590SN	REQ'D EQUIPMENT		
													LOADER AUX. HYD.	QUICK COUPLER	HOSE/QD KIT
BALE SPEAR	•	•	•	•	•	•	•	•	•	•	•	•		R	

FEATURES

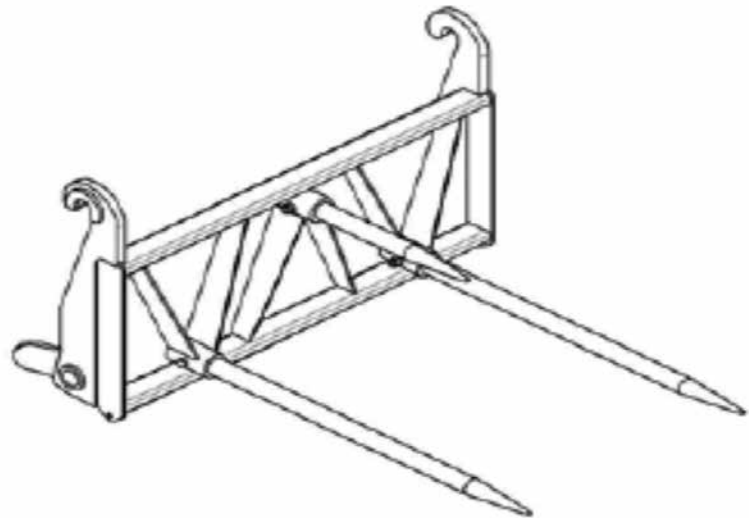
- Main spears – dual tapered, forged, 2-1/8" dia x 49"
- Stabilizer spike – single 1-1/4" dia x 19"

APPLICATIONS

- For bales up to 4,000 lbs. at 24" load center

REQUIREMENTS FOR OPERATION

- Quick coupler (See page LBH-10)
- Rear counterweight recommended for 570LXT, 570MXT, 570NXT



	PART NUMBER	WEIGHT LB
84" BOX SCRAPER	234326A1	1565
88" BOX SCRAPER	84149585	1723

MODEL COMPATIBILITY	570LXT	570MXT	570NXT	580L/580SL/ 590SL	580M	580SM	580SM+	590SM	580N	580SN	580SN WT	590SN	REQ'D EQUIPMENT					
													LOADER AUX. HYD.	QUICK COUPLER	HOSE/ QD KIT	REAR REMOTE AUX HYD	3 POINT HITCH	
84" BOX SCRAPER	•	•	•														R	R
88" BOX SCRAPER	•	•	•														R	R

FEATURES

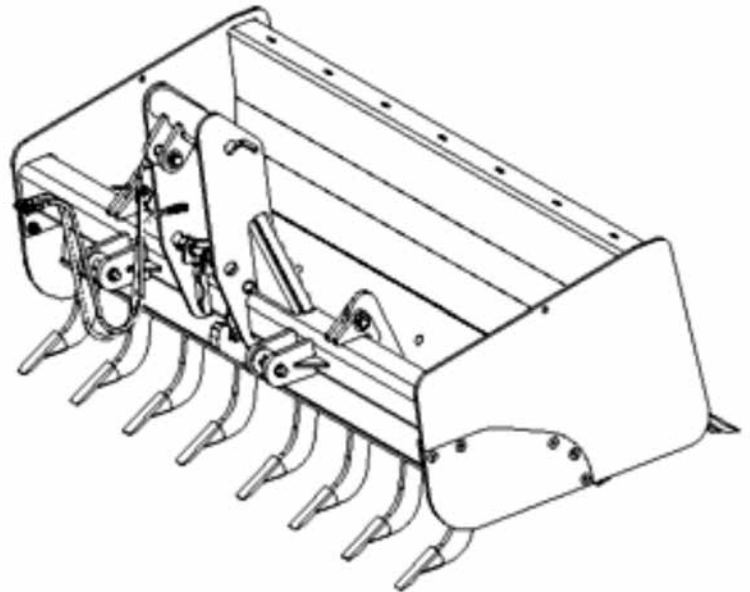
- High-profile moldboard provides increased carrying capacity with minimal drag and great boiling action
- Double wall moldboard with heavy-duty side plates prevent twisting
- Hydraulically actuated scarifier increases ripping penetration
- Fits two- or four-wheel-drive machines
- Replaceable side plates on 88" model

APPLICATIONS

- For fine grading and heavy-duty landscaping jobs; backfills, grades, excavates, rips and scarifies

REQUIREMENTS FOR OPERATION

- 3-point hitch
- Rear remote auxiliary hydraulics



	PART NUMBER	WEIGHT LB
96" ANGLE BROOM with poly/wire brush and dual drive motors	84215702	1783

OPTIONAL EQUIPMENT (Must Order One for Complete Unit)

MANUAL ANGLE KIT	84215707	45
HYDRAULIC ANGLE KIT	84215708	50

REPLACEMENT BRUSH SETS

Poly/wire Brush set for 96" broom	84376840	196
-----------------------------------	----------	-----

MODEL COMPATIBILITY	570LXT	570MXT	570NXT	580L/580SL/ 590SL	580M	580SM	580SM+	590SM	580N	580SN	580SN WT	590SN	REQ'D EQUIPMENT		
													LOADER AUX. HYD.	QUICK COUPLER	HOSE/ QD KIT
96" ANGLE BROOM	•	•	•	•	•	•	•	•	•	•	•	•	R	R	R

FEATURES

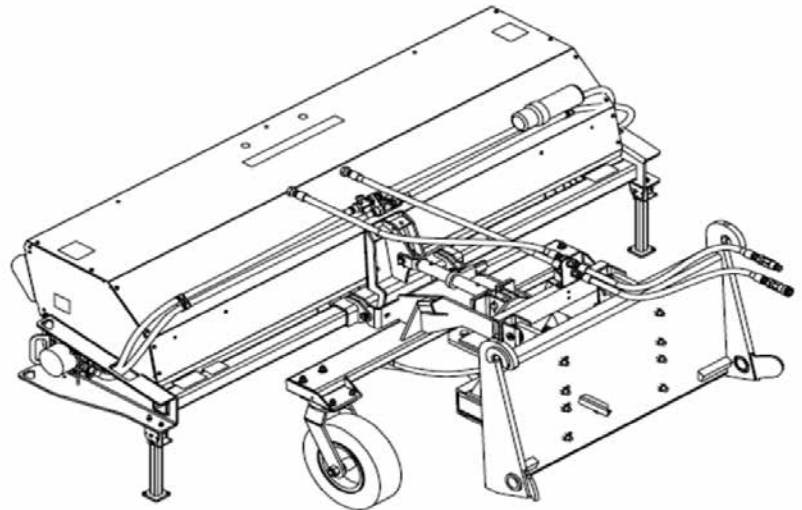
- Parking stands
- Angles 30° right or left
- 32" brush diameter
- Adjustable broom head
- Integral nozzle mounting for water application
- 50/50 Poly/wire brush core
- Bolt together hood for simple, less costly replacement, if damaged
- Quick-change brush without breaking hydraulic lines
- Dual hydraulic motors
- Caster wheels – 4.80-8 tires

APPLICATIONS

- Street cleaning & parking lot maintenance, road maintenance clean-up, bridge deck clean-up, jobsite clean-up
- Snow removal

REQUIREMENTS FOR OPERATION

- Auxiliary hydraulics
- Quick coupler (See page LBH-10)
- Auxiliary hose/quick disconnect kit (included with factory-installed couplers)



	PART NUMBER	WEIGHT LB
84" COLLECTOR BROOM with poly/wire brush and dual drive motors	84274993	1712
96" COLLECTOR BROOM with poly/wire brush and dual drive motors	84274994	1777

OPTIONAL EQUIPMENT

GUTTER BRUSH KIT (Wire, Single - mounts right or left)	84274995	90
GUTTER BRUSH KIT (Poly, Single - mounts right or left)	84274997	90
DUST CONTROL KIT (25 gal. tank, nozzles, hose, wiring)	84274998	47

REPLACEMENT BRUSH SETS

Poly/wire Brush set for 84" broom	84375438	134
Poly/wire Brush set for 96" broom	84376837	145

MODEL COMPATIBILITY	570LXT	570MXT	570NXT	580L/580SL/590SL	580M	580SM	580SM+	590SM	580N	580SN	580SN WT	590SN	REQ'D EQUIPMENT		
													LOADER AUX. HYD.	QUICK COUPLER	HOSE/ QD KIT
84" COLLECTOR BROOM	•	•	•	•	•	•	•	•	•	•	•	•	R	R	R
96" COLLECTOR BROOM				•	•	•	•	•	•	•	•	•	R	R	R

FEATURES

- CS High Dump Collector Sweeper with floating suspension
- 26" Diameter poly/wire combination brush
- Parallel arm floating suspension with 4 caster wheels allows sweeper to follow ground contour independent of loader
- High dump feature to dump into trucks and containers
- No chains, additional connections to the loader or electrical connections are required to dump
- Hopper dumps by reversing hydraulic flow
- Forward sweeping action into the front mounted collector hopper
- E-Z change brush pattern adjustment and floating brush

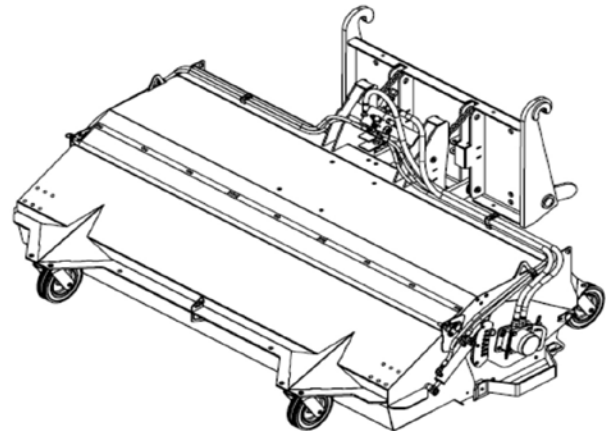
APPLICATIONS

- Parking lot sweeping
- City street sweeping
- Construction site clean-up
- Access road clean-up
- County and state road sweeping

REQUIREMENTS FOR OPERATION

- Auxiliary hydraulics
- Quick coupler (See page LBH-10)
- Auxiliary hose/quick disconnect kit (included with factory-installed)

SPECIFICATIONS		
Sweep width	84"	96"
Drive motors	Dual	Dual
Overall width	99"	111"
Operating wt.	1547 lb.	1577 lb.
Brush diam.	26"	26"
Hopper cap.	.53 yd ³	.61 yd ³
Flow Range	26-50 gpm	26-50 gpm
Pressure Range – psi	2000–3500	2000–3500



	PART NUMBER	WEIGHT LB
82" (1 YD ³) GP BUCKET equipped with replaceable cutting edge (Painted CE Gray)	295686A1	1010
93" (1.3 YD ³) GP BUCKET equipped with replaceable cutting edge. (Painted CE Gray)	87441572	1270
98" (2.0 YD ³) LIGHT MATERIAL BUCKET. (Painted CE Gray)	47365338	1120

MODEL COMPATIBILITY	570LXT	570MXT	570NXT	580L	580SL	590SL	580M	580SM	580SM+	590SM	580N	580SN	580SN WT	590SN	REQ'D EQUIPMENT		
															AUX. HYD.	QUICK COUPLER	HOSE/ QD KIT
82" GP BUCKET 295686A1	•	•	•	•	•		•	•			•	•				R	
93" GP BUCKET 87441572				•	•	•	•	•	•	•	•	•	•	•		R	
98" LM BUCKET 47365338	•	•	•	•	•	•	•	•	•	•	•	•	•	•		R	

FEATURES

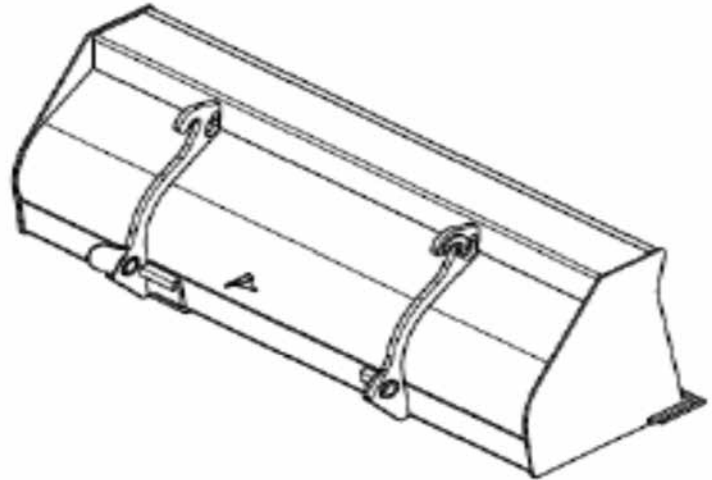
- Reinforced wrappers & end plates
- 1/2" thick wear bars

APPLICATIONS

- General purpose material handling, landscaping and site development, utility, road and bridge construction and general contracting

REQUIREMENTS FOR OPERATION

- Quick coupler (See page LBH-10)



BOLT-ON CUTTING EDGES

Bucket P/N	Width	Bucket Edge
295686A1	82"	142300A1
87441572	93"	142301A1
47365338	98"	47945698

	PART NUMBER	WEIGHT LB
82" (1 YD ³) HD 4X1 BUCKET (Painted CE Gray)	84371006	1100
93" (1.2 YD ³) HD 4X1 BUCKET (Painted CE Gray)	84371007	1350

MODEL COMPATIBILITY	570LXT	570MXT	570NXT	580L	580SL	590SL	580M	580SM	590SM	580N	580SN	580SN WT	590SN	REQ'D EQUIPMENT		
														AUX. HYD.	QUICK COUPLER	HOSE/QD KIT
82" (1 YD ³) HD 4X1 BUCKET	•	•	•	•	•		•	•		•	•			R	R	R
93" (1.2 YD ³) HD 4X1 BUCKET					•	•		•	•			•	•	R	R	R

FEATURES

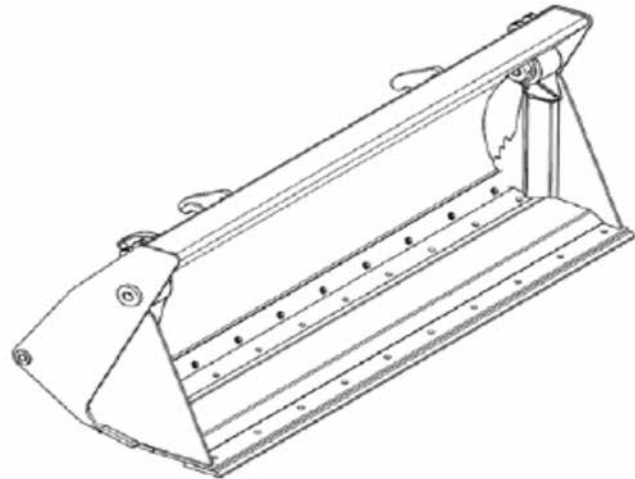
- Dual, 3" (76mm) diameter, double acting cylinders power the clam
- Flat face hydraulic disconnects included
- Hydraulic hoses included
- HD buckets have replaceable dozer cutting edge and reversible floor front and rear cutting edge

APPLICATIONS

- 4x1 handling bucket for loading, dozing, clamming and scraping

REQUIREMENTS FOR OPERATION

- Auxiliary hydraulics
- Quick coupler (See page LBH-10)
- Auxiliary hose/quick disconnect kit (included with factory-installed quick couplers)



82" HD Shown

BOLT-ON CUTTING EDGES			
Bucket P/N	Width	Dozer edge	Clam edge
84371006	82" HD	121920A1	142300A1 (2)
84371007	93" HD	133542A1	142301A1 (2)

	PART NUMBER	WEIGHT LB
COUPLER, MANUAL (L/M-Series)	311053A1	300
COUPLER, MANUAL (N-Series)	84258173	285
COUPLER, HYDRAULIC (M-Series 2 before s/n break) (Must order control valve separately from Parts. See below.)	87423971	420
COUPLER, HYDRAULIC (M-Series 2 after s/n break, all M-Series 3) (Must order control valve separately from Parts. See below.)	87719488	420
COUPLER, HYDRAULIC (N-Series - 580N only)	84415882	450
COUPLER, HYDRAULIC (SN-Series - 580SN, 580SN-WT, 590SN)	84415883	470
COUPLER, HYDRAULIC (N-Series 2 and later - 580N only)	51483817	450
COUPLER, HYDRAULIC (SN-Series 2 and later - 580SN, 580SN-WT, 590SN)	51483819	470
NOTES:	For M-series units with backhoe and loader coupler, order valve #87435910. For M-series units with loader coupler only, order valve # 87435909. To adapt M-series coupler attachments to N-Series machines order quick disconnects from CNH Industrial Parts: 86537745 (female), 86537746 (male)	

ADDITIONAL COMPONENTS (Order as needed)

AUXILIARY HYDRAULICS QD/HOSE KIT (L/M-Series) (Req'd if using hyd. operated attachments.)	196802A1	15
AUXILIARY HYDRAULICS QD/HOSE KIT (N-Series) (Req'd if using hyd. operated attachments.)	84258175	15
J-HOOK KIT – to adapt pin-on 82" GP bucket to QC	318637A1	400
J-HOOK KIT – to adapt pin-on 82" 4x1 bucket to QC	318638A1	400
J-HOOK KIT – to adapt pin-on 93" GP bucket to QC	87441569	400
J-HOOK KIT – to adapt pin-on 93" 4x1 bucket to QC	87441570	400
J-HOOK KIT – to adapt special attachments to QC	84143724	312

MODEL COMPATIBILITY	570LXT	580L/580SL 590SL	570MXT	580M Series 2 <s/n N7C425188	580SM Series 2 <s/n N7C427259	580SM+ Series 2 <s/n N7C431187	590SM Series 2 <s/n N7C431863	580M Series 2 >s/n N7C425189	580SM Series 2 >s/n N7C427260	580SM+ Series 2 >s/n N7C431188	590SM Series 2 >s/n N7C431864	580M Series 3	580SM Series 3 580SM+ Series 3	590SM Series 3	580N	580SN 580SN WT	590SN	570NXT	580N Series 2 and later	580SN Series 2 and later	580SN WT Series 2 and later	590SN Series 2 and later
COUPLER, MAN. 311053A1	•	•	•	•	•	•	•	•	•	•	•	•	•	•	•	•	•	•	•	•	•	•
COUPLER, MAN. 84258173																						
COUPLER, HYD. 87423971				•	•	•	•															
COUPLER, HYD. 87719488								•	•	•	•	•	•	•								
COUPLER, HYD. 84415882															•							
COUPLER, HYD. 84415883																•	•					
COUPLER, HYD. 51483817																			•			
COUPLER, HYD. 51483819																					•	•

FEATURES

Available in Manual or Hydraulic versions

- Mounts for aux. hydraulic quick disconnect (QD) installation

Manual coupler:

- Single lever operation
- Manual attachment release
- Auto attachment engagement

Hydraulic coupler:

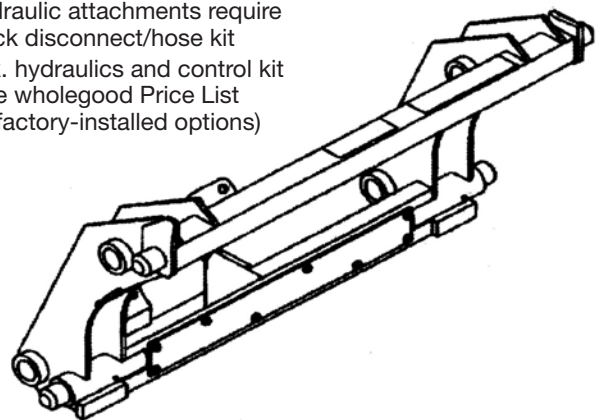
- Engage/release attachment from the operator's seat

APPLICATIONS

- For buckets, forks, brooms, augers, snow blades, etc.

REQUIREMENTS FOR OPERATION

- Attachments with FCC Quick Coupler (QC) mount
- Hydraulic attachments require quick disconnect/hose kit
- Aux. hydraulics and control kit (See wholegood Price List for factory-installed options)



	PART NUMBER	WEIGHT LB
83" SCRAP GRAPPLE BUCKET	301094A1	1465

MODEL COMPATIBILITY	570LXT	570MXT	570NXT	580L	580SL	590SL	580M	580SM	580SM+	590SM	580N	580SN	580SN WT	590SN	REQ'D EQUIPMENT		
															AUX. HYD.	QUICK COUPLER	HOSE/ QD KIT
83" SCRAP GRAPPLE BUCKET	•	•	•	•	•	•	•	•	•	•	•	•	•	•	R	R	R

FEATURES

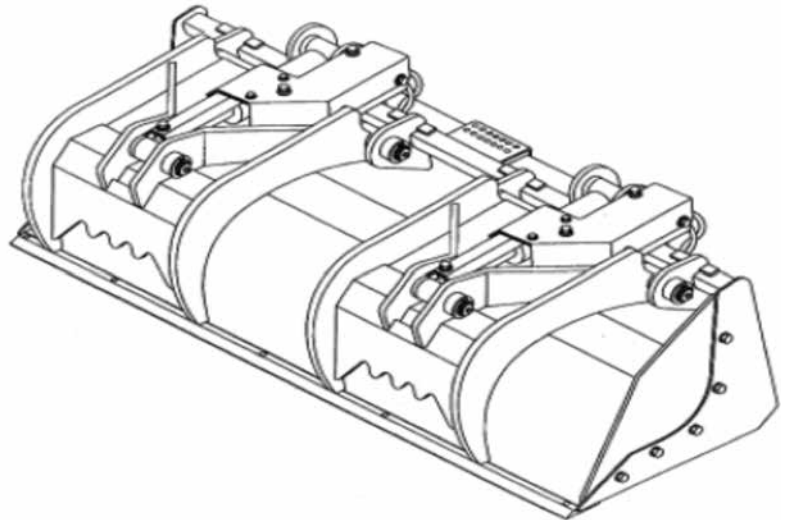
- Hoses and quick disconnects included
- 3/8" plate webbing – full protection to the cylinders
- 46.3" opening for handling of bulky materials
- Grapples operate independently to accommodate uneven loads
- Bucket's two cylinders are cushioned to reduce stress on the moving parts
- Pivot pins are larger in diameter and cover the width of each grapple, reducing side load

APPLICATIONS

- Moves metal, concrete, paper, cardboard and other bulky material

REQUIREMENTS FOR OPERATION

- Auxiliary hydraulics
- Quick coupler (See page LBH-10)
- Auxiliary hose/quick disconnects kit (included with factory-installed quick couplers)



BOLT-ON CUTTING EDGES

Bucket P/N	Width	Bolt-on edge
31094A1	83"	142300A1

Base compactor unit. Hose kits and pin/bushing/inserts kits must be ordered separately

	PART NUMBER	WEIGHT LB
SC-60T HYDRAULIC COMPACTOR	47808600	925

ADDITIONAL COMPONENTS (Hose kit and pin/bushing/insert kit required for complete unit)

Hose kit for 580	51429129	6
Hose kit for 590	48015738	6
Pin/bushing/insert kit for M series	47451118	45
Pin/bushing/insert kit for N series	47808120	45

MODEL COMPATIBILITY	580M	580SM	590SM	580N	580SN	580SN WT	590SN	REQ'D EQUIPMENT		
								UNI OR BI-DIR AUX. HYD.	PIN/BUSHING KIT	DIPPER QD KIT*
SC-60T HYDRAULIC COMPACTOR	•	•	•	•	•	•	•	R	R	R

* Order 84300153 from CNH Industrial Parts & Service

FEATURES

- Direct-drive, heavy-duty gear motor
- Rubber shock mounts
- Box section base plate construction
- Angled shock mount suspension
- Thick formed base plate
- Flow control to prevent over speeding
- Virtually zero-maintenance oil bathed bearings
- Readily adaptable to other loader/backhoe brands
- 2 year limited warranty

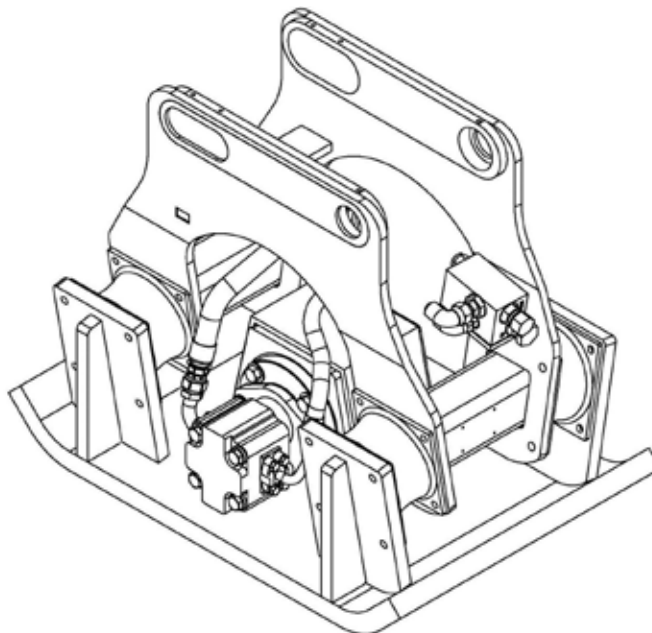
APPLICATIONS

- Utilities, construction, road maintenance
- Ideal for slope compaction

REQUIREMENTS FOR OPERATION

- Uni- or bi-directional auxiliary hydraulics
- Pin/bushing/insert kit and hose kit specific to model series
- Dipper quick disconnect kit

SPECIFICATIONS	
	SC-60T
Impulse force (lb)	6400
Impulse force (kg)	2900
Cycles per min.	2100
Operating wt. (lbs)	875
Operating wt. (kg)	397
Base plate size (in)	24 x 26
Base plate size (mm)	610 x 660
Input flow (gpm)	12-25
Input flow (l/m)	45-95
Operating Pressure (psi)	1700-2100
Operating Pressure (bar)	117-145



	PART NUMBER	WEIGHT LB
CH-5M HYDRAULIC HAMMER with top mount	48015733	789
CH-5M HYDRAULIC HAMMER with offset mount	48015734	785
CH-6M HYDRAULIC HAMMER with top mount	48015736	868
CH-6M HYDRAULIC HAMMER with offset mount	48015737	861
CH-6E HYDRAULIC HAMMER (must order top cap separately)	47575652	832

ADDITIONAL COMPONENTS (Pin/bushing/insert kit and hose kit required for complete unit)

Pin/bushing/insert kit for M series	47451118	45
Pin/bushing/insert kit for N series	47808120	45
Hose kit for all 580 (includes QDs)	48015738	6
Hose kit for all 590 (includes QDs)	48015740	8
Top Cap for CH-6E (also required for CH-6E)	48033938	144

ADDITIONAL COMPONENTS for CH-5M, CH-6M (Order as needed)

Moil Point (1 included with base hammer)	47451037	48
Chisel Point	47451039	53
Blunt Point	47451040	51
Asphalt Cutter (6" wide)	47451041	71
Tamping pad (12" X 12")	47451042	130
Skid-Steer mounting bracket for CH-5M w/ top mount	47450903	375
Auto Lube Kit - fits CH-5M , CH-6M	47766709	9

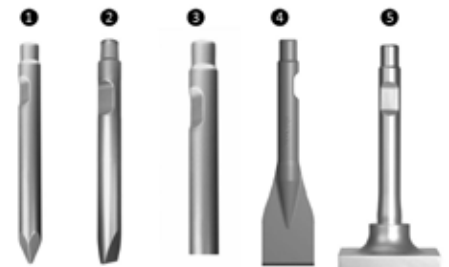
ADDITIONAL COMPONENTS for CH-6E (Order as needed)

Moil Point (1 included with base hammer)	47575854	82
Chisel Point	47575855	86
Blunt Point	47575856	90
Auto Lube Kit - fits CH-6E	47766712	12
Auto Lube Shield Kit - fits CH-6E (use with 47766712)	47766713	5

MODEL COMPATIBILITY	580M	580SM	580SM+	590SM	580N	580SN	580SN WT	590SN	REQ'D EQUIPMENT		
									UNI- OR BI-DIR. AUX. HYD.	PIN/BUSHING KIT	DIPPER QD KIT*
CH-5M HYDRAULIC HAMMER	•	•	•	•	•	•	•	•	R	R	R
CH-6M HYDRAULIC HAMMER		•	•	•		•	•	•	R	R	R
CH-6E HYDRAULIC HAMMER**				•				•	R	R	R

* Order 84300153 from CNH Industrial Parts & Service

** For CH-6E on standard dipper use 700 lb. front counterweight, on Extend-a-hoe use 1100 lb. front counterweight



- 1 MOIL POINT
- 2 CHISEL POINT
- 3 BLUNT POINT
- 4 ASPHALT CUTTER
- 5 TAMPING PAD

Hydraulic Hammers (Continued next page)

FEATURES

- Only 2 moving parts (piston and control valve) means less maintenance
- Will not dry-fire
- Low pressure gas charge
- Low recoil
- Low hydraulic surge
- Dual tool retainer pins
- Moil Point included
- Gas recharge kit included
- Operation/Service Parts Manual
- 3 Year Warranty
- Optional offset mount on CH-5M and CH-6M for improved reach and transport position

APPLICATIONS

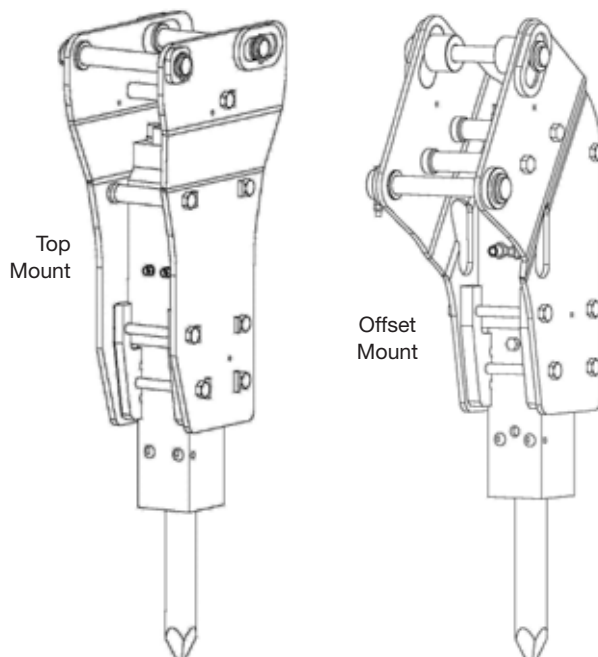
- Demolition, construction, road maintenance

REQUIREMENTS FOR OPERATION

- Uni- or bi-directional auxiliary hydraulics
- Pin/bushing kit specific to model series
- Dipper quick disconnect kit
- Hose kit specific to model
- Top cap for CH-6E
- Front counterweight for CH-6E

SPECIFICATIONS

	CH-5M	CH-6M	CH-6E
Impact class (ft-lb)	825	1000	1500
Blows per min.	550-1000	600-1050	550-1000
Operating wt. (lbs)	784 (T) 780 (O)	861(T) 856(O)	940
Operating wt. (kg)	356(T) 354(O)	390(T) 388(O)	426
Tool diam. (in)	3.0	3.0	3.7
Tool diam. (mm)	76	76	94
Input flow (gpm)	9.2-16	10.6-18.5	12-21
Input flow (l/m)	35-61	40-70	45-80



	PART NUMBER	WEIGHT LB
PALLET FORKS	87334961	790

MODEL COMPATIBILITY	570LXT	570MXT	570NXT	580L/580SL/ 590SL	580M	580SM	580SM+	590SM	580N	580SN	580SN WT	590SN	REQ'D EQUIPMENT		
													LOADER AUX. HYD.	QUICK COUPLER	HOSE/ QD KIT
PALLET FORKS	•	•	•	•	•	•	•	•	•	•	•	•		R	

FEATURES

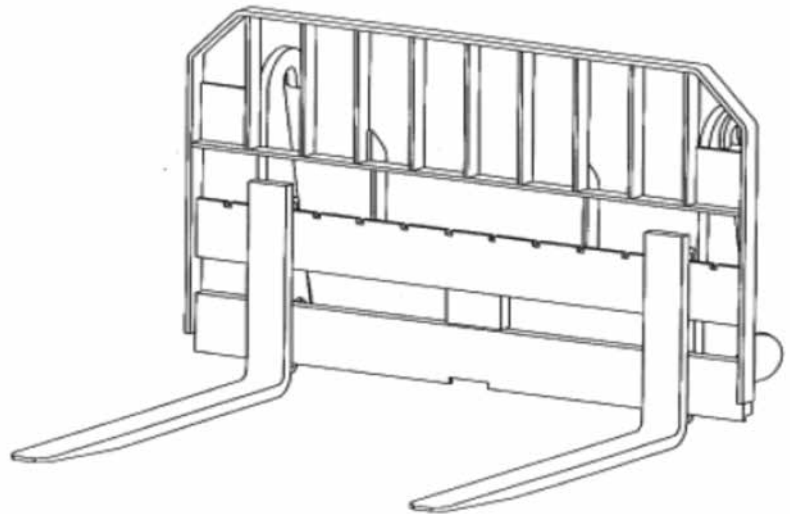
- Tines: 2" x 4" tapered, forged steel, 48-inches of useable tooth
- Adjustment: 8 1/2" wide to 58" overall depth
- Standard brick guard
- Lock in position pin clips
- Solid fork rails
- ITA Class III rating, 8,440 lb. per pair of tines maximum capacity

APPLICATIONS

- Handling pallets and construction materials

REQUIREMENTS FOR OPERATION

- Quick coupler (See page LBH-10)
- Rear counterweight recommended for 570LXT, 570MXT, 570NXT



Unit includes quick coupler mounting bracket, steel cutting edge, hydraulic angling, hoses and quick couplers.

	PART NUMBER	WEIGHT LB
108" SNOW BLADE	251018A1	1239
120" SNOW BLADE	87542212	1307

OPTIONAL COMPONENTS (Order as needed)

Replacement Steel Edge Kit, 108"	47937201	192
Replacement Steel Edge Kit, 120"	47937202	207
Rubber Edge Kit, 108"	47937206	145
Rubber Edge Kit, 120"	47937207	155
Polyurethane Edge Kit, 108"	47937210	70
Polyurethane Edge Kit, 120"	47937212	75
Top Deflector Kit, 108"	47531767	66
Top Deflector Kit, 120"	47937216	68
Hyd. Cushion Valve Kit (Protects against damage to angle cylinders. Included on 120" blade.)	47941457	10

MODEL COMPATIBILITY	570LXT	570MXT	570NXT	580L	580SL	590SL	580M	580SM	580SM+	590SM	580N	580SN	580SN WT	590SN	REQ'D EQUIPMENT		
															AUX. HYD.	QUICK COUPLER	HOSE/QD KIT
108" SNOW BLADE	•	•	•	•	•	•	•	•	•	•	•	•	•	•	R	R	R
120" SNOW BLADE				•	•	•	•	•	•	•	•	•	•	•	R	R	R

FEATURES

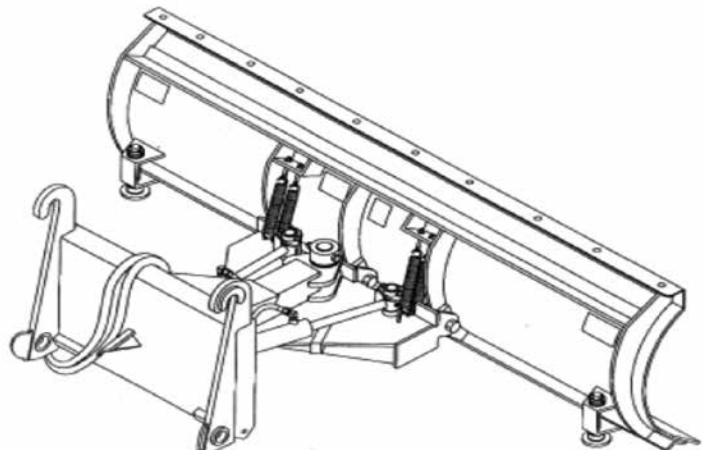
- Versatile grading and clean-up tool
- Blade and frame built to withstand heavy-duty seasonal use
- 35-degree hydraulically adjustable angle
- Spring-loaded safety trip mechanism
- Floating blades that eliminate the stress on tractor and loader
- Optional rubber edge (1-1/2" X 10")
- Optional polyurethane edge (1" X 6")
- Optional 2-ply rubber snow deflector (1/4" X 10")
- Optional hydraulic cushion valve (included on 120" blade)
- Replaceable edge, adjustable skid shoes

APPLICATIONS

- Snow removal

REQUIREMENTS FOR OPERATION

- Auxiliary loader hydraulics
- Quick coupler (See page LBH-10)
- Auxiliary hose/quick disconnect kit (included with factory-installed quick couplers)



	PART NUMBER	WEIGHT LB
SNOW PUSH - 96"	47692550	1340
SNOW PUSH - 120"	47692552	1510

OPTIONAL COMPONENTS – FACTORY INSTALLED (Order as needed)

PULL BACK KIT with rubber edge		
PULL BACK KIT - 96"	47645847	245
PULL BACK KIT - 120"	47645848	300

OPTIONAL COMPONENTS – FIELD INSTALLED (Order as needed)

PULL BACK KIT without rubber edge		
PULL BACK KIT - 96"	47625947	200
PULL BACK KIT - 120"	47625948	250
RUBBER EDGE KIT (Add-on or replacement for pullback kit)		
RUBBER EDGE KIT - 96"	47626034	125
RUBBER EDGE KIT - 120"	47626035	135
RUBBER EDGE KIT (Replacement edge for base push)		
RUBBER EDGE KIT - 96"	47693227	130
RUBBER EDGE KIT - 120"	47693228	150

MODEL COMPATIBILITY	570LXT	570MXT	570NXT	580L	580SL	590SL	580M	580SM	580SM+	590SM	580N	580SN	580SN WT	590SN	REQ'D EQUIPMENT		
															AUX. HYD.	QUICK COUPLER	HOSE/ QD KIT
96" SNOW PUSH	•	•	•	•	•	•	•	•	•	•	•	•	•	•		R	
120" SNOW PUSH	•	•	•	•	•	•	•	•	•	•	•	•	•	•		R	

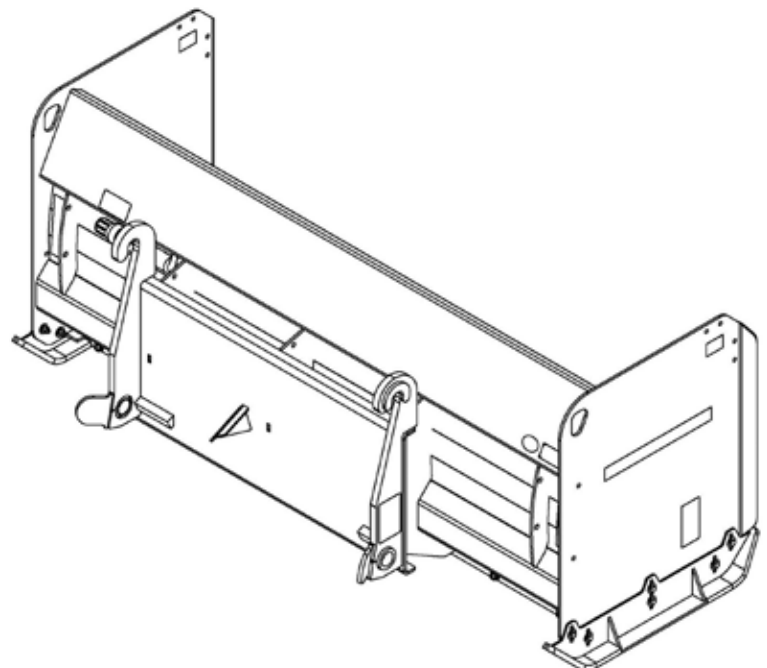
FEATURES

- Moves large volumes of snow efficiently
- Draws back snow from confined areas with optional pull back kit
- Reversible, 1-½" x 10" rubber edge on main blade
- Reversible, replaceable ¾" x 6" wear shoes of abrasion resistant AR400 steel
- 41-3/10" high x 41-1/2" deep

APPLICATIONS

- Snow, waste water, manure, feed lot and flood clean-up

SPECIFICATIONS		
Path Width	96"	120"
Overall Width	101-1/2"	125-1/2"
Operating Weight	1220 lb.	1350 lb.
Height	41-3/10"	41-3/10"
Depth	41-1/2"	41-1/2"

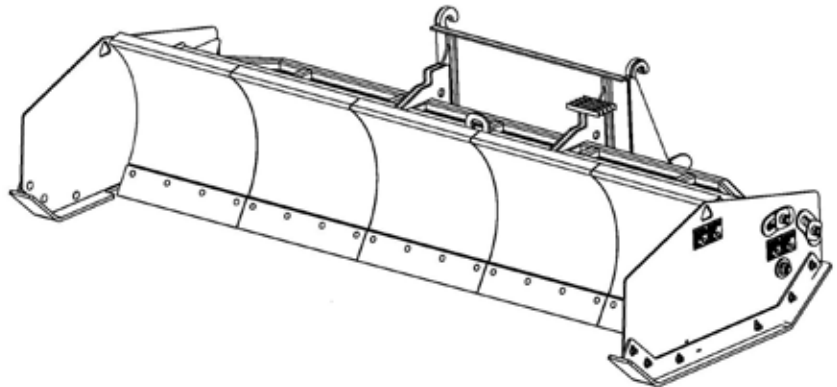


	PART NUMBER	WEIGHT LB
SECTIONAL SNOW PUSH – 13 FT.	48032852	2200

MODEL COMPATIBILITY	570LXT	570MXT	570NXT	580L	580SL	590SL	580M	580SM	580SM+	590SM	580N	580SN	580SN WT	590SN	REQ'D EQUIPMENT		
															AUX. HYD.	QUICK COUPLER	HOSE/ QD KIT
SECTIONAL SNOW PUSH – 13 FT.				•	•	•	•	•	•	•	•	•	•	•		R	

FEATURES

- Individual moldboard sections and articulating side panels move up and down independently to contour to the pavement, parking curbs and other obstacles, scraping cleanly down to the bare pavement on the first pass
- Interchangeable quick connect coupler mounting system
- Patented Slip-Hitch allows the entire pusher to move up and down independently of the machine pushing it, automatically self-leveling and perfectly adjusting the pusher to the pavement every time
- Individual moldboard sections and articulating side panels skip over curbs and other obstacles up to 9" in height to prevent operator injury and equipment damage
- Every part of the sectional pusher is removable, allowing just the damaged part or component to be replaced
- Hardox 450 hardened steel shoes and cutting edges



APPLICATIONS

- Snow and ice removal
- Moving waste water, manure and feed lot

REQUIREMENTS FOR OPERATION

- FFC quick coupler (See page LBH-10)

SPECIFICATIONS	
Model	LD-13
Overall Width – in (m)	156 (4.0)
Operating Wt – lbs (kg)	2,050 (930)
Height – in (mm)	32 (813)
Depth – in (mm)	58 (1473)
Number of sections	5

	PART NUMBER	WEIGHT LB
THUMB, STD Dipper w/HD Buckets	84315258	329
THUMB, STD Dipper w/HI-CAP Buckets	84315259	350
THUMB, Extendable Dipper, w/HD Buckets	84315261	326
THUMB, Extendable Dipper w/HI-CAP Buckets	84315262	348

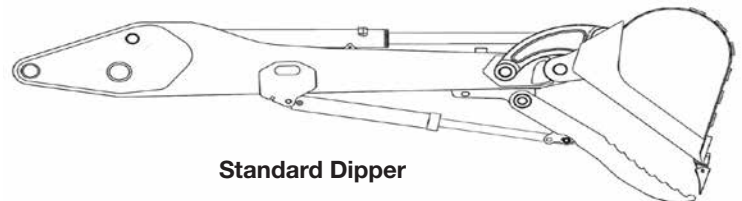
MODEL COMPATIBILITY	580N	580SN	580SN WT	590SN	REQ'D EQUIPMENT			
					LOADER AUX. HYD.	QUICK COUPLER	HOSE/QD KIT	BI-DIR DIPPER AUX. HYD.
THUMB, STD DIPPER - 84315258	•	•	•	•				R
THUMB, STD DIPPER - 84315259	•	•	•	•				R
THUMB, EXTENDABLE DIPPER - 84315261	•	•	•	•				R
THUMB, EXTENDABLE DIPPER - 84315262	•	•	•	•				R

FEATURES

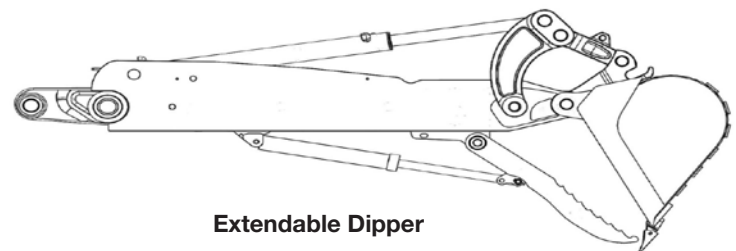
- Low profile thumb storage for better visibility
- Grease zerks recessed for protection from the elements
- Multiple T1 steel fingers for rugged construction and longer wear life

REQUIREMENTS FOR OPERATION

- Bi-directional dipper auxiliary hydraulics
- Welding required



Standard Dipper



Extendable Dipper

CASE

CONSTRUCTION

TRACTOR LOADERS/BACKHOE LOADERS

**THIS PAGE
INTENTIONALLY
LEFT BLANK**

CASE
CONSTRUCTION

**Compact
Wheel Loaders**



SINCE 1842

CNI
INDUSTRIAL | GENUINE
PARTS



Adapter Plates – Horizontal Pin Coupler	CWL2
Augers – SSL Coupler	CWL-3-5
Bale Handler – SSL Coupler	CWL-6
Bale Spears – SSL Coupler	CWL-7
Boom, Truss – SSL Coupler	CWL-8
Brooms, Angle – SSL Coupler	CWL-9
Brooms, Angle – Horizontal Pin Coupler	CWL-10
Buckets, General Purpose & Light Materials – SSL Coupler	CWL-11
Buckets, General Purpose & Light Materials – Horizontal Pin Coupler	CWL-12
Buckets, 4x1 – SSL Coupler	CWL-13
Buckets, 4x1 – Horizontal Pin Coupler	CWL-14
Concrete Bucket – SSL Coupler	CWL-15
Concrete Claw – SSL Coupler	CWL-16
Grapple, Brush – SSL Coupler	CWL-17
Grapple, Brush – Horizontal Pin Coupler	CWL-18
Grapple, Log – SSL Coupler	CWL-19
Grapple, Scrap – SSL Coupler	CWL-20
Grapple, Scrap – Horizontal Pin Coupler	CWL-21
Lift Boom – SSL Coupler	CWL-22
Load Monitor	CWL-23
Manure Forks – SSL Coupler	CWL-24
Pallet Forks – SSL Coupler	CWL-25
Pallet Forks – Horizontal Pin Coupler	CWL-26
Rock Buckets – SSL Coupler	CWL-27
Root Rake – SSL Coupler	CWL-28
Silage Defacer – SSL Coupler	CWL-29
Snow Blades – SSL Coupler	CWL-30
Snow Buckets – SSL Coupler	CWL-31
Snow Push – SSL Coupler	CWL-32
Snow Push – Sectional – SSL Coupler	CWL-33
Tree Spades – SSL Coupler	CWL-34

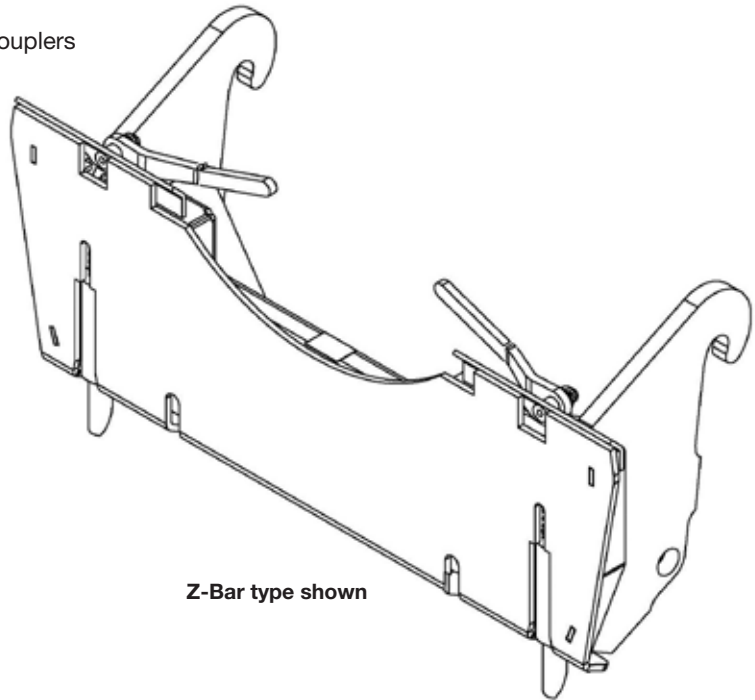
HORIZONTAL PIN COUPLER

	PART NUMBER	WEIGHT LB
ADAPTER, XT COUPLER TO SSL	47738546	345
ADAPTER, Z-BAR COUPLER TO SSL	47738547	275

MODEL COMPATIBILITY	21F	121F	221F	321F	REQ'D EQUIPMENT			
					AUX. HYD.	SSL COUPLER	Z-BAR HORIZ. PIN COUPLER	XT HORIZ. PIN COUPLER
ADAPTER, XT COUPLER TO SSL – 47738546	•	•						R
ADAPTER, Z-BAR COUPLER TO SSL – 47738547	•	•	•	•			R	

FEATURES

- To adapt SSL coupler attachments to horizontal pin couplers
- Not to be used for primary excavation attachments or pallet forks

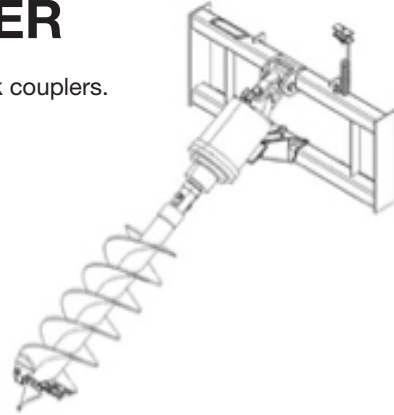


SSL COUPLER

DRIVE UNIT – Packages include drive unit, mounting plate, hoses and quick couplers.

REQUIRES STANDARD AUXILIARY BOOM HYDRAULICS	PART NUMBER	WEIGHT LB
* X1475R256 Drive Unit, 2-9/16" round output shaft	87042591	407
* X1475H200 Drive Unit, 2" hex output shaft	87042592	407
* X1975R256 Drive Unit, 2-9/16" round output shaft	87042593	409
* X1975H200 Drive Unit, 2" hex output shaft	87042594	409

* Skid steer compatible– see skid steer section for applicable machine models.



AUGER OPTIONS

HDF STYLE AUGERS	PART NUMBER	WEIGHT LB
2-9/16" Round Coupler		
6" X 4' Auger	9863606	40
9" X 4' Auger	9863607	86
12" X 4' Auger	9863608	115
15" X 4' Auger	9863609	136
18" X 4' Auger	9863610	176
24" X 4' Auger	9863611	278
30" X 4' Auger	9863612	325
36" X 4' Auger	9863613	443



HDF STYLE AUGERS

For light to moderate ground conditions

- Fabricated boring head
- Hardened bolt-on teeth
- Hardened "fishtail" point
- Heavy-duty double flighting
- 4' overall length

HDF STYLE AUGERS	PART NUMBER	WEIGHT LB
2" Hex Coupler		
6" X 4' Auger	9863626	40
9" X 4' Auger	9863627	86
12" X 4' Auger	9863628	115
15" X 4' Auger	9863629	136
18" X 4' Auger	9863630	176
24" X 4' Auger	9863631	278
30" X 4' Auger	9863632	325
36" X 4' Auger	9863633	443

Augers (Continued next page)

SSL COUPLER

HDC STYLE AUGERS	PART NUMBER	WEIGHT LB
2-9/16" Round Coupler		
6" X 4' Auger	9863614	45
9" X 4' Auger	9863615	98
12" X 4' Auger	9863616	128
15" X 4' Auger	9863617	139
18" X 4' Auger	9863618	204
24" X 4' Auger	9863619	272
30" X 4' Auger	9863620	312
36" X 4' Auger	9863621	430



HDC STYLE AUGERS

For difficult ground conditions, compacted soils, heavy clay, asphalt, frozen ground, fracturable rock

- HD cast boring head
- Hardened, drive-in teeth
- Hardened "fishtail" point
- Heavy-duty double flighting
- 4' overall length

HDC STYLE AUGERS	PART NUMBER	WEIGHT LB
2" Hex Coupler		
6" X 4' Auger	9863634	45
9" X 4' Auger	9863635	98
12" X 4' Auger	9863636	128
15" X 4' Auger	9863637	139
18" X 4' Auger	9863638	204
24" X 4' Auger	9863639	272
30" X 4' Auger	9863640	312
36" X 4' Auger	9863641	430

HTF STYLE AUGERS	PART NUMBER	WEIGHT LB
2-9/16" Round Coupler		
18" X 4' Auger	9863622	144
24" X 4' Auger	9863623	198
30" X 4' Auger	9863624	264
36" X 4' Auger	9863625	349



HTF STYLE AUGERS

For tree and shrub planting

- Fabricated boring head
- Two-diameter design
- Hardened, bolt-on teeth
- Hardened "fishtail" point
- HD double flighting
- 4' overall length

HTF STYLE AUGERS	PART NUMBER	WEIGHT LB
2" Hex Coupler		
18" X 4' Auger	9863642	144
24" X 4' Auger	9863643	198
30" X 4' Auger	9863644	264
36" X 4' Auger	9863645	349

SRR ROCK AUGERS	PART NUMBER	WEIGHT LB
2" Hex Coupler		
6" X 4' Rock Auger	47904378	82
9" X 4' Rock Auger	47904381	110
12" X 4' Rock Auger	47904382	137
16" X 4' Rock Auger	47904383	171
18" X 4' Rock Auger	47904384	192
20" X 4' Rock Auger	47904385	239
24" X 4' Rock Auger	47904386	285
30" X 4' Rock Auger	47904387	315
36" X 4' Rock Auger	47904388	414



SRR ROCK AUGERS

For solid, fracturable rock, frozen ground and compacted soils

- Bullet style teeth
- Fabricated boring head
- HD single flighting
- 2" hexagon collar only
- .75" thick bottom flight and a hardface outer edge
- 4' overall length

Augers (Continued next page)

SSL COUPLER

AUGER EXTENSIONS AND ADAPTERS	PART NUMBER	WEIGHT LB
2" hex female to 2-9/16" round male	9863646	16
2-9/16" round female to 2" hex male	9863647	15
2" hex female to 2" round male	87042596	10
2-9/16" round female to 2" round male	87042597	12
12" extension, 2-9/16" round	87042598	21
24" extension, 2-9/16" round	87042600	39
12" extension, 2" hex	87042601	20
24" extension, 2" hex	87042602	32
48" extension, 2" hex	84514060	57

MODEL COMPATIBILITY	21E	121E	221E	321E	21F	121F	221F	321F	REQ'D EQUIPMENT			
									AUX. HYD.	SSL COUPLER	Z-BAR HORIZ. PIN COUPLER	XT HORIZ. PIN COUPLER
X1475 DRIVE UNIT	•	•	•	•	•	•	•	•	R	R		
X1975 DRIVE UNIT		•	•	•		•	•	•	R	R		

SPECIFICATIONS		
MODEL	X1475	X1975
Max. Auger Diameter (in.)	24	36
Flow Required (gpm)	10-25	15-30
Torque @ 2500 psi	2003	2306
Output Speed (rpm)	61 @ 16 gpm	66 @ 20 gpm

FEATURES

- 5 Year Warranty on X-Series model gearboxes
- All base units include mounting bracket with drive head, hoses, and flat face hydraulic quick disconnects
- X1475 and X1975 available with either 2-9/16" round or 2" hex output shaft
- Several adapters and extensions available
- Auger bit is not included with base unit, order separately

SSL COUPLER

Unit includes mounting bracket, cylinder, hoses and quick couplers.

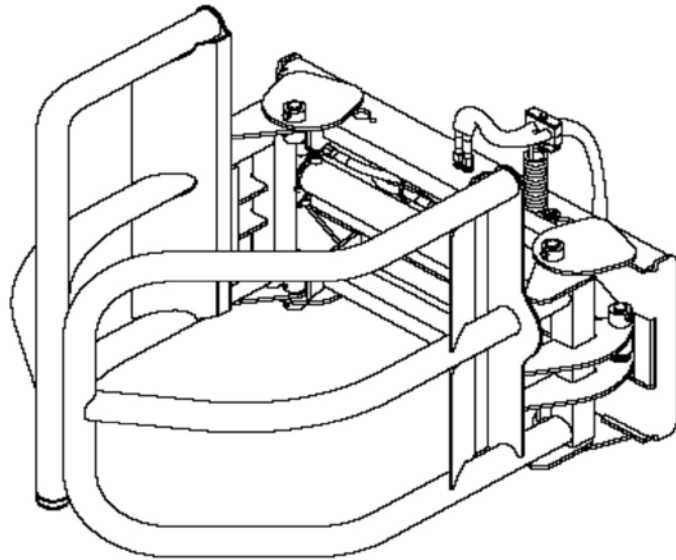
REQUIRES STANDARD AUXILIARY HYDRAULICS	PART NUMBER	WEIGHT LB
* BALE HANDLER	87381816	585

*Skid steer compatible – see skid steer section for applicable machine models.

MODEL COMPATIBILITY	21E	121E	221E	321E	21F	121F	221F	321F	REQ'D EQUIPMENT			
									AUX. HYD.	SSL COUPLER	Z-BAR HORIZ. PIN COUPLER	XT HORIZ. PIN COUPLER
BALE HANDLER	•	•	•	•	•	•	•	•	R	R		

FEATURES

- Handles bales from 32" to 72"
- 3" bore, load-checked cylinder maintains positive non-slip grip
- Hugger arms fabricated with formed round tubing that protects bale wrap
- Handles large round bales with twine, net or plastic wrap



SSL COUPLER

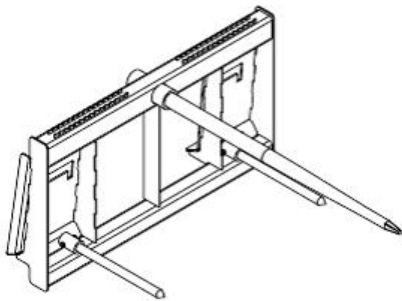
	PART NUMBER	WEIGHT LB
*BALE SPEAR, HD Single	87473627	195
*BALE SPEAR, HD Dual	87473628	235
*BALE SPEAR, 3 X 27"	87473629	210
*BALE SPEAR, 3 X 44"	87473630	230

*Skid steer compatible – see skid steer section for applicable machine models.

MODEL COMPATIBILITY	21E	121E	221E	321E	21F	121F	221F	321F	REQ'D EQUIPMENT			
									AUX. HYD.	SSL COUPLER	Z-BAR HORIZ. PIN COUPLER	XT HORIZ. PIN COUPLER
BALE SPEAR, HD Single	•	•	•	•	•	•	•	•		R		
BALE SPEAR, HD Dual	•	•	•	•	•	•	•	•		R		
BALE SPEAR, 3 X 27"	•	•	•	•	•	•	•	•		R		
BALE SPEAR, 3 X 44"	•	•	•	•	•	•	•	•		R		

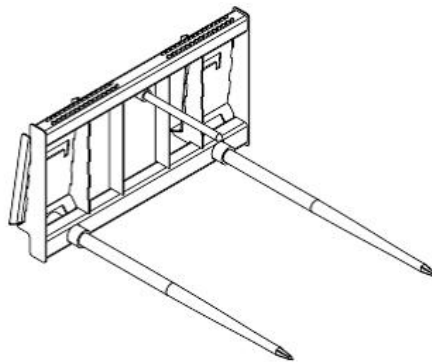
Single Tine Bale Spear Heavy Duty

- For bales up to 3,000 lbs. at 24" load center
- Main spear – single tapered, forged, 2-1/8" dia. x 49"
- Stabilizer spikes – dual 1-1/4" dia. x 19"



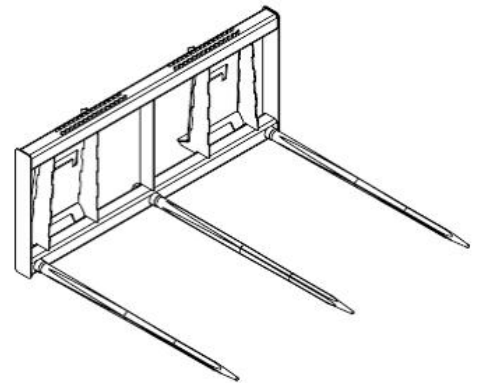
Dual Tine Bale Spear Heavy Duty

- For bales up to 4,000 lbs. at 24" load center
- Main spear – single tapered, forged, 2-1/8" dia. x 49"
- Stabilizer spikes – dual 1-1/4" dia. x 19"



Three Tine Bale Spear

- For bales up to 4,000 lbs. at 24" load center
- Main spears – 3 tapered, forged, 1-3/4" dia.
- Available with 27" or 44" length spears



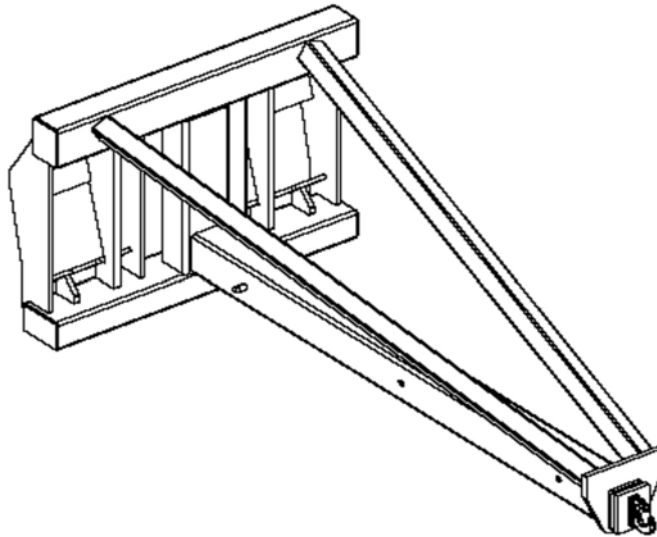
SSL COUPLER

	PART NUMBER	WEIGHT LB
TRUSS BOOM - 3 position	87381820	1020

MODEL COMPATIBILITY	21E	121E	221E	321E	21F	121F	221F	321F	REQ'D EQUIPMENT			
									AUX. HYD.	SSL COUPLER	Z-BAR HORIZ. PIN COUPLER	XT HORIZ. PIN COUPLER
TRUSS BOOM	•	•	•	•	•	•	•	•		R		

FEATURES

- For positioning trusses
- 3-position, extendable boom
- Extends to lengths of 7' 8", 10' 4", 12' 11"
- Lift rating from 1,500 to 2,500 lbs.



SSL COUPLER

Unit includes mounting brackets, hoses, quick disconnects and parking stands.
Must order manual or hydraulic angle kit for complete unit.

STANDARD AUXILIARY HYDRAULICS REQUIRED	PART NUMBER	WEIGHT LB
96" ANGLE BROOM with poly/wire combination brush	84215705	1655
108" ANGLE BROOM with poly/wire combination brush	84215706	1740

OPTIONAL EQUIPMENT (MUST ORDER ONE FOR COMPLETE UNIT)

Manual Angle Kit	84215707	6
Hydraulic Angle Kit w/universal control package	84215708	22
Hydraulic Angle Kit for base units with 14-pin front electric	47738600	46

REPLACEMENT BRUSH SETS

Poly/wire brush set for 96" broom	84376840	196
Poly/wire brush set for 108" broom	84376841	240

MODEL COMPATIBILITY	21E	121E	221E	321E	21F	121F	221F	321F	REQ'D EQUIPMENT				
									AUX. HYD.	SSL COUPLER	Z-BAR HORIZ. PIN COUPLER	XT HORIZ. PIN COUPLER	FRONT ELECTRIC (F-SERIES)
96" ANGLE BROOM	•	•			•	•			R	R			O
108" ANGLE BROOM	•	•	•	•	•	•	•	•	R	R			O

FEATURES

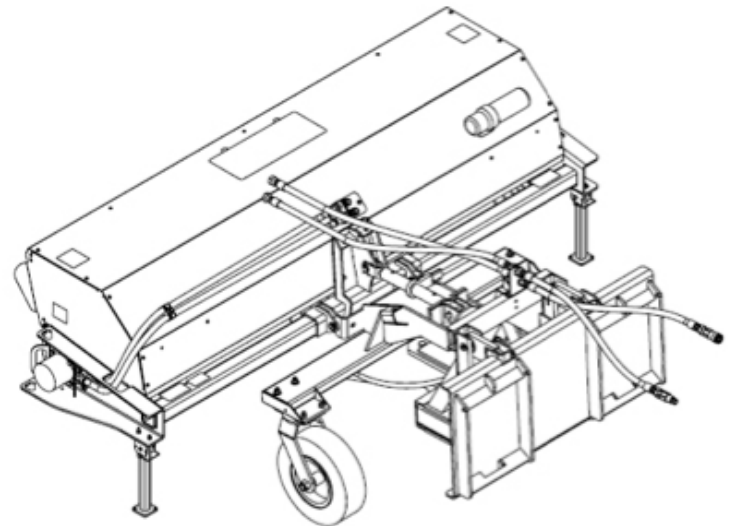
- Parking stands
- Angles 30° right or left
- 32" brush diameter
- Adjustable broom head
- Integral nozzle mounting for water application
- 50/50 Poly/wire brush core
- Bolt together hood for simple, less costly replacement, if damaged
- Quick-change brush without breaking hydraulic lines
- Dual hydraulic motors
- Caster wheels – Pneumatic 4.80-8 tires

APPLICATIONS

- Street cleaning & parking lot maintenance, road maintenance clean-up, bridge deck clean-up, jobsite clean-up
- Snow removal

REQUIREMENTS FOR OPERATION

- Auxiliary hydraulics
- SSL Coupler
- Front electric kit – optional on F-Series



HORIZONTAL PIN COUPLER

Unit includes mounting brackets, hoses, quick disconnects and parking stands.
Must order manual or hydraulic angle kit for complete unit.

STANDARD AUXILIARY HYDRAULICS REQUIRED	PART NUMBER	WEIGHT LB
96" ANGLE BROOM with poly/wire combination brush	47738596	1685
96" ANGLE BROOM with poly/wire combination brush	47738597	1715
108" ANGLE BROOM with poly/wire combination brush	47738598	1735
108" ANGLE BROOM with poly/wire combination brush	47738599	1765

OPTIONAL EQUIPMENT (MUST ORDER ONE FOR COMPLETE UNIT)

Manual Angle Kit	84215707	6
Hydraulic Angle Kit w/universal control package	84215708	22
Hydraulic Angle Kit for base units with 14-pin front electric	47738600	46

REPLACEMENT BRUSH SETS

Poly/wire brush set for 96" broom	84376840	196
Poly/wire brush set for 108" broom	84376841	240

MODEL COMPATIBILITY	21F	121F	221F	321F	REQ'D EQUIPMENT				
					AUX. HYD.	SSL COUPLER	Z-BAR HORIZ. PIN COUPLER	XT HORIZ. PIN COUPLER	FRONT ELECTRIC (F-SERIES)
96" ANGLE BROOM 47738596	•	•			R			R	O
96" ANGLE BROOM 47738597	•	•			R		R		O
108" ANGLE BROOM 47738598	•	•			R			R	O
108" ANGLE BROOM 47738599	•	•	•	•	R		R		O

FEATURES

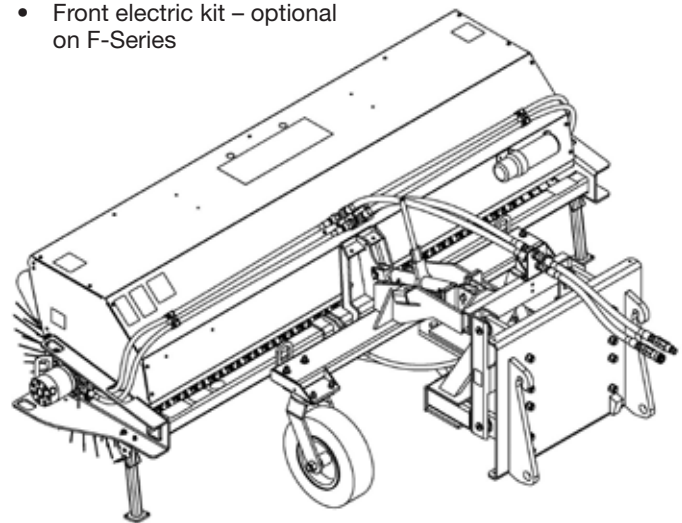
- Parking stands
- Angles 30° right or left
- 32" brush diameter
- Adjustable broom head
- Integral nozzle mounting for water application
- 50/50 Poly/wire brush core
- Bolt together hood for simple, less costly replacement, if damaged
- Quick-change brush without breaking hydraulic lines
- Dual hydraulic motors
- Caster wheels – Pneumatic 4.80-8 tires

APPLICATIONS

- Street cleaning & parking lot maintenance, road maintenance clean-up, bridge deck clean-up, jobsite clean-up
- Snow removal

REQUIREMENTS FOR OPERATION

- Auxiliary hydraulics
- SSL Coupler
- Front electric kit – optional on F-Series



SSL COUPLER

	PART NUMBER	WEIGHT LB
GENERAL PURPOSE BUCKETS		
75" Bucket, GP, 1.0 yd ³	51426760	971
83" Bucket, GP, 1.1 yd ³	51426761	1024
83" Bucket, GP w/Teeth, 1.1 yd ³	51426763	1055
83" Bucket, GP, 1.25 yd ³	51426764	992
83" Bucket, GP w/Teeth, 1.25 yd ³	51426765	1023
83" Bucket, GP, 1.6 yd ³	51426766	1084
83" Bucket, GP w/Teeth, 1.6 yd ³	51426767	1115
LIGHT MATERIAL BUCKETS		
98" Bucket, LM/Snow, 1.5 yd ³	51426769	1080
98" Bucket, LM/Snow, 2.0 yd ³	51426770	1190

Buckets without teeth are drilled for bolt-on edge

MODEL COMPATIBILITY	21E	121E	221E	321E	21F	121F	221F	321F	REQ'D EQUIPMENT			
									AUX. HYD.	SSL COUPLER	Z-BAR HORIZ. PIN COUPLER	XT HORIZ. PIN COUPLER
75" GP Bucket, 1.0 yd ³	•	•			•	•				R		
83" GP Bucket, 1.1 yd ³		•	•	•		•	•	•		R		
83" GP Bucket, 1.25 yd ³			•	•			•	•		R		
83" GP Bucket, 1.6 yd ³			•	•			•	•		R		
98" LM Bucket, 1.5 yd ³	•	•			•	•				R		
98" LM Bucket, 2.0 yd ³		•	•	•		•	•	•		R		

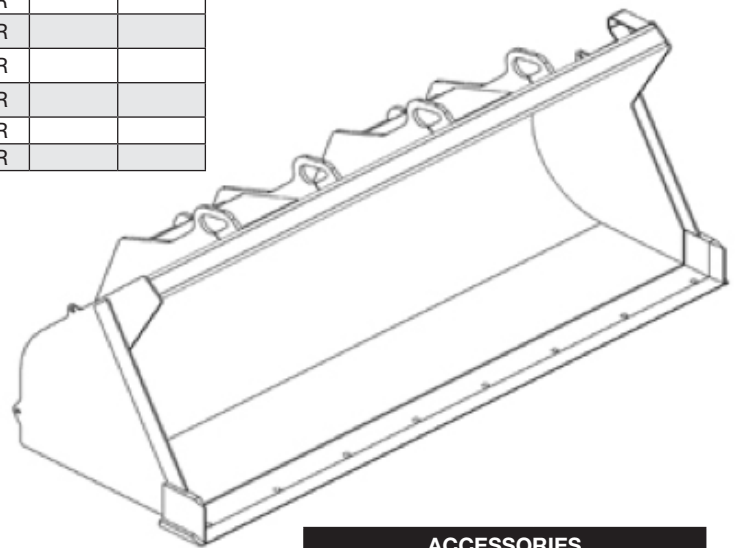
FEATURES

75" and 83" Buckets

- For general-purpose applications
- 1/4" reinforced wrappers and end plates
- 1/2" thick wear bars
- Wear-resistant steel tapered cutting edge, 3/4" x 6", drilled for bolt-on edge

98" Buckets

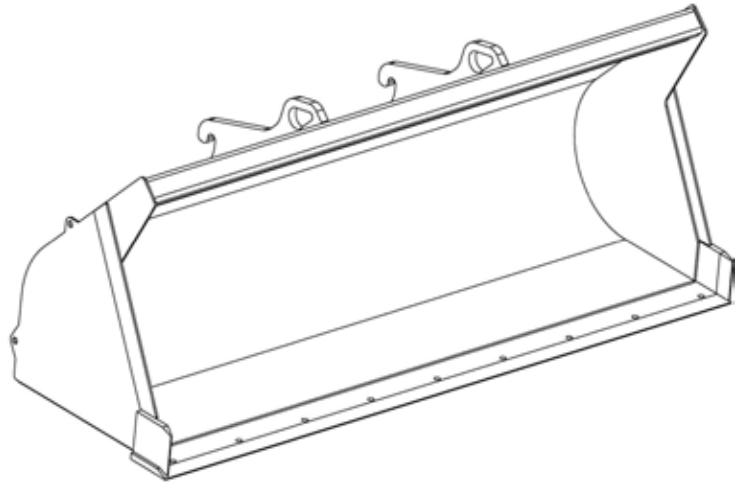
- For light material/snow applications
- 7 gauge reinforced wrappers and end plates
- 1/2" thick wear bars
- Wear-resistant steel tapered cutting edge, 3/4" x 6", drilled for bolt-on edge.



ACCESSORIES		
Width	Bolt-on Edge	Bolt-on Rezloh™ edge
75"	84548584	—
83"	86577173	HCE86577173
98"	47945698	—

HORIZONTAL PIN COUPLER

	PART NUMBER	WEIGHT LB
GENERAL PURPOSE BUCKETS		
75" Bucket, GP, 1.0 yd ³	47737899	920
75" Bucket, GP, 1.0 yd ³	47737900	930
83" Bucket, GP, 1.1 yd ³	47737901	970
83" Bucket, GP, 1.1 yd ³ w/Teeth	47737902	1035
83" Bucket, GP, 1.1 yd ³	47737903	985
83" Bucket, GP, 1.1 yd ³ w/Teeth	47737904	1045
83" Bucket, GP, 1.25 yd ³	47737905	960
83" Bucket, GP, 1.25 yd ³ w/Teeth	47737906	1020
83" Bucket, GP, 1.6 yd ³	47737907	1050
83" Bucket, GP, 1.6 yd ³ w/Teeth	47737908	1115
LIGHT MATERIAL BUCKETS		
98" Bucket, LM/Snow, 1.5 yd ³	47737910	1000
98" Bucket, LM/Snow, 1.5 yd ³	47737911	1050
98" Bucket, LM/Snow, 2.0 yd ³	47737912	1155



Buckets without teeth are drilled for bolt-on edge

MODEL COMPATIBILITY	21F	121F	221F	321F	REQ'D EQUIPMENT			
					AUX. HYD.	SSL COUPLER	Z-BAR HORIZ. PIN COUPLER	XT HORIZ. PIN COUPLER
75" GP Bucket, 1.0 yd ³ 47737899	•	•						R
75" GP Bucket, 1.0 yd ³ 47737900	•	•					R	
83" GP Bucket, 1.1 yd ³ 47737901/47737902		•						R
83" GP Bucket, 1.1 yd ³ 47737903/47737904		•	•	•			R	
83" GP Bucket, 1.25 yd ³ 47737905/47737906			•	•			R	
83" GP Bucket, 1.6 yd ³ 47737907/47737908			•	•			R	
98" LM Bucket, 1.5 yd ³ 47737910	•	•						R
98" LM Bucket, 1.5 yd ³ 47737911	•	•					R	
98" LM Bucket, 2.0 yd ³ 47737912		•	•	•			R	

ACCESSORIES		
Width	Bolt-on Edge	Bolt-on Rezloh™ edge
75"	84548584	—
83"	86577173	HCE86577173
98"	47945698	—

FEATURES

75" and 83" Buckets

- For general-purpose applications
- 1/4" reinforced wrappers and end plates
- 1/2" thick wear bars
- Wear-resistant steel tapered cutting edge, 3/4" x 6", drilled for bolt-on edge

98" Buckets

- For light material/snow applications
- 7 gauge reinforced wrappers and end plates
- 1/2" thick wear bars
- Wear-resistant steel tapered cutting edge, 3/4" x 6", drilled for bolt-on edge

SSL COUPLER

Unit includes hoses and quick disconnects.

STANDARD AUXILIARY HYDRAULICS REQUIRED	PART NUMBER	WEIGHT LB
* Bucket, 4X1, 72" Construction Duty (.66yd ³ heaped)	87648161	930
* Bucket, 4X1, 78" Construction Duty (.71 yd ³ heaped)	87648162	965
* Bucket, 4X1, 84" Construction Duty (.77 yd ³ heaped)	87648163	1005
Bucket, 4X1, 82" Heavy Duty (.99 yd ³ heaped)	87381908	1100
Bucket, 4X1, 90" Heavy Duty (1.1 yd ³ heaped)	87381909	1275

* Skid steer compatible – see skid steer section for applicable machine models.

OPTIONS FOR CONSTRUCTION DUTY BUCKETS

Bolt-on spill guard for 72" 4X1 bucket	87648136	30
Bolt-on spill guard for 78" 4X1 bucket	87648165	33
Bolt-on spill guard for 84" 4X1 bucket	87648166	35

MODEL COMPATIBILITY	21E	121E	221E	321E	21F	121F	221F	321F	REQ'D EQUIPMENT			
									AUX. HYD.	SSL COUPLER	Z-BAR HORIZ. PIN COUPLER	XT HORIZ. PIN COUPLER
4X1 BUCKET, 72" CONSTRUCTION DUTY	•				•				R	R		
4X1 BUCKET, 78" CONSTRUCTION DUTY	•	•			•	•			R	R		
4X1 BUCKET, 84" CONSTRUCTION DUTY	•	•			•	•			R	R		
4X1 BUCKET, 82" HEAVY DUTY			•	•			•	•	R	R		
4X1 BUCKET, 90" HEAVY DUTY			•	•			•	•	R	R		

FEATURES

- Hoses and quick disconnects included
- Load holding check valve

Construction Buckets

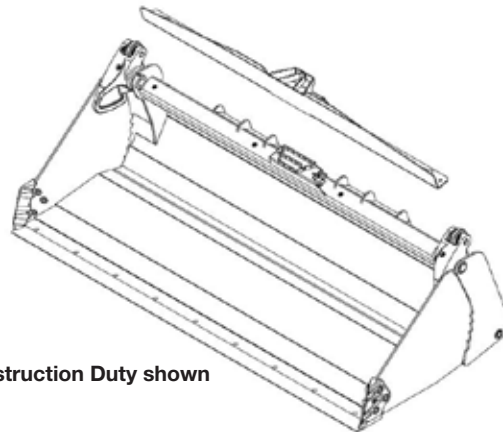
- 27-1/2" height, 26-5/8" floor length
- 34-3/4" clam opening
- Replaceable bolt-on side cutters
- Optional spill guards increase struck capacity approx. 26% and heaped capacity approx. 21%
- Compatible with toothbars and bolt-on edges

Heavy Duty Buckets

- 34-1/2" height, 24-3/4" floor length
- 41" clam opening

APPLICATIONS

- Functions as a loader bucket, clam, dozer, scraper and bottom dump bucket
- Material spreading – gravel, mulch, dirt, etc.



84" Construction Duty shown

ACCESSORIES				
Width	Bolt-on Edge	Bolt-on Rezloh™ edge	Toothbar for bucket w/o bolt-on edge	Toothbar for bucket with bolt-on edge
72"	86577169	HCE86577169	87299776	87299779
78"	86577171	HCE86577171	87299777	87299780
84"	86577173	HCE86577173	87299778	87299781
82" HD	86577173	HCE86577173	–	–
90" HD	84300700		–	–

HORIZONTAL PIN COUPLER

Unit includes hoses and quick disconnects.

STANDARD AUXILIARY HYDRAULICS REQUIRED	PART NUMBER	WEIGHT LB
4X1 BUCKET, 78" HEAVY DUTY	47738570	1180
4X1 BUCKET, 78" HEAVY DUTY	47738571	1220
4X1 BUCKET, 82" HEAVY DUTY	47738572	1245

MODEL COMPATIBILITY	21F	121F	221F	321F	REQ'D EQUIPMENT			
					AUX. HYD.	SSL COUPLER	Z-BAR HORIZ. PIN COUPLER	XT HORIZ. PIN COUPLER
4X1 BUCKET, 78" HD – 47738570	•	•			R			R
4X1 BUCKET, 78" HD – 47738571	•	•			R		R	
4X1 BUCKET, 82" HD – 47738572			•	•	R		R	

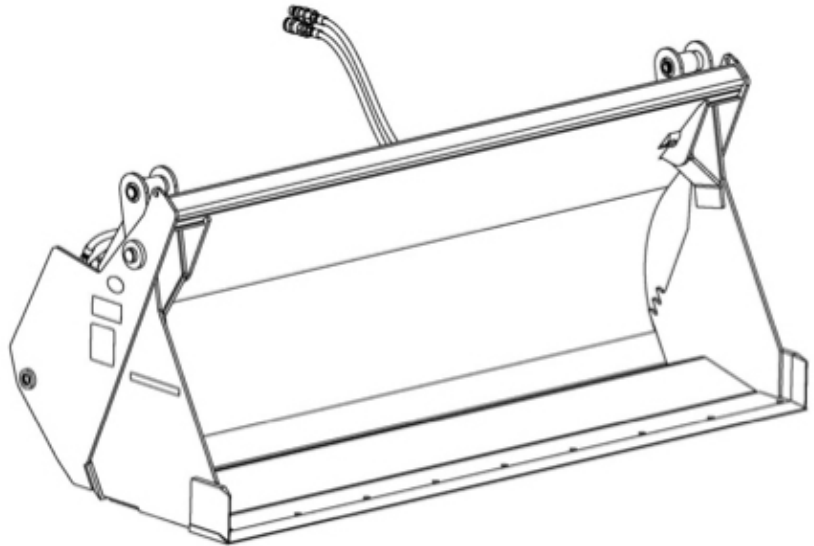
FEATURES

- Hoses and quick disconnects included
- Load holding check valve
- 34-1/2" height, 24-3/4" floor length
- 41" clam opening

APPLICATIONS

- Functions as a loader bucket, clam, dozer, scraper and bottom dump bucket
- Material spreading – gravel, mulch, dirt, etc.

ACCESSORIES		
Width	Bolt-on Edge	Bolt-on Rezloh™ edge
78"	86577171	HCE86577171
82"	86577173	HCE86577173



SSL COUPLER

Unit includes bucket, mounting bracket, hoses, quick couplers and chute extensions.

	PART NUMBER	WEIGHT LB
* C50 CONCRETE BUCKET (1/2 yd cap.)	87398932	492
* C75 CONCRETE BUCKET (3/4 yd cap.)	87398933	554

*Skid steer compatible – see skid steer section for applicable machine models.

OPTIONAL COMPONENTS – (Order as needed)

90° CHUTE KIT – Allows chute to be positioned for left or right discharge.	48022262	76
--	----------	----

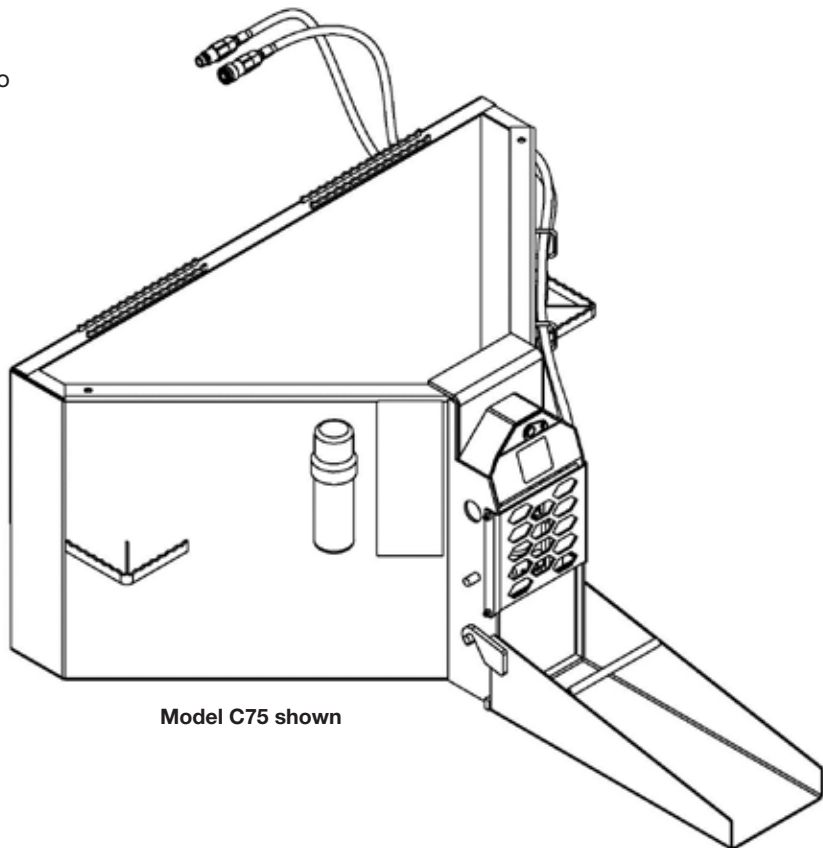
MODEL COMPATIBILITY	21E	121E	221E	321E	21F	121F	221F	321F	REQ'D EQUIPMENT			
									AUX. HYD.	SSL COUPLER	Z-BAR HORIZ. PIN COUPLER	XT HORIZ. PIN COUPLER
C50 CONCRETE BUCKET	•	•	•	•	•	•	•	•	R	R		
C75 CONCRETE BUCKET	•	•	•	•	•	•	•	•	R	R		

FEATURES

- Dispenses concrete safely and easily into column and wall forms
- Quick, clean and accurate placement of concrete without a wheelbarrow
- Hydraulically actuated gate for precise concrete metering
- Removable chute extension
- Safety door keeps co-workers safe from dispensing gate
- 58" wide. Can be easily picked up and transported in a standard 60" bucket
- Optional 90° chute kit

APPLICATIONS

- Ideal for pools and patios



Model C75 shown

SSL COUPLER

	PART NUMBER	WEIGHT LB
* CONCRETE CLAW	87045489	575
CONCRETE CLAW, HEAVY DUTY	87382021	595

*Skid steer compatible – see skid steer section for applicable machine models.

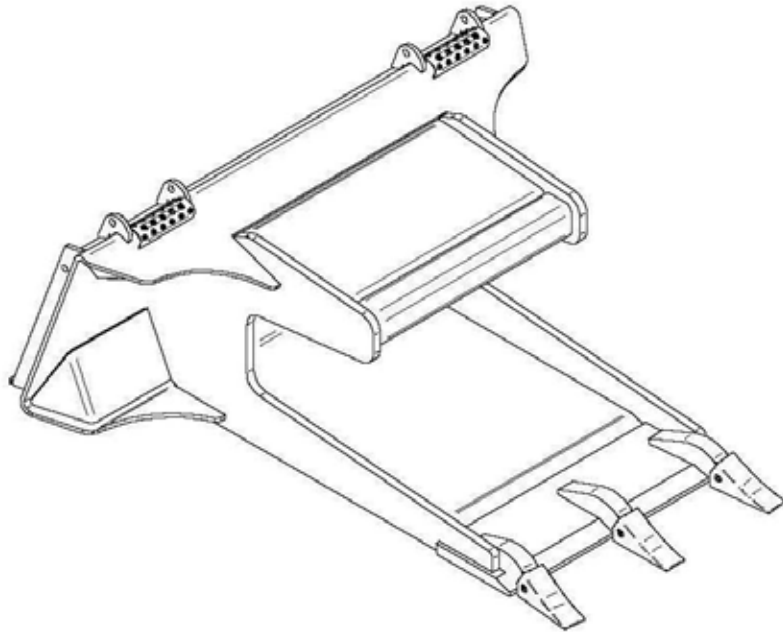
MODEL COMPATIBILITY	21E	121E	221E	321E	21F	121F	221F	321F	REQ'D EQUIPMENT			
									AUX. HYD.	SSL COUPLER	Z-BAR HORIZ. PIN COUPLER	XT HORIZ. PIN COUPLER
CONCRETE CLAW	•	•			•	•				R		
CONCRETE CLAW, HD		•	•	•		•	•	•		R		

FEATURES

- Slide the claw teeth under the concrete, lift & load
- Allows for a cleaner, quicker, and more efficient method of concrete removal
- Replaceable points
- End plates and tooth shanks are made with high strength T-1 steel
- 1" x 8" wear resistant steel tapered cutting edge
- Features name-brand replaceable points with 1-1/2" wide shanks
- Rubberized flex pins securely fasten replaceable points

APPLICATIONS

- Excellent attachment for concrete removal on sidewalks, driveways or any construction site



SSL COUPLER

Unit includes hoses and quick disconnects.

REQUIRES STANDARD AUXILIARY HYDRAULICS AND BUCKET CIRCUIT RESTRICTOR (Part # 6559466)	PART NUMBER	WEIGHT LB
*72" BRUSH CONSTRUCTION GRAPPLE	87678207	925
*78" BRUSH CONSTRUCTION GRAPPLE	87678208	999
*84" BRUSH CONSTRUCTION GRAPPLE	87678209	1054
*90" BRUSH CONSTRUCTION GRAPPLE	87678210	1105
84" HD BRUSH GRAPPLE	87381893	1650

* Skid steer compatible.

MODEL COMPATIBILITY	21E	121E	221E	321E	21F	121F	221F	321F	REQ'D EQUIPMENT			
									AUX. HYD.	SSL COUPLER	Z-BAR HORIZ. PIN COUPLER	XT HORIZ. PIN COUPLER
72" BRUSH CONSTRUCTION GRAPPLE	•				•				R	R		
78" BRUSH CONSTRUCTION GRAPPLE	•	•			•	•			R	R		
84" BRUSH CONSTRUCTION GRAPPLE	•	•			•	•			R	R		
90" BRUSH CONSTRUCTION GRAPPLE		•			•				R	R		
84" HD BRUSH GRAPPLE			•	•			•	•	R	R		

FEATURES

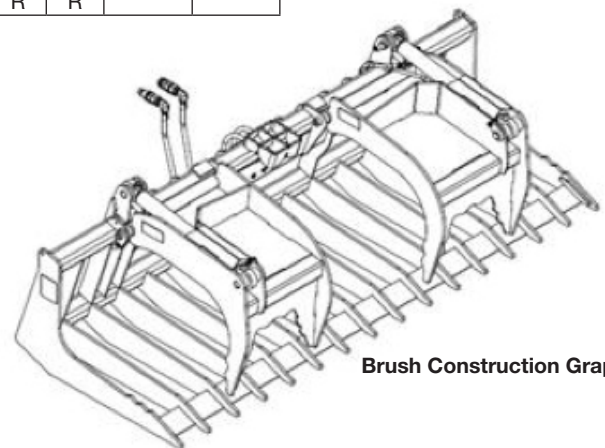
- Handles logs, brush, rock and debris while leaving soil
- Dual, independent grapples
- Includes hoses and quick disconnects
- Pilot-operated check valve for locking grapple into position
- Lubricated pivot pins
- Replaceable bushings in bucket and grapples
- 100K PSI yield strength tine material

Brush Construction Grapple

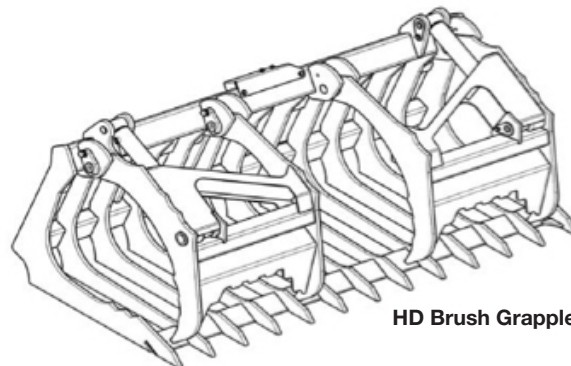
- 6" tine spacing
- Standard cylinder guards protect all cylinder components
- 1-1/4" cylinder pivot pins
- 1-1/4" x 24" grapple pins greatly reduce torsional force
- 1/2" thick end plates
- Cushioned cylinders – 2" x 8" x 1-1/4"
- Throat opening grapple open – 40"
- Throat opening grapple closed – 16 1/2"
- Overall depth – 39"

Heavy Duty Brush Grapple

- 6-1/4" tine spacing
- 1-3/8" cylinder pivot pins
- 1-3/4" grapple pins
- 3/4" thick end plates and tines
- Cushioned cylinders – 2-1/2" x 9" x 1-1/2"
- Throat opening grapple open – 46-3/4"
- Throat opening grapple closed – 23-3/8"
- Overall depth – 41-5/8"



Brush Construction Grapple



HD Brush Grapple

HORIZONTAL PIN COUPLER

Units include hoses and quick disconnects.

	PART NUMBER	WEIGHT LB
78" BRUSH CONSTRUCTION GRAPPLE	47738580	1172
78" BRUSH CONSTRUCTION GRAPPLE	47738581	1231
84" HD BRUSH GRAPPLE	47738582	1770

MODEL COMPATIBILITY	21F	121F	221F	321F	REQ'D EQUIPMENT			
					AUX. HYD.	SSL COUPLER	Z-BAR HORIZ. PIN COUPLER	XT HORIZ. PIN COUPLER
78" BRUSH CONS. GRAPPLE 47738580	•	•			R			R
78" BRUSH CONS. GRAPPLE 47738581	•	•			R		R	
84" HD BRUSH GRAPPLE 47738582			•	•	R		R	

FEATURES

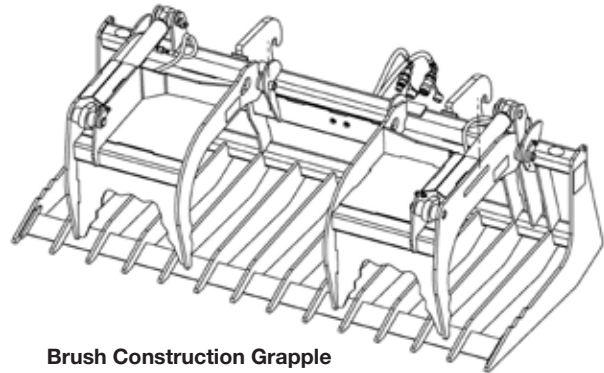
- Handles logs, brush, rock and debris while leaving soil
- Dual, independent grapples
- Includes hoses and quick disconnects
- Pilot-operated check valve for locking grapple into position
- Lubricated pivot pins
- Replaceable bushings in bucket and grapples
- 100K PSI yield strength tine material

Brush Construction Grapple

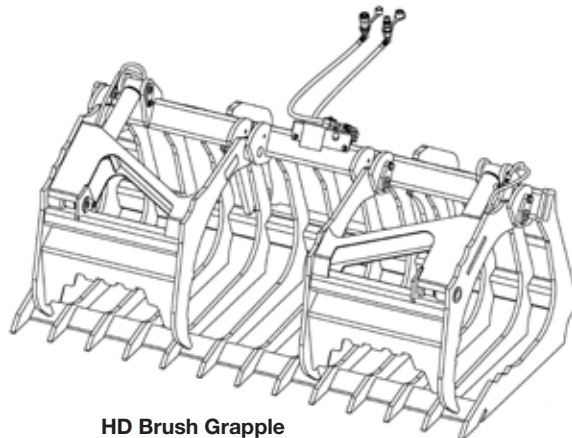
- 6" tine spacing
- Standard cylinder guards protect all cylinder components
- 1-1/4" cylinder pivot pins
- 1-1/4" x 24" grapple pins greatly reduce torsional force
- 1/2" thick end plates
- Cushioned cylinders – 2" x 8" x 1-1/4"
- Throat opening grapple open – 40"
- Throat opening grapple closed – 16 1/2"
- Overall depth – 39"

Heavy Duty Brush Grapple

- 6-1/4" tine spacing
- 1-3/8" cylinder pivot pins
- 1-3/4" grapple pins
- 3/4" thick end plates and tines
- Cushioned cylinders – 2-1/2" x 9" x 1-1/2"
- Throat opening grapple open – 46-3/4"
- Throat opening grapple closed – 23-3/8"
- Overall depth – 41-5/8"



Brush Construction Grapple



HD Brush Grapple

SSL COUPLER

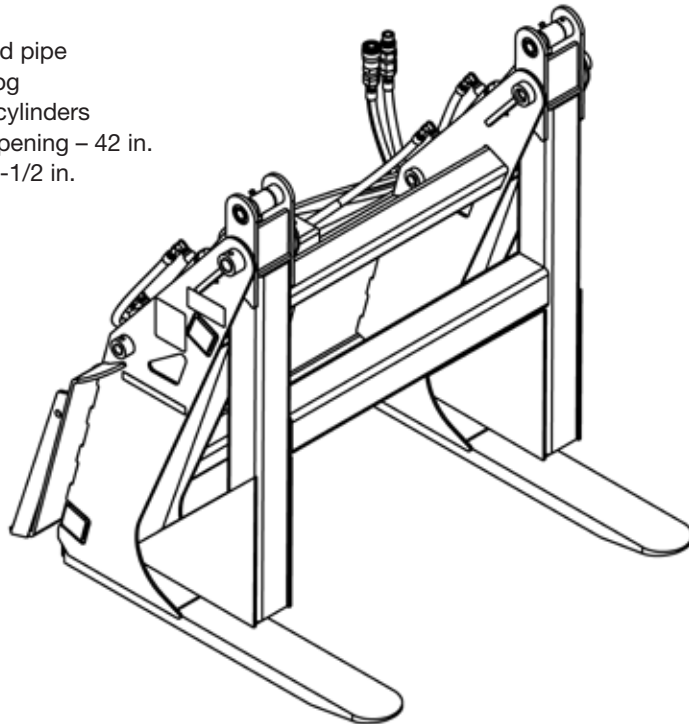
REQUIRES STANDARD AUXILIARY HYDRAULICS	PART NUMBER	WEIGHT LB
*LOG GRAPPLE	87382066	650

*Skid steer compatible – see skid steer section for applicable machine models.

MODEL COMPATIBILITY	21E	121E	221E	321E	21F	121F	221F	321F	REQ'D EQUIPMENT			
									AUX. HYD.	SSL COUPLER	Z-BAR HORIZ. PIN COUPLER	XT HORIZ. PIN COUPLER
LOG GRAPPLE	•	•	•	•	•	•	•	•	R	R		

FEATURES

- Handles logs and pipe
- Closes to 6 in. log
- 2-1/2 in. x 8 in. cylinders
- Maximum jaw opening – 42 in.
- Fork length – 29-1/2 in.



SSL COUPLER

Units include hoses and quick disconnects.

FOR E-SERIES – REQUIRES BUCKET CIRCUIT RESTRICTOR (PART # 6559466. Order from CASE Parts)	PART NUMBER	WEIGHT LB
* 76" SCRAP CONSTRUCTION GRAPPLE	87677288	1081
* 82" SCRAP CONSTRUCTION GRAPPLE	87677289	1133
* 88" SCRAP CONSTRUCTION GRAPPLE	87677290	1180
83" HD SCRAP GRAPPLE	87382017	1465

* Skid steer compatible – see skid steer section for applicable machine models.

MODEL COMPATIBILITY	21E	121E	221E	321E	21F	121F	221F	321F	REQ'D EQUIPMENT			
									AUX. HYD.	SSL COUPLER	Z-BAR HORIZ. PIN COUPLER	XT HORIZ. PIN COUPLER
76" SCRAP CONST. GRAPPLE – 87677288	•	•			•	•			R	R		
82" SCRAP CONST. GRAPPLE – 87677289	•	•			•	•			R	R		
88" SCRAP CONST. GRAPPLE – 87677290	•	•			•	•			R	R		
83" HD SCRAP GRAPPLE – 87382017			•	•			•	•	R	R		

FEATURES

- Standard cylinder guards protect all cylinder components
- Dual independent grapples
- Open ends to handle long objects
- Drilled for bolt-on edge
- Hydraulic hoses & flat face hydraulic quick disconnects included

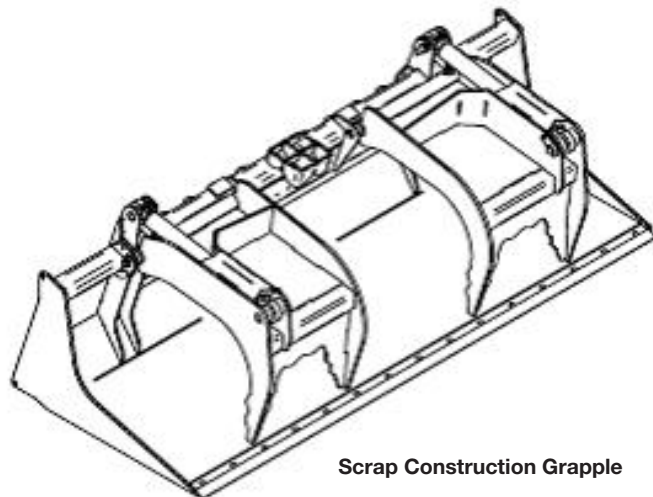
Scrap Construction Grapple

- Standard load check valve for positive clamp force
- 1-1/4" cylinder pivot pins
- 1-1/4" x 24" grapple pins reduce torsional force
- 1/2" end plates
- Cushioned cylinders – 2" x 8" x 1-1/4"
- Bucket edge drilled for replaceable edge
- Throat opening, grapple open – 40"
- Throat opening, grapple closed – 20"
- Overall Depth – 38"

HD Scrap Grapple

- 1-1/2" x 27-1/8" patented grapple pins reduce torsional force
- 1-1/2" x 8-5/8" heat treated, greasable pivot points
- 1/2" end plates
- Cushioned and sleeved cylinders – 2-1/2" x 8" x 1-3/4"
- Throat opening, grapple open – 47.4"
- Throat opening, grapple closed – 21.8"
- Overall Depth – 37.3"

ACCESSORIES-	
Width	Bolt-on Edge
74"-76"	86577171
82"-83"	86577173
88"	85999108



Scrap Construction Grapple

HORIZONTAL PIN COUPLER

Unit includes hoses and quick disconnects.

	PART NUMBER	WEIGHT LB
78" HD SCRAP CONSTRUCTION GRAPPLE	47738587	1415
78" HD SCRAP CONSTRUCTION GRAPPLE	47738588	1465
83" HD SCRAP GRAPPLE	47738589	1660

MODEL COMPATIBILITY	21F	121F	221F	321F	REQ'D EQUIPMENT			
					AUX. HYD.	SSL COUPLER	Z-BAR HORIZ. PIN COUPLER	XT HORIZ. PIN COUPLER
78" HD SCRAP CONS. GRAPPLE – 47738587	•	•			R			R
78" HD SCRAP CONS. GRAPPLE – 47738588	•	•			R		R	
83" HD SCRAP GRAPPLE – 47738589			•	•	R		R	

FEATURES

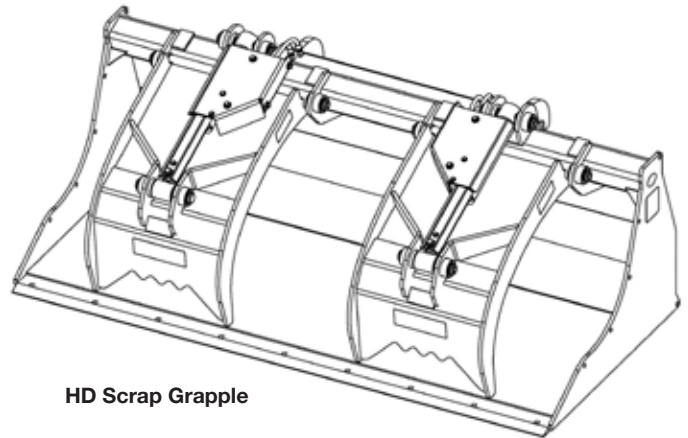
- Standard cylinder guards protect all cylinder components
- Dual independent grapples
- Open ends to handle long objects
- Drilled for bolt-on edge
- Hydraulic hoses & flat face hydraulic quick disconnects included
- 1½" x 8-5/8" heat-treated, greasable pivot pins
- 1½" x 27-1/8" patented grapple pins reduce torsional force
- Cushioned and sleeved cylinders – 2-1/2" x 8" x 1-3/4"

HD Scrap Construction Grapple

- 3/8" end plates
- Throat opening, grapple open – 46.4"
- Throat opening, grapple closed – 19.1"
- Overall Depth – 37.8"

HD Scrap Grapple

- 1/2" end plates
- Throat opening, grapple open – 47.4"
- Throat opening, grapple closed – 21.8"
- Overall Depth – 37.3"



HD Scrap Grapple

Accessories Available from CNH Industrial Parts & Service	
Width	Bolt-on Edge
78"	86577171
83"	86577173

SSL COUPLER

	PART NUMBER	WEIGHT LB
* LIFT BOOM – 6 ft.	87381819	400

*Skid steer compatible – see skid steer section for applicable machine models.

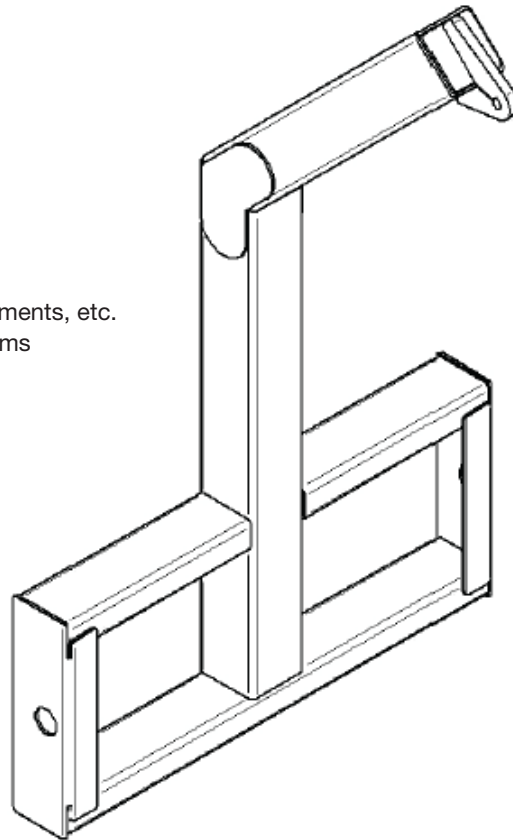
MODEL COMPATIBILITY	21E	121E	221E	321E	21F	121F	221F	321F	REQ'D EQUIPMENT			
									AUX. HYD.	SSL COUPLER	Z-BAR HORIZ. PIN COUPLER	XT HORIZ. PIN COUPLER
LIFT BOOM – 6 ft.	•	•	•	•	•	•	•	•		R		

FEATURES

- Outside Width: 47"
- Loading Depth: 25.1"
- Depth: 31"
- Overall height: 73.2"
- Reach: 83.1"
- Adds 6.5 ft additional reach to loader

APPLICATIONS

- Ideal for nurseries for moving balled trees
- Use at worksites to load and unload attachments, etc.
- Ideal for placing and removing concrete forms



	PART NUMBER	WEIGHT LB
WEIGHLOG 200 Load Monitor	84316809	14
WEIGHLOG 3030 Load Monitor	47920217	12

ADDITIONAL EQUIPMENT (Order as needed)

PRINTER KIT (Use with WL200 or WL3030)	84316810	1
--	----------	---

MODEL COMPATIBILITY	21E	121E	221E	321E	21F	121F	221F	321F	REQ'D EQUIPMENT			
									AUX. HYD.	SSL COUPLER	Z-BAR HORIZ. PIN COUPLER	XT HORIZ. PIN COUPLER
WEIGHLOG 200 Load Monitor	•	•	•	•	•	•	•	•				
WEIGHLOG 3030 Load Monitor	•	•	•	•	•	•	•	•				

SPECIFICATIONS	
MODEL	WL200 / WL3030
Operating Voltage	11 - 30 vdc
Temperature Range	32°-102°F (0°-50°C)
System Accuracy	±2% (or better)
Pressure Range	0-4350 psi (0-250 bar)
Speed Compensated Dynamic Weighing	Yes
Printer Compatible	Yes
Warranty	1 year/parts

Kit comes complete with:

- Head unit
- Heavy duty load sensor
- Hydraulic fitting kit
- Reference/direction sensors
- Remote enter button
- Installation kit



FEATURES

- Static or dynamic weighing
- 5 individual display channels
- Proven sensor technology
- Backlit LCD graphic display and keypad
- Measures, displays and records net weight based on lift system pressure
- Calibrate for any bucket, pallet fork, etc.
- Internal audible alarm
- WeighLog is not certified for legal sale of goods



FEATURES

- Easy to use 4.3" color touchscreen display
- Stores up to 30 customers and 30 products
- Load on the go, no stopping the machine or bucket
- Data collection via SD card and USB memory stick
- Single Pressure Sensor
- Target loads
- Optional printing capability with ICP 300 printer
- Advanced weighing mode for even greater accuracy
- Large display showing bucket load, target load, customer name, material and time of day

SSL COUPLER

	PART NUMBER	WEIGHT LB
* MANURE FORK, 72"	84218743	525
* MANURE FORK, 84"	84218744	575

*Skid steer compatible – see skid steer section for applicable machine models.

OPTIONS:

GRAPPLE ATTACHMENT (requires standard auxiliary boom hydraulics, Includes hoses and quick disconnects)	84218745	130
--	----------	-----

MODEL COMPATIBILITY	21E	121E	221E	321E	21F	121F	221F	321F	REQ'D EQUIPMENT			
									AUX. HYD.	SSL COUPLER	Z-BAR HORIZ. PIN COUPLER	XT HORIZ. PIN COUPLER
MANURE FORK, 72"	•	•			•	•			O	R		
MANURE FORK, 84"	•	•			•	•			O	R		

FEATURES

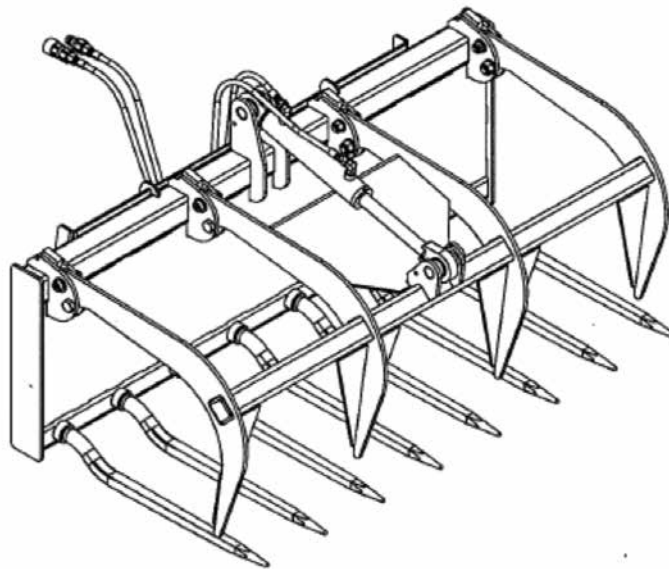
- All standard fork attachments are grapple-ready
- Heavy-duty, forged tines
- Single heavy-duty cylinder for grapple option
- Overall Depth – 30"
- Overall Height – 25"
- Grapple Opening – 37"

APPLICATIONS

- Moves loose hay and manure
- Clean-up and transport branches, brush and limbs

REQUIREMENTS FOR OPERATION

- Standard auxiliary hydraulics for optional grapple



Shown with optional grapple

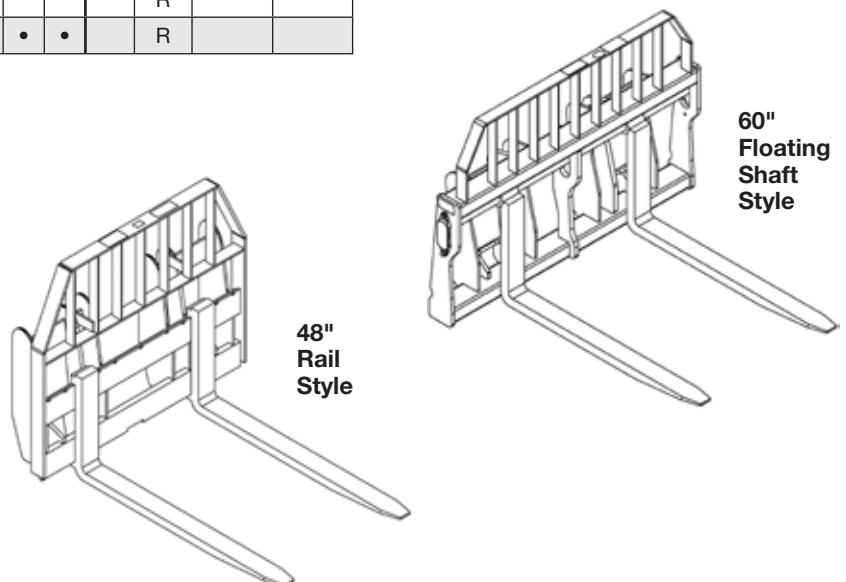
SSL COUPLER

	PART NUMBER	WEIGHT LB
RAIL STYLE		
Pallet Fork, 48" wide carriage, 1-3/4" x 4" x 48" tines	47898510	685
Pallet Fork, 60" wide carriage, 2" x 4" x 48" tines	47898514	854
Pallet Fork, 48" wide carriage, 1-3/4" x 4" x 48" tines	47817039	734
Pallet Fork, 60" wide carriage, 2" x 4" x 48" tines	47817041	907
FLOATING SHAFT STYLE		
Pallet Fork, 48" wide carriage, 1-3/4" x 4" x 48" tines	47898512	778
Pallet Fork, 60" wide carriage, 2" x 4" x 48" tines	47898516	879
Pallet Fork, 48" wide carriage, 1-3/4" x 4" x 48" tines	47817040	810
Pallet Fork, 60" wide carriage, 2" x 4" x 48" tines	47817043	920

MODEL COMPATIBILITY	21E	121E	221E	321E	21F	121F	221F	321F	REQ'D EQUIPMENT			
									AUX. HYD.	SSL COUPLER	Z-BAR HORIZ. PIN COUPLER	XT HORIZ. PIN COUPLER
RAIL STYLE												
Pallet Fork, 48" - 47898510	•	•								R		
Pallet Fork, 60" - 47898514			•	•						R		
Pallet Fork, 48" - 47817039					•	•				R		
Pallet Fork, 60" - 47817041							•	•		R		
FLOATING SHAFT STYLE												
Pallet Fork, 48" - 47898512	•	•								R		
Pallet Fork, 60" - 47898516			•	•						R		
Pallet Fork, 48" - 47817040					•	•				R		
Pallet Fork, 60" - 47817043							•	•		R		

FEATURES

- For handling pallets and construction materials
- Standard brick guard
- Locking position pins (rail style)
- Heat-treated tines, manually adjustable
- 48" tines
- 1-3/4"x 4" tines, 6,000 lb. rated fork capacity
- 2"x 4" tines, 8,440 lb. rated fork capacity



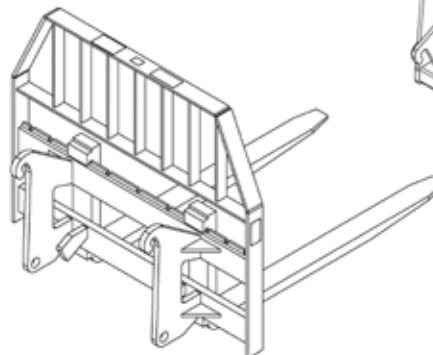
HORIZONTAL PIN COUPLER

	PART NUMBER	WEIGHT LB
RAIL STYLE		
Pallet Fork, 48" wide carriage, 1-3/4" x 4" x 48" tines	47898506	655
Pallet Fork, 60" wide carriage, 2"x 4" x 48" tines	47898507	830
Pallet Fork, 48" wide carriage, 1-3/4" x 4" x 48" tines	47737923	634
Pallet Fork, 48" wide carriage, 1-3/4" x 4" x 48" tines	47737924	648
Pallet Fork, 60" wide carriage, 2"x 4" x 48" tines	47737927	768
FLOATING SHAFT STYLE		
Pallet Fork, 48" wide carriage, 1-3/4" x 4" x 48" tines	47737925	760
Pallet Fork, 48" wide carriage, 1-3/4" x 4" x 48" tines	47737926	730
Pallet Fork, 60" wide carriage, 2" x 4" x 48" tines	47737928	840

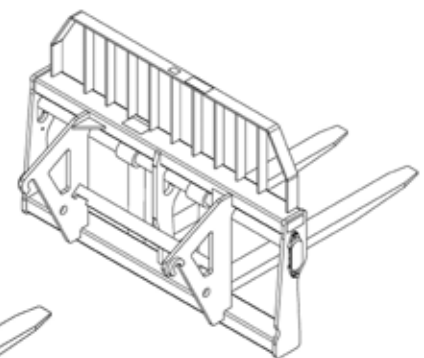
MODEL COMPATIBILITY	21D	221D	321D	21F	121F	221F	321F	REQ'D EQUIPMENT			
								AUX. HYD. D SERIES COUPLER	Z-BAR HORIZ. PIN COUPLER	XT HORIZ. PIN COUPLER	
RAIL STYLE											
Pallet Fork, 48" - 47898506	•							R			
Pallet Fork, 60" - 47898507		•	•					R			
Pallet Fork, 48" - 47737923				•	•					R	
Pallet Fork, 48" - 47737924				•	•				R		
Pallet Fork, 60" - 47737927						•	•		R		
FLOATING SHAFT STYLE											
Pallet Fork, 48" - 47737925				•	•					R	
Pallet Fork, 48" - 47737926				•	•				R		
Pallet Fork, 60" - 47737928						•	•		R		

FEATURES

- For handling pallets and construction materials
- Standard brick guard
- Locking position pins (rail style)
- Heat-treated tines, manually adjustable
- 48" tines
- 1-3/4"x 4" tines, 6,000 lb. rated fork capacity
- 2"x 4" tines, 8,440 lb. rated fork capacity



48" Rail Style (XT type)



60" Floating Shaft Style (Z-bar type)

SSL COUPLER

	PART NUMBER	WEIGHT LB
* ROCK BUCKET 75"- 3" tine spacing	87381977	625
* ROCK BUCKET 75"- 2" tine spacing	87381978	680
* ROCK BUCKET 84"- 3" tine spacing	87381979	692
ROCK BUCKET, Heavy Duty, 84"- 3" tine spacing	87381971	1640

*Skid steer compatible – see skid steer section for applicable machine models.

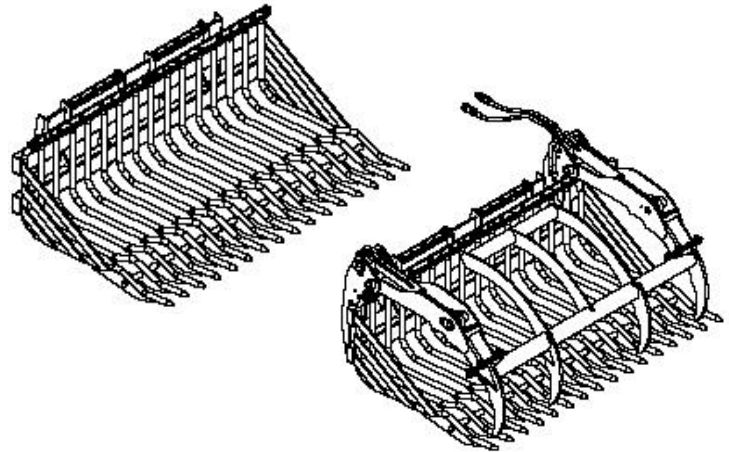
OPTIONAL EQUIPMENT

GRAPPLE ATTACHMENT for 75" and 84" Rock Buckets (Not compatible with Heavy Duty buckets)	87389692	490
---	----------	-----

MODEL COMPATIBILITY	21E	121E	221E	321E	21F	121F	221F	321F	REQ'D EQUIPMENT			
									AUX. HYD.	SSL COUPLER	Z-BAR HORIZ. PIN COUPLER	XT HORIZ. PIN COUPLER
ROCK BUCKET 75"	•				•				O	R		
ROCK BUCKET 84"	•				•				O	R		
ROCK BUCKET, Heavy Duty, 84"		•	•	•		•	•	•		R		

FEATURES

- Designed to hold the collected rocks and debris while leaving the soil
- Tine spacing determines the size of rocks and debris that will be retained while allowing the soil to sift back to the ground
- 2" tine spacing keeps bricks in the bucket for easier clean up around job sites
- The rake design is used to gather material away from buildings and obstructions, for faster clean up of debris, to level out clumps of dirt and pick-up pieces of sod

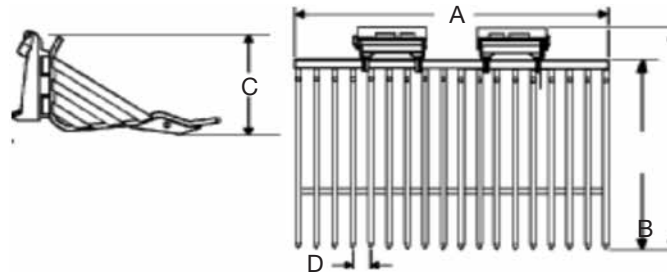


Shown with Optional Grapple

APPLICATIONS

- Rake – Pile – Load debris from construction sites, pastures, fields, etc.

SPECIFICATIONS			
Description	75"	84"	84"HD
A. Overall Width	74.4"	82.9"	84.5"
B. Overall Depth	49.8"	49.8"	51.25"
C. Overall Height	21.8"	21.8"	35.5"
D. Tine Spacing (center to center)	4.25" or 3.15"	4.25"	4.5"
D. Tine Spacing (between tines)	3.1" or 2"	3.1"	3.0"
Number of Tines	18 or 24	20	19
Tine Rod Diameter	1.1"	1.1"	1.62"



SSL COUPLER

Unit includes skid steer mounting bracket, hoses and quick couplers.

	PART NUMBER	WEIGHT LB
*72" ROOT RAKE with grapple	87382368	1100
*78" ROOT RAKE with grapple	87389704	1150
*84" ROOT RAKE with grapple	87389705	1220
84" ROOT RAKE, Heavy Duty with grapple	87382369	1225

*Skid steer compatible – see skid steer section for applicable machine models.

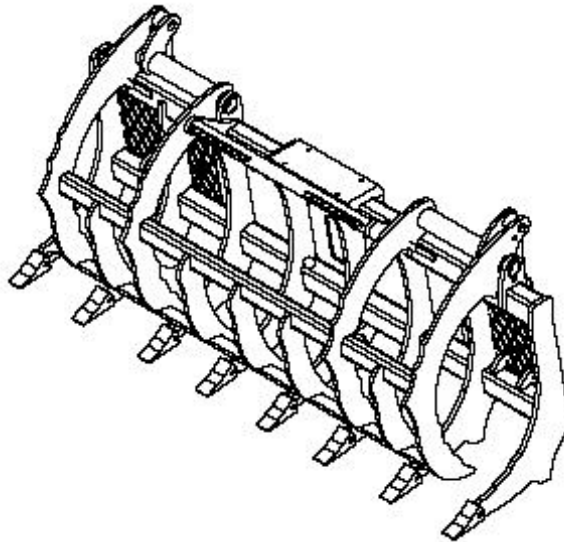
MODEL COMPATIBILITY	21E	121E	221E	321E	21F	121F	221F	321F	REQ'D EQUIPMENT			
									AUX. HYD.	SSL COUPLER	Z-BAR HORIZ. PIN COUPLER	XT HORIZ. PIN COUPLER
72" Root Rake with grapple	•				•				R	R		
78" Root Rake with grapple	•				•				R	R		
84" Root Rake with grapple	•								R	R		
84" Root Rake, HD with grapple		•	•	•	•	•	•	•	R	R		

FEATURES

- Upper push-bar, aggressive profiles with H&L-230 style teeth work together to neatly gather material into a manageable pile
- Zinc plated, greasable, pivot pins with protected grease zerks, and replaceable hardened steel bushings at all pivot locations
- Pilot operated check for positive lock clamping
- Weld-on D-ring for countless applications

APPLICATIONS

- Rake – Pile – Load debris from construction sites, pastures, fields, storm damage, etc.



SSL COUPLER

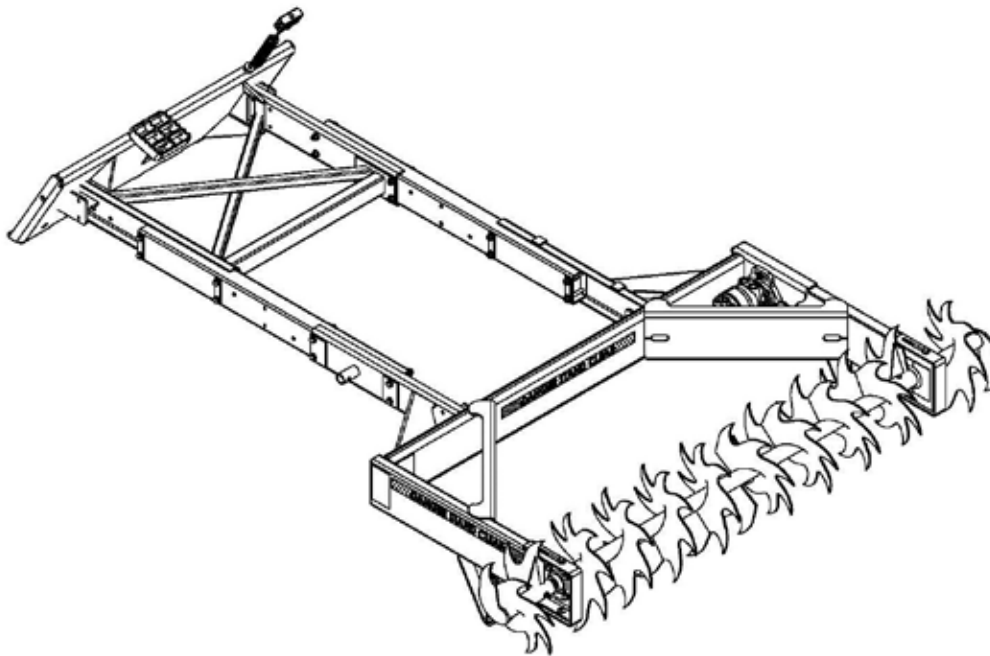
	PART NUMBER	WEIGHT LB
* SILAGE DEFACER	87045796	940

* Skid steer compatible – see skid steer section for applicable machine models.

MODEL COMPATIBILITY	21E	121E	221E	321E	21F	121F	221F	321F	REQ'D EQUIPMENT			
									AUX. HYD.	SSL COUPLER	Z-BAR HORIZ. PIN COUPLER	XT HORIZ. PIN COUPLER
SILAGE DEFACER	•	•	•	•	•	•	•	•	R	R		

FEATURES

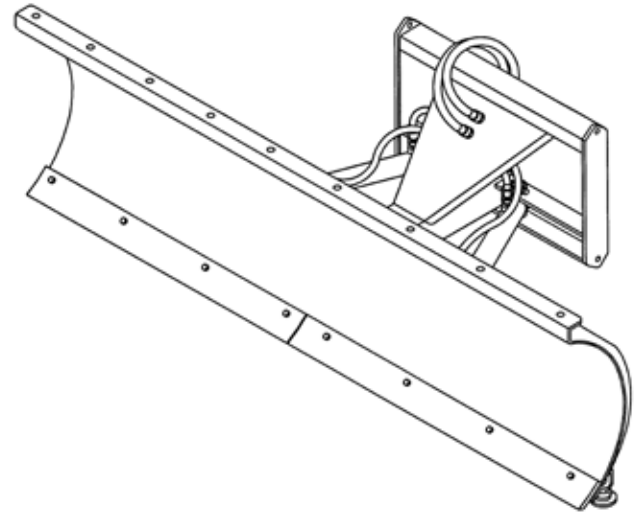
- 3-position, extendable frame. Working heights up to 19', depending on loader lift height, loader capacity and frame position
- Inverted auger style cutter loosens haylage and silage from tightly compacted bunker silos
- Maintains smooth compacted bunker face for reduced spoilage and improved palatability
- Does not reduce haylage stem length for optimum digestibility yielding higher milk production
- Open frame design allows the operator to see the bunker face
- 96" full width cut and inboard mounted drive motor allows defacer to operate closer to bunker walls
- Frame stands protect rotor when running or parked
- Cutter made from abrasion-resistant steel for long life
- Enclosed #80H chain drive with simple chain tension adjustment



SSL COUPLER

Unit includes mounting bracket, hydraulic angling, hoses and quick couplers.

	PART NUMBER	WEIGHT LB
* Snow Blade, 96" with steel edge	442974A1	1175
* Snow Blade, 96" with rubber edge	442978A1	1175
* Snow Blade, 108" with steel edge	442975A1	1250
* Snow Blade, 108" with rubber edge	442979A1	1250
Snow Blade 108" HD with steel edge	87382376	1309
Snow Blade 108" HD with rubber edge	87389801	1319
Snow Blade, 120" HD with steel edge	87382377	1393
Snow Blade, 120" HD with rubber edge	87389802	1403



*Skid steer compatible – see skid steer section for applicable machine models.

OPTIONAL COMPONENTS (Order as needed)

Steel Edge Kit, 96"	47937200	176
Steel Edge Kit, 108"	47937201	192
Steel Edge Kit, 120"	47937202	207
Rubber Edge Kit, 96"	47937205	134
Rubber Edge Kit, 108"	47937206	145
Rubber Edge Kit, 120"	47937207	155
Polyurethane Edge Kit, 96"	47937209	65
Polyurethane Edge Kit, 108"	47937210	70
Polyurethane Edge Kit, 120"	47937212	75
Top Deflector Kit, 96"	47531766	64
Top Deflector Kit, 108"	47531767	66
Top Deflector Kit, 120"	47937216	68
Hyd. Cushion Valve Kit (Protects against damage to angle cylinders. Included on 120" blades.)	47941457	10

MODEL COMPATIBILITY	21E	121E	221E	321E	21F	121F	221F	321F	REQ'D EQUIPMENT			
									AUX. HYD.	SSL COUPLER	Z-BAR HORIZ. PIN COUPLER	XT HORIZ. PIN COUPLER
SNOW BLADE, 96"	•	•			•	•			R	R		
SNOW BLADE, 108"	•	•			•	•			R	R		
SNOW BLADE, 108" HD		•	•	•		•	•	•	R	R		
SNOW BLADE, 120" HD			•	•			•	•	R	R		

FEATURES

- Adjustable skid shoes
- Spring loaded trip protection
- 35° hydraulic angle in either direction
- Replaceable edge
- Flat face hydraulic quick disconnects included
- Hydraulic hoses included
- 31-3/4" blade height
- 10 gauge reinforced moldboard
- Available with factory-installed steel or rubber cutting edge

- Optional polyurethane edge (1" X 6")
- Optional 2-ply rubber snow deflector (.25 X 10")
- Optional hydraulic cushion valve (included on 120" blades)

APPLICATIONS

- Snow removal

REQUIREMENTS FOR OPERATION

- Auxiliary hydraulics
- SSL coupler

SSL COUPLER

	PART NUMBER	WEIGHT LB
* HEAVY DUTY SNOW BUCKET, 96"	87324182	980
* HEAVY DUTY SNOW BUCKET, 108"	87324183	1060

* Skid steer compatible – see skid steer section for applicable machine models.

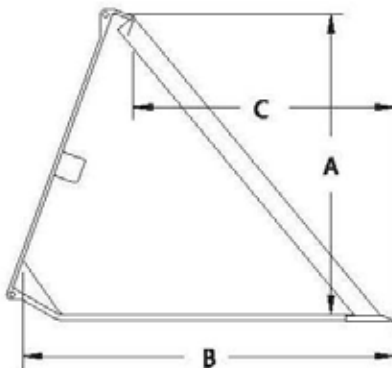
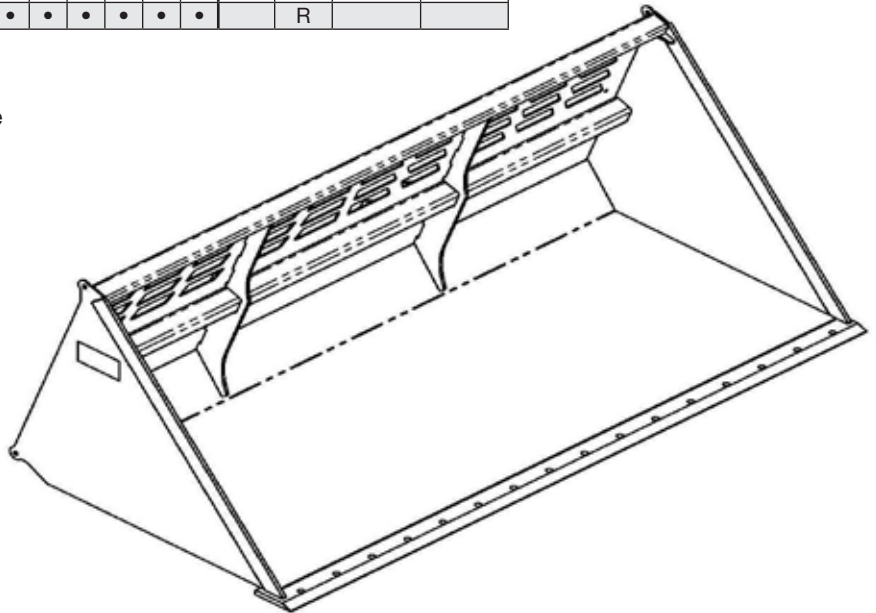
OPTIONAL COMPONENTS (Order as needed)

Bolt-on Cutting edge kit (incl. reversible edge and hardware)		
Bolt-on Cutting edge kit 96"	87324185	161
Bolt-on Cutting edge kit 108"	87324186	181

MODEL COMPATIBILITY	21E	121E	221E	321E	21F	121F	221F	321F	REQ'D EQUIPMENT			
									AUX. HYD.	SSL COUPLER	Z-BAR HORIZ. PIN COUPLER	XT HORIZ. PIN COUPLER
HEAVY DUTY SNOW BUCKET, 96"	•	•	•	•	•	•	•	•		R		
HEAVY DUTY SNOW BUCKET, 108"	•	•	•	•	•	•	•	•		R		

FEATURES

- Move large volumes of snow or other loose material efficiently
- Cut out back plate for improved visibility
- Pre-drilled cutting edges for optional bolt-on edge



SPECIFICATIONS					
	Height 'A'	Depth 'B'	Leading Edge 'C'	Struck	Heaped
96" Heavy Duty	38"	46"	32.5"	1.83 yd ³	2.36 yd ³
108" Heavy Duty	38"	46"	32.5"	2.07 yd ³	2.67 yd ³

SSL COUPLER

	PART NUMBER	WEIGHT LB
SNOW PUSH – 96"	47692548	1220
SNOW PUSH – 120"	47692549	1390

OPTIONAL COMPONENTS – FACTORY INSTALLED (Order as needed)

PULL BACK KIT with rubber edge		
PULL BACK KIT – 96"	47645847	245
PULL BACK KIT – 120"	47645848	300

OPTIONAL COMPONENTS – FIELD INSTALLED (Order as needed)

PULL BACK KIT without rubber edge		
PULL BACK KIT – 96"	47625947	200
PULL BACK KIT – 120"	47625948	250
RUBBER EDGE KIT (Add-on or replacement for pullback kit)		
RUBBER EDGE KIT – 96"	47626034	125
RUBBER EDGE KIT – 120"	47626035	135
RUBBER EDGE KIT (Replacement edge for base push)		
RUBBER EDGE KIT – 96"	47693227	130
RUBBER EDGE KIT – 120"	47693228	150

MODEL COMPATIBILITY	21E	121E	221E	321E	21F	121F	221F	321F	REQ'D EQUIPMENT			
									AUX. HYD.	SSL COUPLER	Z-BAR HORIZ. PIN COUPLER	XT HORIZ. PIN COUPLER
SNOW PUSH – 96"	•	•	•	•	•	•	•	•		R		
SNOW PUSH – 120"			•	•			•	•		R		

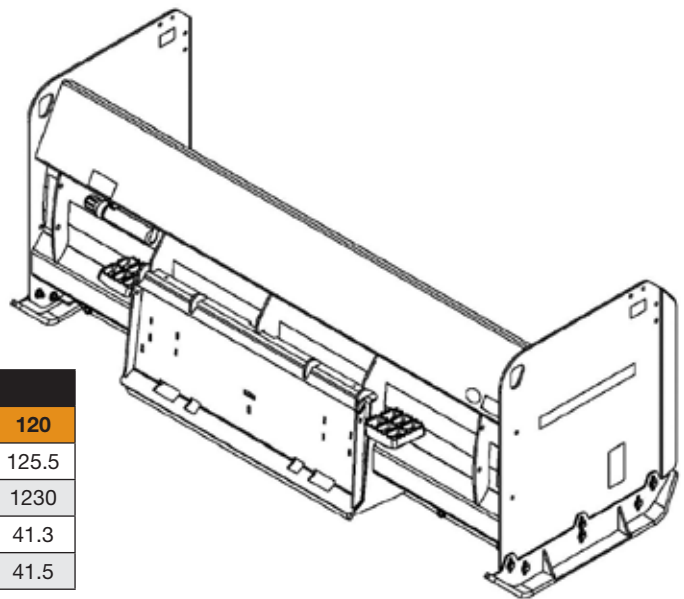
FEATURES

- Moves large volumes of snow efficiently
- Draws back snow from confined areas with optional pull back kit
- Reversible, 1-1/2" x 10" rubber edge on main blade
- Reversible, replaceable 3/4" x 6" wear shoes of abrasion resistant AR400 steel
- 41.3" high x 41.5" deep

APPLICATIONS

- Snow, waste water, manure, feed lot and flood clean-up

SPECIFICATIONS		
Path Width (in)	96	120
Overall Width (in)	101.5	125.5
Operating Wt (lbs)	1100	1230
Height (in)	41.3	41.3
Depth (in)	41.5	41.5



SSL COUPLER

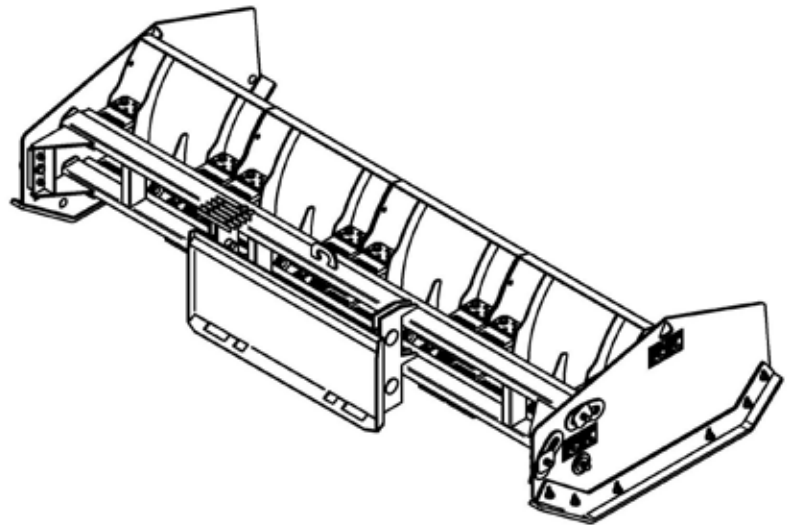
	PART NUMBER	WEIGHT LB
* SECTIONAL SNOW PUSH – 8 FT	48026413	1300
* SECTIONAL SNOW PUSH – 10.5 FT	48026414	1942
SECTIONAL SNOW PUSH – 13 FT	48026415	2200

*Skid steer compatible - see skid steer section for applicable machine models.

MODEL COMPATIBILITY	21E	121E	221E	321E	21F	121F	221F	321F	REQ'D EQUIPMENT			
									AUX. HYD.	SSL COUPLER	Z-BAR HORIZ. PIN COUPLER	XT HORIZ. PIN COUPLER
SECTIONAL SNOW PUSH – 8 FT	•	•	•	•	•	•	•	•		R		
SECTIONAL SNOW PUSH – 10.5 FT			•	•			•	•		R		
SECTIONAL SNOW PUSH – 13 FT				•				•		R		

FEATURES

- Individual moldboard sections and articulating side panels move up and down independently to contour to the pavement, parking curbs and other obstacles, scraping cleanly down to the bare pavement on the first pass
- Interchangeable quick connect coupler mounting system
- Patented Slip-Hitch allows the entire pusher to move up and down independently of the machine pushing it, automatically self-leveling and perfectly adjusting the pusher to the pavement every time
- Individual moldboard sections and articulating side panels skip over curbs and other obstacles up to 9" in height to prevent operator injury and equipment damage
- Every part of the sectional pusher is removable, allowing just the damaged part or component to be replaced
- Hardox 450 hardened steel shoes and cutting edges



APPLICATIONS

- Snow and ice removal
- Moving waste water, manure and feed lot

SPECIFICATIONS			
Model	LD-8	LD-10.5	LD-13
Overall Width – in (m)	96 (2.4)	126 (3.2)	156 (4.0)
Operating Wt – lbs (kg)	1,150 (522)	1,792 (813)	2,050 (930)
Height – in (mm)	32 (813)		
Depth – in (mm)	58 (1473)		
Number of sections	3	4	5

SSL COUPLER

STANDARD AUXILIARY HYDRAULICS AND CONTROL KIT (with rear axle oscillation stops) REQUIRED	PART NUMBER	WEIGHT LB
Internal Frame, 25° Blade Angle, Truncated Spades		
* 3625 Tree Spade	87050390	1640
* 4425 Tree Spade	87050391	1875

*Skid steer compatible – see skid steer section for applicable machine models.

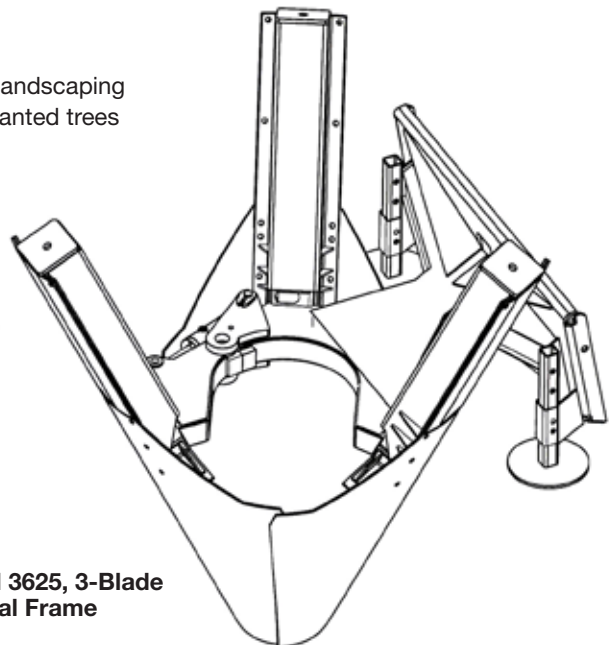
ADDITIONAL COMPONENTS (Order as Needed)

Electrical control package includes magnetically mounted control handle for cab, wire harness to tree spade connector. Includes rear axle stops. Required for Compact Wheel Loader Operation.	87382385	20
---	----------	----

MODEL COMPATIBILITY	21E	121E	221E	321E	21F	121F	221F	321F	REQ'D EQUIPMENT				
									AUX. HYD.	SSL COUPLER	Z-BAR HORIZ. PIN COUPLER	XT HORIZ. PIN COUPLER	REAR AXLE OSCILLATION STOPS
3625 TREE SPADE	•	•	•	•	•	•	•	•	R	R			R
4425 TREE SPADE	•	•	•	•	•	•	•	•	R	R			R

STANDARD FEATURES

- Designed for production tree harvesting, nursery applications and landscaping
- Low profile blade towers to allow machine to fit between closely planted trees
- High strength “T1” steel blade material
- Two year warranty
- Overlapping blades to clear cut roots
- Adjustable blade slides to maintain alignment
- Adjustable blade depth control legs
- Wide gate opening to clear trees easily
- Produces round balls that actually fit wire baskets a available from many vendors
- Built heavy for use at production nurseries and rental centers
- Straight blade design has less resistance in penetrating soil
- Inside frame allows work in tight areas
- Blade towers use high density plastic sides to eliminate greasing
- Produce several uniform ball sizes with 1 set of blades
- Inside frame style allows compressing tree ball in the basket



**Model 3625, 3-Blade
Internal Frame**

CASE
CONSTRUCTION

Wheel Loaders



SINCE 1842

CNI
INDUSTRIAL | GENUINE
PARTS



Brooms, Angle – ACS Coupler	WL-2
Brooms, Angle – JRB Coupler	WL-3
Jib Boom – ACS Coupler	WL-4
Jib Boom – JRB Coupler	WL-5
Onboard Scales	WL-6-7
Snow Push – Sectional	WL-8
Utility Forks – ACS Coupler	WL-9
Utility Forks – JRB Coupler	WL-10

For Wheel Loader 4-in-1 buckets, please see the CASE Ground Engaging Systems Catalog.

ACS COUPLER

Unit includes mounting bracket, poly/wire mixed brush, hoses, quick disconnects and parking stands.

	PART NUMBER	WEIGHT LB
96" ANGLE BROOM	47423920	1887
108" ANGLE BROOM	47423923	1956
120" ANGLE BROOM (621E/F, 721E/F/G)	47423925	2218
120" ANGLE BROOM (821E/F/G)	47423927	2356

OPTIONAL EQUIPMENT

DUST CONTROL KIT with 85 gal. water tank	87606944	155
--	----------	-----

REPLACEMENT BRUSH SETS

POLY/WIRE BRUSH SET for 96" broom	84376840	196
POLY/WIRE BRUSH SET for 108" broom	84376841	220
POLY/WIRE BRUSH SET for 120" broom	84376842	268

ADDITIONAL EQUIPMENT FOR ACS COUPLERS

AUX FUNCTION HOSE/QD KIT for 521E/F/G	84139949	10
AUX FUNCTION HOSE/QD KIT for 521E/F/G XT	84139950	10
AUX FUNCTION HOSE/QD KIT for 621E/F/G	84139951	10
AUX FUNCTION HOSE/QD KIT for 621E/F/G XT	84139952	10
AUX FUNCTION HOSE/QD KIT for 721E/F/G	84139953	10
AUX FUNCTION HOSE/QD KIT for 721E/F/G XT	84139954	10
AUX FUNCTION HOSE/QD KIT for 821E/F/G	84139955	10

MODEL COMPATIBILITY	521E/F/G	521E/F/G XT	521E/F/G XR	621E/F/G	621E/F/G XT	621E/F/G XR	721E/F/G	721E/F/G XT	721E/F/G XR	821E/F/G	821E/F/G XR	REQUIRED EQUIPMENT			
												JRB COUPLER	ACS COUPLER	3rd FUNC. AUX	HOSE/QD KIT
96" ANGLE BROOM	•	•	•										R	R	R
108" ANGLE BROOM	•	•	•	•	•	•							R	R	R
120" ANGLE BROOM				•	•	•	•	•	•				R	R	R
120" ANGLE BROOM										•	•		R	R	R

FEATURES

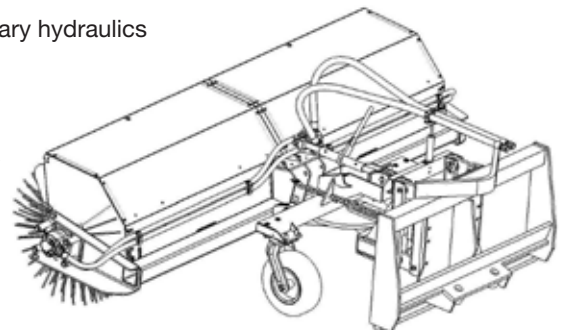
- Parking stands
- Hydraulic angle
- Angles 30° right or left
- 32" brush diameter on 96"/108"
36" brush diameter on 120"
- Adjustable broom head
- Integral nozzle mounting for water application
- 50/50 Poly/wire brush core
- Bolt together hood for simple, less costly replacement, if damaged
- Quick-change brush without breaking hydraulic lines
- Dual hydraulic motors
- Caster wheels
 - Pneumatic 4.80-8 tires on 96"/108"
 - Solid 4.80-8 tires on 120"

APPLICATIONS

- Street cleaning & parking lot maintenance, road maintenance clean-up, bridge deck clean-up, jobsite clean-up
- Snow removal

REQUIREMENTS FOR OPERATION

- 3rd function auxiliary hydraulics
- ACS-compatible quick coupler system
- Aux. Function quick disconnect/hose kit (as shown above)



JRB COUPLER

Unit includes mounting bracket, hoses, quick disconnects and parking stands.

	PART NUMBER	WEIGHT LB
96" ANGLE BROOM	84343747	1774
108" ANGLE BROOM	84343748	1857
120" ANGLE BROOM (621E/F, 721E/F/G)	84343749	2383
120" ANGLE BROOM (821E/F/G)	84343750	2463

OPTIONAL EQUIPMENT (Order as Needed)

DUST CONTROL KIT with 85 gal. water tank	87606944	155
--	----------	-----

REPLACEMENT BRUSH SETS

POLY/WIRE BRUSH SET for 96" broom	84376840	196
POLY/WIRE BRUSH SET for 108" broom	84376841	220
POLY/WIRE BRUSH SET for 120" broom	84376842	268

ADDITIONAL EQUIPMENT FOR JRB COUPLERS

AUX FUNCTION HOSE/QD KIT for 521E/F/G	84139949	10
AUX FUNCTION HOSE/QD KIT for 521E/F/G XT	84139950	10
AUX FUNCTION HOSE/QD KIT for 621E/F/G	84139951	10
AUX FUNCTION HOSE/QD KIT for 621E/F/G XT	84139952	10
AUX FUNCTION HOSE/QD KIT for 721E/F/G	84139953	10
AUX FUNCTION HOSE/QD KIT for 721E/F/G XT	84139954	10
AUX FUNCTION HOSE/QD KIT for 821E/F/G	84139955	10

MODEL COMPATIBILITY	521E/F/G	521E/F/G XT	521E/F/G XR	621E/F/G	621E/F/G XT	621E/F/G XR	721E/F/G	721E/F/G XT	721E/F/G XR	821E/F/G	821E/F/G XR	REQUIRED EQUIPMENT				
												JRB COUPLER	ACS COUPLER	3rd FUNC. AUX	HOSE/QD KIT	
96" ANGLE BROOM	•	•	•										R		R	R
108" ANGLE BROOM	•	•	•	•	•	•							R		R	R
120" ANGLE BROOM				•	•	•	•	•	•				R		R	R
120" ANGLE BROOM										•	•		R		R	R

FEATURES

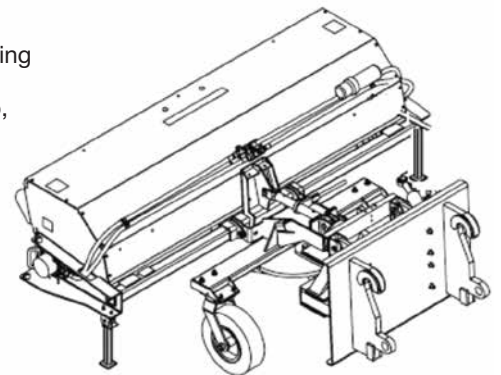
- Parking stands
- Hydraulic angle
- Angles 30° right or left
- 32" brush diameter on 96"/108"
36" brush diameter on 120"
- Adjustable broom head
- Integral nozzle mounting for water application
- 50/50 Poly/wire brush core
- Bolt together hood for simple, less costly replacement, if damaged
- Quick-change brush without breaking hydraulic lines
- Dual hydraulic motors
- Caster wheels
 - Pneumatic 4.80-8 tires on 96"/108"
 - Solid 4.80-8 tires on 120"

APPLICATIONS

- Street cleaning & parking lot maintenance, road maintenance clean-up, bridge deck clean-up, jobsite clean-up
- Snow removal

REQUIREMENTS FOR OPERATION

- 3rd function auxiliary hydraulics
- JRB-compatible quick coupler system
- Aux. Function quick disconnect/hose kit (as shown above)



ACS COUPLER

	PART NUMBER	WEIGHT LB
JIB BOOM, 7' - 11'	47873494	1200
JIB BOOM, 8' - 12'	47873495	2040

MODEL COMPATIBILITY	521E/F/G	521E/F/G XT	521E/F/G XR	621E/F/G	621E/F/G XT	621E/F/G XR	721E/F/G	721E/F/G XT	721E/F/G XR	821E/F/G	821E/F/G XR	921F/G	921F/G XR	REQUIRED EQUIPMENT			
	MAXIMUM OPERATING LOAD SHOWN - LBS.													JRB COUPLER	ACS COUPLER	3rd FUNC. AUX	HOSE/QD KIT
JIB BOOM, 7' - 11' - Extended	2324	2324	2618	3433	3104	3298	4274	3910	4525						R		
JIB BOOM, 7' - 11' - Retracted	3536	3189	3378	4441	3953	4223	5491	4957	5910						R		
JIB BOOM, 8' - 12' - Extended										4793	4213	5667	5043		R		
JIB BOOM, 8' - 12' - Retracted										6104	5283	7198	6307		R		

FEATURES

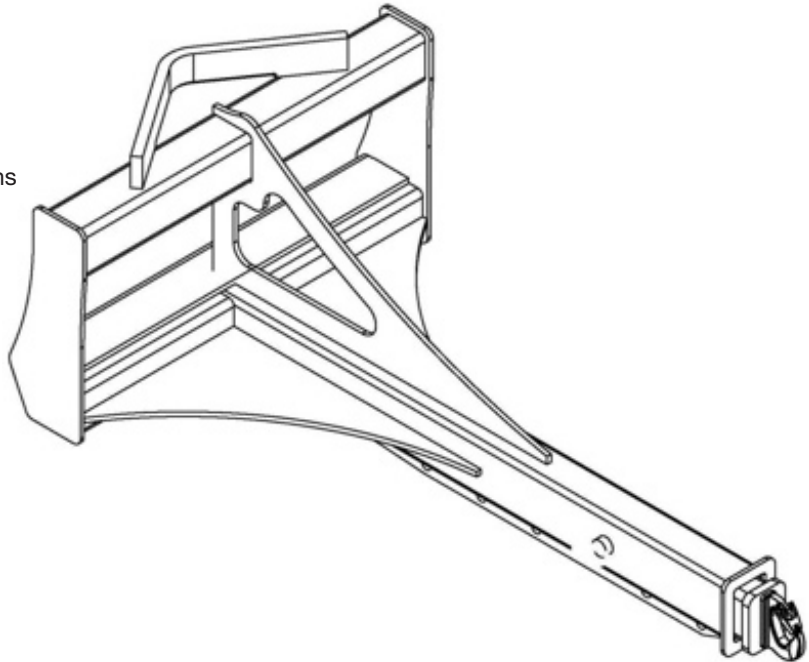
- High strength tubular steel construction
- Easily extendable, one pin manual adjustment
- Versatile lifting loop

APPLICATIONS

- Excellent for long reach material handling applications involving lifting, loading and positioning
- Efficient for handling large diameter, precast pipe
- Time saving attachment for any job site

REQUIREMENTS FOR OPERATION

- ACS-compatible quick coupler system



JRB COUPLER

	PART NUMBER	WEIGHT LB
JIB BOOM, 7' - 11'	47873491	1080
JIB BOOM, 8' - 12'	47873493	1800

MODEL COMPATIBILITY	521E/F/G	521E/F/G XT	521E/F/G XR	621E/F/G	621E/F/G XT	621E/F/G XR	721E/F/G	721E/F/G XT	721E/F/G XR	821E/F/G	821E/F/G XR	921F/G	921F/G XR	REQUIRED EQUIPMENT			
	MAXIMUM OPERATING LOAD SHOWN - LBS.													JRB COUPLER	ACS COUPLER	3rd FUNC. AUX	HOSE/QD KIT
JIB BOOM, 7' - 11' - Extended	2243	2243	2683	3379	3082	3230	4226	3869	4246					R			
JIB BOOM, 7' - 11' - Retracted	3400	3092	3463	4393	3916	4105	5409	4889	5415					R			
JIB BOOM, 8' - 12' - Extended										4686	4121	5544	4937	R			
JIB BOOM, 8' - 12' - Retracted										5940	5147	7010	6150	R			

FEATURES

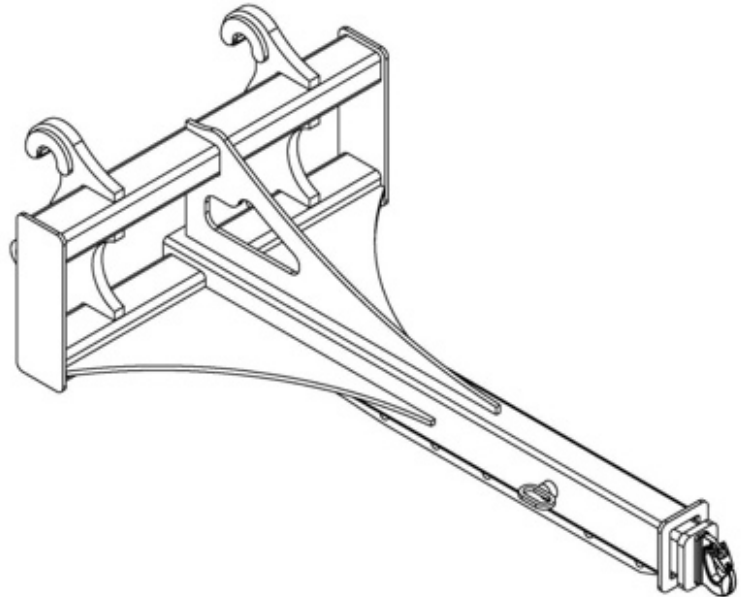
- High strength tubular steel construction
- Easily extendable, one pin manual adjustment
- Versatile lifting loop

APPLICATIONS

- Excellent for long reach material handling applications involving lifting, loading and positioning
- Efficient for handling large diameter, precast pipe
- Time saving attachment for any job site

REQUIREMENTS FOR OPERATION

- JRB-compatible quick coupler system



	PART NUMBER	WEIGHT LB
WEIGHLOG 3030	47920218	15
LOADLOG 800i ONBOARD SCALE PACKAGE	84161857	32
LOADLOG 8000i ONBOARD SCALE PACKAGE	84161858	32
WEIGHLOG Vue	47923056	27

ADDITIONAL EQUIPMENT (Order as needed)

PRINTER PACKAGE for LoadLog 8000i	84161859	1
PRINTER KIT for WL3030 or WL Vue	84316810	1

MODEL COMPATIBILITY	521D/E/F/G	621D/E/F/G	721D/E/F/G	821C/E/F/G	921C/E/F/G	1021F/G	1121F/G	1221E	REQUIRED EQUIPMENT			
									JRB COUPLER.	ACS COUPLER	3rd FUNC. AUX	HOSE/QD KIT
WEIGHLOG 3030	•	•	•	•	•	•	•	•				
LOADLOG 800i	•	•	•	•	•	•	•	•				
LOADLOG 8000i	•	•	•	•	•	•	•	•				
WEIGHLOG Vue	•	•	•	•	•	•	•	•				

APPLICATIONS

- Provides an operational and management record
- Eliminates return trips from the scale of over and under-loaded trucks
- Reduces visits to the weigh scale
- Ensures trucks are correctly loaded the first time
- Improves site safety by eliminating unnecessary vehicle movements
- Weighing 'on the lift' speeds operation, enabling your operators to load more trucks per shift

FEATURES

WL3030

- Easy to use 4.3" color touchscreen display
- Stores up to 30 customers and 30 products
- Load on the go, no stopping the machine or bucket
- Data collection via SD card and USB memory stick
- Single pressure sensor
- Target loads
- Optional printing capability with ICP 300 Printer
- Advanced weighing mode for even greater accuracy
- Large display showing bucket load, target load, customer name, material and time of day



Onboard Scales (Continued next page)

FEATURES

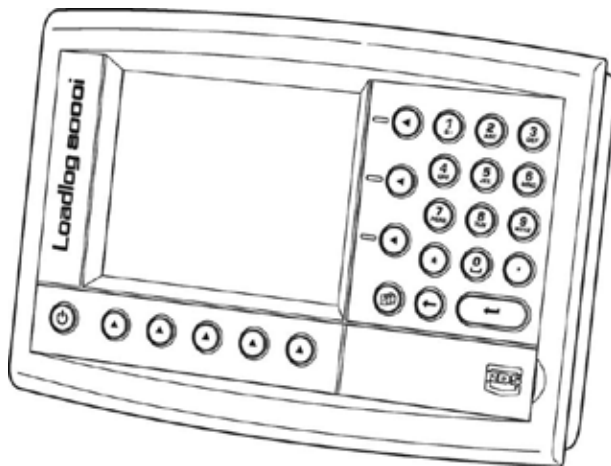
LoadLog 800i

- Automatic, speed-compensated, dynamic weighing
- Static weighing mode
- Accuracy $\pm 2\%$ or better
- Live last bucket tip off facility
- Large display for normal loading operation showing bucket load, target load & time
- Universal mounting bracket allowing adjustment to virtually any angle
- Rugged construction with an integral aluminum chassis enclosed by a heavy-duty ABS case with easy-clean finish
- Multiple attachment calibration
- Overload logging
- Net weighing (container/pallet weighing)
- Backlit LCD graphic display and keypad
- Proven sensor technology

LoadLog 8000i

Same as LoadLog 800i plus:

- Internal database for 200 products and 500 customers
- Display shows additional info: customer name and product
- Batch weighing capability – for uploading pre-programmed blends of materials to produce accurate mixing of batches
- Built in SD Card for data collection
- Telemetry capability
- Printer compatible



FEATURES

WL Vue

- Easy to use 7-inch color touchscreen display
- Data collection via SD card and USB memory stick
- Wireless ready
- Live last bucket tip off at any position
- Load on the go, no stopping the machine or bucket
- Up to 4 pressure sensors
- Target loads
- Optional printing capability with ICP 300 Printer
- Advanced weighing mode for even greater accuracy
- Large display showing bucket load, target load, customer name, material, time of day and more
- Automatic speed compensated dynamic weighing



BASE PUSH (Must order mounting kit for complete unit.)

	PART NUMBER	WEIGHT LB
SECTIONAL SNOW PUSH – 11.5 FT	48026416	3190
SECTIONAL SNOW PUSH – 14 FT	48026417	3592
SECTIONAL SNOW PUSH – 17 FT	48026418	4004

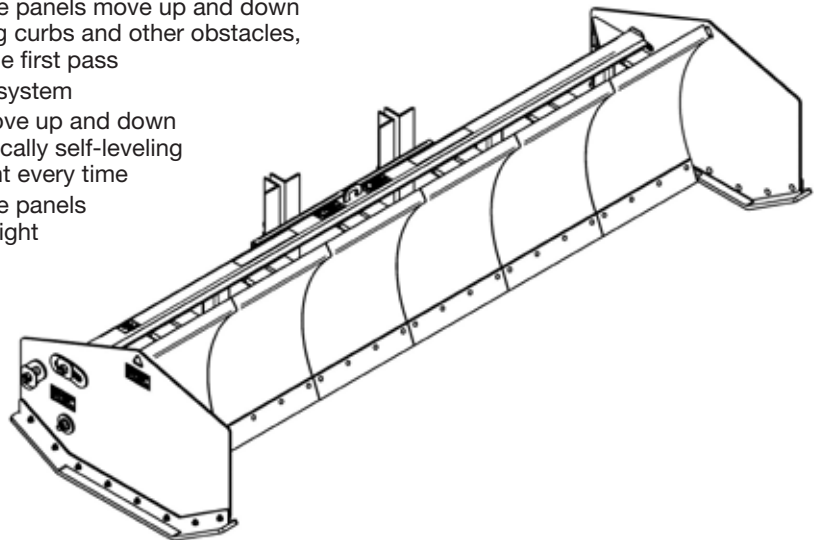
MOUNTING KITS (Must order one for complete unit.)

BUCKET MOUNT (User supplies chains, binders and weld-on D-rings)	48026419	400
COUPLER MOUNT - JRB 416	48026420	300
COUPLER MOUNT - JRB 418	48026421	375

MODEL COMPATIBILITY	521E/F/G 521E/F/G XR	521E/F/G XT	621E/F/G	621E/F/G XR	621E/F/G XT	721E/F/G	721E/F/G XR	721E/F/G XT	821E/F/G	821E/F/G XR	921F/G	921F/G XR	1021F/G	1021F/G XR	1121F/G	1121F/G XR	1221E/F	REQ'D EQUIPMENT		
																		NO COUPLER	JRB COUPLER	ACS COUPLER
SECTIONAL SNOW PUSH – 11.5 FT	•	•	•	•	•	•	•	•	•	•	•	•	•	•	•	•	•			
SECTIONAL SNOW PUSH – 14 FT			•	•	•	•	•	•	•	•	•	•	•	•	•	•	•			
SECTIONAL SNOW PUSH – 17 FT			•	•	•	•	•	•	•	•	•	•	•	•	•	•	•			
BUCKET MOUNT	•	•	•	•	•	•	•	•	•	•	•	•	•	•	•	•	•	R		R
COUPLER MOUNT – JRB 416	•	•	•	•	•	•	•	•											R	
COUPLER MOUNT – JRB 418									•	•									R	

FEATURES

- Individual moldboard sections and articulating side panels move up and down independently to contour to the pavement, parking curbs and other obstacles, scraping cleanly down to the bare pavement on the first pass
- Interchangeable quick connect coupler mounting system
- Patented Slip-Hitch allows the entire pusher to move up and down independently of the machine pushing it, automatically self-leveling and perfectly adjusting the pusher to the pavement every time
- Individual moldboard sections and articulating side panels skip over curbs and other obstacles up to 9" in height to prevent operator injury and equipment damage
- Every part of the sectional pusher is removable, allowing just the damaged part or component to be replaced
- Hardox 450 hardened steel shoes and cutting edges



APPLICATIONS

- Snow and ice removal
- Moving waste water, manure and feed lot

SPECIFICATIONS			
Model	HD-11.5	HD-14	HD-17
Overall Width – in (m)	138 (3.5)	170 (4.3)	202 (5.1)
Operating Wt (w/o hitch) – lbs (kg)	3,190 (1447)	3,592 (1629)	4,004 (1816)
Height – in (mm)	47 (1194)		
Depth – in (mm)	73 (1854)		
Number of sections	4	5	6

ACS COUPLER

	PART NUMBER	WEIGHT LB
UTILITY FORKS 65"x48"	47803653	1650
UTILITY FORKS 65"x60"	47803654	1725
UTILITY FORKS 101"x72"	47803655	2900

MODEL COMPATIBILITY (MAXIMUM OPERATING LOAD SHOWN @ LOAD CENTER INDICATED - LB/YD ³)	521E/F/G	521E/F/G XT	521E/F/G XR	621E/F/G	621E/F/G XT	621E/F/G XR	721E/F/G	721E/F/G XT	721E/F/G XR	821E/F/G	821E/F/G XR	921F/G	921F/G XR	REQUIRED EQUIPMENT				
	47803653			47803654				47803655						JRB COUPLER	ACS COUPLER	3rd FUNC. AUX	HOSE/QD KIT	
	24" LOAD CENTER			30" LOAD CENTER				36" LOAD CENTER										
UTILITY FORKS, 65" x 48" Rough Terrain	6036	5665	5283													R		
UTILITY FORKS, 65" x 48" Firm & Level	8048	7554	7044													R		
UTILITY FORKS, 65" x 60" Rough Terrain				6989	6760	6041	8618	8037	7591							R		
UTILITY FORKS, 65" x 60" Firm & Level				9319	9013	8054	11491	10716	10121							R		
UTILITY FORKS, 101" x 72" Rough Terrain										9776	8182	11530	9787			R		
UTILITY FORKS, 101" x 72" Firm & Level										13035	10909	15373	13049			R		

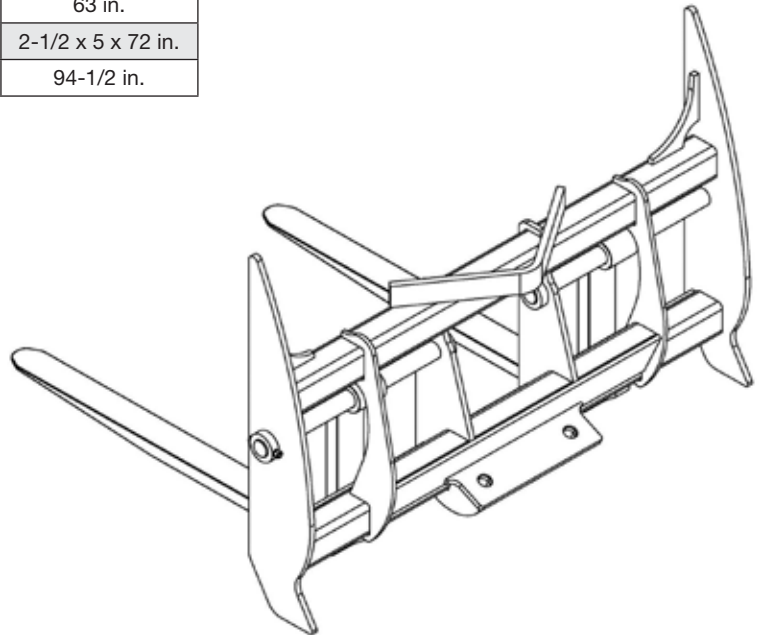
SPECIFICATIONS			
	47803653	47803654	47803655
Frame Width	65 in.	65 in.	101 in.
Tine Length	48 in.	60 in.	72 in.
Frame Height	58 in.	58 in.	63 in.
Tine Size	2 x 5 x 48 in.	2-1/2 x 5 x 60 in.	2-1/2 x 5 x 72 in.
Max. Width Over Tines	58-1/2 in.	58-1/2 in.	94-1/2 in.

FEATURES

- Heat-treated, high tensile strength, forged tines
- Low profile design for maximum visibility to tine tips
- Designed for standard duty / pallet applications
- Tapered tines for easy loading and unloading
- Exceed ISO 2330 and ASME standards

REQUIREMENTS FOR OPERATION

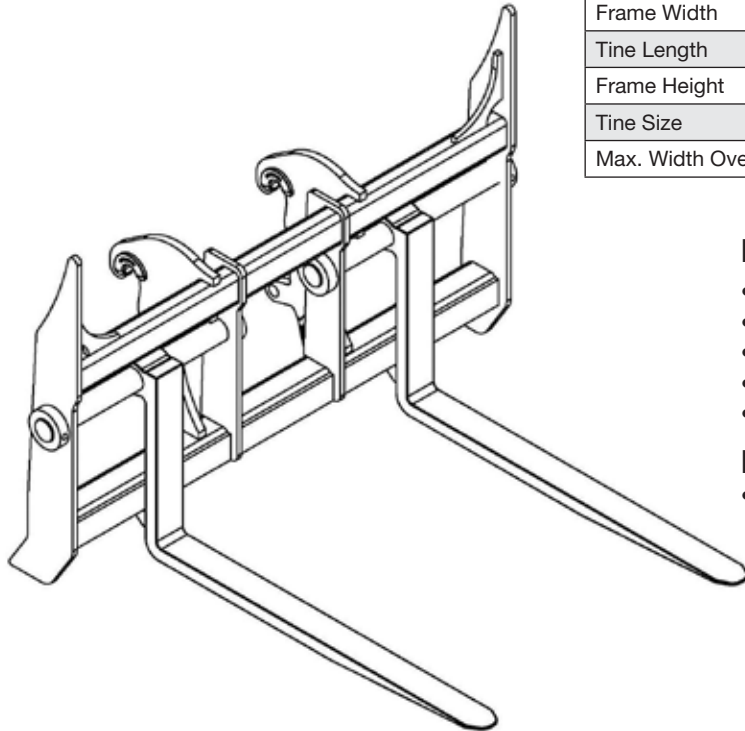
- ACS-compatible quick coupler system



JRB COUPLER

	PART NUMBER	WEIGHT LB
UTILITY FORKS, 65" x 48"	47803650	1650
UTILITY FORKS, 65" x 60"	47803651	1725
UTILITY FORKS, 101" x 72"	47803652	2700

MODEL COMPATIBILITY (MAXIMUM OPERATING LOAD SHOWN @ LOAD CENTER INDICATED - LB/YD ³)	521E/F/G	521E/F/G XT	521E/F/G XR	621E/F/G	621E/F/G XT	621E/F/G XR	721E/F/G	721E/F/G XT	721E/F/G XR	821E/F/G	821E/F/G XR	921F/G	921F/G XR	REQUIRED EQUIPMENT			
	47803650			47803651						47803652				JRB COUPLER	ACS COUPLER	3rd FUNC. AUX	HOSE/QD KIT
	24" LOAD CENTER			30" LOAD CENTER						36" LOAD CENTER							
UTILITY FORKS, 65" x 48" Rough Terrain	5626	5313	5064											R			
UTILITY FORKS, 65" x 48" Firm & Level	7634	7084	6752											R			
UTILITY FORKS, 65" x 60" Rough Terrain				6869	6048	5951	8173	7901	7434					R			
UTILITY FORKS, 65" x 60" Firm & Level				9159	8064	7935	10897	10534	9912					R			
UTILITY FORKS, 101" x 72" Rough Terrain										9375	7823	11089	9397	R			
UTILITY FORKS, 101" x 72" Firm & Level										12500	10431	14785	12530	R			



SPECIFICATIONS			
	47803650	47803651	47803652
Frame Width	65 in.	65 in.	101 in.
Tine Length	48 in.	60 in.	72 in.
Frame Height	58 in.	58 in.	63 in.
Tine Size	2 x 5 x 48 in.	2-1/2 x 5 x 60 in.	2-1/2 x 5 x 72 in.
Max. Width Over Tines	58-1/2 in.	58-1/2 in.	94-1/2 in.

FEATURES

- Heat-treated, high tensile strength, forged tines
- Low profile design for maximum visibility to tine tips
- Designed for standard duty / pallet applications
- Tapered tines for easy loading and unloading
- Exceed ISO 2330 and ASME standards

REQUIREMENTS FOR OPERATION

- JRB-compatible quick coupler system

CASE
CONSTRUCTION

Mini Excavators



SINCE 1842

CNI
INDUSTRIAL

GENUINE
PARTS



Auger	MHEX-2-4
Hydraulic Compactor	MHEX-5
Hydraulic Hammer	MHEX-6-8

Base Drive Unit packages include drive head, hoses and hydraulic quick disconnects. Must order mount bracket separately for specific excavator model, plus dipper quick disconnect kit and auger bits.

	PART NUMBER	WEIGHT LB
X975H200 AUGER DRIVE UNIT – 2" hex output shaft	87050963	168
X975R256 AUGER DRIVE UNIT – 2-9/16" round output shaft	87050964	168
X1475H200 AUGER DRIVE UNIT – 2" hex output shaft	87050965	170
X1475R256 AUGER DRIVE UNIT– 2-9/16" round output shaft	87050966	170

ADDITIONAL COMPONENTS

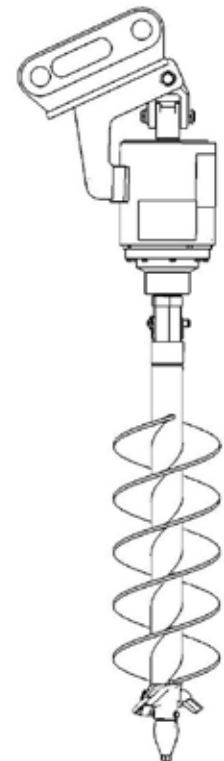
(Cradle or pendulum mount and dipper quick disconnect kit required for complete unit)

Quick Disconnect Kit (includes male and female quick disconnects for dipper shut-off)		
Dipper Quick Disconnect kit (B-series and prior)	47451218	5
Dipper Quick Disconnect kit (C-series, stop valve connection)	48080817	5
Dipper Quick Disconnect kit (C-series, bulkhead connection)	48080818	5
Pendulum Mount Brackets		
Pendulum Mount for CX14/CX17B/CX17C	87050968	57
Pendulum Mount for CX25/CX27B/CX26C/CX30C	87050969	57
Pendulum Mount for CX31/CX31B/CX36/CX36B, CX33C/CX37C	87050970	58
Pendulum Mount for CX47,CX50/CX50B,CX55B/CX57C/CX60C	87050971	61
Cradle Mount Brackets		
Cradle Mount for CX14/CX17B/CX17C	48080864	93
Cradle Mount - Universal for all models (requires pin/bushing insert kit, mounting adapter or Klac adapter)	48080865	124
Pin/Bushing/Insert Kit for CX14/CX17B	47451172	45
Pin/Bushing/Insert Kit for CX25/CX27B	47451173	45
Pin/Bushing/Insert Kit for CX31/CX36/CX31B/CX36B	47451174	45
Pin/Bushing/Insert Kit for CX47/CX50B/CX55B	47451175	45
Pin/Bushing/Insert Kit for CX17C	48058049	31
Pin/Bushing/Insert Kit for CX26C/CX30C	48058050	36
Pin/Bushing/Insert Kit for CX33C/CX37C	48058051	36
Pin/Bushing Kit for CX57C/CX60C (Direct pin-on only)	48120314	20
Mounting Adapter for CX57C/CX60C (Use with mech or hyd pin grabber coupler)	48058052	151
Klac Coupler adapter for CX14/CX17B/CX17C	47451195	161
Klac Coupler adapter for CX25/CX27B/CX26C/CX30C	47451196	176
Klac Coupler adapter for CX31/CX36/CX31B/CX36B/CX47/ CX50B/CX55B/CX33C/CX37C/CX57C/CX60C	47451197	203

Pendulum Mount



Cradle Mount



AUGER OPTIONS

HDF STYLE AUGERS	PART NUMBER	WEIGHT LB
2-9/16" Round Coupler		
6" X 4' AUGER	9863606	40
9" X 4' AUGER	9863607	86
12" X 4' AUGER	9863608	115
15" X 4' AUGER	9863609	136
18" X 4' AUGER	9863610	176
24" X 4' AUGER	9863611	278
HDF STYLE AUGERS	PART NUMBER	WEIGHT LB
2" Hex Coupler		
6" X 4' AUGER	9863626	40
9" X 4' AUGER	9863627	86
12" X 4' AUGER	9863628	115
15" X 4' AUGER	9863629	136
18" X 4' AUGER	9863630	176
24" X 4' AUGER	9863631	278
HDC STYLE AUGERS	PART NUMBER	WEIGHT LB
2-9/16" Round Coupler		
6" X 4' AUGER	9863614	45
9" X 4' AUGER	9863615	98
12" X 4' AUGER	9863616	128
15" X 4' AUGER	9863617	139
18" X 4' AUGER	9863618	204
24" X 4' AUGER	9863619	272
HDC STYLE AUGERS	PART NUMBER	WEIGHT LB
2" Hex Coupler		
6" X 4' AUGER	9863634	45
9" X 4' AUGER	9863635	98
12" X 4' AUGER	9863636	128
15" X 4' AUGER	9863637	139
18" X 4' AUGER	9863638	204
24" X 4' AUGER	9863639	272
HTF STYLE AUGERS	PART NUMBER	WEIGHT LB
2-9/16" Round Coupler		
18" X 4' AUGER	9863622	144
24" X 4' AUGER	9863623	198
HTF STYLE AUGERS	PART NUMBER	WEIGHT LB
2" Hex Coupler		
18" X 4' AUGER	9863642	144
24" X 4' AUGER	9863643	198
AUGER EXTENSIONS AND ADAPTERS	PART NUMBER	WEIGHT LB
2" HEX FEMALE TO 2-9/16" ROUND MALE	9863646	16
2-9/16" ROUND FEMALE TO 2" HEX MALE	9863647	15
12" EXTENSION, 2-9/16" ROUND	87042598	21
24" EXTENSION, 2-9/16" ROUND	87042600	39
12" EXTENSION, 2" HEX	87042601	20
24" EXTENSION, 2" HEX	87042602	32
48" EXTENSION, 2" HEX	84514060	57

Auger Options (Continued next page)

MODEL COMPATIBILITY	CX17C	CX26C CX30C	CX33C	CX37C	CX57C	CX60C	REQ. EQUIPMENT		
	CX14 CX17B	CX25 CX27B	CX31 CX31B	CX36 CX36B	CX47/CX50 CX50B	CX55B	DIPPER AUX	MOUNT BRACKET	DIPPER QD KIT
X975 AUGER DRIVE	•	•					R	R	R
X1475 AUGER DRIVE		•	•	•	•	•	R	R	R

SPECIFICATIONS		
	X975	X1475
Flow (gpm)	6-15	10-25
RPM @ max flow	92	96
Max torque @ max flow and pressure (ft-lb)	1500	2377
Planetary Gear Reduction	3.8:1	3.8:1
Max auger diameter	24"	24"
Output shaft	2-9/16" Round	2-9/16" Round
	2" Hex	2" Hex
Warranty - Gearbox	5 Years	5 Years
Warranty - Other, (non-wear)	1 Year	1 Year

FEATURES

- Hydraulic relief valve protects the units from damage when the auger hits large obstruction
- Extensions and adapters available
- The heavy duty all gear design gives these units a long life with minimal maintenance and service costs.
- Drive units are completely sealed with all moving components running in oil for total lubrication on a constant basis

APPLICATIONS

- Fencing, construction, nursery and landscaping

REQUIREMENTS FOR OPERATION

- Standard auxiliary hydraulics
- Cradle mount or pendulum mount bracket
- Dipper quick disconnect kit
- Auger bit



HDF STYLE AUGERS

For light to moderate ground conditions

- Fabricated boring head
- Hardened, bolt-on teeth
- Hardened "fishtail" point
- HD double flighting
- 4' overall length



HDC STYLE AUGERS

For difficult ground conditions, compacted soils, heavy clay, asphalt, frozen ground, fracturable rock

- HD cast boring head
- Hardened, drive-in teeth
- Hardened "fishtail" point
- HD double flighting
- 4' overall length



HTF STYLE AUGERS

For tree and shrub planting

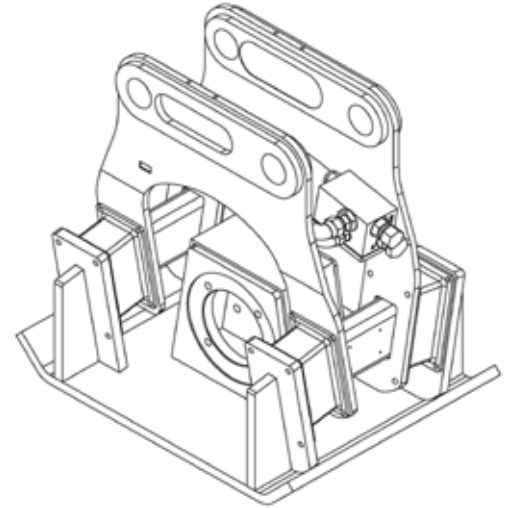
- Fabricated boring head
- Two-diameter design
- Hardened, bolt-on teeth
- Hardened "fishtail" point
- HD double flighting
- 4' overall length

Unit includes compactor unit, hoses and quick disconnects.

	PART NUMBER	WEIGHT LB
SC-30T HYDRAULIC COMPACTOR	47808593	450

ADDITIONAL COMPONENTS (Pin/bushing/insert kit or mount adapter and quick disconnect kit required for complete unit)

Quick Disconnect Kit (includes male and female quick disconnects for dipper)		
Dipper Quick Disconnect kit (B-series and prior)	47451218	5
Dipper Quick Disconnect kit (C-series, stop valve connection)	48080817	5
Dipper Quick Disconnect kit (C-series, bulkhead connection)	48080818	5
Pin and Bushing Kits		
Pin/Bushing/Insert Kit for CX31/CX36/CX31B/CX36B	47451174	45
Pin/Bushing/Insert Kit for CX47/CX50B/CX55B	47451175	45
Pin/Bushing/Insert Kit for CX33C/CX37C	48058051	36
Pin/Bushing Kit for CX57C/CX60C (Direct pin-on only)	48120314	20
Mounting Adapter for CX57C/CX60C (Use with mech or hyd pin grabber coupler)	48058052	151
Klacc Coupler adapters (Pin and Bushing kits not required for these applications)		
Klacc Coupler adapter for CX31/CX36/CX31B/CX36B/CX47/ CX50/CX50B/CX55B/CX33C/CX37C/CX57C/CX60C	47451197	203



MODEL COMPATIBILITY	CX17C	CX26C CX30C	CX33C CX37C	CX57X CX60C	REQ. EQUIPMENT		
	CX14 CX17B	CX25 CX27B	CX31 CX31B CX36 CX36B	CX47 CX50 CX50B CX55B	DIPPER AUX	MOUNT BRACKET	DIPPER QD KIT
SC-30T HYDRAULIC COMPACTOR			•	•	R	R	R

FEATURES

- Direct-drive, heavy-duty gear motor
- Rubber shock mounts
- Box section base plate construction
- Angled shock mount suspension
- Thick formed base plate
- Flow control to prevent over speeding
- Virtually zero-maintenance oil bathed bearings
- Readily adaptable to other compact excavator brands
- 2 year limited warranty

APPLICATIONS

- Utilities, construction, road maintenance
- Ideal for slope compaction

REQUIREMENTS FOR OPERATION

- Uni- or bi-directional auxiliary hydraulics
- Pin/bushing/insert kit, mounting adapter or Klacc adapter for specific model
- Dipper quick disconnect kit

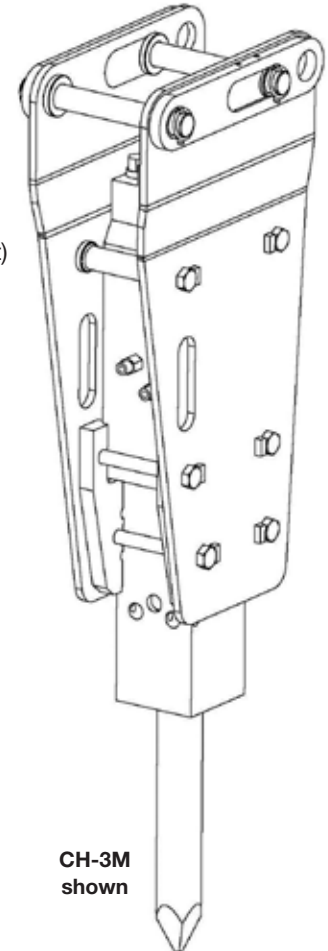
SPECIFICATIONS	
	SC-30T
Impulse force	3,400 lbs (1540 kg)
Cycles per min.	2100
Operating weight	400 lbs (181 kg)
Base plate size	19 x 20 in (483 x 508 mm)
Input flow	10-25 gpm (38-95 l/min)
Operating Pressure	1500-2100 psi (103-145 bar)

Unit includes hammer body, hoses, quick disconnects, side plates andmoil point.

	PART NUMBER	WEIGHT LB
CH-1M HYDRAULIC HAMMER (includes pins)	47451184	237
CH-2M HYDRAULIC HAMMER	47451185	347
CH-3M HYDRAULIC HAMMER	47451186	512
CH-4M HYDRAULIC HAMMER	47451187	615
CH-5M HYDRAULIC HAMMER	47451188	743

ADDITIONAL COMPONENTS (Pin/bushing and quick disconnect kits required for complete unit)

Quick Disconnect Kit (includes male and female quick disconnects for dipper connection)		
Dipper Quick Disconnect kit (B-series and prior)	47451218	5
Dipper Quick Disconnect kit (C-series, stop valve connection)	48080817	5
Dipper Quick Disconnect kit (C-series, bulkhead connection)	48080818	5
Pin and Bushing Kits		
Pin/Bushing/Insert Kit for CX14/CX17B (use for CH-2M only)	47451172	45
Pin/Bushing/Insert Kit for CX25/CX27B	47451173	45
Pin/Bushing/Insert Kit for CX31/CX36/CX31B/CX36B	47451174	45
Pin/Bushing/Insert Kit for CX47/CX50B/CX55BX	47451175	45
Pin/Bushing/Insert Kit for CX17C (use for CH-2M only)	48058049	31
Pin/Bushing/Insert Kit for CX26C/CX30C	48058050	36
Pin/Bushing/Insert Kit for CX33C/CX37C	48058051	36
Pin/Bushing Kit for CX57C/CX60C (Direct pin-on only)	48120314	20
Mounting Adapter for CX57C/CX60C (Use with mech or hyd pin grabber coupler)	48058052	151
Klac Coupler adapters (Pin and Bushing kits not required for these applications)		
Klac Coupler adapter for CX14/CX17B/CX17C (use for CH-2M only)	47451195	161
Klac Coupler adapter for CX25/CX27B/CX26C/CX30C	47451196	176
Klac Coupler adapter for CX31/CX36/CX31B/CX36B/CX47/CX50B/ CX55BX/CX33C/CX37C/CX57C/CX60C	47451197	203
Lubrication System (Optional)		
Auto Lube Kit - fits CH-1M to CH-5M	47766709	9



CH-3M shown

ADDITIONAL COMPONENTS for CH-1M (Order as needed)

Moil Point (1 included with base hammer)	47451178	13
Chisel Point	47451179	13
Blunt Point	47451180	13

ADDITIONAL COMPONENTS for CH-2M (Order as needed)

Moil Point (1 included with base hammer)	47451007	15
Chisel Point	47451008	17
Blunt Point	47451009	17
Frost Wedge (2.0" wide)	47451010	22
Asphalt Cutter (6" wide)	47451011	36
Tamping pad (8" X 8")	47451012	43

Hydraulic Hammers (Continued next page)

ADDITIONAL COMPONENTS for CH-3M (Order as needed)

Moil Point (1 included with base hammer)	47451018	26
Chisel Point	47451019	26
Blunt Point	47451021	28
Frost Wedge (2.3" wide)	47451022	39
Asphalt Cutter (6" wide)	47451023	36
Tamping pad (12" X 12")	47451024	119

ADDITIONAL COMPONENTS for CH-4M (Order as needed)

Moil Point (1 included with base hammer)	47451026	33
Chisel Point	47451027	33
Blunt Point	47451028	36
Frost Wedge (2.5" wide)	47451029	42
Asphalt Cutter (6" wide)	47451030	42
Tamping pad (12" X 12")	47451031	126

ADDITIONAL COMPONENTS for CH-5M (Order as needed)

Moil Point (1 included with base hammer)	47451037	48
Chisel Point	47451039	53
Blunt Point	47451040	51
Asphalt Cutter (6" wide)	47451041	71
Tamping pad (12" X 12")	47451042	130



SPECIFICATIONS					
	CH-1M	CH-2M	CH-3M	CH-4M	CH-5M
Impact class (ft-lb)	150	250	350	550	825
Blows per min.	930-1300	600-1150	550-1000	580-1060	550-1000
Operating wt. – lbs. (kg)	240 (109)	348 (158)	502 (228)	561 (273)	733 (332)
Tool diam. – in. (mm)	1.8 (45)	2.0 (51)	2.3 (58)	2.5 (64)	3.0 (76)
Input flow – gpm (l/min)	5.3-7.9 (20-30)	5.3-9.2 (20-35)	6.6-12 (25-45)	8-14.5 (30-55)	9.2-16 (35-61)

MODEL COMPATIBILITY	CX17C	CX26C CX30C	CX33C CX37C	CX57C CX60C	REQ. EQUIPMENT		
	CX14 CX17B	CX25 CX27B	CX31 CX31B CX36 CX36B	CX47 CX50 CX50B CX55B	DIPPER AUX	PIN/BUSHING KIT OR KLAC ADAPTER	QD KIT
CH-1M HYDRAULIC HAMMER	•				R	R	R
CH-2M HYDRAULIC HAMMER	•	•			R	R	R
CH-3M HYDRAULIC HAMMER		•	•	•	R	R	R
CH-4M HYDRAULIC HAMMER			•	•	R	R	R
CH-5M HYDRAULIC HAMMER				•	R	R	R

Hydraulic Hammers (Continued next page)

FEATURES

- Only 2 moving parts (piston and control valve) means less maintenance
- Will not dry-fire
- Low pressure gas charge
- Low recoil
- Low hydraulic surge
- Dual tool retainer pins
- Hoses and quick disconnects included
- Moil Point included
- Gas recharge kit included
- Operation/Service Parts Manual
- 3 Year Warranty

APPLICATIONS

- Demolition, construction, utilities, road maintenance

REQUIREMENTS FOR OPERATION

- Standard auxiliary hydraulics
- Pin/bushing/insert kit, mounting adapter or Klac adapter for specific model
- Dipper quick disconnect kit

HAMMER ORDERING GUIDE				
Base Unit Model	Dipper QD Kit	Pin/Bushing/Insert kit or KLAC Adapter	Hammer Model	Points
CX14 CX17B	Dipper QD Kit 47451218	Pin/Bushing/Insert kit 47451172 or KLAC Adapter 47451195	CH-1M 47451184	Optional points
CX25 CX27B		Pin/Bushing/Insert kit 47451173 or KLAC Adapter 47451196	CH-2M 47451185	Optional points
CX31 CX31B CX36 CX36B		Pin/Bushing/Insert kit 47451174 or KLAC Adapter 47451197	CH-3M 47451186	Optional points
CX47 CX50 CX50B CX55B		Pin/Bushing/Insert kit 47451175 or KLAC Adapter 47451197	CH-4M 47451187 CH-5M 47451188	Optional points Optional points
CX17C	Dipper QD Kit 48080817 or 48080818	Pin/Bushing/Insert kit 48058049 or KLAC Adapter 47451195	CH-1M 47451184	Optional points
CX26C CX30C		Pin/Bushing/Insert kit 48058050 or KLAC Adapter 47451196	CH-2M 47451185	Optional points
CX33C CX37C		Pin/Bushing/Insert kit 48058051 or KLAC Adapter 47451197	CH-3M 47451186	Optional points
CX57C CX60C		Pin/Bushing kit 48120314 (Direct fit only) or Mounting Adapter 48058052 (mech or hyd pin grabber coupler) or KLAC Adapter 47451197 (Klacc coupler)	CH-4M 47451187 CH-5M 47451188	Optional points Optional points



Excavators



SINCE 1842





Guard Kit, Front Window	EX-2
Hydraulic Compactor	EX-3
Hydraulic Hammer	EX-4-6
Hammer Ordering Guide	EX-7

Complete kit includes frame, guard and mounting hardware.

	PART NUMBER	WEIGHT LB
FRONT WINDOW GUARD, STEEL MESH – SR MODELS	51427322	305
FRONT WINDOW GUARD, LEXAN – SR MODELS	51427323	340
FRONT WINDOW GUARD, STEEL MESH	51427324	310
FRONT WINDOW GUARD, LEXAN	51427325	345

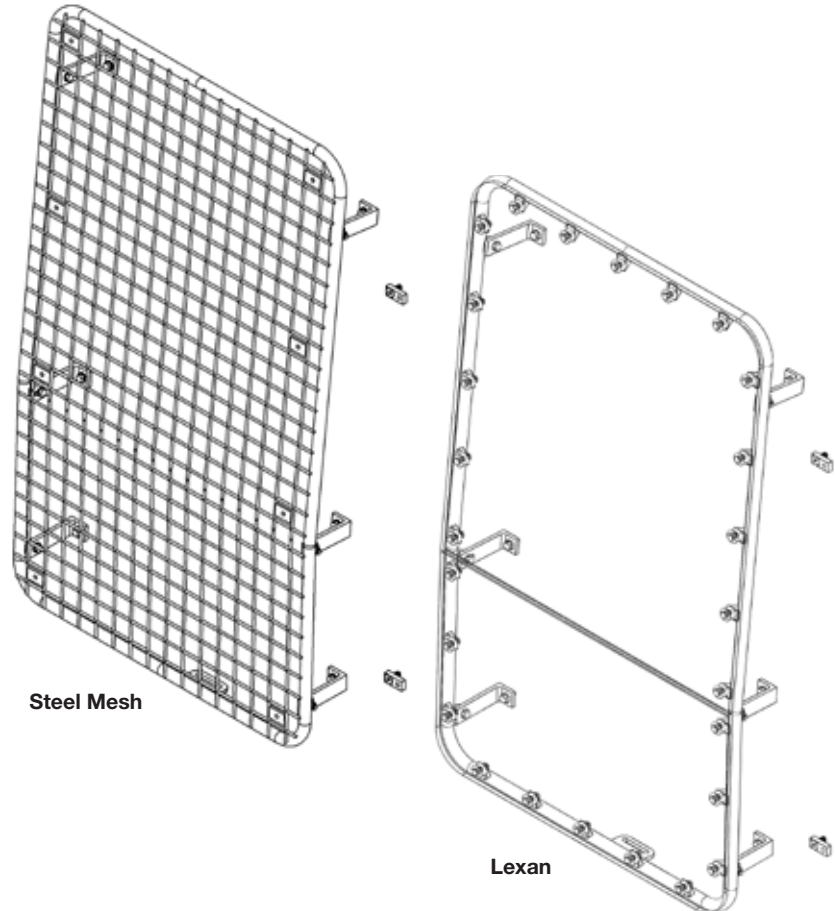
MODEL COMPATIBILITY	CX75C SR CX80C	CX145C/D SR	CX130C/D	CX160C/D	CX210C/D	CX235C SR CX245D SR	CX250C/D	CX300C/D	CX350C/D	CX470C CX490D	REQ'D EQUIPMENT		
											AUX HYD	HOSE KIT	TOP CAP
FRONT WINDOW GUARD, STEEL MESH – SR MODELS – 51427322	•	•				•							
FRONT WINDOW GUARD, LEXAN – SR MODELS – 51427323	•	•				•							
FRONT WINDOW GUARD, STEEL MESH – 51427324			•	•	•		•	•	•	•			
FRONT WINDOW GUARD, LEXAN – 51427325			•	•	•		•	•	•	•			

FEATURES

- Provides additional layer of protection for the front window from flying debris
- Tubular frame for added strength
- Bolt on design for quick and easy installation (average installation time: two hours)
- 6" spacer to allow easy access to the windshield
- Welded tabs for added strength
- High strength 10.8 class bolts
- Crimped woven mesh gives you longer life (¼" wire, 2" x 2" mesh)
- LEXAN sheet versions available for added protection (½" thick)
- Steel components are powder coated to protect from corrosion
- Includes detailed installation instructions and drawings
- One year/2,000 hour warranty
- Window guards are intended to protect window/glass, and are not certified ROPS guards; and do not meet OSHA Level 2 standards

APPLICATIONS

- Construction
- Demolition
- Land clearing/maintenance

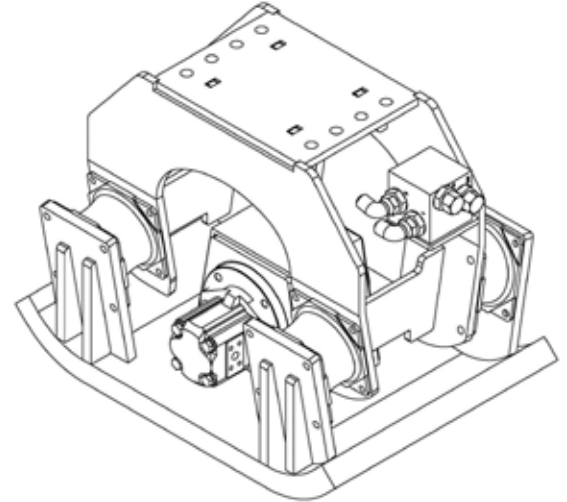


Unit includes compactor unit and hoses.

	PART NUMBER	WEIGHT LB
SC-60 HYDRAULIC COMPACTOR	47808607	900
SC-80 HYDRAULIC COMPACTOR	47808614	1025
SC-110 HYDRAULIC COMPACTOR	47808615	1475
SC-220 HYDRAULIC COMPACTOR	47808616	2250

ADDITIONAL COMPONENTS (Top cap required for complete unit)

TOP CAP – CX75C SR, CX80C	47808620	254
TOP CAP – CX130C/D, CX145C/D SR	47808621	409
TOP CAP – CX160C/D	47808622	453
TOP CAP – CX210C/D, CX235C SR, CX245D SR	47808624	631
TOP CAP – CX250C/D	47808625	744
TOP CAP – CX300C/D	47808629	811
TOP CAP – CX350C/D	47808631	1054



MODEL COMPATIBILITY	CX75C SR CX80C	CX130C/D CX145C/D SR	CX160C/D	CX210C/D	CX235C SR CX245D SR	CX250C/D	CX300C/D	CX350C/D	CX470C CX490D	REQ'D EQUIPMENT		
										AUX HYD	HOSE KIT	TOP CAP
SC-60 HYDRAULIC COMPACTOR	•									R		R
SC-80 HYDRAULIC COMPACTOR		•	•							R		R
SC-110 HYDRAULIC COMPACTOR				•	•	•				R		R
SC-220 HYDRAULIC COMPACTOR							•	•		R		R

FEATURES

- Direct-drive, heavy-duty gear motor
- Rubber shock mounts
- Box section base plate construction
- Angled shock mount suspension
- Thick formed base plate
- Flow control to prevent over speeding
- Virtually zero-maintenance oil bathed bearings
- Readily adaptable to other excavator brands
- 2 year limited warranty

APPLICATIONS

- Utilities, construction, road maintenance
- Ideal for slope compaction

REQUIREMENTS FOR OPERATION

- Auxiliary hydraulics
- Top cap

	SPECIFICATIONS			
	SC-60	SC-80	SC-110	SC-220
Impulse force (lb)	6400	8000	11350	22000
Impulse force (kg)	2900	3630	5150	9980
Cycles per min.	2100	2100	2100	2100
Operating wt. (lbs)	850	975	1425	2200
Operating wt. (kg)	386	442	646	998
Base plate size (in)	24 x 26	24 x 34	27 x 30	32 x 42
Base plate size (mm)	610 x 660	610 x 864	686 x 762	813 x 1067
Input flow (gpm)	12-25	18-40	28-60	42-70
Input flow (l/m)	45-95	68-151	106-227	159-265
Operating Pressure (psi)	1700-2100	1700-2100	1800-2200	1800-2200
Operating Pressure (bar)	117-145	117-145	124-152	124-152

Complete hammer package includes hammer body, standard point, top cap and hose kit for models as indicated.

	PART NUMBER	WEIGHT LB
CH-6E HYDRAULIC HAMMER (CX75C SR, CX80C)	47999864	1103
CH-7J HYDRAULIC HAMMER (CX130C/D, CX145C/D SR)	47999871	2583
CH-100 HYDRAULIC HAMMER (CX160C/D)	47999873	2891
CH-151 HYDRAULIC HAMMER (CX210C/D, CX235C SR, CX245D SR)	47999874	4042
CH-190 HYDRAULIC HAMMER (CX235C SR, CX245D SR)	47999875	5018
CH-190 HYDRAULIC HAMMER (CX250C/D)	47999876	5131
CH-190 HYDRAULIC HAMMER (CX300C/D)	51499028	5135
CH-230 HYDRAULIC HAMMER (CX300C/D)	47999877	6125
CH-230 HYDRAULIC HAMMER (CX350C/D)	47999878	6368
CH-310 HYDRAULIC HAMMER (CX470C, CX490D)	47999879	8168
CH-310 HYDRAULIC HAMMER (CX470C ME, CX500D ME)	51571343	8315

HAMMER COMPONENTS (Unit includes hammer body and point as indicated)

	PART NUMBER	WEIGHT LB
CH-6E HYDRAULIC HAMMER (includesmoil point)	47575652	832
CH-7J HYDRAULIC HAMMER (includes chisel point)	47922307	2157
CH-100 HYDRAULIC HAMMER (includes chisel point)	47575660	2421
CH-151 HYDRAULIC HAMMER (includes chisel point)	47575667	3475
CH-190 HYDRAULIC HAMMER (includes chisel point)	47575671	4352
CH-230 HYDRAULIC HAMMER (includes chisel point)	47575675	5275
CH-310 HYDRAULIC HAMMER (includes chisel point)	47575676	6740

ADDITIONAL COMPONENTS (Hose kit and top cap required for complete unit)

HOSE KITS		
HOSE KIT – CX75C SR, CX80C, CX130C/D, CX145C/D SR	47575770	17
HOSE KIT – CX160C/D	47575779	17
HOSE KIT – CX210C/D, CX235C SR, CX245D SR, CX250C/D	47575780	35
HOSE KIT – CX300C/D, CX350C/D	47575781	39
HOSE KIT – CX470C, CX490D	47600075	48
TOP CAPS		
TOP CAP – CH-6E (CX75C,SR, CX80C)	47575722	254
TOP CAP – CH-7J (CX130C/D, CX145C/D SR)	47922308	409
TOP CAP – CH-100 (CX160C/D)	47575739	453
TOP CAP – CH-151 (CX210C/D, CX235C SR, CX245D SR)	47575740	532
TOP CAP – CH-190 (CX235C SR, CX245D SR)	47575741	631
TOP CAP – CH-190 (CX250C/D, CX300C/D)	47575742	744
TOP CAP – CH-230 (CX300C/D)	47575743	811
TOP CAP – CH-230 (CX350C/D)	47575744	1054
TOP CAP – CH-310 (CX470C, CX490D)	47575745	1380
TOP CAP – CH-310 (CX470C ME, CX500D ME)	51571342	1527
LUBRICATION SYSTEMS		
Auto Lube Kit - fits CH-6E to CH-310	47766712	12
Auto Lube Shield Kit - fits CH-6E to CH-310 (use with 47766712)	47766713	5

Hydraulic Hammers (Continued next page)

ADDITIONAL COMPONENTS for CH-6E (Order as needed)

	PART NUMBER	WEIGHT LB
Moil Point (1 included with base hammer)	47575854	82
Chisel Point	47575855	86
Blunt Point	47575856	90

ADDITIONAL COMPONENTS for CH-7J (Order as needed)

Moil Point	47922309	146
Chisel Point (1 included with base hammer)	47922310	148
Blunt Point	47922311	154

ADDITIONAL COMPONENTS for CH-100 (Order as needed)

Moil Point	47575871	146
Chisel Point (1 included with base hammer)	47575872	148
Blunt Point	47575873	154

ADDITIONAL COMPONENTS for CH-151 (Order as needed)

Moil Point	47575876	254
Chisel Point (1 included with base hammer)	47575877	262
Blunt Point	47575879	271

ADDITIONAL COMPONENTS for CH-190 (Order as needed)

Moil Point	47575882	275
Chisel Point (1 included with base hammer)	47575883	284
Blunt Point	47575884	275

ADDITIONAL COMPONENTS for CH-230 (Order as needed)

Moil Point	47575885	275
Chisel Point (1 included with base hammer)	47575886	284
Blunt Point	47575887	275

ADDITIONAL COMPONENTS for CH-310 (Order as needed)

Moil Point	47575890	417
Chisel Point (1 included with base hammer)	47575891	462
Blunt Point	47575893	417

MODEL COMPATIBILITY	CX75C SR CX80C	CX130C/D CX145C/D SR	CX160C/D	CX210C/D	CX235C SR CX245D SR	CX250C/D	CX300C/D	CX350C/D	CX470C CX490D	CX470C ME CX500D ME	REQ'D EQUIPMENT		
											AUX HYD	HOSE KIT	TOP CAP
CH-6E HYDRAULIC HAMMER	•										R	R	R
CH-7J HYDRAULIC HAMMER		•									R	R	R
CH-100 HYDRAULIC HAMMER			•								R	R	R
CH-151 HYDRAULIC HAMMER				•	•						R	R	R
CH-190 HYDRAULIC HAMMER					•	•	•				R	R	R
CH-230 HYDRAULIC HAMMER							•	•			R	R	R
CH-310 HYDRAULIC HAMMER									•	•	R	R	R

Hydraulic Hammers (Continued next page)

FEATURES

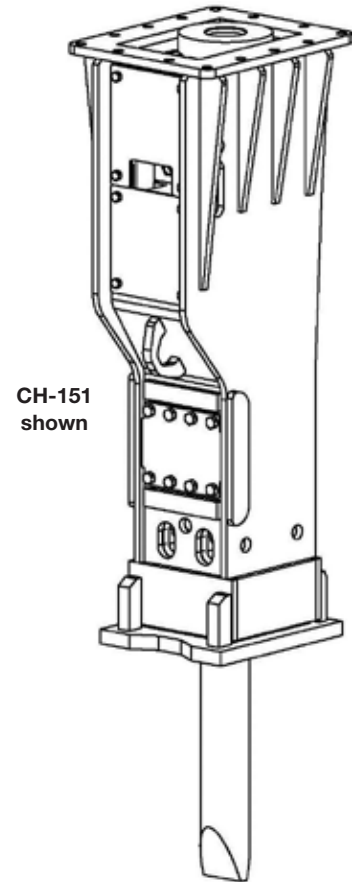
- Only 2 moving parts (piston and control valve) means less maintenance
- Will not dry-fire
- Low pressure gas charge
- Low recoil
- Low hydraulic surge
- Dual tool retainer pins
- Point included
- Gas recharge kit included
- Operation/Service Parts Manual
- 3 Year Warranty (CH-310 – 1 year)

APPLICATIONS

- Demolition, construction, road maintenance, quarry applications

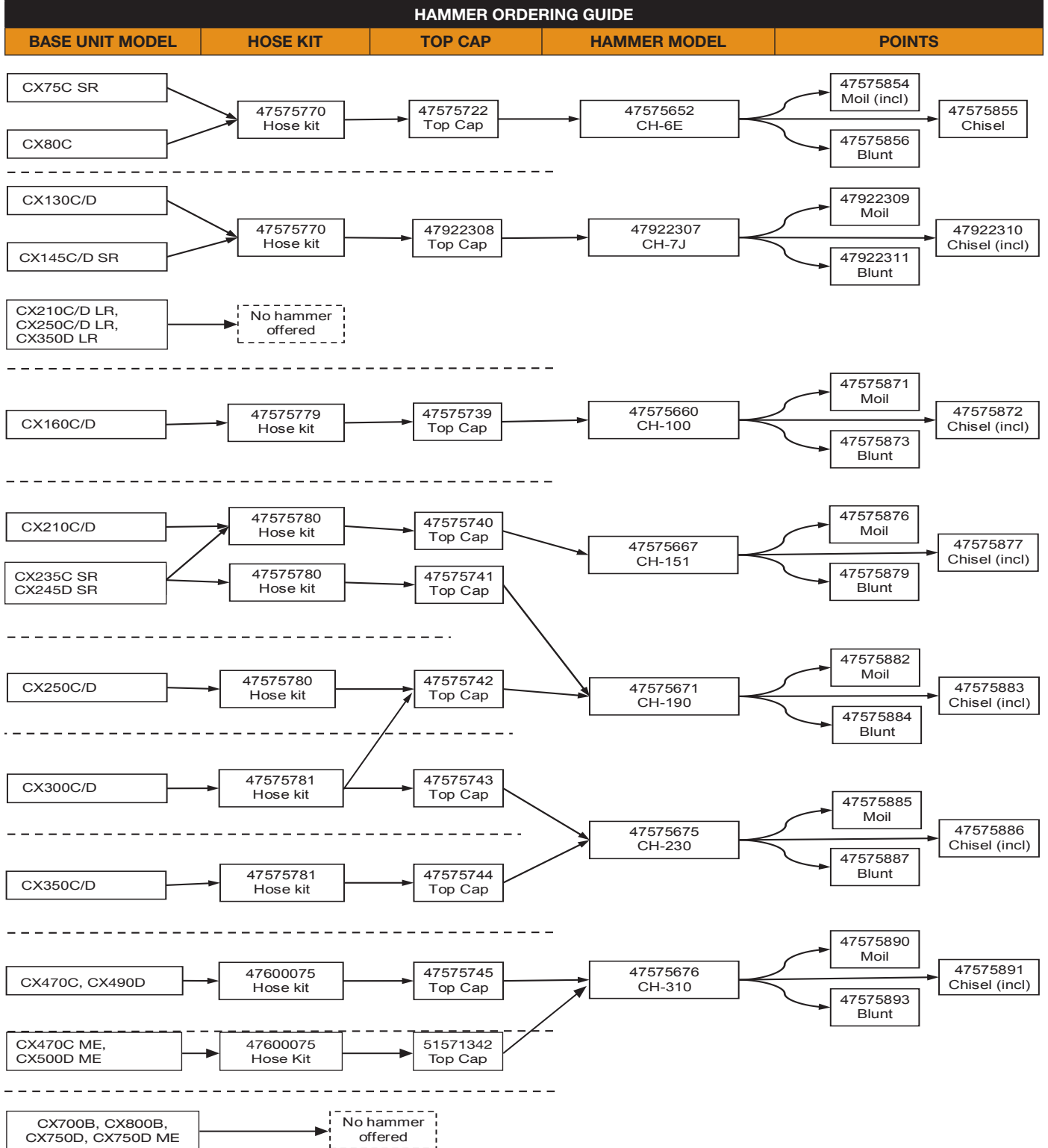
REQUIREMENTS FOR OPERATION

- Auxiliary hydraulics
- Hose kit and top cap for specific model



SPECIFICATIONS							
	CH-6E	CH-7J	CH-100	CH-151	CH-190	CH-230	CH-310
Impact class – ft-lb (Nm)	1500 (2034)	2000 (2712)	3000 (4067)	4500 (6101)	5500 (7457)	7500 (10169)	10000 (13558)
Blows per min.	550-1000	450-720	430-600	490-630	370-490	380-450	370-470
Operating wt. – lbs (kg)	990 (449)	2420 (1098)	2728 (1237)	3861 (1751)	4950 (2245)	5940 (2694)	7920 (3592)
Tool diam. – in (mm)	3.7 (94)	4.1 (105)	4.5 (114)	5.3 (135)	5.5 (140)	5.8 (146)	6.3 (160)
Input flow – gpm (l/min)	12-21 (45-80)	21-32 (80-120)	26 -37 (100-140)	42-52.8 (160-200)	42-55.5 (160-210)	48-60.8 (180-230)	63-80 (240-303)

Hydraulic Hammers (Continued next page)



CASE

CONSTRUCTION

EXCAVATORS

**THIS PAGE
INTENTIONALLY
LEFT BLANK**

CASE
CONSTRUCTION

Telehandlers



SINCE 1842

CNI
INDUSTRIAL | GENUINE
PARTS



Auger	TLH-2
Boom, Truss	TLH-3
Broom, Angle	TLH-4
Broom, Collector	TLH-5
Buckets, Light Material	TLH-6
Carriage and Pallet Fork	TLH-7-8
Grapple, Brush	TLH-9
Grapple, Scrap	TLH-10

Unit includes auger drive unit, hoses and flat face quick disconnects.

REQUIRES STANDARD AUXILIARY HYDRAULICS	PART NUMBER	WEIGHT LB
PLANETARY GEAR DRIVE UNITS		
X1475H200 DRIVE UNIT, 2" hex output shaft	87716748	370

AUGER OPTIONS

HDF STYLE AUGERS	PART NUMBER	WEIGHT LB
2" Hex Coupler		
6" X 4' Auger	9863626	40
9" X 4' Auger	9863627	86
12" X 4' Auger	9863628	115
15" X 4' Auger	9863629	136
18" X 4' Auger	9863630	176
24" X 4' Auger	9863631	278
30" X 4' Auger	9863632	325

AUGER EXTENSIONS AND ADAPTERS	PART NUMBER	WEIGHT LB
2" hex female to 2-9/16" round male	9863646	16
2" hex female to 2" round male	87042596	10
12" extension, 2" hex	87042601	20
24" extension, 2" hex	87042602	32
48" extension, 2" hex	84514060	57

MODEL COMPATIBILITY	TX742	TX842	TX945	REQ'D EQUIP.
				AUX. HYD.
X1475 DRIVE UNIT	•	•	•	R



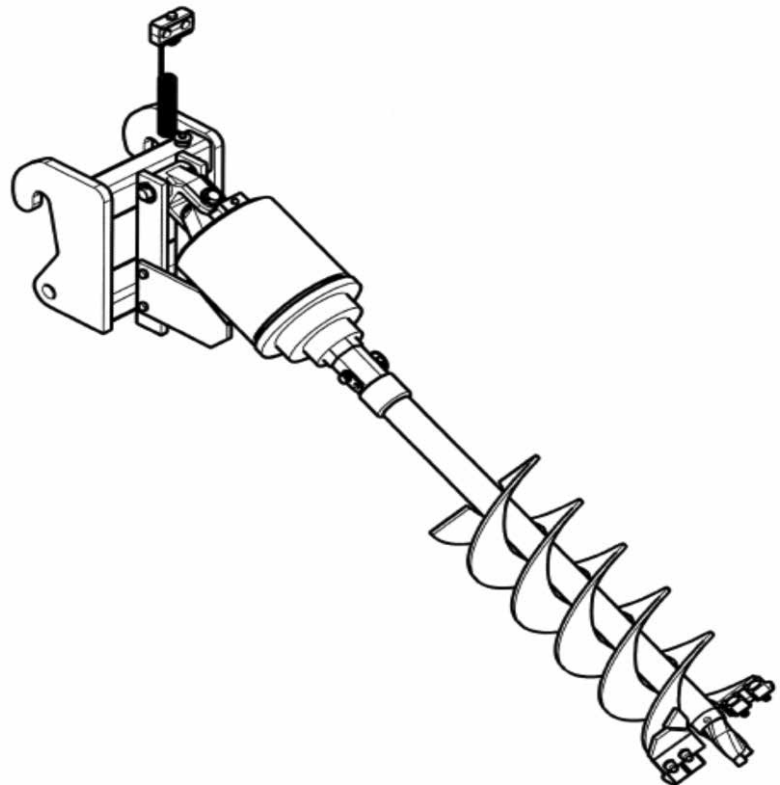
HDF Style

FEATURES

- Planetary drive
- 5 Year Warranty on gearbox
- All base units include mounting bracket with drive head, hoses, and hydraulic quick disconnects
- Several adapters and extensions available
- Auger bit is not included with base unit. Order separately

APPLICATIONS

- Ideal for boring holes for posts, deck footers, trees, shrubs and soil sampling



AUXILIARY HYDRAULICS REQUIRED FOR WINCH MODEL	PART NUMBER	WEIGHT LB
TRUSS BOOM - 12'	87710679	700
TRUSS BOOM - 15'	87716398	771
TRUSS BOOM - 3' w/winch	87716399	640

MODEL COMPATIBILITY	TX742	TX842	TX945	REQ'D EQUIP.
				AUX. HYD.
TRUSS BOOM - 12'	•	•	•	
TRUSS BOOM - 16'	•	•	•	
TRUSS BOOM - 3' w/winch	•	•	•	R

FEATURES

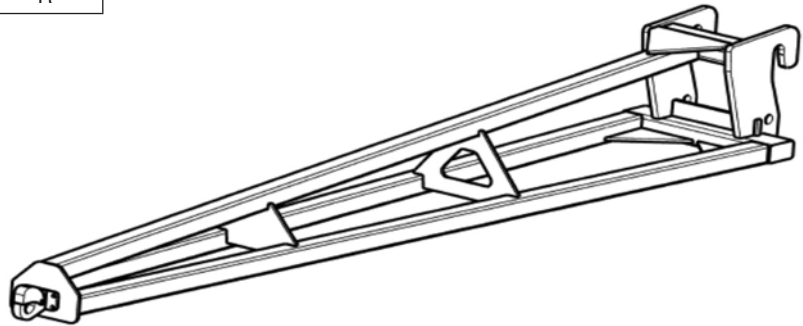
- For positioning trusses

12 and 15 ft. models include:

- Fully welded square tube design
- Low profile frame. Can be loaded on trailer under telehandler
- Bolt-on pintle hook
- 2,000 lb. lift rating

3 ft. model w/winch includes:

- Fully welded square tube design
- Tulsa winch with oil cooled brake and roller bearing swivel hook w/latch
- 4,000 lb. design



Unit includes mounting brackets, hoses, quick disconnects and parking stands.

STANDARD AUXILIARY BOOM HYDRAULICS REQUIRED	PART NUMBER	WEIGHT LB
108" ANGLE BROOM	84215713	1655

REPLACEMENT BRUSH SETS

Poly/wire brush set for 108" broom	84376841	220
------------------------------------	----------	-----

MODEL COMPATIBILITY	TX742	TX842	TX945	REQ'D EQUIP.
				AUX. HYD.
108" ANGLE BROOM	•	•	•	R

FEATURES

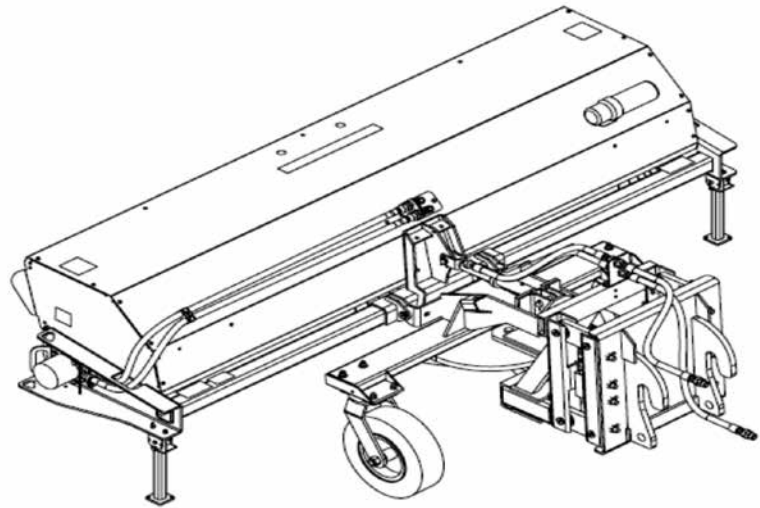
- Parking stands
- Manual angle 30° left or right
- Adjustable broom head
- Caster wheels with 4.80-8 pneumatic tires
- Integral water nozzle mounting for water application
- Poly-wire combination brush, 32" diameter
- Bolt together hood for simple, less costly replacement, if damaged
- Quick change brush without breaking hydraulic lines

APPLICATIONS

- Street cleaning & parking lot maintenance, road maintenance clean-up, bridge deck clean-up, jobsite clean-up
- Snow removal

REQUIREMENTS FOR OPERATION

- Auxiliary hydraulics



STANDARD AUXILIARY BOOM HYDRAULICS REQUIRED	PART NUMBER	WEIGHT LB
96" COLLECTOR BROOM	87716420	1850

REPLACEMENT BRUSH SETS

Poly/wire brush set for 96" broom	84376837	145
-----------------------------------	----------	-----

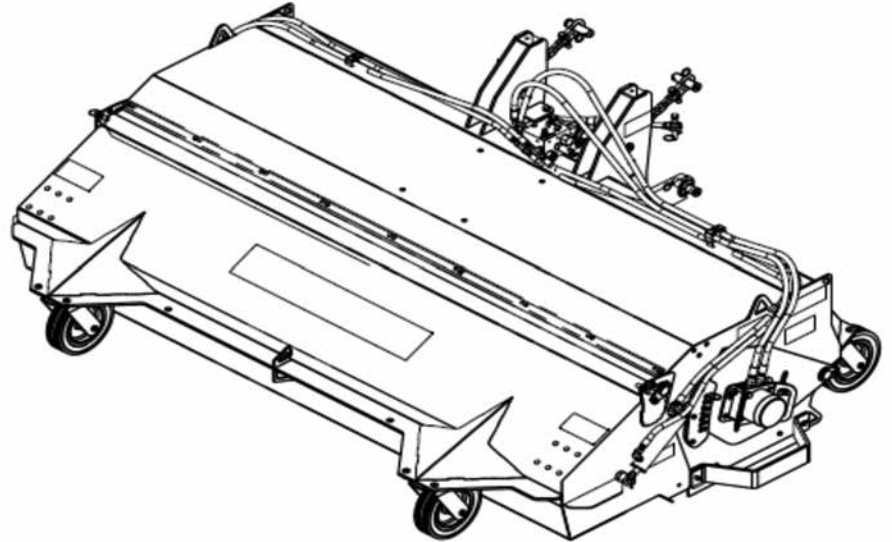
MODEL COMPATIBILITY	TX742	TX842	TX945	REQ'D EQUIP.
	AUX. HYD.			
96" COLLECTOR BROOM	•	•	•	R

FEATURES

- 26" diameter brush
- Parallel arm floating
- Suspension with 4 caster wheels allow sweeper to follow ground contour independent of base unit
- No chains or additional connections to base unit, no electrical connection required
- Hopper dumps by reversing hydraulic flow
- Forward sweeping action into the front-mounted collector hopper
- E-Z change brush pattern and floating brush

APPLICATIONS

- Street cleaning & parking lot maintenance, road maintenance clean-up and jobsite clean-up



	PART NUMBER	WEIGHT LB
For TX742, TX842, TX945		
Bucket, Light Material, 96" (1.5 yd ³)	87716405	1136
Bucket, Light Material, 96" (1.75 yd ³)	87716406	1207
Bucket, Light Material, 96" (2.0 yd ³)	87716407	1280

ADDITIONAL EQUIPMENT (Order as Needed)

Bolt-On Cutting Edge, 96"	87649854	210
---------------------------	----------	-----

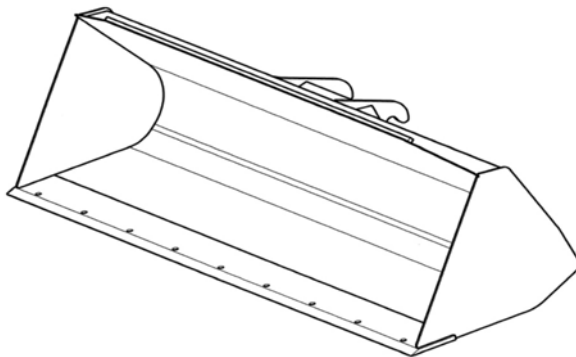
MODEL COMPATIBILITY	TX742	TX842	TX945	REQ'D EQUIP.
				AUX. HYD.
BUCKET, LM, 96" (1.5 YD ³)	•	•	•	
BUCKET, LM, 96" (1.75 YD ³)	•	•	•	
BUCKET, LM, 96" (2.0 YD ³)	•	•	•	

FEATURES

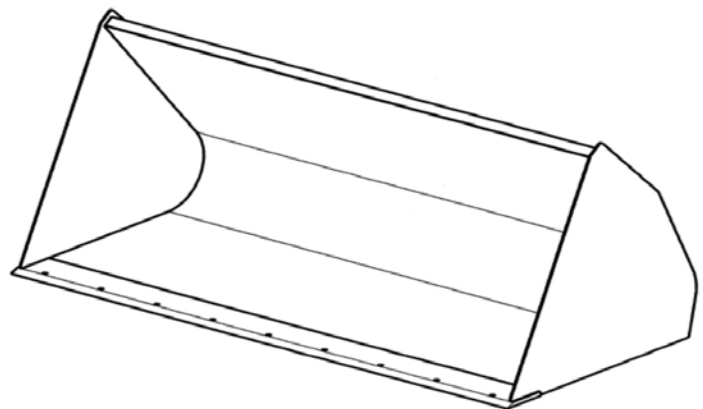
- Rolled shell for easy filling & clean-up
- Full cross member torque tubes top and bottom for long term durability
- Abrasion resistant cutting edge with punched holes for optional bolt-on edge
- High capacity allows for handling loose materials with ease

APPLICATIONS

- Ideal for snow and light construction materials



1.5 yd³ Bucket



2.0 yd³ Bucket

Unit includes hoses and quick disconnects if required.

AUXILIARY HYDRAULICS REQUIRED FOR TILT, SIDESHIFT AND SWING CARRIAGES	PART NUMBER	WEIGHT LB
For TX742, TX842, TX945		
Standard Carriage, 48" wide	87710673	515
Standard Carriage, 60" wide	87710674	570
Standard Carriage, 72" wide	87710675	665
Tilt Carriage, 48" wide	87710676	750
Tilt Carriage, 60" wide	87710677	800
Tilt Carriage, 72" wide	87716389	920
Side Shift Carriage, 48" wide	87716390	805
Side Shift Carriage, 60" wide	87716391	860
Swing Carriage, 72" wide	87710678	1075

ADDITIONAL EQUIPMENT (Order One for Complete Unit)

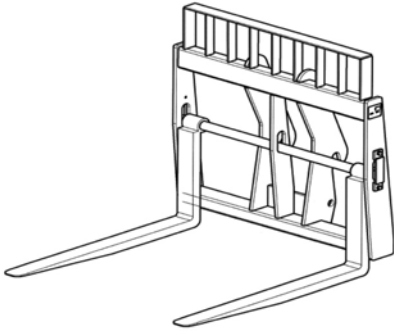
For TX742, TX842		
Pallet Fork Set (2) - 2"x4"x48" (8000# capacity)	87620138	335
Pallet Fork Set (2) - 2"x4"x60" (8000# capacity)	87716394	392
For TX742, TX842, TX945		
Pallet Fork Set (2) - 2"x5"x48" (10,000# capacity)	87709856	400
Pallet Fork Set (2) - 2"x5"x60" (10,000# capacity)	87716395	475
Lumber Fork Set (2) - 1-3/4"x7"x60" (10,000# capacity)	87620139	534
Block Fork Set (6) - 2"x2"x48" (12,600# capacity)	87620140	475

MODEL COMPATIBILITY	TX742	TX842	TX945	REQ'D EQUIP.
				AUX. HYD.
Standard Carriage, 48" wide	•	•	•	
Standard Carriage, 60" wide	•	•	•	
Standard Carriage, 72" wide	•	•	•	
Tilt Carriage, 48" wide	•	•	•	R
Tilt Carriage, 60" wide	•	•	•	R
Tilt Carriage, 72" wide	•	•	•	R
Side Shift Carriage, 48" wide	•	•	•	R
Side Shift Carriage, 60" wide	•	•	•	R
Swing Carriage, 72" wide	•	•	•	R
Pallet Fork Set (2) - 2"x4"x48"	•	•		
Pallet Fork Set (2) - 2"x4"x60"	•	•		
Pallet Fork Set (2) - 2"x5"x48"	•	•	•	
Pallet Fork Set (2) - 2"x5"x60"	•	•	•	
Lumber Fork Set (2) - 1-3/4"x7"x60"	•	•	•	
Block Fork Set (6) - 2"x2"x48"	•	•	•	

Carriage and Pallet Fork (Continued next page)

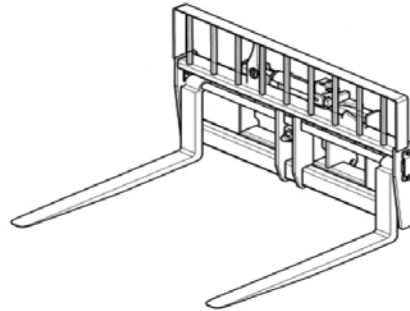
Standard Carriages

- Full floating pin design allows easy pick-up on uneven surfaces
- Widths - 48", 60" & 72"



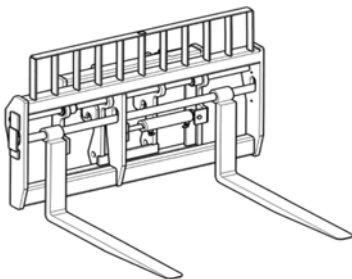
Tilt Carriages

- Full floating pin design allows easy pick-up on uneven surfaces
- 10" side tilt both left & right (20 degrees overall) for material leveling
- Counterbalance cylinders hold carriage in position when pressure loss is sensed
- Widths - 48", 60" & 72"



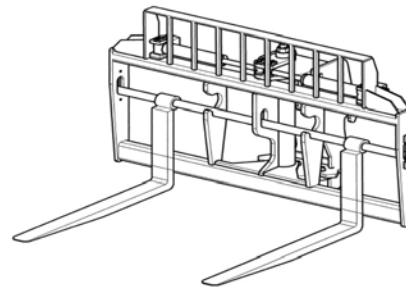
Side Shift Carriages

- Full floating pin design allows easy pick-up on uneven surfaces
- 4" side shift both left and right to place material into confined areas
- Widths - 48" & 60"



Swing Carriages

- Full floating pin design allows easy pick-up on uneven surfaces
- Swing 50° left & right (100° total) to place material in confined areas
- Counterbalance cylinders hold carriage in position when a pressure loss is sensed
- Standard 72" width



STANDARD AUXILIARY HYDRAULICS REQUIRED	PART NUMBER	WEIGHT LB
For TX742, TX842, TX945		
Grapple, Brush 84"	87716409	1810

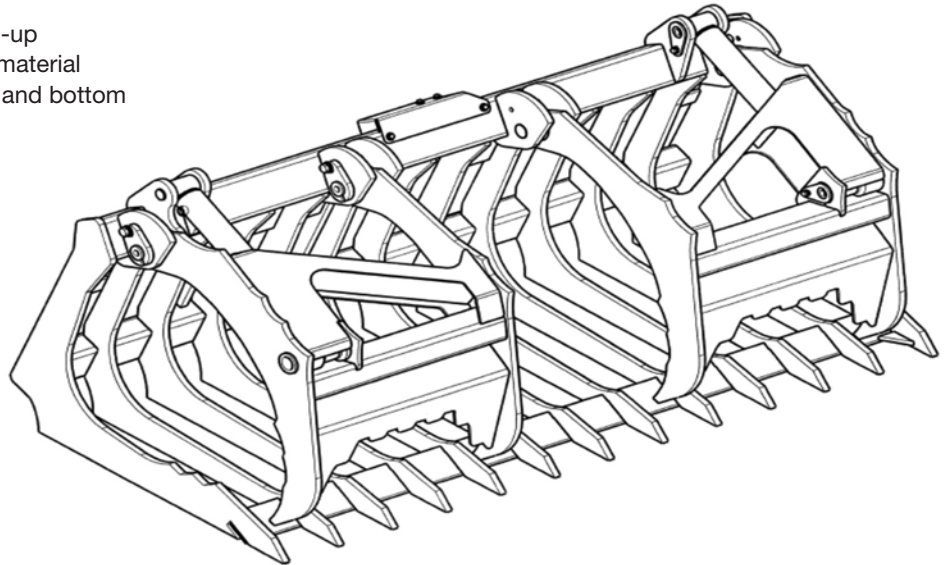
MODEL COMPATIBILITY	TX742	TX842	TX945	REQ'D EQUIP.
	AUX. HYD.			
GRAPPLE, BRUSH 84"	•	•	•	R

FEATURES

- Rolled shell for easy filling and clean-up
- PO check valve for positive lock on material
- Full cross member torque tubes top and bottom for long term durability
- Cut-away side plate to allow for various load lengths
- Dual arms to grab uneven loads

APPLICATIONS

- Excellent for loading tub grinders, recycling operations, demolition clean-up



STANDARD AUXILIARY HYDRAULICS REQUIRED	PART NUMBER	WEIGHT LB
For TX742, TX842, TX945		
Grapple, Scrap 96" (1.75 yd ³)	87716408	1870

ADDITIONAL EQUIPMENT (Order as Needed)

Bolt-on Cutting Edge, 96"	87649854	210
---------------------------	----------	-----

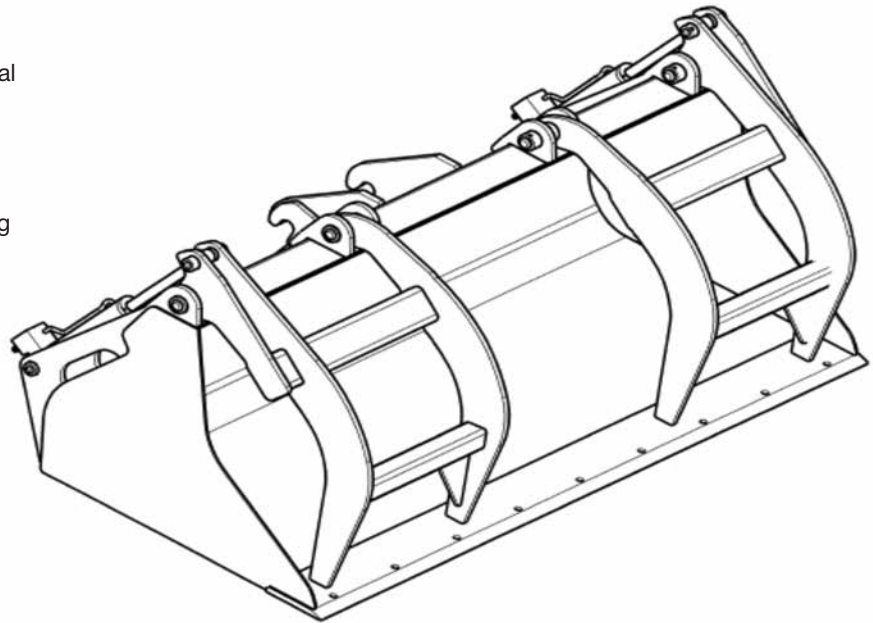
MODEL COMPATIBILITY	TX742	TX842	TX945	REQ'D EQUIP.
				AUX. HYD.
GRAPPLE, SCRAP 96" (1.75 YD ³)	•	•	•	R

FEATURES

- Dual independent, see-through grapples
- PO check valve for positive lock on material
- Cylinder protection
- Hydraulic hose protection

APPLICATIONS

- Excellent for loading tub grinders, recycling operations, demolition clean-up



CASE
CONSTRUCTION

**Manufacturer's
Warranties**



SINCE 1842

CNI
INDUSTRIAL | GENUINE
PARTS



CNH INDUSTRIAL

Attachments: See table below

Attachments Covered by CNH Industrial Warranty

Attachment	Models	Warranty Period
<ul style="list-style-type: none"> • Laser Grading Box 	<ul style="list-style-type: none"> • SSL/CTL 	<ul style="list-style-type: none"> • Hydraulic components carry a 1-year warranty from the date of retail sale • Grading Box carries a 3-year warranty from the date of retail sale
<ul style="list-style-type: none"> • LT Series Grapples 	<ul style="list-style-type: none"> • SSL/CTL 	<ul style="list-style-type: none"> • 1-year warranty from the date of retail sale
<ul style="list-style-type: none"> • Farm Grapples 	<ul style="list-style-type: none"> • SSL/CTL 	<ul style="list-style-type: none"> • 1-year warranty from the date of retail sale
<ul style="list-style-type: none"> • Large Capacity Grapples 	<ul style="list-style-type: none"> • SSL/CTL 	<ul style="list-style-type: none"> • 1-year warranty from the date of retail sale
<ul style="list-style-type: none"> • 61" Mulcher (Fecon) 	<ul style="list-style-type: none"> • SSL/CTL 	<ul style="list-style-type: none"> • 1-year warranty from the date of retail sale
<ul style="list-style-type: none"> • Snow Blade/Pusher (Hydraulic) 	<ul style="list-style-type: none"> • SSL/CTL 	<ul style="list-style-type: none"> • 1-year warranty from the date of retail sale
<ul style="list-style-type: none"> • Snow V-Blade 	<ul style="list-style-type: none"> • SSL/CTL 	<ul style="list-style-type: none"> • 1-year warranty from the date of retail sale
<ul style="list-style-type: none"> • Tree Puller 	<ul style="list-style-type: none"> • SSL/CTL 	<ul style="list-style-type: none"> • 1-year warranty from the date of retail sale

Warranty Policy

CNH Industrial warranty covers workmanship and defect not related to wear. Warranty does not cover the following components:

- Non-defective replaced as a result of expected wear during the warranty period
- Failures due to incorrectly stored, installed, maintained or handled products
- Defects related to finishes, coatings and logos/decals, to the extent such defects are caused by normal wear and tear
- Failure as a result of having been incorrectly installed or maintained after delivery to a dealer or customer

Additional warranty claim requirements:

- Claims submitted for finishes, coatings and logos/decals require photos of the failure prior to repair
- If attachment is sold and invoiced with a wholegood, the attachment does not require eSettlement registration to receive warranty from the date of invoice in accordance with the chart in Section 4.7.1, Service Parts Warranty Coverage. Enter the claim using the wholegood serial number and hours of use.
- If attachment is sold and invoiced separately, the attachment does not require eSettlement registration to receive warranty from date of invoice in accordance with the chart in Section 4.7.1, Service Parts Warranty Coverage. Enter the claim using the correct generic serial number PARTSCAG or PARTSCE. Enter using Warranty Type "N" and generic standard repair times for labor.



Manufacturer's Warranties

ARCTIC INC.

Bradley, IL 60915
Phone:
• Warranty: (800) 242-3766

Attachments: Sectional Snow Pusher

What's Covered At-A-Glance

Not Covered

- Failure resulting from abuse
- Improper service
- Misuse
- Negligence
- Accidental impact
- Improper operation
- Wear parts, including:
 - Wear shoes
 - Hardware
 - Cutting edges
 - Poly mounting blocks
- Injury
- Death
- Loss of revenue or profit

Covered

- Welds
- Defective workmanship

Warranty Policy

Manufacturer warrants the Sectional Sno-Plow™ to be free of defects of material and workmanship for a period of two (2) years from the date of delivery by the customer. During this period, the user is responsible for informing the manufacturer of any problems within 10 days of the problem(s). Dealer/Distributor must notify the manufacturer by phone, fax or e-mail. The original warranty card must be returned to the manufacturer. **(Failure to return a fully completed warranty registration card, with proof of purchase, within 30 days upon receiving a new Sectional Sno-Plow™ will void warranty.)**

The manufacturer will not warranty any wear parts such as wear shoes, poly mounting blocks, torsion springs, hardware and cutting edges. Warranty excludes failure resulting from abusive and improper service, misuse, negligence and accidental impact, including any non-factory repair or alteration. The manufacturer will void all warranties specific or implied.

All claims must be discussed with a representative of the manufacturer prior to any repairs, or warranty will be void. Recommended repairs and costs are to be discussed with and agreed upon by a manufacturer's representative. Repair or labor (at an agreed rate) will be performed by a manufacturer's specified dealer, and at a repair shop designated by the manufacturer. The repair or replaced product shall be guaranteed for the applicable warranty's remaining period. All shipping costs associated with any repairs are the customer's responsibility.



Manufacturer's Warranties

BEARCAT

Attachments: Chippers

West Fargo, ND 58078

Phone:

- Parts: (800) 237-7335
- Service: (800) 237-7335
- Warranty: (800) 237-7335

Limited Warranty

This warranty applies to all AG and Outdoor Power Equipment manufactured by Crary Industries.

Crary Industries warrants to the original owner each new Crary Industries product to be free from defects in material and workmanship, under normal use and service. The warranty shall extend 1 year from date of delivery for income producing (commercial) applications and 2 years from date of delivery for non-income producing (consumer) use of the product. The product is warranted to the original owner as evidenced by a completed warranty registration on file at Crary Industries. Replacement parts are warranted for (90) days from date of installation.

The warranty registration must be completed and returned to Crary Industries within 10 days of delivery of the product to the original owner or the warranty will be void.

In the event of a failure, return the product, at your cost, along with proof of purchase to the selling Crary Industries dealer. Crary Industries will, at its option, repair or replace any parts found to be defective in material or workmanship. Warranty on any repairs will not extend beyond the product warranty. Repair or attempted repair by anyone other than a Crary Industries dealer as well as subsequent failure or damage that may occur as a result of that work will not be paid under this warranty. Crary Industries does not warrant replacement components not manufactured or sold by Crary Industries.

- This warranty applies only to parts or components that are defective in material or workmanship.
- This warranty does not cover normal wear items including but not limited to bearings, belts, pulleys, filters and chipper knives.
- This warranty does not cover normal maintenance, service or adjustments.
- This warranty does not cover depreciation or damage due to misuse, negligence, accident or improper maintenance.
- This warranty does not cover damage due to improper setup, installation or adjustment.
- This warranty does not cover damage due to unauthorized modifications of the product.
- Engines are warranted by the respective engine manufacturer and are not covered by this warranty.

Crary Industries is not liable for any property damage, personal injury or death resulting from the unauthorized modification or alteration of a Crary product or from the owner's failure to assemble, install, maintain or operate the product in accordance with the provisions of the Owner's manual.

Crary Industries is not liable for indirect, incidental or consequential damages or injuries including but not limited to loss of crops, loss of profits, rental of substitute equipment or other commercial loss.

This warranty gives you specific legal rights. You may have other rights that may vary from area to area.

Crary Industries makes no warranties, representations or promises, expressed or implied as to the performance of its products other than those set forth in this warranty. Neither the dealer nor any other person has any authority to make any representations, warranties or promises on behalf of Crary Industries or to modify the terms or limitations of this warranty in any way. Crary Industries, at its discretion, may periodically offer limited, written enhancements to this warranty.

Crary Industries reserves the right to change the design and/or specifications of its products at any time without obligation to previous purchasers of its products.



Manufacturer's Warranties

BURCHLAND

Attachments: Silt Fence Installer

Gilman, IA 50106

Phone:

- Parts: (641) 498-2063
- Service: (641) 498-2063
- Warranty: (641) 498-2063

LIMITED WARRANTY FOR NEW BURCHLAND MFG. EQUIPMENT

The manufacturer warrants to the original retail purchaser that this product is free from defects in material and workmanship and agrees to repair or replace, at manufacturer's discretion, any defective product free of charge within 1 year from the date of purchase.

This warranty is not transferable and does not cover damage resulting from defects other than in material or workmanship, or damage caused by unreasonable use, including the failure to provide reasonable and necessary maintenance. Also, the warranty obligations do not apply to conditions resulting from misuse, alteration or accident. In addition, this warranty does not cover replacement of parts that may wear and need to be replaced with reasonable use within the warranty period or which may require replacement in connection with normal maintenance. This warranty terminates once the product has been altered or repaired by others without Burchland's express written consent.

SAVE YOUR SALES SLIP

Proof of purchase in the form of your dated sales receipt, cash register slip, etc. showing the serial number and the model of your product will be required before our dealers can perform warranty service on the product. You must at your own expense, arrange to deliver or ship the product for warranty repairs and arrange for pickup or return of the product after repairs have been made.

THIS LIMITED WARRANTY IS IN LIEU OF ALL OTHER EXPRESS WARRANTIES. ANY IMPLIED WARRANTY OF FITNESS FOR A PARTICULAR PURPOSE, MERCHANTABILITY OR OTHERWISE, SHALL BE EXCLUDED AND HEREBY DISCLAIMED. THE MANUFACTURER SHALL NOT BE LIABLE FOR ANY SPECIAL, INCIDENTAL OR CONSEQUENTIAL DAMAGES INCLUDING LOSS OF PROFITS LOSS OF PRODUCTION OR ANY DELAY ARISING IN CONNECTION WITH THE INABILITY TO USE THE PRODUCTS.

HOW TO OBTAIN WARRANTY SERVICE

Warranty service can be obtained from a Burchland dealer authorized to make warranty repairs. If you need warranty service, check first with the dealer from whom you purchased the product.

The manufacturer will not make any reimbursements for warranty service, except to Burchland dealers authorized to make warranty repairs. You must present your sales receipt when making any claim for warranty service.

This warranty gives you specific legal rights, and you may also have other rights which vary from state to state.

If you have any questions regarding your warranty rights and responsibilities, you should contact your Burchland dealer or Burchland Mfg. Inc. at 641-498-2063.



Manufacturer's Warranties

CASCADE

Attachments: Hydraulic Positioning Pallet Forks, Full-Back Pallet Fork Frame, Pallet Fork Tines

Findlay, OH 45840

Phone:

- Warranty: (800) 227-2233

WARRANTY POLICY

Cascade: warrants its products to conform to published specifications as found in its quotations, specification sheets, brochures and price lists.

Cascade New Products: consisting of attachments, forks, and genuine Cascade parts are warranted for 36 months following date of installation. Construction attachments are warranted for 12 months following date of installation.

What Cascade will do: Cascade will repair or replace, at its option, any part that a Cascade inspection reveals to be defective in materials or workmanship.

What Dealers and Customers must do: To preserve Cascade's Warranty, Dealers and Customers must carefully follow applicable Cascade Installation Instructions, Service Manuals and Operator Guides when maintaining and operating Cascade equipment. Customers must obtain written authorization for repairs or maintenance other than removal or replacement of defective parts. Unauthorized repairs, modifications, or alterations, use of parts not provided by Cascade, or failure to follow Cascade's Installation Instructions, Service Manuals and Operator Guides will result in loss of Warranty and Customers assumption of all liability resulting from the repair, maintenance, modification or alteration.

Exclusions: Cascade assumes no responsibility for loss, damage or injury to person or property, or for consequential damages, resulting from the possession or use of its products. Cascade's warranty does not cover wear, tear, abnormal applications, normal or scheduled maintenance. THERE ARE NO WARRANTIES EITHER EXPRESS OR IMPLIED INCLUDING ANY WARRANTY OF FITNESS FOR A PARTICULAR PURPOSE WHICH EXTEND BEYOND THOSE STATED IN THIS WARRANTY AND THE PRODUCT DESCRIPTION ON THE FACE OF CASCADE'S ORDER ACKNOWLEDGEMENT.



Manufacturer's Warranties

GROUSER PRODUCTS, INC.

Attachments: Dozer Blades, Steel Tracks

West Fargo, ND 58078

Phone:

- Parts: (800) 747-6182
- Service: (800) 747-6182
- Warranty: (800) 747-6182

Warranty

Grouser Products, Inc. warrants its Track and Dozers for one year against defective material or workmanship. The warranty is for repair or replacement of those parts that are deemed defective by Grouser Products. Any modification to the Dozer, Track or parts without proper authorization voids the warranty. Any product returned to Grouser Products for warranty inspection must be shipped freight prepaid and will be returned freight collect unless authorized otherwise. All costs for removal and installation are at customer's expense. Grouser Products warranty does not cover damages to loader, loader tires, or the environment resulting from use. Tire sizes can and do vary in width and height, which can cause tire damage or a clearance problem. It is the responsibility of the customer to determine that final fit up, including clearances and safety shielding is correct. There is no other warranty.

If you have any questions pertaining to this warranty or tire fit please call Grouser Products:

800-747-6182 or 701-282-7710

E-mail: grouser@grouser.com

Web: www.grouser.com



Manufacturer's Warranties

HYDRAULICIRCUIT TECHNOLOGY

McDonough, GA 30253

Phone:

- Warranty: (888) 603-0080

Attachments: Excavator Front Window Guards

WARRANTY POLICY

HydrauliCircuit Technology (HCT) warrants that the items sold (except electrical), shall be free from defects in material or workmanship for a period of 1 year from the date of shipment to buyer, or 2,000 hours of use, whichever expires first, if installed per installation instructions. Failures due to abrasion, or normal wear and tear, are not covered by warranty.

Liability to HCT shall be limited to repair or replacement (by HCT) of the items sold, or refund of the purchase price paid by buyer. In no event shall HCT be liable for any incidental costs, including travel, freight or labor. **WARRANTY WILL BE VOID IF CLAIMS ARE NOT FILED WITHIN 30 DAYS OF THE FAILURE DATE.**

Return of any components requires prior approval and a Return Authorization Number. Return may be allowed of components in re-sellable condition, with a 25% restocking charge.



Manufacturer's Warranties

RDS TECHNOLOGY LTD./ LOUP ELECTRONICS

Attachments: Load Monitors, Onboard Scales

Lincoln, NE 68506

Phone:

- Parts: (402) 464-7131
- Service: (402) 464-7131
- Warranty: (402) 464-7131

LOUP ELECTRONICS WARRANTY & SERVICE AGREEMENT

Loup Electronics warrants to the original purchaser that, if any part of the product proves defective in material or workmanship within one (1) Year from the date of purchase, and is returned to Loup Electronics within 30 days after the defect is discovered, Loup Electronics will (at its option) repair or replace said part. Products shipped to Loup Electronics freight prepaid will be returned freight prepaid. Products shipped to Loup Electronics freight collect will be returned freight collect.

LIMITATIONS

Warranty does not apply to parts or products that are damaged as a result of misuse, neglect, accident or fire, or of lightning, flooding or other acts of God, or by improper installation or maintenance, of which Loup Electronics will be the sole judge. Warranty does not apply to parts or products that have been modified by an unauthorized party that has in Loup Electronics' judgement affected their performance or reliability. Warranty does not apply if parts or product substantially fulfill the performance specifications.

EXCLUSION OF OTHER WARRANTIES AND REMEDIES

THIS WARRANTY IS IN LIEU OF AND EXCLUDES ALL OTHER WARRANTIES EITHER EXPRESS OR IMPLIED BY OPERATION OF LAW OR OTHERWISE. THE SOLE AND EXCLUSIVE REMEDY AGAINST LOUP ELECTRONICS SHALL BE FOR THE REPAIR OR REPLACEMENT OF DEFECTIVE PARTS AS PROVIDED, AND NO OTHER REMEDY (INCLUDING BUT NOT LIMITED TO INCIDENTAL, SPECIAL, INJURY TO PERSONS OR PROPERTY, OR ANY OTHER LOSS) SHALL BE AVAILABLE. Loup Electronics neither assumes nor authorizes anyone to assume for it any other obligation or liability in connection with said part or product.

SERVICE

In warranty and Out of warranty service is available through Loup Electronics or Loup Electronics authorized and trained warranty & service depots.



Manufacturer's Warranties

PALADIN

Attachments: All other attachments

(excluding attachments provided by other manufacturers)

Dexter, MI

Phone:

- Parts (800) 922-2981 ext 21314
- Service (800) 922-2981 ext 21341
- Warranty: (800) 922-2981 ext 21341

OEM Limited Warranty

All new Paladin Light Construction Equipment products are warranted to be free from defects in materials or workmanship which may cause failure under normal usage and service when used for the purpose intended.

In the event of failure within twelve (12) months from initial retail sale, lease or rental date (excluding cable, ground engaging parts such as sprockets, digging chain, bearings, teeth, tamping and demolition heads, blade cutting edges, pilot bits, auger teeth, auger heads & broom bristles), if after examination, Paladin determine failure was due to defective material and/or workmanship, parts will be repaired or replaced. Paladin may request defective part or parts be returned prepaid to them for inspection at their place of business.

Any claims under this warranty must be made within fifteen (15) days after the Buyer learns of the facts upon which such claim is based. All claims not made in writing and received by Paladin within the time period specified above shall be deemed waived.

THIS WARRANTY IS IN LIEU OF ALL OTHER WARRANTIES EXPRESSED OR IMPLIED AND THERE ARE NO WARRANTIES OF MERCHANTABILITY OR OF FITNESS FOR A PARTICULAR PURPOSE. IN NO EVENT SHALL PALADIN BE LIABLE FOR CONSEQUENTIAL OR SPECIAL DAMAGE.

PALADIN'S LIABILITY FOR ANY AND ALL LOSSES AND DAMAGES TO BUYER, RESULTING FROM ANY CAUSE WHATSOEVER, INCLUDING PALADIN'S NEGLIGENCE, IRRESPECTIVE OF WHETHER SUCH DEFECTS ARE DISCOVERABLE OR LATENT, SHALL IN NO EVENT EXCEED THE PURCHASE PRICE OF THE PARTICULAR PRODUCTS WITH RESPECT TO WHICH LOSSES OR DAMAGES ARE CLAIMED, OR, AT THE ELECTION OF PALADIN, THE REPAIR OR REPLACEMENT OF DEFECTIVE OR DAMAGED PRODUCTS.



Manufacturer's Warranties

TOKU AMERICA

Attachments: Hydraulic Compactors, Hydraulic Hammers

Willoughby, Ohio 44094

Phone:

- Service, Warranty: (440) 954-9923
- Fax: (440)-954-9929

LIMITED THREE-YEAR WARRANTY FOR HYDRAULIC HAMMERS (TNB-08M – TNB-7E)

The manufacturer warrants its Products against defects in material and workmanship. Such **LIMITED** warranty shall apply to the initial Purchaser only. Components (including brackets) carry a **THREE-YEAR LIMITED WARRANTY (except seals and exclusions listed below)**. **Seals are warranted for a period of ONE (1) YEAR**. All Warrantees begin from date of sale to the original retail end-user or the initial rental service of the hammer.

ITEMS EXCLUDED FROM THIS WARRANTY

Normal wear items such as tools (moil, chisel, blunt, tamper, frost wedge and asphalt cutter), tool bushings, retainer pins, hoses, hose adapters, fasteners and accessories are **excluded** from any and all warrantees.

LIMITED TWO-YEAR WARRANTY FOR HYDRAULIC COMPACTORS

The manufacturer warrants its Products against defects in material and workmanship. Such **LIMITED** warranty shall apply to the initial Purchaser only. Body and internal components carry a **TWO-YEAR LIMITED WARRANTY**. All Warrantees begin from date of sale to the original retail end-user or the initial rental service of the compactor.

ITEMS EXCLUDED FROM THIS WARRANTY

Normal wear items such as seals (seals are considered wear parts), tool bushings, retainer pins, hoses, hose adapters, fasteners and accessories are **excluded** from any and all warrantees.

WARRANTY LIMITATIONS

This warranty will be in effect only if:

1. The Purchaser or his agent has the product installed and operating in accordance with the published Manufacturers specifications and guidelines.
2. The Purchaser or his agent does not exceed the Products published design operating range for hydraulic flow, pressure or recommended carrier size.
3. The Purchaser or his agent complies with the maintenance schedule in the Operating and Service Manual supplied with each Product.
4. The Purchaser or his agent only uses replacement parts/products received from or approved by Toku America, Inc.

This warranty will not cover defects/failures caused by abuse, neglect, misuse, lack of maintenance, accident or use of Product beyond its published design capacity, specifications or recommended applications. The Manufacturer will, at its option, determine what, if any, defective/faulty components will be accepted for warranty coverage. The Manufacturer will, at its option, determine whether to repair or replace components deemed faulty because of defective material or workmanship. The manufacturer will not be accountable for mileage, travel time, travel costs, and/or any freight costs incurred to facilitate the needed replacement or repairs beyond those stated within the document (see next page) titled "Warranty Policy Statement". The Manufacturer shall not be liable for lost rental income, machine availability or failure of components not supplied or installed by Manufacturer.

WARRANTY DISCLAIMER

This Warranty is exclusive and in lieu of all other representations and warranties, expressed or implied. The Manufacturer expressly disclaims and excludes and implied warranty of merchantability or fitness for a particular purpose. In no event shall the Purchaser or his agent be entitled to any consequential damages of any kind, whether arising out of breach of contract, warranty (including negligence and strict liability) or other theories of law, with respect to products sold or services rendered by the Manufacturer, or any undertakings, acts or omissions relating thereto. The Manufacturer reserves the right to change these policies as conditions dictate.

Continued on next page

TOKU AMERICA

Attachments: Hydraulic Compactors, Hydraulic Hammers

WARRANTY POLICY STATEMENT

This document spells out Toku America, Inc. specific policies concerning submissions or warranty claims. This document is in addition to the Toku America, Inc. *Limited Warranty for Hydraulic Breakers* that accompanies all new products.

1. Warranty Registration Card

Each hydraulic breaker is shipped with a *Warranty Registration Card*. In order to properly process your claim, this card **must** be on file at Toku America, Inc. This card not only registers the product for warranty purposes, it keeps Toku America, Inc. informed so we can contact you concerning product updates, parts specials and service bulletins.

2. Ordering Warranty Replacement Parts

All parts ordered from Toku America, Inc. will, **without exception**, be invoiced and shipped freight collect or prepaid with freight on the invoice.

3. Filing a Claim

Every Toku America, Inc. product shipped includes an Owner's Manual and package containing a *Warranty Claim Form* and a *Hammer Checklist* for pre-delivery.

4. Using the Warranty Claim Form

Fill out all items as completely as possible. Take note of (5.) below. In the section titled "DESCRIPTION OF FAILURE" describe the failure as clearly as possible along with operating conditions of the breaker and carrier as best you can.

In order for Toku America, Inc. to consider "DEALER LABOR" and "DEALER MILEAGE" in your claim, your **published** labor and mileage rates must be on file with Toku America, Inc. or must accompany the claim form.

5. Warranty Submission Time Limit

No more than thirty (30) days should elapse between the "DATE OF FAILURE" and "DATE OF CLAIM". Claims submitted beyond thirty (30) days from the "DATE OF FAILURE" will be denied.

Toku America, Inc.'s purpose is to provide the best possible product reliability and customer service. Our best sources for product reliability information and failure analysis are used/failed parts from the field. A broken side rod bolt or piston that has been exposed to weeks of weather or knocking around your shop tells us little or nothing. It may have been a valid claim when the part failed. If we can't tell why or where the part failed because of rust or damage we can't warranty the part.

6. Requesting a Returned Goods Authorization (RGA)

Before returning a suspected warranty part, call Toku America, Inc. at (877) 954-9923 and our customer service representative will provide you with a RGA number. Please have the description of the part(s) at hand and the method by which you will be returning the part prepaid to Toku America, Inc. At that time it may be determined that you need not return the part and Toku America, Inc. may warrant the part without examination at its sole discretion. Do not scrap any parts under warranty consideration until authorized by Toku America, Inc. or until credit is received.

7. Returning a Warranted Part

All returned parts must be shipped prepaid (not collect) and include the RGA number prominently displayed on the shipping label. If a part is particularly heavy, we may be able to work out a more favorable freight rate for you from one of our regular carriers. Please contact us for further information.

8. Toku America, INC. Claims Processing

Toku America, Inc. will respond to the dealer submitting the claim within 30 days as follows:

- A credit for an approved claim which contains the required information or,
- A request for further information, for return of the parts for analysis (refer to 6. and 7. above) or,
- Notification of a denied claim with an explanation of why the claim was denied.



Manufacturer's Warranties

**THIS PAGE
INTENTIONALLY
LEFT BLANK**



BUILDING A STRONG CASE.

Since 1842, we at CASE Construction Equipment have lived by an unwavering commitment to build practical, intuitive solutions that deliver both efficiency and productivity. We continually strive to make it easier for our customers to implement emerging technologies and new compliance mandates.

Today, our global scale combined with our local expertise enables us to keep customers' real-world challenges at the center of our product development. This focus has led to numerous innovations like Ride Control™, EZ-EH controls, blade shake, PowerLift™, over-center boom design and the peace of mind that only CASE ProCare provides.

Every CASE machine is backed by more than 300 North American dealer locations, thousands of OEM, remanufactured and All-Makes parts, and flexible financing and insurance options that provide the kind of reliable, steadfast support you expect from a professional partner.

We are passionate about improving the lives of others, whether investing in our veterans or raising awareness about local infrastructure initiatives through Dire States. Our goal is to build both stronger machines — and stronger communities.

At the end of the day, we do what's right by our customers and our communities so that they can count on CASE.

CaseCE.com

PM-18258 Issued: 01/2019 Replaces: PM-17993

©2019 CNH Industrial America LLC. All rights reserved. CASE is a trademark registered in the United States and many other countries, owned by or licensed to CNH Industrial N.V., its subsidiaries or affiliates. CNH Industrial Genuine Parts and SmartFit are trademarks in the United States and many other countries, owned by or licensed to CNH Industrial N.V., its subsidiaries or affiliates.

IMPORTANT: CASE Construction Equipment Inc. reserves the right to change these specifications without notice and without incurring any obligation relating to such change. Availability of some models and equipment builds vary according to the country in which the equipment is used. The illustrations and text may include optional equipment and accessories and may not include all standard equipment. Your CASE dealer/distributor will be able to give you details of the products and their specifications available in your area.



CASE Construction Equipment is biodiesel-friendly.

NOTE: All engines meet current EPA emissions regulations. All specifications are stated in accordance with SAE Standards or Recommended Practices, where applicable.



Always read the Operator's Manual before operating equipment. Inspect equipment before using it, and be sure it is operating properly. Follow the product safety signs and use any safety features provided.