

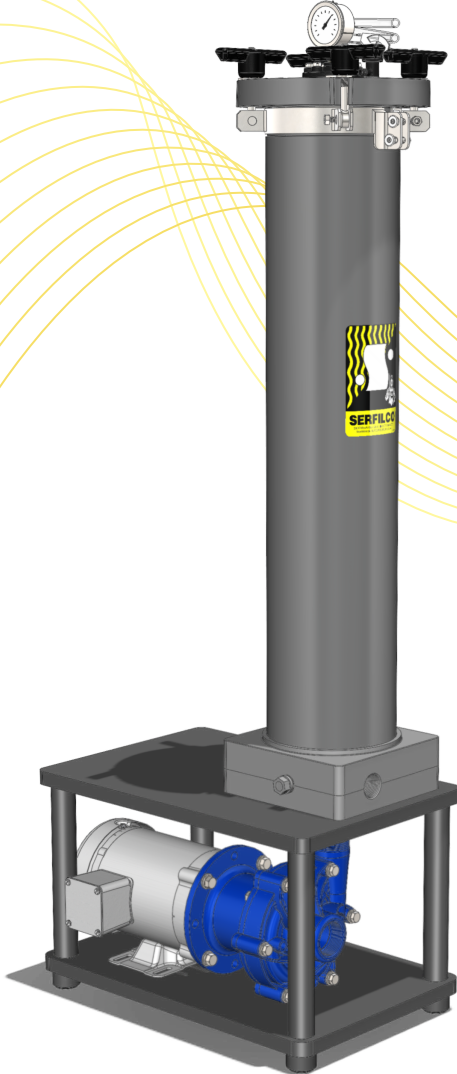
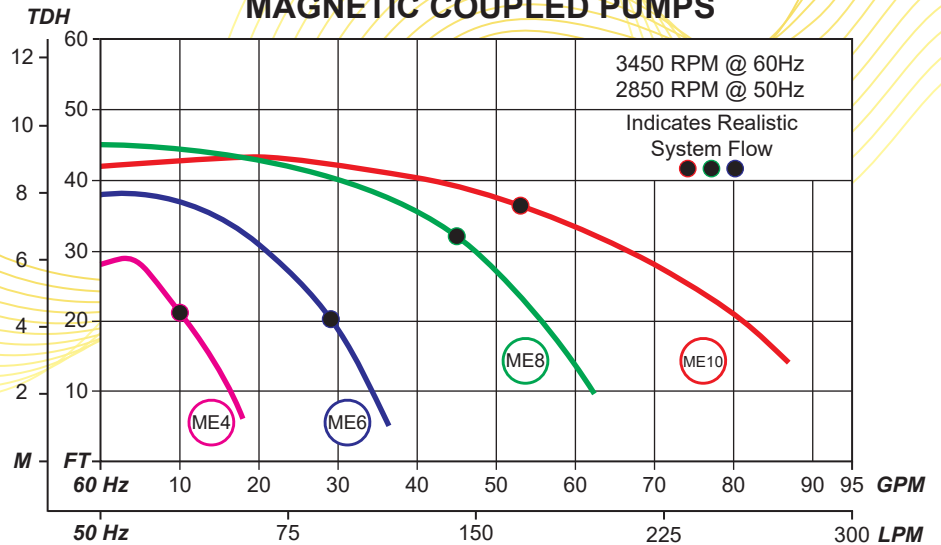


SPACE-SAVER SME | FILTRATION SYSTEMS

'S' CHAMBER WITH SERIES 'ME' MAGNETIC DRIVE PUMPS

PERFORMANCE

SERIES 'ME' MAGNETIC COUPLED PUMPS



Standard Space-Saver Systems Include:

- Series 'S' Filter Chamber (3-Column) w/ 0-60 PSI Pressure Gauge and Guard Assembly.
- Series 'ME' Magnetic Coupled Pump.
- Corrosion Resistant PVC Mounting Base.
- EPDM Elastomers Standard.
- Stainless Steel External Fasteners and Polypropylene or PVDF Vent Valve.
- Filter Chamber Bottom-Inlet for Low Pressure Drop.

SYSTEM NUMBER				MEDIA QTY - LNG	PUMP			PUMP INLET CHAMBER OUTLET	SHIPPING WEIGHT
PVC*	PP*	CPVC*	PVDF*		MODEL	HP	FLOW		
PSJ6ME4103	PPSJ6ME4103	CSJ6ME4103	KSJ6ME4103	3 - 20"	ME4	1/4 (1PH)	600 GPH	1" x 1" NPT	100
PSJ9ME4103	PPSJ9ME4103	CSJ9ME4103	KSJ9ME4103	3 - 30"					110
PSJ12ME4103	PPSJ12ME4103	CSJ12ME4103	KSJ12ME4103	3 - 40"					120
PSJ6ME6105	PPSJ6ME6105	CSJ6ME6105	KSJ6ME6105	3 - 20"	ME6	1/2 (1PH)	1,700 GPH	1" x 1" NPT	105
PSJ9ME6105	PPSJ9ME6105	CSJ9ME6105	KSJ9ME6105	3 - 30"					115
PSJ12ME6105	PPSJ12ME6105	CSJ12ME6105	KSJ12ME6105	3 - 40"					125
PSJ6ME8308	PPSJ6ME8308	CSJ6ME8308	KSJ6ME8308	3 - 20"	ME8	.75 (1PH)	2,700 GPH	1-1/2" x 1" NPT	110
PSJ9ME8308	PPSJ9ME8308	CSJ9ME8308	KSJ9ME8308	3 - 30"					120
PSJ12ME8308	PPSJ12ME8308	CSJ12ME8308	KSJ12ME8308	3 - 40"					130
PSJ6ME10410	PPSJ6ME10410	CSJ6ME10410	KSJ6ME10410	3 - 20"	ME10	1.0 (3PH)	3,200 GPH	1-1/2" x 1" NPT	105
PSJ9ME10410	PPSJ9ME10410	CSJ9ME10410	KSJ9ME10410	3 - 30"					115
PSJ12ME10410	PPSJ12ME10410	CSJ12ME10410	KSJ12ME10410	3 - 40"					125

* Consult a chemical resistance guide to confirm material / solution compatibility.

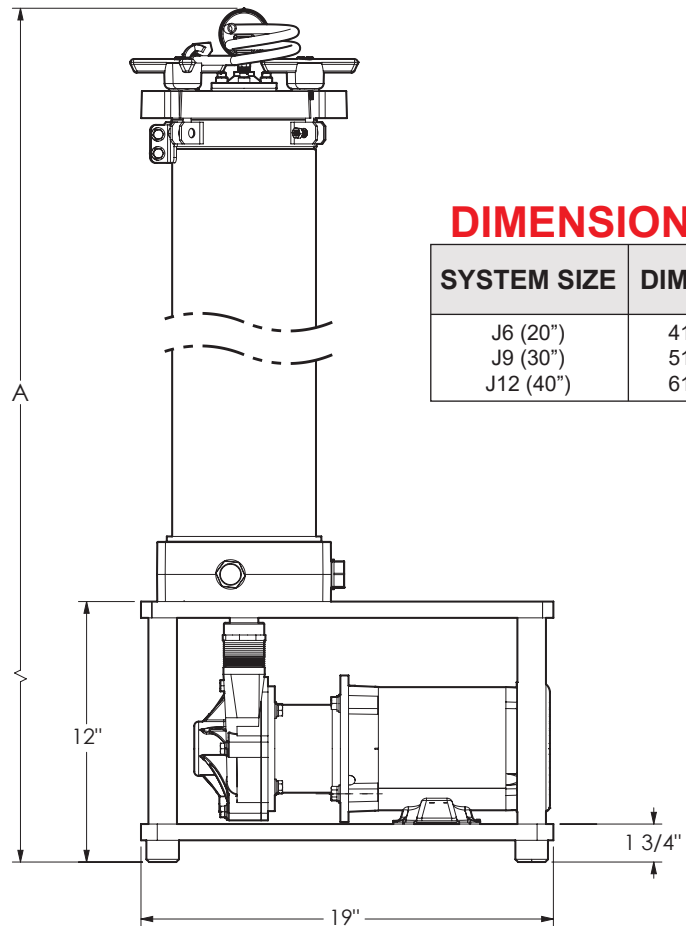
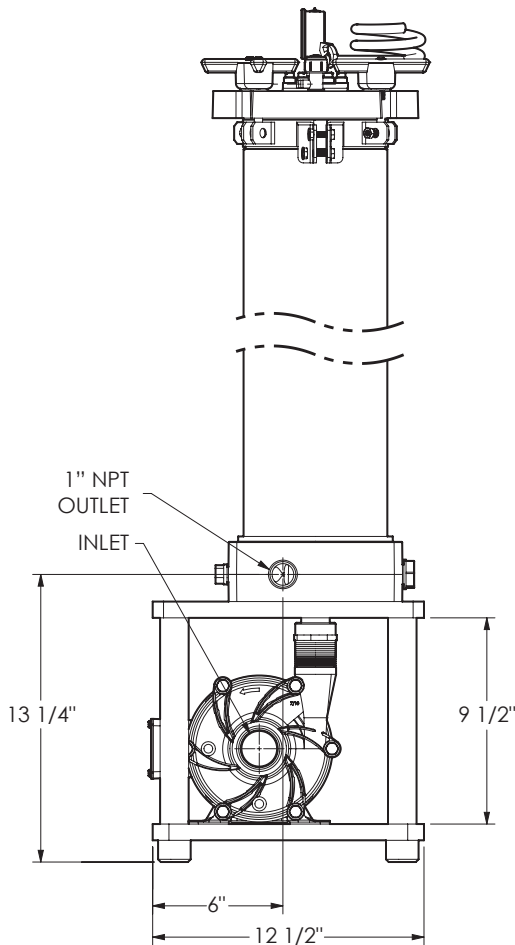


OPTIONS AND ACCESSORIES

OPTIONS	ADD TO SYSTEM NO.
FKM O-Rings (chamber and pump)	- V
Operating Voltage Single Phase - 1HP Three Phase - Under 1HP	-1 -3
50 Hz Operation	-5

DESCRIPTION	PRICE CODE NO.
MOTOR STARTERS - NEMA 4X WATERTIGHT PUSH BUTTON	
115 - 230V/1/50-60	O-MS1P
230 - 460V/3/50-60	O-MS3P
Add '-S' to Motor Starter PCN when ordering motor starter for use with DRI-STOP® Pump Protector. EX: O-MS1P-S (Specify Operating Voltage)	

CARBON PURIFICATION CHAMBER with flow control valve, hose & drain.	PRICE CODE NO.		
	CPVC	PVC	PP
Includes ABS mini-canister / CPVC, clear PVC, or PP Chamber for: 2.1 lbs. granular carbon 20" canister 3.2 lbs. granular carbon 30" canister	O-C2CM O-C3CM	O-P2CM O-P3CM	O-PP2CM O-PP3CM
Includes Chamber for: 7.5 lbs. granular carbon in a 5" x 28" canister	O-1528C	O-1528	O-1528PP
Includes Chamber for: 1.2 lbs. 20" carbon cartridge 1.8 lbs. 30" carbon cartridge 3.0 lbs. 5" x 28" Maxi-Carb cartridge	O-C2CC O-C3CC O-1528M	O-P2CC O-P3CC -	O-PP2CC O-PP3CC O-PP1528M



SERFILCO®

Chemical resistant pumps & filters engineered for industry

2900 MacArthur Blvd.
Northbrook, IL. 60062-2005 U.S.A. (800) 323-5431
E-Mail: sales@serfilco.com (847) 509-2900
Web: www.serfilco.com (847) 559-1141

© 2023 SERFILCO Ltd, All Rights Reserved.