



[www.Trajansaw.com](http://www.Trajansaw.com)

## **Trajan 1319ADR**

Fabricating Saw



## Parts and Service Manual

Order Parts From

[www.BandSawParts.com](http://www.BandSawParts.com)

713-884-1101

CODE_NO	PART_NO	DESCRIPTION	SPECIFICATION	QTY
1S	103005AS	Stand		1.00
2	103009	Swivel Arm Base		1.00
4	103015	Adjustable Support		1.00
5	101029M	Swivel Base(Upper)		1.00
6	103045A	Rear Pivot Bracket		1.00
6-1	105073	Bushing		1.00
7	103010	Movable Table		1.00
8	103023	Vise Jaw Plate		1.00
9	103012	Vise Jaw Bracket(Front)		1.00
10	101012	Fixed Shaft		1.00
11	103011	Vise Base		1.00
12	103014	Vise Base Plate		1.00
13	103013	Wall Plate		1.00
14	103041B	Body Frame		1.00
16	103138S	Blade Back Cover		1.00
17	103024	Idler Wheel Assembly		1.00
18	103025	Drive Wheel		1.00
21	103091A	Cylinder Assembly		1.00
22	103032	Arm (Right)		1.00
23	103029A	Blade Adjustable (Rear)		1.00
24	103031	Arm (Left)		1.00
25	103030	Bearing Bracket (Left)		1.00
26	103252A	Blade Angle Adjusting Bracket		1.00
27	103250	Blade Tension Sliding Plate		1.00
28	103251	Anchor Block		1.00
29	1965011	Column		1.00
30	103008A	Scale		1.00
31	HH001	Rivet	φ2x5L	2.00
32	HS432	Hex. Socker Headless Screw	M8x20L	4.00
33	HS278	Hex. Socket Head Screw	M12x20L	2.00
34	103157	Blade Select Chart		1.00
37	HS242	Hex. Socket Head Screw	M8x20L	4.00
38	1965052	Knob		2.00

39	HW005	Washer	M8	4.00
40	HN005	Hex. Nut	M8	4.00
43	HP023	Pin	φ5X45L	2.00
49	103259	Gib		2.00
50	HW105	Spring Washer	M8	6.00
51	HS246	Hex. Socket Head Screw	M8x40L	6.00
52	HW003	Washer	M5	2.00
53	HW006	Washer	M10	1.00
54	101116	Spring		1.00
55	CA51204	Bearing	51204	1.00
56	103257	Handle Body		1.00
57	103254	Bracket		1.00
58	HS519	Cross Round Head Screw	M5x10L	2.00
59	103261	Switch Base		1.00
60	HS519	Cross Round Head Screw	M5x10L	2.00
61	103253	Indicating Washer		1.00
62	103256	Plate		1.00
63	HS511	Cross Round Head Screw	M4X20L	2.00
64	103255	Leadscrew		1.00
65	HS519	Cross Round Head Screw	M5x8L	2.00
66	191415	Tension Indicating Plate		1.00
67	HS262	Hex. Socket Head Screw	M10x40L	1.00
68	HS229	Hex. Socket Head Screw	M6x15L	4.00
69	HW104	Spring Washer	M6	4.00
70	101008	Hemicycle Washer		1.00
71	103258	Washer		1.00
72	103260	Shaft Bushing		2.00
73	HS231	Hex. Socket Head Screw	M6x25L	2.00
74	103111	Shaft		1.00
75	191404	Bushing		1.00
76	HD608	Hose Clamp	φ12	4.00
77	HS519	Cross Round Head Screw	M5x10L	4.00
78	1965014	Gib		1.00
79	1965015	Blade Adjustable Knob		1.00

80	HW006	Washer	M10	1.00
81	103120	Carbide Guide		4.00
82	HS230	Hex. Socket Head Screw	M6x20L	4.00
83	CA609ZZ	Bearing	609ZZ	2.00
84	191414	Disc Spring		13.00
85	103027S	Bearing Shaft Assembly		2.00
85-1	103027	Bearing Shaft		2.00
85-2	CA609ZZ	Bearing	609ZZ	6.00
85-3	HSC01	C-Retainer Ring	S10	2.00
86	103028S	Eccentric Shaft Assembly		2.00
86-1	103028	Eccentric Shaft		2.00
86-2	CA609ZZ	Bearing	609ZZ	6.00
86-3	HSC01	C-Retainer Ring	S10	2.00
87	103026	Bearing Pin		2.00
88	HS414	Hex. Socker Headless Screw	M5x10L	4.00
89	HS422	Hex. Socker Headless Screw	M6x10L	2.00
91	HW005	Washer	M8	4.00
92	HS243	Hex. Socket Head Screw	M8x25L	4.00
93	105013	Blade Guard (Front)		1.00
94	196504	Label		1.00
95	HW107	Spring Washer	M12	4.00
96	HS282	Hex. Socket Head Screw	M12x40L	4.00
97	HW106	Spring Washer	M10	4.00
98	HS260	Hex. Socket Head Screw	M10x30L	4.00
99	HS242	Hex. Socket Head Screw	M8x20L	5.00
100	HS227	Hex. Socket Head Screw	M6x5L	2.00
101	HS261	Hex. Socket Head Screw	M10x35L	4.00
102	HW106	Spring Washer	M10	4.00
103	HS258	Hex. Socket Head Screw	M10x20L	4.00
104	HW106	Spring Washer	M10	4.00
105	HW006	Washer	M10	4.00
106	103106	Nut	AN07	1.00
107	HW206	Washer	AW07	1.00
109	HS265	Hex. Socket Head Screw	M10x55L	2.00
111	103054	Bracket		1.00

112	103053	Rack Hook		1.00
113	103069	Pin		1.00
114	HS422	Hex. Socker Headless Screw	M6x10L	2.00
115	101093	Wheel		1.00
116	HS230	Hex. Socket Head Screw	M6x20L	4.00
117	103060	Cylinder Upper Support		1.00
118	103078	Pivot Pin		1.00
119	HS422	Hex. Socker Headless Screw	M6x10L	1.00
120	HW005	Washer	M8	4.00
121	HS242	Hex. Socket Head Screw	M8x20L	4.00
122	HW105	Spring Washer	M8	2.00
123	HS242	Hex. Socket Head Screw	M8x20L	2.00
124	103059A	Cylinder Lower Support		1.00
125	103079A	Pivot Pin		1.00
126	HS422	Hex. Socker Headless Screw	M6x10L	1.00
131	193030	Protractor Locating Block		1.00
132	103026	Bearing Pin		1.00
135	103106	Nut	AN07	1.00
136	HW005	Washer	M8	2.00
137	HS242	Hex. Socket Head Screw	M8X20L	2.00
138	HW206	Washer	AW07	1.00
139	19116S-1	Gear Box Assembly		1.00
140	N005	Hex. Nut	3/8"	2.00
141	623124	Handle		2.00
142	HS519	Cross Round Head Screw	M5x10L	2.00
143	103136	Bracker		1.00
144	623124	Handle		2.00
145	103108	Blade	27x0.9x3810L-4/6T	1.00
146	HK044	Key	7x7x30L	1.00
147	HW006	Washer	M10	1.00
148	HW106	Spring Washer	M10	1.00
149	HS059	Hex. Head Screw	M10x25L	1.00
158	103046A	Bracket		1.00
158-1	103165	Bushing		1.00

159	HW106	Spring Washer	M10	4.00
160	HW006	Washer	M10	4.00
161	HS258	Hex. Socket Head Screw	M10x20L	4.00
162	HN005	Hex. Nut	M8	1.00
163	HS433	Hex. Socker Headless Screw	M8x25L	1.00
164	103049	Blade Guard (Rear)		1.00
165	HN006	Hex. Nut	M10	1.00
166	191333	Spring		1.00
167S	103133S	Brush Assemble		1.00
172	HW004	Washer	M6	4.00
173	103127	Plum Screw	M6x10L	4.00
174	HS258	Hex. Socket Head Screw	M10x20L	3.00
175	HS519	Cross Round Head Screw	M5X8L	1.00
186	101078	Distance Set Rod		1.00
187	HS528	Cross Round Head Screw	M6x12L	2.00
188	HW004	Washer	M6	2.00
189	103089	Spring Cover		1.00
190	105047	Blade Guard II (Rear)		1.00
191	HS519	Cross Round Head Screw	M5x10L	2.00
193	HB501	Grease Nipple	PT1/8	2.00
194	103151	Motor Plate		1.00
197	HN007	Hex. Nut	M12	1.00
198	103104	Screw		1.00
199	HN006	Hex. Nut	M10	3.00
200	1966033	Knob		1.00
201	103102	Support Plate		1.00
202	HS033	Hex. Head Screw	M6x12L	1.00
203	HS267	Hex. Socket Head Screw	M10x65L	1.00
204	HS284	Hex. Socket Head Screw	M12x50L	2.00
205	103058	Rack Support		2.00
206	105044	Bushing		1.00
209	HW105	Spring Washer	M8	4.00
210	HS242	Hex. Socket Head Screw	M8x20L	4.00
211	103056	Rack		1.00

212	HK007	Key	5X5X15L	1.00
213	103055	Acme Screw		1.00
214	101025	Feed Support		1.00
215	HW007	Washer	M12	1.00
216	HN007	Hex. Nut	M12	1.00
217	HW105	Spring Washer	M8	3.00
218	HS242	Hex. Socket Head Screw	M8x20L	3.00
219	101033	Eye Bolt		1.00
220	1976026	Spring		1.00
221	101032	Swivel Arm Briquette		1.00
226	103115	Washer Ring		1.00
227	103101	Washer Ring		1.00
229	103122A	Ring		1.00
230	103082	Pivot Shaft		1.00
231	CA6904RNA	Bearing	6904RNA	2.00
232	HS261	Hex. Socket Head Screw	M10x35L	4.00
233	103088A	Gap Ring		2.00
234	101034	Degree-Meter		1.00
235	HH001	Rivet	∅2x5L	2.00
240	HP018	Pin	∅5x20L	2.00
241	HS047	Hex. Head Screw	M8x25L	2.00
242	HW005	Washer	M8	2.00
243	103084A	Angle Position		1.00
244	HO029	O-Retainer Ring	P12	4.00
246	HS046	Hex. Head Screw	M8x20L	2.00
247	HN005	Hex. Nut	M8	2.00
250	103128	Coolant Tank		1.00
251	HS425	Hex. Socker Headless Screw	M6x12L	6.00
252	HS243	Hex. Socket Head Screw	M8x25L	3.00
253	103093	Angle Margin		1.00
254	HS242	Hex. Socket Head Screw	M8x20L	2.00
259	HS032	Hex. Head Screw	M6x10L	1.00
260	HN004	Hex. Nut	M6	1.00
261	191106A	Filter		1.00

269	MB13304CR	Cooling Pump	HP1/8	1.00
270	HS033	Hex. Head Screw	M6x15L	4.00
271	HW104	Spring Washer	M6	4.00
272	1975007	Rubber Cushion		1.00
275	HS520	Cross Round Head Screw	M5x15L	2.00
276	1975008	Acryl Plate		1.00
277	HS093	Hex. Head Screw	M12x50L	4.00
278	HN007	Hex. Nut	M12	4.00
279	101087	Splash Board		1.00
280	101085	Chip Tray		1.00
282	105037A	Locating Foot (Left)		2.00
283	HS431	Hex. Socker Headless Screw	M8x12L	2.00
284	105037	Locating Foot (Right)		2.00
285	HW005	Washer	M8	8.00
286	HS241	Hex. Socket Head Screw	M8x15L	8.00
287	103094	Connecting Plate		4.00
288	HW005	Washer	M8	12.00
289	HS241	Hex. Socket Head Screw	M8x15L	12.00
290	103004SA	Stand Leg		1.00
292	HW005	Washer	M8	8.00
293	HS241	Hex. Socket Head Screw	M8x15L	8.00
294	103038	Splash Board		1.00
295	HW104	Washer	M6	2.00
296	HS229	Hex. Socket Head Screw	M6x12L	2.00
302	101090	Belt	(1422) 360V	1.00
303	103098	Motor Pulley Cover		1.00
304	HS519	Cross Round Head Screw	M5x10L	4.00
305	103156	Speed Label	E=1/30	1.00
306	1965032S	Spindle Pulley		1.00
306-1	1965033	Spindle Pulley	2HP $\phi$ 24	1.00
306-2	1965032	Variable Speed Pulley	2HP $\phi$ 24	1.00
308	HK044	Key	7x7x30L	1.00
309	103099A	Pulley Lower Cover		1.00
310	105046	Cover		1.00

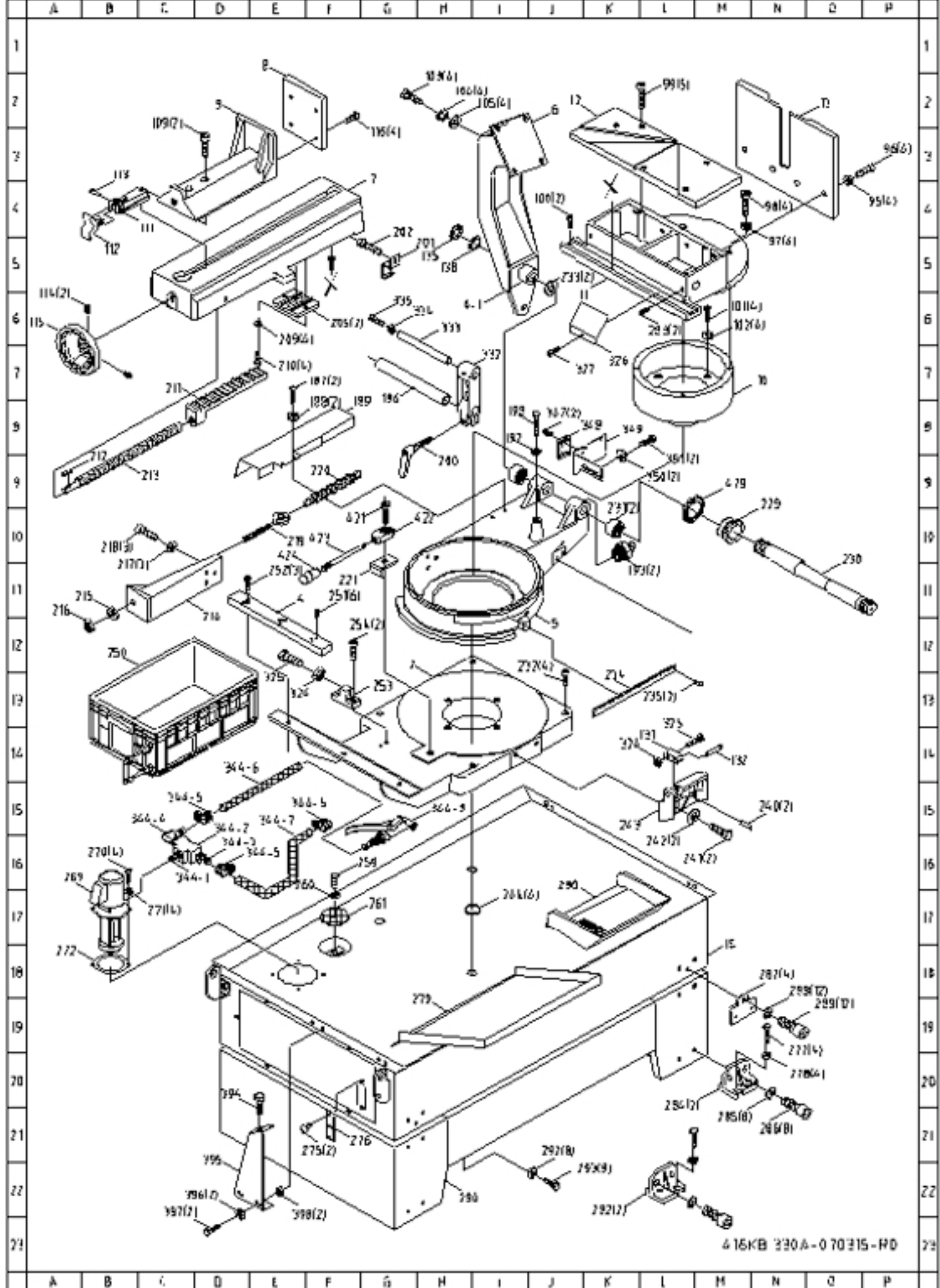


311	HS518	Cross Round Head Screw	M5x5L	2.00
312	HW004	Washer	M6	2.00
313	HS228	Hex. Socket Head Screw	M6x10L	2.00
324	HN006	Hex. Nut	M10	3.00
325	HS062	Hex. Head Screw	M10x40L	3.00
326	103085	Anti-Chip Plate		1.00
327	HS230	Hex. Socket Head Screw	M6x20L	1.00
332	103039A	Stop Block Support		1.00
333	103076	Distance Set Rod		1.00
334	HN006	Hex. Nut	M10	1.00
335	HS062	Hex. Head Screw	M10x40L	1.00
336	HS062	Hex. Head Screw	M10x40L	1.00
337	HN006	Hex. Nut	M10	1.00
338	HS219	Hex. Socket Head Screw	M5x15L	2.00
339	105059	Lower Adjusting Support		1.00
342	103088	Gap Ring		1.00
344	103125S	Spray Assembly		1.00
344-1	103125-1	Straight Connector	PT3/8"xPT3/8"	1.00
344-2	103125-2	3 Way Connector	PT3/8"xPT3/8"Xpt3/8"	1.00
344-3	103125-3	Straight Connector	PT3/8"x1/2"	1.00
344-4	103125-4	Micro Control Block	PT3/8"x1/2"	1.00
344-5	103125-5	Hose Clamp	φ19	3.00
344-6	103125-6	Net Tube	ID1/2"x2.8tx126cm	1.00
344-7	103125-7	Net Tube	ID1/2"x2.8tx320cm	1.00
344-8	103125-8	Spray		1.00
345	103126S	Valve Assembly		2.00
345-1	103126-1	Copper Tube	1/4"x4.2cm	2.00
345-2	103126-2	Valve	PT1/8"x1/8"	2.00
345-3	103126-3	Straight Connector	PT1/8"x1/4"	2.00
345-4	103126-4	Hose Clamp	φ12	2.00
345-5	103127-3	Net Tube	ID1/4"x2.2tx143cm	2.00
346	103127S	3 Way Valve Assembly		1.00
346-1	HS232	Hex. Socket Head Screw	M6x30L	2.00
346-2	105173	3 Way Valve		1.00

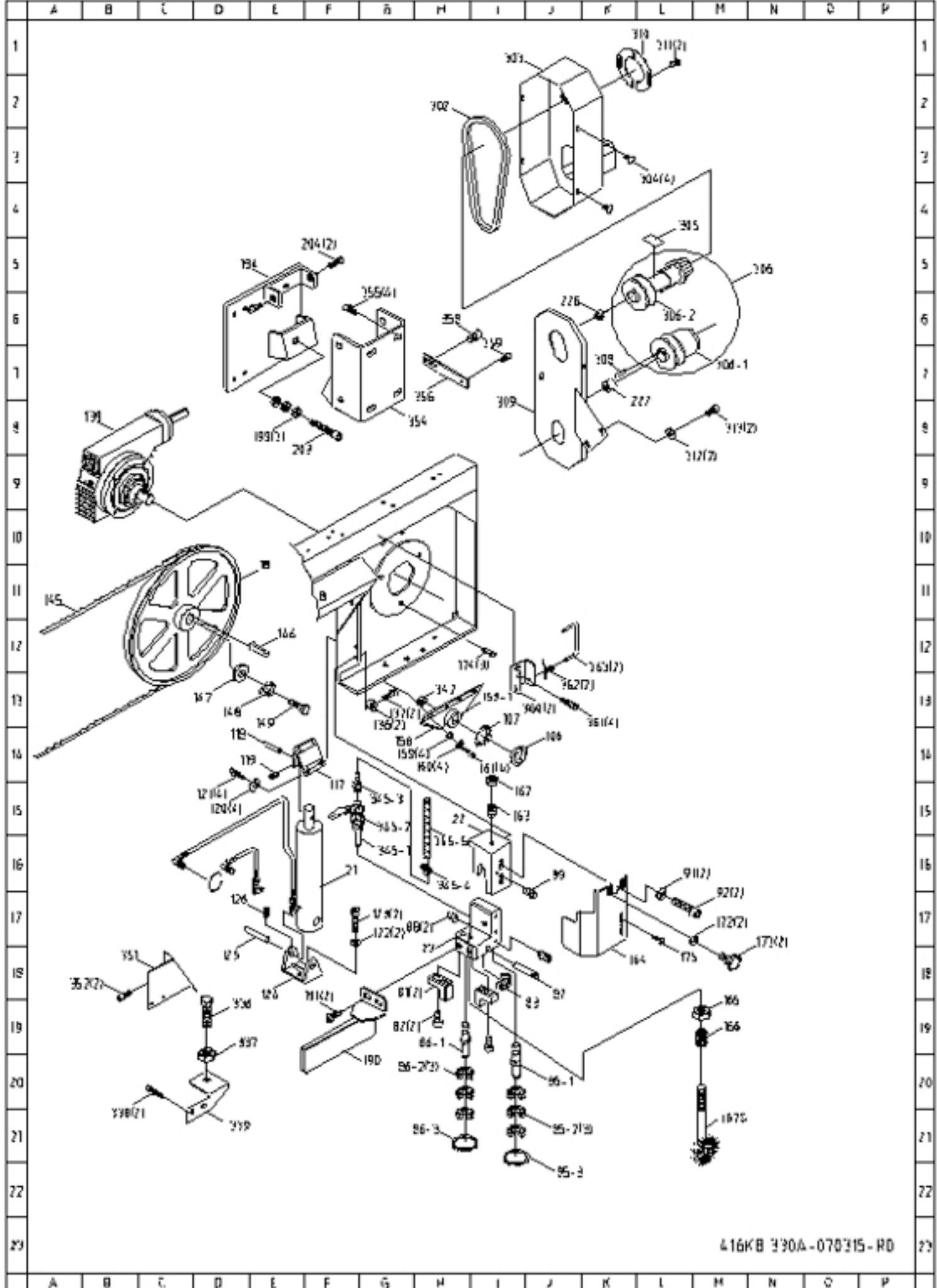
346-3	103127-1	Straight Connector	PT1/4"x1/4"	1.00
346-4	103126-4	Hose Clamp	φ12	2.00
346-5	103127-3	Net Tube	ID1/4"x2.2tx143cm	1.00
346-6	103127-2	Micro Control Block	PT1/4"x1/4"	1.00
346-7	103125-5	Hose Clamp	φ19	1.00
346-8	103127-4	Net Tube	ID1/4"x2.2tx64cm	1.00
346-9	103127-5	Net Tube	ID1/2"x2.8tx320cm	1.00
346-10	103127-6	Micro Control Block	PT1/4"x1/2"	1.00
347	HS520	Cross Round Head Screw	M5x12L	2.00
348	1976027	Switch Adjusting Bracket		1.00
349	105023	Switch Bracket(For CE Only)		1.00
350	HW003	Washer	M5	2.00
351	105054	Switch Bracket(For CE Only)		1.00
352	HS228	Hex. Socket Head Screw	M6x10L	2.00
354	103152	Motor Bracket		1.00
355	HS242	Hex. Socket Head Screw	M8x20L	4.00
356	103134	Support Sheet		1.00
357	HS218	Hex. Socket Head Screw	M5x10L	2.00
358	HS046	Hex. Head Screw	M8x18L	1.00
359	HS045	Hex. Head Screw	M8x15L	1.00
360	103135B	Bracket		2.00
361	HS228	Hex. Socket Head Screw	M6X10L	4.00
362	103137	Twisted Spring		2.00
363	103135C	Support Rod		2.00
364	105056	Blade Cover		1.00
365	HS228	Hex. Socket Head Screw	M6x10L	2.00
366	105057	Limit Switch Support		1.00
367	HS519	Cross Round Head Screw	M5x10L	2.00
370	103135A	Bracket		2.00
377	103213	Ring		4.00
378	103214	Flexible Plate	PA6+GF	3.00
379	HS243	Hex. Socket Head Screw	M6X20L	6.00
382	103073C	Electrical Contral Box (ECB)		1.00
383	HN004	Hex. Nut	M6	6.00

384	HW004	Washer	M6	6.00
385	HS230	Hex. Socket Head Screw	M6X20L	4.00
386	HW004	Washer	M6	4.00
387	103271PA	Lable for Name Plate		1.00
388	103072PA	Name Plate		1.00
389	103153	Tube	1/4" 2550L	1.00
390	103153A	Tube	1/4" 3900L	1.00
394	HS046	Hex. Head Screw	M8x20L	1.00
395	103105A	Fixed Plate		1.00
396	HW005	Washer	M8	2.00
397	HS045	Hex. Head Screw	M8x15L	2.00
398	HB803	Nut	M8	2.00
400	HS510	Cross Round Head Screw	M5X12L	4.00
406	103142A	Handle Rod		1.00
407	103124A	Throttle Valve		1.00
408	194124	Value		1.00
415	HCR06	C-Retaniner Ring	R52	2.00
416	CA30205J	Taper Roller Bearing (30205J)	30205J	2.00
417	105060	Cover		2.00
418	HW313	Star Washer	AW05	2.00
419	1965043	Nut		1.00
420	HB501	Grease Nipple	PT1/8	1.00
421	105065	Bolt		1.00
422	105066	Bracket		1.00
423	105067	Screw rod		1.00
424	105068	Knob		1.00
479	198048	Anti-Chip Cover		1.00
850	HS241	Hex. Head Screw	M8x15L	2.00
851	HW005	Washer	M8	4.00
852	HN005	Hex. Nut	M8	2.00
853S	103063S2	Hydraulic Unit	3 PH 1/4HP	1.00
854	HS519	Cross Round Head Screw	M5x10L	4.00
855	HW103	Spring Washer	M5	4.00
856	103087A	Limit Switch Adjusting Bracket		1.00
856-1	103172	Cross Round Head Screw		1.00

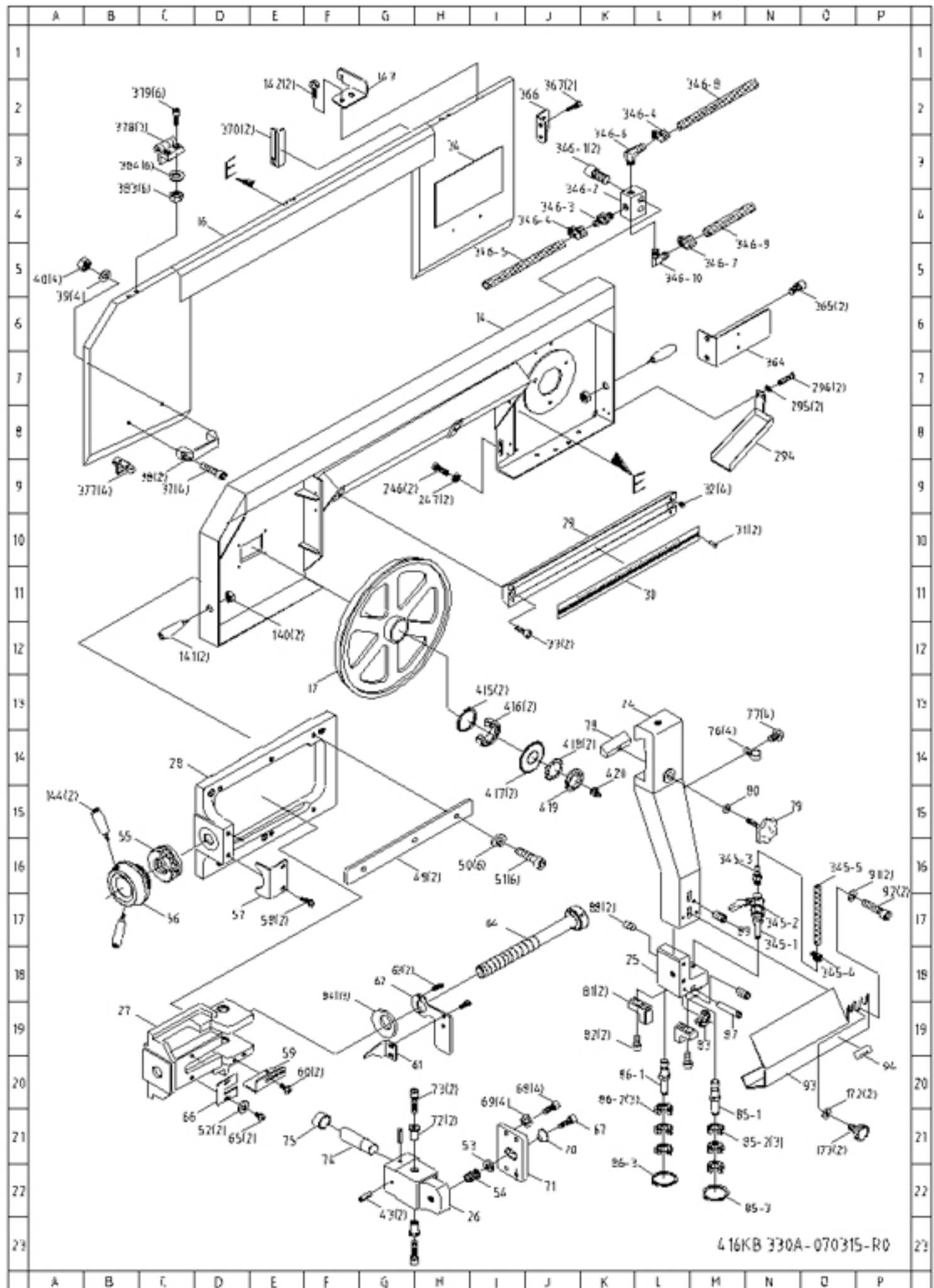
857	HS240	Hex. Socket Head Screw	M8x10L	3.00
858	HW105	Spring Washer	M8	3.00
859	195083	Knob	1/4"X12L	1.00
860	103107	Indicating Washer		1.00
861	105211	point Plate		1.00
862	103092	Shaft		1.00
863	103162	Down Bracket		1.00
864	103164	Screw Plate		1.00
865	HS519	Cross Round Head Screw	M5X10L	2.00
866	103163	Bracket		1.00
867	HS509	Cross Round Head Screw	M4X10L	4.00



416KB 330A-0 70315-10

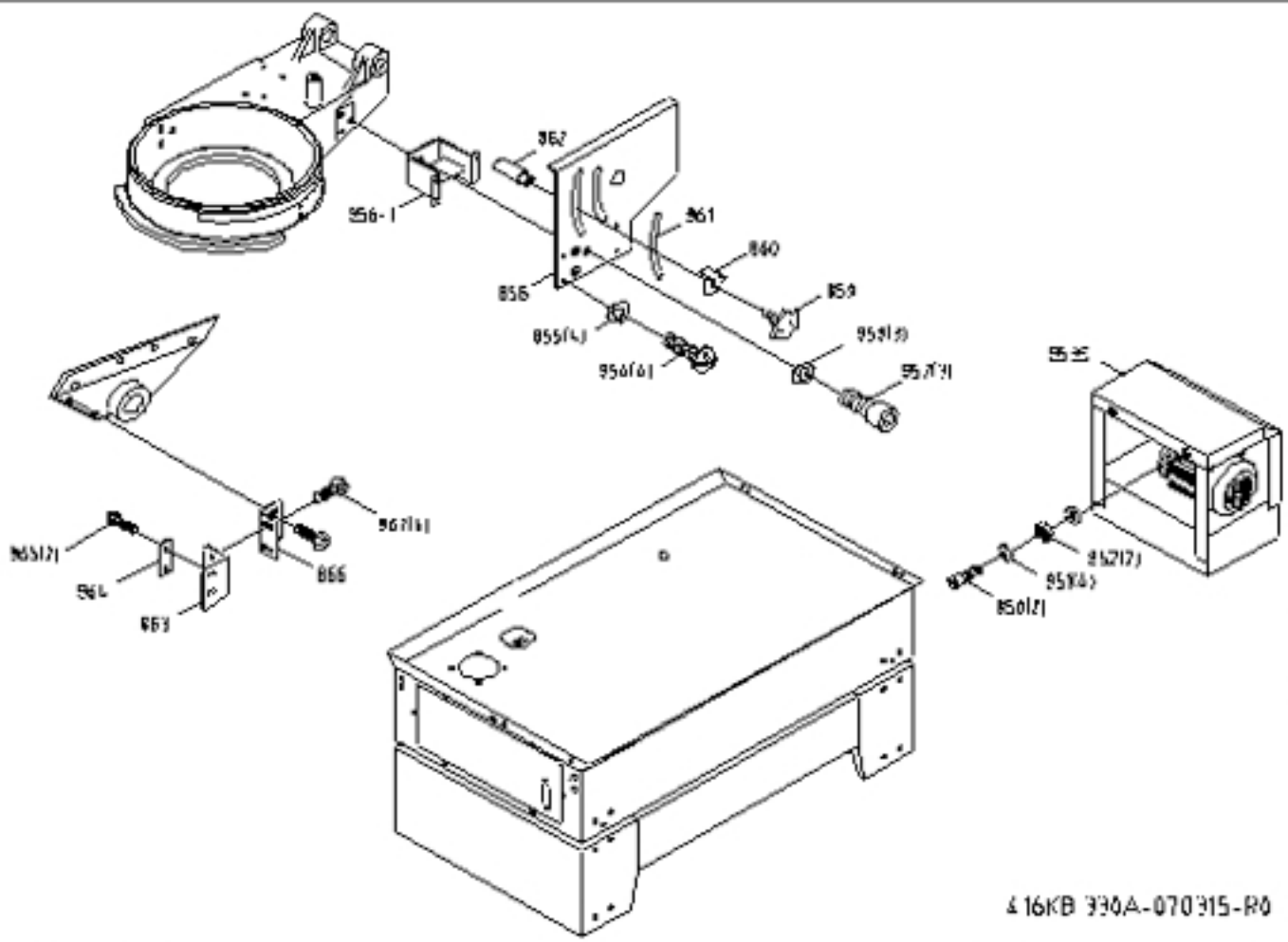
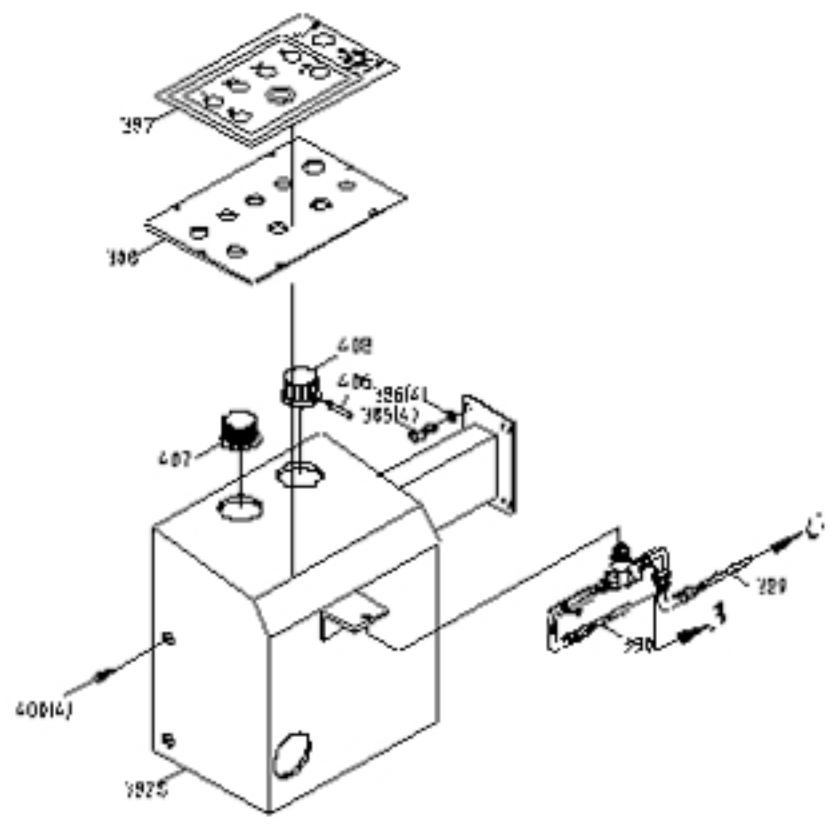


416KB 390A-070315-RD



416KB 330A-070315-R0

	A	B	C	D	E	F	G	H	I	J	K	L	M	N	O	P
1																
2																
3																
4																
5																
6																
7																
8																
9																
10																
11																
12																
13																
14																
15																
16																
17																
18																
19																
20																
21																
22																
23																
	A	B	C	D	E	F	G	H	I	J	K	L	M	N	O	P



4 16KB 330A-070315-R0